



# **PARTS CATALOGUE**

**YFM250XN/XHN (4XEA) USA**

**YFM25XN (4XEC) CANADA**

**YFM250/N (4XED) OCEANIA, EUROPE, S. AFRICA**

# FOREWORD

This Parts Catalogue is related to the parts for the model(s) in the below frame. When you are ordering replacement parts, please refer to this Parts Catalogue and quote both part numbers and part names correctly.

YFM250XN/XHN(4XEA), YFM25XN(4XEC), YFM250/N(4XED)

1. Modifications or additions which have been made after issue of the Parts Catalogue will be announced in the Yamaha Parts News. It is advisable that you make necessary corrections to the Parts Catalogue according to the Yamaha Parts News.

## 2. Abbreviations

The Following abbreviations are used in this Parts Catalogue.

"UR" Use specified parts number.

"UN" Use as many as needed.

"AP" Alternate Parts

"LM" Local Made (Parts need to be ordered locally)

"F#" Frame No. (Applicable machine No.)

3. Parts, which are to be supplied in an assembly, are listed with a dot(.) in front of the part name as shown below.

### EXAMPLE

CARBURETOR ASSY

.JET, PILOT

.NOZZLE, MAIN

4. Number of component for assembly

The numeral appearing to the right of each component part indicates the quantity of parts for each assembly unit.

### EXAMPLE

PART NO.	DESCRIPTION	Q'TY	REMARKS
2F5-83310-60	FRONT FLASHER LIGHT ASSY	2	
115-83311-60	.BULB (6V-18W)	1	
1M1-83309-60	.REFLECTOR	1	

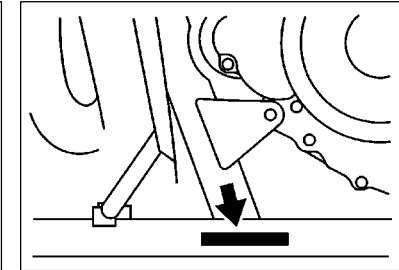
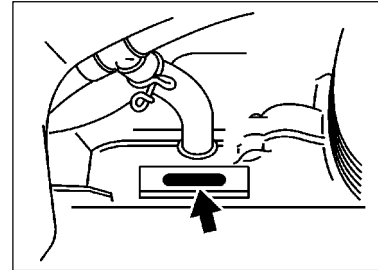
5. Applicable colors of graphics are represented in the "REMARKS" as shown below.

PART NO.	DESCRIPTION	Q'TY	REMARKS
2N4-24110-00-X5	.FUEL TANK COMP.	2	MXR
3J1-24240-10	.GRAPHIC, FUEL TANK	1	for MXR

6. Applicable Serial No.

Engine Serial No.

Frame Serial No.



7. Note that the illustrations for reference in finding parts numbers, not to be used for assembling. When assembling, please use the applicable service manual.

8. The asterisk (\*) before a reference number indicates modification items after the first edition.

9. A part with "YMUS" in the remarks column can be obtained from YMUS (USA) and not from YAMAHA MOTOR CO.,LTD (JAPAN).

### EXAMPLE

PART NO.	DESCRIPTION	Q'TY	REMARKS
EW2-U5160-00	ENGINE HATCH COMP.	2	YMUS
90601-168U7	BAND, HOSE	1	YMUS

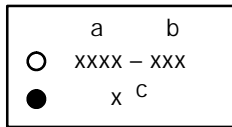
ADDRESS:

YAMAHA MOTOR CORPORATION U.S.A.  
PARTS & ACCESSORY DIV.  
6555 KATELLA AVENUE  
CYPRESS, CALIFORNIA 90630 U.S.A.

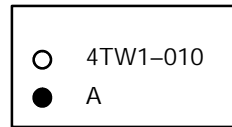
# MODEL LABEL

(1) A label called "Model Label" is affixed in the location as indicated in (3) below.  
When using this parts catalogue, please be sure to cross-refer the "model code – production code No." in the catalogue to the "model code – production code No." indicated on the Model Label affixed onto the product concerned.

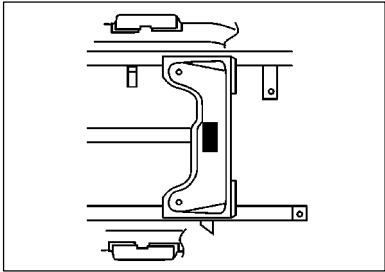
(2) "Model Label" Indication



a: Model Type Code  
b: Production Code No.  
c: Colouring Type



(3) Model Label Affixing Location



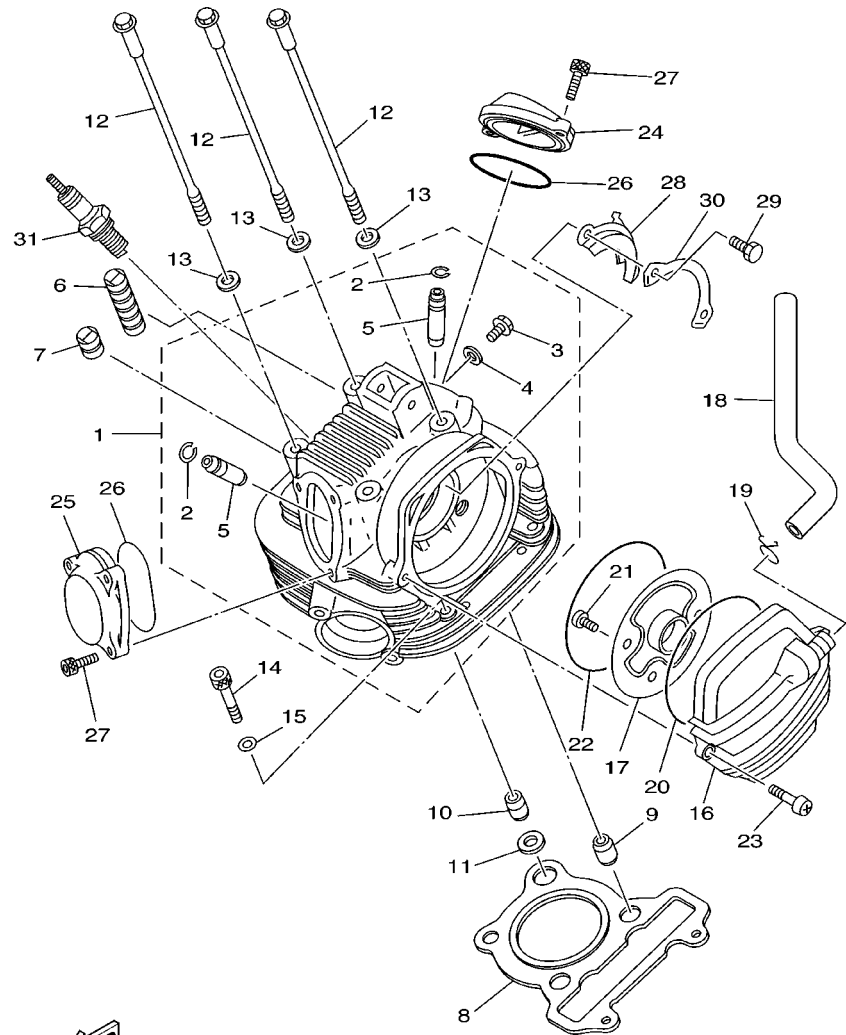
(4) Model Code – Production Code Number of Model Listed in This Parts Catalog

Model Code	Production Code No.	Country (destination)	Model Code	Production Code No.	Country (destination)
4XEA	010	USA			
4XEC	010	CANADA			
4XED	010	AUSTRALIA			
		NEWZEALAND			
		S. AFRICA			
	020	FRANCE			
	030	ENGLAND			

(5) Colouring Information

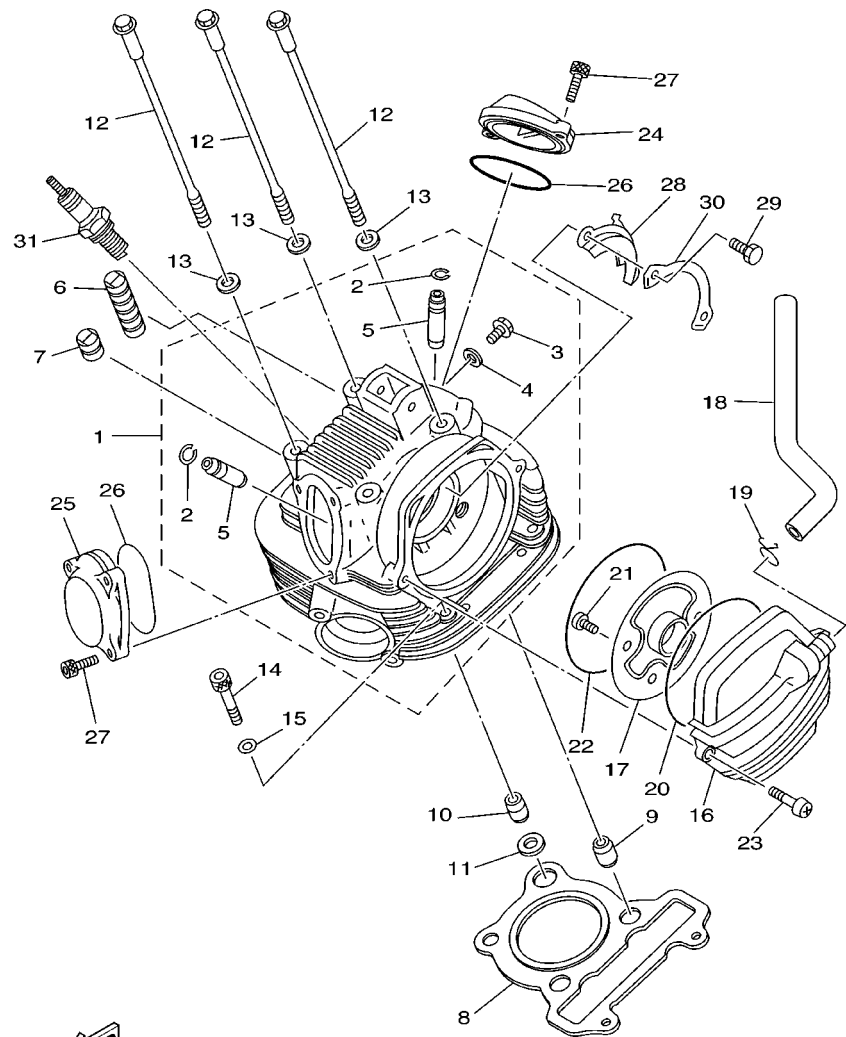
Model Code	Colouring type code	Colour code	Colour Name	Abbreviation
4XEA 4XEC 4XED	A	00TR	ROMANTIQUE ROUGE	RTR
4XEA 4XEC 4XED	B	00K0	PASTEL DEEP GREEN	PDG
4XEA	C	0598	DARK GRAYISH YELLOW SOLID 1	DNYS1
4XED	D	0583	DEEP PURPLISH BLUE SOLID E	DPBSE
4XEA	E	00K0	PASTEL DEEP GREEN	PDG

FIG. 1 CYLINDER HEAD



4XE1110-9010

REF. NO.	PART NO.	DESCRIPTION	USA	CAN	FRA	GBR	OTH	REMARKS
1	4BD-11101-02	CYLINDER HEAD ASSY	1	1	1	1	1	
2	93440-10085	.CIRCLIP	2	2	2	2	2	
3	90153-06029	.SCREW, HEXAGON	1	1	1	1	1	
4	90430-06014	.GASKET	1	1	1	1	1	
5	5H0-11133-11	.GUIDE, INTAKE VALVE	2	2	2	2	2	
6	15A-11162-00	ABSORBER 2	1	1	1	1	1	
7	15A-11161-01	ABSORBER 1	1	1	1	1	1	
8	3GH-11181-00	GASKET, CYLINDER HEAD 1	1	1	1	1	1	
9	99530-14016	PIN, DOWEL	2	2	2	2	2	
10	93612-16254	PIN, DOWEL	1	1	1	1	1	
11	90430-12186	GASKET	1	1	1	1	1	
12	90105-08195	BOLT, WASHER BASED	4	4	4	4	4	
13	90201-08609	WASHER, PLATE	4	4	4	4	4	
14	91317-08045	BOLT	2	2	2	2	2	
15	90201-087G0	WASHER, PLATE	2	2	2	2	2	
16	4BD-11160-00	BREATHER ASSY	1	1	1	1	1	
17	4KB-11165-00	PLATE, BREATHER	1	1	1	1	1	
18	4XE-11166-00	PIPE, BREATHER 1	1	1	1	1	1	
19	90467-14015	CLIP	1	1	1	1	1	
20	93210-92448	O-RING	1	1	1	1	1	
21	92017-06012	BOLT, BUTTON HEAD	2	2	2	2	2	
22	93211-05471	O-RING	1	1	1	1	1	
23	98507-06020	SCREW, PAN HEAD	2	2	2	2	2	
24	3GC-11186-00	COVER, CYLINDER HEAD SIDE 2	1	1	1	1	1	
25	3GC-11187-00	COVER, CYLINDER HEAD SIDE 3	1	1	1	1	1	
26	93210-57634	O-RING	2	2	2	2	2	
27	91317-06018	BOLT	5	5	5	5	5	



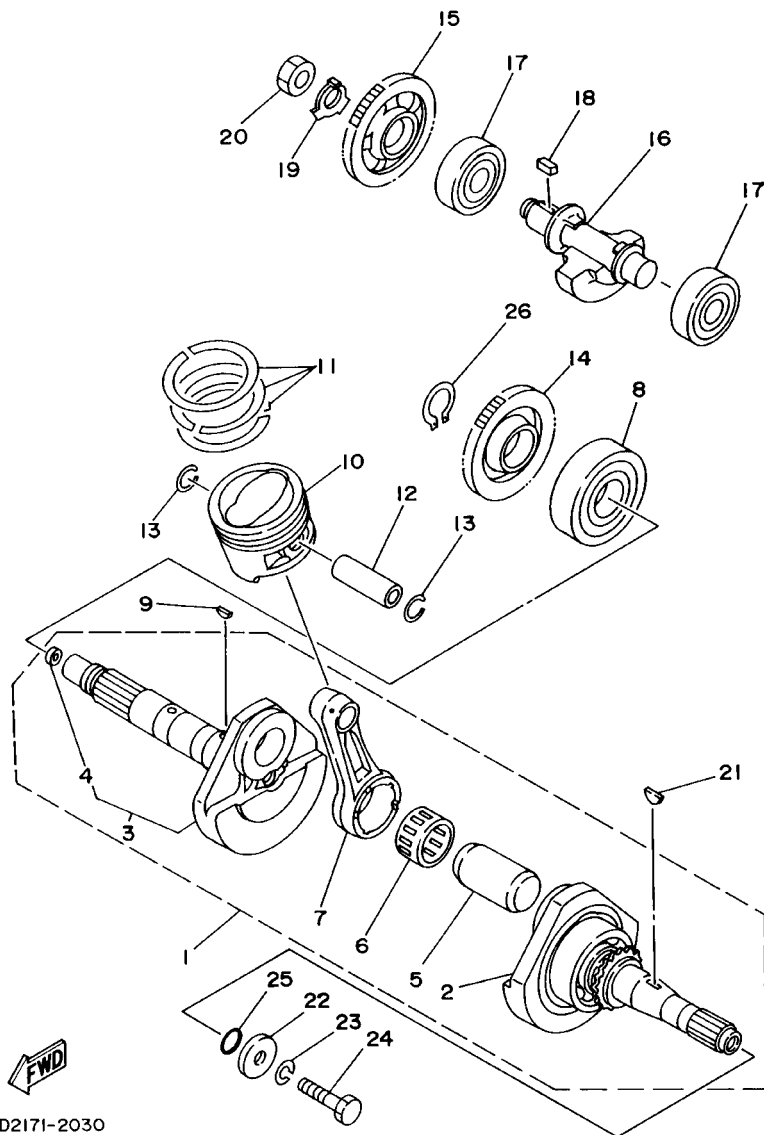
4XE1110-9010

FIG. 1 CYLINDER HEAD

REF. NO.	PART NO.	DESCRIPTION	USA	CAN	FRA	GBR	OTH	REMARKS
28	5H0-1111F-00	PLATE	1	1	1	1	1	
29	97007-06012	BOLT	2	2	2	2	2	
30	90215-06184	WASHER, LOCK	1	1	1	1	1	
31	94701-00345	PLUG, SPARK (NGK DR7EA)	1	1	1	1	1	WITH RESISTER
-----								
-----								
-----								
-----								
-----								
-----								
-----								
-----								
-----								
-----								



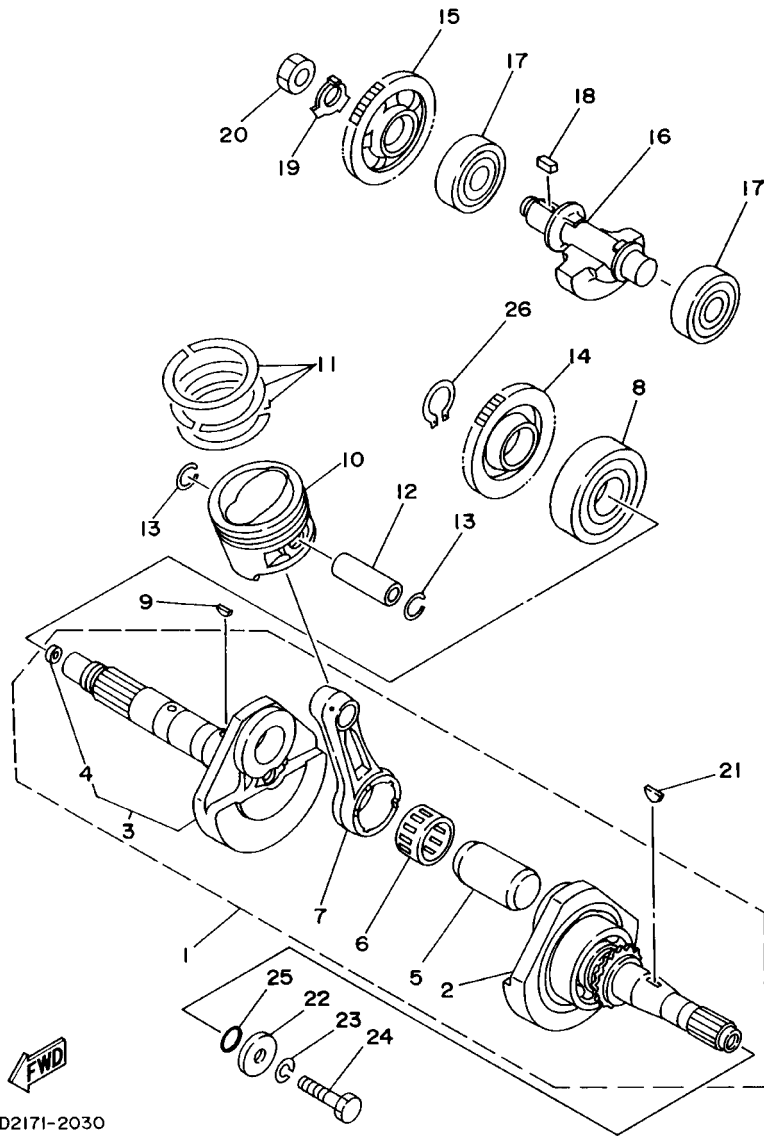
FIG. 3 CRANKSHAFT. PISTON



4BD2171-2030

REF. NO.	PART NO.	DESCRIPTION	USA	CAN	FRA	GBR	OTH	REMARKS
1	29U-11400-01	CRANKSHAFT ASSY	1	1	1	1	1	
2	29U-W1141-00	.CRANK 1	1	1	1	1	1	
3	29U-11422-01	.CRANK 2	1	1	1	1	1	
4	90331-09041	..PLUG	1	1	1	1	1	
5	5H0-11681-00	.PIN, CRANK 1	1	1	1	1	1	
6	93310-530J3	.BEARING	1	1	1	1	1	
7	29U-11651-00	.ROD, CONNECTING	1	1	1	1	1	
8	93306-30611	BEARING	1	1	1	1	1	
9	90280-03017	KEY, WOODRUFF	1	1	1	1	1	
10	4BD-11631-00-Y0	PISTON (STD)	1	1	1	1	1	
	4BD-11636-00	PISTON (0.50MM O/S)	1	1	1	1	1	AP
	4BD-11638-00	PISTON (1.00MM O/S)	1	1	1	1	1	AP
11	4BD-11610-00	PISTON RING SET (STD)	1	1	1	1	1	
	4BD-11610-20	PISTON RING SET (0.50MM O/S)	1	1	1	1	1	AP
	4BD-11610-40	PISTON RING SET (1.00MM O/S)	1	1	1	1	1	AP
12	29U-11633-00	PIN, PISTON	1	1	1	1	1	
13	93450-17044	CIRCLIP	2	2	2	2	2	
14	2HT-11536-00	GEAR, DRIVE	1	1	1	1	1	
15	5H0-11531-00	GEAR, BALANCE WEIGHT (38T)	1	1	1	1	1	
16	4BD-11454-00	WEIGHT 1	1	1	1	1	1	
17	93306-30427	BEARING	2	2	2	2	2	
18	90282-05013	KEY, STRAIGHT	1	1	1	1	1	
19	90215-14205	WASHER, LOCK	1	1	1	1	1	
20	90170-14284	NUT	1	1	1	1	1	
21	90280-05048	KEY, WOODRUFF	1	1	1	1	1	
22	90201-107F8	WASHER, PLATE	1	1	1	1	1	
23	92907-10100	WASHER, SPRING	1	1	1	1	1	

FIG. 3 CRANKSHAFT. PISTON



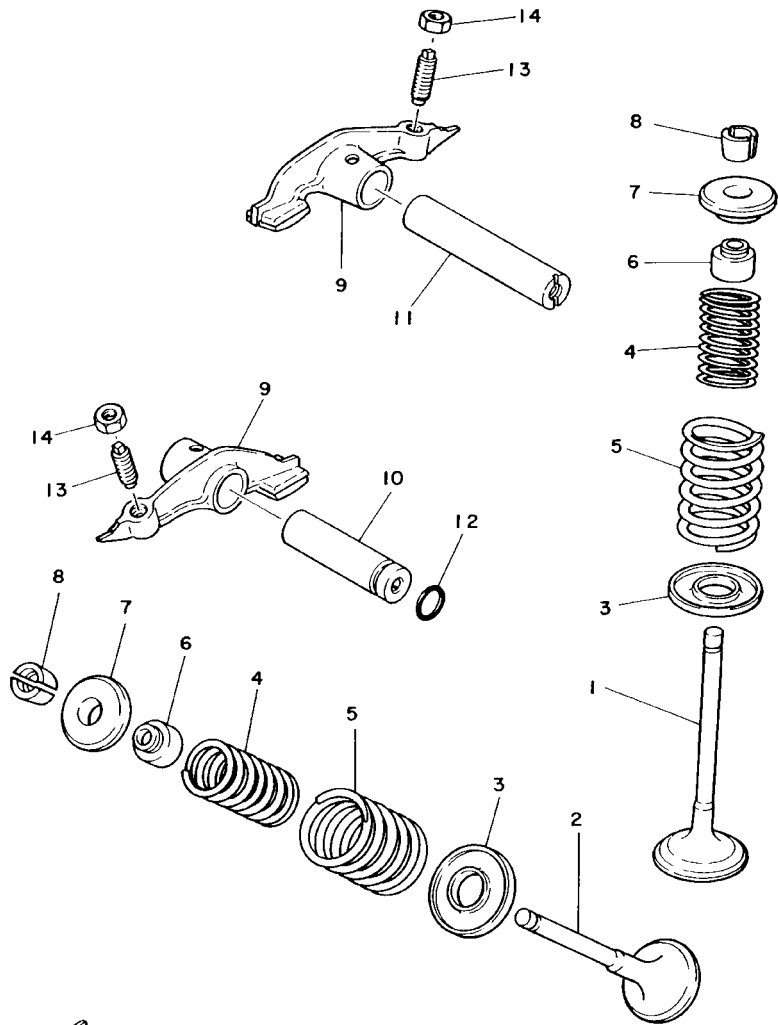
4BD2171-2030

REF. NO.	PART NO.	DESCRIPTION	USA	CAN	FRA	GBR	OTH	REMARKS
24	90101-10568	BOLT	1	1	1	1	1	
25	93210-16290	O-RING	1	1	1	1	1	
26	99009-26400	CIRCLIP	1	1	1	1	1	
-----								
-----								
-----								
-----								
-----								
-----								
-----								
-----								
-----								



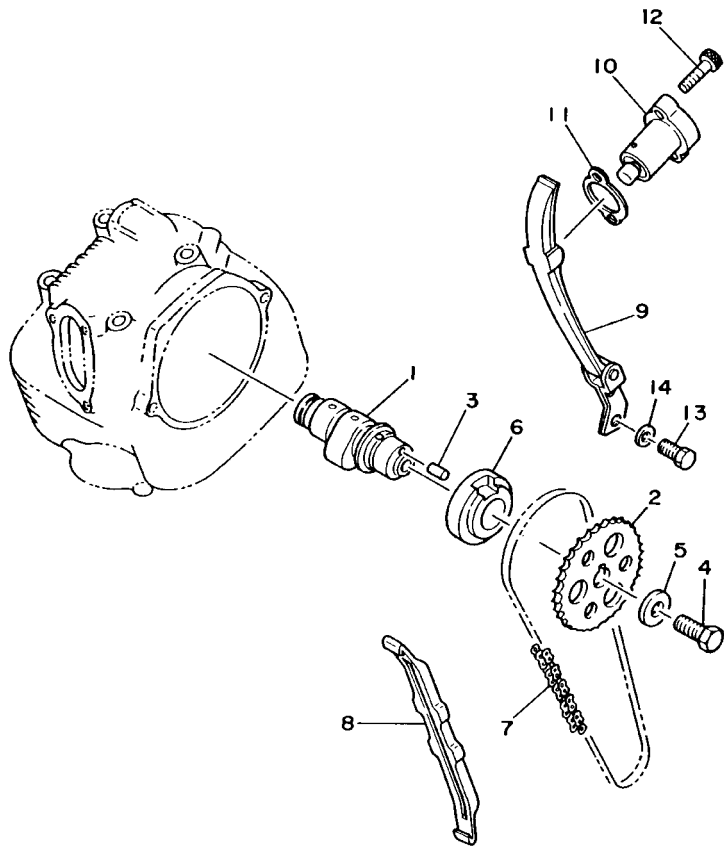
FIG. 4 VALVE

REF. NO.	PART NO.	DESCRIPTION	USA	CAN	FRA	GBR	OTH	REMARKS
1	5H0-12111-01	VALVE, INTAKE	1	1	1	1	1	
2	5H0-12121-01	VALVE, EXHAUST	1	1	1	1	1	
3	4G0-12116-01	SEAT, VALVE SPRING	2	2	2	2	2	
4	4G0-12113-01	SPRING, VALVE INNER	2	2	2	2	2	YELLOW
5	4G0-12114-01	SPRING, VALVE OUTER	2	2	2	2	2	YELLOW
6	5H0-12119-00	SEAL, VALVE STEM	2	2	2	2	2	
7	4G0-12117-00	RETAINER, VALVE SPRING	2	2	2	2	2	
8	4G0-12118-00	COTTER, VALVE	4	4	4	4	4	
9	29U-12151-00	ARM, VALVE ROCKER	2	2	2	2	2	
10	5H0-12156-00	SHAFT, ROCKER 2	1	1	1	1	1	
11	5H0-12146-00	SHAFT, ROCKER	1	1	1	1	1	
12	93210-09165	O-RING	1	1	1	1	1	
13	2NX-12159-00	SCREW, VALVE ADJUSTING	2	2	2	2	2	
14	90170-06128	NUT	2	2	2	2	2	



29U110-5040

FIG. 5 CAMSHAFT. CHAIN

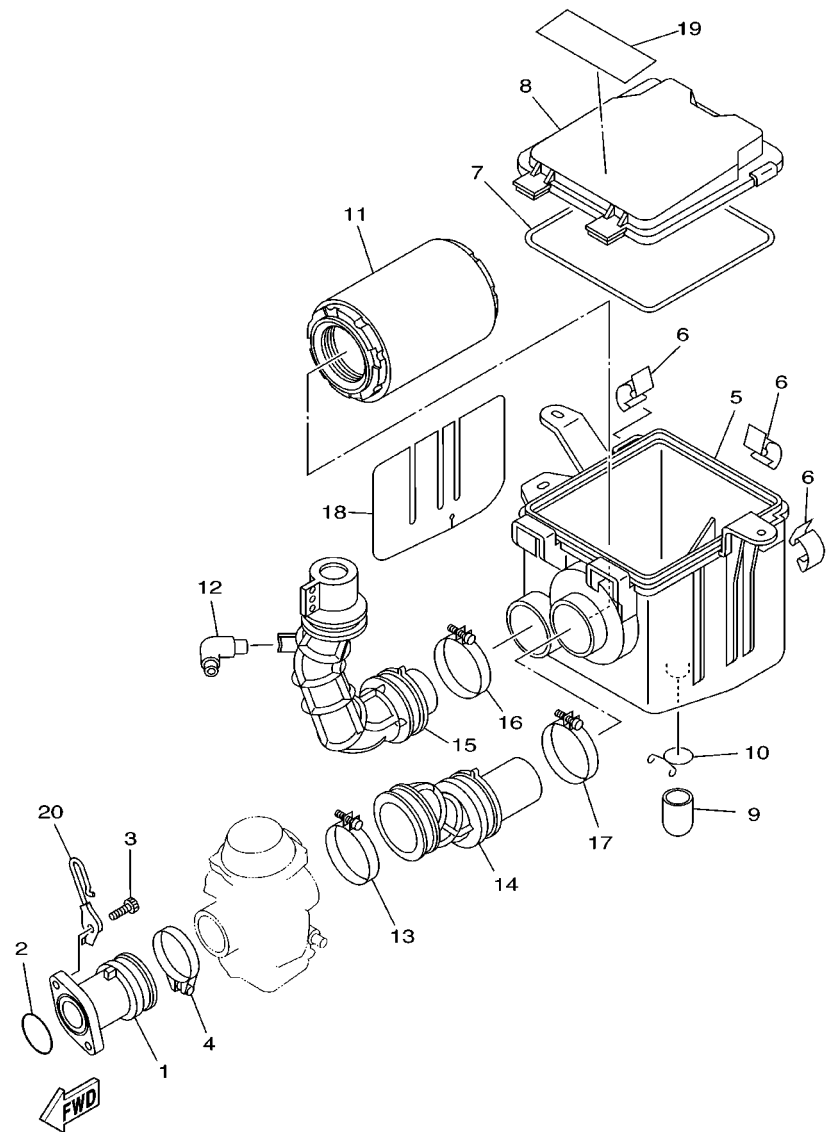


REF. NO.	PART NO.	DESCRIPTION	USA	CAN	FRA	GBR	OTH	REMARKS
1	5H0-12171-02	CAMSHAFT 1	1	1	1	1	1	
2	5H0-12176-00	SPROCKET, CAM CHAIN (40T)	1	1	1	1	1	
3	93604-10011	PIN, DOWEL	1	1	1	1	1	
4	90101-10303	BOLT	1	1	1	1	1	
5	90201-10591	WASHER, PLATE	1	1	1	1	1	
6	90387-251T0	COLLAR	1	1	1	1	1	
7	94580-41104	CHAIN	1	1	1	1	1	
8	5H0-12231-00	GUIDE, STOPPER 1	1	1	1	1	1	
9	5N0-12241-00	GUIDE, STOPPER 2	1	1	1	1	1	
10	3GC-12210-10	TENSIONER ASSY, CAM CHAIN	1	1	1	1	1	
11	4FM-12213-00	GASKET, TENSIONER CASE	1	1	1	1	1	
12	95027-06025	BOLT, FLANGE	2	2	2	2	2	
13	97027-06016	BOLT	2	2	2	2	2	
14	92907-06600	WASHER, PLATE	2	2	2	2	2	



29U110-5050

FIG. 6 INTAKE

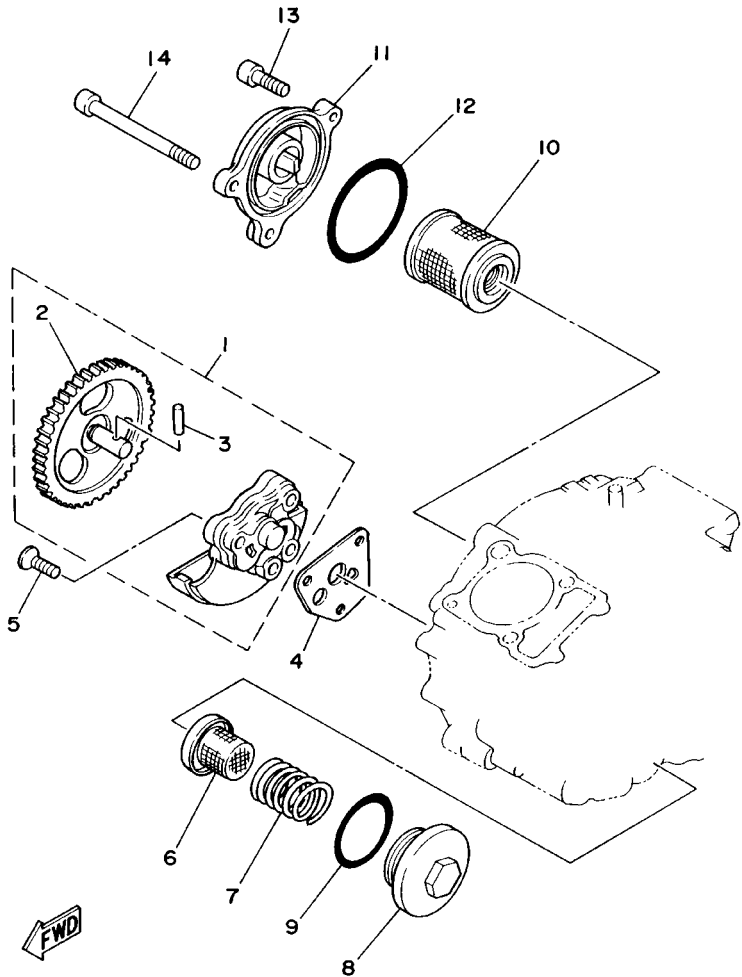


4XE2100-9070

REF. NO.	PART NO.	DESCRIPTION	USA	CAN	FRA	GBR	OTH	REMARKS
1	4XE-13586-00	JOINT, CARBURETOR 1	1	1	1	1	1	
2	93210-35537	O-RING	1	1	1	1	1	
3	91317-06020	BOLT	2	2	2	2	2	
4	90450-49020	HOSE CLAMP ASSY	1	1	1	1	1	
5	4XE-E4411-00	CASE, AIR CLEANER 1	1	1	1	1	1	(YMUS)
6	JN6-E4424-00	CLIP, CAP FITTING	3	3	3	3	3	(YMUS)
7	4XE-E4462-00	SEAL	1	1	1	1	1	(YMUS)
8	4XE-E4412-00	CAP, CLEANER CASE 1	1	1	1	1	1	(YMUS)
9	4XE-E4457-00	SEAL	1	1	1	1	1	(YMUS)
10	4XE-E4438-00	CLIP, DRAIN CLEANER	1	1	1	1	1	(YMUS)
11	4XE-E4450-00	ELEMENT ASSY, AIR CLEANER	1	1	1	1	1	(YMUS)
12	31A-14419-00	PIPE	1	1	1	1	1	
13	90460-56105	CLAMP, HOSE	1	1	1	1	1	
14	4XE-E4453-00	JOINT, AIR CLEANER 1	1	1	1	1	1	(YMUS)
15	4XE-E4437-00	DUCT	1	1	1	1	1	(YMUS)
16	90460-58124	CLAMP, HOSE	1	1	1	1	1	
17	90460-56105	CLAMP, HOSE	1	1	1	1	1	
18	4XE-1442F-00	PROTECTOR	1	1	1	1	1	
19	4XE-2179T-00	PLATE, EPA 3(CALIFORNIA)	1					FOR CALIFORNIA
20	4BD-2631F-00	GUIDE	1	1	1	1	1	

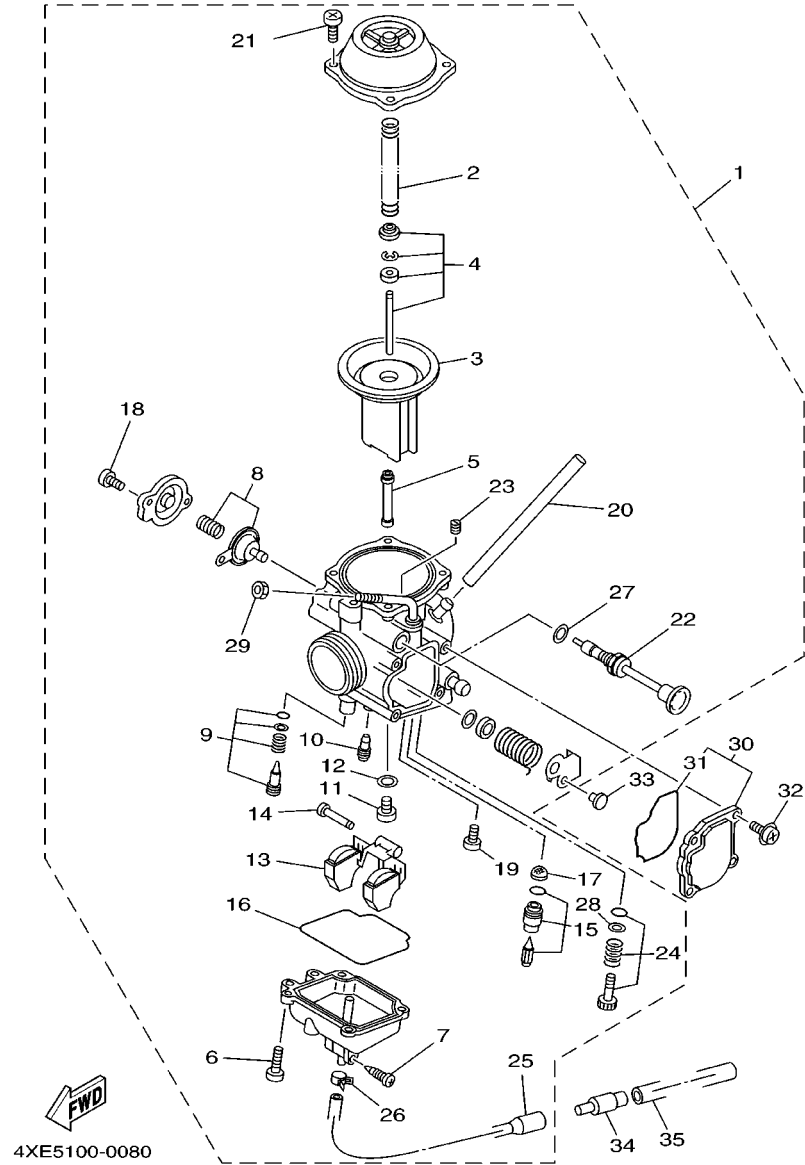
FIG. 7 OIL PUMP

REF. NO.	PART NO.	DESCRIPTION	USA	CAN	FRA	GBR	OTH	REMARKS
1	2HT-13300-00	OIL PUMP ASSY	1	1	1	1	1	
2	21V-13326-00	.GEAR, PUMP DRIVEN 2 (41T)	1	1	1	1	1	
3	93603-12030	.PIN, DOWEL	1	1	1	1	1	
4	4BE-13329-01	GASKET, PUMP COVER	1	1	1	1	1	
5	98707-06030	SCREW, FLAT HEAD	3	3	3	3	3	
6	51Y-13411-00	STRAINER, OIL	1	1	1	1	1	
7	90501-18576	SPRING, COMPRESSION	1	1	1	1	1	
8	5H0-15351-00	PLUG, DRAIN	1	1	1	1	1	
9	93210-347A1	O-RING	1	1	1	1	1	
10	5H0-13440-00	ELEMENT ASSY, OIL CLEANER	1	1	1	1	1	
11	15A-13447-00	COVER, OIL ELEMENT	1	1	1	1	1	
12	93210-54175	O-RING	1	1	1	1	1	
13	91317-06020	BOLT	2	2	2	2	2	
14	91317-06115	BOLT	1	1	1	1	1	



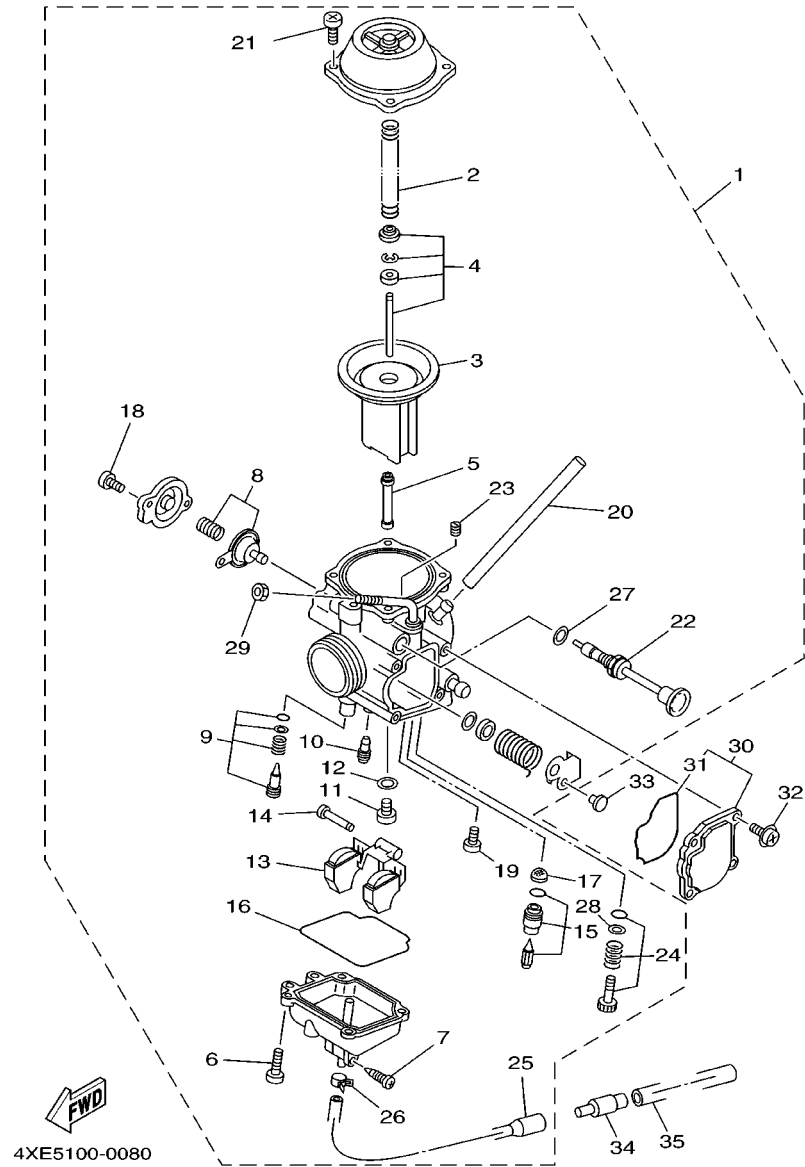
4KDF100-8060

FIG. 8 CARBURETOR



REF. NO.	PART NO.	DESCRIPTION	USA	CAN	FRA	GBR	OTH	REMARKS
1	4XE-14140-12	CARB. SUB ASSY	1					
	4XE-14140-22	CARB. SUB ASSY		1	1	1	1	
2	4XE-14933-00	.SPRING, DIAPHRAGM	1	1	1	1	1	
3	4WU-14940-00	.DIAPHRAGM ASSY	1	1	1	1	1	
4	4XE-1490J-00	.NEEDLE SET	1	1	1	1	1	
5	4WU-14141-42	.NOZZLE, MAIN	1	1	1	1	1	
6	98507-04012	.SCREW, PAN HEAD	4	4	4	4	4	
7	12R-14191-00	.PLUG, DRAIN	1	1	1	1	1	
8	26H-1490H-00	.DIAPHRAGM SET 5	1	1	1	1	1	
9	4RF-14105-00	.PILOT SCREW SET	1	1	1	1	1	
10	4G0-14142-42	.JET, PILOT (# 42.5)	1	1	1	1	1	
11	620-14231-19	.JET, MAIN (# 95)	1	1	1	1	1	
12	137-14153-00	.WASHER, MAIN JET	1	1	1	1	1	
13	2VA-14185-00	.FLOAT	1	1	1	1	1	
14	537-14186-00	.PIN, FLOAT	1	1	1	1	1	
15	1UY-14107-20	.NEEDLE VALVE SET	1	1	1	1	1	
16	2LN-14147-00	.O-RING	1	1	1	1	1	
17	1J7-14994-00	.NET, FILTER	1	1	1	1	1	
18	1UY-14565-00	.SCREW	2	2	2	2	2	
19	2LN-14565-00	.SCREW	1	1	1	1	1	
20	2J2-14197-00	.PIPE	1	1	1	1	1	
21	98507-04008	.SCREW, PAN HEAD	4	4	4	4	4	
22	4KB-14993-00	.PLUNGER, STARTER	1	1	1	1	1	
23	2A2-14172-16	.PILOT JET, AIR (1.6)	1	1	1	1	1	
24	2VA-14103-00	.THROTTLE SCREW SET	1	1	1	1	1	
25	4KB-14193-20	.PIPE	1	1	1	1	1	
26	4XE-14937-00	.CLIP	1	1	1	1	1	

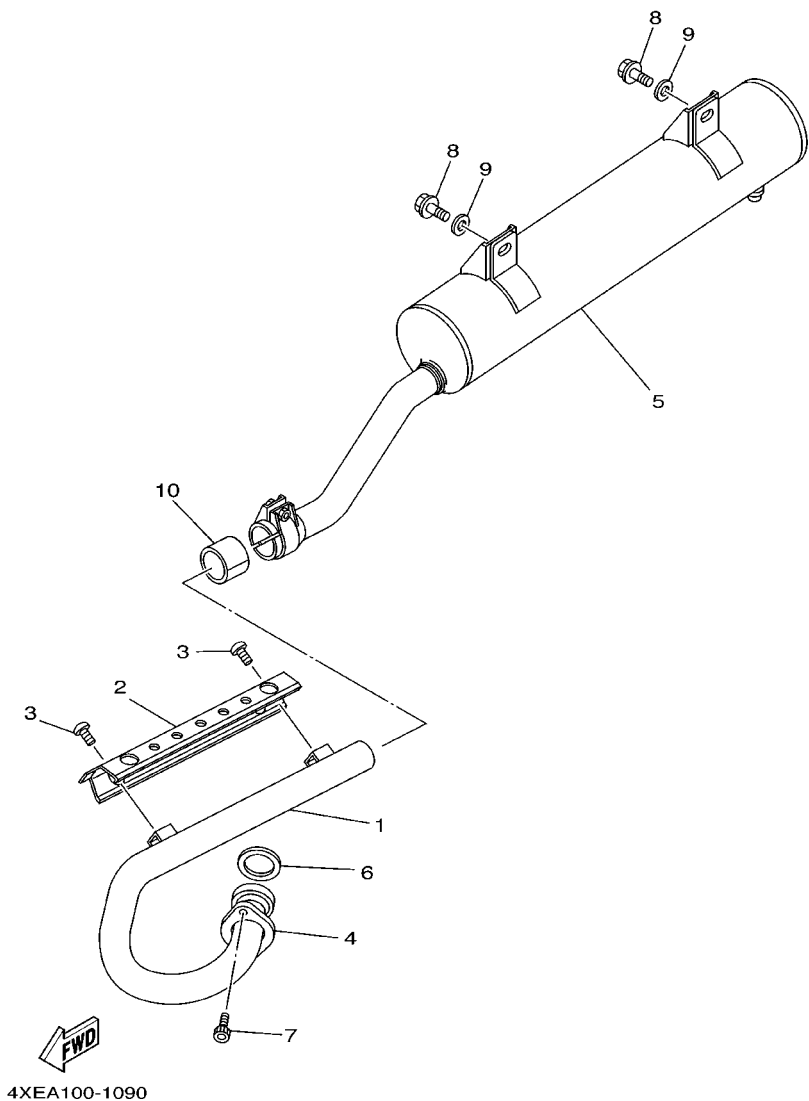
FIG. 8 CARBURETOR



4XE5100-0080

REF. NO.	PART NO.	DESCRIPTION	USA	CAN	FRA	GBR	OTH	REMARKS
27	4KB-14285-00	.WASHER	1	1	1	1	1	
28	22U-14952-00	.WASHER	1	1	1	1	1	
29	522-14161-00	.NUT, CABLE ADJUSTING	1	1	1	1	1	
30	4XE-14480-00	COVER SUB ASSY	1	1	1	1	1	
31	4KB-14147-00	.O-RING	1	1	1	1	1	
32	1UY-14565-00	SCREW	4	4	4	4	4	
33	1UY-14155-00	GUIDE, CABLE	1	1	1	1	1	
34	24W-14193-00	PIPE	1	1	1	1	1	
35	91A20-07010	TUBE, FLEXIBLE VINYL	1	1	1	1	1	

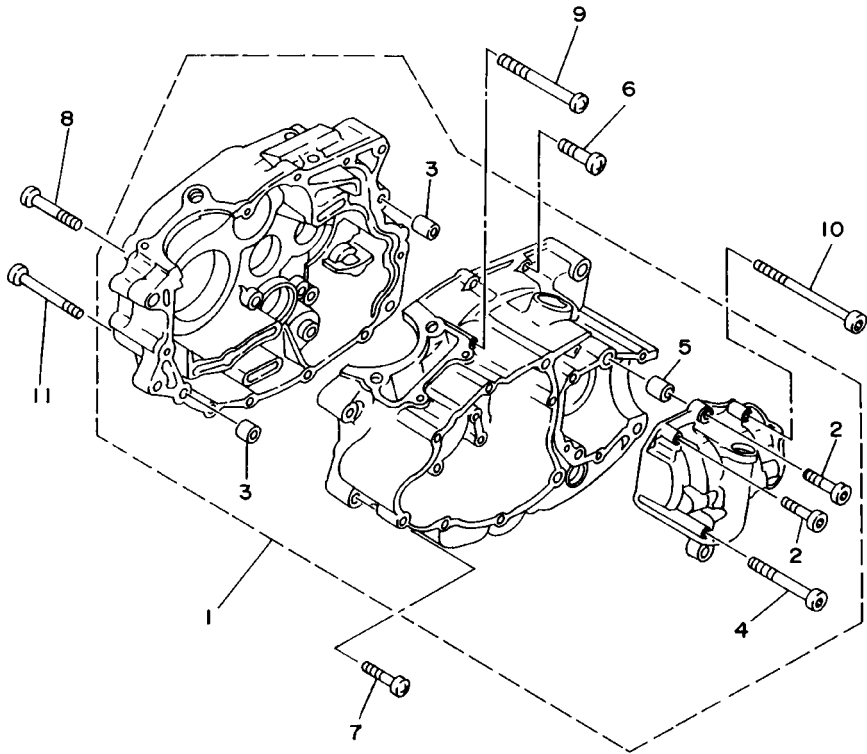
FIG. 9 EXHAUST



REF. NO.	PART NO.	DESCRIPTION	USA	CAN	FRA	GBR	OTH	REMARKS
1	4XE-E4611-10	PIPE, EXHAUST 1	1	1	1	1	1	(YMUS)
2	4XE-E4628-00	PROTECTOR, EXHAUST PIPE	1	1	1	1	1	(YMUS)
3	4XE-E4767-00	SCREW	2	2	2	2	2	(YMUS)
4	4XE-E4612-10	NUT, RING	1	1	1	1	1	(YMUS)
5	4XE-E4710-20	MUFFLER ASSY 1	1	1	1	1	1	(YMUS)
6	4BE-14613-00	GASKET, EXHAUST PIPE	1	1	1	1	1	
7	9131P-06020	BOLT	2	2	2	2	2	(YMUS)
8	90105-10801	BOLT, WASHER BASED	2	2	2	2	2	(YMUS)
9	90201-108R2	WASHER, PLATE	2	2	2	2	2	(YMUS)
10	3YF-14714-00	GASKET, MUFFLER	1	1	1	1	1	

FIG. 10 CRANKCASE

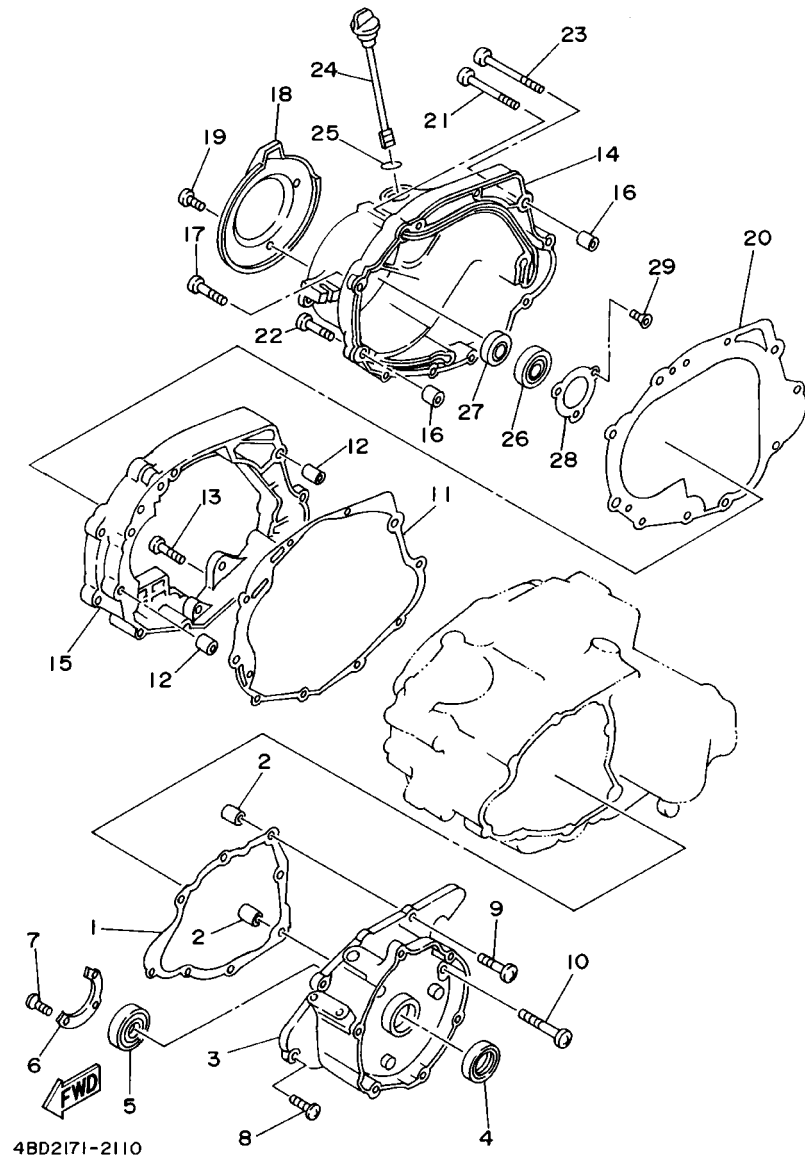
REF. NO.	PART NO.	DESCRIPTION	USA	CAN	FRA	GBR	OTH	REMARKS
1	4BD-15100-12	CRANKCASE ASSY	1	1	1	1	1	
2	91317-06035	.BOLT	4	4	4	4	4	
3	99530-10014	.PIN, DOWEL	2	2	2	2	2	
4	91317-06085	.BOLT	1	1	1	1	1	
5	99530-12016	.PIN, DOWEL	2	2	2	2	2	
6	98507-06030	SCREW, PAN HEAD	7	7	7	7	7	
7	98507-06040	SCREW, PAN HEAD	1	1	1	1	1	
8	98507-06060	SCREW, PAN HEAD	1	1	1	1	1	
9	98507-06085	SCREW, PAN HEAD	1	1	1	1	1	
10	91317-06160	BOLT	1	1	1	1	1	
11	98507-06075	SCREW, PAN HEAD	1	1	1	1	1	



4BDJ100-7100



FIG. 11 CRANKCASE COVER 1

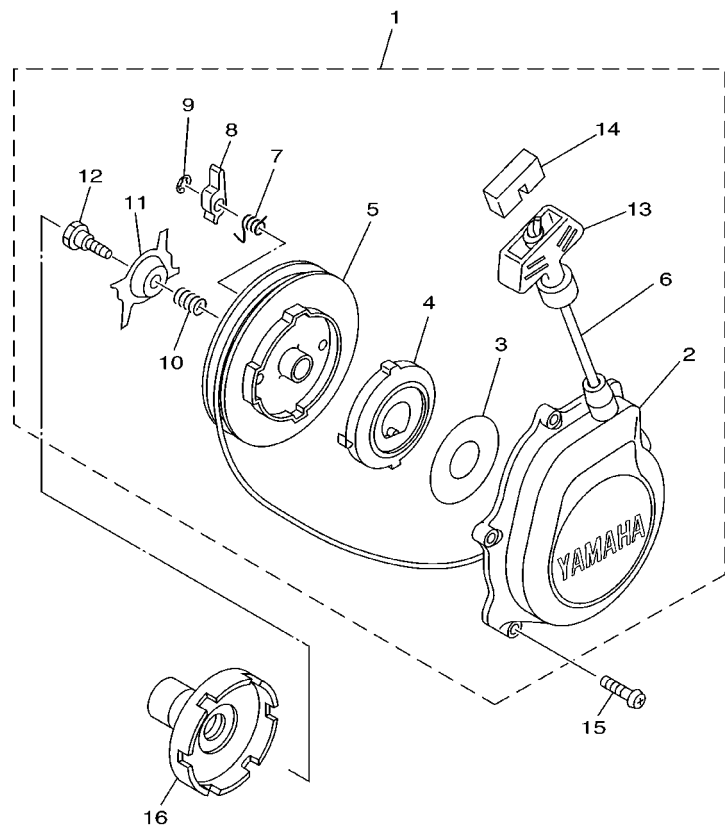


4BD2171-2110

REF. NO.	PART NO.	DESCRIPTION	USA	CAN	FRA	GBR	OTH	REMARKS
1	4BD-15451-01	GASKET, CRANKCASE COVER 1	1	1	1	1	1	
2	99530-12016	PIN, DOWEL	2	2	2	2	2	
3	4BD-15787-10	ADAPTOR	1	1	1	1	1	
4	93103-28141	OIL SEAL	1	1	1	1	1	
5	93306-07801	BEARING	1	1	1	1	1	
6	21V-15719-00	WASHER, THRUST	1	1	1	1	1	
7	98707-05016	SCREW, FLAT HEAD	3	3	3	3	3	
8	98507-06025	SCREW, PAN HEAD	5	5	5	5	5	
9	98507-06040	SCREW, PAN HEAD	2	2	2	2	2	
10	98507-06060	SCREW, PAN HEAD	1	1	1	1	1	
11	4BD-15462-00	GASKET, CRANKCASE COVER 3	1	1	1	1	1	
12	99530-12016	PIN, DOWEL	2	2	2	2	2	
13	98507-06040	SCREW, PAN HEAD	3	3	3	3	3	
14	4BD-15431-02	COVER, CRANKCASE 3	1	1	1	1	1	
15	4BD-15317-00	SPACER, ENGINE MOUNT	1	1	1	1	1	
16	99530-12016	PIN, DOWEL	2	2	2	2	2	
17	98507-06040	SCREW, PAN HEAD	2	2	2	2	2	
18	21V-15499-00	PROTECTOR, COVER	1	1	1	1	1	
19	98907-06014	SCREW, BIND	3	3	3	3	3	
20	4BD-15463-01	GASKET, CARBURETOR COVER 2	1	1	1	1	1	
21	98507-06070	SCREW, PAN HEAD	5	5	5	5	5	
22	98507-06040	SCREW, PAN HEAD	1	1	1	1	1	
23	98507-06080	SCREW, PAN HEAD	1	1	1	1	1	
24	1UY-15362-01	PLUG, OIL LEVEL	1	1	1	1	1	
25	93210-19123	O-RING	1	1	1	1	1	
26	93306-20313	BEARING (B6203C4)	1	1	1	1	1	
27	93101-17113	OIL SEAL	1	1	1	1	1	



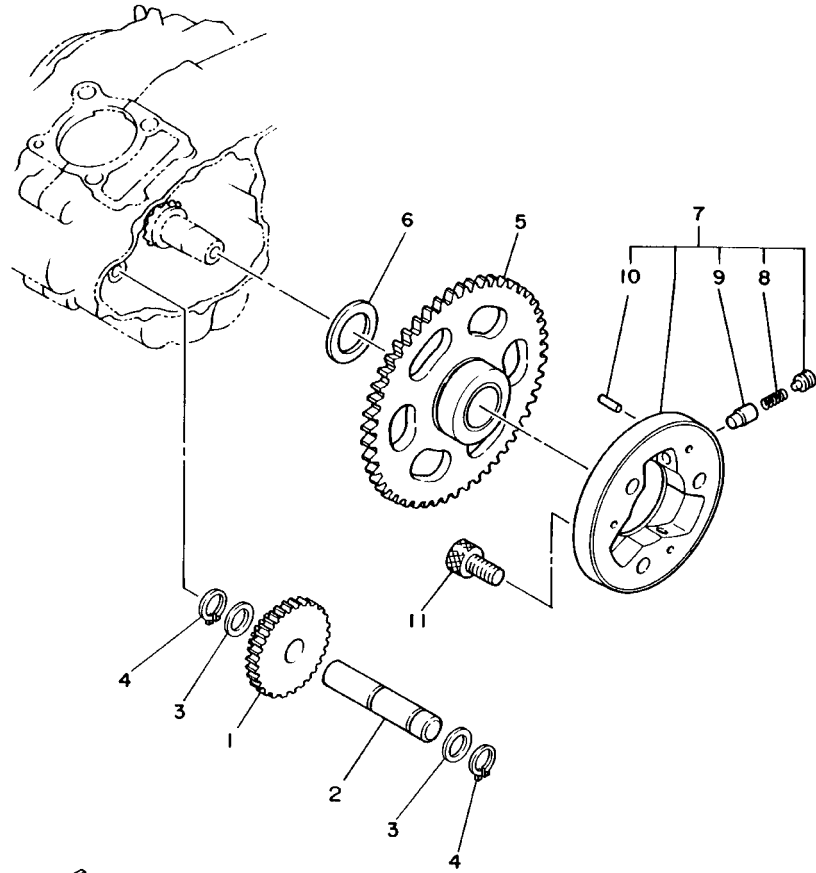
FIG. 12 STARTER



REF. NO.	PART NO.	DESCRIPTION	USA	CAN	FRA	GBR	OTH	REMARKS
1	4XE-E5710-00	STARTER ASSY	1	1	1	1	1	(YMUS)
2	4XE-E5711-00	.CASE, STARTER	1	1	1	1	1	(YMUS)
3	4XE-E5789-00	.DAMPER	1	1	1	1	1	(YMUS)
4	4XE-E5713-00	.SPRING, STARTER	1	1	1	1	1	(YMUS)
5	4XE-E5714-00	.DRUM, SHEAVE	1	1	1	1	1	(YMUS)
6	4XE-E5751-00	.WIRE, STARTER	1	1	1	1	1	(YMUS)
7	4XE-E5767-00	.SPRING	2	2	2	2	2	(YMUS)
8	4XE-E5741-00	.PAWL, DRIVE	2	2	2	2	2	(YMUS)
9	4XE-E5744-00	.CIRCLIP	2	2	2	2	2	(YMUS)
10	4XE-E5715-00	.SPRING, FRICTION	1	1	1	1	1	(YMUS)
11	4XE-E5716-00	.PLATE, DRIVE	1	1	1	1	1	(YMUS)
12	4XE-E5793-00	.SCREW	1	1	1	1	1	(YMUS)
13	4XE-E5755-00	.HANDLE, STARTER	1	1	1	1	1	(YMUS)
14	4XE-E5779-00	.COVER	1	1	1	1	1	(YMUS)
15	98507-06020	SCREW, PAN HEAD	6	6	6	6	6	
16	4XE-15723-00	PULLEY, STARTER	1	1	1	1	1	

  
4XE1110-9120

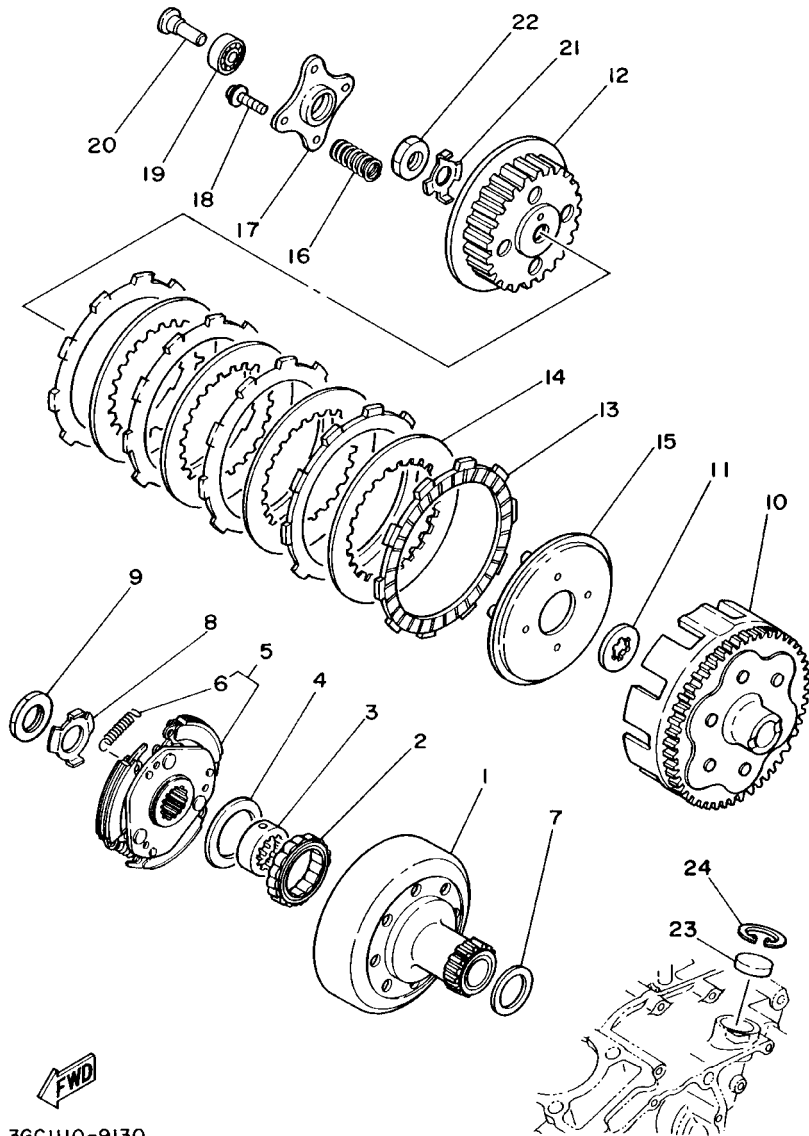
FIG. 13 STARTER CLUTCH



**FWD**  
2HT110-7120

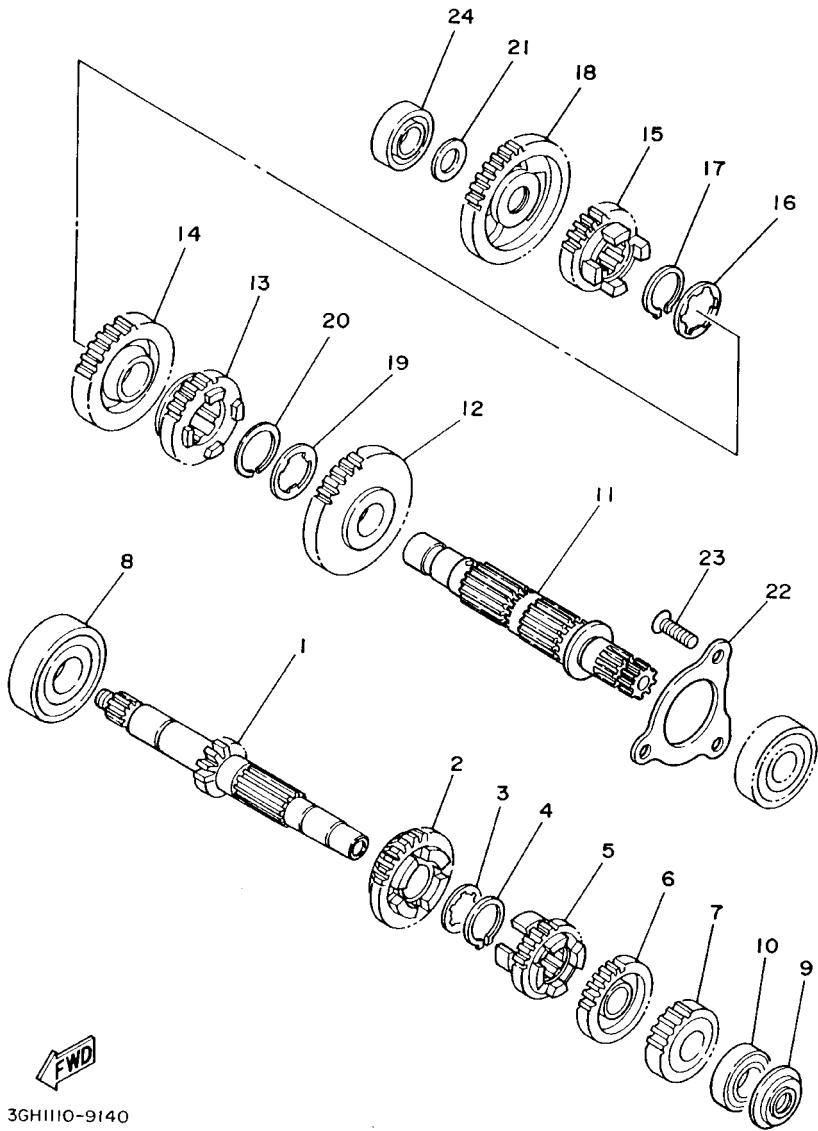
REF. NO.	PART NO.	DESCRIPTION	USA	CAN	FRA	GBR	OTH	REMARKS
1	2HT-15512-00	GEAR, IDLER 1	1	1	1	1	1	
2	2HT-15521-00	SHAFT 1	1	1	1	1	1	
3	90201-12166	WASHER, PLATE	2	2	2	2	2	
4	99009-12400	CIRCLIP	2	2	2	2	2	
5	5H0-15517-00	GEAR, IDLER 2 (56T)	1	1	1	1	1	
6	90201-25290	WASHER, PLATE	1	1	1	1	1	
7	4H7-15580-10	STARTER CLUTCH OUTER ASSY	1	1	1	1	1	
8	90501-04596	.SPRING, COMPRESSION	3	3	3	3	3	
9	1J7-15583-01	.CAP, STARTER CLUTCH SPRING	3	3	3	3	3	
10	93615-12088	.PIN, DOWEL	3	3	3	3	3	
11	91317-08016	BOLT	3	3	3	3	3	

FIG. 14 CLUTCH



3GC1110-9130

REF. NO.	PART NO.	DESCRIPTION	USA	CAN	FRA	GBR	OTH	REMARKS
1	3GC-16611-00	CLUTCH HOUSING COMP.	1	1	1	1	1	
2	21V-16664-00	BEARING, ONE WAY	1	1	1	1	1	
3	21V-16665-01	RETAINER, BEARING	1	1	1	1	1	
4	90201-404M6	WASHER, PLATE	1	1	1	1	1	
5	4BD-16620-00	CLUTCH CARRIER ASSY	1	1	1	1	1	
6	3GC-16626-00	.SPRING, CLUTCH WEIGHT 1	3	3	3	3	3	
7	90201-266F6	WASHER, PLATE	1	1	1	1	1	
8	90215-22259	WASHER, LOCK	1	1	1	1	1	
9	90170-22371	NUT	1	1	1	1	1	
10	2HT-16150-00	PRIMARY DRIVEN GEAR COMP.	1	1	1	1	1	
11	5H0-16154-00	PLATE, THRUST 1	1	1	1	1	1	
12	21V-16371-01	BOSS, CLUTCH	1	1	1	1	1	
13	21V-16321-00	PLATE, FRICTION	5	5	5	5	5	
14	257-16324-00	PLATE, CLUTCH 1	4	4	4	4	4	
15	21V-16351-00	PLATE, PRESSURE 1	1	1	1	1	1	
16	90501-243J7	SPRING, COMPRESSION	4	4	4	4	4	
17	21V-16352-00	PLATE, PRESSURE 2	1	1	1	1	1	
18	90159-05011	SCREW, WITH WASHER	4	4	4	4	4	
19	93306-00006	BEARING (B6000)	1	1	1	1	1	
20	21V-16358-00	PLATE, PUSH	1	1	1	1	1	
21	90215-14186	WASHER, LOCK	1	1	1	1	1	
22	90170-14284	NUT	1	1	1	1	1	
23	90338-26136	PLUG	1	1	1	1	1	
24	93420-28055	CIRCLIP	1	1	1	1	1	

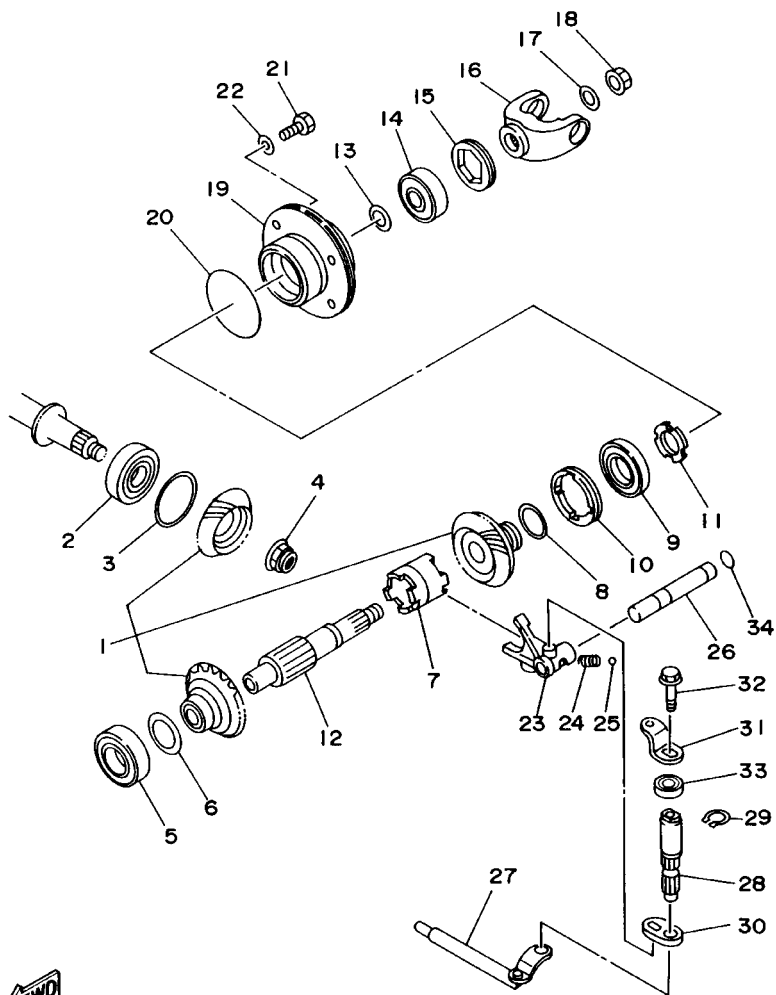


3GH1110-9140

FIG. 15 TRANSMISSION

REF. NO.	PART NO.	DESCRIPTION	USA	CAN	FRA	GBR	OTH	REMARKS
1	59V-17401-00	MAIN AXLE ASSY	1	1	1	1	1	
2	24W-17151-02	GEAR, 5TH PINION (28T)	1	1	1	1	1	
3	90209-17285	WASHER	1	1	1	1	1	
4	93410-20038	CIRCLIP	1	1	1	1	1	
5	59V-17131-00	GEAR, 3RD PINION (22T)	1	1	1	1	1	
6	59V-17141-00	GEAR, 4TH PINION (25T)	1	1	1	1	1	
7	15A-17121-00	GEAR, 2ND PINION (19T)	1	1	1	1	1	
8	93306-20401	BEARING (B6204)	1	1	1	1	1	
9	93101-15101	OIL SEAL	1	1	1	1	1	
10	93306-20201	BEARING (B6202)	1	1	1	1	1	
11	24W-17402-00	DRIVE AXLE ASSY	1	1	1	1	1	
12	29U-17221-01	GEAR, 2ND WHEEL (34T)	1	1	1	1	1	
13	24W-17241-00	GEAR, 4TH WHEEL (26T)	1	1	1	1	1	
14	15A-17231-00	GEAR, 3RD WHEEL (29T)	1	1	1	1	1	
15	4BD-17251-00	GEAR, 5TH WHEEL (23T)	1	1	1	1	1	
16	90209-18208	WASHER	1	1	1	1	1	
17	93410-22039	CIRCLIP	1	1	1	1	1	
18	29U-17211-00	GEAR, 1ST WHEEL (34T)	1	1	1	1	1	
19	90209-23241	WASHER	1	1	1	1	1	
20	93410-26067	CIRCLIP	1	1	1	1	1	
21	90201-15700	WASHER, PLATE	1	1	1	1	1	
22	24W-17558-00	PLATE, BEARING	1	1	1	1	1	
23	90149-08152	SCREW	3	3	3	3	3	
24	93306-20201	BEARING (B6202)	1	1	1	1	1	

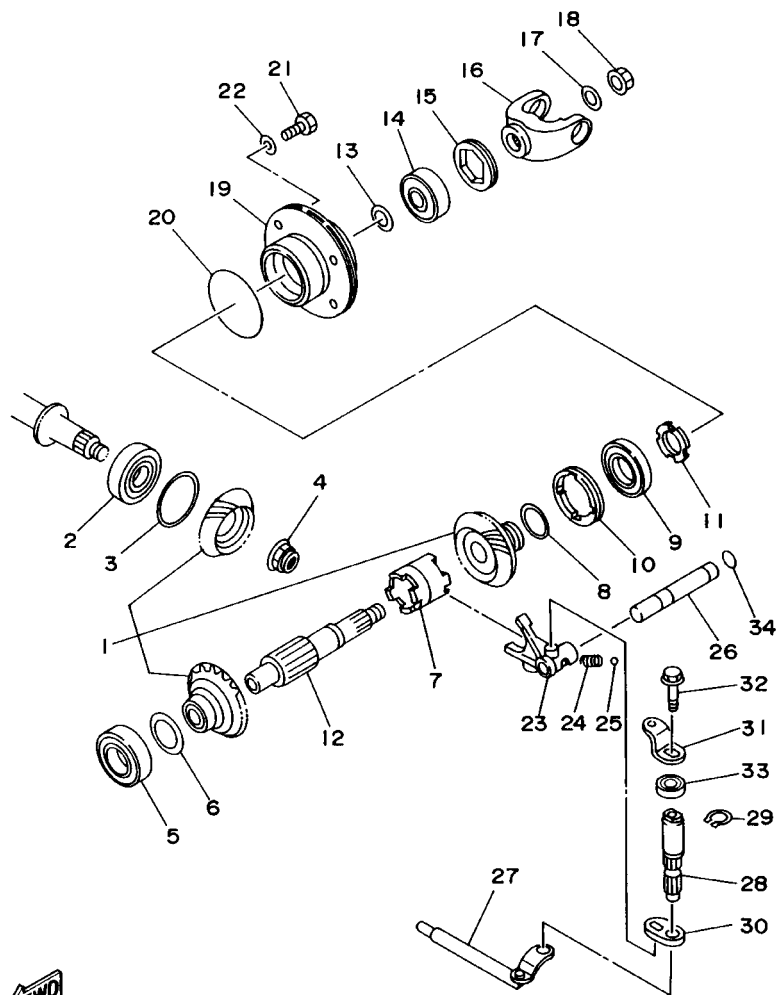
FIG. 16 MIDDLE DRIVE GEAR



4BD2171-2160

REF. NO.	PART NO.	DESCRIPTION	USA	CAN	FRA	GBR	OTH	REMARKS
1	52G-Y1754-00	MIDDLE GEAR COMP.	1	1	1	1	1	
2	93306-30432	BEARING (B6304)	1	1	1	1	1	
3	24W-17537-10	SHIM, THRUST (0.13T)	1	1	1	1	1	UR
	24W-17537-20	SHIM, THRUST (0.15T)	1	1	1	1	1	UR
	24W-17537-30	SHIM, THRUST (0.2T)	1	1	1	1	1	UR
	24W-17537-40	SHIM, THRUST (0.3T)	1	1	1	1	1	UR
	24W-17537-50	SHIM, THRUST (0.4T)	1	1	1	1	1	UR
	24W-17537-60	SHIM, THRUST (0.5T)	1	1	1	1	1	UR
4	90179-16651	NUT	1	1	1	1	1	
5	93306-00612	BEARING	1	1	1	1	1	
6	52G-17531-01	SHIM, PINION (0.1T)	1	1	1	1	1	UR
	52G-17531-11	SHIM, PINION (0.15T)	1	1	1	1	1	UR
	52G-17531-21	SHIM, PINION (0.2T)	1	1	1	1	1	UR
	52G-17531-31	SHIM, PINION (0.3T)	1	1	1	1	1	UR
	52G-17531-41	SHIM, PINION (0.4T)	1	1	1	1	1	UR
	52G-17531-51	SHIM, PINION (0.5T)	1	1	1	1	1	UR
7	52G-17285-00	CLUTCH, DOG	1	1	1	1	1	
8	52G-17967-00-15	SHIM, (0.15T)	1	1	1	1	1	UR
	52G-17967-00-20	SHIM, (0.2T)	1	1	1	1	1	UR
	52G-17967-00-30	SHIM, (0.3T)	1	1	1	1	1	UR
	52G-17967-00-40	SHIM, (0.4T)	1	1	1	1	1	UR
	52G-17967-00-50	SHIM, (0.5T)	1	1	1	1	1	UR
9	93306-07801	BEARING	1	1	1	1	1	
10	90179-55464	NUT	1	1	1	1	1	
11	90179-28465	NUT	1	1	1	1	1	
12	1E-V-17553-00	SHAFT, MIDDLE DRIVEN	1	1	1	1	1	
13	52G-17968-00-10	SHIM, (1.0T)	1	1	1	1	1	UR

FIG. 16 MIDDLE DRIVE GEAR



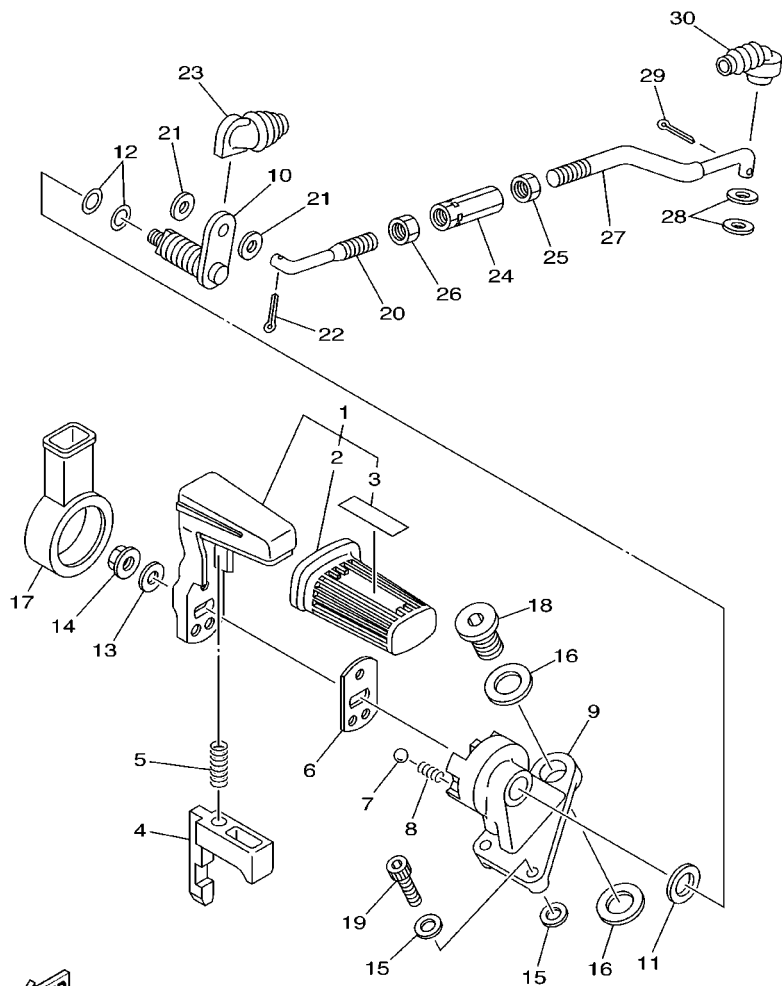
REF. NO.	PART NO.	DESCRIPTION	USA	CAN	FRA	GBR	OTH	REMARKS
13	52G-17968-00-11	SHIM, (1.1T)	1	1	1	1	1	UR
	52G-17968-00-12	SHIM, (1.2T)	1	1	1	1	1	UR
	52G-17968-00-13	SHIM, (1.3T)	1	1	1	1	1	UR
	52G-17968-00-14	SHIM, (1.4T)	1	1	1	1	1	UR
	52G-17968-00-15	SHIM, (1.5T)	1	1	1	1	1	UR
	52G-17968-00-16	SHIM, (1.6T)	1	1	1	1	1	UR
	52G-17968-00-17	SHIM, (1.7T)	1	1	1	1	1	UR
	52G-17968-00-18	SHIM, (1.8T)	1	1	1	1	1	UR
	52G-17968-00-19	SHIM, (1.9T)	1	1	1	1	1	UR
14	93399-99917	BEARING	1	1	1	1	1	
15	90179-50467	NUT	1	1	1	1	1	
16	4BD-17556-00	YOKE, JOINT	1	1	1	1	1	
17	90201-125F7	WASHER, PLATE	1	1	1	1	1	
18	90179-12248	NUT	1	1	1	1	1	
19	1EV-17551-00	HOUSING, BEARING	1	1	1	1	1	
20	93210-56589	O-RING	1	1	1	1	1	
21	97027-08025	BOLT	4	4	4	4	4	
22	92907-08600	WASHER, PLATE	4	4	4	4	4	
23	52G-18514-02	FORK, SHIFT 4	1	1	1	1	1	
24	90501-101A5	SPRING, COMPRESSION	1	1	1	1	1	
25	93501-04011	BALL	1	1	1	1	1	
26	52G-18534-00	BAR, SHIFT FORK GUIDE	1	1	1	1	1	
27	3GC-1812A-00	STOPPER SHAFT ASSY	1	1	1	1	1	
28	3GC-18197-00	SHAFT	1	1	1	1	1	
29	99009-14400	CIRCLIP	1	1	1	1	1	
30	3GC-18451-00	LEVER, SHIFT	1	1	1	1	1	
31	52G-18198-00	LEVER	1	1	1	1	1	

  
4BD2171-2160





FIG. 17 DRIVE SELECTOR

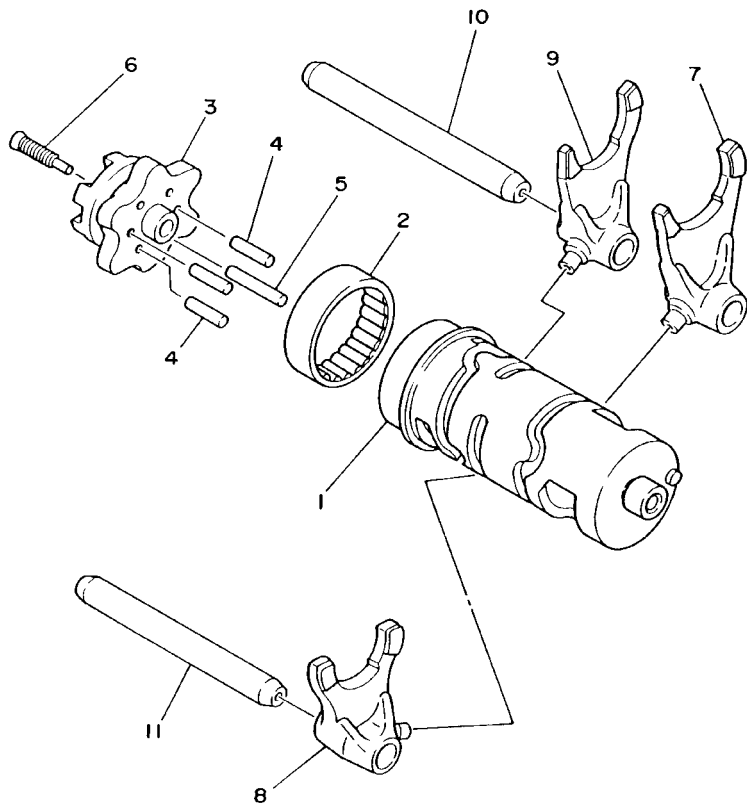


4XE2100-9170

REF. NO.	PART NO.	DESCRIPTION	USA	CAN	FRA	GBR	OTH	REMARKS
1	52G-18150-00	SHIFT LEVER ASSY	1	1	1	1	1	
2	52G-18113-00	.COVER, SHIFT PEDAL	1	1	1	1	1	
3	52G-1815A-00	.LABEL	1	1	1	1	1	
4	4KD-18174-01	KNOB, SHIFT LEVER	1	1	1	1	1	
5	90501-101A7	SPRING, COMPRESSION	1	1	1	1	1	
6	52G-18561-00	PLATE, SIDE 1	1	1	1	1	1	
7	93509-32012	BALL	1	1	1	1	1	
8	90501-103A1	SPRING, COMPRESSION	1	1	1	1	1	
9	52H-18153-00	GUIDE, SHIFT RETURN SPRING	1	1	1	1	1	
10	52H-18341-00	SHAFT, RINK	1	1	1	1	1	
11	90201-144J2	WASHER, PLATE	1	1	1	1	1	
12	93210-10010	O-RING	2	2	2	2	2	
13	90201-064J1	WASHER, PLATE	1	1	1	1	1	
14	95707-06500	NUT, FLANGE	1	1	1	1	1	
15	90201-067P3	WASHER, PLATE	4	4	4	4	4	
16	90201-147P2	WASHER, PLATE	2	2	2	2	2	
17	52G-18433-00	COVER, SHIFT SPRING	1	1	1	1	1	
18	90340-14107	PLUG, STRAIGHT SCREW	1	1	1	1	1	
19	91317-06020	BOLT	2	2	2	2	2	
20	52G-18117-00	JOINT, ROD 2	1	1	1	1	1	
21	92907-06200	WASHER	2	2	2	2	2	
22	91401-20015	PIN, COTTER	1	1	1	1	1	
23	5R2-18154-00	COVER, DUST	1	1	1	1	1	
24	52G-18187-00	NUT, ADJUST	1	1	1	1	1	
25	95317-08600	NUT	1	1	1	1	1	
26	90170-08261	NUT	1	1	1	1	1	
27	52G-18116-00	JOINT, ROD 1	1	1	1	1	1	



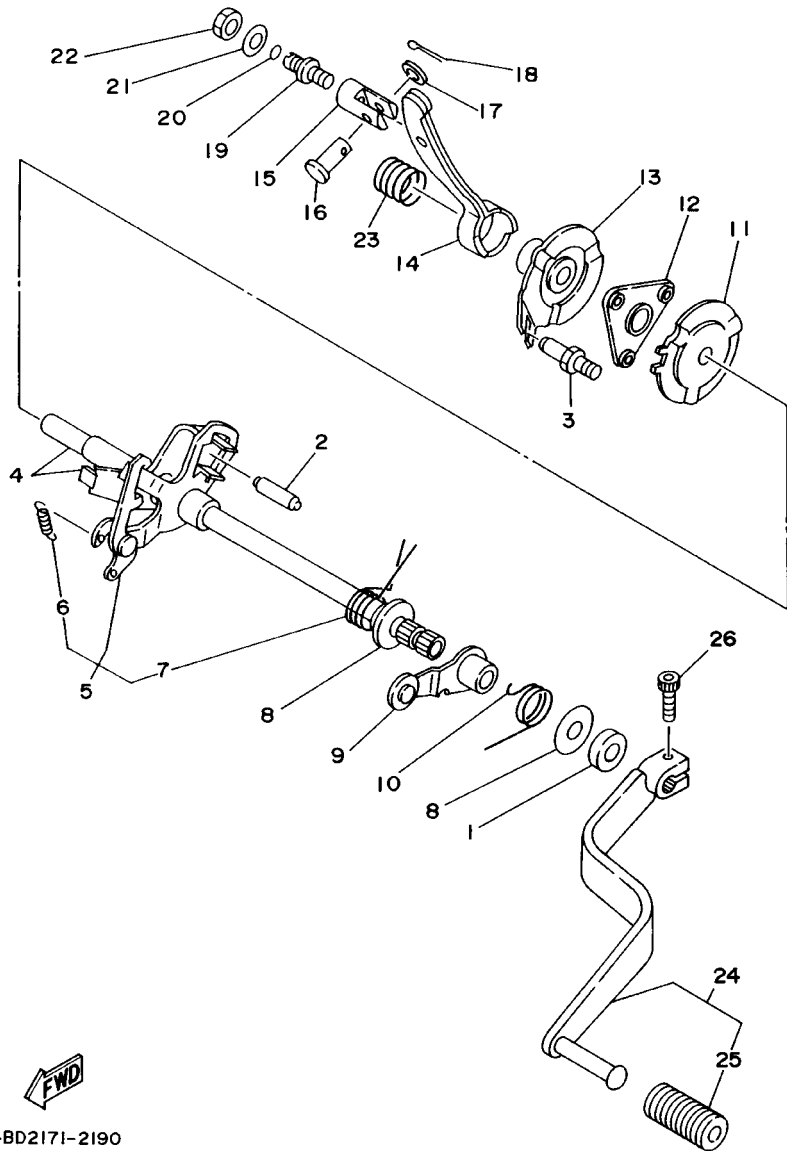
FIG. 18 SHIFT CAM. FORK



REF. NO.	PART NO.	DESCRIPTION	USA	CAN	FRA	GBR	OTH	REMARKS
1	52G-18540-01	SHIFT CAM ASSY	1	1	1	1	1	
2	93315-23607	BEARING	1	1	1	1	1	
3	5H0-18185-01	SEGMENT	1	1	1	1	1	
4	93604-16092	PIN, DOWEL	4	4	4	4	4	
5	93604-20156	PIN, DOWEL	1	1	1	1	1	
6	90151-06013	SCREW, COUNTERSUNK	1	1	1	1	1	
7	4JG-18513-00	FORK, SHIFT 3	1	1	1	1	1	
8	4JG-18511-00	FORK, SHIFT 1	1	1	1	1	1	
9	4BD-18512-00	FORK, SHIFT 2	1	1	1	1	1	
10	3GX-18531-00	BAR, SHIFT FORK GUIDE 1	1	1	1	1	1	
11	3GX-18535-00	BAR, SHIFT FORK GUIDE 2	1	1	1	1	1	

FWD  
52G100-5180

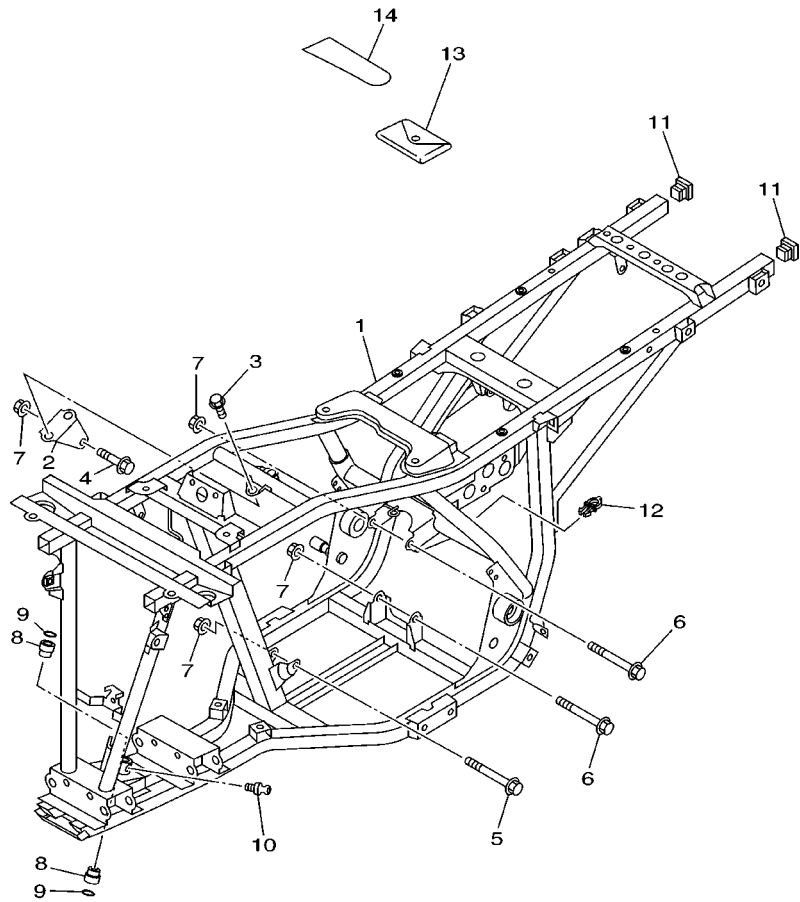
FIG. 19 SHIFT SHAFT



4BD2171-2190

REF. NO.	PART NO.	DESCRIPTION	USA	CAN	FRA	GBR	OTH	REMARKS
1	93102-12106	OIL SEAL (SD 12-22-5 HS)	1	1	1	1	1	
2	93608-30152	PIN, DOWEL	1	1	1	1	1	
3	21V-18177-00	BOLT, STOPPER	1	1	1	1	1	
4	3GH-18103-01	SHIFT SHAFT COMP.	1	1	1	1	1	
5	21V-18120-00	SHIFT LEVER ASSY	1	1	1	1	1	
6	90506-08227	.SPRING, TENSION	1	1	1	1	1	
7	90508-29570	.SPRING, TORSION	1	1	1	1	1	
8	90201-12588	WASHER, PLATE	2	2	2	2	2	
9	4G0-18140-00	STOPPER LEVER ASSY	1	1	1	1	1	
10	90508-26539	SPRING, TORSION	1	1	1	1	1	
11	24W-18179-00	GUIDE	1	1	1	1	1	
12	21V-18181-00	HOLDER, PAWL	1	1	1	1	1	
13	24W-18104-00	SHIFT GUIDE COMP.	1	1	1	1	1	
14	2HT-1817A-00	ARM, SHIFT 3	1	1	1	1	1	
15	21V-18126-00	PIN, LEVER	1	1	1	1	1	
16	21V-18118-00	PIN, JOINT	1	1	1	1	1	
17	92907-08600	WASHER, PLATE	1	1	1	1	1	
18	91401-16012	PIN, COTTER	1	1	1	1	1	
19	21V-18127-00	STOPPER, SCREW	1	1	1	1	1	
20	93210-07590	O-RING	1	1	1	1	1	
21	90201-08093	WASHER, PLATE	1	1	1	1	1	
22	95307-08700	NUT	1	1	1	1	1	
23	90501-16768	SPRING, COMPRESSION	1	1	1	1	1	
24	4BD-18110-11	SHIFT PEDAL ASSY	1	1	1	1	1	
25	22N-18113-00	.COVER, SHIFT PEDAL	1	1	1	1	1	
26	9701P-06020	BOLT	1	1	1	1	1	(YMUŠ)

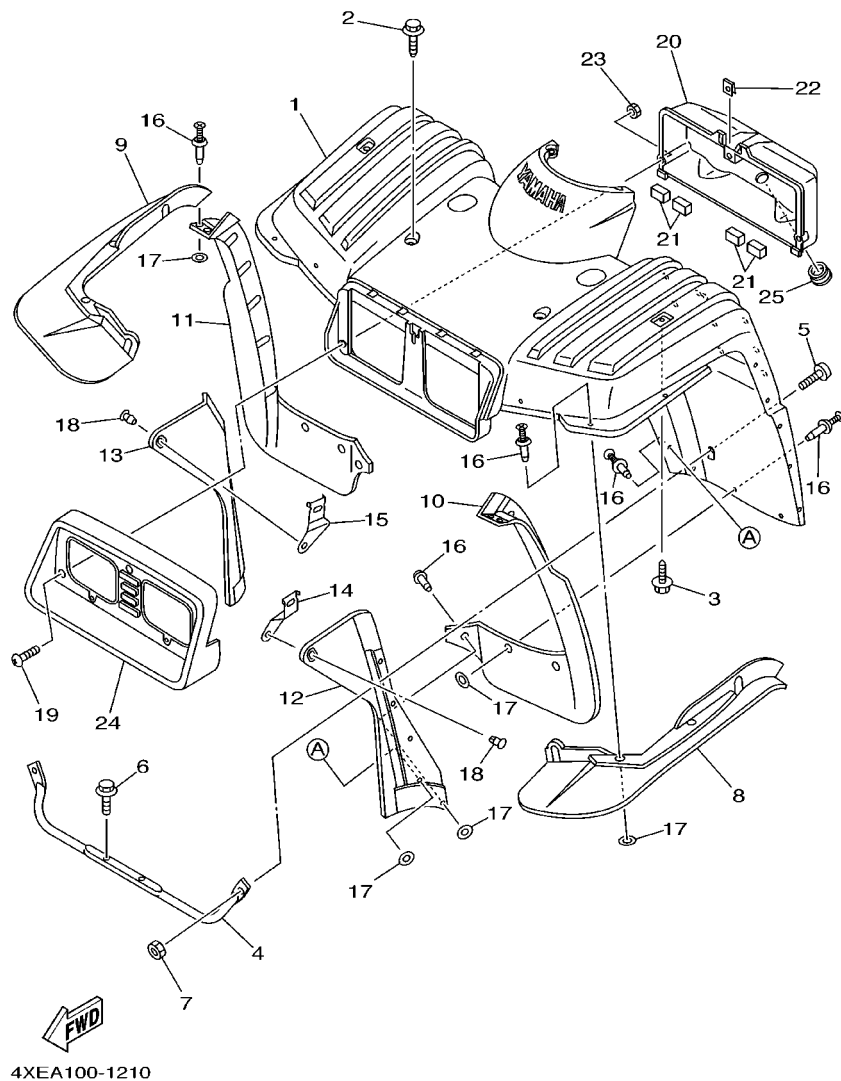
FIG. 20 FRAME



4XEA100-1200

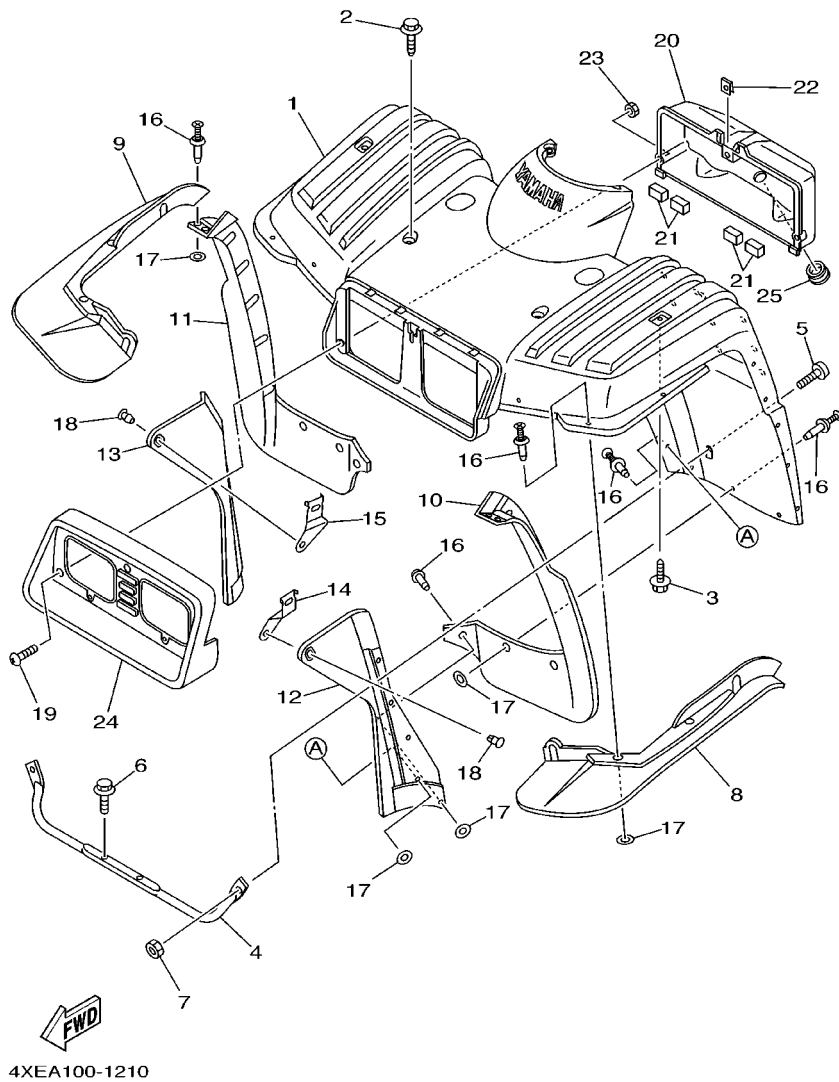
REF. NO.	PART NO.	DESCRIPTION	USA	CAN	FRA	GBR	OTH	REMARKS
1	4XE-F1110-19	FRAME COMP.	1	1	1	1	1	(YMUS)
2	4XE-F1315-00	STAY, ENGINE 2	1	1	1	1	1	(YMUS)
3	9581P-08012	BOLT, FLANGE	2	2	2	2	2	(YMUS)
4	90105-08805	BOLT, WASHER BASED	1	1	1	1	1	(YMUS)
5	90105-08888	BOLT, WASHER BASED	1	1	1	1	1	(YMUS)
6	90105-08806	BOLT, WASHER BASED	2	2	2	2	2	(YMUS)
7	90179-08893	NUT	4	4	4	4	4	(YMUS)
8	90381-15040	BUSH, SOLID	2	2	2	2	2	
9	93210-15414	O-RING	2	2	2	2	2	
10	93700-06004	NIPPLE, GREASE	1	1	1	1	1	
11	5FU-F111A-00	CAP, MAIN PIPE	2	2	2	2	2	(YMUS)
12	90464-10833	CLAMP	1	1	1	1	1	(YMUS)
13	2XK-28100-00	TOOL KIT	1	1	1	1	1	
14	1NV-2811A-01	GAUGE, AIR	1	1	1	1	1	

FIG. 21 FRONT FENDER



REF. NO.	PART NO.	DESCRIPTION	USA	CAN	FRA	GBR	OTH	REMARKS
1	4XE-F1500-00	FRONT FENDER ASSY	1					(YMUS) UR FOR RTR
	4XE-F1500-A0	FRONT FENDER ASSY		1				(YMUS) UR FOR RTR
	4XE-F1500-E0	FRONT FENDER ASSY			1	1	1	(YMUS) UR FOR RTR
	4XE-F1500-10	FRONT FENDER ASSY	1					(YMUS) UR FOR PDG
	4XE-F1500-B0	FRONT FENDER ASSY			1	1	1	(YMUS) UR FOR PDG
	4XE-F1500-F0	FRONT FENDER ASSY		1				(YMUS) UR FOR PDG
	4XE-F1500-20	FRONT FENDER ASSY	1					(YMUS) UR FOR DNYS1
	4XE-F1500-G0	FRONT FENDER ASSY			1	1	1	(YMUS) UR FOR DPBSE
2	90119-06060	BOLT, WITH WASHER	2	2	2	2	2	
3	90119-06060	BOLT, WITH WASHER	2	2	2	2	2	
4	4XE-F1513-00	STAY, FENDER 1	1	1	1	1	1	(YMUS)
5	90110-06836	BOLT, HEXAGON SOCKET HEAD	2	2	2	2	2	(YMUS)
6	9581P-08016	BOLT, FLANGE	2	2	2	2	2	(YMUS)
7	95607-06100	NUT, U	2	2	2	2	2	
8	4BD-21551-00	FENDER, OVER		1	1	1	1	
9	4BD-21555-00	FENDER, OVER 2		1	1	1	1	
10	4BD-21559-00	FENDER, OVER 3		1	1	1	1	
11	4BD-21560-00	FENDER, OVER 4		1	1	1	1	
12	4KD-21552-00	FENDER, INNER		1	1	1	1	
13	4KD-21553-00	FENDER, INNER 2		1	1	1	1	
14	4XE-F1587-00	STAY 1		1	1	1	1	(YMUS)
15	4XE-F1588-00	STAY 2		1	1	1	1	(YMUS)
16	90267-60840	RIVET, BLIND		38	38	38	38	(YMUS)
17	90201-06801	WASHER, PLATE		38	38	38	38	(YMUS)
18	90269-08813	RIVET		2	2	2	2	(YMUS)
19	90154-05006	SCREW, BINDING	3	3	3	3	3	
20	4XE-H4111-00	BODY, HEADLIGHT	1	1	1	1	1	(YMUS)

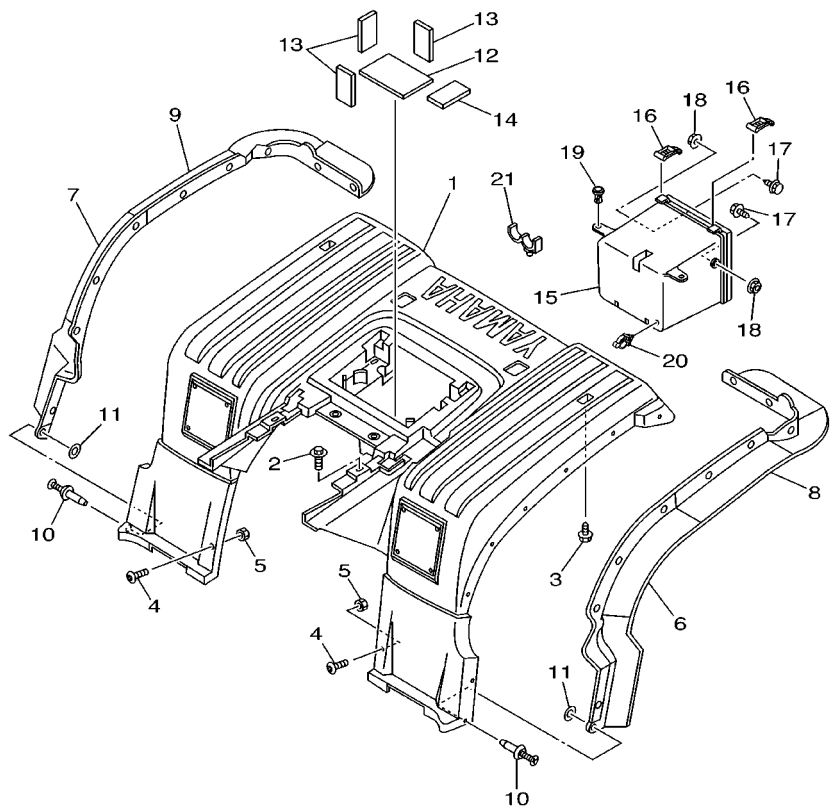
FIG. 21 FRONT FENDER



REF. NO.	PART NO.	DESCRIPTION	USA	CAN	FRA	GBR	OTH	REMARKS
21	4XE-F1717-00	DAMPER	4	4	4	4	4	(YMUS)
22	90183-05024	NUT, SPRING	1	1	1	1	1	
23	95304-05600	NUT	2	2	2	2	2	
24	4XE-F3391-00	PANEL, FRONT	1	1	1	1	1	(YMUS)
25	90480-25461	GROMMET	1	1	1	1	1	
<hr style="border-top: 1px dashed black;"/>								
<hr style="border-top: 1px dashed black;"/>								
<hr style="border-top: 1px dashed black;"/>								
<hr style="border-top: 1px dashed black;"/>								
<hr style="border-top: 1px dashed black;"/>								
<hr style="border-top: 1px dashed black;"/>								
<hr style="border-top: 1px dashed black;"/>								
<hr style="border-top: 1px dashed black;"/>								



FIG. 22 REAR FENDER



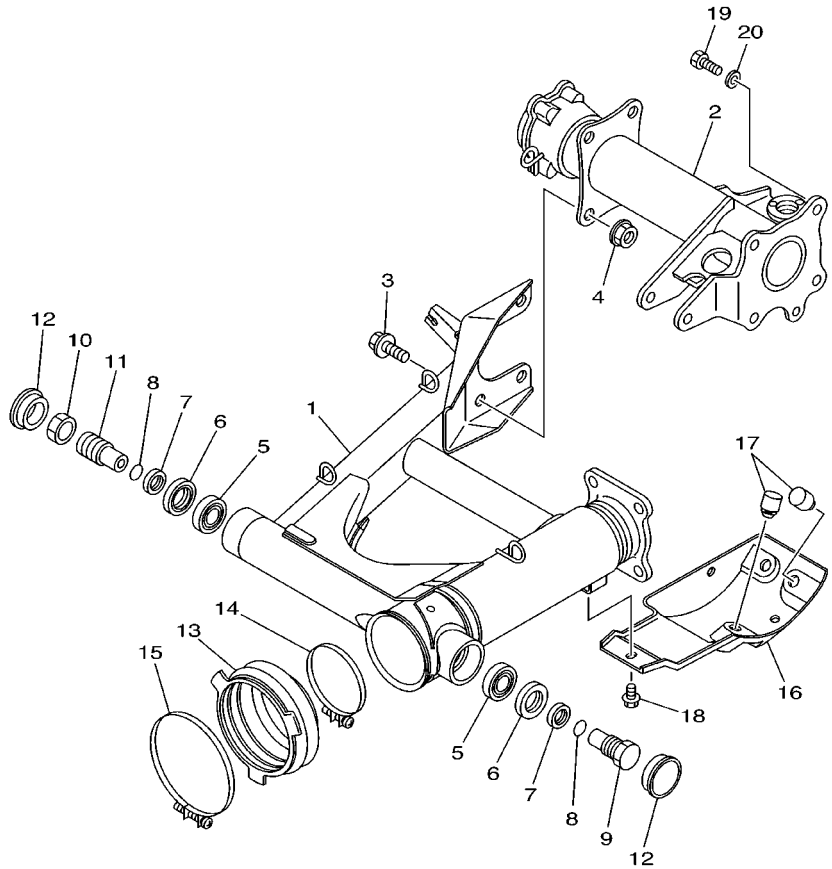
REF. NO.	PART NO.	DESCRIPTION	USA	CAN	FRA	GBR	OTH	REMARKS
1	4XE-F1600-00	REAR FENDER ASSY	1					(YMUS) UR FOR RTR
	4XE-F1600-20	REAR FENDER ASSY	1					(YMUS) UR FOR DNYS1
	4XE-F1600-A0	REAR FENDER ASSY		1	1	1	1	(YMUS) UR FOR RTR
	4XE-F1600-D0	REAR FENDER ASSY			1	1	1	(YMUS) UR FOR DPBSE
	4XE-F1600-10	REAR FENDER ASSY	1					(YMUS) UR FOR PDG
	4XE-F1600-B0	REAR FENDER ASSY		1	1	1	1	(YMUS) UR FOR PDG
2	90119-06227	BOLT, WITH WASHER	2	2	2	2	2	
3	90119-06060	BOLT, WITH WASHER	2	2	2	2	2	
4	90110-06836	BOLT, HEXAGON SOCKET HEAD	2	2	2	2	2	(YMUS)
5	95607-06100	NUT, U	2	2	2	2	2	
6	4BD-21621-00	FLAP		1	1	1	1	
7	4BD-21691-00	FLAP		1	1	1	1	
8	4BD-2162H-00	FLAP 3		1	1	1	1	
9	4BD-2162J-00	FLAP 4		1	1	1	1	
10	90267-60840	RIVET, BLIND		24	24	24	24	(YMUS)
11	90201-06801	WASHER, PLATE		24	24	24	24	(YMUS)
12	4BD-21639-00	DAMPER 2	1	1	1	1	1	
13	4XE-F4145-00	DAMPER, SIDE COVER	3	3	3	3	3	(YMUS)
14	4XE-F1649-00	DAMPER	1	1	1	1	1	(YMUS)
15	4XE-F160A-00	BOX COMP.	1	1	1	1	1	(YMUS)
16	59V-21646-00	BAND	2	2	2	2	2	
17	90119-06060	BOLT, WITH WASHER	2	2	2	2	2	
18	95707-06600	NUT, FLANGE	2	2	2	2	2	
19	90269-08813	RIVET	2	2	2	2	2	(YMUS)
20	90464-10833	CLAMP	1	1	1	1	1	(YMUS)
21	90464-12830	CLAMP	2	2	2	2	2	(YMUS)



4XE100-1220



FIG. 24 REAR ARM

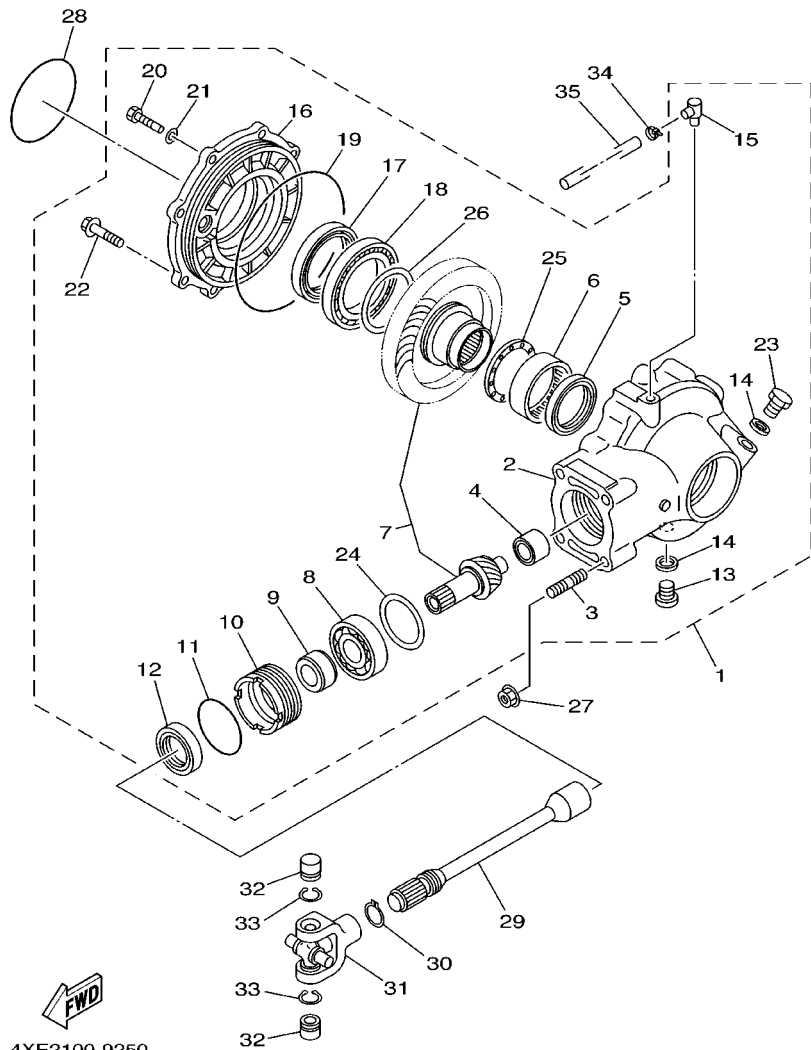


REF. NO.	PART NO.	DESCRIPTION	USA	CAN	FRA	GBR	OTH	REMARKS
1	4XE-F2110-10	REAR ARM COMP.	1	1	1	1	1	(YMUS)
2	4XE-G6540-10	REAR AXLE HOUSING COMP.	1	1	1	1	1	(YMUS)
3	9581P-12025	BOLT, FLANGE	4	4	4	4	4	(YMUS)
4	95707-12500	NUT, FLANGE	4	4	4	4	4	
5	93332-000Y3	BEARING	2	2	2	2	2	(YMUS)
6	93102-25017	OIL SEAL	2	2	2	2	2	
7	90387-1711G	COLLAR	2	2	2	2	2	
8	93210-17718	O-RING	2	2	2	2	2	
9	4XE-F2141-00	SHAFT, PIVOT	1	1	1	1	1	(YMUS)
10	4XE-F2143-00	NUT	1	1	1	1	1	(YMUS)
11	4XE-F214H-00	SHAFT, PIVOT 2	1	1	1	1	1	(YMUS)
12	90338-34264	PLUG	2	2	2	2	2	
13	29U-22189-00	BOOT, RUBBER	1	1	1	1	1	
14	90460-85135	CLAMP, HOSE	1	1	1	1	1	
15	90460-99228	CLAMP, HOSE	1	1	1	1	1	
16	4XE-F219X-00	COVER	1	1	1	1	1	(YMUS)
17	109-27114-00	STOPPER, MAIN STAND	3	3	3	3	3	
18	95807-08012	BOLT, FLANGE	2	2	2	2	2	
19	90105-10893	BOLT, WASHER BASED	4	4	4	4	4	(YMUS)
20	90201-108R2	WASHER, PLATE	4	4	4	4	4	(YMUS)



4XE1110-9240

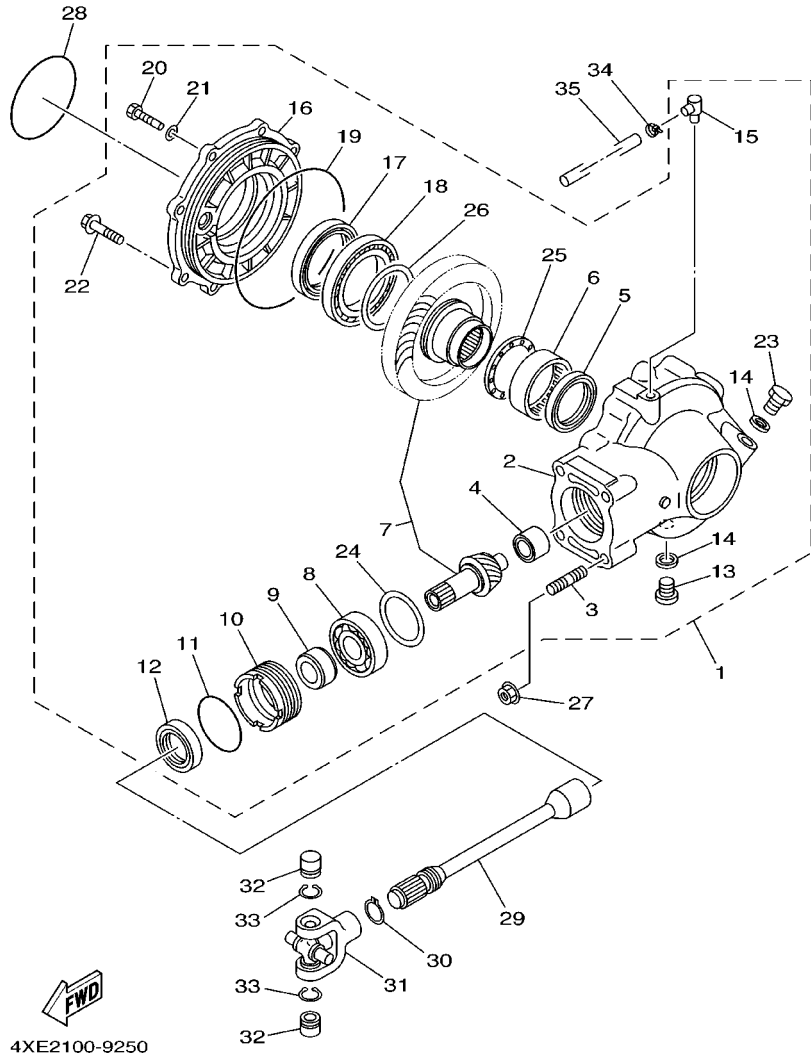
FIG. 25 DRIVE SHAFT



4XE2100-9250

REF. NO.	PART NO.	DESCRIPTION	USA	CAN	FRA	GBR	OTH	REMARKS
1	4XE-G6101-00	REAR AXLE GEAR CASE ASSY	1	1	1	1	1	(YMUS)
2	4XE-G6151-00	.HOUSING, DRIVE SHAFT	1	1	1	1	1	(YMUS)
3	90116-10840	.BOLT, STUD	4	4	4	4	4	(YMUS)
4	4XE-G6102-00	.BEARING ASSY	1	1	1	1	1	(YMUS)
5	93101-52116	.OIL SEAL	1	1	1	1	1	
6	93317-855Y9	.BEARING	1	1	1	1	1	(YMUS)
7	4XE-Y4612-00	.RING GEAR SET	1	1	1	1	1	
8	93306-305Y6	.BEARING	1	1	1	1	1	(YMUS)
9	90387-255H9	.COLLAR	1	1	1	1	1	
10	29U-46125-00	.RETAINER, BEARING	1	1	1	1	1	
11	93210-59531	.O-RING	1	1	1	1	1	
12	93101-38098	.OIL SEAL	1	1	1	1	1	
13	90340-14046	.PLUG, STRAIGHT SCREW	1	1	1	1	1	
14	214-11198-01	.GASKET	2	2	2	2	2	
15	2N4-15371-00	.BREATHER	1	1	1	1	1	
16	4XE-G6152-00	.HOUSING, BEARING	1	1	1	1	1	(YMUS)
17	93102-65386	.OIL SEAL	1	1	1	1	1	
18	93316-013Y0	.BEARING	1	1	1	1	1	(YMUS)
19	93211-51749	.O-RING	1	1	1	1	1	
20	9702P-08025	.BOLT	6	6	6	6	6	(YMUS)
21	9290P-08600	.WASHER	6	6	6	6	6	(YMUS)
22	9581P-10045	.BOLT, FLANGE	2	2	2	2	2	(YMUS)
23	90340-14029	.PLUG, STRAIGHT SCREW	1	1	1	1	1	
24	4XE-E7537-15	.SHIM, THRUST(T=0.15MM)	1	1	1	1	1	(YMUS) UR
	4XE-E7537-30	.SHIM, THRUST(T=0.30MM)	1	1	1	1	1	(YMUS) UR
	4XE-E7537-40	.SHIM, THRUST(T=0.40MM)	1	1	1	1	1	(YMUS) UR
	4XE-E7537-45	.SHIM, THRUST(T=0.45MM)	1	1	1	1	1	(YMUS) UR

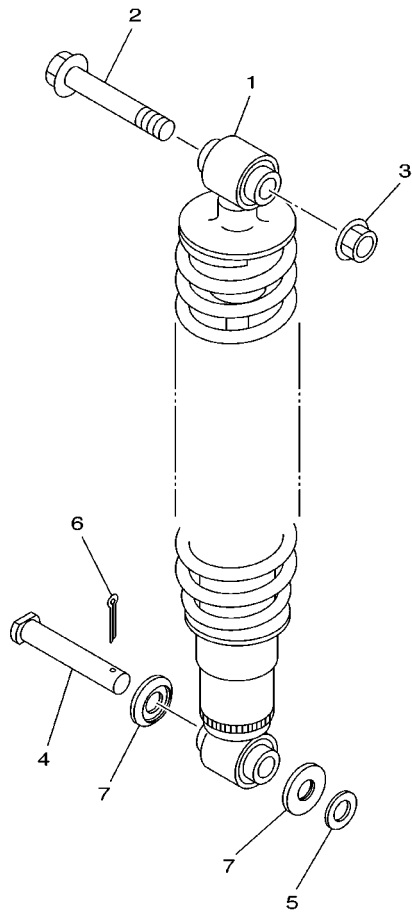
FIG. 25 DRIVE SHAFT



REF. NO.	PART NO.	DESCRIPTION	USA	CAN	FRA	GBR	OTH	REMARKS
24	4XE-E7537-50	.SHIM, THRUST(T=0.50MM)	1	1	1	1	1	(YMUS) UR
	4XE-E7537-60	.SHIM, THRUST(T=0.60MM)	1	1	1	1	1	(YMUS) UR
25	4XE-G6118-10	.SHIM, THRUST(T=1.0MM)	1	1	1	1	1	(YMUS) UR
	4XE-G6118-11	.SHIM, THRUST(T=1.1MM)	1	1	1	1	1	(YMUS) UR
	4XE-G6118-12	.SHIM, THRUST(T=1.2MM)	1	1	1	1	1	(YMUS) UR
	4XE-G6118-13	.SHIM, THRUST(T=1.3MM)	1	1	1	1	1	(YMUS) UR
	4XE-G6118-14	.SHIM, THRUST(T=1.4MM)	1	1	1	1	1	(YMUS) UR
	4XE-G6118-15	.SHIM, THRUST(T=1.5MM)	1	1	1	1	1	(YMUS) UR
	4XE-G6118-16	.SHIM, THRUST(T=1.6MM)	1	1	1	1	1	(YMUS) UR
	4XE-G6118-17	.SHIM, THRUST(T=1.7MM)	1	1	1	1	1	(YMUS) UR
	4XE-G6118-18	.SHIM, THRUST(T=1.8MM)	1	1	1	1	1	(YMUS) UR
	4XE-G6118-19	.SHIM, THRUST(T=1.9MM)	1	1	1	1	1	(YMUS) UR
	4XE-G6118-20	.SHIM, THRUST(T=2.0MM)	1	1	1	1	1	(YMUS) UR
	4XE-G6118-21	SHIM, THRUST(T=2.1MM)	1	1	1	1	1	(YMUS) UR
	4XE-G6118-A3	SHIM, THRUST(T=1.35MM)	1	1	1	1	1	(YMUS) UR
	4XE-G6118-A4	SHIM, THRUST(T=1.45MM)	1	1	1	1	1	(YMUS) UR
	4XE-G6118-A5	SHIM, THRUST(T=1.55MM)	1	1	1	1	1	(YMUS) UR
	26	4XE-G6117-25	.SHIM, RING GEAR(T=0.25MM)	1	1	1	1	1
	4XE-G6117-30	.SHIM, RING GEAR(T=0.30MM)	1	1	1	1	1	(YMUS) UR
	4XE-G6117-35	.SHIM, RING GEAR(T=0.35MM)	1	1	1	1	1	(YMUS) UR
	4XE-G6117-40	.SHIM, RING GEAR(T=0.40MM)	1	1	1	1	1	(YMUS) UR
	4XE-G6117-45	.SHIM, RING GEAR(T=0.45MM)	1	1	1	1	1	(YMUS) UR
	4XE-G6117-50	.SHIM, RING GEAR(T=0.50MM)	1	1	1	1	1	(YMUS) UR
	27	95707-10500	NUT, FLANGE	4	4	4	4	4
28	93210-85706	O-RING	1	1	1	1	1	
29	4XE-G6172-00	SHAFT, DRIVE	1	1	1	1	1	(YMUS)
30	93410-22039	CIRCLIP	1	1	1	1	1	



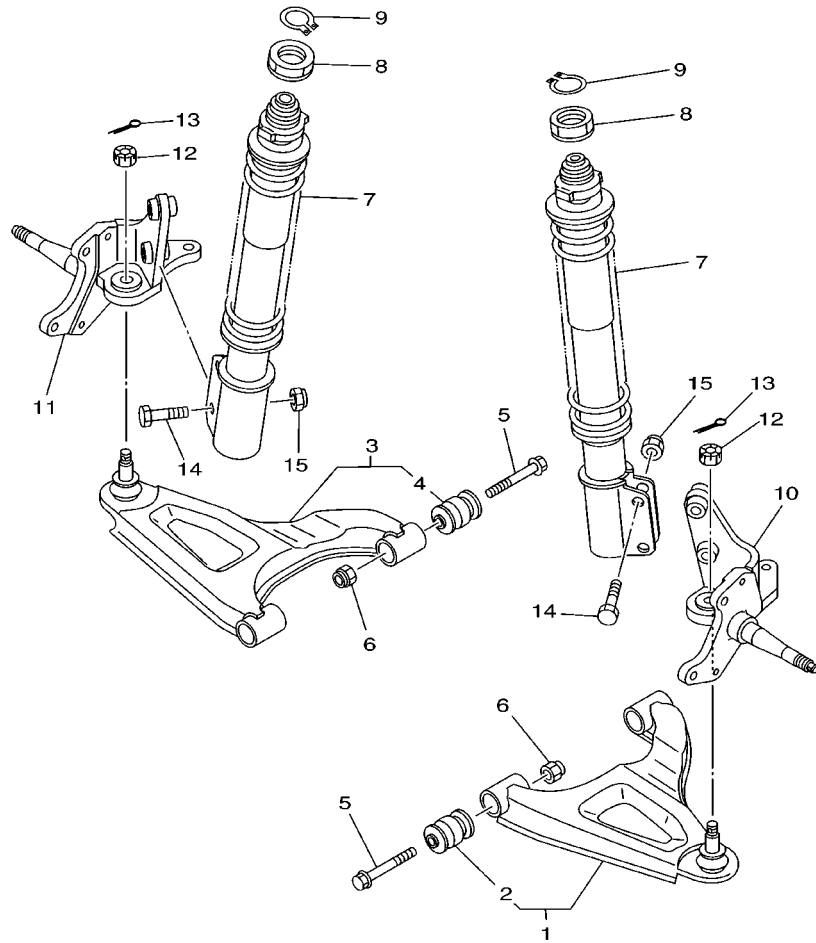
FIG. 26 REAR SUSPENSION



REF. NO.	PART NO.	DESCRIPTION	USA	CAN	FRA	GBR	OTH	REMARKS
1	4XE-F2210-10	SHOCK ABSORBER ASSY, REAR	1	1	1	1	1	(YMUS)
2	90105-12889	BOLT, WASHER BASED	1	1	1	1	1	(YMUS)
3	90185-12072	NUT, SELF-LOCKING	1	1	1	1	1	
4	90240-12092	PIN, CLEVIS	1	1	1	1	1	
5	90201-127J6	WASHER, PLATE	1	1	1	1	1	
6	91401-30025	PIN, COTTER	1	1	1	1	1	
7	1W1-22128-00	COVER, THRUST 1	2	2	2	2	2	

  
4XE2100-9260

FIG. 27 FRONT SUSPENSION. WHEEL



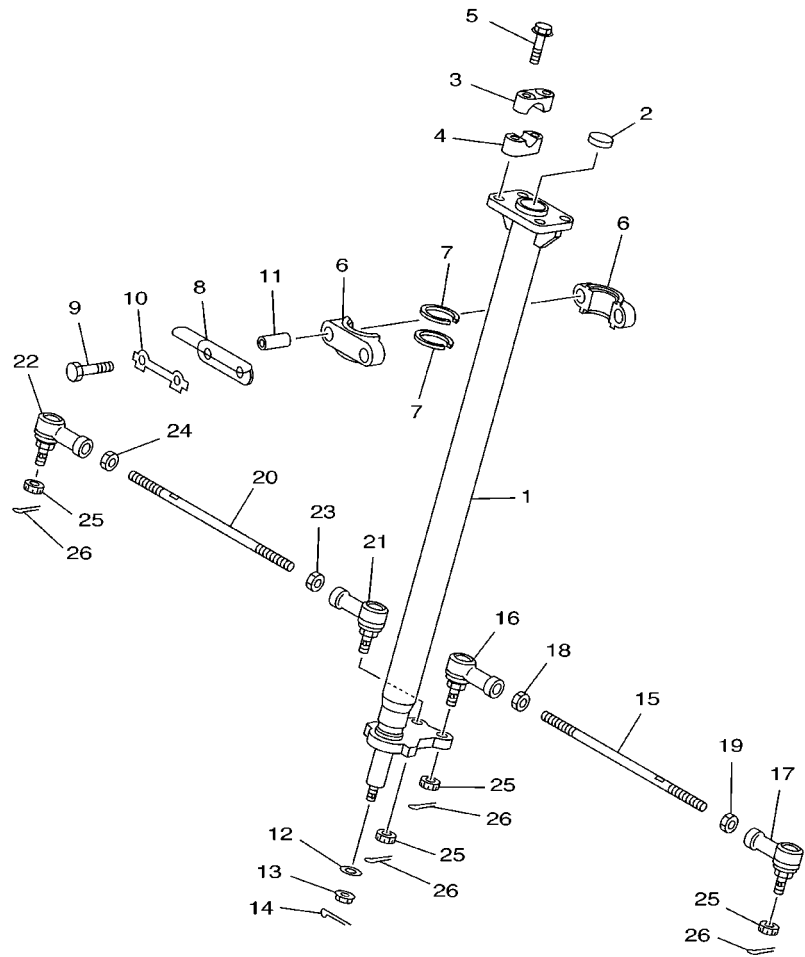
REF. NO.	PART NO.	DESCRIPTION	USA	CAN	FRA	GBR	OTH	REMARKS
1	4XE-F3570-00	FRONT LOWER ARM COMP. (LEFT)	1	1	1	1	1	(YMUS)
2	2HR-23526-00	.BUSH	2	2	2	2	2	
3	4XE-F3580-00	FRONT LOWER ARM COMP. (RIGHT)	1	1	1	1	1	(YMUS)
4	2HR-23526-00	.BUSH	2	2	2	2	2	
5	90105-10890	BOLT, WASHER BASED	4	4	4	4	4	(YMUS)
6	90185-10844	NUT, SELF-LOCKING	4	4	4	4	4	(YMUS)
7	4XE-F3350-10	SHOCK ABSORBER ASSY	2	2	2	2	2	(YMUS)
8	90179-35625	NUT	2	2	2	2	2	
9	93410-32826	CIRCLIP	2	2	2	2	2	
10	4XE-F3501-10	STEERING KNUCKLE ASSY (LEFT)	1	1	1	1	1	(YMUS)
11	4XE-F3502-10	STEERING KNUCKLE ASSY (RIGHT)	1	1	1	1	1	(YMUS)
12	90171-12816	NUT, CASTLE	2	2	2	2	2	(YMUS)
13	91401-25020	PIN, COTTER	2	2	2	2	2	
14	90101-12882	BOLT	4	4	4	4	4	(YMUS)
15	9561P-12100	NUT	4	4	4	4	4	(YMUS)



4XEA100-1270



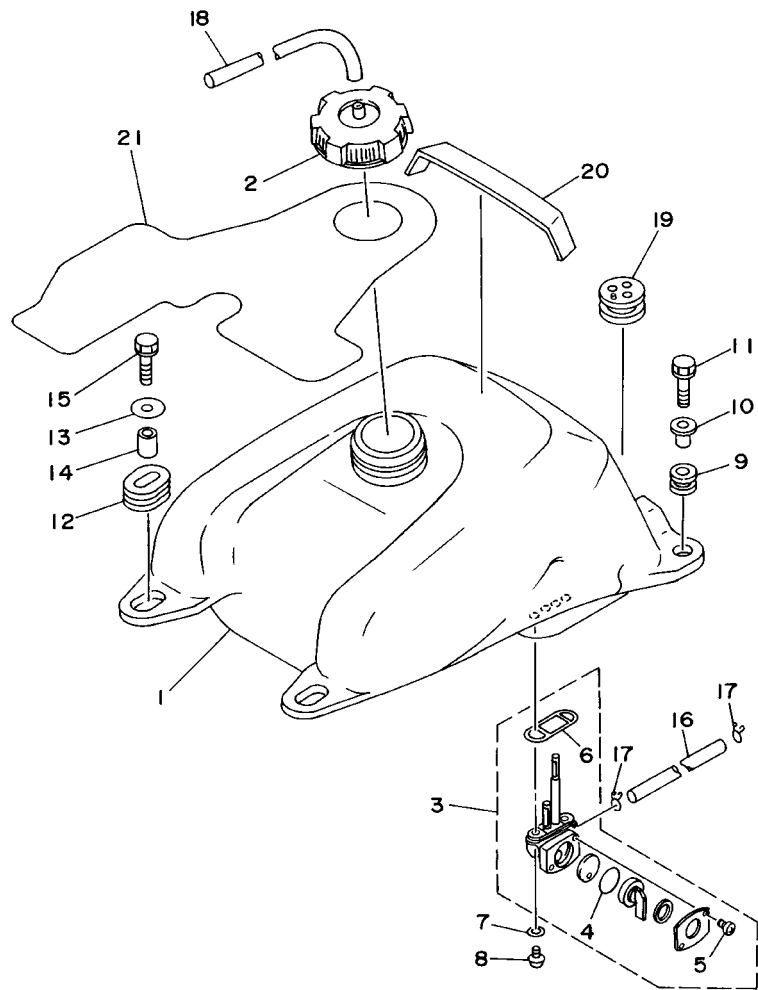
FIG. 28 STEERING



REF. NO.	PART NO.	DESCRIPTION	USA	CAN	FRA	GBR	OTH	REMARKS
1	4XE-F3813-00	COLUMN, STEERING 2	1	1	1	1	1	(YMUS)
2	90336-28053	PLUG, TAPER	1	1	1	1	1	
3	8K1-23814-00	HOLDER, HANDLE	2	2	2	2	2	
4	8G5-23814-00	HOLDER, HANDLE UNDER	1	1	1	1	1	
5	9502P-08050	BOLT, FLANGE	4	4	4	4	4	(YMUS)
6	1UY-23812-00	PLANE BEARING, STEERING	2	2	2	2	2	
7	93112-31011	OIL SEAL	2	2	2	2	2	
8	4XE-F3868-10	BRACKET, STEERING LOWER	1	1	1	1	1	(YMUS)
9	9702P-08060	BOLT	2	2	2	2	2	(YMUS)
10	4XE-F3894-00	WASHER, LOCK 1	1	1	1	1	1	(YMUS)
11	90387-090R0	COLLAR	2	2	2	2	2	
12	90201-108P8	WASHER, PLATE	1	1	1	1	1	(YMUS)
13	90185-10115	NUT, SELF-LOCKING	1	1	1	1	1	
14	90468-16191	CLIP	1	1	1	1	1	
15	4XE-F3831-00	ROD, TIE	1	1	1	1	1	(YMUS)
16	5FU-F3841-00	JOINT, UNIVERSAL 1	1	1	1	1	1	(YMUS)
17	5FU-F3845-00	JOINT, UNIVERSAL 2	1	1	1	1	1	(YMUS)
18	4XE-F3833-00	NUT 1	1	1	1	1	1	(YMUS)
19	4XE-F3834-00	NUT 2	1	1	1	1	1	(YMUS)
20	4XE-F3831-00	ROD, TIE	1	1	1	1	1	(YMUS)
21	5FU-F3841-00	JOINT, UNIVERSAL 1	1	1	1	1	1	(YMUS)
22	5FU-F3845-00	JOINT, UNIVERSAL 2	1	1	1	1	1	(YMUS)
23	4XE-F3833-00	NUT 1	1	1	1	1	1	(YMUS)
24	4XE-F3834-00	NUT 2	1	1	1	1	1	(YMUS)
25	90171-12816	NUT, CASTLE	4	4	4	4	4	(YMUS)
26	91401-25020	PIN, COTTER	4	4	4	4	4	

  
4XE1110-9270

FIG. 29 FUEL TANK

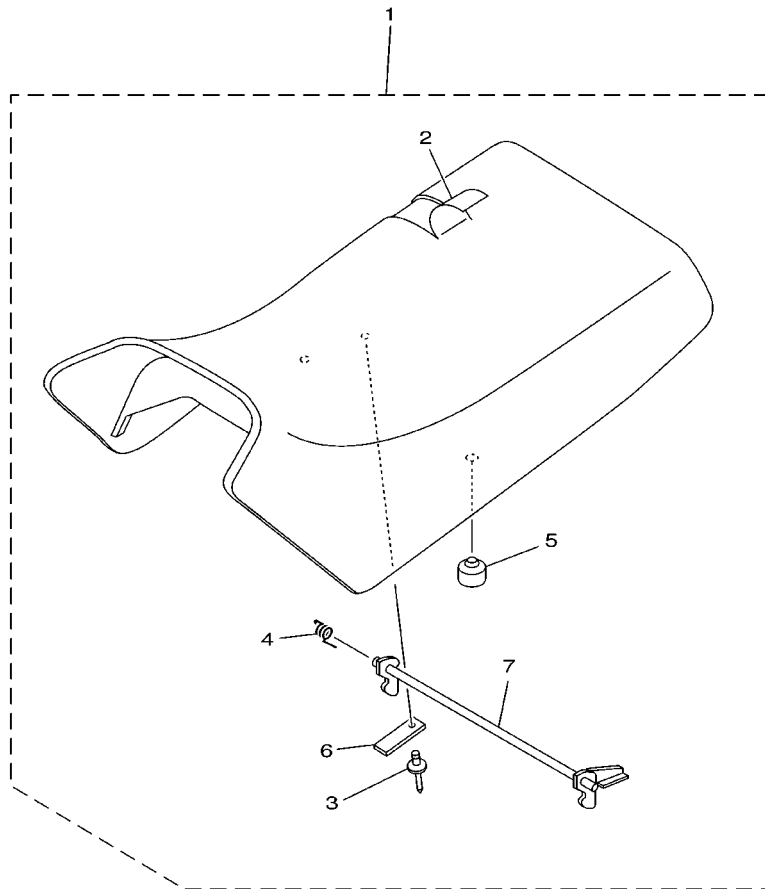


REF. NO.	PART NO.	DESCRIPTION	USA	CAN	FRA	GBR	OTH	REMARKS
1	4XE-F4110-00	FUEL TANK COMP.	1	1	1	1	1	(YMUS)
2	5MV-24610-00	CAP ASSY	1	1	1	1	1	
3	3JN-24500-00	FUEL COCK ASSY 1	1	1	1	1	1	
4	3AJ-24534-00	.SEAL, COCK	1	1	1	1	1	
5	97801-03008	.SCREW, PAN HEAD	2	2	2	2	2	
6	4X8-24512-00	.O-RING	1	1	1	1	1	
7	90202-05193	WASHER, PLATE	2	2	2	2	2	
8	90149-06011	SCREW	2	2	2	2	2	
9	90480-18290	GROMMET	2	2	2	2	2	
10	90387-066H4	COLLAR	2	2	2	2	2	
11	90119-06831	BOLT, WITH WASHER	2	2	2	2	2	(YMUS)
12	90480-01400	GROMMET	2	2	2	2	2	
13	90201-068P9	WASHER, PLATE	2	2	2	2	2	(YMUS)
14	90387-07598	COLLAR	2	2	2	2	2	
15	90119-06831	BOLT, WITH WASHER	2	2	2	2	2	(YMUS)
16	4XE-24311-00	PIPE, FUEL 1	1	1	1	1	1	
17	90467-10008	CLIP	2	2	2	2	2	
18	90445-084J2	HOSE (L500)	1					
	90445-08809	HOSE		1	1	1	1	(YMUS)
19	4BD-24339-00	GROMMET	1	1	1	1	1	
20	4XE-F4181-00	DAMPER, LOCATING 1	1	1	1	1	1	(YMUS)
21	4XE-F414H-00	DAMPER, PLATE 1	1	1	1	1	1	(YMUS)



4BD1110-2280

FIG. 30 SEAT



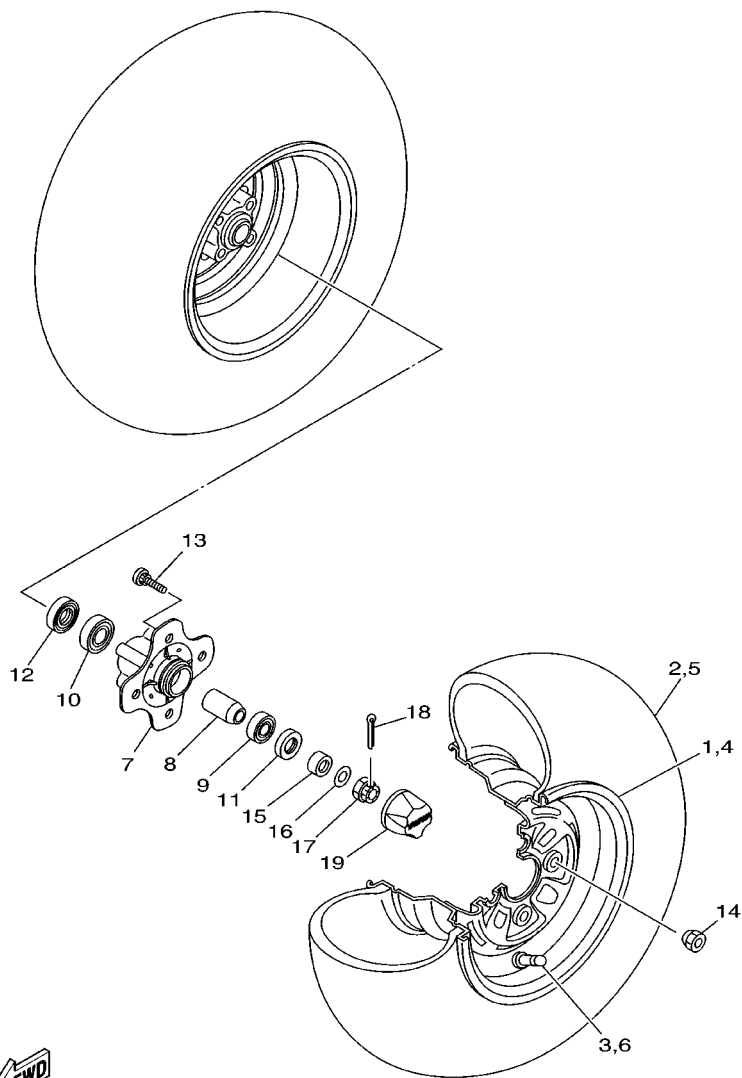
REF. NO.	PART NO.	DESCRIPTION	USA	CAN	FRA	GBR	OTH	REMARKS
1	4XE-F4710-00	SINGLE SEAT ASSY	1	1	1	1	1	(YMUS) UR FOR RTR, DNYS1,DPBSE
	4XE-F4710-10	SINGLE SEAT ASSY	1					(YMUS) UR FOR PDG
2	4XE-F4731-00	.COVER, SEAT	1	1	1	1	1	(YMUS) UR FOR RTR, DNYS1,DPBSE
	4XE-F4731-10	.COVER, SEAT	1					(YMUS) UR FOR PDG
3	4XE-F4789-00	.RIVET	1	1	1	1	1	(YMUS)
4	4XE-F478V-00	.SPRING, TORSION	1	1	1	1	1	(YMUS)
5	4XE-F4747-00	.DAMPER, SEAT	2	2	2	2	2	(YMUS)
6	4XE-F4775-00	.BRACKET, SEAT LEVER	1	1	1	1	1	(YMUS)
7	4XE-F4776-00	.LEVER, SEAT	1	1	1	1	1	(YMUS)



4XE1110-9300

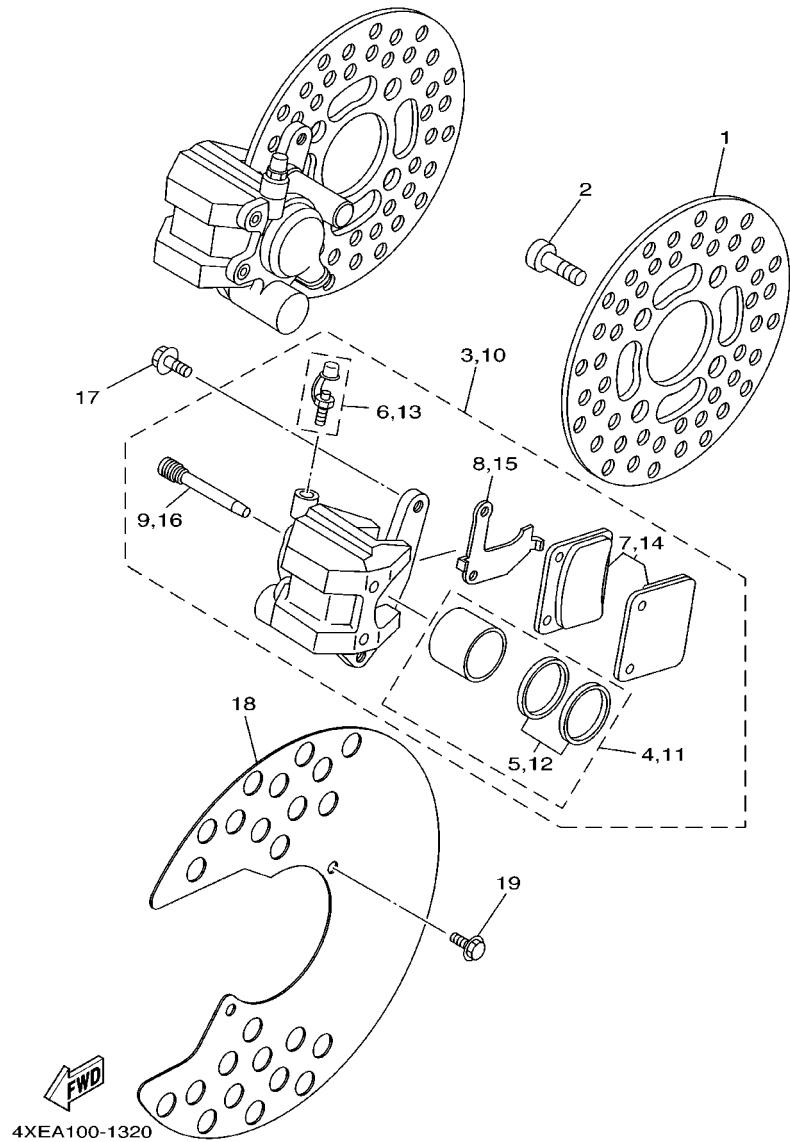
FIG. 31 FRONT WHEEL

REF. NO.	PART NO.	DESCRIPTION	USA	CAN	FRA	GBR	OTH	REMARKS
1	4XE-F5180-11	WHEEL COMP.	1	1	1	1	1	(YMUS)
2	94107-108S8	TIRE(AT 22X7-10)	1	1	1	1	1	UR CARLISLE
	94107-108X6	TIRE (AT 22X7-10, KT701-T/L)	1	1	1	1	1	UR DUNLOP
	94107-10800	TIRE (AT 22X 7-10, M-905)	1	1	1	1	1	UR CHENG SHIN
3	93900-00810	VALVE, RIM	1	1	1	1	1	
<hr/>								
4	4XE-F5180-10	WHEEL COMP.	1	1	1	1	1	(YMUS)
5	94107-108S8	TIRE(AT 22X7-10)	1	1	1	1	1	UR CARLISLE
	94107-108X6	TIRE (AT 22X7-10, KT701-T/L)	1	1	1	1	1	UR DUNLOP
	94107-10800	TIRE (AT 22X 7-10, M-905)	1	1	1	1	1	UR CHENG SHIN
6	93900-00810	VALVE, RIM	1	1	1	1	1	
<hr/>								
7	4XE-F5111-10	HUB, FRONT	1	1	1	1	1	(YMUS)
8	1UY-25117-00	SPACER, BEARING	1	1	1	1	1	
9	93306-004YF	BEARING	1	1	1	1	1	(YMUS)
10	93306-202YM	BEARING	1	1	1	1	1	(YMUS)
11	93102-22216	OIL SEAL	1	1	1	1	1	
<hr/>								
12	93105-26026	OIL SEAL	1	1	1	1	1	
13	90114-10804	BOLT, SERRATION	4	4	4	4	4	(YMUS)
14	90179-10540	NUT	8	8	8	8	8	
15	90387-150R1	COLLAR	2	2	2	2	2	
16	90201-148R0	WASHER, PLATE	2	2	2	2	2	(YMUS)
<hr/>								
17	90171-14817	NUT, CASTLE	2	2	2	2	2	(YMUS)
18	91401-30025	PIN, COTTER	2	2	2	2	2	
19	52H-2512A-00	CAP, WHEEL	2	2	2	2	2	
<hr/>								



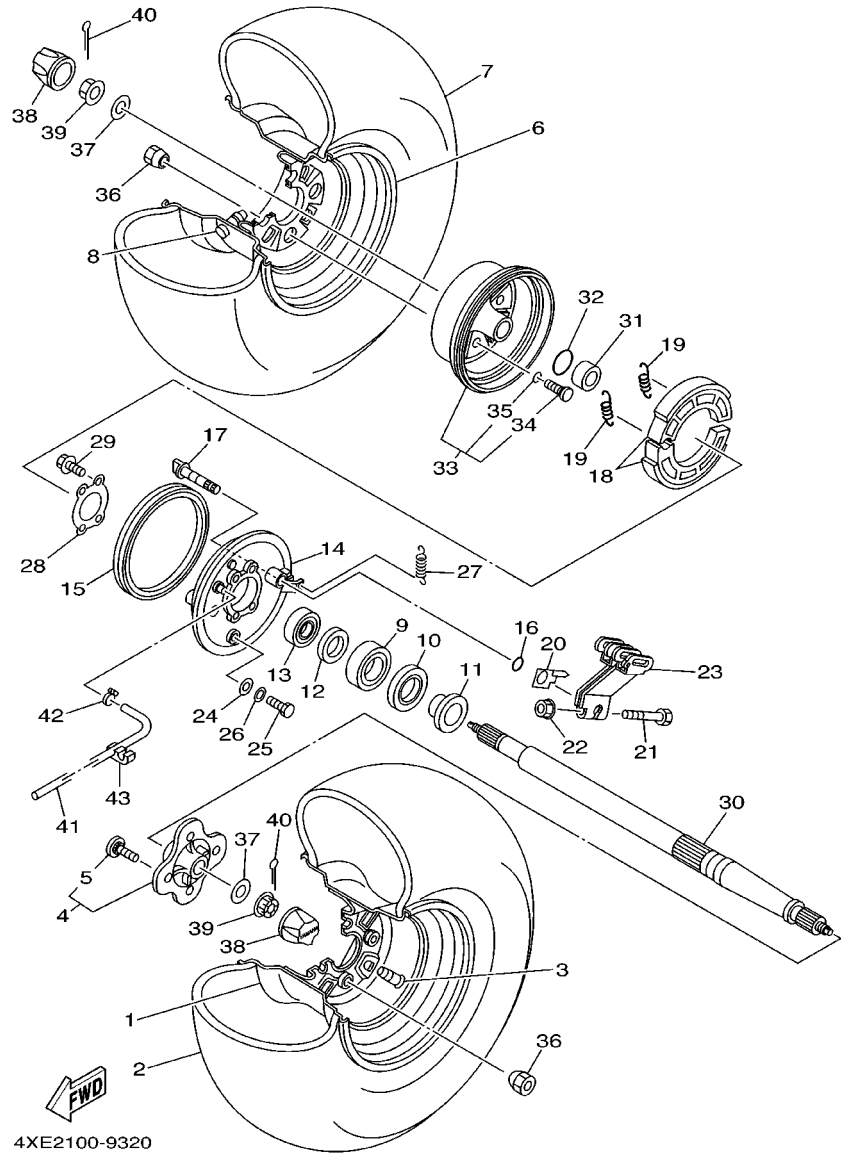
4XEA100-1310

FIG. 32 FRONT BRAKE CALIPER



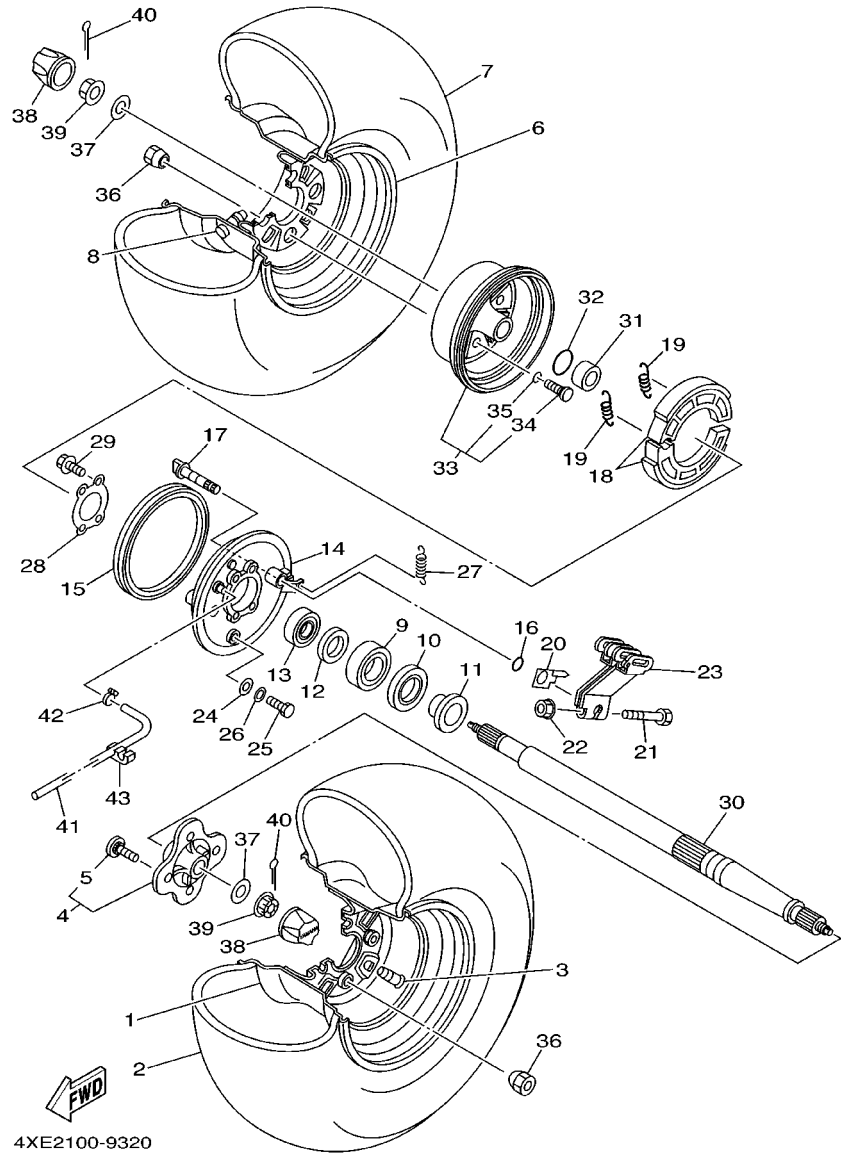
REF. NO.	PART NO.	DESCRIPTION	USA	CAN	FRA	GBR	OTH	REMARKS
1	4XE-F582T-00	DISC, BRAKE	2	2	2	2	2	(YMUS)
2	90149-08268	SCREW	8	8	8	8	8	
3	3GD-2580T-00	CALIPER ASSY (LEFT)	1	1	1	1	1	
4	3GD-W0057-00	.PISTON ASSY, CALIPER	1	1	1	1	1	
5	3GD-W0047-00	..CALIPER SEAL KIT	1	1	1	1	1	
6	1UY-W0048-50	.BLEED SCREW KIT	1	1	1	1	1	
7	3GD-W0045-00	.BRAKE PAD KIT	1	1	1	1	1	
8	3GD-25827-00	.SHIM, CALIPER	1	1	1	1	1	
9	3GD-25933-00	.PIN, PAD	2	2	2	2	2	
10	3GD-2580U-00	CALIPER ASSY (RIGHT)	1	1	1	1	1	
11	3GD-W0057-00	.PISTON ASSY, CALIPER	1	1	1	1	1	
12	3GD-W0047-00	..CALIPER SEAL KIT	1	1	1	1	1	
13	1UY-W0048-50	.BLEED SCREW KIT	1	1	1	1	1	
14	3GD-W0045-00	.BRAKE PAD KIT	1	1	1	1	1	
15	3GD-25828-00	.SHIM, CALIPER	1	1	1	1	1	
16	3GD-25933-00	.PIN, PAD	2	2	2	2	2	
17	90105-088B2	BOLT, WASHER BASED	4	4	4	4	4	(YMUS)
18	4XE-F514A-00	RING, WHEEL 1 (LEFT)	2	2	2	2	2	(YMUS)
19	9582P-06012	BOLT, FLANGE	4	4	4	4	4	(YMUS)

FIG. 33 REAR WHEEL



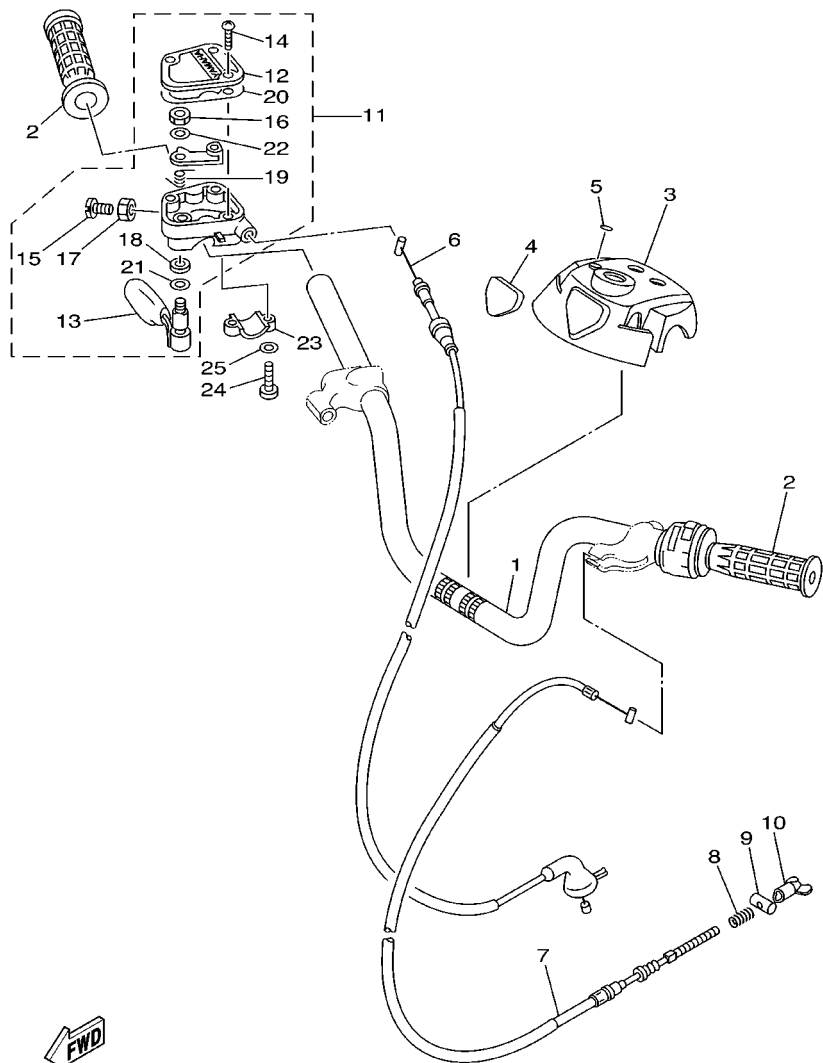
REF. NO.	PART NO.	DESCRIPTION	USA	CAN	FRA	GBR	OTH	REMARKS
1	4XE-F5390-01	REAR WHEEL COMP.	1	1	1	1	1	(YMUS)
2	94110-108S9	TIRE (AT 22X10-10)	1	1	1	1	1	UR CARLISLE
	94110-108X7	TIRE (AT 22X10-10, KT705-T/L)	1	1	1	1	1	UR DUNLOP
	94110-10800	TIRE (AT 22X10-10, M-906)	1	1	1	1	1	UR CHENG SHIN
3	93900-00810	VALVE, RIM	1	1	1	1	1	
4	2HR-25383-01	COLLAR, WHEEL	1	1	1	1	1	
5	90114-10010	BOLT, SERRATION	4	4	4	4	4	
6	4XE-F5390-01	REAR WHEEL COMP.	1	1	1	1	1	(YMUS)
7	94110-108S9	TIRE (AT 22X10-10)	1	1	1	1	1	UR CARLISLE
	94110-108X7	TIRE (AT 22X10-10, KT705-T/L)	1	1	1	1	1	UR DUNLOP
	94110-10800	TIRE (AT 22X10-10, M-906)	1	1	1	1	1	UR CHENG SHIN
8	93900-00810	VALVE, RIM	1	1	1	1	1	
9	93306-008Y0	BEARING	1	1	1	1	1	(YMUS)
10	93106-47040	OIL SEAL	1	1	1	1	1	
11	4SH-25367-01	COVER, HUB DUST	1	1	1	1	1	
12	93101-35097	OIL SEAL	1	1	1	1	1	
13	93306-278Y0	BEARING	1	1	1	1	1	(YMUS)
14	4XE-F5321-00	PLATE, BRAKE SHOE	1	1	1	1	1	(YMUS)
15	4XE-F5129-00	SEAL, PLATE DUST	1	1	1	1	1	(YMUS)
16	4XE-F5816-00	SEAL, DUST	1	1	1	1	1	(YMUS)
17	4XE-F5351-00	CAMSHAFT	1	1	1	1	1	(YMUS)
18	4XE-WF531-00	BRAKE SHOE SET	1	1	1	1	1	(YMUS)
19	4XE-F5133-00	SPRING, RETURN	2	2	2	2	2	(YMUS)
20	4XE-F513A-00	PLATE, INDICATOR	1	1	1	1	1	(YMUS)
21	4XE-F5833-00	BOLT, FITTING	1	1	1	1	1	(YMUS)
22	9570L-06500	NUT, FLANGE	1	1	1	1	1	(YMUS)
23	4XE-F5355-00	LEVER, CAMSHAFT	1	1	1	1	1	(YMUS)

FIG. 33 REAR WHEEL



REF. NO.	PART NO.	DESCRIPTION	USA	CAN	FRA	GBR	OTH	REMARKS
24	4XE-F5898-00	GASKET	1	1	1	1	1	(YMUS)
25	4XE-F5818-00	BOLT, CALIPER	1	1	1	1	1	(YMUS)
26	4XE-F5153-00	SHIM, CAMSHAFT	1	1	1	1	1	(YMUS)
27	90506-12403	SPRING, TENSION	1	1	1	1	1	
28	4XE-G6513-00	RETAINER	1	1	1	1	1	(YMUS)
29	90105-08892	BOLT, WASHER BASED	4	4	4	4	4	(YMUS)
30	4XE-F5381-00	AXLE, WHEEL	1	1	1	1	1	(YMUS)
31	90387-284T0	COLLAR	1	1	1	1	1	
32	93210-26606	O-RING	1	1	1	1	1	
33	4XE-F5310-00	HUB ASSY	1	1	1	1	1	(YMUS)
34	90114-10802	BOLT, SERRATION	4	4	4	4	4	(YMUS)
35	93210-12131	O-RING	4	4	4	4	4	
36	90179-10540	NUT	8	8	8	8	8	
37	90201-168R1	WASHER, PLATE	2	2	2	2	2	(YMUS)
38	52H-2512A-00	CAP, WHEEL	2	2	2	2	2	
39	90171-16048	NUT, CASTLE	2	2	2	2	2	
40	91401-30030	PIN, COTTER	2	2	2	2	2	
41	90445-07800	HOSE	1	1	1	1	1	(YMUS)
42	90467-07093	CLIP	1	1	1	1	1	
43	90468-15020	CLIP	2	2	2	2	2	

FIG. 34 STEERING HANDLE. CABLE

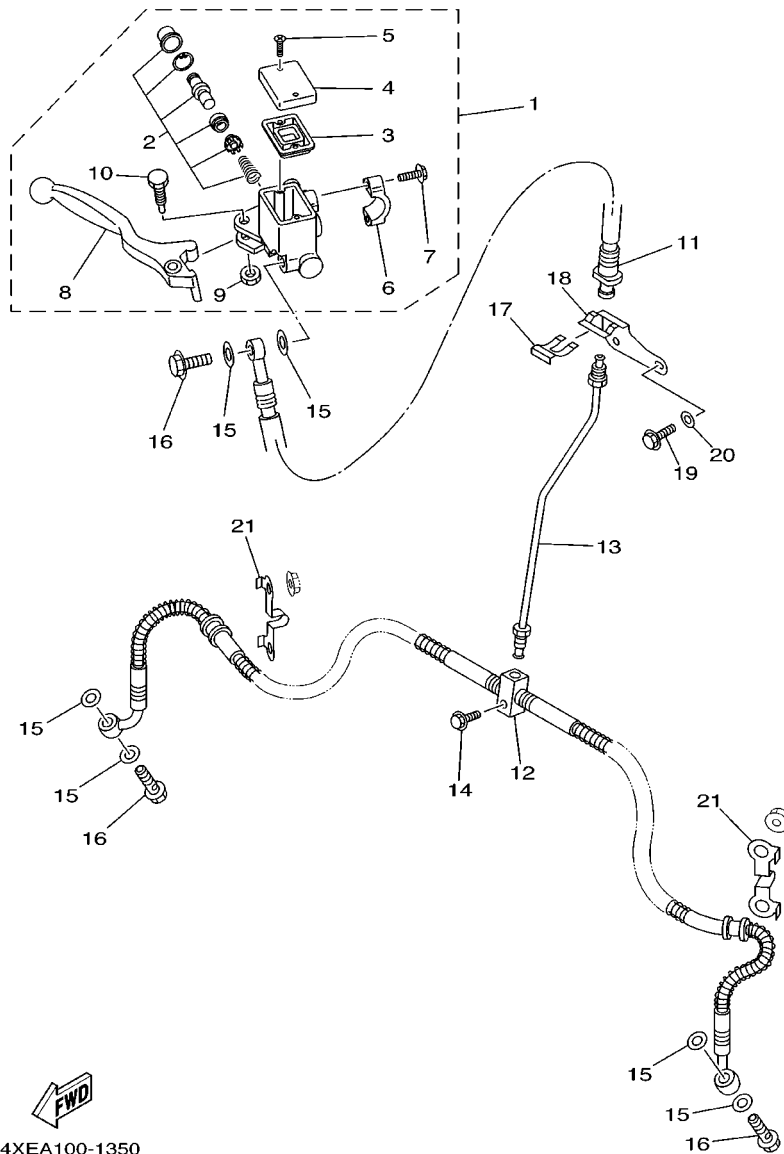


4XEA100-1340

REF. NO.	PART NO.	DESCRIPTION	USA	CAN	FRA	GBR	OTH	REMARKS
1	4XE-F6111-00	HANDLEBAR	1	1	1	1	1	(YMUS)
2	3GB-26241-00	GRIP (LEFT)	2	2	2	2	2	
3	4XE-F6124-10	PROTECTOR, HANDLEBAR	1	1	1	1	1	(YMUS)
4	5FU-F6232-00	EMBLEM 3D	1	1	1	1	1	(YMUS)
5	5GT-2836B-00	TUNING FORK MARK	1	1	1	1	1	
6	4KB-26311-11	CABLE, THROTTLE 1	1	1	1	1	1	
7	4XE-26341-00	CABLE, BRAKE	1	1	1	1	1	
8	90501-10782	SPRING, COMPRESSION	1	1	1	1	1	
9	90249-12008	PIN	1	1	1	1	1	
10	20E-26343-00	NUT, ADJUSTING	1	1	1	1	1	
11	4KB-26250-00	THROTTLE LEVER ASSY	1	1	1	1	1	
12	4KB-2628F-00	.CAP, GEAR	1	1	1	1	1	
13	1NV-2625G-01	.LEVER, THROTTLE	1	1	1	1	1	
14	90149-04278	.SCREW	3	3	3	3	3	
15	98507-05020	.SCREW, PAN HEAD	1	1	1	1	1	
16	95607-05100	.NUT, U	1	1	1	1	1	
17	95307-05700	.NUT	1	1	1	1	1	
18	93104-09025	.OIL SEAL	1	1	1	1	1	
19	1NV-26304-00	.SPRING	1	1	1	1	1	
20	4KB-2628G-00	.GASKET	1	1	1	1	1	
21	1NV-26129-00	.WASHER	1	1	1	1	1	
22	1NV-26398-00	.WASHER	1	1	1	1	1	
23	4V4-82913-00	HOLDER, LEVER LOWER 1	1	1	1	1	1	
24	98507-05020	SCREW, PAN HEAD	2	2	2	2	2	
25	92907-05600	WASHER, PLATE	2	2	2	2	2	



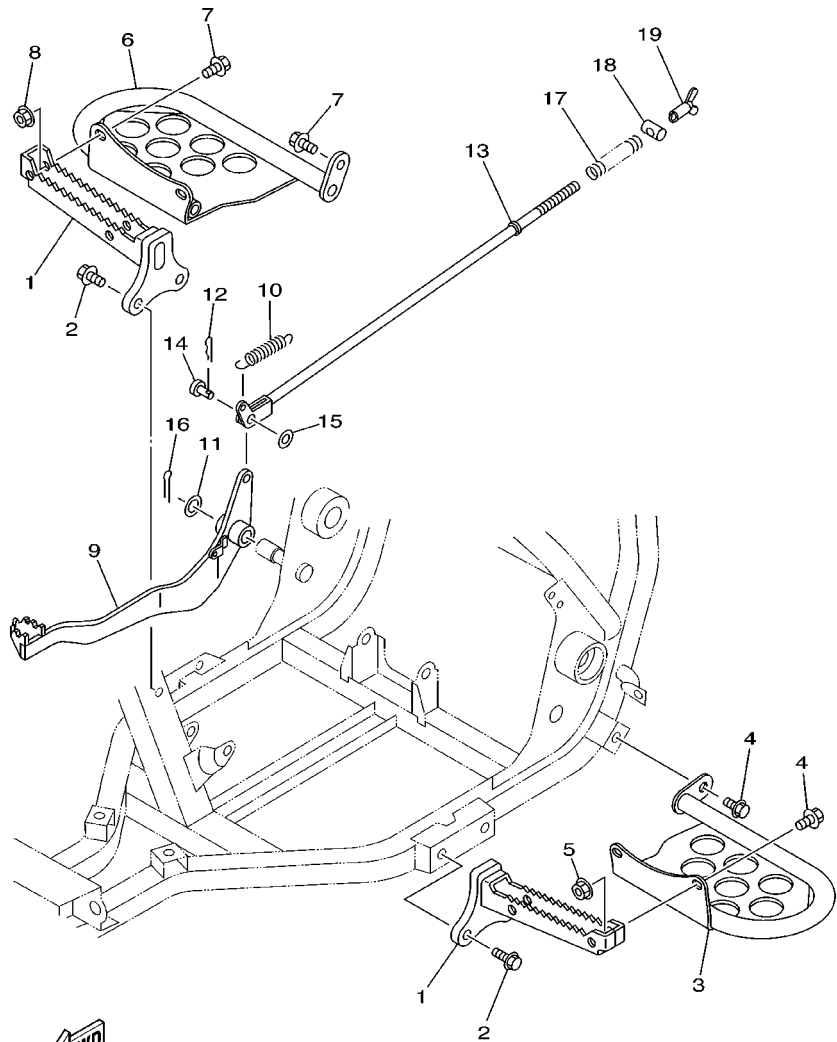
FIG. 35 FRONT MASTER CYLINDER



4XEA100-1350

REF. NO.	PART NO.	DESCRIPTION	USA	CAN	FRA	GBR	OTH	REMARKS
1	5GH-2583T-00	MASTER CYLINDER ASSY	1		1	1	1	
	5GH-2583T-20	MASTER CYLINDER ASSY		1				
2	5GH-W0041-00	.CYLINDER KIT, MASTER	1	1	1	1	1	
3	55U-25854-00	.DIAPHRAGM, RESERVOIR	1	1	1	1	1	
4	8CR-25852-00	.CAP, RESERVOIR	1	1	1	1	1	
5	98706-04012	.SCREW, FLAT HEAD	2	2	2	2	2	
6	5GH-25867-00	.BRACKET, MASTER CYLINDER	1	1	1	1	1	
7	5EB-26332-00	.BOLT	2	2	2	2	2	
8	5GH-83922-00	.LEVER 2	1	1	1	1	1	
9	95606-06100	.NUT, U	1	1	1	1	1	
10	5GH-2589F-00	.BOLT, LEVER	1	1	1	1	1	
11	4XE-F5872-00	HOSE, BRAKE 1	1	1	1	1	1	(YMUS)
12	4XE-F5873-00	HOSE, BRAKE 2	1	1	1	1	1	(YMUS)
13	4XE-F5871-00	PIPE, BRAKE	1	1	1	1	1	(YMUS)
14	95807-06025	BOLT, FLANGE	1	1	1	1	1	
15	90201-10118	WASHER, PLATE	6	6	6	6	6	
16	90401-10159	BOLT, UNION	3	3	3	3	3	
17	2GU-25866-00	CIRCLIP	1	1	1	1	1	
18	4XE-F612K-00	BRACKET 2	1	1	1	1	1	(YMUS)
19	97007-05016	BOLT	2	2	2	2	2	
20	92907-05600	WASHER, PLATE	2	2	2	2	2	
21	4XE-F587A-00	HOLDER, BREAK HOSE	2	2	2	2	2	(YMUS)

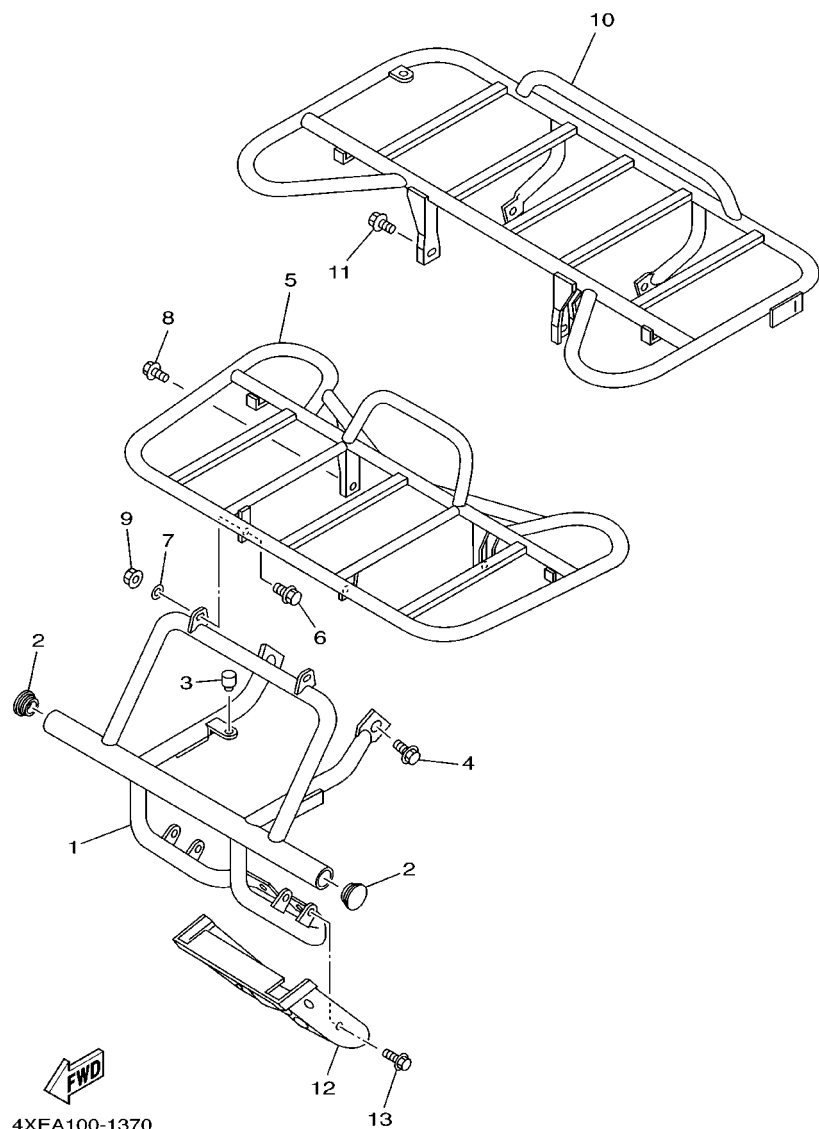
FIG. 36 STAND. FOOTREST



**FWD**  
4XE1110-9340

REF. NO.	PART NO.	DESCRIPTION	USA	CAN	FRA	GBR	OTH	REMARKS
1	4XE-F7411-00	FOOTREST 1	2	2	2	2	2	(YMUS)
2	9581P-10022	BOLT, FLANGE	4	4	4	4	4	(YMUS)
3	4XE-F7445-00	PLATE 1	1	1	1	1	1	(YMUS)
4	9581P-08016	BOLT, FLANGE	3	3	3	3	3	(YMUS)
5	95707-08500	NUT, FLANGE	2	2	2	2	2	
6	4XE-F7446-00	PLATE 2	1	1	1	1	1	(YMUS)
7	9581P-08016	BOLT, FLANGE	3	3	3	3	3	(YMUS)
8	95707-08500	NUT, FLANGE	2	2	2	2	2	
9	4XE-F7211-00	PEDAL, BRAKE	1	1	1	1	1	(YMUS)
10	90506-18224	SPRING, TENSION	1	1	1	1	1	
11	90201-15797	WASHER, PLATE	1	1	1	1	1	
12	91401-40030	PIN, COTTER	1	1	1	1	1	
13	4XE-27231-00	ROD, BRAKE	1	1	1	1	1	
14	90240-06076	PIN, CLEVIS	1	1	1	1	1	
15	92907-06200	WASHER	1	1	1	1	1	
16	91401-20012	PIN, COTTER	1	1	1	1	1	
17	90501-10245	SPRING, COMPRESSION	1	1	1	1	1	
18	90249-12008	PIN	1	1	1	1	1	
19	20E-26343-00	NUT, ADJUSTING	1	1	1	1	1	

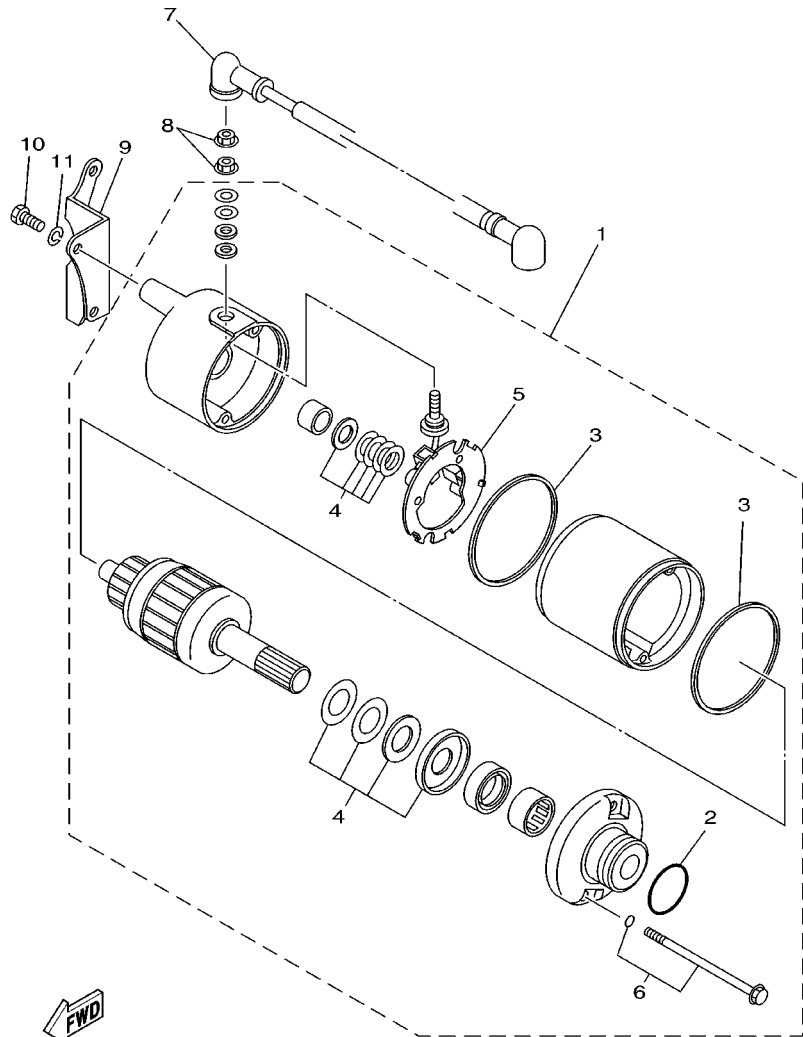
FIG. 37 GUARD



REF. NO.	PART NO.	DESCRIPTION	USA	CAN	FRA	GBR	OTH	REMARKS
1	4XE-F845N-20	BAR, CARRY FRONT	1	1	1	1	1	(YMUS)
2	4XE-F8415-00	DAMPER 1	2	2	2	2	2	(YMUS)
3	109-27114-00	STOPPER, MAIN STAND	1	1	1	1	1	
4	9581P-08016	BOLT, FLANGE	4	4	4	4	4	(YMUS)
5	4XE-F4841-00	CARRIER, FRONT	1	1				(YMUS)
	4XE-F4841-10	CARRIER, FRONT			1	1	1	(YMUS)
6	9582P-06016	BOLT, FLANGE	2	2	2	2	2	(YMUS)
7	90201-068R3	WASHER, PLATE	2	2	2	2	2	(YMUS)
8	9581P-08016	BOLT, FLANGE	2	2	2	2	2	(YMUS)
9	95707-06500	NUT, FLANGE	2	2	2	2	2	
10	4XE-F4842-10	CARRIER, REAR	1	1	1	1	1	(YMUS)
11	90105-08816	BOLT, WASHER BASED	4	4	4	4	4	(YMUS)
12	4XE-F842M-00	COVER 1	1	1	1	1	1	(YMUS)
13	90119-06194	BOLT, WITH WASHER	4	4	4	4	4	



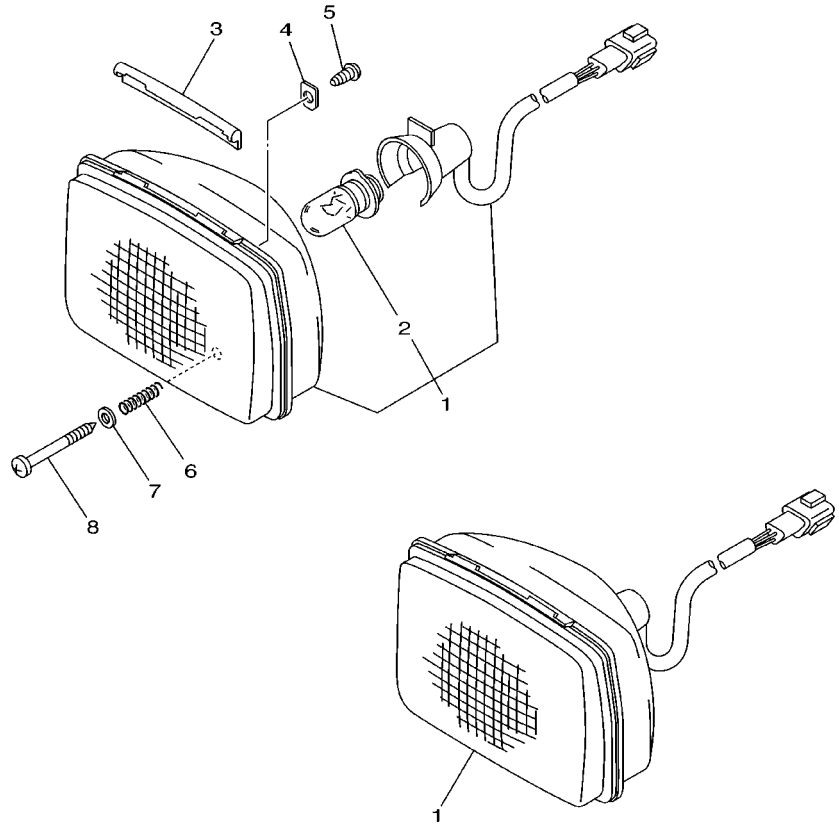
FIG. 39 STARTING MOTOR



4XE5100-0370

REF. NO.	PART NO.	DESCRIPTION	USA	CAN	FRA	GBR	OTH	REMARKS
1	4XE-81890-00	MOTOR ASSY	1	1	1	1	1	
2	1FK-81847-00	.O-RING	1	1	1	1	1	
3	4WP-81844-00	.GASKET	2	2	2	2	2	
4	3KS-81809-00	.WASHER KIT	1	1	1	1	1	
5	4WP-81801-00	.BRUSH SET	2	2	2	2	2	
6	4WP-81826-00	.BOLT	1	1	1	1	1	
7	4XE-81815-00	CORD, STARTER MOTOR	1	1	1	1	1	
8	4XE-8182A-00	NUT	1	1	1	1	1	
9	1EV-81823-00	STAY, STARTING MOTOR	1	1	1	1	1	
10	98507-06016	SCREW, PAN HEAD	2	2	2	2	2	
11	92907-06100	WASHER, SPRING	2	2	2	2	2	

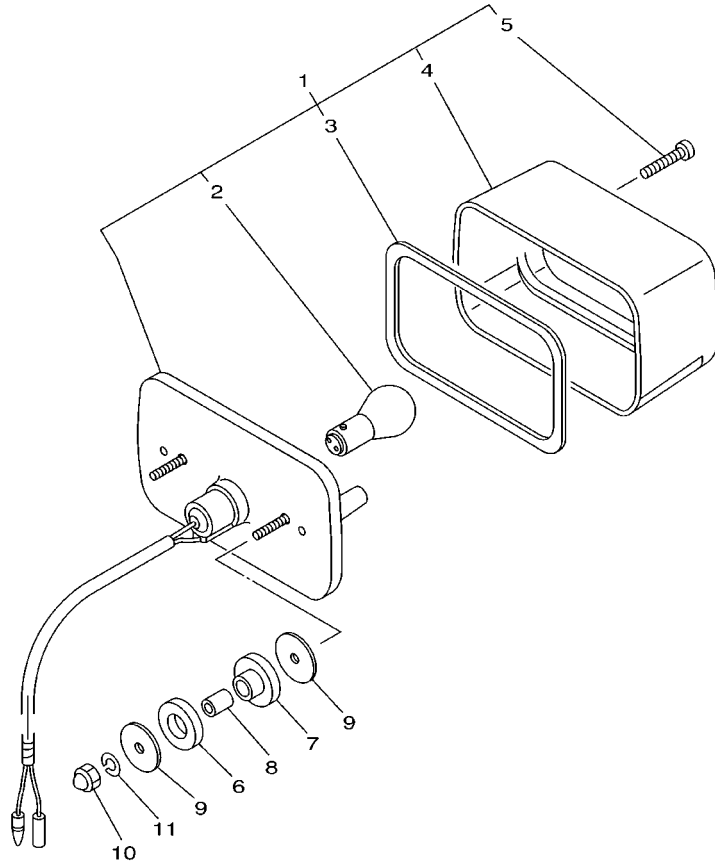
FIG. 40 HEADLIGHT



REF. NO.	PART NO.	DESCRIPTION	USA	CAN	FRA	GBR	OTH	REMARKS
1	2HR-84310-50	HEADLIGHT UNIT ASSY	2	2	2	2	2	
2	19G-84314-00	.BULB, HEADLIGHT (12V-25/25W)	1	1	1	1	1	
3	26A-84143-00	DAMPER, HEADLIGHT STAY	2	2	2	2	2	
4	26A-8411H-00	PLATE, STOPPER	4	4	4	4	4	
5	97707-40510	SCREW, TAPPING	4	4	4	4	4	
6	18A-84132-00	SPRING, SCREW	2	2	2	2	2	
7	92907-04600	WASHER	2	2	2	2	2	
8	18A-84131-00	SCREW, RIM ADJUSTER	2	2	2	2	2	
<hr/>								
<hr/>								
<hr/>								
<hr/>								
<hr/>								
<hr/>								
<hr/>								
<hr/>								
<hr/>								
<hr/>								

  
4XEA100-1400

FIG. 41 TAILLIGHT

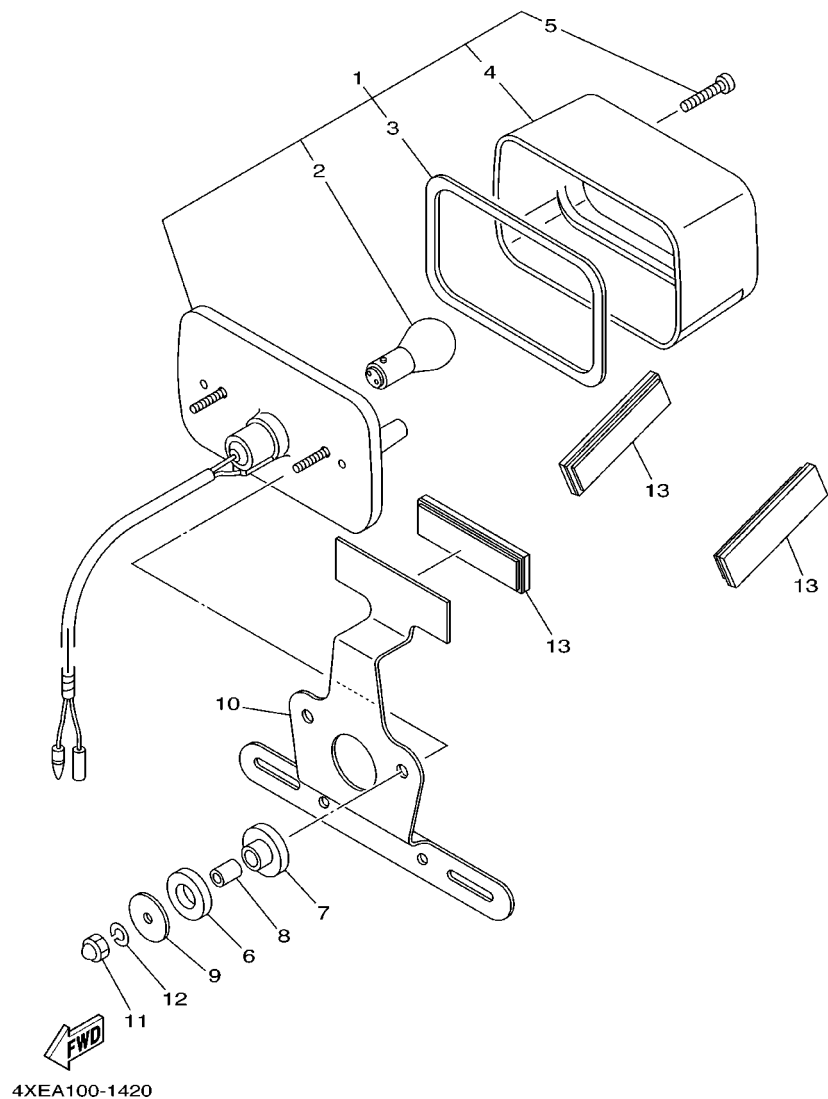


REF. NO.	PART NO.	DESCRIPTION	USA	CAN	FRA	GBR	OTH	REMARKS
1	4XE-84710-00	TAILLIGHT UNIT ASSY	1					
2	3GD-84714-00	.BULB (12V-7.5W)	1					
3	1K8-84523-00	.GASKET, LENS	1					
4	3L6-84521-00	.LENS, TAILLIGHT	1					
5	2E9-84524-00	.SCREW, LENS FITTING	2					
6	90202-14077	WASHER, PLATE	2					
7	90480-14088	GROMMET	2					
8	90560-07007	SPACER	2					
9	90201-06074	WASHER, PLATE	4					
10	95307-06800	NUT	2					
11	9290P-06100	WASHER	2					(YMUS)



4XE1110-9390

FIG. 42 TAILLIGHT 2

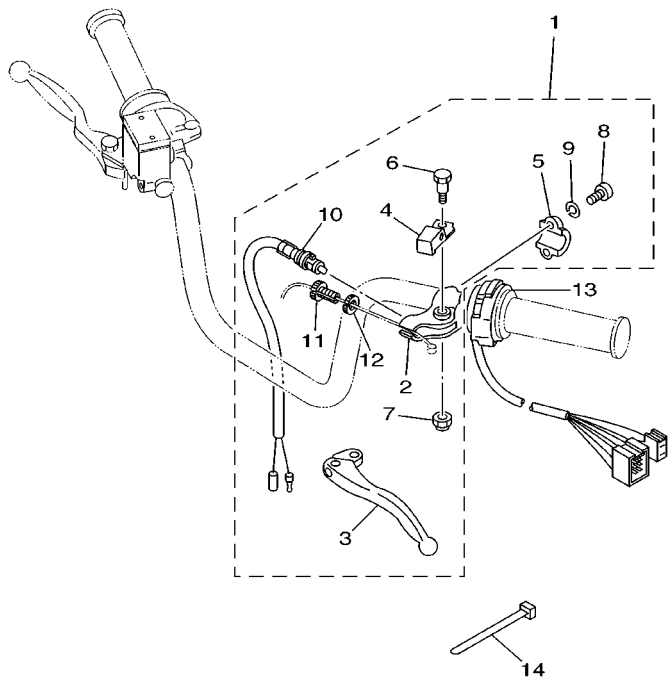


REF. NO.	PART NO.	DESCRIPTION	USA	CAN	FRA	GBR	OTH	REMARKS
1	4XE-84710-00	TAILLIGHT UNIT ASSY		1	1	1	1	
2	3GD-84714-00	.BULB (12V-7.5W)		1	1	1	1	
3	1K8-84523-00	.GASKET, LENS		1	1	1	1	
4	3L6-84521-00	.LENS, TAILLIGHT		1	1	1	1	
5	2E9-84524-00	.SCREW, LENS FITTING		2	2	2	2	
6	90202-14077	WASHER, PLATE		2	2	2	2	
7	90480-14088	GROMMET		2	2	2	2	
8	90560-07007	SPACER		2	2	2	2	
9	90201-06074	WASHER, PLATE		2	2	2	2	
10	4XE-H4702-00	BRACKET, TAILLIGHT		1	1	1	1	(YMUS)
11	95307-06800	NUT		2	2	2	2	
12	9290P-06100	WASHER		2	2	2	2	(YMUS)
13	4XE-H5130-00	REAR REFLECTOR ASSY		3	3	3		(YMUS)



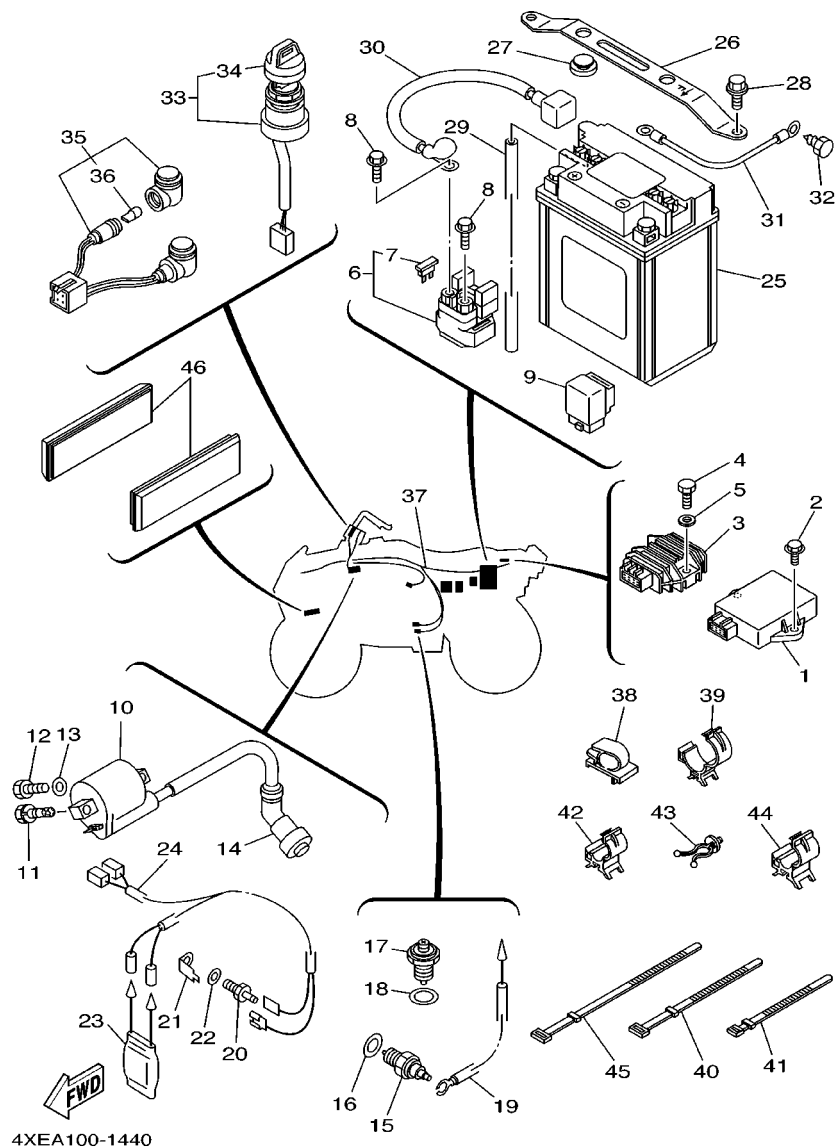
FIG. 43 HANDLE SWITCH. LEVER

REF. NO.	PART NO.	DESCRIPTION	USA	CAN	FRA	GBR	OTH	REMARKS
1	4BD-82910-01	LEVER HOLDER ASSY (LEFT)	1	1	1	1	1	
2	1YW-82911-01	.HOLDER, LEVER 1	1	1	1	1	1	
3	2HT-83912-00	.LEVER 1	1	1	1	1	1	
4	1YW-83965-00	.LEVER, LOCK	1	1	1	1	1	
5	2XJ-82913-00	.HOLDER, LEVER LOWER 1	1	1	1	1	1	
6	90109-06576	.BOLT	1	1	1	1	1	
7	95607-06100	.NUT, U	1	1	1	1	1	
8	98507-06020	.SCREW, PAN HEAD	2	2	2	2	2	
9	92907-06100	.WASHER, SPRING	2	2	2	2	2	
10	4BD-83980-00	.FRONT STOP SWITCH ASSY	1	1	1	1	1	
11	90123-08046	.BOLT	1	1	1	1	1	
12	90179-08148	.NUT	1	1	1	1	1	
13	4XE-83973-00	SWITCH, HANDLE 3	1	1	1	1	1	
14	437-83936-01	BAND, SWITCH CORD	3	3	3	3	3	



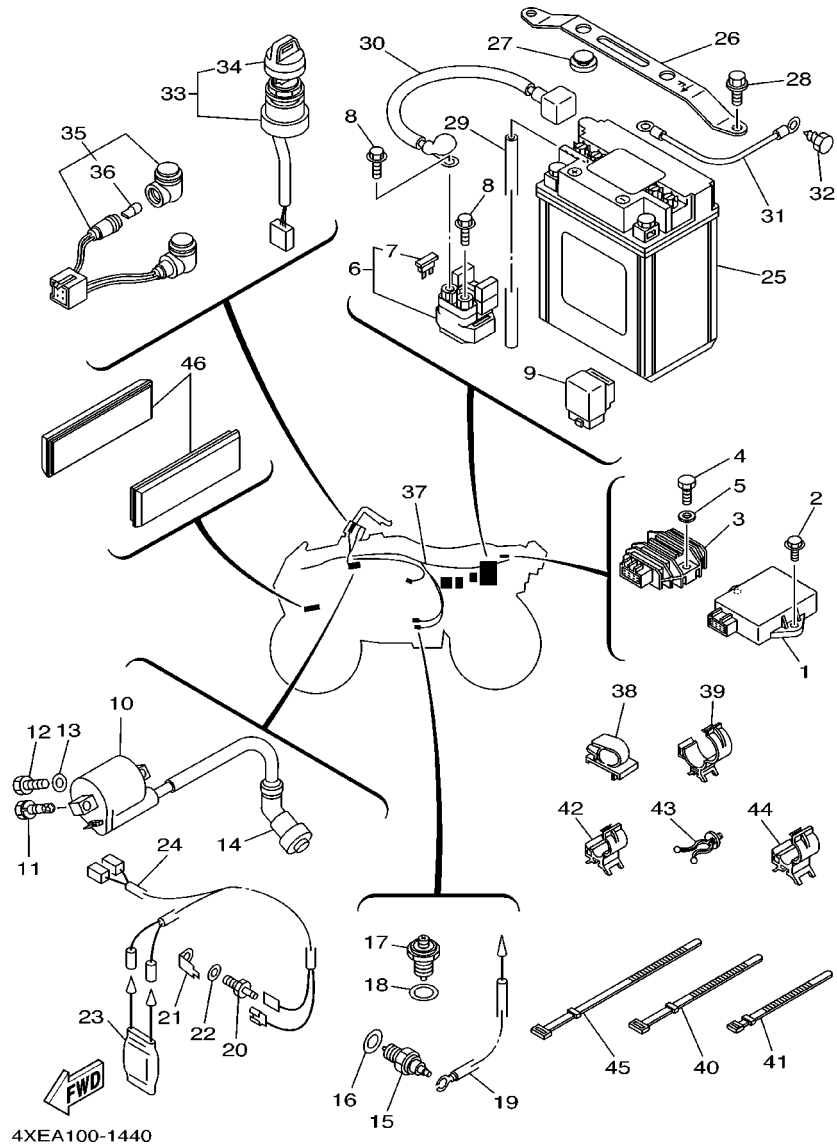
4XE100-1430

FIG. 44 ELECTRICAL 1



REF. NO.	PART NO.	DESCRIPTION	USA	CAN	FRA	GBR	OTH	REMARKS
1	4XE-85540-00	C.D.I. UNIT ASSY	1	1	1	1	1	
2	95807-06016	BOLT, FLANGE	2	2	2	2	2	
3	5GT-81960-00	RECTIFIER & REGULATOR ASSY	1	1	1	1	1	
4	97007-06020	BOLT	2	2	2	2	2	
5	92907-06600	WASHER, PLATE	2	2	2	2	2	
6	4XE-81940-00	STARTER RELAY ASSY	1	1	1	1	1	
7	2GH-82151-00	.FUSE (20A-BL)	2	2	2	2	2	
8	9502P-06008	BOLT, FLANGE	2	2	2	2	2	(YMUS)
9	1RL-81950-92	RELAY ASSY	1	1	1	1	1	
10	4KJ-82310-10	IGNITION COIL ASSY	1	1	1	1	1	
11	90109-06873	BOLT	1	1	1	1	1	(YMUS)
12	97007-06020	BOLT	1	1	1	1	1	
13	92907-06600	WASHER, PLATE	1	1	1	1	1	
14	1UY-82370-20	PLUG CAP ASSY	1	1	1	1	1	
15	3GB-82540-01	NEUTRAL SWITCH ASSY	1	1	1	1	1	
16	90430-10148	GASKET	1	1	1	1	1	
17	4KD-82540-00	NEUTRAL SWITCH ASSY	1	1	1	1	1	
18	90201-12790	WASHER, PLATE	1	1	1	1	1	
19	4BD-82507-00	WIRE, LEAD	1	1	1	1	1	
20	3AB-83790-00	HEATER ASSY			1	1	1	AP
21	3BT-82103-00	TERMINAL 1			1	1	1	AP
22	90201-085R5	WASHER, PLATE			1	1	1	AP
23	1AJ-82560-01	THERMO SWITCH ASSY			1	1	1	AP
24	4KD-82509-00	WIRE, SUB LEAD			1	1	1	AP
25	4XE-H2100-10	BATTERY ASSY(YB 14A-A2)	1	1	1	1	1	(YMUS)
26	4XE-H2128-00	BRACKET, BATTERY	1	1	1	1	1	(YMUS)
27	128-27114-00	STOPPER, MAIN STAND	2	2	2	2	2	

FIG. 44 ELECTRICAL 1



REF. NO.	PART NO.	DESCRIPTION	USA	CAN	FRA	GBR	OTH	REMARKS
28	95807-06020	BOLT, FLANGE	2	2	2	2	2	
29	4XE-H2112-00	PIPE, BREATHER	1	1	1	1	1	(YMUS)
30	4XE-82115-00	WIRE, PLUS LEAD	1	1	1	1	1	
31	4XE-82116-00	WIRE, MINUS LEAD	1	1	1	1	1	
32	9770P-60416	SCREW, TAPPING	1	1	1	1	1	(YMUS)
33	4BD-82510-11	MAIN SWITCH ASSY	1	1	1	1	1	
34	3HN-82579-00	.CAP, KEY	1	1	1	1	1	
35	4XE-83530-00	PILOT LIGHT ASSY	1	1	1	1	1	
36	5GH-83516-00	.BULB (14V-1.7W)	2	2	2	2	2	
37	4XE-82590-20	WIRE HARNESS ASSY	1	1				
	4XE-82590-30	WIRE HARNESS ASSY				1	1	1
38	90464-13831	CLAMP	1	1	1	1	1	(YMUS)
39	90464-20835	CLAMP	4	4	4	4	4	(YMUS)
40	90464-48837	CLAMP	2	2	2	2	2	(YMUS)
41	3TB-83936-00	BAND, SWITCH CORD	1	1	1	1	1	
42	90464-08834	CLAMP	4	4	4	4	4	(YMUS)
43	90464-12836	CLAMP	1	1	1	1	1	(YMUS)
44	90464-10842	CLAMP	4	4	4	4	4	(YMUS)
45	90464-40825	CLAMP	1	1	1	1	1	(YMUS)
46	4XE-H5111-00	REFLECTOR, FRONT 1	2	2	2			(YMUS)

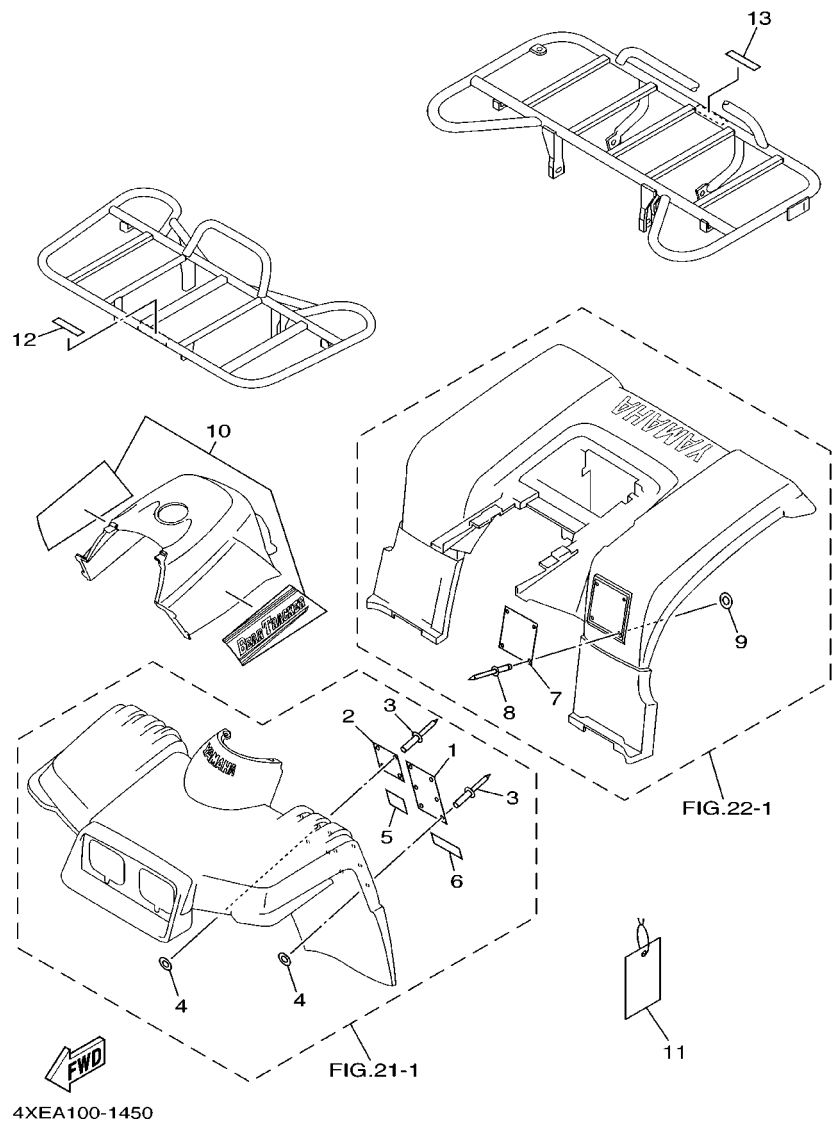
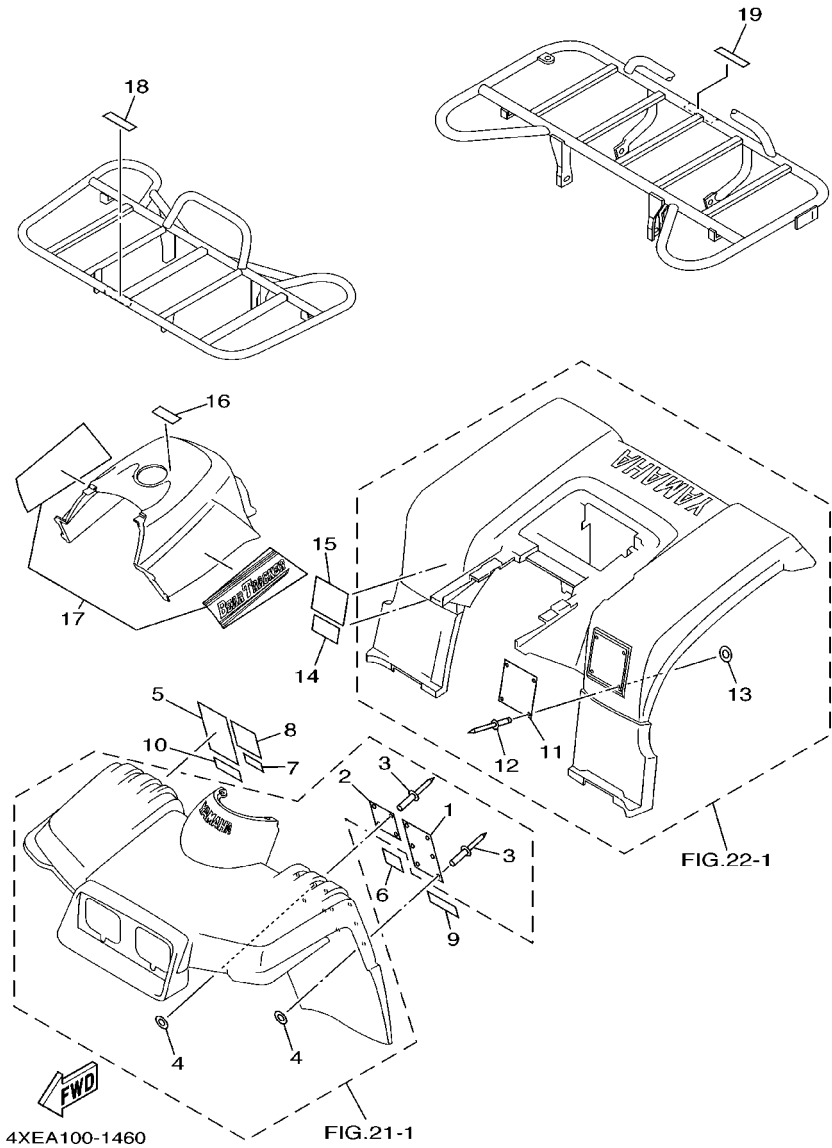


FIG. 45 EMBLEM.LABEL 1

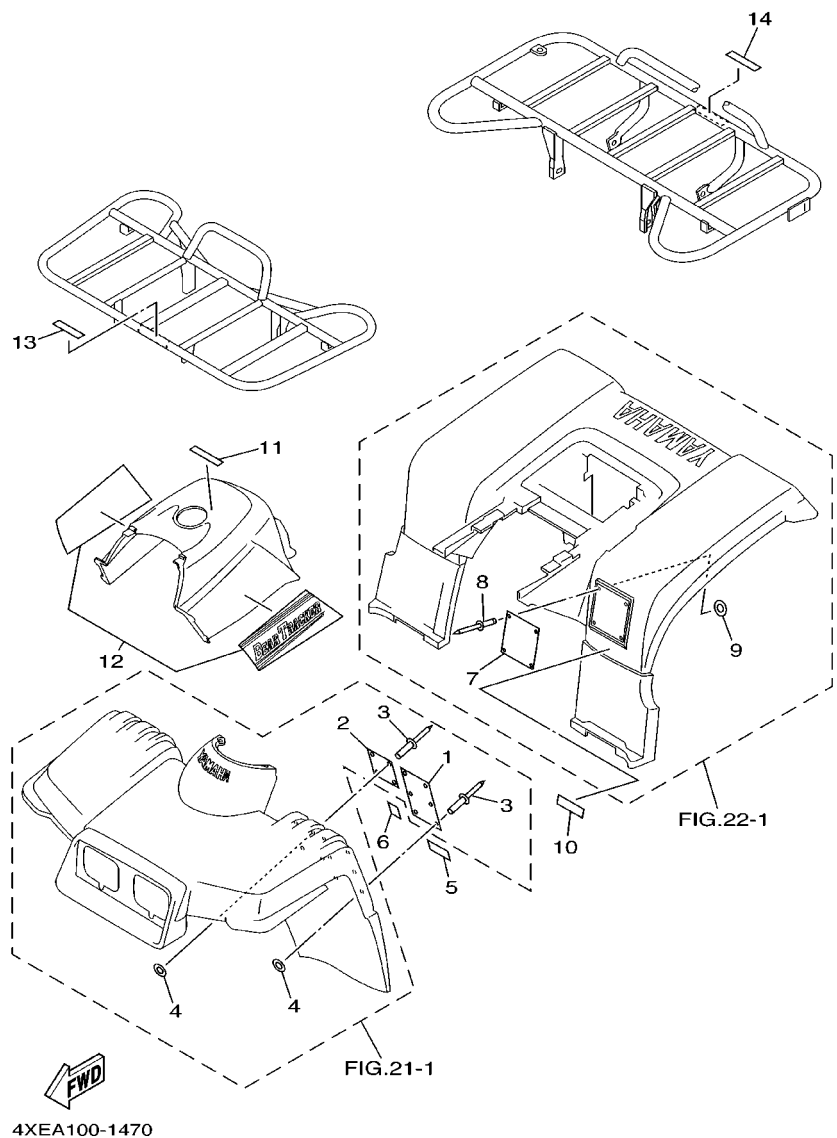
REF. NO.	PART NO.	DESCRIPTION	USA	CAN	FRA	GBR	OTH	REMARKS
1	4XE-F1568-00	LABEL, WARNING	1					(YMUS)
2	4XE-F415A-00	LABEL, CAUTION	1					(YMUS)
3	4XE-F1539-00	RIVET	10					(YMUS)
4	4XE-F1549-00	WASHER, FENDER MOLD	10					(YMUS)
5	4XE-F1578-00	EMBLEM	1					(YMUS)
6	4XE-F151E-00	LABEL 2	1					(YMUS) IN ENGLISH
7	4XE-F1696-00	LABEL, CAUTION	1					(YMUS)
8	4XE-F1539-00	RIVET	4					(YMUS)
9	4XE-F1549-00	WASHER, FENDER MOLD	4					(YMUS)
10	4XE-F173G-70	EMBLEM SET 1	1					(YMUS) UR FOR RTR
	4XE-F173G-80	EMBLEM SET 1	1					(YMUS) UR FOR PDG
	4XE-F173G-90	EMBLEM SET 1	1					(YMUS) UR FOR DNYS1
11	4XE-F819R-00	TAG, WARNING	1					(YMUS)
12	4XE-F4877-00	LABEL, CAUTION	1					(YMUS)
13	4XE-F4897-00	EMBLEM	1					(YMUS)

FIG. 46 EMBLEM.LABEL 2



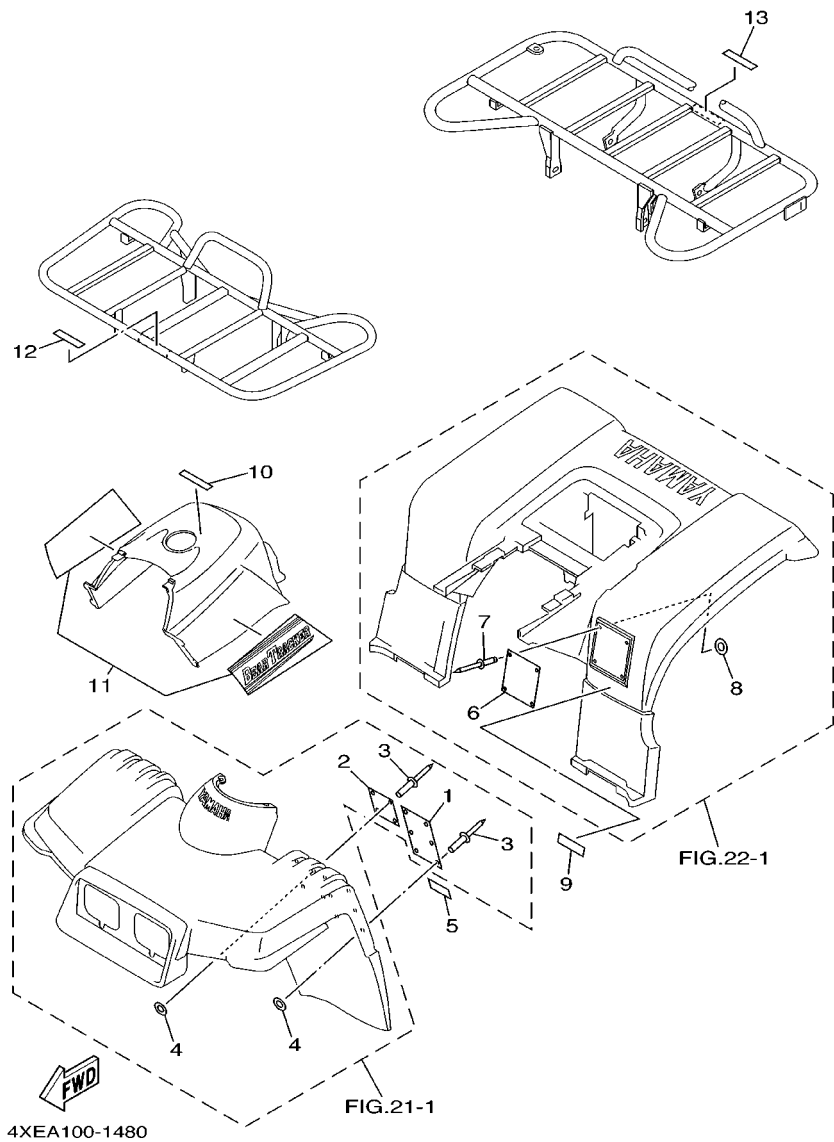
REF. NO.	PART NO.	DESCRIPTION	USA	CAN	FRA	GBR	OTH	REMARKS
1	4XE-F1568-00	LABEL, WARNING		1				(YMUS)
2	4XE-F415A-00	LABEL, CAUTION		1				(YMUS)
3	4XE-F1539-00	RIVET		10				(YMUS)
4	4XE-F1549-00	WASHER, FENDER MOLD		10				(YMUS)
5	4XE-F1568-20	LABEL, WARNING		1				(YMUS)
6	4XE-F1578-00	EMBLEM		1				(YMUS)
7	4XE-F1578-10	EMBLEM		1				(YMUS)
8	4XE-F415A-10	LABEL, CAUTION		1				(YMUS)
9	4XE-F151E-00	LABEL 2		1				(YMUS) IN ENGLISH
10	4XE-F151E-10	LABEL 2		1				(YMUS) IN FRENCH
11	4XE-F1696-00	LABEL, CAUTION		1				(YMUS)
12	4XE-F1539-00	RIVET		4				(YMUS)
13	4XE-F1549-00	WASHER, FENDER MOLD		4				(YMUS)
14	4XE-F151H-10	LABEL 5		1				(YMUS) IN FRENCH
15	4XE-F1696-10	LABEL, CAUTION		1				(YMUS) IN FRENCH
16	4XE-F416E-00	LABEL, CAUTION CANADA		1				(YMUS)
17	4XE-F173G-70	EMBLEM SET 1		1				(YMUS) UR FOR RTR
	4XE-F173G-80	EMBLEM SET 1		1				(YMUS) UR FOR PDG
18	4XE-F4877-00	LABEL, CAUTION		1				(YMUS)
19	4XE-F4897-00	EMBLEM		1				(YMUS)

FIG. 47 EMBLEM.LABEL 3



REF. NO.	PART NO.	DESCRIPTION	USA	CAN	FRA	GBR	OTH	REMARKS
1	4XE-F1568-10	LABEL, WARNING			1	1		(YMUS)
2	4XE-F415A-00	LABEL, CAUTION			1	1		(YMUS)
3	4XE-F1539-00	RIVET			10	10		(YMUS)
4	4XE-F1549-00	WASHER, FENDER MOLD			10	10		(YMUS)
5	4XE-F1568-30	LABEL, WARNING				1		(YMUS) IN ENGLISH
	4XE-F1568-40	LABEL, WARNING				1		(YMUS) IN FRENCH
6	4XE-F155A-00	MARK, CE			1	1		(YMUS)
7	4XE-F1696-00	LABEL, CAUTION			1	1		(YMUS)
8	4XE-F1539-00	RIVET			4	4		(YMUS)
9	4XE-F1549-00	WASHER, FENDER MOLD			4	4		(YMUS)
10	4XE-F1668-20	LABEL, TIRE				1		(YMUS)
	4XE-F1668-30	LABEL, TIRE				1		(YMUS)
11	4XE-F415E-00	LABEL, CAUTION			1	1		(YMUS)
12	4XE-F173G-70	EMBLEM SET 1			1	1		(YMUS) UR FOR RTR
	4XE-F173G-80	EMBLEM SET 1			1	1		(YMUS) UR FOR PDG
	4XE-F173G-A0	EMBLEM SET 1			1	1		(YMUS) UR FOR DPBSE
13	4XE-F4877-00	LABEL, CAUTION			1	1		(YMUS)
14	4XE-F4897-00	EMBLEM				1	1	(YMUS)

FIG. 48 EMBLEM.LABEL 4



REF. NO.	PART NO.	DESCRIPTION	USA	CAN	FRA	GBR	OTH	REMARKS
1	4XE-F1568-10	LABEL, WARNING						1 (YMUS)
2	4XE-F415A-00	LABEL, CAUTION						1 (YMUS)
3	4XE-F1539-00	RIVET						10 (YMUS)
4	4XE-F1549-00	WASHER, FENDER MOLD						10 (YMUS)
5	4XE-F1568-30	LABEL, WARNING						1 (YMUS) IN ENGLISH
6	4XE-F1696-00	LABEL, CAUTION						1 (YMUS)
7	4XE-F1539-00	RIVET						4 (YMUS)
8	4XE-F1549-00	WASHER, FENDER MOLD						4 (YMUS)
9	4XE-F1668-20	LABEL, TIRE						1 (YMUS)
10	4XE-F415E-00	LABEL, CAUTION						1 (YMUS)
11	4XE-F173G-70	EMBLEM SET 1						1 (YMUS) UR FOR RTR
	4XE-F173G-80	EMBLEM SET 1						1 (YMUS) UR FOR PDG
	4XE-F173G-A0	EMBLEM SET 1						1 (YMUS) UR FOR DPBSE
12	4XE-F4877-00	LABEL, CAUTION						1 (YMUS)
13	4XE-F4897-00	EMBLEM						1 (YMUS)

NUMERICAL INDEX

PARTNO.	GRID NO.	PARTNO.	GRID NO.	PARTNO.	GRID NO.	PARTNO.	GRID NO.	PARTNO.	GRID NO.	PARTNO.	GRID NO.
4XE-E4411-00	B - 9	4XE-F151H-10	F - 3	4XE-F173G-70	F - 3	4XE-F4789-00	D - 13	4XE-G6102-00	D - 6	15A-11162-00	B - 2
4XE-E4412-00	B - 9	4XE-F1513-00	C - 15		F - 4	4XE-F4841-00	E - 7	4XE-G6117-25	D - 7	4KB-11165-00	B - 2
JN6-E4424-00	B - 9	4XE-F1539-00	F - 2		F - 5	4XE-F4841-10	E - 7	4XE-G6117-30	D - 7	4XE-11166-00	B - 2
4XE-E4437-00	B - 9		F - 3	4XE-F173G-80	F - 2	4XE-F4842-10	E - 7	4XE-G6117-35	D - 7	3GH-11181-00	B - 2
4XE-E4438-00	B - 9		F - 4		F - 3	4XE-F4877-00	F - 2	4XE-G6117-40	D - 7	3GC-11186-00	B - 2
4XE-E4450-00	B - 9		F - 5		F - 4		F - 3	4XE-G6117-45	D - 7	3GC-11187-00	B - 2
4XE-E4453-00	B - 9	4XE-F1549-00	F - 2		F - 5		F - 4	4XE-G6117-50	D - 7	214-11198-01	D - 6
4XE-E4457-00	B - 9		F - 3	4XE-F173G-90	F - 2		F - 5	4XE-G6118-A3	D - 7	4BD-11310-01	B - 4
4XE-E4462-00	B - 9		F - 4	4XE-F2110-10	D - 5	4XE-F4897-00	F - 2	4XE-G6118-A4	D - 7	4BD-11351-00	B - 4
4XE-E4611-10	B - 13		F - 5	4XE-F214H-00	D - 5		F - 3	4XE-G6118-A5	D - 7	29U-11400-01	B - 5
4XE-E4612-10	B - 13	4XE-F155A-00	F - 4	4XE-F2141-00	D - 5		F - 4	4XE-G6118-10	D - 7	29U-11422-01	B - 5
4XE-E4628-00	B - 13	4XE-F1568-00	F - 2	4XE-F2143-00	D - 5		F - 5	4XE-G6118-11	D - 7	4BD-11454-00	B - 5
4XE-E4710-20	B - 13		F - 3	4XE-F219X-00	D - 5	4XE-F5111-10	D - 14	4XE-G6118-12	D - 7	5HO-11531-00	B - 5
4XE-E4767-00	B - 13	4XE-F1568-10	F - 4	4XE-F2210-10	D - 9	4XE-F5129-00	E - 2	4XE-G6118-13	D - 7	2HT-11536-00	B - 5
4XE-E5710-00	C - 3		F - 5	4XE-F3350-10	D - 10	4XE-F513A-00	E - 2	4XE-G6118-14	D - 7	4BD-11610-00	B - 5
4XE-E5711-00	C - 3	4XE-F1568-20	F - 3	4XE-F3391-00	D - 2	4XE-F5133-00	E - 2	4XE-G6118-15	D - 7	4BD-11610-20	B - 5
4XE-E5713-00	C - 3	4XE-F1568-30	F - 4	4XE-F3501-10	D - 10	4XE-F514A-00	D - 15	4XE-G6118-16	D - 7	4BD-11610-40	B - 5
4XE-E5714-00	C - 3		F - 5	4XE-F3502-10	D - 10	4XE-F5153-00	E - 3	4XE-G6118-17	D - 7	4BD-11631-00-YO	B - 5
4XE-E5715-00	C - 3	4XE-F1568-40	F - 4	4XE-F3570-00	D - 10	4XE-F5180-10	D - 14	4XE-G6118-18	D - 7	29U-11633-00	B - 5
4XE-E5716-00	C - 3	4XE-F1578-00	F - 2	4XE-F3580-00	D - 10	4XE-F5180-11	D - 14	4XE-G6118-19	D - 7	4BD-11636-00	B - 5
4XE-E5741-00	C - 3		F - 3	4XE-F3813-00	D - 11	4XE-F5310-00	E - 3	4XE-G6118-20	D - 7	4BD-11638-00	B - 5
4XE-E5744-00	C - 3	4XE-F1578-10	F - 3	4XE-F3831-00	D - 11	4XE-F5321-00	E - 2	4XE-G6118-21	D - 7	29U-11651-00	B - 5
4XE-E5751-00	C - 3	4XE-F1587-00	C - 15	4XE-F3833-00	D - 11	4XE-F5351-00	E - 2	4XE-G6151-00	D - 6	5HO-11681-00	B - 5
4XE-E5755-00	C - 3	4XE-F1588-00	C - 15	4XE-F3834-00	D - 11	4XE-F5355-00	E - 2	4XE-G6152-00	D - 6	5HO-12111-01	B - 7
4XE-E5767-00	C - 3	4XE-F160A-00	D - 3	5FU-F3841-00	D - 11	4XE-F5381-00	E - 3	4XE-G6172-00	D - 7	4GO-12113-01	B - 7
4XE-E5779-00	C - 3	4XE-F1600-A0	D - 3	5FU-F3845-00	D - 11	4XE-F5390-01	E - 2	4XE-G6513-00	E - 3	4GO-12114-01	B - 7
4XE-E5789-00	C - 3	4XE-F1600-B0	D - 3	4XE-F3868-10	D - 11	4XE-F5816-00	E - 2	4XE-G6540-10	D - 5	4GO-12116-01	B - 7
4XE-E5793-00	C - 3	4XE-F1600-D0	D - 3	4XE-F3894-00	D - 11	4XE-F5818-00	E - 3	4XE-H2100-10	E - 14	4GO-12117-00	B - 7
4XE-E7537-15	D - 6	4XE-F1600-00	D - 3	4XE-F4110-00	D - 12	4XE-F582T-00	D - 15	4XE-H2112-00	E - 15	4GO-12118-00	B - 7
4XE-E7537-30	D - 6	4XE-F1600-10	D - 3	4XE-F414H-00	D - 12	4XE-F5833-00	E - 2	4XE-H2128-00	E - 14	5HO-12119-00	B - 7
4XE-E7537-40	D - 6	4XE-F1600-20	D - 3	4XE-F4145-00	D - 3	4XE-F587A-00	E - 5	4XE-H4111-00	C - 15	5HO-12121-01	B - 7
4XE-E7537-45	D - 6	4XE-F1649-00	D - 3	4XE-F415A-00	F - 2	4XE-F5871-00	E - 5	4XE-H4702-00	E - 12	5HO-12146-00	B - 7
4XE-E7537-50	D - 7	4XE-F1668-20	F - 4		F - 3	4XE-F5872-00	E - 5	4XE-H5111-00	E - 15	29U-12151-00	B - 7
4XE-E7537-60	D - 7		F - 5		F - 4	4XE-F5873-00	E - 5	4XE-H5130-00	E - 12	5HO-12156-00	B - 7
5FU-F111A-00	C - 14	4XE-F1668-30	F - 4		F - 5	4XE-F5898-00	E - 3	4XE-WF531-00	E - 2	2NX-12159-00	B - 7
4XE-F1110-19	C - 14	4XE-F1696-00	F - 2	4XE-F415A-10	F - 3	4XE-F6111-00	E - 4	5GH-W0041-00	E - 5	5HO-12171-02	B - 8
4XE-F1315-00	C - 14		F - 3	4XE-F415E-00	F - 4	4XE-F612K-00	E - 5	3GD-W0045-00	D - 15	5HO-12176-00	B - 8
4XE-F1500-A0	C - 15		F - 4		F - 5	4XE-F6124-10	E - 4	3GD-W0047-00	D - 15	3GC-12210-10	B - 8
4XE-F1500-B0	C - 15		F - 5	4XE-F416E-00	F - 3	5FU-F6232-00	E - 4	1UY-W0048-50	D - 15	4FM-12213-00	B - 8
4XE-F1500-E0	C - 15	4XE-F1696-10	F - 3	4XE-F4181-00	D - 12	4XE-F7211-00	E - 6	3GD-W0057-00	D - 15	5HO-12231-00	B - 8
4XE-F1500-F0	C - 15	4XE-F171A-00	D - 4	4XE-F4710-00	D - 13	4XE-F7411-00	E - 6	29U-W1141-00	B - 5	5NO-12241-00	B - 8
4XE-F1500-G0	C - 15	4XE-F171A-10	D - 4	4XE-F4710-10	D - 13	4XE-F7445-00	E - 6	52G-Y1754-00	C - 7	2HT-13300-00	B - 10
4XE-F1500-00	C - 15	4XE-F171A-20	D - 4	4XE-F4731-00	D - 13	4XE-F7446-00	E - 6	4XE-Y4612-00	D - 6	21V-13326-00	B - 10
4XE-F1500-10	C - 15	4XE-F171A-30	D - 4	4XE-F4731-10	D - 13	4XE-F819R-00	F - 2	4BD-11101-02	B - 2	4BE-13329-01	B - 10
4XE-F1500-20	C - 15	4XE-F1717-00	D - 2	4XE-F4747-00	D - 13	4XE-F8415-00	E - 7	5HO-1111F-00	B - 3	51Y-13411-00	B - 10
4XE-F151E-00	F - 2	4XE-F173G-A0	F - 4	4XE-F4775-00	D - 13	4XE-F842M-00	E - 7	5HO-11133-11	B - 2	5HO-13440-00	B - 10
	F - 3		F - 5	4XE-F4776-00	D - 13	4XE-F845N-20	E - 7	4BD-11160-00	B - 2	15A-13447-00	B - 10
4XE-F151E-10	F - 3	4XE-F173G-70	F - 2	4XE-F478V-00	D - 13	4XE-G6101-00	D - 6	15A-11161-01	B - 2	4XE-13586-00	B - 9



NUMERICAL INDEX

PARTNO.	GRID NO.	PARTNO.	GRID NO.	PARTNO.	GRID NO.	PARTNO.	GRID NO.	PARTNO.	GRID NO.	PARTNO.	GRID NO.
2VA-14103-00	B - 11	2HT-15512-00	C - 4	24W-17558-00	C - 6	4JG-18513-00	C - 12	3GD-25933-00	D - 15	4KD-82540-00	E - 14
4RF-14105-00	B - 11	5HO-15517-00	C - 4	52G-17967-00-15	C - 7	52G-18514-02	C - 8	1NV-26129-00	E - 4	1AJ-82560-01	E - 14
1UY-14107-20	B - 11	2HT-15521-00	C - 4	52G-17967-00-20	C - 7	3GX-18531-00	C - 12	3GB-26241-00	E - 4	3HN-82579-00	E - 15
4XE-14140-12	B - 11	4H7-15580-10	C - 4	52G-17967-00-30	C - 7	52G-18534-00	C - 8	1NV-2625G-01	E - 4	4XE-82590-20	E - 15
4XE-14140-22	B - 11	1J7-15583-01	C - 4	52G-17967-00-40	C - 7	3GX-18535-00	C - 12	4KB-26250-00	E - 4	4XE-82590-30	E - 15
4WU-14141-42	B - 11	21V-15719-00	B - 15	52G-17967-00-50	C - 7	52G-18540-01	C - 12	4KB-2628F-00	E - 4	4BD-82910-01	E - 13
4GO-14142-42	B - 11	4XE-15723-00	C - 3	52G-17968-00-10	C - 7	52G-18561-00	C - 10	4KB-2628G-00	E - 4	1YW-82911-01	E - 13
2LN-14147-00	B - 11	4BD-15787-10	B - 15	52G-17968-00-11	C - 8	4BD-21551-00	C - 15	1NV-26304-00	E - 4	2XJ-82913-00	E - 13
4KB-14147-00	B - 12	2HT-16150-00	C - 5	52G-17968-00-12	C - 8	4KD-21552-00	C - 15	4BD-2631F-00	B - 9	4V4-82913-00	E - 4
137-14153-00	B - 11	5HO-16154-00	C - 5	52G-17968-00-13	C - 8	4KD-21553-00	C - 15	4KB-26311-11	E - 4	5GH-83516-00	E - 15
1UY-14155-00	B - 12	21V-16321-00	C - 5	52G-17968-00-14	C - 8	4BD-21555-00	C - 15	5EB-26332-00	E - 5	4XE-83530-00	E - 15
522-14161-00	B - 12	257-16324-00	C - 5	52G-17968-00-15	C - 8	4BD-21559-00	C - 15	4XE-26341-00	E - 4	3AB-83790-00	E - 14
2A2-14172-16	B - 11	21V-16351-00	C - 5	52G-17968-00-16	C - 8	4BD-21560-00	C - 15	20E-26343-00	E - 4	2HT-83912-00	E - 13
2VA-14185-00	B - 11	21V-16352-00	C - 5	52G-17968-00-17	C - 8	4BD-2162H-00	D - 3		E - 6	5GH-83922-00	E - 5
537-14186-00	B - 11	4BD-16358-00	C - 5	52G-17968-00-18	C - 8	4BD-2162J-00	D - 3	1NV-26398-00	E - 4	3TB-83936-00	E - 15
12R-14191-00	B - 11	21V-16371-01	C - 5	52G-17968-00-19	C - 8	4BD-21621-00	D - 3	109-27114-00	D - 5	437-83936-01	E - 13
24W-14193-00	B - 12	3GC-16611-00	C - 5	3GH-18103-01	C - 13	4BD-21639-00	D - 3		E - 7	1YW-83965-00	E - 13
4KB-14193-20	B - 11	4BD-16620-00	C - 5	24W-18104-00	C - 13	59V-21646-00	D - 3	128-27114-00	E - 14	4X4-83973-00	E - 13
2J2-14197-00	B - 11	3GC-16626-00	C - 5	4BD-18110-11	C - 13	4BD-21691-00	D - 3	4XE-27231-00	E - 6	4BD-83980-00	E - 13
620-14231-19	B - 11	21V-16664-00	C - 5	22N-18113-00	C - 13	4XE-2179T-00	B - 9	2XK-28100-00	C - 14	26A-8411H-00	E - 10
4KB-14285-00	B - 12	21V-16665-01	C - 5	52G-18113-00	C - 10	1W1-22128-00	D - 9	1NV-2811A-01	C - 14	18A-84131-00	E - 10
31A-14419-00	B - 9	15A-17121-00	C - 6	52G-18116-00	C - 10	29U-22189-00	D - 5	5GT-2836B-00	E - 4	18A-84132-00	E - 10
4XE-1442F-00	B - 9	59V-17131-00	C - 6	52G-18117-00	C - 10	2HR-23526-00	D - 10	29U-46125-00	D - 6	26A-84143-00	E - 10
4XE-14480-00	B - 12	59V-17141-00	C - 6	21V-18118-00	C - 13	1UY-23812-00	D - 11	4X7-46180-00	D - 8	2HR-84310-50	E - 10
1UY-14565-00	B - 11	24W-17151-02	C - 6	3GC-1812A-00	C - 8	8G5-23814-00	D - 11	4XE-81410-00	E - 8	19G-84314-00	E - 10
	B - 12	29U-17211-00	C - 6	21V-18120-00	C - 13	8K1-23814-00	D - 11	4XE-81450-00	E - 8	3L6-84521-00	E - 11
2LN-14565-00	B - 11	29U-17221-01	C - 6	21V-18126-00	C - 13	4XE-24311-00	D - 12	4WP-81801-00	E - 9		E - 12
4BE-14613-00	B - 13	15A-17231-00	C - 6	21V-18127-00	C - 13	4BD-24339-00	D - 12	3KS-81809-00	E - 9	1K8-84523-00	E - 11
3YF-14714-00	B - 13	24W-17241-00	C - 6	4GO-18140-00	C - 13	3JN-24500-00	D - 12	4XE-81815-00	E - 9		E - 12
26H-1490H-00	B - 11	4BD-17251-00	C - 6	52G-1815A-00	C - 10	4X8-24512-00	D - 12	4XE-8182A-00	E - 9	2E9-84524-00	E - 11
4XE-1490J-00	B - 11	52G-17285-00	C - 7	52G-18150-00	C - 10	3AJ-24534-00	D - 12	1EV-81823-00	E - 9		E - 12
4XE-14933-00	B - 11	59V-17401-00	C - 6	52H-18153-00	C - 10	5MV-24610-00	D - 12	4WP-81826-00	E - 9	4XE-84710-00	E - 11
4XE-14937-00	B - 11	24W-17402-00	C - 6	10W-18154-00	C - 11	1UY-25117-00	D - 14	4WP-81844-00	E - 9		E - 12
4WU-14940-00	B - 11	52G-17531-01	C - 7	5R2-18154-00	C - 10	52H-2512A-00	D - 14	1FK-81847-00	E - 9	3GD-84714-00	E - 11
22U-14952-00	B - 12	52G-17531-11	C - 7	2HT-1817A-00	C - 13		E - 3	4XE-81890-00	E - 9		E - 12
4KB-14993-00	B - 11	52G-17531-21	C - 7	4KD-18174-01	C - 10	4SH-25367-01	E - 2	4XE-81940-00	E - 14	4XE-85540-00	E - 14
1J7-14994-00	B - 11	52G-17531-31	C - 7	21V-18177-00	C - 13	2HR-25383-01	E - 2	1RL-81950-92	E - 14	90101-10303	B - 8
4BD-15100-12	B - 14	52G-17531-41	C - 7	24W-18179-00	C - 13	3GD-2580T-00	D - 15	5GT-81960-00	E - 14	90101-10568	B - 6
4BD-15317-00	B - 15	52G-17531-51	C - 7	21V-18181-00	C - 13	3GD-2580U-00	D - 15	3BT-82103-00	E - 14	90101-12882	D - 10
5HO-15351-00	B - 10	24W-17537-10	C - 7	5HO-18185-01	C - 12	3GD-25827-00	D - 15	4XE-82115-00	E - 15	90105-08195	B - 2
1UY-15362-01	B - 15	24W-17537-20	C - 7	52G-18187-00	C - 10	3GD-25828-00	D - 15	4XE-82116-00	E - 15	90105-088B2	D - 15
2N4-15371-00	D - 6	24W-17537-30	C - 7	3GC-18197-00	C - 8	5GH-2583T-00	E - 5	2GH-82151-00	E - 14	90105-08805	C - 14
21V-15381-00	C - 2	24W-17537-40	C - 7	52G-18198-00	C - 8	5GH-2583T-20	E - 5	4KJ-82310-10	E - 14	90105-08806	C - 14
4BD-15431-02	B - 15	24W-17537-50	C - 7	52H-18341-00	C - 10	8CR-25852-00	E - 5	1UY-82370-20	E - 14	90105-08816	E - 7
4BD-15451-01	B - 15	24W-17537-60	C - 7	52G-18433-00	C - 10	55U-25854-00	E - 5	4BD-82507-00	E - 14	90105-08888	C - 14
4BD-15462-00	B - 15	1EV-17551-00	C - 8	3GC-18451-00	C - 8	2GU-25866-00	E - 5	4KD-82509-00	E - 14	90105-08892	E - 3
4BD-15463-01	B - 15	1EV-17553-00	C - 7	4JG-18511-00	C - 12	5GH-25867-00	E - 5	4BD-82510-11	E - 15	90105-10801	B - 13
21V-15499-00	B - 15	4BD-17556-00	C - 8	4BD-18512-00	C - 12	5GH-2589F-00	E - 5	3GB-82540-01	E - 14	90105-10890	D - 10

NUMERICAL INDEX

PARTNO.	GRID NO.	PARTNO.	GRID NO.	PARTNO.	GRID NO.	PARTNO.	GRID NO.	PARTNO.	GRID NO.	PARTNO.	GRID NO.
90105-10893	D - 5	90201-06074	E - 11	90267-60840	D - 3	90467-10008	D - 12	92017-06012	B - 2	93210-57634	B - 2
90105-12889	D - 9		E - 12	90269-08813	C - 15	90467-14015	B - 2	9290P-06100	E - 11	93210-59531	D - 6
90109-06576	E - 13	90201-064J1	C - 10		D - 3	90468-15020	E - 3		E - 12	93210-72529	B - 4
90109-06873	E - 14	90201-067P3	C - 10		D - 4	90468-16191	D - 11	9290P-08600	D - 6	93210-85706	D - 7
90110-06836	C - 15	90201-068P9	D - 12	90280-03017	B - 5	90480-01400	D - 12	92907-04600	E - 10	93210-92448	B - 2
	D - 3	90201-068R3	E - 7	90280-05048	B - 5	90480-14088	E - 11	92907-05600	E - 4	93211-05471	B - 2
90114-10010	E - 2	90201-06801	C - 15	90282-05013	B - 5		E - 12		E - 5	93211-51749	D - 6
90114-10802	E - 3		D - 3	90331-09041	B - 5	90480-18290	D - 12	92907-06100	E - 13	93306-00006	C - 5
90114-10804	D - 14	90201-08093	C - 13	90336-28053	D - 11	90480-25461	D - 2		E - 9	93306-004YF	D - 14
90116-10840	D - 6	90201-085R5	E - 14	90338-26136	C - 5	90501-04596	C - 4	92907-06200	C - 10	93306-00612	C - 7
90119-06060	C - 15	90201-08609	B - 2	90338-34264	D - 5	90501-101A5	C - 8		C - 11	93306-008Y0	E - 2
	D - 3	90201-087G0	B - 2	90340-14029	D - 6	90501-101A7	C - 10		E - 6	93306-07801	B - 15
90119-06194	E - 7	90201-088E5	D - 4	90340-14046	D - 6	90501-10245	E - 6	92907-06600	B - 8		C - 7
90119-06227	D - 3	90201-10118	E - 5	90340-14107	C - 10	90501-103A1	C - 10		E - 14	93306-202YM	D - 14
90119-06831	D - 12	90201-10591	B - 8	90381-15040	C - 14	90501-10782	E - 4		E - 8	93306-20201	C - 6
90123-08046	E - 13	90201-107F8	B - 5	90387-066H4	D - 12	90501-16768	C - 13	92907-08600	C - 13	93306-20313	B - 15
90149-04278	E - 4	90201-108P8	D - 11	90387-07598	D - 12	90501-18576	B - 10		C - 8	93306-20401	C - 6
90149-06011	D - 12	90201-108R2	B - 13	90387-090R0	D - 11	90501-243J7	C - 5	92907-10100	B - 5	93306-278Y0	E - 2
90149-08152	C - 6		D - 5	90387-150R1	D - 14	90506-08227	C - 13	93101-15101	C - 6	93306-30427	B - 5
90149-08268	D - 15	90201-12166	C - 4	90387-1711G	D - 5	90506-12403	E - 3	93101-17113	B - 15	93306-30432	C - 7
90151-06013	C - 12	90201-125F7	C - 8	90387-251T0	B - 8	90506-18224	E - 6	93101-35097	E - 2	93306-305Y6	D - 6
90153-06029	B - 2	90201-12588	C - 13	90387-255H9	D - 6	90508-26539	C - 13	93101-38098	D - 6	93306-30611	B - 5
90154-05006	C - 15	90201-127J6	D - 9	90387-284T0	E - 3	90508-29570	C - 13	93101-52116	D - 6	93310-530J3	B - 5
90159-05011	C - 5	90201-12790	E - 14	90401-10159	E - 5	90560-07007	E - 11	93102-12106	C - 13	93311-21044	D - 8
90170-06128	B - 7	90201-144J2	C - 10	90430-06014	B - 2		E - 12	93102-14209	C - 9	93315-23607	C - 12
90170-08261	C - 10	90201-147P2	C - 10	90430-10148	E - 14	91A20-07010	B - 12	93102-22216	D - 14	93316-013Y0	D - 6
90170-14284	B - 5	90201-148R0	D - 14	90430-12186	B - 2	9131P-06020	B - 13	93102-25017	D - 5	93317-855Y9	D - 6
	C - 5	90201-15700	C - 6	90445-078C4	D - 8	91317-06018	B - 2	93102-65386	D - 6	93332-000Y3	D - 5
90170-22371	C - 5	90201-15797	E - 6	90445-07800	E - 3	91317-06020	B - 10	93103-28141	B - 15	93399-99917	C - 8
90171-12816	D - 10	90201-168R1	E - 3	90445-084J2	D - 12		B - 9	93104-09025	E - 4	93410-20038	C - 6
	D - 11	90201-25290	C - 4	90445-08809	D - 12		C - 10	93105-26026	D - 14	93410-22039	C - 6
90171-14817	D - 14	90201-266F6	C - 5	90450-49020	B - 9	91317-06025	B - 4	93106-47040	E - 2		D - 7
90171-16048	E - 3	90201-404M6	C - 5	90460-56105	B - 9	91317-06035	B - 14	93112-31011	D - 11	93410-26067	C - 6
90179-08148	E - 13	90202-05193	D - 12	90460-58124	B - 9	91317-06085	B - 14	93210-07590	C - 13	93410-32826	D - 10
90179-08893	C - 14	90202-14077	E - 11	90460-85135	D - 5	91317-06115	B - 10	93210-09165	B - 7	93420-28055	C - 5
90179-10540	D - 14		E - 12	90460-99228	D - 5	91317-06160	B - 14		C - 9	93440-10085	B - 2
	E - 3	90209-17285	C - 6	90464-08834	E - 15	91317-08016	C - 4	93210-10010	C - 10	93440-20088	D - 8
90179-12248	C - 8	90209-18208	C - 6	90464-10833	C - 14	91317-08045	B - 2	93210-12131	E - 3	93450-17044	B - 5
90179-16651	C - 7	90209-23241	C - 6		D - 3	91401-16012	C - 13	93210-13361	B - 4	93501-04011	C - 8
90179-28465	C - 7	90215-06184	B - 3	90464-10842	E - 15	91401-20012	E - 6	93210-15414	C - 14	93509-32012	C - 10
90179-35625	D - 10	90215-14186	C - 5	90464-12830	D - 3	91401-20015	C - 10	93210-16290	B - 6	93603-12030	B - 10
90179-50467	C - 8	90215-14205	B - 5	90464-12836	E - 15		C - 11	93210-17718	D - 5	93604-10011	B - 8
90179-55464	C - 7	90215-22259	C - 5	90464-13831	E - 15	91401-25020	D - 10	93210-19123	B - 15	93604-16092	C - 12
90183-05024	D - 2	90240-06076	E - 6	90464-20835	E - 15		D - 11	93210-26606	E - 3	93604-20156	C - 12
90183-05042	D - 4	90240-12092	D - 9	90464-40825	E - 15	91401-30025	D - 14	93210-347A1	B - 10	93608-30152	C - 13
90185-10115	D - 11	90249-12008	E - 4	90464-48837	E - 15		D - 9	93210-35537	B - 9	93612-16254	B - 2
90185-10844	D - 10		E - 6	90467-07029	D - 8	91401-30030	E - 3	93210-54175	B - 10	93615-12088	C - 4
90185-12072	D - 9	90267-60840	C - 15	90467-07093	E - 3	91401-40030	E - 6	93210-56589	C - 8	93700-06004	C - 14

NUMERICAL INDEX

PARTNO.	GRID NO.	PARTNO.	GRID NO.	PARTNO.	GRID NO.	PARTNO.	GRID NO.	PARTNO.	GRID NO.	PARTNO.	GRID NO.
93900-00810	D - 14	97007-06020	E - 14								
	E - 2	9701P-06020	C - 13								
94107-108S8	D - 14	9702P-08025	D - 6								
94107-108X6	D - 14	9702P-08060	D - 11								
94107-10800	D - 14	97027-06016	B - 8								
94110-108S9	E - 2	97027-08025	C - 8								
94110-108X7	E - 2	9770P-50012	D - 4								
94110-10800	E - 2	9770P-60416	E - 15								
94580-41104	B - 8	97707-40510	E - 10								
94701-00345	B - 3	97801-03008	D - 12								
9502P-06008	E - 14	98507-04008	B - 11								
9502P-08050	D - 11	98507-04012	B - 11								
95027-06025	B - 8	98507-05020	E - 4								
95304-05600	D - 2	98507-06016	E - 8								
95307-05700	E - 4		E - 9								
95307-06800	E - 11	98507-06020	B - 2								
	E - 12		C - 3								
95307-08700	C - 13		E - 13								
95317-08600	C - 10	98507-06025	B - 15								
95606-06100	E - 5	98507-06030	B - 14								
95607-05100	E - 4	98507-06040	B - 14								
95607-06100	C - 15		B - 15								
	D - 3	98507-06060	B - 14								
	E - 13		B - 15								
9561P-12100	D - 10	98507-06070	B - 15								
9570L-06500	E - 2	98507-06075	B - 14								
95707-06500	C - 10	98507-06080	B - 15								
	E - 7	98507-06085	B - 14								
95707-06600	D - 3	98706-04012	E - 5								
95707-08500	E - 6	98707-05016	B - 15								
95707-10500	D - 7	98707-06018	C - 2								
95707-12500	D - 5	98707-06030	B - 10								
95807-06016	E - 14	98907-06014	B - 15								
95807-06020	E - 15	99009-12400	C - 4								
95807-06025	E - 5	99009-14400	C - 8								
95807-08012	D - 5	99009-26400	B - 6								
9581P-08012	C - 14	99530-10014	B - 14								
9581P-08016	C - 15	99530-12016	B - 14								
	E - 6		B - 15								
	E - 7	99530-14016	B - 2								
	E - 6		B - 4								
9581P-10022	D - 6										
9581P-10045	D - 5										
9581P-12025	C - 9										
95817-06016	D - 15										
9582P-06012	E - 7										
9582P-06016	E - 5										
97007-05016	B - 3										
97007-06012											

# CONTENTS

## ENGINE

CYLINDER HEAD .....	B2
CYLINDER .....	B4
CRANKSHAFT. PISTON .....	B5
VALVE .....	B7
CAMSHAFT. CHAIN .....	B8
INTAKE .....	B9
OIL PUMP .....	B10
CARBURETOR .....	B11
EXHAUST .....	B13
CRANKCASE .....	B14
CRANKCASE COVER 1 .....	B15
STARTER .....	C3
STARTER CLUTCH .....	C4
CLUTCH .....	C5
TRANSMISSION .....	C6
MIDDLE DRIVE GEAR .....	C7
DRIVE SELECTOR .....	C10
SHIFT CAM. FORK .....	C12
SHIFT SHAFT .....	C13

## CHASSIS

FRAME .....	C14
FRONT FENDER .....	C15
REAR FENDER .....	D3
SIDE COVER .....	D4
REAR ARM .....	D5
DRIVE SHAFT .....	D6
REAR SUSPENSION .....	D9
FRONT SUSPENSION. WHEEL .....	D10

STEERING .....	D11
FUEL TANK .....	D12
SEAT .....	D13
FRONT WHEEL .....	D14
FRONT BRAKE CALIPER .....	D15
REAR WHEEL .....	E2
STEERING HANDLE. CABLE .....	E4
FRONT MASTER CYLINDER .....	E5
STAND. FOOTREST .....	E6
GUARD .....	E7
GENERATOR .....	E8
STARTING MOTOR .....	E9
HEADLIGHT .....	E10
TAILLIGHT .....	E11
TAILLIGHT 2 .....	E12
HANDLE SWITCH. LEVER .....	E13
ELECTRICAL 1 .....	E14
EMBLEM.LABEL 1 .....	F2
EMBLEM.LABEL 2 .....	F3
EMBLEM.LABEL 3 .....	F4
EMBLEM.LABEL 4 .....	F5

## INDEX

NUMERICAL INDEX .....	M1
-----------------------	----