



# **PARTS CATALOGUE**

**YFM80M** (4EMT) U49, OCEANIA

**YFM80** (4EMU, 4EMV) CANADA, FRANCE

**YF80M** (4EMW) JAPAN

---

# FOREWORD

This Parts Catalogue is related to the parts for the model(s) in the below frame. When you are ordering replacement parts, please refer to this Parts Catalogue and quote both part numbers and part names correctly.

YFM80M(4EMT), YFM80(4EMU, 4EMV), YF80M(4EMW)

1. Modifications or additions which have been made after issue of the Parts Catalogue will be announced in the Yamaha Parts News. It is advisable that you make necessary corrections to the Parts Catalogue according to the Yamaha Parts News.

2. Abbreviations  
The Following abbreviations are used in this Parts Catalogue.

- "UR" Use specified parts number.
- "UN" Use as many as needed.
- "AP" Alternate Parts
- "LM" Local Made (Parts need to be ordered locally)
- "F#" Frame No. (Applicable machine No.)

3. Parts, which are to be supplied in an assembly, are listed with a dot(.) in front of the part name as shown below.

EXAMPLE

- CARBURETOR ASSY
- .JET, PILOT
- .NOZZLE, MAIN

4. Number of component for assembly  
The numeral appearing to the right of each component part indicates the quantity of parts for each assembly unit.

EXAMPLE

PART NO.	DESCRIPTION	Q'TY	REMARKS
2F5-83310-60	FRONT FLASHER LIGHT ASSY	2	
115-83311-60	.BULB (6V-18W)	1	
1M1-83309-60	.REFLECTOR	1	

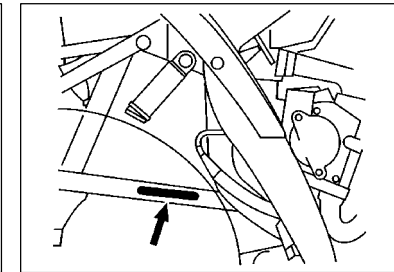
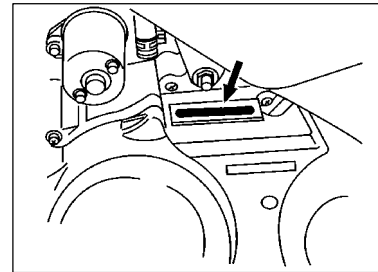
5. Applicable colors of graphics are represented in the "REMARKS" as shown below.

PART NO.	DESCRIPTION	Q'TY	REMARKS
2N4-24110-00-X5	.FUEL TANK COMP.	2	MXR
3J1-24240-10	.GRAPHIC, FUEL TANK	1	for MXR

6. Applicable Serial No.

Engine Serial No.

Frame Serial No.

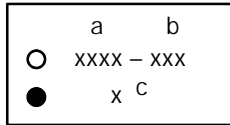


7. Note that the illustrations for reference in funding parts numbers, not to be used for assembling. When assembling, please use the applicable service manual.
8. The asterisk (\*) before a reference number indicates modification items after the first edition.

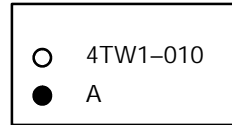
# MODEL LABEL

(1) A label called "Model Label" is affixed in the location as indicated in (3) below.  
 When using this parts catalogue, please be sure to cross-refer the "model code – production code No." in the catalogue to the "model code – production code No." indicated on the Model Label affixed onto the product concerned.

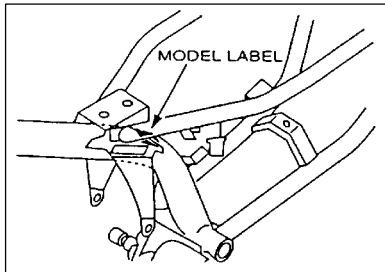
(2) "Model Label" Indication



a: Model Type Code  
 b: Production Code No.  
 c: Colouring Type



(3) Model Label Affixing Location



(4) Model Code – Production Code Number of Model Listed in This Parts Catalog

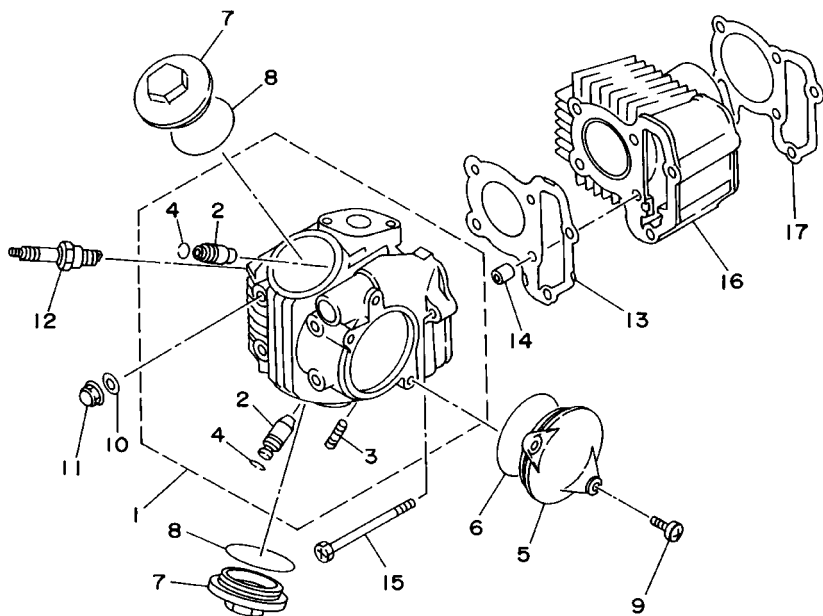
Model Code	Production Code No.	Country (destination)	Model Code	Production Code No.	Country (destination)
4EMT	010	U49			
	020	OCEANIA			
4EMU	010	CANADA			
4EMV	010	FRANCE			
4EMW	010	JAPAN			

(5) Colouring Information

Model Code	Colouring type code	Colour code	Colour Name	Abbreviation
4EMT 4EMU 4EMV 4EMW	A	00UJ	RADICAL WHITE	RW

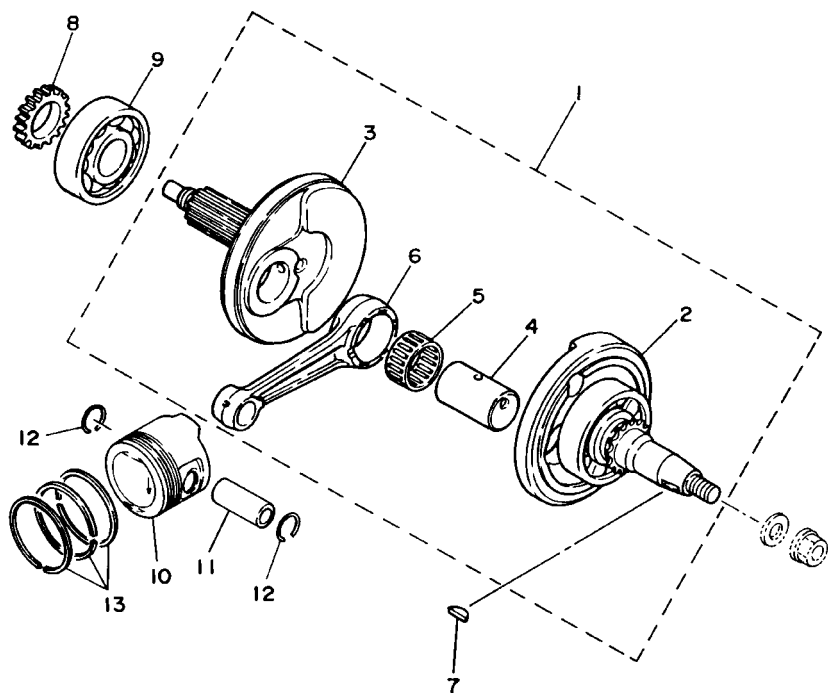
FIG. 1 CYLINDER

REF. NO.	PART NO.	DESCRIPTION	U49	OCE	CAN	FRA	JPN	REMARKS
1	35T-11110-01	CYLINDER HEAD ASSY	1	1	1	1	1	
2	22F-11134-10	.GUIDE, EXHAUST VALVE	2	2	2	2	2	
3	22F-14651-00	.BOLT	2	2	2	2	2	
4	93440-10109	.CIRCLIP	2	2	2	2	2	
5	22F-11185-01	COVER, CYLINDER HEAD SIDE 1	1	1	1	1	1	
6	93210-63556	O-RING	1	1	1	1	1	
7	22F-11186-00	COVER, CYLINDER HEAD SIDE 2	2	2	2	2	2	
8	93210-44704	O-RING	2	2	2	2	2	
9	98507-06016	SCREW, PAN HEAD	2	2	2	2	2	
10	90201-066F0	WASHER, PLATE	4	4	4	4	4	
11	90176-06065	NUT, CROWN	4	4	4	4	4	
12	94701-00254	PLUG SPARK (NGK C7HSA)	1	1				UR
	94701-00255	PLUG SPARK (ND U22FS-U)	1	1				UR
	94701-00250	PLUG, SPARK (NGK CR7HS)			1	1		
	94703-00250	PLUG, SPARK					1	
13	55X-11181-00	GASKET, CYLINDER HEAD 1	1	1	1	1	1	
14	99530-08012	PIN, DOWEL	2	2	2	2	2	
15	95027-06085	BOLT, FLANGE	2	2	2	2	2	
16	22K-11311-02	CYLINDER 1	1	1	1	1	1	
17	22F-11351-01	GASKET, CYLINDER	1	1	1	1	1	



4EM1100-2010

FIG. 2 CRANKSHAFT. PISTON



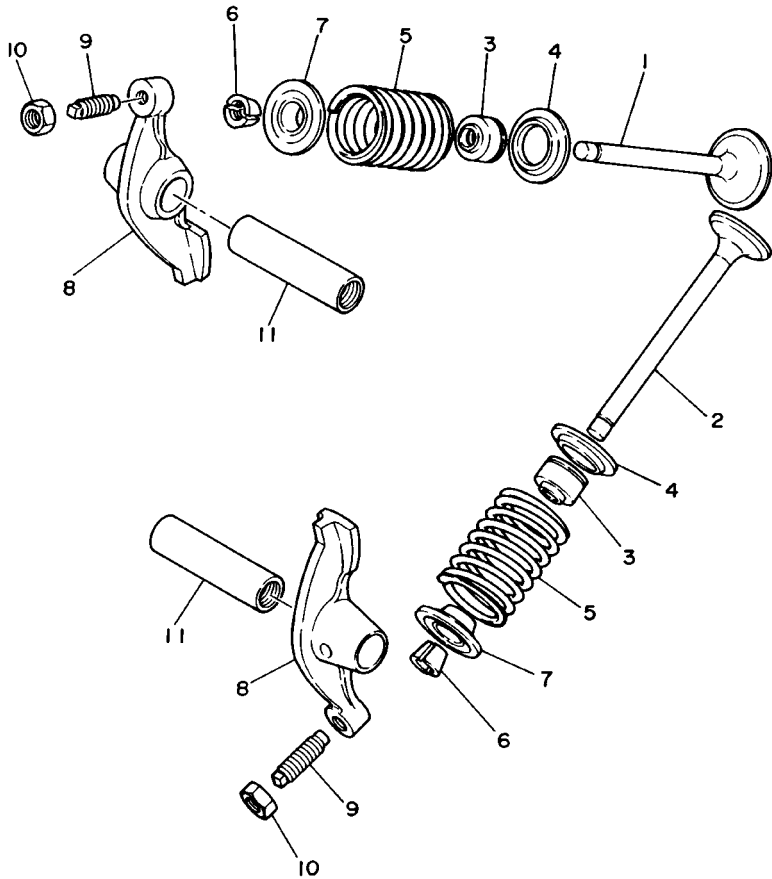
REF. NO.	PART NO.	DESCRIPTION	U49	OCE	CAN	FRA	JPN	REMARKS
1	22K-11400-01	CRANKSHAFT ASSY	1	1	1	1	1	
2	22K-W1141-00	.CRANK 1	1	1	1	1	1	
3	22K-11422-00	.CRANK 2	1	1	1	1	1	
4	22F-11681-00	.PIN, CRANK 1	1	1	1	1	1	
5	93311-32353	.BEARING	1	1	1	1	1	
6	22K-11651-02	.ROD, CONNECTING	1	1	1	1	1	
7	90280-03017	KEY, WOODRUFF	1	1	1	1	1	
8	46J-13324-00	GEAR, PUMP DRIVE	1	1	1	1	1	
9	93306-30433	BEARING	1	1	1	1	1	
10	55X-11631-00-96	PISTON (STD)	1	1	1	1	1	
	55X-11636-00	PISTON (0.50MM O/S)	1	1	1	1	1	AP
	55X-11638-00	PISTON (1.00MM O/S)	1	1	1	1	1	AP
11	22K-11633-01	PIN, PISTON	1	1	1	1	1	
12	93450-14088	CIRCLIP	2	2	2	2	2	
13	55X-11610-00	PISTON RING SET (STD)	1	1	1	1	1	
	55X-11610-20	PISTON RING SET (0.50MM O/S)	1	1	1	1	1	AP
	55X-11610-40	PISTON RING SET (1.00MM O/S)	1	1	1	1	1	AP



55X110-5020

FIG. 3 VALVE

REF. NO.	PART NO.	DESCRIPTION	U49	OCE	CAN	FRA	JPN	REMARKS
1	22K-12111-03	VALVE, INTAKE	1	1	1	1	1	
2	22K-12121-02	VALVE, EXHAUST	1	1	1	1	1	
3	2HX-12119-00	SEAL, VALVE STEM	2	2	2	2	2	
4	22F-12116-00	SEAT, VALVE SPRING	2	2	2	2	2	
5	22F-12114-00	SPRING, VALVE OUTER	2	2	2	2	2	
6	22F-12118-01	COTTER, VALVE	4	4	4	4	4	
7	22F-12117-02	RETAINER, VALVE SPRING	2	2	2	2	2	
8	50M-12151-00	ARM, VALVE ROCKER	2	2	2	2	2	
9	22F-12159-00	SCREW, VALVE ADJUSTING	2	2	2	2	2	
10	90170-05302	NUT	2	2	2	2	2	
11	22F-12156-00	SHAFT, ROCKER 2	2	2	2	2	2	



55X110-5030







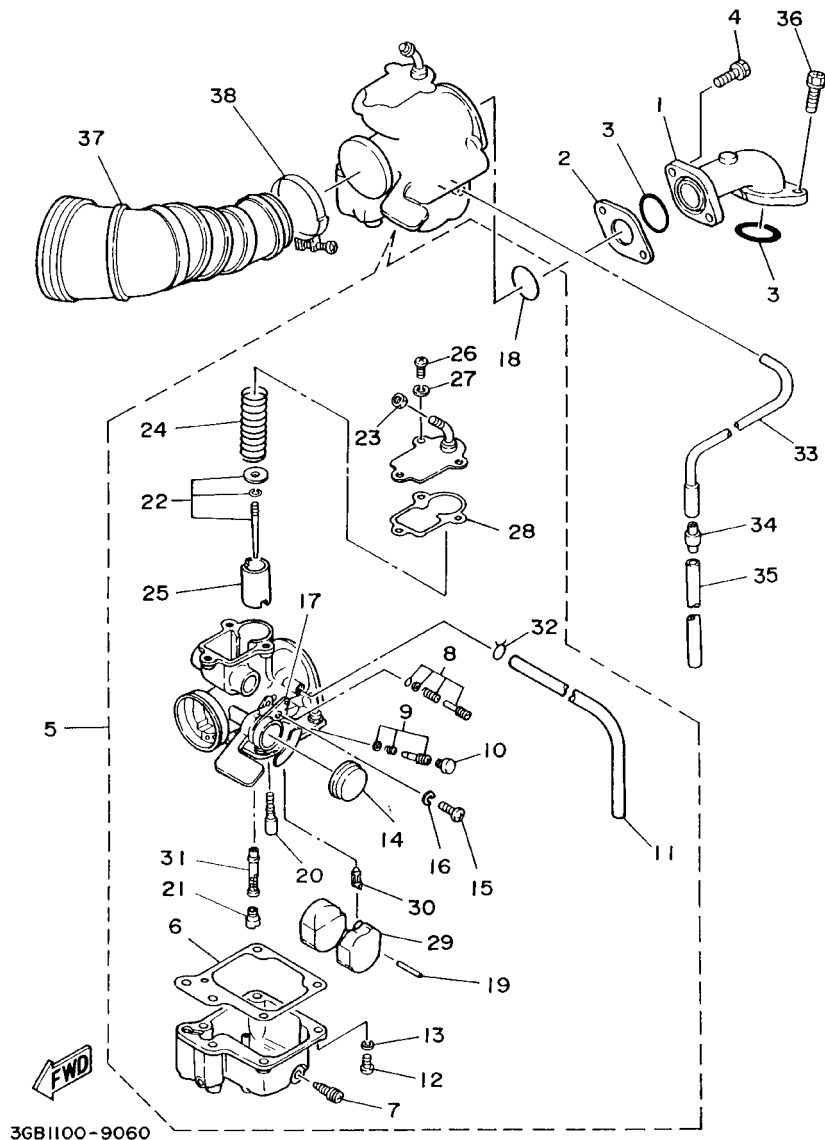


FIG. 6 INTAKE

REF. NO.	PART NO.	DESCRIPTION	U49	OCE	CAN	FRA	JPN	REMARKS
1	55X-13586-00	JOINT, CARBURETOR 1	1	1	1	1	1	
2	22K-13595-00	JOINT	1	1	1	1	1	
3	93210-25552	O-RING	2	2	2	2	2	
4	90159-06076	SCREW, WITH WASHER	2	2	2	2	2	
5	3GB-14101-00	CARBURETOR ASSY 1	1	1	1	1	1	
6	22F-14184-00	.GASKET, FLOAT CHAMBER	1	1	1	1	1	
7	12R-14191-00	.PLUG, DRAIN	1	1	1	1	1	
8	22F-14103-00	.THROTTLE SCREW SET	1	1	1	1	1	
9	22K-14104-00	.AIR SCREW SET	1	1	1	1	1	
10	22F-14991-00	.CAP	1	1	1	1	1	
11	26H-14197-00	.PIPE	1	1	1	1	1	
12	98502-04014	.SCREW, PAN HEAD	4	4	4	4	4	
13	92902-04100	.WASHER, SPRING	4	4	4	4	4	
14	22F-14169-00	.CAP	1	1	1	1	1	
15	98502-04008	.SCREW, PAN HEAD	1	1	1	1	1	
16	92902-04100	.WASHER, SPRING	1	1	1	1	1	
17	55X-14146-00	.PLATE	1	1	1	1	1	
18	22K-14147-00	.O-RING	1	1	1	1	1	
19	127-14186-00	.PIN, FLOAT	1	1	1	1	1	
20	22F-14142-12	.JET, PILOT (#12.5)	1	1	1	1	1	
21	18A-14143-16	.JET, MAIN (# 80)	1	1	1	1	1	
22	2HX-1490J-01	.NEEDLE SET	1	1	1	1	1	
23	802-14161-00	.NUT, CABLE ADJUSTING	1	1	1	1	1	
24	260-14131-00	.SPRING, THROTTLE VALVE	1	1	1	1	1	
25	2HX-14112-35	.VALVE, THROTTLE 1	1	1	1	1	1	
26	98502-04010	.SCREW, PAN HEAD	3	3	3	3	3	
27	92902-04100	.WASHER, SPRING	3	3	3	3	3	

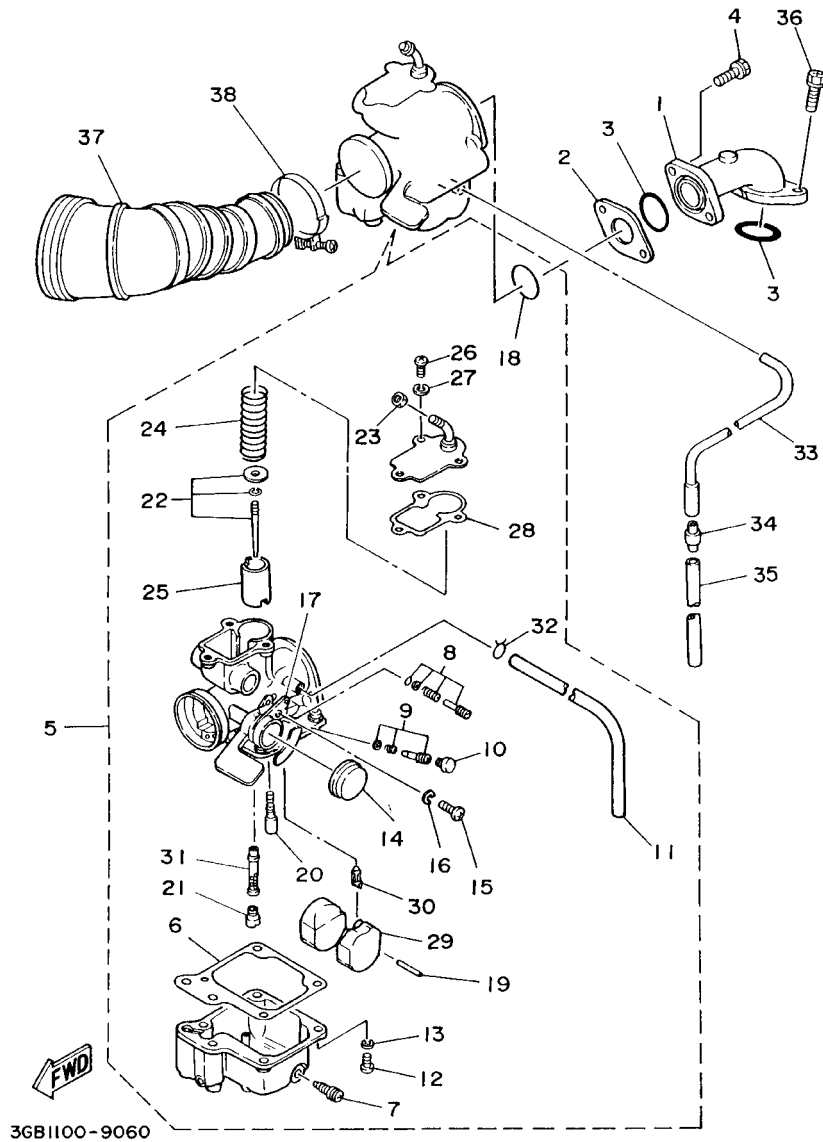
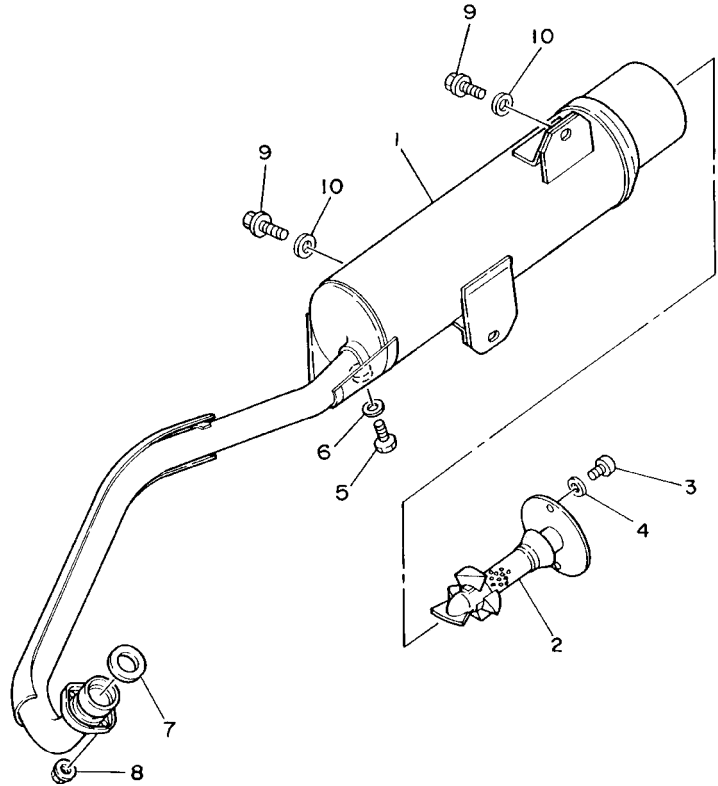


FIG. 6 INTAKE

REF. NO.	PART NO.	DESCRIPTION	U49	OCE	CAN	FRA	JPN	REMARKS
28	55X-14198-00	.GASKET	1	1	1	1	1	
29	22F-14185-00	.FLOAT	1	1	1	1	1	
30	22F-14150-00	.NEEDLE ASSY	1	1	1	1	1	
31	2HX-14141-78	.NOZZLE, MAIN	1	1	1	1	1	
32	55X-14937-00	.CLIP	1	1	1	1	1	
33	55X-14196-00	PIPE	1	1	1	1	1	
34	24W-14193-00	PIPE	1	1	1	1	1	
35	91A20-07010	TUBE, FLEXIBLE VINYL	1	1	1	1	1	
36	90159-06076	SCREW, WITH WASHER	2	2	2	2	2	
37	3GB-14453-00	JOINT, AIR CLEANER 1	1	1	1	1	1	
38	90460-43053	CLAMP, HOSE	1	1	1	1	1	

FIG. 7 EXHAUST

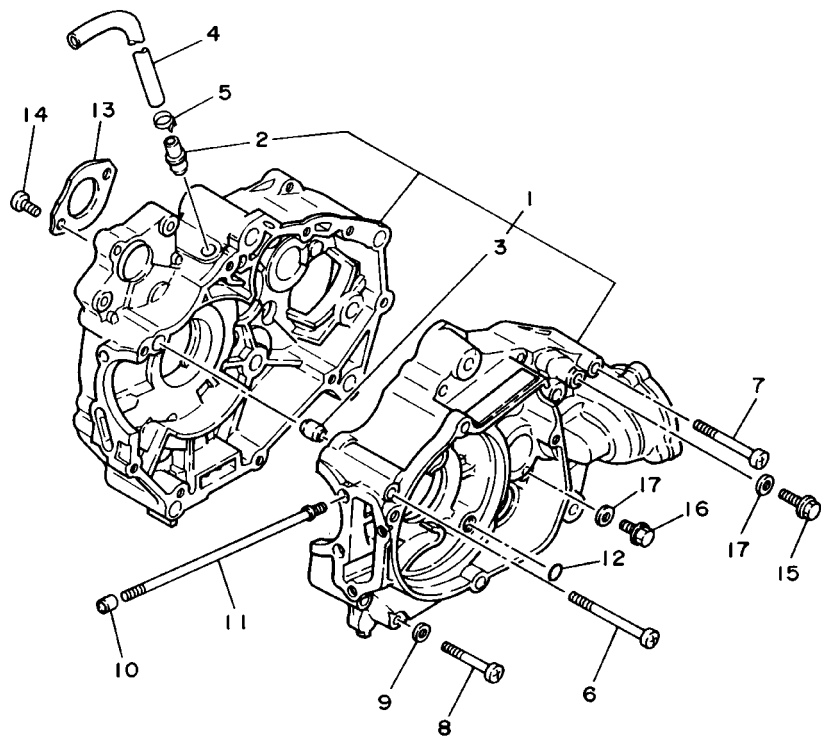


REF. NO.	PART NO.	DESCRIPTION	U49	OCE	CAN	FRA	JPN	REMARKS
1	3GB-14711-00	MUFFLER 1	1	1	1	1	1	
2	55X-14752-00	PIPE, OUTLET	1	1	1	1	1	
3	98507-06010	SCREW, PAN HEAD	2	2	2	2	2	
4	92907-06600	WASHER, PLATE	2	2	2	2	2	
5	90101-06576	BOLT	1	1	1	1	1	
6	92907-06600	WASHER, PLATE	1	1	1	1	1	
7	3DM-14613-00	GASKET, EXHAUST PIPE	1	1	1	1	1	
8	95707-06500	NUT, FLANGE	2	2	2	2	2	
9	95817-08016	BOLT, FLANGE	2	2	2	2	2	
10	90201-08326	WASHER, PLATE	2	2	2	2	2	



3GB1100-9070

FIG. 8 CRANKCASE

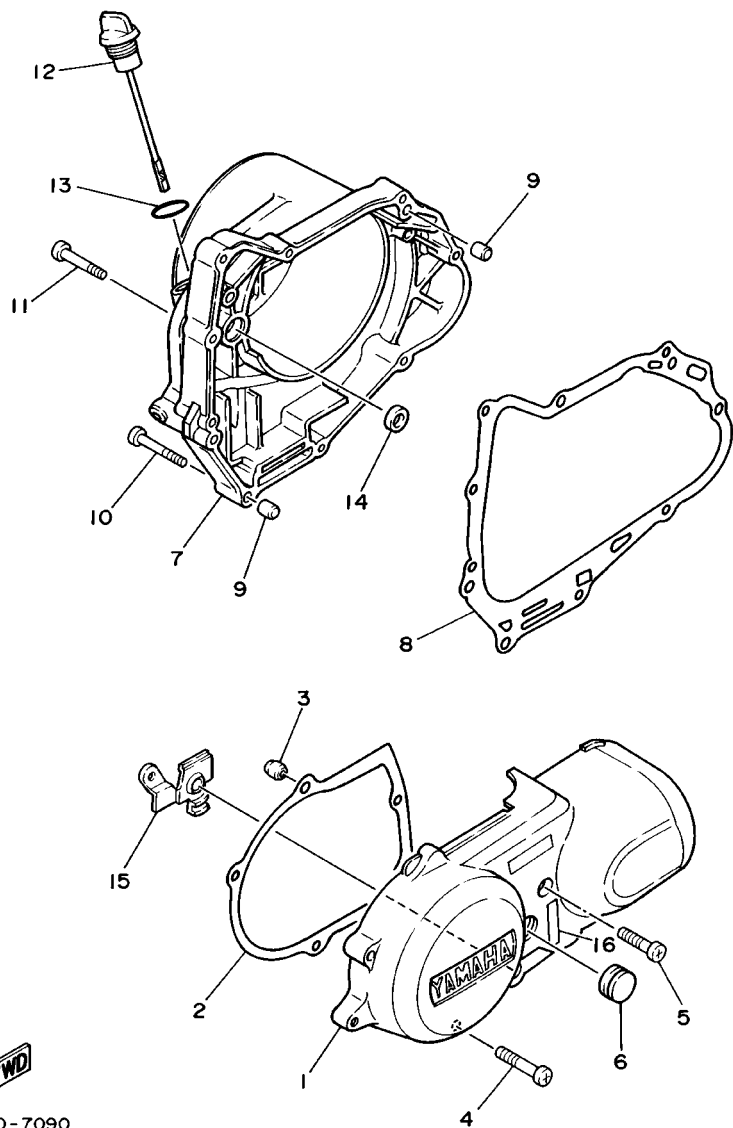


REF. NO.	PART NO.	DESCRIPTION	U49	OCE	CAN	FRA	JPN	REMARKS
1	2FJ-15100-01	CRANKCASE ASSY	1	1	1	1	1	
2	59V-11167-00	.PIPE, BREATHER 2	1	1	1	1	1	
3	99530-12016	.PIN, DOWEL	2	2	2	2	2	
4	90445-121F6	HOSE	1	1	1	1	1	
5	90467-13064	CLIP	1	1	1	1	1	
6	98507-06075	SCREW, PAN HEAD	1	1	1	1	1	
7	98507-06060	SCREW, PAN HEAD	2	2	2	2	2	
8	98507-06045	SCREW, PAN HEAD	6	6	6	6	6	
9	90430-06014	GASKET	2	2	2	2	2	
10	99530-08012	PIN, DOWEL	2	2	2	2	2	
11	90116-06399	BOLT, STUD	4	4	4	4	4	
12	93210-06564	O-RING	2	2	2	2	2	
13	22F-15383-01	PLATE, BEARING COVER	1	1	1	1	1	
14	98507-06012	SCREW, PAN HEAD	2	2	2	2	2	
15	95817-06025	BOLT, FLANGE	2	2	2	2	2	
16	95817-06016	BOLT, FLANGE	1	1	1	1	1	
17	90430-06166	GASKET	3	3	3	3	3	



4EMK100-8080

FIG. 9 CRANKCASE COVER 1

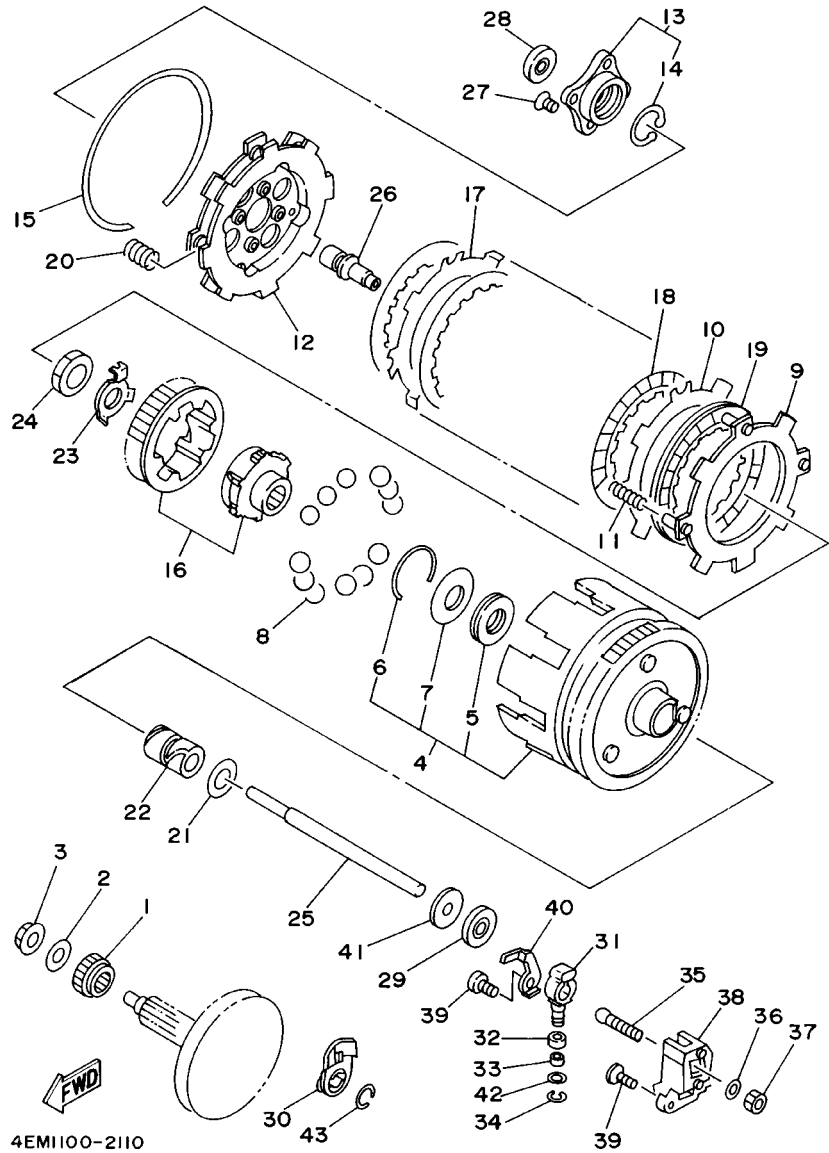


2FJ110-7090

REF. NO.	PART NO.	DESCRIPTION	U49	OCE	CAN	FRA	JPN	REMARKS
1	22F-15411-01	COVER, CRANKCASE 1	1	1	1	1	1	
2	3GB-15451-00	GASKET, CRANKCASE COVER 1	1	1	1	1	1	
3	99530-10114	PIN, DOWEL	2	2	2	2	2	
4	98507-06040	SCREW, PAN HEAD	1	1	1	1	1	
5	98507-06030	SCREW, PAN HEAD	2	2	2	2	2	
6	22F-15417-00	COVER, CAP	1	1	1	1	1	
7	2FJ-15421-00	COVER, CRANKCASE 2	1	1	1	1	1	
8	3GB-15461-00	GASKET, CRANKCASE COVER 2	1	1	1	1	1	
9	99530-10120	PIN, DOWEL	2	2	2	2	2	
10	98507-06045	SCREW, PAN HEAD	1	1	1	1	1	
11	98507-06035	SCREW, PAN HEAD	8	8	8	8	8	
12	55X-15362-02	PLUG, OIL LEVEL	1	1	1	1	1	
13	93210-19123	O-RING	1	1	1	1	1	
14	93101-10142	OIL SEAL	1	1	1	1	1	
15	90209-11269	WASHER	1	1	1	1	1	
16	4EM-15443-00	EMBLEM	1	1	1	1	1	

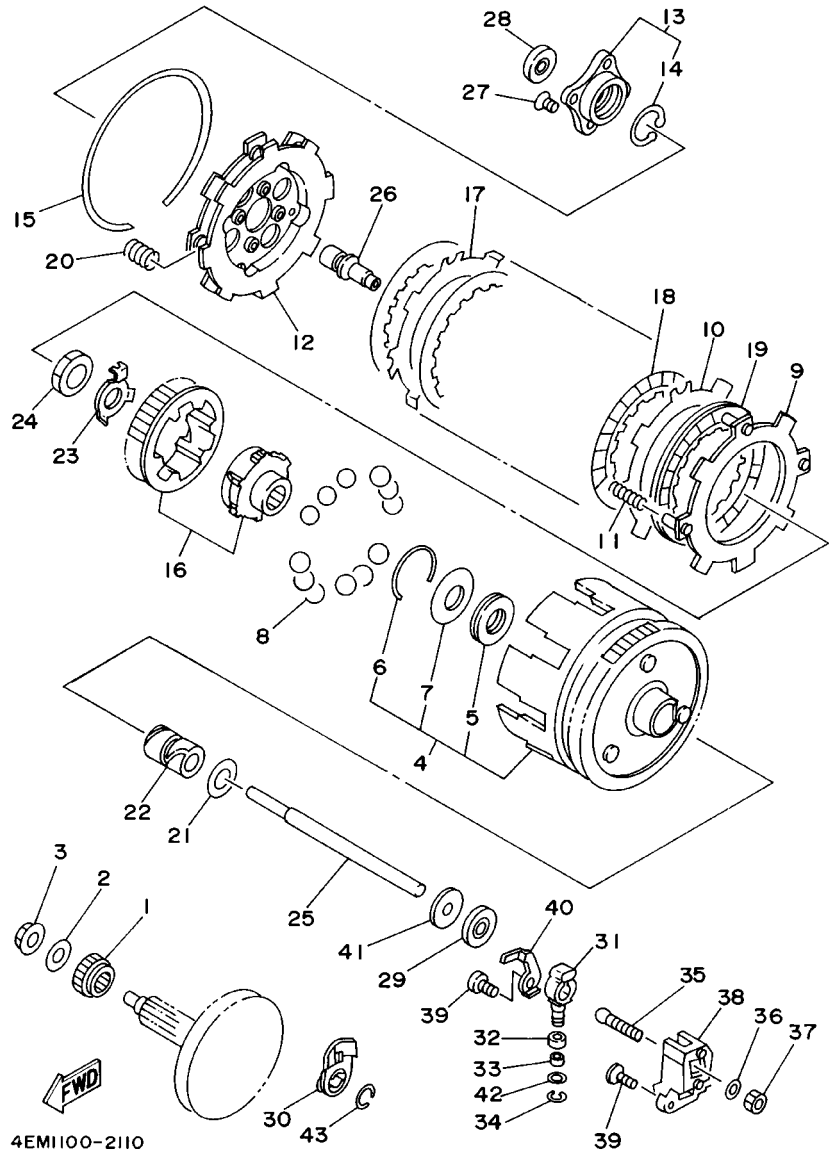


FIG. 11 CLUTCH



REF. NO.	PART NO.	DESCRIPTION	U49	OCE	CAN	FRA	JPN	REMARKS
1	22K-16111-00	GEAR, PRIMARY DRIVE	1	1	1	1	1	
2	90208-12015	WASHER, CONICAL SPRING	1	1	1	1	1	
3	90179-12659	NUT	1	1	1	1	1	
4	3GB-16150-00	PRIMARY DRIVEN GEAR COMP.	1	1	1	1	1	
5	93341-22302	.BEARING	1	1	1	1	1	
6	93450-42112	.CIRCLIP	1	1	1	1	1	
7	22F-16153-10	.WASHER, THRUST (1.9T)	1	1	1	1	1	UR
	22F-16153-20	.WASHER, THRUST (2.1T)	1	1	1	1	1	UR
	22F-16153-30	.WASHER, THRUST (2.3T)	1	1	1	1	1	UR
	22F-16153-40	.WASHER, THRUST (1.7T)	1	1	1	1	1	UR
8	93505-08030	BALL	12	12	12	12	12	
9	22K-16520-00	PLATE, THRUST WEIGHT	1	1	1	1	1	
10	517-16524-10	PLATE, CLUTCH 1 (1.2T)	4	4	4	4	4	UR
	517-16524-20	PLATE, CLUTCH 1 (1.4T)	4	4	4	4	4	UR
	517-16524-30	PLATE, CLUTCH 1 (1.6T)	4	4	4	4	4	UR
11	90501-105A5	SPRING, COMPRESSION	4	4	4	4	4	
12	22F-16550-00	PRESSURE PLATE ASSY	1	1	1	1	1	
13	22K-16590-00	PUSH PLATE ASSY	1	1	1	1	1	
14	93420-26077	.CIRCLIP	1	1	1	1	1	
15	93451-08094	CIRCLIP	1	1	1	1	1	
16	22K-W1657-00	CLUTCH BOSS SET	1	1	1	1	1	
17	22F-16524-01	PLATE, CLUTCH 1	1	1	1	1	1	
18	3E5-16521-00	PLATE, FRICTION	5	5	5	5	5	
19	22F-16521-00	PLATE, FRICTION	1	1	1	1	1	
20	90501-135A4	SPRING, COMPRESSION	8	8	8	8	8	
21	122-16164-00	PLATE, THRUST 2	1	1	1	1	1	
22	90560-17146	SPACER	1	1	1	1	1	

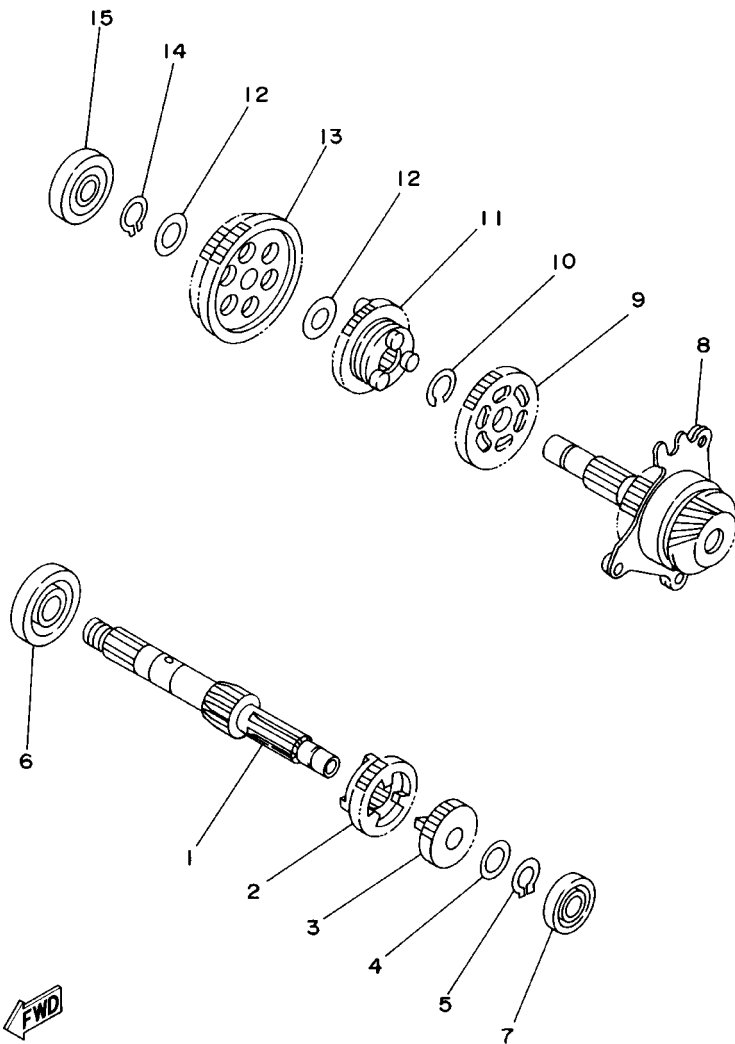
FIG. 11 CLUTCH



REF. NO.	PART NO.	DESCRIPTION	U49	OCE	CAN	FRA	JPN	REMARKS
23	90215-14249	WASHER, LOCK	1	1	1	1	1	
24	90170-14284	NUT	1	1	1	1	1	
25	22F-16357-01	ROD, PUSH 2	1	1	1	1	1	
26	22K-16356-00	ROD, PUSH 1	1	1	1	1	1	
27	90151-06028	SCREW, COUNTERSUNK	4	4	4	4	4	
28	93104-10076	OIL SEAL	1	1	1	1	1	
29	93102-07292	OIL SEAL	1	1	1	1	1	
30	22F-16362-01	LEVER, PUSH 2	1	1	1	1	1	
31	22F-16342-01	LEVER, PUSH	1	1	1	1	1	
32	90387-062G9	COLLAR	1	1	1	1	1	
33	90387-062G8	COLLAR	1	1	1	1	1	
34	99001-04600	CIRCLIP	1	1	1	1	1	
35	22F-16382-00	AXLE, PUSH LEVER	1	1	1	1	1	
36	92907-06600	WASHER, PLATE	1	1	1	1	1	
37	95307-06600	NUT	1	1	1	1	1	
38	22F-16399-00	GUIDE, PUSH ROD	1	1	1	1	1	
39	98507-06016	SCREW, PAN HEAD	2	2	2	2	2	
40	22F-16383-00	SPRING, CLUTCH BOSS	1	1	1	1	1	
41	90380-07118	BUSH, SOLID	1	1	1	1	1	
42	22F-16163-00	WASHER, THRUST 2	1	1	1	1	1	
43	93440-11128	CIRCLIP	1	1	1	1	1	



FIG. 12 TRANSMISSION

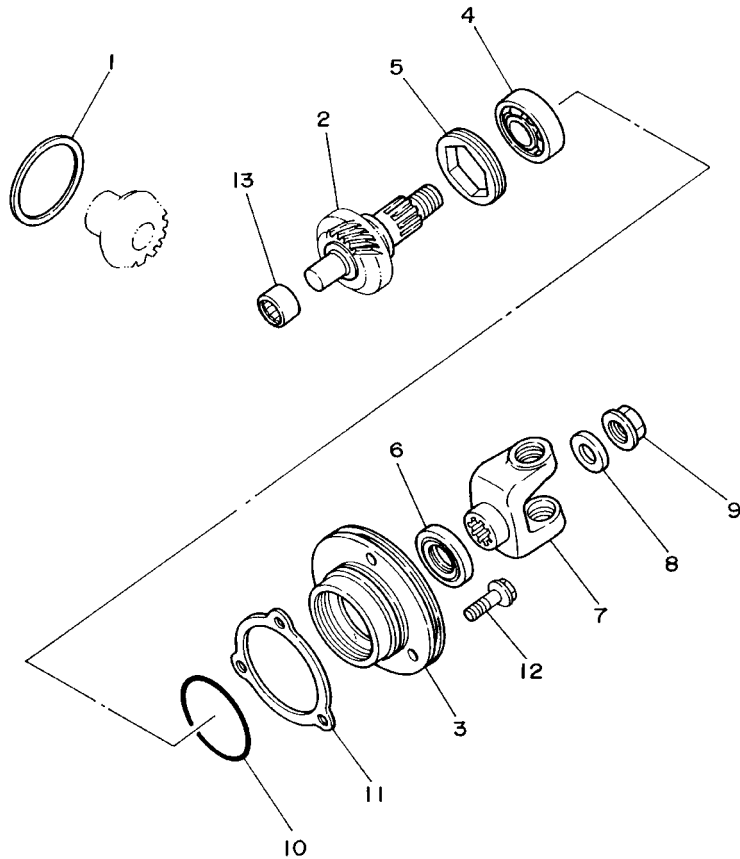


4EM1100-2120

REF. NO.	PART NO.	DESCRIPTION	U49	OCE	CAN	FRA	JPN	REMARKS
1	2HX-17411-01	AXLE, MAIN	1	1	1	1	1	
2	55X-17131-00	GEAR, 3RD PINION (22T)	1	1	1	1	1	
3	2HX-17121-00	GEAR, 2ND PINION (17T)	1	1	1	1	1	
4	90201-124F8	WASHER, PLATE	1	1	1	1	1	
5	99009-12400	CIRCLIP	1	1	1	1	1	
6	93306-20301	BEARING	1	1	1	1	1	
7	93306-00105	BEARING (B6001)	1	1	1	1	1	
8	3GB-17402-00	DRIVE AXLE ASSY	1	1	1	1	1	
9	55X-17231-00	GEAR, 3RD WHEEL (31T)	1	1	1	1	1	
10	93440-16089	CIRCLIP	1	1	1	1	1	
11	55X-17241-00	GEAR, 4TH WHEEL (27T)	1	1	1	1	1	
12	90201-132G5	WASHER, PLATE	2	2	2	2	2	
13	3GB-17211-00	GEAR, 1ST WHEEL (39T)	1	1	1	1	1	
14	99009-12400	CIRCLIP	1	1	1	1	1	
15	93306-30101	BEARING (B6301)	1	1	1	1	1	

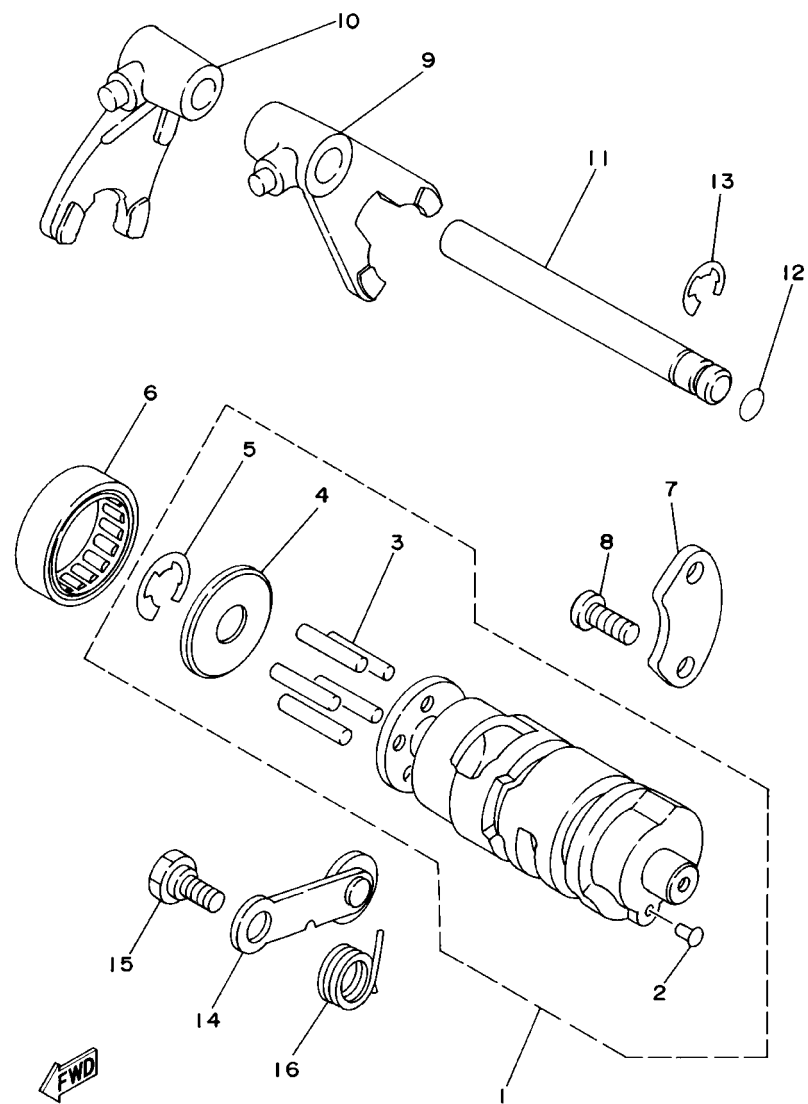
FIG. 13 MIDDLE DRIVE GEAR

REF. NO.	PART NO.	DESCRIPTION	U49	OCE	CAN	FRA	JPN	REMARKS
1	22F-17537-00	SHIM, THRUST	1	1	1	1	1	
2	3GB-17508-00	MIDDLE DRIVEN GEAR COMP.	1	1	1	1	1	
3	22F-17551-00	HOUSING, BEARING	1	1	1	1	1	
4	93306-20309	BEARING (B6203)	1	1	1	1	1	
5	90179-42480	NUT	1	1	1	1	1	
6	93101-24110	OIL SEAL	1	1	1	1	1	
7	22F-17556-01	YOKE, JOINT	1	1	1	1	1	
8	90201-125F7	WASHER, PLATE	1	1	1	1	1	
9	90179-12248	NUT	1	1	1	1	1	
10	93210-50553	O-RING	1	1	1	1	1	
11	22F-17531-00-15	SHIM, PINION (0.15T)	1	1	1	1	1	UR
	22F-17531-00-30	SHIM, PINION (0.30T)	1	1	1	1	1	UR
	22F-17531-00-50	SHIM, PINION (0.50T)	1	1	1	1	1	UR
12	95827-06020	BOLT, FLANGE	3	3	3	3	3	
13	93317-21236	BEARING	1	1	1	1	1	



3GB1100-9130

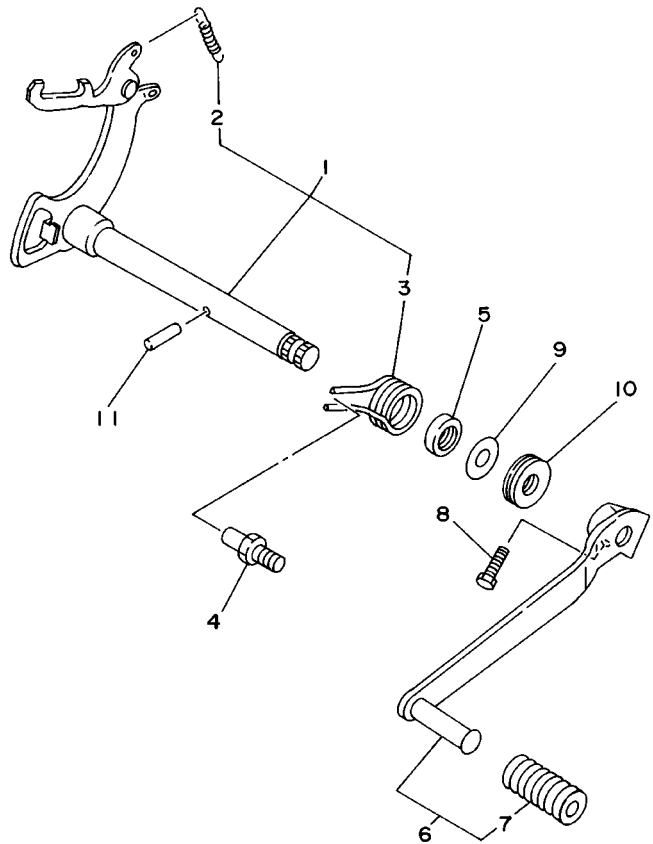
FIG. 14 SHIFT CAM. FORK



4EMK100-8140

REF. NO.	PART NO.	DESCRIPTION	U49	OCE	CAN	FRA	JPN	REMARKS
1	4EM-18540-00	SHIFT CAM ASSY	1	1	1	1	1	
2	136-18542-00	.POINT, NEUTRAL	1	1	1	1	1	
3	93604-22050	.PIN, DOWEL	5	5	5	5	5	
4	296-18561-00	.PLATE, SIDE 1	1	1	1	1	1	
5	99001-09600	.CIRCLIP	1	1	1	1	1	
6	93315-23208	BEARING	1	1	1	1	1	
7	22F-18562-01	PLATE, STOPPER 2	1	1	1	1	1	
8	98507-06014	SCREW, PAN HEAD	2	2	2	2	2	
9	2MK-18511-00	FORK, SHIFT 1	1	1	1	1	1	
10	29F-18512-00	FORK, SHIFT 2	1	1	1	1	1	
11	22F-18531-00	BAR, SHIFT FORK GUIDE 1	1	1	1	1	1	
12	93210-07003	O-RING	1	1	1	1	1	
13	93430-08007	CIRCLIP	1	1	1	1	1	
14	29F-18140-00	STOPPER LEVER ASSY	1	1	1	1	1	
15	90109-063F6	BOLT	1	1	1	1	1	
16	90508-20576	SPRING, TORSION	1	1	1	1	1	

FIG. 15 SHIFT SHAFT



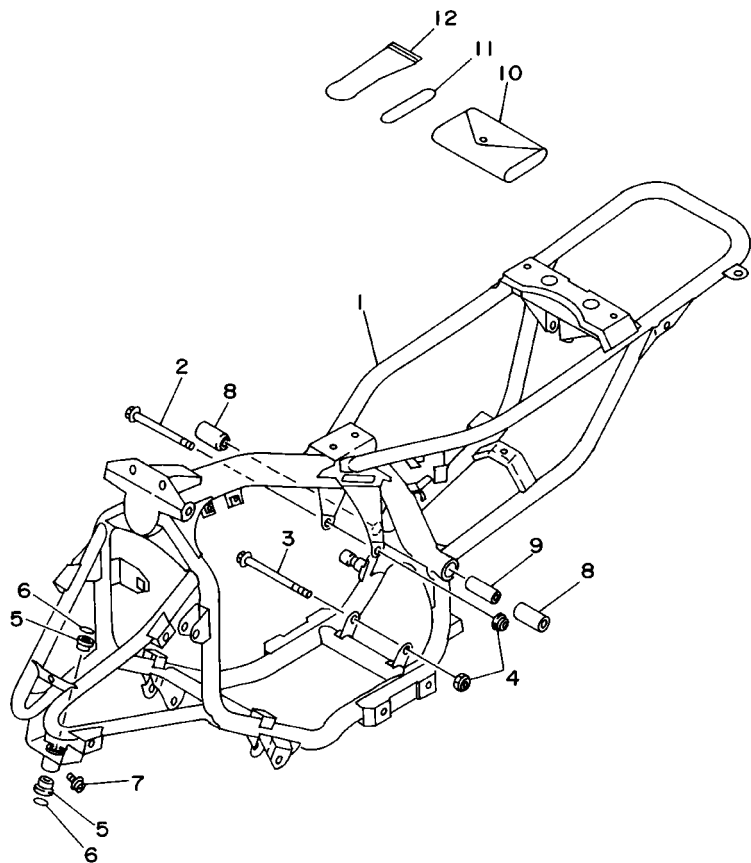
REF. NO.	PART NO.	DESCRIPTION	U49	OCE	CAN	FRA	JPN	REMARKS
1	22F-18101-02	SHIFT SHAFT ASSY	1	1	1	1	1	
2	90506-08122	.SPRING, TENSION	1	1	1	1	1	
3	90508-32563	.SPRING, TORSION	1	1	1	1	1	
4	278-18127-01	STOPPER, SCREW	1	1	1	1	1	
5	93102-12106	OIL SEAL (SD 12-22-5 HS)	1	1	1	1	1	
6	2HX-18110-00	SHIFT PEDAL ASSY	1	1	1	1	1	
7	132-18113-01	.COVER, SHIFT PEDAL	1	1	1	1	1	
8	97027-06020	BOLT	1	1	1	1	1	
9	90201-127F4	WASHER, PLATE	1	1	1	1	1	
10	93340-21209	BEARING	1	1	1	1	1	
11	93604-20156	PIN, DOWEL	1	1	1	1	1	



4EM1100-2150

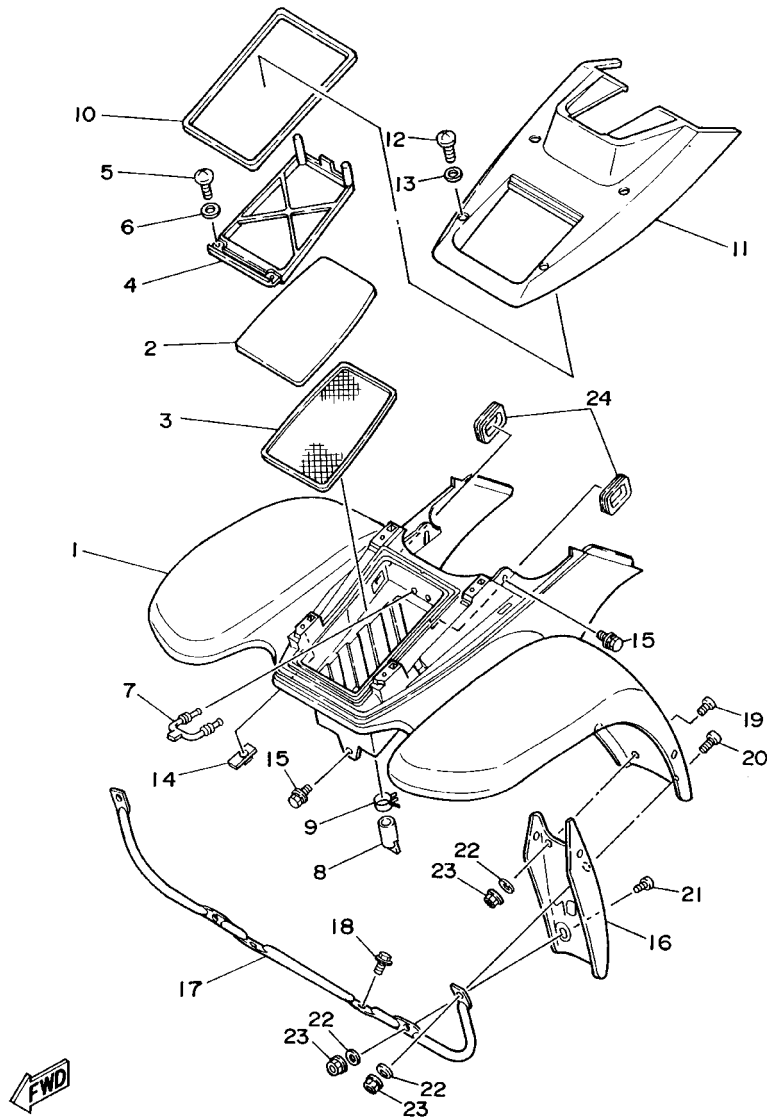
FIG. 16 FRAME

REF. NO.	PART NO.	DESCRIPTION	U49	OCE	CAN	FRA	JPN	REMARKS
1	4EM-21110-00-33	FRAME COMP.	1	1			1	YB
	4EM-21110-10-33	FRAME COMP.			1	1		YB
2	95817-08115	BOLT, FLANGE	1	1	1	1	1	
3	95817-08120	BOLT, FLANGE	1	1	1	1	1	
4	95607-08200	NUT, SELF-LOCKING	2	2	2	2	2	
5	90381-15040	BUSH, SOLID	2	2	2	2	2	
6	93210-15414	O-RING	2	2	2	2	2	
7	93700-06004	NIPPLE, GREASE	1	1	1	1	1	
8	3GB-22123-00	BUSH 1	2	2	2	2	2	
9	3GB-22155-00	PIPE	1	1	1	1	1	
10	3GB-28100-00	TOOL KIT	1	1	1	1	1	
11	93210-40407	O-RING	1	1	1	1	1	
12	1NV-2811A-00	GAUGE, AIR	1	1	1	1	1	



4EM1100-2160

FIG. 17 FRONT FENDER

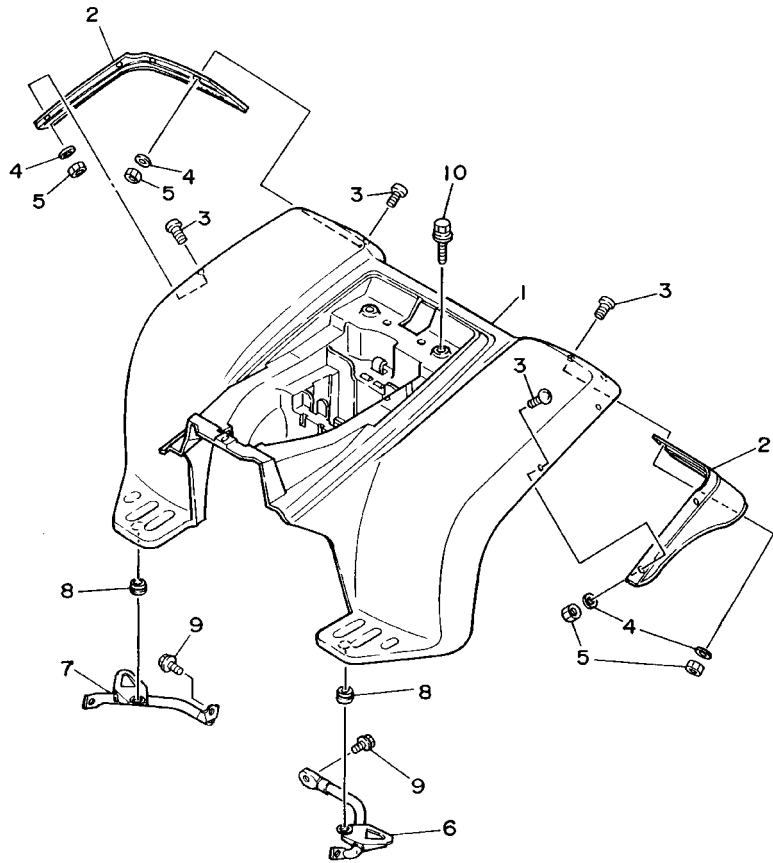


3GB6100-1170

REF. NO.	PART NO.	DESCRIPTION	U49	OCE	CAN	FRA	JPN	REMARKS
1	4EM-W2151-61	FRONT FENDER COMP.	1					
	4EM-W215B-61	FRONT FENDER COMP. 2		1		1	1	
	4EM-W215C-61	FRONT FENDER COMP. 2			1			
2	55X-14451-00	ELEMENT, AIR CLEANER	1	1	1	1	1	
3	55X-14472-01	PLATE, ELEMENT	1	1	1	1	1	
4	55X-14458-00	GUIDE	1	1	1	1	1	
5	97707-40116	SCREW, TAPPING	2	2	2	2	2	
6	92907-04200	WASHER	2	2	2	2	2	
7	55X-14436-00	HOOK	1	1	1	1	1	
8	59V-14457-00	SEAL	1	1	1	1	1	
9	90467-22080	CLIP	1	1	1	1	1	
10	2HX-14452-00	SEAL	1	1	1	1	1	
11	4EM-21551-40	FENDER, OVER	1	1	1	1	1	
12	98507-05025	SCREW, PAN HEAD	4	4	4	4	4	
13	92907-05600	WASHER, PLATE	4	4	4	4	4	
14	55X-21535-00	NUT 1	4	4	4	4	4	
15	90119-06056	BOLT, WITH WASHER	3	3	3	3	3	
16	2HX-21521-01	FLAP, FRONT FENDER	2	2	2	2	2	
17	3GB-21513-00	STAY, FENDER 1	1	1	1	1	1	
18	95807-06010	BOLT, FLANGE	2	2	2	2	2	
19	90154-05005	SCREW, BINDING	6	6	6	6	6	
20	90154-05052	SCREW, BINDING	2	2	2	2	2	
21	90154-05005	SCREW, BINDING	2	2	2	2	2	
22	90201-05029	WASHER, PLATE	10	10	10	10	10	
23	95707-05300	NUT, FLANGE	10	10	10	10	10	
24	2HX-14437-01	DUCT	2	2	2	2	2	

FIG. 18 REAR FENDER

REF. NO.	PART NO.	DESCRIPTION	U49	OCE	CAN	FRA	JPN	REMARKS
1	4EM-W2161-C1	REAR FENDER COMP.	1	1			1	
	4EM-W2161-D1	REAR FENDER COMP.				1		
	4EM-W216C-D1	REAR FENDER COMP 2			1			
2	2HX-21621-00	FLAP	2	2	2	2	2	
3	90154-05005	SCREW, BINDING	8	8	8	8	8	
4	90201-05029	WASHER, PLATE	8	8	8	8	8	
5	95707-05300	NUT, FLANGE	8	8	8	8	8	
6	3GB-21613-00	STAY, FENDER 1	1	1	1	1	1	
7	3GB-21614-00	STAY, FENDER 2	1	1	1	1	1	
8	90480-16233	GROMMET	2	2	2	2	2	
9	95807-08012	BOLT, FLANGE	4	4	4	4	4	
10	90119-06056	BOLT, WITH WASHER	4	4	4	4	4	

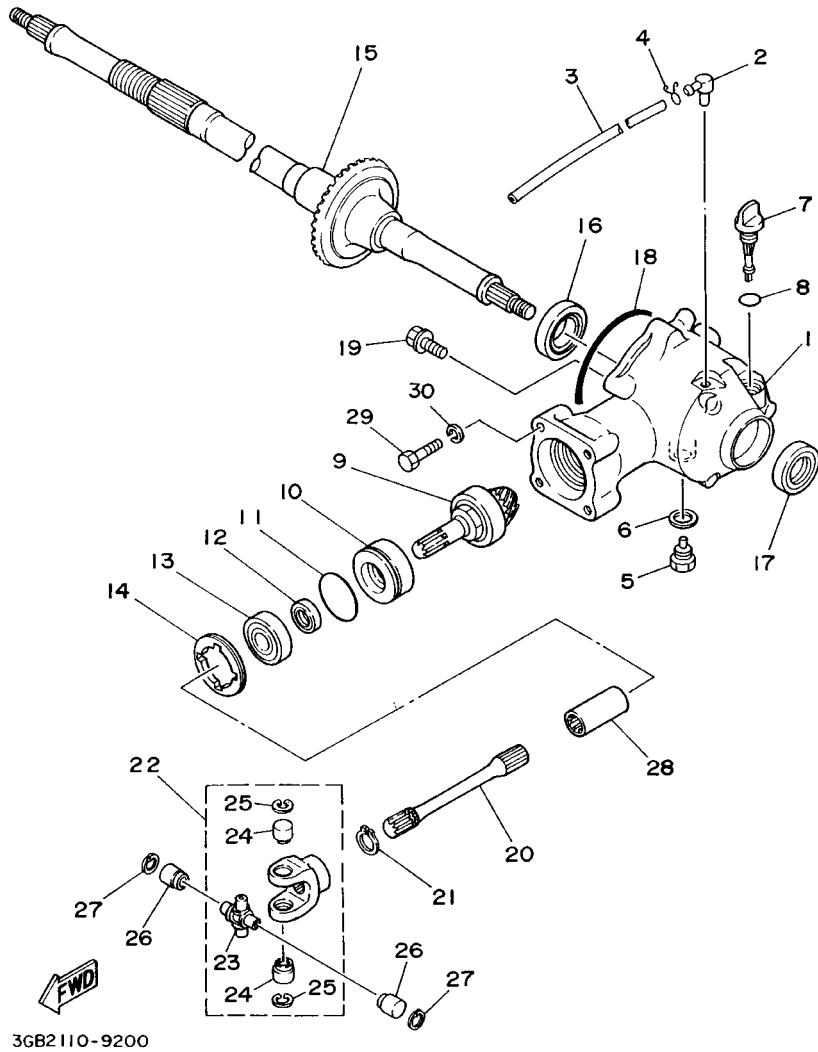


3GB1100- 9180





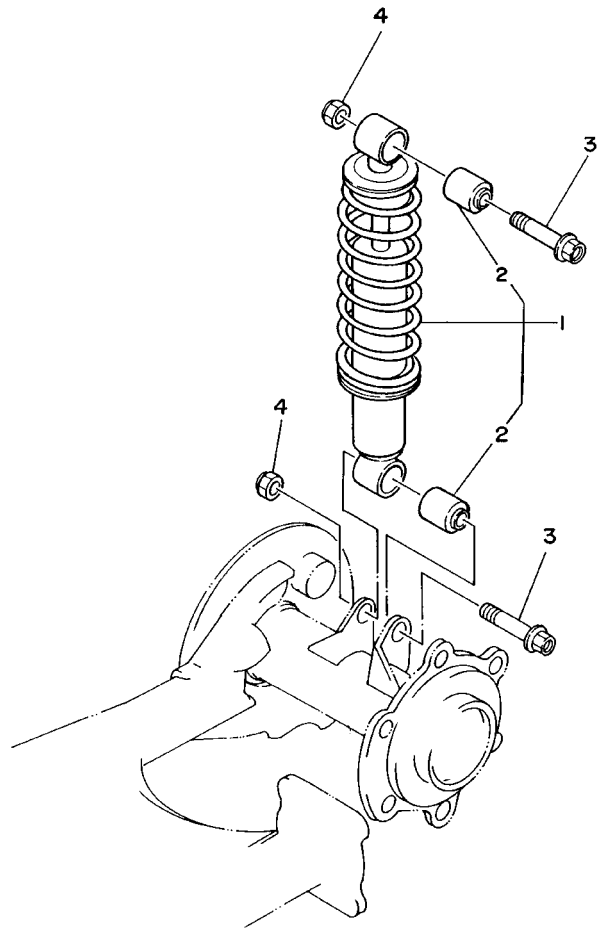
FIG. 20 DRIVE SHAFT



REF. NO.	PART NO.	DESCRIPTION	U49	OCE	CAN	FRA	JPN	REMARKS
1	3GB-46151-00	HOUSING, DRIVE SHAFT	1	1	1	1	1	
2	2N4-15371-00	BREATHER	1	1	1	1	1	
3	90445-073F9	HOSE	1	1	1	1	1	
4	90467-07029	CLIP	1	1	1	1	1	
5	90340-14132	PLUG, STRAIGHT SCREW	1	1	1	1	1	
6	214-11198-01	GASKET	1	1	1	1	1	
7	3GB-15362-00	PLUG, OIL LEVEL	1	1	1	1	1	
8	93210-14104	O-RING	1	1	1	1	1	
9	3GB-46120-00	DRIVE PINION COMP.	1	1	1	1	1	
10	90560-23355	SPACER	1	1	1	1	1	
11	93210-43713	O-RING	1	1	1	1	1	
12	93102-17271	OIL SEAL	1	1	1	1	1	
13	93306-30306	BEARING (B6303)	1	1	1	1	1	
14	90179-55464	NUT	1	1	1	1	1	
15	3GB-46110-10	RING GEAR COMP.	1	1	1	1	1	
16	93306-07801	BEARING	1	1	1	1	1	
17	93102-28022	OIL SEAL	1	1	1	1	1	
18	93211-066A9	O-RING	1	1	1	1	1	
19	95817-06016	BOLT, FLANGE	6	6	6	6	6	
20	3GB-46172-01	SHAFT, DRIVE	1	1	1	1	1	
21	99009-17400	CIRCLIP	1	1	1	1	1	
22	2HX-46180-00	CROSS JOINT COMP.	1	1	1	1	1	
23	22F-46187-00	.SPIDER	1	1	1	1	1	
24	93311-20952	.BEARING	2	2	2	2	2	
25	99009-17500	.CIRCLIP	2	2	2	2	2	
26	93311-20952	.BEARING	2	2	2	2	2	
27	99009-17500	CIRCLIP	2	2	2	2	2	



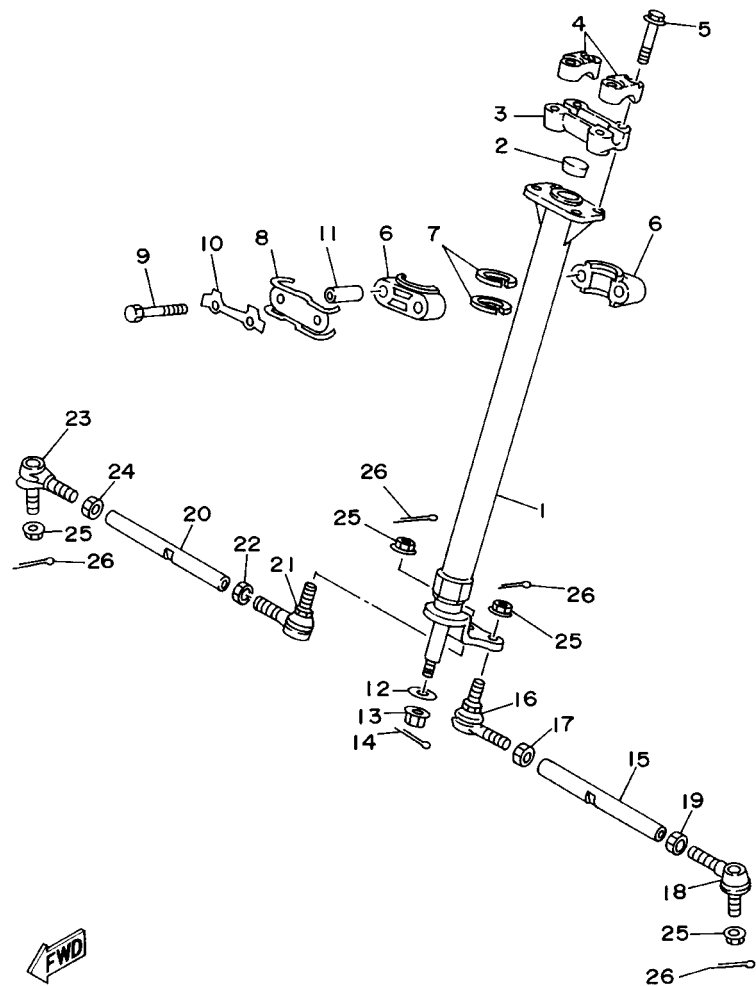
FIG. 21 REAR SUSPENSION



REF. NO.	PART NO.	DESCRIPTION	U49	OCE	CAN	FRA	JPN	REMARKS
1	3GB-22210-00-33	SHOCK ABSORBER ASSY, REAR	1	1	1	1	1	YB
2	59V-22216-00	.BUSH, REAR SHOCK ABSORBER	2	2	2	2	2	
3	90105-10388	BOLT, WASHER BASED	2	2	2	2	2	
4	90185-10091	NUT, SELF-LOCKING	2	2	2	2	2	
-----								
-----								
-----								
-----								
-----								
-----								
-----								
-----								
-----								
-----								

 3GB1100-9210

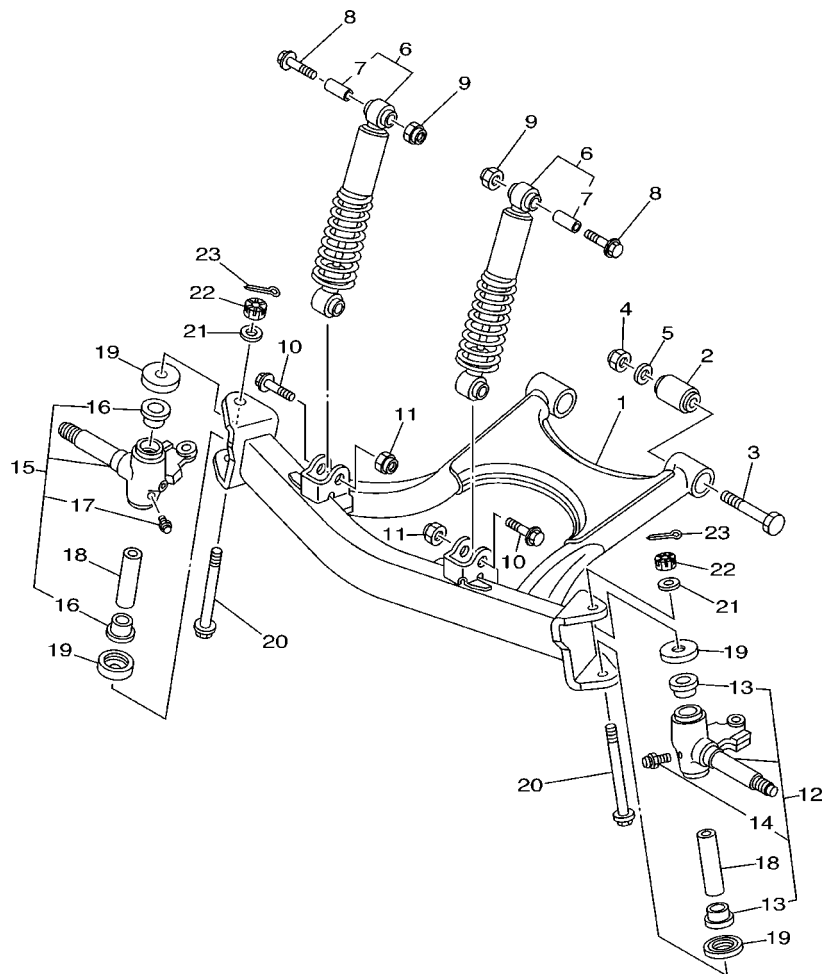
FIG. 22 STEERING



4EMF100-7230

REF. NO.	PART NO.	DESCRIPTION	U49	OCE	CAN	FRA	JPN	REMARKS
1	4EM-23813-01	COLUMN, STEERING 2	1	1	1	1	1	
2	90336-28053	PLUG, TAPER	1	1	1	1	1	
3	8G5-23814-00	HOLDER,HANDLE UNDER	1	1	1	1	1	
4	8K1-23814-00	HOLDER, HANDLE	2	2	2	2	2	
5	95827-08055	BOLT, FLANGE	4	4	4	4	4	
6	1UY-23812-00	PLANE BEARING, STEERING	2	2	2	2	2	
7	93112-31011	OIL SEAL	2	2	2	2	2	
8	3GB-23868-00	BRACKET, STEERING LOWER	1	1	1	1	1	
9	97027-08060	BOLT	2	2	2	2	2	
10	1UY-23894-01	WASHER, LOCK 1	1	1	1	1	1	
11	90387-090R0	COLLAR	2	2	2	2	2	
12	90201-10774	WASHER, PLATE	1	1	1	1	1	
13	90185-10115	NUT, SELF-LOCKING	1	1	1	1	1	
14	91401-20020	PIN, COTTER	1	1	1	1	1	
15	3GB-23831-00	ROD, TIE	1	1	1	1	1	
16	55X-23841-01	JOINT, UNIVERSAL 1	1	1	1	1	1	
17	95307-10700	NUT	1	1	1	1	1	
18	52H-23845-01	JOINT, UNIVERSAL 2	1	1	1	1	1	
19	90170-10186	NUT	1	1	1	1	1	(L.H. THREAD)
20	3GB-23831-00	ROD, TIE	1	1	1	1	1	
21	55X-23841-01	JOINT, UNIVERSAL 1	1	1	1	1	1	
22	95307-10700	NUT	1	1	1	1	1	
23	52H-23845-01	JOINT, UNIVERSAL 2	1	1	1	1	1	
24	90170-10186	NUT	1	1	1	1	1	(L.H. THREAD)
25	90185-10115	NUT, SELF-LOCKING	4	4	4	4	4	
26	91401-20020	PIN, COTTER	4	4	4	4	4	

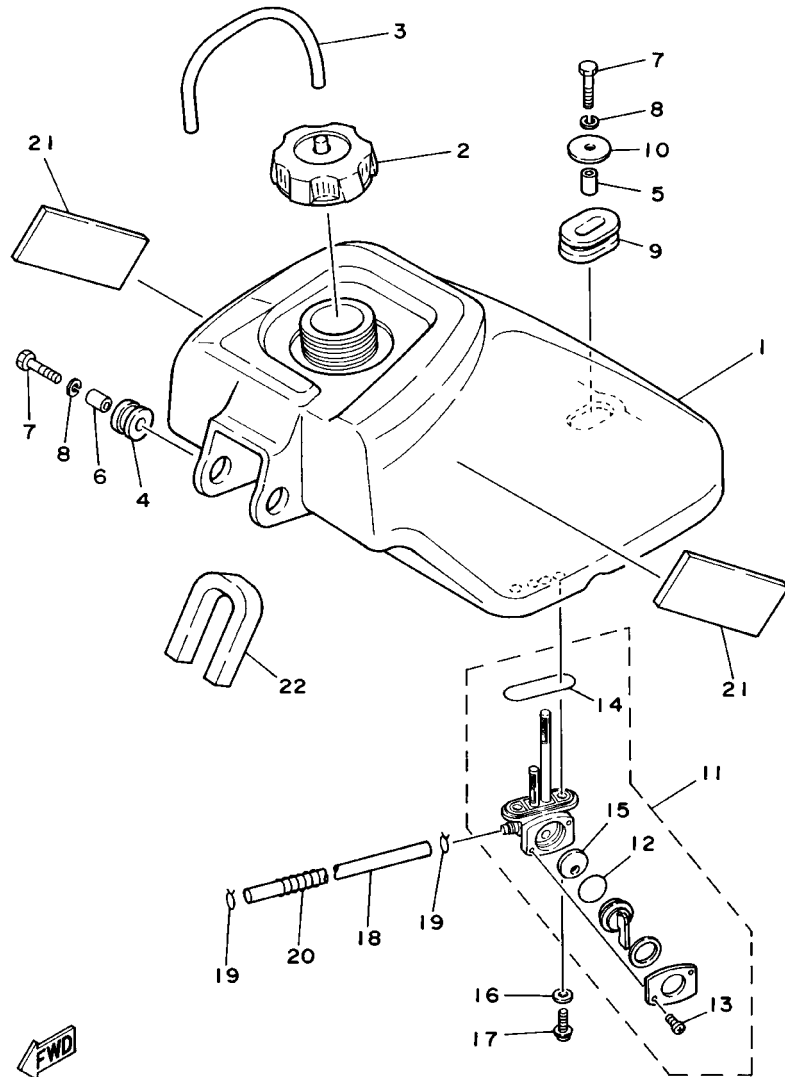
FIG. 23 FRONT SUSPENSION. WHEEL



REF. NO.	PART NO.	DESCRIPTION	U49	OCE	CAN	FRA	JPN	REMARKS
1	3GB-23570-00-33	FRONT LOWER ARM COMP.	1	1	1	1	1	YB
2	307-22123-00	BUSH 1	2	2	2	2	2	
3	90101-12498	BOLT	2	2	2	2	2	
4	90185-12046	NUT, SELF-LOCKING	2	2	2	2	2	
5	90201-12688	WASHER, PLATE	2	2	2	2	2	
6	2HX-23350-00-33	SHOCK ABSORBER ASSY	2	2	2	2	2	YB
7	5M0-22253-00	.COLLAR, DISTANCE	1	1	1	1	1	
8	90105-10561	BOLT, WASHER BASED	2	2	2	2	2	
9	90185-10091	NUT, SELF-LOCKING	2	2	2	2	2	
10	90105-12460	BOLT, WASHER BASED	2	2	2	2	2	
11	90185-12046	NUT, SELF-LOCKING	2	2	2	2	2	
12	3GB-23501-10	STEERING, KNUCKLE ASSY (LEFT)	1	1	1	1	1	
13	90381-17067	.BUSH, SOLID	2	2	2	2	2	
14	93700-06004	.NIPPLE, GREASE	1	1	1	1	1	
15	3GB-23502-10	STEERING, KNUCKLE ASSY (RIGHT)	1	1	1	1	1	
16	90381-17067	.BUSH, SOLID	2	2	2	2	2	
17	93700-06004	.NIPPLE, GREASE	1	1	1	1	1	
18	3GB-23448-00	SPACER	2	2	2	2	2	
19	2NL-23517-00	COVER, THRUST 1	4	4	4	4	4	
20	90109-104A8	BOLT	2	2	2	2	2	
21	90201-08759	WASHER, PLATE	2	2	2	2	2	
22	90171-10004	NUT, CASTLE	2	2	2	2	2	
23	91401-20020	PIN, COTTER	2	2	2	2	2	

  
4EMT100-0230

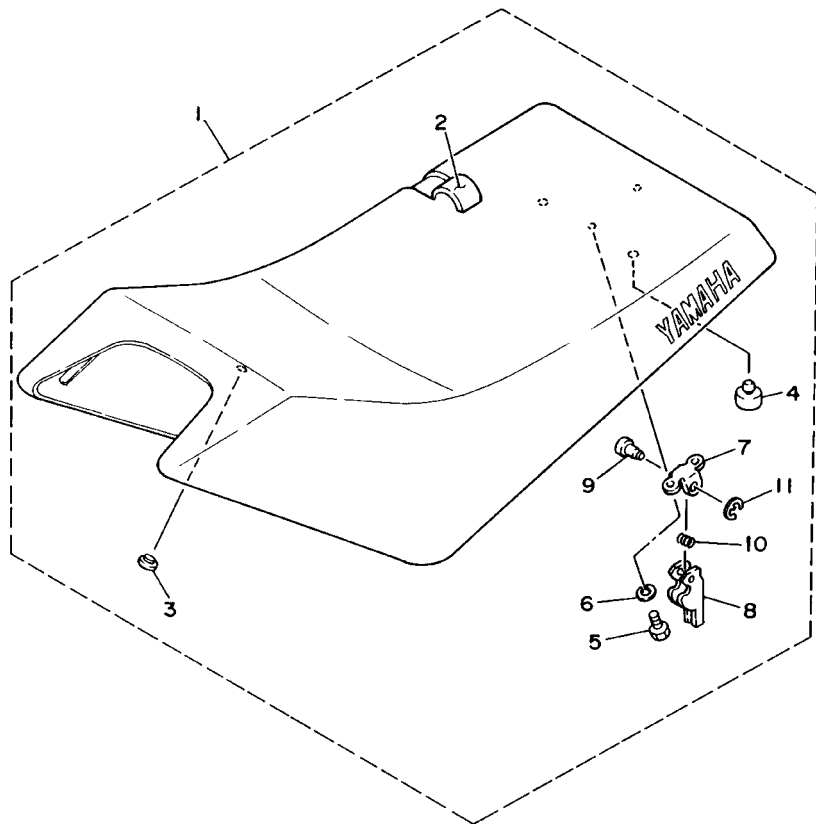
FIG. 24 FUEL TANK



REF. NO.	PART NO.	DESCRIPTION	U49	OCE	CAN	FRA	JPN	REMARKS
1	2HX-24110-00	FUEL TANK COMP.	1	1	1	1	1	
2	2FJ-24610-00	CAP ASSY	1	1	1	1	1	
3	90445-084J1	HOSE	1	1	1	1	1	
4	90480-18290	GROMMET	2	2	2	2	2	
5	90387-07598	COLLAR	1	1	1	1	1	
6	90387-066J1	COLLAR	2	2	2	2	2	
7	97027-06030	BOLT	3	3	3	3	3	
8	92907-06100	WASHER, SPRING	3	3	3	3	3	
9	90480-01400	GROMMET	1	1	1	1	1	
10	90201-060L5	WASHER, PLATE	1	1	1	1	1	
11	55X-24500-01	FUEL COCK ASSY 1	1	1	1	1	1	
12	3AJ-24534-00	.SEAL, COCK	1	1	1	1	1	
13	97801-03008	.SCREW, PAN HEAD	2	2	2	2	2	
14	4X8-24512-00	.O-RING	1	1	1	1	1	
15	3AJ-24523-00	.VALVE PACKING	1	1	1	1	1	
16	90202-05193	WASHER, PLATE	2	2	2	2	2	
17	90149-06011	SCREW	2	2	2	2	2	
18	90445-10638	HOSE	1	1	1	1	1	
19	90467-09006	CLIP	2	2	2	2	2	
20	90504-06030	SPRING, COMPRESSION	1	1	1	1	1	
21	12R-21747-00	DAMPER	2	2	2	2	2	
22	2HX-24181-00	DAMPER, LOCATING 1	1	1	1	1	1	

  
4EM9100-5240

FIG. 25 SEAT

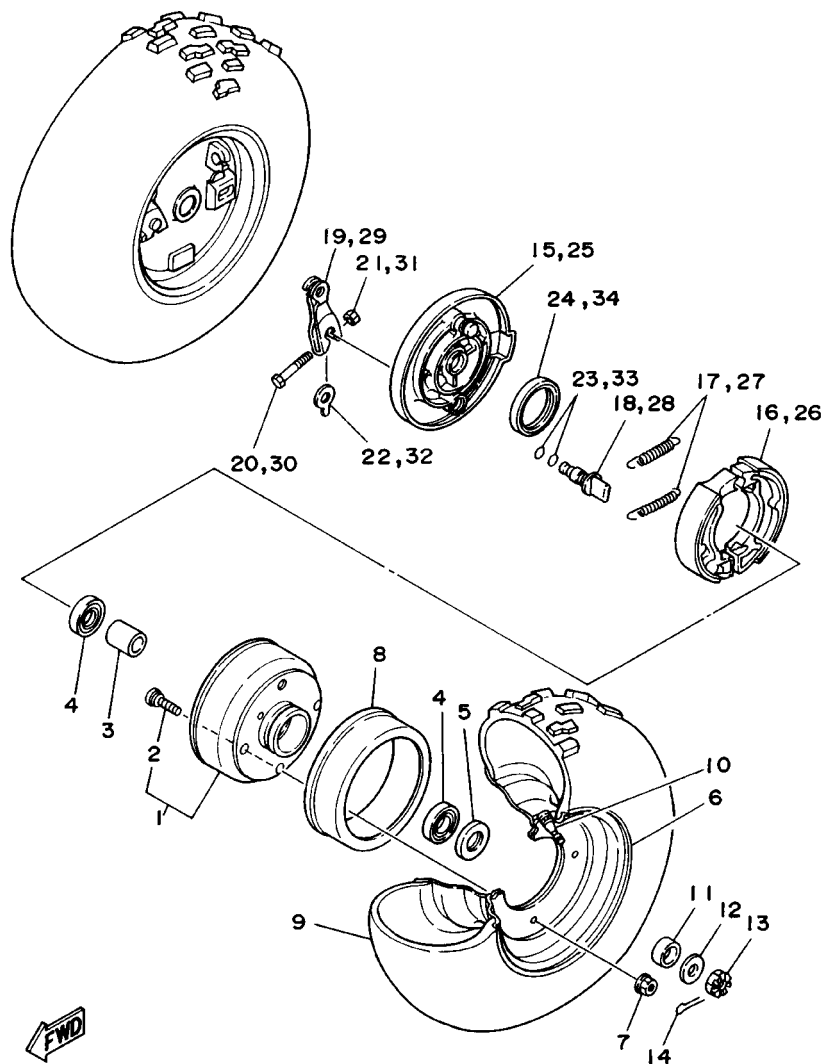


REF. NO.	PART NO.	DESCRIPTION	U49	OCE	CAN	FRA	JPN	REMARKS
1	4EM-24710-40	SINGLE SEAT ASSY	1	1	1	1	1	DPBSE
2	4EM-24731-40	.COVER, SEAT	1	1	1	1	1	DPBSE
3	3L7-24724-00	.DAMPER, SEAT	2	2	2	2	2	
4	371-27114-00	.STOPPER, MAIN STAND	2	2	2	2	2	
5	97313-06012	.BOLT	2	2	2	2	2	
6	92990-06100	.WASHER, SPRING	2	2	2	2	2	
7	4K0-24775-00	.BRACKET, SEAT LEVER	1	1	1	1	1	
8	29U-24776-00	.LEVER, SEAT	1	1	1	1	1	
9	4K0-24774-01	.PIN	1	1	1	1	1	
10	90508-20454	.SPRING, TORSION	1	1	1	1	1	
11	93430-04002	.CIRCLIP	1	1	1	1	1	



4EM1100-2250

FIG. 26 FRONT WHEEL



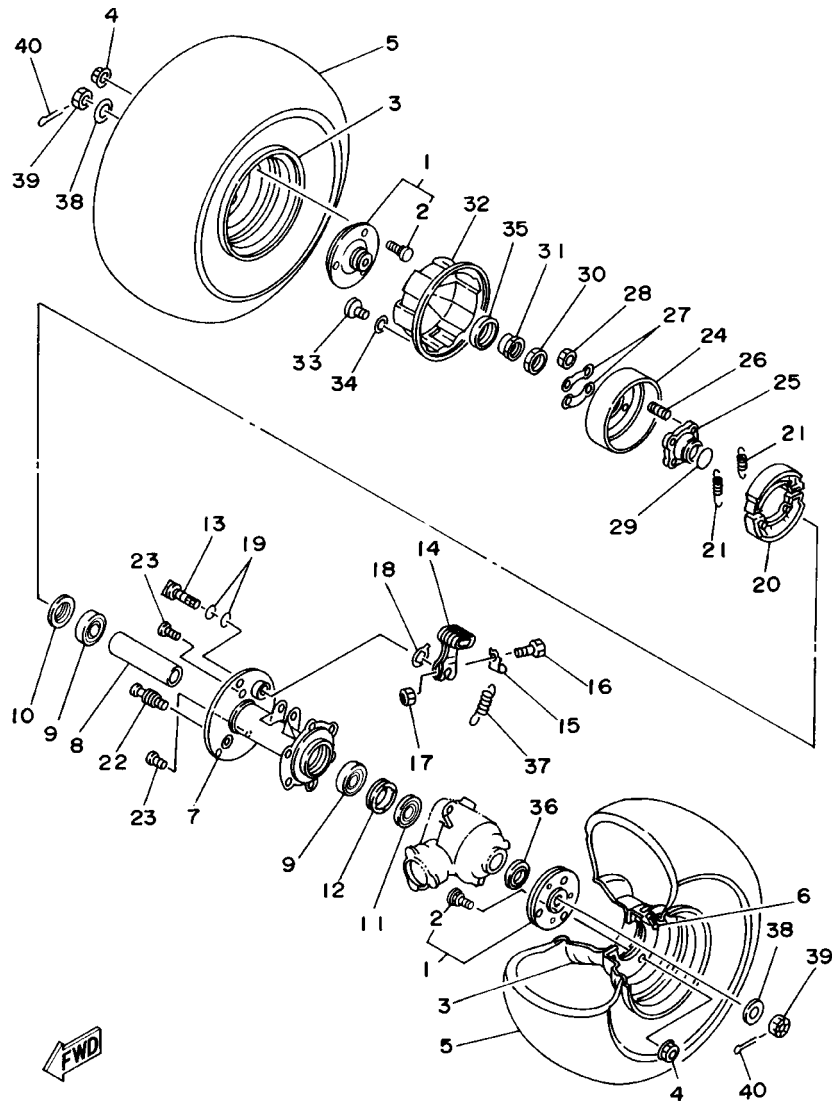
4EMK100-8260

REF. NO.	PART NO.	DESCRIPTION	U49	OCE	CAN	FRA	JPN	REMARKS
1	2FJ-25111-00	HUB, FRONT	2	2	2	2	2	
2	90109-08745	.BOLT	4	4	4	4	4	
3	3FA-25117-00	SPACER, BEARING	2	2	2	2	2	
4	93306-00308	BEARING (B6003)	4	4	4	4	4	
5	93102-23275	OIL SEAL	2	2	2	2	2	
6	2FJ-25180-00-35	WHEEL COMP.	2	2	2	2	2	SL
7	95707-08500	NUT, FLANGE	8	8	8	8	8	
8	3GB-25185-00	RING 1	2	2	2	2	2	
9	94107-073Y9	TIRE (AT18X7-7 *KT586T/L N)	2	2	2	2	2	DUNLOP
10	93900-00022	VALVE, RIM	2	2	2	2	2	TAIHEIYO
11	90387-175R2	COLLAR	2	2	2	2	2	
12	90201-14586	WASHER, PLATE	2	2	2	2	2	
13	90171-14020	NUT, CASTLE	2	2	2	2	2	
14	91401-30025	PIN, COTTER	2	2	2	2	2	
15	2FJ-25121-00	PLATE, BRAKE SHOE	1	1	1	1	1	
16	4KN-W2536-11	BRAKE SHOE SET	1	1	1	1	1	
17	90506-15260	SPRING, TENSION	2	2	2	2	2	
18	3GB-25151-00	CAMSHAFT	1	1	1	1	1	
19	2FJ-25155-00	LEVER, CAMSHAFT 1	1	1	1	1	1	
20	90101-06278	BOLT	1	1	1	1	1	
21	95307-06600	NUT	1	1	1	1	1	
22	52H-2513A-00	PLATE, INDICATOR	1	1	1	1	1	
23	93210-12327	O-RING	2	2	2	2	2	
24	93102-40367	OIL SEAL	1	1	1	1	1	
25	2FJ-25169-00	PLATE, BRAKE SHOE 2	1	1	1	1	1	
26	4KN-W2536-11	BRAKE SHOE SET	1	1	1	1	1	
27	90506-15260	SPRING, TENSION	2	2	2	2	2	





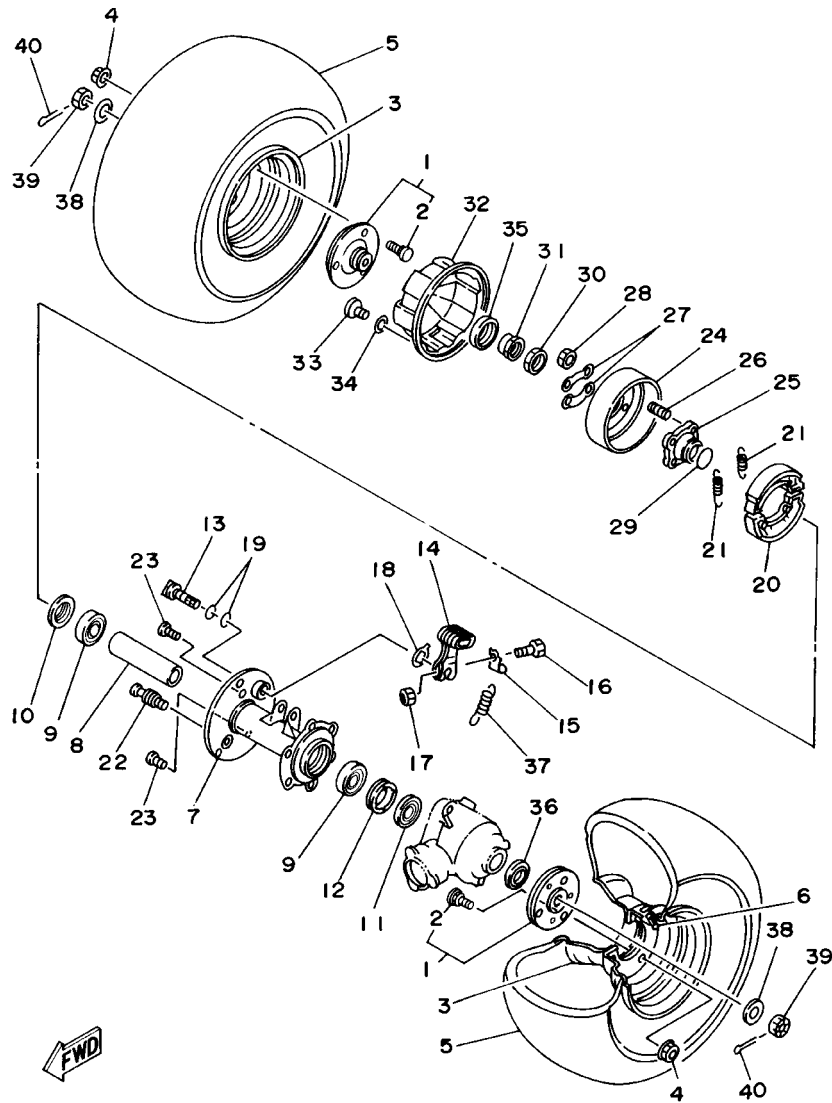
FIG. 27 REAR WHEEL



4EMK100-8270

REF. NO.	PART NO.	DESCRIPTION	U49	OCE	CAN	FRA	JPN	REMARKS
1	55X-25383-00	COLLAR, WHEEL	2	2	2	2	2	
2	90109-08745	.BOLT	3	3	3	3	3	
3	2FJ-25390-00-35	REAR WHEEL COMP.	2	2	2	2	2	SL
4	95707-08500	NUT, FLANGE	6	6	6	6	6	
5	94108-073Y8	TIRE (AT18X8-7**KT587T/L N)	2	2	2	2	2	DUNLOP
6	93900-00022	VALVE, RIM	2	2	2	2	2	TAIHEIYO
7	3GB-25311-00-33	HUB, REAR	1	1	1	1	1	YB
8	3GB-25317-00	SPACER, BEARING	1	1	1	1	1	
9	93306-00612	BEARING	2	2	2	2	2	
10	93102-38383	OIL SEAL	1	1	1	1	1	
11	93102-36409	OIL SEAL	1	1	1	1	1	
12	3GB-25382-00	NUT, AXLE	1	1	1	1	1	
13	3Y6-25351-00	CAMSHAFT	1	1	1	1	1	
14	55X-25355-00	LEVER, CAMSHAFT	1	1	1	1	1	
15	55X-2533H-00	HOOK, SPRING	1	1	1	1	1	
16	90101-06562	BOLT	1	1	1	1	1	
17	95307-06600	NUT	1	1	1	1	1	
18	23F-2533A-00	PLATE, INDICATOR	1	1	1	1	1	
19	93210-14104	O-RING	2	2	2	2	2	
20	3KG-W2536-00	BRAKE SHOE SET	1	1	1	1	1	
21	90506-15260	SPRING, TENSION	2	2	2	2	2	
22	3GB-25326-00	PIN, PIVOT	1	1	1	1	1	
23	90114-10005	BOLT, SERRATION	2	2	2	2	2	
24	3GB-2531E-00	DRUM, BRAKE	1	1	1	1	1	
25	3GB-25343-00	BOSS	1	1	1	1	1	
26	90116-08507	BOLT, STUD	4	4	4	4	4	
27	390-25412-01	WASHER	2	2	2	2	2	

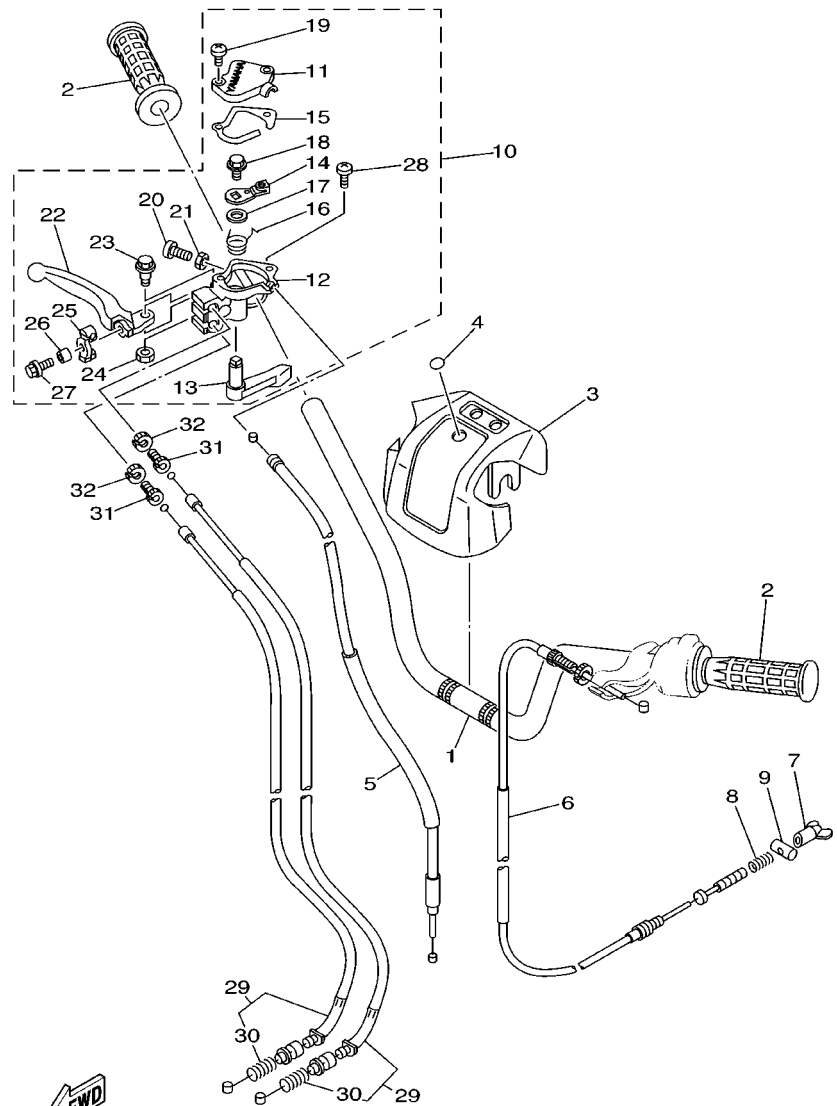
FIG. 27 REAR WHEEL



4EMK100-8270

REF. NO.	PART NO.	DESCRIPTION	U49	OCE	CAN	FRA	JPN	REMARKS
28	95307-08600	NUT	4	4	4	4	4	
29	93210-26606	O-RING	1	1	1	1	1	
30	90170-28379	NUT	1	1	1	1	1	
31	90179-28573	NUT	1	1	1	1	1	
32	3GB-25715-00	COVER 1	1	1	1	1	1	
33	98507-06012	SCREW, PAN HEAD	3	3	3	3	3	
34	92907-06100	WASHER, SPRING	3	3	3	3	3	
35	93102-35349	OIL SEAL	1	1	1	1	1	
36	3GB-25367-00	COVER, HUB DUST	1	1	1	1	1	
37	90507-15038	SPRING, TENSION	1	1	1	1	1	
38	90201-126A7	WASHER, PLATE	2	2	2	2	2	
39	90171-12039	NUT, CASTLE	2	2	2	2	2	
40	91401-25025	PIN, COTTER	2	2	2	2	2	

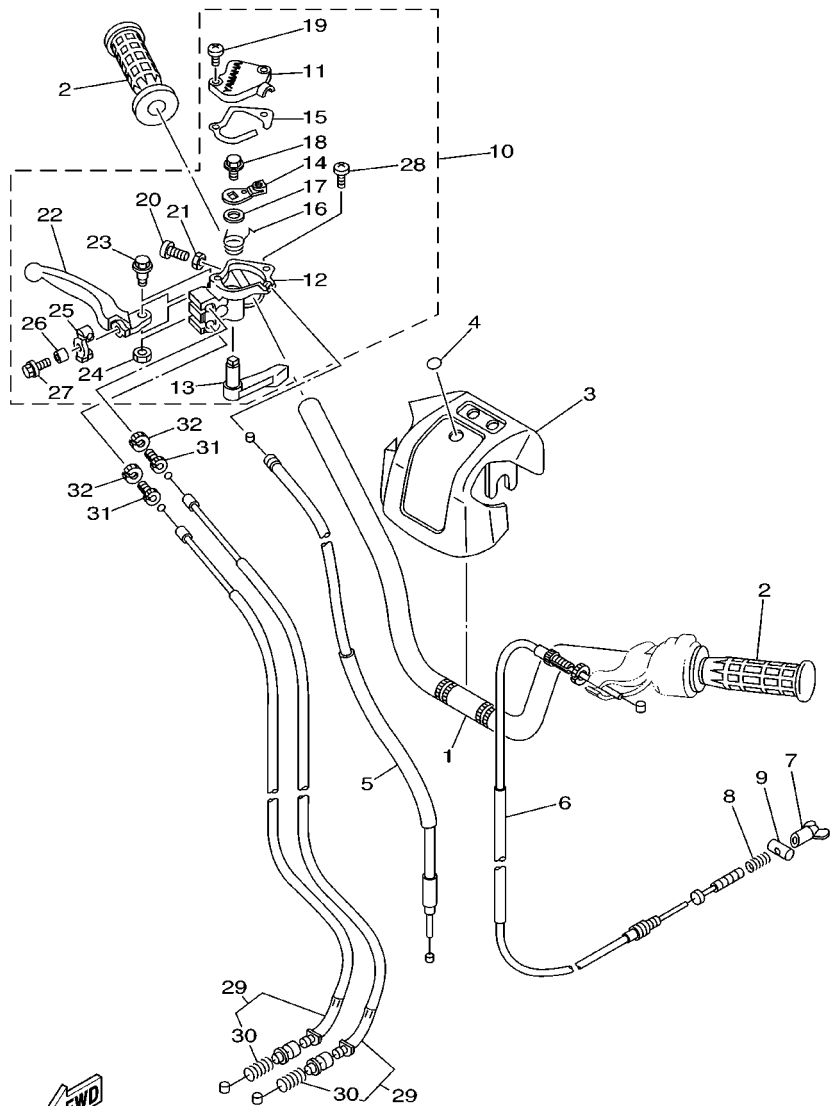
FIG. 28 STEERING HANDLE. CABLE



FWD  
4EMT100-0280

REF. NO.	PART NO.	DESCRIPTION	U49	OCE	CAN	FRA	JPN	REMARKS
1	3GB-26111-00	HANDLEBAR	1	1	1	1	1	
2	3GB-26241-00	GRIP (LEFT)	2	2	2	2	2	
3	3GD-26124-01	PROTECTOR, HANDLEBAR	1	1	1	1	1	
4	5GT-2836B-00	TUNING FORK MARK	1	1	1	1	1	
5	3GB-26311-01	CABLE, THROTTLE 1	1	1	1	1	1	
6	3GB-26341-01	CABLE, BRAKE	1	1	1	1	1	
7	20E-26343-00	NUT, ADJUSTING	1	1	1	1	1	
8	90501-10782	SPRING, COMPRESSION	1	1	1	1	1	
9	90249-12008	PIN	1	1	1	1	1	
10	3GB-26250-01	THROTTLE LEVER ASSY	1	1	1	1	1	
11	3GB-2628F-00	.CAP, GEAR	1	1	1	1	1	
12	3GB-2625E-01	.BODY, THROTTLE	1	1	1	1	1	
13	3GB-2625G-00	.LEVER, THROTTLE	1	1	1	1	1	
14	3GB-2625H-00	.ARM, THROTTLE	1	1	1	1	1	
15	3GB-2628G-01	.GASKET	1	1	1	1	1	
16	90508-10775	.SPRING, TORSION	1	1	1	1	1	
17	90201-145M4	.WASHER, PLATE	1	1	1	1	1	
18	95807-08012	.BOLT, FLANGE	1	1	1	1	1	
19	98507-04016	.SCREW, PAN HEAD	2	2	2	2	2	
20	98507-05020	.SCREW, PAN HEAD	1	1	1	1	1	
21	95307-05700	.NUT	1	1	1	1	1	
22	3GB-83922-00	.LEVER 2	1	1	1	1	1	
23	90109-061F3	.BOLT	1	1	1	1	1	
24	95607-06100	.NUT, U	1	1	1	1	1	
25	3GB-26347-00	.JOINT, CABLE	1	1	1	1	1	
26	90387-066V8	.COLLAR	1	1	1	1	1	
27	95807-06016	.BOLT, FLANGE	1	1	1	1	1	

FIG. 28 STEERING HANDLE. CABLE

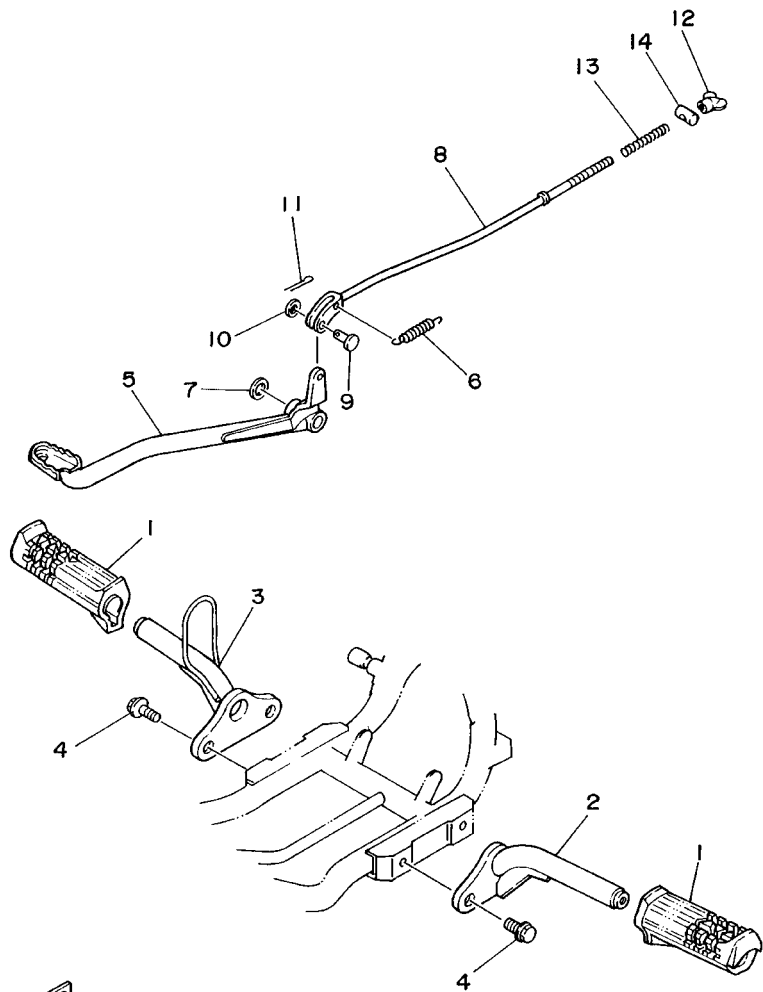


4EMT100-0280

REF. NO.	PART NO.	DESCRIPTION	U49	OCE	CAN	FRA	JPN	REMARKS
28	98507-06020	.SCREW, PAN HEAD	1	1	1	1	1	
29	3GB-26361-02	CABLE, BRAKE	2	2	2	2	2	
30	90501-08511	.SPRING, COMPRESSION	1	1	1	1	1	
31	90123-08106	BOLT	2	2	2	2	2	
32	90179-08148	NUT	2	2	2	2	2	
-----								
-----								
-----								
-----								
-----								
-----								
-----								
-----								
-----								
-----								

FIG. 29 STAND, FOOTREST

REF. NO.	PART NO.	DESCRIPTION	U49	OCE	CAN	FRA	JPN	REMARKS
1	55X-27413-00	COVER, FOOTREST	2	2	2	2	2	
2	3GB-27411-10	FOOTREST 1	1	1	1	1	1	
3	3GB-27421-10	FOOTREST 2	1	1	1	1	1	
4	95817-12020	BOLT, FLANGE	4	4	4	4	4	
5	3GB-27211-00	PEDAL, BRAKE	1	1	1	1	1	
6	90506-16318	SPRING, TENSION	1	1	1	1	1	
7	90201-15797	WASHER, PLATE	1	1	1	1	1	
8	3GB-27231-00	ROD, BRAKE	1	1	1	1	1	
9	90240-06076	PIN, CLEVIS	1	1	1	1	1	
10	92907-06200	WASHER	1	1	1	1	1	
11	91401-20012	PIN, COTTER	1	1	1	1	1	
12	20E-26343-00	NUT, ADJUSTING	1	1	1	1	1	
13	90501-10245	SPRING, COMPRESSION	1	1	1	1	1	
14	90249-12008	PIN	1	1	1	1	1	

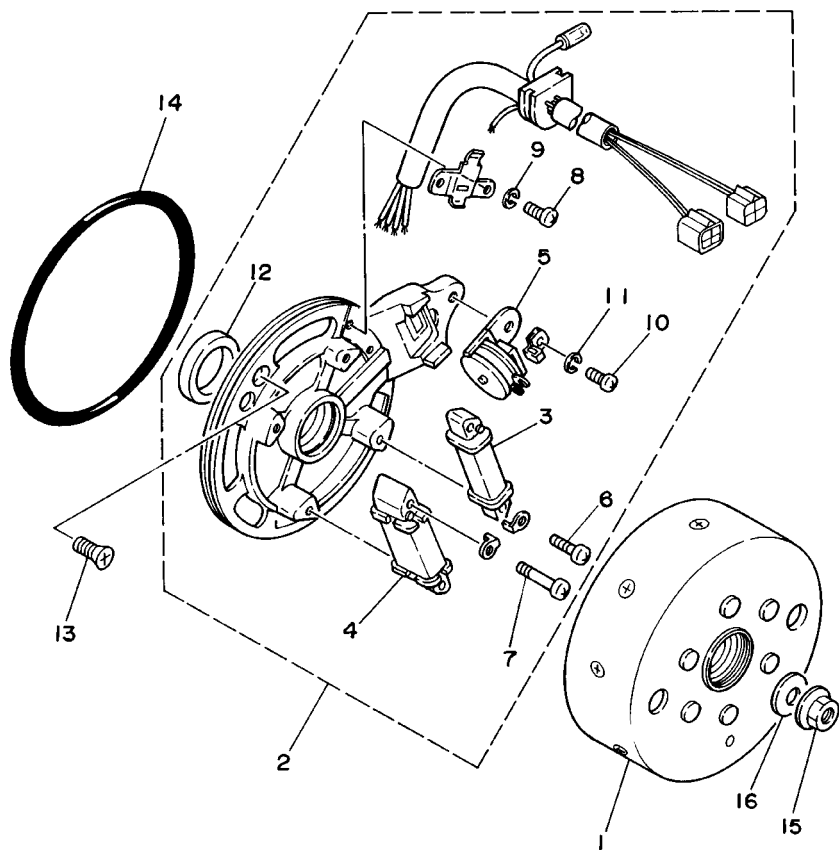


3GB1100-9290



FIG. 31 GENERATOR

REF. NO.	PART NO.	DESCRIPTION	U49	OCE	CAN	FRA	JPN	REMARKS
1	2FM-85550-M0	ROTOR ASSY	1	1	1	1	1	
2	4EM-85560-10	BASE ASSY	1	1	1	1	1	
3	5G3-85520-M1	.COIL, CHARGE	1	1	1	1	1	
4	55X-81313-M0	.COIL, LIGHTING 1	1	1	1	1	1	
5	22K-85595-M0	.COIL, PULSER	1	1	1	1	1	
6	98511-04012	.SCREW, PAN HEAD	2	2	2	2	2	
7	98511-04020	.SCREW, PAN HEAD	2	2	2	2	2	
8	98501-04006	.SCREW, PAN HEAD	2	2	2	2	2	
9	92901-04100	.WASHER, SPRING	2	2	2	2	2	
10	98501-05010	.SCREW, PAN HEAD	1	1	1	1	1	
11	92901-05100	.WASHER, SPRING	1	1	1	1	1	
12	93102-19276	.OIL SEAL	1	1	1	1	1	
13	98707-06016	SCREW, FLAT HEAD	2	2	2	2	2	
14	93211-02703	O-RING	1	1	1	1	1	
15	90179-10394	NUT	1	1	1	1	1	
16	90201-101A4	WASHER, PLATE	1	1	1	1	1	



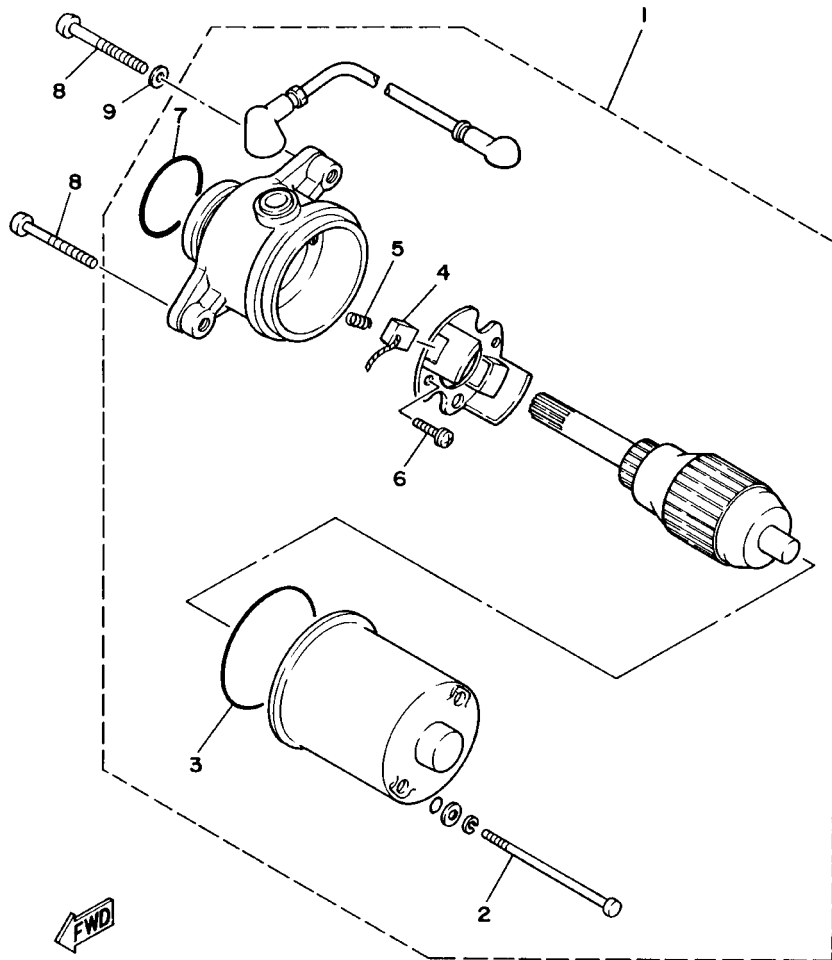
4EM9100-5320

D10



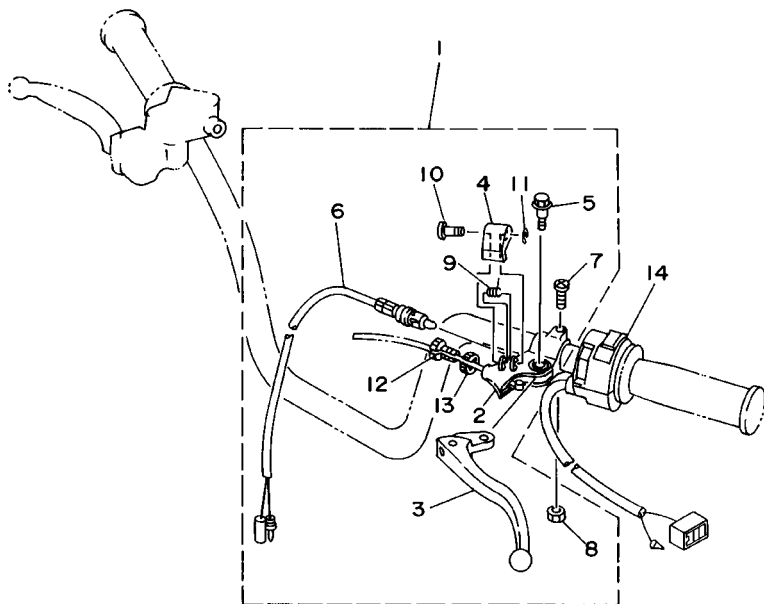
FIG. 32 STARTING MOTOR

REF. NO.	PART NO.	DESCRIPTION	U49	OCE	CAN	FRA	JPN	REMARKS
1	55X-81800-51	STARTING MOTOR ASSY	1	1	1	1	1	
2	55X-81826-50	.BOLT	2	2	2	2	2	
3	5J3-81847-50	.O-RING	1	1	1	1	1	
4	22J-81801-50	.BRUSH SET	1	1	1	1	1	
5	55X-81855-50	.SPRING, BRUSH	2	2	2	2	2	
6	5J3-81846-50	.SCREW	2	2	2	2	2	
7	22J-81847-50	.O-RING	1	1	1	1	1	
8	91317-06035	BOLT	2	2	2	2	2	
9	92907-06200	WASHER	1	1	1	1	1	



2HX110-7290

FIG. 33 HANDLE SWITCH. LEVER

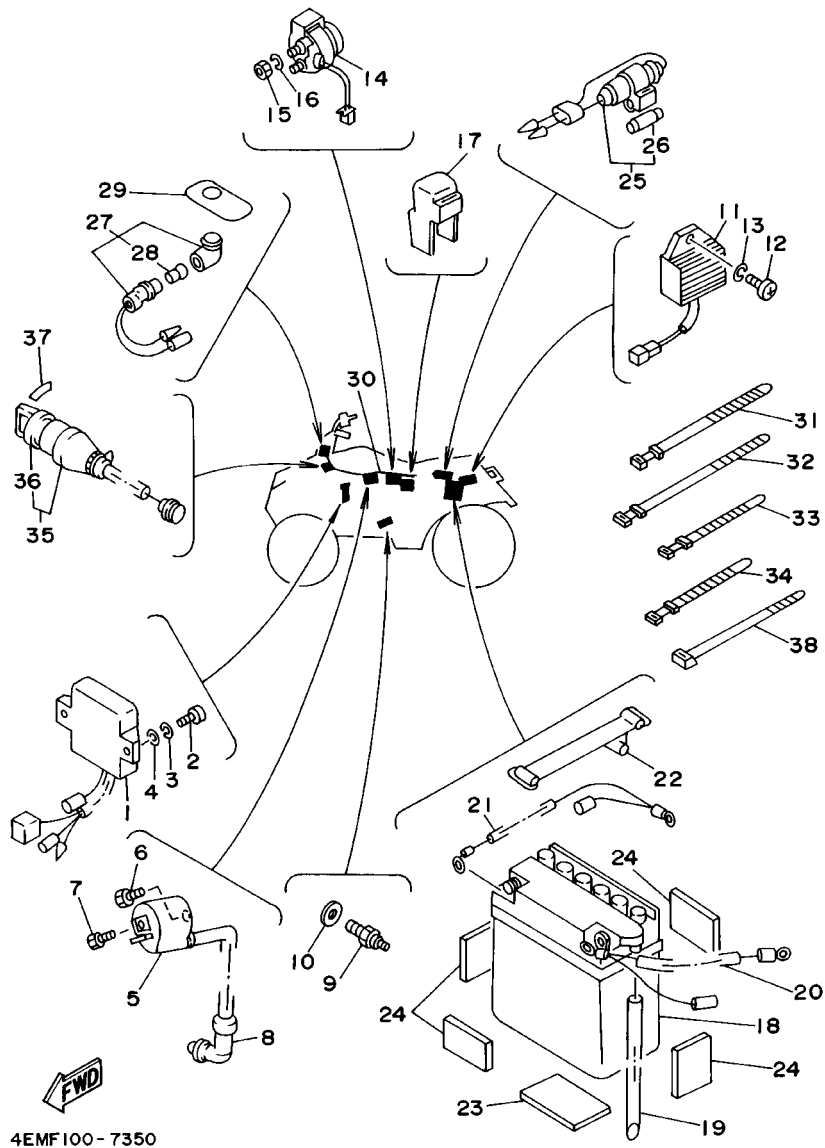


REF. NO.	PART NO.	DESCRIPTION	U49	OCE	CAN	FRA	JPN	REMARKS
1	3GB-82910-20	LEVER HOLDER ASSY (LEFT)	1	1	1	1	1	
2	3FA-82911-00	.HOLDER, LEVER 1	1	1	1	1	1	
3	2FW-83912-00	.LEVER 1	1	1	1	1	1	
4	3FA-83965-00	.LEVER, LOCK	1	1	1	1	1	
5	90109-06799	.BOLT	1	1	1	1	1	
6	1YW-83980-00	.FRONT STOP SWITCH ASSY	1	1	1	1	1	
7	98507-06020	.SCREW, PAN HEAD	1	1	1	1	1	
8	95607-06100	.NUT, U	1	1	1	1	1	
9	3FA-83966-00	.SPRING, RETURN	1	1	1	1	1	
10	3FA-83967-00	.PIN, LOCK 1	1	1	1	1	1	
11	3FA-26466-00	.RING, SNAP	1	1	1	1	1	
12	90123-08046	.BOLT	1	1	1	1	1	
13	90179-08148	.NUT	1	1	1	1	1	
14	4EM-83975-00	SWITCH, HANDLE 2	1	1	1	1	1	



4EM9100-5340

FIG. 34 ELECTRICAL 1



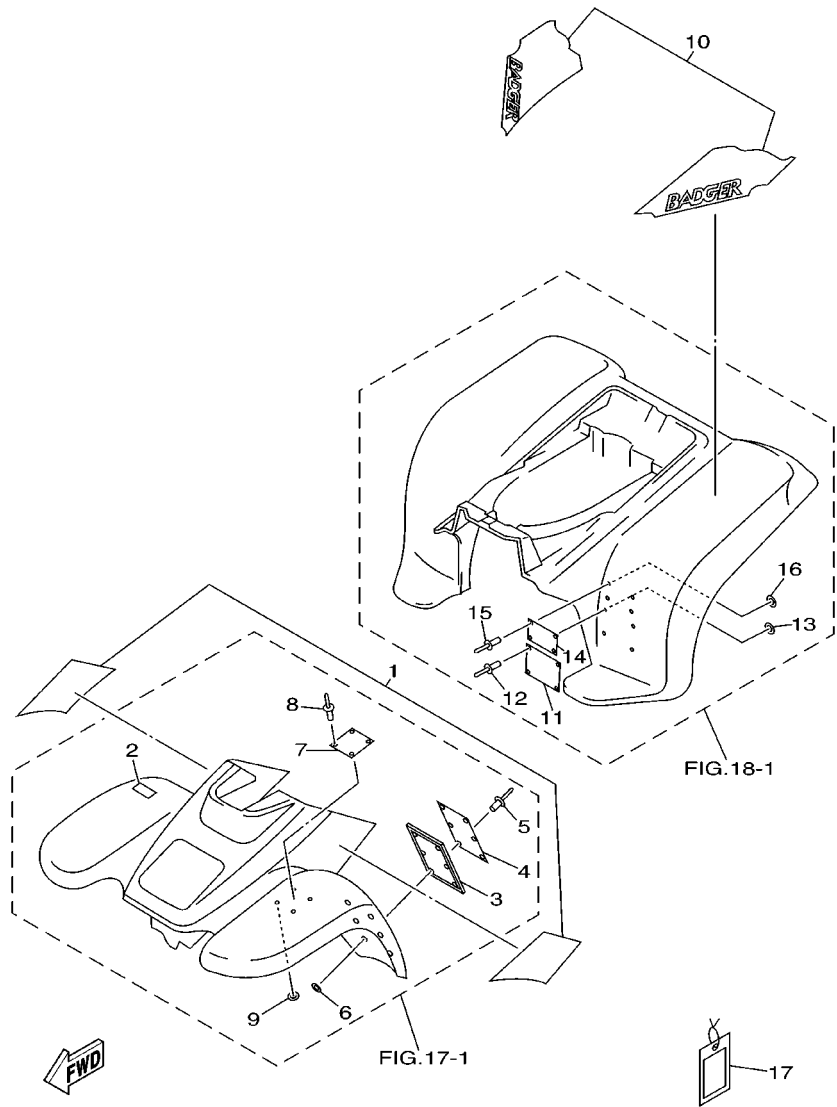
4EMF100-7350

REF. NO.	PART NO.	DESCRIPTION	U49	OCE	CAN	FRA	JPN	REMARKS
1	4EM-85540-10	C.D.I. UNIT ASSY	1	1	1	1	1	
2	98507-06020	SCREW, PAN HEAD	2	2	2	2	2	
3	92907-06100	WASHER, SPRING	2	2	2	2	2	
4	92907-06600	WASHER, PLATE	2	2	2	2	2	
5	4KJ-82310-10	IGNITION COIL ASSY	1	1	1	1	1	
6	97007-06016	BOLT	1	1	1	1	1	
7	90153-06034	SCREW, HEXAGON	1	1	1	1	1	
8	55X-82370-00	PLUG CAP ASSY	1	1	1	1	1	
9	3GB-82540-01	NEUTRAL SWITCH ASSY	1	1	1	1	1	
10	90430-10148	GASKET	1	1	1	1	1	
11	3GB-81960-10	RECTIFIER & REGULATOR ASSY	1	1	1	1	1	
12	98507-06016	SCREW, PAN HEAD	1	1	1	1	1	
13	92907-06100	WASHER, SPRING	1	1	1	1	1	
14	4KD-81940-00	STARTER RELAY ASSY	1	1	1	1	1	
15	95307-06700	NUT	2	2	2	2	2	
16	92907-06100	WASHER, SPRING	2	2	2	2	2	
17	1RL-81950-92	RELAY ASSY	1	1	1	1	1	
18	4EM-82110-01	BATTERY ASSY					1	
	55X-82110-61	BATTERY ASSY	1	1	1	1		
19	90445-085E0	HOSE	1	1	1	1	1	
20	55X-82115-00	WIRE, PLUS LEAD	1	1	1	1	1	
21	3GB-82116-00	WIRE, MINUS LEAD	1	1	1	1	1	
22	4J2-82131-01	BAND, BATTERY	1	1	1	1	1	
23	55X-82122-00	SEAT, BATTERY	1	1	1	1	1	
24	29W-82123-00	SEAT, BATTERY	4	4	4	4	4	
25	3GB-82150-00	FUSE HOLDER ASSY	1	1	1	1	1	
26	3GB-82151-00	.FUSE (5A)	2	2	2	2	2	





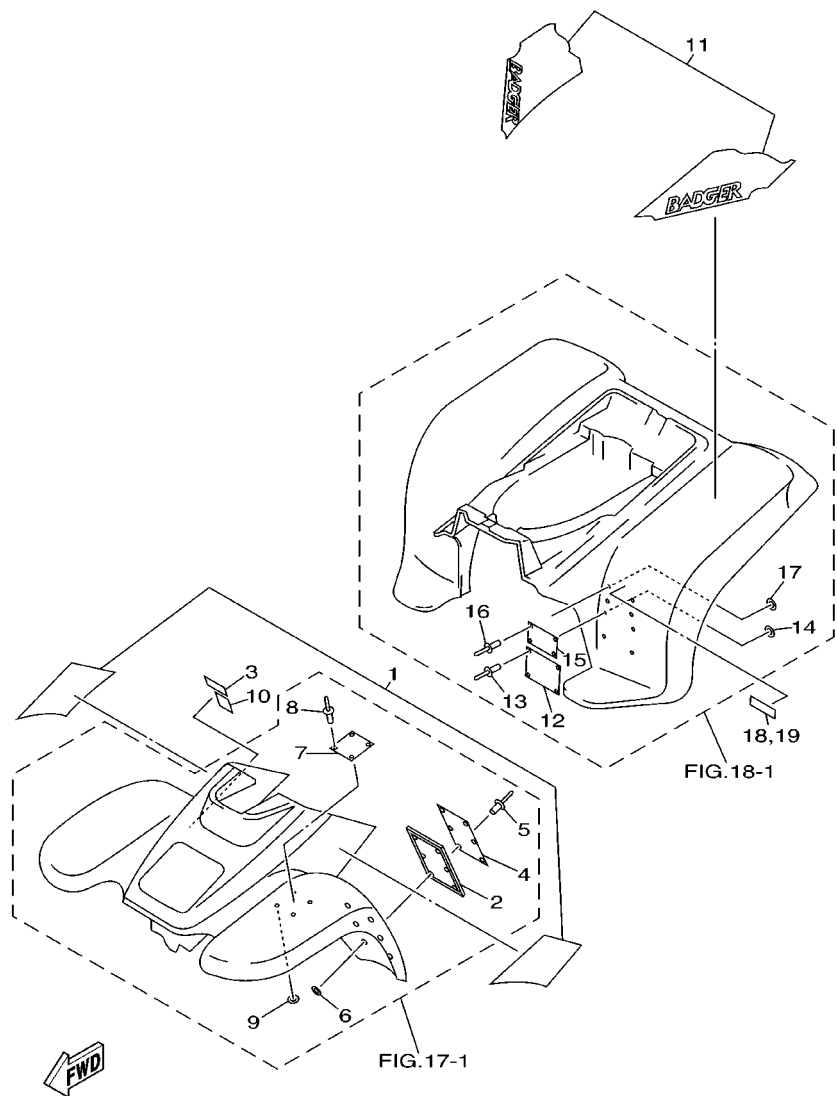
FIG. 36 EMBLEM.LABEL 1



4EMT100-0360

REF. NO.	PART NO.	DESCRIPTION	U49	OCE	CAN	FRA	JPN	REMARKS
1	4EM-21570-20	GRAPHIC SET, FRONT FENDER	1					
2	4EM-21578-A0	EMBLEM	1					
3	4EM-21581-00	STAY, PLATE FITTING 1	1					
4	5FE-21568-01	LABEL, WARNING	1					
5	90267-32198	RIVET, BLIND	6					
6	90201-03313	WASHER, PLATE	6					
7	4EM-21697-31	LABEL, CAUTION 2	1					
8	90267-32109	RIVET, BLIND	4					
9	90201-03313	WASHER, PLATE	4					
10	4EM-2165A-20	GRAPHIC SET, REAR FENDER	1					
11	4EM-21696-11	LABEL, CAUTION	1					
12	90267-32109	RIVET, BLIND	4					
13	90201-03313	WASHER, PLATE	4					
14	5FE-2151H-01	LABEL 5	1					
15	90267-32109	RIVET, BLIND	4					
16	90201-03313	WASHER, PLATE	4					
17	2FJ-2819R-00	TAG, WARNING	1					

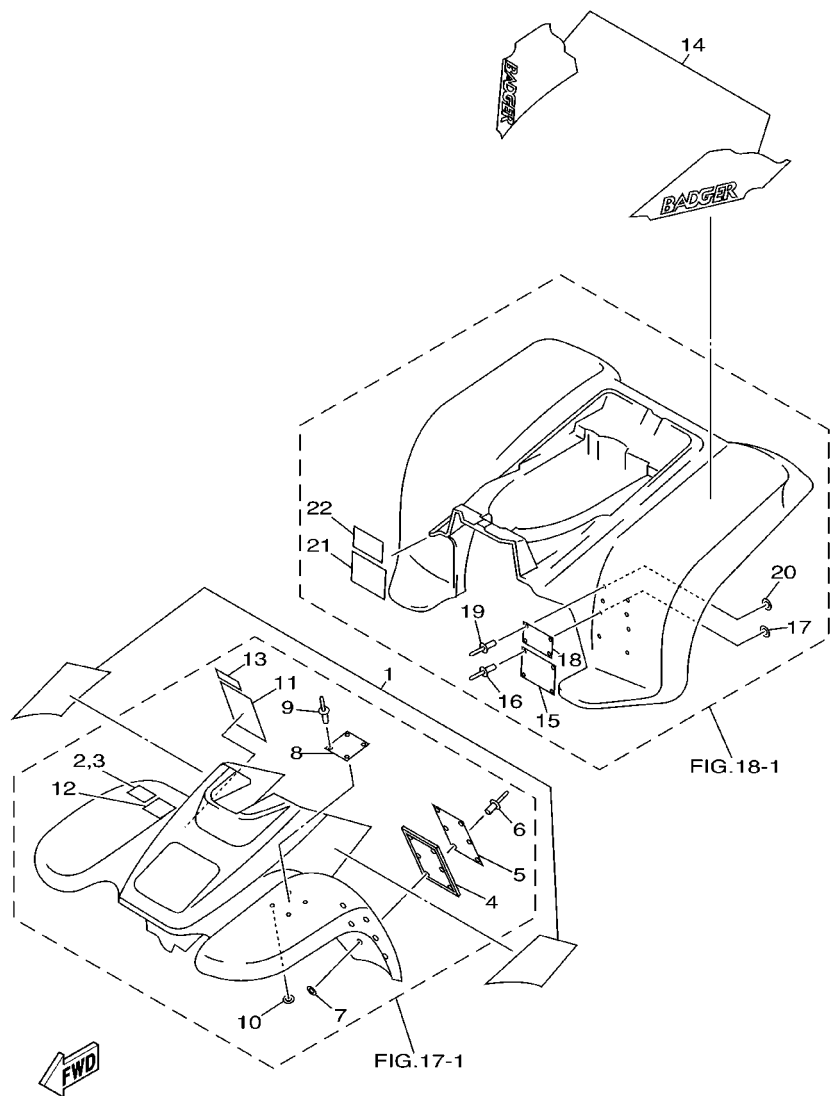
FIG. 37 EMBLEM.LABEL 2



4EMT100-0370

REF. NO.	PART NO.	DESCRIPTION	U49	OCE	CAN	FRA	JPN	REMARKS
1	4EM-21570-20	GRAPHIC SET, FRONT FENDER		1		1		
2	4EM-21581-00	STAY, PLATE FITTING 1		1		1		
3	3HP-21568-10	LABEL, WARNING				1		FRENCH
4	5FE-21568-11	LABEL, WARNING		1		1		
5	90267-32198	RIVET, BLIND		6		6		
6	90201-03313	WASHER, PLATE		6		6		
7	4EM-21697-31	LABEL, CAUTION 2		1		1		
8	90267-32109	RIVET, BLIND		4		4		
9	90201-03313	WASHER, PLATE		4		4		
10	4GB-2155A-00	MARK, EC				1		
11	4EM-2165A-20	GRAPHIC SET, REAR FENDER		1		1		
12	4EM-21696-11	LABEL, CAUTION		1		1		
13	90267-32109	RIVET, BLIND		4		4		
14	90201-03313	WASHER, PLATE		4		4		
15	5FE-2151H-01	LABEL 5		1		1		
16	90267-32109	RIVET, BLIND		4		4		
17	90201-03313	WASHER, PLATE		4		4		
18	3HP-21668-00	LABEL, TIRE		1				ENGLISH
19	3HP-21668-10	LABEL, TIRE				1		FRENCH

FIG. 38 EMBLEM.LABEL 3

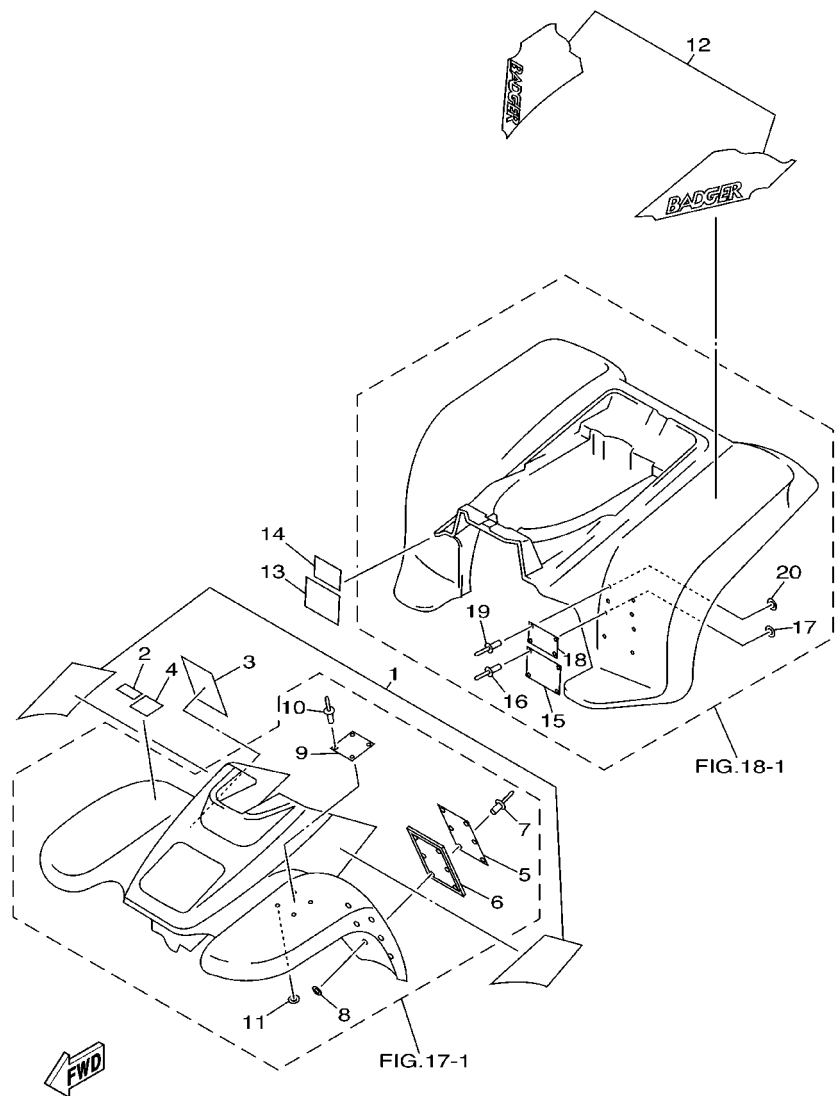


4EMT100-0380

REF. NO.	PART NO.	DESCRIPTION	U49	OCE	CAN	FRA	JPN	REMARKS
1	4EM-21570-20	GRAPHIC SET, FRONT FENDER			1			
2	4EM-21578-A0	EMBLEM			1			
3	4EM-21578-B0	EMBLEM			1			IN FRENCH
4	4EM-21581-00	STAY, PLATE FITTING 1			1			
5	5FE-21568-01	LABEL, WARNING			1			
6	90267-32198	RIVET, BLIND			6			
7	90201-03313	WASHER, PLATE			6			
8	4EM-21697-31	LABEL, CAUTION 2			1			
9	90267-32109	RIVET, BLIND			4			
10	90201-03313	WASHER, PLATE			4			
11	4WU-21568-10	LABEL, WARNING			1			FRENCH
12	4EM-21697-20	LABEL, CAUTION 2			1			IN FRENCH
13	4SH-2416E-00	LABEL, CAUTION CANADA			1			
14	4EM-2165A-20	GRAPHIC SET, REAR FENDER			1			
15	4EM-21696-11	LABEL, CAUTION			1			
16	90267-32109	RIVET, BLIND			4			
17	90201-03313	WASHER, PLATE			4			
18	5FE-2151H-01	LABEL 5			1			
19	90267-32109	RIVET, BLIND			4			
20	90201-03313	WASHER, PLATE			4			
21	4EM-21696-B0	LABEL, CAUTION			1			
22	4WU-2151H-10	LABEL 5			1			FRENCH



FIG. 39 EMBLEM.LABEL 4



4EMT100-0390

REF. NO.	PART NO.	DESCRIPTION	U49	OCE	CAN	FRA	JPN	REMARKS
1	4EM-21570-20	GRAPHIC SET, FRONT FENDER					1	
2	4EM-21578-C0	EMBLEM					1	
3	4SH-21568-00	LABEL, WARNING					1	
4	4EM-21697-00	LABEL, CAUTION 2					1	
5	5FE-21568-11	LABEL, WARNING					1	
6	4EM-21581-00	STAY, PLATE FITTING 1					1	
7	90267-32198	RIVET, BLIND					6	
8	90201-03313	WASHER, PLATE					6	
9	4EM-21697-31	LABEL, CAUTION 2					1	
10	90267-32109	RIVET, BLIND					4	
11	90201-03313	WASHER, PLATE					4	
12	4EM-2165A-20	GRAPHIC SET, REAR FENDER					1	
13	4EM-21696-00	LABEL, CAUTION					1	
14	4LB-2151H-01	LABEL 5					1	
15	4EM-21696-11	LABEL, CAUTION					1	
16	90267-32109	RIVET, BLIND					4	
17	90201-03313	WASHER, PLATE					4	
18	5FE-2151H-01	LABEL 5					1	
19	90267-32109	RIVET, BLIND					4	
20	90201-03313	WASHER, PLATE					4	

NUMERICAL INDEX

PART NO.	GRID NO.	PART NO.	GRID NO.	PART NO.	GRID NO.	PART NO.	GRID NO.	PART NO.	GRID NO.	PART NO.	GRID NO.
22K-W1141-00	B - 3	46J-13325-00	B - 6	22F-15417-00	B - 11	22F-18101-02	C - 4	4EM-2165A-20	E - 3	3AJ-24523-00	C - 14
22K-W1657-00	B - 13	22F-13329-01	B - 6	2FJ-15421-00	B - 11	2HX-18110-00	C - 4		E - 4	3AJ-24534-00	C - 14
4EM-W215B-61	C - 6	22F-13411-01	B - 6	4EM-15443-00	B - 11	132-18113-01	C - 4		E - 5	2FJ-24610-00	C - 14
4EM-W215C-61	C - 6	22M-13450-10	B - 12	3GB-15451-00	B - 11	278-18127-01	C - 4	3HP-21668-00	E - 3	4EM-24710-40	C - 15
4EM-W2151-61	C - 6	55X-13586-00	B - 7	3GB-15461-00	B - 11	29F-18140-00	C - 3	3HP-21668-10	E - 3	3L7-24724-00	C - 15
4EM-W216C-D1	C - 7	22K-13595-00	B - 7	2HX-15517-10	B - 12	2MK-18511-00	C - 3	4EM-21696-B0	E - 4	4EM-24731-40	C - 15
4EM-W2161-C1	C - 7	3GB-14101-00	B - 7	2HX-15520-00	B - 12	29F-18512-00	C - 3	4EM-21696-00	E - 5	4K0-24774-01	C - 15
4EM-W2161-D1	C - 7	22F-14103-00	B - 7	22M-15570-10	B - 12	22F-18531-00	C - 3	4EM-21696-11	E - 2	4K0-24775-00	C - 15
3KG-W2536-00	D - 4	22K-14104-00	B - 7	4EM-15580-10	B - 12	4EM-18540-00	C - 3		E - 3	29U-24776-00	C - 15
4KN-W2536-11	D - 2	2HX-14112-35	B - 7	3AY-15583-00	B - 12	136-18542-00	C - 3		E - 4	2FJ-25111-00	D - 2
35T-11110-01	B - 2	260-14131-00	B - 7	22K-16111-00	B - 13	296-18561-00	C - 3		E - 5	3FA-25117-00	D - 2
22F-11134-10	B - 2	2HX-14141-78	B - 8	3GB-16150-00	B - 13	22F-18562-01	C - 3	4EM-21697-00	E - 5	2FJ-25121-00	D - 2
59V-11167-00	B - 10	22F-14142-12	B - 7	22F-16153-10	B - 13	4EM-21110-00-33	C - 5	4EM-21697-20	E - 4	52H-2513A-00	D - 2
55X-11181-00	B - 2	18A-14143-16	B - 7	22F-16153-20	B - 13	4EM-21110-10-33	C - 5	4EM-21697-31	E - 2		D - 3
22F-11185-01	B - 2	55X-14146-00	B - 7	22F-16153-30	B - 13	4LB-2151H-01	E - 5		E - 3	3GB-25151-00	D - 2
22F-11186-00	B - 2	22K-14147-00	B - 7	22F-16153-40	B - 13	4WU-2151H-10	E - 4		E - 4		D - 3
214-11198-01	C - 9	22F-14150-00	B - 8	22F-16163-00	B - 14	5FE-2151H-01	E - 2		E - 5	2FJ-25155-00	D - 2
812-11198-00	B - 6	802-14161-00	B - 7	122-16164-00	B - 13		E - 3	12R-21747-00	C - 14	2FJ-25156-00	D - 3
22K-11311-02	B - 2	22F-14169-00	B - 7	22F-16342-01	B - 14		E - 4	3GB-22110-00-33	C - 8	2FJ-25169-00	D - 2
22F-11351-01	B - 2	22F-14184-00	B - 7	22K-16356-00	B - 14		E - 5	3GB-22123-00	C - 5	2FJ-25180-00-35	D - 2
22K-11400-01	B - 3	22F-14185-00	B - 8	22F-16357-01	B - 14	3GB-21513-00	C - 6	307-22123-00	C - 13	22W-25181-01	C - 8
22K-11422-00	B - 3	127-14186-00	B - 7	22F-16362-01	B - 14	2HX-21521-01	C - 6	3GB-22155-00	C - 5	3GB-25185-00	D - 2
55X-11610-00	B - 3	12R-14191-00	B - 7	22F-16382-00	B - 14	55X-21535-00	C - 6	3GB-22156-00	C - 8	3GB-2531E-00	D - 4
55X-11610-20	B - 3	24W-14193-00	B - 8	22F-16383-00	B - 14	4GB-2155A-00	E - 3	55X-22189-00	C - 8	3GB-25311-00-33	D - 4
55X-11610-40	B - 3	55X-14196-00	B - 8	22F-16399-00	B - 14	4EM-21551-40	C - 6	3GB-2219X-00	C - 8	3GB-25317-00	D - 4
55X-11631-00-96	B - 3	26H-14197-00	B - 7	22K-16520-00	B - 13	3HP-21568-10	E - 3	3GB-22210-00-33	C - 11	3GB-25326-00	D - 4
22K-11633-01	B - 3	55X-14198-00	B - 8	22F-16521-00	B - 13	4SH-21568-00	E - 5	59V-22216-00	C - 11	23F-2533A-00	D - 4
55X-11636-00	B - 3	55X-14436-00	C - 6	3E5-16521-00	B - 13	4WU-21568-10	E - 4	5M0-22253-00	C - 13	55X-2533H-00	D - 4
55X-11638-00	B - 3	2HX-14437-01	C - 6	22F-16524-01	B - 13	5FE-21568-01	E - 2	2HX-23350-00-33	C - 13	3GB-25343-00	D - 4
22K-11651-02	B - 3	55X-14451-00	C - 6	517-16524-10	B - 13		E - 4	3GB-23448-00	C - 13	3Y6-25351-00	D - 4
22F-11681-00	B - 3	2HX-14452-00	C - 6	517-16524-20	B - 13	5FE-21568-11	E - 3	3GB-23501-10	C - 13	55X-25355-00	D - 4
22K-12111-03	B - 4	3GB-14453-00	B - 8	517-16524-30	B - 13		E - 5	3GB-23502-10	C - 13	3GB-25367-00	D - 5
22F-12114-00	B - 4	59V-14457-00	C - 6	22F-16550-00	B - 13	4EM-21570-20	E - 2	2NL-23517-00	C - 13	3GB-25382-00	D - 4
22F-12116-00	B - 4	55X-14458-00	C - 6	22K-16590-00	B - 13		E - 3	3GB-23570-00-33	C - 13	55X-25383-00	D - 4
22F-12117-02	B - 4	55X-14472-01	C - 6	2HX-17121-00	B - 15		E - 4	1UY-23812-00	C - 12	2FJ-25390-00-35	D - 4
22F-12118-01	B - 4	3DM-14613-00	B - 9	55X-17131-00	B - 15		E - 5	4EM-23813-01	C - 12	390-25412-01	D - 4
2HX-12119-00	B - 4	22F-14651-00	B - 2	3GB-17121-00	B - 15	4EM-21578-A0	E - 2	8G5-23814-00	C - 12	3GB-25715-00	D - 5
22K-12121-02	B - 4	3GB-14711-00	B - 9	55X-17231-00	B - 15		E - 4	8K1-23814-00	C - 12	3GB-26111-00	D - 6
50M-12151-00	B - 4	55X-14752-00	B - 9	55X-17241-00	B - 15	4EM-21578-B0	E - 4	3GB-23831-00	C - 12	3GD-26124-01	D - 6
22F-12156-00	B - 4	2HX-1490J-01	B - 7	3GB-17402-00	B - 15	4EM-21578-C0	E - 5	55X-23841-01	C - 12	3GB-26241-00	D - 6
22F-12159-00	B - 4	55X-14937-00	B - 8	2HX-17411-01	B - 15	4EM-21581-00	E - 2	52H-23845-01	C - 12	3GB-2625E-01	D - 6
55X-12170-00	B - 5	22F-14991-00	B - 7	3GB-17508-00	C - 2		E - 3	3GB-23868-00	C - 12	3GB-2625G-00	D - 6
50M-12176-00	B - 5	2FJ-15100-01	B - 10	22F-17531-00-15	C - 2		E - 4	1UY-23894-01	C - 12	3GB-2625H-00	D - 6
22F-12217-01	B - 5	3GB-15362-00	C - 9	22F-17531-00-30	C - 2		E - 5	2HX-24110-00	C - 14	3GB-26250-01	D - 6
22F-12231-01	B - 5	55X-15362-02	B - 11	22F-17531-00-50	C - 2	3GB-21613-00	C - 7	4SH-2416E-00	E - 4	3GB-2628F-00	D - 6
22F-12241-00	B - 5	2N4-15371-00	C - 9	22F-17537-00	C - 2	3GB-21614-00	C - 7	2HX-24181-00	C - 14	3GB-2628G-01	D - 6
2FJ-13300-00	B - 6	22F-15383-01	B - 10	22F-17551-00	C - 2	2HX-21621-00	C - 7	55X-24500-01	C - 14	3GB-26311-01	D - 6
46J-13324-00	B - 3	22F-15411-01	B - 11	22F-17556-01	C - 2	4EM-2165A-20	E - 2	4X8-24512-00	C - 14	3GB-26341-01	D - 6

NUMERICAL INDEX

PART NO.	GRID NO.	PART NO.	GRID NO.	PART NO.	GRID NO.	PART NO.	GRID NO.	PART NO.	GRID NO.	PART NO.	GRID NO.
20E-26343-00	D - 6	3HN-82579-00	D - 14	90119-06056	C - 7	90201-124F8	B - 15	90445-121F6	B - 10	92907-06100	D - 5
	D - 8	4EM-82590-20	D - 14	90123-08046	D - 12	90201-125F7	C - 2	90460-43053	B - 8	92907-06200	D - 11
3GB-26347-00	D - 6	366-82591-00	D - 14	90123-08106	D - 7	90201-126A7	D - 5	90460-75020	C - 8		D - 8
3GB-26361-02	D - 7	3GB-82910-20	D - 12	90149-06011	C - 14	90201-12688	C - 13	90460-85135	C - 8	92907-06600	B - 14
3FA-26466-00	D - 12	3FA-82911-00	D - 12	90151-06028	B - 14	90201-127F4	C - 4	90465-10098	D - 14		B - 9
371-27114-00	C - 15	123-83516-21	D - 14	90153-06034	D - 13	90201-132G5	B - 15	90467-07029	C - 9		D - 13
3GB-27211-00	D - 8	24W-83530-01	D - 14	90154-05005	C - 6	90201-145M4	D - 6	90467-09006	C - 14	92907-08100	C - 10
3GB-27231-00	D - 8	29U-83585-10	D - 14		C - 7	90201-14586	D - 2	90467-13064	B - 10	92990-06100	C - 15
3GB-27411-10	D - 8	4EM-83585-10	D - 14	90154-05052	C - 6	90201-15797	D - 8	90467-22080	C - 6	93101-10142	B - 11
55X-27413-00	D - 8	2FW-83912-00	D - 12	90155-06007	B - 6	90201-186F1	B - 5	90480-01400	C - 14	93101-24110	C - 2
3GB-27421-10	D - 8	3GB-83922-00	D - 6	90159-06076	B - 7	90202-05193	C - 14	90480-16233	C - 7	93102-07292	B - 14
3GB-28100-00	C - 5	25G-83936-01	D - 14		B - 8	90208-12015	B - 13	90480-18290	C - 14	93102-12106	C - 4
1NV-2811A-00	C - 5	3TB-83936-00	D - 14	90170-05302	B - 4	90209-11269	B - 11	90501-03799	B - 12	93102-17271	C - 9
2FJ-2819R-00	E - 2	437-83936-01	D - 14	90170-10186	C - 12	90215-14249	B - 14	90501-08511	D - 7	93102-19276	D - 10
5GT-2836B-00	D - 6	3FA-83965-00	D - 12	90170-14284	B - 14	90240-06076	D - 8	90501-10245	D - 8	93102-23275	D - 2
3GB-2845N-00	D - 9	3FA-83966-00	D - 12	90170-28379	D - 5	90249-12008	D - 6	90501-105A5	B - 13	93102-28022	C - 9
4EM-2845N-00	D - 9	3FA-83967-00	D - 12	90171-10004	C - 13		D - 8	90501-10710	B - 5	93102-35349	D - 5
3GB-46110-10	C - 9	4EM-83975-00	D - 12	90171-12039	D - 5	90267-32109	E - 2	90501-10782	D - 6	93102-36409	D - 4
3GB-46120-00	C - 9	1YW-83980-00	D - 12	90171-14020	D - 2		E - 3	90501-135A4	B - 13	93102-38383	D - 4
22F-46123-01	C - 10	2EK-85111-00	D - 15	90176-06065	B - 2		E - 4	90504-06030	C - 14	93102-40367	D - 2
3GB-46151-00	C - 9	3Y6-85130-02	D - 15	90179-06387	B - 5		E - 5	90506-08122	C - 4		D - 3
3GB-46172-01	C - 9	449-85131-02	D - 15	90179-08148	D - 12	90267-32198	E - 2	90506-15260	D - 2	93104-10076	B - 14
2HX-46180-00	C - 9	5G3-85520-M1	D - 10		D - 7		E - 3		D - 4	93112-31011	C - 12
22F-46187-00	C - 9	4EM-85540-10	D - 13	90179-10394	D - 10		E - 4	90506-16318	D - 8	93210-06564	B - 10
55X-81313-M0	D - 10	2FM-85550-M0	D - 10	90179-12248	C - 2		E - 5	90507-15038	D - 5		B - 5
55X-81800-51	D - 11	4EM-85560-10	D - 10	90179-12659	B - 13	90280-03017	B - 3	90508-10775	D - 6	93210-07003	C - 3
22J-81801-50	D - 11	22K-85595-M0	D - 10	90179-28573	D - 5	90334-14037	B - 5	90508-20454	C - 15	93210-12327	D - 2
55X-81826-50	D - 11	90101-06278	D - 2	90179-42480	C - 2	90336-28053	C - 12	90508-20576	C - 3		D - 3
5J3-81846-50	D - 11		D - 3	90179-55464	C - 9	90340-12097	B - 6	90508-32563	C - 4	93210-14104	C - 9
22J-81847-50	D - 11	90101-06562	D - 4	90185-10091	C - 11	90340-14132	C - 9	90560-17146	B - 13		D - 4
5J3-81847-50	D - 11	90101-06576	B - 9		C - 13	90340-18092	B - 5	90560-20196	B - 12	93210-15414	C - 5
55X-81855-50	D - 11	90101-08461	C - 10	90185-10115	C - 12	90380-07118	B - 14	90560-23355	C - 9	93210-19123	B - 11
4KD-81940-00	D - 13	90101-08590	B - 5		C - 8	90381-15040	C - 5	91A20-07010	B - 8	93210-25552	B - 7
1RL-81950-92	D - 13	90101-12498	C - 13	90185-12046	C - 13	90381-17067	C - 13	91317-06035	D - 11	93210-26606	D - 5
3GB-81960-10	D - 13	90105-10388	C - 11	90201-03313	E - 2	90387-062G8	B - 14	91401-20012	D - 8	93210-40407	C - 5
4EM-82110-01	D - 13	90105-10561	C - 13		E - 3	90387-062G9	B - 14	91401-20020	C - 12	93210-43713	C - 9
55X-82110-61	D - 13	90105-12460	C - 13		E - 4	90387-066J1	C - 14		C - 13	93210-44704	B - 2
55X-82115-00	D - 13	90109-061F3	D - 6		E - 5	90387-066V8	D - 6	91401-25025	D - 5	93210-50553	C - 2
3GB-82116-00	D - 13	90109-063F6	C - 3	90201-05029	C - 6	90387-07598	C - 14	91401-30025	D - 2	93210-63556	B - 2
55X-82122-00	D - 13	90109-06799	D - 12		C - 7	90387-090R0	C - 12	92901-04100	D - 10	93211-02703	D - 10
29W-82123-00	D - 13	90109-08745	D - 2		D - 15	90387-175R2	D - 2	92901-05100	D - 10	93211-066A9	C - 9
4J2-82131-01	D - 13		D - 4	90201-060L5	C - 14	90430-06014	B - 10	92902-04100	B - 7	93306-00105	B - 15
3GB-82150-00	D - 13	90109-104A8	C - 13	90201-066F0	B - 2	90430-06166	B - 10	92907-04200	C - 6	93306-00308	D - 2
3GB-82151-00	D - 13	90113-06009	B - 5	90201-08326	B - 5	90430-10148	D - 13	92907-05100	D - 15	93306-00612	D - 4
4KJ-82310-10	D - 13	90114-10005	D - 4		B - 9	90445-073F9	C - 9	92907-05200	D - 15	93306-07801	C - 9
55X-82370-00	D - 13	90116-06399	B - 10	90201-08759	C - 13	90445-084J1	C - 14	92907-05600	C - 6	93306-20301	B - 15
4GB-82510-10	D - 14	90116-08507	D - 4	90201-101A4	D - 10	90445-085E0	D - 13	92907-06100	C - 14	93306-20309	C - 2
3GB-82540-01	D - 13	90119-06056	C - 6	90201-10774	C - 12	90445-10638	C - 14		D - 13	93306-30101	B - 15

NUMERICAL INDEX

PART NO.	GRID NO.	PART NO.	GRID NO.	PART NO.	GRID NO.	PART NO.	GRID NO.	PART NO.	GRID NO.	PART NO.	GRID NO.
93306-30306	C - 9	95707-06500	B - 9	98507-06060	B - 10						
93306-30433	B - 3	95707-08500	D - 2	98507-06075	B - 10						
93311-20952	C - 9		D - 4	98511-04012	D - 10						
93311-32353	B - 3	95807-06010	C - 6	98511-04020	D - 10						
93315-23208	C - 3	95807-06016	D - 6	98701-06018	B - 12						
93317-21236	C - 2	95807-08012	C - 7	98707-06016	D - 10						
93340-21209	C - 4		D - 6	99001-04600	B - 14						
93341-22302	B - 13	95817-06016	B - 10	99001-05600	B - 6						
93420-26077	B - 13		C - 9	99001-09600	C - 3						
93430-04002	C - 15	95817-06025	B - 10	99009-12400	B - 15						
93430-08007	C - 3	95817-08014	C - 8	99009-17400	C - 9						
93440-10109	B - 2		D - 9	99009-17500	C - 9						
93440-11128	B - 14	95817-08016	B - 9	99530-08012	B - 10						
93440-16089	B - 15	95817-08115	C - 5		B - 2						
93450-14088	B - 3	95817-08120	C - 5	99530-10114	B - 11						
93450-42112	B - 13	95817-12020	D - 8	99530-10120	B - 11						
93451-08094	B - 13	95827-06020	C - 2	99530-12016	B - 10						
93505-08030	B - 13	95827-08055	C - 12								
93604-20156	C - 4	97007-06016	D - 13								
93604-22050	C - 3	97027-06020	C - 4								
93610-10174	B - 12	97027-06030	C - 14								
93700-06004	C - 13	97027-08060	C - 12								
	C - 5	97313-06012	C - 15								
93900-00022	D - 2	97707-40116	C - 6								
	D - 4	97801-03008	C - 14								
94107-073Y9	D - 2	98501-04006	D - 10								
94108-073Y8	D - 4	98501-05010	D - 10								
94580-25082	B - 5	98502-04008	B - 7								
94701-00250	B - 2	98502-04010	B - 7								
94701-00254	B - 2	98502-04014	B - 7								
94701-00255	B - 2	98507-04016	D - 6								
94703-00250	B - 2	98507-05020	D - 6								
95027-06085	B - 2	98507-05025	C - 6								
95307-05600	D - 15	98507-06010	B - 9								
95307-05700	D - 6	98507-06012	B - 10								
95307-06600	B - 14		D - 5								
	D - 2	98507-06014	C - 3								
	D - 3	98507-06016	B - 14								
	D - 4		B - 2								
95307-06700	D - 13		D - 13								
95307-06800	B - 5	98507-06020	D - 12								
95307-08600	D - 5		D - 13								
95307-10700	C - 12		D - 7								
95607-06100	D - 12	98507-06030	B - 11								
	D - 6	98507-06035	B - 11								
95607-08200	C - 5	98507-06040	B - 11								
95707-05300	C - 6	98507-06045	B - 10								
	C - 7		B - 11								

# CONTENTS

## ENGINE

CYLINDER .....	B2
CRANKSHAFT. PISTON .....	B3
VALVE .....	B4
CAMSHAFT. CHAIN .....	B5
OIL PUMP .....	B6
INTAKE .....	B7
EXHAUST .....	B9
CRANKCASE .....	B10
CRANKCASE COVER 1 .....	B11
STARTER CLUTCH .....	B12
CLUTCH .....	B13
TRANSMISSION .....	B15
MIDDLE DRIVE GEAR .....	C2
SHIFT CAM. FORK .....	C3
SHIFT SHAFT .....	C4

## CHASSIS

FRAME .....	C5
FRONT FENDER .....	C6
REAR FENDER .....	C7
REAR ARM .....	C8
DRIVE SHAFT .....	C9
REAR SUSPENSION .....	C11
STEERING .....	C12
FRONT SUSPENSION. WHEEL .....	C13
FUEL TANK .....	C14
SEAT .....	C15
FRONT WHEEL .....	D2
REAR WHEEL .....	D4
STEERING HANDLE. CABLE .....	D6

STAND. FOOTREST .....	D8
GUARD .....	D9
GENERATOR .....	D10
STARTING MOTOR .....	D11
HANDLE SWITCH. LEVER .....	D12
ELECTRICAL 1 .....	D13
ELECTRICAL 2 .....	D15
EMBLEM.LABEL 1 .....	E2
EMBLEM.LABEL 2 .....	E3
EMBLEM.LABEL 3 .....	E4
EMBLEM.LABEL 4 .....	E5

## INDEX

NUMERICAL INDEX .....	M1
-----------------------	----