



PARTS CATALOGUE

YFM80RW (5THH) U.S.A.

YFM80RW (5THJ) CANADA

YFM80RW (5THK) EUROPE

YFM80RW (5THH) OCEANIA

YFM80 (5THH) JAPAN

YFM80RW/YFM80
PARTS CATALOGUE
©2006 by Yamaha Motor Co., Ltd.
1st edition, May 2006
All rights reserved.
Any reprinting or unauthorized use
without the written permission of
Yamaha Motor Co., Ltd.
is expressly prohibited.

A3

FOREWORD

This Parts Catalogue is related to the parts for the model(s) on the cover page. When you are ordering replacement parts, please refer to this Parts Catalogue and quote both part numbers and part names correctly.

1. Modifications or additions which have been made after the issue of the Parts Catalogue will be announced in the Parts News.

It is advisable that you make the necessary corrections to the Parts Catalogue according to the Parts News.

2. Abbreviations

The following abbreviations are used in this Parts Catalogue.

“UR” Use specified parts number.

“UN” Use as many as needed.

“AP” Alternate Parts

“LM” Locally Made (Parts need to be ordered locally)

“F#” Frame No. (Applicable machine No.)

“O/S” Over Size

3. The number of components for assembly

- Parts, which are to be supplied in an assembly, are listed with a dot (.) in front of the part name as shown below.
- The numeral appearing to the right of each component part indicates the quantity of parts for each assembly unit.

| PART NO. | DESCRIPTION | Q'TY | REMARKS |
|--------------|--------------------------|------|---------|
| 2F5-83310-60 | FRONT FLASHER LIGHT ASSY | 2 | |
| 115-83311-60 | .BULB (6V-18W) | 1 | |

4. Applicable colours of graphics are represented in the “REMARKS” as shown below.

| PART NO. | DESCRIPTION | Q'TY | REMARKS |
|-----------------|---------------------|------|---------|
| 2N4-24110-00-X5 | FUEL TANK COMP. | 2 | MXR |
| 3J1-24240-10 | .GRAPHIC, FUEL TANK | 1 | FOR MXR |

5. Note that the illustrations for reference in finding parts numbers are not to be used for assembling. When assembling, please use the applicable service manual.

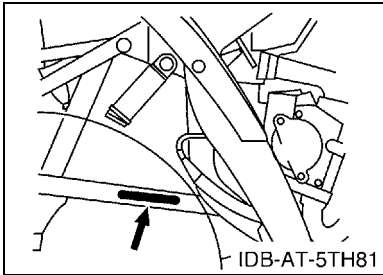
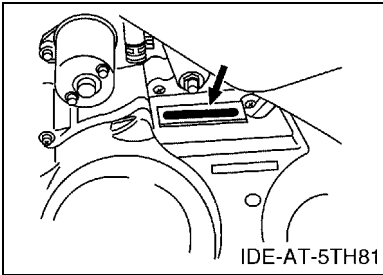
6. The asterisk (*) before a reference number indicates modified items after the first edition.

FOREWORD

7. Applicable Serial No.

Engine Serial No.

Frame Serial No.



8. Applicable Colour Code (The (*) mark shows Model colour.)

| Abbreviation | Colour Name | Colour Code |
|--------------|----------------------------|-------------|
| DPBSE(*) | DEEP PURPLISH BLUE SOLID E | 0583 |
| PGD(*) | PASTEL DARK GRAY | 003E |
| SL | SILVER | 0035 |
| WW | WHITE | 0036 |
| YB | YAMAHA BLACK | 0033 |
| | | |
| | | |
| | | |
| | | |
| | | |

9. Quantity Column Information

| Column No. | Name Of Q'ty Column | Destination |
|------------|---------------------|------------------------|
| 1 | USA | U.S.A. |
| 2 | CAN | CANADA |
| 3 | EUR | EUROPE |
| 4 | OCE | AUSTRALIA, NEW ZEALAND |
| 5 | JPN | JAPAN |

CONTENTS

ENGINE

| | |
|---------------------------|-----|
| CYLINDER | B2 |
| CRANKSHAFT & PISTON | B3 |
| VALVE | B4 |
| CAMSHAFT & CHAIN | B5 |
| OIL PUMP | B6 |
| INTAKE | B7 |
| EXHAUST | B9 |
| CRANKCASE | B10 |
| CRANKCASE COVER 1 | B11 |
| STARTER CLUTCH | B12 |
| CLUTCH | B13 |
| TRANSMISSION | B15 |
| MIDDLE DRIVE GEAR | C2 |
| SHIFT CAM & FORK | C3 |
| SHIFT SHAFT | C4 |

CHASSIS

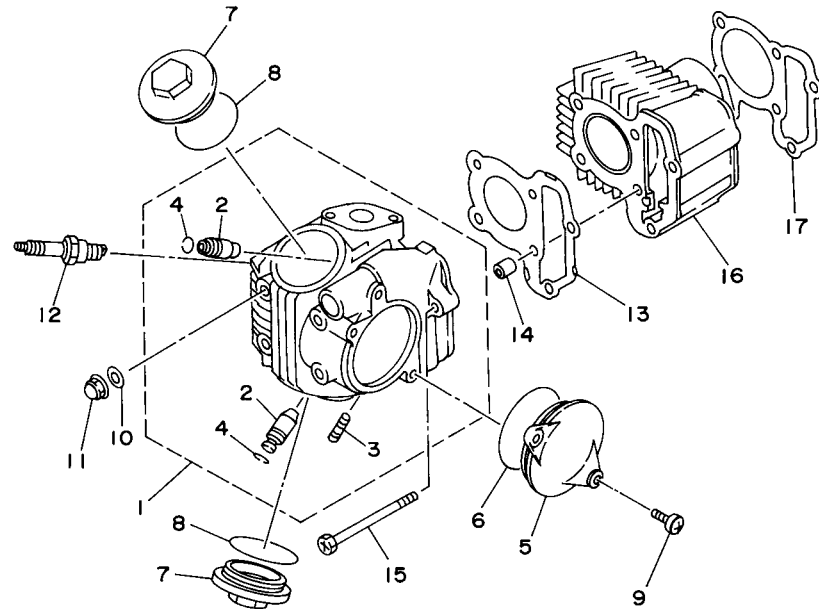
| | |
|--------------------------------|-----|
| FRAME | C5 |
| FRONT FENDER | C6 |
| REAR FENDER | C8 |
| REAR ARM | C9 |
| DRIVE SHAFT | C10 |
| REAR SUSPENSION | C12 |
| STEERING | C13 |
| FRONT SUSPENSION & WHEEL | C15 |
| FUEL TANK | D2 |
| SEAT | D3 |
| FRONT WHEEL | D4 |
| REAR WHEEL | D6 |
| STEERING HANDLE & CABLE | D8 |
| STAND & FOOTREST | D10 |
| GUARD | D11 |
| GENERATOR | D12 |
| STARTING MOTOR | D13 |
| HEADLIGHT | D14 |
| HANDLE SWITCH & LEVER | D15 |
| ELECTRICAL 1 | E2 |
| ELECTRICAL 2 | E4 |
| EMBLEM & LABEL 1 | E5 |
| EMBLEM & LABEL 2 | E6 |
| EMBLEM & LABEL 3 | E7 |

| | |
|------------------------|----|
| EMBLEM & LABEL 4 | E8 |
| EMBLEM & LABEL 5 | E9 |

INDEX

| | |
|-----------------------|----|
| NUMERICAL INDEX | M1 |
|-----------------------|----|

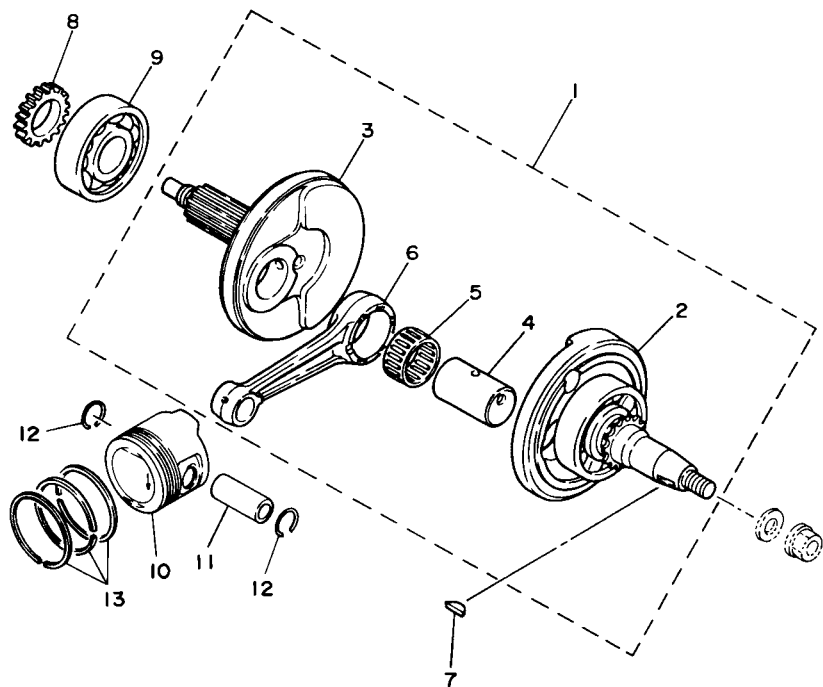
FIG. 1 CYLINDER



| REF. NO. | PART NO. | DESCRIPTION | USA | CAN | EUR | OCE | JPN | REMARKS |
|----------|--------------|-----------------------------|-----|-----|-----|-----|-----|---------|
| 1 | 35T-11110-01 | CYLINDER HEAD ASSY | 1 | 1 | 1 | 1 | 1 | |
| 2 | 22F-11134-10 | .GUIDE, VALVE 2 | 2 | 2 | 2 | 2 | 2 | |
| 3 | 22F-14651-00 | .BOLT, STUD | 2 | 2 | 2 | 2 | 2 | |
| 4 | 93440-10109 | .CIRCLIP | 2 | 2 | 2 | 2 | 2 | |
| 5 | 22F-11185-10 | COVER, CYLINDER HEAD SIDE 1 | 1 | 1 | 1 | 1 | 1 | |
| 6 | 93210-63556 | O-RING | 1 | 1 | 1 | 1 | 1 | |
| 7 | 22F-11186-10 | COVER, CYLINDER HEAD SIDE 2 | 2 | 2 | 2 | 2 | 2 | |
| 8 | 93210-44704 | O-RING | 2 | 2 | 2 | 2 | 2 | |
| 9 | 98507-06016 | SCREW, PAN HEAD | 2 | 2 | 2 | 2 | 2 | |
| 10 | 90201-066F0 | WASHER, PLATE | 4 | 4 | 4 | 4 | 4 | |
| 11 | 90176-06065 | NUT, CROWN | 4 | 4 | 4 | 4 | 4 | |
| 12 | 94701-00366 | PLUG, SPARK (NGK CR7HSA) | 1 | 1 | 1 | 1 | 1 | |
| | 94703-00366 | PLUG, SPARK (NGK CR7HSA) | | | | | 1 | |
| 13 | 55X-11181-00 | GASKET, CYLINDER HEAD 1 | 1 | 1 | 1 | 1 | 1 | |
| 14 | 99530-08012 | PIN, DOWEL | 2 | 2 | 2 | 2 | 2 | |
| 15 | 95027-06085 | BOLT, FLANGE | 2 | 2 | 2 | 2 | 2 | |
| 16 | 22K-11311-02 | CYLINDER 1 | 1 | 1 | 1 | 1 | 1 | |
| 17 | 22F-11351-01 | GASKET, CYLINDER | 1 | 1 | 1 | 1 | 1 | |


4EM1100-2010

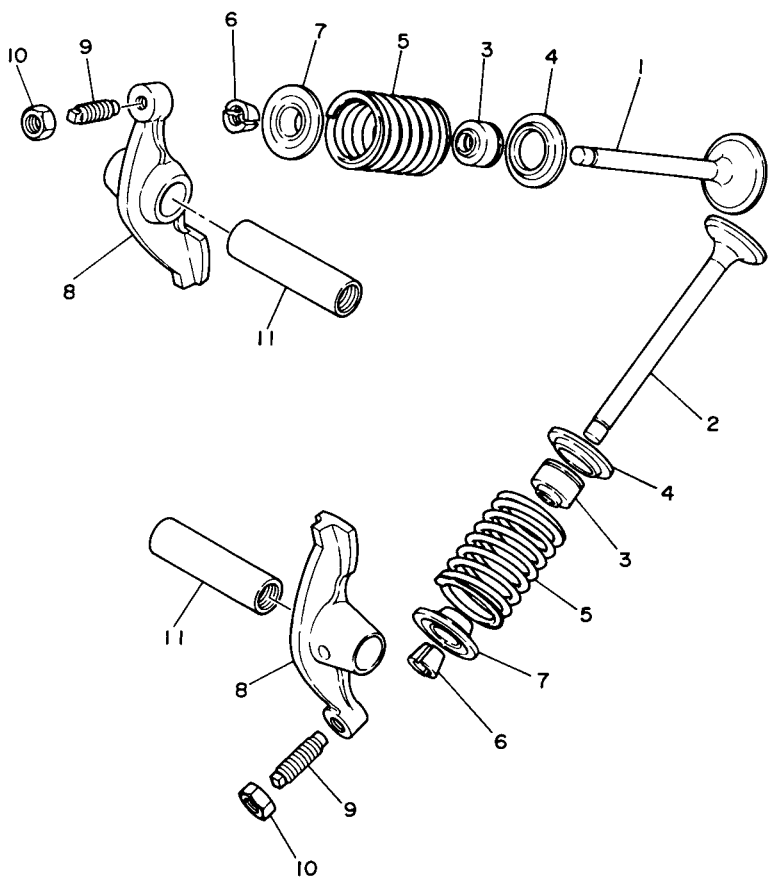
FIG. 2 CRANKSHAFT & PISTON



55X110-5020

| REF. NO. | PART NO. | DESCRIPTION | USA | CAN | EUR | OCE | JPN | REMARKS |
|----------|-----------------|------------------------------|-----|-----|-----|-----|-----|---------|
| 1 | 22K-11400-01 | CRANKSHAFT ASSY | 1 | 1 | 1 | 1 | 1 | |
| 2 | 22K-W1141-00 | .CRANK 1 | 1 | 1 | 1 | 1 | 1 | |
| 3 | 22K-11422-00 | .CRANK 2 | 1 | 1 | 1 | 1 | 1 | |
| 4 | 22F-11681-00 | .PIN, CRANK 1 | 1 | 1 | 1 | 1 | 1 | |
| 5 | 93311-32353 | .BEARING | 1 | 1 | 1 | 1 | 1 | |
| 6 | 22K-11651-02 | .ROD, CONNECTING | 1 | 1 | 1 | 1 | 1 | |
| 7 | 90280-03017 | KEY, WOODRUFF | 1 | 1 | 1 | 1 | 1 | |
| 8 | 46J-13324-00 | GEAR, PUMP DRIVE | 1 | 1 | 1 | 1 | 1 | |
| 9 | 93306-30433 | BEARING | 1 | 1 | 1 | 1 | 1 | |
| 10 | 55X-11631-00-96 | PISTON (STD) | 1 | 1 | 1 | 1 | 1 | |
| | 55X-11636-00 | PISTON (0.50MM O/S) | 1 | 1 | 1 | 1 | 1 | AP |
| | 55X-11638-00 | PISTON (1.00MM O/S) | 1 | 1 | 1 | 1 | 1 | AP |
| 11 | 22K-11633-01 | PIN, PISTON | 1 | 1 | 1 | 1 | 1 | |
| 12 | 93450-14088 | CIRCLIP | 2 | 2 | 2 | 2 | 2 | |
| 13 | 55X-11610-00 | PISTON RING SET (STD) | 1 | 1 | 1 | 1 | 1 | |
| | 55X-11610-20 | PISTON RING SET (0.50MM O/S) | 1 | 1 | 1 | 1 | 1 | AP |
| | 55X-11610-40 | PISTON RING SET (1.00MM O/S) | 1 | 1 | 1 | 1 | 1 | AP |

FIG. 3 VALVE

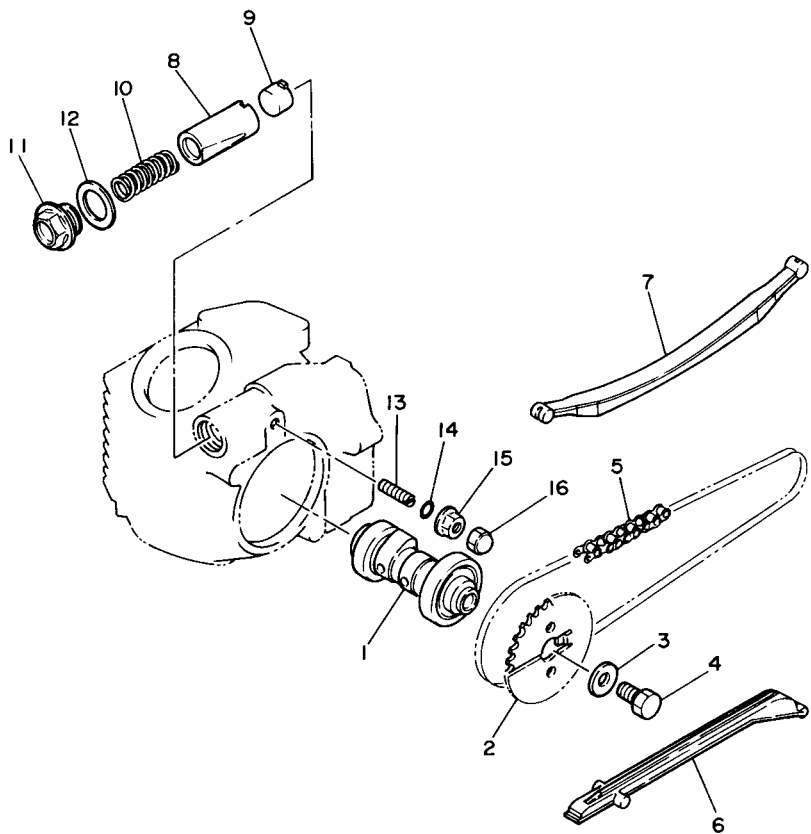


| REF. NO. | PART NO. | DESCRIPTION | USA | CAN | EUR | OCE | JPN | REMARKS |
|----------|--------------|------------------------|-----|-----|-----|-----|-----|---------|
| 1 | 2D3-12111-00 | VALVE, INTAKE | 1 | 1 | 1 | 1 | 1 | |
| 2 | 2D3-12121-00 | VALVE, EXHAUST | 1 | 1 | 1 | 1 | 1 | |
| 3 | 2HX-12119-00 | SEAL, VALVE STEM | 2 | 2 | 2 | 2 | 2 | |
| 4 | 22F-12116-00 | SEAT, VALVE SPRING | 2 | 2 | 2 | 2 | 2 | |
| 5 | 22F-12114-00 | SPRING, VALVE OUTER | 2 | 2 | 2 | 2 | 2 | |
| 6 | 22F-12118-01 | COTTER, VALVE | 4 | 4 | 4 | 4 | 4 | |
| 7 | 22F-12117-02 | RETAINER, VALVE SPRING | 2 | 2 | 2 | 2 | 2 | |
| 8 | 22F-12151-10 | ARM, VALVE ROCKER | 2 | 2 | 2 | 2 | 2 | |
| 9 | 22F-12159-00 | SCREW, VALVE ADJUSTING | 2 | 2 | 2 | 2 | 2 | |
| 10 | 90170-05302 | NUT | 2 | 2 | 2 | 2 | 2 | |
| 11 | 22F-12156-00 | SHAFT, ROCKER 2 | 2 | 2 | 2 | 2 | 2 | |
| | | | | | | | | |
| | | | | | | | | |
| | | | | | | | | |
| | | | | | | | | |
| | | | | | | | | |


55X110-5030

FIG. 4 CAMSHAFT & CHAIN

| REF. NO. | PART NO. | DESCRIPTION | USA | CAN | EUR | OCE | JPN | REMARKS |
|----------|--------------|---------------------------|-----|-----|-----|-----|-----|---------|
| 1 | 55X-12170-00 | CAMSHAFT ASSY 1 | 1 | 1 | 1 | 1 | 1 | |
| 2 | 50M-12176-00 | SPROCKET, CAM CHAIN (28T) | 1 | 1 | 1 | 1 | 1 | |
| 3 | 90201-08326 | WASHER, PLATE | 1 | 1 | 1 | 1 | 1 | |
| 4 | 90101-08590 | BOLT | 1 | 1 | 1 | 1 | 1 | |
| 5 | 94580-25082 | CHAIN (D.I.D 25) | 1 | 1 | 1 | 1 | 1 | |
| 6 | 22F-12231-01 | GUIDE, STOPPER 1 | 1 | 1 | 1 | 1 | 1 | |
| 7 | 22F-12241-00 | GUIDE, STOPPER 2 | 1 | 1 | 1 | 1 | 1 | |
| 8 | 22F-12217-01 | ROD, CHAIN TENSIONER | 1 | 1 | 1 | 1 | 1 | |
| 9 | 90334-14037 | PLUG, STRAIGHT | 1 | 1 | 1 | 1 | 1 | |
| 10 | 90501-10710 | SPRING, COMPRESSION | 1 | 1 | 1 | 1 | 1 | |
| 11 | 90340-18092 | PLUG, STRAIGHT SCREW | 1 | 1 | 1 | 1 | 1 | |
| 12 | 90201-186F1 | WASHER, PLATE | 1 | 1 | 1 | 1 | 1 | |
| 13 | 90113-06009 | BOLT, SET | 1 | 1 | 1 | 1 | 1 | |
| 14 | 93210-06564 | O-RING | 1 | 1 | 1 | 1 | 1 | |
| 15 | 90179-06387 | NUT | 1 | 1 | 1 | 1 | 1 | |
| 16 | 95307-06800 | NUT | 1 | 1 | 1 | 1 | 1 | |
| | | | | | | | | |
| | | | | | | | | |
| | | | | | | | | |
| | | | | | | | | |
| | | | | | | | | |



55X110-5040

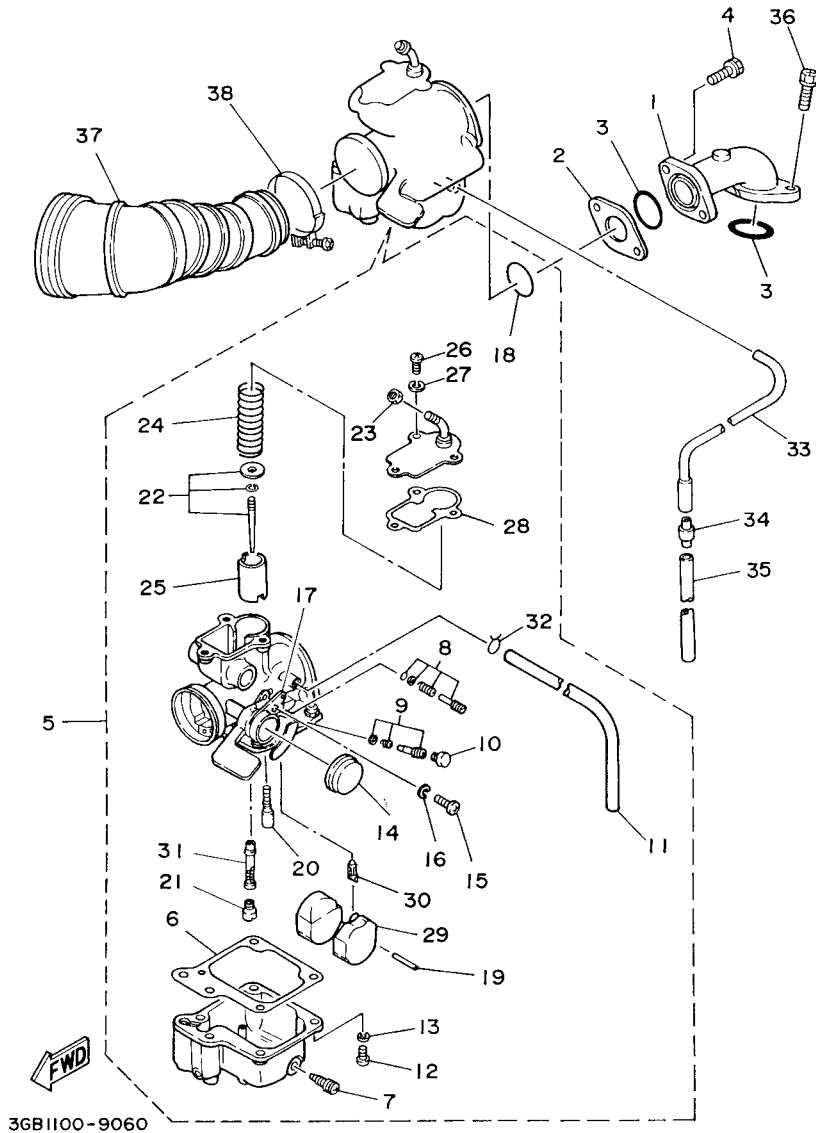
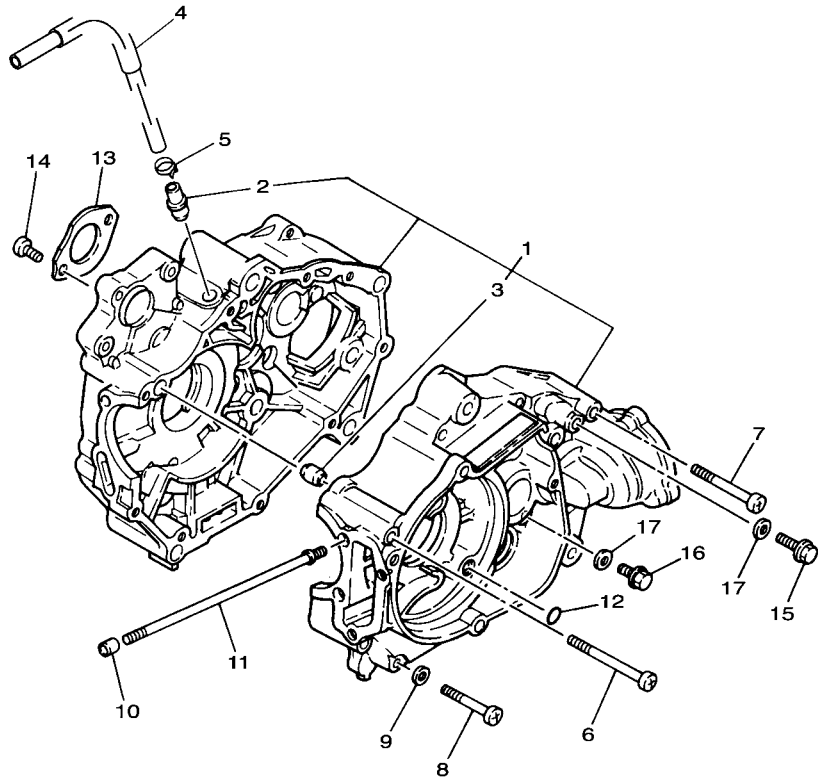


FIG. 6 INTAKE

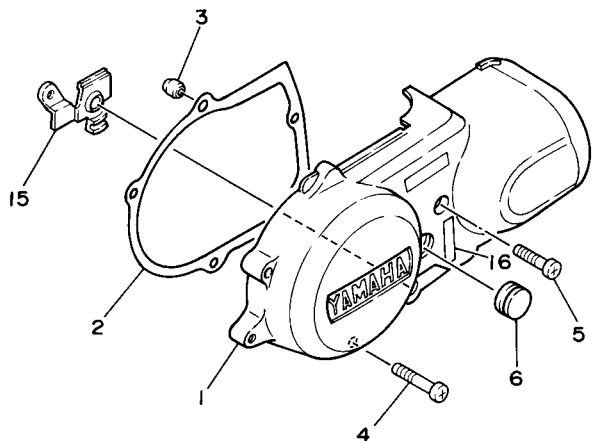
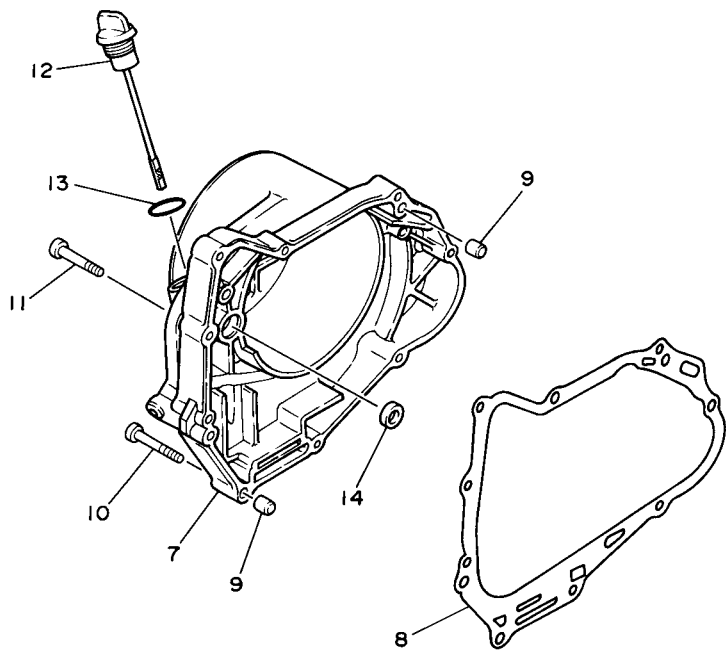
| REF. NO. | PART NO. | DESCRIPTION | USA | CAN | EUR | OCE | JPN | REMARKS |
|----------|--------------|-------------------------|-----|-----|-----|-----|-----|---------|
| 1 | 55X-13586-00 | JOINT, CARBURETOR 1 | 1 | 1 | 1 | 1 | 1 | |
| 2 | 22K-13595-00 | JOINT | 1 | 1 | 1 | 1 | 1 | |
| 3 | 93210-25552 | O-RING | 2 | 2 | 2 | 2 | 2 | |
| 4 | 90159-06076 | SCREW, WITH WASHER | 2 | 2 | 2 | 2 | 2 | |
| 5 | 5TH-14101-10 | CARBURETOR ASSY 1 | 1 | 1 | | | | |
| 5 | 5TH-14101-00 | CARBURETOR ASSY 1 | | | 1 | 1 | 1 | |
| 6 | 22F-14184-00 | .GASKET, FLOAT CHAMBER | 1 | 1 | 1 | 1 | 1 | |
| 7 | 12R-14191-00 | .PLUG, DRAIN | 1 | 1 | 1 | 1 | 1 | |
| 8 | 22F-14103-00 | .THROTTLE SCREW SET | 1 | 1 | 1 | 1 | 1 | |
| 9 | 22K-14104-00 | .AIR SCREW SET | 1 | 1 | 1 | 1 | 1 | |
| 10 | 22F-14991-00 | .CAP | 1 | 1 | 1 | 1 | 1 | |
| 11 | 26H-14197-00 | .PIPE | 1 | 1 | 1 | 1 | 1 | |
| 12 | 98502-04014 | .SCREW, PAN HEAD | 4 | 4 | 4 | 4 | 4 | |
| 13 | 92902-04100 | .WASHER, SPRING | 4 | 4 | 4 | 4 | 4 | |
| 14 | 22F-14169-00 | .CAP | 1 | 1 | 1 | 1 | 1 | |
| 15 | 98502-04008 | .SCREW, PAN HEAD | 1 | 1 | 1 | 1 | 1 | |
| 16 | 92902-04100 | .WASHER, SPRING | 1 | 1 | 1 | 1 | 1 | |
| 17 | 55X-14146-00 | .PLATE | 1 | 1 | 1 | 1 | 1 | |
| 18 | 22K-14147-00 | .O-RING | 1 | 1 | 1 | 1 | 1 | |
| 19 | 127-14186-00 | .PIN, FLOAT | 1 | 1 | 1 | 1 | 1 | |
| 20 | 22F-14142-12 | .JET, PILOT (#12.5) | 1 | 1 | 1 | 1 | 1 | |
| 21 | 18A-1414E-30 | .JET, MAIN(#76.3) | 1 | 1 | 1 | 1 | 1 | |
| 22 | 2HX-1490J-10 | .NEEDLE SET | 1 | 1 | | | | |
| 22 | 2HX-1490J-20 | .NEEDLE SET | | | 1 | 1 | 1 | |
| 23 | 802-14161-00 | .NUT, CABLE ADJUSTING | 1 | 1 | 1 | 1 | 1 | |
| 24 | 260-14131-00 | .SPRING, THROTTLE VALVE | 1 | 1 | 1 | 1 | 1 | |
| 25 | 2HX-14112-35 | .VALVE, THROTTLE 1 | 1 | 1 | 1 | 1 | 1 | |

FIG. 8 CRANKCASE



| REF. NO. | PART NO. | DESCRIPTION | USA | CAN | EUR | OCE | JPN | REMARKS |
|----------|--------------|----------------------|-----|-----|-----|-----|-----|---------|
| 1 | 2FJ-15100-01 | CRANKCASE ASSY | 1 | 1 | 1 | 1 | 1 | |
| 2 | 59V-11167-00 | .PIPE, BREATHER 2 | 1 | 1 | 1 | 1 | 1 | |
| 3 | 99530-12016 | .PIN, DOWEL | 2 | 2 | 2 | 2 | 2 | |
| 4 | 2D3-11166-00 | PIPE, BREATHER 1 | 1 | 1 | 1 | 1 | 1 | |
| 5 | 90467-13064 | CLIP | 1 | 1 | 1 | 1 | 1 | |
| 6 | 98507-06075 | SCREW, PAN HEAD | 1 | 1 | 1 | 1 | 1 | |
| 7 | 98507-06060 | SCREW, PAN HEAD | 2 | 2 | 2 | 2 | 2 | |
| 8 | 98507-06045 | SCREW, PAN HEAD | 6 | 6 | 6 | 6 | 6 | |
| 9 | 90430-06014 | GASKET | 2 | 2 | 2 | 2 | 2 | |
| 10 | 99530-08012 | PIN, DOWEL | 2 | 2 | 2 | 2 | 2 | |
| 11 | 90116-06399 | BOLT, STUD | 4 | 4 | 4 | 4 | 4 | |
| 12 | 93210-06564 | O-RING | 2 | 2 | 2 | 2 | 2 | |
| 13 | 22F-15383-01 | PLATE, BEARING COVER | 1 | 1 | 1 | 1 | 1 | |
| 14 | 98507-06012 | SCREW, PAN HEAD | 2 | 2 | 2 | 2 | 2 | |
| 15 | 95817-06025 | BOLT, FLANGE | 2 | 2 | 2 | 2 | 2 | |
| 16 | 95817-06016 | BOLT, FLANGE | 1 | 1 | 1 | 1 | 1 | |
| 17 | 90430-06166 | GASKET | 3 | 3 | 3 | 3 | 3 | |
| | | | | | | | | |
| | | | | | | | | |
| | | | | | | | | |


2D31100-D080




2FJ110-7090

FIG. 9 CRANKCASE COVER 1

| REF. NO. | PART NO. | DESCRIPTION | USA | CAN | EUR | OCE | JPN | REMARKS |
|----------|--------------|---------------------------|-----|-----|-----|-----|-----|---------|
| 1 | 22F-15411-01 | COVER, CRANKCASE 1 | 1 | 1 | 1 | 1 | 1 | |
| 2 | 3GB-15451-00 | GASKET, CRANKCASE COVER 1 | 1 | 1 | 1 | 1 | 1 | |
| 3 | 99530-10114 | PIN, DOWEL | 2 | 2 | 2 | 2 | 2 | |
| 4 | 98507-06040 | SCREW, PAN HEAD | 1 | 1 | 1 | 1 | 1 | |
| 5 | 98507-06030 | SCREW, PAN HEAD | 2 | 2 | 2 | 2 | 2 | |
| 6 | 22F-15417-00 | COVER, CAP | 1 | 1 | 1 | 1 | 1 | |
| 7 | 2FJ-15421-00 | COVER, CRANKCASE 2 | 1 | 1 | 1 | 1 | 1 | |
| 8 | 3GB-15461-00 | GASKET, CRANKCASE COVER 2 | 1 | 1 | 1 | 1 | 1 | |
| 9 | 99530-10120 | PIN, DOWEL | 2 | 2 | 2 | 2 | 2 | |
| 10 | 98507-06045 | SCREW, PAN HEAD | 1 | 1 | 1 | 1 | 1 | |
| 11 | 98507-06035 | SCREW, PAN HEAD | 8 | 8 | 8 | 8 | 8 | |
| 12 | 55X-15362-04 | PLUG, OIL LEVEL | 1 | 1 | 1 | 1 | 1 | |
| 13 | 93210-19123 | O-RING | 1 | 1 | 1 | 1 | 1 | |
| 14 | 93101-10142 | OIL SEAL | 1 | 1 | 1 | 1 | 1 | |
| 15 | 90209-11269 | WASHER | 1 | 1 | 1 | 1 | 1 | |
| 16 | 4EM-15443-01 | EMBLEM | 1 | 1 | 1 | 1 | 1 | |
| | | | | | | | | |
| | | | | | | | | |
| | | | | | | | | |
| | | | | | | | | |

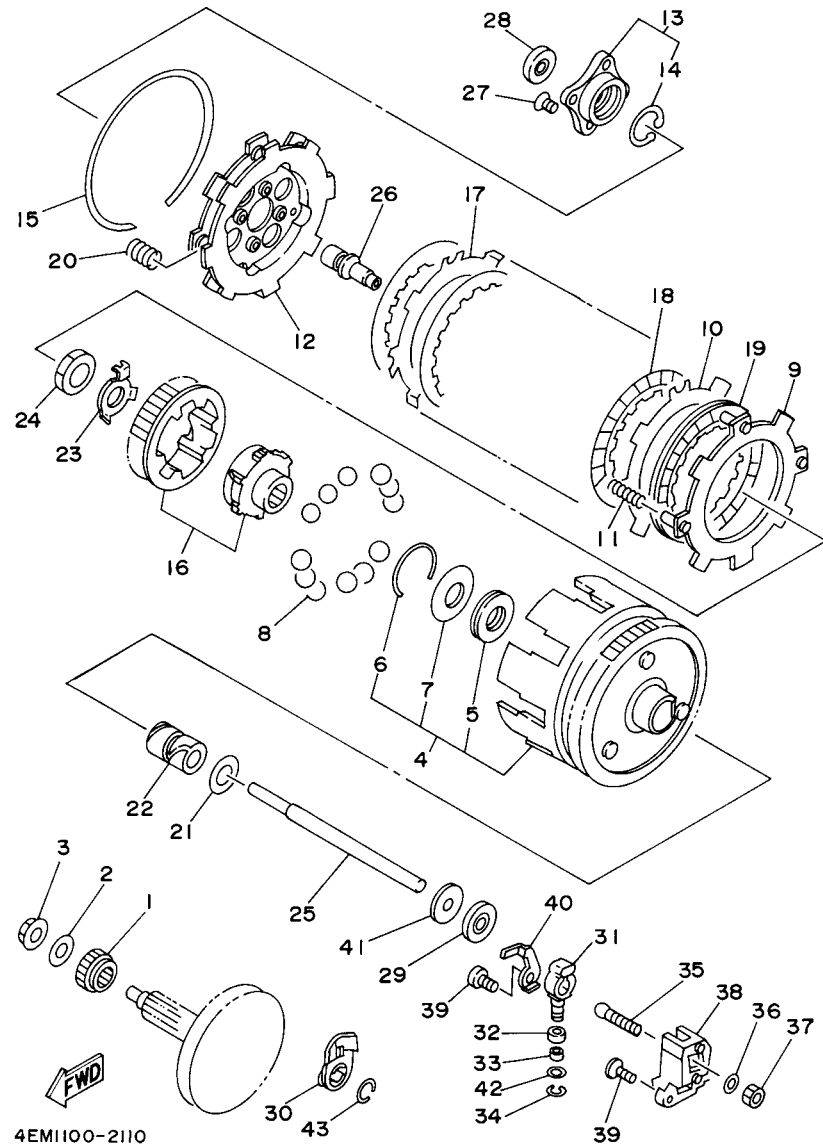


FIG. 11 CLUTCH

| REF. NO. | PART NO. | DESCRIPTION | USA | CAN | EUR | OCE | JPN | REMARKS |
|----------|--------------|---------------------------|-----|-----|-----|-----|-----|---------|
| 1 | 22K-16111-00 | GEAR, PRIMARY DRIVE | 1 | 1 | 1 | 1 | 1 | |
| 2 | 90208-12015 | WASHER, CONICAL SPRING | 1 | 1 | 1 | 1 | 1 | |
| 3 | 90179-12659 | NUT | 1 | 1 | 1 | 1 | 1 | |
| 4 | 3GB-16150-00 | PRIMARY DRIVEN GEAR COMP. | 1 | 1 | 1 | 1 | 1 | |
| 5 | 93341-22302 | .BEARING | 1 | 1 | 1 | 1 | 1 | |
| 6 | 93450-42112 | .CIRCLIP | 1 | 1 | 1 | 1 | 1 | |
| 7 | 22F-16153-40 | .WASHER, THRUST (1.7T) | 1 | 1 | 1 | 1 | 1 | |
| 8 | 93505-08030 | BALL | 12 | 12 | 12 | 12 | 12 | |
| 9 | 22K-16520-00 | PLATE, THRUST WEIGHT | 1 | 1 | 1 | 1 | 1 | |
| 10 | 517-16524-10 | PLATE, CLUTCH 1 (1.2T) | 4 | 4 | 4 | 4 | 4 | UR |
| | 517-16524-20 | PLATE, CLUTCH 1 (1.4T) | 4 | 4 | 4 | 4 | 4 | UR |
| | 517-16524-30 | PLATE, CLUTCH 1 (1.6T) | 4 | 4 | 4 | 4 | 4 | UR |
| 11 | 90501-105A5 | SPRING, COMPRESSION | 4 | 4 | 4 | 4 | 4 | |
| 12 | 22F-16550-00 | PRESSURE PLATE ASSY | 1 | 1 | 1 | 1 | 1 | |
| 13 | 22K-16590-00 | PUSH PLATE ASSY | 1 | 1 | 1 | 1 | 1 | |
| 14 | 93420-26077 | .CIRCLIP | 1 | 1 | 1 | 1 | 1 | |
| 15 | 93451-08094 | CIRCLIP | 1 | 1 | 1 | 1 | 1 | |
| 16 | 22K-W1657-00 | CLUTCH BOSS SET | 1 | 1 | 1 | 1 | 1 | |
| 17 | 22F-16524-01 | PLATE, CLUTCH 1 | 1 | 1 | 1 | 1 | 1 | |
| 18 | 3E5-16521-00 | PLATE, FRICTION | 5 | 5 | 5 | 5 | 5 | |
| 19 | 22F-16521-00 | PLATE, FRICTION | 1 | 1 | 1 | 1 | 1 | |
| 20 | 90501-135A4 | SPRING, COMPRESSION | 8 | 8 | 8 | 8 | 8 | |
| 21 | 122-16164-00 | PLATE, THRUST 2 | 1 | 1 | 1 | 1 | 1 | |
| 22 | 90560-17146 | SPACER | 1 | 1 | 1 | 1 | 1 | |
| 23 | 90215-14249 | WASHER, LOCK | 1 | 1 | 1 | 1 | 1 | |
| 24 | 90170-14284 | NUT | 1 | 1 | 1 | 1 | 1 | |
| 25 | 22F-16357-01 | ROD, PUSH 2 | 1 | 1 | 1 | 1 | 1 | |

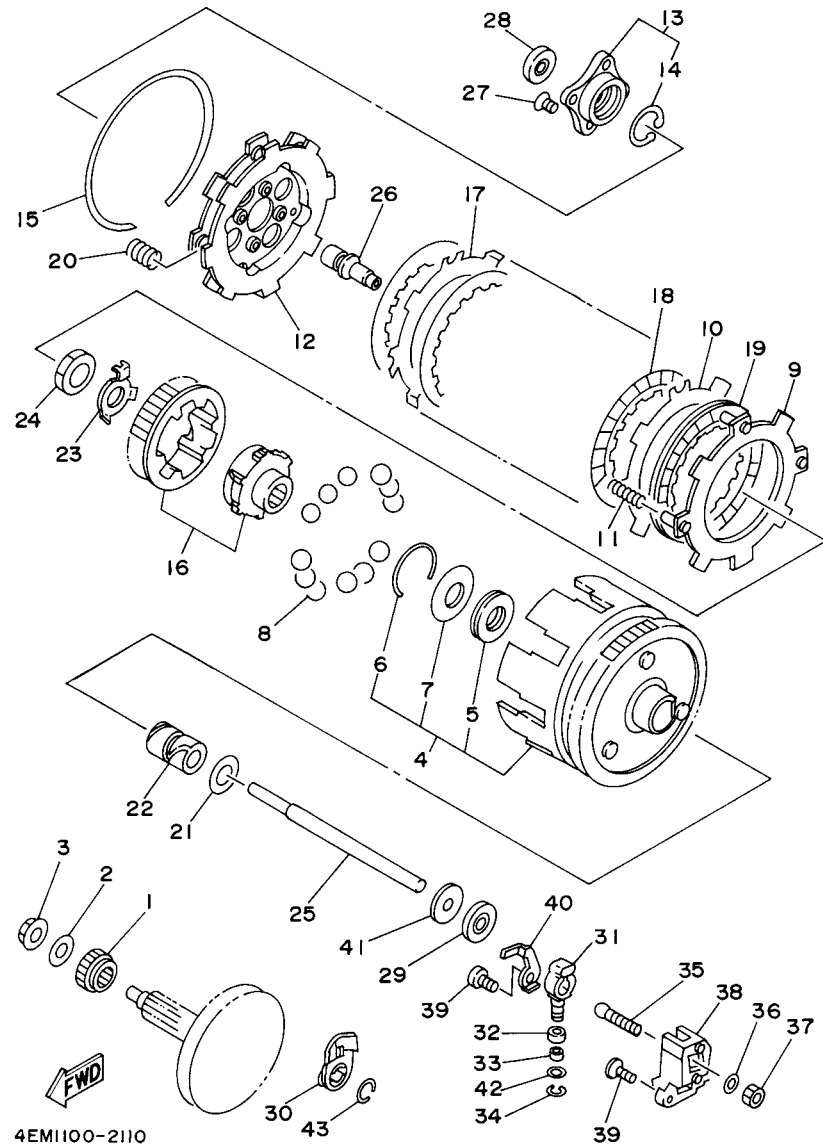
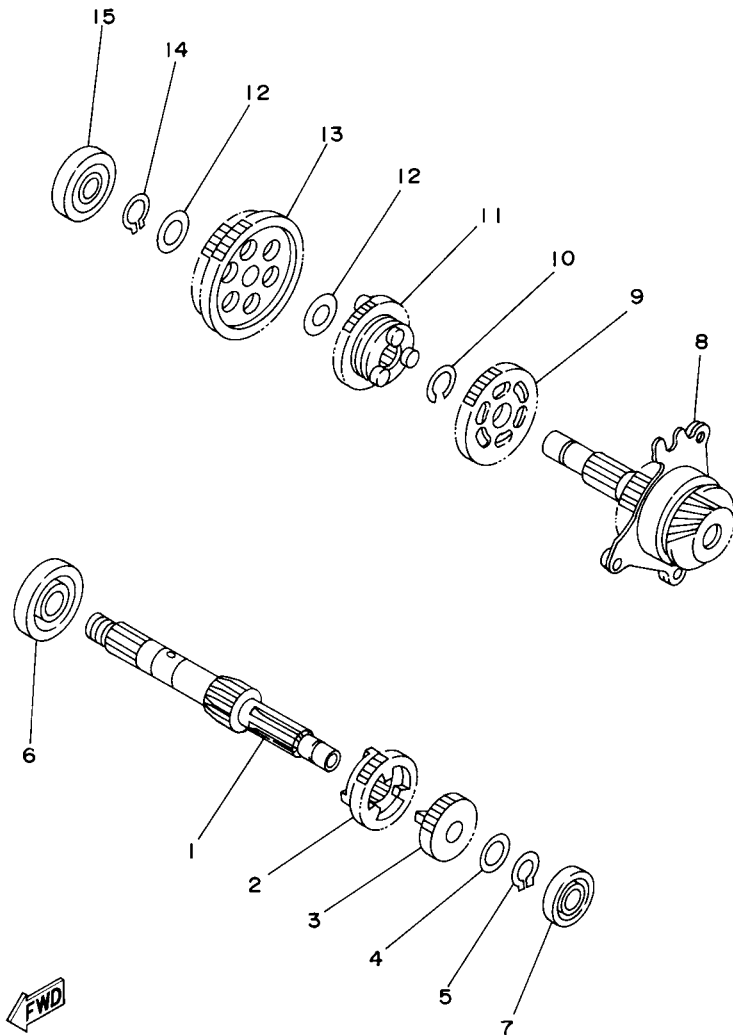


FIG. 11 CLUTCH

| REF. NO. | PART NO. | DESCRIPTION | USA | CAN | EUR | OCE | JPN | REMARKS |
|----------|--------------|---------------------|-----|-----|-----|-----|-----|---------|
| 26 | 22K-16356-00 | ROD, PUSH 1 | 1 | 1 | 1 | 1 | 1 | |
| 27 | 90151-06028 | SCREW, COUNTERSUNK | 4 | 4 | 4 | 4 | 4 | |
| 28 | 93104-10076 | OIL SEAL | 1 | 1 | 1 | 1 | 1 | |
| 29 | 93102-07292 | OIL SEAL | 1 | 1 | 1 | 1 | 1 | |
| 30 | 22F-16362-01 | LEVER, PUSH 2 | 1 | 1 | 1 | 1 | 1 | |
| 31 | 22F-16342-01 | LEVER, PUSH | 1 | 1 | 1 | 1 | 1 | |
| 32 | 90387-062G9 | COLLAR | 1 | 1 | 1 | 1 | 1 | |
| 33 | 90387-062G8 | COLLAR | 1 | 1 | 1 | 1 | 1 | |
| 34 | 99001-04600 | CIRCLIP | 1 | 1 | 1 | 1 | 1 | |
| 35 | 22F-16382-00 | AXLE, PUSH LEVER | 1 | 1 | 1 | 1 | 1 | |
| 36 | 92907-06600 | WASHER, PLATE | 1 | 1 | 1 | 1 | 1 | |
| 37 | 95307-06600 | NUT | 1 | 1 | 1 | 1 | 1 | |
| 38 | 22F-16399-00 | GUIDE, PUSH ROD | 1 | 1 | 1 | 1 | 1 | |
| 39 | 98507-06016 | SCREW, PAN HEAD | 2 | 2 | 2 | 2 | 2 | |
| 40 | 22F-16383-00 | SPRING, CLUTCH BOSS | 1 | 1 | 1 | 1 | 1 | |
| 41 | 90380-07118 | BUSH, SOLID | 1 | 1 | 1 | 1 | 1 | |
| 42 | 22F-16163-00 | WASHER, THRUST 2 | 1 | 1 | 1 | 1 | 1 | |
| 43 | 93440-11128 | CIRCLIP | 1 | 1 | 1 | 1 | 1 | |

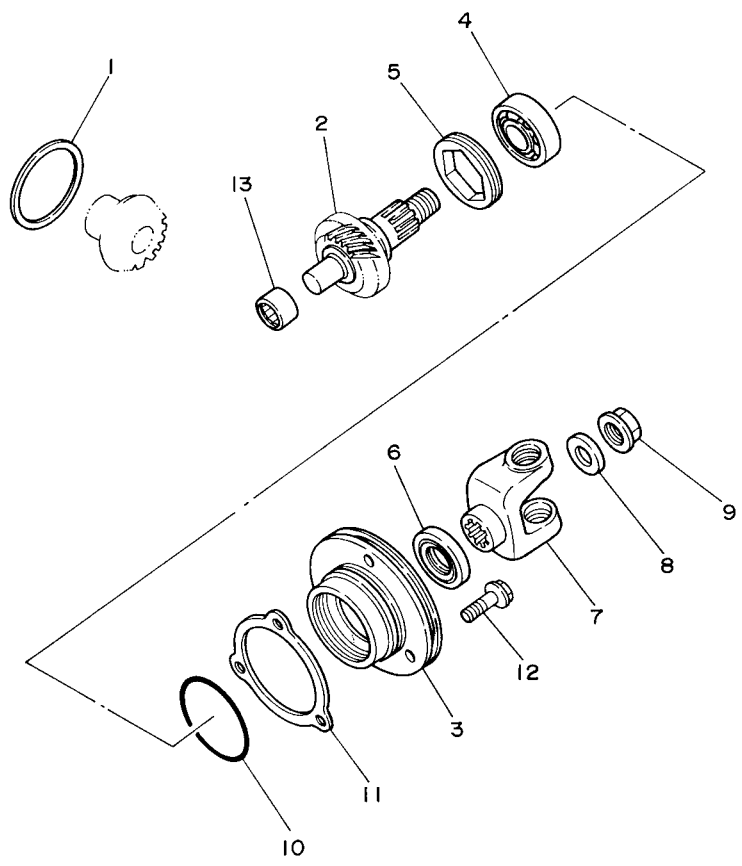
FIG. 12 TRANSMISSION



4EM1100-2120

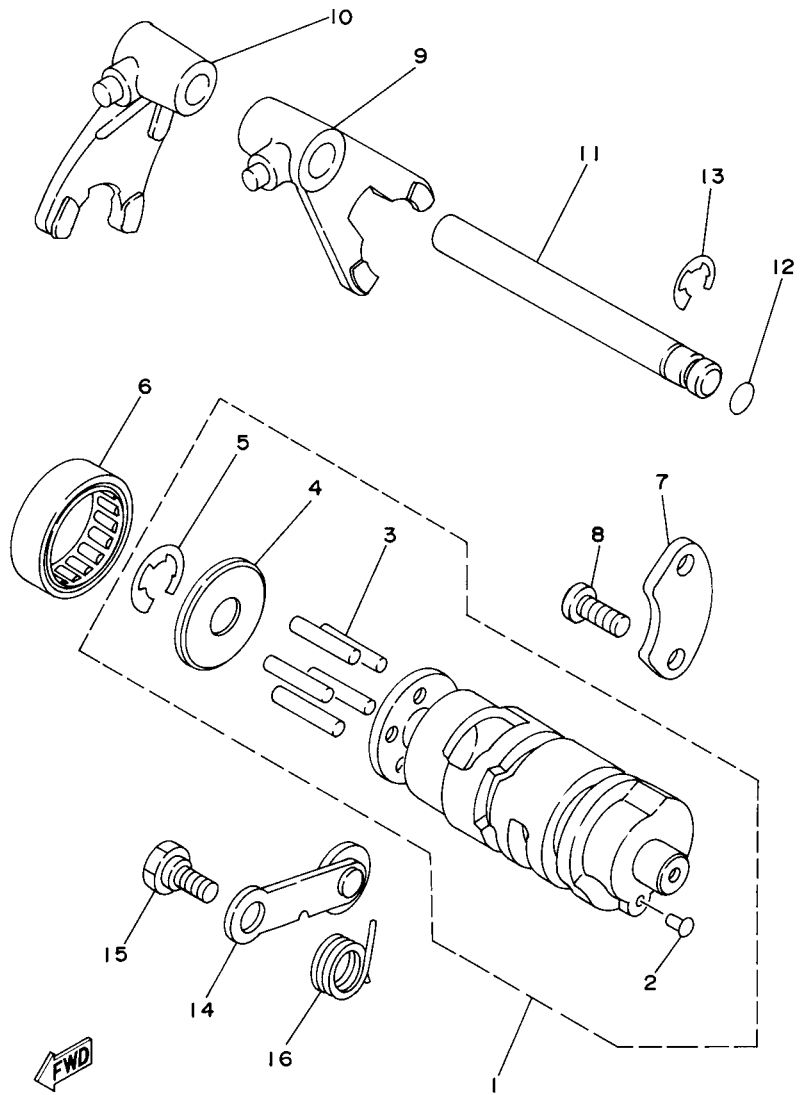
| REF. NO. | PART NO. | DESCRIPTION | USA | CAN | EUR | OCE | JPN | REMARKS |
|----------|--------------|------------------------|-----|-----|-----|-----|-----|---------|
| 1 | 2HX-17411-01 | AXLE, MAIN | 1 | 1 | 1 | 1 | 1 | |
| 2 | 55X-17131-00 | GEAR, 3RD PINION (22T) | 1 | 1 | 1 | 1 | 1 | |
| 3 | 2HX-17121-00 | GEAR, 2ND PINION (17T) | 1 | 1 | 1 | 1 | 1 | |
| 4 | 90201-124F8 | WASHER, PLATE | 1 | 1 | 1 | 1 | 1 | |
| 5 | 99009-12400 | CIRCLIP | 1 | 1 | 1 | 1 | 1 | |
| 6 | 93306-20301 | BEARING | 1 | 1 | 1 | 1 | 1 | |
| 7 | 93306-00105 | BEARING | 1 | 1 | 1 | 1 | 1 | |
| 8 | 3GB-17402-00 | DRIVE AXLE ASSY | 1 | 1 | 1 | 1 | 1 | |
| 9 | 55X-17231-00 | GEAR, 3RD WHEEL (31T) | 1 | 1 | 1 | 1 | 1 | |
| 10 | 93440-16089 | CIRCLIP | 1 | 1 | 1 | 1 | 1 | |
| 11 | 55X-17241-00 | GEAR, 4TH WHEEL (27T) | 1 | 1 | 1 | 1 | 1 | |
| 12 | 90201-132G5 | WASHER, PLATE | 2 | 2 | 2 | 2 | 2 | |
| 13 | 3GB-17211-00 | GEAR, 1ST WHEEL (39T) | 1 | 1 | 1 | 1 | 1 | |
| 14 | 99009-12400 | CIRCLIP | 1 | 1 | 1 | 1 | 1 | |
| 15 | 93306-30101 | BEARING | 1 | 1 | 1 | 1 | 1 | |
| | | | | | | | | |
| | | | | | | | | |
| | | | | | | | | |
| | | | | | | | | |

FIG. 13 MIDDLE DRIVE GEAR



| REF. NO. | PART NO. | DESCRIPTION | USA | CAN | EUR | OCE | JPN | REMARKS |
|----------|-----------------|--------------------------|-----|-----|-----|-----|-----|---------|
| 1 | 22F-17537-00 | SHIM, THRUST | 1 | 1 | 1 | 1 | 1 | |
| 2 | 3GB-17508-00 | MIDDLE DRIVEN GEAR COMP. | 1 | 1 | 1 | 1 | 1 | |
| 3 | 22F-17551-00 | HOUSING, BEARING | 1 | 1 | 1 | 1 | 1 | |
| 4 | 93306-20309 | BEARING | 1 | 1 | 1 | 1 | 1 | |
| 5 | 90179-42480 | NUT | 1 | 1 | 1 | 1 | 1 | |
| 6 | 93101-24110 | OIL SEAL | 1 | 1 | 1 | 1 | 1 | |
| 7 | 22F-17556-01 | YOKE, JOINT | 1 | 1 | 1 | 1 | 1 | |
| 8 | 90201-125F7 | WASHER, PLATE | 1 | 1 | 1 | 1 | 1 | |
| 9 | 90179-12248 | NUT | 1 | 1 | 1 | 1 | 1 | |
| 10 | 93210-50553 | O-RING | 1 | 1 | 1 | 1 | 1 | |
| 11 | 22F-17531-00-15 | SHIM, PINION (0.15T) | 1 | 1 | 1 | 1 | 1 | UR |
| | 22F-17531-00-30 | SHIM, PINION (0.30T) | 1 | 1 | 1 | 1 | 1 | UR |
| | 22F-17531-00-50 | SHIM, PINION (0.50T) | 1 | 1 | 1 | 1 | 1 | UR |
| 12 | 95827-06020 | BOLT, FLANGE | 3 | 3 | 3 | 3 | 3 | |
| 13 | 93317-21236 | BEARING | 1 | 1 | 1 | 1 | 1 | |
| | | | | | | | | |
| | | | | | | | | |
| | | | | | | | | |

FWD
3GB1100-9130



4EMK100-8140

FIG. 14 SHIFT CAM & FORK

| REF. NO. | PART NO. | DESCRIPTION | USA | CAN | EUR | OCE | JPN | REMARKS |
|----------|--------------|-------------------------|-----|-----|-----|-----|-----|---------|
| 1 | 4EM-18540-00 | SHIFT CAM ASSY | 1 | 1 | 1 | 1 | 1 | |
| 2 | 136-18542-00 | .POINT, NEUTRAL | 1 | 1 | 1 | 1 | 1 | |
| 3 | 93604-22050 | .PIN, DOWEL | 5 | 5 | 5 | 5 | 5 | |
| 4 | 296-18561-00 | .PLATE, SIDE 1 | 1 | 1 | 1 | 1 | 1 | |
| 5 | 99001-09600 | .CIRCLIP | 1 | 1 | 1 | 1 | 1 | |
| 6 | 93315-23208 | BEARING | 1 | 1 | 1 | 1 | 1 | |
| 7 | 22F-18562-01 | PLATE, STOPPER 2 | 1 | 1 | 1 | 1 | 1 | |
| 8 | 98507-06014 | SCREW, PAN HEAD | 2 | 2 | 2 | 2 | 2 | |
| 9 | 2MK-18511-00 | FORK, SHIFT 1 | 1 | 1 | 1 | 1 | 1 | |
| 10 | 29F-18512-00 | FORK, SHIFT 2 | 1 | 1 | 1 | 1 | 1 | |
| 11 | 22F-18531-00 | BAR, SHIFT FORK GUIDE 1 | 1 | 1 | 1 | 1 | 1 | |
| 12 | 93210-07003 | O-RING | 1 | 1 | 1 | 1 | 1 | |
| 13 | 93430-08007 | CIRCLIP | 1 | 1 | 1 | 1 | 1 | |
| 14 | 29F-18140-00 | STOPPER LEVER ASSY | 1 | 1 | 1 | 1 | 1 | |
| 15 | 90109-063F6 | BOLT | 1 | 1 | 1 | 1 | 1 | |
| 16 | 90508-20576 | SPRING, TORSION | 1 | 1 | 1 | 1 | 1 | |
| | | | | | | | | |
| | | | | | | | | |
| | | | | | | | | |

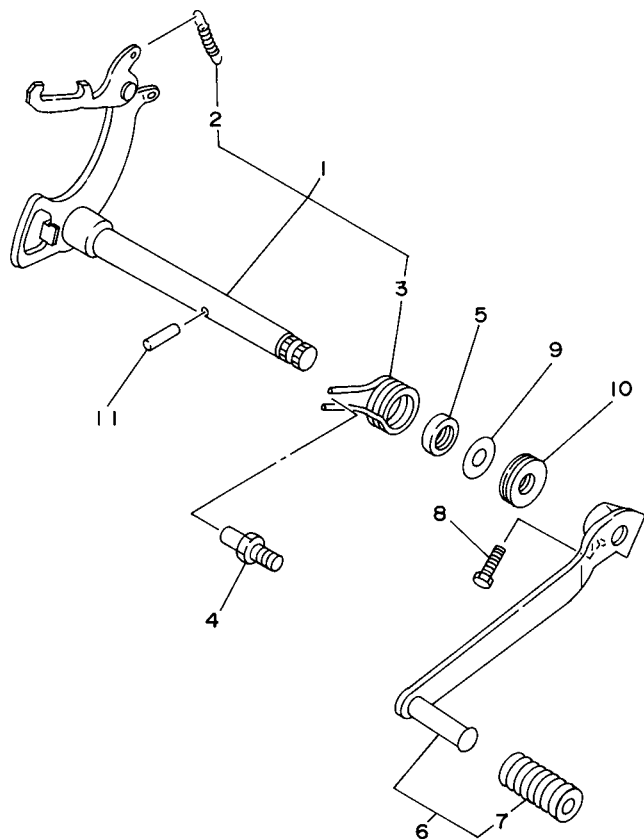
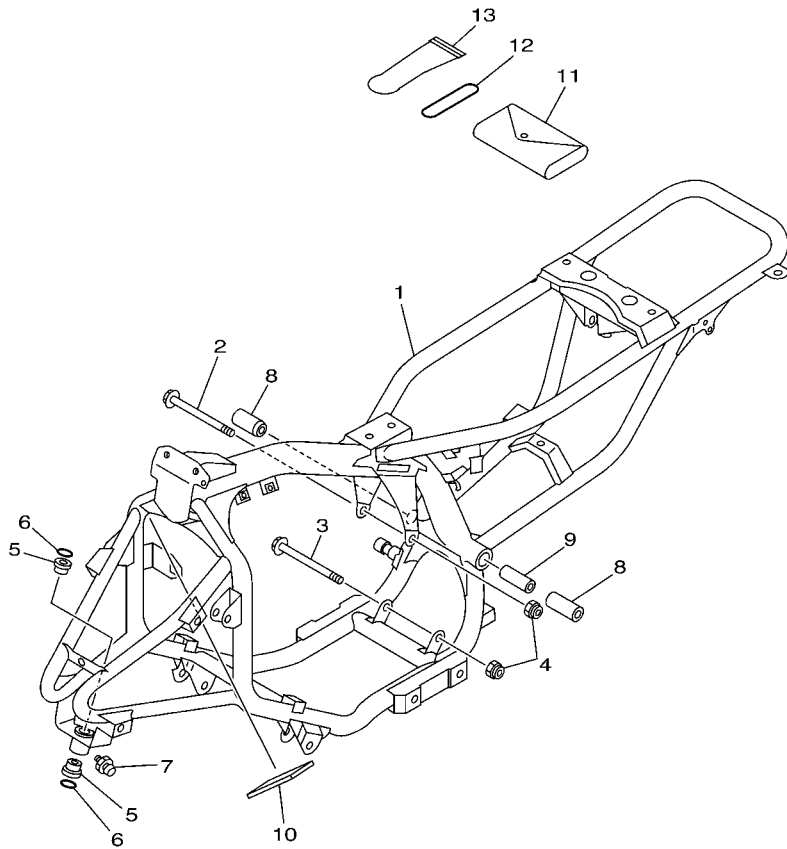


FIG. 15 SHIFT SHAFT

| REF. NO. | PART NO. | DESCRIPTION | USA | CAN | EUR | OCE | JPN | REMARKS |
|----------|--------------|--------------------------|-----|-----|-----|-----|-----|---------|
| 1 | 22F-18101-03 | SHIFT SHAFT ASSY | 1 | 1 | 1 | 1 | 1 | |
| 2 | 90506-08122 | .SPRING, TENSION | 1 | 1 | 1 | 1 | 1 | |
| 3 | 90508-32563 | .SPRING, TORSION | 1 | 1 | 1 | 1 | 1 | |
| 4 | 278-18127-01 | STOPPER, SCREW | 1 | 1 | 1 | 1 | 1 | |
| 5 | 93102-12106 | OIL SEAL (SD 12-22-5 HS) | 1 | 1 | 1 | 1 | 1 | |
| 6 | 2HX-18110-10 | SHIFT PEDAL ASSY | 1 | 1 | 1 | 1 | 1 | |
| 7 | 132-18113-01 | .COVER, SHIFT PEDAL | 1 | 1 | 1 | 1 | 1 | |
| 8 | 97022-06020 | BOLT | 1 | 1 | 1 | 1 | 1 | |
| 9 | 90201-127F4 | WASHER, PLATE | 1 | 1 | 1 | 1 | 1 | |
| 10 | 93340-21209 | BEARING | 1 | 1 | 1 | 1 | 1 | |
| 11 | 93604-20156 | PIN, DOWEL | 1 | 1 | 1 | 1 | 1 | |
| | | | | | | | | |
| | | | | | | | | |
| | | | | | | | | |
| | | | | | | | | |
| | | | | | | | | |


4EM1100-2150

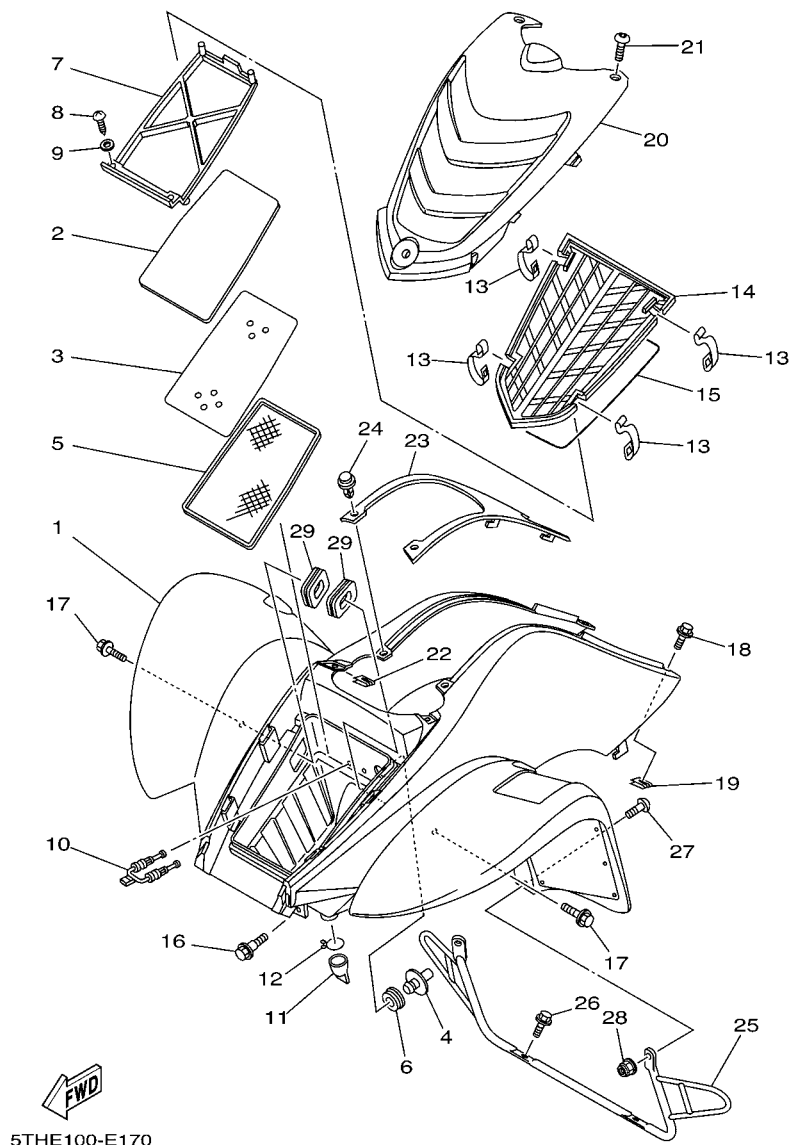
FIG. 16 FRAME



| REF. NO. | PART NO. | DESCRIPTION | USA | CAN | EUR | OCE | JPN | REMARKS |
|----------|--------------|-------------------|-----|-----|-----|-----|-----|---------|
| 1 | 5TH-21110-20 | FRAME COMP. | 1 | | 1 | 1 | 1 | |
| | 5TH-21110-30 | FRAME COMP. | | 1 | | | | |
| 2 | 95817-08115 | BOLT, FLANGE | 1 | 1 | 1 | 1 | 1 | |
| 3 | 95817-08120 | BOLT, FLANGE | 1 | 1 | 1 | 1 | 1 | |
| 4 | 95607-08200 | NUT, SELF-LOCKING | 2 | 2 | 2 | 2 | 2 | |
| 5 | 90381-15040 | BUSH, SOLID | 2 | 2 | 2 | 2 | 2 | |
| 6 | 93210-15414 | O-RING | 2 | 2 | 2 | 2 | 2 | |
| 7 | 93700-06004 | NIPPLE, GREASE | 1 | 1 | 1 | 1 | 1 | |
| 8 | 3GB-22123-00 | BUSH 1 | 2 | 2 | 2 | 2 | 2 | |
| 9 | 3GB-22155-00 | PIPE | 1 | 1 | 1 | 1 | 1 | |
| 10 | 5TH-21268-01 | SEAL | 1 | 1 | 1 | 1 | 1 | |
| 11 | 3GB-28100-00 | TOOL KIT | 1 | 1 | 1 | 1 | 1 | |
| 12 | 93210-40407 | O-RING | 1 | 1 | 1 | 1 | 1 | |
| 13 | 1NV-2811A-01 | GAUGE, AIR | 1 | 1 | 1 | 1 | 1 | |
| | | | | | | | | |
| | | | | | | | | |
| | | | | | | | | |
| | | | | | | | | |

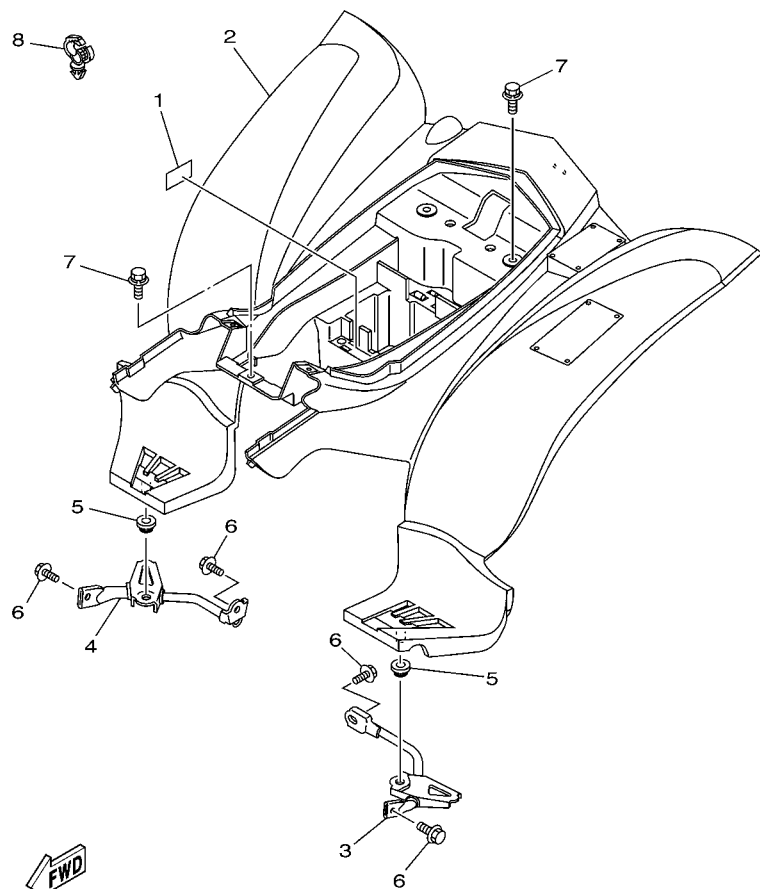
 5THE100-E160

FIG. 17 FRONT FENDER



| REF. NO. | PART NO. | DESCRIPTION | USA | CAN | EUR | OC | JPN | REMARKS |
|----------|--------------|----------------------|-----|-----|-----|----|-----|--------------|
| 1 | 5TH-W2151-01 | FRONT FENDER COMP. | 1 | | | | | UR FOR DPBSE |
| | 5TH-W2151-31 | FRONT FENDER COMP. | 1 | | | | | UR FOR PGD |
| | 5TH-W215C-01 | FRONT FENDER COMP.2 | | 1 | | | | UR FOR DPBSE |
| | 5TH-W215C-31 | FRONT FENDER COMP.2 | | 1 | | | | UR FOR PGD |
| | 5TH-W215B-01 | FRONT FENDER COMP. 2 | | | 1 | | | FOR DPBSE |
| | 5TH-W215D-01 | FRONT FENDER COMP. 2 | | | | 1 | 1 | UR FOR DPBSE |
| | 5TH-W215D-31 | FRONT FENDER COMP. 2 | | | | 1 | | UR FOR PGD |
| 2 | 55X-14451-00 | ELEMENT, AIR CLEANER | 1 | 1 | 1 | 1 | 1 | |
| 3 | 5TH-14477-00 | PLATE | 1 | 1 | 1 | 1 | 1 | |
| 4 | 2D3-14419-00 | PIPE | 1 | 1 | 1 | 1 | 1 | |
| 5 | 55X-14472-01 | PLATE, ELEMENT | 1 | 1 | 1 | 1 | 1 | |
| 6 | 31A-14435-00 | GROMMET | 1 | 1 | 1 | 1 | 1 | |
| 7 | 55X-14458-00 | GUIDE | 1 | 1 | 1 | 1 | 1 | |
| 8 | 97707-40116 | SCREW, TAPPING | 2 | 2 | 2 | 2 | 2 | |
| 9 | 92907-04200 | WASHER | 2 | 2 | 2 | 2 | 2 | |
| 10 | 55X-14436-00 | HOOK | 1 | 1 | 1 | 1 | 1 | |
| 11 | 59V-14457-00 | SEAL | 1 | 1 | 1 | 1 | 1 | |
| 12 | 90467-22080 | CLIP | 1 | 1 | 1 | 1 | 1 | |
| 13 | 5TH-14436-00 | HOOK | 4 | 4 | 4 | 4 | 4 | |
| 14 | 5TH-14412-00 | CAP, CLEANER CASE 1 | 1 | 1 | 1 | 1 | 1 | |
| 15 | 5TH-14452-00 | SEAL | 1 | 1 | 1 | 1 | 1 | |
| 16 | 90109-063F1 | BOLT | 1 | 1 | 1 | 1 | 1 | |
| 17 | 90119-06044 | BOLT, WITH WASHER | 2 | 2 | 2 | 2 | 2 | |
| 18 | 90119-05193 | BOLT, WITH WASHER | 2 | 2 | 2 | 2 | 2 | |
| 19 | 90183-05008 | NUT, SPRING | 2 | 2 | 2 | 2 | 2 | |
| 20 | 5TH-21556-00 | FENDER, FRONT 2 | 1 | 1 | 1 | 1 | 1 | UR FOR DPBSE |
| | 5TH-21556-30 | FENDER, FRONT 2 | 1 | 1 | | 1 | | UR FOR PGD |

FIG. 18 REAR FENDER

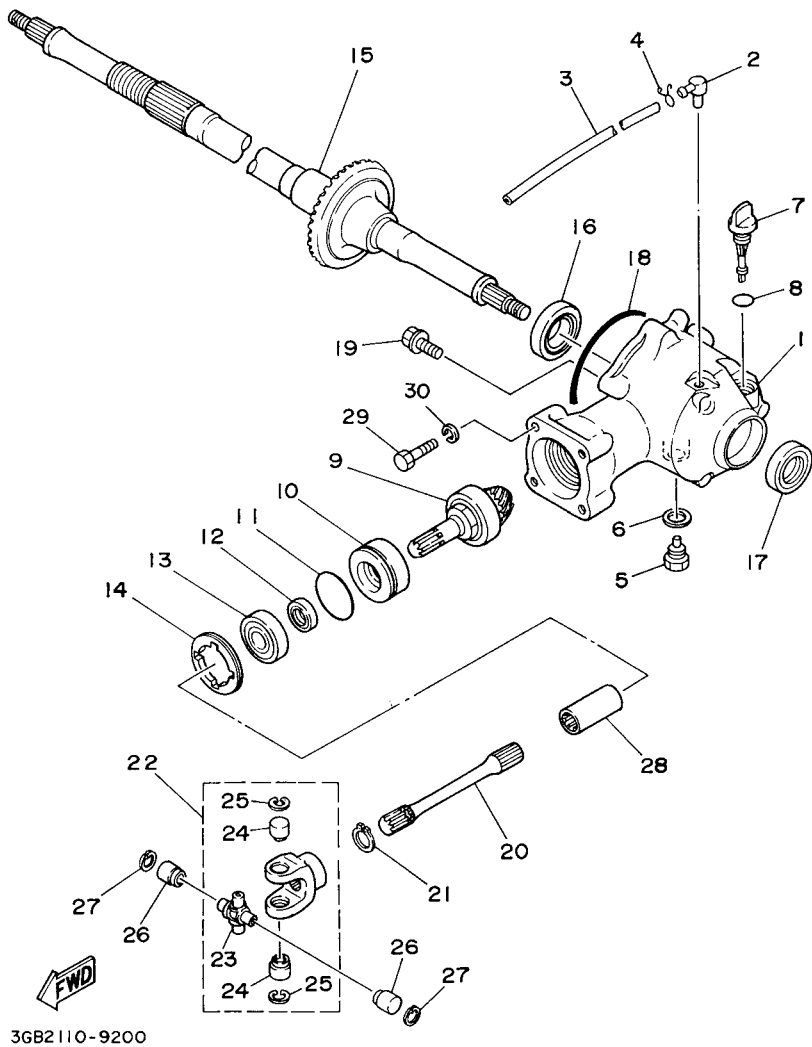


5TH1100-2180

| REF. NO. | PART NO. | DESCRIPTION | USA | CAN | EUR | OCE | JPN | REMARKS |
|----------|--------------|--------------------------|-----|-----|-----|-----|-----|--------------|
| 1 | 5TH-2177C-10 | PLATE, EPA OFFROAD ATV 1 | 1 | 1 | | | | |
| 2 | 5TH-W2161-00 | REAR FENDER COMP. | 1 | | | 1 | 1 | UR FOR DPBSE |
| | 5TH-W2161-30 | REAR FENDER COMP. | 1 | | | 1 | | UR FOR PGD |
| | 5TH-W216C-00 | REAR FENDER COMP.2 | | | 1 | | | UR FOR DPBSE |
| | 5TH-W216C-30 | REAR FENDER COMP.2 | | | 1 | | | UR FOR PGD |
| | 5TH-W216B-00 | REAR FENDER COMP.2 | | | | 1 | | FOR DPBSE |
| 3 | 3GB-21613-00 | STAY, FENDER 1 | 1 | 1 | 1 | 1 | 1 | |
| 4 | 3GB-21614-00 | STAY, FENDER 2 | 1 | 1 | 1 | 1 | 1 | |
| 5 | 90480-18171 | GROMMET | 2 | 2 | 2 | 2 | 2 | |
| 6 | 95807-08012 | BOLT, FLANGE | 4 | 4 | 4 | 4 | 4 | |
| 7 | 90119-06056 | BOLT, WITH WASHER | 4 | 4 | 4 | 4 | 4 | |
| 8 | 90464-13249 | CLAMP | 1 | 1 | 1 | 1 | 1 | |

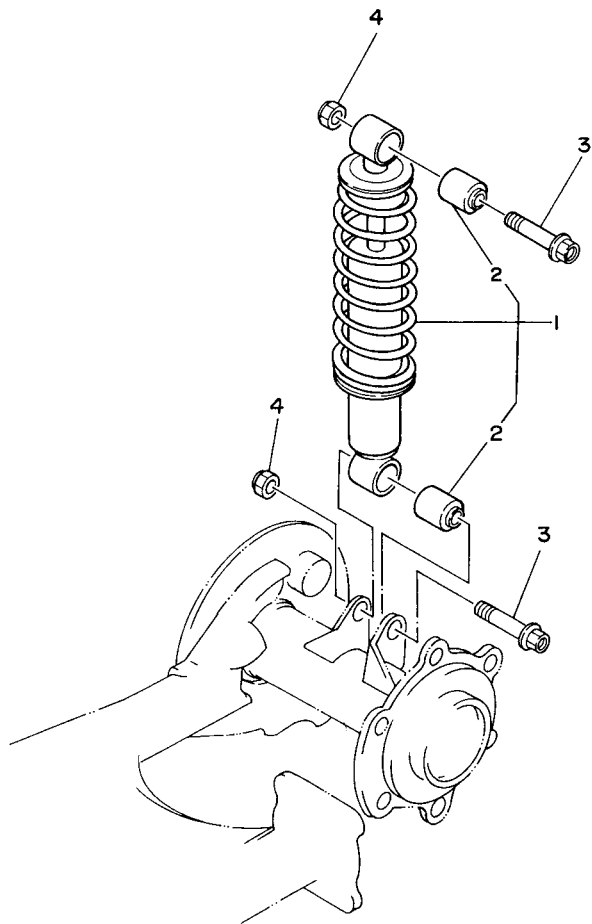
FIG. 20 DRIVE SHAFT

| REF. NO. | PART NO. | DESCRIPTION | USA | CAN | EUR | OCE | JPN | REMARKS |
|----------|--------------|----------------------|-----|-----|-----|-----|-----|---------|
| 1 | 3GB-46151-00 | HOUSING, DRIVE SHAFT | 1 | 1 | 1 | 1 | 1 | |
| 2 | 2N4-15371-00 | BREATHER | 1 | 1 | 1 | 1 | 1 | |
| 3 | 90445-073F9 | HOSE (L1200) | 1 | 1 | 1 | 1 | 1 | |
| 4 | 90467-07029 | CLIP | 1 | 1 | 1 | 1 | 1 | |
| 5 | 90340-14132 | PLUG, STRAIGHT SCREW | 1 | 1 | 1 | 1 | 1 | |
| 6 | 214-11198-01 | GASKET | 1 | 1 | 1 | 1 | 1 | |
| 7 | 3GB-15362-00 | PLUG, OIL LEVEL | 1 | 1 | 1 | 1 | 1 | |
| 8 | 93210-14104 | O-RING | 1 | 1 | 1 | 1 | 1 | |
| 9 | 3GB-46120-00 | DRIVE PINION COMP. | 1 | 1 | 1 | 1 | 1 | |
| 10 | 90560-23355 | SPACER | 1 | 1 | 1 | 1 | 1 | |
| 11 | 93210-43713 | O-RING | 1 | 1 | 1 | 1 | 1 | |
| 12 | 93102-17271 | OIL SEAL | 1 | 1 | 1 | 1 | 1 | |
| 13 | 93306-30306 | BEARING | 1 | 1 | 1 | 1 | 1 | |
| 14 | 90179-55464 | NUT | 1 | 1 | 1 | 1 | 1 | |
| 15 | 3GB-46110-20 | RING GEAR COMP. | 1 | 1 | 1 | 1 | 1 | |
| 16 | 93306-07801 | BEARING | 1 | 1 | 1 | 1 | 1 | |
| 17 | 93102-28022 | OIL SEAL | 1 | 1 | 1 | 1 | 1 | |
| 18 | 93211-066A9 | O-RING | 1 | 1 | 1 | 1 | 1 | |
| 19 | 95817-06016 | BOLT, FLANGE | 6 | 6 | 6 | 6 | 6 | |
| 20 | 3GB-46172-01 | SHAFT, DRIVE | 1 | 1 | 1 | 1 | 1 | |
| 21 | 99009-17400 | CIRCLIP | 1 | 1 | 1 | 1 | 1 | |
| 22 | 2HX-46180-00 | CROSS JOINT COMP. | 1 | 1 | 1 | 1 | 1 | |
| 23 | 22F-46187-00 | .SPIDER | 1 | 1 | 1 | 1 | 1 | |
| 24 | 93311-20952 | .BEARING | 2 | 2 | 2 | 2 | 2 | |
| 25 | 99009-17500 | .CIRCLIP | 2 | 2 | 2 | 2 | 2 | |
| 26 | 93311-20952 | BEARING | 2 | 2 | 2 | 2 | 2 | |
| 27 | 99009-17500 | CIRCLIP | 2 | 2 | 2 | 2 | 2 | |



3GB2110-9200

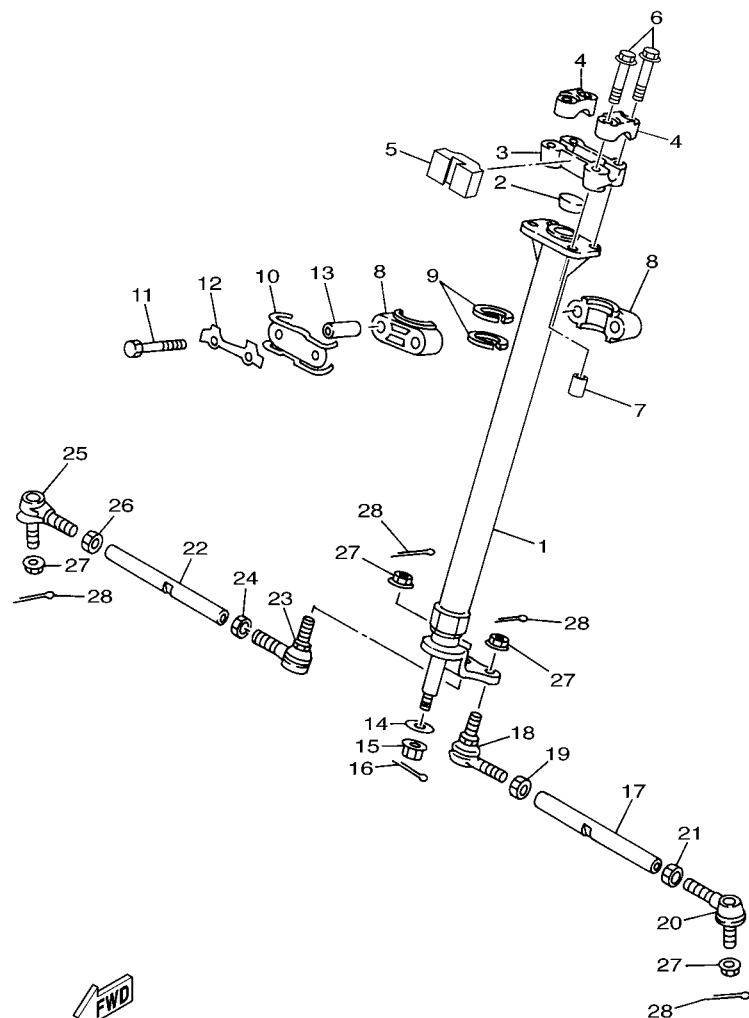
FIG. 21 REAR SUSPENSION



| REF. NO. | PART NO. | DESCRIPTION | USA | CAN | EUR | OCE | JPN | REMARKS |
|----------|-----------------|----------------------------|-----|-----|-----|-----|-----|------------------|
| 1 | 3GB-22210-00-36 | SHOCK ABSORBER ASSY, REAR | 1 | 1 | 1 | 1 | 1 | WW FOR DPBSE,PGD |
| 2 | 59V-22216-00 | .BUSH, REAR SHOCK ABSORBER | 2 | 2 | 2 | 2 | 2 | |
| 3 | 90105-10388 | BOLT, FLANGE | 2 | 2 | 2 | 2 | 2 | |
| 4 | 90185-10091 | NUT, SELF-LOCKING | 2 | 2 | 2 | 2 | 2 | |
| ----- | | | | | | | | |
| ----- | | | | | | | | |
| ----- | | | | | | | | |
| ----- | | | | | | | | |
| ----- | | | | | | | | |
| ----- | | | | | | | | |
| ----- | | | | | | | | |
| ----- | | | | | | | | |
| ----- | | | | | | | | |
| ----- | | | | | | | | |


3GB1100-9210

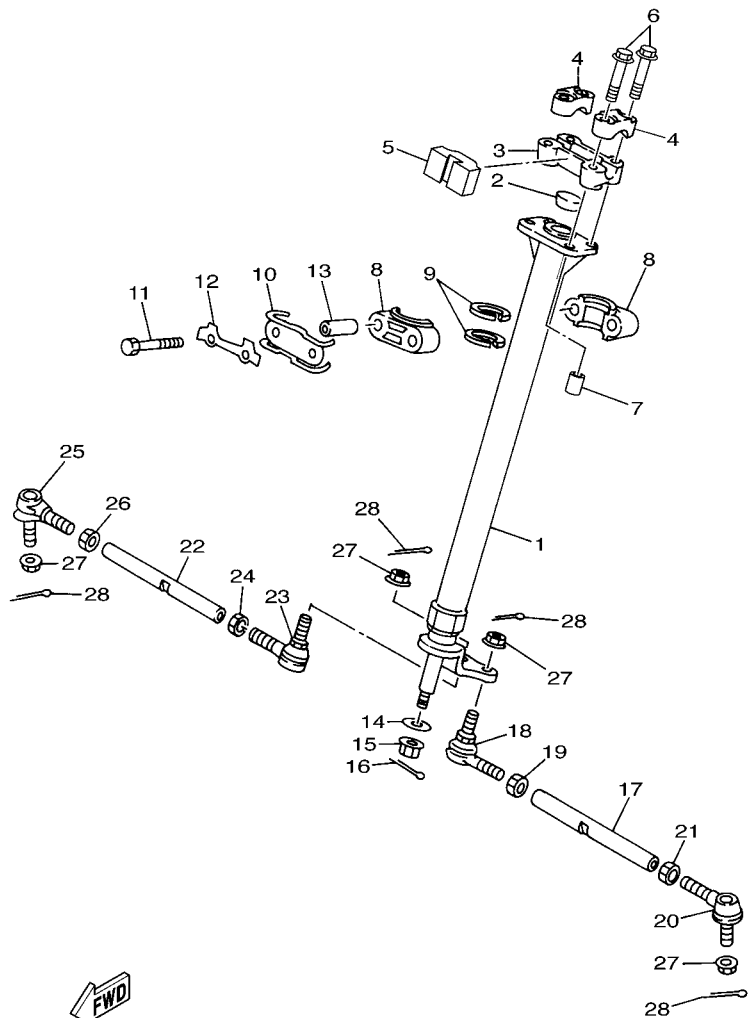
FIG. 22 STEERING



2D31100-D220

| REF. NO. | PART NO. | DESCRIPTION | USA | CAN | EUR | OCE | JPN | REMARKS |
|----------|--------------|-------------------------|-----|-----|-----|-----|-----|---------------|
| 1 | 4EM-23813-10 | COLUMN, STEERING 2 | 1 | 1 | 1 | 1 | 1 | |
| 2 | 90336-28053 | PLUG, TAPER | 1 | 1 | 1 | 1 | 1 | |
| 3 | 8G5-23814-00 | HOLDER, HANDLE UNDER | 1 | 1 | 1 | 1 | 1 | |
| 4 | 8K1-23814-00 | HOLDER, HANDLE | 2 | 2 | 2 | 2 | 2 | |
| 5 | 2D3-23858-00 | SPACER | 1 | 1 | 1 | 1 | 1 | |
| 6 | 95827-08055 | BOLT, FLANGE | 4 | 4 | 4 | 4 | 4 | |
| 7 | 90445-11418 | HOSE (L18) | 1 | 1 | 1 | 1 | 1 | |
| 8 | 1UY-23812-00 | PLANE BEARING, STEERING | 2 | 2 | 2 | 2 | 2 | |
| 9 | 93112-31011 | OIL SEAL | 2 | 2 | 2 | 2 | 2 | |
| 10 | 3GB-23868-00 | BRACKET, STEERING LOWER | 1 | 1 | 1 | 1 | 1 | |
| 11 | 97027-08060 | BOLT | 2 | 2 | 2 | 2 | 2 | |
| 12 | 1UY-23894-01 | WASHER, LOCK 1 | 1 | 1 | 1 | 1 | 1 | |
| 13 | 90387-090R0 | COLLAR | 2 | 2 | 2 | 2 | 2 | |
| 14 | 90201-10774 | WASHER, PLATE | 1 | 1 | 1 | 1 | 1 | |
| 15 | 90185-10115 | NUT, SELF-LOCKING | 1 | 1 | 1 | 1 | 1 | |
| 16 | 91401-20020 | PIN, COTTER | 1 | 1 | 1 | 1 | 1 | |
| 17 | 3GB-23831-00 | ROD, TIE | 1 | 1 | 1 | 1 | 1 | |
| 18 | 55X-23841-01 | JOINT, UNIVERSAL 1 | 1 | 1 | 1 | 1 | 1 | |
| 19 | 95307-10700 | NUT | 1 | 1 | 1 | 1 | 1 | |
| 20 | 52H-23845-01 | JOINT, UNIVERSAL 2 | 1 | 1 | 1 | 1 | 1 | |
| 21 | 90170-10186 | NUT | 1 | 1 | 1 | 1 | 1 | (L.H. THREAD) |
| 22 | 3GB-23831-00 | ROD, TIE | 1 | 1 | 1 | 1 | 1 | |
| 23 | 55X-23841-01 | JOINT, UNIVERSAL 1 | 1 | 1 | 1 | 1 | 1 | |
| 24 | 95307-10700 | NUT | 1 | 1 | 1 | 1 | 1 | |
| 25 | 52H-23845-01 | JOINT, UNIVERSAL 2 | 1 | 1 | 1 | 1 | 1 | |
| 26 | 90170-10186 | NUT | 1 | 1 | 1 | 1 | 1 | (L.H. THREAD) |
| 27 | 90185-10115 | NUT, SELF-LOCKING | 4 | 4 | 4 | 4 | 4 | |

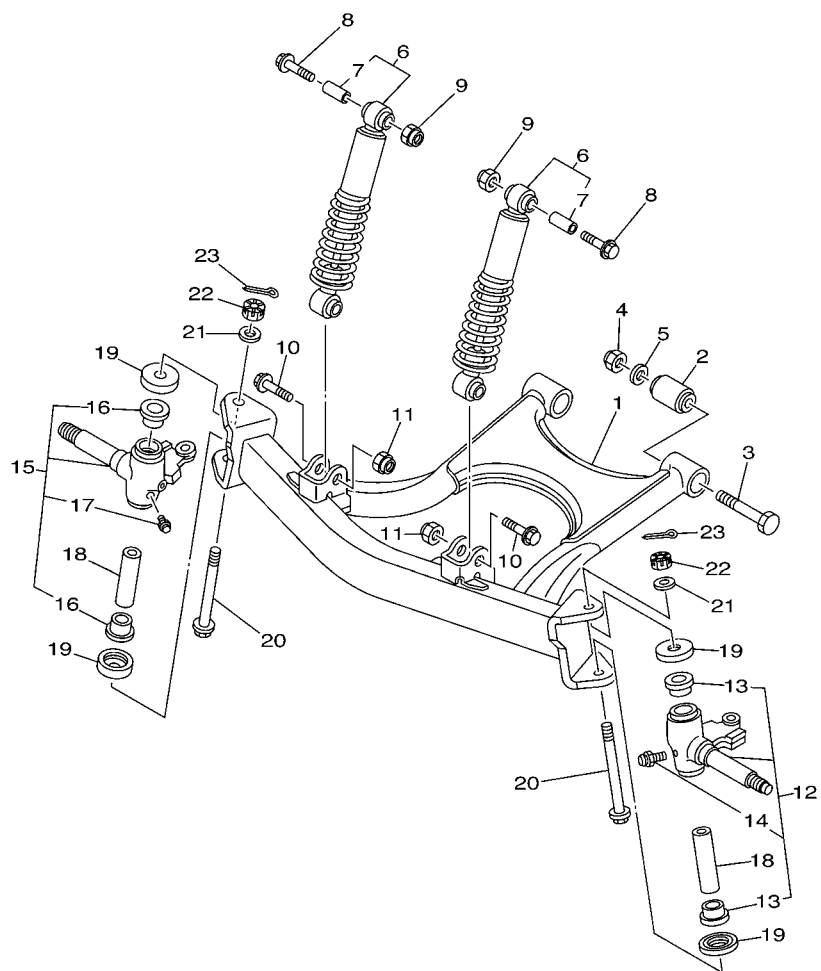
FIG. 22 STEERING



2D31100-D220

| REF. NO. | PART NO. | DESCRIPTION | USA | CAN | EUR | OCE | JPN | REMARKS |
|----------|-------------|-------------|-----|-----|-----|-----|-----|---------|
| 28 | 91401-20020 | PIN, COTTER | 4 | 4 | 4 | 4 | 4 | |
| | | | | | | | | |
| | | | | | | | | |
| | | | | | | | | |
| | | | | | | | | |
| | | | | | | | | |
| | | | | | | | | |
| | | | | | | | | |
| | | | | | | | | |
| | | | | | | | | |

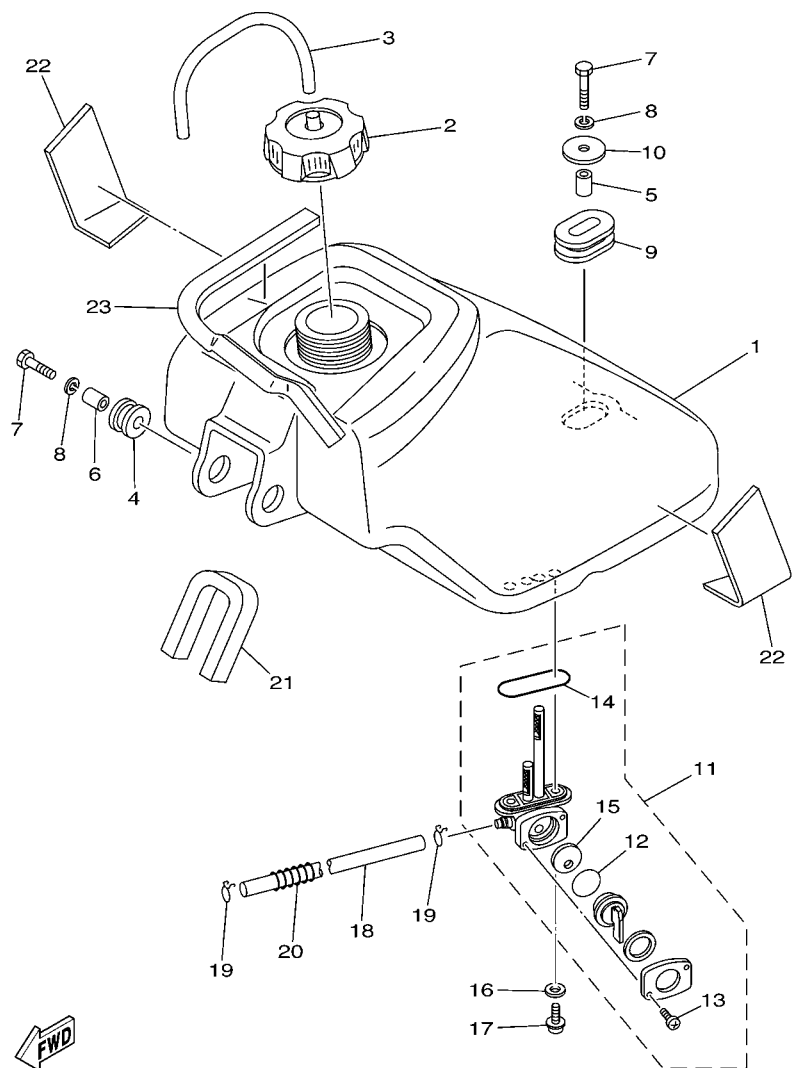
FIG. 23 FRONT SUSPENSION & WHEEL



| REF. NO. | PART NO. | DESCRIPTION | USA | CAN | EUR | OCE | JPN | REMARKS |
|----------|-----------------|-------------------------------|-----|-----|-----|-----|-----|------------------|
| 1 | 3GB-23570-00-33 | FRONT LOWER ARM COMP. | 1 | 1 | 1 | 1 | 1 | YB FOR DPBSE,PGD |
| 2 | 307-22123-00 | BUSH 1 | 2 | 2 | 2 | 2 | 2 | |
| 3 | 90101-12498 | BOLT | 2 | 2 | 2 | 2 | 2 | |
| 4 | 90185-12046 | NUT, SELF-LOCKING | 2 | 2 | 2 | 2 | 2 | |
| 5 | 90201-12688 | WASHER, PLATE | 2 | 2 | 2 | 2 | 2 | |
| 6 | 2HX-23350-00-36 | SHOCK ABSORBER ASSY | 2 | 2 | 2 | 2 | 2 | WW FOR DPBSE,PGD |
| 7 | 2HX-2331U-00 | .COLLAR, DISTANCE | 1 | 1 | 1 | 1 | 1 | |
| 8 | 90105-10561 | BOLT, FLANGE | 2 | 2 | 2 | 2 | 2 | |
| 9 | 90185-10091 | NUT, SELF-LOCKING | 2 | 2 | 2 | 2 | 2 | |
| 10 | 90105-12460 | BOLT, FLANGE | 2 | 2 | 2 | 2 | 2 | |
| 11 | 90185-12046 | NUT, SELF-LOCKING | 2 | 2 | 2 | 2 | 2 | |
| 12 | 3GB-23501-10 | STEERING KNUCKLE ASSY (LEFT) | 1 | 1 | 1 | 1 | 1 | |
| 13 | 90381-17067 | .BUSH, SOLID | 2 | 2 | 2 | 2 | 2 | |
| 14 | 93700-06004 | .NIPPLE, GREASE | 1 | 1 | 1 | 1 | 1 | |
| 15 | 3GB-23502-10 | STEERING KNUCKLE ASSY (RIGHT) | 1 | 1 | 1 | 1 | 1 | |
| 16 | 90381-17067 | .BUSH, SOLID | 2 | 2 | 2 | 2 | 2 | |
| 17 | 93700-06004 | .NIPPLE, GREASE | 1 | 1 | 1 | 1 | 1 | |
| 18 | 3GB-23448-00 | SPACER | 2 | 2 | 2 | 2 | 2 | |
| 19 | 2NL-23517-00 | COVER, THRUST 1 | 4 | 4 | 4 | 4 | 4 | |
| 20 | 90109-104A8 | BOLT | 2 | 2 | 2 | 2 | 2 | |
| 21 | 90201-08759 | WASHER, PLATE | 2 | 2 | 2 | 2 | 2 | |
| 22 | 90171-10004 | NUT, CASTLE | 2 | 2 | 2 | 2 | 2 | |
| 23 | 91401-20020 | PIN, COTTER | 2 | 2 | 2 | 2 | 2 | |


4EMT100-0230

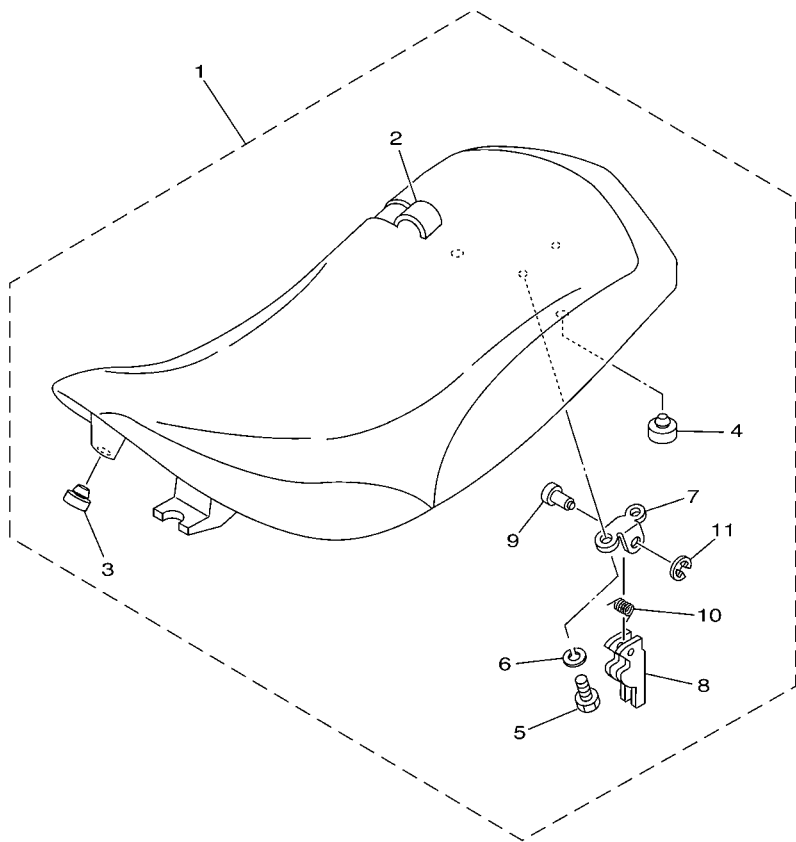
FIG. 24 FUEL TANK



5TH1100-2240

| REF. NO. | PART NO. | DESCRIPTION | USA | CAN | EUR | OCE | JPN | REMARKS |
|----------|--------------|---------------------|-----|-----|-----|-----|-----|---------|
| 1 | 2HX-24110-00 | FUEL TANK COMP. | 1 | 1 | 1 | 1 | 1 | |
| 2 | 2FJ-24610-00 | CAP ASSY | 1 | 1 | 1 | 1 | 1 | |
| 3 | 90445-083J4 | HOSE (L340) | 1 | 1 | 1 | 1 | 1 | |
| 4 | 90480-18290 | GROMMET | 2 | 2 | 2 | 2 | 2 | |
| 5 | 90387-07598 | COLLAR | 1 | 1 | 1 | 1 | 1 | |
| 6 | 90387-066J1 | COLLAR | 2 | 2 | 2 | 2 | 2 | |
| 7 | 97027-06030 | BOLT | 3 | 3 | 3 | 3 | 3 | |
| 8 | 92907-06100 | WASHER, SPRING | 3 | 3 | 3 | 3 | 3 | |
| 9 | 90480-01400 | GROMMET | 1 | 1 | 1 | 1 | 1 | |
| 10 | 90201-060L5 | WASHER, PLATE | 1 | 1 | 1 | 1 | 1 | |
| 11 | 55X-24500-02 | FUEL COCK ASSY 1 | 1 | 1 | 1 | 1 | 1 | |
| 12 | 3AJ-24534-01 | .SEAL, COCK | 1 | 1 | 1 | 1 | 1 | |
| 13 | 98507-03008 | .SCREW, PAN HEAD | 2 | 2 | 2 | 2 | 2 | |
| 14 | 4X8-24512-00 | .O-RING | 1 | 1 | 1 | 1 | 1 | |
| 15 | 3AC-24523-00 | .VALVE PACKING | 1 | 1 | 1 | 1 | 1 | |
| 16 | 90202-05193 | WASHER, PLATE | 2 | 2 | 2 | 2 | 2 | |
| 17 | 90149-06011 | SCREW | 2 | 2 | 2 | 2 | 2 | |
| 18 | 90445-10638 | HOSE (L145) | 1 | 1 | 1 | 1 | 1 | |
| 19 | 90467-09006 | CLIP | 2 | 2 | 2 | 2 | 2 | |
| 20 | 90504-06030 | SPRING, COMPRESSION | 1 | 1 | 1 | 1 | 1 | |
| 21 | 2HX-24181-00 | DAMPER, LOCATING 1 | 1 | 1 | 1 | 1 | 1 | |
| 22 | 12R-21747-00 | DAMPER | 2 | 2 | 2 | 2 | 2 | |
| 23 | 5TH-2414H-00 | DAMPER, PLATE 1 | 1 | 1 | 1 | 1 | 1 | |

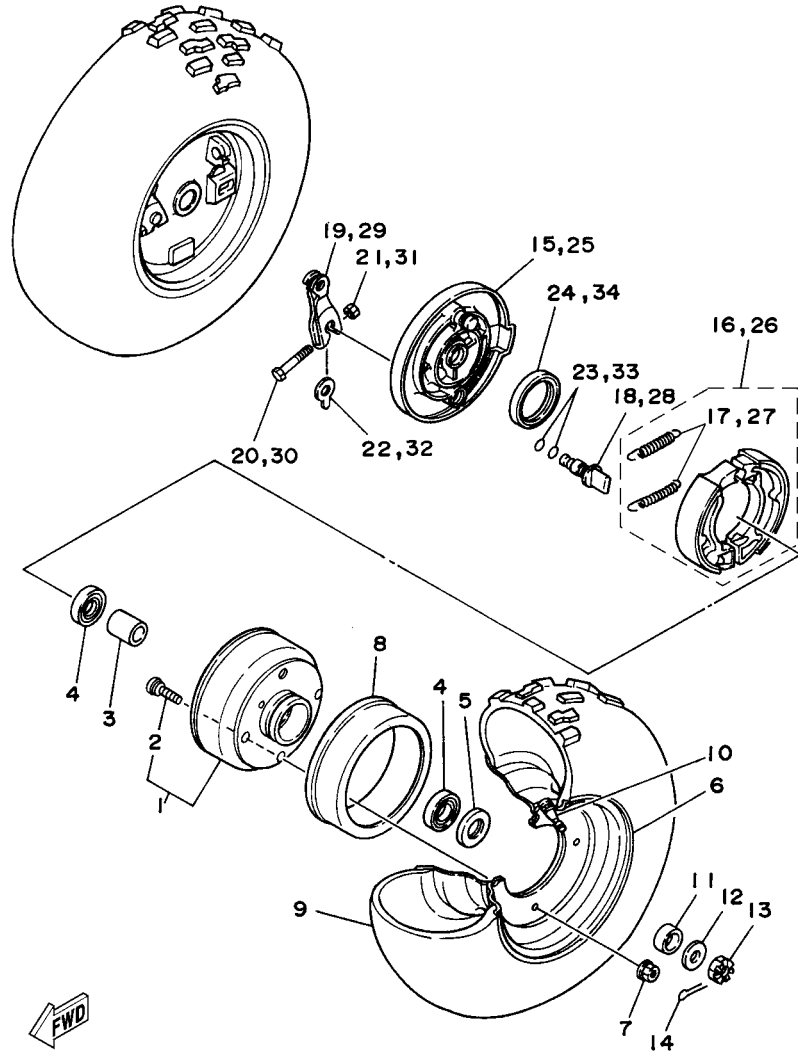
FIG. 25 SEAT



| REF. NO. | PART NO. | DESCRIPTION | USA | CAN | EUR | OCE | JPN | REMARKS |
|----------|--------------|----------------------|-----|-----|-----|-----|-----|---------|
| 1 | 5TH-24710-00 | SINGLE SEAT ASSY | 1 | 1 | 1 | 1 | 1 | |
| 2 | 5TH-2470F-00 | .SEAT COVER COMP. | 1 | 1 | 1 | 1 | 1 | |
| 3 | 22W-24741-00 | .PAD, SEAT | 1 | 1 | 1 | 1 | 1 | |
| 4 | 371-27114-00 | .STOPPER, MAIN STAND | 2 | 2 | 2 | 2 | 2 | |
| 5 | 97007-06012 | .BOLT | 2 | 2 | 2 | 2 | 2 | |
| 6 | 92907-06100 | .WASHER, SPRING | 2 | 2 | 2 | 2 | 2 | |
| 7 | 4K0-24775-00 | .BRACKET, SEAT LEVER | 1 | 1 | 1 | 1 | 1 | |
| 8 | 29U-24776-00 | .LEVER, SEAT | 1 | 1 | 1 | 1 | 1 | |
| 9 | 4K0-24774-A0 | .PIN | 1 | 1 | 1 | 1 | 1 | |
| 10 | 90508-20454 | .SPRING, TORSION | 1 | 1 | 1 | 1 | 1 | |
| 11 | 93430-04002 | .CIRCLIP | 1 | 1 | 1 | 1 | 1 | |
| | | | | | | | | |
| | | | | | | | | |
| | | | | | | | | |
| | | | | | | | | |

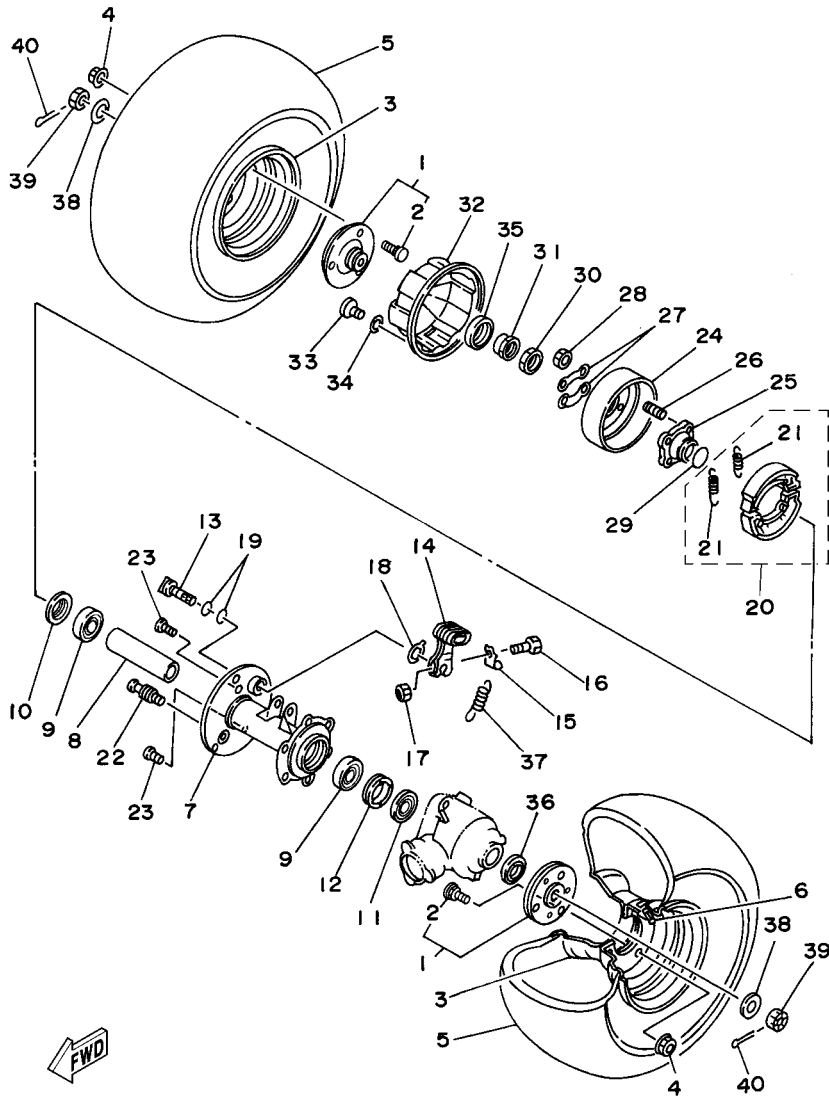

5TH1100-2250

FIG. 26 FRONT WHEEL



FWD
5TH5100-B260

| REF. NO. | PART NO. | DESCRIPTION | USA | CAN | EUR | OCE | JPN | REMARKS |
|----------|-----------------|-----------------------------|-----|-----|-----|-----|-----|------------------|
| 1 | 2FJ-25111-00 | HUB, FRONT | 2 | 2 | 2 | 2 | 2 | |
| 2 | 90109-08745 | .BOLT | 4 | 4 | 4 | 4 | 4 | |
| 3 | 3FA-25117-00 | SPACER, BEARING | 2 | 2 | 2 | 2 | 2 | |
| 4 | 93306-00308 | BEARING | 4 | 4 | 4 | 4 | 4 | |
| 5 | 93102-23275 | OIL SEAL | 2 | 2 | 2 | 2 | 2 | |
| 6 | 2FJ-25180-00-35 | WHEEL COMP. | 2 | 2 | 2 | 2 | 2 | SL FOR DPBSE,PGD |
| 7 | 95707-08500 | NUT, FLANGE | 8 | 8 | 8 | 8 | 8 | |
| 8 | 3GB-25185-00 | RING 1 | 2 | 2 | 2 | 2 | 2 | |
| 9 | 94107-07009 | TIRE (AT18X7-7 *KT586T/L N) | 2 | 2 | 2 | 2 | 2 | DUNLOP |
| 10 | 93900-00022 | VALVE, RIM (TR413) | 2 | 2 | 2 | 2 | 2 | TAIHEIYO |
| 11 | 90387-175R2 | COLLAR | 2 | 2 | 2 | 2 | 2 | |
| 12 | 90201-14586 | WASHER, PLATE | 2 | 2 | 2 | 2 | 2 | |
| 13 | 90171-14020 | NUT, CASTLE | 2 | 2 | 2 | 2 | 2 | |
| 14 | 91401-30025 | PIN, SPLIT | 2 | 2 | 2 | 2 | 2 | |
| 15 | 2FJ-25121-00 | PLATE, BRAKE SHOE | 1 | 1 | 1 | 1 | 1 | |
| 16 | 4KN-W253E-11 | BRAKE SHOE KIT | 1 | 1 | 1 | 1 | 1 | |
| 17 | 90506-15260 | .SPRING, TENSION | 2 | 2 | 2 | 2 | 2 | |
| 18 | 3GB-25151-00 | CAMSHAFT | 1 | 1 | 1 | 1 | 1 | |
| 19 | 2FJ-25155-00 | LEVER, CAMSHAFT 1 | 1 | 1 | 1 | 1 | 1 | |
| 20 | 90101-06278 | BOLT | 1 | 1 | 1 | 1 | 1 | |
| 21 | 95307-06600 | NUT | 1 | 1 | 1 | 1 | 1 | |
| 22 | 52H-2513A-00 | PLATE, INDICATOR | 1 | 1 | 1 | 1 | 1 | |
| 23 | 93210-12327 | O-RING | 2 | 2 | 2 | 2 | 2 | |
| 24 | 93102-40367 | OIL SEAL | 1 | 1 | 1 | 1 | 1 | |
| 25 | 2FJ-25169-00 | PLATE, BRAKE SHOE 2 | 1 | 1 | 1 | 1 | 1 | |
| 26 | 4KN-W253E-11 | BRAKE SHOE KIT | 1 | 1 | 1 | 1 | 1 | |
| 27 | 90506-15260 | .SPRING, TENSION | 2 | 2 | 2 | 2 | 2 | |

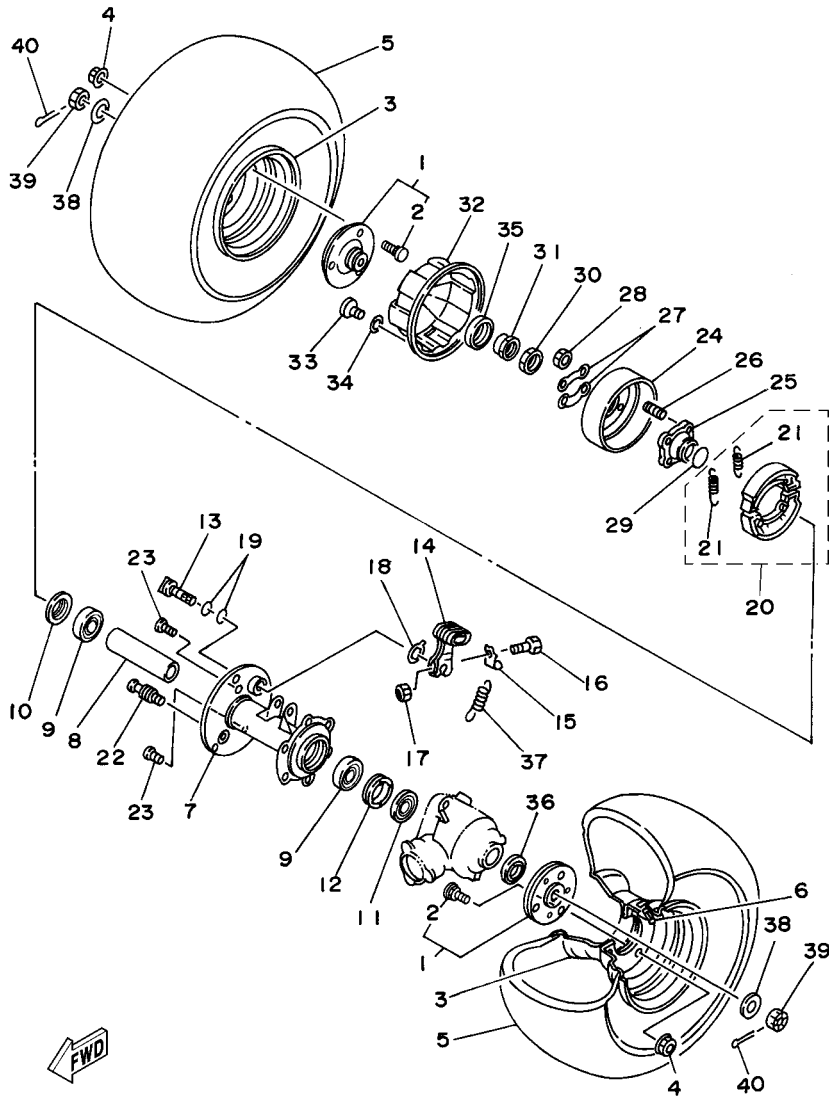


FWD
5TH5100-B270

FIG. 27 REAR WHEEL

| REF. NO. | PART NO. | DESCRIPTION | USA | CAN | EUR | OC | JPN | REMARKS |
|----------|-----------------|-----------------------------|-----|-----|-----|----|-----|------------------|
| 1 | 55X-25383-10 | COLLAR, WHEEL | 2 | 2 | 2 | 2 | 2 | |
| 2 | 90114-08001 | .BOLT, SERRATION | 3 | 3 | 3 | 3 | 3 | |
| 3 | 2FJ-25390-00-35 | REAR WHEEL COMP. | 2 | 2 | 2 | 2 | 2 | SL FOR DPBSE,PGD |
| 4 | 95707-08500 | NUT, FLANGE | 6 | 6 | 6 | 6 | 6 | |
| 5 | 94108-07009 | TIRE (AT18X8-7**KT587T/L N) | 2 | 2 | 2 | 2 | 2 | DUNLOP |
| 6 | 93900-00022 | VALVE, RIM (TR413) | 2 | 2 | 2 | 2 | 2 | TAIHEIYO |
| 7 | 3GB-25311-00-33 | HUB, REAR | 1 | 1 | 1 | 1 | 1 | YB FOR DPBSE,PGD |
| 8 | 3GB-25317-00 | SPACER, BEARING | 1 | 1 | 1 | 1 | 1 | |
| 9 | 93306-00612 | BEARING | 2 | 2 | 2 | 2 | 2 | |
| 10 | 93102-38383 | OIL SEAL | 1 | 1 | 1 | 1 | 1 | |
| 11 | 93102-36409 | OIL SEAL | 1 | 1 | 1 | 1 | 1 | |
| 12 | 3GB-25382-00 | NUT, AXLE | 1 | 1 | 1 | 1 | 1 | |
| 13 | 3Y6-25351-00 | CAMSHAFT | 1 | 1 | 1 | 1 | 1 | |
| 14 | 55X-25355-00 | LEVER, CAMSHAFT | 1 | 1 | 1 | 1 | 1 | |
| 15 | 55X-2533H-00 | HOOK, SPRING | 1 | 1 | 1 | 1 | 1 | |
| 16 | 90101-06562 | BOLT | 1 | 1 | 1 | 1 | 1 | |
| 17 | 95307-06600 | NUT | 1 | 1 | 1 | 1 | 1 | |
| 18 | 23F-2533A-00 | PLATE, INDICATOR | 1 | 1 | 1 | 1 | 1 | |
| 19 | 93210-14104 | O-RING | 2 | 2 | 2 | 2 | 2 | |
| 20 | 3FA-W253E-00 | BRAKE SHOE KIT | 1 | 1 | 1 | 1 | 1 | |
| 21 | 90506-15260 | .SPRING, TENSION | 2 | 2 | 2 | 2 | 2 | |
| 22 | 3GB-25326-00 | PIN, PIVOT | 1 | 1 | 1 | 1 | 1 | |
| 23 | 90114-10005 | BOLT, SERRATION | 2 | 2 | 2 | 2 | 2 | |
| 24 | 3GB-2531E-00 | DRUM, BRAKE | 1 | 1 | 1 | 1 | 1 | |
| 25 | 3GB-25343-10 | BOSS | 1 | 1 | 1 | 1 | 1 | |
| 26 | 90116-08507 | BOLT, STUD | 4 | 4 | 4 | 4 | 4 | |
| 27 | 390-25412-01 | WASHER | 2 | 2 | 2 | 2 | 2 | |

D6

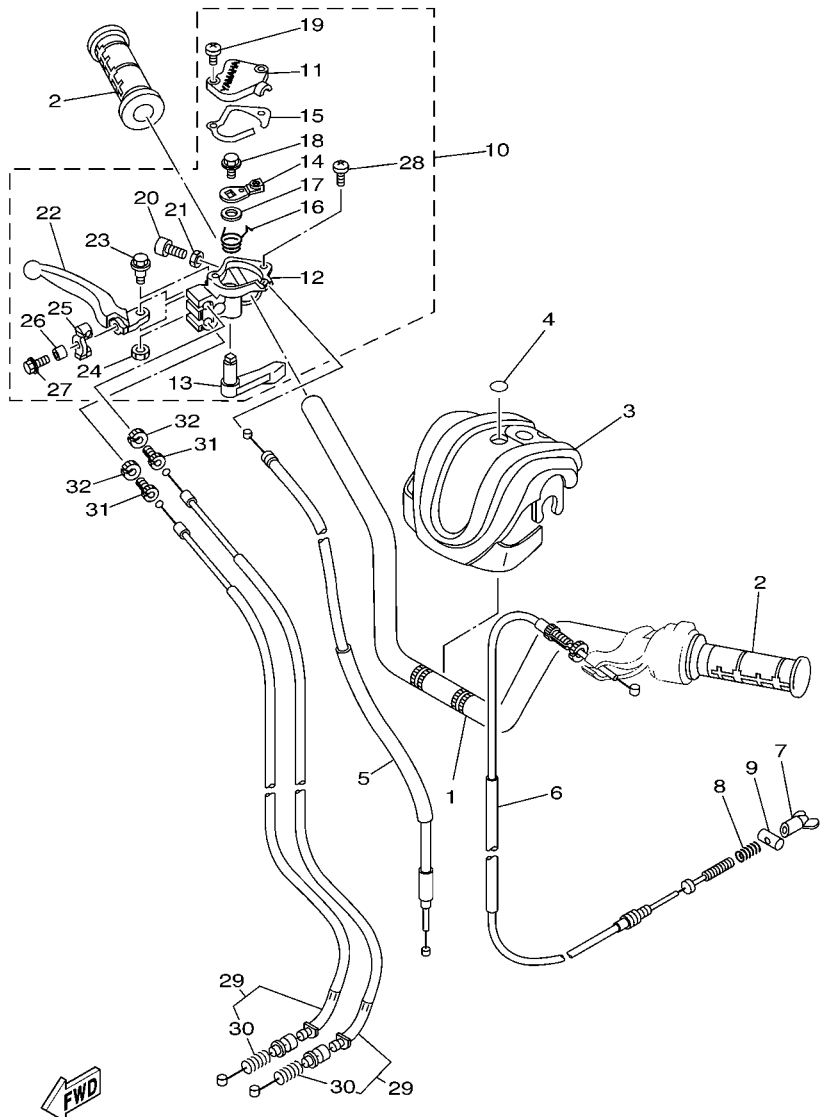


5TH5100-B270

FIG. 27 REAR WHEEL

| REF. NO. | PART NO. | DESCRIPTION | USA | CAN | EUR | OCE | JPN | REMARKS |
|----------|--------------|-----------------|-----|-----|-----|-----|-----|---------|
| 28 | 95307-08600 | NUT | 4 | 4 | 4 | 4 | 4 | |
| 29 | 93210-26606 | O-RING | 1 | 1 | 1 | 1 | 1 | |
| 30 | 90170-28011 | NUT | 1 | 1 | 1 | 1 | 1 | |
| 31 | 90179-28009 | NUT | 1 | 1 | 1 | 1 | 1 | |
| 32 | 3GB-25715-00 | COVER 1 | 1 | 1 | 1 | 1 | 1 | |
| 33 | 98507-06012 | SCREW, PAN HEAD | 3 | 3 | 3 | 3 | 3 | |
| 34 | 92907-06100 | WASHER, SPRING | 3 | 3 | 3 | 3 | 3 | |
| 35 | 93102-35349 | OIL SEAL | 1 | 1 | 1 | 1 | 1 | |
| 36 | 3GB-25367-00 | COVER, HUB DUST | 1 | 1 | 1 | 1 | 1 | |
| 37 | 90507-15038 | SPRING, TENSION | 1 | 1 | 1 | 1 | 1 | |
| 38 | 90201-12045 | WASHER, PLATE | 2 | 2 | 2 | 2 | 2 | |
| 39 | 90171-12001 | NUT, CASTLE | 2 | 2 | 2 | 2 | 2 | |
| 40 | 91401-25025 | PIN, COTTER | 2 | 2 | 2 | 2 | 2 | |
| | | | | | | | | |
| | | | | | | | | |
| | | | | | | | | |
| | | | | | | | | |

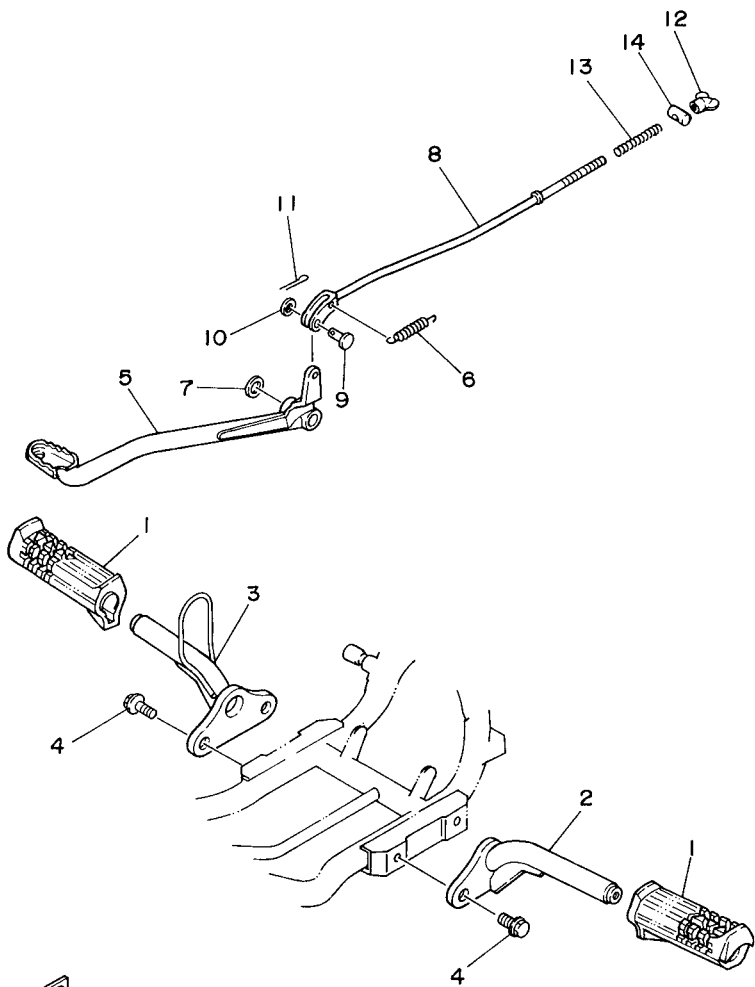
FIG. 28 STEERING HANDLE & CABLE



5TH1100-2280

| REF. NO. | PART NO. | DESCRIPTION | USA | CAN | EUR | OCE | JPN | REMARKS |
|----------|--------------|----------------------|-----|-----|-----|-----|-----|--------------|
| 1 | 5TH-26111-10 | HANDLEBAR | 1 | 1 | 1 | 1 | 1 | |
| 2 | 5LP-26241-00 | GRIP | 2 | 2 | 2 | 2 | 2 | |
| 3 | 5TH-26124-00 | PROTECTOR, HANDLEBAR | 1 | 1 | 1 | 1 | 1 | UR FOR DPBSE |
| | 5TH-26124-10 | PROTECTOR, HANDLEBAR | 1 | 1 | | 1 | | UR FOR PGD |
| 4 | 5GT-2836B-10 | TUNING FORK MARK | 1 | 1 | 1 | 1 | 1 | |
| 5 | 3GB-26311-02 | CABLE, THROTTLE 1 | 1 | 1 | 1 | 1 | 1 | |
| 6 | 3GB-26341-01 | CABLE, BRAKE | 1 | 1 | 1 | 1 | 1 | |
| 7 | 20E-26343-00 | NUT, ADJUSTING | 1 | 1 | 1 | 1 | 1 | |
| 8 | 90501-10782 | SPRING, COMPRESSION | 1 | 1 | 1 | 1 | 1 | |
| 9 | 90249-12008 | PIN | 1 | 1 | 1 | 1 | 1 | |
| 10 | 5TH-26250-01 | THROTTLE LEVER ASSY | 1 | 1 | 1 | 1 | 1 | |
| 11 | 3GB-2628F-00 | .CAP, GEAR | 1 | 1 | 1 | 1 | 1 | |
| 12 | 3GB-2625E-01 | .BODY, THROTTLE | 1 | 1 | 1 | 1 | 1 | |
| 13 | 3GB-2625G-00 | .LEVER, THROTTLE | 1 | 1 | 1 | 1 | 1 | |
| 14 | 3GB-2625H-00 | .ARM, THROTTLE | 1 | 1 | 1 | 1 | 1 | |
| 15 | 3GB-2628G-02 | .GASKET | 1 | 1 | 1 | 1 | 1 | |
| 16 | 90508-10775 | .SPRING, TORSION | 1 | 1 | 1 | 1 | 1 | |
| 17 | 90201-145M4 | .WASHER, PLATE | 1 | 1 | 1 | 1 | 1 | |
| 18 | 95807-08012 | .BOLT, FLANGE | 1 | 1 | 1 | 1 | 1 | |
| 19 | 98507-04016 | .SCREW, PAN HEAD | 2 | 2 | 2 | 2 | 2 | |
| 20 | 91317-05025 | .BOLT | 1 | 1 | 1 | 1 | 1 | |
| 21 | 95307-05700 | .NUT | 1 | 1 | 1 | 1 | 1 | |
| 22 | 5TH-83922-00 | .LEVER 2 | 1 | 1 | 1 | 1 | 1 | |
| 23 | 90109-061F3 | .BOLT | 1 | 1 | 1 | 1 | 1 | |
| 24 | 95607-06100 | .NUT, U | 1 | 1 | 1 | 1 | 1 | |
| 25 | 3GB-26347-00 | .JOINT, CABLE | 1 | 1 | 1 | 1 | 1 | |
| 26 | 90387-066V8 | .COLLAR | 1 | 1 | 1 | 1 | 1 | |

FIG. 29 STAND & FOOTREST



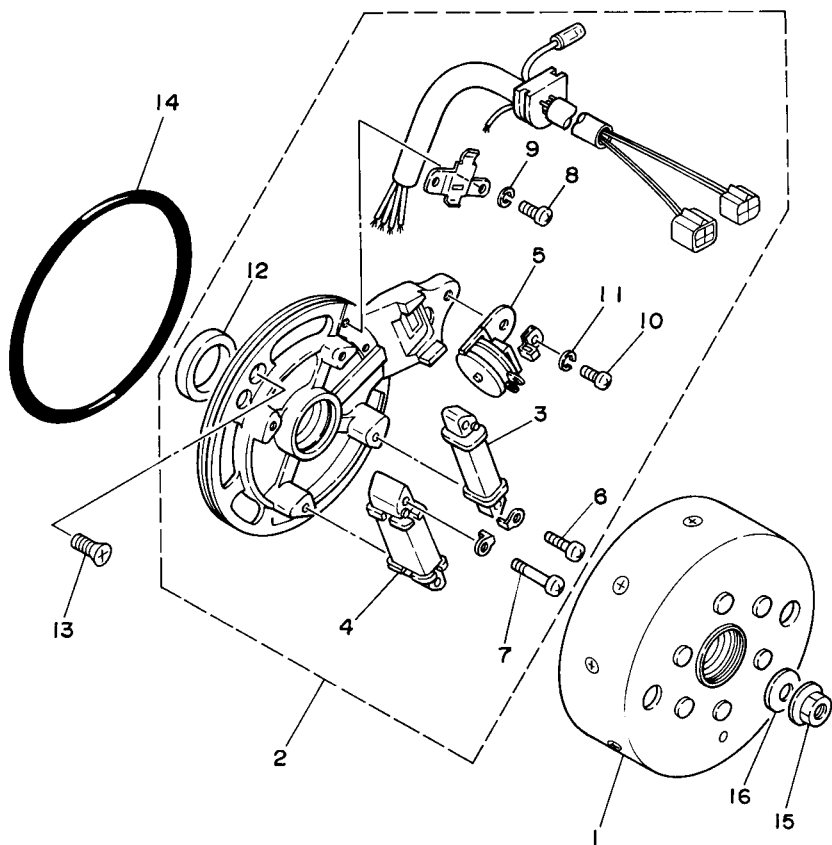

3GB1100-9290

| REF. NO. | PART NO. | DESCRIPTION | USA | CAN | EUR | OCE | JPN | REMARKS |
|----------|--------------|---------------------|-----|-----|-----|-----|-----|---------|
| 1 | 55X-27413-00 | COVER, FOOTREST | 2 | 2 | 2 | 2 | 2 | |
| 2 | 3GB-27411-10 | FOOTREST 1 | 1 | 1 | 1 | 1 | 1 | |
| 3 | 3GB-27421-10 | FOOTREST 2 | 1 | 1 | 1 | 1 | 1 | |
| 4 | 95817-12020 | BOLT, FLANGE | 4 | 4 | 4 | 4 | 4 | |
| 5 | 3GB-27211-10 | PEDAL, BRAKE | 1 | 1 | 1 | 1 | 1 | |
| 6 | 90506-16318 | SPRING, TENSION | 1 | 1 | 1 | 1 | 1 | |
| 7 | 90201-15018 | WASHER, PLATE | 1 | 1 | 1 | 1 | 1 | |
| 8 | 3GB-27231-00 | ROD, BRAKE | 1 | 1 | 1 | 1 | 1 | |
| 9 | 90240-06076 | PIN, CLEVIS | 1 | 1 | 1 | 1 | 1 | |
| 10 | 92907-06200 | WASHER | 1 | 1 | 1 | 1 | 1 | |
| 11 | 91401-20012 | PIN, COTTER | 1 | 1 | 1 | 1 | 1 | |
| 12 | 20E-26343-00 | NUT, ADJUSTING | 1 | 1 | 1 | 1 | 1 | |
| 13 | 90501-10245 | SPRING, COMPRESSION | 1 | 1 | 1 | 1 | 1 | |
| 14 | 90249-12008 | PIN | 1 | 1 | 1 | 1 | 1 | |
| | | | | | | | | |
| | | | | | | | | |
| | | | | | | | | |
| | | | | | | | | |

D10

FIG. 31 GENERATOR

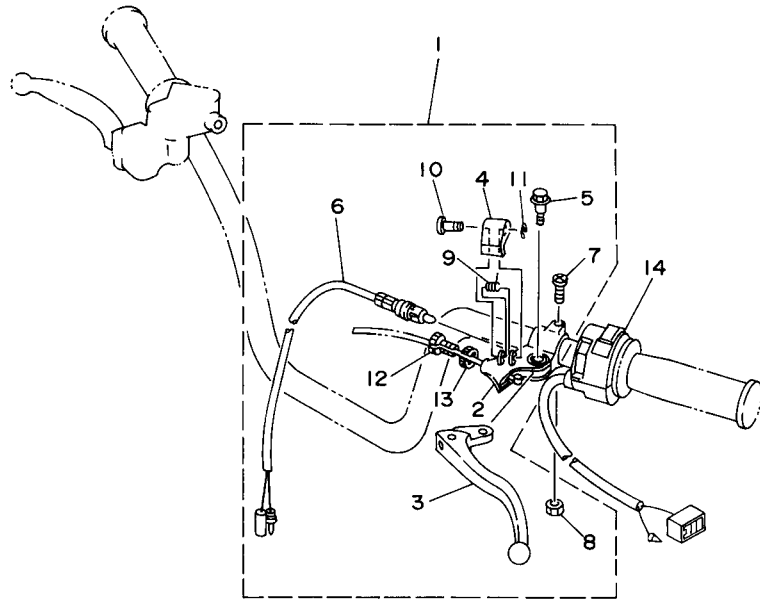
| REF. NO. | PART NO. | DESCRIPTION | USA | CAN | EUR | OCE | JPN | REMARKS |
|----------|--------------|-------------------|-----|-----|-----|-----|-----|---------|
| 1 | 2FM-85550-M1 | ROTOR ASSY | 1 | 1 | 1 | 1 | 1 | |
| 2 | 4EM-85560-10 | BASE ASSY | 1 | 1 | 1 | 1 | 1 | |
| 3 | 5G3-85520-M1 | .COIL, CHARGE | 1 | 1 | 1 | 1 | 1 | |
| 4 | 55X-81313-M0 | .COIL, LIGHTING 1 | 1 | 1 | 1 | 1 | 1 | |
| 5 | 22K-85595-M0 | .COIL, PULSER | 1 | 1 | 1 | 1 | 1 | |
| 6 | 98511-04012 | .SCREW, PAN HEAD | 2 | 2 | 2 | 2 | 2 | |
| 7 | 98511-04020 | .SCREW, PAN HEAD | 2 | 2 | 2 | 2 | 2 | |
| 8 | 98501-04006 | .SCREW, PAN HEAD | 2 | 2 | 2 | 2 | 2 | |
| 9 | 92901-04100 | .WASHER, SPRING | 2 | 2 | 2 | 2 | 2 | |
| 10 | 98501-05010 | .SCREW, PAN HEAD | 1 | 1 | 1 | 1 | 1 | |
| 11 | 92901-05100 | .WASHER, SPRING | 1 | 1 | 1 | 1 | 1 | |
| 12 | 93102-19276 | .OIL SEAL | 1 | 1 | 1 | 1 | 1 | |
| 13 | 98707-06016 | SCREW, FLAT HEAD | 2 | 2 | 2 | 2 | 2 | |
| 14 | 93211-02703 | O-RING | 1 | 1 | 1 | 1 | 1 | |
| 15 | 90179-10394 | NUT | 1 | 1 | 1 | 1 | 1 | |
| 16 | 90201-101A4 | WASHER, PLATE | 1 | 1 | 1 | 1 | 1 | |
| | | | | | | | | |
| | | | | | | | | |
| | | | | | | | | |




4EM9100-5320

D12

FIG. 34 HANDLE SWITCH & LEVER

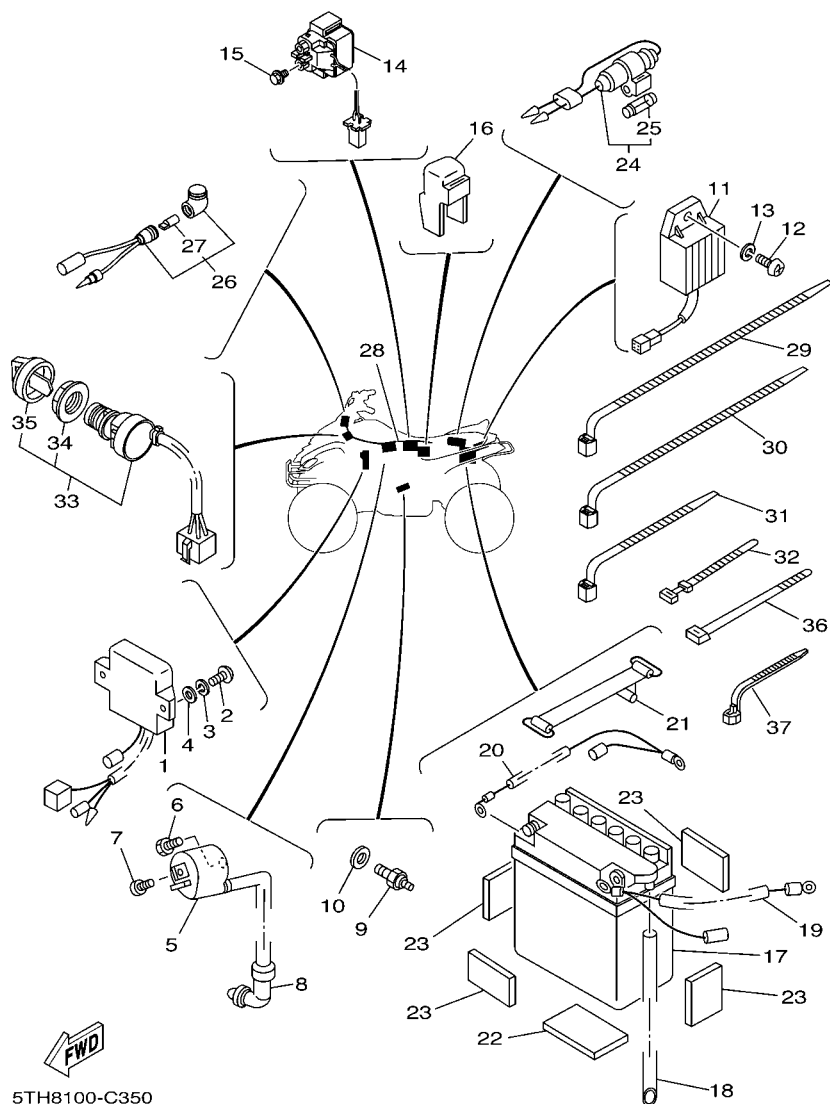


| REF. NO. | PART NO. | DESCRIPTION | USA | CAN | EUR | OCE | JPN | REMARKS |
|----------|--------------|--------------------------|-----|-----|-----|-----|-----|---------|
| 1 | 5TH-82910-01 | LEVER HOLDER ASSY (LEFT) | 1 | 1 | 1 | 1 | 1 | |
| 2 | 3FA-82911-01 | .HOLDER, LEVER 1 | 1 | 1 | 1 | 1 | 1 | |
| 3 | 23X-83912-00 | .LEVER 1 | 1 | 1 | 1 | 1 | 1 | |
| 4 | 3FA-83965-00 | .LEVER, LOCK | 1 | 1 | 1 | 1 | 1 | |
| 5 | 90109-06799 | .BOLT | 1 | 1 | 1 | 1 | 1 | |
| 6 | 1YW-83980-00 | .FRONT STOP SWITCH ASSY | 1 | 1 | 1 | 1 | 1 | |
| 7 | 98507-06020 | .SCREW, PAN HEAD | 1 | 1 | 1 | 1 | 1 | |
| 8 | 95607-06100 | .NUT, U | 1 | 1 | 1 | 1 | 1 | |
| 9 | 3FA-83966-00 | .SPRING, RETURN | 1 | 1 | 1 | 1 | 1 | |
| 10 | 3FA-83967-00 | .PIN, LOCK 1 | 1 | 1 | 1 | 1 | 1 | |
| 11 | 3FA-26466-00 | .RING, SNAP | 1 | 1 | 1 | 1 | 1 | |
| 12 | 90123-08046 | .BOLT | 1 | 1 | 1 | 1 | 1 | |
| 13 | 90179-08148 | .NUT | 1 | 1 | 1 | 1 | 1 | |
| 14 | 4EM-83975-00 | SWITCH, HANDLE 2 | 1 | 1 | 1 | 1 | 1 | |
| | | | | | | | | |
| | | | | | | | | |
| | | | | | | | | |
| | | | | | | | | |



4EM9100-5340

FIG. 35 ELECTRICAL 1



5TH8100-C350

| REF. NO. | PART NO. | DESCRIPTION | USA | CAN | EUR | OCE | JPN | REMARKS |
|----------|--------------|----------------------------|-----|-----|-----|-----|-----|-----------------|
| 1 | 4EM-85540-10 | C.D.I. UNIT ASSY | 1 | 1 | 1 | 1 | 1 | |
| 2 | 98507-06020 | SCREW, PAN HEAD | 2 | 2 | 2 | 2 | 2 | |
| 3 | 92907-06100 | WASHER, SPRING | 2 | 2 | 2 | 2 | 2 | |
| 4 | 92907-06600 | WASHER, PLATE | 2 | 2 | 2 | 2 | 2 | |
| 5 | 4KJ-82310-10 | IGNITION COIL ASSY | 1 | 1 | 1 | 1 | 1 | |
| 6 | 97007-06016 | BOLT | 1 | 1 | 1 | 1 | 1 | |
| 7 | 90153-06034 | SCREW, HEXAGON | 1 | 1 | 1 | 1 | 1 | |
| 8 | 55X-82370-00 | PLUG CAP ASSY | 1 | 1 | 1 | 1 | 1 | |
| 9 | 3GB-82540-01 | NEUTRAL SWITCH ASSY | 1 | 1 | 1 | 1 | 1 | |
| 10 | 90430-10148 | GASKET | 1 | 1 | 1 | 1 | 1 | |
| 11 | 5TH-81960-01 | RECTIFIER & REGULATOR ASSY | 1 | 1 | 1 | 1 | 1 | |
| 12 | 98507-06016 | SCREW, PAN HEAD | 1 | 1 | 1 | 1 | 1 | |
| 13 | 92907-06100 | WASHER, SPRING | 1 | 1 | 1 | 1 | 1 | |
| 14 | 3MW-81940-01 | STARTER RELAY ASSY | 1 | 1 | 1 | 1 | 1 | |
| 15 | 95027-06008 | BOLT, FLANGE | 2 | 2 | 2 | 2 | 2 | |
| 16 | 1RL-81950-92 | RELAY ASSY | 1 | 1 | 1 | 1 | 1 | |
| 17 | 55X-82110-61 | BATTERY ASSY (GS 12N7D-3B) | 1 | 1 | 1 | 1 | 1 | |
| | 90793-25013 | BATTERY ASSY (GS 12N7D-3B) | | | | | 1 | |
| 18 | 90445-085E0 | HOSE (L450) | 1 | 1 | 1 | 1 | 1 | |
| 19 | 55X-82115-01 | WIRE, PLUS LEAD | 1 | 1 | 1 | 1 | 1 | |
| 20 | 3GB-82116-00 | WIRE, MINUS LEAD | 1 | 1 | 1 | 1 | 1 | |
| 21 | 4J2-82131-01 | BAND, BATTERY | 1 | 1 | 1 | 1 | 1 | |
| 22 | 55X-82122-00 | SEAT, BATTERY | 1 | 1 | 1 | 1 | 1 | |
| 23 | 29W-82123-00 | SEAT, BATTERY | 4 | 4 | 4 | 4 | 4 | |
| 24 | 3GB-82150-00 | FUSE HOLDER ASSY | 1 | 1 | 1 | 1 | 1 | |
| 25 | 3GB-82151-00 | .FUSE (5A) | 2 | 2 | 2 | 2 | 2 | |
| 26 | 4KB-83530-00 | PILOT LIGHT ASSY | 1 | 1 | 1 | 1 | 1 | GREEN (NEUTRAL) |

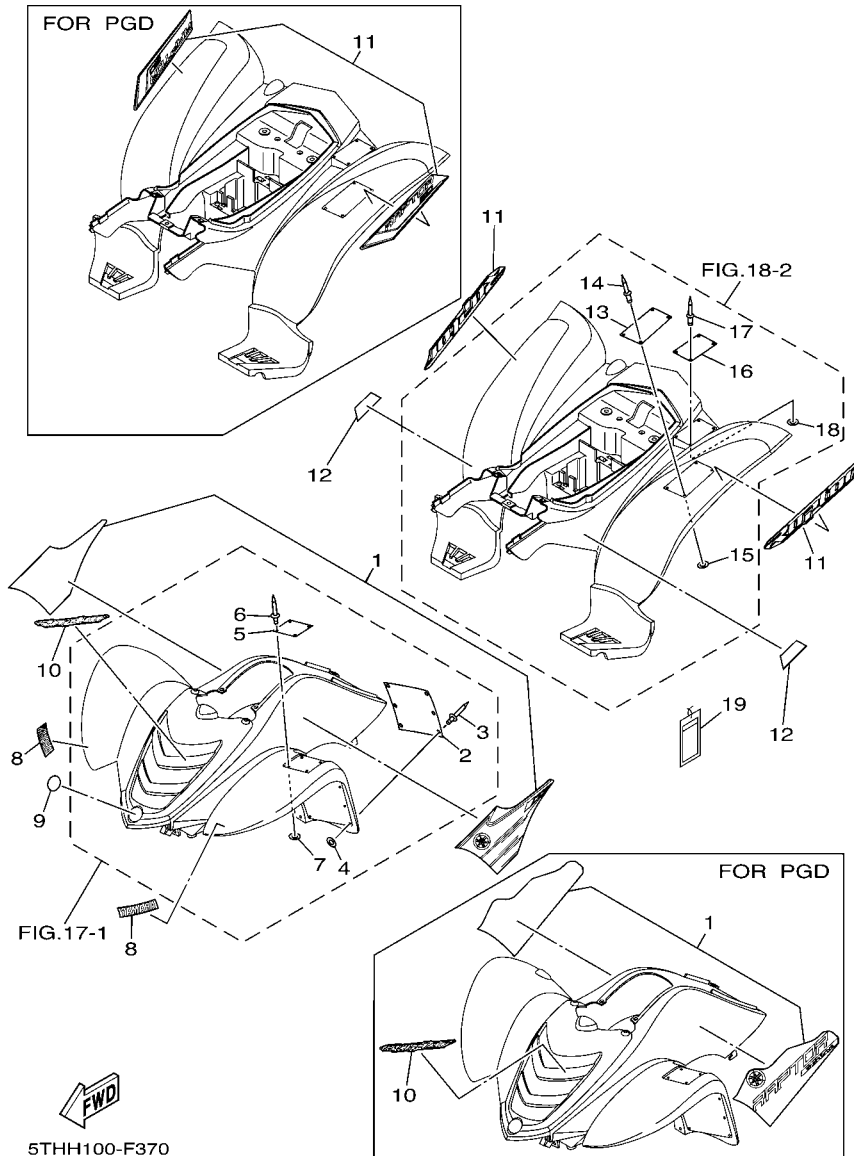


FIG. 37 EMBLEM & LABEL 1

| REF. NO. | PART NO. | DESCRIPTION | USA | CAN | EUR | OCE | JPN | REMARKS |
|----------|--------------|---------------------------|-----|-----|-----|-----|-----|--------------|
| 1 | 5YF-21570-60 | GRAPHIC SET, FRONT FENDER | 1 | | | | | UR FOR DPBSE |
| | 5YF-21570-70 | GRAPHIC SET, FRONT FENDER | 1 | | | | | UR FOR PGD |
| 2 | 5FE-21568-01 | LABEL, WARNING | 1 | | | | | ENGLISH |
| 3 | 90267-32004 | RIVET, BLIND | 6 | | | | | |
| 4 | 90201-03313 | WASHER, PLATE | 6 | | | | | |
| 5 | 4EM-21697-31 | LABEL, CAUTION 2 | 1 | | | | | ENGLISH |
| 6 | 90267-32004 | RIVET, BLIND | 4 | | | | | |
| 7 | 90201-03313 | WASHER, PLATE | 4 | | | | | |
| 8 | 4ES-2153E-40 | EMBLEM, YAMAHA | 2 | | | | | |
| 9 | 5KM-2175B-00 | TUNING FORK MARK | 1 | | | | | |
| 10 | 5YF-21565-20 | EMBLEM, 2 | 1 | | | | | UR FOR DPBSE |
| | 5YF-21565-40 | EMBLEM, 2 | 1 | | | | | UR FOR PGD |
| 11 | 5YF-21609-20 | EMBLEM | 2 | | | | | UR FOR DPBSE |
| | 5TH-2165A-20 | GRAPHIC SET, REAR FENDER | 1 | | | | | UR FOR PGD |
| 12 | 5TH-2163G-40 | EMBLEM 1 | 2 | | | | | FOR DPBSE |
| 13 | 4EM-21696-11 | LABEL, CAUTION | 1 | | | | | ENGLISH |
| 14 | 90267-32004 | RIVET, BLIND | 4 | | | | | |
| 15 | 90201-03313 | WASHER, PLATE | 4 | | | | | |
| 16 | 5FE-2151H-01 | LABEL 5 | 1 | | | | | ENGLISH |
| 17 | 90267-32004 | RIVET, BLIND | 4 | | | | | |
| 18 | 90201-03313 | WASHER, PLATE | 4 | | | | | |
| 19 | 4EM-2819R-00 | TAG, WARNING | 1 | | | | | |

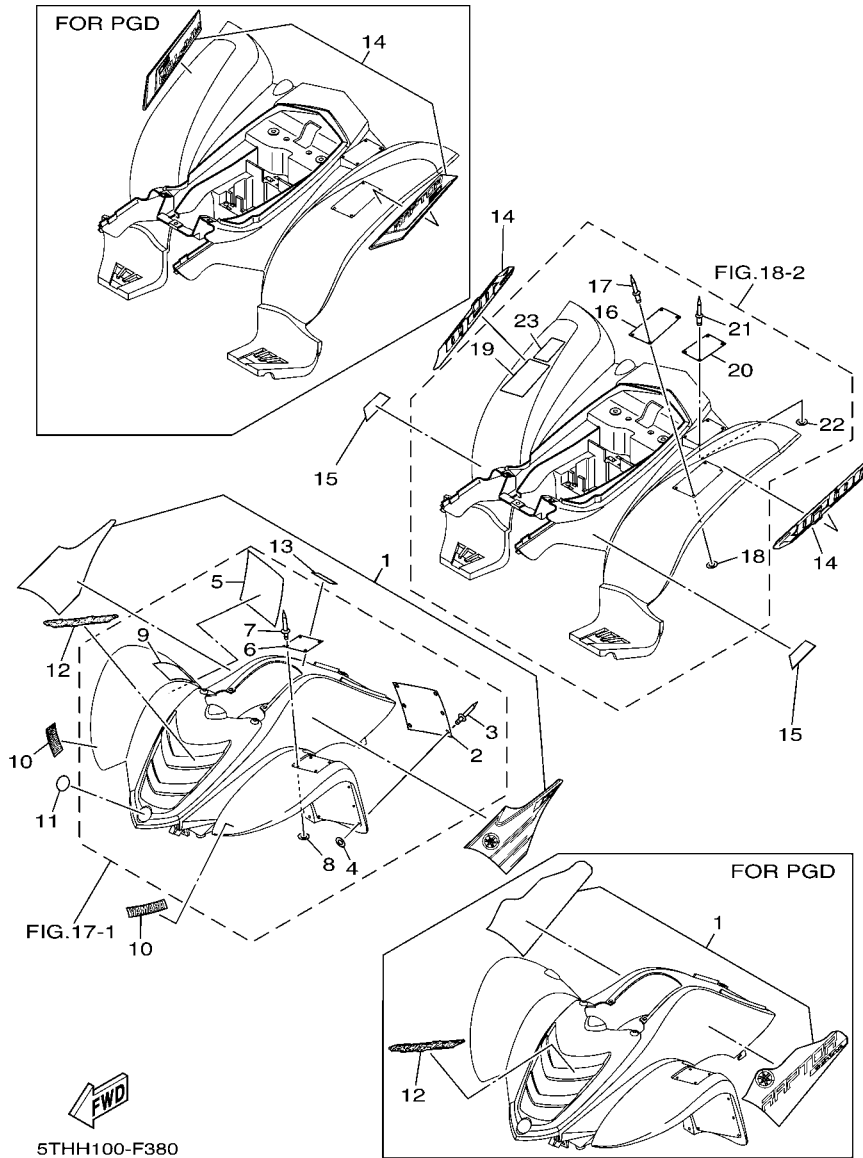
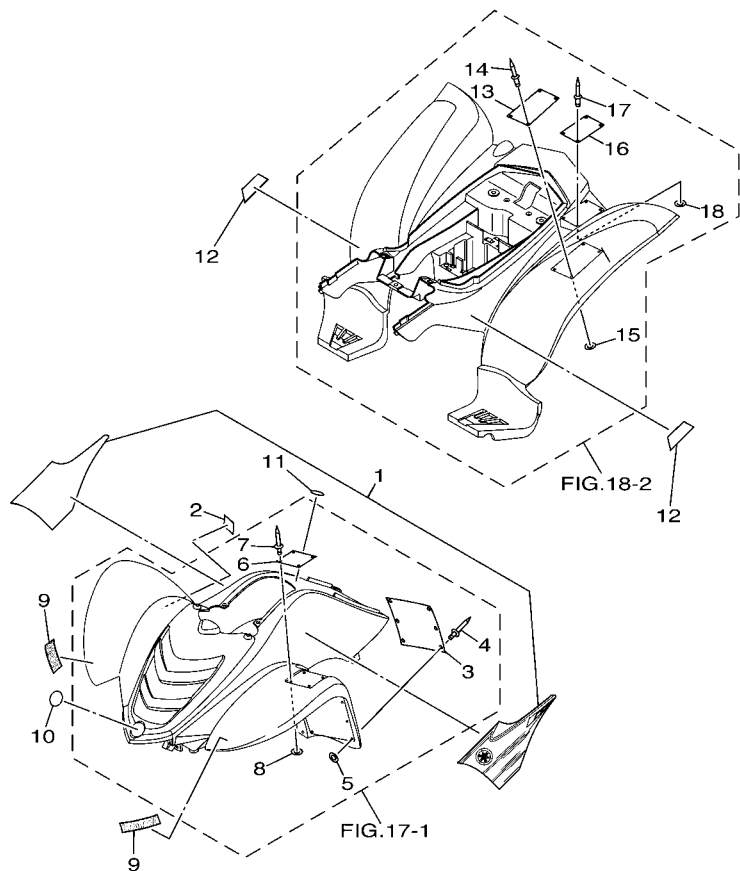


FIG. 38 EMBLEM & LABEL 2

| REF. NO. | PART NO. | DESCRIPTION | USA | CAN | EUR | OCE | JPN | REMARKS |
|----------|--------------|---------------------------|-----|-----|-----|-----|-----|--------------|
| 1 | 5YF-21570-60 | GRAPHIC SET, FRONT FENDER | | 1 | | | | UR FOR DPBSE |
| | 5YF-21570-70 | GRAPHIC SET, FRONT FENDER | | 1 | | | | UR FOR PGD |
| 2 | 5FE-21568-01 | LABEL, WARNING | | 1 | | | | ENGLISH |
| 3 | 90267-32004 | RIVET, BLIND | | 6 | | | | |
| 4 | 90201-03313 | WASHER, PLATE | | 6 | | | | |
| 5 | 4WU-21568-10 | LABEL, WARNING | | 1 | | | | FRENCH |
| 6 | 4EM-21697-31 | LABEL, CAUTION 2 | | 1 | | | | ENGLISH |
| 7 | 90267-32004 | RIVET, BLIND | | 4 | | | | |
| 8 | 90201-03313 | WASHER, PLATE | | 4 | | | | |
| 9 | 4EM-21697-20 | LABEL, CAUTION 2 | | 1 | | | | FRENCH |
| 10 | 4ES-2153E-40 | EMBLEM, YAMAHA | | 2 | | | | |
| 11 | 5KM-2175B-00 | TUNING FORK MARK | | 1 | | | | |
| 12 | 5YF-21565-20 | EMBLEM, 2 | | 1 | | | | UR FOR DPBSE |
| | 5YF-21565-40 | EMBLEM, 2 | | 1 | | | | UR FOR PGD |
| 13 | 4SH-2416E-00 | LABEL, CAUTION CANADA | | 1 | | | | ENGLISH |
| 14 | 5YF-21609-20 | EMBLEM | | 2 | | | | UR FOR DPBSE |
| | 5TH-2165A-20 | GRAPHIC SET, REAR FENDER | | 1 | | | | UR FOR PGD |
| 15 | 5TH-2163G-40 | EMBLEM 1 | | 2 | | | | FOR DPBSE |
| 16 | 4EM-21696-11 | LABEL, CAUTION | | 1 | | | | ENGLISH |
| 17 | 90267-32004 | RIVET, BLIND | | 4 | | | | |
| 18 | 90201-03313 | WASHER, PLATE | | 4 | | | | |
| 19 | 4EM-21696-B0 | LABEL, CAUTION | | 1 | | | | FRENCH |
| 20 | 5FE-2151H-01 | LABEL 5 | | 1 | | | | ENGLISH |
| 21 | 90267-32004 | RIVET, BLIND | | 4 | | | | |
| 22 | 90201-03313 | WASHER, PLATE | | 4 | | | | |
| 23 | 4WU-2151H-10 | LABEL 5 | | 1 | | | | FRENCH |

FIG. 39 EMBLEM & LABEL 3



FWD
5THH100-F390

| REF. NO. | PART NO. | DESCRIPTION | USA | CAN | EUR | OCE | JPN | REMARKS |
|----------|--------------|---------------------------|-----|-----|-----|-----|-----|---------|
| 1 | 5YF-21570-60 | GRAPHIC SET, FRONT FENDER | | | 1 | | | |
| 2 | 4GB-2155A-00 | MARK, EC | | | 1 | | | |
| 3 | 5FK-21568-00 | LABEL, WARNING | | | 1 | | | |
| 4 | 90267-32004 | RIVET, BLIND | | | 6 | | | |
| 5 | 90201-03313 | WASHER, PLATE | | | 6 | | | |
| 6 | 5NE-21697-00 | LABEL, CAUTION 2 | | | 1 | | | |
| 7 | 90267-32004 | RIVET, BLIND | | | 4 | | | |
| 8 | 90201-03313 | WASHER, PLATE | | | 4 | | | |
| 9 | 4ES-2153E-40 | EMBLEM, YAMAHA | | | 2 | | | |
| 10 | 5KM-2175B-00 | TUNING FORK MARK | | | 1 | | | |
| 11 | 3ME-2415E-01 | LABEL, CAUTION | | | 1 | | | |
| 12 | 5TH-2163G-40 | EMBLEM 1 | | | 2 | | | |
| 13 | 5YF-21696-M0 | LABEL, CAUTION | | | 1 | | | |
| 14 | 90267-32004 | RIVET, BLIND | | | 4 | | | |
| 15 | 90201-03313 | WASHER, PLATE | | | 4 | | | |
| 16 | 5FK-2151H-00 | LABEL 5 | | | 1 | | | |
| 17 | 90267-32004 | RIVET, BLIND | | | 4 | | | |
| 18 | 90201-03313 | WASHER, PLATE | | | 4 | | | |
| | | | | | | | | |
| | | | | | | | | |
| | | | | | | | | |
| | | | | | | | | |

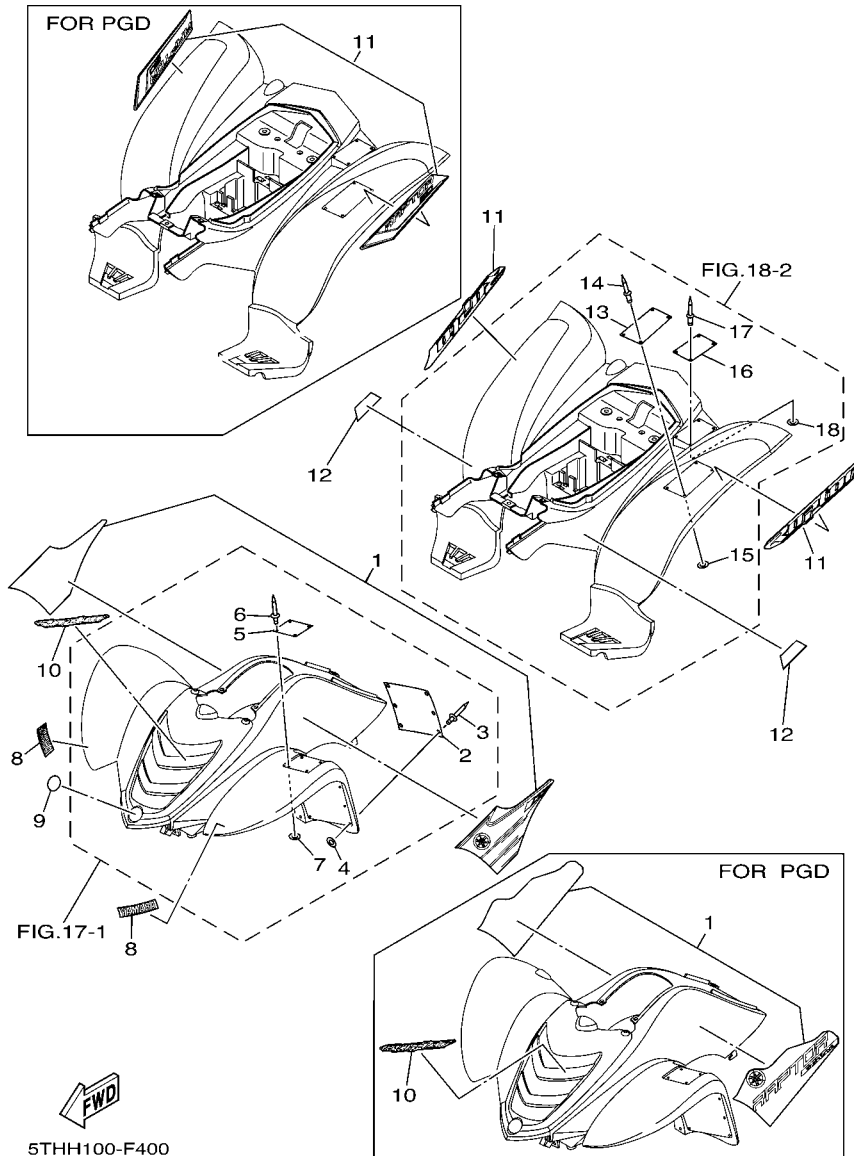


FIG. 40 EMBLEM & LABEL 4

| REF. NO. | PART NO. | DESCRIPTION | USA | CAN | EUR | OCE | JPN | REMARKS |
|----------|--------------|---------------------------|-----|-----|-----|-----|-----|--------------|
| 1 | 5YF-21570-60 | GRAPHIC SET, FRONT FENDER | | | | | 1 | UR FOR DPBSE |
| | 5YF-21570-70 | GRAPHIC SET, FRONT FENDER | | | | | 1 | UR FOR PGD |
| 2 | 5FE-21568-11 | LABEL, WARNING | | | | | 1 | ENGLISH |
| 3 | 90267-32004 | RIVET, BLIND | | | | | 6 | |
| 4 | 90201-03313 | WASHER, PLATE | | | | | 6 | |
| 5 | 4EM-21697-31 | LABEL, CAUTION 2 | | | | | 1 | ENGLISH |
| 6 | 90267-32004 | RIVET, BLIND | | | | | 4 | |
| 7 | 90201-03313 | WASHER, PLATE | | | | | 4 | |
| 8 | 4ES-2153E-40 | EMBLEM, YAMAHA | | | | | 2 | |
| 9 | 5KM-2175B-00 | TUNING FORK MARK | | | | | 1 | |
| 10 | 5YF-21565-20 | EMBLEM, 2 | | | | | 1 | UR FOR DPBSE |
| | 5YF-21565-40 | EMBLEM, 2 | | | | | 1 | UR FOR PGD |
| 11 | 5YF-21609-20 | EMBLEM | | | | | 2 | UR FOR DPBSE |
| | 5TH-2165A-20 | GRAPHIC SET, REAR FENDER | | | | | 1 | UR FOR PGD |
| 12 | 5TH-2163G-40 | EMBLEM 1 | | | | | 2 | FOR DPBSE |
| 13 | 4EM-21696-11 | LABEL, CAUTION | | | | | 1 | ENGLISH |
| 14 | 90267-32004 | RIVET, BLIND | | | | | 4 | |
| 15 | 90201-03313 | WASHER, PLATE | | | | | 4 | |
| 16 | 5FE-2151H-01 | LABEL 5 | | | | | 1 | ENGLISH |
| 17 | 90267-32004 | RIVET, BLIND | | | | | 4 | |
| 18 | 90201-03313 | WASHER, PLATE | | | | | 4 | |

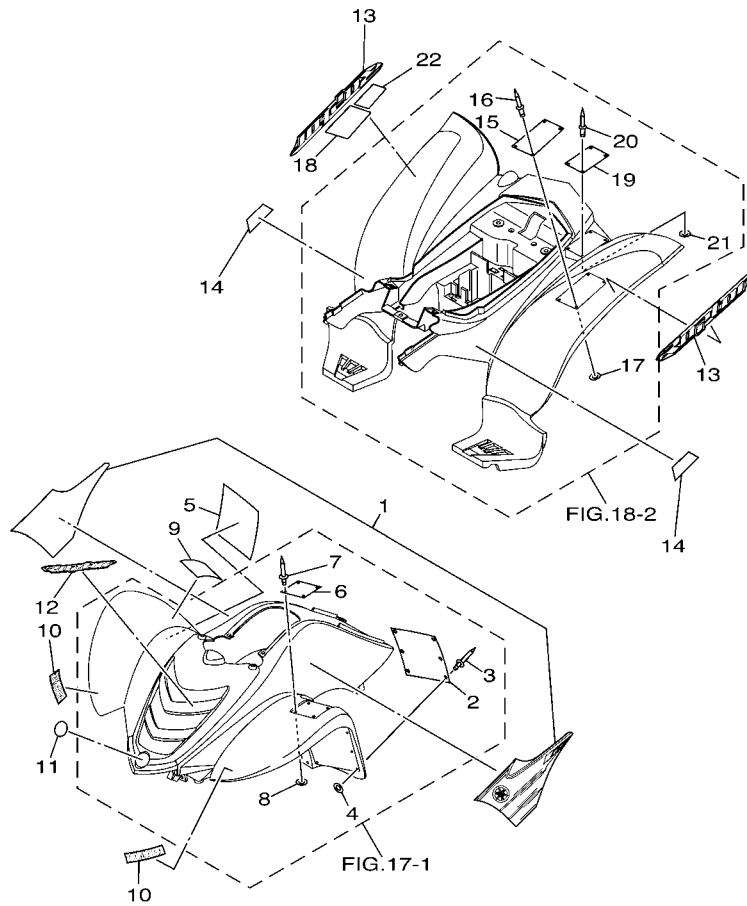


FIG. 41 EMBLEM & LABEL 5

| REF. NO. | PART NO. | DESCRIPTION | USA | CAN | EUR | OCE | JPN | REMARKS |
|----------|--------------|---------------------------|-----|-----|-----|-----|-----|-----------|
| 1 | 5YF-21570-60 | GRAPHIC SET, FRONT FENDER | | | | | 1 | FOR DPBSE |
| 2 | 5FE-21568-11 | LABEL, WARNING | | | | | 1 | ENGLISH |
| 3 | 90267-32004 | RIVET, BLIND | | | | | 6 | |
| 4 | 90201-03313 | WASHER, PLATE | | | | | 6 | |
| 5 | 4SH-21568-00 | LABEL, WARNING | | | | | 1 | JAPANESE |
| 6 | 4EM-21697-31 | LABEL, CAUTION 2 | | | | | 1 | ENGLISH |
| 7 | 90267-32004 | RIVET, BLIND | | | | | 4 | |
| 8 | 90201-03313 | WASHER, PLATE | | | | | 4 | |
| 9 | 4EM-21697-00 | LABEL, CAUTION 2 | | | | | 1 | |
| 10 | 4ES-2153E-40 | EMBLEM, YAMAHA | | | | | 2 | |
| 11 | 5KM-2175B-00 | TUNING FORK MARK | | | | | 1 | |
| 12 | 5YF-21565-20 | EMBLEM, 2 | | | | | 1 | FOR DPBSE |
| 13 | 5YF-21609-20 | EMBLEM | | | | | 2 | FOR DPBSE |
| 14 | 5TH-2163G-40 | EMBLEM 1 | | | | | 2 | FOR DPBSE |
| 15 | 4EM-21696-11 | LABEL, CAUTION | | | | | 1 | ENGLISH |
| 16 | 90267-32004 | RIVET, BLIND | | | | | 4 | |
| 17 | 90201-03313 | WASHER, PLATE | | | | | 4 | |
| 18 | 4EM-21696-00 | LABEL, CAUTION | | | | | 1 | |
| 19 | 5FE-2151H-01 | LABEL 5 | | | | | 1 | ENGLISH |
| 20 | 90267-32004 | RIVET, BLIND | | | | | 4 | |
| 21 | 90201-03313 | WASHER, PLATE | | | | | 4 | |
| 22 | 4LB-2151H-02 | LABEL 5 | | | | | 1 | |


5THH100-F410

NUMERICAL INDEX

| PART NO. | GRID NO. | PART NO. | GRID NO. | PART NO. | GRID NO. | PART NO. | GRID NO. | PART NO. | GRID NO. | PART NO. | GRID NO. |
|-----------------|----------|--------------|----------|-----------------|----------|--------------|----------|-----------------|----------|-----------------|----------|
| 35T-11110-01 | B - 2 | 22K-14104-00 | B - 7 | 4EM-15443-01 | B - 11 | 2MK-18511-00 | C - 3 | 5YF-21609-20 | E - 5 | 3GB-23448-00 | C - 15 |
| 22F-11134-10 | B - 2 | 2HX-14112-35 | B - 7 | 3GB-15451-00 | B - 11 | 29F-18512-00 | C - 3 | | E - 6 | 3GB-23501-10 | C - 15 |
| 2D3-11166-00 | B - 10 | 260-14131-00 | B - 7 | 3GB-15461-00 | B - 11 | 22F-18531-00 | C - 3 | | E - 8 | 3GB-23502-10 | C - 15 |
| 59V-11167-00 | B - 10 | 4EM-14141-78 | B - 8 | 2HX-15517-10 | B - 12 | 4EM-18540-00 | C - 3 | | E - 9 | 2NL-23517-00 | C - 15 |
| 55X-11181-00 | B - 2 | 22F-14142-12 | B - 7 | 2HX-15520-00 | B - 12 | 136-18542-00 | C - 3 | 3GB-21613-00 | C - 8 | 3GB-23570-00-33 | C - 15 |
| 22F-11185-10 | B - 2 | 55X-14146-00 | B - 7 | 22M-15570-10 | B - 12 | 296-18561-00 | C - 3 | 3GB-21614-00 | C - 8 | 1UY-23812-00 | C - 13 |
| 22F-11186-10 | B - 2 | 22K-14147-00 | B - 7 | 22M-15580-10 | B - 12 | 22F-18562-01 | C - 3 | 5TH-2163G-40 | E - 5 | 4EM-23813-10 | C - 13 |
| 812-11198-00 | B - 6 | 18A-1414E-30 | B - 7 | 3AY-15583-00 | B - 12 | 5TH-21110-20 | C - 5 | | E - 6 | 8G5-23814-00 | C - 13 |
| 214-11198-01 | C - 10 | 22F-14150-00 | B - 8 | 22K-16111-00 | B - 13 | 5TH-21110-30 | C - 5 | | E - 7 | 8K1-23814-00 | C - 13 |
| 22K-11311-02 | B - 2 | 802-14161-00 | B - 7 | 3GB-16150-00 | B - 13 | 5TH-21268-01 | C - 5 | | E - 8 | 3GB-23831-00 | C - 13 |
| 22F-11351-01 | B - 2 | 22F-14169-00 | B - 7 | 22F-16153-40 | B - 13 | 5TH-21513-00 | C - 7 | | E - 9 | 55X-23841-01 | C - 13 |
| 22K-11400-01 | B - 3 | 22F-14184-00 | B - 7 | 22F-16163-00 | B - 14 | 5FK-2151H-00 | E - 7 | 5TH-2165A-20 | E - 5 | 52H-23845-01 | C - 13 |
| 22K-11422-00 | B - 3 | 22F-14185-00 | B - 8 | 122-16164-00 | B - 13 | 5FE-2151H-01 | E - 5 | | E - 6 | 2D3-23858-00 | C - 13 |
| 55X-11610-00 | B - 3 | 127-14186-00 | B - 7 | 22F-16342-01 | B - 14 | | E - 5 | | E - 6 | 3GB-23868-00 | C - 13 |
| 55X-11610-20 | B - 3 | 12R-14191-00 | B - 7 | 22K-16356-00 | B - 14 | | E - 8 | 4EM-21696-00 | E - 9 | 1UY-23894-01 | C - 13 |
| 55X-11610-40 | B - 3 | 24W-14193-00 | B - 8 | 22F-16357-01 | B - 13 | | E - 9 | 4EM-21696-11 | E - 5 | 2HX-24110-00 | D - 2 |
| 55X-11631-00-96 | B - 3 | 55X-14196-00 | B - 8 | 22F-16362-01 | B - 14 | 4LB-2151H-02 | E - 9 | | E - 6 | 5TH-2414H-00 | D - 2 |
| 22K-11633-01 | B - 3 | 26H-14197-00 | B - 7 | 22F-16382-00 | B - 14 | 4WU-2151H-10 | E - 6 | | E - 8 | 3ME-2415E-01 | E - 7 |
| 55X-11636-00 | B - 3 | 55X-14198-00 | B - 8 | 22F-16383-00 | B - 14 | 4ES-2153E-40 | E - 5 | | E - 9 | 4SH-2416E-00 | E - 6 |
| 55X-11638-00 | B - 3 | 5TH-14412-00 | C - 6 | 22F-16399-00 | B - 14 | | E - 6 | 4EM-21696-B0 | E - 6 | 2HX-24181-00 | D - 2 |
| 22K-11651-02 | B - 3 | 2D3-14419-00 | C - 6 | 22K-16520-00 | B - 13 | | E - 7 | 5YF-21696-M0 | E - 7 | 55X-24500-02 | D - 2 |
| 22F-11681-00 | B - 3 | 31A-14435-00 | C - 6 | 22F-16521-00 | B - 13 | | E - 8 | 4EM-21697-00 | E - 9 | 4X8-24512-00 | D - 2 |
| 2D3-12111-00 | B - 4 | 55X-14436-00 | C - 6 | 3E5-16521-00 | B - 13 | | E - 9 | 5NE-21697-00 | E - 7 | 3AC-24523-00 | D - 2 |
| 22F-12114-00 | B - 4 | 5TH-14436-00 | C - 6 | 22F-16524-01 | B - 13 | 5TH-21556-00 | C - 6 | 4EM-21697-20 | E - 6 | 3AJ-24534-01 | D - 2 |
| 22F-12116-00 | B - 4 | 2HX-14437-01 | C - 7 | 517-16524-10 | B - 13 | 5TH-21556-30 | C - 6 | 4EM-21697-31 | E - 5 | 2FJ-24610-00 | D - 2 |
| 22F-12117-02 | B - 4 | 55X-14451-00 | C - 6 | 517-16524-20 | B - 13 | 4GB-2155A-00 | E - 7 | | E - 6 | 5TH-2470F-00 | D - 3 |
| 22F-12118-01 | B - 4 | 5TH-14452-00 | C - 6 | 517-16524-30 | B - 13 | 5YF-21565-20 | E - 5 | | E - 8 | 5TH-24710-00 | D - 3 |
| 2HX-12119-00 | B - 4 | 3GB-14453-00 | B - 8 | 22F-16550-00 | B - 13 | | E - 6 | | E - 9 | 22W-24741-00 | D - 3 |
| 2D3-12121-00 | B - 4 | 59V-14457-00 | C - 6 | 22K-16590-00 | B - 13 | | E - 8 | 5TH-2171A-00 | C - 7 | 4K0-24774-A0 | D - 3 |
| 22F-12151-10 | B - 4 | 55X-14458-00 | C - 6 | 2HX-17121-00 | B - 15 | | E - 9 | 5TH-2171A-30 | C - 7 | 4K0-24775-00 | D - 3 |
| 22F-12156-00 | B - 4 | 55X-14472-01 | C - 6 | 55X-17131-00 | B - 15 | 5YF-21565-40 | E - 5 | 12R-21747-00 | D - 2 | 29U-24776-00 | D - 3 |
| 22F-12159-00 | B - 4 | 5TH-14477-00 | C - 6 | 3GB-17211-00 | B - 15 | | E - 6 | 5KM-2175B-00 | E - 5 | 2FJ-25111-00 | D - 4 |
| 55X-12170-00 | B - 5 | 3DM-14613-00 | B - 9 | 55X-17231-00 | B - 15 | | E - 8 | | E - 6 | 3FA-25117-00 | D - 4 |
| 50M-12176-00 | B - 5 | 22F-14651-00 | B - 2 | 55X-17241-00 | B - 15 | 4SH-21568-00 | E - 9 | | E - 7 | 2FJ-25121-00 | D - 4 |
| 22F-12217-01 | B - 5 | 5TH-14711-00 | B - 9 | 3GB-17402-00 | B - 15 | 5FK-21568-00 | E - 7 | | E - 8 | 52H-2513A-00 | D - 4 |
| 22F-12231-01 | B - 5 | 55X-14752-00 | B - 9 | 2HX-17411-01 | B - 15 | 5FE-21568-01 | E - 5 | | E - 9 | 3GB-25151-00 | D - 4 |
| 22F-12241-00 | B - 5 | 2HX-1490J-10 | B - 7 | 3GB-17508-00 | C - 2 | | E - 6 | 5TH-2177C-10 | C - 8 | 2FJ-25155-00 | D - 4 |
| 2FJ-13300-00 | B - 6 | 2HX-1490J-20 | B - 7 | 22F-17531-00-15 | C - 2 | | E - 6 | | C - 9 | 2FJ-25156-00 | D - 5 |
| 46J-13324-00 | B - 3 | 55X-14937-00 | B - 8 | 22F-17531-00-30 | C - 2 | 4WU-21568-10 | E - 6 | 307-22123-00 | C - 15 | 2FJ-25169-00 | D - 4 |
| 46J-13325-00 | B - 6 | 22F-14991-00 | B - 7 | 22F-17531-00-50 | C - 2 | 5FE-21568-11 | E - 9 | 3GB-22123-00 | C - 5 | 2FJ-25180-00-35 | D - 4 |
| 22F-13329-01 | B - 6 | 2FJ-15100-01 | B - 10 | 22F-17537-00 | C - 2 | | E - 5 | 3GB-22155-00 | C - 5 | 22W-25181-01 | C - 9 |
| 22F-13411-01 | B - 6 | 3GB-15362-00 | C - 10 | 22F-17551-00 | C - 2 | 5YF-21570-60 | E - 6 | 3GB-22156-00 | C - 9 | 3GB-25185-00 | D - 4 |
| 22M-13450-10 | B - 12 | 55X-15362-04 | B - 11 | 22F-17556-01 | C - 2 | | E - 7 | 55X-22189-00 | C - 9 | 3GB-25311-00-33 | D - 6 |
| 55X-13586-00 | B - 7 | 2N4-15371-00 | C - 10 | 22F-18101-03 | C - 4 | | E - 8 | 3GB-2219X-00 | C - 9 | 3GB-25317-00 | D - 6 |
| 22K-13595-00 | B - 7 | 22F-15383-01 | B - 10 | 2HX-18110-10 | C - 4 | | E - 9 | 3GB-22210-00-36 | C - 12 | 3GB-2531E-00 | D - 6 |
| 5TH-14101-00 | B - 7 | 22F-15411-01 | B - 11 | 132-18113-01 | C - 4 | 5YF-21570-70 | E - 5 | 59V-22216-00 | C - 12 | 3GB-25326-00 | D - 6 |
| 5TH-14101-10 | B - 7 | 22F-15417-00 | B - 11 | 278-18127-01 | C - 4 | | E - 6 | 2HX-2331U-00 | C - 15 | 23F-2533A-00 | D - 6 |
| 22F-14103-00 | B - 7 | 2FJ-15421-00 | B - 11 | 29F-18140-00 | C - 3 | | E - 8 | 2HX-23350-00-36 | C - 15 | 55X-2533H-00 | D - 6 |

NUMERICAL INDEX

| PART NO. | GRID NO. | PART NO. | GRID NO. | PART NO. | GRID NO. | PART NO. | GRID NO. | PART NO. | GRID NO. | PART NO. | GRID NO. |
|-----------------|----------|--------------|----------|--------------|----------|-------------|----------|-------------|----------|-------------|----------|
| 3GB-25343-10 | D - 6 | 55X-81826-50 | D - 13 | 5TH-W2151-01 | C - 6 | 90170-10186 | C - 13 | 90215-14249 | B - 13 | 90480-18171 | C - 8 |
| 3Y6-25351-00 | D - 6 | 5J3-81846-50 | D - 13 | 5TH-W2151-31 | C - 6 | 90170-14284 | B - 13 | 90240-06076 | D - 10 | 90480-18290 | D - 2 |
| 55X-25355-00 | D - 6 | 22J-81847-50 | D - 13 | 5TH-W215B-01 | C - 6 | 90170-28011 | D - 7 | 90249-12008 | D - 8 | 90501-03799 | B - 12 |
| 3GB-25367-00 | D - 7 | 5J3-81847-50 | D - 13 | 5TH-W215C-01 | C - 6 | 90171-10004 | C - 15 | | D - 10 | 90501-08511 | D - 9 |
| 3GB-25382-00 | D - 6 | 55X-81855-50 | D - 13 | 5TH-W215C-31 | C - 6 | 90171-12001 | D - 7 | 90267-32004 | E - 5 | 90501-10245 | D - 10 |
| 55X-25383-10 | D - 6 | 3MW-81940-01 | E - 2 | 5TH-W215D-01 | C - 6 | 90171-14020 | D - 4 | | E - 6 | 90501-105A5 | B - 13 |
| 2FJ-25390-00-35 | D - 6 | 1RL-81950-92 | E - 2 | 5TH-W215D-31 | C - 6 | 90176-06065 | B - 2 | | E - 7 | 90501-10710 | B - 5 |
| 390-25412-01 | D - 6 | 5TH-81960-01 | E - 2 | 5TH-W2161-00 | C - 8 | 90179-06387 | B - 5 | | E - 8 | 90501-10782 | D - 8 |
| 3GB-25715-00 | D - 7 | 55X-82110-61 | E - 2 | 5TH-W2161-30 | C - 8 | 90179-08148 | D - 9 | | E - 9 | 90501-135A4 | B - 13 |
| 5TH-26111-10 | D - 8 | 55X-82115-01 | E - 2 | 5TH-W216B-00 | C - 8 | | D - 15 | 90269-06002 | C - 7 | 90504-06030 | D - 2 |
| 5TH-26124-00 | D - 8 | 3GB-82116-00 | E - 2 | 5TH-W216C-00 | C - 8 | 90179-10394 | D - 12 | 90280-03017 | B - 3 | 90506-08122 | C - 4 |
| 5TH-26124-10 | D - 8 | 55X-82122-00 | E - 2 | 5TH-W216C-30 | C - 8 | 90179-12248 | C - 2 | 90334-14037 | B - 5 | 90506-15260 | D - 4 |
| 5LP-26241-00 | D - 8 | 29W-82123-00 | E - 2 | 3FA-W253E-00 | D - 6 | 90179-12659 | B - 13 | 90336-28053 | C - 13 | | D - 6 |
| 5TH-26250-01 | D - 8 | 4J2-82131-01 | E - 2 | 4KN-W253E-11 | D - 4 | 90179-28009 | D - 7 | 90340-12097 | B - 6 | 90506-16318 | D - 10 |
| 3GB-2625E-01 | D - 8 | 3GB-82150-00 | E - 2 | 90101-06278 | D - 4 | 90179-42480 | C - 2 | 90340-14132 | C - 10 | 90507-15038 | D - 7 |
| 3GB-2625G-00 | D - 8 | 3GB-82151-00 | E - 2 | 90101-06562 | D - 9 | 90179-55464 | C - 10 | 90340-18092 | B - 5 | 90508-10775 | D - 8 |
| 3GB-2625H-00 | D - 8 | 4KJ-82310-10 | E - 2 | 90101-06576 | B - 9 | 90183-05008 | C - 6 | 90380-07118 | B - 14 | 90508-20454 | D - 3 |
| 3GB-2628F-00 | D - 8 | 55X-82370-00 | E - 2 | 90101-08461 | C - 11 | 90185-05007 | C - 7 | 90381-15040 | C - 5 | 90508-20576 | C - 3 |
| 3GB-2628G-02 | D - 8 | 4GB-82510-11 | E - 3 | 90101-08590 | B - 5 | 90185-10091 | C - 12 | 90381-17067 | C - 15 | 90508-32563 | C - 4 |
| 3GB-26311-02 | D - 8 | 3GB-82540-01 | E - 2 | 90101-12498 | C - 15 | | C - 15 | 90387-062G8 | B - 14 | 90560-17146 | B - 13 |
| 3GB-26341-01 | D - 8 | 3HN-82569-00 | E - 3 | 90105-10388 | C - 12 | 90185-10115 | C - 9 | 90387-062G9 | B - 14 | 90560-20196 | B - 12 |
| 20E-26343-00 | D - 8 | 3HN-82579-00 | E - 3 | 90105-10561 | C - 15 | | C - 13 | 90387-066J1 | D - 2 | 90560-23355 | C - 10 |
| | D - 10 | 5TH-82590-00 | E - 3 | 90105-12460 | C - 15 | 90185-12046 | C - 15 | 90387-066V8 | D - 8 | 90793-25013 | E - 2 |
| 3GB-26347-00 | D - 8 | 5TH-82910-01 | D - 15 | 90109-061F3 | D - 8 | 90201-03313 | E - 5 | 90387-07598 | D - 2 | 91317-05025 | D - 8 |
| 3GB-26361-03 | D - 9 | 3FA-82911-01 | D - 15 | 90109-063F1 | C - 6 | | E - 6 | 90387-090R0 | C - 13 | 91317-06035 | D - 13 |
| 3FA-26466-00 | D - 15 | 5GH-83516-00 | E - 3 | 90109-063F6 | C - 3 | | E - 7 | 90387-175R2 | D - 4 | 91401-20012 | D - 10 |
| 371-27114-00 | D - 3 | 4KB-83530-00 | E - 2 | 90109-06799 | D - 15 | | E - 8 | 90430-06014 | B - 10 | 91401-20020 | C - 13 |
| 3GB-27211-10 | D - 10 | 23X-83912-00 | D - 15 | 90109-08745 | D - 4 | | E - 9 | 90430-06166 | B - 10 | | C - 15 |
| 3GB-27231-00 | D - 10 | 5TH-83922-00 | D - 8 | 90109-104A8 | C - 15 | 90201-060L5 | D - 2 | 90430-10148 | E - 2 | 91401-25025 | D - 7 |
| 3GB-27411-10 | D - 10 | 437-83936-01 | E - 3 | 90110-05201 | C - 7 | 90201-066F0 | B - 2 | 90445-073F9 | C - 10 | 91401-30025 | D - 4 |
| 55X-27413-00 | D - 10 | 3FA-83965-00 | D - 15 | 90113-06009 | B - 5 | 90201-08326 | B - 5 | 90445-083J4 | D - 2 | 91A20-07010 | B - 8 |
| 3GB-27421-10 | D - 10 | 3FA-83966-00 | D - 15 | 90114-08001 | D - 6 | | B - 9 | 90445-085E0 | E - 2 | 92901-04100 | D - 12 |
| 3GB-28100-00 | C - 5 | 3FA-83967-00 | D - 15 | 90114-10005 | D - 6 | 90201-08759 | C - 15 | 90445-10638 | D - 2 | 92901-05100 | D - 12 |
| 1NV-2811A-01 | C - 5 | 4EM-83975-00 | D - 15 | 90116-06399 | B - 10 | 90201-101A4 | D - 12 | 90445-11418 | C - 13 | 92902-04100 | B - 7 |
| 4EM-2819R-00 | E - 5 | 1YW-83980-00 | D - 15 | 90116-08507 | D - 6 | 90201-10774 | C - 13 | 90460-15126 | E - 3 | 92907-04200 | C - 6 |
| 5GT-2836B-10 | D - 8 | 5TH-84111-00 | D - 14 | 90119-05193 | C - 6 | 90201-12045 | D - 7 | 90460-43053 | B - 8 | 92907-05100 | E - 4 |
| 5TH-2845N-20 | D - 11 | 5TH-8411B-00 | D - 14 | 90119-06044 | C - 6 | 90201-124F8 | B - 15 | 90460-75020 | C - 9 | 92907-05200 | E - 4 |
| 5TH-2845N-30 | D - 11 | 5TH-84121-00 | D - 14 | | D - 14 | 90201-125F7 | C - 2 | 90460-85135 | C - 9 | 92907-06100 | D - 2 |
| 3GB-46110-20 | C - 10 | 2EK-85111-00 | E - 4 | 90119-06056 | C - 8 | 90201-12688 | C - 15 | 90464-12045 | E - 3 | | D - 3 |
| 3GB-46120-00 | C - 10 | 3Y6-85130-02 | E - 4 | 90123-08046 | D - 15 | 90201-127F4 | C - 4 | 90464-13073 | E - 3 | | D - 7 |
| 22F-46123-01 | C - 11 | 449-85131-02 | E - 4 | 90123-08106 | D - 9 | 90201-132G5 | B - 15 | 90464-13249 | C - 8 | | E - 2 |
| 3GB-46151-00 | C - 10 | 5G3-85520-M1 | D - 12 | 90149-06011 | D - 2 | 90201-14586 | D - 4 | 90464-15195 | E - 3 | 92907-06200 | D - 10 |
| 3GB-46172-01 | C - 10 | 4EM-85540-10 | E - 2 | 90151-06028 | B - 14 | 90201-145M4 | D - 8 | 90465-10098 | E - 3 | | D - 13 |
| 2HX-46180-00 | C - 10 | 2FM-85550-M1 | D - 12 | 90153-06034 | E - 2 | 90201-15018 | D - 10 | 90467-07029 | C - 10 | 92907-06600 | B - 9 |
| 22F-46187-00 | C - 10 | 4EM-85560-10 | D - 12 | 90154-05052 | C - 7 | 90201-186F1 | B - 5 | 90467-09006 | D - 2 | | B - 14 |
| 55X-81313-M0 | D - 12 | 22K-85595-M0 | D - 12 | 90155-06007 | B - 6 | 90202-05193 | D - 2 | 90467-13064 | B - 10 | | E - 2 |
| 55X-81800-51 | D - 13 | 22K-W1141-00 | B - 3 | 90159-06076 | B - 7 | 90208-12015 | B - 13 | 90467-22080 | C - 6 | 92907-08100 | C - 11 |
| 22J-81801-50 | D - 13 | 22K-W1657-00 | B - 13 | 90170-05302 | B - 4 | 90209-11269 | B - 11 | 90480-01400 | D - 2 | 93101-10142 | B - 11 |

NUMERICAL INDEX

| PART NO. | GRID NO. | PART NO. | GRID NO. | PART NO. | GRID NO. | PART NO. | GRID NO. | PART NO. | GRID NO. | PART NO. | GRID NO. |
|-------------|----------|-------------|----------|-------------|----------|----------|----------|----------|----------|----------|----------|
| 93101-24110 | C - 2 | 93440-10109 | B - 2 | 95827-06020 | C - 2 | | | | | | |
| 93102-07292 | B - 14 | 93440-11128 | B - 14 | 95827-08055 | C - 13 | | | | | | |
| 93102-12106 | C - 4 | 93440-16089 | B - 15 | 97007-06012 | D - 3 | | | | | | |
| 93102-17271 | C - 10 | 93450-14088 | B - 3 | 97007-06016 | E - 2 | | | | | | |
| 93102-19276 | D - 12 | 93450-42112 | B - 13 | 97022-06020 | C - 4 | | | | | | |
| 93102-23275 | D - 4 | 93451-08094 | B - 13 | 97027-06030 | D - 2 | | | | | | |
| 93102-28022 | C - 10 | 93505-08030 | B - 13 | 97027-08060 | C - 13 | | | | | | |
| 93102-35349 | D - 7 | 93604-20156 | C - 4 | 97707-40116 | C - 6 | | | | | | |
| 93102-36409 | D - 6 | 93604-22050 | C - 3 | 98501-04006 | D - 12 | | | | | | |
| 93102-38383 | D - 6 | 93610-10174 | B - 12 | 98501-05010 | D - 12 | | | | | | |
| 93102-40367 | D - 4 | 93700-06004 | C - 5 | 98502-04008 | B - 7 | | | | | | |
| 93104-10076 | B - 14 | | C - 15 | 98502-04010 | B - 8 | | | | | | |
| 93112-31011 | C - 13 | 93900-00022 | D - 4 | 98502-04014 | B - 7 | | | | | | |
| 93210-06564 | B - 5 | | D - 6 | 98507-03008 | D - 2 | | | | | | |
| | B - 10 | 94107-07009 | D - 4 | 98507-04016 | D - 8 | | | | | | |
| 93210-07003 | C - 3 | 94108-07009 | D - 6 | 98507-06010 | B - 9 | | | | | | |
| 93210-12327 | D - 4 | 94580-25082 | B - 5 | 98507-06012 | B - 10 | | | | | | |
| 93210-14104 | C - 10 | 94701-00366 | B - 2 | | D - 7 | | | | | | |
| | D - 6 | 94703-00366 | B - 2 | 98507-06014 | C - 3 | | | | | | |
| 93210-15414 | C - 5 | 95027-06008 | E - 2 | 98507-06016 | B - 2 | | | | | | |
| 93210-19123 | B - 11 | 95027-06085 | B - 2 | | B - 14 | | | | | | |
| 93210-25552 | B - 7 | 95307-05600 | E - 4 | | E - 2 | | | | | | |
| 93210-26606 | D - 7 | 95307-05700 | D - 8 | 98507-06020 | D - 9 | | | | | | |
| 93210-40407 | C - 5 | 95307-06600 | B - 14 | | D - 15 | | | | | | |
| 93210-43713 | C - 10 | | D - 4 | | E - 2 | | | | | | |
| 93210-44704 | B - 2 | | D - 6 | 98507-06030 | B - 11 | | | | | | |
| 93210-50553 | C - 2 | 95307-06800 | B - 5 | 98507-06035 | B - 11 | | | | | | |
| 93210-63556 | B - 2 | 95307-08600 | D - 7 | 98507-06040 | B - 11 | | | | | | |
| 93211-02703 | D - 12 | 95307-10700 | C - 13 | 98507-06045 | B - 10 | | | | | | |
| 93211-066A9 | C - 10 | 95607-06100 | D - 8 | | B - 11 | | | | | | |
| 93306-00105 | B - 15 | | D - 15 | 98507-06060 | B - 10 | | | | | | |
| 93306-00308 | D - 4 | 95607-08200 | C - 5 | 98507-06075 | B - 10 | | | | | | |
| 93306-00612 | D - 6 | 95707-06500 | B - 9 | 98511-04012 | D - 12 | | | | | | |
| 93306-07801 | C - 10 | 95707-08500 | D - 4 | 98511-04020 | D - 12 | | | | | | |
| 93306-20301 | B - 15 | | D - 6 | 98701-06018 | B - 12 | | | | | | |
| 93306-20309 | C - 2 | 95807-06010 | C - 7 | 98707-06016 | D - 12 | | | | | | |
| 93306-30101 | B - 15 | 95807-06016 | D - 9 | 99001-04600 | B - 14 | | | | | | |
| 93306-30306 | C - 10 | 95807-08012 | C - 8 | 99001-05600 | B - 6 | | | | | | |
| 93306-30433 | B - 3 | | D - 8 | 99001-09600 | C - 3 | | | | | | |
| 93311-20952 | C - 10 | 95817-06016 | B - 10 | 99009-12400 | B - 15 | | | | | | |
| 93311-32353 | B - 3 | | C - 10 | 99009-17400 | C - 10 | | | | | | |
| 93315-23208 | C - 3 | 95817-06025 | B - 10 | 99009-17500 | C - 10 | | | | | | |
| 93317-21236 | C - 2 | 95817-08014 | C - 9 | 99530-08012 | B - 2 | | | | | | |
| 93340-21209 | C - 4 | | D - 11 | | B - 10 | | | | | | |
| 93341-22302 | B - 13 | 95817-08016 | B - 9 | 99530-10114 | B - 11 | | | | | | |
| 93420-26077 | B - 13 | 95817-08115 | C - 5 | 99530-10120 | B - 11 | | | | | | |
| 93430-04002 | D - 3 | 95817-08120 | C - 5 | 99530-12016 | B - 10 | | | | | | |
| 93430-08007 | C - 3 | 95817-12020 | D - 10 | | | | | | | | |