



# PARTS CATALOGUE

**YFM80GW** (2D37) U.S.A.

**YFM80GW** (2D38) CANADA



1F2D3-100E1

( 2F2D3-100E1 )

YFM80GW  
PARTS CATALOGUE  
©2006 by Yamaha Motor Co., Ltd.  
1st edition, April 2006  
All rights reserved.  
Any reprinting or unauthorized use  
without the written permission of  
Yamaha Motor Co., Ltd.  
is expressly prohibited.

**A3**

# FOREWORD

This Parts Catalogue is related to the parts for the model(s) on the cover page. When you are ordering replacement parts, please refer to this Parts Catalogue and quote both part numbers and part names correctly.

1. Modifications or additions which have been made after the issue of the Parts Catalogue will be announced in the Parts News.

It is advisable that you make the necessary corrections to the Parts Catalogue according to the Parts News.

2. Abbreviations

The following abbreviations are used in this Parts Catalogue.

“UR” Use specified parts number.

“UN” Use as many as needed.

“AP” Alternate Parts

“LM” Locally Made (Parts need to be ordered locally)

“F#” Frame No. (Applicable machine No.)

“O/S” Over Size

3. The number of components for assembly

- Parts, which are to be supplied in an assembly, are listed with a dot (.) in front of the part name as shown below.
- The numeral appearing to the right of each component part indicates the quantity of parts for each assembly unit.

PART NO.	DESCRIPTION	Q'TY	REMARKS
2F5-83310-60	FRONT FLASHER LIGHT ASSY	2	
115-83311-60	.BULB (6V-18W)	1	

4. Applicable colours of graphics are represented in the “REMARKS” as shown below.

PART NO.	DESCRIPTION	Q'TY	REMARKS
2N4-24110-00-X5	FUEL TANK COMP.	2	MXR
3J1-24240-10	.GRAPHIC, FUEL TANK	1	FOR MXR

5. Note that the illustrations for reference in finding parts numbers are not to be used for assembling. When assembling, please use the applicable service manual.

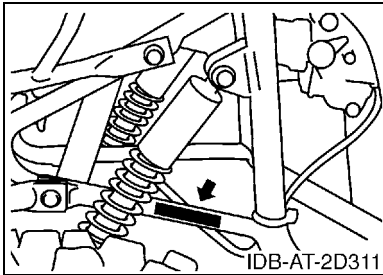
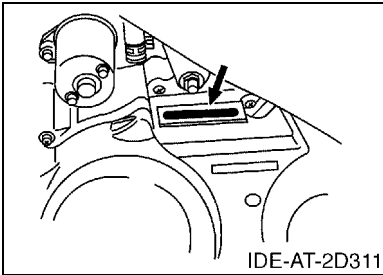
6. The asterisk (\*) before a reference number indicates modified items after the first edition.

# FOREWORD

7. Applicable Serial No.

Engine Serial No.

Frame Serial No.



8. Applicable Colour Code (The (\*) mark shows Model colour.)

Abbreviation	Colour Name	Colour Code
DPBSN(*)	DARK PURPLISH BLUE SOLID N	0891
PDG(*)	PASTEL DEEP GREEN	00K0
SL	SILVER	0035
YB	YAMAHA BLACK	0033

9. Quantity Column Information

Column No.	Name Of Q'ty Column	Destination
1	USA	U.S.A.
2	CAN	CANADA



# CONTENTS

## ENGINE

CYLINDER .....	B2
CRANKSHAFT & PISTON .....	B3
VALVE .....	B4
CAMSHAFT & CHAIN .....	B5
OIL PUMP .....	B6
INTAKE .....	B7
EXHAUST .....	B9
CRANKCASE .....	B10
CRANKCASE COVER 1 .....	B11
STARTER CLUTCH .....	B12
CLUTCH .....	B13
TRANSMISSION .....	B15
MIDDLE DRIVE GEAR .....	C2
SHIFT CAM & FORK .....	C3
SHIFT SHAFT .....	C4

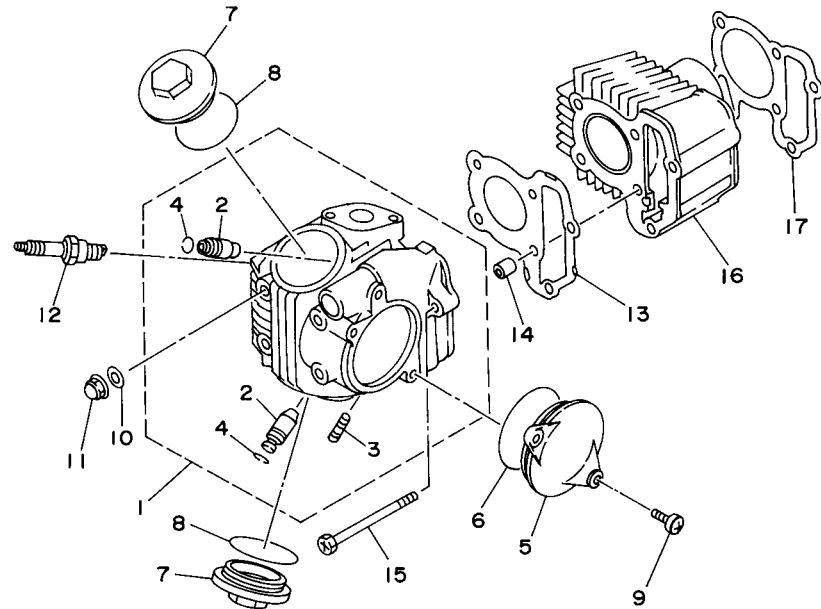
## CHASSIS

FRAME .....	C5
FRONT FENDER .....	C6
REAR FENDER .....	C8
REAR ARM .....	C9
DRIVE SHAFT .....	C10
REAR SUSPENSION .....	C12
STEERING .....	C13
FRONT SUSPENSION & WHEEL .....	C15
FUEL TANK .....	D2
SEAT .....	D3
FRONT WHEEL .....	D4
REAR WHEEL .....	D6
STEERING HANDLE & CABLE .....	D8
STAND & FOOTREST .....	D10
GUARD .....	D11
GENERATOR .....	D12
STARTING MOTOR .....	D13
HANDLE SWITCH & LEVER .....	D14
ELECTRICAL 1 .....	D15
ELECTRICAL 2 .....	E3
EMBLEM & LABEL 1 .....	E4
EMBLEM & LABEL 2 .....	E5

## INDEX

NUMERICAL INDEX .....	M1
-----------------------	----

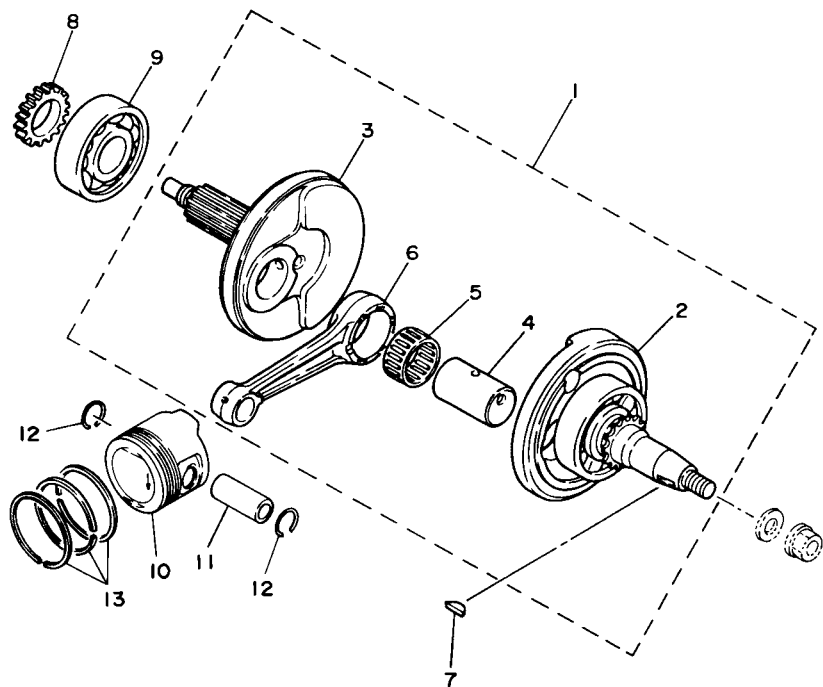
FIG. 1 CYLINDER



REF. NO.	PART NO.	DESCRIPTION	USA	CAN				REMARKS
1	35T-11110-01	CYLINDER HEAD ASSY	1	1				
2	22F-11134-10	.GUIDE, VALVE 2	2	2				
3	22F-14651-00	.BOLT, STUD	2	2				
4	93440-10109	.CIRCLIP	2	2				
5	22F-11185-10	COVER, CYLINDER HEAD SIDE 1	1	1				
6	93210-63556	O-RING	1	1				
7	22F-11186-10	COVER, CYLINDER HEAD SIDE 2	2	2				
8	93210-44704	O-RING	2	2				
9	98507-06016	SCREW, PAN HEAD	2	2				
10	90201-066F0	WASHER, PLATE	4	4				
11	90176-06065	NUT, CROWN	4	4				
12	94701-00366	PLUG, SPARK (NGK CR7HSA)	1	1				
13	55X-11181-00	GASKET, CYLINDER HEAD 1	1	1				
14	99530-08012	PIN, DOWEL	2	2				
15	95027-06085	BOLT, FLANGE	2	2				
16	22K-11311-02	CYLINDER 1	1	1				
17	22F-11351-01	GASKET, CYLINDER	1	1				

  
4EM1100-2010

**FIG. 2 CRANKSHAFT & PISTON**



  
55X110-5020

REF. NO.	PART NO.	DESCRIPTION	USA	CAN				REMARKS
1	22K-11400-01	CRANKSHAFT ASSY	1	1				
2	22K-W1141-00	.CRANK 1	1	1				
3	22K-11422-00	.CRANK 2	1	1				
4	22F-11681-00	.PIN, CRANK 1	1	1				
5	93311-32353	.BEARING	1	1				
6	22K-11651-02	.ROD, CONNECTING	1	1				
7	90280-03017	KEY, WOODRUFF	1	1				
8	46J-13324-00	GEAR, PUMP DRIVE	1	1				
9	93306-30433	BEARING	1	1				
10	55X-11631-00-96	PISTON (STD)	1	1				
	55X-11636-00	PISTON (0.50MM O/S)	1	1				AP
	55X-11638-00	PISTON (1.00MM O/S)	1	1				AP
11	22K-11633-01	PIN, PISTON	1	1				
12	93450-14088	CIRCLIP	2	2				
13	55X-11610-00	PISTON RING SET (STD)	1	1				
	55X-11610-20	PISTON RING SET (0.50MM O/S)	1	1				AP
	55X-11610-40	PISTON RING SET (1.00MM O/S)	1	1				AP



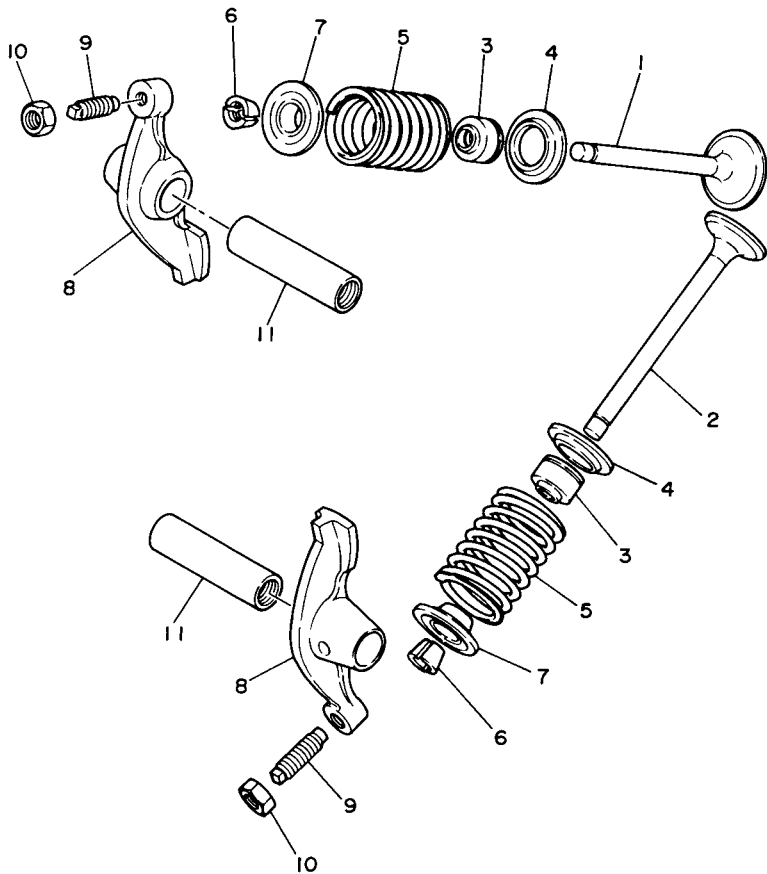


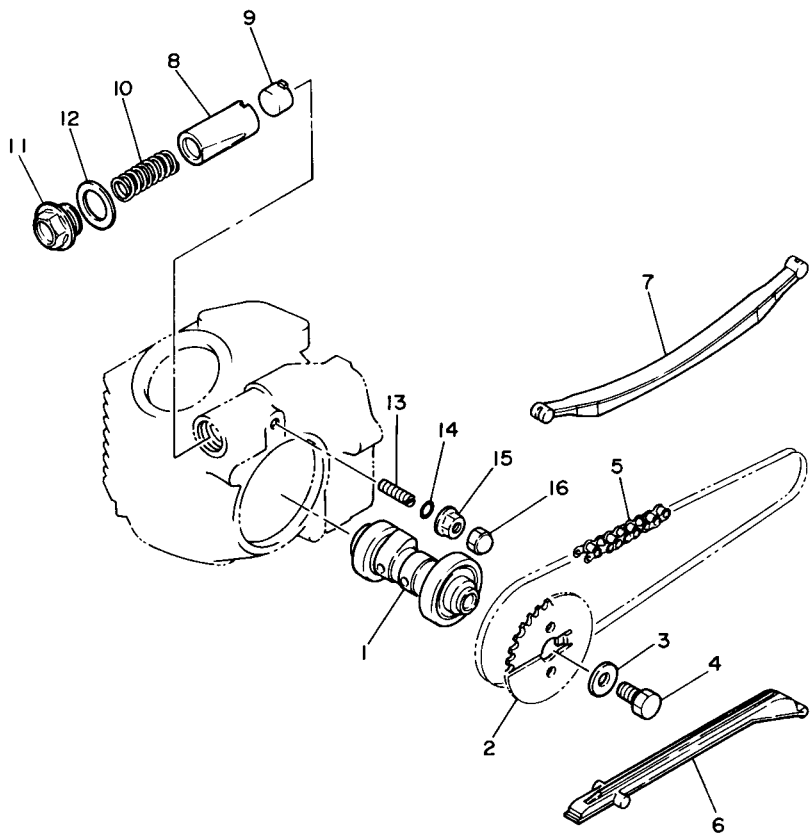
FIG. 3 VALVE

REF. NO.	PART NO.	DESCRIPTION	USA	CAN	REMARKS
1	2D3-12111-00	VALVE, INTAKE	1	1	
2	2D3-12121-00	VALVE, EXHAUST	1	1	
3	2HX-12119-00	SEAL, VALVE STEM	2	2	
4	22F-12116-00	SEAT, VALVE SPRING	2	2	
5	22F-12114-00	SPRING, VALVE OUTER	2	2	
6	22F-12118-01	COTTER, VALVE	4	4	
7	22F-12117-02	RETAINER, VALVE SPRING	2	2	
8	22F-12151-10	ARM, VALVE ROCKER	2	2	
9	22F-12159-00	SCREW, VALVE ADJUSTING	2	2	
10	90170-05302	NUT	2	2	
11	22F-12156-00	SHAFT, ROCKER 2	2	2	

FWD  
55X110-5030

FIG. 4 CAMSHAFT & CHAIN

REF. NO.	PART NO.	DESCRIPTION	USA	CAN	REMARKS
1	55X-12170-00	CAMSHAFT ASSY 1	1	1	
2	50M-12176-00	SPROCKET, CAM CHAIN (28T)	1	1	
3	90201-08326	WASHER, PLATE	1	1	
4	90101-08590	BOLT	1	1	
5	94580-25082	CHAIN (D.I.D 25)	1	1	
6	22F-12231-01	GUIDE, STOPPER 1	1	1	
7	22F-12241-00	GUIDE, STOPPER 2	1	1	
8	22F-12217-01	ROD, CHAIN TENSIONER	1	1	
9	90334-14037	PLUG, STRAIGHT	1	1	
10	90501-10710	SPRING, COMPRESSION	1	1	
11	90340-18092	PLUG, STRAIGHT SCREW	1	1	
12	90201-186F1	WASHER, PLATE	1	1	
13	90113-06009	BOLT, SET	1	1	
14	93210-06564	O-RING	1	1	
15	90179-06387	NUT	1	1	
16	95307-06800	NUT	1	1	



55X110-5040



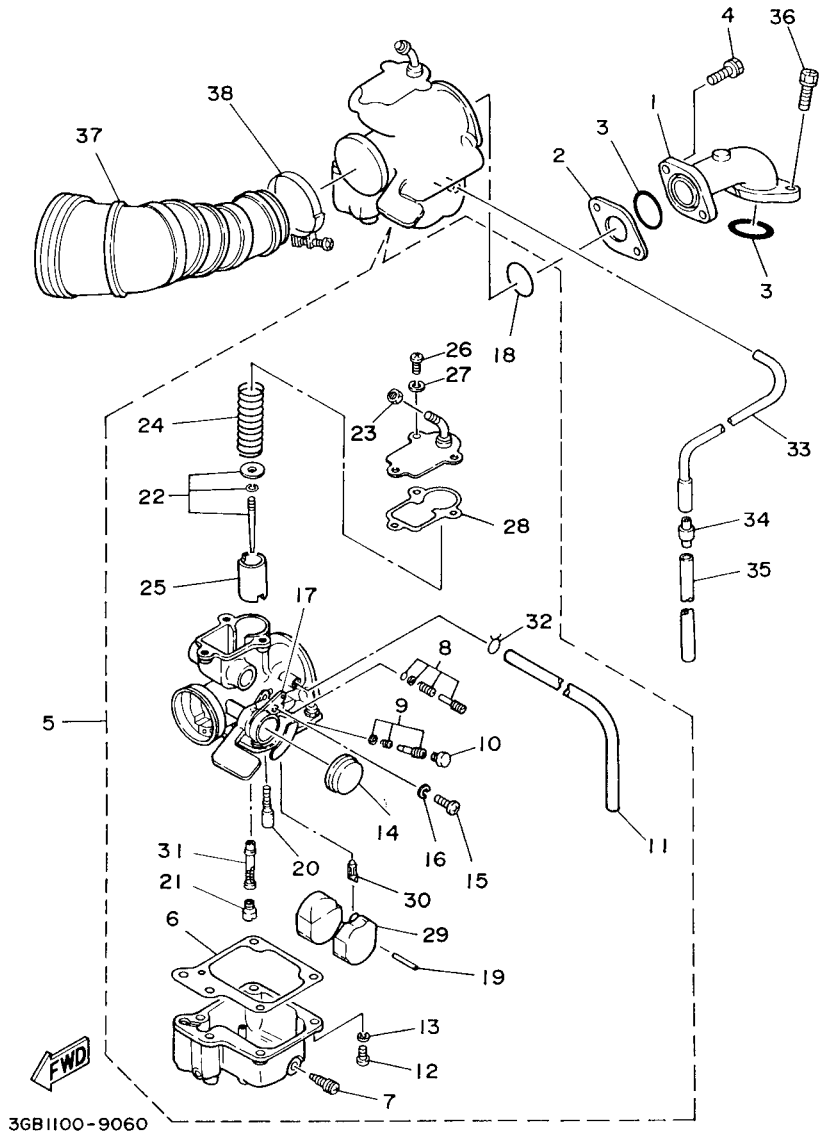
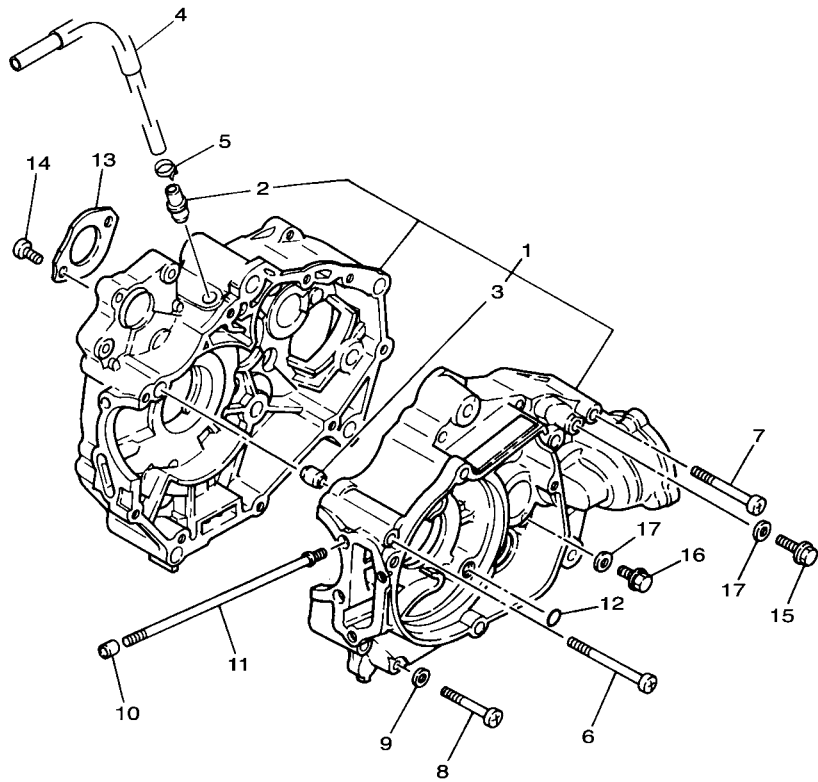


FIG. 6 INTAKE

REF. NO.	PART NO.	DESCRIPTION	USA	CAN	REMARKS
1	55X-13586-00	JOINT, CARBURETOR 1	1	1	
2	22K-13595-00	JOINT	1	1	
3	93210-25552	O-RING	2	2	
4	90159-06076	SCREW, WITH WASHER	2	2	
5	5TH-14101-10	CARBURETOR ASSY 1	1	1	
6	22F-14184-00	.GASKET, FLOAT CHAMBER	1	1	
7	12R-14191-00	.PLUG, DRAIN	1	1	
8	22F-14103-00	.THROTTLE SCREW SET	1	1	
9	22K-14104-00	.AIR SCREW SET	1	1	
10	22F-14991-00	.CAP	1	1	
11	26H-14197-00	.PIPE	1	1	
12	98502-04014	.SCREW, PAN HEAD	4	4	
13	92902-04100	.WASHER, SPRING	4	4	
14	22F-14169-00	.CAP	1	1	
15	98502-04008	.SCREW, PAN HEAD	1	1	
16	92902-04100	.WASHER, SPRING	1	1	
17	55X-14146-00	.PLATE	1	1	
18	22K-14147-00	.O-RING	1	1	
19	127-14186-00	.PIN, FLOAT	1	1	
20	22F-14142-12	.JET, PILOT (#12.5)	1	1	
21	18A-1414E-30	.JET, MAIN(#76.3)	1	1	
22	2HX-1490J-10	.NEEDLE SET	1	1	
23	802-14161-00	.NUT, CABLE ADJUSTING	1	1	
24	260-14131-00	.SPRING, THROTTLE VALVE	1	1	
25	2HX-14112-35	.VALVE, THROTTLE 1	1	1	
26	98502-04010	.SCREW, PAN HEAD	3	3	
27	92902-04100	.WASHER, SPRING	3	3	



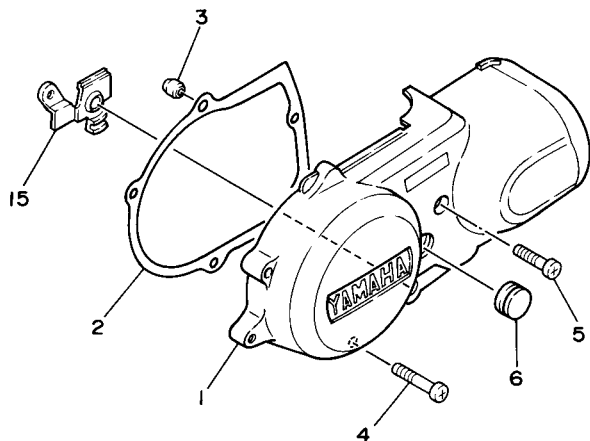
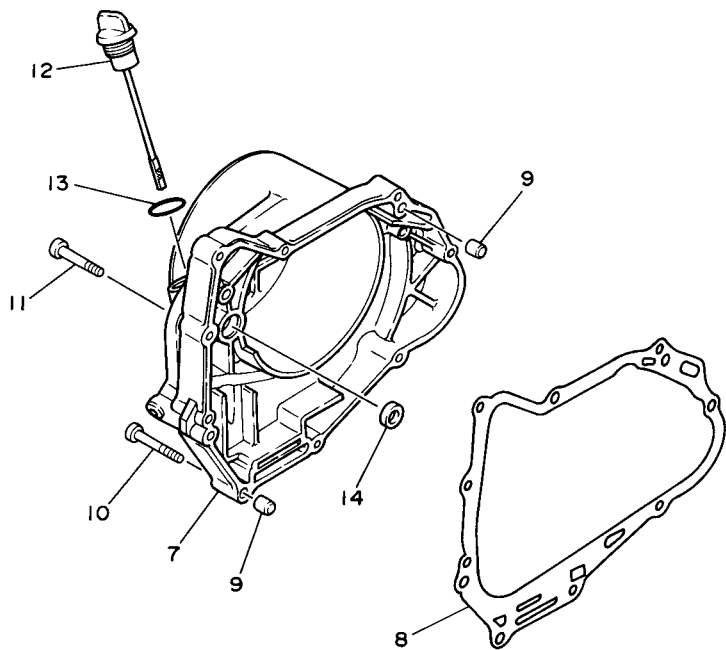




2D31100-D080

FIG. 8 CRANKCASE

REF. NO.	PART NO.	DESCRIPTION	USA	CAN				REMARKS
1	2FJ-15100-01	CRANKCASE ASSY	1	1				
2	59V-11167-00	.PIPE, BREATHER 2	1	1				
3	99530-12016	.PIN, DOWEL	2	2				
4	2D3-11166-00	PIPE, BREATHER 1	1	1				
5	90467-13064	CLIP	1	1				
6	98507-06075	SCREW, PAN HEAD	1	1				
7	98507-06060	SCREW, PAN HEAD	2	2				
8	98507-06045	SCREW, PAN HEAD	6	6				
9	90430-06014	GASKET	2	2				
10	99530-08012	PIN, DOWEL	2	2				
11	90116-06399	BOLT, STUD	4	4				
12	93210-06564	O-RING	2	2				
13	22F-15383-01	PLATE, BEARING COVER	1	1				
14	98507-06012	SCREW, PAN HEAD	2	2				
15	95817-06025	BOLT, FLANGE	2	2				
16	95817-06016	BOLT, FLANGE	1	1				
17	90430-06166	GASKET	3	3				



  
5YF1100-C090

**FIG. 9 CRANKCASE COVER 1**

REF. NO.	PART NO.	DESCRIPTION	USA	CAN				REMARKS
1	22F-15411-01	COVER, CRANKCASE 1	1	1				
2	3GB-15451-00	GASKET, CRANKCASE COVER 1	1	1				
3	99530-10114	PIN, DOWEL	2	2				
4	98507-06040	SCREW, PAN HEAD	1	1				
5	98507-06030	SCREW, PAN HEAD	2	2				
6	22F-15417-00	COVER, CAP	1	1				
7	2FJ-15421-00	COVER, CRANKCASE 2	1	1				
8	3GB-15461-00	GASKET, CRANKCASE COVER 2	1	1				
9	99530-10120	PIN, DOWEL	2	2				
10	98507-06045	SCREW, PAN HEAD	1	1				
11	98507-06035	SCREW, PAN HEAD	8	8				
12	55X-15362-04	PLUG, OIL LEVEL	1	1				
13	93210-19123	O-RING	1	1				
14	93101-10142	OIL SEAL	1	1				
15	90209-11269	WASHER	1	1				





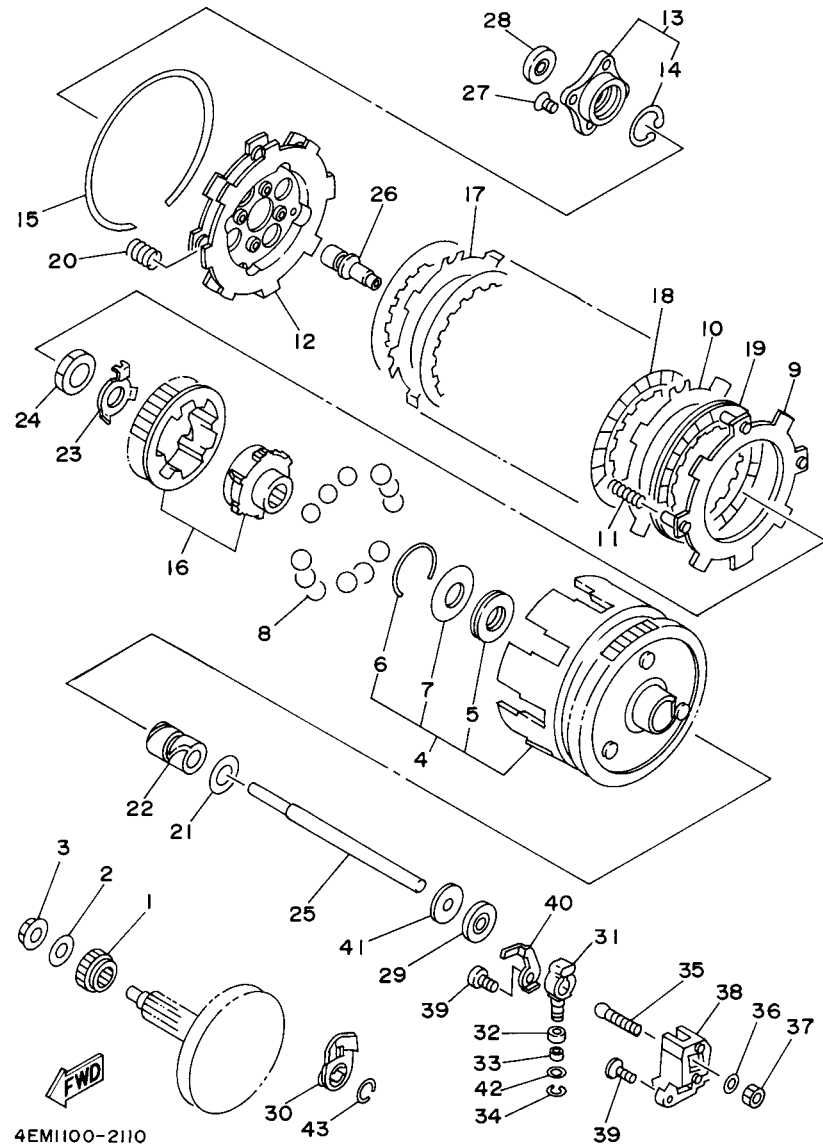


FIG. 11 CLUTCH

REF. NO.	PART NO.	DESCRIPTION	USA	CAN	REMARKS
1	22K-16111-00	GEAR, PRIMARY DRIVE	1	1	
2	90208-12015	WASHER, CONICAL SPRING	1	1	
3	90179-12659	NUT	1	1	
4	3GB-16150-00	PRIMARY DRIVEN GEAR COMP.	1	1	
5	93341-22302	.BEARING	1	1	
6	93450-42112	.CIRCLIP	1	1	
7	22F-16153-40	.WASHER, THRUST (1.7T)	1	1	
8	93505-08030	BALL	12	12	
9	22K-16520-00	PLATE, THRUST WEIGHT	1	1	
10	517-16524-10	PLATE, CLUTCH 1 (1.2T)	4	4	UR
	517-16524-20	PLATE, CLUTCH 1 (1.4T)	4	4	UR
	517-16524-30	PLATE, CLUTCH 1 (1.6T)	4	4	UR
11	90501-105A5	SPRING, COMPRESSION	4	4	
12	22F-16550-00	PRESSURE PLATE ASSY	1	1	
13	22K-16590-00	PUSH PLATE ASSY	1	1	
14	93420-26077	.CIRCLIP	1	1	
15	93451-08094	CIRCLIP	1	1	
16	22K-W1657-00	CLUTCH BOSS SET	1	1	
17	22F-16524-01	PLATE, CLUTCH 1	1	1	
18	3E5-16521-00	PLATE, FRICTION	5	5	
19	22F-16521-00	PLATE, FRICTION	1	1	
20	90501-135A4	SPRING, COMPRESSION	8	8	
21	122-16164-00	PLATE, THRUST 2	1	1	
22	90560-17146	SPACER	1	1	
23	90215-14249	WASHER, LOCK	1	1	
24	90170-14284	NUT	1	1	
25	22F-16357-01	ROD, PUSH 2	1	1	

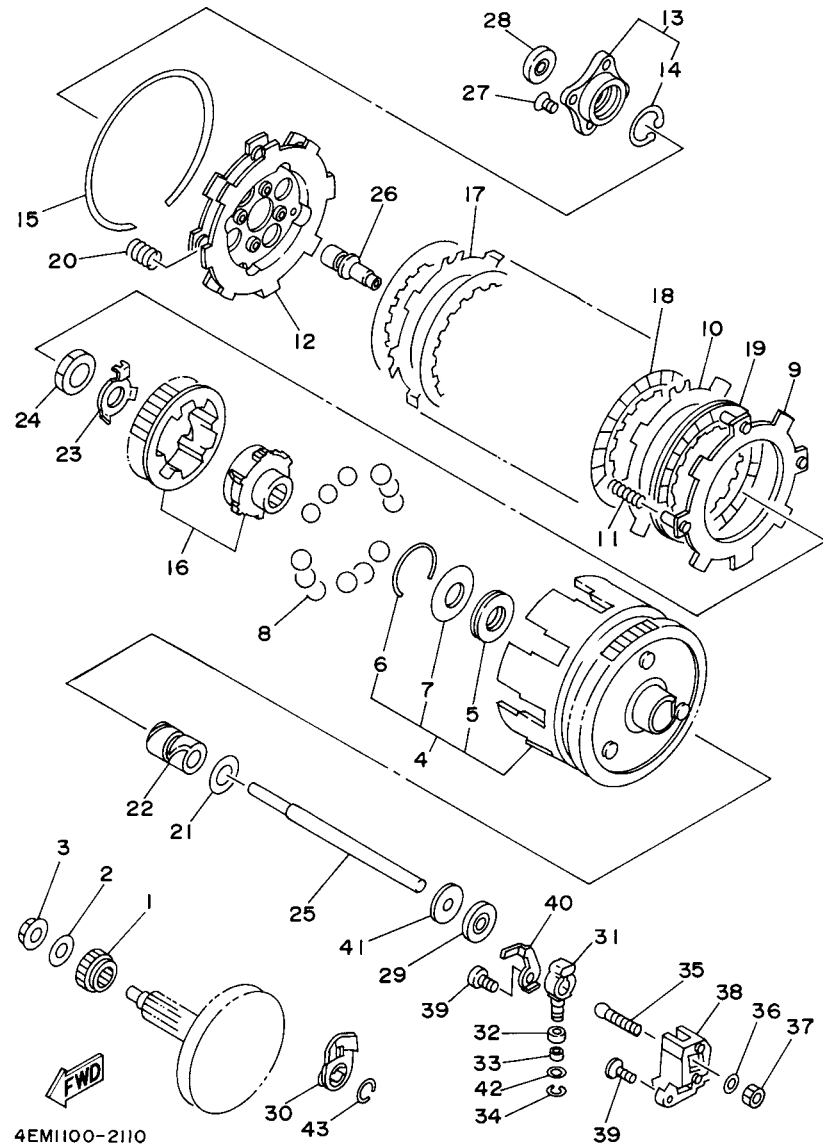
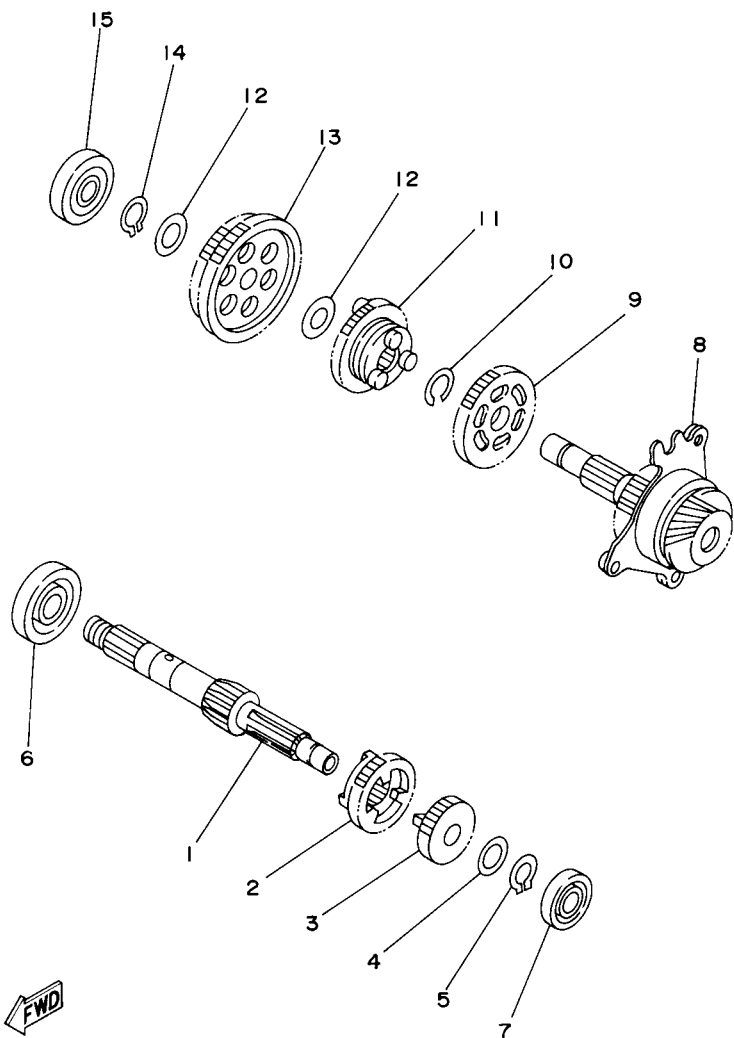


FIG. 11 CLUTCH

REF. NO.	PART NO.	DESCRIPTION	USA	CAN	REMARKS
26	22K-16356-00	ROD, PUSH 1	1	1	
27	90151-06028	SCREW, COUNTERSUNK	4	4	
28	93104-10076	OIL SEAL	1	1	
29	93102-07292	OIL SEAL	1	1	
30	22F-16362-01	LEVER, PUSH 2	1	1	
31	22F-16342-01	LEVER, PUSH	1	1	
32	90387-062G9	COLLAR	1	1	
33	90387-062G8	COLLAR	1	1	
34	99001-04600	CIRCLIP	1	1	
35	22F-16382-00	AXLE, PUSH LEVER	1	1	
36	92907-06600	WASHER, PLATE	1	1	
37	95307-06600	NUT	1	1	
38	22F-16399-00	GUIDE, PUSH ROD	1	1	
39	98507-06016	SCREW, PAN HEAD	2	2	
40	22F-16383-00	SPRING, CLUTCH BOSS	1	1	
41	90380-07118	BUSH, SOLID	1	1	
42	22F-16163-00	WASHER, THRUST 2	1	1	
43	93440-11128	CIRCLIP	1	1	

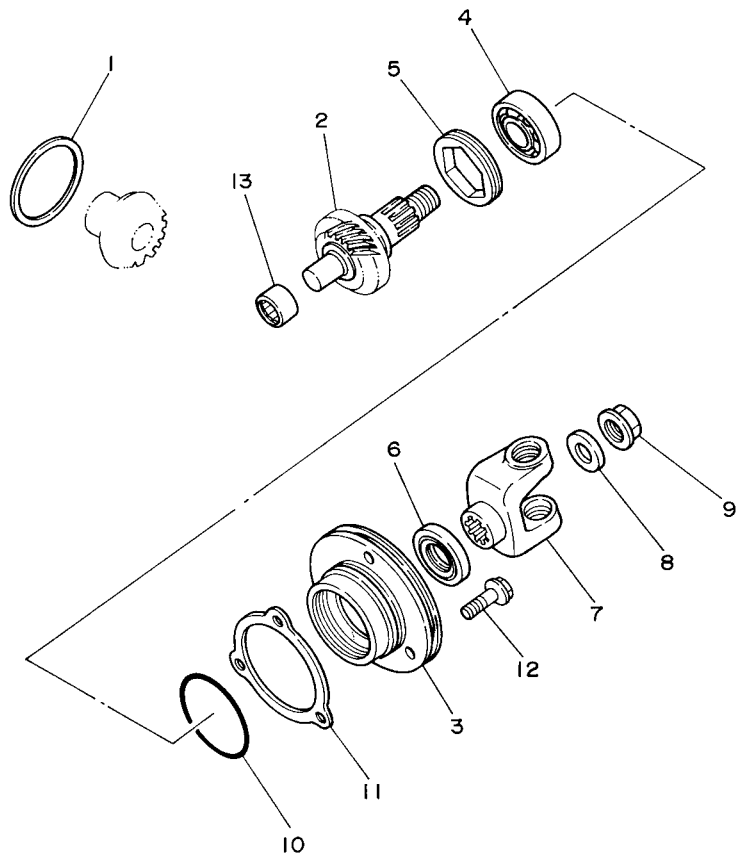
FIG. 12 TRANSMISSION



4EM1100-2120

REF. NO.	PART NO.	DESCRIPTION	USA	CAN	REMARKS
1	2HX-17411-01	AXLE, MAIN	1	1	
2	55X-17131-00	GEAR, 3RD PINION (22T)	1	1	
3	2HX-17121-00	GEAR, 2ND PINION (17T)	1	1	
4	90201-124F8	WASHER, PLATE	1	1	
5	99009-12400	CIRCLIP	1	1	
6	93306-20301	BEARING	1	1	
7	93306-00105	BEARING	1	1	
8	3GB-17402-00	DRIVE AXLE ASSY	1	1	
9	55X-17231-00	GEAR, 3RD WHEEL (31T)	1	1	
10	93440-16089	CIRCLIP	1	1	
11	55X-17241-00	GEAR, 4TH WHEEL (27T)	1	1	
12	90201-132G5	WASHER, PLATE	2	2	
13	3GB-17211-00	GEAR, 1ST WHEEL (39T)	1	1	
14	99009-12400	CIRCLIP	1	1	
15	93306-30101	BEARING	1	1	

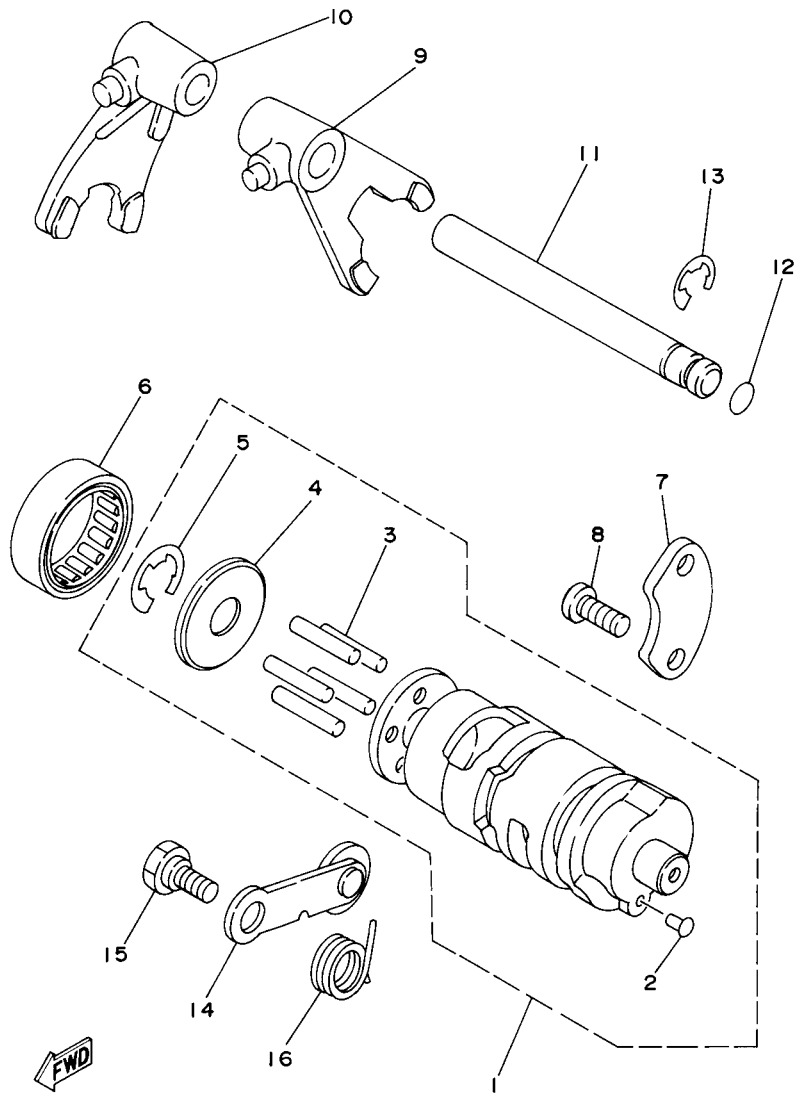
**FIG. 13 MIDDLE DRIVE GEAR**



REF. NO.	PART NO.	DESCRIPTION	USA	CAN				REMARKS
1	22F-17537-00	SHIM, THRUST	1	1				
2	3GB-17508-00	MIDDLE DRIVEN GEAR COMP.	1	1				
3	22F-17551-00	HOUSING, BEARING	1	1				
4	93306-20309	BEARING	1	1				
5	90179-42480	NUT	1	1				
6	93101-24110	OIL SEAL	1	1				
7	22F-17556-01	YOKE, JOINT	1	1				
8	90201-125F7	WASHER, PLATE	1	1				
9	90179-12248	NUT	1	1				
10	93210-50553	O-RING	1	1				
11	22F-17531-00-15	SHIM, PINION (0.15T)	1	1				UR
	22F-17531-00-30	SHIM, PINION (0.30T)	1	1				UR
	22F-17531-00-50	SHIM, PINION (0.50T)	1	1				UR
12	95827-06020	BOLT, FLANGE	3	3				
13	93317-21236	BEARING	1	1				



3GB1100-9130



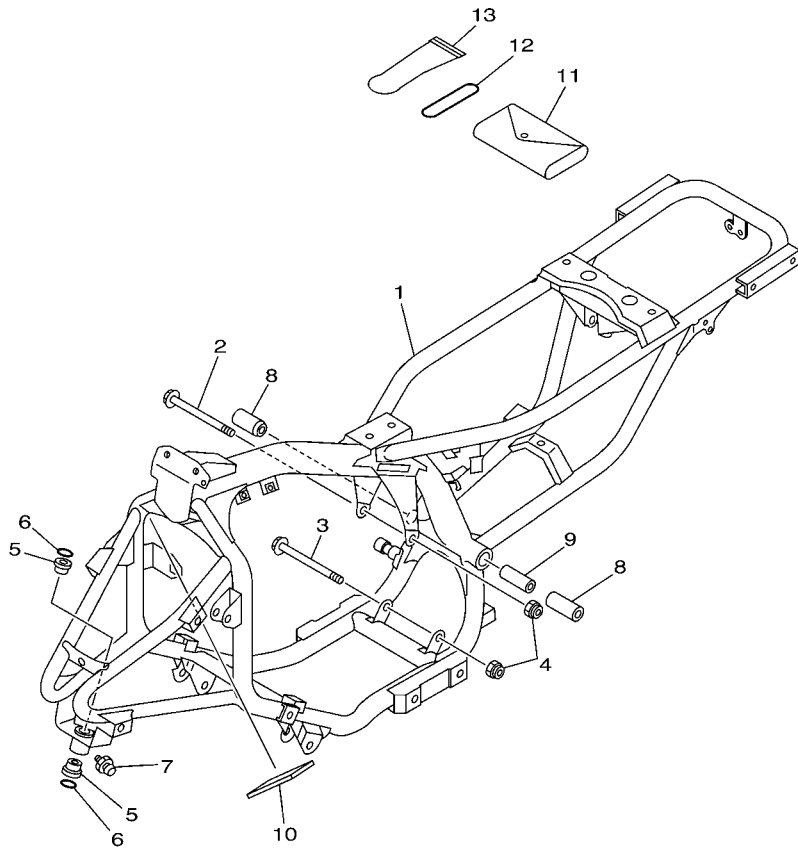
4EMKI00-8140

FIG. 14 SHIFT CAM & FORK

REF. NO.	PART NO.	DESCRIPTION	USA	CAN	REMARKS
1	4EM-18540-00	SHIFT CAM ASSY	1	1	
2	136-18542-00	.POINT, NEUTRAL	1	1	
3	93604-22050	.PIN, DOWEL	5	5	
4	296-18561-00	.PLATE, SIDE 1	1	1	
5	99001-09600	.CIRCLIP	1	1	
6	93315-23208	BEARING	1	1	
7	22F-18562-01	PLATE, STOPPER 2	1	1	
8	98507-06014	SCREW, PAN HEAD	2	2	
9	2MK-18511-00	FORK, SHIFT 1	1	1	
10	29F-18512-00	FORK, SHIFT 2	1	1	
11	22F-18531-00	BAR, SHIFT FORK GUIDE 1	1	1	
12	93210-07003	O-RING	1	1	
13	93430-08007	CIRCLIP	1	1	
14	29F-18140-00	STOPPER LEVER ASSY	1	1	
15	90109-063F6	BOLT	1	1	
16	90508-20576	SPRING, TORSION	1	1	



**FIG. 16 FRAME**



REF. NO.	PART NO.	DESCRIPTION	USA	CAN				REMARKS
1	2D3-21110-10	FRAME COMP.	1	1				
2	95817-08115	BOLT, FLANGE	1	1				
3	95817-08120	BOLT, FLANGE	1	1				
4	95607-08200	NUT, SELF-LOCKING	2	2				
5	90381-15040	BUSH, SOLID	2	2				
6	93210-15414	O-RING	2	2				
7	93700-06004	NIPPLE, GREASE	1	1				
8	3GB-22123-00	BUSH 1	2	2				
9	3GB-22155-00	PIPE	1	1				
10	5TH-21268-01	SEAL	1	1				
11	3GB-28100-00	TOOL KIT	1	1				
12	93210-40407	O-RING	1	1				
13	1NV-2811A-01	GAUGE, AIR	1	1				

  
2D34100-E160



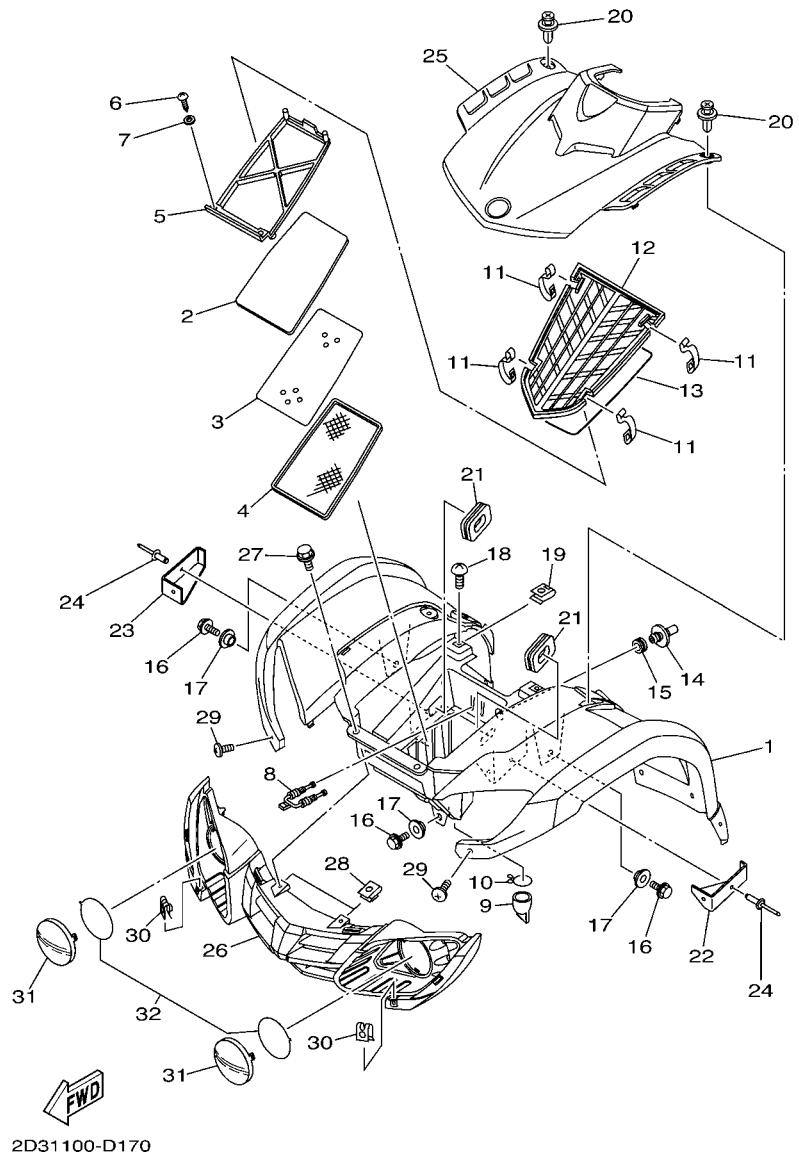


FIG. 17 FRONT FENDER

REF. NO.	PART NO.	DESCRIPTION	USA	CAN	REMARKS
1	2D3-W2151-00	FRONT FENDER COMP.	1		UR FOR PDG
	2D3-W2151-10	FRONT FENDER COMP.	1		UR FOR DPBSN
	2D3-W215C-00	FRONT FENDER COMP.2		1	UR FOR PDG
	2D3-W215C-10	FRONT FENDER COMP.2		1	UR FOR DPBSN
2	55X-14451-00	ELEMENT, AIR CLEANER	1	1	
3	5TH-14477-00	PLATE	1	1	
4	55X-14472-01	PLATE, ELEMENT	1	1	
5	55X-14458-00	GUIDE	1	1	
6	97707-40116	SCREW, TAPPING	2	2	
7	92907-04200	WASHER	2	2	
8	55X-14436-00	HOOK	1	1	
9	59V-14457-00	SEAL	1	1	
10	90467-22080	CLIP	1	1	
11	5TH-14436-00	HOOK	4	4	
12	5TH-14412-00	CAP, CLEANER CASE 1	1	1	
13	5TH-14452-00	SEAL	1	1	
14	2D3-14419-00	PIPE	1	1	
15	31A-14435-00	GROMMET	1	1	
16	90119-06044	BOLT, WITH WASHER	3	3	
17	90387-06041	COLLAR	3	3	
18	90149-06021	SCREW	2	2	
19	90183-06053	NUT, SPRING	2	2	
20	90269-07076	RIVET	2	2	
21	2HX-14437-01	DUCT	2	2	
22	2D3-23741-00	CAP 1	1	1	
23	2D3-23742-00	CAP 2	1	1	
24	90267-50010	RIVET, BLIND	4	4	

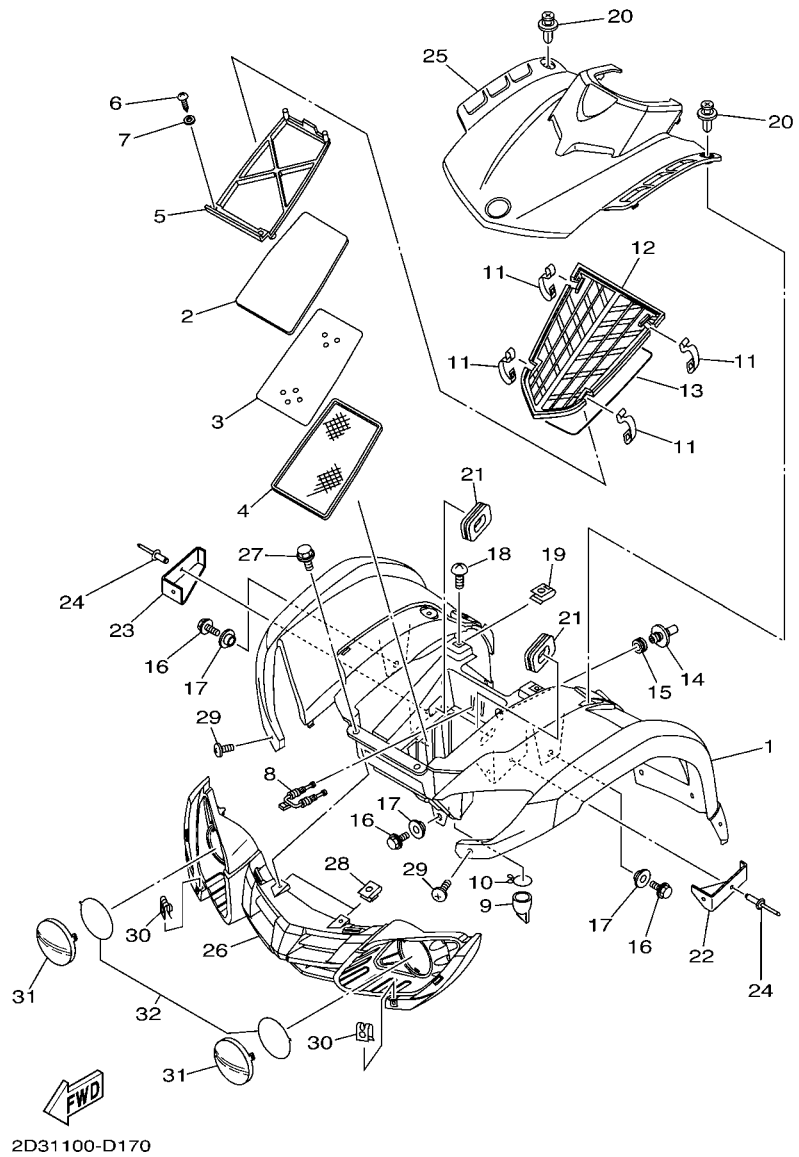


FIG. 17 FRONT FENDER

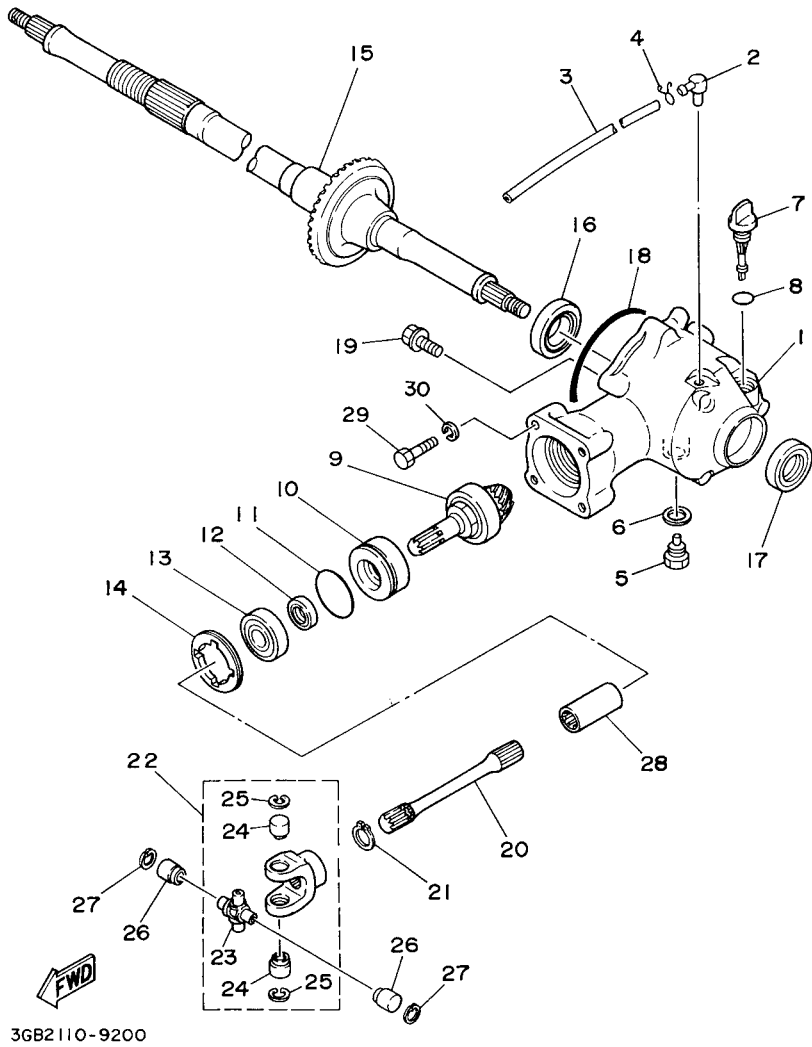
REF. NO.	PART NO.	DESCRIPTION	USA	CAN	REMARKS
25	2D3-23391-00	PANEL, FRONT	1	1	
26	2D3-28309-00	GRILLE, FRONT	1	1	
27	90109-063F1	BOLT	2	2	
28	90183-06023	NUT, SPRING	2	2	
29	90154-05004	SCREW, BINDING	2	2	
30	90183-05061	NUT, SPRING	2	2	
31	2D3-84121-00	LENS, HEADLIGHT	2	2	
32	2D3-8412B-00	GRAPHIC SET	1	1	
-----					
-----					
-----					
-----					
-----					
-----					
-----					
-----					
-----					
-----					





FIG. 20 DRIVE SHAFT

REF. NO.	PART NO.	DESCRIPTION	USA	CAN	REMARKS
1	3GB-46151-00	HOUSING, DRIVE SHAFT	1	1	
2	2N4-15371-00	BREATHER	1	1	
3	90445-073F9	HOSE (L1200)	1	1	
4	90467-07029	CLIP	1	1	
5	90340-14132	PLUG, STRAIGHT SCREW	1	1	
6	214-11198-01	GASKET	1	1	
7	3GB-15362-00	PLUG, OIL LEVEL	1	1	
8	93210-14104	O-RING	1	1	
9	3GB-46120-00	DRIVE PINION COMP.	1	1	
10	90560-23355	SPACER	1	1	
11	93210-43713	O-RING	1	1	
12	93102-17271	OIL SEAL	1	1	
13	93306-30306	BEARING	1	1	
14	90179-55464	NUT	1	1	
15	3GB-46110-20	RING GEAR COMP.	1	1	
16	93306-07801	BEARING	1	1	
17	93102-28022	OIL SEAL	1	1	
18	93211-066A9	O-RING	1	1	
19	95817-06016	BOLT, FLANGE	6	6	
20	3GB-46172-01	SHAFT, DRIVE	1	1	
21	99009-17400	CIRCLIP	1	1	
22	2HX-46180-00	CROSS JOINT COMP.	1	1	
23	22F-46187-00	.SPIDER	1	1	
24	93311-20952	.BEARING	2	2	
25	99009-17500	.CIRCLIP	2	2	
26	93311-20952	BEARING	2	2	
27	99009-17500	CIRCLIP	2	2	

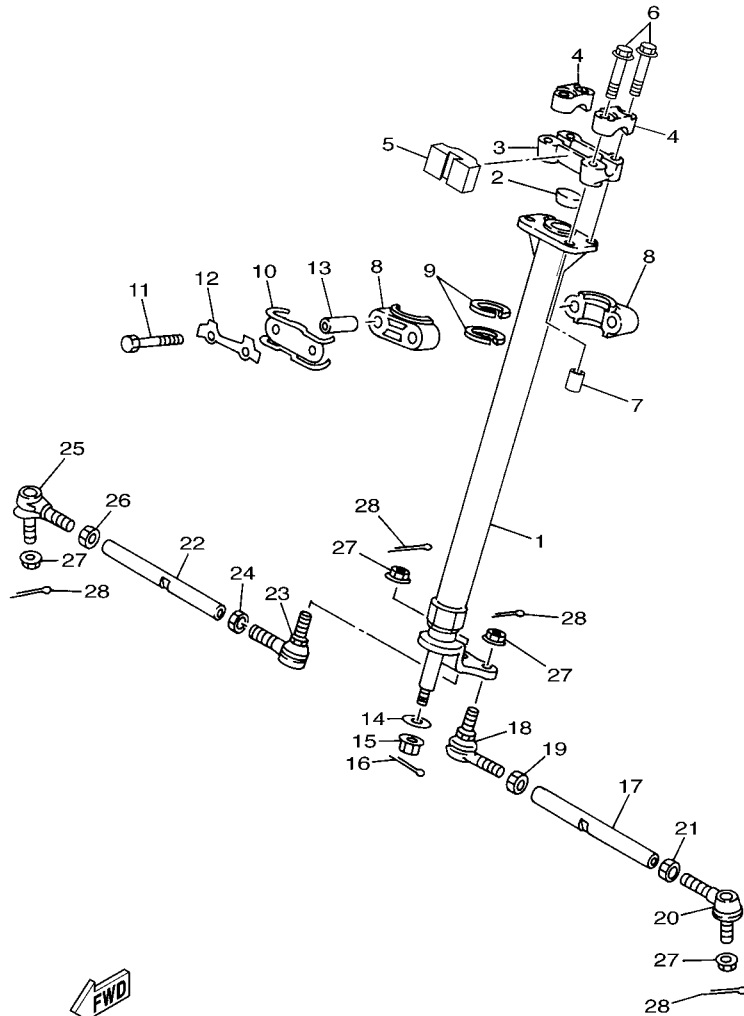


3GB2110-9200





FIG. 22 STEERING

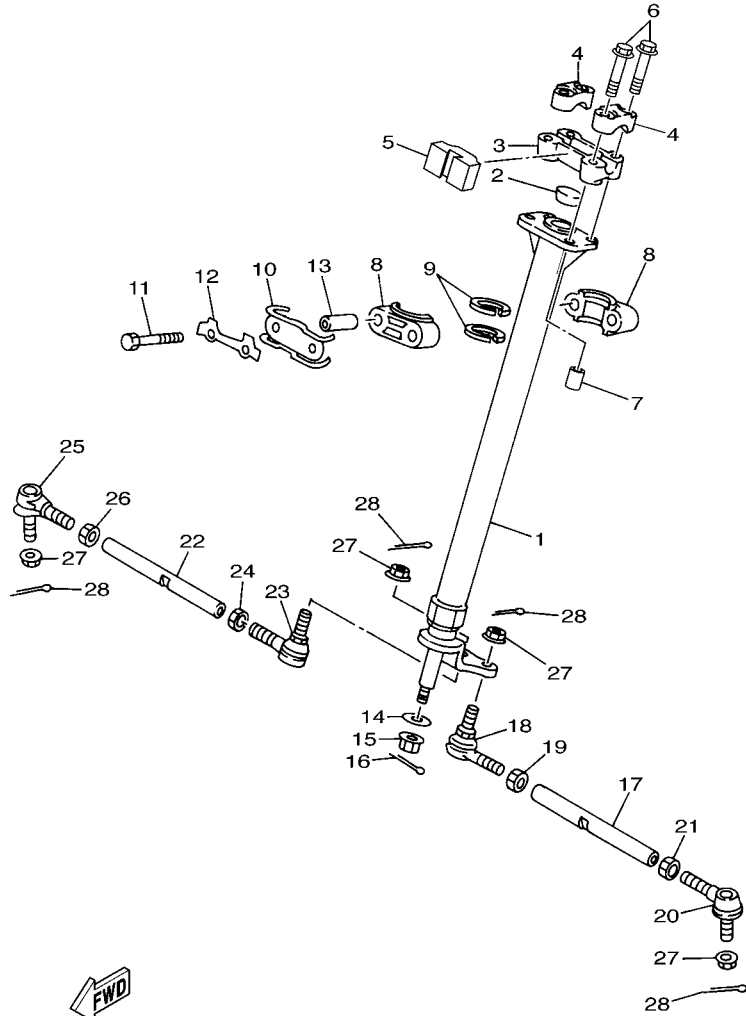


2D31100-D220

REF. NO.	PART NO.	DESCRIPTION	USA	CAN	REMARKS
1	4EM-23813-10	COLUMN, STEERING 2	1	1	
2	90336-28053	PLUG, TAPER	1	1	
3	8G5-23814-00	HOLDER, HANDLE UNDER	1	1	
4	8K1-23814-00	HOLDER, HANDLE	2	2	
5	2D3-23858-00	SPACER	1	1	
6	95827-08055	BOLT, FLANGE	4	4	
7	90445-11418	HOSE (L18)	1	1	
8	1UY-23812-00	PLANE BEARING, STEERING	2	2	
9	93112-31011	OIL SEAL	2	2	
10	3GB-23868-00	BRACKET, STEERING LOWER	1	1	
11	97027-08060	BOLT	2	2	
12	1UY-23894-01	WASHER, LOCK 1	1	1	
13	90387-090R0	COLLAR	2	2	
14	90201-10774	WASHER, PLATE	1	1	
15	90185-10115	NUT, SELF-LOCKING	1	1	
16	91401-20020	PIN, COTTER	1	1	
17	3GB-23831-00	ROD, TIE	1	1	
18	55X-23841-01	JOINT, UNIVERSAL 1	1	1	
19	95307-10700	NUT	1	1	
20	52H-23845-01	JOINT, UNIVERSAL 2	1	1	
21	90170-10186	NUT	1	1	(L.H. THREAD)
22	3GB-23831-00	ROD, TIE	1	1	
23	55X-23841-01	JOINT, UNIVERSAL 1	1	1	
24	95307-10700	NUT	1	1	
25	52H-23845-01	JOINT, UNIVERSAL 2	1	1	
26	90170-10186	NUT	1	1	(L.H. THREAD)
27	90185-10115	NUT, SELF-LOCKING	4	4	



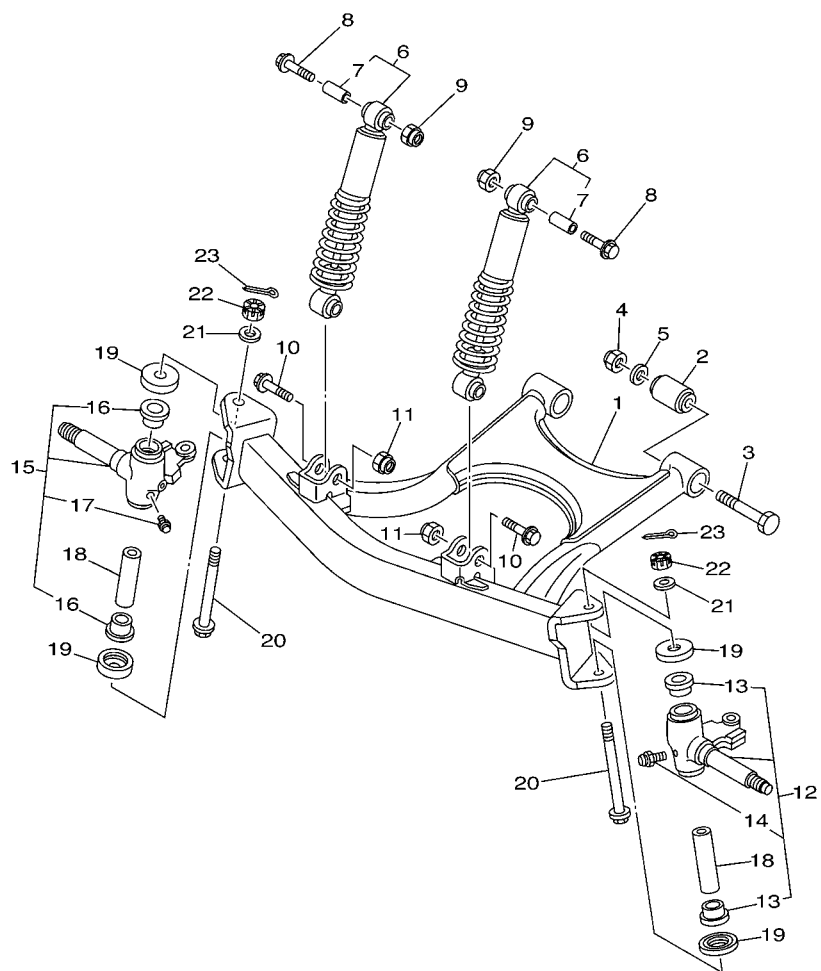
FIG. 22 STEERING



2D31100-D220

REF. NO.	PART NO.	DESCRIPTION	USA	CAN			REMARKS
28	91401-20020	PIN, COTTER	4	4			

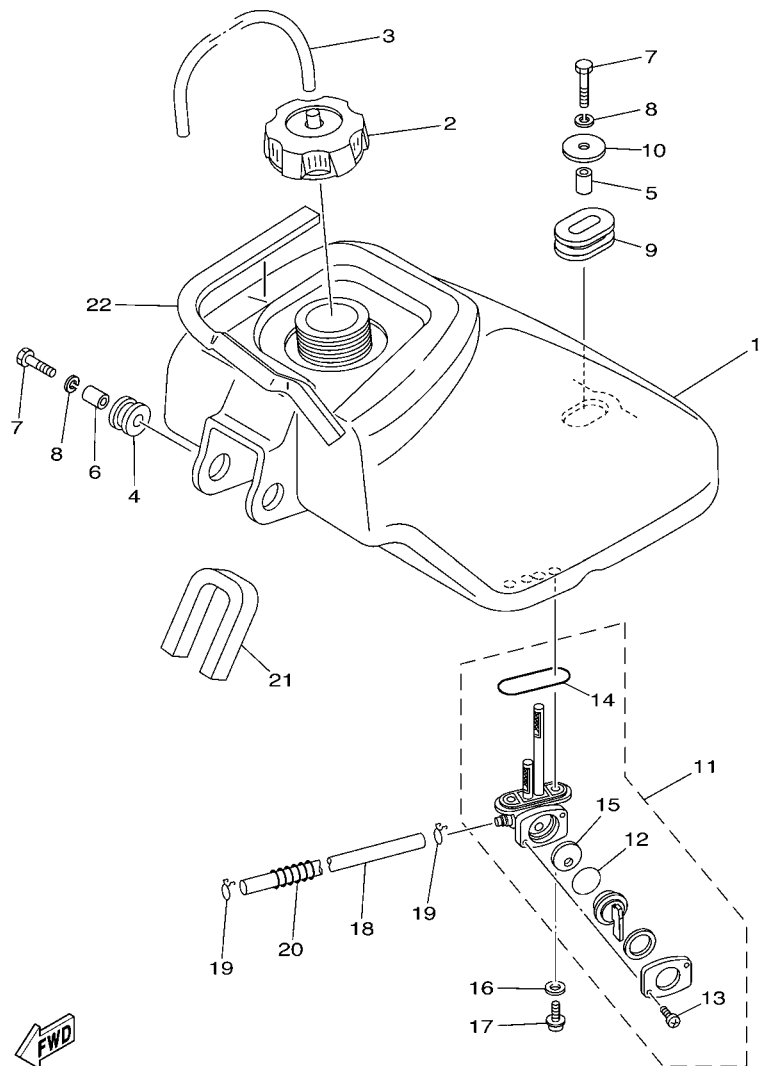
**FIG. 23 FRONT SUSPENSION & WHEEL**



REF. NO.	PART NO.	DESCRIPTION	USA	CAN	REMARKS
1	3GB-23570-00-33	FRONT LOWER ARM COMP.	1	1	YB
2	307-22123-00	BUSH 1	2	2	
3	90101-12498	BOLT	2	2	
4	90185-12046	NUT, SELF-LOCKING	2	2	
5	90201-12688	WASHER, PLATE	2	2	
6	2HX-23350-00-33	SHOCK ABSORBER ASSY	2	2	YB
7	2HX-2331U-00	.COLLAR, DISTANCE	1	1	
8	90105-10561	BOLT, FLANGE	2	2	
9	90185-10091	NUT, SELF-LOCKING	2	2	
10	90105-12460	BOLT, FLANGE	2	2	
11	90185-12046	NUT, SELF-LOCKING	2	2	
12	3GB-23501-10	STEERING KNUCKLE ASSY (LEFT)	1	1	
13	90381-17067	.BUSH, SOLID	2	2	
14	93700-06004	.NIPPLE, GREASE	1	1	
15	3GB-23502-10	STEERING KNUCKLE ASSY (RIGHT)	1	1	
16	90381-17067	.BUSH, SOLID	2	2	
17	93700-06004	.NIPPLE, GREASE	1	1	
18	3GB-23448-00	SPACER	2	2	
19	2NL-23517-00	COVER, THRUST 1	4	4	
20	90109-104A8	BOLT	2	2	
21	90201-08759	WASHER, PLATE	2	2	
22	90171-10004	NUT, CASTLE	2	2	
23	91401-20020	PIN, COTTER	2	2	

  
4EMT100-0230

FIG. 24 FUEL TANK

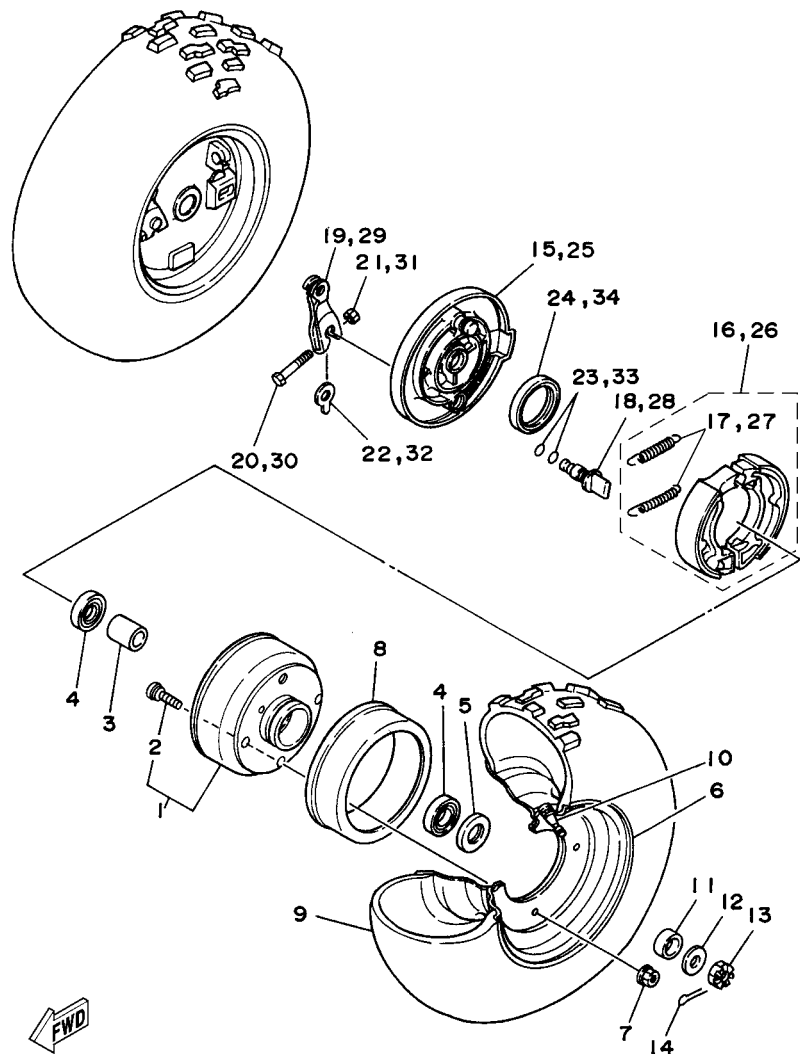


2D31100-D240

REF. NO.	PART NO.	DESCRIPTION	USA	CAN	REMARKS
1	2HX-24110-00	FUEL TANK COMP.	1	1	
2	2FJ-24610-00	CAP ASSY	1	1	
3	90445-083J4	HOSE (L340)	1	1	
4	90480-18290	GROMMET	2	2	
5	90387-07598	COLLAR	1	1	
6	90387-066J1	COLLAR	2	2	
7	97027-06030	BOLT	3	3	
8	92907-06100	WASHER, SPRING	3	3	
9	90480-01400	GROMMET	1	1	
10	90201-060L5	WASHER, PLATE	1	1	
11	55X-24500-02	FUEL COCK ASSY 1	1	1	
12	3AJ-24534-01	.SEAL, COCK	1	1	
13	98507-03008	.SCREW, PAN HEAD	2	2	
14	4X8-24512-00	.O-RING	1	1	
15	3AC-24523-00	.VALVE PACKING	1	1	
16	90202-05193	WASHER, PLATE	2	2	
17	90149-06011	SCREW	2	2	
18	90445-10638	HOSE (L145)	1	1	
19	90467-09006	CLIP	2	2	
20	90504-06030	SPRING, COMPRESSION	1	1	
21	2HX-24181-00	DAMPER, LOCATING 1	1	1	
22	5TH-2414H-00	DAMPER, PLATE 1	1	1	



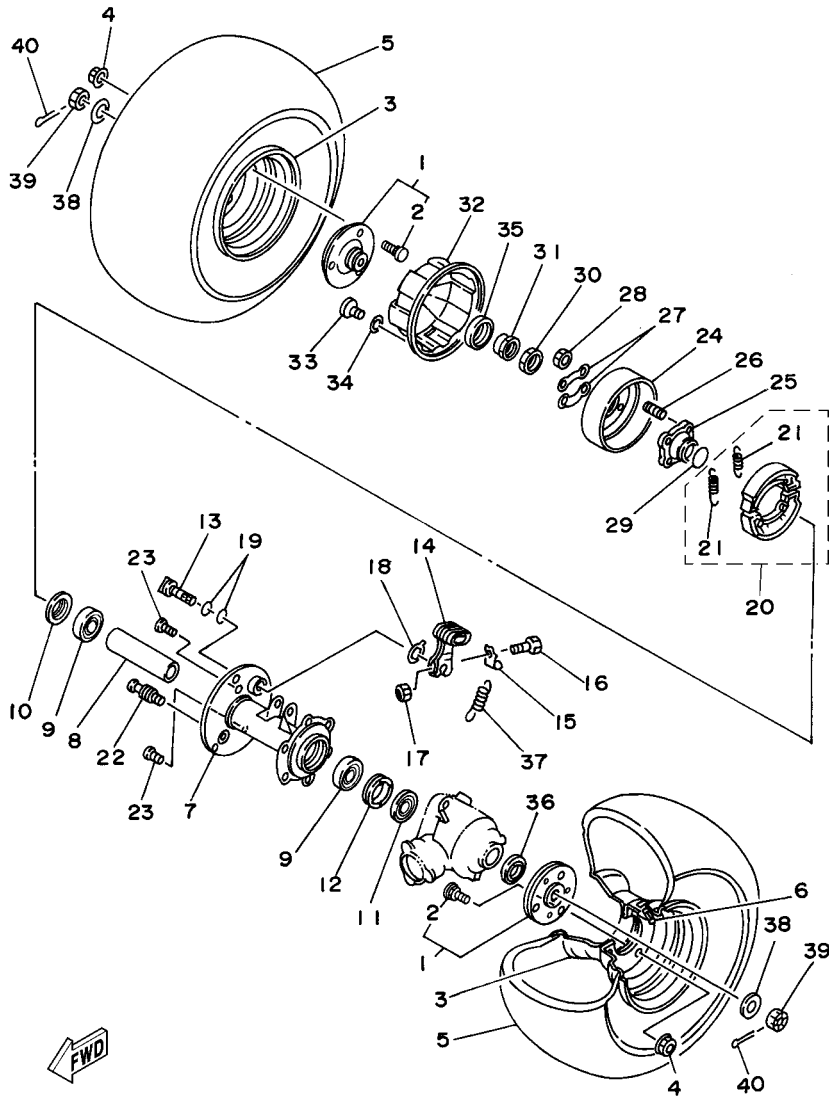
FIG. 26 FRONT WHEEL



5TH5100-B260

REF. NO.	PART NO.	DESCRIPTION	USA	CAN	REMARKS
1	2FJ-25111-00	HUB, FRONT	2	2	
2	90109-08745	.BOLT	4	4	
3	3FA-25117-00	SPACER, BEARING	2	2	
4	93306-00308	BEARING	4	4	
5	93102-23275	OIL SEAL	2	2	
6	2FJ-25180-00-35	WHEEL COMP.	2	2	SL
7	95707-08500	NUT, FLANGE	8	8	
8	3GB-25185-00	RING 1	2	2	
9	94107-07009	TIRE (AT18X7-7 *KT586T/L N)	2	2	DUNLOP
10	93900-00022	VALVE, RIM (TR413)	2	2	TAIHEIYO
11	90387-175R2	COLLAR	2	2	
12	90201-14586	WASHER, PLATE	2	2	
13	90171-14020	NUT, CASTLE	2	2	
14	91401-30025	PIN, SPLIT	2	2	
15	2FJ-25121-00	PLATE, BRAKE SHOE	1	1	
16	4KN-W253E-11	BRAKE SHOE KIT	1	1	
17	90506-15260	.SPRING, TENSION	2	2	
18	3GB-25151-00	CAMSHAFT	1	1	
19	2FJ-25155-00	LEVER, CAMSHAFT 1	1	1	
20	90101-06278	BOLT	1	1	
21	95307-06600	NUT	1	1	
22	52H-2513A-00	PLATE, INDICATOR	1	1	
23	93210-12327	O-RING	2	2	
24	93102-40367	OIL SEAL	1	1	
25	2FJ-25169-00	PLATE, BRAKE SHOE 2	1	1	
26	4KN-W253E-11	BRAKE SHOE KIT	1	1	
27	90506-15260	.SPRING, TENSION	2	2	





5TH5100-B270

FIG. 27 REAR WHEEL

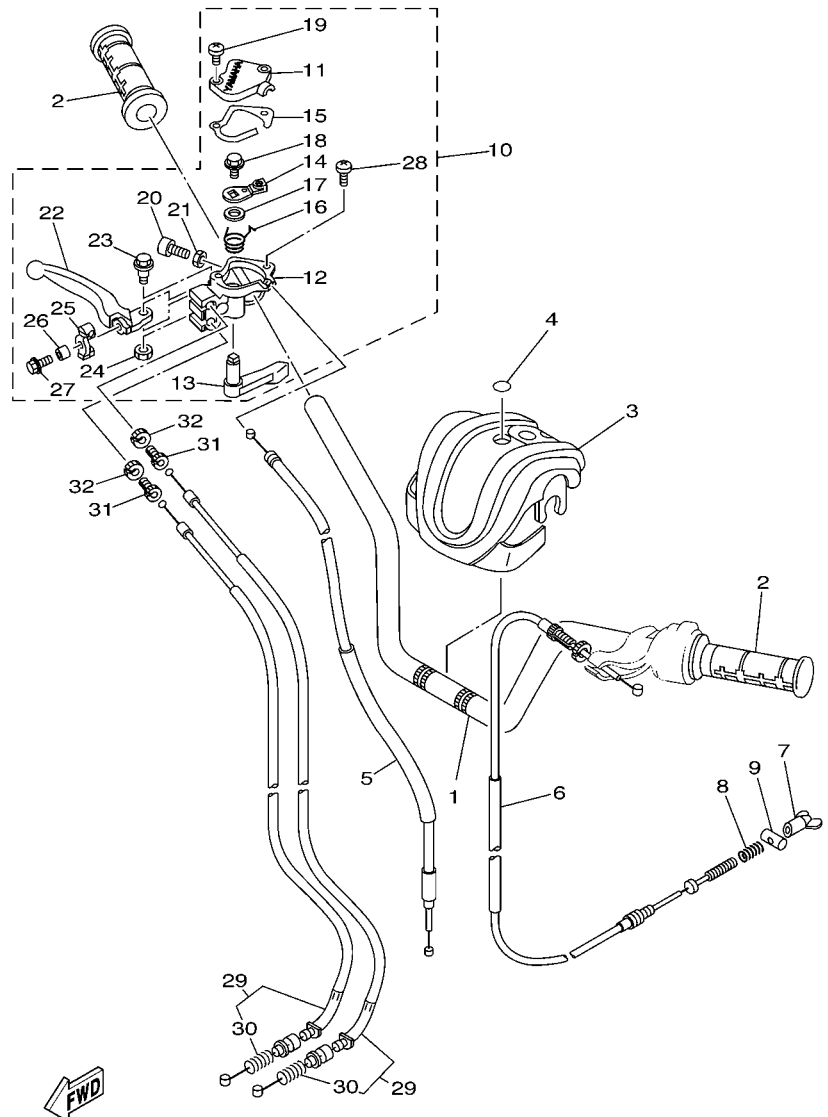
REF. NO.	PART NO.	DESCRIPTION	USA	CAN	REMARKS
1	55X-25383-10	COLLAR, WHEEL	2	2	
2	90114-08001	.BOLT, SERRATION	3	3	
3	2FJ-25390-00-35	REAR WHEEL COMP.	2	2	SL
4	95707-08500	NUT, FLANGE	6	6	
5	94108-07009	TIRE (AT18X8-7**KT587T/L N)	2	2	DUNLOP
6	93900-00022	VALVE, RIM (TR413)	2	2	TAIHEIYO
7	3GB-25311-00-33	HUB, REAR	1	1	YB
8	3GB-25317-00	SPACER, BEARING	1	1	
9	93306-00612	BEARING	2	2	
10	93102-38383	OIL SEAL	1	1	
11	93102-36409	OIL SEAL	1	1	
12	3GB-25382-00	NUT, AXLE	1	1	
13	3Y6-25351-00	CAMSHAFT	1	1	
14	55X-25355-00	LEVER, CAMSHAFT	1	1	
15	55X-2533H-00	HOOK, SPRING	1	1	
16	90101-06562	BOLT	1	1	
17	95307-06600	NUT	1	1	
18	23F-2533A-00	PLATE, INDICATOR	1	1	
19	93210-14104	O-RING	2	2	
20	3FA-W253E-00	BRAKE SHOE KIT	1	1	
21	90506-15260	.SPRING, TENSION	2	2	
22	3GB-25326-00	PIN, PIVOT	1	1	
23	90114-10005	BOLT, SERRATION	2	2	
24	3GB-2531E-00	DRUM, BRAKE	1	1	
25	3GB-25343-10	BOSS	1	1	
26	90116-08507	BOLT, STUD	4	4	
27	390-25412-01	WASHER	2	2	

D6





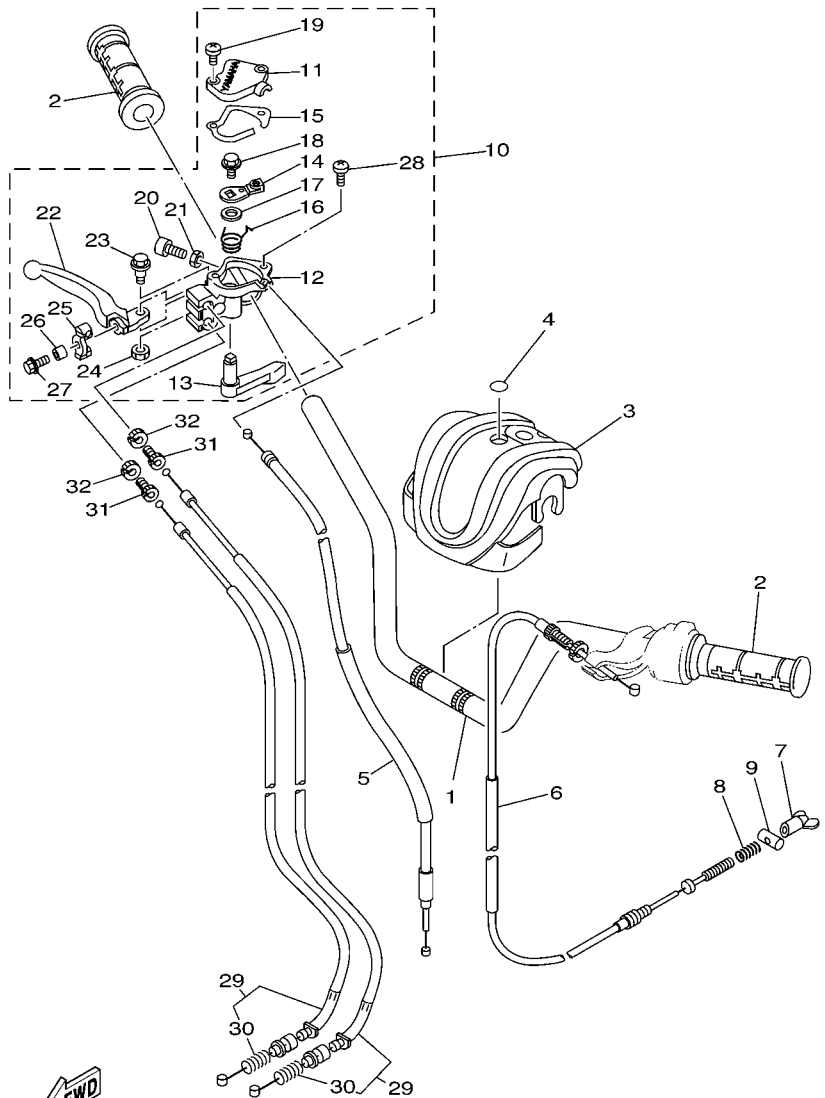
**FIG. 28 STEERING HANDLE & CABLE**



5TH1100-2280

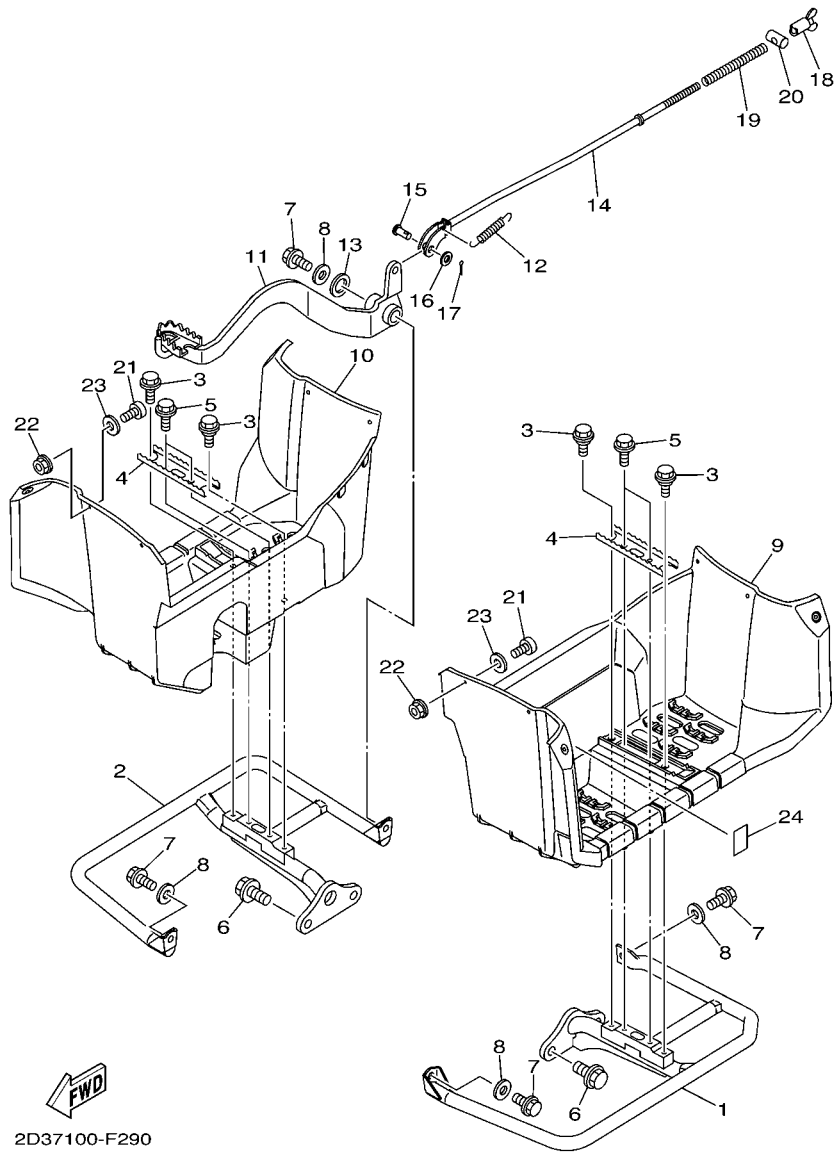
REF. NO.	PART NO.	DESCRIPTION	USA	CAN	REMARKS
1	3GB-26111-00	HANDLEBAR	1	1	
2	5LP-26241-00	GRIP	2	2	
3	5TH-26124-30	PROTECTOR, HANDLEBAR	1	1	UR FOR PDG
	5TH-26124-40	PROTECTOR, HANDLEBAR	1	1	UR FOR DPBSN
4	5GT-2836B-10	TUNING FORK MARK	1	1	
5	3GB-26311-02	CABLE, THROTTLE 1	1	1	
6	3GB-26341-01	CABLE, BRAKE	1	1	
7	20E-26343-00	NUT, ADJUSTING	1	1	
8	90501-10782	SPRING, COMPRESSION	1	1	
9	90249-12008	PIN	1	1	
10	5TH-26250-01	THROTTLE LEVER ASSY	1	1	
11	3GB-2628F-00	.CAP, GEAR	1	1	
12	3GB-2625E-01	.BODY, THROTTLE	1	1	
13	3GB-2625G-00	.LEVER, THROTTLE	1	1	
14	3GB-2625H-00	.ARM, THROTTLE	1	1	
15	3GB-2628G-02	.GASKET	1	1	
16	90508-10775	.SPRING, TORSION	1	1	
17	90201-145M4	.WASHER, PLATE	1	1	
18	95807-08012	.BOLT, FLANGE	1	1	
19	98507-04016	.SCREW, PAN HEAD	2	2	
20	91317-05025	.BOLT	1	1	
21	95307-05700	.NUT	1	1	
22	5TH-83922-00	.LEVER 2	1	1	
23	90109-061F3	.BOLT	1	1	
24	95607-06100	.NUT, U	1	1	
25	3GB-26347-00	.JOINT, CABLE	1	1	
26	90387-066V8	.COLLAR	1	1	

FIG. 28 STEERING HANDLE & CABLE



5TH1100-2280

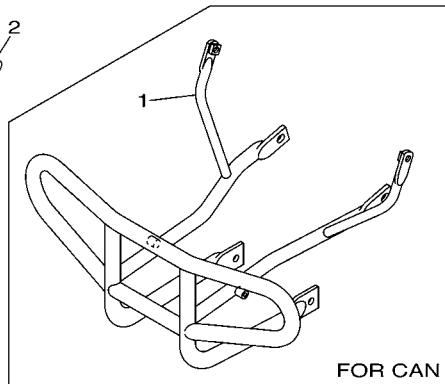
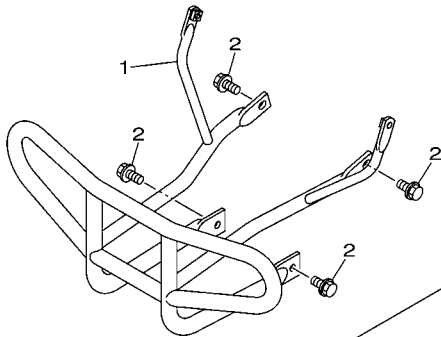
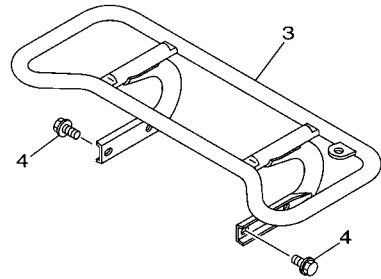
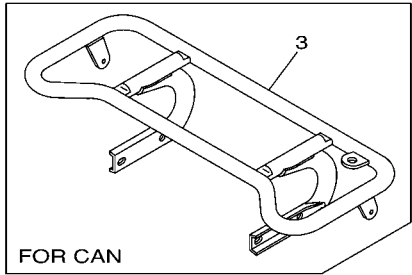
REF. NO.	PART NO.	DESCRIPTION	USA	CAN	REMARKS
27	95807-06016	.BOLT, FLANGE	1	1	
28	98507-06020	.SCREW, PAN HEAD	1	1	
29	3GB-26361-03	CABLE, BRAKE	2	2	
30	90501-08511	.SPRING, COMPRESSION	1	1	
31	90123-08106	BOLT	2	2	
32	90179-08148	NUT	2	2	



2D37100-F290

FIG. 29 STAND & FOOTREST

REF. NO.	PART NO.	DESCRIPTION	USA	CAN	REMARKS
1	2D3-27411-10	FOOTREST 1	1	1	
2	2D3-27421-10	FOOTREST 2	1	1	
3	90109-063F1	BOLT	4	4	
4	2D3-2741A-00	ARM 1	2	2	
5	95807-06012	BOLT, FLANGE	4	4	
6	95817-12020	BOLT, FLANGE	4	4	
7	95027-08014	BOLT, FLANGE	4	4	
8	90201-086P8	WASHER, PLATE	4	4	
9	2D3-27453-01	COVER 1	1	1	
10	2D3-27463-01	COVER 2	1	1	
11	2D3-27211-10	PEDAL, BRAKE	1	1	
12	90506-16318	SPRING, TENSION	1	1	
13	90201-15797	WASHER, PLATE	1	1	
14	3GB-27231-00	ROD, BRAKE	1	1	
15	90240-06076	PIN, CLEVIS	1	1	
16	92907-06200	WASHER	1	1	
17	91401-20012	PIN, COTTER	1	1	
18	20E-26343-00	NUT, ADJUSTING	1	1	
19	90501-10245	SPRING, COMPRESSION	1	1	
20	90249-12008	PIN	1	1	
21	98907-05016	SCREW, BIND	12	12	
22	95707-05300	NUT, FLANGE	12	12	
23	90201-05029	WASHER, PLATE	12	12	
24	4EM-15443-01	EMBLEM	1	1	



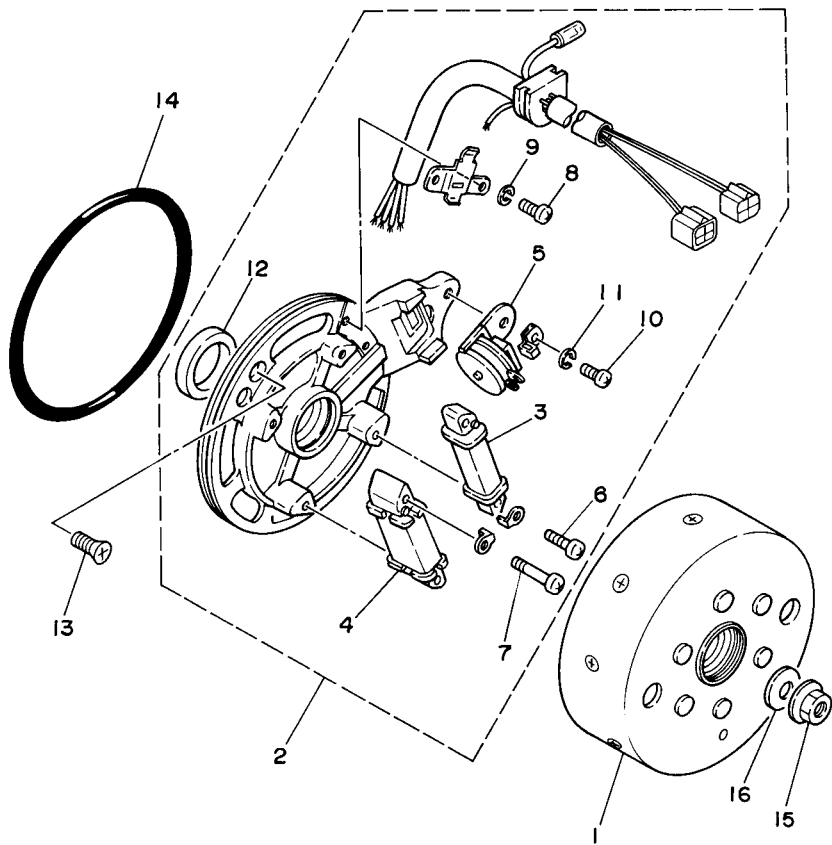
  
2D31100-D300

**FIG. 30 GUARD**

REF. NO.	PART NO.	DESCRIPTION	USA	CAN				REMARKS
1	2D3-2845N-00	BAR, CARRY FRONT	1					
	2D3-2845N-10	BAR, CARRY FRONT		1				
2	95817-08014	BOLT, FLANGE	4	4				
3	2D3-24842-00	CARRIER, REAR	1					
	2D3-24842-10	CARRIER, REAR		1				
4	95817-08012	BOLT, FLANGE	4	4				
<hr/>								
<hr/>								
<hr/>								
<hr/>								
<hr/>								
<hr/>								
<hr/>								
<hr/>								
<hr/>								
<hr/>								

**FIG. 31 GENERATOR**

REF. NO.	PART NO.	DESCRIPTION	USA	CAN	REMARKS
1	2FM-85550-M1	ROTOR ASSY	1	1	
2	4EM-85560-10	BASE ASSY	1	1	
3	5G3-85520-M1	.COIL, CHARGE	1	1	
4	55X-81313-M0	.COIL, LIGHTING 1	1	1	
5	22K-85595-M0	.COIL, PULSER	1	1	
6	98511-04012	.SCREW, PAN HEAD	2	2	
7	98511-04020	.SCREW, PAN HEAD	2	2	
8	98501-04006	.SCREW, PAN HEAD	2	2	
9	92901-04100	.WASHER, SPRING	2	2	
10	98501-05010	.SCREW, PAN HEAD	1	1	
11	92901-05100	.WASHER, SPRING	1	1	
12	93102-19276	.OIL SEAL	1	1	
13	98707-06016	SCREW, FLAT HEAD	2	2	
14	93211-02703	O-RING	1	1	
15	90179-10394	NUT	1	1	
16	90201-101A4	WASHER, PLATE	1	1	



**FWD**  
4EM9100-5320

**D12**



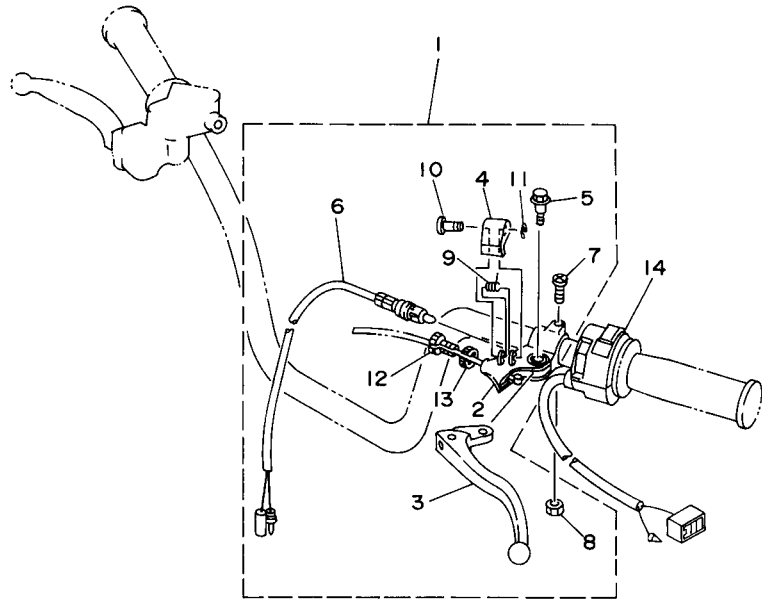
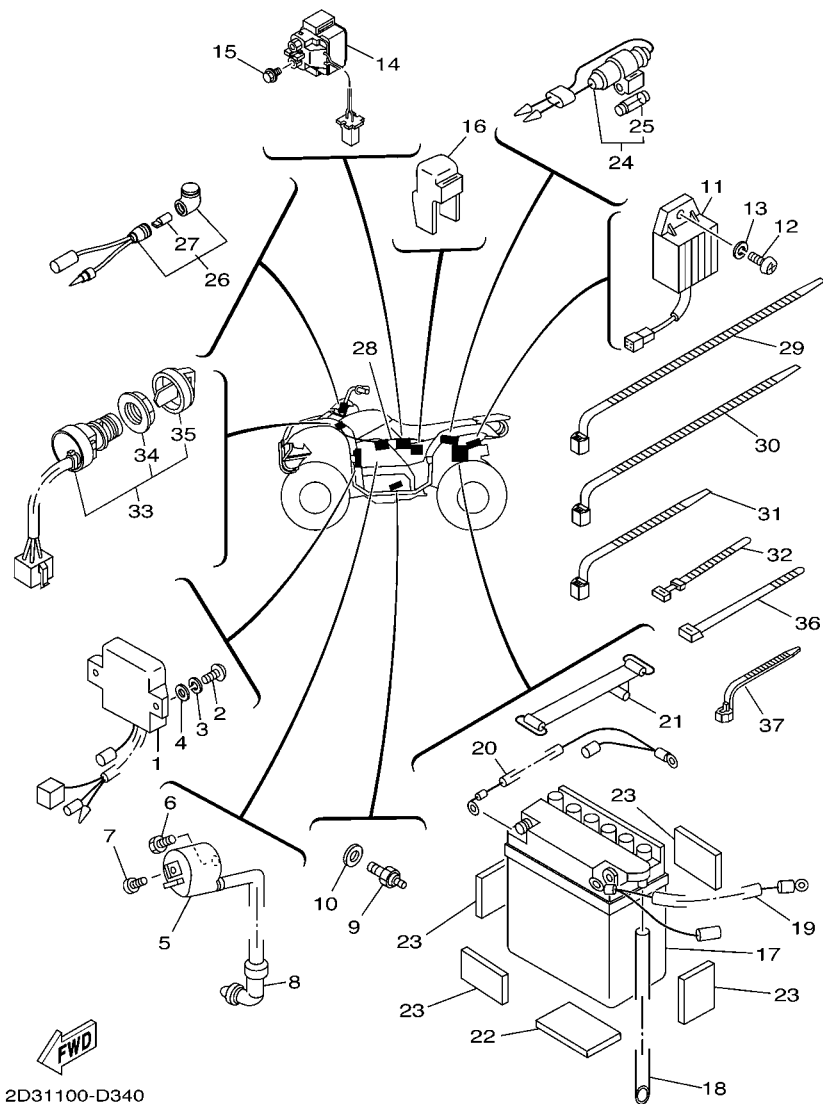


FIG. 33 HANDLE SWITCH & LEVER

REF. NO.	PART NO.	DESCRIPTION	USA	CAN				REMARKS
1	5TH-82910-01	LEVER HOLDER ASSY (LEFT)	1	1				
2	3FA-82911-01	.HOLDER, LEVER 1	1	1				
3	23X-83912-00	.LEVER 1	1	1				
4	3FA-83965-00	.LEVER, LOCK	1	1				
5	90109-06799	.BOLT	1	1				
6	1YW-83980-00	.FRONT STOP SWITCH ASSY	1	1				
7	98507-06020	.SCREW, PAN HEAD	1	1				
8	95607-06100	.NUT, U	1	1				
9	3FA-83966-00	.SPRING, RETURN	1	1				
10	3FA-83967-00	.PIN, LOCK 1	1	1				
11	3FA-26466-00	.RING, SNAP	1	1				
12	90123-08046	.BOLT	1	1				
13	90179-08148	.NUT	1	1				
14	4EM-83975-00	SWITCH, HANDLE 2	1	1				

  
4EM9100-5340

FIG. 34 ELECTRICAL 1



2D31100-D340

REF. NO.	PART NO.	DESCRIPTION	USA	CAN	REMARKS
1	4EM-85540-10	C.D.I. UNIT ASSY	1	1	
2	98507-06020	SCREW, PAN HEAD	2	2	
3	92907-06100	WASHER, SPRING	2	2	
4	92907-06600	WASHER, PLATE	2	2	
5	4KJ-82310-10	IGNITION COIL ASSY	1	1	
6	97007-06016	BOLT	1	1	
7	90153-06034	SCREW, HEXAGON	1	1	
8	55X-82370-00	PLUG CAP ASSY	1	1	
9	3GB-82540-01	NEUTRAL SWITCH ASSY	1	1	
10	90430-10148	GASKET	1	1	
11	5TH-81960-01	RECTIFIER & REGULATOR ASSY	1	1	
12	98507-06016	SCREW, PAN HEAD	1	1	
13	92907-06100	WASHER, SPRING	1	1	
14	3MW-81940-01	STARTER RELAY ASSY	1	1	
15	95027-06008	BOLT, FLANGE	2	2	
16	1RL-81950-92	RELAY ASSY	1	1	
17	55X-82110-61	BATTERY ASSY (GS 12N7D-3B)	1	1	
18	90445-085E0	HOSE (L450)	1	1	
19	55X-82115-01	WIRE, PLUS LEAD	1	1	
20	3GB-82116-00	WIRE, MINUS LEAD	1	1	
21	4J2-82131-01	BAND, BATTERY	1	1	
22	55X-82122-00	SEAT, BATTERY	1	1	
23	29W-82123-00	SEAT, BATTERY	4	4	
24	3GB-82150-00	FUSE HOLDER ASSY	1	1	
25	3GB-82151-00	.FUSE (5A)	2	2	
26	4KB-83530-00	PILOT LIGHT ASSY	1	1	GREEN (NEUTRAL)
27	5GH-83516-00	.BULB (14V-1.7W)	1	1	







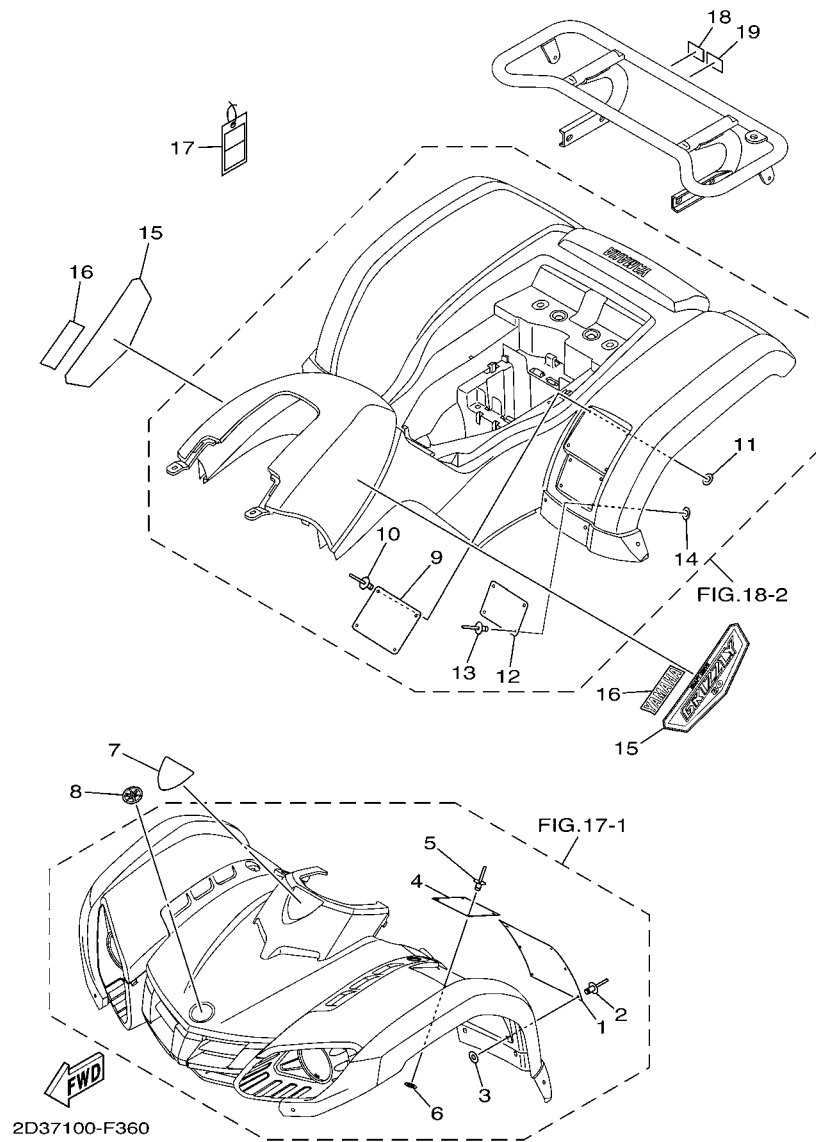


FIG. 36 EMBLEM & LABEL 1

REF. NO.	PART NO.	DESCRIPTION	USA	CAN	REMARKS
1	5FE-21568-01	LABEL, WARNING	1		ENGLISH
2	90267-32004	RIVET, BLIND	6		
3	90201-03313	WASHER, PLATE	6		
4	4EM-21697-31	LABEL, CAUTION 2	1		ENGLISH
5	90267-32004	RIVET, BLIND	4		
6	90201-03313	WASHER, PLATE	4		
7	3B4-26232-00	EMBLEM 3D	1		
8	5KM-2175B-00	TUNING FORK MARK	1		
9	4EM-21696-11	LABEL, CAUTION	1		ENGLISH
10	90267-32004	RIVET, BLIND	4		
11	90201-03313	WASHER, PLATE	4		
12	5FE-2151H-01	LABEL 5	1		ENGLISH
13	90267-32004	RIVET, BLIND	4		
14	90201-03313	WASHER, PLATE	4		
15	2D3-2173E-70	GRAPHIC 1	2		
16	4ES-2153E-30	EMBLEM, YAMAHA	2		
17	4EM-2819R-00	TAG, WARNING	1		
18	3MX-24875-A0	LABEL 1	1		ENGLISH
19	3LD-24877-A0	LABEL, CAUTION	1		ENGLISH

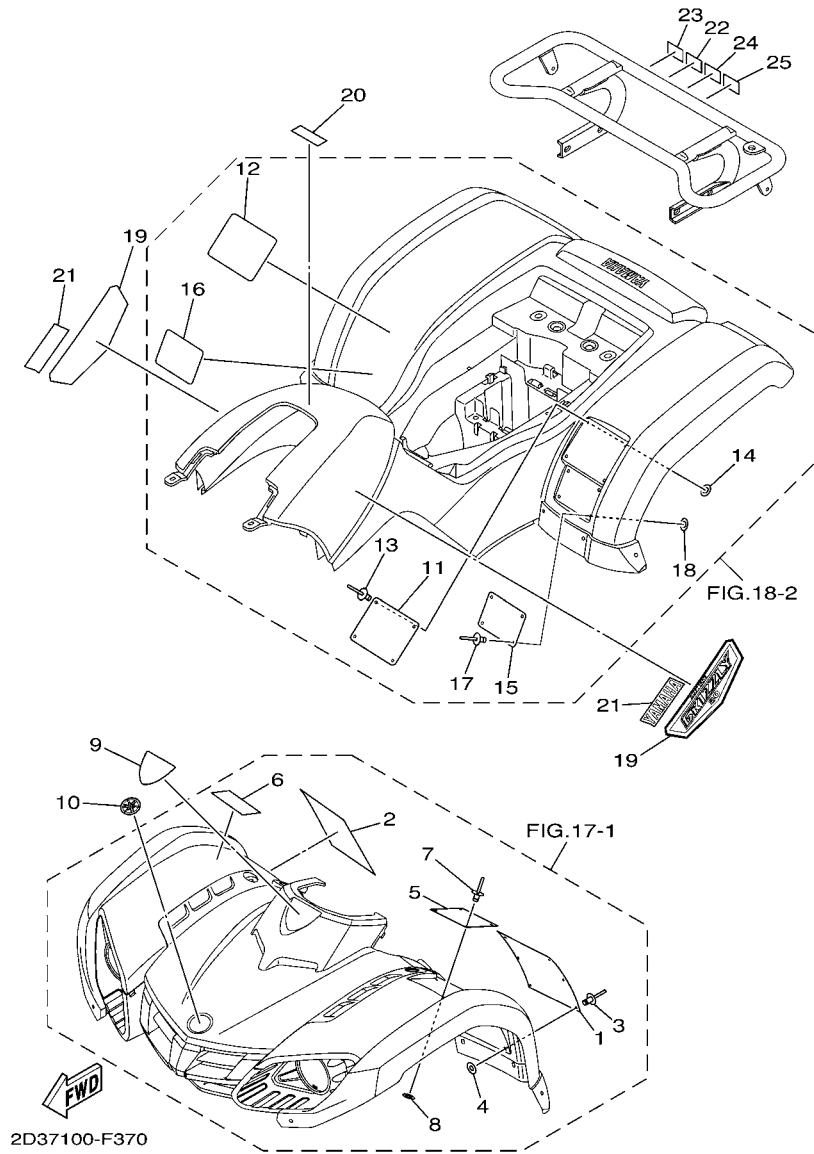


FIG. 37 EMBLEM & LABEL 2

REF. NO.	PART NO.	DESCRIPTION	USA	CAN	REMARKS
1	5FE-21568-01	LABEL, WARNING		1	ENGLISH
2	4WU-21568-10	LABEL, WARNING		1	FRENCH
3	90267-32004	RIVET, BLIND		6	
4	90201-03313	WASHER, PLATE		6	
5	4EM-21697-31	LABEL, CAUTION 2		1	ENGLISH
6	4EM-21697-20	LABEL, CAUTION 2		1	FRENCH
7	90267-32004	RIVET, BLIND		4	
8	90201-03313	WASHER, PLATE		4	
9	3B4-26232-00	EMBLEM 3D		1	
10	5KM-2175B-00	TUNING FORK MARK		1	
11	4EM-21696-11	LABEL, CAUTION		1	ENGLISH
12	4EM-21696-B0	LABEL, CAUTION		1	FRENCH
13	90267-32004	RIVET, BLIND		4	
14	90201-03313	WASHER, PLATE		4	
15	5FE-2151H-01	LABEL 5		1	ENGLISH
16	4WU-2151H-10	LABEL 5		1	FRENCH
17	90267-32004	RIVET, BLIND		4	
18	90201-03313	WASHER, PLATE		4	
19	2D3-2173E-70	GRAPHIC 1		2	
20	4SH-2416E-00	LABEL, CAUTION CANADA		1	ENGLISH
21	4ES-2153E-30	EMBLEM, YAMAHA		2	
22	3MX-24875-A0	LABEL 1		1	ENGLISH
23	3MX-24875-B0	LABEL 1		1	FRENCH
24	3LD-24877-A0	LABEL, CAUTION		1	ENGLISH
25	3LD-24877-B0	LABEL, CAUTION		1	FRENCH

NUMERICAL INDEX

PART NO.	GRID NO.	PART NO.	GRID NO.	PART NO.	GRID NO.	PART NO.	GRID NO.	PART NO.	GRID NO.	PART NO.	GRID NO.
35T-11110-01	B - 2	2HX-14112-35	B - 7	3GB-15461-00	B - 11	22F-18531-00	C - 3	8K1-23814-00	C - 13	55X-25355-00	D - 6
22F-11134-10	B - 2	260-14131-00	B - 7	2HX-15517-10	B - 12	4EM-18540-00	C - 3	3GB-23831-00	C - 13	3GB-25367-00	D - 7
2D3-11166-00	B - 10	4EM-14141-78	B - 8	2HX-15520-00	B - 12	136-18542-00	C - 3	55X-23841-01	C - 13	3GB-25382-00	D - 6
59V-11167-00	B - 10	22F-14142-12	B - 7	22M-15570-10	B - 12	296-18561-00	C - 3	52H-23845-01	C - 13	55X-25383-10	D - 6
55X-11181-00	B - 2	55X-14146-00	B - 7	22M-15580-10	B - 12	22F-18562-01	C - 3	2D3-23858-00	C - 13	2FJ-25390-00-35	D - 6
22F-11185-10	B - 2	22K-14147-00	B - 7	3AY-15583-00	B - 12	2D3-21110-10	C - 5	3GB-23868-00	C - 13	390-25412-01	D - 6
22F-11186-10	B - 2	18A-1414E-30	B - 7	22K-16111-00	B - 13	5TH-21268-01	C - 5	1UY-23894-01	C - 13	3GB-25715-00	D - 7
812-11198-00	B - 6	22F-14150-00	B - 8	3GB-16150-00	B - 13	5FE-2151H-01	E - 4	2HX-24110-00	D - 2	3GB-26111-00	D - 8
214-11198-01	C - 10	802-14161-00	B - 7	22F-16153-40	B - 13		E - 5	5TH-2414H-00	D - 2	5TH-26124-30	D - 8
22K-11311-02	B - 2	22F-14169-00	B - 7	22F-16163-00	B - 14	4WU-2151H-10	E - 5	4SH-2416E-00	E - 5	5TH-26124-40	D - 8
22F-11351-01	B - 2	22F-14184-00	B - 7	122-16164-00	B - 13	4ES-2153E-30	E - 4	2HX-24181-00	D - 2	3B4-26232-00	E - 4
22K-11400-01	B - 3	22F-14185-00	B - 8	22F-16342-01	B - 14		E - 5	55X-24500-02	D - 2		E - 5
22K-11422-00	B - 3	127-14186-00	B - 7	22K-16356-00	B - 14	5FE-21568-01	E - 4	4X8-24512-00	D - 2	5LP-26241-00	D - 8
55X-11610-00	B - 3	12R-14191-00	B - 7	22F-16357-01	B - 13		E - 5	3AC-24523-00	D - 2	5TH-26250-01	D - 8
55X-11610-20	B - 3	24W-14193-00	B - 8	22F-16362-01	B - 14	4WU-21568-10	E - 5	3AJ-24534-01	D - 2	3GB-2625E-01	D - 8
55X-11610-40	B - 3	55X-14196-00	B - 8	22F-16382-00	B - 14	4EM-21696-11	E - 4	2FJ-24610-00	D - 2	3GB-2625G-00	D - 8
55X-11631-00-96	B - 3	26H-14197-00	B - 7	22F-16383-00	B - 14		E - 5	2D3-2470F-00	D - 3	3GB-2625H-00	D - 8
22K-11633-01	B - 3	55X-14198-00	B - 8	22F-16399-00	B - 14	4EM-21696-B0	E - 5	2D3-24710-00	D - 3	3GB-2628F-00	D - 8
55X-11636-00	B - 3	5TH-14412-00	C - 6	22K-16520-00	B - 13	4EM-21697-20	E - 5	4K0-24774-A0	D - 3	3GB-2628G-02	D - 8
55X-11638-00	B - 3	2D3-14419-00	C - 6	22F-16521-00	B - 13	4EM-21697-31	E - 4	4K0-24775-00	D - 3	3GB-26311-02	D - 8
22K-11651-02	B - 3	31A-14435-00	C - 6	3E5-16521-00	B - 13		E - 5	29J-24776-00	D - 3	3GB-26341-01	D - 8
22F-11681-00	B - 3	55X-14436-00	C - 6	22F-16524-01	B - 13	2D3-2173E-70	E - 4	2D3-24842-00	D - 11	20E-26343-00	D - 8
2D3-12111-00	B - 4	5TH-14436-00	C - 6	517-16524-10	B - 13		E - 5	2D3-24842-10	D - 11		D - 10
22F-12114-00	B - 4	2HX-14437-01	C - 6	517-16524-20	B - 13	5KM-2175B-00	E - 4	3MX-24875-A0	E - 4	3GB-26347-00	D - 8
22F-12116-00	B - 4	55X-14451-00	C - 6	517-16524-30	B - 13		E - 5		E - 5	3GB-26361-03	D - 9
22F-12117-02	B - 4	5TH-14452-00	C - 6	22F-16550-00	B - 13	5TH-2177C-10	C - 8	3MX-24875-B0	E - 5	3FA-26466-00	D - 14
22F-12118-01	B - 4	3GB-14453-00	B - 8	22K-16590-00	B - 13	3GB-22110-00-33	C - 9	3LD-24877-A0	E - 4	371-27114-00	D - 3
2HX-12119-00	B - 4	59V-14457-00	C - 6	2HX-17121-00	B - 15	307-22123-00	C - 15		E - 5	2D3-27211-10	D - 10
2D3-12121-00	B - 4	55X-14458-00	C - 6	55X-17131-00	B - 15	3GB-22123-00	C - 5	3LD-24877-B0	E - 5	3GB-27231-00	D - 10
22F-12151-10	B - 4	55X-14472-01	C - 6	3GB-17211-00	B - 15	3GB-22155-00	C - 5	2FJ-25111-00	D - 4	2D3-27411-10	D - 10
22F-12156-00	B - 4	5TH-14477-00	C - 6	55X-17231-00	B - 15	3GB-22156-00	C - 9	3FA-25117-00	D - 4	2D3-2741A-00	D - 10
22F-12159-00	B - 4	3DM-14613-00	B - 9	55X-17241-00	B - 15	55X-22189-00	C - 9	2FJ-25121-00	D - 4	2D3-27421-10	D - 10
55X-12170-00	B - 5	22F-14651-00	B - 2	3GB-17402-00	B - 15	3GB-2219X-00	C - 9	52H-2513A-00	D - 4	2D3-27453-01	D - 10
50M-12176-00	B - 5	5TH-14711-00	B - 9	2HX-17411-01	B - 15	3GB-22210-00-33	C - 12	3GB-25151-00	D - 4	2D3-27463-01	D - 10
22F-12217-01	B - 5	55X-14752-00	B - 9	3GB-17508-00	C - 2	59V-22216-00	C - 12	2FJ-25155-00	D - 4	3GB-28100-00	C - 5
22F-12231-01	B - 5	2HX-1490J-10	B - 7	22F-17531-00-15	C - 2	2HX-2331U-00	C - 15	2FJ-25156-00	D - 5	1NV-2811A-01	C - 5
22F-12241-00	B - 5	55X-14937-00	B - 8	22F-17531-00-30	C - 2	2HX-23350-00-33	C - 15	2FJ-25169-00	D - 4	4EM-2819R-00	E - 4
2FJ-13300-00	B - 6	22F-14991-00	B - 7	22F-17531-00-50	C - 2	2D3-23391-00	C - 7	2FJ-25180-00-35	D - 4	2D3-28309-00	C - 7
46J-13324-00	B - 3	2FJ-15100-01	B - 10	22F-17537-00	C - 2	3GB-23448-00	C - 15	22W-25181-01	C - 9	5GT-2836B-10	D - 8
46J-13325-00	B - 6	3GB-15362-00	C - 10	22F-17551-00	C - 2	3GB-23501-10	C - 15	3GB-25185-00	D - 4	2D3-2845N-00	D - 11
22F-13329-01	B - 6	55X-15362-04	B - 11	22F-17556-01	C - 2	3GB-23502-10	C - 15	3GB-25311-00-33	D - 6	2D3-2845N-10	D - 11
22F-13411-01	B - 6	2N4-15371-00	C - 10	22F-18101-03	C - 4	2NL-23517-00	C - 15	3GB-25317-00	D - 6	3GB-46110-20	C - 10
22M-13450-10	B - 12	22F-15383-01	B - 10	2D3-18110-10	C - 4	3GB-23570-00-33	C - 15	3GB-2531E-00	D - 6	3GB-46120-00	C - 10
55X-13586-00	B - 7	22F-15411-01	B - 11	132-18113-01	C - 4	2D3-23741-00	C - 6	3GB-25326-00	D - 6	22F-46123-01	C - 11
22K-13595-00	B - 7	22F-15417-00	B - 11	278-18127-01	C - 4	2D3-23742-00	C - 6	2FJ-2533A-00	D - 6	3GB-46151-00	C - 10
5TH-14101-10	B - 7	2FJ-15421-00	B - 11	29F-18140-00	C - 3	1UY-23812-00	C - 13	55X-2533H-00	D - 6	3GB-46172-01	C - 10
22F-14103-00	B - 7	4EM-15443-01	D - 10	2MK-18511-00	C - 3	4EM-23813-10	C - 13	3GB-25343-10	D - 6	2HX-46180-00	C - 10
22K-14104-00	B - 7	3GB-15451-00	B - 11	29F-18512-00	C - 3	8G5-23814-00	C - 13	3Y6-25351-00	D - 6	22F-46187-00	C - 10

NUMERICAL INDEX

PART NO.	GRID NO.	PART NO.	GRID NO.	PART NO.	GRID NO.	PART NO.	GRID NO.	PART NO.	GRID NO.	PART NO.	GRID NO.
55X-81313-M0	D - 12	22K-W1141-00	B - 3	90171-10004	C - 15	90249-12008	D - 10	90501-105A5	B - 13	93102-28022	C - 10
55X-81800-51	D - 13	22K-W1657-00	B - 13	90171-12001	D - 7	90267-32004	E - 4	90501-10710	B - 5	93102-35349	D - 7
22J-81801-50	D - 13	2D3-W2151-00	C - 6	90171-14020	D - 4		E - 5	90501-10782	D - 8	93102-36409	D - 6
55X-81826-50	D - 13	2D3-W2151-10	C - 6	90176-06065	B - 2	90267-50010	C - 6	90501-135A4	B - 13	93102-38383	D - 6
5J3-81846-50	D - 13	2D3-W215C-00	C - 6	90179-06387	B - 5	90269-07076	C - 6	90504-06030	D - 2	93102-40367	D - 4
22J-81847-50	D - 13	2D3-W215C-10	C - 6	90179-08148	D - 9	90280-03017	B - 3	90506-08122	C - 4	93104-10076	B - 14
5J3-81847-50	D - 13	2D3-W2161-00	C - 8		D - 14	90334-14037	B - 5	90506-15260	D - 4	93112-31011	C - 13
55X-81855-50	D - 13	2D3-W2161-10	C - 8	90179-10394	D - 12	90336-28053	C - 13		D - 6	93210-06564	B - 5
3MW-81940-01	D - 15	2D3-W216C-00	C - 8	90179-12248	C - 2	90340-12097	B - 6	90506-16318	D - 10		B - 10
1RL-81950-92	D - 15	2D3-W216C-10	C - 8	90179-12659	B - 13	90340-14132	C - 10	90507-15038	D - 7	93210-07003	C - 3
5TH-81960-01	D - 15	3FA-W253E-00	D - 6	90179-28009	D - 7	90340-18092	B - 5	90508-10775	D - 8	93210-12327	D - 4
55X-82110-61	D - 15	4KN-W253E-11	D - 4	90179-42480	C - 2	90380-07118	B - 14	90508-20454	D - 3	93210-14104	C - 10
55X-82115-01	D - 15	90101-06278	D - 4	90179-55464	C - 10	90381-15040	C - 5	90508-20576	C - 3		D - 6
3GB-82116-00	D - 15	90101-06562	D - 6	90183-05061	C - 7	90381-17067	C - 15	90508-32563	C - 4	93210-15414	C - 5
55X-82122-00	D - 15	90101-06576	B - 9	90183-06023	C - 7	90387-06041	C - 6	90560-17146	B - 13	93210-19123	B - 11
29W-82123-00	D - 15	90101-08461	C - 11	90183-06053	C - 6	90387-062G8	B - 14	90560-20196	B - 12	93210-25552	B - 7
4J2-82131-01	D - 15	90101-08590	B - 5	90185-10091	C - 12	90387-062G9	B - 14	90560-23355	C - 10	93210-26606	D - 7
3GB-82150-00	D - 15	90101-12498	C - 15		C - 15	90387-06648	C - 8	91317-05025	D - 8	93210-40407	C - 5
3GB-82151-00	D - 15	90105-10388	C - 12	90185-10115	C - 9	90387-066J1	D - 2	91317-06035	D - 13	93210-43713	C - 10
4KJ-82310-10	D - 15	90105-10561	C - 15		C - 13	90387-066V8	D - 8	91401-20012	D - 10	93210-44704	B - 2
55X-82370-00	D - 15	90105-12460	C - 15	90185-12046	C - 15	90387-07598	D - 2	91401-20020	C - 13	93210-50553	C - 2
4GB-82510-11	E - 2	90109-061F3	D - 8	90201-03313	E - 4	90387-090R0	C - 13		C - 15	93210-63556	B - 2
3GB-82540-01	D - 15	90109-063F1	C - 7		E - 5	90387-175R2	D - 4	91401-25025	D - 7	93211-02703	D - 12
3HN-82569-00	E - 2		D - 10	90201-05029	D - 10	90430-06014	B - 10	91401-30025	D - 4	93211-066A9	C - 10
3HN-82579-00	E - 2	90109-063F6	C - 3	90201-060L5	D - 2	90430-06166	B - 10	91A20-07010	B - 8	93306-00105	B - 15
5TH-82590-00	E - 2	90109-06799	D - 14	90201-066F0	B - 2	90430-10148	D - 15	92901-04100	D - 12	93306-00308	D - 4
5TH-82910-01	D - 14	90109-08745	D - 4	90201-08326	B - 5	90445-073F9	C - 10	92901-05100	D - 12	93306-00612	D - 6
3FA-82911-01	D - 14	90109-104A8	C - 15		B - 9	90445-083J4	D - 2	92902-04100	B - 7	93306-07801	C - 10
5GH-83516-00	D - 15	90113-06009	B - 5	90201-086P8	D - 10	90445-085E0	D - 15	92907-04200	C - 6	93306-20301	B - 15
4KB-83530-00	D - 15	90114-08001	D - 6	90201-08759	C - 15	90445-10638	D - 2	92907-05100	E - 3	93306-20309	C - 2
23X-83912-00	D - 14	90114-10005	D - 6	90201-101A4	D - 12	90445-11418	C - 13	92907-05200	E - 3	93306-30101	B - 15
5TH-83922-00	D - 8	90116-06399	B - 10	90201-10774	C - 13	90460-15126	E - 2	92907-06100	D - 2	93306-30306	C - 10
437-83936-01	E - 2	90116-08507	D - 6	90201-12045	D - 7	90460-43053	B - 8		D - 3	93306-30433	B - 3
3FA-83965-00	D - 14	90119-06044	C - 6	90201-124F8	B - 15	90460-75020	C - 9		D - 7	93311-20952	C - 10
3FA-83966-00	D - 14		C - 8	90201-125F7	C - 2	90460-85135	C - 9		D - 15	93311-32353	B - 3
3FA-83967-00	D - 14	90123-08046	D - 14	90201-12688	C - 15	90464-12045	E - 2	92907-06200	D - 10	93315-23208	C - 3
4EM-83975-00	D - 14	90123-08106	D - 9	90201-127F4	C - 4	90464-13073	E - 2		D - 13	93317-21236	C - 2
1YW-83980-00	D - 14	90149-06011	D - 2	90201-132G5	B - 15	90464-15195	E - 2	92907-06600	B - 9	93340-21209	C - 4
2D3-84121-00	C - 7	90149-06021	C - 6	90201-14586	D - 4	90465-10098	E - 2		B - 14	93341-22302	B - 13
2D3-8412B-00	C - 7	90151-06028	B - 14	90201-145M4	D - 8	90467-07029	C - 10		D - 15	93420-26077	B - 13
2EK-85111-00	E - 3	90153-06034	D - 15	90201-15797	D - 10	90467-09006	D - 2	92907-08100	C - 11	93430-04002	D - 3
3Y6-85130-02	E - 3	90154-05004	C - 7	90201-186F1	B - 5	90467-13064	B - 10	93101-10142	B - 11	93430-08007	C - 3
449-85131-02	E - 3	90155-06007	B - 6	90202-05193	D - 2	90467-22080	C - 6	93101-24110	C - 2	93440-10109	B - 2
5G3-85520-M1	D - 12	90159-06076	B - 7	90208-12015	B - 13	90480-01400	D - 2	93102-07292	B - 14	93440-11128	B - 14
4EM-85540-10	D - 15	90170-05302	B - 4	90209-11269	B - 11	90480-18290	D - 2	93102-12106	C - 4	93440-16089	B - 15
2FM-85550-M1	D - 12	90170-10186	C - 13	90215-14249	B - 13	90501-03799	B - 12	93102-17271	C - 10	93450-14088	B - 3
4EM-85560-10	D - 12	90170-14284	B - 13	90240-06076	D - 10	90501-08511	D - 9	93102-19276	D - 12	93450-42112	B - 13
22K-85595-M0	D - 12	90170-28011	D - 7	90249-12008	D - 8	90501-10245	D - 10	93102-23275	D - 4	93451-08094	B - 13

NUMERICAL INDEX

PART NO.	GRID NO.	PART NO.	GRID NO.	PART NO.	GRID NO.	PART NO.	GRID NO.	PART NO.	GRID NO.	PART NO.	GRID NO.
93505-08030	B - 13	97027-06030	D - 2								
93604-20156	C - 4	97027-08060	C - 13								
93604-22050	C - 3	97707-40116	C - 6								
93610-10174	B - 12	98501-04006	D - 12								
93700-06004	C - 5	98501-05010	D - 12								
	C - 15	98502-04008	B - 7								
93900-00022	D - 4	98502-04010	B - 7								
	D - 6	98502-04014	B - 7								
94107-07009	D - 4	98507-03008	D - 2								
94108-07009	D - 6	98507-04016	D - 8								
94580-25082	B - 5	98507-06010	B - 9								
94701-00366	B - 2	98507-06012	B - 10								
95027-06008	D - 15		D - 7								
95027-06085	B - 2	98507-06014	C - 3								
95027-08014	D - 10	98507-06016	B - 2								
95307-05600	E - 3		B - 14								
95307-05700	D - 8		D - 15								
95307-06600	B - 14	98507-06020	D - 9								
	D - 4		D - 14								
	D - 6		D - 15								
95307-06800	B - 5	98507-06030	B - 11								
95307-08600	D - 7	98507-06035	B - 11								
95307-10700	C - 13	98507-06040	B - 11								
95607-06100	D - 8	98507-06045	B - 10								
	D - 14		B - 11								
95607-08200	C - 5	98507-06060	B - 10								
95707-05300	D - 10	98507-06075	B - 10								
95707-06500	B - 9	98511-04012	D - 12								
95707-08500	D - 4	98511-04020	D - 12								
	D - 6	98701-06018	B - 12								
95807-06012	D - 10	98707-06016	D - 12								
95807-06016	D - 9	98907-05016	D - 10								
95807-08012	D - 8	99001-04600	B - 14								
95817-06016	B - 10	99001-05600	B - 6								
	C - 10	99001-09600	C - 3								
95817-06025	B - 10	99009-12400	B - 15								
95817-08012	D - 11	99009-17400	C - 10								
95817-08014	C - 9	99009-17500	C - 10								
	D - 11	99530-08012	B - 2								
95817-08016	B - 9		B - 10								
95817-08115	C - 5	99530-10114	B - 11								
95817-08120	C - 5	99530-10120	B - 11								
95817-12020	D - 10	99530-12016	B - 10								
95827-06020	C - 2										
95827-08055	C - 13										
97007-06012	D - 3										
97007-06016	D - 15										
97022-06020	C - 4										