



PARTS CATALOGUE

YFM90RY (43D2) CANADA

YFM90RY (43D3) EUROPE

YFM90RY (43D1) OCEANIA

YFM90RY (43D1) C SOUTH AMERICA

YFM90R (43D1) JAPAN

1H43D-100E1

()



2009/1/27

NEWS NO.	DATE	COMMENT
PE0-MC-080069	Oct.,27,2008	FIG.13, 16, 26 LIST CORRECTION

YFM90RY/YFM90R
PARTS CATALOGUE
©2008 by Yamaha Motor Co., Ltd.
1st edition, July 2008
All rights reserved.
Any reprinting or unauthorized use
without the written permission of
Yamaha Motor Co., Ltd.
is expressly prohibited.
Printed in Japan.

FOREWORD

This Parts Catalogue is related to the parts for the model(s) on the cover page. When you are ordering replacement parts, please refer to this Parts Catalogue and quote both part numbers and part names correctly.

1. Modifications or additions which have been made after the issue of the Parts Catalogue will be announced in the Parts News.

It is advisable that you make the necessary corrections to the Parts Catalogue according to the Parts News.

2. Abbreviations

The following abbreviations are used in this Parts Catalogue.

“UR” Use specified parts number.

“UN” Use as many as needed.

“AP” Alternate Parts

“LM” Locally Made (Parts need to be ordered locally)

“F#” Frame No. (Applicable machine No.)

“O/S” Over Size

3. The number of components for assembly

- Parts, which are to be supplied in an assembly, are listed with a dot (.) in front of the part name as shown below.
- The numeral appearing to the right of each component part indicates the quantity of parts for each assembly unit.

PART NO.	DESCRIPTION	Q'TY	REMARKS
2F5-83310-60	FRONT FLASHER LIGHT ASSY	2	
115-83311-60	.BULB (6V-18W)	1	

4. Applicable colours of graphics are represented in the “REMARKS” as shown below.

PART NO.	DESCRIPTION	Q'TY	REMARKS
2N4-24110-00-X5	FUEL TANK COMP.	2	MXR
3J1-24240-10	.GRAPHIC, FUEL TANK	1	FOR MXR

5. Note that the illustrations for reference in finding parts numbers are not to be used for assembling. When assembling, please use the applicable service manual.

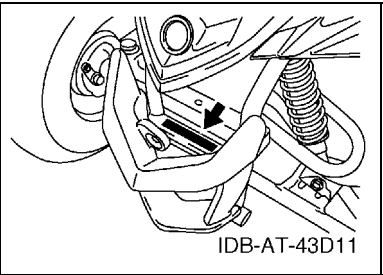
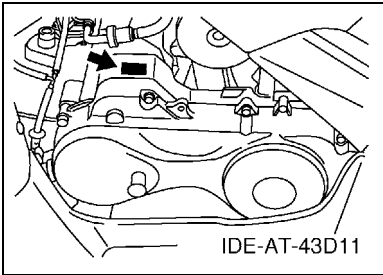
6. The asterisk (*) before a reference number indicates modified items after the first edition.

FOREWORD

7. Applicable Serial No.

Engine Serial No.

Frame Serial No.



8. Applicable Colour Code (The (*) mark shows Model colour.)

Abbreviation	Colour Name	Colour Code
DPBSE(*)	DEEP PURPLISH BLUE SOLID E	0583
YB(*)	YAMAHA BLACK	0033

9. Quantity Column Information

Column No.	Name Of Q'ty Column	Destination
1	CAN	CANADA
2	EUR	EUROPE
3	OCE	OCEANIA
4	CSA	C SOUTH AMERICA
5	JPN	JAPAN

CONTENTS

ENGINE

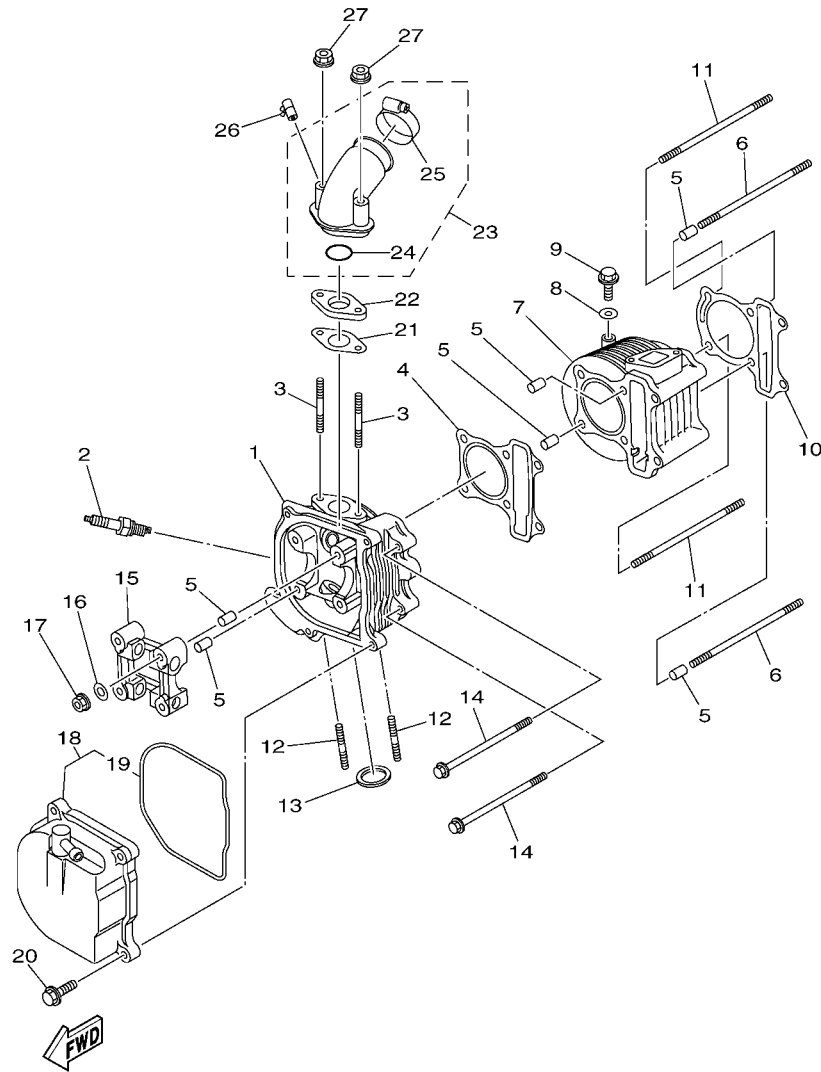
CYLINDER	1
CRANKSHAFT & PISTON	3
VALVE	4
CAMSHAFT & CHAIN	5
AIR SHROUD & FAN	6
OIL PUMP	7
INTAKE	8
CARBURETOR	10
EXHAUST	12
CRANKCASE	13
STARTER	15
CLUTCH	16
TRANSMISSION	17

CHASSIS

FRAME	18
FRONT FENDER	19
REAR FENDER	20
REAR ARM	21
STEERING	22
FRONT SUSPENSION & WHEEL	23
FUEL TANK	24
SEAT	25
FRONT WHEEL	26
REAR WHEEL	29
REAR BRAKE CALIPER	30
STEERING HANDLE & CABLE	31
REAR MASTER CYLINDER	33
STAND & FOOTREST	34
GUARD	35
GENERATOR	36
STARTING MOTOR	37
HEADLIGHT	38
ELECTRICAL 1	39
ELECTRICAL 2	40
GRAPHICS	41
EMBLEM & LABEL 1	42
EMBLEM & LABEL 2	43
EMBLEM & LABEL 3	44
EMBLEM & LABEL 4	45

INDEX

NUMERICAL INDEX	46
-----------------------	----



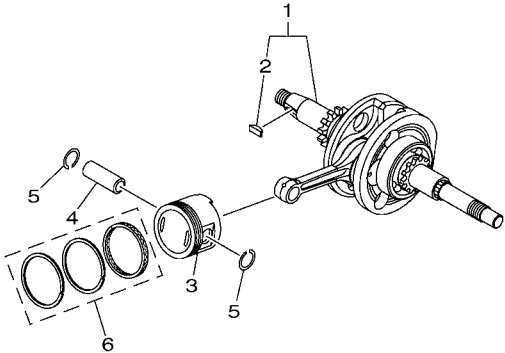
43D1100-H010

FIG. 1 CYLINDER

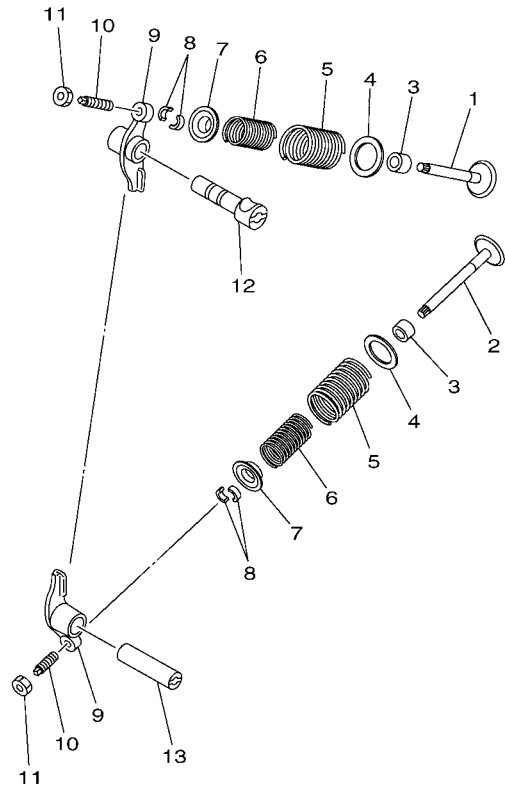
REF. NO.	PART NO.	DESCRIPTION	CAN	EUR	OCE	CSA	JPN	REMARKS
1	43D-E1102-00	CYLINDER HEAD ASSY	1	1	1	1	1	
2	94701-00366	PLUG, SPARK (NGK CR7HSA)	1	1	1	1		
	94703-00366	PLUG, SPARK (NGK CR7HSA)					1	
3	43D-E1179-00	BOLT, STUD	2	2	2	2	2	
4	43D-E1181-00	GASKET, CYLINDER HEAD 1	1	1	1	1	1	
5	43D-E3516-00	PIN, DOWEL	6	6	6	6	6	
6	43D-E1392-00	BOLT, STUD 2	2	2	2	2	2	
7	43D-E1311-00	CYLINDER 1	1	1	1	1	1	
8	43D-E3177-00	WASHER	1	1	1	1	1	
9	95827-06012	BOLT, FLANGE	1	1	1	1	1	
10	43D-E1351-00	GASKET, CYLINDER	1	1	1	1	1	
11	43D-E2174-00	BOLT, STUD	2	2	2	2	2	
12	43D-E1391-00	BOLT, STUD 1	2	2	2	2	2	
13	43D-E1195-00	GASKET	1	1	1	1	1	
14	95022-06100	BOLT, FLANGE	2	2	2	2	2	
15	43D-E2173-00	CAP, CAMSHAFT 1	1	1	1	1	1	
16	43D-E3318-00	WASHER	4	4	4	4	4	
17	43D-E4439-00	NUT	4	4	4	4	4	
18	43D-E1190-00	COVER, CYLINDER HEAD 1	1	1	1	1	1	
19	43D-E1182-00	.GASKET, CYLINDER HEAD 2	1	1	1	1	1	
20	95027-06020	BOLT, FLANGE	4	4	4	4	4	
21	43D-E3556-00	GASKET, MANIFOLD	1	1	1	1	1	
22	43D-E4271-00	INSULATOR	1	1	1	1	1	
23	43D-E3590-00	CARBURETOR JOINT ASSY	1	1	1	1	1	
24	43D-E119B-00	.O-RING	1	1	1	1	1	
25	43D-E3575-00	.BAND	1	1	1	1	1	
26	43D-E3569-00	PLUG, BLIND	1	1	1	1	1	

FIG. 2 CRANKSHAFT & PISTON

REF. NO.	PART NO.	DESCRIPTION	CAN	EUR	OCE	CSA	JPN	REMARKS
1	43D-E1400-00	CRANKSHAFT ASSY	1	1	1	1	1	
2	43D-E1545-00	.KEY, WOODRUFF	1	1	1	1	1	
3	43D-E1631-00	PISTON (STD)	1	1	1	1	1	
4	43D-E1633-00	PIN, PISTON	1	1	1	1	1	
5	43D-E1634-00	CLIP, PISTON PIN	2	2	2	2	2	
6	43D-E1610-00	PISTON RING SET (STD)	1	1	1	1	1	



FWD
43D1100-H020

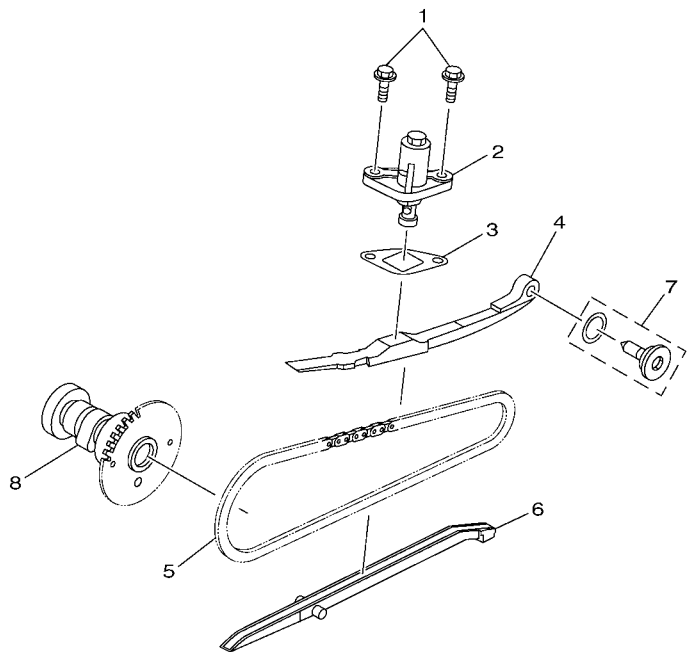



43D1100-H030

FIG. 3 VALVE

REF. NO.	PART NO.	DESCRIPTION	CAN	EUR	OCE	CSA	JPN	REMARKS
1	43D-E2111-00	VALVE, INTAKE	1	1	1	1	1	
2	43D-E2121-00	VALVE, EXHAUST	1	1	1	1	1	
3	43D-E2119-00	SEAL, VALVE STEM	2	2	2	2	2	
4	43D-E3578-00	WASHER	2	2	2	2	2	
5	43D-E2114-00	SPRING, VALVE OUTER	2	2	2	2	2	
6	43D-E2113-00	SPRING, VALVE INNER	2	2	2	2	2	
7	43D-E2117-00	RETAINER, VALVE SPRING	2	2	2	2	2	
8	43D-E2118-00	COTTER, VALVE	4	4	4	4	4	
9	43D-E2151-00	ARM, VALVE ROCKER	2	2	2	2	2	
10	43D-E2159-00	SCREW, VALVE ADJUSTING	2	2	2	2	2	
11	95307-05600	NUT	2	2	2	2	2	
12	43D-E2146-00	SHAFT, ROCKER	1	1	1	1	1	
13	43D-E2156-00	SHAFT, ROCKER 2	1	1	1	1	1	

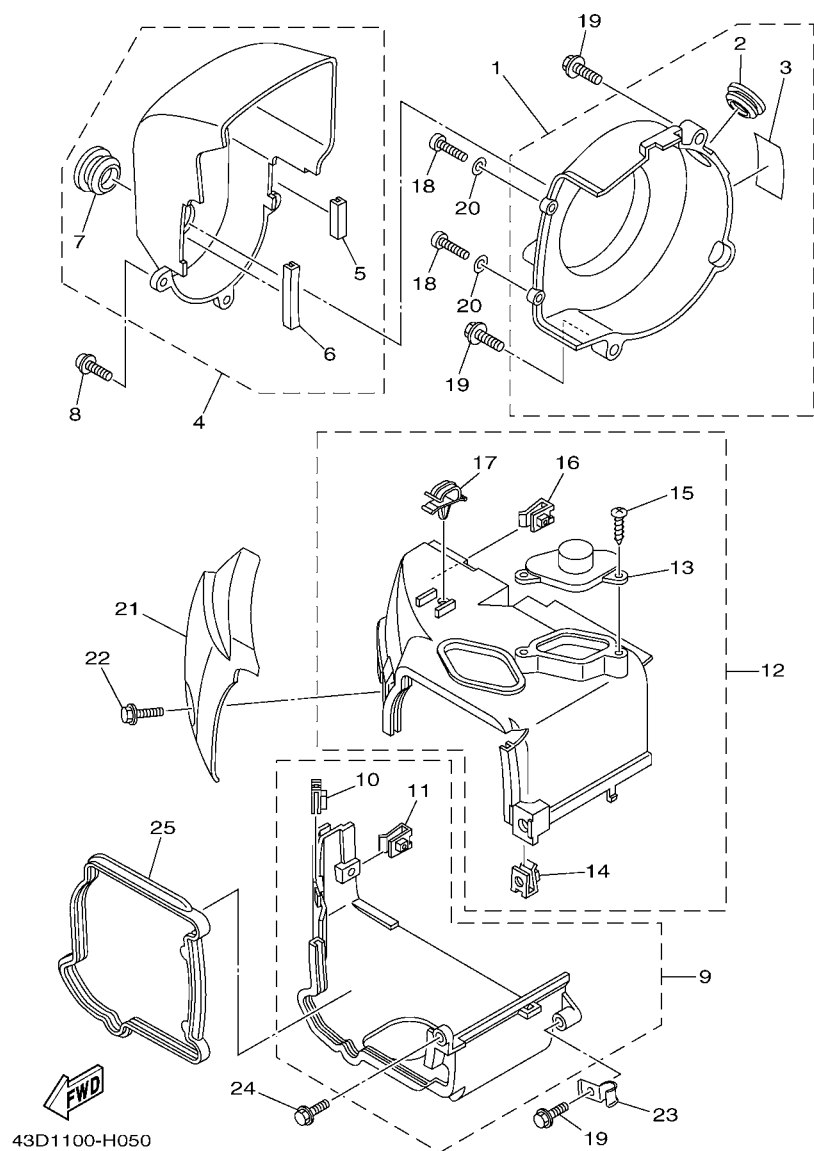
FIG. 4 CAMSHAFT & CHAIN



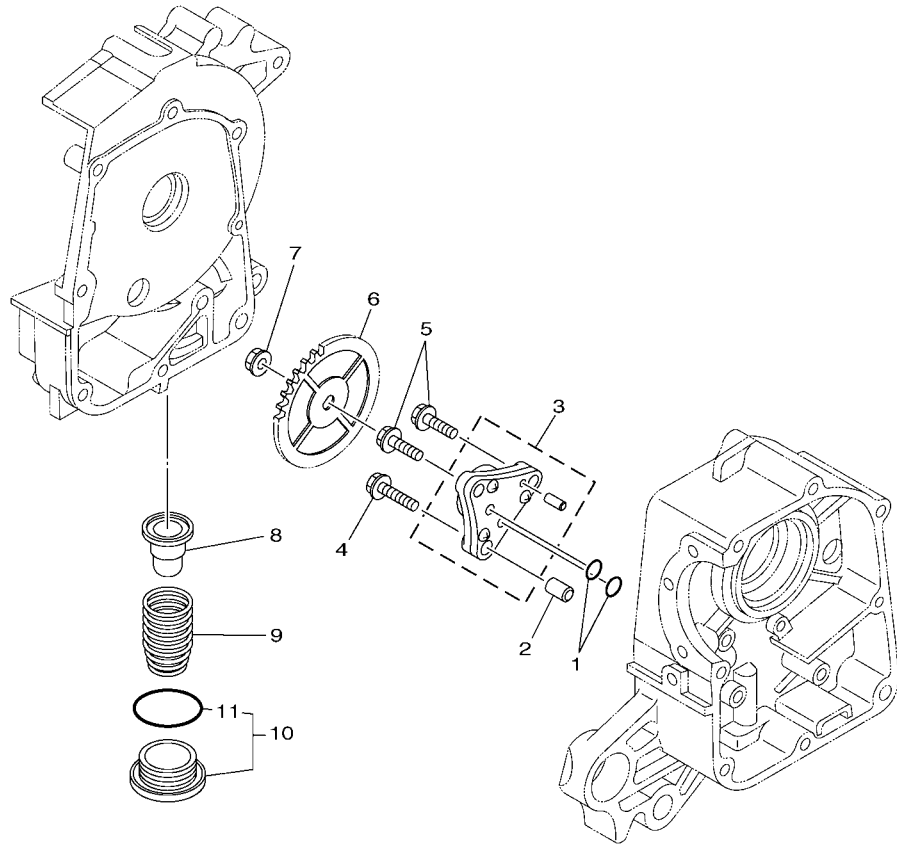

43D1100-H040

REF. NO.	PART NO.	DESCRIPTION	CAN	EUR	OCE	CSA	JPN	REMARKS
1	95022-06016	BOLT, FLANGE	2	2	2	2	2	
2	43D-E2210-00	TENSIONER ASSY, CAM CHAIN	1	1	1	1	1	
3	43D-E2213-00	GASKET, TENSIONER CASE	1	1	1	1	1	
4	43D-E2241-00	GUIDE, STOPPER 2	1	1	1	1	1	
5	43D-E2190-00	CHAIN ASSY	1	1	1	1	1	
6	43D-E2231-00	GUIDE, STOPPER 1	1	1	1	1	1	
7	43D-E22C0-00	BOLT SET	1	1	1	1	1	
8	43D-E21K0-00	CAMSHAFT COMP.	1	1	1	1	1	

FIG. 5 AIR SHROUD & FAN



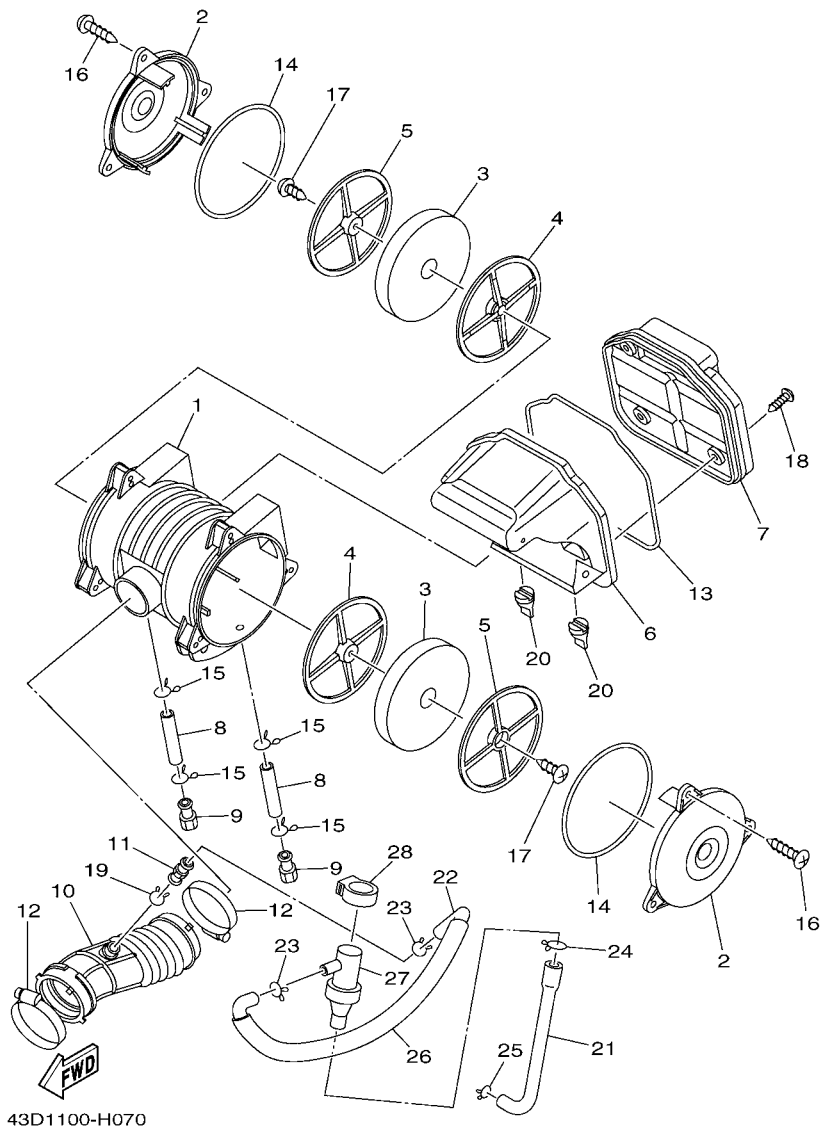
REF. NO.	PART NO.	DESCRIPTION	CAN	EUR	OCE	CSA	JPN	REMARKS
1	43D-E2660-00	AIR SHROUD ASSY	1	1	1	1	1	
2	43D-E261B-00	.GROMMET SHROUD 1	1	1	1	1	1	
3	43D-E3889-00	.LABEL	1	1	1	1	1	
4	43D-E2601-00	DUCT INLET COMP.	1	1	1	1	1	
5	43D-E2659-00	.DAMPER, AIR SHROUD 2	1	1	1	1	1	
6	43D-E2668-00	.DAMPER, AIR SHROUD 3	1	1	1	1	1	
7	43D-E261C-00	.GROMMET SHROUD 2	1	1	1	1	1	
8	43D-E4216-00	SCREW	3	3	3	3	3	
9	43D-E2620-00	AIR SHROUD ASSY	1	1	1	1	1	
10	43D-E261D-00	.NUT SPRING 1	1	1	1	1	1	
11	43D-E261F-00	.NUT SPRING 2	1	1	1	1	1	
12	43D-E2650-00	AIR SHROUD ASSY.,2	1	1	1	1	1	
13	43D-E261J-00	.COVER 1	1	1	1	1	1	
14	43D-E261D-00	.NUT SPRING 1	1	1	1	1	1	
15	43D-E4567-00	.SCREW	2	2	2	2	2	
16	43D-E261F-00	.NUT SPRING 2	1	1	1	1	1	
17	43D-E261G-00	.CLAMP 2	1	1	1	1	1	
18	43D-E4325-00	SCREW, PAN HEAD	2	2	2	2	2	
19	95027-06020	BOLT, FLANGE	3	3	3	3	3	
20	43D-E4475-00	WASHER	2	2	2	2	2	
21	43D-E261K-00	COVER 2	1	1	1	1	1	
22	95827-06025	BOLT, FLANGE	1	1	1	1	1	
23	43D-E262K-00	CLAMP 1	1	1	1	1	1	
24	95022-06016	BOLT, FLANGE	1	1	1	1	1	
25	43D-E261H-00	SEAL 1	1	1	1	1	1	



43D1100-H060

FIG. 6 OIL PUMP

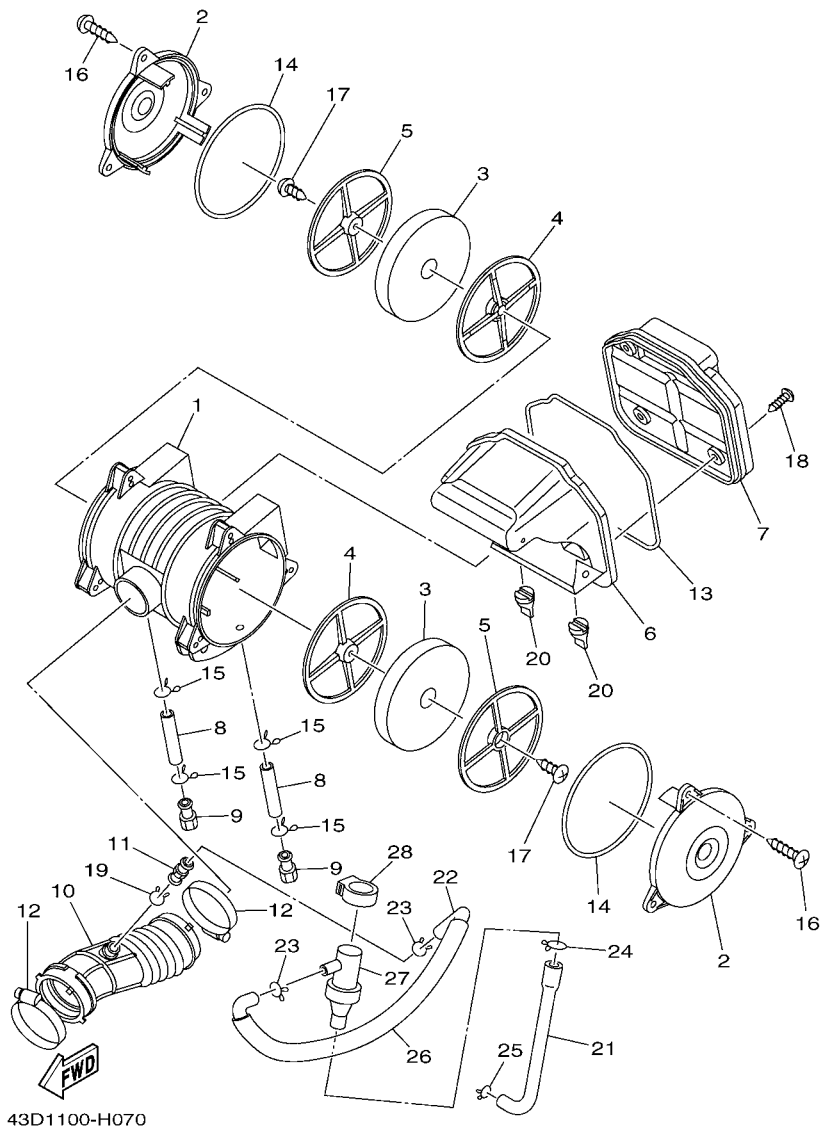
REF. NO.	PART NO.	DESCRIPTION	CAN	EUR	OCE	CSA	JPN	REMARKS
1	43D-E119A-00	O-RING	2	2	2	2	2	
2	43D-E5181-00	PIN, DOWEL	1	1	1	1	1	
3	43D-E3300-00	OIL PUMP ASSY	1	1	1	1	1	
4	95027-06020	BOLT, FLANGE	1	1	1	1	1	
5	95022-06020	BOLT, FLANGE	2	2	2	2	2	
6	43D-E3325-00	GEAR, PUMP DRIVEN	1	1	1	1	1	
7	43D-E4358-00	NUT	1	1	1	1	1	
8	43D-E3411-00	STRAINER, OIL	1	1	1	1	1	
9	43D-E3469-00	SPRING	1	1	1	1	1	
10	43D-E5300-00	DRAIN PLUG SET	1	1	1	1	1	
11	43D-E319C-00	O-RING	1	1	1	1	1	



43D1100-H070

FIG. 7 INTAKE

REF. NO.	PART NO.	DESCRIPTION	CAN	EUR	OCE	CSA	JPN	REMARKS
1	43D-E4411-00	CASE, AIR CLEANER 1	1	1	1	1	1	
2	43D-E449E-00	COVER, AIR CLEANER	2	2	2	2	2	
3	43D-E4451-00	ELEMENT, AIR CLEANER	2	2	2	2	2	
4	43D-E4468-00	PLATE,ELEMENT FITTING	2	2	2	2	2	
5	43D-E440H-00	PLATE ELEMENT SET 2	2	2	2	2	2	
6	43D-E4417-00	COVER 1	1	1	1	1	1	
7	43D-E4418-00	COVER 2	1	1	1	1	1	
8	43D-E443E-00	PIPE, DRAIN	2	2	2	2	2	
9	43D-E4382-00	CAP, DRAIN PIPE	2	2	2	2	2	
10	43D-E4453-00	JOINT, AIR CLEANER 1	1	1	1	1	1	
11	43D-E4419-00	PIPE	1	1	1	1	1	
12	43D-E4455-00	BAND	2	2	2	2	2	
13	43D-E4452-00	SEAL	1	1	1	1	1	
14	43D-E41A1-00	SEAL RING	2	2	2	2	2	
15	43D-E4137-00	CLIP	4	4	4	4	4	
16	43D-E4429-00	SCREW	6	6	6	6	6	
17	43D-E5793-00	SCREW	2	2	2	2	2	
18	43D-E6739-00	SCREW	4	4	4	4	4	
19	43D-E4159-00	CLIP	1	1	1	1	1	
20	43D-E4222-00	VALVE, DRAIN	2	2	2	2	2	
21	43D-E4148-00	PIPE	1	1	1	1	1	
22	43D-E4149-00	PIPE	1	1	1	1	1	
23	43D-E4159-00	CLIP	2	2	2	2	2	
24	43D-E449C-00	CLIP 1	1	1	1	1	1	
25	43D-E449D-00	CLIP 2	1	1	1	1	1	
26	43D-E442F-00	PROTECTOR	1	1	1	1	1	
27	43D-E1126-00	PIPE, BREATHER 3	1	1	1	1	1	



43D1100-H070

FIG. 7 INTAKE

REF. NO.	PART NO.	DESCRIPTION	CAN	EUR	OCE	CSA	JPN	REMARKS
28	43D-E4169-00	CAP	1	1	1	1	1	

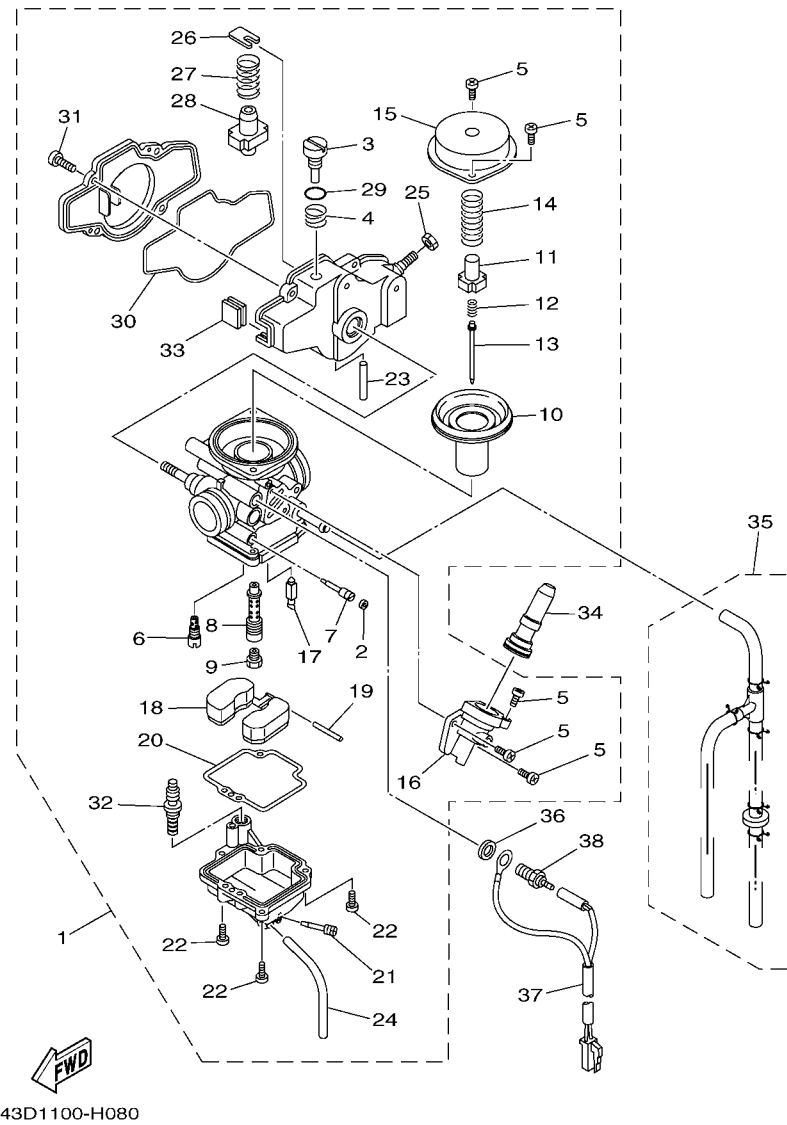


FIG. 8 CARBURETOR

REF. NO.	PART NO.	DESCRIPTION	CAN	EUR	OC	CSA	JPN	REMARKS
1	43D-E4301-00	CARBURETOR ASSY 1	1					
	43D-E4301-10	CARBURETOR ASSY 1		1	1	1	1	
2	43D-E4345-00	.PLUG, MAIN NOZZLE	1					
3	43D-E4321-00	.SCREW, THROTTLE	1	1	1	1	1	
4	43D-E4333-00	.SPRING, THROTTLE STOP	1	1	1	1	1	
5	98502-04008	.SCREW, PAN HEAD	5	5	5	5	5	
6	43D-E4342-16	.JET, PILOT (# 32)	1	1	1	1	1	
7	43D-E4347-00	.PILOT SCREW SET	1	1	1	1	1	
8	43D-E4341-00	.NOZZLE, MAIN	1	1	1	1	1	
9	288-E4343-50	.JET, MAIN (#100)	1	1	1	1	1	
10	5WB-E434A-00	.DIAPHRAGM	1	1	1	1	1	
11	5LB-E4936-00	.SEAT, SPRING	1	1	1	1	1	
12	5LB-E4275-00	.SPRING	1	1	1	1	1	
13	43D-E4336-00	.NEEDLE	1					
	43D-E4336-10	.NEEDLE		1	1	1	1	
14	5WB-E4286-00	.SPRING	1	1	1	1	1	
15	43D-E439D-00	.CAP, MIXING CHAMBER	1	1	1	1	1	
16	43D-E4344-00	.JET, STARTER (# 0)	1	1	1	1	1	
17	43D-E4392-00	.VALVE, NEEDLE	1	1	1	1	1	
18	5WB-E4385-00	.FLOAT	1	1	1	1	1	
19	5LB-E4386-00	.PIN, FLOAT	1	1	1	1	1	
20	5WB-E4384-00	.GASKET, FLOAT CHAMBER	1	1	1	1	1	
21	43D-E4306-00	.DRAIN SCREW ASSY	1	1	1	1	1	
22	98502-04014	.SCREW, PAN HEAD	3	3	3	3	3	
23	43D-E443G-00	.PIPE, DRAIN 2	1	1	1	1	1	
24	4FP-E4349-00	.PIPE	1	1	1	1	1	
25	5AV-E4594-00	.NUT	1	1	1	1	1	

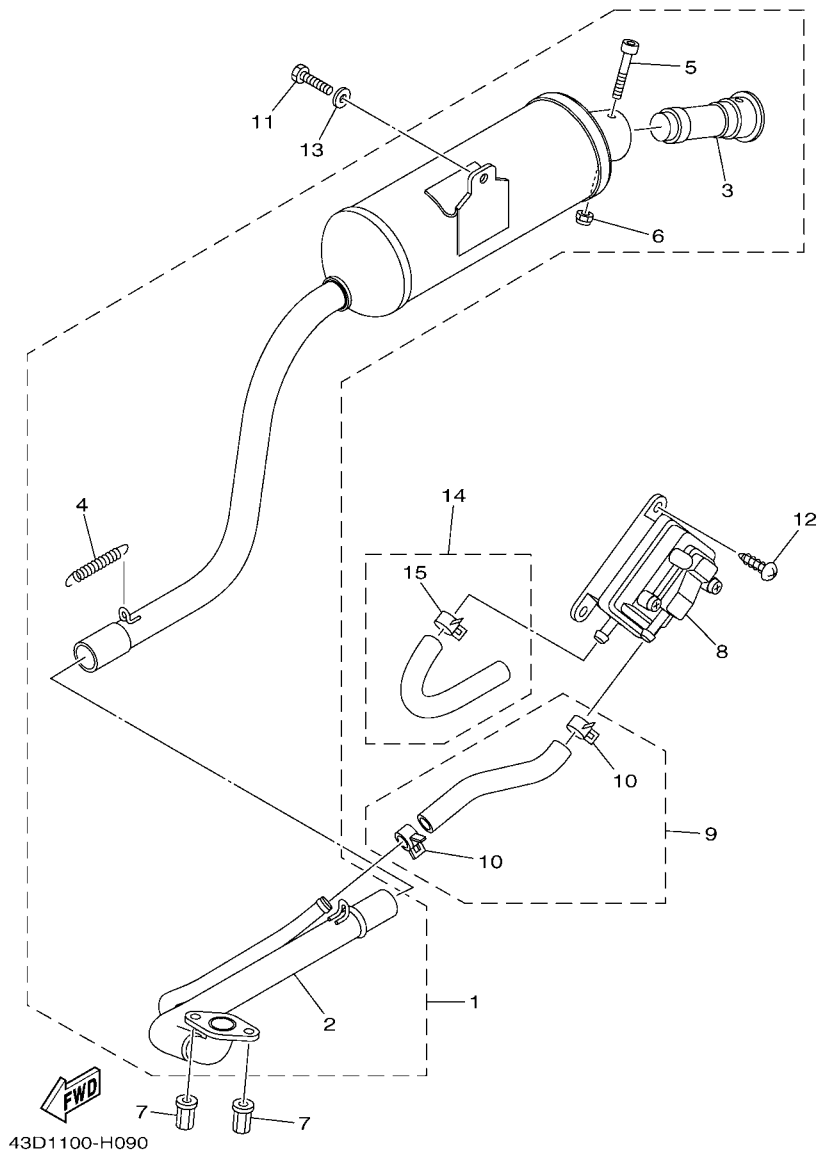


FIG. 9 EXHAUST

REF. NO.	PART NO.	DESCRIPTION	CAN	EUR	OCE	CSA	JPN	REMARKS
1	43D-E4610-00	EXHAUST PIPE ASSY 1	1	1	1	1	1	
2	43D-E461A-00	.BODY, PIPE 1-1	1	1	1	1	1	
3	43D-E4752-00	.PIPE, OUTLET	1	1	1	1	1	
4	43D-E4773-00	.SPRING, MUFFLER	1	1	1	1	1	
5	43D-E3574-00	.BOLT 2	1	1	1	1	1	
6	43D-E4595-00	.NUT	1	1	1	1	1	
7	43D-E2671-00	NUT 1	2	2	2	2	2	
8	43D-E4803-00	AIR INDUCTION SYSTEM ASSY	1	1	1	1	1	
9	43D-E48D0-00	CONNECTING TUBE ASSY	1	1	1	1	1	
10	43D-E4919-00	.CLIP	2	2	2	2	2	
11	43D-F2125-00	BOLT	1	1	1	1	1	
12	43D-E4565-00	SCREW	2	2	2	2	2	
13	43D-E2289-00	WASHER	1	1	1	1	1	
14	43D-E48A0-00	HOSE ASSY	1	1	1	1	1	
15	43D-E4919-00	.CLIP	1	1	1	1	1	

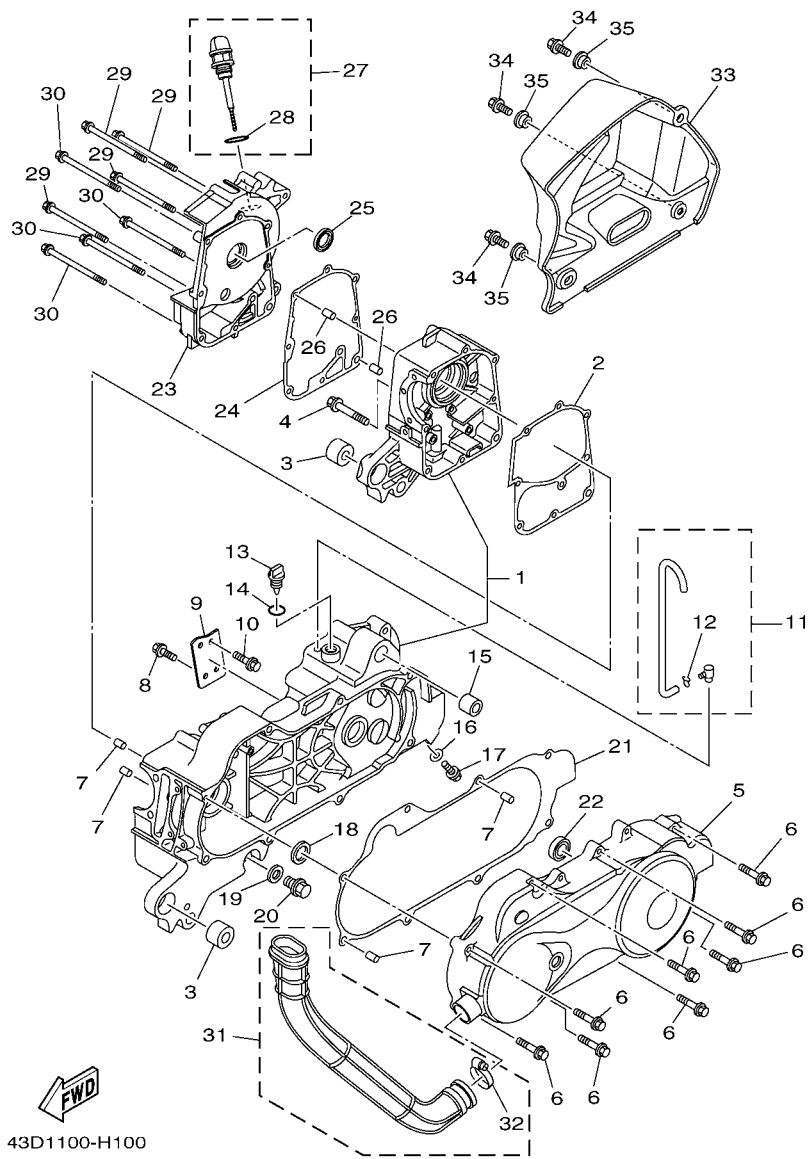
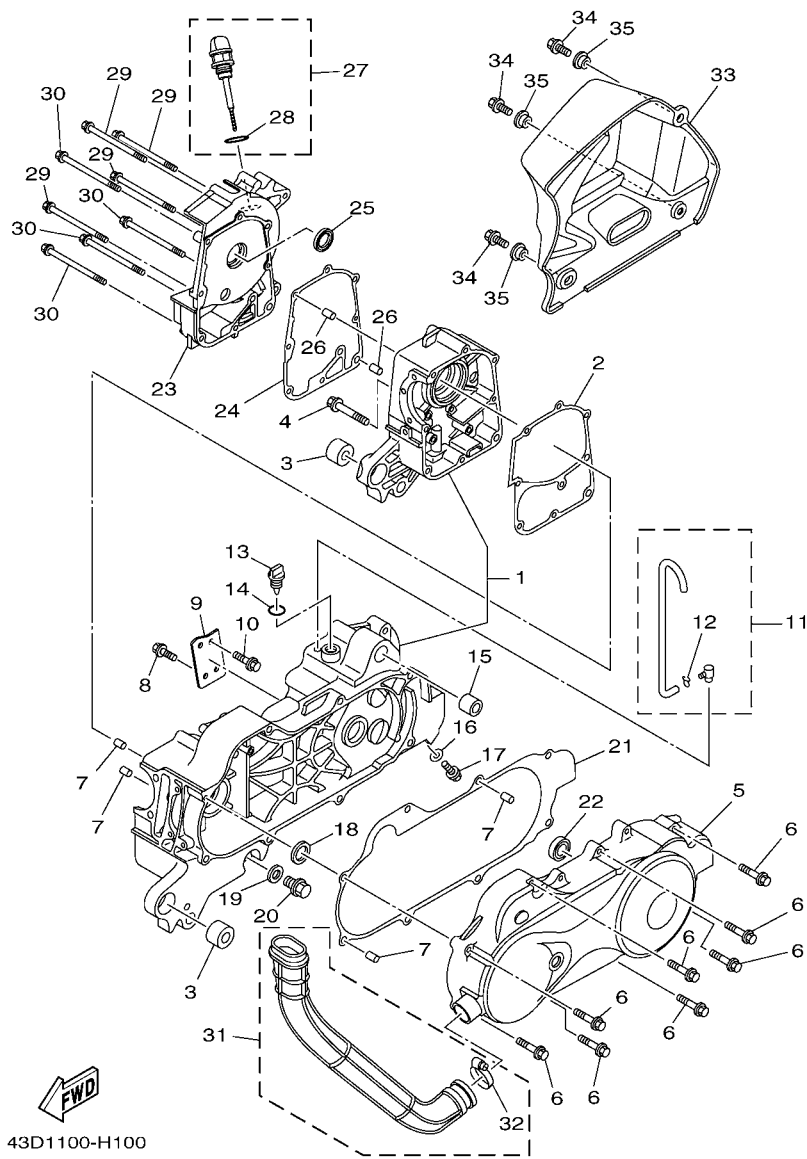


FIG. 10 CRANKCASE

REF. NO.	PART NO.	DESCRIPTION	CAN	EUR	OCE	CSA	JPN	REMARKS
1	43D-E5100-00	CRANKCASE ASSY	1	1	1	1	1	
2	43D-E5314-00	GASKET, CRANKCASE 1	1	1	1	1	1	
3	43D-E5526-00	BUSH	2	2	2	2	2	
4	43D-E2157-00	BOLT	1	1	1	1	1	
5	43D-E5411-00	COVER, CRANKCASE 1	1	1	1	1	1	
6	95022-06035	BOLT, FLANGE	8	8	8	8	8	
7	43D-E5181-00	PIN, DOWEL	4	4	4	4	4	
8	95022-06012	BOLT, FLANGE	2	2	2	2	2	
9	43D-E5199-00	BRACKET	1	1	1	1	1	
10	43D-E2228-00	BOLT	2	2	2	2	2	
11	43D-E1104-00	BREATHER PIPE ASSY	1	1	1	1	1	
12	43D-E1188-00	.CLIP, PIPE	1	1	1	1	1	
13	43D-E5363-00	PLUG, OIL	1	1	1	1	1	
14	43D-E5114-00	O-RING	1	1	1	1	1	
15	43D-E5582-00	BUSH	1	1	1	1	1	
16	43D-E1557-00	WASHER 1	1	1	1	1	1	
17	95822-08012	BOLT, FLANGE	1	1	1	1	1	
18	43D-E511B-00	OIL SEAL	1	1	1	1	1	
19	43D-E5561-00	WASHER	1	1	1	1	1	
20	43D-E5341-00	PLUG, DRAIN	1	1	1	1	1	
21	43D-E1541-00	METAL, FILLER	1	1	1	1	1	
22	43D-E7166-00	BEARING 2	1	1	1	1	1	
23	43D-E5421-00	COVER, CRANKCASE 2	1	1	1	1	1	
24	43D-E5461-00	GASKET, CRANKCASE COVER 2	1	1	1	1	1	
25	43D-E511A-00	OIL SEAL	1	1	1	1	1	
26	43D-E5181-00	PIN, DOWEL	2	2	2	2	2	
27	43D-E536A-00	PLUG, OIL LEVEL	1	1	1	1	1	



43D1100-H100

FIG. 10 CRANKCASE

REF. NO.	PART NO.	DESCRIPTION	CAN	EUR	OCE	CSA	JPN	REMARKS
28	43D-E511C-00	.OIL SEAL	1	1	1	1	1	
29	43D-E2615-00	BOLT	4	4	4	4	4	
30	95022-06100	BOLT, FLANGE	4	4	4	4	4	
31	43D-E5470-00	AIR DUCT ASSY	1	1	1	1	1	
32	43D-E54F3-00	.BAND	1	1	1	1	1	
33	43D-E5418-00	COVER, CHAIN CASE	1	1	1	1	1	
34	95827-06016	BOLT, FLANGE	3	3	3	3	3	
35	43D-F1116-00	COLLAR	3	3	3	3	3	
<hr/>								
<hr/>								
<hr/>								
<hr/>								
<hr/>								
<hr/>								
<hr/>								

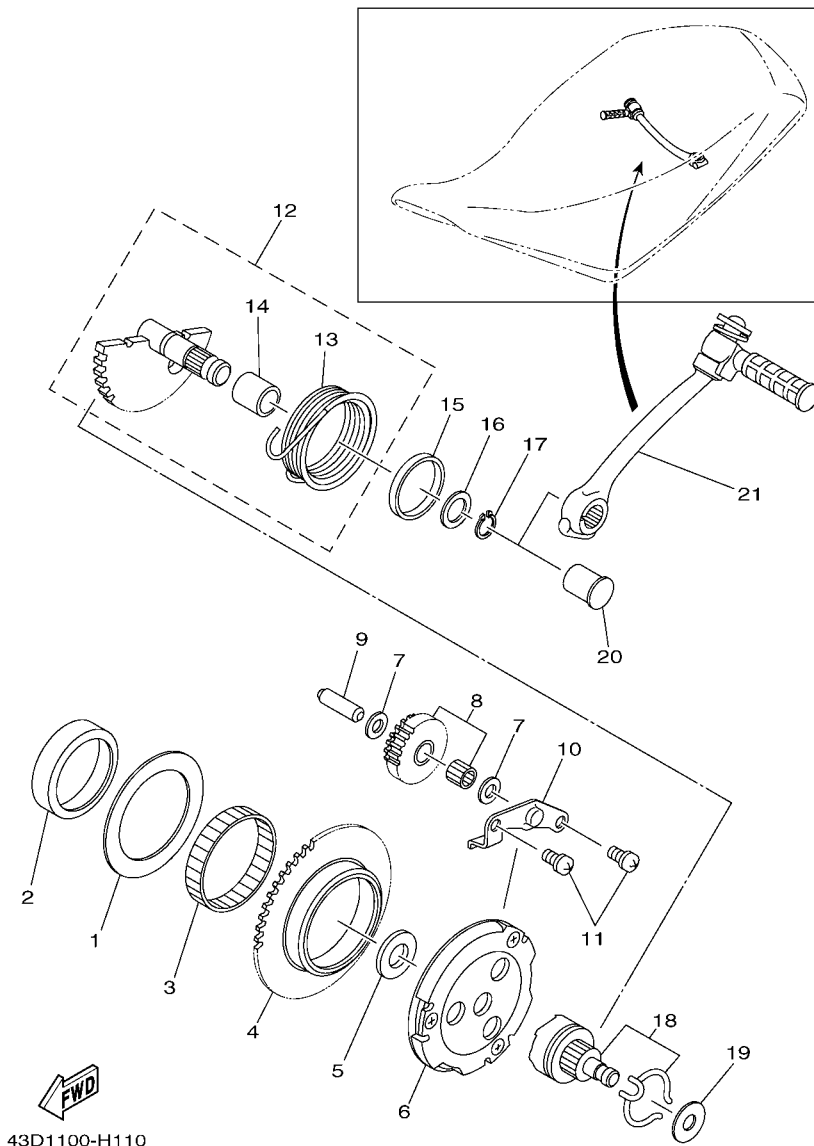
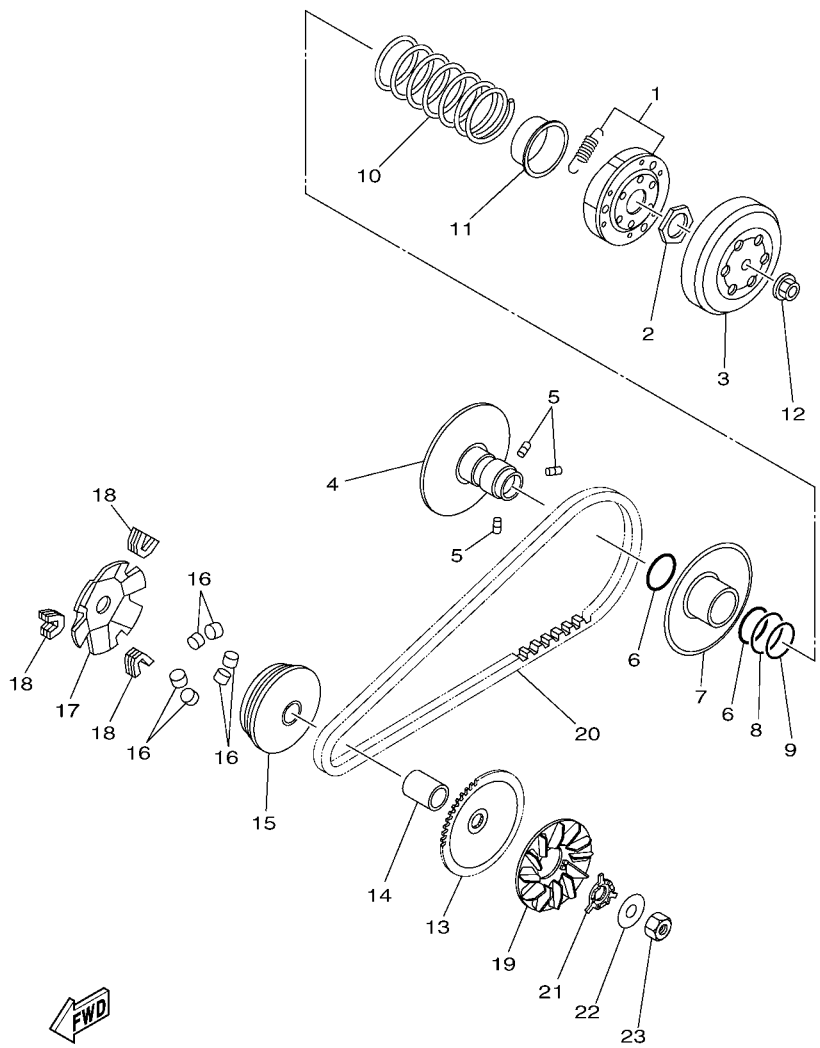


FIG. 11 STARTER

REF. NO.	PART NO.	DESCRIPTION	CAN	EUR	OCE	CSA	JPN	REMARKS
1	43D-E1558-00	WASHER 2	1	1	1	1	1	
2	43D-E5538-00	BOSS, GEAR 2	1	1	1	1	1	
3	43D-E5596-00	BEARING	1	1	1	1	1	
4	43D-E5524-00	WHEEL, STARTER	1	1	1	1	1	
5	43D-E3995-00	WASHER	1	1	1	1	1	
6	43D-E5570-00	STARTER CLUTCH ASSY	1	1	1	1	1	
7	43D-E2289-00	WASHER	2	2	2	2	2	
8	43D-E5640-00	KICK GEAR ASSY	1	1	1	1	1	
9	43D-E3342-00	SHAFT, IDLE GEAR	1	1	1	1	1	
10	43D-E5532-00	PLATE, IDLE GEAR	1	1	1	1	1	
11	43D-E1834-00	SCREW	2	2	2	2	2	
12	43D-E5600-00	KICK SHAFT UNIT ASSY	1	1	1	1	1	
13	43D-E5665-00	.SPRING, KICK	1	1	1	1	1	
14	43D-E5677-00	.BOSS, KICK AXLE	1	1	1	1	1	
15	43D-E5666-00	SPACER	1	1	1	1	1	
16	43D-E2456-00	WASHER	1	1	1	1	1	
17	43D-E5597-00	CIRCLIP 2	1	1	1	1	1	
18	43D-E5650-00	IDLE GEAR ASSY	1	1	1	1	1	
19	43D-E2664-00	WASHER	1	1	1	1	1	
20	43D-E6773-00	CAP	1	1	1	1	1	
21	43D-E5620-00	KICK CRANK ASSY	1	1	1	1	1	



FWD
43D1100-H120

FIG. 12 CLUTCH

REF. NO.	PART NO.	DESCRIPTION	CAN	EUR	OCE	CSA	JPN	REMARKS
1	43D-E6620-00	CLUTCH CARRIER ASSY	1	1	1	1	1	
2	43D-E4594-00	NUT	1	1	1	1	1	
3	43D-E6611-00	CLUTCH HOUSING COMP.	1	1	1	1	1	
4	43D-E7660-00	SECONDARY FIXED SHEAVE COMP.	1	1	1	1	1	
5	43D-E7664-00	PIN, GUIDE	3	3	3	3	3	
6	43D-E76F3-00	OIL SEAL	2	2	2	2	2	
7	43D-E7670-00	SECONDARY SLIDING SHEAVE	1	1	1	1	1	
8	43D-E76F4-00	O-RING	1	1	1	1	1	
9	43D-E76F5-00	O-RING	1	1	1	1	1	
10	43D-E7683-00	SPRING, SECONDARY	1	1	1	1	1	
11	43D-E7684-00	SEAT, SECONDARY SPRING	1	1	1	1	1	
12	43D-E2672-00	NUT 2	1	1	1	1	1	
13	43D-E76F6-00	SHEAVE, PRIMARY FIXED 2	1	1	1	1	1	
14	43D-E7645-00	COLLAR	1	1	1	1	1	
15	43D-E7620-00	PRIMARY SLIDING SHEAVE COMP.	1	1	1	1	1	
16	43D-E7632-00	WEIGHT	6	6	6	6	6	
17	43D-E7623-00	CAM	1	1	1	1	1	
18	43D-E7653-00	SLIDER	3	3	3	3	3	
19	43D-E7611-00	SHEAVE, PRIMARY FIXED	1	1	1	1	1	
20	43D-E7641-00	V-BELT	1	1	1	1	1	
21	43D-E5657-00	CLUTCH, ONEWAY	1	1	1	1	1	
22	43D-E2673-00	WASHER	1	1	1	1	1	
23	43D-E3588-00	NUT	1	1	1	1	1	

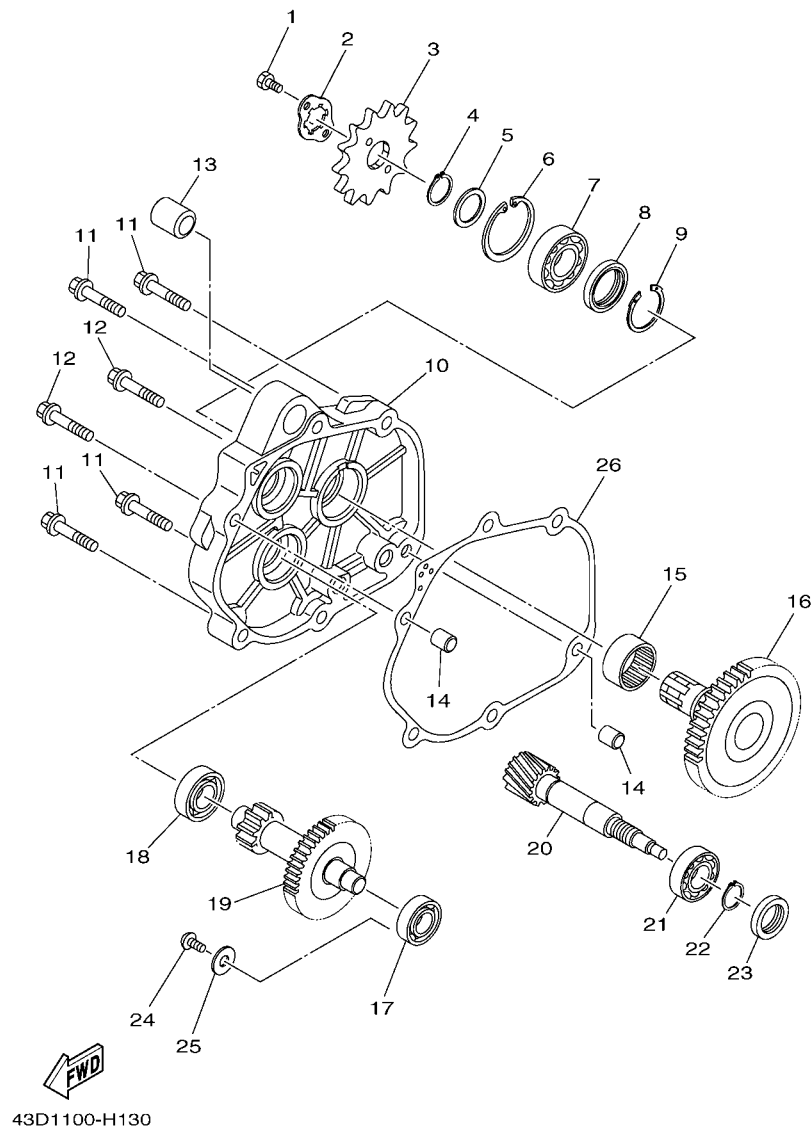


FIG. 13 TRANSMISSION

REF. NO.	PART NO.	DESCRIPTION	CAN	EUR	OCE	CSA	JPN	REMARKS
1	97022-06010	BOLT	2	2	2	2	2	
2	43D-E7464-00	WASHER, LOCK	1	1	1	1	1	
3	43D-E7461-00	SPROCKET, DRIVE (13T)	1	1	1	1	1	
4	43D-F3183-00	CIRCLIP	1	1	1	1	1	
5	43D-E4285-00	WASHER	1	1	1	1	1	
6	43D-F5415-00	CIRCLIP	1	1	1	1	1	
7	43D-E7412-00	JOURNAL	1	1	1	1	1	
8	43D-E7465-00	OIL SEAL	1	1	1	1	1	
9	43D-E2842-00	CIRCLIP	1	1	1	1	1	
10	43D-E7471-00	PLATE, COVER	1	1	1	1	1	
11	95822-08035	BOLT, FLANGE	4	4	4	4	4	
12	95822-08040	BOLT, FLANGE	2	2	2	2	2	
13	43D-E5582-00	BUSH	1	1	1	1	1	
14	43D-E7498-00	PIN, DOWEL	2	2	2	2	2	
15	43D-E7413-00	JOURNAL 2	1	1	1	1	1	
16	43D-E7420-00	DRIVE AXLE ASSY	1	1	1	1	1	
17	43D-E7422-00	JOURNAL 1	1	1	1	1	1	
18	43D-E7423-00	JOURNAL 2	1	1	1	1	1	
19	43D-E7410-00	MAIN AXLE COMP. (13T/41T)	1	1	1	1	1	
20	43D-E7431-00	AXLE, COUNTER	1	1	1	1	1	
21	43D-E7156-00	BEARING 1	1	1	1	1	1	
22	43D-E5744-00	CIRCLIP	1	1	1	1	1	
23	43D-E7499-00	OIL SEAL	1	1	1	1	1	
24	43D-E2614-00	SCREW	1	1	1	1	1	
25	43D-E2674-00	WASHER	1	1	1	1	1	
26	43D-E7518-00	GASKET, MIDDLE GEAR CASE	1	1	1	1	1	

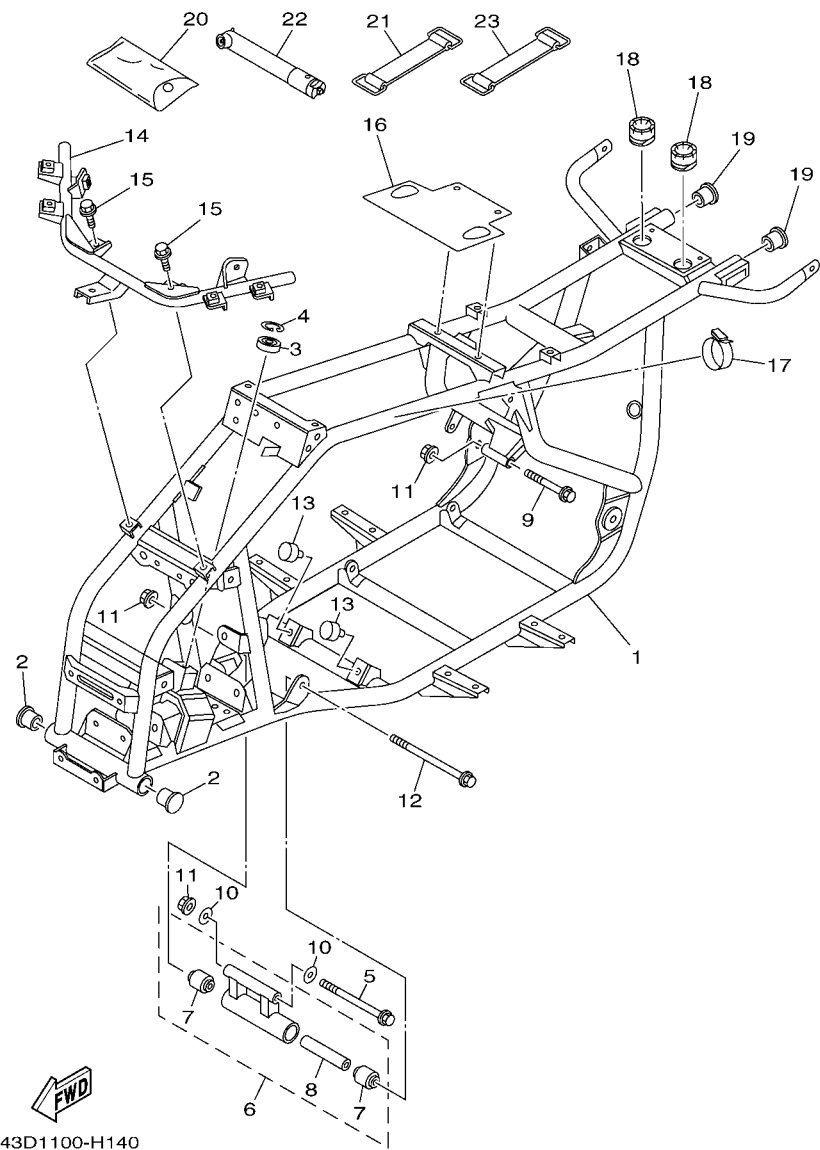


FIG. 14 FRAME

REF. NO.	PART NO.	DESCRIPTION	CAN	EUR	OC	CSA	JPN	REMARKS
1	43D-F1110-00	FRAME COMP.	1	1	1	1	1	
2	43D-F1279-00	PLUG, BLIND	2	2	2	2	2	
3	43D-F11C1-00	BEARING	1	1	1	1	1	
4	43D-F11C2-00	CLIP	1	1	1	1	1	
5	43D-E2623-00	BOLT	1	1	1	1	1	
6	43D-F1410-00	ENGINE BRACKET COMP.	1	1	1	1	1	
7	43D-F11C3-00	.BUSH	2	2	2	2	2	
8	43D-F1459-00	.SPACER	1	1	1	1	1	
9	43D-F1632-00	BOLT 2	1	1	1	1	1	
10	43D-F1549-00	WASHER, FENDER MOLD	2	2	2	2	2	
11	43D-F1494-00	NUT	3	3	3	3	3	
12	43D-E3573-00	BOLT 1	1	1	1	1	1	
13	43D-F112C-00	DAMPER 2	2	2	2	2	2	
14	43D-F1513-00	STAY, FENDER 1	1	1	1	1	1	
15	95827-08012	BOLT, FLANGE	2	2	2	2	2	
16	43D-F1471-00	PROTECTOR, ENGINE	1	1	1	1	1	
17	43D-F53N5-00	CLAMP 1	1	1	1	1	1	
18	43D-F113B-00	DAMPER	2	2	2	2	2	
19	43D-F1289-00	PLUG, BLIND	2	2	2	2	2	
20	43D-F8100-00	TOOL KIT	1	1	1	1	1	
21	43D-F4399-00	BAND 2	1	1	1	1	1	
22	43D-F811A-00	GAUGE, AIR	1	1	1	1	1	
23	43D-F4398-00	BAND 1	1	1	1	1	1	

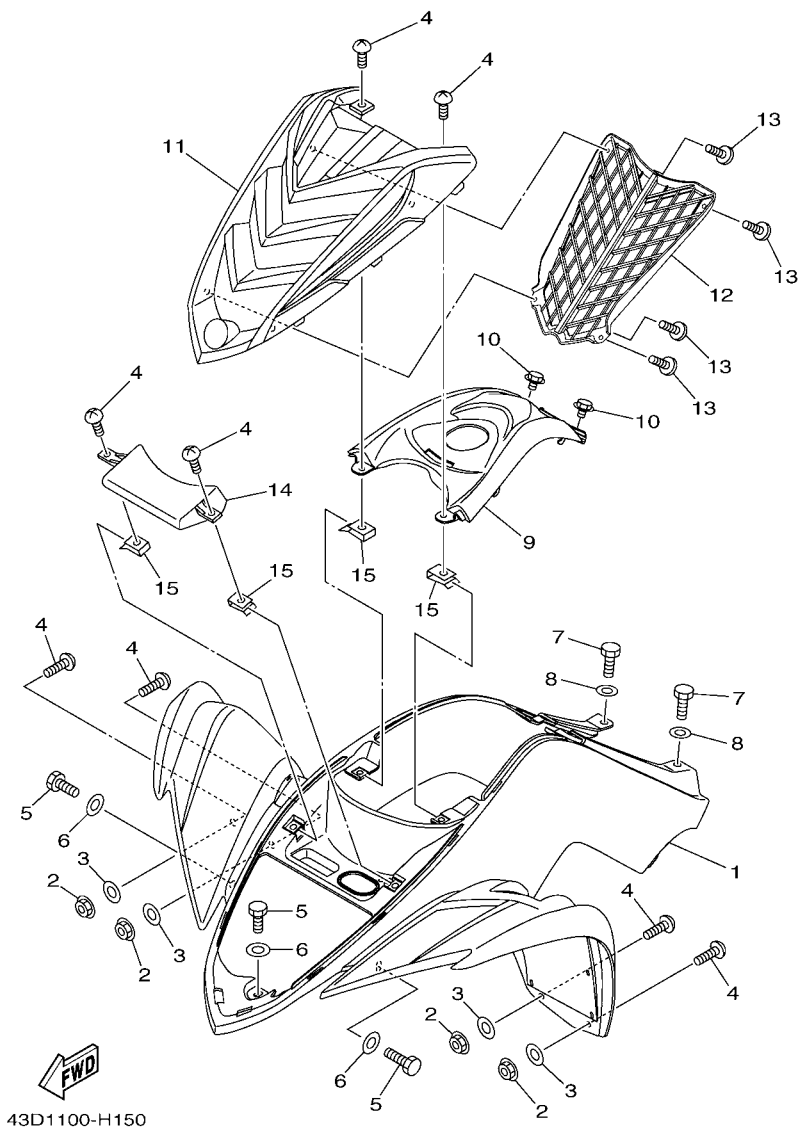
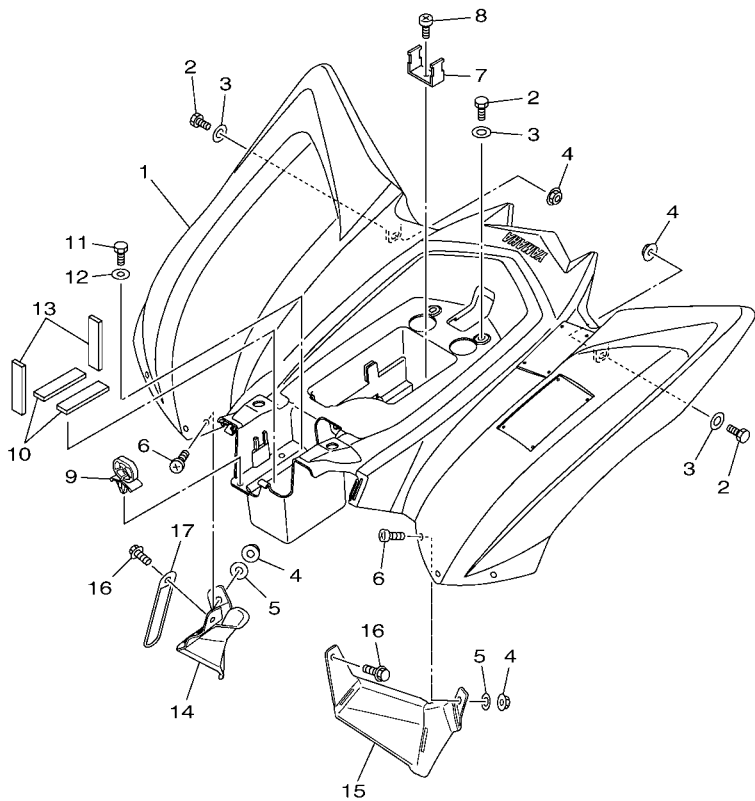


FIG. 15 FRONT FENDER

REF. NO.	PART NO.	DESCRIPTION	CAN	EUR	OCE	CSA	JPN	REMARKS
1	43D-F1511-00	FENDER, FRONT	1	1	1	1	1	UR FOR DPBSE
	43D-F1511-10	FENDER, FRONT	1	1				UR FOR YB
2	43D-F1536-00	NUT 2	4	4	4	4	4	
3	43D-F2246-00	WASHER 4	4	4	4	4	4	
4	43D-F4444-00	SCREW	8	8	8	8	8	
5	97004-06016	BOLT	3	3	3	3	3	
6	92904-06600	WASHER	3	3	3	3	3	
7	97007-06020	BOLT	2	2	2	2	2	
8	92907-06600	WASHER, PLATE	2	2	2	2	2	
9	43D-F171A-00	COVER, TOP	1	1	1	1	1	
10	43D-F3119-00	PLUG, DRAIN	2	2	2	2	2	
11	43D-F1556-00	FENDER, FRONT 2	1	1	1	1	1	UR FOR DPBSE
	43D-F1556-10	FENDER, FRONT 2	1	1				UR FOR YB
12	43D-E2467-00	COVER, RADIATOR	1	1	1	1	1	
13	43D-F4453-00	SCREW	4	4	4	4	4	
14	43D-F4474-00	COVER	1	1	1	1	1	
15	43D-F3834-00	NUT 2	4	4	4	4	4	

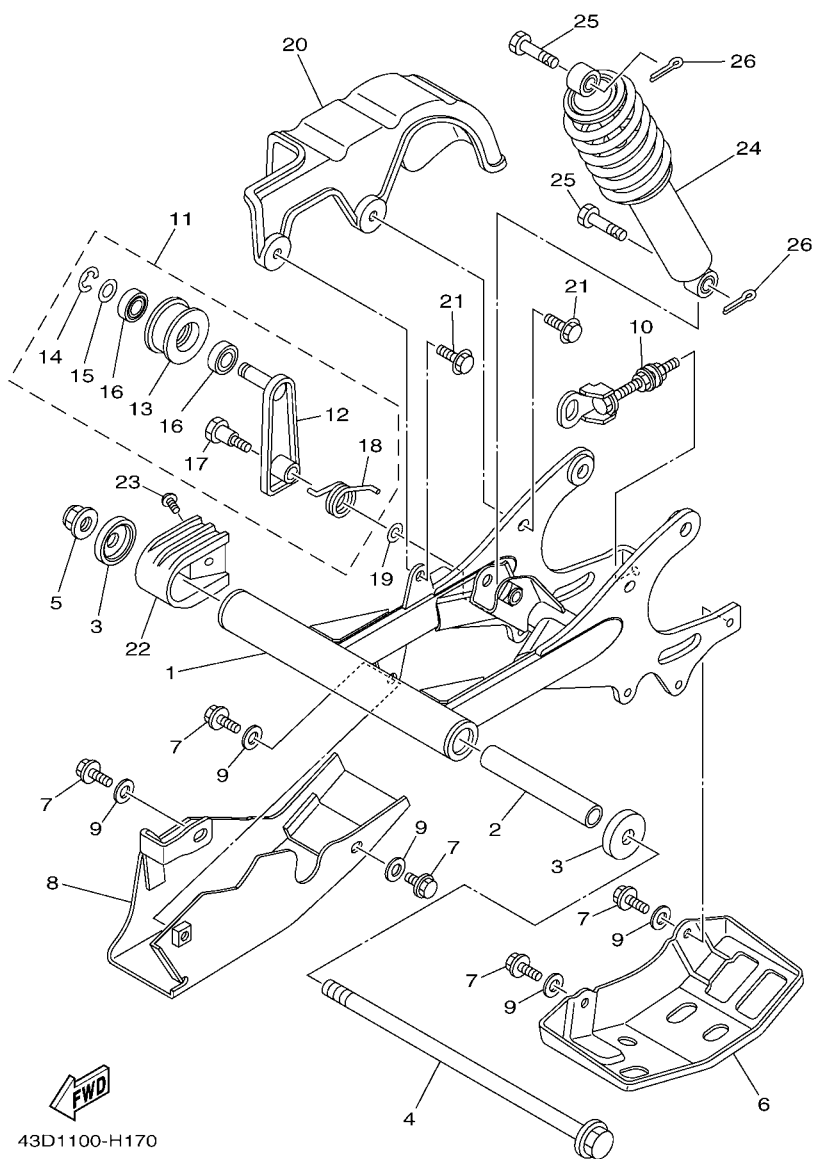



43D1100-H160

FIG. 16 REAR FENDER

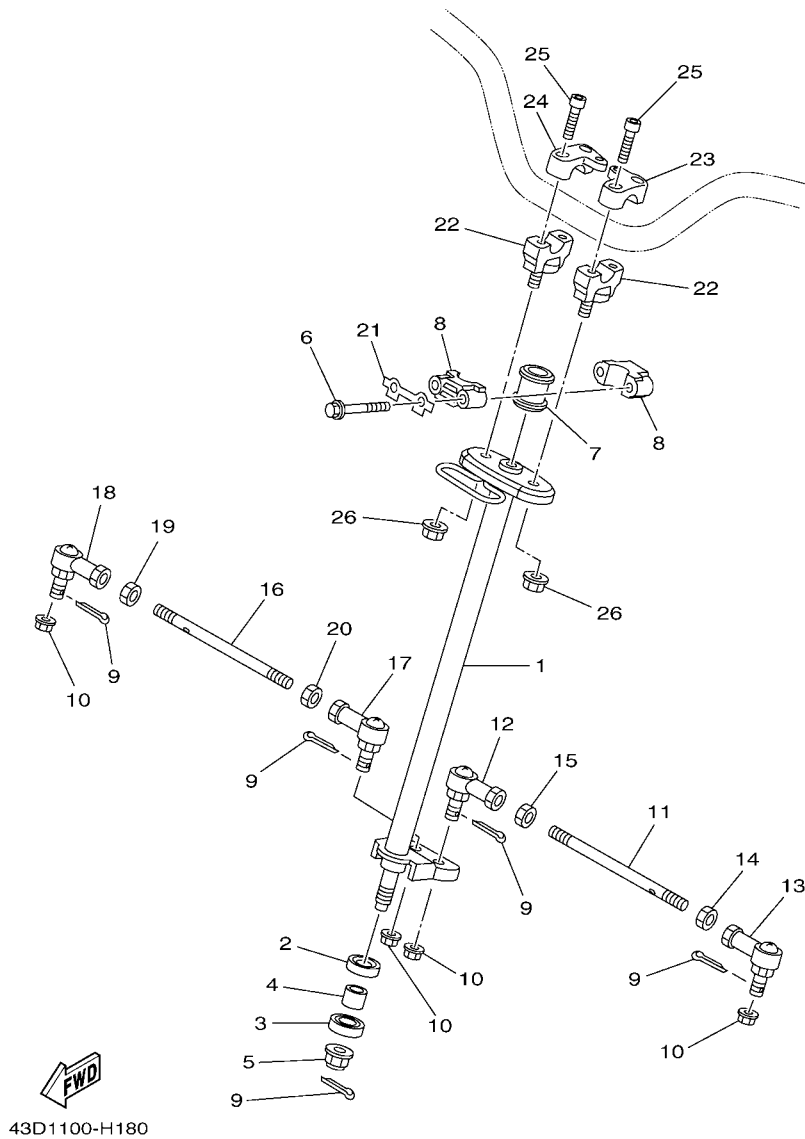
REF. NO.	PART NO.	DESCRIPTION	CAN	EUR	OCE	CSA	JPN	REMARKS
1	43D-F1611-00	FENDER, REAR	1	1	1	1	1	UR FOR DPBSE
	43D-F1611-10	FENDER, REAR	1		1			UR FOR YB
2	97007-06020	BOLT	4	4	4	4	4	
3	92907-06600	WASHER, PLATE	4	4	4	4	4	
4	43D-F1536-00	NUT 2	8	8	8	8	8	
5	43D-F2246-00	WASHER 4	6	6	6	6	6	
6	43D-F4444-00	SCREW	6	6	6	6	6	
7	43D-F164F-00	STAY 1	1	1	1	1	1	
8	43D-E4565-00	SCREW	1	1	1	1	1	
9	43D-F3447-00	CLIP	2	2	2	2	2	
10	43D-F1639-00	DAMPER 2	2	2	2	2	2	
11	97007-06020	BOLT	1	1	1	1	1	
12	92907-06600	WASHER, PLATE	1	1	1	1	1	
13	43D-F1649-00	DAMPER	2	2	2	2	2	
14	43D-F1711-00	COVER, SIDE 1	1	1	1	1	1	
15	43D-F1721-00	COVER, SIDE 2	1	1	1	1	1	
16	95827-06012	BOLT, FLANGE	2	2	2	2	2	
17	43D-E262K-00	CLAMP 1	1	1	1	1	1	

FIG. 17 REAR ARM



43D1100-H170

REF. NO.	PART NO.	DESCRIPTION	CAN	EUR	OCE	CSA	JPN	REMARKS
1	43D-F2100-00	REAR ARM ASSY	1	1	1	1	1	
2	43D-F2126-00	COLLAR, DISTANCE	1	1	1	1	1	
3	43D-F2128-00	COVER, THRUST 1	2	2	2	2	2	
4	43D-F1722-00	BOLT 2	1	1	1	1	1	
5	43D-F1535-00	NUT 1	1	1	1	1	1	
6	43D-F2361-00	GUARD 1	1	1	1	1	1	
7	43D-F2334-00	BOLT, CHAIH CASE 2	5	5	5	5	5	
8	43D-F2362-00	GUARD 2	1	1	1	1	1	
9	43D-E4617-00	WASHER	5	5	5	5	5	
10	43D-F5388-00	PULLER, CHAIN 1	1	1	1	1	1	
11	43D-F210L-00	CHAIN TENSIONER ASSY	1	1	1	1	1	
12	43D-F2183-00	.BRACKET, TENSIONER	1	1	1	1	1	
13	43D-F2178-00	.TENSIONER	1	1	1	1	1	
14	99002-10600	.CLIP	1	1	1	1	1	
15	43D-F3456-00	.WASHER	1	1	1	1	1	
16	43D-F2176-00	.BEARING	2	2	2	2	2	
17	43D-F4391-00	.BOLT, STUD	1	1	1	1	1	
18	43D-F2169-00	.SPRING, TENSIONER	1	1	1	1	1	
19	43D-F3427-00	WASHER	1	1	1	1	1	
20	43D-F2312-00	CASE, CHAIN 2	1	1	1	1	1	
21	95827-08016	BOLT, FLANGE	2	2	2	2	2	
22	43D-F2151-10	SEAL, GUARD	1	1	1	1	1	
23	43D-F3394-00	BOLT, SPECIAL	1	1	1	1	1	
24	43D-F2210-00	SHOCK ABSORBER ASSY, REAR	1	1	1	1	1	UR FOR DPBSE
	43D-F2210-10	SHOCK ABSORBER ASSY, REAR	1	1				UR FOR YB
25	97027-10040	BOLT, HEXAGON	2	2	2	2	2	
26	91401-25020	PIN, COTTER	2	2	2	2	2	



43D1100-H180

FIG. 18 STEERING

REF. NO.	PART NO.	DESCRIPTION	CAN	EUR	OCE	CSA	JPN	REMARKS
1	43D-F3813-00	COLUMN, STEERING 2	1	1	1	1	1	
2	43D-F3844-00	SEAL	1	1	1	1	1	
3	43D-F38B1-00	SEAL 2	1	1	1	1	1	
4	43D-F38B2-00	SPACER	1	1	1	1	1	
5	43D-F1535-00	NUT 1	1	1	1	1	1	
6	97022-08060	BOLT	2	2	2	2	2	
7	43D-F3812-00	PLANE BEARING, STEERING	1	1	1	1	1	
8	43D-F3872-00	HOLDER, BEARING	2	2	2	2	2	
9	91401-25020	PIN, COTTER	5	5	5	5	5	
10	43D-F1635-00	NUT, REAR FENDER	4	4	4	4	4	
11	43D-F3831-00	ROD, TIE	1	1	1	1	1	
12	43D-F3841-00	JOINT, UNIVERSAL 1	1	1	1	1	1	
13	43D-F3845-00	JOINT, UNIVERSAL 2	1	1	1	1	1	
14	43D-F1791-00	NUT	1	1	1	1	1	
15	43D-F1829-00	NUT	1	1	1	1	1	
16	43D-F3831-00	ROD, TIE	1	1	1	1	1	
17	43D-F3841-00	JOINT, UNIVERSAL 1	1	1	1	1	1	
18	43D-F3845-00	JOINT, UNIVERSAL 2	1	1	1	1	1	
19	43D-F1791-00	NUT	1	1	1	1	1	
20	43D-F1829-00	NUT	1	1	1	1	1	
21	43D-F3774-00	PLATE	1	1	1	1	1	
22	43D-F3442-00	HOLDER, HANDLE LOWER	2	2	2	2	2	
23	43D-F3441-00	HOLDER, HANDLE UPPER	1	1	1	1	1	
24	43D-F344A-00	HOLDER, HANDLE UPPER 1	1	1	1	1	1	
25	91314-06025	BOLT, HEXAGON SOCKET HEAD	4	4	4	4	4	
26	43D-F1635-00	NUT, REAR FENDER	2	2	2	2	2	

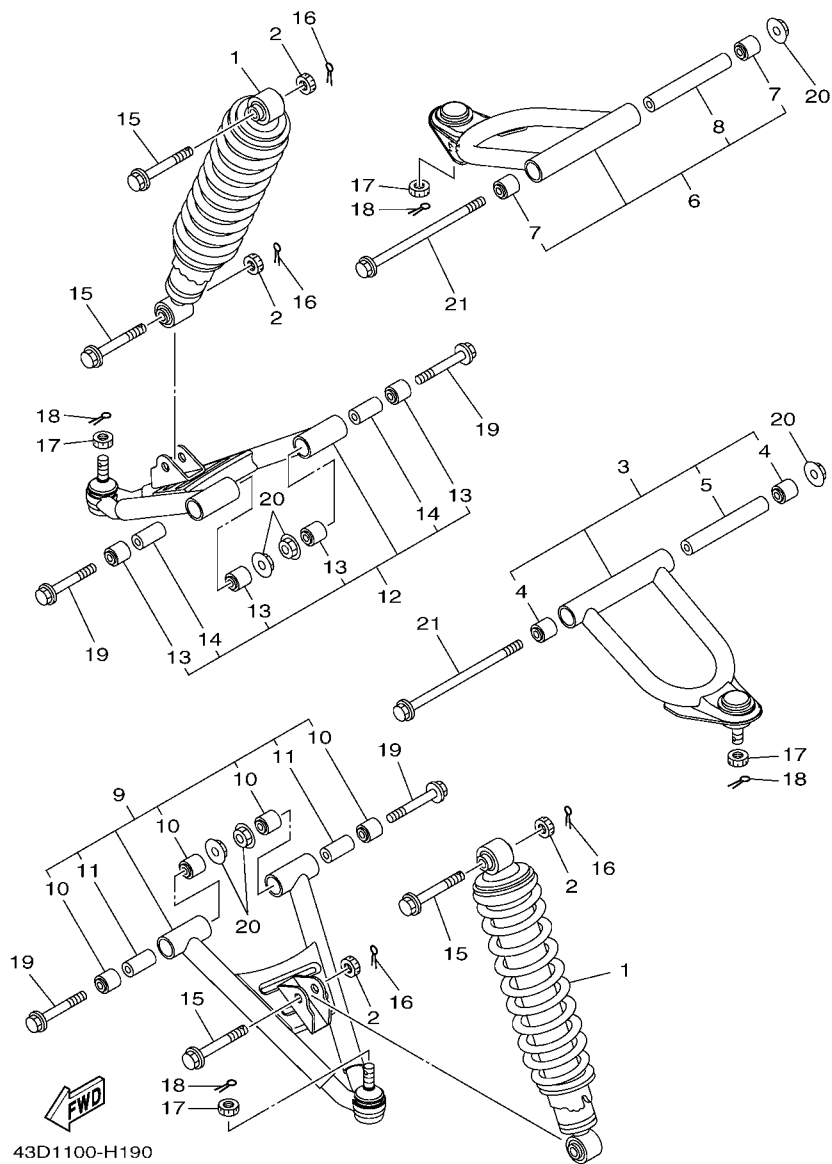


FIG. 19 FRONT SUSPENSION & WHEEL

REF. NO.	PART NO.	DESCRIPTION	CAN	EUR	OCE	CSA	JPN	REMARKS
1	43D-F3350-00	SHOCK ABSORBER ASSY	2	2	2	2	2	UR FOR DPBSE
	43D-F3350-10	SHOCK ABSORBER ASSY			2			UR FOR YB
2	43D-F1244-00	NUT	4	4	4	4	4	
3	43D-F3505-00	FRONT UPPER ARM SUB ASSY LH	1	1	1	1	1	
4	43D-F3526-00	.BUSH	2	2	2	2	2	
5	43D-F3363-00	.COLLAR 1	1	1	1	1	1	
6	43D-F3506-00	FRONT UPPER ARM SUB ASSY RH	1	1	1	1	1	
7	43D-F3526-00	.BUSH	2	2	2	2	2	
8	43D-F3363-00	.COLLAR 1	1	1	1	1	1	
9	43D-F3507-00	FRONT LOWER ARM SUB-ASSY (L.H)	1	1	1	1	1	
10	43D-F3526-00	.BUSH	4	4	4	4	4	
11	43D-F3364-00	.COLLAR 2	2	2	2	2	2	
12	43D-F3508-00	FRONT LOWER ARM SUB-ASSY (R.H)	1	1	1	1	1	
13	43D-F3526-00	.BUSH	4	4	4	4	4	
14	43D-F3364-00	.COLLAR 2	2	2	2	2	2	
15	97027-10040	BOLT, HEXAGON	4	4	4	4	4	
16	91401-25020	PIN, COTTER	4	4	4	4	4	
17	95302-10900	NUT, SLOTTED	4	4	4	4	4	
18	91401-25033	PIN, COTTER	4	4	4	4	4	
19	43D-F3471-00	BOLT	4	4	4	4	4	
20	43D-F1635-00	NUT, REAR FENDER	6	6	6	6	6	
21	43D-E2623-00	BOLT	2	2	2	2	2	

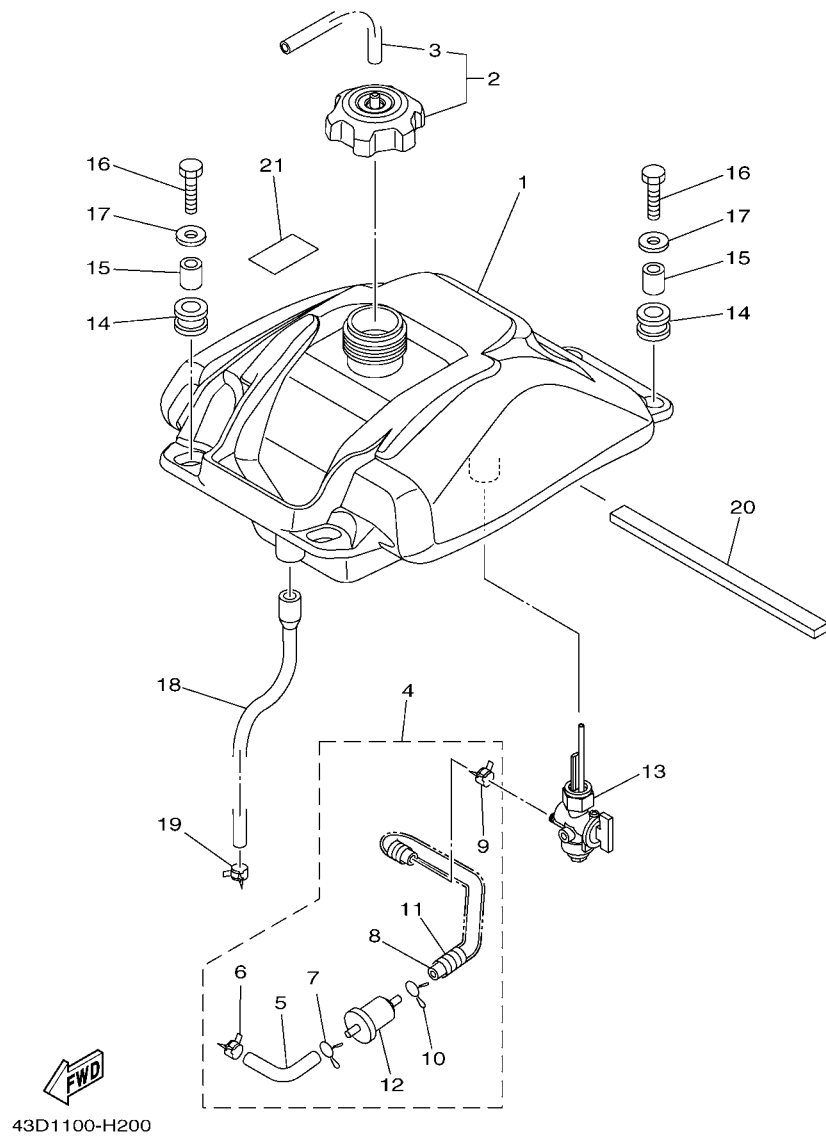
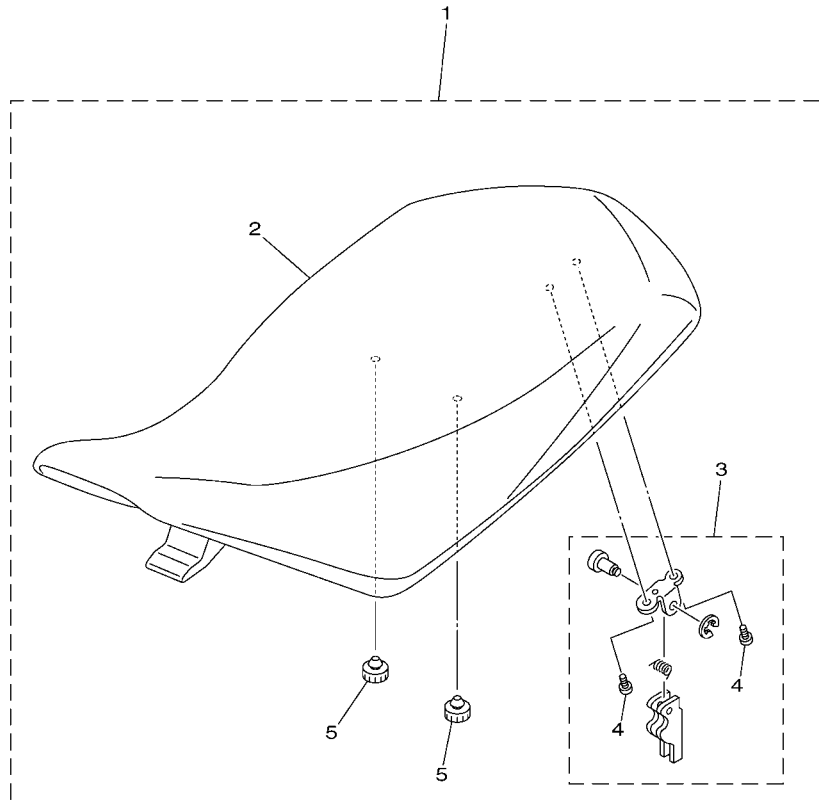


FIG. 20 FUEL TANK

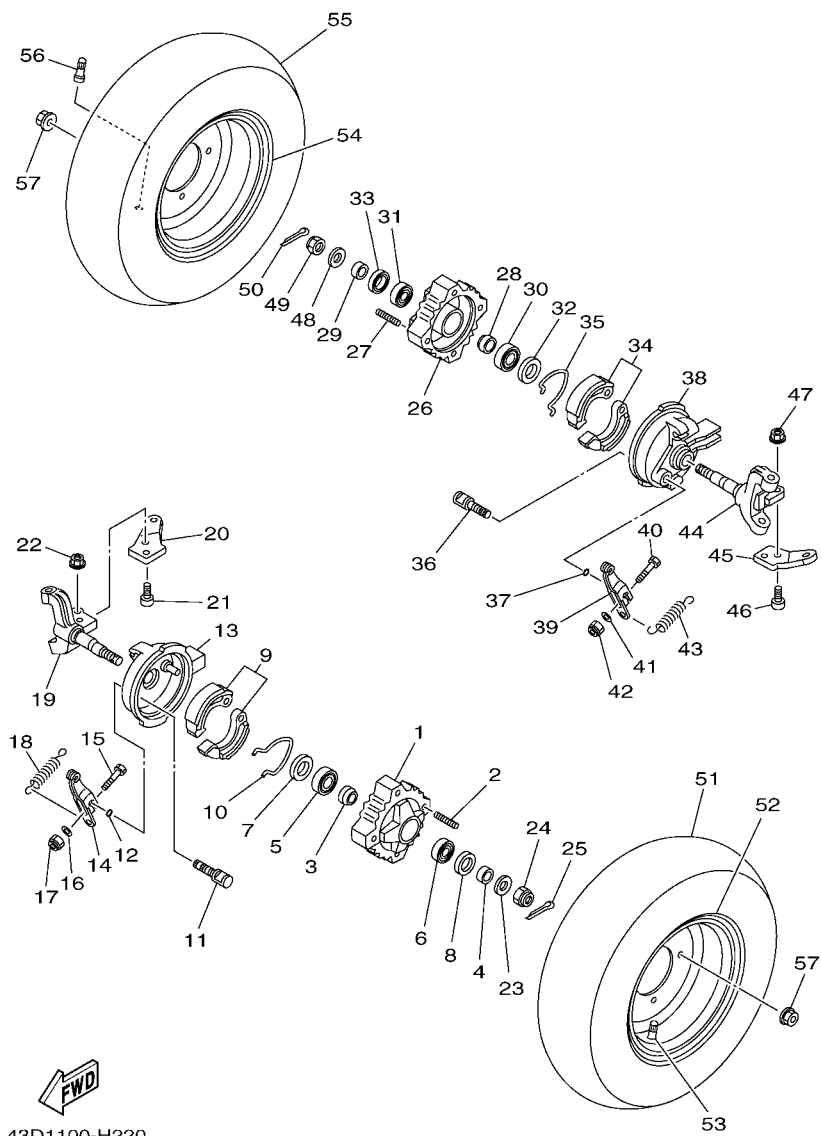
REF. NO.	PART NO.	DESCRIPTION	CAN	EUR	OCE	CSA	JPN	REMARKS
1	43D-F4110-10	FUEL TANK COMP.	1					
	43D-F4110-00	FUEL TANK COMP.		1	1	1	1	
2	43D-F4670-00	TANK CAP SET	1	1	1	1	1	
3	43D-F41B4-00	.TUBE 1	1	1	1	1	1	
4	43D-F4560-10	FILTER ASSY	1					
	43D-F4560-00	FILTER ASSY		1	1	1	1	
5	43D-F41B5-10	.TUBE 2	1					
	43D-F41B5-00	.TUBE 2		1	1	1	1	
6	43D-F4366-00	.CLAMP, FUEL PIPE 1	1	1	1	1	1	
7	43D-F411M-00	.CLIP	1	1	1	1	1	
8	43D-F41B6-10	.TUBE 3	1					
	43D-F41B6-00	.TUBE 3		1	1	1	1	
9	43D-F4366-00	.CLAMP, FUEL PIPE 1	1	1	1	1	1	
10	43D-F411M-00	.CLIP	1	1	1	1	1	
11	43D-F432A-00	.PROTECTOR, PIPE 2	1	1	1	1	1	
12	43D-F4561-00	.BODY, FILTER	1	1	1	1	1	
13	43D-F4500-00	FUEL COCK ASSY 1	1	1	1	1	1	
14	43D-F4339-00	GROMMET	4	4	4	4	4	
15	43D-F412G-00	COLLAR	4	4	4	4	4	
16	97007-06030	BOLT	4	4	4	4	4	
17	92907-06600	WASHER, PLATE	4	4	4	4	4	
18	43D-F417E-00	TUBE, DRAIN	1	1	1	1	1	
19	90467-22097	CLIP	1	1	1	1	1	
20	43D-F4181-00	DAMPER, LOCATING 1	1	1	1	1	1	
21	43D-F1649-00	DAMPER	1	1	1	1	1	



 43D1100-H210

FIG. 21 SEAT

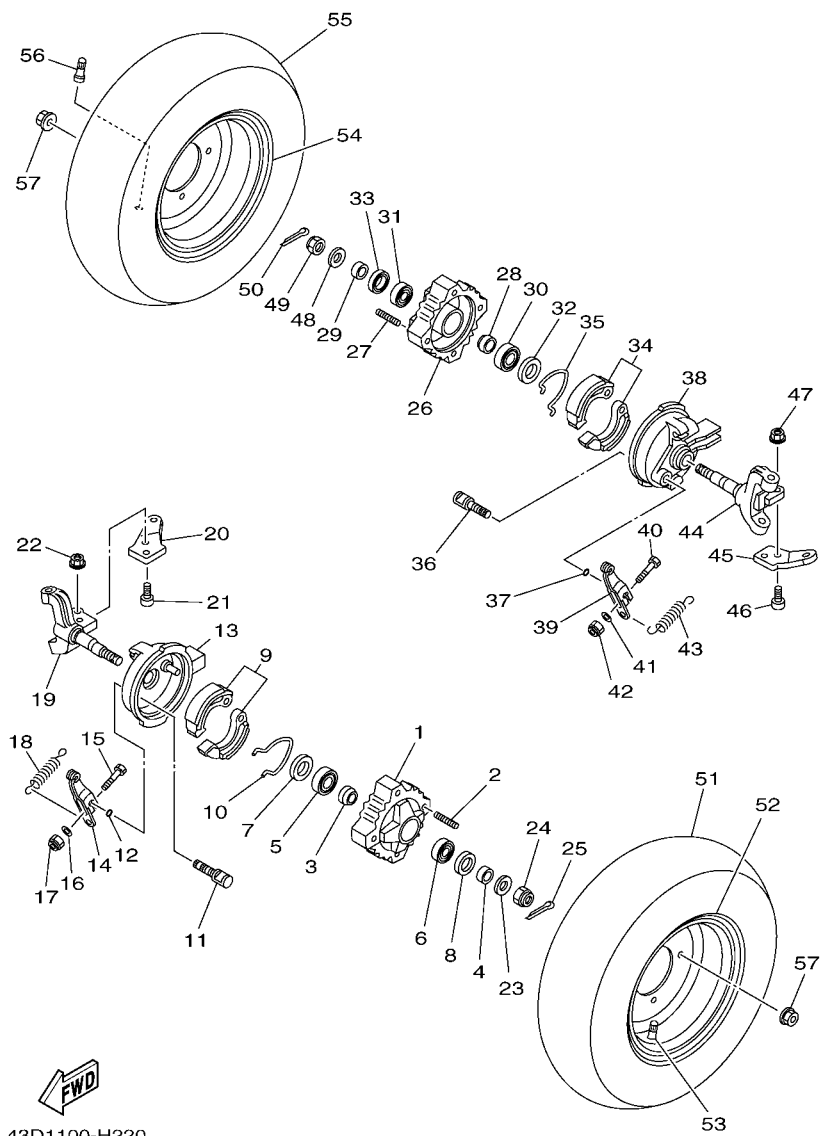
REF. NO.	PART NO.	DESCRIPTION	CAN	EUR	OCE	CSA	JPN	REMARKS
1	43D-F4710-00	SINGLE SEAT ASSY	1	1	1	1	1	
2	43D-F4771-00	.SEMI-DOUBLE SEAT	1	1	1	1	1	
3	43D-F4760-00	.SEAT LEVER ASSY	1	1	1	1	1	
4	43D-F11C5-00	..SCREW	2	2	2	2	2	
5	43D-F7114-00	.STOPPER, MAIN STAND	2	2	2	2	2	
6	43D-F15A3-00	CLAMP	1	1	1	1	1	



43D1100-H220

FIG. 22 FRONT WHEEL

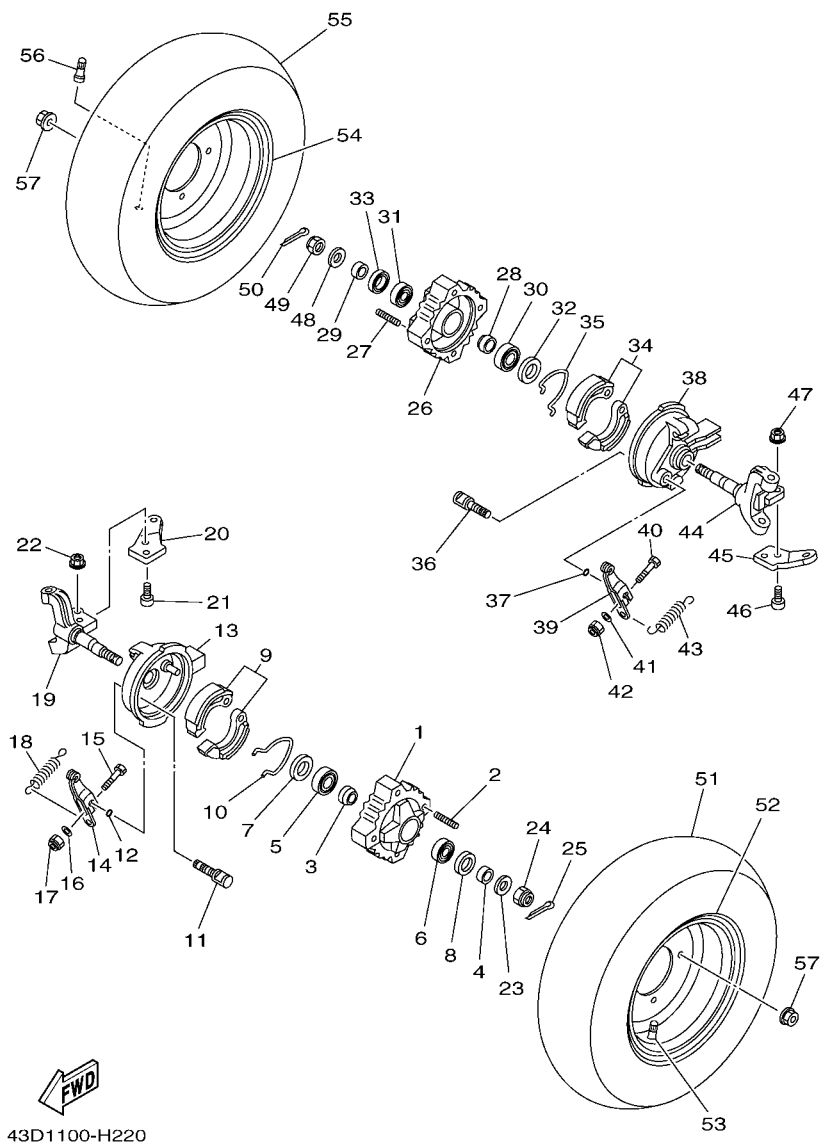
REF. NO.	PART NO.	DESCRIPTION	CAN	EUR	OCE	CSA	JPN	REMARKS
1	43D-F5111-00	HUB, FRONT	1	1	1	1	1	
2	43D-F4441-00	BOLT, STUD	4	4	4	4	4	
3	43D-F5117-00	SPACER, BEARING	1	1	1	1	1	
4	43D-F5105-00	SPACER	1	1	1	1	1	
5	43D-F51H1-00	BEARING	1	1	1	1	1	
6	43D-F51H2-00	BEARING 2	1	1	1	1	1	
7	43D-F511B-00	SEAL, OIL	1	1	1	1	1	
8	43D-F51H3-00	OIL SEAL 2	1	1	1	1	1	
9	43D-F510L-00	BRAKE SHOE COMP.	1	1	1	1	1	
10	43D-F5133-00	SPRING, RETURN	1	1	1	1	1	
11	43D-F5351-00	CAMSHAFT	1	1	1	1	1	
12	43D-F51H4-00	O-RING	1	1	1	1	1	
13	43D-F5121-00	PLATE, BRAKE SHOE	1	1	1	1	1	
14	43D-F5155-00	LEVER, CAMSHAFT 1	1	1	1	1	1	
15	97022-06030	BOLT	1	1	1	1	1	
16	43D-F2149-00	WASHER	1	1	1	1	1	
17	43D-F2251-00	NUT 1	1	1	1	1	1	
18	43D-F5143-00	SPRING, RETURN	1	1	1	1	1	
19	43D-F3511-00	KNUCKLE, STEERING 1	1	1	1	1	1	
20	43D-F3512-00	ARM, KNUCKLE 1	1	1	1	1	1	
21	43D-F2241-00	BOLT 1	2	2	2	2	2	
22	43D-F2143-00	NUT	2	2	2	2	2	
23	43D-F2245-00	WASHER 3	1	1	1	1	1	
24	43D-F1293-00	NUT	1	1	1	1	1	
25	43D-F112N-00	PIN	1	1	1	1	1	
26	43D-F5111-00	HUB, FRONT	1	1	1	1	1	
27	43D-F4441-00	BOLT, STUD	4	4	4	4	4	



43D1100-H220

FIG. 22 FRONT WHEEL

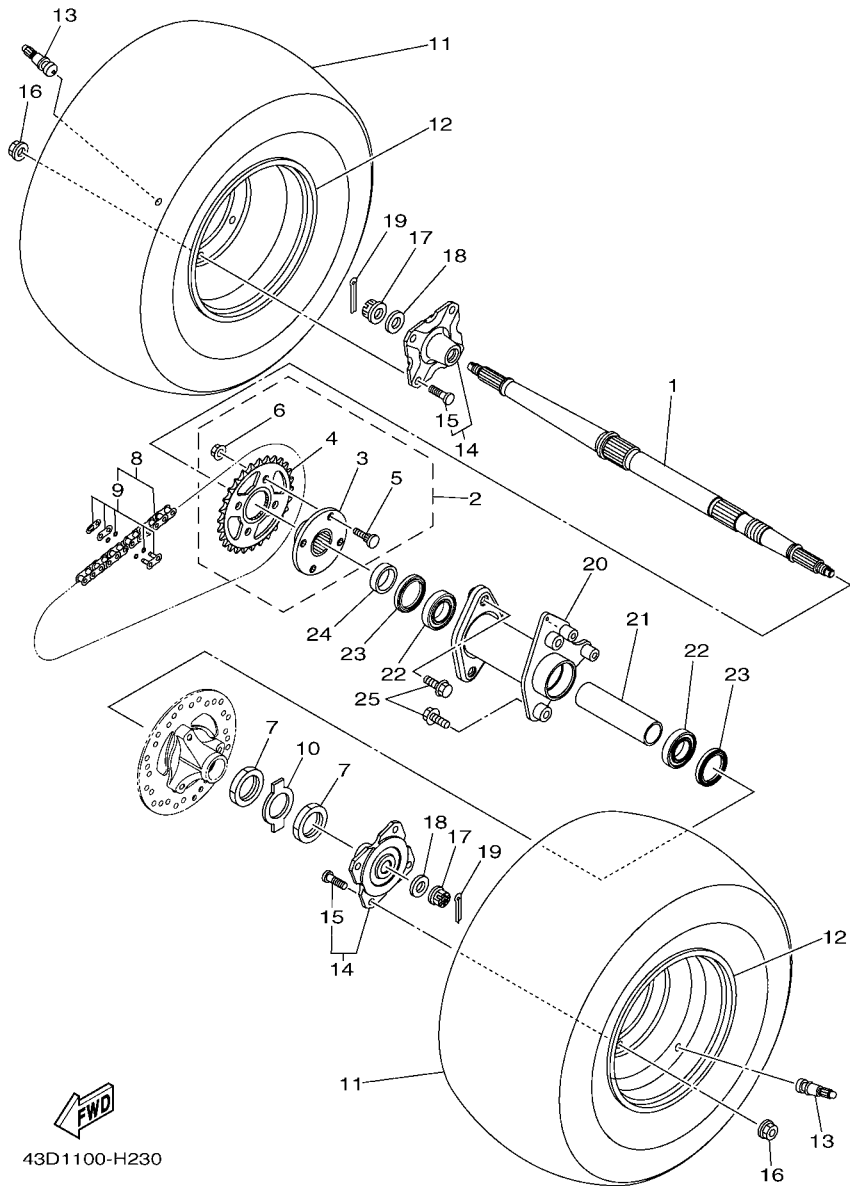
REF. NO.	PART NO.	DESCRIPTION	CAN	EUR	OC	CSA	JPN	REMARKS
28	43D-F5117-00	SPACER, BEARING	1	1	1	1	1	
29	43D-F5105-00	SPACER	1	1	1	1	1	
30	43D-F51H1-00	BEARING	1	1	1	1	1	
31	43D-F51H2-00	BEARING 2	1	1	1	1	1	
32	43D-F511B-00	SEAL, OIL	1	1	1	1	1	
33	43D-F51H3-00	OIL SEAL 2	1	1	1	1	1	
34	43D-F510L-00	BRAKE SHOE COMP.	1	1	1	1	1	
35	43D-F5133-00	SPRING, RETURN	1	1	1	1	1	
36	43D-F5351-00	CAMSHAFT	1	1	1	1	1	
37	43D-F51H4-00	O-RING	1	1	1	1	1	
38	43D-F5169-00	PLATE, BRAKE SHOE 2	1	1	1	1	1	
39	43D-F5156-00	LEVER, CAMSHAFT 2	1	1	1	1	1	
40	97022-06030	BOLT	1	1	1	1	1	
41	43D-F2149-00	WASHER	1	1	1	1	1	
42	43D-F2251-00	NUT 1	1	1	1	1	1	
43	43D-F5143-00	SPRING, RETURN	1	1	1	1	1	
44	43D-F3521-00	KNUCKLE, STEERING 2	1	1	1	1	1	
45	43D-F3522-00	ARM, KNUCKLE 2	1	1	1	1	1	
46	43D-F2241-00	BOLT 1	2	2	2	2	2	
47	43D-F2143-00	NUT	2	2	2	2	2	
48	43D-F2245-00	WASHER 3	1	1	1	1	1	
49	43D-F1293-00	NUT	1	1	1	1	1	
50	43D-F112N-00	PIN	1	1	1	1	1	
51	43D-F510S-00	TIRE (AT18 X 7-8 M939)	1	1	1	1	1	
52	43D-F5180-00	WHEEL COMP.	1	1	1	1	1	
53	43D-F5170-00	AIR VALVE ASSY	1	1	1	1	1	
54	43D-F5180-00	WHEEL COMP.	1	1	1	1	1	



43D1100-H220

FIG. 22 FRONT WHEEL

REF. NO.	PART NO.	DESCRIPTION	CAN	EUR	OCE	CSA	JPN	REMARKS
55	43D-F510S-00	TIRE (AT18 X 7-8 M939)	1	1	1	1	1	
56	43D-F5170-00	AIR VALVE ASSY	1	1	1	1	1	
57	43D-F1839-00	NUT	8	8	8	8	8	



43D1100-H230

FIG. 23 REAR WHEEL

REF. NO.	PART NO.	DESCRIPTION	CAN	EUR	OCE	CSA	JPN	REMARKS
1	43D-F5381-00	AXLE, WHEEL	1	1	1	1	1	
2	43D-F5420-00	SPROCKET, DRIVEN (20T)	1	1	1	1	1	
3	43D-F5386-00	.COLLAR, SPROCKET AXLE	1	1	1	1	1	
4	43D-F5438-00	.SPROCKET, DRIVEN (38T)	1	1	1	1	1	
5	43D-F3459-00	.BOLT	4	4	4	4	4	
6	43D-F1635-00	.NUT, REAR FENDER	4	4	4	4	4	
7	43D-F1636-00	NUT	2	2	2	2	2	
8	43D-F53C0-00	CHAIN	1	1	1	1	1	
9	43D-F53N3-00	.MASTER LINK	1	1	1	1	1	
10	43D-F5412-00	WASHER	1	1	1	1	1	
11	43D-F53P3-00	TIRE (AT18 X 9-8 M940)	2	2	2	2	2	
12	43D-F5390-00	REAR WHEEL COMP.	2	2	2	2	2	
13	43D-F5170-00	AIR VALVE ASSY	2	2	2	2	2	
14	43D-F5383-00	COLLAR, WHEEL	2	2	2	2	2	
15	43D-F1738-00	.BOLT	4	4	4	4	4	
16	43D-F1839-00	NUT	8	8	8	8	8	
17	43D-F5382-00	NUT, AXLE	2	2	2	2	2	
18	43D-F2243-00	WASHER 1	2	2	2	2	2	
19	91401-25033	PIN, COTTER	2	2	2	2	2	
20	43D-F5311-00	HUB, REAR	1	1	1	1	1	
21	43D-F5317-00	SPACER, BEARING	1	1	1	1	1	
22	43D-F53N4-00	BEARING	2	2	2	2	2	
23	43D-F537Y-00	SEAL, DUST	2	2	2	2	2	
24	43D-F5683-00	SPACER	1	1	1	1	1	
25	43D-F3492-00	BOLT	4	4	4	4	4	

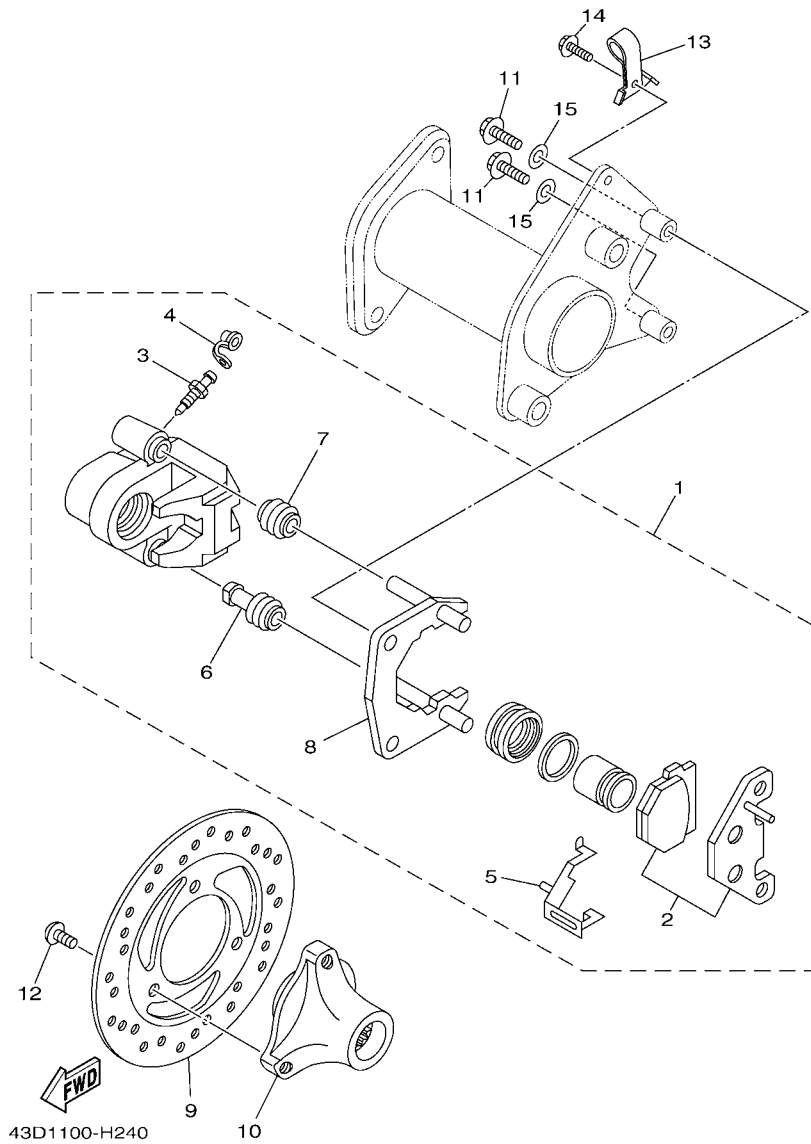
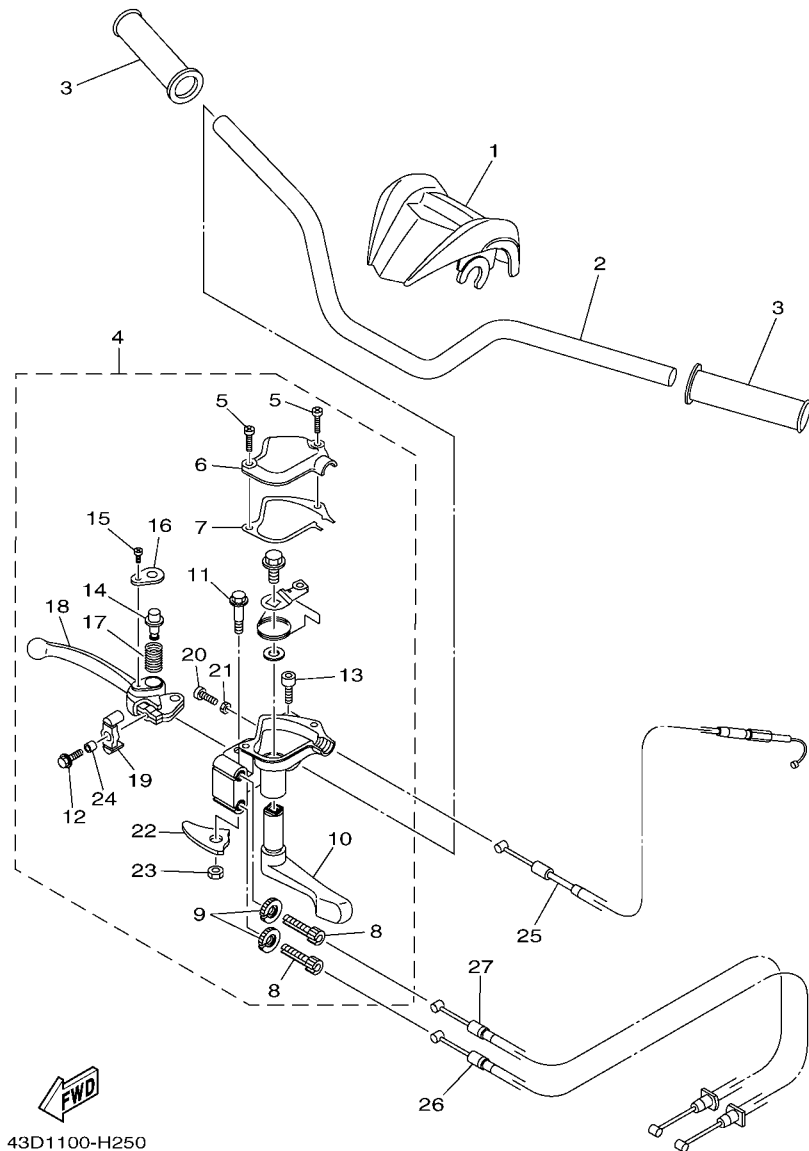


FIG. 24 REAR BRAKE CALIPER

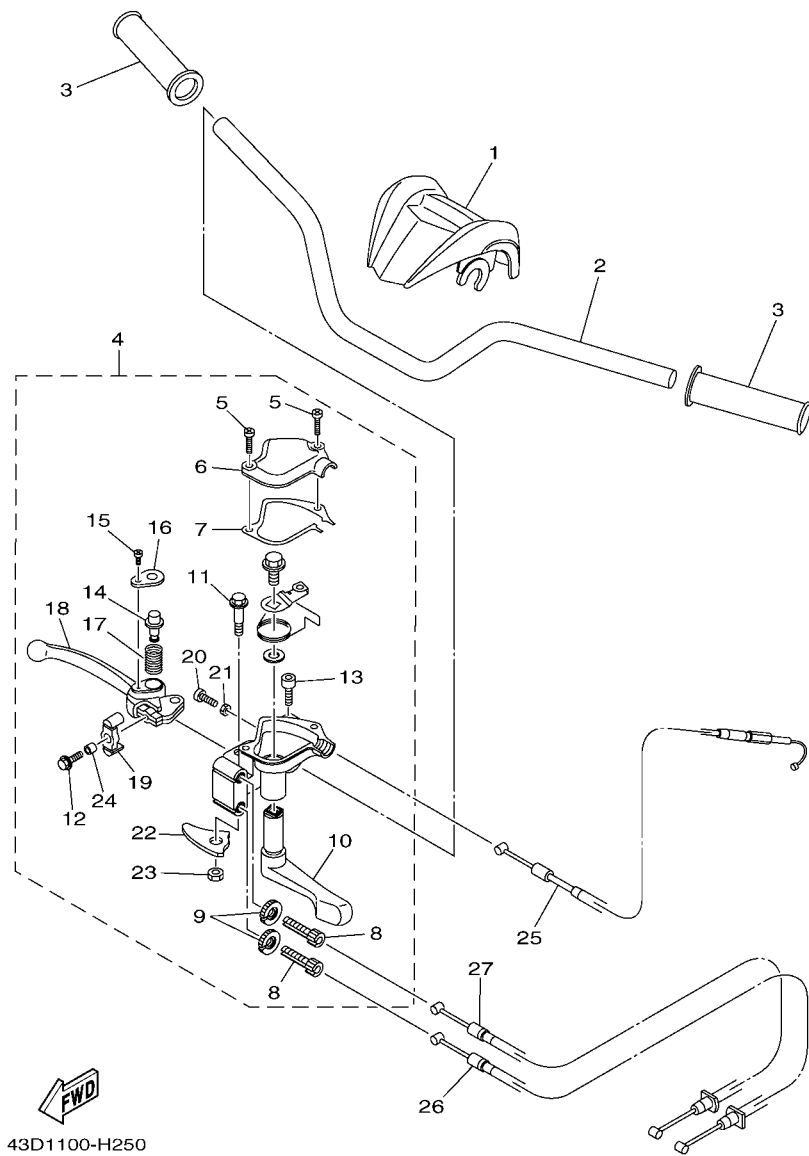
REF. NO.	PART NO.	DESCRIPTION	CAN	EUR	OCE	CSA	JPN	REMARKS
1	43D-F580V-00	CALIPER ASSY, REAR 1	1	1	1	1	1	
2	43D-F5906-00	.REAR PAD LINING COMP. SET	1	1	1	1	1	
3	43D-F5824-00	.SCREW, BLEED	1	1	1	1	1	
4	43D-F5825-00	.CAP	1	1	1	1	1	
5	43D-F5919-00	.SUPPORT, PAD	1	1	1	1	1	
6	43D-F5937-00	.BOOT 2	1	1	1	1	1	
7	43D-F5917-00	.BOOT, CALIPER	1	1	1	1	1	
8	43D-F5921-00	.BRACKET, SUPPORT	1	1	1	1	1	
9	43D-F582V-00	DISC, REAR BRAKE 1	1	1	1	1	1	
10	43D-F5712-00	BRACKET, DISC	1	1	1	1	1	
11	95827-08035	BOLT, FLANGE	2	2	2	2	2	
12	43D-F1631-00	BOLT 1	3	3	3	3	3	
13	43D-F5876-00	HOLDER, BRAKE HOSE 2	1	1	1	1	1	
14	95827-06012	BOLT, FLANGE	1	1	1	1	1	
15	43D-F3444-00	WASHER	2	2	2	2	2	



43D1100-H250

FIG. 25 STEERING HANDLE & CABLE

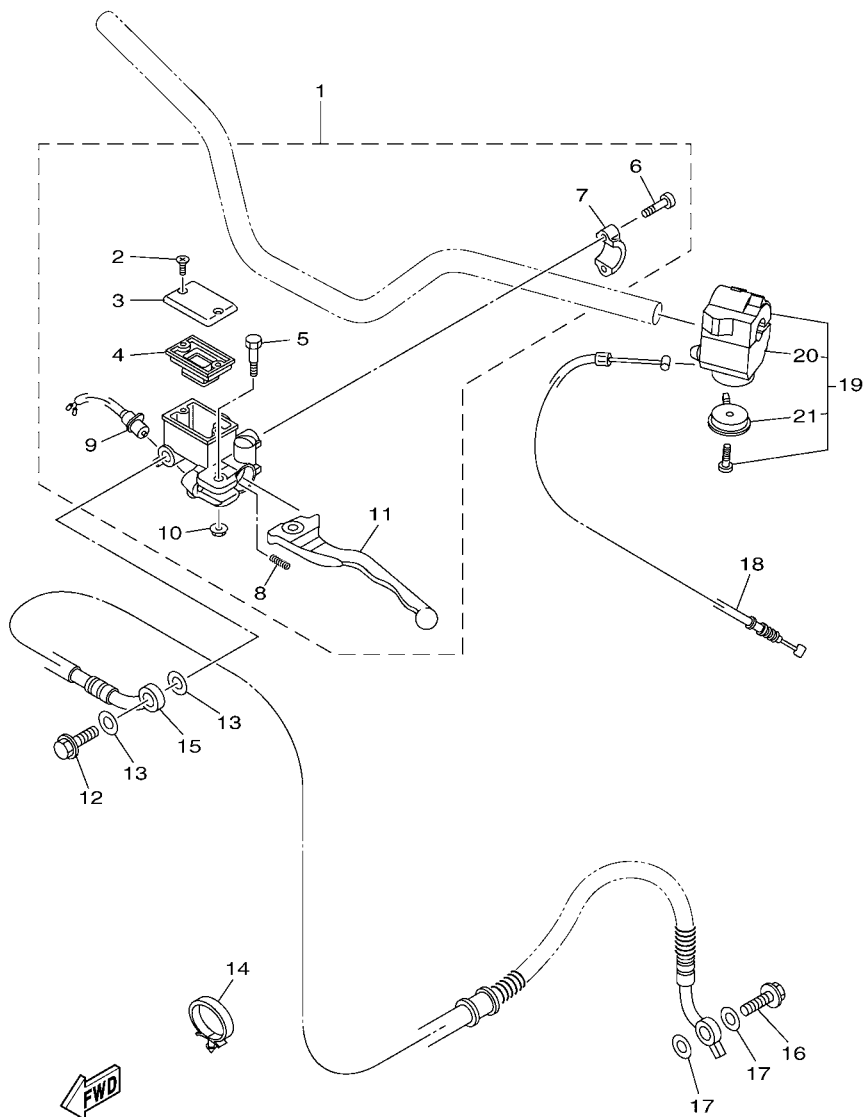
REF. NO.	PART NO.	DESCRIPTION	CAN	EUR	OCE	CSA	JPN	REMARKS
1	43D-F6124-00	PROTECTOR, HANDLEBAR	1	1	1	1	1	UR FOR DPBSE
	43D-F6124-10	PROTECTOR, HANDLEBAR	1	1	1			UR FOR YB
2	43D-F6111-00	HANDLEBAR	1	1	1	1	1	
3	43D-F6241-00	GRIP	2	2	2	2	2	
4	43D-F6250-00	THROTTLE LEVER ASSY	1	1	1	1	1	
5	43D-H1145-00	.SCREW 1	2	2	2	2	2	
6	43D-F628F-00	.CAP, GEAR	1	1	1	1	1	
7	43D-F628G-00	.GASKET	1	1	1	1	1	
8	43D-F1739-00	.BOLT	2	2	2	2	2	
9	43D-F1968-00	.NUT	2	2	2	2	2	
10	43D-F625G-00	.LEVER, THROTTLE	1	1	1	1	1	
11	43D-F3346-00	.BOLT 1	1	1	1	1	1	
12	43D-F6382-00	.BOLT, AJUSTING	1	1	1	1	1	
13	43D-F6332-00	.BOLT	1	1	1	1	1	
14	43D-H3967-00	.PIN, LOCK 1	1	1	1	1	1	
15	43D-H1146-00	.SCREW 2	1	1	1	1	1	
16	43D-F6133-00	.CAP	1	1	1	1	1	
17	43D-F4333-00	.SPRING	1	1	1	1	1	
18	43D-H3922-00	.LEVER 2	1	1	1	1	1	
19	43D-F6347-00	.JOINT, CABLE	1	1	1	1	1	
20	43D-F6337-00	.BOLT, ADJUSTING	1	1	1	1	1	
21	43D-F3357-00	.NUT	1	1	1	1	1	
22	43D-F631G-00	.PLATE	1	1	1	1	1	
23	43D-F3778-00	.NUT	1	1	1	1	1	
24	43D-F7213-00	.COLLAR	1	1	1	1	1	
25	43D-F6311-00	CABLE, THROTTLE 1	1	1	1	1	1	
26	43D-F6340-00	CABLE, BRAKE	1	1	1	1	1	



43D1100-H250

FIG. 25 STEERING HANDLE & CABLE

REF. NO.	PART NO.	DESCRIPTION	CAN	EUR	OCE	CSA	JPN	REMARKS
27	43D-F6350-00	CABLE, BRAKE	1	1	1	1	1	



43D1100-H260

FIG. 26 REAR MASTER CYLINDER

REF. NO.	PART NO.	DESCRIPTION	CAN	EUR	OCE	CSA	JPN	REMARKS
1	43D-F583V-00	RR. MASTER CYLINDER ASSY.	1	1	1	1	1	
2	43D-F11C8-00	.SCREW 4	2	2	2	2	2	
3	43D-F5852-00	.CAP, RESERVOIR	1	1	1	1	1	
4	43D-F5854-00	.GASKET, DIAPHRAGM	1	1	1	1	1	
5	43D-F2277-00	.BOLT	1	1	1	1	1	
6	43D-F11C9-00	.SCREW 5	2	2	2	2	2	
7	43D-F5867-00	.HOLDER	1	1	1	1	1	
8	43D-F6314-00	.SPRING	1	1	1	1	1	
9	43D-H2550-00	.STOP SWITCH ASSY	1	1	1	1	1	
10	43D-F3833-00	.NUT 1	1	1	1	1	1	
11	43D-H3912-00	.LEVER 1	1	1	1	1	1	
12	43D-F244H-00	BOLT	1	1	1	1	1	
13	43D-F2244-00	WASHER 2	2	2	2	2	2	
14	43D-F53N5-00	CLAMP 1	2	2	2	2	2	
15	43D-F5874-00	HOSE, BRAKE	1	1	1	1	1	
16	43D-F244H-00	BOLT	1	1	1	1	1	
17	43D-F2244-00	WASHER 2	2	2	2	2	2	
18	43D-F6331-00	CABLE, STARTER 1	1	1	1	1	1	
19	43D-H3975-00	SWITCH, HANDLE 2	1	1	1	1	1	
20	43D-H259E-00	.SWITCH ASSY	1	1	1	1	1	
21	43D-H3941-00	.LEVER, STARTER	1	1	1	1	1	

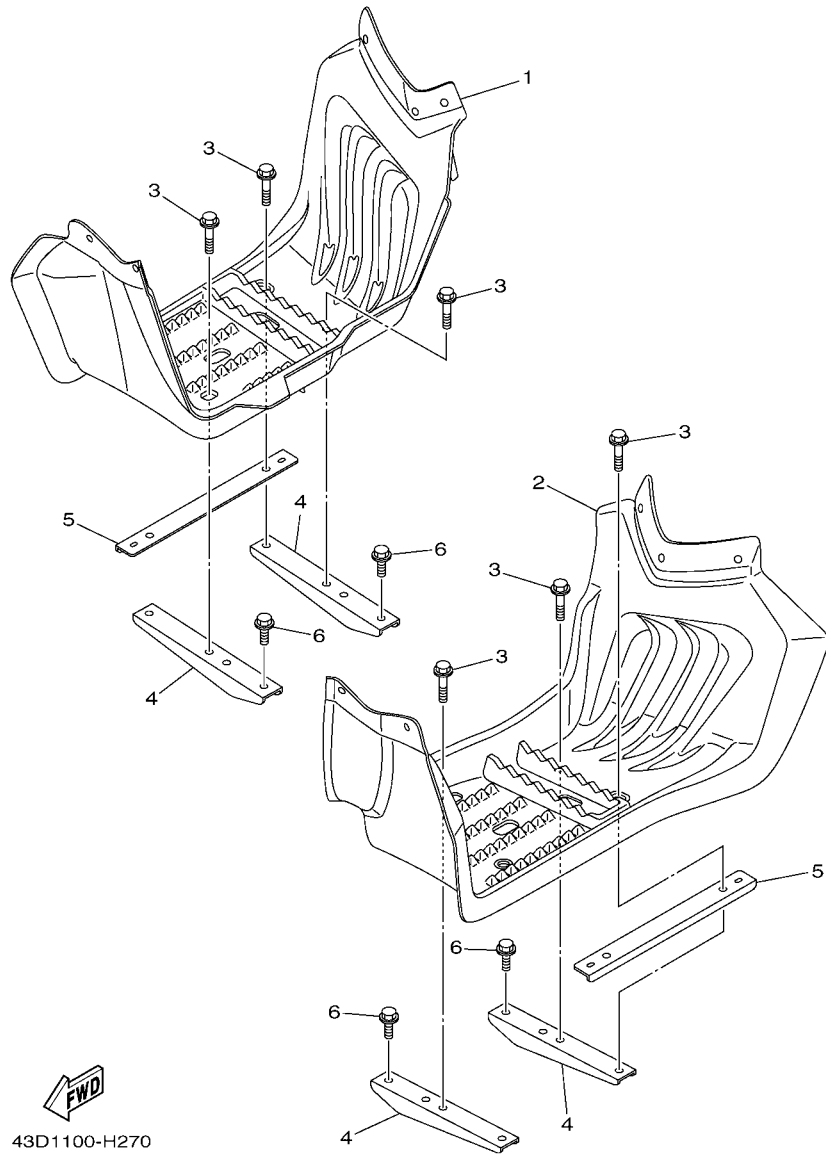
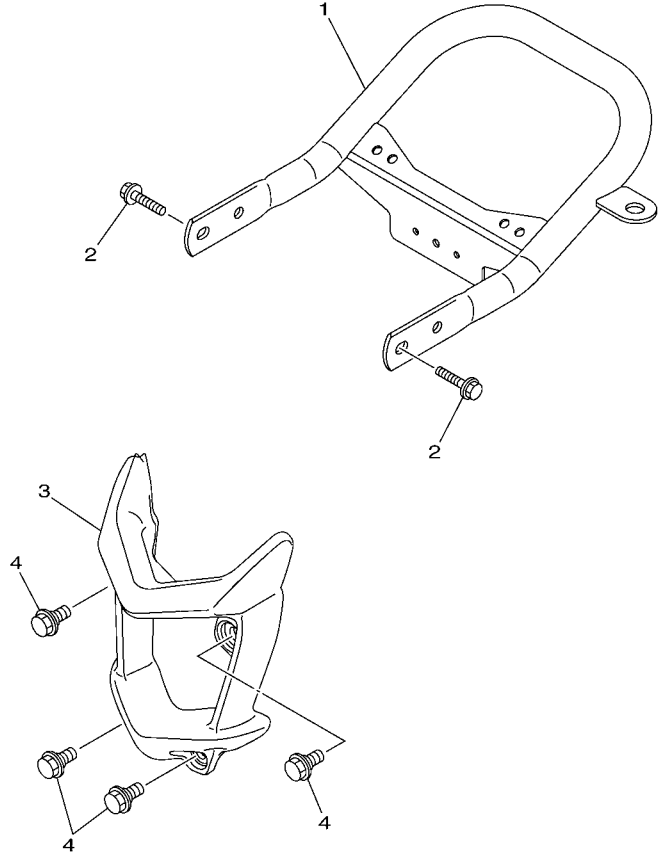


FIG. 27 STAND & FOOTREST

REF. NO.	PART NO.	DESCRIPTION	CAN	EUR	OCE	CSA	JPN	REMARKS
1	43D-F7463-00	COVER 2	1	1	1	1	1	
2	43D-F7453-00	COVER 1	1	1	1	1	1	
3	43D-F3356-00	BOLT 2	8	8	8	8	8	
4	43D-F7471-00	BAR, FOOTREST 1	4	4	4	4	4	
5	43D-F7445-00	PLATE 1	2	2	2	2	2	
6	43D-F2125-00	BOLT	4	4	4	4	4	

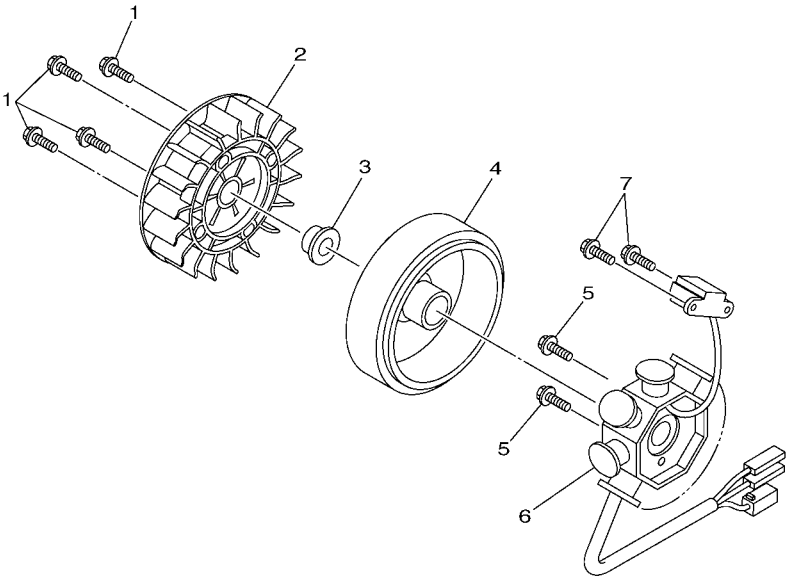
FIG. 28 GUARD



FWD
43D1100-H280

REF. NO.	PART NO.	DESCRIPTION	CAN	EUR	OCE	CSA	JPN	REMARKS
1	43D-F845R-00	BAR, CARRY REAR	1	1	1	1	1	
2	95827-08012	BOLT, FLANGE	4	4	4	4	4	
3	43D-F845N-00	BAR, CARRY FRONT	1	1	1	1	1	
4	43D-F3436-00	BOLT	4	4	4	4	4	

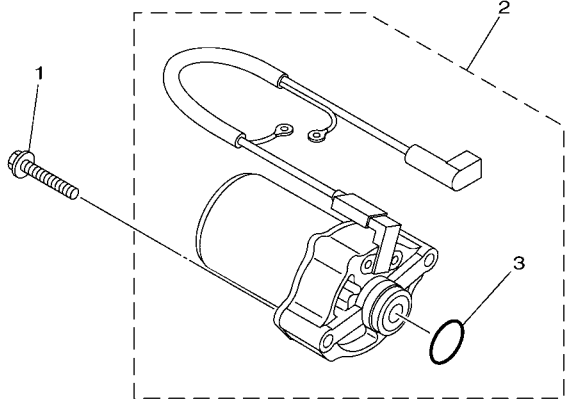
FIG. 29 GENERATOR




43D1100-H290

REF. NO.	PART NO.	DESCRIPTION	CAN	EUR	OCE	CSA	JPN	REMARKS
1	95022-06016	BOLT, FLANGE	4	4	4	4	4	
2	43D-E2611-00	FAN	1	1	1	1	1	
3	43D-E3588-00	NUT	1	1	1	1	1	
4	43D-H5550-00	ROTOR ASSY	1	1	1	1	1	
5	95022-06020	BOLT, FLANGE	2	2	2	2	2	
6	43D-H5510-00	STATOR ASSY	1	1	1	1	1	
7	43D-F1532-00	BOLT 2	2	2	2	2	2	

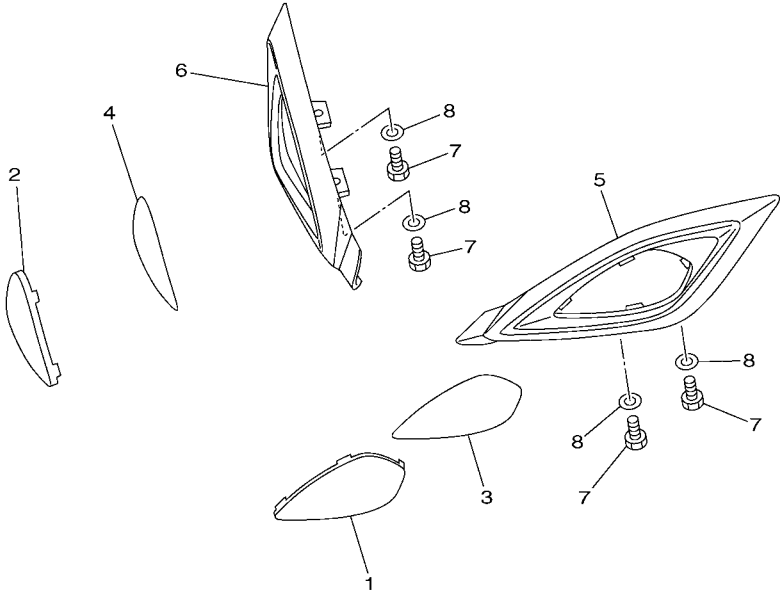
FIG. 30 STARTING MOTOR




 43D1100-H300

REF. NO.	PART NO.	DESCRIPTION	CAN	EUR	OCE	CSA	JPN	REMARKS
1	95022-06040	BOLT, FLANGE	2	2	2	2	2	
2	43D-H1800-00	STARTING MOTOR ASSY	1	1	1	1	1	
3	43D-H182M-00	.O-RING	1	1	1	1	1	

FIG. 31 HEADLIGHT



REF. NO.	PART NO.	DESCRIPTION	CAN	EUR	OCE	CSA	JPN	REMARKS
1	43D-H4733-00	LENS 1	1	1	1	1	1	
2	43D-H4121-00	LENS 1	1	1	1	1	1	
3	43D-H411B-00	GRAPHIC	1	1	1	1	1	
4	43D-H4191-00	GRAPHIC 2	1	1	1	1	1	
5	43D-H4111-00	BODY, HEADLIGHT	1	1	1	1	1	
6	43D-H4311-00	BODY, HEADLIGHT	1	1	1	1	1	
7	97004-06016	BOLT	4	4	4	4	4	
8	92904-06600	WASHER	4	4	4	4	4	

 43D1100-H310

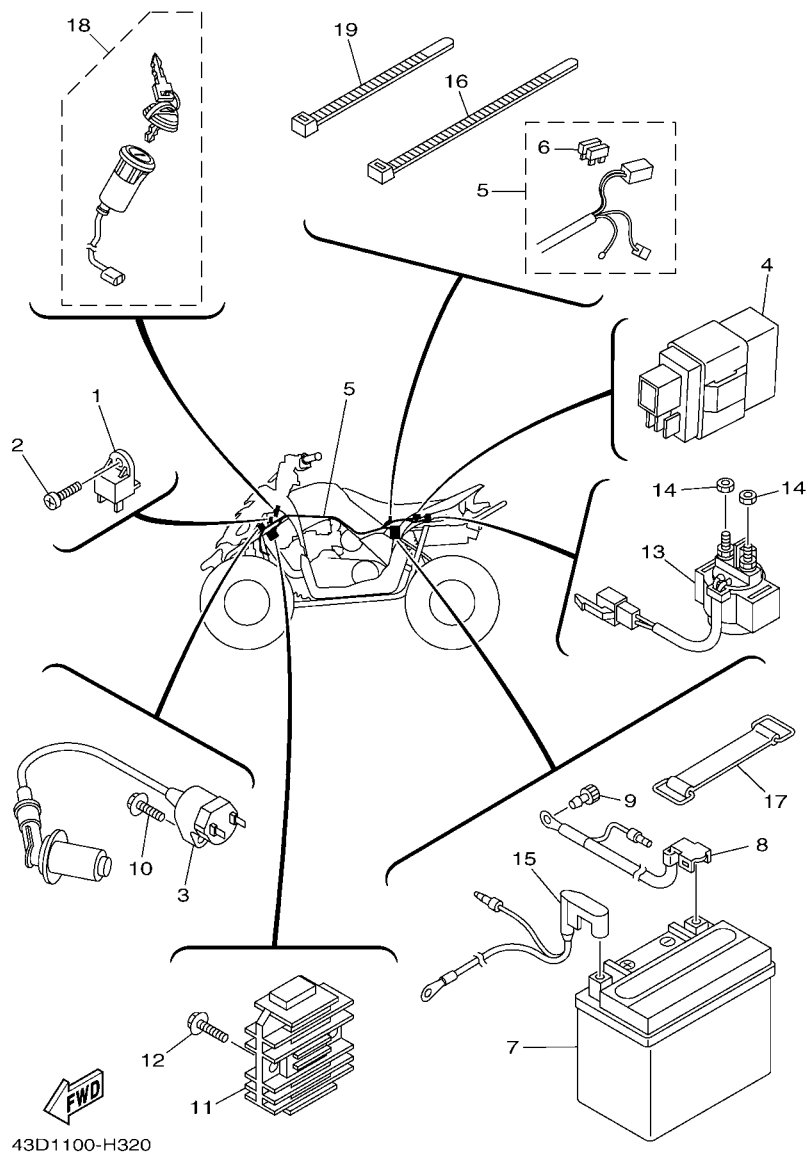


FIG. 32 ELECTRICAL 1

REF. NO.	PART NO.	DESCRIPTION	CAN	EUR	OCE	CSA	JPN	REMARKS
1	43D-H2560-00	THERMO SWITCH ASSY	1	1	1	1	1	
2	43D-F4473-00	SCREW	1	1	1	1	1	
3	43D-H2310-00	IGNITION COIL ASSY	1	1	1	1	1	
4	43D-H5540-00	C.D.I. UNIT ASSY	1	1	1	1	1	
5	43D-H2590-00	WIRE HARNESS ASSY	1	1	1	1	1	
6	43D-H2151-00	.FUSE	2	2	2	2	2	
7	43D-H2110-00	BATTERY ASSY (GTX5L-BS)	1	1	1	1	1	
	43D-H2110-10	BATTERY ASSY (GTX5L-BS)					1	
8	43D-H2116-00	WIRE, MINUS LEAD	1	1	1	1	1	
9	43D-F2969-00	SCREW, 1	1	1	1	1	1	
10	43D-F1531-00	BOLT	1	1	1	1	1	
11	43D-H1960-00	RECTIFIER & REGULATOR ASSY	1	1	1	1	1	
12	95822-06016	BOLT, FLANGE	2	2	2	2	2	
13	43D-H1940-00	STARTER RELAY ASSY	1	1	1	1	1	
14	95307-06600	NUT	2	2	2	2	2	
15	43D-H2115-00	WIRE, PLUS LEAD	1	1	1	1	1	
16	43D-F2591-00	CLAMP, HOSE	1	1	1	1	1	
17	43D-F4398-00	BAND 1	1	1	1	1	1	
18	43D-H2510-00	MAIN SWITCH ASSY	1	1	1	1	1	
19	43D-F3466-00	CLAMP	4	4	4	4	4	

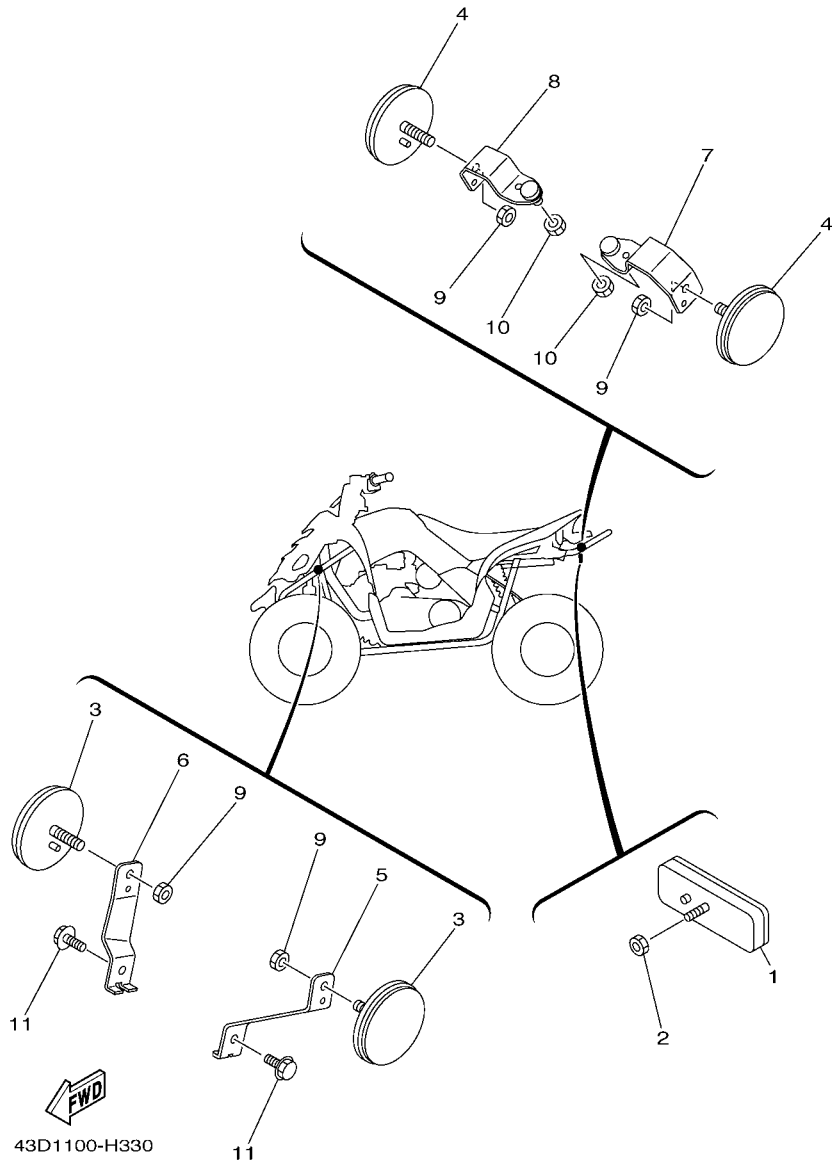
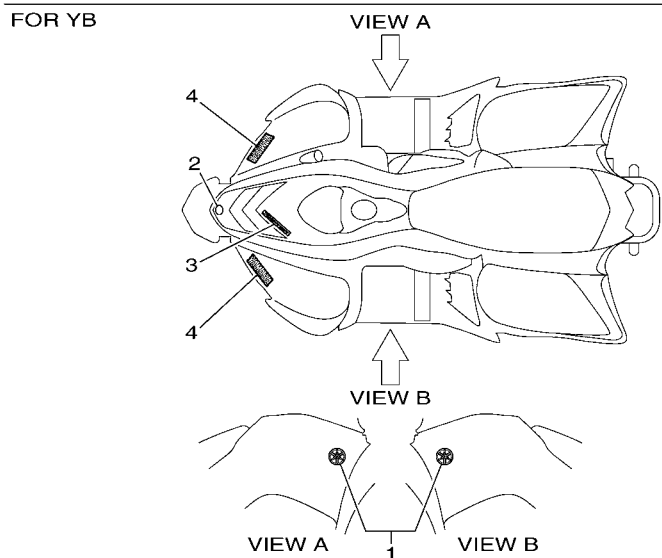
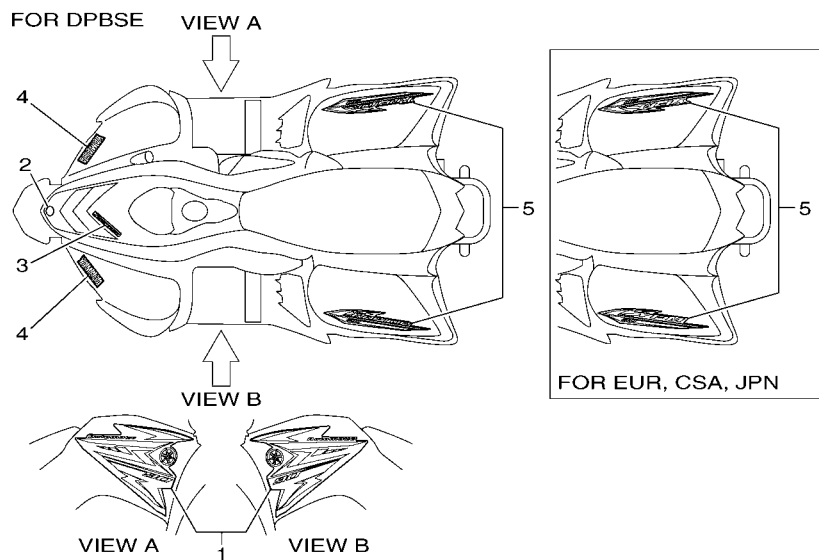


FIG. 33 ELECTRICAL 2

REF. NO.	PART NO.	DESCRIPTION	CAN	EUR	OCE	CSA	JPN	REMARKS
1	43D-H5130-00	REAR REFLECTOR ASSY	1	1	1	1	1	
2	95704-05500	NUT, FLANGE	1	1	1	1	1	
3	43D-H5111-00	REFLECTOR, FRONT 1	2					
4	43D-H5121-00	REFLECTOR, FRONT 2	2					
5	43D-F8321-00	STAY 1	1					
6	43D-F8322-00	STAY 2	1					
7	43D-F8356-00	STAY 1	1					
8	43D-F8357-00	STAY 2	1					
9	95307-06600	NUT	4					
10	43D-F1536-00	NUT 2	2					
11	95822-06016	BOLT, FLANGE	2					

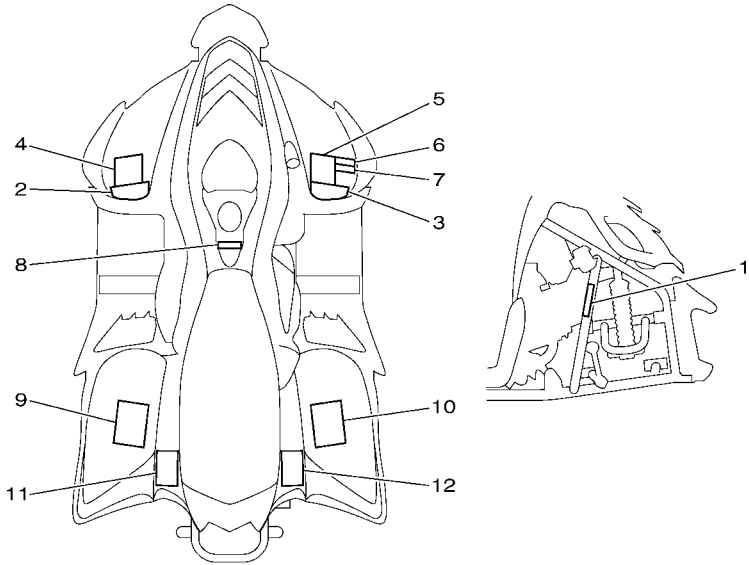


43D1100-H340

FIG. 34 GRAPHICS

REF. NO.	PART NO.	DESCRIPTION	CAN	EUR	OCE	CSA	JPN	REMARKS
1	43D-F4250-00	GRAPHIC SET 2	1	1	1	1	1	UR FOR DPBSE
	43D-F4250-10	GRAPHIC SET 2	1	1				UR FOR YB
2	43D-F175B-00	TUNING FORK MARK	1	1	1	1	1	
3	43D-F1565-00	EMBLEM, 2	1		1			UR FOR DPBSE
	43D-F1565-20	EMBLEM, 2	1		1			UR FOR YB
	43D-F1565-10	EMBLEM, 2		1		1	1	
4	43D-F153E-00	EMBLEM, YAMAHA	2	2	2	2	2	
5	43D-F165A-00	GRAPHIC SET, REAR FENDER	1		1			
	43D-F165A-10	GRAPHIC SET, REAR FENDER		1		1	1	

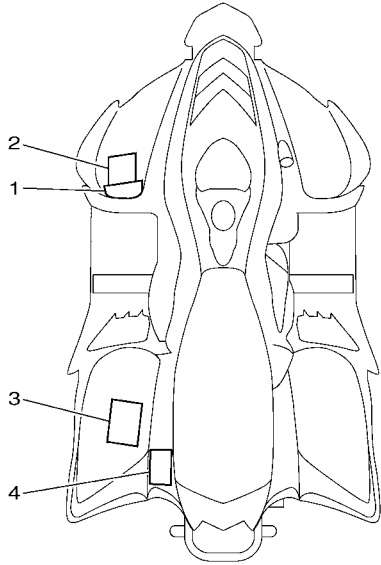
FIG. 35 EMBLEM & LABEL 1



43D1100-H350

REF. NO.	PART NO.	DESCRIPTION	CAN	EUR	OCE	CSA	JPN	REMARKS
1	43D-H2377-40	LABEL	1					
2	43D-F1568-00	LABEL, WARNING	1					
3	43D-F1568-10	LABEL, WARNING	1					
4	43D-F816L-00	LABEL, WARNING AGE	1					
5	43D-F816L-10	LABEL, WARNING AGE	1					
6	43D-F817J-00	PLATE, ANSI SVIA	1					
7	43D-F817J-10	PLATE, ANSI SVIA	1					
8	43D-F416E-40	LABEL, CAUTION CANADA	1					
9	43D-F816M-60	LABEL, WARNING TIRE & LOAD	1					
10	43D-F816M-10	LABEL, WARNING TIRE & LOAD	1					
11	43D-F151H-00	LABEL 5	1					
12	43D-F151H-10	LABEL 5	1					

FIG. 37 EMBLEM & LABEL 3



43D1100-H370

REF. NO.	PART NO.	DESCRIPTION	CAN	EUR	OCE	CSA	JPN	REMARKS
1	43D-F1568-60	LABEL, WARNING			1			
2	43D-F816L-00	LABEL, WARNING AGE			1			
3	43D-F816M-60	LABEL, WARNING TIRE & LOAD			1			
4	43D-F151H-00	LABEL 5			1			

NUMERICAL INDEX

PART NO.	REF. NO.	PART NO.	REF. NO.	PART NO.	REF. NO.	PART NO.	REF. NO.	PART NO.	REF. NO.	PART NO.	REF. NO.
5FU-83790-20	8 - 38	43D-E2289-00	11 - 7	43D-E3588-00	12 - 23	43D-E4397-10	8 - 29	43D-E5300-00	6 - 10	43D-E7498-00	13 - 14
43D-E1102-00	1 - 1	43D-E22C0-00	4 - 7		29 - 3	43D-E4398-00	8 - 30	43D-E5314-00	10 - 2	43D-E7499-00	13 - 23
43D-E1104-00	10 - 11	43D-E2456-00	11 - 16	43D-E3590-00	1 - 23	43D-E439D-00	8 - 15	43D-E5341-00	10 - 20	43D-E7518-00	13 - 26
43D-E1126-00	7 - 27	43D-E2467-00	15 - 12	43D-E3889-00	5 - 3	43D-E440H-00	7 - 5	43D-E5363-00	10 - 13	43D-E7611-00	12 - 19
43D-E1179-00	1 - 3	43D-E2601-00	5 - 4	43D-E3995-00	11 - 5	43D-E4411-00	7 - 1	43D-E536A-00	10 - 27	43D-E7620-00	12 - 15
43D-E1181-00	1 - 4	43D-E2611-00	29 - 2	43D-E4137-00	7 - 15	43D-E4417-00	7 - 6	43D-E5411-00	10 - 5	43D-E7623-00	12 - 17
43D-E1182-00	1 - 19	43D-E2614-00	13 - 24	43D-E4148-00	7 - 21	43D-E4418-00	7 - 7	43D-E5418-00	10 - 33	43D-E7632-00	12 - 16
43D-E1188-00	10 - 12	43D-E2615-00	10 - 29	43D-E4149-00	7 - 22	43D-E4419-00	7 - 11	43D-E5421-00	10 - 23	43D-E7641-00	12 - 20
43D-E1190-00	1 - 18	43D-E261B-00	5 - 2	43D-E4159-00	7 - 19	43D-E4429-00	7 - 16	43D-E5461-00	10 - 24	43D-E7645-00	12 - 14
43D-E1195-00	1 - 13	43D-E261C-00	5 - 7		7 - 23	43D-E442F-00	7 - 26	43D-E5470-00	10 - 31	43D-E7653-00	12 - 18
43D-E119A-00	6 - 1	43D-E261D-00	5 - 10	43D-E4169-00	7 - 28	43D-E4439-00	1 - 17	43D-E54F3-00	10 - 32	43D-E7660-00	12 - 4
43D-E119B-00	1 - 24		5 - 14	43D-E41A1-00	7 - 14	43D-E443E-00	7 - 8	43D-E5524-00	11 - 4	43D-E7664-00	12 - 5
43D-E1311-00	1 - 7	43D-E261F-00	5 - 11	43D-E4216-00	5 - 8	43D-E443G-00	8 - 23	43D-E5526-00	10 - 3	43D-E7670-00	12 - 7
43D-E1351-00	1 - 10		5 - 16	43D-E4222-00	7 - 20	43D-E4451-00	7 - 3	43D-E5532-00	11 - 10	43D-E7683-00	12 - 10
43D-E1391-00	1 - 12	43D-E261G-00	5 - 17	43D-E4271-00	1 - 22	43D-E4452-00	7 - 13	43D-E5538-00	11 - 2	43D-E7684-00	12 - 11
43D-E1392-00	1 - 6	43D-E261H-00	5 - 25	5LB-E4275-00	8 - 12	43D-E4453-00	7 - 10	43D-E5561-00	10 - 19	43D-E76F3-00	12 - 6
43D-E1400-00	2 - 1	43D-E261J-00	5 - 13	43D-E4285-00	13 - 5	43D-E4455-00	7 - 12	43D-E5570-00	11 - 6	43D-E76F4-00	12 - 8
43D-E1541-00	10 - 21	43D-E261K-00	5 - 21	5WB-E4286-00	8 - 14	43D-E4468-00	7 - 4	43D-E5582-00	10 - 15	43D-E76F5-00	12 - 9
43D-E1545-00	2 - 2	43D-E2620-00	5 - 9	43D-E4301-00	8 - 1	43D-E4475-00	5 - 20		13 - 13	43D-E76F6-00	12 - 13
43D-E1557-00	10 - 16	43D-E2623-00	14 - 5	43D-E4301-10	8 - 1	43D-E449C-00	7 - 24	43D-E5596-00	11 - 3	43D-F1110-00	14 - 1
43D-E1558-00	11 - 1		19 - 21	43D-E4304-00	8 - 32	43D-E449D-00	7 - 25	43D-E5597-00	11 - 17	43D-F1116-00	10 - 35
43D-E1610-00	2 - 6	43D-E262K-00	5 - 23	43D-E4306-00	8 - 21	43D-E449E-00	7 - 2	43D-E5600-00	11 - 12	43D-F112C-00	14 - 13
43D-E1631-00	2 - 3		16 - 17	43D-E4307-00	8 - 34	43D-E4565-00	9 - 12	43D-E5620-00	11 - 21	43D-F112N-00	22 - 25
43D-E1633-00	2 - 4	43D-E2650-00	5 - 12	43D-E4310-00	8 - 35		16 - 8	43D-E5640-00	11 - 8		22 - 50
43D-E1634-00	2 - 5	43D-E2659-00	5 - 5	43D-E4321-00	8 - 3	43D-E4567-00	5 - 15	43D-E5650-00	11 - 18	43D-F113B-00	14 - 18
43D-E1834-00	11 - 11	43D-E2660-00	5 - 1	43D-E4321-10	8 - 28	43D-E4594-00	12 - 2	43D-E5657-00	12 - 21	43D-F11C1-00	14 - 3
43D-E2111-00	3 - 1	43D-E2664-00	11 - 19	43D-E4325-00	5 - 18	5AV-E4594-00	8 - 25	43D-E5665-00	11 - 13	43D-F11C2-00	14 - 4
43D-E2113-00	3 - 6	43D-E2668-00	5 - 6	43D-E432A-00	8 - 33	43D-E4595-00	9 - 6	43D-E5666-00	11 - 15	43D-F11C3-00	14 - 7
43D-E2114-00	3 - 5	43D-E2671-00	9 - 7	43D-E4333-00	8 - 4	43D-E4610-00	9 - 1	43D-E5677-00	11 - 14	43D-F11C5-00	21 - 4
43D-E2117-00	3 - 7	43D-E2672-00	12 - 12	43D-E4333-10	8 - 27	43D-E4617-00	17 - 9	43D-E5744-00	13 - 22	43D-F11C8-00	26 - 2
43D-E2118-00	3 - 8	43D-E2673-00	12 - 22	43D-E4336-00	8 - 13	43D-E461A-00	9 - 2	43D-E5793-00	7 - 17	43D-F11C9-00	26 - 6
43D-E2119-00	3 - 3	43D-E2674-00	13 - 25	43D-E4336-10	8 - 13	43D-E4752-00	9 - 3	43D-E6611-00	12 - 3	43D-F1244-00	19 - 2
43D-E2121-00	3 - 2	43D-E2842-00	13 - 9	43D-E4341-00	8 - 8	43D-E4773-00	9 - 4	43D-E6620-00	12 - 1	43D-F1279-00	14 - 2
43D-E2146-00	3 - 12	43D-E3177-00	1 - 8	43D-E4342-16	8 - 6	43D-E4803-00	9 - 8	43D-E6739-00	7 - 18	43D-F1289-00	14 - 19
43D-E2151-00	3 - 9	43D-E319C-00	6 - 11	288-E4343-50	8 - 9	43D-E48A0-00	9 - 14	43D-E6773-00	11 - 20	43D-F1293-00	22 - 24
43D-E2156-00	3 - 13	43D-E3300-00	6 - 3	43D-E4344-00	8 - 16	43D-E48D0-00	9 - 9	43D-E7156-00	13 - 21		22 - 49
43D-E2157-00	10 - 4	43D-E3318-00	1 - 16	43D-E4345-00	8 - 2	43D-E4919-00	9 - 10	43D-E7166-00	10 - 22	43D-F1410-00	14 - 6
43D-E2159-00	3 - 10	43D-E3325-00	6 - 6	43D-E4346-00	8 - 26		9 - 15	43D-E7410-00	13 - 19	43D-F1459-00	14 - 8
43D-E2173-00	1 - 15	43D-E3342-00	11 - 9	43D-E4347-00	8 - 7	5LB-E4936-00	8 - 11	43D-E7412-00	13 - 7	43D-F1471-00	14 - 16
43D-E2174-00	1 - 11	43D-E3411-00	6 - 8	4FP-E4349-00	8 - 24	43D-E5100-00	10 - 1	43D-E7413-00	13 - 15	43D-F1494-00	14 - 11
43D-E2190-00	4 - 5	43D-E3469-00	6 - 9	5WB-E434A-00	8 - 10	43D-E5114-00	10 - 14	43D-E7420-00	13 - 16	43D-F1511-00	15 - 1
43D-E21K0-00	4 - 8	43D-E3516-00	1 - 5	43D-E4358-00	1 - 27	43D-E511A-00	10 - 25	43D-E7422-00	13 - 17	43D-F1511-10	15 - 1
43D-E2210-00	4 - 2	43D-E3556-00	1 - 21		6 - 7	43D-E511B-00	10 - 18	43D-E7423-00	13 - 18	43D-F1513-00	14 - 14
43D-E2213-00	4 - 3	43D-E3569-00	1 - 26	43D-E4382-00	7 - 9	43D-E511C-00	10 - 28	43D-E7431-00	13 - 20	43D-F151H-00	35 - 11
43D-E2228-00	10 - 10	43D-E3573-00	14 - 12	5WB-E4384-00	8 - 20	43D-E5181-00	6 - 2	43D-E7461-00	13 - 3		37 - 4
43D-E2231-00	4 - 6	43D-E3574-00	9 - 5	5WB-E4385-00	8 - 18		10 - 7	43D-E7464-00	13 - 2		38 - 7
43D-E2241-00	4 - 4	43D-E3575-00	1 - 25	5LB-E4386-00	8 - 19		10 - 26	43D-E7465-00	13 - 8	43D-F151H-10	35 - 12
43D-E2289-00	9 - 13	43D-E3578-00	3 - 4	43D-E4392-00	8 - 17	43D-E5199-00	10 - 9	43D-E7471-00	13 - 10	43D-F151H-30	38 - 8

NUMERICAL INDEX

PART NO.	REF. NO.	PART NO.	REF. NO.	PART NO.	REF. NO.	PART NO.	REF. NO.	PART NO.	REF. NO.	PART NO.	REF. NO.	PART NO.	REF. NO.
43D-F151H-50	36 - 6	43D-F175B-00	34 - 2	43D-F3350-00	19 - 1	43D-F38B2-00	18 - 4	43D-F5111-00	22 - 26	43D-F5712-00	24 - 10	43D-F5712-00	24 - 10
43D-F1531-00	32 - 10	43D-F1791-00	18 - 14	43D-F3350-10	19 - 1	43D-F4110-00	20 - 1	43D-F5117-00	22 - 3	43D-F580V-00	24 - 1	43D-F580V-00	24 - 1
43D-F1532-00	29 - 7		18 - 19	43D-F3356-00	27 - 3	43D-F4110-10	20 - 1		22 - 28	43D-F5824-00	24 - 3	43D-F5824-00	24 - 3
43D-F1535-00	17 - 5	43D-F1829-00	18 - 15	43D-F3357-00	25 - 21	43D-F411M-00	20 - 7	43D-F511B-00	22 - 7	43D-F5825-00	24 - 4	43D-F5825-00	24 - 4
	18 - 5		18 - 20	43D-F3363-00	19 - 5		20 - 10		22 - 32	43D-F582V-00	24 - 9	43D-F582V-00	24 - 9
43D-F1536-00	15 - 2	43D-F1839-00	22 - 57		19 - 8	43D-F412G-00	20 - 15	43D-F5121-00	22 - 13	43D-F583V-00	26 - 1	43D-F583V-00	26 - 1
	16 - 4		23 - 16	43D-F3364-00	19 - 11	43D-F415E-50	36 - 4	43D-F5133-00	22 - 10	43D-F5852-00	26 - 3	43D-F5852-00	26 - 3
	33 - 10	43D-F1968-00	25 - 9		19 - 14	43D-F416E-40	35 - 8		22 - 35	43D-F5854-00	26 - 4	43D-F5854-00	26 - 4
43D-F153E-00	34 - 4	43D-F2100-00	17 - 1	43D-F3394-00	17 - 23	43D-F417E-00	20 - 18	43D-F5143-00	22 - 18	43D-F5867-00	26 - 7	43D-F5867-00	26 - 7
43D-F1549-00	14 - 10	43D-F210L-00	17 - 11	43D-F3427-00	17 - 19	43D-F4181-00	20 - 20		22 - 43	43D-F5874-00	26 - 15	43D-F5874-00	26 - 15
43D-F1556-00	15 - 11	43D-F2125-00	9 - 11	43D-F3436-00	28 - 4	43D-F41B4-00	20 - 3	43D-F5155-00	22 - 14	43D-F5876-00	24 - 13	43D-F5876-00	24 - 13
43D-F1556-10	15 - 11		27 - 6	43D-F3441-00	18 - 23	43D-F41B5-00	20 - 5	43D-F5156-00	22 - 39	43D-F5906-00	24 - 2	43D-F5906-00	24 - 2
43D-F1565-00	34 - 3	43D-F2126-00	17 - 2	43D-F3442-00	18 - 22	43D-F41B5-10	20 - 5	43D-F5169-00	22 - 38	43D-F5917-00	24 - 7	43D-F5917-00	24 - 7
43D-F1565-10	34 - 3	43D-F2128-00	17 - 3	43D-F3444-00	24 - 15	43D-F41B6-00	20 - 8	43D-F5170-00	22 - 53	43D-F5919-00	24 - 5	43D-F5919-00	24 - 5
43D-F1565-20	34 - 3	43D-F2143-00	22 - 22	43D-F3447-00	16 - 9	43D-F41B6-10	20 - 8		22 - 56	43D-F5921-00	24 - 8	43D-F5921-00	24 - 8
43D-F1568-00	35 - 2		22 - 47	43D-F344A-00	18 - 24	43D-F4250-00	34 - 1		23 - 13	43D-F5937-00	24 - 6	43D-F5937-00	24 - 6
43D-F1568-10	35 - 3	43D-F2149-00	22 - 16	43D-F3456-00	17 - 15	43D-F4250-10	34 - 1	43D-F5180-00	22 - 52	43D-F6111-00	25 - 2	43D-F6111-00	25 - 2
43D-F1568-20	36 - 2		22 - 41	43D-F3459-00	23 - 5	43D-F432A-00	20 - 11		22 - 54	43D-F6124-00	25 - 1	43D-F6124-00	25 - 1
43D-F1568-30	38 - 2	43D-F2151-10	17 - 22	43D-F3466-00	32 - 19	43D-F4333-00	25 - 17	43D-F51H1-00	22 - 5	43D-F6124-10	25 - 1	43D-F6124-10	25 - 1
43D-F1568-60	37 - 1	43D-F2169-00	17 - 18	43D-F3471-00	19 - 19	43D-F4339-00	20 - 14		22 - 30	43D-F6133-00	25 - 16	43D-F6133-00	25 - 16
	38 - 1	43D-F2176-00	17 - 16	43D-F3492-00	23 - 25	43D-F4366-00	20 - 6	43D-F51H2-00	22 - 6	43D-F6241-00	25 - 3	43D-F6241-00	25 - 3
	36 - 1	43D-F2178-00	17 - 13	43D-F3505-00	19 - 3		20 - 9		22 - 31	43D-F6250-00	25 - 4	43D-F6250-00	25 - 4
43D-F156A-00	21 - 6	43D-F2183-00	17 - 12	43D-F3506-00	19 - 6	43D-F4391-00	17 - 17	43D-F51H3-00	22 - 8	43D-F625G-00	25 - 10	43D-F625G-00	25 - 10
43D-F15A3-00	16 - 1	43D-F2210-00	17 - 24	43D-F3507-00	19 - 9	43D-F4398-00	14 - 23		22 - 33	43D-F628F-00	25 - 6	43D-F628F-00	25 - 6
43D-F1611-00	16 - 1	43D-F2210-10	17 - 24	43D-F3508-00	19 - 12		32 - 17	43D-F51H4-00	22 - 12	43D-F628G-00	25 - 7	43D-F628G-00	25 - 7
43D-F1631-00	24 - 12	43D-F2241-00	22 - 21	43D-F3511-00	22 - 19	43D-F4399-00	14 - 21		22 - 37	43D-F6311-00	25 - 25	43D-F6311-00	25 - 25
43D-F1632-00	14 - 9		22 - 46	43D-F3512-00	22 - 20	43D-F4441-00	22 - 2	43D-F5311-00	23 - 20	43D-F6314-00	26 - 8	43D-F6314-00	26 - 8
43D-F1635-00	18 - 10	43D-F2243-00	23 - 18	43D-F3521-00	22 - 44		22 - 27	43D-F5317-00	23 - 21	43D-F631G-00	25 - 22	43D-F631G-00	25 - 22
	18 - 26	43D-F2244-00	26 - 13	43D-F3522-00	22 - 45	43D-F4444-00	15 - 4	43D-F5351-00	22 - 11	43D-F6331-00	26 - 18	43D-F6331-00	26 - 18
	19 - 20		26 - 17	43D-F3526-00	19 - 4		16 - 6		22 - 36	43D-F6332-00	25 - 13	43D-F6332-00	25 - 13
	23 - 6	43D-F2245-00	22 - 23		19 - 7	43D-F4453-00	15 - 13	43D-F537Y-00	23 - 23	43D-F6337-00	25 - 20	43D-F6337-00	25 - 20
43D-F1636-00	23 - 7		22 - 48		19 - 10	43D-F4473-00	32 - 2	43D-F5381-00	23 - 1	43D-F6340-00	25 - 26	43D-F6340-00	25 - 26
43D-F1639-00	16 - 10	43D-F2246-00	15 - 3		19 - 13	43D-F4474-00	15 - 14	43D-F5382-00	23 - 17	43D-F6347-00	25 - 19	43D-F6347-00	25 - 19
43D-F1649-00	16 - 13		16 - 5	43D-F3774-00	18 - 21	43D-F4500-00	20 - 13	43D-F5383-00	23 - 14	43D-F6350-00	25 - 27	43D-F6350-00	25 - 27
	20 - 21	43D-F2251-00	22 - 17	43D-F3778-00	25 - 23	43D-F4560-00	20 - 4	43D-F5386-00	23 - 3	43D-F6382-00	25 - 12	43D-F6382-00	25 - 12
43D-F164F-00	16 - 7		22 - 42	43D-F3812-00	18 - 7	43D-F4560-10	20 - 4	43D-F5388-00	17 - 10	43D-F7114-00	21 - 5	43D-F7114-00	21 - 5
43D-F165A-00	34 - 5	43D-F2277-00	26 - 5	43D-F3813-00	18 - 1	43D-F4561-00	20 - 12	43D-F5390-00	23 - 12	43D-F7213-00	25 - 24	43D-F7213-00	25 - 24
43D-F165A-10	34 - 5	43D-F2312-00	17 - 20	43D-F3831-00	18 - 11	43D-F4670-00	20 - 2	43D-F53C0-00	23 - 8	43D-F7445-00	27 - 5	43D-F7445-00	27 - 5
43D-F1696-20	36 - 5	43D-F2334-00	17 - 7		18 - 16	43D-F4710-00	21 - 1	43D-F53N3-00	23 - 9	43D-F7453-00	27 - 2	43D-F7453-00	27 - 2
43D-F1696-30	38 - 6	43D-F2361-00	17 - 6	43D-F3833-00	26 - 10	43D-F4760-00	21 - 3	43D-F53N4-00	23 - 22	43D-F7463-00	27 - 1	43D-F7463-00	27 - 1
43D-F1697-30	38 - 4	43D-F2362-00	17 - 8	43D-F3834-00	15 - 15	43D-F4771-00	21 - 2	43D-F53N5-00	14 - 17	43D-F7471-00	27 - 4	43D-F7471-00	27 - 4
43D-F1697-50	36 - 3	43D-F244H-00	26 - 12	43D-F3841-00	18 - 12	43D-F5105-00	22 - 4		26 - 14	43D-F8100-00	14 - 20	43D-F8100-00	14 - 20
43D-F1711-00	16 - 15		26 - 16		18 - 17		22 - 29	43D-F53P3-00	23 - 11	43D-F811A-00	14 - 22	43D-F811A-00	14 - 22
43D-F171A-00	15 - 9	43D-F2591-00	32 - 16	43D-F3844-00	18 - 2	43D-F510L-00	22 - 9	43D-F5412-00	23 - 10	43D-F816L-00	35 - 4	43D-F816L-00	35 - 4
43D-F1721-00	16 - 14	43D-F2969-00	32 - 9	43D-F3845-00	18 - 13		22 - 34	43D-F5415-00	13 - 6		37 - 2		37 - 2
43D-F1722-00	17 - 4	43D-F3119-00	15 - 10		18 - 18	43D-F510S-00	22 - 51	43D-F5420-00	23 - 2		38 - 3		38 - 3
43D-F1738-00	23 - 15	43D-F3183-00	13 - 4	43D-F3872-00	18 - 8		22 - 55	43D-F5438-00	23 - 4	43D-F816L-10	35 - 5	43D-F816L-10	35 - 5
43D-F1739-00	25 - 8	43D-F3346-00	25 - 11	43D-F38B1-00	18 - 3	43D-F5111-00	22 - 1	43D-F5683-00	23 - 24	43D-F816M-10	35 - 10	43D-F816M-10	35 - 10

NUMERICAL INDEX

PART NO.	REF. NO.	PART NO.	REF. NO.	PART NO.	REF. NO.	PART NO.	REF. NO.	PART NO.	REF. NO.	PART NO.	REF. NO.
43D-F816M-60	35 - 9	90467-22097	20 - 19	97004-06016	31 - 7						
	37 - 3	91314-06025	18 - 25	97007-06020	15 - 7						
	38 - 5	91401-25020	17 - 26		16 - 2						
43D-F817J-00	35 - 6		18 - 9		16 - 11						
43D-F817J-10	35 - 7		19 - 16	97007-06030	20 - 16						
43D-F8321-00	33 - 5	91401-25033	19 - 18	97022-06010	13 - 1						
43D-F8322-00	33 - 6		23 - 19	97022-06030	22 - 15						
43D-F8356-00	33 - 7	92904-06600	15 - 6		22 - 40						
43D-F8357-00	33 - 8		31 - 8	97022-08060	18 - 6						
43D-F845N-00	28 - 3	92907-06600	15 - 8	97027-10040	17 - 25						
43D-F845R-00	28 - 1		16 - 3		19 - 15						
43D-H1145-00	25 - 5		16 - 12	98502-04008	8 - 5						
43D-H1146-00	25 - 15		20 - 17	98502-04010	8 - 31						
43D-H1800-00	30 - 2	94701-00366	1 - 2	98502-04014	8 - 22						
43D-H182M-00	30 - 3	94703-00366	1 - 2	99002-10600	17 - 14						
43D-H1940-00	32 - 13	95022-06012	10 - 8								
43D-H1960-00	32 - 11	95022-06016	4 - 1								
43D-H2110-00	32 - 7		5 - 24								
43D-H2110-10	32 - 7		29 - 1								
43D-H2115-00	32 - 15	95022-06020	6 - 5								
43D-H2116-00	32 - 8		29 - 5								
43D-H2151-00	32 - 6	95022-06035	10 - 6								
43D-H2310-00	32 - 3	95022-06040	30 - 1								
43D-H2377-40	35 - 1	95022-06100	1 - 14								
43D-H2510-00	32 - 18		10 - 30								
43D-H2550-00	26 - 9	95027-06020	1 - 20								
43D-H2560-00	32 - 1		5 - 19								
43D-H2590-00	32 - 5		6 - 4								
43D-H259E-00	26 - 20	95302-10900	19 - 17								
43D-H331N-00	8 - 37	95307-05600	3 - 11								
43D-H3912-00	26 - 11	95307-06600	32 - 14								
43D-H3922-00	25 - 18		33 - 9								
43D-H3941-00	26 - 21	95704-05500	33 - 2								
43D-H3967-00	25 - 14	95822-06016	32 - 12								
43D-H3975-00	26 - 19		33 - 11								
43D-H4111-00	31 - 5	95822-08012	10 - 17								
43D-H411B-00	31 - 3	95822-08035	13 - 11								
43D-H4121-00	31 - 2	95822-08040	13 - 12								
43D-H4191-00	31 - 4	95827-06012	1 - 9								
43D-H4311-00	31 - 6		16 - 16								
43D-H4733-00	31 - 1		24 - 14								
43D-H5111-00	33 - 3	95827-06016	10 - 34								
43D-H5121-00	33 - 4	95827-06025	5 - 22								
43D-H5130-00	33 - 1	95827-08012	14 - 15								
43D-H5510-00	29 - 6		28 - 2								
43D-H5540-00	32 - 4	95827-08016	17 - 21								
43D-H5550-00	29 - 4	95827-08035	24 - 11								
90201-08016	8 - 36	97004-06016	15 - 5								