



PARTS CATALOGUE

YFS200M (5KJ1) U49
YFS200M (5KJ2) CANADA
YFS200 (5KJ2) FRANCE
YF200S (5KJ3) JAPAN



A3

FOREWORD

This Parts Catalogue is related to the parts for the model(s) in the below frame. When you are ordering replacement parts, please refer to this Parts Catalogue and quote both part numbers and part names correctly.

YFS200M(5KJ1), YFS200M(5KJ2), YFS200(5KJ2), YF200S(5KJ3)

1. Modifications or additions which have been made after issue of the Parts Catalogue will be announced in the Yamaha Parts News. It is advisable that you make necessary corrections to the Parts Catalogue according to the Yamaha Parts News.

2. Abbreviations
The Following abbreviations are used in this Parts Catalogue.

- "UR" Use specified parts number.
- "UN" Use as many as needed.
- "AP" Alternate Parts
- "LM" Local Made (Parts need to be ordered locally)
- "F#" Frame No. (Applicable machine No.)

3. Parts, which are to be supplied in an assembly, are listed with a dot(.) in front of the part name as shown below.

EXAMPLE
 CARBURETOR ASSY
 .JET, PILOT
 .NOZZLE, MAIN

4. Number of component for assembly
 The numeral appearing to the right of each component part indicates the quantity of parts for each assembly unit.

EXAMPLE

PART NO.	DESCRIPTION	Q'TY	REMARKS
2F5-83310-60	FRONT FLASHER LIGHT ASSY	2	
115-83311-60	.BULB (6V-18W)	1	
1M1-83309-60	.REFLECTOR	1	

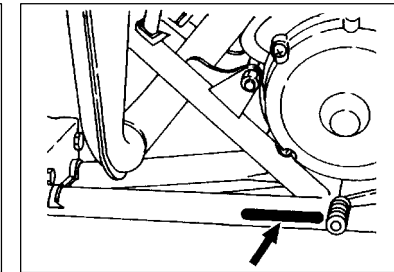
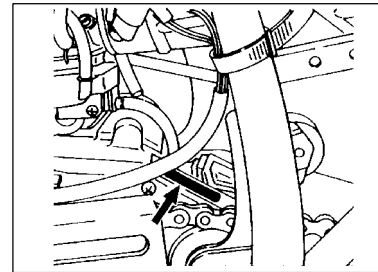
5. Applicable colors of graphics are represented in the "REMARKS" as shown below.

PART NO.	DESCRIPTION	Q'TY	REMARKS
2N4-24110-00-X5	.FUEL TANK COMP.	2	MXR
3J1-24240-10	.GRAPHIC, FUEL TANK	1	for MXR

6. Applicable Serial No.

Engine Serial No.

Frame Serial No.



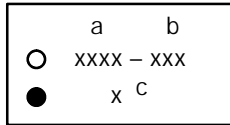
7. Note that the illustrations for reference in finding parts numbers, not to be used for assembling. When assembling, please use the applicable service manual.

8. The asterisk (*) before a reference number indicates modification items after the first edition.

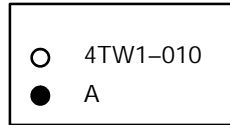
MODEL LABEL

(1) A label called "Model Label" is affixed in the location as indicated in (3) below.
When using this parts catalogue, please be sure to cross-refer the "model code – production code No." in the catalogue to the "model code – production code No." indicated on the Model Label affixed onto the product concerned.

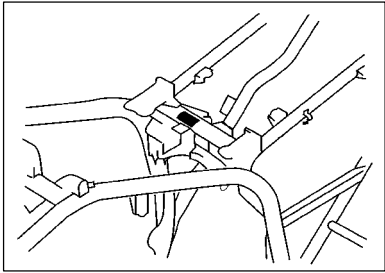
(2) "Model Label" Indication



a: Model Type Code
b: Production Code No.
c: Colouring Type



(3) Model Label Affixing Location



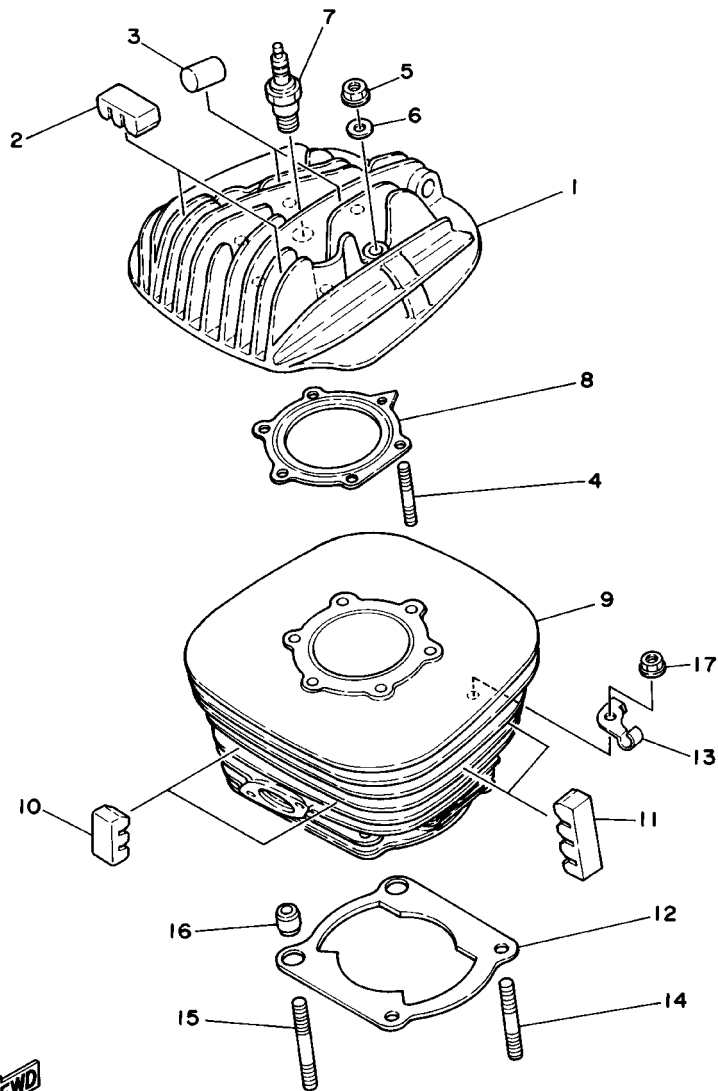
(4) Model Code – Production Code Number of Model Listed in This Parts Catalog

Model Code	Production Code No.	Country (destination)	Model Code	Production Code No.	Country (destination)
5KJ1	010	U49			
5KJ2	010	CANADA			
	020	FRANCE			
5KJ3	010	JAPAN			

(5) Colouring Information

Model Code	Colouring type code	Colour code	Colour Name	Abbreviation
5KJ1 5KJ2 5KJ3	A	0583	DEEP PURPLISH BULE SOLID E	DPBSE
5KJ1	B	00UJ	RADICAL WHITE	RW

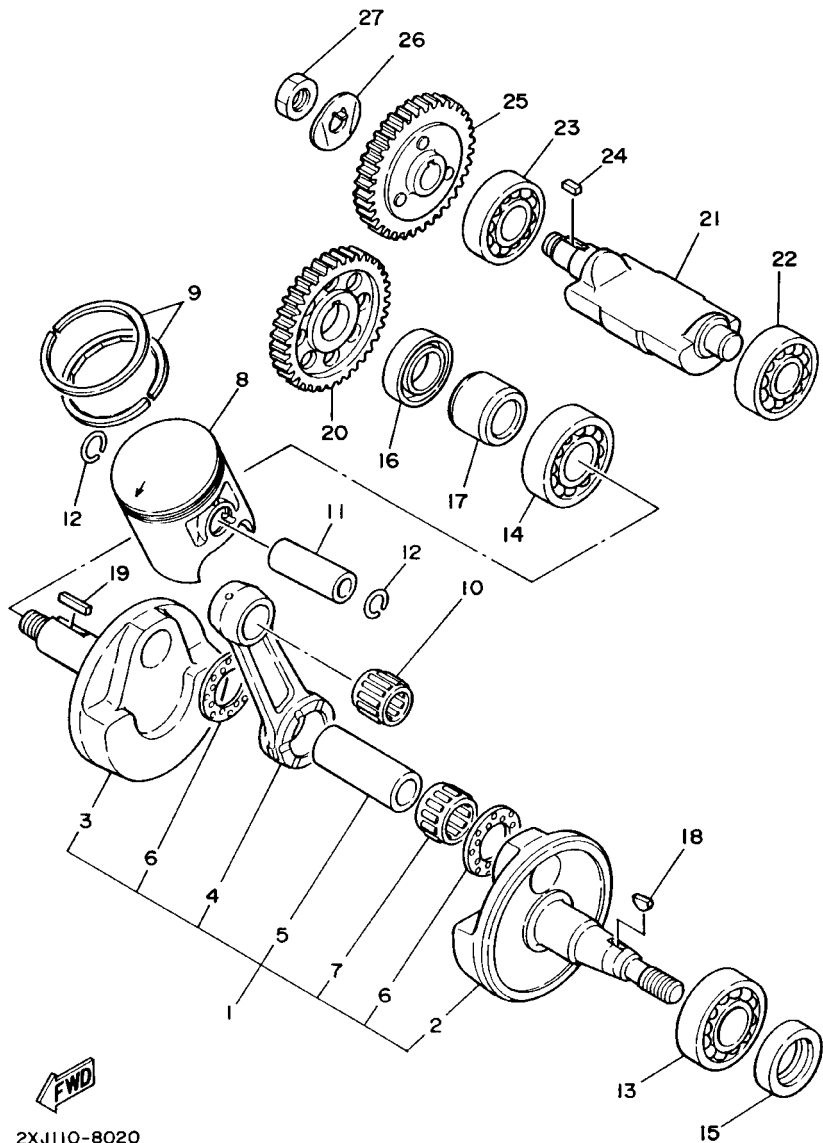
FIG. 1 CYLINDER HEAD



3JM2100-0010

REF. NO.	PART NO.	DESCRIPTION	U49	CAN	FRA	JPN	REMARKS
1	2XJ-11111-00	HEAD, CYLINDER 1	1	1	1	1	
2	3R9-11162-00	ABSORBER 2	2	2	2	2	
3	1K6-11128-00	ABSORBER 4	2	2	2	2	
4	90116-08394	BOLT, STUD	6	6	6	6	
5	95317-08600	NUT	6	6	6	6	
6	90201-08649	WASHER, PLATE	6	6	6	6	
7	94702-00045	PLUG, SPARK (NGK B8ES)	1				UR
	94702-00182	PLUG, SPARK (ND W24ES)	1				UR
	94702-00204	PLUG, SPARK (NGK BR8ES)		1	1		
	94703-00204	PLUG, SPARK(NGK-BR8ES)				1	
8	2XJ-11181-00	GASKET, CYLINDER HEAD 1	1	1	1	1	
9	2XJ-11311-01	CYLINDER 1	1	1	1	1	
10	3R9-11162-00	ABSORBER 2	2	2	2	2	
11	3R6-11162-00	ABSORBER 2	4	4	4	4	
12	3JM-11351-00	GASKET, CYLINDER	1	1	1	1	
13	10V-1131E-00	HOLDER 1	1	1	1	1	
14	90116-08318	BOLT, STUD	2	2	2	2	
15	90116-08388	BOLT, STUD	2	2	2	2	
16	99510-10114	PIN, DOWEL	2	2	2	2	
17	90179-08299	NUT	4	4	4	4	

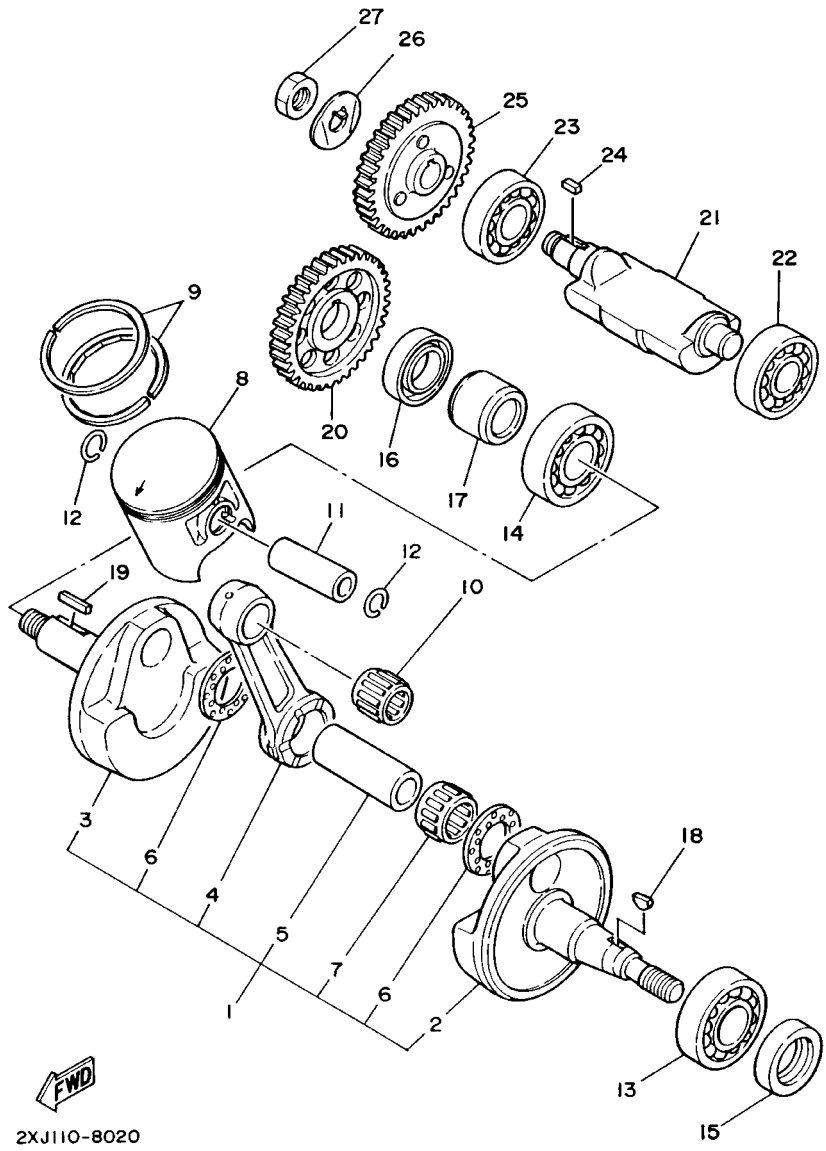
FIG. 2 CRANKSHAFT. PISTON



2XJ110-8020

REF. NO.	PART NO.	DESCRIPTION	U49	CAN	FRA	JPN	REMARKS
1	37F-11400-00	CRANKSHAFT ASSY	1	1	1	1	
2	37F-11412-00	.CRANK 1	1	1	1	1	
3	37F-11422-00	.CRANK 2	1	1	1	1	
4	43G-11651-00	.ROD, CONNECTING	1	1	1	1	
5	37F-11681-00	.PIN, CRANK 1	1	1	1	1	
6	90209-22248	.WASHER	2	2	2	2	
7	93310-522L4	.BEARING	1	1	1	1	
8	2XJ-11631-01-97	PISTON (STD)	1	1	1	1	
	2XJ-11635-01	PISTON (0.25MM O/S)	1	1	1	1	AP
	2XJ-11636-01	PISTON (0.50MM O/S)	1	1	1	1	AP
9	3JM-11601-00	PISTON RING SET (STD)	1	1	1	1	
	3JM-11601-10	PISTON RING SET (0.25MM O/S)	1	1	1	1	AP
	3JM-11601-20	PISTON RING SET (0.50MM O/S)	1	1	1	1	AP
10	93310-316H6	BEARING	1	1	1	1	
11	4L0-11633-00	PIN, PISTON	1	1	1	1	
12	93450-17044	CIRCLIP	2	2	2	2	
13	93306-20562	BEARING	1	1	1	1	
14	93306-30556	BEARING	1	1	1	1	
15	93102-25331	OIL SEAL	1	1	1	1	
16	93103-32099	OIL SEAL	1	1	1	1	
17	90387-206K3	COLLAR	1	1	1	1	
18	90280-03017	KEY, WOODRUFF	1	1	1	1	
19	90282-05047	KEY, STRAIGHT	1	1	1	1	
20	10V-11536-01	GEAR, DRIVE	1	1	1	1	
21	37F-11454-00	WEIGHT 1	1	1	1	1	
22	93306-20211	BEARING (6202SH2-C3)	1	1	1	1	
23	93306-20335	BEARING	1	1	1	1	

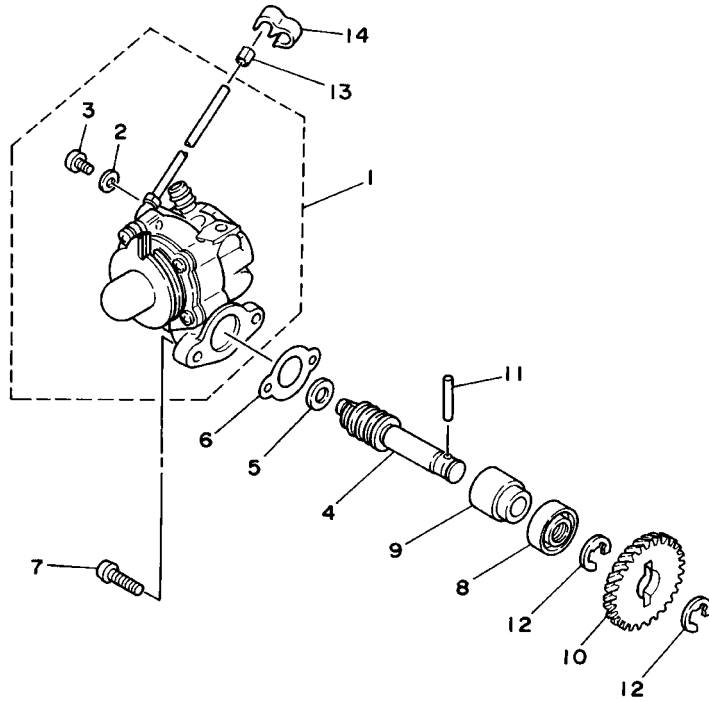
FIG. 2 CRANKSHAFT. PISTON



2XJ110-8020

REF. NO.	PART NO.	DESCRIPTION	U49	CAN	FRA	JPN	REMARKS
24	90282-05013	KEY, STRAIGHT	1	1	1	1	
25	37F-11530-00	BALANCER WEIGHT GEAR COMP.	1	1	1	1	
26	90215-12235	WASHER, LOCK	1	1	1	1	
27	90170-12337	NUT	1	1	1	1	

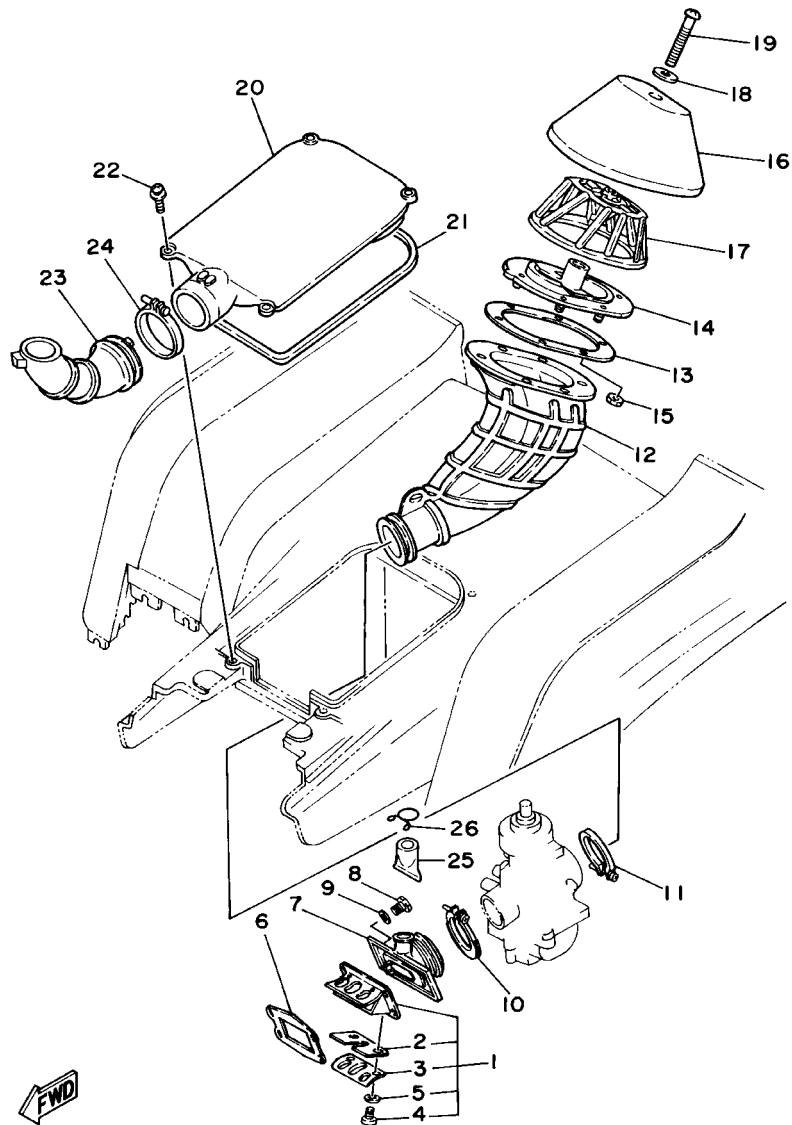
FIG. 3 OIL PUMP



REF. NO.	PART NO.	DESCRIPTION	U49	CAN	FRA	JPN	REMARKS
1	2XJ-13100-00	OIL PUMP ASSY	1	1	1	1	
2	90430-04004	.GASKET	1	1	1	1	
3	98907-04008	.SCREW, BIND	1	1	1	1	
4	10V-13175-00	SHAFT, WORM	1	1	1	1	
5	90201-08624	WASHER, PLATE	1	1	1	1	
6	126-13116-01	GASKET, PUMP CASE	1	1	1	1	
7	98507-05014	SCREW, PAN HEAD	2	2	2	2	
8	93101-10001	OIL SEAL	1	1	1	1	
9	137-13176-00	METAL, WORM SHAFT OUTER	1	1	1	1	
10	10V-13178-01	GEAR, PUMP DRIVE	1	1	1	1	
11	93603-22028	PIN, DOWEL	1	1	1	1	
12	93430-08007	CIRCLIP	2	2	2	2	
13	90468-02033	CLIP	1	1	1	1	
14	90468-15020	CLIP	1	1	1	1	



3JM2100-0030

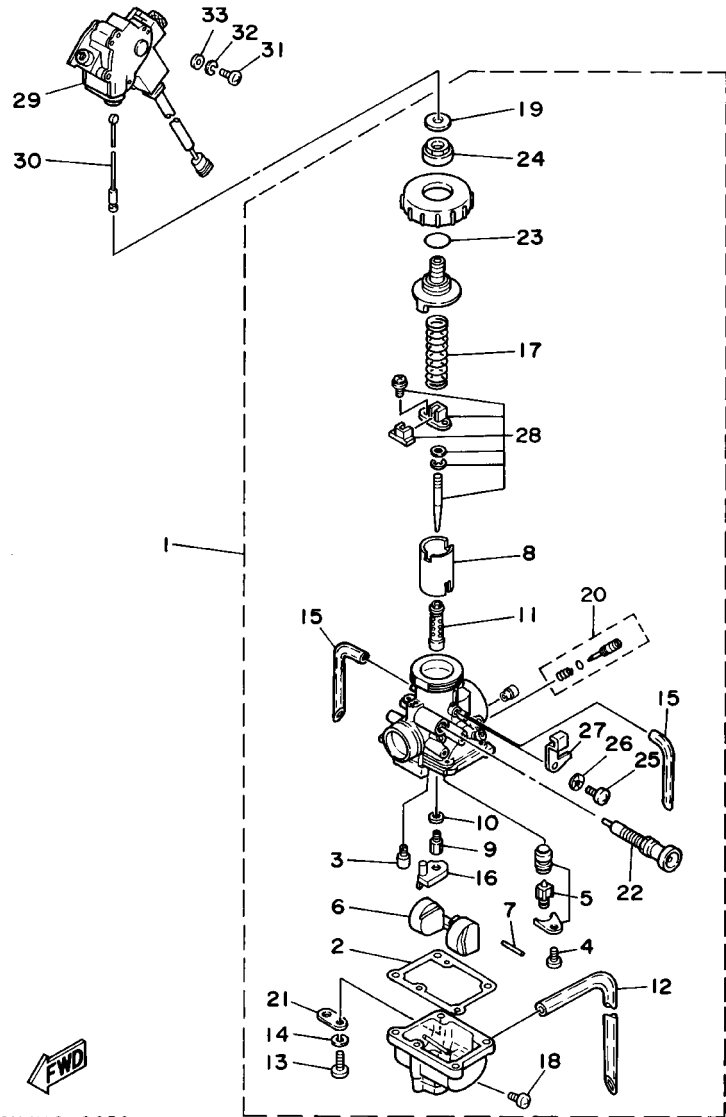


3JM2100-0040

FIG. 4 INTAKE

REF. NO.	PART NO.	DESCRIPTION	U49	CAN	FRA	JPN	REMARKS
1	2HF-13610-01	REED VALVE ASSY	1	1	1	1	
2	2HF-13613-00	.REED, VALVE	2	2	2	2	
3	58T-13616-01	.STOPPER, REED VALVE	2	2	2	2	
4	98517-03008	.SCREW, PAN HEAD	4	4	4	4	
5	92907-03100	.WASHER	4	4	4	4	
6	3JM-13621-00	GASKET, VALVE SEAT	1	1	1	1	
7	2XJ-13565-00	JOINT, CARBURETOR	1	1	1	1	
8	97007-06025	BOLT	4	4	4	4	
9	92907-06600	WASHER, PLATE	4	4	4	4	
10	90450-44046	HOSE CLAMP ASSY	1	1	1	1	
11	90460-49058	CLAMP, HOSE	1	1	1	1	
12	2XJ-14453-00	JOINT, AIR CLEANER 1	1	1	1	1	
13	2XJ-14477-00	PLATE	1	1	1	1	
14	2XJ-14459-00	HOLDER, GUIDE	1	1	1	1	
15	95607-05100	NUT, U	6	6	6	6	
16	2XJ-14451-00	ELEMENT, AIR CLEANER	1	1	1	1	
17	2XJ-14458-00	GUIDE	1	1	1	1	
18	90209-06096	WASHER	1	1	1	1	
19	98507-06060	SCREW, PAN HEAD	1	1	1	1	
20	2XJ-14412-01	CAP, CLEANER CASE 1	1	1	1	1	
21	15A-14462-00	SEAL	1	1	1	1	
22	90159-06085	SCREW, WITH WASHER	4	4	4	4	
23	2XJ-14437-00	DUCT	1	1	1	1	
24	90460-56105	CLAMP, HOSE	1	1	1	1	
25	59V-14457-00	SEAL	1	1	1	1	
26	90467-22080	CLIP	1	1	1	1	

FIG. 5 CARBURETOR

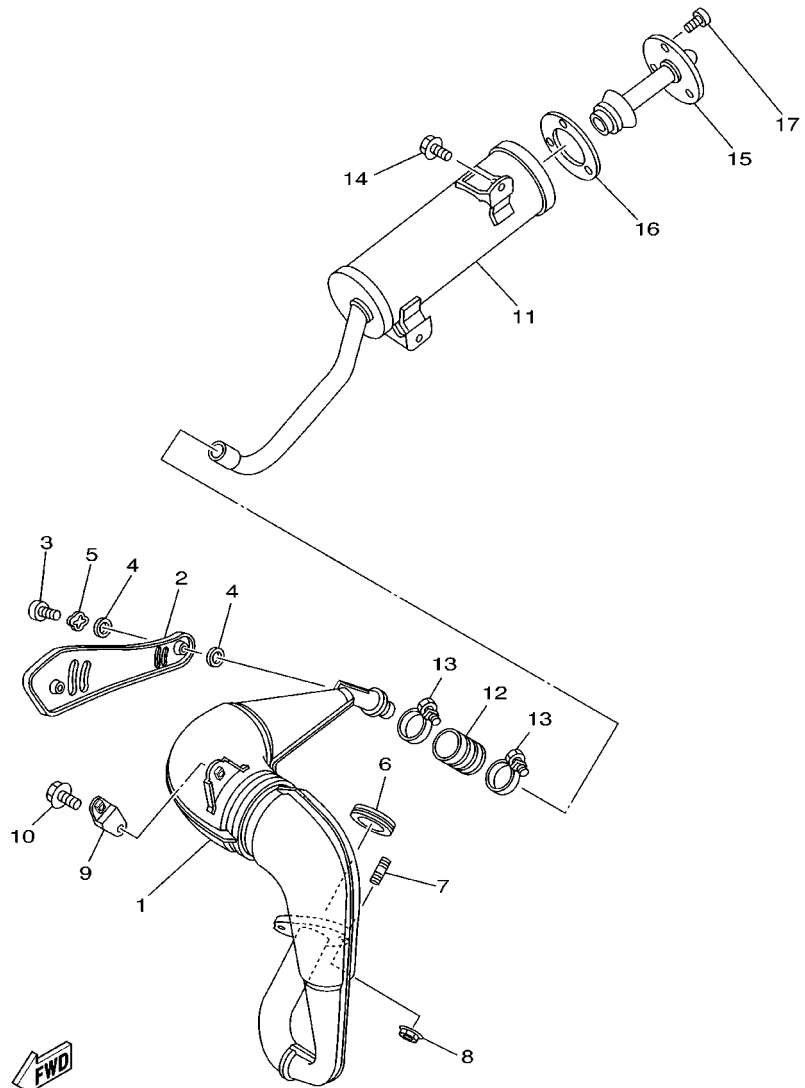


2XJ110-8050

REF. NO.	PART NO.	DESCRIPTION	U49	CAN	FRA	JPN	REMARKS
1	2XJ-14101-01	CARBURETOR ASSY 1	1	1	1	1	
2	304-14184-00	.GASKET, FLOAT CHAMBER	1	1	1	1	
3	260-14142-32	.JET, PILOT (# 32.5)	1	1	1	1	
4	98502-04008	.SCREW, PAN HEAD	1	1	1	1	
5	2MA-14107-28	.NEEDLE VALVE SET	1	1	1	1	
6	4L0-14185-00	.FLOAT	1	1	1	1	
7	537-14186-00	.PIN, FLOAT	1	1	1	1	
8	2XJ-14112-20	.VALVE, THROTTLE 1	1	1	1	1	
9	137-14143-46	.JET, MAIN (#230)	1	1	1	1	
10	137-14153-00	.WASHER, MAIN JET	1	1	1	1	
11	4L0-14141-46	.NOZZLE, MAIN	1	1	1	1	
12	2NL-14197-00	.PIPE	1	1	1	1	
13	98502-04016	.SCREW, PAN HEAD	4	4	4	4	
14	92990-04100	.WASHER, SPRING	4	4	4	4	
15	4L0-14197-00	.PIPE	2	2	2	2	
16	2GU-14153-00	.RING	1	1	1	1	
17	248-14131-00	.SPRING, THROTTLE VALVE	1	1	1	1	
18	12R-14191-00	.PLUG, DRAIN	1	1	1	1	
19	2GU-14952-00	.WASHER	1	1	1	1	
20	10W-14104-00	.AIR SCREW SET	1	1	1	1	
21	500-14146-00	.PLATE	1	1	1	1	
22	2GU-14171-00	.PLUNGER, STARTER	1	1	1	1	
23	558-14147-00	.O-RING	1	1	1	1	
24	2GU-14161-00	.NUT, CABLE ADJUSTING	1	1	1	1	
25	98502-05008	.SCREW, PAN HEAD	1	1	1	1	
26	92990-05100	.WASHER, SPRING	1	1	1	1	
27	2GU-14243-00	.PLATE	1	1	1	1	FOR LEFT

FIG. 6 EXHAUST

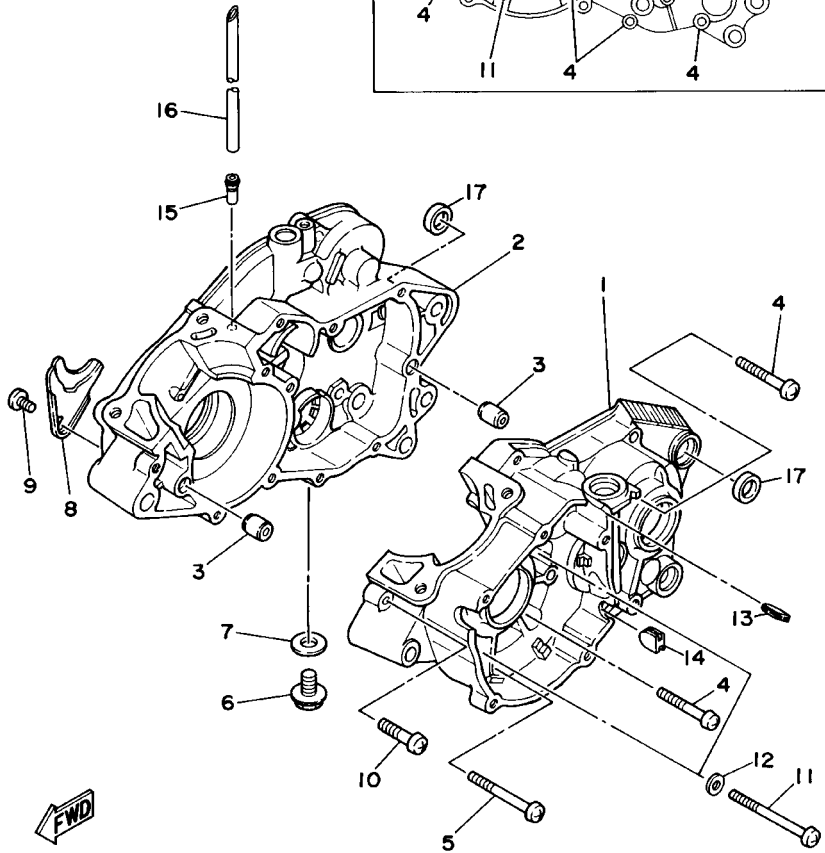
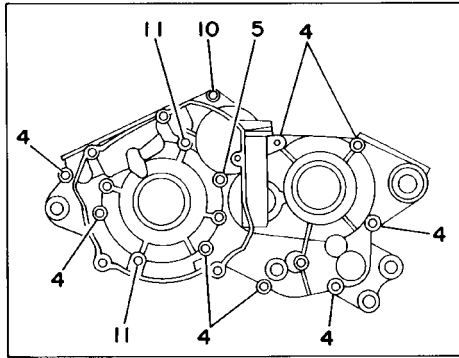
REF. NO.	PART NO.	DESCRIPTION	U49	CAN	FRA	JPN	REMARKS
1	2XJ-14610-00	EXHAUST PIPE ASSY 1	1	1	1	1	
2	2XJ-14718-00	PROTECTOR, MUFFLER 1	1	1	1	1	
3	98907-06010	SCREW, BIND	2	2	2	2	
4	4BD-14766-00	WASHER, PROTECTOR	4	4	4	4	
5	90206-06090	WASHER, WAVE	2	2	2	2	
6	3PA-14613-10	GASKET, EXHAUST PIPE	1	1	1	1	
7	90116-08042	BOLT, STUD	2	2	2	2	
8	90179-08270	NUT	2	2	2	2	
9	565-14771-00	STAY, MUFFLER 1	1	1	1	1	
10	95817-06012	BOLT, FLANGE	2	2	2	2	
11	2XJ-14753-00	SILENCER, EXHAUST	1	1	1	1	
12	1W2-14714-00	GASKET, MUFFLER	1	1	1	1	
13	90460-37026	CLAMP, HOSE	2	2	2	2	
14	95817-08016	BOLT, FLANGE	2	2	2	2	
15	2XJ-14752-00	PIPE, OUTLET	1	1	1	1	
16	2XJ-14755-10	GASKET, SILENCER	1	1	1	1	
17	98907-06010	SCREW, BIND	3	3	3	3	



3JMS100-8060

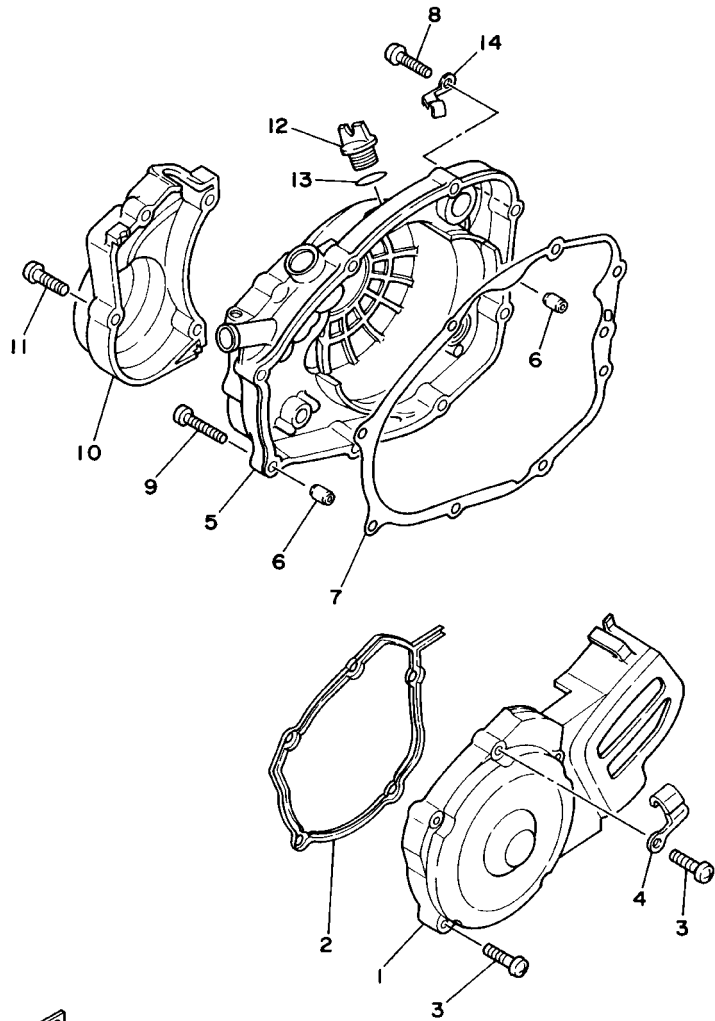
FIG. 7 CRANKCASE

REF. NO.	PART NO.	DESCRIPTION	U49	CAN	FRA	JPN	REMARKS
1	2XJ-15111-01	CRANKCASE 1	1	1	1	1	
2	2XJ-15121-00	CRANKCASE 2	1	1	1	1	
3	99530-12016	PIN, DOWEL	2	2	2	2	
4	98507-06045	SCREW, PAN HEAD	8	8	8	8	
5	98507-06060	SCREW, PAN HEAD	1	1	1	1	
6	90340-12059	PLUG, STRAIGHT SCREW	1	1	1	1	
7	90201-12172	WASHER, PLATE	1	1	1	1	
8	37F-15128-00	HOLDER	1	1	1	1	
9	98507-08010	SCREW, PAN HEAD	1	1	1	1	
10	98507-06030	SCREW, PAN HEAD	1	1	1	1	
11	98507-06075	SCREW, PAN HEAD	2	2	2	2	
12	92907-06600	WASHER, PLATE	2	2	2	2	
13	90480-01209	GROMMET	1	1	1	1	
14	90338-09206	PLUG	1	1	1	1	
15	137-13115-00	CONNECTOR, SUCTION PIPE	1	1	1	1	
16	90446-09155	HOSE	1	1	1	1	
17	90201-166L5	WASHER, PLATE	2	2	2	2	



3JMA110-3070

FIG. 8 CRANKCASE COVER 1



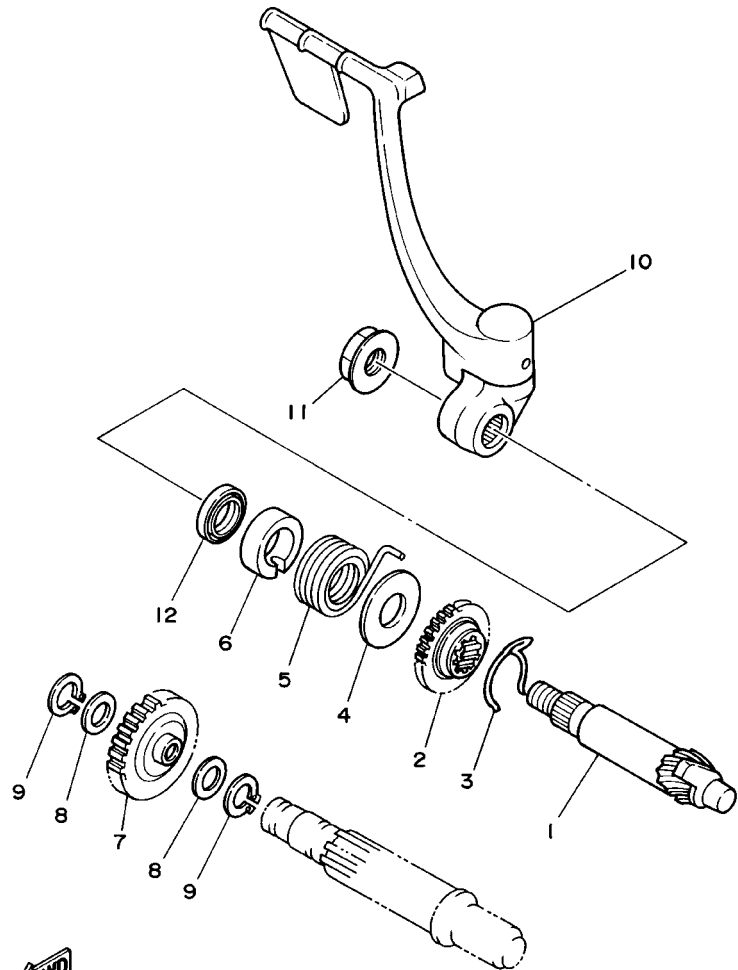
REF. NO.	PART NO.	DESCRIPTION	U49	CAN	FRA	JPN	REMARKS
1	2XJ-15411-00	COVER, CRANKCASE 1	1	1	1	1	
2	2XJ-15379-00	SEAL, CRANKCASE	1	1	1	1	
3	98507-06030	SCREW, PAN HEAD	5	5	5	5	
4	90465-10069	CLAMP	1	1	1	1	
5	2XJ-15420-00	CRANKCASE COVER ASSY 2	1	1	1	1	
6	99530-10014	PIN, DOWEL	2	2	2	2	
7	3JM-15451-11	GASKET, CRANKCASE COVER 1	1	1	1	1	
8	95027-06030	BOLT, FLANGE	7	7	7	7	
9	95027-06035	BOLT, FLANGE	1	1	1	1	
10	37F-15416-00	COVER, OIL PUMP	1	1	1	1	
11	98507-06030	SCREW, PAN HEAD	4	4	4	4	
12	3Y1-15363-00	PLUG, OIL	1	1	1	1	
13	93210-19123	O-RING	1	1	1	1	
14	367-13174-00	HOLDER, OIL PIPE	1	1	1	1	



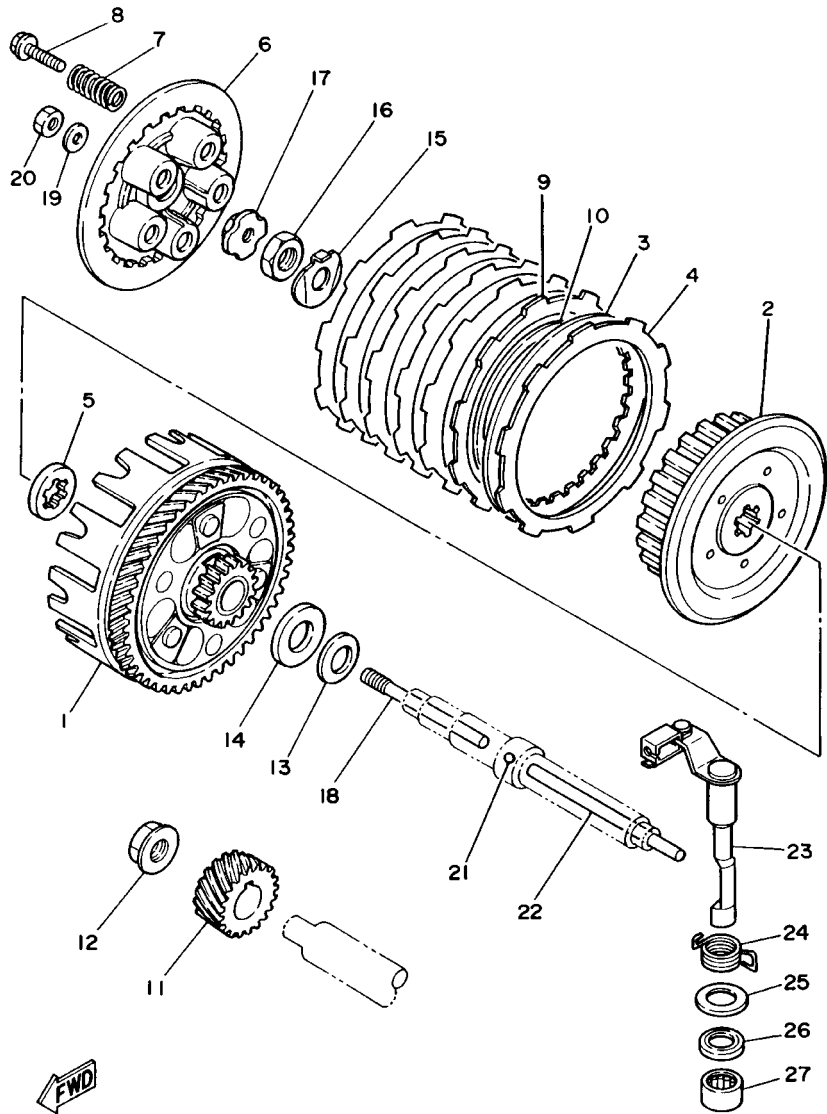
2XJ110-8080

FIG. 9 STARTER CLUTCH

REF. NO.	PART NO.	DESCRIPTION	U49	CAN	FRA	JPN	REMARKS
1	10V-15660-00	KICK AXLE ASSY	1	1	1	1	
2	10V-15641-00	GEAR, KICK (23T)	1	1	1	1	
3	90468-26048	CLIP	1	1	1	1	
4	90201-200J7	WASHER, PLATE	1	1	1	1	
5	90508-26667	SPRING, TORSION	1	1	1	1	
6	10V-15666-00	SPACER	1	1	1	1	
7	10V-15651-00	GEAR, KICK IDLE (29T)	1	1	1	1	
8	90201-154E8	WASHER, PLATE (1.0T)	2	2	2	2	
9	99009-15400	CIRCLIP	2	2	2	2	
10	2XJ-15620-10	KICK CRANK ASSY	1	1	1	1	
11	90179-12659	NUT	1	1	1	1	
12	93109-20014	OIL SEAL	1	1	1	1	



2XJ110-8090

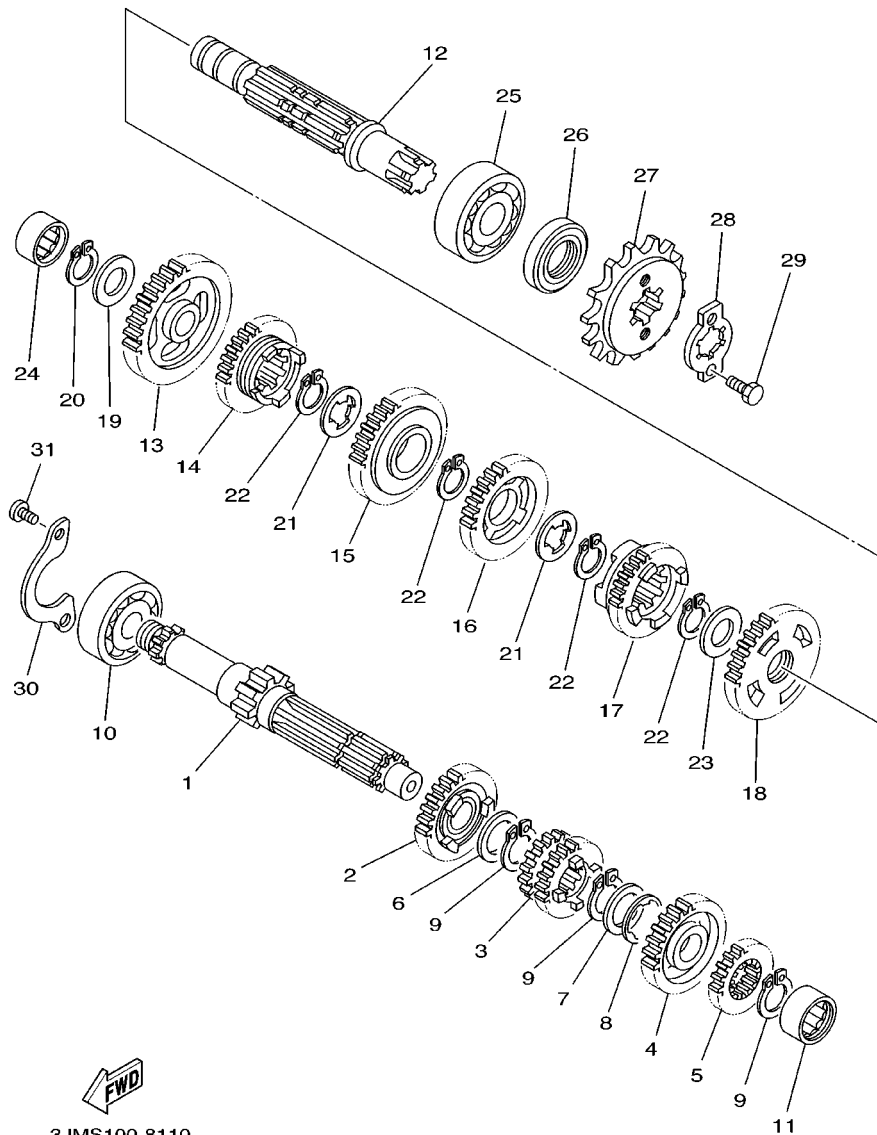


2XJ110-8100

FIG. 10 CLUTCH

REF. NO.	PART NO.	DESCRIPTION	U49	CAN	FRA	JPN	REMARKS
1	3JM-16150-01	PRIMARY DRIVEN GEAR COMP.	1	1	1	1	
2	37F-16371-01	BOSS, CLUTCH	1	1	1	1	
3	1V1-16324-00	PLATE, CLUTCH 1	6	6	6	6	
4	4V0-16321-00	PLATE, FRICTION	6	6	6	6	
5	2TV-16154-00	PLATE, THRUST 1	1	1	1	1	
6	37F-16351-00	PLATE, PRESSURE 1	1	1	1	1	
7	90501-20568	SPRING, COMPRESSION	5	5	5	5	
8	90119-05001	BOLT, WITH WASHER	5	5	5	5	
9	1HX-16331-00	PLATE, FRICTION 2	1	1	1	1	
10	1HX-16383-00	SPRING, CLUTCH BOSS	1	1	1	1	
11	2JK-16111-01	GEAR, PRIMARY DRIVE (22T)	1	1	1	1	
12	90179-12567	NUT	1	1	1	1	
13	90208-18046	WASHER, CONICAL SPRING	1	1	1	1	
14	90201-180P2	WASHER, PLATE	1	1	1	1	
15	90215-12271	WASHER, LOCK	1	1	1	1	
16	90170-12370	NUT	1	1	1	1	
17	1W1-16358-01	PLATE, PUSH	1	1	1	1	
18	1W1-16356-02	ROD, PUSH 1	1	1	1	1	
19	92907-06200	WASHER	1	1	1	1	
20	95307-06600	NUT	1	1	1	1	
21	93503-16003	BALL	1	1	1	1	
22	2J5-16357-00	ROD, PUSH 2	1	1	1	1	
23	37F-16380-02	PUSH LEVER ASSY	1	1	1	1	
24	90508-20555	SPRING, TORSION	1	1	1	1	
25	90201-14217	WASHER, PLATE	1	1	1	1	
26	93104-14004	OIL SEAL	1	1	1	1	
27	93315-21429	BEARING	1	1	1	1	

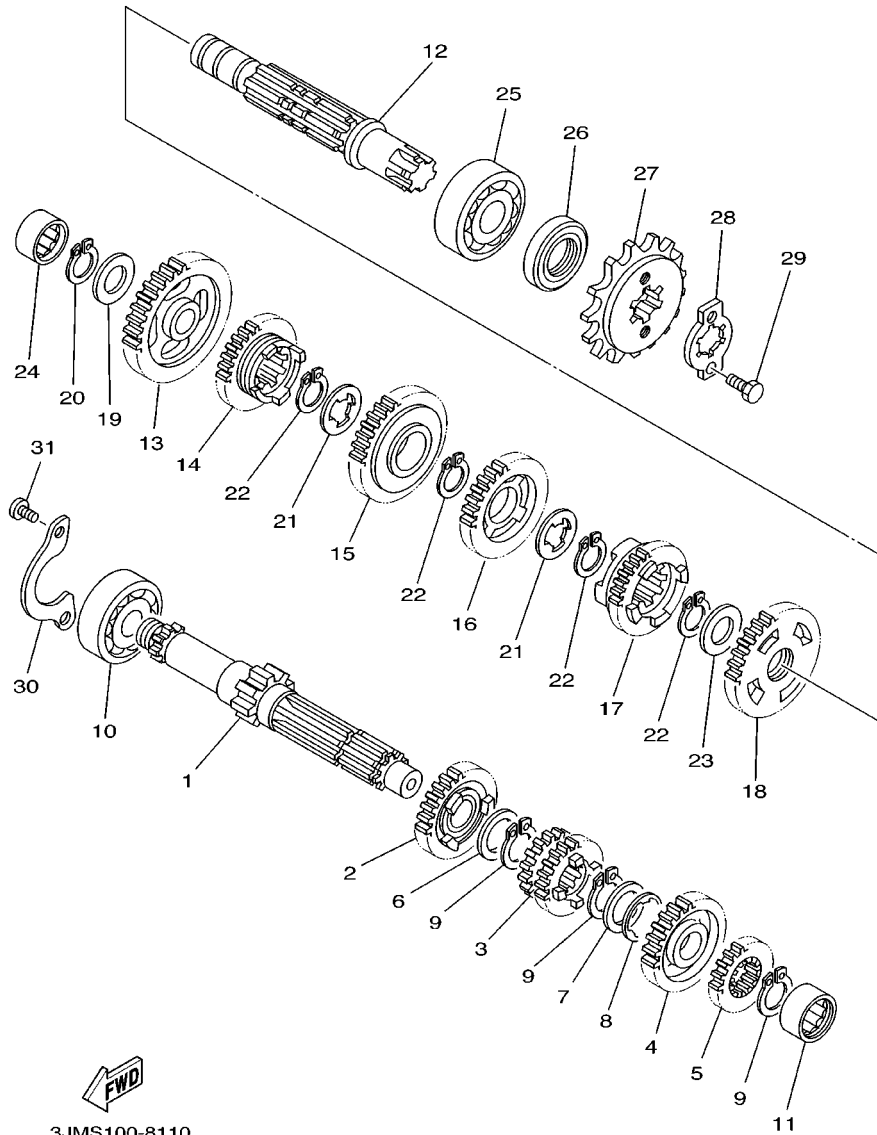
FIG. 11 TRANSMISSION



3JMS100-8110

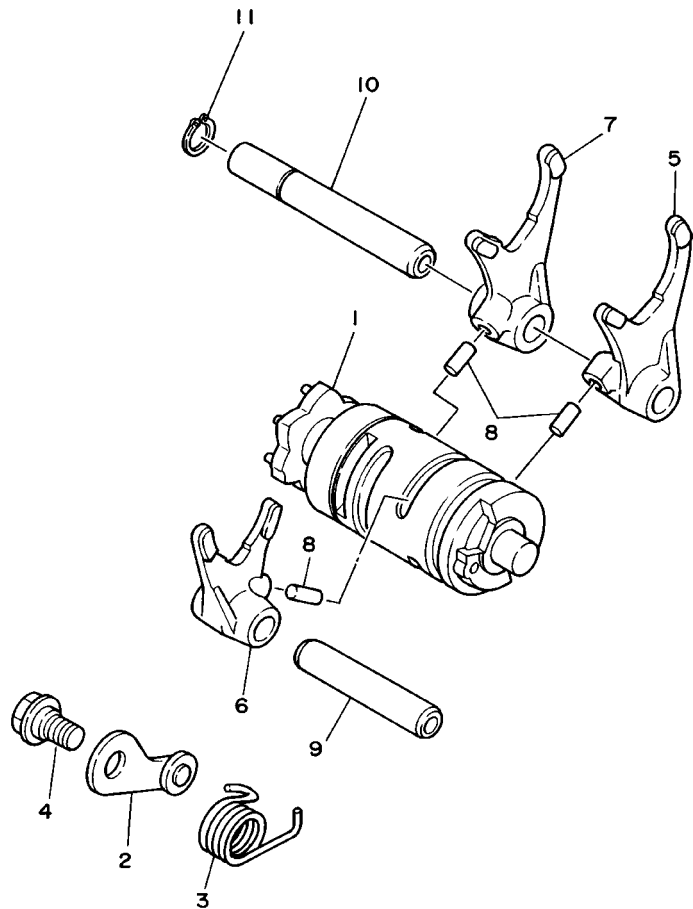
REF. NO.	PART NO.	DESCRIPTION	U49	CAN	FRA	JPN	REMARKS
1	2XJ-17411-00	AXLE, MAIN	1	1	1	1	
2	2XJ-17151-00	GEAR, 5TH PINION (18T)	1	1	1	1	
3	2XJ-17131-00	GEAR, 3RD-4TH PINION (15T-16T)	1	1	1	1	
4	2XJ-17161-00	GEAR, 6TH PINION (21T)	1	1	1	1	
5	2XJ-17121-00	GEAR, 2ND PINION (14T)	1	1	1	1	
6	90201-20266	WASHER, PLATE (1.0T)	1	1	1	1	
7	90201-206L6	WASHER, PLATE	1	1	1	1	
8	90209-16133	WASHER	1	1	1	1	
9	93410-20038	CIRCLIP	3	3	3	3	
10	93306-20431	BEARING (B6204Z)	1	1	1	1	
11	93311-31576	BEARING	1	1	1	1	
12	37F-17421-01	AXLE, DRIVE	1	1	1	1	
13	2XJ-17211-00	GEAR, 1ST WHEEL (34T)	1	1	1	1	
14	2XJ-17251-00	GEAR, 5TH WHEEL (19T)	1	1	1	1	
15	2XJ-17231-00	GEAR, 3RD WHEEL (25T)	1	1	1	1	
16	2XJ-17241-00	GEAR, 4TH WHEEL (20T)	1	1	1	1	
17	2XJ-17261-00	GEAR, 6TH WHEEL (19T)	1	1	1	1	
18	2XJ-17221-01	GEAR, 2ND WHEEL	1	1	1	1	
19	90201-150J4	WASHER, PLATE	1	1	1	1	
20	93440-15012	CIRCLIP	1	1	1	1	
21	90209-18135	WASHER	2	2	2	2	
22	93410-22039	CIRCLIP	4	4	4	4	
23	90201-22555	WASHER, PLATE	1	1	1	1	
24	93311-51554	BEARING	1	1	1	1	
25	93306-30438	BEARING	1	1	1	1	
26	93102-20143	OIL SEAL	1	1	1	1	
27	93832-13164	SPROCKET, DRIVE (13T)	1	1	1	1	

FIG. 11 TRANSMISSION



REF. NO.	PART NO.	DESCRIPTION	U49	CAN	FRA	JPN	REMARKS
28	5H0-17456-00	HOLDER, SPROCKET	1	1	1	1	
29	97027-06012	BOLT	2	2	2	2	
30	10V-17471-00	PLATE, COVER	1	1	1	1	
31	98507-06012	SCREW, PAN HEAD	2	2	2	2	

FIG. 12 SHIFT CAM. FORK

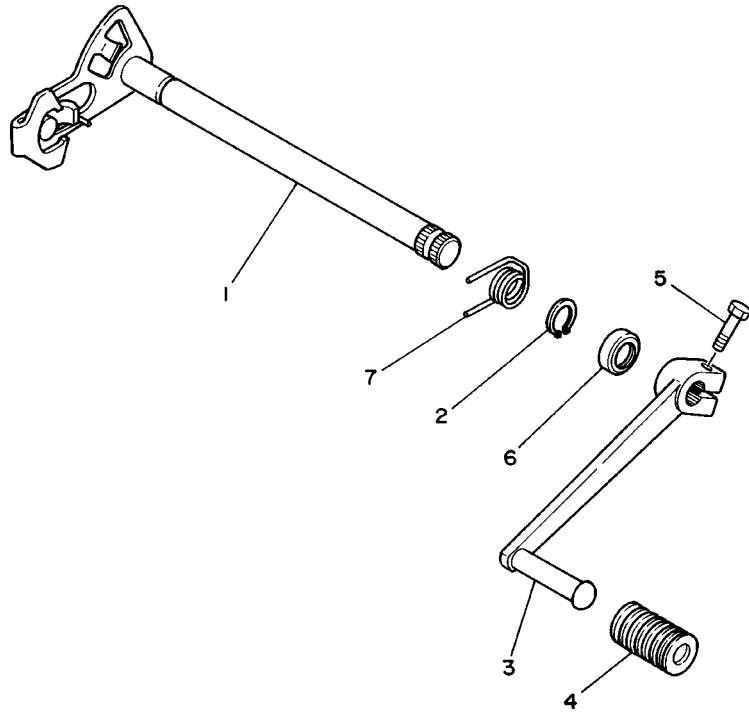


REF. NO.	PART NO.	DESCRIPTION	U49	CAN	FRA	JPN	REMARKS
1	2XJ-18540-01	SHIFT CAM ASSY	1	1	1	1	
2	10V-18140-00	STOPPER LEVER ASSY	1	1	1	1	
3	90508-29749	SPRING, TORSION	1	1	1	1	
4	90109-063F7	BOLT	1	1	1	1	
5	37F-18511-00	FORK, SHIFT 1	1	1	1	1	
6	37F-18512-00	FORK, SHIFT 2	1	1	1	1	
7	37F-18513-00	FORK, SHIFT 3	1	1	1	1	
8	90250-06013	PIN, STRAIGHT	3	3	3	3	
9	5X5-18531-01	BAR, SHIFT FORK GUIDE 1	1	1	1	1	
10	34X-18535-00	BAR, SHIFT FORK GUIDE 2	1	1	1	1	
11	99009-10400	CIRCLIP	1	1	1	1	



2XJ110-8120

FIG. 13 SHIFT SHAFT

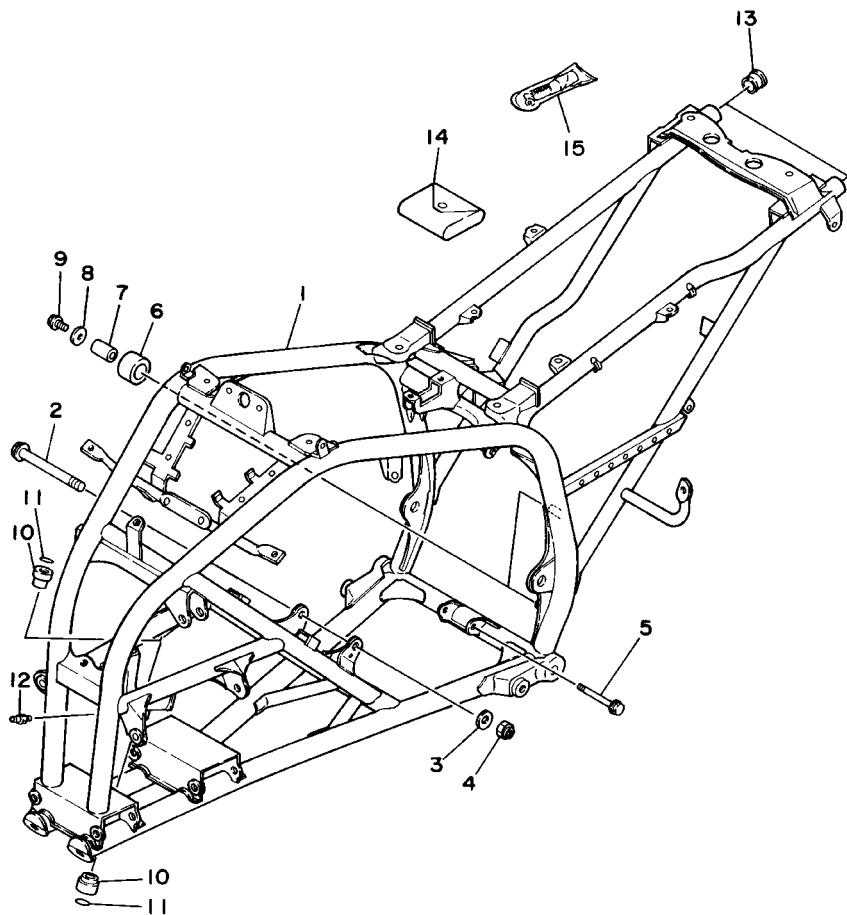


REF. NO.	PART NO.	DESCRIPTION	U49	CAN	FRA	JPN	REMARKS
1	37F-18101-02	SHIFT SHAFT ASSY	1	1	1	1	
2	99001-10600	CIRCLIP	1	1	1	1	
3	2XJ-18111-00	PEDAL, SHIFT	1	1	1	1	
4	132-18113-01	COVER, SHIFT PEDAL	1	1	1	1	
5	97017-06020	BOLT	1	1	1	1	
6	93101-12173	OIL SEAL	1	1	1	1	
7	90508-32553	SPRING, TORSION	1	1	1	1	



2XJ110-8130

FIG. 14 FRAME

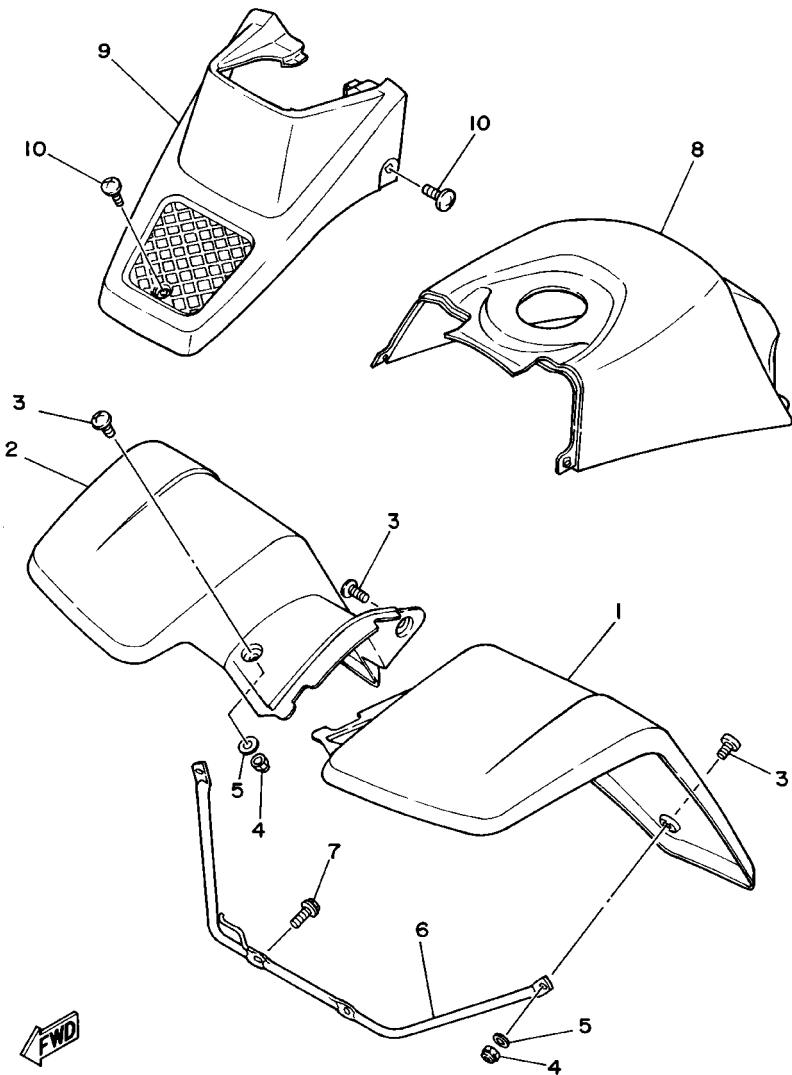


3JM00-9140

REF. NO.	PART NO.	DESCRIPTION	U49	CAN	FRA	JPN	REMARKS
1	2XJ-21110-11-35	FRAME COMP.	1	1	1	1	SL
2	90105-10328	BOLT, WASHER BASED	1	1	1	1	
3	90201-10774	WASHER, PLATE	1	1	1	1	
4	90185-10060	NUT, SELF-LOCKING	1	1	1	1	
5	90105-08721	BOLT, WASHER BASED	1	1	1	1	
6	30X-22178-00	TENSIONER	2	2	2	2	
7	4V4-22184-00	BUSH	2	2	2	2	
8	90201-08753	WASHER, PLATE	2	2	2	2	
9	95807-08012	BOLT, FLANGE	2	2	2	2	
10	90381-15040	BUSH, SOLID	2	2	2	2	
11	93210-15414	O-RING	2	2	2	2	
12	93700-06004	NIPPLE, GREASE	1	1	1	1	
13	90338-23172	PLUG	2	2	2	2	
14	2XJ-28100-00	TOOL KIT	1	1	1	1	
15	1NV-2811A-00	GAUGE, AIR	1	1	1	1	

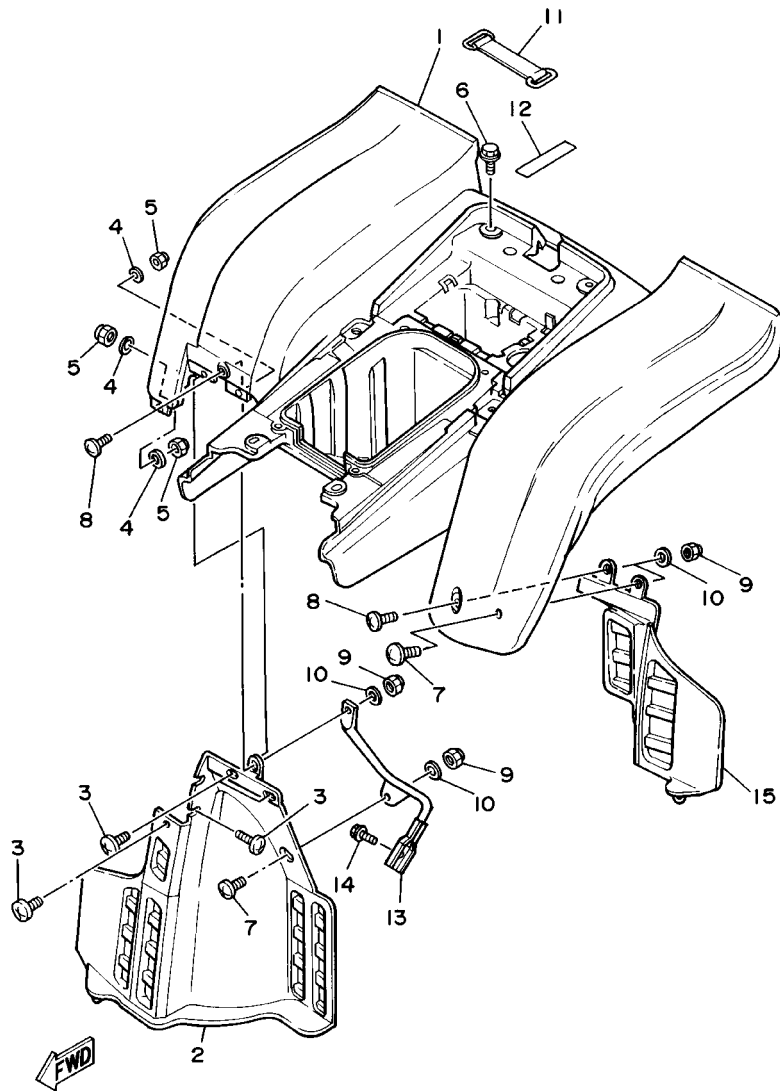
FIG. 15 FRONT FENDER

REF. NO.	PART NO.	DESCRIPTION	U49	CAN	FRA	JPN	REMARKS
1	2XJ-W2151-B1	FRONT FENDER COMP.	1				UR FOR RW
	2XJ-W2151-C1	FRONT FENDER COMP.	1	1			UR FOR DPBSE FOR USA, CANADA
	2XJ-W215B-C1	FRONT FENDER COMP. 2			1	1	UR
2	2XJ-21556-B0	FENDER, FRONT 2	1				UR FOR RW
	2XJ-21556-C0	FENDER, FRONT 2	1			1	UR FOR DPBSE
	2XJ-21556-C0	FENDER, FRONT 2		1	1		UR
	2XJ-W215D-C0	FRONT FENDER COMP.		1			UR FOR CANADA
3	90149-06306	SCREW	6	6	6	6	
4	95607-06100	NUT, U	4	4	4	4	
5	92907-06200	WASHER	4	4	4	4	
6	2XJ-21513-00	STAY, FENDER 1	1	1	1	1	
7	95827-06012	BOLT, FLANGE	2	2	2	2	
8	2XJ-2171A-90	COVER, TOP	1				UR FOR RW
	2XJ-2171A-C0	COVER, TOP	1	1	1	1	UR FOR DPBSE
9	2XJ-23391-90	PANEL, FRONT	1				UR FOR RW
	2XJ-23391-C0	PANEL, FRONT	1	1	1	1	UR FOR DPBSE
10	90154-05051	SCREW, BINDING	3	3	3	3	



3JM100-9150

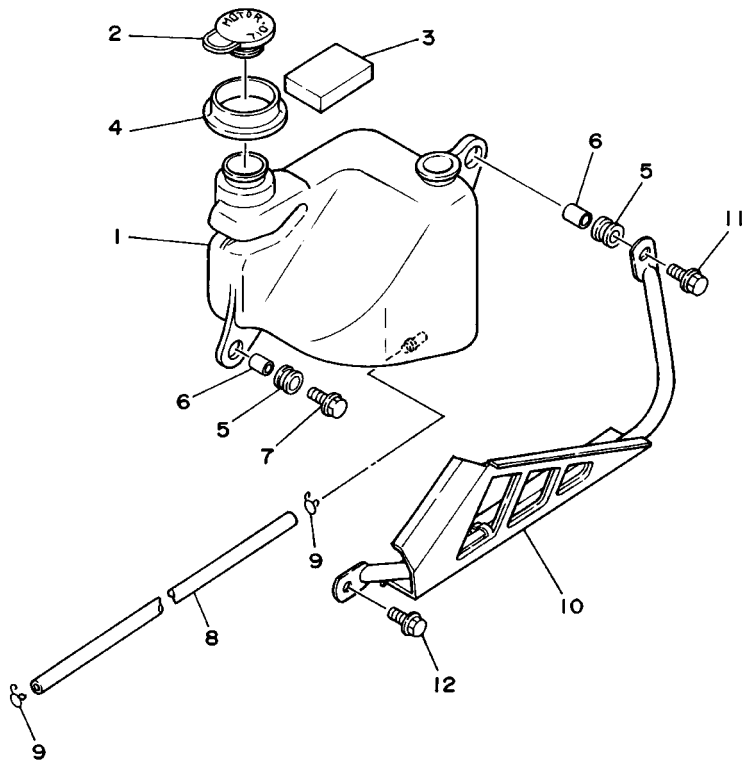
FIG. 16 REAR FENDER



3JM2100-0160

REF. NO.	PART NO.	DESCRIPTION	U49	CAN	FRA	JPN	REMARKS
1	2XJ-W2161-N1	REAR FENDER COMP.	1				UR FOR RW
	2XJ-W2161-R1	REAR FENDER COMP.	1			1	UR FOR DPBSE
	2XJ-W216C-S1	REAR FENDER COMP 2		1			UR FOR CANADA
	2XJ-W2161-S1	REAR FENDER COMP.			1		UR
2	3JM-21621-00	FLAP	1	1	1	1	
3	90154-05005	SCREW, BINDING	5	5	5	5	
4	92907-05200	WASHER	5	5	5	5	
5	95607-05100	NUT, U	5	5	5	5	
6	90119-06056	BOLT, WITH WASHER	6	6	6	6	
7	90149-06306	SCREW	2	2	2	2	
8	90150-06037	SCREW, ROUND HEAD	2	2	2	2	
9	95607-06100	NUT, U	4	4	4	4	
10	92907-06200	WASHER	4	4	4	4	
11	2T4-82131-00	BAND, BATTERY	1	1	1	1	
12	93210-61750	O-RING	1	1	1	1	
13	2XJ-21614-00	STAY, FENDER 2	1	1	1	1	
14	92017-08012	BOLT, BUTTON HEAD	1	1	1	1	
15	3JM-21691-00	FLAP	1	1	1	1	

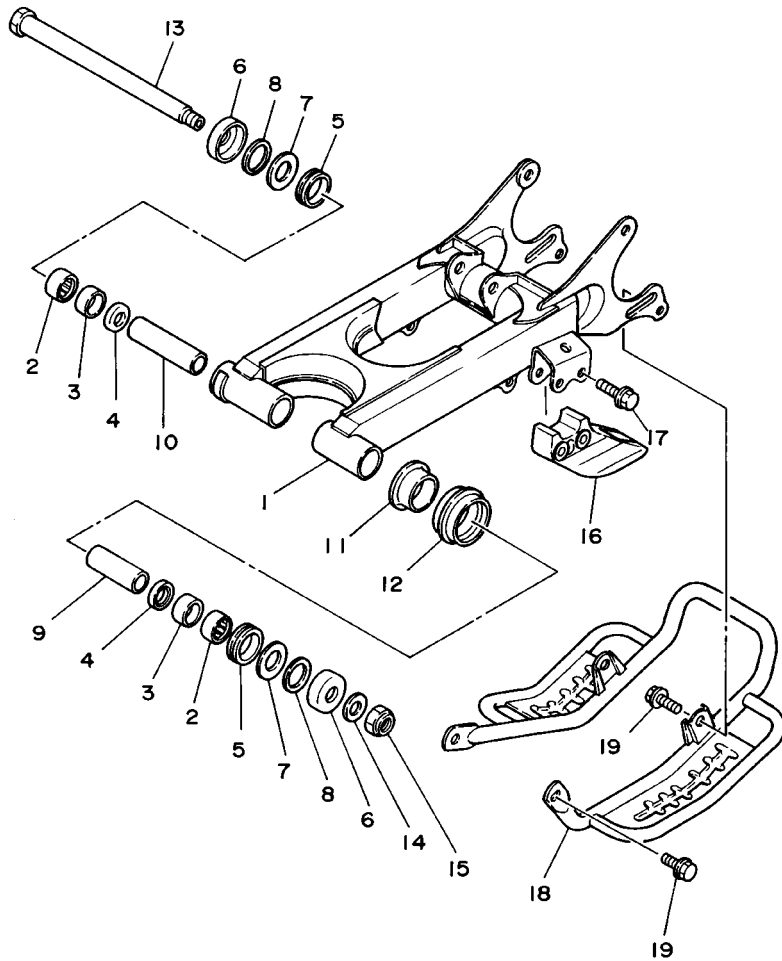
FIG. 17 OIL TANK




2XJ110-8170

REF. NO.	PART NO.	DESCRIPTION	U49	CAN	FRA	JPN	REMARKS
1	2XJ-21751-01	TANK, OIL	1	1	1	1	
2	2N3-21771-01	BODY, CAP	1	1	1	1	
3	2XJ-21746-00	DAMPER	1	1	1	1	
4	90480-48493	GROMMET	1	1	1	1	
5	90480-13238	GROMMET	2	2	2	2	
6	90387-07391	COLLAR	2	2	2	2	
7	95827-06025	BOLT, FLANGE	1	1	1	1	
8	90445-084J3	HOSE	1	1	1	1	
9	90467-08075	CLIP	2	2	2	2	
10	2XJ-2172W-00	COVER	1	1	1	1	
11	95827-06025	BOLT, FLANGE	1	1	1	1	
12	95827-06025	BOLT, FLANGE	1	1	1	1	

FIG. 18 REAR ARM

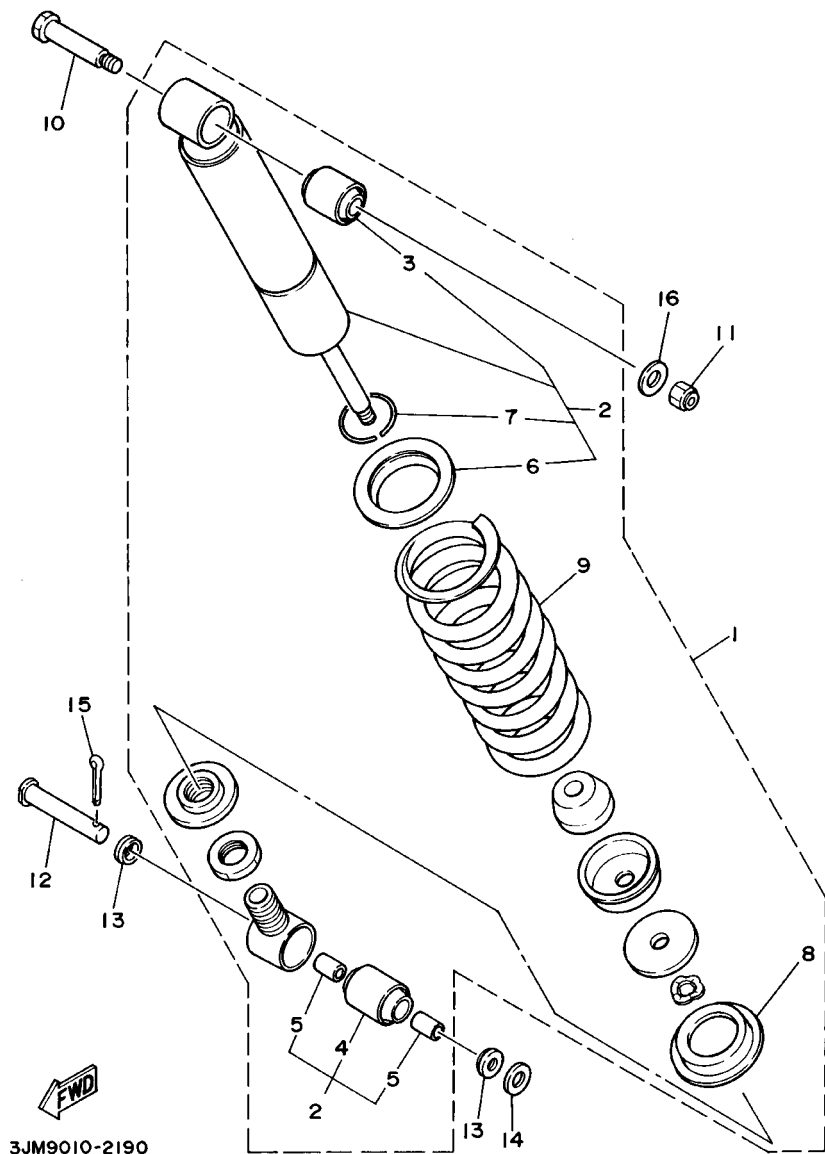


REF. NO.	PART NO.	DESCRIPTION	U49	CAN	FRA	JPN	REMARKS
1	2XJ-22110-00-35	REAR ARM COMP.	1	1	1	1	SL
2	93317-22237	BEARING	2	2	2	2	
3	90380-22111	BUSH, SOLID	2	2	2	2	
4	93106-22019	OIL SEAL (DC 22-28-8)	2	2	2	2	
5	93108-35004	OIL SEAL (35-41-8)	2	2	2	2	
6	2K6-22128-01	COVER, THRUST 1	2	2	2	2	
7	90201-244A9	WASHER, PLATE (2.05T)	2	2	2	2	
8	156-22127-00	SHIM (0.3T)	1	1	1	1	
9	2XJ-22123-00	BUSH 1	1	1	1	1	
10	2XJ-22124-00	BUSH 2	1	1	1	1	
11	2GU-22155-00	PIPE	1	1	1	1	
12	2GU-22151-10	SEAL, GUARD	1	1	1	1	
13	2JN-22141-00	SHAFT, PIVOT	1	1	1	1	
14	90201-14215	WASHER, PLATE	1	1	1	1	
15	90185-14070	NUT, SELF-LOCKING	1	1	1	1	
16	38W-22199-00	SUPPORT, CHAIN	1	1	1	1	
17	95807-08040	BOLT, FLANGE	2	2	2	2	
18	2XJ-2219X-00	COVER	1	1	1	1	
19	95827-08012	BOLT, FLANGE	4	4	4	4	



2XJ110-8180

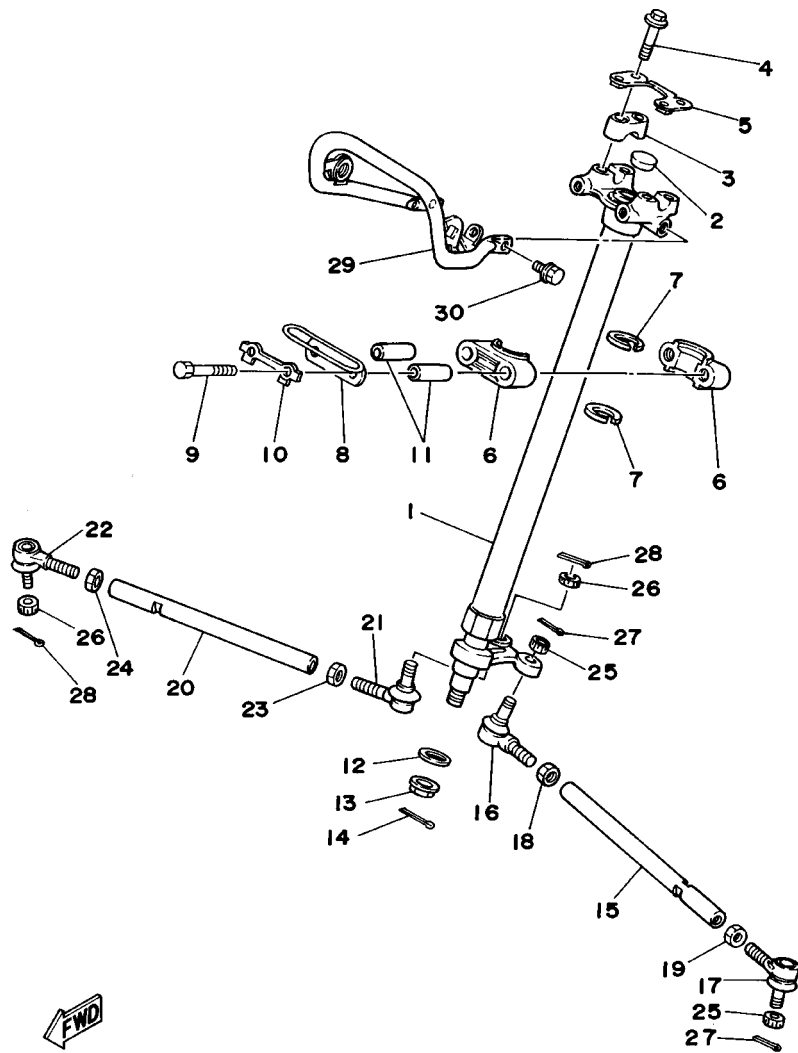
FIG. 19 REAR SUSPENSION



3JM9010-2190

REF. NO.	PART NO.	DESCRIPTION	U49	CAN	FRA	JPN	REMARKS
1	2XJ-22210-10-36	SHOCK ABSORBER ASSY, REAR	1				UR WW
	2XJ-22210-10-6W	SHOCK ABSORBER ASSY, REAR	1				UR NTR
	2XJ-22210-20-36	SHOCK ABSORBER ASSY, REAR		1			WW
	2XJ-22210-30-36	SHOCK ABSORBER ASSY, REAR				1	WW
	2XJ-22210-40-36	SHOCK ABSORBER ASSY, REAR			1		UR WW
2	2XJ-22201-10	.DAMPER SUB ASSY	1				
	2XJ-22201-20	.DAMPER SUB ASSY		1			
	2XJ-22201-30	.DAMPER SUB ASSY				1	
	2XJ-22201-40	.DAMPER SUB ASSY			1		
3	1NU-22216-00	..BUSH, REAR SHOCK ABSORBER	1	1	1	1	
4	1NU-22226-00	..BUSH, SHOCK ABSORBER LOWER	1	1	1	1	
5	90380-12051	..BUSH, SOLID	2	2	2	2	
6	22W-22223-00	..SEAT, SPRING LOWER	1	1	1	1	
7	93440-42101	..CIRCLIP	1	1	1	1	
8	22W-22214-01	..GUIDE, SPRING 1	1	1	1	1	
9	2XJ-22212-00-36	..SPRING	1	1	1	1	UR WW
	2XJ-22212-00-6W	..SPRING	1	1			UR NTR
10	90109-10736	BOLT	1	1	1	1	
11	95607-10100	NUT, U	1	1	1	1	
12	90240-12092	PIN, CLEVIS	1	1	1	1	
13	1W1-22128-00	COVER, THRUST 1	2	2	2	2	
14	92907-12600	WASHER	1	1	1	1	
15	91401-30025	PIN, COTTER	1	1	1	1	
16	90201-10126	WASHER, PLATE	1	1	1	1	

FIG. 20 STEERING



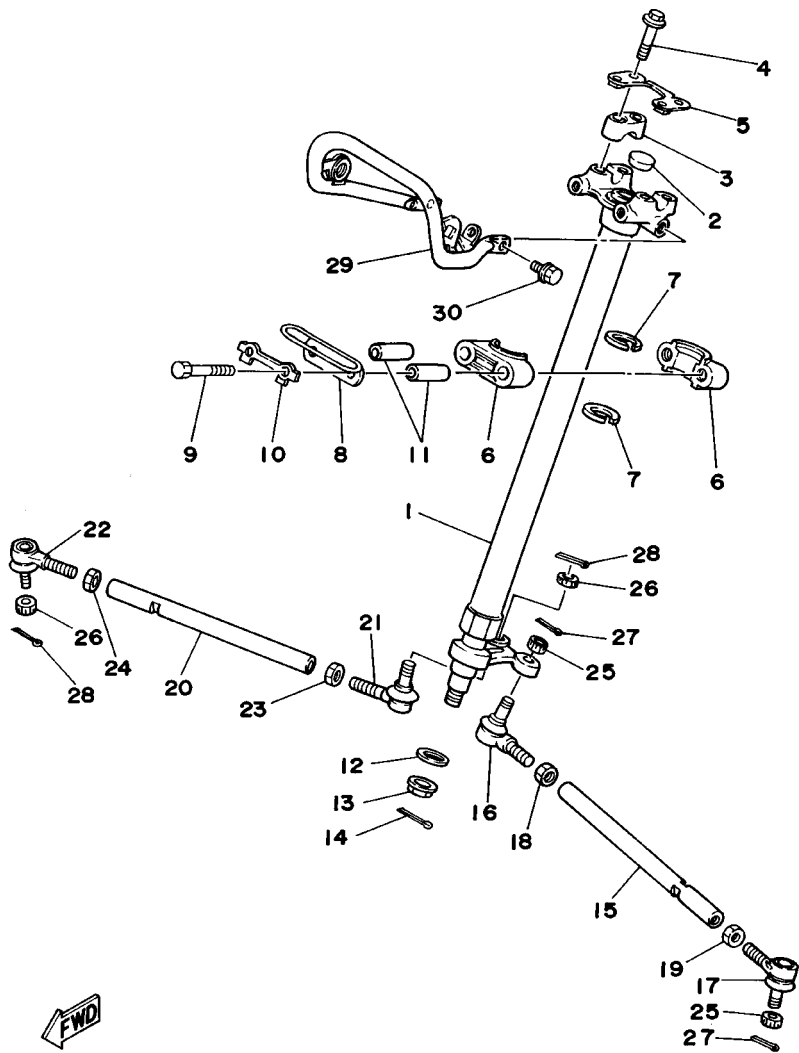
FWD
3JMN100-7210

REF. NO.	PART NO.	DESCRIPTION	U49	CAN	FRA	JPN	REMARKS
1	2XJ-23813-01	COLUMN, STEERING 2	1	1	1	1	
2	90336-28053	PLUG, TAPER	1	1	1	1	
3	8K1-23814-00	HOLDER, HANDLE	2	2	2	2	
4	95827-08035	BOLT, FLANGE	4	4	4	4	
5	2GU-2629K-00	STAY	1	1	1	1	
6	1UY-23812-00	PLANE BEARING, STEERING	2	2	2	2	
7	93112-31011	OIL SEAL	2	2	2	2	
8	2XJ-23868-00	BRACKET, STEERING LOWER	1	1	1	1	
9	97027-08060	BOLT	2	2	2	2	
10	1UY-23894-01	WASHER, LOCK 1	1	1	1	1	
11	90387-090R0	COLLAR	2	2	2	2	
12	90201-10774	WASHER, PLATE	1	1	1	1	
13	90185-10115	NUT, SELF-LOCKING	1	1	1	1	
14	91401-20020	PIN, COTTER	1	1	1	1	
15	2XJ-23831-01	ROD, TIE	1	1	1	1	
16	1UY-23841-01	JOINT, UNIVERSAL 1	1	1	1	1	
17	1UY-23845-01	JOINT, UNIVERSAL 2	1	1	1	1	
18	95307-10700	NUT	1	1	1	1	
19	90170-10186	NUT	1	1	1	1	(L.H. THREAD)
20	2XJ-23831-01	ROD, TIE	1	1	1	1	
21	1UY-23841-01	JOINT, UNIVERSAL 1	1	1	1	1	
22	1UY-23845-01	JOINT, UNIVERSAL 2	1	1	1	1	
23	95307-10700	NUT	1	1	1	1	
24	90170-10186	NUT	1	1	1	1	(L.H. THREAD)
25	90171-10046	NUT, CASTLE	2	2	2	2	
26	90171-10046	NUT, CASTLE	2	2	2	2	
27	91401-20020	PIN, COTTER	2	2	2	2	

C10

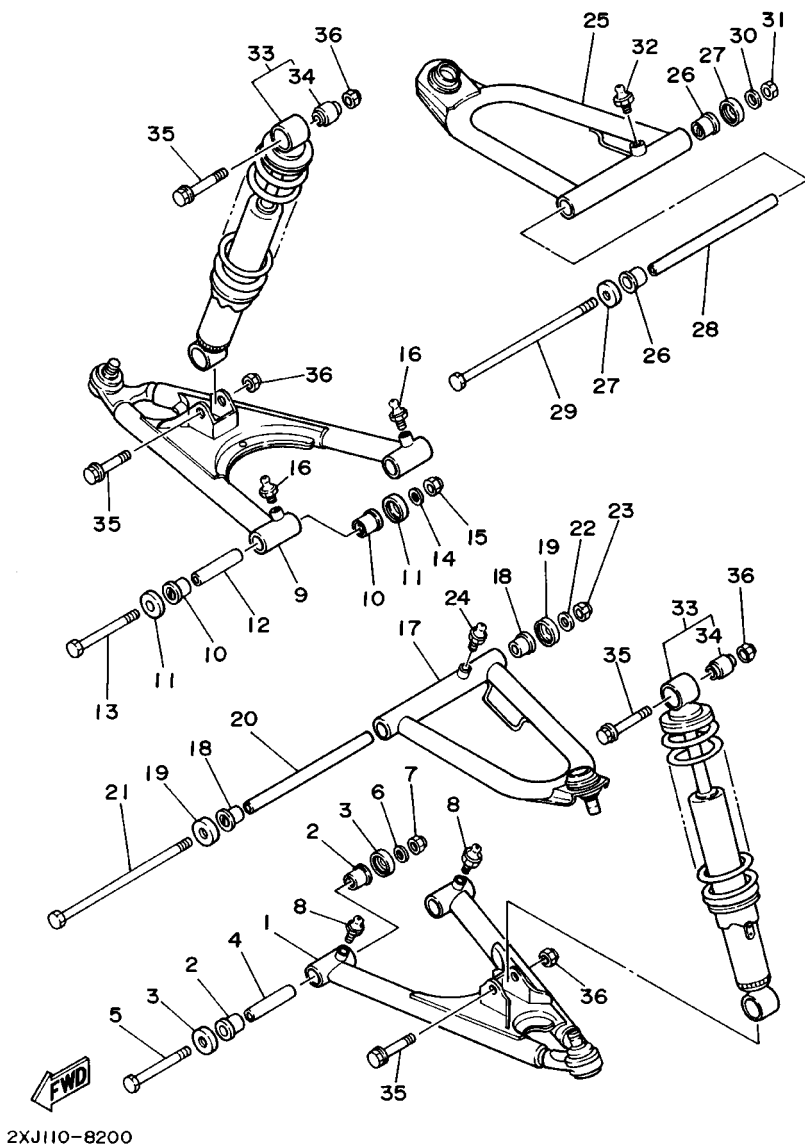
FIG. 20 STEERING

REF. NO.	PART NO.	DESCRIPTION	U49	CAN	FRA	JPN	REMARKS
28	91401-20020	PIN, COTTER	2	2	2	2	
29	2XJ-23174-00	STAY, HEADLIGHT	1	1	1	1	
30	95807-08014	BOLT, FLANGE	4	4	4	4	



3JMN100-7210

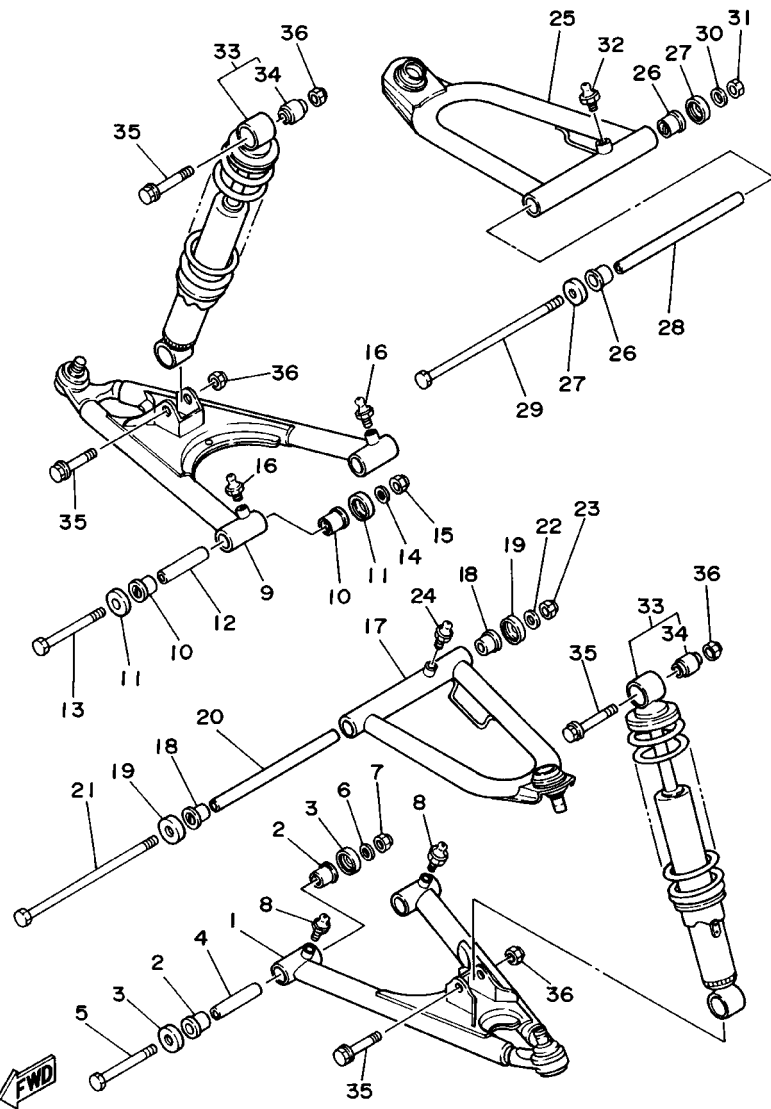
FIG. 21 FRONT SUSPENSION. WHEEL



REF. NO.	PART NO.	DESCRIPTION	U49	CAN	FRA	JPN	REMARKS
1	3JM-23570-00-35	FRONT LOWER ARM COMP. (LEFT)	1	1	1	1	SL
2	90381-15088	BUSH, SOLID	4	4	4	4	
3	1UY-23517-00	COVER, THRUST 1	4	4	4	4	
4	90387-101R3	COLLAR	2	2	2	2	
5	90101-10655	BOLT	2	2	2	2	
6	90201-10430	WASHER, PLATE	2	2	2	2	
7	90185-10120	NUT, SELF-LOCKING	2	2	2	2	
8	93700-06004	NIPPLE, GREASE	2	2	2	2	
9	3JM-23580-00-35	FRONT LOWER ARM COMP. (RIGHT)	1	1	1	1	SL
10	90381-15088	BUSH, SOLID	4	4	4	4	
11	1UY-23517-00	COVER, THRUST 1	4	4	4	4	
12	90387-101R3	COLLAR	2	2	2	2	
13	90101-10655	BOLT	2	2	2	2	
14	90201-10430	WASHER, PLATE	2	2	2	2	
15	90185-10120	NUT, SELF-LOCKING	2	2	2	2	
16	93700-06004	NIPPLE, GREASE	2	2	2	2	
17	2XJ-23540-01-35	FRONT UPPER ARM COMP. (LEFT)	1	1	1	1	SL
18	90381-15088	BUSH, SOLID	2	2	2	2	
19	1UY-23517-00	COVER, THRUST 1	2	2	2	2	
20	90387-101U6	COLLAR	1	1	1	1	
21	336-22141-00	SHAFT, PIVOT	1	1	1	1	
22	90201-10430	WASHER, PLATE	1	1	1	1	
23	90185-10120	NUT, SELF-LOCKING	1	1	1	1	
24	93700-06004	NIPPLE, GREASE	1	1	1	1	
25	2XJ-23550-01-35	FRONT UPPER ARM COMP. (RIGHT)	1	1	1	1	SL
26	90381-15088	BUSH, SOLID	2	2	2	2	
27	1UY-23517-00	COVER, THRUST 1	2	2	2	2	

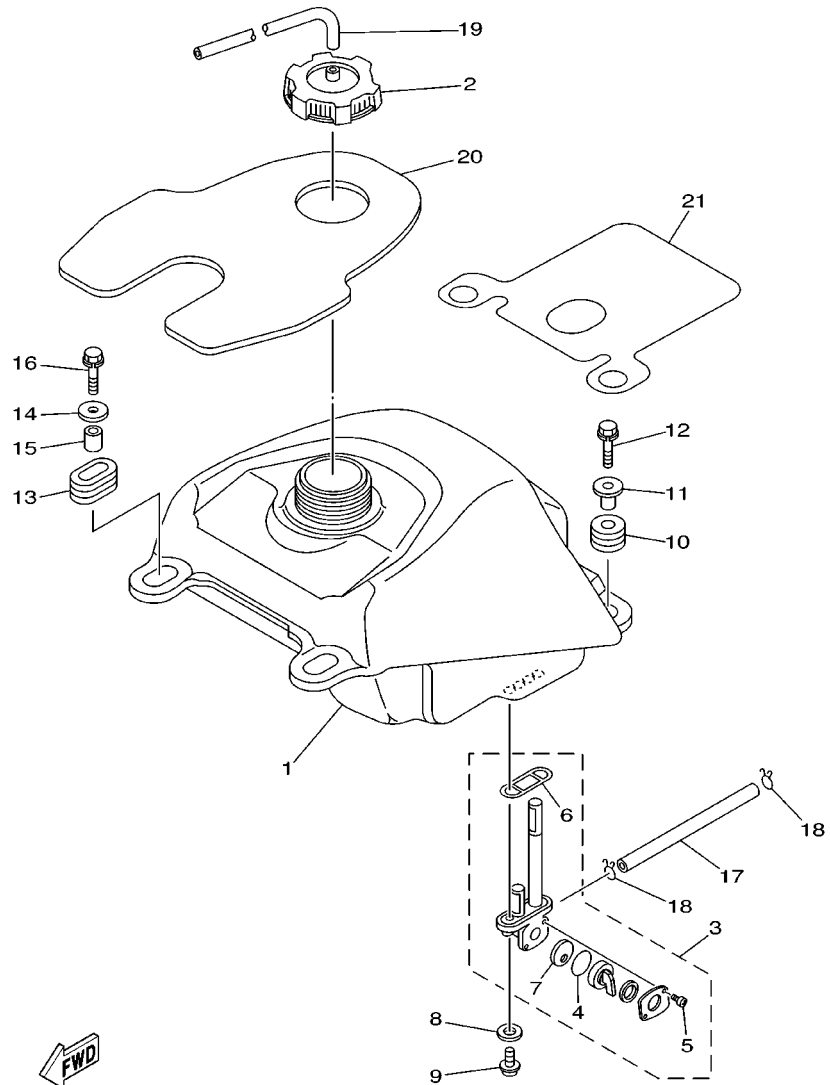
FIG. 21 FRONT SUSPENSION. WHEEL

REF. NO.	PART NO.	DESCRIPTION	U49	CAN	FRA	JPN	REMARKS
28	90387-101U6	COLLAR	1	1	1	1	
29	336-22141-00	SHAFT, PIVOT	1	1	1	1	
30	90201-10430	WASHER, PLATE	1	1	1	1	
31	90185-10120	NUT, SELF-LOCKING	1	1	1	1	
32	93700-06004	NIPPLE, GREASE	1	1	1	1	
33	2XJ-23350-00-36	SHOCK ABSORBER ASSY	2	2	2	2	UR WW
	2XJ-23350-00-6W	SHOCK ABSORBER ASSY	2				UR NTR
34	2XJ-2331R-00	.DAMPER, BUSH B	2	2	2	2	
35	90105-10388	BOLT, WASHER BASED	4	4	4	4	
36	90185-10060	NUT, SELF-LOCKING	4	4	4	4	



2XJ110-8200

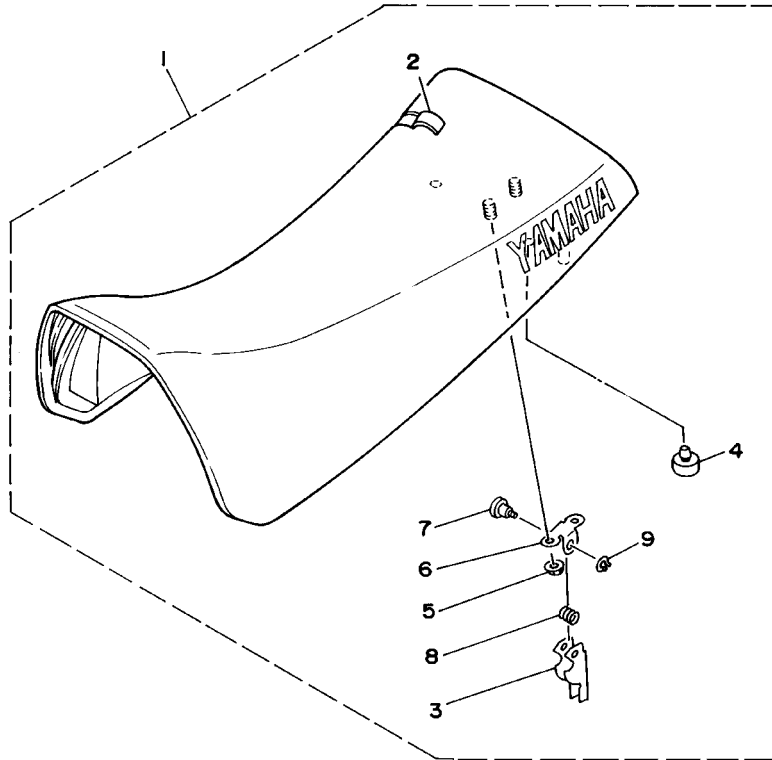
FIG. 22 FUEL TANK



3JMV100-9220

REF. NO.	PART NO.	DESCRIPTION	U49	CAN	FRA	JPN	REMARKS
1	2XJ-24110-00	FUEL TANK COMP.	1	1	1	1	
2	1UY-24610-00	CAP ASSY	1	1	1	1	
3	55W-24500-01	FUEL COCK ASSY 1	1	1	1	1	
4	3AJ-24534-00	.SEAL, COCK	1	1	1	1	
5	97801-03008	.SCREW, PAN HEAD	2	2	2	2	
6	4X8-24512-00	.O-RING	1	1	1	1	
7	3AJ-24523-00	.VALVE PACKING	1	1	1	1	
8	90202-05193	WASHER, PLATE	2	2	2	2	
9	90149-06011	SCREW	2	2	2	2	
10	90480-18290	GROMMET	2	2	2	2	
11	90387-066H4	COLLAR	2	2	2	2	
12	90119-06073	BOLT, WITH WASHER	2	2	2	2	
13	90480-01400	GROMMET	2	2	2	2	
14	90201-060L5	WASHER, PLATE	2	2	2	2	
15	90387-07598	COLLAR	2	2	2	2	
16	90119-06073	BOLT, WITH WASHER	2	2	2	2	
17	90445-100E9	HOSE	1	1	1	1	
18	90467-09006	CLIP	2	2	2	2	
19	90445-084J1	HOSE	1	1	1	1	
20	2XJ-2414H-01	DAMPER, PLATE 1	1	1	1	1	
21	3JM-2414J-00	DAMPER, PLATE 2	1	1	1	1	

FIG. 23 SEAT

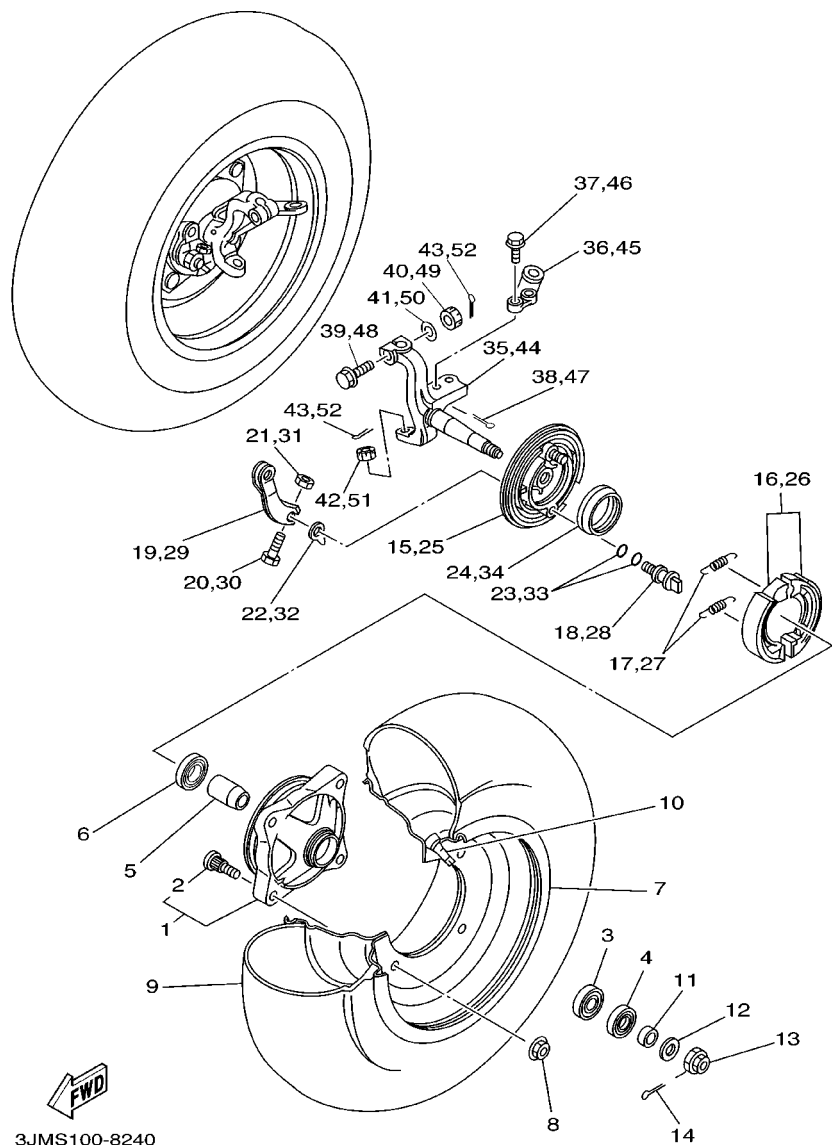


REF. NO.	PART NO.	DESCRIPTION	U49	CAN	FRA	JPN	REMARKS
1	5KJ-24710-00	SINGLE SEAT ASSY	1	1	1	1	UR FOR DPBSE
	5KJ-24710-10	SINGLE SEAT ASSY	1				UR FOR RW
2	5KJ-24731-00	.COVER, SEAT	1	1	1	1	UR FOR DPBSE
	5KJ-24731-10	.COVER, SEAT	1				UR FOR RW
3	29U-24776-00	.LEVER, SEAT	1	1	1	1	
4	371-27114-00	.STOPPER, MAIN STAND	2	2	2	2	
5	95707-06500	.NUT, FLANGE	4	4	4	4	
6	4K0-24775-00	.BRACKET, SEAT LEVER	1	1	1	1	
7	4K0-24774-01	.PIN	1	1	1	1	
8	90508-20779	.SPRING, TORSION	1	1	1	1	
9	93440-04002	.CIRCLIP	1	1	1	1	



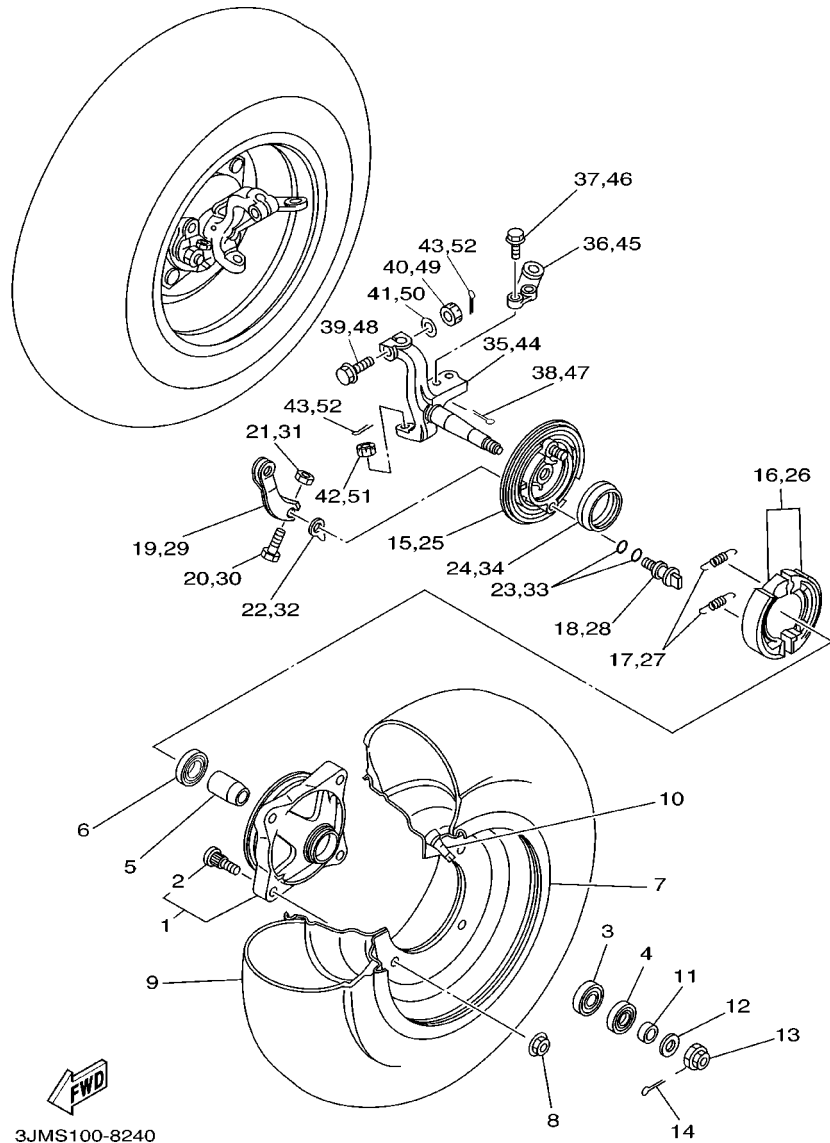
3JMN100-7230

FIG. 24 FRONT WHEEL



REF. NO.	PART NO.	DESCRIPTION	U49	CAN	FRA	JPN	REMARKS
1	2XJ-25111-00	HUB, FRONT	2	2	2	2	
2	90114-10007	.BOLT, SERRATION	4	4	4	4	
3	93306-20205	BEARING (B6202)	2	2	2	2	
4	93102-22216	OIL SEAL	2	2	2	2	
5	1UY-25117-00	SPACER, BEARING	2	2	2	2	
6	93306-90403	BEARING	2	2	2	2	
7	2XJ-25180-00-35	WHEEL COMP.	2	2	2	2	SL
8	95707-10500	NUT, FLANGE	8	8	8	8	
9	94107-100X3	TIRE (AT21X7-10**KT851A T/L N)	2	2	2	2	UR DUNLOP
	94107-105W8	TIRE (AT21X7-10**C-873 T/L)	2	2	2	2	UR CHENG SHIN
10	93900-00022	VALVE, RIM	2	2	2	2	TAIHEIYO
11	90387-150R1	COLLAR	2	2	2	2	
12	90201-14586	WASHER, PLATE	2	2	2	2	
13	90171-14020	NUT, CASTLE	2	2	2	2	
14	91401-30025	PIN, COTTER	2	2	2	2	
15	2XJ-25121-00	PLATE, BRAKE SHOE	1	1	1	1	
16	4BE-W2536-00	BRAKE SHOE SET	1	1	1	1	
17	90506-15260	SPRING, TENSION	2	2	2	2	
18	5G3-25351-02	CAMSHAFT	1	1	1	1	
19	52H-25155-00	LEVER, CAMSHAFT 1	1	1	1	1	
20	90101-06278	BOLT	1	1	1	1	
21	95307-06600	NUT	1	1	1	1	
22	52H-2513A-00	PLATE, INDICATOR	1	1	1	1	
23	93210-12327	O-RING	2	2	2	2	
24	93105-49023	OIL SEAL	1	1	1	1	
25	2XJ-25169-00	PLATE, BRAKE SHOE 2	1	1	1	1	
26	4BE-W2536-00	BRAKE SHOE SET	1	1	1	1	

FIG. 24 FRONT WHEEL



REF. NO.	PART NO.	DESCRIPTION	U49	CAN	FRA	JPN	REMARKS
27	90506-15260	SPRING, TENSION	2	2	2	2	
28	5G3-25351-02	CAMSHAFT	1	1	1	1	
29	52H-25156-00	LEVER, CAMSHAFT 2	1	1	1	1	
30	90101-06278	BOLT	1	1	1	1	
31	95307-06600	NUT	1	1	1	1	
32	52H-2513A-00	PLATE, INDICATOR	1	1	1	1	
33	93210-12327	O-RING	2	2	2	2	
34	93105-49023	OIL SEAL	1	1	1	1	
35	3JM-23511-01	KNUCKLE, STEERING 1	1	1	1	1	
36	2XJ-23512-01	ARM, KNUCKLE 1	1	1	1	1	
37	90105-10507	BOLT, WASHER BASED	2	2	2	2	
38	91401-20020	PIN, COTTER	2	2	2	2	
39	90105-10549	BOLT, WASHER BASED	1	1	1	1	
40	95337-10600	NUT	1	1	1	1	
41	90201-10430	WASHER, PLATE	1	1	1	1	
42	90171-10046	NUT, CASTLE	1	1	1	1	
43	91401-20020	PIN, COTTER	2	2	2	2	
44	3JM-23521-01	KNUCKLE, STEERING 2	1	1	1	1	
45	2XJ-23522-01	ARM, KNUCKLE 2	1	1	1	1	
46	90105-10507	BOLT, WASHER BASED	2	2	2	2	
47	91401-20020	PIN, COTTER	2	2	2	2	
48	90105-10549	BOLT, WASHER BASED	1	1	1	1	
49	95337-10600	NUT	1	1	1	1	
50	90201-10430	WASHER, PLATE	1	1	1	1	
51	90171-10046	NUT, CASTLE	1	1	1	1	
52	91401-20020	PIN, COTTER	2	2	2	2	

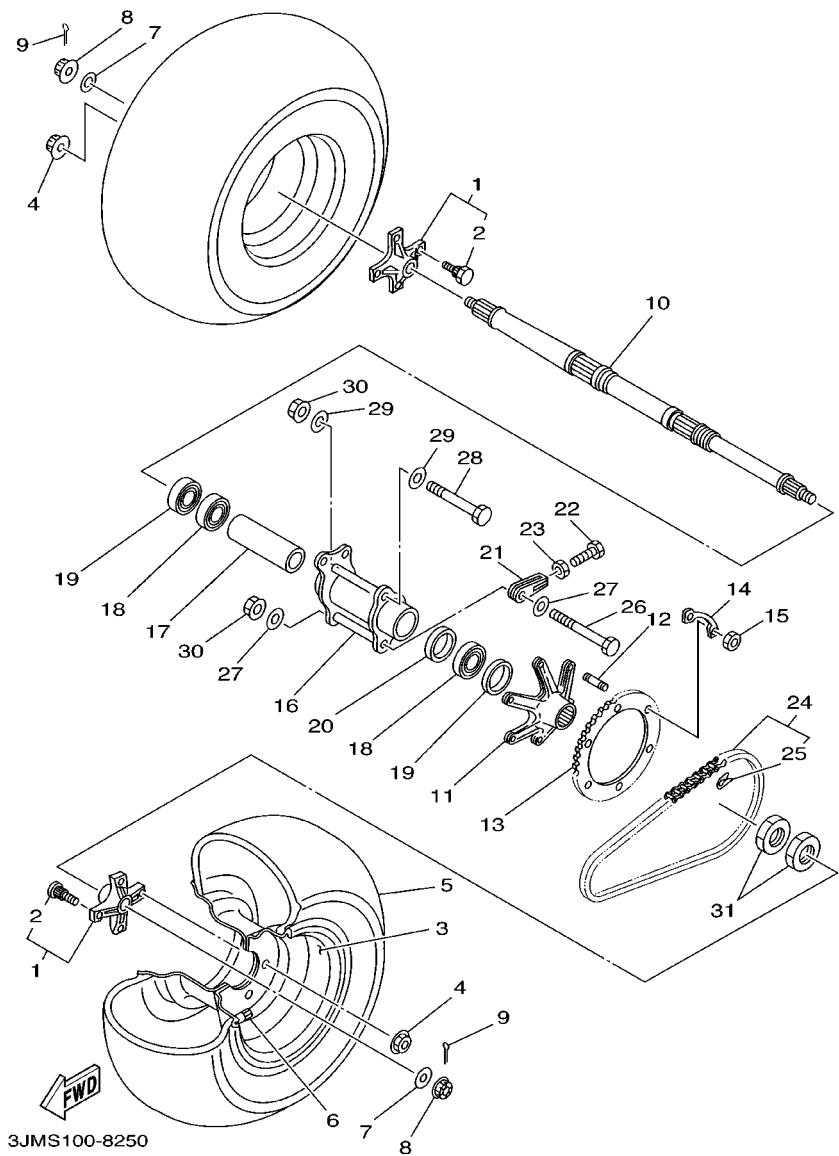
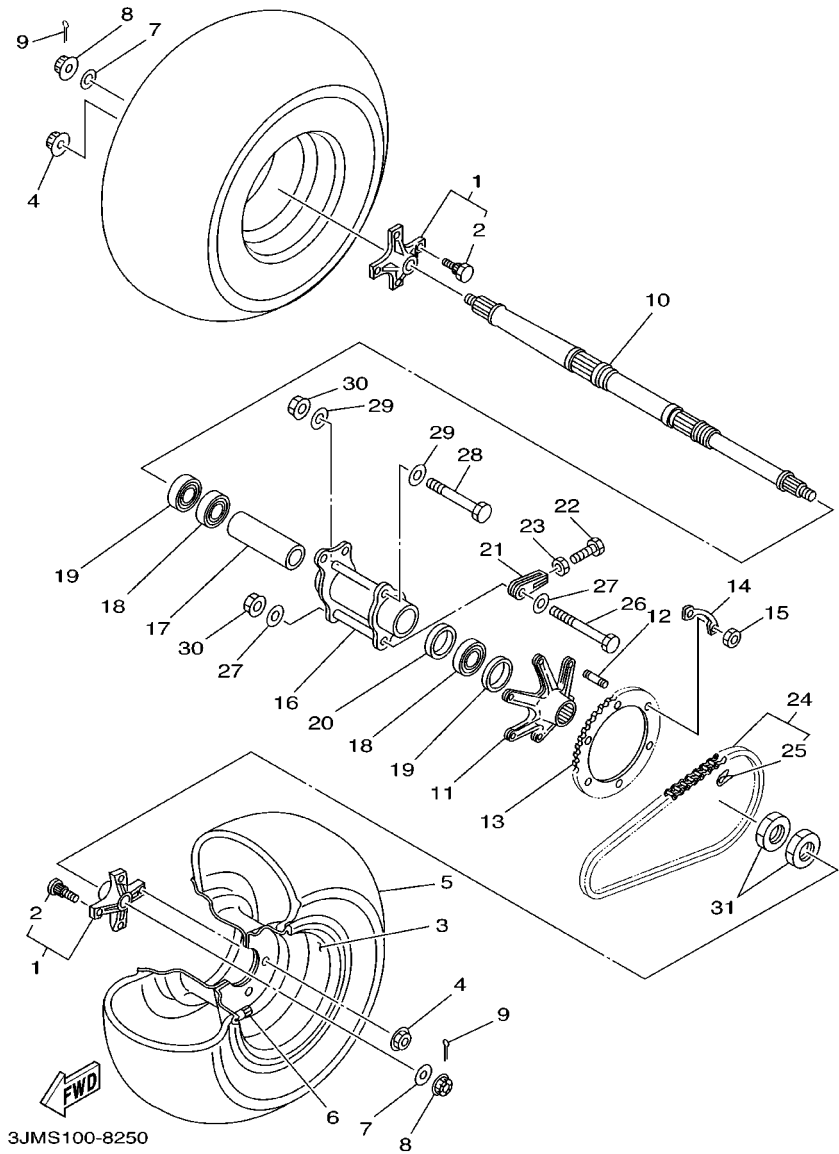


FIG. 25 REAR WHEEL

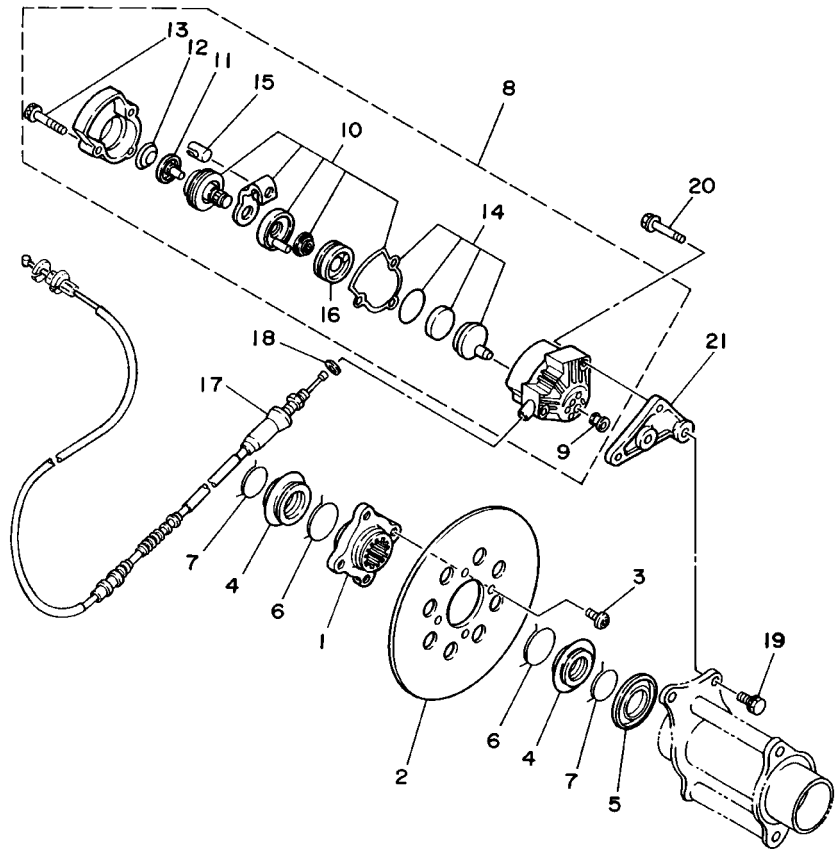
REF. NO.	PART NO.	DESCRIPTION	U49	CAN	FRA	JPN	REMARKS
1	2XJ-25383-00	COLLAR, WHEEL	2	2	2	2	
2	90114-10010	.BOLT, SERRATION	4	4	4	4	
3	2VY-25390-00-35	REAR WHEEL COMP.	2	2	2	2	SL
4	95707-10500	NUT, FLANGE	4	4	4	4	
5	94110-085W9	TIRE (AT21X10-8*KT895A T/L N)	2	2	2	2	UR DUNLOP
	94110-085W7	TIRE (AT21X10-8**C-874 T/L)	2	2	2	2	UR CHENG SHIN
6	93900-00022	VALVE, RIM	2	2	2	2	TAIHEIYO
7	90201-14226	WASHER, PLATE	2	2	2	2	
8	90171-14037	NUT, CASTLE	2	2	2	2	
9	91401-30030	PIN, COTTER	2	2	2	2	
10	2XJ-25381-00	AXLE, WHEEL	1	1	1	1	
11	2XJ-25386-00	COLLAR, SPROCKET AXLE	1	1	1	1	
12	90116-08507	BOLT, STUD	6	6	6	6	
13	2XJ-25440-20	SPROCKET, DRIVEN (40T)	1	1	1	1	
14	2XJ-25412-00	WASHER	3	3	3	3	
15	90170-08258	NUT	6	6	6	6	
16	2XJ-25311-00-35	HUB, REAR	1	1	1	1	SL
17	2XJ-25317-00	SPACER, BEARING	1	1	1	1	
18	93306-00705	BEARING	2	2	2	2	
19	93102-42260	OIL SEAL	2	2	2	2	
20	90387-561U7	COLLAR	1	1	1	1	
21	2XJ-25388-00	PULLER, CHAIN 1	2	2	2	2	
22	90101-08777	BOLT	2	2	2	2	
23	95307-08600	NUT	2	2	2	2	
24	94581-08092	CHAIN	1	1	1	1	
25	94681-08011	JOINT, CHAIN (D.I.D 520V6-FJ)	1	1	1	1	
26	90101-10678	BOLT	1	1	1	1	

FIG. 25 REAR WHEEL



REF. NO.	PART NO.	DESCRIPTION	U49	CAN	FRA	JPN	REMARKS
27	90201-106F2	WASHER, PLATE	2	2	2	2	
28	90101-10678	BOLT	1	1	1	1	
29	90201-106F2	WASHER, PLATE	2	2	2	2	
30	95707-10500	NUT, FLANGE	2	2	2	2	
31	90170-33376	NUT	2	2	2	2	
<hr/>							
<hr/>							
<hr/>							
<hr/>							
<hr/>							
<hr/>							
<hr/>							
<hr/>							

FIG. 26 REAR BRAKE

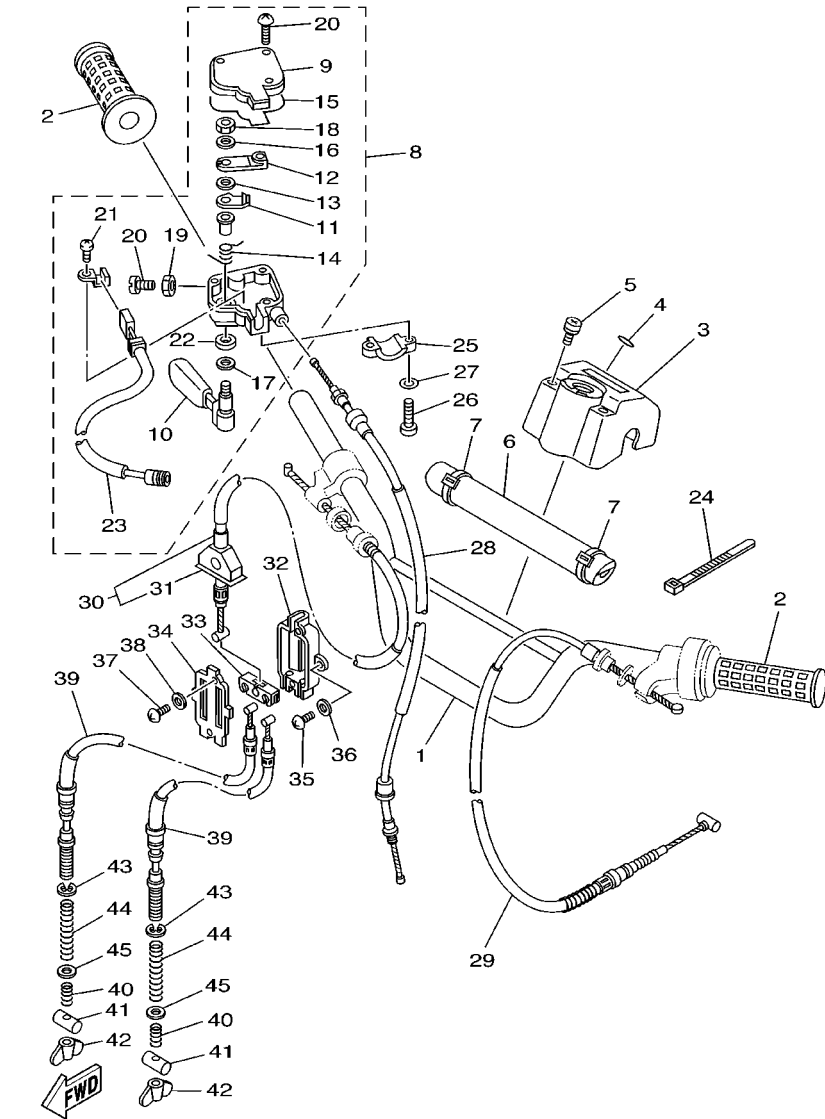


REF. NO.	PART NO.	DESCRIPTION	U49	CAN	FRA	JPN	REMARKS
1	2XJ-25712-00	BRACKET, DISC	1	1	1	1	
2	2XJ-25831-50	DISC, BRAKE	1	1	1	1	
3	90109-081F0	BOLT	4	4	4	4	
4	2XJ-25715-00	COVER 1	2	2	2	2	
5	2XJ-25367-00	COVER, HUB DUST	1	1	1	1	
6	93440-44158	CIRCLIP	2	2	2	2	
7	93440-36159	CIRCLIP	2	2	2	2	
8	2XJ-25810-50	CALIPER ASSY	1	1	1	1	
9	2XJ-25916-00	.PLUG	1	1	1	1	
10	2XJ-25726-01	.BRAKE LEVER SET	1	1	1	1	
11	2XJ-25771-00	.RATCHET, ADJUSTING	1	1	1	1	
12	2XJ-25772-00	.SPRING, RATCHET FIX	1	1	1	1	
13	2XJ-25818-00	.BOLT, CALIPER	3	3	3	3	
14	2XJ-25811-00	.PAD, CALIPER 2	1	1	1	1	
15	2XJ-25734-00	.PIN 1	1	1	1	1	
16	2XJ-25689-00	.PLATE, GUIDE	1	1	1	1	
17	2XJ-26351-01	CABLE, BRAKE	1	1	1	1	
18	90201-08609	WASHER, PLATE	1	1	1	1	
19	90105-08520	BOLT, WASHER BASED	2	2	2	2	
20	90105-08521	BOLT, WASHER BASED	2	2	2	2	
21	2XJ-25721-00	BRACKET, CALIPER	1	1	1	1	



3JMD110-4260

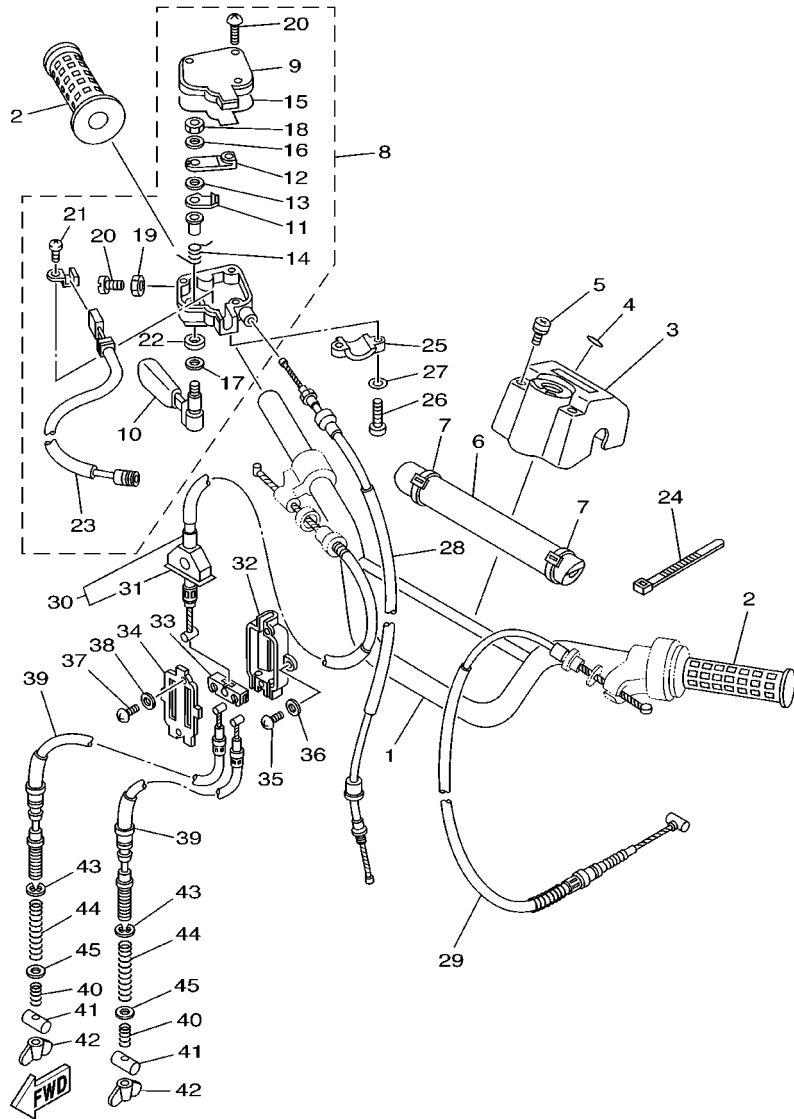
FIG. 27 STEERING HANDLE. CABLE



5KJ1100-0270

REF. NO.	PART NO.	DESCRIPTION	U49	CAN	FRA	JPN	REMARKS
1	2GU-26111-00	HANDLEBAR	1	1	1	1	
2	3GB-26241-00	GRIP (LEFT)	2	2	2	2	
3	2GU-26124-01	PROTECTOR, HANDLEBAR	1	1	1	1	
4	5GT-2836B-00	TUNING FORK MARK	1	1	1	1	
5	90159-06093	SCREW, WITH WASHER	2	2	2	2	
6	3GD-2622K-00	PROTECTOR 1	1	1	1	1	
7	437-83936-01	BAND, SWITCH CORD	2	2	2	2	
8	3GG-26250-00	THROTTLE LEVER ASSY	1	1	1	1	
9	2GU-2628F-00	.CAP, GEAR	1	1	1	1	
10	2GU-2625G-01	.LEVER, THROTTLE	1	1	1	1	
11	2GU-2625H-00	.ARM, THROTTLE	1	1	1	1	
12	2GU-2625J-00	.ARM, THROTTLE 2	1	1	1	1	
13	2GU-26259-00	.COLLAR	1	1	1	1	
14	2GU-26314-00	.SPRING	1	1	1	1	
15	2GU-2628G-00	.GASKET	1	1	1	1	
16	2GU-26398-00	.WASHER	1	1	1	1	
17	1NV-26129-00	.WASHER	1	1	1	1	
18	95602-05100	.NUT, U	1	1	1	1	
19	95306-05700	.NUT	1	1	1	1	
20	98506-05020	.SCREW, PAN HEAD	4	4	4	4	
21	98902-03006	.SCREW, BIND	1	1	1	1	
22	93104-09025	.OIL SEAL	1	1	1	1	
23	3GG-82567-00	.SWITCH, THROTTLE	1	1	1	1	
24	437-83936-01	BAND, SWITCH CORD	2	2	2	2	
25	4V4-82913-00	HOLDER, LEVER LOWER 1	1	1	1	1	
26	98507-05020	.SCREW, PAN HEAD	2	2	2	2	
27	92907-05100	WASHER, SPRING	2	2	2	2	

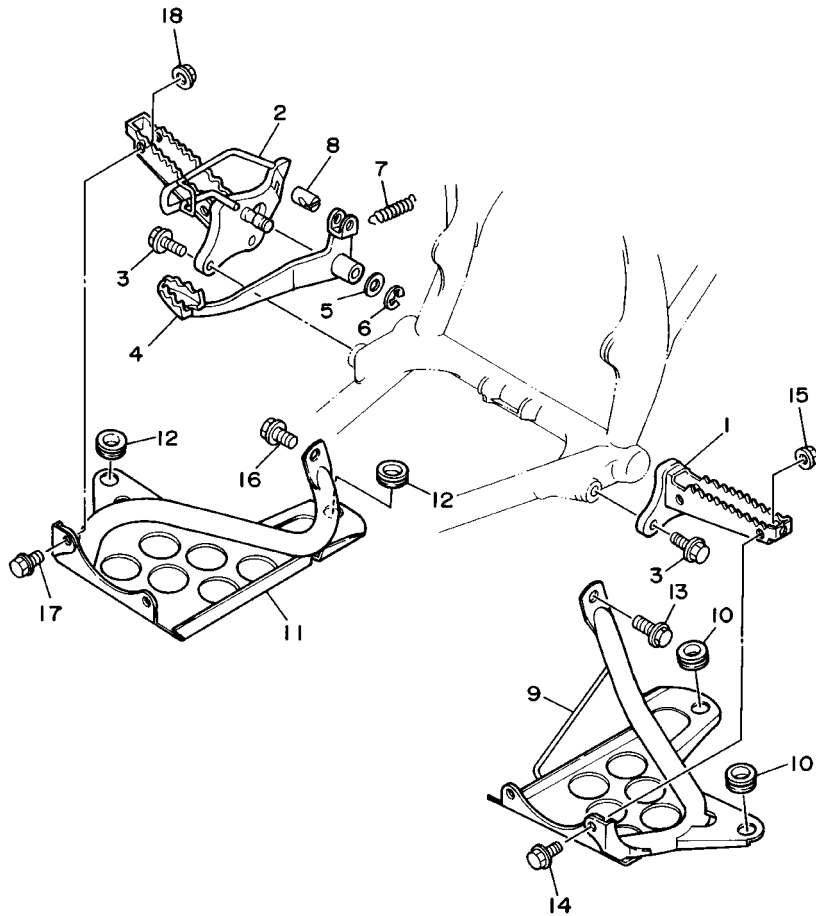
FIG. 27 STEERING HANDLE. CABLE



5KJ1100-0270

REF. NO.	PART NO.	DESCRIPTION	U49	CAN	FRA	JPN	REMARKS
28	2XJ-26311-01	CABLE, THROTTLE 1	1	1	1	1	
29	2XJ-26335-01	CABLE, CLUTCH	1	1	1	1	
30	2XJ-26373-01	CABLE, BRAKE 4	1	1	1	1	
31	52H-26362-00	.BOOT	1	1	1	1	
32	52H-26371-00	HOUSING, BRAKE LINK	1	1	1	1	
33	52H-26347-01	JOINT, CABLE	1	1	1	1	
34	52H-2631G-00	PLATE	1	1	1	1	
35	98507-05016	SCREW, PAN HEAD	2	2	2	2	
36	92907-05600	WASHER, PLATE	2	2	2	2	
37	98507-03008	SCREW, PAN HEAD	2	2	2	2	
38	92907-03600	WASHER	2	2	2	2	
39	2XJ-26361-01	CABLE, BRAKE	2	2	2	2	
40	90501-10782	SPRING, COMPRESSION	2	2	2	2	
41	90249-12008	PIN	2	2	2	2	
42	90175-06013	NUT, WING	2	2	2	2	
43	99001-06600	CIRCLIP	2	2	2	2	
44	90501-123A0	SPRING, COMPRESSION	2	2	2	2	
45	90209-06265	WASHER	2	2	2	2	

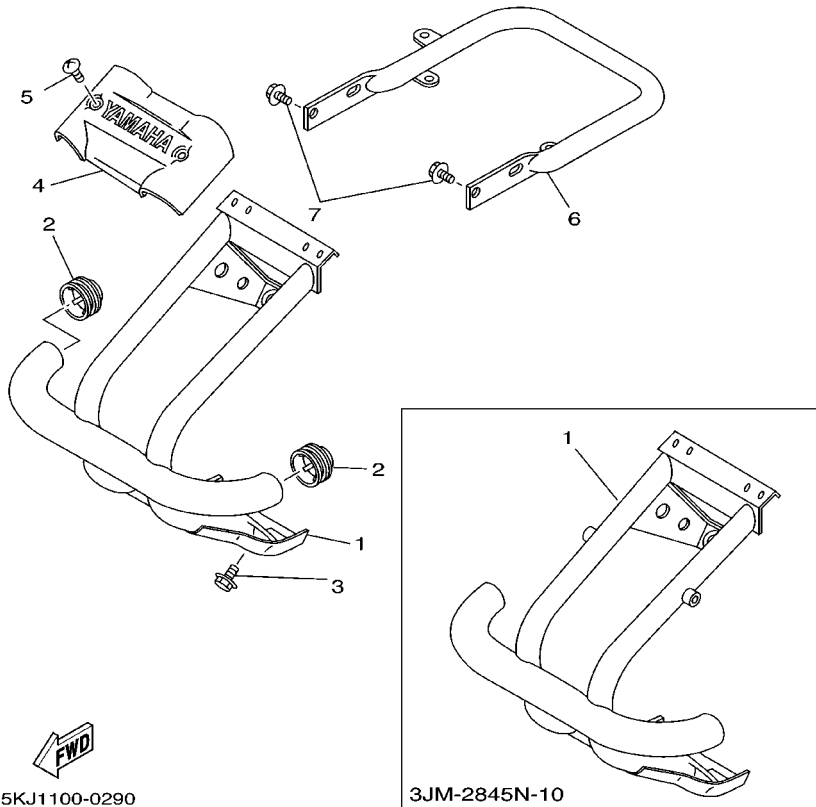
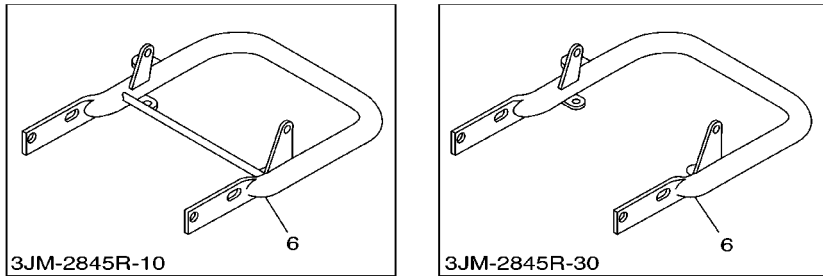
FIG. 28 STAND. FOOTREST



REF. NO.	PART NO.	DESCRIPTION	U49	CAN	FRA	JPN	REMARKS
1	3JM-27411-01	FOOTREST 1	1	1	1	1	
2	3JM-27421-01	FOOTREST 2	1	1	1	1	
3	95817-10025	BOLT, FLANGE	4	4	4	4	
4	3JM-27211-00	PEDAL, BRAKE	1	1	1	1	
5	90201-15797	WASHER, PLATE	1	1	1	1	
6	93430-12008	CIRCLIP	1	1	1	1	
7	90506-20193	SPRING, TENSION	1	1	1	1	
8	90249-14202	PIN	1	1	1	1	
9	3JM-27445-00	PLATE 1	1	1	1	1	
10	90480-18411	GROMMET	2	2	2	2	
11	3JM-27446-00	PLATE 2	1	1	1	1	
12	90480-18411	GROMMET	2	2	2	2	
13	95827-08016	BOLT, FLANGE	1	1	1	1	
14	92017-08016	BOLT, BUTTON HEAD	2	2	2	2	
15	95707-08500	NUT, FLANGE	2	2	2	2	
16	95827-08016	BOLT, FLANGE	1	1	1	1	
17	92017-08016	BOLT, BUTTON HEAD	2	2	2	2	
18	95707-08500	NUT, FLANGE	2	2	2	2	

 3JM2100-0280

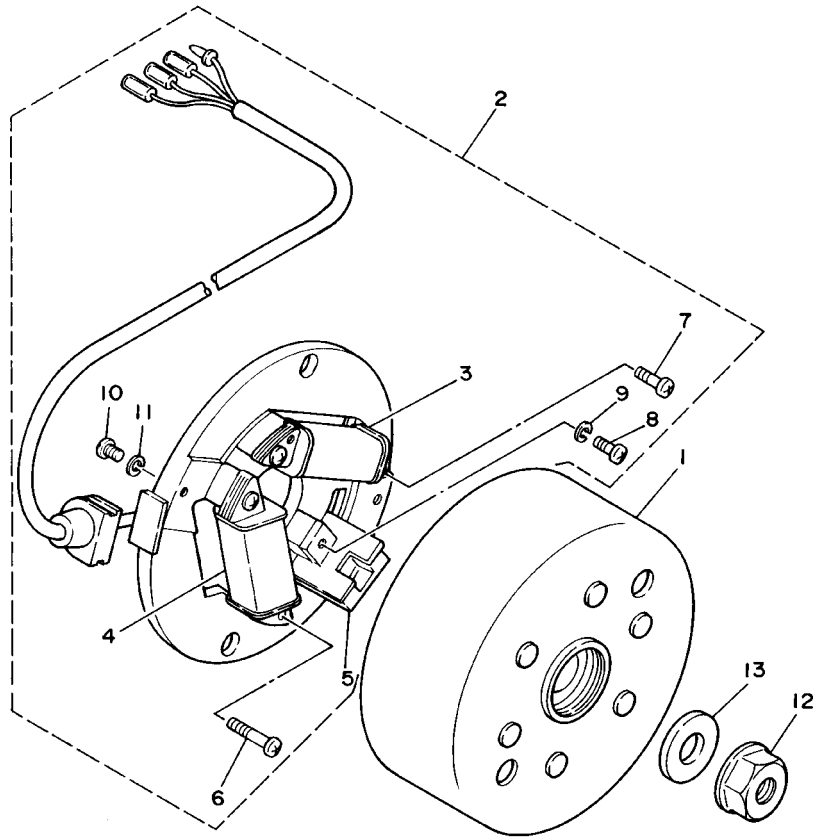
FIG. 29 GUARD



5KJ1100-0290

REF. NO.	PART NO.	DESCRIPTION	U49	CAN	FRA	JPN	REMARKS
1	3JM-2845N-00	BAR, CARRY FRONT	1			1	
	3JM-2845N-10	BAR, CARRY FRONT		1	1		
2	2HR-28415-00	DAMPER 1	2	2	2	2	
3	95817-08016	BOLT, FLANGE	3	3	3	3	
4	2XJ-2842M-00	COVER 1	1	1	1	1	
5	90154-05059	SCREW, BINDING	2	2	2	2	
6	3JM-2845R-00	BAR, CARRY REAR	1			1	
	3JM-2845R-10	BAR, CARRY REAR		1			FOR CANADA
	3JM-2845R-30	BAR, CARRY REAR			1		FOR EUROPE
7	95817-08016	BOLT, FLANGE	3	3	3	3	

FIG. 30 GENERATOR

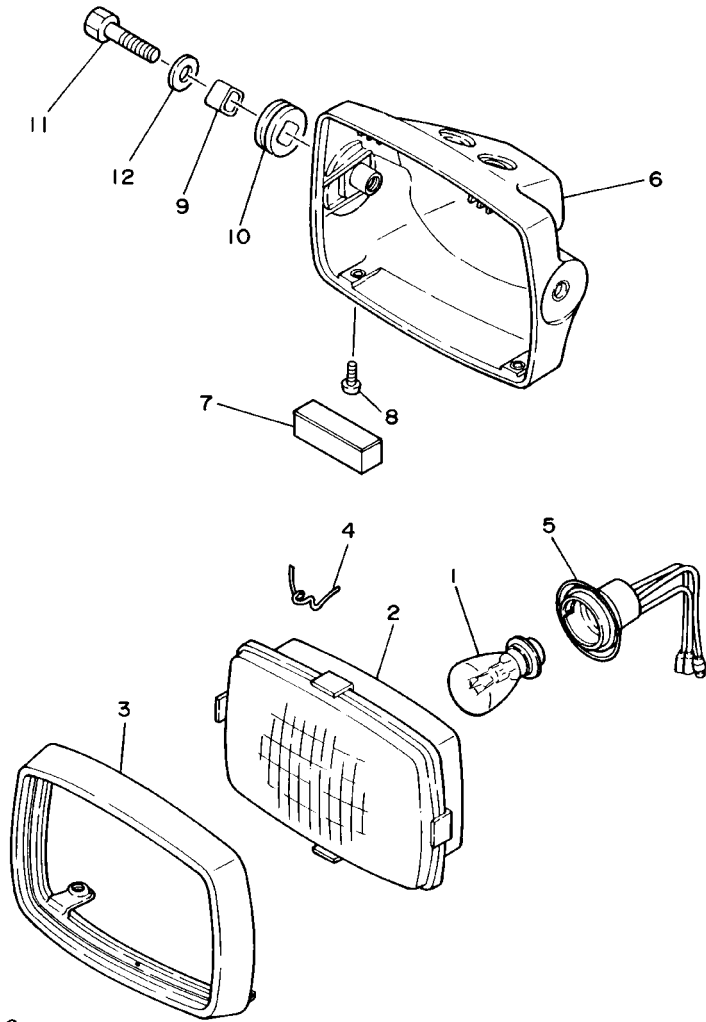


REF. NO.	PART NO.	DESCRIPTION	U49	CAN	FRA	JPN	REMARKS
1	2XJ-85550-M0	ROTOR ASSY	1	1	1	1	
2	3JM-85560-00	BASE ASSY	1	1	1	1	
3	14L-85520-M0	.COIL, CHARGE	1	1	1	1	
4	2XJ-81313-M0	.COIL, LIGHTING 1	1	1	1	1	
5	2AL-85580-M0	.COIL, PULSER	1	1	1	1	
6	98511-04020	.SCREW, PAN HEAD	2	2	2	2	
7	98511-04012	.SCREW, PAN HEAD	2	2	2	2	
8	98501-04100	.SCREW, PAN HEAD	1	1	1	1	
9	92901-04100	.WASHER, SPRING	1	1	1	1	
10	98501-04008	.SCREW, PAN HEAD	1	1	1	1	
11	92901-04100	.WASHER, SPRING	1	1	1	1	
12	90179-12248	NUT	1	1	1	1	
13	90201-123L6	WASHER, PLATE	1	1	1	1	



3JM2100-0300

FIG. 31 HEADLIGHT

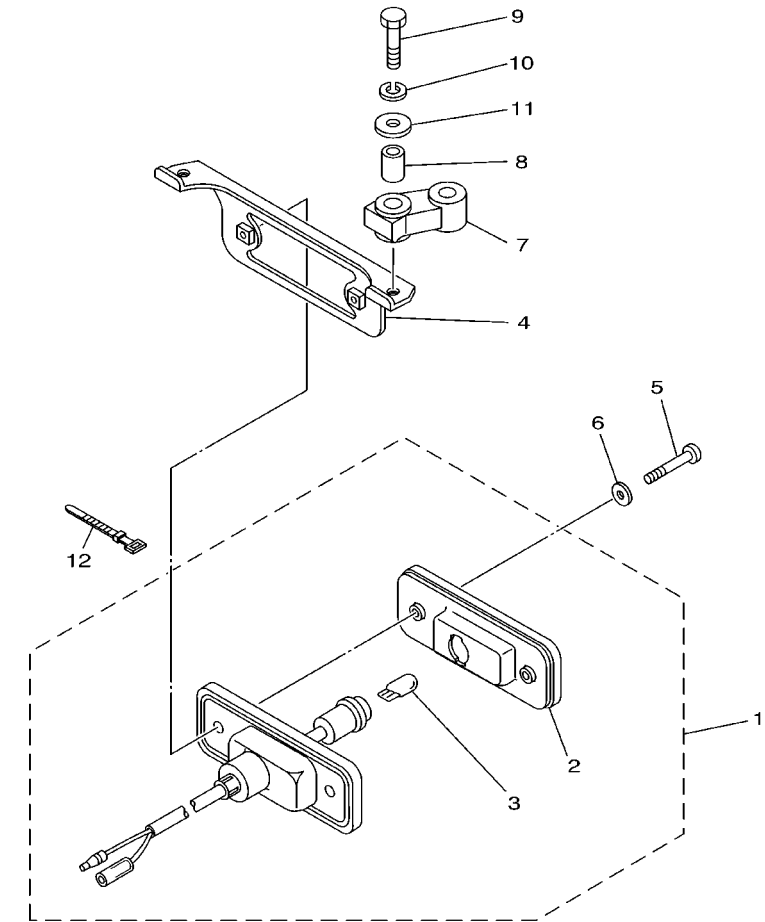


3JM100-9310

REF. NO.	PART NO.	DESCRIPTION	U49	CAN	FRA	JPN	REMARKS
1	21V-84314-00	BULB, HEAD LIGHT (12V-45/45W)	1	1	1	1	
2	52H-84320-00	LENS ASSY	1	1	1	1	
3	52H-84315-00	RIM, HEADLIGHT	1	1	1	1	
4	52H-84324-00	SPRING, REFLECTOR	4	4	4	4	
5	52H-84340-00	SOCKET CORD ASSY 1	1	1	1	1	
6	2XJ-84330-00	BODY ASSY	1	1	1	1	
7	2XJ-84345-00	DAMPER, HEADLIGHT	1	1	1	1	
8	98507-05012	SCREW, PAN HEAD	2	2	2	2	
9	52H-84338-00	COLLAR, BODY FITTING	2	2	2	2	
10	52H-84345-00	DAMPER, HEADLIGHT	2	2	2	2	
11	97007-08030	BOLT	2	2	2	2	
12	90201-08753	WASHER, PLATE	2	2	2	2	

FIG. 32 TAILLIGHT

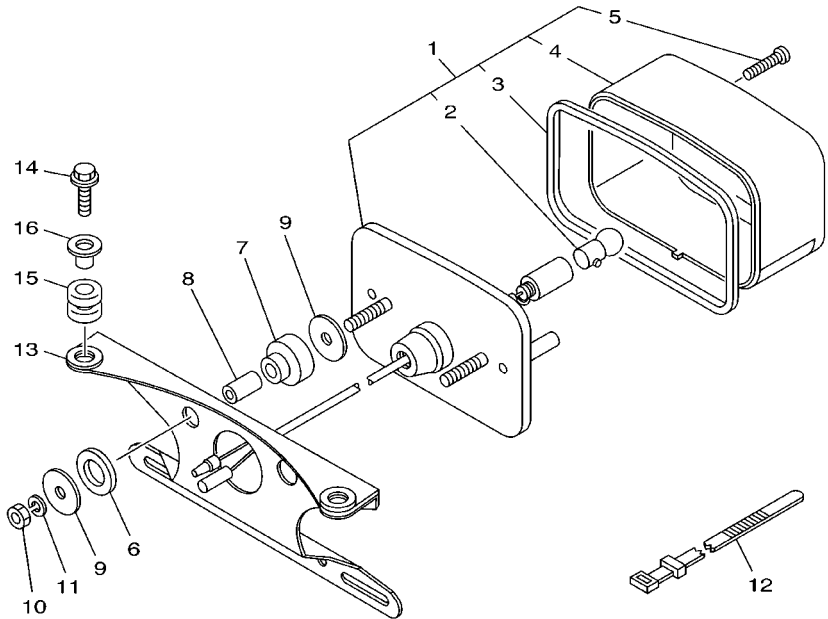
REF. NO.	PART NO.	DESCRIPTION	U49	CAN	FRA	JPN	REMARKS
1	38W-84710-00	TAILLIGHT UNIT ASSY	1		1	1	
2	38W-84721-00	.LENS, TAILLIGHT	1		1	1	
3	38W-84714-00	.BULB(12V-3.8W)	1		1	1	
4	1UY-84702-00	BRACKET, TAILLIGHT	1		1	1	
5	98507-04020	SCREW, PAN HEAD	2		2	2	
6	92907-04600	WASHER	2		2	2	
7	38W-84736-00	DAMPER, TAIL 1	2		2	2	
8	90387-06299	COLLAR	4		4	4	
9	97007-06025	BOLT	4		4	4	
10	92907-06600	WASHER, PLATE	4		4	4	
11	90201-06380	WASHER, PLATE	4		4	4	
12	437-83936-01	BAND, SWITCH CORD	1		1	1	



5KJ1100-0320

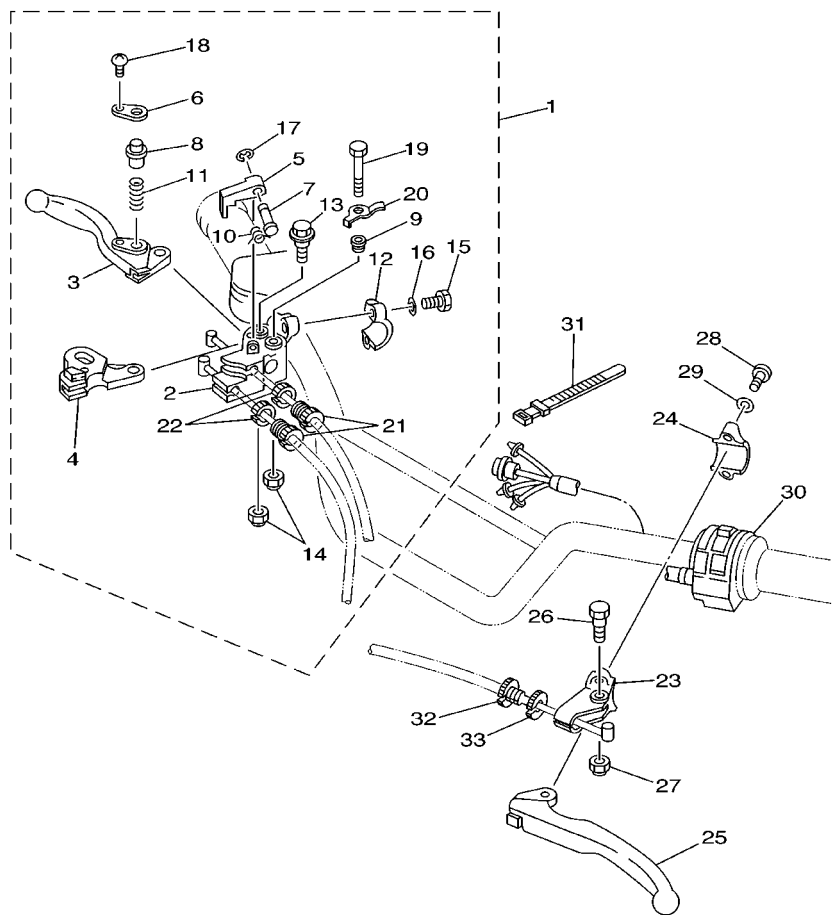
FIG. 33 TAILLIGHT 2

REF. NO.	PART NO.	DESCRIPTION	U49	CAN	FRA	JPN	REMARKS
1	3GD-84710-00	TAILLIGHT UNIT ASSY		1			
2	3GD-84714-00	.BULB (12V-7.5W)		1			
3	1K8-84523-00	.GASKET, LENS		1			
4	3L6-84521-00	.LENS, TAILLIGHT		1			
5	2E9-84524-00	.SCREW, LENS FITTING		2			
6	90202-14077	WASHER, PLATE		2			
7	90480-10509	GROMMET		2			
8	90387-06387	COLLAR		2			
9	90201-06074	WASHER, PLATE		4			
10	95307-06600	NUT		2			
11	92907-06100	WASHER, SPRING		2			
12	437-83936-01	BAND, SWITCH CORD		1			
13	3GB-84702-00	BRACKET, TAILLIGHT		1			
14	95807-06025	BOLT, FLANGE		2			
15	90480-14102	GROMMET		2			
16	90387-063E6	COLLAR		2			



3JMV100-9330

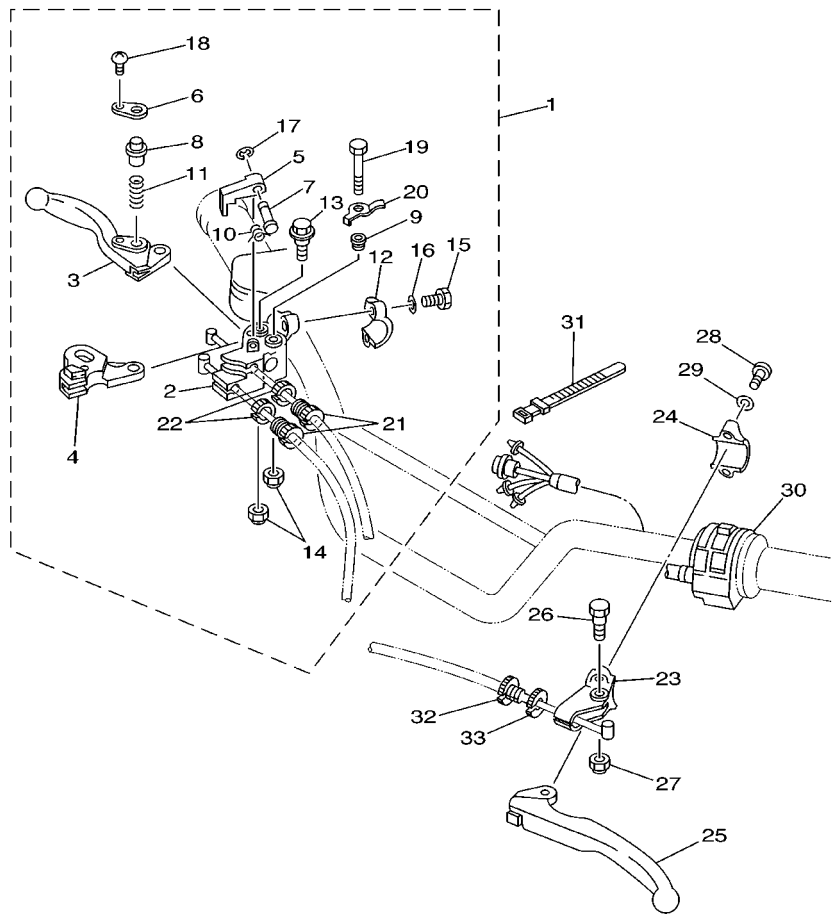
FIG. 34 HANDLE SWITCH. LEVER



3JMV100-9340

REF. NO.	PART NO.	DESCRIPTION	U49	CAN	FRA	JPN	REMARKS
1	3JM-82920-10	LEVER HOLDER ASSY (RIGHT)	1			1	
	3JM-82920-20	LEVER HOLDER ASSY (RIGHT)		1	1		
2	3GH-82921-01	.HOLDER, LEVER 2	1	1	1	1	
3	3GH-83922-00	.LEVER 2	1			1	
	3GH-83922-10	.LEVER 2		1	1		
4	3GH-83912-00	.LEVER 1	1			1	
	3GH-83912-10	.LEVER 1		1	1		
5	3JM-83965-00	.LEVER, LOCK	1	1	1	1	
6	1UY-83935-00	.COVER	1			1	
	1UY-83935-10	.COVER		1	1		
7	3FA-83967-00	.PIN, LOCK 1	1	1	1	1	
8	1UY-83967-00	.PIN, LOCK 1	1			1	
	1UY-83967-10	.PIN, LOCK 1		1	1		
9	1UY-83913-00	.COLLAR, LEVER 1	1	1	1	1	
10	3GH-83966-00	.SPRING, RETURN	1	1	1	1	
11	1UY-83962-00	.SPRING	1	1	1	1	
12	2XJ-82913-00	.HOLDER, LEVER LOWER 1	1	1	1	1	
13	90109-06797	.BOLT	1	1	1	1	
14	95607-06100	.NUT, U	2	2	2	2	
15	97027-06025	.BOLT	2	2	2	2	
16	92907-06100	.WASHER, SPRING	2	2	2	2	
17	3FA-26466-00	.RING, SNAP	1	1	1	1	
18	98507-03008	.SCREW, PAN HEAD	1	1	1	1	
19	95807-06040	.BOLT, FLANGE	1	1	1	1	
20	3JM-8331L-10	.PLATE, STOPPER	1	1	1	1	
21	90123-08046	.BOLT	2	2	2	2	
22	90179-08148	.NUT	2	2	2	2	

FIG. 34 HANDLE SWITCH. LEVER

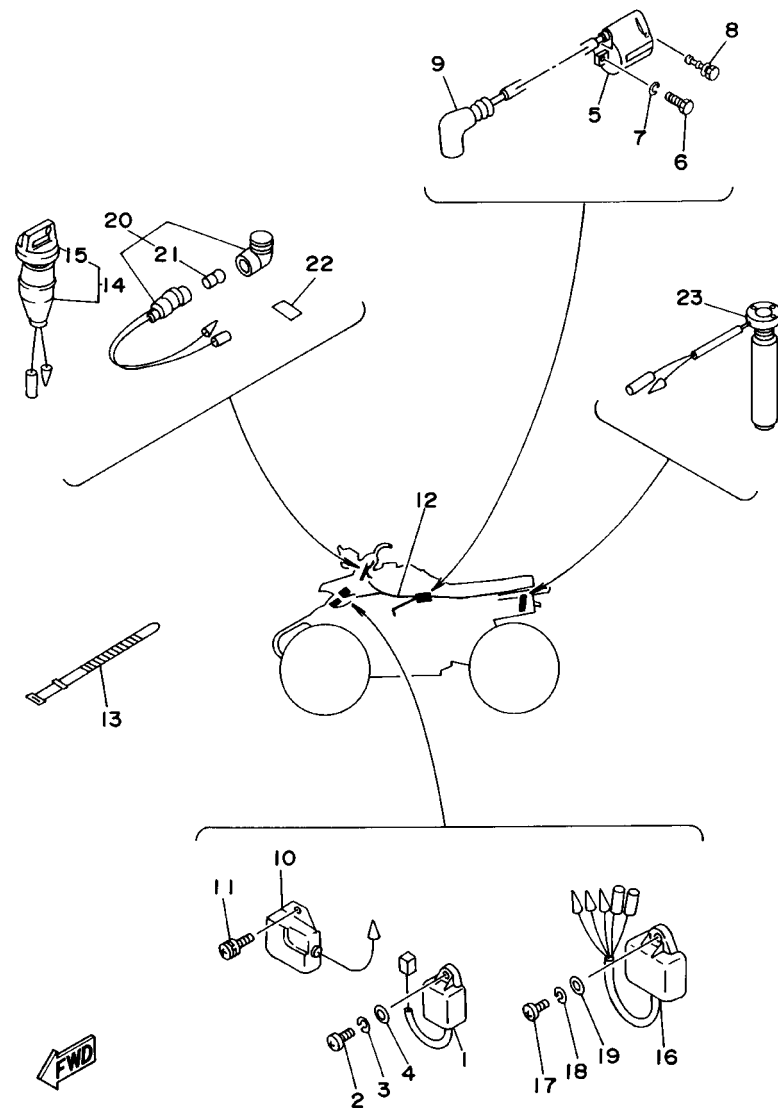


REF. NO.	PART NO.	DESCRIPTION	U49	CAN	FRA	JPN	REMARKS
23	38V-82911-00	HOLDER, LEVER 1	1	1	1	1	
24	38V-82913-00	HOLDER, LEVER LOWER 1	1	1	1	1	
25	1NV-83912-00	LEVER 1	1			1	
	23X-83912-00	LEVER 1		1	1		
26	90109-06799	BOLT	1	1	1	1	
27	95607-06100	NUT, U	1	1	1	1	
28	98507-05020	SCREW, PAN HEAD	2	2	2	2	
29	92907-05100	WASHER, SPRING	2	2	2	2	
30	2XJ-83975-01	SWITCH, HANDLE 2	1	1	1	1	
31	437-83936-01	BAND, SWITCH CORD	2	2	2	2	
32	90123-08046	BOLT	1	1	1	1	
33	90179-08148	NUT	1	1	1	1	



3JMV100-9340

FIG. 35 ELECTRICAL 1

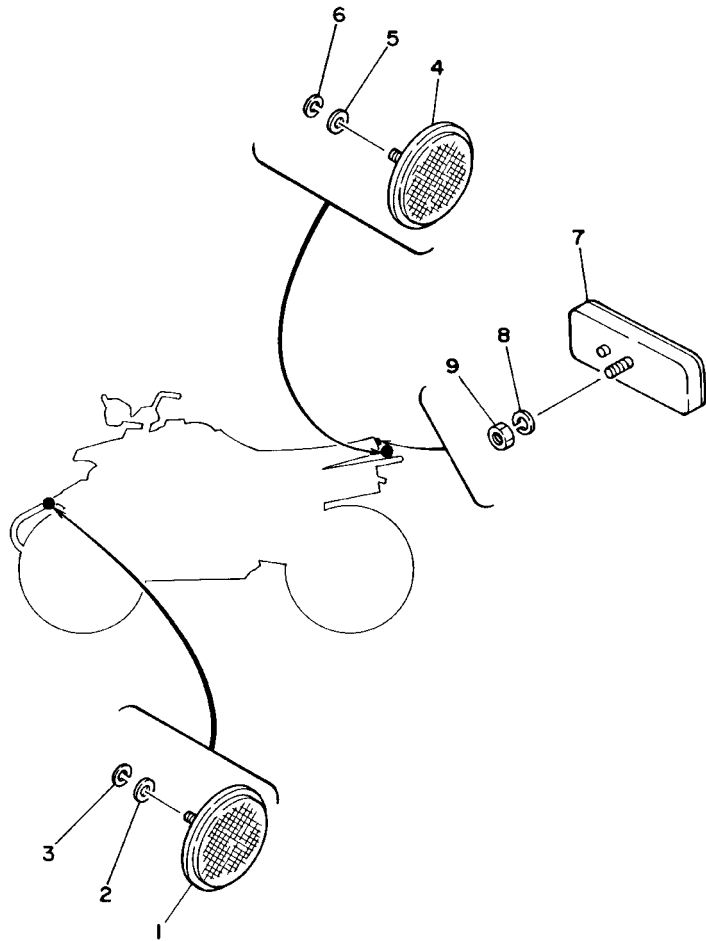


3JMN100-7360

REF. NO.	PART NO.	DESCRIPTION	U49	CAN	FRA	JPN	REMARKS
1	3FL-85540-10	C.D.I. UNIT ASSY	1	1	1	1	
2	98507-06020	SCREW, PAN HEAD	1	1	1	1	
3	92907-06100	WASHER, SPRING	1	1	1	1	
4	92907-06600	WASHER, PLATE	1	1	1	1	
5	3NS-82310-10	IGNITION COIL ASSY	1	1	1	1	
6	97007-06020	BOLT	1	1	1	1	
7	92907-06100	WASHER, SPRING	1	1	1	1	
8	90109-06723	BOLT	1	1	1	1	
9	1M1-82370-30	PLUG CAP ASSY	2	2	2	2	
10	82F-81910-A0	VOLTAGE REGULATOR ASSY	1	1	1	1	
11	90159-06056	SCREW, WITH WASHER	2	2	2	2	
12	3JM-82590-10	WIRE HARNESS ASSY	1	1	1	1	
13	3TB-83936-00	BAND, SWITCH CORD	3	3	3	3	
14	2XJ-82510-01	MAIN SWITCH ASSY	1	1	1	1	
15	3HN-82579-00	.CAP, KEY	1	1	1	1	
16	3GG-85590-00	CONTROL UNIT ASSY	1	1	1	1	
17	98507-06020	SCREW, PAN HEAD	1	1	1	1	
18	92907-06100	WASHER, SPRING	1	1	1	1	
19	92907-06600	WASHER, PLATE	1	1	1	1	
20	2XJ-83530-01	PILOT LIGHT ASSY	1	1	1	1	
21	2XJ-83516-00	.BULB (12V-3.4W)	1	1	1	1	
22	4U3-83585-00	LABEL	1	1	1	1	
23	2XJ-85720-02	OIL LEVEL GAUGE ASSY	1	1	1	1	

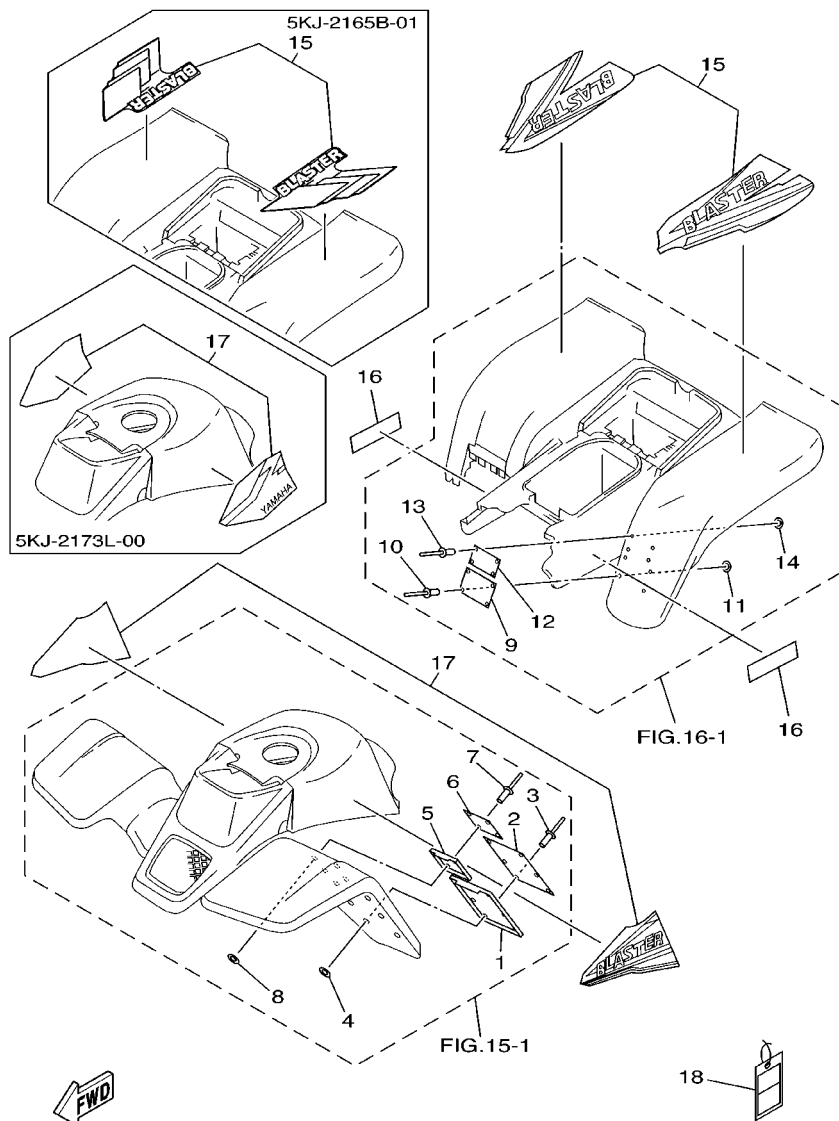
FIG. 36 ELECTRICAL 2

REF. NO.	PART NO.	DESCRIPTION	U49	CAN	FRA	JPN	REMARKS
1	2EK-85111-00	REFLECTOR, FRONT 1		2	2		
2	92907-05200	WASHER		2	2		
3	92907-05100	WASHER, SPRING		2	2		
4	449-85131-02	REFLECTOR, REAR 1		2	2		
5	92907-05200	WASHER		2	2		
6	92907-05100	WASHER, SPRING		2	2		
7	3Y6-85130-02	REAR REFLECTOR ASSY		1	1		
8	92907-05100	WASHER, SPRING		1	1		
9	95307-05600	NUT		1	1		



3JMV100-9360

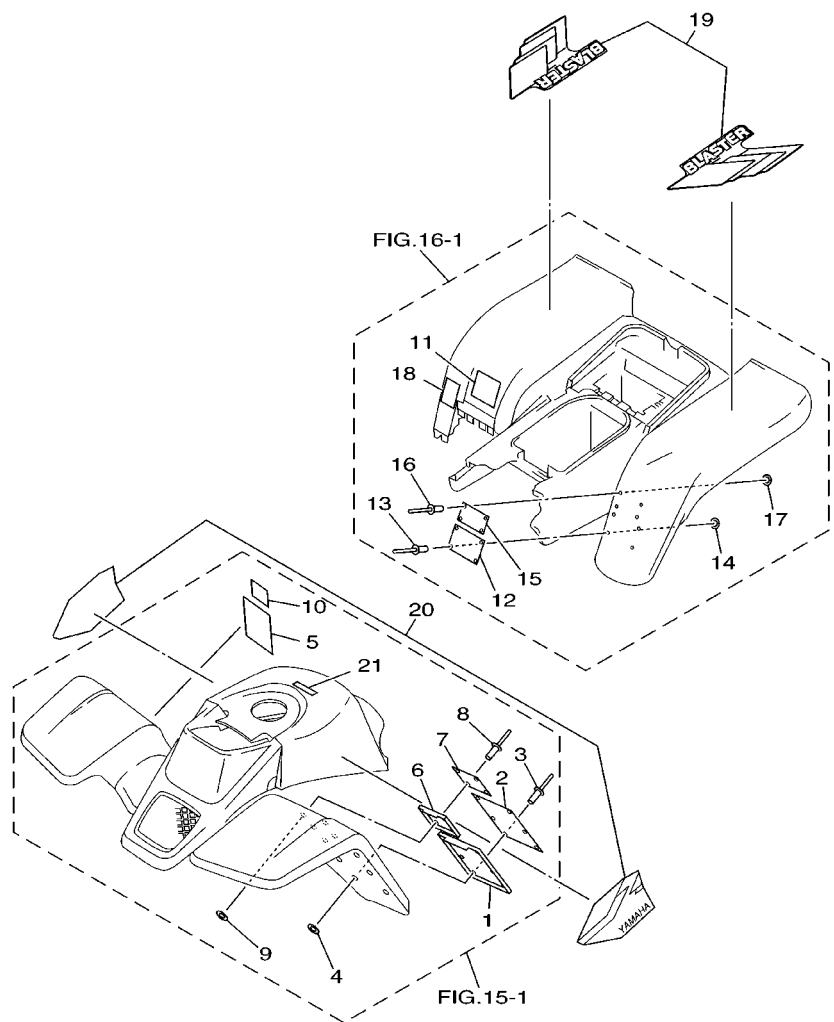
FIG. 37 EMBLEM.LABEL 1



5KJ1100-0370

REF. NO.	PART NO.	DESCRIPTION	U49	CAN	FRA	JPN	REMARKS
1	4EM-21581-00	STAY, PLATE FITTING 1	1				UR FOR RW
	4EM-21581-20	STAY, PLATE FITTING 1	1				UR FOR DPBSE
2	5FE-21568-01	LABEL, WARNING	1				
3	90267-32198	RIVET, BLIND	6				
4	90201-03313	WASHER, PLATE	6				
5	3JM-21591-00	STAY, PLATE FITTING 2	1				UR RADICAL WHITE
	3JM-21591-10	STAY, PLATE FITTING 2	1				UR DPBSE (BLUE)
6	5FE-21697-01	LABEL, CAUTION 2	1				
7	90267-32198	RIVET, BLIND	4				
8	90201-03313	WASHER, PLATE	4				
9	3JM-21696-41	LABEL, CAUTION	1				
10	90267-32018	RIVET, BLIND	4				
11	90201-03313	WASHER, PLATE	4				
12	5FE-2151H-01	LABEL 5	1				
13	90267-32018	RIVET, BLIND	4				
14	90201-03313	WASHER, PLATE	4				
15	3JM-2165B-60	GRAPHIC SET, REAR FENDER	1				UR FOR RW
	5KJ-2165B-01	GRAPHIC SET, REAR FENDER	1				UR FOR DPBSE
16	99244-00160	EMBLEM, YAMAHA	2				
17	5KJ-2173L-00	GRAPHIC SET 1	1				UR FOR DPBSE
	3JM-2173L-60	GRAPHIC SET 1	1				UR FOR RW
18	3JM-2819R-00	TAG, WARNING	1				

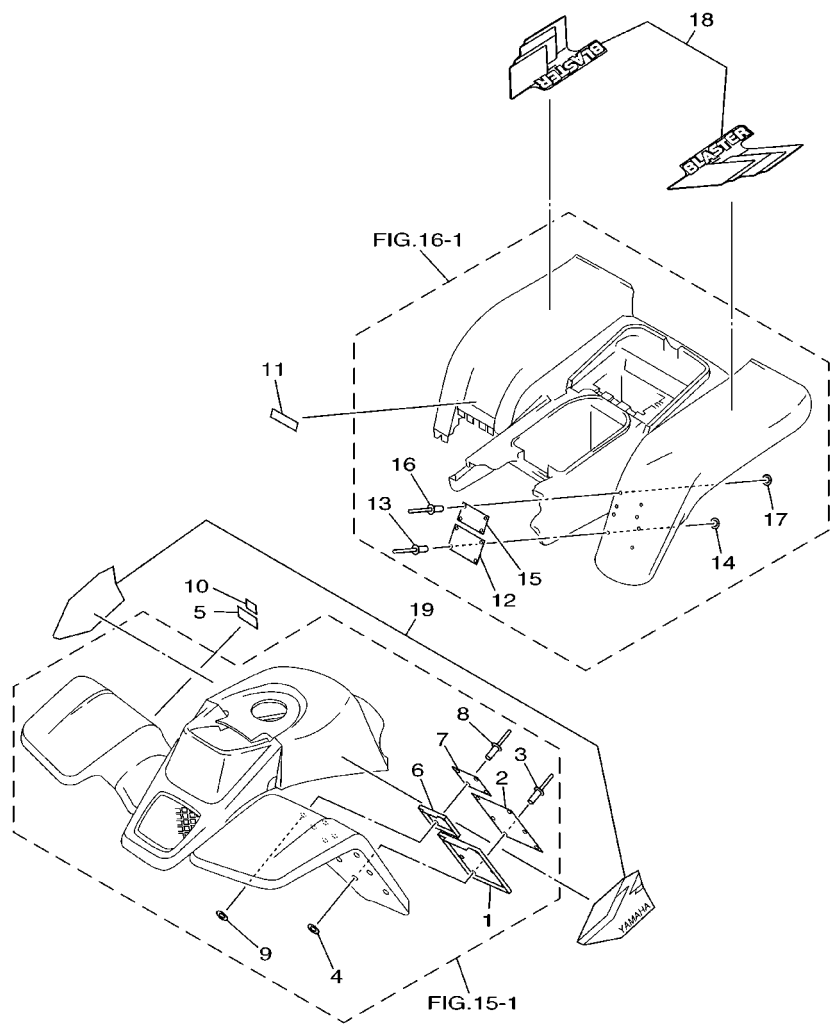
FIG. 38 EMBLEM.LABEL 2



REF. NO.	PART NO.	DESCRIPTION	U49	CAN	FRA	JPN	REMARKS
1	4EM-21581-20	STAY, PLATE FITTING 1		1			
2	5FE-21568-01	LABEL, WARNING		1			
3	90267-32198	RIVET, BLIND		6			
4	90201-03313	WASHER, PLATE		6			
5	4WU-21568-10	LABEL, WARNING		1			FRENCH
6	3JM-21591-10	STAY, PLATE FITTING 2		1			DPBSE (BLUE)
7	5FE-21697-01	LABEL, CAUTION 2		1			
8	90267-32198	RIVET, BLIND		4			
9	90201-03313	WASHER, PLATE		4			
10	3JM-21697-10	LABEL, CAUTION 2		1			FRENCH
11	3JM-21696-B1	LABEL, CAUTION		1			
12	3JM-21696-41	LABEL, CAUTION		1			
13	90267-32018	RIVET, BLIND		4			
14	90201-03313	WASHER, PLATE		4			
15	5FE-2151H-01	LABEL 5		1			
16	90267-32018	RIVET, BLIND		4			
17	90201-03313	WASHER, PLATE		4			
18	4WU-2151H-10	LABEL 5		1			FRENCH
19	5KJ-2165B-01	GRAPHIC SET, REAR FENDER		1			
20	5KJ-2173L-00	GRAPHIC SET 1		1			
21	4SH-2416E-00	LABEL, CAUTION CANADA		1			

FWD
5KJ1100-0380

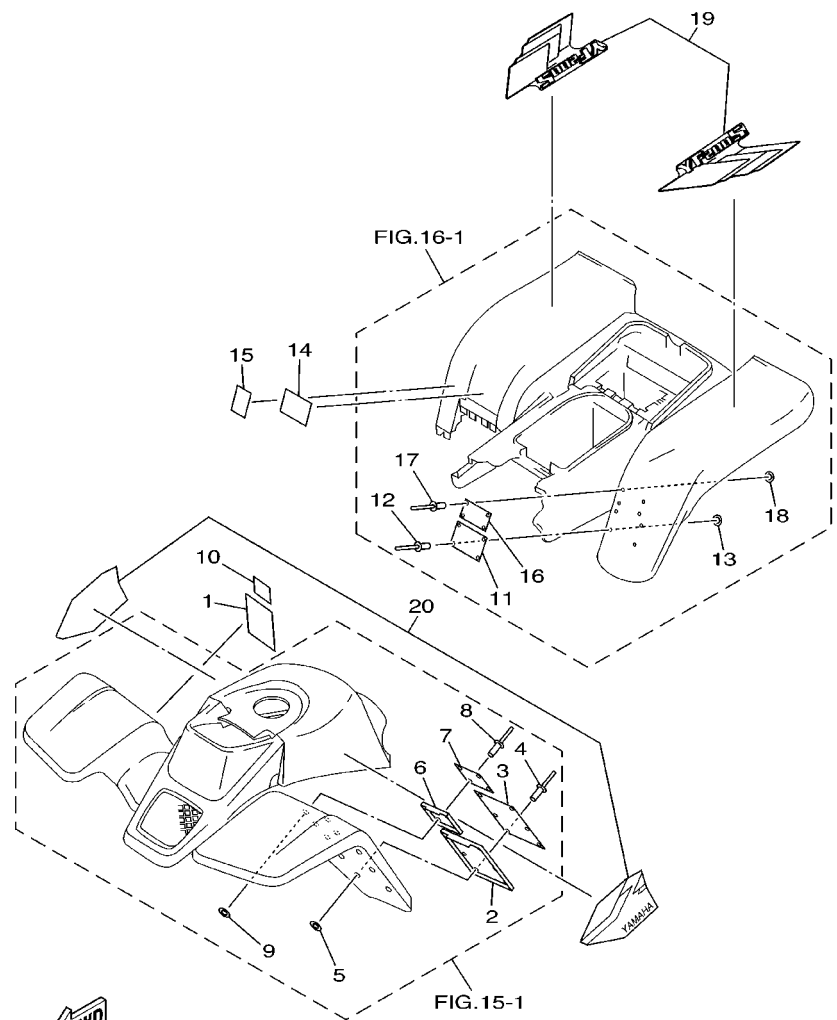
FIG. 39 EMBLEM.LABEL 3



REF. NO.	PART NO.	DESCRIPTION	U49	CAN	FRA	JPN	REMARKS
1	4EM-21581-20	STAY, PLATE FITTING 1			1		
2	5FE-21568-11	LABEL, WARNING			1		
3	90267-32198	RIVET, BLIND			6		
4	90201-03313	WASHER, PLATE			6		
5	3HP-21568-10	LABEL, WARNING			1		FRENCH
6	3JM-21591-10	STAY, PLATE FITTING 2			1		DPBSE (BLUE)
7	5FE-21697-01	LABEL, CAUTION 2			1		
8	90267-32198	RIVET, BLIND			4		
9	90201-03313	WASHER, PLATE			4		
10	4GB-2155A-00	MARK, EC			1		
11	3HP-21668-10	LABEL, TIRE			1		FRENCH
12	3JM-21696-41	LABEL, CAUTION			1		
13	90267-32018	RIVET, BLIND			4		
14	90201-03313	WASHER, PLATE			4		
15	5FE-2151H-01	LABEL 5			1		
16	90267-32018	RIVET, BLIND			4		
17	90201-03313	WASHER, PLATE			4		
18	5KJ-2165B-01	GRAPHIC SET, REAR FENDER			1		
19	5KJ-2173L-00	GRAPHIC SET 1			1		

FWD
5KJ1100-0390

FIG. 40 EMBLEM.LABEL 4



5KJ1100-0400

REF. NO.	PART NO.	DESCRIPTION	U49	CAN	FRA	JPN	REMARKS
1	4SH-21568-00	LABEL, WARNING				1	
2	4EM-21581-20	STAY, PLATE FITTING 1				1	
3	5FE-21568-11	LABEL, WARNING				1	
4	90267-32198	RIVET, BLIND				6	
5	90201-03313	WASHER, PLATE				6	
6	3JM-21591-10	STAY, PLATE FITTING 2				1	DPBSE (BLUE)
7	5FE-21697-01	LABEL, CAUTION 2				1	
8	90267-32198	RIVET, BLIND				4	
9	90201-03313	WASHER, PLATE				4	
10	4SH-21697-00	LABEL, CAUTION 2				1	
11	3JM-21696-41	LABEL, CAUTION				1	
12	90267-32018	RIVET, BLIND				4	
13	90201-03313	WASHER, PLATE				4	
14	3JM-21696-31	LABEL, CAUTION				1	
15	4LB-2151H-01	LABEL 5				1	
16	5FE-2151H-01	LABEL 5				1	
17	90267-32018	RIVET, BLIND				4	
18	90201-03313	WASHER, PLATE				4	
19	5KJ-2165B-A0	GRAPHIC SET,REAR FENDER				1	
20	5KJ-2173L-00	GRAPHIC SET 1				1	

NUMERICAL INDEX

PART NO.	GRID NO.	PART NO.	GRID NO.	PART NO.	GRID NO.	PART NO.	GRID NO.	PART NO.	GRID NO.	PART NO.	GRID NO.
2XJ-W215B-C1	C - 5	248-14131-00	B - 7	10V-15651-00	B - 12	4GB-2155A-00	E - 7	5KJ-2173L-00	E - 8	3JM-23580-00-35	C - 12
2XJ-W215D-C0	C - 5	4L0-14141-46	B - 7	10V-15660-00	B - 12	2XJ-21556-B0	C - 5	2XJ-21746-00	C - 7	1UY-23812-00	C - 10
2XJ-W2151-B1	C - 5	260-14142-32	B - 7	10V-15666-00	B - 12	2XJ-21556-C0	C - 5	2XJ-21751-01	C - 7	2XJ-23813-01	C - 10
2XJ-W2151-C1	C - 5	137-14143-46	B - 7	2JK-16111-01	B - 13	3HP-21568-10	E - 7	2N3-21771-01	C - 7	8K1-23814-00	C - 10
2XJ-W216C-S1	C - 6	500-14146-00	B - 7	3JM-16150-01	B - 13	4SH-21568-00	E - 8	2XJ-22110-00-35	C - 8	2XJ-23831-01	C - 10
2XJ-W2161-N1	C - 6	558-14147-00	B - 7	2TV-16154-00	B - 13	4WU-21568-10	E - 6	2XJ-22123-00	C - 8	1UY-23841-01	C - 10
2XJ-W2161-R1	C - 6	137-14153-00	B - 7	4V0-16321-00	B - 13	5FE-21568-01	E - 5	2XJ-22124-00	C - 8	1UY-23845-01	C - 10
2XJ-W2161-S1	C - 6	2GU-14153-00	B - 7	1V1-16324-00	B - 13		E - 6	156-22127-00	C - 8	2XJ-23868-00	C - 10
4BE-W2536-00	D - 2	2GU-14161-00	B - 7	1HX-16331-00	B - 13	5FE-21568-11	E - 7	1W1-22128-00	C - 9	1UY-23894-01	C - 10
2XJ-11111-00	B - 2	2GU-14171-00	B - 7	37F-16351-00	B - 13		E - 8	2K6-22128-01	C - 8	2XJ-24110-00	C - 14
1K6-11128-00	B - 2	304-14184-00	B - 7	1W1-16356-02	B - 13	4EM-21581-00	E - 5	2JN-22141-00	C - 8	2XJ-2414H-01	C - 14
3R6-11162-00	B - 2	4L0-14185-00	B - 7	2J5-16357-00	B - 13	4EM-21581-20	E - 5	336-22141-00	C - 12	3JM-2414J-00	C - 14
3R9-11162-00	B - 2	537-14186-00	B - 7	1W1-16358-01	B - 13		E - 6		C - 13	4SH-2416E-00	E - 6
2XJ-11181-00	B - 2	12R-14191-00	B - 7	37F-16371-01	B - 13		E - 7	2GU-22151-10	C - 8	55W-24500-01	C - 14
10V-1131E-00	B - 2	2NL-14197-00	B - 7	37F-16380-02	B - 13		E - 8	2GU-22155-00	C - 8	4X8-24512-00	C - 14
2XJ-11311-01	B - 2	4L0-14197-00	B - 7	1HX-16383-00	B - 13	3JM-21591-00	E - 5	30X-22178-00	C - 4	3AJ-24523-00	C - 14
3JM-11351-00	B - 2	2GU-14243-00	B - 7	2XJ-17121-00	B - 14	3JM-21591-10	E - 5	4V4-22184-00	C - 4	3AJ-24534-00	C - 14
37F-11400-00	B - 3	2XJ-14412-01	B - 6	2XJ-17131-00	B - 14		E - 6	2XJ-2219X-00	C - 8	1UY-24610-00	C - 14
37F-11412-00	B - 3	2XJ-14437-00	B - 6	2XJ-17151-00	B - 14		E - 7	38W-22199-00	C - 8	5KJ-24710-00	C - 15
37F-11422-00	B - 3	2XJ-14451-00	B - 6	2XJ-17161-00	B - 14		E - 8	2XJ-22201-10	C - 9	5KJ-24710-10	C - 15
37F-11454-00	B - 3	2XJ-14453-00	B - 6	2XJ-17211-00	B - 14	2XJ-21614-00	C - 6	2XJ-22201-20	C - 9	5KJ-24731-00	C - 15
37F-11530-00	B - 4	59V-14457-00	B - 6	2XJ-17221-01	B - 14	3JM-21621-00	C - 6	2XJ-22201-30	C - 9	5KJ-24731-10	C - 15
10V-11536-01	B - 3	2XJ-14458-00	B - 6	2XJ-17231-00	B - 14	3JM-2165B-60	E - 5	2XJ-22201-40	C - 9	4K0-24774-01	C - 15
3JM-11601-00	B - 3	2XJ-14459-00	B - 6	2XJ-17241-00	B - 14	5KJ-2165B-A0	E - 8	2XJ-22210-10-36	C - 9	4K0-24775-00	C - 15
3JM-11601-10	B - 3	15A-14462-00	B - 6	2XJ-17251-00	B - 14	5KJ-2165B-01	E - 5	2XJ-22210-10-6W	C - 9	29U-24776-00	C - 15
3JM-11601-20	B - 3	2XJ-14477-00	B - 6	2XJ-17261-00	B - 14		E - 6	2XJ-22210-20-36	C - 9	2XJ-25111-00	D - 2
2XJ-11631-01-97	B - 3	2XJ-14610-00	B - 9	2XJ-17411-00	B - 14		E - 7	2XJ-22210-30-36	C - 9	1UY-25117-00	D - 2
4L0-11633-00	B - 3	3PA-14613-10	B - 9	37F-17421-01	B - 14	3HP-21668-10	E - 7	2XJ-22210-40-36	C - 9	2XJ-25121-00	D - 2
2XJ-11635-01	B - 3	1W2-14714-00	B - 9	5H0-17456-00	B - 15	3JM-21691-00	C - 6	2XJ-22212-00-36	C - 9	52H-2513A-00	D - 2
2XJ-11636-01	B - 3	2XJ-14718-00	B - 9	10V-17471-00	B - 15	3JM-21696-B1	E - 6	2XJ-22212-00-6W	C - 9		D - 3
43G-11651-00	B - 3	2XJ-14752-00	B - 9	37F-18101-02	C - 3	3JM-21696-31	E - 8	22W-22214-01	C - 9	52H-25155-00	D - 2
37F-11681-00	B - 3	2XJ-14753-00	B - 9	2XJ-18111-00	C - 3	3JM-21696-41	E - 5	1NU-22216-00	C - 9	52H-25156-00	D - 3
2XJ-13100-00	B - 5	2XJ-14755-10	B - 9	132-18113-01	C - 3		E - 6	22W-22223-00	C - 9	2XJ-25169-00	D - 2
137-13115-00	B - 10	4BD-14766-00	B - 9	10V-18140-00	C - 2		E - 7	1NU-22226-00	C - 9	2XJ-25180-00-35	D - 2
126-13116-01	B - 5	565-14771-00	B - 9	37F-18511-00	C - 2		E - 8	2XJ-23174-00	C - 11	2XJ-25311-00-35	D - 4
367-13174-00	B - 11	2XJ-1490J-00	B - 8	37F-18512-00	C - 2	3JM-21697-10	E - 6	2XJ-2331R-00	C - 13	2XJ-25317-00	D - 4
10V-13175-00	B - 5	2GU-14952-00	B - 7	37F-18513-00	C - 2	4SH-21697-00	E - 8	2XJ-23350-00-36	C - 13	5G3-25351-02	D - 2
137-13176-00	B - 5	2XJ-15111-01	B - 10	5X5-18531-01	C - 2	5FE-21697-01	E - 5	2XJ-23350-00-6W	C - 13		D - 3
10V-13178-01	B - 5	2XJ-15121-00	B - 10	34X-18535-00	C - 2		E - 6	2XJ-23391-C0	C - 5	2XJ-25367-00	D - 6
2XJ-13565-00	B - 6	37F-15128-00	B - 10	2XJ-18540-01	C - 2		E - 7	2XJ-23391-90	C - 5	2XJ-25381-00	D - 4
2HF-13610-01	B - 6	3Y1-15363-00	B - 11	2XJ-21110-11-35	C - 4		E - 8	3JM-23511-01	D - 3	2XJ-25383-00	D - 4
2HF-13613-00	B - 6	2XJ-15379-00	B - 11	4LB-2151H-01	E - 8	2XJ-2171A-C0	C - 5	2XJ-23512-01	D - 3	2XJ-25386-00	D - 4
58T-13616-01	B - 6	2XJ-15411-00	B - 11	4WU-2151H-10	E - 6	2XJ-2171A-90	C - 5	1UY-23517-00	C - 12	2XJ-25388-00	D - 4
3JM-13621-00	B - 6	37F-15416-00	B - 11	5FE-2151H-01	E - 5	2XJ-2172W-00	C - 7	3JM-23521-01	D - 3	2VY-25390-00-35	D - 4
2XJ-14101-01	B - 7	2XJ-15420-00	B - 11		E - 6	3JM-2173L-60	E - 5	2XJ-23522-01	D - 3	2XJ-25412-00	D - 4
10W-14104-00	B - 7	3JM-15451-11	B - 11		E - 7	5KJ-2173L-00	E - 5	2XJ-23540-01-35	C - 12	2XJ-25440-20	D - 4
2MA-14107-28	B - 7	2XJ-15620-10	B - 12		E - 8		E - 6	2XJ-23550-01-35	C - 12	2XJ-25689-00	D - 6
2XJ-14112-20	B - 7	10V-15641-00	B - 12	2XJ-21513-00	C - 5		E - 7	3JM-23570-00-35	C - 12	2XJ-25712-00	D - 6

NUMERICAL INDEX

PART NO.	GRID NO.	PART NO.	GRID NO.	PART NO.	GRID NO.	PART NO.	GRID NO.	PART NO.	GRID NO.	PART NO.	GRID NO.
2XJ-25715-00	D - 6	2XJ-2842M-00	D - 10	21V-84314-00	D - 12	90109-10736	C - 9	90201-03313	E - 7	90267-32018	E - 5
2XJ-25721-00	D - 6	3JM-2845N-00	D - 10	52H-84315-00	D - 12	90114-10007	D - 2		E - 8		E - 6
2XJ-25726-01	D - 6	3JM-2845N-10	D - 10	52H-84320-00	D - 12	90114-10010	D - 4	90201-060L5	C - 14		E - 7
2XJ-25734-00	D - 6	3JM-2845R-00	D - 10	52H-84324-00	D - 12	90116-08042	B - 9	90201-06074	D - 14		E - 8
2XJ-25771-00	D - 6	3JM-2845R-10	D - 10	2XJ-84330-00	D - 12	90116-08318	B - 2	90201-06380	D - 13	90267-32198	E - 5
2XJ-25772-00	D - 6	3JM-2845R-30	D - 10	52H-84338-00	D - 12	90116-08388	B - 2	90201-08609	D - 6		E - 6
2XJ-25810-50	D - 6	2XJ-81313-M0	D - 11	52H-84340-00	D - 12	90116-08394	B - 2	90201-08624	B - 5		E - 7
2XJ-25811-00	D - 6	82F-81910-A0	E - 3	2XJ-84345-00	D - 12	90116-08507	D - 4	90201-08649	B - 2		E - 8
2XJ-25818-00	D - 6	2T4-82131-00	C - 6	52H-84345-00	D - 12	90119-05001	B - 13	90201-08753	C - 4	90280-03017	B - 3
2XJ-25831-50	D - 6	3NS-82310-10	E - 3	3L6-84521-00	D - 14	90119-06056	C - 6		D - 12	90282-05013	B - 4
2XJ-25916-00	D - 6	1M1-82370-30	E - 3	1K8-84523-00	D - 14	90119-06073	C - 14	90201-10126	C - 9	90282-05047	B - 3
2GU-26111-00	D - 7	2XJ-82510-01	E - 3	2E9-84524-00	D - 14	90123-08046	D - 15	90201-10430	C - 12	90336-28053	C - 10
2GU-26124-01	D - 7	3GG-82567-00	D - 7	1UY-84702-00	D - 13		E - 2		C - 13	90338-09206	B - 10
1NV-26129-00	D - 7	3HN-82579-00	E - 3	3GB-84702-00	D - 14	90149-06011	C - 14		D - 5	90338-23172	C - 4
3GD-2622K-00	D - 7	3JM-8259E-00	B - 8	3GD-84710-00	D - 14	90149-06306	C - 5	90201-106F2	D - 3	90340-12059	B - 10
3GB-26241-00	D - 7	3JM-82590-10	E - 3	38W-84710-00	D - 13		C - 6	90201-10774	C - 10	90380-12051	C - 9
2GU-2625G-01	D - 7	38V-82911-00	E - 2	3GD-84714-00	D - 14	90150-06037	C - 6		C - 4	90380-22111	C - 8
2GU-2625H-00	D - 7	2XJ-82913-00	D - 15	38W-84714-00	D - 13	90154-05005	C - 6	90201-12172	B - 10	90381-15040	C - 4
2GU-2625J-00	D - 7	38V-82913-00	E - 2	38W-84721-00	D - 13	90154-05051	C - 5	90201-123L6	D - 11	90381-15088	C - 12
3GG-26250-00	D - 7	4V4-82913-00	D - 7	38W-84736-00	D - 13	90154-05059	D - 10	90201-14215	C - 8	90387-06299	D - 13
2GU-26259-00	D - 7	2XJ-82920-10	D - 15	2EK-85111-00	E - 4	90159-06056	E - 3	90201-14217	B - 13	90387-063E6	D - 14
2GU-2628F-00	D - 7	3JM-82920-20	D - 15	3Y6-85130-02	E - 4	90159-06085	B - 6	90201-14226	D - 4	90387-06387	D - 14
2GU-2628G-00	D - 7	3GH-82921-01	D - 15	449-85131-02	E - 4	90159-06093	D - 7	90201-14586	D - 2	90387-066H4	C - 14
2GU-2629K-00	C - 10	3JM-8331L-10	D - 15	14L-85520-M0	D - 11	90170-08258	D - 4	90201-150J4	B - 14	90387-07391	C - 7
52H-2631G-00	D - 8	2XJ-83516-00	E - 3	3FL-85540-10	E - 3	90170-10186	C - 10	90201-154E8	B - 12	90387-07598	C - 14
2XJ-26311-01	D - 8	2XJ-83530-01	E - 3	2XJ-85550-M0	D - 11	90170-12337	B - 4	90201-15797	D - 9	90387-090R0	C - 10
2GU-26314-00	D - 7	4U3-83585-00	E - 3	3JM-85560-00	D - 11	90170-12370	B - 13	90201-166L5	B - 10	90387-101R3	C - 12
2GU-2633K-00	B - 8	1NV-83912-00	E - 2	2AL-85580-M0	D - 11	90170-33376	D - 5	90201-180P2	B - 13	90387-101U6	C - 12
2XJ-26335-01	D - 8	23X-83912-00	E - 2	3GG-85590-00	E - 3	90171-10046	C - 10	90201-200J7	B - 12		C - 13
52H-26347-01	D - 8	3GH-83912-00	D - 15	2XJ-85720-02	E - 3		D - 3	90201-20266	B - 14	90387-150R1	D - 2
2XJ-26351-01	D - 6	3GH-83912-10	D - 15	90101-06278	D - 2	90171-14020	D - 2	90201-206L6	B - 14	90387-206K3	B - 3
2XJ-26361-01	D - 8	1UY-83913-00	D - 15		D - 3	90171-14037	D - 4	90201-22555	B - 14	90387-561U7	D - 4
52H-26362-00	D - 8	3GH-83922-00	D - 15	90101-08777	D - 4	90175-06013	D - 8	90201-244A9	C - 8	90430-04004	B - 5
52H-26371-00	D - 8	3GH-83922-10	D - 15	90101-10655	C - 12	90179-08148	D - 15	90202-05193	C - 14	90445-084J1	C - 14
2XJ-26373-01	D - 8	1UY-83935-00	D - 15	90101-10678	D - 4		E - 2	90202-14077	D - 14	90445-084J3	C - 7
2GU-26398-00	D - 7	1UY-83935-10	D - 15		D - 5	90179-08270	B - 9	90206-06090	B - 9	90445-100E9	C - 14
3FA-26466-00	D - 15	3TB-83936-00	E - 3	90105-08520	D - 6	90179-08299	B - 2	90208-18046	B - 13	90446-09155	B - 10
371-27114-00	C - 15	437-83936-01	D - 13	90105-08521	D - 6	90179-12248	D - 11	90209-06096	B - 6	90450-44046	B - 6
3JM-27211-00	D - 9		D - 14	90105-08721	C - 4	90179-12567	B - 13	90209-06265	D - 8	90460-37026	B - 9
3JM-27411-01	D - 9		D - 7	90105-10328	C - 4	90179-12659	B - 12	90209-16133	B - 14	90460-49058	B - 6
3JM-27421-01	D - 9		E - 2	90105-10388	C - 13	90185-10060	C - 13	90209-18135	B - 14	90460-56105	B - 6
3JM-27445-00	D - 9	1UY-83962-00	D - 15	90105-10507	D - 3		C - 4	90209-22248	B - 3	90465-10069	B - 11
3JM-27446-00	D - 9	3JM-83965-00	D - 15	90105-10549	D - 3	90185-10115	C - 10	90215-12235	B - 4	90467-08075	C - 7
2XJ-28100-00	C - 4	3GH-83966-00	D - 15	90109-063F7	C - 2	90185-10120	C - 12	90215-12271	B - 13	90467-09006	C - 14
1NV-2811A-00	C - 4	1UY-83967-00	D - 15	90109-06723	E - 3		C - 13	90240-12092	C - 9	90467-22080	B - 6
3JM-2819R-00	E - 5	1UY-83967-10	D - 15	90109-06797	D - 15	90185-14070	C - 8	90249-12008	D - 8	90468-02033	B - 5
5GT-2836B-00	D - 7	3FA-83967-00	D - 15	90109-06799	E - 2	90201-03313	E - 5	90249-14202	D - 9	90468-15020	B - 5
2HR-28415-00	D - 10	2XJ-83975-01	E - 2	90109-081F0	D - 6		E - 6	90250-06013	C - 2	90468-26048	B - 12

NUMERICAL INDEX

PART NO.	GRID NO.	PART NO.	GRID NO.	PART NO.	GRID NO.	PART NO.	GRID NO.	PART NO.	GRID NO.	PART NO.	GRID NO.
90480-01209	B - 10	92907-06600	E - 3	93450-17044	B - 3	95807-08040	C - 8	98907-06010	B - 9		
90480-01400	C - 14	92907-12600	C - 9	93503-16003	B - 13	95817-06012	B - 9	99001-06600	D - 8		
90480-10509	D - 14	92990-04100	B - 7	93603-22028	B - 5	95817-08016	B - 9	99001-10600	C - 3		
90480-13238	C - 7	92990-05100	B - 7	93700-06004	C - 12		D - 10	99009-10400	C - 2		
90480-14102	D - 14	93101-10001	B - 5		C - 13	95817-10025	D - 9	99009-15400	B - 12		
90480-18290	C - 14	93101-12173	C - 3		C - 4	95827-06012	C - 5	99244-00160	E - 5		
90480-18411	D - 9	93102-20143	B - 14	93832-13164	B - 14	95827-06025	C - 7	99510-10114	B - 2		
90480-48493	C - 7	93102-22216	D - 2	93900-00022	D - 2	95827-08012	C - 8	99530-10014	B - 11		
90501-10782	D - 8	93102-25331	B - 3		D - 4	95827-08016	D - 9	99530-12016	B - 10		
90501-123A0	D - 8	93102-42260	D - 4	94107-100X3	D - 2	95827-08035	C - 10				
90501-20568	B - 13	93103-32099	B - 3	94107-105W8	D - 2	97007-06020	E - 3				
90506-15260	D - 2	93104-09025	D - 7	94110-085W7	D - 4	97007-06025	B - 6				
	D - 3	93104-14004	B - 13	94110-085W9	D - 4		D - 13				
90506-20193	D - 9	93105-49023	D - 2	94581-08092	D - 4	97007-08030	D - 12				
90508-20555	B - 13		D - 3	94681-08011	D - 4	97017-06020	C - 3				
90508-20779	C - 15	93106-22019	C - 8	94702-00045	B - 2	97027-06012	B - 15				
90508-26667	B - 12	93108-35004	C - 8	94702-00182	B - 2	97027-06025	D - 15				
90508-29749	C - 2	93109-20014	B - 12	94702-00204	B - 2	97027-08060	C - 10				
90508-32553	C - 3	93112-31011	C - 10	94703-00204	B - 2	97801-03008	C - 14				
91401-20020	C - 10	93210-12327	D - 2	95027-06030	B - 11	98501-04008	D - 11				
	C - 11		D - 3	95027-06035	B - 11	98501-04100	D - 11				
	D - 3	93210-15414	C - 4	95306-05700	D - 7	98502-04008	B - 7				
91401-30025	C - 9	93210-19123	B - 11	95307-05600	E - 4	98502-04016	B - 7				
	D - 2	93210-61750	C - 6	95307-06600	B - 13	98502-05008	B - 7				
91401-30030	D - 4	93306-00705	D - 4		D - 14	98506-05020	D - 7				
92017-08012	C - 6	93306-20205	D - 2		D - 2	98507-03008	D - 15				
92017-08016	D - 9	93306-20211	B - 3		D - 3		D - 8				
92901-04100	D - 11	93306-20335	B - 3	95307-08600	D - 4	98507-03010	B - 8				
92907-03100	B - 6	93306-20431	B - 14	95307-10700	C - 10	98507-04020	D - 13				
	B - 8	93306-20562	B - 3	95317-08600	B - 2	98507-05012	D - 12				
92907-03600	B - 8	93306-30438	B - 14	95337-10600	D - 3	98507-05014	B - 5				
	D - 8	93306-30556	B - 3	95602-05100	D - 7	98507-05016	D - 8				
92907-04600	D - 13	93306-90403	D - 2	95607-05100	B - 6	98507-05020	D - 7				
92907-05100	D - 7	93310-316H6	B - 3		C - 6		E - 2				
	E - 2	93310-522L4	B - 3	95607-06100	C - 5	98507-06012	B - 15				
	E - 4	93311-31576	B - 14		C - 6	98507-06020	E - 3				
92907-05200	C - 6	93311-51554	B - 14		D - 15	98507-06030	B - 10				
	E - 4	93315-21429	B - 13		E - 2		B - 11				
92907-05600	D - 8	93317-22237	C - 8	95607-10100	C - 9	98507-06045	B - 10				
92907-06100	D - 14	93410-20038	B - 14	95707-06500	C - 15	98507-06060	B - 10				
	D - 15	93410-22039	B - 14	95707-08500	D - 9		B - 6				
	E - 3	93430-08007	B - 5	95707-10500	D - 2	98507-06075	B - 10				
92907-06200	B - 13	93430-12008	D - 9		D - 4	98507-08010	B - 10				
	C - 5	93440-04002	C - 15		D - 5	98511-04012	D - 11				
	C - 6	93440-15012	B - 14	95807-06025	D - 14	98511-04020	D - 11				
92907-06600	B - 10	93440-36159	D - 6	95807-06040	D - 15	98517-03008	B - 6				
	B - 6	93440-42101	C - 9	95807-08012	C - 4	98902-03006	D - 7				
	D - 13	93440-44158	D - 6	95807-08014	C - 11	98907-04008	B - 5				

CONTENTS

ENGINE

CYLINDER HEAD	B2
CRANKSHAFT. PISTON	B3
OIL PUMP	B5
INTAKE	B6
CARBURETOR	B7
EXHAUST	B9
CRANKCASE	B10
CRANKCASE COVER 1	B11
STARTER CLUTCH	B12
CLUTCH	B13
TRANSMISSION	B14
SHIFT CAM. FORK	C2
SHIFT SHAFT	C3

CHASSIS

FRAME	C4
FRONT FENDER	C5
REAR FENDER	C6
OIL TANK	C7
REAR ARM	C8
REAR SUSPENSION	C9
STEERING	C10
FRONT SUSPENSION. WHEEL	C12
FUEL TANK	C14
SEAT	C15
FRONT WHEEL	D2
REAR WHEEL	D4
REAR BRAKE	D6
STEERING HANDLE. CABLE	D7

STAND. FOOTREST	D9
GUARD	D10
GENERATOR	D11
HEADLIGHT	D12
TAILLIGHT	D13
TAILLIGHT 2	D14
HANDLE SWITCH. LEVER	D15
ELECTRICAL 1	E3
ELECTRICAL 2	E4
EMBLEM.LABEL 1	E5
EMBLEM.LABEL 2	E6
EMBLEM.LABEL 3	E7
EMBLEM.LABEL 4	E8

INDEX

NUMERICAL INDEX	M1
-----------------------	----