



PARTS CATALOGUE

YFZ350X (3B5E) CANADA

YFZ350X (3B5F) EUROPE

YFZ350X (3B5G) OCEANIA

YFZ350X
PARTS CATALOGUE
©2007 by Yamaha Motor Co., Ltd.
1st edition, July 2007
All rights reserved.
Any reprinting or unauthorized use
without the written permission of
Yamaha Motor Co., Ltd.
is expressly prohibited.

A3

FOREWORD

This Parts Catalogue is related to the parts for the model(s) on the cover page. When you are ordering replacement parts, please refer to this Parts Catalogue and quote both part numbers and part names correctly.

1. Modifications or additions which have been made after the issue of the Parts Catalogue will be announced in the Parts News.

It is advisable that you make the necessary corrections to the Parts Catalogue according to the Parts News.

2. Abbreviations

The following abbreviations are used in this Parts Catalogue.

“UR” Use specified parts number.

“UN” Use as many as needed.

“AP” Alternate Parts

“LM” Locally Made (Parts need to be ordered locally)

“F#” Frame No. (Applicable machine No.)

“O/S” Over Size

3. The number of components for assembly

- Parts, which are to be supplied in an assembly, are listed with a dot (.) in front of the part name as shown below.
- The numeral appearing to the right of each component part indicates the quantity of parts for each assembly unit.

PART NO.	DESCRIPTION	Q'TY	REMARKS
2F5-83310-60	FRONT FLASHER LIGHT ASSY	2	
115-83311-60	.BULB (6V-18W)	1	

4. Applicable colours of graphics are represented in the “REMARKS” as shown below.

PART NO.	DESCRIPTION	Q'TY	REMARKS
2N4-24110-00-X5	FUEL TANK COMP.	2	MXR
3J1-24240-10	.GRAPHIC, FUEL TANK	1	FOR MXR

5. Note that the illustrations for reference in finding parts numbers are not to be used for assembling. When assembling, please use the applicable service manual.

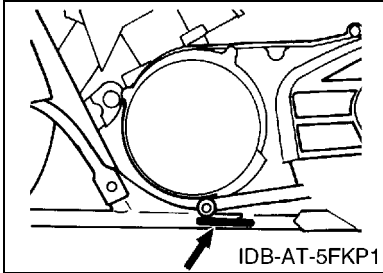
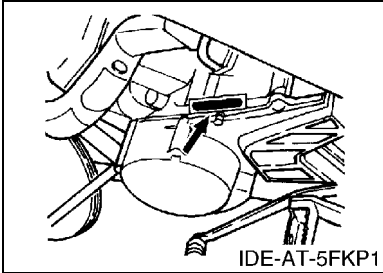
6. The asterisk (*) before a reference number indicates modified items after the first edition.

FOREWORD

7. Applicable Serial No.

Engine Serial No.

Frame Serial No.



8. Applicable Colour Code (The (*) mark shows Model colour.)

Abbreviation	Colour Name	Colour Code
AMS	ALMITE SILVER	00HM
S8	SILVER 8	0895
VYRS4(*)	VIVID YELLOWISH RED SOLID 4	1074
YB	YAMAHA BLACK	0033

9. Quantity Column Information

Column No.	Name Of Q'ty Column	Destination
1	CAN	CANADA
2	EUR	EUROPE
3	OCE	OCEANIA

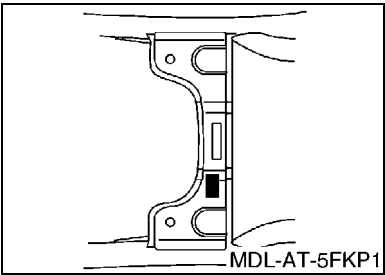
MODEL LABEL

(1) A label called "Model Label" is affixed in the location as indicated in (3) below. When using this parts catalogue, please be sure to cross-reference the "model code - production code No." in the catalogue with the "model code - production code No." indicated on the Model Label affixed onto the product concerned.

(2) "Model Label" Indication

<table border="0"> <tr> <td>a</td> <td>b</td> </tr> <tr> <td>○ xxxx - xxx</td> <td></td> </tr> <tr> <td>● x^c</td> <td></td> </tr> </table>	a	b	○ xxxx - xxx		● x ^c		<p>a: Model Type Code</p> <p>b: Production Code No.</p> <p>c: Colouring Type</p>	<table border="0"> <tr> <td>○ 4TW1-010</td> </tr> <tr> <td>● A</td> </tr> </table>	○ 4TW1-010	● A
a	b									
○ xxxx - xxx										
● x ^c										
○ 4TW1-010										
● A										

(3) Model Label Affixing Location



(4) Colouring Information

Model Code	Colouring Type Code	Colour Code	Colour Name	Abbreviation
3B5E	A	1074	VIVID YELLOWISH RED SOLID 4	VYRS4
3B5F	A	1074	VIVID YELLOWISH RED SOLID 4	VYRS4
3B5G	A	1074	VIVID YELLOWISH RED SOLID 4	VYRS4

(5) Model Code - Production Code Number of Model Listed in This Parts Catalogue

Model Code	Production Code No.	Country (destination)	Model Code	Production Code No.	Country (destination)
3B5E	010	CANADA			
3B5F	010	EUROPE			
3B5G	010	AUSTRALIA			
		NEW ZEALAND			

CONTENTS

ENGINE

CYLINDER	B2
CRANKSHAFT & PISTON	B3
WATER PUMP	B4
RADIATOR & HOSE	B5
INTAKE	B6
CARBURETOR	B8
EXHAUST	B10
CRANKCASE	B11
CRANKCASE COVER 1	B13
STARTER	B14
CLUTCH	B15
TRANSMISSION	C3
SHIFT CAM & FORK	C5
SHIFT SHAFT	C6

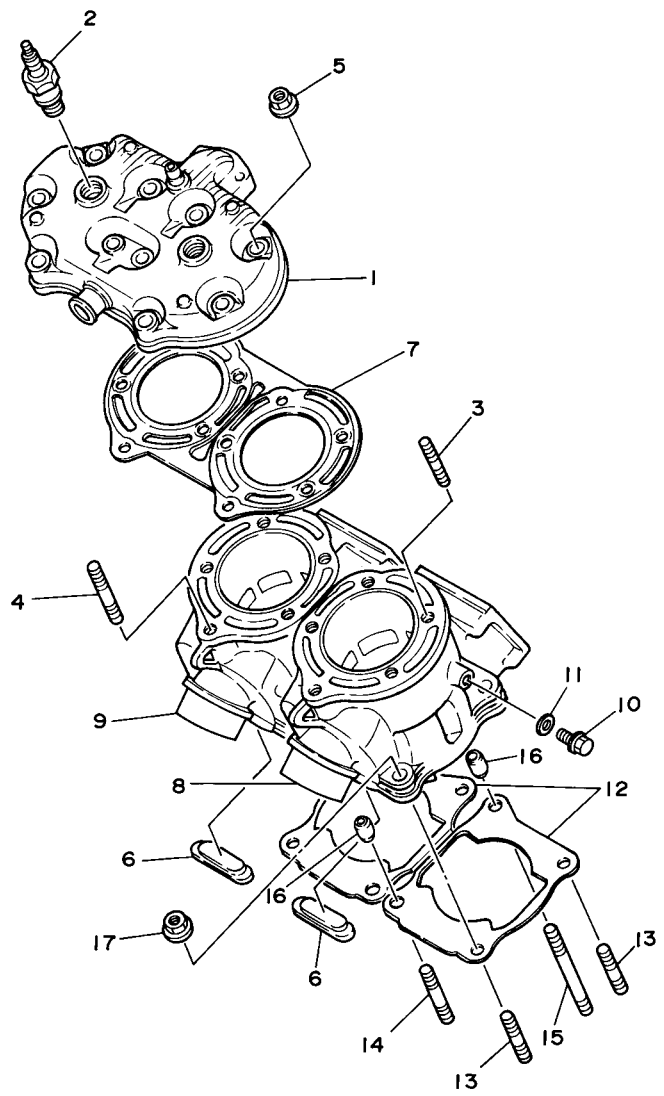
CHASSIS

FRAME	C7
FRONT FENDER	C9
REAR FENDER	C10
SIDE COVER	C11
REAR ARM	C12
REAR SUSPENSION	C14
STEERING	C15
FRONT SUSPENSION & WHEEL	D3
FUEL TANK	D5
SEAT	D6
FRONT WHEEL	D7
FRONT BRAKE CALIPER	D8
REAR WHEEL	D9
REAR BRAKE CALIPER	D11
STEERING HANDLE & CABLE	D12
FRONT MASTER CYLINDER	D14
STAND & FOOTREST	D15
REAR MASTER CYLINDER	E2
GUARD	E3
GENERATOR	E4
HEADLIGHT	E5
TAILLIGHT	E6
HANDLE SWITCH & LEVER	E7
ELECTRICAL 1	E9
ELECTRICAL 2	E10

EMBLEM & LABEL 1	E11
EMBLEM & LABEL 2	E13
EMBLEM & LABEL 3	E14

INDEX

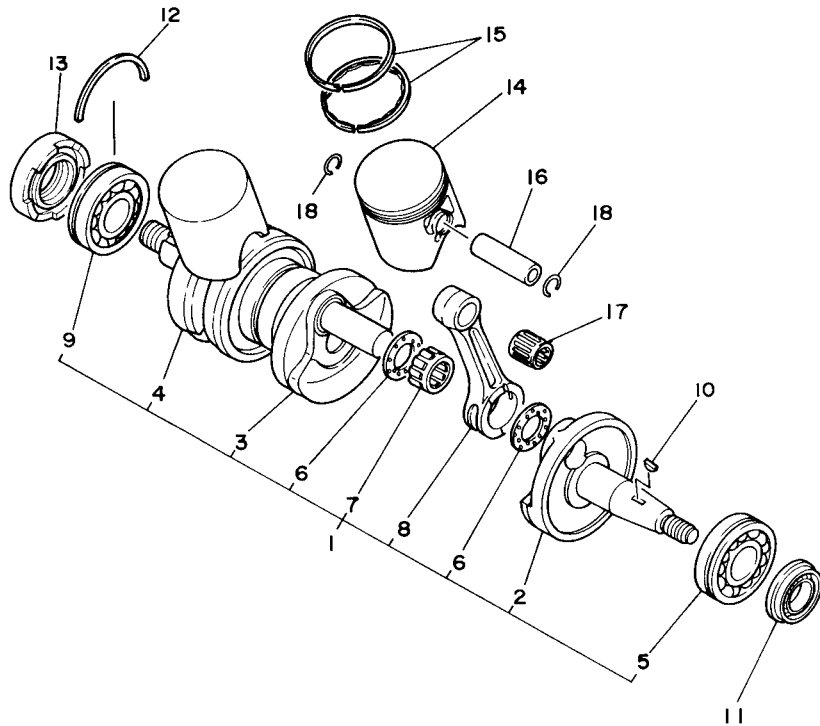
NUMERICAL INDEX	M1
-----------------------	----



2GU110-7010

FIG. 1 CYLINDER

REF. NO.	PART NO.	DESCRIPTION	CAN	EUR	OCÉ	REMARKS
1	2GU-11111-00	HEAD, CYLINDER 1	1	1	1	
2	94702-00204	PLUG, SPARK (NGK BR8ES)	2	2	2	
3	90116-08394	BOLT, STUD	8	8	8	
4	95917-08640	BOLT, STUD	2	2	2	
5	90179-08299	NUT	10	10	10	
6	47X-11355-00	SEAL, CYLINDER 1	2	2	2	
7	2GU-11181-00	GASKET, CYLINDER HEAD 1	1	1	1	
8	2GU-11311-00	CYLINDER 1	1	1	1	
9	2GU-11321-00	CYLINDER 2	1	1	1	
10	95827-06010	BOLT, FLANGE	2	2	2	
11	90430-06166	GASKET	2	2	2	
12	3GG-11351-01	GASKET, CYLINDER	2	2	2	
13	90116-08318	BOLT, STUD	4	4	4	
14	90116-08388	BOLT, STUD	2	2	2	
15	90116-08064	BOLT, STUD	2	2	2	
16	99530-10114	PIN, DOWEL	4	4	4	
17	90179-08299	NUT	8	8	8	

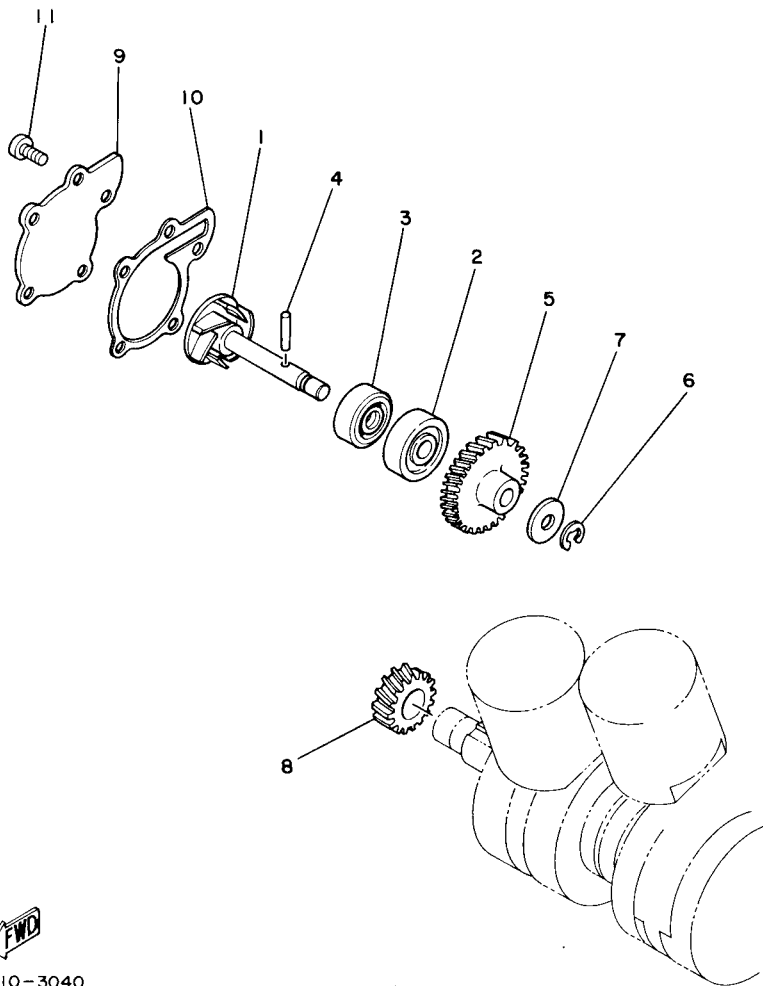


29L010-3021

FIG. 2 CRANKSHAFT & PISTON

REF. NO.	PART NO.	DESCRIPTION	CAN	EUR	OCÉ	REMARKS
1	29L-11400-30	CRANKSHAFT ASSY	1	1	1	
2	29L-11412-00	.CRANK 1	1	1	1	
3	29L-11409-30	.CRANK SUB ASSY	1	1	1	
4	29L-11442-10	.CRANK 4	1	1	1	
5	93306-30548	.BEARING	1	1	1	
6	90209-22292	.WASHER	4	4	4	
7	93310-522L4	.BEARING	2	2	2	
8	29L-11651-00	.ROD, CONNECTING	2	2	2	
9	93306-30549	.BEARING	1	1	1	
10	90280-05033	KEY, WOODRUFF	1	1	1	
11	93103-25108	OIL SEAL	1	1	1	
12	278-17424-01	CIRCLIP 1	1	1	1	
13	93103-40077	OIL SEAL	1	1	1	
14	2GU-11631-00-94	PISTON (STD)	2	2	2	
	2GU-11635-00	PISTON (0.25MM O/S)	2	2	2	AP
	2GU-11636-00	PISTON (0.50MM O/S)	2	2	2	AP
15	2GU-11610-01	PISTON RING SET (STD)	2	2	2	
	2GU-11610-11	PISTON RING SET (0.25MM O/S)	2	2	2	AP
	2GU-11610-21	PISTON RING SET (0.50MM O/S)	2	2	2	AP
16	4L0-11633-00	PIN, PISTON	2	2	2	
17	93310-316H6	BEARING	2	2	2	
18	93450-17129	CIRCLIP	4	4	4	

FIG. 3 WATER PUMP

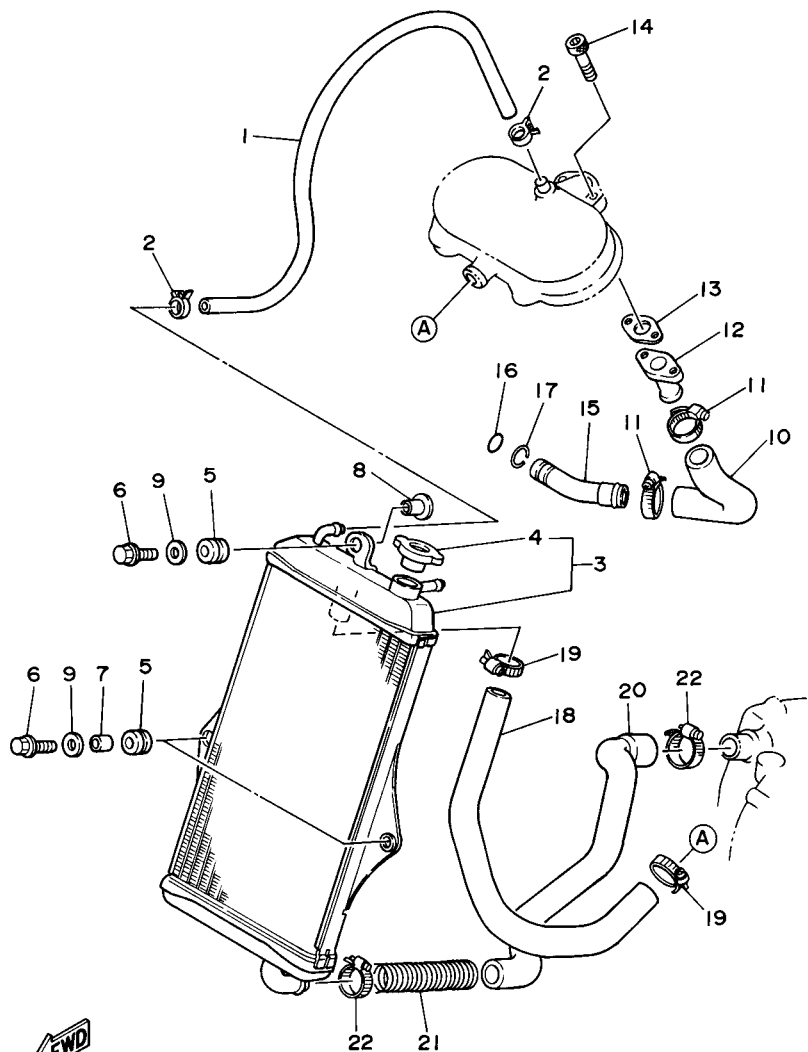


REF. NO.	PART NO.	DESCRIPTION	CAN	EUR	OCE	REMARKS
1	4L0-12450-01	IMPELLER SHAFT ASSY	1	1	1	
2	93306-30002	BEARING	1	1	1	
3	93103-10147	OIL SEAL	1	1	1	
4	93603-22028	PIN, DOWEL	1	1	1	
5	4L0-12459-00	GEAR, IMPELLER SHAFT	1	1	1	
6	99001-07600	CIRCLIP	1	1	1	
7	90201-08784	WASHER, PLATE	1	1	1	
8	4L0-12436-00	GEAR, DRIVE	1	1	1	
9	4L0-12422-00	COVER, HOUSING	1	1	1	
10	3GG-12428-01	GASKET, HOUSING COVER 2	1	1	1	
11	98507-06016	SCREW, PAN HEAD	5	5	5	



29L010-3040

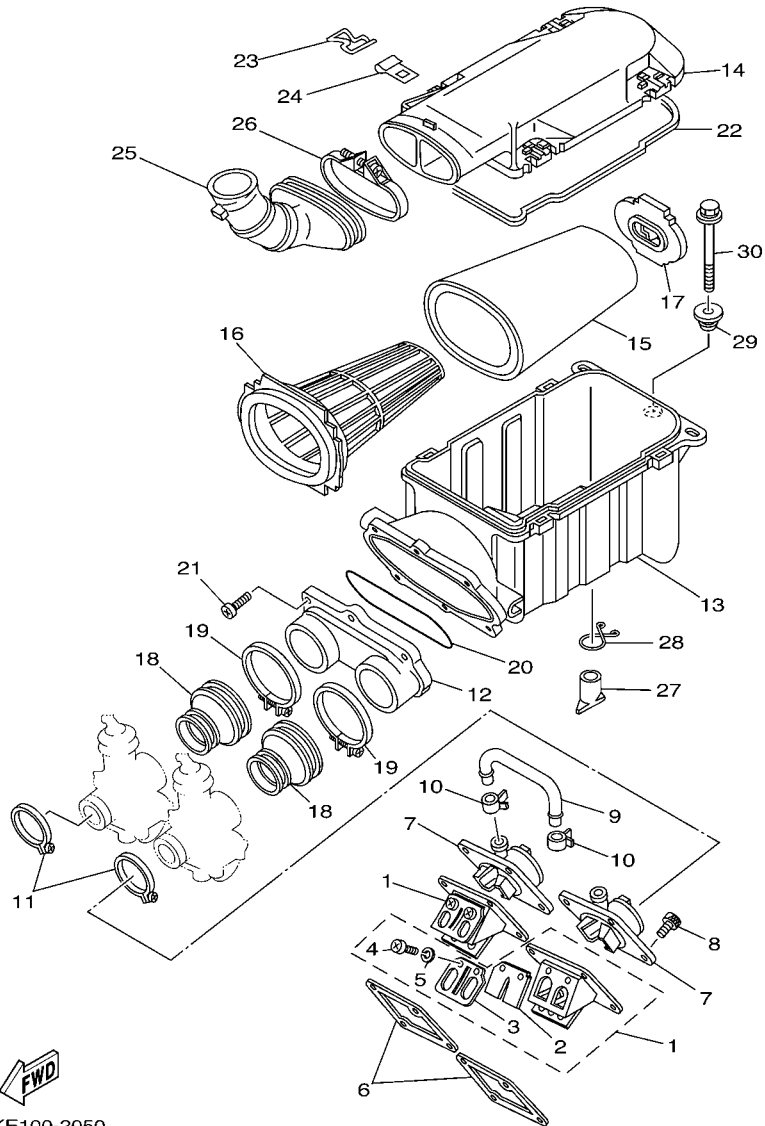
FIG. 4 RADIATOR & HOSE



FWD
2GU110-7040

REF. NO.	PART NO.	DESCRIPTION	CAN	EUR	OCG	REMARKS
1	2GU-12485-00	PIPE 5	1	1	1	
2	90467-13083	CLIP	2	2	2	
3	2GU-12460-01	RADIATOR ASSY	1	1	1	
4	22W-12462-00	.CAP, RADIATOR	1	1	1	
5	90480-15470	GROMMET	3	3	3	
6	95807-06025	BOLT, FLANGE	3	3	3	
7	90387-0714B	COLLAR	2	2	2	
8	90387-063G3	COLLAR	1	1	1	
9	90201-060A3	WASHER, PLATE	3	3	3	
10	29L-12481-00	PIPE 1	1	1	1	
11	90450-32015	HOSE CLAMP ASSY	2	2	2	
12	4L0-12479-00	JOINT	1	1	1	
13	3XV-12435-00	GASKET	1	1	1	
14	91317-06020	BOLT	2	2	2	
15	29L-12469-00	JOINT 1	1	1	1	
16	93210-17239	O-RING	1	1	1	
17	93440-19083	CIRCLIP	1	1	1	
18	2GU-12482-00	PIPE 2	1	1	1	
19	90450-32015	HOSE CLAMP ASSY	2	2	2	
20	2GU-12484-00	PIPE 4	1	1	1	
21	11H-12516-00	COVER, WATER INLET	1	1	1	
22	90450-32015	HOSE CLAMP ASSY	2	2	2	

FIG. 5 INTAKE



5FKE100-2050

REF. NO.	PART NO.	DESCRIPTION	CAN	EUR	OOE	REMARKS
1	2GU-13610-01	REED VALVE ASSY	2	2	2	
2	2GU-13613-00	.REED, VALVE	2	2	2	
3	2GU-13616-00	.STOPPER, REED VALVE	2	2	2	
4	98507-03008	.SCREW, PAN HEAD	4	4	4	
5	92907-03100	.WASHER, SPRING	4	4	4	
6	3GG-13621-00	GASKET, VALVE SEAT	2	2	2	
7	31K-13565-01	JOINT, CARBURETOR	2	2	2	
8	91317-06025	BOLT	8	8	8	
9	29L-14465-00	PIPE	1	1	1	
10	90467-20085	CLIP	2	2	2	
11	90450-44046	HOSE CLAMP ASSY	2	2	2	
12	2GU-14411-00	CASE, AIR CLEANER 1	1	1	1	
13	2GU-14421-01	CASE, AIR CLEANER 2	1	1	1	
14	2GU-14412-00	CAP, CLEANER CASE 1	1	1	1	
15	2GU-14451-00	ELEMENT, AIR CLEANER	1	1	1	
16	5FK-14458-00	GUIDE	1	1	1	
17	2GU-14468-00	PLATE,ELEMENT FITTING	1	1	1	
18	29L-14453-01	JOINT, AIR CLEANER 1	2	2	2	
19	90460-68230	CLAMP, HOSE	2	2	2	
20	12R-14452-00	SEAL	1	1	1	
21	97707-50525	SCREW, TAPPING	6	6	6	
22	29L-14452-00	SEAL	1	1	1	
23	90465-18312	CLAMP	4	4	4	
24	90468-05184	CLIP	4	4	4	
25	2GU-14437-00	DUCT	1	1	1	
26	90460-99291	CLAMP, HOSE	1	1	1	
27	59V-14457-00	SEAL	1	1	1	



5FKE100-2050

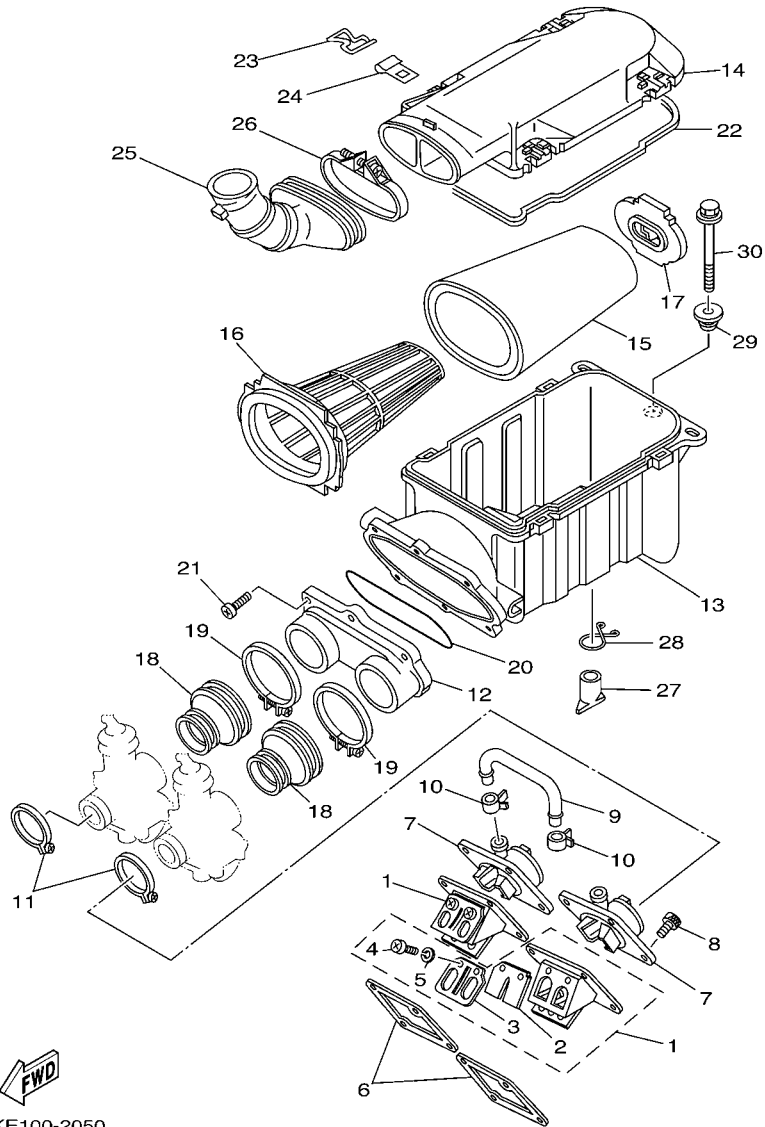
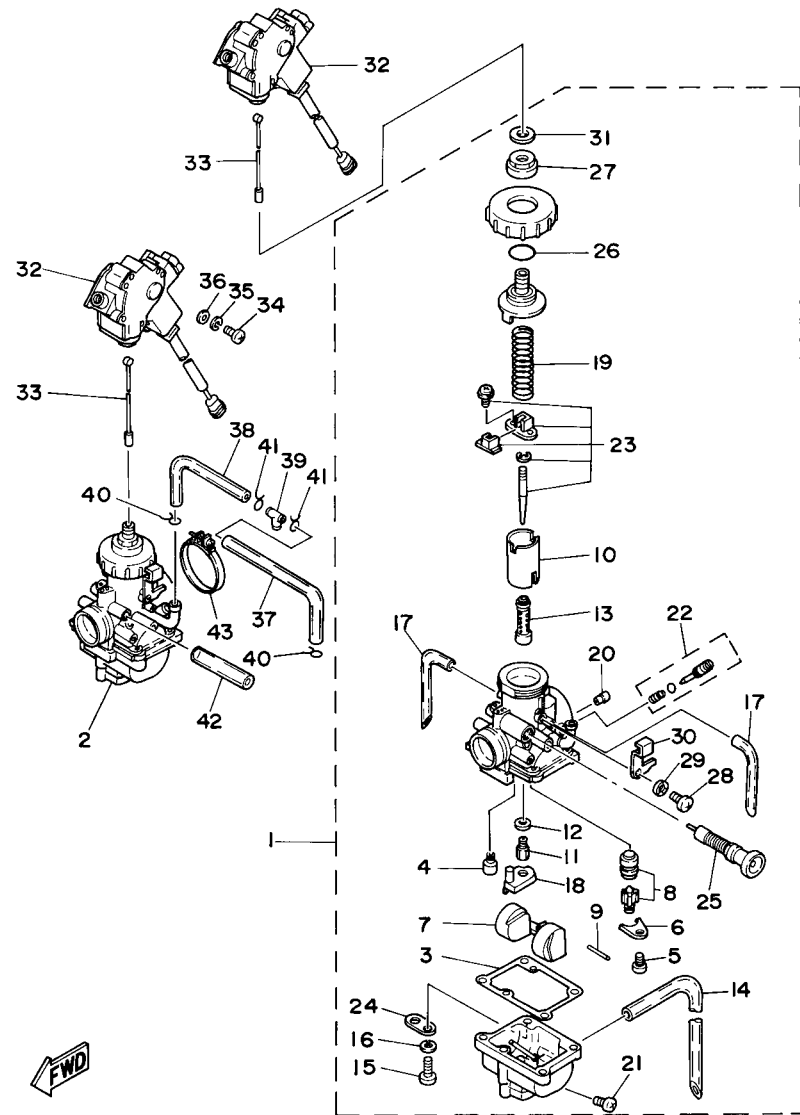


FIG. 5 INTAKE

REF. NO.	PART NO.	DESCRIPTION	CAN	EUR	OCE	REMARKS
28	90467-22080	CLIP	1	1	1	
29	90480-18171	GROMMET	2	2	2	
30	90119-06096	BOLT, WITH WASHER	2	2	2	

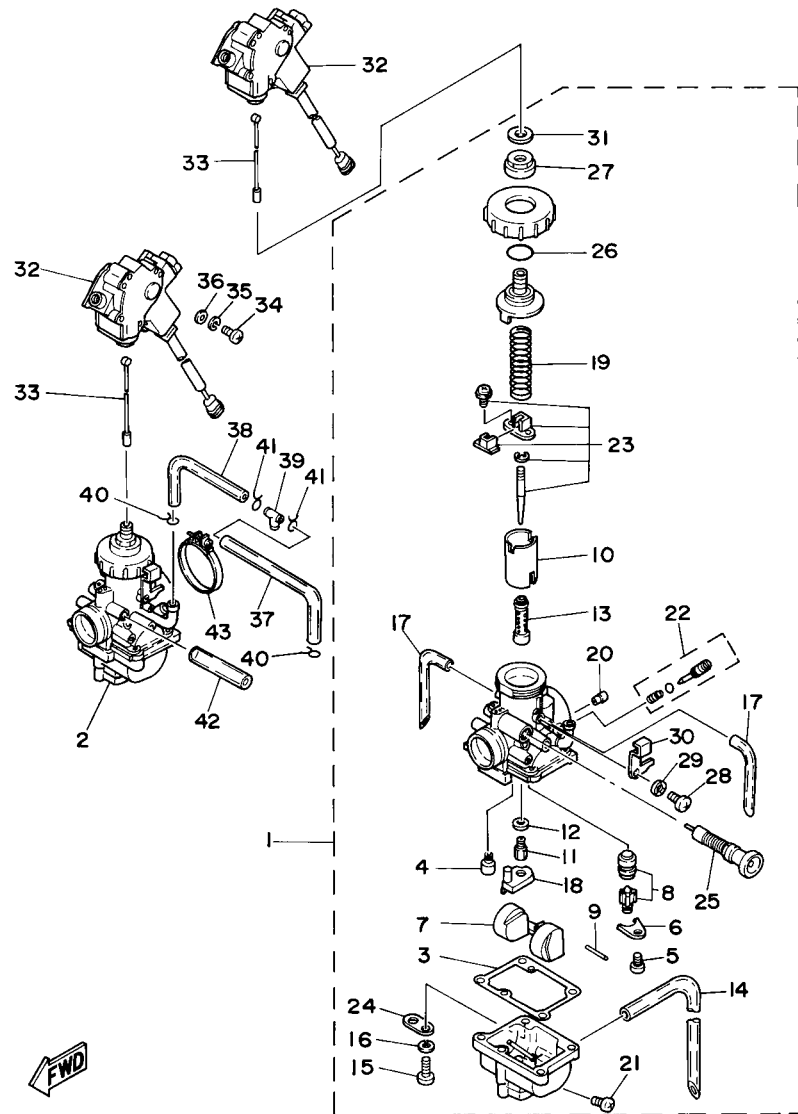
FIG. 6 CARBURETOR



2GU110-7060

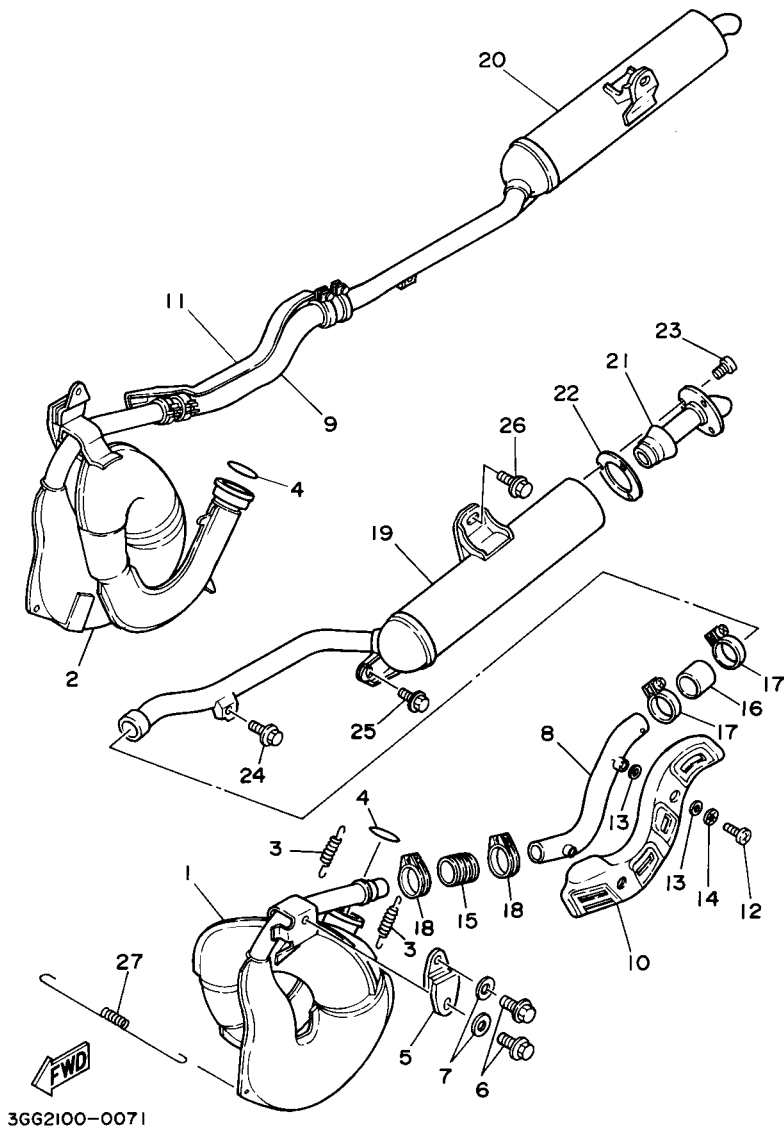
REF. NO.	PART NO.	DESCRIPTION	CAN	EUR	OCE	REMARKS
1	2GU-14101-01	CARBURETOR ASSY 1	1	1	1	
2	2GU-14102-01	CARBURETOR ASSY 2	1	1	1	
3	304-14184-00	.GASKET, FLOAT CHAMBER	1	1	1	
4	260-14142-25	.JET, PILOT (# 25)	1	1	1	
5	98502-04008	.SCREW, PAN HEAD	1	1	1	
6	2H0-14146-00	.PLATE	1	1	1	
7	4L0-14185-00	.FLOAT	1	1	1	
8	1UA-14190-28	.NEEDLE VALVE ASSY	1	1	1	
9	537-14186-00	.PIN, FLOAT	1	1	1	
10	2GU-14113-20	.VALVE, THROTTLE 2	1	1	1	UR FOR RH
	2GU-14112-20	.VALVE, THROTTLE 1	1	1	1	UR FOR LH
11	137-14143-40	.JET, MAIN (#200)	1	1	1	UR
	137-14143-44	.JET, MAIN (#220)	1	1	1	UR
	137-14143-48	.JET, MAIN (#240)	1	1	1	UR
	137-14143-38	.JET, MAIN (#190)	1	1	1	UR
12	137-14153-00	.WASHER, MAIN JET	1	1	1	
13	4L0-14141-38	.NOZZLE, MAIN	1	1	1	
14	2GU-14196-00	.PIPE	1	1	1	
15	98511-04016	.SCREW, PAN HEAD	4	4	4	
16	92990-04100	.WASHER, SPRING	4	4	4	
17	4L0-14197-00	.PIPE	2	2	2	
18	2GU-14153-00	.RING	1	1	1	
19	2GU-14131-00	.SPRING, THROTTLE VALVE	1	1	1	
20	239-14172-16	.PILOT JET, AIR (1.6)	1	1	1	
21	12R-14191-00	.PLUG, DRAIN	1	1	1	
22	10W-14104-00	.AIR SCREW SET	1	1	1	
23	2GU-1490J-00	.NEEDLE SET	1	1	1	

FIG. 6 CARBURETOR

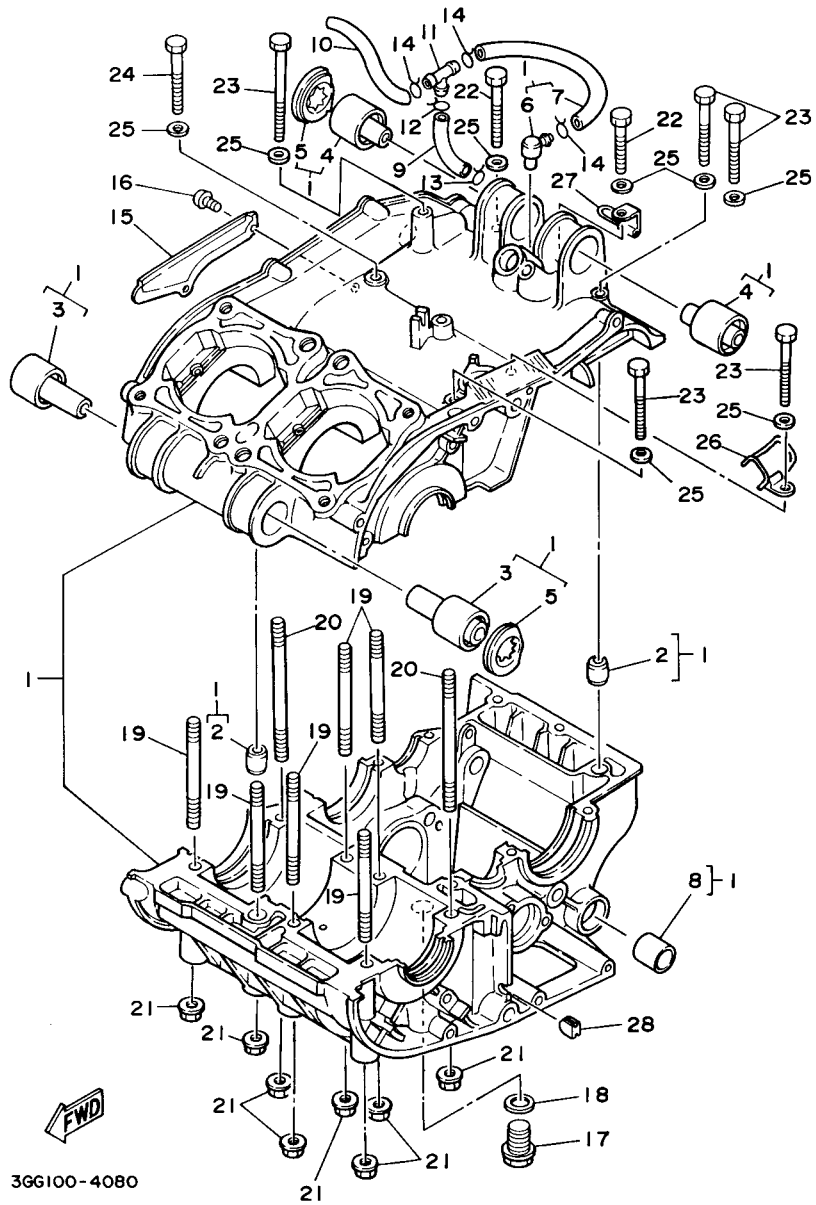


REF. NO.	PART NO.	DESCRIPTION	CAN	EUR	OCÉ	REMARKS
24	500-14146-00	.PLATE	1	1	1	
25	2GU-14171-00	.PLUNGER, STARTER	1	1	1	LH
26	558-14147-00	.O-RING	1	1	1	
27	2GU-14161-00	.NUT, CABLE ADJUSTING	1	1	1	
28	98501-05008	.SCREW, PAN HEAD	1	1	1	
29	92901-05100	.WASHER, SPRING	1	1	1	
30	2GU-14146-00	.PLATE	1	1	1	UR FOR RH
	2GU-14243-00	.PLATE	1	1	1	UR FOR LH
31	2GU-14952-00	.WASHER	1	1	1	
32	3GG-8259E-00	SWITCH ASSY	2	2	2	
33	2GU-2633K-00	WIRE, INNER 1	2	2	2	
34	98507-03010	SCREW, PAN HEAD	6	6	6	
35	92907-03100	WASHER, SPRING	6	6	6	
36	92907-03600	WASHER	6	6	6	
37	4X7-24311-00	PIPE, FUEL 1	1	1	1	
38	48H-24311-00	PIPE, FUEL 1	1	1	1	
39	90413-08009	WAY 3	1	1	1	
40	90467-10008	CLIP	2	2	2	
41	90467-11106	CLIP	2	2	2	
42	90445-09012	HOSE (L70)	1	1	1	
43	90460-49058	CLAMP, HOSE	2	2	2	

FIG. 7 EXHAUST



REF. NO.	PART NO.	DESCRIPTION	CAN	EUR	OCE	REMARKS
1	2GU-14610-00	EXHAUST PIPE ASSY 1	1	1	1	
2	2GU-14620-00	EXHAUST PIPE ASSY 2	1	1	1	
3	90507-20030	SPRING, TENSION	4	4	4	
4	93210-45742	O-RING	2	2	2	
5	2GU-14771-00	STAY, MUFFLER 1	2	2	2	
6	95817-08014	BOLT, FLANGE	4	4	4	
7	90201-08326	WASHER, PLATE	4	4	4	
8	2GU-14635-00	JOINT, EXHAUST 3	1	1	1	
9	2GU-14645-00	JOINT, EXHAUST 4	1	1	1	
10	2GU-14718-00	PROTECTOR, MUFFLER 1	1	1	1	
11	2GU-14728-00	PROTECTOR, MUFFLER 2	1	1	1	
12	98907-06010	SCREW, BIND	4	4	4	
13	4BD-14766-00	WASHER, PROTECTOR	8	8	8	
14	90206-06090	WASHER, WAVE	4	4	4	
15	1W2-14714-00	GASKET, MUFFLER	2	2	2	
16	2GU-14615-00	JOINT, EXHAUST 1	2	2	2	
17	90460-37026	CLAMP, HOSE	4	4	4	
18	90460-37026	CLAMP, HOSE	4	4	4	
19	2GU-14753-01	SILENCER, EXHAUST	1	1	1	
20	2GU-14765-01	SILENCER	1	1	1	
21	2GU-14752-00	PIPE, OUTLET	2	2	2	
22	2GU-14613-10	GASKET, EXHAUST PIPE	2	2	2	
23	98907-06010	SCREW, BIND	6	6	6	
24	95817-08014	BOLT, FLANGE	2	2	2	
25	95817-08014	BOLT, FLANGE	2	2	2	
26	95817-08014	BOLT, FLANGE	2	2	2	
27	90506-18398	SPRING, TENSION	1	1	1	



366100-4080

FIG. 8 CRANKCASE

REF. NO.	PART NO.	DESCRIPTION	CAN	EUR	OCF	REMARKS
1	2GU-15100-01	CRANKCASE ASSY	1	1	1	
2	99510-12016	.PIN, DOWEL	2	2	2	
3	2GU-15316-00	.DAMPER, ENGINE MOUNT 1	2	2	2	
4	2GU-15326-00	.DAMPER, ENGINE MOUNT 2	2	2	2	
5	2GU-15328-00	.SPACER, DAMPER	2	2	2	
6	120-15371-00	.BREATHER	1	1	1	
7	90445-09109	.HOSE (L400)	1	1	1	
8	90383-12022	.BUSH, FORMED	1	1	1	
9	90445-081F1	HOSE (L508)	1	1	1	
10	90445-09123	HOSE (L730)	1	1	1	
11	90413-05014	WAY 3	1	1	1	
12	90467-08021	CLIP	1	1	1	
13	90467-07093	CLIP	1	1	1	
14	90467-08075	CLIP	3	3	3	
15	278-15492-01	COVER	1	1	1	
16	98507-05010	SCREW, PAN HEAD	2	2	2	
17	90340-14132	PLUG, STRAIGHT SCREW	1	1	1	
18	90430-14043	GASKET	1	1	1	
19	90116-08064	BOLT, STUD	6	6	6	
20	90116-08232	BOLT, STUD	2	2	2	
21	95707-08500	NUT, FLANGE	8	8	8	
22	97017-06045	BOLT	2	2	2	
23	97017-06060	BOLT	5	5	5	
24	97017-06090	BOLT	1	1	1	
25	92907-06200	WASHER	8	8	8	
26	90462-16130	CLAMP	1	1	1	
27	90465-06094	CLAMP	1	1	1	

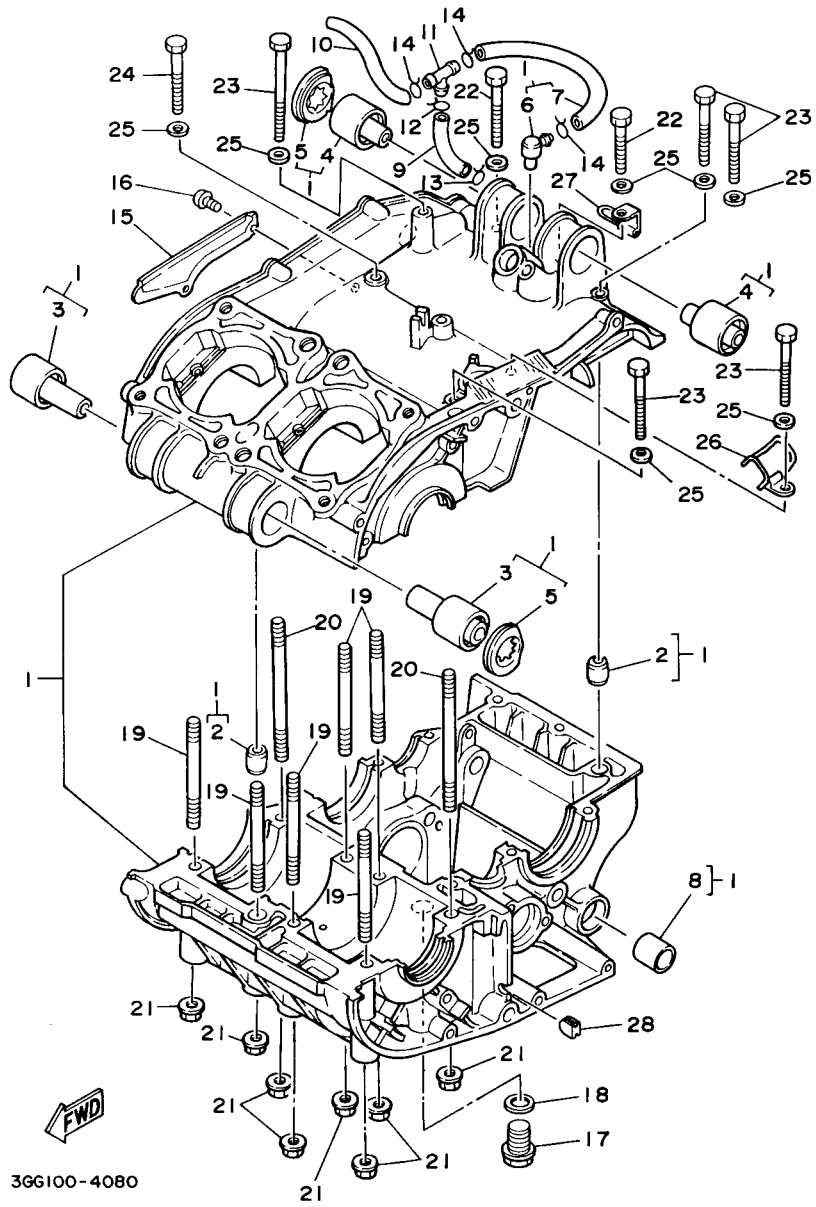
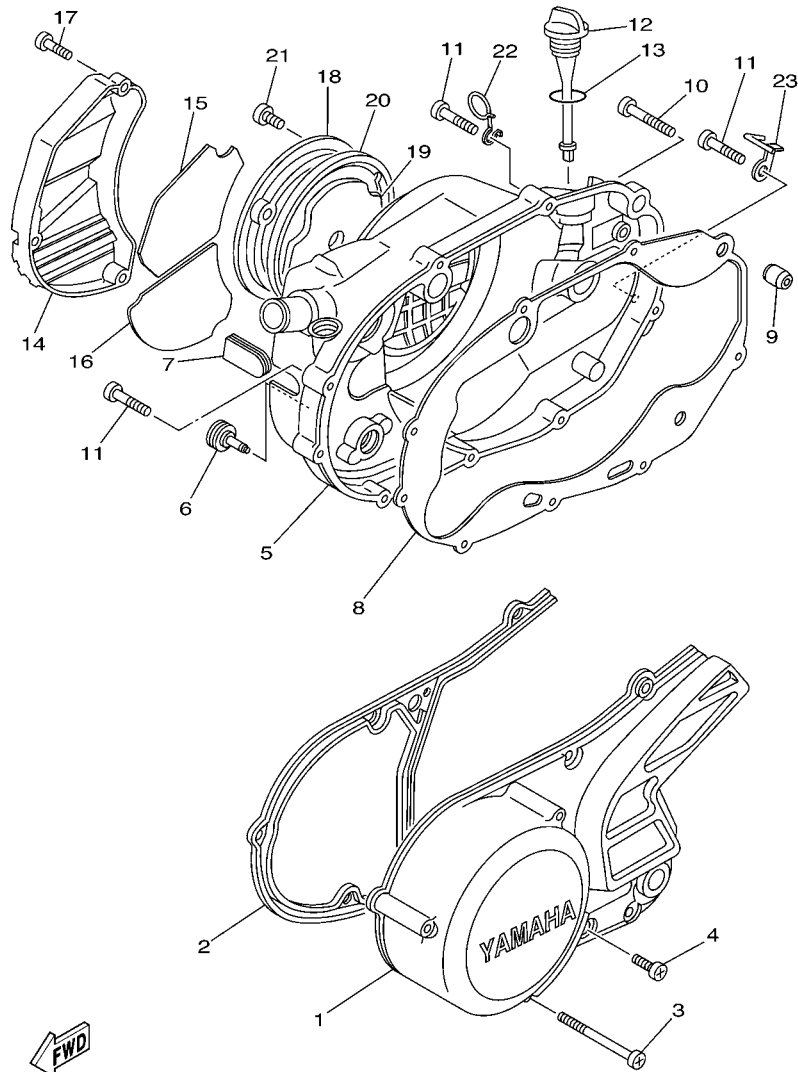


FIG. 8 CRANKCASE

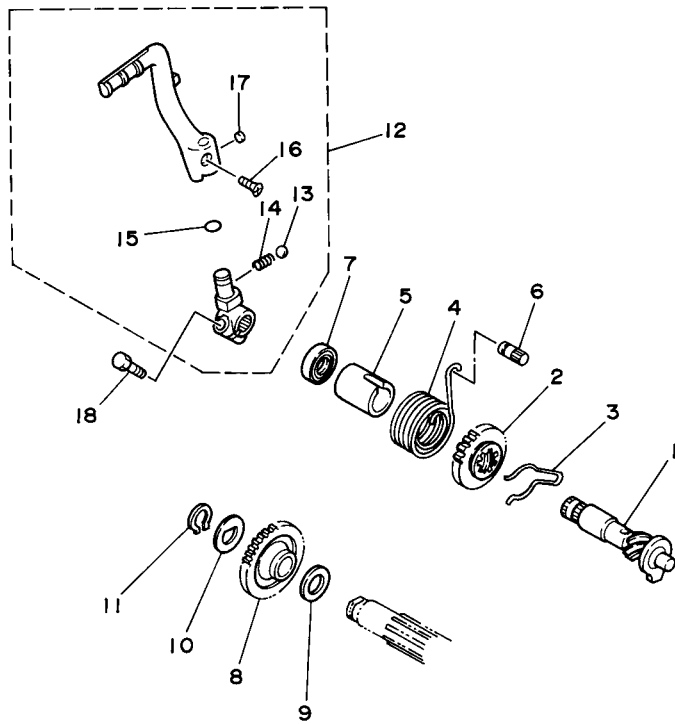
REF. NO.	PART NO.	DESCRIPTION	CAN	EUR	OCE	REMARKS
28	90338-06190	PLUG	1	1	1	



FWD
5FKE100-2090

FIG. 9 CRANKCASE COVER 1

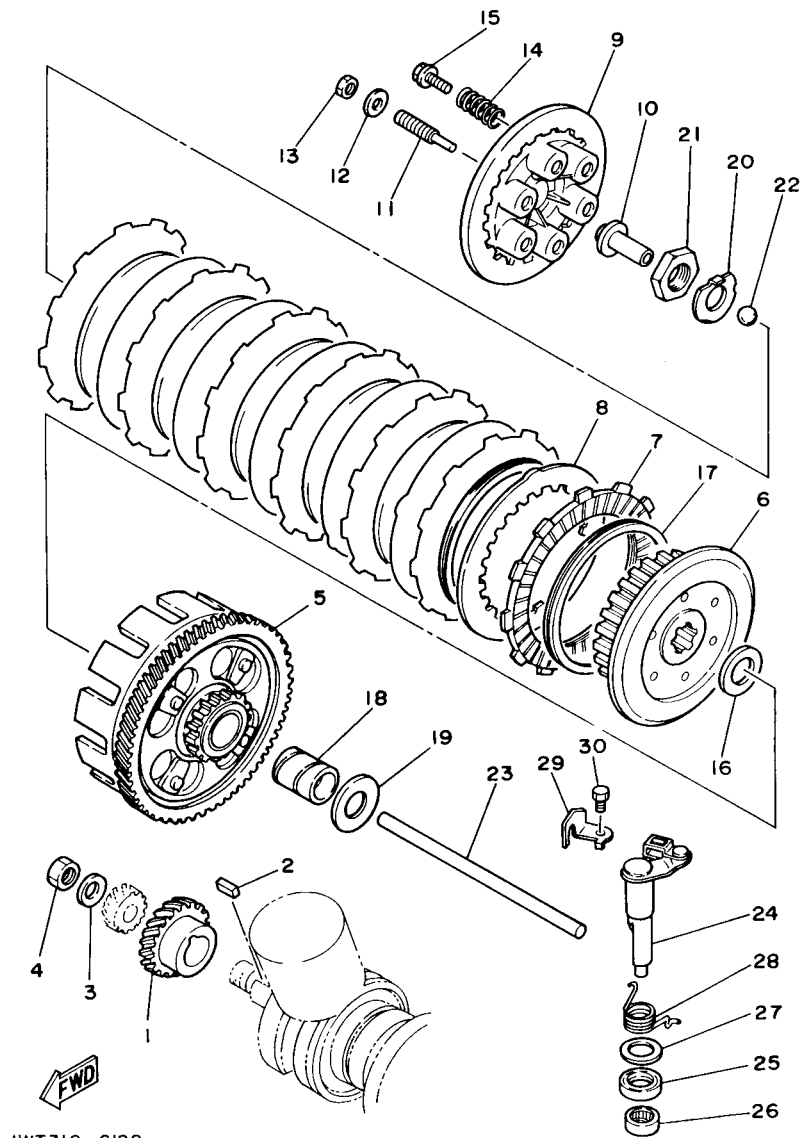
REF. NO.	PART NO.	DESCRIPTION	CAN	EUR	OCÉ	REMARKS
1	2GU-15411-00	COVER, CRANKCASE 1	1	1	1	
2	2GU-15379-00	SEAL, CRANKCASE	1	1	1	
3	98507-06055	SCREW, PAN HEAD	3	3	3	
4	98507-06020	SCREW, PAN HEAD	4	4	4	
5	2GU-15421-00	COVER, CRANKCASE 2	1	1	1	
6	2GU-15189-00	PLUG	1	1	1	
7	90338-15189	PLUG	1	1	1	
8	3GG-15461-02	GASKET, CRANKCASE COVER 2	1	1	1	
9	99530-12016	PIN, DOWEL	1	1	1	
10	98507-06040	SCREW, PAN HEAD	1	1	1	
11	98507-06030	SCREW, PAN HEAD	8	8	8	
12	4L0-15362-00	PLUG, OIL LEVEL	1	1	1	
13	93210-19123	O-RING	1	1	1	
14	2GU-15416-00	COVER, OIL PUMP	1	1	1	
15	2GU-15337-00	DAMPER 4	1	1	1	
16	2GU-15338-00	DAMPER, ENGINE MOUNT 5	1	1	1	
17	98507-06020	SCREW, PAN HEAD	3	3	3	
18	4L0-15431-01	COVER, CRANKCASE 3	1	1	1	
19	31K-15317-00	SPACER, ENGINE MOUNT	1	1	1	
20	48H-15327-00	SPACER, ENGINE MOUNT	1	1	1	
21	98507-05014	SCREW, PAN HEAD	3	3	3	
22	90465-32317	CLAMP	1	1	1	
23	5FK-15377-00	GUIDE, INLET	1	1	1	



2GU110-7100

FIG. 10 STARTER

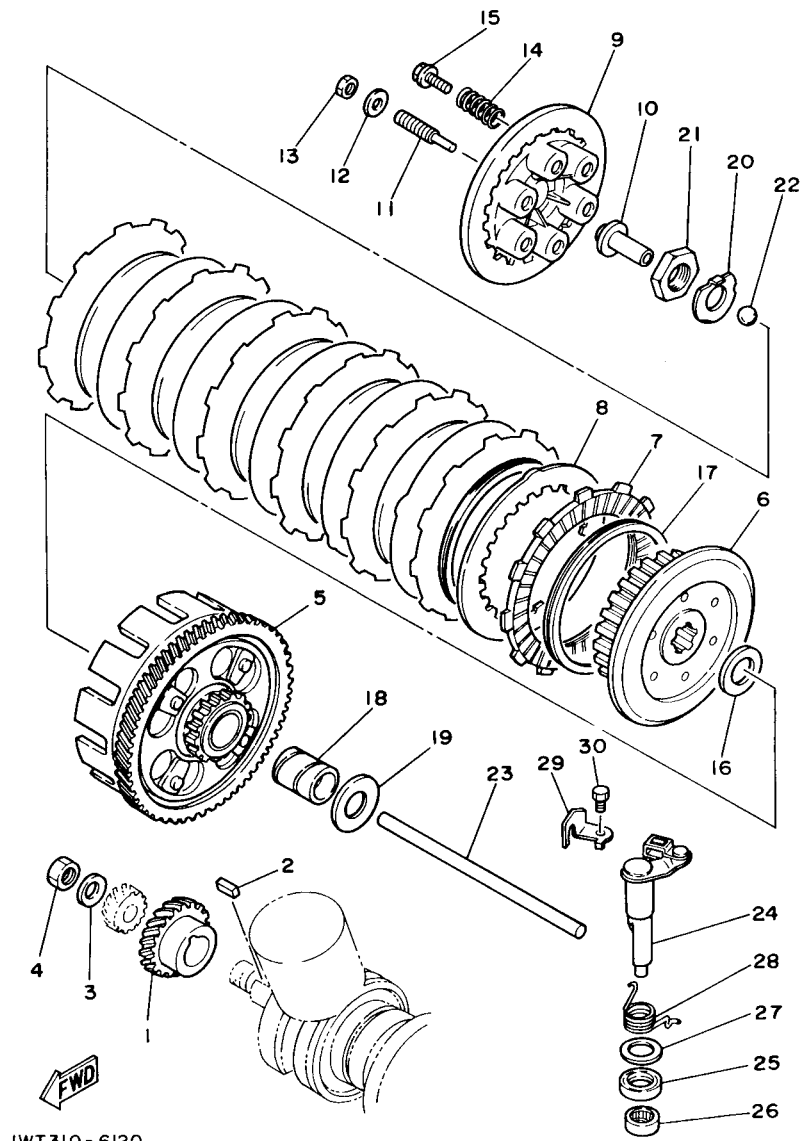
REF. NO.	PART NO.	DESCRIPTION	CAN	EUR	OCE	REMARKS
1	4L0-15660-01	KICK AXLE ASSY	1	1	1	
2	4L0-15641-00	GEAR, KICK (22T)	1	1	1	
3	90468-26091	CLIP	1	1	1	
4	90508-30051	SPRING, TORSION	1	1	1	
5	4L0-15666-00	SPACER	1	1	1	
6	248-15668-00	STOPPER	1	1	1	
7	93102-20484	OIL SEAL	1	1	1	
8	4L0-15651-00	GEAR, KICK IDLE (26T)	1	1	1	
9	164-17417-00-10	SHIM 1 (1.0T)	1	1	1	
10	90214-15020	WASHER, CLAW	1	1	1	
11	99009-15400	CIRCLIP	1	1	1	
12	2GU-15620-01	KICK CRANK ASSY	1	1	1	
13	93507-32031	.BALL	1	1	1	
14	90501-12081	.SPRING, COMPRESSION	1	1	1	
15	93210-14369	.O-RING	1	1	1	
16	90152-06010	.SCREW, COUNTERSUNK	1	1	1	
17	90336-42049	.PLUG, TAPER	1	1	1	
18	97027-08030	BOLT	1	1	1	



IWT 310-6120

FIG. 11 CLUTCH

REF. NO.	PART NO.	DESCRIPTION	CAN	EUR	OCE	REMARKS
1	4L0-16111-00	GEAR, PRIMARY DRIVE (23T)	1	1	1	
2	90282-07023	KEY, STRAIGHT	1	1	1	
3	90208-16019	WASHER, CONICAL SPRING	1	1	1	
4	90170-16425	NUT	1	1	1	
5	31K-16150-10	PRIMARY DRIVEN GEAR COMP.	1	1	1	
6	1A0-16371-00	BOSS, CLUTCH	1	1	1	
7	5Y1-16331-01	PLATE, FRICTION 2	7	7	7	
8	498-16325-00	PLATE, CLUTCH 2	6	6	6	
9	29L-16351-00	PLATE, PRESSURE 1	1	1	1	
10	29L-16356-00	ROD, PUSH 1	1	1	1	
11	90149-08143	SCREW	1	1	1	
12	92907-08200	WASHER	1	1	1	
13	95317-08700	NUT	1	1	1	
14	90501-23138	SPRING, COMPRESSION	6	6	6	
15	90159-06016	SCREW, WITH WASHER	6	6	6	
16	360-16154-00	PLATE, THRUST 1	1	1	1	
17	278-16367-00	RING, CUSHION	7	7	7	
18	278-16181-01	SPACER 1	1	1	1	
19	360-16154-00	PLATE, THRUST 1	1	1	1	
20	90215-20223	WASHER, LOCK	1	1	1	
21	90170-20320	NUT	1	1	1	
22	93515-32029	BALL	1	1	1	
23	29L-16357-00	ROD, PUSH 2	1	1	1	
24	29L-16380-00	PUSH LEVER ASSY	1	1	1	
25	93102-17004	OIL SEAL	1	1	1	
26	93315-11720	BEARING	1	1	1	
27	90201-17327	WASHER, PLATE	1	1	1	

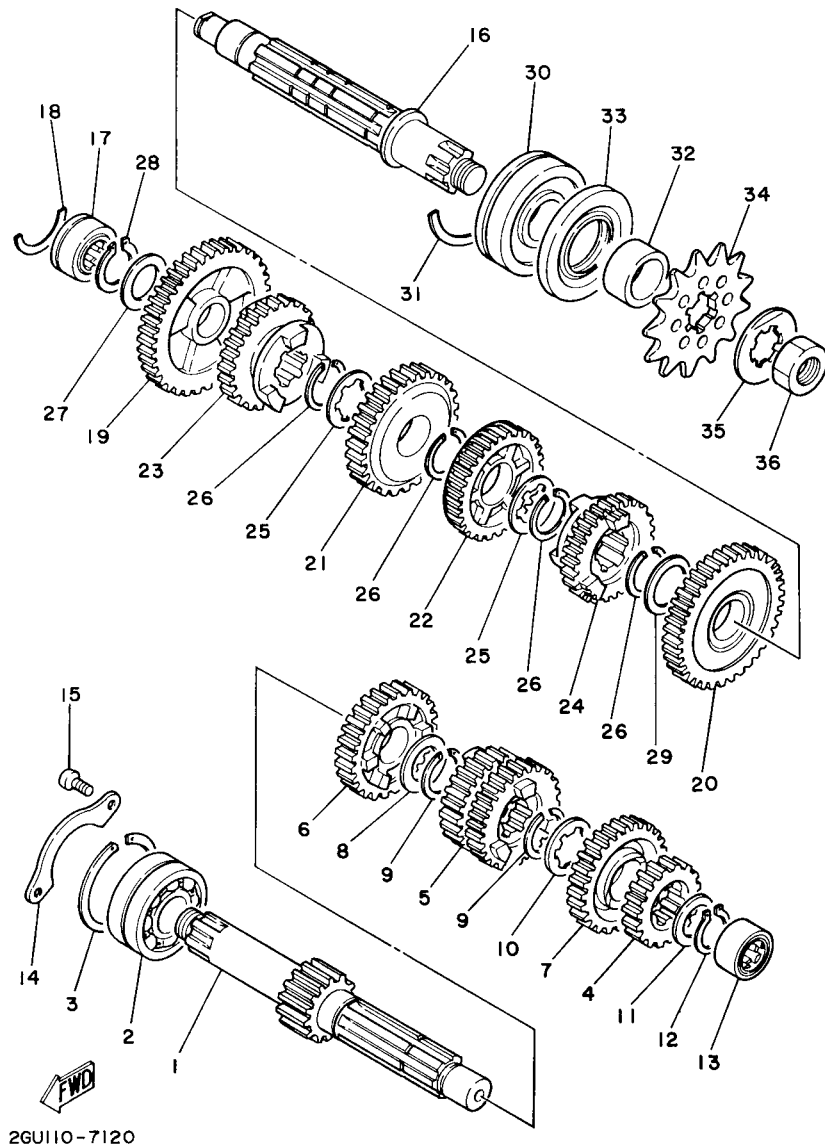


IWT 310 - 6120

FIG. 11 CLUTCH

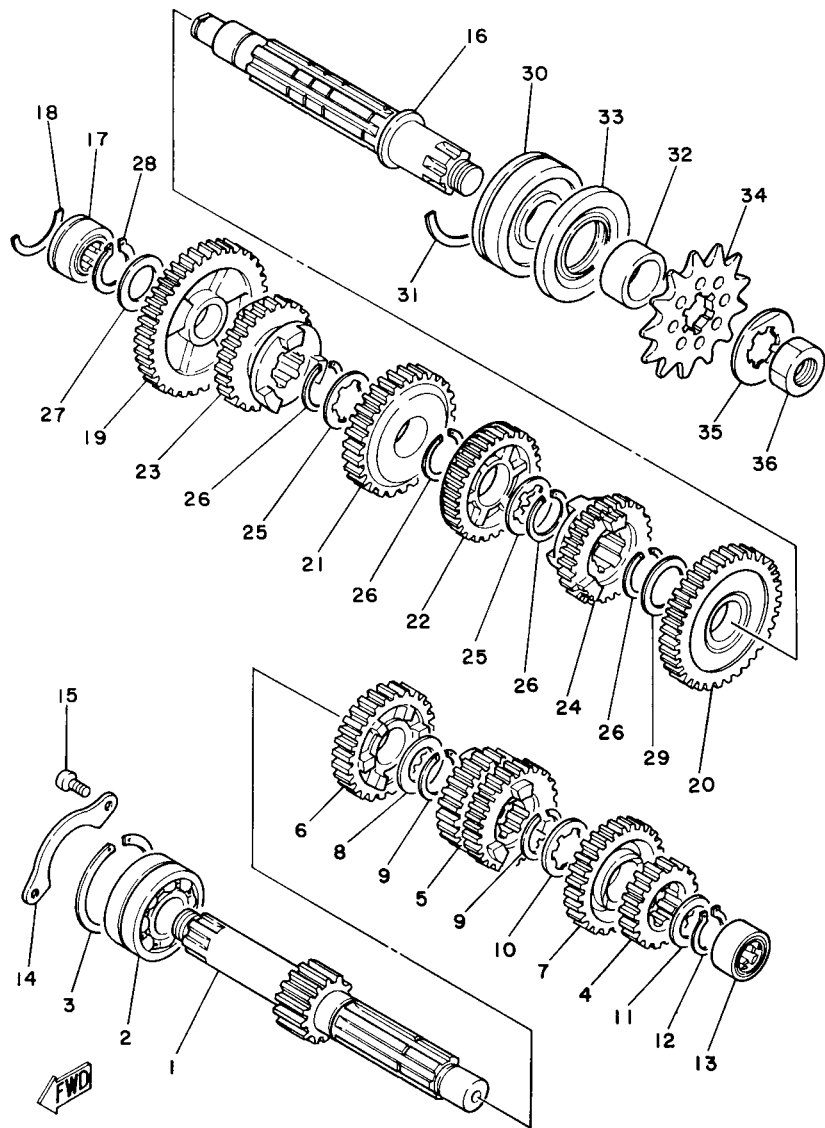
REF. NO.	PART NO.	DESCRIPTION	CAN	EUR	OCE	REMARKS
28	90508-16599	SPRING, TORSION	1	1	1	
29	90465-16239	CLAMP	1	1	1	
30	97007-06010	BOLT	1	1	1	

FIG. 12 TRANSMISSION



2GU110-7120

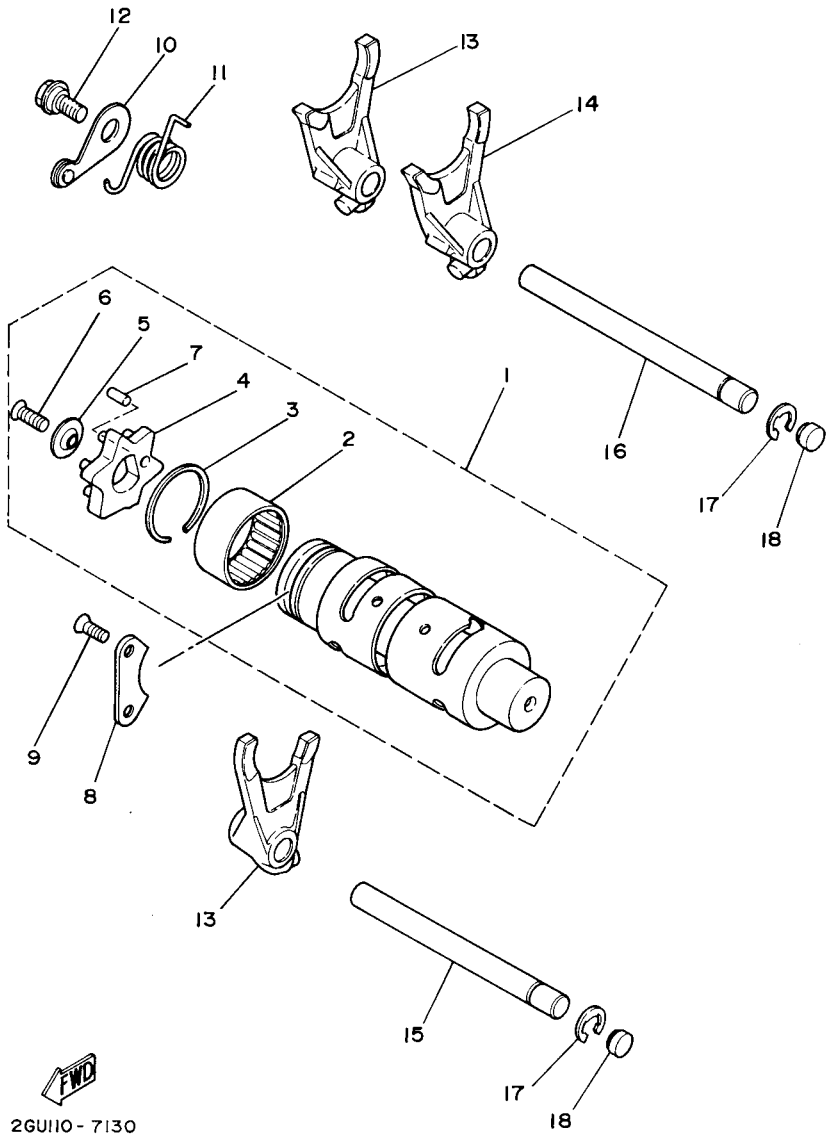
REF. NO.	PART NO.	DESCRIPTION	CAN	EUR	OCE	REMARKS
1	2GU-17411-00	AXLE, MAIN	1	1	1	
2	93305-20508	BEARING	1	1	1	
3	93440-52009	CIRCLIP	1	1	1	
4	2GU-17121-00	GEAR, 2ND PINION (16T)	1	1	1	
5	2GU-17131-00	GEAR, 3RD/4TH PINION (18T/20T)	1	1	1	
6	2GU-17151-00	GEAR, 5TH PINION (22T)	1	1	1	
7	2GU-17161-00	GEAR, 6TH PINION (24T)	1	1	1	
8	90201-256E6	WASHER, PLATE (T=0.9)	1	1	1	
9	93440-25084	CIRCLIP	2	2	2	
10	90209-21105	WASHER	1	1	1	
11	90201-20266	WASHER, PLATE (T=1.0)	1	1	1	
12	99009-20400	CIRCLIP	1	1	1	
13	93311-22005	BEARING	1	1	1	
14	4L0-17471-00	PLATE, COVER	1	1	1	
15	98507-06012	SCREW, PAN HEAD	2	2	2	
16	29L-17421-00	AXLE, DRIVE	1	1	1	
17	93311-42006	BEARING	1	1	1	
18	278-17425-00	CIRCLIP 2	1	1	1	
19	2GU-17211-00	GEAR, 1ST WHEEL (32T)	1	1	1	
20	2GU-17221-00	GEAR, 2ND WHEEL (29T)	1	1	1	
21	2GU-17231-00	GEAR, 3RD WHEEL (27T)	1	1	1	
22	2GU-17241-00	GEAR, 4TH WHEEL (25T)	1	1	1	
23	2GU-17251-00	GEAR, 5TH WHEEL (23T)	1	1	1	
24	2GU-17261-01	GEAR, 6TH WHEEL (21T)	1	1	1	
25	90209-21105	WASHER	2	2	2	
26	93440-25084	CIRCLIP	4	4	4	
27	90201-20276	WASHER, PLATE (T=1.0)	1	1	1	



26U110-7120

FIG. 12 TRANSMISSION

REF. NO.	PART NO.	DESCRIPTION	CAN	EUR	OC	REMARKS
28	99009-20400	CIRCLIP	1	1	1	
29	90201-25490	WASHER, PLATE	1	1	1	
30	93306-30504	BEARING	1	1	1	
31	278-17424-01	CIRCLIP 1	1	1	1	
32	90387-257N4	COLLAR	1	1	1	
33	93102-35369	OIL SEAL	1	1	1	
34	93834-14050	SPROCKET,DRIVE 14T(23X1746140)	1	1	1	
35	90215-21121	WASHER, LOCK	1	1	1	
36	90179-18020	NUT	1	1	1	

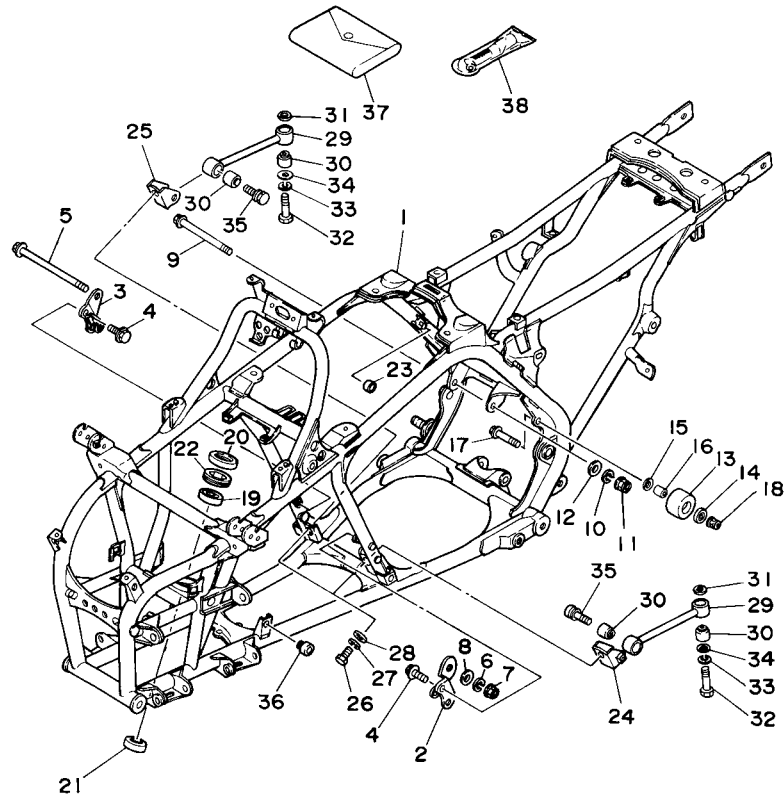


26U110 - 7130

FIG. 13 SHIFT CAM & FORK

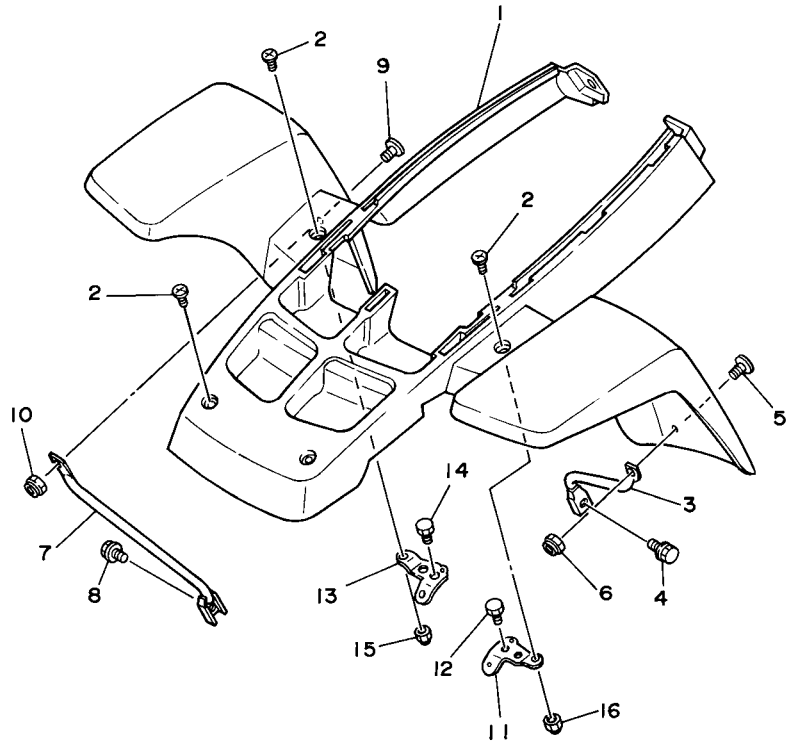
REF. NO.	PART NO.	DESCRIPTION	CAN	EUR	OCE	REMARKS
1	2GU-18540-00	SHIFT CAM ASSY	1	1	1	
2	93315-23612	.BEARING	1	1	1	
3	93440-34025	.CIRCLIP	1	1	1	
4	4L0-18185-00	.SEGMENT	1	1	1	
5	3R4-18561-00	.PLATE, SIDE 1	1	1	1	
6	98707-05016	.SCREW, FLAT HEAD	1	1	1	
7	93604-12037	.PIN, DOWEL	1	1	1	
8	4L0-18562-00	PLATE, STOPPER 2	1	1	1	
9	98707-06014	SCREW, FLAT HEAD	2	2	2	
10	4L0-18140-00	STOPPER LEVER ASSY	1	1	1	
11	90508-29728	SPRING, TORSION	1	1	1	
12	90109-063F7	BOLT	1	1	1	
13	2GU-18511-00	FORK, SHIFT 1	2	2	2	
14	2GU-18512-00	FORK, SHIFT 2	1	1	1	
15	4L0-18531-01	BAR, SHIFT FORK GUIDE 1	1	1	1	
16	29L-18535-00	BAR, SHIFT FORK GUIDE 2	1	1	1	
17	93430-08007	CIRCLIP	2	2	2	
18	90334-10006	PLUG, STRAIGHT	2	2	2	

FIG. 15 FRAME



3B5E100-G150

REF. NO.	PART NO.	DESCRIPTION	CAN	EUR	OCE	REMARKS
1	3GG-21110-21-P1	FRAME COMP.	1	1	1	S8
2	2GU-21315-10	STAY, ENGINE 2	1	1	1	
3	2GU-21316-10	STAY, ENGINE 3	1	1	1	
4	95812-08025	BOLT, FLANGE	4	4	4	
5	90105-10302	BOLT, FLANGE	1	1	1	
6	92902-10100	WASHER, SPRING	1	1	1	
7	95312-10600	NUT	1	1	1	
8	92990-10600	WASHER, PLATE	1	1	1	
9	90105-10303	BOLT, FLANGE	1	1	1	
10	92902-10100	WASHER, SPRING	1	1	1	
11	95312-10600	NUT	1	1	1	
12	92990-10600	WASHER, PLATE	1	1	1	
13	2HH-22178-00	TENSIONER	2	2	2	
14	93300-60804	BEARING	2	2	2	
15	90201-08043	WASHER, PLATE	2	2	2	
16	90387-086N4	COLLAR	2	2	2	
17	95022-08045	BOLT, FLANGE	2	2	2	
18	95602-08200	NUT, SELF-LOCKING	2	2	2	
19	93306-20331	BEARING	1	1	1	
20	93102-25081	OIL SEAL	1	1	1	
21	93102-25099	OIL SEAL	1	1	1	
22	2GU-23872-00	HOLDER, BEARING	1	1	1	
23	90480-12299	GROMMET	2	2	2	
24	2GU-21317-10	STAY, ENGINE 3	1	1	1	
25	2GU-21318-10	STAY, ENGINE 5	1	1	1	
26	97022-10020	BOLT	2	2	2	
27	92902-10100	WASHER, SPRING	2	2	2	

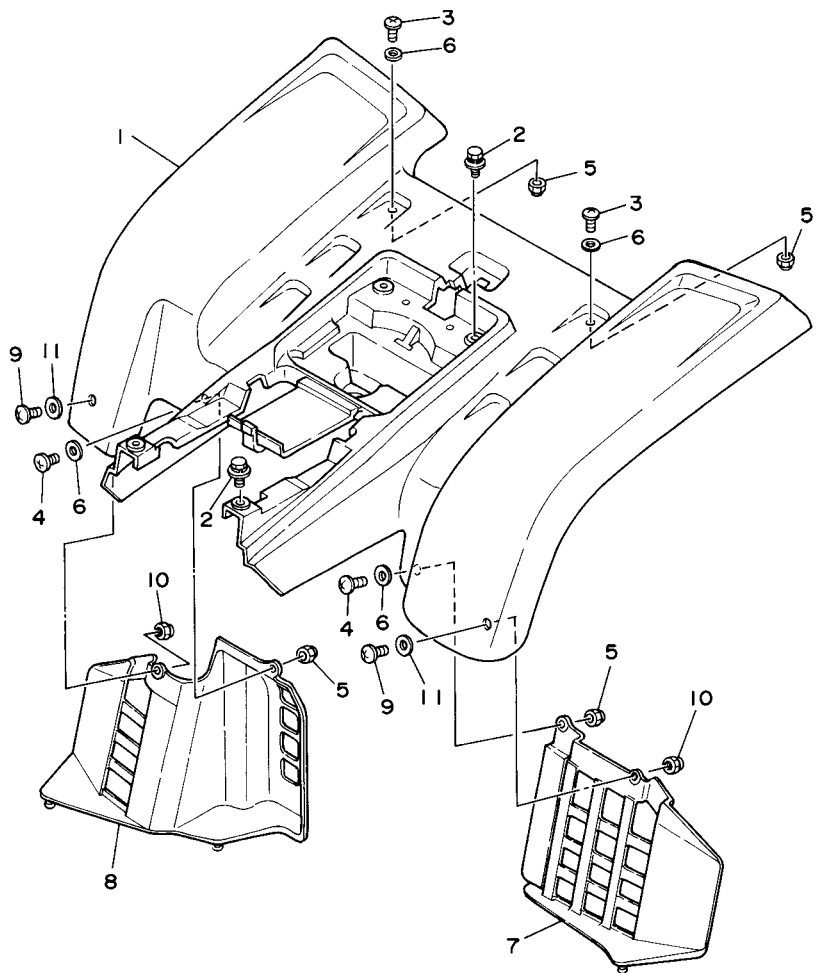


3GG100-9160

FIG. 16 FRONT FENDER

REF. NO.	PART NO.	DESCRIPTION	CAN	EUR	OCE	REMARKS
1	2GU-W215C-G0	FRONT FENDER COMP.2	1			
	2GU-W215B-G0	FRONT FENDER COMP. 2		1		
	2GU-W215E-G0	FRONT FENDER COMP.			1	
2	90149-06306	SCREW	4	4	4	
3	2GU-21513-00	STAY, FENDER 1	1	1	1	
4	95822-06010	BOLT, FLANGE	1	1	1	
5	90149-06306	SCREW	1	1	1	
6	95602-06100	NUT, U	1	1	1	
7	2GU-21514-00	STAY, FENDER 2	1	1	1	
8	95822-06010	BOLT, FLANGE	1	1	1	
9	90149-06306	SCREW	1	1	1	
10	95602-06100	NUT, U	1	1	1	
11	2GU-21587-10	STAY 1	1	1	1	
12	97022-08016	BOLT	1	1	1	
13	2GU-21588-10	STAY 2	1	1	1	
14	97022-08016	BOLT	1	1	1	
15	95602-06100	NUT, U	1	1	1	
16	95602-06100	NUT, U	1	1	1	

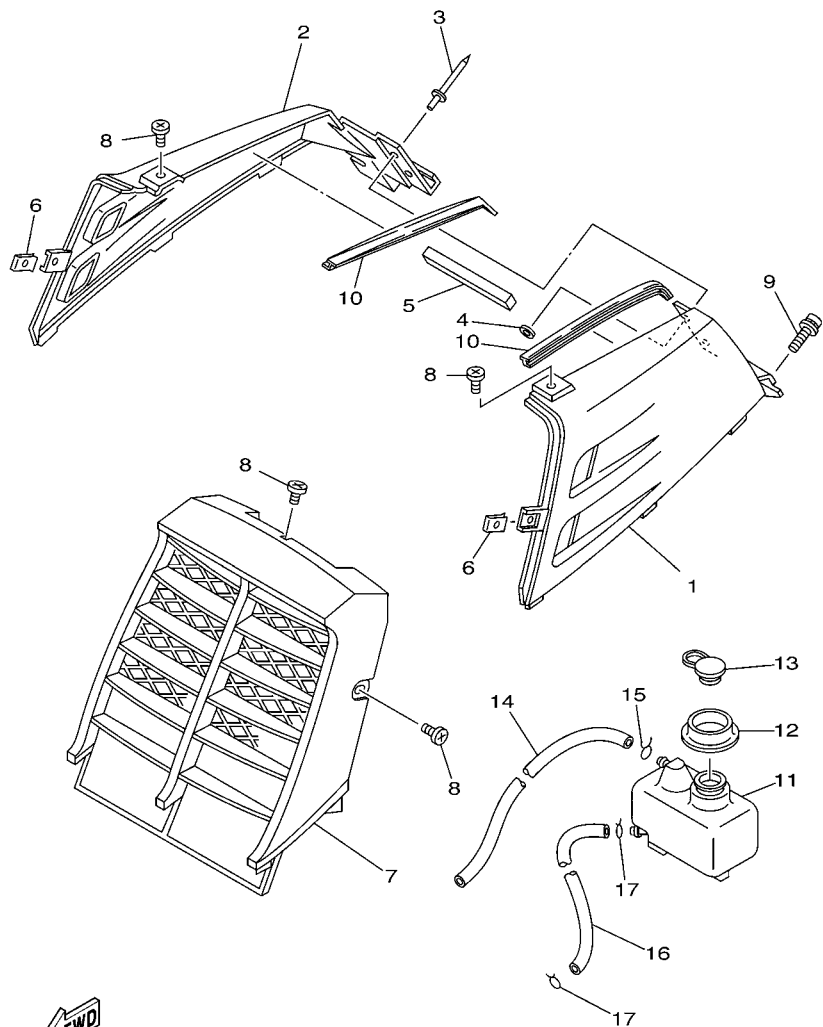
FIG. 17 REAR FENDER



3GG2100-0170

REF. NO.	PART NO.	DESCRIPTION	CAN	EUR	OCE	REMARKS
1	2GU-W216C-F0	REAR FENDER COMP.2	1			
	2GU-W216B-F0	REAR FENDER COMP.2		1		
	2GU-W216E-F0	REAR FENDER COMP.			1	
2	90119-06152	BOLT, WITH WASHER	4	4	4	
3	90149-06306	SCREW	2	2	2	
4	90150-06037	SCREW, ROUND HEAD	2	2	2	
5	95602-06100	NUT, U	4	4	4	
6	92902-06200	WASHER	4	4	4	
7	3GG-21691-00	FLAP	1	1	1	YB
8	3GG-21621-00	FLAP	1	1	1	YB
9	90149-06306	SCREW	2	2	2	
10	95602-06100	NUT, U	2	2	2	
11	92902-06200	WASHER	2	2	2	

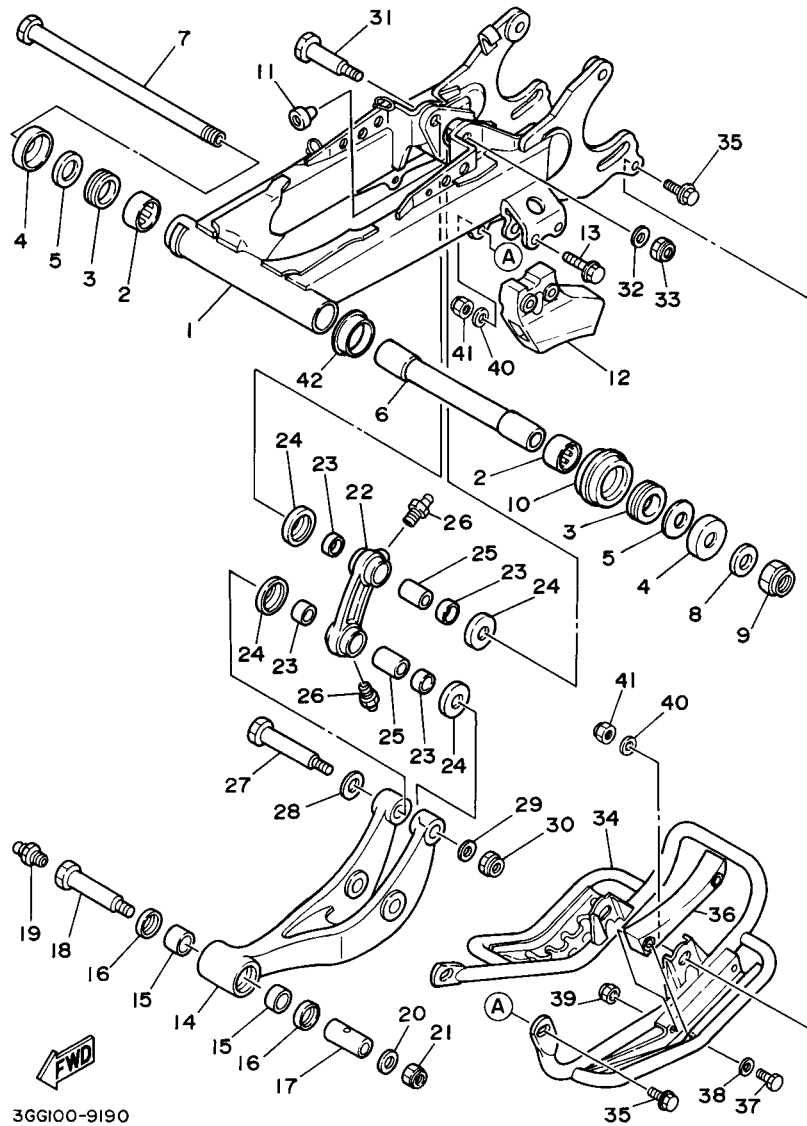
FIG. 18 SIDE COVER



5FK6100-0180

REF. NO.	PART NO.	DESCRIPTION	CAN	EUR	OCE	REMARKS
1	2GU-21711-90	COVER, SIDE 1	1	1	1	
2	2GU-21721-90	COVER, SIDE 2	1	1	1	
3	90267-40076	RIVET, BLIND	2	2	2	
4	90201-04030	WASHER, PLATE	2	2	2	
5	2GU-21747-00	DAMPER	1	1	1	
6	90183-051A0	NUT, SPRING	2	2	2	
7	2GU-23391-C0	PANEL, FRONT	1	1	1	
8	90154-05013	SCREW, BINDING	5	5	5	
9	90159-06044	SCREW, WITH WASHER	2	2	2	
10	2GU-2171L-00	MOLE, SIDE COVER 1	2	2	2	
11	2GU-21871-00	TANK, RECOVERY	1	1	1	
12	90480-48399	GROMMET	1	1	1	
13	10V-21875-00	CAP	1	1	1	
14	90445-084J0	HOSE (L1500)	1	1	1	
15	90467-080A1	CLIP	1	1	1	
16	90445-090F7	HOSE (L1150)	1	1	1	
17	90467-08003	CLIP	2	2	2	

FIG. 19 REAR ARM



REF. NO.	PART NO.	DESCRIPTION	CAN	EUR	OCF	REMARKS
1	3GG-22110-00-P0	REAR ARM COMP.	1	1	1	S8
2	93317-22237	BEARING	2	2	2	
3	93108-35004	OIL SEAL (35-41-8)	2	2	2	
4	2K6-22128-01	COVER, THRUST 1	2	2	2	
5	90201-244A9	WASHER, PLATE (2.05T)	2	2	2	
6	2GU-22184-00	BUSH	1	1	1	
7	2GU-22141-00	SHAFT, PIVOT	1	1	1	
8	90201-16018	WASHER, PLATE	1	1	1	
9	90185-16002	NUT, SELF-LOCKING	1	1	1	
10	2GU-22151-10	SEAL, GUARD	1	1	1	
11	4N0-27114-00	STOPPER, MAIN STAND	1	1	1	
12	5X4-22199-00	SUPPORT, CHAIN	1	1	1	
13	95802-08040	BOLT, FLANGE	2	2	2	
14	1UY-2217A-00	ARM, RELAY	1	1	1	
15	90383-20033	BUSH, FORMED	2	2	2	
16	93109-20076	OIL SEAL	2	2	2	
17	90387-125N9	COLLAR	1	1	1	
18	90401-10041	BOLT, UNION	1	1	1	
19	93700-06004	NIPPLE, GREASE	1	1	1	
20	90201-10037	WASHER, PLATE	1	1	1	
21	90185-10025	NUT, SELF-LOCKING	1	1	1	
22	3GG-2217F-00	ROD, CONNECTING 1	1	1	1	
23	90383-20032	BUSH, FORMED	4	4	4	
24	23X-22129-00	COVER, THRUST 2	4	4	4	
25	90387-125N8	COLLAR	2	2	2	
26	93700-06004	NIPPLE, GREASE	2	2	2	
27	90109-10038	BOLT	1	1	1	

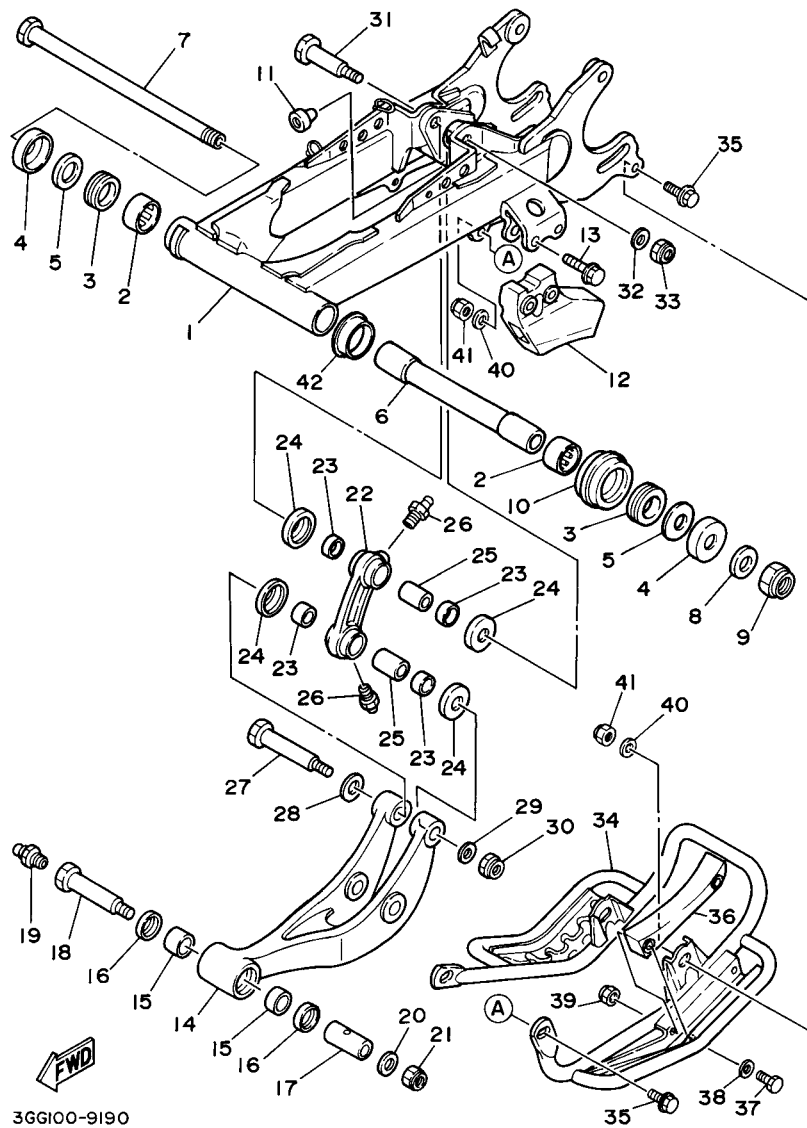
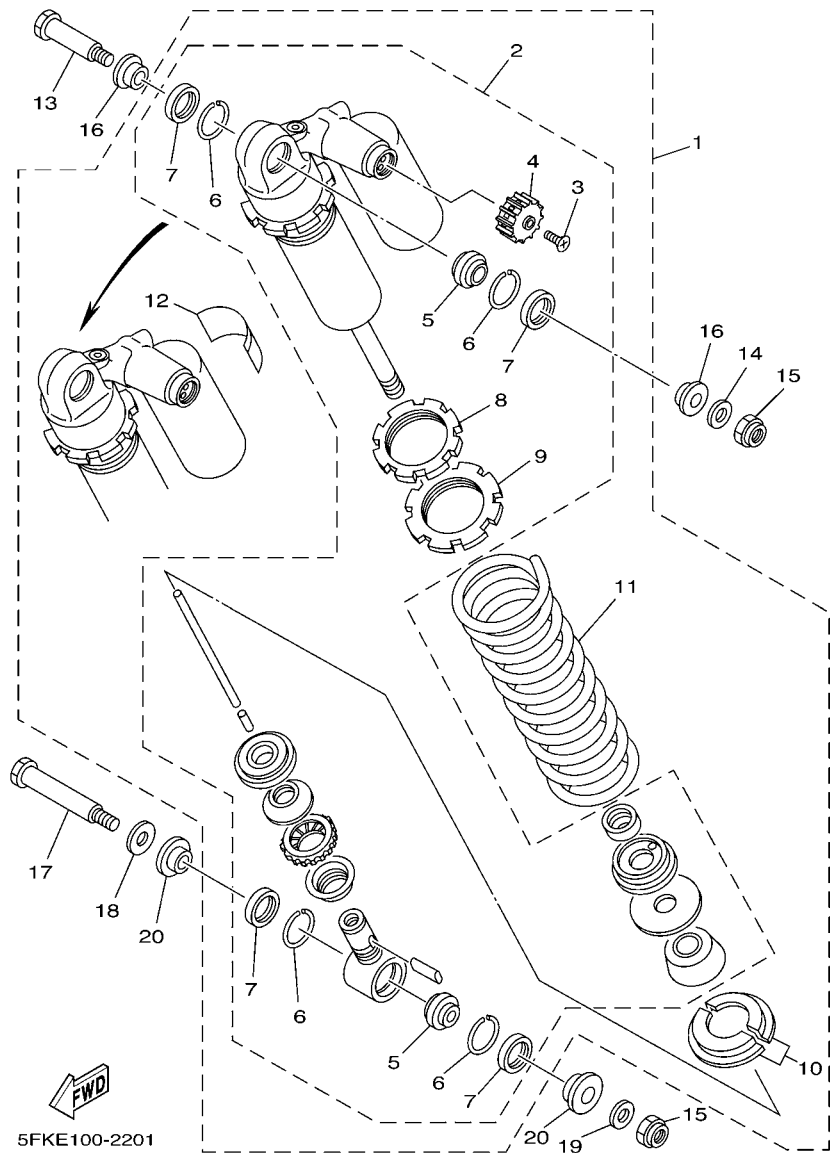


FIG. 19 REAR ARM

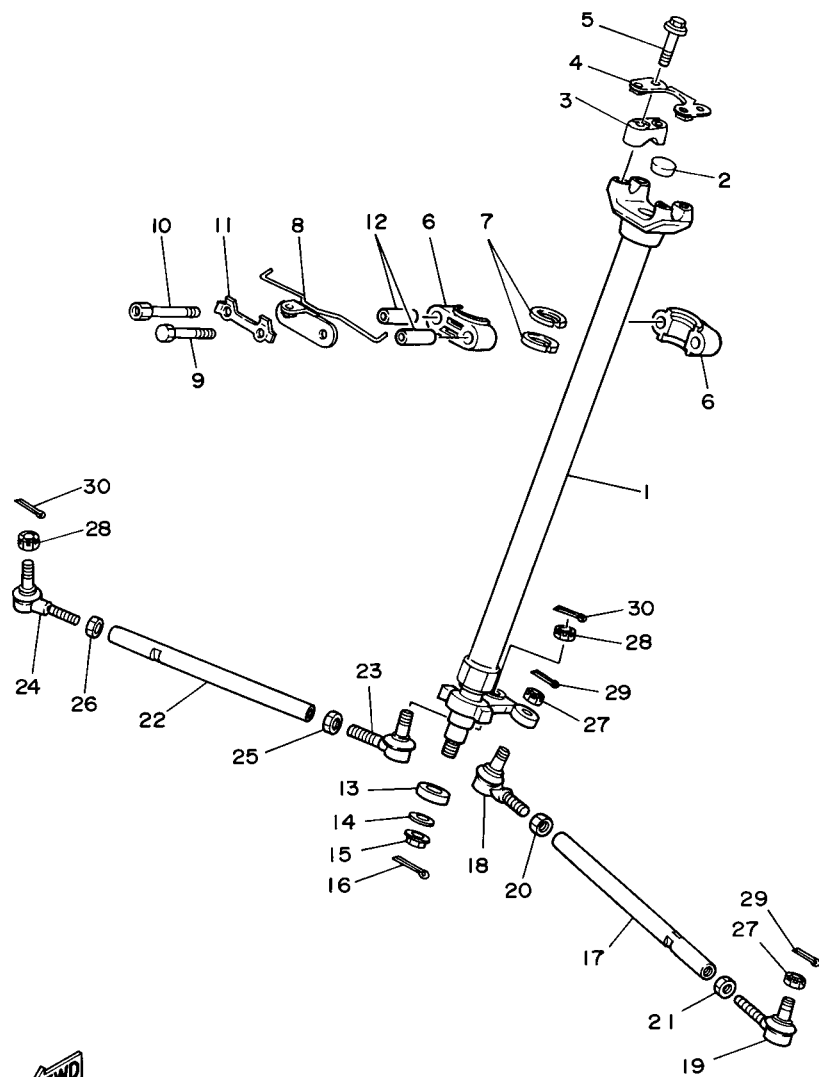
REF. NO.	PART NO.	DESCRIPTION	CAN	EUR	OCE	REMARKS
28	90201-120E6	WASHER, PLATE	1	1	1	
29	90201-100E9	WASHER, PLATE	1	1	1	
30	90185-10025	NUT, SELF-LOCKING	1	1	1	
31	90109-10020	BOLT	1	1	1	
32	90201-10037	WASHER, PLATE	1	1	1	
33	90185-10025	NUT, SELF-LOCKING	1	1	1	
34	3GG-2219X-00	COVER	1	1	1	
35	95812-08020	BOLT, FLANGE	4	4	4	
36	2GU-22153-00	GUARD, CHAIN	1	1	1	
37	97022-06045	BOLT	2	2	2	
38	92902-06600	WASHER, PLATE	2	2	2	
39	95602-06100	NUT, U	2	2	2	
40	92902-08600	WASHER, PLATE	4	4	4	
41	95612-08100	NUT, U	4	4	4	
42	2GU-22155-00	PIPE	1	1	1	

FIG. 20 REAR SUSPENSION



REF. NO.	PART NO.	DESCRIPTION	CAN	EUR	OCF	REMARKS
1	3GG-22210-52-33	SHOCK ABSORBER ASSY, REAR	1			YB
	3GG-22210-72-33	SHOCK ABSORBER ASSY, REAR		1	1	YB
2	3GG-22201-42	.DAMPER SUB ASSY	1	1	1	
3	98502-04006	..SCREW, PAN HEAD	1	1	1	
4	CA4-22464-00	..KNOB, CONTROL	1	1	1	
5	93399-99916	..BEARING	2	2	2	
6	93440-30113	..CIRCLIP	4	4	4	
7	93104-18077	..OIL SEAL	4	4	4	
8	1RK-22215-00	..RING, COVER	1	1	1	
9	38W-22223-00	..SEAT, SPRING LOWER	1	1	1	
10	3P6-22214-00	..GUIDE, SPRING 1	1	1	1	
11	38W-22212-10-33	.SPRING	1	1	1	YB
12	4AA-22259-70	.LABEL, WARNING	1			
	4AA-22259-40	.LABEL, WARNING		1	1	
13	90109-10037	BOLT	1	1	1	
14	90201-10037	WASHER, PLATE	1	1	1	
15	90185-10025	NUT, SELF-LOCKING	2	2	2	
16	90387-127G8	COLLAR	2	2	2	
17	90109-10038	BOLT	1	1	1	
18	90201-120E6	WASHER, PLATE	1	1	1	
19	90201-100E9	WASHER, PLATE	1	1	1	
20	90387-126H8	COLLAR	2	2	2	

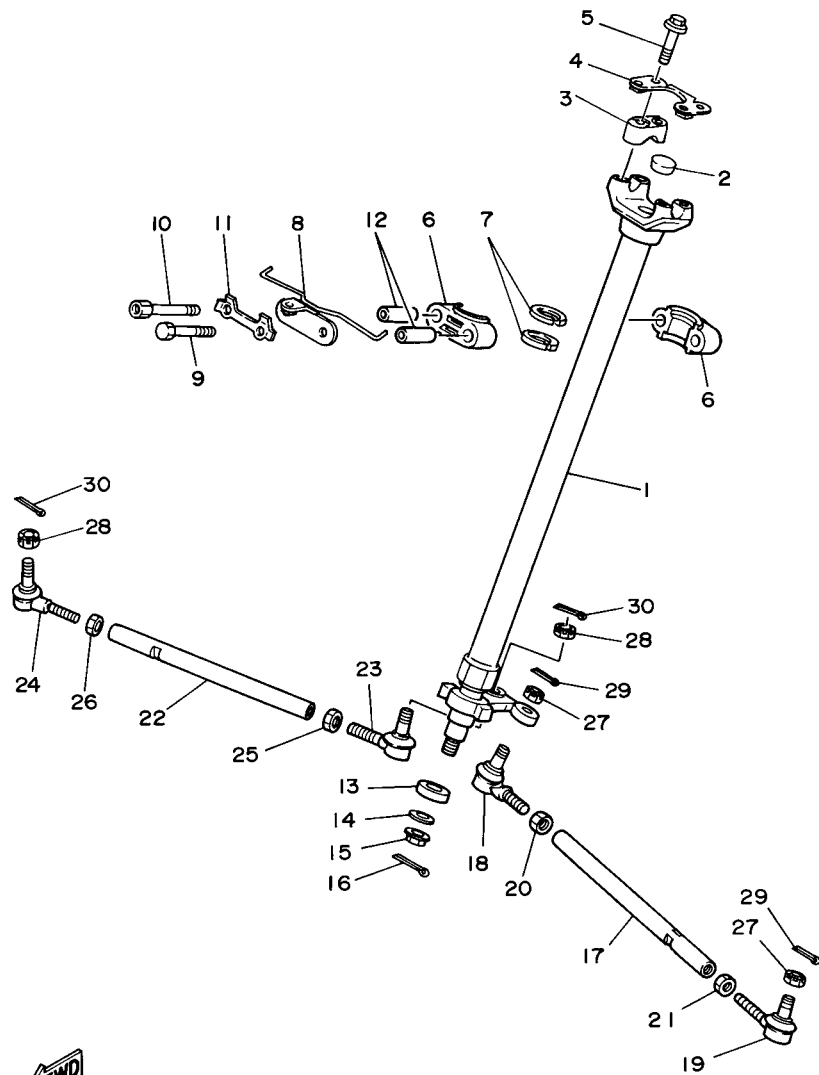
FIG. 21 STEERING



36GS100-7220

REF. NO.	PART NO.	DESCRIPTION	CAN	EUR	OCF	REMARKS
1	3GG-23813-20	COLUMN, STEERING 2	1	1	1	
2	90336-28053	PLUG, TAPER	1	1	1	
3	8K1-23814-00	HOLDER, HANDLE	2	2	2	
4	2GU-2629K-10	STAY	1	1	1	
5	95822-08035	BOLT, FLANGE	4	4	4	
6	1UY-23812-00	PLANE BEARING, STEERING	2	2	2	
7	93112-31011	OIL SEAL	2	2	2	
8	2GU-23868-00	BRACKET, STEERING LOWER	1	1	1	
9	97022-08060	BOLT	1	1	1	
10	90109-08192	BOLT	1	1	1	
11	1UY-23894-01	WASHER, LOCK 1	1	1	1	
12	90387-090R0	COLLAR	2	2	2	
13	90387-176R6	COLLAR	1	1	1	
14	90201-10036	WASHER, PLATE	1	1	1	
15	90185-10019	NUT, SELF-LOCKING	1	1	1	
16	91401-20020	PIN, COTTER	1	1	1	
17	2GU-23831-01	ROD, TIE	1	1	1	
18	1UY-23841-01	JOINT, UNIVERSAL 1	1	1	1	
19	1UY-23845-01	JOINT, UNIVERSAL 2	1	1	1	
20	95302-10700	NUT	1	1	1	
21	90170-10010	NUT	1	1	1	(L.H. THREAD)
22	2GU-23831-01	ROD, TIE	1	1	1	
23	1UY-23841-01	JOINT, UNIVERSAL 1	1	1	1	
24	1UY-23845-01	JOINT, UNIVERSAL 2	1	1	1	
25	95302-10700	NUT	1	1	1	
26	90170-10010	NUT	1	1	1	(L.H. THREAD)
27	90171-10001	NUT, CASTLE	2	2	2	

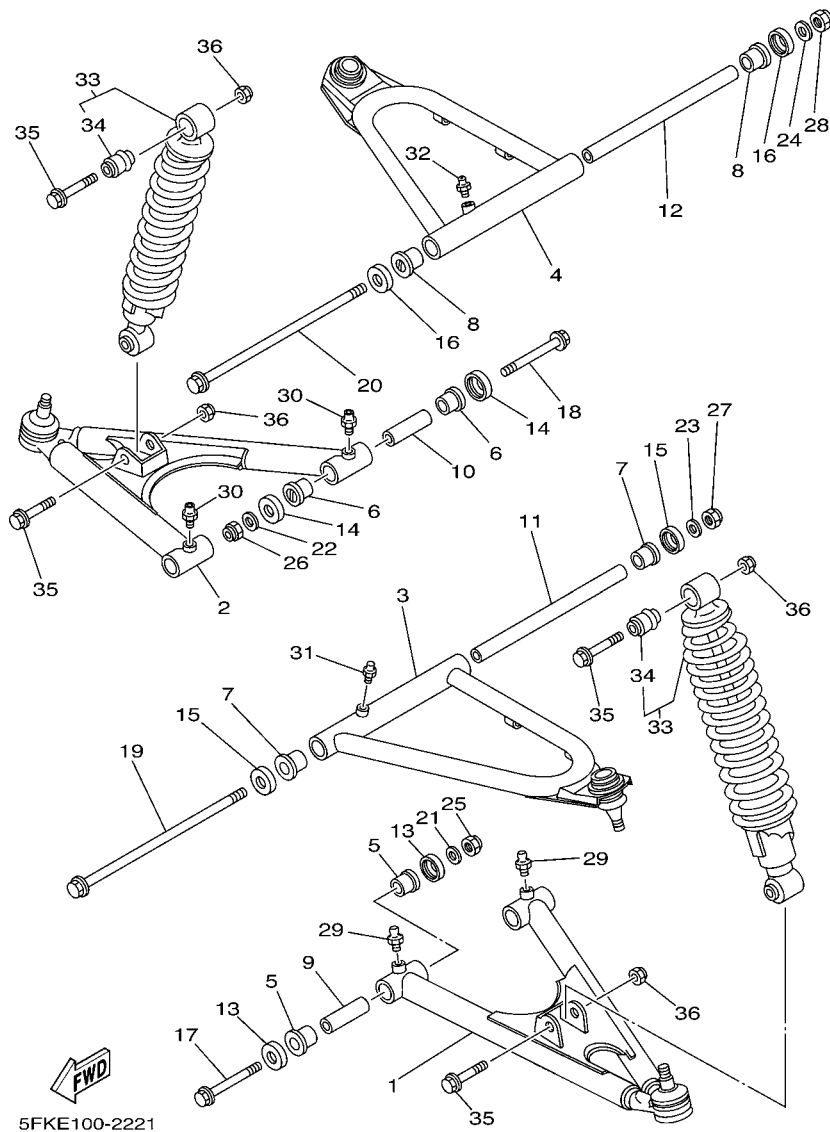
FIG. 21 STEERING



36GS100-7220

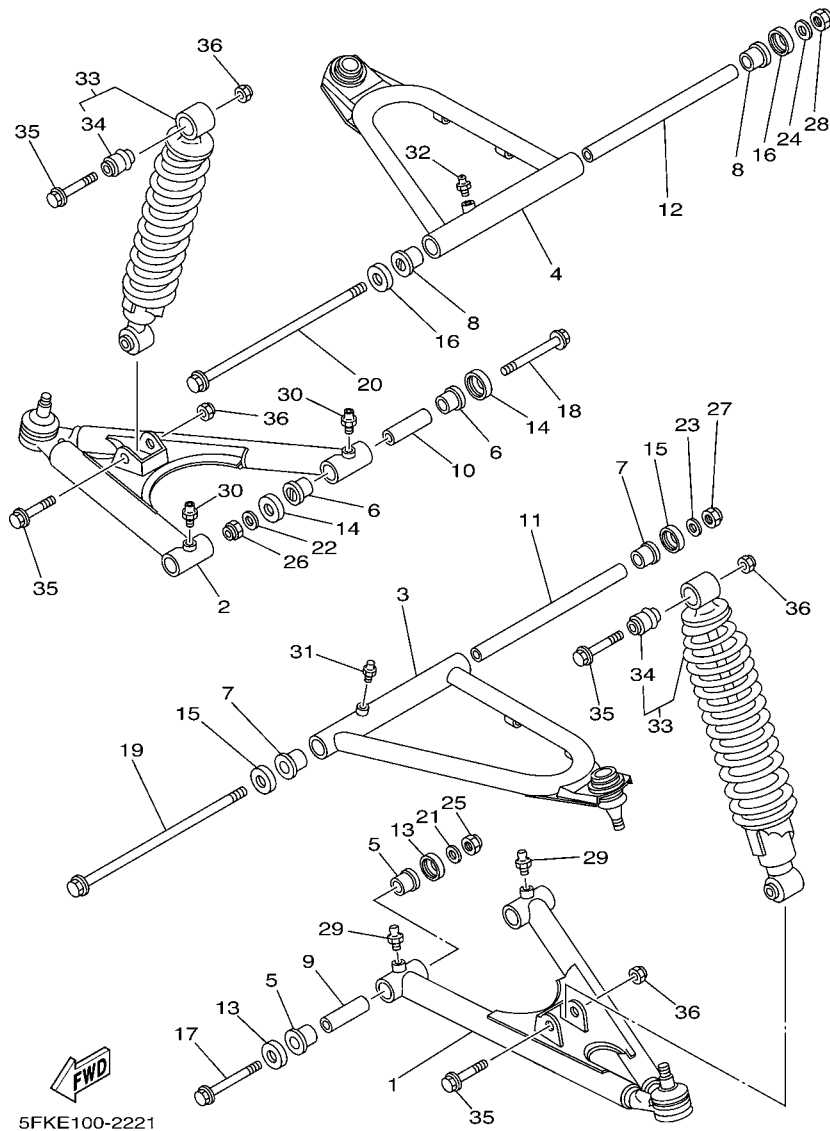
REF. NO.	PART NO.	DESCRIPTION	CAN	EUR	OCÉ	REMARKS
28	90171-10001	NUT, CASTLE	2	2	2	
29	91401-20020	PIN, COTTER	2	2	2	
30	91401-20020	PIN, COTTER	2	2	2	

FIG. 22 FRONT SUSPENSION & WHEEL



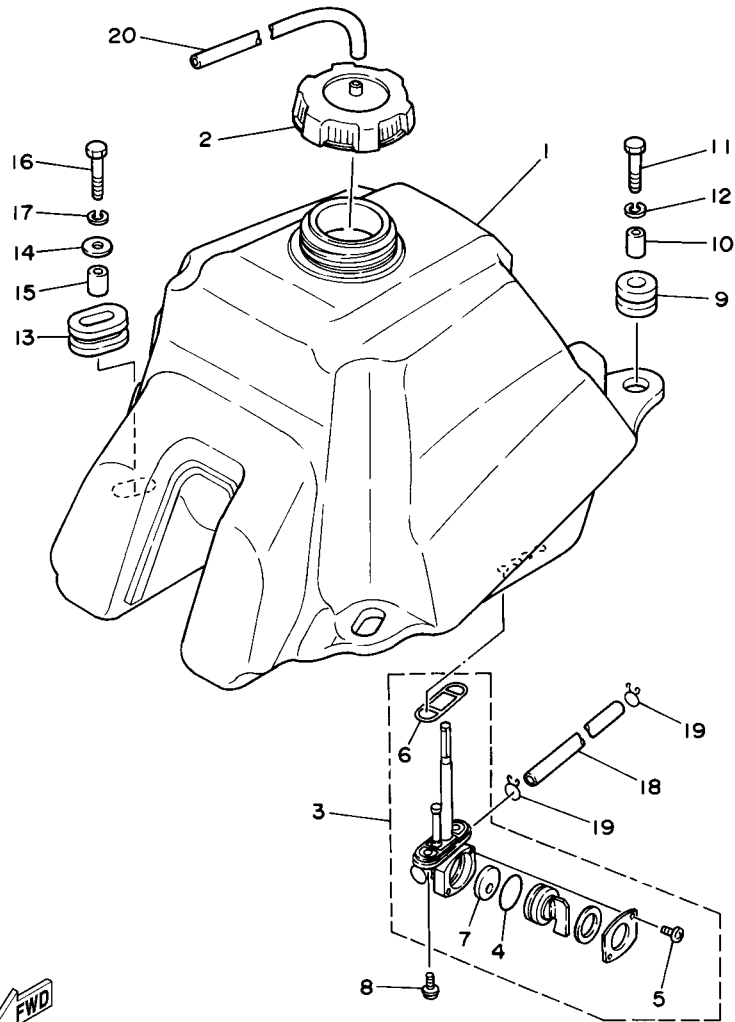
REF. NO.	PART NO.	DESCRIPTION	CAN	EUR	OCÉ	REMARKS
1	2GU-23570-00-P1	FRONT LOWER ARM COMP. (LEFT)	1	1	1	S8
2	2GU-23580-00-P1	FRONT LOWER ARM COMP. (RIGHT)	1	1	1	S8
3	3GG-23540-00-P1	FRONT UPPER ARM COMP. (LEFT)	1	1	1	S8
4	3GG-23550-00-P1	FRONT UPPER ARM COMP. (RIGHT)	1	1	1	S8
5	90381-15088	BUSH, SOLID	4	4	4	
6	90381-15088	BUSH, SOLID	4	4	4	
7	90381-15088	BUSH, SOLID	2	2	2	
8	90381-15088	BUSH, SOLID	2	2	2	
9	90387-101R3	COLLAR	2	2	2	
10	90387-101R3	COLLAR	2	2	2	
11	90387-100Y6	COLLAR	1	1	1	
12	90387-100Y6	COLLAR	1	1	1	
13	5YT-23517-00	COVER, THRUST 1	4	4	4	
14	5YT-23517-00	COVER, THRUST 1	4	4	4	
15	5YT-23517-00	COVER, THRUST 1	2	2	2	
16	5YT-23517-00	COVER, THRUST 1	2	2	2	
17	90105-10135	BOLT, FLANGE	2	2	2	
18	90105-10135	BOLT, FLANGE	2	2	2	
19	90105-10132	BOLT, FLANGE	1	1	1	
20	90105-10132	BOLT, FLANGE	1	1	1	
21	90201-10037	WASHER, PLATE	2	2	2	
22	90201-10037	WASHER, PLATE	2	2	2	
23	90201-10037	WASHER, PLATE	1	1	1	
24	90201-10037	WASHER, PLATE	1	1	1	
25	90185-10012	NUT, SELF-LOCKING	2	2	2	
26	90185-10012	NUT, SELF-LOCKING	2	2	2	
27	90185-10012	NUT, SELF-LOCKING	1	1	1	

FIG. 22 FRONT SUSPENSION & WHEEL



REF. NO.	PART NO.	DESCRIPTION	CAN	EUR	OCF	REMARKS
28	90185-10012	NUT, SELF-LOCKING	1	1	1	
29	93700-06004	NIPPLE, GREASE	2	2	2	
30	93700-06004	NIPPLE, GREASE	2	2	2	
31	93700-06004	NIPPLE, GREASE	1	1	1	
32	93700-06004	NIPPLE, GREASE	1	1	1	
33	3GG-23350-10-33	SHOCK ABSORBER ASSY	2			YB
	3GG-23350-20-33	SHOCK ABSORBER ASSY		2	2	YB
34	59V-2331R-00	.DAMPER, BUSH B	1	1	1	
35	90105-10131	BOLT, FLANGE	4	4	4	
36	90185-10012	NUT, SELF-LOCKING	4	4	4	

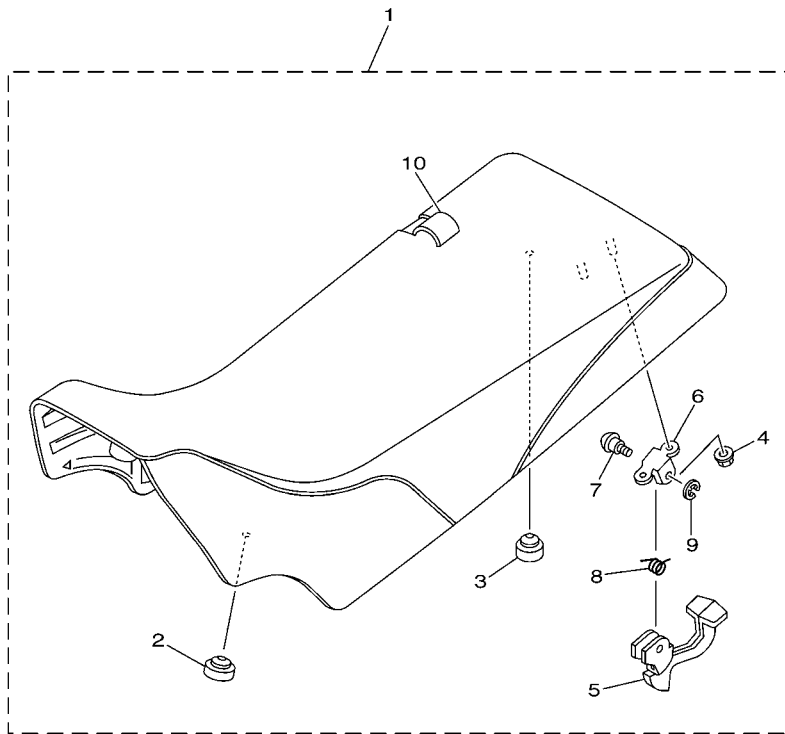
FIG. 23 FUEL TANK



3B53100-E230

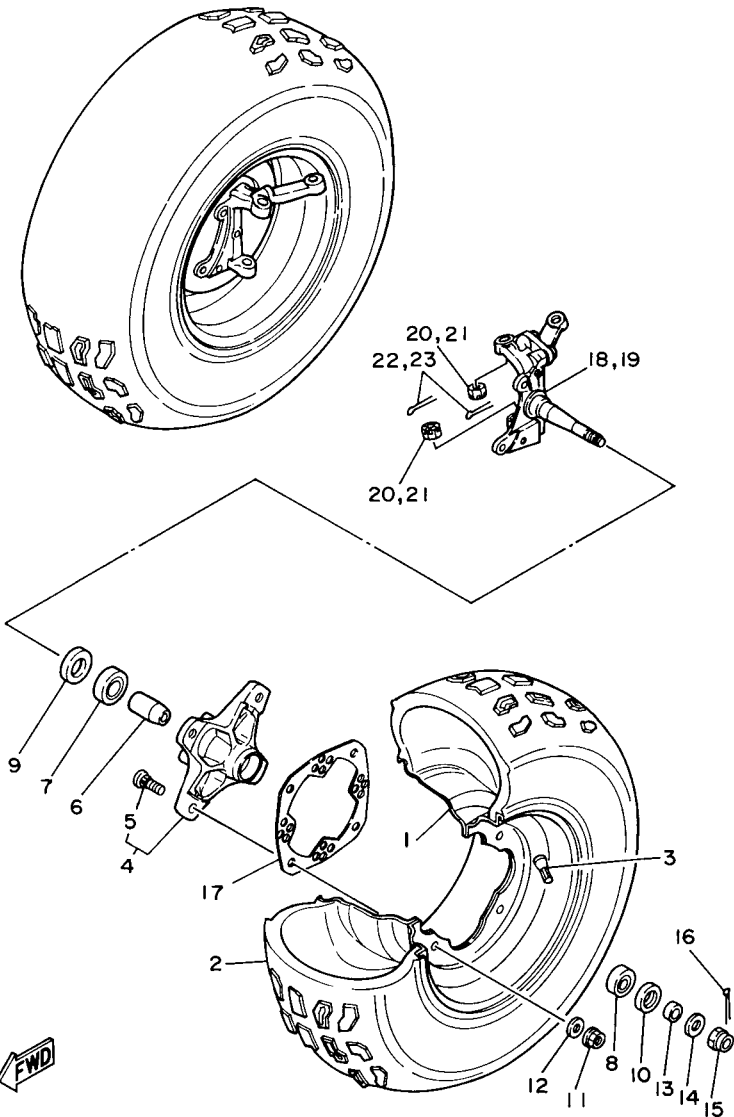
REF. NO.	PART NO.	DESCRIPTION	CAN	EUR	OCE	REMARKS
1	2GU-24110-00	FUEL TANK COMP.	1	1	1	
2	5KM-24610-00	CAP ASSY	1	1	1	
3	2GU-24500-02	FUEL COCK ASSY 1	1	1	1	
4	3AJ-24534-01	.SEAL, COCK	1	1	1	
5	98507-03008	.SCREW, PAN HEAD	2	2	2	
6	4X8-24512-00	.O-RING	1	1	1	
7	3AC-24523-00	.VALVE PACKING	1	1	1	
8	90149-06108	SCREW	2	2	2	
9	90480-18290	GROMMET	2	2	2	
10	90387-066J1	COLLAR	2	2	2	
11	97022-06030	BOLT	2	2	2	
12	92902-06100	WASHER, SPRING	2	2	2	
13	90480-01400	GROMMET	2	2	2	
14	90201-06090	WASHER, PLATE	2	2	2	
15	90387-07598	COLLAR	2	2	2	
16	97022-06030	BOLT	2	2	2	
17	92902-06100	WASHER, SPRING	2	2	2	
18	90445-13693	HOSE (L166)	1	1	1	
19	90467-110A3	CLIP	2	2	2	
20	90445-084J1	HOSE (L420)	1	1	1	

FIG. 24 SEAT



REF. NO.	PART NO.	DESCRIPTION	CAN	EUR	OCE	REMARKS
1	5FK-24710-E0	SINGLE SEAT ASSY	1	1	1	
2	22W-24741-00	.PAD, SEAT	2	2	2	
3	371-27114-00	.STOPPER, MAIN STAND	2	2	2	
4	95707-06500	.NUT, FLANGE	2	2	2	
5	3GD-24776-00	.LEVER, SEAT	1	1	1	
6	4K0-24775-00	.BRACKET, SEAT LEVER	1	1	1	
7	4K0-24774-01	.PIN	1	1	1	
8	90508-20454	.SPRING, TORSION	1	1	1	
9	93430-20454	.CIRCLIP	1	1	1	
10	5FK-2470F-E0	.SEAT COVER COMP.	1	1	1	


5FKJ100-B240



36GM100-6250

FIG. 25 FRONT WHEEL

REF. NO.	PART NO.	DESCRIPTION	CAN	EUR	OCF	REMARKS
1	2XK-25180-10-HM	WHEEL COMP.	2	2	2	AMS
2	94107-10020	TIRE (AT21X7-10 KT851B T/L)	2	2	2	DUNLOP
3	93900-00022	VALVE, RIM (TR413)	2	2	2	TAIHEIYO
4	3GD-25111-20	HUB, FRONT	2	2	2	
5	90114-10006	.BOLT, SERRATION	4	4	4	
6	1UY-25117-00	SPACER, BEARING	2	2	2	
7	93306-00446	BEARING	2	2	2	
8	93306-20231	BEARING	2	2	2	
9	93105-26026	OIL SEAL	2	2	2	
10	93102-22216	OIL SEAL	2	2	2	
11	95702-10500	NUT, WITH WASHER	8	8	8	
12	92902-10200	WASHER	8	8	8	
13	90387-150R1	COLLAR	2	2	2	
14	90201-14586	WASHER, PLATE	2	2	2	
15	90171-14002	NUT, CASTLE	2	2	2	
16	91401-30025	PIN, SPLIT	2	2	2	
17	1S3-25127-00	COVER, PLATE	2	2	2	
18	3GD-23501-10	STEERING KNUCKLE ASSY (LEFT)	1	1	1	
19	3GD-23502-10	STEERING KNUCKLE ASSY (RIGHT)	1	1	1	
20	90171-10001	NUT, CASTLE	2	2	2	
21	90171-10001	NUT, CASTLE	2	2	2	
22	91401-20020	PIN, COTTER	2	2	2	
23	91401-20020	PIN, COTTER	2	2	2	

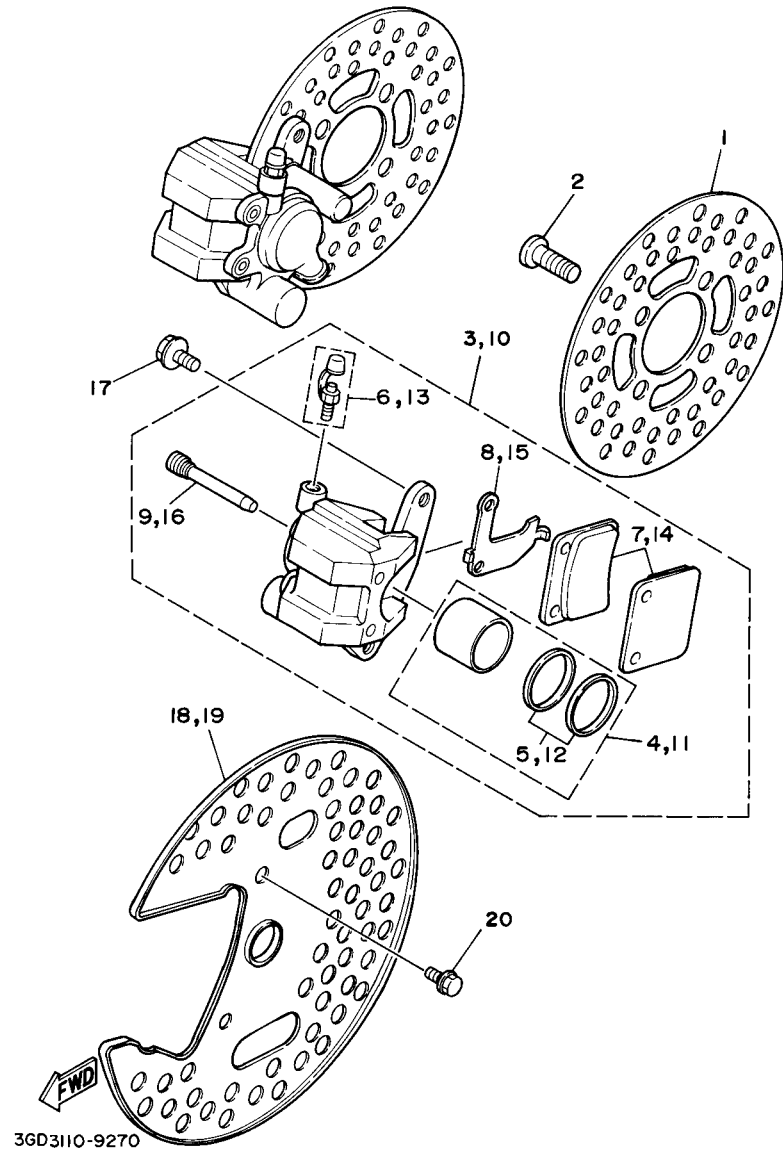
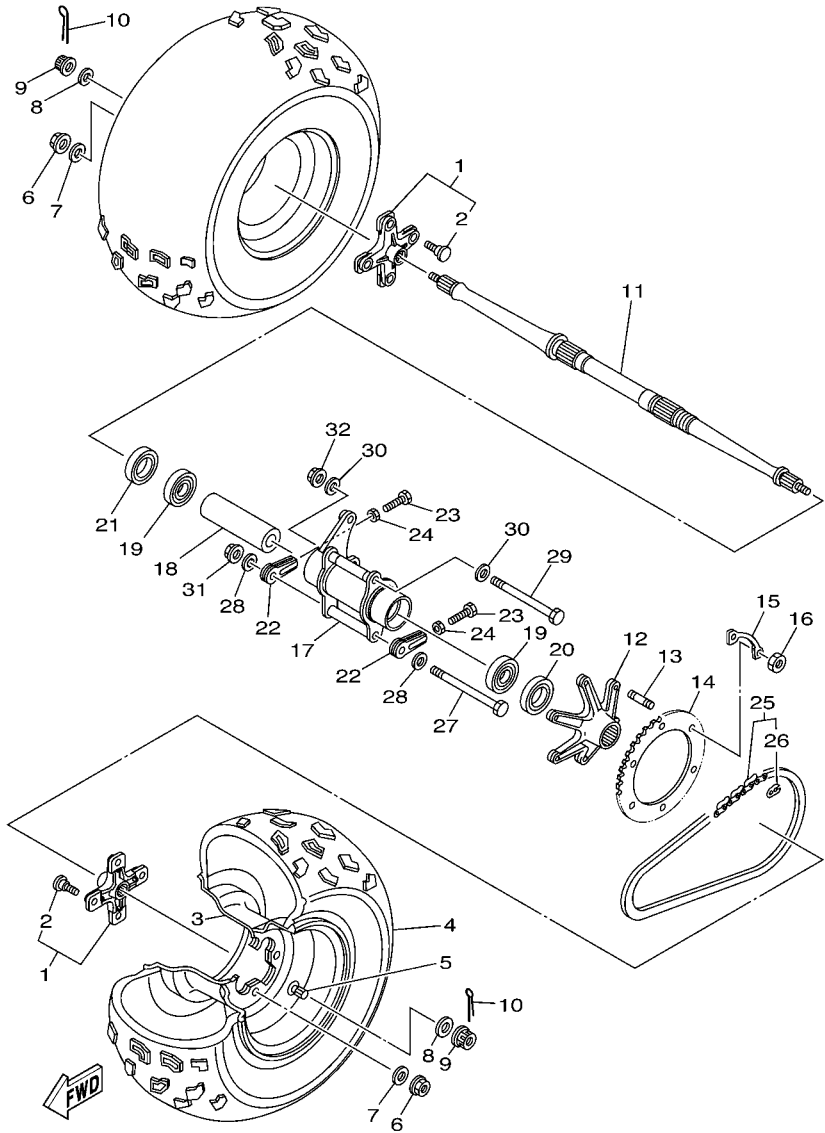


FIG. 26 FRONT BRAKE CALIPER

REF. NO.	PART NO.	DESCRIPTION	CAN	EUR	OCE	REMARKS
1	3GD-2582T-10	DISC, BRAKE (LEFT)	2	2	2	
2	90109-08082	BOLT	8	8	8	
3	5LP-2580T-00	CALIPER ASSY (LEFT)	1	1	1	
4	3GD-W0057-00	.PISTON ASSY, CALIPER	1	1	1	
5	3GD-W0047-00	..CALIPER SEAL KIT	1	1	1	
6	1UY-W0048-50	.BLEED SCREW KIT	1	1	1	
7	5LP-W0045-00	.BRAKE PAD KIT	1	1	1	
8	3GD-25827-00	.SHIM, CALIPER	1	1	1	
9	3GD-25933-00	.PIN, PAD	2	2	2	
10	5LP-2580U-00	CALIPER ASSY (RIGHT)	1	1	1	
11	3GD-W0057-00	.PISTON ASSY, CALIPER	1	1	1	
12	3GD-W0047-00	..CALIPER SEAL KIT	1	1	1	
13	1UY-W0048-50	.BLEED SCREW KIT	1	1	1	
14	5LP-W0045-00	.BRAKE PAD KIT	1	1	1	
15	3GD-25828-00	.SHIM, CALIPER	1	1	1	
16	3GD-25933-00	.PIN, PAD	2	2	2	
17	90105-08161	BOLT, FLANGE	4	4	4	
18	3GD-2514A-10	RING, WHEEL 1	1	1	1	
19	3GD-2515A-10	RING, WHEEL 2	1	1	1	
20	95802-06010	BOLT, FLANGE	4	4	4	



5FKE100-2270

FIG. 27 REAR WHEEL

REF. NO.	PART NO.	DESCRIPTION	CAN	EUR	OCÉ	REMARKS
1	1S3-25383-20	COLLAR, WHEEL	2	2	2	
2	90114-10013	.BOLT, SERRATION	4	4	4	
3	2XK-25390-01-HM	REAR WHEEL COMP.	2	2	2	AMS
4	94110-09020	TIRE (AT20X10-9 KT877 T/L)	2	2	2	DUNLOP
5	93900-00022	VALVE, RIM (TR413)	2	2	2	TAIHEIYO
6	95702-10500	NUT, WITH WASHER	8	8	8	
7	92902-10200	WASHER	8	8	8	
8	90201-14021	WASHER, PLATE	2	2	2	
9	90171-14004	NUT, CASTLE	2	2	2	
10	91401-30030	PIN, COTTER	2	2	2	
11	38W-25381-10	AXLE, WHEEL	1	1	1	
12	2XJ-25386-00	COLLAR, SPROCKET AXLE	1	1	1	
13	90116-08084	BOLT, STUD	6	6	6	
14	2XJ-25441-21	SPROCKET, DRIVEN (41T)	1	1	1	
15	2XJ-25412-00	WASHER	3	3	3	
16	90170-08014	NUT	6	6	6	
17	3GG-25311-01-P1	HUB, REAR	1	1	1	S8
18	90560-35263	SPACER	1	1	1	
19	93306-00705	BEARING	2	2	2	
20	93102-42260	OIL SEAL	1	1	1	
21	93102-43341	OIL SEAL	1	1	1	
22	2XJ-25388-00	PULLER, CHAIN 1	2	2	2	
23	90101-08006	BOLT	2	2	2	
24	95302-08600	NUT	2	2	2	
25	94581-87104	CHAIN (DID520V)	1	1	1	
26	94681-87011	.JOINT, CHAIN (DID520V FJ)	1	1	1	
27	90101-10030	BOLT	1	1	1	

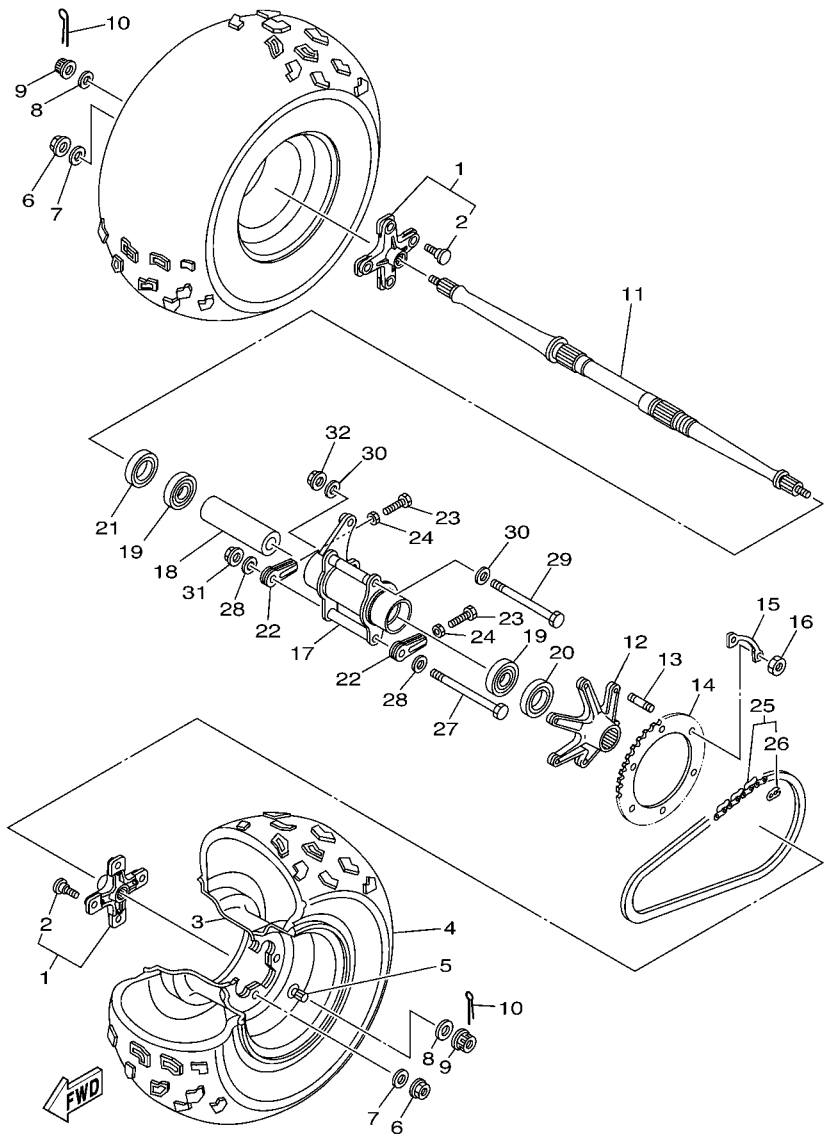
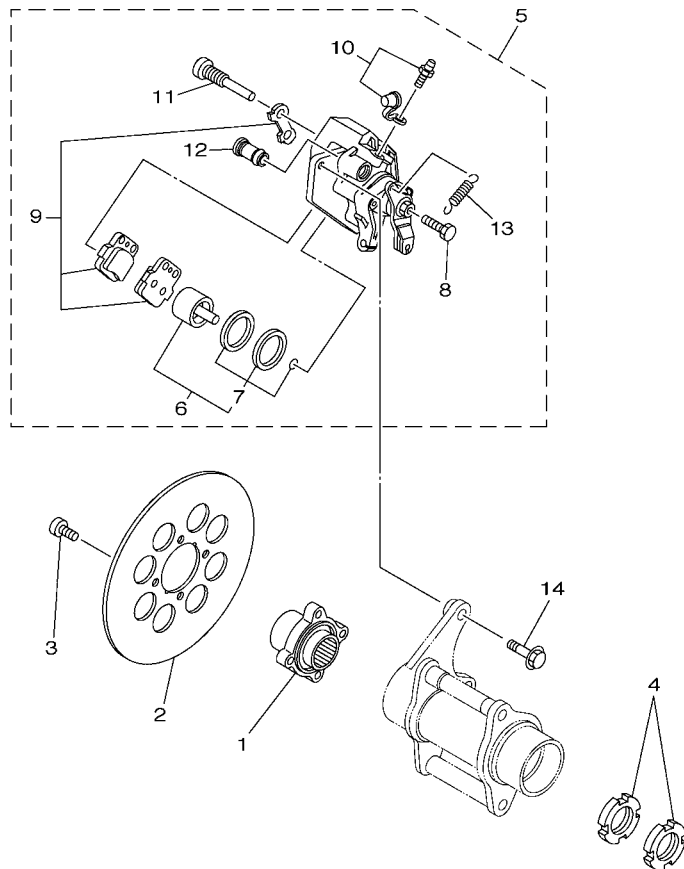


FIG. 27 REAR WHEEL

REF. NO.	PART NO.	DESCRIPTION	CAN	EUR	OCE	REMARKS
28	90201-10052	WASHER, PLATE	2	2	2	
29	90101-12035	BOLT	1	1	1	
30	90201-12045	WASHER, PLATE	2	2	2	
31	90179-10024	NUT	1	1	1	
32	90179-12009	NUT	1	1	1	



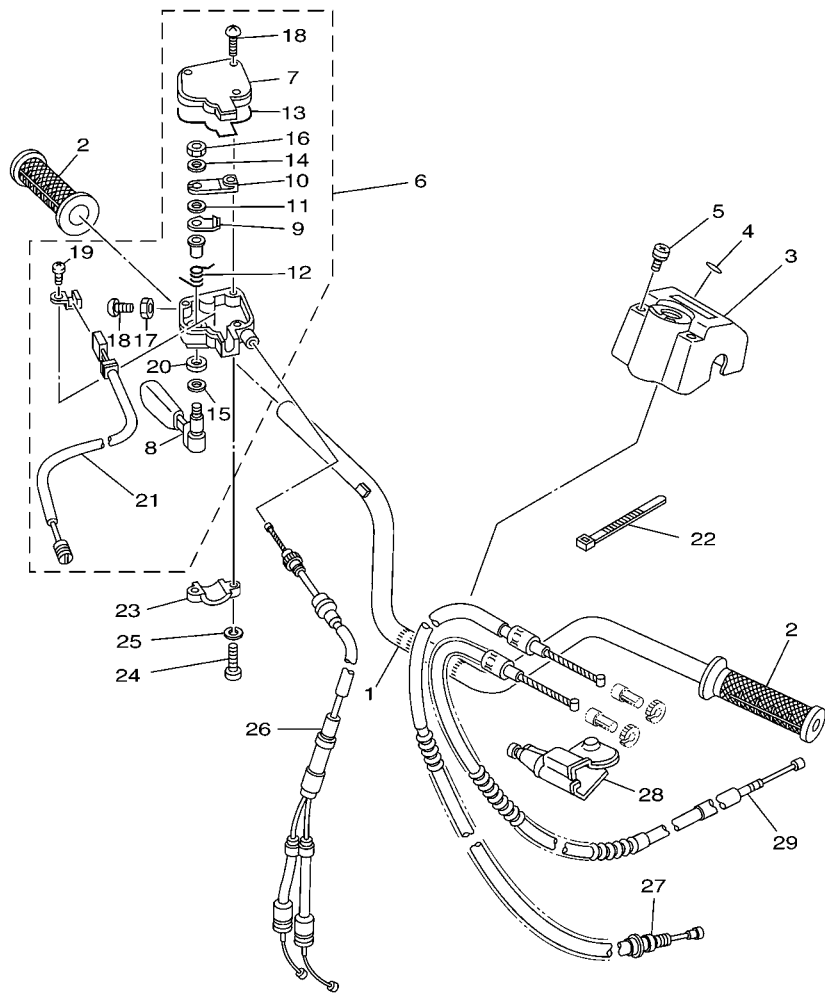
5FKJ100-B280

FIG. 28 REAR BRAKE CALIPER

REF. NO.	PART NO.	DESCRIPTION	CAN	EUR	OCE	REMARKS
1	2GU-25712-00	BRACKET, DISC	1	1	1	
2	5FK-2582W-00	DISK, REAR BRAKE 2	1	1	1	
3	90109-081F0	BOLT	4	4	4	
4	90170-33011	NUT	2	2	2	
5	1UY-2580W-00	CALIPER ASSY, REAR 2	1	1	1	
6	1UY-W0057-50	.PISTON ASSY, CALIPER	1	1	1	
7	1UY-W0047-50	.CALIPER SEAL KIT	1	1	1	
8	1UY-25972-51	.ADJUSTBOLT	1	1	1	
9	1UY-W0046-00	.BRAKE PAD KIT 2	1	1	1	
10	1UY-W0048-50	.BLEED SCREW KIT	1	1	1	
11	1UY-25924-51	.PIN, PAD	2	2	2	
12	1UY-25917-51	.BOOT, CALIPER	2	2	2	
13	1UY-25977-51	.SPRING, RETURN	1	1	1	
14	90105-08182	BOLT, FLANGE	2	2	2	

D11

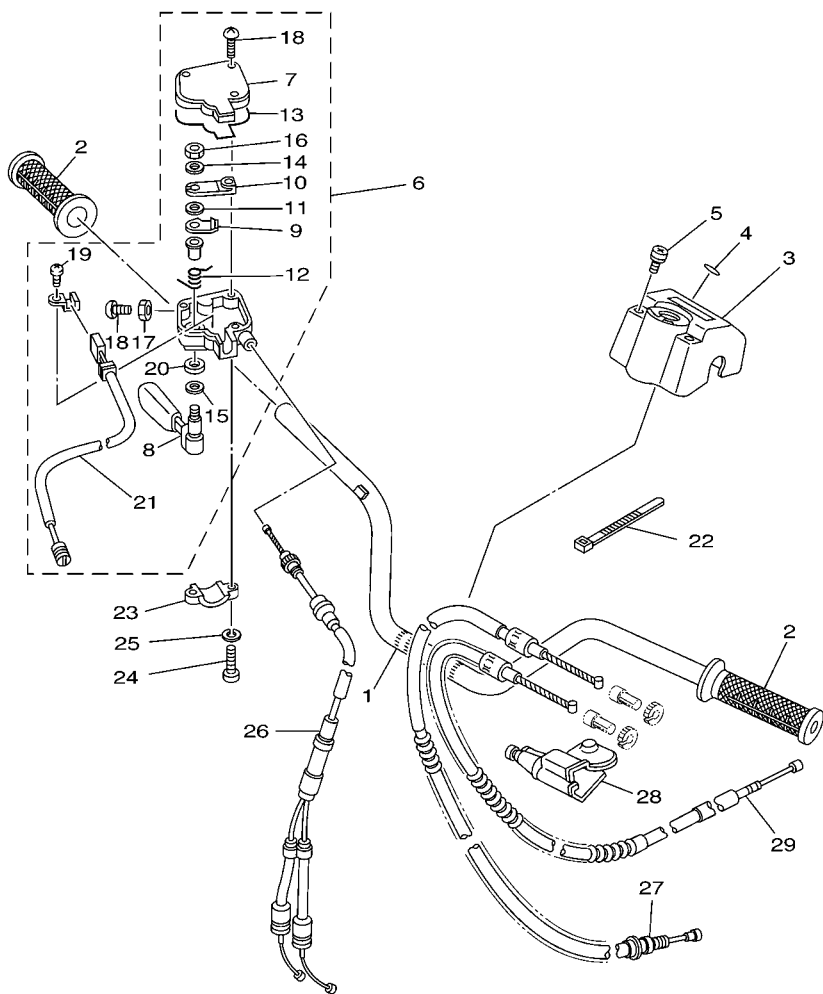
FIG. 29 STEERING HANDLE & CABLE



5FKJ100-B290

REF. NO.	PART NO.	DESCRIPTION	CAN	EUR	OCE	REMARKS
1	5LP-26111-40	HANDLEBAR	1	1	1	
2	5LP-26241-00	GRIP	2	2	2	
3	2GU-26124-01	PROTECTOR, HANDLEBAR	1	1	1	
4	5GT-2836B-10	TUNING FORK MARK	1	1	1	
5	90159-06043	SCREW, WITH WASHER	2	2	2	
6	3GG-26250-20	THROTTLE LEVER ASSY	1	1	1	
7	2GU-2628F-20	.CAP, GEAR	1	1	1	
8	2GU-2625G-01	.LEVER, THROTTLE	1	1	1	
9	2GU-2625H-00	.ARM, THROTTLE	1	1	1	
10	2GU-2625J-00	.ARM, THROTTLE 2	1	1	1	
11	2GU-26259-00	.COLLAR	1	1	1	
12	2GU-26314-00	.SPRING	1	1	1	
13	2GU-2628G-00	.GASKET	1	1	1	
14	2GU-26398-00	.WASHER	1	1	1	
15	1NV-26129-00	.WASHER	1	1	1	
16	95607-05100	.NUT, U	1	1	1	
17	95307-05700	.NUT	1	1	1	
18	98507-05020	.SCREW, PAN HEAD	4	4	4	
19	98907-03006	.SCREW, BIND	1	1	1	
20	93104-09025	.OIL SEAL	1	1	1	
21	3GG-82567-00	.SWITCH, THROTTLE	1	1	1	
22	437-83936-01	BAND, SWITCH CORD	2	2	2	
23	4V4-82913-00	HOLDER, LEVER LOWER 1	1	1	1	
24	98502-05020	SCREW, PAN HEAD	2	2	2	
25	92902-05100	WASHER, SPRING	2	2	2	
26	2GU-26260-01	CABLE ASSY, THROTTLE & PUMP	1	1	1	
27	5FK-26335-10	CABLE, CLUTCH	1	1	1	

FIG. 29 STEERING HANDLE & CABLE



REF. NO.	PART NO.	DESCRIPTION	CAN	EUR	OCE	REMARKS
28	1UY-2637A-01	COVER, HANDLE LEVER 2	1	1	1	
29	1UY-26341-10	WIRE, BRAKE 1	1	1	1	


5FKJ100-B290

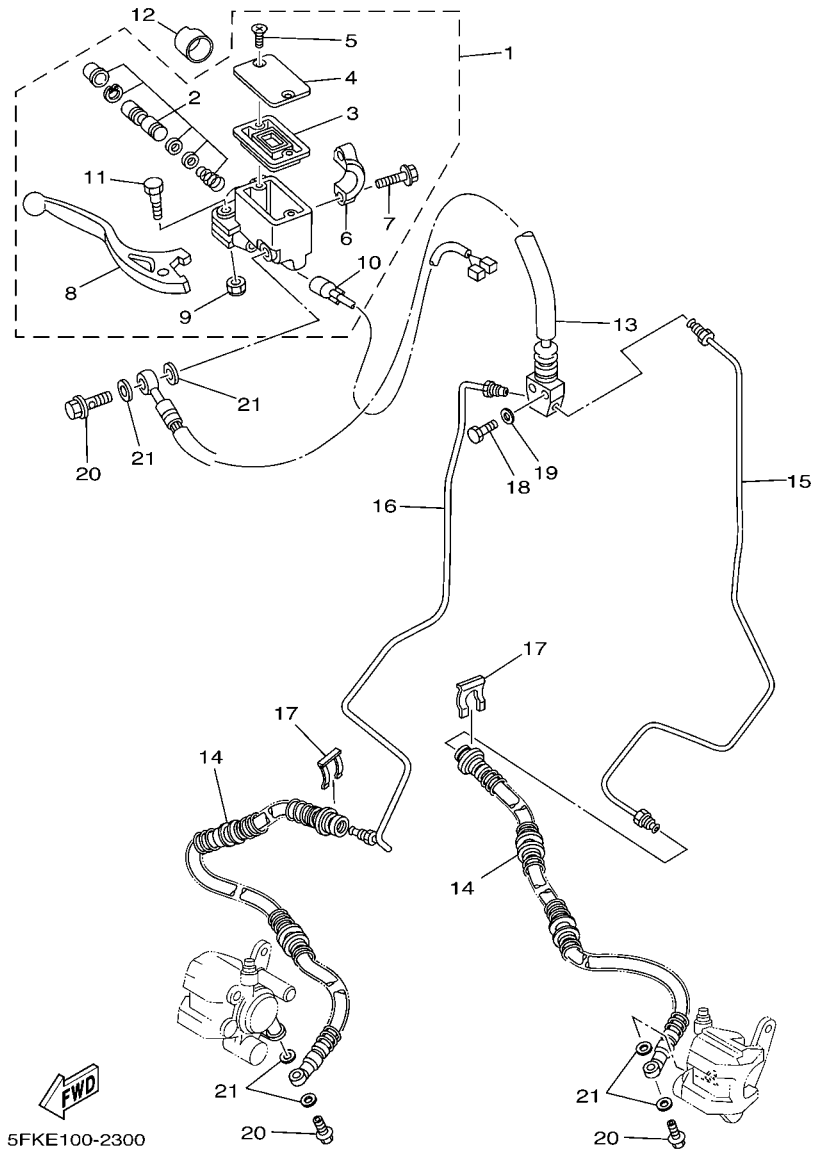
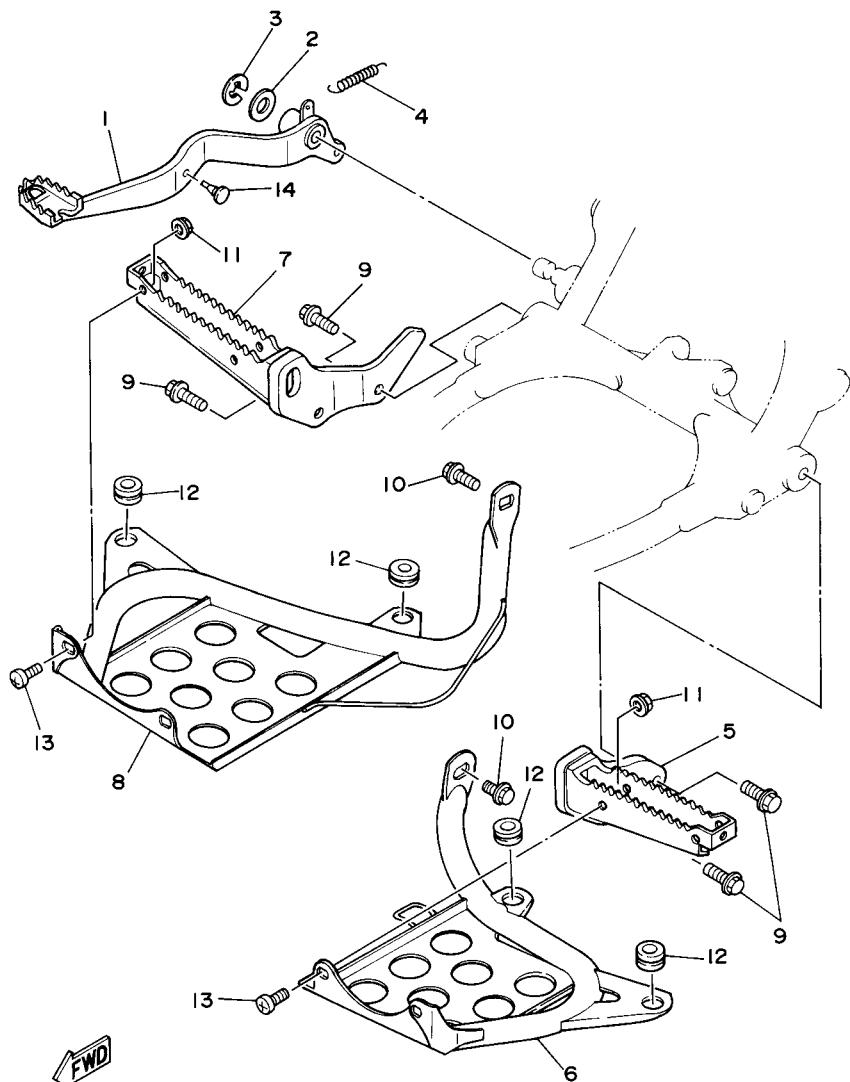


FIG. 30 FRONT MASTER CYLINDER

REF. NO.	PART NO.	DESCRIPTION	CAN	EUR	OCF	REMARKS
1	5LP-2583T-01	MASTER CYLINDER ASSY	1	1	1	
2	5LP-W0041-00	.CYLINDER KIT, MASTER	1	1	1	
3	4L0-25854-00	.DIAPHRAGM, RESERVOIR	1	1	1	
4	5LP-25852-01	.CAP, RESERVOIR	1	1	1	
5	4NK-2589H-00	.SCREW	2	2	2	
6	5LP-25867-00	.BRACKET, MASTER CYLINDER	1	1	1	
7	5MV-25833-00	.BOLT, FITTING	2	2	2	
8	5LP-83922-00	.LEVER 2	1	1	1	
9	95604-06100	.NUT, U	1	1	1	
10	5LP-83980-00	.FRONT STOP SWITCH ASSY	1	1	1	
11	5MV-2589F-00	.BOLT, LEVER	1	1	1	
12	1UY-26259-00	COLLAR	1	1	1	
13	2GU-25872-10	HOSE, BRAKE 1	1	1	1	
14	3GG-25873-20	HOSE, BRAKE 2	2	2	2	
15	2GU-25871-10	PIPE, BRAKE	1	1	1	
16	2GU-25882-10	PIPE, BRAKE 2	1	1	1	
17	2GU-25866-00	CIRCLIP	2	2	2	
18	97022-08025	BOLT	1	1	1	
19	92902-08600	WASHER, PLATE	1	1	1	
20	90401-10015	BOLT, UNION	3	3	3	
21	90201-10118	WASHER, PLATE	6	6	6	

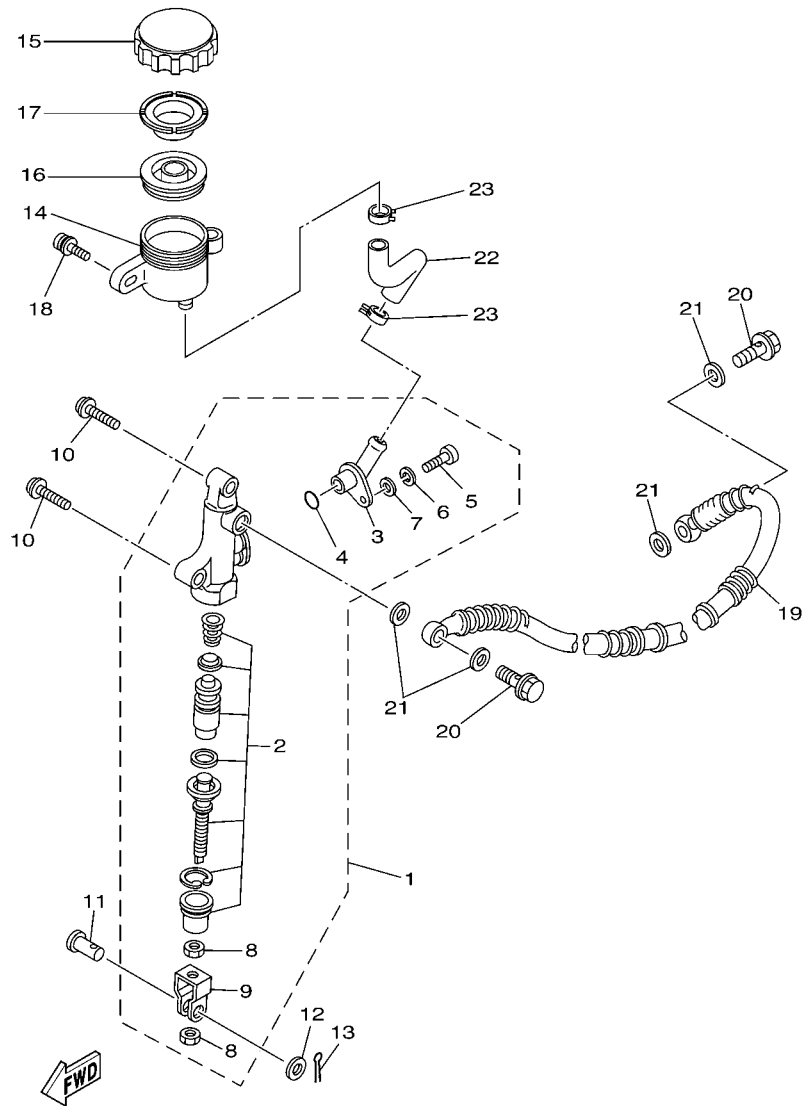


3GG2100-0310



FIG. 31 STAND & FOOTREST

REF. NO.	PART NO.	DESCRIPTION	CAN	EUR	OCÉ	REMARKS
1	3GG-27211-10	PEDAL, BRAKE	1	1	1	
2	90201-15018	WASHER, PLATE	1	1	1	
3	93430-12008	CIRCLIP	1	1	1	
4	90506-20026	SPRING, TENSION	1	1	1	
5	3GG-27411-10	FOOTREST 1	1	1	1	
6	3GD-27445-00	PLATE 1	1	1	1	
7	3GG-27421-10	FOOTREST 2	1	1	1	
8	3GG-27446-00	PLATE 2	1	1	1	
9	95812-10025	BOLT, FLANGE	4	4	4	
10	95822-08016	BOLT, FLANGE	2	2	2	
11	95702-08500	NUT, WITH WASHER	4	4	4	
12	90480-18411	GROMMET	4	4	4	
13	92012-08016	BOLT, BUTTON HEAD	4	4	4	
14	90480-05201	GROMMET	1	1	1	



5FKE100-2320

FIG. 32 REAR MASTER CYLINDER

REF. NO.	PART NO.	DESCRIPTION	CAN	EUR	OCE	REMARKS
1	5FK-2583V-00	RR. MASTER CYLINDER ASSY.	1	1	1	
2	5FK-W0042-50	.CYLINDER KIT, MASTER	1	1	1	
3	29L-2582A-50	.JOINT	1	1	1	
4	93210-15620	.O-RING	1	1	1	
5	98511-04012	.SCREW, PAN HEAD	1	1	1	
6	92902-04100	.WASHER, SPRING	1	1	1	
7	92901-04600	.WASHER, PLATE	1	1	1	
8	4SS-27218-00	.NUT	2	2	2	
9	2YK-27222-00	.JOINT	1	1	1	
10	92012-08025	BOLT, BUTTON HEAD	2	2	2	
11	90240-08013	PIN, CLEVIS	1	1	1	
12	90201-08066	WASHER, PLATE	1	1	1	
13	91401-16012	PIN, COTTER	1	1	1	
14	1A1-25894-01	TANK, RESERVOIR	1	1	1	
15	2KF-25852-50	CAP, RESERVOIR	1	1	1	
16	360-25854-01	DIAPHRAGM, RESERVOIR	1	1	1	
17	2GU-25855-00	BUSH, DIAPHRAGM	1	1	1	
18	90159-06046	SCREW, WITH WASHER	1	1	1	
19	3GG-25874-10	HOSE, BRAKE	1	1	1	
20	90401-10015	BOLT, UNION	2	2	2	
21	90201-10118	WASHER, PLATE	4	4	4	
22	2GU-25895-00	HOSE, RESERVOIR	1	1	1	
23	90467-140A6	CLIP	2	2	2	

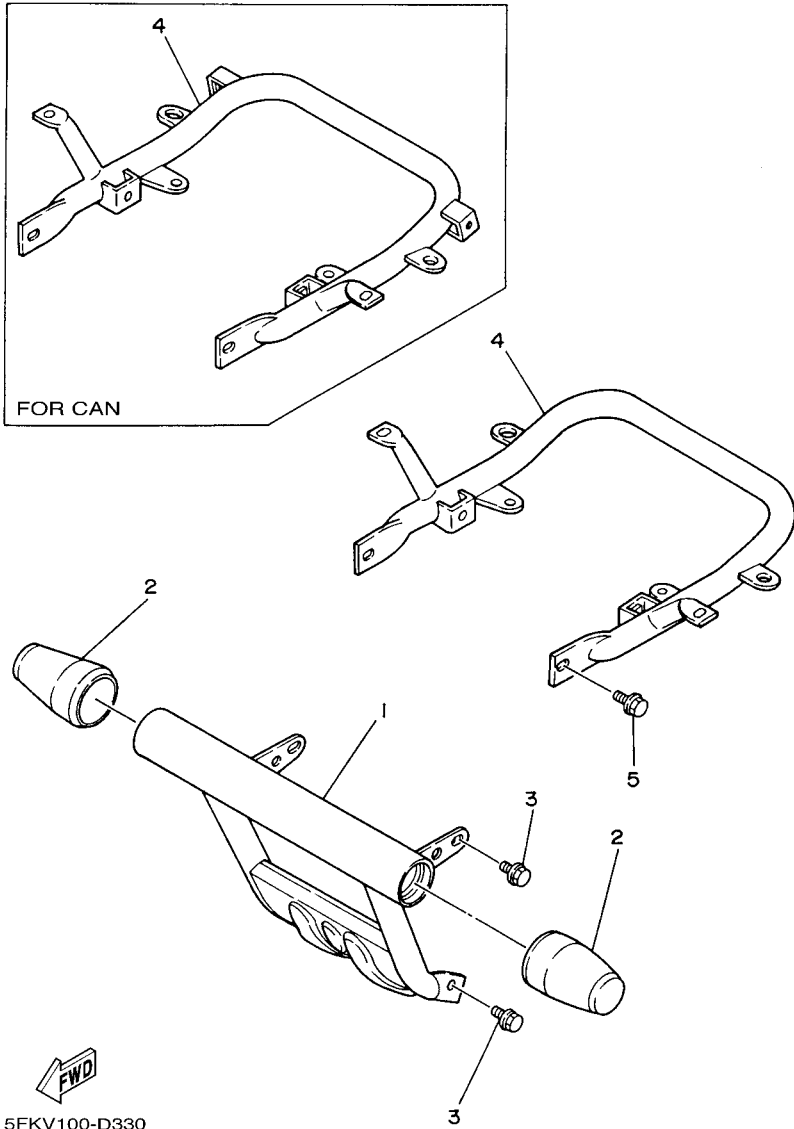
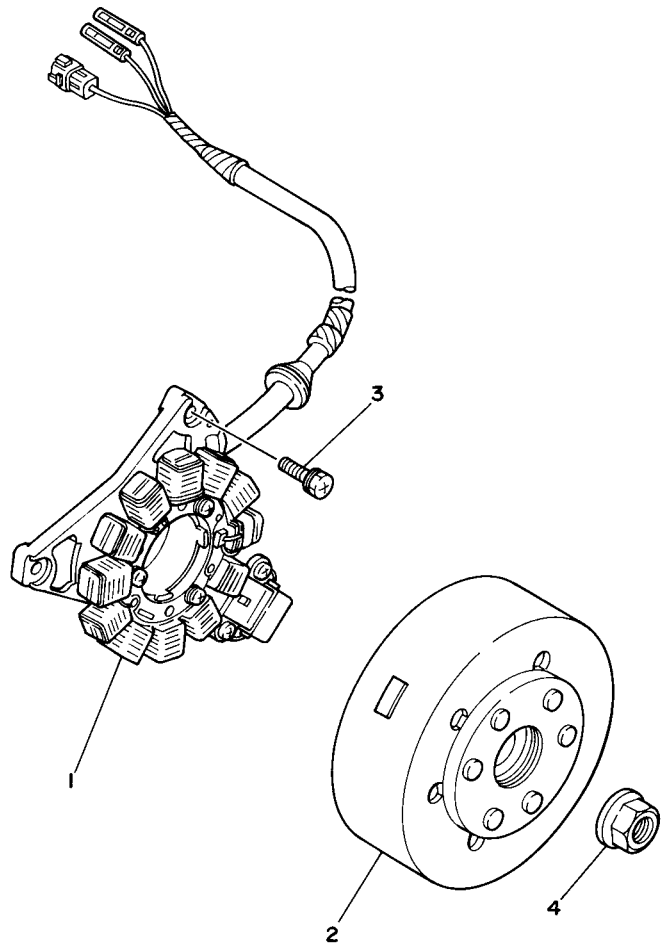


FIG. 33 GUARD

REF. NO.	PART NO.	DESCRIPTION	CAN	EUR	OCE	REMARKS
1	3GG-2845N-10-P1	BAR, CARRY FRONT	1			S8
	3GG-2845N-00-P1	BAR, CARRY FRONT		1	1	S8
2	1UY-28415-00	DAMPER 1	2	2	2	
3	95812-08014	BOLT, FLANGE	4	4	4	
4	3GG-2845R-50	BAR, CARRY REAR	1			
	3GG-2845R-40	BAR, CARRY REAR		1	1	
5	95822-08016	BOLT, FLANGE	2	2	2	

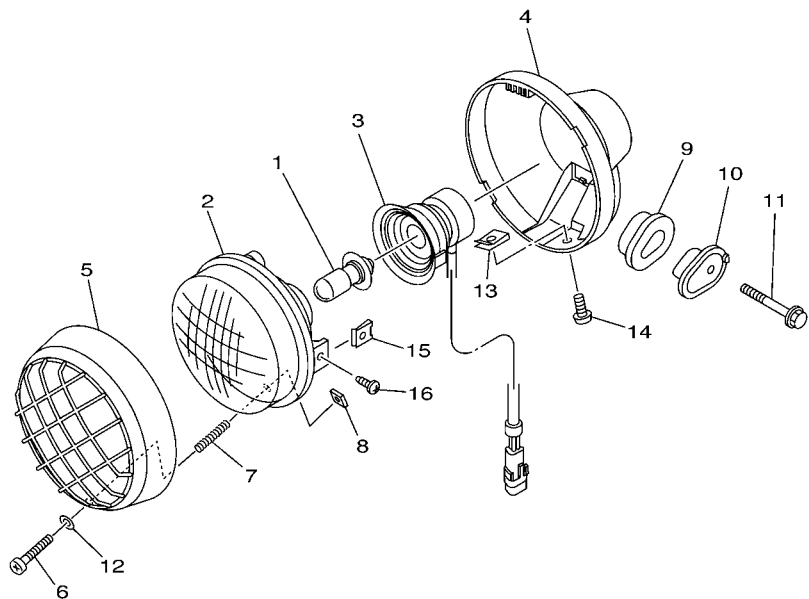
FIG. 34 GENERATOR



3GGH100-5340

REF. NO.	PART NO.	DESCRIPTION	CAN	EUR	OCE	REMARKS
1	3GG-85510-01	STATOR ASSY	1	1	1	
2	3GG-85550-00	ROTOR ASSY	1	1	1	
3	90159-06076	SCREW, WITH WASHER	3	3	3	
4	90179-12004	NUT	1	1	1	

FIG. 35 HEADLIGHT

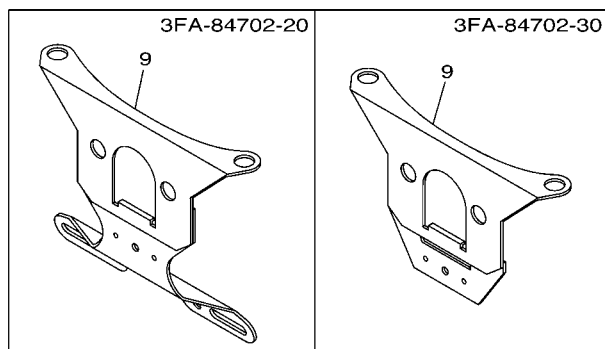
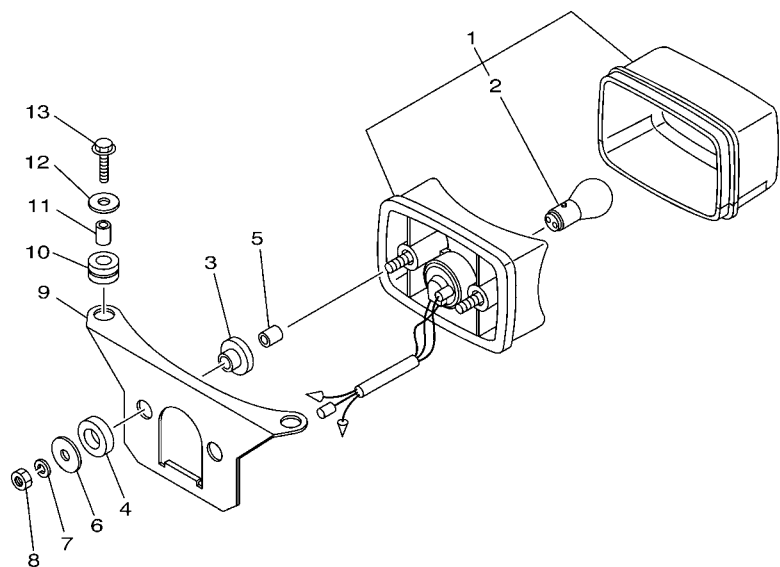


REF. NO.	PART NO.	DESCRIPTION	CAN	EUR	OCE	REMARKS
1	4KB-84314-01	BULB (12V-30/30W)	2	2	2	
2	5KM-84320-01	LENS ASSY	2	2	2	
3	5EH-84340-00	SOCKET CORD ASSY 1	2	2	2	
4	2GU-84330-70	BODY ASSY	2	2	2	YB
5	4KB-84169-00	GUARD, HEADLIGHT	2	2	2	
6	2GU-84331-00	SCREW, RIM ADJUSTING	2	2	2	
7	2GU-84332-00	SPRING, SCREW	2	2	2	
8	2GU-84334-00	NUT, ADJUSTING	2	2	2	
9	2GU-84345-00	DAMPER, HEADLIGHT	4	4	4	
10	2GU-84338-10	COLLAR, BODY FITTING	4	4	4	
11	95802-08055	BOLT, FLANGE	2	2	2	
12	4KB-84344-00	WASHER, PLAIN	2	2	2	
13	4KB-84117-00	NUT	2	2	2	
14	4KB-84526-00	SCREW	2	2	2	
15	5LP-84334-00	NUT, ADJUSTING	2	2	2	
16	4KB-84365-00	SCREW	2	2	2	



5FKJ100-B350

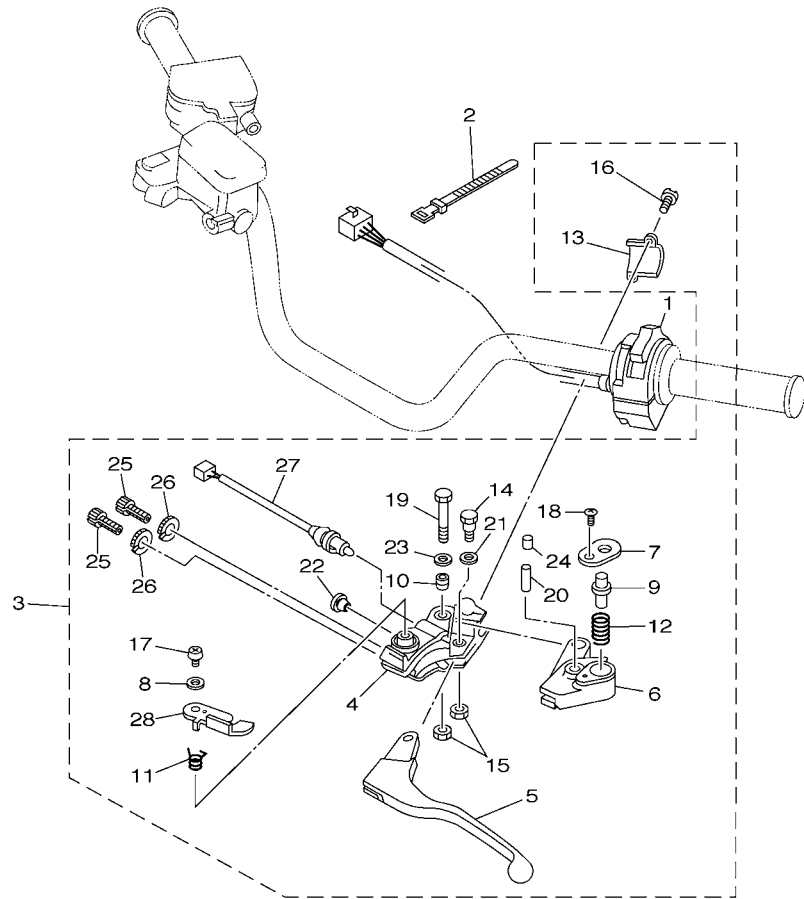
FIG. 36 TAILLIGHT



5FKE100-2360

REF. NO.	PART NO.	DESCRIPTION	CAN	EUR	OCE	REMARKS
1	3FA-84710-00	TAILLIGHT UNIT ASSY	1	1	1	
2	1A2-84714-41	.BULB (12V-21/5W)	1	1	1	
3	90480-14088	GROMMET	2	2	2	
4	90202-14077	WASHER, PLATE	2	2	2	
5	90387-06201	COLLAR	2	2	2	
6	90201-06097	WASHER, PLATE	2	2	2	
7	92902-06100	WASHER, SPRING	2	2	2	
8	95302-06600	NUT	2	2	2	
9	3FA-84702-20	BRACKET, TAILLIGHT	1			
	3FA-84702-30	BRACKET, TAILLIGHT		1		
	3FA-84702-10	BRACKET, TAILLIGHT			1	
10	90480-14555	GROMMET	2	2	2	
11	90387-065L7	COLLAR	2	2	2	
12	90201-06033	WASHER, PLATE	2	2	2	
13	95802-06025	BOLT, FLANGE	2	2	2	

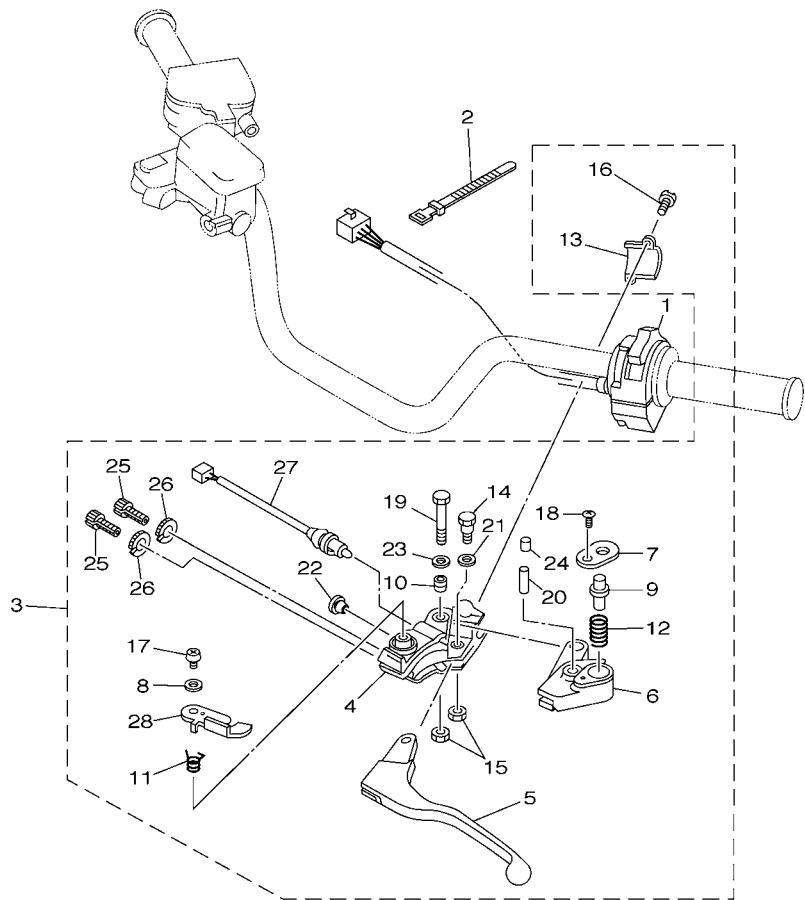
FIG. 37 HANDLE SWITCH & LEVER



5FKP100-C370

REF. NO.	PART NO.	DESCRIPTION	CAN	EUR	OCÉ	REMARKS
1	5FK-83975-00	SWITCH, HANDLE 2	1	1	1	
2	437-83936-01	BAND, SWITCH CORD	2	2	2	
3	3GG-82910-20	LEVER HOLDER ASSY (LEFT)	1	1	1	
4	5LP-82911-10	.HOLDER, LEVER 1	1	1	1	
5	5LP-83912-00	.LEVER 1	1	1	1	
6	5LP-83922-10	.LEVER 2	1	1	1	
7	1UY-83935-10	.COVER	1	1	1	
8	5LP-83909-10	.WASHER, SPECIAL	1	1	1	
9	1UY-83967-10	.PIN, LOCK 1	1	1	1	
10	1UY-83913-00	.COLLAR, LEVER 1	1	1	1	
11	1UY-83966-00	.SPRING, RETURN	1	1	1	
12	1UY-83962-00	.SPRING	1	1	1	
13	5LP-82913-10	.HOLDER, LEVER LOWER 1	1	1	1	
14	2H7-83945-00	.BOLT, LEVER	1	1	1	
15	5LP-84126-10	.NUT, LENS FITTING	2	2	2	
16	5LP-83991-10	.SCREW, LEVER 1	2	2	2	
17	5LP-83925-10	.SCREW, LEVER FITTING	1	1	1	
18	5LP-8396X-10	.SCREW, LEVER FITTING	1	1	1	
19	5LP-83945-10	.BOLT, LEVER	1	1	1	
20	91690-40022	.PIN, SPRING	1	1	1	
21	5LP-8398X-10	.WASHER, PLATE	1	1	1	
22	90338-12192	.PLUG	1	1	1	
23	5LP-84127-10	.WASHER, SPECIAL	1	1	1	
24	1UY-83956-00	.CAP 1	1	1	1	
25	90123-08046	.BOLT	2	2	2	
26	90179-08148	.NUT	2	2	2	
27	4KB-82917-00	.SWITCH	1	1	1	

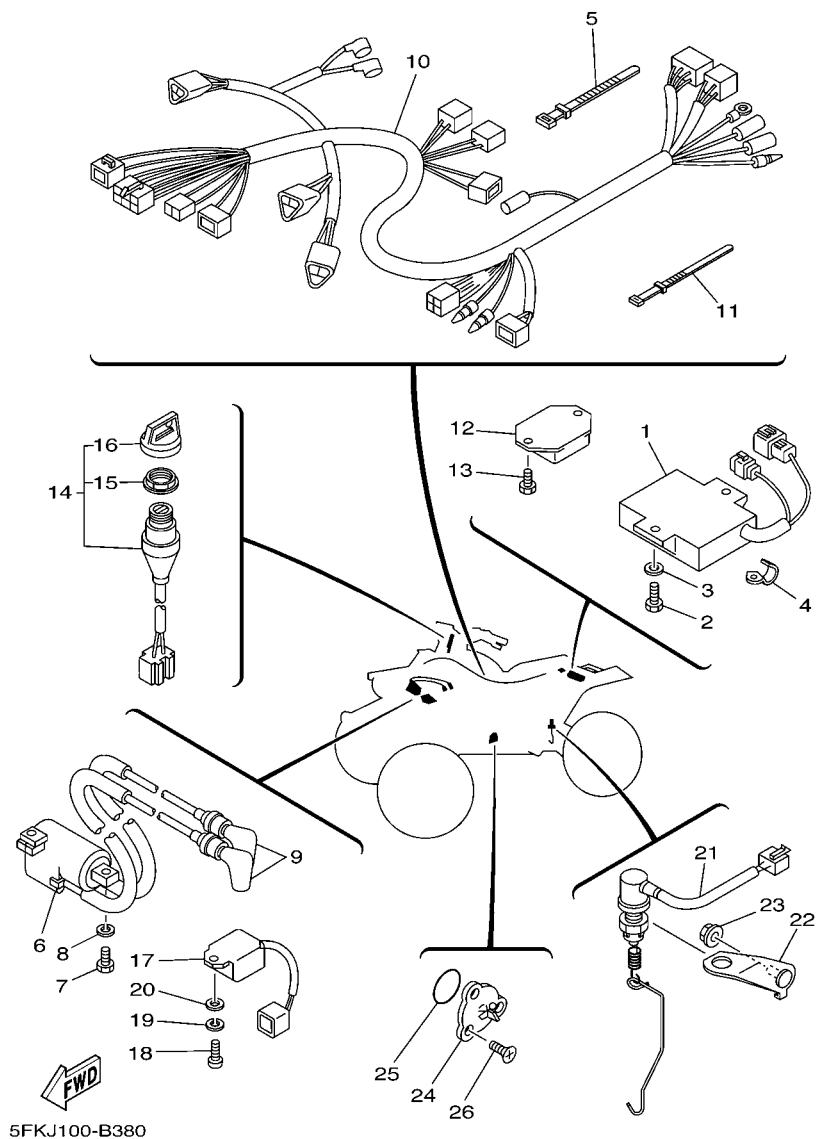
FIG. 37 HANDLE SWITCH & LEVER



5FKP100-C370

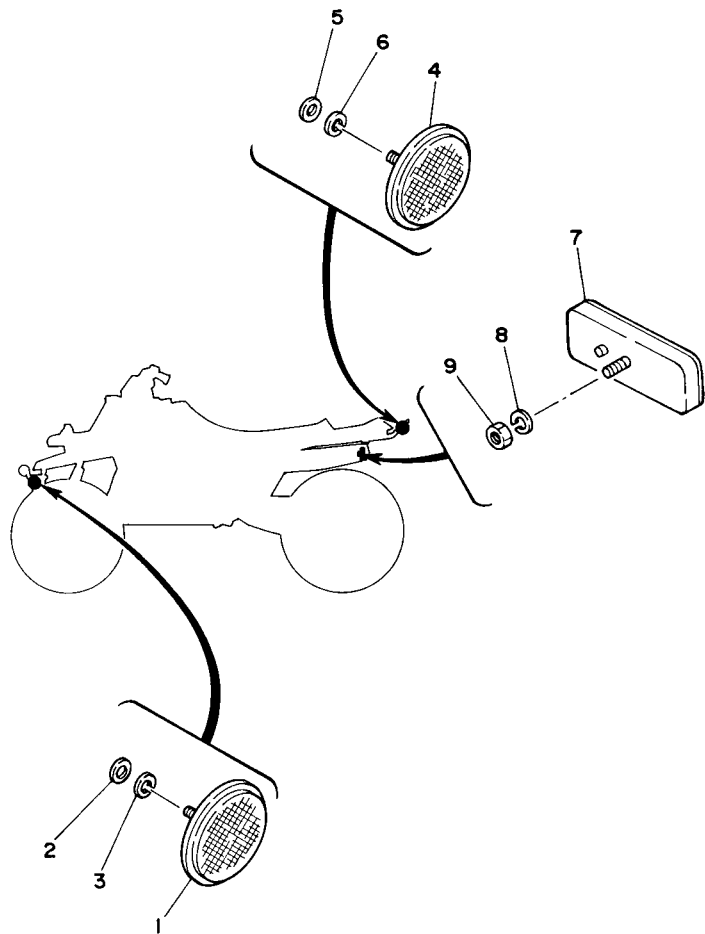
REF. NO.	PART NO.	DESCRIPTION	CAN	EUR	OCÉ	REMARKS
28	4KB-W8393-00	.LEVER LOCK ASSY	1	1	1	

FIG. 38 ELECTRICAL 1



REF. NO.	PART NO.	DESCRIPTION	CAN	EUR	OCE	REMARKS
1	3GG-85540-10	C.D.I. UNIT ASSY	1	1	1	
2	97007-06016	BOLT	2	2	2	
3	92907-06600	WASHER, PLATE	2	2	2	
4	90462-08078	CLAMP	1	1	1	
5	437-83936-01	BAND, SWITCH CORD	1	1	1	
6	2GU-82310-51	IGNITION COIL ASSY	1	1	1	
7	97007-06020	BOLT	2	2	2	
8	92907-06100	WASHER, SPRING	2	2	2	
9	1M1-82370-30	PLUG CAP ASSY	2	2	2	
10	5FK-82590-00	WIRE HARNESS ASSY	1	1	1	
11	437-83936-11	BAND, SWITCH CORD	4	4	4	
12	898-81910-12	VOLTAGE REGULATOR ASSY	1	1	1	UR
	82F-81910-A0	VOLTAGE REGULATOR ASSY	1	1	1	UR
13	90109-06557	BOLT	2	2	2	
14	5FK-82510-00	MAIN SWITCH ASSY	1	1	1	
15	3HN-82569-00	.NUT, MAIN SWITCH	1	1	1	
16	3HN-82579-00	.CAP, KEY	1	1	1	
17	3GG-85590-00	CONTROL UNIT ASSY	1	1	1	
18	92502-06020	SCREW, PAN HEAD	1	1	1	
19	92902-06100	WASHER, SPRING	1	1	1	
20	92902-06600	WASHER, PLATE	1	1	1	
21	5FK-82530-00	STOP SWITCH ASSY	1	1	1	
22	5FK-2144G-10	STAY, STOP SWITCH	1	1	1	
23	95602-06200	NUT, SELF-LOCKING	1	1	1	
24	278-82540-01	NEUTRAL SWITCH ASSY	1	1	1	
25	93210-29147	O-RING	1	1	1	
26	98707-05012	SCREW, FLAT HEAD	3	3	3	

FIG. 39 ELECTRICAL 2



2GU171-7390

REF. NO.	PART NO.	DESCRIPTION	CAN	EUR	OCE	REMARKS
1	2EK-85111-00	REFLECTOR, FRONT 1	2			
2	92902-05200	WASHER	2			
3	92902-05100	WASHER, SPRING	2			
4	449-85131-02	REFLECTOR, REAR 1	2			
5	92902-05200	WASHER	2			
6	92902-05100	WASHER, SPRING	2			
7	3Y6-85130-02	REAR REFLECTOR ASSY	1	1		
8	92902-05100	WASHER, SPRING	1	1		
9	95302-05600	NUT	1	1		

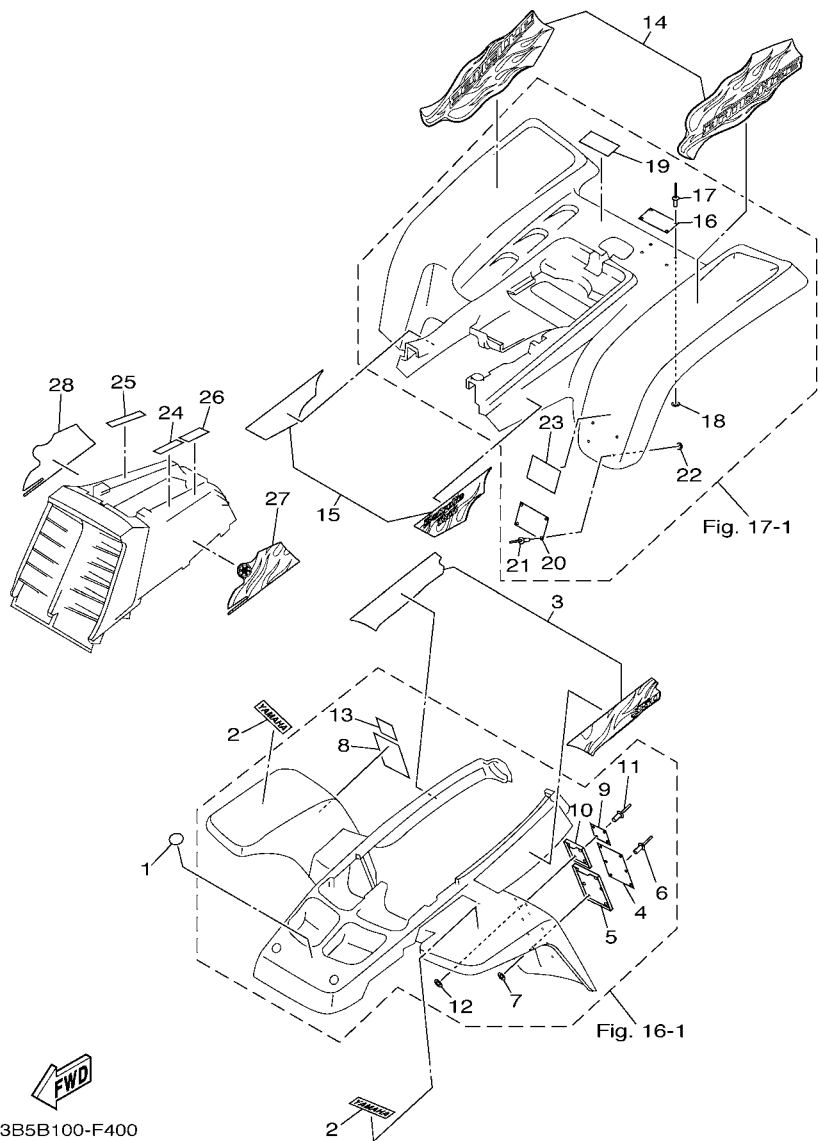


FIG. 40 EMBLEM & LABEL 1

REF. NO.	PART NO.	DESCRIPTION	CAN	EUR	OCE	REMARKS
1	5KM-2175B-00	TUNING FORK MARK	1			
2	3GD-2153E-30	EMBLEM, YAMAHA	2			
3	3B5-21570-50	GRAPHIC SET, FRONT FENDER	1			
4	5FE-21568-01	LABEL, WARNING	1			ENGLISH
5	4EM-21581-80	STAY, PLATE FITTING 1	1			
6	90267-32198	RIVET, BLIND	6			
7	90201-03008	WASHER, PLATE	6			
8	4WU-21568-10	LABEL, WARNING	1			FRENCH
9	5FE-21697-01	LABEL, CAUTION 2	1			ENGLISH
10	3JM-21591-80	STAY, PLATE FITTING 2	1			
11	90267-32198	RIVET, BLIND	4			
12	90201-03008	WASHER, PLATE	4			
13	3JM-21697-10	LABEL, CAUTION 2	1			FRENCH
14	3B5-2165A-40	GRAPHIC SET, REAR FENDER	1			
15	3B5-2167A-40	GRAPHIC SET	1			
16	5FE-2151H-01	LABEL 5	1			ENGLISH
17	90267-32004	RIVET, BLIND	4			
18	90201-03008	WASHER, PLATE	4			
19	4WU-2151H-10	LABEL 5	1			FRENCH
20	5FK-21696-01	LABEL, CAUTION	1			
21	90267-32004	RIVET, BLIND	4			
22	90201-03008	WASHER, PLATE	4			
23	5FK-21696-B0	LABEL, CAUTION	1			
24	3XJ-2415E-A1	LABEL, CAUTION	1			
25	3XJ-2415E-B1	LABEL, CAUTION	1			
26	4SH-2416E-00	LABEL, CAUTION CANADA	1			ENGLISH
27	3B5-2173E-50	GRAPHIC 1	1			

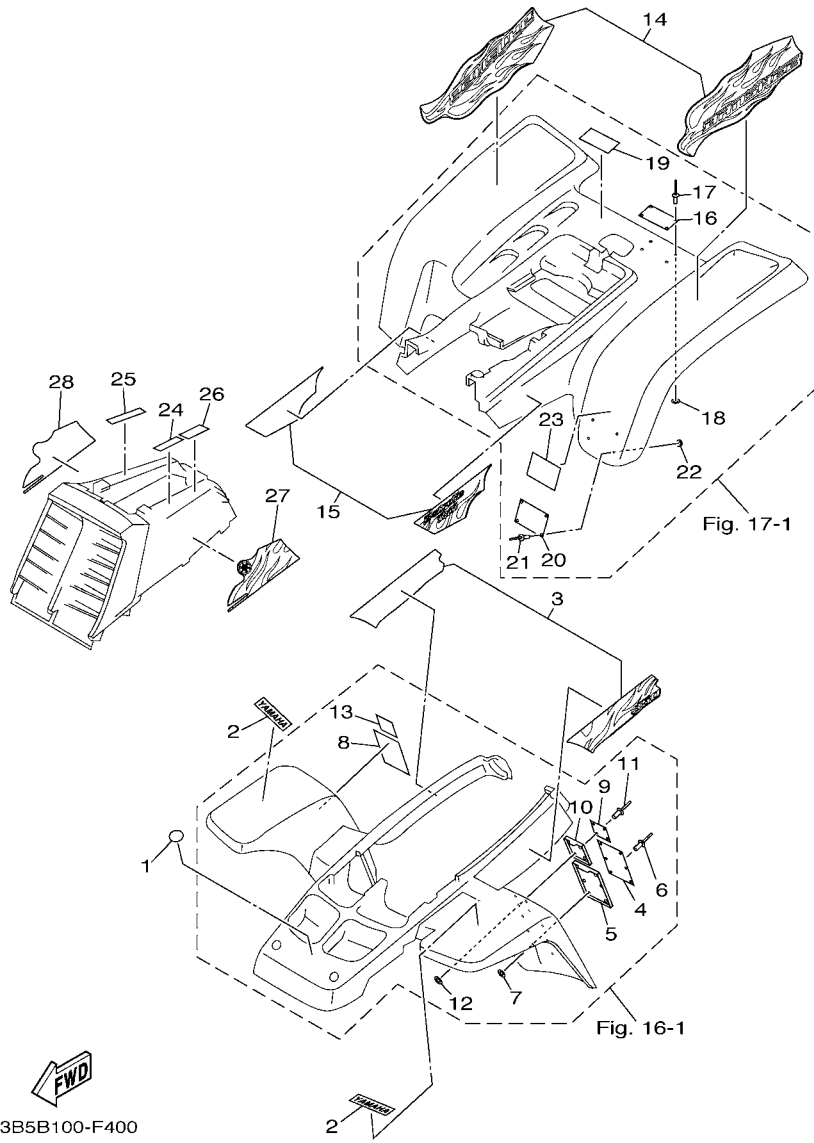


FIG. 40 EMBLEM & LABEL 1

REF. NO.	PART NO.	DESCRIPTION	CAN	EUR	OCE	REMARKS
28	3B5-2173F-50	GRAPHIC 2	1			

FWD
3B5B100-F410

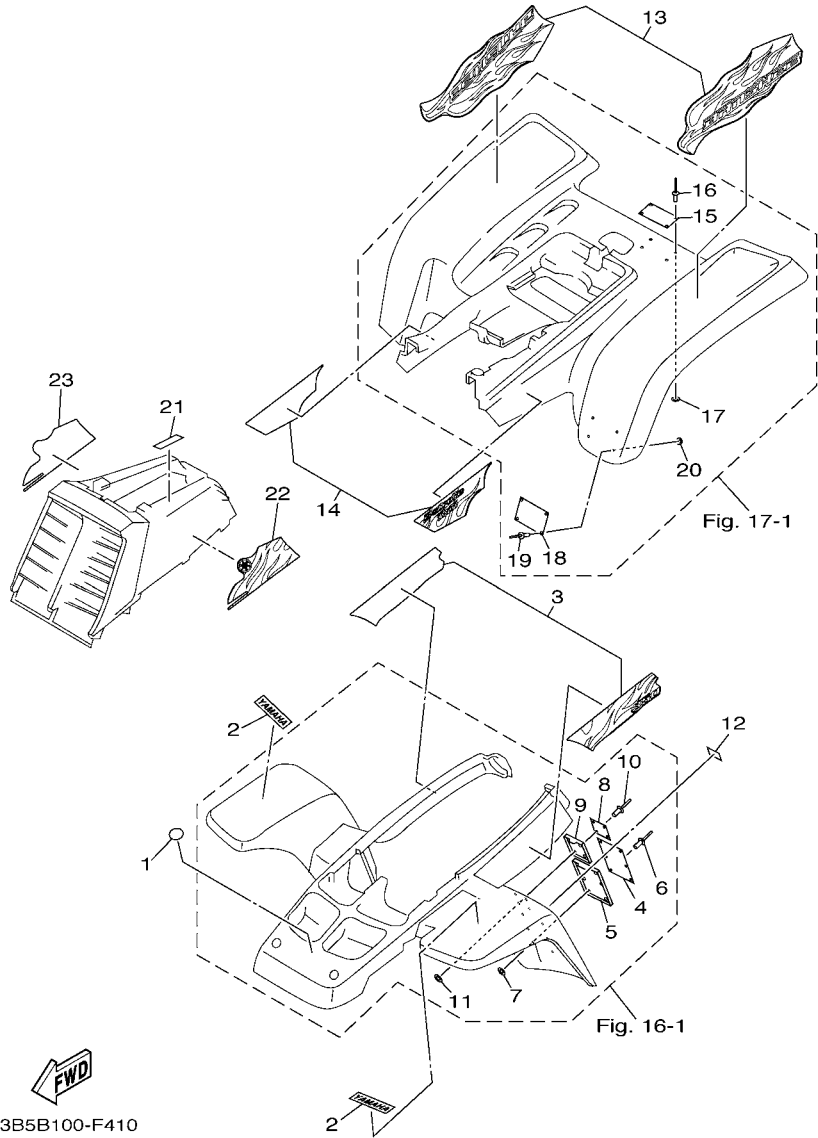


FIG. 41 EMBLEM & LABEL 2

REF. NO.	PART NO.	DESCRIPTION	CAN	EUR	OCE	REMARKS
1	5KM-2175B-00	TUNING FORK MARK		1		
2	3GD-2153E-30	EMBLEM, YAMAHA		2		
3	3B5-21570-50	GRAPHIC SET, FRONT FENDER		1		
4	5FK-21568-00	LABEL, WARNING		1		
5	4EM-21581-80	STAY, PLATE FITTING 1		1		
6	90267-32198	RIVET, BLIND		6		
7	90201-03008	WASHER, PLATE		6		
8	5FK-21697-00	LABEL, CAUTION 2		1		
9	3JM-21591-80	STAY, PLATE FITTING 2		1		
10	90267-32198	RIVET, BLIND		4		
11	90201-03008	WASHER, PLATE		4		
12	4GB-2155A-00	MARK, EC		1		
13	3B5-2165A-40	GRAPHIC SET, REAR FENDER		1		
14	3B5-2167A-40	GRAPHIC SET		1		
15	5FK-2151H-00	LABEL 5		1		
16	90267-32004	RIVET, BLIND		4		
17	90201-03008	WASHER, PLATE		4		
18	5FK-21696-M0	LABEL, CAUTION		1		
19	90267-32004	RIVET, BLIND		4		
20	90201-03008	WASHER, PLATE		4		
21	3ME-2415E-01	LABEL, CAUTION		1		
22	3B5-2173E-50	GRAPHIC 1		1		
23	3B5-2173F-50	GRAPHIC 2		1		


3B5B100-F420

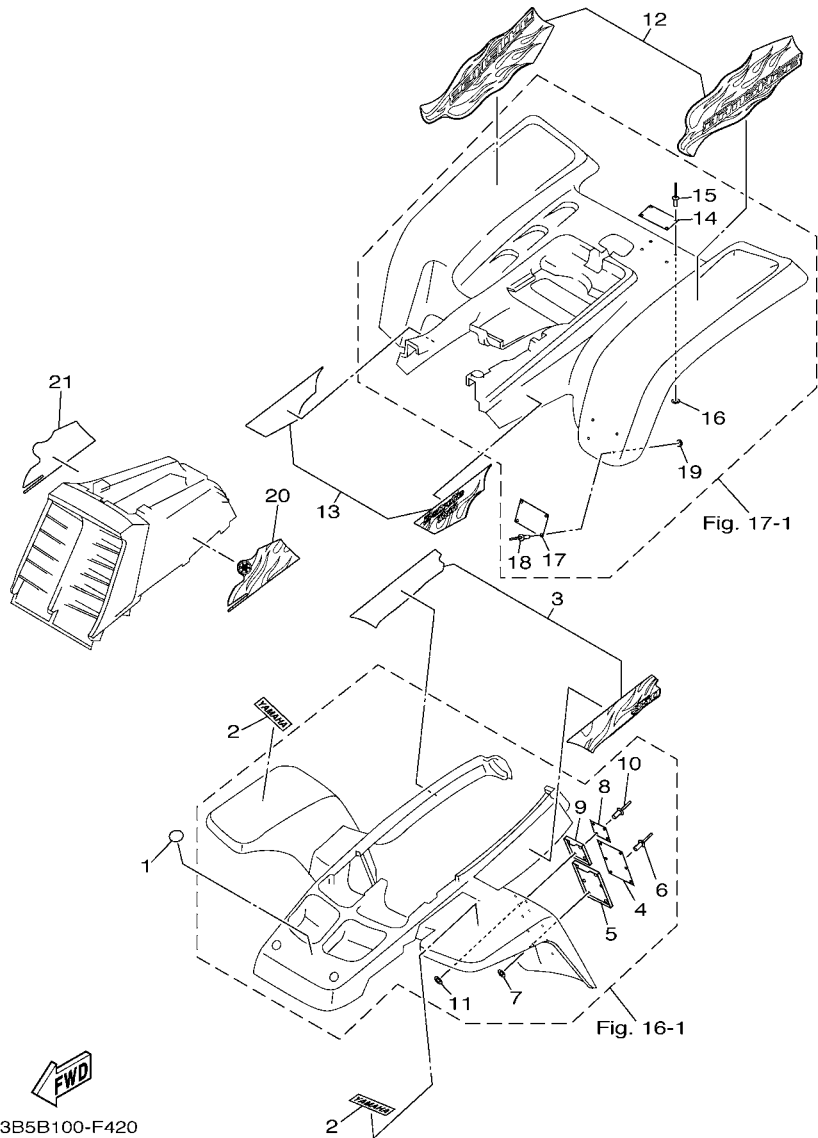


FIG. 42 EMBLEM & LABEL 3

REF. NO.	PART NO.	DESCRIPTION	CAN	EUR	OCE	REMARKS
1	5KM-2175B-00	TUNING FORK MARK			1	
2	3GD-2153E-30	EMBLEM, YAMAHA			2	
3	3B5-21570-50	GRAPHIC SET, FRONT FENDER			1	
4	5FE-21568-11	LABEL, WARNING			1	ENGLISH
5	4EM-21581-80	STAY, PLATE FITTING 1			1	
6	90267-32198	RIVET, BLIND			6	
7	90201-03008	WASHER, PLATE			6	
8	5FE-21697-01	LABEL, CAUTION 2			1	ENGLISH
9	3JM-21591-80	STAY, PLATE FITTING 2			1	
10	90267-32198	RIVET, BLIND			4	
11	90201-03008	WASHER, PLATE			4	
12	3B5-2165A-40	GRAPHIC SET, REAR FENDER			1	
13	3B5-2167A-40	GRAPHIC SET			1	
14	5FE-2151H-01	LABEL 5			1	ENGLISH
15	90267-32004	RIVET, BLIND			4	
16	90201-03008	WASHER, PLATE			4	
17	5FK-21696-01	LABEL, CAUTION			1	
18	90267-32004	RIVET, BLIND			4	
19	90201-03008	WASHER, PLATE			4	
20	3B5-2173E-50	GRAPHIC 1			1	
21	3B5-2173F-50	GRAPHIC 2			1	

NUMERICAL INDEX

PART NO.	GRID NO.	PART NO.	GRID NO.	PART NO.	GRID NO.	PART NO.	GRID NO.	PART NO.	GRID NO.	PART NO.	GRID NO.
2GU-11111-00	B - 2	137-14143-44	B - 8	2GU-15189-00	B - 13	29L-17421-00	C - 3	3JM-21591-80	E - 13	3GG-22210-72-33	C - 14
2GU-11181-00	B - 2	137-14143-48	B - 8	2GU-15316-00	B - 11	278-17424-01	B - 3		E - 14	38W-22212-10-33	C - 14
2GU-11311-00	B - 2	2GU-14146-00	B - 9	31K-15317-00	B - 13		C - 4	3GG-21621-00	C - 10	3P6-22214-00	C - 14
2GU-11321-00	B - 2	2H0-14146-00	B - 8	2GU-15326-00	B - 11	278-17425-00	C - 3	3B5-2165A-40	E - 11	1RK-22215-00	C - 14
3GG-11351-01	B - 2	500-14146-00	B - 9	48H-15327-00	B - 13	4L0-17471-00	C - 3		E - 13	38W-22223-00	C - 14
47X-11355-00	B - 2	558-14147-00	B - 9	2GU-15328-00	B - 11	2GU-18101-00	C - 6		E - 14	4AA-22259-40	C - 14
29L-11400-30	B - 3	137-14153-00	B - 8	2GU-15337-00	B - 13	2GU-18110-10	C - 6	3B5-2167A-40	E - 11	4AA-22259-70	C - 14
29L-11409-30	B - 3	2GU-14153-00	B - 8	2GU-15338-00	B - 13	132-18113-01	C - 6		E - 13	CA4-22464-00	C - 14
29L-11412-00	B - 3	2GU-14161-00	B - 9	4L0-15362-00	B - 13	4L0-18140-00	C - 5		E - 14	59V-2331R-00	D - 4
29L-11442-10	B - 3	2GU-14171-00	B - 9	120-15371-00	B - 11	4L0-18185-00	C - 5	3GG-21691-00	C - 10	3GG-23350-10-33	D - 4
2GU-11610-01	B - 3	239-14172-16	B - 8	5FK-15377-00	B - 13	2GU-18511-00	C - 5	5FK-21696-01	E - 11	3GG-23350-20-33	D - 4
2GU-11610-11	B - 3	304-14184-00	B - 8	2GU-15379-00	B - 13	2GU-18512-00	C - 5		E - 14	2GU-23391-C0	C - 11
2GU-11610-21	B - 3	4L0-14185-00	B - 8	2GU-15411-00	B - 13	4L0-18531-01	C - 5	5FK-21696-B0	E - 11	3GD-23501-10	D - 7
2GU-11631-00-94	B - 3	537-14186-00	B - 8	2GU-15416-00	B - 13	29L-18535-00	C - 5	5FK-21696-M0	E - 13	3GD-23502-10	D - 7
4L0-11633-00	B - 3	1UA-14190-28	B - 8	2GU-15421-00	B - 13	2GU-18540-00	C - 5	5FK-21697-00	E - 13	5YT-23517-00	D - 3
2GU-11635-00	B - 3	12R-14191-00	B - 8	4L0-15431-01	B - 13	3R4-18561-00	C - 5	5FE-21697-01	E - 11	3GG-23540-00-P1	D - 3
2GU-11636-00	B - 3	2GU-14196-00	B - 8	3GG-15461-02	B - 13	4L0-18562-00	C - 5		E - 14	3GG-23550-00-P1	D - 3
29L-11651-00	B - 3	4L0-14197-00	B - 8	278-15492-01	B - 11	3GG-21110-21-P1	C - 7	3JM-21697-10	E - 11	2GU-23570-00-P1	D - 3
4L0-12422-00	B - 4	2GU-14243-00	B - 9	2GU-15620-01	B - 14	2GU-21314-10	C - 8	2GU-21711-90	C - 11	2GU-23580-00-P1	D - 3
3GG-12428-01	B - 4	2GU-14411-00	B - 6	4L0-15641-00	B - 14	2GU-21315-10	C - 7	2GU-2171L-00	C - 11	1UY-23812-00	C - 15
3XV-12435-00	B - 5	2GU-14412-00	B - 6	4L0-15651-00	B - 14	2GU-21316-10	C - 7	2GU-21721-90	C - 11	3GG-23813-20	C - 15
4L0-12436-00	B - 4	2GU-14421-01	B - 6	4L0-15660-01	B - 14	2GU-21317-10	C - 7	3B5-2173E-50	E - 11	8K1-23814-00	C - 15
4L0-12450-01	B - 4	2GU-14437-00	B - 6	4L0-15666-00	B - 14	2GU-21318-10	C - 7		E - 13	2GU-23831-01	C - 15
4L0-12459-00	B - 4	2GU-14451-00	B - 6	248-15668-00	B - 14	5FK-2144G-10	E - 9		E - 14	1UY-23841-01	C - 15
2GU-12460-01	B - 5	12R-14452-00	B - 6	4L0-16111-00	B - 15	4L0-21485-00	C - 8	3B5-2173F-50	E - 12	1UY-23845-01	C - 15
22W-12462-00	B - 5	29L-14452-00	B - 6	31K-16150-10	B - 15	2GU-21513-00	C - 9		E - 13	2GU-23868-00	C - 15
29L-12469-00	B - 5	29L-14453-01	B - 6	360-16154-00	B - 15	2GU-21514-00	C - 9		E - 14	2GU-23872-00	C - 7
4L0-12479-00	B - 5	59V-14457-00	B - 6	278-16181-01	B - 15	5FK-2151H-00	E - 13	2GU-21747-00	C - 11	1UY-23894-01	C - 15
29L-12481-00	B - 5	5FK-14458-00	B - 6	498-16325-00	B - 15	5FE-2151H-01	E - 11	5KM-2175B-00	E - 11	2GU-24110-00	D - 5
2GU-12482-00	B - 5	29L-14465-00	B - 6	5Y1-16331-01	B - 15		E - 14		E - 13	3ME-2415E-01	E - 13
2GU-12484-00	B - 5	2GU-14468-00	B - 6	29L-16351-00	B - 15	4WU-2151H-10	E - 11		E - 14	3XJ-2415E-A1	E - 11
2GU-12485-00	B - 5	2GU-14610-00	B - 10	29L-16356-00	B - 15	3GD-2153E-30	E - 11	2GU-21871-00	C - 11	3XJ-2415E-B1	E - 11
11H-12516-00	B - 5	2GU-14613-10	B - 10	29L-16357-00	B - 15		E - 13	10V-21875-00	C - 11	4SH-2416E-00	E - 11
31K-13565-01	B - 6	2GU-14615-00	B - 10	278-16367-00	B - 15		E - 14	3GG-22110-00-P0	C - 12	48H-24311-00	B - 9
2GU-13610-01	B - 6	2GU-14620-00	B - 10	1A0-16371-00	B - 15	4GB-2155A-00	E - 13	2K6-22128-01	C - 12	4X7-24311-00	B - 9
2GU-13613-00	B - 6	2GU-14635-00	B - 10	29L-16380-00	B - 15	5FK-21568-00	E - 13	23X-22129-00	C - 12	2GU-24500-02	D - 5
2GU-13616-00	B - 6	2GU-14645-00	B - 10	2GU-17121-00	C - 3	5FE-21568-01	E - 11	2GU-22141-00	C - 12	4X8-24512-00	D - 5
3GG-13621-00	B - 6	1W2-14714-00	B - 10	2GU-17131-00	C - 3	4WU-21568-10	E - 11	2GU-22151-10	C - 12	3AC-24523-00	D - 5
2GU-14101-01	B - 8	2GU-14718-00	B - 10	2GU-17151-00	C - 3	5FE-21568-11	E - 14	2GU-22153-00	C - 13	3AJ-24534-01	D - 5
2GU-14102-01	B - 8	2GU-14728-00	B - 10	2GU-17161-00	C - 3	3B5-21570-50	E - 11	2GU-22155-00	C - 13	5KM-24610-00	D - 5
10W-14104-00	B - 8	2GU-14752-00	B - 10	2GU-17211-00	C - 3		E - 13	2HH-22178-00	C - 7	5FK-2470F-E0	D - 6
2GU-14112-20	B - 8	2GU-14753-01	B - 10	2GU-17221-00	C - 3		E - 14	1UY-2217A-00	C - 12	5FK-24710-E0	D - 6
2GU-14113-20	B - 8	2GU-14765-01	B - 10	2GU-17231-00	C - 3	4EM-21581-80	E - 11	3GG-2217F-00	C - 12	22W-24741-00	D - 6
2GU-14131-00	B - 8	4BD-14766-00	B - 10	2GU-17241-00	C - 3		E - 13	2GU-22184-00	C - 12	4K0-24774-01	D - 6
4L0-14141-38	B - 8	2GU-14771-00	B - 10	2GU-17251-00	C - 3		E - 14	5X4-22199-00	C - 12	4K0-24775-00	D - 6
260-14142-25	B - 8	2GU-1490J-00	B - 8	2GU-17261-01	C - 3	2GU-21587-10	C - 9	3GG-2219X-00	C - 13	3GD-24776-00	D - 6
137-14143-38	B - 8	2GU-14952-00	B - 9	2GU-17411-00	C - 3	2GU-21588-10	C - 9	3GG-22201-42	C - 14	3GD-25111-20	D - 7
137-14143-40	B - 8	2GU-15100-01	B - 11	164-17417-00-10	B - 14	3JM-21591-80	E - 11	3GG-22210-52-33	C - 14	1UY-25117-00	D - 7

NUMERICAL INDEX

PART NO.	GRID NO.	PART NO.	GRID NO.	PART NO.	GRID NO.	PART NO.	GRID NO.	PART NO.	GRID NO.	PART NO.	GRID NO.
1S3-25127-00	D - 7	5LP-26241-00	D - 12	5LP-82911-10	E - 7	2EK-85111-00	E - 10	90116-08232	B - 11	90201-06090	D - 5
3GD-2514A-10	D - 8	3GG-26250-20	D - 12	4V4-82913-00	D - 12	3Y6-85130-02	E - 10	90116-08318	B - 2	90201-06097	E - 6
3GD-2515A-10	D - 8	1UY-26259-00	D - 14	5LP-82913-10	E - 7	449-85131-02	E - 10	90116-08388	B - 2	90201-060A3	B - 5
2XK-25180-10-HM	D - 7	2GU-26259-00	D - 12	4KB-82917-00	E - 7	3GG-85510-01	E - 4	90116-08394	B - 2	90201-08043	C - 7
3GG-25311-01-P1	D - 9	2GU-2625G-01	D - 12	5LP-83909-10	E - 7	3GG-85540-10	E - 9	90119-06096	B - 7	90201-08066	E - 2
38W-25381-10	D - 9	2GU-2625H-00	D - 12	5LP-83912-00	E - 7	3GG-85550-00	E - 4	90119-06152	C - 10	90201-08326	B - 10
1S3-25383-20	D - 9	2GU-2625J-00	D - 12	1UY-83913-00	E - 7	3GG-85590-00	E - 9	90119-10048	C - 8	90201-08784	B - 4
2XJ-25386-00	D - 9	2GU-26260-01	D - 12	5LP-83922-00	D - 14	5LP-W0041-00	D - 14	90123-08046	E - 7	90201-10036	C - 15
2XJ-25388-00	D - 9	2GU-2628F-20	D - 12	5LP-83922-10	E - 7	5FK-W0042-50	E - 2	90149-06108	D - 5	90201-10037	C - 12
2XK-25390-01-HM	D - 9	2GU-2628G-00	D - 12	5LP-83925-10	E - 7	5LP-W0045-00	D - 8	90149-06306	C - 9		C - 14
2XJ-25412-00	D - 9	2GU-2629K-10	C - 15	1UY-83935-10	E - 7	1UY-W0046-00	D - 11		C - 10		D - 3
2XJ-25441-21	D - 9	2GU-26314-00	D - 12	437-83936-01	D - 12	3GD-W0047-00	D - 8	90149-08143	B - 15	90201-10052	D - 10
2GU-25712-00	D - 11	5FK-26335-10	D - 12		E - 7	1UY-W0047-50	D - 11	90149-08256	C - 6	90201-100E9	C - 13
5LP-2580T-00	D - 8	2GU-2633K-00	B - 9		E - 9	1UY-W0048-50	D - 8	90150-06037	C - 10		C - 14
5LP-2580U-00	D - 8	1UY-26341-10	D - 13	437-83936-11	E - 9		D - 11	90152-06010	B - 14	90201-10118	D - 14
1UY-2580W-00	D - 11	1UY-2637A-01	D - 13	2H7-83945-00	E - 7	3GD-W0057-00	D - 8	90154-05013	C - 11		E - 2
3GD-25827-00	D - 8	2GU-26398-00	D - 12	5LP-83945-10	E - 7	1UY-W0057-50	D - 11	90159-06016	B - 15	90201-12045	D - 10
3GD-25828-00	D - 8	371-27114-00	D - 6	1UY-83956-00	E - 7	2GU-W215B-G0	C - 9	90159-06043	D - 12	90201-120E6	C - 13
29L-2582A-50	E - 2	4N0-27114-00	C - 8	1UY-83962-00	E - 7	2GU-W215C-G0	C - 9	90159-06044	C - 11		C - 14
3GD-2582T-10	D - 8		C - 12	1UY-83966-00	E - 7	2GU-W215E-G0	C - 9	90159-06046	E - 2	90201-14021	D - 9
5FK-2582W-00	D - 11	3GG-27211-10	D - 15	1UY-83967-10	E - 7	2GU-W216B-F0	C - 10	90159-06076	E - 4	90201-14586	D - 7
5MV-25833-00	D - 14	4SS-27218-00	E - 2	5LP-8396X-10	E - 7	2GU-W216C-F0	C - 10	90170-08014	D - 9	90201-15018	D - 15
5LP-2583T-01	D - 14	2YK-27222-00	E - 2	5FK-83975-00	E - 7	2GU-W216E-F0	C - 10	90170-08029	C - 6	90201-16018	C - 12
5FK-2583V-00	E - 2	3GG-27411-10	D - 15	5LP-83980-00	D - 14	4KB-W8393-00	E - 8	90170-10010	C - 15	90201-17327	B - 15
5LP-25852-01	D - 14	3GG-27421-10	D - 15	5LP-8398X-10	E - 7	90101-08006	D - 9	90170-16425	B - 15	90201-20266	C - 3
2KF-25852-50	E - 2	3GD-27445-00	D - 15	5LP-83991-10	E - 7	90101-10030	D - 9	90170-20320	B - 15	90201-20276	C - 3
4L0-25854-00	D - 14	3GG-27446-00	D - 15	4KB-84117-00	E - 5	90101-12035	D - 10	90170-33011	D - 11	90201-244A9	C - 12
360-25854-01	E - 2	2GU-28100-10	C - 8	5LP-84126-10	E - 7	90105-08161	D - 8	90171-10001	C - 15	90201-25490	C - 4
2GU-25855-00	E - 2	1NV-2811A-01	C - 8	5LP-84127-10	E - 7	90105-08182	D - 11		D - 7	90201-256E6	C - 3
2GU-25866-00	D - 14	5GT-2836B-10	D - 12	4KB-84169-00	E - 5	90105-10131	D - 4	90171-14002	D - 7	90202-14077	E - 6
5LP-25867-00	D - 14	1UY-28415-00	E - 3	4KB-84314-01	E - 5	90105-10132	D - 3	90171-14004	D - 9	90206-06090	B - 10
2GU-25871-10	D - 14	3GG-2845N-00-P1	E - 3	5KM-84320-01	E - 5	90105-10135	D - 3	90179-08148	E - 7	90208-16019	B - 15
2GU-25872-10	D - 14	3GG-2845N-10-P1	E - 3	2GU-84330-70	E - 5	90105-10302	C - 7	90179-08299	B - 2	90209-21105	C - 3
3GG-25873-20	D - 14	3GG-2845R-40	E - 3	2GU-84331-00	E - 5	90105-10303	C - 7	90179-10024	D - 10	90209-22292	B - 3
3GG-25874-10	E - 2	3GG-2845R-50	E - 3	2GU-84332-00	E - 5	90109-063F7	C - 5	90179-12004	E - 4	90214-15020	B - 14
2GU-25882-10	D - 14	898-81910-12	E - 9	2GU-84334-00	E - 5	90109-06557	E - 9	90179-12009	D - 10	90215-08174	C - 6
1A1-25894-01	E - 2	82F-81910-A0	E - 9	5LP-84334-00	E - 5	90109-08082	D - 8	90179-18020	C - 4	90215-20223	B - 15
2GU-25895-00	E - 2	2GU-82310-51	E - 9	2GU-84338-10	E - 5	90109-08192	C - 15	90183-051A0	C - 11	90215-17121	C - 4
5MV-2589F-00	D - 14	1M1-82370-30	E - 9	5EH-84340-00	E - 5	90109-081F0	D - 11	90185-10012	D - 3	90240-08013	E - 2
4NK-2589H-00	D - 14	5FK-82510-00	E - 9	4KB-84344-00	E - 5	90109-10020	C - 13	90185-10019	C - 15	90267-32004	E - 11
1UY-25917-51	D - 11	5FK-82530-00	E - 9	2GU-84345-00	E - 5	90109-10037	C - 14	90185-10025	C - 12		E - 13
1UY-25924-51	D - 11	278-82540-01	E - 9	4KB-84365-00	E - 5	90109-10038	C - 12		C - 14		E - 14
3GD-25933-00	D - 8	3GG-82567-00	D - 12	4KB-84526-00	E - 5		C - 14	90185-16002	C - 12	90267-32198	E - 11
1UY-25972-51	D - 11	3HN-82569-00	E - 9	3FA-84702-10	E - 6	90114-10006	D - 7	90201-03008	E - 11		E - 13
1UY-25977-51	D - 11	3HN-82579-00	E - 9	3FA-84702-20	E - 6	90114-10013	D - 9		E - 13		E - 14
5LP-26111-40	D - 12	5FK-82590-00	E - 9	3FA-84702-30	E - 6	90116-08064	B - 2		E - 14	90267-40076	C - 11
2GU-26124-01	D - 12	3GG-8259E-00	B - 9	3FA-84710-00	E - 6		B - 11	90201-04030	C - 11	90280-05033	B - 3
1NV-26129-00	D - 12	3GG-82910-20	E - 7	1A2-84714-41	E - 6	90116-08084	D - 9	90201-06033	E - 6	90282-07023	B - 15

NUMERICAL INDEX

PART NO.	GRID NO.	PART NO.	GRID NO.	PART NO.	GRID NO.	PART NO.	GRID NO.	PART NO.	GRID NO.	PART NO.	GRID NO.
90334-10006	C - 5	90460-99291	B - 6	91401-30025	D - 7	93108-35004	C - 12	94681-87011	D - 9	97022-08016	C - 9
90336-28053	C - 15	90462-08078	E - 9	91401-30030	D - 9	93109-20076	C - 12	94702-00204	B - 2	97022-08025	D - 14
90336-42049	B - 14	90462-16130	B - 11	91690-40022	E - 7	93112-31011	C - 15	95022-08045	C - 7	97022-08060	C - 15
90338-06190	B - 12	90465-06094	B - 11	92012-08016	D - 15	93210-14369	B - 14	95302-05600	E - 10	97022-10020	C - 7
90338-12192	E - 7	90465-16239	C - 2	92012-08025	E - 2	93210-15620	E - 2	95302-06600	E - 6	97022-10045	C - 8
90338-15189	B - 13	90465-18312	B - 6	92502-06020	E - 9	93210-17239	B - 5	95302-08600	D - 9	97027-08030	B - 14
90340-14132	B - 11	90465-32317	B - 13	92901-04600	E - 2	93210-19123	B - 13	95302-10700	C - 15	97707-50525	B - 6
90381-15088	D - 3	90467-07093	B - 11	92901-05100	B - 9	93210-29147	E - 9	95307-05700	D - 12	98501-05008	B - 9
90383-12022	B - 11	90467-08003	C - 11	92902-04100	E - 2	93210-45742	B - 10	95312-10600	C - 7	98502-04006	C - 14
90383-20032	C - 12	90467-08021	B - 11	92902-05100	D - 12	93300-60804	C - 7	95317-08700	B - 15	98502-04008	B - 8
90383-20033	C - 12	90467-08075	B - 11	92902-05100	E - 10	93305-20508	C - 3	95602-06100	C - 9	98502-05020	D - 12
90387-06201	E - 6	90467-080A1	C - 11	92902-05200	E - 10	93306-00446	D - 7		C - 10	98507-03008	B - 6
90387-063G3	B - 5	90467-10008	B - 9	92902-06100	D - 5	93306-00705	D - 9		C - 13		D - 5
90387-065L7	E - 6	90467-110A3	D - 5		E - 6	93306-20231	D - 7	95602-06200	E - 9	98507-03010	B - 9
90387-066J1	D - 5	90467-11106	B - 9		E - 9	93306-20331	C - 7	95602-08200	C - 7	98507-05010	B - 11
90387-0714B	B - 5	90467-13083	B - 5	92902-06200	C - 10	93306-30002	B - 4	95604-06100	D - 14	98507-05014	B - 13
90387-07598	D - 5	90467-140A6	E - 2	92902-06600	C - 13	93306-30504	C - 4	95607-05100	D - 12	98507-05020	D - 12
90387-086N4	C - 7	90467-20085	B - 6		E - 9	93306-30548	B - 3	95612-08100	C - 13	98507-06012	C - 3
90387-090R0	C - 15	90467-22080	B - 7	92902-08600	C - 13	93306-30549	B - 3	95702-08500	D - 15	98507-06016	B - 4
90387-100Y6	D - 3	90468-05184	B - 6		D - 14	93310-316H6	B - 3	95702-10500	D - 7	98507-06020	B - 13
90387-101R3	D - 3	90468-26091	B - 14	92902-10100	C - 7	93310-522L4	B - 3		D - 9	98507-06030	B - 13
90387-125N8	C - 12	90480-01400	D - 5	92902-10200	D - 7	93311-22005	C - 3	95707-06500	D - 6	98507-06040	B - 13
90387-125N9	C - 12	90480-05201	D - 15		D - 9	93311-42006	C - 3	95707-08500	B - 11	98507-06055	B - 13
90387-126H8	C - 14	90480-12299	C - 7	92902-10600	C - 8	93315-11720	B - 15	95802-06010	D - 8	98511-04012	E - 2
90387-127G8	C - 14	90480-14088	E - 6	92907-03100	B - 6	93315-23612	C - 5	95802-06025	E - 6	98511-04016	B - 8
90387-150R1	D - 7	90480-14555	E - 6		B - 9	93317-22237	C - 12	95802-08040	C - 12	98707-05012	E - 9
90387-176R6	C - 15	90480-15470	B - 5	92907-03600	B - 9	93399-99916	C - 14	95802-08055	E - 5	98707-05016	C - 5
90387-257N4	C - 4	90480-18171	B - 7	92907-06100	E - 9	93430-08007	C - 5	95807-06025	B - 5	98707-06014	C - 5
90401-10015	D - 14	90480-18290	D - 5	92907-06200	B - 11	93430-12008	D - 15	95812-08014	E - 3	98907-03006	D - 12
	E - 2	90480-18411	D - 15	92907-06600	E - 9	93430-20454	D - 6	95812-08020	C - 13	98907-06010	B - 10
90401-10041	C - 12	90480-48399	C - 11	92907-08200	B - 15	93440-19083	B - 5	95812-08025	C - 7	99001-07600	B - 4
90413-05014	B - 11	90501-12081	B - 14	92990-04100	B - 8	93440-25084	C - 3	95812-10025	D - 15	99009-15400	B - 14
90413-08009	B - 9	90501-23138	B - 15	92990-10600	C - 7	93440-30113	C - 14	95817-08014	B - 10	99009-20400	C - 3
90430-06166	B - 2	90506-18398	B - 10	93102-12106	C - 6	93440-34025	C - 5	95822-06010	C - 9	99510-12016	B - 11
90430-14043	B - 11	90506-20026	D - 15	93102-17004	B - 15	93440-52009	C - 3	95822-08016	D - 15	99530-10114	B - 2
90445-081F1	B - 11	90507-20030	B - 10	93102-20484	B - 14	93450-17129	B - 3		E - 3	99530-12016	B - 13
90445-084J0	C - 11	90508-16599	C - 2	93102-22216	D - 7	93507-32031	B - 14	95822-08035	C - 15		
90445-084J1	D - 5	90508-20454	D - 6	93102-25081	C - 7	93515-32029	B - 15	95827-06010	B - 2		
90445-09012	B - 9	90508-29728	C - 5	93102-25099	C - 7	93603-22028	B - 4	95917-08640	B - 2		
90445-090F7	C - 11	90508-30051	B - 14	93102-35369	C - 4	93604-12037	C - 5	97007-06010	C - 2		
90445-09109	B - 11	90508-32374	C - 6	93102-42260	D - 9	93700-06004	C - 12	97007-06016	E - 9		
90445-09123	B - 11	90560-12171	C - 6	93102-43341	D - 9		D - 4	97007-06020	E - 9		
90445-13693	D - 5	90560-35263	D - 9	93103-10147	B - 4	93834-14050	C - 4	97012-08020	C - 6		
90450-32015	B - 5	91317-06020	B - 5	93103-25108	B - 3	93900-00022	D - 7	97017-06045	B - 11		
90450-44046	B - 6	91317-06025	B - 6	93103-40077	B - 3		D - 9	97017-06060	B - 11		
90460-37026	B - 10	91401-16012	E - 2	93104-09025	D - 12	94107-10020	D - 7	97017-06090	B - 11		
90460-49058	B - 9	91401-20020	C - 15	93104-18077	C - 14	94110-09020	D - 9	97022-06030	D - 5		
90460-68230	B - 6		D - 7	93105-26026	D - 7	94581-87104	D - 9	97022-06045	C - 13		