



PARTS CATALOGUE

YAMAHA GENERATOR

EDL1300TE (Q9C1) (380V/220V-50Hz) OTHERS

EDL1300TE (Q9C1) (220V/127V-60Hz) OTHERS

EDL13000TE
PARTS CATALOGUE
©2002 by Yamaha Motor Co., Ltd.
1st Edition, Sep. 2002
All rights reserved.
Any reprinting or unauthorized use
without the written permission of
Yamaha Motor Co., Ltd.
is expressly prohibited.
Printed in Japan

FOREWORD

This Parts Catalogue is related to the parts for the model(s) in the below frame. When you are ordering replacement parts, please refer to this Parts Catalogue and quote both part numbers and part names correctly.

1. Modifications or additions which have been made after issue of the Parts Catalogue will be announced in the Yamaha Parts News.
It is advisable that you make necessary corrections to the Parts Catalogue according to the Yamaha Parts News.

2. Abbreviations

The following abbreviations are used in this Parts Catalogue.

“UR” Use specified parts number.

“UN” Use as many as needed.

“AP” Alternate Parts

“LM” Local Made (Parts need to be ordered locally)

“F#” Frame No. (Applicable machine No.)

3. Parts, which are to be supplied in an assembly, are listed with a dot(.) in front of the part name as shown below.

EXAMPLE

CARBURETOR ASSY

.JET, PILOT

.NOZZLE, MAIN

4. Number of component for assembly

The numeral appearing to the right of each component part indicates the quantity of parts for each assembly unit.

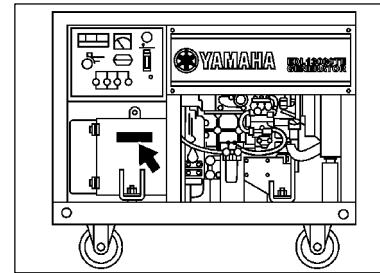
EXAMPLE

PART NO.	DESCRIPTION	Q'TY	REMARKS
2F5-83310-60	FRONT FLASHER LIGHT ASSY	2	
115-83311-60	.BULB (6V-18W)	1	

5. Applicable Starting Serial No. and Color Code

MODEL NAME	MODEL TYPE	SPECIFICATION	FRAME NO.
EDL13000TE	Q9C1	380V/220V-50Hz	Q9C1-800101
EDL13000TE	Q9C1	220V/127V-60Hz	Q9C1-700101

Engine Serial No.



Color Code	Color Name	Abbreviation	MODEL	Country (destination)
00NJ	FARAWAY BLUE	FWB	Q9C1	OTHERS

6. Note that the illustrations for reference in finding parts numbers, not to be used for assembling. When assembling, please use the applicable service manual.

7. The asterisk (*) before a reference number indicates modification items after the first edition.

CONTENTS

CYLINDER HEAD	1
CYLINDER BLOCK	3
PISTON, CRANKSHAFT	4
VALVE SYSTEM	6
GOVERNOR	8
TIMING GEAR CASE	9
LUBRICATION 1	11
COOLING SYSTEM	12
RADIATOR. HOSE	13
RESERVE TANK	14
INJECTION PUMP	15
INJECTION NOZZLE	17
FUEL SYSTEM 2	20
AIR CLEANER	21
INTAKE	22
EXHAUST 1	23
CONTROL UNIT	24
GENERATOR 1	26
STARTING MOTOR	28
ELECTRICAL	30
ALTERNATE 1	31
GENERATOR 2	33
ENGINE MOUNT	34
FRAME	35
COVER	36
PANEL COVER	37
FUEL TANK	38

FRAME 2	39
FRAME 3	40
LABEL	41
ELECTRICAL 2	42

INDEX

NUMERICAL INDEX	44
-----------------------	----

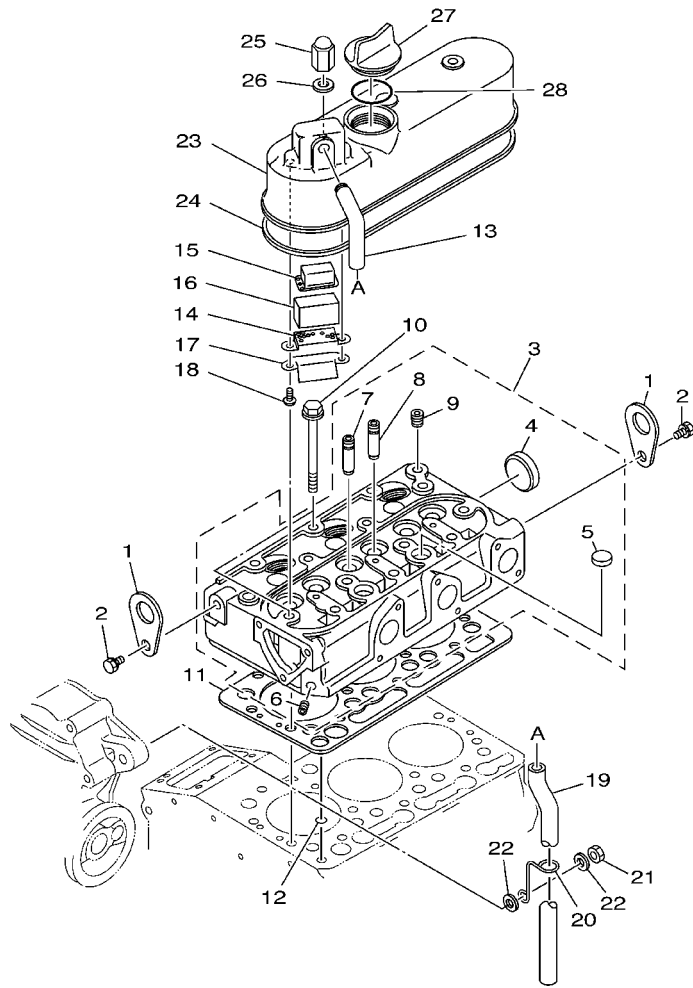


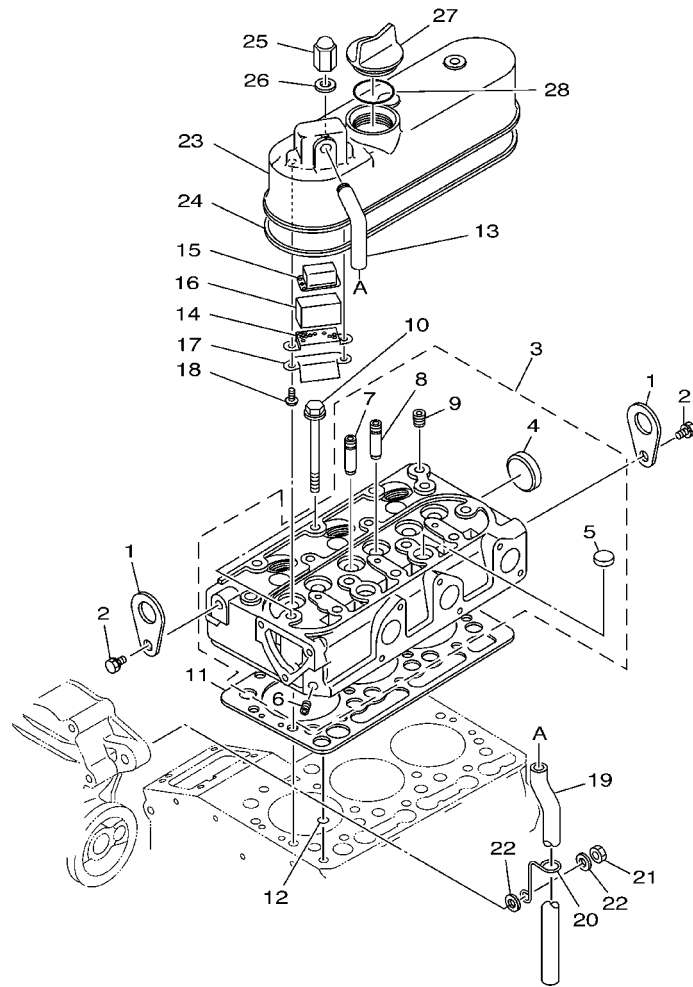
FIG. 1 CYLINDER HEAD

REF. NO.	PART NO.	DESCRIPTION	Q9C1				REMARKS
1	YF1-52210-17-50	HOOK,ENGINE	2				
2	YF0-11235-08-16	BOLT	2				
3	YF1-68730-30-42	CYLINDER HEAD COMP.	1				
4	YF1-53219-62-60	.PLUG,EXPANSION	1				
5	YF1-52610-33-70	.PLUG,EXPANSION	2				
6	YF1-52619-60-10	.PLUG	1				
7	YF1-58411-35-40	.GUIDE,INLET VALVE	3				
8	YF1-58411-35-60	.GUIDE,EXHAUST VALVE	3				
9	YF1-58419-60-20	.PLUG	1				
10	YF1-46010-34-50	BOLT,HEAD	14				
11	YF1-68710-33-10	GASKET,HEAD	1				
12	YF1-52213-37	O-RING	1				
13	YF1-58810-55-50	FLANGE,BREATHER PIPE	1				
14	YF1-58410-51-40	ELEMENT PLATE,BREATHER 1	1				
15	YF1-58410-51-50	ELEMENT PLATE,BREATHER 2	1				
16	YF1-58410-56-70	ELEMENT,BREATHER	1				
17	YF1-58410-53-70	OIL SEAL,ELEMENT	1				
18	YF1-68619-33-10	SCREW,PANHEAD TAPPING	2				
19	YF1-58410-55-10	PIPE,BREATHER	1				
20	YF1-58810-55-90	CLAMP,PIPE	1				
21	YF0-21145-00-80	NUT	1				
22	YF0-40136-00-80	WASHER,PLATE	2				
23	YF1-68611-45-13	COVER,HEAD	1				
24	YF1-68611-45-22	PACKING,HEAD COVER	1				
25	YF1-58411-46-20	NUT,CROWN	3				
26	YF1-56019-66-50	PACKING	3				
27	YF1-58523-31-40	PLUG,OIL FILLER	1				UR



7VG7600-9010

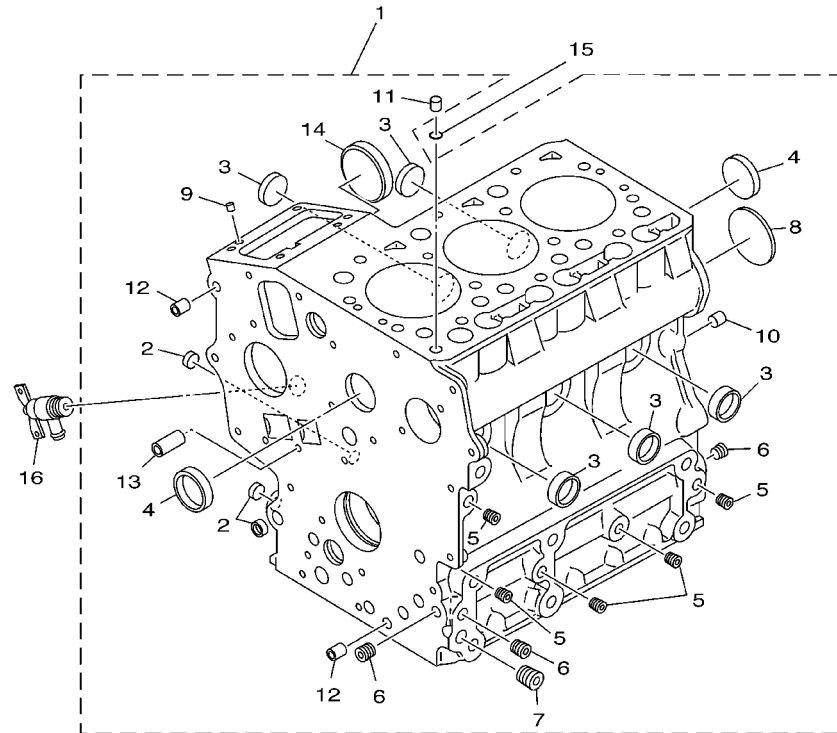
FIG. 1 CYLINDER HEAD



REF. NO.	PART NO.	DESCRIPTION	Q99C1			REMARKS
27	YFE-91513-31-40	PLUG(FUEL FEED)	1			UR
28	YF0-48145-03	O-RING	1			


7VG7600-9010

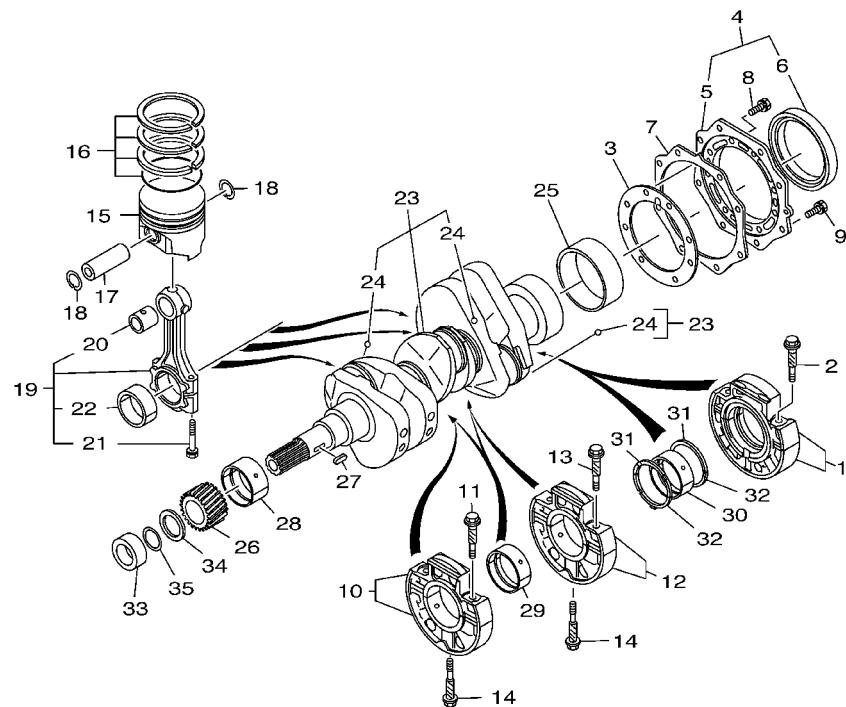
FIG. 2 CYLINDER BLOCK



REF. NO.	PART NO.	DESCRIPTION	Q95C1				REMARKS
1	YF1-68730-10-10	CRANKCASE COMP.	1				
2	YF1-68519-62-60	.PLUG,EXPANSION 1	3				
3	YF1-68519-62-70	.PLUG,EXPANSION 2	5				
4	YF1-54519-62-70	.PLUG,EXPANSION	2				
5	YF1-52619-60-10	.PLUG	5				
6	YF1-55219-60-20	.PLUG	3				
7	YF1-55219-60-30	.PLUG	1				
8	YF1-52619-61-60	.PLUG	1				
9	YF0-50120-05-08	.PIN	2				
10	YF0-50120-08-14	.PIN	2				
11	YF1-52213-36-50	.PIN,PIPE	1				
12	YF1-52313-39-60	.PIN,PIPE	2				
13	YF1-73315-91-90	.PIN,PIPE	2				
14	YF1-68511-62-12	.COVER,FUEL CAM SHAFT	1				
15	YF1-52213-37	O-RING	1				
16	YF1-58417-30-20	DRAIN COCK ASSY	1				



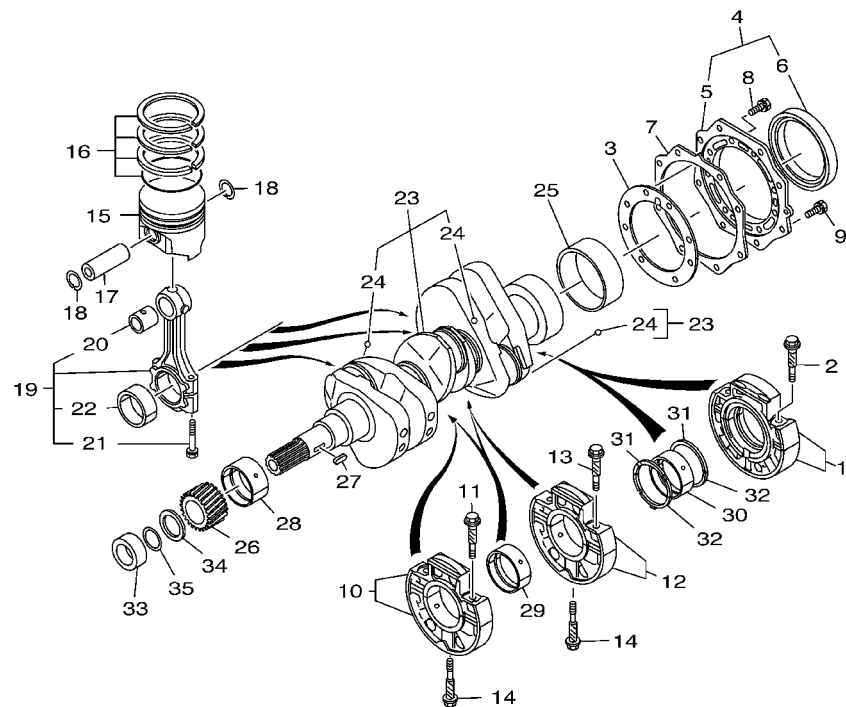
7VG7600-9020



7VG7600-9030

FIG. 3 PISTON, CRANKSHAFT

REF. NO.	PART NO.	DESCRIPTION	Q9C1				REMARKS
1	YF1-68510-40-92	BEARING CASE ASSY	1				
2	YF1-58410-45-40	BOLT,BEARING CASE 1	2				
3	YF1-58520-43-60	PACKING,BEARING CASE	1				
4	YF1-58410-48	BEARING COVER ASSY	1				
5	YF1-58410-48-10	.COVER,BEARING CASE	1				
6	YF1-92159-91-60	.OIL SEAL	1				
7	YF1-58410-48-22	GASKET	1				
8	YF0-10235-06-20	BOLT	8				
9	YF0-10235-06-22	BOLT	8				
10	YF1-68510-40-40	MAIN BEARING CASE ASSY	1				
11	YF1-58410-45-40	BOLT,BEARING CASE 1	2				
12	YF1-68610-40-50	MAIN BEARING CASE ASSY	1				
13	YF1-58410-45-40	BOLT,BEARING CASE 1	2				
14	YF1-58410-45-62	BOLT,BEARING CASE 2	2				
15	YF1-68512-11-12	PISTON	3				
	YF1-68512-19	PISTON(0.25MM)	3				AP
16	YF1-68532-10-50	PISTON RING ASSY	3				
	YF1-68532-10-90	PISTON RING ASSY(0.25MM)	3				AP
17	YF1-68712-13-10	PIN,PISTON	3				
18	YF1-52612-13-30	CIRCLIP,PISTON PIN	6				
19	YF1-68512-20-10	CONNECTING ROD ASSY	3				
20	YF1-68512-19-80	.BUSING,PISTON PIN 03	3				
21	YF1-68512-21-40	.BOLT,CONNECTING ROD	6				
22	YF1-68512-23-20	.CRANK METAL(STD/SET)	3				
	YF1-58612-29-70	.METAL,CRANK PIN(-0.20MM/SET)	3				AP
	YF1-58612-29-80	.METAL,CRANK PIN(-0.40MM/SET)	3				AP
23	YF1-68612-30-10	CRANK SHAFT COMP.	1				

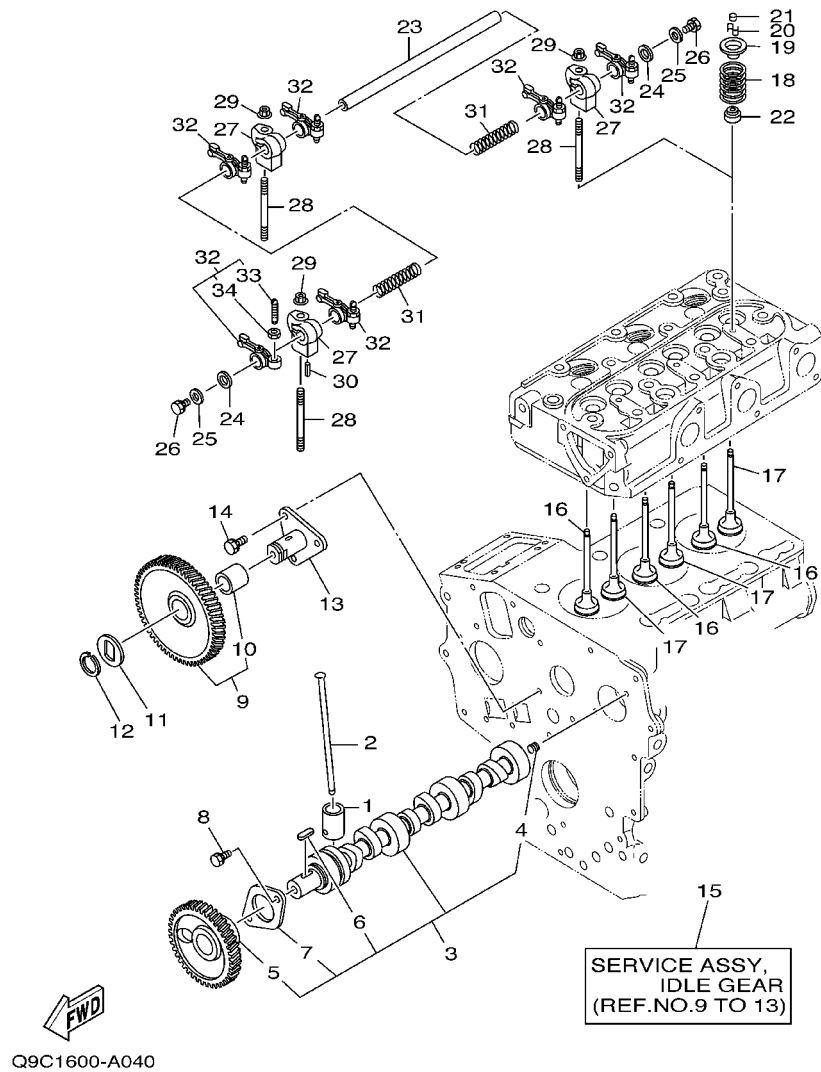


7VG7600-9030

FIG. 3 PISTON, CRANKSHAFT

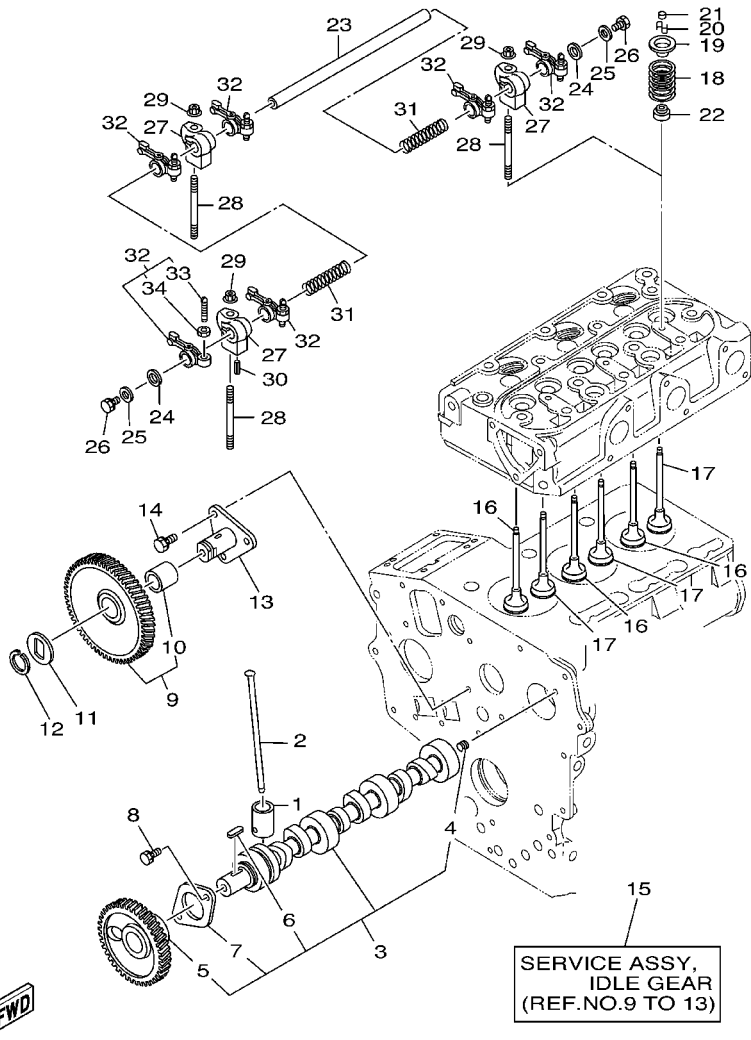
REF. NO.	PART NO.	DESCRIPTION	Q9C1				REMARKS
24	YF0-77150-32-07	.BALL	3				
25	YF1-92152-32-80	SLEEVE,CRANK SHAFT	1				
26	YF1-58412-41-10	GEAR,CRANK	1				
27	YF0-57120-05-15	KEY	1				
28	YF1-58612-34-70	METAL,CRANKSHAFT(STD/SET)	1				
	YF1-58612-39-10	METAL,CRANKSHAFT(-0.20MM/SET)	1				AP
	YF1-58612-39-20	METAL,CRANKSHAFT(-0.40MM/SET)	1				AP
29	YF1-68612-34-90	METAL,CRANKSHAFT(STD/SET)	2				
	YF1-58612-38-60	METAL,CRANKSHAFT(-0.20MM/SET)	2				AP
	YF1-58612-38-70	METAL,CRANKSHAFT(-0.40MM/SET)	2				AP
30	YF1-68612-34-80	METAL,CRANKSHAFT(STD/SET)	1				
	YF1-56942-39-30	METAL,CRANKSHAFT(-0.20MM/SET)	1				AP
	YF1-56942-39-40	METAL,CRANKSHAFT(-0.40MM/SET)	1				AP
31	YF1-52612-35-30	SIDE METAL 1(STD)	2				
	YF1-52612-39-50	SIDE METAL 1(+0.20MM)	2				AP
	YF1-52612-39-60	SIDE METAL 1(+0.40MM)	2				AP
32	YF1-52612-35-40	SIDE METAL	2				
	YF1-52612-39-70	SIDE METAL 2(+0.20MM)	2				AP
	YF1-52612-39-80	SIDE METAL 2(+0.40MM)	2				AP
33	YF1-58412-32-50	COLLAR,CRANKSHAFT	1				
34	YF1-58812-33-10	OIL SLINGER,CRANKSAFT	1				
35	YF0-48141-62-20	O-RING	1				

FIG. 4 VALVE SYSTEM



REF. NO.	PART NO.	DESCRIPTION	Q9C1				REMARKS
1	YF1-68511-55-50	TAPPET	6				
2	YF1-68511-51-10	PUSH ROD	6				
3	YF1-68641-60-10	CAM SHAFT ASSY	1				
4	YF1-55219-36-10	.SCREW,SET	1				
5	YF1-68641-65-10	.GEAR,CAM	1				
6	YF0-57120-05-18	.KEY	1				
7	YF1-58411-62-70	.STOPPER,CAM SHAFT	1				
8	YF0-10235-06-12	BOLT	2				
9	YF1-58752-40-13	IDLE GEAR COMP.	1				
10	YF1-58752-42-82	.BUSHING	1				
11	YF1-58752-43-70	COLLAR,IDLE GEAR 2	1				
12	YF1-58752-43-20	RING SET,IDLE GEAR	1				
13	YF1-58752-42-50	SHAFT,IDLE GEAR	1				
14	YF0-10235-06-14	BOLT	3				
15	YF1-58759-93-40	SERVICE ASSY,IDLE GEAR	1				
16	YF1-46011-31-10	VALVE,INLET	3				
17	YF1-46011-31-20	VALVE,EXHAUST	3				
18	YF1-46011-32-40	SPRING,VALVE	6				
19	YF1-46011-33-30	RETAINER VALVE SPRING	6				
20	YF1-46011-33-60	LOCK,VALVE	6				
21	YF1-68511-32-80	CAP,VALVE	6				
22	YF1-14201-31-50	SEAL,VALVE STEM	6				
23	YF1-58611-42-63	SHAFT ROCKER ARM	1				
24	YF1-68711-44-30	WASHER,ROCKER ARM SHAFT	2				
25	YF1-58419-40-22	WASHER,PLATE	2				
26	YF0-10235-06-10	BOLT	2				
27	YF1-58411-43-50	BRACKET,ROCKER ARM	3				

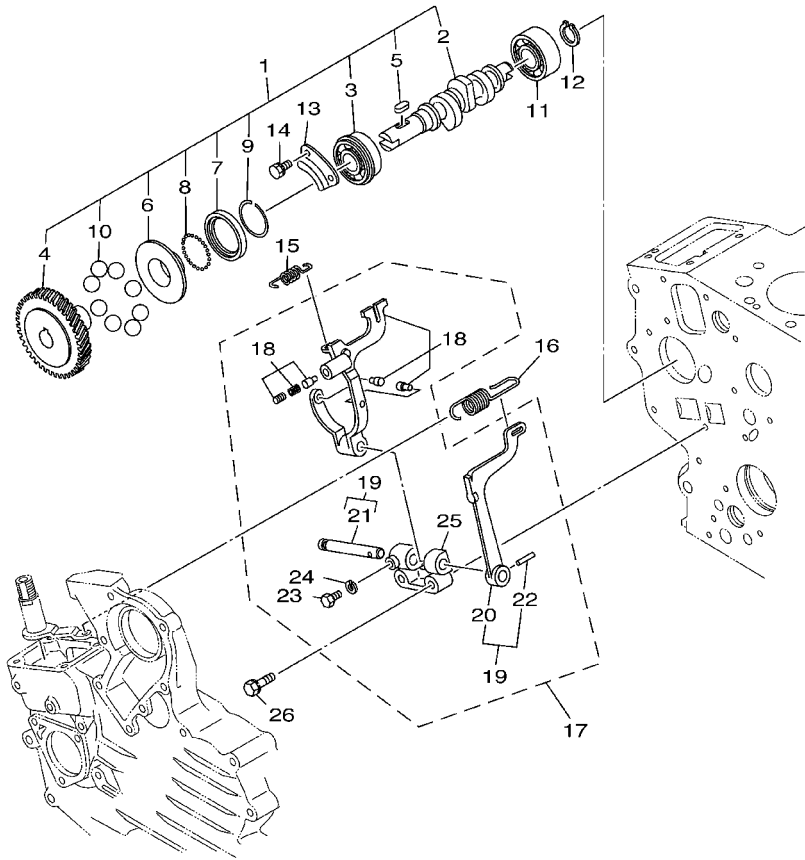
FIG. 4 VALVE SYSTEM



Q9C1600-A040

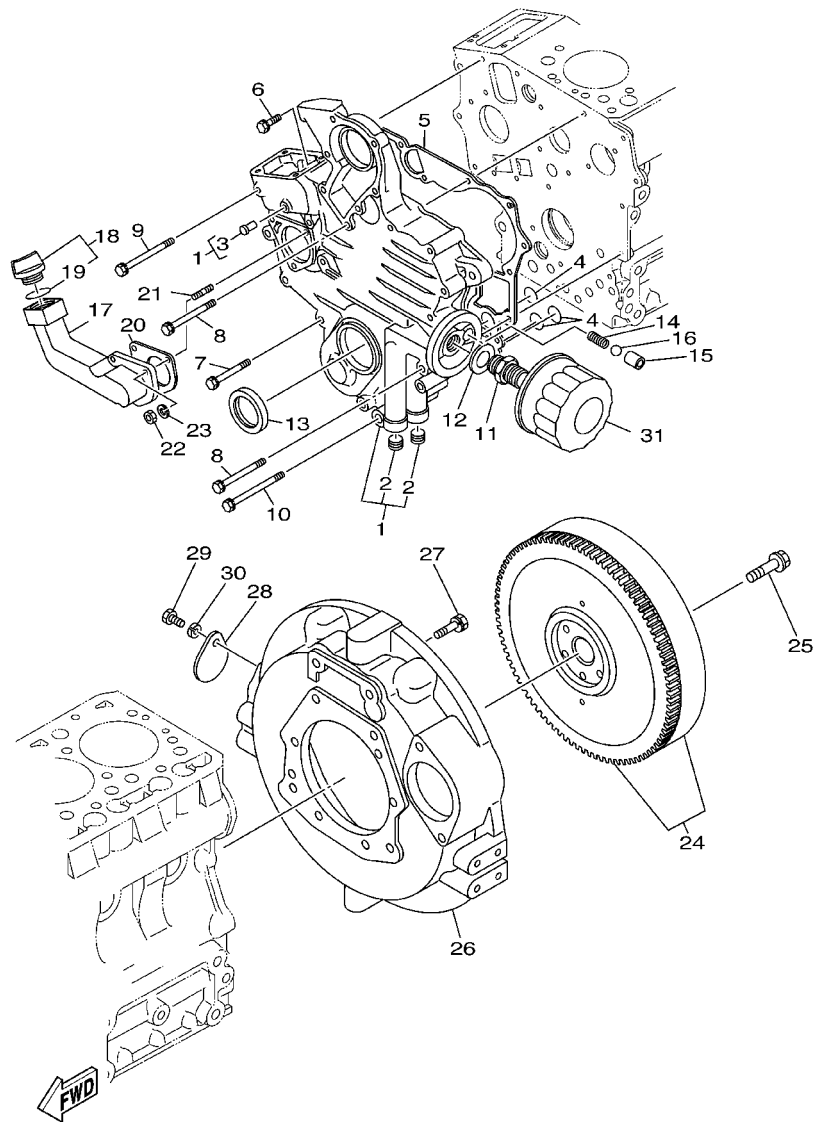
REF. NO.	PART NO.	DESCRIPTION	Q9C1					REMARKS
28	YF1-46011-44-10	STUD	3					
29	YF0-27515-00-60	NUT,FLANGE	3					
30	YF0-54110-04-20	PIN,SPRING	1					
31	YF1-46011-43-10	SPRING,ROCKER ARM	2					
32	YF1-58411-40-30	ROCKER ARM ASSY	6					
33	YF1-58411-42-30	.SCREW,ADJUSTING	6					
34	YF1-46011-42-40	.NUT	6					

FIG. 5 GOVERNOR



7VG7600-9050

REF. NO.	PART NO.	DESCRIPTION	Q9C1				REMARKS
1	YF1-68611-60-20	FUEL CAM SHAFT ASSY	1				
2	YF1-58751-61-70	.FUEL CAM SHAFT	1				
3	YF0-81530-62-03	.BEARING,BALL	1				
4	YF1-68515-11-50	.GEAR,INJECTION PUMP	1				
5	YF0-57120-05-15	.KEY	1				
6	YF1-58415-54-50	.SLEEVE,GOVERNOR	1				
7	YF1-58415-56-90	.CASE,GOVERNOR BALL	1				
8	YF0-77150-08-01	.BALL	32				
9	YF1-52615-54-70	.CIRCLIP	1				
10	YF0-77150-32-17	.BALL,STEEL	8				
11	YF0-81030-62-03	BEARING,BALL	1				
12	YF0-46120-01-70	CIRCLIP	1				
13	YF1-58411-63-20	STOPPER,FUEL CAM SHAFT	1				
14	YF0-10235-06-12	BOLT	2				
15	YF1-58415-64-80	SPRING,START	1				
16	YF1-94615-64-10	SPRING,GOVERNOR	1				
17	YF1-60005-60-50	LEVER ASSY,FORK	1				
18	YF1-60005-60-40	.LEVER COMP. 1 FORK	1				
19	YF1-58415-60-60	.FORK LEVER 2 ASSY	1				
20	YF1-58415-61-30	..FORK LEVER 2	1				
21	YF1-58415-61-50	..SUPPORT,FORK LEVER	1				
22	YF0-54110-03-18	..PIN,SPRING	1				
23	YF1-52616-64-10	.BOLT	1				
24	YF0-45126-00-50	.WASHER,SPRING	1				
25	YF1-58415-62-30	.HOLDER,FORK LEVER	1				
26	YF0-10235-06-35	BOLT	2				

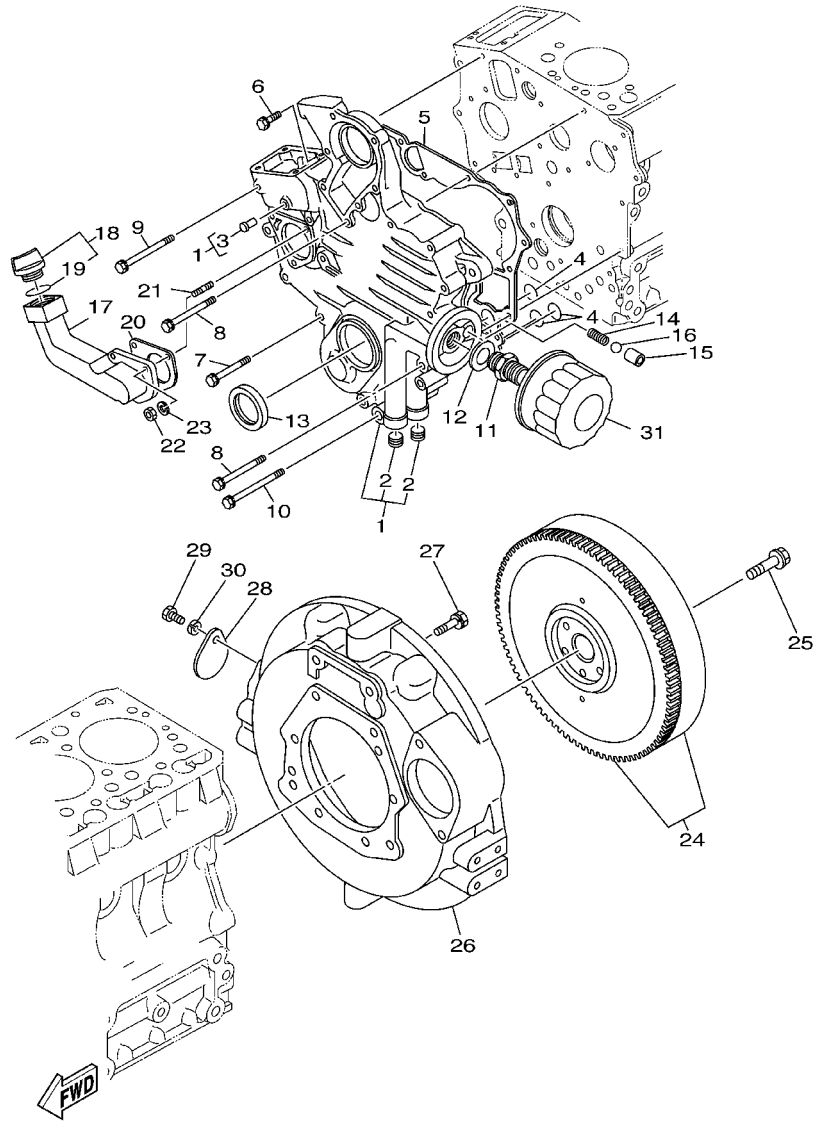


Q9C1600-A060

FIG. 6 TIMING GEAR CASE

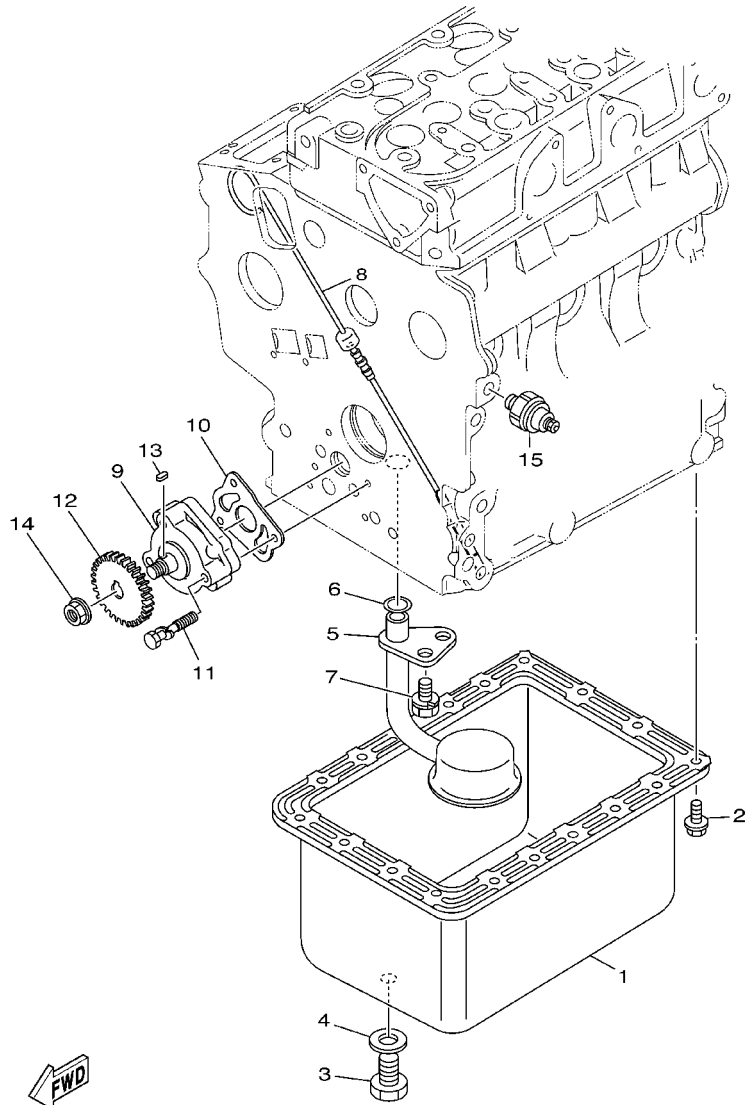
REF. NO.	PART NO.	DESCRIPTION	Q9C1				REMARKS
1	YF1-68750-40-24	GEAR CASE COMP.	1				
2	YF1-68519-60-10	.PLUG	2				
3	YF1-58415-62-80	.PIN,START SPRING	1				
4	YF0-48140-61-30	O-RING	3				
5	YF1-58620-41-32	PACKING	1				
6	YF0-10235-06-18	BOLT	1				
7	YF0-10236-06-50	BOLT,WITH WASHER	8				
8	YF1-58419-10-10	BOLT	5				
9	YF0-10236-06-70	BOLT	1				
10	YF0-10235-06-75	BOLT	1				
11	YF1-52413-22-90	NIPPLE	1				
12	YF1-58419-40-10	WASHER,PLATE	1				
13	YF1-58770-41-40	OIL SEAL	1				
14	YF1-68513-69-50	SPRING	1				
15	YF1-58413-69-30	SEAT,VALVE	1				
16	YF0-77150-32-11	BALL	1				
17	YF1-58463-31-10	FLANGE,OIL FEED	1				
18	YF1-38113-30-80	FUEL FEED PLUG ASSY.	1				
19	YF0-48170-62-30	.O-RING	1				
20	YF1-94618-81-32	PACKING	1				
21	YF1-52218-82-10	STUD	3				
22	YF0-20565-00-60	NUT	3				
23	YF0-45126-00-60	WASHER,SPRING	3				
24	YF1-58782-50-10	FLYWHEEL COMP.	1				
25	YF1-55332-51-62	BOLT,FLYWHEEL	5				
26	YF1-58780-46-16	HOUSING,FLYWHEEL	1				
27	YF0-11235-08-22	BOLT	10				

FIG. 6 TIMING GEAR CASE



Q9C1600-A060

REF. NO.	PART NO.	DESCRIPTION	Q9C1				REMARKS
28	YF3-12201-41-70	COVER	1				
29	YF0-11535-08-12	BOLT	1				
30	YF0-45126-00-80	WASHER,SPRING	1				
31	YF1-58533-24-30	FILTER,CARTRIDGE OIL	1				

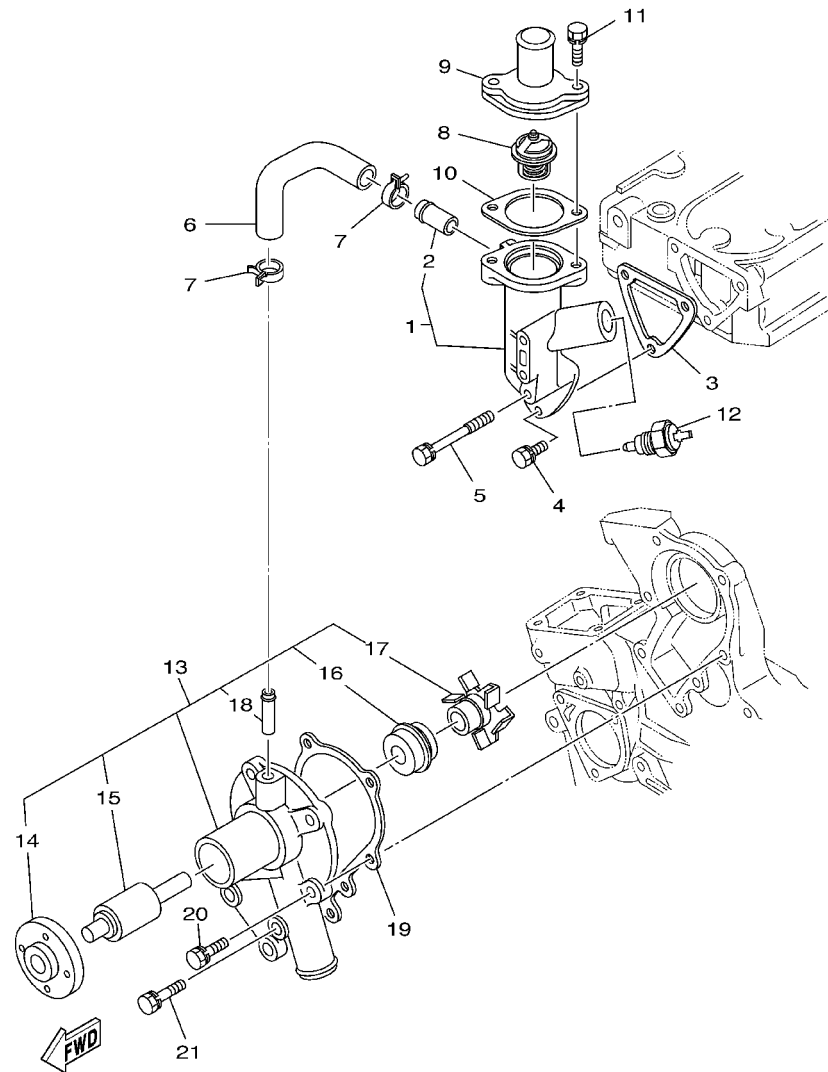


7VG7600-9070

FIG. 7 LUBRICATION 1

REF. NO.	PART NO.	DESCRIPTION	Q9C1				REMARKS
1	YF1-68630-15	OIL PAN COMP.	1				
2	YF0-10235-06-12	BOLT	18				
3	YF1-57073-37-50	PLUG,DRAIN	1				
4	YF1-54519-66-70	PACKING	1				
5	YF1-68513-21-10	OIL FILTER 1	1				
6	YF0-48140-01-60	O-RING	1				
7	YF0-11236-08-14	BOLT	1				
8	YF1-68533-64-10	GAUGE,OIL	1				
9	YF1-68513-50-12	OIL PUMP ASSY	1				
10	YF1-68513-51-52	PACKING	1				
11	YF1-58419-10-50	BOLT	3				
12	YF1-58413-56-60	DRIVE GEAR,OIL PUMP	1				
13	YF0-57120-04-08	KEY	1				
14	YF0-27835-01	NUT,FLANGE	1				
15	YF1-58413-90-10	OIL SWITCH	1				

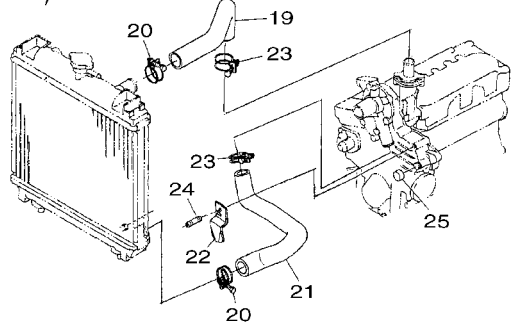
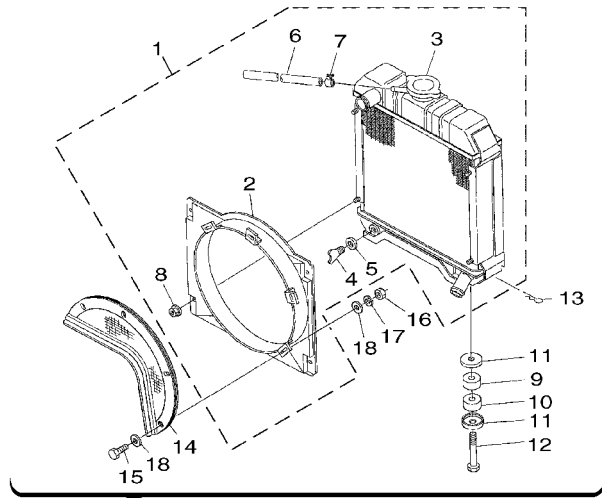
FIG. 8 COOLING SYSTEM



7VG7600-9080

REF. NO.	PART NO.	DESCRIPTION	Q9C1				REMARKS
1	YF1-68757-27-04	WATER FLANGE COMP	1				
2	YF1-62417-33-70	.PIPE,WATER RETURN	1				
3	YF1-58417-29-22	PACKING	1				
4	YF0-10235-06-16	BOLT	2				
5	YF0-10236-06-50	BOLT,WITH WASHER	1				
6	YF1-68517-33-50	PIPE WATER RETURN 2	1				
7	YF1-62417-33-60	CLIP,PIPE	2				
8	YF1-92037-30-10	THERMOSTAT ASSY	1				
9	YF1-58417-32-60	COVER,THERMOSTAT	1				
10	YF1-68517-32-70	PACKING,THERMOSTAT COVER	1				
11	YF0-10235-06-22	BOLT	2				
12	YF1-75388-30-40	SWITCH,THERMOSTAT	1				
13	YF1-98837-30-30	WATER PUMP ASSY	1				
14	YF1-58527-35-20	.FLANGE,WATER PUMP	1				
15	YF1-58527-35-50	.BEARING	1				
16	YF1-54817-30-50	.MECHANICAL SEAL ASSY	1				
17	YF1-98837-35-10	.IMPELLER,WATER PUMP	1				
18	YF1-58527-33-40	.PIPE,WATER RETURN 1	1				
19	YF1-58817-34-32	PACKING,WATER PUMP	1				
20	YF0-10235-06-22	BOLT	4				
21	YF0-10235-06-38	BOLT,WITH WASHER	1				

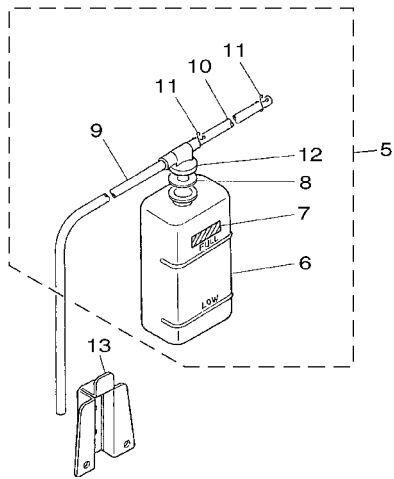
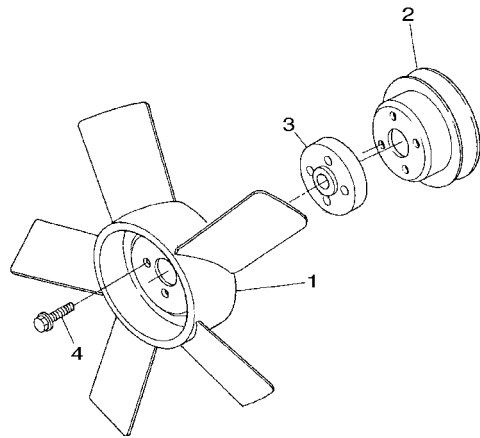
FIG. 9 RADIATOR. HOSE



Q9C1600-A090

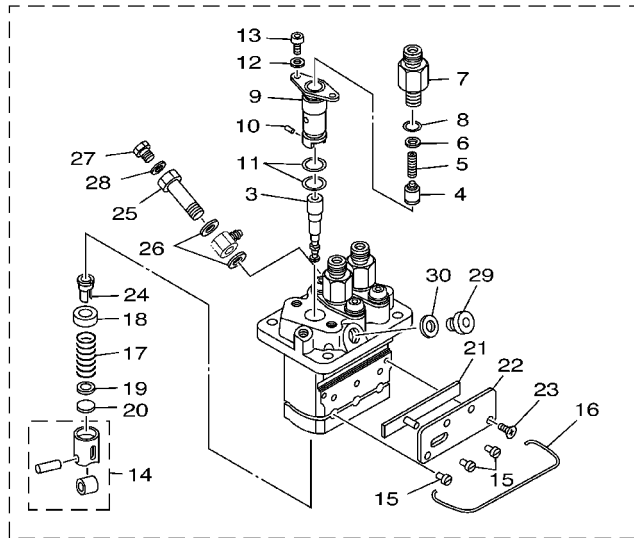
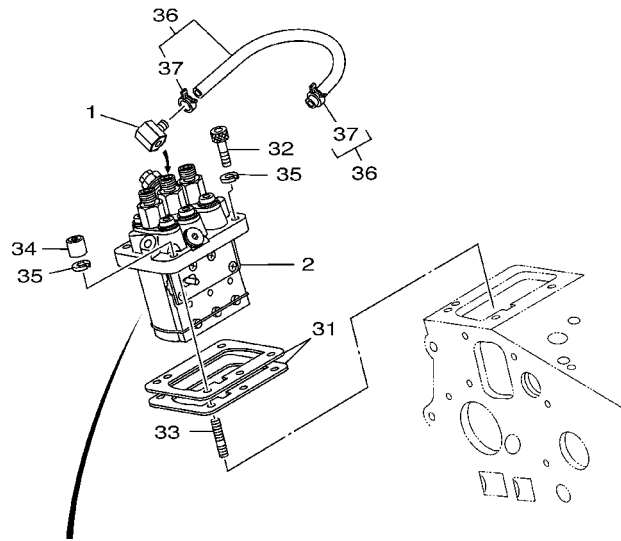
REF. NO.	PART NO.	DESCRIPTION	Q9C1				REMARKS
1	YF6-A3205-85	RADIATOR ASSY	1				
2	YF1-K1927-23-30	.SHROUD(FAN)	1				
3	YF6-C0405-86-60	.CAP ASSY.(RADIATOR)	1				
4	YF1-68517-31-10	.DRAIN COCK	1				
5	YF1-68519-66-90	.PACKING	1				
6	YF1-68537-27-10	.HOSE,WATER OVER FLOW	1				
7	YF1-68517-24-70	.CLAMP,PIPE	1				
8	YF0-20545-00-50	.NUT	4				
9	YF6-C0405-85-80	CUSHION(RADIATOR)	2				
10	YF6-C0905-44-90	RUBBER FORM(RADIATOR UPPER)	2				
11	YF1-51117-22	WASHER	4				
12	YF1-51087-23-80	BOLT	2				
13	YF0-55156-10	SNAP PIN	2				
14	YF1-94267-41-20	FAN COVER	1				
15	YF0-10535-06-14	BOLT	4				
16	YF0-20565-00-60	NUT	4				
17	YF0-45126-00-60	WASHER,SPRING	4				
18	YF0-40145-00-60	WASHER,PLATE	8				
19	YF6-C0905-86-30	HOSE	1				
20	YF6-79555-86-30	CLAMP,HOSE	2				
21	YF6-C0905-85-70	HOSE	1				
22	YF6-C0905-86-43	CLAMP	1				
23	YF0-93188-90-30	CLAMP,HOSE	2				
24	YF1-58419-15-10	STUD	1				
25	YF3-F7605-67-50	CAP (M6, BOLT)	1				

FIG. 10 RESERVE TANK




Q9C1600-A100

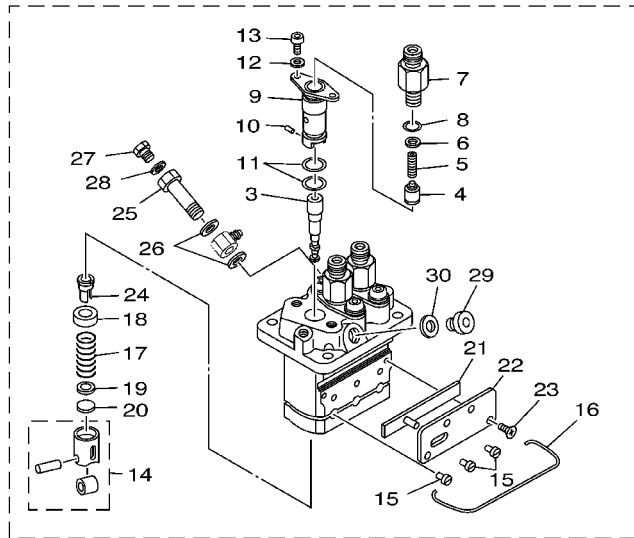
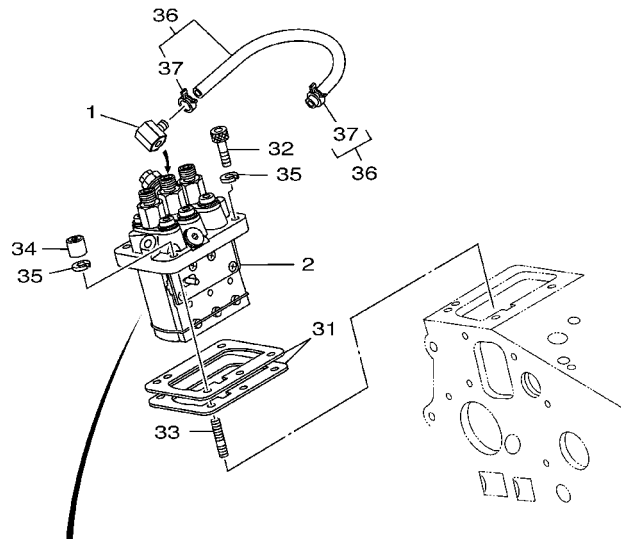
REF. NO.	PART NO.	DESCRIPTION	Q9C1				REMARKS
1	YF1-59717-41-10	FAN	1				
2	YF1-58417-42-50	PULLEY,FAN	1				
3	YF1-70537-41-50	FAN COLLER	1				
4	YF1-72089-10-40	BOLT,FLANGE	4				
5	YF1-55317-24-02	RESERVE TANK ASSY	1				
6	YF1-55317-24-10	.BODY,TANK	1				
7	YF1-55018-82-10	.LABEL,CAUTION	1				
8	YF1-55317-24-32	.PACKING	1				
9	YF1-54717-24-40	.PIPE,WATER OVER FLOW 2	1				
10	YF1-55317-24-42	.PIPE,WATER OVER FLOW 2	1				
11	YF1-55017-24-70	.CLIP,PIPE	2				
12	YF1-55317-24-22	.CAP	1				
13	YF1-19827-24-60	STAY,RESERVE TANK	1				



Q9C1600-A110

FIG. 11 INJECTION PUMP

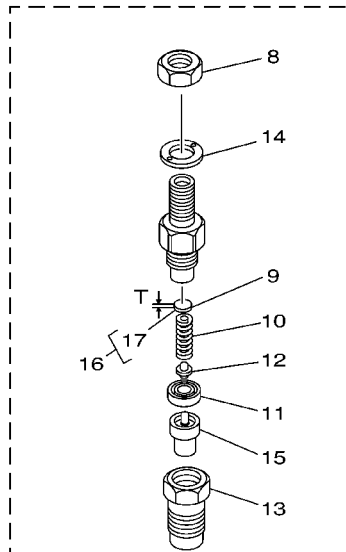
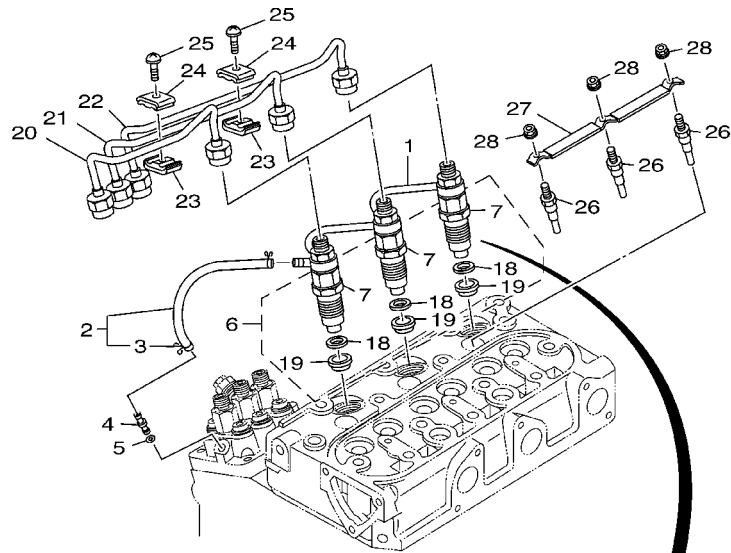
REF. NO.	PART NO.	DESCRIPTION	Q9C1				REMARKS
1	YF1-58419-56-80	NIPPLE,HOSE	1				
2	YF1-60065-10-10	INJECTION PUMP,ASSY	1				
3	YF1-68515-10-50	.ELEMENT,PUMP	3				
4	YF1-58415-10-30	.VALVE,DELIVERY	3				
5	YF1-58415-12-30	.SPRING,DELIVERY VALVE	3				
6	YF1-58415-12-40	.GASKET,DELIVERY VALVE	3				
7	YF1-68515-12-20	.HOLDER,DELIVERY VALVE	3				
8	YF1-58419-67-60	.O-RING	3				
9	YF1-58415-15-60	.SLEEVE FLANGE	3				
10	YF1-58419-45-70	.PIN,WITH HEAD	3				
11	YF1-58415-12	.O-RING	6				
12	YF1-58525-14-70	.WASHER	6				
13	YF1-58629-14-30	.SCREW	6				
14	YF1-58415-10-70	.TAPPET ASSY	3				
15	YF1-58415-12-50	.PIN,TAPPET GUIDE	3				
16	YF1-58615-14-30	.PIN,CLAMP	1				
17	YF1-58415-12-80	.SPRING,PLUNGER	3				
18	YF1-58415-12-70	.SEAT SPRING,UPPER	3				
19	YF1-58415-12-90	.SEAT SPRING,LOWER	3				
20	YF1-58415-14-90	.SHIM	1				UN
21	YF1-58615-10-60	.RACK,CONTROL	1				
22	YF1-58615-15-40	.PLATE	1				
23	YF1-58419-31-10	.SCREW,CYLINDER HEAD	4				
24	YF1-58415-13-80	.CONTROL SLEEVE	3				
25	YF1-58415-13-20	.SCREW	1				
26	YF1-58419-66-50	.PACKING	2				
27	YF1-58415-13-50	.SCREW,AIR BREATHER	1				



Q9C1600-A110

FIG. 11 INJECTION PUMP

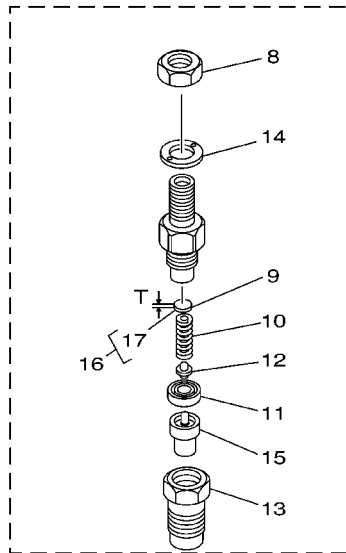
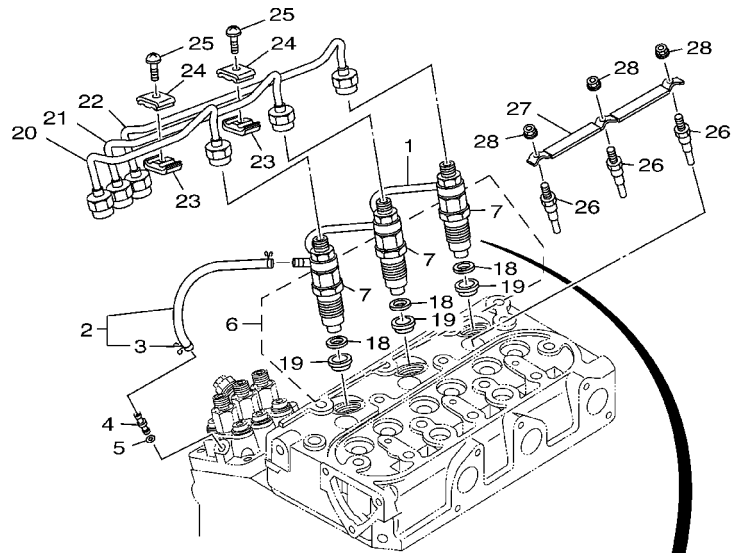
REF. NO.	PART NO.	DESCRIPTION	Q9C1				REMARKS
28	YF1-58419-66-60	.PACKING	1				
29	YF1-58619-10-10	.BOLT	1				
30	YF1-58619-66-50	.PACKING	1				
31	YF1-60065-20-92	SHIM(0.20MM)	1				UR
	YF1-60065-21-12	SHIM(0.25MM)	1				UR
	YF1-60065-21-22	SHIM(0.30MM)	1				UR
32	YF0-13111-06-20	BOLT,HEXAGON WITH HOLE	2				
33	YF1-58419-15	STUD	2				
34	YF1-58419-23-20	NUT,CROWN	2				
35	YF0-45126-00-60	WASHER,SPRING	4				
36	YF1-52614-20-10	FUEL PIPE ASSY	1				
37	YF1-49114-27-50	.PIPE CLIP	2				



Q9C1600-A120

FIG. 12 INJECTION NOZZLE

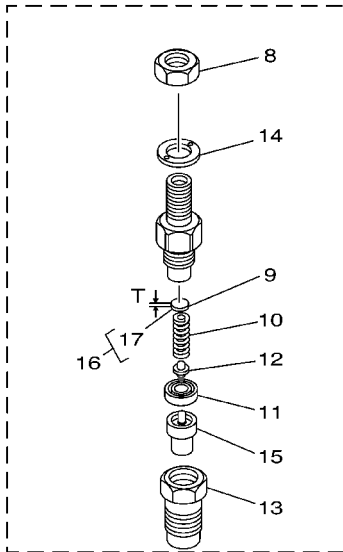
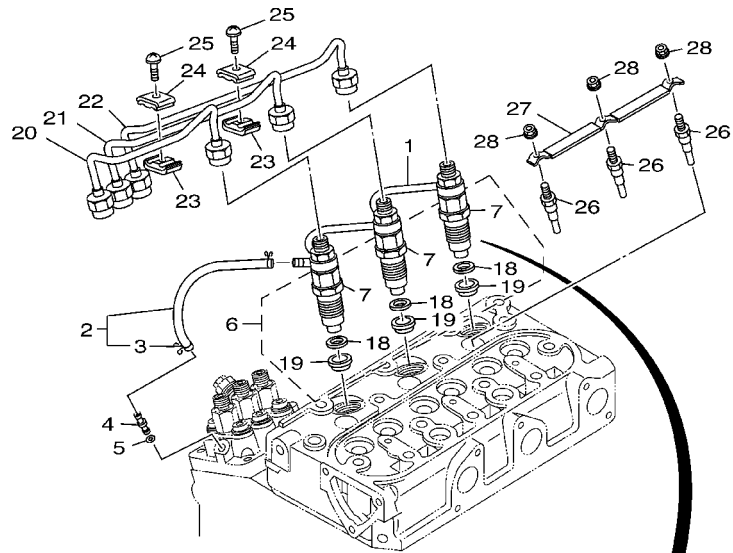
REF. NO.	PART NO.	DESCRIPTION	Q9C1				REMARKS
1	YF1-58624-25-02	PIPE ASSY,OVER FLOW	1				
2	YF1-58414-25	OVER FLOW PIPE ASSY 2	1				
3	YF1-49714-27-50	.PIPE CLIP	2				
4	YF1-58415-13-60	SCREW,AIR BREATHER	1				
5	YF1-56019-66-50	PACKING	1				
6	YF1-60015-39	NOZZLE HOLDER KIT	3				
7	YF1-60015-30	.NOZZLE HOLDER ASSY	3				
8	YF1-58419-20-30	..NUT	3				
9	YF1-58415-32-30	..WASHER,ADJUSTING(0.90MM)	3				
10	YF1-58415-31-70	..SPRING,NOZZLE	3				
11	YF1-58415-33-50	..PIECE,DISTANCE	3				
12	YF1-58415-31-60	..PUSH ROD	3				
13	YF1-64755-32-80	..NUT,NOZZLE	3				
14	YF1-58419-40-40	..WASHER	3				
15	YF1-68515-36-10	..NOZZLE PIECE	3				
16	YF1-58419-81	..ADJUSTING WASHER ASSY	3				AP
17	YF1-58415-32-30	...WASHER,ADJUSTING(0.90MM)	3				UR
	YF1-58419-85-10	...WASHER,ADJUSTING(0.925MM)	3				UR
	YF1-58419-85-20	...WASHER,ADJUSTING(0.950MM)	3				UR
	YF1-58419-85-30	...WASHER,ADJUSTING(0.975MM)	3				UR
	YF1-58419-85-40	...WASHER,ADJUSTING(1.000MM)	3				UR
	YF1-58419-85-50	...WASHER,ADJUSTING(1.025MM)	3				UR
	YF1-58419-85-60	...WASHER,ADJUSTING(1.050MM)	3				UR
	YF1-58419-85-70	...WASHER,ADJUSTING(1.075MM)	3				UR
	YF1-58419-85-80	...WASHER,ADJUSTING(1.100MM)	3				UR
	YF1-58419-85-90	...WASHER,ADJUSTING(1.125MM)	3				UR
	YF1-58419-86	...WASHER,ADJUSTING(1.150MM)	3				UR



Q9C1600-A120

FIG. 12 INJECTION NOZZLE

REF. NO.	PART NO.	DESCRIPTION	Q9C1		REMARKS
17	YF1-58419-86-10	...WASHER,ADJUSTING(1.175MM)	3		UR
	YF1-58419-86-20	...WASHER,ADJUSTING(1.200MM)	3		UR
	YF1-58419-86-30	...WASHER,ADJUSTING(1.225MM)	3		UR
	YF1-58419-86-40	...WASHER,ADJUSTING(1.250MM)	3		UR
	YF1-58419-86-50	...WASHER,ADJUSTING(1.275MM)	3		UR
	YF1-58419-86-60	...WASHER,ADJUSTING(1.300MM)	3		UR
	YF1-58419-86-70	...WASHER,ADJUSTING(1.325MM)	3		UR
	YF1-58419-86-80	...WASHER,ADJUSTING(1.350MM)	3		UR
	YF1-58419-86-90	...WASHER,ADJUSTING(1.375MM)	3		UR
	YF1-58419-87	...WASHER,ADJUSTING(1.400MM)	3		UR
	YF1-58419-87-10	...WASHER,ADJUSTING(1.425MM)	3		UR
	YF1-58419-87-20	...WASHER,ADJUSTING(1.450MM)	3		UR
	YF1-58419-87-30	...WASHER,ADJUSTING(1.475MM)	3		UR
	YF1-58419-87-40	...WASHER,ADJUSTING(1.500MM)	3		UR
	YF1-58419-87-50	...WASHER,ADJUSTING(1.525MM)	3		UR
	YF1-58419-87-60	...WASHER,ADJUSTING(1.550MM)	3		UR
	YF1-58419-87-70	...WASHER,ADJUSTING(1.575MM)	3		UR
	YF1-58419-87-80	...WASHER,ADJUSTING(1.600MM)	3		UR
	YF1-58419-87-90	...WASHER,ADJUSTING(1.625MM)	3		UR
	YF1-58419-88	...WASHER,ADJUSTING(1.650MM)	3		UR
	YF1-58419-88-10	...WASHER,ADJUSTING(1.675MM)	3		UR
	YF1-58419-88-20	...WASHER,ADJUSTING(1.700MM)	3		UR
	YF1-58419-88-30	...WASHER,ADJUSTING(1.725MM)	3		UR
	YF1-58419-88-40	...WASHER,ADJUSTING(1.750MM)	3		UR
	YF1-58419-88-50	...WASHER,ADJUSTING(1.775MM)	3		UR
	YF1-58419-88-60	...WASHER,ADJUSTING(1.800MM)	3		UR
	YF1-58419-88-70	...WASHER,ADJUSTING(1.825MM)	3		UR

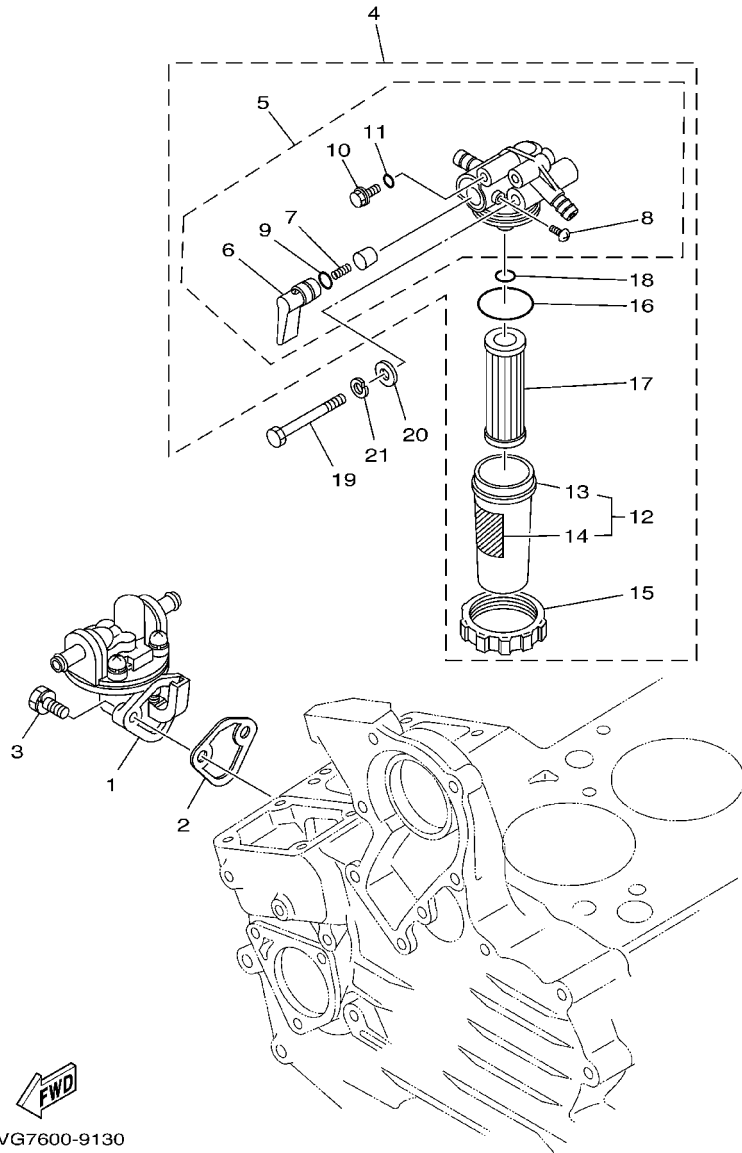


Q9C1600-A120

FIG. 12 INJECTION NOZZLE

REF. NO.	PART NO.	DESCRIPTION	Q9C1		REMARKS
17	YF1-58419-88-80	...WASHER,ADJUSTING(1.850MM)	3		UR
	YF1-58419-88-90	...WASHER,ADJUSTING(1.875MM)	3		UR
	YF1-58419-89	...WASHER,ADJUSTING(1.900MM)	3		UR
	YF1-58419-89-10	...WASHER,ADJUSTING(1.925MM)	3		UR
	YF1-58419-89-20	...WASHER,ADJUSTING(1.950MM)	3		UR
18	YF1-58415-36-22	.PACKING	3		
19	YF1-90775-36-50	.SEAL,HEAT	3		
20	YF1-68515-37-12	PIPE,INJECTION 1	1		
21	YF1-68515-37-22	PIPE,INJECTION 2	1		
22	YF1-68615-37-32	PIPE,INJECTION 3	1		
23	YF1-58415-38-50	CLAMP,PIPE 1	2		
24	YF1-58415-38-60	CLAMP,PIPE 2	2		
25	YF0-30245-05-20	SCREW,WITH WASHER	2		
26	YF1-68516-55-10	PLUG,GLOW	3		
27	YF1-68616-55-60	CORD,GLOW PLUG	1		
28	YF0-27615-00-40	NUT,FLANGE	3		

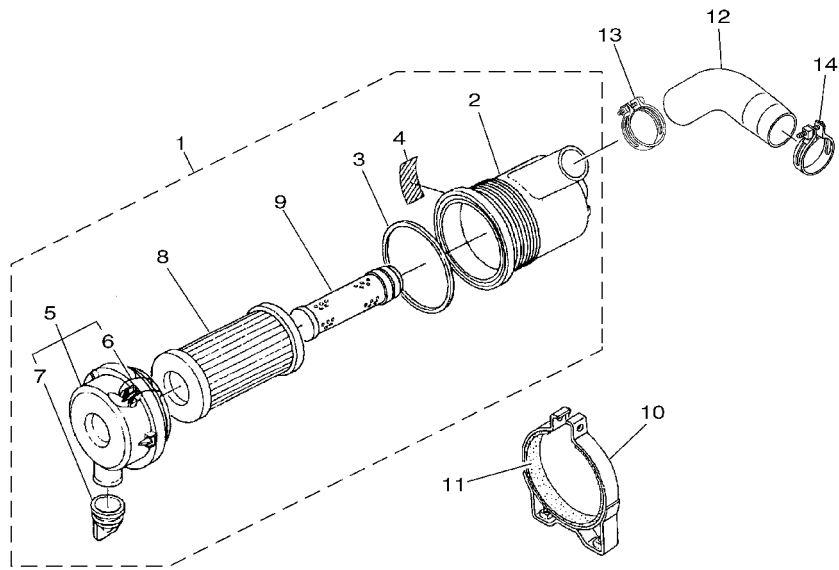
FIG. 13 FUEL SYSTEM 2



REF. NO.	PART NO.	DESCRIPTION	Q9C1				REMARKS
1	YF1-58215-20-30	FUEL PUMP ASSY	1				
2	YF1-62645-21-40	GASKET	1				
3	YF0-10235-06-16	BOLT	2				
4	YF1-53934-30-17	FUEL FILTER ASSY	1				
5	YF1-92044-31-10	..COCK BODY COMP.	1				
6	YF1-43014-35-22	..LEVER,COCK	1				
7	YF1-43014-38-20	..SPRING,VALVE	1				
8	YF1-43014-38-30	..SCREW,LEVER SET	1				
9	YF1-43014-38-40	..O-RING	1				
10	YF1-92044-32-80	..PLUG,AIR BREATHER	2				
11	YF0-48100-00-60	..O-RING	2				
12	YF1-53934-31	..CUP ASSY,FILTER	1				
13	YF1-53934-35-80	..CUP FILTER	1				
14	YF1-68738-84-30	..LABEL,FUEL	1				
15	YF1-43014-35-90	..RING,RETAINING	1				
16	YF1-43014-36-50	..O-RING	1				
17	YF1-52314-35-60	..ELEMENT ASSY	1				
18	YF1-43014-35-70	..O-RING	1				
19	YF0-11535-08-65	BOLT	1				
20	YF0-40136-00-80	WASHER,PLATE	1				
21	YF0-45126-00-80	WASHER,SPRING	1				


 7VG7600-9130

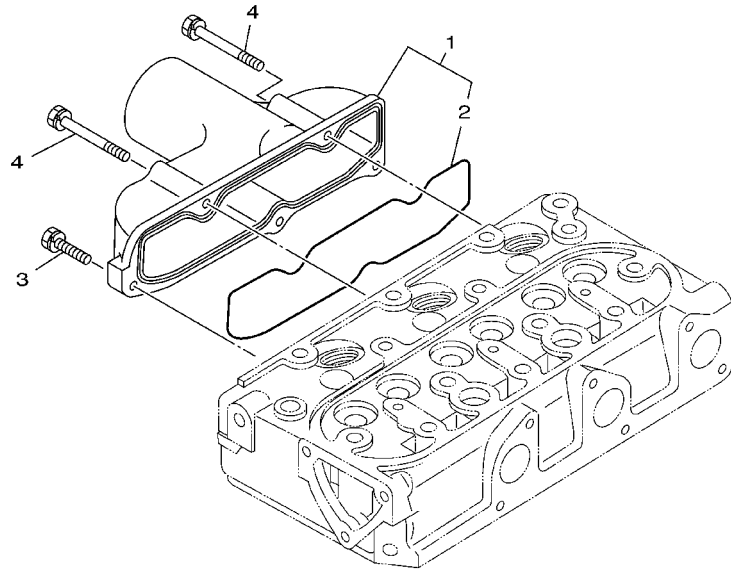
FIG. 14 AIR CLEANER



REF. NO.	PART NO.	DESCRIPTION	Q9C1				REMARKS
1	YF6-C0955-82	AIR CLEANER ASSY.	1				
2	YF6-A1008-25-20	.BODY,AIR CLEANER	1				
3	YF6-A1008-25-30	.GASKET	1				
4	YF3-27215-82-82	.LABEL CAUTION	1				
5	YF6-A1008-25-50	.COVER ASSY.,AIR CLEANER	1				
6	YF6-A1008-25-70	..SPRING	2				
7	YF6-79808-25-80	..VALVE	1				
8	YF6-A1008-26-30	.ELEMENT ASSY	1				
9	YF3-27215-82-42	.ELEMENT INNER	1				
10	YF1-53711-12-52	BAND,AIR CLEANER	1				
11	YF1-53711-18-70	CUSHION	1				
12	YF1-68631-16-20	HOSE,INLET	1				
13	YF1-52211-17-20	BAND,PIPE	1				
14	YF1-52611-17-20	BAND,PIPE	1				

FWD
Q9C1600-A140

FIG. 15 INTAKE

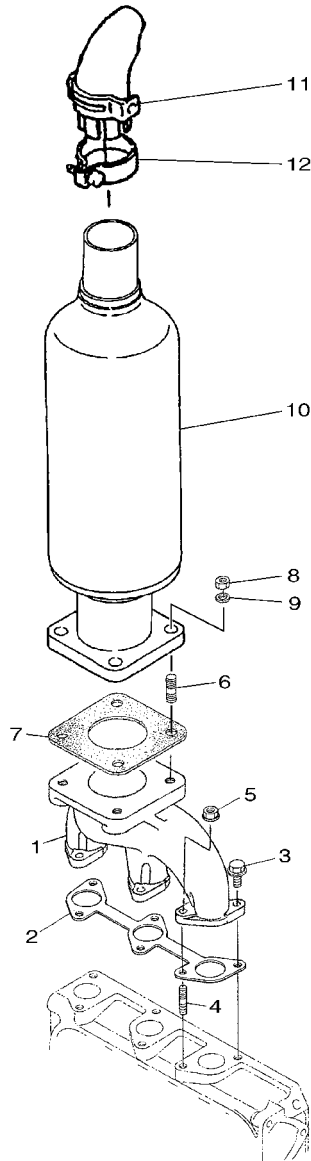


REF. NO.	PART NO.	DESCRIPTION	Q9C1				REMARKS
1	YF1-58611-17-70	MANIFOLD ASSY,INLET	1				
2	YF1-58611-18-20	.PACKING,INLET MANIFOLD	1				
3	YF0-10235-06-18	BOLT	2				
4	YF0-10235-06-45	BOLT	3				



Q9C1600-A150

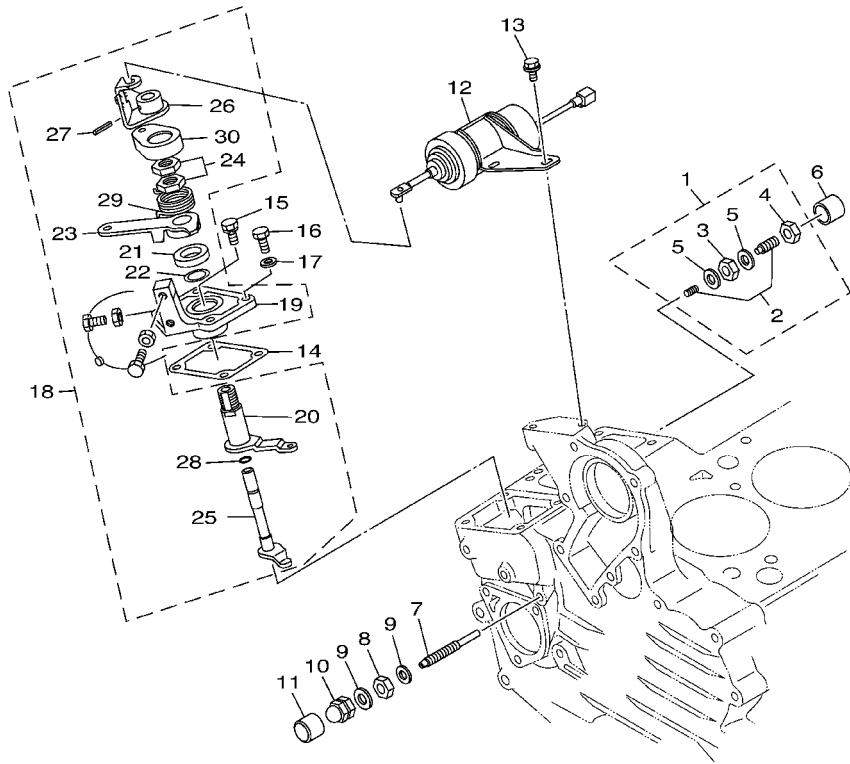
FIG. 16 EXHAUST 1



Q9C1600-A160

REF. NO.	PART NO.	DESCRIPTION	Q9C1				REMARKS
1	YF1-68641-23-10	MANIFOLD,EXHAUST	1				
2	YF1-58621-23-50	PACKING,EXHAUST MANIFOLD	1				
3	YF0-17595-06-16	BOLT,UBS	3				
4	YF0-15135-06-18	BOLT,STUD	3				
5	YF0-27565-00-60	NUT,UBS	3				
6	YF0-15135-08-22	STUD	4				
7	YF1-52631-23-70	PACKING,MUFFLER(NA)	1				
8	YF0-21145-00-80	NUT	4				
9	YF0-45126-00-80	WASHER,SPRING	4				
10	YF1-K1921-21-10	MUFFLER	1				
11	YF1-44311-23-10	PIPE, MUFFLER (EDL6500)	1				
12	YF1-44311-24-30	BAND,MUFFLER	1				

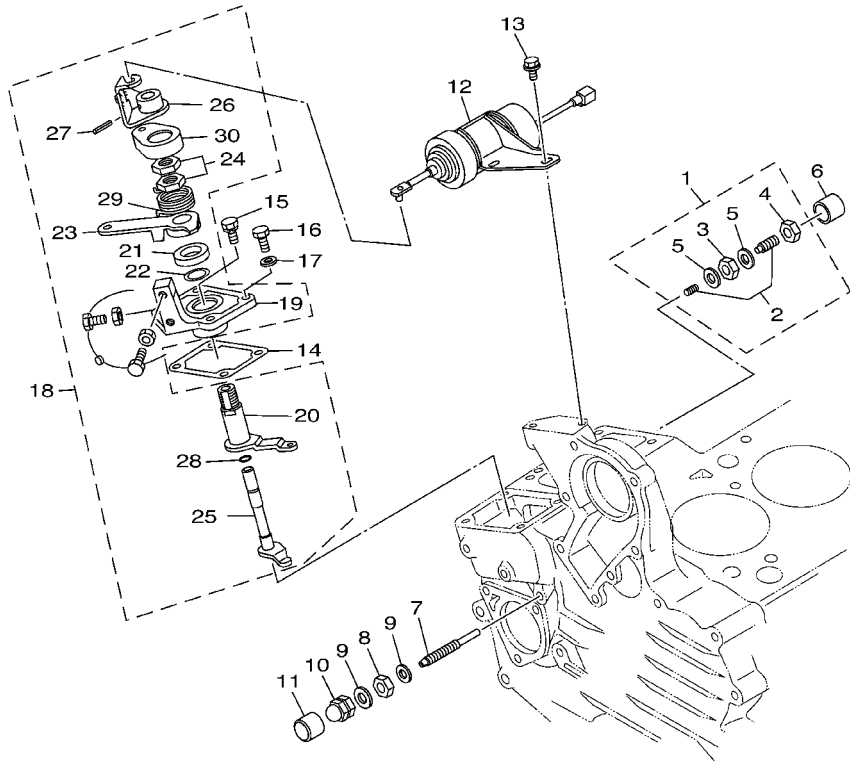
FIG. 17 CONTROL UNIT



REF. NO.	PART NO.	DESCRIPTION	Q9C1				REMARKS
1	YF1-58415-41	ADJUSTING BOLT ASSY	1				
2	YF1-58415-40-92	.IDLING REGULATOR ASSY	1				
3	YF1-52619-20-20	.NUT	1				
4	YF1-58415-42-20	.NUT,CROWN	1				
5	YF1-50213-36-60	.PACKING	2				
6	YF1-58415-42-70	CAP	1				
7	YF1-58415-41-22	BOLT,ADJUSTING	1				
8	YF1-58419-20-20	NUT	1				
9	YF1-56019-66-50	PACKING	2				
10	YF1-58419-23-30	NUT,CROWN	1				
11	YF1-62415-44-20	CAP	1				
12	YF1-68516-00-10	STOP SOLENOID	1				
13	YF0-17545-06-12	BOLT,FLANGE	2				
14	YF1-58415-72-12	GASKET	1				
15	YF0-10235-06-18	BOLT	2				
16	YF0-10535-06-18	BOLT	2				
17	YF1-56019-66-50	PACKING	2				
18	YF1-75615-70	SPEED CONTROL COMP.	1				
19	YF1-58415-71-12	.PLATE,SPEED CONTROL	1				
20	YF1-58415-61-12	.LEVER,GOVERNOR	1				
21	YF1-92805-72-40	.COLLAR	1				
22	YF0-48141-01-60	.O-RING	1				
23	YF1-G6395-71-50	.LEVER,SPEED CONTROL	1				
24	YF1-68669-20-10	.NUT(LEVER,SPEED CONTROL)	1				
25	YF1-68785-77-42	.SHAFT,LEVER	1				
26	YF1-68515-77-23	.LEVER,ENGINE STOP	1				
27	YF0-54110-03-14	.PIN,SPRING	1				


Q9C1600-A170

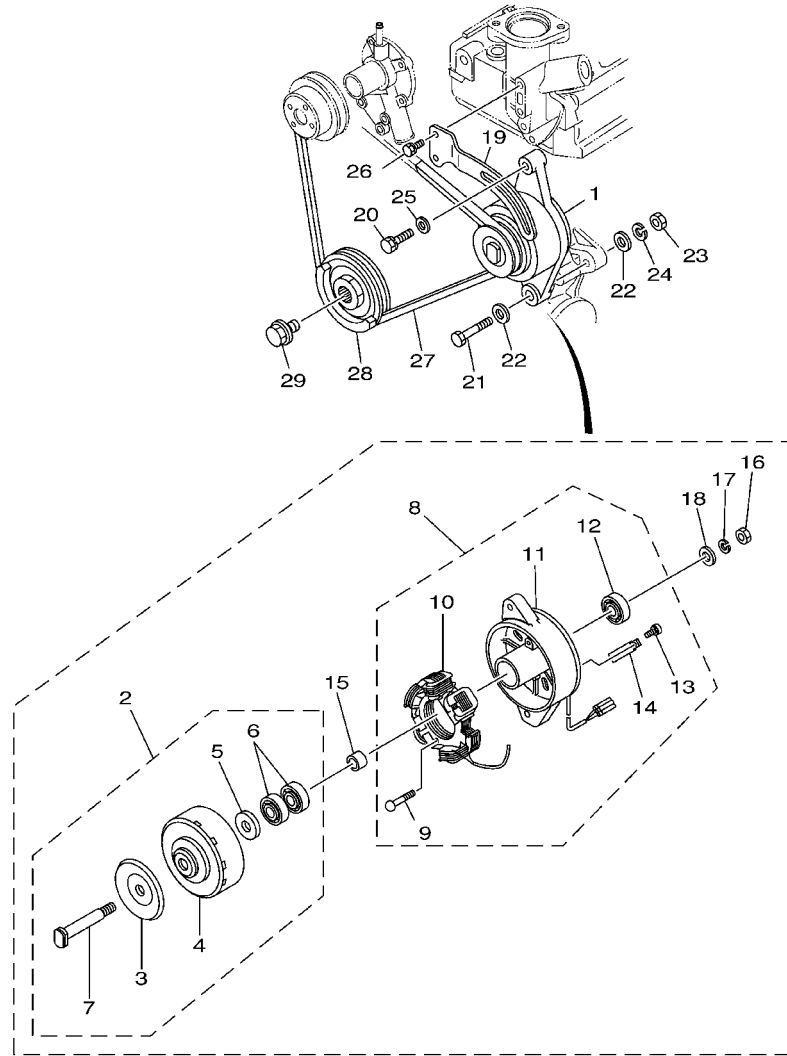
FIG. 17 CONTROL UNIT



REF. NO.	PART NO.	DESCRIPTION	Q9C1				REMARKS
28	YF0-48141-00-70	.O-RING	1				
29	YF1-68785-79-20	.SPRING,RETERN	1				
30	YF1-68665-73-02	.CAP	1				


Q9C1600-A170

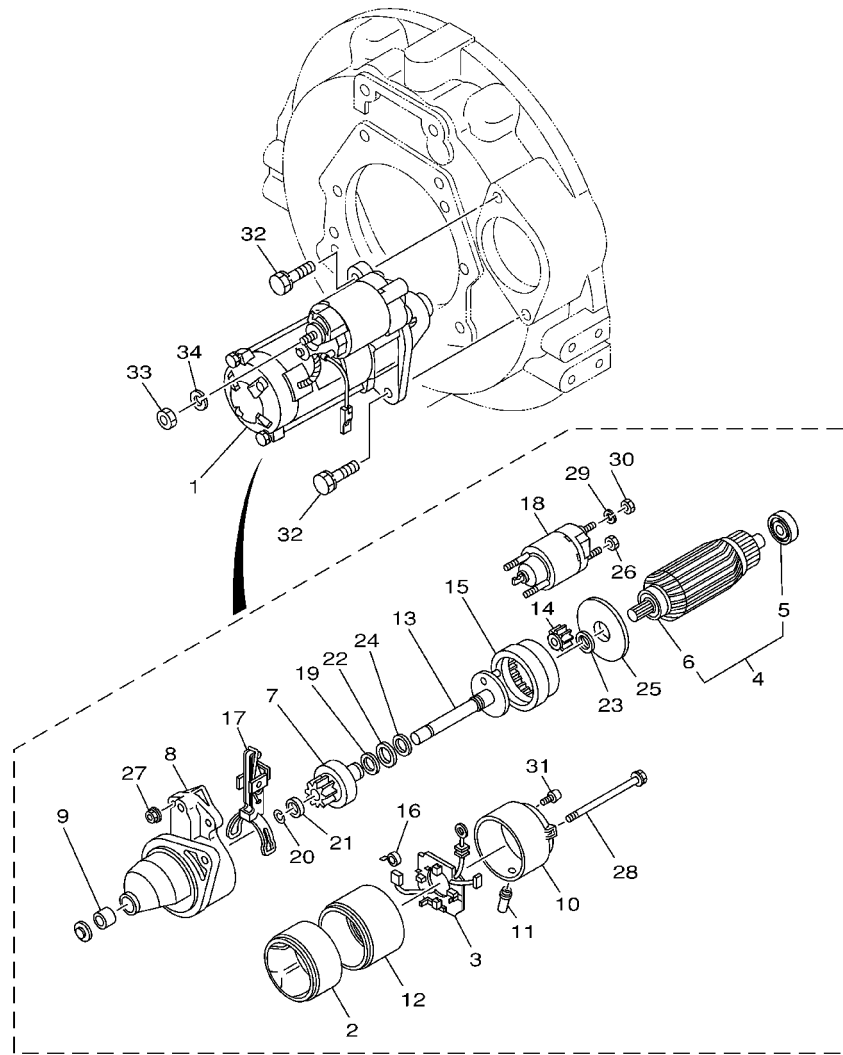
FIG. 18 GENERATOR 1



Q9C1600-A180

REF. NO.	PART NO.	DESCRIPTION	Q9C1				REMARKS
1	YF1-75316-40-10	DYNAMO ASSY	1				
2	YF1-55316-41-22	..ROTOR COMP.	1				
3	YF1-55316-41-10	..PULLEY	1				
4	YF1-55316-40-40	..ROTOR	1				
5	YF1-55316-41-40	..COLLAR 1	1				
6	YF1-55317-41-80	..BEARING,BALL	2				
7	YF1-55317-41-40	..SHAFT,FAN	1				
8	YF1-55316-43-63	..STATER COMP.	1				
9	YF1-52619-30-10	..SCREW,ROUND HEAD	2				
10	YF1-55316-42-92	..STATER	1				
11	YF1-55316-40-72	..PLATE	1				
12	YF1-55317-41-80	..BEARING,BALL	1				
13	YF1-55319-30-10	..SCREW,ROUND HEAD	1				
14	YF1-55316-41-90	..CLAMP,CORD	1				
15	YF1-52616-41-50	..COLLAR 2	1				
16	YF1-52619-20-30	..NUT	1				
17	YF1-52619-40-70	..WASHER,SPRING	1				
18	YF1-52619-40-20	..WASHER,PLATE	1				
19	YF1-25996-44-20	STAY,DYNAMO	1				
20	YF0-11235-08-30	BOLT (EDK8000TE)	1				
21	YF0-11535-08-55	BOLT	1				
22	YF0-40136-00-80	WASHER,PLATE	2				
23	YF0-21145-00-80	NUT	1				
24	YF0-45126-00-80	WASHER,SPRING	1				
25	YF0-40156-00-80	WASHER,PLATE	1				
26	YF0-10235-06-16	BOLT	2				
27	YF1-58819-70-10	3.4.5 V-BELT(REMF-1345)	1				

FIG. 19 STARTING MOTOR



7VG7600-9190

REF. NO.	PART NO.	DESCRIPTION	Q95C1				REMARKS
1	YF6-79803-11-50	STARTER ASSY	1				
2	YF6-A1003-11-60	.YOKE ASSY,STARTER	1				
3	YF1-49586-33-80	.HOLDER ASSY	1				
4	YF6-A1003-11-70	.ARMATURE ASSY	1				
5	YF1-55046-35-30	..BEARING,BALL	1				
6	YF1-55046-35	..BEARING,BALL	1				
7	YFK-35118-14-30	.CLUTCH SUB ASSY,STARTER	1				
8	YF6-79803-11-80	.HOUSING ASSY,STARTER	1				
9	YF6-A1003-11-90	.BEARING(OIL LESS)	1				
10	YFK-35118-14-50	.FLAME ASSY,COMMUTATOR	1				
11	YF1-21826-32-90	.COVER,WATER DRAIN	1				
12	YF1-49586-35-30	.BEARING SUB ASSY	1				
13	YFK-35118-14-60	.SHAFT SUB ASSY,STARTER	1				
14	YF1-49586-32-60	.GEAR 1	3				
15	YF1-49586-32-70	.GEAR 2	1				
16	YF1-54016-33-90	.SPRING,BRUSH	12				
17	YF1-49586-30-50	.LEVER,STARTER DRIVE	1				
18	YF1-21816-30-80	.SWITCH ASSY,MAGNETIC	1				
19	YF1-49586-31-70	.SNAP RING,SHAFT	1				
20	YF1-21816-32-20	.RING,SNAP	1				
21	YF1-38166-34-60	.COLLAR,PINION STOP	1				
22	YF1-49589-40-10	.WASHER,PLATE 1	1				
23	YF1-49589-40-20	.WASHER,PLATE 2	1				
24	YF1-49589-40-30	.WASHER,PLATE 3	1				
25	YF1-49589-40-40	.PLATE	1				
26	YF1-66119-20-20	.NUT,HEXAGON	1				
27	YF1-42789-20-10	.NUT	2				

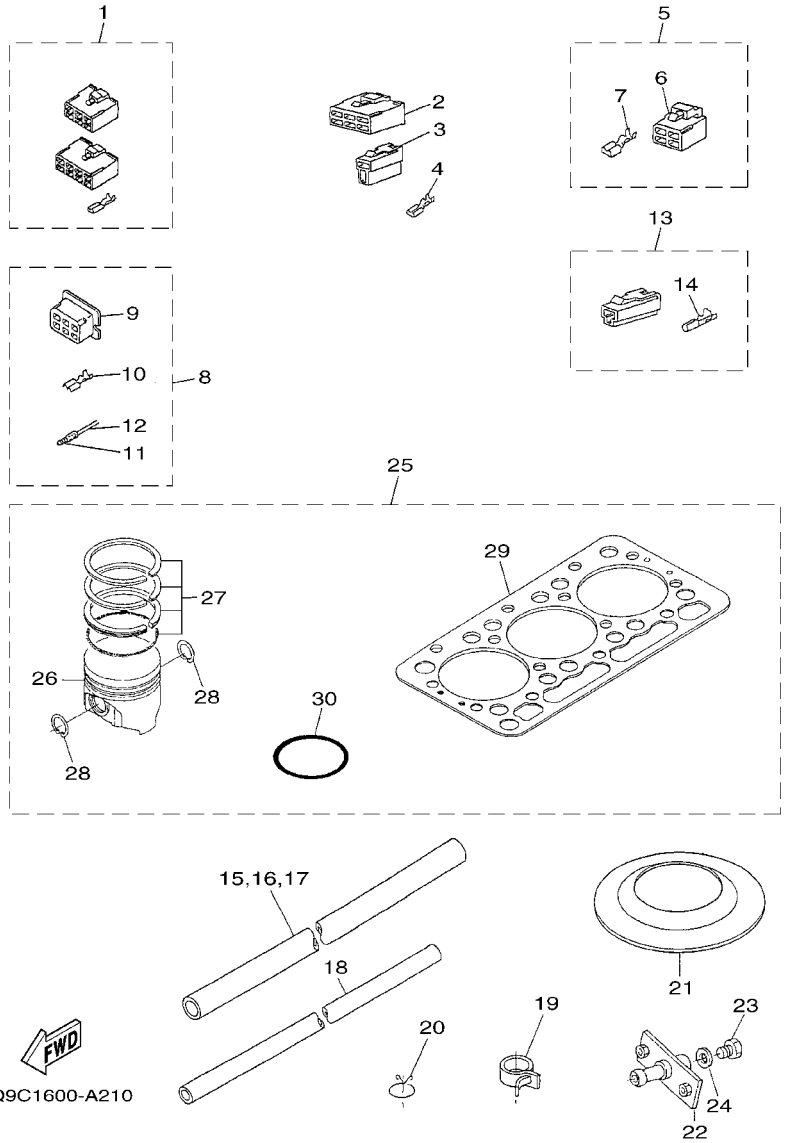
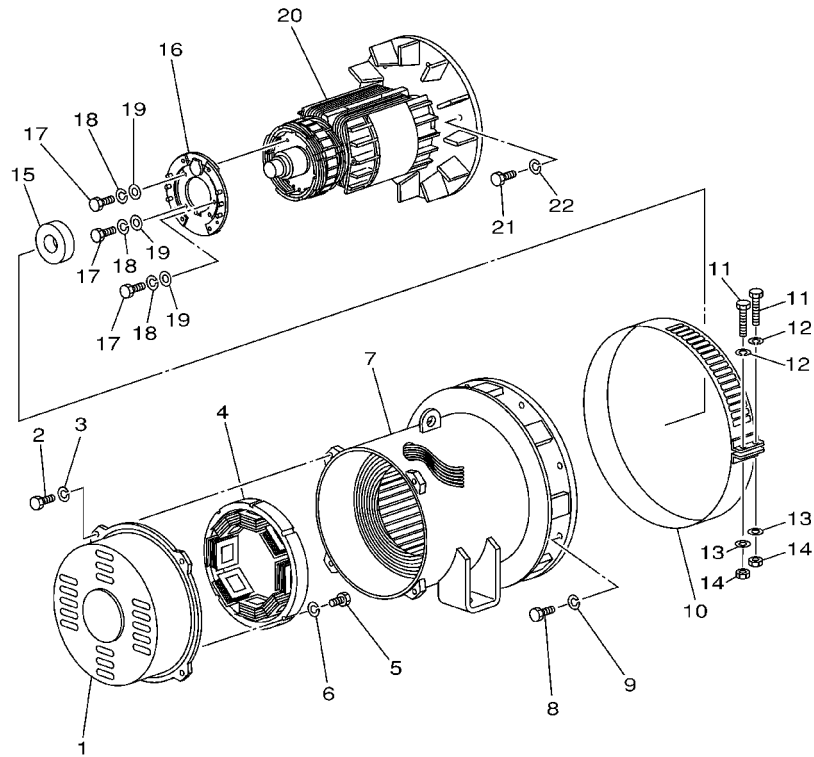


FIG. 21 ALTERNATE 1

REF. NO.	PART NO.	DESCRIPTION	Q9C1	REMARKS
1	YF1-72886-58-30	CONNECTOR ASSY	1	
2	YF1-98726-58-40	CONNECTOR(6P)	1	
3	YF1-72886-58-80	COUPLER(8F WITH LOCK)	1	
4	YF1-92376-59-10	TERMINAL	14	
5	YF1-66456-58-30	COUPLER(4P WITH LOCK)	1	
6	YF1-15216-58-60	.CONNECTOR(4P)	1	
7	YF1-92376-59-10	.TERMINAL	4	
8	YF1-94286-58-30	COUPLER ASSY	1	
9	YF1-92376-58-80	.CONNECTOR(6P)	1	
10	YF1-92376-59-10	.TERMINAL	6	
11	YF6-82716-59-10	.TERMINAL 1	2	
12	YF6-82716-59-20	.SLEEVE	2	
13	YF1-92156-37-50	TERMINAL	1	
14	YF1-98446-57-70	.TERMINAL	1	
15	YF0-96618-05	FUEL TUBE	1	
16	YF0-96618-07-25	FUEL TUBE	1	
17	YF0-96618-02-60	PIPE FUEL	1	
18	YF0-96614-06-75	FUEL TUBE	1	
19	YF1-49114-27-50	PIPE CLIP	6	
20	YF1-49714-27-50	PIPE CLIP	2	
21	YF1-89013-02-70	FUEL TANK CAP SEAL	1	
22	YF1-K1253-37-40	JOINT(DRAIN)	1	
23	YF1-52213-37-50	PLUG	1	
24	YF6-C0905-89-60	GASKET(DRAIN OIL PAN)	1	
25	YF1-68732-10	PISTON,KIT	1	
26	YF1-68512-11-12	.PISTON	3	
27	YF1-68532-10-50	.PISTON RING ASSY	3	

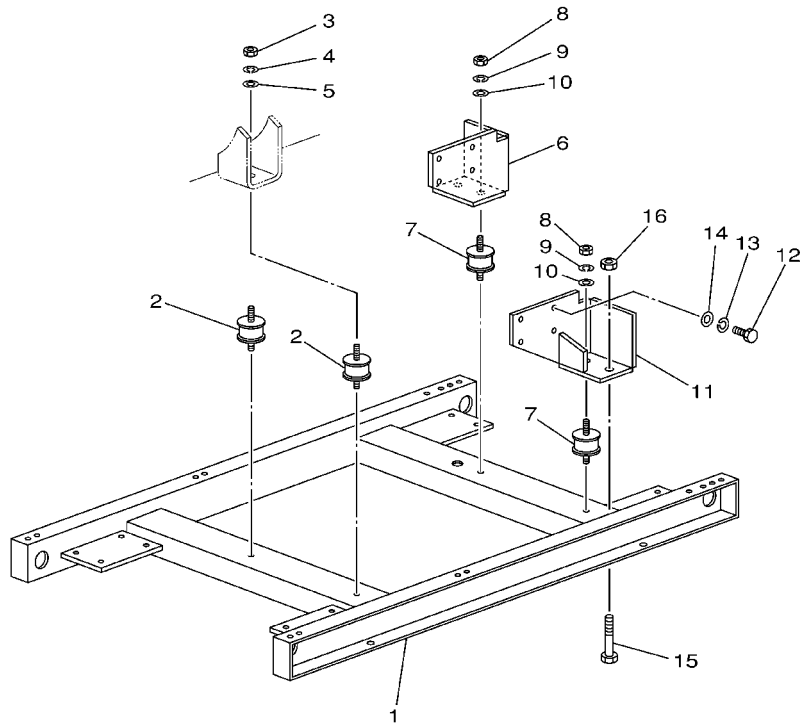
FIG. 22 GENERATOR 2



7VG7600-9220

REF. NO.	PART NO.	DESCRIPTION	Q9C1	REMARKS
1	YFT-K3T30-18-87	BRACKET	1	
2	YFT-KBM08-30-A5	BOLT	4	
3	YFT-KWMS0-80	WASHER,SPRING	4	
4	YFT-WKC00-49-ST	EX STATOR ASSY	1	
5	YFT-KBM06-35-A5	BOLT	4	
6	YFT-KWMS0-60	WASHER,SPRING	4	
7	YFT-WKC00-55-ST	STATOR ASSY	1	UR 220V
	YFT-WKC00-37-ST	STATOR ASSY	1	UR 380V
8	YFT-KBM10-25-C5	BOLT	8	
9	YFT-KWMS1-00	WASHER,SPRING	8	
10	YFT-K3T30-17-19	COVER	1	
11	YFT-KBM06-35-A5	BOLT	2	
12	YFT-KWMS0-60	WASHER,SPRING	2	
13	YFT-K1PWM-06-E5	WASHER	2	
14	YFT-K1NM0-6A-50	NUT	2	
15	YFT-KNO63-06-ZZ	BEARING	1	
16	YFT-K3T20-10-65	RECTIFIER ASSY	1	
17	YFT-KBM06-15-A5	BOLT	3	
18	YFT-KWMS0-60	WASHER,SPRING	3	
19	YFT-K1PWM-06-E5	WASHER	3	
20	YFT-WKC00-37-RT	ROTOR ASSY	1	
21	YFT-KBM08-20-C5	BOLT	6	
22	YFT-KWMS0-80	WASHER,SPRING	6	

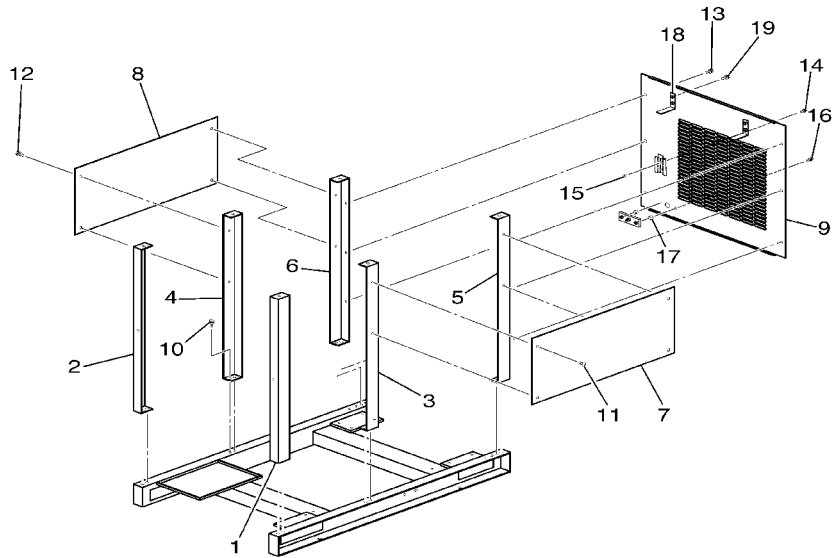
FIG. 23 ENGINE MOUNT



REF. NO.	PART NO.	DESCRIPTION	Q951				REMARKS
1	YFT-K3T30-16-99	BED	1				
2	YFT-KKA40-33-HO	CUSHION	2				
3	YFT-K1NM0-8A-50	NUT	2				
4	YFT-KWMS0-80	WASHER,SPRING	2				
5	YFT-K1PWM-08-E5	WASHER	2				
6	YFT-3T301-70-0L	FOOT(L)	1				
7	YFT-KKA45-00	CUSHION	2				
8	YFT-K1NM0-8A-50	NUT	2				
9	YFT-KWMS0-80	WASHER,SPRING	2				
10	YFT-K1PWM-08-E5	WASHER	2				
11	YFT-3T301-70-0R	FOOT(R)	1				
12	YFT-KBM10-20-C5	BOLT	8				
13	YFT-KWMS1-00	WASHER,SPRING	8				
14	YFT-K1PWM-10-E5	WASHER	8				
15	YFT-KBM12-65-A5	BOLT	2				
16	YFT-K1NM1-2A-50	NUT	2				


7VG7600-9230

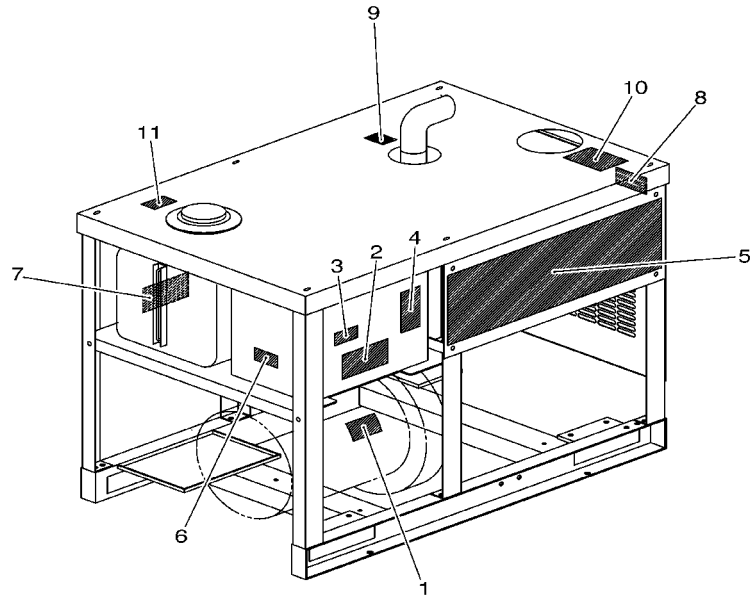
FIG. 25 COVER



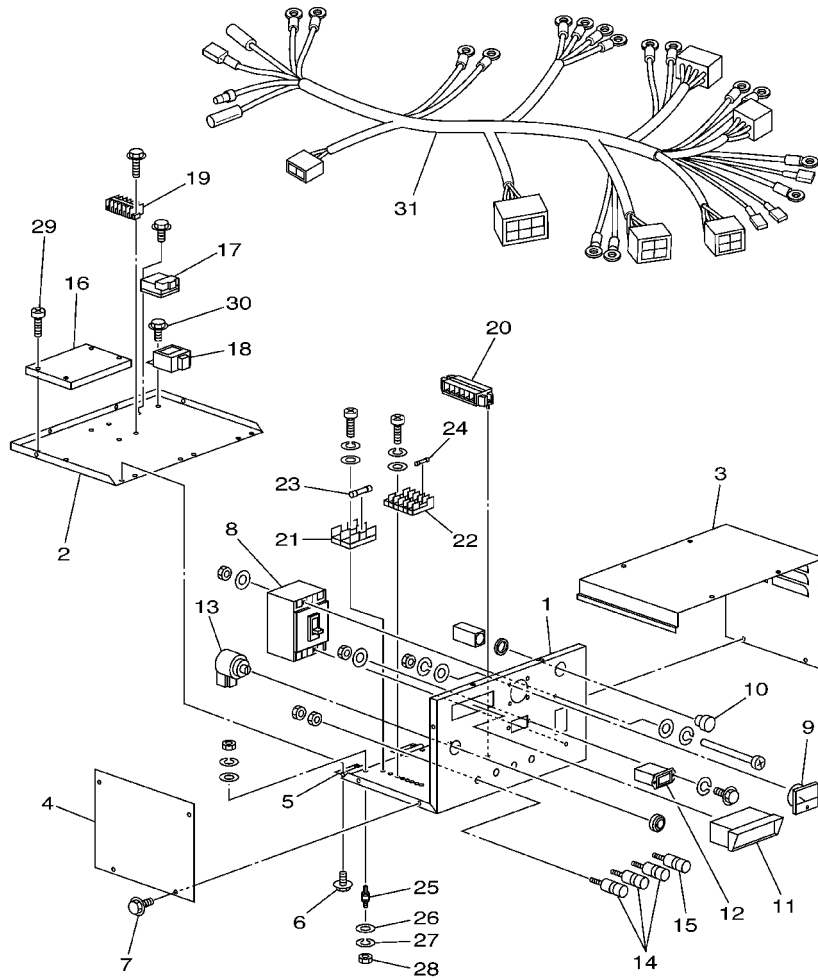
REF. NO.	PART NO.	DESCRIPTION	Q9C1				REMARKS
1	YFT-3T302-80-31	STAND	1				
2	YFT-3T302-80-32	STAND	1				
3	YFT-3T302-80-43	STAND	1				
4	YFT-3T302-80-44	STAND	1				
5	YFT-3T302-80-55	STAND	1				
6	YFT-3T302-80-56	STAND	1				
7	YFT-3T301-70-5R	COVER	1				
8	YFT-3T301-70-5L	COVER,MUFFLER	1				
9	YFT-K3T30-28-07	COVER,RADIATOR	1				
10	YFS-M820S-PW-A2BOLT		12				
11	YFT-KM081-0T-RS	SCREW	4				
12	YFS-M816S-PW-A2BOLT		4				
13	YFS-M816S-PW-A2BOLT		6				
14	YFS-M614S-PW-A2BOLT		2				
15	YFT-K1NM0-6A-50	NUT	2				
16	YFS-M825S-PW-A5BOLT		2				
17	YFT-DS203-1E-33	LINER	2				
18	YFT-K4T30-28-52	PLATE,RADIATOR	2				
19	YFS-M614S-PW-A2BOLT		4				


Q9C1600-A250

FIG. 30 LABEL



REF. NO.	PART NO.	DESCRIPTION	Q9C1		REMARKS
1	YFT-K4T50-11-33	LABEL SIRIAL	1		UR 220V
	YFT-K4T50-10-61	LABEL,SIRIAL	1		UR 380V
2	YFT-K4T50-10-45	LABEL,TERMINAL	1		UR 220V
	YFT-K4T50-10-44	LABEL,TERMINAL	1		UR 380V
3	YFT-K4T50-10-42	LABEL,KEY SWITCH	1		
4	YFT-K4T50-10-43	LABEL,BREAKER	1		
5	YFT-K3T50-10-41	NAME PLATE,YAMAHA	1		
6	YFT-K4T50-11-27	LABEL WARNING	1		
7	YFT-K3700-03-10	LABEL,MAINTRNANCE	1		
8	YFT-K4T50-11-30	LABEL CAUTION	1		
9	YFT-K4T50-11-28	LABEL CAUTION	1		
10	YFT-K4T50-11-29	LABEL RADIATOR	1		
11	YFT-K4700-07-40	LABEL,FUEL	1		



FWD
Q9C1600-A310

FIG. 31 ELECTRICAL 2

REF. NO.	PART NO.	DESCRIPTION	Q9C1	REMARKS
1	YFT-K3T30-17-14	PANEL(A)	1	
2	YFT-K3T30-17-15	PANEL(B)	1	
3	YFT-K3T30-17-16	PANEL,COVER(A)	1	
4	YFT-K3T30-17-17	PANEL,COVER(B)	1	
5	YFT-KB102-73	PLATE	3	
6	YFS-EC36S-PW-G5SCREW		6	
7	YFS-EC48S-PW-G2SCREW		12	
8	YFX-M30NB-32-A3	BREAKER	1	UR 220V
	YFX-M30NB-16-A3	BREAKER	1	UR 380V
9	YFT-RR55C-30-0V	METER	1	UR 220V
	YFT-RR55C-44-0V	METER	1	UR 380V
10	YFD-R22DO-LM-4GLAMP		1	
11	YF1-74787-02	PILOT BOX	1	
12	YFT-K8500-00	HOUR METER	1	
13	YF6-C0405-54-12	SWITCH,STARTER	1	
14	YF4-T5010-80-3R	TERMINAL(U, V, W)	3	
15	YF4-T5010-80-1B	TERMINAL(O)	1	
16	YFT-KDST5-1D-FK	AVR	1	
17	YF1-56946-59-90	LAMP TIMER	1	
18	YFT-00703-14-10	TIMER RELAY	1	
19	YFT-KTS21-20-6P	TERMINAL	1	
20	YFT-KJTP3-00-6P	TERMINAL	1	UR 220V
	YFT-KJTP2-00-6P	TERMINAL	1	UR 380V
21	YFT-KF66A-D0	HOLDER,FUSE	2	
22	YFT-KF65B-D0	HOLDER,FUSE	6	
23	YFF-71651-5A-25	FUSE(15A)	1	
	YFF-71650-2A-25	FUSE(2A)	1	

NUMERICAL INDEX

PART NO.	REF. NO.	PART NO.	REF. NO.	PART NO.	REF. NO.	PART NO.	REF. NO.	PART NO.	REF. NO.	PART NO.	REF. NO.
YFB-M825A-SS-Y029	11	YFT-KKA40-33-HO23	2	YFT-K3T50-10-41	30-5	YF0-10235-06-14	4-14	YF0-40145-00-60	9-18	YF1-19827-24-60	10-13
YFD-R22DO-LM-4G31	10	YFT-KKA45-00	23-7	YFT-K3700-03-10	30-7	YF0-10235-06-16	8-4	YF0-40156-00-80	18-25	YF1-21816-30-80	19-18
YFE-91513-31-40	1-27	YFT-KM081-0T-RS25	11	YFT-K4T30-16-10	29-1		13-3	YF0-45126-00-50	5-24	YF1-21816-32-20	19-20
YFF-71610-1A-25	31-24	YFT-KNO63-06-ZZ22	15	YFT-K4T30-17-11	24-1		18-26	YF0-45126-00-60	6-23	YF1-21826-32-90	19-11
YFF-71650-2A-25	31-23	YFT-KSKM1-50-VS28	1	YFT-K4T30-18-68	27-6	YF0-10235-06-18	6-6		9-17	YF1-25996-44-20	18-19
YFF-71651-5A-25	31-23	YFT-KTS21-20-6P	31-19	YFT-K4T30-28-51	27-10		15-3		11-35	YF1-38019-41	19-29
YFK-TWMS0-60	29-4	YFT-KWMS0-50	31-27	YFT-K4T30-28-52	25-18		17-15	YF0-45126-00-80	6-30	YF1-38113-30-80	6-18
YFK-35118-14-30	19-7	YFT-KWMS0-60	22-6	YFT-K4T50-10-42	30-3	YF0-10235-06-20	3-8		13-21	YF1-38166-34-60	19-21
YFK-35118-14-50	19-10		22-12	YFT-K4T50-10-43	30-4	YF0-10235-06-22	3-9		16-9	YF1-42789-20-10	19-27
YFK-35118-14-60	19-13		22-18	YFT-K4T50-10-44	30-2		8-11		18-24	YF1-43014-35-22	13-6
YFK-35118-14-80	19-31	YFT-KWMS0-80	22-3	YFT-K4T50-10-45	30-2		8-20		19-34	YF1-43014-35-70	13-18
YFR-P2015-37-10	20-9		22-22	YFT-K4T50-10-61	30-1	YF0-10235-06-35	5-26	YF0-46120-01-70	5-12	YF1-43014-35-90	13-15
YFS-EC36S-PW-G531	6		23-4	YFT-K4T50-11-27	30-6	YF0-10235-06-38	8-21	YF0-48100-00-60	13-11	YF1-43014-36-50	13-16
YFS-EC425-SP-G531	29		23-9	YFT-K4T50-11-28	30-9	YF0-10235-06-45	15-4	YF0-48140-01-60	7-6	YF1-43014-38-20	13-7
YFS-EC48S-PW-G231	7	YFT-KWMS1-00	22-9	YFT-K4T50-11-29	30-10	YF0-10235-06-75	6-10	YF0-48140-61-30	6-4	YF1-43014-38-30	13-8
YFS-EC615-SP-G531	30		23-13	YFT-K4T50-11-30	30-8	YF0-10236-06-50	6-7	YF0-48141-00-70	17-28	YF1-43014-38-40	13-9
YFS-M614S-PW-A225	14		28-3	YFT-K4T50-11-33	30-1		8-5	YF0-48141-01-60	17-22	YF1-44311-23-10	16-11
	25-19		29-13	YFT-K4440-00-20	29-2	YF0-10236-06-70	6-9	YF0-48141-62-20	3-35	YF1-44311-24-30	16-12
YFS-M625S-PW-A227	4	YFT-K1NM0-5A-5031	28	YFT-K4440-00-9B	29-7	YF0-10535-06-14	9-15	YF0-48145-03	1-28	YF1-46010-34-50	1-10
YFS-M816S-PW-A225	12	YFT-K1NM0-6A-5022	14	YFT-K4440-00-9R	29-9	YF0-10535-06-18	17-16	YF0-48170-62-30	6-19	YF1-46011-31-10	4-16
	25-13		25-15	YFT-K4700-07-40	30-11	YF0-11235-08-16	1-2	YF0-50120-05-08	2-9	YF1-46011-31-20	4-17
	26-4		29-3	YFT-K8500-00	31-12	YF0-11235-08-22	6-27	YF0-50120-08-14	2-10	YF1-46011-32-40	4-18
	27-3	YFT-K1NM0-8A-5023	3	YFT-RR55C-30-0V	31-9	YF0-11235-08-25	19-32	YF0-54110-03-14	17-27	YF1-46011-33-30	4-19
	27-7		23-8	YFT-RR55C-44-0V	31-9	YF0-11235-08-30	18-20	YF0-54110-03-18	5-22	YF1-46011-33-60	4-20
YFS-M820S-PW-A224	2		27-8	YFT-WKC00-37-RT22	20	YF0-11236-08-14	7-7	YF0-54110-04-20	4-30	YF1-46011-42-40	4-34
	24-4	YFT-K1NM1-2A-5023	16	YFT-WKC00-37-ST22	7	YF0-11535-08-12	6-29	YF0-55156-10	9-13	YF1-46011-43-10	4-31
	25-10	YFT-K1PWM-05-E531	26	YFT-WKC00-49-ST22	4	YF0-11535-08-55	18-21	YF0-57120-04-08	7-13	YF1-46011-44-10	4-28
	27-2	YFT-K1PWM-06-E522	13	YFT-WKC00-55-ST22	7	YF0-11535-08-65	13-19	YF0-57120-05-15	3-27	YF1-49114-27-50	11-37
	27-9		22-19	YFT-Y9901-00-0A	26-3	YF0-13111-06-20	11-32		5-5		21-19
YFS-M825S-PW-A525	16		29-5	YFT-Y9901-00-02	27-5	YF0-15135-06-18	16-4	YF0-57120-05-18	4-6	YF1-49586-30-50	19-17
YFT-DS203-1E-33	25-17	YFT-K1PWM-08-E523	5	YFT-00703-14-10	20-2	YF0-15135-08-22	16-6	YF0-77150-08-01	5-8	YF1-49586-31-70	19-19
YFT-KBM06-15-A522	17		23-10		31-18	YF0-17545-06-12	17-13	YF0-77150-32-07	3-24	YF1-49586-32-60	19-14
YFT-KBM06-35-A522	5	YFT-K1PWM-10-E523	14	YFT-3T301-70-0L	23-6	YF0-17595-06-16	16-3	YF0-77150-32-11	6-16	YF1-49586-32-70	19-15
	22-11		28-4	YFT-3T301-70-0R	23-11	YF0-20545-00-50	9-8	YF0-77150-32-17	5-10	YF1-49586-33-80	19-3
YFT-KBM08-20-C522	21		29-14	YFT-3T301-70-5L	25-8	YF0-20565-00-60	6-22	YF0-81030-62-03	5-11	YF1-49586-35-30	19-12
YFT-KBM08-30-A522	2	YFT-K3T10-30-82	31-31	YFT-3T301-70-5R	25-7		9-16	YF0-81530-62-03	5-3	YF1-49589-40-10	19-22
YFT-KBM10-20-A528	2	YFT-K3T20-10-65	22-16	YFT-3T302-80-31	25-1	YF0-21145-00-80	1-21	YF0-93188-90-30	9-23	YF1-49589-40-20	19-23
YFT-KBM10-20-C523	12	YFT-K3T30-16-99	23-1	YFT-3T302-80-32	25-2		16-8	YF0-96614-06-75	21-18	YF1-49589-40-30	19-24
	29-12	YFT-K3T30-17-14	31-1	YFT-3T302-80-43	25-3		18-23	YF0-96618-02-60	21-17	YF1-49589-40-40	19-25
YFT-KBM10-25-C522	8	YFT-K3T30-17-15	31-2	YFT-3T302-80-44	25-4		19-33	YF0-96618-05	21-15	YF1-49714-27-50	12-3
YFT-KBM12-65-A523	15	YFT-K3T30-17-16	31-3	YFT-3T302-80-55	25-5	YF0-27515-00-60	4-29	YF0-96618-07-25	21-16		21-20
YFT-KB102-73	31-5	YFT-K3T30-17-17	31-4	YFT-3T302-80-56	25-6	YF0-27565-00-60	16-5	YF1-G6395-71-50	17-23	YF1-50213-36-60	17-5
YFT-KDST5-1D-FK31	16	YFT-K3T30-17-19	22-10	YFX-M30NB-16-A331	8	YF0-27615-00-40	12-28	YF1-K1253-37-40	21-22	YF1-51087-23-80	9-12
YFT-KF65B-DO	31-22	YFT-K3T30-18-87	22-1	YFX-M30NB-32-A331	8	YF0-27835-01	7-14	YF1-K1921-21-10	16-10	YF1-51117-22	9-11
YFT-KF66A-DO	31-21	YFT-K3T30-28-06	26-1	YF0-10235-06-10	4-26	YF0-30245-05-20	12-25	YF1-K1927-23-30	9-2	YF1-52210-17-50	1-1
YFT-KJTP2-00-6P	31-20	YFT-K3T30-28-07	25-9	YF0-10235-06-12	4-8	YF0-40136-00-80	1-22	YF1-14201-31-50	4-22	YF1-52211-17-20	14-13
YFT-KJTP3-00-6P	31-20	YFT-K3T30-28-08	24-3		5-14		13-20	YF1-14606-33-20	19-28	YF1-52213-36-50	2-11
YFT-KKA12-00	31-25	YFT-K3T30-28-56	27-1		7-2		18-22	YF1-15216-58-60	21-6	YF1-52213-37	1-12

NUMERICAL INDEX

PART NO.	REF. NO.	PART NO.	REF. NO.	PART NO.	REF. NO.	PART NO.	REF. NO.	PART NO.	REF. NO.	PART NO.	REF. NO.
YF1-52213-37	2 - 15	YF1-55219-60-20	2 - 6	YF1-58411-62-70	4 - 7	YF1-58417-30-20	2 - 16	YF1-58419-87-70	12 - 17	YF1-58752-43-70	4 - 11
	21 - 30	YF1-55219-60-30	2 - 7	YF1-58411-63-20	5 - 13	YF1-58417-32-60	8 - 9	YF1-58419-87-80	12 - 17	YF1-58759-93-40	4 - 15
YF1-52213-37-50	21 - 23	YF1-55316-40-40	18 - 4	YF1-58412-32-50	3 - 33	YF1-58417-42-50	10 - 2	YF1-58419-87-90	12 - 17	YF1-58770-41-40	6 - 13
YF1-52218-82-10	6 - 21	YF1-55316-40-72	18 - 11	YF1-58412-41-10	3 - 26	YF1-58419-10-10	6 - 8	YF1-58419-88	12 - 17	YF1-58780-46-16	6 - 26
YF1-52313-39-60	2 - 12	YF1-55316-41-10	18 - 3	YF1-58413-56-60	7 - 12	YF1-58419-10-50	7 - 11	YF1-58419-88-10	12 - 17	YF1-58782-50-10	6 - 24
YF1-52314-35-60	13 - 17	YF1-55316-41-22	18 - 2	YF1-58413-69-30	6 - 15	YF1-58419-15	11 - 33	YF1-58419-88-20	12 - 17	YF1-58810-55-50	1 - 13
YF1-52413-22-90	6 - 11	YF1-55316-41-40	18 - 5	YF1-58413-90-10	7 - 15	YF1-58419-15-10	9 - 24	YF1-58419-88-30	12 - 17	YF1-58810-55-90	1 - 20
YF1-52486-35-90	20 - 3	YF1-55316-41-90	18 - 14	YF1-58414-25	12 - 2	YF1-58419-20-20	17 - 8	YF1-58419-88-40	12 - 17	YF1-58812-33-10	3 - 34
YF1-52486-37	20 - 5	YF1-55316-42-92	18 - 10	YF1-58415-10-30	11 - 4	YF1-58419-20-30	12 - 8	YF1-58419-88-50	12 - 17	YF1-58817-34-32	8 - 19
YF1-52610-33-70	1 - 5	YF1-55316-43-63	18 - 8	YF1-58415-10-70	11 - 14	YF1-58419-23-20	11 - 34	YF1-58419-88-60	12 - 17	YF1-58819-10-30	18 - 29
YF1-52611-17-20	14 - 14	YF1-55317-24-02	10 - 5	YF1-58415-12	11 - 11	YF1-58419-23-30	17 - 10	YF1-58419-88-70	12 - 17	YF1-58819-70-10	18 - 27
YF1-52612-13-30	3 - 18	YF1-55317-24-10	10 - 6	YF1-58415-12-30	11 - 5	YF1-58419-31-10	11 - 23	YF1-58419-88-80	12 - 17	YF1-59717-41-10	10 - 1
	21 - 28	YF1-55317-24-22	10 - 12	YF1-58415-12-40	11 - 6	YF1-58419-40-10	6 - 12	YF1-58419-88-90	12 - 17	YF1-60005-60-40	5 - 18
YF1-52612-35-30	3 - 31	YF1-55317-24-32	10 - 8	YF1-58415-12-50	11 - 15	YF1-58419-40-22	4 - 25	YF1-58419-89	12 - 17	YF1-60005-60-50	5 - 17
YF1-52612-35-40	3 - 32	YF1-55317-24-42	10 - 10	YF1-58415-12-70	11 - 18	YF1-58419-40-40	12 - 14	YF1-58419-89-10	12 - 17	YF1-60015-30	12 - 7
YF1-52612-39-50	3 - 31	YF1-55317-41-40	18 - 7	YF1-58415-12-80	11 - 17	YF1-58419-45-70	11 - 10	YF1-58419-89-20	12 - 17	YF1-60015-39	12 - 6
YF1-52612-39-60	3 - 31	YF1-55317-41-80	18 - 6	YF1-58415-12-90	11 - 19	YF1-58419-56-80	11 - 1	YF1-58463-31-10	6 - 17	YF1-60065-10-10	11 - 2
YF1-52612-39-70	3 - 32		18 - 12	YF1-58415-13-20	11 - 25	YF1-58419-60-20	1 - 9	YF1-58520-43-60	3 - 3	YF1-60065-20-92	11 - 31
YF1-52612-39-80	3 - 32	YF1-55319-30-10	18 - 13	YF1-58415-13-50	11 - 27	YF1-58419-66-50	11 - 26	YF1-58523-31-40	1 - 27	YF1-60065-21-12	11 - 31
YF1-52614-20-10	11 - 36	YF1-55332-51-62	6 - 25	YF1-58415-13-60	12 - 4	YF1-58419-66-60	11 - 28	YF1-58525-14-70	11 - 12	YF1-60065-21-22	11 - 31
YF1-52615-54-70	5 - 9	YF1-56019-66-50	1 - 26	YF1-58415-13-80	11 - 24	YF1-58419-67-60	11 - 8	YF1-58527-33-40	8 - 18	YF1-62415-44-20	17 - 11
YF1-52616-41-50	18 - 15		12 - 5	YF1-58415-14-90	11 - 20	YF1-58419-81	12 - 16	YF1-58527-35-20	8 - 14	YF1-62417-33-60	8 - 7
YF1-52616-64-10	5 - 23		17 - 9	YF1-58415-15-60	11 - 9	YF1-58419-85-10	12 - 17	YF1-58527-35-50	8 - 15	YF1-62417-33-70	8 - 2
YF1-52619-20-20	17 - 3		17 - 17	YF1-58415-31-60	12 - 12	YF1-58419-85-20	12 - 17	YF1-58533-24-30	6 - 31	YF1-62645-21-40	13 - 2
YF1-52619-20-30	18 - 16	YF1-56942-39-30	3 - 30	YF1-58415-31-70	12 - 10	YF1-58419-85-30	12 - 17	YF1-58611-17-70	15 - 1	YF1-64755-32-80	12 - 13
YF1-52619-30-10	18 - 9	YF1-56942-39-40	3 - 30	YF1-58415-32-30	12 - 9	YF1-58419-85-40	12 - 17	YF1-58611-18-20	15 - 2	YF1-66119-20-20	19 - 26
YF1-52619-40-20	18 - 18	YF1-56946-59-90	20 - 1		12 - 17	YF1-58419-85-50	12 - 17	YF1-58611-42-63	4 - 23	YF1-66456-58-30	21 - 5
YF1-52619-40-70	18 - 17		31 - 17	YF1-58415-33-50	12 - 11	YF1-58419-85-60	12 - 17	YF1-58612-29-70	3 - 22	YF1-68510-40-40	3 - 10
YF1-52619-60-10	1 - 6	YF1-57073-37-50	7 - 3	YF1-58415-36-22	12 - 18	YF1-58419-85-70	12 - 17	YF1-58612-29-80	3 - 22	YF1-68510-40-92	3 - 1
	2 - 5	YF1-58215-20-30	13 - 1	YF1-58415-38-50	12 - 23	YF1-58419-85-80	12 - 17	YF1-58612-34-70	3 - 28	YF1-68511-32-80	4 - 21
YF1-52619-61-60	2 - 8	YF1-58410-45-40	3 - 2	YF1-58415-38-60	12 - 24	YF1-58419-85-90	12 - 17	YF1-58612-38-60	3 - 29	YF1-68511-51-10	4 - 2
YF1-52631-23-70	16 - 7		3 - 11	YF1-58415-40-92	17 - 2	YF1-58419-86	12 - 17	YF1-58612-38-70	3 - 29	YF1-68511-55-50	4 - 1
YF1-53219-62-60	1 - 4		3 - 13	YF1-58415-41	17 - 1	YF1-58419-86-10	12 - 17	YF1-58612-39-10	3 - 28	YF1-68511-62-12	2 - 14
YF1-53711-12-52	14 - 10	YF1-58410-45-62	3 - 14	YF1-58415-41-22	17 - 7	YF1-58419-86-20	12 - 17	YF1-58612-39-20	3 - 28	YF1-68512-11-12	3 - 15
YF1-53711-18-70	14 - 11	YF1-58410-48	3 - 4	YF1-58415-42-20	17 - 4	YF1-58419-86-30	12 - 17	YF1-58615-10-60	11 - 21		21 - 26
YF1-53934-30-17	13 - 4	YF1-58410-48-10	3 - 5	YF1-58415-42-70	17 - 6	YF1-58419-86-40	12 - 17	YF1-58615-14-30	11 - 16	YF1-68512-19	3 - 15
YF1-53934-31	13 - 12	YF1-58410-48-22	3 - 7	YF1-58415-54-50	5 - 6	YF1-58419-86-50	12 - 17	YF1-58615-15-40	11 - 22	YF1-68512-19-80	3 - 20
YF1-53934-35-80	13 - 13	YF1-58410-51-40	1 - 14	YF1-58415-56-90	5 - 7	YF1-58419-86-60	12 - 17	YF1-58619-10-10	11 - 29	YF1-68512-20-10	3 - 19
YF1-54016-33-90	19 - 16	YF1-58410-51-50	1 - 15	YF1-58415-60-60	5 - 19	YF1-58419-86-70	12 - 17	YF1-58619-66-50	11 - 30	YF1-68512-21-40	3 - 21
YF1-54519-62-70	2 - 4	YF1-58410-53-70	1 - 17	YF1-58415-61-12	17 - 20	YF1-58419-86-80	12 - 17	YF1-58620-41-32	6 - 5	YF1-68512-23-20	3 - 22
YF1-54519-66-70	7 - 4	YF1-58410-55-10	1 - 19	YF1-58415-61-30	5 - 20	YF1-58419-86-90	12 - 17	YF1-58621-23-50	16 - 2	YF1-68513-21-10	7 - 5
YF1-54717-24-40	10 - 9	YF1-58410-56-70	1 - 16	YF1-58415-61-50	5 - 21	YF1-58419-87	12 - 17	YF1-58624-25-02	12 - 1	YF1-68513-50-12	7 - 9
YF1-54817-30-50	8 - 16	YF1-58411-35-40	1 - 7	YF1-58415-62-30	5 - 25	YF1-58419-87-10	12 - 17	YF1-58629-14-30	11 - 13	YF1-68513-51-52	7 - 10
YF1-55017-24-70	10 - 11	YF1-58411-35-60	1 - 8	YF1-58415-62-80	6 - 3	YF1-58419-87-20	12 - 17	YF1-58751-61-70	5 - 2	YF1-68513-69-50	6 - 14
YF1-55018-82-10	10 - 7	YF1-58411-40-30	4 - 32	YF1-58415-64-80	5 - 15	YF1-58419-87-30	12 - 17	YF1-58624-25-02	12 - 1	YF1-68515-10-50	11 - 3
YF1-55046-35	19 - 6	YF1-58411-42-30	4 - 33	YF1-58415-71-12	17 - 19	YF1-58419-87-40	12 - 17	YF1-58752-42-50	4 - 13	YF1-68515-11-50	5 - 4
YF1-55046-35-30	19 - 5	YF1-58411-43-50	4 - 27	YF1-58415-72-12	17 - 14	YF1-58419-87-50	12 - 17	YF1-58752-42-82	4 - 10	YF1-68515-12-20	11 - 7
YF1-55219-36-10	4 - 4	YF1-58411-46-20	1 - 25	YF1-58417-29-22	8 - 3	YF1-58419-87-60	12 - 17	YF1-58752-43-20	4 - 12	YF1-68515-36-10	12 - 15

NUMERICAL INDEX

PART NO.	REF. NO.	PART NO.	REF. NO.	PART NO.	REF. NO.	PART NO.	REF. NO.	PART NO.	REF. NO.
YF1-68515-37-12	12-20	YF1-70537-41-50	10-3	YF6-A1008-25-30	14-3				
YF1-68515-37-22	12-21	YF1-72089-10-40	10-4	YF6-A1008-25-50	14-5				
YF1-68515-77-23	17-26	YF1-72886-58-30	21-1	YF6-A1008-25-70	14-6				
YF1-68516-00-10	17-12	YF1-72886-58-80	21-3	YF6-A1008-26-30	14-8				
YF1-68516-55-10	12-26	YF1-73315-91-90	2-13	YF6-A3205-85	9-1				
YF1-68517-24-70	9-7	YF1-74786-00-80	20-8	YF6-C0405-54-12	20-4				
YF1-68517-31-10	9-4	YF1-74787-02	20-6		31-13				
YF1-68517-32-70	8-10		31-11	YF6-C0405-85-80	9-9				
YF1-68517-33-50	8-6	YF1-75316-40-10	18-1	YF6-C0405-86-60	9-3				
YF1-68519-60-10	6-2	YF1-75388-30-40	8-12	YF6-C0905-44-90	9-10				
YF1-68519-62-60	2-2	YF1-75615-70	17-18	YF6-C0905-85-70	9-21				
YF1-68519-62-70	2-3	YF1-89013-02-70	21-21	YF6-C0905-86-30	9-19				
YF1-68519-66-90	9-5		26-2	YF6-C0905-86-43	9-22				
YF1-68532-10-50	3-16	YF1-90775-36-50	12-19	YF6-C0905-89-60	21-24				
	21-27	YF1-92037-30-10	8-8	YF6-C0955-82	14-1				
YF1-68532-10-90	3-16	YF1-92044-31-10	13-5	YF6-79555-86-30	9-20				
YF1-68533-64-10	7-8	YF1-92044-32-80	13-10	YF6-79803-11-50	19-1				
YF1-68537-27-10	9-6	YF1-92152-32-80	3-25	YF6-79803-11-80	19-8				
YF1-68610-40-50	3-12	YF1-92156-37-50	21-13	YF6-79808-25-80	14-7				
YF1-68611-45-13	1-23	YF1-92159-91-60	3-6	YF6-82716-59-10	21-11				
YF1-68611-45-22	1-24	YF1-92376-58-80	21-9	YF6-82716-59-20	21-12				
YF1-68611-60-20	5-1	YF1-92376-59-10	21-4						
YF1-68612-30-10	3-23		21-7						
YF1-68612-34-80	3-30		21-10						
YF1-68612-34-90	3-29	YF1-92805-72-40	17-21						
YF1-68615-37-32	12-22	YF1-94267-41-20	9-14						
YF1-68616-55-60	12-27	YF1-94286-58-30	21-8						
YF1-68619-33-10	1-18	YF1-94615-64-10	5-16						
YF1-68630-15	7-1	YF1-94618-81-32	6-20						
YF1-68631-16-20	14-12	YF1-96169-20-10	19-30						
YF1-68641-23-10	16-1	YF1-98446-57-70	21-14						
YF1-68641-60-10	4-3	YF1-98726-58-40	21-2						
YF1-68641-65-10	4-5	YF1-98837-30-30	8-13						
YF1-68665-73-02	17-30	YF1-98837-35-10	8-17						
YF1-68669-20-10	17-24	YF3-F7605-67-50	9-25						
YF1-68710-33-10	1-11	YF3-T1030-78-01	29-8						
	21-29	YF3-T1030-78-02	29-6						
YF1-68711-44-30	4-24	YF3-T1030-78-03	29-10						
YF1-68712-13-10	3-17	YF3-12201-41-70	6-28						
YF1-68730-10-10	2-1	YF3-27215-82-42	14-9						
YF1-68730-30-42	1-3	YF3-27215-82-82	14-4						
YF1-68732-10	21-25	YF3-41503-45-90	20-7						
YF1-68738-84-30	13-14	YF4-T5010-80-1B	31-15						
YF1-68750-40-24	6-1	YF4-T5010-80-3R	31-14						
YF1-68757-27-04	8-1	YF6-A1003-11-60	19-2						
YF1-68757-42-80	18-28	YF6-A1003-11-70	19-4						
YF1-68785-77-42	17-25	YF6-A1003-11-90	19-9						
YF1-68785-79-20	17-29	YF6-A1008-25-20	14-2						