



# **PARTS CATALOGUE**

**YAMAHA GENERATOR**

**EDL20000TE** (Q9C2) (380V/220V-50Hz) OTHERS

**EDL20000TE** (Q9C2) (220V/127V-60Hz) OTHERS

EDL20000TE  
PARTS CATALOGUE  
©2002 by Yamaha Motor Co., Ltd.  
1st Edition, Sep. 2002  
All rights reserved.  
Any reprinting or unauthorized use  
without the written permission of  
Yamaha Motor Co., Ltd.  
is expressly prohibited.  
Printed in Japan

# FOREWORD

This Parts Catalogue is related to the parts for the model(s) in the below frame. When you are ordering replacement parts, please refer to this Parts Catalogue and quote both part numbers and part names correctly.

1. Modifications or additions which have been made after issue of the Parts Catalogue will be announced in the Yamaha Parts News.  
It is advisable that you make necessary corrections to the Parts Catalogue according to the Yamaha Parts News.

## 2. Abbreviations

The following abbreviations are used in this Parts Catalogue.

“UR” Use specified parts number.

“UN” Use as many as needed.

“AP” Alternate Parts

“LM” Local Made (Parts need to be ordered locally)

“F#” Frame No. (Applicable machine No.)

3. Parts, which are to be supplied in an assembly, are listed with a dot(.) in front of the part name as shown below.

### EXAMPLE

CARBURETOR ASSY

.JET, PILOT

.NOZZLE, MAIN

## 4. Number of component for assembly

The numeral appearing to the right of each component part indicates the quantity of parts for each assembly unit.

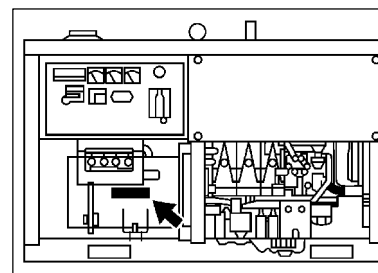
### EXAMPLE

PART NO.	DESCRIPTION	Q'TY	REMARKS
2F5-83310-60	FRONT FLASHER LIGHT ASSY	2	
115-83311-60	.BULB (6V-18W)	1	

## 5. Applicable Starting Serial No. and Color Code

MODEL NAME	MODEL TYPE	SPECIFICATION	FRAME NO.
EDL2000TE	Q9C2	380V/220V-50Hz	Q9C2-800101
EDL2000TE	Q9C2	220V/127V-60Hz	Q9C2-700101

Engine Serial No.



Color Code	Color Name	Abbreviation	MODEL	Country (destination)
00NJ	FARAWAY BLUE	FWB	Q9C2	OTHERS

6. Note that the illustrations for reference in finding parts numbers, not to be used for assembling. When assembling, please use the applicable service manual.

7. The asterisk (\*) before a reference number indicates modification items after the first edition.

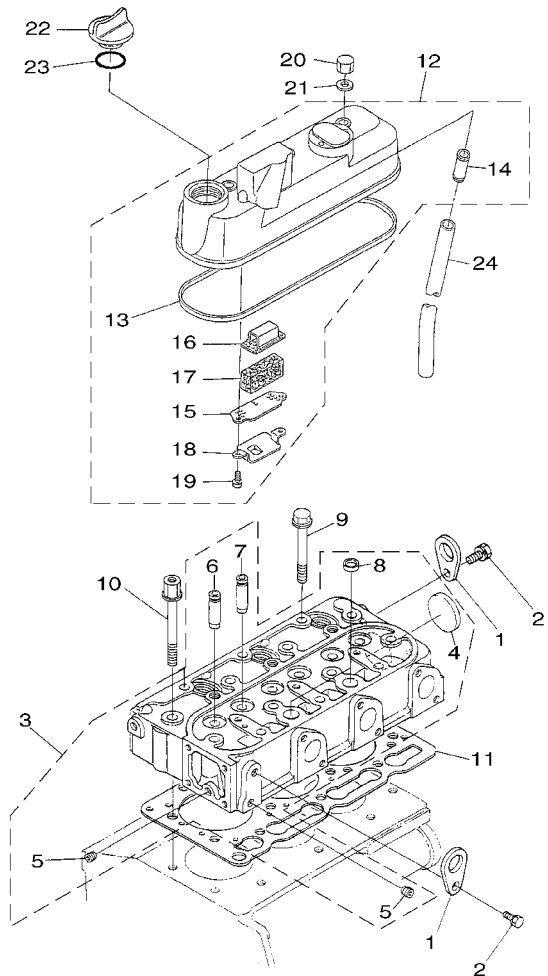
# CONTENTS

CYLINDER HEAD .....	1
CYLINDER BLOCK .....	2
PISTON. CRANKSHAFT .....	3
VALVE SYSTEM .....	5
GOVERNOR .....	7
TIMING GEAR CASE .....	9
LUBRICATION 1 .....	11
COOLING SYSTEM .....	12
RADIATOR. HOSE .....	13
RESERVE TANK .....	14
INJECTION PUMP .....	15
INJECTION NOZZLE .....	17
FUEL SYSTEM 2 .....	19
AIR CLEANER .....	20
INTAKE .....	21
EXHAUST 1 .....	22
CONTROL UNIT .....	23
GENERATOR .....	25
STARTING MOTOR .....	27
ELECTRICAL .....	28
ALTERNATE 1 .....	29
GENERATOR 1 .....	30
ENGINE MOUNT .....	31
FRAME .....	32
COVER .....	33
PANEL.COVER .....	34
FUEL TANK .....	35

FRAME 2 .....	36
LABEL .....	37
FRAME 3 .....	38
ELECTRICAL 1 .....	39

## INDEX

NUMERICAL INDEX .....	41
-----------------------	----

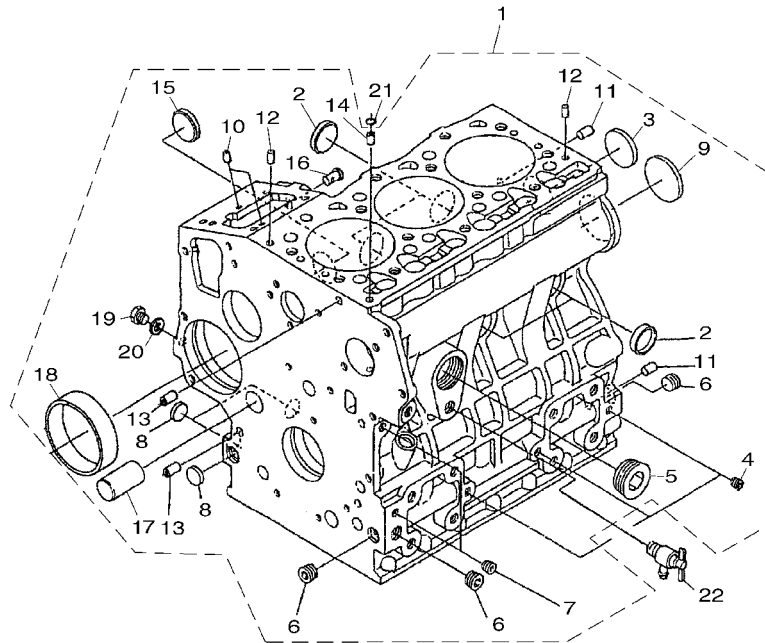


Q9C2600-A010

FIG. 1 CYLINDER HEAD

REF. NO.	PART NO.	DESCRIPTION	Q9C2				REMARKS
1	YF1-52210-17-50	HOOK,ENGINE	2				
2	YF0-11236-08-14	BOLT	2				
3	YF1-60250-30-40	CYLINDER HEAD COMP.	1				
4	YF1-53219-62-60	.PLUG,EXPANSION	1				
5	YF1-52619-60-10	.PLUG	2				
6	YF1-62411-35-40	.INLET VALVE GUIDE	3				
7	YF1-62411-35-60	.EXHAUST VALVE GUIDE	3				
8	YF1-52610-33-70	.PLUG,EXPANSION	2				
9	YF1-62410-34-50	HEAD BOLT	12				
10	YF1-62710-34-50	HEAD BOLT	2				
11	YF1-62310-33-10	HEAD GASKET	1				
12	YF1-62611-45-03	HEAD COVER ASSY.	1				
13	YF1-62611-45-20	.HEAD COVER PACKING	1				
14	YF1-62410-55-50	.BREATHER PIPE FRANGE	1				
15	YF1-62410-51-40	.BREATHER ELEMENT PLATE 1	1				
16	YF1-62410-51-50	.BREATHER ELEMENT PLATE 2	1				
17	YF1-62410-56-70	.BREATHER ELEMENT	1				
18	YF1-62410-53-70	.BREATHER OIL SHIELD	1				
19	YF0-30245-05-10	.SCREW,WITH WASHER	2				
20	YF1-59529-23-30	NUT,CROWN	3				
21	YF1-59519-66-60	PACKINNG	3				
22	YFE-91513-31-40	PLUG(FUEL FEED)	1				
23	YF0-48145-03	O-RING	1				
24	YF1-62410-55-10	BREATHER PIPE	1				

**FIG. 2 CYLINDER BLOCK**

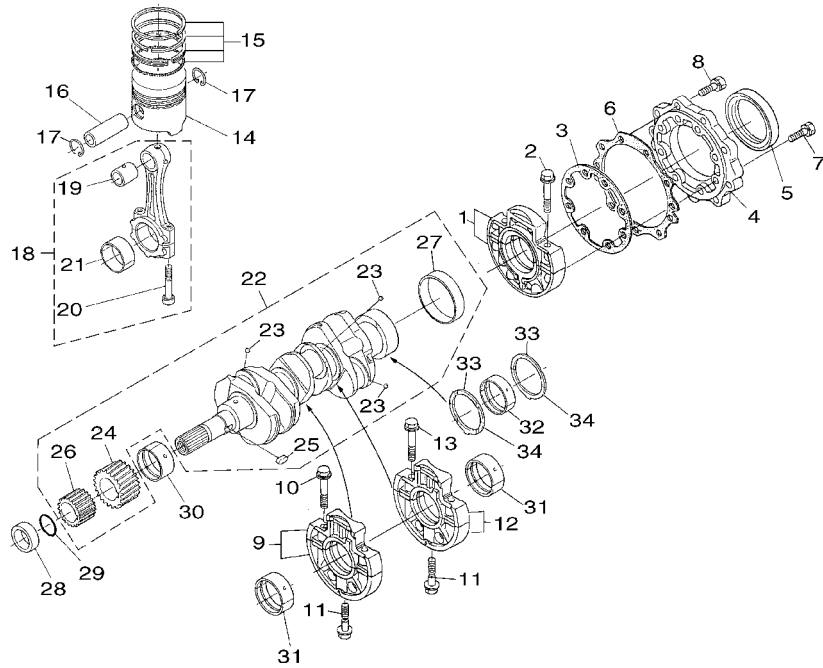


REF. NO.	PART NO.	DESCRIPTION	Q9C2				REMARKS
1	YF1-62380-10-15	CRANKCASE COMP.	1				
2	YF1-54519-62-70	.PLUG,EXPANSION	4				
3	YF1-52210-34-90	.PLUG,EXPANSION	1				
4	YF1-52619-60-10	.PLUG	3				
5	YF1-66839-60-20	.PLUG(P.T1)	1				
6	YF1-62419-60-10	.PLUG	3				
7	YF1-55219-60-20	.PLUG	2				
8	YF1-73919-61-60	.PLUG	3				
9	YF1-62719-61-60	.PLUG	1				
10	YF1-62259-45-10	.PIN,STRIGHT(5-8)	2				
11	YF1-62219-45-30	.PIN,STRIGHT(8-14)	2				
12	YF1-62219-45-20	.PIN,STRIGHT(6-10)	2				
13	YF1-52313-39-60	.PIN,PIPE	2				
14	YF1-62413-36-50	.PIN,PIPE	1				
15	YF1-62419-62-62	.PLUG(FUEL CAMSHAFT)	1				
16	YF1-62615-62-80	.START SPRING PIN	1				
17	YF1-62829-60-10	.PLUG	1				
18	YF1-62715-53-50	.GOVERNOR GEAR BUSH	1				
19	YF1-52213-36-10	.PLUG	1				
20	YF1-50213-36-60	.PACKING	1				
21	YF1-52213-37	O-RING	1				
22	YF1-58417-30-20	DRAIN COCK ASSY	1				



Q9C2600-A020

**FIG. 3 PISTON. CRANKSHAFT**



**FWD**  
Q9C2600-A030

REF. NO.	PART NO.	DESCRIPTION	Q9C2				REMARKS
1	YF1-62410-40-92	MAIN BEARING CASE ASSY. WHEEL	1				
2	YF1-62410-45-40	BEARING CASE BOLT 1	2				
3	YF1-62640-43-60	GASKET(BRG.CASE NA)	1				
4	YF1-62410-48-13	COVER(BEARING CASE)	1				
5	YF1-62410-44-60	OIL SEAL	1				
6	YF1-62640-48-20	GASKET(CASE COVER NA)	1				
7	YF0-10235-06-25	BOLT	8				
8	YF0-10235-06-20	BOLT	9				
9	YF1-62610-40-40	MAIN BEARING CASE ASSY. 1	1				
10	YF1-62410-45-40	BEARING CASE BOLT 1	2				
11	YF1-62410-45-60	BEARING CASE BOLT 2	2				
12	YF1-62610-40-50	MAIN BEARING CASE ASSY. 2	1				
13	YF1-62410-45-40	BEARING CASE BOLT 1	2				
14	YF1-60502-11-10	PISTON	3				
	YF1-60502-19-10	PISTON 05	3				AP
15	YF1-62712-10-50	PISTON RING ASSY.	3				
	YF1-62712-10-90	PISTON RING ASSY. 05	3				AP
16	YF1-62412-13-10	PISTON PIN	3				
17	YF1-62412-13-30	CIRCLIP,PISTON PIN	6				
18	YF1-62412-20-12	CONNECTING ROD ASSY	3				
19	YF1-62412-19-80	.PISTON PIN BUSH	3				
20	YF1-62412-21-40	.ROD BOLT	6				
21	YF1-62412-23-10	.CRANK PIN METAL	3				
	YF1-62412-29-70	.CRANK PIN METAL 02	3				AP
	YF1-62412-29-80	.CRANK PIN METAL 04	3				AP
22	YF1-62352-30-13	CRANKSHAFT COMP.	1				
23	YF0-77150-04-01	.BALL	3				

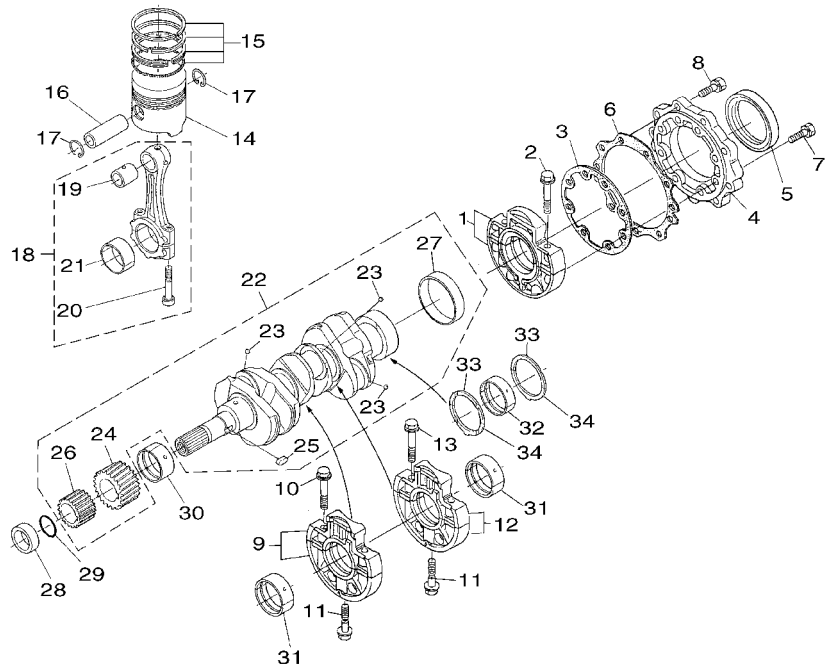
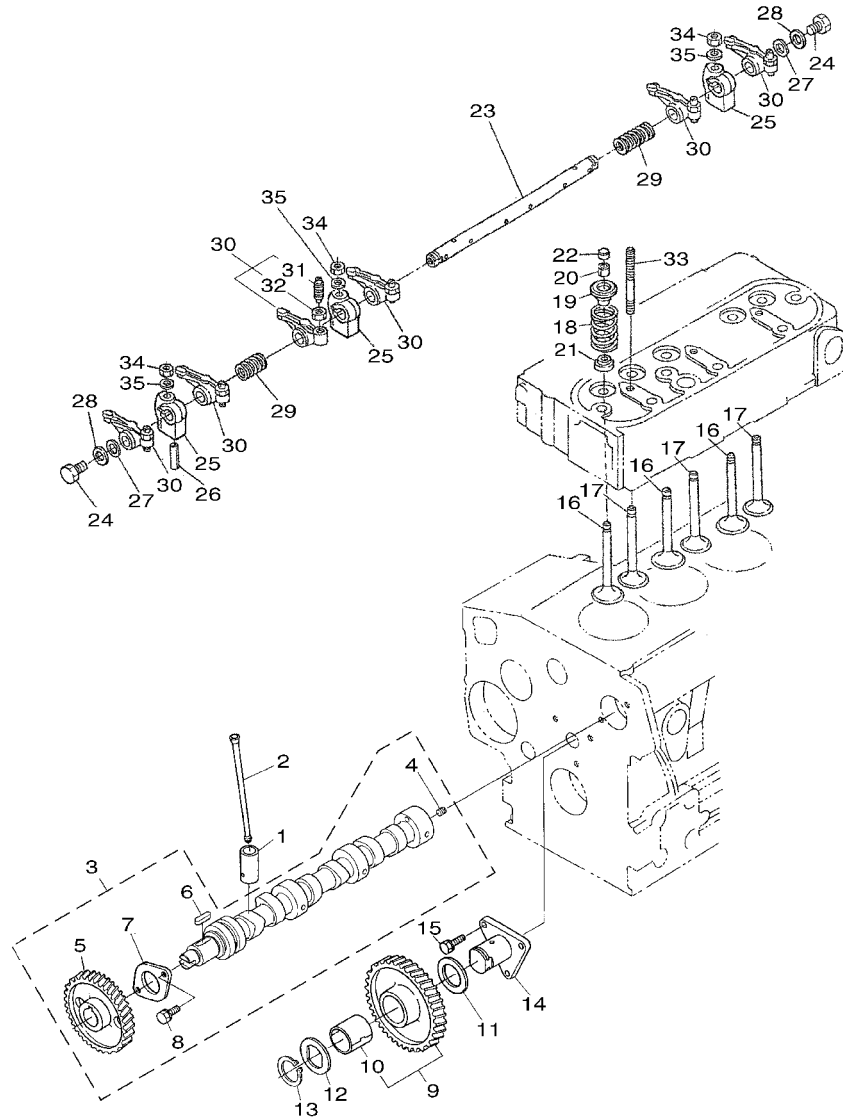


FIG. 3 PISTON. CRANKSHAFT

REF. NO.	PART NO.	DESCRIPTION	Q9C2				REMARKS
24	YF1-62412-41-10	.CRANK GEAR	1				
25	YF1-62719-52-30	.KEY	1				
26	YF1-62413-56-30	.OIL PUMP DRIVE GEAR	1				
27	YF1-62412-32-80	.SLEEVE,CRANK SHAFT	1				
28	YF1-62412-32-50	COLLAR,CRANK SHAFT	1				
29	YF0-48141-02-80	O-RING	1				
30	YF1-62412-34-70	CRANK SHAFT METAL 1	1				
	YF1-62412-39-10	CRANK SHAFT METAL 1 02	1				AP
	YF1-62412-39-20	CRANK SHAFT METAL 1 04	1				AP
31	YF1-62412-34-80	CRANK SHAFT METAL 2	2				
	YF1-62412-39-30	CRANK SHAFT METAL 2 02	2				AP
	YF1-62412-39-40	CRANK SHAFT METAL 2 04	2				AP
32	YF1-62922-34-90	CRANK SHAFT METAL 3	1				
	YF1-62922-38-60	CRANK SHAFT METAL 3 02	1				AP
	YF1-62922-38-70	CRANK SHAFT METAL 3 04	1				AP
33	YF1-55212-35-30	SIDE METAL 1	2				
	YF1-55212-39-50	SIDE METAL 1 02	2				AP
	YF1-55212-39-60	SIDE METAL 1 04	2				AP
34	YF1-92022-35-40	SIDE METAL 2	2				
	YF1-92022-39-70	SIDE METAL 2 02	2				AP
	YF1-92022-39-80	SIDE METAL 2 04	2				AP



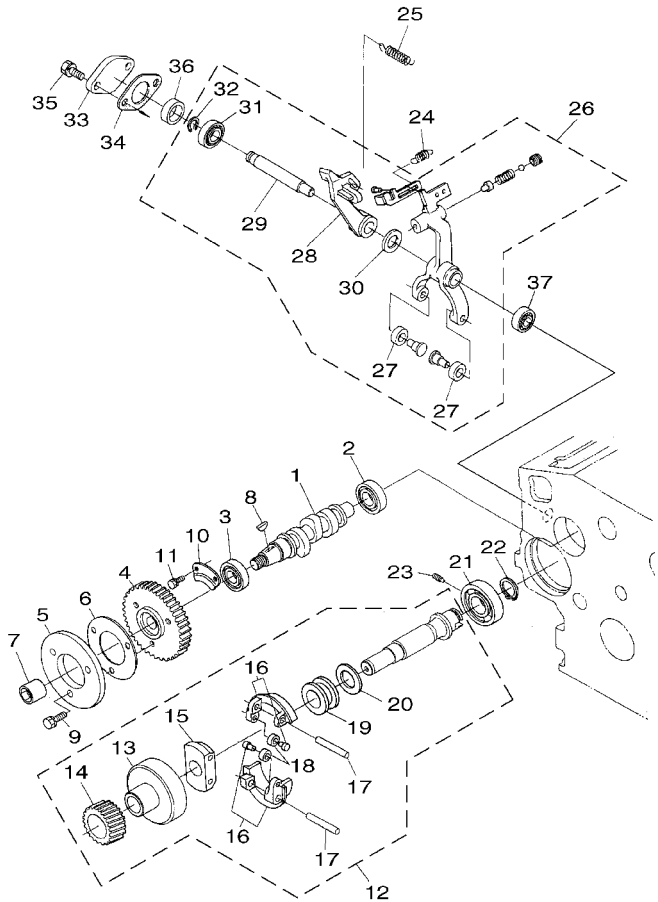
**FIG. 4 VALVE SYSTEM**



Q9C2600-A040

REF. NO.	PART NO.	DESCRIPTION	Q9C2				REMARKS
1	YF1-62611-55-50	TAPPET (EDL6500)	6				
2	YF1-62411-51-10	PUSH ROD	6				
3	YF1-62611-60-10	CAMSHAFT ASSY	1				
4	YF1-55219-36-10	.SCREW,SET	1				
5	YF1-62411-65-10	.CAM GEAR	1				
6	YF0-57120-05-18	.KEY	1				
7	YF1-62411-62-70	.STOPPER,CAMSHAFT	1				
8	YF0-10235-06-16	.BOLT	2				
9	YF1-62712-40-10	IDLE GEAR COMP. 1	1				
10	YF1-62712-49-80	.IDLE GEAR BUSH 03	1				
11	YF1-62412-43-60	IDLE GEAR COLLAR 1	1				
12	YF1-62412-43-70	IDLE GEAR COLLAR 2	1				
13	YF1-62412-43-20	CIRCLIP,IDLE GEAR	1				
14	YF1-62412-42-50	IDLE GEAR SHAFT 1	1				
15	YF0-10235-06-16	BOLT	3				
16	YF1-62411-31-10	INLET VALVE	3				
17	YF1-62991-31-20	EXHAUST VALVE	3				
18	YF1-62711-32-40	VALVE SPRING	6				
19	YF1-62411-33-30	RETAINER, VALVE SPR. (EDL6500)	6				
20	YF1-52611-33-60	COLLET, VALVE SP.(EDL6500)	6				
21	YF1-C0101-31-50	SEAL(VALVE STEM)	6				
22	YF1-62411-32-80	CAP (EDL6500)	6				
23	YF1-62611-42-64	SHAFT,ROCKER ARM	1				
24	YF0-10235-06-10	BOLT	2				
25	YF1-62411-43-50	BRACKET,ROCKER ARM	3				
26	YF0-54110-04-28	SPRING PIN	1				
27	YF1-62411-44-30	WASHER,ROCKER ARM 1	2				





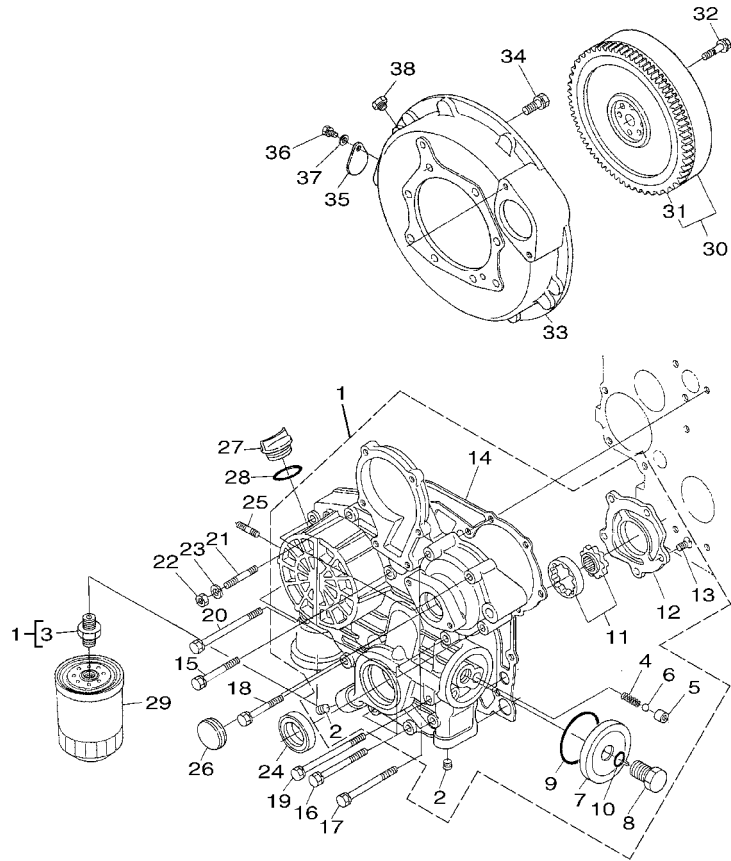
Q9C2600-A050

FIG. 5 GOVERNOR

REF. NO.	PART NO.	DESCRIPTION	Q9C2				REMARKS
1	YF1-60201-61-70	CAMSHAFT(FUEL)	1				
2	YF0-81030-62-02	BALL BEARING	1				
3	YF0-81030-62-04	BEARING	1				
4	YF1-75385-11-50	INJECTION PUMP GEAR	1				
5	YF1-62415-11-13	CAM(FUEL)	1				
6	YF1-62415-11-90	WASHER	1				
7	YF1-62419-23-30	NUT,CROWN	1				
8	YF1-62419-52-30	KEY,WOODRUF	1				
9	YF0-10235-06-18	BOLT	3				
10	YF1-62411-63-20	STOPPER,FUEL CAMSHAFT	1				
11	YF0-10235-06-16	BOLT	2				
12	YF1-62655-50-13	GOVERNOR SHAFT ASSY	1				
13	YF1-62415-53-92	.HOLDER(GOVERNOR)	1				
14	YF1-62825-53-20	.GOVERNOR GEAR	1				
15	YF1-62415-52-70	.GOVERNOR WEIGHT HOLDER	1				
16	YF1-62415-50-62	.WEIGHT COMP.(GOVERNOR)	2				
17	YF1-62415-52-60	.GOVERNOR WEIGHT SHAFT	2				
18	YF1-94845-54-40	.ROLLER	2				
19	YF1-62415-54-50	.GOVERNOR SLEEVE	1				
20	YF1-62415-54-63	.WASHER,THRUST	1				
21	YF0-81010-63-04	BALL BEARING	1				
22	YF1-62715-54-10	CIRCLIP,GOVERNOR SHAFT	1				
23	YF1-62415-55-54	SCREW,STOPPER	1				
24	YF1-62655-64-80	START SPRING	1				
25	YF1-62855-64-12	SPRING(1,GOVERNOR)	1				
26	YF1-60515-60-56	LEVER ASSY.(FORK)	1				
27	YF1-94845-54-40	.ROLLER	2				



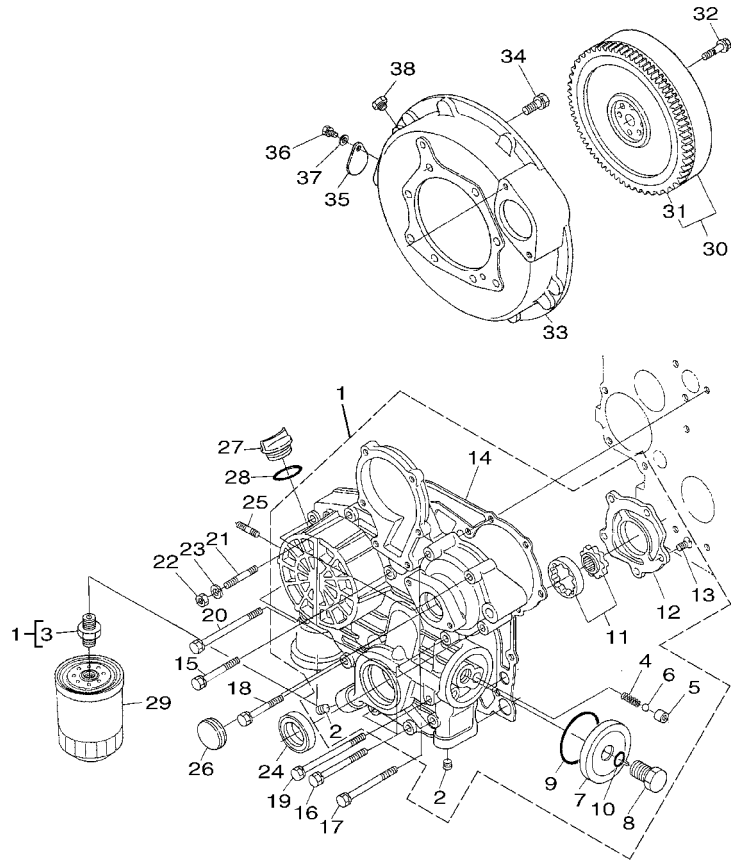
FIG. 6 TIMING GEAR CASE



Q9C2600-A060

REF. NO.	PART NO.	DESCRIPTION	Q9C2				REMARKS
1	YF1-62590-40-20	GEAR CASE COMP.	1				
2	YF1-62419-60-20	.PLUG	5				
3	YF1-52413-22-90	.NIPPLE	1				
4	YF1-62413-69-50	.SPRING	1				
5	YF1-62413-69-30	.VALVE SHEET	1				
6	YF0-77150-02-01	.BALL	1				
7	YF1-62593-28-82	.COVER	1				
8	YF1-62593-29	.BOLT	1				
9	YF0-48145-06	.O-RING	1				
10	YF0-48140-01-50	.O-RING	1				
11	YF1-62413-50-70	.OIL PUMP ROTOR ASSY.	1				
12	YF1-62593-51-32	.OIL PUMP COVER	1				
13	YF1-62419-31-20	.SCREW,PANHEAD	5				
14	YF1-62640-41-30	.GASKET(GEAR CASE,NA)	1				
15	YF0-10235-06-45	BOLT	3				
16	YF0-10236-06-50	BOLT,WITH WASHER	4				
17	YF0-10235-06-55	BOLT	2				
18	YF1-58419-10-40	BOLT	1				
19	YF1-62419-10-40	BOLT(M6X68)	2				
20	YF1-62599-10-40	BOLT(M6X82)	1				
21	YF1-62459-15-30	STUD	1				
22	YF0-20565-00-60	NUT	1				
23	YF0-45126-00-60	WASHER,SPRING	1				
24	YF1-62590-42-10	OIL SEAL	1				
25	YF1-62459-15-40	STUD	2				
26	YF1-62648-33-42	COVER(HOUR METER GEAR CASE)	1				
27	YFE-91513-31-40	PLUG(FUEL FEED)	1				

FIG. 6 TIMING GEAR CASE

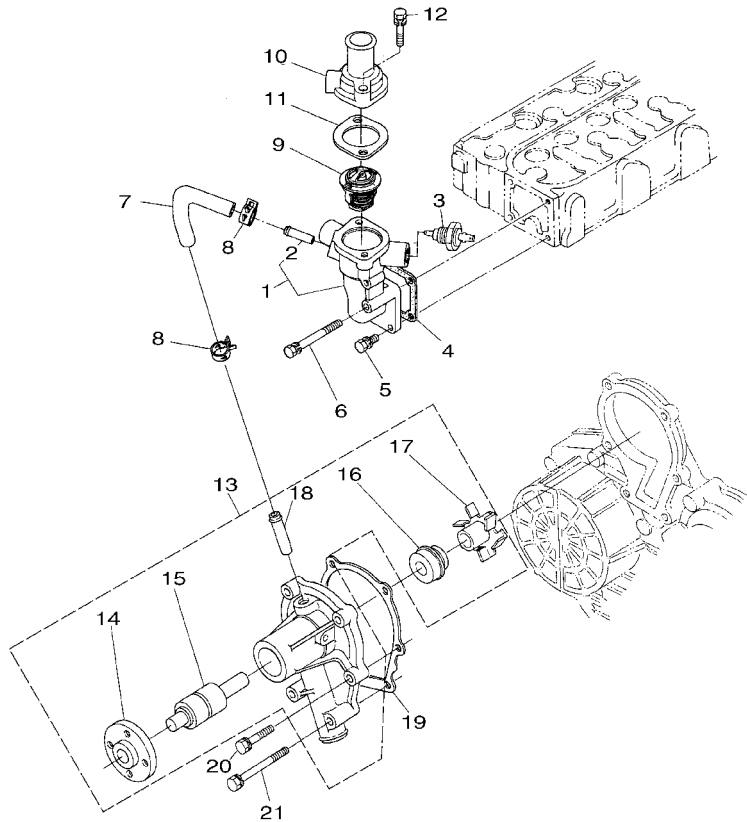


Q9C2600-A060

REF. NO.	PART NO.	DESCRIPTION	Q9C2				REMARKS
28	YF0-48145-03	O-RING	1				
29	YF1-62713-20-92	FILTER ASSY.(OIL CARTRIDGE)	1				
30	YF1-74232-50-13	FLY WHEEL COMP.	1				
31	YF1-62616-38-22	.GEAR(RING)	1				
32	YF1-62412-51-60	FLY WHEEL BOLT	6				
33	YF1-72150-46-10	FLY WHEEL HOUSING	1				
34	YF1-52619-11-90	BOLT	8				
35	YF3-12201-41-70	COVER	1				
36	YF0-11236-08-14	BOLT	1				
37	YF0-40136-00-80	WASHER,PLATE	1				
38	YF3-66022-32-40	PLUG(M18X1.5)	1				



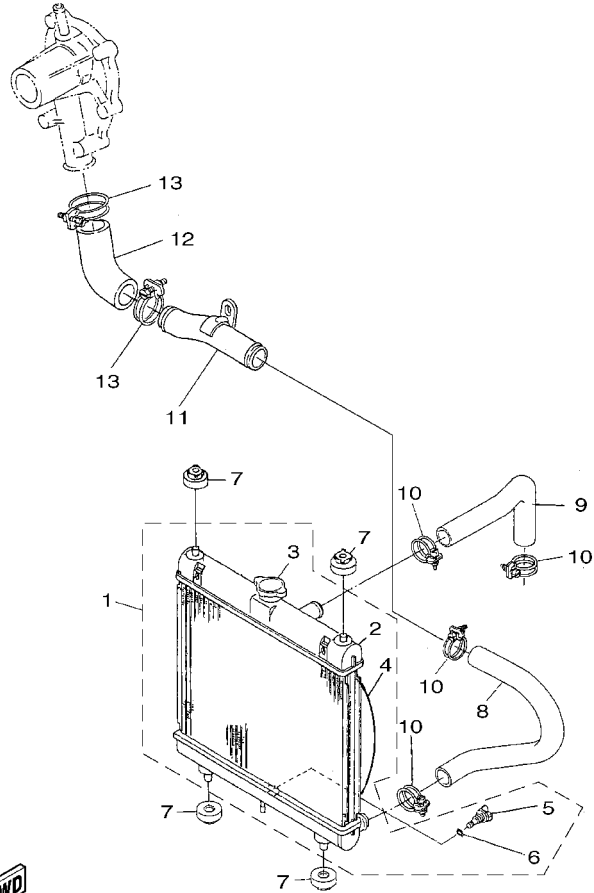
**FIG. 8 COOLING SYSTEM**



Q9C2600-A080

REF. NO.	PART NO.	DESCRIPTION	Q9C2				REMARKS
1	YF1-62267-27	FLANGE,COMP.(WATER)	1				
2	YF1-62417-33-70	.PIPE,WATER RETURN	1				
3	YF1-75388-30-40	SWITCH,THERMOSTAT	1				
4	YF1-62647-29-20	GASKET(WATER FLANGE,NA)	1				
5	YF0-10235-06-16	BOLT	3				
6	YF0-10235-06-55	BOLT	1				
7	YF1-62417-33-50	WATER RETURN PIPE 2	1				
8	YF1-62417-33-60	CLIP,PIPE	2				
9	YF1-94347-30-14	THERMOSTAT ASSY.	1				
10	YF1-62197-32-60	THERMOSTAT COVER	1				
11	YF1-62217-32-70	GASKET(THERMOSTAT,NA)	1				
12	YF0-11235-08-35	BOLT (7LR1)	2				
13	YF1-62517-30-34	PUMP ASSY.(WATER)	1				
14	YF1-62597-35-20	.WATER PUMP SHAFT FLANGE	1				
15	YF1-62597-35-52	.BEARING	1				
16	YF1-G6427-30-50	.MECHANICAL SEAL ASSY	1				
17	YF1-62597-35-12	.WATER PUMP IMPELLER	1				
18	YF1-62417-33-40	.PIPE 1	1				
19	YF1-62397-34-30	GASKET(WATER PUMP,NA)	1				
20	YF0-10235-06-30	BOLT	4				
21	YF0-10235-06-85	BOLT	2				



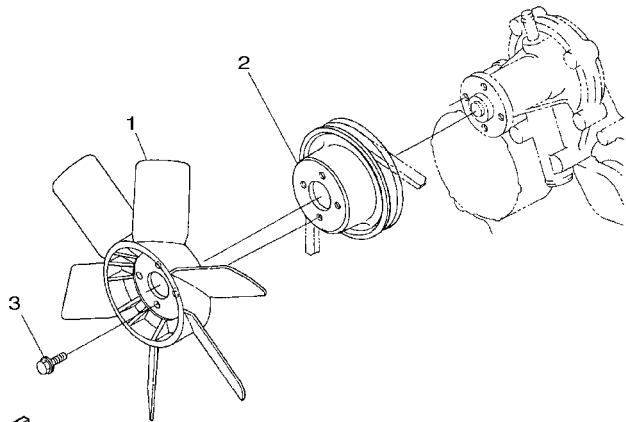
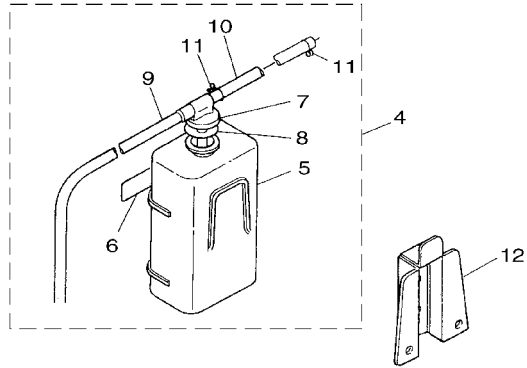


Q9C2600-A090

FIG. 9 RADIATOR. HOSE

REF. NO.	PART NO.	DESCRIPTION	Q9C2				REMARKS
1	YF1-G3477-20-60	RADIATOR ASSY.	1				
2	YF1-G3457-21-10	.RADIATOR	1				
3	YF1-75801-60-60	.CAP(RADIATOR)	1				
4	YF1-G3477-23-30	.SHROUD(FAN)	1				
5	YF3-40701-60-70	.PLUG(DRAIN)	1				
6	YF3-40701-60-90	.O-RING	1				
7	YF3-40701-60-30	RUBBER(RADIATOR MOUNT)	4				
8	YF1-K5227-28-50	HOSE(1,WATER)	1				
9	YF1-K5227-29-40	HOSE(4,WATER)	1				
10	YF0-93188-90-39	HOSE CLAMP	4				
11	YF1-72037-28-60	WATER PIPE 2	1				
12	YF1-G6807-28-70	PIPE(WATER,3)	1				
13	YF3-62008-27-20	CLAMP	2				

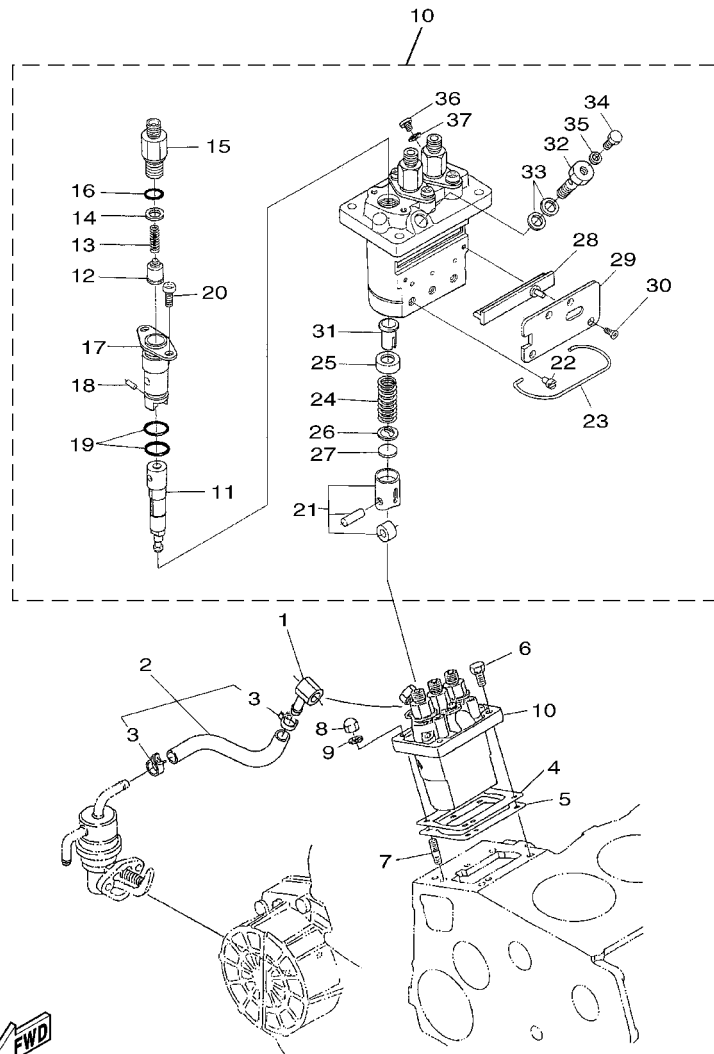
**FIG. 10 RESERVE TANK**



Q9C2600-A100

REF. NO.	PART NO.	DESCRIPTION	Q9C2				REMARKS
1	YF1-55477-41-12	FAN	1				
2	YF1-62417-42-50	FAN PULLEY	1				
3	YF0-17545-06-10	BOLT,FLANGE	4				
4	YF1-55317-24-02	RESERVE TANK ASSY	1				
5	YF1-55317-24-10	.BODY,TANK	1				
6	YF1-55018-82-10	.LABEL,CAUTION	1				
7	YF1-55317-24-22	.CAP	1				
8	YF1-55317-24-32	.PACKING	1				
9	YF1-54717-24-40	.PIPE,WATER OVER FLOW 2	1				
10	YF1-55317-24-42	.PIPE,WATER OVER FLOW 2	1				
11	YF1-55017-24-70	.CLIP,PIPE	2				
12	YF1-19827-24-60	STAY,RESERVE TANK	1				

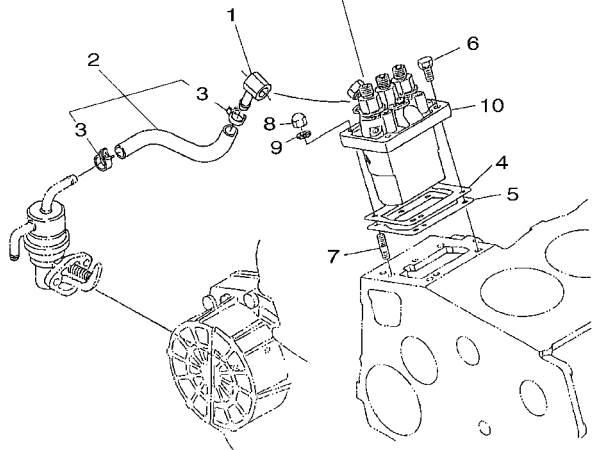
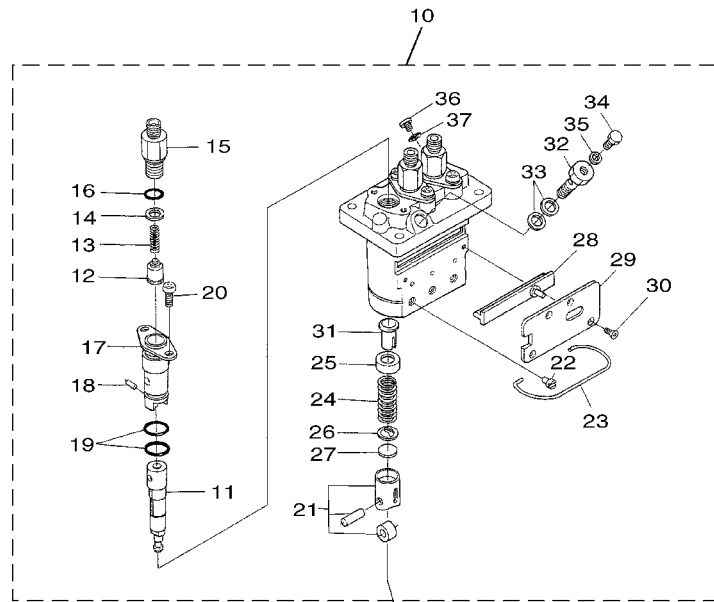
FIG. 11 INJECTION PUMP



Q9C2600-A110

REF. NO.	PART NO.	DESCRIPTION	Q9C2				REMARKS
1	YF1-62419-56-90	PIPE FLANNGE	1				
2	YF1-60324-20-10	FUEL TUBE ASSY.	1				
3	YF1-49114-27-50	.PIPE CLIP	2				
4	YF1-60065-20-92	SHIM(0,20MM)	1				
5	YF1-60065-21-12	SHIM(0,25MM)	1				UR
	YF1-60065-21-22	SHIM(0,30MM)	1				UR
6	YF0-13111-06-20	BOLT,HEXAGON WITH HOLE	2				
7	YF1-58419-15	STUD	2				
8	YF1-58419-23-20	NUT,CROWN	2				
9	YF0-45126-00-60	WASHER,SPRING	4				
10	YF1-60305-10-10	INJECTION PUMP ASSY.	1				
11	YF1-60305-10-52	.ELEMENT(PUNP)	3				
12	YF1-58415-10-30	.VALVE,DELIVERY	3				
13	YF1-58415-12-30	.SPRING,DELIVERY VALVE	3				
14	YF1-58415-12-40	.GASKET,DELIVERY VALVE	3				
15	YF1-62715-12-20	.HOLDER,DELIVERY VALVE	3				
16	YF1-58419-67-60	.O-RING	3				
17	YF1-58415-15-60	.SLEEVE FLANGE	3				
18	YF1-58419-45-70	.PIN,WITH HEAD	3				
19	YF1-58415-12	.O-RING	6				
20	YF1-58629-14-30	.SCREW	6				
21	YF1-58415-10-70	.TAPPET ASSY	3				
22	YF1-58415-12-50	.PIN,TAPPET GUIDE	3				
23	YF1-58615-14-30	.PIN,CLAMP	1				
24	YF1-58415-12-80	.SPRING,PLUNGER	3				
25	YF1-58415-12-70	.SEAT SPRING,UPPER	3				
26	YF1-58415-12-90	.SEAT SPRING,LOWER	3				

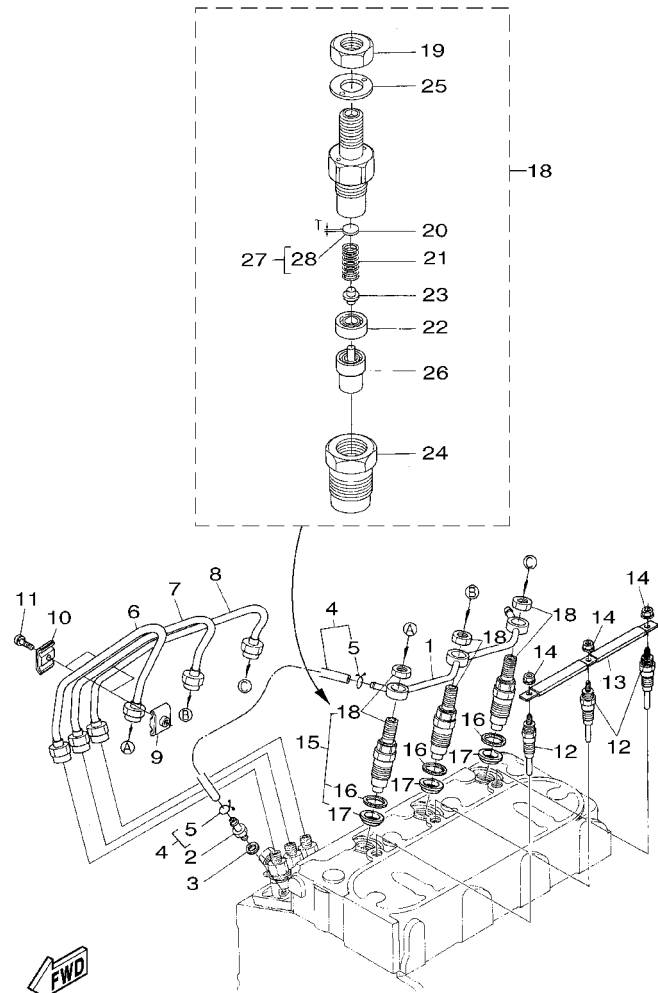
FIG. 11 INJECTION PUMP



  
Q9C2600-A110

REF. NO.	PART NO.	DESCRIPTION	Q9C2				REMARKS
27	YF1-58415-14-90	.SHIM	3				
28	YF1-60305-10-60	.RACK(CONTROL)	1				
29	YF1-60305-15-40	.PLATE	1				
30	YF1-58419-31-10	.SCREW,CYLINDER HEAD	4				
31	YF1-58415-13-80	.CONTROL SLEEVE	3				
32	YF1-60305-13-20	.BOLT FLANGE	1				
33	YF1-58419-66-50	.PACKING	2				
34	YF1-58415-13-50	.SCREW,AIR BREATHER	1				
35	YF1-58419-66-60	.PACKING	1				
36	YF1-60309-60-10	.PLUG	1				
37	YF1-58619-66-50	.PACKING	1				

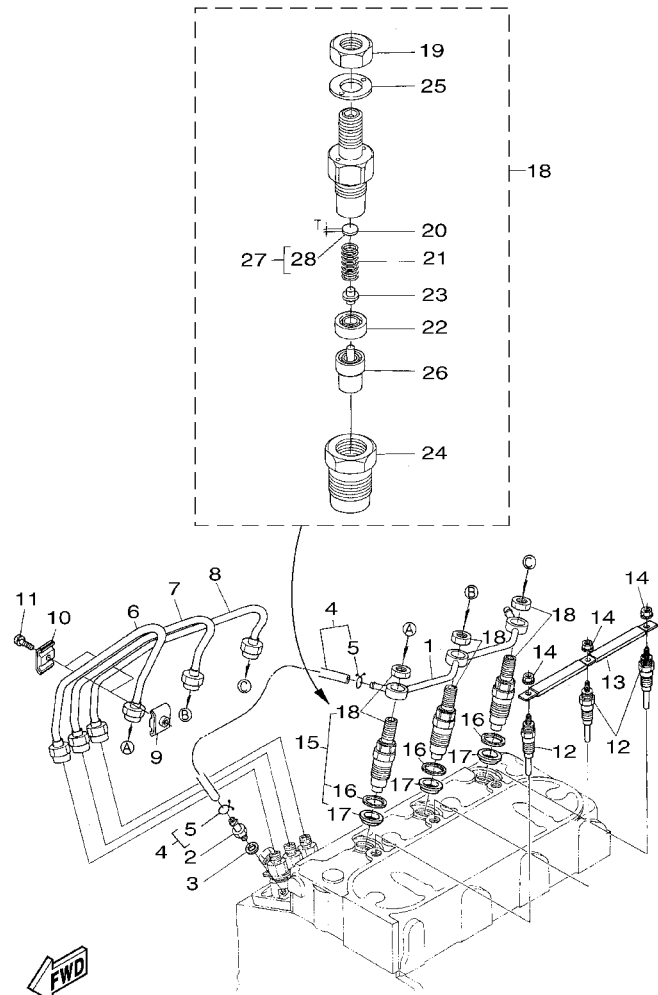
FIG. 12 INJECTION NOZZLE



Q9C2600-A120

REF. NO.	PART NO.	DESCRIPTION	Q9C2				REMARKS
1	YF1-62614-25-02	PIPE ASSY.(OVERFLOW)	1				
2	YF1-58415-13-60	SCREW,AIR BREATHER	1				
3	YF1-56019-66-50	PACKING	1				
4	YF1-58414-25	OVER FLOW PIPE ASSY 2	1				
5	YF1-49714-27-50	..PIPE CLIP	2				
6	YF1-62715-37-12	PIPE(1,INJECTION)	1				
7	YF1-62715-37-22	PIPE(2,INJECTION)	1				
8	YF1-62715-37-32	PIPE(3,INJECTION)	1				
9	YF1-58415-38-50	CLAMP,PIPE 1	2				
10	YF1-58415-38-60	CLAMP,PIPE 2	2				
11	YF0-30245-05-20	SCREW,WITH WASHER	2				
12	YF1-68516-55-10	PLUG,GLOW	3				
13	YF1-62616-55-60	PLUG,GLOW CODE	1				
14	YF0-27615-00-40	NUT,FLANGE	3				
15	YF1-60325-39	NOZZLE HOLDER KIT	3				
16	YF1-58415-36-22	..PACKING	3				
17	YF1-90775-36-50	..SEAL,HEAT	3				
18	YF1-60325-30	..NOZZLE HOLDER ASSY.	3				
19	YF1-60329-20-30	..NUT	3				
20	YF1-60325-32-30	..WASHER(ADJUSTING)	3				
21	YF1-60325-31-70	..SPRING(NOZZLE)	3				
22	YF1-60325-33-50	..SPACER(DISTANCE)	3				
23	YF1-60325-31-60	..PUSH ROD	3				
24	YF1-60325-32-80	..NUT(NOZZLE)	3				
25	YF1-60329-40-40	..WASHER PLATE	3				
26	YF1-60325-36-10	..NOZZLE PIECE	3				
27	YF1-60329-81	..WASHER ASSY.(ADJUSTING)	3				AP

**FIG. 12 INJECTION NOZZLE**

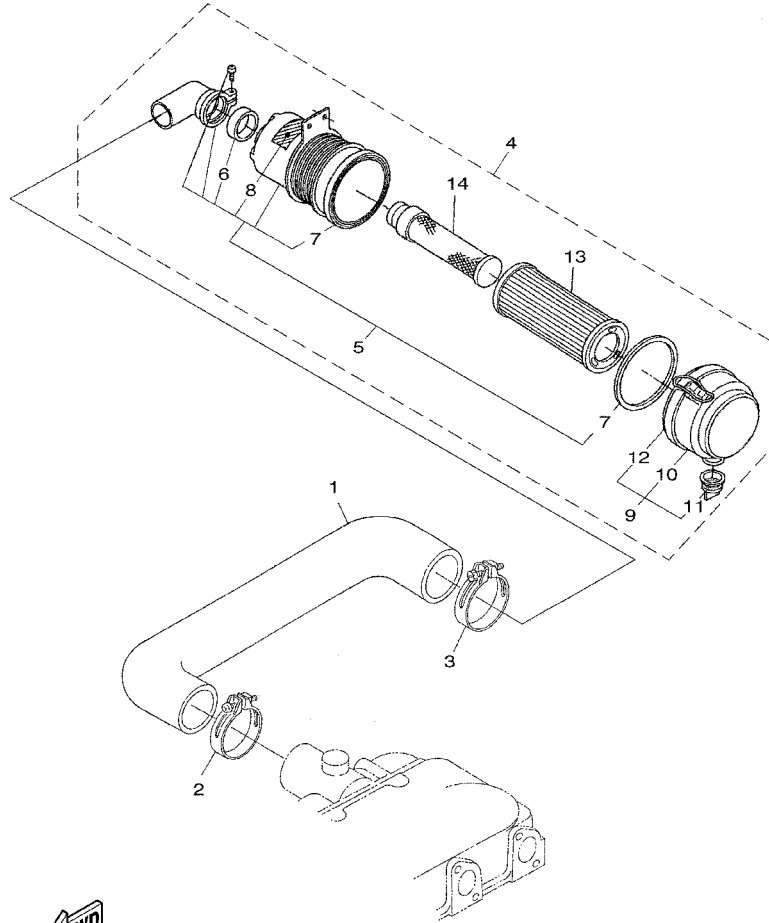


Q9C2600-A120

REF. NO.	PART NO.	DESCRIPTION	Q9C2	REMARKS
28	YF1-60329-85	...WASHER(ADJUSTING,0.10)	3	UR
	YF1-60329-85-10	...WASHER(ADJUSTING,0.20)	3	UR
	YF1-60329-85-20	...WASHER(ADJUSTING,0.30)	3	UR
	YF1-60329-85-30	...WASHER(ADJUSTING,0.40)	3	UR
	YF1-60329-85-40	...WASHER(ADJUSTING,0.50)	3	UR
	YF1-60329-85-50	...WASHER(ADJUSTING,0.52)	3	UR
	YF1-60329-85-60	...WASHER(ADJUSTING,0.54)	3	UR
	YF1-60329-85-70	...WASHER(ADJUSTING,0.56)	3	UR
	YF1-60329-85-80	...WASHER(ADJUSTING,0.58)	3	UR
	YF1-60329-85-90	...WASHER(ADJUSTING,0.80)	3	UR



**FIG. 14 AIR CLEANER**



REF. NO.	PART NO.	DESCRIPTION	Q9C2				REMARKS
1	YF1-66161-16-20	INLET PIPE	1				
2	YF1-54011-17-20	BAND, PIPE	1				
3	YF1-52211-17-20	BAND,PIPE	1				
4	YF3-23329-32	AIR CLEANER ASSY.(W FILTER)	1				
5	YF3-23321-63-10	.BODY COMP.(AIR CLEANER)	1				
6	YFT-02709-31-10	..SEAL(PIPE)	1				
7	YFT-02709-31-50	..SEAL(AIR CLEANER)	1				
8	YF3-23329-31-80	..LABEL(W AIR CLEANER)	1				
9	YFT-02709-31-70	.CUP ASSY.(AIR CLEANER)	1				
10	YFT-02709-31-40	..CUP(AIR CLEANER)	1				
11	YFT-00709-31-60	..VALVE	1				
12	YFT-02709-31-90	..CLAMP(AIR CLEANER)	1				
13	YFT-02701-63-20	.FILTER COMP.(AIR CLEANER)	1				
14	YFT-02709-32-20	.ELEMENT ASSY.(INNER)	1				



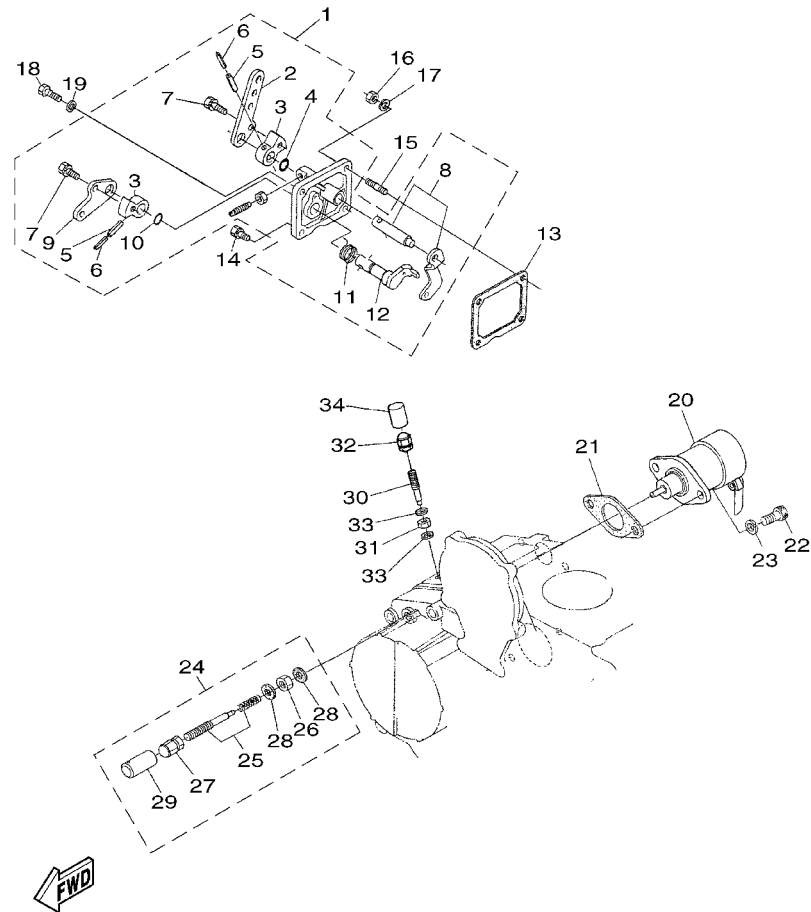
Q9C2600-A140







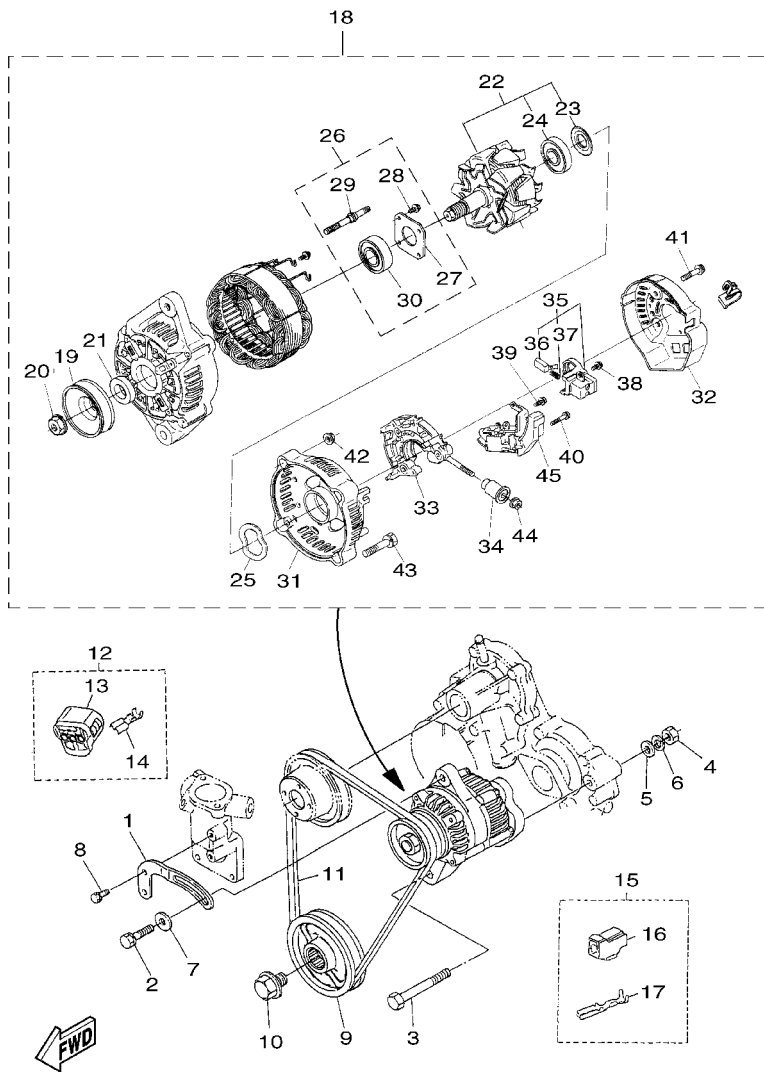
FIG. 17 CONTROL UNIT



Q9C2600-A170

REF. NO.	PART NO.	DESCRIPTION	Q9C2				REMARKS
1	YF1-62055-70-10	PLATE ASSY(SPEED CONTROL)	1				
2	YF1-62055-71-50	.LEVER 1,SPEED CONTROL	1				
3	YF1-62055-71-60	.LEVER 2,SPEED CONTROL	2				
4	YF0-48140-01	.O-RING	1				
5	YF0-54110-04-20	.PIN,SPRING	2				
6	YF0-54110-25-20	.PIN,SPRING	2				
7	YF0-10235-06-12	.BOLT	2				
8	YF1-62055-60-20	.LEVER COMP.(GOVERNOR)	1				
9	YF1-62055-77-20	.LEVER(1,ENGIN STOP)	1				
10	YF0-48141-00-70	.O-RING	1				
11	YF1-62055-75-10	.SPRING,RETURN	1				
12	YF1-62055-77-40	.LEVER COMP.(STOP)	1				
13	YF1-62645-72-10	GASKET(ADJUSTING PLATE,NA)	1				
14	YF0-10235-06-16	BOLT	1				
15	YF1-62459-15-40	STUD	2				
16	YF0-20565-00-60	NUT	2				
17	YF0-45126-00-60	WASHER,SPRING	2				
18	YF0-10535-06-18	BOLT	1				
19	YF1-56019-66-50	PACKING	1				
20	YF1-72086-00-10	SOLENOID ASSY	1				
21	YF1-62996-01-50	PACKING,SOLENOID COVER(NA)	1				
22	YF0-13111-06-14	BOLT,WITH HEXAGONAL HOLE	2				
23	YF0-45126-00-60	WASHER,SPRING	2				
24	YF1-62595-40-90	IDLING LIMITER DEVICE ASSY	1				
25	YF1-62595-41-02	.ADJUSTING BOLT ASSY.	1				
26	YF1-58419-20-20	.NUT	1				
27	YF1-58419-23-30	.NUT,CROWN	1				



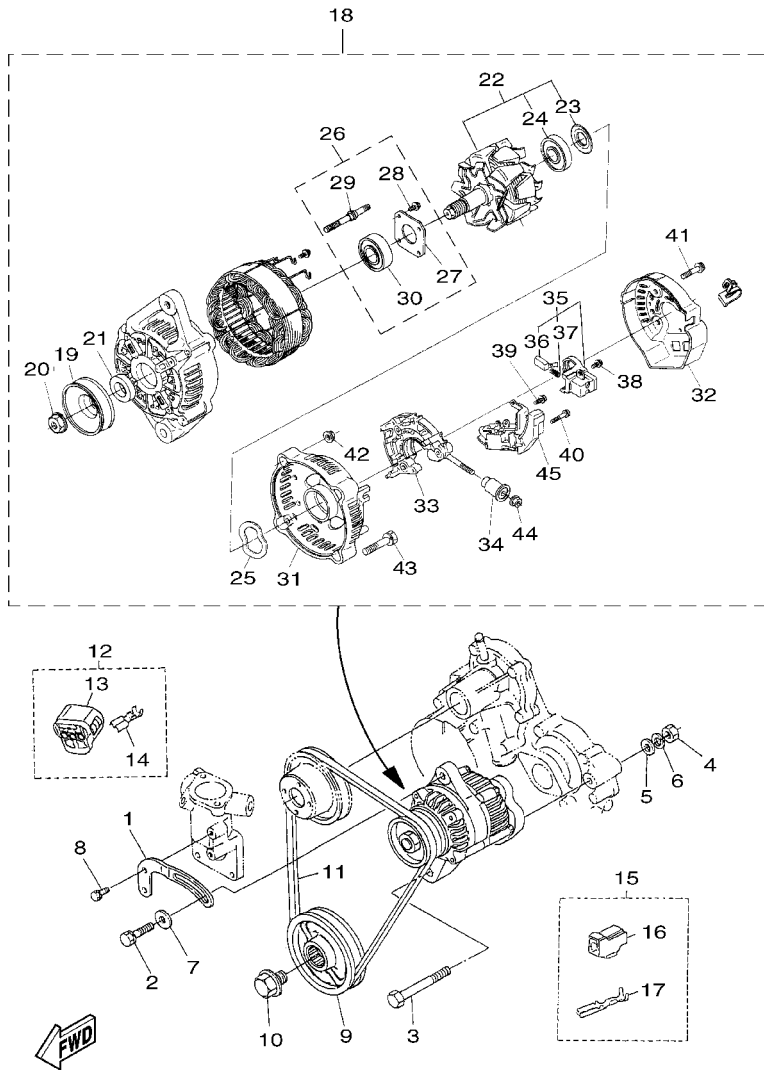


Q9C2600-A180

FIG. 18 GENERATOR

REF. NO.	PART NO.	DESCRIPTION	Q9C2				REMARKS
1	YF1-62416-44-20	DYNAMO STAY	1				
2	YF0-11235-08-30	BOLT (EDK8000TE)	1				
3	YF0-11735-10-85	BOLT	1				
4	YF0-21765-01	NUT	1				
5	YF0-40115-01	WASHER PLATE	1				
6	YF0-45126-01	WASHER SPRING	1				
7	YF0-40156-00-80	WASHER,PLATE	1				
8	YF0-10235-06-16	BOLT	1				
9	YF1-62657-42-80	FAN DRIVE PULLEY	1				
10	YF1-62419-10-20	BOLT(FAN DRIEVE)	1				
11	YF1-62419-70-10	37 V-BELT	1				
12	YF1-66786-58-30	CONNECTER ASSY.	1				
13	YF1-66316-58-40	.CONNECTER	1				
14	YF1-92376-59-10	.TERMINAL	3				
15	YF1-C0106-58-30	COUPLER ASSY(SOLENOID)	1				
16	YF1-C0106-58-80	.CONNECTER	1				
17	YF1-C0106-59-10	.TERMINAL	2				
18	YF1-K5746-40-15	ALTERNATOR ASSY	1				
19	YF1-58816-41-10	.DYNAMO PULLEY	1				
20	YF1-58819-20-10	.NUT	1				
21	YF1-58816-41-50	.COLLAR	1				
22	YF6-64366-40-40	.ROTOR	1				
23	YF1-58816-48	..BEARING COVER	1				
24	YF1-66526-47-70	..BALL BEARING	1				
25	YF1-58816-48-10	.WASHER,THRUST	1				
26	YF6-64366-40-20	.DRIVE END FLAME	1				
27	YF1-58816-47-10	..RETAINER PLATE	1				

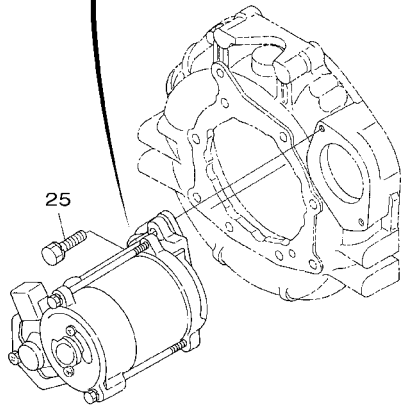
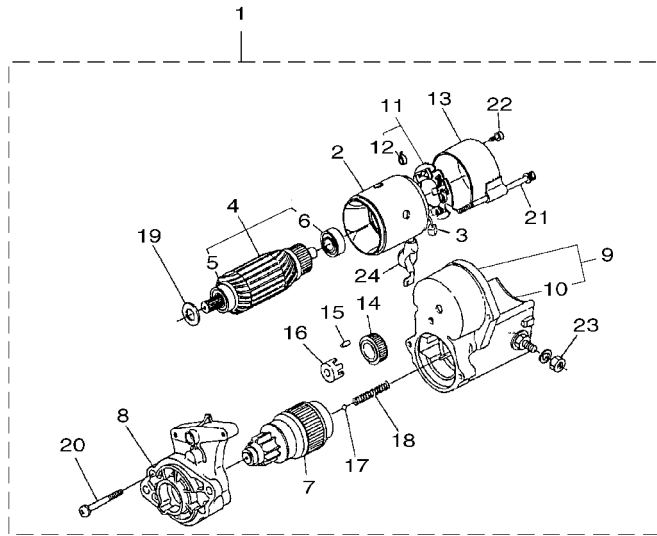
**FIG. 18 GENERATOR**



Q9C2600-A180

REF. NO.	PART NO.	DESCRIPTION	Q9C2				REMARKS
28	YF1-58819-30-10	..SCREW,ROUND HEAD	4				
29	YF1-58816-42-60	..THROUGH BOLT	2				
30	YF1-66526-47-80	..BALL BEARING	1				
31	YF1-62316-40-60	..END FRAME	1				
32	YF1-66786-42-30	..COVER(END)	1				
33	YF1-58816-48-50	..RECTIFIER ASSY	1				
34	YF1-58816-49	..INSULATION BUSHING	1				
35	YF1-66526-43-10	..BRUSH HOLDER	1				
36	YF1-58816-40-90	..BRUSH	2				
37	YF1-58816-43-30	..BRUSH SPRING	2				
38	YF1-58819-30-40	..SCREW,ROUND HEAD	1				
39	YF1-58819-30-30	..SCREW,ROUND HEAD	6				
40	YF1-58819-30-20	..SCREW,ROUND HEAD	2				
41	YF1-58819-10-40	..BOLT	3				
42	YF1-58819-20-20	..NUT	2				
43	YF1-58819-10-50	..BOLT	2				
44	YF1-41829-20-30	..NUT (7NT1)	1				
45	YF1-K5746-46	..REGULATOR ASSY	1				

**FIG. 19 STARTING MOTOR**

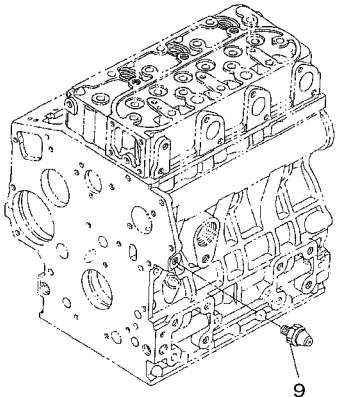
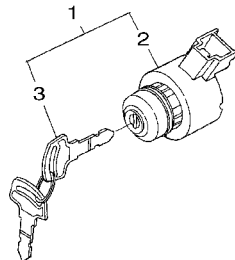
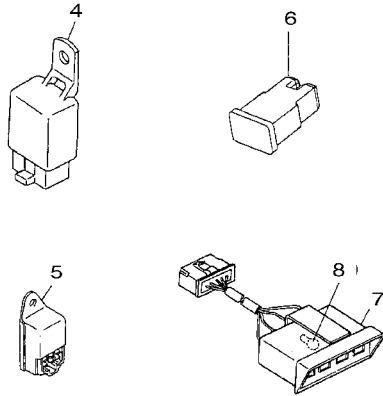


Q9C2600-A190

REF. NO.	PART NO.	DESCRIPTION	Q9C2				REMARKS
1	YF1-55046-30-10	STARTER ASSY.	1				
2	YF1-55016-30-80	.YOKE (EDL6500)	1				
3	YF1-55016-33-70	.BRUSH (EDL6500)	2				
4	YF1-55016-30-70	.ARMATURE (EDL6500)	1				
5	YF1-55046-35	..BEARING,BALL	1				
6	YF1-55046-35-30	..BEARING,BALL	1				
7	YF1-55046-30-40	.CLUTCH (EDL6500)	1				
8	YF1-55046-30-30	.HOUSING (EDL6500)	1				
9	YF1-58816-30-20	.MAGNET SWITCH	1				
10	YF1-62719-80-50	..COVER ASSY.(STARTER MAGNET)	1				
11	YF1-55016-33-80	.HOLDER, BRUSH (EDL6500)	1				
12	YF1-54016-33-90	..SPRING,BRUSH	4				
13	YF1-55016-32	.END FRAME (EDL6500)	1				
14	YF1-54016-32-70	.PINION GEAR	1				
15	YF1-92126-31	.ROLLER	5				
16	YF1-92126-31-10	.RETAINER	1				
17	YF1-92129-71-30	.BALL	1				
18	YF1-92126-31-20	.SPRING	1				
19	YF1-55019-66-70	.WASHER, FELT (EDL6500)	1				
20	YF1-55019-33-10	.SCREW	2				
21	YF1-55016-33-20	.BOLT, THROUGH (EDL6500)	2				
22	YF1-55019-10-20	.BOLT (EDL6500)	2				
23	YF1-39639-20-10	.NUT, HEXAGON	1				
24	YF1-55046-31-20	.COVER, CORD (EDL6500)	1				
25	YF0-11235-08-25	BOLT	2				

FIG. 20 ELECTRICAL

REF. NO.	PART NO.	DESCRIPTION	Q9C2				REMARKS
1	YF1-52486-35-90	STARTER SWITCH ASSY.	1				
2	YF6-C0405-54-12	.SWITCH,STARTER	1				
3	YF1-52486-37	.KEY,STARTER	1				
4	YF1-K5746-02-20	RELAY COMP.(12VA.D)	1				
5	YF1-56946-59-90	LAMP TIMER	1				
6	YF1-74786-00-80	FUSE(50A)	1				
7	YF1-74787-02	PILOT BOX	1				
8	YF3-41503-45-90	BULB	4				
9	YF1-58413-90-10	OIL SWITCH	1				
-----							
-----							
-----							
-----							
-----							
-----							
-----							

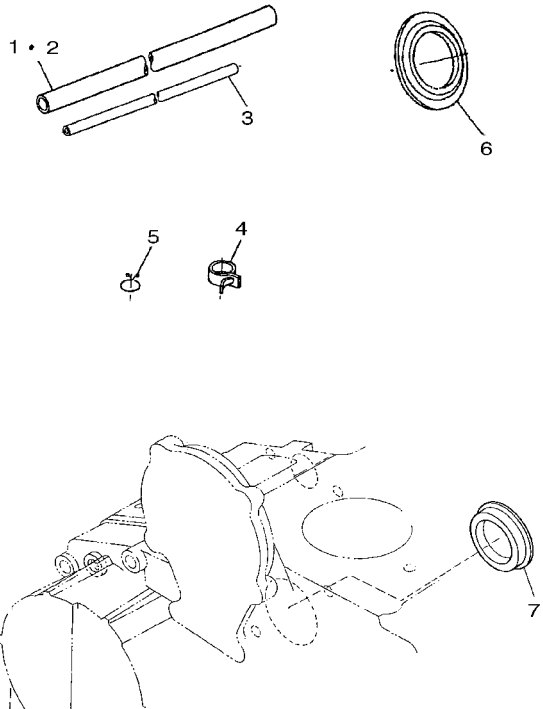


Q9C2600-A200



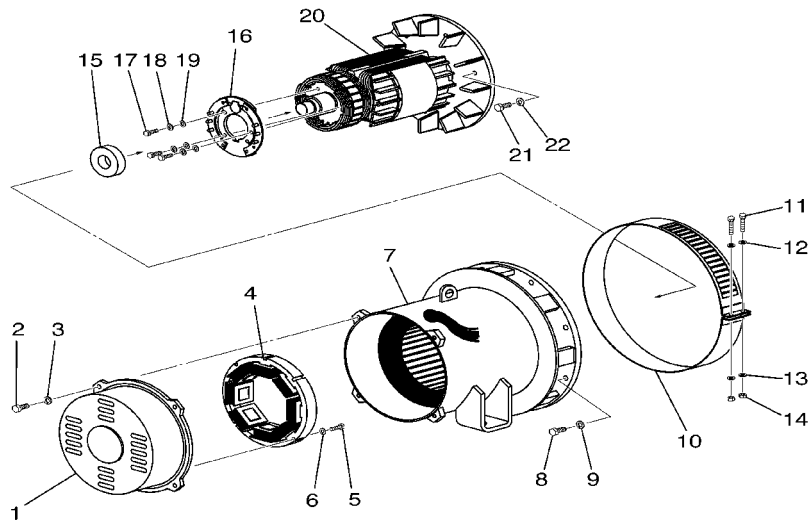
**FIG. 21 ALTERNATE 1**

REF. NO.	PART NO.	DESCRIPTION	Q9C2				REMARKS
1	YF0-96618-08-50	FUEL PIPE	1				
2	YF0-96618-04	FUEL PIPE	1				
3	YF0-96614-09-50	FUEL TUBE	1				
4	YF1-49114-27-50	PIPE CLIP	4				
5	YF1-49714-27-50	PIPE CLIP	2				
6	YF1-89013-02-70	FUEL TANK CAP SEAL	1				
7	YF1-62648-31-52	COVER(HYDRAULIC PUMP)	1				
-----							
-----							
-----							
-----							
-----							
-----							
-----							
-----							
-----							



Q9C2600-A210

**FIG. 22 GENERATOR 1**

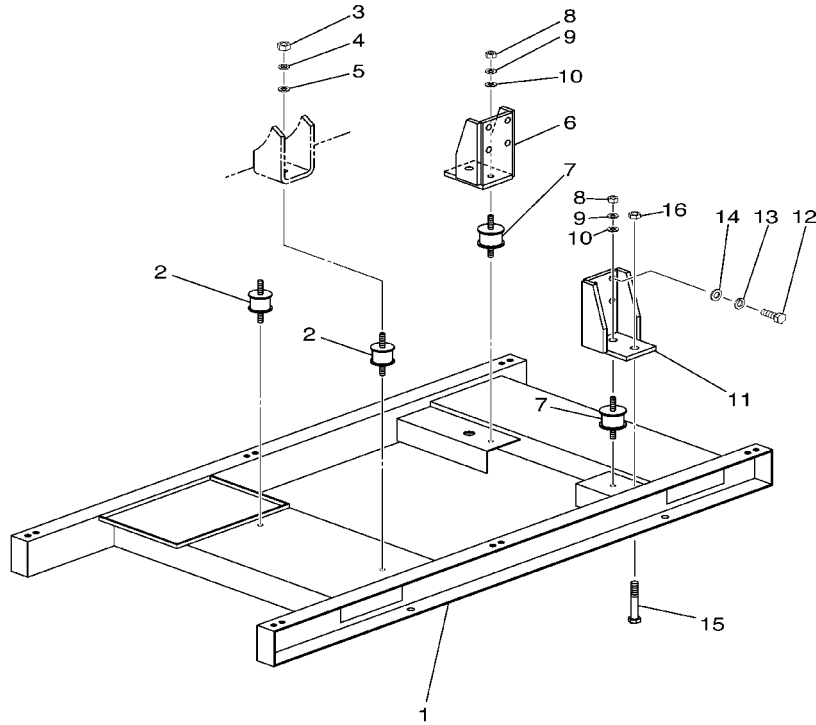


REF. NO.	PART NO.	DESCRIPTION	Q9C2				REMARKS
1	YFT-K3T30-18-87	BRACKET	1				
2	YFT-KBM08-30-A5	BOLT	4				
3	YFT-KWMS0-80	WASHER,SPRING	4				
4	YFT-WKC00-49-ST	EX STATOR ASSY	1				
5	YFT-KBM06-35-A5	BOLT	4				
6	YFT-KWMS0-60	WASHER,SPRING	4				
7	YFT-WKC00-63-ST	STATOR ASSY	1				UR 380V
	YFT-WKC00-80-ST	STATOR ASSY	1				UR 220V
8	YFT-KBM10-25-C5	BOLT	8				
9	YFT-KWMS1-00	WASHER,SPRING	8				
10	YFT-K3T30-17-19	COVER	1				
11	YFT-KBM06-35-A5	BOLT	2				
12	YFT-KWMS0-60	WASHER,SPRING	2				
13	YFT-K1PWM-06-E5	WASHER	2				
14	YFT-K1NM0-6A-50	NUT	2				
15	YFT-KNO63-06-ZZ	BEARING	1				
16	YFT-K3T20-10-65	RECTIFIER ASSY	1				
17	YFT-KBM06-15-A5	BOLT	3				
18	YFT-KWMS0-60	WASHER,SPRING	3				
19	YFT-K1PWM-06-E5	WASHER	3				
20	YFT-WKC00-63-RT	ROTOR ASSY	1				
21	YFT-KBM08-20-C5	BOLT	6				
22	YFT-KWMS0-80	WASHER,SPRING	6				



Q9C2600-A220

**FIG. 23 ENGINE MOUNT**



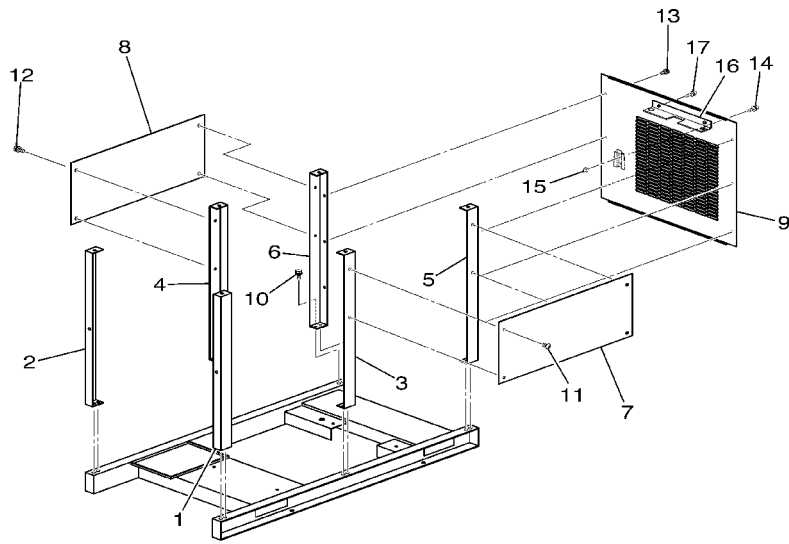
REF. NO.	PART NO.	DESCRIPTION	Q9C2				REMARKS
1	YFT-K3T30-26-88	BED	1				
2	YF3-T2016-69-A0	CUSHION	2				UR 380V
	YF3-T2016-69-B0	CUSHION	2				UR 220V
3	YFT-K1NM0-8A-50	NUT	2				
4	YFT-KWMS0-80	WASHER,SPRING	2				
5	YFT-K1PWM-08-E5	WASHER	2				
6	YFT-K4T30-28-53	FOOT(L)	1				
7	YF3-T2016-69-E0	CUSHION	2				UR 380V
	YF3-T2016-69-F0	CUSHION	2				UR 220V
8	YFT-K1NM0-8A-50	NUT	2				
9	YFT-KWMS0-80	WASHER,SPRING	2				
10	YFT-K1PWM-08-E5	WASHER	2				
11	YFT-K4T30-28-53	FOOT(L)	1				
12	YFT-KBM10-25-C5	BOLT	8				
13	YFT-KWMS1-00	WASHER,SPRING	8				
14	YFT-K1PWM-10-E5	WASHER	8				
15	YFT-KBM12-65-A5	BOLT	2				
16	YFT-K1NM1-2A-50	NUT	2				



Q9C2600-A230



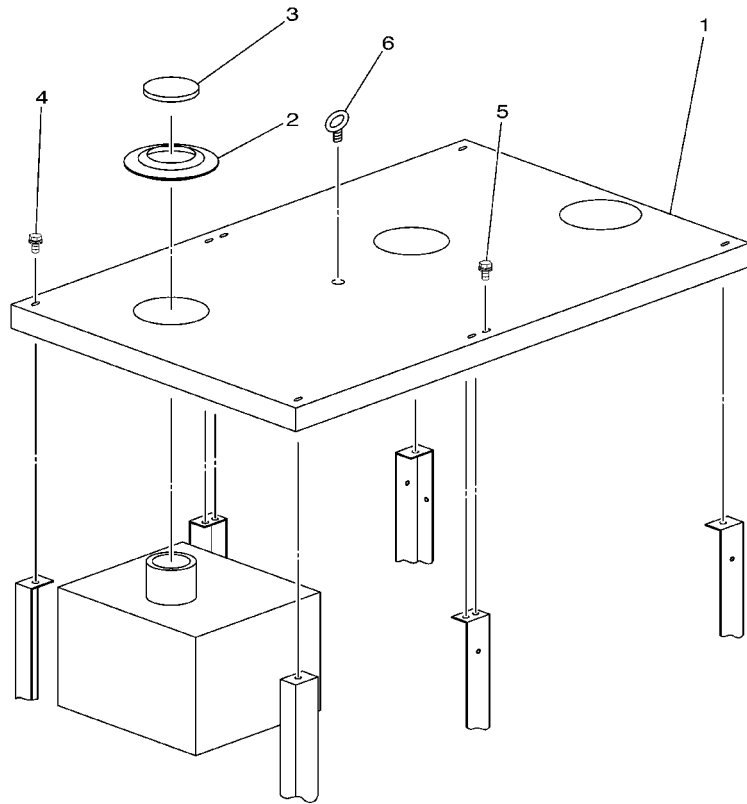
FIG. 25 COVER



FWD  
Q9C2600-A250

REF. NO.	PART NO.	DESCRIPTION	Q9C2				REMARKS
1	YFT-3T302-69-91	STAND	1				
2	YFT-3T302-69-92	STAND	1				
3	YFT-3T302-69-11	STAND	1				
4	YFT-3T302-69-12	STAND	1				
5	YFT-3T302-69-21	STAND	1				
6	YFT-3T302-69-22	STAND	1				
7	YFT-3T302-69-3R	COVER	1				
8	YFT-3T302-69-3L	COVER	1				
9	YFT-K3T30-26-96	COVER, RADIATOR	1				
10	YFS-M820S-PW-A2BOLT		12				
11	YFT-KM081-0T-RS	SCREW	4				
12	YFS-M816S-PW-A2BOLT		4				
13	YFS-M820S-PW-A2BOLT		6				
14	YFS-M615S-PW-A2BOLT		2				
15	YFT-K1NM0-6A-50	NUT	2				
16	YFT-K4T30-27-01	PLATE,RADIATOR	1				
17	YFS-M820S-PW-A2BOLT		2				

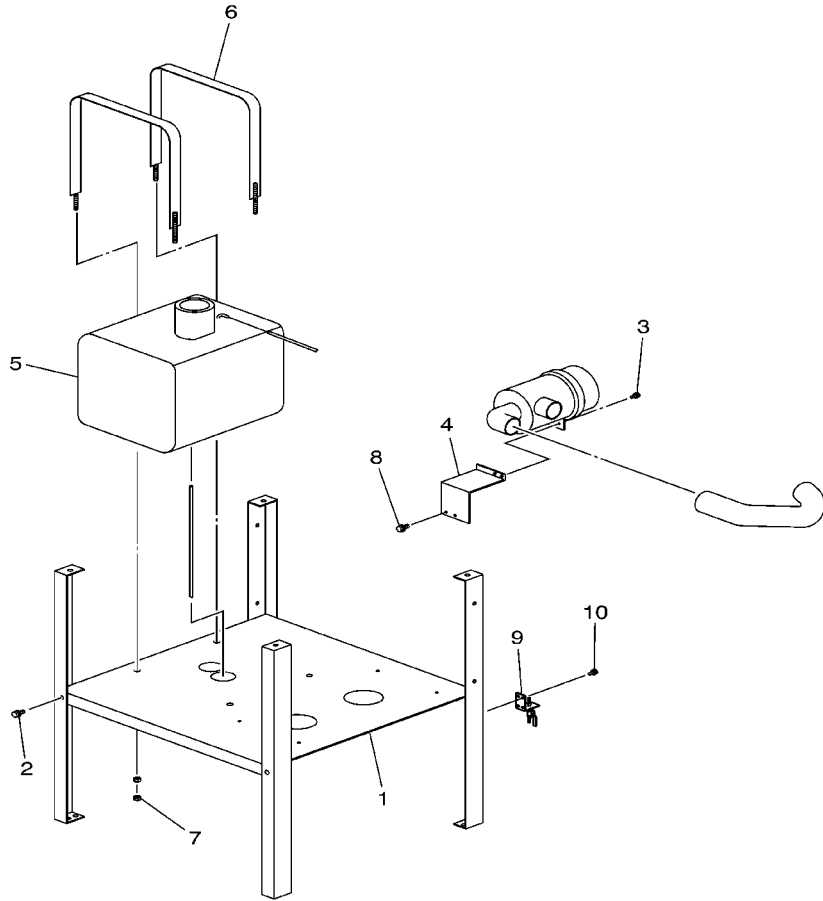
FIG. 26 PANEL COVER



  
Q9C2600-A260

REF. NO.	PART NO.	DESCRIPTION	Q9C2				REMARKS
1	YFT-K3T30-28-17	ROOF	1				
2	YF1-89013-02-70	FUEL TANK CAP SEAL	1				
3	YFT-Y9901-00-0A	CAP FUEL TANK	1				
4	YFS-M820S-PW-A2BOLT		4				
5	YFS-M1030-SW-A2 BOLT		4				
6	YFE-BM200-00	EYEBOLT	1				

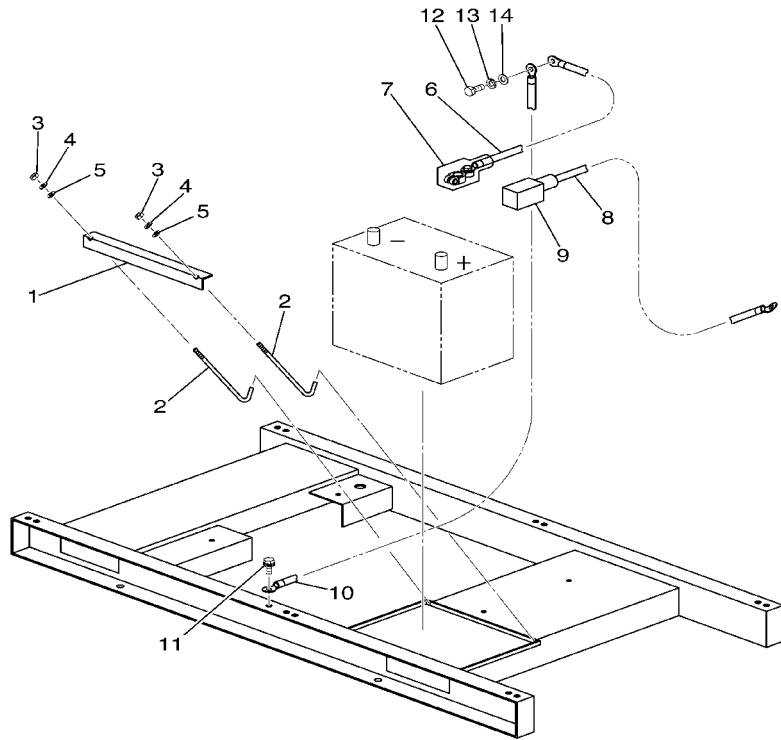
**FIG. 27 FUEL TANK**



**FWD**  
Q9C2600-A270

REF. NO.	PART NO.	DESCRIPTION	Q9C2				REMARKS
1	YFT-K3T30-28-16	PLATE, TANK & C BOX	1				
2	YFS-M820S-PW-A2BOLT		4				
3	YFS-M820S-PW-A2BOLT		2				
4	YFT-K4T30-28-19	PLATE,AIRCLEANER	1				
5	YFT-K3T30-27-68	FUEL TANK	1				
6	YFT-K4T30-27-72	BAND, FUEL TANK	2				
7	YFT-K1NM0-8A-50	NUT	8				
8	YFS-M820S-PW-A2BOLT		2				
9	YFT-K3T20-16-82	COCK	1				
10	YFS-M515S-PW-A2BOLT		4				

FIG. 28 FRAME 2



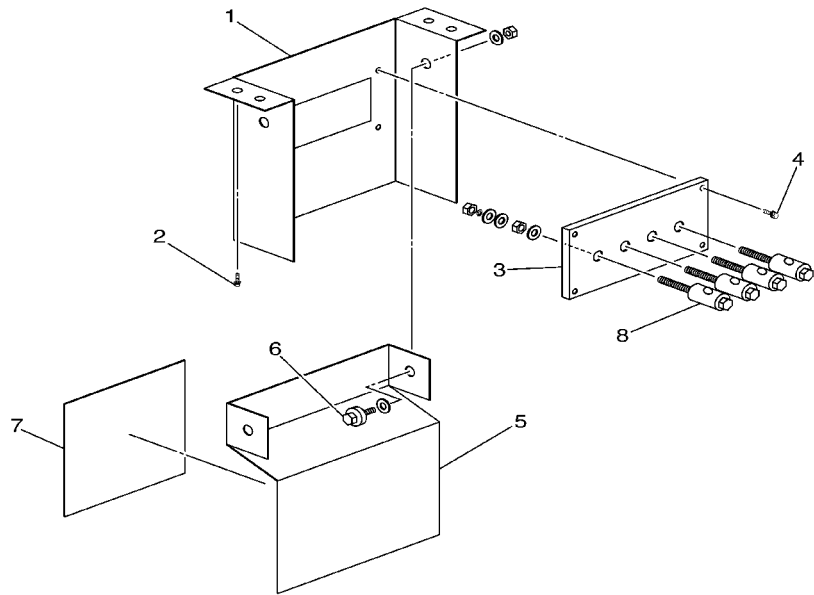
REF. NO.	PART NO.	DESCRIPTION	Q9C2				REMARKS
1	YFT-K4T30-20-93	SUPPORT BATTERY	1				
2	YFT-K4440-00-20	HOOK,BATTERY	2				
3	YFT-K1NM0-6A-50	NUT	2				
4	YFK-TWMS0-60	WASHER,SPRING	2				
5	YFT-K1PWM-06-E5	WASHER	2				
6	YF3-T1030-78-50	CORD, BATTERY(-)	1				
7	YFT-K4440-00-9B	CORD(BLACK)	1				
8	YF3-T1030-78-40	CORD, BATTERY(+)	1				
9	YFT-K4440-00-9R	CORD(RED)	1				
10	YF3-T1030-78-60	CORD (EARTH)	1				
11	YFB-M825A-SS-Y0	BOLT	1				
12	YFT-KBM10-20-C5	BOLT	1				
13	YFT-KWMS1-00	WASHER,SPRING	1				
14	YFT-K1PWM-10-E5	WASHER	1				

 Q9C2600-A280



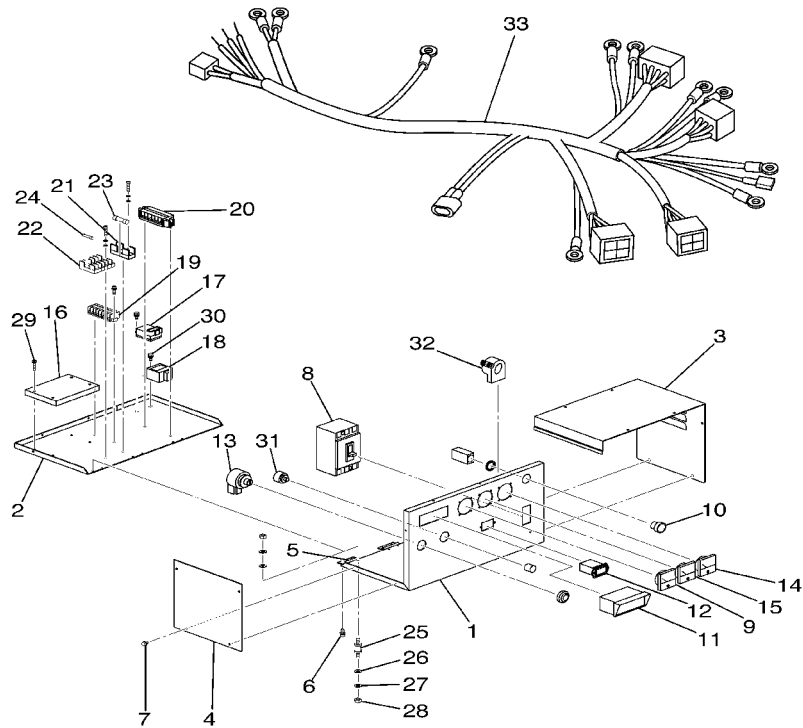


FIG. 30 FRAME 3



REF. NO.	PART NO.	DESCRIPTION	Q9C2				REMARKS
1	YFT-K3T30-28-02	PLATE,TERMINAL	1				
2	YFS-M625S-PW-A6BOLT		4				
3	YFT-K4430-02-80	PLATE	1				
4	YFS-M625S-PW-A6BOLT		4				
5	YFT-K3T30-28-42	COVER	1				
6	YFT-K3T20-14-68	BOLT	2				
7	YFT-K4T50-12-48	SEET	1				
8	YFT-K4430-04-20	TERMINAL,ASSY	4				

  
Q9C2600-A300

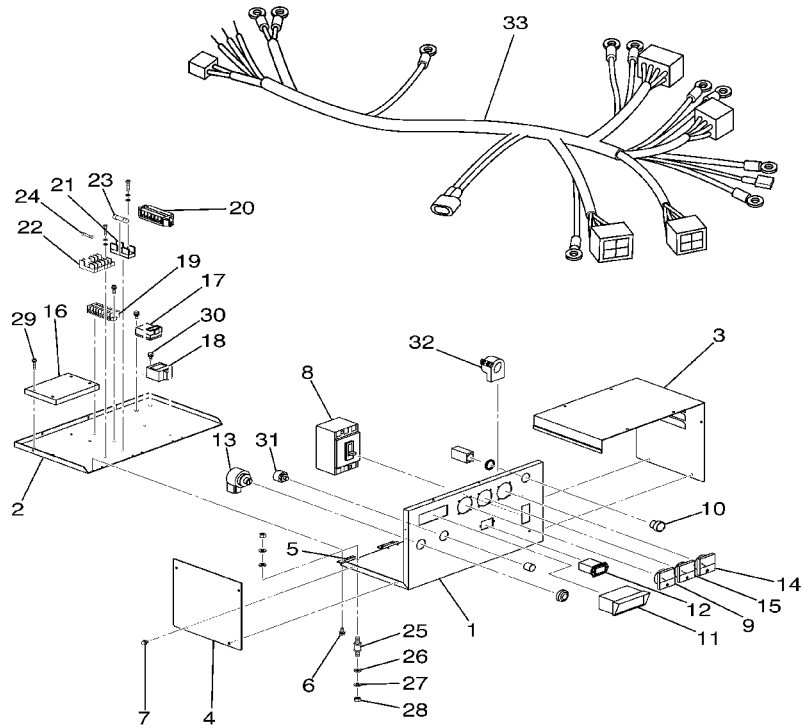


  
 Q9C2600-A310

**FIG. 31 ELECTRICAL 1**

REF. NO.	PART NO.	DESCRIPTION	Q9C2	REMARKS
1	YFT-K3T30-27-11	PANEL (A)	1	
2	YFT-K3T30-27-12	PANEL (B)	1	
3	YFT-K3T30-27-13	PANEL COVER (A)	1	
4	YFT-K3T30-27-14	PANEL COVER (B)	1	
5	YFT-KB102-73	PLATE	3	
6	YFS-EC36S-PW-G5SCREW		12	
7	YFS-EC48S-PW-G2SCREW		14	
8	YFX-M30NB-25-A3 BREAKER		1	UR 380V
	YFX-M50NB-45-A3 BREAKER		1	UR 220V
9	YFT-RR55C-44-0V METER		1	UR 380V
	YFT-RR55C-30-0V METER		1	UR 220V
10	YFD-R22DO-LM-4GLAMP		1	
11	YF1-74787-02	PILOT BOX	1	
12	YFT-K8500-00	HOUR METER	1	
13	YF6-C0405-54-12	SWITCH,STARTER	1	
14	YFT-RS55H-40-A0 METER		1	UR 380V
	YFT-RS55H-60-A0 METER		1	UR 220V
15	YFT-RC55F-22-0V METER		1	
16	YFD-ST51D-FK-V0 AVR		1	
17	YF1-56946-59-90	LAMP TIMER	1	
18	YFT-00703-14-10	TIMER RELAY	1	
19	YFT-KTS21-20-8P	TERMINAL	1	
20	YFT-KJTP2-00-6P	TERMINAL	1	UR 380V
	YFT-KJTP3-00-4P	TERMINAL	1	UR 220V
21	YFT-KF66A-D0	HOLDER,FUSE	1	
22	YFT-KF65B-D0	HOLDER,FUSE	8	
23	YFF-71650-2A-25	FUSE(2A)	1	

FIG. 31 ELECTRICAL 1



REF. NO.	PART NO.	DESCRIPTION	Q9C2				REMARKS
24	YFF-71610-1A-25	FUSE(1A)	8				
25	YFT-KKA25-00	CUSHION	4				
26	YFT-K1PWM-05-E5	WASHER	8				
27	YFT-KWMS0-50	WASHER,SPRING	8				
28	YFT-K1NM0-5A-50	NUT	8				
29	YFS-EC425-SP-G5	SCREW (AVR)	4				
30	YFS-EC615-SP-G5	SCREW	2				
31	YFW-P5W2K-00	VOLTAGE, REGULATOR	1				
32	YFC-T2MR1-20-5A	CURRENT, TRANSFORMER	1				
33	YFT-K3T10-32-88	HARNESS	1				



Q9C2600-A310

NUMERICAL INDEX

PART NO.	REF. NO.	PART NO.	REF. NO.	PART NO.	REF. NO.	PART NO.	REF. NO.	PART NO.	REF. NO.	PART NO.	REF. NO.
YFB-M825A-SS-Y028	11	YFT-KWMS0-60	22-6	YFT-K4T30-27-01	25-16	YFT-3T302-69-3R	25-7	YF0-40136-00-80	6-37	YF1-41829-20-30	18-44
YFC-T2MR1-20-5A31	32		22-12	YFT-K4T30-27-71	24-1	YFT-3T302-69-91	25-1	YF0-40156-00-80	18-7	YF1-49114-27-50	11-3
YFD-R22DO-LM-4G31	10		22-18	YFT-K4T30-27-72	27-6	YFT-3T302-69-92	25-2	YF0-45126-00-60	6-23		21-4
YFD-ST51D-FK-V031	16	YFT-KWMS0-80	22-3	YFT-K4T30-28-19	27-4	YFW-P5W2K-00	31-31		11-9	YF1-49714-27-50	12-5
YFE-BM200-00	26-6		22-22	YFT-K4T30-28-53	23-6	YFX-M30NB-25-A331	8		13-4		21-5
YFE-91513-31-40	1-22		23-4		23-11	YFX-M50NB-45-A331	8		17-17	YF1-50213-36-60	2-20
	6-27		23-9	YFT-K4T50-10-42	29-3	YF0-10235-06-10	4-24		17-23	YF1-51084-32-90	13-12
YFF-71610-1A-25	31-24	YFT-KWMS1-00	22-9	YFT-K4T50-10-43	29-5	YF0-10235-06-12	7-2	YF0-45126-01	18-6	YF1-51084-36-10	13-9
YFF-71650-2A-25	31-23		23-13	YFT-K4T50-11-27	29-7		17-7	YF0-46120-00-90	5-32	YF1-51084-37-80	13-10
YFK-TWMS0-60	28-4		28-13	YFT-K4T50-11-28	29-10	YF0-10235-06-14	5-35	YF0-48140-01	17-4	YF1-52210-17-50	1-1
YFS-EC36S-PW-G531	6	YFT-K1NM0-5A-5031	28	YFT-K4T50-11-29	29-11	YF0-10235-06-16	4-8	YF0-48140-01-50	6-10	YF1-52210-34-90	2-3
YFS-EC425-SP-G531	29	YFT-K1NM0-6A-5022	14	YFT-K4T50-11-30	29-9		4-15	YF0-48140-01-60	7-7	YF1-52211-17-20	14-3
YFS-EC48S-PW-G231	7		25-15	YFT-K4T50-12-48	30-7		5-11	YF0-48141-00-70	17-10	YF1-52213-36-10	2-19
YFS-EC615-SP-G531	30		28-3	YFT-K4T50-14-38	29-2		8-5	YF0-48141-02-80	3-29	YF1-52213-37	2-21
YFS-M1030-SW-A226	5	YFT-K1NM0-8A-5023	3	YFT-K4T50-14-39	29-2		17-14	YF0-48145-03	1-23	YF1-52214-31-70	13-6
YFS-M515S-PW-A227	10		23-8	YFT-K4T50-14-49	29-1		18-8		6-28	YF1-52214-32-10	13-8
YFS-M615S-PW-A225	14		27-7	YFT-K4T50-14-52	29-1	YF0-10235-06-18	5-9	YF0-48145-06	6-9	YF1-52244-30-10	13-5
YFS-M625S-PW-A630	2	YFT-K1NM1-2A-5023	16	YFT-K4430-02-80	30-3		15-3	YF0-54110-04-20	17-5	YF1-52244-32	13-7
	30-4	YFT-K1PWM-05-E531	26	YFT-K4430-04-20	30-8	YF0-10235-06-20	3-8	YF0-54110-04-28	4-26	YF1-52248-77-60	13-13
YFS-M816S-PW-A225	12	YFT-K1PWM-06-E522	13	YFT-K4440-00-20	28-2	YF0-10235-06-25	3-7	YF0-54110-25-20	17-6	YF1-52313-39-60	2-13
YFS-M820S-PW-A224	2		22-19	YFT-K4440-00-9B	28-7	YF0-10235-06-30	8-20	YF0-57120-05-18	4-6	YF1-52413-22-90	6-3
	24-4		28-5	YFT-K4440-00-9R	28-9		15-4	YF0-77150-02-01	6-6	YF1-52486-35-90	20-1
	25-10	YFT-K1PWM-08-E523	5	YFT-K4700-07-40	29-12	YF0-10235-06-45	6-15	YF0-77150-04-01	3-23	YF1-52486-37	20-3
	25-13		23-10	YFT-K8500-00	31-12	YF0-10235-06-55	6-17	YF0-81010-63-04	5-21	YF1-52610-33-70	1-8
	25-17	YFT-K1PWM-10-E523	14	YFT-RC55F-22-0V	31-15		8-6	YF0-81030-62-02	5-2	YF1-52611-33-60	4-20
	26-4		28-14	YFT-RR55C-30-0V	31-9	YF0-10235-06-85	8-21	YF0-81030-62-04	5-3	YF1-52619-11-90	6-34
	27-2	YFT-K3T10-32-88	31-33	YFT-RR55C-44-0V	31-9	YF0-10236-06-50	6-16	YF0-93188-90-39	9-10	YF1-52619-20-10	4-34
	27-3	YFT-K3T20-10-65	22-16	YFT-RS55H-40-A0	31-14		15-5	YF0-96614-09-50	21-3	YF1-52619-40-10	4-35
	27-8	YFT-K3T20-14-68	30-6	YFT-RS55H-60-A0	31-14	YF0-10535-06-18	17-18	YF0-96618-04	21-2	YF1-52619-60-10	1-5
YFT-KBM06-15-A522	17	YFT-K3T20-16-82	27-9	YFT-WKC00-49-ST22	4	YF0-11235-08-16	7-6	YF0-96618-08-50	21-1		2-4
YFT-KBM06-35-A522	5	YFT-K3T30-17-19	22-10	YFT-WKC00-63-RT22	20	YF0-11235-08-25	19-25	YF1-C0101-31-50	4-21	YF1-52631-23-70	16-6
	22-11	YFT-K3T30-18-87	22-1	YFT-WKC00-63-ST22	7	YF0-11235-08-30	18-2	YF1-C0106-58-30	18-15	YF1-53219-62-60	1-4
YFT-KBM08-20-C522	21	YFT-K3T30-26-88	23-1	YFT-Y9901-00-0A	26-3	YF0-11235-08-35	8-12	YF1-C0106-58-80	18-16	YF1-54011-17-20	14-2
YFT-KBM08-30-A522	2	YFT-K3T30-26-95	24-3	YFT-00703-14-10	31-18	YF0-11236-08-14	1-2	YF1-C0106-59-10	18-17	YF1-54016-32-70	19-14
YFT-KBM10-20-C528	12	YFT-K3T30-26-96	25-9	YFT-00709-31-10	14-11		6-36	YF1-G3457-21-10	9-2	YF1-54016-33-90	19-12
YFT-KBM10-25-C522	8	YFT-K3T30-27-11	31-1	YFT-02701-63-20	14-13	YF0-11735-10-85	18-3	YF1-G3477-20-60	9-1	YF1-54519-62-70	2-2
	23-12	YFT-K3T30-27-12	31-2	YFT-02709-31-10	14-6	YF0-13111-06-14	17-22	YF1-G3477-23-30	9-4	YF1-54519-66-70	7-4
YFT-KBM12-65-A523	15	YFT-K3T30-27-13	31-3	YFT-02709-31-40	14-10	YF0-13111-06-20	11-6	YF1-G6427-30-50	8-16	YF1-54717-24-40	10-9
YFT-KB102-73	5	YFT-K3T30-27-14	31-4	YFT-02709-31-50	14-7	YF0-15135-08-22	16-7	YF1-G6807-28-70	9-12	YF1-55016-30-70	19-4
YFT-KF65B-D0	31-22	YFT-K3T30-27-68	27-5	YFT-02709-31-70	14-9	YF0-17545-06-10	10-3	YF1-K5227-28-50	9-8	YF1-55016-30-80	19-2
YFT-KF66A-D0	31-21	YFT-K3T30-28-02	30-1	YFT-02709-31-90	14-12	YF0-20565-00-60	6-22	YF1-K5227-29-40	9-9	YF1-55016-32	19-13
YFT-KJTP2-00-6P	31-20	YFT-K3T30-28-16	27-1	YFT-02709-31-90	14-12		13-3	YF1-K5746-02-20	20-4	YF1-55016-33-20	19-21
YFT-KJTP3-00-4P	31-20	YFT-K3T30-28-17	26-1	YFT-02709-32-20	14-14	YF0-21765-01	18-4	YF1-K5746-40-15	18-18	YF1-55016-33-70	19-3
YFT-KKA25-00	31-25	YFT-K3T30-28-42	30-5	YFT-3T302-69-11	25-3	YF0-27615-00-40	12-14	YF1-K5746-46	18-45	YF1-55016-33-80	19-11
YFT-KM081-0T-RS25	11	YFT-K3T50-12-71	29-6	YFT-3T302-69-12	25-4	YF0-30245-05-10	1-19	YF1-K5911-21-20	16-5	YF1-55017-24-70	10-11
YFT-KNO63-06-ZZ22	15	YFT-K3700-03-10	29-8	YFT-3T302-69-21	25-5	YF0-30245-05-20	12-11	YF1-K5911-23-10	16-1	YF1-55018-82-10	10-6
YFT-KTS21-20-8P	31-19	YFT-K4E50-10-50	29-4	YFT-3T302-69-22	25-6	YF0-40115-01	18-5	YF1-19827-24-60	10-12	YF1-55019-10-20	19-22
YFT-KWMS0-50	31-27	YFT-K4T30-20-93	28-1	YFT-3T302-69-3L	25-8			YF1-39639-20-10	19-23	YF1-55019-33-10	19-20

NUMERICAL INDEX

PART NO.	REF. NO.	PART NO.	REF. NO.	PART NO.	REF. NO.	PART NO.	REF. NO.	PART NO.	REF. NO.	PART NO.	REF. NO.
YF1-55019-66-70	19- 19	YF1-58419-20-20	17- 31	YF1-60325-31-70	12- 21	YF1-62410-45-40	3- 10	YF1-62413-36-50	2- 14	YF1-62595-41-02	17- 25
YF1-55046-30-10	19- 1	YF1-58419-23-20	11- 8	YF1-60325-32-30	12- 20		3- 13	YF1-62413-50-70	6- 11	YF1-62597-35-12	8- 17
YF1-55046-30-30	19- 8	YF1-58419-23-30	17- 27	YF1-60325-32-80	12- 24	YF1-62410-45-60	3- 11	YF1-62413-56-30	3- 26	YF1-62597-35-20	8- 14
YF1-55046-30-40	19- 7		17- 32	YF1-60325-33-50	12- 22	YF1-62410-48-13	3- 4	YF1-62413-69-30	6- 5	YF1-62597-35-52	8- 15
YF1-55046-31-20	19- 24	YF1-58419-31-10	11- 30	YF1-60325-36-10	12- 26	YF1-62410-51-40	1- 15	YF1-62413-69-50	6- 4	YF1-62599-10-40	6- 20
YF1-55046-35	19- 5	YF1-58419-40-22	4- 28	YF1-60325-39	12- 15	YF1-62410-51-50	1- 16	YF1-62415-11-13	5- 5	YF1-62610-40-40	3- 9
YF1-55046-35-30	19- 6	YF1-58419-45-70	11- 18	YF1-60329-20-30	12- 19	YF1-62410-53-70	1- 18	YF1-62415-11-90	5- 6	YF1-62610-40-50	3- 12
YF1-55212-35-30	3- 33	YF1-58419-66-50	11- 33	YF1-60329-40-40	12- 25	YF1-62410-55-10	1- 24	YF1-62415-41-20	17- 30	YF1-62611-17-70	15- 1
YF1-55212-39-50	3- 33	YF1-58419-66-60	11- 35	YF1-60329-81	12- 27	YF1-62410-55-50	1- 14	YF1-62415-50-62	5- 16	YF1-62611-18-22	15- 2
YF1-55212-39-60	3- 33	YF1-58419-67-60	11- 16	YF1-60329-85	12- 28	YF1-62410-56-70	1- 17	YF1-62415-52-60	5- 17	YF1-62611-23-50	16- 2
YF1-55219-36-10	4- 4	YF1-58615-14-30	11- 23	YF1-60329-85-10	12- 28	YF1-62411-31-10	4- 16	YF1-62415-52-70	5- 15	YF1-62611-42-64	4- 23
YF1-55219-60-20	2- 7	YF1-58619-66-50	11- 37	YF1-60329-85-20	12- 28	YF1-62411-32-80	4- 22	YF1-62415-53-92	5- 13	YF1-62611-45-03	1- 12
YF1-55317-24-02	10- 4	YF1-58629-14-30	11- 20	YF1-60329-85-30	12- 28	YF1-62411-33-30	4- 19	YF1-62415-54-50	5- 19	YF1-62611-45-20	1- 13
YF1-55317-24-10	10- 5	YF1-58816-30-20	19- 9	YF1-60329-85-40	12- 28	YF1-62411-35-40	1- 6	YF1-62415-54-63	5- 20	YF1-62611-55-50	4- 1
YF1-55317-24-22	10- 7	YF1-58816-40-90	18- 36	YF1-60329-85-50	12- 28	YF1-62411-35-60	1- 7	YF1-62415-55-54	5- 23	YF1-62611-60-10	4- 3
YF1-55317-24-32	10- 8	YF1-58816-41-10	18- 19	YF1-60329-85-60	12- 28	YF1-62411-40-32	4- 30	YF1-62415-61-53	5- 29	YF1-62614-25-02	12- 1
YF1-55317-24-42	10- 10	YF1-58816-41-50	18- 21	YF1-60329-85-70	12- 28	YF1-62411-42-30	4- 31	YF1-62415-62-10	5- 36	YF1-62615-62-80	2- 16
YF1-55477-41-12	10- 1	YF1-58816-42-60	18- 29	YF1-60329-85-80	12- 28	YF1-62411-42-40	4- 32	YF1-62415-62-50	5- 33	YF1-62616-38-22	6- 31
YF1-56019-66-50	12- 3	YF1-58816-43-30	18- 37	YF1-60329-85-90	12- 28	YF1-62411-43-10	4- 29	YF1-62415-63-30	5- 31	YF1-62616-55-60	12- 13
	17- 19	YF1-58816-47-10	18- 27	YF1-60502-11-10	3- 14	YF1-62411-43-50	4- 25	YF1-62415-63-40	5- 37	YF1-62640-41-30	6- 14
	17- 28	YF1-58816-48	18- 23	YF1-60502-19-10	3- 14	YF1-62411-44-10	4- 33	YF1-62416-44-20	18- 1	YF1-62640-43-60	3- 3
	17- 33	YF1-58816-48-10	18- 25	YF1-60515-60-56	5- 26	YF1-62411-44-30	4- 27	YF1-62417-33-40	8- 18	YF1-62640-48-20	3- 6
YF1-56946-59-90	20- 5	YF1-58816-48-50	18- 33	YF1-62055-60-20	17- 8	YF1-62411-51-10	4- 2	YF1-62417-33-50	8- 7	YF1-62645-21-40	13- 2
	31- 17	YF1-58816-49	18- 34	YF1-62055-70-10	17- 1	YF1-62055-62-70	4- 7	YF1-62417-33-60	8- 8	YF1-62645-72-10	17- 13
YF1-57073-37-50	7- 3	YF1-58819-10-40	18- 41	YF1-62055-71-50	17- 2	YF1-62411-63-20	5- 10	YF1-62417-33-70	8- 2	YF1-62647-29-20	8- 4
YF1-58413-90-10	20- 9	YF1-58819-10-50	18- 43	YF1-62055-71-60	17- 3	YF1-62411-65-10	4- 5	YF1-62417-42-50	10- 2	YF1-62648-31-52	21- 7
YF1-58414-25	12- 4	YF1-58819-20-10	18- 20	YF1-62055-75-10	17- 11	YF1-62412-13-10	3- 16	YF1-62419-10-20	18- 10	YF1-62648-33-42	6- 26
YF1-58415-10-30	11- 12	YF1-58819-20-20	18- 42	YF1-62055-77-20	17- 9	YF1-62412-13-30	3- 17	YF1-62419-10-40	6- 19	YF1-62650-15	7- 1
YF1-58415-10-70	11- 21	YF1-58819-30-10	18- 28	YF1-62055-77-40	17- 12	YF1-62412-19-80	3- 19	YF1-62419-14-90	16- 3	YF1-62655-50-13	5- 12
YF1-58415-12	11- 19	YF1-58819-30-20	18- 40	YF1-62197-32-60	8- 10	YF1-62412-20-12	3- 18	YF1-62419-23-30	5- 7	YF1-62655-64-80	5- 24
YF1-58415-12-30	11- 13	YF1-58819-30-30	18- 39	YF1-62215-44-20	17- 29	YF1-62412-21-40	3- 20	YF1-62419-31-20	6- 13	YF1-62657-42-80	18- 9
YF1-58415-12-40	11- 14	YF1-58819-30-40	18- 38		17- 34	YF1-62412-23-10	3- 21	YF1-62419-40-10	5- 30	YF1-62710-34-50	1- 10
YF1-58415-12-50	11- 22	YF1-59519-66-60	1- 21	YF1-62217-32-70	8- 11	YF1-62412-29-70	3- 21	YF1-62419-52-30	5- 8	YF1-62711-32-40	4- 18
YF1-58415-12-70	11- 25	YF1-59529-23-30	1- 20	YF1-62219-45-20	2- 12	YF1-62412-29-80	3- 21	YF1-62419-56-90	11- 1	YF1-62712-10-50	3- 15
YF1-58415-12-80	11- 24	YF1-60065-20-92	11- 4	YF1-62219-45-30	2- 11	YF1-62412-32-50	3- 28	YF1-62419-60-10	2- 6	YF1-62712-10-90	3- 15
YF1-58415-12-90	11- 26	YF1-60065-21-12	11- 5	YF1-62225-61-33	5- 28	YF1-62412-32-80	3- 27	YF1-62419-60-20	6- 2	YF1-62712-40-10	4- 9
YF1-58415-13-50	11- 34	YF1-60065-21-22	11- 5	YF1-62259-45-10	2- 10	YF1-62412-34-70	3- 30	YF1-62419-62-62	2- 15	YF1-62712-49-80	4- 10
YF1-58415-13-60	12- 2	YF1-60201-61-70	5- 1	YF1-62263-21-10	7- 5	YF1-62412-34-80	3- 31	YF1-62419-70-10	18- 11	YF1-62713-20-92	6- 29
YF1-58415-13-80	11- 31	YF1-60250-30-40	1- 3	YF1-62267-27	8- 1	YF1-62412-39-10	3- 30	YF1-62459-15-30	6- 21	YF1-62715-12-20	11- 15
YF1-58415-14-90	11- 27	YF1-60305-10-10	11- 10	YF1-62310-33-10	1- 11	YF1-62412-39-20	3- 30	YF1-62459-15-40	6- 25	YF1-62715-37-12	12- 6
YF1-58415-15-60	11- 17	YF1-60305-10-52	11- 11	YF1-62316-40-60	18- 31	YF1-62412-39-30	3- 31		17- 15	YF1-62715-37-22	12- 7
YF1-58415-36-22	12- 16	YF1-60305-10-60	11- 28	YF1-62352-30-13	3- 22	YF1-62412-39-40	3- 31	YF1-62517-30-34	8- 13	YF1-62715-37-32	12- 8
YF1-58415-38-50	12- 9	YF1-60305-13-20	11- 32	YF1-62380-10-15	2- 1	YF1-62412-41-10	3- 24	YF1-62590-40-20	6- 1	YF1-62715-53-50	2- 18
YF1-58415-38-60	12- 10	YF1-60305-15-40	11- 29	YF1-62397-34-30	8- 19	YF1-62412-42-50	4- 14	YF1-62590-42-10	6- 24	YF1-62715-54-10	5- 22
YF1-58417-30-20	2- 22	YF1-60309-60-10	11- 36	YF1-62410-34-50	1- 9	YF1-62412-43-20	4- 13	YF1-62593-28-82	6- 7	YF1-62719-20-10	16- 4
YF1-58419-10-40	6- 18	YF1-60324-20-10	11- 2	YF1-62410-40-92	3- 1	YF1-62412-43-60	4- 11	YF1-62593-29	6- 8	YF1-62719-52-30	3- 25
YF1-58419-15	11- 7	YF1-60325-30	12- 18	YF1-62410-44-60	3- 5	YF1-62412-43-70	4- 12	YF1-62593-51-32	6- 12	YF1-62719-61-60	2- 9
YF1-58419-20-20	17- 26	YF1-60325-31-60	12- 23	YF1-62410-45-40	3- 2	YF1-62412-51-60	6- 32	YF1-62595-40-90	17- 24	YF1-62719-80-50	19- 10

NUMERICAL INDEX

PART NO.	REF. NO.	PART NO.	REF. NO.	PART NO.	REF. NO.	PART NO.	REF. NO.	PART NO.	REF. NO.
YF1-62825-53-20	5 - 14	YF1-94845-54-40	5 - 27						
YF1-62829-60-10	2 - 17	YF3-T1030-78-40	28 - 8						
YF1-62855-20-32	13 - 1	YF3-T1030-78-50	28 - 6						
YF1-62855-64-12	5 - 25	YF3-T1030-78-60	28 - 10						
YF1-62922-34-90	3 - 32	YF3-T2016-69-A0	23 - 2						
YF1-62922-38-60	3 - 32	YF3-T2016-69-B0	23 - 2						
YF1-62922-38-70	3 - 32	YF3-T2016-69-E0	23 - 7						
YF1-62991-31-20	4 - 17	YF3-T2016-69-F0	23 - 7						
YF1-62995-62-60	5 - 34	YF3-12201-41-70	6 - 35						
YF1-62996-01-50	17 - 21	YF3-23321-63-10	14 - 5						
YF1-66161-16-20	14 - 1	YF3-23329-31-80	14 - 8						
YF1-66316-58-40	18 - 13	YF3-23329-32	14 - 4						
YF1-66526-43-10	18 - 35	YF3-40701-60-30	9 - 7						
YF1-66526-47-70	18 - 24	YF3-40701-60-70	9 - 5						
YF1-66526-47-80	18 - 30	YF3-40701-60-90	9 - 6						
YF1-66786-42-30	18 - 32	YF3-41503-45-90	20 - 8						
YF1-66786-58-30	18 - 12	YF3-62008-27-20	9 - 13						
YF1-66839-60-20	2 - 5	YF3-66022-32-40	6 - 38						
YF1-68516-55-10	12 - 12	YF6-C0405-54-12	20 - 2						
YF1-69201-24-10	16 - 8		31 - 13						
YF1-69201-24-30	16 - 9	YF6-64366-40-20	18 - 26						
YF1-72037-28-60	9 - 11	YF6-64366-40-40	18 - 22						
YF1-72086-00-10	17 - 20								
YF1-72150-46-10	6 - 33								
YF1-73919-61-60	2 - 8								
YF1-74232-50-13	6 - 30								
YF1-74563-64-10	7 - 8								
YF1-74563-64-20	7 - 9								
YF1-74786-00-80	20 - 6								
YF1-74787-02	20 - 7								
	31 - 11								
YF1-75385-11-50	5 - 4								
YF1-75388-30-40	8 - 3								
YF1-75801-60-60	9 - 3								
YF1-89013-02-70	21 - 6								
	26 - 2								
YF1-90775-36-50	12 - 17								
YF1-92022-35-40	3 - 34								
YF1-92022-39-70	3 - 34								
YF1-92022-39-80	3 - 34								
YF1-92126-31	19 - 15								
YF1-92126-31-10	19 - 16								
YF1-92126-31-20	19 - 18								
YF1-92129-71-30	19 - 17								
YF1-92224-32-80	13 - 11								
YF1-92376-59-10	18 - 14								
YF1-94347-30-14	8 - 9								
YF1-94845-54-40	5 - 18								