



# **PARTS CATALOGUE**

**YAMAHA GENERATOR**

**EDL2600TE** (Q9C3) (380V/220V-50Hz) OTHERS

**EDL2600TE** (Q9C3) (220V/127V-60Hz) OTHERS

EDL26000TE  
PARTS CATALOGUE

©2002 by Yamaha Motor Co., Ltd.

1st Edition, Sep. 2002

All rights reserved.

Any reprinting or unauthorized use  
without the written permission of  
Yamaha Motor Co., Ltd.

is expressly prohibited.

Printed in Japan

# FOREWORD

This Parts Catalogue is related to the parts for the model(s) in the below frame. When you are ordering replacement parts, please refer to this Parts Catalogue and quote both part numbers and part names correctly.

1. Modifications or additions which have been made after issue of the Parts Catalogue will be announced in the Yamaha Parts News.  
It is advisable that you make necessary corrections to the Parts Catalogue according to the Yamaha Parts News.

## 2. Abbreviations

The following abbreviations are used in this Parts Catalogue.

“UR” Use specified parts number.

“UN” Use as many as needed.

“AP” Alternate Parts

“LM” Local Made (Parts need to be ordered locally)

“F#” Frame No. (Applicable machine No.)

3. Parts, which are to be supplied in an assembly, are listed with a dot(.) in front of the part name as shown below.

### EXAMPLE

CARBURETOR ASSY

.JET, PILOT

.NOZZLE, MAIN

## 4. Number of component for assembly

The numeral appearing to the right of each component part indicates the quantity of parts for each assembly unit.

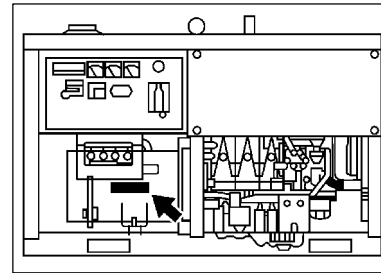
### EXAMPLE

PART NO.	DESCRIPTION	Q'TY	REMARKS
2F5-83310-60	FRONT FLASHER LIGHT ASSY	2	
115-83311-60	.BULB (6V-18W)	1	

## 5. Applicable Starting Serial No. and Color Code

MODEL NAME	MODEL TYPE	SPECIFICATION	FRAME NO.
EDL2600TE	Q9C3	380V/220V-50Hz	Q9C3-800101
EDL2600TE	Q9C3	220V/127V-60Hz	Q9C3-700101

Engine Serial No.



Color Code	Color Name	Abbreviation	MODEL	Country (destination)
00NJ	FARAWAY BLUE	FWB	Q9C3	OTHERS

6. Note that the illustrations for reference in finding parts numbers, not to be used for assembling. When assembling, please use the applicable service manual.

7. The asterisk (\*) before a reference number indicates modification items after the first edition.

# CONTENTS

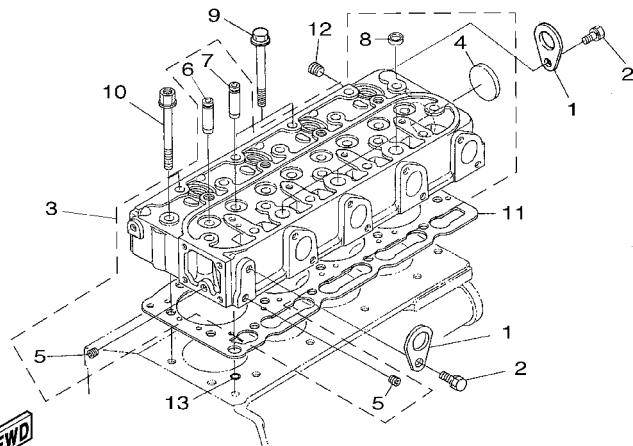
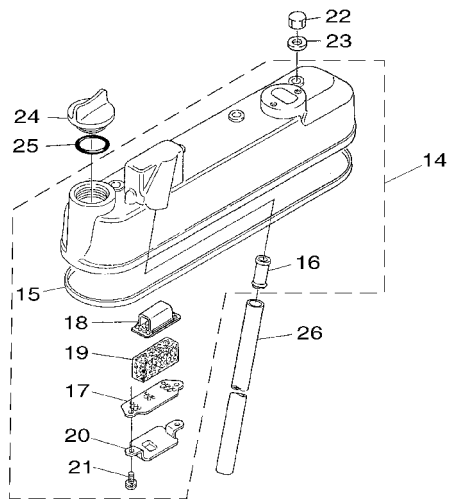
CYLINDER HEAD .....	1
CYLINDER BLOCK .....	2
PISTON, CRANKSHAFT .....	3
VALVE SYSTEM .....	5
GOVERNOR .....	7
TIMING GEAR CASE .....	9
LUBRICATION 1 .....	11
COOLING SYSTEM .....	12
RADIATOR. HOSE .....	13
RESERVE TANK .....	14
INJECTION PUMP .....	15
INJECTION NOZZLE .....	17
FUEL SYSTEM 2 .....	19
AIR CLEANER .....	20
INTAKE .....	21
EXHAUST 1 .....	22
CONTROL UNIT .....	23
GENERATOR .....	25
STARTING MOTOR .....	27
ELECTRICAL .....	28
ALTERNATE 1 .....	29
GENERATOR 1 .....	30
ENGINE MOUNT .....	31
FRAME .....	32
COVER .....	33
PANEL COVER .....	34
FUEL TANK .....	35

FRAME 2 .....	36
LABEL .....	37
FRAME 3 .....	38
ELECTRICAL 1 .....	39

## INDEX

NUMERICAL INDEX .....	41
-----------------------	----

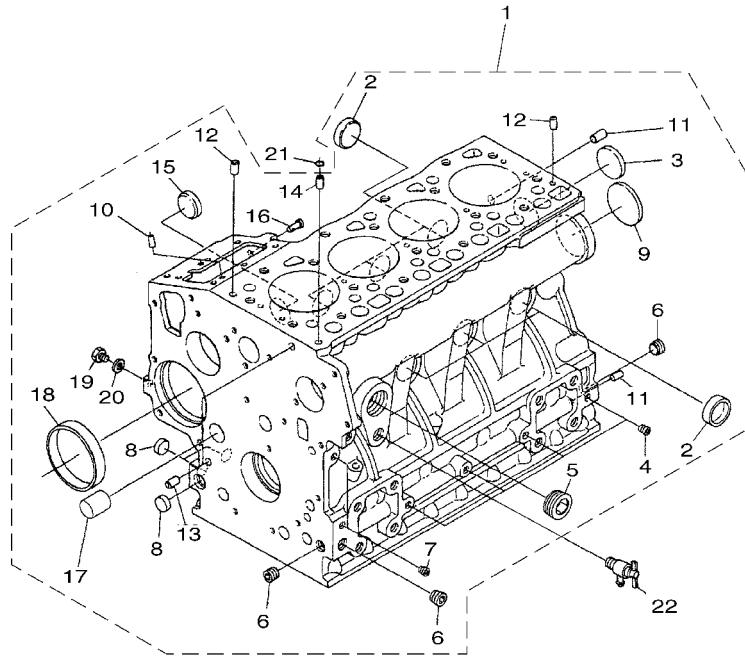
FIG. 1 CYLINDER HEAD



Q9C3600-A010

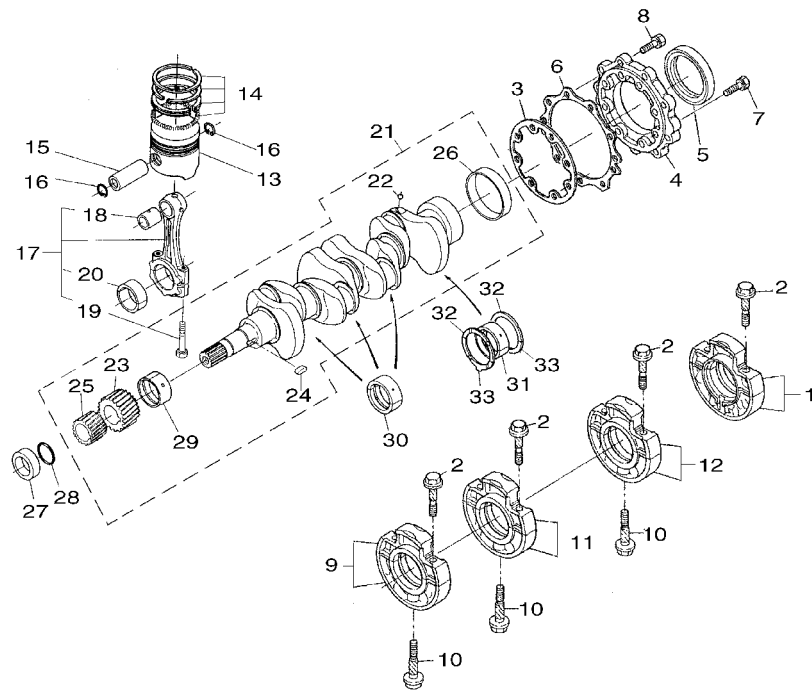
REF. NO.	PART NO.	DESCRIPTION	Q9C3				REMARKS
1	YF1-52210-17-50	HOOK,ENGINE	2				
2	YF0-11236-08-14	BOLT	2				
3	YF1-60500-30-40	CYLINDER HEAD COMP.	1				
4	YF1-53219-62-60	.PLUG,EXPANSION	1				
5	YF1-52619-60-10	.PLUG	2				
6	YF1-62411-35-40	.INLET VALVE GUIDE	4				
7	YF1-62411-35-60	.EXHAUST VALVE GUIDE	4				
8	YF1-52610-33-70	.PLUG,EXPANSION	3				
9	YF1-62410-34-50	HEAD BOLT	16				
10	YF1-62710-34-50	HEAD BOLT	2				
11	YF1-62710-33-10	HEAD GASKET	1				
12	YF1-58419-60-20	PLUG	1				
13	YF1-52213-37	O-RING	1				
14	YF1-62411-45	HEAD COVER ASSY.	1				
15	YF1-62411-45-20	.PACKING(HEAD COVER)NA	1				
16	YF1-62410-55-50	.BREATHER PIPE FRANGE	1				
17	YF1-62410-51-40	.BREATHER ELEMENT PLATE 1	1				
18	YF1-62410-51-50	.BREATHER ELEMENT PLATE 2	1				
19	YF1-62410-56-70	.BREATHER ELEMENT	1				
20	YF1-62410-53-70	.BREATHER OIL SHIELD	1				
21	YF0-30245-05-10	.SCREW,WITH WASHER	2				
22	YF1-59529-23-30	NUT,CROWN	4				
23	YF1-59519-66-60	PACKINNG	4				
24	YFE-91513-31-40	PLUG(FUEL FEED)	1				
25	YF0-48145-03	O-RING	1				
26	YF1-62410-55-10	BREATHER PIPE	1				

**FIG. 2 CYLINDER BLOCK**



Q9C3600-A020

REF. NO.	PART NO.	DESCRIPTION	Q9C3				REMARKS
1	YF1-62570-10-15	CRANKCASE COMP.	1				
2	YF1-54519-62-70	.PLUG,EXPANSION	6				
3	YF1-52210-34-90	.PLUG,EXPANSION	1				
4	YF1-52619-60-10	.PLUG	4				
5	YF1-66839-60-20	.PLUG(PT1)	1				
6	YF1-62419-60-10	.PLUG	3				
7	YF1-55219-60-20	.PLUG	2				
8	YF1-73919-61-60	.PLUG	3				
9	YF1-62719-61-60	.PLUG	1				
10	YF1-62259-45-10	.PIN,STRIGHT(5-8)	2				
11	YF1-62219-45-30	.PIN,STRIGHT(8-14)	2				
12	YF1-62219-45-20	.PIN,STRIGHT(6-10)	2				
13	YF1-52313-39-60	.PIN,PIPE	2				
14	YF1-62413-36-50	.PIN,PIPE	1				
15	YF1-62419-62-62	.PLUG(FUEL CAMSHAFT)	1				
16	YF1-62215-62-80	.PIN(START SPRING)	1				
17	YF1-62829-60-10	.PLUG	1				
18	YF1-62715-53-50	.GOVERNOR GEAR BUSH	1				
19	YF1-52213-36-10	.PLUG	1				
20	YF1-50213-36-60	.PACKING	1				
21	YF1-52213-37	O-RING	1				
22	YF1-58417-30-20	DRAIN COCK ASSY	1				

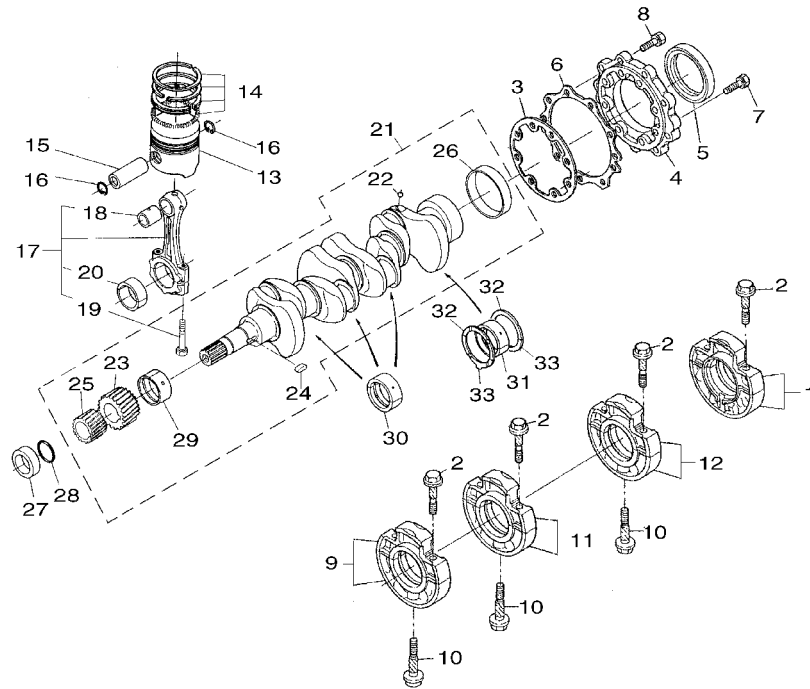


Q9C3600-A030

FIG. 3 PISTON, CRANKSHAFT

REF. NO.	PART NO.	DESCRIPTION	Q9C3				REMARKS
1	YF1-62410-40-92	MAIN BEARING CASE ASSY. WHEEL	1				
2	YF1-62410-45-40	BEARING CASE BOLT 1	8				
3	YF1-62640-43-60	GASKET(BRG.CASE NA)	1				
4	YF1-62410-48-13	COVER(BEARING CASE)	1				
5	YF1-62410-44-60	OIL SEAL	1				
6	YF1-62640-48-20	GASKET(CASE COVER NA)	1				
7	YF0-10235-06-25	BOLT	8				
8	YF0-10235-06-20	BOLT	9				
9	YF1-62610-40-40	MAIN BEARING CASE ASSY. 1	1				
10	YF1-62410-45-60	BEARING CASE BOLT 2	3				
11	YF1-62610-40-50	MAIN BEARING CASE ASSY. 2	1				
12	YF1-62820-40-60	MAIN BEARING CASE ASSY. 3	1				
13	YF1-60502-11-10	PISTON	4				
	YF1-60502-19-10	PISTON 05	4				AP
14	YF1-62712-10-50	PISTON RING ASSY.	4				
	YF1-62712-10-90	PISTON RING ASSY. 05	4				AP
15	YF1-62412-13-10	PISTON PIN	4				
16	YF1-62412-13-30	CIRCLIP,PISTON PIN	8				
17	YF1-62412-20-12	CONNECTING ROD ASSY	4				
18	YF1-62412-19-80	.PISTON PIN BUSH	4				
19	YF1-62412-21-40	.ROD BOLT	8				
20	YF1-62412-23-10	.CRANK PIN METAL	4				UR
	YF1-62412-29-70	.CRANK PIN METAL 02	4				UR
	YF1-62412-29-80	.CRANK PIN METAL 04	4				UR
21	YF1-62412-30-14	CRANKSHAFT COMP.	1				
22	YF0-77150-04-01	BALL	4				
23	YF1-62412-41-10	CRANK GEAR	1				

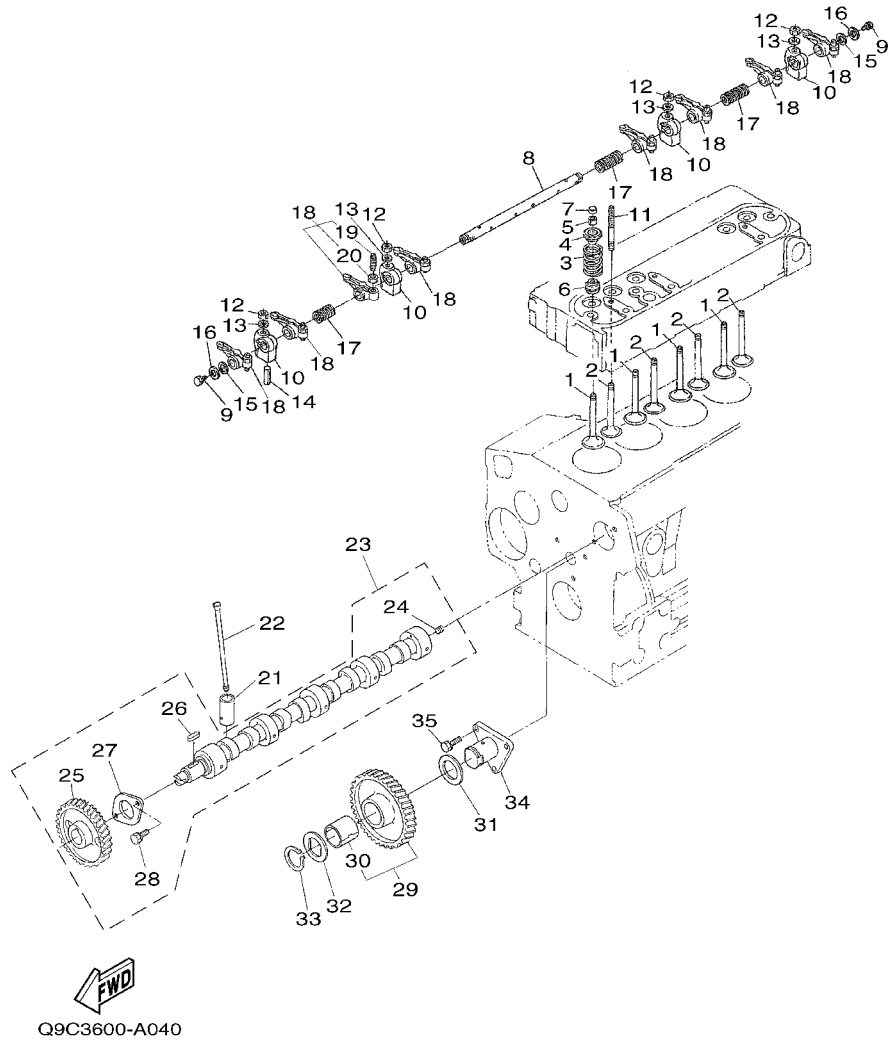
**FIG. 3 PISTON, CRANKSHAFT**



  
Q9C3600-A030

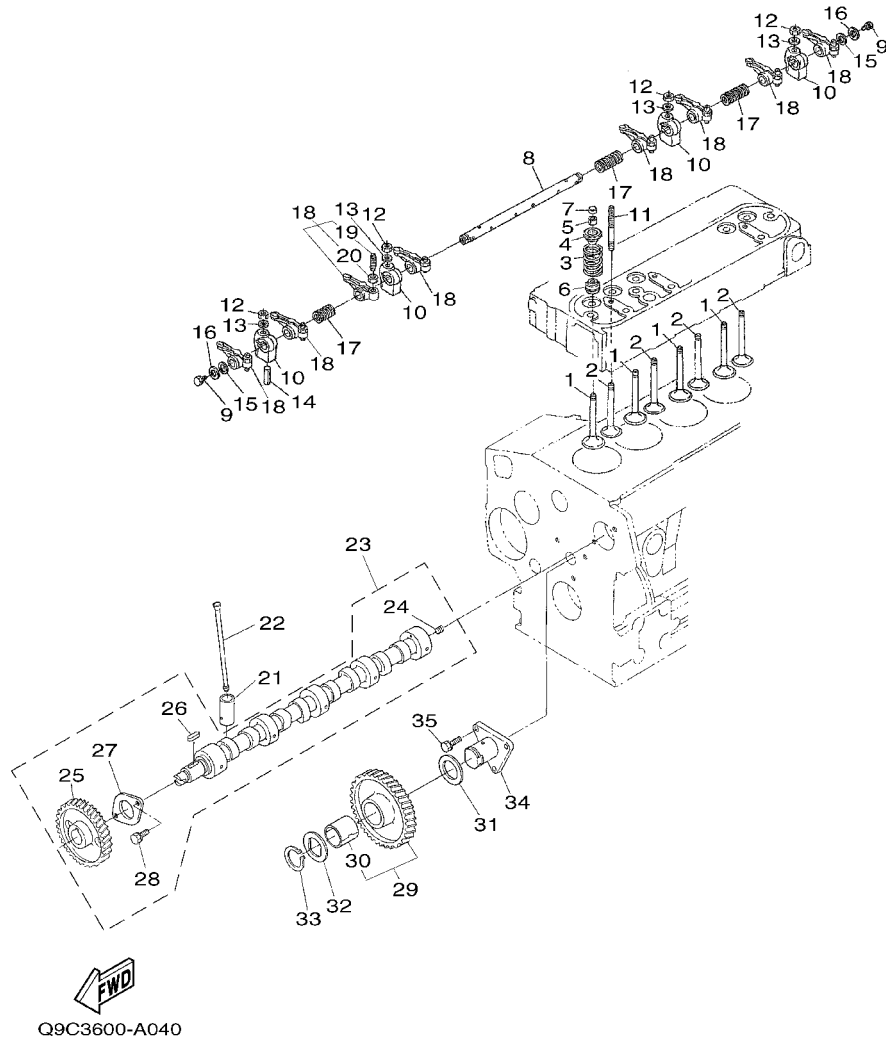
REF. NO.	PART NO.	DESCRIPTION	Q9C3				REMARKS
24	YF1-62719-52-30	KEY	1				
25	YF1-62413-56-30	OIL PUMP DRIVE GEAR	1				
26	YF1-62412-32-80	SLEEVE, CRANK SHAFT	1				
27	YF1-62412-32-50	COLLAR, CRANK SHAFT	1				
28	YF0-48141-02-80	O-RING	1				
29	YF1-62412-34-70	CRANK SHAFT METAL 1	1				
	YF1-62412-39-10	CRANK SHAFT METAL 1 02	1				AP
	YF1-62412-39-20	CRANK SHAFT METAL 1 04	1				AP
30	YF1-62412-34-80	CRANK SHAFT METAL 2	3				
	YF1-62412-39-30	CRANK SHAFT METAL 2 02	3				AP
	YF1-62412-39-40	CRANK SHAFT METAL 2 04	3				AP
31	YF1-62922-34-90	CRANK SHAFT METAL 3	1				
	YF1-62922-38-60	CRANK SHAFT METAL 3 02	1				AP
	YF1-62922-38-70	CRANK SHAFT METAL 3 04	1				AP
32	YF1-55212-35-30	SIDE METAL 1	2				
	YF1-55212-39-50	SIDE METAL 1 02	2				AP
	YF1-55212-39-60	SIDE METAL 1 04	2				AP
33	YF1-92022-35-40	SIDE METAL 2	2				
	YF1-92022-39-70	SIDE METAL 2 02	2				AP
	YF1-92022-39-80	SIDE METAL 2 04	2				AP





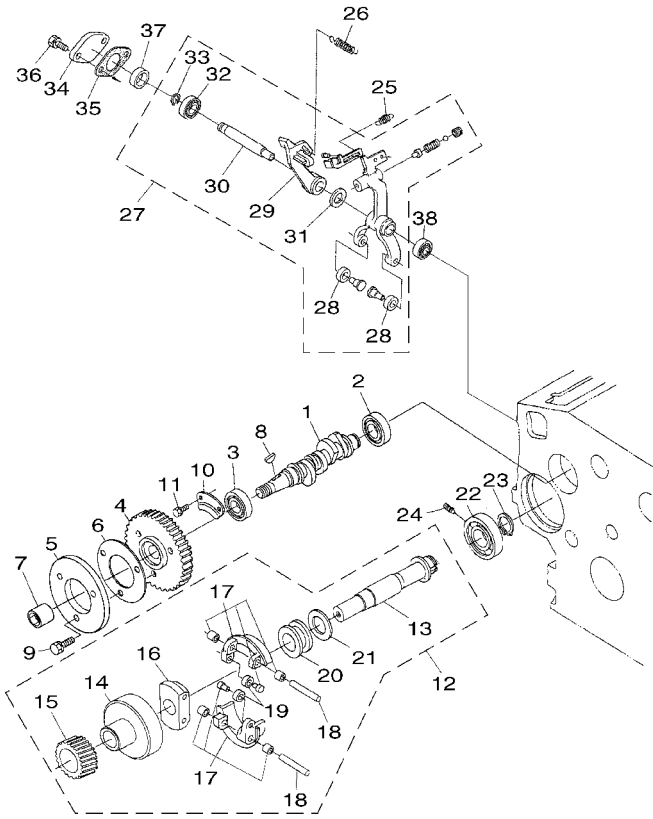
**FIG. 4 VALVE SYSTEM**

REF. NO.	PART NO.	DESCRIPTION	Q9C3				REMARKS
1	YF1-62411-31-10	INLET VALVE	4				
2	YF1-62991-31-20	EXHAUST VALVE	4				
3	YF1-62711-32-40	VALVE SPRING	8				
4	YF1-62411-33-30	RETAINER, VALVE SPR. (EDL6500)	8				
5	YF1-52611-33-60	COLLET, VALVE SP.(EDL6500)	8				
6	YF1-C0101-31-50	SEAL(VALVE STEM)	8				
7	YF1-62411-32-80	CAP (EDL6500)	8				
8	YF1-62411-42-64	SHAFT,ROCKER ARM	1				
9	YF0-10235-06-10	BOLT	2				
10	YF1-62411-43-50	BRACKET,ROCKER ARM	4				
11	YF1-62411-44-10	STUD	4				
12	YF1-52619-20-10	NUT (EDL6500)	4				
13	YF1-52619-40-10	WASHER, PLAIN (EDL6500)	4				
14	YF0-54110-04-28	SPRING PIN	1				
15	YF1-62411-44-30	WASHER,ROCKER ARM 1	2				
16	YF1-58419-40-22	WASHER,PLATE	2				
17	YF1-62411-43-10	SPRING,ROCKER ARM	3				
18	YF1-62411-40-32	ROCKER ARM ASSY	8				
19	YF1-62411-42-30	.ADJUSTING SCREW	8				
20	YF1-62411-42-40	.NUT	8				
21	YF1-62611-55-50	TAPPET (EDL6500)	8				
22	YF1-62411-51-10	PUSH ROD	8				
23	YF1-62711-60-10	CAMSHAFT ASSY	1				
24	YF1-55219-36-10	.SCREW,SET	1				
25	YF1-62411-65-10	.CAM GEAR	1				
26	YF0-57120-05-18	.KEY	1				
27	YF1-62411-62-70	.STOPPER,CAMSHAFT	1				



**FIG. 4 VALVE SYSTEM**

REF. NO.	PART NO.	DESCRIPTION	Q9C3				REMARKS
28	YF0-10235-06-16	.BOLT	2				
29	YF1-62712-40-10	IDLE GEAR COMP. 1	1				
30	YF1-62712-49-80	.IDLE GEAR BUSH 03	1				
31	YF1-62412-43-60	IDLE GEAR COLLAR 1	1				
32	YF1-62412-43-70	IDLE GEAR COLLAR 2	1				
33	YF1-62412-43-20	CIRCLIP, IDLE GEAR	1				
34	YF1-62412-42-50	IDLE GEAR SHAFT 1	1				
35	YF0-10235-06-16	BOLT	3				



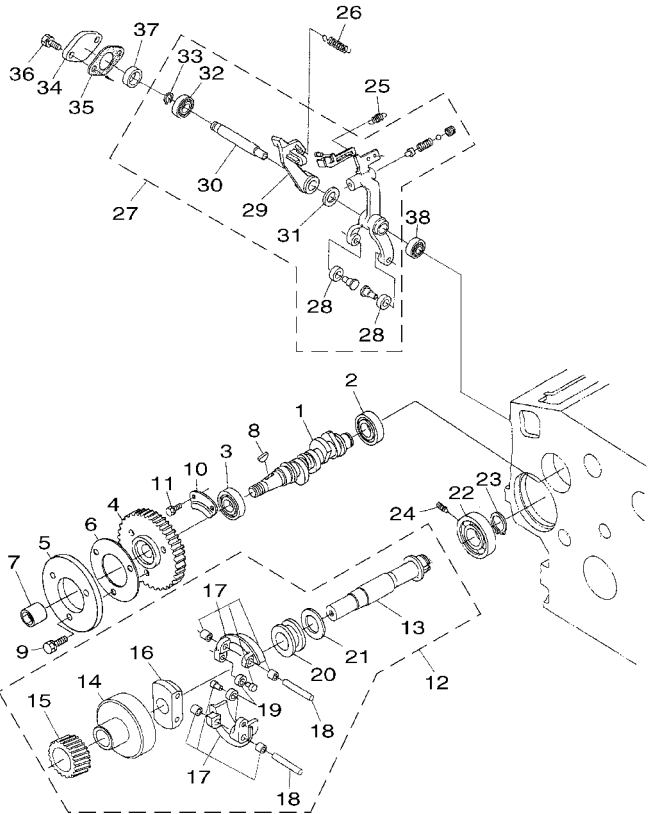
Q9C3600-A050

FIG. 5 GOVERNOR

REF. NO.	PART NO.	DESCRIPTION	Q9C3				REMARKS
1	YF1-60401-61-70	CAMSHAFT(FUEL)	1				
2	YF0-81030-62-02	BALL BEARING	1				
3	YF0-81030-62-04	BEARING	1				
4	YF1-75385-11-50	INJECTION PUMP GEAR	1				
5	YF1-62415-11-13	CAM(FUEL)	1				
6	YF1-62415-11-90	WASHER	1				
7	YF1-62419-23-30	NUT,CROWN	1				
8	YF1-62419-52-30	KEY,WOODRUF	1				
9	YF0-10235-06-18	BOLT	3				
10	YF1-62411-63-20	STOPPER,FUEL CAMSHAFT	1				
11	YF0-10235-06-16	BOLT	2				
12	YF1-62825-50-13	SHAFT ASSY.(GOVERNOR)	1				
13	YF1-62715-53-13	.GOVERNOR SHAFT	1				
14	YF1-62415-53-92	.HOLDER(GOVERNOR)	1				
15	YF1-62825-53-20	.GOVERNOR GEAR	1				
16	YF1-62415-52-70	.GOVERNOR WEIGHT HOLDER	1				
17	YF1-62415-50-62	.WEIGHT COMP.(GOVERNOR)	2				
18	YF1-62415-52-60	.GOVERNOR WEIGHT SHAFT	2				
19	YF1-94845-54-40	.ROLLER	2				
20	YF1-62415-54-50	.GOVERNOR SLEEVE	1				
21	YF1-62415-54-63	.WASHER,THRUST	1				
22	YF0-81010-63-04	BALL BEARING	1				
23	YF1-62715-54-10	CIRCLIP,GOVERNOR SHAFT	1				
24	YF1-62415-55-54	SCREW,STOPPER	1				
25	YF1-62855-64-80	START SPRING	1				
26	YF1-62855-64-12	SPRING(1,GOVERNOR)	1				
27	YF1-60515-60-56	LEVER ASSY.(FORK)	1				

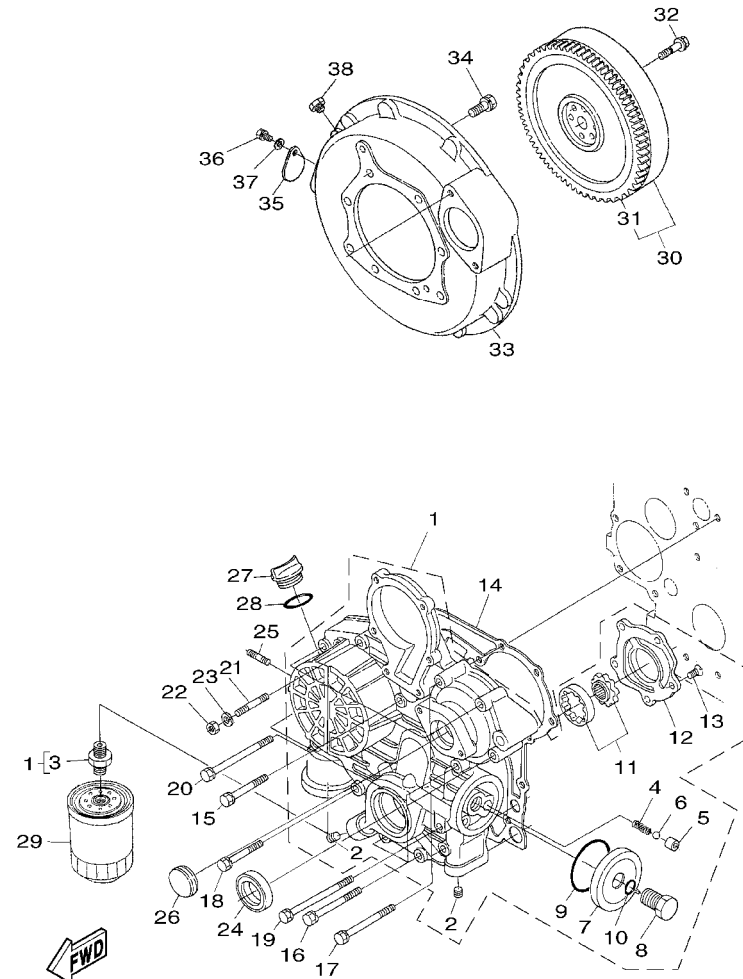
FIG. 5 GOVERNOR

REF. NO.	PART NO.	DESCRIPTION	Q9C3	REMARKS
28	YF1-94845-54-40	.ROLLER	2	
29	YF1-62225-61-33	.LEVER (FORK 2)	1	
30	YF1-62415-61-53	.FORK LEVER SHAFT	1	
31	YF1-62419-40-10	.WASHER, PLAIN	1	
32	YF1-62415-63-30	.MINIATURE BEARING 699	1	
33	YF0-46120-00-90	.CIRCLIP,SHAFT	1	
34	YF1-62415-62-50	FORK LEVER SHAFT COVER	1	
35	YF1-62995-62-60	PACKING NA	1	
36	YF0-10235-06-14	BOLT	2	
37	YF1-62415-62-10	COLLAR 1	1	
38	YF1-62415-63-40	MINIATURE BEARING 698	1	



Q9C3600-A050

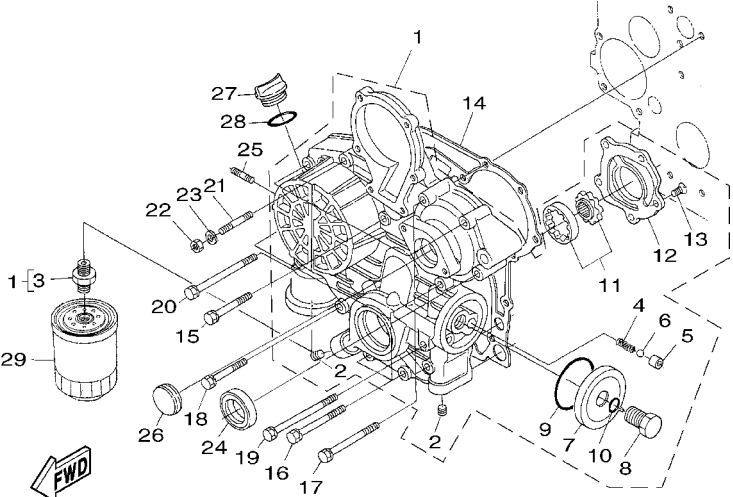
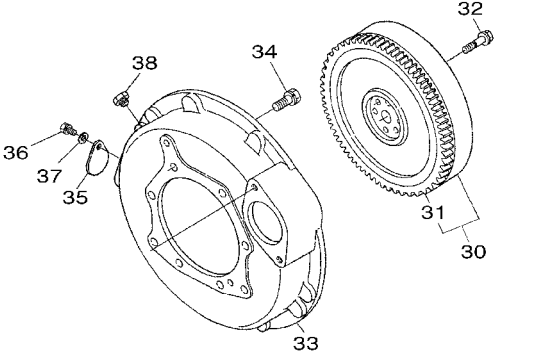
FIG. 6 TIMING GEAR CASE



Q9C3600-A060

REF. NO.	PART NO.	DESCRIPTION	Q9C3				REMARKS
1	YF1-62590-40-20	GEAR CASE COMP.	1				
2	YF1-62419-60-20	.PLUG	5				
3	YF1-52413-22-90	.NIPPLE	1				
4	YF1-62413-69-50	.SPRING	1				
5	YF1-62413-69-30	.VALVE SHEET	1				
6	YF0-77150-02-01	.BALL	1				
7	YF1-62593-28-82	.COVER	1				
8	YF1-62593-29	.BOLT	1				
9	YF0-48145-06	.O-RING	1				
10	YF0-48140-01-50	.O-RING	1				
11	YF1-62413-50-70	.OIL PUMP ROTOR ASSY.	1				
12	YF1-62593-51-32	.OIL PUMP COVER	1				
13	YF1-62419-31-20	.SCREW,PANHEAD	5				
14	YF1-62640-41-30	GASKET(GEAR CASE,NA)	1				
15	YF0-10235-06-45	BOLT	3				
16	YF0-10236-06-50	BOLT,WITH WASHER	4				
17	YF0-10235-06-55	BOLT	2				
18	YF1-58419-10-40	BOLT	1				
19	YF1-62419-10-40	BOLT(M6X68)	2				
20	YF1-62599-10-40	BOLT(M6X82)	1				
21	YF1-62459-15-30	STUD	1				
22	YF0-20565-00-60	NUT	1				
23	YF0-45126-00-60	WASHER,SPRING	1				
24	YF1-62590-42-10	OIL SEAL	1				
25	YF1-62459-15-40	STUD	2				
26	YF1-62648-33-42	COVER(HOUR METER GEAR CASE)	1				
27	YFE-91513-31-40	PLUG(FUEL FEED)	1				

**FIG. 6 TIMING GEAR CASE**

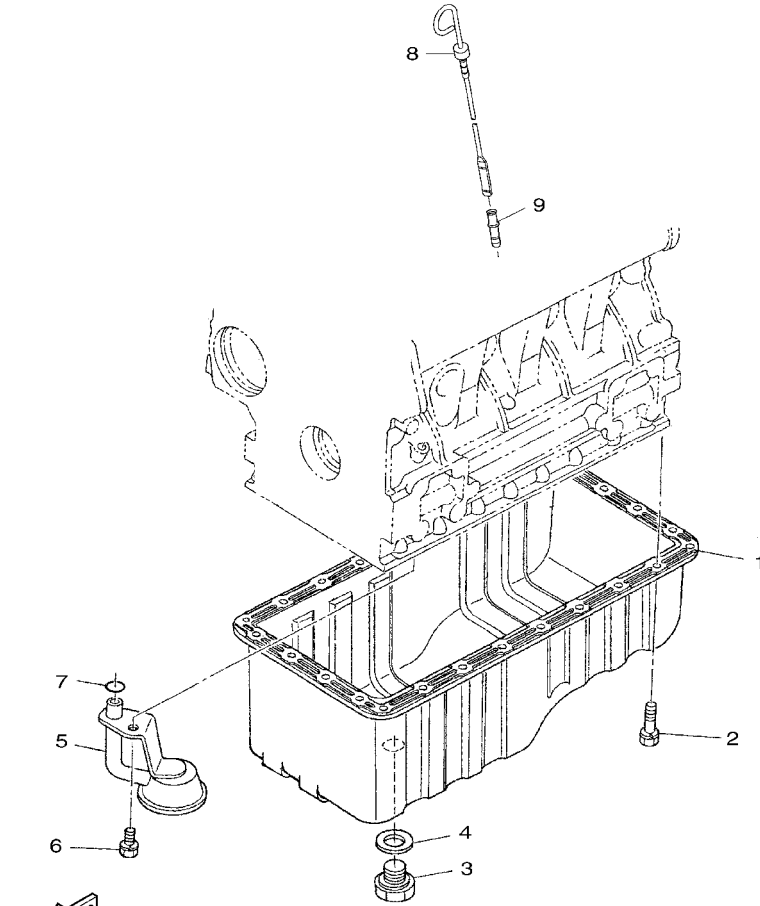


Q9C3600-A060

REF. NO.	PART NO.	DESCRIPTION	Q9C3			REMARKS
28	YF0-48145-03	O-RING	1			
29	YF1-62713-20-92	FILTER ASSY.(OIL CARTRIDGE)	1			
30	YF1-K5522-50-10	FLY WHEEL COMP.	1			
31	YF1-62616-38-22	.GEAR(RING)	1			
32	YF1-62412-51-60	FLY WHEEL BOLT	6			
33	YF1-72150-46-10	FLY WHEEL HOUSING	1			
34	YF1-52619-11-90	BOLT	8			
35	YF3-12201-41-70	COVER	1			
36	YF0-11236-08-14	BOLT	1			
37	YF0-40136-00-80	WASHER,PLATE	1			
38	YF3-66022-32-40	PLUG(M18X1.5)	1			

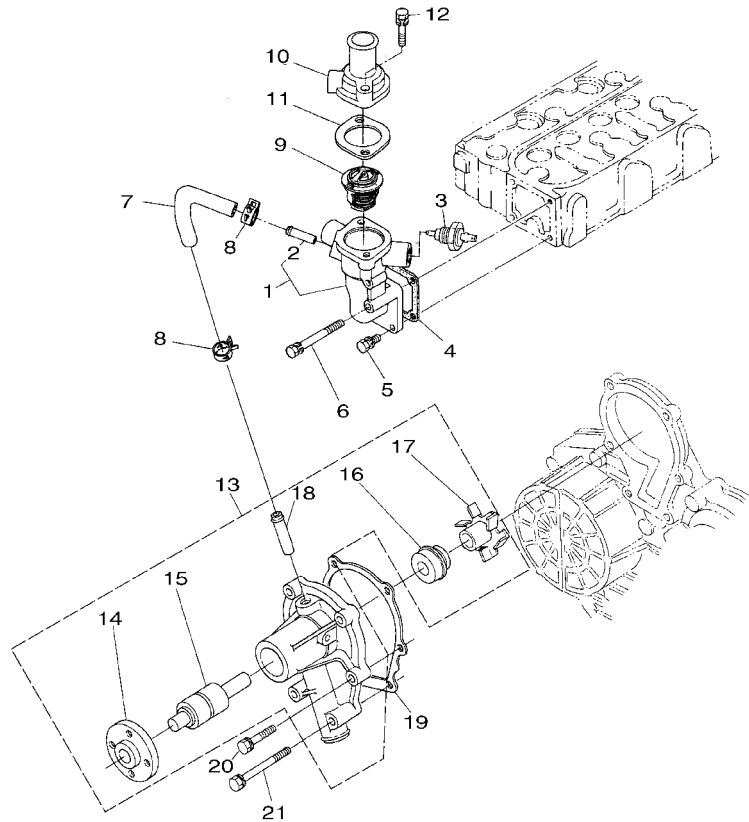
**FIG. 7 LUBRICATION 1**

REF. NO.	PART NO.	DESCRIPTION	Q9C3				REMARKS
1	YF1-62850-15	OIL PAN COMP.	1				
2	YF0-10235-06-12	BOLT	26				
3	YF1-62863-37-50	PLUG(DRAIN)	1				
4	YF1-54519-66-70	PACKING	1				
5	YF1-62263-21-10	FILTER(1,OIL)	1				
6	YF0-11235-08-16	BOLT	1				
7	YF0-48140-01-60	O-RING	1				
8	YF1-74563-64-10	GAUGE	1				
9	YF1-74563-64-20	GUIDE(OIL GAUGE)	1				
-----							
-----							
-----							
-----							
-----							
-----							
-----							
-----							
-----							
-----							



Q9C3600-A070

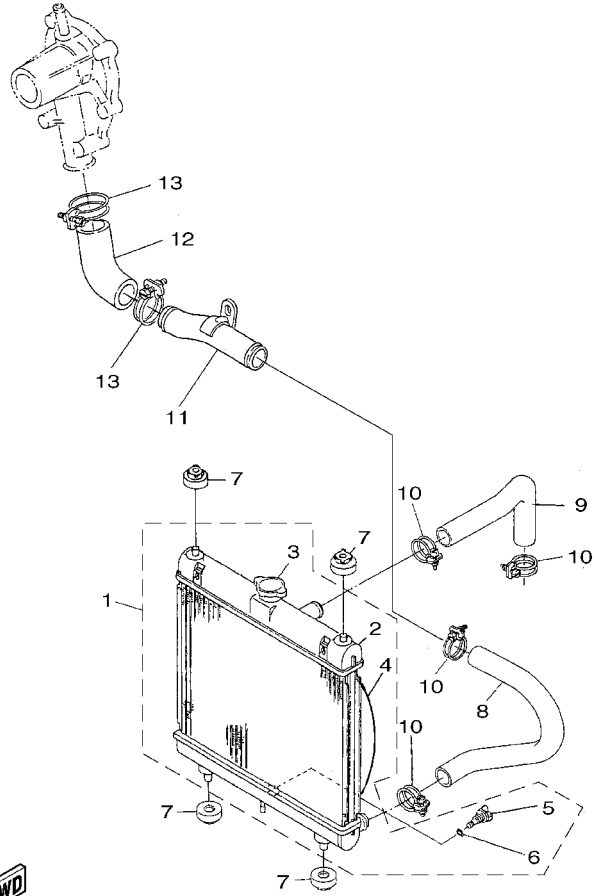
**FIG. 8 COOLING SYSTEM**



Q9C2600-A080

REF. NO.	PART NO.	DESCRIPTION	Q9C3				REMARKS
1	YF1-62267-27	FLANGE,COMP.(WATER)	1				
2	YF1-62417-33-70	.PIPE,WATER RETURN	1				
3	YF1-75388-30-40	SWITCH,THERMOSTAT	1				
4	YF1-62647-29-20	GASKET(WATER FLANGE,NA)	1				
5	YF0-10235-06-16	BOLT	3				
6	YF0-10235-06-55	BOLT	1				
7	YF1-62417-33-50	WATER RETURN PIPE 2	1				
8	YF1-62417-33-60	CLIP,PIPE	2				
9	YF1-94347-30-14	THERMOSTAT ASSY.	1				
10	YF1-62197-32-60	THERMOSTAT COVER	1				
11	YF1-62217-32-70	GASKET(THERMOSTAT,NA)	1				
12	YF0-11235-08-35	BOLT (7LR1)	2				
13	YF1-62517-30-34	PUMP ASSY.(WATER)	1				
14	YF1-62597-35-20	.WATER PUMP SHAFT FLANGE	1				
15	YF1-62597-35-52	.BEARING	1				
16	YF1-G6427-30-50	.MECHANICAL SEAL ASSY	1				
17	YF1-62597-35-12	.WATER PUMP IMPELLER	1				
18	YF1-62417-33-40	.PIPE 1	1				
19	YF1-62397-34-30	GASKET(WATER PUMP,NA)	1				
20	YF0-10235-06-30	BOLT	4				
21	YF0-10235-06-85	BOLT	2				



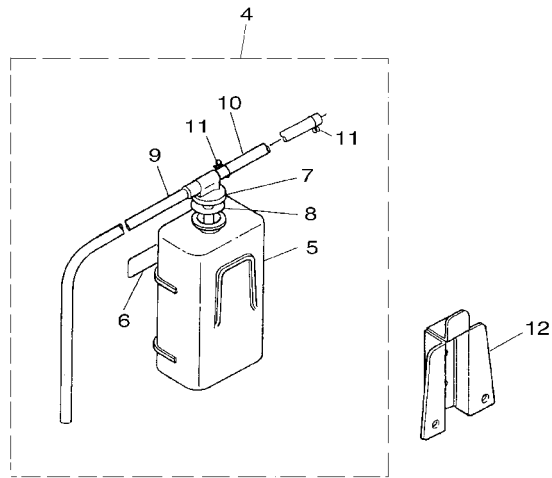
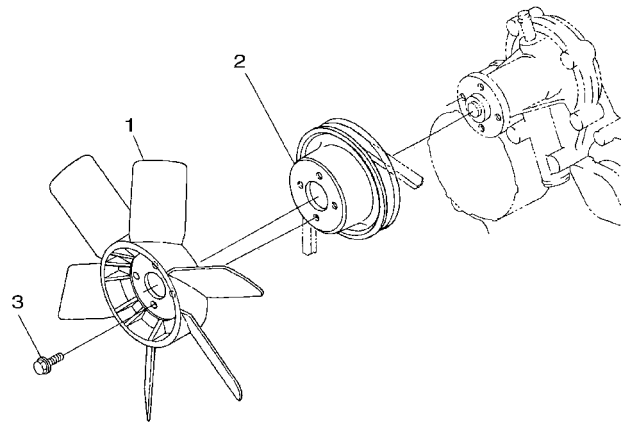


Q9C2600-A090

FIG. 9 RADIATOR. HOSE

REF. NO.	PART NO.	DESCRIPTION	Q9C3				REMARKS
1	YF1-G3477-20-60	RADIATOR ASSY.	1				
2	YF1-G3457-21-10	.RADIATOR	1				
3	YF1-75801-60-60	.CAP(RADIATOR)	1				
4	YF1-G3477-23-30	.SHROUD(FAN)	1				
5	YF3-40701-60-70	.PLUG(DRAIN)	1				
6	YF3-40701-60-90	.O-RING	1				
7	YF3-40701-60-30	RUBBER(RADIATOR MOUNT)	4				
8	YF1-K5227-28-50	HOSE(1,WATER)	1				
9	YF1-K5227-29-40	HOSE(4,WATER)	1				
10	YF0-93188-90-39	HOSE CLAMP	4				
11	YF1-72037-28-60	WATER PIPE 2	1				
12	YF1-G6807-28-70	PIPE(WATER,3)	1				
13	YF3-62008-27-20	CLAMP	2				

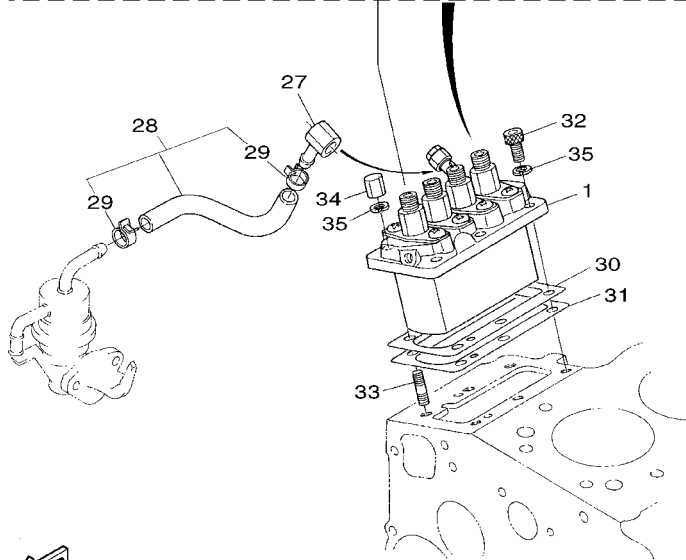
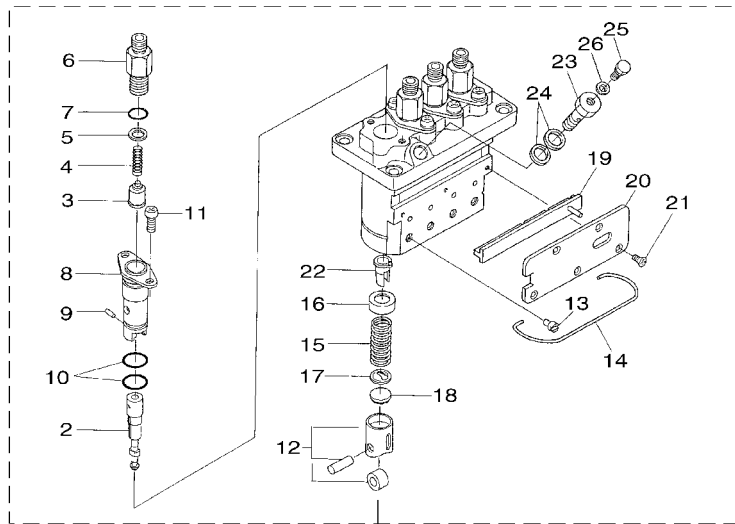
**FIG. 10 RESERVE TANK**



Q9C3600-A100

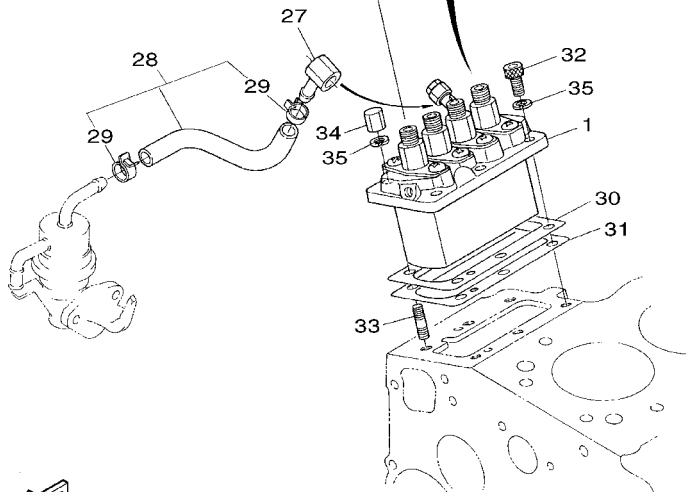
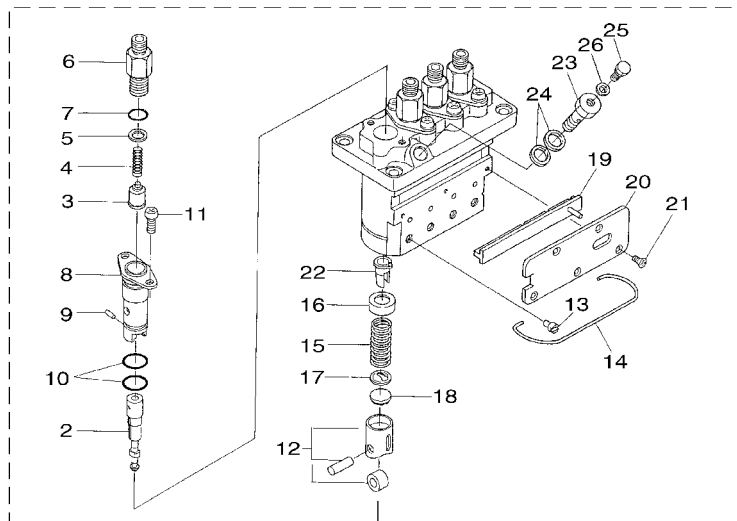
REF. NO.	PART NO.	DESCRIPTION	Q9C3				REMARKS
1	YF1-94937-41-10	FAN	1				
2	YF1-62417-42-50	FAN PULLEY	1				
3	YF0-17545-06-10	BOLT,FLANGE	4				
4	YF1-55317-24-02	RESERVE TANK ASSY	1				
5	YF1-55317-24-10	.BODY,TANK	1				
6	YF1-55018-82-10	.LABEL,CAUTION	1				
7	YF1-55317-24-22	.CAP	1				
8	YF1-55317-24-32	.PACKING	1				
9	YF1-54717-24-40	.PIPE,WATER OVER FLOW 2	1				
10	YF1-55317-24-42	.PIPE,WATER OVER FLOW 2	1				
11	YF1-55017-24-70	.CLIP,PIPE	2				
12	YF1-19827-24-60	STAY,RESERVE TANK	1				

FIG. 11 INJECTION PUMP



Q9C3600-A110

REF. NO.	PART NO.	DESCRIPTION	Q9C3				REMARKS
1	YF1-60605-10-10	INJECTION PUMP ASSY.	1				
2	YF1-60305-10-52	.ELEMENT(PUNP)	4				
3	YF1-58415-10-30	.VALVE,DELIVERY	4				
4	YF1-58415-12-30	.SPRING,DELIVERY VALVE	4				
5	YF1-58415-12-40	.GASKET,DELIVERY VALVE	4				
6	YF1-62715-12-20	.HOLDER,DELIVERY VALVE	4				
7	YF1-58419-67-60	.O-RING	4				
8	YF1-58415-15-60	.SLEEVE FLANGE	4				
9	YF1-58419-45-70	.PIN,WITH HEAD	4				
10	YF1-58415-12	.O-RING	8				
11	YF1-58629-14-30	.SCREW	8				
12	YF1-58415-10-70	.TAPPET ASSY	4				
13	YF1-58415-12-50	.PIN,TAPPET GUIDE	4				
14	YF1-62715-14-30	.PIN,CLAMP	1				
15	YF1-58415-12-80	.SPRING,PLUNGER	4				
16	YF1-58415-12-70	.SEAT SPRING,UPPER	4				
17	YF1-58415-12-90	.SEAT SPRING,LOWER	4				
18	YF1-58415-14-90	.SHIM	4				
19	YF1-60605-10-60	.RACK(CONTROL)	1				
20	YF1-60605-15-40	.PLATE	1				
21	YF1-58419-31-10	.SCREW,CYLINDER HEAD	5				
22	YF1-58415-13-80	.CONTROL SLEEVE	4				
23	YF1-60305-13-20	.BOLT FLANGE	1				
24	YF1-58419-66-50	.PACKING	2				
25	YF1-58415-13-50	.SCREW,AIR BREATHER	1				
26	YF1-58419-66-60	.PACKING	1				
27	YF1-62419-56-90	PIPE FLANNGE	1				

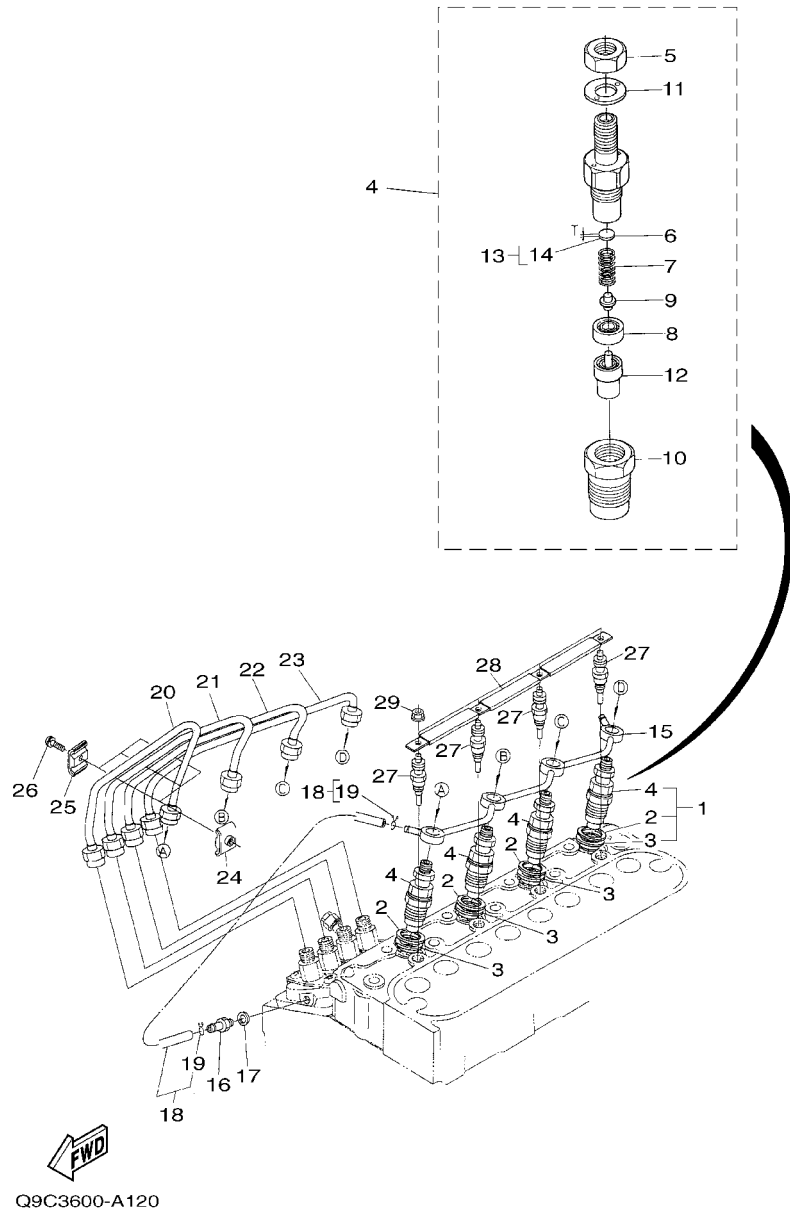


Q9C3600-A110

FIG. 11 INJECTION PUMP

REF. NO.	PART NO.	DESCRIPTION	Q9C3				REMARKS
28	YF1-62414-20-10	FUEL PIPE ASSY.	1				
29	YF1-49114-27-50	.PIPE CLIP	2				
30	YF1-60405-20-92	SHIM(INJ.PUMP,0.20)	1				
31	YF1-60405-21-12	SHIM(INJ.PUMP,0.25)	1				UR
	YF1-60405-21-22	SHIM(INJ.PUMP,0.30)	1				UR
32	YF0-13111-06-20	BOLT,HEXAGON WITH HOLE	3				
33	YF1-58419-15	STUD	3				
34	YF1-58419-23-20	NUT,CROWN	3				
35	YF0-45126-00-60	WASHER,SPRING	6				

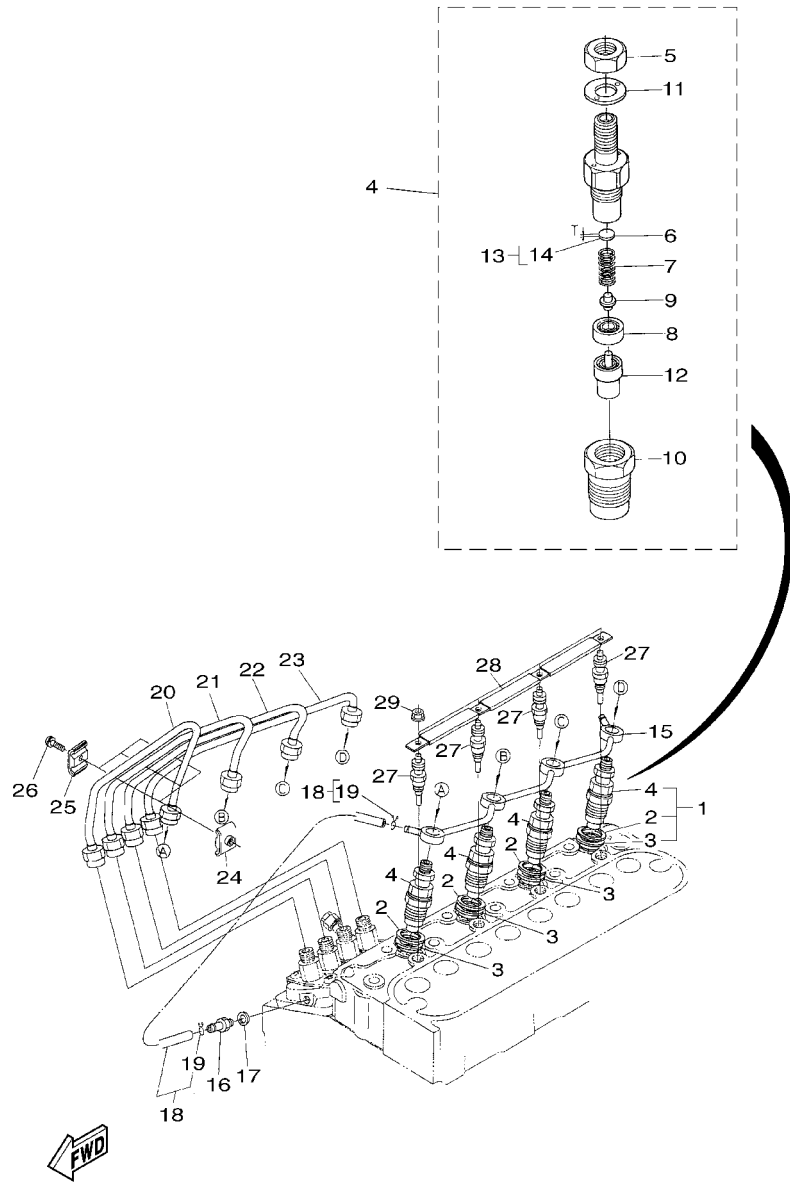
FIG. 12 INJECTION NOZZLE



Q9C3600-A120

REF. NO.	PART NO.	DESCRIPTION	Q9C3				REMARKS
1	YF1-60325-39	NOZZLE HOLDER KIT	4				
2	YF1-58415-36-22	.PACKING	4				
3	YF1-90775-36-50	.SEAL,HEAT	4				
4	YF1-60325-30	..NOZZLE HOLDER ASSY.	4				
5	YF1-60329-20-30	..NUT	4				
6	YF1-60325-32-30	..WASHER(ADJUSTING)	4				
7	YF1-60325-31-70	..SPRING(NOZZLE)	4				
8	YF1-60325-33-50	..SPACER(DISTANCE)	4				
9	YF1-60325-31-60	..PUSH ROD	4				
10	YF1-60325-32-80	..NUT(NOZZLE)	4				
11	YF1-60329-40-40	..WASHER PLATE	4				
12	YF1-60325-36-10	..NOZZLE PIECE	4				
13	YF1-60329-81	..WASHER ASSY.(ADJUSTING)	4				AP
14	YF1-60329-85	...WASHER(ADJUSTING,0.10)	4				UR
	YF1-60329-85-10	...WASHER(ADJUSTING,0.20)	4				UR
	YF1-60329-85-20	...WASHER(ADJUSTING,0.30)	4				UR
	YF1-60329-85-30	...WASHER(ADJUSTING,0.40)	4				UR
	YF1-60329-85-40	...WASHER(ADJUSTING,0.50)	4				UR
	YF1-60329-85-50	...WASHER(ADJUSTING,0.52)	4				UR
	YF1-60329-85-60	...WASHER(ADJUSTING,0.54)	4				UR
	YF1-60329-85-70	...WASHER(ADJUSTING,0.56)	4				UR
	YF1-60329-85-80	...WASHER(ADJUSTING,0.58)	4				UR
	YF1-60329-85-90	...WASHER(ADJUSTING,0.80)	4				UR
15	YF1-62714-25-02	PIPE ASSY.(OVERFLOW)	1				
16	YF1-58415-13-60	SCREW,AIR BREATHER	1				
17	YF1-56019-66-50	PACKING	1				
18	YF1-58414-25	OVER FLOW PIPE ASSY 2	1				

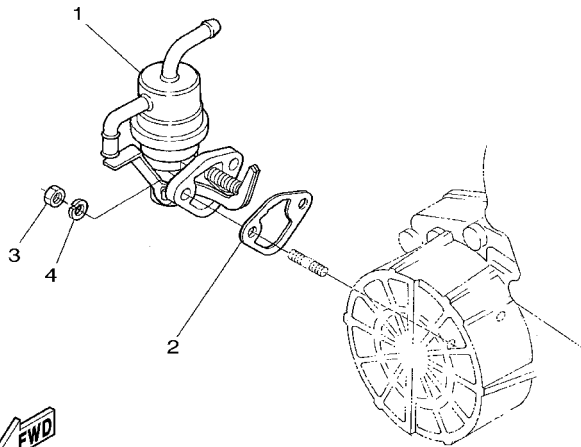
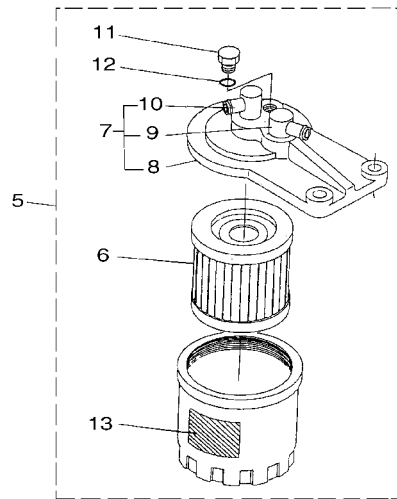
**FIG. 12 INJECTION NOZZLE**



Q9C3600-A120

REF. NO.	PART NO.	DESCRIPTION	Q9C3				REMARKS
19	YF1-49714-27-50	.PIPE CLIP	2				
20	YF1-62715-37-12	PIPE(1,INJECTION)	1				
21	YF1-62715-37-22	PIPE(2,INJECTION)	1				
22	YF1-62715-37-32	PIPE(3,INJECTION)	1				
23	YF1-62715-37-42	PIPE(4,INJECTION)	1				
24	YF1-58415-38-50	CLAMP,PIPE 1	3				
25	YF1-58415-38-60	CLAMP,PIPE 2	3				
26	YF0-30245-05-20	SCREW,WITH WASHER	3				
27	YF1-68516-55-10	PLUG,GLOW	4				
28	YF1-62716-55-60	PLUG,GLOW CODE	1				
29	YF0-27615-00-40	NUT,FLANGE	4				

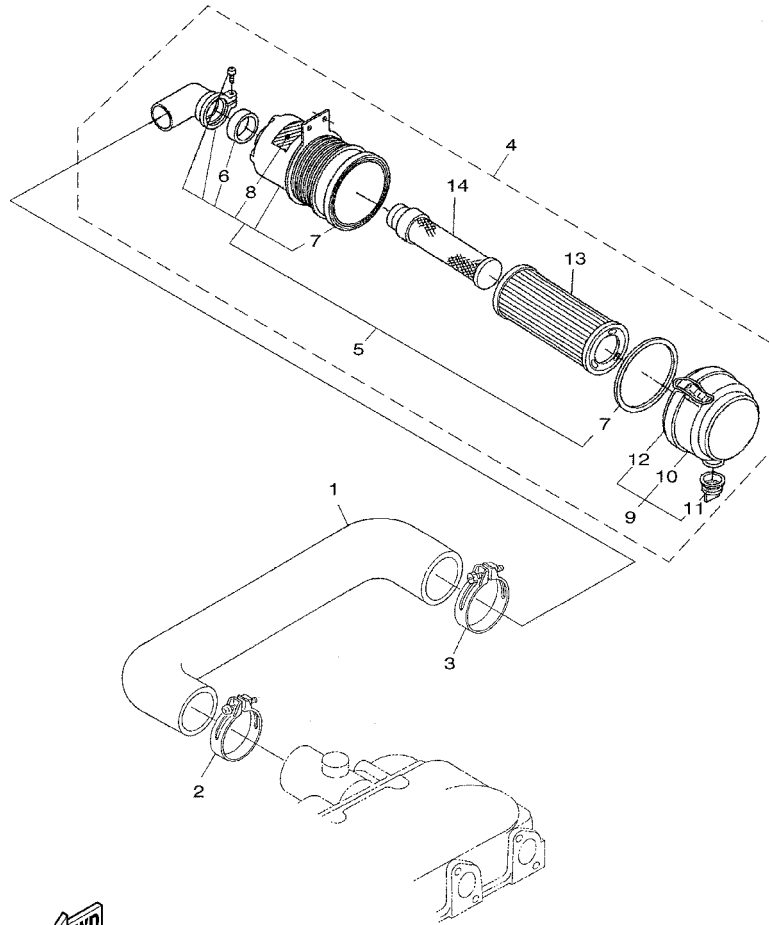
**FIG. 13 FUEL SYSTEM 2**



**FWD**  
Q9C2600-A130

REF. NO.	PART NO.	DESCRIPTION	Q9C3				REMARKS
1	YF1-62855-20-32	PUMP ASSY.(FUEL)	1				
2	YF1-62645-21-40	GASKET	1				
3	YF0-20565-00-60	NUT	2				
4	YF0-45126-00-60	WASHER,SPRING	2				
5	YF1-52244-30-10	FUEL FILTER ASSY.	1				
6	YF1-52214-31-70	.FILTER ELEMENT	1				
7	YF1-52244-32	.FILTER COVER ASSY.	1				
8	YF1-52214-32-10	..FILTER COVER	1				
9	YF1-51084-36-10	..PIPE FLANGE 1	1				
10	YF1-51084-37-80	..PIPE FLANGE 2	1				
11	YF1-92224-32-80	.PLUG,FILTERE AIR DRAIN	1				
12	YF1-51084-32-90	.O-RING	1				
13	YF1-52248-77-60	.MARK	1				

**FIG. 14 AIR CLEANER**



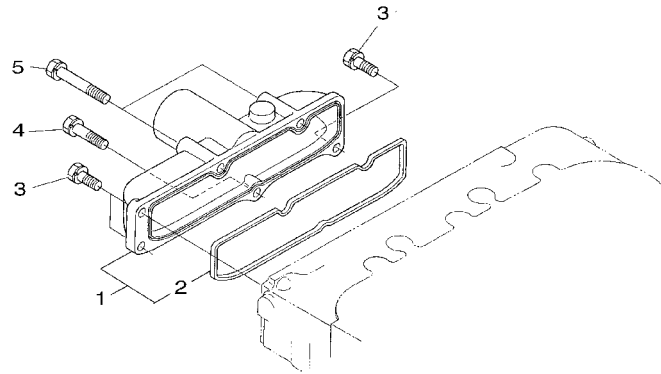
Q9C2600-A140

REF. NO.	PART NO.	DESCRIPTION	Q9C3				REMARKS
1	YF1-66161-16-20	INLET PIPE	1				
2	YF1-54011-17-20	BAND, PIPE	1				
3	YF1-52211-17-20	BAND,PIPE	1				
4	YF3-23329-32	AIR CLEANER ASSY.(W FILTER)	1				
5	YF3-23321-63-10	.BODY COMP.(AIR CLEANER)	1				
6	YFT-02709-31-10	..SEAL(PIPE)	1				
7	YFT-02709-31-50	..SEAL(AIR CLEANER)	1				
8	YF3-23329-31-80	..LABEL(W AIR CLEANER)	1				
9	YFT-02709-31-70	.CUP ASSY.(AIR CLEANER)	1				
10	YFT-02709-31-40	..CUP(AIR CLEANER)	1				
11	YFT-00709-31-60	..VALVE	1				
12	YFT-02709-31-90	..CLAMP(AIR CLEANER)	1				
13	YFT-02701-63-20	.FILTER COMP.(AIR CLEANER)	1				
14	YFT-02709-32-20	.ELEMENT ASSY.(INNER)	1				



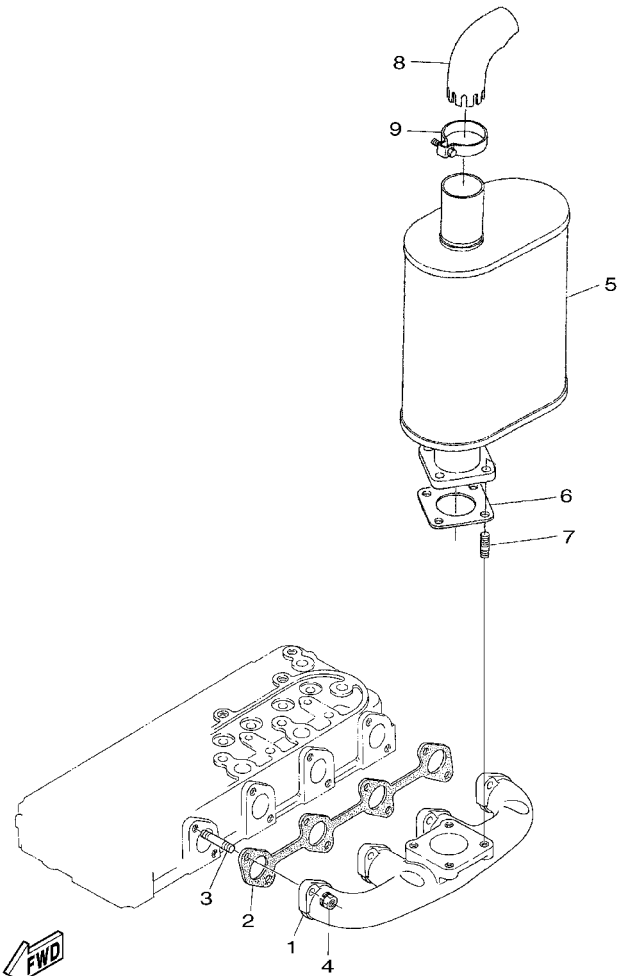
**FIG. 15 INTAKE**

REF. NO.	PART NO.	DESCRIPTION	Q9C3				REMARKS
1	YF1-62711-17-70	MANIFOLD ASSY.(INLET)	1				
2	YF1-62411-18-20	.INLET MANIFOLD PACKING	1				
3	YF0-10235-06-18	BOLT	3				
4	YF0-10235-06-30	BOLT	2				
5	YF0-10236-06-50	BOLT,WITH WASHER	3				
-----							
-----							
-----							
-----							
-----							
-----							
-----							
-----							



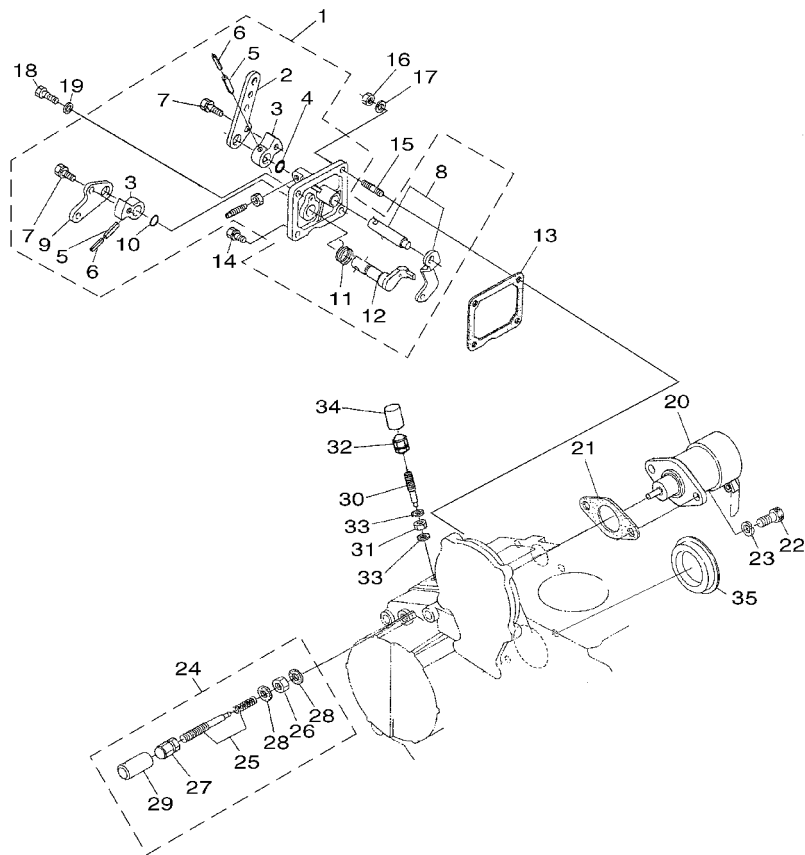
Q9C2600-A150

FIG. 16 EXHAUST 1



Q9C3600-A160

REF. NO.	PART NO.	DESCRIPTION	Q9C3				REMARKS
1	YF1-62851-23-10	EXHAUST MANIFOLD	1				
2	YF1-62991-23-60	EXHAUST MANIFOLD PACKING NA	1				
3	YF1-62419-14-90	STUD	8				
4	YF1-62719-20-10	NUT	8				
5	YF1-K5911-21-20	MUFFLER(D1005)	1				
6	YF1-52631-23-70	PACKING,MUFFLER(NA)	2				
7	YF0-15135-08-22	STUD	4				
8	YF1-69201-24-10	PIPE(MUFFLER)	1				
9	YF1-69201-24-30	CLAMP(MUFFLER PIPE)	1				
-----							
-----							
-----							
-----							
-----							
-----							
-----							
-----							



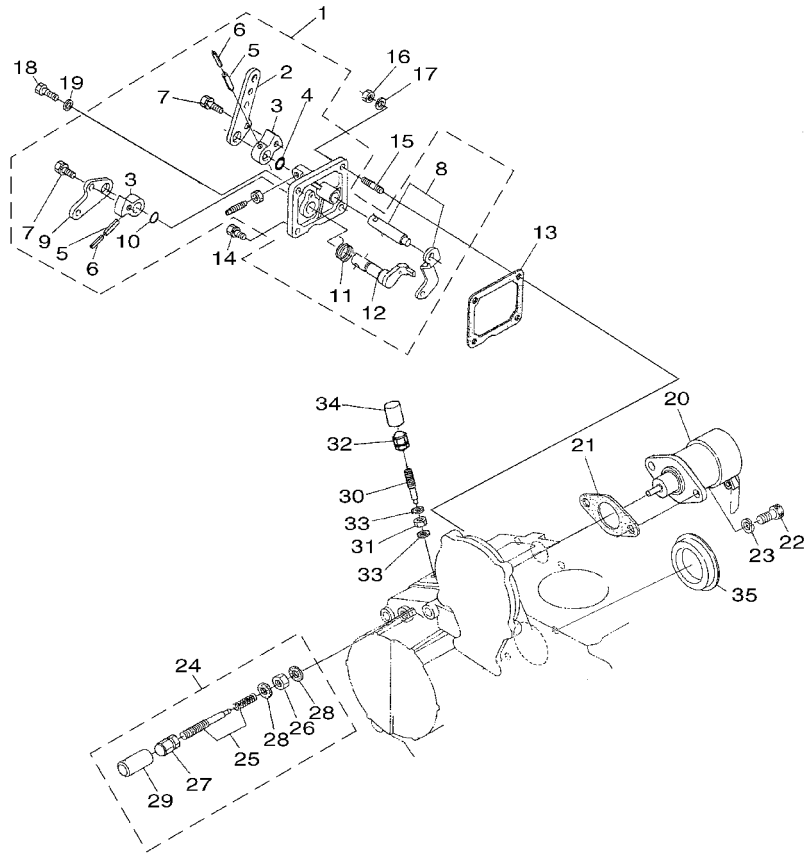
Q9C3600-A170

FIG. 17 CONTROL UNIT

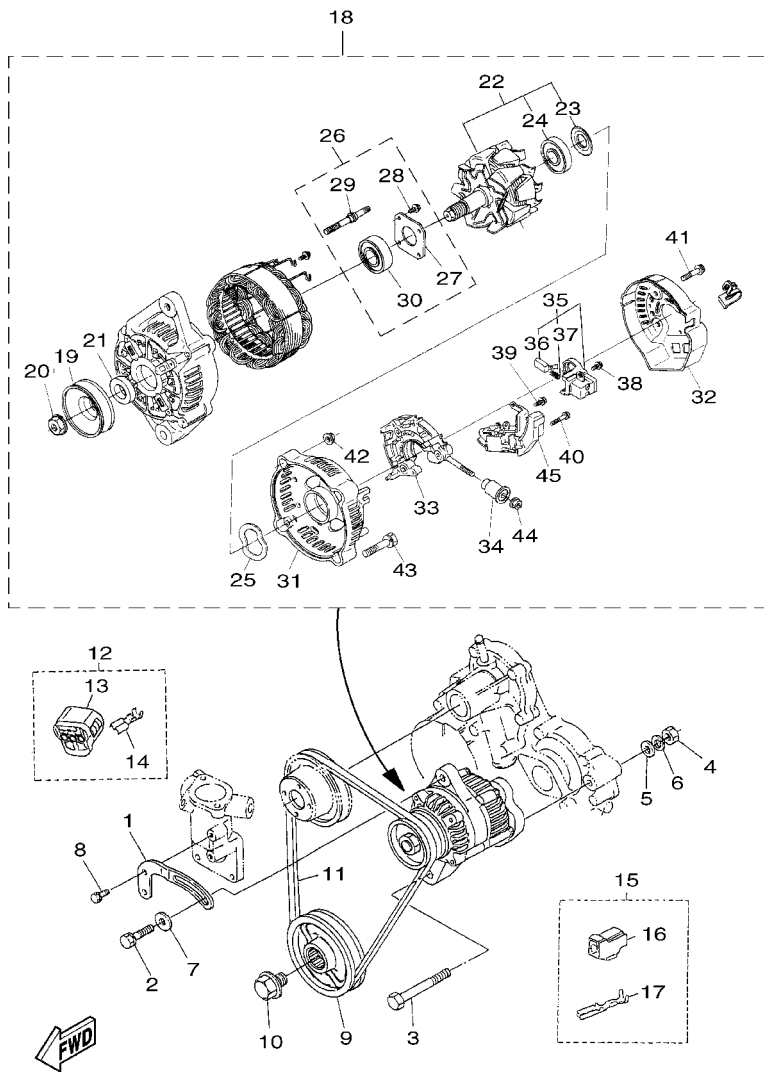
REF. NO.	PART NO.	DESCRIPTION	Q9C3				REMARKS
1	YF1-62055-70-10	PLATE ASSY(SPEED CONTROL)	1				
2	YF1-62055-71-50	.LEVER 1,SPEED CONTROL	1				
3	YF1-62055-71-60	.LEVER 2,SPEED CONTROL	2				
4	YF0-48140-01	.O-RING	1				
5	YF0-54110-04-20	.PIN,SPRING	2				
6	YF0-54110-25-20	.PIN,SPRING	2				
7	YF0-10235-06-12	.BOLT	2				
8	YF1-62055-60-20	.LEVER COMP.(GOVERNOR)	1				
9	YF1-62055-77-20	.LEVER(1,ENGIN STOP)	1				
10	YF0-48141-00-70	.O-RING	1				
11	YF1-62055-75-10	.SPRING,RETURN	1				
12	YF1-62055-77-40	.LEVER COMP.(STOP)	1				
13	YF1-62645-72-10	GASKET(ADJUSTING PLATE,NA)	1				
14	YF0-10235-06-16	BOLT	1				
15	YF1-62459-15-40	STUD	2				
16	YF0-20565-00-60	NUT	2				
17	YF0-45126-00-60	WASHER,SPRING	2				
18	YF0-10535-06-18	BOLT	1				
19	YF1-56019-66-50	PACKING	1				
20	YF1-72086-00-10	SOLENOID ASSY	1				
21	YF1-62996-01-50	PACKING,SOLENOID COVER(NA)	1				
22	YF0-13111-06-14	BOLT,WITH HEXAGONAL HOLE	2				
23	YF0-45126-00-60	WASHER,SPRING	2				
24	YF1-62595-40-90	IDLING LIMITER DEVICE ASSY	1				
25	YF1-62595-41-02	.ADJUSTING BOLT ASSY.	1				
26	YF1-58419-20-20	.NUT	1				
27	YF1-58419-23-30	.NUT,CROWN	1				

**FIG. 17 CONTROL UNIT**

REF. NO.	PART NO.	DESCRIPTION	Q9C3				REMARKS
28	YF1-56019-66-50	.PACKING	2				
29	YF1-62215-44-20	.CAP	1				
30	YF1-62415-41-20	ADJUSTING BOLT	1				
31	YF1-58419-20-20	NUT	1				
32	YF1-58419-23-30	NUT,CROWN	1				
33	YF1-56019-66-50	PACKING	2				
34	YF1-62215-44-20	CAP	1				
35	YF1-62648-31-52	COVER(HYDRAULIC PUMP)	1				
-----							
-----							
-----							
-----							
-----							
-----							
-----							
-----							
-----							



Q9C3600-A170

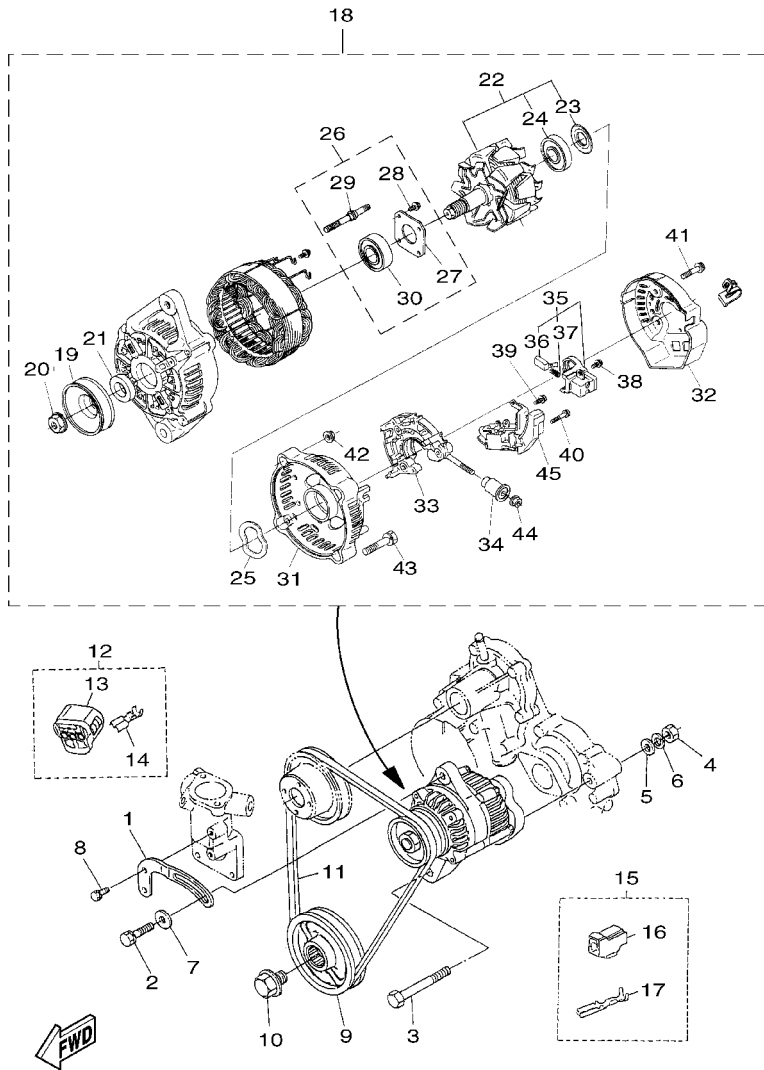


Q9C2600-A180

FIG. 18 GENERATOR

REF. NO.	PART NO.	DESCRIPTION	Q9C3				REMARKS
1	YF1-62416-44-20	DYNAMO STAY	1				
2	YF0-11235-08-30	BOLT (EDK8000TE)	1				
3	YF0-11735-10-85	BOLT	1				
4	YF0-21765-01	NUT	1				
5	YF0-40115-01	WASHER PLATE	1				
6	YF0-45126-01	WASHER SPRING	1				
7	YF0-40156-00-80	WASHER,PLATE	1				
8	YF0-10235-06-16	BOLT	1				
9	YF1-62417-42-80	FAN DRIVE PULLEY	1				
10	YF1-62419-10-20	BOLT(FAN DRIEVE)	1				
11	YF1-62419-70-10	37 V-BELT	1				
12	YF1-66786-58-30	CONNECTER ASSY.	1				
13	YF1-66316-58-40	.CONNECTER	1				
14	YF1-92376-59-10	.TERMINAL	3				
15	YF1-C0106-58-30	COUPLER ASSY(SOLENOID)	1				
16	YF1-C0106-58-80	.CONNECTER	1				
17	YF1-C0106-59-10	.TERMINAL	2				
18	YF1-K5746-40-15	ALTERNATOR ASSY	1				
19	YF1-58816-41-10	.DYNAMO PULLEY	1				
20	YF1-58819-20-10	.NUT	1				
21	YF1-58816-41-50	.COLLAR	1				
22	YF6-64366-40-40	.ROTOR	1				
23	YF1-58816-48	..BEARING COVER	1				
24	YF1-66526-47-70	..BALL BEARING	1				
25	YF1-58816-48-10	.WASHER,THRUST	1				
26	YF6-64366-40-20	.DRIVE END FLAME	1				
27	YF1-58816-47-10	..RETAINER PLATE	1				

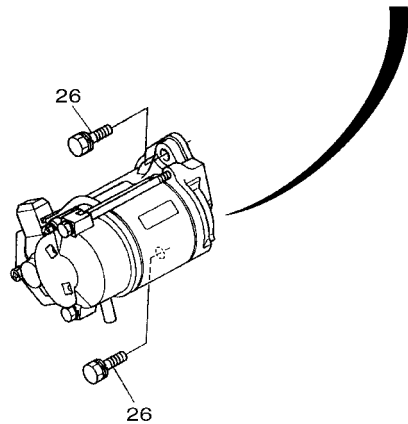
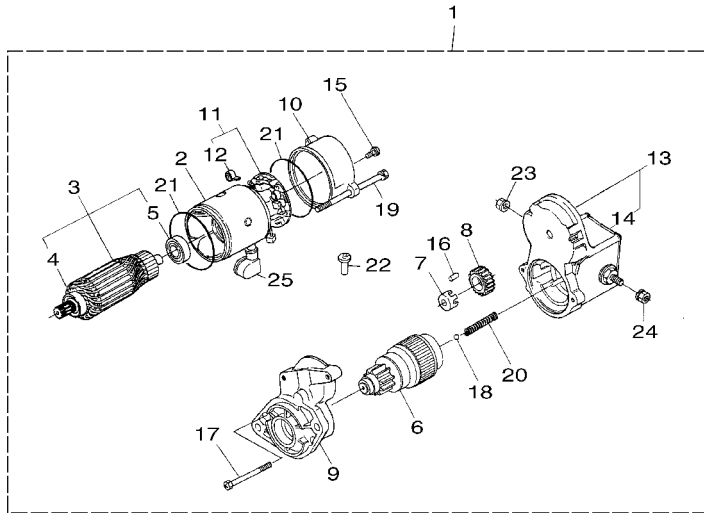
**FIG. 18 GENERATOR**



Q9C2600-A180

REF. NO.	PART NO.	DESCRIPTION	Q9C3				REMARKS
28	YF1-58819-30-10	..SCREW,ROUND HEAD	4				
29	YF1-58816-42-60	..THROUGH BOLT	2				
30	YF1-66526-47-80	..BALL BEARING	1				
31	YF1-62316-40-60	..END FRAME	1				
32	YF1-66786-42-30	..COVER(END)	1				
33	YF1-58816-48-50	..RECTIFIER ASSY	1				
34	YF1-58816-49	..INSULATION BUSHING	1				
35	YF1-66526-43-10	..BRUSH HOLDER	1				
36	YF1-58816-40-90	..BRUSH	2				
37	YF1-58816-43-30	..BRUSH SPRING	2				
38	YF1-58819-30-40	..SCREW,ROUND HEAD	1				
39	YF1-58819-30-30	..SCREW,ROUND HEAD	6				
40	YF1-58819-30-20	..SCREW,ROUND HEAD	2				
41	YF1-58819-10-40	..BOLT	3				
42	YF1-58819-20-20	..NUT	2				
43	YF1-58819-10-50	..BOLT	2				
44	YF1-41829-20-30	..NUT (7NT1)	1				
45	YF1-K5746-46	..REGULATOR ASSY	1				

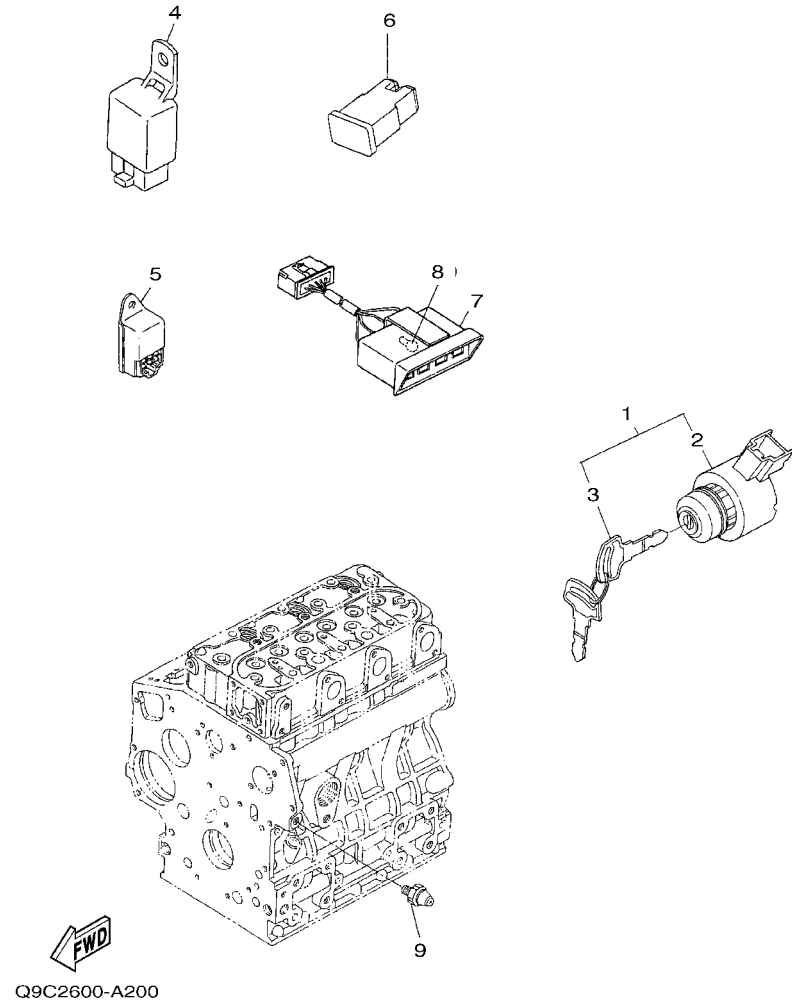
FIG. 19 STARTING MOTOR



**FWD**  
Q9C3600-A190

REF. NO.	PART NO.	DESCRIPTION	Q9C3				REMARKS
1	YF1-62856-30-10	STARTER	1				
2	YF1-14606-30-80	.YOKE	1				
3	YF1-14606-30-70	.ARMATURE	1				
4	YF1-14606-35	..BEARING	1				
5	YF1-14606-35-30	..BEARING	1				
6	YF1-62856-30-40	.CLUTCH ASSY.	1				
7	YF1-14606-31-10	.RETAINER	1				
8	YF1-14606-32-70	.GEAR(2)	1				
9	YF1-62856-30-30	.HOUSING ASSY.	1				
10	YF1-62856-32	.FRAME ASSY.(END)	1				
11	YF1-14706-33-80	.HOLDER ASSY.(BRUSH)	1				
12	YF1-14606-33-90	..SPRING(BRUSH)	4				
13	YF1-62856-30-20	.SWITCH ASSY.(MAGNET)	1				
14	YF1-62859-80-50	..COVER ASSY.(STARTER MAGNET)	1				
15	YF1-55116-37-60	.BOLT ASSY	2				
16	YF1-92126-31	.ROLLER	5				
17	YF1-14609-33-10	.BOLT	2				
18	YF1-92129-71-30	.BALL	1				
19	YF1-14606-33-20	.BOLT,THROUGH	2				
20	YF1-14606-31-20	.SPRING	1				
21	YF1-55119-66-60	.O-RING	2				
22	YF1-62856-35-70	.PIPE(DRAIN)	1				
23	YF1-39639-20-10	.NUT, HEXAGON	1				
24	YF1-62859-20-10	.NUT, HEXAGON	1				
25	YF1-11736-31-30	.COVER(TERMINAL)	1				
26	YF0-11235-08-25	.BOLT	2				

**FIG. 20 ELECTRICAL**

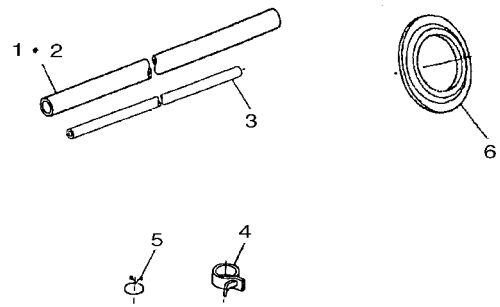


REF. NO.	PART NO.	DESCRIPTION	Q9C3				REMARKS
1	YF1-52486-35-90	STARTER SWITCH ASSY.	1				
2	YF6-C0405-54-12	.SWITCH,STARTER	1				
3	YF1-52486-37	.KEY,STARTER	1				
4	YF1-K5746-02-20	RELAY COMP.(12VA.D)	1				
5	YF1-56946-59-90	LAMP TIMER	1				
6	YF3-37807-55-50	SLOW BLOW FUSE(65A)	1				
7	YF1-74787-02	PILOT BOX	1				
8	YF3-41503-45-90	BULB	4				
9	YF1-58413-90-10	OIL SWITCH	1				



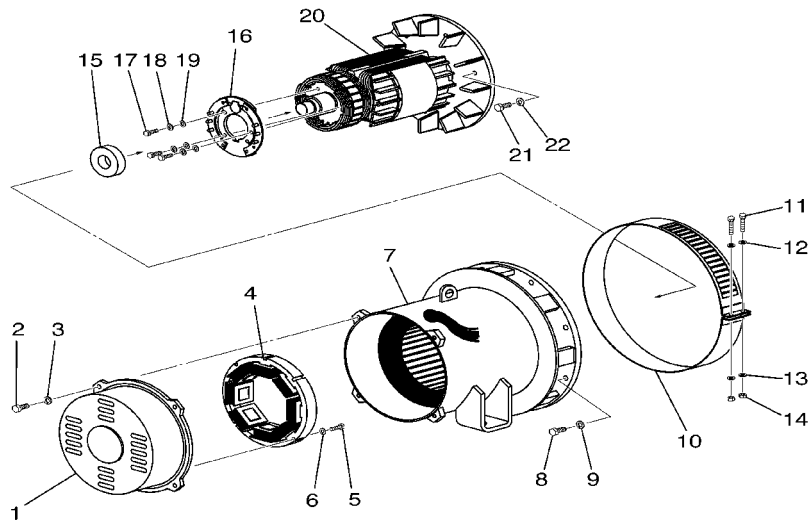
**FIG. 21 ALTERNATE 1**

REF. NO.	PART NO.	DESCRIPTION	Q9C3				REMARKS
1	YF0-96618-09-50	FUEL TUBE	1				
2	YF0-96618-04-50	FUEL PIPE	1				
3	YF0-96614-06-50	FUEL PIPE	1				
4	YF1-49114-27-50	PIPE CLIP	4				
5	YF1-49714-27-50	PIPE CLIP	2				
6	YF1-89013-02-70	FUEL TANK CAP SEAL	1				



 Q9C3600-A210

**FIG. 22 GENERATOR 1**

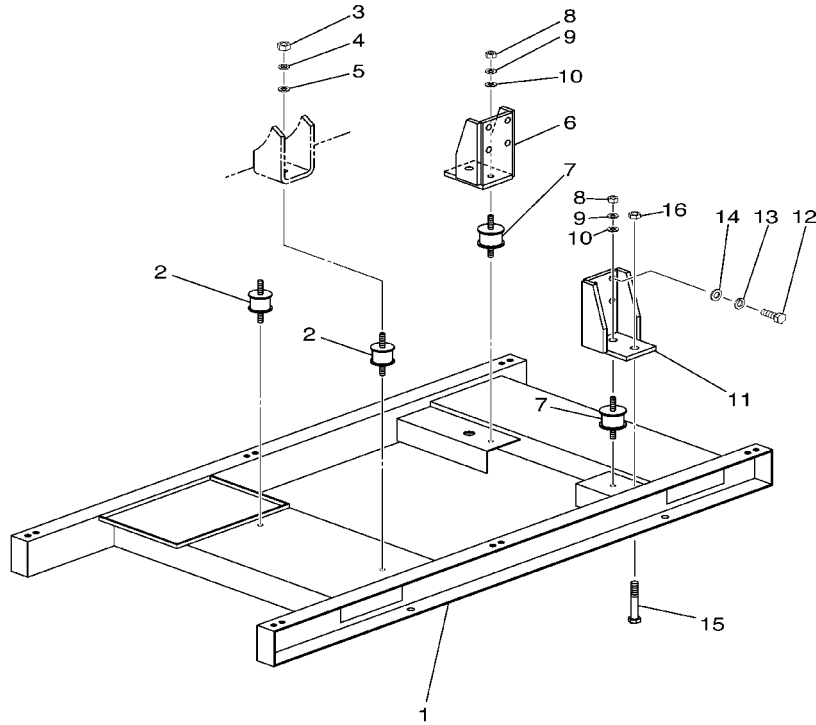


REF. NO.	PART NO.	DESCRIPTION	Q9C3				REMARKS
1	YFT-K3T30-18-87	BRACKET	1				
2	YFT-KBM08-30-A5	BOLT	4				
3	YFT-KWMS0-80	WASHER,SPRING	4				
4	YFT-WKC00-49-ST	EX STATOR ASSY	1				
5	YFT-KBM06-35-A5	BOLT	4				
6	YFT-KWMS0-60	WASHER,SPRING	4				
7	YFT-WKC00-64-ST	STATOR ASSY	1				UR 380V
	YFT-WKC00-81-ST	STATOR ASSY	1				UR 220V
8	YFT-KBM10-25-C5	BOLT	8				
9	YFT-KWMS1-00	WASHER,SPRING	8				
10	YFT-K3T30-17-19	COVER	1				
11	YFT-KBM06-35-A5	BOLT	2				
12	YFT-KWMS0-60	WASHER,SPRING	2				
13	YFT-K1PWM-06-E5	WASHER	2				
14	YFT-K1NM0-6A-50	NUT	2				
15	YFT-KNO63-06-ZZ	BEARING	1				
16	YFT-K3T20-10-65	RECTIFIER ASSY	1				
17	YFT-KBM06-15-A5	BOLT	3				
18	YFT-KWMS0-60	WASHER,SPRING	3				
19	YFT-K1PWM-06-E5	WASHER	3				
20	YFT-WKC00-64-RT	ROTOR ASSY	1				
21	YFT-KBM08-20-C5	BOLT	6				
22	YFT-KWMS0-80	WASHER,SPRING	6				



Q9C2600-A220

**FIG. 23 ENGINE MOUNT**

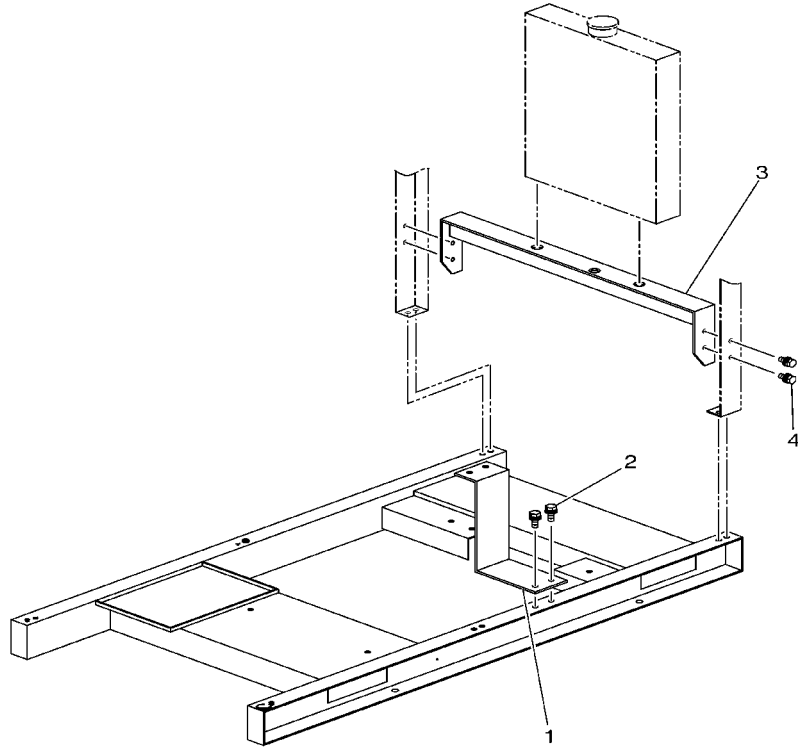


REF. NO.	PART NO.	DESCRIPTION	Q9C3			REMARKS
1	YFT-K3T30-26-88	BED	1			
2	YF3-T2016-69-C0	CUSHION	2			UR 380V
	YF3-T2016-69-D0	CUSHION	2			UR 220V
3	YFT-K1NM0-8A-50	NUT	2			
4	YFT-KWMS0-80	WASHER,SPRING	2			
5	YFT-K1PWM-08-E5	WASHER	2			
6	YFT-K4T30-28-53	FOOT(L)	1			
7	YF3-T2016-69-G0	CUSHION	2			UR 380V
	YF3-T2016-69-H0	CUSHION	2			UR 220V
8	YFT-K1NM0-8A-50	NUT	2			
9	YFT-KWMS0-80	WASHER,SPRING	2			
10	YFT-K1PWM-08-E5	WASHER	2			
11	YFT-K4T30-28-53	FOOT(L)	1			
12	YFT-KBM10-25-C5	BOLT	8			
13	YFT-KWMS1-00	WASHER,SPRING	8			
14	YFT-K1PWM-10-E5	WASHER	8			
15	YFT-KBM12-65-A5	BOLT	2			
16	YFT-K1NM1-2A-50	NUT	2			



Q9C2600-A230

FIG. 24 FRAME

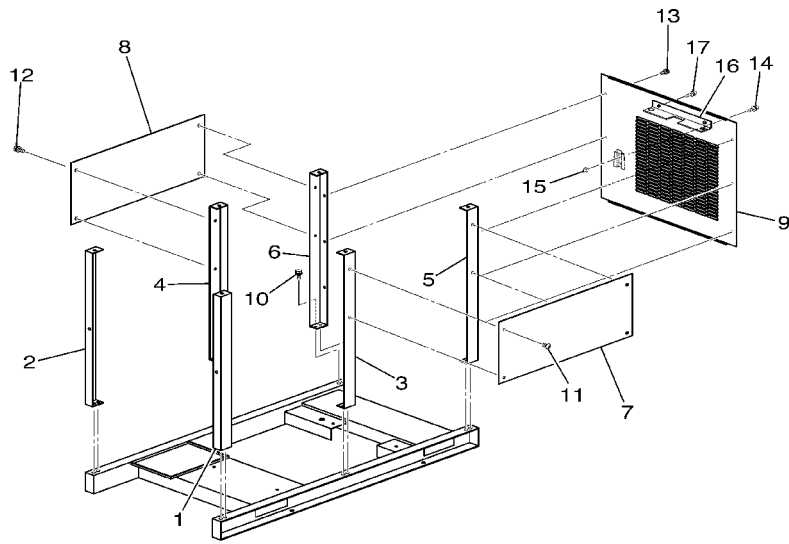


REF. NO.	PART NO.	DESCRIPTION	Q9C3	REMARKS
1	YFT-K4T30-27-71	BRACKET, FUEL FILTER	1	
2	YFS-M820S-PW-A2BOLT		2	
3	YFT-K3T30-26-95	BRACKET, RADIATOR	1	
4	YFS-M820S-PW-A2BOLT		4	



Q9C2600-A240

**FIG. 25 COVER**

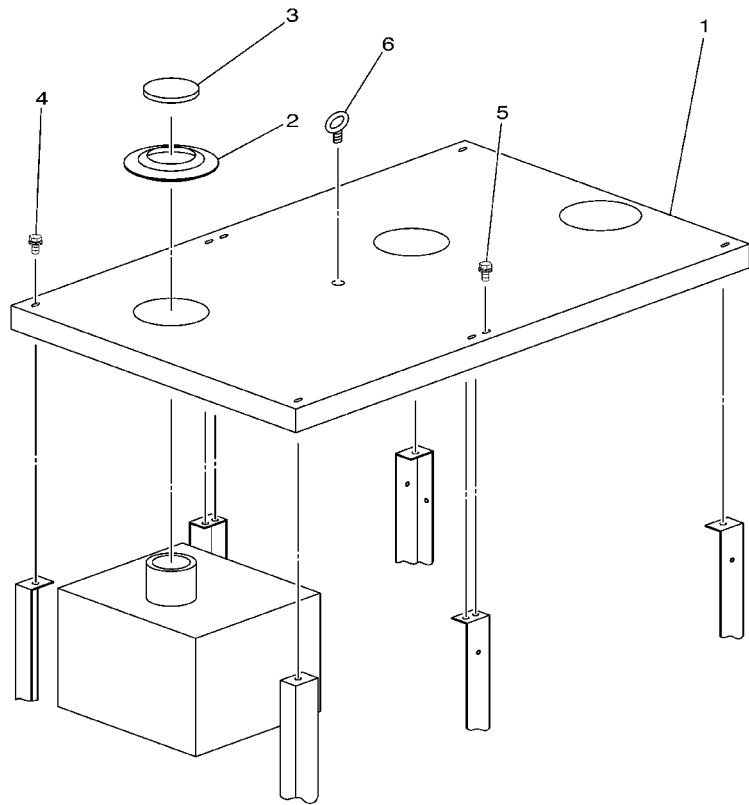


REF. NO.	PART NO.	DESCRIPTION	Q9C3				REMARKS
1	YFT-3T302-69-91	STAND	1				
2	YFT-3T302-69-92	STAND	1				
3	YFT-3T302-69-11	STAND	1				
4	YFT-3T302-69-12	STAND	1				
5	YFT-3T302-69-21	STAND	1				
6	YFT-3T302-69-22	STAND	1				
7	YFT-3T302-69-3R	COVER	1				
8	YFT-3T302-69-3L	COVER	1				
9	YFT-K3T30-26-96	COVER, RADIATOR	1				
10	YFS-M820S-PW-A2BOLT		12				
11	YFT-KM081-0T-RS	SCREW	4				
12	YFS-M816S-PW-A2BOLT		4				
13	YFS-M820S-PW-A2BOLT		6				
14	YFS-M615S-PW-A2BOLT		2				
15	YFT-K1NM0-6A-50	NUT	2				
16	YFT-K4T30-27-01	PLATE,RADIATOR	1				
17	YFS-M820S-PW-A2BOLT		2				



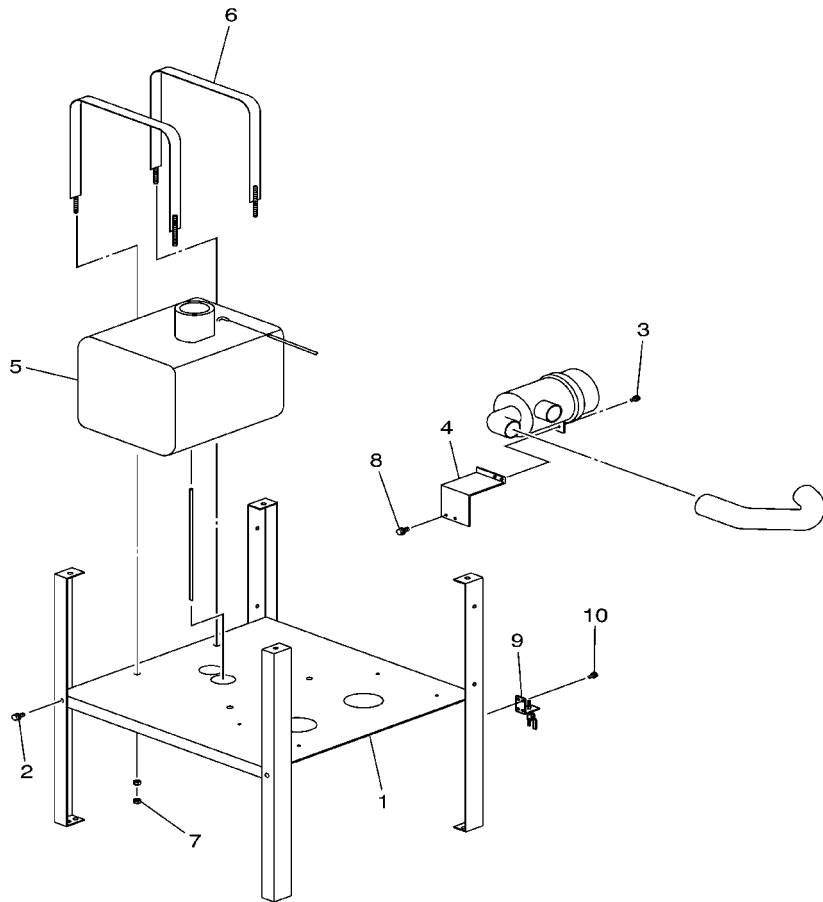
Q9C2600-A250

**FIG. 26 PANEL COVER**



REF. NO.	PART NO.	DESCRIPTION	Q9C3					REMARKS
1	YFT-K3T30-26-89	ROOF	1					
2	YF1-89013-02-70	FUEL TANK CAP SEAL	1					
3	YFT-Y9901-00-0A	CAP FUEL TANK	1					
4	YFS-M820S-PW-A2BOLT		4					
5	YFS-M1030-SW-A2 BOLT		4					
6	YFE-BM200-00	EYEBOLT	1					

 Q9C2600-A260

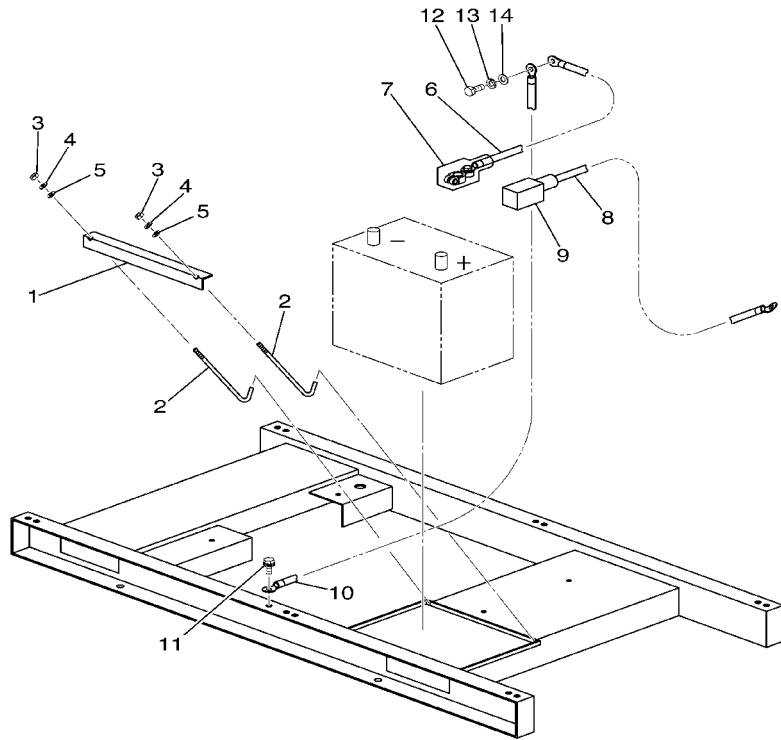


Q9C2600-A270

FIG. 27 FUEL TANK

REF. NO.	PART NO.	DESCRIPTION	Q9C3				REMARKS
1	YFT-K3T30-28-16	PLATE, TANK & C BOX	1				
2	YFS-M820S-PW-A2BOLT		4				
3	YFS-M820S-PW-A2BOLT		2				
4	YFT-K4T30-27	PLATE,AIRCLEANER	1				
5	YFT-K3T30-27-68	FUEL TANK	1				
6	YFT-K4T30-27-72	BAND, FUEL TANK	2				
7	YFT-K1NM0-8A-50	NUT	8				
8	YFS-M820S-PW-A2BOLT		2				
9	YFT-K3T20-16-82	COCK	1				
10	YFS-M515S-PW-A2BOLT		4				

FIG. 28 FRAME 2

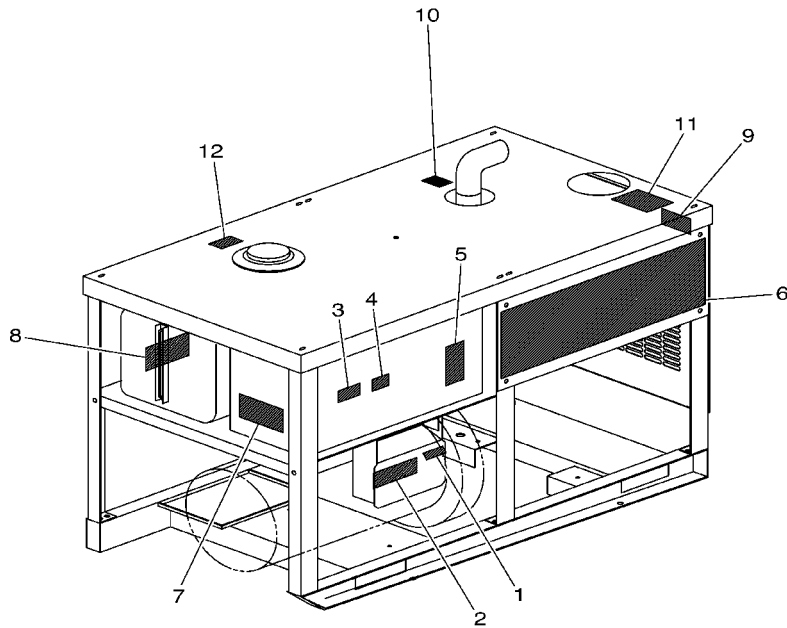


REF. NO.	PART NO.	DESCRIPTION	Q9C3				REMARKS
1	YFT-K4T30-20-93	SUPPORT BATTERY	1				
2	YFT-K4440-00-20	HOOK,BATTERY	2				
3	YFT-K1NM0-6A-50	NUT	2				
4	YFK-TWMS0-60	WASHER,SPRING	2				
5	YFT-K1PWM-06-E5	WASHER	2				
6	YF3-T1030-78-50	CORD, BATTERY(-)	1				
7	YFT-K4440-00-9B	CORD(BLACK)	1				
8	YF3-T1030-78-40	CORD, BATTERY(+)	1				
9	YFT-K4440-00-9R	CORD(RED)	1				
10	YF3-T1030-78-60	CORD (EARTH)	1				
11	YFB-M825A-SS-Y0	BOLT	1				
12	YFT-KBM10-20-C5	BOLT	1				
13	YFT-KWMS1-00	WASHER,SPRING	1				
14	YFT-K1PWM-10-E5	WASHER	1				

 Q9C2600-A280



FIG. 29 LABEL

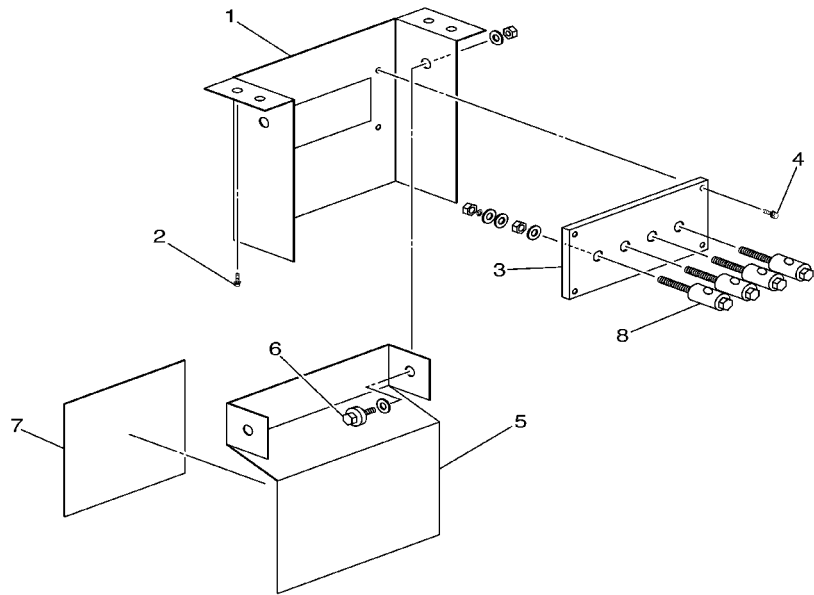


REF. NO.	PART NO.	DESCRIPTION	Q9C3			REMARKS
1	YFT-K4T50-14-50	LABEL SIRIAL	1			UR 380V
	YFT-K4T50-14-53	LABEL SIRIAL	1			UR 220V
2	YFT-K4T50-14-38	LABEL TERMINAL	1			UR 380V
	YFT-K4T50-14-39	LABEL TERMINAL	1			UR 220V
3	YFT-K4T50-10-42	LABEL,KEY SWITCH	1			
4	YFT-K4E50-10-50	LABEL VR	1			
5	YFT-K4T50-10-43	LABEL,BREAKER	1			
6	YFT-K3T50-12-72	NAME PLATE YAMAHA	1			
7	YFT-K4T50-11-27	LABEL WARNING	1			
8	YFT-K3700-03-10	LABEL,MAINTRNANCE	1			
9	YFT-K4T50-11-30	LABEL CAUTION	1			
10	YFT-K4T50-11-28	LABEL CAUTION	1			
11	YFT-K4T50-11-29	LABEL RADIATOR	1			
12	YFT-K4700-07-40	LABEL,FUEL	1			

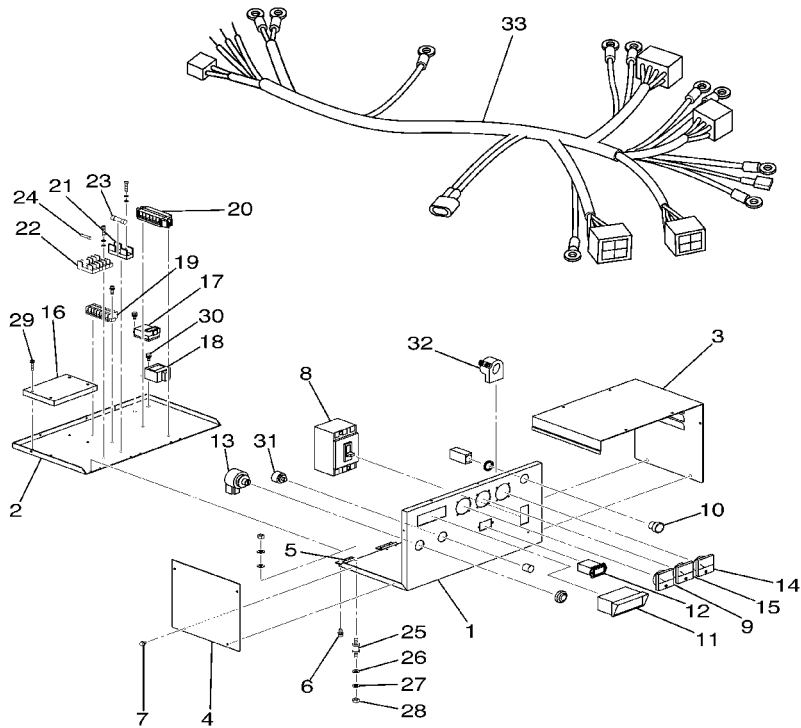
  
Q9C2600-A290

FIG. 30 FRAME 3

REF. NO.	PART NO.	DESCRIPTION	Q9C3					REMARKS
1	YFT-K3T30-28-02	PLATE,TERMINAL	1					
2	YFS-M625S-PW-A6BOLT		4					
3	YFT-K4430-02-80	PLATE	1					
4	YFS-M625S-PW-A6BOLT		4					
5	YFT-K3T30-28-42	COVER	1					
6	YFT-K3T20-14-68	BOLT	2					
7	YFT-K4T50-12-48	SEET	1					
8	YFT-K4430-04-20	TERMINAL,ASSY	4					



Q9C2600-A300

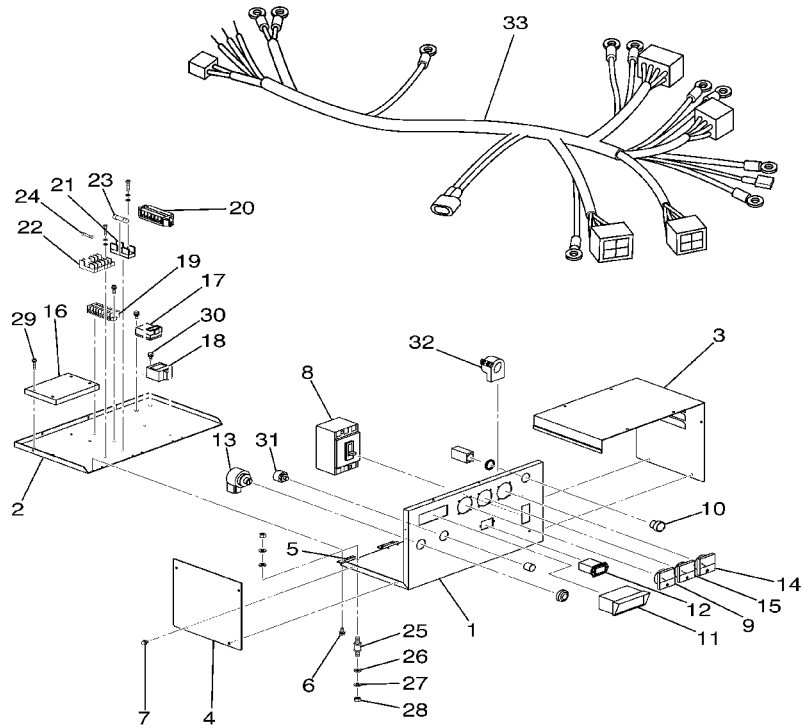


  
 Q9C2600-A310

**FIG. 31 ELECTRICAL 1**

REF. NO.	PART NO.	DESCRIPTION	Q9C3	REMARKS
1	YFT-K3T30-27-11	PANEL (A)	1	
2	YFT-K3T30-27-12	PANEL (B)	1	
3	YFT-K3T30-27-13	PANEL COVER (A)	1	
4	YFT-K3T30-27-14	PANEL COVER (B)	1	
5	YFT-KB102-73	PLATE	3	
6	YFS-EC36S-PW-G5SCREW		12	
7	YFS-EC48S-PW-G2SCREW		14	
8	YFX-M30NB-32-A3	BREAKER	1	UR 380V
	YFX-M100C-S6-33	BREAKER	1	UR 220V
9	YFT-RR55C-44-0V	METER	1	UR 380V
	YFT-RR55C-30-0V	METER	1	UR 220V
10	YFD-R22DO-LM-4GLAMP		1	
11	YF1-74787-02	PILOT BOX	1	
12	YFT-K8500-00	HOUR METER	1	
13	YF6-C0405-54-12	SWITCH,STARTER	1	
14	YFT-RS55H-40-A0	METER	1	UR 380V
	YFT-RS55H-12-0A	METER	1	UR 220V
15	YFT-RC55F-22-0V	METER	1	
16	YFD-ST51D-FK-V0	AVR	1	
17	YF1-56946-59-90	LAMP TIMER	1	
18	YFT-00703-14-10	TIMER RELAY	1	
19	YFT-KTS21-20-8P	TERMINAL	1	
20	YFT-KJTP2-00-6P	TERMINAL	1	UR 380V
	YFT-KJTP3-00-4P	TERMINAL	1	UR 220V
21	YFT-KF66A-D0	HOLDER,FUSE	1	
22	YFT-KF65B-D0	HOLDER,FUSE	8	
23	YFF-71650-2A-25	FUSE(2A)	1	

FIG. 31 ELECTRICAL 1



REF. NO.	PART NO.	DESCRIPTION	Q9C3				REMARKS
24	YFF-71610-1A-25	FUSE(1A)	8				
25	YFT-KKA25-00	CUSHION	4				
26	YFT-K1PWM-05-E5	WASHER	8				
27	YFT-KWMS0-50	WASHER,SPRING	8				
28	YFT-K1NM0-5A-50	NUT	8				
29	YFS-EC425-SP-G5	SCREW (AVR)	4				
30	YFS-EC615-SP-G5	SCREW	2				
31	YFW-P5W2K-00	VOLTAGE, REGULATOR	1				
32	YFC-T2MR1-20-5A	CURRENT, TRANSFORMER	1				
33	YFT-K3T10-32-89	HARNESS	1				



Q9C2600-A310

NUMERICAL INDEX

PART NO.	REF. NO.	PART NO.	REF. NO.	PART NO.	REF. NO.	PART NO.	REF. NO.	PART NO.	REF. NO.		
YFB-M825A-SS-Y028	11	YFT-KWMS0-60	22-6	YFT-K4T30-27	27-4	YFT-3T302-69-3R	25-7	YF0-40136-00-80	6-37	YF1-14606-30-80	19-2
YFC-T2MR1-20-5A31	32		22-12	YFT-K4T30-27-01	25-16	YFT-3T302-69-91	25-1	YF0-40156-00-80	18-7	YF1-14606-31-10	19-7
YFD-R22DO-LM-4G31	10		22-18	YFT-K4T30-27-71	24-1	YFT-3T302-69-92	25-2	YF0-45126-00-60	6-23	YF1-14606-31-20	19-20
YFD-ST51D-FK-V031	16	YFT-KWMS0-80	22-3	YFT-K4T30-27-72	27-6	YFW-P5W2K-00	31-31		11-35	YF1-14606-32-70	19-8
YFE-BM200-00	26-6		22-22	YFT-K4T30-28-53	23-6	YFX-M100C-S6-3331	8		13-4	YF1-14606-33-20	19-19
YFE-91513-31-40	1-24		23-4		23-11	YFX-M30NB-32-A331	8		17-17	YF1-14606-33-90	19-12
	6-27		23-9	YFT-K4T50-10-42	29-3	YF0-10235-06-10	4-9		17-23	YF1-14606-35	19-4
YFF-71610-1A-25	31-24	YFT-KWMS1-00	22-9	YFT-K4T50-10-43	29-5	YF0-10235-06-12	7-2	YF0-45126-01	18-6	YF1-14606-35-30	19-5
YFF-71650-2A-25	31-23		23-13	YFT-K4T50-11-27	29-7		17-7	YF0-46120-00-90	5-33	YF1-14609-33-10	19-17
YFK-TWMS0-60	28-4		28-13	YFT-K4T50-11-28	29-10	YF0-10235-06-14	5-36	YF0-48140-01	17-4	YF1-14706-33-80	19-11
YFS-EC36S-PW-G531	6	YFT-K1NM0-5A-5031	28	YFT-K4T50-11-29	29-11	YF0-10235-06-16	4-28	YF0-48140-01-50	6-10	YF1-19827-24-60	10-12
YFS-EC425-SP-G531	29	YFT-K1NM0-6A-5022	14	YFT-K4T50-11-30	29-9		4-35	YF0-48140-01-60	7-7	YF1-39639-20-10	19-23
YFS-EC48S-PW-G231	7		25-15	YFT-K4T50-12-48	30-7		5-11	YF0-48141-00-70	17-10	YF1-41829-20-30	18-44
YFS-EC615-SP-G531	30	YFT-K1NM0-8A-5023	3	YFT-K4T50-14-38	29-2		8-5	YF0-48141-02-80	3-28	YF1-49114-27-50	11-29
YFS-M1030-SW-A226	5		23-8	YFT-K4T50-14-39	29-2		17-14	YF0-48145-03	1-25		21-4
YFS-M515S-PW-A227	10		27-7	YFT-K4T50-14-50	29-1	YF0-10235-06-18	5-9		6-28	YF1-49714-27-50	12-19
YFS-M615S-PW-A225	14	YFT-K1NM1-2A-5023	16	YFT-K4T50-14-53	29-1		15-3	YF0-48145-06	6-9		21-5
YFS-M625S-PW-A630	2		30-4	YFT-K4430-02-80	30-3	YF0-10235-06-20	3-8	YF0-54110-04-20	17-5	YF1-50213-36-60	2-20
	30-4	YFT-K1PWM-05-E531	26	YFT-K4430-04-20	30-8	YF0-10235-06-25	3-7	YF0-54110-04-28	4-14	YF1-51084-32-90	13-12
YFS-M816S-PW-A225	12	YFT-K1PWM-06-E522	13	YFT-K4440-00-20	28-2	YF0-10235-06-25	3-7	YF0-54110-25-20	17-6	YF1-51084-36-10	13-9
YFS-M820S-PW-A224	2		22-19	YFT-K4440-00-9B	28-7	YF0-10235-06-30	8-20	YF0-57120-05-18	4-26	YF1-51084-37-80	13-10
	24-4	YFT-K1PWM-08-E523	5	YFT-K4440-00-9R	28-9		15-4	YF0-77150-02-01	6-6	YF1-52210-17-50	1-1
	25-10		23-10	YFT-K4700-07-40	29-12	YF0-10235-06-45	6-15	YF0-77150-04-01	3-22	YF1-52210-34-90	2-3
	25-13	YFT-K1PWM-10-E523	14	YFT-K8500-00	31-12	YF0-10235-06-55	6-17	YF0-81010-63-04	5-22	YF1-52211-17-20	14-3
	25-17		28-14	YFT-RC55F-22-0V	31-15		8-6	YF0-81030-62-02	5-2	YF1-52213-36-10	2-19
	26-4	YFT-K3T10-32-89	31-33	YFT-RR55C-30-0V	31-9	YF0-10235-06-85	8-21	YF0-81030-62-04	5-3	YF1-52213-37	1-13
	27-2	YFT-K3T20-10-65	22-16	YFT-RR55C-44-0V	31-9	YF0-10236-06-50	6-16	YF0-93188-90-39	9-10		2-21
	27-3	YFT-K3T20-14-68	30-6	YFT-RS55H-12-0A	31-14		15-5	YF0-96614-06-50	21-3	YF1-52214-31-70	13-6
	27-8	YFT-K3T20-16-82	27-9	YFT-RS55H-40-A0	31-14	YF0-10535-06-18	17-18	YF0-96618-04-50	21-2	YF1-52214-32-10	13-8
YFT-KBM06-15-A522	17	YFT-K3T20-16-82	27-9	YFT-WKC00-49-ST22	4	YF0-11235-08-16	7-6	YF0-96618-09-50	21-1	YF1-52244-30-10	13-5
YFT-KBM06-35-A522	5	YFT-K3T30-17-19	22-10	YFT-WKC00-64-RT22	20	YF0-11235-08-25	19-26	YF1-C0101-31-50	4-6	YF1-52244-32	13-7
	22-11	YFT-K3T30-18-87	22-1	YFT-WKC00-64-ST22	7	YF0-11235-08-30	18-2	YF1-C0106-58-30	18-15	YF1-52248-77-60	13-13
YFT-KBM08-20-C522	21	YFT-K3T30-26-88	23-1	YFT-Y9901-00-0A	26-3	YF0-11235-08-35	8-12	YF1-C0106-58-80	18-16	YF1-52313-39-60	2-13
YFT-KBM08-30-A522	2	YFT-K3T30-26-89	26-1	YFT-Y9901-00-0A	26-3	YF0-11236-08-14	1-2	YF1-C0106-59-10	18-17	YF1-52413-22-90	6-3
YFT-KBM10-20-C528	12	YFT-K3T30-26-95	24-3	YFT-00703-14-10	31-18		6-36	YF1-G3457-21-10	9-2	YF1-52486-35-90	20-1
YFT-KBM10-25-C522	8	YFT-K3T30-26-96	25-9	YFT-00709-31-60	14-11	YF0-11735-10-85	18-3	YF1-G3477-20-60	9-1	YF1-52486-37	20-3
	23-12	YFT-K3T30-27-11	31-1	YFT-02701-63-20	14-13	YF0-13111-06-14	17-22	YF1-G3477-23-30	9-4	YF1-52610-33-70	1-8
YFT-KBM12-65-A523	15	YFT-K3T30-27-12	31-2	YFT-02709-31-10	14-6	YF0-13111-06-20	11-32	YF1-G6427-30-50	8-16	YF1-52611-33-60	4-5
YFT-KB102-73	5	YFT-K3T30-27-13	31-3	YFT-02709-31-40	14-10	YF0-15135-08-22	16-7	YF1-G6807-28-70	9-12	YF1-52619-11-90	6-34
YFT-KF65B-D0	31-22	YFT-K3T30-27-14	31-4	YFT-02709-31-50	14-7	YF0-17545-06-10	10-3	YF1-K5227-28-50	9-8	YF1-52619-20-10	4-12
YFT-KF66A-D0	31-21	YFT-K3T30-27-68	27-5	YFT-02709-31-70	14-9	YF0-20565-00-60	6-22	YF1-K5227-29-40	9-9	YF1-52619-40-10	4-13
YFT-KJTP2-00-6P	31-20	YFT-K3T30-28-02	30-1	YFT-02709-31-90	14-12		13-3	YF1-K5522-50-10	6-30	YF1-52619-60-10	1-5
YFT-KJTP3-00-4P	31-20	YFT-K3T30-28-16	27-1	YFT-02709-32-20	14-14		17-16	YF1-K5746-02-20	20-4		2-4
YFT-KKA25-00	31-25	YFT-K3T30-28-42	30-5	YFT-3T302-69-11	25-3	YF0-21765-01	18-4	YF1-K5746-40-15	18-18	YF1-52631-23-70	16-6
YFT-KM081-0T-RS25	11	YFT-K3T30-28-72	29-6	YFT-3T302-69-12	25-4	YF0-27615-00-40	12-29	YF1-K5746-46	18-45	YF1-53219-62-60	1-4
YFT-KNO63-06-ZZ22	15	YFT-K3700-03-10	29-8	YFT-3T302-69-21	25-5	YF0-30245-05-10	1-21	YF1-K5911-21-20	16-5	YF1-54011-17-20	14-2
YFT-KTS21-20-8P	31-19	YFT-K4E50-10-50	29-4	YFT-3T302-69-22	25-6	YF0-30245-05-20	12-26	YF1-11736-31-30	19-25	YF1-54519-62-70	2-2
YFT-KWMS0-50	31-27	YFT-K4T30-20-93	28-1	YFT-3T302-69-3L	25-8	YF0-40115-01	18-5	YF1-14606-30-70	19-3	YF1-54519-66-70	7-4

NUMERICAL INDEX

PART NO.	REF. NO.	PART NO.	REF. NO.	PART NO.	REF. NO.	PART NO.	REF. NO.	PART NO.	REF. NO.	PART NO.	REF. NO.
YF1-54717-24-40	10-9	YF1-58419-31-10	11-21	YF1-60329-85-70	12-14	YF1-62411-32-80	4-7	YF1-62415-11-90	5-6	YF1-62599-10-40	6-20
YF1-55017-24-70	10-11	YF1-58419-40-22	4-16	YF1-60329-85-80	12-14	YF1-62411-33-30	4-4	YF1-62415-41-20	17-30	YF1-62610-40-40	3-9
YF1-55018-82-10	10-6	YF1-58419-45-70	11-9	YF1-60329-85-90	12-14	YF1-62411-35-40	1-6	YF1-62415-50-62	5-17	YF1-62610-40-50	3-11
YF1-55116-37-60	19-15	YF1-58419-60-20	1-12	YF1-60401-61-70	5-1	YF1-62411-35-60	1-7	YF1-62415-52-60	5-18	YF1-62611-55-50	4-21
YF1-55119-66-60	19-21	YF1-58419-66-50	11-24	YF1-60405-20-92	11-30	YF1-62411-40-32	4-18	YF1-62415-52-70	5-16	YF1-62616-38-22	6-31
YF1-55212-35-30	3-32	YF1-58419-66-60	11-26	YF1-60405-21-12	11-31	YF1-62411-42-30	4-19	YF1-62415-53-92	5-14	YF1-62640-41-30	6-14
YF1-55212-39-50	3-32	YF1-58419-67-60	11-7	YF1-60405-21-22	11-31	YF1-62411-42-40	4-20	YF1-62415-54-50	5-20	YF1-62640-43-60	3-3
YF1-55212-39-60	3-32	YF1-58629-14-30	11-11	YF1-60500-30-40	1-3	YF1-62411-42-64	4-8	YF1-62415-54-63	5-21	YF1-62640-48-20	3-6
YF1-55219-36-10	4-24	YF1-58816-40-90	18-36	YF1-60502-11-10	3-13	YF1-62411-43-10	4-17	YF1-62415-55-54	5-24	YF1-62645-21-40	13-2
YF1-55219-60-20	2-7	YF1-58816-41-10	18-19	YF1-60502-19-10	3-13	YF1-62411-43-50	4-10	YF1-62415-61-53	5-30	YF1-62645-72-10	17-13
YF1-55317-24-02	10-4	YF1-58816-41-50	18-21	YF1-60515-60-56	5-27	YF1-62411-44-10	4-11	YF1-62415-62-10	5-37	YF1-62647-29-20	8-4
YF1-55317-24-10	10-5	YF1-58816-42-60	18-29	YF1-60605-10-10	11-1	YF1-62411-44-30	4-15	YF1-62415-62-50	5-34	YF1-62648-31-52	17-35
YF1-55317-24-22	10-7	YF1-58816-43-30	18-37	YF1-60605-10-60	11-19	YF1-62411-45	1-14	YF1-62415-63-30	5-32	YF1-62648-33-42	6-26
YF1-55317-24-32	10-8	YF1-58816-47-10	18-27	YF1-60605-15-40	11-20	YF1-62411-45-20	1-15	YF1-62415-63-40	5-38	YF1-62710-33-10	1-11
YF1-55317-24-42	10-10	YF1-58816-48	18-23	YF1-62055-60-20	17-8	YF1-62055-71-60	17-8	YF1-62416-44-20	18-1	YF1-62710-34-50	1-10
YF1-56019-66-50	12-17	YF1-58816-48-10	18-25	YF1-62055-70-10	17-1	YF1-62055-70-10	17-1	YF1-62417-33-40	8-18	YF1-62711-17-70	15-1
		YF1-58816-48-50	18-33	YF1-62055-71-50	17-2	YF1-62055-71-50	17-2	YF1-62417-33-50	8-7	YF1-62711-32-40	4-3
		YF1-58816-49	18-34	YF1-62055-71-60	17-3	YF1-62055-71-60	17-3	YF1-62417-33-60	8-8	YF1-62711-60-10	4-23
		YF1-58819-10-40	18-41	YF1-62055-75-10	17-11	YF1-62055-75-10	17-11	YF1-62417-33-70	8-2	YF1-62712-10-50	3-14
YF1-56946-59-90	20-5	YF1-58819-10-50	18-43	YF1-62055-77-20	17-9	YF1-62055-77-20	17-9	YF1-62417-42-50	10-2	YF1-62712-10-90	3-14
		YF1-58819-20-10	18-20	YF1-62055-77-40	17-12	YF1-62055-77-40	17-12	YF1-62417-42-80	18-9	YF1-62712-40-10	4-29
		YF1-58819-20-20	18-42	YF1-62197-32-60	8-10	YF1-62197-32-60	8-10	YF1-62419-10-20	18-10	YF1-62712-49-80	4-30
		YF1-58819-30-10	18-28	YF1-62215-44-20	17-29	YF1-62215-44-20	17-29	YF1-62419-10-40	6-19	YF1-62713-20-92	6-29
		YF1-58819-30-20	18-40		17-34		17-34	YF1-62419-14-90	16-3	YF1-62714-25-02	12-15
		YF1-58819-30-30	18-39	YF1-62215-62-80	2-16	YF1-62215-62-80	2-16	YF1-62419-23-30	5-7	YF1-62715-12-20	11-6
		YF1-58819-30-40	18-38	YF1-62217-32-70	8-11	YF1-62217-32-70	8-11	YF1-62419-31-20	6-13	YF1-62715-14-30	11-14
		YF1-58819-30-60	1-23	YF1-62219-45-20	2-12	YF1-62219-45-20	2-12	YF1-62419-40-10	5-31	YF1-62715-37-12	12-20
		YF1-59519-66-60	1-23	YF1-62219-45-30	2-11	YF1-62219-45-30	2-11	YF1-62419-52-30	5-8	YF1-62715-37-22	12-21
		YF1-59529-23-30	1-22	YF1-62225-61-33	5-29	YF1-62225-61-33	5-29	YF1-62419-56-90	11-27	YF1-62715-37-32	12-22
		YF1-60305-10-52	11-2	YF1-62259-45-10	2-10	YF1-62259-45-10	2-10	YF1-62419-60-10	2-6	YF1-62715-37-42	12-23
		YF1-60305-13-20	11-23	YF1-62263-21-10	7-5	YF1-62263-21-10	7-5	YF1-62419-60-20	6-2	YF1-62715-53-13	5-13
		YF1-60325-30	12-4	YF1-62267-27	8-1	YF1-62267-27	8-1	YF1-62419-62-62	2-15	YF1-62715-53-50	2-18
		YF1-60325-31-60	12-9	YF1-62316-40-60	18-31	YF1-62316-40-60	18-31	YF1-62419-70-10	18-11	YF1-62715-54-10	5-23
		YF1-60325-31-70	12-7	YF1-62397-34-30	8-19	YF1-62397-34-30	8-19	YF1-62459-15-30	6-21	YF1-62716-55-60	12-28
		YF1-60325-32-30	12-6	YF1-62410-34-50	1-9	YF1-62410-34-50	1-9	YF1-62459-15-40	6-25	YF1-62719-20-10	16-4
		YF1-60325-32-80	12-10	YF1-62410-40-92	3-1	YF1-62410-40-92	3-1		17-15	YF1-62719-52-30	3-24
		YF1-60325-33-50	12-8	YF1-62410-44-60	3-5	YF1-62410-44-60	3-5	YF1-62517-30-34	8-13	YF1-62719-61-60	2-9
		YF1-60325-36-10	12-12	YF1-62410-45-40	3-2	YF1-62410-45-40	3-2	YF1-62570-10-15	2-1	YF1-62820-40-60	3-12
		YF1-60325-39	12-1	YF1-62410-45-60	3-10	YF1-62410-45-60	3-10	YF1-62590-40-20	6-1	YF1-62825-50-13	5-12
		YF1-60329-20-30	12-5	YF1-62410-48-13	3-4	YF1-62410-48-13	3-4	YF1-62590-42-10	6-24	YF1-62825-53-20	5-15
		YF1-60329-40-40	12-11	YF1-62410-51-40	1-17	YF1-62410-51-40	1-17	YF1-62593-28-82	6-7	YF1-62829-60-10	2-17
		YF1-60329-81	12-13	YF1-62410-51-50	1-18	YF1-62410-51-50	1-18	YF1-62593-29	6-8	YF1-62850-15	7-1
		YF1-60329-85	12-14	YF1-62410-53-70	1-20	YF1-62410-53-70	1-20	YF1-62593-51-32	6-12	YF1-62851-23-10	16-1
		YF1-60329-85-10	12-14	YF1-62410-55-10	1-26	YF1-62410-55-10	1-26	YF1-62595-40-90	17-24	YF1-62855-20-32	13-1
		YF1-60329-85-20	12-14	YF1-62410-55-50	1-16	YF1-62410-55-50	1-16	YF1-62595-41-02	17-25	YF1-62855-64-12	5-26
		YF1-60329-85-30	12-14	YF1-62410-56-70	1-19	YF1-62410-56-70	1-19	YF1-62597-35-12	8-17	YF1-62855-64-80	5-25
		YF1-60329-85-40	12-14	YF1-62411-18-20	15-2	YF1-62411-18-20	15-2	YF1-62597-35-20	8-14	YF1-62856-30-10	19-1
		YF1-60329-85-50	12-14	YF1-62411-31-10	4-1	YF1-62411-31-10	4-1	YF1-62597-35-52	8-15	YF1-62856-30-20	19-13
		YF1-60329-85-60	12-14								

NUMERICAL INDEX

PART NO.	REF. NO.	PART NO.	REF. NO.	PART NO.	REF. NO.	PART NO.	REF. NO.	PART NO.	REF. NO.
YF1-62856-30-30	19- 9	YF1-94845-54-40	5- 28						
YF1-62856-30-40	19- 6	YF1-94937-41-10	10- 1						
YF1-62856-32	19- 10	YF3-T1030-78-40	28- 8						
YF1-62856-35-70	19- 22	YF3-T1030-78-50	28- 6						
YF1-62859-20-10	19- 24	YF3-T1030-78-60	28- 10						
YF1-62859-80-50	19- 14	YF3-T2016-69-C0	23- 2						
YF1-62863-37-50	7- 3	YF3-T2016-69-D0	23- 2						
YF1-62922-34-90	3- 31	YF3-T2016-69-G0	23- 7						
YF1-62922-38-60	3- 31	YF3-T2016-69-H0	23- 7						
YF1-62922-38-70	3- 31	YF3-12201-41-70	6- 35						
YF1-62991-23-60	16- 2	YF3-23321-63-10	14- 5						
YF1-62991-31-20	4- 2	YF3-23329-31-80	14- 8						
YF1-62995-62-60	5- 35	YF3-23329-32	14- 4						
YF1-62996-01-50	17- 21	YF3-37807-55-50	20- 6						
YF1-66161-16-20	14- 1	YF3-40701-60-30	9- 7						
YF1-66316-58-40	18- 13	YF3-40701-60-70	9- 5						
YF1-66526-43-10	18- 35	YF3-40701-60-90	9- 6						
YF1-66526-47-70	18- 24	YF3-41503-45-90	20- 8						
YF1-66526-47-80	18- 30	YF3-62008-27-20	9- 13						
YF1-66786-42-30	18- 32	YF3-66022-32-40	6- 38						
YF1-66786-58-30	18- 12	YF6-C0405-54-12	20- 2						
YF1-66839-60-20	2- 5		31- 13						
YF1-68516-55-10	12- 27	YF6-64366-40-20	18- 26						
YF1-69201-24-10	16- 8	YF6-64366-40-40	18- 22						
YF1-69201-24-30	16- 9								
YF1-72037-28-60	9- 11								
YF1-72086-00-10	17- 20								
YF1-72150-46-10	6- 33								
YF1-73919-61-60	2- 8								
YF1-74563-64-10	7- 8								
YF1-74563-64-20	7- 9								
YF1-74787-02	20- 7								
	31- 11								
YF1-75385-11-50	5- 4								
YF1-75388-30-40	8- 3								
YF1-75801-60-60	9- 3								
YF1-89013-02-70	21- 6								
	26- 2								
YF1-90775-36-50	12- 3								
YF1-92022-35-40	3- 33								
YF1-92022-39-70	3- 33								
YF1-92022-39-80	3- 33								
YF1-92126-31	19- 16								
YF1-92129-71-30	19- 18								
YF1-92224-32-80	13- 11								
YF1-92376-59-10	18- 14								
YF1-94347-30-14	8- 9								
YF1-94845-54-40	5- 19								