



# **PARTS CATALOGUE**

**YAMAHA GENERATOR**

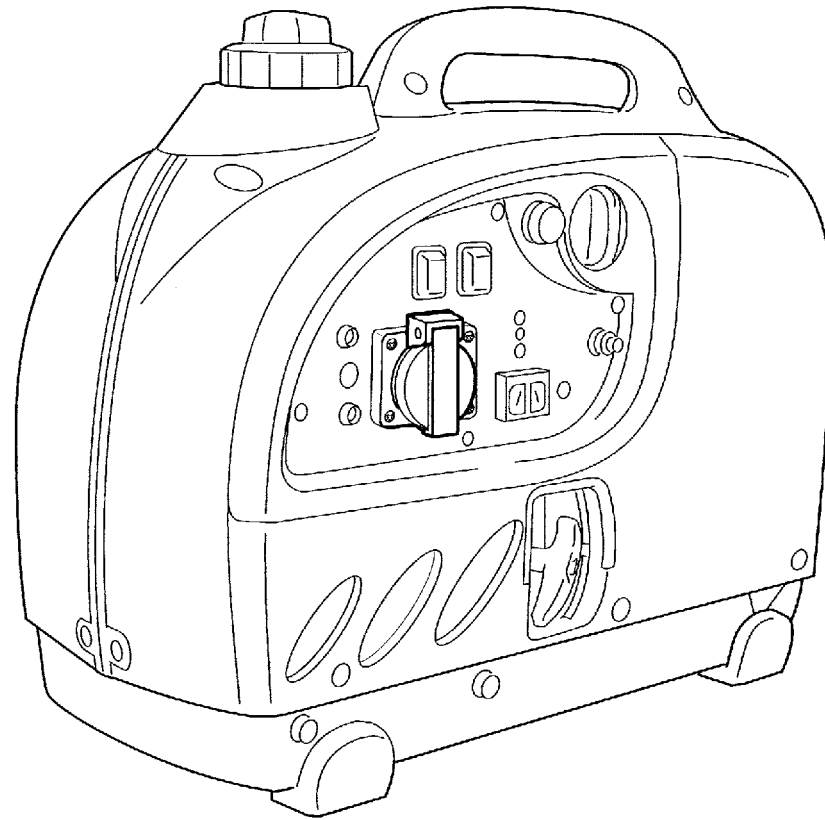
**EF1000iS** (7VV3) (220V/50Hz) OTHER

**EF1000iS** (7VV3) (230V/50Hz) EUROPE

**EF1000iS** (7VV4) (240V/50Hz) AUSTRALIA

EF1000iS  
PARTS CATALOGUE  
©2002 by Yamaha Motor Co., Ltd.  
1st Edition, Nov. 2002  
All rights reserved.  
Any reprinting or unauthorized use  
without the written permission of  
Yamaha Motor Co., Ltd.  
is expressly prohibited.  
Printed in Japan

**A3**



**A4**

# FOREWORD

This Parts Catalogue is related to the parts for the model(s) in the below frame. When you are ordering replacement parts, please refer to this Parts Catalogue and quote both part numbers and part names correctly.

1. Modifications or additions which have been made after issue of the Parts Catalogue will be announced in the Yamaha Parts News.  
It is advisable that you make necessary corrections to the Parts Catalogue according to the Yamaha Parts News.

2. Abbreviations

The following abbreviations are used in this Parts Catalogue.

“UR” Use specified parts number.

“UN” Use as many as needed.

“AP” Alternate Parts

“LM” Local Made (Parts need to be ordered locally)

“F#” Frame No. (Applicable machine No.)

3. Parts, which are to be supplied in an assembly, are listed with a dot(.) in front of the part name as shown below.

EXAMPLE

CARBURETOR ASSY

.JET, PILOT

.NOZZLE, MAIN

4. Number of component for assembly

The numeral appearing to the right of each component part indicates the quantity of parts for each assembly unit.

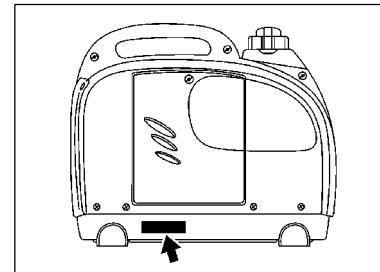
EXAMPLE

PART NO.	DESCRIPTION	Q'TY	REMARKS
2F5-83310-60	FRONT FLASHER LIGHT ASSY	2	
115-83311-60	.BULB (6V-18W)	1	

5. Applicable Starting Serial No. and Color Code

MODEL NAME	MODEL TYPE	DESTINATION	FRAME NO.
EF1000iS	7VV3	OTHER	7VV-340101
		EUROPE (EXCEPT FRANCE)	7VV-320101
		EUROPE (FRANCE)	7VV-300101
EF1000iS	7VV4	AUSTRALIA	7VV-400101

Frame Serial No.



Color Code	Color Name	Abbreviation	MODEL	Country (destination)
0714	PURPLISH BLUE SOLID 3	PBS3	7VV3	EUROPE
			7VV4	OTHER AUSTRALIA

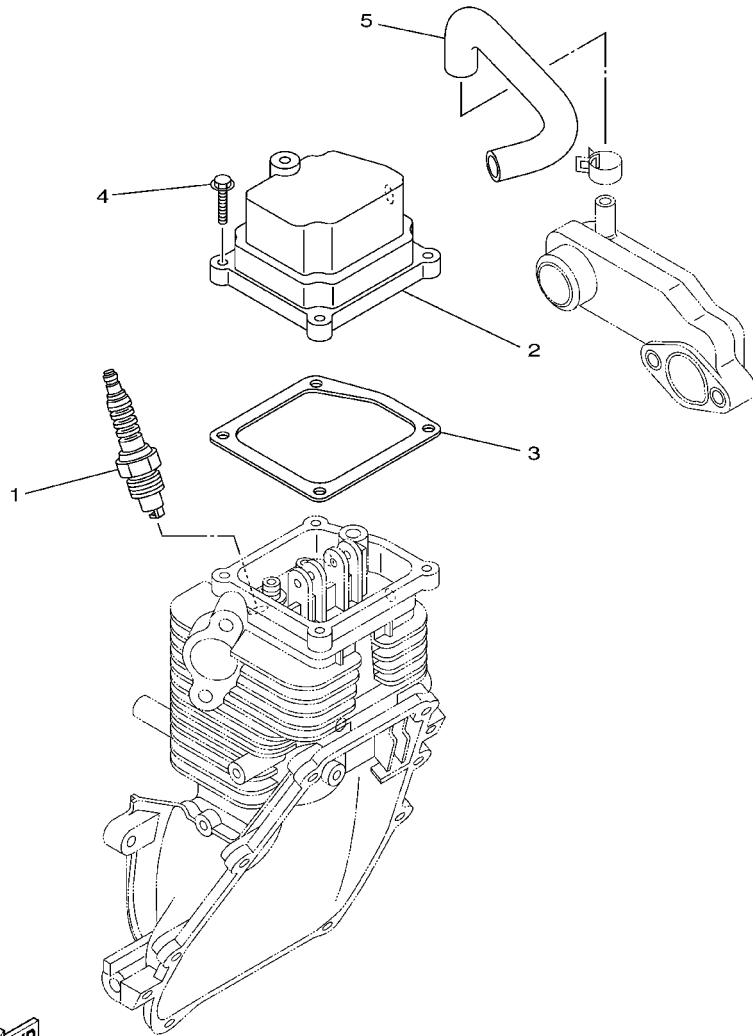
6. Note that the illustrations for reference in finding parts numbers, not to be used for assembling. When assembling, please use the applicable service manual.

7. The asterisk (\*) before a reference number indicates modification items after the first edition.

# CONTENTS

CYLINDER .....	B2
CRANKSHAFT. PISTON .....	B3
CAMSHAFT.VALVE .....	B4
AIR SHROUD. STARTER .....	B5
INTAKE .....	B7
CARBURETOR .....	B8
EXHAUST .....	B10
CRANKCASE .....	B11
FRAME .....	B12
FRAME 2 .....	B13
FUEL TANK .....	B14
MAGNETO .....	C2
GENERATOR .....	C3
CONTROL BOX 1 .....	C4
CONTROL BOX 2 .....	C6
GRAPHIC. EMBLEM .....	C8
<b>INDEX</b>	
NUMERICAL INDEX .....	M1

**FIG. 1 CYLINDER**

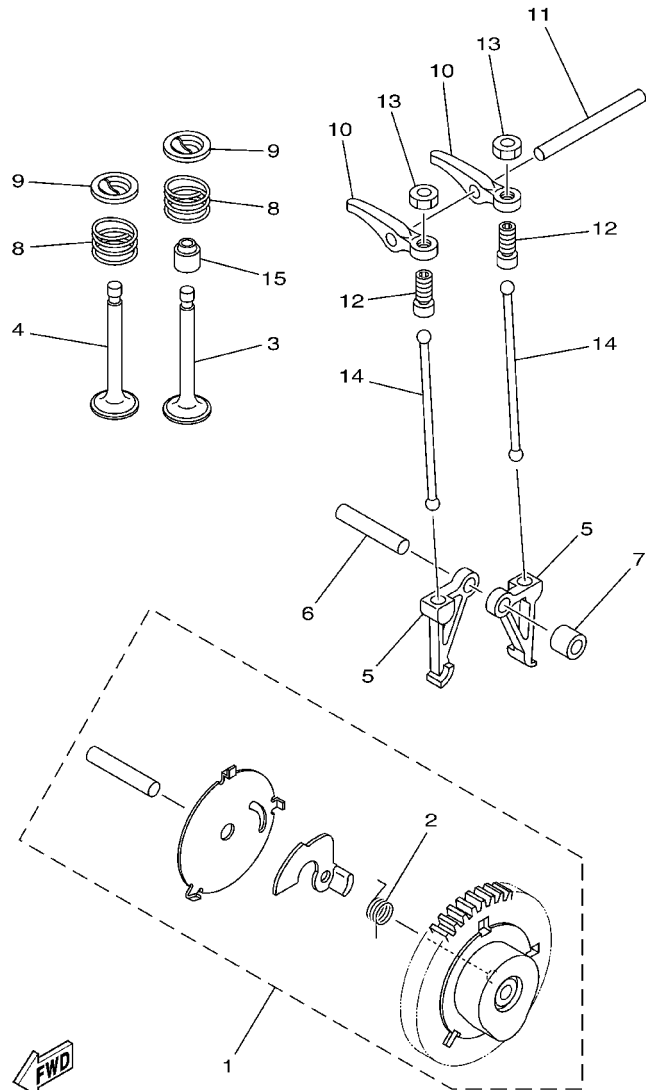


7VV1010-A010

REF. NO.	PART NO.	DESCRIPTION	EUR	OTH	OCF	REMARKS
1	94702-00372	PLUG, SPARK (NGK CR6HSA)	1	1	1	
2	7VV-11190-00	COVER, CYLINDER HEAD 1	1	1	1	
3	7VV-11193-00	GASKET, HEAD COVER 1	1	1	1	
4	90105-05361	BOLT, FLANGE	4	4	4	
5	7VV-11166-00	PIPE, BREATHER 1	1	1	1	
<hr/>						
<hr/>						
<hr/>						
<hr/>						
<hr/>						
<hr/>						
<hr/>						
<hr/>						
<hr/>						
<hr/>						



FIG. 3 CAMSHAFT.VALVE

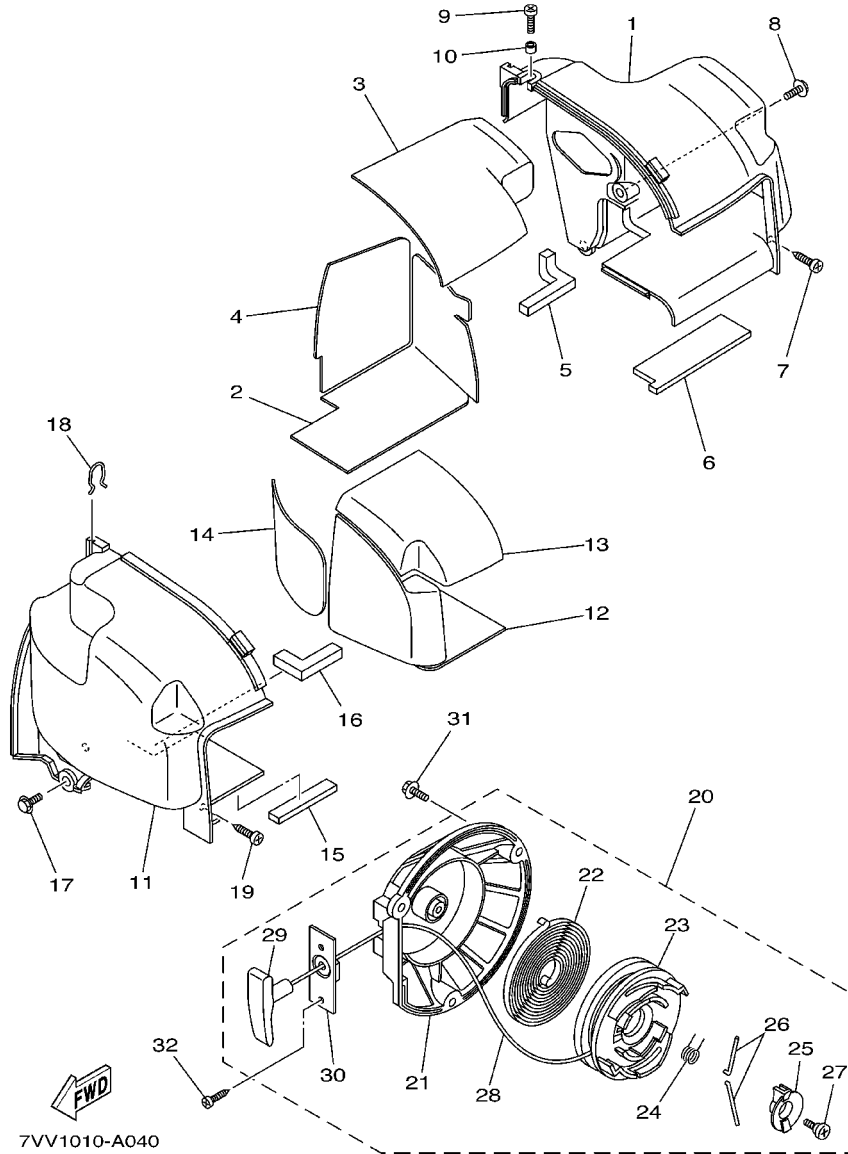


7VV1010-A030

REF. NO.	PART NO.	DESCRIPTION	EUR	OTH	OCF	REMARKS
1	7VV-12170-00	CAMSHAFT ASSY 1	1	1	1	
2	7VV-12287-00	.SPRING, DECOMPRESSION	1	1	1	
3	7VV-12111-00	VALVE, INTAKE	1	1	1	
4	7VV-12121-00	VALVE, EXHAUST	1	1	1	
5	7VV-12141-00	FOLLOWER,CAM	2	2	2	
6	93605-30002	PIN, DOWEL	2	2	2	
7	90387-05624	COLLAR	1	1	1	
8	90501-16708	SPRING, COMPRESSION	2	2	2	
9	7VV-12117-00	RETAINER, VALVE SPRING	2	2	2	
10	7VV-12151-00	ARM, VALVE ROCKER	2	2	2	
11	93604-42002	PIN, DOWEL	1	1	1	
12	7VV-12159-00	SCREW, VALVE ADJUSTING	2	2	2	
13	90170-05302	NUT	2	2	2	
14	7VV-12154-00	ROD, VALVE PUSH	2	2	2	
15	1HX-12119-00	SEAL, VALVE STEM	1	1	1	



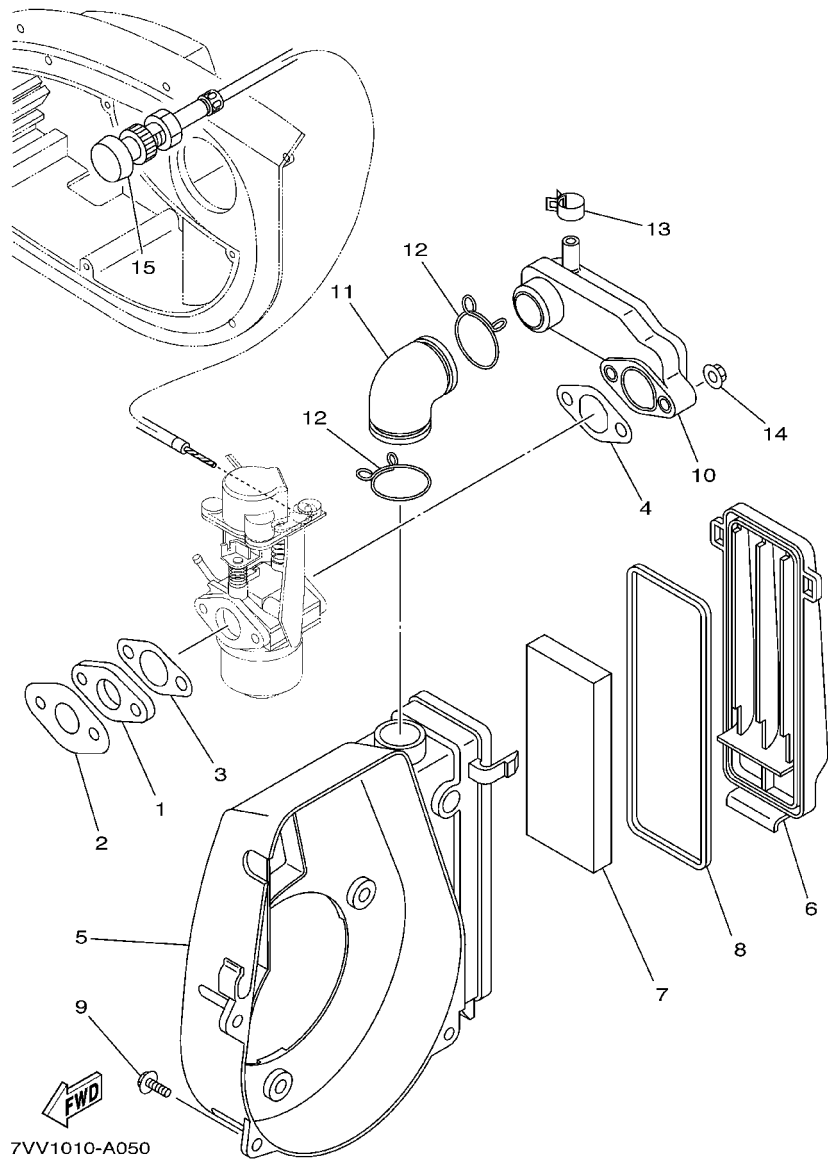
**FIG. 4 AIR SHROUD. STARTER**



7VV1010-A040

REF. NO.	PART NO.	DESCRIPTION	EUR	OTH	OCF	REMARKS
1	7VV-12651-00	AIR SHROUD, CYLINDER 1	1	1	1	
2	7VV-1469A-00	FIBER	1	1	1	
3	7VV-1469E-00	FIBER	1	1	1	
4	7VV-1469F-00	FIBER 3	1	1	1	
5	7VV-12668-00	DAMPER, AIR SHROUD 3	1	1	1	
6	7VV-12678-00	DAMPER, AIR SHROUD 5	1	1	1	
7	97707-50016	SCREW, TAPPING	1	1	1	
8	90105-05002	BOLT, FLANGE	2	2	2	
9	98907-05014	SCREW, BIND	1	1	1	
10	90387-05679	COLLAR	1	1	1	
11	7VV-12652-00	AIR SHROUD, CYLINDER 2	1	1	1	
12	7VV-1478A-00	FIBER 7	1	1	1	
13	7VV-1478E-00	FIBER 8	1	1	1	
14	7VV-1478F-00	FIBER 9	1	1	1	
15	7VV-12679-00	DAMPER, SHROUD 6	1	1	1	
16	7VV-12669-00	DAMPER, AIR SHROUD 4	1	1	1	
17	90105-05002	BOLT, FLANGE	2	2	2	
18	7VV-12486-00	CLIP	2	2	2	
19	97707-50016	SCREW, TAPPING	1	1	1	
20	7VV-15710-00	STARTER ASSY	1	1	1	
21	7VV-15703-00	.STARTER CASE COMP.	1	1	1	
22	7VV-15713-00	.SPRING, STARTER	1	1	1	
23	7VV-15714-00	.DRUM, SHEAVE	1	1	1	
24	7VV-15715-00	.SPRING, FRICTION	1	1	1	
25	7VV-15716-00	.PLATE, DRIVE	1	1	1	
26	7VV-15741-00	.PAWL, DRIVE	2	2	2	
27	7VV-15793-00	.SCREW	1	1	1	

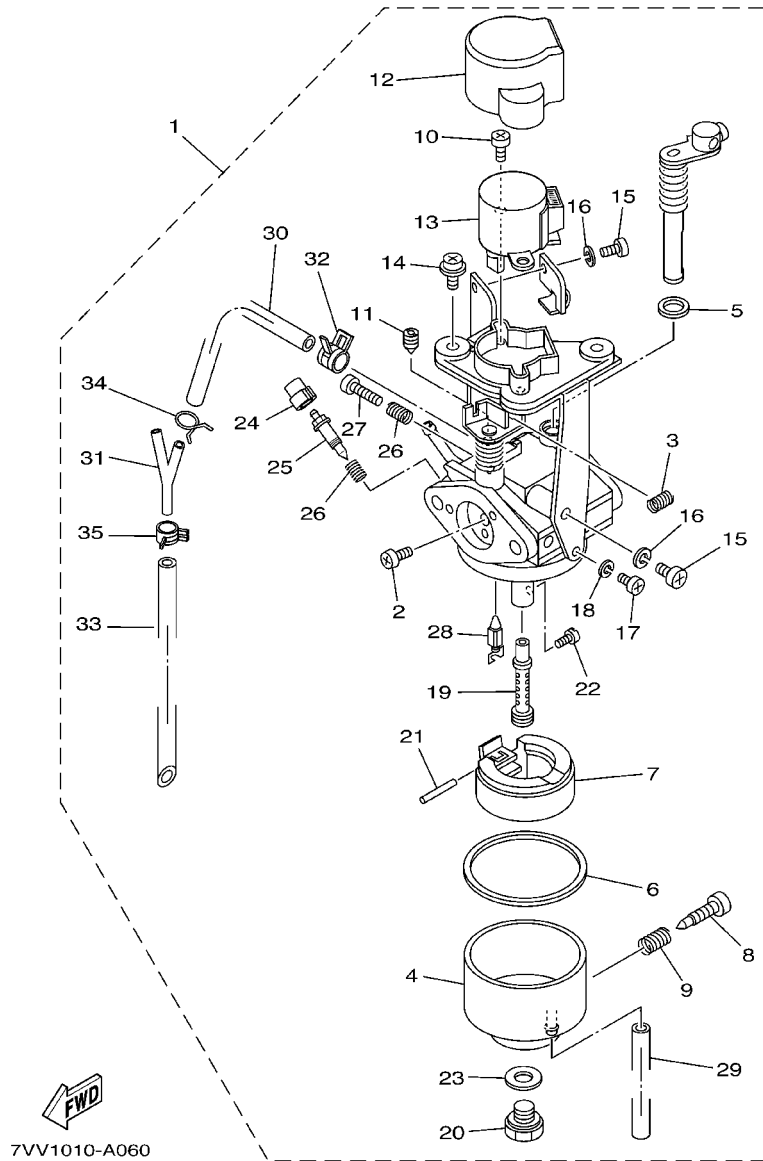




**FIG. 5 INTAKE**

REF. NO.	PART NO.	DESCRIPTION	EUR	OTH	OCF	REMARKS
1	7X9-13595-00	JOINT	1	1	1	
2	7G5-13556-10	GASKET, MANIFOLD	1	1	1	
3	7VV-13556-00	GASKET, MANIFOLD	1	1	1	
4	7X9-14416-10	GASKET, AIR CLEANER	1	1	1	
5	7VV-14411-00	CASE, AIR CLEANER 1	1	1	1	
6	7VV-14412-00	CAP, CLEANER CASE 1	1	1	1	
7	7VV-14451-00	ELEMENT, AIR CLEANER	1	1	1	
8	7VV-14462-00	SEAL	1	1	1	
9	90105-05002	BOLT, FLANGE	3	3	3	
10	7VV-14453-00	JOINT, AIR CLEANER 1	1	1	1	
11	7VV-14485-00	PIPE, JOINT	1	1	1	
12	90467-280A0	CLIP	2	2	2	
13	90467-13064	CLIP	1	1	1	
14	95707-06500	NUT, FLANGE	2	2	2	
15	7VV-26331-00	CABLE, CHOKE	1	1	1	

**FIG. 6 CARBURETOR**



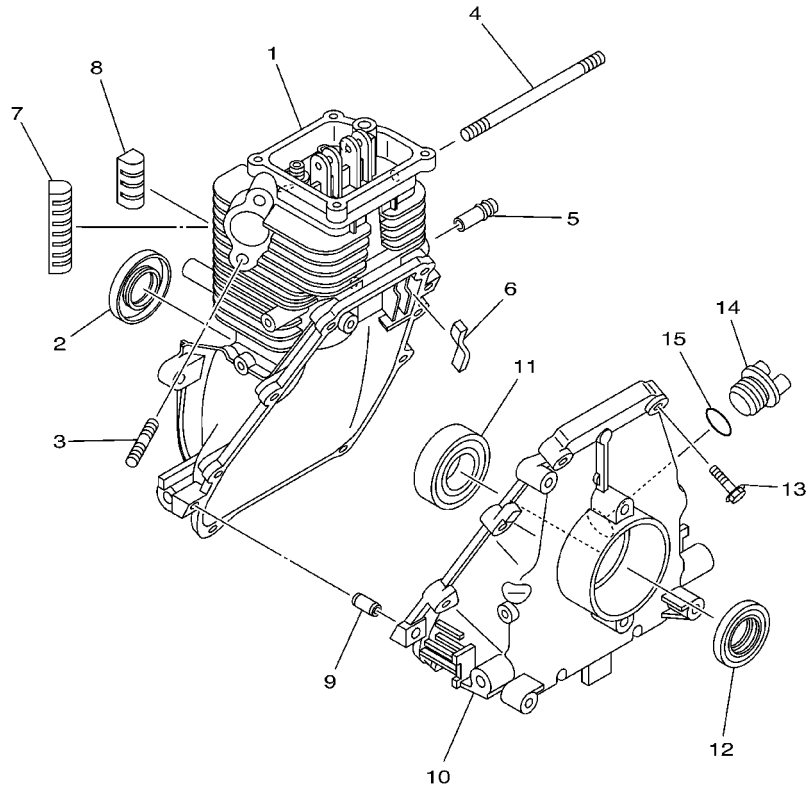
7VV1010-A060

REF. NO.	PART NO.	DESCRIPTION	EUR	OTH	OCF	REMARKS
1	7VV-14101-00	CARBURETOR ASSY 1	1	1	1	
2	7RH-14486-00	.SCREW, ROD	3	3	3	
3	127-14134-00	.SPRING, AIR ADJUSTING	1	1	1	
4	7VV-14181-00	.BODY, FLOAT CHAMBER 1	1	1	1	
5	22F-14117-00	.WASHER, PLUG SCREW	1	1	1	
6	7G5-14227-00	.GASKET, FLOAT CHAMBER	1	1	1	
7	7X9-14185-00	.FLOAT	1	1	1	
8	7E1-14191-00	.PLUG, DRAIN	1	1	1	
9	73A-14212-00	.SPRING	1	1	1	
10	98502-03006	.SCREW, PAN HEAD	2	2	2	
11	620-14142-40-A0	.JET, PILOT (# 40)	1	1	1	
12	7VU-14293-00	.COVER 1	1	1	1	
13	7VU-86240-00	.THROTTLE MOTOR ASSY	1	1	1	
14	4SV-24453-00	.SCREW	2	2	2	
15	98507-05008	.SCREW, PAN HEAD	3	3	3	
16	92990-05100	.WASHER, SPRING	3	3	3	
17	98580-04008	.SCREW, PAN HEAD	1	1	1	
18	92990-04100	.WASHER, SPRING	1	1	1	
19	7VV-1495A-00	.NOZZLE, MAIN	1	1	1	
20	7RA-14162-00	.BOLT, HOLDING	1	1	1	
21	22F-14186-00	.PIN, FLOAT	1	1	1	
22	1HX-1423E-63-A0	.JET, MAIN (#62.5)	1	1	1	
23	127-14198-00	.GASKET	1	1	1	
24	7NJ-14118-00	.CAP (CUT AWAY 1/4)	1	1	1	
25	7NJ-14211-00	.SCREW, PILOT ADJUSTING	1	1	1	
26	73A-14212-00	.SPRING	2	2	2	
27	75J-14990-00	.SCREW	1	1	1	





FIG. 8 CRANKCASE

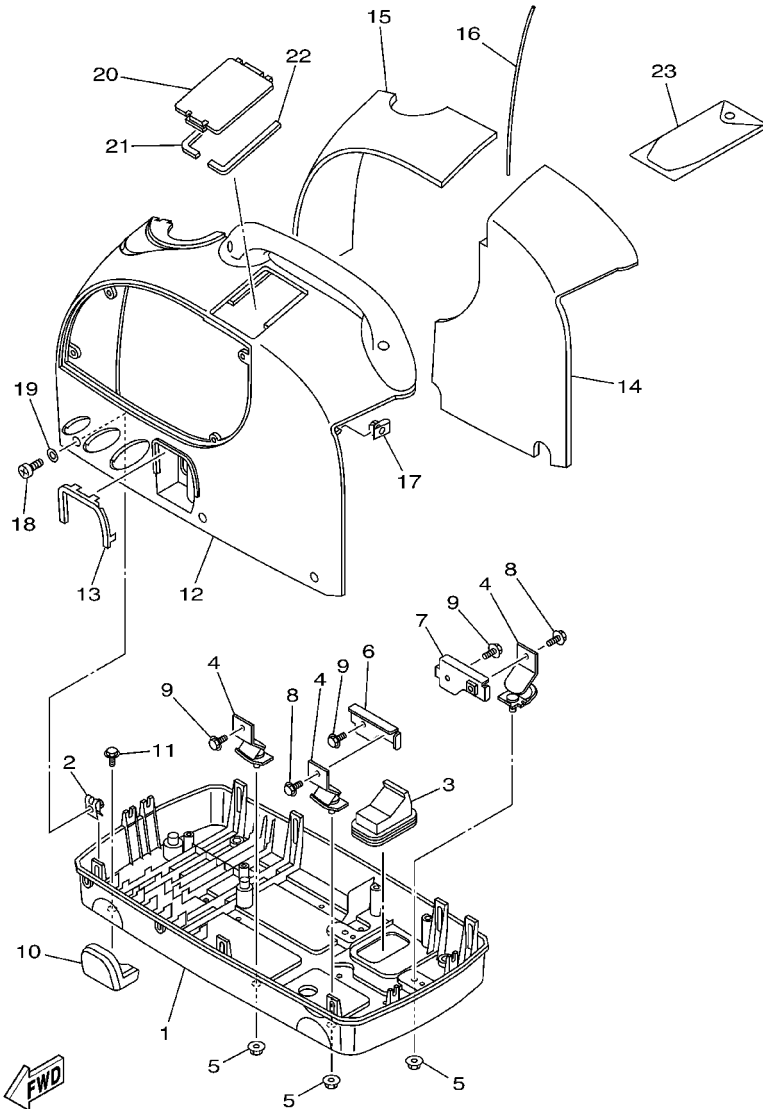


REF. NO.	PART NO.	DESCRIPTION	EUR	OTH	OCF	REMARKS
1	7VV-15111-00	CRANKCASE 1	1	1	1	
2	93102-20008	OIL SEAL	1	1	1	
3	95607-06615	BOLT, STUD	2	2	2	
4	90116-06033	BOLT, STUD	2	2	2	
5	J38-11116-00	JOINT, BREATHER	1	1	1	
6	7VV-15407-00	ELEMENT 1	1	1	1	
7	7VV-11161-00	ABSORBER 1	2	2	2	
8	7VV-11162-00	ABSORBER 2	4	4	4	
9	99530-08012	PIN, DOWEL	2	2	2	
10	7VV-15121-00	CRANKCASE 2	1	1	1	
11	93306-00415	BEARING (B6004)	1	1	1	
12	93102-20366	OIL SEAL	1	1	1	
13	90105-05006	BOLT, FLANGE	8	8	8	
14	7X9-15363-00	PLUG, OIL	1	1	1	
15	93210-15414	O-RING	1	1	1	



7VV1010-A080

FIG. 9 FRAME

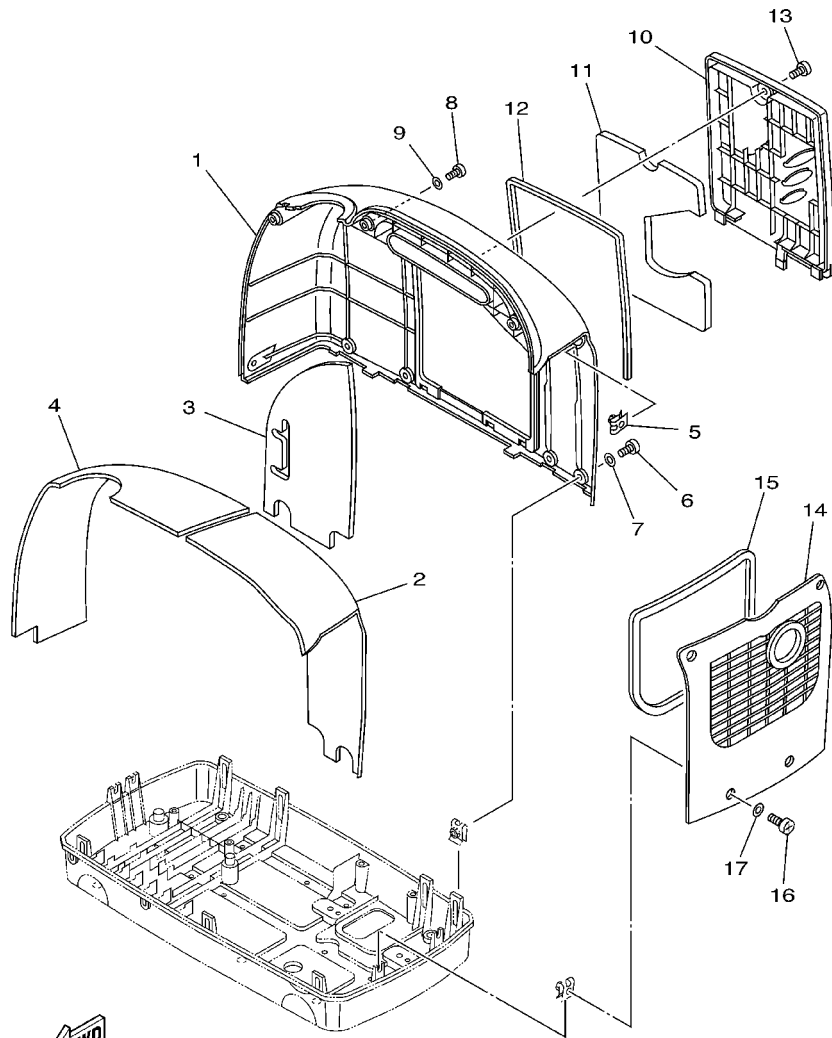


7VV1010-A090

REF. NO.	PART NO.	DESCRIPTION	EUR	OTH	OCF	REMARKS
1	7VV-22881-00	BASE, MOUNTING	1	1	1	
2	90183-05076	NUT, SPRING	11	11	11	
3	7VV-67617-00	JOINT, DRAIN	1	1	1	
4	7VV-22891-00	INSULATOR, MOUNTING	4	4	4	
5	95707-06500	NUT, FLANGE	4	4	4	
6	7VV-11011-00	BRACKET, ENGINE 1	1	1	1	
7	7VV-11012-00	BRACKET, ENGINE 2	1	1	1	
8	95817-06008	BOLT, FLANGE	2	2	2	
9	95817-06012	BOLT, FLANGE	4	4	4	
10	7VV-22895-00	INSULATOR, MOUNTING	4	4	4	
11	90105-05002	BOLT, FLANGE	4	4	4	
12	7VV-22865-00	COVER, FRONT	1	1	1	
13	7VV-22825-00	PROTECTOR 1	1	1	1	
14	7VV-22875-00	SEAL 3	1	1	1	
15	7VV-22876-00	SEAL 4	1	1	1	
16	7VV-23383-00	COVER, DUST SEAL 1	1	1	1	
17	90183-05061	NUT, SPRING	1	1	1	
18	98507-05012	SCREW, PAN HEAD	4	4	4	
19	92907-05600	WASHER, PLATE	4	4	4	
20	7VV-22855-00	COVER 2	1	1	1	
21	7VV-22886-00	SEAL 9	1	1	1	
22	7VV-22887-00	SEAL 10	1	1	1	
23	7VV-28100-00	TOOL KIT	1	1	1	



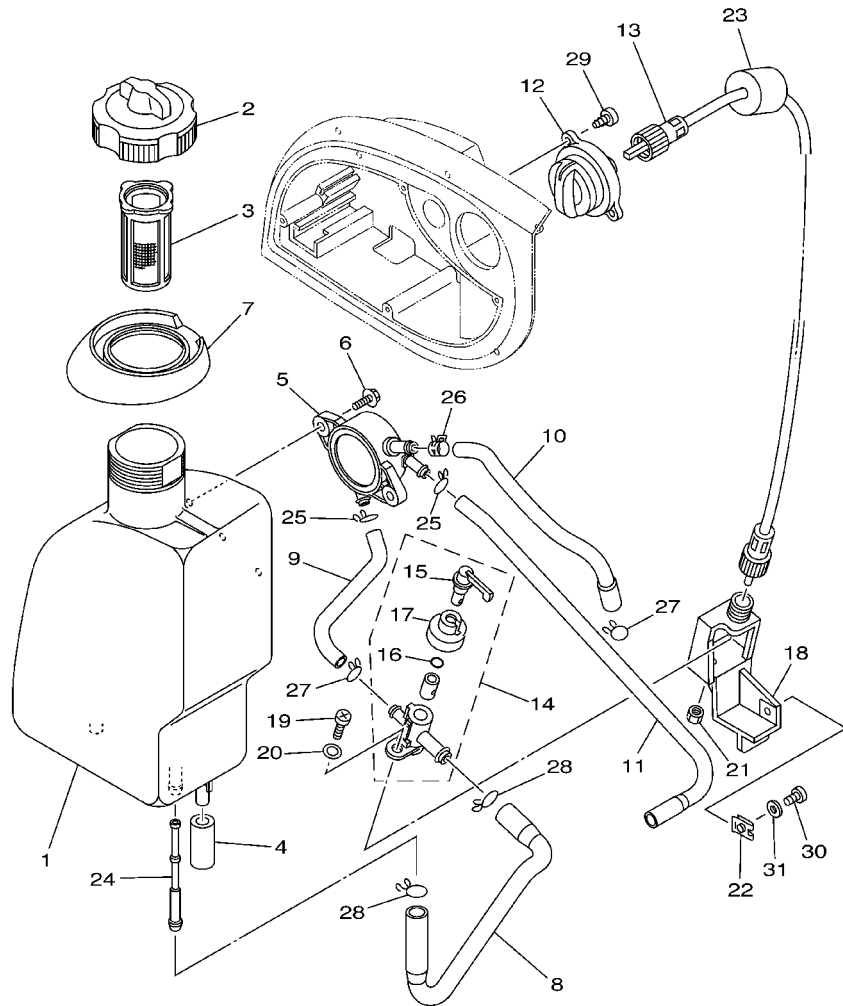
FIG. 10 FRAME 2



REF. NO.	PART NO.	DESCRIPTION	EUR	OTH	OCF	REMARKS
1	7VV-22866-00	COVER, REAR	1	1	1	
2	7VV-22878-00	SEAL 6	1	1	1	
3	7VV-22879-00	SEAL 7	1	1	1	
4	7VV-22885-00	SEAL, 8	1	1	1	
5	90183-05061	NUT, SPRING	1	1	1	
6	98507-05012	SCREW, PAN HEAD	5	5	5	
7	92907-05600	WASHER, PLATE	5	5	5	
8	98507-05012	SCREW, PAN HEAD	3	3	3	
9	92907-05600	WASHER, PLATE	3	3	3	
10	7VV-22856-00	COVER 3	1	1	1	
11	7VV-22877-00	SEAL 5	1	1	1	
12	7VV-22896-00	SEAL 13	1	1	1	
13	90149-06223	SCREW	1	1	1	
14	7VV-22868-00	COVER, SIDE 2	1	1	1	
15	7VV-22889-00	SEAL 12	1	1	1	
16	98507-05012	SCREW, PAN HEAD	4	4	4	
17	92907-05600	WASHER, PLATE	4	4	4	

  
7VV1010-A100

FIG. 11 FUEL TANK

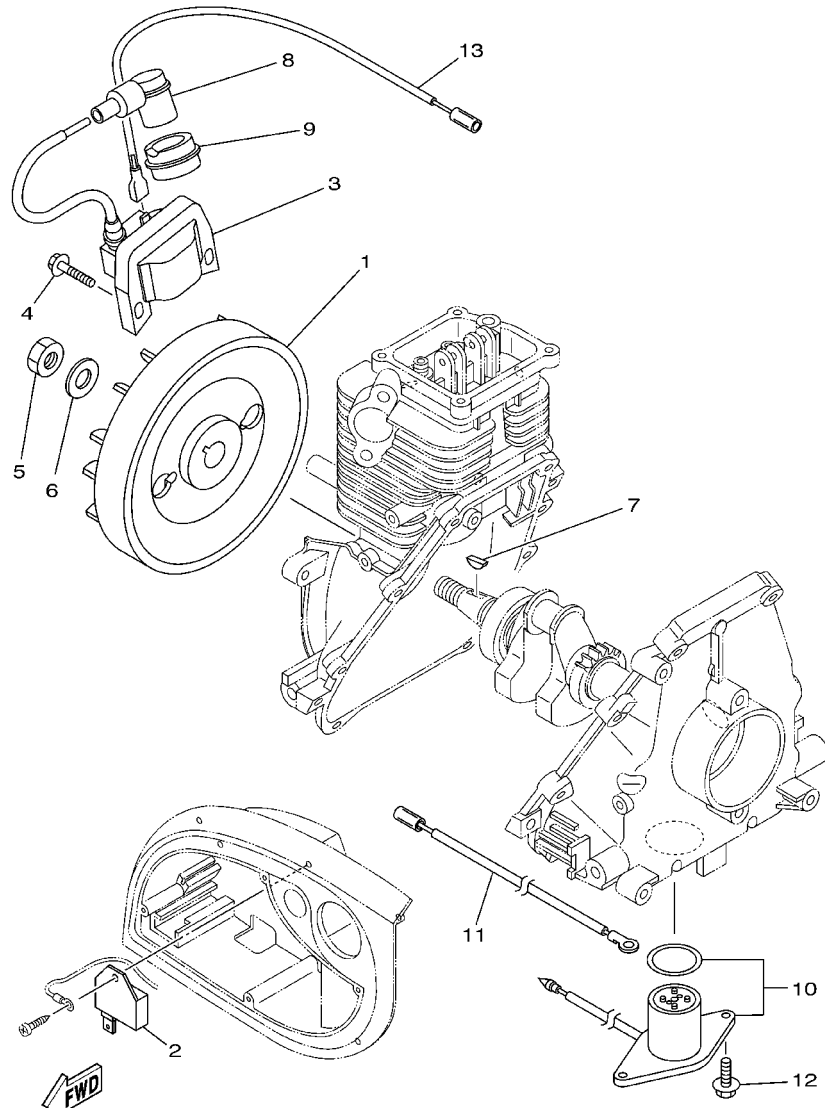


7VV1010-A110

REF. NO.	PART NO.	DESCRIPTION	EUR	OTH	OCF	REMARKS
1	7VV-24110-00	FUEL TANK COMP.	1	1	1	
2	7VV-24610-00	CAP ASSY	1	1	1	
3	7VV-24167-00	STRAINER	1	1	1	
4	7VV-24181-00	DAMPER, LOCATING 1	2	2	2	
5	7VV-24410-00	FUEL PUMP ASSY	1	1	1	
6	95807-06012	BOLT, FLANGE	2	2	2	
7	7VV-2419A-00	HOLDER	1	1	1	
8	7VV-24311-00	PIPE, FUEL 1	1	1	1	
9	7VV-24312-00	PIPE 2	1	1	1	
10	7VV-24313-00	PIPE 3	1	1	1	
11	7VV-24314-00	PIPE 4	1	1	1	
12	7VV-24575-00	LEVER, FUEL CHANGE	1	1	1	
13	7VV-48300-00	REMOCON. CABLE ASSY.	1	1	1	
14	7VV-24500-00	FUEL COCK ASSY 1	1	1	1	
15	7VV-24524-00	.LEVER, COCK	1	1	1	
16	3H3-2452K-00	.O-RING	1	1	1	
17	7VV-24533-00	.SEAL, COCK	1	1	1	
18	7VV-24544-00	BRACKET, FUEL COCK	1	1	1	
19	98507-05012	SCREW, PAN HEAD	1	1	1	
20	92907-05600	WASHER, PLATE	1	1	1	
21	95307-05700	NUT	1	1	1	
22	90183-05076	NUT, SPRING	1	1	1	
23	7VV-24545-00	SPACER, FUEL COCK	1	1	1	
24	5BM-24514-00	NET, FILTER 1	1	1	1	
25	90467-10008	CLIP	2	2	2	
26	90467-10038	CLIP	1	1	1	
27	90467-09103	CLIP	2	2	2	



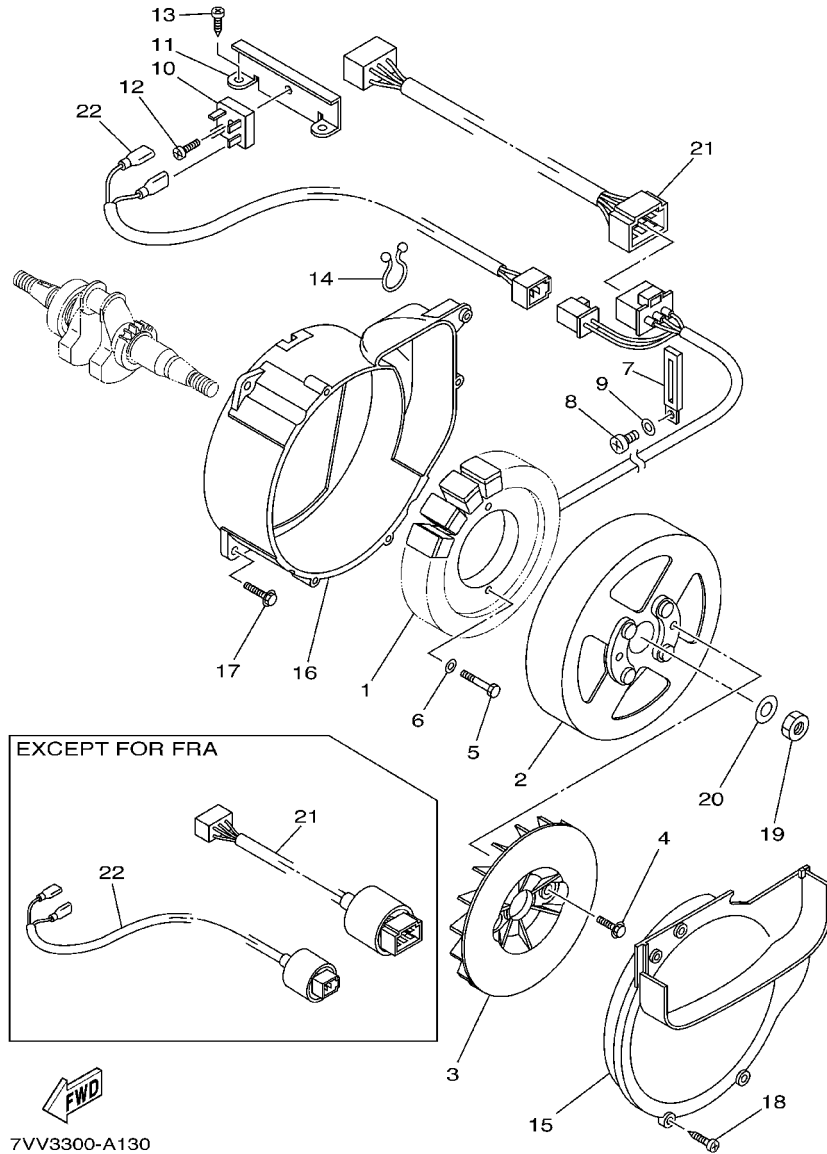
FIG. 12 MAGNETO



7VV1010-A120

REF. NO.	PART NO.	DESCRIPTION	EUR	OTH	OCF	REMARKS
1	7VV-85650-00	ROTOR ASSY	1	1	1	
2	7VV-85640-00	T.C.I. UNIT ASSY	1	1	1	
3	7VV-82310-00	IGNITION COIL ASSY	1	1	1	
4	90105-05005	BOLT, FLANGE	2	2	2	
5	95307-10600	NUT	1	1	1	
6	92907-10600	WASHER, PLATE	1	1	1	
7	90280-03017	KEY, WOODRUFF	1	1	1	
8	7VU-82370-00	PLUG CAP ASSY	1	1	1	
9	7VV-82372-00	SEAL, PLUG CAP	1	1	1	
10	7VV-85720-00	OIL LEVEL GAUGE ASSY	1	1	1	
11	7VV-82519-00	WIRE, EARTH LEAD	1	1	1	
12	95807-06012	BOLT, FLANGE	2	2	2	
13	7VV-85515-00	LEAD WIRE ASSY	1	1	1	

FIG. 13 GENERATOR



REF. NO.	PART NO.	DESCRIPTION	EUR	OTH	OCF	REMARKS
1	7VV-87150-90	STATOR ASSY	1			
	7VV-87150-20	STATOR ASSY		1	1	
2	7VV-87160-00	ROTOR ASSY	1	1	1	
3	7VV-87172-00	FAN, GENERATOR	1	1	1	
4	95807-06012	BOLT, FLANGE	2	2	2	
5	97027-06025	BOLT	2	2	2	
6	92907-06600	WASHER, PLATE	2	2	2	
7	90462-06007	CLAMP	1	1	1	
8	98507-05010	SCREW, PAN HEAD	1	1	1	
9	92907-05600	WASHER, PLATE	1	1	1	
10	7VU-87105-00	RECTIFIER ASSY 1		1	1	
11	7VV-8711E-00	STAY, RECTIFIER		1	1	
12	98507-05014	SCREW, PAN HEAD		1	1	
13	97707-60512	SCREW, TAPPING	2	2	2	
14	90464-16039	CLAMP	1	1	1	
15	7VV-87174-00	COVER, REAR END	1	1	1	
16	7VV-8718K-01	COVER, FRONT	1	1	1	
17	90105-05361	BOLT, FLANGE	3	3	3	
18	97707-50016	SCREW, TAPPING	4	4	4	
19	95317-10600	NUT	1	1	1	
20	92907-10600	WASHER, PLATE	1	1	1	
21	7VV-8A531-00	WIRE COMPLETE 1	1	1	1	
	7VV-8A531-A0	WIRE COMPLETE 1	1			EXCEPT FOR FRA
22	7VV-8A532-00	WIRE COMPLETE 2	1	1	1	
	7VV-8A532-A0	WIRE COMPLETE 2	1			EXCEPT FOR FRA

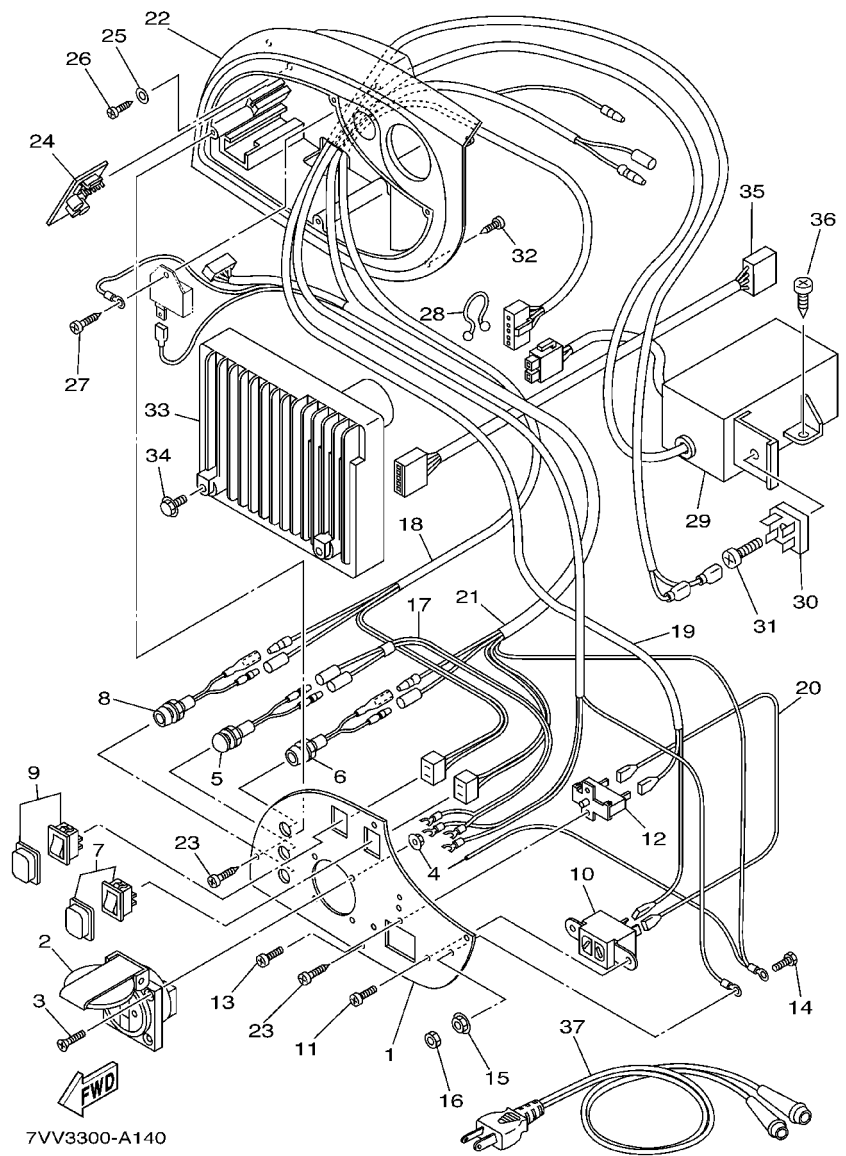
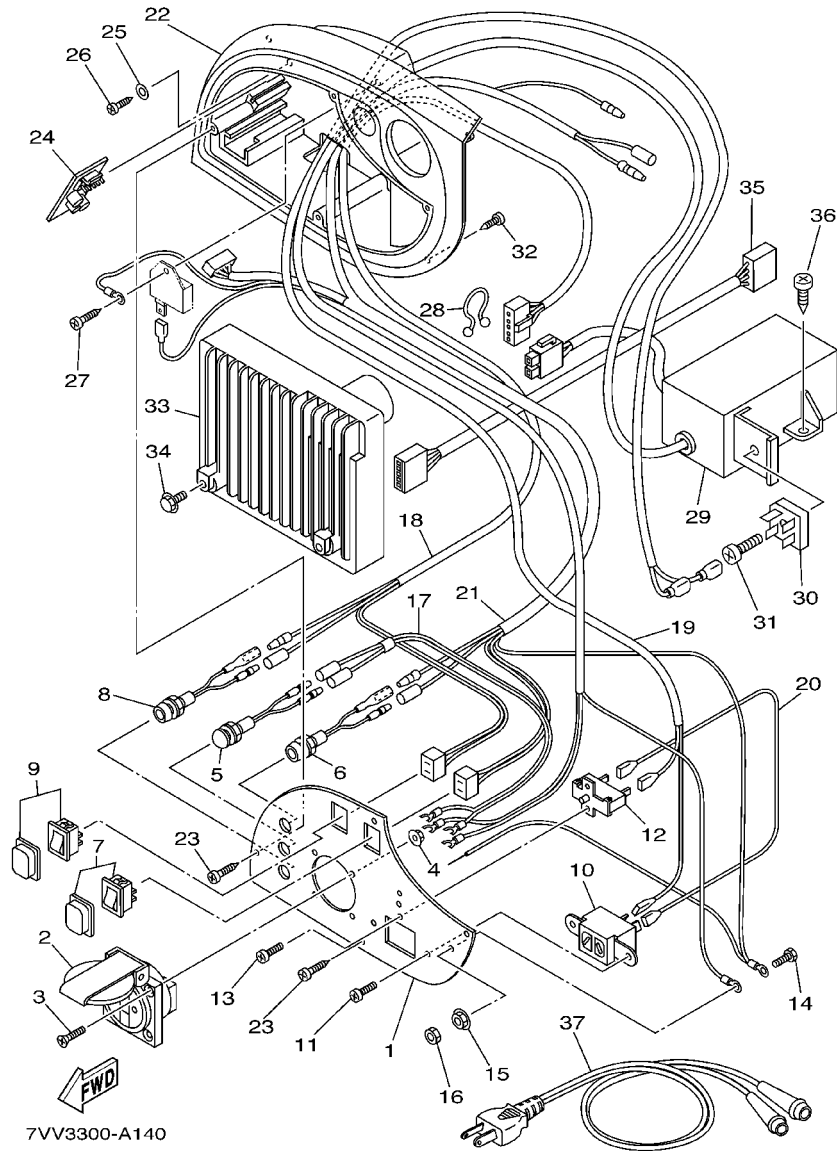


FIG. 14 CONTROL BOX 1

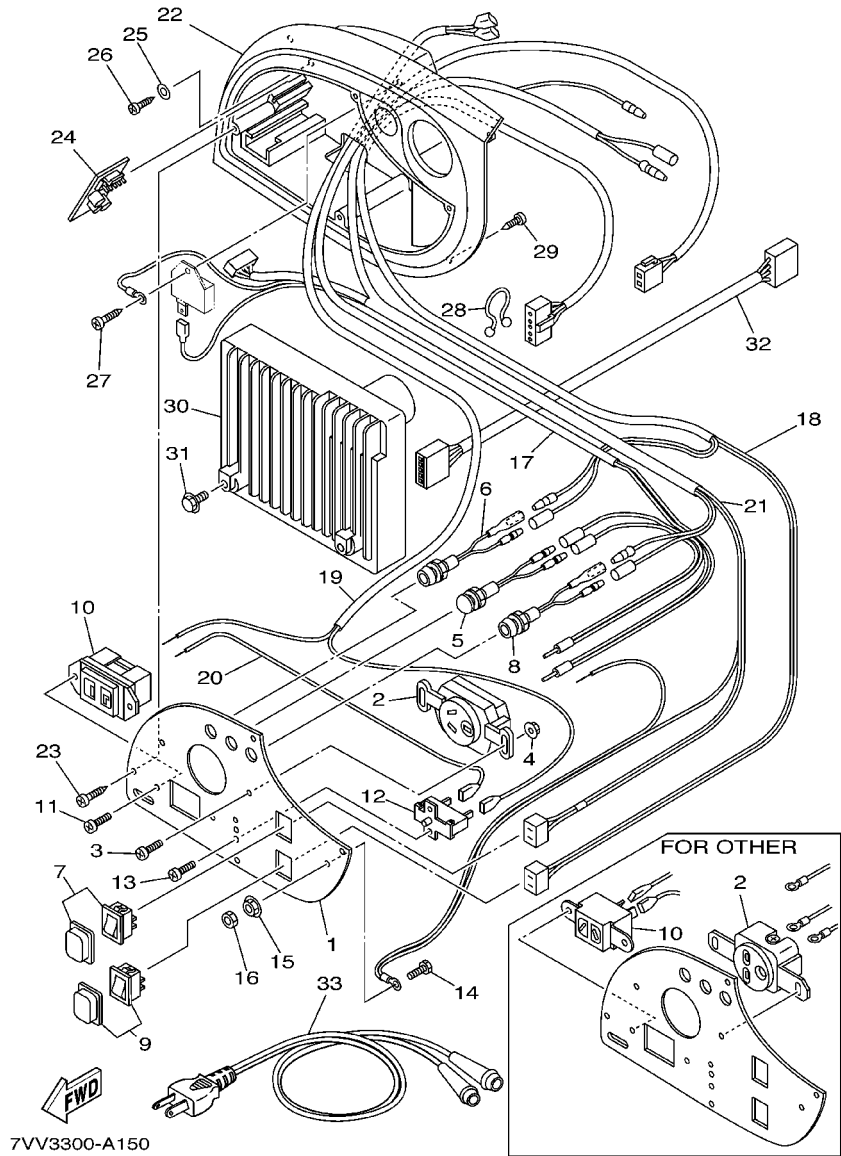
REF. NO.	PART NO.	DESCRIPTION	EUR	OTH	OCF	REMARKS
1	7VV-87249-A0	PLATE	1			
2	7H7-87221-60	RECEPTACLE 1 (ABL 6300)	1			UR FOR FRA
	7H7-87221-80	RECEPTACLE 1 (ABL 6995)	1			UR EXCEPT FOR FRA
3	90151-03032	SCREW, COUNTERSUNK	4			
4	90179-03478	NUT	4			
5	7NJ-83530-G0	PILOT LIGHT ASSY	1			
6	7VU-83582-00	PILOT LIGHT ASSY	1			
7	7NJ-82550-00	ENGINE STOP SWITCH ASSY	1			
8	7VU-83582-00	PILOT LIGHT ASSY	1			
9	7NJ-82550-00	ENGINE STOP SWITCH ASSY	1			ECON.SW
10	7LG-87239-00	RECEPTACLE COMP (12A 24V DC)	1			
11	98507-04008	SCREW, PAN HEAD	2			
12	7VV-82181-00	CIRCUIT BREAKER COMP. (8A)	1			
13	98507-03008	SCREW, PAN HEAD	2			
14	97080-05014	BOLT	1			
15	95707-05500	NUT, FLANGE	1			
16	95380-05700	NUT	1			
17	7VV-8722W-A0	WIRE, LEAD 6	1			
18	7VV-8722X-40	WIRE, LEAD 5	1			
19	7VV-87224-00	WIRE, LEAD 2	1			
20	7VV-87223-00	WIRE, LEAD 1	1			
21	7VV-82507-90	WIRE, LEAD	1			
22	7VV-87213-00	COVER, CONTROL BOX	1			
23	97707-40512	SCREW, TAPPING	4			
24	7VV-85680-00	SPEED LIMITER ASSY	1			
25	90201-03013	WASHER, PLATE	1			
26	97707-30512	SCREW, TAPPING	1			

FIG. 14 CONTROL BOX 1



REF. NO.	PART NO.	DESCRIPTION	EUR	OTH	OCE	REMARKS
27	97707-40512	SCREW, TAPPING	1			
28	90464-16039	CLAMP	1			
29	7VV-88188-00	FILTER, NOISE	1			
30	7VU-87105-00	RECTIFIER ASSY 1	1			
31	98507-05014	SCREW, PAN HEAD	1			
32	97707-50016	SCREW, TAPPING	4			
33	7VV-8A210-20	CONTROL UNIT	1			
34	95807-06012	BOLT, FLANGE	2			
35	7VV-82509-00	WIRE, SUB LEAD	1			
36	97707-60512	SCREW, TAPPING	2			
37	7LG-87209-00	CHARGE CORD ASSY	1			

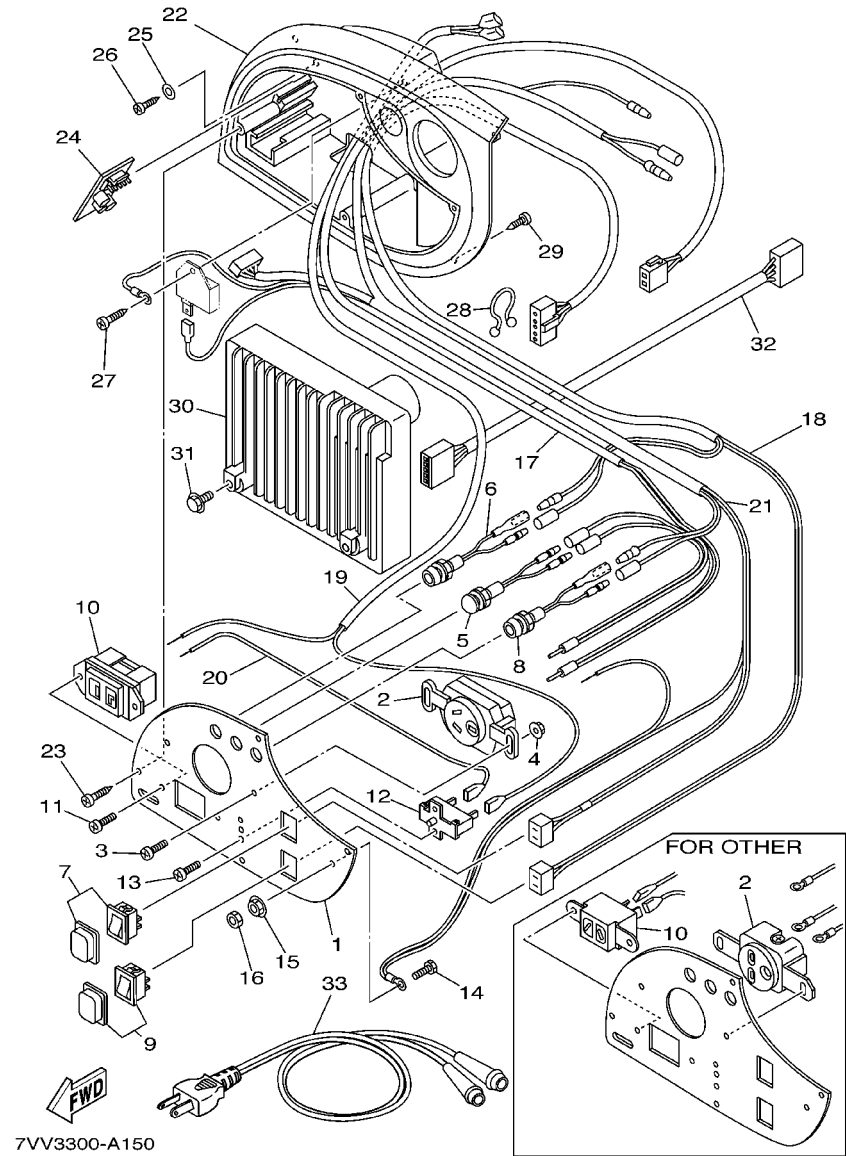
FIG. 15 CONTROL BOX 2



REF. NO.	PART NO.	DESCRIPTION	EUR	OTH	OCF	REMARKS
1	7VV-87249-G0	PLATE		1	1	
2	7G7-87221-01	RECEPTACLE 1 (WCZ1312-9)		1		MATSUSHITA
	73G-87221-90	RECEPTACLE 1 (CRIPSAL 415/15)			1	
3	98507-04012	SCREW, PAN HEAD		2	2	
4	95707-04500	NUT, FLANGE		2	2	
5	7NJ-83530-G0	PILOT LIGHT ASSY		1	1	
6	7VU-83582-00	PILOT LIGHT ASSY		1	1	
7	7NJ-82550-00	ENGINE STOP SWITCH ASSY		1	1	
8	7VU-83582-00	PILOT LIGHT ASSY		1	1	
9	7NJ-82550-00	ENGINE STOP SWITCH ASSY		1	1	ECON.SW
10	7LG-87239-00	RECEPTACLE COMP. (12A 24V DC)		1		NL
	7H8-87214-11	RECEPTACLE COMP. (WCZ 1220-125V)			1	MATSUSHITA
11	98507-04008	SCREW, PAN HEAD		2	2	
12	7VV-82181-00	CIRCUIT BREAKER COMP. (8A)		1	1	
13	98507-03008	SCREW, PAN HEAD		2	2	
14	97080-05014	BOLT		1	1	
15	95707-05500	NUT, FLANGE		1	1	
16	95380-05700	NUT		1	1	
17	7VV-8722W-00	WIRE, LEAD 6		1		
	7VV-8722W-N0	WIRE, LEAD 6			1	
18	7VV-8722X-40	WIRE, LEAD 5		1	1	
19	7VV-87224-00	WIRE, LEAD 2		1		
	7VV-87224-N0	WIRE, LEAD 2			1	
20	7VV-87223-00	WIRE, LEAD 1		1		
	7VV-87223-N0	WIRE, LEAD 1			1	
21	7VV-82507-00	WIRE, LEAD		1		
	7VV-82507-90	WIRE, LEAD			1	



FIG. 15 CONTROL BOX 2



7VV3300-A150

REF. NO.	PART NO.	DESCRIPTION	EUR	OTH	OCE	REMARKS
22	7VV-87213-00	COVER, CONTROL BOX		1	1	
23	97707-40512	SCREW, TAPPING		4	4	
24	7VV-85680-00	SPEED LIMITER ASSY		1	1	
25	90201-03013	WASHER, PLATE		1	1	
26	97707-30512	SCREW, TAPPING		1	1	
27	97707-40512	SCREW, TAPPING		1	1	
28	90464-16039	CLAMP		1	1	
29	97707-50016	SCREW, TAPPING		4	4	
30	7VV-8A210-20	CONTROL UNIT		1		
	7VV-8A210-30	CONTROL UNIT			1	
31	95807-06012	BOLT, FLANGE		2	2	
32	7VV-82509-00	WIRE, SUB LEAD		1	1	
33	7LG-87209-00	CHARGE CORD ASSY		1		
	7LJ-87209-10	CHARGE CORD ASSY			1	



NUMERICAL INDEX

PART NO.	GRID NO.	PART NO.	GRID NO.	PART NO.	GRID NO.	PART NO.	GRID NO.	PART NO.	GRID NO.	PART NO.	GRID NO.
7VV-11011-00	B-12	1V3-14196-00	B-9	7VV-22856-00	B-13	7VV-48300-00	B-14	7VV-8722W-A0	C-4	90467-09103	B-14
7VV-11012-00	B-12	7VV-14196-00	B-9	7VV-22865-00	B-12	7VV-67617-00	B-12	7VV-8722W-N0	C-6	90467-10008	B-14
J38-11116-00	B-11	7VV-14197-00	B-9	7VV-22866-00	B-13	7VV-8A210-20	C-5	7VV-8722W-00	C-6	90467-10038	B-14
7VV-11161-00	B-11	127-14198-00	B-8	7VV-22868-00	B-13		C-7	7VV-8722X-40	C-4	90467-12052	B-15
7VV-11162-00	B-11	7NJ-14211-00	B-8	7VV-22875-00	B-12	7VV-8A210-30	C-7		C-6	90467-13064	B-7
7VV-11166-00	B-2	73A-14212-00	B-8	7VV-22876-00	B-12	7VV-8A531-A0	C-3	7G7-87221-01	C-6	90467-280A0	B-7
7VV-11190-00	B-2	7G5-14227-00	B-8	7VV-22877-00	B-13	7VV-8A531-00	C-3	7H7-87221-60	C-4	90501-16708	B-4
7VV-11193-00	B-2	1HX-1423E-63-A0	B-8	7VV-22878-00	B-13	7VV-8A532-A0	C-3	7H7-87221-80	C-4	92907-05600	B-12
7VV-11400-00	B-3	7VU-14293-00	B-8	7VV-22879-00	B-13	7VV-8A532-00	C-3	73G-87221-90	C-6		B-13
7VV-11610-00	B-3	7VV-14411-00	B-7	7VV-22881-00	B-12	7VV-82181-00	C-4	7VV-87223-N0	C-6		B-14
7VV-11631-00	B-3	7VV-14412-00	B-7	7VV-22885-00	B-13		C-6	7VV-87223-00	C-4		B-15
2E9-11633-00	B-3	7X9-14416-10	B-7	7VV-22886-00	B-12	7VV-82310-00	C-2		C-6		C-3
7VV-11650-00	B-3	7VV-14451-00	B-7	7VV-22887-00	B-12	7VU-82370-00	C-2	7VV-87224-N0	C-6	92907-06600	C-3
7VV-11654-00	B-3	7VV-14453-00	B-7	7VV-22889-00	B-13	7VV-82372-00	C-2	7VV-87224-00	C-4	92907-10600	C-2
7VV-12111-00	B-4	7VV-14462-00	B-7	7VV-22891-00	B-12	7VV-82507-00	C-6		C-6		C-3
7VV-12117-00	B-4	7VV-14485-00	B-7	7VV-22895-00	B-12	7VV-82507-90	C-4	7LG-87239-00	C-4	92990-04100	B-8
1HX-12119-00	B-4	7RH-14486-00	B-8	7VV-22896-00	B-13		C-6		C-6	92990-05100	B-8
7VV-12121-00	B-4	7VV-14613-00	B-10	7VV-23383-00	B-12	7VV-82509-00	C-5	7VV-87249-A0	C-4	93102-20008	B-11
7VV-12141-00	B-4	7VV-1469A-00	B-5	7VV-24110-00	B-14		C-7	7VV-87249-G0	C-6	93102-20366	B-11
7VV-12151-00	B-4	7VV-1469E-00	B-5	7VV-24156-00	C-8	7VV-82519-00	C-2	7VV-88188-00	C-5	93210-15414	B-11
7VV-12154-00	B-4	7VV-1469F-00	B-5	7VV-24161-10	C-8	7NJ-82550-00	C-4	90105-05002	B-12	93306-00415	B-11
7VV-12159-00	B-4	7VV-14721-00	B-10	7VV-24161-30	C-8		C-6		B-5	93450-11120	B-3
7VV-12170-00	B-4	7VV-1478A-00	B-5	7VV-24162-10	C-8	7NJ-83530-G0	C-4		B-6	93604-42002	B-4
7VV-12287-00	B-4	7VV-1478E-00	B-5	7VV-24162-30	C-8		C-6		B-7	93605-30002	B-4
7VV-12486-00	B-5	7VV-1478F-00	B-5	7VV-24162-50	C-8	7VU-83582-00	C-4	90105-05005	C-2	94702-00372	B-2
7VV-12651-00	B-5	7VV-14786-00	B-10	7VV-24164-40	C-8		C-6	90105-05006	B-11	95307-05700	B-14
7VV-12652-00	B-5	7NJ-14788-00	B-10	7VV-24167-00	B-14	7VV-85515-00	C-2	90105-05361	B-2	95307-06600	B-10
7VV-12668-00	B-5	7NJ-1479E-00	B-10	7VV-24181-00	B-14	7VV-85640-00	C-2		C-3	95307-10600	C-2
7VV-12669-00	B-5	7NJ-14799-01	B-10	7VV-2419A-00	B-14	7VV-85650-00	C-2	90116-06033	B-11	95317-10600	C-3
7VV-12678-00	B-5	7VV-1495A-00	B-8	7VV-24235-00	C-8	7VV-85680-00	C-4	90149-06223	B-13	95380-05700	C-4
7VV-12679-00	B-5	75J-14990-00	B-8	7VV-24311-00	B-14		C-7	90151-03032	C-4		C-6
7G5-13556-10	B-7	7VV-15111-00	B-11	7VV-24312-00	B-14	7VV-85720-00	C-2	90153-05024	B-10	95607-06615	B-11
7VV-13556-00	B-7	7VV-15121-00	B-11	7VV-24313-00	B-14	7VU-86240-00	B-8	90170-05302	B-4	95707-04500	C-6
7X9-13595-00	B-7	7X9-15363-00	B-11	7VV-24314-00	B-14	7VU-87105-00	C-3	90179-03478	C-4	95707-05500	C-4
7VV-14101-00	B-8	7VV-15407-00	B-11	7VV-24410-00	B-14		C-5	90183-05061	B-12		C-6
22F-14117-00	B-8	7VV-15703-00	B-5	4SV-24453-00	B-8	7VV-8711E-00	C-3		B-13	95707-06500	B-12
7NJ-14118-00	B-8	7VV-15710-00	B-5	7VV-24500-00	B-14	7VV-87150-20	C-3	90183-05076	B-12		B-7
127-14134-00	B-8	7VV-15713-00	B-5	5BM-24514-00	B-14	7VV-87150-90	C-3		B-14	95807-06012	B-14
7VV-14137-00	B-9	7VV-15714-00	B-5	3H3-2452K-00	B-14	7VV-87160-00	C-3	90201-03013	C-4		C-2
3LD-14139-00	B-9	7VV-15715-00	B-5	7VV-24524-00	B-14	7VV-87172-00	C-3		C-7		C-3
8A7-14139-00	B-9	7VV-15716-00	B-5	7VV-24533-00	B-14	7VV-87174-00	C-3	90280-03017	C-2		C-5
620-14142-40-A0	B-8	7VV-15741-00	B-5	7VV-24544-00	B-14	7VV-87174-01	C-3	90387-05624	B-4		C-7
7FK-14150-10	B-9	7VV-15751-00	B-6	7VV-24545-00	B-14	7LG-87209-00	C-5	90387-05679	B-5	95817-06008	B-12
7RA-14162-00	B-8	7VV-15755-00	B-6	7VV-24575-00	B-14		C-7	90413-05015	B-9	95817-06012	B-12
7VV-14181-00	B-8	7VV-15788-00	B-6	7VV-24610-00	B-14	7LJ-87209-10	C-7	90462-06007	C-3	95827-06012	B-10
7X9-14185-00	B-8	7VV-15793-00	B-5	7VV-26331-00	B-7	7VV-87213-00	C-4	90464-16039	C-3	97027-06025	C-3
22F-14186-00	B-8	7VV-22825-00	B-12	7VV-28100-00	B-12		C-7		C-5	97080-05014	C-4
7E1-14191-00	B-8	7VV-22855-00	B-12	7VV-28176-30	C-8	7H8-87214-11	C-6		C-7		C-6

NUMERICAL INDEX

PART NO.	GRID NO.	PART NO.	GRID NO.	PART NO.	GRID NO.	PART NO.	GRID NO.	PART NO.	GRID NO.
97707-30512	C- 4								
	C- 7								
97707-40014	B- 15								
97707-40512	C- 4								
	C- 5								
	C- 7								
97707-50016	B- 5								
	C- 3								
	C- 5								
	C- 7								
97707-50114	B- 6								
97707-60512	C- 3								
	C- 5								
98502-03006	B- 8								
98507-03008	C- 4								
	C- 6								
98507-04008	C- 4								
	C- 6								
98507-04012	C- 6								
98507-05008	B- 8								
98507-05010	C- 3								
98507-05012	B- 12								
	B- 13								
	B- 14								
	B- 15								
98507-05014	C- 3								
	C- 5								
98580-04008	B- 8								
98907-05014	B- 5								
99530-08012	B- 11								