



PARTS CATALOGUE

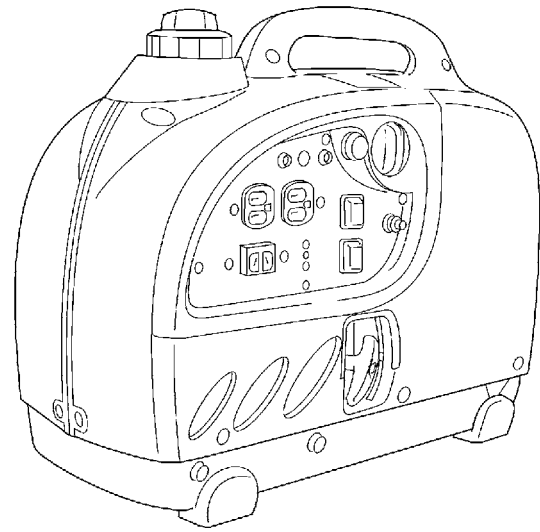
EF1000iS (7VV2) USA



1A7VV-110E2

()

EF1000iS
PARTS CATALOGUE
©2003 by Yamaha Motor Co., Ltd.
1st edition, June 2003
All rights reserved.
Any reprinting or unauthorized use
without the written permission of
Yamaha Motor Co., Ltd.
is expressly prohibited.
Printed in Japan.



FOREWORD

This Parts Catalogue is related to the parts for the model(s) on the cover page. When you are ordering replacement parts, please refer to this Parts Catalogue and quote both part numbers and part names correctly.

1. Modifications or additions which have been made after the issue of the Parts Catalogue will be announced in the Parts News.

It is advisable that you make the necessary corrections to the Parts Catalogue according to the Parts News.

2. Abbreviations

The following abbreviations are used in this Parts Catalogue.

“UR” Use specified parts number.

“UN” Use as many as needed.

“AP” Alternate Parts

“LM” Locally Made (Parts need to be ordered locally)

“F#” Frame No. (Applicable machine No.)

“O/S” Over Size

3. The number of components for assembly

- Parts, which are to be supplied in an assembly, are listed with a dot (.) in front of the part name as shown below.
- The numeral appearing to the right of each component part indicates the quantity of parts for each assembly unit.

PART NO.	DESCRIPTION	Q'TY	REMARKS
2F5-83310-60	FRONT FLASHER LIGHT ASSY	2	
115-83311-60	.BULB (6V-18W)	1	

4. Applicable colours of graphics are represented in the “REMARKS” as shown below.

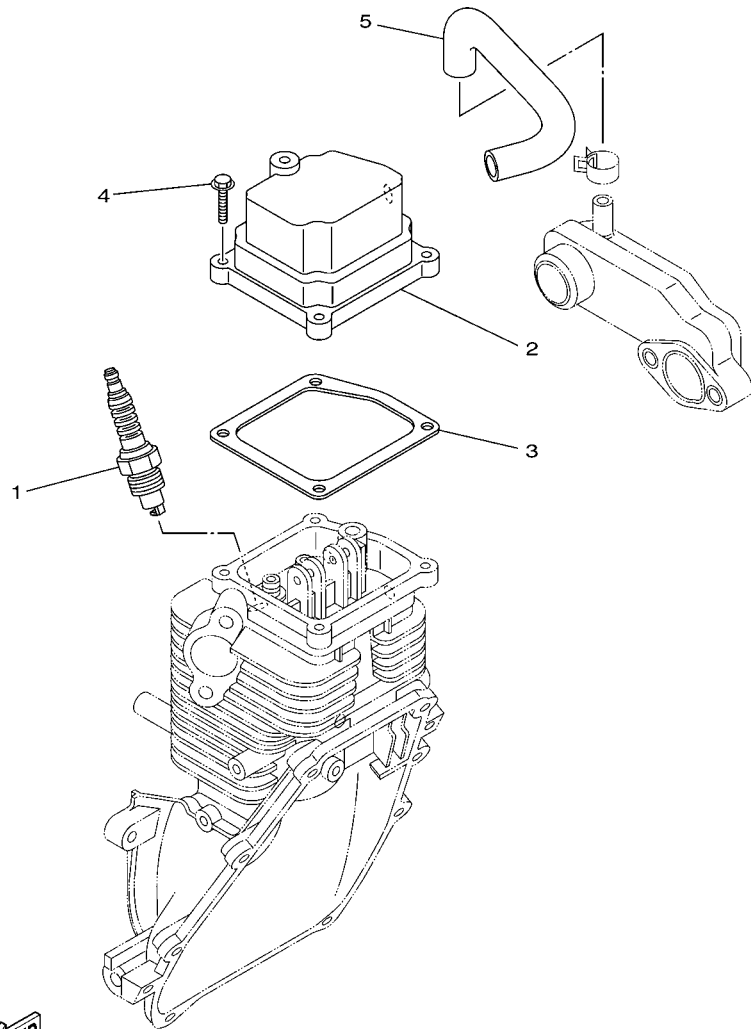
PART NO.	DESCRIPTION	Q'TY	REMARKS
2N4-24110-00-X5	FUEL TANK COMP.	2	MXR
3J1-24240-10	.GRAPHIC, FUEL TANK	1	FOR MXR

5. Note that the illustrations for reference in finding parts numbers are not to be used for assembling. When assembling, please use the applicable service manual.

6. The asterisk (*) before a reference number indicates modified items after the first edition.

CONTENTS

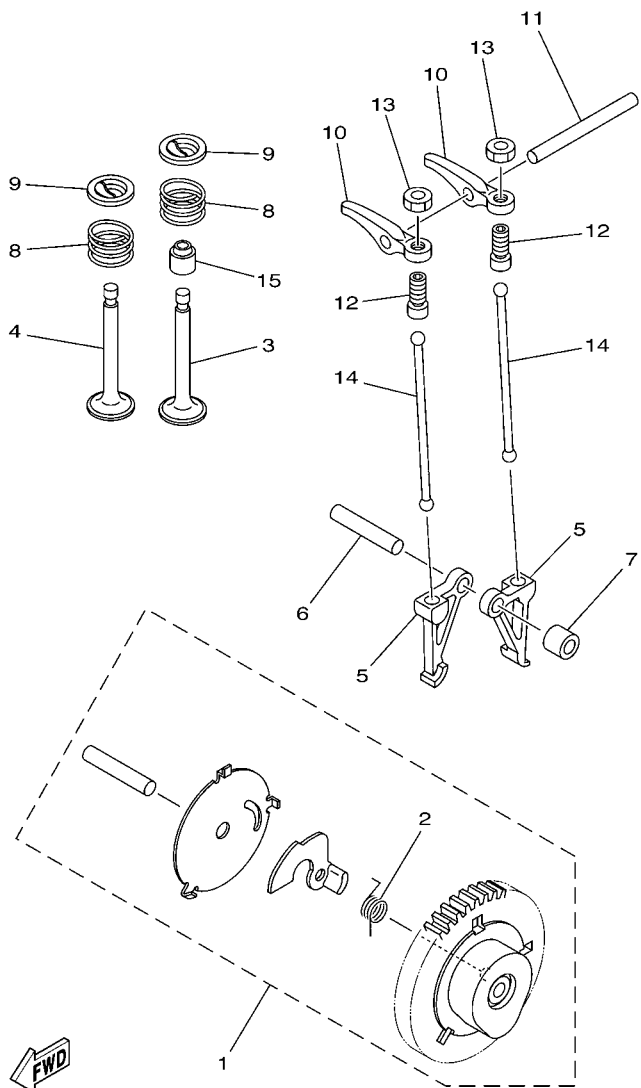
CYLINDER	1
CRANKSHAFT & PISTON	2
CAMSHAFT & VALVE	3
AIR SHROUD & STARTER	4
INTAKE	6
CARBURETOR	7
EXHAUST	9
CRANKCASE	10
FRAME	11
FRAME 2	12
FUEL TANK	13
MAGNETO	15
GENERATOR	16
CONTROL BOX	17
GRAPHIC & EMBLEM	19
INDEX	
NUMERICAL INDEX	20



7VV1010-A010

FIG. 1 CYLINDER

REF. NO.	PART NO.	DESCRIPTION	7VV2				REMARKS
1	94702-00372	PLUG, SPARK (NGK CR6HSB)	1				
2	7VV-11190-00	COVER, CYLINDER HEAD 1	1				
3	7VV-11193-00	GASKET, HEAD COVER 1	1				
4	90105-05361	BOLT, FLANGE	4				
5	7VV-11166-00	PIPE, BREATHER 1	1				



7VV1010-A030

FIG. 3 CAMSHAFT & VALVE

REF. NO.	PART NO.	DESCRIPTION	7V2				REMARKS
1	7VV-12170-01	CAMSHAFT ASSY 1	1				
2	7VV-12287-01	.SPRING, DECOMPRESSION	1				
3	7VV-12111-00	VALVE, INTAKE	1				
4	7VV-12121-00	VALVE, EXHAUST	1				
5	7VV-12141-00	FOLLOWER,CAM	2				
6	93605-30002	PIN, DOWEL	2				
7	90387-05624	COLLAR	1				
8	90501-16708	SPRING, COMPRESSION	2				
9	7VV-12117-00	RETAINER, VALVE SPRING	2				
10	7VV-12151-00	ARM, VALVE ROCKER	2				
11	93604-42002	PIN, DOWEL	1				
12	7VV-12159-00	SCREW, VALVE ADJUSTING	2				
13	90170-05302	NUT	2				
14	7VV-12154-00	ROD, VALVE PUSH	2				
15	1HX-12119-00	SEAL, VALVE STEM	1				

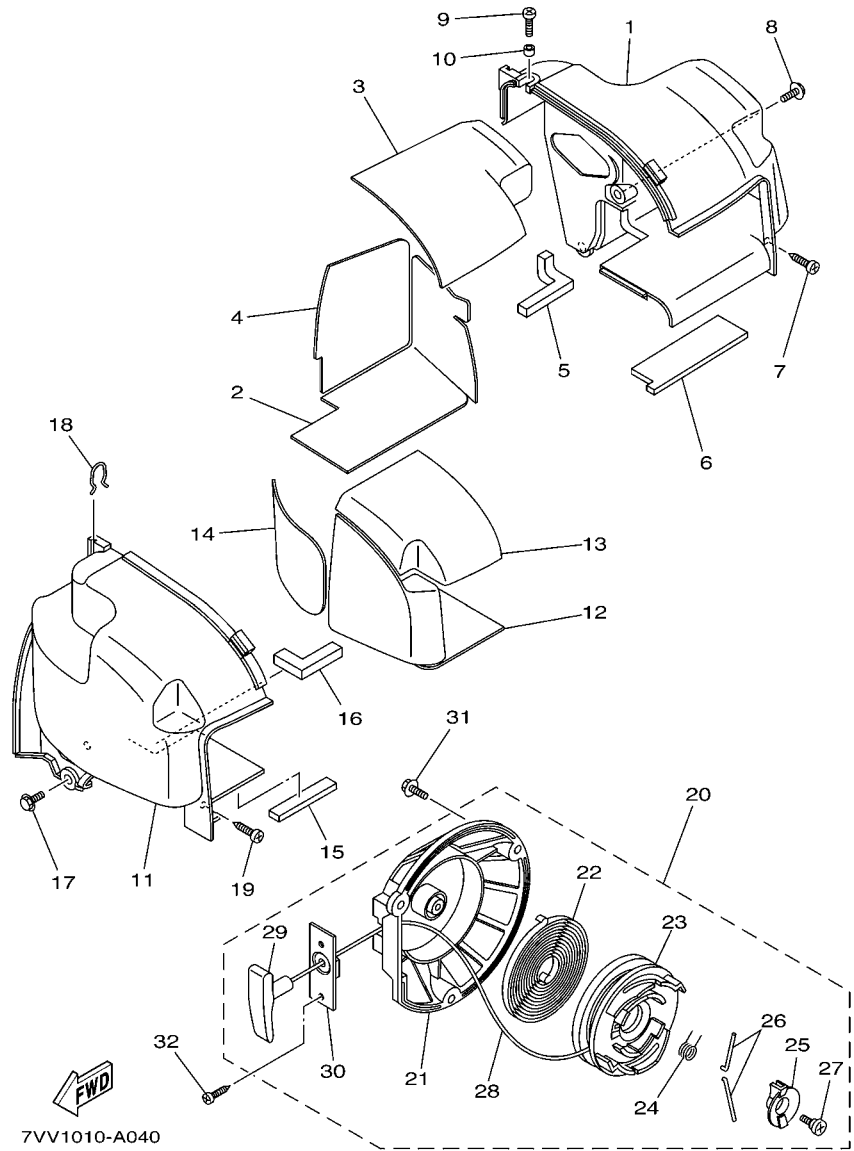


FIG. 4 AIR SHROUD & STARTER

REF. NO.	PART NO.	DESCRIPTION	7VV2				REMARKS
1	7VV-12651-00	AIR SHROUD, CYLINDER 1	1				
2	7VV-1469A-00	FIBER	1				
3	7VV-1469E-00	FIBER	1				
4	7VV-1469F-00	FIBER 3	1				
5	7VV-12668-00	DAMPER, AIR SHROUD 3	1				
6	7VV-12678-00	DAMPER, AIR SHROUD 5	1				
7	97707-50016	SCREW, TAPPING	1				
8	90105-05002	BOLT, FLANGE	2				
9	98907-05014	SCREW, BIND	1				
10	90387-05679	COLLAR	1				
11	7VV-12652-00	AIR SHROUD, CYLINDER 2	1				
12	7VV-1478A-00	FIBER 7	1				
13	7VV-1478E-00	FIBER 8	1				
14	7VV-1478F-00	FIBER 9	1				
15	7VV-12679-00	DAMPER, SHROUD 6	1				
16	7VV-12669-00	DAMPER, AIR SHROUD 4	1				
17	90105-05002	BOLT, FLANGE	2				
18	7VV-12486-00	CLIP	2				
19	97707-50016	SCREW, TAPPING	1				
20	7VV-15710-00	STARTER ASSY	1				
21	7VV-15703-00	.STARTER CASE COMP.	1				
22	7VV-15713-00	.SPRING, STARTER	1				
23	7VV-15714-00	.DRUM, SHEAVE	1				
24	7VV-15715-00	.SPRING, FRICTION	1				
25	7VV-15716-00	.PLATE, DRIVE	1				
26	7VV-15741-00	.PAWL, DRIVE	2				
27	7VV-15793-00	.SCREW	1				

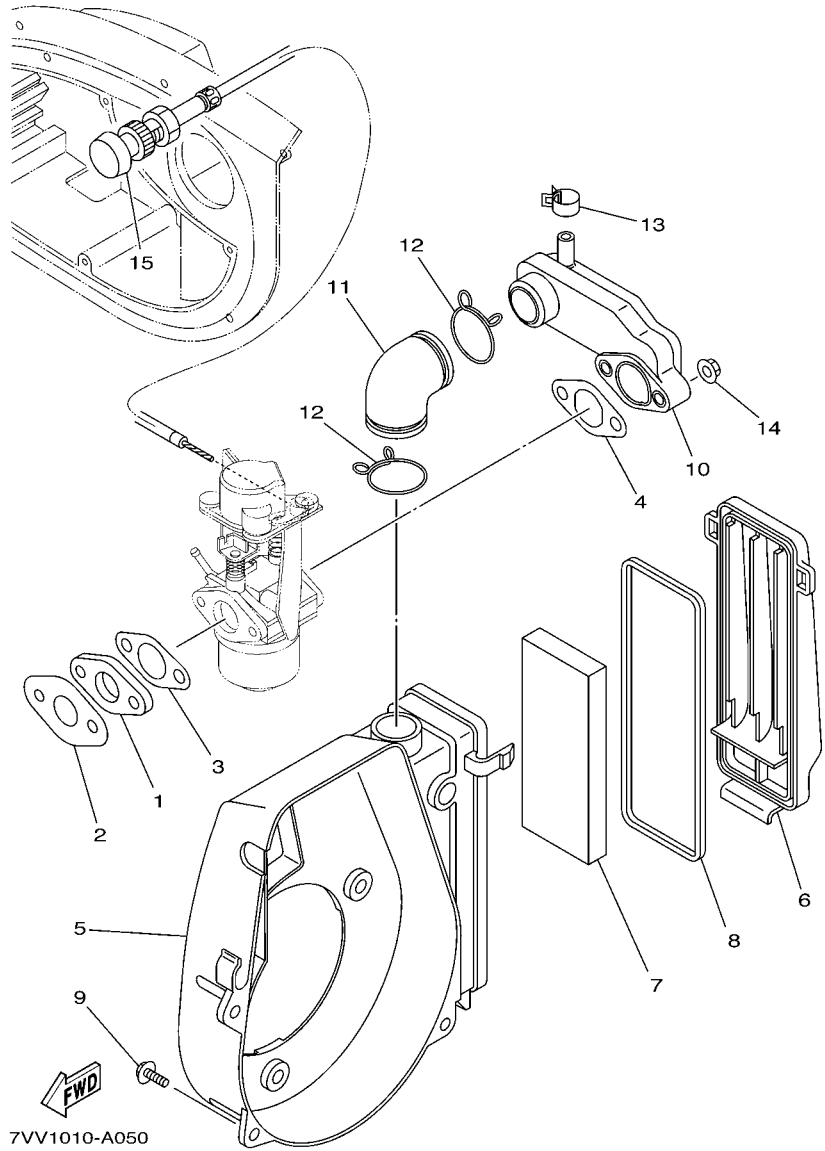
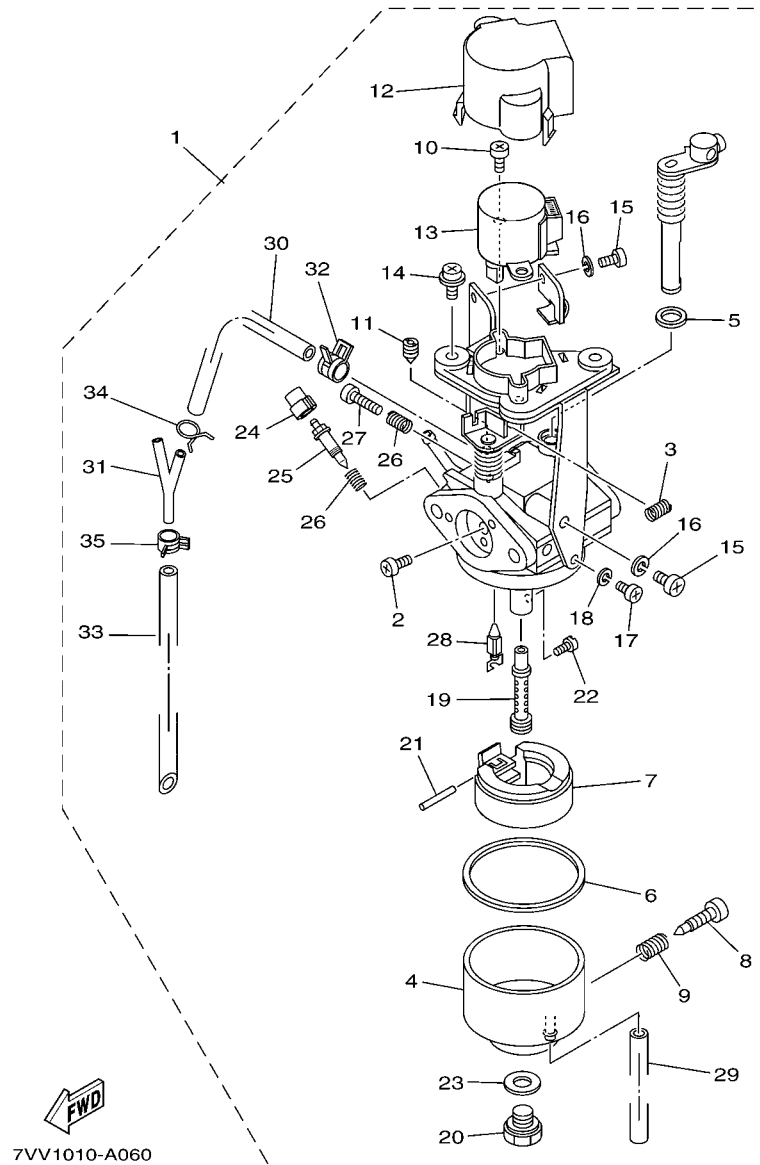


FIG. 5 INTAKE

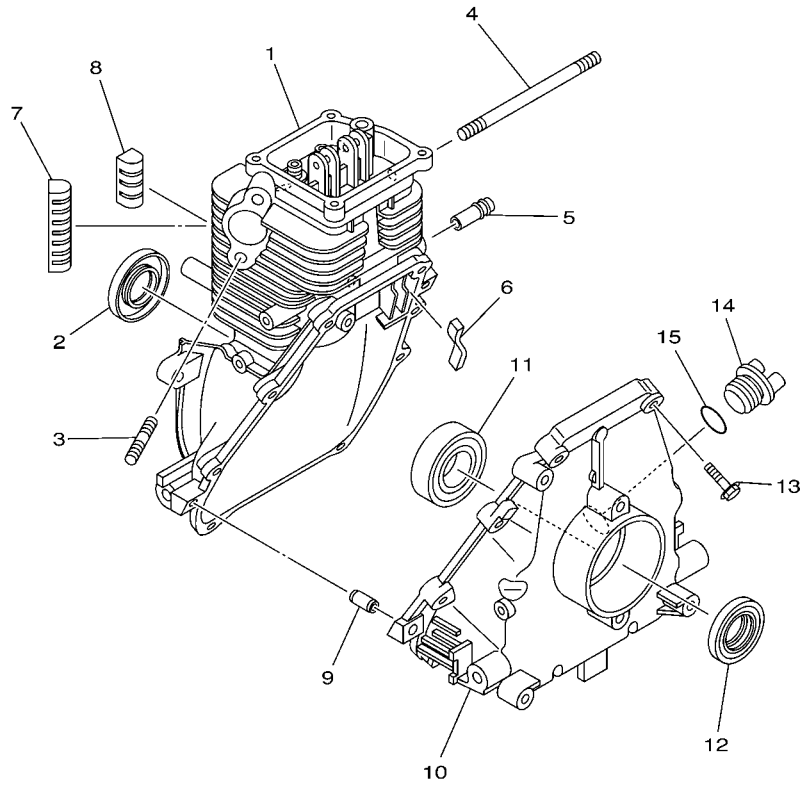
REF. NO.	PART NO.	DESCRIPTION	7VV2				REMARKS
1	7X9-13595-00	JOINT	1				
2	7G5-13556-10	GASKET, MANIFOLD	1				
3	7VV-13556-00	GASKET, MANIFOLD	1				
4	7X9-14416-10	GASKET, AIR CLEANER	1				
5	7VV-14411-00	CASE, AIR CLEANER 1	1				
6	7VV-14412-00	CAP, CLEANER CASE 1	1				
7	7VV-14451-00	ELEMENT, AIR CLEANER	1				
8	7VV-14462-00	SEAL	1				
9	90105-05002	BOLT, FLANGE	3				
10	7VV-14453-00	JOINT, AIR CLEANER 1	1				
11	7VV-14485-00	PIPE, JOINT	1				
12	90467-280A0	CLIP	2				
13	90467-13064	CLIP	1				
14	95707-06500	NUT, FLANGE	2				
15	7VV-26331-00	CABLE, CHOKE	1				



7VV1010-A060

FIG. 6 CARBURETOR

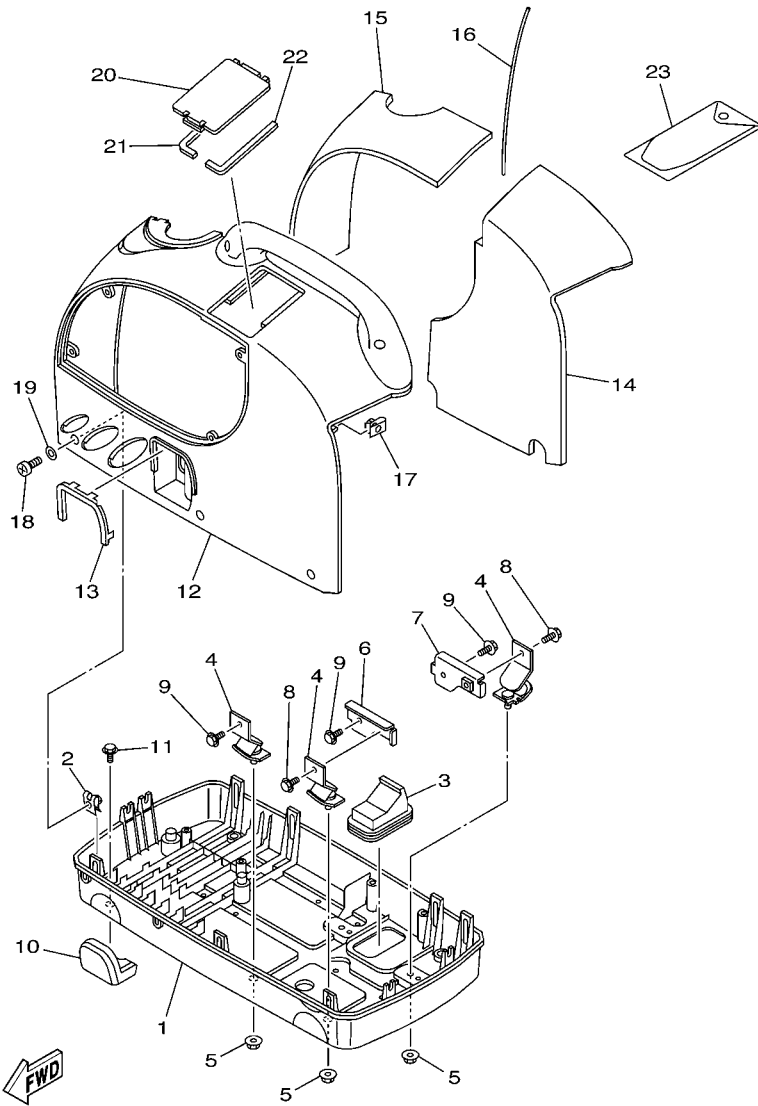
REF. NO.	PART NO.	DESCRIPTION	7V2				REMARKS
1	7VV-14101-00	CARBURETOR ASSY 1	1				
2	7RH-14486-00	.SCREW, ROD	3				
3	127-14134-00	.SPRING, AIR ADJUSTING	1				
4	7VV-14181-00	.BODY, FLOAT CHAMBER 1	1				
5	22F-14117-00	.WASHER, PLUG SCREW	1				
6	7G5-14227-00	.GASKET, FLOAT CHAMBER	1				
7	7X9-14185-00	.FLOAT	1				
8	7E1-14191-00	.PLUG, DRAIN	1				
9	73A-14212-00	.SPRING	1				
10	98502-03006	.SCREW, PAN HEAD	2				
11	620-14142-40-A0	.JET, PILOT (#40)	1				
12	7VU-14293-00	.COVER 1	1				
13	7VU-86240-00	.THROTTLE MOTOR ASSY	1				
14	4SV-24453-00	.SCREW	2				
15	98507-05008	.SCREW, PAN HEAD	3				
16	92990-05100	.WASHER, SPRING	3				
17	98580-04008	.SCREW, PAN HEAD	1				
18	92990-04100	.WASHER, SPRING	1				
19	7VV-1495A-00	.NOZZLE, MAIN	1				
20	7RA-14162-00	.BOLT, HOLDING	1				
21	22F-14186-00	.PIN, FLOAT	1				
22	1HX-1423E-63-A0	.JET, MAIN (#62.5)	1				
23	127-14198-00	.GASKET	1				
24	7NJ-14118-00	.CAP (CUT AWAY 1/4)	1				
25	7NJ-14211-00	.SCREW, PILOT ADJUSTING	1				
26	73A-14212-00	.SPRING	2				
27	75J-14990-00	.SCREW	1				



7VV1010-A080

FIG. 8 CRANKCASE

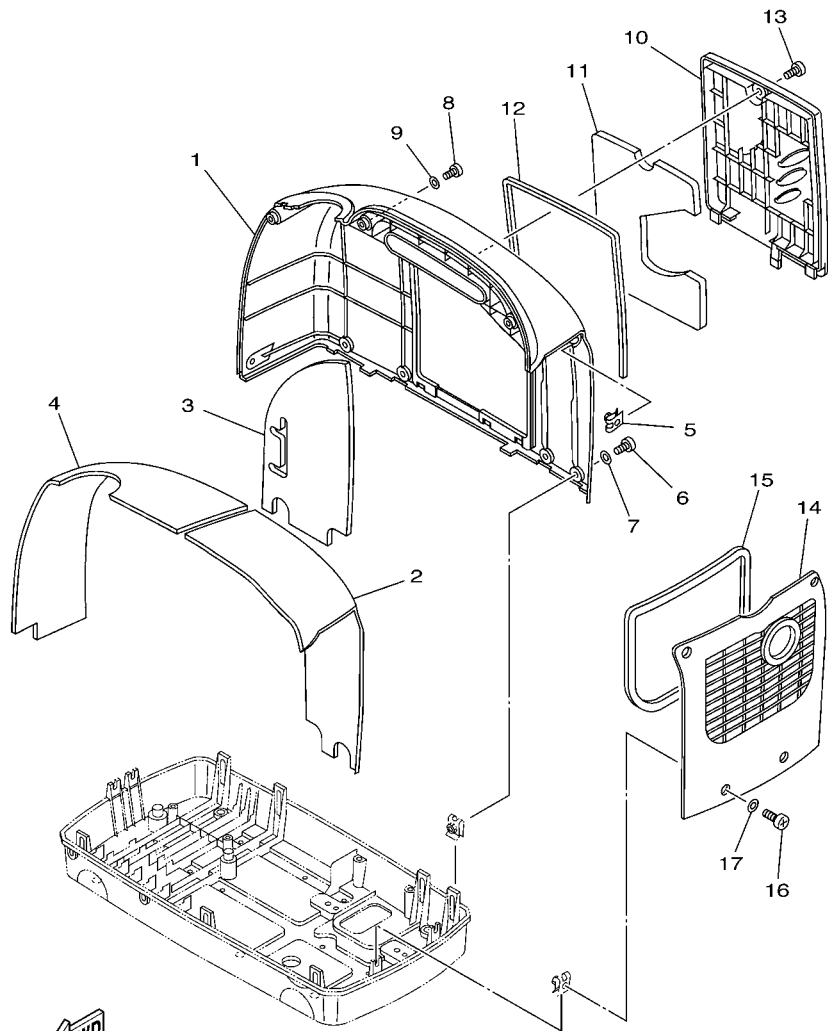
REF. NO.	PART NO.	DESCRIPTION	7VV2				REMARKS
1	7VV-15111-00	CRANKCASE 1	1				
2	93102-20008	OIL SEAL	1				
3	95607-06615	BOLT, STUD	2				
4	90116-06033	BOLT, STUD	2				
5	J38-11116-00	JOINT, BREATHER	1				
6	7VV-15407-00	ELEMENT 1	1				
7	7VV-11161-00	ABSORBER 1	2				
8	7VV-11162-00	ABSORBER 2	4				
9	99530-08012	PIN, DOWEL	2				
10	7VV-15121-00	CRANKCASE 2	1				
11	93306-00415	BEARING (B6004)	1				
12	93102-20366	OIL SEAL	1				
13	90105-05006	BOLT, FLANGE	8				
14	7X9-15363-00	PLUG, OIL	1				
15	93210-15414	O-RING	1				



7VV1010-A090

FIG. 9 FRAME

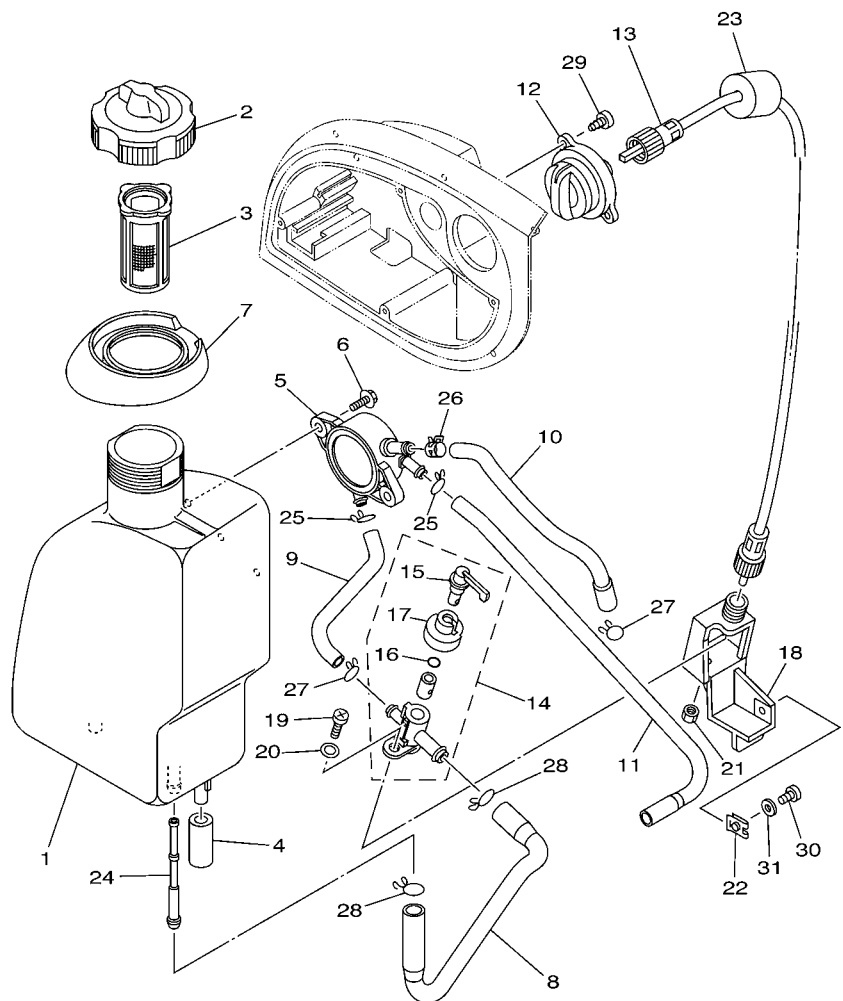
REF. NO.	PART NO.	DESCRIPTION	7V2				REMARKS
1	7VV-22881-01	BASE, MOUNTING	1				
2	90183-05076	NUT, SPRING	11				
3	7VV-67617-00	JOINT, DRAIN	1				
4	7VV-22891-00	INSULATOR, MOUNTING	4				
5	95707-06500	NUT, FLANGE	4				
6	7VV-11011-00	BRACKET, ENGINE 1	1				
7	7VV-11012-00	BRACKET, ENGINE 2	1				
8	95817-06008	BOLT, FLANGE	2				
9	95817-06012	BOLT, FLANGE	4				
10	7VV-22895-00	INSULATOR, MOUNTING	4				
11	90105-05002	BOLT, FLANGE	4				
12	7VV-22865-00	COVER, FRONT	1				
13	7VV-22825-00	PROTECTOR 1	1				
14	7VV-22875-00	SEAL 3	1				
15	7VV-22876-00	SEAL 4	1				
16	7VV-23383-00	COVER, DUST SEAL 1	1				
17	90183-05061	NUT, SPRING	1				
18	98507-05012	SCREW, PAN HEAD	4				
19	92907-05600	WASHER, PLATE	4				
20	7VV-22855-00	COVER 2	1				
21	7VV-22886-00	SEAL 9	1				
22	7VV-22887-00	SEAL 10	1				
23	7VV-28100-00	TOOL KIT	1				



7VV1010-A100

FIG. 10 FRAME 2

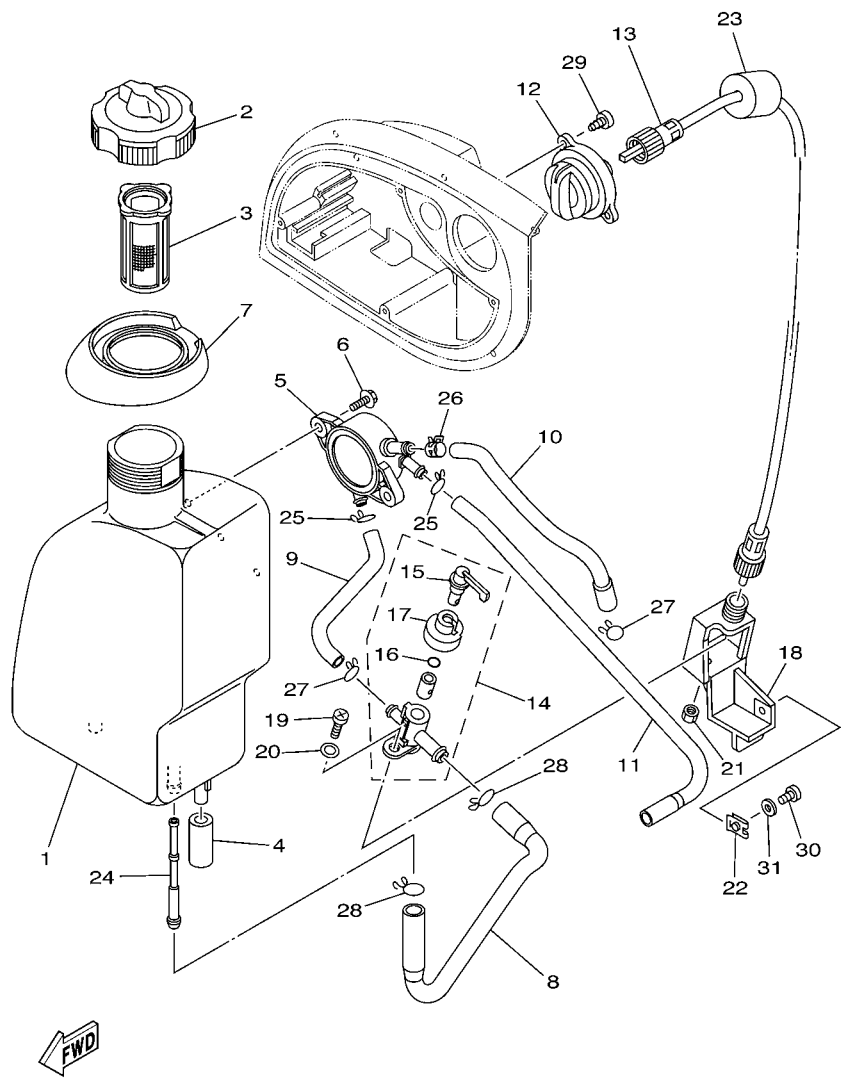
REF. NO.	PART NO.	DESCRIPTION	7VV2				REMARKS
1	7VV-22866-00	COVER, REAR	1				
2	7VV-22878-00	SEAL 6	1				
3	7VV-22879-00	SEAL 7	1				
4	7VV-22885-00	SEAL 8	1				
5	90183-05061	NUT, SPRING	1				
6	98507-05012	SCREW, PAN HEAD	5				
7	92907-05600	WASHER, PLATE	5				
8	98507-05012	SCREW, PAN HEAD	3				
9	92907-05600	WASHER, PLATE	3				
10	7VV-22856-00	COVER 3	1				
11	7VV-22877-00	SEAL 5	1				
12	7VV-22896-00	SEAL 13	1				
13	90149-06223	SCREW	1				
14	7VV-22868-00	COVER, SIDE 2	1				
15	7VV-22889-00	SEAL 12	1				
16	98507-05012	SCREW, PAN HEAD	4				
17	92907-05600	WASHER, PLATE	4				



FWD
7VV1010-A110

FIG. 11 FUEL TANK

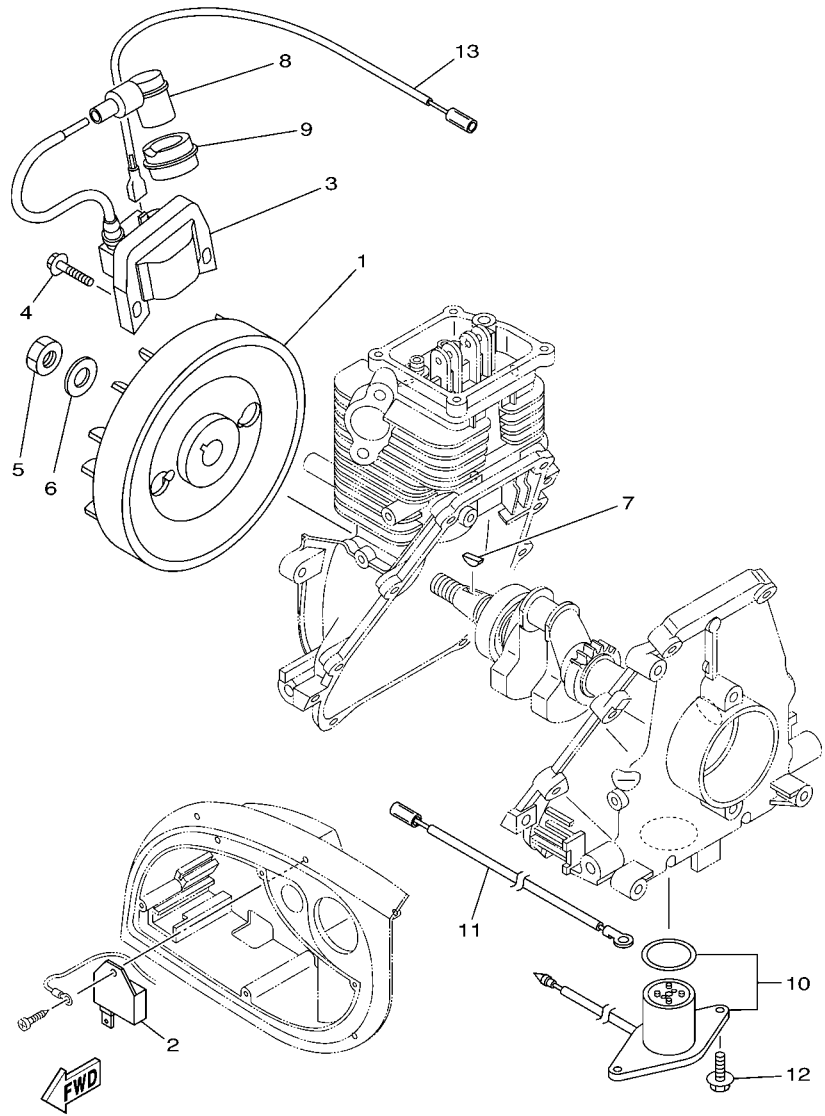
REF. NO.	PART NO.	DESCRIPTION	7V2				REMARKS
1	7VV-24110-00	FUEL TANK COMP.	1				
2	7VV-24610-00	CAP ASSY	1				
3	7VV-24167-00	STRAINER	1				
4	7VV-24181-00	DAMPER, LOCATING 1	2				
5	7VV-24410-00	FUEL PUMP ASSY	1				
6	95807-06012	BOLT, FLANGE	2				
7	7VV-2419A-00	HOLDER	1				
8	7VV-24311-00	PIPE, FUEL 1	1				
9	7VV-24312-00	PIPE 2	1				
10	7VV-24313-00	PIPE 3	1				
11	7VV-24314-00	PIPE 4	1				
12	7VV-24575-00	LEVER, FUEL CHANGE	1				
13	7VV-48300-00	REMOCON. CABLE ASSY.	1				
14	7VV-24500-00	FUEL COCK ASSY 1	1				
15	7VV-24524-00	.LEVER, COCK	1				
16	3H3-2452K-00	.O-RING	1				
17	7VV-24533-00	.SEAL, COCK	1				
18	7VV-24544-00	BRACKET, FUEL COCK	1				
19	98507-05012	SCREW, PAN HEAD	1				
20	92907-05600	WASHER, PLATE	1				
21	95307-05700	NUT	1				
22	90183-05076	NUT, SPRING	1				
23	7VV-24545-00	SPACER, FUEL COCK	1				
24	5BM-24514-00	NET, FILTER 1	1				
25	90467-10008	CLIP	2				
26	90467-10038	CLIP	1				
27	90467-09103	CLIP	2				



7VV1010-A110

FIG. 11 FUEL TANK

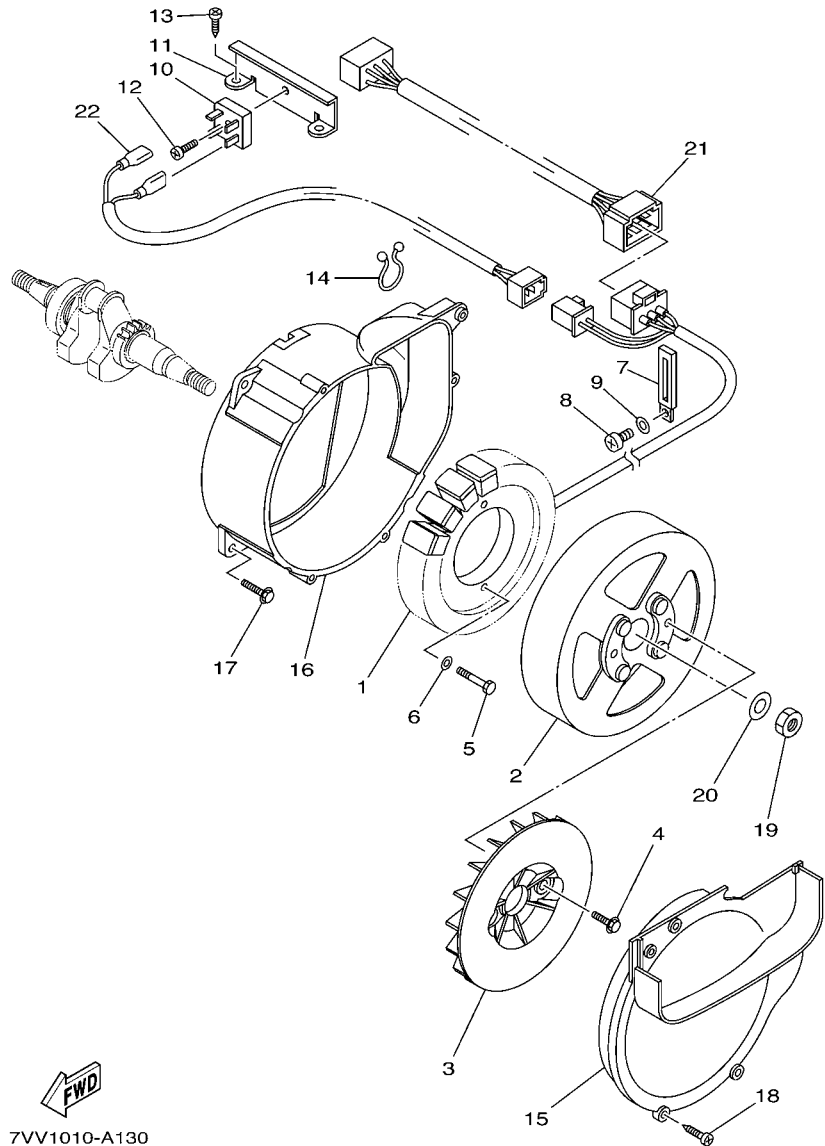
REF. NO.	PART NO.	DESCRIPTION	7VV2				REMARKS
28	90467-12052	CLIP	2				
29	97707-40014	SCREW, TAPPING	2				
30	98507-05012	SCREW, PAN HEAD	1				
31	92907-05600	WASHER, PLATE	1				



7VV1010-A120

FIG. 12 MAGNETO

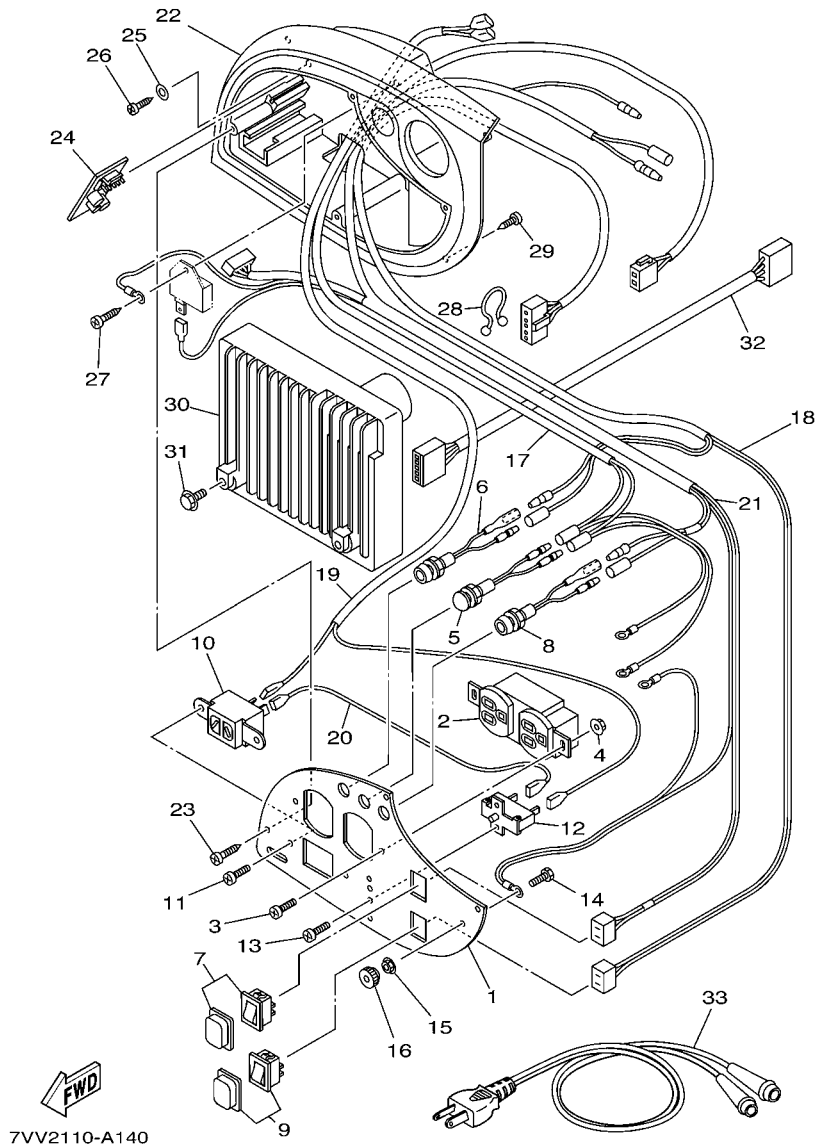
REF. NO.	PART NO.	DESCRIPTION	7VV2				REMARKS
1	7VV-85650-00	ROTOR ASSY	1				
2	7VV-85640-00	T.C.I. UNIT ASSY	1				
3	7VV-82310-00	IGNITION COIL ASSY	1				
4	90105-05005	BOLT, FLANGE	2				
5	95307-10600	NUT	1				
6	92907-10600	WASHER, PLATE	1				
7	90280-03017	KEY, WOODRUFF	1				
8	7VU-82370-00	PLUG CAP ASSY	1				
9	7VV-82372-00	SEAL, PLUG CAP	1				
10	7VV-85720-00	OIL LEVEL GAUGE ASSY	1				
11	7VV-82519-00	WIRE, EARTH LEAD	1				
12	95807-06012	BOLT, FLANGE	2				
13	7VV-85515-00	LEAD WIRE ASSY	1				




7VV1010-A130

FIG. 13 GENERATOR

REF. NO.	PART NO.	DESCRIPTION	7VV2				REMARKS
1	7VV-87150-10	STATOR ASSY	1				
2	7VV-87160-00	ROTOR ASSY	1				
3	7VV-87172-00	FAN, GENERATOR	1				
4	95807-06012	BOLT, FLANGE	2				
5	97027-06025	BOLT	2				
6	92907-06600	WASHER, PLATE	2				
7	90462-06007	CLAMP	1				
8	98507-05010	SCREW, PAN HEAD	1				
9	92907-05600	WASHER, PLATE	1				
10	7VU-87105-00	RECTIFIER ASSY 1	1				
11	7VV-8711E-00	STAY, RECTIFIER	1				
12	98507-05014	SCREW, PAN HEAD	1				
13	97707-60512	SCREW, TAPPING	2				
14	90464-16039	CLAMP	1				
15	7VV-87174-00	COVER, REAR END	1				
16	7VV-8718K-01	COVER, FRONT	1				
17	90105-05361	BOLT, FLANGE	3				
18	97707-50016	SCREW, TAPPING	4				
19	95317-10600	NUT	1				
20	92907-10600	WASHER, PLATE	1				
21	7VV-8A531-00	WIRE COMPLETE 1	1				
22	7VV-8A532-00	WIRE COMPLETE 2	1				

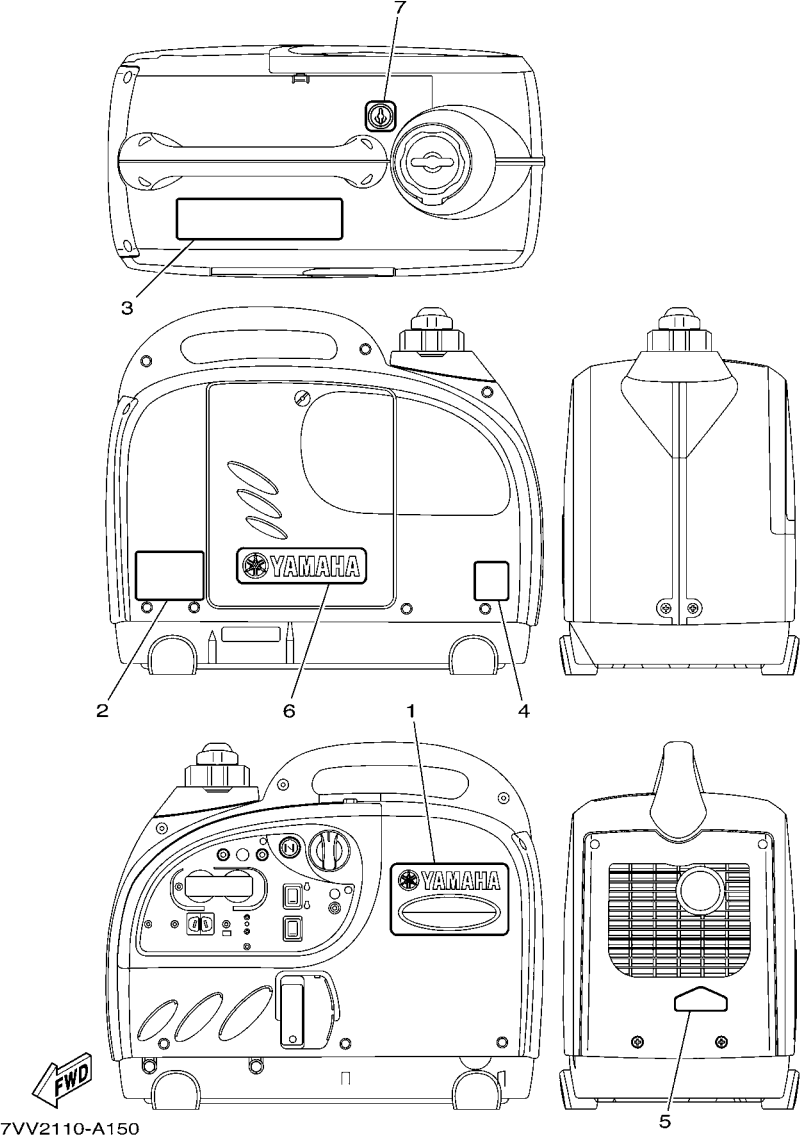


7VV2110-A140

FIG. 14 CONTROL BOX

REF. NO.	PART NO.	DESCRIPTION	7VV2				REMARKS
1	7VV-87249-40	PLATE	1				
2	7G5-87221-01	RECEPTACLE 1(WCZ 1303 9N)	1				MATSUSHITA
3	98507-04012	SCREW, PAN HEAD	2				
4	95707-04500	NUT, FLANGE	2				
5	7NJ-83530-00	PILOT LIGHT ASSY	1				
6	7VU-83582-00	PILOT LIGHT ASSY	1				
7	7NJ-82550-00	ENGINE STOP SWITCH ASSY	1				
8	7VU-83582-00	PILOT LIGHT ASSY	1				
9	7NJ-82550-00	ENGINE STOP SWITCH ASSY	1				ECON. SW
10	7LG-87239-00	RECEPTACLE COMP. (12A 24V DC)	1				
11	98507-04008	SCREW, PAN HEAD	2				
12	7VV-82181-00	CIRCUIT BREAKER COMP. (8A)	1				
13	98507-03008	SCREW, PAN HEAD	2				
14	97080-05014	BOLT	1				
15	95707-05500	NUT, FLANGE	1				
16	95380-05700	NUT	1				
17	7VV-8722W-00	WIRE, LEAD 6	1				
18	7VV-8722X-40	WIRE, LEAD 5	1				
19	7VV-87224-00	WIRE, LEAD 2	1				
20	7VV-87223-00	WIRE, LEAD 1	1				
21	7VV-82507-00	WIRE, LEAD	1				
22	7VV-87213-00	COVER, CONTROL BOX	1				
23	97707-40512	SCREW, TAPPING	4				
24	7VV-85680-00	SPEED LIMITER ASSY	1				
25	90201-03013	WASHER, PLATE	1				
26	97707-30512	SCREW, TAPPING	1				
27	97707-40512	SCREW, TAPPING	1				

FIG. 15 GRAPHIC & EMBLEM



REF. NO.	PART NO.	DESCRIPTION	7VV2				REMARKS
1	7VV-24161-10	EMBLEM 1 (EF1000IS)	1				
2	7VV-24164-10	EMBLEM 4(OIL & SPECIFICATION)	1				
3	7VV-2179R-00	PLATE, EPA 2 (CALIFORNIA)	1				
4	7VV-24162-10	EMBLEM 2 (WARNING)	1				
5	7VV-28176-10	LABEL, CAUTION (HOT EXHAUST)	1				
6	7VV-24161-30	EMBLEM 1 (YAMAHA)	1				
7	7VV-24156-00	INDICATOR, STARTER LEVER	1				

NUMERICAL INDEX

PART NO.	REF. NO.	PART NO.	REF. NO.	PART NO.	REF. NO.	PART NO.	REF. NO.	PART NO.	REF. NO.	PART NO.	REF. NO.
7VV-11011-00	9 - 6	1V3-14196-00	6 - 29	7VV-22855-00	9 - 20	7VV-82181-00	14 - 12	90183-05076	9 - 2	95817-06008	9 - 8
7VV-11012-00	9 - 7	7VV-14196-00	6 - 33	7VV-22856-00	10 - 10	7VV-82310-00	12 - 3		11 - 22	95817-06012	9 - 9
J38-11116-00	8 - 5	7VV-14197-00	6 - 30	7VV-22865-00	9 - 12	7VU-82370-00	12 - 8	90201-03013	14 - 25	95827-06012	7 - 9
7VV-11161-00	8 - 7	127-14198-00	6 - 23	7VV-22866-00	10 - 1	7VV-82372-00	12 - 9	90280-03017	12 - 7	97027-06025	13 - 5
7VV-11162-00	8 - 8	7VV-14211-00	6 - 25	7VV-22868-00	10 - 14	7VV-82507-00	14 - 21	90387-05624	3 - 7	97080-05014	14 - 14
7VV-11166-00	1 - 5	73A-14212-00	6 - 9	7VV-22875-00	9 - 14	7VV-82509-00	14 - 32	90387-05679	4 - 10	97707-30512	14 - 26
7VV-11190-00	1 - 2	7G5-14227-00	6 - 6	7VV-22876-00	9 - 15	7VV-82519-00	12 - 11	90413-05015	6 - 31	97707-40014	11 - 29
7VV-11193-00	1 - 3	1HX-1423E-63-A0	6 - 22	7VV-22877-00	10 - 11	7NJ-82550-00	14 - 7	90462-06007	13 - 7	97707-40512	14 - 23
7VV-11400-00	2 - 1	7VU-14293-00	6 - 12	7VV-22878-00	10 - 2	7NJ-83530-00	14 - 5	90464-16039	13 - 14	97707-50016	4 - 7
7VV-11610-00	2 - 5	7VV-14411-00	5 - 5	7VV-22879-00	10 - 3	7VU-83582-00	14 - 6		14 - 28		13 - 18
7VV-11631-00	2 - 4	7VV-14412-00	5 - 6	7VV-22881-01	9 - 1	7VV-85515-00	12 - 13	90467-09103	11 - 27		14 - 29
2E9-11633-00	2 - 6	7X9-14416-10	5 - 4	7VV-22885-00	10 - 4	7VV-85640-00	12 - 2	90467-10008	11 - 25	97707-50114	4 - 32
7VV-11650-00	2 - 2	7VV-14451-00	5 - 7	7VV-22886-00	9 - 21	7VV-85650-00	12 - 1	90467-10038	11 - 26	97707-60512	13 - 13
7VV-11654-00	2 - 3	7VV-14453-00	5 - 10	7VV-22887-00	9 - 22	7VV-85680-00	14 - 24	90467-12052	11 - 28	98502-03006	6 - 10
7VV-12111-00	3 - 3	7VV-14462-00	5 - 8	7VV-22889-00	10 - 15	7VV-85720-00	12 - 10	90467-13064	5 - 13	98507-03008	14 - 13
7VV-12117-00	3 - 9	7VV-14485-00	5 - 11	7VV-22891-00	9 - 4	7VU-86240-00	6 - 13	90467-280A0	5 - 12	98507-04008	14 - 11
1HX-12119-00	3 - 15	7RH-14486-00	6 - 2	7VV-22895-00	9 - 10	7VU-87105-00	13 - 10	90501-16708	3 - 8	98507-04012	14 - 3
7VV-12121-00	3 - 4	7VV-14613-00	7 - 8	7VV-22896-00	10 - 12	7VV-8711E-00	13 - 11	92907-05600	9 - 19	98507-05008	6 - 15
7VV-12141-00	3 - 5	7VV-1469A-00	4 - 2	7VV-23383-00	9 - 16	7VV-87150-10	13 - 1		10 - 7	98507-05010	13 - 8
7VV-12151-00	3 - 10	7VV-1469E-00	4 - 3	7VV-24110-00	11 - 1	7VV-87160-00	13 - 2		11 - 20	98507-05012	9 - 18
7VV-12154-00	3 - 14	7VV-1469F-00	4 - 4	7VV-24156-00	15 - 7	7VV-87172-00	13 - 3		13 - 9		10 - 6
7VV-12159-00	3 - 12	7VV-14721-00	7 - 1	7VV-24161-10	15 - 1	7VV-87174-00	13 - 15	92907-06600	13 - 6		11 - 19
7VV-12170-01	3 - 1	7VV-14786-00	7 - 2	7VV-24161-30	15 - 6	7VV-8718K-01	13 - 16	92907-10600	12 - 6	98507-05014	13 - 12
7VV-12287-01	3 - 2	7NJ-14788-00	7 - 4	7VV-24162-10	15 - 4	7LG-87209-00	14 - 33		13 - 20	98580-04008	6 - 17
7VV-12486-00	4 - 18	7VV-1478A-00	4 - 12	7VV-24164-10	15 - 2	7VV-87213-00	14 - 22	92990-04100	6 - 18	98907-05014	4 - 9
7VV-12651-00	4 - 1	7VV-1478E-00	4 - 13	7VV-24167-00	11 - 3	7G5-87221-01	14 - 2	92990-05100	6 - 16	99530-08012	8 - 9
7VV-12652-00	4 - 11	7VV-1478F-00	4 - 14	7VV-24181-00	11 - 4	7VV-87223-00	14 - 20	93102-20008	8 - 2		
7VV-12668-00	4 - 5	7NJ-14799-01	7 - 3	7VV-2419A-00	11 - 7	7VV-87224-00	14 - 19	93102-20366	8 - 12		
7VV-12669-00	4 - 16	7NJ-1479E-00	7 - 5	7VV-24311-00	11 - 8	7VV-8722W-00	14 - 17	93210-15414	8 - 15		
7VV-12678-00	4 - 6	7VV-1495A-00	6 - 19	7VV-24312-00	11 - 9	7VV-8722X-40	14 - 18	93306-00415	8 - 11		
7VV-12679-00	4 - 15	75J-14990-00	6 - 27	7VV-24313-00	11 - 10	7LG-87239-00	14 - 10	93450-11120	2 - 7		
7VV-13556-00	5 - 3	7VV-15111-00	8 - 1	7VV-24314-00	11 - 11	7VV-87249-40	14 - 1	93604-42002	3 - 11		
7G5-13556-10	5 - 2	7VV-15121-00	8 - 10	7VV-24410-00	11 - 5	7VV-8A210-11	14 - 30	93605-30002	3 - 6		
7X9-13595-00	5 - 1	7X9-15363-00	8 - 14	4SV-24453-00	6 - 14	7VV-8A531-00	13 - 21	94702-00372	1 - 1		
7VV-14101-00	6 - 1	7VV-15407-00	8 - 6	7VV-24500-00	11 - 14	7VV-8A532-00	13 - 22	95307-05700	11 - 21		
22F-14117-00	6 - 5	7VV-15703-00	4 - 21	5BM-24514-00	11 - 24	90105-05002	4 - 8	95307-06600	7 - 7		
7NJ-14118-00	6 - 24	7VV-15710-00	4 - 20	7VV-24524-00	11 - 15		5 - 9	95307-10600	12 - 5		
127-14134-00	6 - 3	7VV-15713-00	4 - 22	3H3-2452K-00	11 - 16		9 - 11	95317-10600	13 - 19		
7VV-14137-00	6 - 32	7VV-15714-00	4 - 23	7VV-24533-00	11 - 17	90105-05005	12 - 4	95380-05700	14 - 16		
3LD-14139-00	6 - 35	7VV-15715-00	4 - 24	7VV-24544-00	11 - 18	90105-05006	8 - 13	95607-06615	8 - 3		
8A7-14139-00	6 - 34	7VV-15716-00	4 - 25	7VV-24545-00	11 - 23	90105-05361	1 - 4	95707-04500	14 - 4		
620-14142-40-A0	6 - 11	7VV-15741-00	4 - 26	7VV-24575-00	11 - 12		13 - 17	95707-05500	14 - 15		
7FK-14150-10	6 - 28	7VV-15751-00	4 - 28	7VV-24610-00	11 - 2	90116-06033	8 - 4	95707-06500	5 - 14		
7RA-14162-00	6 - 20	7VV-15755-00	4 - 29	7VV-26331-00	5 - 15	90149-06223	10 - 13		9 - 5		
7VV-14181-00	6 - 4	7VV-15788-00	4 - 30	7VV-28100-00	9 - 23	90153-05024	7 - 6	95807-06012	11 - 6		
7X9-14185-00	6 - 7	7VV-15793-00	4 - 27	7VV-28176-10	15 - 5	90170-05302	3 - 13		12 - 12		
22F-14186-00	6 - 21	7VV-2179R-00	15 - 3	7VV-48300-00	11 - 13	90183-05061	9 - 17		13 - 4		
7E1-14191-00	6 - 8	7VV-22825-00	9 - 13	7VV-67617-00	9 - 3		10 - 5		14 - 31		