



PARTS CATALOGUE

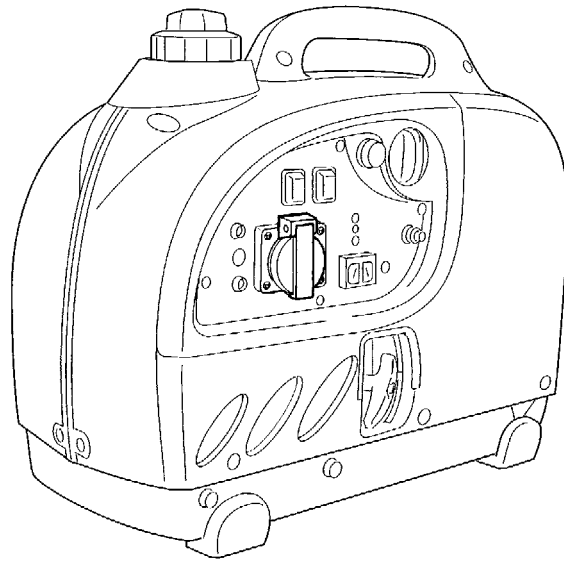
EF1000iS (7VV3) OTHER

EF1000iS (7VV3) EUROPE

EF1000iS (7VV4) AUSTRALIA

EF1000iS
PARTS CATALOGUE
©2003 by Yamaha Motor Co., Ltd.
1st edition, June 2003
All rights reserved.
Any reprinting or unauthorized use
without the written permission of
Yamaha Motor Co., Ltd.
is expressly prohibited.
Printed in Japan.

A3



A4

FOREWORD

This Parts Catalogue is related to the parts for the model(s) on the cover page. When you are ordering replacement parts, please refer to this Parts Catalogue and quote both part numbers and part names correctly.

1. Modifications or additions which have been made after the issue of the Parts Catalogue will be announced in the Parts News.

It is advisable that you make the necessary corrections to the Parts Catalogue according to the Parts News.

2. Abbreviations

The following abbreviations are used in this Parts Catalogue.

“UR” Use specified parts number.

“UN” Use as many as needed.

“AP” Alternate Parts

“LM” Locally Made (Parts need to be ordered locally)

“F#” Frame No. (Applicable machine No.)

“O/S” Over Size

3. The number of components for assembly

- Parts, which are to be supplied in an assembly, are listed with a dot (.) in front of the part name as shown below.
- The numeral appearing to the right of each component part indicates the quantity of parts for each assembly unit.

| PART NO. | DESCRIPTION | Q'TY | REMARKS |
|--------------|--------------------------|------|---------|
| 2F5-83310-60 | FRONT FLASHER LIGHT ASSY | 2 | |
| 115-83311-60 | .BULB (6V-18W) | 1 | |

4. Applicable colours of graphics are represented in the “REMARKS” as shown below.

| PART NO. | DESCRIPTION | Q'TY | REMARKS |
|-----------------|---------------------|------|---------|
| 2N4-24110-00-X5 | FUEL TANK COMP. | 2 | MXR |
| 3J1-24240-10 | .GRAPHIC, FUEL TANK | 1 | FOR MXR |

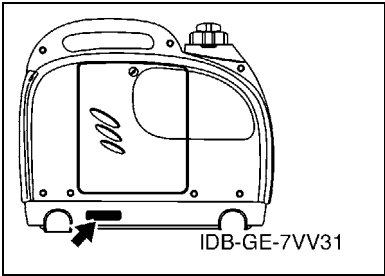
5. Note that the illustrations for reference in finding parts numbers are not to be used for assembling. When assembling, please use the applicable service manual.

6. The asterisk (*) before a reference number indicates modified items after the first edition.

FOREWORD

7. Applicable Serial No.

Frame Serial No.



9. Applicable Starting Serial No.

*****Serial NO.

| Model | Model Code | Destination | Voltage | Serial NO. |
|----------|------------|---------------------------|-----------|------------|
| EF1000iS | 7VV3 | OTHER | 220V-50Hz | 7VV-340101 |
| | | EUROPE (EXCEPT FRANCE) | 230V-50Hz | 7VV-320101 |
| | | EUROPE (FRANCE) | 230V-50Hz | 7VV-300101 |
| EF1000iS | 7VV4 | AUSTRALIA | 240V-50Hz | 7VV-400101 |

8. Applicable Colour Code (The (*) mark shows Model colour.)

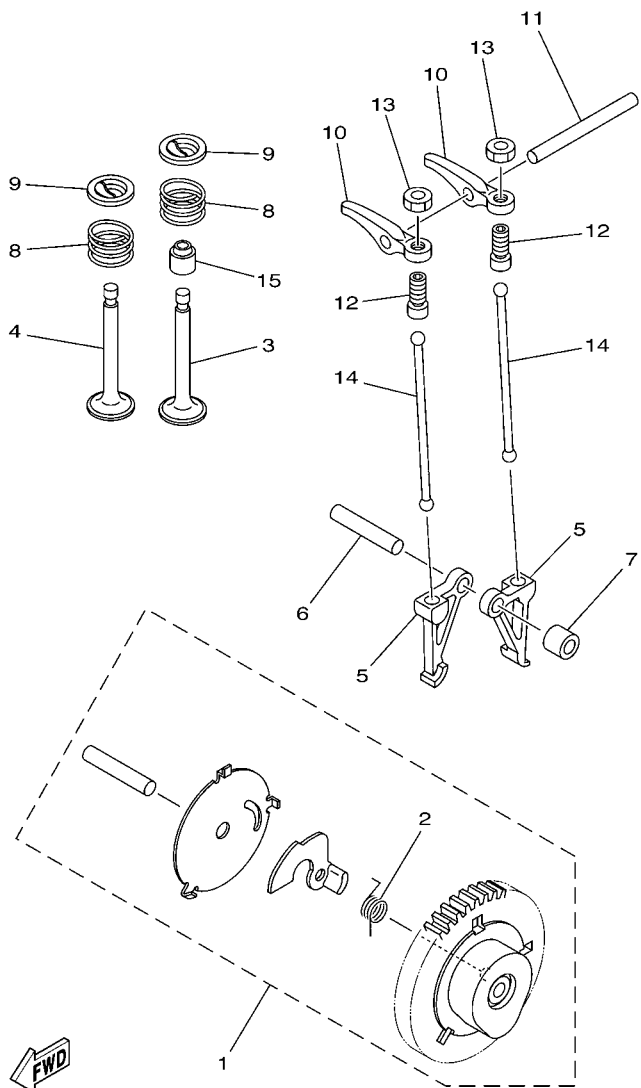
| Abbreviation | Colour Name | Colour Code |
|--------------|-----------------------|-------------|
| PBS3(*) | PURPLISH BLUE SOLID 3 | 0714 |
| | | |
| | | |
| | | |
| | | |
| | | |
| | | |
| | | |
| | | |

CONTENTS

| | |
|----------------------------|-----|
| CYLINDER | B2 |
| CRANKSHAFT & PISTON | B3 |
| CAMSHAFT & VALVE | B4 |
| AIR SHROUD & STARTER | B5 |
| INTAKE | B7 |
| CARBURETOR | B8 |
| EXHAUST | B10 |
| CRANKCASE | B11 |
| FRAME | B12 |
| FRAME 2 | B13 |
| FUEL TANK | B14 |
| MAGNETO | C2 |
| GENERATOR | C3 |
| CONTROL BOX 1 | C4 |
| CONTROL BOX 2 | C6 |
| GRAPHIC & EMBLEM | C8 |

INDEX

| | |
|-----------------------|----|
| NUMERICAL INDEX | M1 |
|-----------------------|----|



7VV1010-A030

FIG. 3 CAMSHAFT & VALVE

| REF. NO. | PART NO. | DESCRIPTION | EUR | OTH | OCE | REMARKS |
|----------|--------------|------------------------|-----|-----|-----|---------|
| 1 | 7VV-12170-01 | CAMSHAFT ASSY 1 | 1 | 1 | 1 | |
| 2 | 7VV-12287-01 | .SPRING, DECOMPRESSION | 1 | 1 | 1 | |
| 3 | 7VV-12111-00 | VALVE, INTAKE | 1 | 1 | 1 | |
| 4 | 7VV-12121-00 | VALVE, EXHAUST | 1 | 1 | 1 | |
| 5 | 7VV-12141-00 | FOLLOWER,CAM | 2 | 2 | 2 | |
| 6 | 93605-30002 | PIN, DOWEL | 2 | 2 | 2 | |
| 7 | 90387-05624 | COLLAR | 1 | 1 | 1 | |
| 8 | 90501-16708 | SPRING, COMPRESSION | 2 | 2 | 2 | |
| 9 | 7VV-12117-00 | RETAINER, VALVE SPRING | 2 | 2 | 2 | |
| 10 | 7VV-12151-00 | ARM, VALVE ROCKER | 2 | 2 | 2 | |
| 11 | 93604-42002 | PIN, DOWEL | 1 | 1 | 1 | |
| 12 | 7VV-12159-00 | SCREW, VALVE ADJUSTING | 2 | 2 | 2 | |
| 13 | 90170-05302 | NUT | 2 | 2 | 2 | |
| 14 | 7VV-12154-00 | ROD, VALVE PUSH | 2 | 2 | 2 | |
| 15 | 1HX-12119-00 | SEAL, VALVE STEM | 1 | 1 | 1 | |

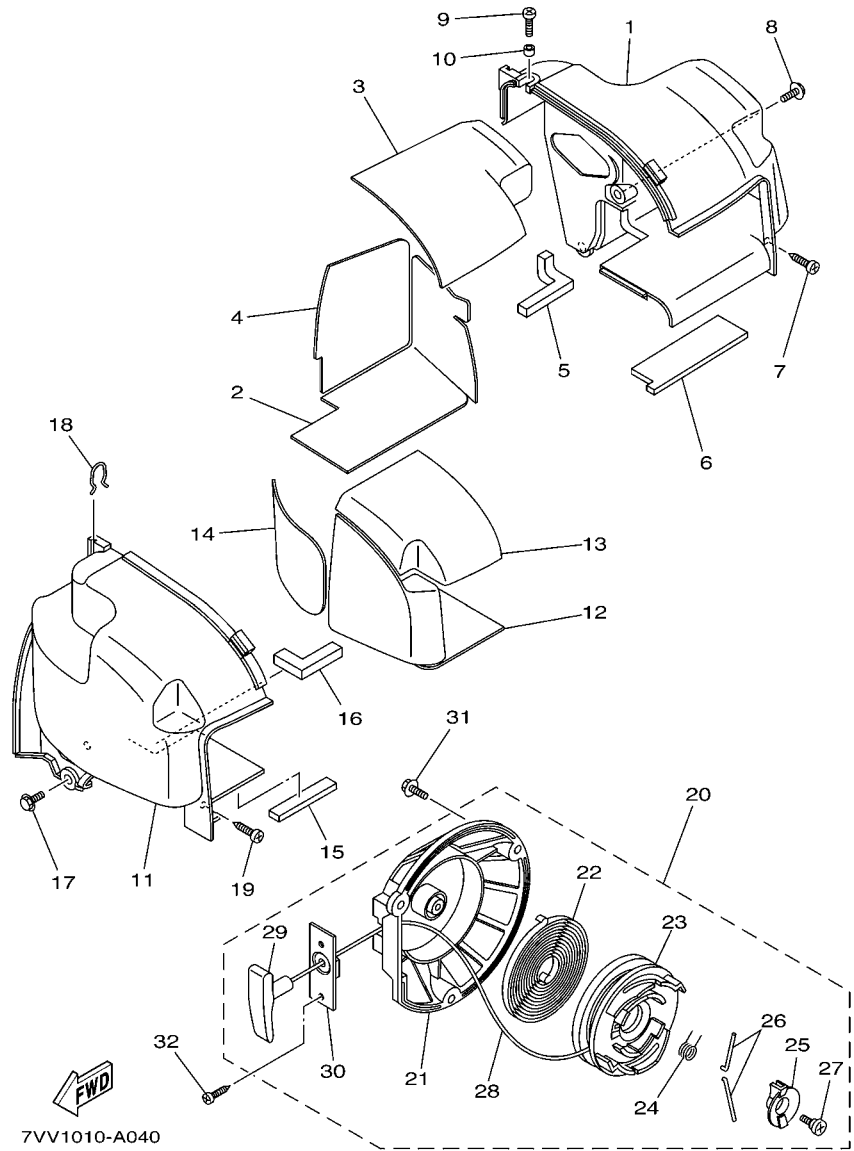


FIG. 4 AIR SHROUD & STARTER

| REF. NO. | PART NO. | DESCRIPTION | EUR | OTH | OCE | REMARKS |
|----------|--------------|------------------------|-----|-----|-----|---------|
| 1 | 7VV-12651-00 | AIR SHROUD, CYLINDER 1 | 1 | 1 | 1 | |
| 2 | 7VV-1469A-00 | FIBER | 1 | 1 | 1 | |
| 3 | 7VV-1469E-00 | FIBER | 1 | 1 | 1 | |
| 4 | 7VV-1469F-00 | FIBER 3 | 1 | 1 | 1 | |
| 5 | 7VV-12668-00 | DAMPER, AIR SHROUD 3 | 1 | 1 | 1 | |
| 6 | 7VV-12678-00 | DAMPER, AIR SHROUD 5 | 1 | 1 | 1 | |
| 7 | 97707-50016 | SCREW, TAPPING | 1 | 1 | 1 | |
| 8 | 90105-05002 | BOLT, FLANGE | 2 | 2 | 2 | |
| 9 | 98907-05014 | SCREW, BIND | 1 | 1 | 1 | |
| 10 | 90387-05679 | COLLAR | 1 | 1 | 1 | |
| 11 | 7VV-12652-00 | AIR SHROUD, CYLINDER 2 | 1 | 1 | 1 | |
| 12 | 7VV-1478A-00 | FIBER 7 | 1 | 1 | 1 | |
| 13 | 7VV-1478E-00 | FIBER 8 | 1 | 1 | 1 | |
| 14 | 7VV-1478F-00 | FIBER 9 | 1 | 1 | 1 | |
| 15 | 7VV-12679-00 | DAMPER, SHROUD 6 | 1 | 1 | 1 | |
| 16 | 7VV-12669-00 | DAMPER, AIR SHROUD 4 | 1 | 1 | 1 | |
| 17 | 90105-05002 | BOLT, FLANGE | 2 | 2 | 2 | |
| 18 | 7VV-12486-00 | CLIP | 2 | 2 | 2 | |
| 19 | 97707-50016 | SCREW, TAPPING | 1 | 1 | 1 | |
| 20 | 7VV-15710-00 | STARTER ASSY | 1 | 1 | 1 | |
| 21 | 7VV-15703-00 | .STARTER CASE COMP. | 1 | 1 | 1 | |
| 22 | 7VV-15713-00 | .SPRING, STARTER | 1 | 1 | 1 | |
| 23 | 7VV-15714-00 | .DRUM, SHEAVE | 1 | 1 | 1 | |
| 24 | 7VV-15715-00 | .SPRING, FRICTION | 1 | 1 | 1 | |
| 25 | 7VV-15716-00 | .PLATE, DRIVE | 1 | 1 | 1 | |
| 26 | 7VV-15741-00 | .PAWL, DRIVE | 2 | 2 | 2 | |
| 27 | 7VV-15793-00 | .SCREW | 1 | 1 | 1 | |

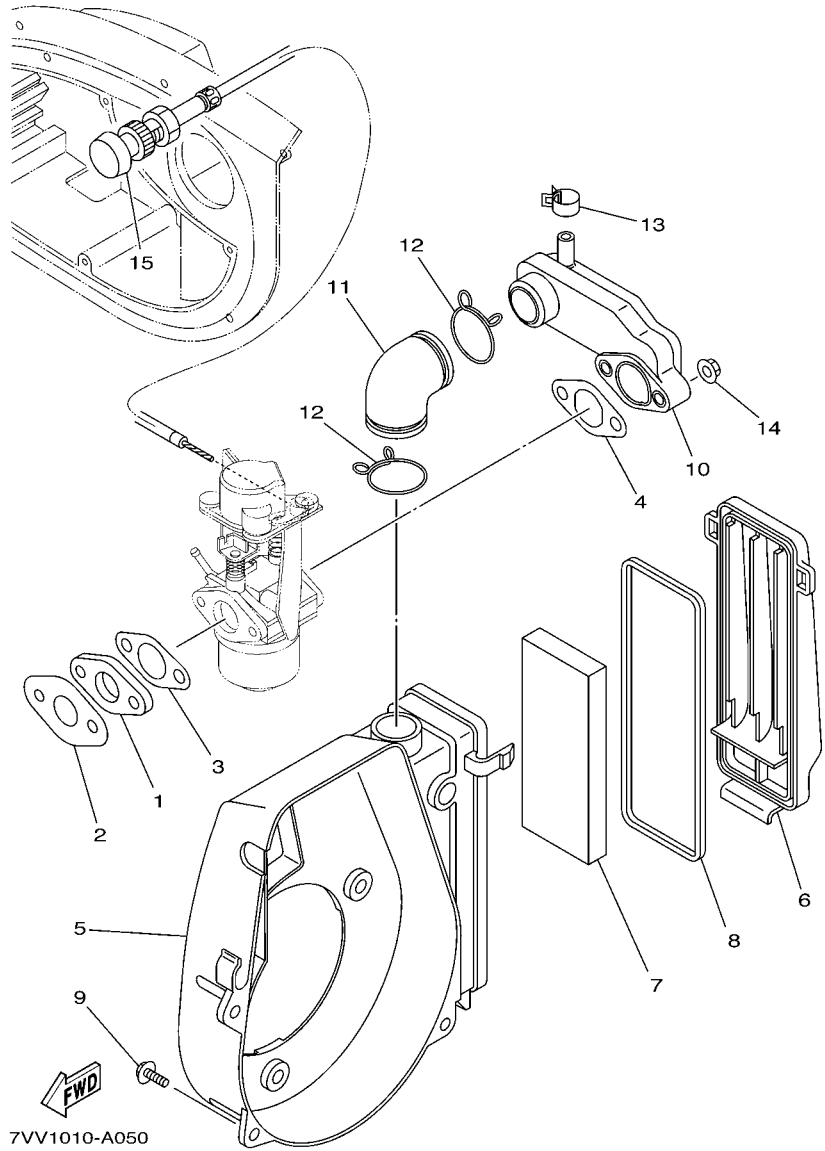
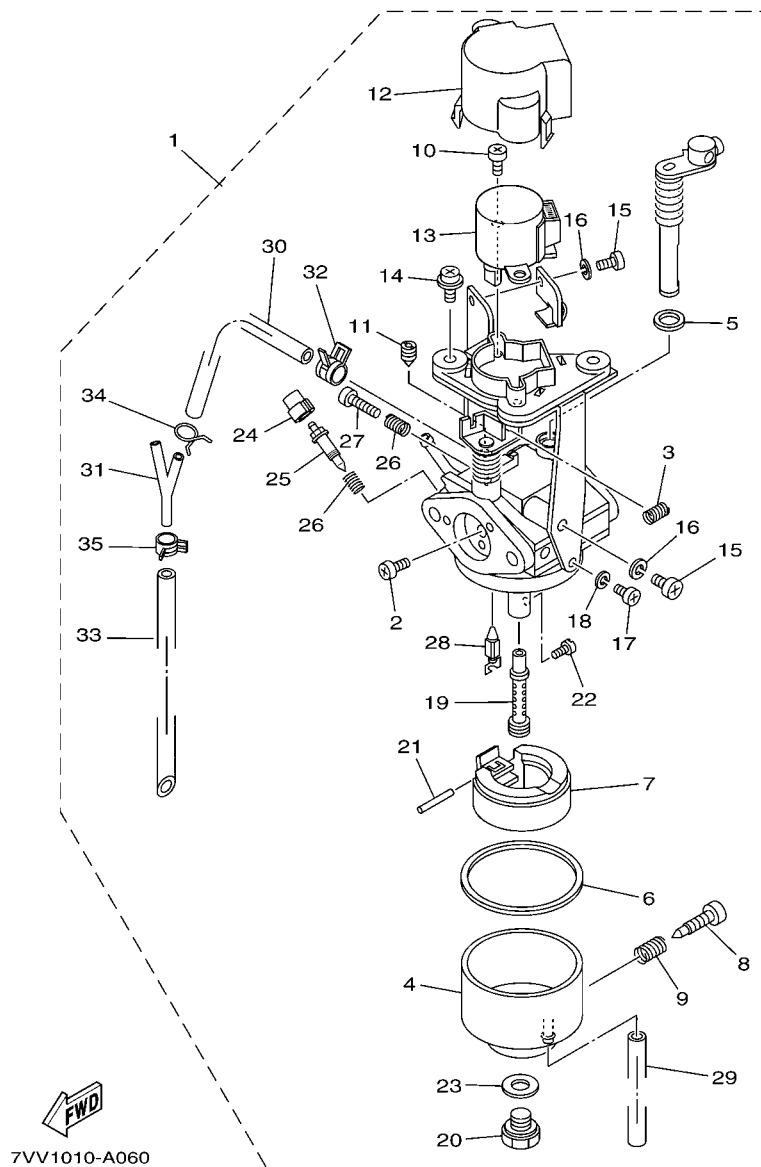


FIG. 5 INTAKE

| REF. NO. | PART NO. | DESCRIPTION | EUR | OTH | OCE | REMARKS |
|----------|--------------|----------------------|-----|-----|-----|---------|
| 1 | 7X9-13595-00 | JOINT | 1 | 1 | 1 | |
| 2 | 7G5-13556-10 | GASKET, MANIFOLD | 1 | 1 | 1 | |
| 3 | 7VV-13556-00 | GASKET, MANIFOLD | 1 | 1 | 1 | |
| 4 | 7X9-14416-10 | GASKET, AIR CLEANER | 1 | 1 | 1 | |
| 5 | 7VV-14411-00 | CASE, AIR CLEANER 1 | 1 | 1 | 1 | |
| 6 | 7VV-14412-00 | CAP, CLEANER CASE 1 | 1 | 1 | 1 | |
| 7 | 7VV-14451-00 | ELEMENT, AIR CLEANER | 1 | 1 | 1 | |
| 8 | 7VV-14462-00 | SEAL | 1 | 1 | 1 | |
| 9 | 90105-05002 | BOLT, FLANGE | 3 | 3 | 3 | |
| 10 | 7VV-14453-00 | JOINT, AIR CLEANER 1 | 1 | 1 | 1 | |
| 11 | 7VV-14485-00 | PIPE, JOINT | 1 | 1 | 1 | |
| 12 | 90467-280A0 | CLIP | 2 | 2 | 2 | |
| 13 | 90467-13064 | CLIP | 1 | 1 | 1 | |
| 14 | 95707-06500 | NUT, FLANGE | 2 | 2 | 2 | |
| 15 | 7VV-26331-00 | CABLE, CHOKE | 1 | 1 | 1 | |
| | | | | | | |
| | | | | | | |
| | | | | | | |
| | | | | | | |

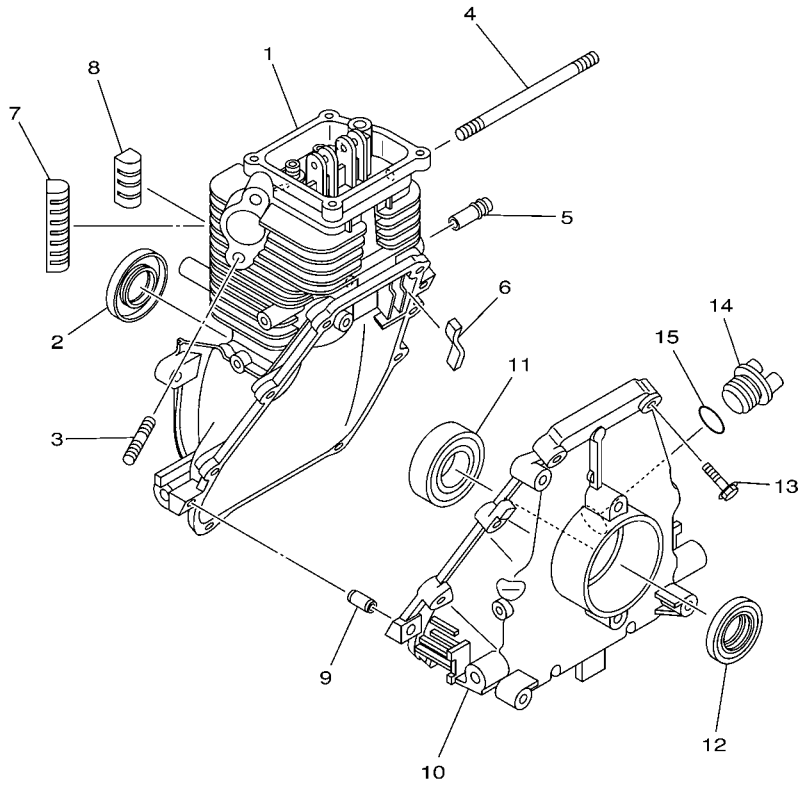
FIG. 6 CARBURETOR



7VV1010-A060

| REF. NO. | PART NO. | DESCRIPTION | EUR | OTH | OCE | REMARKS |
|----------|-----------------|-------------------------|-----|-----|-----|---------|
| 1 | 7VV-14101-00 | CARBURETOR ASSY 1 | 1 | 1 | 1 | |
| 2 | 7RH-14486-00 | .SCREW, ROD | 3 | 3 | 3 | |
| 3 | 127-14134-00 | .SPRING, AIR ADJUSTING | 1 | 1 | 1 | |
| 4 | 7VV-14181-00 | .BODY, FLOAT CHAMBER 1 | 1 | 1 | 1 | |
| 5 | 22F-14117-00 | .WASHER, PLUG SCREW | 1 | 1 | 1 | |
| 6 | 7G5-14227-00 | .GASKET, FLOAT CHAMBER | 1 | 1 | 1 | |
| 7 | 7X9-14185-00 | .FLOAT | 1 | 1 | 1 | |
| 8 | 7E1-14191-00 | .PLUG, DRAIN | 1 | 1 | 1 | |
| 9 | 73A-14212-00 | .SPRING | 1 | 1 | 1 | |
| 10 | 98502-03006 | .SCREW, PAN HEAD | 2 | 2 | 2 | |
| 11 | 620-14142-40-A0 | .JET, PILOT (#40) | 1 | 1 | 1 | |
| 12 | 7VU-14293-00 | .COVER 1 | 1 | 1 | 1 | |
| 13 | 7VU-86240-00 | .THROTTLE MOTOR ASSY | 1 | 1 | 1 | |
| 14 | 4SV-24453-00 | .SCREW | 2 | 2 | 2 | |
| 15 | 98507-05008 | .SCREW, PAN HEAD | 3 | 3 | 3 | |
| 16 | 92990-05100 | .WASHER, SPRING | 3 | 3 | 3 | |
| 17 | 98580-04008 | .SCREW, PAN HEAD | 1 | 1 | 1 | |
| 18 | 92990-04100 | .WASHER, SPRING | 1 | 1 | 1 | |
| 19 | 7VV-1495A-00 | .NOZZLE, MAIN | 1 | 1 | 1 | |
| 20 | 7RA-14162-00 | .BOLT, HOLDING | 1 | 1 | 1 | |
| 21 | 22F-14186-00 | .PIN, FLOAT | 1 | 1 | 1 | |
| 22 | 1HX-1423E-63-A0 | .JET, MAIN (#62.5) | 1 | 1 | 1 | |
| 23 | 127-14198-00 | .GASKET | 1 | 1 | 1 | |
| 24 | 7NJ-14118-00 | .CAP (CUT AWAY 1/4) | 1 | 1 | 1 | |
| 25 | 7NJ-14211-00 | .SCREW, PILOT ADJUSTING | 1 | 1 | 1 | |
| 26 | 73A-14212-00 | .SPRING | 2 | 2 | 2 | |
| 27 | 75J-14990-00 | .SCREW | 1 | 1 | 1 | |

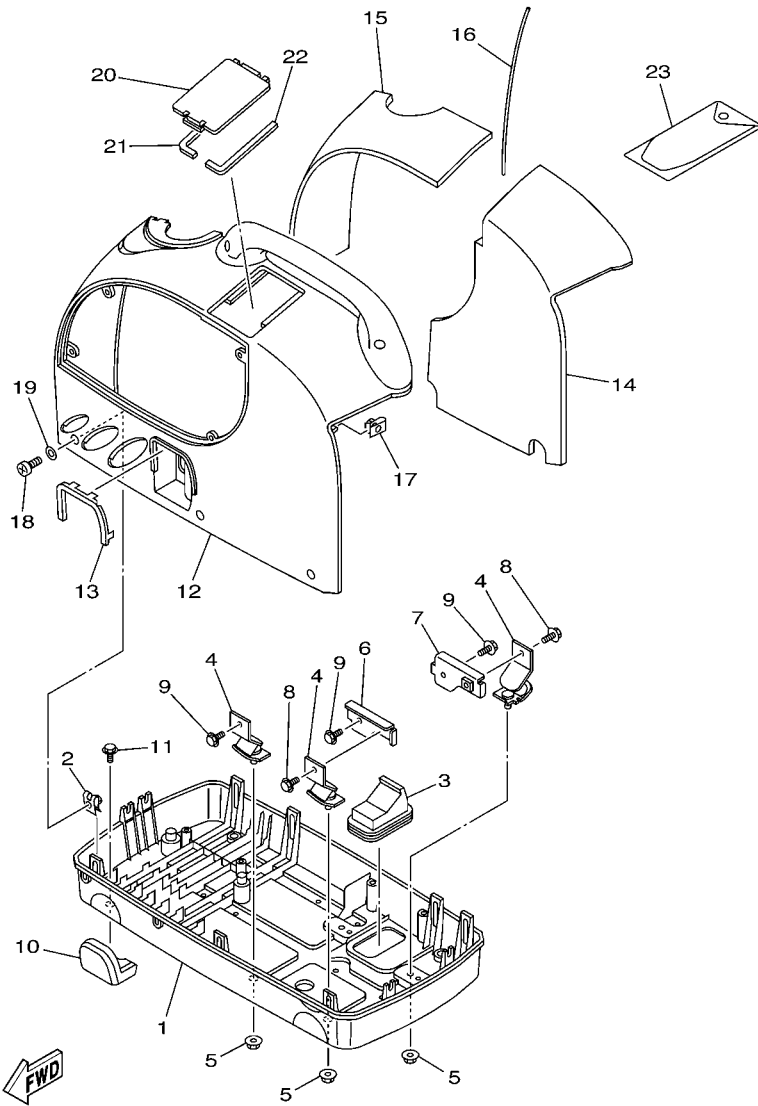
FIG. 8 CRANKCASE



| REF. NO. | PART NO. | DESCRIPTION | EUR | OTH | OCE | REMARKS |
|----------|--------------|-----------------|-----|-----|-----|---------|
| 1 | 7VV-15111-00 | CRANKCASE 1 | 1 | 1 | 1 | |
| 2 | 93102-20008 | OIL SEAL | 1 | 1 | 1 | |
| 3 | 95607-06615 | BOLT, STUD | 2 | 2 | 2 | |
| 4 | 90116-06033 | BOLT, STUD | 2 | 2 | 2 | |
| 5 | J38-11116-00 | JOINT, BREATHER | 1 | 1 | 1 | |
| 6 | 7VV-15407-00 | ELEMENT 1 | 1 | 1 | 1 | |
| 7 | 7VV-11161-00 | ABSORBER 1 | 2 | 2 | 2 | |
| 8 | 7VV-11162-00 | ABSORBER 2 | 4 | 4 | 4 | |
| 9 | 99530-08012 | PIN, DOWEL | 2 | 2 | 2 | |
| 10 | 7VV-15121-00 | CRANKCASE 2 | 1 | 1 | 1 | |
| 11 | 93306-00415 | BEARING (B6004) | 1 | 1 | 1 | |
| 12 | 93102-20366 | OIL SEAL | 1 | 1 | 1 | |
| 13 | 90105-05006 | BOLT, FLANGE | 8 | 8 | 8 | |
| 14 | 7X9-15363-00 | PLUG, OIL | 1 | 1 | 1 | |
| 15 | 93210-15414 | O-RING | 1 | 1 | 1 | |



7VV1010-A080

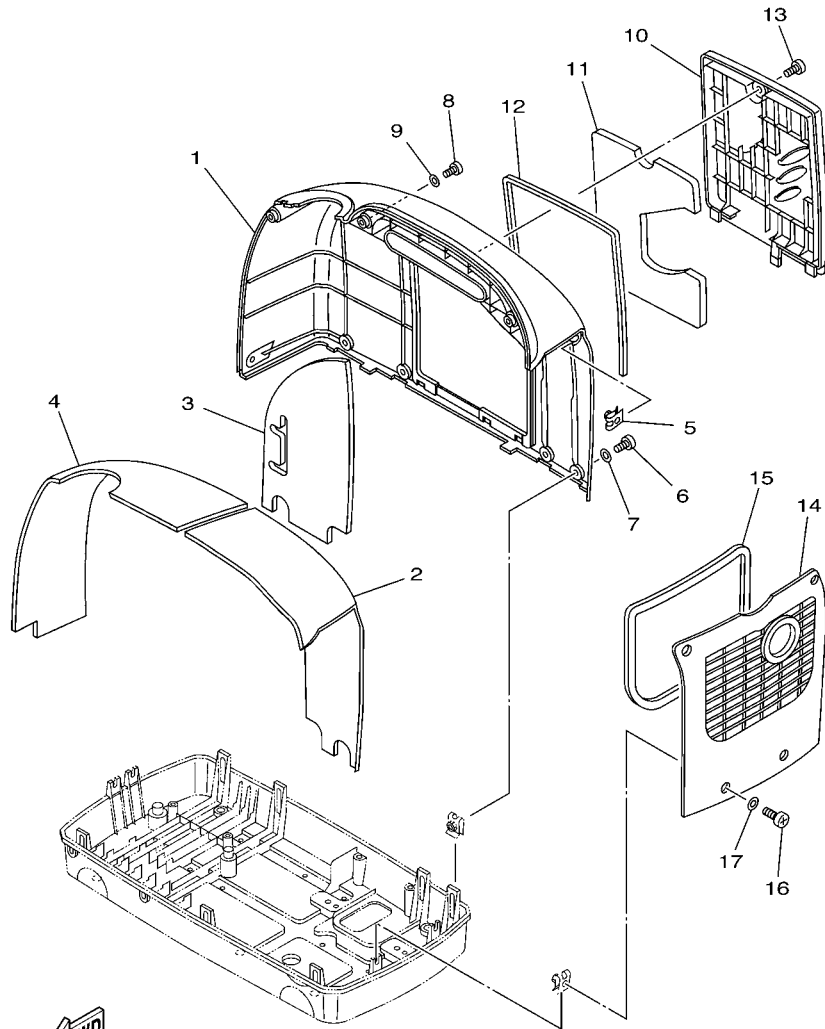


7VV1010-A090

FIG. 9 FRAME

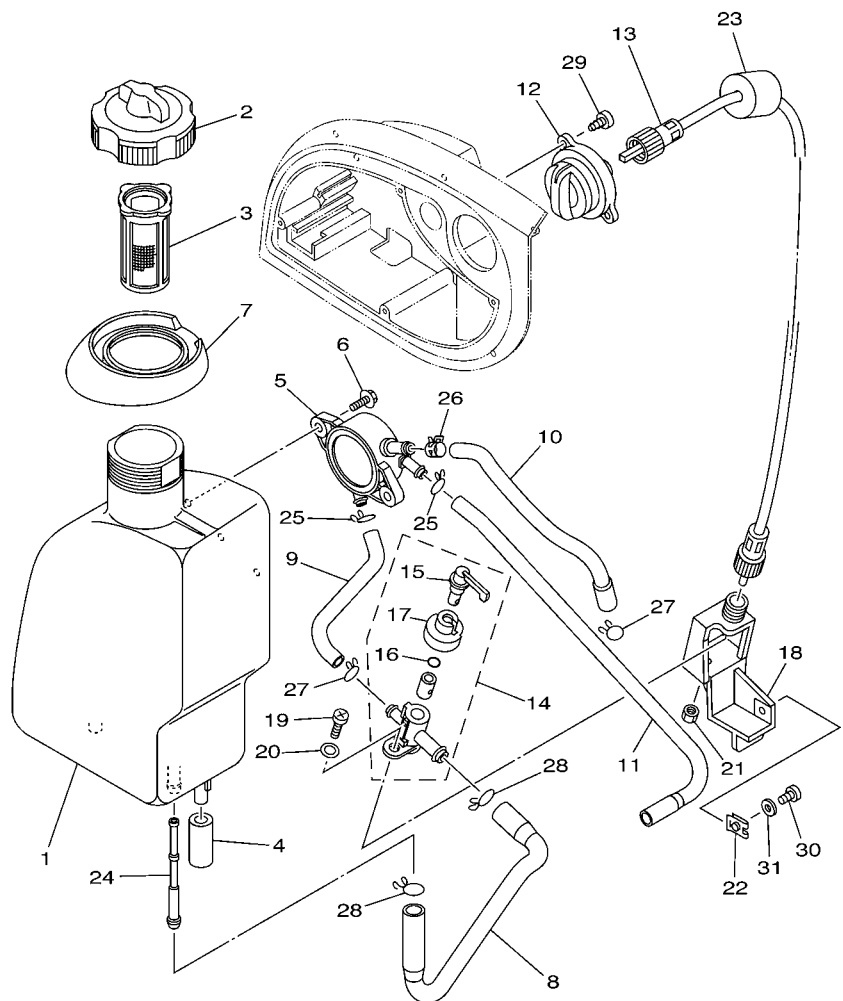
| REF. NO. | PART NO. | DESCRIPTION | EUR | OTH | OCE | REMARKS |
|----------|--------------|---------------------|-----|-----|-----|---------|
| 1 | 7VV-22881-01 | BASE, MOUNTING | 1 | 1 | 1 | |
| 2 | 90183-05076 | NUT, SPRING | 11 | 11 | 11 | |
| 3 | 7VV-67617-00 | JOINT, DRAIN | 1 | 1 | 1 | |
| 4 | 7VV-22891-00 | INSULATOR, MOUNTING | 4 | 4 | 4 | |
| 5 | 95707-06500 | NUT, FLANGE | 4 | 4 | 4 | |
| 6 | 7VV-11011-00 | BRACKET, ENGINE 1 | 1 | 1 | 1 | |
| 7 | 7VV-11012-00 | BRACKET, ENGINE 2 | 1 | 1 | 1 | |
| 8 | 95817-06008 | BOLT, FLANGE | 2 | 2 | 2 | |
| 9 | 95817-06012 | BOLT, FLANGE | 4 | 4 | 4 | |
| 10 | 7VV-22895-00 | INSULATOR, MOUNTING | 4 | 4 | 4 | |
| 11 | 90105-05002 | BOLT, FLANGE | 4 | 4 | 4 | |
| 12 | 7VV-22865-00 | COVER, FRONT | 1 | 1 | 1 | |
| 13 | 7VV-22825-00 | PROTECTOR 1 | 1 | 1 | 1 | |
| 14 | 7VV-22875-00 | SEAL 3 | 1 | 1 | 1 | |
| 15 | 7VV-22876-00 | SEAL 4 | 1 | 1 | 1 | |
| 16 | 7VV-23383-00 | COVER, DUST SEAL 1 | 1 | 1 | 1 | |
| 17 | 90183-05061 | NUT, SPRING | 1 | 1 | 1 | |
| 18 | 98507-05012 | SCREW, PAN HEAD | 4 | 4 | 4 | |
| 19 | 92907-05600 | WASHER, PLATE | 4 | 4 | 4 | |
| 20 | 7VV-22855-00 | COVER 2 | 1 | 1 | 1 | |
| 21 | 7VV-22886-00 | SEAL 9 | 1 | 1 | 1 | |
| 22 | 7VV-22887-00 | SEAL 10 | 1 | 1 | 1 | |
| 23 | 7VV-28100-00 | TOOL KIT | 1 | 1 | 1 | |

FIG. 10 FRAME 2



7VV1010-A100

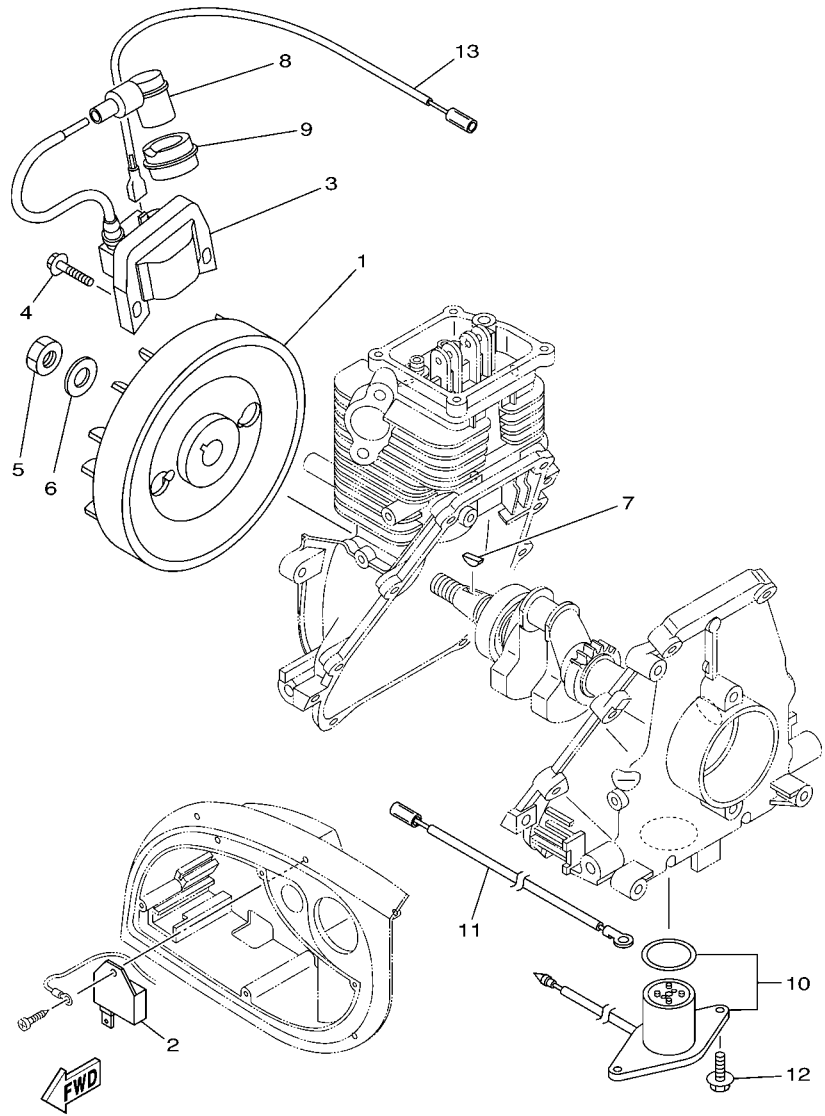
| REF. NO. | PART NO. | DESCRIPTION | EUR | OTH | OCE | | | | REMARKS |
|----------|--------------|-----------------|-----|-----|-----|--|--|--|---------|
| | | | | | | | | | |
| 1 | 7VV-22866-00 | COVER, REAR | 1 | 1 | 1 | | | | |
| 2 | 7VV-22878-00 | SEAL 6 | 1 | 1 | 1 | | | | |
| 3 | 7VV-22879-00 | SEAL 7 | 1 | 1 | 1 | | | | |
| 4 | 7VV-22885-00 | SEAL 8 | 1 | 1 | 1 | | | | |
| 5 | 90183-05061 | NUT, SPRING | 1 | 1 | 1 | | | | |
| 6 | 98507-05012 | SCREW, PAN HEAD | 5 | 5 | 5 | | | | |
| 7 | 92907-05600 | WASHER, PLATE | 5 | 5 | 5 | | | | |
| 8 | 98507-05012 | SCREW, PAN HEAD | 3 | 3 | 3 | | | | |
| 9 | 92907-05600 | WASHER, PLATE | 3 | 3 | 3 | | | | |
| 10 | 7VV-22856-00 | COVER 3 | 1 | 1 | 1 | | | | |
| 11 | 7VV-22877-00 | SEAL 5 | 1 | 1 | 1 | | | | |
| 12 | 7VV-22896-00 | SEAL 13 | 1 | 1 | 1 | | | | |
| 13 | 90149-06223 | SCREW | 1 | 1 | 1 | | | | |
| 14 | 7VV-22868-00 | COVER, SIDE 2 | 1 | 1 | 1 | | | | |
| 15 | 7VV-22889-00 | SEAL 12 | 1 | 1 | 1 | | | | |
| 16 | 98507-05012 | SCREW, PAN HEAD | 4 | 4 | 4 | | | | |
| 17 | 92907-05600 | WASHER, PLATE | 4 | 4 | 4 | | | | |
| | | | | | | | | | |
| | | | | | | | | | |
| | | | | | | | | | |



FWD
7VV1010-A110

FIG. 11 FUEL TANK

| REF. NO. | PART NO. | DESCRIPTION | EUR | OTH | OCF | REMARKS |
|----------|--------------|----------------------|-----|-----|-----|---------|
| 1 | 7VV-24110-00 | FUEL TANK COMP. | 1 | 1 | 1 | |
| 2 | 7VV-24610-00 | CAP ASSY | 1 | 1 | 1 | |
| 3 | 7VV-24167-00 | STRAINER | 1 | 1 | 1 | |
| 4 | 7VV-24181-00 | DAMPER, LOCATING 1 | 2 | 2 | 2 | |
| 5 | 7VV-24410-00 | FUEL PUMP ASSY | 1 | 1 | 1 | |
| 6 | 95807-06012 | BOLT, FLANGE | 2 | 2 | 2 | |
| 7 | 7VV-2419A-00 | HOLDER | 1 | 1 | 1 | |
| 8 | 7VV-24311-00 | PIPE, FUEL 1 | 1 | 1 | 1 | |
| 9 | 7VV-24312-00 | PIPE 2 | 1 | 1 | 1 | |
| 10 | 7VV-24313-00 | PIPE 3 | 1 | 1 | 1 | |
| 11 | 7VV-24314-00 | PIPE 4 | 1 | 1 | 1 | |
| 12 | 7VV-24575-00 | LEVER, FUEL CHANGE | 1 | 1 | 1 | |
| 13 | 7VV-48300-00 | REMOCON. CABLE ASSY. | 1 | 1 | 1 | |
| 14 | 7VV-24500-00 | FUEL COCK ASSY 1 | 1 | 1 | 1 | |
| 15 | 7VV-24524-00 | .LEVER, COCK | 1 | 1 | 1 | |
| 16 | 3H3-2452K-00 | .O-RING | 1 | 1 | 1 | |
| 17 | 7VV-24533-00 | .SEAL, COCK | 1 | 1 | 1 | |
| 18 | 7VV-24544-00 | BRACKET, FUEL COCK | 1 | 1 | 1 | |
| 19 | 98507-05012 | SCREW, PAN HEAD | 1 | 1 | 1 | |
| 20 | 92907-05600 | WASHER, PLATE | 1 | 1 | 1 | |
| 21 | 95307-05700 | NUT | 1 | 1 | 1 | |
| 22 | 90183-05076 | NUT, SPRING | 1 | 1 | 1 | |
| 23 | 7VV-24545-00 | SPACER, FUEL COCK | 1 | 1 | 1 | |
| 24 | 5BM-24514-00 | NET, FILTER 1 | 1 | 1 | 1 | |
| 25 | 90467-10008 | CLIP | 2 | 2 | 2 | |
| 26 | 90467-10038 | CLIP | 1 | 1 | 1 | |
| 27 | 90467-09103 | CLIP | 2 | 2 | 2 | |

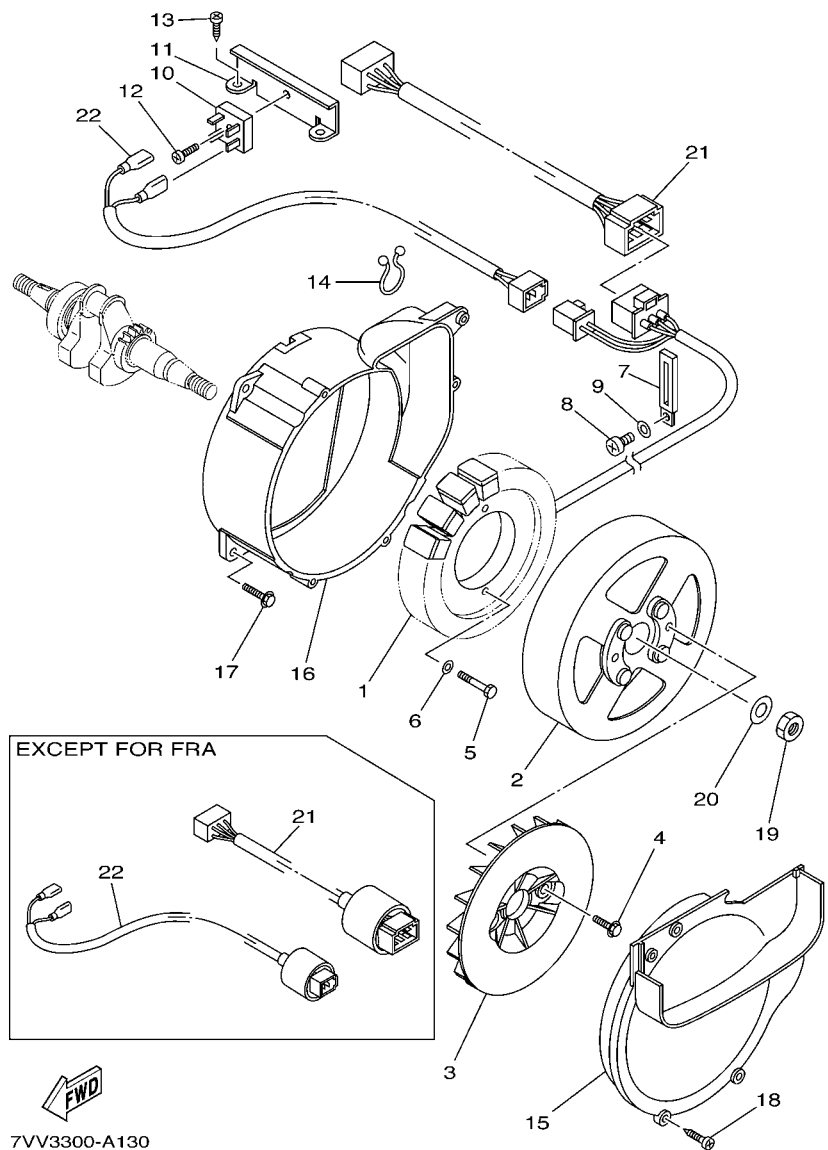


7VV1010-A120

FIG. 12 MAGNETO

| REF. NO. | PART NO. | DESCRIPTION | EUR | OTH | OCE | REMARKS |
|----------|--------------|----------------------|-----|-----|-----|---------|
| 1 | 7VV-85650-00 | ROTOR ASSY | 1 | 1 | 1 | |
| 2 | 7VV-85640-00 | T.C.I. UNIT ASSY | 1 | 1 | 1 | |
| 3 | 7VV-82310-00 | IGNITION COIL ASSY | 1 | 1 | 1 | |
| 4 | 90105-05005 | BOLT, FLANGE | 2 | 2 | 2 | |
| 5 | 95307-10600 | NUT | 1 | 1 | 1 | |
| 6 | 92907-10600 | WASHER, PLATE | 1 | 1 | 1 | |
| 7 | 90280-03017 | KEY, WOODRUFF | 1 | 1 | 1 | |
| 8 | 7VU-82370-00 | PLUG CAP ASSY | 1 | 1 | 1 | |
| 9 | 7VV-82372-00 | SEAL, PLUG CAP | 1 | 1 | 1 | |
| 10 | 7VV-85720-00 | OIL LEVEL GAUGE ASSY | 1 | 1 | 1 | |
| 11 | 7VV-82519-00 | WIRE, EARTH LEAD | 1 | 1 | 1 | |
| 12 | 95807-06012 | BOLT, FLANGE | 2 | 2 | 2 | |
| 13 | 7VV-85515-00 | LEAD WIRE ASSY | 1 | 1 | 1 | |
| ----- | | | | | | |
| ----- | | | | | | |
| ----- | | | | | | |
| ----- | | | | | | |

FIG. 13 GENERATOR



| REF. NO. | PART NO. | DESCRIPTION | EUR | OTH | OCF | REMARKS |
|----------|--------------|------------------|-----|-----|-----|----------------|
| 1 | 7VV-87150-90 | STATOR ASSY | 1 | | | |
| | 7VV-87150-20 | STATOR ASSY | | 1 | 1 | |
| 2 | 7VV-87160-00 | ROTOR ASSY | 1 | 1 | 1 | |
| 3 | 7VV-87172-00 | FAN, GENERATOR | 1 | 1 | 1 | |
| 4 | 95807-06012 | BOLT, FLANGE | 2 | 2 | 2 | |
| 5 | 97027-06025 | BOLT | 2 | 2 | 2 | |
| 6 | 92907-06600 | WASHER, PLATE | 2 | 2 | 2 | |
| 7 | 90462-06007 | CLAMP | 1 | 1 | 1 | |
| 8 | 98507-05010 | SCREW, PAN HEAD | 1 | 1 | 1 | |
| 9 | 92907-05600 | WASHER, PLATE | 1 | 1 | 1 | |
| 10 | 7VU-87105-00 | RECTIFIER ASSY 1 | | 1 | 1 | |
| 11 | 7VV-8711E-00 | STAY, RECTIFIER | | 1 | 1 | |
| 12 | 98507-05014 | SCREW, PAN HEAD | | 1 | 1 | |
| 13 | 97707-60512 | SCREW, TAPPING | 2 | 2 | 2 | |
| 14 | 90464-16039 | CLAMP | 1 | 1 | 1 | |
| 15 | 7VV-87174-00 | COVER, REAR END | 1 | 1 | 1 | |
| 16 | 7VV-8718K-01 | COVER, FRONT | 1 | 1 | 1 | |
| 17 | 90105-05361 | BOLT, FLANGE | 3 | 3 | 3 | |
| 18 | 97707-50016 | SCREW, TAPPING | 4 | 4 | 4 | |
| 19 | 95317-10600 | NUT | 1 | 1 | 1 | |
| 20 | 92907-10600 | WASHER, PLATE | 1 | 1 | 1 | |
| 21 | 7VV-8A531-00 | WIRE COMPLETE 1 | 1 | 1 | 1 | |
| | 7VV-8A531-A0 | WIRE COMPLETE 1 | | 1 | | EXCEPT FOR FRA |
| 22 | 7VV-8A532-00 | WIRE COMPLETE 2 | 1 | 1 | 1 | |
| | 7VV-8A532-A0 | WIRE COMPLETE 2 | | 1 | | EXCEPT FOR FRA |

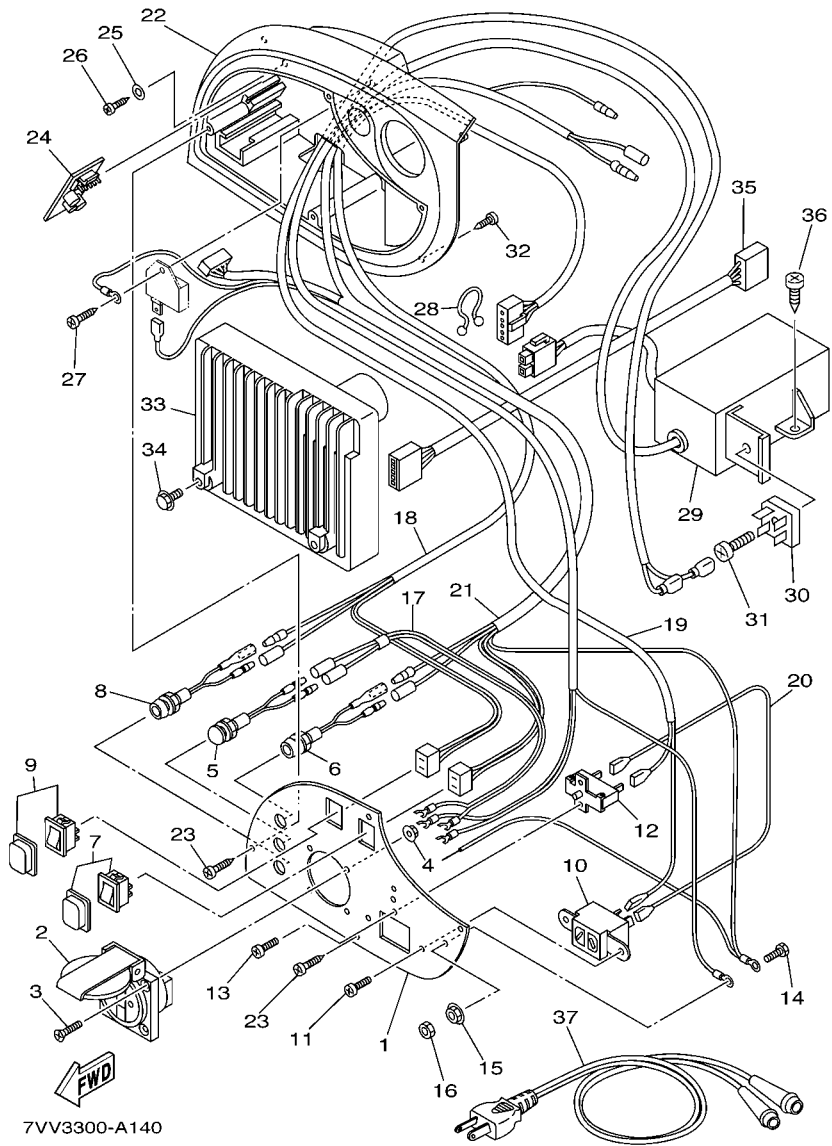


FIG. 14 CONTROL BOX 1

| REF. NO. | PART NO. | DESCRIPTION | EUR | OTH | OCE | REMARKS |
|----------|--------------|-------------------------------|-----|-----|-----|-------------------|
| 1 | 7VV-87249-A0 | PLATE | 1 | | | |
| 2 | 7H7-87221-60 | RECEPTACLE 1 (ABL 6300) | 1 | | | UR FOR FRA |
| | 7H7-87221-80 | RECEPTACLE 1 (ABL 6995) | 1 | | | UR EXCEPT FOR FAR |
| 3 | 90151-03032 | SCREW, COUNTERSUNK | 4 | | | |
| 4 | 90179-03478 | NUT | 4 | | | |
| 5 | 7NJ-83530-G0 | PILOT LIGHT ASSY | 1 | | | |
| 6 | 7VU-83582-00 | PILOT LIGHT ASSY | 1 | | | |
| 7 | 7NJ-82550-00 | ENGINE STOP SWITCH ASSY | 1 | | | |
| 8 | 7VU-83582-00 | PILOT LIGHT ASSY | 1 | | | |
| 9 | 7NJ-82550-00 | ENGINE STOP SWITCH ASSY | 1 | | | ECON.SW |
| 10 | 7LG-87239-00 | RECEPTACLE COMP. (12A 24V DC) | 1 | | | |
| 11 | 98507-04008 | SCREW, PAN HEAD | 2 | | | |
| 12 | 7VV-82181-00 | CIRCUIT BREAKER COMP. (8A) | 1 | | | |
| 13 | 98507-03008 | SCREW, PAN HEAD | 2 | | | |
| 14 | 97080-05014 | BOLT | 1 | | | |
| 15 | 95707-05500 | NUT, FLANGE | 1 | | | |
| 16 | 95380-05700 | NUT | 1 | | | |
| 17 | 7VV-8722W-A0 | WIRE, LEAD 6 | 1 | | | |
| 18 | 7VV-8722X-40 | WIRE, LEAD 5 | 1 | | | |
| 19 | 7VV-87224-00 | WIRE, LEAD 2 | 1 | | | |
| 20 | 7VV-87223-00 | WIRE, LEAD 1 | 1 | | | |
| 21 | 7VV-82507-90 | WIRE, LEAD | 1 | | | |
| 22 | 7VV-87213-00 | COVER, CONTROL BOX | 1 | | | |
| 23 | 97707-40512 | SCREW, TAPPING | 4 | | | |
| 24 | 7VV-85680-00 | SPEED LIMITER ASSY | 1 | | | |
| 25 | 90201-03013 | WASHER, PLATE | 1 | | | |
| 26 | 97707-30512 | SCREW, TAPPING | 1 | | | |

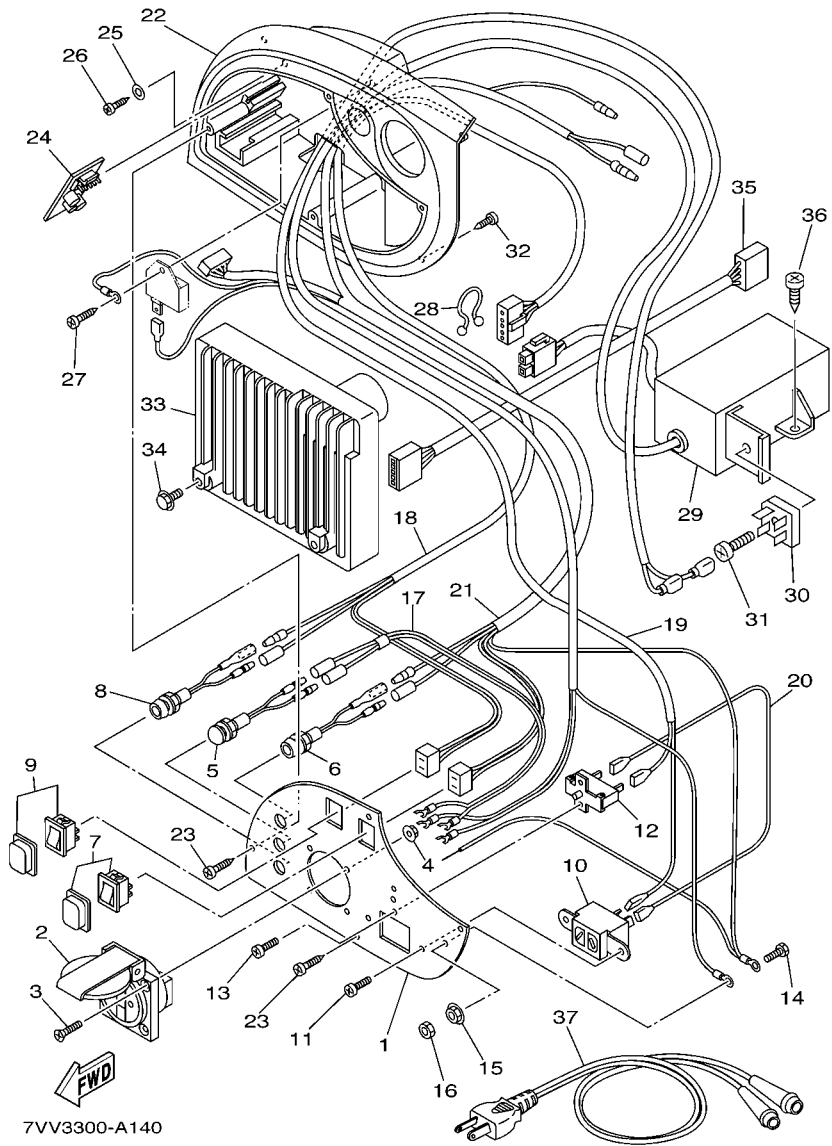


FIG. 14 CONTROL BOX 1

| REF. NO. | PART NO. | DESCRIPTION | EUR | OTH | OCE | REMARKS |
|----------|--------------|------------------|-----|-----|-----|---------|
| 27 | 97707-40512 | SCREW, TAPPING | 1 | | | |
| 28 | 90464-16039 | CLAMP | 1 | | | |
| 29 | 7VV-88188-00 | FILTER, NOISE | 1 | | | |
| 30 | 7VU-87105-00 | RECTIFIER ASSY 1 | 1 | | | |
| 31 | 98507-05014 | SCREW, PAN HEAD | 1 | | | |
| 32 | 97707-50016 | SCREW, TAPPING | 4 | | | |
| 33 | 7VV-8A210-21 | CONTROL UNIT | 1 | | | |
| 34 | 95807-06012 | BOLT, FLANGE | 2 | | | |
| 35 | 7VV-82509-00 | WIRE, SUB LEAD | 1 | | | |
| 36 | 97707-60512 | SCREW, TAPPING | 2 | | | |
| 37 | 7LG-87209-00 | CHARGE CORD ASSY | 1 | | | |
| | | | | | | |
| | | | | | | |
| | | | | | | |
| | | | | | | |
| | | | | | | |

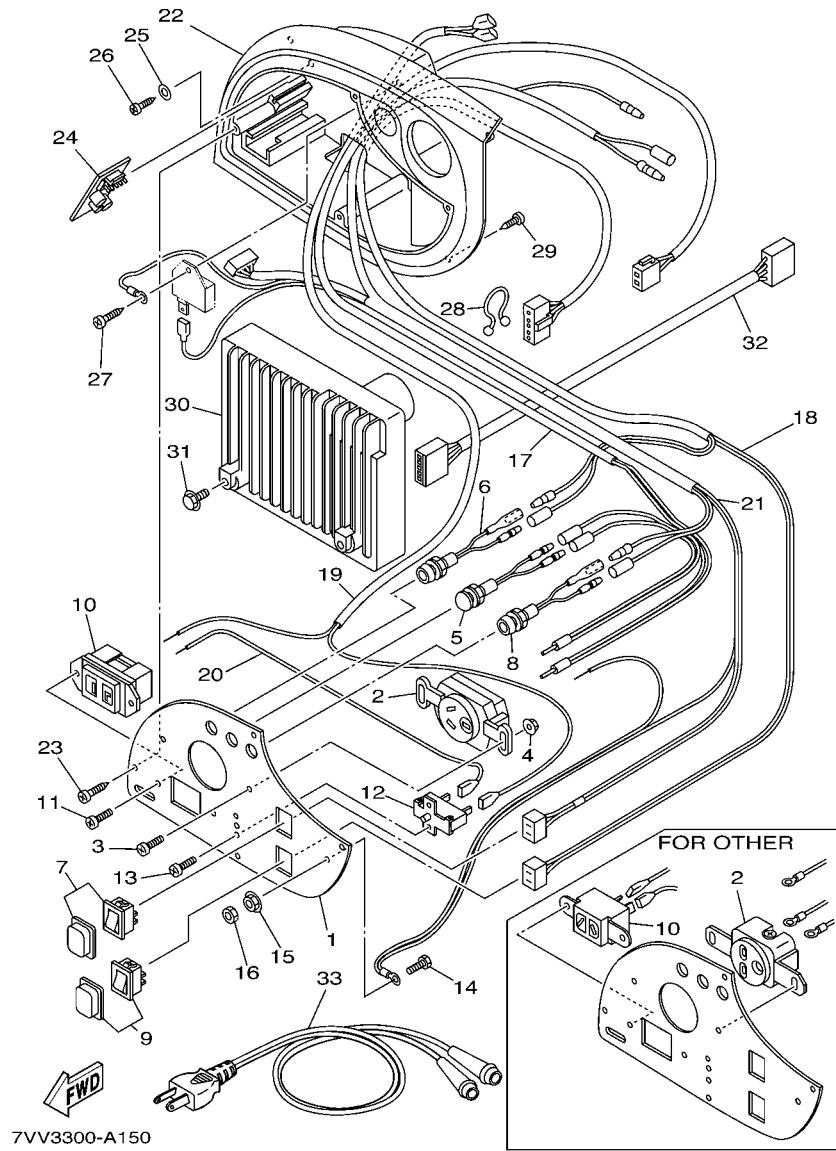
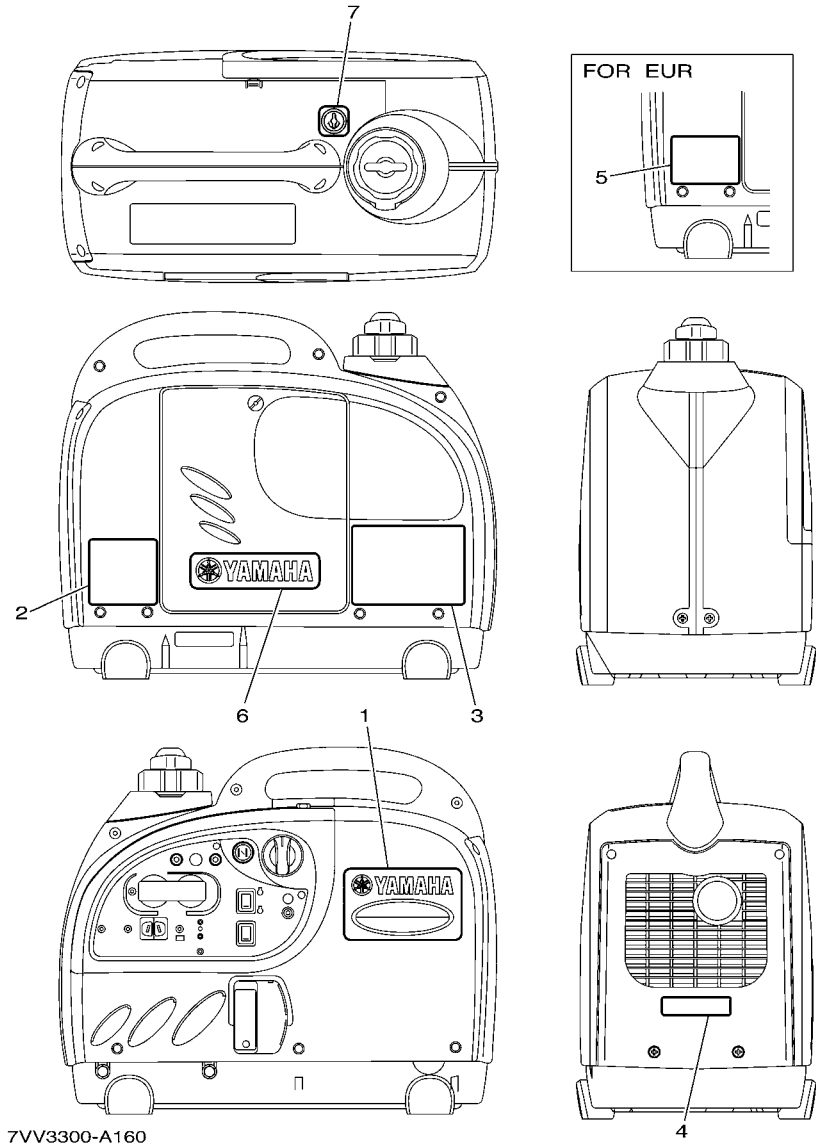


FIG. 15 CONTROL BOX 2

| REF. NO. | PART NO. | DESCRIPTION | EUR | OTH | OCE | REMARKS |
|----------|--------------|--------------------------------|-----|-----|-----|------------|
| 1 | 7VV-87249-G0 | PLATE | | 1 | 1 | |
| 2 | 7G7-87221-01 | RECEPTACLE 1(WCZ1312-9) | | 1 | | MATSUSHITA |
| | 73G-87221-90 | RECEPTACLE 1 (CRIPSAL 415/15) | | | 1 | |
| 3 | 98507-04012 | SCREW, PAN HEAD | | 2 | 2 | |
| 4 | 95707-04500 | NUT, FLANGE | | 2 | 2 | |
| 5 | 7NJ-83530-G0 | PILOT LIGHT ASSY | | 1 | 1 | |
| 6 | 7VU-83582-00 | PILOT LIGHT ASSY | | 1 | 1 | |
| 7 | 7NJ-82550-00 | ENGINE STOP SWITCH ASSY | | 1 | 1 | |
| 8 | 7VU-83582-00 | PILOT LIGHT ASSY | | 1 | 1 | |
| 9 | 7NJ-82550-00 | ENGINE STOP SWITCH ASSY | | 1 | 1 | ECON.SW |
| 10 | 7LG-87239-00 | RECEPTACLE COMP. (12A 24V DC) | | 1 | | NL |
| | 7H8-87214-11 | RECEPTACLE COMP. (WCZ 1220-125 | | | 1 | MATSUSHITA |
| 11 | 98507-04008 | SCREW, PAN HEAD | | 2 | 2 | |
| 12 | 7VV-82181-00 | CIRCUIT BREAKER COMP. (8A) | | 1 | 1 | |
| 13 | 98507-03008 | SCREW, PAN HEAD | | 2 | 2 | |
| 14 | 97080-05014 | BOLT | | 1 | 1 | |
| 15 | 95707-05500 | NUT, FLANGE | | 1 | 1 | |
| 16 | 95380-05700 | NUT | | 1 | 1 | |
| 17 | 7VV-8722W-00 | WIRE, LEAD 6 | | 1 | | |
| | 7VV-8722W-N0 | WIRE, LEAD 6 | | | 1 | |
| 18 | 7VV-8722X-40 | WIRE, LEAD 5 | | 1 | 1 | |
| 19 | 7VV-87224-00 | WIRE, LEAD 2 | | 1 | | |
| | 7VV-87224-N0 | WIRE, LEAD 2 | | | 1 | |
| 20 | 7VV-87223-00 | WIRE, LEAD 1 | | 1 | | |
| | 7VV-87223-N0 | WIRE, LEAD 1 | | | 1 | |
| 21 | 7VV-82507-00 | WIRE, LEAD | | 1 | | |
| | 7VV-82507-90 | WIRE, LEAD | | | 1 | |

FIG. 16 GRAPHIC & EMBLEM



7VV3300-A160

| REF. NO. | PART NO. | DESCRIPTION | EUR | OTH | OCE | REMARKS |
|----------|--------------|--------------------------|-----|-----|-----|---------|
| 1 | 7VV-24161-10 | EMBLEM 1 (EF1000IS) | 1 | 1 | 1 | |
| 2 | 7VV-24164-40 | EMBLEM 4 (OIL) | | | 1 | |
| 3 | 7VV-24162-30 | EMBLEM 2 (WARNING) | 1 | | | |
| | 7VV-24162-50 | EMBLEM 2 (WARNING) | | 1 | | |
| | 7VV-24162-10 | EMBLEM 2 (WARNING) | | | 1 | |
| 4 | 7VV-28176-30 | LABEL, CAUTION (WARNING) | 1 | | | |
| 5 | 7VV-24235-00 | MARK 1 (CE MARK) | 1 | | | |
| 6 | 7VV-24161-30 | EMBLEM 1 (YAMAHA) | 1 | 1 | 1 | |
| 7 | 7VV-24156-00 | INDICATOR, STARTER LEVER | 1 | 1 | 1 | |
| | | | | | | |
| | | | | | | |
| | | | | | | |
| | | | | | | |
| | | | | | | |
| | | | | | | |

NUMERICAL INDEX

| PART NO. | GRID NO. | PART NO. | GRID NO. | PART NO. | GRID NO. | PART NO. | GRID NO. | PART NO. | GRID NO. | PART NO. | GRID NO. |
|-----------------|----------|-----------------|----------|--------------|----------|--------------|----------|--------------|----------|-------------|----------|
| 7VV-11011-00 | B - 12 | 1V3-14196-00 | B - 9 | 7VV-22856-00 | B - 13 | 7VV-48300-00 | B - 14 | 7VV-87224-00 | C - 4 | 90467-10008 | B - 14 |
| 7VV-11012-00 | B - 12 | 7VV-14196-00 | B - 9 | 7VV-22865-00 | B - 12 | 7VV-67617-00 | B - 12 | | C - 6 | 90467-10038 | B - 14 |
| J38-11116-00 | B - 11 | 7VV-14197-00 | B - 9 | 7VV-22866-00 | B - 13 | 7VV-82181-00 | C - 4 | 7VV-87224-N0 | C - 6 | 90467-12052 | B - 15 |
| 7VV-11161-00 | B - 11 | 127-14198-00 | B - 8 | 7VV-22868-00 | B - 13 | | C - 6 | 7VV-8722W-00 | C - 6 | 90467-13064 | B - 7 |
| 7VV-11162-00 | B - 11 | 7NJ-14211-00 | B - 8 | 7VV-22875-00 | B - 12 | 7VV-82310-00 | C - 2 | 7VV-8722W-A0 | C - 4 | 90467-280A0 | B - 7 |
| 7VV-11166-00 | B - 2 | 73A-14212-00 | B - 8 | 7VV-22876-00 | B - 12 | 7VU-82370-00 | C - 2 | 7VV-8722W-N0 | C - 6 | 90501-16708 | B - 4 |
| 7VV-11190-00 | B - 2 | 7G5-14227-00 | B - 8 | 7VV-22877-00 | B - 13 | 7VV-82372-00 | C - 2 | 7VV-8722X-40 | C - 4 | 92907-05600 | B - 12 |
| 7VV-11193-00 | B - 2 | 1HX-1423E-63-A0 | B - 8 | 7VV-22878-00 | B - 13 | 7VV-82507-00 | C - 6 | | C - 6 | | B - 13 |
| 7VV-11400-00 | B - 3 | 7VU-14293-00 | B - 8 | 7VV-22879-00 | B - 13 | 7VV-82507-90 | C - 4 | 7LG-87239-00 | C - 4 | | B - 14 |
| 7VV-11610-00 | B - 3 | 7VV-14411-00 | B - 7 | 7VV-22881-01 | B - 12 | | C - 6 | | C - 6 | | C - 3 |
| 7VV-11631-00 | B - 3 | 7VV-14412-00 | B - 7 | 7VV-22885-00 | B - 13 | 7VV-82509-00 | C - 5 | 7VV-87249-A0 | C - 4 | 92907-06600 | C - 3 |
| 2E9-11633-00 | B - 3 | 7X9-14416-10 | B - 7 | 7VV-22886-00 | B - 12 | | C - 7 | 7VV-87249-G0 | C - 6 | 92907-10600 | C - 2 |
| 7VV-11650-00 | B - 3 | 7VV-14451-00 | B - 7 | 7VV-22887-00 | B - 12 | 7VV-82519-00 | C - 2 | 7VV-88188-00 | C - 5 | | C - 3 |
| 7VV-11654-00 | B - 3 | 7VV-14453-00 | B - 7 | 7VV-22889-00 | B - 13 | 7NJ-82550-00 | C - 4 | 7VV-8A210-21 | C - 5 | 92990-04100 | B - 8 |
| 7VV-12111-00 | B - 4 | 7VV-14462-00 | B - 7 | 7VV-22891-00 | B - 12 | | C - 6 | | C - 7 | 92990-05100 | B - 8 |
| 7VV-12117-00 | B - 4 | 7VV-14485-00 | B - 7 | 7VV-22895-00 | B - 12 | 7NJ-83530-G0 | C - 4 | 7VV-8A210-31 | C - 7 | 93102-20008 | B - 11 |
| 1HX-12119-00 | B - 4 | 7RH-14486-00 | B - 8 | 7VV-22896-00 | B - 13 | | C - 6 | 7VV-8A531-00 | C - 3 | 93102-20366 | B - 11 |
| 7VV-12121-00 | B - 4 | 7VV-14613-00 | B - 10 | 7VV-23383-00 | B - 12 | 7VU-83582-00 | C - 4 | 7VV-8A531-A0 | C - 3 | 93210-15414 | B - 11 |
| 7VV-12141-00 | B - 4 | 7VV-1469A-00 | B - 5 | 7VV-24110-00 | B - 14 | | C - 6 | 7VV-8A532-00 | C - 3 | 93306-00415 | B - 11 |
| 7VV-12151-00 | B - 4 | 7VV-1469E-00 | B - 5 | 7VV-24156-00 | C - 8 | 7VV-85515-00 | C - 2 | 7VV-8A532-A0 | C - 3 | 93450-11120 | B - 3 |
| 7VV-12154-00 | B - 4 | 7VV-1469F-00 | B - 5 | 7VV-24161-10 | C - 8 | 7VV-85640-00 | C - 2 | 90105-05002 | B - 5 | 93604-42002 | B - 4 |
| 7VV-12159-00 | B - 4 | 7VV-14721-00 | B - 10 | 7VV-24161-30 | C - 8 | 7VV-85650-00 | C - 2 | | B - 7 | 93605-30002 | B - 4 |
| 7VV-12170-01 | B - 4 | 7VV-14786-00 | B - 10 | 7VV-24162-10 | C - 8 | 7VV-85680-00 | C - 4 | | B - 12 | 94702-00372 | B - 2 |
| 7VV-12287-01 | B - 4 | 7NJ-14788-00 | B - 10 | 7VV-24162-30 | C - 8 | | C - 7 | 90105-05005 | C - 2 | 95307-05700 | B - 14 |
| 7VV-12486-00 | B - 5 | 7VV-1478A-00 | B - 5 | 7VV-24162-50 | C - 8 | 7VV-85720-00 | C - 2 | 90105-05006 | B - 11 | 95307-06600 | B - 10 |
| 7VV-12651-00 | B - 5 | 7VV-1478E-00 | B - 5 | 7VV-24164-40 | C - 8 | 7VU-86240-00 | B - 8 | 90105-05361 | B - 2 | 95307-10600 | C - 2 |
| 7VV-12652-00 | B - 5 | 7VV-1478F-00 | B - 5 | 7VV-24167-00 | B - 14 | 7VU-87105-00 | C - 3 | | C - 3 | 95317-10600 | C - 3 |
| 7VV-12668-00 | B - 5 | 7NJ-14799-01 | B - 10 | 7VV-24181-00 | B - 14 | | C - 5 | 90116-06033 | B - 11 | 95380-05700 | C - 4 |
| 7VV-12669-00 | B - 5 | 7NJ-1479E-00 | B - 10 | 7VV-2419A-00 | B - 14 | 7VV-8711E-00 | C - 3 | 90149-06223 | B - 13 | | C - 6 |
| 7VV-12678-00 | B - 5 | 7VV-1495A-00 | B - 8 | 7VV-24235-00 | C - 8 | 7VV-87150-20 | C - 3 | 90151-03032 | C - 4 | 95607-06615 | B - 11 |
| 7VV-12679-00 | B - 5 | 75J-14990-00 | B - 8 | 7VV-24311-00 | B - 14 | 7VV-87150-90 | C - 3 | 90153-05024 | B - 10 | 95707-04500 | C - 6 |
| 7VV-13556-00 | B - 7 | 7VV-15111-00 | B - 11 | 7VV-24312-00 | B - 14 | 7VV-87160-00 | C - 3 | 90170-05302 | B - 4 | 95707-05500 | C - 4 |
| 7G5-13556-10 | B - 7 | 7VV-15121-00 | B - 11 | 7VV-24313-00 | B - 14 | 7VV-87172-00 | C - 3 | 90179-03478 | C - 4 | | C - 6 |
| 7X9-13595-00 | B - 7 | 7X9-15363-00 | B - 11 | 7VV-24314-00 | B - 14 | 7VV-87174-00 | C - 3 | 90183-05061 | B - 12 | 95707-06500 | B - 7 |
| 7VV-14101-00 | B - 8 | 7VV-15407-00 | B - 11 | 7VV-24410-00 | B - 14 | 7VV-8718K-01 | C - 3 | | B - 13 | | B - 12 |
| 22F-14117-00 | B - 8 | 7VV-15703-00 | B - 5 | 4SV-24453-00 | B - 8 | 7LG-87209-00 | C - 5 | 90183-05076 | B - 12 | 95807-06012 | B - 14 |
| 7NJ-14118-00 | B - 8 | 7VV-15710-00 | B - 5 | 7VV-24500-00 | B - 14 | | C - 7 | | B - 14 | | C - 2 |
| 127-14134-00 | B - 8 | 7VV-15713-00 | B - 5 | 5BM-24514-00 | B - 14 | 7LJ-87209-10 | C - 7 | 90201-03013 | C - 4 | | C - 3 |
| 7VV-14137-00 | B - 9 | 7VV-15714-00 | B - 5 | 7VV-24524-00 | B - 14 | 7VV-87213-00 | C - 4 | | C - 7 | | C - 5 |
| 3LD-14139-00 | B - 9 | 7VV-15715-00 | B - 5 | 3H3-2452K-00 | B - 14 | | C - 7 | 90280-03017 | C - 2 | | C - 7 |
| 8A7-14139-00 | B - 9 | 7VV-15716-00 | B - 5 | 7VV-24533-00 | B - 14 | 7H8-87214-11 | C - 6 | 90387-05624 | B - 4 | 95817-06008 | B - 12 |
| 620-14142-40-A0 | B - 8 | 7VV-15741-00 | B - 5 | 7VV-24544-00 | B - 14 | 7G7-87221-01 | C - 6 | 90387-05679 | B - 5 | 95817-06012 | B - 12 |
| 7FK-14150-10 | B - 9 | 7VV-15751-00 | B - 6 | 7VV-24545-00 | B - 14 | 7H7-87221-60 | C - 4 | 90413-05015 | B - 9 | 95827-06012 | B - 10 |
| 7RA-14162-00 | B - 8 | 7VV-15755-00 | B - 6 | 7VV-24575-00 | B - 14 | 7H7-87221-80 | C - 4 | 90462-06007 | C - 3 | 97027-06025 | C - 3 |
| 7VV-14181-00 | B - 8 | 7VV-15788-00 | B - 6 | 7VV-24610-00 | B - 14 | 73G-87221-90 | C - 6 | 90464-16039 | C - 3 | 97080-05014 | C - 4 |
| 7X9-14185-00 | B - 8 | 7VV-15793-00 | B - 5 | 7VV-26331-00 | B - 7 | 7VV-87223-00 | C - 4 | | C - 5 | | C - 6 |
| 22F-14186-00 | B - 8 | 7VV-22825-00 | B - 12 | 7VV-28100-00 | B - 12 | | C - 6 | | C - 7 | 97707-30512 | C - 4 |
| 7E1-14191-00 | B - 8 | 7VV-22855-00 | B - 12 | 7VV-28176-30 | C - 8 | 7VV-87223-N0 | C - 6 | 90467-09103 | B - 14 | | C - 7 |

NUMERICAL INDEX

| PART NO. | GRID NO. | PART NO. | GRID NO. | PART NO. | GRID NO. | PART NO. | GRID NO. | PART NO. | GRID NO. | PART NO. | GRID NO. |
|-------------|----------|----------|----------|----------|----------|----------|----------|----------|----------|----------|----------|
| 97707-40014 | B - 15 | | | | | | | | | | |
| 97707-40512 | C - 4 | | | | | | | | | | |
| | C - 7 | | | | | | | | | | |
| 97707-50016 | B - 5 | | | | | | | | | | |
| | C - 3 | | | | | | | | | | |
| | C - 5 | | | | | | | | | | |
| | C - 7 | | | | | | | | | | |
| 97707-50114 | B - 6 | | | | | | | | | | |
| 97707-60512 | C - 3 | | | | | | | | | | |
| | C - 5 | | | | | | | | | | |
| 98502-03006 | B - 8 | | | | | | | | | | |
| 98507-03008 | C - 4 | | | | | | | | | | |
| | C - 6 | | | | | | | | | | |
| 98507-04008 | C - 4 | | | | | | | | | | |
| | C - 6 | | | | | | | | | | |
| 98507-04012 | C - 6 | | | | | | | | | | |
| 98507-05008 | B - 8 | | | | | | | | | | |
| 98507-05010 | C - 3 | | | | | | | | | | |
| 98507-05012 | B - 12 | | | | | | | | | | |
| | B - 13 | | | | | | | | | | |
| | B - 14 | | | | | | | | | | |
| 98507-05014 | C - 3 | | | | | | | | | | |
| | C - 5 | | | | | | | | | | |
| 98580-04008 | B - 8 | | | | | | | | | | |
| 98907-05014 | B - 5 | | | | | | | | | | |
| 99530-08012 | B - 11 | | | | | | | | | | |