



# **PARTS CATALOGUE**

## **EF1000iS (7VV3) OTHERS**

---

EF1000iS  
PARTS CATALOGUE  
©2003 by Yamaha Motor Co., Ltd.  
1st edition, March 2003  
All rights reserved.  
Any reprinting or unauthorized use  
without the written permission of  
Yamaha Motor Co., Ltd.  
is expressly prohibited.  
Printed in Japan.

# FOREWORD

This Parts Catalogue is related to the parts for the model(s) on the cover page. When you are ordering replacement parts, please refer to this Parts Catalogue and quote both part numbers and part names correctly.

1. Modifications or additions which have been made after the issue of the Parts Catalogue will be announced in the Yamaha Parts News.  
It is advisable that you make the necessary corrections to the Parts Catalogue according to the Yamaha Parts News.

2. Abbreviations

The following abbreviations are used in this Parts Catalogue.

“UR” Use specified parts number.

“UN” Use as many as needed.

“AP” Alternate Parts

“LM” Locally Made (Parts need to be ordered locally)

“F#” Frame No. (Applicable machine No.)

“O/S” Over Size

3. The number of components for assembly

- Parts, which are to be supplied in an assembly, are listed with a dot (.) in front of the part name as shown below.
- The numeral appearing to the right of each component part indicates the quantity of parts for each assembly unit.

PART NO.	DESCRIPTION	Q'TY	REMARKS
2F5-83310-60	FRONT FLASHER LIGHT ASSY	2	
115-83311-60	.BULB (6V-18W)	1	

4. Applicable colours of graphics are represented in the “REMARKS” as shown below.

PART NO.	DESCRIPTION	Q'TY	REMARKS
2N4-24110-00-X5	FUEL TANK COMP.	2	MXR
3J1-24240-10	.GRAPHIC, FUEL TANK	1	FOR MXR

5. Note that the illustrations for reference in finding parts numbers are not to be used for assembling. When assembling, please use the applicable service manual.

6. The asterisk (\*) before a reference number indicates modified items after the first edition.

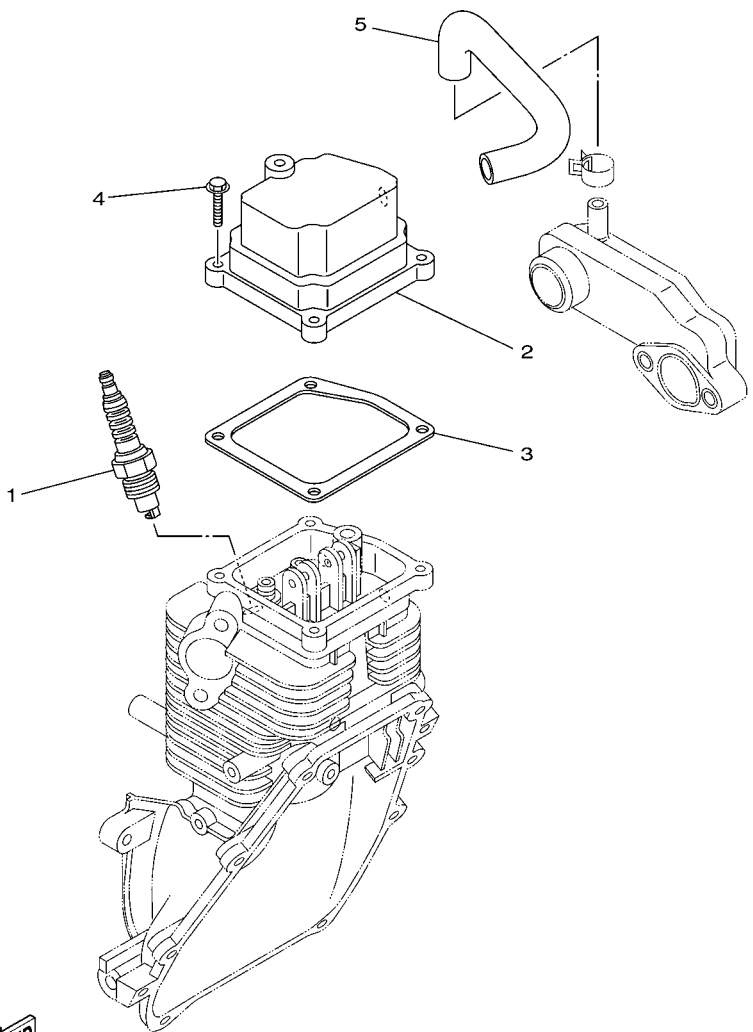


# CONTENTS

CYLINDER .....	1
CRANKSHAFT. PISTON .....	2
CAMSHAFT. VALVE .....	3
AIR SHROUD. STARTER .....	4
INTAKE .....	6
CARBURETOR .....	7
EXHAUST .....	9
CRANKCASE .....	10
FRAME .....	11
FRAME 2 .....	12
FUEL TANK .....	13
MAGNETO .....	15
GENERATOR .....	16
CONTROL BOX .....	17
GRAPHIC. EMBLEM .....	19

## INDEX

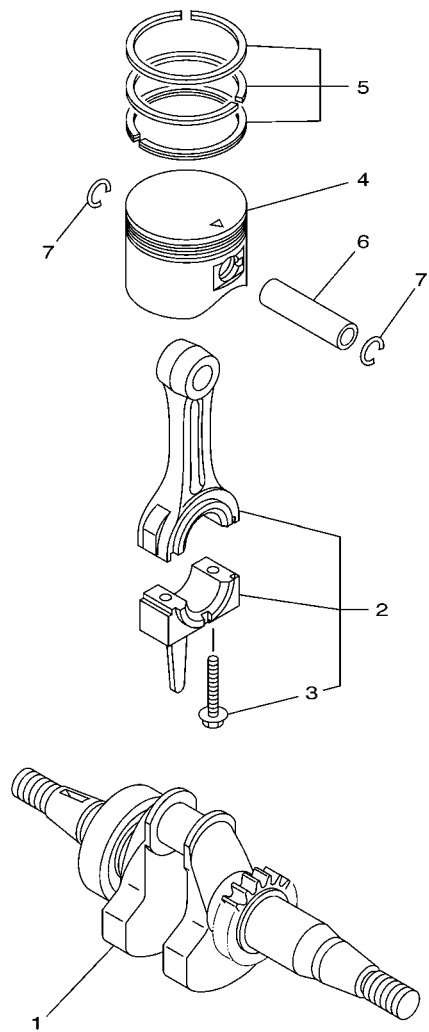
NUMERICAL INDEX .....	20
-----------------------	----



7VV1010-A010

FIG. 1 CYLINDER

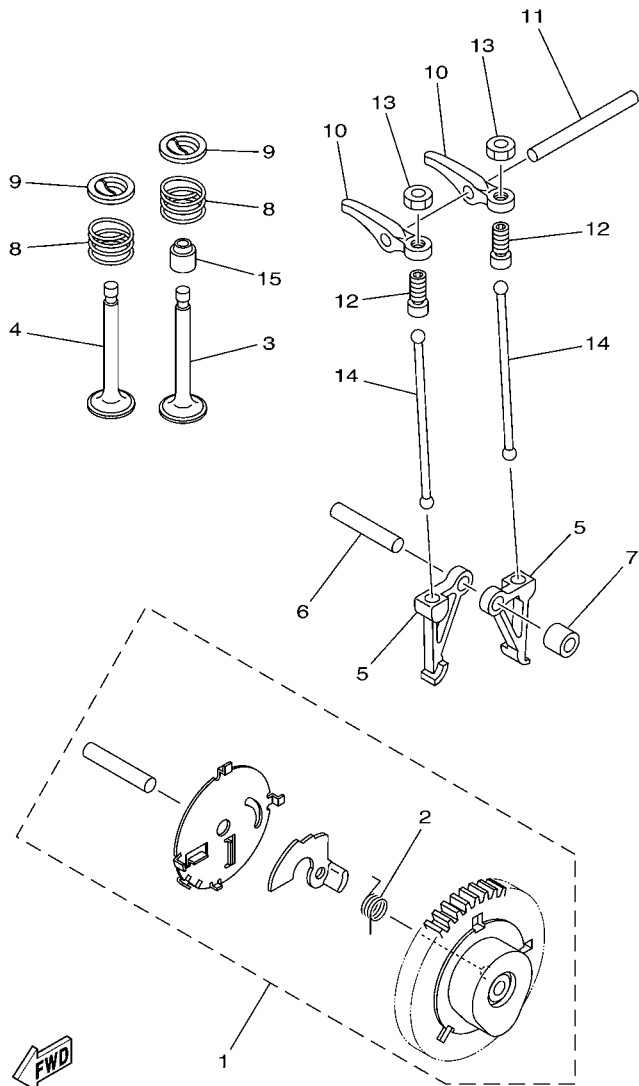
REF. NO.	PART NO.	DESCRIPTION	7VV3				REMARKS
1	94702-00372	PLUG, SPARK (NGK CR6HSB)	1				
2	7VV-11190-00	COVER, CYLINDER HEAD 1	1				
3	7VV-11193-00	GASKET, HEAD COVER 1	1				
4	90105-05361	BOLT, FLANGE	4				
5	7VV-11166-00	PIPE, BREATHER 1	1				
-----							
-----							
-----							
-----							
-----							
-----							
-----							
-----							
-----							
-----							



7VV1010-A020

FIG. 2 CRANKSHAFT. PISTON

REF. NO.	PART NO.	DESCRIPTION	7V3				REMARKS
1	7VV-11400-00	CRANKSHAFT ASSY	1				
2	7VV-11650-00	CONNECTING ROD ASSY	1				
3	7VV-11654-00	.BOLT, CONNECTING ROD	2				
4	7VV-11631-00	PISTON (STD)	1				
5	7VV-11610-00	PISTON RING SET (STD)	1				
6	2E9-11633-00	PIN, PISTON	1				
7	93450-11120	CIRCLIP	2				
<hr/>							
<hr/>							
<hr/>							
<hr/>							
<hr/>							
<hr/>							
<hr/>							

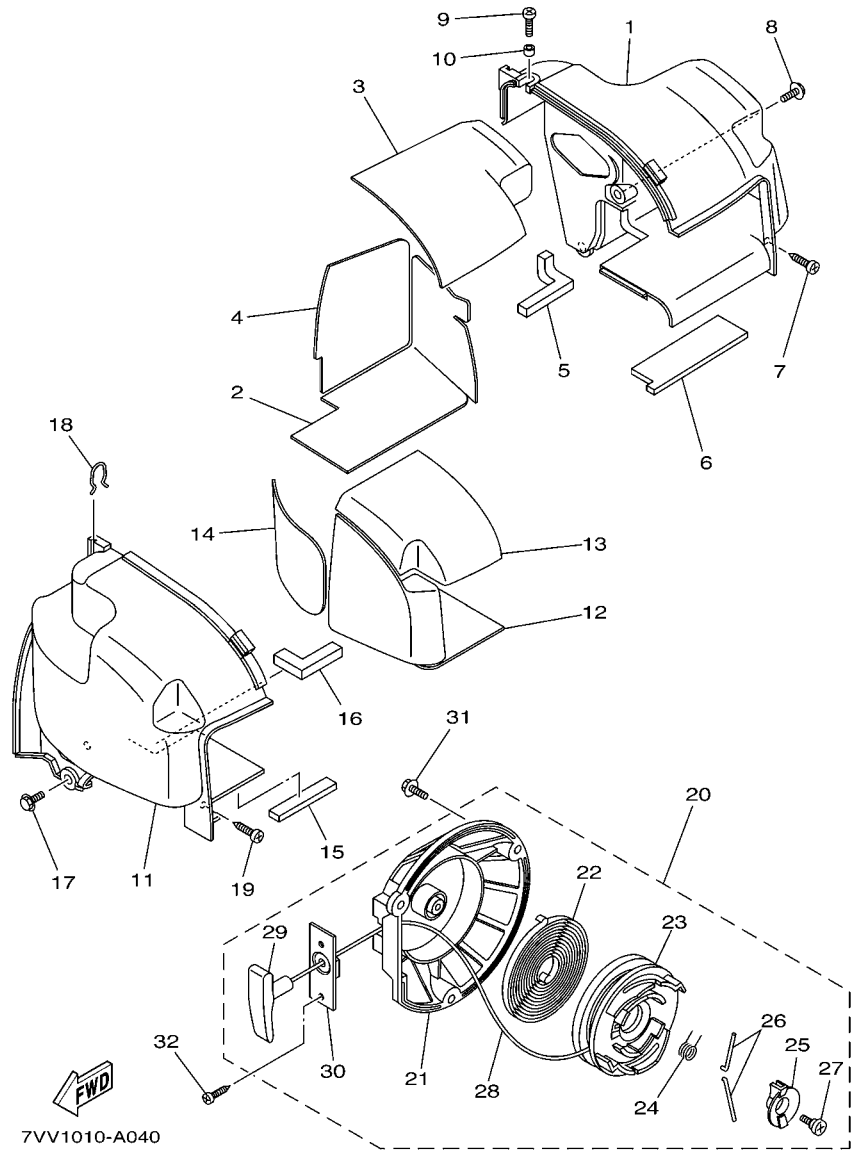


7VV3400-B030

FIG. 3 CAMSHAFT.VALVE

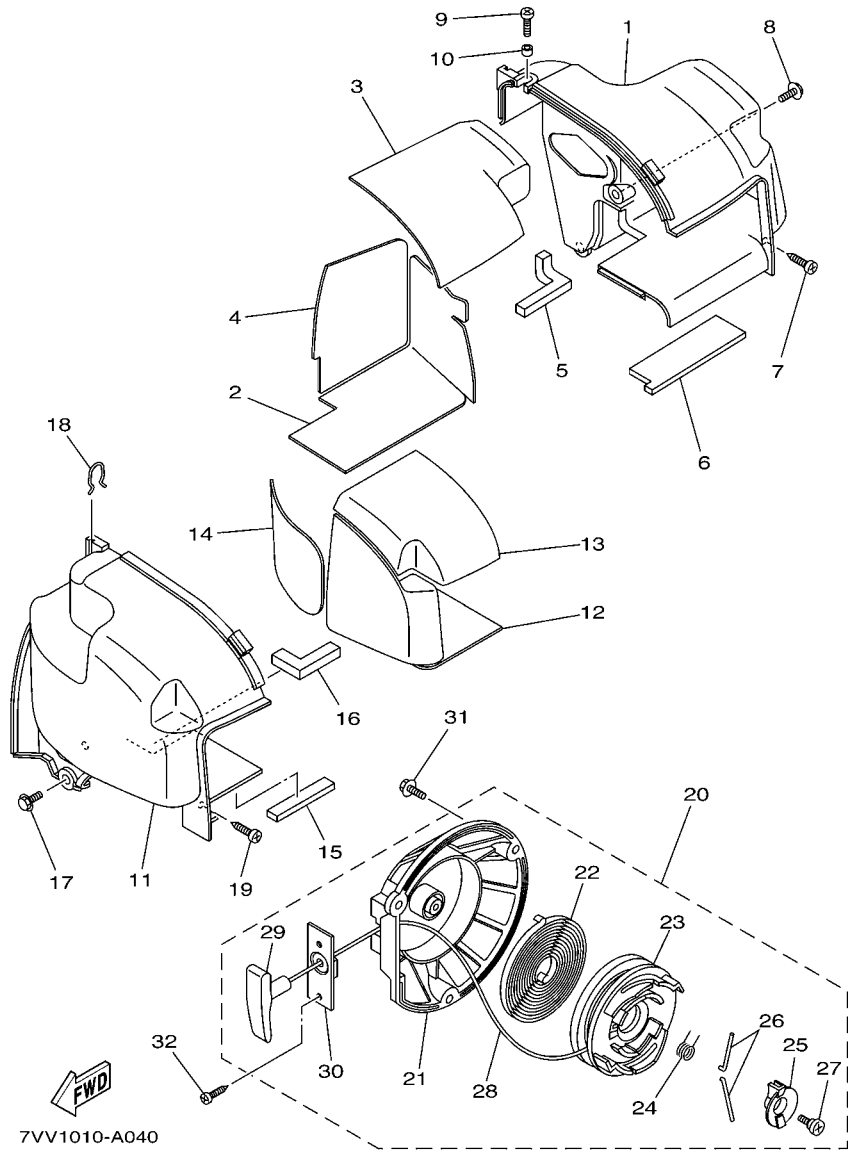
REF. NO.	PART NO.	DESCRIPTION	7V3				REMARKS
1	7VV-12170-01	CAMSHAFT ASSY 1	1				
2	7VV-12287-01	.SPRING, DECOMPRESSION	1				
3	7VV-12111-00	VALVE, INTAKE	1				
4	7VV-12121-00	VALVE, EXHAUST	1				
5	7VV-12141-00	FOLLOWER,CAM	2				
6	93605-30002	PIN, DOWEL	2				
7	90387-05624	COLLAR	1				
8	90501-16708	SPRING, COMPRESSION	2				
9	7VV-12117-00	RETAINER, VALVE SPRING	2				
10	7VV-12151-00	ARM, VALVE ROCKER	2				
11	93604-42002	PIN, DOWEL	1				
12	7VV-12159-00	SCREW, VALVE ADJUSTING	2				
13	90170-05302	NUT	2				
14	7VV-12154-00	ROD, VALVE PUSH	2				
15	1HX-12119-00	SEAL, VALVE STEM	1				





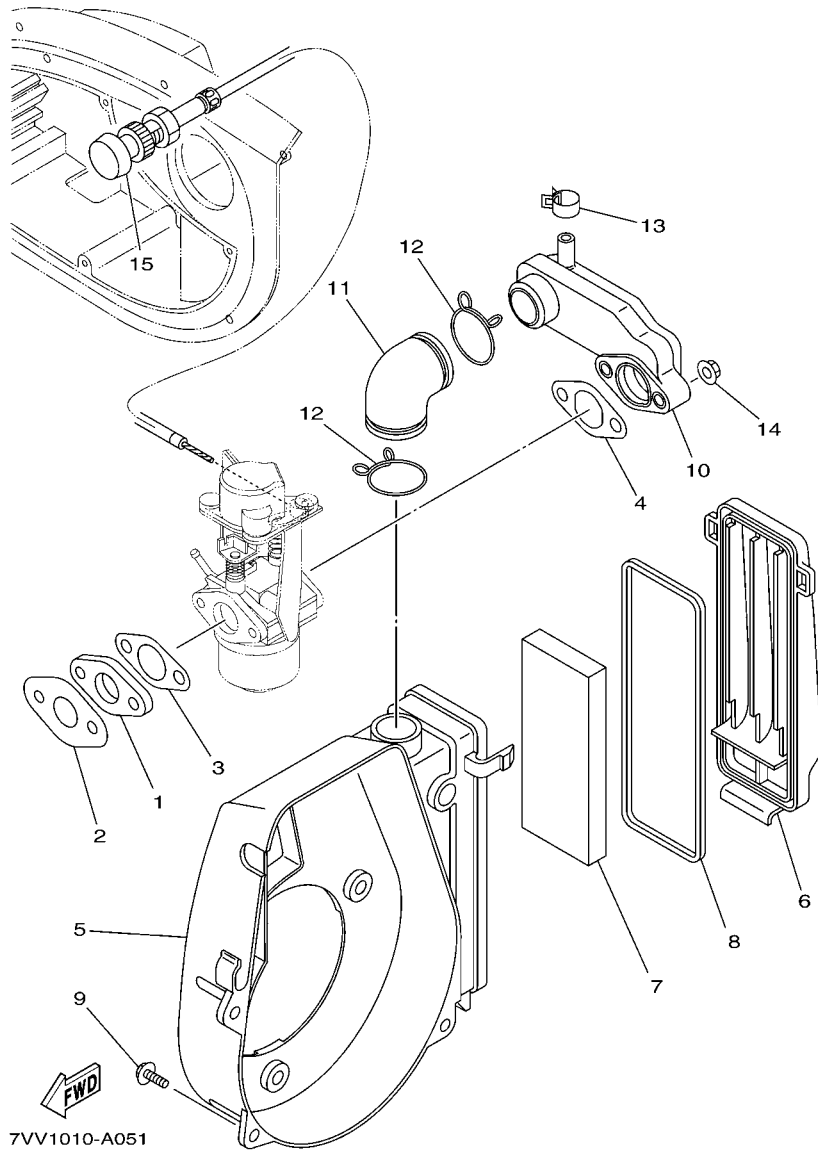
**FIG. 4 AIR SHROUD. STARTER**

REF. NO.	PART NO.	DESCRIPTION	7V3				REMARKS
1	7VV-12651-00	AIR SHROUD, CYLINDER 1	1				
2	7VV-1469A-00	FIBER	1				
3	7VV-1469E-00	FIBER	1				
4	7VV-1469F-00	FIBER 3	1				
5	7VV-12668-00	DAMPER, AIR SHROUD 3	1				
6	7VV-12678-00	DAMPER, AIR SHROUD 5	1				
7	97707-50016	SCREW, TAPPING	1				
8	90105-05002	BOLT, FLANGE	2				
9	98907-05014	SCREW, BIND	1				
10	90387-05679	COLLAR	1				
11	7VV-12652-00	AIR SHROUD, CYLINDER 2	1				
12	7VV-1478A-00	FIBER 7	1				
13	7VV-1478E-00	FIBER 8	1				
14	7VV-1478F-00	FIBER 9	1				
15	7VV-12679-00	DAMPER, SHROUD 6	1				
16	7VV-12669-00	DAMPER, AIR SHROUD 4	1				
17	90105-05002	BOLT, FLANGE	2				
18	7VV-12486-00	CLIP	2				
19	97707-50016	SCREW, TAPPING	1				
20	7VV-15710-00	STARTER ASSY	1				
21	7VV-15703-00	.STARTER CASE COMP.	1				
22	7VV-15713-00	.SPRING, STARTER	1				
23	7VV-15714-00	.DRUM, SHEAVE	1				
24	7VV-15715-00	.SPRING, FRICTION	1				
25	7VV-15716-00	.PLATE, DRIVE	1				
26	7VV-15741-00	.PAWL, DRIVE	2				
27	7VV-15793-00	.SCREW	1				



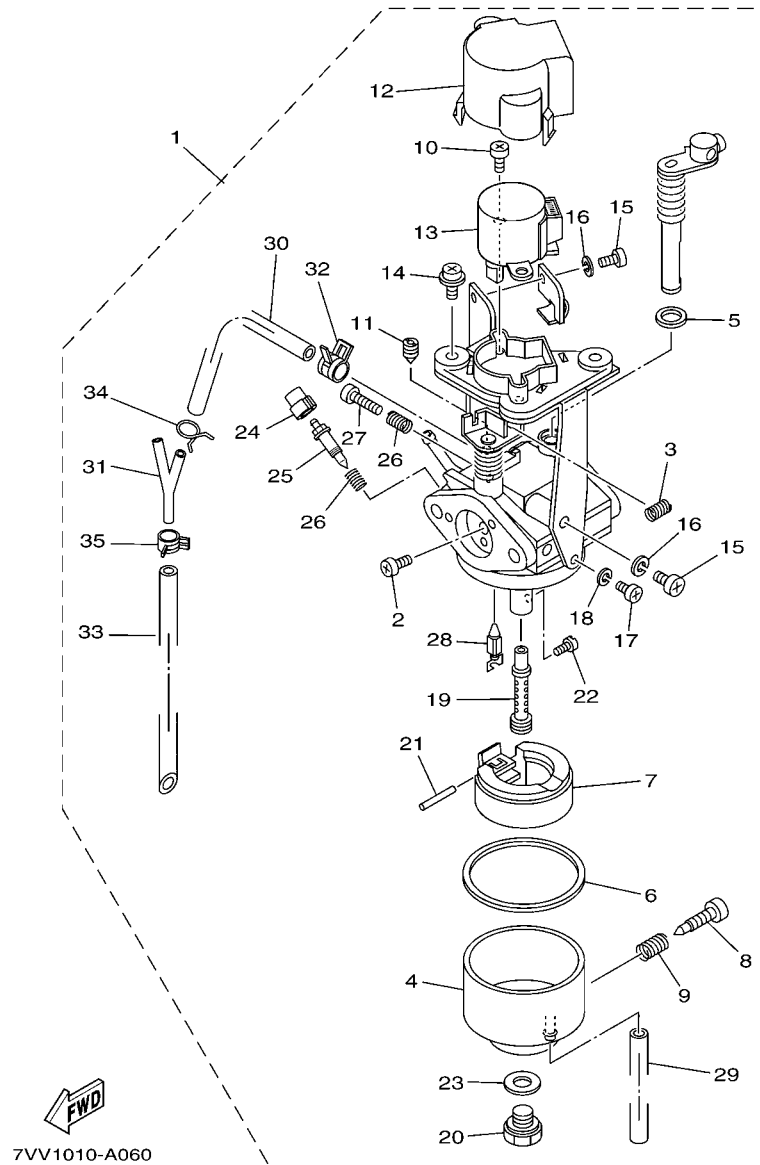
**FIG. 4 AIR SHROUD. STARTER**

REF. NO.	PART NO.	DESCRIPTION	7V3				REMARKS
28	7VV-15751-00	.WIRE, STARTER	1				
29	7VV-15755-00	.HANDLE, STARTER	1				
30	7VV-15788-00	.HOLDER, HANDLE	1				
31	90105-05002	BOLT, FLANGE	3				
32	97707-50114	SCREW, TAPPING	1				



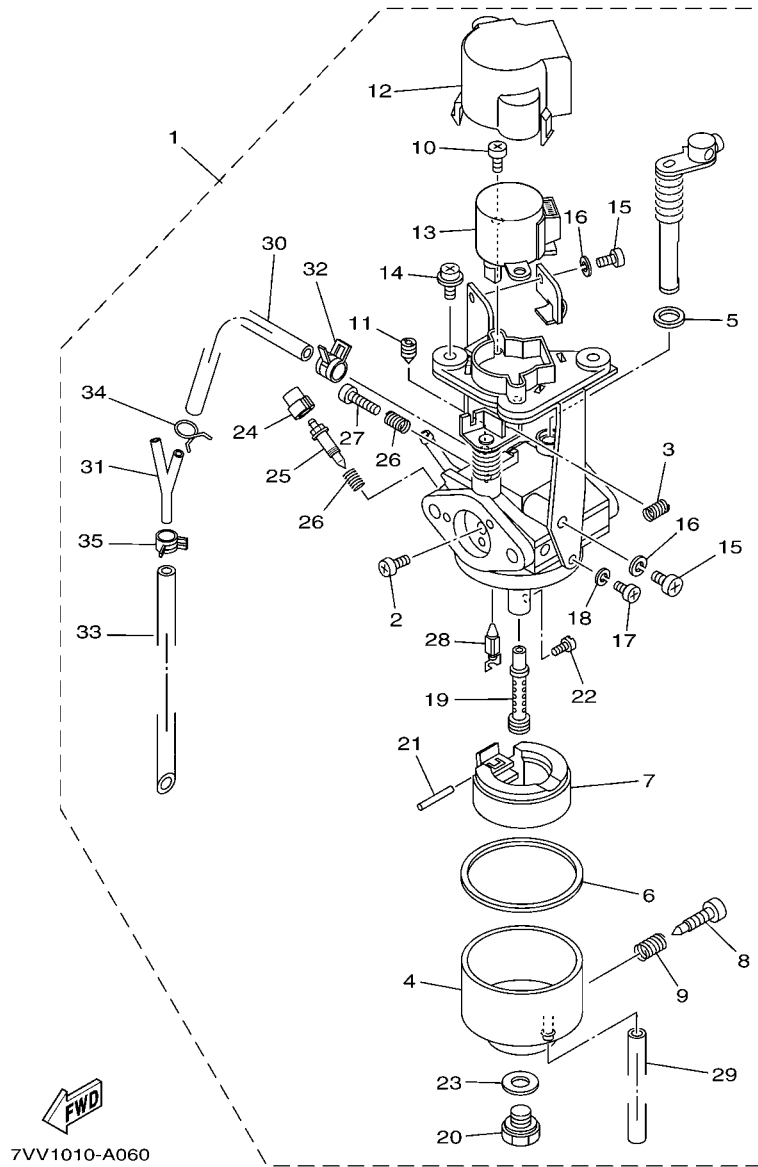
**FIG. 5 INTAKE**

REF. NO.	PART NO.	DESCRIPTION	7V3				REMARKS
1	7X9-13595-00	JOINT	1				
2	7G5-13556-10	GASKET, MANIFOLD	1				
3	7VV-13556-00	GASKET, MANIFOLD	1				
4	7X9-14416-10	GASKET, AIR CLEANER	1				
5	7VV-14411-00	CASE, AIR CLEANER 1	1				
6	7VV-14412-00	CAP, CLEANER CASE 1	1				
7	7VV-14451-00	ELEMENT, AIR CLEANER	1				
8	7VV-14462-00	SEAL	1				
9	90105-05002	BOLT, FLANGE	3				
10	7VV-14453-00	JOINT, AIR CLEANER 1	1				
11	7VV-14485-00	PIPE, JOINT	1				
12	90467-280A0	CLIP	2				
13	90467-13064	CLIP	1				
14	95707-06500	NUT, FLANGE	2				
15	7VV-26331-00	CABLE, CHOKE	1				



**FIG. 6 CARBURETOR**

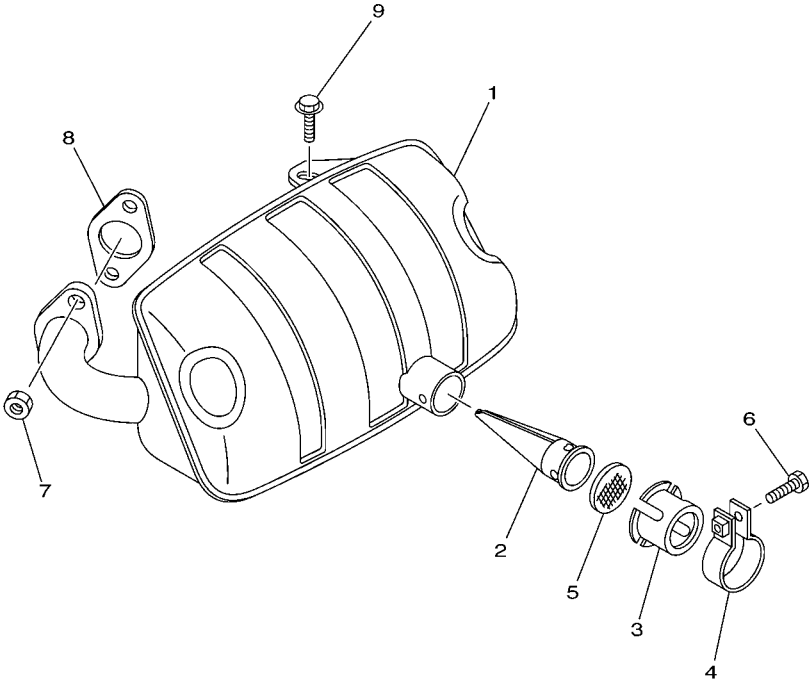
REF. NO.	PART NO.	DESCRIPTION	7V3				REMARKS
1	7VV-14101-02	CARBURETOR ASSY 1	1				
2	7RH-14486-00	.SCREW, ROD	3				
3	127-14134-00	.SPRING, AIR ADJUSTING	1				
4	7VV-14181-00	.BODY, FLOAT CHAMBER 1	1				
5	22F-14117-00	.WASHER, PLUG SCREW	1				
6	7G5-14227-00	.GASKET, FLOAT CHAMBER	1				
7	7X9-14185-00	.FLOAT	1				
8	7E1-14191-00	.PLUG, DRAIN	1				
9	73A-14212-00	.SPRING	1				
10	98502-03006	.SCREW, PAN HEAD	2				
11	620-14142-40-A0	.JET, PILOT (#40)	1				
12	7VU-14293-00	.COVER 1	1				
13	7VU-86240-00	.THROTTLE MOTOR ASSY	1				
14	4SV-24453-00	.SCREW	2				
15	98507-05008	.SCREW, PAN HEAD	3				
16	92990-05100	.WASHER, SPRING	3				
17	98580-04008	.SCREW, PAN HEAD	1				
18	92990-04100	.WASHER, SPRING	1				
19	7VV-1495A-10	.NOZZLE, MAIN	1				
20	7RA-14162-00	.BOLT, HOLDING	1				
21	22F-14186-00	.PIN, FLOAT	1				
22	1HX-1423A-63-A0	.JET, MAIN (#62.5)	1				
23	127-14198-00	.GASKET	1				
24	7NJ-14118-00	.CAP (CUT AWAY 1/4)	1				
25	7NJ-14211-00	.SCREW, PILOT ADJUSTING	1				
26	73A-14212-00	.SPRING	2				
27	75J-14990-00	.SCREW	1				



**FIG. 6 CARBURETOR**

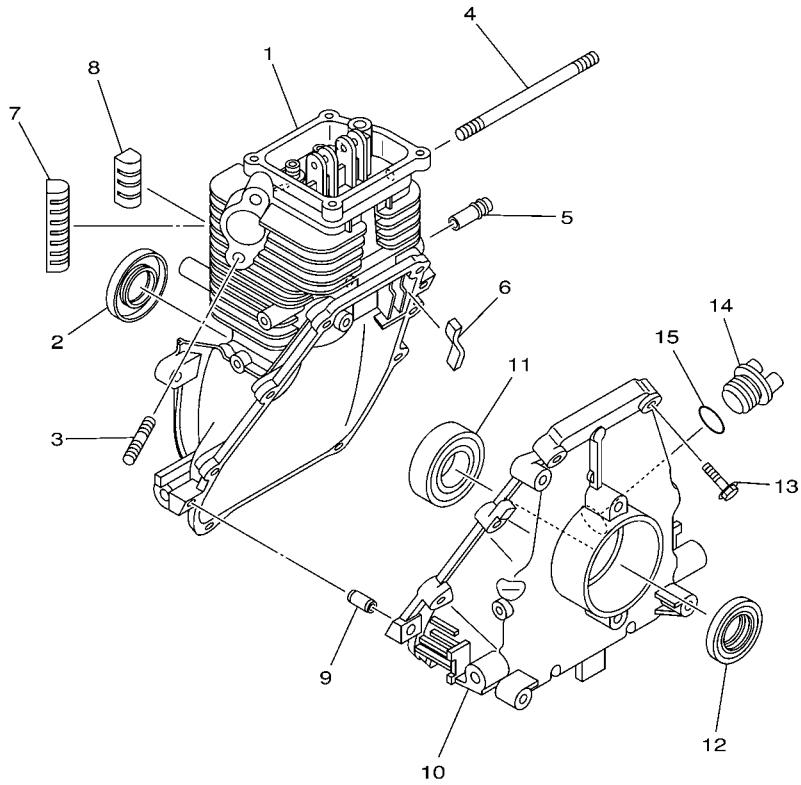
REF. NO.	PART NO.	DESCRIPTION	7VV3				REMARKS
28	7FK-14150-10	.NEEDLE ASSY	1				
29	1V3-14196-00	.PIPE	1				
30	7VV-14197-00	.PIPE	1				
31	90413-05015	.WAY 3	1				
32	7VV-14137-00	.CLIP	1				
33	7VV-14196-01	.PIPE	1				
34	8A7-14139-00	.CLIP, PIPE	1				
35	3LD-14139-00	.CLIP, PIPE	1				

FIG. 7 EXHAUST



REF. NO.	PART NO.	DESCRIPTION	7V3				REMARKS
1	7VV-14721-00	MUFFLER 2	1				
2	7VV-14786-00	ARRESTER, SPARK	1				
3	7NJ-14799-01	CAP	1				
4	7NJ-14788-00	BAND, SILENCER	1				
5	7NJ-1479E-00	NET, WIRE 2	1				
6	90153-05024	SCREW, HEXAGON	1				
7	95307-06600	NUT	2				
8	7VV-14613-00	GASKET, EXHAUST PIPE	1				
9	95827-06012	BOLT, FLANGE	1				

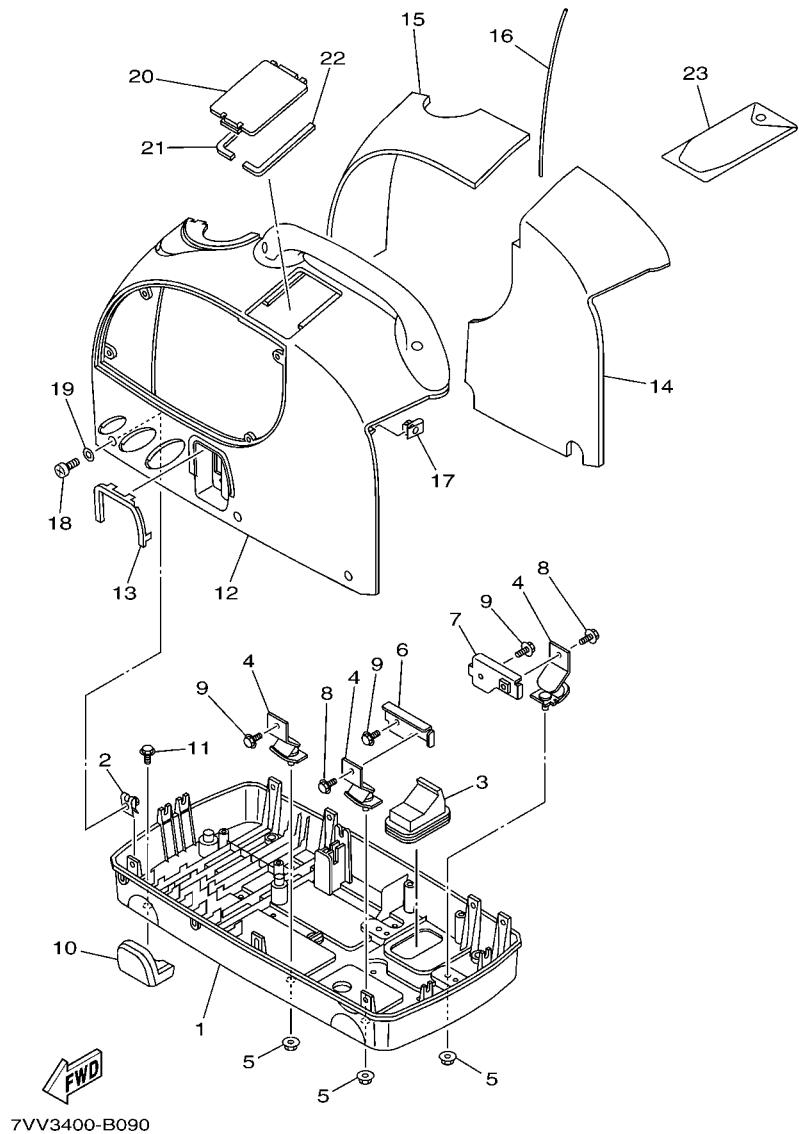
  
7VV1010-A070



7VV1010-A080

FIG. 8 CRANKCASE

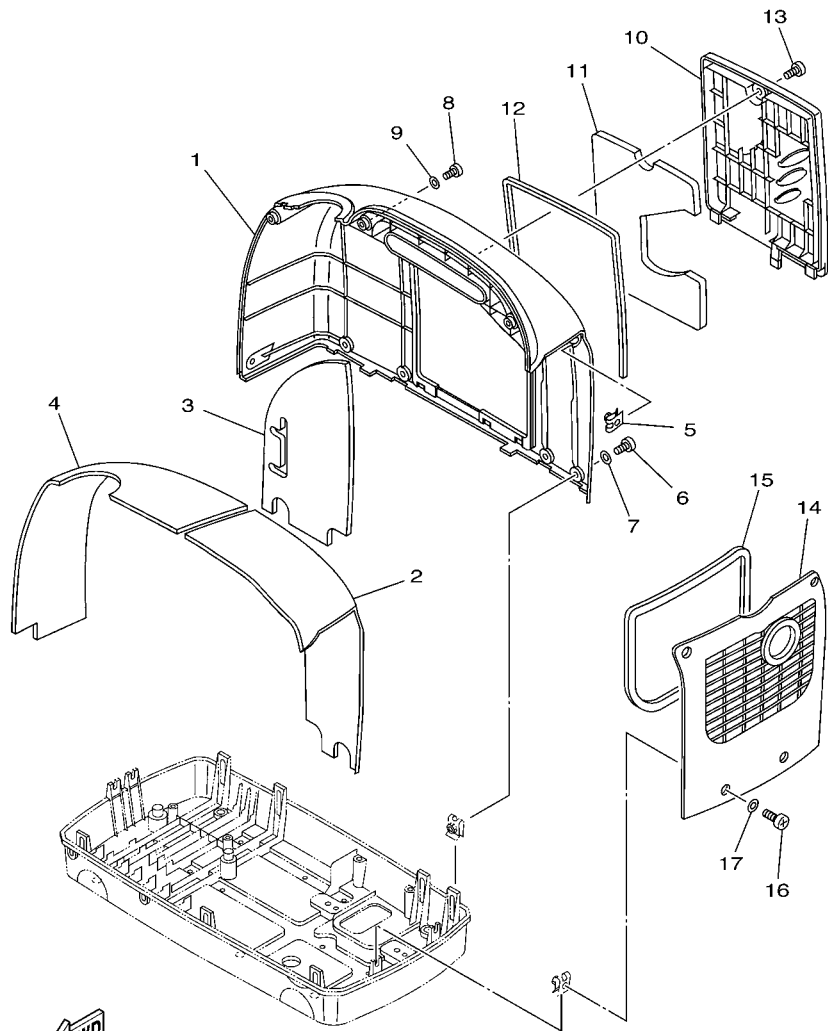
REF. NO.	PART NO.	DESCRIPTION	7V3				REMARKS
1	7VV-15111-00	CRANKCASE 1	1				
2	93102-20008	OIL SEAL	1				
3	95607-06615	BOLT, STUD	2				
4	90116-06033	BOLT, STUD	2				
5	J38-11116-00	JOINT, BREATHER	1				
6	7VV-15407-00	ELEMENT 1	1				
7	7VV-11161-00	ABSORBER 1	2				
8	7VV-11162-00	ABSORBER 2	4				
9	99530-08012	PIN, DOWEL	2				
10	7VV-15121-00	CRANKCASE 2	1				
11	93306-00415	BEARING (B6004)	1				
12	93102-20366	OIL SEAL	1				
13	90105-05006	BOLT, FLANGE	8				
14	7X9-15363-00	PLUG, OIL	1				
15	93210-15414	O-RING	1				



**FIG. 9 FRAME**

REF. NO.	PART NO.	DESCRIPTION	7V3				REMARKS
1	7VV-22881-01	BASE, MOUNTING	1				
2	90183-05076	NUT, SPRING	11				
3	7VV-67617-00	JOINT, DRAIN	1				
4	7VV-22891-00	INSULATOR, MOUNTING	4				
5	95707-06500	NUT, FLANGE	4				
6	7VV-11011-00	BRACKET, ENGINE 1	1				
7	7VV-11012-00	BRACKET, ENGINE 2	1				
8	95817-06008	BOLT, FLANGE	2				
9	95817-06012	BOLT, FLANGE	4				
10	7VV-22895-00	INSULATOR, MOUNTING	4				
11	90105-05002	BOLT, FLANGE	4				
12	7VV-22865-00	COVER, FRONT	1				
13	7VV-22825-00	PROTECTOR 1	1				
14	7VV-22875-00	SEAL 3	1				
15	7VV-22876-00	SEAL 4	1				
16	7VV-23383-00	COVER, DUST SEAL 1	1				
17	90183-05061	NUT, SPRING	1				
18	98507-05012	SCREW, PAN HEAD	4				
19	92907-05600	WASHER, PLATE	4				
20	7VV-22855-00	COVER 2	1				
21	7VV-22886-00	SEAL 9	1				
22	7VV-22887-00	SEAL 10	1				
23	7VV-28100-00	TOOL KIT	1				

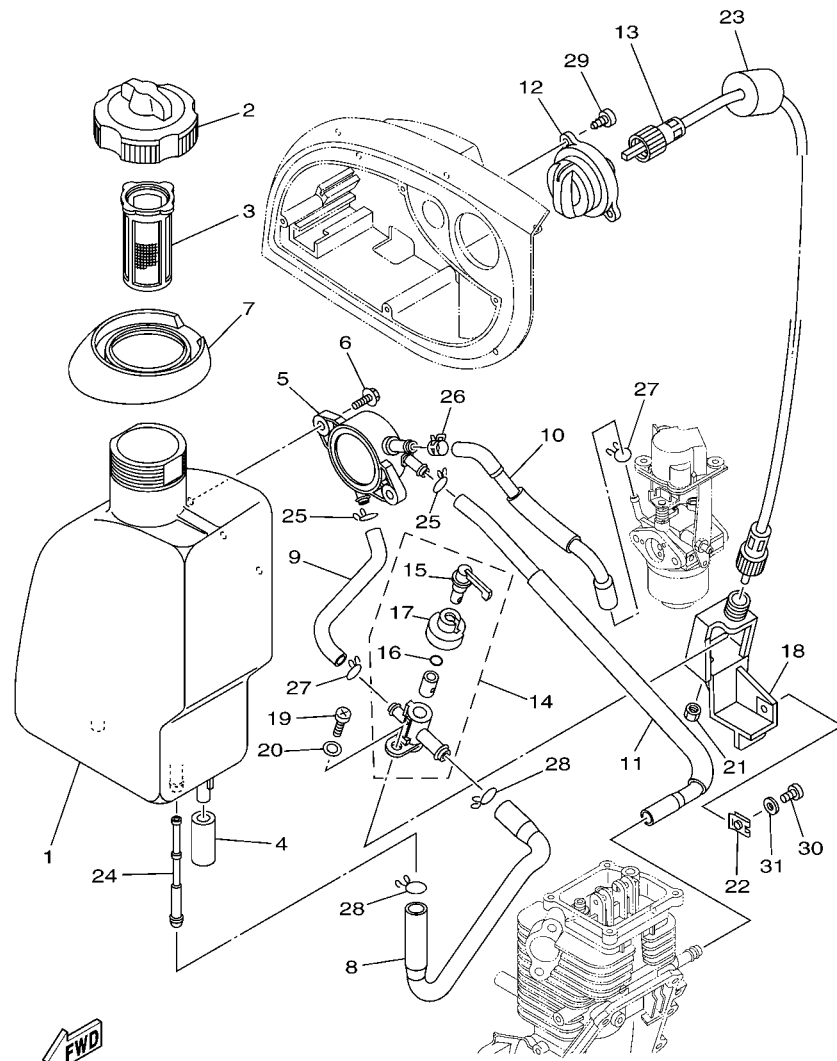




7VV1010-A100

FIG. 10 FRAME 2

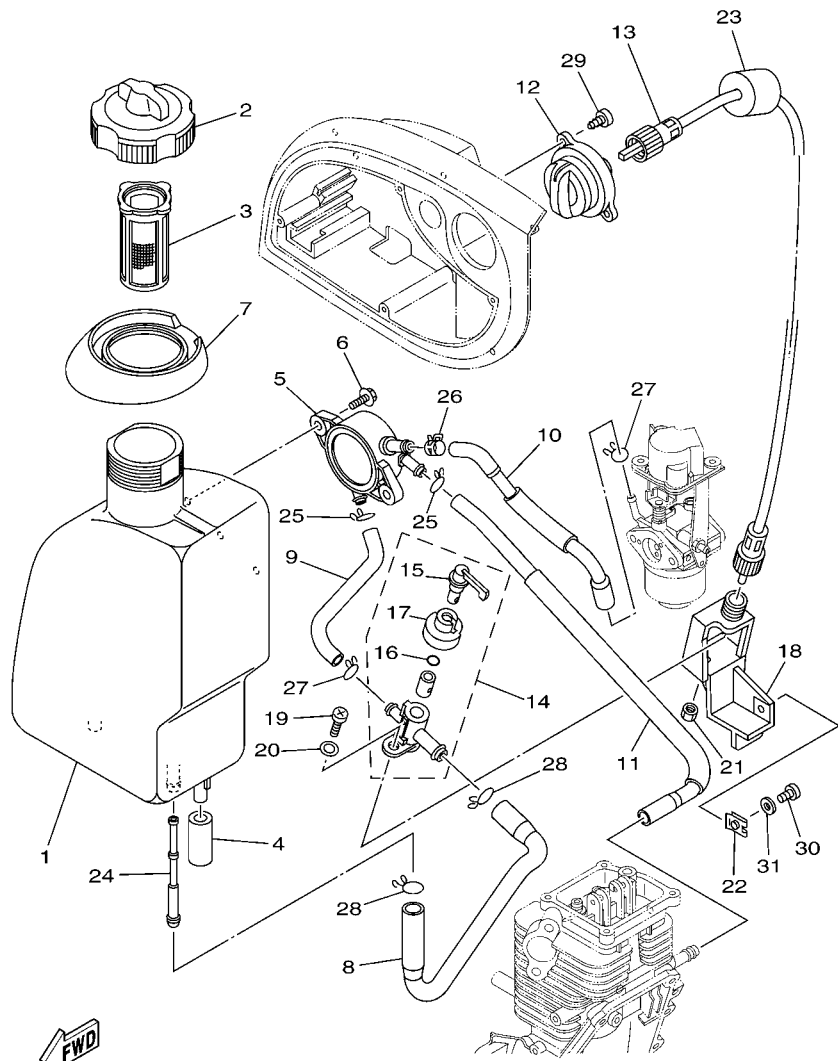
REF. NO.	PART NO.	DESCRIPTION	7V3				REMARKS
1	7VV-22866-00	COVER, REAR	1				
2	7VV-22878-00	SEAL 6	1				
3	7VV-22879-00	SEAL 7	1				
4	7VV-22885-00	SEAL 8	1				
5	90183-05061	NUT, SPRING	1				
6	98507-05012	SCREW, PAN HEAD	5				
7	92907-05600	WASHER, PLATE	5				
8	98507-05012	SCREW, PAN HEAD	3				
9	92907-05600	WASHER, PLATE	3				
10	7VV-22856-00	COVER 3	1				
11	7VV-22877-00	SEAL 5	1				
12	7VV-22896-00	SEAL 13	1				
13	90149-06223	SCREW	1				
14	7VV-22868-00	COVER, SIDE 2	1				
15	7VV-22889-00	SEAL 12	1				
16	98507-05012	SCREW, PAN HEAD	4				
17	92907-05600	WASHER, PLATE	4				



7VV3400-B110

FIG. 11 FUEL TANK

REF. NO.	PART NO.	DESCRIPTION	7V3				REMARKS
1	7VV-24110-00	FUEL TANK COMP.	1				
2	7VV-24610-00	CAP ASSY	1				
3	7VV-24167-00	STRAINER	1				
4	7VV-24181-00	DAMPER, LOCATING 1	2				
5	7VV-24410-00	FUEL PUMP ASSY	1				
6	95807-06012	BOLT, FLANGE	2				
7	7VV-2419A-00	HOLDER	1				
8	7VV-24311-00	PIPE, FUEL 1	1				
9	7VV-24312-00	PIPE 2	1				
10	7VV-24313-00	PIPE 3	1				
11	7VV-24314-00	PIPE 4	1				
12	7VV-24575-00	LEVER, FUEL CHANGE	1				
13	7VV-48300-00	REMOCON. CABLE ASSY.	1				
14	7VV-24500-00	FUEL COCK ASSY 1	1				
15	7VV-24524-00	.LEVER, COCK	1				
16	3H3-2452K-00	.O-RING	1				
17	7VV-24533-00	.SEAL, COCK	1				
18	7VV-24544-00	BRACKET, FUEL COCK	1				
19	98507-05012	SCREW, PAN HEAD	1				
20	92907-05600	WASHER, PLATE	1				
21	95307-05700	NUT	1				
22	90183-05076	NUT, SPRING	1				
23	7VV-24545-00	SPACER, FUEL COCK	1				
24	5BM-24514-00	NET, FILTER 1	1				
25	90467-10008	CLIP	2				
26	90467-10038	CLIP	1				
27	90467-09103	CLIP	2				



7VV3400-B110

FIG. 11 FUEL TANK

REF. NO.	PART NO.	DESCRIPTION	7VV3				REMARKS
28	90467-12052	CLIP	2				
29	97707-40014	SCREW, TAPPING	2				
30	98507-05012	SCREW, PAN HEAD	1				
31	92907-05600	WASHER, PLATE	1				

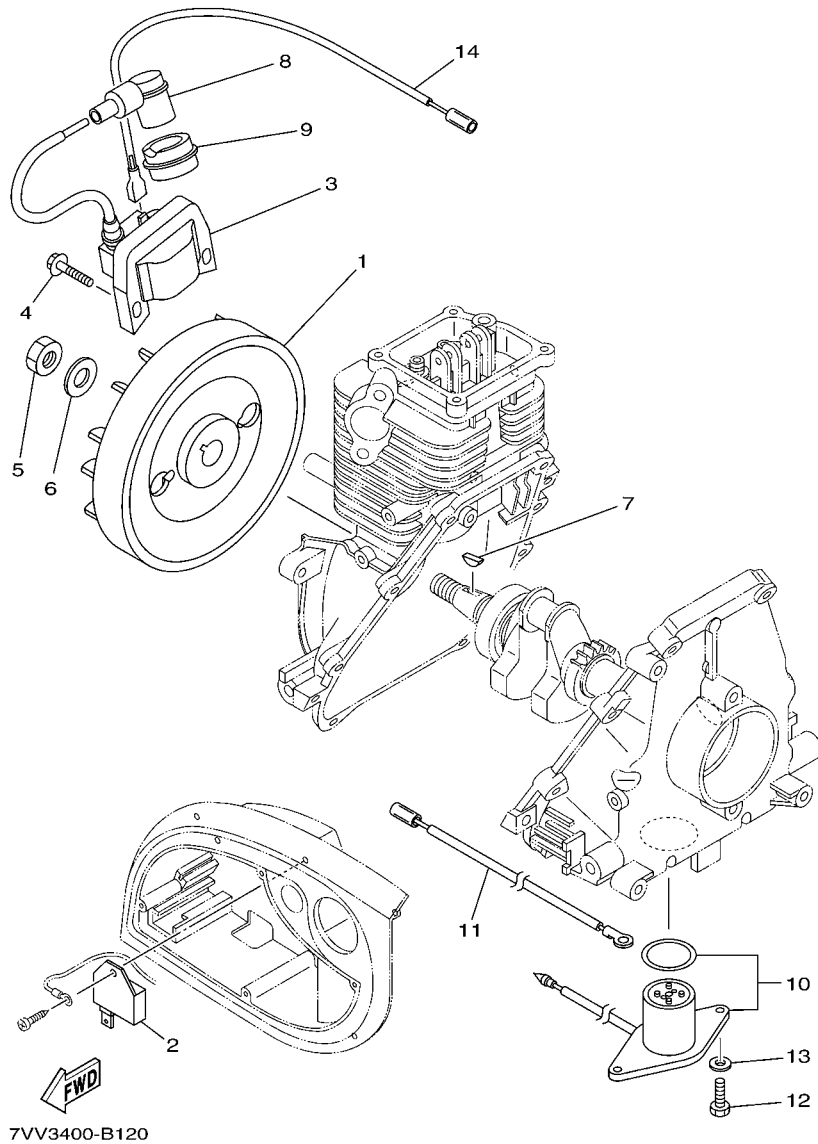
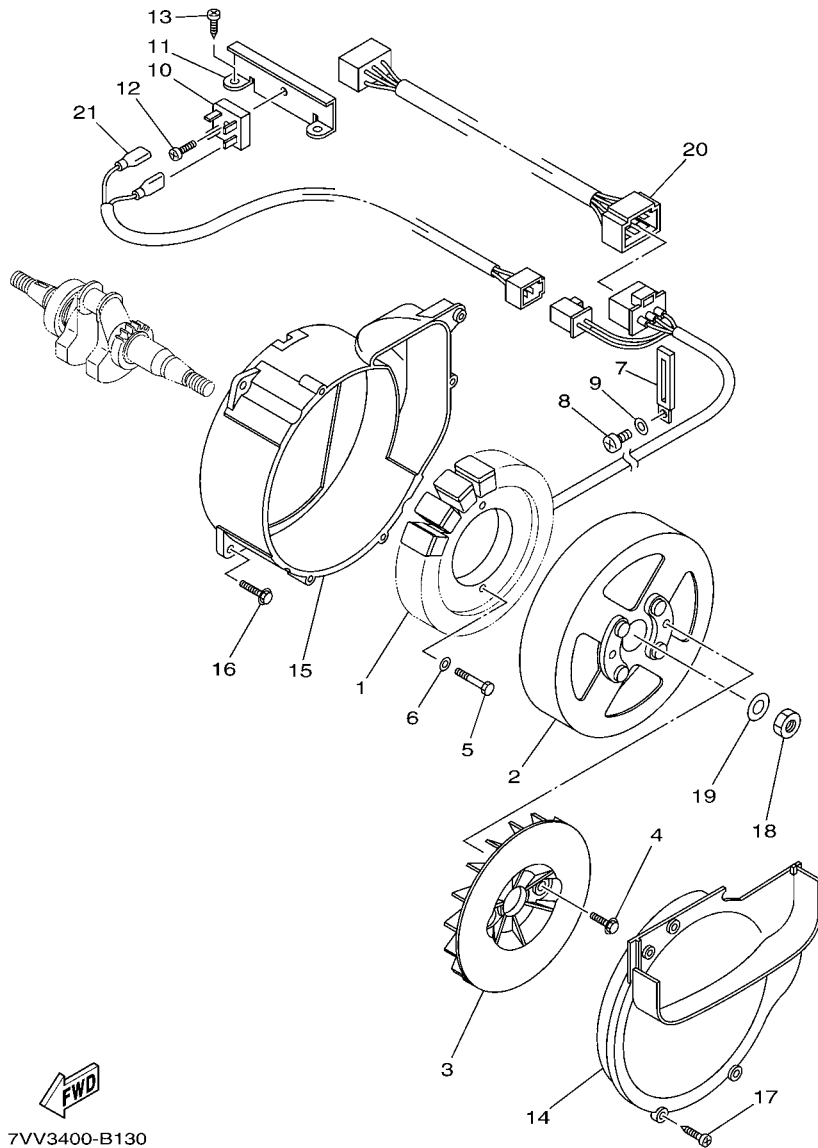


FIG. 12 MAGNETO

REF. NO.	PART NO.	DESCRIPTION	7V3				REMARKS
1	7VV-85650-00	ROTOR ASSY	1				
2	7VV-85640-00	T.C.I. UNIT ASSY	1				
3	7VV-82310-00	IGNITION COIL ASSY	1				
4	90105-05005	BOLT, FLANGE	2				
5	95307-10600	NUT	1				
6	92907-10600	WASHER, PLATE	1				
7	90280-03017	KEY, WOODRUFF	1				
8	7VU-82370-00	PLUG CAP ASSY	1				
9	7VV-82372-00	SEAL, PLUG CAP	1				
10	7VV-85720-00	OIL LEVEL GAUGE ASSY	1				
11	7VV-82519-00	WIRE, EARTH LEAD	1				
12	97017-06014	BOLT	2				
13	92907-06100	WASHER, SPRING	2				
14	7VV-85515-00	LEAD WIRE ASSY	1				



7VV3400-B130

FIG. 13 GENERATOR

REF. NO.	PART NO.	DESCRIPTION	7V3				REMARKS
1	7VV-87150-20	STATOR ASSY	1				
2	7VV-87160-00	ROTOR ASSY	1				
3	7VV-87172-00	FAN, GENERATOR	1				
4	95807-06012	BOLT, FLANGE	2				
5	97027-06025	BOLT	2				
6	92907-06600	WASHER, PLATE	2				
7	90462-06007	CLAMP	1				
8	98507-05010	SCREW, PAN HEAD	1				
9	92907-05600	WASHER, PLATE	1				
10	7VU-87105-00	RECTIFIER ASSY 1	1				
11	7VV-8711E-00	STAY, RECTIFIER	1				
12	98507-05014	SCREW, PAN HEAD	1				
13	97707-60512	SCREW, TAPPING	2				
14	7VV-87174-00	COVER, REAR END	1				
15	7VV-8718K-01	COVER, FRONT	1				
16	90105-05361	BOLT, FLANGE	3				
17	97707-50016	SCREW, TAPPING	4				
18	95317-10600	NUT	1				
19	92907-10600	WASHER, PLATE	1				
20	7VV-8A531-00	WIRE COMPLETE 1	1				
21	7VV-8A532-00	WIRE COMPLETE 2	1				

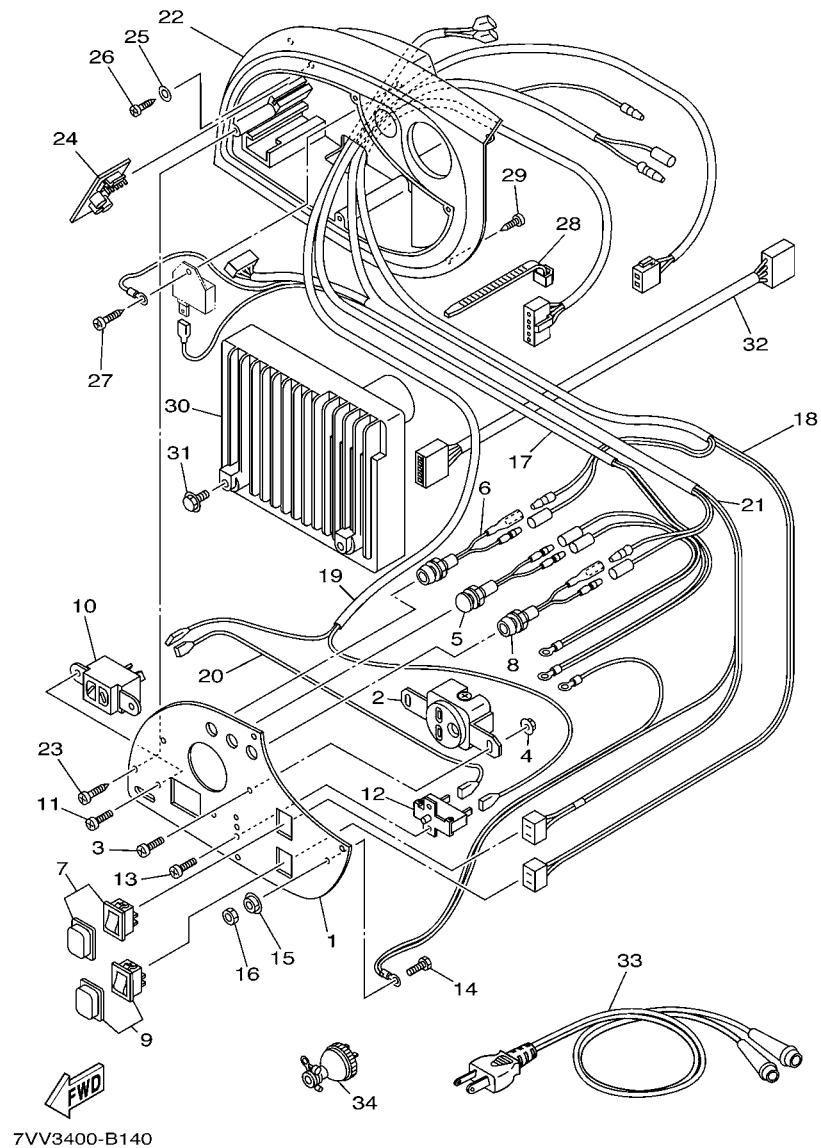


FIG. 14 CONTROL BOX

REF. NO.	PART NO.	DESCRIPTION	7V3				REMARKS
1	7VV-87249-G0	PLATE	1				
2	7G7-87221-01	RECEPTACLE 1(WCZ1312-9)	1				MATSUSHITA
3	98507-04012	SCREW, PAN HEAD	2				
4	95707-04500	NUT, FLANGE	2				
5	7NJ-83530-G0	PILOT LIGHT ASSY	1				
6	7VU-83582-00	PILOT LIGHT ASSY	1				
7	7NJ-82550-00	ENGINE STOP SWITCH ASSY	1				ECON. SW
8	7VU-83582-00	PILOT LIGHT ASSY	1				
9	7NJ-82550-00	ENGINE STOP SWITCH ASSY	1				
10	7LG-87239-00	RECEPTACLE COMP. (12A 24V DC)	1				
11	98507-04008	SCREW, PAN HEAD	2				
12	7VV-82181-00	CIRCUIT BREAKER COMP. (8A)	1				
13	98507-03008	SCREW, PAN HEAD	2				
14	97080-05014	BOLT	1				
15	95707-05500	NUT, FLANGE	1				
16	95380-05700	NUT	1				
17	7VV-8722W-00	WIRE, LEAD 6	1				
18	7VV-8722X-40	WIRE, LEAD 5	1				
19	7VV-87224-00	WIRE, LEAD 2	1				
20	7VV-87223-00	WIRE, LEAD 1	1				
21	7VV-82507-00	WIRE, LEAD	1				
22	7VV-87213-00	COVER, CONTROL BOX	1				
23	97707-40512	SCREW, TAPPING	4				
24	7VV-85680-01	SPEED LIMITER ASSY	1				
25	90201-03013	WASHER, PLATE	1				
26	97707-30512	SCREW, TAPPING	1				
27	97707-40512	SCREW, TAPPING	1				

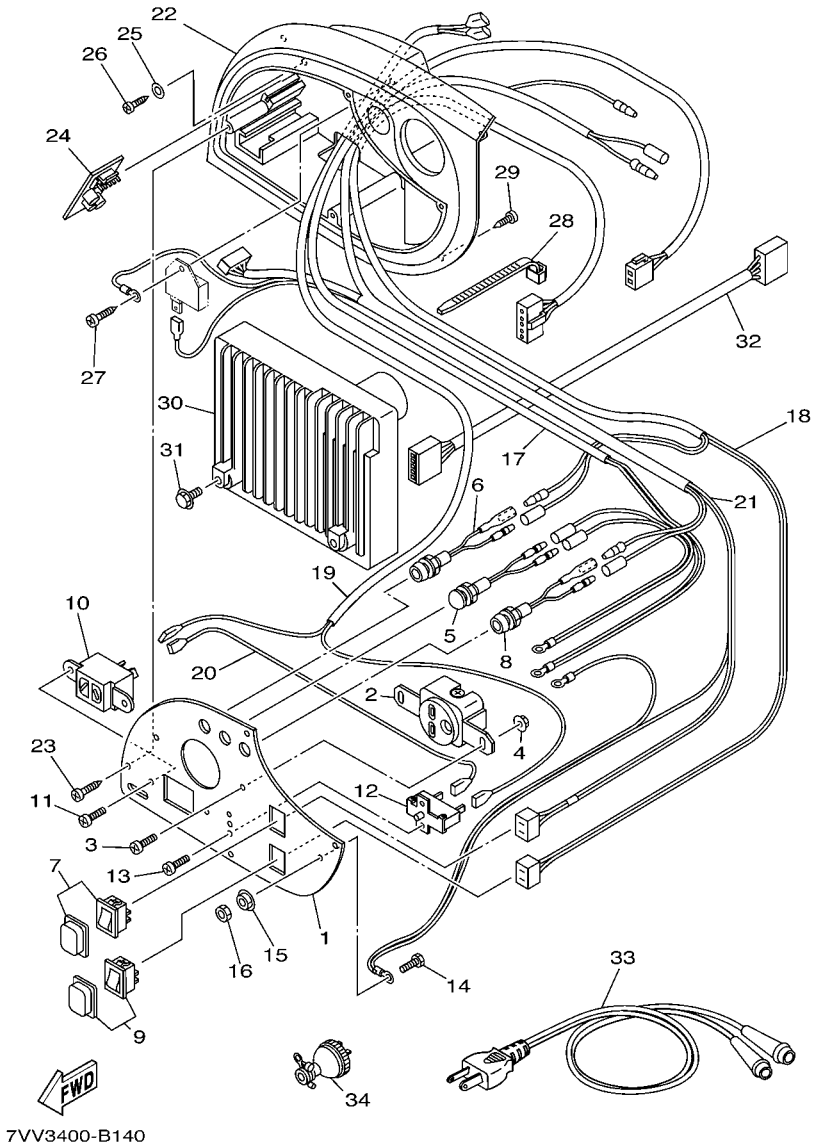


FIG. 14 CONTROL BOX

REF. NO.	PART NO.	DESCRIPTION	7VV3	REMARKS
28	90464-13077	CLAMP	1	
29	97707-50016	SCREW, TAPPING	4	
30	7VV-8A210-61	CONTROL UNIT	1	
31	95807-06012	BOLT, FLANGE	2	
32	7VV-82509-00	WIRE, SUB LEAD	1	
33	7LG-87209-00	CHARGE CORD ASSY	1	
34	7G7-87236-00	PLUG, AC RECEPTACLE (15A-250V)	1	

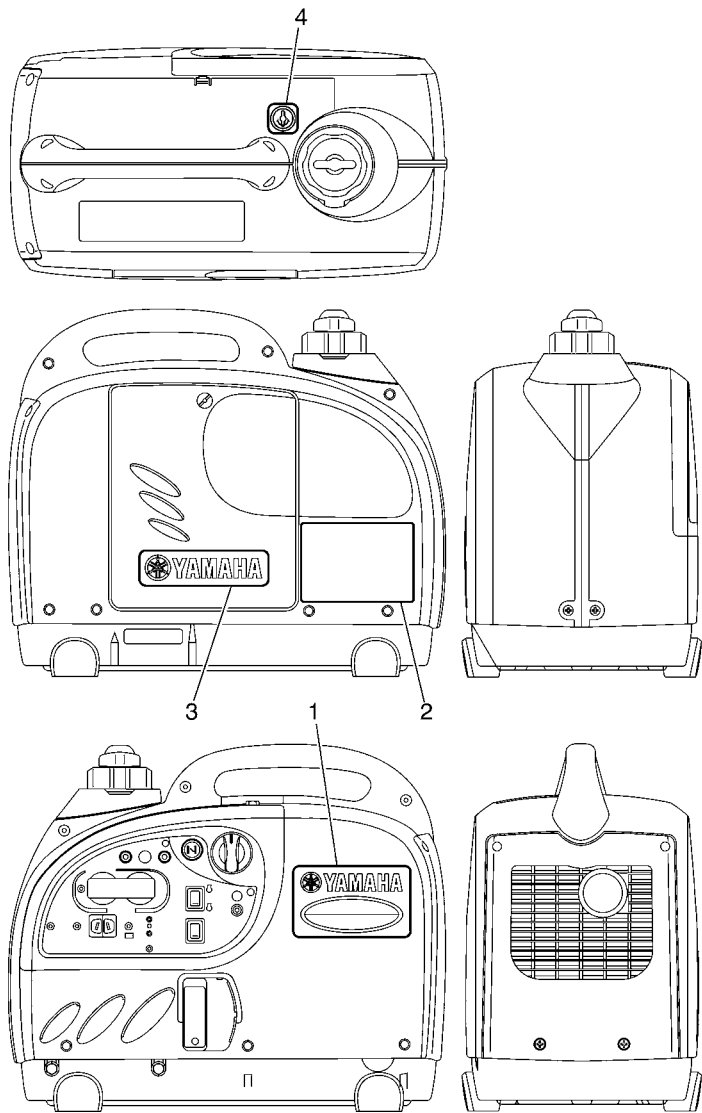


FIG. 15 GRAPHIC. EMBLEM

REF. NO.	PART NO.	DESCRIPTION	7VV3				REMARKS
1	7VV-24161-10	EMBLEM 1 (EF1000IS)	1				
2	7VV-24162-A0	EMBLEM 2	1				
3	7VV-24161-30	EMBLEM 1 (YAMAHA)	1				
4	7VV-24156-00	INDICATOR, STARTER LEVER	1				
-----							
-----							
-----							
-----							
-----							
-----							
-----							
-----							
-----							
-----							



NUMERICAL INDEX

PART NO.	REF. NO.	PART NO.	REF. NO.	PART NO.	REF. NO.	PART NO.	REF. NO.	PART NO.	REF. NO.	PART NO.	REF. NO.
7VV-11011-00	9 - 6	1V3-14196-00	6 - 29	7VV-22856-00	10 - 10	7VV-82372-00	12 - 9	90201-03013	14 - 25	97017-06014	12 - 12
7VV-11012-00	9 - 7	7VV-14196-01	6 - 33	7VV-22865-00	9 - 12	7VV-82507-00	14 - 21	90280-03017	12 - 7	97027-06025	13 - 5
J38-11116-00	8 - 5	7VV-14197-00	6 - 30	7VV-22866-00	10 - 1	7VV-82509-00	14 - 32	90387-05624	3 - 7	97080-05014	14 - 14
7VV-11161-00	8 - 7	127-14198-00	6 - 23	7VV-22868-00	10 - 14	7VV-82519-00	12 - 11	90387-05679	4 - 10	97707-30512	14 - 26
7VV-11162-00	8 - 8	7VV-14211-00	6 - 25	7VV-22875-00	9 - 14	7NJ-82550-00	14 - 7	90413-05015	6 - 31	97707-40014	11 - 29
7VV-11166-00	1 - 5	73A-14212-00	6 - 9	7VV-22876-00	9 - 15	7NJ-83530-G0	14 - 5	90462-06007	13 - 7	97707-40512	14 - 23
7VV-11190-00	1 - 2	7G5-14227-00	6 - 6	7VV-22877-00	10 - 11	7VU-83582-00	14 - 6	90464-13077	14 - 28	97707-50016	4 - 7
7VV-11193-00	1 - 3	1HX-1423A-63-A0	6 - 22	7VV-22878-00	10 - 2	7VV-85515-00	12 - 14	90467-09103	11 - 27		13 - 17
7VV-11400-00	2 - 1	7VU-14293-00	6 - 12	7VV-22879-00	10 - 3	7VV-85640-00	12 - 2	90467-10008	11 - 25		14 - 29
7VV-11610-00	2 - 5	7VV-14411-00	5 - 5	7VV-22881-01	9 - 1	7VV-85650-00	12 - 1	90467-10038	11 - 26	97707-50114	4 - 32
7VV-11631-00	2 - 4	7VV-14412-00	5 - 6	7VV-22885-00	10 - 4	7VV-85680-01	14 - 24	90467-12052	11 - 28	97707-60512	13 - 13
2E9-11633-00	2 - 6	7X9-14416-10	5 - 4	7VV-22886-00	9 - 21	7VV-85720-00	12 - 10	90467-13064	5 - 13	98502-03006	6 - 10
7VV-11650-00	2 - 2	7VV-14451-00	5 - 7	7VV-22887-00	9 - 22	7VU-86240-00	6 - 13	90467-280A0	5 - 12	98507-03008	14 - 13
7VV-11654-00	2 - 3	7VV-14453-00	5 - 10	7VV-22889-00	10 - 15	7VU-87105-00	13 - 10	90501-16708	3 - 8	98507-04008	14 - 11
7VV-12111-00	3 - 3	7VV-14462-00	5 - 8	7VV-22891-00	9 - 4	7VV-8711E-00	13 - 11	92907-05600	9 - 19	98507-04012	14 - 3
7VV-12117-00	3 - 9	7VV-14485-00	5 - 11	7VV-22895-00	9 - 10	7VV-87150-20	13 - 1		10 - 7	98507-05008	6 - 15
1HX-12119-00	3 - 15	7RH-14486-00	6 - 2	7VV-22896-00	10 - 12	7VV-87160-00	13 - 2		11 - 20	98507-05010	13 - 8
7VV-12121-00	3 - 4	7VV-14613-00	7 - 8	7VV-23383-00	9 - 16	7VV-87172-00	13 - 3		13 - 9	98507-05012	9 - 18
7VV-12141-00	3 - 5	7VV-1469A-00	4 - 2	7VV-24110-00	11 - 1	7VV-87174-00	13 - 14	92907-06100	12 - 13		10 - 6
7VV-12151-00	3 - 10	7VV-1469E-00	4 - 3	7VV-24156-00	15 - 4	7VV-8718K-01	13 - 15	92907-06600	13 - 6		11 - 19
7VV-12154-00	3 - 14	7VV-1469F-00	4 - 4	7VV-24161-10	15 - 1	7LG-87209-00	14 - 33	92907-10600	12 - 6	98507-05014	13 - 12
7VV-12159-00	3 - 12	7VV-14721-00	7 - 1	7VV-24161-30	15 - 3	7VV-87213-00	14 - 22		13 - 19	98580-04008	6 - 17
7VV-12170-01	3 - 1	7VV-14786-00	7 - 2	7VV-24162-A0	15 - 2	7G7-87221-01	14 - 2	92990-04100	6 - 18	98907-05014	4 - 9
7VV-12287-01	3 - 2	7NJ-14788-00	7 - 4	7VV-24167-00	11 - 3	7VV-87223-00	14 - 20	92990-05100	6 - 16	99530-08012	8 - 9
7VV-12486-00	4 - 18	7VV-1478A-00	4 - 12	7VV-24181-00	11 - 4	7VV-87224-00	14 - 19	93102-20008	8 - 2		
7VV-12651-00	4 - 1	7VV-1478E-00	4 - 13	7VV-2419A-00	11 - 7	7VV-8722W-00	14 - 17	93102-20366	8 - 12		
7VV-12652-00	4 - 11	7VV-1478F-00	4 - 14	7VV-24311-00	11 - 8	7VV-8722X-40	14 - 18	93210-15414	8 - 15		
7VV-12668-00	4 - 5	7NJ-14799-01	7 - 3	7VV-24312-00	11 - 9	7G7-87236-00	14 - 34	93306-00415	8 - 11		
7VV-12669-00	4 - 16	7NJ-1479E-00	7 - 5	7VV-24313-00	11 - 10	7LG-87239-00	14 - 10	93450-11120	2 - 7		
7VV-12678-00	4 - 6	7VV-1495A-10	6 - 19	7VV-24314-00	11 - 11	7VV-87249-G0	14 - 1	93604-42002	3 - 11		
7VV-12679-00	4 - 15	75J-14990-00	6 - 27	7VV-24410-00	11 - 5	7VV-8A210-61	14 - 30	93605-30002	3 - 6		
7VV-13556-00	5 - 3	7VV-15111-00	8 - 1	4SV-24453-00	6 - 14	7VV-8A531-00	13 - 20	94702-00372	1 - 1		
7G5-13556-10	5 - 2	7VV-15121-00	8 - 10	7VV-24500-00	11 - 14	7VV-8A532-00	13 - 21	95307-05700	11 - 21		
7X9-13595-00	5 - 1	7X9-15363-00	8 - 14	5BM-24514-00	11 - 24	90105-05002	4 - 8	95307-06600	7 - 7		
7VV-14101-02	6 - 1	7VV-15407-00	8 - 6	7VV-24524-00	11 - 15		5 - 9	95307-10600	12 - 5		
22F-14117-00	6 - 5	7VV-15703-00	4 - 21	3H3-2452K-00	11 - 16		9 - 11	95317-10600	13 - 18		
7NJ-14118-00	6 - 24	7VV-15710-00	4 - 20	7VV-24533-00	11 - 17	90105-05005	12 - 4	95380-05700	14 - 16		
127-14134-00	6 - 3	7VV-15713-00	4 - 22	7VV-24544-00	11 - 18	90105-05006	8 - 13	95607-06615	8 - 3		
7VV-14137-00	6 - 32	7VV-15714-00	4 - 23	7VV-24545-00	11 - 23	90105-05361	1 - 4	95707-04500	14 - 4		
3LD-14139-00	6 - 35	7VV-15715-00	4 - 24	7VV-24575-00	11 - 12		13 - 16	95707-05500	14 - 15		
8A7-14139-00	6 - 34	7VV-15716-00	4 - 25	7VV-24610-00	11 - 2	90116-06033	8 - 4	95707-06500	5 - 14		
620-14142-40-A0	6 - 11	7VV-15741-00	4 - 26	7VV-26331-00	5 - 15	90149-06223	10 - 13		9 - 5		
7FK-14150-10	6 - 28	7VV-15751-00	4 - 28	7VV-28100-00	9 - 23	90153-05024	7 - 6	95807-06012	11 - 6		
7RA-14162-00	6 - 20	7VV-15755-00	4 - 29	7VV-48300-00	11 - 13	90170-05302	3 - 13		13 - 4		
7VV-14181-00	6 - 4	7VV-15788-00	4 - 30	7VV-67617-00	9 - 3	90183-05061	9 - 17		14 - 31		
7X9-14185-00	6 - 7	7VV-15793-00	4 - 27	7VV-82181-00	14 - 12		10 - 5	95817-06008	9 - 8		
22F-14186-00	6 - 21	7VV-22825-00	9 - 13	7VV-82310-00	12 - 3	90183-05076	9 - 2	95817-06012	9 - 9		
7E1-14191-00	6 - 8	7VV-22855-00	9 - 20	7VU-82370-00	12 - 8		11 - 22	95827-06012	7 - 9		