

# PARTS CATALOGUE

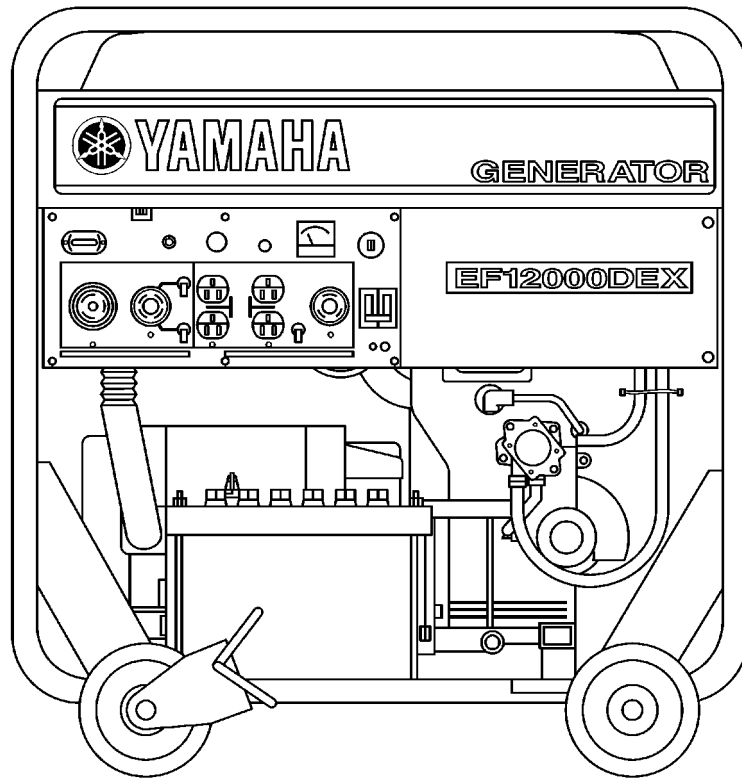
YAMAHA GENERATOR  
EF12000DEX (7UX2) CANADA

---

297UX-171E2

**YAMAHA**  
**GENUINE**  
Parts & Accessories

A2



A3

# FOREWORD

This Parts Catalogue is related to the parts for the model(s) in the below frame. When you are ordering replacement parts, please refer to this Parts Catalogue and quote both part numbers and part names correctly.

1. Modifications or additions which have been made after issue of the Parts Catalogue will be announced in the Yamaha Parts News.  
It is advisable that you make necessary corrections to the Parts Catalogue according to the Yamaha Parts News.

2. Abbreviations  
The following abbreviations are used in this Parts Catalogue.

"UR" Use specified parts number.

"UN" Use as many as needed.

"AP" Alternate Parts

"LM" Local Made (Parts need to be ordered locally)

"F#" Frame No. (Applicable machine No.)

3. Parts, which are to be supplied in an assembly, are listed with a dot(.) in front of the part name as shown below.

EXAMPLE

CARBURETOR ASSY

.JET, PILOT

.NOZZLE, MAIN

4. Number of component for assembly

The numeral appearing to the right of each component part indicates the quantity of parts for each assembly unit.

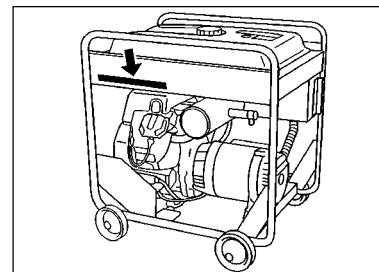
EXAMPLE

PART NO.	DESCRIPTION	Q'TY	REMARKS
2F5-83310-60	FRONT FLASHER LIGHT ASSY	2	
115-83311-60	.BULB (6V-18W)	1	

5. Applicable Starting Serial No. and Color Code

MODEL NAME	MODEL TYPE	FRAME NO.
EF12000DEX	7UX2	7UX-250001

Engine Serial No.

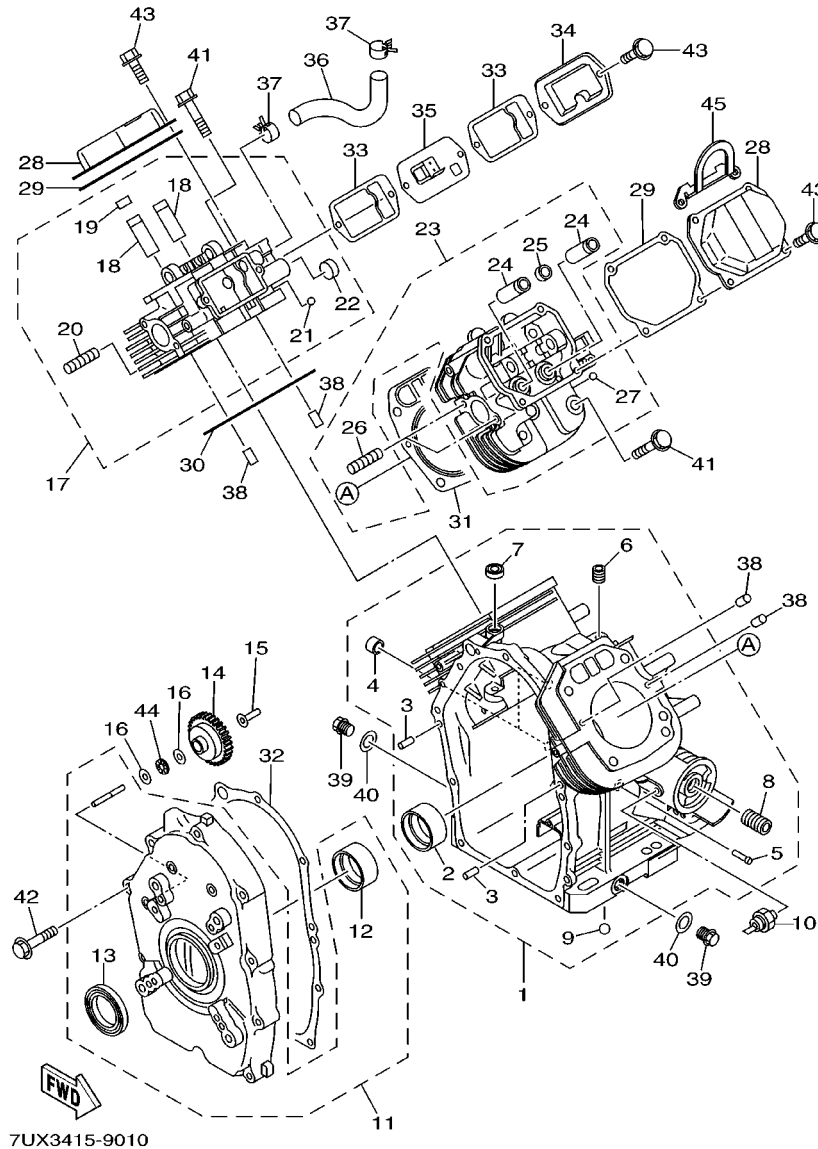


Color Code	Color Name	Abbreviation	MODEL	Country (destination)
00NJ	FARAWAY BLUE	FWB	7UX2	CANADA

6. Note that the illustrations for reference in finding parts numbers, not to be used for assembling. When assembling, please use the applicable service manual.

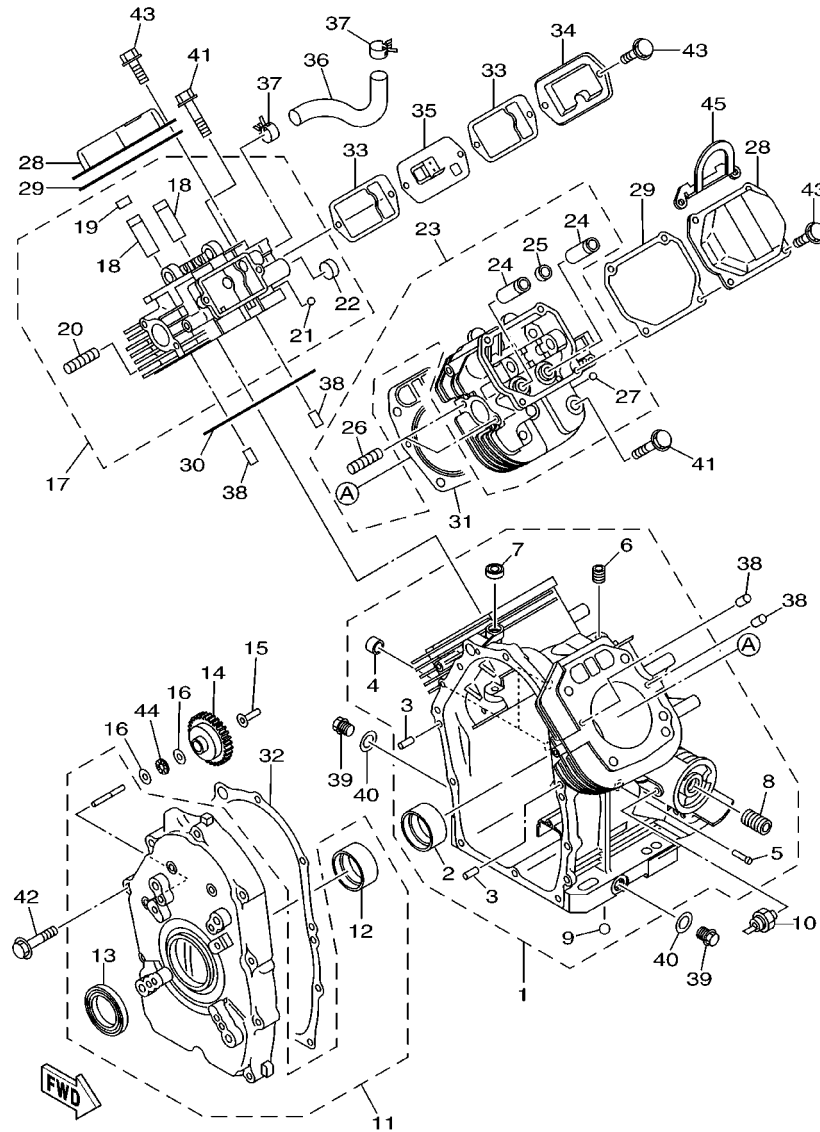
7. The asterisk (\*) before a reference number indicates modification items after the first edition.

FIG. 1 CRANKCASE



REF. NO.	PART NO.	DESCRIPTION	7UX2				REMARKS
1	YA2-63101-01-01	CRANKCASE, COMPL.	1				
2	YA2-63158-01-03	.MAIN BEARING	1				
3	YA0-05260-81-80	.DOWEL PIN	2				
4	YA1-42556-01-03	.PIPE	2				
5	YA1-59654-01-03	.PIPE (PULSE)	1				
6	YA2-12150-08-13	.BLIND PLUG	1				
7	YA0-44008-00-10	.OIL SEAL	1				
8	YA2-63159-01-03	.UNION	1				
9	YA0-45012-00-10	.STEEL BALL	1				
10	YA2-48763-01-01	SWITCH OIL PRESSURE	1				
11	YA2-63111-01-01	MAIN BEARING COVER, COMPL.	1				
12	YA2-63158-01-03	.MAIN BEARING	1				
13	YA0-44042-00-20	.OIL SEAL	1				
14	YA2-63450-01-01	GOVERNOR GEAR, COMPL.	1				
15	YA2-63419-01-03	GOVERNOR SLEEVE	1				
16	YA2-63462-14-A3	WASHER	2				
17	YA2-63130-01-01	CYLINDER HEAD 1, COMPL.	1				
18	YA1-3212A-A0-80	.VALVE GUIDE	2				
19	YA1-3207A-A0-50	.SEAL-INTAKE VALVE	1				
20	YA0-10508-02-90	.STUD	4				
21	YA0-06901-04	.STEEL BALL	1				
22	YA2-63162-01-03	.PLUG	1				
23	YA2-63131-01-01	CYLINDER HEAD 2, COMPL.	1				
24	YA1-3212A-A0-80	.VALVE GUIDE	2				
25	YA1-3207A-A0-50	.SEAL-INTAKE VALVE	1				
26	YA0-10508-02-90	.STUD	4				
27	YA0-06901-04	.STEEL BALL	1				

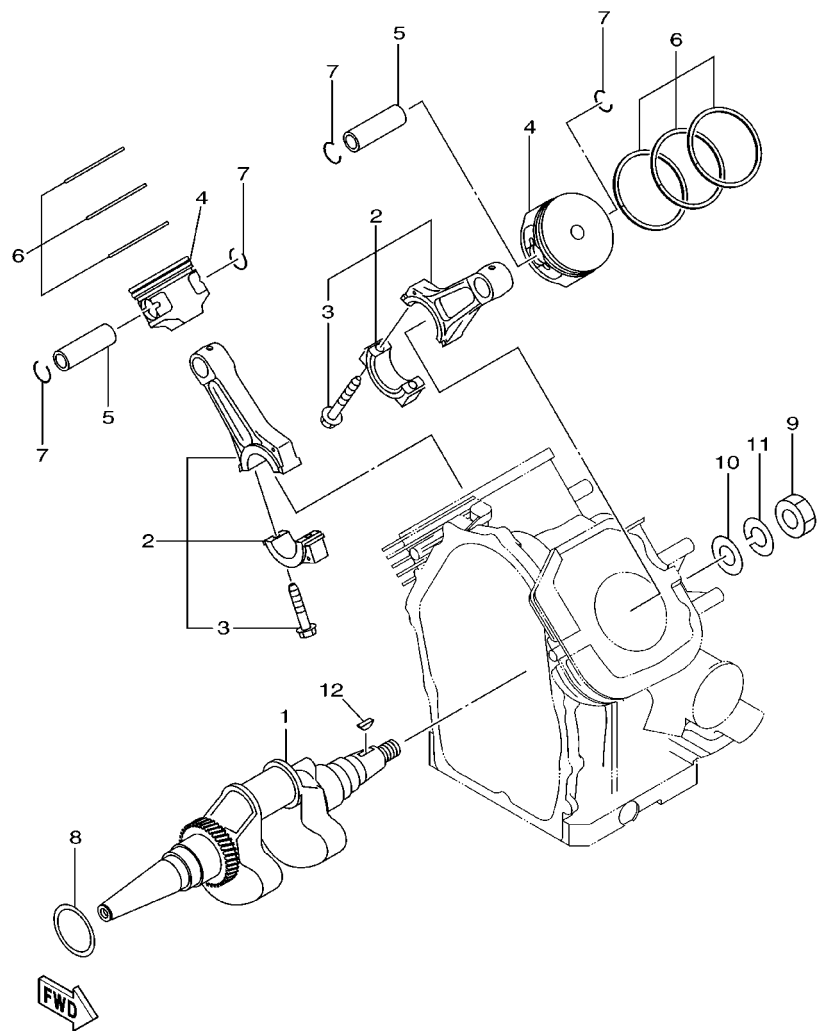
FIG. 1 CRANKCASE



7UX3415-9010

REF. NO.	PART NO.	DESCRIPTION	7UX2				REMARKS
28	YA2-46155-01-01	ROCKER COVER, COMPL.	2				
29	YA2-46160-02-13	GASKET, ROCKER COVER	2				
30	YA2-63150-01-13	GASKET 1, CYL. HEAD	1				
31	YA2-63151-01-13	GASKET 2, CYL. HEAD	1				
32	YA2-63160-01-03	GASKET, MAIN BEARING COVER	1				
33	YA2-63160-06-03	GASKET, BREATHER PLATE	2				
34	YA2-63143-01-03	BREATHER COVER	1				
35	YA2-63144-01-01	BREATHER PLATE, COMPL.	1				
36	YA2-63180-01-03	RUBBER PIPE	1				
37	YA0-56118-00-20	HOSE CLAMP	2				
38	YA0-31006-00-20	DOWEL PIN	4				
39	YA0-40114-00-30	PLUG	2				
40	YA0-21114-00-20	GASKET	2				
41	YA0-11010-00-30	FLANGE BOLT (M10X65MM)	8				
42	YA0-11008-00-90	FLANGE BOLT (M8X44MM)	10				
43	YA0-11006-00-30	FLANGE BOLT (M6X14MM)	10				
44	YA2-63462-13-A3	THRUST BEARING	1				
45	YA2-63190-01-03	HOOK	2				

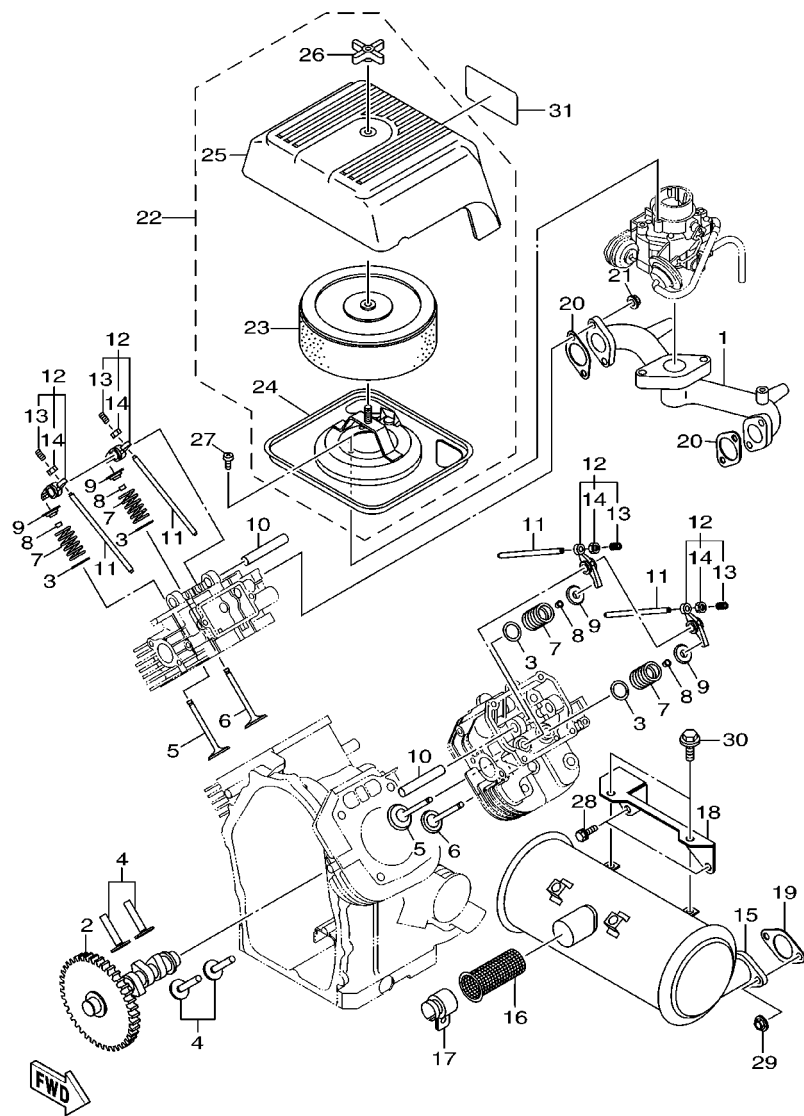
FIG. 2 CRANKSHAFT. PISTON



7UX3415-9020

REF. NO.	PART NO.	DESCRIPTION	7UX2				REMARKS
1	YA2-63212-01-01	CRANKSHAFT, COMPL.	1				
2	YA2-63225-01	CONNECTING ROD ASS'Y	2				
3	YA2-46230-01-03	.CONNECTING ROD BOLT	2				
4	YA2-63234-01-03	PISTON (STD)	2				
	YA2-63234-02-03	PISTON (OVER SIZE 0.25MM)	2				AP
	YA2-63234-03-03	PISTON (OVER SIZE 0.50MM)	2				AP
5	YA2-63233-01-03	PISTON PIN	2				
6	YA2-63235-01-07	PISTON RING SET (STD)	2				
	YA2-63235-02-07	PISTON RING SET (0.25MM O/S)	2				AP
	YA2-63235-03-07	PISTON RING SET (0.50MM O/S)	2				AP
7	YA0-56521-00-20	CLIP	4				
8	YA2-63250-01-03	SPACER (T=0.6)	1				UR
	YA2-63250-02-03	SPACER (T=0.8)	1				UR
	YA2-63250-03-03	SPACER (T=1.0)	1				UR
9	YA0-02181-80	NUT	1				
10	YA0-03101-80	WASHER	1				
11	YA0-03201-80	SPRING WASHER	1				
12	YA0-05320-54-01	WOODRUFF KEY	1				

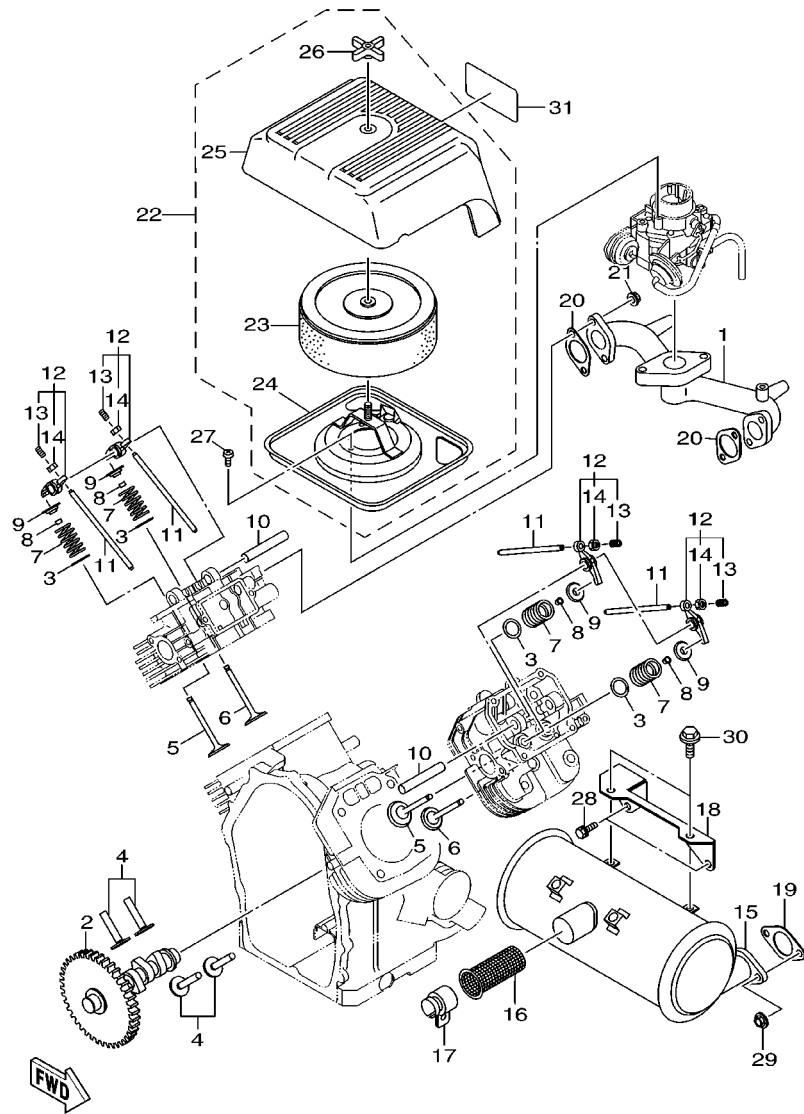
FIG. 3 INTAKE, EXHAUST



7UX2171-9030

REF. NO.	PART NO.	DESCRIPTION	7UX2				REMARKS
1	YA2-63330-01-03	INTAKE MANIFOLD	1				
2	YA2-63317-01-03	CAMSHAFT	1				
3	YA0-20020-00-10	WASHER	4				
4	YA2-46333-01-03	TAPPET	4				
5	YA2-63334-01-03	INTAKE VALVE	2				
6	YA2-67335-01-03	EXHAUST VALVE	2				
7	YA2-46336-11-03	VALVE SPRING	4				
8	YA2-46355-01-03	COLLET-VALVE	8				
9	YA2-46337-11-03	SPRING RETAINER	4				
10	YA2-39350-01-03	ROCKER SHAFT	2				
11	YA2-63353-02-03	PUSH ROD	4				
12	YA2-46361-01-10	ROCKER ARM ASS'Y	4				
13	YA0-14908-00-21	.ADJUSTING SCREW (M8X13.4MM)	1				
14	YA0-17008-00-90	.NUT	1				
15	YA2-63301-02-A1	MUFFLER ASS'Y	1				
16	YA2-63373-21-A2	SPARK ARRESTER	1				
17	YA2-63373-02-A3	CLAMP ASS'Y	1				
18	YA2-63370-01-A1	BRACKET MUFFLER	1				
19	YA2-63352-01-A1	GASKET EXHAUST	2				
20	YA2-46352-01-03	GASKET, MUFFLER	2				
21	YA0-02380-80	FLANGE NUT	4				
22	YA2-63326-01	AIR CLEANER ASS'Y	1				
23	YA2-63326-10-01	.CLEANER ELEMENET, COMPL.	1				
24	YA2-63326-20-01	.CLEANER BASE, COMPL.	1				
25	YA2-63326-30-03	.CLEANER COVER	1				
26	YA2-63326-40-01	.WING NUT	1				
27	YAX-11605-00-20	BOLT (10-32UNF-2A)	3				

FIG. 3 INTAKE, EXHAUST

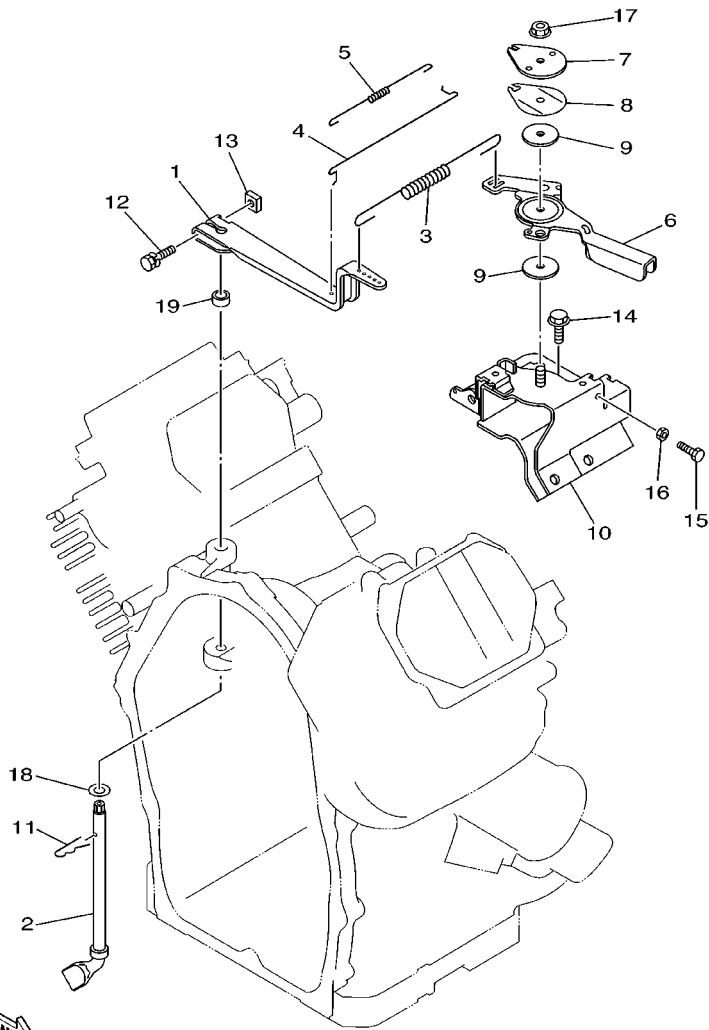


7UX2171-9030

REF. NO.	PART NO.	DESCRIPTION	7UX2				REMARKS
28	YA0-13008-01-60	BOLT AND WASHER ASSY (M8X16MM)	2				
29	YA0-18008-00-10	FLANGE NUT	4				
30	YA0-11006-00-20	FLANGE BOLT (M6X12MM)	2				
31	YA2-63951-01-03	LABEL (YAMAHA)	1				



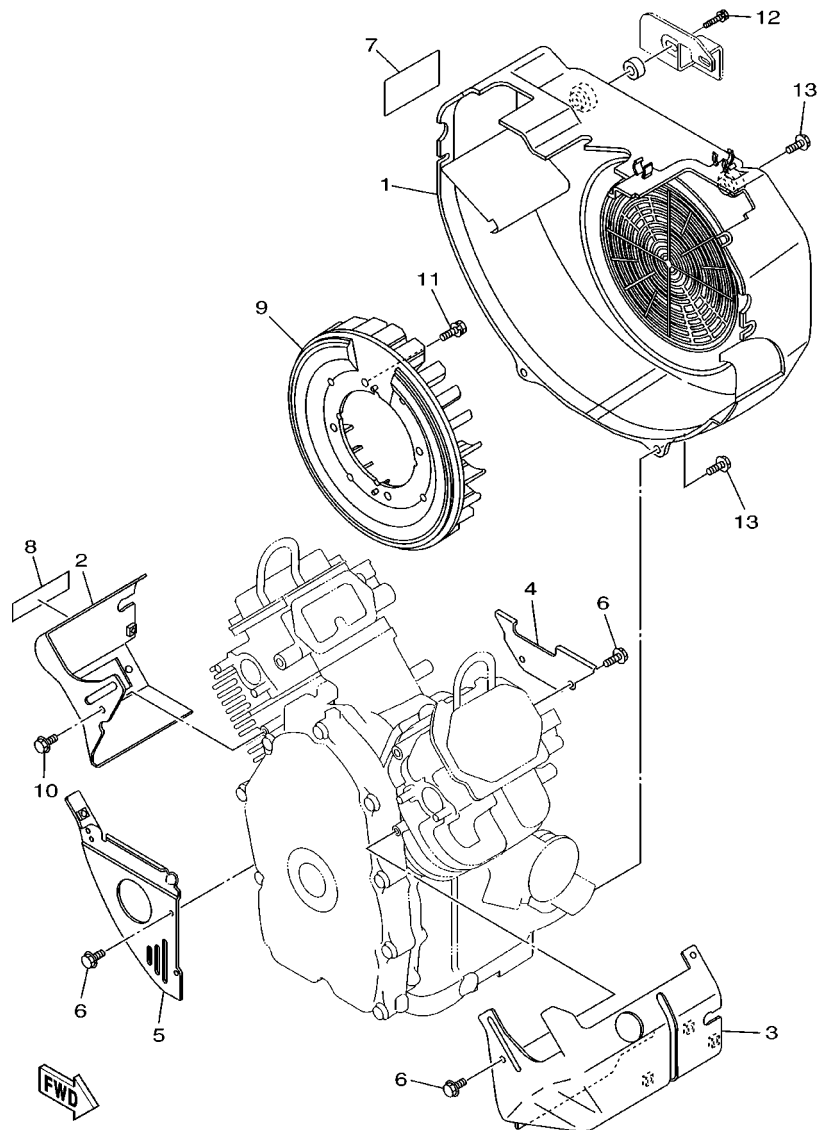
FIG. 4 GOVERNOR



7UX2110-9040

REF. NO.	PART NO.	DESCRIPTION	7UX2				REMARKS
1	YA2-63423-01-03	GOVERNOR LEVER	1				
2	YA2-63422-01-03	GOVERNOR SHAFT	1				
3	YA2-63425-05-03	GOVERNOR SPRING	1				
4	YA2-63427-01-01	GOVERNOR ROD	1				
5	YA2-63428-01-03	ROD SPRING	1				
6	YA2-63433-01-03	SPEED CONTROL LEVER	1				
7	YA2-27435-01-13	STOP PLATE	1				
8	YA2-63450-02-03	SPRING WASHER	1				
9	YA0-21706-00-30	FRICTION WASHER	2				
10	YA2-63450-11-02	BRACKET UNIT, SPEED CONTROL	1				
11	YA0-05110-60-01	SNAP PIN	1				
12	YA0-01140-63	BOLT AND WASHER ASS'Y	1				
13	YA0-18606-00-20	NUT (M6)	1				
14	YA0-11006-00-20	FLANGE BOLT (M6X12MM)	2				
15	YA0-11505-00-20	BOLT (M5X35MM)	1				
16	YA0-02270-50	NUT	1				
17	YA0-17606-00-20	SELF LOCK NUT	1				
18	YA0-03100-80	WASHER	1				
19	YAX-23008-01-50	SPACER	1				

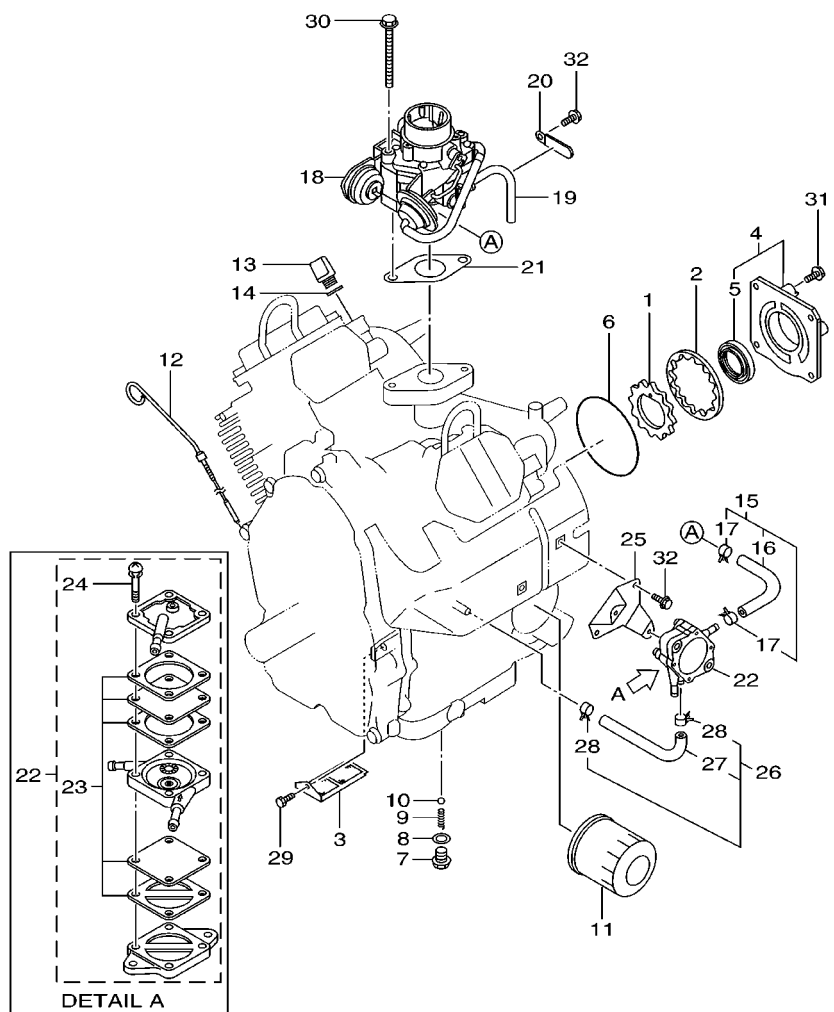
FIG. 5 AIR SHROUD. FAN



7UX2171-9050

REF. NO.	PART NO.	DESCRIPTION	7UX2				REMARKS
1	YA2-63511-01-02	BLOWER HOUSING UNIT	1				
2	YA2-63526-01-01	CYLINDER BAFFLE 1 COMPL.	1				
3	YA2-63527-01-01	CYLINDER BAFFLE 2 COMPL.	1				
4	YA2-63528-01-03	CYLINDER BAFFLE 3	1				
5	YA2-63529-11-A2	CYLINDER BAFFLE 4 UNIT	1				
6	YA0-11006-00-20	FLANGE BOLT (M6X12MM)	7				
7	YA2-63920-01-03	LABEL (WARNING)	1				
8	YA2-63952-02-03	LABEL (EMISSION CONTROL)	1				
9	YA2-63541-01-02	COOLING BLOWER UNIT	1				
10	YA0-11006-01-40	FLANGE BOLT (M6X18MM)	2				
11	YA0-01140-61-60	BOLT AND WASHER ASS'Y	4				
12	YA0-01110-63-50	BOLT AND WASHER ASS'Y	1				
13	YA0-11006-00-30	FLANGE BOLT (M6X14MM)	7				

FIG. 6 FUEL PUMP

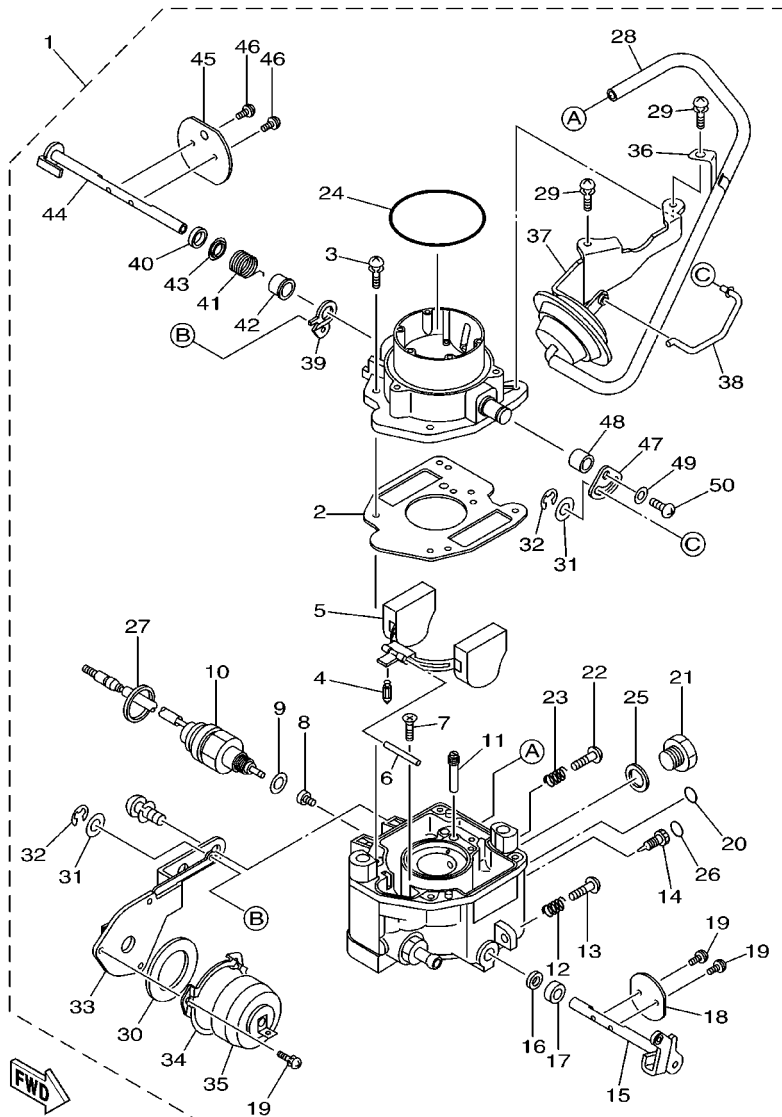


**FWD**  
7UX2171-9060

REF. NO.	PART NO.	DESCRIPTION	7UX2				REMARKS
1	YA2-63639-01-03	INNER ROTOR	1				
2	YA2-63639-02-03	OUTER ROTOR	1				
3	YA2-63643-01-02	OIL PUMP FILTER UNIT	1				
4	YA2-63640-01-01	OIL PUMP COVER, COMPL.	1				
5	YA0-44035-00-90	.OIL SEAL	1				
6	YAX-24089-00-20	O RING	1				
7	YA2-63650-01-13	PLUG, OIL RELIEF	1				
8	YA0-03701-40	GASKET, ALUMINUM	1				
9	YA2-48656-01-03	SPRING, RELIEF VALVE	1				
10	YA0-06903-08	STEEL BALL	1				
11	YA2-61659-02-A0	OIL FILTER ASS'Y	1				
12	YA2-63636-03-01	OIL GAUGE, COMPL.	1				
13	YA2-63636-02-03	OIL FILTER CAP	1				
14	YA0-21316-00-10	GASKET	1				
15	YA2-63626-01-01	FUEL PIPE, COMPL.	1				
16	YA2-63680-01-03	RUBBER PIPE (1/4X1/2)	1				
17	YA2-63685-01-03	HOSE CLAMP	2				
18	YA2-63623-12	CARBURETOR ASS'Y	1				
19	YA1-60674-02-A3	VINYL PIPE	1				
20	YA2-06755-01-01	CLAMP, COMPL.	2				
21	YA2-63662-01-03	GASKET, CARBURETOR	1				
22	YA2-48622-01	FUEL PUMP ASS'Y	1				
23	YA2-51622-51-08	.DIAPHRAGM GASKET SET	1				
24	YA2-51622-50-08	.SCREW	4				
25	YA2-63650-02-02	BRACKET, FUEL PUMP	1				
26	YA2-63626-50-01	PULSE PIPE, COMPL.	1				
27	YA2-63680-51-03	.RUBBER PIPE (1/4X1/2)	1				



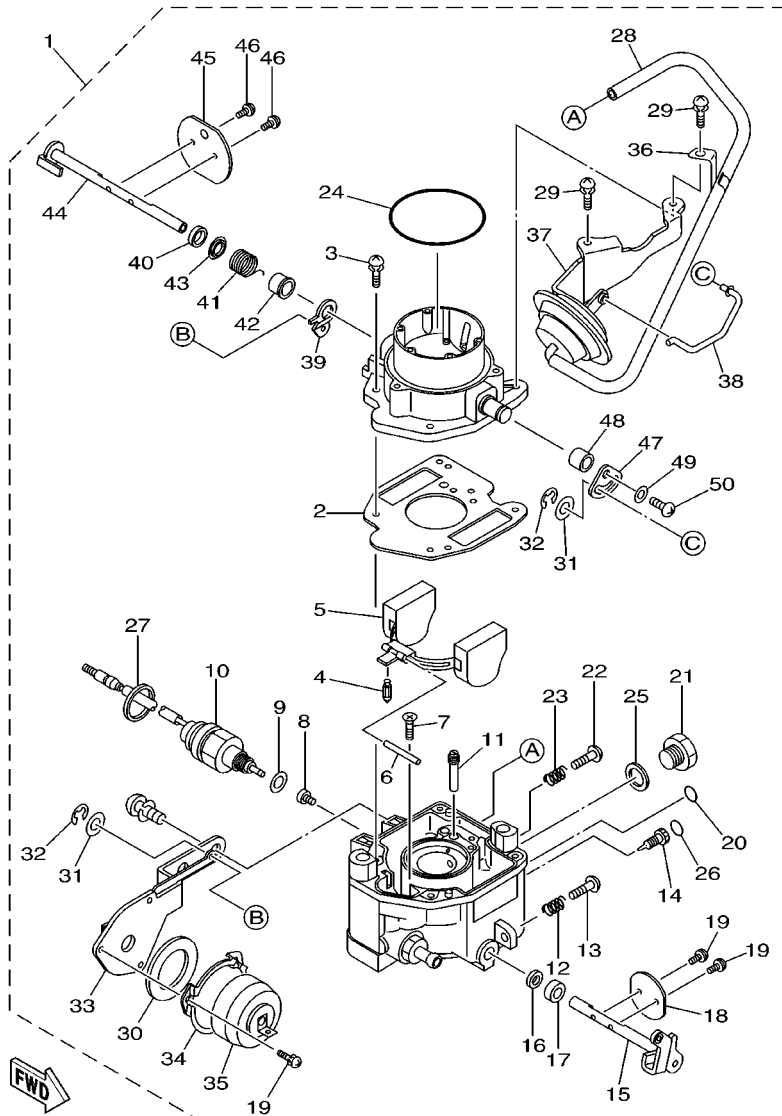
FIG. 7 CARBURETOR



7UX2110-9070

REF. NO.	PART NO.	DESCRIPTION	7UX2				REMARKS
1	YA2-63623-12	CARBURETOR ASS'Y	1				
2	YA2-58625-45-08	.GASKET, AIR HORN	1				
3	YA2-58624-50-08	.SCREW, AIR HORN SET	2				
4	YA2-26625-01-08	.VALVE, FLOAT	1				
5	YA2-58625-05-08	.FLOAT ASS'Y	1				
6	YA2-58625-15-08	.FLOAT PIN	1				
7	YA2-58625-56-08	.SCREW, FLOAT PIN SET	1				
8	YA2-63624-00-08	.MAIN JET (#132)	1				
9	YA2-58625-46-08	.GASKET	1				
10	YA2-58625-57-18	.SOLENOID VALVE ASS'Y	1				
11	YA2-58624-20-08	.JET, SLOW (#60)	1				
12	YA2-58624-45-08	.SPRING, ADJUST SCREW	1				
13	YA2-58624-51-08	.SCREW, THROTTLE ADJUST	1				
14	YA2-61624-35-08	.NEEDLE, IDLE ADJUST	1				
15	YA2-63625-34-08	.THROTTLE SHAFT ASS'Y	1				
16	YA2-26625-80-08	.FILTER, THROTTLE SHAFT	1				
17	YA2-58625-70-08	.COLLAR, THROTTLE SHAFT	1				
18	YA2-63625-35-08	.THROTTLE VALVE	1				
19	YA2-61623-52-08	.SCREW, VALVE SET	5				
20	YA2-58625-60-08	.EXPANSION PLUG	1				
21	YA2-63625-51-08	.PLUG	1				
22	YA2-15623-53-08	.SCREW, DRAIN	1				
23	YA2-15624-46-08	.SPRING, DRAIN	1				
24	YA2-63625-60-08	.O RING, AIR HORN	1				
25	YA2-63625-55-08	.GASKET	1				
26	YA2-61623-58-08	.PLUG, ANTI TAMPER	1				
27	YA2-58625-66-08	.CLAMP, SOLENOID WIRE	1				

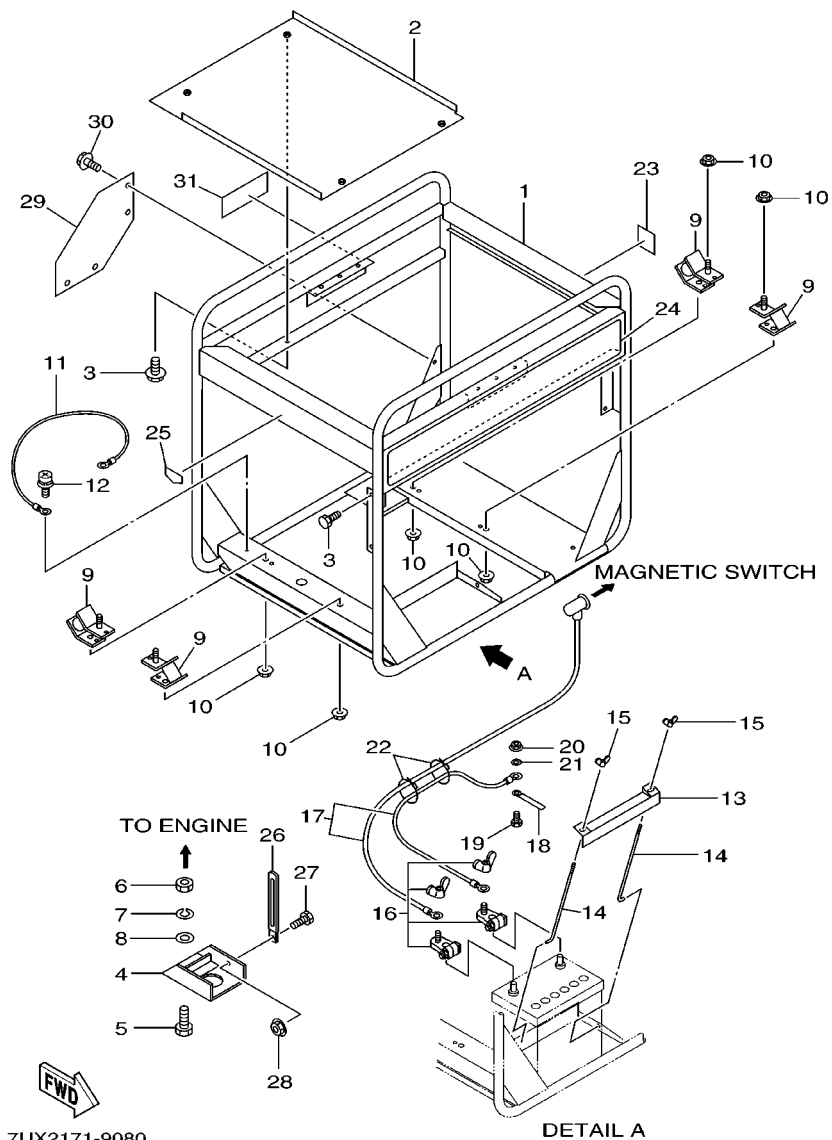
FIG. 7 CARBURETOR



7UX2110-9070

REF. NO.	PART NO.	DESCRIPTION	7UX2				REMARKS
28	YA2-63625-67-08	.RUBBER PIPE	1				
29	YA2-63625-89-08	.SCREW, HOLDER SET	2				
30	YA1-07623-73-08	.GASKET	1				
31	YA2-63625-96-08	.WASHER	2				
32	YA1-07623-77-08	.E-CLIP	2				
33	YA2-63625-62-08	.HOLDER, COMPL.	1				
34	YA1-07623-75-08	.PLATE	1				
35	YA1-07623-76-08	.COVER ASS'Y, THERMOSTAT	1				
36	YA2-63625-68-08	.HOLDER, VACUUM HOSE	1				
37	YA2-63623-52-08	.OPENER ASS'Y, CHOKE	1				
38	YA2-63623-53-08	.ROD, CHOKE PISTON	1				
39	YA2-63625-27-08	.LEVER ASS'Y, CHOKE	1				
40	YA2-58625-51-08	.RING, CHOKE LEVER	1				
41	YA2-63624-47-08	.SPRING, CHOKE	1				
42	YA2-58625-53-08	.COLLAR, CHOKE	1				
43	YA2-58625-54-08	.FILTER, CHOKE SHAFT	1				
44	YA2-63625-23-08	.SHAFT ASS'Y, CHOKE	1				
45	YA2-58625-25-08	.CHOKE VALVE	1				
46	YA2-58625-55-08	.SCREW, VALVE SET	2				
47	YA2-63625-06-08	.ARM, CHOKE	1				
48	YA2-63625-91-08	.FILTER, AIR	1				
49	YA2-63625-95-08	.WASHER	1				
50	YA1-61623-45-08	.SCREW	1				

FIG. 8 FRAME



7UX2171-9080

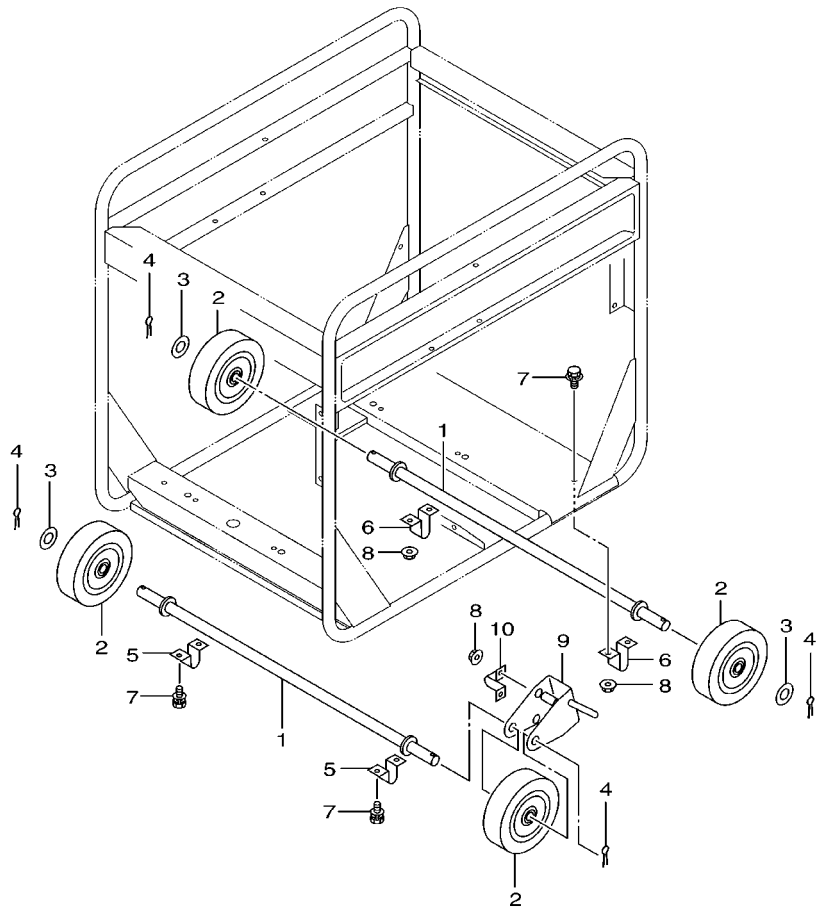
REF. NO.	PART NO.	DESCRIPTION	7UX2				REMARKS
1	YA3-1G610-03-01	PIPE FRAME, COMPL.	1				
2	YA3-1F610-24-01	BAFFLE PLATE	1				
3	YA0-11006-00-80	FLANGE BOLT (M6X12MM)	6				
4	YA3-1F610-22-01	STOPPER PLATE	1				
5	YA0-01661-04	BOLT (M10X40MM)	1				
6	YA0-02171-00	NUT	1				
7	YA0-03201-00	SPRING WASHER	1				
8	YA0-03101-00	WASHER	1				
9	YA3-1F350-01-01	MOUNT, COMPL.	4				
10	YA0-02381-00	FLANGE NUT (M10)	6				
11	YA3-1F620-16-01	EARTH CORD	1				
12	YA3-92499-87-08	SCREW AND WASHER ASSY (M5X8MM)	1				
13	YA3-1F330-01-01	BATTERY STAY, COMPL.	1				
14	YA9-78216-11-20	ROD, BATTERY	2				
15	YA0-02410-60	WING NUT	2				
16	YA3-1F320-01-03	BATTERY TERMINAL	1				
*17	YA3-1F740-16-01	WIRE CABLE SET	1				250165 AND BELOW
	YA3-1F740-16-11	WIRE CABLE SET	1				250166 AND FOLLOWING
18	YA0-56600-01-70	CLAMP	1				
19	YA0-01660-84-50	BOLT (M8X45MM)	1				
20	YA0-02380-80	FLANGE NUT	1				
21	YA0-03100-80	WASHER	1				
22	YA0-56300-00-60	WIRE BAND	5				
23	YA0-73200-50-80	LABEL (FUEL STRAINER)	1				
24	YA3-1G810-11-03	LABEL (YAMAHA)	1				
25	YA3-1G810-14-03	LABEL (HOT EXHAUST)	1				
26	YA0-56600-02-50	CLAMP	1				





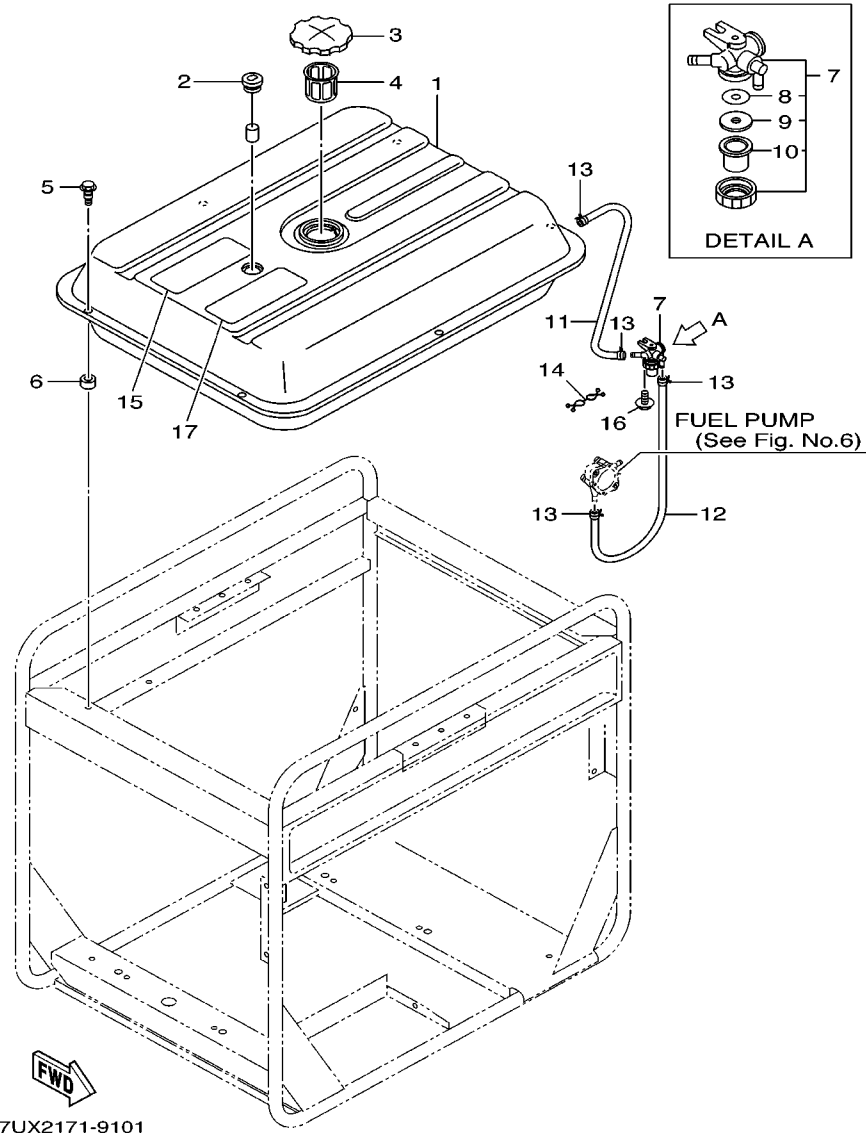
FIG. 9 AXLE WHEEL CLAWER

REF. NO.	PART NO.	DESCRIPTION	7UX2				REMARKS
1	YA3-1G630-21-01	SHAFT UNIT	2				
2	YA3-85543-89-08	WHEEL	4				
3	YA3-85543-90-08	WASHER	4				
4	YA0-05104-04	COTTER PIN	4				
5	YA3-1F610-07-01	BRACKET (GENERATOR SIDE)	2				
6	YA3-1G630-22-01	BRACKET (ENGINE SIDE)	2				
7	YA0-01140-82	BOLT AND WASHER ASS'Y	8				
8	YA0-02380-80	FLANGE NUT	6				
9	YA3-1G395-01	STOPPER ASS'Y	1				
10	YA3-1G610-26-01	CLAMP	1				



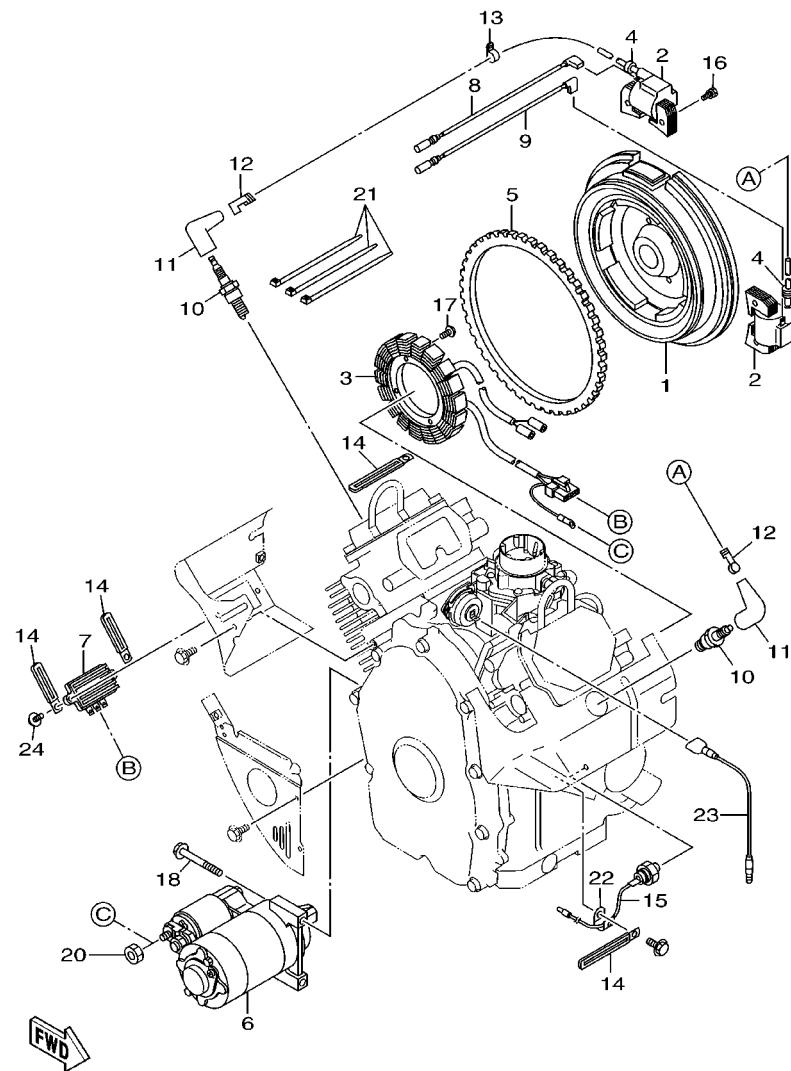
7UX3415-9090

FIG. 10 FUEL TANK



REF. NO.	PART NO.	DESCRIPTION	7UX2			REMARKS
1	YA3-1G361-02-01	FUEL TANK, COMPL.	1			
2	YA0-64800-15	FUEL GAUGE, COMPL.	1			
3	YA0-43059-00-11	FUEL TANK CAP ASS'Y	1			
4	YA0-64154-00-11	FUEL FILTER	1			
5	YA0-11006-02-20	FLANGE BOLT (M6X21MM)	6			
6	YA3-91390-00-13	RUBBER WASHER	6			
7	YA0-64200-36-01	FUEL STRAINER ASS'Y	1			
8	YA0-64200-02-20	.FILTER	1			
9	YA0-64200-30-30	.PACKING	1			
10	YA0-64200-36-10	.CUP	1			
11	YA0-85106-00	RUBBER PIPE (6X12X120MM)	1			
*12	YA0-85106-00	RUBBER PIPE (6X12X630MM)	1			
13	YA0-56111-00-20	HOSE CLAMP	4			
14	YA3-1F390-02-03	PURSE LOCK	1			
*15	YA3-1G810-12-03	LABEL (CAUTION)	1			250166 AND FOLLOWING
16	YA0-11006-00-30	FLANGE BOLT (M6X14MM)	1			
*17	YA3-1G810-12-03	LABEL (CAUTION)	1			250165 AND BELOW
	YA3-1G810-43-03	LABEL (WARNING)	1			ENGLISH/FRANCE 250166 AND FOLLOWING

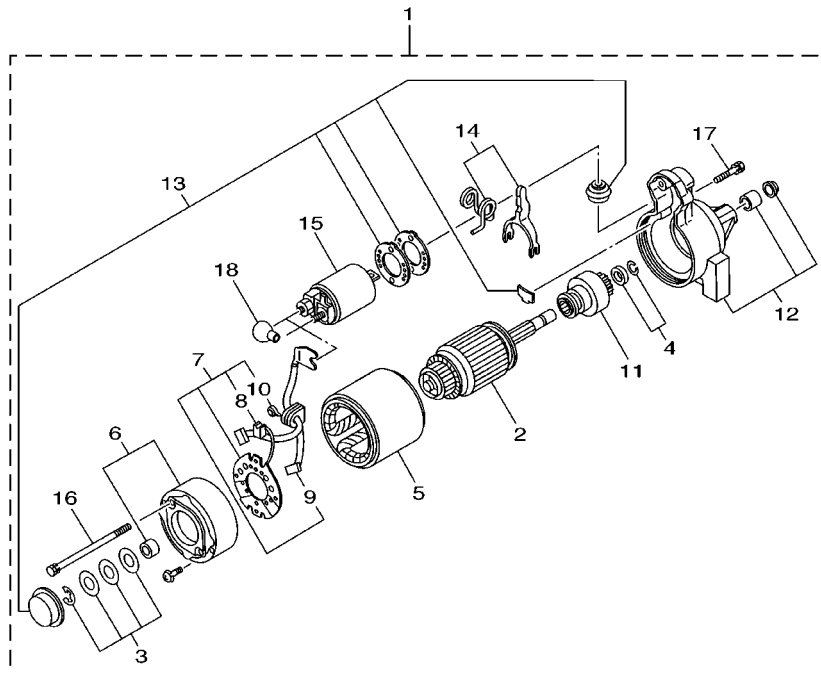
FIG. 11 ELECTRICAL



7UX2171-9110

REF. NO.	PART NO.	DESCRIPTION	7UX2	REMARKS
1	YA2-63772-02-01	FLYWHEEL, COMPL.	1	
2	YA2-63782-01-01	IGNITION COIL, COMPL.	2	
* 3	YA2-63794-03-B1	CHARGE COIL, COMPL.	1	250165 AND BELOW
	YA2-63794-03-C1	CHARGE COIL, COMPL.	1	250166 AND FOLLOWING
4	YA2-46795-01-03	GROMMET	2	
5	YA2-63710-01-03	RING GEAR	1	
6	YA2-63705-02-A0	STARTING MOTOR ASS'Y	1	
7	YA2-63719-01-01	REGULATOR, COMPL.	1	
8	YA2-63730-16-01	WIRE 4, COMPL.	1	
9	YA2-63730-17-01	WIRE 5, COMPL.	1	
10	YA0-65014-04-80	SPARK PLUG (BPR6ES)	2	
11	YA0-65500-01-40	SPARK PLUG CAP	2	
12	YA0-65900-00-10	PLUG TERMINAL	2	
13	YA2-06755-01-01	CLAMP, COMPL.	1	
14	YA0-56600-02-50	CLAMP	4	
15	YA2-63731-02-A1	WIRE ASSY, OIL PRESSURE SWITCH	1	
16	YA0-01140-63	BOLT AND WASHER ASS'Y	4	
17	YA0-13105-00-40	SCREW AND WASHER ASSY (M5X20MM)	4	
18	YA0-11008-01	FLANGE BOLT (M8X65MM)	2	
19	YA0-11006-01-40	FLANGE BOLT (M6X18MM)	2	
20	YA0-02380-80	FLANGE NUT	2	
21	YA0-56300-00-40	WIRE BAND	4	
22	YA2-14790-06-01	CLAMP, COMPL.	1	
23	YA2-63731-12-01	WIRE 6, COMPL.	1	

FIG. 12 STARTING MOTOR

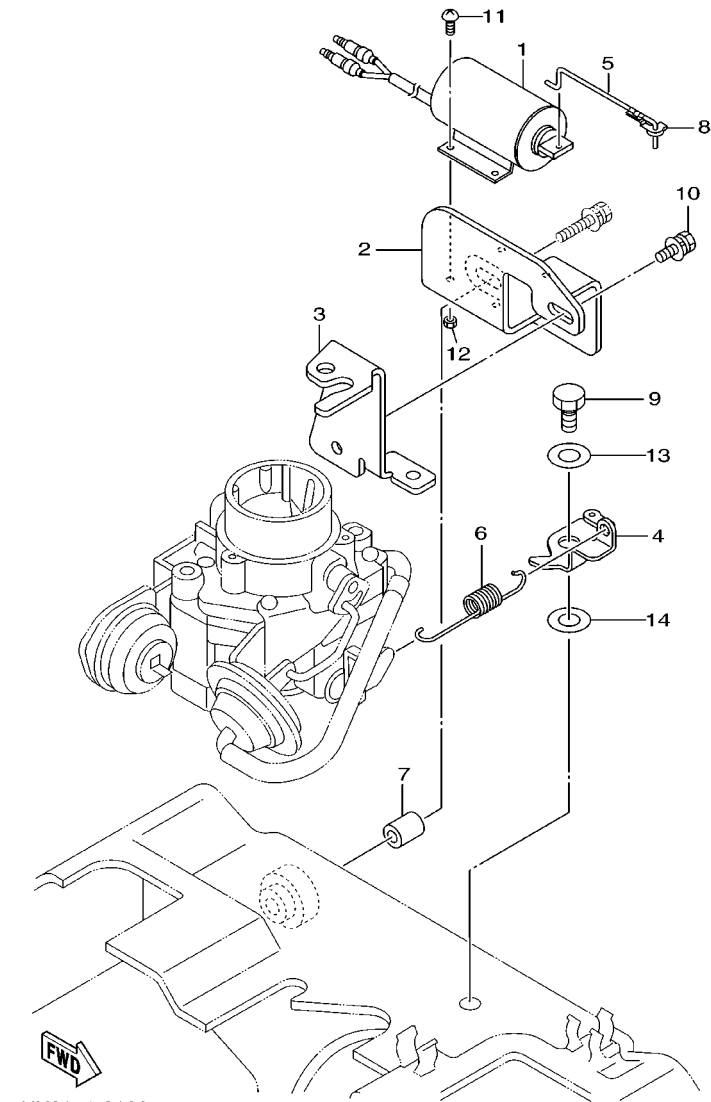


REF. NO.	PART NO.	DESCRIPTION	7UX2				REMARKS
1	YA2-63705-02-A0	STARTING MOTOR ASS'Y	1				
2	YA2-63705-10-08	.ARMATURE ASS'Y	1				
3	YA2-63705-50-08	.THRUST WASHER KIT	1				
4	YA2-10705-34-08	.PINION STOPPER SET	1				
5	YA2-55705-80-08	.YOKE ASS'Y	1				
6	YA2-63705-05-08	.REAR COVER ASS'Y	1				
7	YA2-55705-31-08	.BRUSH HOLDER ASS'Y	1				
8	YA2-28705-14-08	..BRUSH (-)	2				
9	YA2-55705-51-08	..BRUSH SET	1				
10	YA2-28705-16-08	..BRUSH SPRING	4				
11	YA2-55705-21-08	.PINION ASS'Y	1				
12	YA2-63705-00-08	.GEAR CASE ASS'Y	1				
13	YA2-55705-70-08	.DUST COVER KIT	1				
14	YA2-43705-25-08	.SHIFT LEVER KIT	1				
15	YA2-63705-15-08	.MAGNETIC SWITCH ASS'Y	1				
16	YA2-07705-24-08	.THROUGH BOLT	2				
17	YA2-63705-51-08	.BOLT	2				
18	YA2-07705-26-08	..RUBBER CAP	1				



7UX2171-9121

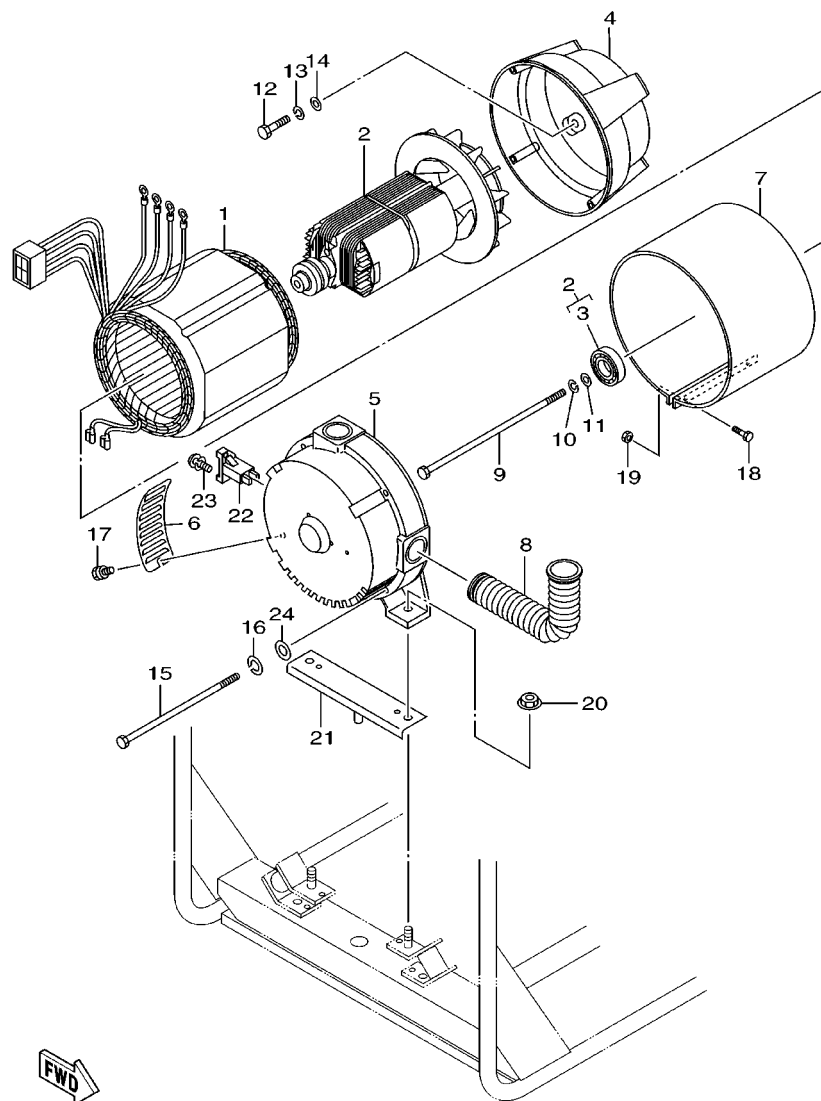
FIG. 13 CONTROL



7UX2171-9130

REF. NO.	PART NO.	DESCRIPTION	7UX2				REMARKS
1	YA2-63753-01-01	SOLENOID, COMPL.	1				
2	YA2-63754-01-01	BRACKET 1	1				
3	YA2-63754-02-01	BRACKET 2	1				
4	YA2-63754-23-01	LINK 2, COMPL.	1				
5	YA2-63754-42-01	ROD, COMPL.	1				
6	YA2-63754-62-03	SPRING	1				
7	YA0-23006-03-50	SPACER	1				
8	YA2-35447-01-03	HOLDER, ROD	1				
9	YA2-61431-01-01	LINK PIVOT	1				
10	YA0-01140-61-20	BOLT AND WASHER ASS'Y	1				
11	YA0-14003-00-20	SCREW (M3X8MM)	4				
12	YA0-17003-00-10	NUT	4				
13	YA0-21710-00-20	FRICTION WASHER	1				
14	YA2-63462-14-A3	WASHER	1				

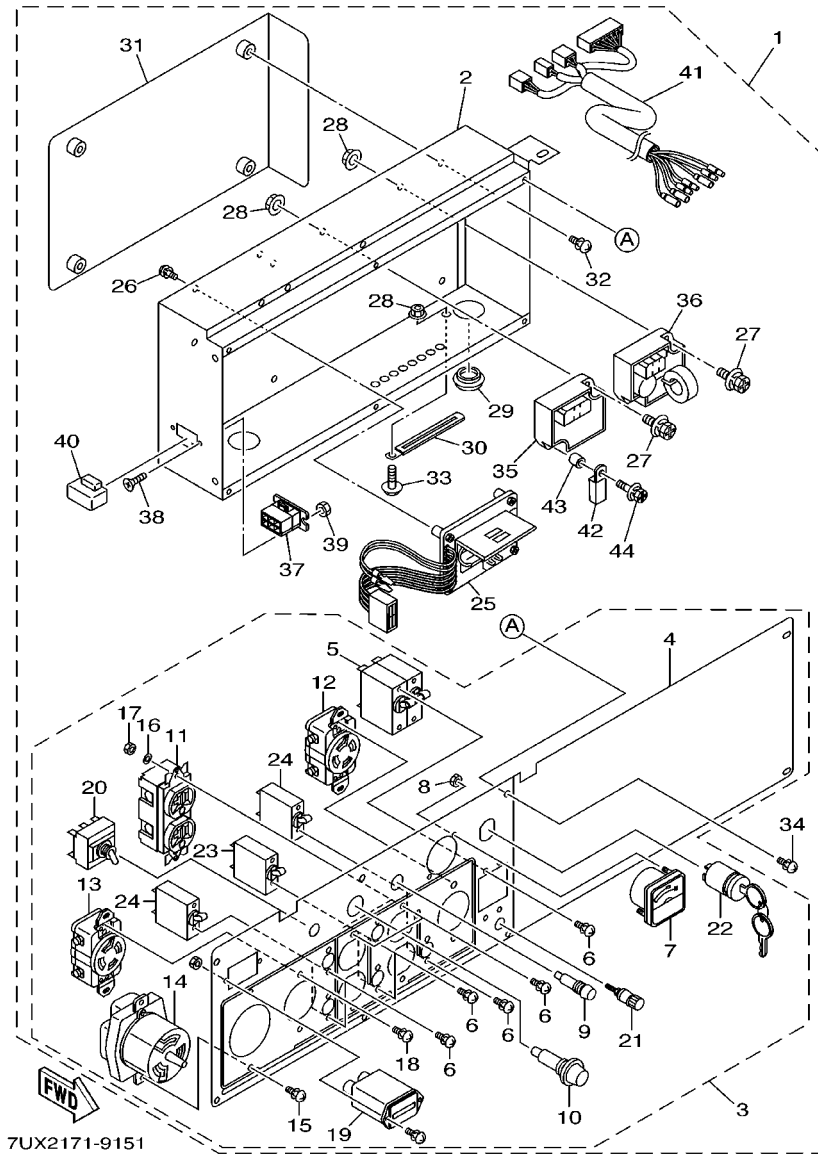
FIG. 14 GENERATOR



7UX2171-9140

REF. NO.	PART NO.	DESCRIPTION	7UX2				REMARKS
1	YA3-1G520-17-01	STATOR, COMPL.	1				
2	YA3-1G520-01-01	ROTOR, COMPL.	1				
3	YA3-33582-06-08	.BEARING	1				
4	YA3-1F530-01-03	FRONT BRACKET	1				
5	YA3-1G530-12-01	REAR COVER	1				
6	YA3-1F540-04-01	BRUSH COVER	1				
7	YA3-1F540-09-01	STATOR COVER	1				
8	YA3-91290-00-13	BUSHING	1				
9	YA3-1F540-02-01	THROUGH BOLT (5/16-24X265MM)	1				
10	YA0-03200-80	SPRING WASHER	1				
11	YA0-03100-80	WASHER	1				
12	YA3-1F540-01-01	BOLT (3/8-16X25MM)	4				
13	YA0-03201-00	SPRING WASHER	4				
14	YA0-03101-00	WASHER	4				
15	YA3-65580-06-08	COVER BOLT (M8X220MM)	4				
16	YA0-03200-80	SPRING WASHER	4				
17	YA3-56599-53-08	BOLT AND WASHER ASSY (M5X12MM)	2				
18	YA3-1F540-05-01	BOLT (M4X18MM)	2				
19	YA0-02170-40	NUT (M4)	2				
20	YA0-02381-00	FLANGE NUT (M10)	2				
21	YA3-1F610-02-01	GENERATOR BASE	1				
22	YA3-1G740-01-01	BRUSH HOLDER, COMPL.	1				
23	YA3-1G620-01-01	SCREW AND WASHER ASSY (M5X20MM)	2				
24	YA0-03100-80	WASHER	4				

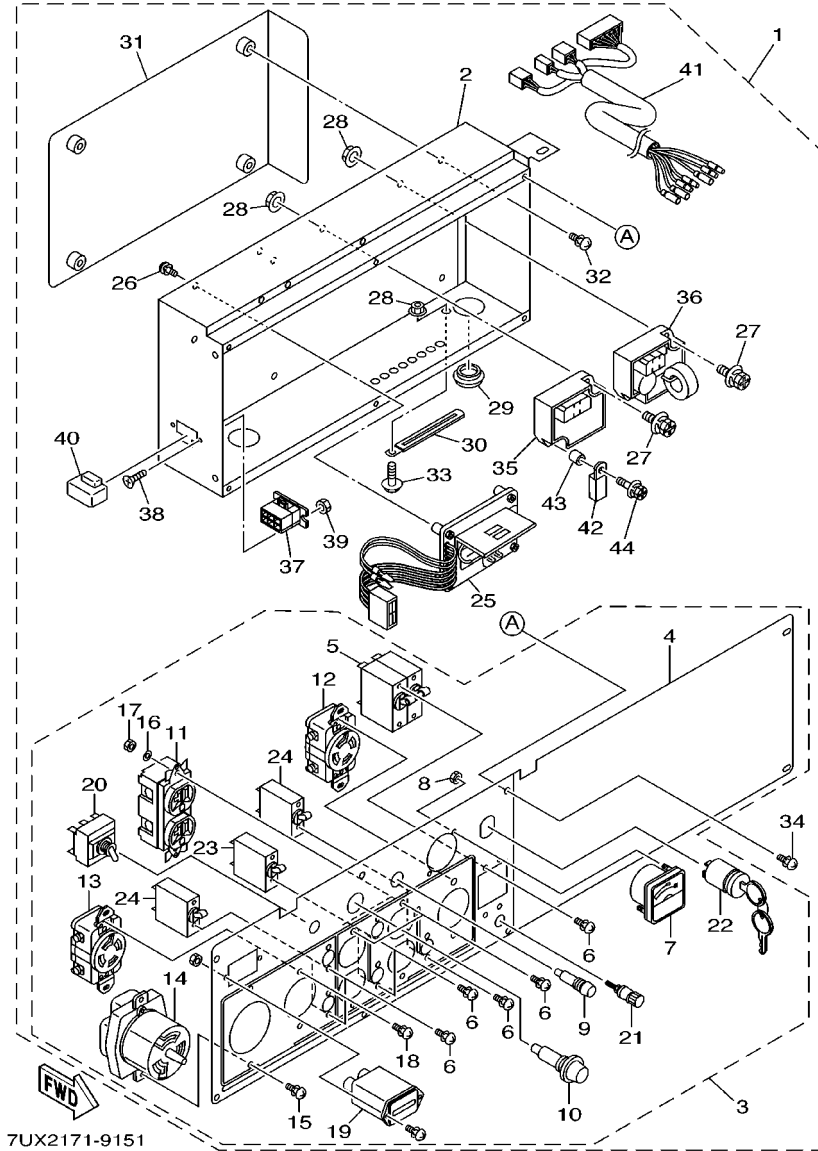
FIG. 15 CONTROL BOX



7UX2171-9151

REF. NO.	PART NO.	DESCRIPTION	7UX2		REMARKS
* 1	YA3-1G710-21	CONTROL BOX ASS'Y	1		250165 AND BELOW
	YA3-1G710-21-10	CONTROL BOX ASS'Y	1		250166 AND FOLLOWING
2	YA3-1G730-02-01	..CONTROL BOX UNIT	1		
* 3	YA3-1G720-21	..CONTROL PANEL ASS'Y	1		250165 AND BELOW
	YA3-1G720-21-10	..CONTROL PANEL ASS'Y	1		250166 AND FOLLOWING
4	YA3-1G730-21-01	..CONTROL PANEL	1		
5	YA3-1G750-02-03	..NO FUSE BREAKER (2P-39A)	1		
6	YA3-1B790-11-03	..SCREW AND WASHER ASSY (M3X5MM)	14		
7	YA3-91479-00-11	..VOLTMETER	1		
8	YA0-02170-30	..NUT (M3)	2		
9	YA3-1F750-16-03	..PILOT LAMP (GREEN)	1		
10	YA3-93431-01-01	..LAMP (OIL) (RED)	1		
11	YA3-1G750-20-03	..AC RECEPTACLE (125V-20A)	2		
12	YA3-80457-49-08	..AC RECEPTACLE (125V-30A)	1		
13	YA3-1G750-17-03	..AC RECEPTACLE (125/250V-30A)	1		
14	YA3-1G750-18-03	..AC RECEPTACLE (125/250V-50A)	1		
15	YA3-51499-20-08	..SCREW AND WASHER ASSY (M4X10MM)	6		
16	YA0-03100-40	..WASHER	12		
17	YA0-02170-40	..NUT (M4)	6		
18	YA3-1G750-15-03	..SCREW AND WASHER ASS'Y	4		
19	YA3-93406-51-08	..HOUR METER	1		
20	YA3-44456-15-08	..AUTO IDLE SWITCH	1		
21	YA3-53457-16-08	..TERMINAL BOLT	1		
22	YA0-66000-03-30	..KEY SWITCH	1		
23	YA3-1G750-13-03	..CIRCUIT PROTECTOR (20A)	2		
24	YA3-1G750-14-03	..CIRCUIT PROTECTOR (30A)	3		
25	YA3-1G740-15-01	..AVR ASS'Y	1		

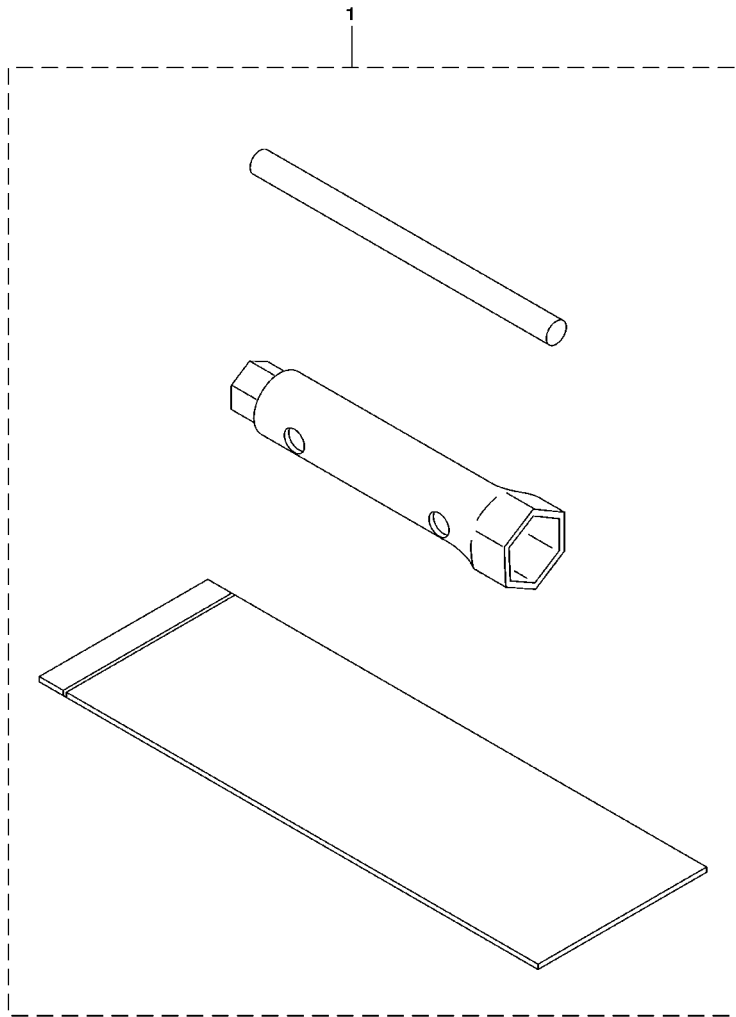
FIG. 15 CONTROL BOX



REF. NO.	PART NO.	DESCRIPTION	7UX2		REMARKS
26	YA3-92499-86-08	.SCREW AND WASHER ASSY (M4X6MM)	4		
*27	YA0-04360-62	.SCREW AND WASHER ASSY (M6X20MM)	3		
28	YA0-02380-60	.FLANGE NUT (M6)	5		
29	YA3-89890-01-03	.GROMMET	1		
30	YA0-56600-02-50	.CLAMP	1		
31	YA3-1G730-06-01	.PLATE	1		
32	YA3-66499-97-08	.SCREW AND WASHER ASSY (M5X10MM)	4		
33	YA0-11006-00-20	.FLANGE BOLT (M6X12MM)	1		
34	YA3-51499-20-08	.SCREW AND WASHER ASSY (M4X10MM)	6		
*35	YAK-U3110-62-01	.ECU(O/S & R/C),COMPL.	1		250165 AND BELOW
	YAK-U3110-62-11	.ECU(O/S & R/C),COMPL.	1		250166 AND FOLLOWING
36	YAK-U3110-55-01	.IDLE CONTROL UNIT	1		
37	YA3-53472-00-08	.CONNECTOR (6P)	1		
38	YA0-04350-41	.SCREW AND WASHER ASSY (M4X10MM)	2		
39	YA0-02170-40	.NUT (M4)	2		
40	YA3-1G495-01-03	.CONNECTOR CAP	1		
*41	YA3-1G760-08-03	.WIRE, COMPL.	1		250165 AND BELOW
	YA3-1G760-08-13	.WIRE, COMPL.	1		250166 AND FOLLOWING
*42	YA3-91483-01-01	.RELAY	1		
*43	YA0-23006-03-30	.SPACER	1		
*44	YA0-04360-62	.SCREW AND WASHER ASSY (M6X20MM)	1		250165 AND BELOW
	YA0-01370-60-35	.SCREW	1		250166 AND FOLLOWING



FIG. 16 EQUIPED PARTS TOOLS



7UX3415-9150

REF. NO.	PART NO.	DESCRIPTION	7UX2					REMARKS
1	YA2-27903-01-10	ACCESSORY TOOLS KIT	1					

NUMERICAL INDEX

PARTNO.	GRID NO.	PARTNO.	GRID NO.	PARTNO.	GRID NO.	PARTNO.	GRID NO.	PARTNO.	GRID NO.	PARTNO.	GRID NO.
YAK-U3110-55-01	C - 2	YAO-05110-60-01	B - 7	YAO-56111-00-20	C - 2	YA2-43705-25-08	C - 4	YA2-63143-01-03	B - 3	YA2-63462-14-A3	B - 2
YAK-U3110-62-01	C - 8	YAO-05260-81-80	B - 2	YAO-56118-00-20	B - 3	YA2-46155-01-01	B - 3	YA2-63144-01-01	B - 3		C - 5
YAK-U3110-62-11	C - 8	YAO-05320-54-01	B - 4	YAO-56300-00-40	C - 3	YA2-46160-02-13	B - 3	YA2-63150-01-13	B - 3	YA2-63511-01-02	B - 8
YAX-11605-00-20	B - 10	YAO-06901-04	B - 2	YAO-56300-00-60	B - 13	YA2-46230-01-03	B - 4	YA2-63151-01-13	B - 3	YA2-63526-01-01	B - 8
	B - 5	YAO-06903-08	B - 9	YAO-56521-00-20	B - 4	YA2-46333-01-03	B - 5	YA2-63158-01-03	B - 2	YA2-63527-01-01	B - 8
YAX-23008-01-50	B - 7	YAO-10508-02-90	B - 2	YAO-56600-01-70	B - 13	YA2-46336-11-03	B - 5	YA2-63159-01-03	B - 2	YA2-63528-01-03	B - 8
YAX-24089-00-20	B - 9	YAO-11006-00-20	B - 10	YAO-56600-02-50	B - 13	YA2-46337-11-03	B - 5	YA2-63160-01-03	B - 3	YA2-63529-11-A2	B - 8
YAO-01110-63-50	B - 8		B - 14		C - 3	YA2-46352-01-03	B - 5	YA2-63160-06-03	B - 3	YA2-63541-01-02	B - 8
YAO-01140-61-20	C - 5		B - 6		C - 8	YA2-46355-01-03	B - 5	YA2-63162-01-03	B - 2	YA2-63623-12	B - 11
YAO-01140-61-60	B - 8		B - 7	YAO-64154-00-11	C - 2	YA2-46361-01-10	B - 5	YA2-63180-01-03	B - 3		B - 9
YAO-01140-63	B - 7		B - 8	YAO-64200-02-20	C - 2	YA2-46795-01-03	C - 3	YA2-63190-01-03	B - 3	YA2-63623-52-08	B - 12
	C - 3	YAO-11006-00-30	B - 3	YAO-64200-30-30	C - 2	YA2-48222-01	B - 9	YA2-63212-01-01	B - 4	YA2-63623-53-08	B - 12
YAO-01140-82	B - 15		B - 8	YAO-64200-36-01	C - 2	YA2-48656-01-03	B - 9	YA2-63225-01	B - 4	YA2-63624-00-08	B - 11
YAO-01370-60-35	C - 8		C - 2	YAO-64200-36-10	C - 2	YA2-48763-01-01	B - 2	YA2-63233-01-03	B - 4	YA2-63624-47-08	B - 12
YAO-01660-84-50	B - 13	YAO-11006-00-80	B - 13	YAO-65014-04-80	C - 3	YA2-51622-50-08	B - 9	YA2-63234-01-03	B - 4	YA2-63625-06-08	B - 12
YAO-01661-04	B - 13	YAO-11006-01-40	B - 10	YAO-65500-01-40	C - 3	YA2-51622-51-08	B - 9	YA2-63234-02-03	B - 4	YA2-63625-23-08	B - 12
YAO-02170-30	C - 7		B - 10	YAO-65900-00-10	C - 3	YA2-55705-21-08	C - 4	YA2-63234-03-03	B - 4	YA2-63625-27-08	B - 12
YAO-02170-40	C - 6		B - 8	YAO-66000-03-30	C - 7	YA2-55705-31-08	C - 4	YA2-63235-01-07	B - 4	YA2-63625-34-08	B - 11
	C - 7	YAO-11006-02-20	C - 3	YAO-73200-50-80	B - 13	YA2-55705-51-08	C - 4	YA2-63235-02-07	B - 4	YA2-63625-35-08	B - 11
	C - 8	YAO-11008-00-90	B - 3	YAO-85106-00	C - 2	YA2-55705-70-08	C - 4	YA2-63235-03-07	B - 4	YA2-63625-51-08	B - 11
YAO-02171-00	B - 13	YAO-11008-01	C - 3	YA1-07623-73-08	B - 12	YA2-55705-80-08	C - 4	YA2-63250-01-03	B - 4	YA2-63625-55-08	B - 11
YAO-02181-80	B - 4	YAO-11008-01-10	B - 10	YA1-07623-75-08	B - 12	YA2-58624-20-08	B - 11	YA2-63250-02-03	B - 4	YA2-63625-60-08	B - 11
YAO-02270-50	B - 7	YAO-11010-00-30	B - 3	YA1-07623-76-08	B - 12	YA2-58624-45-08	B - 11	YA2-63250-03-03	B - 4	YA2-63625-62-08	B - 12
YAO-02380-60	C - 8	YAO-11505-00-20	B - 7	YA1-07623-77-08	B - 12	YA2-58624-50-08	B - 11	YA2-63301-02-A1	B - 5	YA2-63625-67-08	B - 12
YAO-02380-60-00	B - 14	YAO-13008-01-60	B - 6	YA1-07623-77-08	B - 12	YA2-58624-51-08	B - 11	YA2-63317-01-03	B - 5	YA2-63625-68-08	B - 12
YAO-02380-80	B - 13	YAO-13105-00-40	C - 3	YA1-3207A-A0-50	B - 2	YA2-58625-05-08	B - 11	YA2-63326-01	B - 5	YA2-63625-89-08	B - 12
	B - 15	YAO-14003-00-20	C - 5	YA1-3212A-A0-80	B - 2	YA2-58625-15-08	B - 11	YA2-63326-10-01	B - 5	YA2-63625-91-08	B - 12
	B - 5	YAO-14908-00-21	B - 5	YA1-42556-01-03	B - 2	YA2-58625-25-08	B - 12	YA2-63326-20-01	B - 5	YA2-63625-95-08	B - 12
	C - 3	YAO-17003-00-10	C - 5	YA1-59654-01-03	B - 2	YA2-58625-45-08	B - 11	YA2-63326-30-03	B - 5	YA2-63625-96-08	B - 12
YAO-02381-00	B - 13	YAO-17008-00-90	B - 5	YA1-60674-02-A3	B - 9	YA2-58625-46-08	B - 11	YA2-63326-40-01	B - 5	YA2-63626-01-01	B - 9
	C - 6	YAO-17606-00-20	B - 7	YA1-61623-45-08	B - 12	YA2-58625-51-08	B - 12	YA2-63330-01-03	B - 5	YA2-63626-50-01	B - 9
YAO-02410-60	B - 13	YAO-18008-00-10	B - 6	YA2-06755-01-01	B - 9	YA2-58625-53-08	B - 12	YA2-63334-01-03	B - 5	YA2-63636-02-03	B - 9
YAO-03100-40	C - 7	YAO-18606-00-20	B - 7	YA2-07705-24-08	C - 4	YA2-58625-54-08	B - 12	YA2-63352-01-A1	B - 5	YA2-63636-03-01	B - 9
YAO-03100-80	B - 13	YAO-20020-00-10	B - 5	YA2-07705-26-08	C - 4	YA2-58625-55-08	B - 12	YA2-63353-02-03	B - 5	YA2-63639-01-03	B - 9
	B - 7	YAO-21114-00-20	B - 3	YA2-10705-34-08	C - 4	YA2-58625-56-08	B - 11	YA2-63370-01-A1	B - 5	YA2-63639-02-03	B - 9
	C - 6	YAO-21316-00-10	B - 9	YA2-12150-08-13	B - 2	YA2-58625-57-18	B - 11	YA2-63373-02-A3	B - 5	YA2-63640-01-01	B - 9
YAO-03101-00	B - 13	YAO-21706-00-30	B - 7	YA2-14790-06-01	C - 3	YA2-58625-60-08	B - 11	YA2-63373-21-A2	B - 5	YA2-63643-01-02	B - 9
	C - 6	YAO-21710-00-20	C - 5	YA2-15623-53-08	B - 11	YA2-58625-66-08	B - 11	YA2-63419-01-03	B - 2	YA2-63650-01-13	B - 9
YAO-03101-80	B - 4	YAO-23006-03-30	C - 8	YA2-15624-46-08	B - 11	YA2-58625-70-08	B - 11	YA2-63422-01-03	B - 7	YA2-63650-02-02	B - 9
YAO-03200-80	C - 6	YAO-23006-03-50	C - 5	YA2-26625-01-08	B - 11	YA2-61431-01-01	C - 5	YA2-63423-01-03	B - 7	YA2-63662-01-03	B - 9
YAO-03201-00	B - 13	YAO-31006-00-20	B - 3	YA2-26625-80-08	B - 11	YA2-61623-52-08	B - 11	YA2-63425-05-03	B - 7	YA2-63680-01-03	B - 9
	C - 6	YAO-40114-00-30	B - 3	YA2-26625-80-08	B - 11	YA2-61623-58-08	B - 11	YA2-63427-01-01	B - 7	YA2-63680-51-03	B - 9
YAO-03201-80	B - 4	YAO-43059-00-11	C - 2	YA2-27435-01-13	B - 7	YA2-61624-35-08	B - 11	YA2-63428-01-03	B - 7	YA2-63685-01-03	B - 10
YAO-03701-40	B - 9	YAO-44008-00-10	B - 2	YA2-27903-01-10	C - 9	YA2-61659-02-A0	B - 9	YA2-63433-01-03	B - 7		B - 9
YAO-04350-41	C - 8	YAO-44035-00-90	B - 9	YA2-28705-14-08	C - 4	YA2-63101-01-01	B - 2	YA2-63450-01-01	B - 2	YA2-63705-00-08	C - 4
YAO-04360-62	C - 8	YAO-44042-00-20	B - 2	YA2-28705-16-08	C - 4	YA2-63111-01-01	B - 2	YA2-63450-02-03	B - 7	YA2-63705-02-A0	C - 3
YAO-05104-04	B - 15	YAO-45012-00-10	B - 2	YA2-35447-01-03	C - 5	YA2-63130-01-01	B - 2	YA2-63450-11-02	B - 7		C - 4
				YA2-39350-01-03	B - 5	YA2-63131-01-01	B - 2	YA2-63462-13-A3	B - 3	YA2-63705-05-08	C - 4

NUMERICAL INDEX

PARTNO.	GRID NO.	PARTNO.	GRID NO.	PARTNO.	GRID NO.	PARTNO.	GRID NO.	PARTNO.	GRID NO.	PARTNO.	GRID NO.
YA2-63705-10-08	C - 4	YA3-1G530-12-01	C - 6	YA3-92499-86-08	C - 8						
YA2-63705-15-08	C - 4	YA3-1G610-03-01	B - 13	YA3-92499-87-08	B - 13						
YA2-63705-50-08	C - 4	YA3-1G610-25-01	B - 14	YA3-93406-51-08	C - 7						
YA2-63705-51-08	C - 4	YA3-1G610-26-01	B - 15	YA3-93431-01-01	C - 7						
YA2-63710-01-03	C - 3	YA3-1G620-01-01	C - 6	YA9-78216-11-20	B - 13						
YA2-63719-01-01	C - 3	YA3-1G620-02-01	B - 14								
YA2-63730-16-01	C - 3	YA3-1G630-21-01	B - 15								
YA2-63730-17-01	C - 3	YA3-1G630-22-01	B - 15								
YA2-63731-02-A1	C - 3	YA3-1G710-21	C - 7								
YA2-63731-12-01	C - 3	YA3-1G710-21-10	C - 7								
YA2-63753-01-01	C - 5	YA3-1G720-21	C - 7								
YA2-63754-01-01	C - 5	YA3-1G720-21-10	C - 7								
YA2-63754-02-01	C - 5	YA3-1G730-02-01	C - 7								
YA2-63754-23-01	C - 5	YA3-1G730-06-01	C - 8								
YA2-63754-42-01	C - 5	YA3-1G730-21-01	C - 7								
YA2-63754-62-03	C - 5	YA3-1G740-01-01	C - 6								
YA2-63772-02-01	C - 3	YA3-1G740-15-01	C - 7								
YA2-63782-01-01	C - 3	YA3-1G750-02-03	C - 7								
YA2-63794-03-B1	C - 3	YA3-1G750-13-03	C - 7								
YA2-63794-03-C1	C - 3	YA3-1G750-14-03	C - 7								
YA2-63920-01-03	B - 8	YA3-1G750-15-03	C - 7								
YA2-63951-01-03	B - 6	YA3-1G750-17-03	C - 7								
YA2-63952-02-03	B - 8	YA3-1G750-18-03	C - 7								
YA2-67335-01-03	B - 5	YA3-1G750-20-03	C - 7								
YA3-1B790-11-03	C - 7	YA3-1G760-08-03	C - 8								
YA3-1F320-01-03	B - 13	YA3-1G760-08-13	C - 8								
YA3-1F330-01-01	B - 13	YA3-1G810-09-03	B - 14								
YA3-1F350-01-01	B - 13	YA3-1G810-11-03	B - 13								
YA3-1F390-02-03	C - 2	YA3-1G810-12-03	C - 2								
YA3-1F530-01-03	C - 6	YA3-1G810-14-03	B - 13								
YA3-1F540-01-01	C - 6	YA3-1G810-43-03	C - 2								
YA3-1F540-02-01	C - 6	YA3-33582-06-08	C - 6								
YA3-1F540-04-01	C - 6	YA3-44456-15-08	C - 7								
YA3-1F540-05-01	C - 6	YA3-51499-20-08	C - 7								
YA3-1F540-09-01	C - 6		C - 8								
YA3-1F610-02-01	C - 6	YA3-53457-16-08	C - 7								
YA3-1F610-07-01	B - 15	YA3-53472-00-08	C - 8								
YA3-1F610-22-01	B - 13	YA3-56599-53-08	C - 6								
YA3-1F610-24-01	B - 13	YA3-65580-06-08	C - 6								
YA3-1F620-16-01	B - 13	YA3-66499-97-08	C - 8								
YA3-1F740-16-01	B - 13	YA3-80457-49-08	C - 7								
YA3-1F740-16-11	B - 13	YA3-85543-89-08	B - 15								
YA3-1F750-16-03	C - 7	YA3-85543-90-08	B - 15								
YA3-1G361-02-01	C - 2	YA3-89890-01-03	C - 8								
YA3-1G395-01	B - 15	YA3-91290-00-13	C - 6								
YA3-1G495-01-03	C - 8	YA3-91390-00-13	C - 2								
YA3-1G520-01-01	C - 6	YA3-91479-00-11	C - 7								
YA3-1G520-17-01	C - 6	YA3-91483-01-01	C - 8								

# CONTENTS

## ENGINE

CRANKCASE .....	B2
CRANKSHAFT. PISTON .....	B4
INTAKE, EXHAUST .....	B5
GOVERNOR .....	B7
AIR SHROUD. FAN .....	B8
FUEL PUMP .....	B9
CARBURETOR .....	B11

## CHASSIS

FRAME .....	B13
AXLE WHEEL. CLAWER .....	B15
FUEL TANK .....	C2
ELECTRICAL .....	C3
STARTING MOTOR .....	C4
CONTROL .....	C5
GENERATOR .....	C6
CONTROL BOX .....	C7
EQUIPED PARTS TOOLS .....	C9

## INDEX

NUMERICAL INDEX .....	M1
-----------------------	----