

PARTS CATALOGUE

YAMAHA GENERATOR

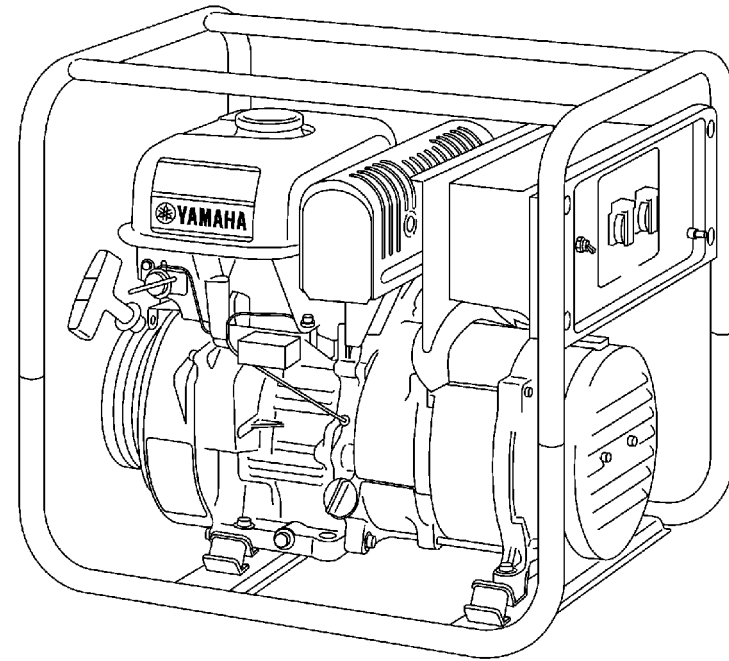
EF2300A (7UU3) (230V/50Hz) EUROPE

EF2600A (7UU3) (220V/60Hz) BRAZIL

EF2600A (7UU3) (220V/50Hz) ARGENTINA, CHILE

EF2300A/EF2600A
PARTS CATALOGUE
©2001 by Yamaha Motor Co., Ltd.
1st Edition, Dec. 2001
All rights reserved.
Any reprinting or unauthorized use
without the written permission of
Yamaha Motor Co., Ltd.
is expressly prohibited.
Printed in Japan

A3



A4

FOREWORD

This Parts Catalogue is related to the parts for the model(s) in the below frame. When you are ordering replacement parts, please refer to this Parts Catalogue and quote both part numbers and part names correctly.

1. Modifications or additions which have been made after issue of the Parts Catalogue will be announced in the Yamaha Parts News.
It is advisable that you make necessary corrections to the Parts Catalogue according to the Yamaha Parts News.

2. Abbreviations

The following abbreviations are used in this Parts Catalogue.

“UR” Use specified parts number.

“UN” Use as many as needed.

“AP” Alternate Parts

“LM” Local Made (Parts need to be ordered locally)

“F#” Frame No. (Applicable machine No.)

3. Parts, which are to be supplied in an assembly, are listed with a dot(.) in front of the part name as shown below.

EXAMPLE

CARBURETOR ASSY

.JET, PILOT

.NOZZLE, MAIN

4. Number of component for assembly

The numeral appearing to the right of each component part indicates the quantity of parts for each assembly unit.

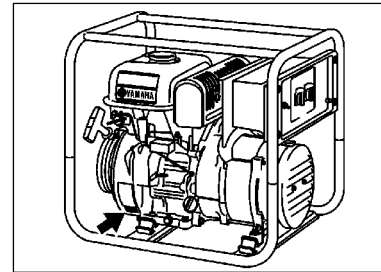
EXAMPLE

PART NO.	DESCRIPTION	Q'TY	REMARKS
2F5-83310-60	FRONT FLASHER LIGHT ASSY	2	
115-83311-60	.BULB (6V-18W)	1	

5. Applicable Starting Serial No. and Color Code

MODEL NAME	MODEL TYPE	DESTINATION	FRAME NO.
EF2300A	7UU3	EUROPE(FRANCE)	7UU-310101
EF2300A	7UU3	EUROPE (EXCEPT FRANCE)	7UU-300101
EF2600A	7UU3	BRAZIL	7UU-320101
EF2600A	7UU3	ARGENTINA,CHILE	7UU-340101

Engine Serial No.



Color Code	Color Name	Abbreviation	MODEL	Country (destination)
00NJ	FARAWAY BLUE	FWB	7UU3	EUROPE BRAZIL ARGENTINA CHILE

6. Note that the illustrations for reference in finding parts numbers, not to be used for assembling. When assembling, please use the applicable service manual.

7. The asterisk (*) before a reference number indicates modification items after the first edition.

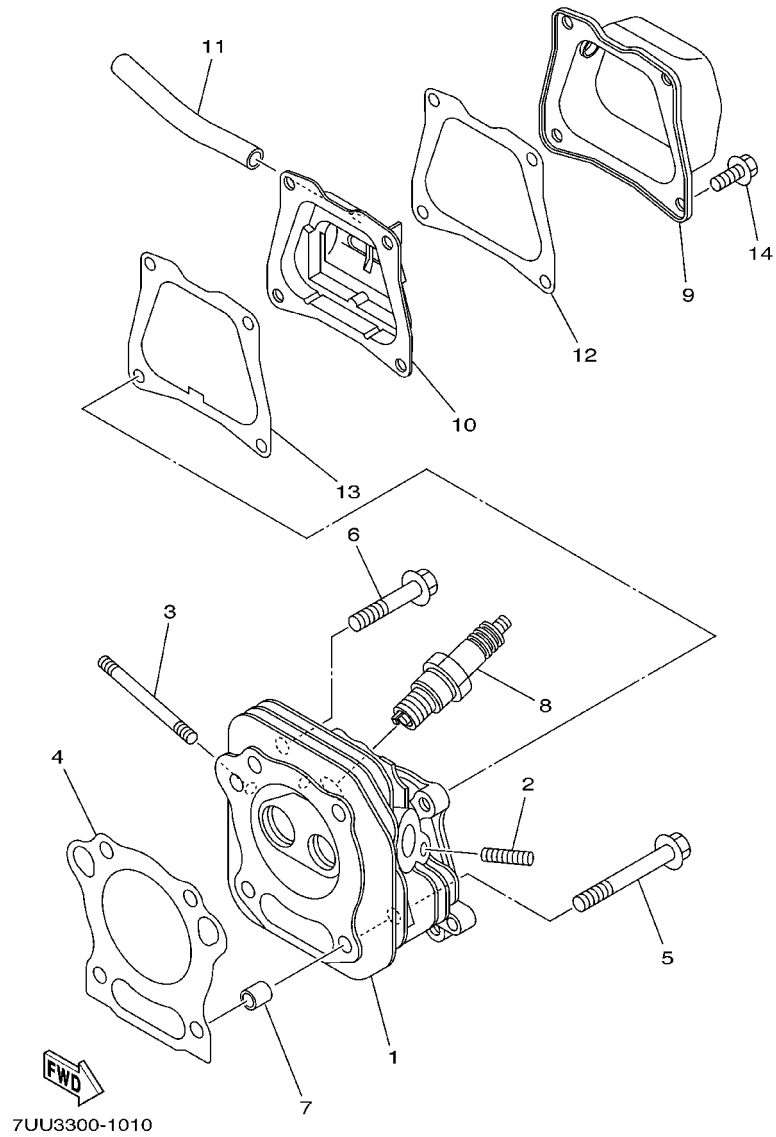
CONTENTS

CYLINDER	B2
CRANKSHAFT. PISTON	B3
GOVERNOR	B4
CAMSHAFT. VALVE	B5
AIR SHROUD. STARTER	B6
INTAKE	B7
CARBURETOR	B8
EXHAUST	B9
CRANKCASE	B10
FRAME. FUEL TANK	B11
MAGNETO	B12
GENERATOR (FOR EUR)	B13
GENERATOR 1 (FOR BRA,ARG,CHL)	B15
CONTROL BOX (230V-50/60Hz:FOR EUR)	C3
CONTROL BOX 2 (220V-50/60Hz:FOR BRA,ARG,CHL) ..	C4
EMBLEM. LABEL	C5

INDEX

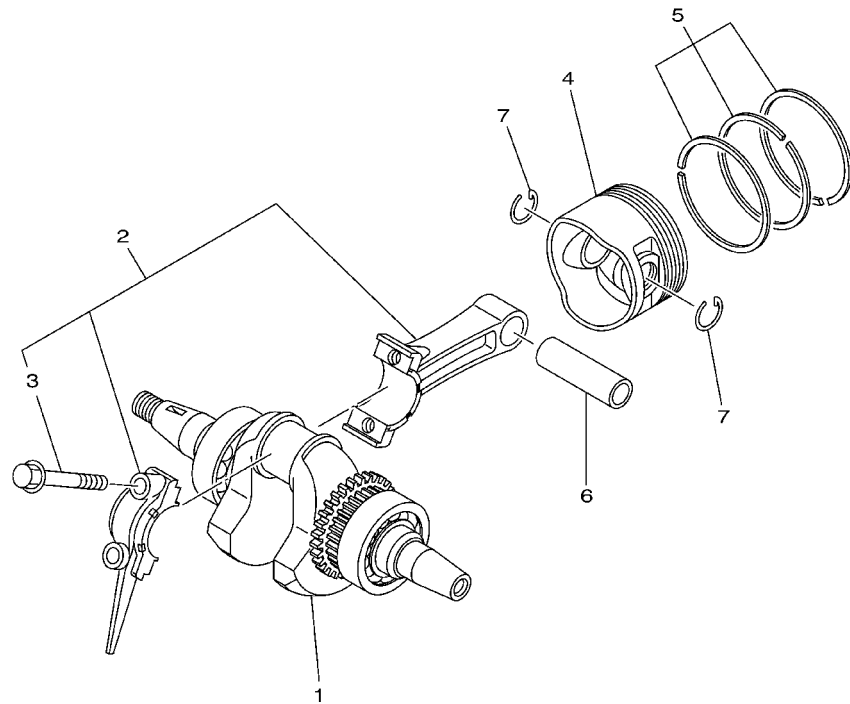
NUMERICAL INDEX	M1
-----------------------	----

FIG. 1 CYLINDER



REF. NO.	PART NO.	DESCRIPTION	2300	2600	REMARKS
1	7WC-11111-00	HEAD, CYLINDER 1	1	1	
2	95607-06615	BOLT, STUD	2	2	
3	90116-06493	BOLT, STUD	2	2	
4	7WC-11181-00	GASKET, CYLINDER HEAD 1	1	1	
5	95827-08065	BOLT, FLANGE	2	2	
6	95827-08045	BOLT, FLANGE	2	2	
7	99530-10114	PIN, DOWEL	2	2	
8	94701-00331	PLUG, SPARK (BPR4ES)	1	1	
9	7NJ-11191-00	COVER, CYLINDER HEAD 1	1	1	
10	7NJ-11160-00	BREATHER ASSY	1	1	
11	90445-131J5	HOSE (L106)	1	1	
12	7NJ-11169-00	GASKET, BREATHER COVER	1	1	
13	7NJ-11193-00	GASKET, HEAD COVER 1	1	1	
14	95827-06012	BOLT, FLANGE	4	4	

FIG. 2 CRANKSHAFT. PISTON

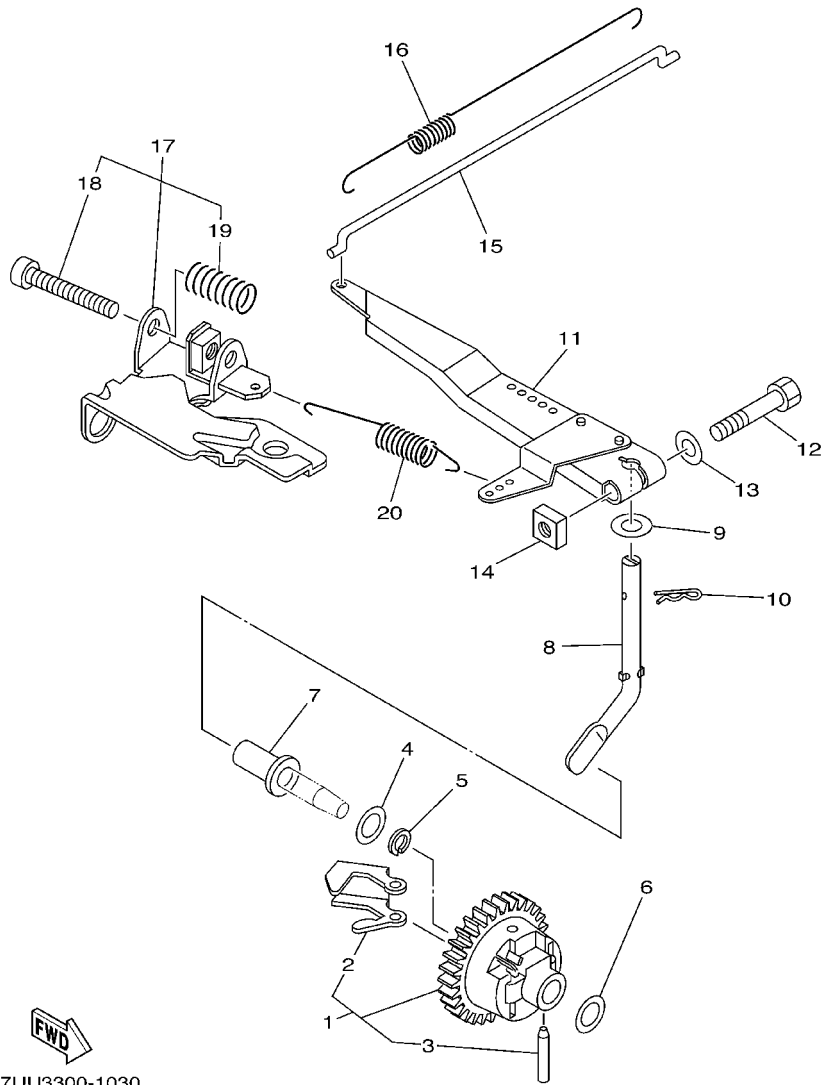


REF. NO.	PART NO.	DESCRIPTION	2300	2600				REMARKS
1	7NJ-11400-01	CRANKSHAFT ASSY	1	1				
2	7NJ-11650-00	CONNECTING ROD ASSY	1	1				
3	JA9-11654-01	.BOLT, CONNECTING ROD	2	2				
4	7NJ-11631-00-98	PISTON (STD)	1	1				
	7NJ-11635-00	PISTON (0.25MM O/S)	1	1				AP
	7NJ-11636-00	PISTON (0.50MM O/S)	1	1				AP
5	7WC-11610-00	PISTON RING SET (STD)	1	1				
	7WC-11604-00	PISTON RING SET (0.25MM O/S)	1	1				AP
	7WC-11605-00	PISTON RING SET (0.50MM O/S)	1	1				AP
6	4H7-11633-00	PIN, PISTON	1	1				
7	93450-17025	CIRCLIP	2	2				



7UU3300-1020

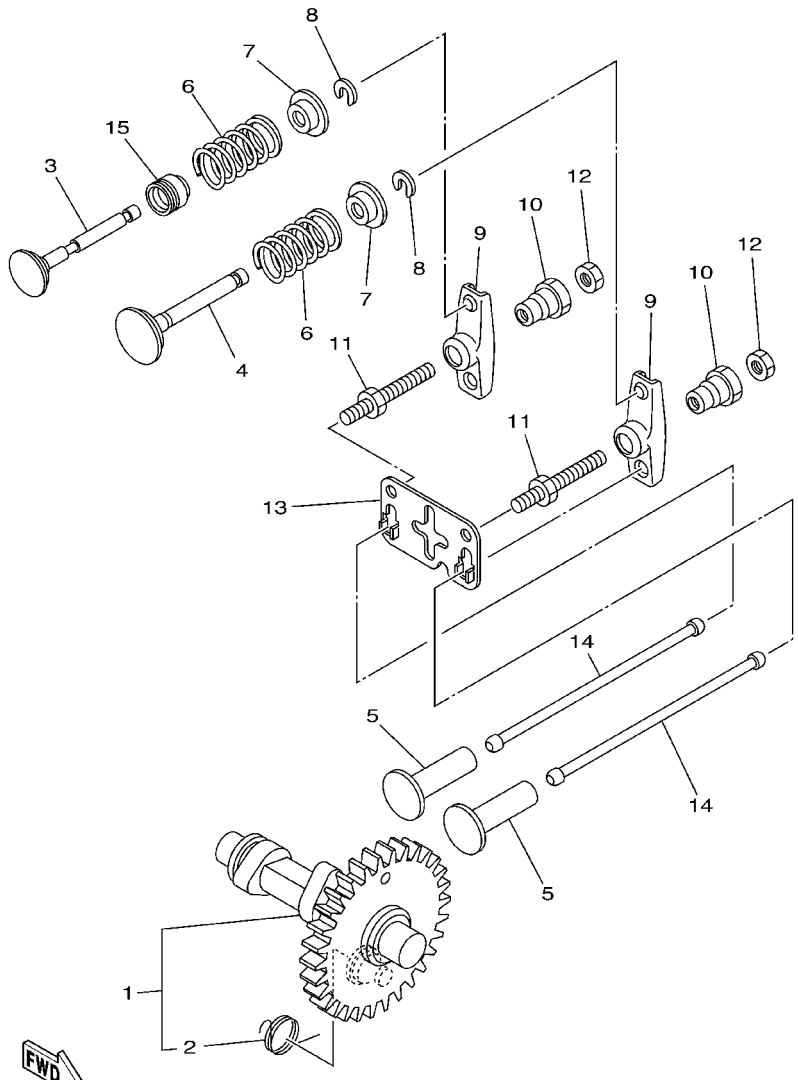
FIG. 3 GOVERNOR



REF. NO.	PART NO.	DESCRIPTION	2300	2600	REMARKS
1	7NJ-11970-00	FLYWEIGHT SHAFT ASSY.	1	1	
2	7NJ-11913-00	.WEIGHT	2	2	
3	7FK-11914-00	.SHAFT, WEIGHT	2	2	
4	90201-065K7	WASHER, PLATE	1	1	
5	93440-06107	CIRCLIP	1	1	
6	90201-065K7	WASHER, PLATE	1	1	
7	JA9-11917-00	COLLAR	1	1	
8	7NJ-11922-00	FORK, GOVERNOR	1	1	
9	92907-06200	WASHER	1	1	
10	90468-18008	CLIP	1	1	
11	7NN-11924-00	ARM, GOVERNOR	1	1	
12	97027-06030	BOLT	1	1	
13	92907-06600	WASHER, PLATE	1	1	
14	90173-06017	NUT, SQUARE	1	1	
15	7LV-11928-10	ROD, LINK	1	1	
16	90506-04495	SPRING, TENSION	1	1	
17	7NN-11950-00	ADJUST PLATE COMP.	1	1	
18	98507-06035	.SCREW, PAN HEAD	1	1	
19	90501-10264	.SPRING, COMPRESSION	1	1	
20	7NN-11925-10	SPRING, GOVERNOR	1	1	



7UU3300-1030

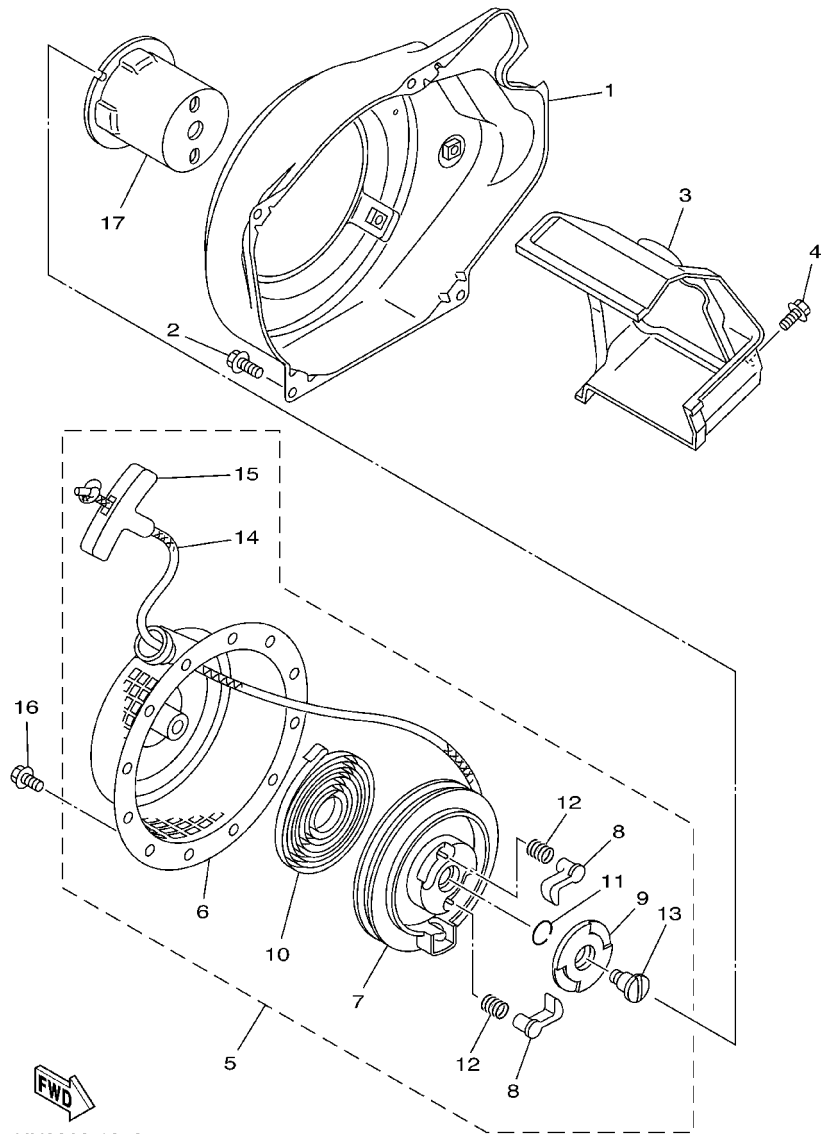


7UU3300-1040

FIG. 4 CAMSHAFT. VALVE

REF. NO.	PART NO.	DESCRIPTION	2300	2600				REMARKS
1	7NJ-12170-03	CAMSHAFT ASSY 1	1	1				
2	7NJ-12287-00	.SPRING, DECOMPRESSION	1	1				
3	7NJ-12111-00	VALVE, INTAKE	1	1				
4	7NJ-12121-00	VALVE, EXHAUST	1	1				
5	7WC-12153-00	LIFTER, VALVE	2	2				
6	90501-205J4	SPRING, COMPRESSION	2	2				
7	7NJ-12117-00	RETAINER, VALVE SPRING	2	2				
8	7NJ-12118-00	COTTER, VALVE	2	2				
9	7NN-12151-00	ARM, VALVE ROCKER	2	2				
10	7NN-12165-02	PIVOT, ROCKER ARM	2	2				
11	7FK-12157-00	BOLT	2	2				
12	7FK-12158-00	NUT, LOCK	2	2				
13	7NJ-12155-00	GUIDE, PUSH ROD	1	1				
14	7NJ-12154-00	ROD, VALVE PUSH	2	2				
15	51Y-12119-00	SEAL, VALVE STEM	1	1				

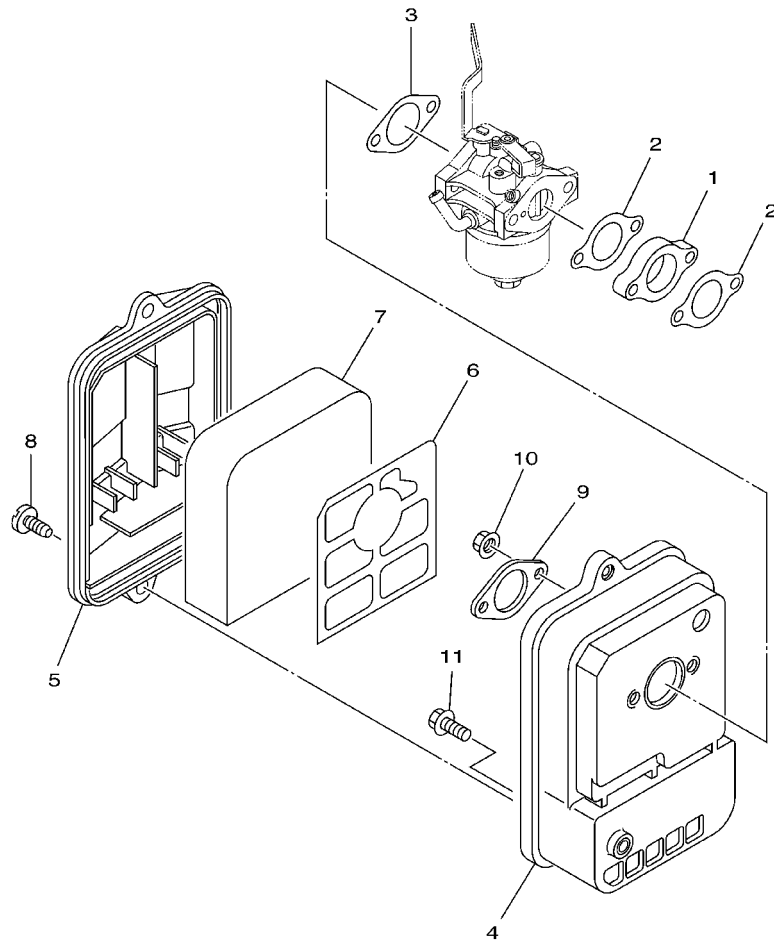
FIG. 5 AIR SHROUD. STARTER



7UU3300-1050

REF. NO.	PART NO.	DESCRIPTION	2300	2600	REMARKS
1	7NJ-12621-00	CASE, FAN	1	1	
2	95807-06012	BOLT, FLANGE	4	4	
3	7NJ-12651-02	AIR SHROUD, CYLINDER 1	1	1	
4	95807-06012	BOLT, FLANGE	1	1	
5	7NJ-15710-01	STARTER ASSY	1	1	
6	7NJ-15711-00	.CASE, STARTER	1	1	
7	JL8-15714-00	.DRUM, SHEAVE	1	1	
8	JL8-15741-00	.PAWL, DRIVE	2	2	
9	JL8-15716-00	.PLATE, DRIVE	1	1	
10	7NJ-15713-00	.SPRING, STARTER	1	1	
11	JL8-15715-00	.SPRING, FRICTION	1	1	
12	JK4-15743-00	.SPRING, RETURN	2	2	
13	7NJ-15793-00	.SCREW	1	1	
14	7NJ-15751-01	.ROPE, STARTER (5.0X1500)	1	1	
15	7LV-15755-00	.HANDLE, STARTER	1	1	
16	95807-06008	BOLT, FLANGE	3	3	
17	7NJ-15723-00	PULLEY, STARTER	1	1	

FIG. 6 INTAKE

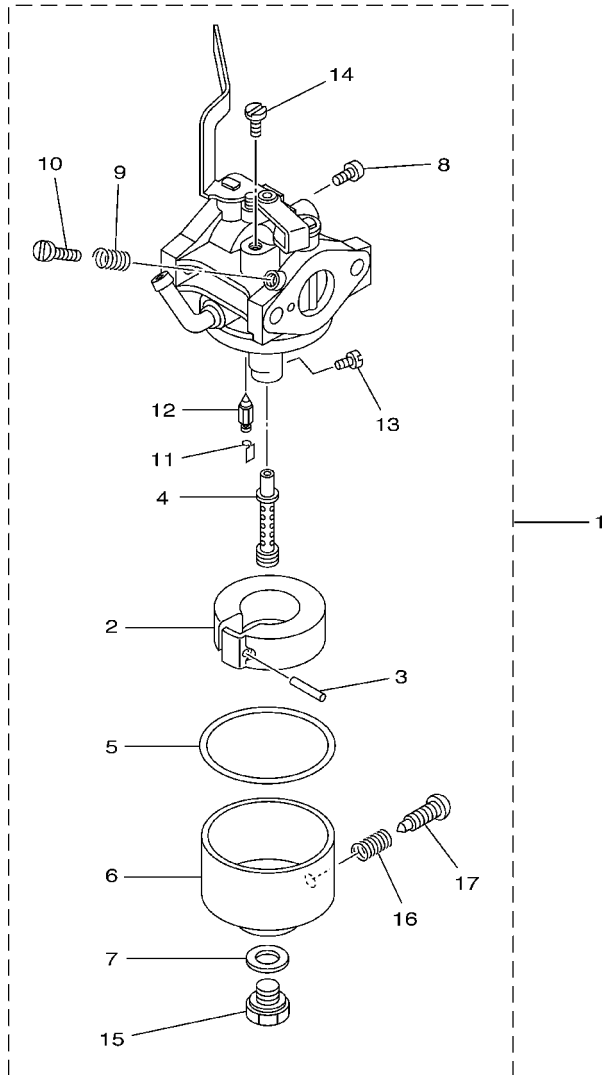


REF. NO.	PART NO.	DESCRIPTION	2300	2600				REMARKS
1	7NJ-13596-00	JOINT, CARBURETOR 2	1	1				
2	7NJ-13557-00	GASKET	2	2				
3	7NJ-13567-00	GASKET	1	1				
4	7NJ-14411-00	CASE, AIR CLEANER 1	1	1				
5	7NJ-14412-00	CAP, CLEANER CASE 1	1	1				
6	7NJ-14468-00	PLATE,ELEMENT FITTING	1	1				
7	7NJ-14451-00	ELEMENT, AIR CLEANER	1	1				
8	90146-06014	SCREW, OVAL FILLISTER	2	2				
9	7NB-14477-00	PLATE	1	1				
10	95707-06500	NUT, FLANGE	2	2				
11	95807-06016	BOLT, FLANGE	1	1				



7UU3300-1060

FIG. 7 CARBURETOR

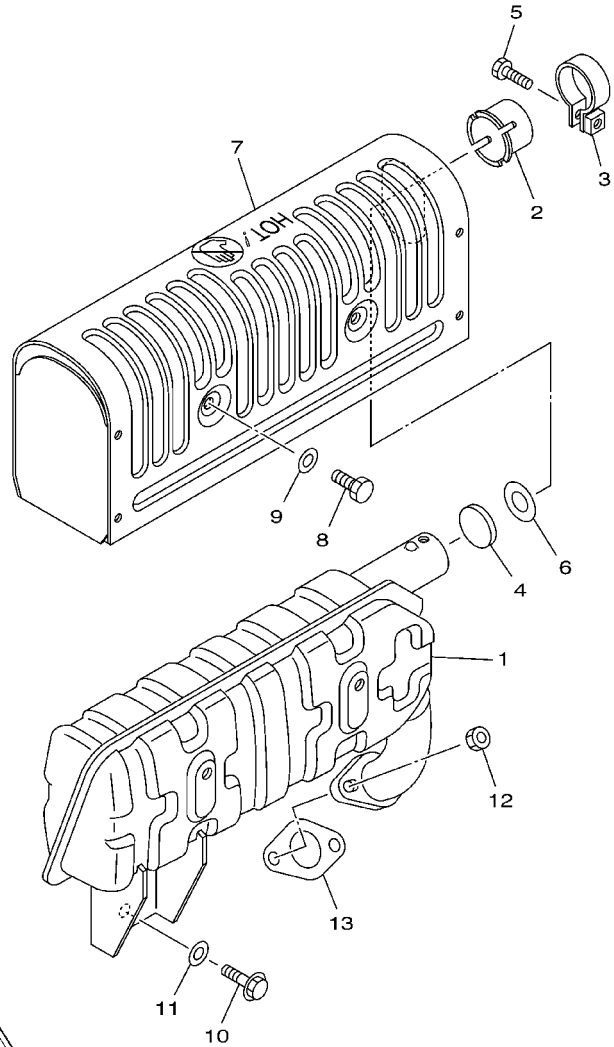


REF. NO.	PART NO.	DESCRIPTION	2300	2600				REMARKS
1	7NJ-14101-00	CARBURETOR ASSY 1	1	1				
2	7LG-14185-00	.FLOAT	1	1				
3	22F-14186-00	.PIN, FLOAT	1	1				
4	7NJ-1495F-1A	.NOZZLE, MAIN	1	1				
5	7G0-14184-00	.GASKET, FLOAT CHAMBER	1	1				
6	7EG-14181-00	.BODY, FLOAT CHAMBER 1	1	1				
7	7G0-14227-00	.WASHER	1	1				
8	78F-14486-00	.SCREW, ROD	2	2				
9	73A-14212-00	.SPRING	1	1				
10	7LV-14211-00	.SCREW, PILOT ADJUSTING	1	1				
11	7EG-14159-00	.CLIP	1	1				
12	7LG-14150-11	.NEEDLE ASSY	1	1				
13	1HX-1423E-36	.JET, MAIN (#91.3)	1	1				
14	620-14142-42	.JET, PILOT (#42.5)	1	1				
15	7NJ-14162-00	.BOLT, HOLDING	1	1				
16	73A-14212-00	.SPRING	1	1				
17	7E1-14191-00	.PLUG, DRAIN	1	1				



7UU3300-1070

FIG. 8 EXHAUST



REF. NO.	PART NO.	DESCRIPTION	2300	2600				REMARKS
1	7NN-14711-04	MUFFLER 1	1	1				
2	7NJ-14799-01	CAP	1	1				
3	7NJ-14788-00	BAND, SILENCER	1	1				
4	7NJ-1479E-00	NET, WIRE 2	1	1				
5	90153-05024	SCREW, HEXAGON	1	1				
6	90201-171J5	WASHER, PLATE	1	1				
7	7NN-14708-01	PROTECTOR ASSY	1	1				
8	97027-06010	BOLT	4	4				
9	92907-06600	WASHER, PLATE	4	4				
10	95827-06016	BOLT, FLANGE	1	1				
11	90201-06071	WASHER, PLATE	1	1				
12	95307-06600	NUT	2	2				
13	JA9-14613-00	GASKET, EXHAUST PIPE	1	1				



7UU3300-1080

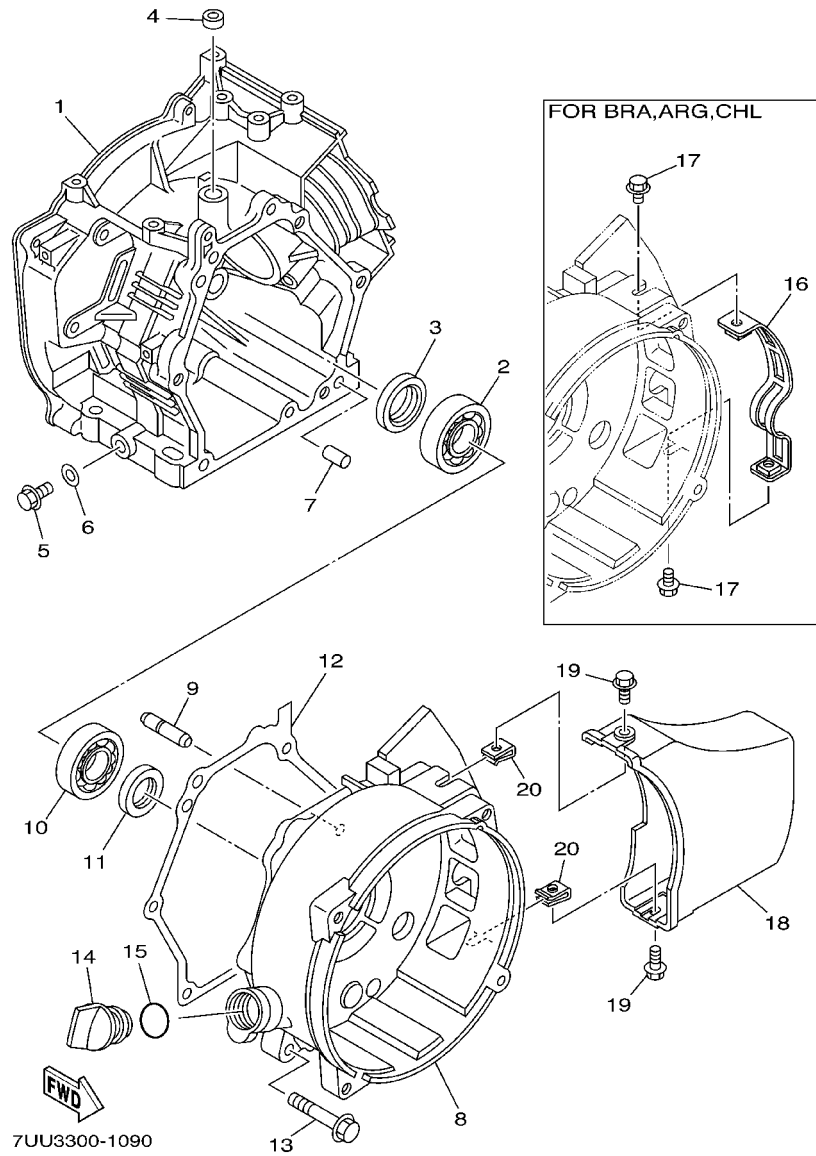
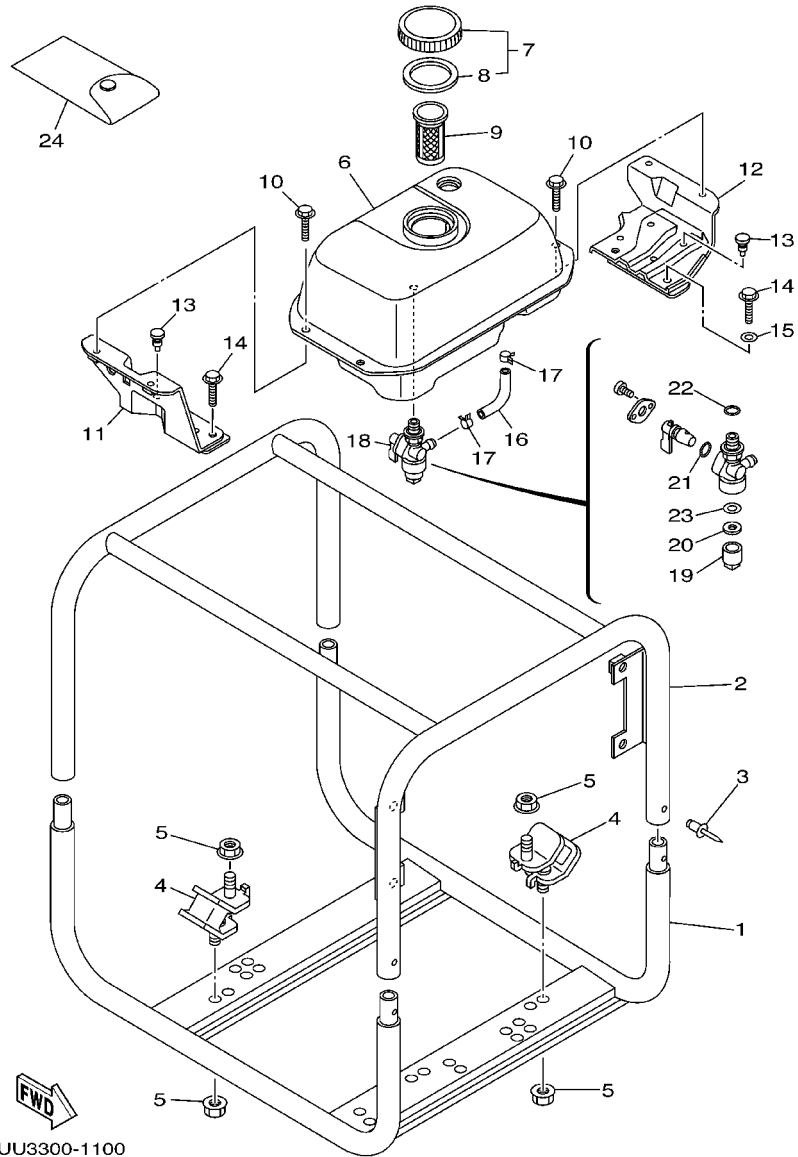


FIG. 9 CRANKCASE

REF. NO.	PART NO.	DESCRIPTION	2300	2600				REMARKS
1	7WC-15111-10	CRANKCASE 1	1	1				
2	93306-20511	BEARING	1	1				
3	93102-25090	OIL SEAL	1	1				
4	93104-06062	OIL SEAL	1	1				
5	95027-10016	BOLT, FLANGE	2	2				
6	90430-10188	GASKET	2	2				
7	99530-08016	PIN, DOWEL	2	2				
8	7NJ-15411-01	COVER, CRANKCASE 1	1	1				
9	7FK-11971-00	SHAFT, FLYWEIGHT	1	1				
10	93306-20511	BEARING	1	1				
11	93102-25090	OIL SEAL	1	1				
12	7NJ-15451-00	GASKET, CRANKCASE COVER 1	1	1				
13	95827-08035	BOLT, FLANGE	6	6				
14	796-15363-01	PLUG, OIL	1	1				
15	93210-22344	O-RING	1	1				
16	7UU-15417-00	COVER, CAP		1				
17	95827-06012	BOLT, FLANGE		2				
18	7UU-15413-00	COVER		1				
19	95807-06016	BOLT, FLANGE		2				
20	90183-06057	NUT, SPRING		2				

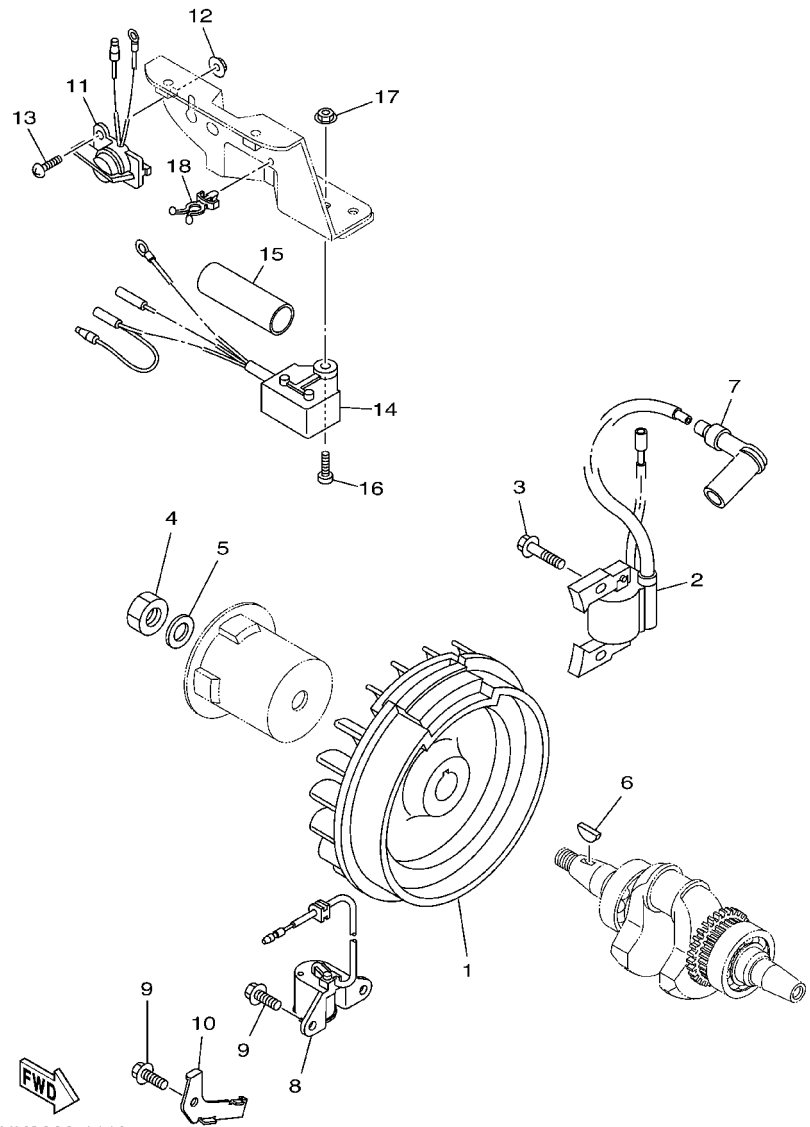
FIG. 10 FRAME. FUEL TANK



7UU3300-1100

REF. NO.	PART NO.	DESCRIPTION	2300	2600	REMARKS
1	7NJ-22840-00	FRAME COMP.	1	1	
2	7UU-22850-00	FRAME COMP. 2	1	1	
3	90267-48N00	RIVET, BLIND	4	4	
4	7LG-22891-00	INSULATOR, MOUNTING	4	4	
5	95707-08500	NUT, FLANGE	8	8	
6	7NN-24110-01-NJ	FUEL TANK COMP.	1	1	FWB
7	7T9-24610-00	CAP ASSY	1	1	
8	7T9-24612-00	.GASKET, CAP	1	1	
9	730-24167-10	STRAINER	1	1	
10	95827-06012	BOLT, FLANGE	4	4	
11	7NN-24115-00	STAY, FUEL TANK 1	1	1	
12	7NN-24116-00	STAY, FUEL TANK	1	1	
13	90338-05251	PLUG	3	3	
14	95827-08020	BOLT, FLANGE	4	4	
15	90201-08102	WASHER, PLATE	3	3	
16	7NN-24311-00	PIPE, FUEL 1	1	1	
17	90467-09037	CLIP	2	2	
18	7NJ-24500-01	FUEL COCK ASSY 1	1	1	
19	7J3-24521-00	.CUP, FILTER	1	1	
20	4X8-24565-00	.GASKET	1	1	
21	7NJ-24534-00	.SEAL, COCK	1	1	
22	7NJ-24532-00	.GASKET	1	1	
23	7NJ-24515-01	.NET, FILTER 2	1	1	
24	7H6-28100-00	TOOL KIT	1	1	

FIG. 11 MAGNETO



REF. NO.	PART NO.	DESCRIPTION	2300	2600	REMARKS
1	7NN-85650-00	ROTOR ASSY	1	1	
2	7NJ-85640-00	T.C.I. UNIT ASSY	1	1	
3	95827-06020	BOLT, FLANGE	2	2	
4	90170-14403	NUT	1	1	
5	92907-14200	WASHER	1	1	
6	90280-04052	KEY, WOODRUFF	1	1	
7	JN6-82370-00	PLUG CAP ASSY	1	1	
8	7NJ-85720-02	OIL LEVEL GAUGE ASSY	1	1	
9	95827-06012	BOLT, FLANGE	3	3	
10	7NJ-85724-00	CLAMP	1	1	
11	7NN-82550-00	ENGINE STOP SWITCH ASSY	1	1	
12	95704-06500	NUT, FLANGE	1	1	
13	98507-06014	SCREW, PAN HEAD	1	1	
14	7NN-85690-10	OIL WARNING UNIT	1	1	
15	7NN-82139-00	TUBE	1	1	
16	98507-06020	SCREW, PAN HEAD	1	1	
17	95704-06500	NUT, FLANGE	1	1	
18	90464-07078	CLAMP	1	1	

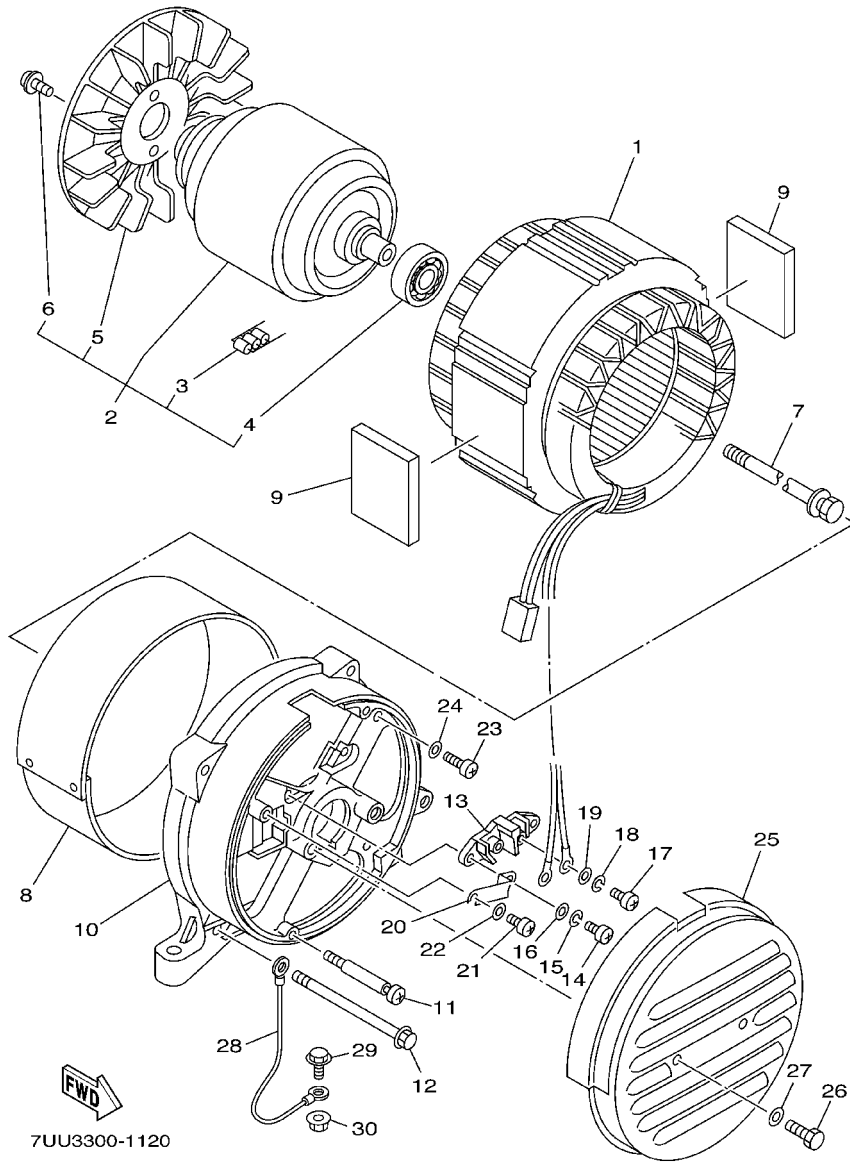
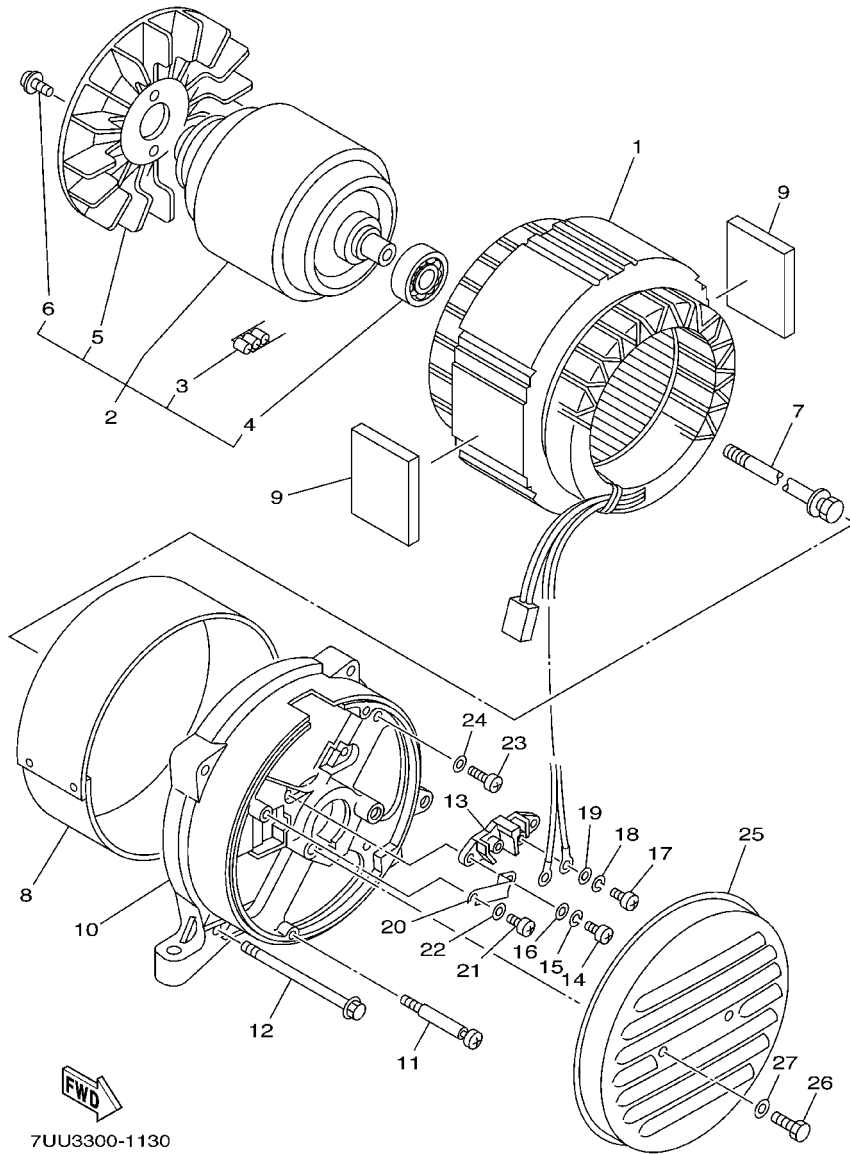


FIG. 12 GENERATOR (FOR EUR)

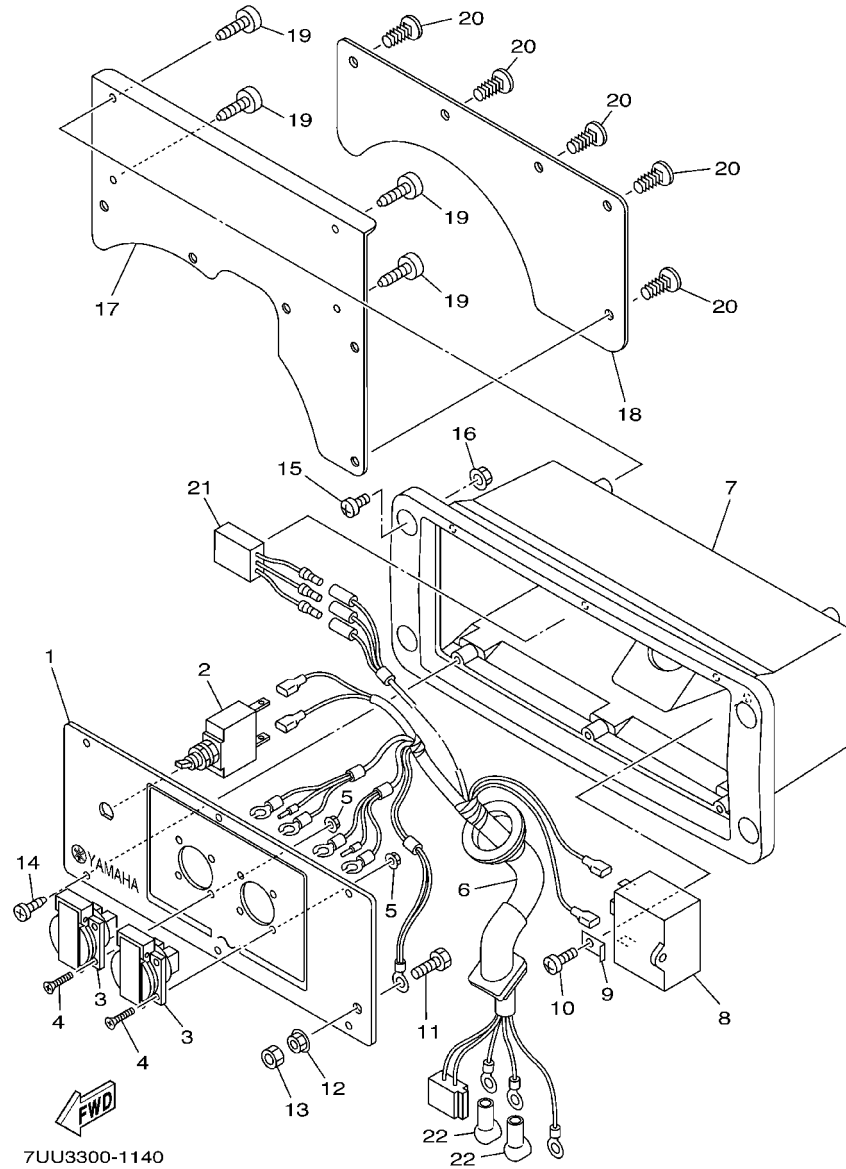
REF. NO.	PART NO.	DESCRIPTION	2300	2600	REMARKS
1	7NJ-87150-G0	STATOR ASSY (220V-50Hz)	1		
2	7NJ-87160-00	ROTOR ASSY	1		
3	7NJ-87115-00	.RECTIFIER ASSY 2	4		
4	93306-20345	.BEARING	1		
5	7LG-87172-01	.FAN, GENERATOR	1		
6	90159-06032	.SCREW, WITH WASHER	2		
7	7LG-81152-00	BOLT	1		
8	7NJ-87153-00	COVER, STATOR	1		
9	7LG-87159-00	SEAL, STATOR	2		
10	7NJ-87131-00	FRAME, REAR	1		
11	7NJ-87192-00	SCREW, STATOR	2		
12	95827-06105	BOLT, FLANGE	4		
13	7NJ-87220-00	TERMINAL SUB ASSY 1	1		
14	98507-05014	SCREW, PAN HEAD	2		
15	92907-05100	WASHER, SPRING	2		
16	92907-05600	WASHER, PLATE	2		
17	98507-05014	SCREW, PAN HEAD	2		
18	92907-05100	WASHER, SPRING	2		
19	92907-05600	WASHER, PLATE	2		
20	7NJ-88195-00	HOLDER, CONNECTOR	1		
21	98507-05010	SCREW, PAN HEAD	1		
22	92907-05600	WASHER, PLATE	1		
23	98507-05010	SCREW, PAN HEAD	1		
24	92907-05600	WASHER, PLATE	1		
25	7NJ-87174-A0-98	COVER, REAR END	1		LGB
26	97007-06010	BOLT	2		
27	92907-06600	WASHER, PLATE	2		

FIG. 13 GENERATOR 1 (FOR BRA,ARG,CHL)



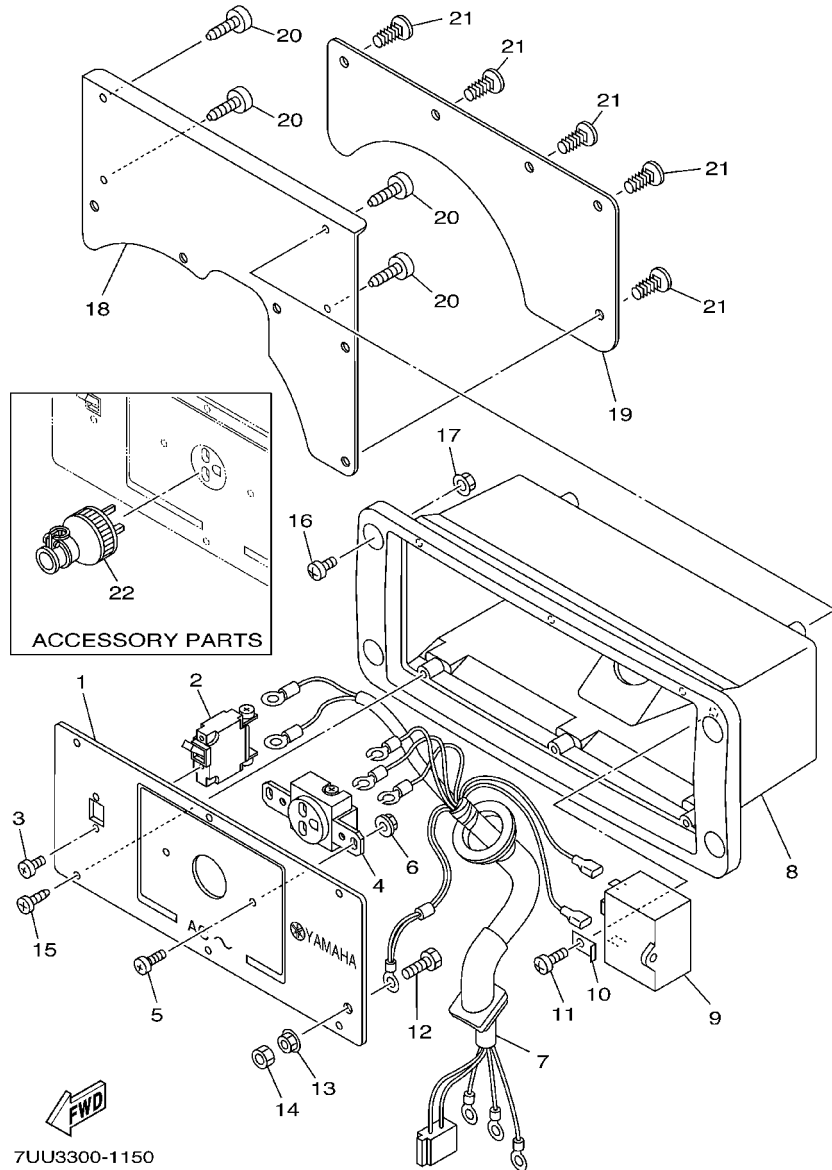
REF. NO.	PART NO.	DESCRIPTION	2300	2600	REMARKS
1	7NJ-87150-G0	STATOR ASSY (220V-50Hz)		1	FOR ARG,CHL
	7NJ-87150-L0	STATOR ASSY (220V-60Hz)		1	FOR BRA
2	7NJ-87160-00	ROTOR ASSY		1	
3	7NJ-87115-00	.RECTIFIER ASSY 2		4	
4	93306-20345	.BEARING		1	
5	7LG-87172-01	.FAN, GENERATOR		1	
6	90159-06032	.SCREW, WITH WASHER		2	
7	7LG-81152-00	BOLT		1	
8	7NJ-87153-00	COVER, STATOR		1	
9	7LG-87159-00	SEAL, STATOR		2	
10	7NJ-87131-00	FRAME, REAR		1	
11	7NJ-87192-00	SCREW, STATOR		2	
12	95827-06105	BOLT, FLANGE		4	
13	7NJ-87220-00	TERMINAL SUB ASSY 1		1	
14	98507-05014	SCREW, PAN HEAD		2	
15	92907-05100	WASHER, SPRING		2	
16	92907-05600	WASHER, PLATE		2	
17	98507-05014	SCREW, PAN HEAD		2	
18	92907-05100	WASHER, SPRING		2	
19	92907-05600	WASHER, PLATE		2	
20	7NJ-88195-00	HOLDER, CONNECTOR		1	
21	98507-05010	SCREW, PAN HEAD		1	
22	92907-05600	WASHER, PLATE		1	
23	98507-05010	SCREW, PAN HEAD		1	
24	92907-05600	WASHER, PLATE		1	
25	7LG-87174-00-98	COVER, REAR END		1	LGB
26	97007-06010	BOLT		2	

FIG. 14 CONTROL BOX (230V-50/60Hz:FOR EUR)

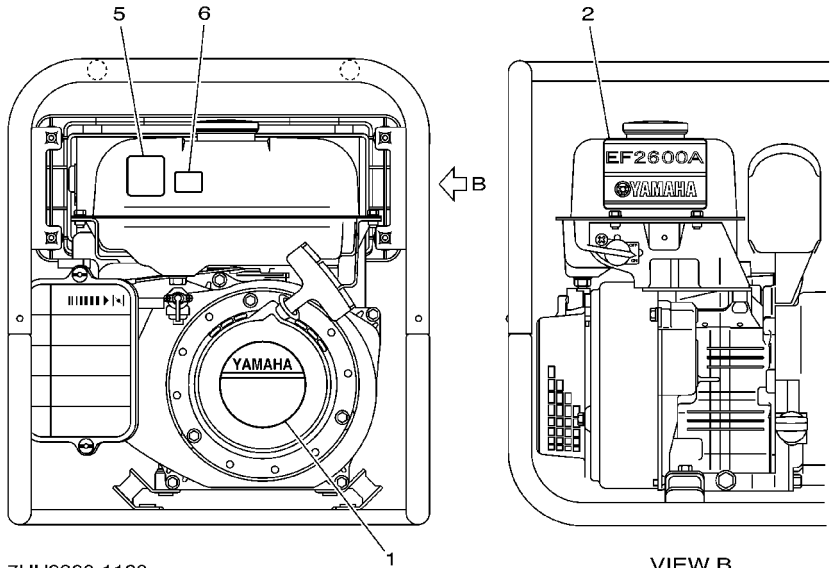
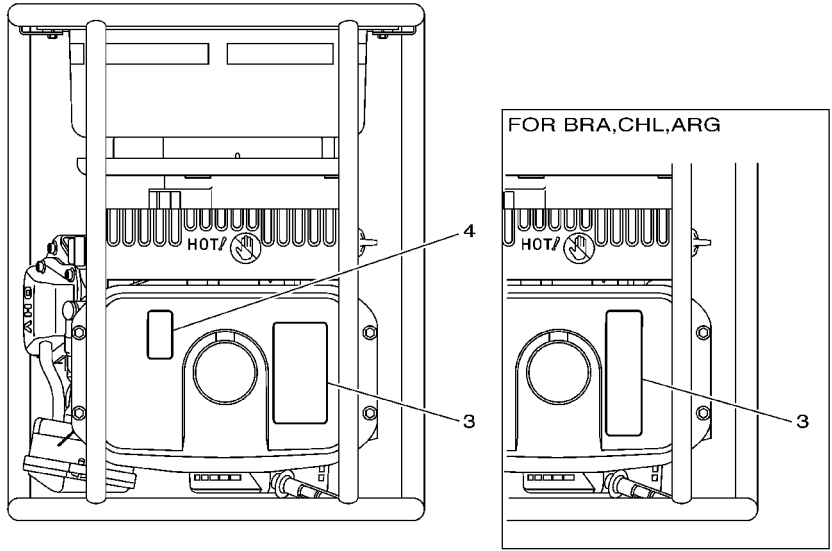


REF. NO.	PART NO.	DESCRIPTION	2300	2600	REMARKS
1	7UU-87249-A0	PLATE	1		
2	7NJ-87204-A0	BREAKER COMP.	1		
3	7H7-87221-80	RECEPTACLE 1 (ABL 6995)	2		EXCEPT FOR FRANCE
	7H7-87221-60	RECEPTACLE 1 (ABL 6300)	2		FOR FRANCE
4	90151-03032	SCREW, COUNTERSUNK	8		
5	90179-03478	NUT	8		
6	7UU-87226-A0	WIRE HARNESS ASSY	1		
7	7UU-87213-00	COVER, CONTROL BOX	1		
8	7LG-87107-01	CONDENSER ASSY	1		
9	7LG-87248-00	HOLDER, BREAKER 2	1		
10	97707-40512	SCREW, TAPPING	1		
11	97080-06020	BOLT	1		
12	95707-06500	NUT, FLANGE	1		
13	95380-06700	NUT	1		
14	97707-40516	SCREW, TAPPING	6		
15	98907-06014	SCREW, BIND	4		
16	95707-06500	NUT, FLANGE	2		
17	7UU-15415-00	COVER, GENERATOR	1		
18	7UU-15416-00	COVER, OIL PUMP	1		
19	97707-50512	SCREW, TAPPING	4		
20	90338-08220	PLUG	5		
21	7NJ-88188-00	FILTER, NOISE	1		
22	7NJ-81916-00	COVER, TERMINAL	2		

FIG. 15 CONTROL BOX 2 (220V-50/60Hz:FOR BRA,ARG,CHL)



REF. NO.	PART NO.	DESCRIPTION	2300	2600	REMARKS
1	7UU-87249-60	PLATE		1	
2	7NJ-87204-G0	BREAKER COMP.		1	FOR ARG,CHL
	7NJ-87204-L0	BREAKER COMP.		1	FOR BRA
3	98507-03006	SCREW, PAN HEAD		2	
4	7G7-87221-01	RECEPTACLE 1 (NATIONAL WCZ1312-9)		1	
5	98507-04012	SCREW, PAN HEAD		2	
6	95707-04500	NUT, FLANGE		2	
7	7UU-87226-40	WIRE HARNESS ASSY		1	
8	7UU-87213-00	COVER, CONTROL BOX		1	
9	7LG-87107-01	CONDENSER ASSY		1	
10	7LG-87248-00	HOLDER, BREAKER 2		1	
11	97707-40512	SCREW, TAPPING		1	
12	97080-06020	BOLT		1	
13	95707-06500	NUT, FLANGE		1	
14	95380-06700	NUT		1	
15	97707-40516	SCREW, TAPPING		6	
16	98907-06014	SCREW, BIND		4	
17	95707-06500	NUT, FLANGE		2	
18	7UU-15415-00	COVER, GENERATOR		1	
19	7UU-15416-00	COVER, OIL PUMP		1	
20	97707-50512	SCREW, TAPPING		4	
21	90338-08220	PLUG		5	
22	7G7-87236-00	PLUG, AC RECEPTACLE (15A-250V)		1	ACCESSORY PARTS



7UU3300-1160

VIEW B

FIG. 16 EMBLEM. LABEL

REF. NO.	PART NO.	DESCRIPTION	2300	2600				REMARKS
1	7NN-12629-00	EMBLEM (MZ175)	1	1				
2	7TG-24161-01	EMBLEM 1 (EF2300A)	1					
	7UU-24161-00	EMBLEM 1 (EF2600A)		1				
3	7TA-24162-30	EMBLEM 2 (WARNING)	1					
	7TA-24162-10	EMBLEM 2 (WARNING)		1				
4	7NJ-2415E-00	LABEL, CAUTION (HOT)	1					
5	7UU-24235-00	MARK 1 (LWA MARK)	1					
6	7NJ-24236-00	MARK 2 (CE MARK)	1					

NUMERICAL INDEX

PART NO.	GRID NO.	PART NO.	GRID NO.	PART NO.	GRID NO.	PART NO.	GRID NO.	PART NO.	GRID NO.	PART NO.	GRID NO.
7WC-11111-00	B-2	7LG-14150-11	B-8	7UU-22850-00	B-11	7NJ-87160-00	B-13	90445-131J5	B-2	95827-06105	B-13
7NJ-11160-00	B-2	7EG-14159-00	B-8	7LG-22891-00	B-11		B-15	90464-07078	B-12		B-15
7NJ-11169-00	B-2	7NJ-14162-00	B-8	7NN-24110-01-NJ	B-11	7LG-87172-01	B-13	90467-09037	B-11	95827-08020	B-11
7WC-11181-00	B-2	7EG-14181-00	B-8	7NN-24115-00	B-11		B-15	90468-18008	B-4	95827-08035	B-10
7NJ-11191-00	B-2	7G0-14184-00	B-8	7NN-24116-00	B-11	7LG-87174-00-98	B-15	90501-10264	B-4	95827-08045	B-2
7NJ-11193-00	B-2	7LG-14185-00	B-8	7NJ-2415E-00	C-5	7NJ-87174-A0-98	B-13	90501-205J4	B-5	95827-08065	B-2
7NJ-11400-01	B-3	22F-14186-00	B-8	7TG-24161-01	C-5	7NJ-87192-00	B-13	90506-04495	B-4	95880-06010	B-14
7WC-11604-00	B-3	7E1-14191-00	B-8	7UU-24161-00	C-5		B-15	92907-05100	B-13	97007-06010	B-13
7WC-11605-00	B-3	7LV-14211-00	B-8	7TA-24162-10	C-5	7NJ-87204-A0	C-3		B-15		B-15
7WC-11610-00	B-3	73A-14212-00	B-8	7TA-24162-30	C-5	7NJ-87204-G0	C-4	92907-05600	B-13	97027-06010	B-9
7NJ-11631-00-98	B-3	7G0-14227-00	B-8	730-24167-10	B-11	7NJ-87204-L0	C-4		B-15	97027-06030	B-4
4H7-11633-00	B-3	1HX-1423E-36	B-8	7UU-24235-00	C-5	7UU-87213-00	C-3	92907-06200	B-4	97080-06020	C-3
7NJ-11635-00	B-3	7NJ-14411-00	B-7	7NJ-24236-00	C-5		C-4	92907-06600	B-13		C-4
7NJ-11636-00	B-3	7NJ-14412-00	B-7	7NN-24311-00	B-11	7NJ-87220-00	B-13		B-4	97707-40512	C-3
7NJ-11650-00	B-3	7NJ-14451-00	B-7	7NJ-24500-01	B-11		B-15		B-9		C-4
JA9-11654-01	B-3	7NJ-14468-00	B-7	7NJ-24515-01	B-11	7G7-87221-01	C-4		C-2	97707-40516	C-3
7NJ-11913-00	B-4	7NB-14477-00	B-7	7J3-24521-00	B-11	7H7-87221-60	C-3	92907-14200	B-12		C-4
7FK-11914-00	B-4	78F-14486-00	B-8	7NJ-24532-00	B-11	7H7-87221-80	C-3	93102-25090	B-10	97707-50512	C-3
JA9-11917-00	B-4	JA9-14613-00	B-9	7NJ-24534-00	B-11	7UU-87226-A0	C-3	93104-06062	B-10		C-4
7NJ-11922-00	B-4	7NN-14708-01	B-9	4X8-24565-00	B-11	7UU-87226-40	C-4	93210-22344	B-10	98507-03006	C-4
7NN-11924-00	B-4	7NN-14711-04	B-9	7T9-24610-00	B-11	7G7-87236-00	C-4	93306-20345	B-13	98507-04012	C-4
7NN-11925-10	B-4	7NJ-14788-00	B-9	7T9-24612-00	B-11	7LG-87248-00	C-3		B-15	98507-05010	B-13
7LV-11928-10	B-4	7NJ-1479E-00	B-9	7H6-28100-00	B-11		C-4	93306-20511	B-10		B-15
7NN-11950-00	B-4	7NJ-14799-01	B-9	7LG-81152-00	B-13	7UU-87249-A0	C-3	93440-06107	B-4	98507-05014	B-13
7NJ-11970-00	B-4	7NJ-1495F-1A	B-8		B-15	7UU-87249-60	C-4	93450-17025	B-3		B-15
7FK-11971-00	B-10	7WC-15111-10	B-10	7NJ-81916-00	C-3	7NJ-88188-00	C-3	94701-00331	B-2	98507-06014	B-12
7NJ-12111-00	B-5	796-15363-01	B-10	7NN-82139-00	B-12	7NJ-88195-00	B-13	95027-10016	B-10	98507-06020	B-12
7NJ-12117-00	B-5	7NJ-15411-01	B-10	JN6-82370-00	B-12		B-15	95307-06600	B-9	98507-06035	B-4
7NJ-12118-00	B-5	7UU-15413-00	B-10	7NN-82550-00	B-12	90116-06493	B-2	95380-06700	C-3	98907-06014	C-3
51Y-12119-00	B-5	7UU-15415-00	C-3	7NJ-85640-00	B-12	90146-06014	B-7		C-4		C-4
7NJ-12121-00	B-5		C-4	7NN-85650-00	B-12	90151-03032	C-3	95607-06615	B-2	99530-08016	B-10
7NN-12151-00	B-5	7UU-15416-00	C-3	7NN-85690-10	B-12	90153-05024	B-9	95704-06500	B-12	99530-10114	B-2
7WC-12153-00	B-5		C-4	7NJ-85720-02	B-12	90159-06032	B-13	95707-04500	C-4		
7NJ-12154-00	B-5	7UU-15417-00	B-10	7NJ-85724-00	B-12		B-15	95707-06500	B-7		
7NJ-12155-00	B-5	7NJ-15451-00	B-10	7LG-87107-01	C-3	90170-14403	B-12		C-3		
7FK-12157-00	B-5	7NJ-15710-01	B-6		C-4	90173-06017	B-4		C-4		
7FK-12158-00	B-5	7NJ-15711-00	B-6	7NJ-87115-00	B-13	90179-03478	C-3	95707-08500	B-11		
7NN-12165-02	B-5	7NJ-15713-00	B-6		B-15	90183-06057	B-10	95780-06500	B-14		
7NJ-12170-03	B-5	JL8-15714-00	B-6	7NJ-87131-00	B-13	90201-06071	B-9	95807-06008	B-6		
7NJ-12287-00	B-5	JL8-15715-00	B-6		B-15	90201-065K7	B-4	95807-06012	B-6		
7NJ-12621-00	B-6	JL8-15716-00	B-6	7NJ-87139-80	B-14	90201-08102	B-11	95807-06016	B-10		
7NN-12629-00	C-5	7NJ-15723-00	B-6	7NJ-87150-G0	B-13	90201-171J5	B-9		B-7		
7NJ-12651-02	B-6	JL8-15741-00	B-6		B-15	90267-48N00	B-11	95827-06012	B-10		
7NJ-13557-00	B-7	JK4-15743-00	B-6	7NJ-87150-L0	B-15	90280-04052	B-12		B-11		
7NJ-13567-00	B-7	7NJ-15751-01	B-6	7NJ-87153-00	B-13	90338-05251	B-11		B-12		
7NJ-13596-00	B-7	7LV-15755-00	B-6		B-15	90338-08220	C-3		B-2		
7NJ-14101-00	B-8	7NJ-15793-00	B-6	7LG-87159-00	B-13		C-4	95827-06016	B-9		
620-14142-42	B-8	7NJ-22840-00	B-11		B-15	90430-10188	B-10	95827-06020	B-12		