



PARTS CATALOGUE

EF2600A (7UU2) CANADA

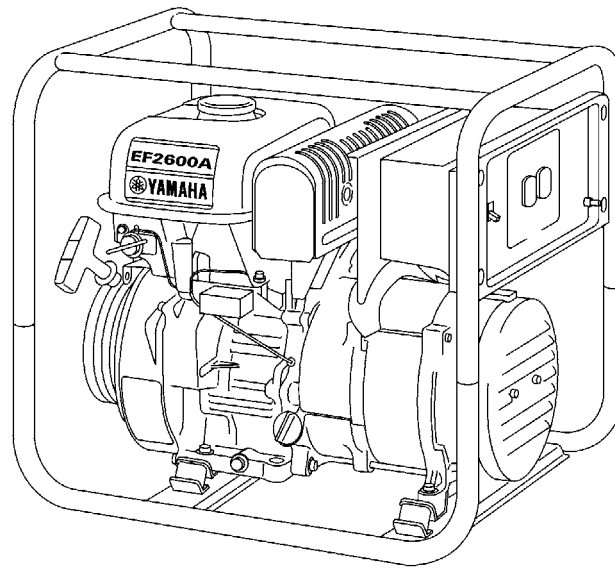


197UU-171E2

(297UU-171E2)

EF2600A
PARTS CATALOGUE
©2003 by Yamaha Motor Co., Ltd.
1st edition, June 2003
All rights reserved.
Any reprinting or unauthorized use
without the written permission of
Yamaha Motor Co., Ltd.
is expressly prohibited.
Printed in Japan.

A3



A4

FOREWORD

This Parts Catalogue is related to the parts for the model(s) on the cover page. When you are ordering replacement parts, please refer to this Parts Catalogue and quote both part numbers and part names correctly.

1. Modifications or additions which have been made after the issue of the Parts Catalogue will be announced in the Parts News.

It is advisable that you make the necessary corrections to the Parts Catalogue according to the Parts News.

2. Abbreviations

The following abbreviations are used in this Parts Catalogue.

“UR” Use specified parts number.

“UN” Use as many as needed.

“AP” Alternate Parts

“LM” Locally Made (Parts need to be ordered locally)

“F#” Frame No. (Applicable machine No.)

“O/S” Over Size

3. The number of components for assembly

- Parts, which are to be supplied in an assembly, are listed with a dot (.) in front of the part name as shown below.
- The numeral appearing to the right of each component part indicates the quantity of parts for each assembly unit.

PART NO.	DESCRIPTION	Q'TY	REMARKS
2F5-83310-60	FRONT FLASHER LIGHT ASSY	2	
115-83311-60	.BULB (6V-18W)	1	

4. Applicable colours of graphics are represented in the “REMARKS” as shown below.

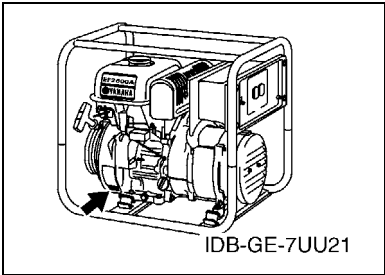
PART NO.	DESCRIPTION	Q'TY	REMARKS
2N4-24110-00-X5	FUEL TANK COMP.	2	MXR
3J1-24240-10	.GRAPHIC, FUEL TANK	1	FOR MXR

5. Note that the illustrations for reference in finding parts numbers are not to be used for assembling. When assembling, please use the applicable service manual.

6. The asterisk (*) before a reference number indicates modified items after the first edition.

FOREWORD

7. Applicable Serial No.
 Frame Serial No.



9. Applicable Starting Serial No.
 *****Serial NO.

Model	Model Code	Destination	Voltage	Serial NO.
EF2600A	7UU2	CANADA	120V-60Hz	7UU-220101

8. Applicable Colour Code (The (*) mark shows Model colour.)

Abbreviation	Colour Name	Colour Code
FWB(*)	FARAWAY BLUE	00NJ
LGB	LOW GLOSS BLACK	0098

CONTENTS

CYLINDER	B2
CRANKSHAFT & PISTON	B3
GOVERNOR	B4
CAMSHAFT & VALVE	B5
AIR SHROUD & STARTER	B6
INTAKE	B7
CARBURETOR	B8
EXHAUST	B9
CRANKCASE	B10
FRAME & FUEL TANK	B11
MAGNETO	B12
GENERATOR	B13
CONTROL BOX	B15
EMBLEM & LABEL	C3

INDEX

NUMERICAL INDEX	M1
-----------------------	----

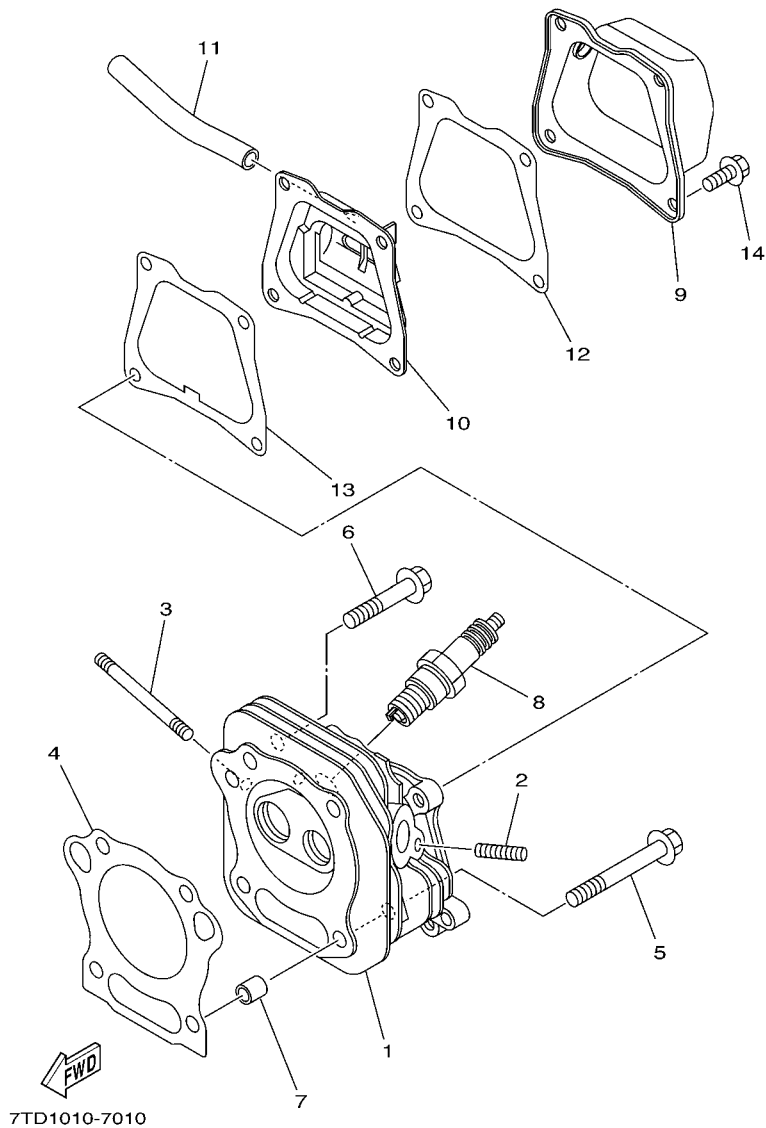
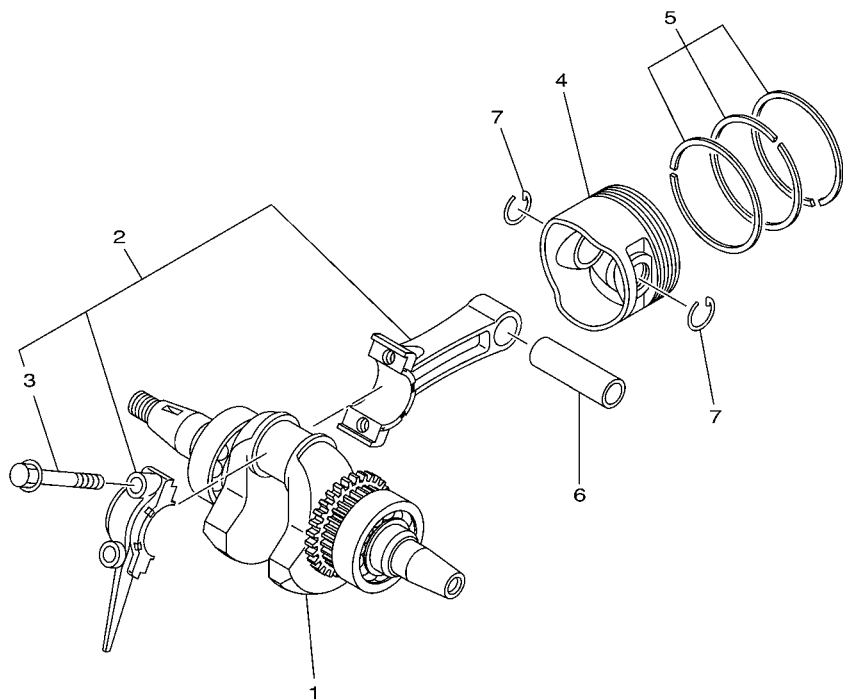


FIG. 1 CYLINDER

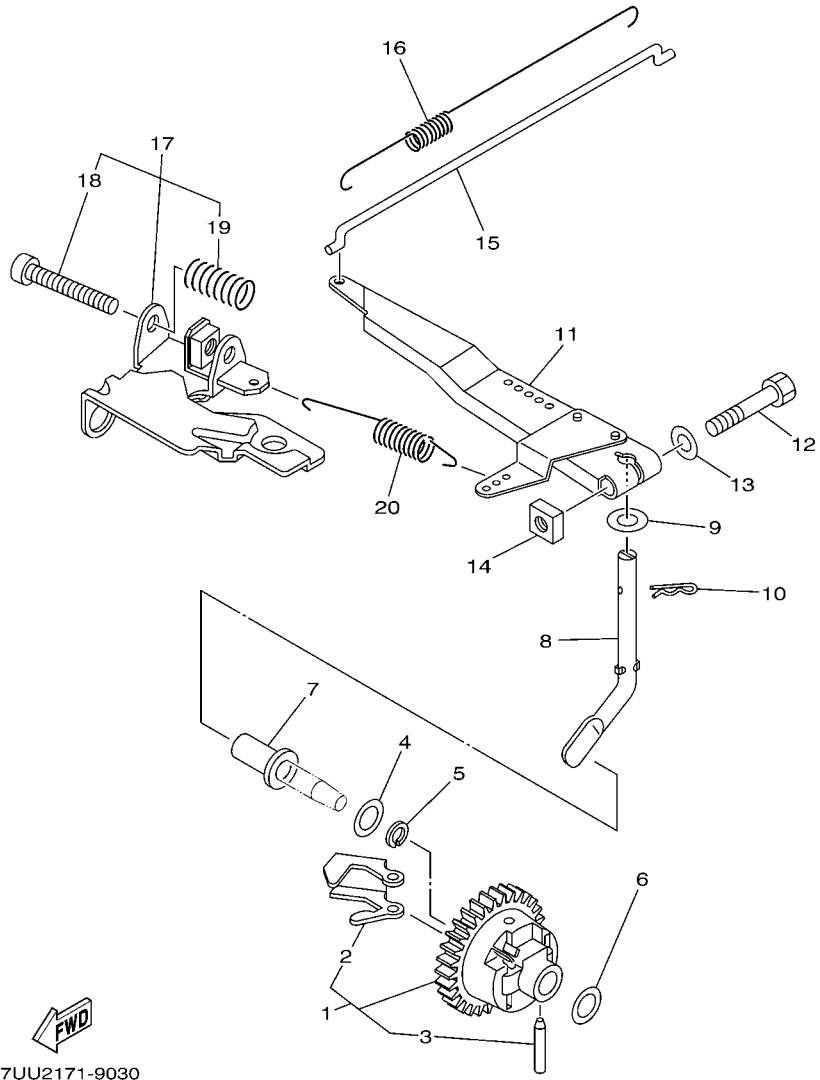
REF. NO.	PART NO.	DESCRIPTION	7U02				REMARKS
1	7NJ-11111-00	HEAD, CYLINDER 1	1				
2	95607-06615	BOLT, STUD	2				
3	90116-06493	BOLT, STUD	2				
4	7NJ-11181-00	GASKET, CYLINDER HEAD 1	1				
5	95827-08065	BOLT, FLANGE	2				
6	95827-08045	BOLT, FLANGE	2				
7	99530-10114	PIN, DOWEL	2				
8	94701-00331	PLUG, SPARK (BPR4ES)	1				
9	7NJ-11191-00	COVER, CYLINDER HEAD 1	1				
10	7NJ-11160-00	BREATHER ASSY	1				
11	90445-131J5	HOSE (L106)	1				
12	7NJ-11169-00	GASKET, BREATHER COVER	1				
13	7NJ-11193-00	GASKET, HEAD COVER 1	1				
14	95827-06012	BOLT, FLANGE	4				

FIG. 2 CRANKSHAFT & PISTON



REF. NO.	PART NO.	DESCRIPTION	7U02				REMARKS
1	7NJ-11400-00	CRANKSHAFT ASSY	1				
2	7NJ-11650-00	CONNECTING ROD ASSY	1				
3	JA9-11654-01	.BOLT, CONNECTING ROD	2				
4	7NJ-11631-00-98	PISTON (STD)	1				
	7NJ-11635-00	PISTON (0.25MM O/S)	1				AP
	7NJ-11636-00	PISTON (0.50MM O/S)	1				AP
5	7NJ-11610-01	PISTON RING SET (STD)	1				
	7NJ-11604-01	PISTON RING SET (0.25MM O/S)	1				AP
	7NJ-11605-01	PISTON RING SET (0.50MM O/S)	1				AP
6	4H7-11633-00	PIN, PISTON	1				
7	93450-17025	CIRCLIP	2				

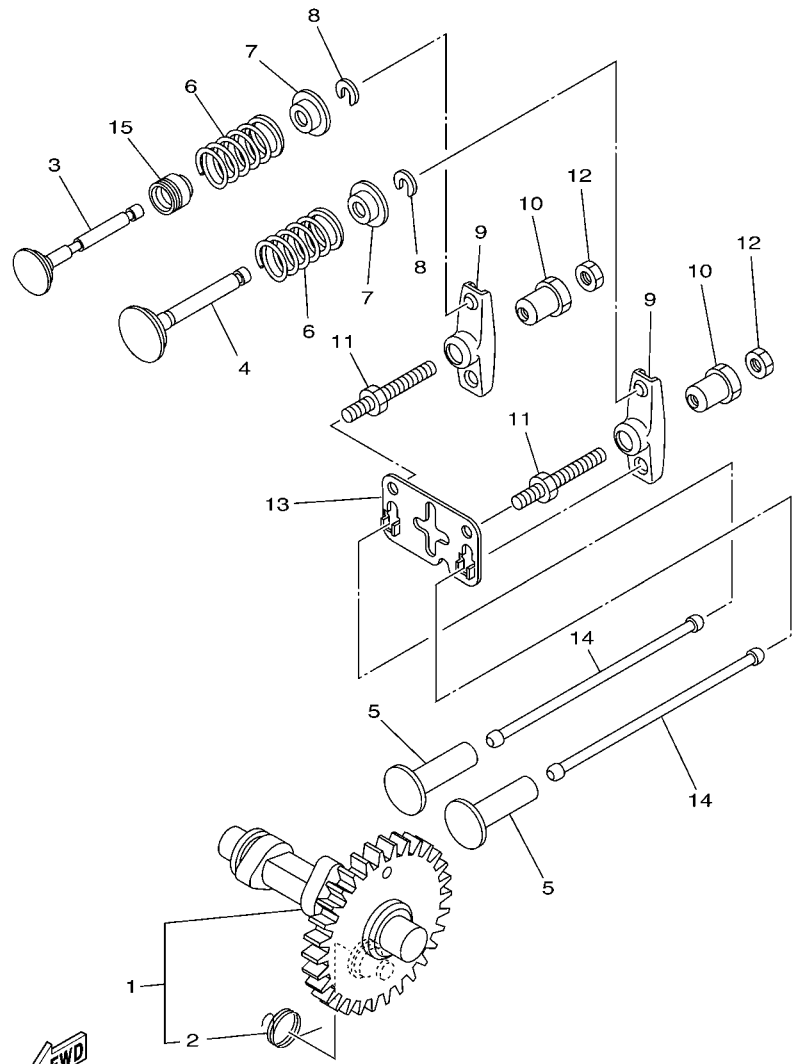

7TD1010-7020



FWD
7UU2171-9030

FIG. 3 GOVERNOR

REF. NO.	PART NO.	DESCRIPTION	7U02				REMARKS
1	7NJ-11970-00	FLYWEIGHT SHAFT ASSY.	1				
2	7NJ-11913-00	.WEIGHT	2				
3	7FK-11914-00	.SHAFT, WEIGHT	2				
4	90201-065K7	WASHER, PLATE	1				
5	93440-06107	CIRCLIP	1				
6	90201-065K7	WASHER, PLATE	1				
7	JA9-11917-00	COLLAR	1				
8	7NJ-11922-00	FORK, GOVERNOR	1				
9	92907-06200	WASHER	1				
10	90468-18008	CLIP	1				
11	7NN-11924-00	ARM, GOVERNOR	1				
12	97027-06030	BOLT	1				
13	92907-06600	WASHER, PLATE	1				
14	90173-06017	NUT, SQUARE	1				
15	7LV-11928-10	ROD, LINK	1				
16	90506-04495	SPRING, TENSION	1				
17	7NN-11950-00	ADJUST PLATE COMP.	1				
18	98507-06035	.SCREW, PAN HEAD	1				
19	90501-10264	.SPRING, COMPRESSION	1				
20	7NN-11925-10	SPRING, GOVERNOR	1				



7UU2110-8040

FIG. 4 CAMSHAFT & VALVE

REF. NO.	PART NO.	DESCRIPTION	7UU2				REMARKS
1	7NJ-12170-02	CAMSHAFT ASSY 1	1				
2	7NJ-12287-00	.SPRING, DECOMPRESSION	1				
3	7NJ-12111-00	VALVE, INTAKE	1				
4	7NJ-12121-00	VALVE, EXHAUST	1				
5	JA9-12153-00	LIFTER, VALVE	2				
6	90501-205J4	SPRING, COMPRESSION	2				
7	7NJ-12117-00	RETAINER, VALVE SPRING	2				
8	7NJ-12118-00	COTTER, VALVE	2				
9	JA9-12151-00	ARM, VALVE ROCKER	2				
10	7FK-12165-00	PIVOT, ROCKER ARM	2				
11	7FK-12157-00	BOLT	2				
12	7FK-12158-00	NUT, LOCK	2				
13	7NJ-12155-00	GUIDE, PUSH ROD	1				
14	7NJ-12154-00	ROD, VALVE PUSH	2				
15	51Y-12119-00	SEAL, VALVE STEM	1				

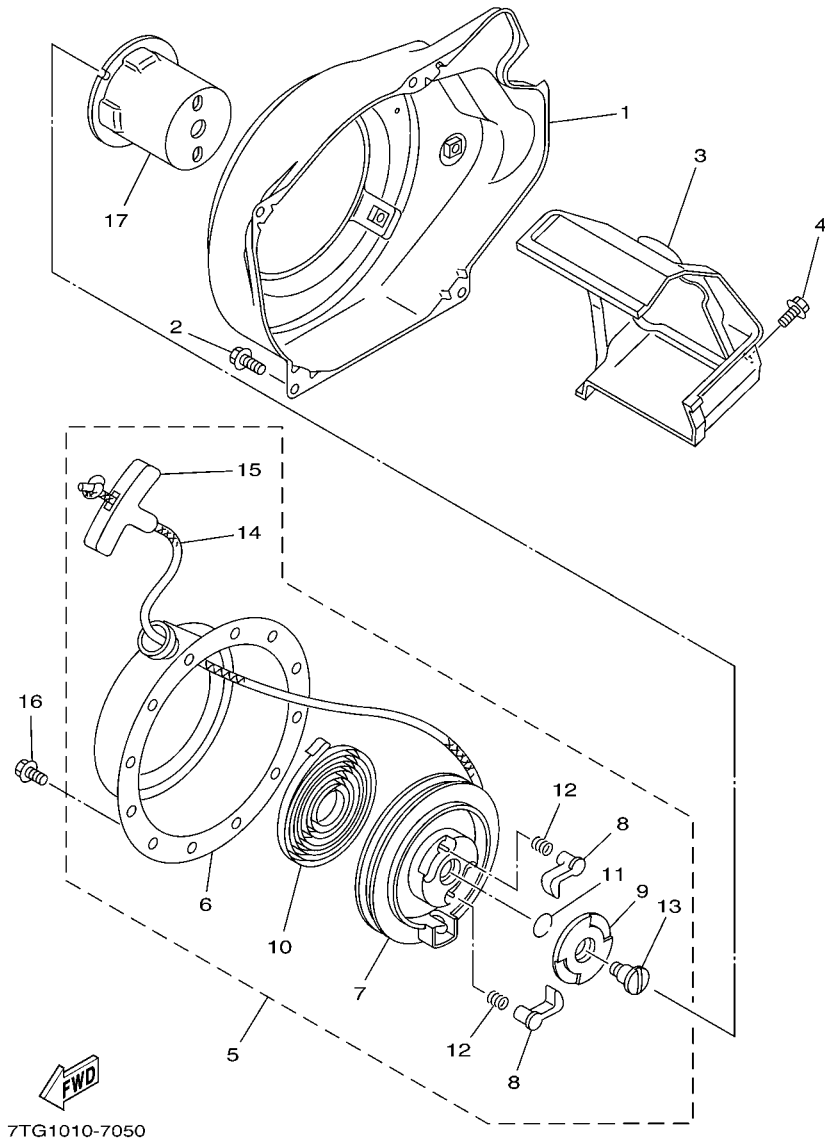
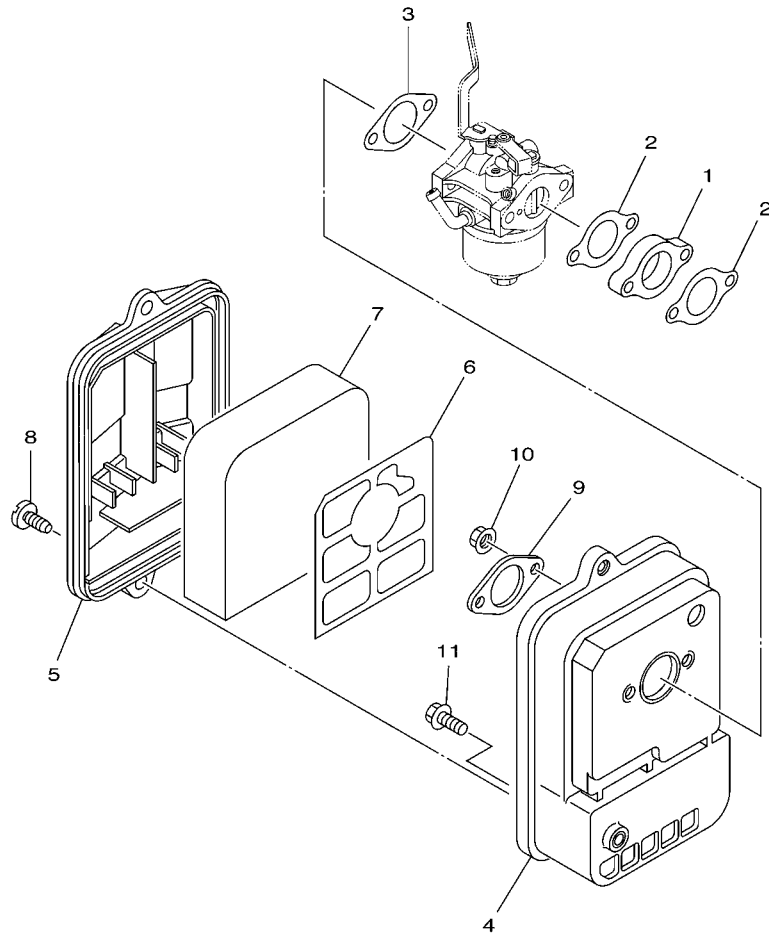


FIG. 5 AIR SHROUD & STARTER

REF. NO.	PART NO.	DESCRIPTION	7U02				REMARKS
1	7NJ-12621-00	CASE, FAN	1				
2	95807-06012	BOLT, FLANGE	4				
3	7NJ-12651-01	AIR SHROUD, CYLINDER 1	1				
4	95807-06012	BOLT, FLANGE	1				
5	7NJ-15710-01	STARTER ASSY	1				
6	7NJ-15711-00	.CASE, STARTER	1				
7	JL8-15714-00	.DRUM, SHEAVE	1				
8	JL8-15741-00	.PAWL, DRIVE	2				
9	JL8-15716-00	.PLATE, DRIVE	1				
10	7NJ-15713-00	.SPRING, STARTER	1				
11	JL8-15715-00	.SPRING, FRICTION	1				
12	JK4-15743-00	.SPRING, RETURN	2				
13	7NJ-15793-00	.SCREW	1				
14	7NJ-15751-01	.ROPE, STARTER (5.0X1500)	1				
15	7LV-15755-00	.HANDLE, STARTER	1				
16	95807-06008	BOLT, FLANGE	3				
17	7NJ-15723-00	PULLEY, STARTER	1				

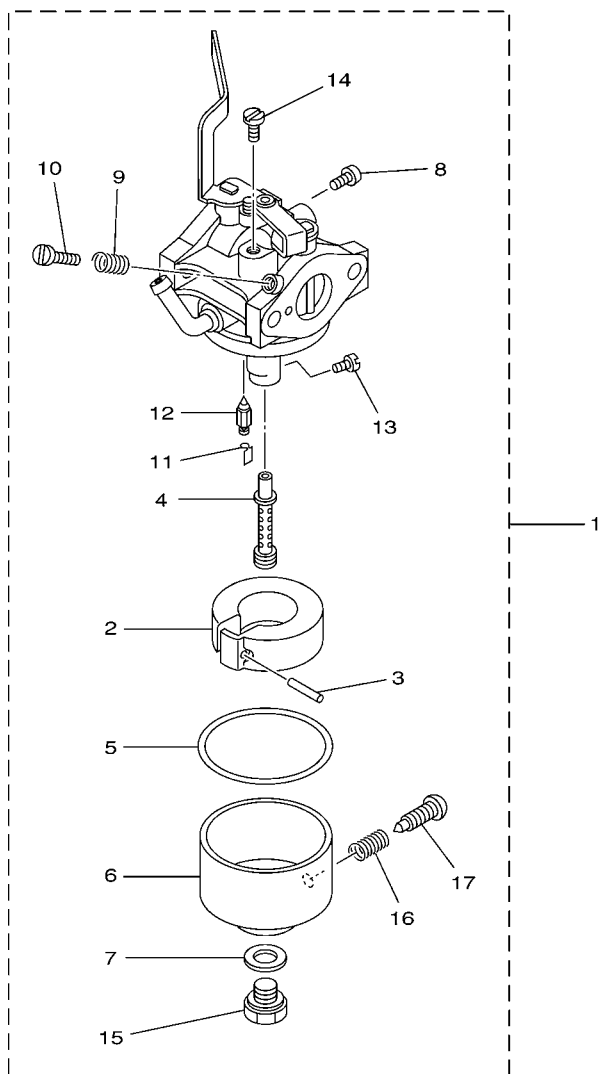
FIG. 6 INTAKE



REF. NO.	PART NO.	DESCRIPTION	7U02				REMARKS
1	7NJ-13596-00	JOINT, CARBURETOR 2	1				
2	7NJ-13557-00	GASKET	2				
3	7NJ-13567-00	GASKET	1				
4	7NJ-14411-00	CASE, AIR CLEANER 1	1				
5	7NJ-14412-00	CAP, CLEANER CASE 1	1				
6	7NJ-14468-00	PLATE,ELEMENT FITTING	1				
7	7NJ-14451-00	ELEMENT, AIR CLEANER	1				
8	90146-06014	SCREW, OVAL FILLISTER	2				
9	7NB-14477-00	PLATE	1				
10	95707-06500	NUT, FLANGE	2				
11	95807-06016	BOLT, FLANGE	1				


7TG1010-7060

FIG. 7 CARBURETOR




7TG1010-7070

REF. NO.	PART NO.	DESCRIPTION	7U02				REMARKS
1	7NJ-14101-00	CARBURETOR ASSY 1	1				
2	7LG-14185-00	.FLOAT	1				
3	22F-14186-00	.PIN, FLOAT	1				
4	7NJ-1495F-1A	.NOZZLE, MAIN	1				
5	7G0-14184-00	.GASKET, FLOAT CHAMBER	1				
6	7EG-14181-00	.BODY, FLOAT CHAMBER 1	1				
7	7G0-14227-00	.WASHER	1				
8	78F-14486-00	.SCREW, ROD	2				
9	73A-14212-00	.SPRING	1				
10	7LV-14211-00	.SCREW, PILOT ADJUSTING	1				
11	7EG-14159-00	.CLIP	1				
12	7LG-14150-11	.NEEDLE ASSY	1				
13	1HX-1423E-36	.JET, MAIN (#91.3)	1				
14	620-14142-42	.JET, PILOT (#42.5)	1				
15	7NJ-14162-00	.BOLT, HOLDING	1				
16	73A-14212-00	.SPRING	1				
17	7E1-14191-00	.PLUG, DRAIN	1				



7TL1400-7160

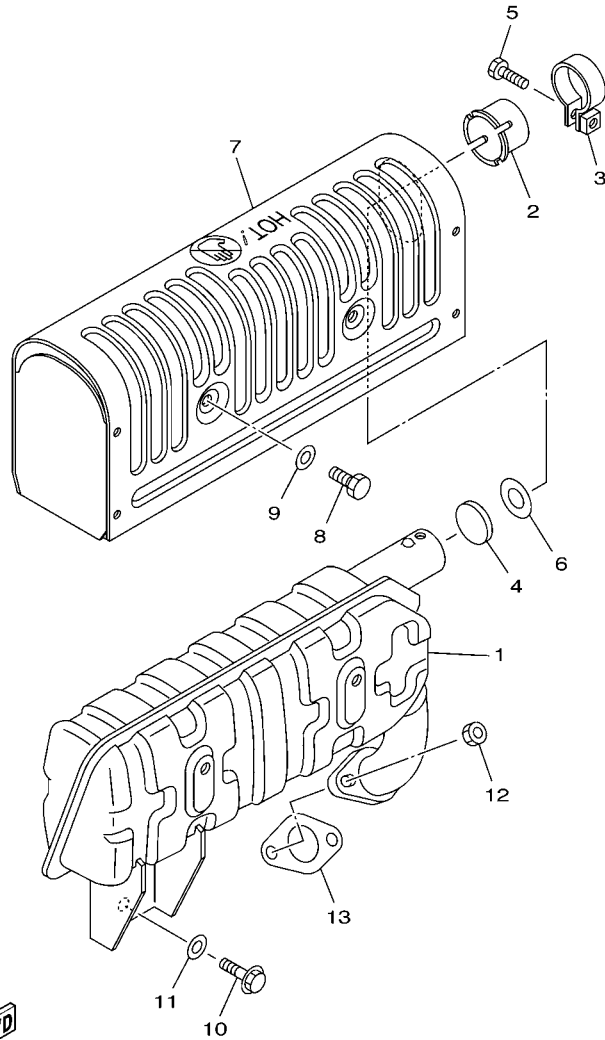
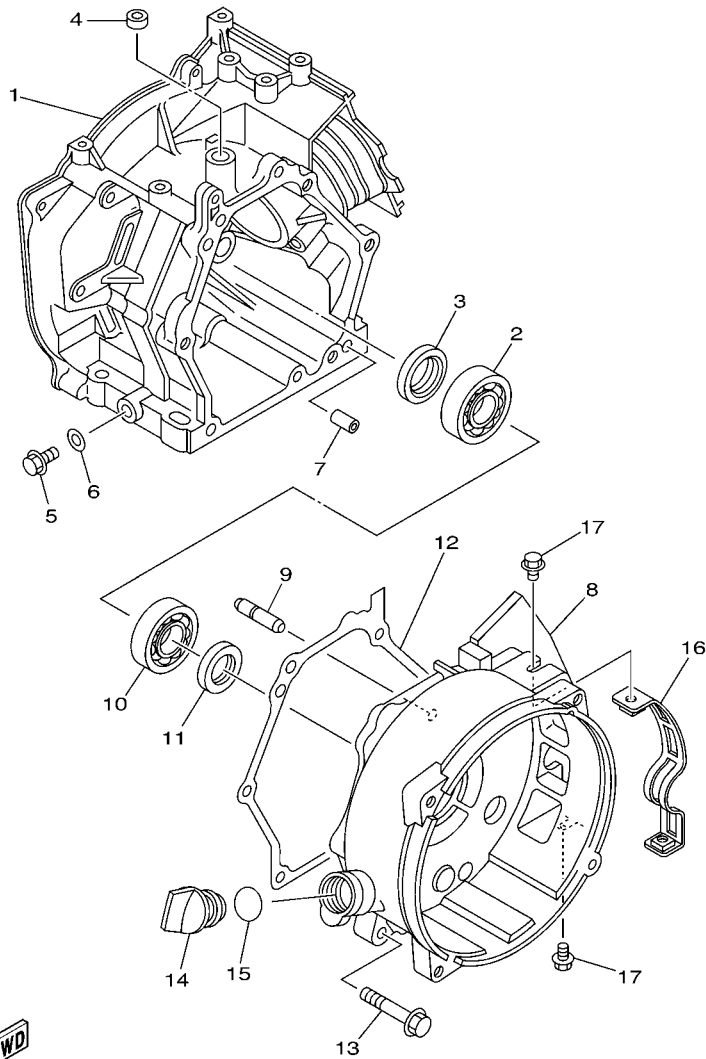


FIG. 8 EXHAUST

REF. NO.	PART NO.	DESCRIPTION	7U02				REMARKS
1	7NN-14711-04	MUFFLER 1	1				
2	7NJ-14799-01	CAP	1				
3	7NJ-14788-00	BAND, SILENCER	1				
4	7NJ-1479E-00	NET, WIRE 2	1				
5	90153-05024	SCREW, HEXAGON	1				
6	90201-171J5	WASHER, PLATE	1				
7	7NN-14708-01	PROTECTOR ASSY	1				
8	97027-06010	BOLT	4				
9	92907-06600	WASHER, PLATE	4				
10	95827-06016	BOLT, FLANGE	1				
11	90201-06071	WASHER, PLATE	1				
12	95307-06600	NUT	2				
13	JA9-14613-00	GASKET, EXHAUST PIPE	1				



7UU2110-8090

FIG. 9 CRANKCASE

REF. NO.	PART NO.	DESCRIPTION	7U02				REMARKS
1	7UF-15111-10	CRANKCASE 1	1				
2	93306-20511	BEARING	1				
3	93102-25090	OIL SEAL	1				
4	93104-06062	OIL SEAL	1				
5	95027-10016	BOLT, FLANGE	1				
6	90430-10188	GASKET	1				
7	99530-08016	PIN, DOWEL	2				
8	7NJ-15411-00	COVER, CRANKCASE 1	1				
9	7FK-11971-00	SHAFT, FLYWEIGHT	1				
10	93306-20511	BEARING	1				
11	93102-25090	OIL SEAL	1				
12	7NJ-15451-00	GASKET, CRANKCASE COVER 1	1				
13	95827-08035	BOLT, FLANGE	6				
14	796-15363-01	PLUG, OIL	1				
15	93210-22344	O-RING	1				
16	7UU-15417-00	COVER, CAP	1				
17	95827-06012	BOLT, FLANGE	2				

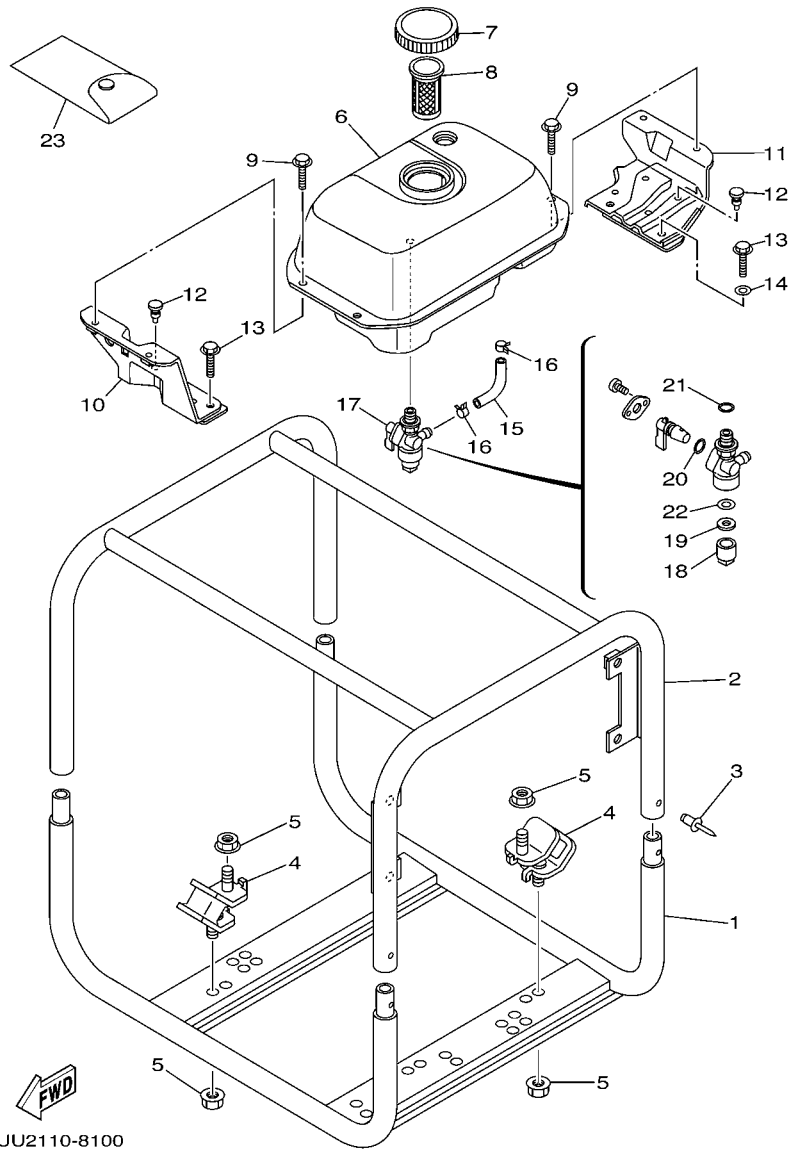


FIG. 10 FRAME & FUEL TANK

REF. NO.	PART NO.	DESCRIPTION	7UU2				REMARKS
1	7NJ-22840-00	FRAME COMP.	1				
2	7UU-22850-00	FRAME COMP. 2	1				
3	90267-48N00	RIVET, BLIND	4				
4	7LG-22891-00	INSULATOR, MOUNTING	4				
5	95707-08500	NUT, FLANGE	8				
6	7NN-24110-00-NJ	FUEL TANK COMP.	1				FWB
7	7T9-24610-00	CAP ASSY	1				
8	730-24167-00	STRAINER	1				
9	95827-06012	BOLT, FLANGE	4				
10	7NN-24115-00	STAY, FUEL TANK 1	1				
11	7NN-24116-00	STAY, FUEL TANK 2	1				
12	90338-05251	PLUG	3				
13	95827-08020	BOLT, FLANGE	4				
14	90201-08102	WASHER, PLATE	3				
15	7NN-24311-00	PIPE, FUEL 1	1				
16	90467-09037	CLIP	2				
17	7NJ-24500-01	FUEL COCK ASSY 1	1				
18	7J3-24521-00	.CUP, FILTER	1				
19	4X8-24565-00	.GASKET	1				
20	2W6-24512-00	.O-RING	1				
21	7J3-24532-00	.GASKET	1				
22	7NJ-24515-00	.NET, FILTER 2	1				
23	7H6-28100-00	TOOL KIT	1				

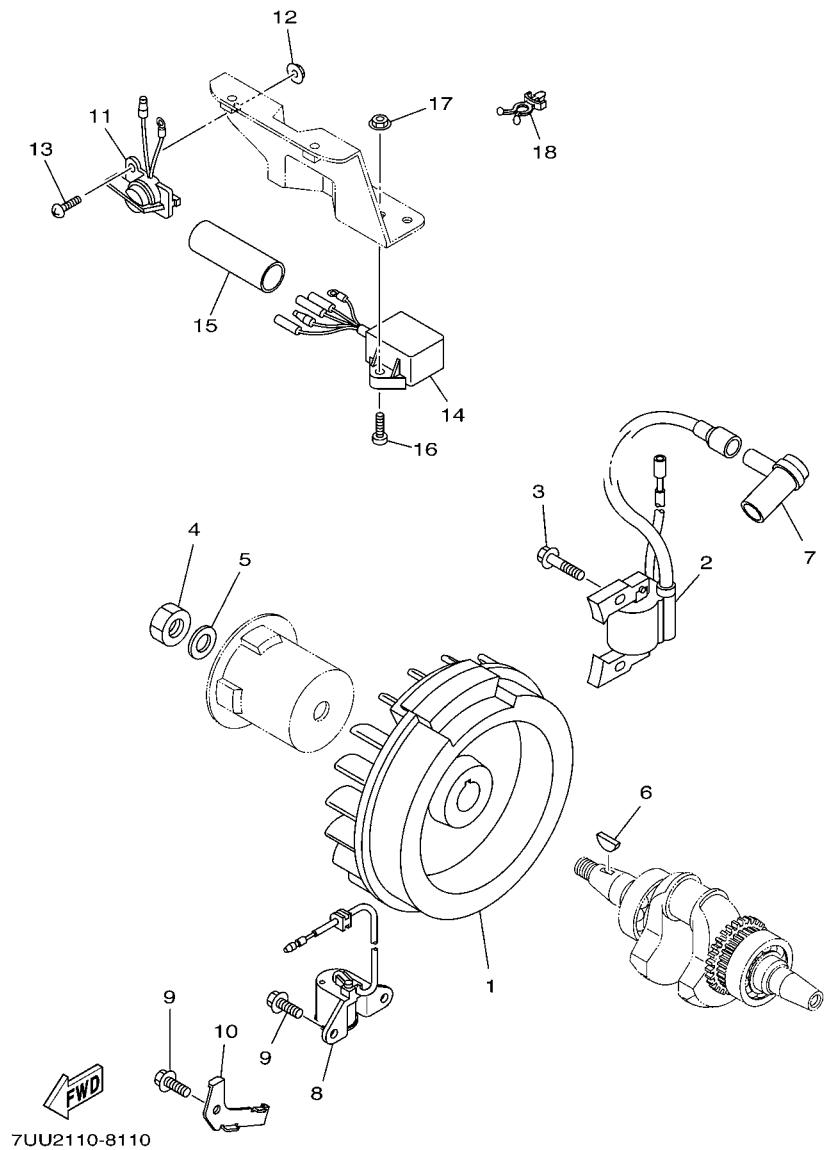
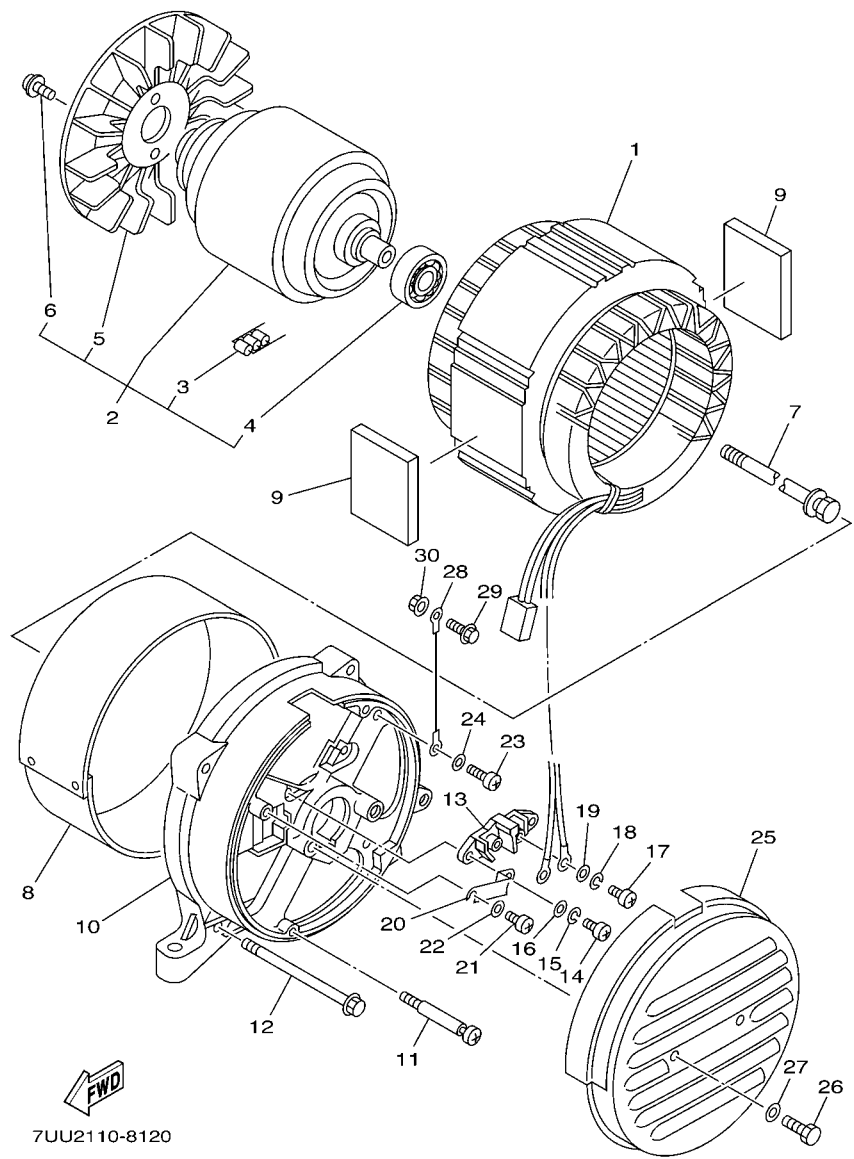


FIG. 11 MAGNETO

REF. NO.	PART NO.	DESCRIPTION	7UU2				REMARKS
1	7NN-85650-00	ROTOR ASSY	1				
2	7NJ-85640-00	T.C.I. UNIT ASSY	1				
3	95827-06020	BOLT, FLANGE	2				
4	90170-14403	NUT	1				
5	92907-14200	WASHER	1				
6	90280-04052	KEY, WOODRUFF	1				
7	8K1-82370-20	PLUG CAP ASSY (WITH RESISTOR)	1				
8	7NJ-85720-02	OIL LEVEL GAUGE ASSY	1				
9	95827-06012	BOLT, FLANGE	3				
10	7NJ-85724-00	CLAMP	1				
11	7NN-82550-00	ENGINE STOP SWITCH ASSY	1				
12	95704-06500	NUT, FLANGE	1				
13	98507-06014	SCREW, PAN HEAD	1				
14	7NN-85690-10	OIL WARNING UNIT	1				
15	7NN-82139-00	TUBE	1				
16	98507-06020	SCREW, PAN HEAD	1				
17	95704-06500	NUT, FLANGE	1				
18	90464-07078	CLAMP	1				

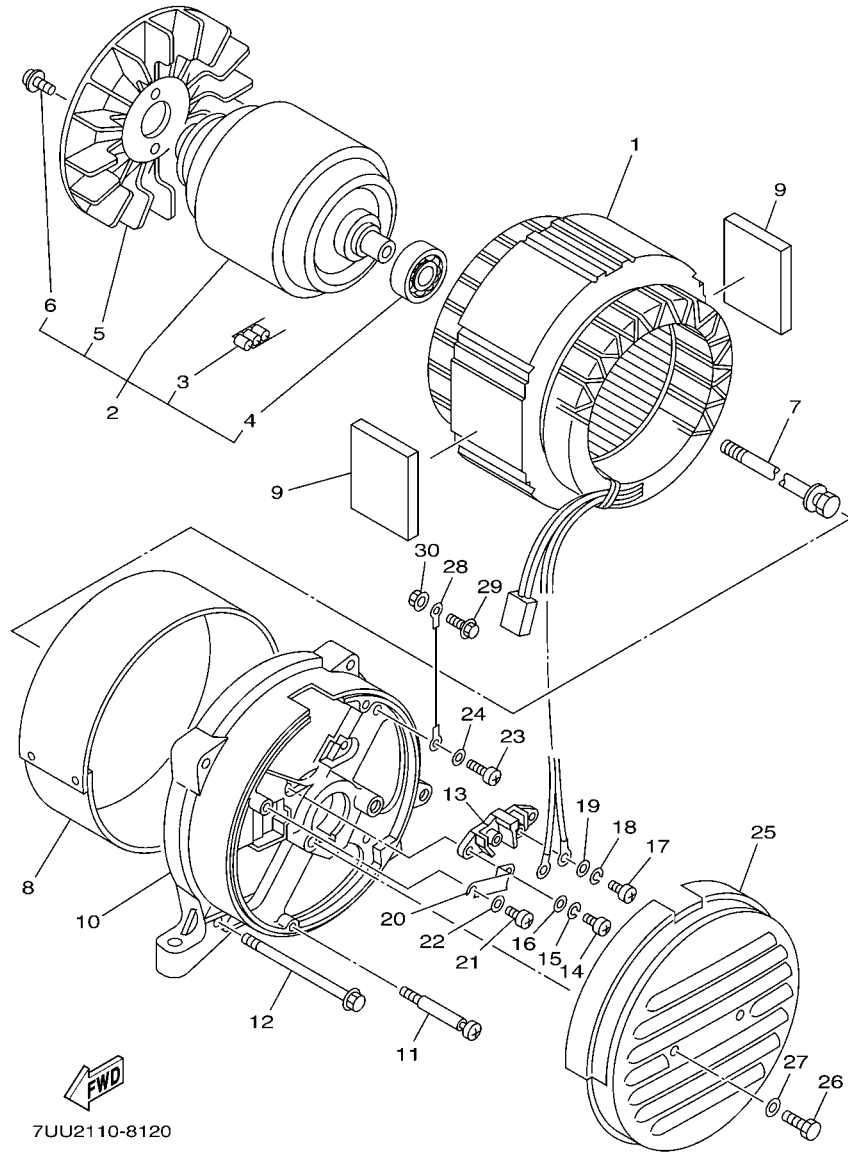


7UU2110-8120

FIG. 12 GENERATOR

REF. NO.	PART NO.	DESCRIPTION	7UU2			REMARKS
1	7NJ-87150-80	STATOR ASSY	1			
2	7NJ-87160-00	ROTOR ASSY	1			
3	7NJ-87115-00	.RECTIFIER ASSY 2	4			
4	93306-20345	.BEARING	1			
5	7LG-87172-01	.FAN, GENERATOR	1			
6	90159-06032	.SCREW, WITH WASHER	2			
7	7LG-81152-00	BOLT	1			
8	7NJ-87153-80	COVER, STATOR	1			
9	7LG-87159-00	SEAL, STATOR	2			
10	7NJ-87131-00	FRAME, REAR	1			
11	7NJ-87192-00	SCREW, STATOR	2			
12	95827-06105	BOLT, FLANGE	4			
13	7NJ-87220-00	TERMINAL SUB ASSY 1	1			
14	98507-05014	SCREW, PAN HEAD	2			
15	92907-05100	WASHER, SPRING	2			
16	92907-05600	WASHER, PLATE	2			
17	98507-05014	SCREW, PAN HEAD	2			
18	92907-05100	WASHER, SPRING	2			
19	92907-05600	WASHER, PLATE	2			
20	7NJ-88195-00	HOLDER, CONNECTOR	1			
21	98507-05010	SCREW, PAN HEAD	1			
22	92907-05600	WASHER, PLATE	1			
23	98507-05010	SCREW, PAN HEAD	1			
24	92907-05600	WASHER, PLATE	1			
25	7LG-87174-00-98	COVER, REAR END	1			LGB
26	97007-06012	BOLT	2			
27	92907-06300	WASHER	2			

FIG. 12 GENERATOR



REF. NO.	PART NO.	DESCRIPTION	7UU2				REMARKS
28	7NJ-87139-80	LEAD WIRE ASSY 2	1				
29	95880-06010	BOLT, FLANGE	1				
30	95780-06500	NUT, FLANGE	1				

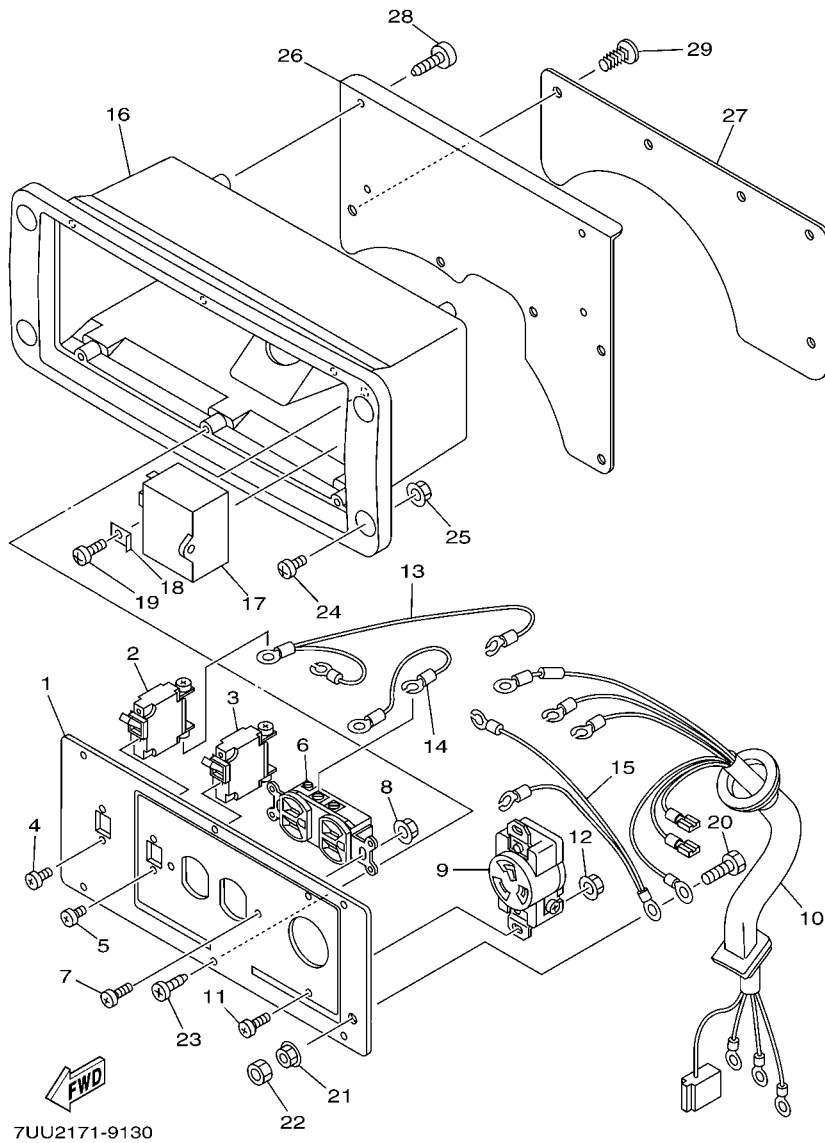
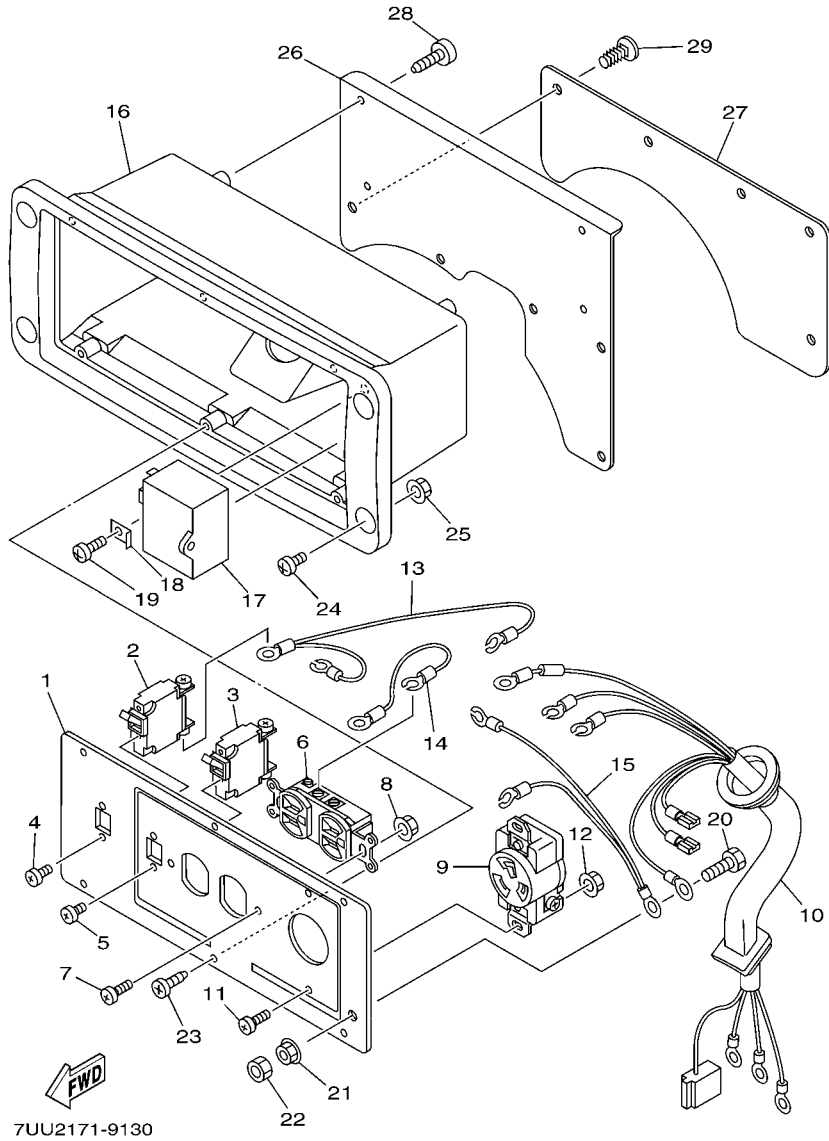


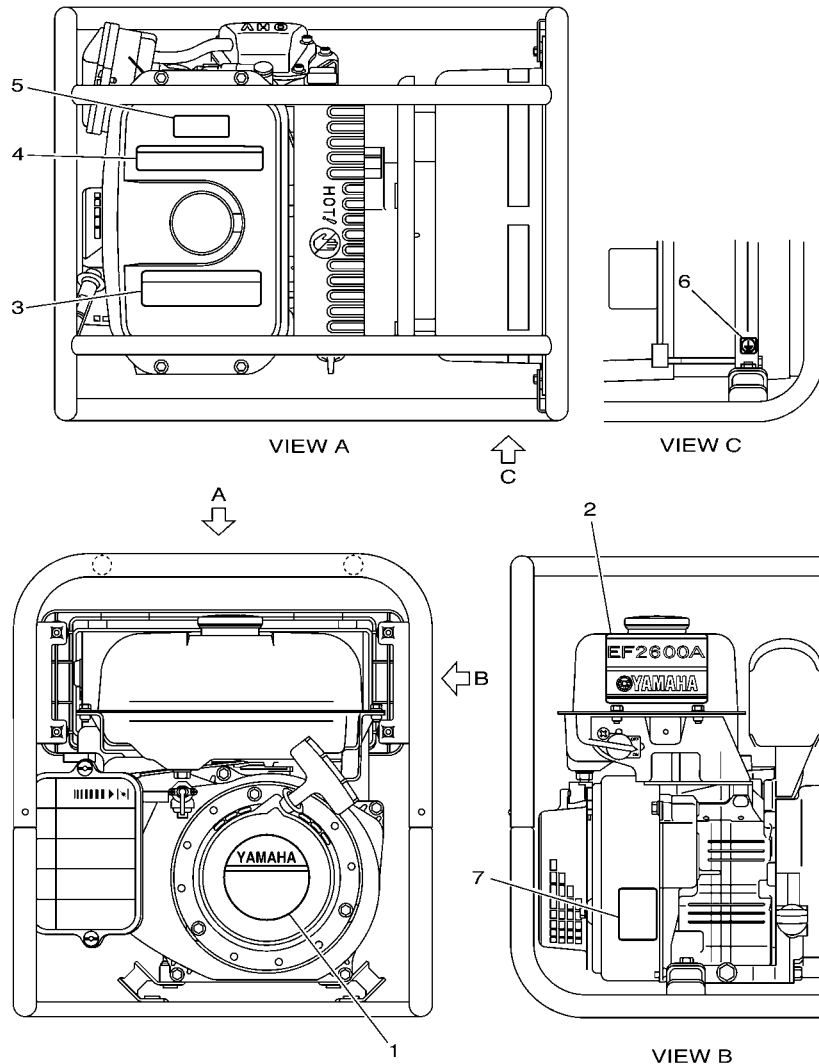
FIG. 13 CONTROL BOX

REF. NO.	PART NO.	DESCRIPTION	7U02				REMARKS
1	7UU-87249-80	PLATE	1				
2	7NJ-87204-80	BREAKER COMP.	1				
3	7NJ-8720J-80	BREAKER COMP. CIRCUIT	1				
4	98507-03006	SCREW, PAN HEAD	2				
5	98507-03006	SCREW, PAN HEAD	2				
6	7LG-87221-80	RECEPTACLE 1 (P&S 5-15R)	1				P&S 5242
7	98507-04012	SCREW, PAN HEAD	2				
8	95707-04500	NUT, FLANGE	2				
9	73H-87221-70	RECEPTACLE 1	1				P&S L5-20R USA
10	7UU-87226-80	WIRE HARNESS ASSY	1				
11	98507-04012	SCREW, PAN HEAD	2				
12	95707-04500	NUT, FLANGE	2				
13	7UU-87224-80	WIRE, LEAD 2	1				
14	7UU-87225-80	WIRE, LEAD 3	1				
15	7UU-8722Y-80	WIRE, LEAD 4	1				
16	7UU-87213-80	COVER, CONTROL BOX	1				
17	7LG-87107-01	CONDENSER ASSY	1				
18	7LG-87248-00	HOLDER, BREAKER 2	1				
19	97707-40512	SCREW, TAPPING	1				
20	97080-06020	BOLT	1				
21	95707-06500	NUT, FLANGE	1				
22	95380-06700	NUT	1				
23	97707-40516	SCREW, TAPPING	6				
24	98907-06014	SCREW, BIND	4				
25	95707-06500	NUT, FLANGE	2				
26	7UU-15415-00	COVER, GENERATOR	1				
27	7UU-15416-00	COVER, OIL PUMP	1				

FIG. 13 CONTROL BOX



REF. NO.	PART NO.	DESCRIPTION	7UU2				REMARKS
28	97707-50512	SCREW, TAPPING	4				
29	90338-08220	PLUG	5				



7UU2171-9141

FIG. 14 EMBLEM & LABEL

REF. NO.	PART NO.	DESCRIPTION	7UU2				REMARKS
1	7NN-12629-00	EMBLEM (MZ175)	1				
2	7UU-24161-00	EMBLEM 1	1				
3	7TA-24162-10	EMBLEM 2 (WARNING)	1				
4	7G6-2415A-80	LABEL, CAUTION (RECHECK FUEL)	1				ENG/FRE/SPA
5	63V-82377-50	LABEL (SPARK,IGNITION)	1				
6	7NJ-87261-00	EMBLEM 1 (GROUND)	1				
7	73A-21793-00	ORNAMENT (OIL)	1				

NUMERICAL INDEX

PART NO.	GRID NO.	PART NO.	GRID NO.	PART NO.	GRID NO.	PART NO.	GRID NO.	PART NO.	GRID NO.	PART NO.	GRID NO.
7NJ-11111-00	B - 2	7LG-14150-11	B - 8	7NN-24110-00-NJ	B - 11	7UU-87249-80	B - 15	95707-08500	B - 11		
7NJ-11160-00	B - 2	7EG-14159-00	B - 8	7NN-24115-00	B - 11	7NJ-87261-00	C - 3	95780-06500	B - 14		
7NJ-11169-00	B - 2	7NJ-14162-00	B - 8	7NN-24116-00	B - 11	7NJ-88195-00	B - 13	95807-06008	B - 6		
7NJ-11181-00	B - 2	7EG-14181-00	B - 8	7G6-2415A-80	C - 3	90116-06493	B - 2	95807-06012	B - 6		
7NJ-11191-00	B - 2	7G0-14184-00	B - 8	7UU-24161-00	C - 3	90146-06014	B - 7	95807-06016	B - 7		
7NJ-11193-00	B - 2	7LG-14185-00	B - 8	7TA-24162-10	C - 3	90153-05024	B - 9	95827-06012	B - 2		
7NJ-11400-00	B - 3	22F-14186-00	B - 8	730-24167-00	B - 11	90159-06032	B - 13				
7NJ-11604-01	B - 3	7E1-14191-00	B - 8	7NN-24311-00	B - 11	90170-14403	B - 12				
7NJ-11605-01	B - 3	7LV-14211-00	B - 8	7NJ-24500-01	B - 11	90173-06017	B - 4				
7NJ-11610-01	B - 3	73A-14212-00	B - 8	2W6-24512-00	B - 11	90201-06071	B - 9	95827-06016	B - 9		
7NJ-11631-00-98	B - 3	7G0-14227-00	B - 8	7NJ-24515-00	B - 11	90201-065K7	B - 4	95827-06020	B - 12		
4H7-11633-00	B - 3	1HX-1423E-36	B - 8	7J3-24521-00	B - 11	90201-08102	B - 11	95827-06105	B - 13		
7NJ-11635-00	B - 3	7NJ-14411-00	B - 7	7J3-24532-00	B - 11	90201-171J5	B - 9	95827-08020	B - 11		
7NJ-11636-00	B - 3	7NJ-14412-00	B - 7	4X8-24565-00	B - 11	90267-48N00	B - 11	95827-08035	B - 10		
7NJ-11650-00	B - 3	7NJ-14451-00	B - 7	7T9-24610-00	B - 11	90280-04052	B - 12	95827-08045	B - 2		
JA9-11654-01	B - 3	7NJ-14468-00	B - 7	7H6-28100-00	B - 11	90338-05251	B - 11	95827-08065	B - 2		
7NJ-11913-00	B - 4	7NB-14477-00	B - 7	7LG-81152-00	B - 13	90338-08220	C - 2	95880-06010	B - 14		
7FK-11914-00	B - 4	78F-14486-00	B - 8	7NN-82139-00	B - 12	90430-10188	B - 10	97007-06012	B - 13		
JA9-11917-00	B - 4	JA9-14613-00	B - 9	8K1-82370-20	B - 12	90445-131J5	B - 2	97027-06010	B - 9		
7NJ-11922-00	B - 4	7NN-14708-01	B - 9	63V-82377-50	C - 3	90464-07078	B - 12	97027-06030	B - 4		
7NN-11924-00	B - 4	7NN-14711-04	B - 9	7NN-82550-00	B - 12	90467-09037	B - 11	97080-06020	B - 15		
7NN-11925-10	B - 4	7NJ-14788-00	B - 9	7NJ-85640-00	B - 12	90468-18008	B - 4	97707-40512	B - 15		
7LV-11928-10	B - 4	7NJ-14799-01	B - 9	7NN-85650-00	B - 12	90501-10264	B - 4	97707-40516	B - 15		
7NN-11950-00	B - 4	7NJ-1479E-00	B - 9	7NN-85690-10	B - 12	90501-205J4	B - 5	97707-50512	C - 2		
7NJ-11970-00	B - 4	7NJ-1495F-1A	B - 8	7NJ-85720-02	B - 12	90506-04495	B - 4	98507-03006	B - 15		
7FK-11971-00	B - 10	7UF-15111-10	B - 10	7NJ-85724-00	B - 12	92907-05100	B - 13	98507-04012	B - 15		
7NJ-12111-00	B - 5	796-15363-01	B - 10	7LG-87107-01	B - 15	92907-05600	B - 13	98507-05010	B - 13		
7NJ-12117-00	B - 5	7NJ-15411-00	B - 10	7NJ-87115-00	B - 13	92907-06200	B - 4	98507-05014	B - 13		
7NJ-12118-00	B - 5	7UU-15415-00	B - 15	7NJ-87131-00	B - 13	92907-06300	B - 13	98507-06014	B - 12		
51Y-12119-00	B - 5	7UU-15416-00	B - 15	7NJ-87139-80	B - 14	92907-06600	B - 4	98507-06020	B - 12		
7NJ-12121-00	B - 5	7UU-15417-00	B - 10	7NJ-87150-80	B - 13		B - 9	98507-06035	B - 4		
JA9-12151-00	B - 5	7NJ-15451-00	B - 10	7NJ-87153-80	B - 13	92907-14200	B - 12	98907-06014	B - 15		
JA9-12153-00	B - 5	7NJ-15710-01	B - 6	7LG-87159-00	B - 13	93102-25090	B - 10	99530-08016	B - 10		
7NJ-12154-00	B - 5	7NJ-15711-00	B - 6	7NJ-87160-00	B - 13	93104-06062	B - 10	99530-10114	B - 2		
7NJ-12155-00	B - 5	7NJ-15713-00	B - 6	7LG-87172-01	B - 13	93210-22344	B - 10				
7FK-12157-00	B - 5	JL8-15714-00	B - 6	7LG-87174-00-98	B - 13	93306-20345	B - 13				
7FK-12158-00	B - 5	JL8-15715-00	B - 6	7NJ-87192-00	B - 13	93306-20511	B - 10				
7FK-12165-00	B - 5	JL8-15716-00	B - 6	7NJ-87204-80	B - 15	93440-06107	B - 4				
7NJ-12170-02	B - 5	7NJ-15723-00	B - 6	7NJ-8720J-80	B - 15	93450-17025	B - 3				
7NJ-12287-00	B - 5	JL8-15741-00	B - 6	7UU-87213-80	B - 15	94701-00331	B - 2				
7NJ-12621-00	B - 6	JK4-15743-00	B - 6	7NJ-87220-00	B - 13	95027-10016	B - 10				
7NN-12629-00	C - 3	7NJ-15751-01	B - 6	73H-87221-70	B - 15	95307-06600	B - 9				
7NJ-12651-01	B - 6	7LV-15755-00	B - 6	7LG-87221-80	B - 15	95380-06700	B - 15				
7NJ-13557-00	B - 7	7NJ-15793-00	B - 6	7UU-87224-80	B - 15	95607-06615	B - 2				
7NJ-13567-00	B - 7	73A-21793-00	C - 3	7UU-87225-80	B - 15	95704-06500	B - 12				
7NJ-13596-00	B - 7	7NJ-22840-00	B - 11	7UU-87226-80	B - 15	95707-04500	B - 15				
7NJ-14101-00	B - 8	7UU-22850-00	B - 11	7UU-8722Y-80	B - 15	95707-06500	B - 7				
620-14142-42	B - 8	7LG-22891-00	B - 11	7LG-87248-00	B - 15		B - 15				