



# PARTS CATALOGUE

## EF2800i (7VU3) SOUTH KOREA

---



1B7VU-411E1

( )

EF2800i  
PARTS CATALOGUE  
©2003 by Yamaha Motor Co., Ltd.  
1st edition, December 2003  
All rights reserved.  
Any reprinting or unauthorized use  
without the written permission of  
Yamaha Motor Co., Ltd.  
is expressly prohibited.  
Printed in Japan.

# FOREWORD

This Parts Catalogue is related to the parts for the model(s) on the cover page. When you are ordering replacement parts, please refer to this Parts Catalogue and quote both part numbers and part names correctly.

1. Modifications or additions which have been made after the issue of the Parts Catalogue will be announced in the Parts News.

It is advisable that you make the necessary corrections to the Parts Catalogue according to the Parts News.

2. Abbreviations

The following abbreviations are used in this Parts Catalogue.

“UR” Use specified parts number.

“UN” Use as many as needed.

“AP” Alternate Parts

“LM” Locally Made (Parts need to be ordered locally)

“F#” Frame No. (Applicable machine No.)

“O/S” Over Size

3. The number of components for assembly

- Parts, which are to be supplied in an assembly, are listed with a dot (.) in front of the part name as shown below.
- The numeral appearing to the right of each component part indicates the quantity of parts for each assembly unit.

PART NO.	DESCRIPTION	Q'TY	REMARKS
2F5-83310-60	FRONT FLASHER LIGHT ASSY	2	
115-83311-60	.BULB (6V-18W)	1	

4. Applicable colours of graphics are represented in the “REMARKS” as shown below.

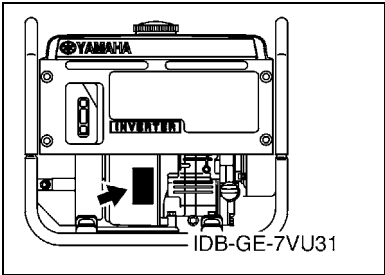
PART NO.	DESCRIPTION	Q'TY	REMARKS
2N4-24110-00-X5	FUEL TANK COMP.	2	MXR
3J1-24240-10	.GRAPHIC, FUEL TANK	1	FOR MXR

5. Note that the illustrations for reference in finding parts numbers are not to be used for assembling. When assembling, please use the applicable service manual.

6. The asterisk (\*) before a reference number indicates modified items after the first edition.

# FOREWORD

7. Applicable Serial No.  
 Frame Serial No.



8. Applicable Colour Code (The (\*) mark shows Model colour.)

Abbreviation	Colour Name	Colour Code
PBS3(*)	PURPLISH BLUE SOLID 3	0714

9. Applicable Starting Serial No.  
 \*\*\*\*\*Serial NO.

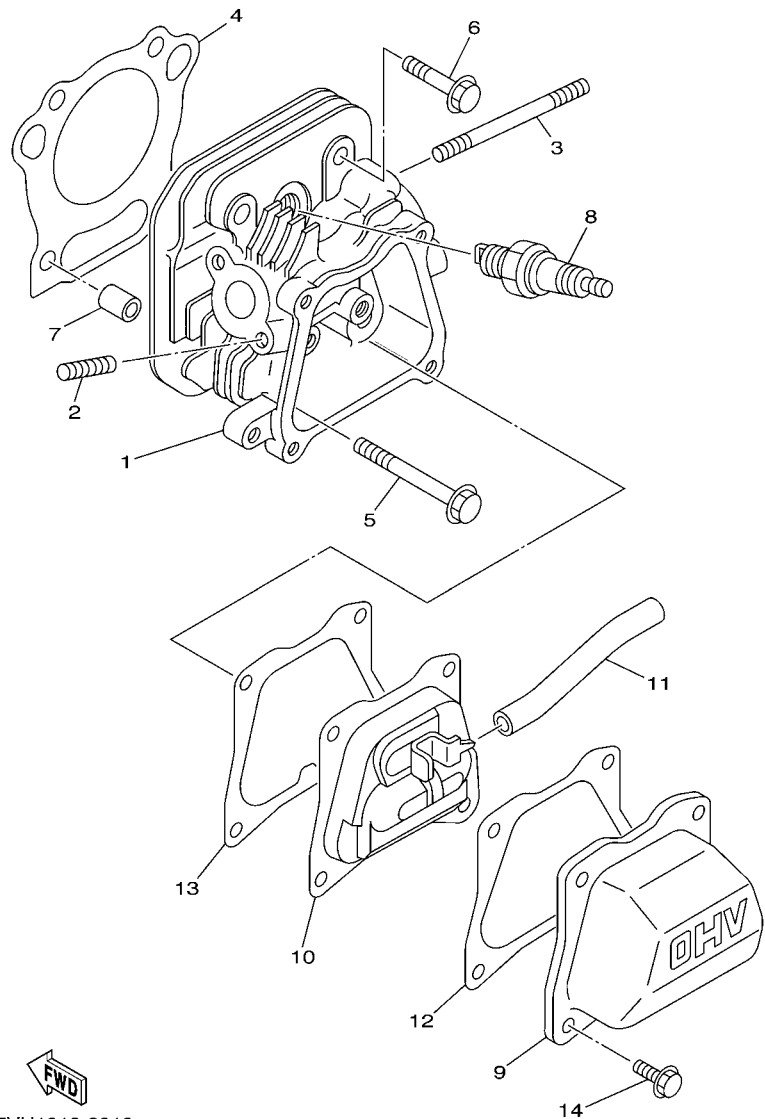
Model	Model Code	Destination	Voltage	Serial NO.
EF2800i	7VU3	SOUTH KOREA	220V-60Hz	7VU-310101

# CONTENTS

CYLINDER .....	1
CRANKSHAFT & PISTON .....	2
CAMSHAFT & VALVE .....	3
AIR SHROUD & STARTER .....	4
INTAKE .....	5
CARBURETOR .....	6
EXHAUST .....	7
CRANKCASE .....	8
FRAME .....	9
FUEL TANK .....	10
MAGNETO .....	11
GENERATOR .....	12
CONTROL BOX .....	13
LABELS .....	15

## INDEX

NUMERICAL INDEX .....	16
-----------------------	----

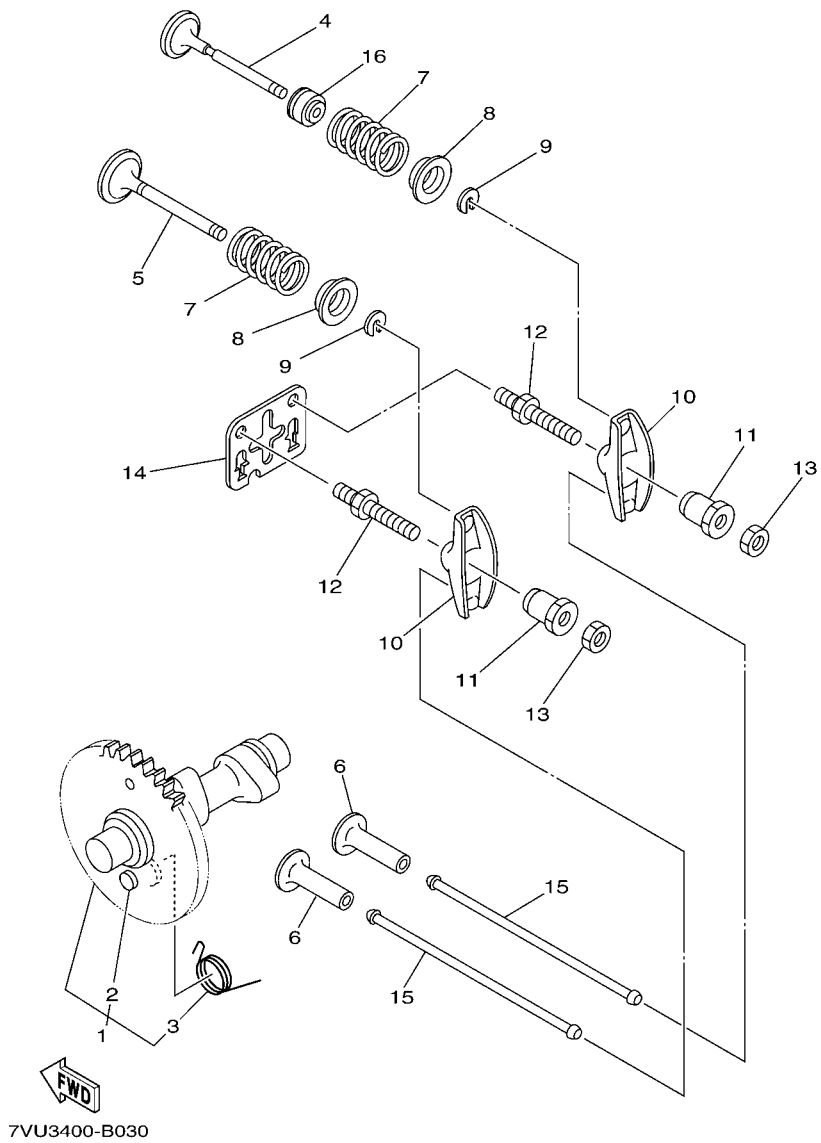


**FIG. 1 CYLINDER**

REF. NO.	PART NO.	DESCRIPTION	7VU3				REMARKS
1	7WC-11111-00	HEAD, CYLINDER 1	1				
2	95607-06615	BOLT, STUD	2				
3	90116-06493	BOLT, STUD	2				
4	7WC-11181-00	GASKET, CYLINDER HEAD 1	1				
5	95827-08065	BOLT, FLANGE	2				
6	95827-08045	BOLT, FLANGE	2				
7	99530-10114	PIN, DOWEL	2				
8	94702-00331	PLUG, SPARK (NGK BPR4ES)	1				
9	7NJ-11191-00	COVER, CYLINDER HEAD 1	1				
10	7NJ-11160-00	BREATHER ASSY	1				
11	90445-131J5	HOSE (L106)	1				
12	7NJ-11169-00	GASKET, BREATHER COVER	1				
13	7NJ-11193-00	GASKET, HEAD COVER 1	1				
14	95827-06012	BOLT, FLANGE	4				
-----							
-----							
-----							
-----							

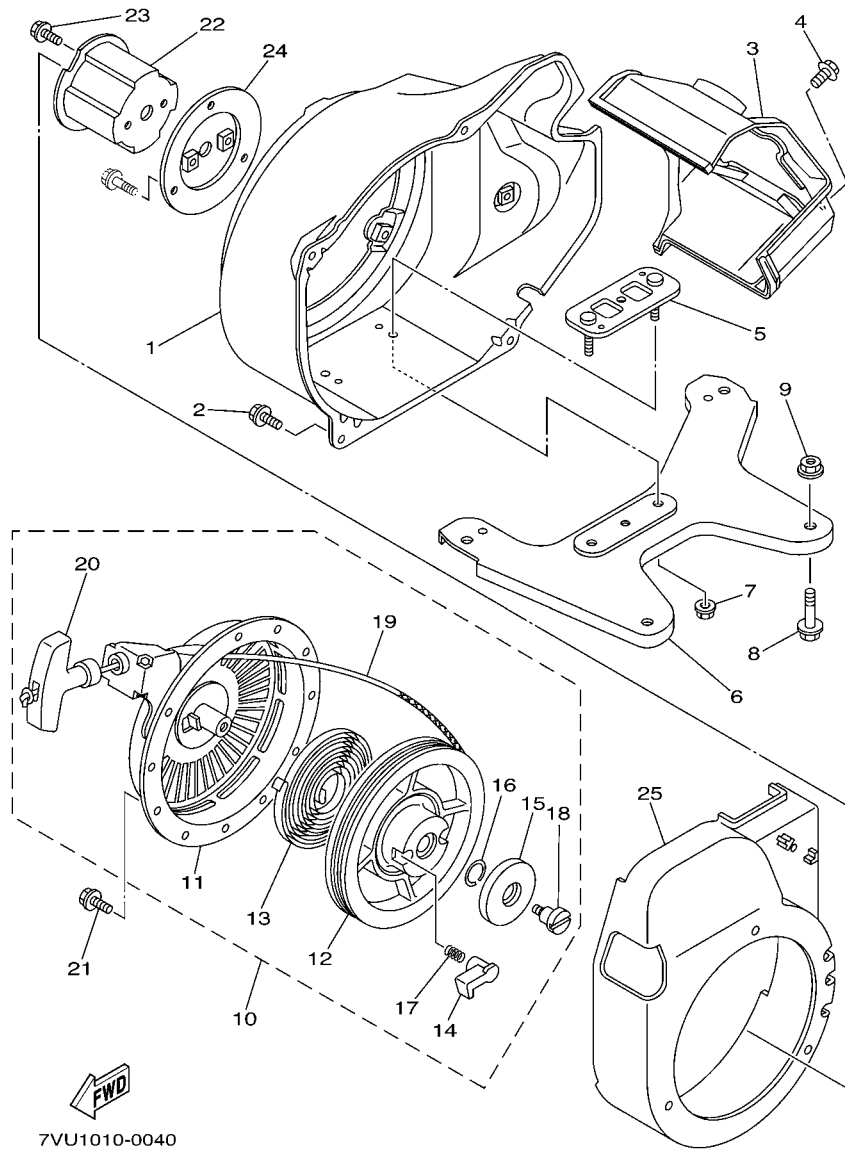


**FIG. 3 CAMSHAFT & VALVE**



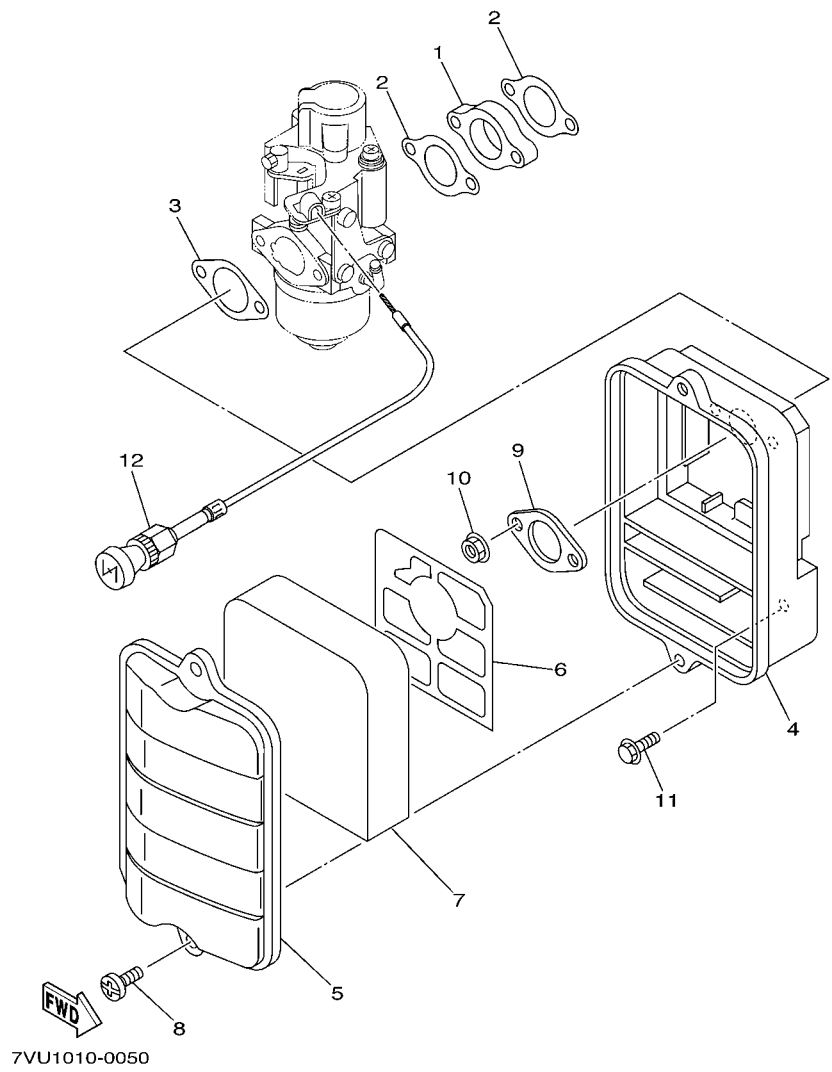
REF. NO.	PART NO.	DESCRIPTION	7VU3				REMARKS
1	7NJ-12170-03	CAMSHAFT ASSY 1	1				
2	7NJ-12299-01	.BOLT, STOPPER	1				
3	7NJ-12287-00	.SPRING, DECOMPRESSION	1				
4	7NJ-12111-00	VALVE, INTAKE	1				
5	7NJ-12121-00	VALVE, EXHAUST	1				
6	7WC-12153-00	LIFTER, VALVE	2				UR
	JA9-12153-10	LIFTER, VALVE	2				UR
7	90501-205J4	SPRING, COMPRESSION	2				
8	7NJ-12117-00	RETAINER, VALVE SPRING	2				
9	7NJ-12118-00	COTTER, VALVE	2				
10	7NN-12151-00	ARM, VALVE ROCKER	2				
11	7NN-12165-02	PIVOT, ROCKER ARM	2				
12	7FK-12157-00	BOLT	2				
13	7FK-12158-00	NUT, LOCK	2				
14	7NJ-12155-01	GUIDE, PUSH ROD	1				
15	7NJ-12154-00	ROD, VALVE PUSH	2				
16	51Y-12119-00	SEAL, VALVE STEM	1				





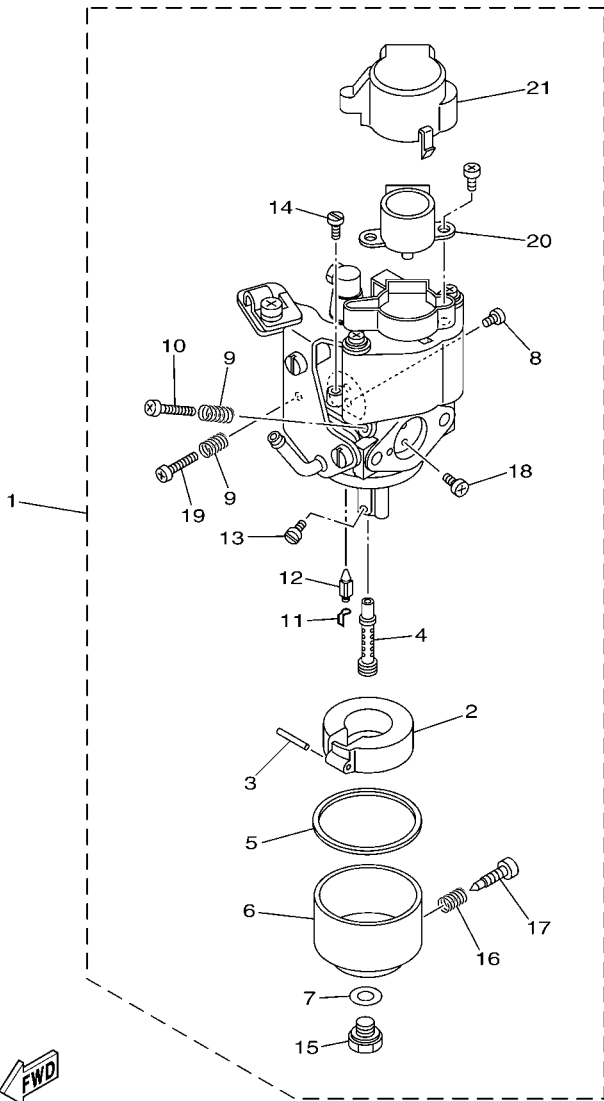
**FIG. 4 AIR SHROUD & STARTER**

REF. NO.	PART NO.	DESCRIPTION	7VU3				REMARKS
1	7VU-12621-00	CASE, FAN	1				
2	95807-06012	BOLT, FLANGE	4				
3	7NJ-12651-02	AIR SHROUD, CYLINDER 1	1				
4	95807-06012	BOLT, FLANGE	1				
5	7VU-12633-00	PLATE	1				
6	7VU-11011-00	BRACKET, ENGINE 1	1				
7	95707-06500	NUT, FLANGE	2				
8	95807-08030	BOLT, FLANGE	2				
9	95707-08500	NUT, FLANGE	2				
10	7VU-15710-00	STARTER ASSY	1				
11	7VU-15711-00	.CASE, STARTER	1				
12	7VU-15714-00	.DRUM, SHEAVE	1				
13	7TA-15713-00	.SPRING, STARTER	1				
14	JL8-15741-00	.PAWL, DRIVE	2				
15	7VU-15716-00	.PLATE, DRIVE	1				
16	7TA-15715-00	.SPRING, FRICTION	1				
17	JK4-15743-00	.SPRING, RETURN	2				
18	7NJ-15793-00	.SCREW	1				
19	7VU-15751-00	.WIRE, STARTER	1				
20	7TA-15755-00	.HANDLE, STARTER	1				
21	95807-06016	BOLT, FLANGE	3				
22	7VU-15723-00	PULLEY, STARTER	1				
23	95807-06008	BOLT, FLANGE	2				
24	7VU-15724-00	SPACER	1				
25	7VU-12616-00	COVER, FAN CASE	1				



**FIG. 5 INTAKE**

REF. NO.	PART NO.	DESCRIPTION	7VU3				REMARKS
1	7NJ-13596-00	JOINT, CARBURETOR 2	1				
2	7NJ-13557-00	GASKET	2				
3	7NJ-13567-00	GASKET	1				
4	7NJ-14411-00	CASE, AIR CLEANER 1	1				
5	7NJ-14412-00	CAP, CLEANER CASE 1	1				
6	7NJ-14468-00	PLATE,ELEMENT FITTING	1				
7	7NJ-14451-00	ELEMENT, AIR CLEANER	1				
8	90146-06014	SCREW, OVAL FILLISTER	2				
9	7NB-14477-00	PLATE	1				
10	95707-06500	NUT, FLANGE	2				
11	95807-06016	BOLT, FLANGE	1				
12	7VU-26331-00	CABLE, STARTER 1	1				



7VU3400-B060

FIG. 6 CARBURETOR

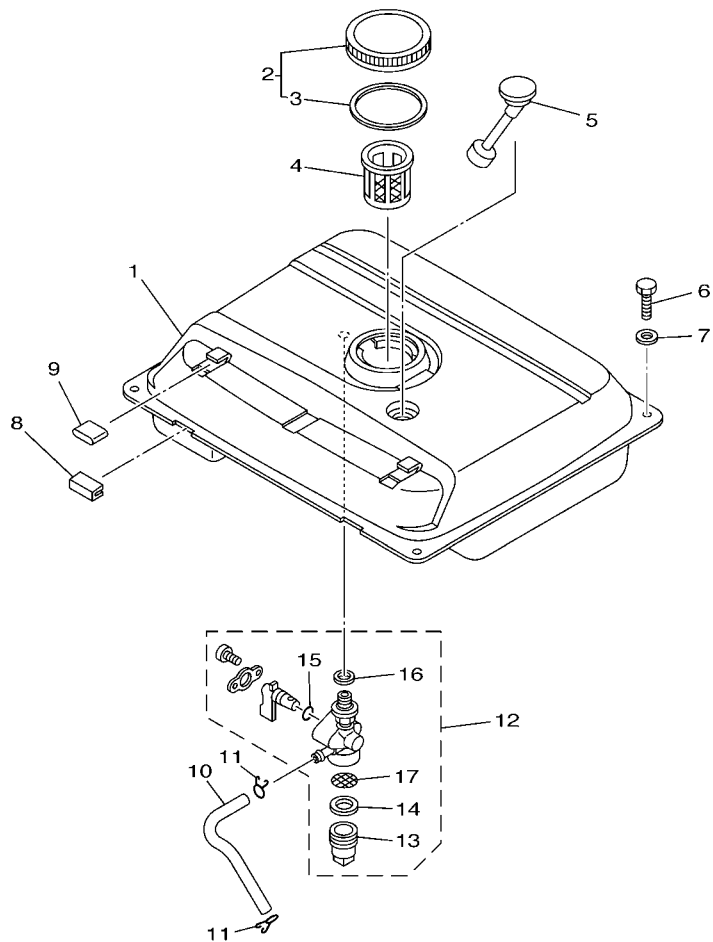
REF. NO.	PART NO.	DESCRIPTION	7VU3				REMARKS
1	7VU-14101-00	CARBURETOR ASSY 1	1				
2	7LG-14185-00	.FLOAT	1				
3	22F-14186-00	.PIN, FLOAT	1				
4	7NN-1495F-1B	.NOZZLE, MAIN	1				
5	7G0-14184-00	.GASKET, FLOAT CHAMBER	1				
6	7EG-14181-00	.BODY, FLOAT CHAMBER 1	1				
7	7G0-14227-00	.WASHER	1				
8	7RH-14486-00	.SCREW, ROD	2				
9	73A-14212-00	.SPRING	2				
10	7LV-14211-00	.SCREW, PILOT ADJUSTING	1				
11	7EG-14159-00	.CLIP	1				
12	7LG-14150-11	.NEEDLE ASSY	1				
13	1HX-1423E-35	.JET, MAIN(#88.8)	1				
14	620-14142-37	.JET, PILOT (# 37.5)	1				
15	7NJ-14162-00	.BOLT, HOLDING	1				
16	73A-14212-00	.SPRING	1				
17	7E1-14191-00	.PLUG, DRAIN	1				
18	7RH-14216-00	.SCREW	2				
19	1WG-14922-00	.SCREW, THROTTLE	1				
20	7VU-86240-00	.THROTTLE MOTOR ASSY	1				
21	7VU-14293-00	.COVER 1	1				





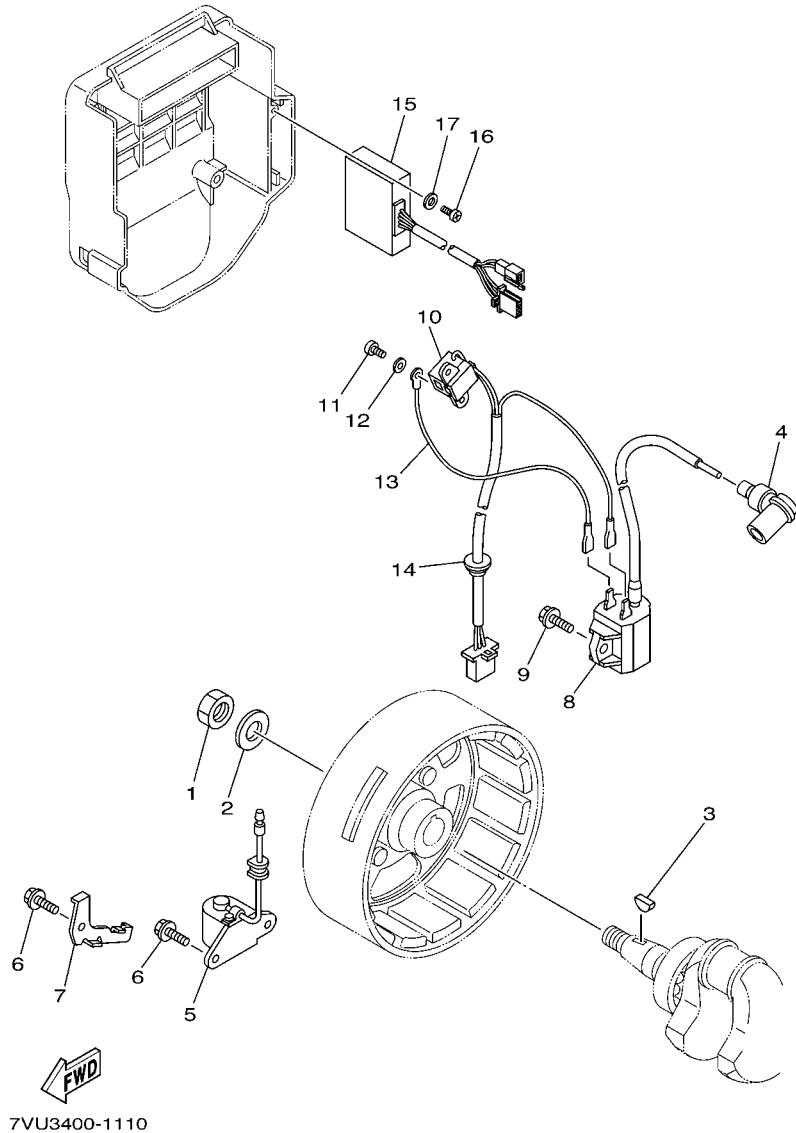


FIG. 10 FUEL TANK



7VU2110-0100

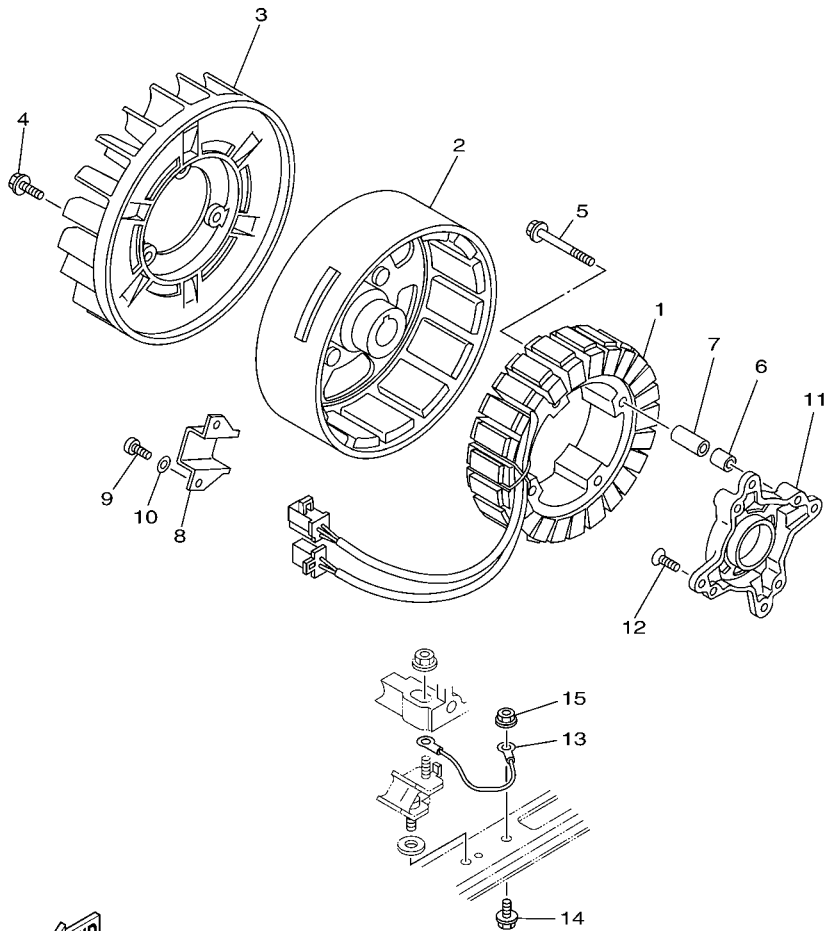
REF. NO.	PART NO.	DESCRIPTION	7VU3				REMARKS
1	7VU-24110-00-P0	FUEL TANK COMP.	1				PBS3
2	74T-24610-00	CAP ASSY	1				
3	796-24612-00	.GASKET, CAP	1				
4	630-24167-00	STRAINER	1				
5	7A9-85710-02	FUEL LEVEL GAUGE ASSY	1				
6	97007-06012	BOLT	2				
7	90201-06380	WASHER, PLATE	2				
8	7LG-24181-00	DAMPER, LOCATING 1	2				
9	2E9-24182-00	DAMPER, LOCATING 2	2				
10	7VU-24311-00	PIPE, FUEL 1	1				
11	90467-09006	CLIP	2				
12	7RA-24500-00	FUEL COCK ASSY 1	1				
13	7J3-24521-00	.CUP, FILTER	1				
14	4X8-24565-00	.GASKET	1				
15	7NJ-24534-00	.SEAL, COCK	1				
16	7NJ-24532-00	.GASKET	1				
17	7NJ-24515-01	.NET, FILTER 2	1				



**FIG. 11 MAGNETO**

REF. NO.	PART NO.	DESCRIPTION	7VU3				REMARKS
1	90170-14403	NUT	1				
2	92907-14200	WASHER	1				
3	90280-04052	KEY, WOODRUFF	1				
4	7VU-82370-00	PLUG CAP ASSY	1				
5	7NJ-85720-02	OIL LEVEL GAUGE ASSY	1				
6	95827-06012	BOLT, FLANGE	3				
7	7NJ-85724-00	CLAMP	1				
8	7VU-82310-00	IGNITION COIL ASSY	1				
9	95807-06020	BOLT, FLANGE	1				
10	7VU-85595-00	COIL, PULSER	1				
11	98507-05010	SCREW, PAN HEAD	2				
12	92907-05600	WASHER, PLATE	2				
13	7VU-82318-00	WIRE, SUB-LEAD	1				
14	90480-12013	GROMMET	1				
15	7VU-85540-20	C.D.I. UNIT ASSY	1				
16	97707-50612	SCREW, TAPPING	1				
17	90201-05032	WASHER, PLATE	1				

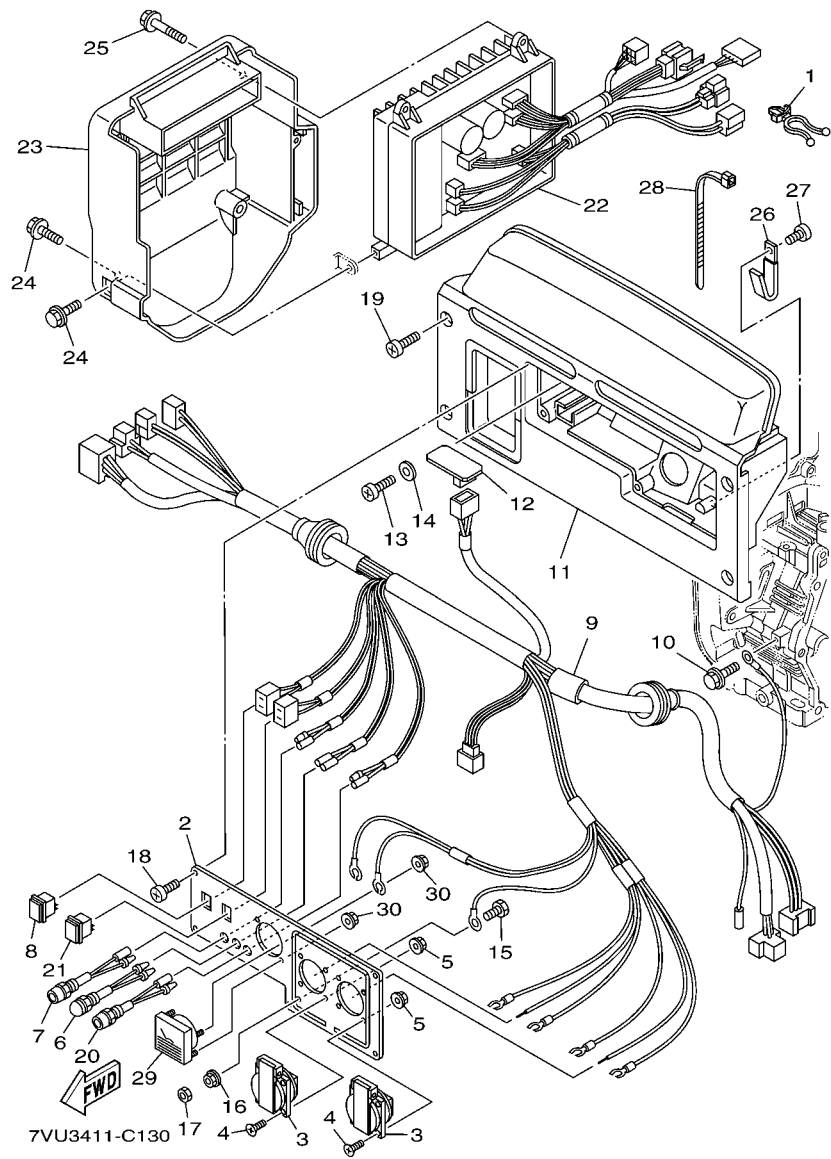




7VU3400-B120

FIG. 12 GENERATOR

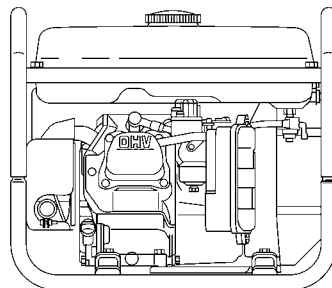
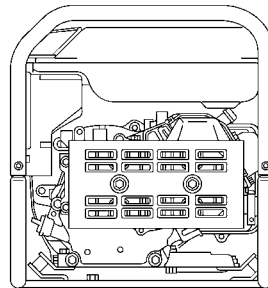
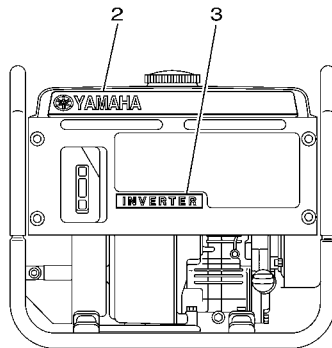
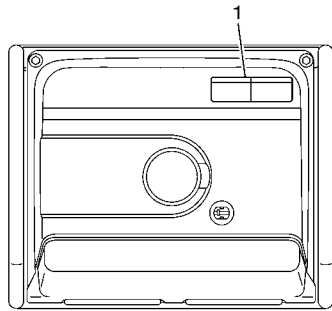
REF. NO.	PART NO.	DESCRIPTION	7VU3				REMARKS
1	7VU-87150-21	STATOR ASSY	1				
2	7VU-87160-01	ROTOR ASSY	1				
3	7VU-87172-00	FAN, GENERATOR	1				
4	95807-06016	BOLT, FLANGE	3				
5	95827-06045	BOLT, FLANGE	4				
6	99530-08012	PIN, DOWEL	2				
7	7VU-8719F-01	TUBE 7	2				
8	7VU-83595-00	CLAMP	1				
9	98507-05010	SCREW, PAN HEAD	2				
10	92907-05600	WASHER, PLATE	2				
11	7VU-87181-00	BRKT., GENERATOR MOUNT	1				
12	98707-06016	SCREW, FLAT HEAD	4				
13	7VU-87139-00	LEAD WIRE ASSY 2	1				
14	95880-06010	BOLT, FLANGE	1				
15	95780-06500	NUT, FLANGE	1				



**FIG. 13 CONTROL BOX**

REF. NO.	PART NO.	DESCRIPTION	7VU3				REMARKS
1	90464-12M35	CLAMP	1				
2	7VU-87249-A0	PLATE	1				
3	7H7-87221-80	RECEPTACLE 1 (ABL 6995)	2				
4	90151-03032	SCREW, COUNTERSUNK	8				
5	90179-03478	NUT	8				
6	7NJ-83530-G0	PILOT LIGHT ASSY	1				
7	7NJ-85770-00	OIL PILOT LIGHT ASSY	1				
8	7NJ-82550-00	ENGINE STOP SWITCH ASSY	1				
9	7VU-87226-K0	WIRE HARNESS ASSY	1				
10	95807-06010	BOLT, FLANGE	1				
11	7VU-87213-00	COVER, CONTROL BOX	1				
12	7VU-85690-00	OIL WARNING UNIT	1				
13	97707-30512	SCREW, TAPPING	1				
14	90201-03013	WASHER, PLATE	1				
15	97080-05016	BOLT	1				
16	95707-05500	NUT, FLANGE	1				
17	95380-05700	NUT	1				
18	97707-40516	SCREW, TAPPING	6				
19	98907-06014	SCREW, BIND	4				
20	7VU-83582-00	PILOT LIGHT ASSY	1				
21	7NJ-82550-00	ENGINE STOP SWITCH ASSY	1				ECON.SW
22	7VU-8A210-60	CONTROL UNIT	1				
23	7VU-8721G-00	COVER, CONTROL BOX 2	1				
24	95827-06012	BOLT, FLANGE	3				
25	95827-06025	BOLT, FLANGE	2				
26	90462-05059	CLAMP	1				
27	97707-60512	SCREW, TAPPING	1				





7VU3400-B140

FIG. 14 LABELS

REF. NO.	PART NO.	DESCRIPTION	7VU3				REMARKS
1	7TA-24162-10	EMBLEM 2 (WARNING)	1				
2	7VU-24161-10	EMBLEM 1 (YAMAHA)	1				
3	7VU-24164-00	EMBLEM 4 (INVERTER)	1				
-----							
-----							
-----							
-----							
-----							
-----							
-----							
-----							
-----							
-----							

NUMERICAL INDEX

PART NO.	REF. NO.	PART NO.	REF. NO.	PART NO.	REF. NO.	PART NO.	REF. NO.	PART NO.	REF. NO.	PART NO.	REF. NO.
7VU-11011-00	4 - 6	7LG-14185-00	6 - 2	7VU-24161-10	14 - 2	90151-03032	13 - 4	95807-06020	11 - 9		
7VU-11012-00	9 - 9	22F-14186-00	6 - 3	7TA-24162-10	14 - 1	90153-05024	7 - 5	95807-08030	4 - 8		
7WC-11111-00	1 - 1	7E1-14191-00	6 - 17	7VU-24164-00	14 - 3	90170-14403	11 - 1		9 - 8		
7NJ-11160-00	1 - 10	7LV-14211-00	6 - 10	630-24167-00	10 - 4	90179-03478	13 - 5	95827-06008	7 - 9		
7NJ-11169-00	1 - 12	73A-14212-00	6 - 9	7LG-24181-00	10 - 8		13 - 30		7 - 10		
7WC-11181-00	1 - 4		6 - 16	2E9-24182-00	10 - 9	90201-03013	13 - 14		7 - 15		
7NJ-11191-00	1 - 9	7RH-14216-00	6 - 18	7VU-24311-00	10 - 10	90201-05032	11 - 17	95827-06012	1 - 14		
7NJ-11193-00	1 - 13	7G0-14227-00	6 - 7	7RA-24500-00	10 - 12	90201-06380	10 - 7		11 - 6		
7VU-11400-01	2 - 1	1HX-1423E-35	6 - 13	7NJ-24515-01	10 - 17	90201-086A3	9 - 5		13 - 24		
7WC-11604-00	2 - 5	7VU-14293-00	6 - 21	7J3-24521-00	10 - 13	90201-171J5	7 - 6	95827-06025	13 - 25		
7WC-11605-00	2 - 5	7NJ-14411-00	5 - 4	7NJ-24532-00	10 - 16	90267-48N00	9 - 3	95827-06045	12 - 5		
7WC-11610-00	2 - 5	7NJ-14412-00	5 - 5	7NJ-24534-00	10 - 15	90280-04052	11 - 3	95827-08012	7 - 12		
7NJ-11631-00-98	2 - 4	7NJ-14451-00	5 - 7	4X8-24565-00	10 - 14	90338-41106	8 - 10	95827-08035	8 - 12		
4H7-11633-00	2 - 6	7NJ-14468-00	5 - 6	74T-24610-00	10 - 2	90430-10188	8 - 6	95827-08045	1 - 6		
7NJ-11635-00	2 - 4	7NB-14477-00	5 - 9	796-24612-00	10 - 3	90430-17002	8 - 14	95827-08065	1 - 5		
7NJ-11636-00	2 - 4	7RH-14486-00	6 - 8	7VU-26331-00	5 - 12	90445-131J5	1 - 11	95880-06010	12 - 14		
7NJ-11650-00	2 - 2	JA9-14613-00	7 - 14	7TA-28100-00	9 - 10	90462-05059	13 - 26	97007-06012	10 - 6		
JA9-11654-01	2 - 3	7VU-14711-00	7 - 1	7VU-82310-00	11 - 8	90464-12M35	13 - 1	97080-05016	13 - 15		
7NJ-12111-00	3 - 4	7VU-14718-00	7 - 7	7VU-82318-00	11 - 13	90464-13073	13 - 28	97707-30512	13 - 13		
7NJ-12117-00	3 - 8	7VU-14728-00	7 - 8	7VU-82370-00	11 - 4	90467-09006	10 - 11	97707-40516	13 - 18		
7NJ-12118-00	3 - 9	7VU-14781-00	7 - 11	7NJ-82550-00	13 - 8	90480-12013	11 - 14	97707-50612	11 - 16		
51Y-12119-00	3 - 16	7NJ-14788-00	7 - 3		13 - 21	90480-26602	8 - 4	97707-60512	13 - 27		
7NJ-12121-00	3 - 5	7NJ-14799-01	7 - 2	7NJ-83530-G0	13 - 6	90501-205J4	3 - 7	98507-05010	11 - 11		
7NN-12151-00	3 - 10	7NJ-1479E-00	7 - 4	7VU-83582-00	13 - 20	92907-05600	11 - 12		12 - 9		
7WC-12153-00	3 - 6	1WG-14922-00	6 - 19	7VU-83595-00	12 - 8		12 - 10	98707-06016	12 - 12		
JA9-12153-10	3 - 6	7NN-1495F-1B	6 - 4	7VU-85540-20	11 - 15	92907-14200	11 - 2	98907-06014	13 - 19		
7NJ-12154-00	3 - 15	7VU-15111-01	8 - 1	7VU-85595-00	11 - 10	93102-25090	8 - 3	99530-08012	12 - 6		
7NJ-12155-01	3 - 14	7NN-15362-00	8 - 13	7VU-85690-00	13 - 12	93306-20511	8 - 2	99530-08016	8 - 7		
7FK-12157-00	3 - 12	7VU-15411-00	8 - 8	7A9-85710-02	10 - 5		8 - 9	99530-10114	1 - 7		
7FK-12158-00	3 - 13	7NJ-15451-00	8 - 11	7NJ-85720-02	11 - 5	93450-17025	2 - 7				
7NN-12165-02	3 - 11	7VU-15710-00	4 - 10	7NJ-85724-00	11 - 7	94702-00331	1 - 8				
7NJ-12170-03	3 - 1	7VU-15711-00	4 - 11	7NJ-85770-00	13 - 7	95027-10016	8 - 5				
7NJ-12287-00	3 - 3	7TA-15713-00	4 - 13	7VU-86240-00	6 - 20	95307-06600	7 - 13				
7NJ-12299-01	3 - 2	7VU-15714-00	4 - 12	7VU-87139-00	12 - 13	95380-05700	13 - 17				
7VU-12616-00	4 - 25	7TA-15715-00	4 - 16	7VU-87150-21	12 - 1	95607-06615	1 - 2				
7VU-12621-00	4 - 1	7VU-15716-00	4 - 15	7VU-87160-01	12 - 2	95707-05500	13 - 16				
7VU-12633-00	4 - 5	7VU-15723-00	4 - 22	7VU-87172-00	12 - 3	95707-06500	4 - 7				
7NJ-12651-02	4 - 3	7VU-15724-00	4 - 24	7VU-87181-00	12 - 11		5 - 10				
7NJ-13557-00	5 - 2	JL8-15741-00	4 - 14	7VU-8719F-01	12 - 7	95707-08500	4 - 9				
7NJ-13567-00	5 - 3	JK4-15743-00	4 - 17	7NJ-8720A-B0	13 - 29		9 - 7				
7NJ-13596-00	5 - 1	7VU-15751-00	4 - 19	7VU-87213-00	13 - 11	95780-06500	12 - 15				
7VU-14101-00	6 - 1	7TA-15755-00	4 - 20	7VU-8721G-00	13 - 23	95807-06008	4 - 23				
620-14142-37	6 - 14	7NJ-15793-00	4 - 18	7H7-87221-80	13 - 3	95807-06010	13 - 10				
7LG-14150-11	6 - 12	7VU-22840-00	9 - 1	7VU-87226-K0	13 - 9	95807-06012	4 - 2				
7EG-14159-00	6 - 11	7VU-22850-00	9 - 2	7VU-87249-A0	13 - 2		4 - 4				
7NJ-14162-00	6 - 15	7VU-22891-00	9 - 4	7VU-8A210-60	13 - 22	95807-06016	4 - 21				
7EG-14181-00	6 - 6	7VU-22894-00	9 - 6	90116-06493	1 - 3		5 - 11				
7G0-14184-00	6 - 5	7VU-24110-00-P0	10 - 1	90146-06014	5 - 8		12 - 4				