

PARTS CATALOGUE

YAMAHA GENERATOR

EF2800i (7VU2) (120V-60Hz) CANADA

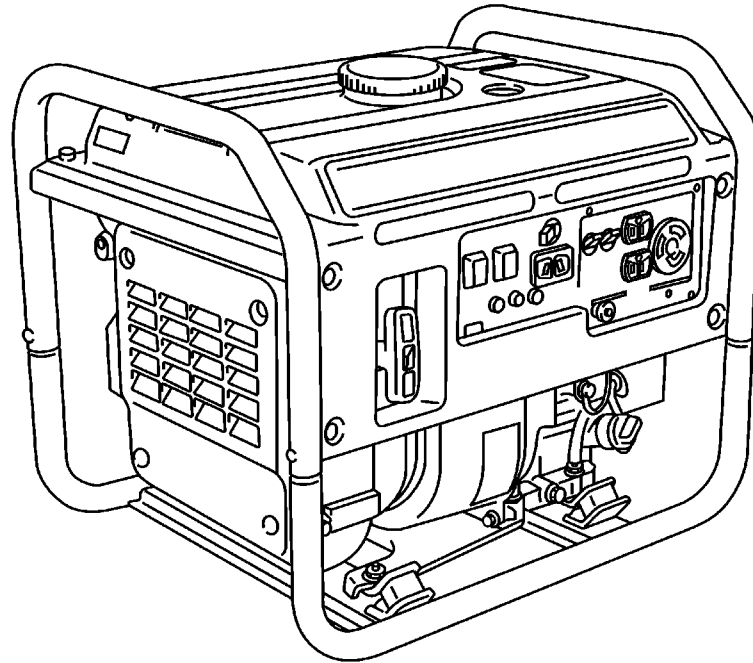
207VU-171E1

YAMAHA
GENUINE
Parts & Accessories

A2

EF2800i
PARTS CATALOGUE
©2001 by Yamaha Motor Co., Ltd.
1st Edition, Feb. 2001
All rights reserved.
Any reprinting or unauthorized use
without the written permission of
Yamaha Motor Co., Ltd.
is expressly prohibited.

A3



A4

FOREWORD

This Parts Catalogue is related to the parts for the model(s) in the below frame. When you are ordering replacement parts, please refer to this Parts Catalogue and quote both part numbers and part names correctly.

1. Modifications or additions which have been made after issue of the Parts Catalogue will be announced in the Yamaha Parts News.
It is advisable that you make necessary corrections to the Parts Catalogue according to the Yamaha Parts News.

2. Abbreviations
The following abbreviations are used in this Parts Catalogue.

“UR” Use specified parts number.

“UN” Use as many as needed.

“AP” Alternate Parts

“LM” Local Made (Parts need to be ordered locally)

“F#” Frame No. (Applicable machine No.)

3. Parts, which are to be supplied in an assembly, are listed with a dot(.) in front of the part name as shown below.

EXAMPLE

CARBURETOR ASSY

.JET, PILOT

.NOZZLE, MAIN

4. Number of component for assembly
The numeral appearing to the right of each component part indicates the quantity of parts for each assembly unit.

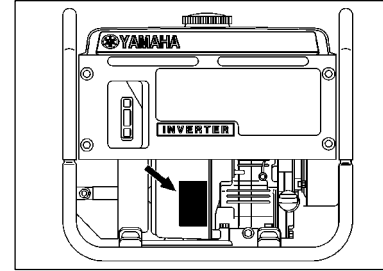
EXAMPLE

PART NO.	DESCRIPTION	Q'TY	REMARKS
2F5-83310-60	FRONT FLASHER LIGHT ASSY	2	
115-83311-60	.BULB (6V-18W)	1	

5. Applicable Starting Serial No. and Color Code

MODEL NAME	MODEL TYPE	FRAME NO.
EF2800i	7VU2	7VU-220101

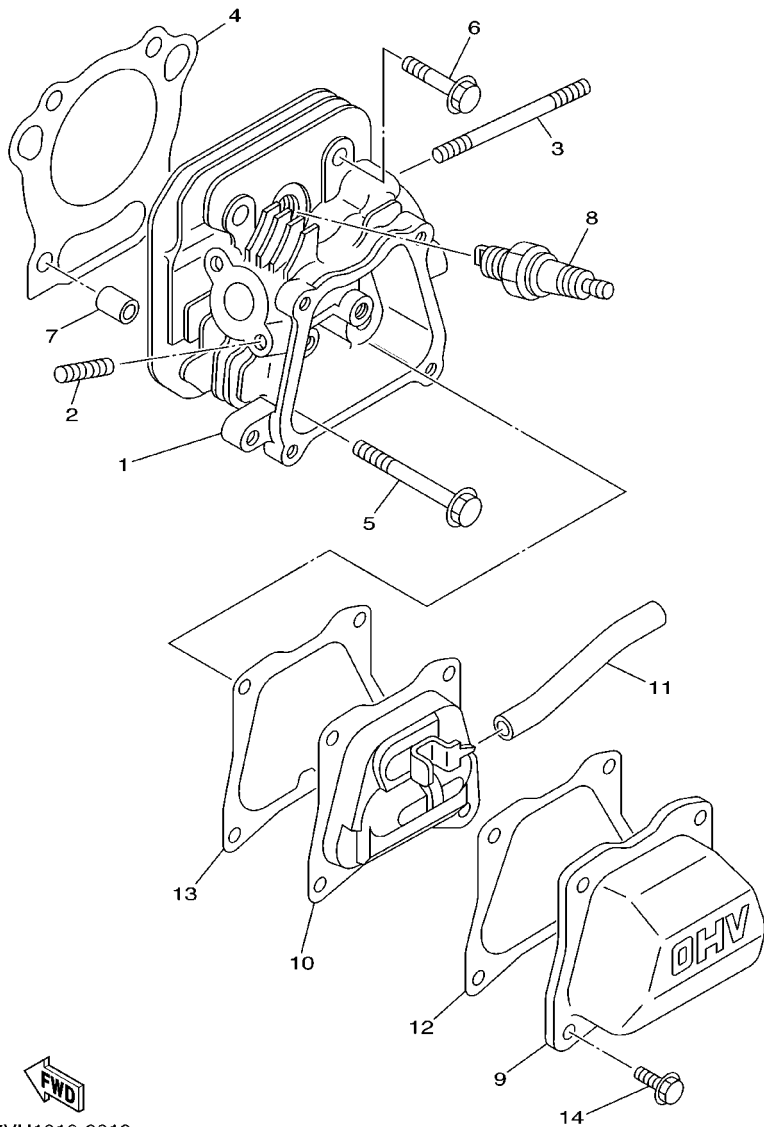
Engine Serial No.



Color Code	Color Name	Abbreviation	MODEL	Country (destination)
0714	PURPLISH BLUE SOLID 3	PBS3	7VU2	CANADA

6. Note that the illustrations for reference in finding parts numbers, not to be used for assembling. When assembling, please use the applicable service manual.
7. The asterisk (*) before a reference number indicates modification items after the first edition.

FIG. 1 CYLINDER



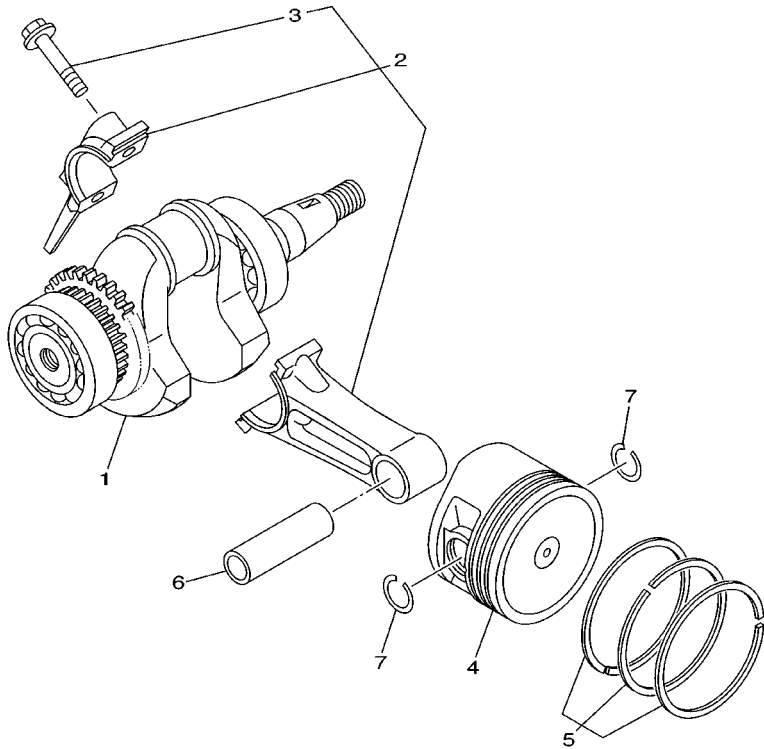
REF. NO.	PART NO.	DESCRIPTION	7VU2					REMARKS
1	7NJ-11111-01	HEAD, CYLINDER 1	1					
2	95607-06615	BOLT, STUD	2					
3	90116-06493	BOLT, STUD	2					
4	7NN-11181-00	GASKET, CYLINDER HEAD 1	1					
5	95827-08065	BOLT, FLANGE	2					
6	95827-08045	BOLT, FLANGE	2					
7	99530-10114	PIN, DOWEL	2					
8	94702-00331	PLUG, SPARK (NGK BPR4ES)	1					
9	7NJ-11191-00	COVER, CYLINDER HEAD 1	1					
10	7NJ-11160-00	BREATHER ASSY	1					
11	90445-131J5	HOSE (L106)	1					
12	7NJ-11169-00	GASKET, BREATHER COVER	1					
13	7NJ-11193-00	GASKET, HEAD COVER 1	1					
14	95827-06012	BOLT, FLANGE	4					



7VU1010-0010

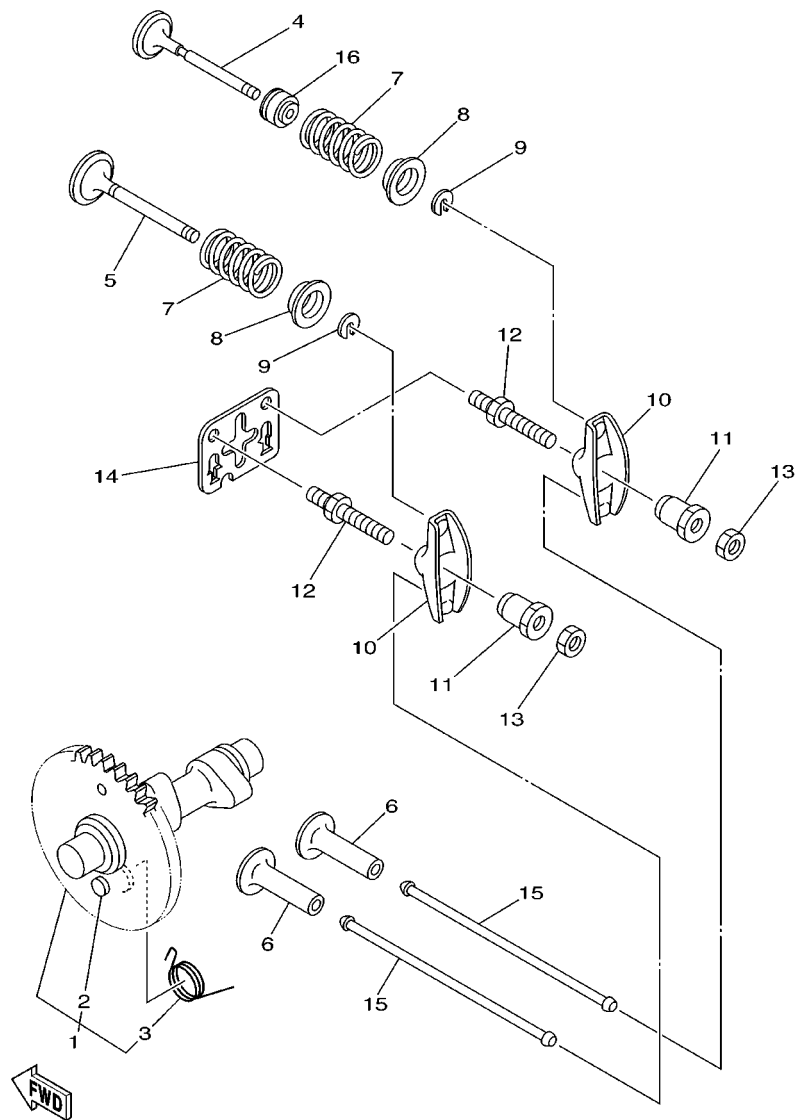
FIG. 2 CRANKSHAFT. PISTON

REF. NO.	PART NO.	DESCRIPTION	7VU2				REMARKS
1	7VU-11400-00	CRANKSHAFT ASSY	1				
2	7NJ-11650-00	CONNECTING ROD ASSY	1				
3	JA9-11654-01	.BOLT, CONNECTING ROD	2				
4	7NJ-11631-00-98	PISTON (STD)	1				
	7NJ-11635-00	PISTON (0.25MM O/S)	1				AP
	7NJ-11636-00	PISTON (0.50MM O/S)	1				AP
5	7NJ-11603-01	PISTON RING SET (STD)	1				
	7NJ-11604-01	PISTON RING SET (0.25MM O/S)	1				AP
	7NJ-11605-01	PISTON RING SET (0.50MM O/S)	1				AP
6	4H7-11633-00	PIN, PISTON	1				
7	93450-17025	CIRCLIP	2				



7VU1010-0020

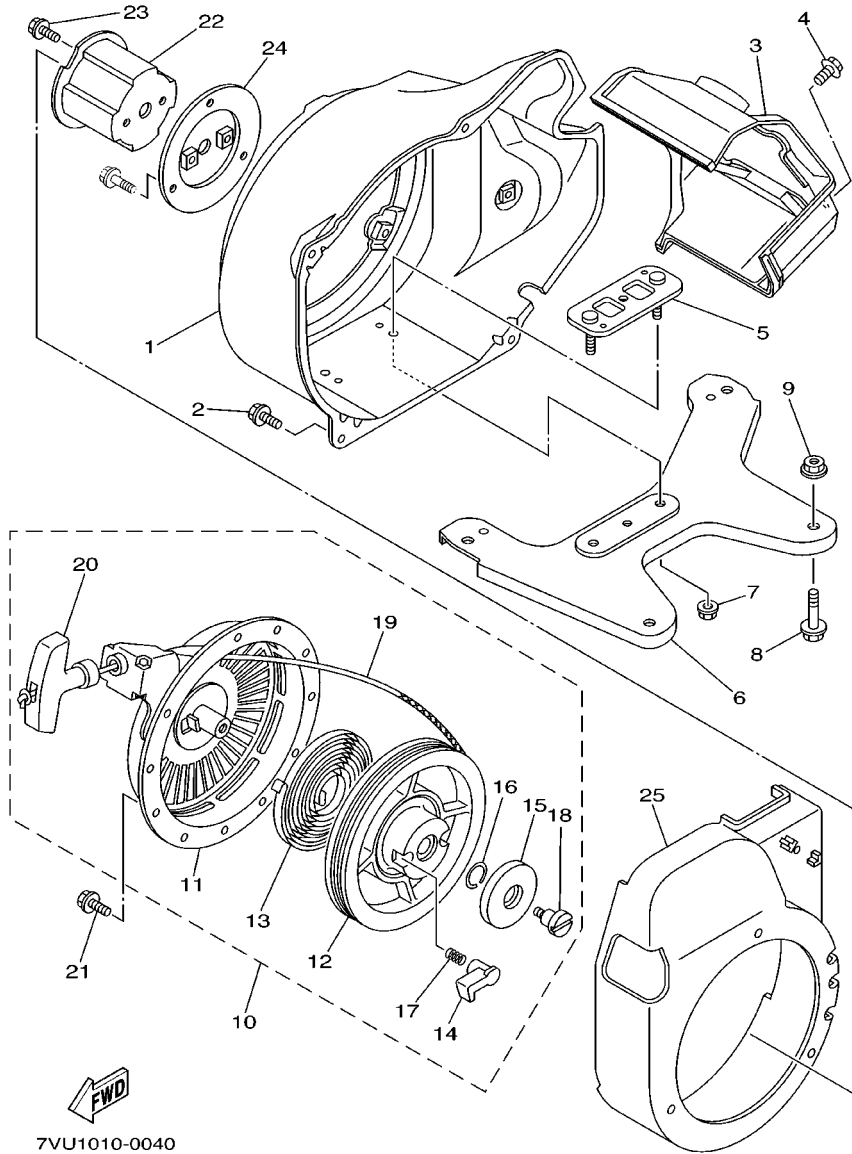
FIG. 3 CAMSHAFT.VALVE



7VU1010-0030

REF. NO.	PART NO.	DESCRIPTION	7VU2				REMARKS
1	7NJ-12170-02	CAMSHAFT ASSY 1	1				
2	7NJ-12299-01	.BOLT, STOPPER	1				
3	7NJ-12287-00	.SPRING, DECOMPRESSION	1				
4	7NJ-12111-00	VALVE, INTAKE	1				
5	7NJ-12121-00	VALVE, EXHAUST	1				
6	JA9-12153-00	LIFTER, VALVE	2				
7	90501-205J4	SPRING, COMPRESSION	2				
8	7NJ-12117-00	RETAINER, VALVE SPRING	2				
9	7NJ-12118-00	COTTER, VALVE	2				
10	7NN-12151-00	ARM, VALVE ROCKER	2				
11	7NN-12165-01	PIVOT, ROCKER ARM	2				
12	7FK-12157-00	BOLT	2				
13	7FK-12158-00	NUT, LOCK	2				
14	7NJ-12155-00	GUIDE, PUSH ROD	1				
15	7NJ-12154-00	ROD, VALVE PUSH	2				
16	51Y-12119-00	SEAL, VALVE STEM	1				

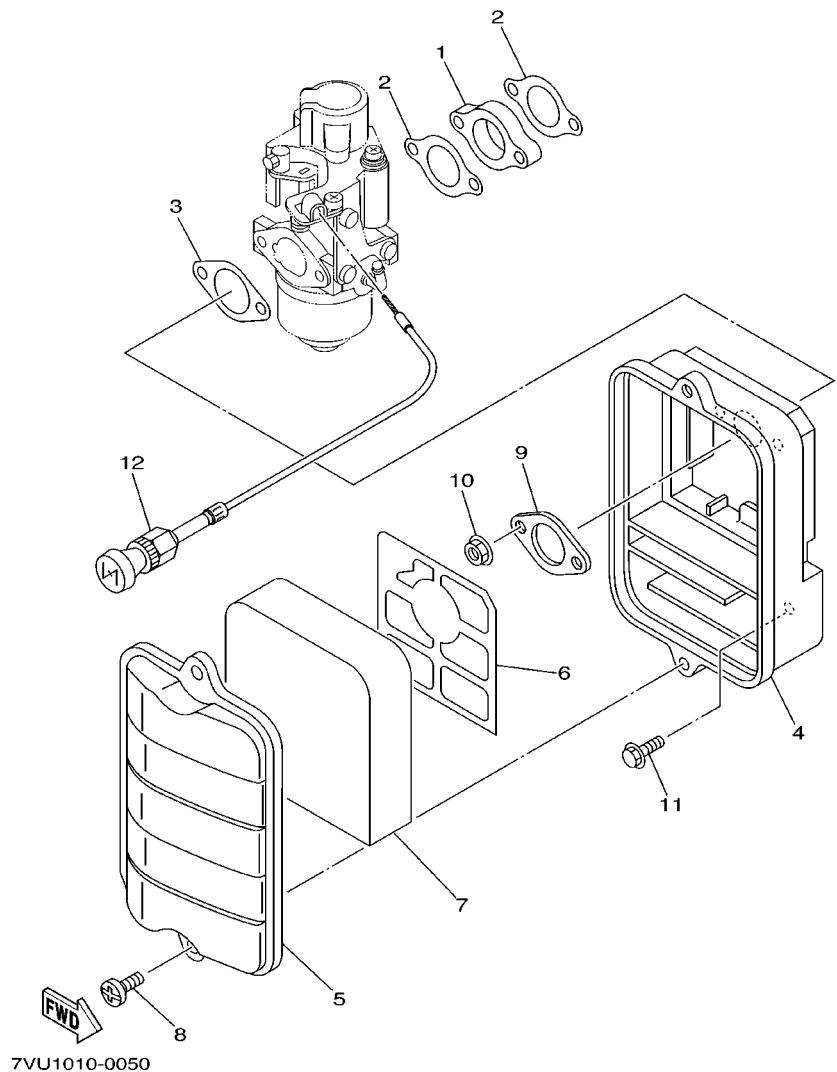
FIG. 4 AIR SHROUD. STARTER



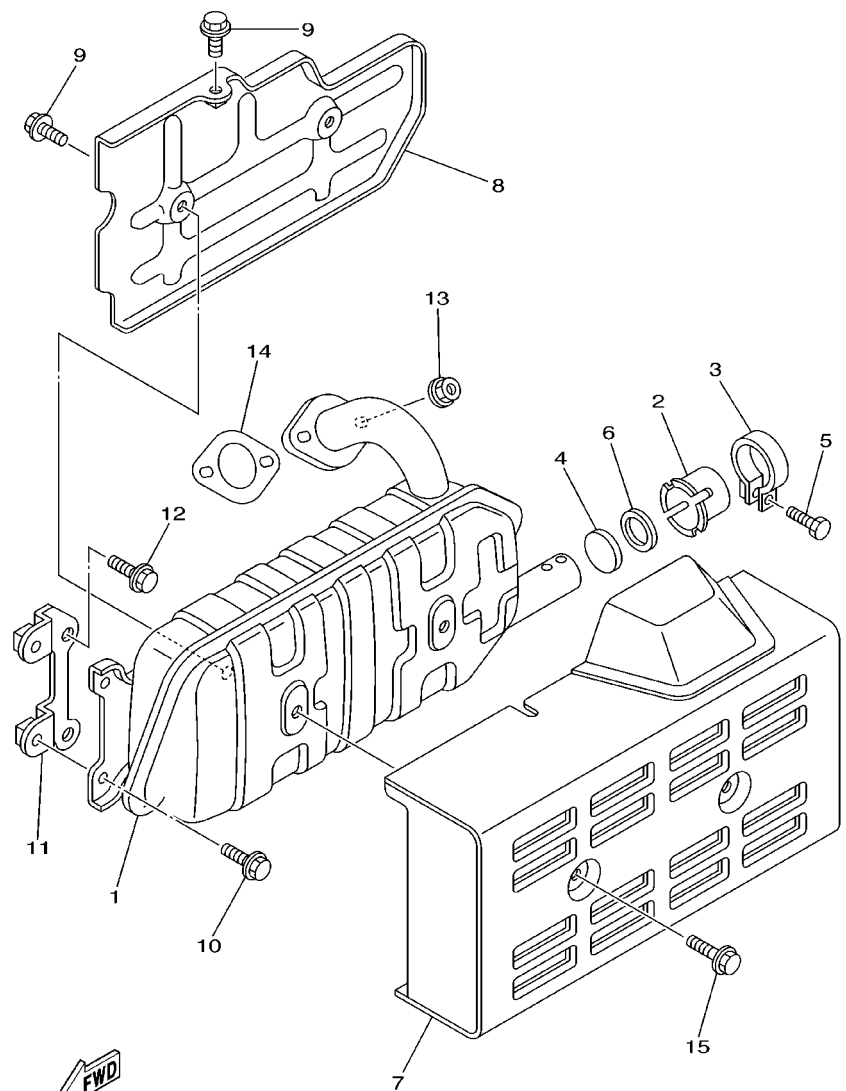
7VU1010-0040

REF. NO.	PART NO.	DESCRIPTION	7VU2				REMARKS
1	7VU-12621-00	CASE, FAN	1				
2	95807-06012	BOLT, FLANGE	4				
3	7NJ-12651-02	AIR SHROUD, CYLINDER 1	1				
4	95807-06012	BOLT, FLANGE	1				
5	7VU-12633-00	PLATE	1				
6	7VU-11011-00	BRACKET, ENGINE 1	1				
7	95707-06500	NUT, FLANGE	2				
8	95807-08030	BOLT, FLANGE	2				
9	95707-08500	NUT, FLANGE	2				
10	7VU-15710-00	STARTER ASSY	1				
11	7VU-15711-00	.CASE, STARTER	1				
12	7VU-15714-00	.DRUM, SHEAVE	1				
13	7TA-15713-00	.SPRING, STARTER	1				
14	JL8-15741-00	.PAWL, DRIVE	2				
15	7VU-15716-00	.PLATE, DRIVE	1				
16	7TA-15715-00	.SPRING, FRICTION	1				
17	JK4-15743-00	.SPRING, RETURN	2				
18	7NJ-15793-00	.SCREW	1				
19	7VU-15751-00	.WIRE, STARTER	1				
20	7TA-15755-00	.HANDLE, STARTER	1				
21	95807-06016	BOLT, FLANGE	3				
22	7VU-15723-00	PULLEY, STARTER	1				
23	95807-06008	BOLT, FLANGE	2				
24	7VU-15724-00	SPACER	1				
25	7VU-12616-00	COVER, FAN CASE	1				

FIG. 5 INTAKE



REF. NO.	PART NO.	DESCRIPTION	7VU2				REMARKS
1	7NJ-13596-00	JOINT, CARBURETOR 2	1				
2	7NJ-13557-00	GASKET	2				
3	7NJ-13567-00	GASKET	1				
4	7NJ-14411-00	CASE, AIR CLEANER 1	1				
5	7NJ-14412-00	CAP, CLEANER CASE 1	1				
6	7NJ-14468-00	PLATE,ELEMENT FITTING	1				
7	7NJ-14451-00	ELEMENT, AIR CLEANER	1				
8	90146-06014	SCREW, OVAL FILLISTER	2				
9	7NB-14477-00	PLATE	1				
10	95707-06500	NUT, FLANGE	2				
11	95807-06016	BOLT, FLANGE	1				
12	7VU-26331-00	CABLE, STARTER 1	1				

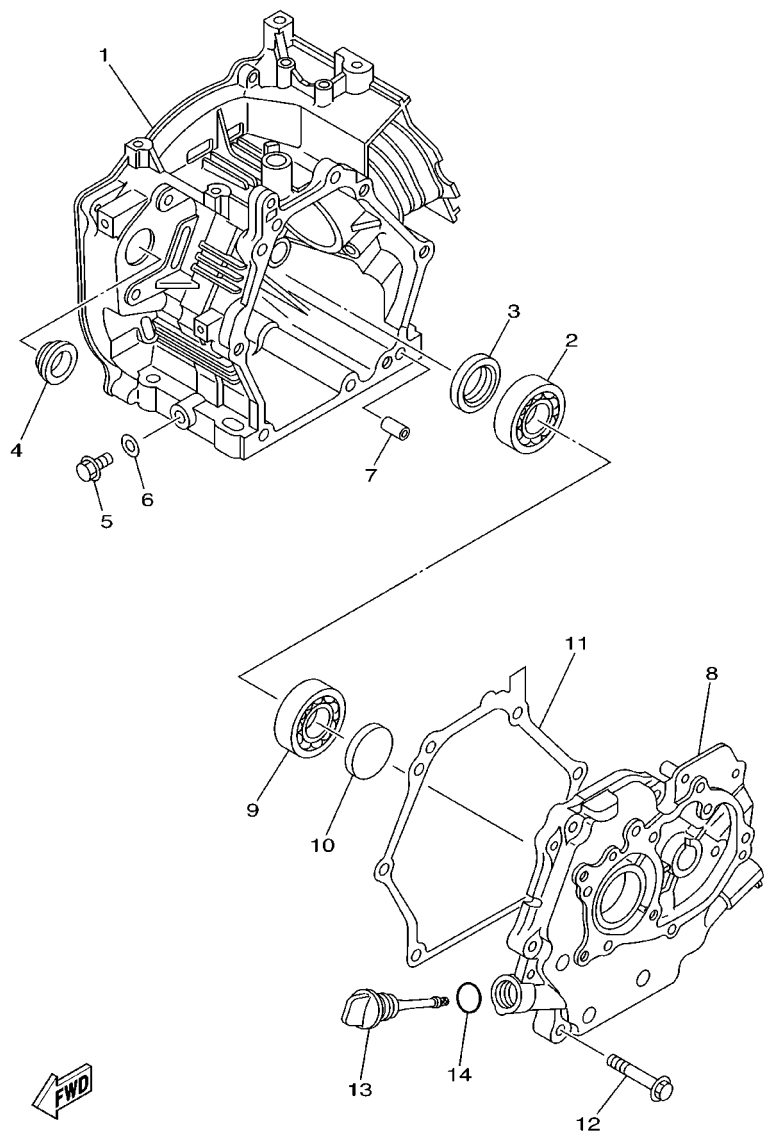


7VU1010-0070

FIG. 7 EXHAUST

REF. NO.	PART NO.	DESCRIPTION	7VU2	REMARKS
1	7VU-14711-00	MUFFLER 1	1	
2	7NJ-14799-01	CAP	1	
3	7NJ-14788-00	BAND, SILENCER	1	
4	7NJ-1479E-00	NET, WIRE 2	1	
5	90153-05024	SCREW, HEXAGON	1	
6	90201-171J5	WASHER, PLATE	1	
7	7VU-14718-00	PROTECTOR, MUFFLER 1	1	
8	7VU-14728-00	PROTECTOR, MUFFLER 2	1	
9	95827-06008	BOLT, FLANGE	3	
10	95827-06008	BOLT, FLANGE	2	
11	7VU-14781-00	STAY, MUFFLER 2	1	
12	95827-08012	BOLT, FLANGE	2	
13	95307-06600	NUT	2	
14	JA9-14613-00	GASKET, EXHAUST PIPE	1	
15	95827-06008	BOLT, FLANGE	2	

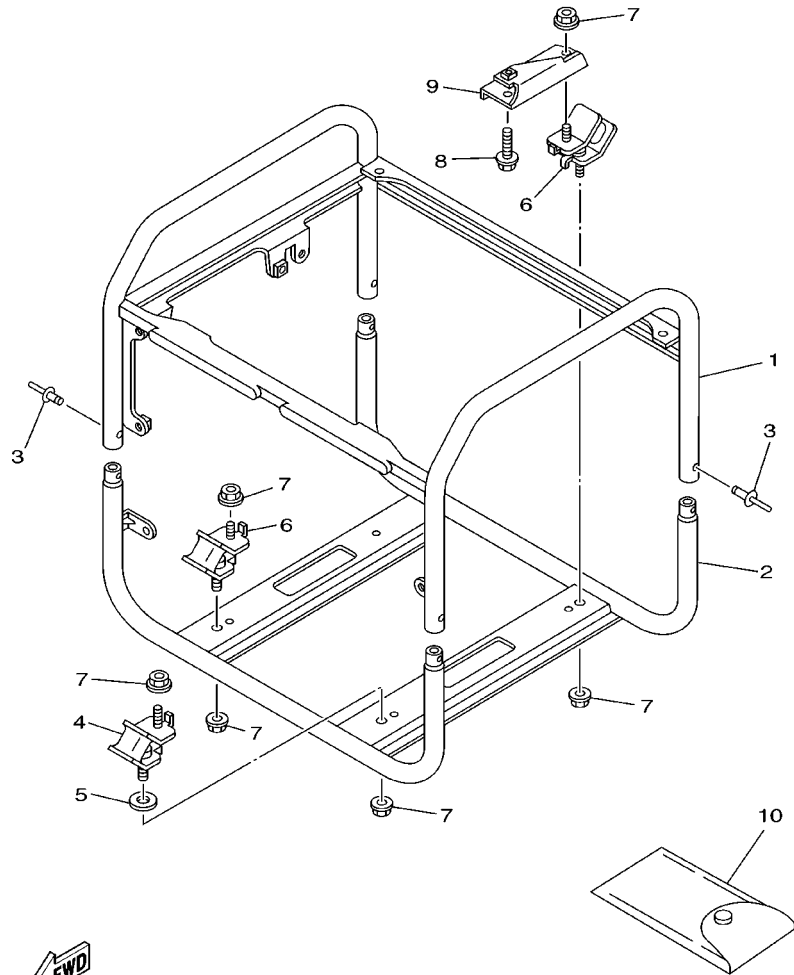
FIG. 8 CRANKCASE



7VU1010-0080

REF. NO.	PART NO.	DESCRIPTION	7VU2					REMARKS
1	7VU-15111-00	CRANKCASE 1	1					
2	93306-20511	BEARING	1					
3	93102-25090	OIL SEAL	1					
4	90480-26602	GROMMET	1					
5	95027-10016	BOLT, FLANGE	1					
6	90430-10188	GASKET	1					
7	99530-08016	PIN, DOWEL	2					
8	7VU-15411-00	COVER, CRANKCASE 1	1					
9	93306-20511	BEARING	1					
10	90338-41106	PLUG	1					
11	7NJ-15451-00	GASKET, CRANKCASE COVER 1	1					
12	95827-08035	BOLT, FLANGE	6					
13	7NN-15362-00	PLUG, OIL LEVEL	1					
14	90430-17002	GASKET	1					

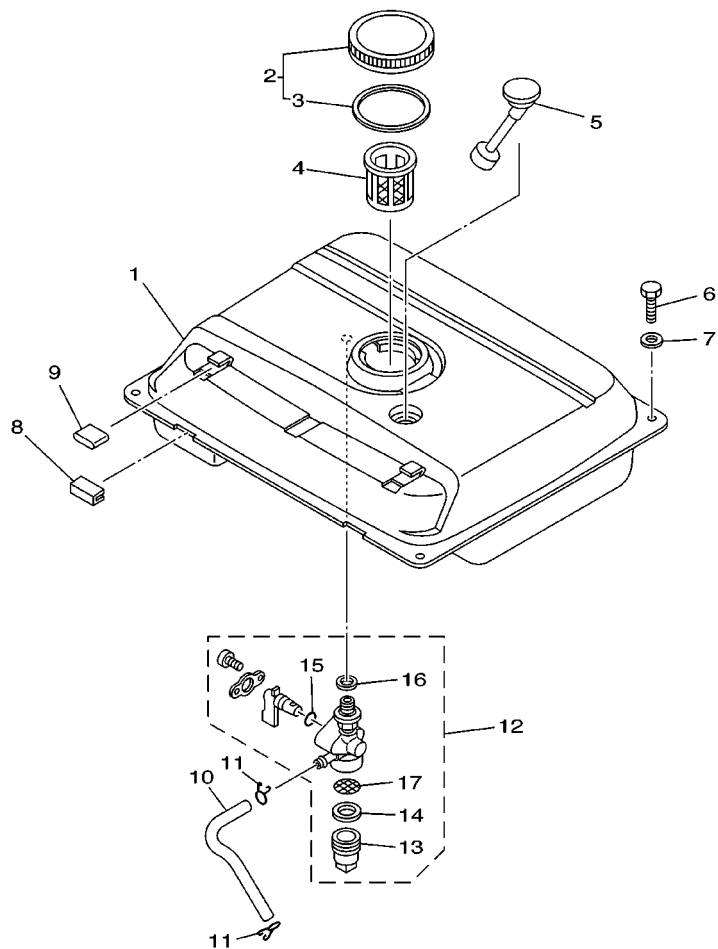
FIG. 9 FRAME



7VU1010-0090

REF. NO.	PART NO.	DESCRIPTION	7VU2				REMARKS
1	7VU-22850-00	FRAME COMP. 2	1				
2	7VU-22840-00	FRAME COMP.	1				
3	90267-48N00	RIVET, BLIND	4				
4	7VU-22891-00	INSULATOR, MOUNTING	1				
5	90201-086A3	WASHER, PLATE	1				
6	7VU-22894-00	INSULATOR, MOUNTING 2	3				
7	95707-08500	NUT, FLANGE	8				
8	95807-08030	BOLT, FLANGE	1				
9	7VU-11012-00	BRACKET, ENGINE 2	1				
10	7H6-28100-00	TOOL KIT	1				

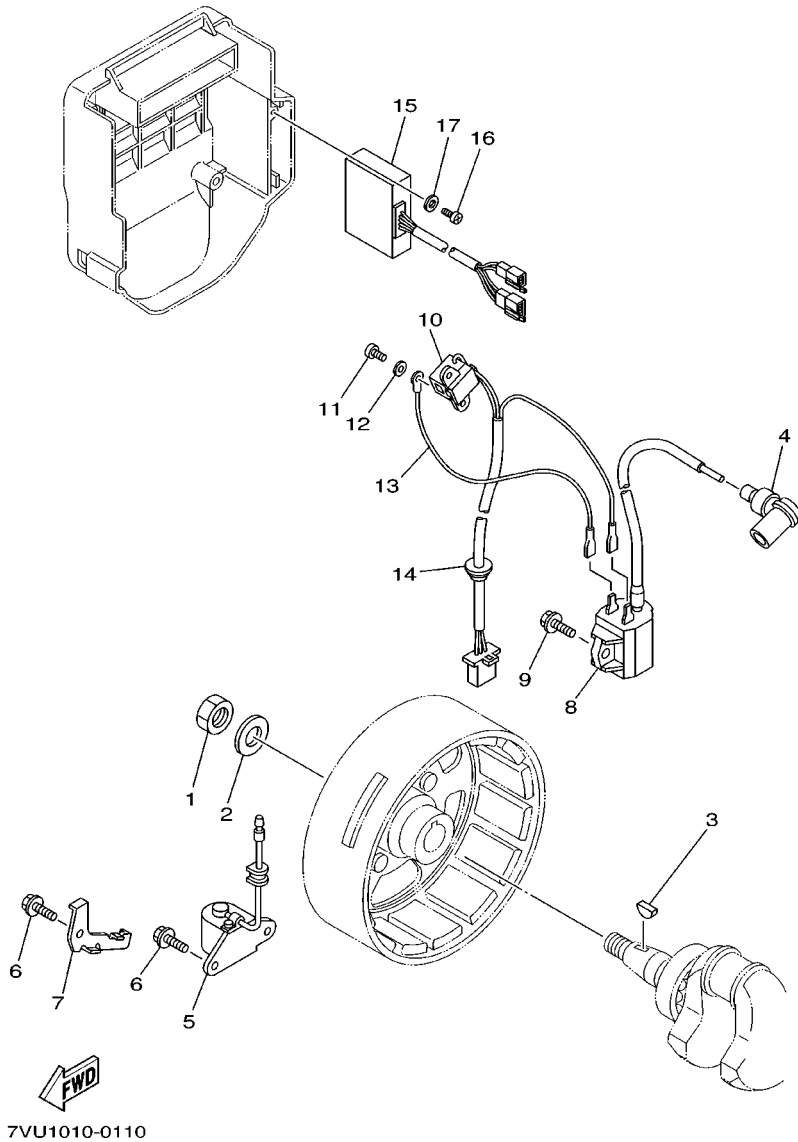
FIG. 10 FUEL TANK



REF. NO.	PART NO.	DESCRIPTION	7VU2				REMARKS
1	7VU-24110-00-P0	FUEL TANK COMP.	1				PBS3
2	74T-24610-00	CAP ASSY	1				
3	796-24612-00	.GASKET, CAP	1				
4	630-24167-00	STRAINER	1				
5	7A9-85710-02	FUEL LEVEL GAUGE ASSY	1				
6	97007-06012	BOLT	2				
7	90201-06380	WASHER, PLATE	2				
8	7LG-24181-00	DAMPER, LOCATING 1	2				
9	2E9-24182-00	DAMPER, LOCATING 2	2				
10	7VU-24311-00	PIPE, FUEL 1	1				
11	90467-09006	CLIP	2				
12	7RA-24500-00	FUEL COCK ASSY 1	1				
13	7J3-24521-00	.CUP, FILTER	1				
14	4X8-24565-00	.GASKET	1				
15	7NJ-24534-00	.SEAL, COCK	1				
16	7NJ-24532-00	.GASKET	1				
17	7NJ-24515-00	.NET, FILTER 2	1				

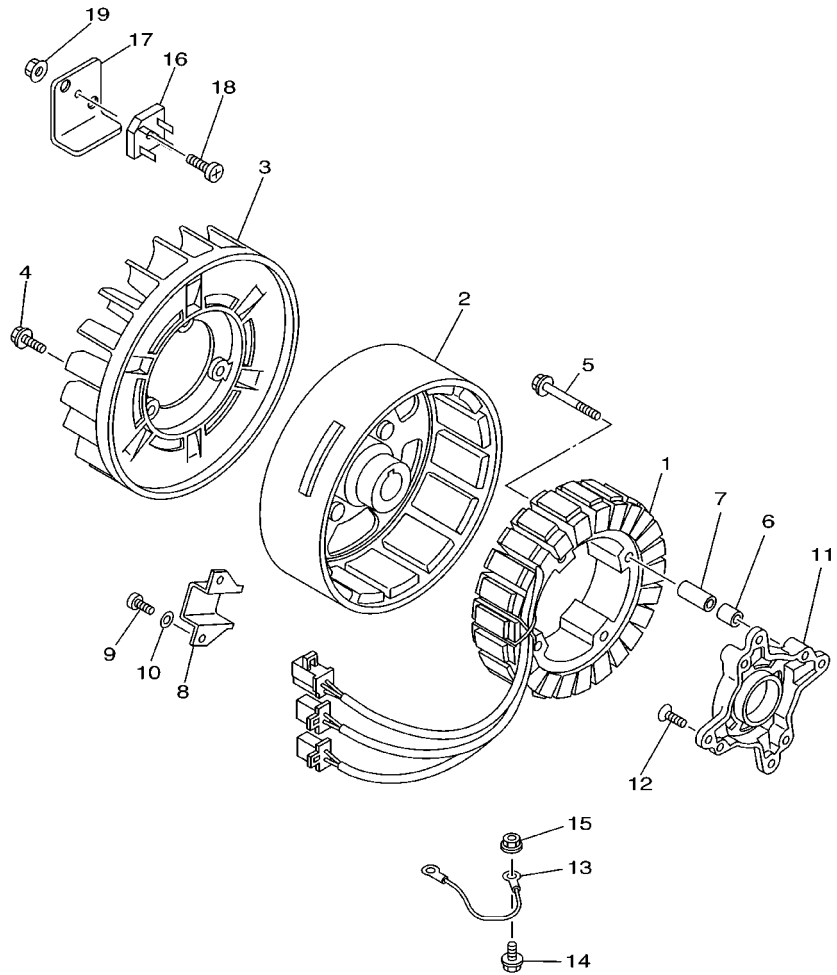

7VU2110-0100

FIG. 11 MAGNETO



REF. NO.	PART NO.	DESCRIPTION	7VU2				REMARKS
1	90170-14403	NUT	1				
2	92907-14200	WASHER	1				
3	90280-04052	KEY, WOODRUFF	1				
4	7VU-82370-00	PLUG CAP ASSY	1				
5	7NJ-85720-02	OIL LEVEL GAUGE ASSY	1				
6	95827-06012	BOLT, FLANGE	3				
7	7NJ-85724-00	CLAMP	1				
8	7VU-82310-00	IGNITION COIL ASSY	1				
9	95807-06020	BOLT, FLANGE	1				
10	7VU-85595-00	COIL, PULSER	1				
11	98507-05010	SCREW, PAN HEAD	2				
12	92907-05600	WASHER, PLATE	2				
13	7VU-82318-00	WIRE, SUB-LEAD	1				
14	90480-12013	GROMMET	1				
15	7VU-85540-80	C.D.I. UNIT ASSY	1				
16	97707-50612	SCREW, TAPPING	1				
17	90201-05032	WASHER, PLATE	1				

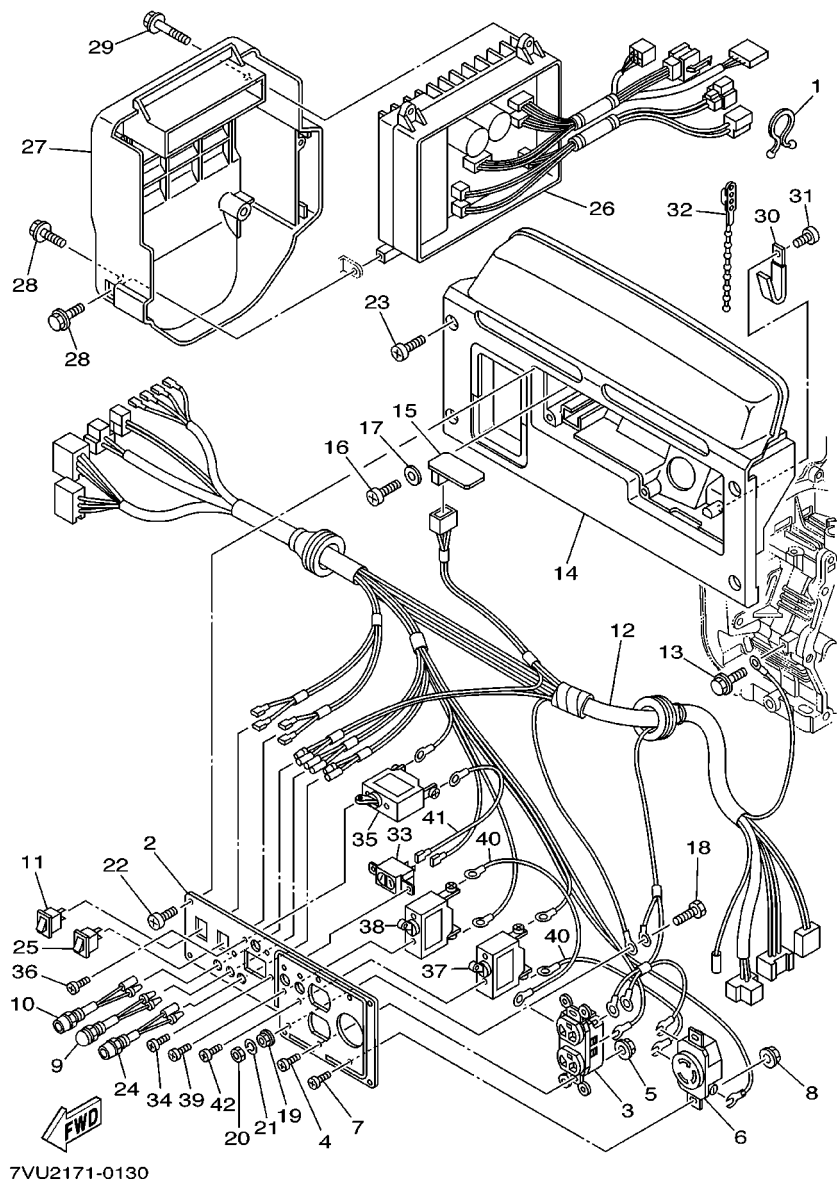
FIG. 12 GENERATOR



REF. NO.	PART NO.	DESCRIPTION	7VU2				REMARKS
1	7VU-87150-80	STATOR ASSY	1				
2	7VU-87160-00	ROTOR ASSY	1				
3	7VU-87172-00	FAN, GENERATOR	1				
4	95807-06016	BOLT, FLANGE	3				
5	95827-06045	BOLT, FLANGE	4				
6	99530-08012	PIN, DOWEL	2				
7	7VU-8719F-01	TUBE 7	2				
8	7VU-83595-00	CLAMP	1				
9	98507-05010	SCREW, PAN HEAD	2				
10	92907-05600	WASHER, PLATE	2				
11	7VU-87181-00	BRKT., GENERATOR MOUNT	1				
12	98707-06016	SCREW, FLAT HEAD	4				
13	7VU-87139-80	LEAD WIRE ASSY 2	1				
14	95880-06010	BOLT, FLANGE	1				
15	95780-06500	NUT, FLANGE	1				
16	7VU-87105-00	RECTIFIER ASSY 1	1				
17	7VU-86515-00	PLATE, HEAT SINK	1				
18	98507-05020	SCREW, PAN HEAD	1				
19	95607-05200	NUT, U FLANGE	1				



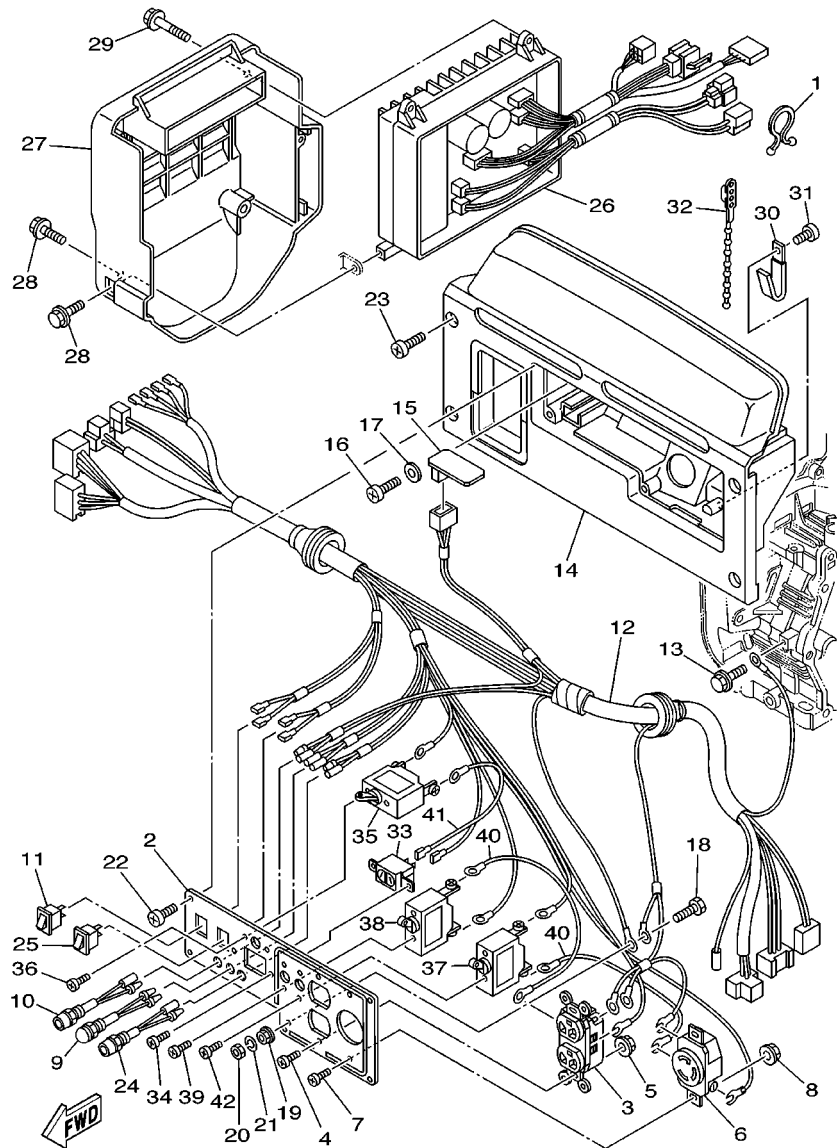
7VU2110-0120



7VU2171-0130

FIG. 13 CONTROL BOX

REF. NO.	PART NO.	DESCRIPTION	7VU2	REMARKS
1	90464-16039	CLAMP	1	
2	7VU-87249-80	PLATE	1	
3	7LG-87221-80	RECEPTACLE 1 (P&S 5-15R)	1	UR PASS & SEYMOUR 5242
	7UU-87221-80	RECEPTACLE 1	1	UR MEIKOSHA
4	98507-04012	SCREW, PAN HEAD	2	
5	95707-04500	NUT, FLANGE	2	
6	73H-87222-91	RECEPTACLE 2	1	UR PASS & SEYMOUR
	7LR-87221-90	RECEPTACLE 1 (WCF63130BO2)	1	UR MATSUSHITA
	7VU-87221-90	RECEPTACLE 1	1	UR MEIKOSHA
7	98507-04012	SCREW, PAN HEAD	2	
8	95707-04500	NUT, FLANGE	2	
9	7NJ-83530-80	PILOT LIGHT ASSY	1	
10	7NJ-85770-00	OIL PILOT LIGHT ASSY	1	
11	7NJ-82550-00	ENGINE STOP SWITCH ASSY	1	
12	7VU-87226-81	WIRE HARNESS ASSY	1	
13	95807-06010	BOLT, FLANGE	1	
14	7VU-87213-80	COVER, CONTROL BOX	1	
15	7VU-85690-00	OIL WARNING UNIT	1	
16	97707-30512	SCREW, TAPPING	1	
17	90201-03013	WASHER, PLATE	1	
18	97080-05016	BOLT	1	
19	95707-05500	NUT, FLANGE	1	
20	95380-05700	NUT	1	
21	92990-05100	WASHER, SPRING	1	
22	97707-40516	SCREW, TAPPING	6	
23	98907-06014	SCREW, BIND	4	
24	7VU-83582-80	PILOT LIGHT ASSY	1	



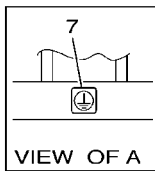
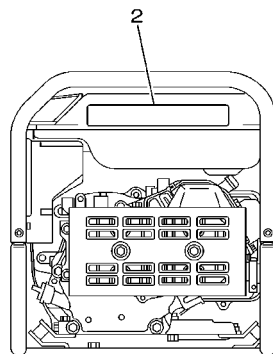
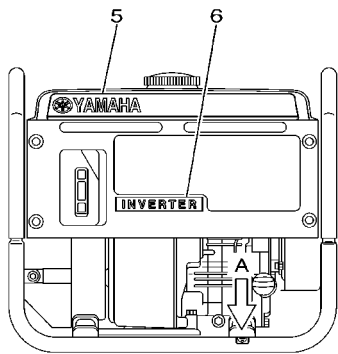
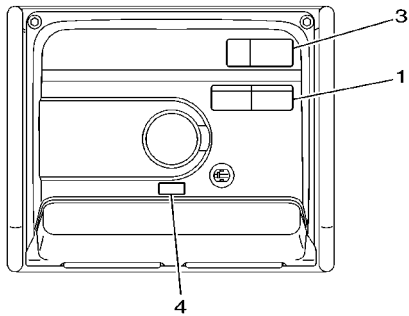
7VU2171-0130

FIG. 13 CONTROL BOX

REF. NO.	PART NO.	DESCRIPTION	7VU2			REMARKS
25	7NJ-82550-00	ENGINE STOP SWITCH ASSY	1			ECON.SW
26	7VU-8A210-80	CONTROL UNIT	1			
27	7VU-8721G-80	COVER, CONTROL BOX 2	1			
28	95827-06012	BOLT, FLANGE	3			
29	95827-06025	BOLT, FLANGE	2			
30	90462-05059	CLAMP	1			
31	97707-60512	SCREW, TAPPING	1			
32	90464-20031	CLAMP	1			
33	7LG-87239-00	RECEPTACLE COMP	1			
34	98507-04008	SCREW, PAN HEAD	2			
35	7VU-8720H-80	BREAKER COMP, CIRCUIT	1			
36	98507-03006	SCREW, PAN HEAD	2			
37	7VU-87204-80	BREAKER COMP.	1			21A
38	7VU-8720J-80	BREAKER COMP. CIRCUIT	1			15A
39	98507-03006	SCREW, PAN HEAD	2			
40	7VU-87223-80	WIRE, LEAD 1	2			
41	7VU-87224-80	WIRE, LEAD 2	1			
42	98507-03006	SCREW, PAN HEAD	2			

FIG. 14 LABELS

REF. NO.	PART NO.	DESCRIPTION	7VU2				REMARKS
1	7TA-24162-10	EMBLEM 2 (WARNING)	1				
2	7VU-2179R-01	PLATE, EPA 2 (CALIFORNIA)	1				
3	7G6-2415A-80	LABEL, CAUTION (RECHECK FUEL)	1				ENGLISH/FRENCH/ SPANISH
4	63V-82377-50	LABEL (SPARK,IGNITION)	1				
5	7VU-24161-10	EMBLEM 1 (YAMAHA)	1				
6	7VU-24164-00	EMBLEM 4 (INVERTER)	1				
7	7NJ-87261-10	EMBLEM 1 (GROUND)	1				



7VU2171-0140

NUMERICAL INDEX

PARTNO.	GRID NO.	PARTNO.	GRID NO.	PARTNO.	GRID NO.	PARTNO.	GRID NO.	PARTNO.	GRID NO.	PARTNO.	GRID NO.
7VU-11011-00	B - 5	7LG-14185-00	B - 7	7G6-2415A-80	C - 2	7VU-87213-80	B - 14	95707-05500	B - 14		
7VU-11012-00	B - 10	22F-14186-00	B - 7	7VU-24161-10	C - 2	7LG-87221-80	B - 14	95707-06500	B - 5		
7NJ-11111-01	B - 2	7E1-14191-00	B - 7	7TA-24162-10	C - 2	7LR-87221-90	B - 14		B - 6		
7NJ-11160-00	B - 2	7NJ-14211-00	B - 7	7VU-24164-00	C - 2	7UU-87221-80	B - 14	95707-08500	B - 10		
7NJ-11169-00	B - 2	73A-14212-00	B - 7	630-24167-00	B - 11	7VU-87221-90	B - 14		B - 5		
7NN-11181-00	B - 2	7RH-14216-00	B - 7	7LG-24181-00	B - 11	73H-87222-91	B - 14	95780-06500	B - 13		
7NJ-11191-00	B - 2	7G0-14227-00	B - 7	2E9-24182-00	B - 11	7VU-87223-80	B - 15	95807-06008	B - 5		
7NJ-11193-00	B - 2	1HX-1423E-35-A0	B - 7	7VU-24311-00	B - 11	7VU-87224-80	B - 15	95807-06010	B - 14		
7VU-11400-00	B - 3	7VU-14293-00	B - 7	7RA-24500-00	B - 11	7VU-87226-81	B - 14	95807-06012	B - 5		
7NJ-11603-01	B - 3	7NJ-14411-00	B - 6	7NJ-24515-00	B - 11	7LG-87239-00	B - 15	95807-06016	B - 13		
7NJ-11604-01	B - 3	7NJ-14412-00	B - 6	7J3-24521-00	B - 11	7VU-87249-80	B - 14		B - 5		
7NJ-11605-01	B - 3	7NJ-14451-00	B - 6	7NJ-24532-00	B - 11	7NJ-87261-10	C - 2		B - 6		
7NJ-11631-00-98	B - 3	7NJ-14468-00	B - 6	7NJ-24534-00	B - 11	90116-06493	B - 2	95807-06020	B - 12		
4H7-11633-00	B - 3	7NB-14477-00	B - 6	4X8-24565-00	B - 11	90146-06014	B - 6	95807-08030	B - 10		
7NJ-11635-00	B - 3	7RH-14486-00	B - 7	74T-24610-00	B - 11	90153-05024	B - 8		B - 5		
7NJ-11636-00	B - 3	JA9-14613-00	B - 8	796-24612-00	B - 11	90170-14403	B - 12	95827-06008	B - 8		
7NJ-11650-00	B - 3	7VU-14711-00	B - 8	7VU-26331-00	B - 6	90201-03013	B - 14	95827-06012	B - 12		
JA9-11654-01	B - 3	7VU-14718-00	B - 8	7H6-28100-00	B - 10	90201-05032	B - 12		B - 15		
7NJ-12111-00	B - 4	7VU-14728-00	B - 8	7VU-8A210-80	B - 15	90201-06380	B - 11		B - 2		
7NJ-12117-00	B - 4	7VU-14781-00	B - 8	7VU-82310-00	B - 12	90201-086A3	B - 10	95827-06025	B - 15		
7NJ-12118-00	B - 4	7NJ-14788-00	B - 8	7VU-82318-00	B - 12	90201-171J5	B - 8	95827-06045	B - 13		
51Y-12119-00	B - 4	7NJ-1479E-00	B - 8	7VU-82370-00	B - 12	90267-48N00	B - 10	95827-08012	B - 8		
7NJ-12121-00	B - 4	7NJ-14799-01	B - 8	63V-82377-50	C - 2	90280-04052	B - 12	95827-08035	B - 9		
7NN-12151-00	B - 4	1WG-14922-00	B - 7	7NJ-82550-00	B - 14	90338-41106	B - 9	95827-08045	B - 2		
JA9-12153-00	B - 4	7NN-1495F-1B	B - 7		B - 15	90430-10188	B - 9	95827-08065	B - 2		
7NJ-12154-00	B - 4	7VU-15111-00	B - 9	7NJ-83530-80	B - 14	90430-17002	B - 9	95880-06010	B - 13		
7NJ-12155-00	B - 4	7NN-15362-00	B - 9	7VU-83582-80	B - 14	90445-131J5	B - 2	97007-06012	B - 11		
7FK-12157-00	B - 4	7VU-15411-00	B - 9	7VU-83595-00	B - 13	90462-05059	B - 15	97080-05016	B - 14		
7FK-12158-00	B - 4	7NJ-15451-00	B - 9	7VU-85540-80	B - 12	90464-16039	B - 14	97707-30512	B - 14		
7NN-12165-01	B - 4	7VU-15710-00	B - 5	7VU-85595-00	B - 12	90464-20031	B - 15	97707-40516	B - 14		
7NJ-12170-02	B - 4	7VU-15711-00	B - 5	7VU-85690-00	B - 14	90467-09006	B - 11	97707-50612	B - 12		
7NJ-12287-00	B - 4	7TA-15713-00	B - 5	7A9-85710-02	B - 11	90480-12013	B - 12	97707-60512	B - 15		
7NJ-12299-01	B - 4	7VU-15714-00	B - 5	7NJ-85720-02	B - 12	90480-26602	B - 9	98507-03006	B - 15		
7VU-12616-00	B - 5	7TA-15715-00	B - 5	7NJ-85724-00	B - 12	90501-205J4	B - 4	98507-04008	B - 15		
7VU-12621-00	B - 5	7VU-15716-00	B - 5	7NJ-85770-00	B - 14	92907-05600	B - 12	98507-04012	B - 14		
7VU-12633-00	B - 5	7VU-15723-00	B - 5	7VU-86240-00	B - 7		B - 13	98507-05010	B - 12		
7NJ-12651-02	B - 5	7VU-15724-00	B - 5	7VU-86515-00	B - 13	92907-14200	B - 12		B - 13		
7NJ-13557-00	B - 6	JL8-15741-00	B - 5	7VU-87105-00	B - 13	92990-05100	B - 14	98507-05020	B - 13		
7NJ-13567-00	B - 6	JK4-15743-00	B - 5	7VU-87139-80	B - 13	93102-25090	B - 9	98707-06016	B - 13		
7NJ-13596-00	B - 6	7VU-15751-00	B - 5	7VU-87150-80	B - 13	93306-20511	B - 9	98907-06014	B - 14		
7VU-14101-10	B - 7	7TA-15755-00	B - 5	7VU-87160-00	B - 13	93450-17025	B - 3	99530-08012	B - 13		
7LV-14118-00	B - 7	7NJ-15793-00	B - 5	7VU-87172-00	B - 13	94702-00331	B - 2	99530-08016	B - 9		
620-14142-37-A0	B - 7	7VU-2179R-01	C - 2	7VU-87181-00	B - 13	95027-10016	B - 9	99530-10114	B - 2		
7LG-14150-11	B - 7	7VU-22840-00	B - 10	7VU-8719F-01	B - 13	95307-06600	B - 8				
7EG-14159-00	B - 7	7VU-22850-00	B - 10	7VU-8720H-80	B - 15	95380-05700	B - 14				
7NJ-14162-00	B - 7	7VU-22891-00	B - 10	7VU-8720J-80	B - 15	95607-05200	B - 13				
7EG-14181-00	B - 7	7VU-22894-00	B - 10	7VU-87204-80	B - 15	95607-06615	B - 2				
7G0-14184-00	B - 7	7VU-24110-00-P0	B - 11	7VU-8721G-80	B - 15	95707-04500	B - 14				

CONTENTS

CYLINDER	B2
CRANKSHAFT. PISTON	B3
CAMSHAFT.VALVE	B4
AIR SHROUD. STARTER	B5
INTAKE	B6
CARBURETOR	B7
EXHAUST	B8
CRANKCASE	B9
FRAME	B10
FUEL TANK	B11
MAGNETO	B12
GENERATOR	B13
CONTROL BOX	B14
LABELS	C2

INDEX

NUMERICAL INDEX	M1
-----------------------	----