

PARTS CATALOGUE

YAMAHA GENERATOR

EF3000iSEB (7WL2) (120V/60Hz) USA

EF3000iSE (7WL2) (120V/60Hz) USA

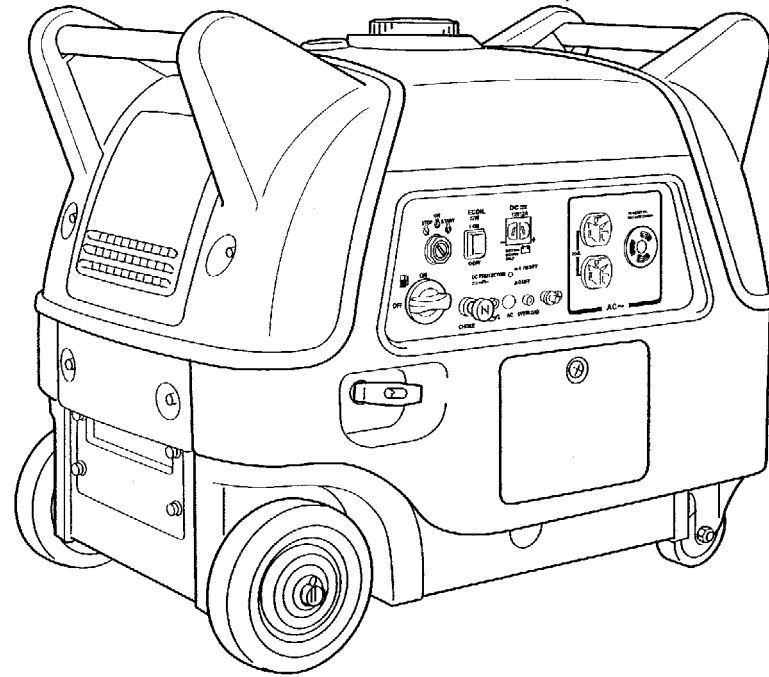
EF3000iSEB/EF3000iSE
PARTS CATALOGUE

©2002 by Yamaha Motor Co., Ltd.
1st Edition, Nov. 2002

All rights reserved.

Any reprinting or unauthorized use
without the written permission of
Yamaha Motor Co., Ltd.
is expressly prohibited.

Printed in Japan



FOREWORD

This Parts Catalogue is related to the parts for the model(s) in the below frame. When you are ordering replacement parts, please refer to this Parts Catalogue and quote both part numbers and part names correctly.

1. Modifications or additions which have been made after issue of the Parts Catalogue will be announced in the Yamaha Parts News.
It is advisable that you make necessary corrections to the Parts Catalogue according to the Yamaha Parts News.

2. Abbreviations

The following abbreviations are used in this Parts Catalogue.

“UR” Use specified parts number.

“UN” Use as many as needed.

“AP” Alternate Parts

“LM” Local Made (Parts need to be ordered locally)

“F#” Frame No. (Applicable machine No.)

3. Parts, which are to be supplied in an assembly, are listed with a dot(.) in front of the part name as shown below.

EXAMPLE

CARBURETOR ASSY

.JET, PILOT

.NOZZLE, MAIN

4. Number of component for assembly

The numeral appearing to the right of each component part indicates the quantity of parts for each assembly unit.

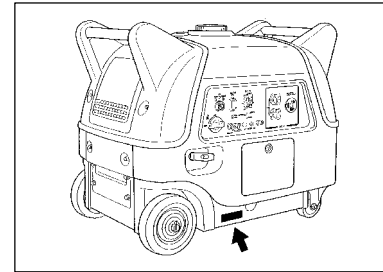
EXAMPLE

PART NO.	DESCRIPTION	Q'TY	REMARKS
2F5-83310-60	FRONT FLASHER LIGHT ASSY	2	
115-83311-60	.BULB (6V-18W)	1	

5. Applicable Starting Serial No. and Color Code

MODEL NAME	MODEL TYPE	FRAME NO.
EF3000iSEB	7WL2	7WL-200101
EF3000iSE	7WL2	7WL-240101

Frame Serial No.



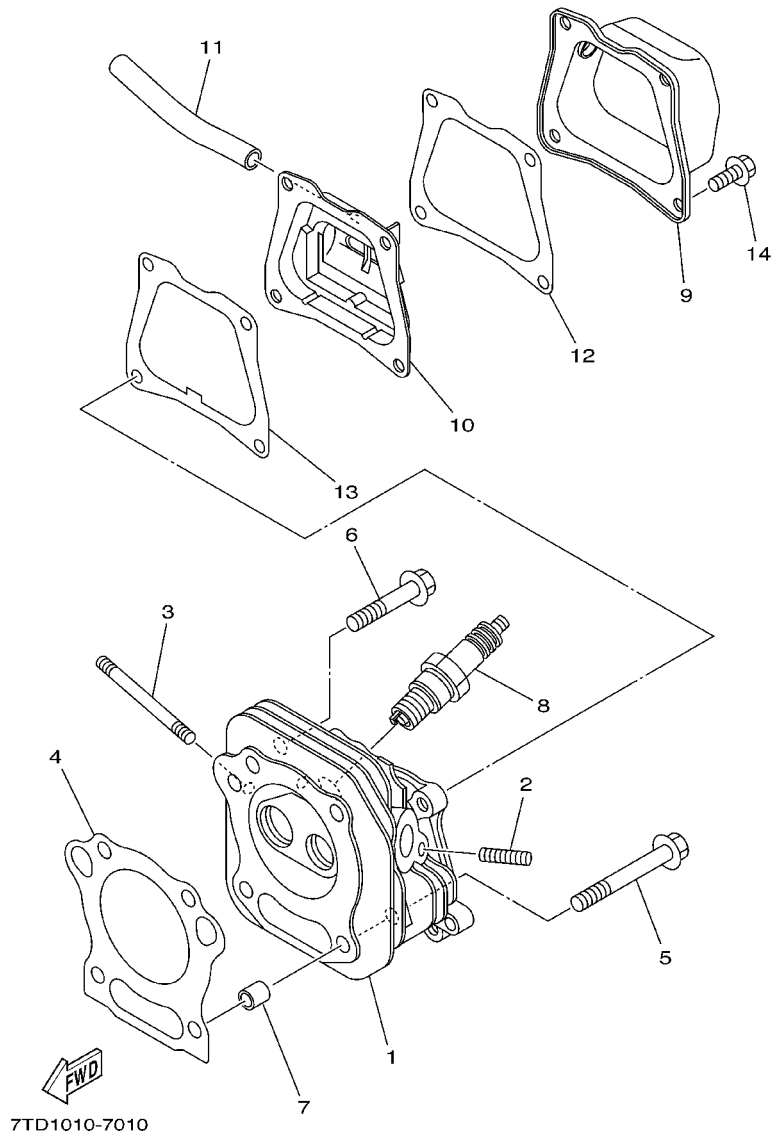
Color Code	Color Name	Abbreviation	MODEL	Country (destination)
0714	PURPLISH BLUE SOLID 3	PBS3	7WL2	USA

6. Note that the illustrations for reference in finding parts numbers, not to be used for assembling. When assembling, please use the applicable service manual.
7. The asterisk (*) before a reference number indicates modification items after the first edition.

CONTENTS

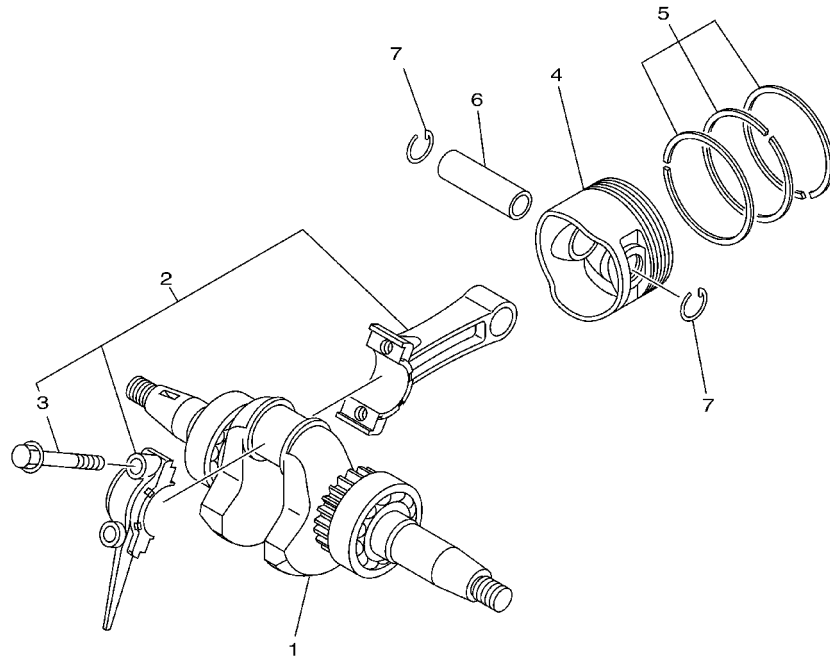
CYLINDER	1
CRANKSHAFT. PISTON	2
CAMSHAFT.VALVE	3
AIR SHROUD. STARTER	4
INTAKE	5
CARBURETOR	6
EXHAUST	8
CRANKCASE	10
FRAME	11
FRAME 2	12
FRAME 3	13
FUEL TANK	14
MAGNETO	15
STARTING MOTOR	16
GENERATOR	17
CONTROL BOX	18
LABELS	20
INDEX	
NUMERICAL INDEX	21

FIG. 1 CYLINDER



REF. NO.	PART NO.	DESCRIPTION	7WL2				REMARKS
1	7WL-11111-00	HEAD, CYLINDER 1	1				
2	95607-06615	BOLT, STUD	2				
3	90116-06493	BOLT, STUD	2				
4	7WC-11181-00	GASKET, CYLINDER HEAD 1	1				
5	95827-08065	BOLT, FLANGE	2				
6	95827-08045	BOLT, FLANGE	2				
7	99530-10114	PIN, DOWEL	2				
8	94702-00331	PLUG, SPARK (NGK BPR4ES)	1				
9	7NJ-11191-00	COVER, CYLINDER HEAD 1	1				
10	7NJ-11160-00	BREATHER ASSY	1				
11	90445-131J5	HOSE (L106)	1				
12	7NJ-11169-00	GASKET, BREATHER COVER	1				
13	7NJ-11193-00	GASKET, HEAD COVER 1	1				
14	95827-06012	BOLT, FLANGE	4				

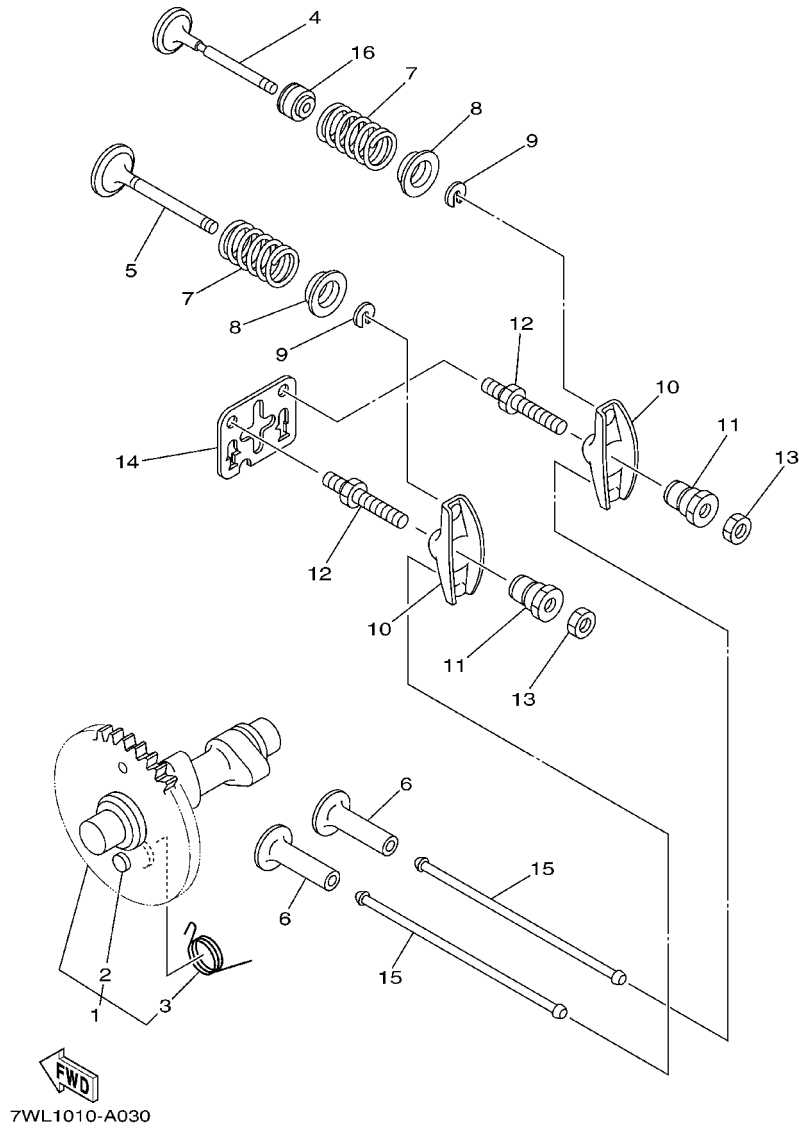
FIG. 2 CRANKSHAFT. PISTON




7WL1010-A020

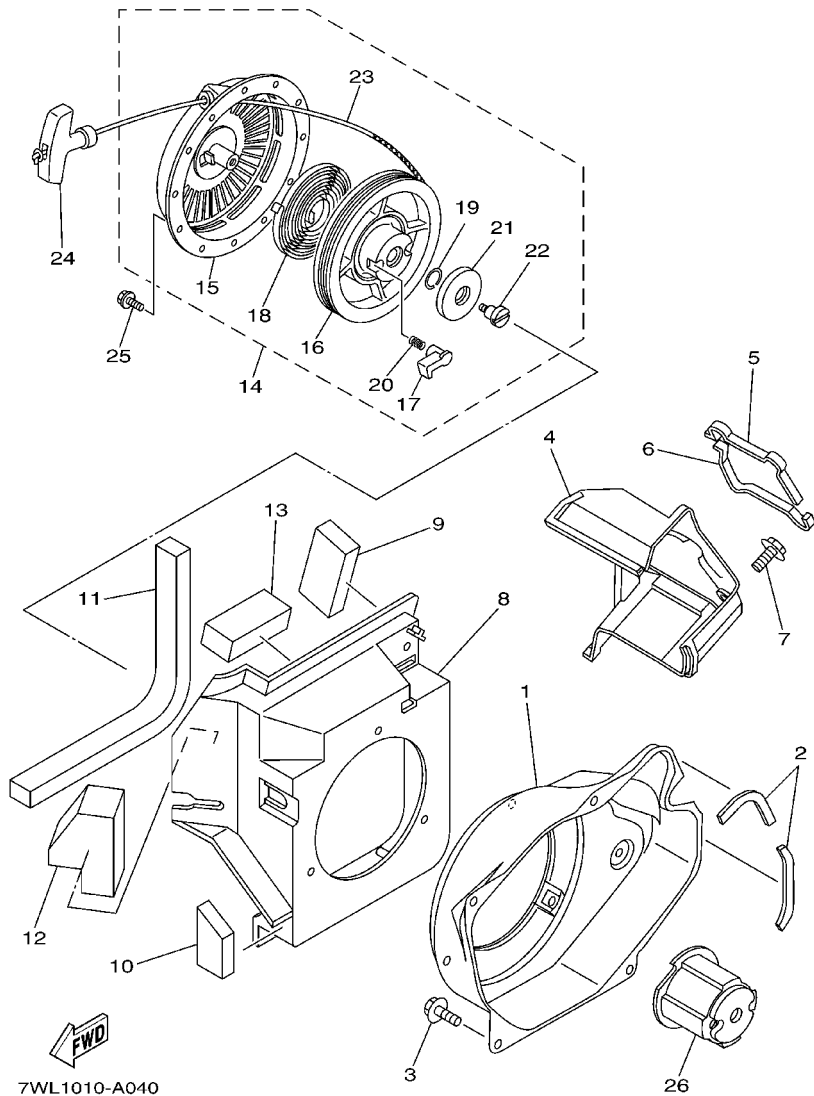
REF. NO.	PART NO.	DESCRIPTION	7WL2					REMARKS
1	7WL-11400-00	CRANKSHAFT ASSY	1					
2	7NJ-11650-00	CONNECTING ROD ASSY	1					
3	JA9-11654-01	.BOLT, CONNECTING ROD	2					
4	7NJ-11631-00-98	PISTON (STD)	1					
	7NJ-11635-00	PISTON (0.25MM O/S)	1					AP
	7NJ-11636-00	PISTON (0.50MM O/S)	1					AP
5	7WC-11610-00	PISTON RING SET (STD)	1					
	7WC-11604-00	PISTON RING SET (0.25MM O/S)	1					AP
	7WC-11605-00	PISTON RING SET (0.50MM O/S)	1					AP
6	4H7-11633-00	PIN, PISTON	1					
7	93450-17025	CIRCLIP	2					

FIG. 3 CAMSHAFT.VALVE



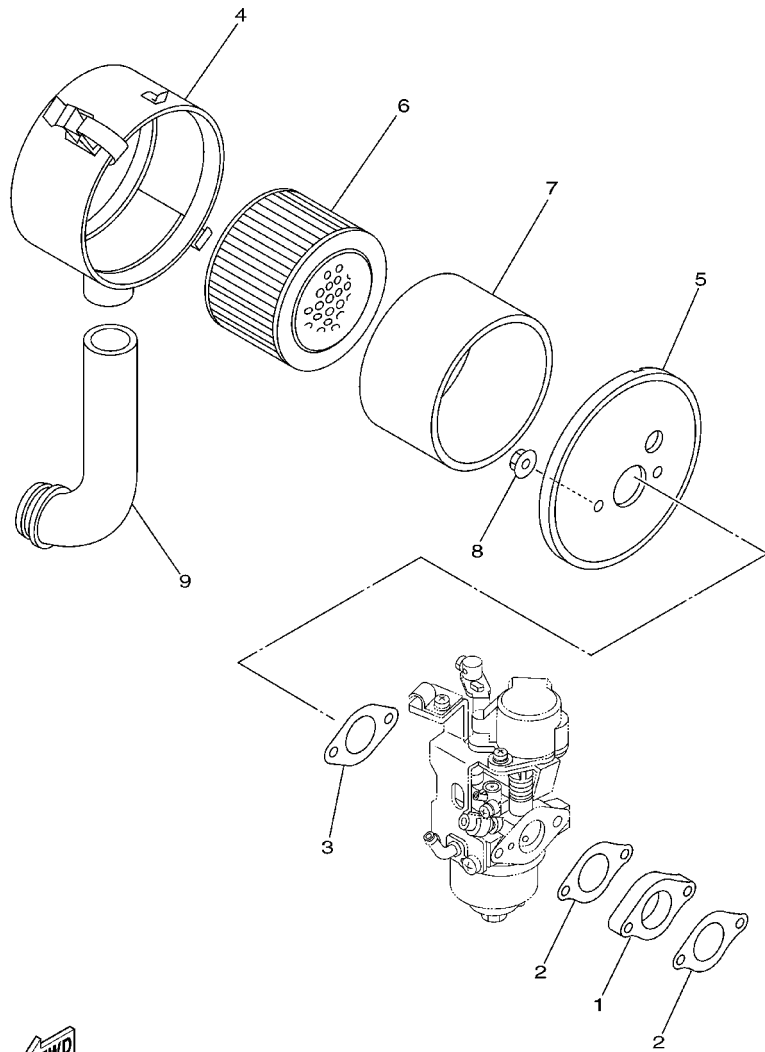
REF. NO.	PART NO.	DESCRIPTION	7WL2				REMARKS
1	7NJ-12170-03	CAMSHAFT ASSY 1	1				
2	7NJ-12299-01	.BOLT, STOPPER	1				
3	7NJ-12287-00	.SPRING, DECOMPRESSION	1				
4	7NJ-12111-00	VALVE, INTAKE	1				
5	7NJ-12121-00	VALVE, EXHAUST	1				
6	7WC-12153-00	LIFTER, VALVE	2				
7	90501-205J4	SPRING, COMPRESSION	2				
8	7NJ-12117-00	RETAINER, VALVE SPRING	2				
9	7NJ-12118-00	COTTER, VALVE	2				
10	7NN-12151-00	ARM, VALVE ROCKER	2				
11	7NN-12165-02	PIVOT, ROCKER ARM	2				
12	7FK-12157-00	BOLT	2				
13	7FK-12158-00	NUT, LOCK	2				
14	7NJ-12155-01	GUIDE, PUSH ROD	1				
15	7WL-12154-00	ROD, VALVE PUSH	2				
16	51Y-12119-00	SEAL, VALVE STEM	1				

FIG. 4 AIR SHROUD, STARTER



REF. NO.	PART NO.	DESCRIPTION	7WL2				REMARKS
1	7WL-12621-00	CASE, FAN	1				
2	7TD-1262J-00	PAD, FAN CASE 3	2				
3	95807-06012	BOLT, FLANGE	4				
4	7TD-12651-01	AIR SHROUD, CYLINDER 1	1				
5	7TD-12658-00	DAMPER, AIR SHROUD 1	1				
6	7TD-12659-00	DAMPER, AIR SHROUD 2	1				
7	95807-06012	BOLT, FLANGE	1				
8	7WL-12616-00	COVER, FAN CASE	1				
9	7WL-12684-00	DAMPER, DUCT 1	1				
10	7WL-12685-00	DAMPER, DUCT 2	1				
11	7WL-12686-00	DAMPER, DUCT 3	1				
12	7WL-12223-00	SEAL	1				
13	7WL-12877-00	SEAL	1				
14	7WL-15710-00	STARTER ASSY	1				
15	7WL-15711-00	.CASE, STARTER	1				
16	7VU-15714-00	.DRUM, SHEAVE	1				
17	JL8-15741-00	.PAWL, DRIVE	2				
18	7TA-15713-00	.SPRING, STARTER	1				
19	7TA-15715-00	.SPRING, FRICTION	1				
20	JK4-15743-00	.SPRING, RETURN	2				
21	7VU-15716-00	.PLATE, DRIVE	1				
22	7NJ-15793-00	.SCREW	1				
23	7VU-15751-00	.WIRE, STARTER	1				
24	7TD-15755-00	HANDLE, STARTER	1				
25	95807-06020	BOLT, FLANGE	3				
26	7WL-15723-00	PULLEY, STARTER	1				

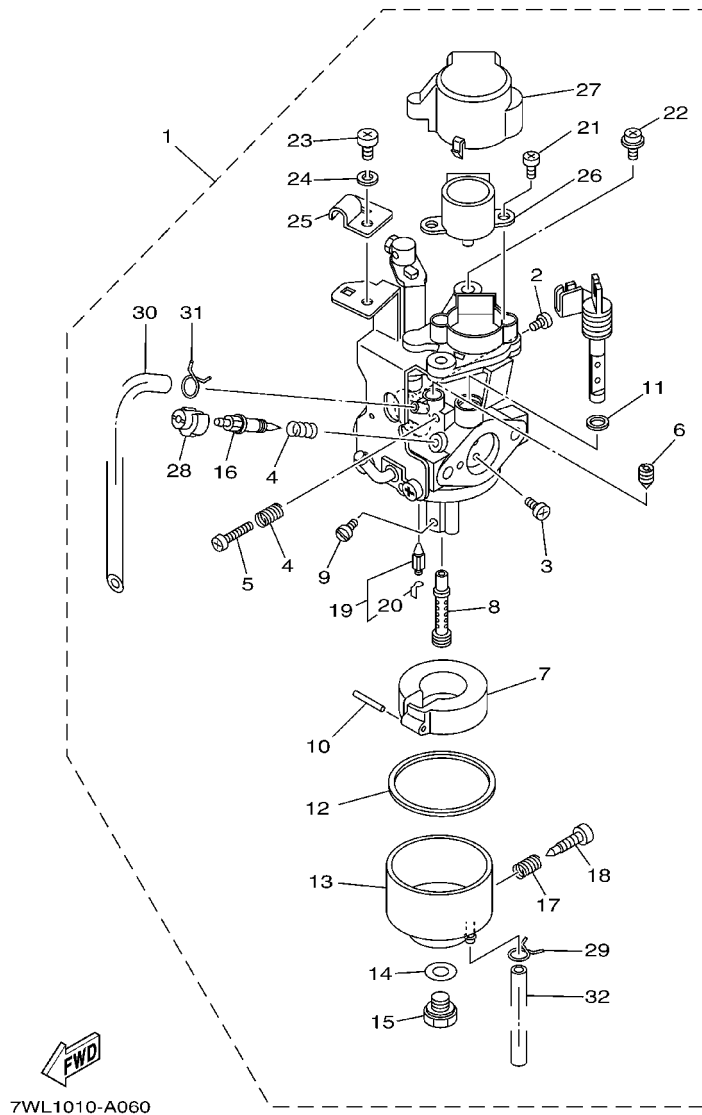
FIG. 5 INTAKE



REF. NO.	PART NO.	DESCRIPTION	7WL2				REMARKS
1	7NJ-13596-00	JOINT, CARBURETOR 2	1				
2	7NJ-13557-00	GASKET	2				
3	7NJ-13567-00	GASKET	1				
4	7TD-14411-00	CASE, AIR CLEANER 1	1				
5	7TD-14468-00	PLATE,ELEMENT FITTING	1				
6	7TD-14451-00	ELEMENT, AIR CLEANER	1				
7	7TD-14461-00	ELEMENT, AIR CLEANER 2	1				
8	95707-06500	NUT, FLANGE	2				
9	7WL-14453-00	JOINT, AIR CLEANER 1	1				

7WL1010-A050

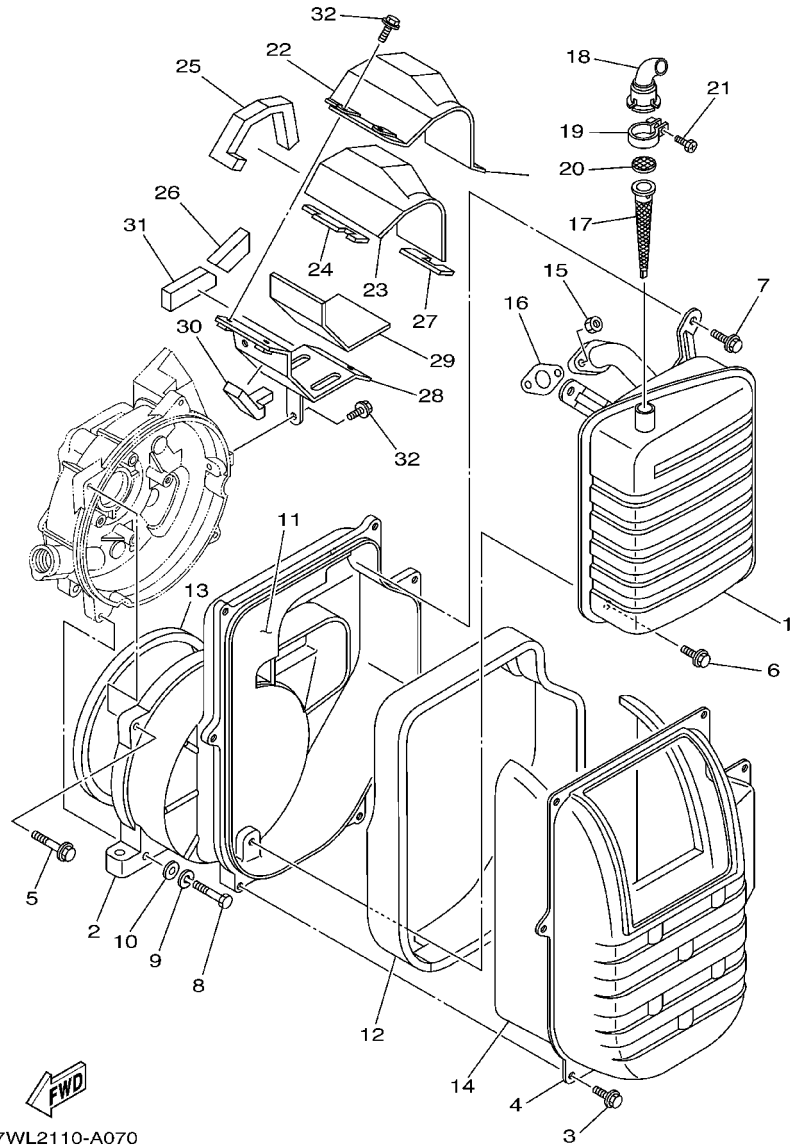
FIG. 6 CARBURETOR



7WL1010-A060

REF. NO.	PART NO.	DESCRIPTION	7WL2				REMARKS
1	7WL-14101-00	CARBURETOR ASSY 1	1				
2	7RH-14216-00	.SCREW	2				
3	7RH-14486-00	.SCREW, ROD	2				
4	73A-14212-00	.SPRING	2				
5	1WG-14922-00	.SCREW, THROTTLE	1				
6	620-14142-37-A0	.JET, PILOT (# 37.5)	1				
7	7LG-14185-00	.FLOAT	1				
8	7NN-1495F-1B	.NOZZLE, MAIN	1				
9	1HX-1423E-40	.JET, MAIN (#101.3)	1				
10	22F-14186-00	.PIN, FLOAT	1				
11	7X9-14239-00	.SEAL	1				
12	7G0-14184-00	.GASKET, FLOAT CHAMBER	1				
13	7TD-14181-00	.BODY, FLOAT CHAMBER 1	1				
14	7G0-14227-00	.WASHER	1				
15	7TD-14162-00	.BOLT, HOLDING	1				
16	7NJ-14211-00	.SCREW, PILOT ADJUSTING	1				
17	73A-14212-00	.SPRING	1				
18	7E1-14191-00	.PLUG, DRAIN	1				
19	7LG-14150-11	.NEEDLE ASSY	1				
20	7EG-14159-00	..CLIP	1				
21	98502-03006	.SCREW, PAN HEAD	2				
22	4SV-24453-00	.SCREW	2				
23	98507-05008	.SCREW, PAN HEAD	1				
24	92990-05100	.WASHER, SPRING	1				
25	J45-14243-00	.PLATE	1				
26	7VU-86240-00	.THROTTLE MOTOR ASSY	1				
27	7VU-14293-00	.COVER 1	1				

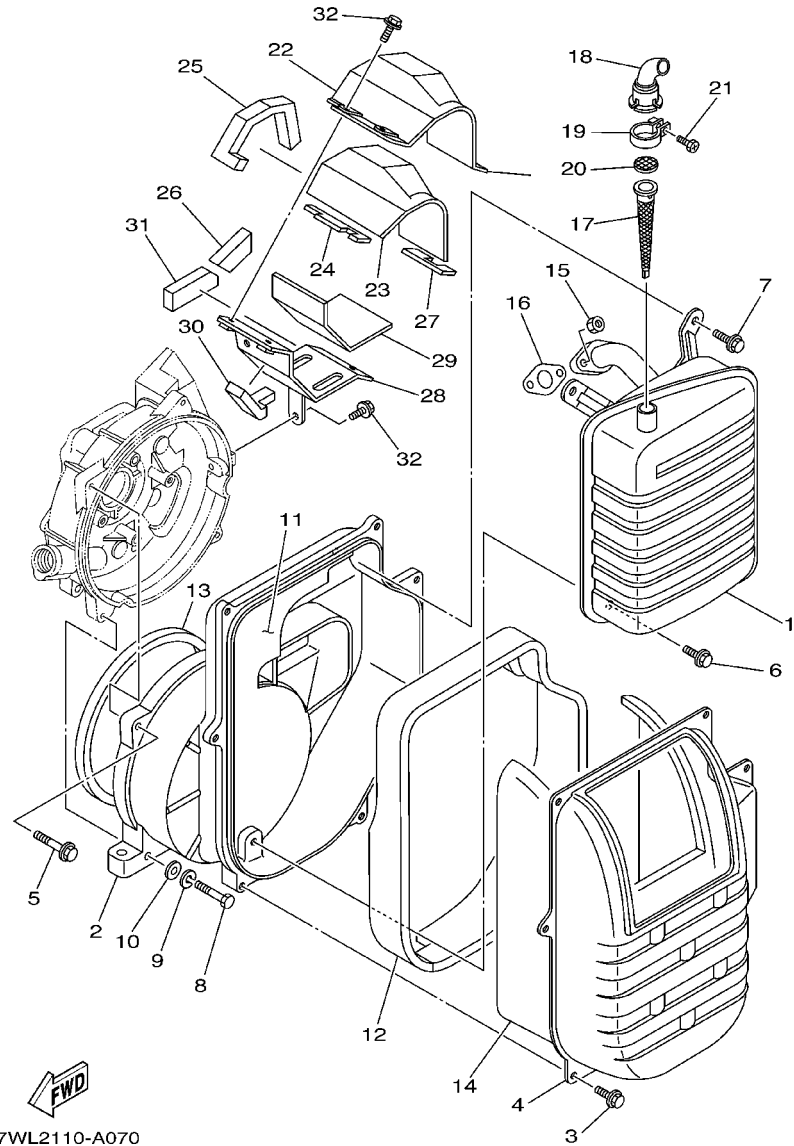
FIG. 7 EXHAUST



7WL2110-A070

REF. NO.	PART NO.	DESCRIPTION	7WL2				REMARKS
1	7WL-14711-00	MUFFLER 1	1				
2	7WL-14718-00	PROTECTOR, MUFFLER 1	1				
3	95807-06012	BOLT, FLANGE	6				
4	7WL-14728-00	PROTECTOR, MUFFLER 2	1				
5	95807-06030	BOLT, FLANGE	3				
6	95807-08012	BOLT, FLANGE	1				
7	95807-08016	BOLT, FLANGE	2				
8	97007-06045	BOLT	1				
9	92907-06100	WASHER, SPRING	1				
10	92907-06600	WASHER, PLATE	1				
11	7WL-1478E-00	FIBER 8	1				
12	7WL-1478F-00	FIBER 9	1				
13	7WL-14239-00	SEAL	1				
14	7WL-1477E-00	FIBER 2	1				
15	95307-06600	NUT	2				
16	JA9-14613-00	GASKET, EXHAUST PIPE	1				
17	7WL-14786-00	ARRESTER, SPARK	1				
18	7WL-14799-00	CAP	1				
19	7NJ-14788-00	BAND, SILENCER	1				
20	7NJ-1479E-00	NET, WIRE 2	1				
21	90153-05024	SCREW, HEXAGON	1				
22	7WL-12691-00	DUCT, 1	1				
23	7WL-1477G-00	FIBER 4	1				
24	7WL-14736-00	MAT, 2	1				
25	7WL-14452-00	SEAL	1				
26	7WL-14457-00	SEAL	1				
27	7WL-1446R-00	SEAL	1				

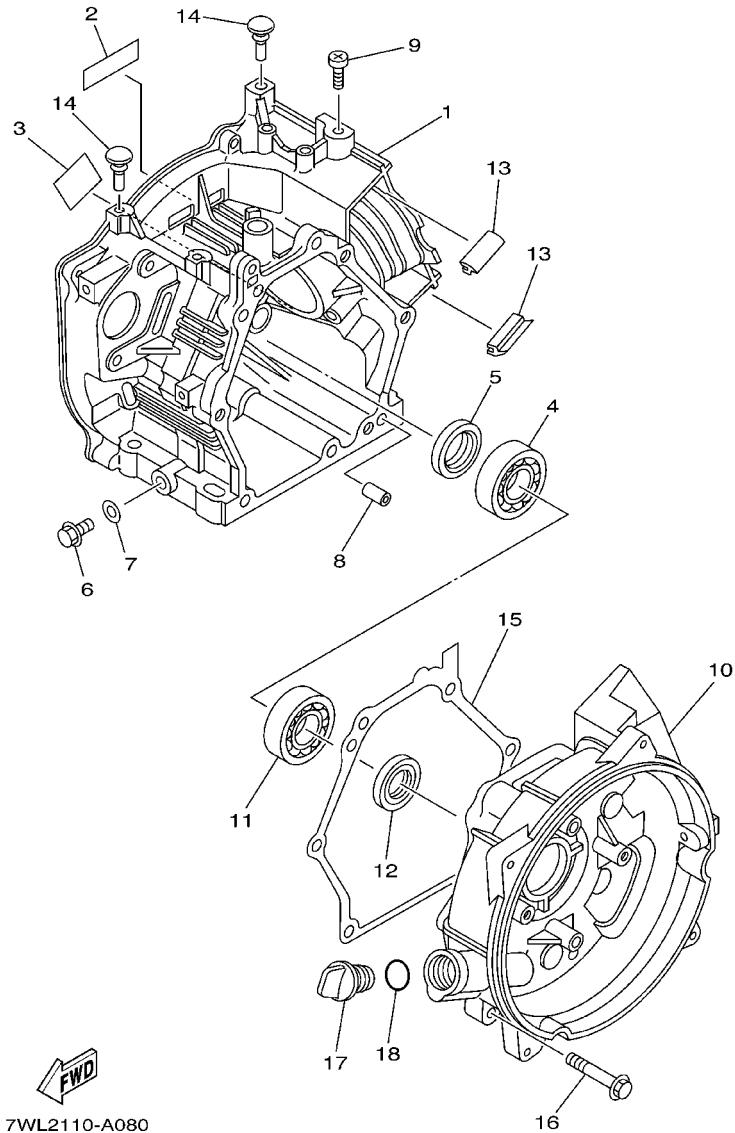
FIG. 7 EXHAUST



REF. NO.	PART NO.	DESCRIPTION	7WL2				REMARKS
28	7WL-12692-00	DUCT, 2	1				
29	7WL-1478A-00	FIBER 7	1				
30	7WL-14462-00	SEAL	1				
31	7WL-14733-00	MAT 1	1				
32	95807-06012	BOLT, FLANGE	5				

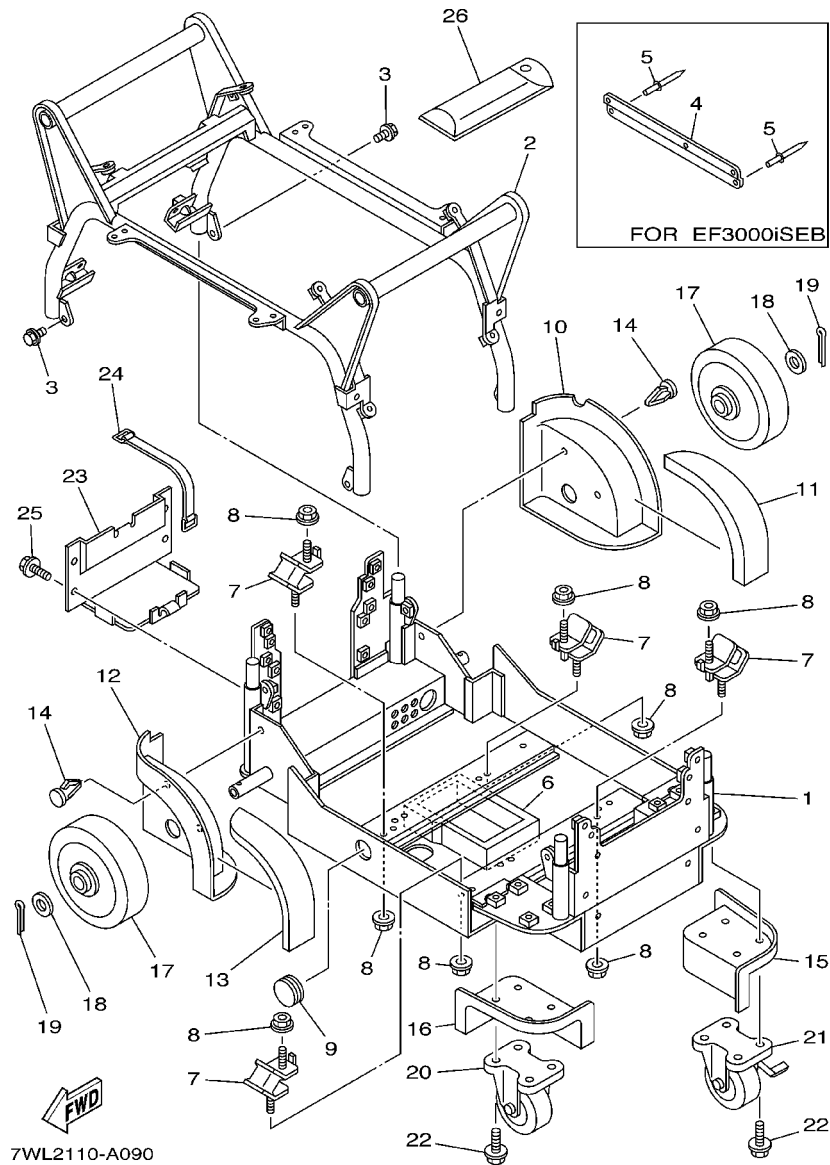
7WL2110-A070

FIG. 8 CRANKCASE



7WL2110-A080

REF. NO.	PART NO.	DESCRIPTION	7WL2				REMARKS
1	7WL-15111-00	CRANKCASE 1	1				
2	7TD-15315-00	SEAL, CRANKCASE	1				
3	7TD-15379-00	SEAL	1				
4	93306-20511	BEARING	1				
5	93102-25090	OIL SEAL	1				
6	95027-10016	BOLT, FLANGE	1				
7	90430-10188	GASKET	1				
8	99530-08016	PIN, DOWEL	2				
9	98507-08012	SCREW, PAN HEAD	1				
10	7WL-15411-00	COVER, CRANKCASE 1	1				
11	93306-20511	BEARING	1				
12	93102-25090	OIL SEAL	1				
13	7TD-15494-00	SEAL, PROTECTOR	2				
14	90338-06181	PLUG	2				
15	7NJ-15451-00	GASKET, CRANKCASE COVER 1	1				
16	95827-08035	BOLT, FLANGE	6				
17	796-15363-01	PLUG, OIL	1				
18	93210-22344	O-RING	1				



7WL2110-A090

FIG. 9 FRAME

REF. NO.	PART NO.	DESCRIPTION	7WL2				REMARKS
1	7WL-22840-01	FRAME, CARRIER COMP.	1				
2	7WL-22850-00	FRAME, CARRIER COMP.	1				
3	95807-06012	BOLT, FLANGE	4				
4	7WL-22831-00	STAY 1	1				FOR EF3000iSEB
5	90267-48N00	RIVET, BLIND	2				FOR EF3000iSEB
6	7WL-2289L-00	SEAL 22	1				
7	7LG-22891-00	INSULATOR, MOUNTING	4				
8	95707-08500	NUT, FLANGE	8				
9	90338-28239	PLUG	1				
10	7WL-21511-00	FENDER, FRONT	1				
11	7WL-21541-00	DAMPER 1	1				
12	7WL-21511-10	FENDER, FRONT	1				
13	7WL-21542-00	DAMPER 2	1				
14	90269-10002	RIVET	4				
15	7WL-21556-00	FENDER, FRONT 2	1				
16	7WL-21556-10	FENDER, FRONT 2	1				
17	73A-22845-10	CASTER 1	2				
18	90202-22238	WASHER, PLATE	2				
19	91401-30040	PIN, COTTER	2				
20	7TD-22845-00	CASTER 1	1				
21	7TD-22846-00	CASTER 2	1				
22	95807-08016	BOLT, FLANGE	8				
23	7WL-82122-00	SEAT, BATTERY	1				
24	3V6-82131-00	BAND, BATTERY	1				
25	95807-06012	BOLT, FLANGE	4				
26	7H6-28100-00	TOOL KIT	1				

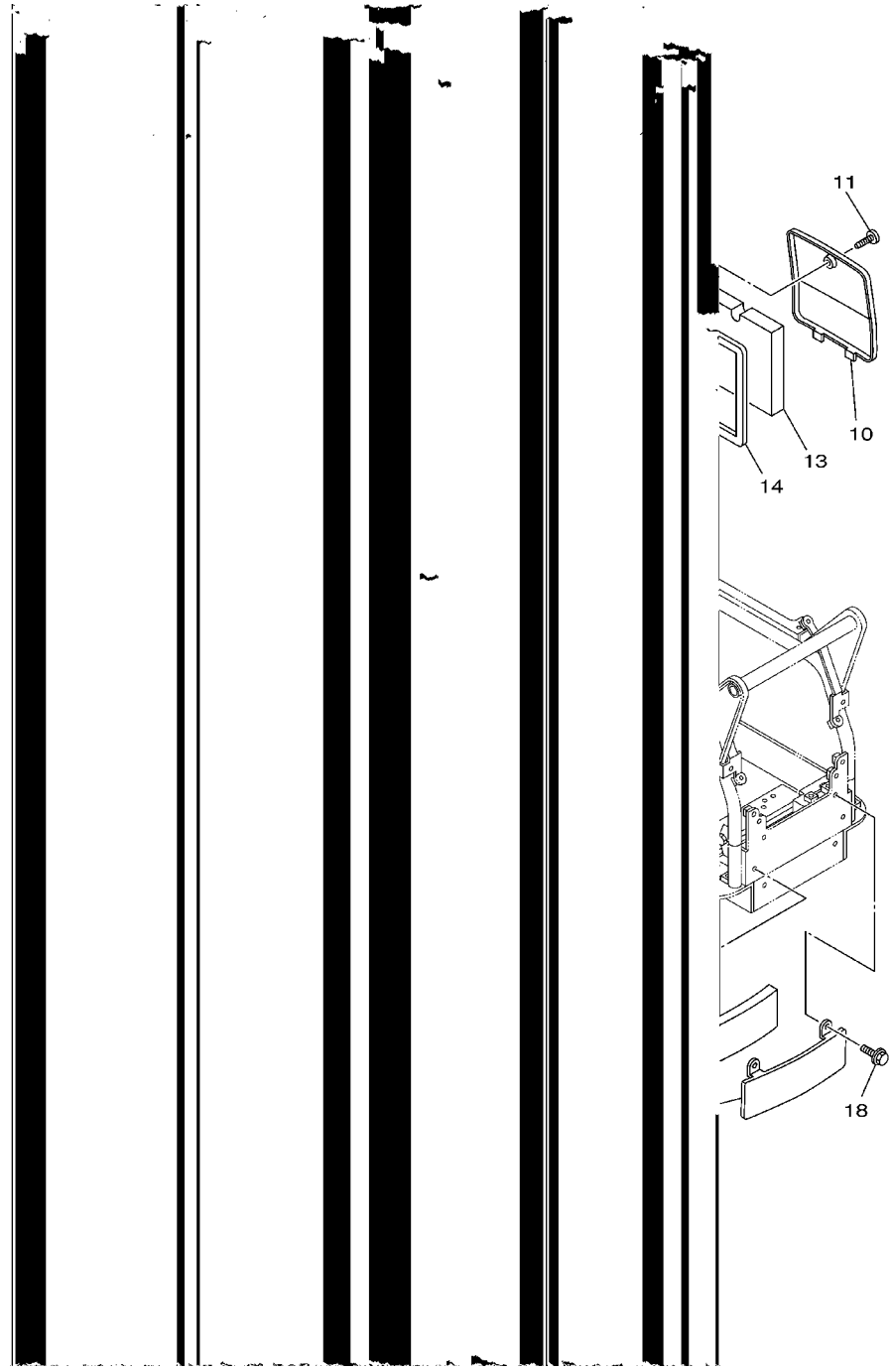
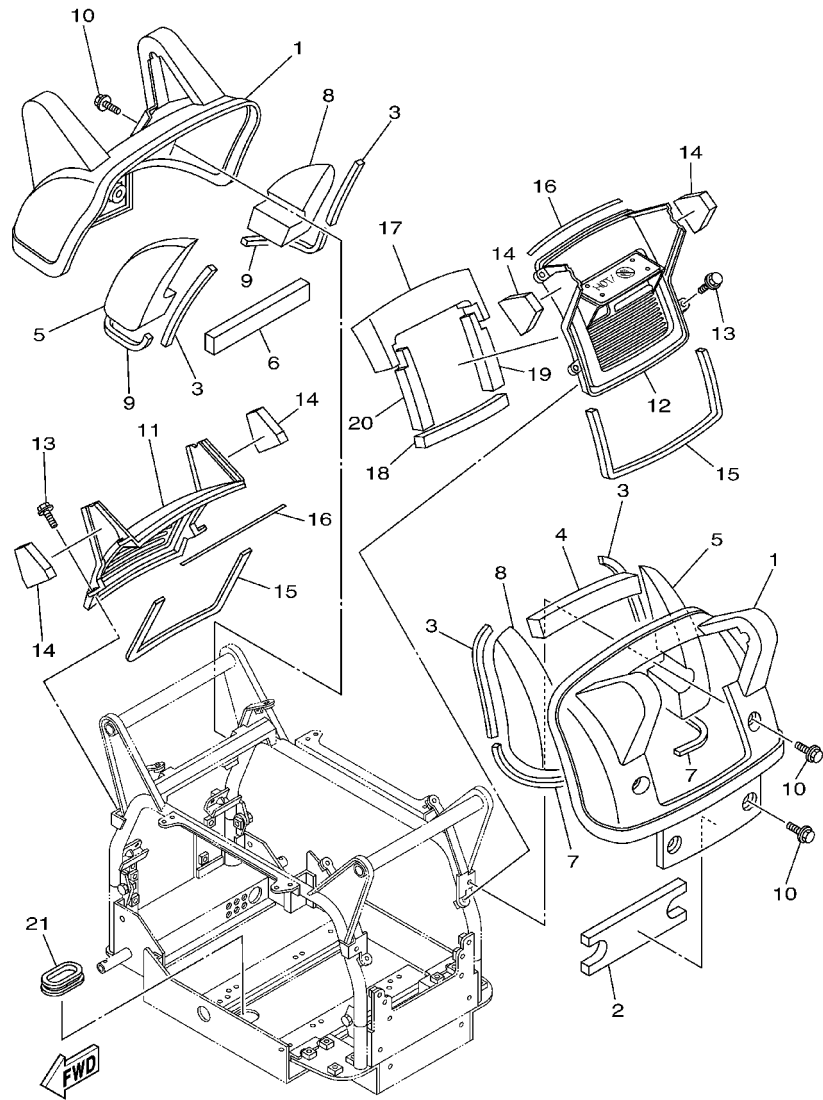


FIG. 10 FRAME 2

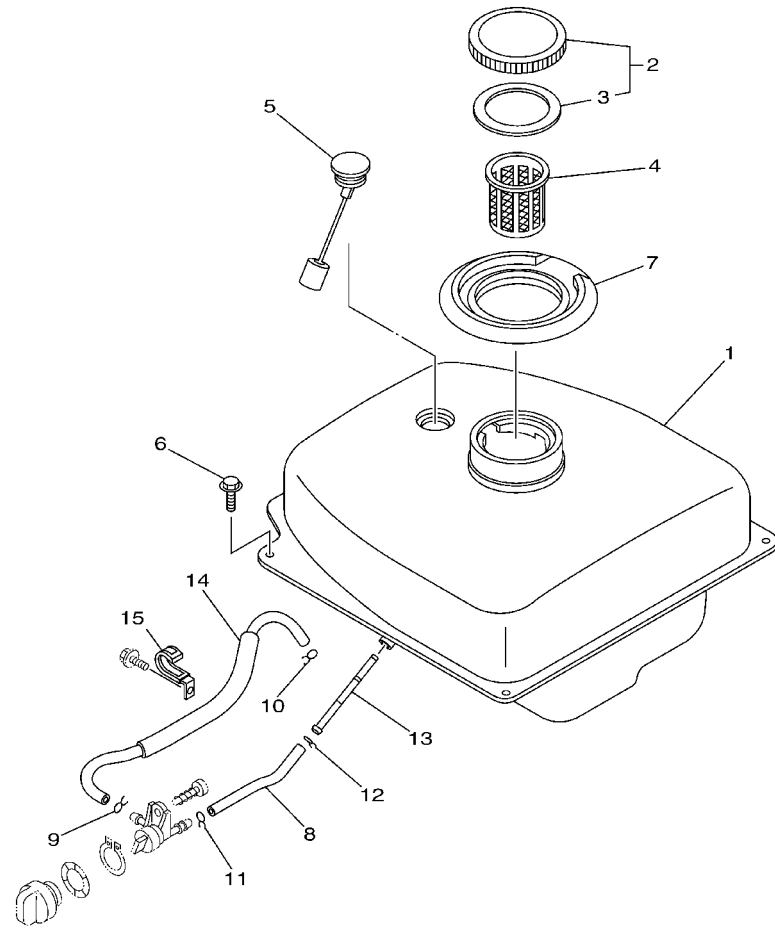
REF. NO.	PART NO.	DESCRIPTION	7WL2			REMARKS
1	7WL-22865-00-P0	COVER, FRONT	1			PBS3
2	7WL-2286F-00-P0	COVER, FRONT 2	1			PBS3
3	90149-06194	SCREW	1			
4	7WL-22873-00	SEAL 1	1			
5	7WL-22874-00	SEAL 2	1			
6	7WL-2281E-00	SEAL, RUBBER 2	1			
7	7WL-22897-00	SEAL 14	2			
8	95807-06012	BOLT, FLANGE	6			
9	7WL-22866-00-P0	COVER, REAR	1			PBS3
10	7WL-22856-00-P0	COVER 3	1			PBS3
11	90149-06194	SCREW	1			
12	7WL-22876-00	SEAL 4	1			
13	7WL-22877-00	SEAL 5	1			
14	7WL-2281F-00	SEAL, RUBBER 3	1			
15	95807-06012	BOLT, FLANGE	6			
16	7WL-22864-00-P0	COVER, SIDE 1	1			PBS3
17	7WL-22878-00	SEAL 6	1			
18	95807-06010	BOLT, FLANGE	4			
19	7WL-22862-00-P0	COVER, UPPER	1			PBS3
20	7WL-22875-00	SEAL 3	2			
21	7WL-21764-00	LENS, LEVEL GAUGE	1			
22	7WL-21773-00	GROMMET	1			
23	95807-06012	BOLT, FLANGE	4			

FIG. 11 FRAME 3



REF. NO.	PART NO.	DESCRIPTION	7WL2				REMARKS
1	7WL-22861-00	COVER 1	2				
2	7WL-22879-00	SEAL 7	1				
3	7WL-22885-00	SEAL, 8	4				
4	7WL-22889-00	SEAL 12	1				
5	7WL-22886-00	SEAL 9	2				
6	7WL-22899-00	SEAL 15	1				
7	7WL-2289F-00	SEAL 17	2				
8	7WL-22887-00	SEAL 10	2				
9	7WL-2289G-00	SEAL 18	2				
10	95807-06014	BOLT, FLANGE	8				
11	7WL-22250-00	DAMPER UNIT ASSY	1				
12	7WL-22290-00	COVER ASSY 2	1				
13	95807-06014	BOLT, FLANGE	8				
14	7WL-22888-00	SEAL 11	4				
15	7WL-22896-00	SEAL 13	2				
16	7WL-2289A-00	SEAL 16	2				
17	7WL-2289H-00	SEAL 19	1				
18	7WL-2289J-00	SEAL 20	1				
19	7WL-2289K-00	SEAL 21	1				
20	7WL-2289M-00	SEAL 23	1				
21	7WL-22857-00	COVER 4	1				

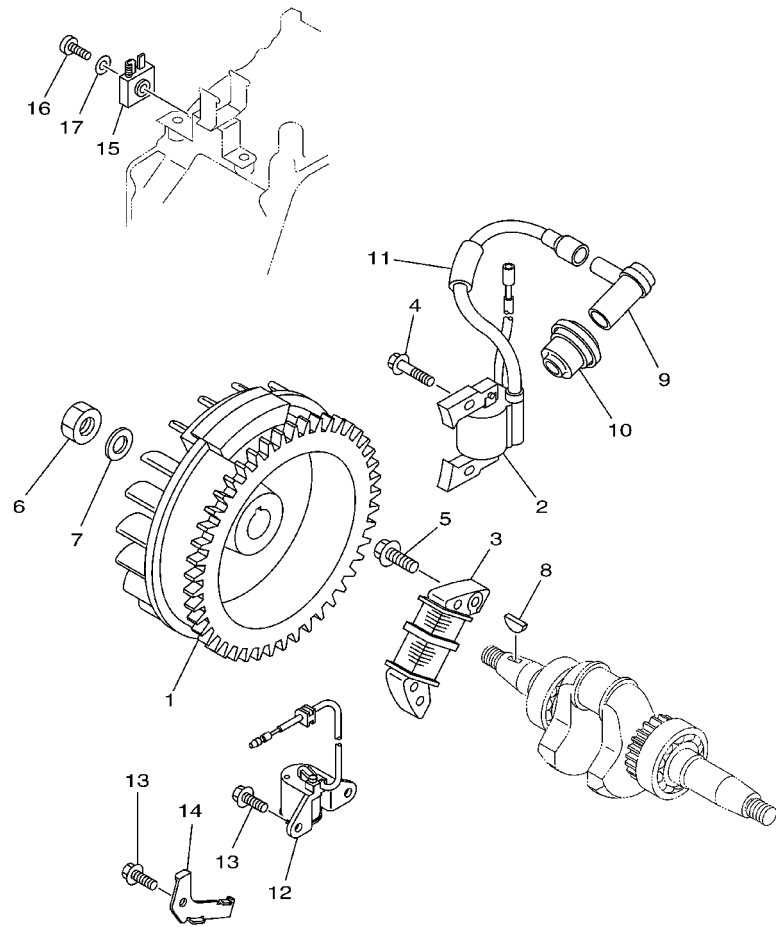
FIG. 12 FUEL TANK



7WL1010-A120

REF. NO.	PART NO.	DESCRIPTION	7WL2				REMARKS
1	7WL-24110-00	FUEL TANK COMP.	1				
2	74T-24610-00	CAP ASSY	1				
3	796-24612-00	.GASKET, CAP	1				
4	630-24167-00	STRAINER	1				
5	7A9-85710-02	FUEL LEVEL GAUGE ASSY	1				
6	95807-06012	BOLT, FLANGE	4				
7	7WL-2414G-00	SEAL	1				
8	7WL-24311-00	PIPE, FUEL 1	1				
9	90467-08002	CLIP	1				
10	90467-09103	CLIP	1				
11	90467-10008	CLIP	1				
12	90467-11106	CLIP	1				
13	5BM-24514-00	NET, FILTER 1	1				
14	7WL-24312-00	PIPE 2	1				
15	90462-05061	CLAMP	1				

FIG. 13 MAGNETO



7WL1010-A130

REF. NO.	PART NO.	DESCRIPTION	7WL2				REMARKS
1	7TD-85650-00	ROTOR ASSY	1				
2	7WL-85640-00	T.C.I. UNIT ASSY	1				
3	7WL-85521-00	COIL ASSY	1				
4	95827-06020	BOLT, FLANGE	2				
5	95827-06025	BOLT, FLANGE	2				
6	90170-14403	NUT	1				
7	92907-14200	WASHER	1				
8	90280-04052	KEY, WOODRUFF	1				
9	JN6-82370-00	PLUG CAP ASSY	1				
10	JE8-82372-00	SEAL, PLUG CAP	1				
11	7TD-82373-00	SEAL, HIGH TENSION CORD	1				
12	7NJ-85720-02	OIL LEVEL GAUGE ASSY	1				
13	95827-06012	BOLT, FLANGE	3				
14	7NJ-85724-00	CLAMP	1				
15	353-81970-M0	RECTIFIER ASSY	1				
16	98507-06020	SCREW, PAN HEAD	1				
17	92907-06600	WASHER, PLATE	1				

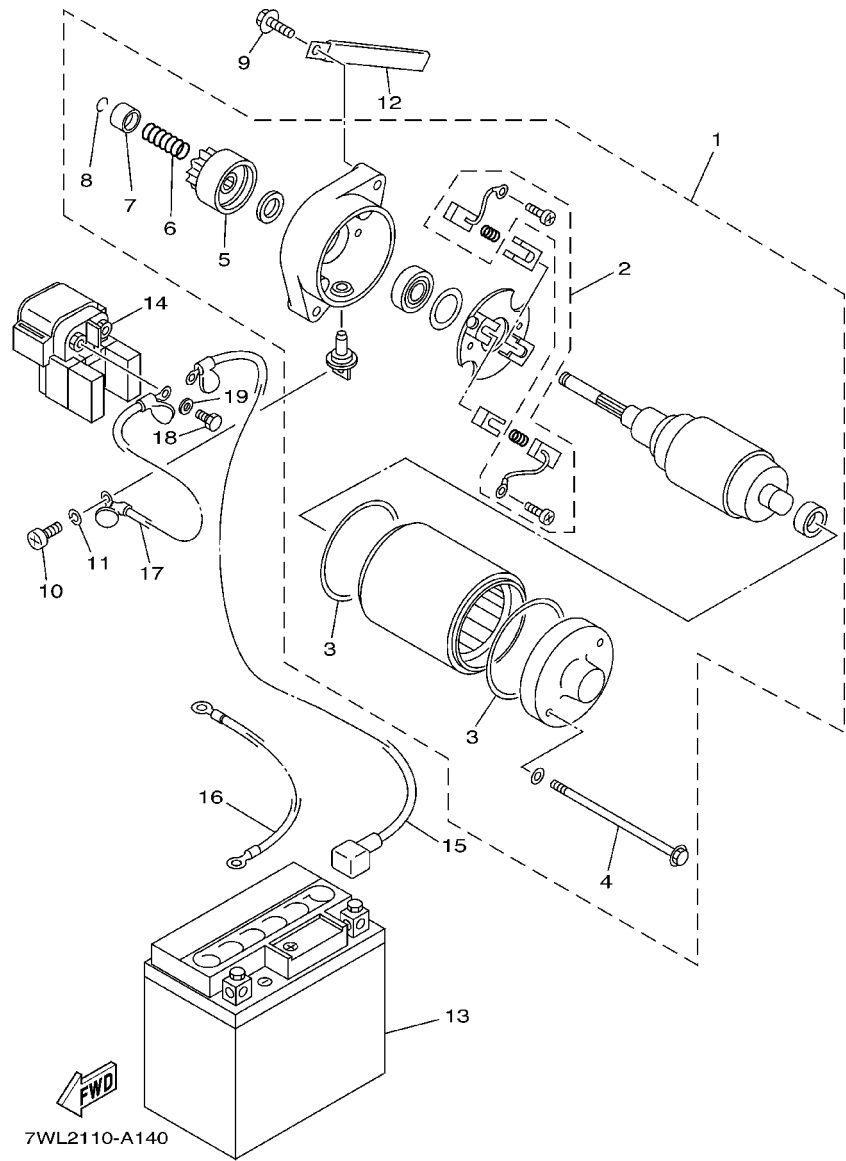


FIG. 14 STARTING MOTOR

REF. NO.	PART NO.	DESCRIPTION	7WL2				REMARKS
1	7TD-81800-00	STARTING MOTOR ASSY	1				
2	50M-81801-M0	.BRUSH SET	1				
3	7LY-8181Y-00	.GASKET, YOKE	2				
4	7LY-81828-00	.BOLT 2	2				
5	7TD-81807-00	.GEAR ASSY, STARTING MOTOR	1				
6	JE0-81858-00	.SPRING, RETURN	1				
7	XD7-81859-00	.STOPPER, PINION	1				
8	XD4-81833-00	.RING, STOP	1				
9	95827-06020	BOLT, FLANGE	2				
10	98507-05008	SCREW, PAN HEAD	1				
11	92907-05100	WASHER, SPRING	1				
12	90462-05061	CLAMP	1				
13	3VD-82100-01	BATTERY ASSY (YTX12-BS)	1				
14	3EL-81940-00	STARTER RELAY ASSY	1				
15	7WL-82115-00	WIRE, PLUS LEAD	1				
16	7WL-82116-00	WIRE, MINUS LEAD	1				
17	7WL-81815-00	CORD, STARTER MOTOR	1				
18	97007-06010	BOLT	2				
19	92907-06600	WASHER, PLATE	2				

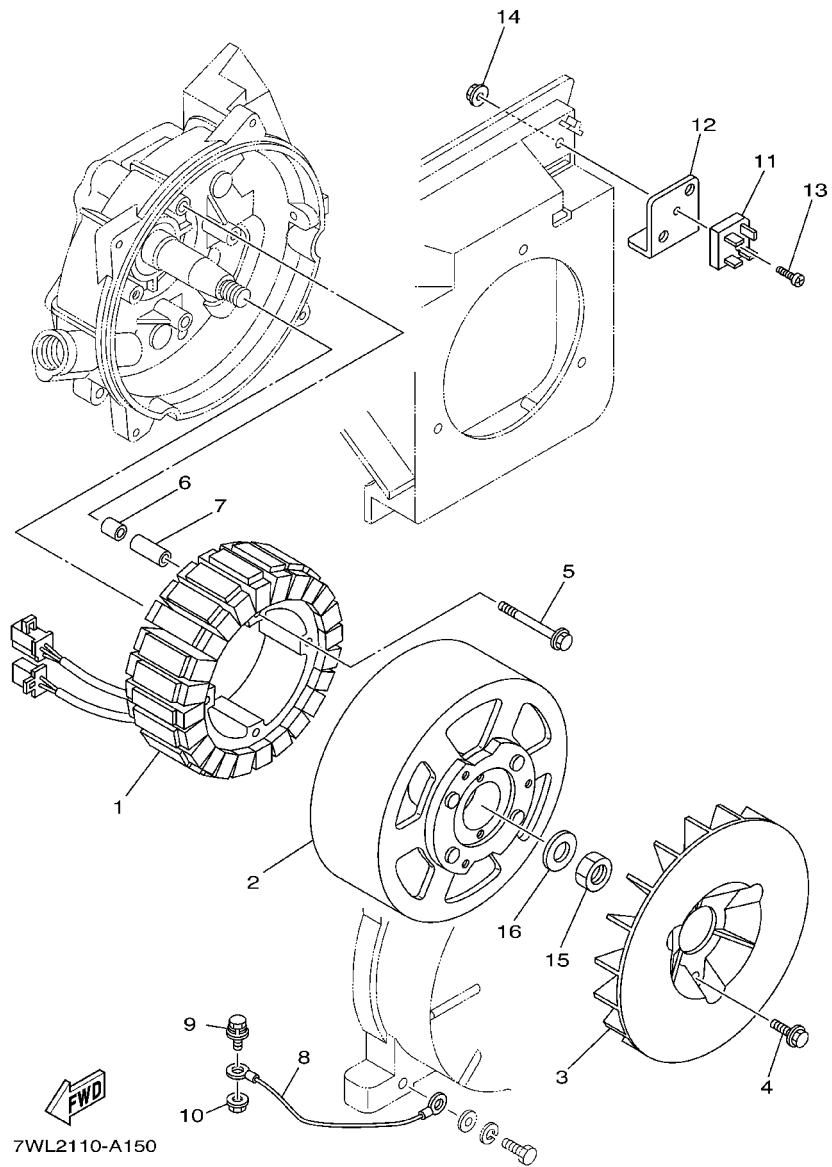


FIG. 15 GENERATOR

REF. NO.	PART NO.	DESCRIPTION	7WL2				REMARKS
1	7WL-87150-10	STATOR ASSY	1				
2	7WL-87160-00	ROTOR ASSY	1				
3	7WL-87172-00	FAN, GENERATOR	1				
4	95807-06016	BOLT, FLANGE	3				
5	95827-06055	BOLT, FLANGE	4				
6	99530-08012	PIN, DOWEL	2				
7	7WL-8719F-00	TUBE 7	2				
8	7WL-87139-00	LEAD WIRE ASSY 2	1				
9	90119-06M41	BOLT, WITH WASHER	1				
10	95780-06500	NUT, FLANGE	1				
11	7VU-87105-00	RECTIFIER ASSY 1	1				
12	7VU-86515-00	PLATE, HEAT SINK	1				
13	98507-05020	SCREW, PAN HEAD	1				
14	95607-05200	NUT, U FLANGE	1				
15	90170-14403	NUT	1				
16	92907-14200	WASHER	1				

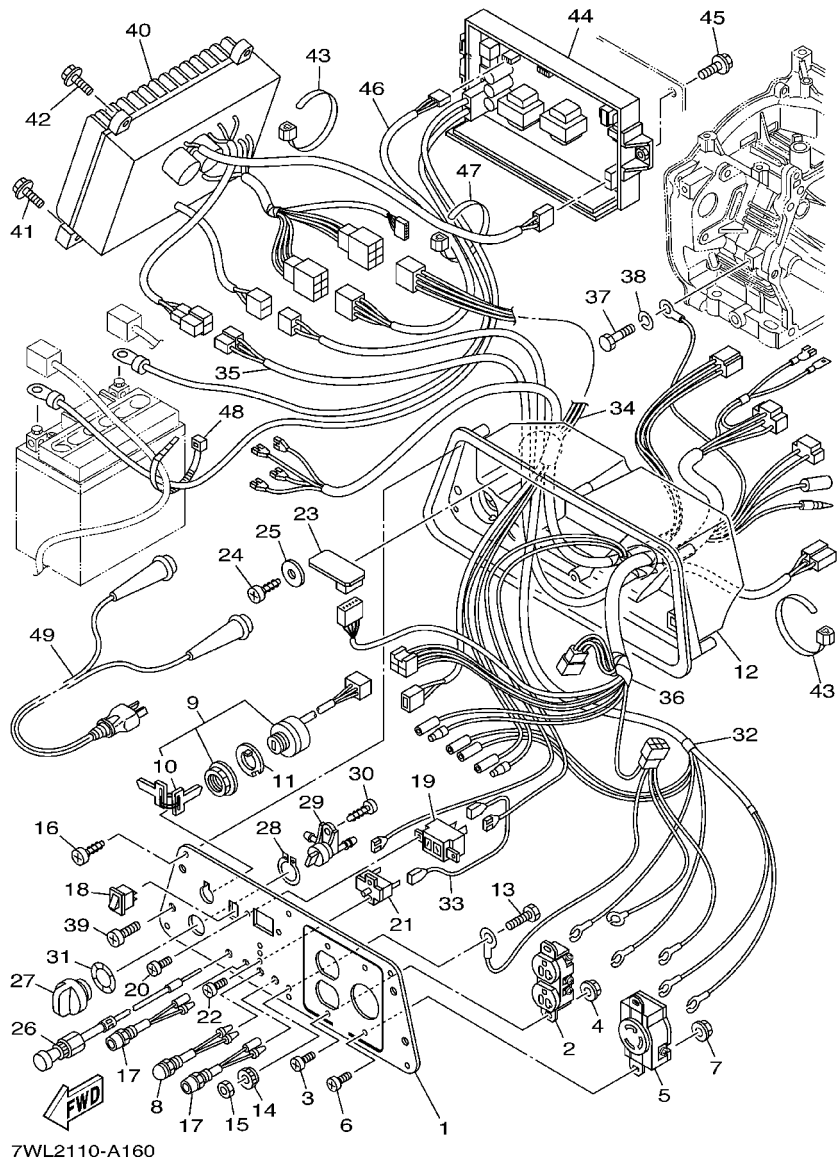


FIG. 16 CONTROL BOX

REF. NO.	PART NO.	DESCRIPTION	7WL2			REMARKS
1	7WL-87249-40	PLATE	1			
2	7LL-87221-90	RECEPTACLE (WCF62120B02)	1			UR MATSUSHITA
	73H-87221-90	RECEPTACLE 1 (P&S 5-20R)	1			UR P&S
3	98507-04012	SCREW, PAN HEAD	2			
4	95707-04500	NUT, FLANGE	2			
5	73H-87222-91	RECEPTACLE 2 (30A-125V)	1			UR P&S
	7LR-87221-90	RECEPTACLE 1 (WCF63130B02)	1			UR MATSUSHITA
	7VU-87221-90	RECEPTACLE 1 (30A-125V)	1			UR MEIKOSHA
6	98507-04012	SCREW, PAN HEAD	2			
7	95707-04500	NUT, FLANGE	2			
8	7NJ-83530-00	PILOT LIGHT ASSY	1			
9	7LP-82510-00	MAIN SWITCH ASSY	1			
10	73A-82511-00	.KEY, MAIN SWITCH	2			
11	7RG-82517-00	WASHER, SPECIAL	1			
12	7WL-87213-00	COVER, CONTROL BOX	1			
13	97080-05016	BOLT	1			
14	95707-05500	NUT, FLANGE	1			
15	95380-05700	NUT	1			
16	97707-40516	SCREW, TAPPING	6			
17	7VU-83582-00	PILOT LIGHT ASSY	2			
18	7NJ-82550-00	ENGINE STOP SWITCH ASSY	1			ECÓN. SW
19	7LG-87239-00	RECEPTACLE COMP(12A 24V DC)	1			
20	98507-04008	SCREW, PAN HEAD	2			
21	7WL-82181-00	CIRCUIT BREAKER COMP.	1			
22	98507-03008	SCREW, PAN HEAD	2			
23	7WL-85680-00	SPEED LIMITER ASSY	1			
24	97707-30512	SCREW, TAPPING	1			

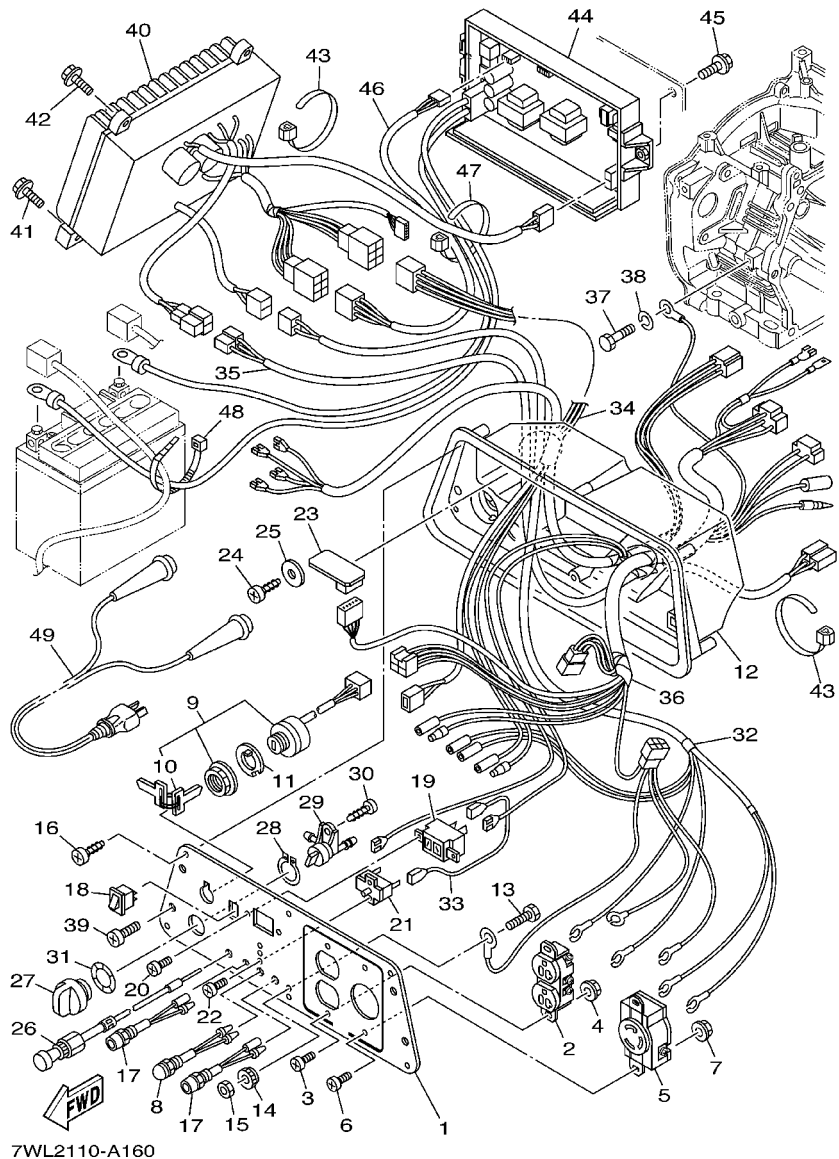


FIG. 16 CONTROL BOX

REF. NO.	PART NO.	DESCRIPTION	7WL2				REMARKS
25	90201-03013	WASHER, PLATE	1				
26	7TD-26331-00	CABLE, CHOKE	1				
27	7WL-24524-00	LEVER, COCK	1				
28	99009-24400	CIRCLIP	1				
29	7WL-24500-00	FUEL COCK ASSY 1	1				
30	97707-50016	SCREW, TAPPING	1				
31	90206-26001	WASHER, WAVE	1				
32	7WL-87225-10	WIRE, LEAD 3	1				
33	7WL-8722Y-00	WIRE, LEAD 4	1				
34	7WL-8722J-00	WIRE, LEAD	1				
35	7WL-8722X-00	WIRE, LEAD 5	1				
36	7WL-8722W-10	WIRE, LEAD 6	1				
37	97307-06012	BOLT	1				
38	92907-06100	WASHER, SPRING	1				
39	98907-06014	SCREW, BIND	4				
40	7WL-8A210-10	CONTROL UNIT	1				UR EF3000iSE
	7WL-8A210-50	CONTROL UNIT	1				UR EF3000iSEB
41	95827-06012	BOLT, FLANGE	2				
42	95827-06020	BOLT, FLANGE	2				
43	90464-13077	CLAMP	2				
44	7WL-8A2P0-10	POWER UNIT	1				EF3000iSEB
45	95827-06012	BOLT, FLANGE	2				EF3000iSEB
46	7WL-87223-40	WIRE, LEAD 1	1				EF3000iSEB
47	90464-13077	CLAMP	1				EF3000iSEB
48	7G5-87188-00	BINDER	1				EF3000iSEB
49	7LG-87209-00	CHARGE CORD ASSY	1				

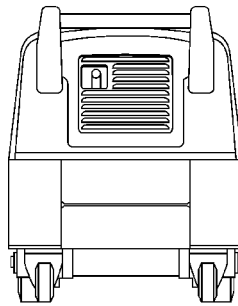
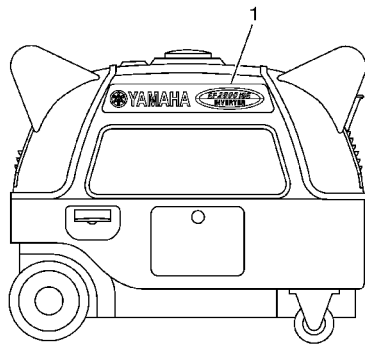
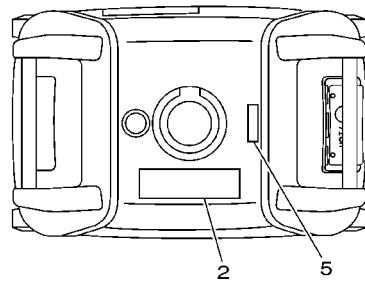
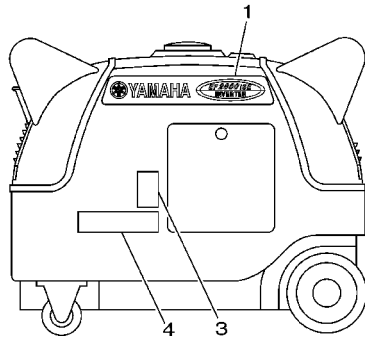


FIG. 17 LABELS

REF. NO.	PART NO.	DESCRIPTION	7WL2				REMARKS
1	7WL-24161-10	EMBLEM 1 (YAMAHA)	2				UR EF3000iSE
	7WL-24161-20	EMBLEM 1 (YAMAHA)	2				UR EF3000iSEB
2	7NJ-24162-10	EMBLEM 2 (WARNING)	1				
3	7WL-24164-20	EMBLEM 4 (SPECIFICATION)	1				
4	7WL-2179R-00	PLATE, EPA 2 (CALIFORNIA)	1				
5	7WL-28176-10	LABEL, CAUTION (HOT EXHAUST)	1				

7WL2110-A170

NUMERICAL INDEX

PART NO.	REF. NO.	PART NO.	REF. NO.	PART NO.	REF. NO.	PART NO.	REF. NO.	PART NO.	REF. NO.	PART NO.	REF. NO.
7WL-11111-00	1 - 1	7LV-14118-00	6 - 28	1WG-14922-00	6 - 5	7WL-22866-00-P0	10 - 9	7TD-81807-00	14 - 5	7VU-87221-90	16 - 5
7NJ-11160-00	1 - 10	22F-14139-00	6 - 29	14X-14937-00	6 - 31	7WL-22873-00	10 - 4	7LY-8181Y-00	14 - 3	73H-87221-90	16 - 2
7NJ-11169-00	1 - 12	620-14142-37-A0	6 - 6	7NN-1495F-1B	6 - 8	7WL-22874-00	10 - 5	7WL-81815-00	14 - 17	73H-87222-91	16 - 5
7WC-11181-00	1 - 4	7LG-14150-11	6 - 19	7WL-15111-00	8 - 1	7WL-22875-00	10 - 20	7LY-81828-00	14 - 4	7WL-87223-40	16 - 46
7NJ-11191-00	1 - 9	7EG-14159-00	6 - 20	7TD-15315-00	8 - 2	7WL-22876-00	10 - 12	XD4-81833-00	14 - 8	7WL-87225-10	16 - 32
7NJ-11193-00	1 - 13	7TD-14162-00	6 - 15	796-15363-01	8 - 17	7WL-22877-00	10 - 13	JE0-81858-00	14 - 6	7LG-87239-00	16 - 19
7WL-11400-00	2 - 1	7TD-14181-00	6 - 13	7TD-15379-00	8 - 3	7WL-22878-00	10 - 17	XD7-81859-00	14 - 7	7WL-87249-40	16 - 1
7WC-11604-00	2 - 5	7G0-14184-00	6 - 12	7WL-15411-00	8 - 10	7WL-22879-00	11 - 2	3EL-81940-00	14 - 14	90116-06493	1 - 3
7WC-11605-00	2 - 5	7LG-14185-00	6 - 7	7NJ-15451-00	8 - 15	7WL-22885-00	11 - 3	353-81970-M0	13 - 15	90119-06M41	15 - 9
7WC-11610-00	2 - 5	22F-14186-00	6 - 10	7TD-15494-00	8 - 13	7WL-22886-00	11 - 5	3VD-82100-01	14 - 13	90149-06194	10 - 3
7NJ-11631-00-98	2 - 4	7E1-14191-00	6 - 18	7WL-15710-00	4 - 14	7WL-22887-00	11 - 8	7WL-82115-00	14 - 15	90116-06493	1 - 3
4H7-11633-00	2 - 6	1V3-14196-00	6 - 32	7WL-15711-00	4 - 15	7WL-22888-00	11 - 14	7WL-82116-00	14 - 16	90119-06M41	15 - 9
7NJ-11635-00	2 - 4	7WL-14197-00	6 - 30	7TA-15713-00	4 - 18	7WL-22889-00	11 - 4	7WL-82122-00	9 - 23	90170-14403	13 - 6
7NJ-11636-00	2 - 4	7NJ-14211-00	6 - 16	7VU-15714-00	4 - 16	7WL-22890-00	11 - 16	3V6-82131-00	9 - 24	90201-03013	15 - 15
7NJ-11650-00	2 - 2	73A-14212-00	6 - 4	7TA-15715-00	4 - 19	7WL-22891-00	11 - 7	7WL-82181-00	16 - 21	90202-22238	9 - 18
JA9-11654-01	2 - 3		6 - 17	7VU-15716-00	4 - 21	7WL-22892-00	11 - 9	JN6-82370-00	13 - 9	90206-26001	16 - 31
7NJ-12111-00	3 - 4	7RH-14216-00	6 - 2	7WL-15723-00	4 - 26	7WL-22893-00	11 - 17	JE8-82372-00	13 - 10	90267-48N00	9 - 5
7NJ-12117-00	3 - 8	7G0-14227-00	6 - 14	JL8-15741-00	4 - 17	7WL-22894-00	11 - 18	7TD-82373-00	13 - 11	90269-10002	9 - 14
7NJ-12118-00	3 - 9	1HX-1423E-40	6 - 9	JK4-15743-00	4 - 20	7WL-22895-00	11 - 19	7LP-82510-00	16 - 9	90280-04052	13 - 8
51Y-12119-00	3 - 16	7WL-14239-00	7 - 13	7VU-15751-00	4 - 23	7WL-22896-00	9 - 6	73A-82511-00	16 - 10	90338-06181	8 - 14
7NJ-12121-00	3 - 5	7X9-14239-00	6 - 11	7TD-15755-00	4 - 24	7WL-22897-00	11 - 20	7RG-82517-00	16 - 11	90338-06181	8 - 14
7NN-12151-00	3 - 10	J45-14243-00	6 - 25	7NJ-15793-00	4 - 22	7LG-22891-00	9 - 7	7NJ-82550-00	16 - 18	90338-28239	9 - 9
7WC-12153-00	3 - 6	7VU-14293-00	6 - 27	7WL-21511-00	9 - 10	7WL-22896-00	11 - 15	7NJ-83530-00	16 - 8	90430-10188	8 - 7
7WL-12154-00	3 - 15	7TD-14411-00	5 - 4	7WL-21511-10	9 - 12	7WL-22897-00	10 - 7	7VU-83582-00	16 - 17	90445-131J5	1 - 11
7NJ-12155-01	3 - 14	7TD-14451-00	5 - 6	7WL-21541-00	9 - 11	7WL-22899-00	11 - 6	7WL-85521-00	13 - 3	90462-05061	12 - 15
7FK-12157-00	3 - 12	7WL-14452-00	7 - 25	7WL-21542-00	9 - 13	7WL-24110-00	12 - 1	7WL-85640-00	13 - 2	90462-05061	14 - 12
7FK-12158-00	3 - 13	7WL-14453-00	5 - 9	7WL-21556-00	9 - 15	7WL-2414G-00	12 - 7	7TD-85650-00	13 - 1	90464-13077	16 - 43
7NN-12165-02	3 - 11	7WL-14457-00	7 - 26	7WL-21556-10	9 - 16	7WL-24161-10	17 - 1	7WL-85680-00	16 - 23	90467-08002	12 - 9
7NJ-12170-03	3 - 1	7WL-1446R-00	7 - 27	7WL-21764-00	10 - 21	7WL-24161-20	17 - 1	7A9-85710-02	12 - 5	90467-09103	12 - 10
7WL-12223-00	4 - 12	7TD-14461-00	5 - 7	7WL-21773-00	10 - 22	7NJ-24162-10	17 - 2	7NJ-85720-02	13 - 12	90467-10008	12 - 11
7NJ-12287-00	3 - 3	7WL-14462-00	7 - 30	7WL-2179R-00	17 - 4	7WL-24164-20	17 - 3	7NJ-85724-00	13 - 14	90467-11106	12 - 12
7NJ-12299-01	3 - 2	7TD-14468-00	5 - 5	7WL-22250-00	11 - 11	630-24167-00	12 - 4	7VU-86240-00	6 - 26	90501-205J4	3 - 7
7WL-12616-00	4 - 8	7RH-14486-00	6 - 3	7WL-22290-00	11 - 12	7WL-24311-00	12 - 8	7VU-86515-00	15 - 12	91401-30040	9 - 19
7TD-1262J-00	4 - 2	JA9-14613-00	7 - 16	7WL-2281E-00	10 - 6	7WL-24312-00	12 - 14	7VU-87105-00	15 - 11	92907-05100	14 - 11
7WL-12621-00	4 - 1	7WL-14711-00	7 - 1	7WL-2281F-00	10 - 14	4SV-24453-00	6 - 22	7WL-87139-00	15 - 8	92907-06100	16 - 38
7TD-12651-01	4 - 4	7WL-14718-00	7 - 2	7WL-22831-00	9 - 4	7WL-24500-00	16 - 29	7WL-87150-10	15 - 1	92907-06600	7 - 10
7TD-12658-00	4 - 5	7WL-14728-00	7 - 4	7WL-22840-01	9 - 1	5BM-24514-00	12 - 13	7WL-87160-00	15 - 2	92907-06600	13 - 17
7TD-12659-00	4 - 6	7WL-14733-00	7 - 31	7TD-22845-00	9 - 20	7WL-24524-00	16 - 27	7WL-87172-00	15 - 3	92907-14200	13 - 7
7WL-12684-00	4 - 9	7WL-14736-00	7 - 24	73A-22845-10	9 - 17	74T-24610-00	12 - 2	7G5-87188-00	16 - 48	92990-05100	6 - 24
7WL-12685-00	4 - 10	7WL-1477E-00	7 - 14	7TD-22846-00	9 - 21	796-24612-00	12 - 3	7WL-8719F-00	15 - 7	93102-25090	8 - 5
7WL-12686-00	4 - 11	7WL-1477G-00	7 - 23	7WL-22850-00	9 - 2	7TD-26331-00	16 - 26	7LG-87209-00	16 - 49	93210-22344	8 - 18
7WL-12691-00	7 - 22	7WL-1478A-00	7 - 29	7WL-22856-00-P0	10 - 10	7H6-28100-00	9 - 26	7WL-87213-00	16 - 12	93306-20511	8 - 4
7WL-12692-00	7 - 28	7WL-1478E-00	7 - 11	7WL-22857-00	11 - 21	7WL-28176-10	17 - 5	7WL-8722J-00	16 - 34	93306-20511	8 - 4
7WL-12877-00	4 - 13	7WL-1478F-00	7 - 12	7WL-2286F-00-P0	10 - 2	7WL-8A2P0-10	16 - 44	7WL-8722W-10	16 - 36	93306-20511	8 - 4
7NJ-13557-00	5 - 2	7WL-14786-00	7 - 17	7WL-22861-00	11 - 1	7WL-8A210-10	16 - 40	7WL-8722X-00	16 - 35	93306-20511	8 - 4
7NJ-13567-00	5 - 3	7NJ-14788-00	7 - 19	7WL-22862-00-P0	10 - 19	7WL-8A210-50	16 - 40	7WL-8722Y-00	16 - 33	93306-20511	8 - 4
7NJ-13596-00	5 - 1	7NJ-1479E-00	7 - 20	7WL-22864-00-P0	10 - 16	7TD-81800-00	14 - 1	7LL-87221-90	16 - 2	93306-20511	8 - 4
7WL-14101-00	6 - 1	7WL-14799-00	7 - 18	7WL-22865-00-P0	10 - 1	50M-81801-M0	14 - 2	7LR-87221-90	16 - 5	93306-20511	8 - 4

NUMERICAL INDEX

PART NO.	REF. NO.	PART NO.	REF. NO.	PART NO.	REF. NO.	PART NO.	REF. NO.	PART NO.	REF. NO.
93450-17025	2 - 7	97707-30512	16 - 24						
94702-00331	1 - 8	97707-40516	16 - 16						
95027-10016	8 - 6	97707-50016	16 - 30						
95307-06600	7 - 15	98502-03006	6 - 21						
95380-05700	16 - 15	98507-03008	16 - 22						
95607-05200	15 - 14	98507-04008	16 - 20						
95607-06615	1 - 2	98507-04012	16 - 3						
95707-04500	16 - 4		16 - 6						
	16 - 7	98507-05008	6 - 23						
95707-05500	16 - 14		14 - 10						
95707-06500	5 - 8	98507-05020	15 - 13						
95707-08500	9 - 8	98507-06020	13 - 16						
95780-06500	15 - 10	98507-08012	8 - 9						
95807-06010	10 - 18	98907-06014	16 - 39						
95807-06012	4 - 3	99009-24400	16 - 28						
	4 - 7	99530-08012	15 - 6						
	7 - 3	99530-08016	8 - 8						
	7 - 32	99530-10114	1 - 7						
	9 - 3								
	9 - 25								
	10 - 8								
	10 - 15								
	10 - 23								
	12 - 6								
95807-06014	11 - 10								
	11 - 13								
95807-06016	15 - 4								
95807-06020	4 - 25								
95807-06030	7 - 5								
95807-08012	7 - 6								
95807-08016	7 - 7								
	9 - 22								
95827-06012	1 - 14								
	13 - 13								
	16 - 41								
	16 - 45								
95827-06020	13 - 4								
	14 - 9								
	16 - 42								
95827-06025	13 - 5								
95827-06055	15 - 5								
95827-08035	8 - 16								
95827-08045	1 - 6								
95827-08065	1 - 5								
97007-06010	14 - 18								
97007-06045	7 - 8								
97080-05016	16 - 13								
97307-06012	16 - 37								