



PARTS CATALOGUE

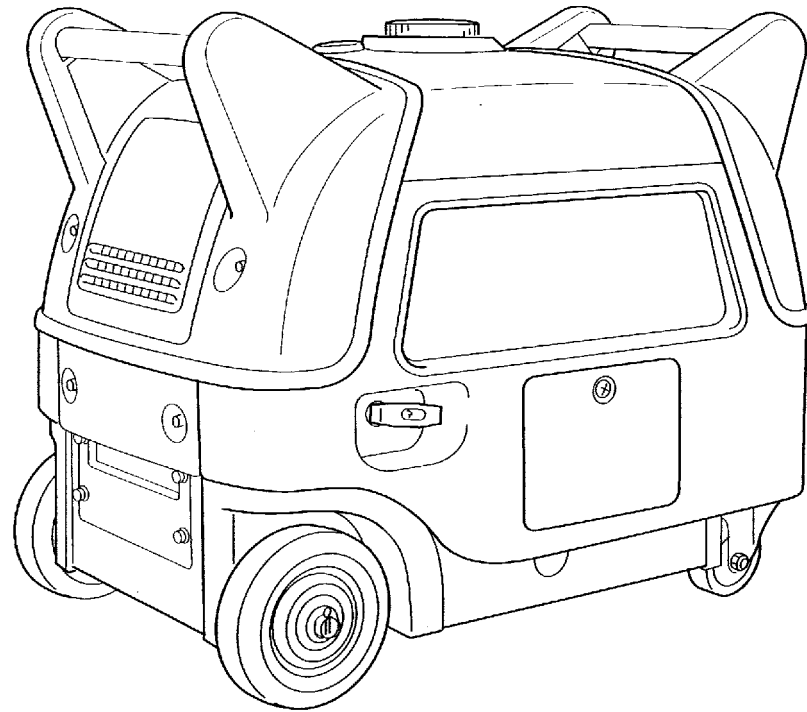
YAMAHA GENERATOR

EF3000iSE (7WL3) (220V/50Hz) OTHER

EF3000iSE (7WL3) (230V/50Hz) EUROPE

EF3000iSE
PARTS CATALOGUE
©2002 by Yamaha Motor Co., Ltd.
1st Edition, Nov. 2002
All rights reserved.
Any reprinting or unauthorized use
without the written permission of
Yamaha Motor Co., Ltd.
is expressly prohibited.
Printed in Japan

A3



A4

FOREWORD

This Parts Catalogue is related to the parts for the model(s) in the below frame. When you are ordering replacement parts, please refer to this Parts Catalogue and quote both part numbers and part names correctly.

1. Modifications or additions which have been made after issue of the Parts Catalogue will be announced in the Yamaha Parts News.
It is advisable that you make necessary corrections to the Parts Catalogue according to the Yamaha Parts News.

2. Abbreviations

The following abbreviations are used in this Parts Catalogue.

“UR” Use specified parts number.

“UN” Use as many as needed.

“AP” Alternate Parts

“LM” Local Made (Parts need to be ordered locally)

“F#” Frame No. (Applicable machine No.)

3. Parts, which are to be supplied in an assembly, are listed with a dot(.) in front of the part name as shown below.

EXAMPLE

CARBURETOR ASSY

.JET, PILOT

.NOZZLE, MAIN

4. Number of component for assembly

The numeral appearing to the right of each component part indicates the quantity of parts for each assembly unit.

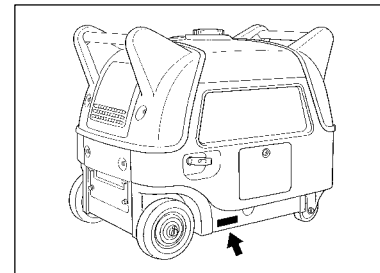
EXAMPLE

PART NO.	DESCRIPTION	Q'TY	REMARKS
2F5-83310-60	FRONT FLASHER LIGHT ASSY	2	
115-83311-60	.BULB (6V-18W)	1	

5. Applicable Starting Serial No. and Color Code

MODEL NAME	MODEL TYPE	FRAME NO.	DESTINATION
EF3000iSE	7WL3	7WL-330101	CHN
		7WL-300101	DEU
		7WL-350101	FRA

Frame Serial No.



Color Code	Color Name	Abbreviation	MODEL	Country (destination)
0714	PURPLISH BLUE SOLID 3	PBS3	7WL3	OTHER EUROPE

6. Note that the illustrations for reference in finding parts numbers, not to be used for assembling. When assembling, please use the applicable service manual.

7. The asterisk (*) before a reference number indicates modification items after the first edition.

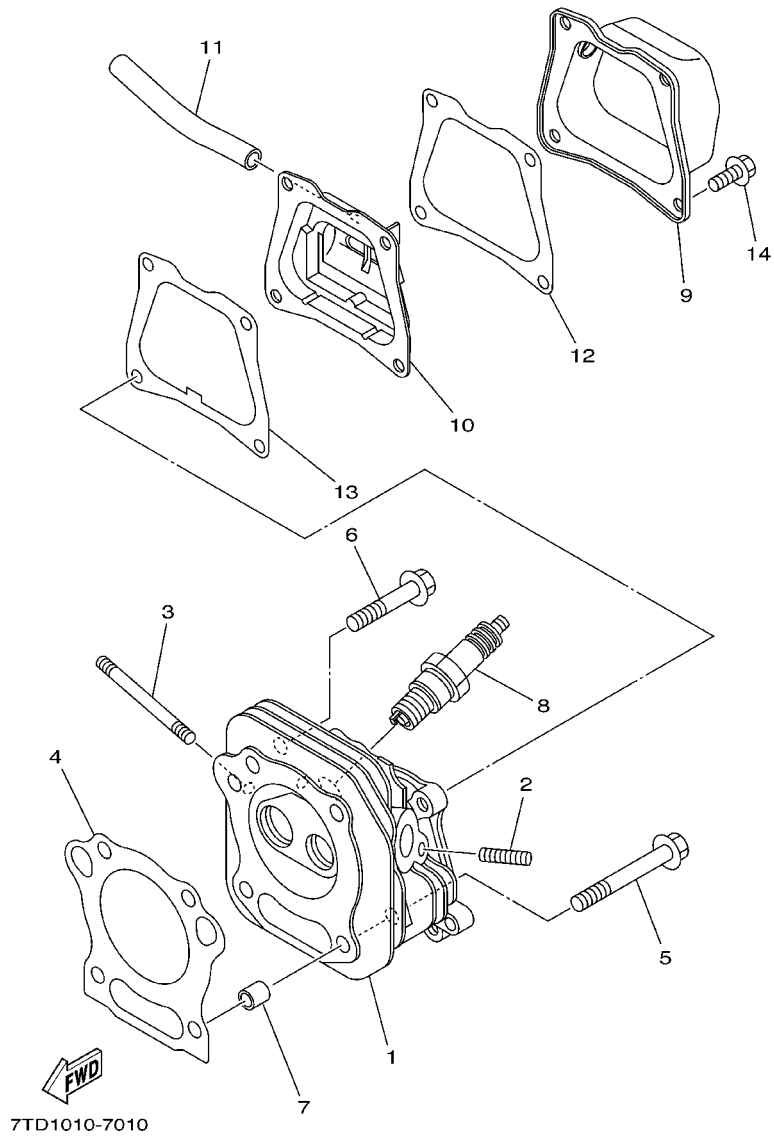
CONTENTS

CYLINDER	B2
CRANKSHAFT. PISTON	B3
CAMSHAFT.VALVE	B4
AIR SHROUD. STARTER	B5
INTAKE	B6
CARBURETOR	B7
EXHAUST	B9
CRANKCASE	B11
FRAME	B12
FRAME 2	B13
FRAME 3	B14
FUEL TANK	B15
MAGNETO	C2
STARTING MOTOR	C3
GENERATOR	C4
CONTROL BOX 1	C5
CONTROL BOX 2	C7
LABELS	C9

INDEX

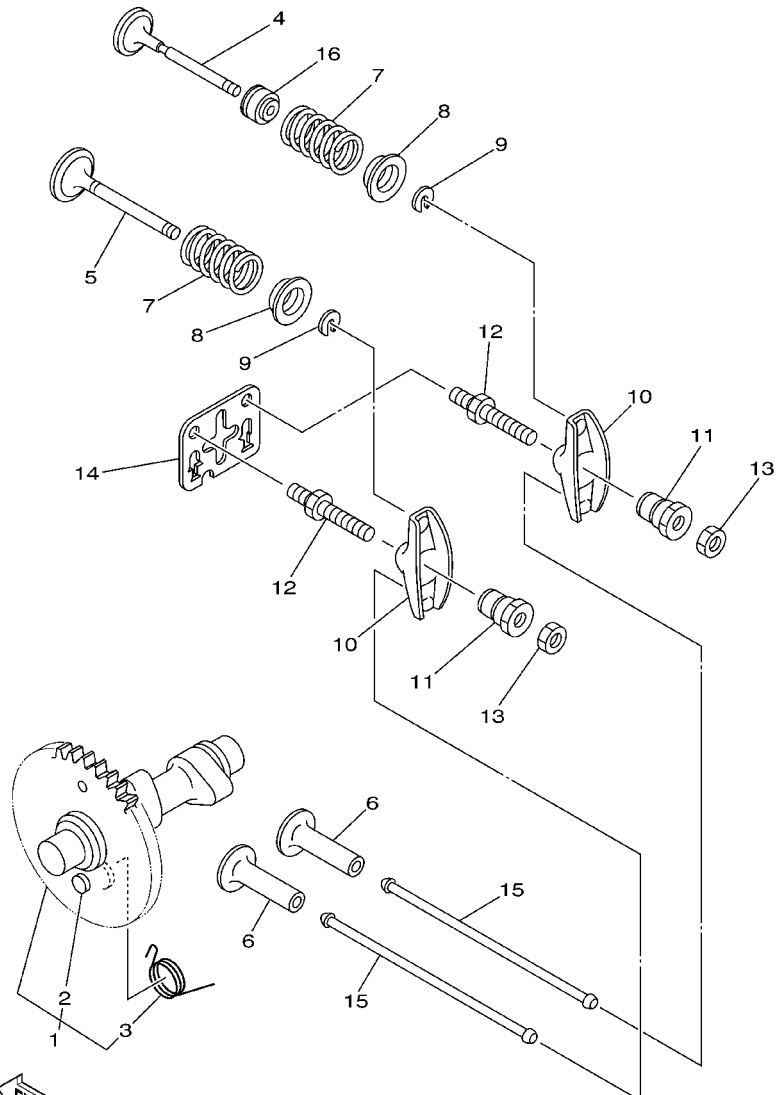
NUMERICAL INDEX	M1
-----------------------	----

FIG. 1 CYLINDER



REF. NO.	PART NO.	DESCRIPTION	EUR	OTH	REMARKS
1	7WL-11111-00	HEAD, CYLINDER 1	1	1	
2	95607-06615	BOLT, STUD	2	2	
3	90116-06493	BOLT, STUD	2	2	
4	7WC-11181-00	GASKET, CYLINDER HEAD 1	1	1	
5	95827-08065	BOLT, FLANGE	2	2	
6	95827-08045	BOLT, FLANGE	2	2	
7	99530-10114	PIN, DOWEL	2	2	
8	94702-00331	PLUG, SPARK (NGK BPR4ES)	1	1	
9	7NJ-11191-00	COVER, CYLINDER HEAD 1	1	1	
10	7NJ-11160-00	BREATHER ASSY	1	1	
11	90445-131J5	HOSE (L106)	1	1	
12	7NJ-11169-00	GASKET, BREATHER COVER	1	1	
13	7NJ-11193-00	GASKET, HEAD COVER 1	1	1	
14	95827-06012	BOLT, FLANGE	4	4	

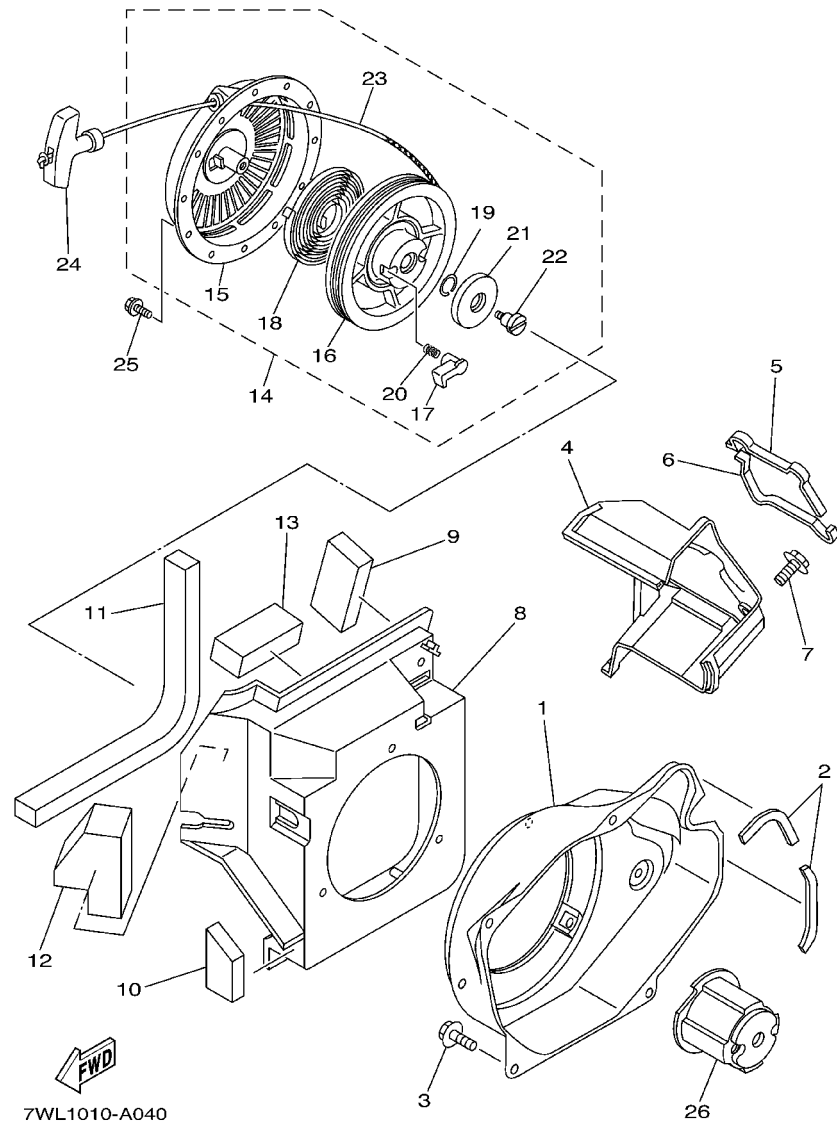
FIG. 3 CAMSHAFT.VALVE



FWD
7WL1010-A030

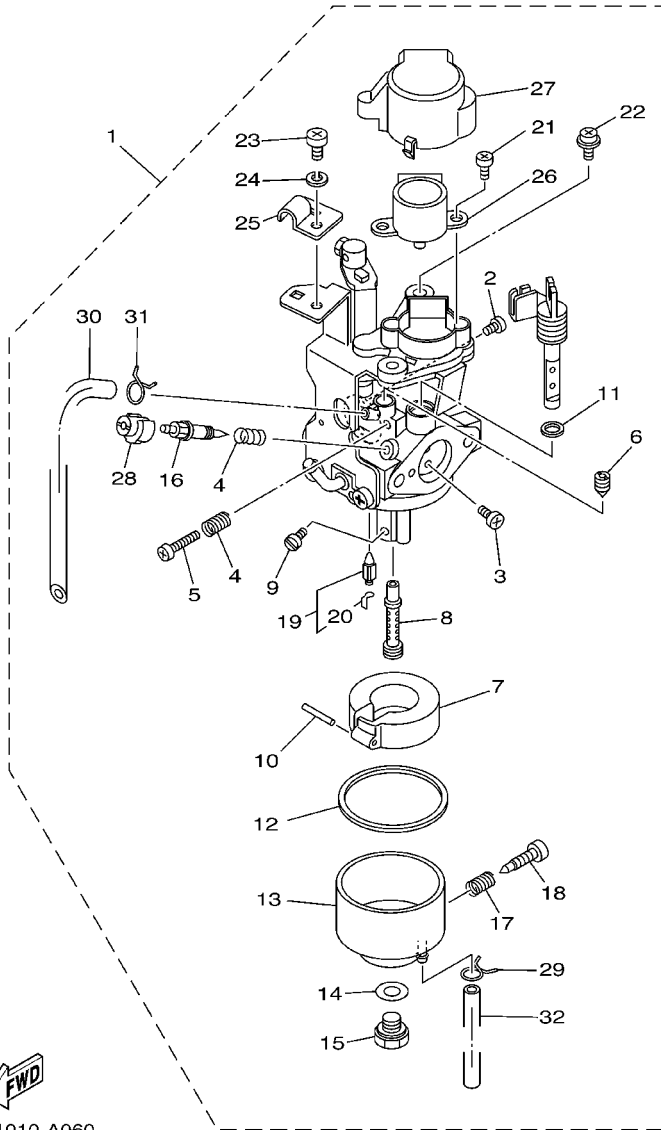
REF. NO.	PART NO.	DESCRIPTION	EUR	OTH	REMARKS
1	7NJ-12170-03	CAMSHAFT ASSY 1	1	1	
2	7NJ-12299-01	.BOLT, STOPPER	1	1	
3	7NJ-12287-00	.SPRING, DECOMPRESSION	1	1	
4	7NJ-12111-00	VALVE, INTAKE	1	1	
5	7NJ-12121-00	VALVE, EXHAUST	1	1	
6	7WC-12153-00	LIFTER, VALVE	2	2	
7	90501-205J4	SPRING, COMPRESSION	2	2	
8	7NJ-12117-00	RETAINER, VALVE SPRING	2	2	
9	7NJ-12118-00	COTTER, VALVE	2	2	
10	7NN-12151-00	ARM, VALVE ROCKER	2	2	
11	7NN-12165-02	PIVOT, ROCKER ARM	2	2	
12	7FK-12157-00	BOLT	2	2	
13	7FK-12158-00	NUT, LOCK	2	2	
14	7NJ-12155-01	GUIDE, PUSH ROD	1	1	
15	7WL-12154-00	ROD, VALVE PUSH	2	2	
16	51Y-12119-00	SEAL, VALVE STEM	1	1	

FIG. 4 AIR SHROUD, STARTER



REF. NO.	PART NO.	DESCRIPTION	EUR	OTH	REMARKS
1	7WL-12621-00	CASE, FAN	1	1	
2	7TD-1262J-00	PAD, FAN CASE 3	2	2	
3	95807-06012	BOLT, FLANGE	4	4	
4	7TD-12651-01	AIR SHROUD, CYLINDER 1	1	1	
5	7TD-12658-00	DAMPER, AIR SHROUD 1	1	1	
6	7TD-12659-00	DAMPER, AIR SHROUD 2	1	1	
7	95807-06012	BOLT, FLANGE	1	1	
8	7WL-12616-00	COVER, FAN CASE	1	1	
9	7WL-12684-00	DAMPER, DUCT 1	1	1	
10	7WL-12685-00	DAMPER, DUCT 2	1	1	
11	7WL-12686-00	DAMPER, DUCT 3	1	1	
12	7WL-12223-00	SEAL	1	1	
13	7WL-12877-00	SEAL	1	1	
14	7WL-15710-00	STARTER ASSY	1	1	
15	7WL-15711-00	.CASE, STARTER	1	1	
16	7VU-15714-00	.DRUM, SHEAVE	1	1	
17	JL8-15741-00	.PAWL, DRIVE	2	2	
18	7TA-15713-00	.SPRING, STARTER	1	1	
19	7TA-15715-00	.SPRING, FRICTION	1	1	
20	JK4-15743-00	.SPRING, RETURN	2	2	
21	7VU-15716-00	.PLATE, DRIVE	1	1	
22	7NJ-15793-00	.SCREW	1	1	
23	7VU-15751-00	.WIRE, STARTER	1	1	
24	7TD-15755-00	HANDLE, STARTER	1	1	
25	95807-06020	BOLT, FLANGE	3	3	
26	7WL-15723-00	PULLEY, STARTER	1	1	

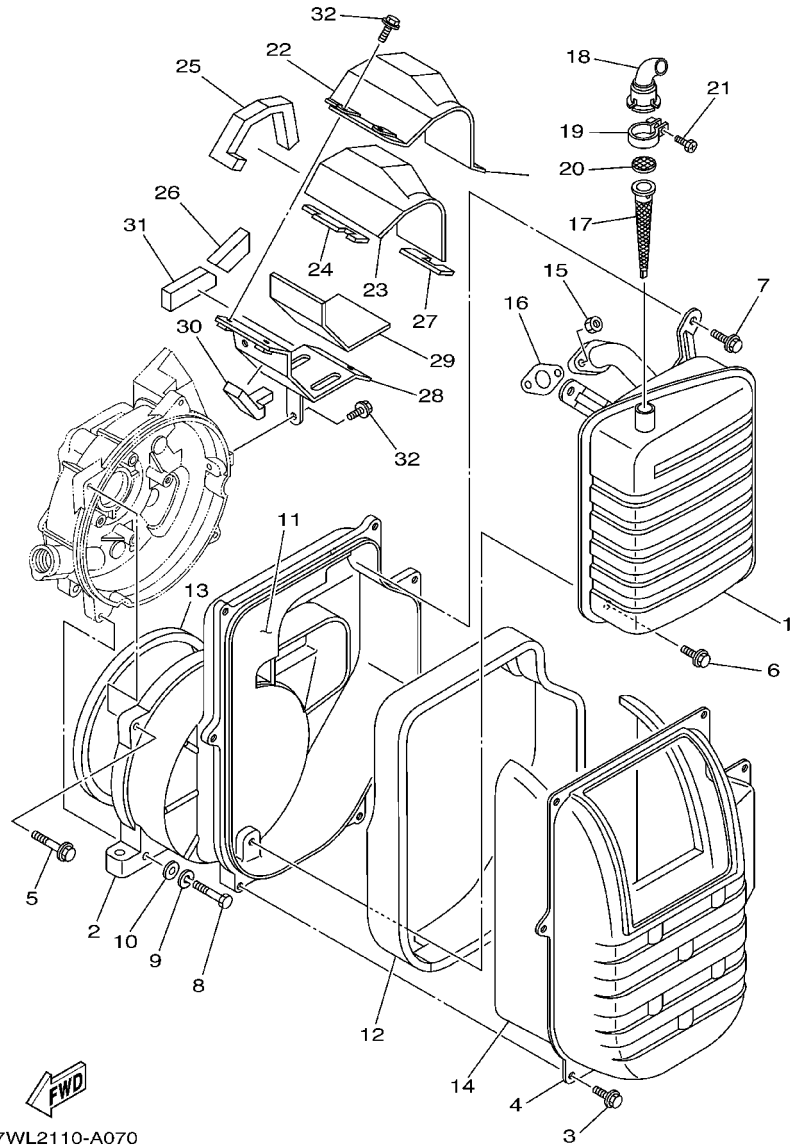
FIG. 6 CARBURETOR



7WL1010-A060

REF. NO.	PART NO.	DESCRIPTION	EUR	OTH	REMARKS
1	7WL-14101-00	CARBURETOR ASSY 1	1	1	
2	7RH-14216-00	.SCREW	2	2	
3	7RH-14486-00	.SCREW, ROD	2	2	
4	73A-14212-00	.SPRING	2	2	
5	1WG-14922-00	.SCREW, THROTTLE	1	1	
6	620-14142-37-A0	.JET, PILOT (# 37.5)	1	1	
7	7LG-14185-00	.FLOAT	1	1	
8	7NN-1495F-1B	.NOZZLE, MAIN	1	1	
9	1HX-1423E-40	.JET, MAIN (#101.3)	1	1	
10	22F-14186-00	.PIN, FLOAT	1	1	
11	7X9-14239-00	.SEAL	1	1	
12	7G0-14184-00	.GASKET, FLOAT CHAMBER	1	1	
13	7TD-14181-00	.BODY, FLOAT CHAMBER 1	1	1	
14	7G0-14227-00	.WASHER	1	1	
15	7TD-14162-00	.BOLT, HOLDING	1	1	
16	7NJ-14211-00	.SCREW, PILOT ADJUSTING	1	1	
17	73A-14212-00	.SPRING	1	1	
18	7E1-14191-00	.PLUG, DRAIN	1	1	
19	7LG-14150-11	.NEEDLE ASSY	1	1	
20	7EG-14159-00	..CLIP	1	1	
21	98502-03006	.SCREW, PAN HEAD	2	2	
22	4SV-24453-00	.SCREW	2	2	
23	98507-05008	.SCREW, PAN HEAD	1	1	
24	92990-05100	.WASHER, SPRING	1	1	
25	J45-14243-00	.PLATE	1	1	
26	7VU-86240-00	.THROTTLE MOTOR ASSY	1	1	
27	7VU-14293-00	.COVER 1	1	1	

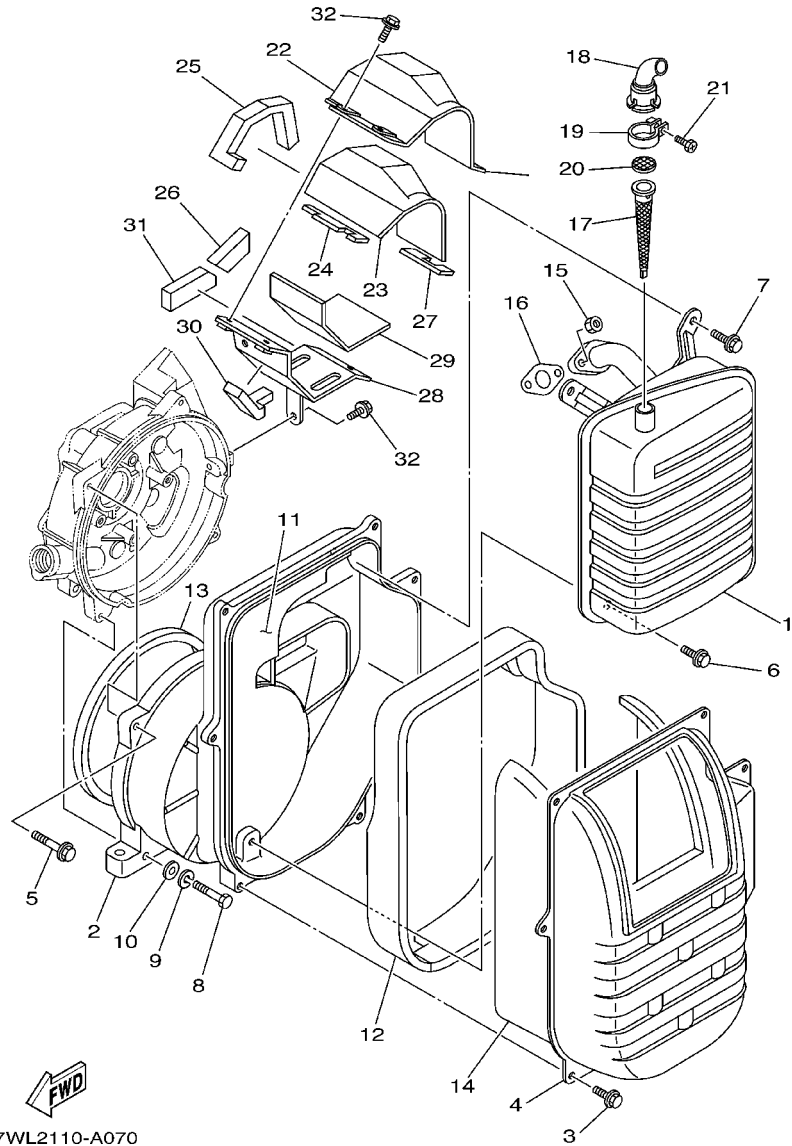
FIG. 7 EXHAUST



7WL2110-A070

REF. NO.	PART NO.	DESCRIPTION	EUR	OTH	REMARKS
1	7WL-14711-00	MUFFLER 1	1	1	
2	7WL-14718-00	PROTECTOR, MUFFLER 1	1	1	
3	95807-06012	BOLT, FLANGE	6	6	
4	7WL-14728-00	PROTECTOR, MUFFLER 2	1	1	
5	95807-06030	BOLT, FLANGE	3	3	
6	95807-08012	BOLT, FLANGE	1	1	
7	95807-08016	BOLT, FLANGE	2	2	
8	97007-06045	BOLT	1	1	
9	92907-06100	WASHER, SPRING	1	1	
10	92907-06600	WASHER, PLATE	1	1	
11	7WL-1478E-00	FIBER 8	1	1	
12	7WL-1478F-00	FIBER 9	1	1	
13	7WL-14239-00	SEAL	1	1	
14	7WL-1477E-00	FIBER 2	1	1	
15	95307-06600	NUT	2	2	
16	JA9-14613-00	GASKET, EXHAUST PIPE	1	1	
17	7WL-14786-00	ARRESTER, SPARK	1	1	
18	7WL-14799-00	CAP	1	1	
19	7NJ-14788-00	BAND, SILENCER	1	1	
20	7NJ-1479E-00	NET, WIRE 2	1	1	
21	90153-05024	SCREW, HEXAGON	1	1	
22	7WL-12691-00	DUCT, 1	1	1	
23	7WL-1477G-00	FIBER 4	1	1	
24	7WL-14736-00	MAT, 2	1	1	
25	7WL-14452-00	SEAL	1	1	
26	7WL-14457-00	SEAL	1	1	
27	7WL-1446R-00	SEAL	1	1	

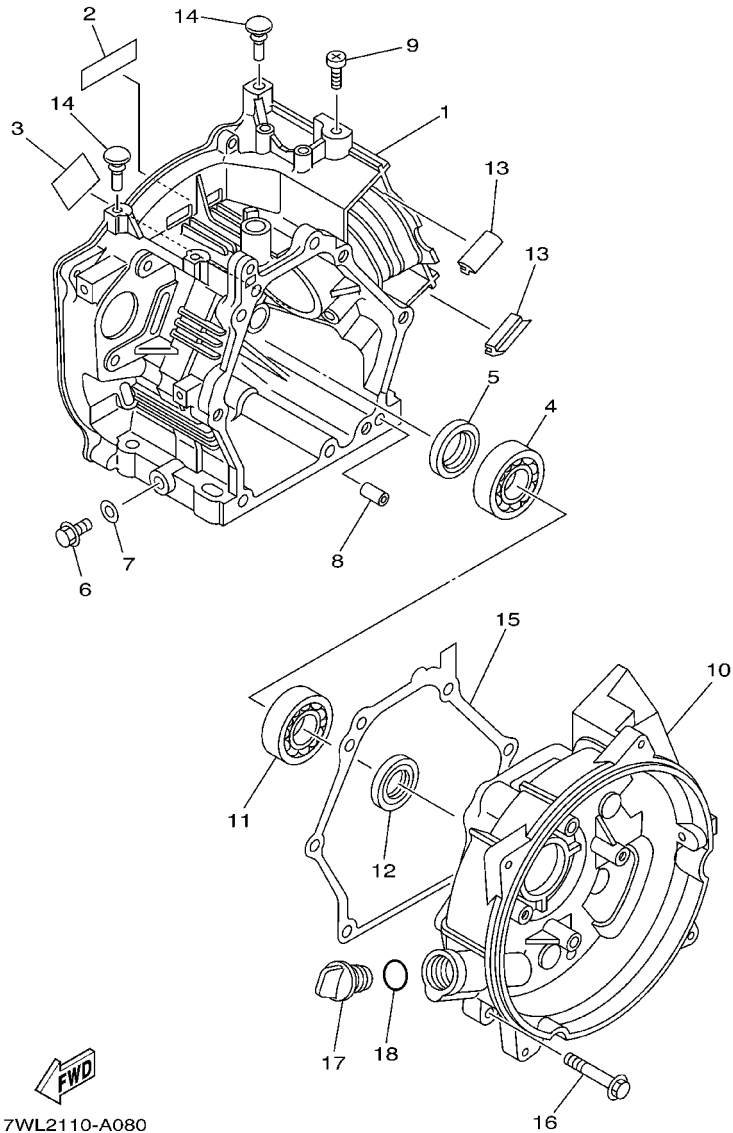
FIG. 7 EXHAUST



7WL2110-A070

REF. NO.	PART NO.	DESCRIPTION	EUR	OTH	REMARKS
28	7WL-12692-00	DUCT, 2	1	1	
29	7WL-1478A-00	FIBER 7	1	1	
30	7WL-14462-00	SEAL	1	1	
31	7WL-14733-00	MAT 1	1	1	
32	95807-06012	BOLT, FLANGE	5	5	

FIG. 8 CRANKCASE



7WL2110-A080

REF. NO.	PART NO.	DESCRIPTION	EUR	OTH	REMARKS
1	7WL-15111-00	CRANKCASE 1	1	1	
2	7TD-15315-00	SEAL, CRANKCASE	1	1	
3	7TD-15379-00	SEAL	1	1	
4	93306-20511	BEARING	1	1	
5	93102-25090	OIL SEAL	1	1	
6	95027-10016	BOLT, FLANGE	1	1	
7	90430-10188	GASKET	1	1	
8	99530-08016	PIN, DOWEL	2	2	
9	98507-08012	SCREW, PAN HEAD	1	1	
10	7WL-15411-00	COVER, CRANKCASE 1	1	1	
11	93306-20511	BEARING	1	1	
12	93102-25090	OIL SEAL	1	1	
13	7TD-15494-00	SEAL, PROTECTOR	2	2	
14	90338-06181	PLUG	2	2	
15	7NJ-15451-00	GASKET, CRANKCASE COVER 1	1	1	
16	95827-08035	BOLT, FLANGE	6	6	
17	796-15363-01	PLUG, OIL	1	1	
18	93210-22344	O-RING	1	1	

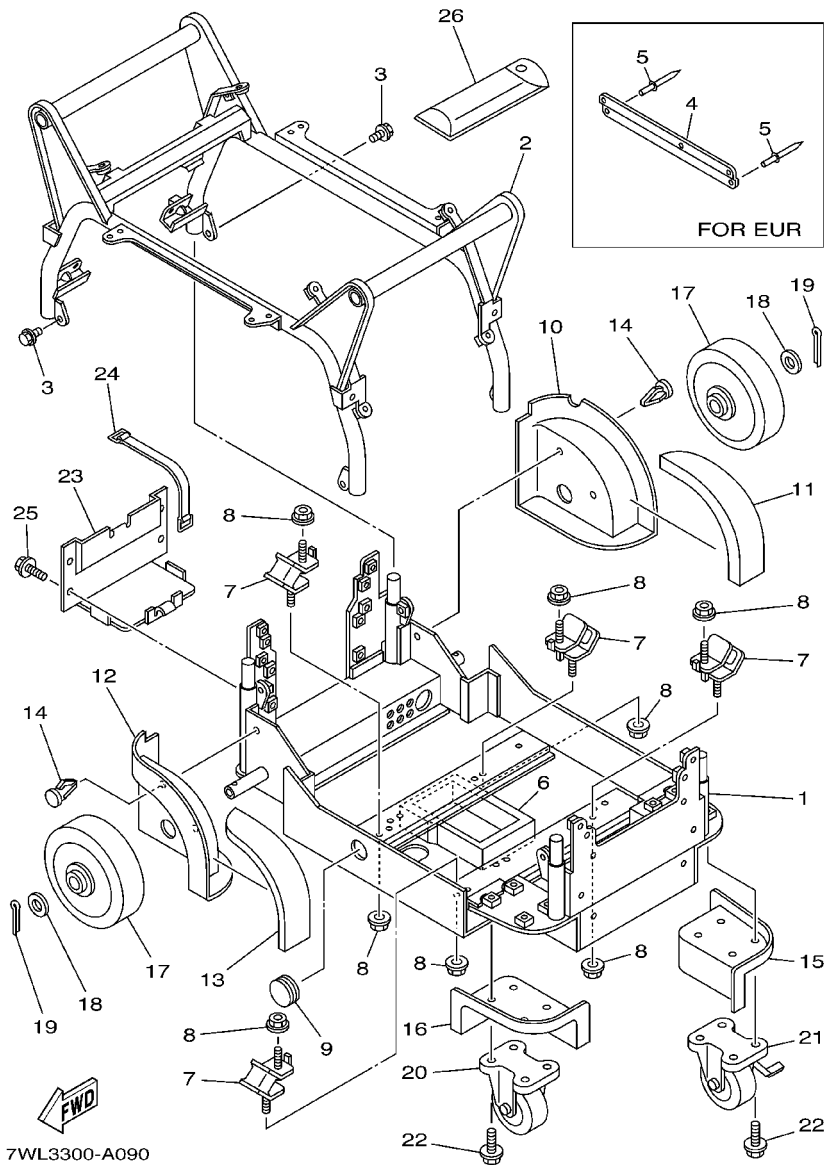


FIG. 9 FRAME

REF. NO.	PART NO.	DESCRIPTION	EUR	OTH	REMARKS
1	7WL-22840-01	FRAME, CARRIER COMP.	1	1	
2	7WL-22850-00	FRAME, CARRIER COMP.	1	1	
3	95807-06012	BOLT, FLANGE	4	4	
4	7WL-22831-00	STAY 1	1		FOR EUR
5	90267-48N00	RIVET, BLIND	2		FOR EUR
6	7WL-2289L-00	SEAL 22	1	1	
7	7LG-22891-00	INSULATOR, MOUNTING	4	4	
8	95707-08500	NUT, FLANGE	8	8	
9	90338-28239	PLUG	1	1	
10	7WL-21511-00	FENDER, FRONT	1	1	
11	7WL-21541-00	DAMPER 1	1	1	
12	7WL-21511-10	FENDER, FRONT	1	1	
13	7WL-21542-00	DAMPER 2	1	1	
14	90269-10002	RIVET	4	4	
15	7WL-21556-00	FENDER, FRONT 2	1	1	
16	7WL-21556-10	FENDER, FRONT 2	1	1	
17	73A-22845-10	CASTER 1	2	2	
18	90202-22238	WASHER, PLATE	2	2	
19	91401-30040	PIN, COTTER	2	2	
20	7TD-22845-00	CASTER 1	1	1	
21	7TD-22846-00	CASTER 2	1	1	
22	95807-08016	BOLT, FLANGE	8	8	
23	7WL-82122-00	SEAT, BATTERY	1	1	
24	3V6-82131-00	BAND, BATTERY	1	1	
25	95807-06012	BOLT, FLANGE	4	4	
26	7H6-28100-00	TOOL KIT	1	1	

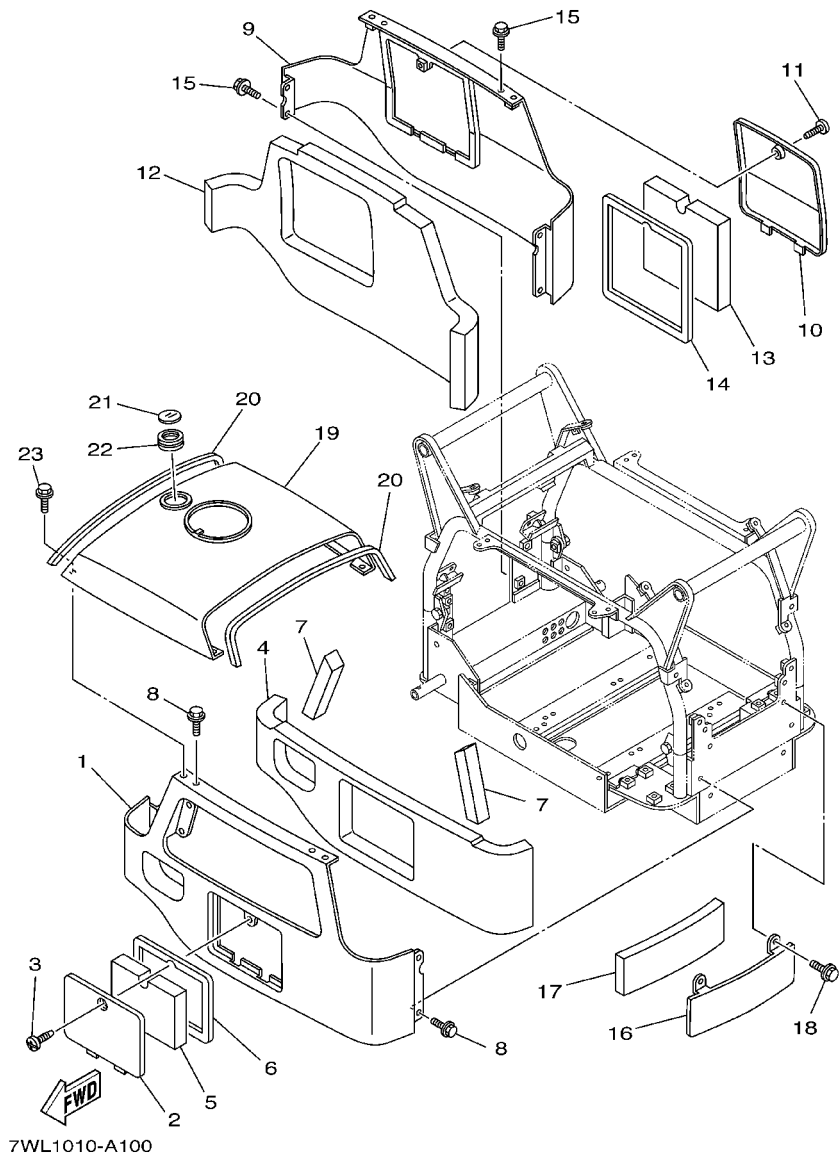
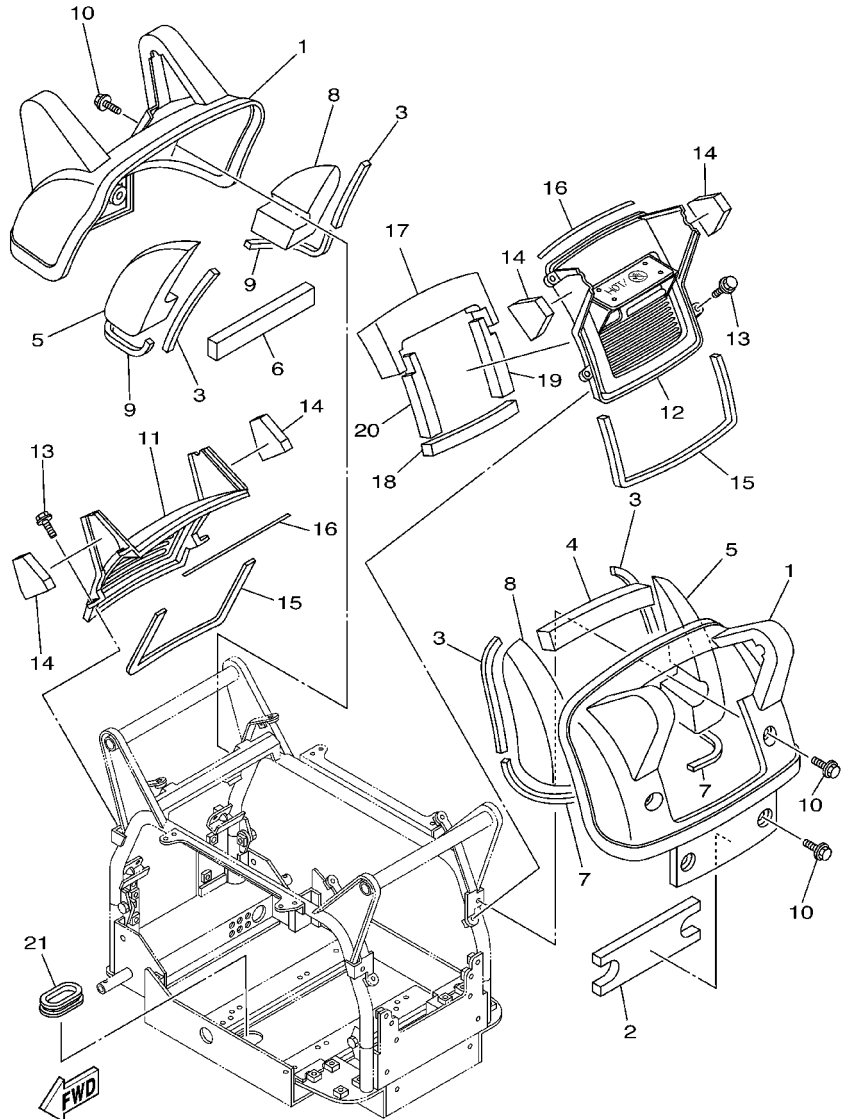


FIG. 10 FRAME 2

REF. NO.	PART NO.	DESCRIPTION	EUR	OTH	REMARKS
1	7WL-22865-00-P0	COVER, FRONT	1	1	PBS3
2	7WL-2286F-00-P0	COVER, FRONT 2	1	1	PBS3
3	90149-06194	SCREW	1	1	
4	7WL-22873-00	SEAL 1	1	1	
5	7WL-22874-00	SEAL 2	1	1	
6	7WL-2281E-00	SEAL, RUBBER 2	1	1	
7	7WL-22897-00	SEAL 14	2	2	
8	95807-06012	BOLT, FLANGE	6	6	
9	7WL-22866-00-P0	COVER, REAR	1	1	PBS3
10	7WL-22856-00-P0	COVER 3	1	1	PBS3
11	90149-06194	SCREW	1	1	
12	7WL-22876-00	SEAL 4	1	1	
13	7WL-22877-00	SEAL 5	1	1	
14	7WL-2281F-00	SEAL, RUBBER 3	1	1	
15	95807-06012	BOLT, FLANGE	6	6	
16	7WL-22864-00-P0	COVER, SIDE 1	1	1	PBS3
17	7WL-22878-00	SEAL 6	1	1	
18	95807-06010	BOLT, FLANGE	4	4	
19	7WL-22862-00-P0	COVER, UPPER	1	1	PBS3
20	7WL-22875-00	SEAL 3	2	2	
21	7WL-21764-00	LENS, LEVEL GAUGE	1	1	
22	7WL-21773-00	GROMMET	1	1	
23	95807-06012	BOLT, FLANGE	4	4	

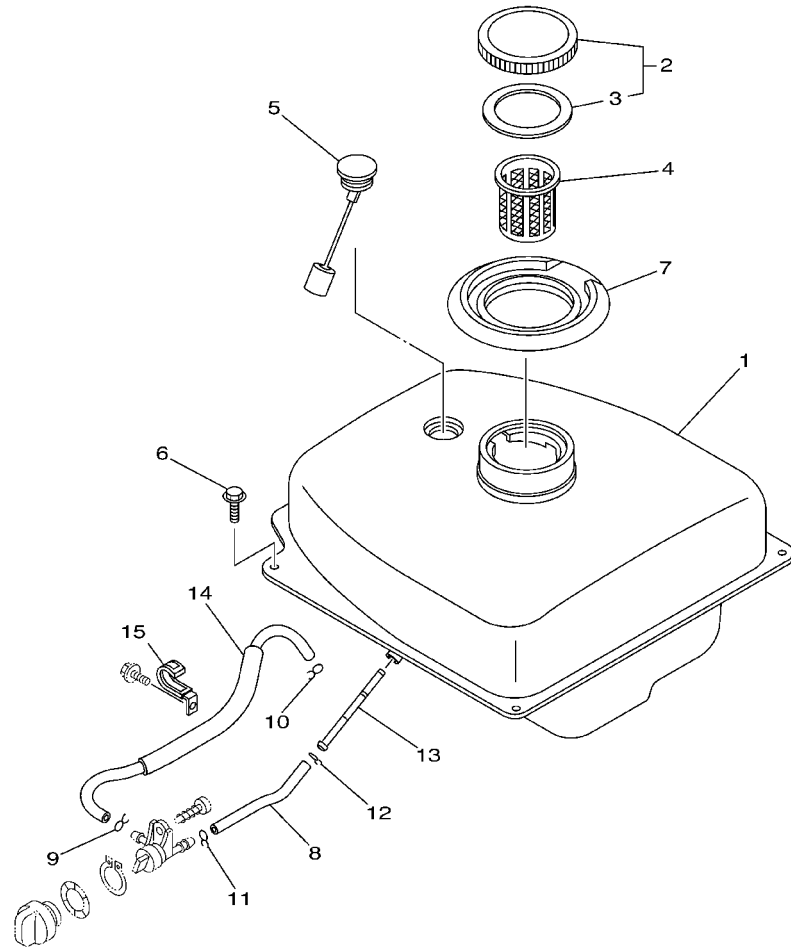
FIG. 11 FRAME 3



7WL1010-A110

REF. NO.	PART NO.	DESCRIPTION	EUR	OTH	REMARKS
1	7WL-22861-00	COVER 1	2	2	
2	7WL-22879-00	SEAL 7	1	1	
3	7WL-22885-00	SEAL 8	4	4	
4	7WL-22889-00	SEAL 12	1	1	
5	7WL-22886-00	SEAL 9	2	2	
6	7WL-22899-00	SEAL 15	1	1	
7	7WL-2289F-00	SEAL 17	2	2	
8	7WL-22887-00	SEAL 10	2	2	
9	7WL-2289G-00	SEAL 18	2	2	
10	95807-06014	BOLT, FLANGE	8	8	
11	7WL-22250-00	DAMPER UNIT ASSY	1	1	
12	7WL-22290-00	COVER ASSY 2	1	1	
13	95807-06014	BOLT, FLANGE	8	8	
14	7WL-22888-00	SEAL 11	4	4	
15	7WL-22896-00	SEAL 13	2	2	
16	7WL-2289A-00	SEAL 16	2	2	
17	7WL-2289H-00	SEAL 19	1	1	
18	7WL-2289J-00	SEAL 20	1	1	
19	7WL-2289K-00	SEAL 21	1	1	
20	7WL-2289M-00	SEAL 23	1	1	
21	7WL-22857-00	COVER 4	1	1	

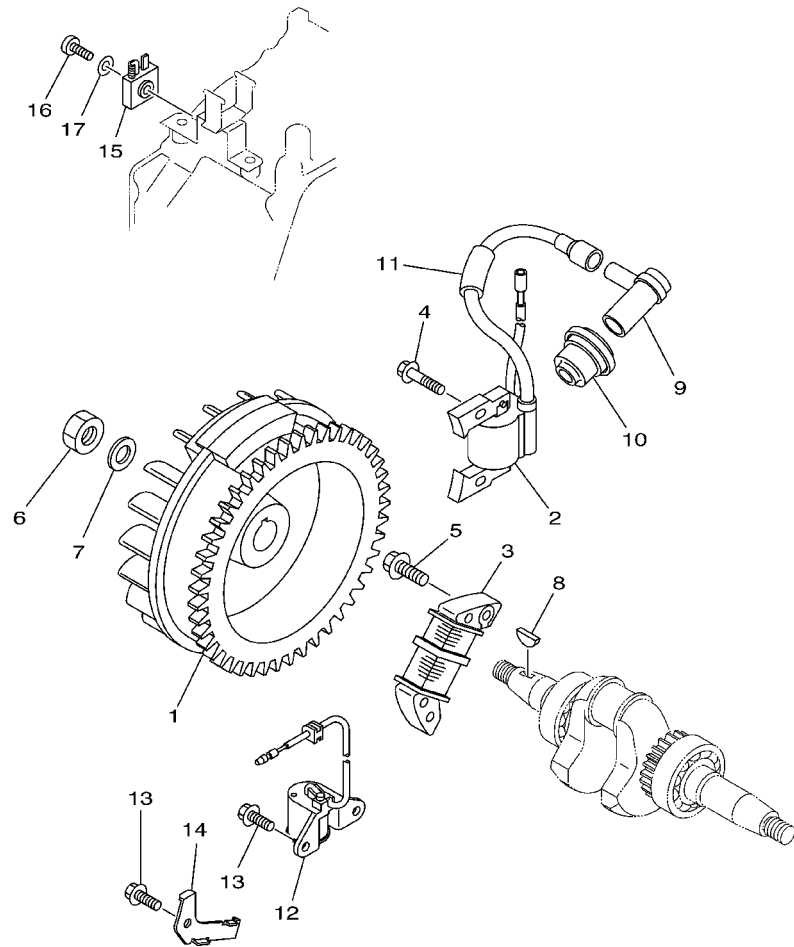
FIG. 12 FUEL TANK



7WL1010-A120

REF. NO.	PART NO.	DESCRIPTION	EUR	OTH	REMARKS
1	7WL-24110-00	FUEL TANK COMP.	1	1	
2	74T-24610-00	CAP ASSY	1	1	
3	796-24612-00	.GASKET, CAP	1	1	
4	630-24167-00	STRAINER	1	1	
5	7A9-85710-02	FUEL LEVEL GAUGE ASSY	1	1	
6	95807-06012	BOLT, FLANGE	4	4	
7	7WL-2414G-00	SEAL	1	1	
8	7WL-24311-00	PIPE, FUEL 1	1	1	
9	90467-08002	CLIP	1	1	
10	90467-09103	CLIP	1	1	
11	90467-10008	CLIP	1	1	
12	90467-11106	CLIP	1	1	
13	5BM-24514-00	NET, FILTER 1	1	1	
14	7WL-24312-00	PIPE 2	1	1	
15	90462-05061	CLAMP	1	1	

FIG. 13 MAGNETO



REF. NO.	PART NO.	DESCRIPTION	EUR	OTH	REMARKS
1	7TD-85650-00	ROTOR ASSY	1	1	
2	7WL-85640-00	T.C.I. UNIT ASSY	1	1	
3	7WL-85521-00	COIL ASSY	1	1	
4	95827-06020	BOLT, FLANGE	2	2	
5	95827-06025	BOLT, FLANGE	2	2	
6	90170-14403	NUT	1	1	
7	92907-14200	WASHER	1	1	
8	90280-04052	KEY, WOODRUFF	1	1	
9	JN6-82370-00	PLUG CAP ASSY	1	1	
10	JE8-82372-00	SEAL, PLUG CAP	1	1	
11	7TD-82373-00	SEAL, HIGH TENSION CORD	1	1	
12	7NJ-85720-02	OIL LEVEL GAUGE ASSY	1	1	
13	95827-06012	BOLT, FLANGE	3	3	
14	7NJ-85724-00	CLAMP	1	1	
15	353-81970-M0	RECTIFIER ASSY	1	1	
16	98507-06020	SCREW, PAN HEAD	1	1	
17	92907-06600	WASHER, PLATE	1	1	



7WL1010-A130

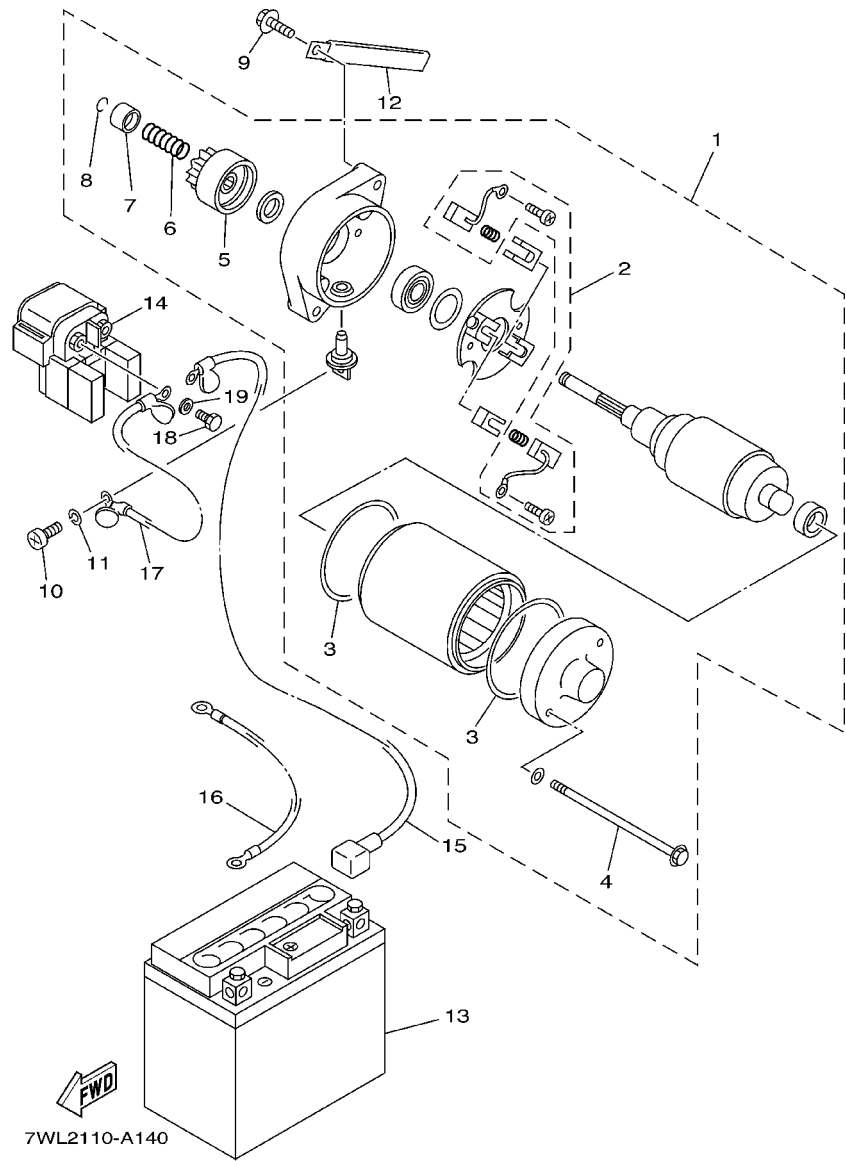
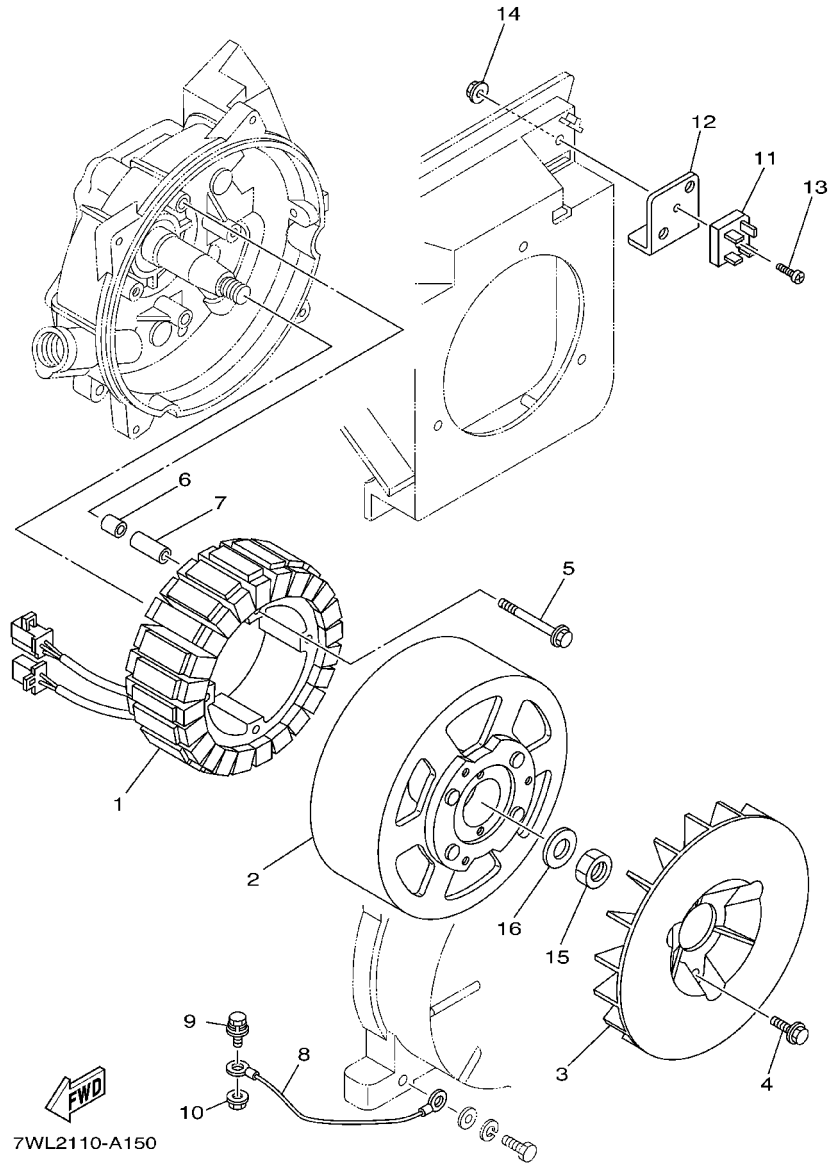


FIG. 14 STARTING MOTOR

REF. NO.	PART NO.	DESCRIPTION	EUR	OTH	REMARKS
1	7TD-81800-00	STARTING MOTOR ASSY	1	1	
2	50M-81801-M0	.BRUSH SET	1	1	
3	7LY-8181Y-00	.GASKET, YOKE	2	2	
4	7LY-81828-00	.BOLT 2	2	2	
5	7TD-81807-00	.GEAR ASSY, STARTING MOTOR	1	1	
6	JE0-81858-00	.SPRING, RETURN	1	1	
7	XD7-81859-00	.STOPPER, PINION	1	1	
8	XD4-81833-00	.RING, STOP	1	1	
9	95827-06020	BOLT, FLANGE	2	2	
10	98507-05008	SCREW, PAN HEAD	1	1	
11	92907-05100	WASHER, SPRING	1	1	
12	90462-05061	CLAMP	1	1	
13	3VD-82100-01	BATTERY ASSY (YTX12-BS)	1	1	
14	3EL-81940-00	STARTER RELAY ASSY	1	1	
15	7WL-82115-00	WIRE, PLUS LEAD	1	1	
16	7WL-82116-00	WIRE, MINUS LEAD	1	1	
17	7WL-81815-00	CORD, STARTER MOTOR	1	1	
18	97007-06010	BOLT	2	2	
19	92907-06600	WASHER, PLATE	2	2	

FIG. 15 GENERATOR



7WL2110-A150

REF. NO.	PART NO.	DESCRIPTION	EUR	OTH	REMARKS
1	7WL-87150-20	STATOR ASSY	1	1	
2	7WL-87160-00	ROTOR ASSY	1	1	
3	7WL-87172-00	FAN, GENERATOR	1	1	
4	95807-06016	BOLT, FLANGE	3	3	
5	95827-06055	BOLT, FLANGE	4	4	
6	99530-08012	PIN, DOWEL	2	2	
7	7WL-8719F-00	TUBE 7	2	2	
8	7WL-87139-00	LEAD WIRE ASSY 2	1	1	
9	90119-06M41	BOLT, WITH WASHER	1	1	
10	95780-06500	NUT, FLANGE	1	1	
11	7VU-87105-00	RECTIFIER ASSY 1	1	1	
12	7VU-86515-00	PLATE, HEAT SINK	1	1	
13	98507-05020	SCREW, PAN HEAD	1	1	
14	95607-05200	NUT, U FLANGE	1	1	
15	90170-14403	NUT	1	1	
16	92907-14200	WASHER	1	1	

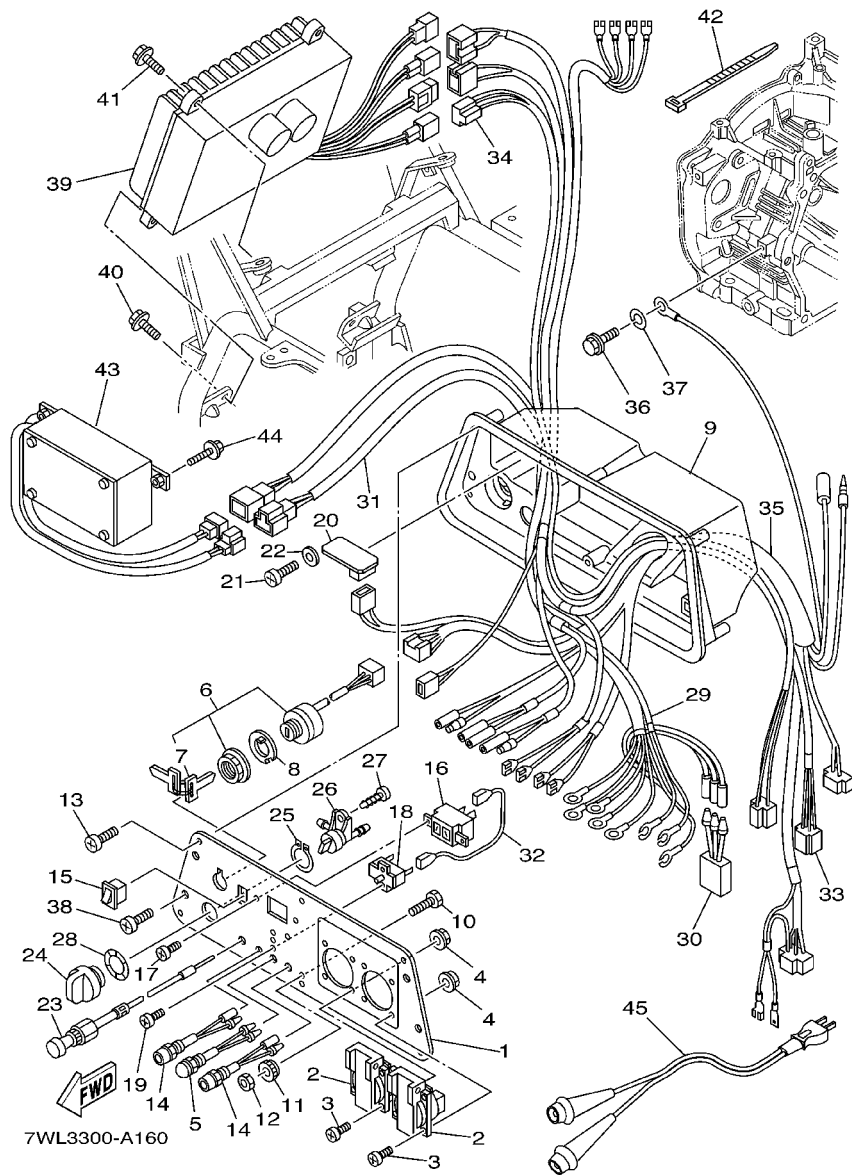
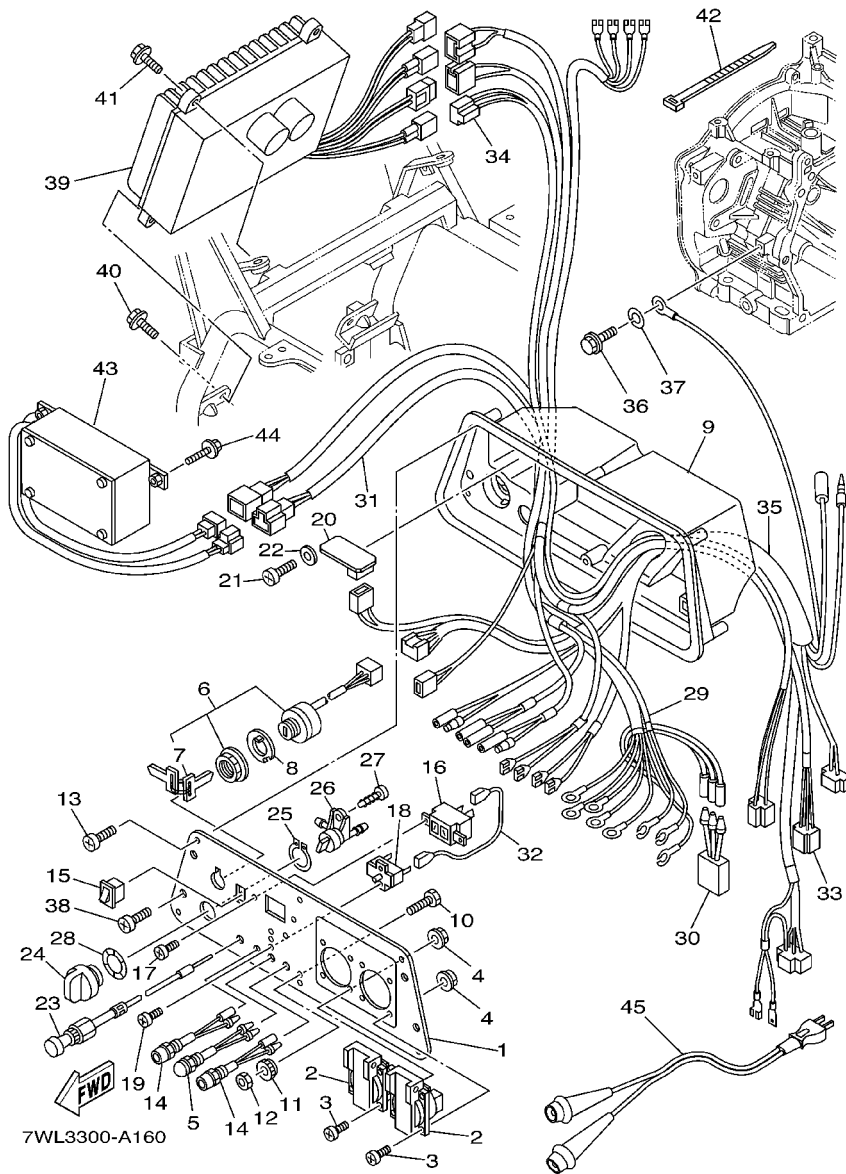


FIG. 16 CONTROL BOX 1

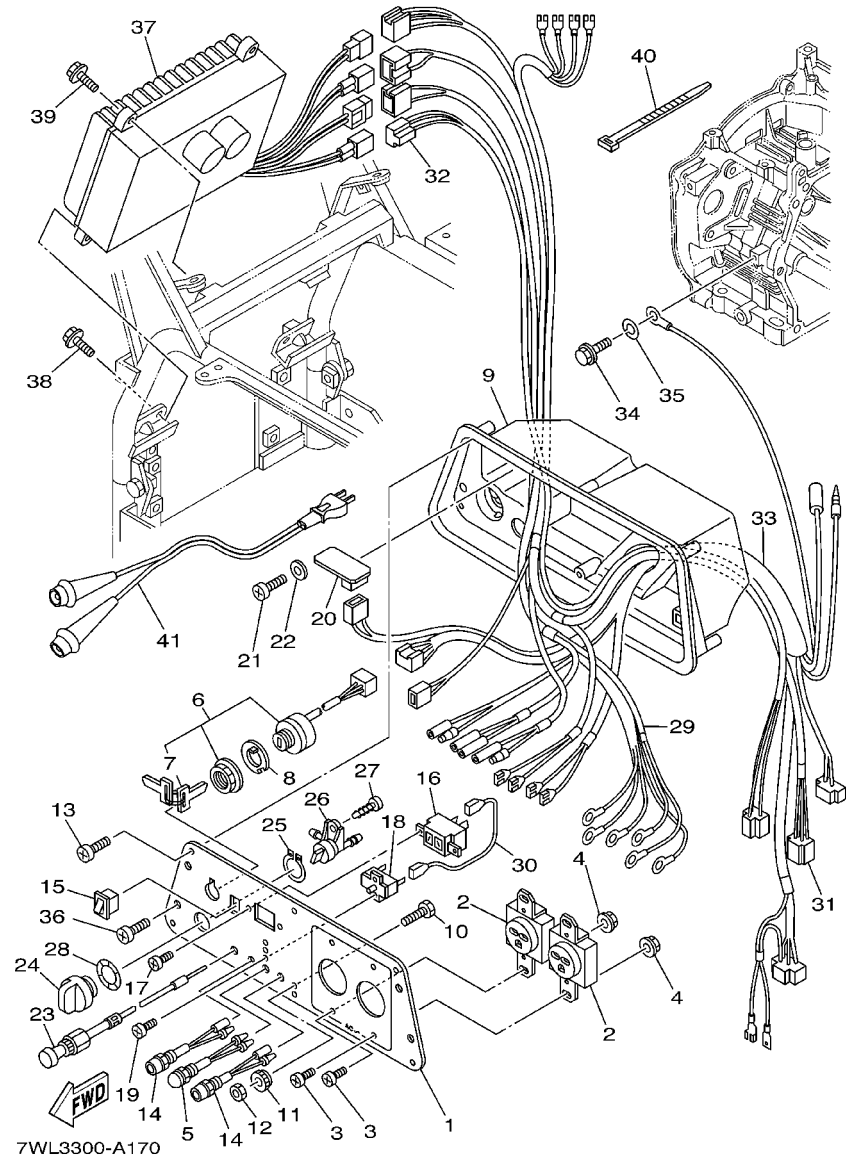
REF. NO.	PART NO.	DESCRIPTION	EUR	OTH	REMARKS
1	7WL-87249-A0	PLATE	1		
2	7H7-87221-80	RECEPTACLE 1 (ABL 6995)	2		FOR DEU
	7H7-87221-60	RECEPTACLE 1 (ABL 6300)	2		FOR FRA
3	90151-03032	SCREW, COUNTERSUNK	8		
4	90179-03478	NUT	8		
5	7NJ-83530-G0	PILOT LIGHT ASSY	1		
6	7LP-82510-00	MAIN SWITCH ASSY	1		
7	73A-82511-00	.KEY, MAIN SWITCH	2		
8	7RG-82517-00	WASHER, SPECIAL	1		
9	7WL-87213-00	COVER, CONTROL BOX	1		
10	97080-05016	BOLT	1		
11	95707-05500	NUT, FLANGE	1		
12	95380-05700	NUT	1		
13	97707-40516	SCREW, TAPPING	6		
14	7VU-83582-00	PILOT LIGHT ASSY	2		
15	7NJ-82550-00	ENGINE STOP SWITCH ASSY	1		ECON. SW
16	7LG-87239-00	RECEPTACLE COMP(12A 24V DC)	1		
17	98507-04008	SCREW, PAN HEAD	2		
18	7WL-82181-00	CIRCUIT BREAKER COMP.	1		
19	98507-03008	SCREW, PAN HEAD	2		
20	7WL-85680-00	SPEED LIMITER ASSY	1		
21	97707-30512	SCREW, TAPPING	1		
22	90201-03013	WASHER, PLATE	1		
23	7TD-26331-00	CABLE, CHOKE	1		
24	7WL-24524-00	LEVER, COCK	1		
25	99009-24400	CIRCLIP	1		
26	7WL-24500-00	FUEL COCK ASSY 1	1		

FIG. 16 CONTROL BOX 1



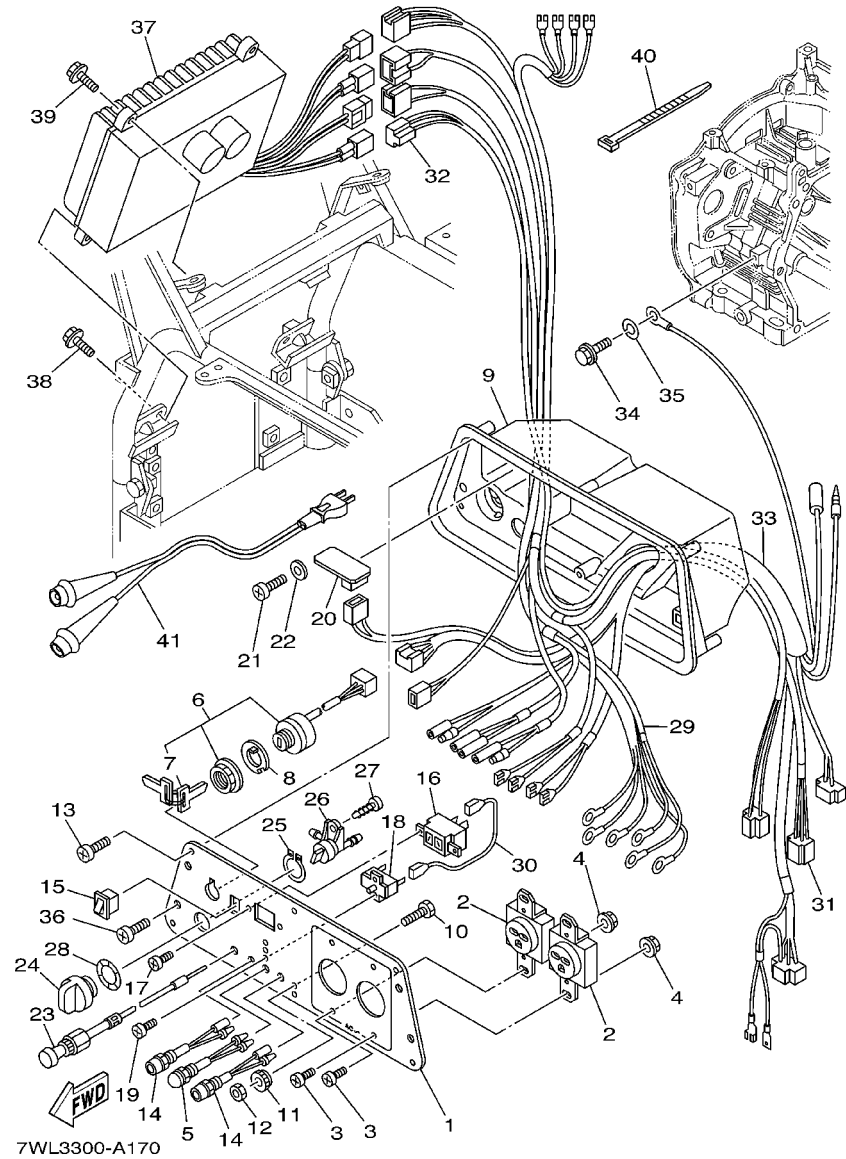
REF. NO.	PART NO.	DESCRIPTION	EUR	OTH	REMARKS
27	97707-50016	SCREW, TAPPING	1		
28	90206-26001	WASHER, WAVE	1		
29	7WL-87223-A0	WIRE, LEAD 1	1		
30	7NJ-88188-00	FILTER, NOISE	1		
31	7WL-87224-A0	WIRE, LEAD 2	1		
32	7WL-8722Y-00	WIRE, LEAD 4	1		
33	7WL-8722J-00	WIRE, LEAD	1		
34	7WL-8722X-00	WIRE, LEAD 5	1		
35	7WL-8722W-70	WIRE, LEAD 6	1		
36	97307-06012	BOLT	1		
37	92907-06100	WASHER, SPRING	1		
38	98907-06014	SCREW, BIND	4		
39	7WL-8A210-20	CONTROL UNIT	1		
40	95827-06012	BOLT, FLANGE	2		
41	95827-06020	BOLT, FLANGE	2		
42	90464-13077	CLAMP	2		
43	7WL-88188-00	FILTER, NOISE	1		
44	95827-06012	BOLT, FLANGE	2		
45	7LG-87209-00	CHARGE CORD ASSY	1		

FIG. 17 CONTROL BOX 2



REF. NO.	PART NO.	DESCRIPTION	EUR	OTH	REMARKS
1	7WL-87249-G0	PLATE		1	
2	7G7-87221-01	RECEPTACLE 1 (NATIONAL WCZ1312-9)		2	
3	98507-04012	SCREW, PAN HEAD		4	
4	95707-04500	NUT, FLANGE		4	
5	7NJ-83530-G0	PILOT LIGHT ASSY		1	
6	7LP-82510-00	MAIN SWITCH ASSY		1	
7	73A-82511-00	.KEY, MAIN SWITCH		2	
8	7RG-82517-00	WASHER, SPECIAL		1	
9	7WL-87213-00	COVER, CONTROL BOX		1	
10	97080-05016	BOLT		1	
11	95707-05500	NUT, FLANGE		1	
12	95380-05700	NUT		1	
13	97707-40516	SCREW, TAPPING		6	
14	7VU-83582-00	PILOT LIGHT ASSY		2	
15	7NJ-82550-00	ENGINE STOP SWITCH ASSY		1	ECON. SW
16	7LG-87239-00	RECEPTACLE COMP (12A 24V DC)		1	
17	98507-04008	SCREW, PAN HEAD		2	
18	7WL-82181-00	CIRCUIT BREAKER COMP.		1	
19	98507-03008	SCREW, PAN HEAD		2	
20	7WL-85680-00	SPEED LIMITER ASSY		1	
21	97707-30512	SCREW, TAPPING		1	
22	90201-03013	WASHER, PLATE		1	
23	7TD-26331-00	CABLE, CHOKE		1	
24	7WL-24524-00	LEVER, COCK		1	
25	99009-24400	CIRCLIP		1	
26	7WL-24500-00	FUEL COCK ASSY 1		1	
27	97707-50016	SCREW, TAPPING		1	

FIG. 17 CONTROL BOX 2



REF. NO.	PART NO.	DESCRIPTION	EUR	OTH	REMARKS
28	90206-26001	WASHER, WAVE		1	
29	7WL-87225-20	WIRE, LEAD 3		1	
30	7WL-8722Y-00	WIRE, LEAD 4		1	
31	7WL-8722J-00	WIRE, LEAD		1	
32	7WL-8722X-00	WIRE, LEAD 5		1	
33	7WL-8722W-20	WIRE, LEAD 6		1	
34	97307-06012	BOLT		1	
35	92907-06100	WASHER, SPRING		1	
36	98907-06014	SCREW, BIND		4	
37	7WL-8A210-20	CONTROL UNIT		1	
38	95827-06012	BOLT, FLANGE		2	
39	95827-06020	BOLT, FLANGE		2	
40	90464-13077	CLAMP		2	
41	7LG-87209-00	CHARGE CORD ASSY		1	

NUMERICAL INDEX

PART NO.	GRID NO.	PART NO.	GRID NO.	PART NO.	GRID NO.	PART NO.	GRID NO.	PART NO.	GRID NO.	PART NO.	GRID NO.
7WL-11111-00	B-2	7LV-14118-00	B-8	14X-14937-00	B-8	7WL-22874-00	B-13	7TD-81800-00	C-3	7WL-8719F-00	C-4
7NJ-11160-00	B-2	22F-14139-00	B-8	7NN-1495F-1B	B-7	7WL-22875-00	B-13	50M-81801-M0	C-3	7LG-87209-00	C-6
7NJ-11169-00	B-2	620-14142-37-A0	B-7	7WL-15111-00	B-11	7WL-22876-00	B-13	7TD-81807-00	C-3		C-8
7WC-11181-00	B-2	7LG-14150-11	B-7	7TD-15315-00	B-11	7WL-22877-00	B-13	7LY-8181Y-00	C-3	7WL-87213-00	C-5
7NJ-11191-00	B-2	7EG-14159-00	B-7	796-15363-01	B-11	7WL-22878-00	B-13	7WL-81815-00	C-3		C-7
7NJ-11193-00	B-2	7TD-14162-00	B-7	7TD-15379-00	B-11	7WL-22879-00	B-14	7LY-81828-00	C-3	7WL-8722J-00	C-6
7WL-11400-00	B-3	7TD-14181-00	B-7	7WL-15411-00	B-11	7WL-22885-00	B-14	XD4-81833-00	C-3		C-8
7WC-11604-00	B-3	7G0-14184-00	B-7	7NJ-15451-00	B-11	7WL-22886-00	B-14	JE0-81858-00	C-3	7WL-8722W-20	C-8
7WC-11605-00	B-3	7LG-14185-00	B-7	7TD-15494-00	B-11	7WL-22887-00	B-14	XD7-81859-00	C-3	7WL-8722W-70	C-6
7WC-11610-00	B-3	22F-14186-00	B-7	7WL-15710-00	B-5	7WL-22888-00	B-14	3EL-81940-00	C-3	7WL-8722X-00	C-6
7NJ-11631-00-98	B-3	7E1-14191-00	B-7	7WL-15711-00	B-5	7WL-22889-00	B-14	353-81970-M0	C-2		C-8
4H7-11633-00	B-3	1V3-14196-00	B-8	7TA-15713-00	B-5	7WL-2289A-00	B-14	3VD-82100-01	C-3	7WL-8722Y-00	C-6
7NJ-11635-00	B-3	7WL-14197-00	B-8	7VU-15714-00	B-5	7WL-2289F-00	B-14	7WL-82115-00	C-3		C-8
7NJ-11636-00	B-3	7NJ-14211-00	B-7	7TA-15715-00	B-5	7WL-2289G-00	B-14	7WL-82116-00	C-3	7G7-87221-01	C-7
7NJ-11650-00	B-3	73A-14212-00	B-7	7WL-15716-00	B-5	7WL-2289H-00	B-14	7WL-82122-00	B-12	7H7-87221-60	C-5
JA9-11654-01	B-3	7RH-14216-00	B-7	7WL-15723-00	B-5	7WL-2289J-00	B-14	3V6-82131-00	B-12	7H7-87221-80	C-5
7NJ-12111-00	B-4	7G0-14227-00	B-7	JL8-15741-00	B-5	7WL-2289K-00	B-14	7WL-82181-00	C-5	7WL-87223-A0	C-6
7NJ-12117-00	B-4	1HX-1423E-40	B-7	JK4-15743-00	B-5	7WL-2289L-00	B-12		C-7	7WL-87224-A0	C-6
7NJ-12118-00	B-4	7WL-14239-00	B-9	7VU-15751-00	B-5	7WL-2289M-00	B-14	JN6-82370-00	C-2	7WL-87225-20	C-8
51Y-12119-00	B-4	7X9-14239-00	B-7	7TD-15755-00	B-5	7LG-22891-00	B-12	JE8-82372-00	C-2	7LG-87239-00	C-5
7NJ-12121-00	B-4	J45-14243-00	B-7	7NJ-15793-00	B-5	7WL-22896-00	B-14	7TD-82373-00	C-2		C-7
7NN-12151-00	B-4	7VU-14293-00	B-7	7WL-21511-00	B-12	7WL-22897-00	B-13	7LP-82510-00	C-5	7WL-87249-A0	C-5
7WC-12153-00	B-4	7TD-14411-00	B-6	7WL-21511-10	B-12	7WL-22899-00	B-14		C-7	7WL-87249-G0	C-7
7WL-12154-00	B-4	7TD-14451-00	B-6	7WL-21541-00	B-12	7WL-24110-00	B-15	73A-82511-00	C-5	7NJ-88188-00	C-6
7NJ-12155-01	B-4	7WL-14452-00	B-9	7WL-21542-00	B-12	7WL-2414G-00	B-15		C-7	7WL-88188-00	C-6
7FK-12157-00	B-4	7WL-14453-00	B-6	7WL-21556-00	B-12	7WL-24161-10	C-9	7RG-82517-00	C-5	90116-06493	B-2
7FK-12158-00	B-4	7WL-14457-00	B-9	7WL-21556-10	B-12	7NJ-24162-N0	C-9		C-7	90119-06M41	C-4
7NN-12165-02	B-4	7WL-1446R-00	B-9	7WL-21764-00	B-13	7NJ-24162-10	C-9	7NJ-82550-00	C-5	90149-06194	B-13
7NJ-12170-03	B-4	7TD-14461-00	B-6	7WL-21773-00	B-13	7WL-24164-30	C-9		C-7	90151-03032	C-5
7WL-12223-00	B-5	7WL-14462-00	B-10	7WL-22250-00	B-14	7WL-24164-50	C-9	7NJ-83530-G0	C-5	90153-05024	B-9
7NJ-12287-00	B-4	7TD-14468-00	B-6	7WL-22290-00	B-14	630-24167-00	B-15		C-7	90170-14403	C-2
7NJ-12299-01	B-4	7RH-14486-00	B-7	7WL-2281E-00	B-13	7NH-24235-01	C-9	7VU-83582-00	C-5		C-4
7WL-12616-00	B-5	JA9-14613-00	B-9	7WL-2281F-00	B-13	7WL-24311-00	B-15		C-7	90179-03478	C-5
7TD-1262J-00	B-5	7WL-14711-00	B-9	7WL-22831-00	B-12	7WL-24312-00	B-15	7WL-85521-00	C-2	90201-03013	C-5
7WL-12621-00	B-5	7WL-14718-00	B-9	7WL-22840-01	B-12	4SV-24453-00	B-7	7WL-85640-00	C-2		C-7
7TD-12651-01	B-5	7WL-14728-00	B-9	7TD-22845-00	B-12	7WL-24500-00	C-5	7TD-85650-00	C-2	90202-22238	B-12
7TD-12658-00	B-5	7WL-14733-00	B-10	73A-22845-10	B-12		C-7	7WL-85680-00	C-5	90206-26001	C-6
7TD-12659-00	B-5	7WL-14736-00	B-9	7TD-22846-00	B-12	5BM-24514-00	B-15		C-7		C-8
7WL-12684-00	B-5	7WL-1477E-00	B-9	7WL-22850-00	B-12	7WL-24524-00	C-5	7A9-85710-02	B-15	90267-48N00	B-12
7WL-12685-00	B-5	7WL-1477G-00	B-9	7WL-22856-00-P0	B-13		C-7	7NJ-85720-02	C-2	90269-10002	B-12
7WL-12686-00	B-5	7WL-1478A-00	B-10	7WL-22857-00	B-14	74T-24610-00	B-15	7NJ-85724-00	C-2	90280-04052	C-2
7WL-12691-00	B-9	7WL-1478E-00	B-9	7WL-2286F-00-P0	B-13	796-24612-00	B-15	7VU-86240-00	B-7	90338-06181	B-11
7WL-12692-00	B-10	7WL-1478F-00	B-9	7WL-22861-00	B-14	7TD-26331-00	C-5	7VU-86515-00	C-4	90338-28239	B-12
7WL-12877-00	B-5	7WL-14786-00	B-9	7WL-22862-00-P0	B-13		C-7	7VU-87105-00	C-4	90430-10188	B-11
7NJ-13557-00	B-6	7NJ-14788-00	B-9	7WL-22864-00-P0	B-13	7H6-28100-00	B-12	7WL-87139-00	C-4	90445-131J5	B-2
7NJ-13567-00	B-6	7NJ-1479E-00	B-9	7WL-22865-00-P0	B-13	7VV-28176-30	C-9	7WL-87150-20	C-4	90462-05061	B-15
7NJ-13596-00	B-6	7WL-14799-00	B-9	7WL-22866-00-P0	B-13	7WL-8A210-20	C-6	7WL-87160-00	C-4		C-3
7WL-14101-00	B-7	1WG-14922-00	B-7	7WL-22873-00	B-13		C-8	7WL-87172-00	C-4	90464-13077	C-6

NUMERICAL INDEX

PART NO.	GRID NO.	PART NO.	GRID NO.	PART NO.	GRID NO.	PART NO.	GRID NO.	PART NO.	GRID NO.
90464-13077	C - 8	95827-06012	B - 2						
90467-08002	B - 15		C - 2						
90467-09103	B - 15		C - 6						
90467-10008	B - 15		C - 8						
90467-11106	B - 15	95827-06020	C - 2						
90501-205J4	B - 4		C - 3						
91401-30040	B - 12		C - 6						
92907-05100	C - 3		C - 8						
92907-06100	B - 9	95827-06025	C - 2						
	C - 6	95827-06055	C - 4						
	C - 8	95827-08035	B - 11						
92907-06600	B - 9	95827-08045	B - 2						
	C - 2	95827-08065	B - 2						
	C - 3	97007-06010	C - 3						
92907-14200	C - 2	97007-06045	B - 9						
	C - 4	97080-05016	C - 5						
92990-05100	B - 7		C - 7						
93102-25090	B - 11	97307-06012	C - 6						
93210-22344	B - 11		C - 8						
93306-20511	B - 11	97707-30512	C - 5						
93450-17025	B - 3		C - 7						
94702-00331	B - 2	97707-40516	C - 5						
95027-10016	B - 11		C - 7						
95307-06600	B - 9	97707-50016	C - 6						
95380-05700	C - 5		C - 7						
	C - 7	98502-03006	B - 7						
95607-05200	C - 4	98507-03008	C - 5						
95607-06615	B - 2		C - 7						
95707-04500	C - 7	98507-04008	C - 5						
95707-05500	C - 5		C - 7						
	C - 7	98507-04012	C - 7						
95707-06500	B - 6	98507-05008	B - 7						
95707-08500	B - 12		C - 3						
95780-06500	C - 4	98507-05020	C - 4						
95807-06010	B - 13	98507-06020	C - 2						
95807-06012	B - 10	98507-08012	B - 11						
	B - 12	98907-06014	C - 6						
	B - 13		C - 8						
	B - 15	99009-24400	C - 5						
	B - 5		C - 7						
	B - 9	99530-08012	C - 4						
95807-06014	B - 14	99530-08016	B - 11						
95807-06016	C - 4	99530-10114	B - 2						
95807-06020	B - 5								
95807-06030	B - 9								
95807-08012	B - 9								
95807-08016	B - 12								
	B - 9								