

PARTS CATALOGUE

YAMAHA GENERATOR

EF4000DX (7VW2) (120/240V-60Hz) CANADA

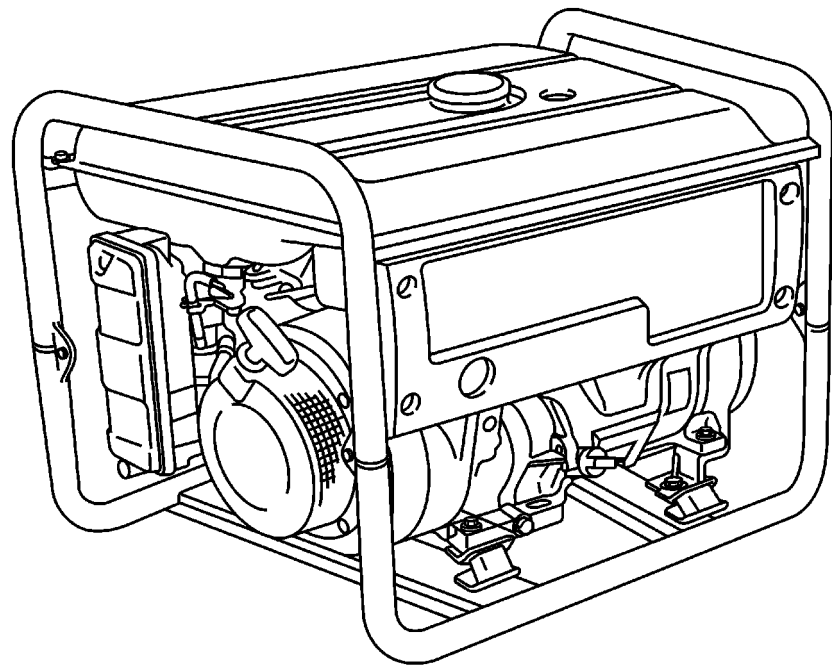
YAMAHA
GENUINE
Parts & Accessories

207VW-171E1

A2

EF4000DX
PARTS CATALOGUE
©2001 by Yamaha Motor Co., Ltd.
1st Edition, Feb. 2001
All rights reserved.
Any reprinting or unauthorized use
without the written permission of
Yamaha Motor Co., Ltd.
is expressly prohibited.

A3



A4

FOREWORD

This Parts Catalogue is related to the parts for the model(s) in the below frame. When you are ordering replacement parts, please refer to this Parts Catalogue and quote both part numbers and part names correctly.

1. Modifications or additions which have been made after issue of the Parts Catalogue will be announced in the Yamaha Parts News.
It is advisable that you make necessary corrections to the Parts Catalogue according to the Yamaha Parts News.

2. Abbreviations
The following abbreviations are used in this Parts Catalogue.

“UR” Use specified parts number.

“UN” Use as many as needed.

“AP” Alternate Parts

“LM” Local Made (Parts need to be ordered locally)

“F#” Frame No. (Applicable machine No.)

3. Parts, which are to be supplied in an assembly, are listed with a dot(.) in front of the part name as shown below.

EXAMPLE

CARBURETOR ASSY

.JET, PILOT

.NOZZLE, MAIN

4. Number of component for assembly
The numeral appearing to the right of each component part indicates the quantity of parts for each assembly unit.

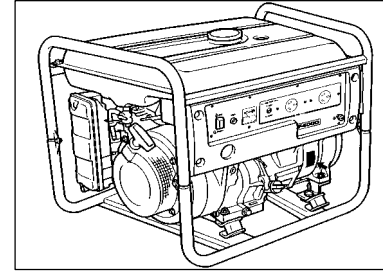
EXAMPLE

| PART NO. | DESCRIPTION | Q'TY | REMARKS |
|--------------|--------------------------|------|---------|
| 2F5-83310-60 | FRONT FLASHER LIGHT ASSY | 2 | |
| 115-83311-60 | .BULB (6V-18W) | 1 | |

5. Applicable Starting Serial No. and Color Code

| MODEL NAME | MODEL TYPE | FRAME NO. |
|------------|------------|------------|
| EF4000DX | 7VW2 | 7VW-280101 |

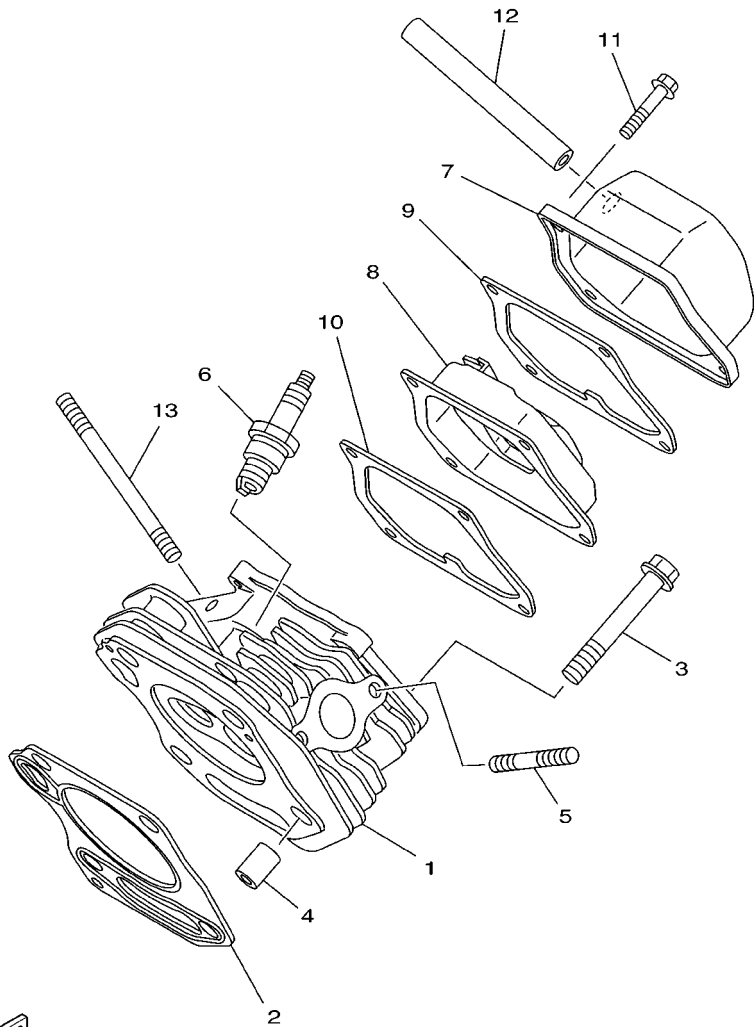
Engine Serial No.



| Color Code | Color Name | Abbreviation | MODEL | Country (destination) |
|------------|--------------|--------------|-------|-----------------------|
| 00NJ | FARAWAY BLUE | FWB | 7VW2 | CANADA |

6. Note that the illustrations for reference in finding parts numbers, not to be used for assembling. When assembling, please use the applicable service manual.
7. The asterisk (*) before a reference number indicates modification items after the first edition.

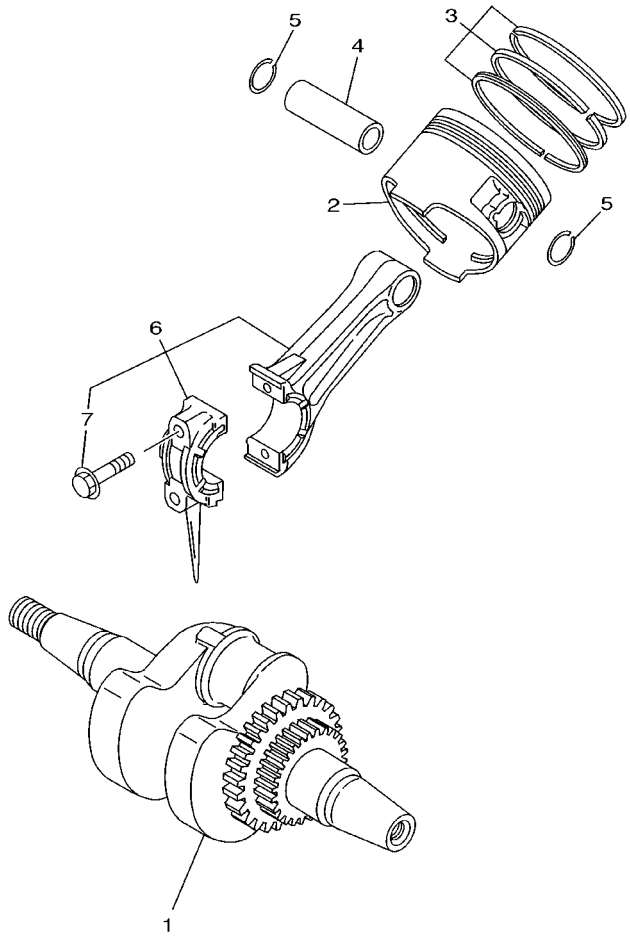
FIG. 1 CYLINDER



| REF. NO. | PART NO. | DESCRIPTION | 7VV2 | | | | REMARKS |
|----------|--------------|--------------------------|------|--|--|--|---------|
| 1 | 7UH-11111-00 | HEAD, CYLINDER 1 | 1 | | | | |
| 2 | 7UH-11181-00 | GASKET, CYLINDER HEAD 1 | 1 | | | | |
| 3 | 95817-10070 | BOLT, FLANGE | 4 | | | | |
| 4 | 99530-14016 | PIN, DOWEL | 2 | | | | |
| 5 | 95627-08618 | BOLT, STUD | 2 | | | | |
| 6 | 94702-00331 | PLUG, SPARK (NGK BPR4ES) | 1 | | | | |
| 7 | 7UH-11191-00 | COVER, CYLINDER HEAD 1 | 1 | | | | |
| 8 | 7UH-11160-00 | BREATHER ASSY | 1 | | | | |
| 9 | 7UH-11169-00 | GASKET, BREATHER COVER | 1 | | | | |
| 10 | 7UH-11193-00 | GASKET, HEAD COVER 1 | 1 | | | | |
| 11 | 95827-06012 | BOLT, FLANGE | 4 | | | | |
| 12 | 7RH-11166-00 | PIPE, BREATHER 1 | 1 | | | | |
| 13 | 90116-06450 | BOLT, STUD | 2 | | | | |


7UH1110-0010

FIG. 2 CRANKSHAFT. PISTON

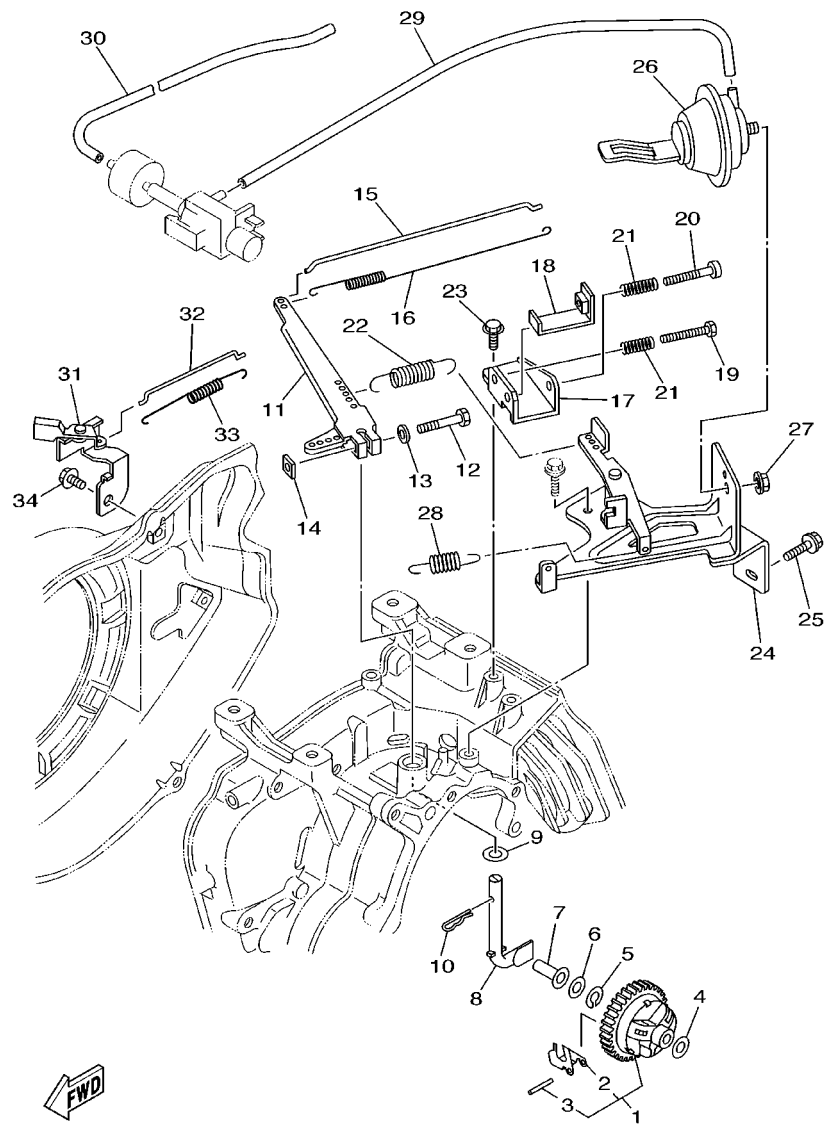


| REF. NO. | PART NO. | DESCRIPTION | 7VW2 | | | | | REMARKS |
|----------|-----------------|------------------------------|------|--|--|--|--|---------|
| 1 | 7VW-11400-00 | CRANKSHAFT ASSY | 1 | | | | | |
| 2 | 7UH-11631-00-A0 | PISTON (STD) | 1 | | | | | |
| | 7UH-11635-00 | PISTON (0.25MM O/S) | 1 | | | | | AP |
| | 7UH-11636-00 | PISTON (0.50MM O/S) | 1 | | | | | AP |
| 3 | 7UH-11603-00 | PISTON RING SET (STD) | 1 | | | | | |
| | 7UH-11604-00 | PISTON RING SET (0.25MM O/S) | 1 | | | | | AP |
| | 7UH-11605-00 | PISTON RING SET (0.50MM O/S) | 1 | | | | | AP |
| 4 | 214-11633-00 | PIN, PISTON | 1 | | | | | |
| 5 | 93450-19047 | CIRCLIP | 2 | | | | | |
| 6 | 7UH-11650-00 | CONNECTING ROD ASSY | 1 | | | | | |
| 7 | JA9-11654-01 | .BOLT, CONNECTING ROD | 2 | | | | | |
| | | | | | | | | |
| | | | | | | | | |
| | | | | | | | | |
| | | | | | | | | |
| | | | | | | | | |
| | | | | | | | | |
| | | | | | | | | |



7VW1010-0020

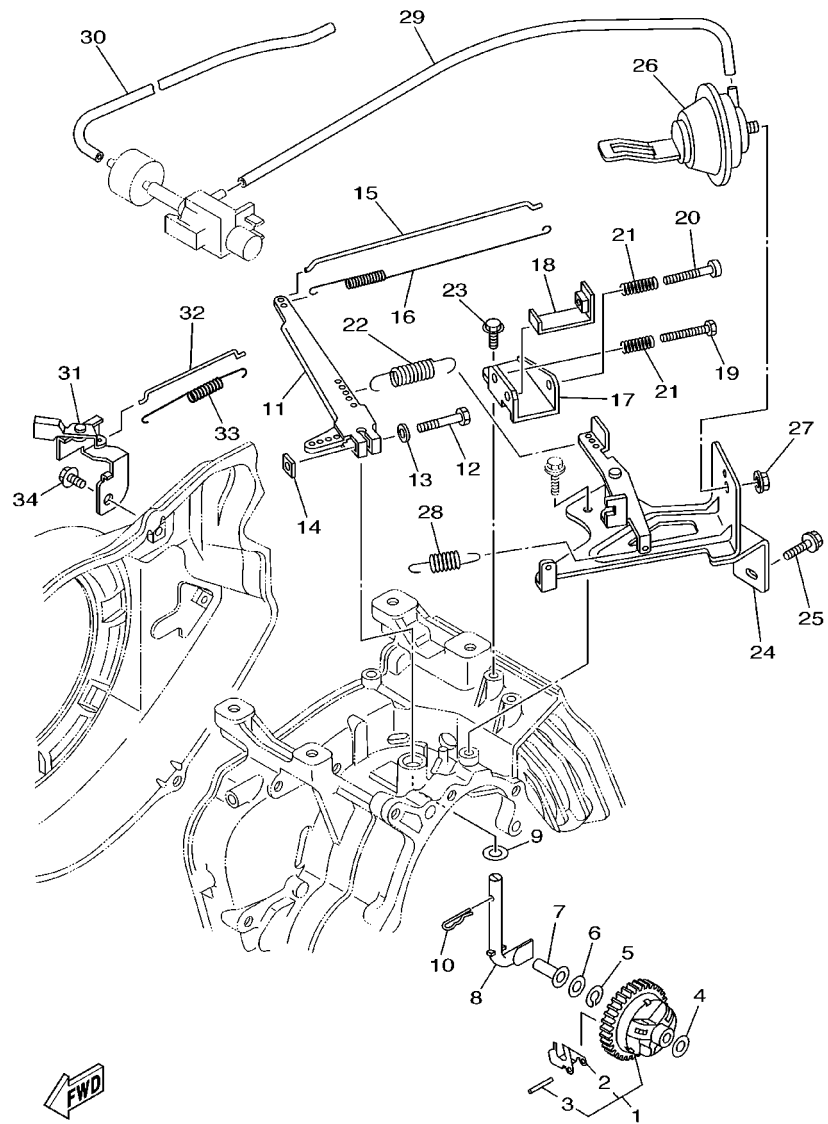
FIG. 3 GOVERNOR 1



FWD
7VW2110-0041

| REF. NO. | PART NO. | DESCRIPTION | 7VW2 | REMARKS |
|----------|--------------|-----------------------|------|---------|
| 1 | 7RH-11970-00 | FLYWEIGHT SHAFT ASSY. | 1 | |
| 2 | 7RH-11913-00 | .WEIGHT | 3 | |
| 3 | 7FK-11914-00 | .SHAFT, WEIGHT | 3 | |
| 4 | 90201-065K7 | WASHER, PLATE | 1 | |
| 5 | 93440-06107 | CIRCLIP | 1 | |
| 6 | 90201-067L0 | WASHER, PLATE | 1 | |
| 7 | 7KY-11917-00 | COLLAR | 1 | |
| 8 | 7RH-11922-00 | FORK, GOVERNOR | 1 | |
| 9 | 90201-08092 | WASHER, PLATE | 2 | |
| 10 | 90468-12006 | CLIP | 1 | |
| 11 | 7UH-11924-00 | ARM, GOVERNOR | 1 | |
| 12 | 97027-06030 | BOLT | 1 | |
| 13 | 92907-06600 | WASHER, PLATE | 1 | |
| 14 | 90173-06017 | NUT, SQUARE | 1 | |
| 15 | 7LV-11928-10 | ROD, LINK | 1 | |
| 16 | 90506-04495 | SPRING, TENSION | 1 | |
| 17 | 7VW-11941-00 | STAY | 1 | |
| 18 | 7VW-11931-00 | LEVER | 1 | |
| 19 | 90153-06053 | SCREW, HEXAGON | 1 | |
| 20 | 98507-06030 | SCREW, PAN HEAD | 1 | |
| 21 | 90501-10264 | SPRING, COMPRESSION | 2 | |
| 22 | 7VW-11925-10 | SPRING, GOVERNOR | 1 | |
| 23 | 95807-06012 | BOLT, FLANGE | 1 | |
| 24 | 7VW-11940-00 | STAY COMP. | 1 | |
| 25 | 90109-06513 | BOLT | 1 | |
| 26 | 7X6-11960-00 | DIAPHRAGM ASSY | 1 | |
| 27 | 95707-08500 | NUT, FLANGE | 1 | |

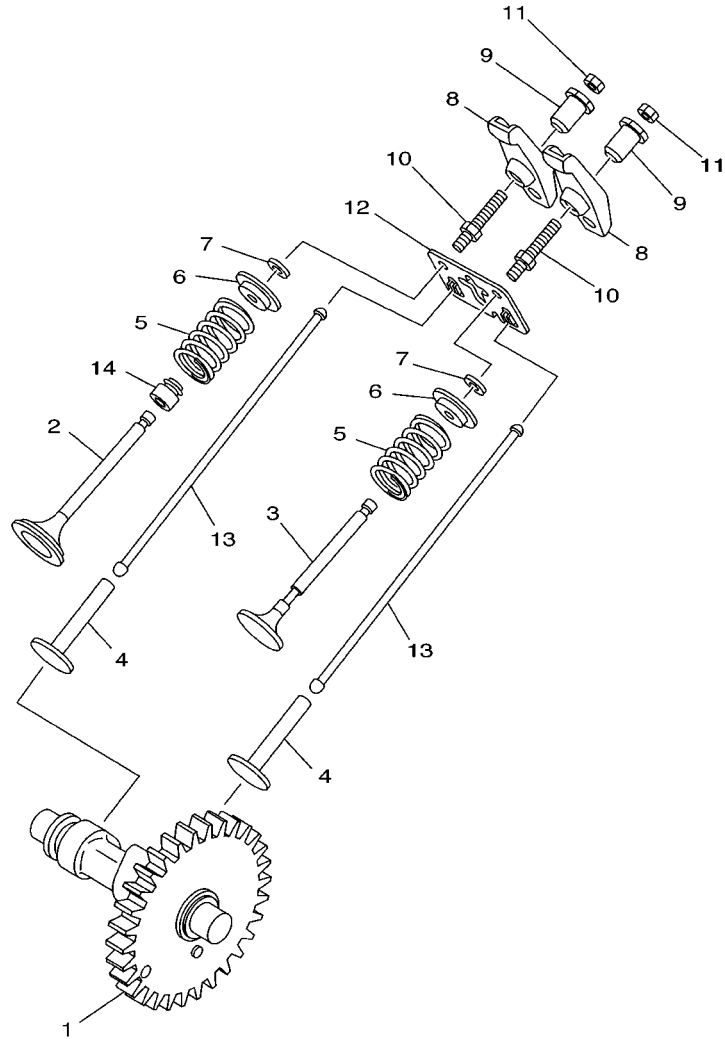
FIG. 3 GOVERNOR 1



7VW2110-0041

| REF. NO. | PART NO. | DESCRIPTION | 7VW2 | | | | REMARKS |
|----------|--------------|--------------------|------|--|--|--|---------|
| 28 | 7VW-41234-00 | SPRING, RETURN | 1 | | | | |
| 29 | 7VW-13545-10 | HOSE 1 | 1 | | | | |
| 30 | 90445-08674 | HOSE (L340) | 1 | | | | |
| 31 | 7VW-41250-00 | CHOKE BRACKET ASSY | 1 | | | | |
| 32 | 7VW-41256-00 | ROD, CHOKE 1 | 1 | | | | |
| 33 | 90506-04003 | SPRING, TENSION | 1 | | | | |
| 34 | 95807-06008 | BOLT, FLANGE | 1 | | | | |
| | | | | | | | |
| | | | | | | | |
| | | | | | | | |
| | | | | | | | |
| | | | | | | | |
| | | | | | | | |
| | | | | | | | |

FIG. 4 CAMSHAFT.VALVE

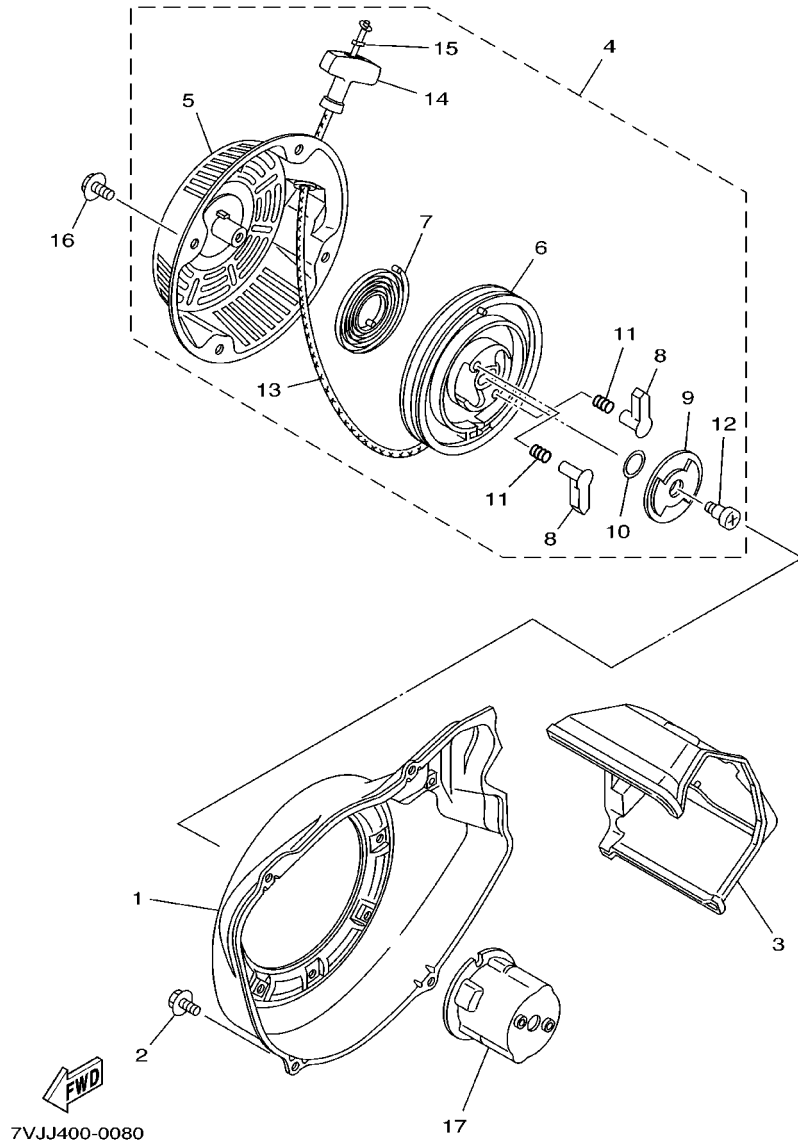


| REF. NO. | PART NO. | DESCRIPTION | 7VV2 | | | | REMARKS |
|----------|--------------|------------------------|------|--|--|--|---------|
| 1 | 7UH-12170-00 | CAMSHAFT ASSY 1 | 1 | | | | |
| 2 | 7UH-12111-00 | VALVE, INTAKE | 1 | | | | |
| 3 | 7UH-12121-00 | VALVE, EXHAUST | 1 | | | | |
| 4 | JN6-12153-00 | LIFTER, VALVE | 2 | | | | |
| 5 | 90501-232G3 | SPRING, COMPRESSION | 2 | | | | |
| 6 | J38-12117-01 | RETAINER, VALVE SPRING | 2 | | | | |
| 7 | J38-12118-00 | COTTER, VALVE | 2 | | | | |
| 8 | JE8-12151-00 | ARM, VALVE ROCKER | 2 | | | | |
| 9 | 7FK-12165-00 | PIVOT, ROCKER ARM | 2 | | | | |
| 10 | 7FK-12157-00 | BOLT | 2 | | | | |
| 11 | 7FK-12158-00 | NUT, LOCK | 2 | | | | |
| 12 | 7UH-12155-00 | GUIDE, PUSH ROD | 1 | | | | |
| 13 | 7UH-12154-00 | ROD, VALVE PUSH | 2 | | | | |
| 14 | 4G0-12119-00 | SEAL, VALVE STEM | 1 | | | | |



7UH1110-0080

FIG. 5 AIR SHROUD. STARTER



| REF. NO. | PART NO. | DESCRIPTION | 7VW2 | REMARKS |
|----------|--------------|---------------------------|------|---------|
| 1 | 7VW-12621-00 | CASE, FAN | 1 | |
| 2 | 95827-06012 | BOLT, FLANGE | 4 | |
| 3 | 7UH-12651-00 | AIR SHROUD, CYLINDER 1 | 1 | |
| 4 | 7VJ-15710-00 | STARTER ASSY | 1 | |
| 5 | 7RH-15711-00 | .CASE, STARTER | 1 | |
| 6 | 7RH-15714-00 | .DRUM, SHEAVE | 1 | |
| 7 | JK4-15713-00 | .SPRING, STARTER | 1 | |
| 8 | 7RH-15741-00 | .PAWL, DRIVE | 2 | |
| 9 | 7RH-15716-00 | .PLATE, DRIVE | 1 | |
| 10 | 7RH-15715-00 | .SPRING, FRICTION | 1 | |
| 11 | JK4-15743-00 | .SPRING, RETURN | 2 | |
| 12 | 7NJ-15793-00 | .SCREW | 1 | |
| 13 | 7NJ-15751-01 | .ROPE, STARTER (5.0X1500) | 1 | |
| 14 | 7EG-15755-00 | .HANDLE, STARTER | 1 | |
| 15 | 7EG-15756-00 | .CONNECTOR 1 | 1 | |
| 16 | 95807-06008 | BOLT, FLANGE | 4 | |
| 17 | 7VJ-15723-00 | PULLEY, STARTER | 1 | |

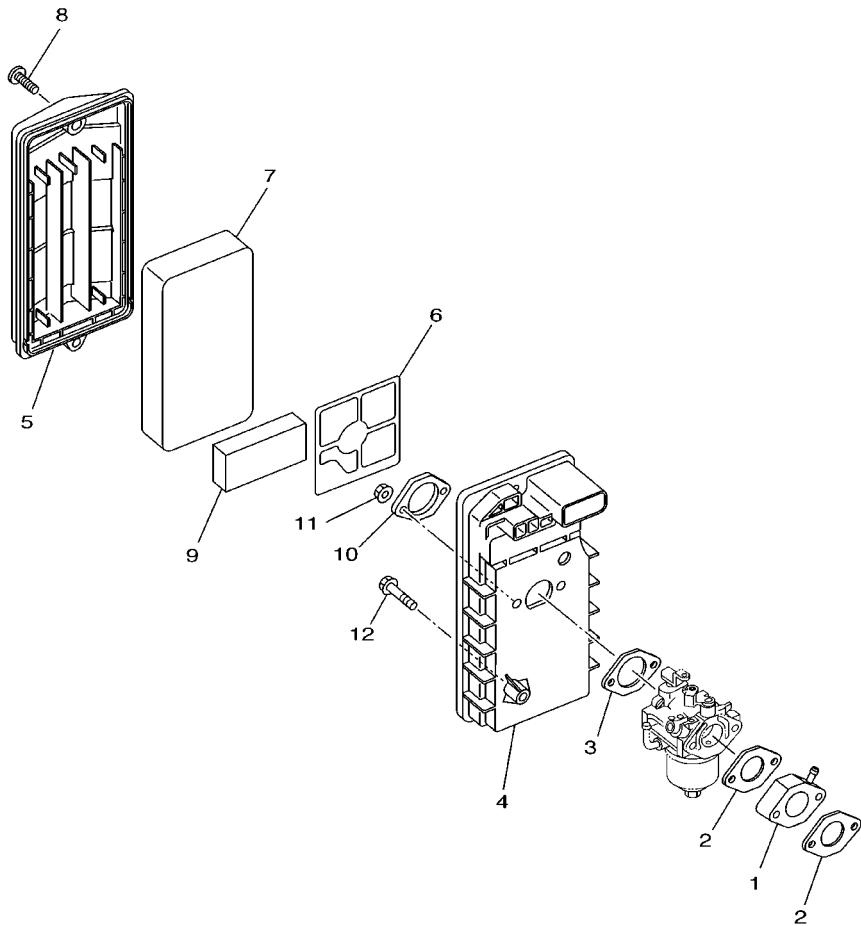
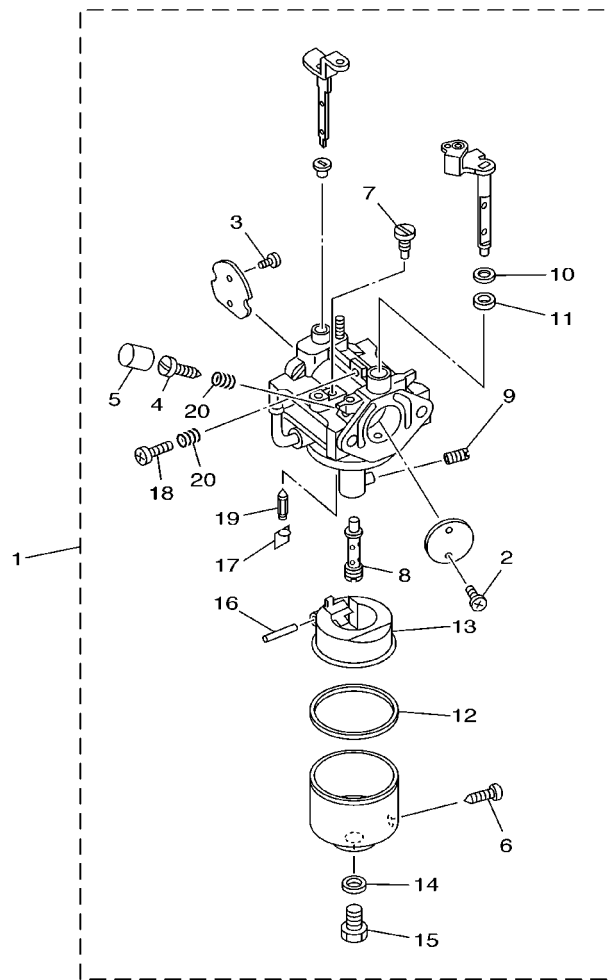


FIG. 6 INTAKE

| REF. NO. | PART NO. | DESCRIPTION | 7VW2 | | | | REMARKS |
|----------|--------------|-----------------------|------|--|--|--|---------|
| 1 | 7VW-13596-00 | JOINT, CARBURETOR 2 | 1 | | | | |
| 2 | 7UH-13557-00 | GASKET | 2 | | | | |
| 3 | 7UH-13567-00 | GASKET | 1 | | | | |
| 4 | 7VJ-14411-00 | CASE, AIR CLEANER 1 | 1 | | | | |
| 5 | 7VJ-14412-01 | CAP, CLEANER CASE 1 | 1 | | | | |
| 6 | 7VJ-14468-00 | PLATE,ELEMENT FITTING | 1 | | | | |
| 7 | 7VJ-14451-00 | ELEMENT, AIR CLEANER | 1 | | | | |
| 8 | 7RH-14429-00 | SCREW | 2 | | | | |
| 9 | 7VJ-14409-00 | DAMPER | 1 | | | | |
| 10 | 7VJ-14477-00 | PLATE | 1 | | | | |
| 11 | 95707-06500 | NUT, FLANGE | 2 | | | | |
| 12 | 95807-06035 | BOLT, FLANGE | 1 | | | | |
| | | | | | | | |
| | | | | | | | |
| | | | | | | | |
| | | | | | | | |
| | | | | | | | |


7VW1010-0060

FIG. 7 CARBURETOR

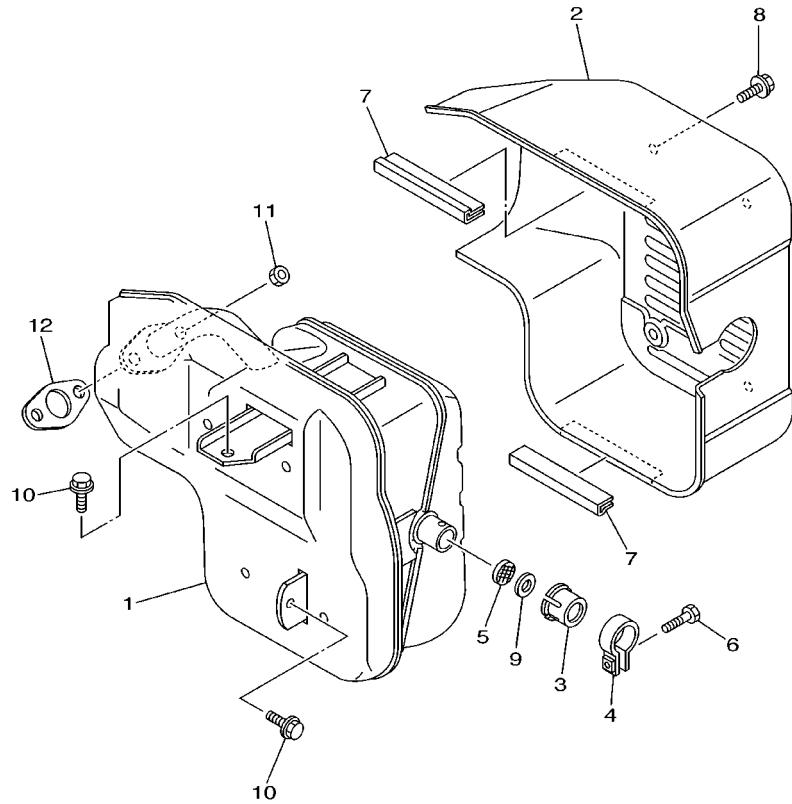


7VW2171-0070

| REF. NO. | PART NO. | DESCRIPTION | 7VW2 | | | | | REMARKS |
|----------|-----------------|-------------------------|------|--|--|--|--|---------|
| 1 | 7VW-14101-30 | CARBURETOR ASSY 1 | 1 | | | | | |
| 2 | 7RH-14216-00 | .SCREW | 2 | | | | | |
| 3 | 7RH-14486-00 | .SCREW, ROD | 2 | | | | | |
| 4 | 7NJ-14211-00 | .SCREW, PILOT ADJUSTING | 1 | | | | | |
| 5 | 7LV-14118-00 | .CAP (CUT AWAY 1/8) | 1 | | | | | |
| 6 | 7E1-14191-00 | .PLUG, DRAIN | 1 | | | | | |
| 7 | 620-1414J-17-A0 | .JET, PILOT (#43.8) | 1 | | | | | |
| 8 | 7UH-1495A-00 | .NOZZLE, MAIN | 1 | | | | | |
| 9 | 1HX-1423E-34-A0 | .JET, MAIN (#86.3) | 1 | | | | | |
| 10 | 4CW-14117-00 | .WASHER, PLUG SCREW | 1 | | | | | |
| 11 | 6K8-14597-10 | .WASHER | 1 | | | | | |
| 12 | 796-14184-00 | .GASKET, FLOAT CHAMBER | 1 | | | | | |
| 13 | JN6-14185-00 | .FLOAT | 1 | | | | | |
| 14 | 127-14198-00 | .GASKET | 1 | | | | | |
| 15 | 7UH-14162-00 | .BOLT, HOLDING | 1 | | | | | |
| 16 | 22F-14186-00 | .PIN, FLOAT | 1 | | | | | |
| 17 | 7EG-14159-00 | .CLIP | 1 | | | | | |
| 18 | 7R1-14216-01 | .SCREW | 1 | | | | | |
| 19 | 73A-14150-00 | .NEEDLE ASSY | 1 | | | | | |
| 20 | 73A-14212-10 | .SPRING | 2 | | | | | |

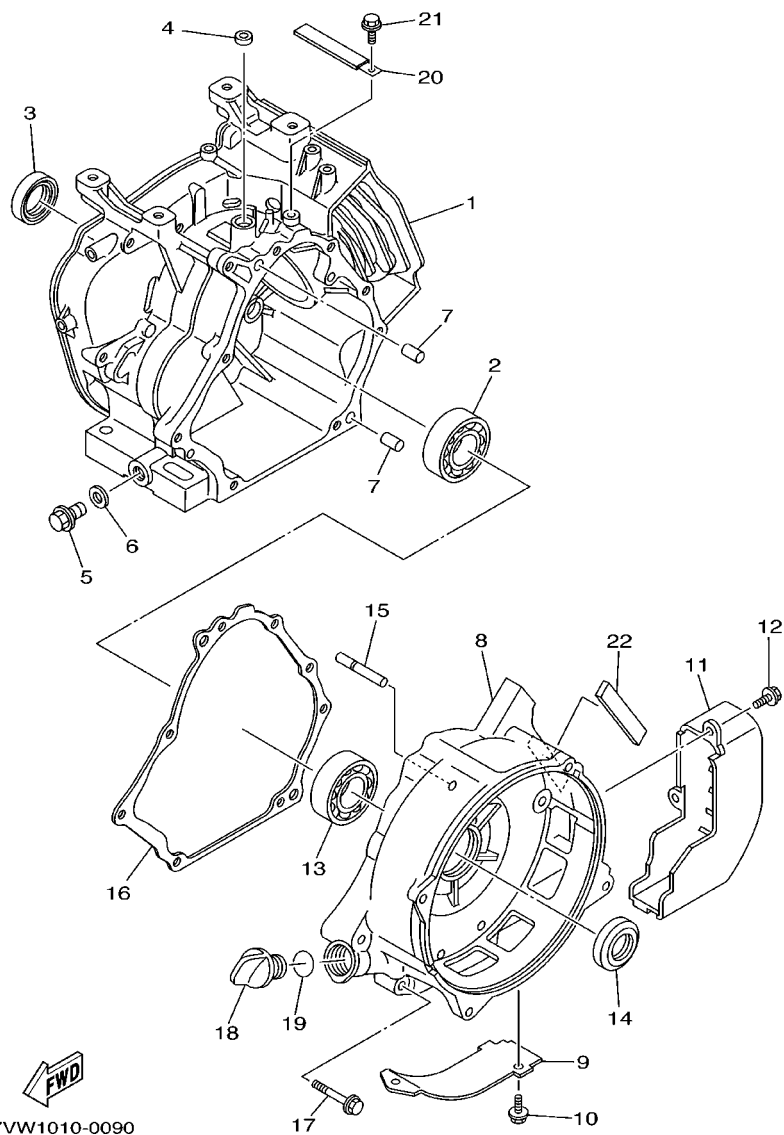
FIG. 8 EXHAUST

| REF. NO. | PART NO. | DESCRIPTION | 7VW2 | | | | REMARKS |
|----------|--------------|----------------------|------|--|--|--|---------|
| 1 | 7VW-14711-00 | MUFFLER 1 | 1 | | | | |
| 2 | 7VW-14718-00 | PROTECTOR, MUFFLER 1 | 1 | | | | |
| 3 | 7NJ-14799-01 | CAP | 1 | | | | |
| 4 | 7NJ-14788-00 | BAND, SILENCER | 1 | | | | |
| 5 | 7NJ-1479E-00 | NET, WIRE 2 | 1 | | | | |
| 6 | 90153-05024 | SCREW, HEXAGON | 1 | | | | |
| 7 | 7VW-14737-00 | DAMPER, MUFFLER | 2 | | | | |
| 8 | 95807-06008 | BOLT, FLANGE | 4 | | | | |
| 9 | 90201-171J5 | WASHER, PLATE | 1 | | | | |
| 10 | 95807-08016 | BOLT, FLANGE | 2 | | | | |
| 11 | 95307-08600 | NUT | 2 | | | | |
| 12 | 7UH-14613-00 | GASKET, EXHAUST PIPE | 1 | | | | |



7VW1010-0080

FIG. 9 CRANKCASE



| REF. NO. | PART NO. | DESCRIPTION | 7VW2 | | | | REMARKS |
|----------|--------------|---------------------------|------|--|--|--|---------|
| 1 | 7VW-15111-00 | CRANKCASE 1 | 1 | | | | |
| 2 | 93306-20637 | BEARING | 1 | | | | |
| 3 | 93102-30195 | OIL SEAL | 1 | | | | |
| 4 | 93109-08050 | OIL SEAL | 1 | | | | |
| 5 | 90340-12097 | PLUG, STRAIGHT SCREW | 1 | | | | |
| 6 | 812-11198-00 | GASKET | 1 | | | | |
| 7 | 99530-10116 | PIN, DOWEL | 2 | | | | |
| 8 | 7VW-15411-00 | COVER, CRANKCASE 1 | 1 | | | | |
| 9 | 7VW-15423-00 | COVER 2 | 1 | | | | |
| 10 | 90109-06513 | BOLT | 2 | | | | |
| 11 | 7VW-15413-80 | COVER, CARBURETOR | 1 | | | | |
| 12 | 90109-06514 | BOLT | 2 | | | | |
| 13 | 93306-20637 | BEARING | 1 | | | | |
| 14 | 93102-30195 | OIL SEAL | 1 | | | | |
| 15 | 7UH-11971-00 | SHAFT, FLYWEIGHT | 1 | | | | |
| 16 | 7UH-15451-00 | GASKET, CRANKCASE COVER 1 | 1 | | | | |
| 17 | 95817-08040 | BOLT, FLANGE | 8 | | | | |
| 18 | 796-15363-01 | PLUG, OIL | 1 | | | | |
| 19 | 93210-22344 | O-RING | 1 | | | | |
| 20 | 90462-05061 | CLAMP | 1 | | | | |
| 21 | 95807-06012 | BOLT, FLANGE | 1 | | | | |
| 22 | 7NJ-14757-00 | DAMPER, MUFFLER 2 | 1 | | | | |

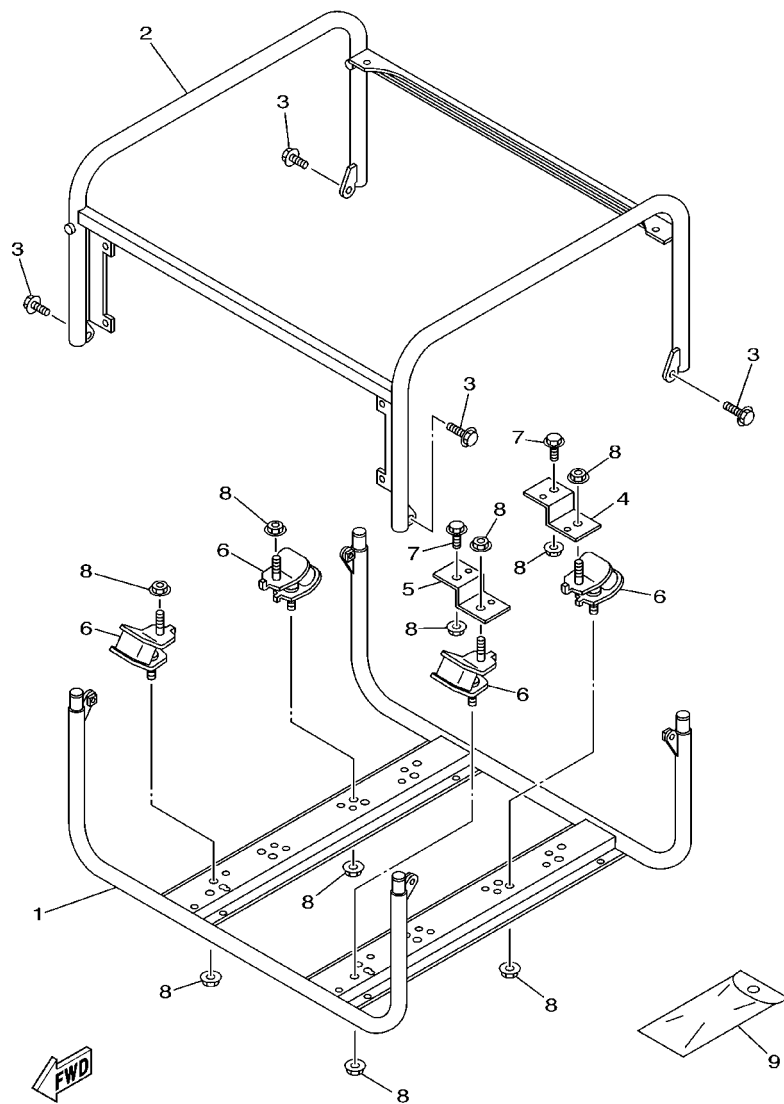
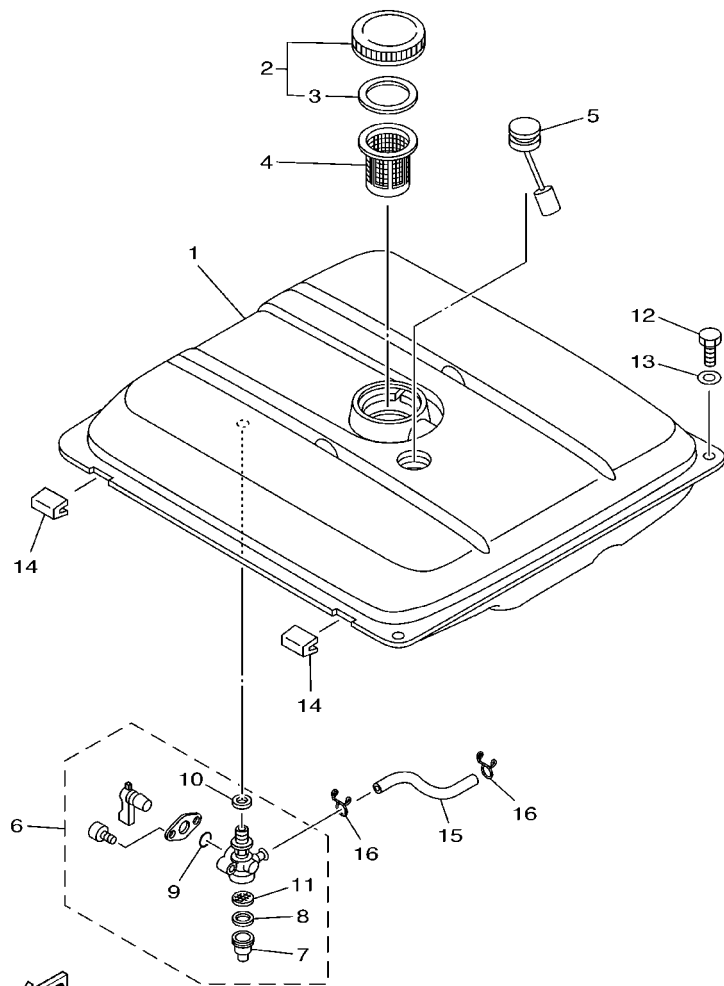


FIG. 10 FRAME

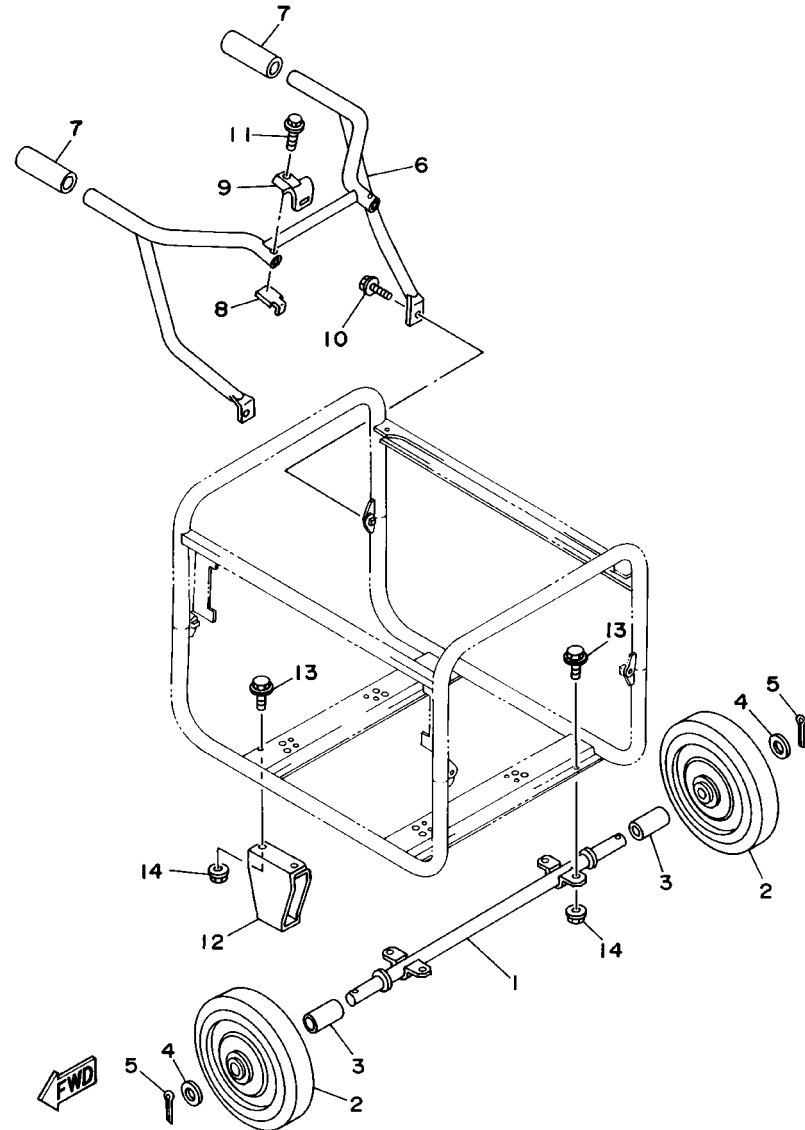
| REF. NO. | PART NO. | DESCRIPTION | 7VW2 | REMARKS |
|----------|--------------|---------------------|------|---------|
| 1 | 7VW-22840-00 | FRAME COMP. | 1 | |
| 2 | 7VW-22850-00 | FRAME COMP. 2 | 1 | |
| 3 | 95807-06010 | BOLT, FLANGE | 4 | |
| 4 | 7RG-11011-00 | BRACKET, ENGINE 1 | 1 | |
| 5 | 7RG-11012-00 | BRACKET, ENGINE 2 | 1 | |
| 6 | 7VW-22891-00 | INSULATOR, MOUNTING | 4 | |
| 7 | 95807-10030 | BOLT, FLANGE | 2 | |
| 8 | 95707-10500 | NUT, FLANGE | 10 | |
| 9 | 7LV-28100-00 | TOOL KIT | 1 | |
| | | | | |
| | | | | |
| | | | | |
| | | | | |
| | | | | |
| | | | | |
| | | | | |
| | | | | |
| | | | | |
| | | | | |
| | | | | |
| | | | | |

FIG. 11 FUEL TANK



7VW1010-0110

| REF. NO. | PART NO. | DESCRIPTION | 7VW2 | | | | REMARKS |
|----------|-----------------|-----------------------|------|--|--|--|---------|
| 1 | 7VW-24110-00-NJ | FUEL TANK COMP. | 1 | | | | FWB |
| 2 | 74T-24610-00 | CAP ASSY | 1 | | | | |
| 3 | 796-24612-00 | .GASKET, CAP | 1 | | | | |
| 4 | 630-24167-00 | STRAINER | 1 | | | | |
| 5 | 7F7-85710-02 | FUEL LEVEL GAUGE ASSY | 1 | | | | |
| 6 | 7NJ-24500-01 | FUEL COCK ASSY 1 | 1 | | | | |
| 7 | 7J3-24521-00 | .CUP, FILTER | 1 | | | | |
| 8 | 4X8-24565-00 | .GASKET | 1 | | | | |
| 9 | 7NJ-24534-00 | .SEAL, COCK | 1 | | | | |
| 10 | 7NJ-24532-00 | .GASKET | 1 | | | | |
| 11 | 7NJ-24515-00 | .NET, FILTER 2 | 1 | | | | |
| 12 | 97007-06012 | BOLT | 2 | | | | |
| 13 | 90201-06380 | WASHER, PLATE | 2 | | | | |
| 14 | 7LG-24181-00 | DAMPER, LOCATING 1 | 2 | | | | |
| 15 | 90445-100E9 | HOSE (L155) | 1 | | | | |
| 16 | 90467-09006 | CLIP | 2 | | | | |

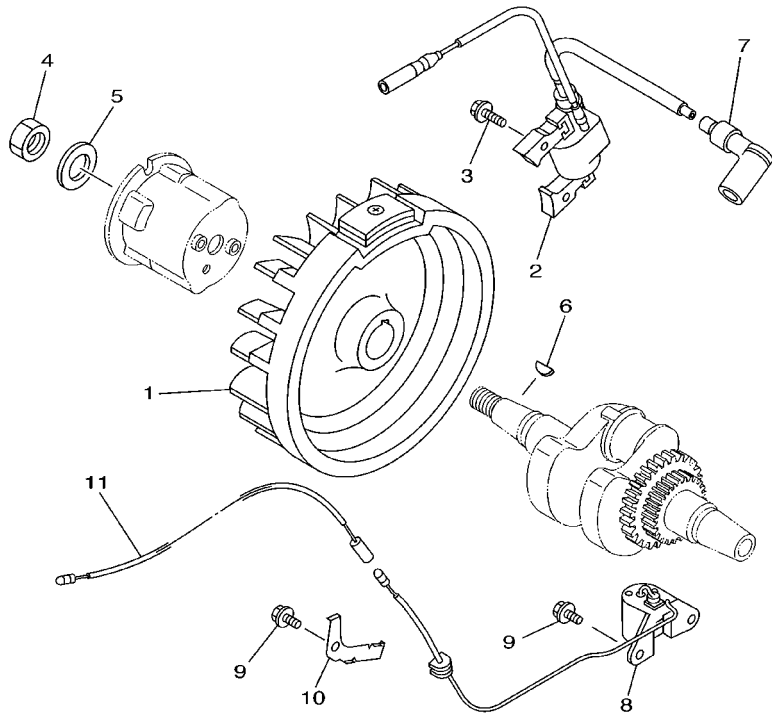


7RG1400-6220

FIG. 12 CARRIER (OPTIONAL PARTS)

| REF. NO. | PART NO. | DESCRIPTION | 7VV2 | | | | REMARKS |
|----------|--------------|---------------|------|--|--|--|---------|
| 1 | 7RH-25381-00 | AXLE, WHEEL | 1 | | | | |
| 2 | 73A-22846-10 | CASTER 2 | 2 | | | | |
| 3 | 73A-25322-10 | INSERT, SHAFT | 2 | | | | |
| 4 | 92907-20600 | WASHER | 2 | | | | |
| 5 | 91401-30040 | PIN, COTTER | 2 | | | | |
| 6 | 7RH-26100-00 | HANDLE ASSY | 1 | | | | |
| 7 | 801-26241-01 | GRIP | 2 | | | | |
| 8 | 7RH-2284F-00 | PLATE 3 | 2 | | | | |
| 9 | 7RH-22864-00 | COVER, SIDE 1 | 2 | | | | |
| 10 | 95807-06014 | BOLT, FLANGE | 2 | | | | |
| 11 | 95807-06035 | BOLT, FLANGE | 2 | | | | |
| 12 | 7LR-27111-01 | STAND, MAIN | 2 | | | | |
| 13 | 95807-08016 | BOLT, FLANGE | 8 | | | | |
| 14 | 95707-08500 | NUT, FLANGE | 8 | | | | |

FIG. 13 MAGNETO

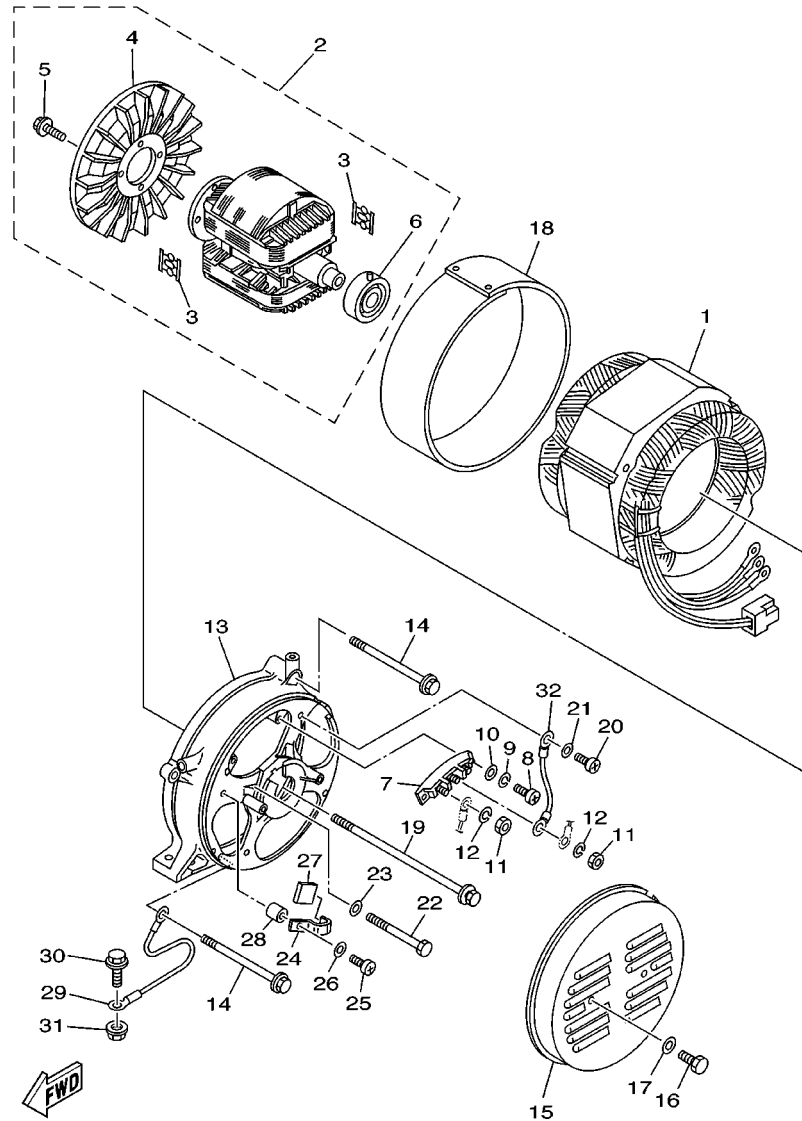


| REF. NO. | PART NO. | DESCRIPTION | 7VW2 | | | | REMARKS |
|----------|--------------|----------------------|------|--|--|--|---------|
| 1 | 7UH-85650-00 | ROTOR ASSY | 1 | | | | |
| 2 | 7UH-85640-00 | T.C.I. UNIT ASSY | 1 | | | | |
| 3 | 95880-06020 | BOLT, FLANGE | 2 | | | | |
| 4 | 95307-16600 | NUT | 1 | | | | |
| 5 | 92907-16600 | WASHER | 1 | | | | |
| 6 | 90280-04052 | KEY, WOODRUFF | 1 | | | | |
| 7 | JN6-82370-00 | PLUG CAP ASSY | 1 | | | | |
| 8 | 7UH-85720-10 | OIL LEVEL GAUGE ASSY | 1 | | | | |
| 9 | 95827-06012 | BOLT, FLANGE | 3 | | | | |
| 10 | 7NJ-85724-00 | CLAMP | 1 | | | | |
| 11 | 7VW-82507-00 | WIRE, LEAD | 1 | | | | |



7VW2171-0130

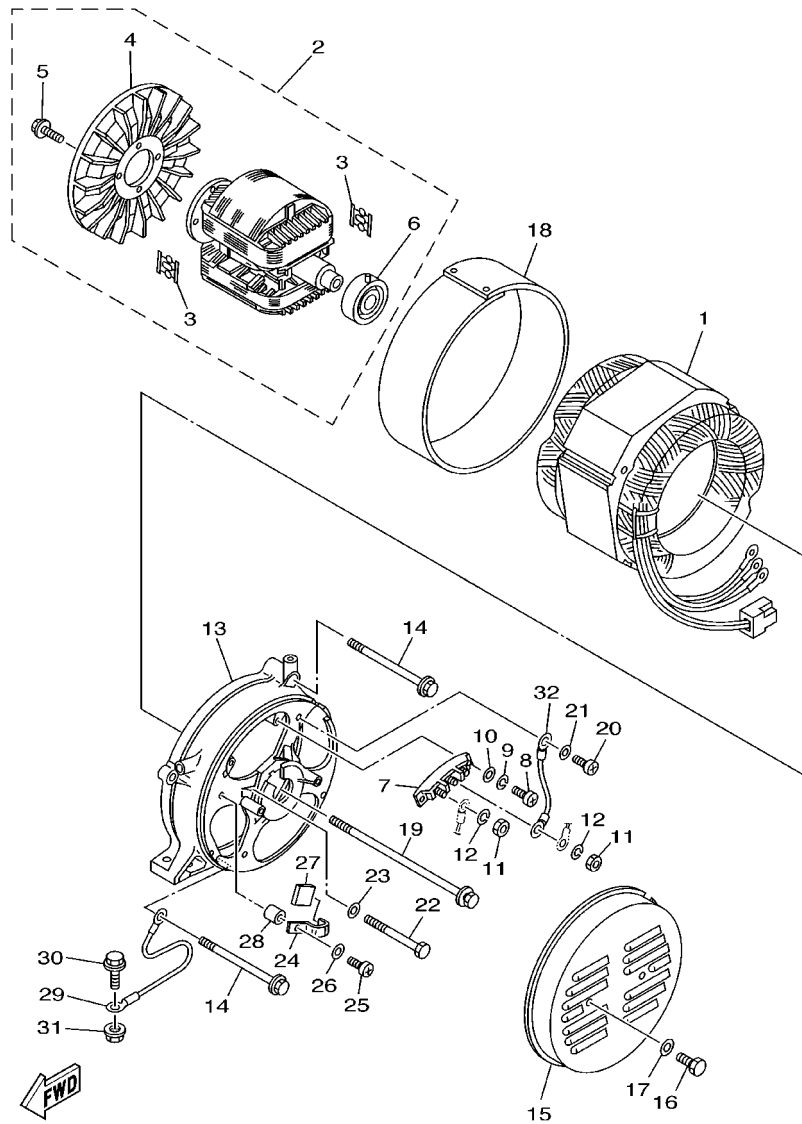
FIG. 14 GENERATOR



7VW2171-0140

| REF. NO. | PART NO. | DESCRIPTION | 7VW2 | | | | REMARKS |
|----------|-----------------|---------------------|------|--|--|--|---------|
| 1 | 7VW-87150-80 | STATOR ASSY | 1 | | | | |
| 2 | 7VW-87160-00 | ROTOR ASSY | 1 | | | | |
| 3 | 7FK-87115-01 | .RECTIFIER ASSY 2 | 4 | | | | |
| 4 | 7LR-87172-01 | .FAN, GENERATOR | 1 | | | | |
| 5 | 90159-06032 | .SCREW, WITH WASHER | 4 | | | | |
| 6 | 93306-37202 | .BEARING | 1 | | | | |
| 7 | 7LR-87220-00 | TERMINAL SUB ASSY 1 | 1 | | | | |
| 8 | 98507-05014 | SCREW, PAN HEAD | 2 | | | | |
| 9 | 92907-05100 | WASHER, SPRING | 2 | | | | |
| 10 | 92907-05600 | WASHER, PLATE | 2 | | | | |
| 11 | 95307-05700 | NUT | 3 | | | | |
| 12 | 92907-05100 | WASHER, SPRING | 3 | | | | |
| 13 | 7LR-87131-02 | FRAME, REAR | 1 | | | | |
| 14 | 95827-06085 | BOLT, FLANGE | 4 | | | | |
| 15 | 7RH-87174-00-98 | COVER, REAR END | 1 | | | | LGB |
| 16 | 97007-06012 | BOLT | 2 | | | | |
| 17 | 92907-06300 | WASHER | 2 | | | | |
| 18 | 7VW-87153-80 | COVER, STATOR | 1 | | | | |
| 19 | 7VW-81152-00 | BOLT | 1 | | | | |
| 20 | 98507-05010 | SCREW, PAN HEAD | 1 | | | | |
| 21 | 92907-05600 | WASHER, PLATE | 1 | | | | |
| 22 | 97027-06080 | BOLT | 2 | | | | |
| 23 | 92907-06600 | WASHER, PLATE | 2 | | | | |
| 24 | 7J5-88195-00 | HOLDER, CONNECTOR | 1 | | | | |
| 25 | 98507-05020 | SCREW, PAN HEAD | 1 | | | | |
| 26 | 92907-05600 | WASHER, PLATE | 1 | | | | |
| 27 | 7LV-8713J-00 | DAMPER | 1 | | | | |

FIG. 14 GENERATOR



7VW2171-0140

| REF. NO. | PART NO. | DESCRIPTION | 7VW2 | | | | | REMARKS |
|----------|--------------|------------------|------|--|--|--|--|---------|
| 28 | 90387-06N38 | COLLAR | 1 | | | | | |
| 29 | 7RH-87139-80 | LEAD WIRE ASSY 2 | 1 | | | | | |
| 30 | 95880-06010 | BOLT, FLANGE | 1 | | | | | |
| 31 | 95780-06500 | NUT, FLANGE | 1 | | | | | |
| 32 | 7LR-8722W-80 | WIRE, LEAD 6 | 1 | | | | | |
| ----- | | | | | | | | |
| ----- | | | | | | | | |
| ----- | | | | | | | | |
| ----- | | | | | | | | |
| ----- | | | | | | | | |
| ----- | | | | | | | | |
| ----- | | | | | | | | |
| ----- | | | | | | | | |
| ----- | | | | | | | | |

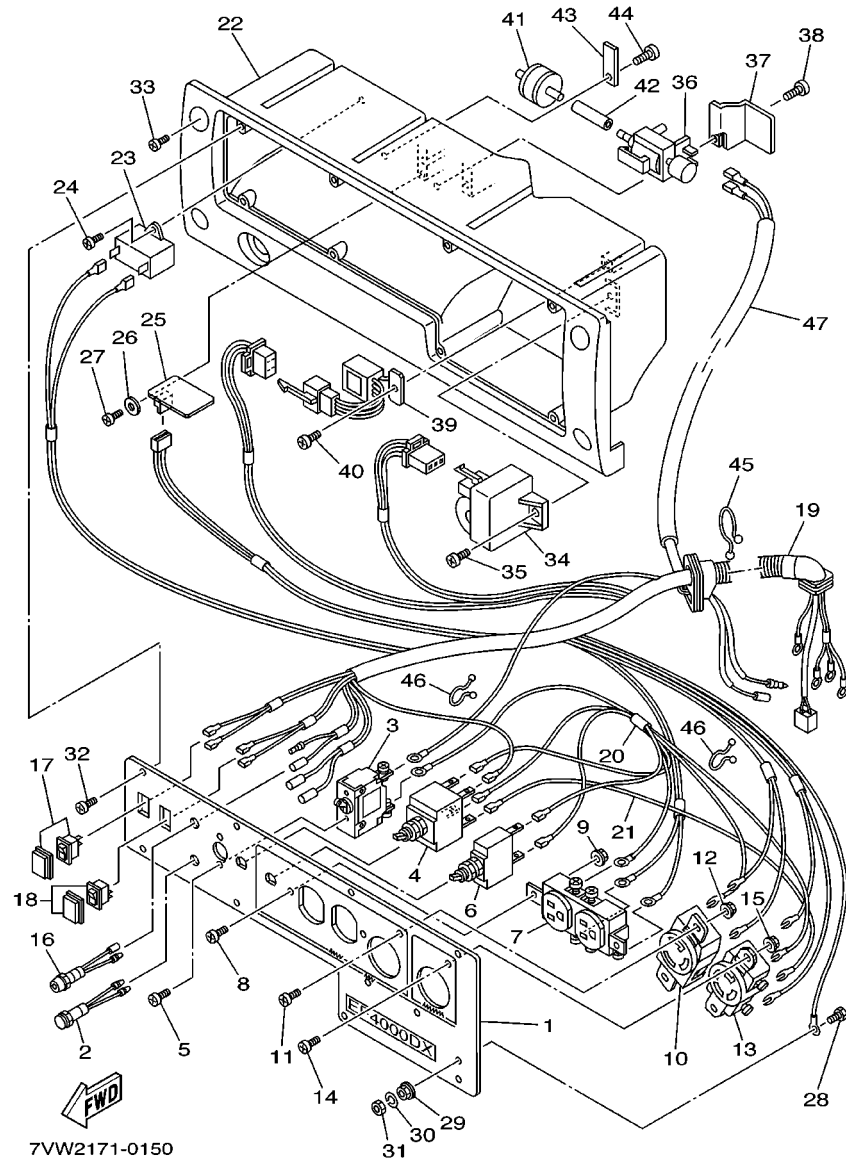


FIG. 15 CONTROL BOX 1

| REF. NO. | PART NO. | DESCRIPTION | 7VW2 | | | REMARKS |
|----------|--------------|----------------------------|------|--|--|------------------------|
| 1 | 7VW-87249-90 | PLATE | 1 | | | |
| 2 | 7NJ-83530-80 | PILOT LIGHT ASSY | 1 | | | |
| 3 | 7LV-8720H-80 | BREAKER COMP, CIRCUIT | 1 | | | |
| 4 | 7VW-8720J-80 | BREAKER COMP. CIRCUIT | 1 | | | |
| 5 | 98507-03006 | SCREW, PAN HEAD | 2 | | | |
| 6 | 7RG-87204-N0 | BREAKER COMP. (AC240V-15A) | 1 | | | |
| 7 | 7UU-87221-80 | RECEPTACLE 1 | 1 | | | UR MEIKOSHA |
| | 7LG-87221-80 | RECEPTACLE 1 (P&S 5-15R) | 1 | | | UR PASS & SEYMOUR 5242 |
| 8 | 98507-04012 | SCREW, PAN HEAD | 2 | | | |
| 9 | 95707-04500 | NUT, FLANGE | 2 | | | |
| 10 | 73H-87222-91 | RECEPTACLE 2 | 1 | | | UR PASS & SEYMOUR |
| | 7LR-87221-90 | RECEPTACLE 1 (WCF63130B02) | 1 | | | UR MATSUSHITA |
| | 7VU-87221-90 | RECEPTACLE 1 | 1 | | | UR MEIKOSHA |
| 11 | 98507-04012 | SCREW, PAN HEAD | 2 | | | |
| 12 | 95707-04500 | NUT, FLANGE | 2 | | | |
| 13 | 7LR-87222-90 | RECEPTACLE 2 (WCF63420B02) | 1 | | | UR MATSUSHITA |
| | 7UV-87222-40 | RECEPTACLE (NEMA L14-20R) | 1 | | | UR MEIKOSHA |
| 14 | 98507-04012 | SCREW, PAN HEAD | 2 | | | |
| 15 | 95707-04500 | NUT, FLANGE | 2 | | | |
| 16 | 7NJ-85770-00 | OIL PILOT LIGHT ASSY | 1 | | | |
| 17 | 7NJ-82550-00 | ENGINE STOP SWITCH ASSY | 1 | | | |
| 18 | 7NJ-82550-00 | ENGINE STOP SWITCH ASSY | 1 | | | |
| 19 | 7VW-87226-90 | WIRE HARNESS ASSY | 1 | | | |
| 20 | 7VW-87224-80 | WIRE, LEAD 2 | 1 | | | |
| 21 | 7VW-8722X-80 | WIRE, LEAD 5 | 1 | | | |
| 22 | 7VW-87213-90 | COVER, CONTROL BOX | 1 | | | |
| 23 | 7LG-87107-01 | CONDENSER ASSY | 1 | | | |

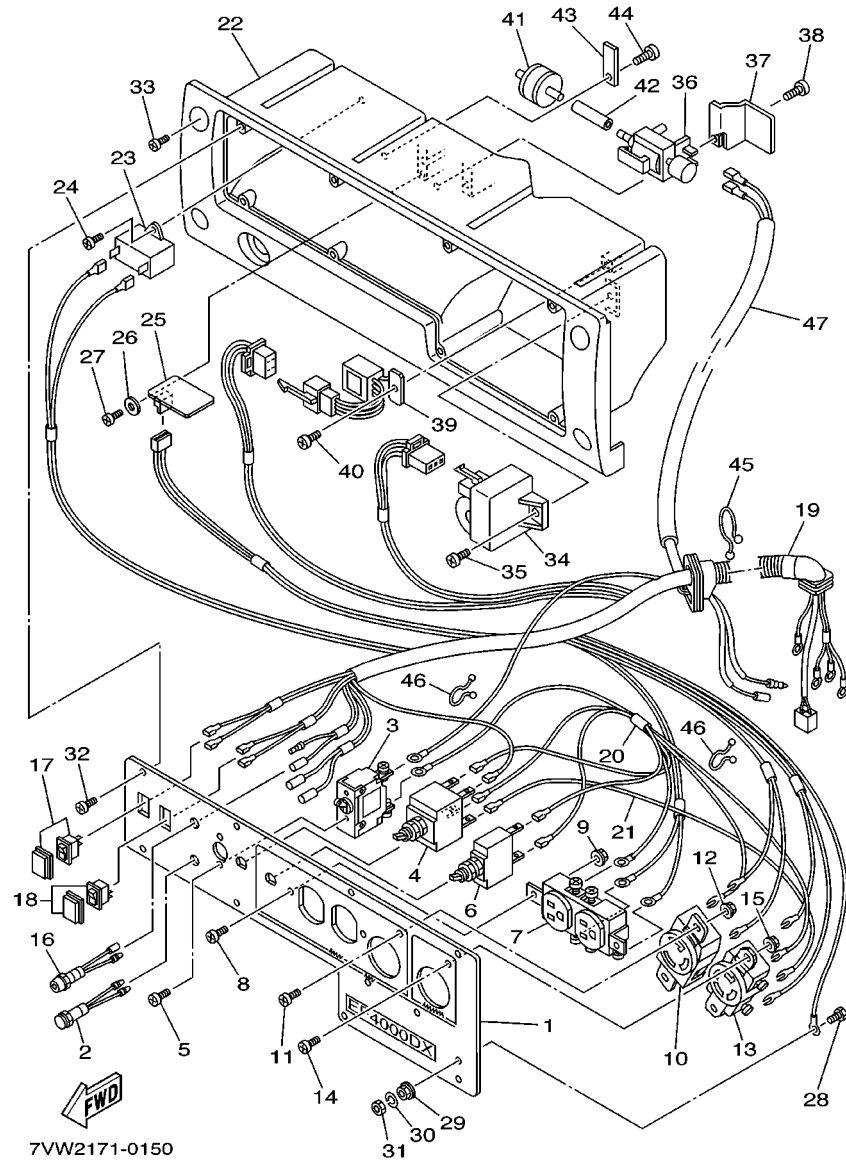
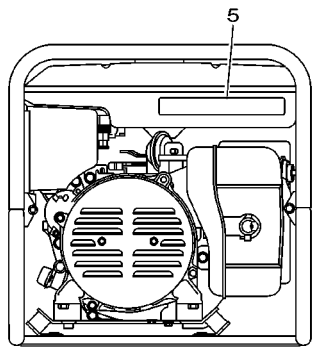
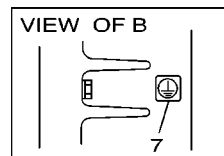
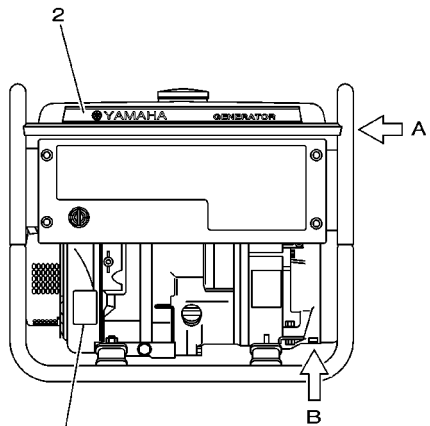
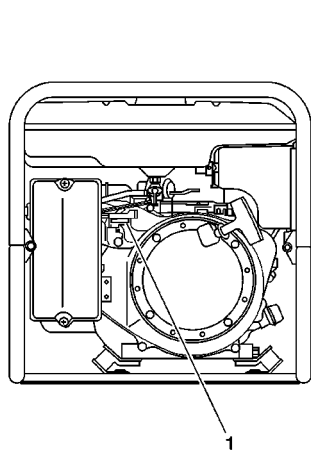
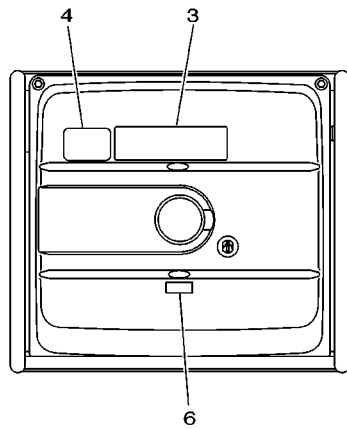


FIG. 15 CONTROL BOX 1

| REF. NO. | PART NO. | DESCRIPTION | 7VW2 | | | | REMARKS |
|----------|--------------|-----------------------|------|--|--|--|---------|
| 24 | 97707-40016 | SCREW, TAPPING | 1 | | | | |
| 25 | 7LG-85690-00 | OIL WARNING UNIT | 1 | | | | |
| 26 | 90201-03013 | WASHER, PLATE | 1 | | | | |
| 27 | 97707-30512 | SCREW, TAPPING | 1 | | | | |
| 28 | 97080-05016 | BOLT | 1 | | | | |
| 29 | 95707-05500 | NUT, FLANGE | 1 | | | | |
| 30 | 92990-05100 | WASHER, SPRING | 1 | | | | |
| 31 | 95380-05700 | NUT | 1 | | | | |
| 32 | 97707-40516 | SCREW, TAPPING | 8 | | | | |
| 33 | 98907-06014 | SCREW, BIND | 4 | | | | |
| 34 | 73M-87286-00 | SLOW DOWN UNIT ASSY | 1 | | | | |
| 35 | 97707-60520 | SCREW, TAPPING | 1 | | | | |
| 36 | 7LR-86120-90 | SOLENOID VALVE ASSY | 1 | | | | |
| 37 | 7VW-86112-80 | STAY, SOLENOID | 1 | | | | |
| 38 | 97707-50512 | SCREW, TAPPING | 1 | | | | |
| 39 | 7RH-81970-00 | RECTIFIER ASSY | 1 | | | | |
| 40 | 97707-60514 | SCREW, TAPPING | 1 | | | | |
| 41 | JN2-14388-00 | VALVE, VACUUM CONTROL | 1 | | | | |
| 42 | 90445-08740 | HOSE (L30) | 1 | | | | |
| 43 | 7VW-86112-00 | STAY, SOLENOID | 1 | | | | |
| 44 | 97707-50512 | SCREW, TAPPING | 1 | | | | |
| 45 | 90464-37257 | CLAMP | 1 | | | | |
| 46 | 90465-18147 | CLAMP | 2 | | | | |
| 47 | 7VW-82139-80 | TUBE | 1 | | | | |



VIEW OF A



7VW2171-0160

FIG. 16 LABELS

| REF. NO. | PART NO. | DESCRIPTION | 7VW2 | | | | REMARKS |
|----------|--------------|-------------------------------|------|--|--|--|----------------------------|
| 1 | 7RK-24155-00 | INDICATOR, CHOKE | 1 | | | | |
| 2 | 7VW-24161-10 | EMBLEM 1 (YAMAHA) | 1 | | | | |
| 3 | 7NJ-24162-10 | EMBLEM 2 (WARNING) | 1 | | | | |
| 4 | 7G6-2415A-80 | LABEL, CAUTION (RECHECK FUEL) | 1 | | | | ENGLISH/FRENCH/ SPANISH |
| 5 | 7VW-2179R-01 | PLATE, EPA 2 (CALIFORNIA) | 1 | | | | |
| 6 | 63V-82377-50 | LABEL (SPARK,IGNITION) | 1 | | | | |
| 7 | 7NJ-87261-10 | EMBLEM 1 (GROUND) | 1 | | | | |
| 8 | 73A-21793-00 | ORNAMENT (OIL) | 1 | | | | |

NUMERICAL INDEX

| PARTNO. | GRID NO. | PARTNO. | GRID NO. | PARTNO. | GRID NO. | PARTNO. | GRID NO. | PARTNO. | GRID NO. | PARTNO. | GRID NO. |
|-----------------|----------|-----------------|----------|-----------------|----------|-----------------|----------|-------------|----------|-------------|----------|
| 7RG-11011-00 | B - 12 | 7VW-13545-10 | B - 5 | JK4-15713-00 | B - 7 | 7VW-82507-00 | B - 15 | 90153-06053 | B - 4 | 95707-06500 | B - 8 |
| 7RG-11012-00 | B - 12 | 7UH-13557-00 | B - 8 | 7RH-15714-00 | B - 7 | 7NJ-82550-00 | C - 4 | 90159-06032 | C - 2 | 95707-08500 | B - 14 |
| 7UH-11111-00 | B - 2 | 7UH-13567-00 | B - 8 | 7RH-15715-00 | B - 7 | 7NJ-83530-80 | C - 4 | 90173-06017 | B - 4 | | B - 4 |
| 7UH-11160-00 | B - 2 | 7VW-13596-00 | B - 8 | 7RH-15716-00 | B - 7 | 7UH-85640-00 | B - 15 | 90201-03013 | C - 5 | 95707-10500 | B - 12 |
| 7RH-11166-00 | B - 2 | 7VW-14101-30 | B - 9 | 7VJ-15723-00 | B - 7 | 7UH-85650-00 | B - 15 | 90201-06380 | B - 13 | 95780-06500 | C - 3 |
| 7UH-11169-00 | B - 2 | 4CW-14117-00 | B - 9 | 7RH-15741-00 | B - 7 | 7LG-85690-00 | C - 5 | 90201-065K7 | B - 4 | 95807-06008 | B - 10 |
| 7UH-11181-00 | B - 2 | 7LV-14118-00 | B - 9 | JK4-15743-00 | B - 7 | 7F7-85710-02 | B - 13 | 90201-067L0 | B - 4 | | B - 5 |
| 7UH-11191-00 | B - 2 | 620-1414J-17-A0 | B - 9 | 7NJ-15751-01 | B - 7 | 7UH-85720-10 | B - 15 | 90201-08092 | B - 4 | | B - 7 |
| 7UH-11193-00 | B - 2 | 73A-14150-00 | B - 9 | 7EG-15755-00 | B - 7 | 7NJ-85724-00 | B - 15 | 90201-171J5 | B - 10 | 95807-06010 | B - 12 |
| 812-11198-00 | B - 11 | 7EG-14159-00 | B - 9 | 7EG-15756-00 | B - 7 | 7NJ-85770-00 | C - 4 | 90280-04052 | B - 15 | 95807-06012 | B - 11 |
| 7VW-11400-00 | B - 3 | 7UH-14162-00 | B - 9 | 7NJ-15793-00 | B - 7 | 7VW-86112-00 | C - 5 | 90340-12097 | B - 11 | | B - 4 |
| 7UH-11603-00 | B - 3 | 796-14184-00 | B - 9 | 7VW-2179R-01 | C - 6 | 7VW-86112-80 | C - 5 | 90387-06N38 | C - 3 | 95807-06014 | B - 14 |
| 7UH-11604-00 | B - 3 | JN6-14185-00 | B - 9 | 73A-21793-00 | C - 6 | 7LR-86120-90 | C - 5 | 90445-08674 | B - 5 | 95807-06035 | B - 14 |
| 7UH-11605-00 | B - 3 | 22F-14186-00 | B - 9 | 7RH-2284F-00 | B - 14 | 7LG-87107-01 | C - 4 | 90445-08740 | C - 5 | | B - 8 |
| 7UH-11631-00-A0 | B - 3 | 7E1-14191-00 | B - 9 | 7VW-22840-00 | B - 12 | 7FK-87115-01 | C - 2 | 90445-100E9 | B - 13 | 95807-08016 | B - 10 |
| 214-11633-00 | B - 3 | 127-14198-00 | B - 9 | 73A-22846-10 | B - 14 | 7LV-8713J-00 | C - 2 | 90462-05061 | B - 11 | | B - 14 |
| 7UH-11635-00 | B - 3 | 7NJ-14211-00 | B - 9 | 7VW-22850-00 | B - 12 | 7LR-87131-02 | C - 2 | 90464-37257 | C - 5 | 95807-10030 | B - 12 |
| 7UH-11636-00 | B - 3 | 73A-14212-10 | B - 9 | 7RH-22864-00 | B - 14 | 7RH-87139-80 | C - 3 | 90465-18147 | C - 5 | 95817-08040 | B - 11 |
| 7UH-11650-00 | B - 3 | 7RH-14216-00 | B - 9 | 7VW-22891-00 | B - 12 | 7VW-87150-80 | C - 2 | 90467-09006 | B - 13 | 95817-10070 | B - 2 |
| JAG-11654-01 | B - 3 | 7R1-14216-01 | B - 9 | 7VW-24110-00-NJ | B - 13 | 7VW-87153-80 | C - 2 | 90468-12006 | B - 4 | 95827-06012 | B - 15 |
| 7RH-11913-00 | B - 4 | 1HX-1423E-34-A0 | B - 9 | 7G6-2415A-80 | C - 6 | 7VW-87160-00 | C - 2 | 90501-10264 | B - 4 | | B - 2 |
| 7FK-11914-00 | B - 4 | JN2-14388-00 | C - 5 | 7RK-24155-00 | C - 6 | 7LR-87172-01 | C - 2 | 90501-232G3 | B - 6 | | B - 7 |
| 7KY-11917-00 | B - 4 | 7VJ-14409-00 | B - 8 | 7VW-24161-10 | C - 6 | 7RH-87174-00-98 | C - 2 | 90506-04003 | B - 5 | 95827-06085 | C - 2 |
| 7RH-11922-00 | B - 4 | 7VJ-14411-00 | B - 8 | 7NJ-24162-10 | C - 6 | 7LV-8720H-80 | C - 4 | 90506-04495 | B - 4 | 95880-06010 | C - 3 |
| 7UH-11924-00 | B - 4 | 7VJ-14412-01 | B - 8 | 630-24167-00 | B - 13 | 7VW-8720J-80 | C - 4 | 91401-30040 | B - 14 | 95880-06020 | B - 15 |
| 7VW-11925-10 | B - 4 | 7RH-14429-00 | B - 8 | 7LG-24181-00 | B - 13 | 7RG-87204-N0 | C - 4 | 92907-05100 | C - 2 | 97007-06012 | B - 13 |
| 7LV-11928-10 | B - 4 | 7VJ-14451-00 | B - 8 | 7NJ-24500-01 | B - 13 | 7VW-87213-90 | C - 4 | 92907-05600 | C - 2 | | C - 2 |
| 7VW-11931-00 | B - 4 | 7VJ-14468-00 | B - 8 | 7NJ-24515-00 | B - 13 | 7LR-8722W-80 | C - 3 | 92907-06300 | C - 2 | 97027-06030 | B - 4 |
| 7VW-11940-00 | B - 4 | 7VJ-14477-00 | B - 8 | 7J3-24521-00 | B - 13 | 7VW-8722X-80 | C - 4 | 92907-06600 | B - 4 | 97027-06080 | C - 2 |
| 7VW-11941-00 | B - 4 | 7RH-14486-00 | B - 9 | 7NJ-24532-00 | B - 13 | 7LR-87220-00 | C - 2 | | C - 2 | 97080-05016 | C - 5 |
| 7X6-11960-00 | B - 4 | 6K8-14597-10 | B - 9 | 7NJ-24534-00 | B - 13 | 7LG-87221-80 | C - 4 | 92907-16600 | B - 15 | 97707-30512 | C - 5 |
| 7RH-11970-00 | B - 4 | 7UH-14613-00 | B - 10 | 4X8-24565-00 | B - 13 | 7LR-87221-90 | C - 4 | 92907-20600 | B - 14 | 97707-40016 | C - 5 |
| 7UH-11971-00 | B - 11 | 7VW-14711-00 | B - 10 | 74T-24610-00 | B - 13 | 7UU-87221-80 | C - 4 | 92990-05100 | C - 5 | 97707-40516 | C - 5 |
| 7UH-12111-00 | B - 6 | 7VW-14718-00 | B - 10 | 796-24612-00 | B - 13 | 7VU-87221-90 | C - 4 | 93102-30195 | B - 11 | 97707-50512 | C - 5 |
| J38-12117-01 | B - 6 | 7VW-14737-00 | B - 10 | 73A-25322-10 | B - 14 | 7LR-87222-90 | C - 4 | 93109-08050 | B - 11 | 97707-60514 | C - 5 |
| J38-12118-00 | B - 6 | 7NJ-14757-00 | B - 11 | 7RH-25381-00 | B - 14 | 7UV-87222-40 | C - 4 | 93210-22344 | B - 11 | 97707-60520 | C - 5 |
| 4G0-12119-00 | B - 6 | 7NJ-14788-00 | B - 10 | 7RH-26100-00 | B - 14 | 73H-87222-91 | C - 4 | 93306-20637 | B - 11 | 98507-03006 | C - 4 |
| 7UH-12121-00 | B - 6 | 7NJ-1479E-00 | B - 10 | 801-26241-01 | B - 14 | 7VW-87224-80 | C - 4 | 93306-37202 | C - 2 | 98507-04012 | C - 4 |
| JE8-12151-00 | B - 6 | 7NJ-14799-01 | B - 10 | 7LR-27111-01 | B - 14 | 7VW-87226-90 | C - 4 | 93440-06107 | B - 4 | 98507-05010 | C - 2 |
| JN6-12153-00 | B - 6 | 7UH-1495A-00 | B - 9 | 7LV-26100-00 | B - 12 | 7VW-87249-90 | C - 4 | 93450-19047 | B - 3 | 98507-05014 | C - 2 |
| 7UH-12154-00 | B - 6 | 7VW-15111-00 | B - 11 | 7VW-41234-00 | B - 5 | 7NJ-87261-10 | C - 6 | 94702-00331 | B - 2 | 98507-05020 | C - 2 |
| 7UH-12155-00 | B - 6 | 796-15363-01 | B - 11 | 7VW-41250-00 | B - 5 | 73M-87286-00 | C - 5 | 95307-05700 | C - 2 | 98507-06030 | B - 4 |
| 7FK-12157-00 | B - 6 | 7VW-15411-00 | B - 11 | 7VW-41256-00 | B - 5 | 7J5-88195-00 | C - 2 | 95307-08600 | B - 10 | 98907-06014 | C - 5 |
| 7FK-12158-00 | B - 6 | 7VW-15413-80 | B - 11 | 7VW-81152-00 | C - 2 | 90109-06513 | B - 11 | 95307-16600 | B - 15 | 99530-10116 | B - 11 |
| 7FK-12165-00 | B - 6 | 7VW-15423-00 | B - 11 | 7RH-81970-00 | C - 5 | | B - 4 | 95380-05700 | C - 5 | 99530-14016 | B - 2 |
| 7UH-12170-00 | B - 6 | 7UH-15451-00 | B - 11 | 7VW-82139-80 | C - 5 | 90109-06514 | B - 11 | 95627-08618 | B - 2 | | |
| 7VW-12621-00 | B - 7 | 7VJ-15710-00 | B - 7 | JN6-82370-00 | B - 15 | 90116-06450 | B - 2 | 95707-04500 | C - 4 | | |
| 7UH-12651-00 | B - 7 | 7RH-15711-00 | B - 7 | 63V-82377-50 | C - 6 | 90153-05024 | B - 10 | 95707-05500 | C - 5 | | |

CONTENTS

| | |
|---------------------------|-----|
| CYLINDER | B2 |
| CRANKSHAFT. PISTON | B3 |
| GOVERNOR 1 | B4 |
| CAMSHAFT.VALVE | B6 |
| AIR SHROUD. STARTER | B7 |
| INTAKE | B8 |
| CARBURETOR | B9 |
| EXHAUST | B10 |
| CRANKCASE | B11 |
| FRAME | B12 |
| FUEL TANK | B13 |
| CARRIER | B14 |
| MAGNETO | B15 |
| GENERATOR | C2 |
| CONTROL BOX 1 | C4 |
| LABELS | C6 |
| INDEX | |
| NUMERICAL INDEX | M1 |