

# **PARTS CATALOGUE**

**YAMAHA GENERATOR**

**EF4500E** (7VX3) (230V/50Hz) **EUROPE**

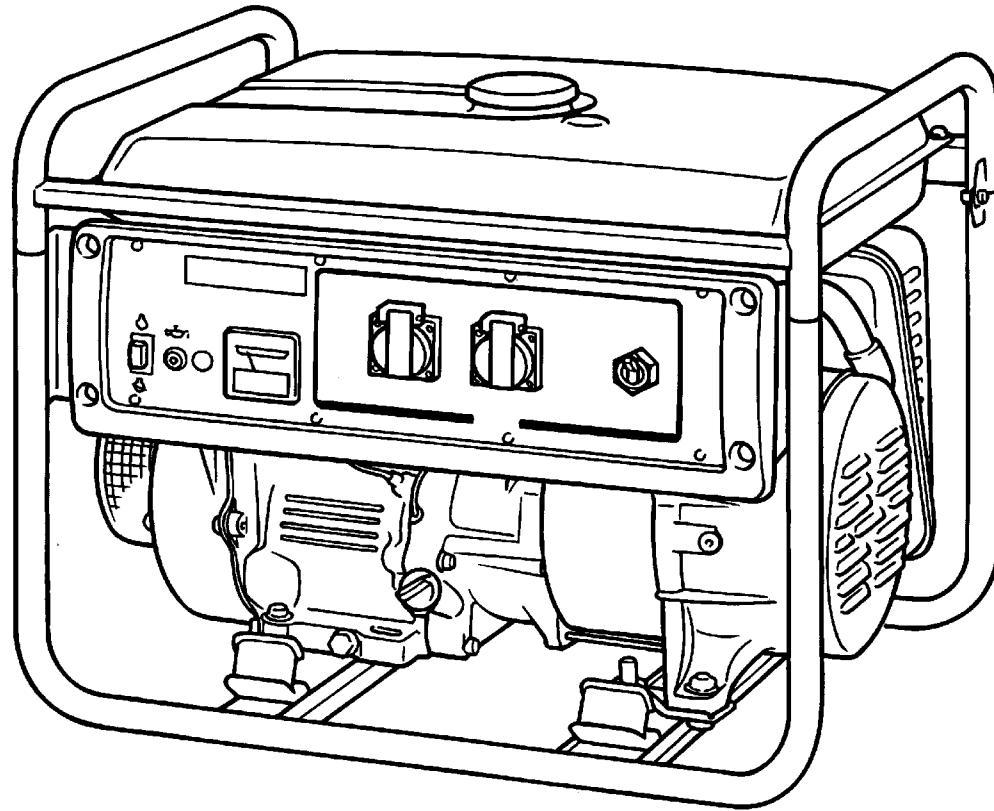
---

117VX-300E1

**YAMAHA**  
**GENUINE**  
Parts & Accessories

EF4500E  
PARTS CATALOGUE  
©2001 by Yamaha Motor Co., Ltd.  
1st Edition, Mar. 2001  
All rights reserved.  
Any reprinting or unauthorized use  
without the written permission of  
Yamaha Motor Co., Ltd.  
is expressly prohibited.  
Printed in Japan

**A3**



A4

# FOREWORD

This Parts Catalogue is related to the parts for the model(s) in the below frame. When you are ordering replacement parts, please refer to this Parts Catalogue and quote both part numbers and part names correctly.

1. Modifications or additions which have been made after issue of the Parts Catalogue will be announced in the Yamaha Parts News.  
It is advisable that you make necessary corrections to the Parts Catalogue according to the Yamaha Parts News.

2. Abbreviations

The following abbreviations are used in this Parts Catalogue.

“UR” Use specified parts number.

“UN” Use as many as needed.

“AP” Alternate Parts

“LM” Local Made (Parts need to be ordered locally)

“F#” Frame No. (Applicable machine No.)

3. Parts, which are to be supplied in an assembly, are listed with a dot(.) in front of the part name as shown below.

EXAMPLE

CARBURETOR ASSY

.JET, PILOT

.NOZZLE, MAIN

4. Number of component for assembly

The numeral appearing to the right of each component part indicates the quantity of parts for each assembly unit.

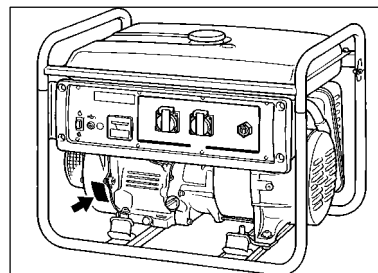
EXAMPLE

PART NO.	DESCRIPTION	Q'TY	REMARKS
2F5-83310-60	FRONT FLASHER LIGHT ASSY	2	
115-83311-60	.BULB (6V-18W)	1	

5. Applicable Starting Serial No. and Color Code

MODEL NAME	MODEL TYPE	DESTINATION	FRAME NO.
EF4500E	7VX3	EUROPE (EXCEPT FRANCE)	7VX-310101
EF4500E	7VX3	EUROPE (FRANCE)	7VX-320101

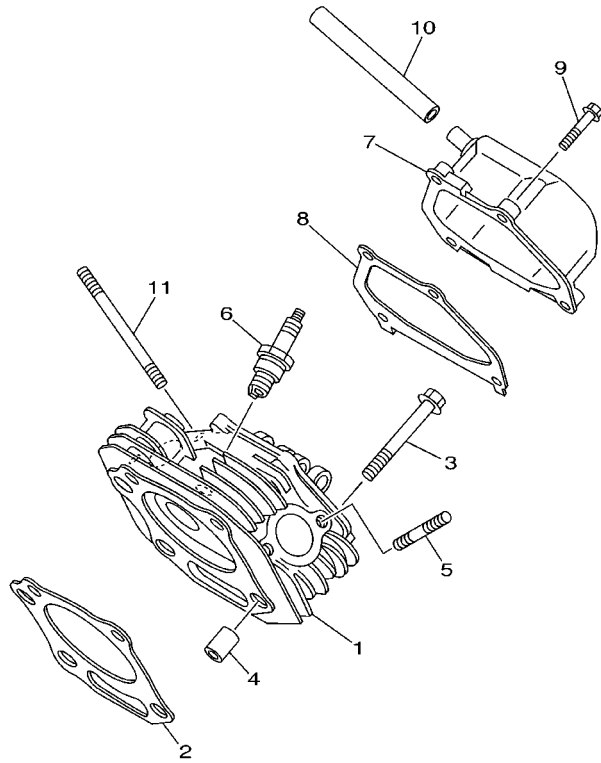
Engine Serial No.



Color Code	Color Name	Abbreviation	MODEL	Country (destination)
00NJ	FARAWAY BLUE	FWB	7VX3	EUROPE

6. Note that the illustrations for reference in finding parts numbers, not to be used for assembling. When assembling, please use the applicable service manual.

7. The asterisk (\*) before a reference number indicates modification items after the first edition.



**FIG. 1 CYLINDER**

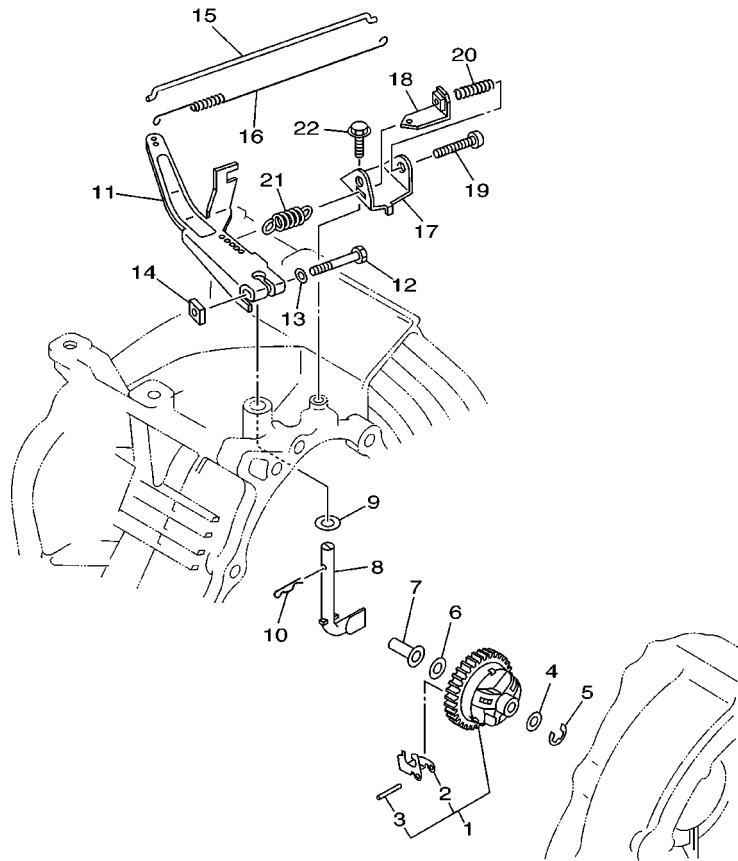
REF. NO.	PART NO.	DESCRIPTION	7VX3				REMARKS
1	7RG-11111-01	HEAD, CYLINDER 1	1				
2	7RG-11181-02	GASKET, CYLINDER HEAD 1	1				
3	95817-10070	BOLT, FLANGE	4				
4	99530-14016	PIN, DOWEL	2				
5	95627-08618	BOLT, STUD	2				
6	94702-00331	PLUG, SPARK (NGK BPR4ES)	1				
7	7RH-11190-00	COVER, CYLINDER HEAD 1	1				
8	JN6-11193-00	GASKET, HEAD COVER 1	1				
9	95827-06030	BOLT, FLANGE	4				
10	7RH-11166-00	PIPE, BREATHER 1	1				
11	95607-08700	BOLT, STUD	2				



7UV2171-9010



FIG. 3 GOVERNOR

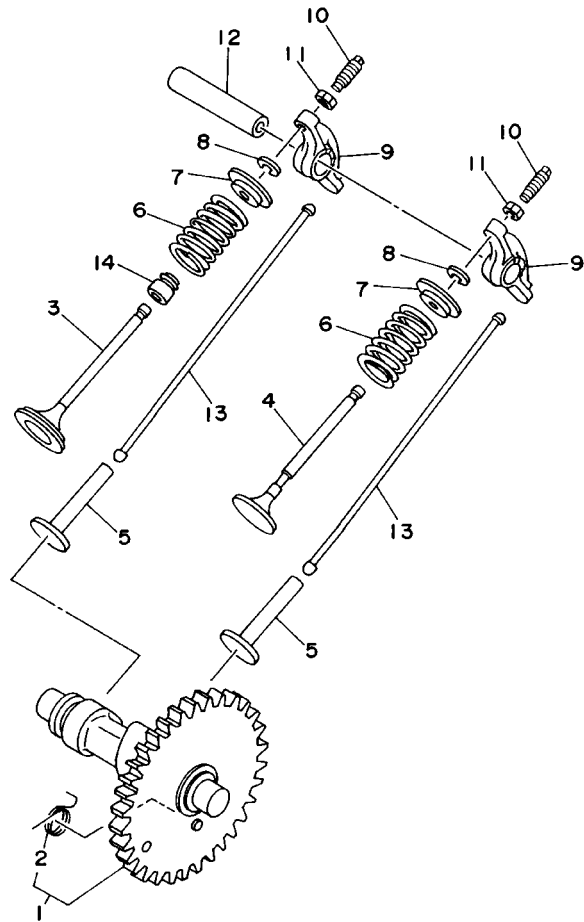


REF. NO.	PART NO.	DESCRIPTION	7VX3				REMARKS
1	7RH-11970-00	FLYWEIGHT SHAFT ASSY.	1				
2	7RH-11913-00	.WEIGHT	3				
3	7FK-11914-00	.SHAFT, WEIGHT	3				
4	90201-065K7	WASHER, PLATE	1				
5	93440-06107	CIRCLIP	1				
6	90201-067L0	WASHER, PLATE	1				
7	7KY-11917-00	COLLAR	1				
8	7RH-11922-00	FORK, GOVERNOR	1				
9	90201-08092	WASHER, PLATE	2				
10	90468-12006	CLIP	1				
11	7RH-11901-00	GOVERNOR ASSY	1				
12	97027-06030	BOLT	1				
13	92907-06600	WASHER, PLATE	1				
14	90173-06017	NUT, SQUARE	1				
15	7RH-11928-00	ROD, LINK	1				
16	90506-04458	SPRING, TENSION	1				
17	73A-11941-00	STAY	1				
18	73A-11931-00	LEVER	1				
19	98507-06035	SCREW, PAN HEAD	1				
20	90501-10264	SPRING, COMPRESSION	1				
21	7VX-11925-00	SPRING, GOVERNOR	1				
22	95807-06012	BOLT, FLANGE	1				



7VX3300-1030

FIG. 4 CAMSHAFT.VALVE



REF. NO.	PART NO.	DESCRIPTION	7VX3				REMARKS
1	7RH-12170-00	CAMSHAFT ASSY 1	1				
2	7NJ-12287-00	.SPRING, DECOMPRESSION	1				
3	JN6-12111-01	VALVE, INTAKE	1				
4	7RH-12121-00	VALVE, EXHAUST	1				
5	JN6-12153-00	LIFTER, VALVE	2				
6	90501-264A9	SPRING, COMPRESSION	2				
7	J38-12117-01	RETAINER, VALVE SPRING	2				
8	J38-12118-00	COTTER, VALVE	2				
9	JN6-12151-00	ARM, VALVE ROCKER	2				
10	22F-12159-00	SCREW, VALVE ADJUSTING	2				
11	90170-05302	NUT	2				
12	J38-12156-00	SHAFT, ROCKER 2	1				
13	JN6-12154-00	ROD, VALVE PUSH	2				
14	4G0-12119-00	SEAL, VALVE STEM	1				

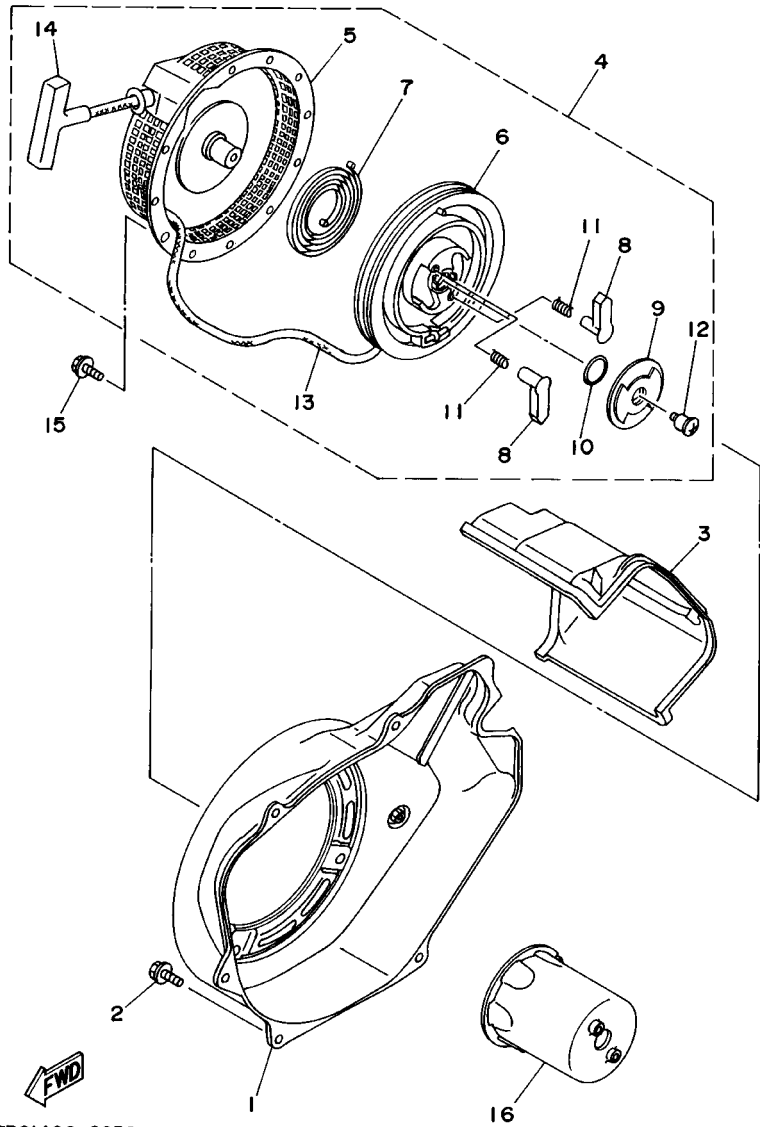


7RG1400-6040



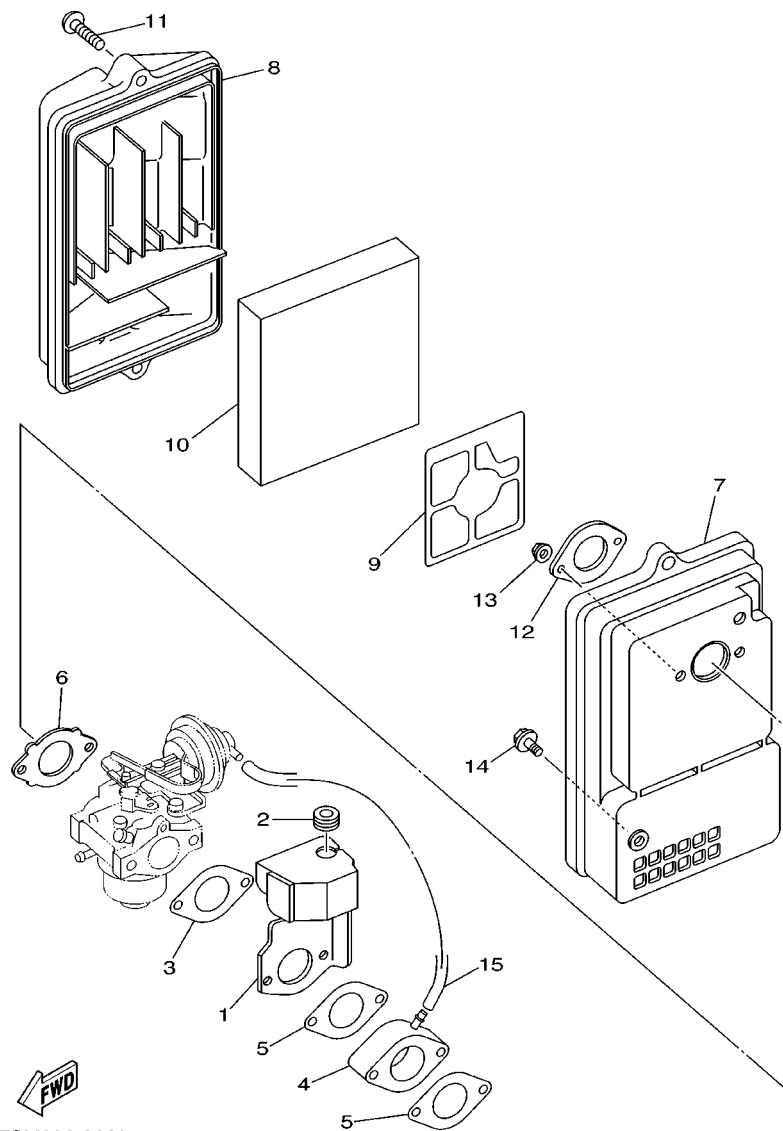
**FIG. 5 AIR SHROUD. STARTER**

REF. NO.	PART NO.	DESCRIPTION	7VX3	REMARKS
1	7RH-12621-00	CASE, FAN	1	
2	95807-06012	BOLT, FLANGE	5	
3	7RH-12651-01	AIR SHROUD, CYLINDER 1	1	
4	7RH-15710-00	STARTER ASSY	1	
5	7RH-15711-00	.CASE, STARTER	1	
6	7RH-15714-00	.DRUM, SHEAVE	1	
7	7RH-15713-00	.SPRING, STARTER	1	
8	7RH-15741-00	.PAWL, DRIVE	2	
9	7RH-15716-00	.PLATE, DRIVE	1	
10	7RH-15715-00	.SPRING, FRICTION	1	
11	JK4-15743-00	.SPRING, RETURN	2	
12	7NJ-15793-00	.SCREW	1	
13	7RH-15751-00	.WIRE, STARTER	1	
14	7RH-15755-00	.HANDLE, STARTER	1	
15	95807-06008	BOLT, FLANGE	4	
16	7RH-15723-00	PULLEY, STARTER	1	



7RG1400-6050

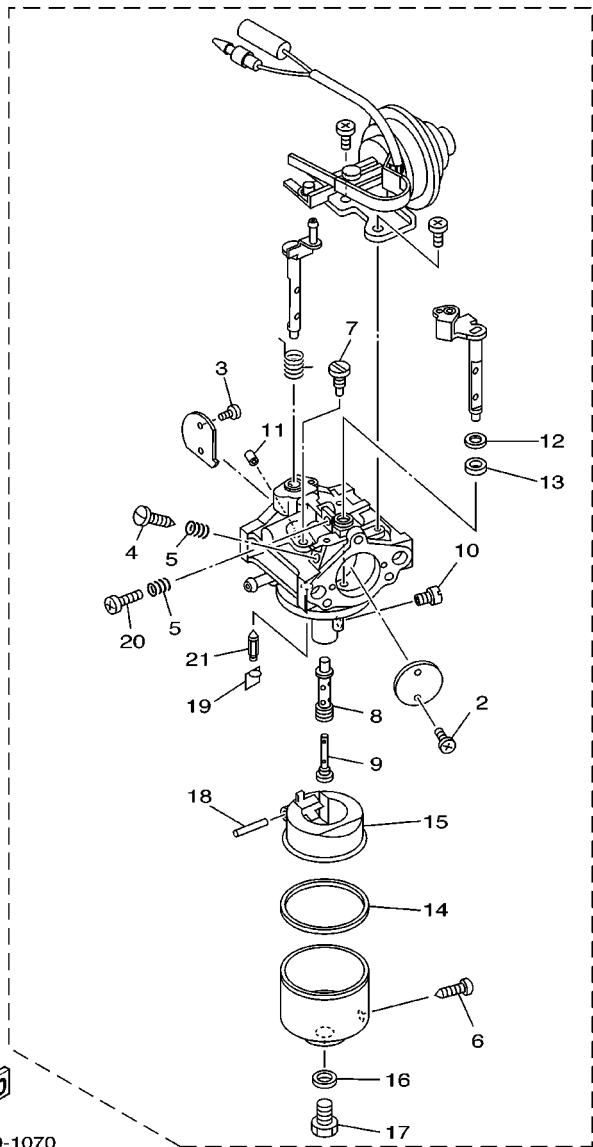
FIG. 6 INTAKE



7TSM332-8060

REF. NO.	PART NO.	DESCRIPTION	7VX3				REMARKS
1	7RH-14283-00	COVER, CARBURETOR 1	1				
2	90480-13016	GROMMET	1				
3	7RH-13557-00	GASKET	1				
4	7RH-13596-00	JOINT, CARBURETOR 2	1				
5	7RH-13557-00	GASKET	2				
6	7RH-13567-00	GASKET	1				
7	7RH-14411-01	CASE, AIR CLEANER 1	1				
8	7RH-14412-01	CAP, CLEANER CASE 1	1				
9	7RH-14468-00	PLATE,ELEMENT FITTING	1				
10	7RH-14451-00	ELEMENT, AIR CLEANER	1				
11	7RH-14429-00	SCREW	2				
12	7LV-14477-00	PLATE	1				
13	95707-08500	NUT, FLANGE	2				
14	95807-06016	BOLT, FLANGE	1				
15	90445-08743	HOSE (L120)	1				

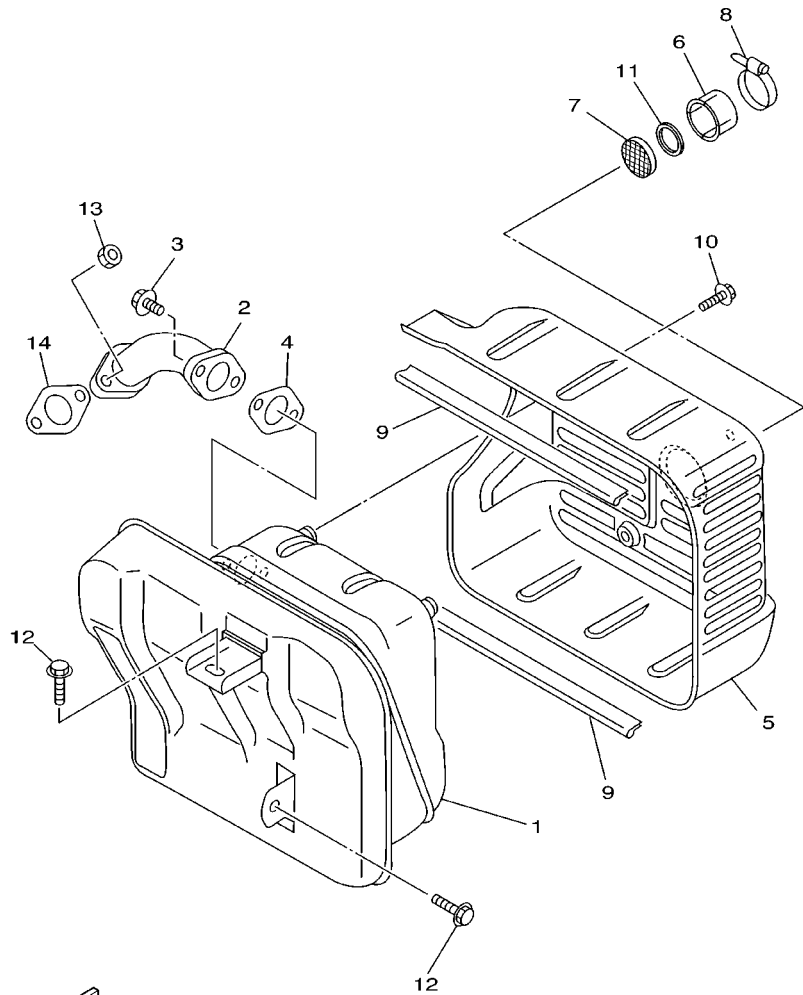
FIG. 7 CARBURETOR



7VX3300-1070

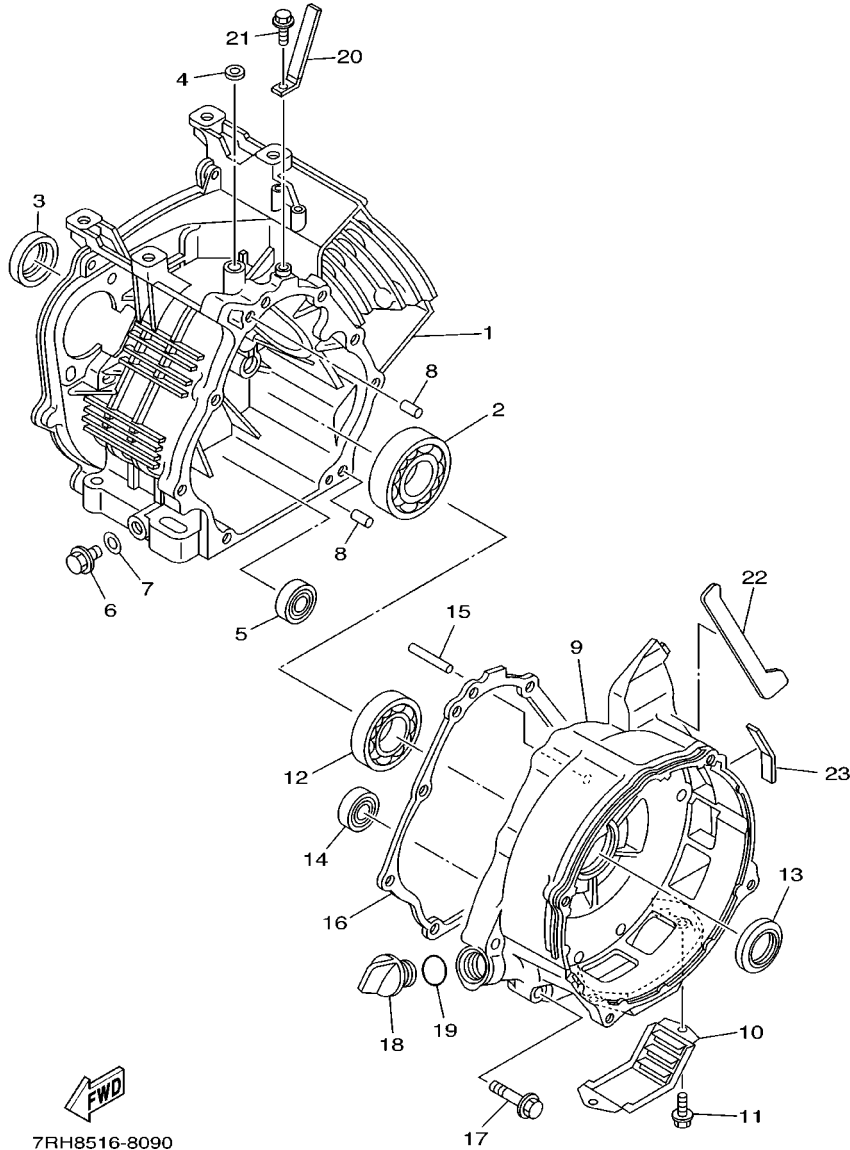
REF. NO.	PART NO.	DESCRIPTION	7VX3				REMARKS
1	7RG-14101-00	CARBURETOR ASSY 1	1				
2	7RH-14216-00	.SCREW	2				
3	7RH-14486-00	.SCREW, ROD	2				
4	7LV-14211-00	.SCREW, PILOT ADJUSTING	1				
5	73A-14212-00	.SPRING	2				
6	7E1-14191-00	.PLUG, DRAIN	1				
7	620-14142-62	.JET, PILOT (#62.5)	1				
8	7LW-14941-53	.NOZZLE, MAIN	1				
9	73A-1414G-00	.PIPE, MAIN BREED	1				
10	3G2-1423E-41	.JET, MAIN (#103.8)	1				
11	7U6-24462-00	.PILOT AIR JET	1				
12	4CW-14117-00	.WASHER, PLUG SCREW	1				
13	7X9-14239-00	.SEAL	1				
14	796-14184-00	.GASKET, FLOAT CHAMBER	1				
15	JN6-14185-00	.FLOAT	1				
16	127-14198-00	.GASKET	1				
17	7RG-14162-00	.BOLT, HOLDING	1				
18	22F-14186-00	.PIN, FLOAT	1				
19	7EG-14159-00	.CLIP	1				
20	1WG-14922-00	.SCREW, THROTTLE	1				
21	73A-14150-00	.NEEDLE ASSY	1				

**FIG. 8 EXHAUST**



**FWD**  
7RH6010-6080

REF. NO.	PART NO.	DESCRIPTION	7VX3					REMARKS
1	7RG-14711-11	MUFFLER 1	1					
2	7RH-14611-00	PIPE, EXHAUST 1	1					
3	95807-08020	BOLT, FLANGE	2					
4	7RH-14623-00	GASKET, EXHAUST PIPE	1					
5	7RH-14718-00	PROTECTOR, MUFFLER 1	1					
6	7RH-14799-00	CAP	1					
7	7RH-1479E-00	NET, WIRE 2	1					
8	90460-31253	CLAMP, HOSE	1					
9	7RH-14737-00	DAMPER, MUFFLER	2					
10	95807-06008	BOLT, FLANGE	4					
11	90201-22793	WASHER, PLATE	1					
12	95807-08016	BOLT, FLANGE	2					
13	95307-08600	NUT	2					
14	7KY-14613-01	GASKET, EXHAUST PIPE	1					



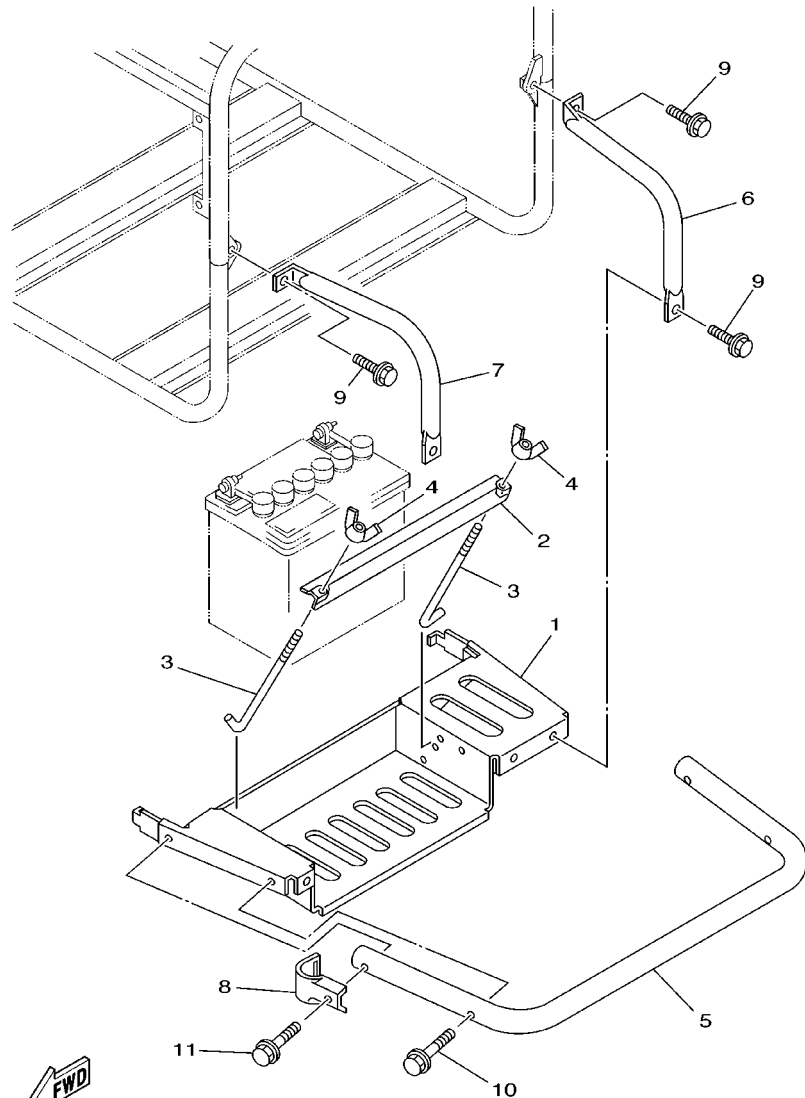
7RH8516-8090

**FIG. 9 CRANKCASE**

REF. NO.	PART NO.	DESCRIPTION	7VX3	REMARKS
1	7TS-15111-00	CRANKCASE 1	1	
2	93306-30709	BEARING	1	
3	93102-35191	OIL SEAL	1	
4	93109-08050	OIL SEAL	1	
5	93306-20201	BEARING (B6202)	1	
6	90340-12097	PLUG, STRAIGHT SCREW	1	
7	812-11198-00	GASKET	1	
8	99530-08016	PIN, DOWEL	2	
9	7RH-15411-01	COVER, CRANKCASE 1	1	
10	7RH-15414-00	COVER, AIR CLEANER	1	
11	90109-06513	BOLT	2	
12	93306-20714	BEARING	1	
13	93102-35191	OIL SEAL	1	
14	93306-20201	BEARING (B6202)	1	
15	7RH-11971-00	SHAFT, FLYWEIGHT	1	
16	7RH-15451-00	GASKET, CRANKCASE COVER 1	1	
17	95817-08045	BOLT, FLANGE	8	
18	796-15363-01	PLUG, OIL	1	
19	93210-22344	O-RING	1	
20	90462-05061	CLAMP	1	
21	95807-06010	BOLT, FLANGE	1	
22	7RH-14757-00	DAMPER, MUFFLER 2	1	
23	7RH-14747-00	DAMPER, MUFFLER	1	



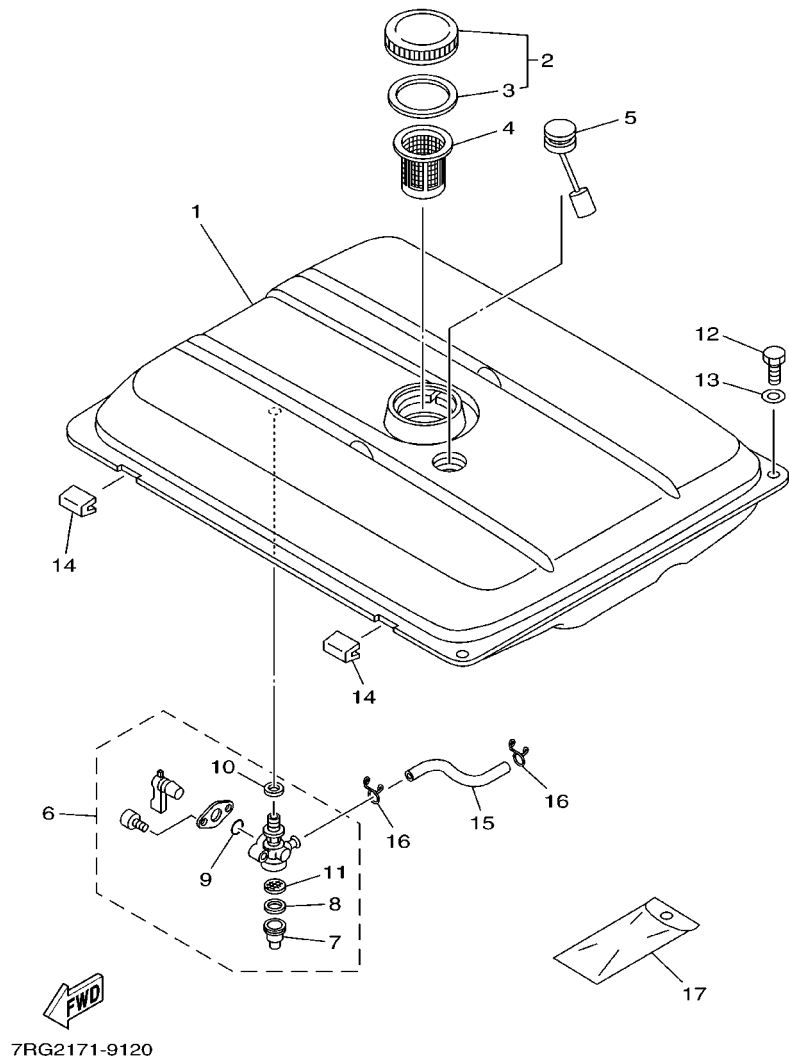
FIG. 11 FRAME 2



7VW2110-0130

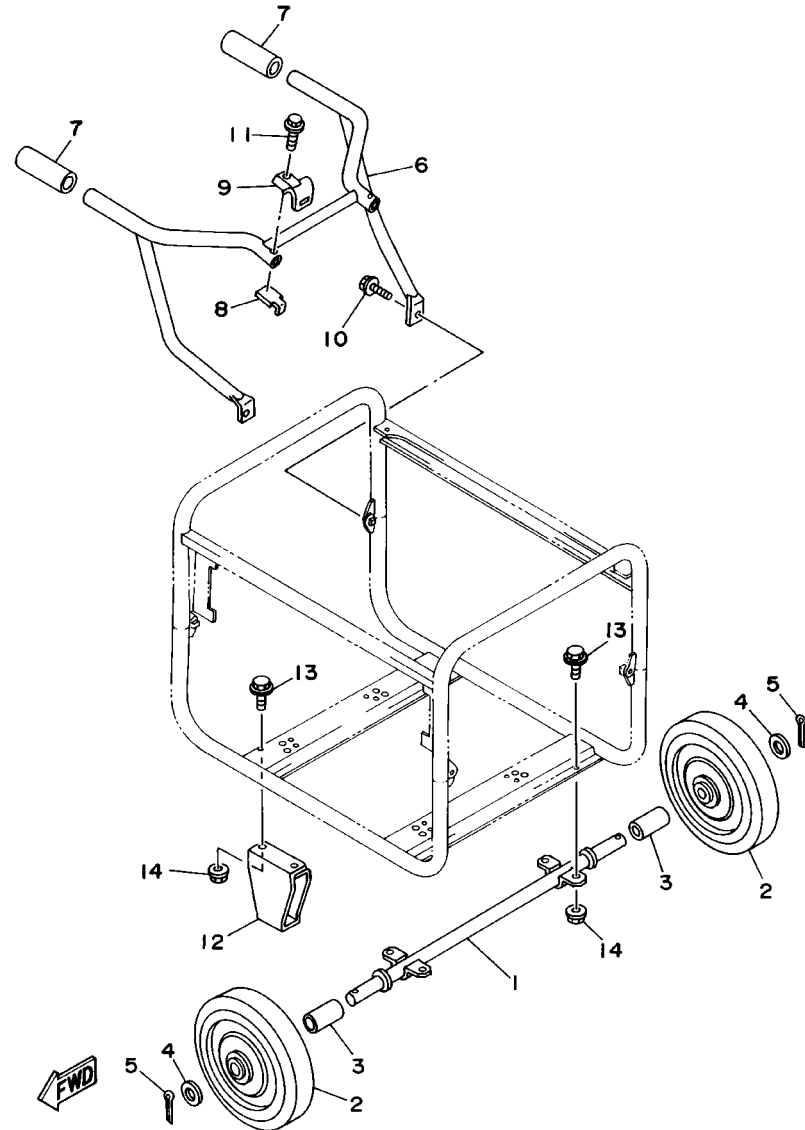
REF. NO.	PART NO.	DESCRIPTION	7VX3				REMARKS
1	7RH-82122-01	SEAT, BATTERY	1				
2	J10-82136-00	PLATE, BATTERY FITTING	1				
3	7LP-82133-00	SCREW, FITTING	2				
4	90175-06008	NUT, WING	2				
5	7RH-22836-00	STAY, 3	1				
6	7RH-22838-00	STAY 6	1				
7	7RH-22839-00	STAY 7	1				
8	7RH-22864-00	COVER, SIDE 1	2				
9	95807-06012	BOLT, FLANGE	4				
10	95807-06030	BOLT, FLANGE	2				
11	95807-06035	BOLT, FLANGE	2				

FIG. 12 FUEL TANK



REF. NO.	PART NO.	DESCRIPTION	7VX3				REMARKS
1	7RH-24110-01-NJ	FUEL TANK COMP.	1				FWB
2	74T-24610-00	CAP ASSY	1				
3	796-24612-00	.GASKET, CAP	1				
4	630-24167-00	STRAINER	1				
5	7F7-85710-02	FUEL LEVEL GAUGE ASSY	1				
6	7NJ-24500-01	FUEL COCK ASSY 1	1				
7	7J3-24521-00	.CUP, FILTER	1				
8	4X8-24565-00	.GASKET	1				
9	7NJ-24534-00	.SEAL, COCK	1				
10	7NJ-24532-00	.GASKET	1				
11	7NJ-24515-00	.NET, FILTER 2	1				
12	97007-06012	BOLT	2				
13	90201-06380	WASHER, PLATE	2				
14	7LG-24181-00	DAMPER, LOCATING 1	2				
15	90445-100E9	HOSE (L155)	1				
16	90467-09006	CLIP	2				
17	7LV-28100-00	TOOL KIT	1				





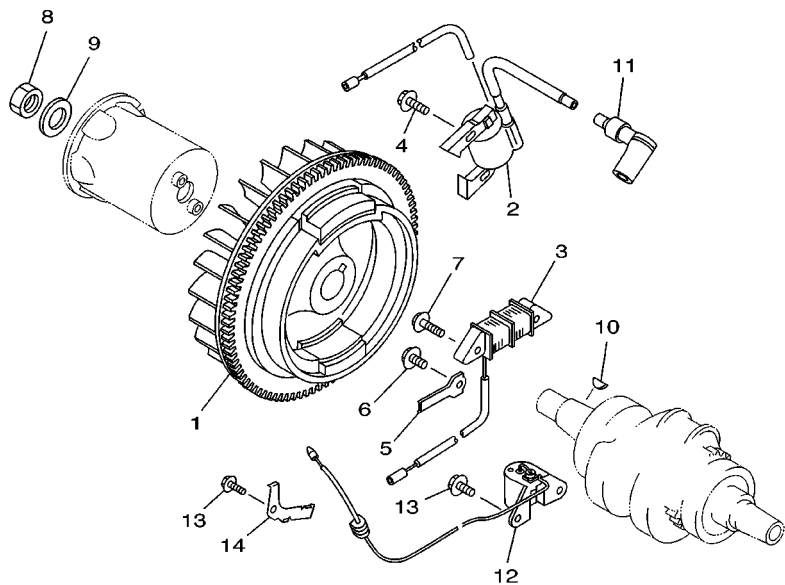
7RG1400-6220

FIG. 13 CARRIER (OPTIONAL PARTS)

REF. NO.	PART NO.	DESCRIPTION	7VX3				REMARKS
1	7RH-25381-00	AXLE, WHEEL	1				
2	73A-22846-10	CASTER 2	2				
3	73A-25322-10	INSERT, SHAFT	2				
4	92907-20600	WASHER	2				
5	91401-30040	PIN, COTTER	2				
6	7RH-26100-00	HANDLE ASSY	1				
7	801-26241-01	GRIP	2				
8	7RH-2284F-00	PLATE 3	2				
9	7RH-22864-00	COVER, SIDE 1	2				
10	95807-06014	BOLT, FLANGE	2				
11	95807-06035	BOLT, FLANGE	2				
12	7LR-27111-01	STAND, MAIN	2				
13	95807-08016	BOLT, FLANGE	8				
14	95707-08500	NUT, FLANGE	8				

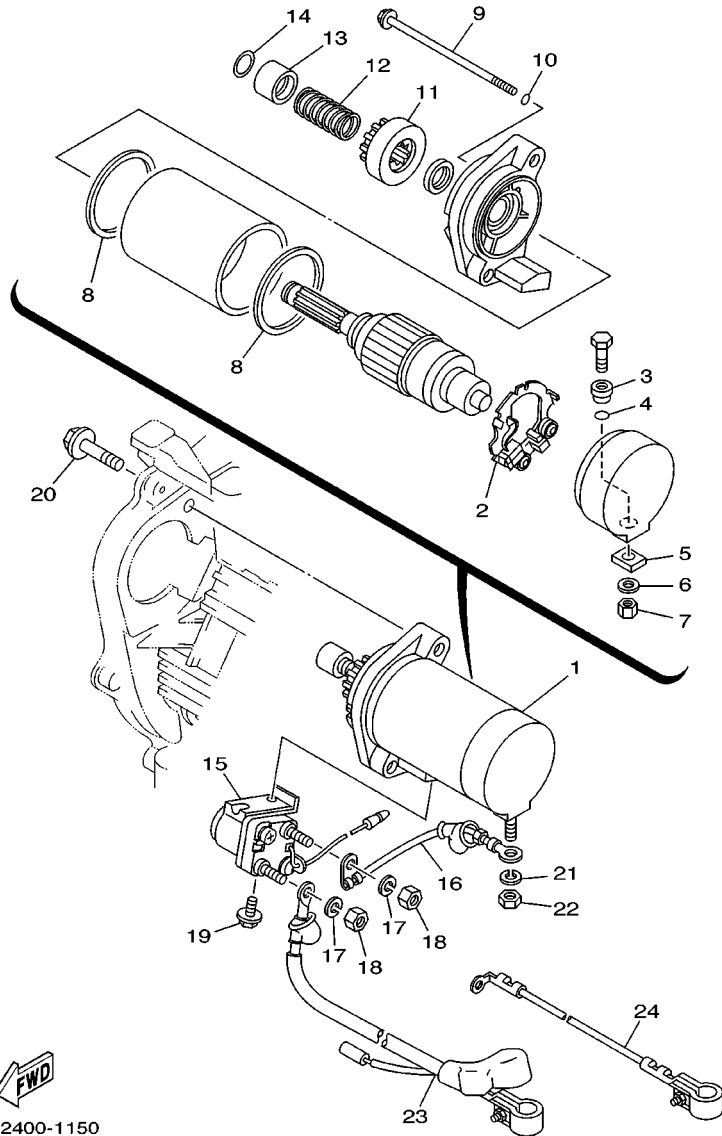
**FIG. 14 MAGNETO**

REF. NO.	PART NO.	DESCRIPTION	7VX3				REMARKS
1	7RH-85650-00	ROTOR ASSY (EL. START)	1				
2	7RH-85640-00	T.C.I. UNIT ASSY	1				
3	7RH-85521-00	COIL ASSY	1				
4	95880-06020	BOLT, FLANGE	2				
5	90462-06232	CLAMP	1				
6	95807-06012	BOLT, FLANGE	1				
7	95807-06025	BOLT, FLANGE	2				
8	90170-18391	NUT	1				
9	90201-180T9	WASHER, PLATE	1				
10	90280-04052	KEY, WOODRUFF	1				
11	JN6-82370-00	PLUG CAP ASSY	1				
12	7RH-85720-02	OIL LEVEL GAUGE ASSY	1				
13	95827-06012	BOLT, FLANGE	3				
14	7NJ-85724-00	CLAMP	1				



7VX3300-1140

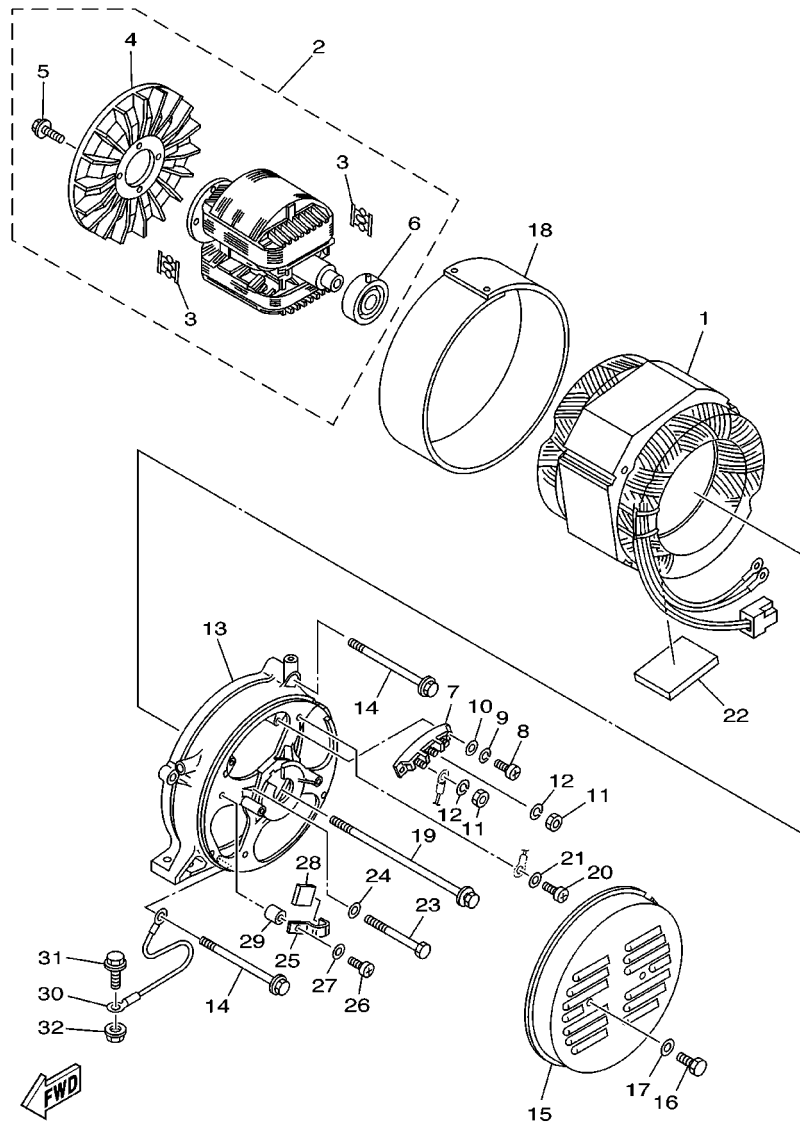
**FIG. 15 STARTING MOTOR**



7VX2400-1150

REF. NO.	PART NO.	DESCRIPTION	7VX3	REMARKS
1	7RH-81800-00	STARTING MOTOR ASSY	1	
2	7RH-81840-00	.BRUSH HOLDER ASSY	1	
3	7RH-8182G-00	.BUSH, TERMINAL	1	
4	93210-06001	.O-RING	1	
5	7RH-8181L-00	.WASHER, PLAIN	1	
6	92907-061A5	.WASHER	1	
7	95304-06700	.NUT	1	
8	7RH-81861-00	.GASKET	2	
9	7RH-81846-00	.SCREW	2	
10	93210-05098	.O-RING	2	
11	7RH-81807-00	.GEAR ASSY, STARTING MOTOR	1	
12	7KA-81858-00	.SPRING, RETURN	1	
13	7KA-81859-00	.STOPPER, PINION	1	
14	7KA-81833-00	.RING, STOP	1	
15	73A-81940-10	STARTER RELAY ASSY	1	
16	73A-81815-00	CORD, STARTER MOTOR	1	
17	92907-06100	WASHER, SPRING	2	
18	95307-06700	NUT	2	
19	95807-06016	BOLT, FLANGE	1	
20	95807-08035	BOLT, FLANGE	2	
21	92907-06100	WASHER, SPRING	1	
22	95307-06700	NUT	1	
23	73E-82115-01	WIRE, PLUS LEAD	1	
24	73E-82116-01	WIRE, MINUS LEAD	1	

FIG. 16 GENERATOR

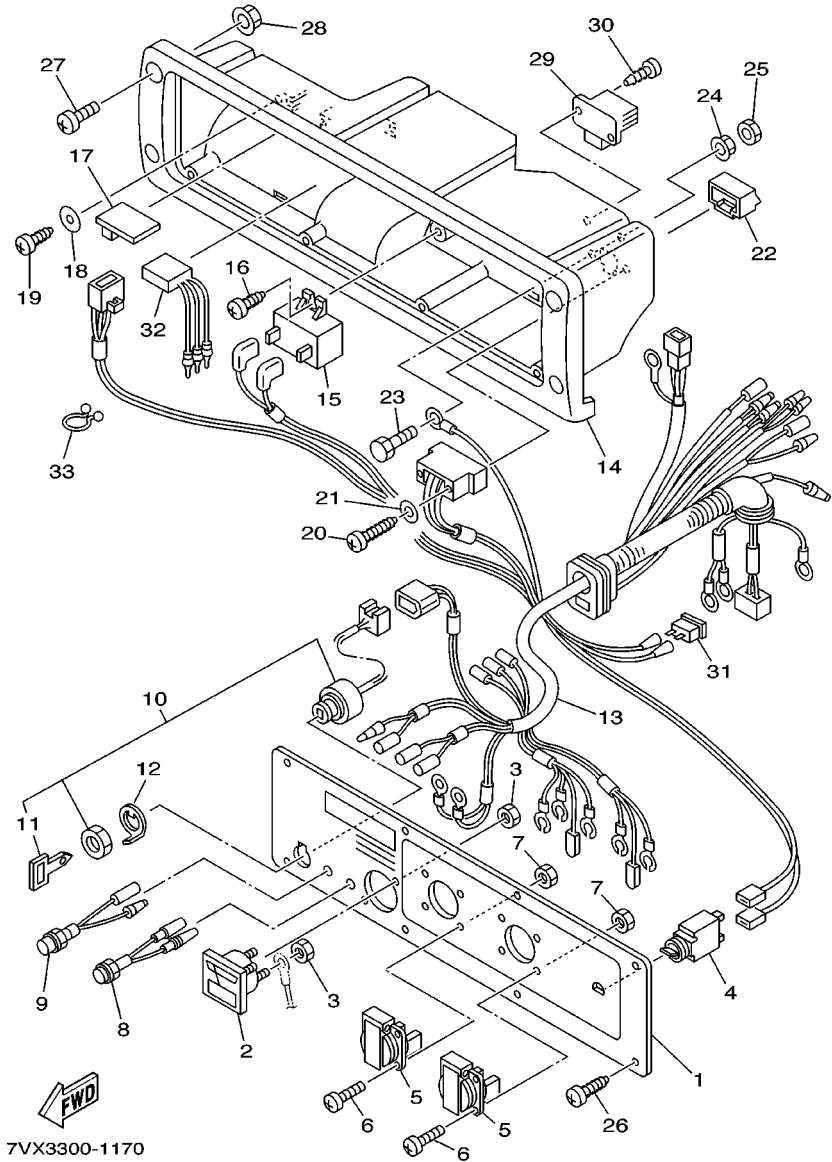


7VX3300-1160

REF. NO.	PART NO.	DESCRIPTION	7VX3	REMARKS
1	7VX-87150-G0	STATOR ASSY	1	
2	7VX-87160-00	ROTOR ASSY	1	
3	7FK-87115-01	.RECTIFIER ASSY 2	4	
4	7LR-87172-01	.FAN, GENERATOR	1	
5	90159-06032	.SCREW, WITH WASHER	4	
6	93306-37202	.BEARING	1	
7	7LR-87220-00	TERMINAL SUB ASSY 1	1	
8	98507-05014	SCREW, PAN HEAD	2	
9	92907-05100	WASHER, SPRING	2	
10	92907-05600	WASHER, PLATE	2	
11	95307-05700	NUT	2	
12	92907-05100	WASHER, SPRING	2	
13	7LR-87131-02	FRAME, REAR	1	
14	95827-06100	BOLT, FLANGE	4	
15	7RH-87174-A1-98	COVER, REAR END	1	LGB
16	97007-06010	BOLT	2	
17	92907-06600	WASHER, PLATE	2	
18	7RG-87153-00	COVER, STATOR	1	
19	7RG-81152-00	BOLT	1	
20	98507-05010	SCREW, PAN HEAD	1	
21	92907-05600	WASHER, PLATE	1	
22	7LR-87159-00	SEAL, STATOR	1	
23	97027-06080	BOLT	2	
24	92907-06600	WASHER, PLATE	2	
25	7J5-88195-00	HOLDER, CONNECTOR	1	
26	98507-05020	SCREW, PAN HEAD	1	
27	92907-05600	WASHER, PLATE	1	

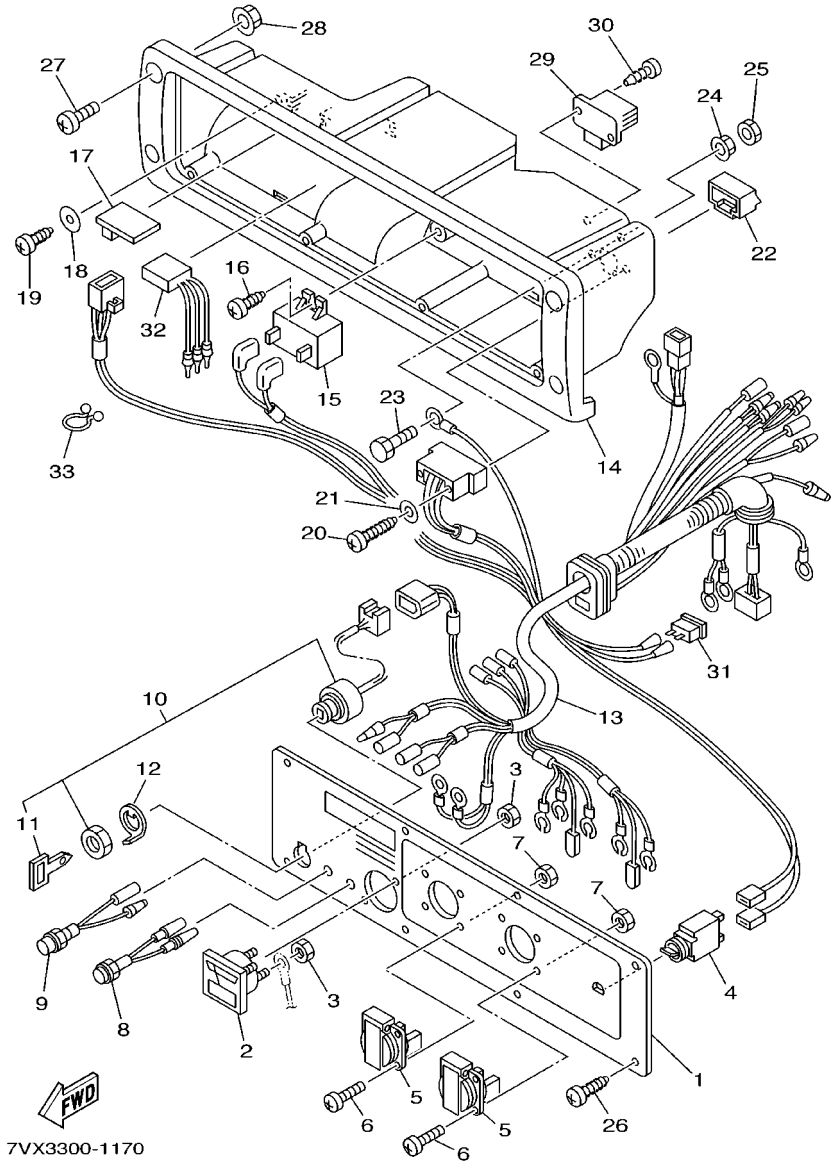


FIG. 17 CONTROL BOX



REF. NO.	PART NO.	DESCRIPTION	7VX3	REMARKS
1	7VX-87249-A0	PLATE	1	
2	7NJ-8720A-B0	VOLTEGE METER COMP.	1	
3	90179-03478	NUT	4	
4	7VX-87204-G0	BREAKER COMP.	1	
5	7H7-87221-60	RECEPTACLE 1 (ABL 6300)	2	UR FOR FRANCE
	7H7-87221-80	RECEPTACLE 1 (ABL 6995)	2	UR EXCEPT FOR FRANCE
6	90151-03032	SCREW, COUNTERSUNK	8	
7	90179-03478	NUT	8	
8	7NJ-83530-G0	PILOT LIGHT ASSY	1	
9	7NJ-85770-00	OIL PILOT LIGHT ASSY	1	
10	7LP-82510-00	MAIN SWITCH ASSY	1	
11	73A-82511-00	.KEY, MAIN SWITCH	2	
12	7RG-82517-00	WASHER, SPECIAL	1	
13	7RG-87226-A0	WIRE HARNES ASSY (230V-50HZ/60	1	
14	7RH-87213-00	COVER, CONTROL BOX	1	
15	7VX-87107-00	CONDENSER ASSY	1	
16	97707-40516	SCREW, TAPPING	1	
17	7LG-85690-00	OIL WARNING UNIT	1	
18	90201-03013	WASHER, PLATE	1	
19	97707-30512	SCREW, TAPPING	1	
20	97707-30512	SCREW, TAPPING	2	
21	92907-03200	WASHER	2	
22	7LP-82599-00	COVER, CONNECTER	1	
23	97080-06020	BOLT	1	
24	90179-06511	NUT	1	
25	95380-06700	NUT	1	
26	97707-40516	SCREW, TAPPING	8	

**FIG. 17 CONTROL BOX**



7VX3300-1170

REF. NO.	PART NO.	DESCRIPTION	7VX3				REMARKS
27	98907-06014	SCREW, BIND	4				
28	95707-06500	NUT, FLANGE	2				
29	22J-81960-60	RECTIFIER & REGULATOR ASSY	1				
30	97707-50520	SCREW, TAPPING	2				
31	42X-82151-00	FUSE (10A-BL)	1				
32	7NJ-88188-00	FILTER, NOISE	1				
33	90465-18147	CLAMP	1				





NUMERICAL INDEX

PARTNO.	GRID NO.	PARTNO.	GRID NO.	PARTNO.	GRID NO.	PARTNO.	GRID NO.	PARTNO.	GRID NO.	PARTNO.	GRID NO.
7RG-11011-00	B - 11	4CW-14117-00	B - 8	7RH-15741-00	B - 6	7KA-81859-00	C - 2	90159-06032	C - 3	93450-21053	B - 3
7RG-11012-00	B - 11	73A-1414G-00	B - 8	JK4-15743-00	B - 6	7RH-81861-00	C - 2	90170-05302	B - 5	94702-00331	B - 2
7RG-11111-01	B - 2	620-14142-62	B - 8	7RH-15751-00	B - 6	73A-81940-10	C - 2	90170-18391	B - 15	95304-06700	C - 2
7RH-11166-00	B - 2	73A-14150-00	B - 8	7RH-15755-00	B - 6	22J-81960-60	C - 6	90173-06017	B - 4	95307-05700	C - 3
7RG-11181-02	B - 2	7EG-14159-00	B - 8	7NJ-15793-00	B - 6	73E-82115-01	C - 2	90175-06008	B - 12	95307-06700	C - 2
7RH-11190-00	B - 2	7RG-14162-00	B - 8	7RH-22836-00	B - 12	73E-82116-01	C - 2	90179-03478	C - 5	95307-08600	B - 9
JN6-11193-00	B - 2	796-14184-00	B - 8	7RH-22838-00	B - 12	7RH-82122-01	B - 12	90179-06511	C - 5	95380-06700	C - 5
812-11198-00	B - 10	JN6-14185-00	B - 8	7RH-22839-00	B - 12	7LP-82133-00	B - 12	90201-03013	C - 5	95607-08700	B - 2
7RH-11400-00	B - 3	22F-14186-00	B - 8	7RH-2284F-00	B - 14	J10-82136-00	B - 12	90201-06380	B - 13	95627-08618	B - 2
JN6-11454-00	B - 3	7E1-14191-00	B - 8	7RH-22840-00	B - 11	42X-82151-00	C - 6	90201-065K7	B - 4	95707-06500	C - 6
JN6-11610-00	B - 3	127-14198-00	B - 8	73A-22846-10	B - 14	JN6-82370-00	B - 15	90201-067L0	B - 4	95707-08500	B - 14
JN6-11610-10	B - 3	7LV-14211-00	B - 8	7RH-22850-00	B - 11	7LP-82510-00	C - 5	90201-08092	B - 4		B - 7
JN6-11610-20	B - 3	73A-14212-00	B - 8	7RH-22864-00	B - 12	73A-82511-00	C - 5	90201-180T9	B - 15	95707-10500	B - 11
JN6-11631-00-A0	B - 3	7RH-14216-00	B - 8		B - 14	7RG-82517-00	C - 5	90201-22793	B - 9	95780-06500	C - 4
447-11633-00	B - 3	3G2-1423E-41	B - 8	7RH-22891-00	B - 11	7LP-82599-00	C - 5	90280-04052	B - 15	95807-06008	B - 6
JN6-11635-00	B - 3	7X9-14239-00	B - 8	7RH-24110-01-NJ	B - 13	7NJ-83530-G0	C - 5	90340-12097	B - 10		B - 9
JN6-11636-00	B - 3	7RH-14283-00	B - 7	7NJ-2415E-00	C - 7	7RH-85521-00	B - 15	90387-06N38	C - 4	95807-06010	B - 10
JN6-11650-00	B - 3	7RH-14411-01	B - 7	7RH-24161-10	C - 7	7RH-85640-00	B - 15	90445-08743	B - 7		B - 11
JN6-11654-00	B - 3	7RH-14412-01	B - 7	7NJ-24162-30	C - 7	7RH-85650-00	B - 15	90445-100E9	B - 13	95807-06012	B - 12
7RH-11901-00	B - 4	7RH-14429-00	B - 7	630-24167-00	B - 13	7LG-85690-00	C - 5	90460-31253	B - 9		B - 15
7RH-11913-00	B - 4	7RH-14451-00	B - 7	7LG-24181-00	B - 13	7F7-85710-02	B - 13	90462-05061	B - 10		B - 4
7FK-11914-00	B - 4	7RH-14468-00	B - 7	7VW-24235-00	C - 7	7RH-85720-02	B - 15	90462-06232	B - 15		B - 6
7KY-11917-00	B - 4	7LV-14477-00	B - 7	7NJ-24236-00	C - 7	7NJ-85724-00	B - 15	90465-18147	C - 6	95807-06014	B - 14
7RH-11922-00	B - 4	7RH-14486-00	B - 8	7U6-24462-00	B - 8	7NJ-85770-00	C - 5	90467-09006	B - 13	95807-06016	B - 7
7VX-11925-00	B - 4	7RH-14611-00	B - 9	7NJ-24500-01	B - 13	7VX-87107-00	C - 5	90468-12006	B - 4		C - 2
7RH-11928-00	B - 4	7KY-14613-01	B - 9	7NJ-24515-00	B - 13	7FK-87115-01	C - 3	90480-13016	B - 7	95807-06025	B - 15
73A-11931-00	B - 4	7RH-14623-00	B - 9	7J3-24521-00	B - 13	7LV-8713J-00	C - 4	90501-10264	B - 4	95807-06030	B - 12
73A-11941-00	B - 4	7RG-14711-11	B - 9	7NJ-24532-00	B - 13	7LR-87131-02	C - 3	90501-264A9	B - 5	95807-06035	B - 12
7RH-11970-00	B - 4	7RH-14718-00	B - 9	7NJ-24534-00	B - 13	7NJ-87139-00	C - 4	90506-04458	B - 4		B - 14
7RH-11971-00	B - 10	7RH-14737-00	B - 9	4X8-24565-00	B - 13	7VX-87150-G0	C - 3	91401-30040	B - 14	95807-08016	B - 14
JN6-12111-01	B - 5	7RH-14747-00	B - 10	74T-24610-00	B - 13	7RG-87153-00	C - 3	92907-03200	C - 5		B - 9
J38-12117-01	B - 5	7RH-14757-00	B - 10	796-24612-00	B - 13	7LR-87159-00	C - 3	92907-05100	C - 3	95807-08020	B - 9
J38-12118-00	B - 5	7RH-1479E-00	B - 9	73A-25322-10	B - 14	7VX-87160-00	C - 3	92907-05600	C - 3	95807-08035	C - 2
4G0-12119-00	B - 5	7RH-14799-00	B - 9	7RH-25381-00	B - 14	7LR-87172-01	C - 3	92907-061A5	C - 2	95807-10030	B - 11
7RH-12121-00	B - 5	1WG-14922-00	B - 8	7RH-26100-00	B - 14	7RH-87174-A1-98	C - 3	92907-06100	C - 2	95817-08045	B - 10
JN6-12151-00	B - 5	7LW-14941-53	B - 8	801-26241-01	B - 14	7NJ-8720A-B0	C - 5	92907-06600	B - 4	95817-10070	B - 2
JN6-12153-00	B - 5	7TS-15111-00	B - 10	7LR-27111-01	B - 14	7VX-87204-G0	C - 5		C - 3	95827-06012	B - 15
JN6-12154-00	B - 5	796-15363-01	B - 10	7LV-28100-00	B - 13	7RH-87213-00	C - 5	92907-20600	B - 14	95827-06030	B - 2
J38-12156-00	B - 5	7RH-15411-01	B - 10	7RG-81152-00	C - 3	7LR-87220-00	C - 3	93102-35191	B - 10	95827-06100	C - 3
22F-12159-00	B - 5	7RH-15414-00	B - 10	7RH-81800-00	C - 2	7H7-87221-60	C - 5	93109-08050	B - 10	95880-06010	C - 4
7RH-12170-00	B - 5	7RH-15451-00	B - 10	7RH-81807-00	C - 2	7H7-87221-80	C - 5	93210-05098	C - 2	95880-06020	B - 15
7NJ-12287-00	B - 5	7RH-15710-00	B - 6	7RH-8181L-00	C - 2	7RG-87226-A0	C - 5	93210-06001	C - 2	97007-06010	C - 3
7RH-12621-00	B - 6	7RH-15711-00	B - 6	73A-81815-00	C - 2	7VX-87249-A0	C - 5	93210-22344	B - 10	97007-06012	B - 13
7RH-12651-01	B - 6	7RH-15713-00	B - 6	7RH-8182G-00	C - 2	7NJ-87261-00	C - 7	93306-20201	B - 10	97027-06030	B - 4
7RH-13557-00	B - 7	7RH-15714-00	B - 6	7KA-81833-00	C - 2	7NJ-88188-00	C - 6	93306-20714	B - 10	97027-06080	C - 3
7RH-13567-00	B - 7	7RH-15715-00	B - 6	7RH-81840-00	C - 2	7J5-88195-00	C - 3	93306-30709	B - 10	97080-06020	C - 5
7RH-13596-00	B - 7	7RH-15716-00	B - 6	7RH-81846-00	C - 2	90109-06513	B - 10	93306-37202	C - 3	97707-30512	C - 5
7RG-14101-00	B - 8	7RH-15723-00	B - 6	7KA-81858-00	C - 2	90151-03032	C - 5	93440-06107	B - 4	97707-40516	C - 5

NUMERICAL INDEX

PARTNO.	GRID NO.	PARTNO.	GRID NO.	PARTNO.	GRID NO.	PARTNO.	GRID NO.	PARTNO.	GRID NO.
97707-50520	C - 6								
98507-05010	C - 3								
98507-05014	C - 3								
98507-05020	C - 3								
98507-06035	B - 4								
98907-06014	C - 6								
99530-08016	B - 10								
99530-14016	B - 2								

# CONTENTS

CYLINDER .....	B2
CRANKSHAFT. PISTON .....	B3
GOVERNOR .....	B4
CAMSHAFT.VALVE .....	B5
AIR SHROUD. STARTER .....	B6
INTAKE .....	B7
CARBURETOR .....	B8
EXHAUST .....	B9
CRANKCASE .....	B10
FRAME .....	B11
FRAME 2 .....	B12
FUEL TANK .....	B13
CARRIER (OPTIONAL PARTS) .....	B14
MAGNETO .....	B15
STARTING MOTOR .....	C2
GENERATOR .....	C3
CONTROL BOX .....	C5
LABELS .....	C7

## INDEX

NUMERICAL INDEX .....	M1
-----------------------	----