

PARTS CATALOGUE

YAMAHA GENERATOR

EF4600A (7WX2) (120V/240V-60Hz) USA

EF6600A (7WY2) (120V/240V-60Hz) USA

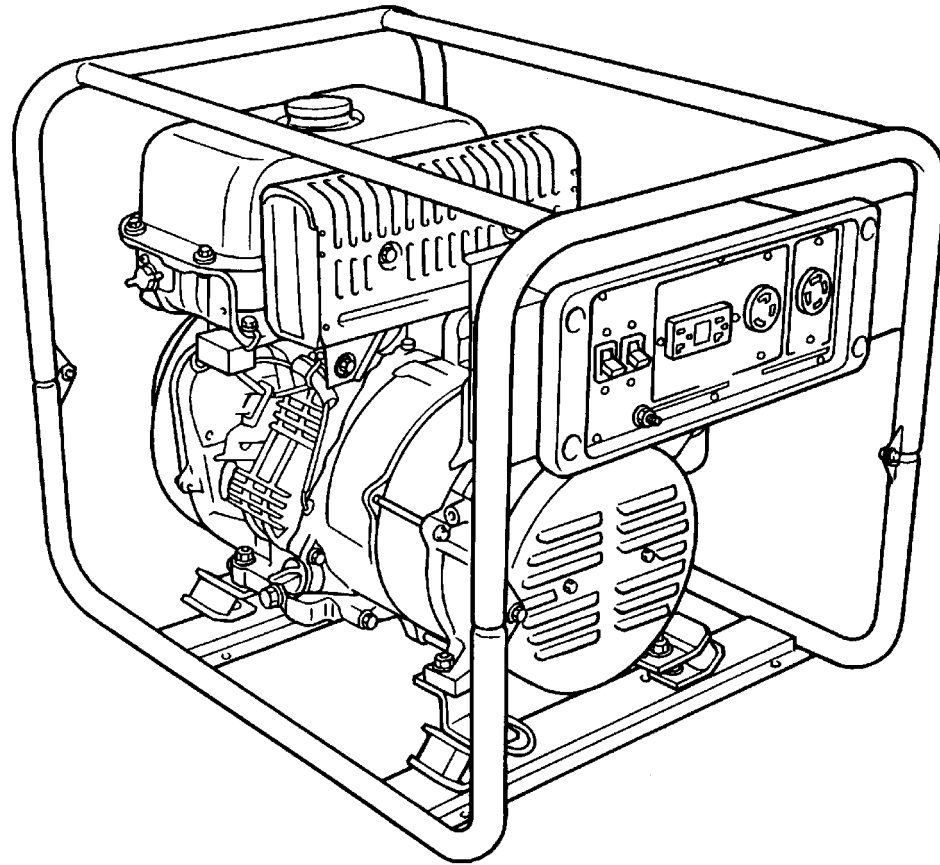
EF4600A/EF6600A
PARTS CATALOGUE

©2001 by Yamaha Motor Co., Ltd.
1st Edition, Sep. 2001

All rights reserved.

Any reprinting or unauthorized use
without the written permission of
Yamaha Motor Co., Ltd.
is expressly prohibited.

Printed in Japan



FOREWORD

This Parts Catalogue is related to the parts for the model(s) in the below frame. When you are ordering replacement parts, please refer to this Parts Catalogue and quote both part numbers and part names correctly.

1. Modifications or additions which have been made after issue of the Parts Catalogue will be announced in the Yamaha Parts News.
It is advisable that you make necessary corrections to the Parts Catalogue according to the Yamaha Parts News.

2. Abbreviations
The following abbreviations are used in this Parts Catalogue.

“UR” Use specified parts number.

“UN” Use as many as needed.

“AP” Alternate Parts

“LM” Local Made (Parts need to be ordered locally)

“F#” Frame No. (Applicable machine No.)

3. Parts, which are to be supplied in an assembly, are listed with a dot(.) in front of the part name as shown below.

EXAMPLE

CARBURETOR ASSY

.JET, PILOT

.NOZZLE, MAIN

4. Number of component for assembly
The numeral appearing to the right of each component part indicates the quantity of parts for each assembly unit.

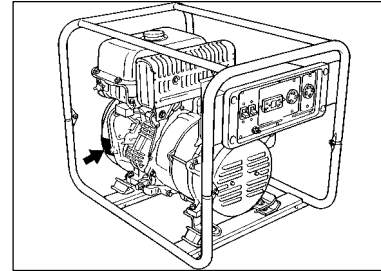
EXAMPLE

PART NO.	DESCRIPTION	Q'TY	REMARKS
2F5-83310-60	FRONT FLASHER LIGHT ASSY	2	
115-83311-60	.BULB (6V-18W)	1	

5. Applicable Starting Serial No. and Color Code

MODEL NAME	MODEL TYPE	FRAME NO.
EF4600A	7WX2	7WX-200101
EF6600A	7WY2	7WY-200101

Engine Serial No.



Color Code	Color Name	Abbreviation	MODEL	Country (destination)
00NJ	FARAWAY BLUE	FWB	7WX2	USA
			7WY2	

6. Note that the illustrations for reference in finding parts numbers, not to be used for assembling. When assembling, please use the applicable service manual.
7. The asterisk (*) before a reference number indicates modification items after the first edition.

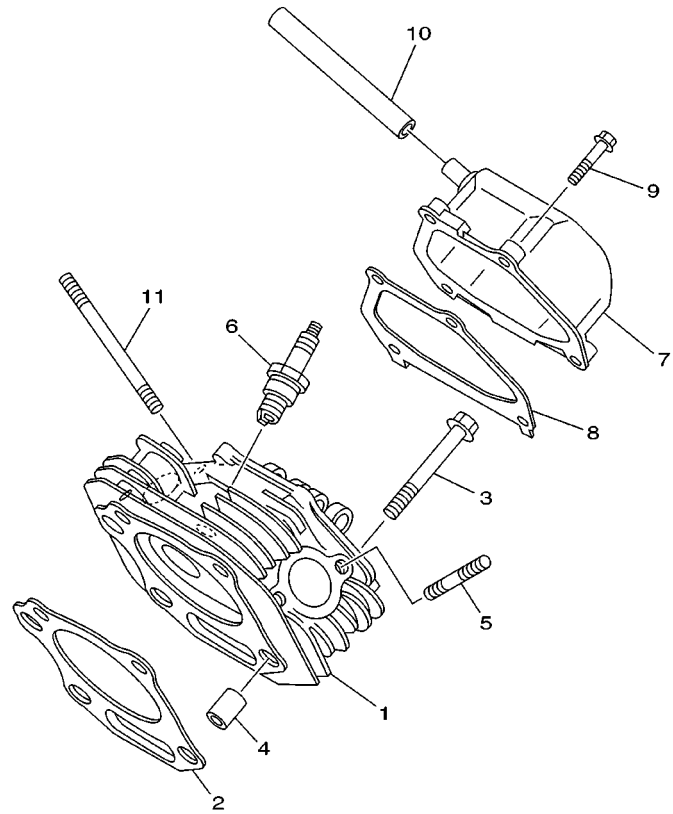
CONTENTS

CYLINDER	1
CRANKSHAFT. PISTON	2
GOVERNOR 1	3
CAMSHAFT.VALVE	4
AIR SHROUD. STARTER	5
INTAKE	6
CARBURETOR	7
EXHAUST	8
CRANKCASE	9
FRAME	10
FUEL TANK	11
MAGNETO	12
ELECTRICAL	13
GENERATOR 1 (EF4600A)	14
GENERATOR 2 (EF6600A)	16
CONTROL BOX 1 (EF4600A)	18
CONTROL BOX 2 (EF6600A)	20
LABELS	22

INDEX

NUMERICAL INDEX	23
-----------------------	----

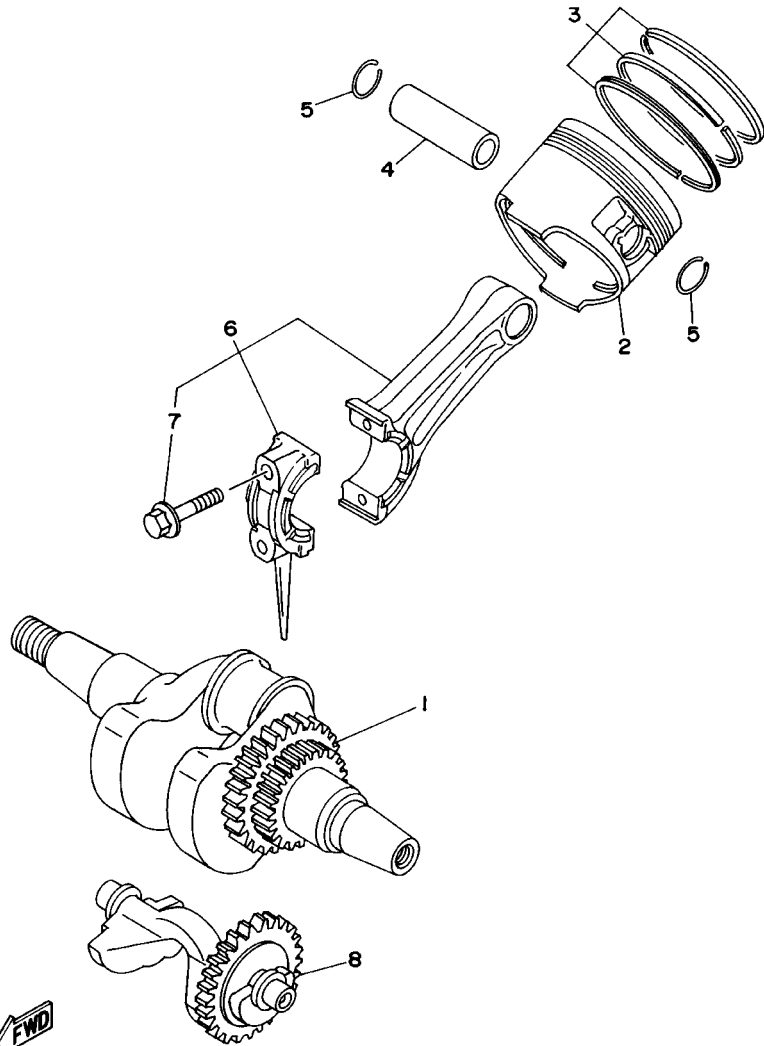
FIG. 1 CYLINDER



REF. NO.	PART NO.	DESCRIPTION	7WX2	7WY2			REMARKS
1	7WE-11111-00	HEAD, CYLINDER 1	1				
	7WG-11111-00	HEAD, CYLINDER 1		1			
2	7WE-11181-00	GASKET, CYLINDER HEAD 1	1				
	7WG-11181-00	GASKET, CYLINDER HEAD 1		1			
3	95817-10070	BOLT, FLANGE	4	4			
4	99530-14016	PIN, DOWEL	2	2			
5	95627-08618	BOLT, STUD	2	2			
6	94702-00331	PLUG, SPARK (BPR4ES)	1	1			
7	7WG-11190-00	COVER, CYLINDER HEAD 1	1	1			
8	JN6-11193-00	GASKET, HEAD COVER 1	1	1			
9	95827-06030	BOLT, FLANGE	4	4			
10	7RH-11166-00	PIPE, BREATHER 1	1	1			
11	95607-08700	BOLT, STUD	2	2			

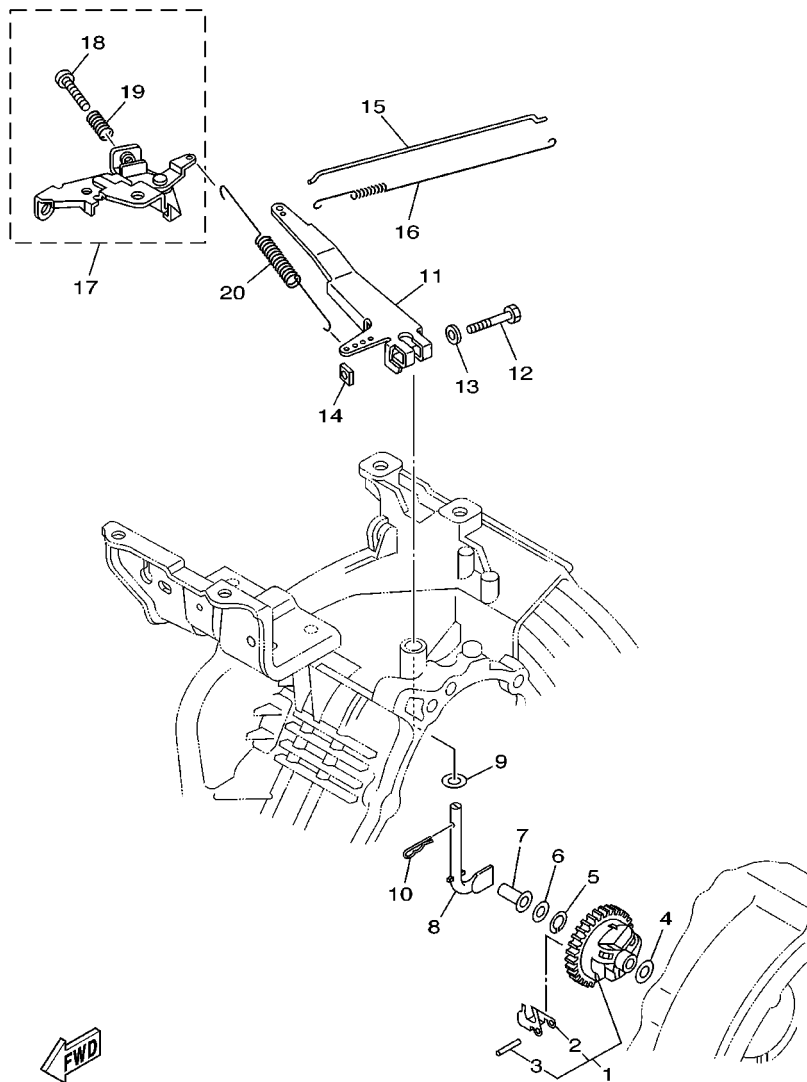
FIG. 2 CRANKSHAFT, PISTON

REF. NO.	PART NO.	DESCRIPTION	7WX2	7WY2	REMARKS
1	7WR-11400-00	CRANKSHAFT ASSY	1		
	7WR-11400-10	CRANKSHAFT ASSY		1	
2	JN6-11631-00-A0	PISTON (STD)	1		
	7RH-11631-00-A0	PISTON (STD)		1	
	JN6-11635-00	PISTON (0.25MM O/S)	1		AP
	7RH-11635-00	PISTON (0.25MM O/S)		1	AP
	JN6-11636-00	PISTON (0.50MM O/S)	1		AP
	7RH-11636-00	PISTON (0.50MM O/S)		1	AP
3	JN6-11610-00	PISTON RING SET (STD)	1		
	7RH-11603-00	PISTON RING SET (STD)		1	
	JN6-11610-10	PISTON RING SET (0.25MM O/S)	1		AP
	7RH-11604-00	PISTON RING SET (0.25MM O/S)		1	AP
	JN6-11610-20	PISTON RING SET (0.50MM O/S)	1		AP
	7RH-11605-00	PISTON RING SET (0.50MM O/S)		1	AP
4	447-11633-00	PIN, PISTON	1		
	583-11633-00	PIN, PISTON		1	
5	93450-21053	CIRCLIP	2	2	
6	JN6-11650-00	CONNECTING ROD ASSY	1	1	
7	JN6-11654-00	.BOLT, CONNECTING ROD	2	2	
8	7WG-11454-00	WEIGHT 1	1	1	



7RGI400-6020

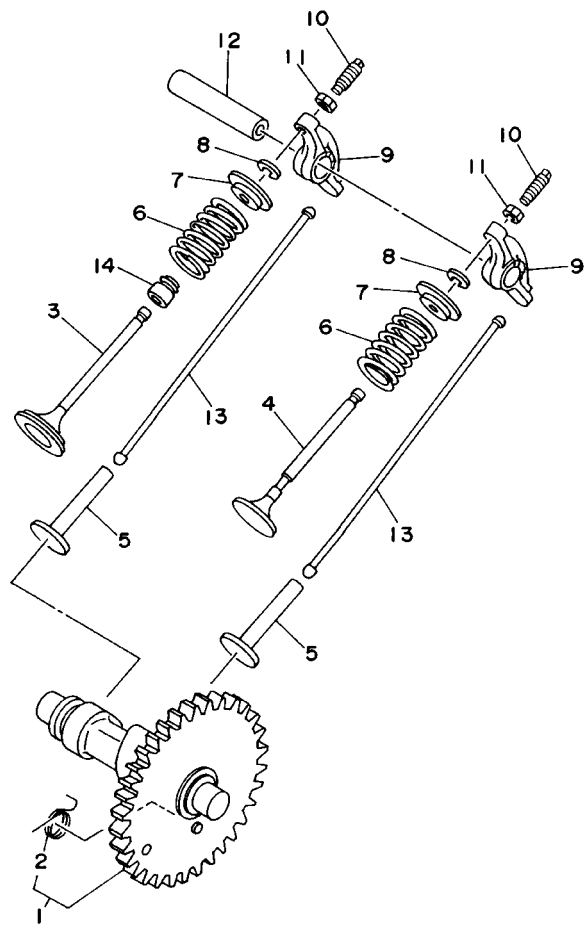
FIG. 3 GOVERNOR 1



7XB2110-1030

REF. NO.	PART NO.	DESCRIPTION	7WX2	7WY2	REMARKS
1	7RH-11970-00	FLYWEIGHT SHAFT ASSY.	1	1	
2	7RH-11913-00	.WEIGHT	3	3	
3	7FK-11914-00	.SHAFT, WEIGHT	3	3	
4	90201-065K7	WASHER, PLATE	1	1	
5	93440-06107	CIRCLIP	1	1	
6	90201-067L0	WASHER, PLATE	1	1	
7	7KY-11917-00	COLLAR	1	1	
8	7RH-11922-00	FORK, GOVERNOR	1	1	
9	90201-08092	WASHER, PLATE	2	2	
10	90468-12006	CLIP	1	1	
11	7RK-11924-10	ARM, GOVERNOR	1	1	
12	97027-06030	BOLT	1	1	
13	92907-06600	WASHER, PLATE	1	1	
14	90173-06017	NUT, SQUARE	1	1	
15	7RH-11928-00	ROD, LINK	1	1	
16	90506-04458	SPRING, TENSION	1	1	
17	7RK-11950-11	ADJUST PLATE COMP.	1	1	
18	98507-05030	.SCREW, PAN HEAD	1	1	
19	90501-090A8	.SPRING, COMPRESSION	1	1	
20	7RK-11925-20	SPRING, GOVERNOR	1	1	

FIG. 4 CAMSHAFT.VALVE



REF. NO.	PART NO.	DESCRIPTION	7WX2	7WY2			REMARKS
1	7WG-12170-00	CAMSHAFT ASSY 1	1	1			
2	7WG-12287-00	.SPRING, DECOMPRESSION	1	1			
3	JN6-12111-01	VALVE, INTAKE	1	1			
4	7RH-12121-00	VALVE, EXHAUST	1	1			
5	JN6-12153-00	LIFTER, VALVE	2	2			
6	90501-264A9	SPRING, COMPRESSION	2	2			
7	J38-12117-01	RETAINER, VALVE SPRING	2	2			
8	J38-12118-00	COTTER, VALVE	2	2			
9	JN6-12151-00	ARM, VALVE ROCKER	2	2			
10	22F-12159-00	SCREW, VALVE ADJUSTING	2	2			
11	90170-05302	NUT	2	2			
12	J38-12156-00	SHAFT, ROCKER 2	1	1			
13	JN6-12154-00	ROD, VALVE PUSH	2	2			
14	4G0-12119-00	SEAL, VALVE STEM	1	1			

FWD
7RG1400-6040

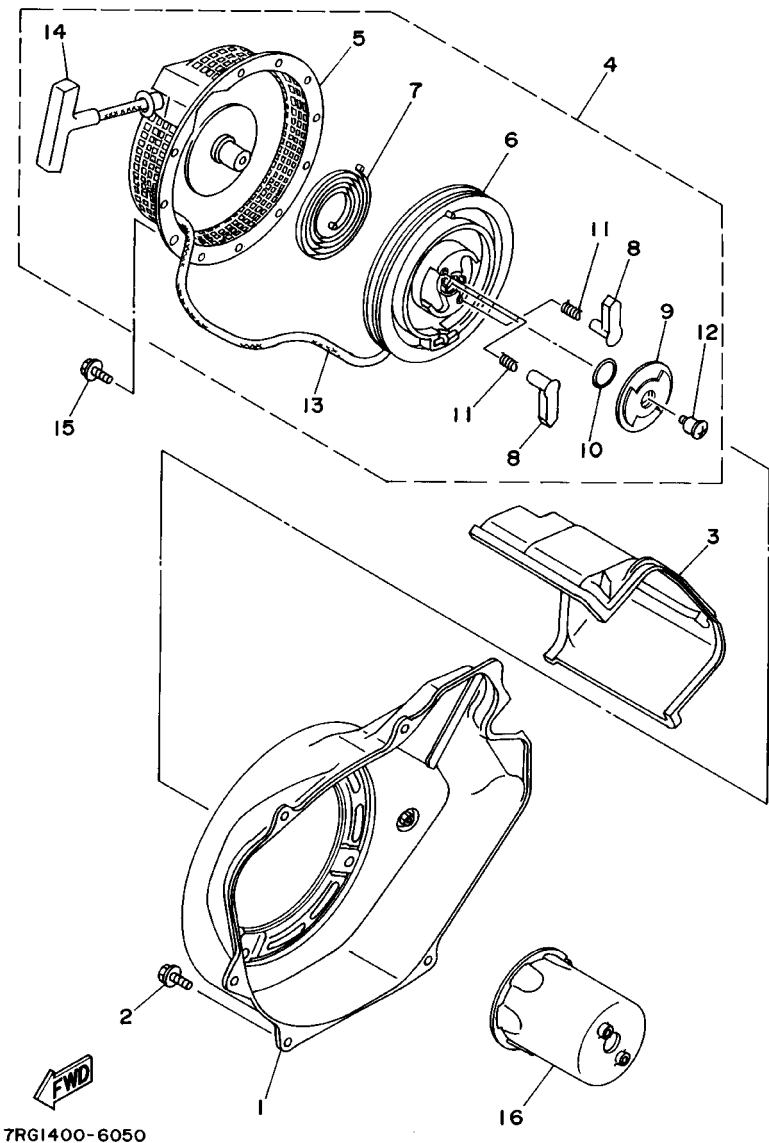
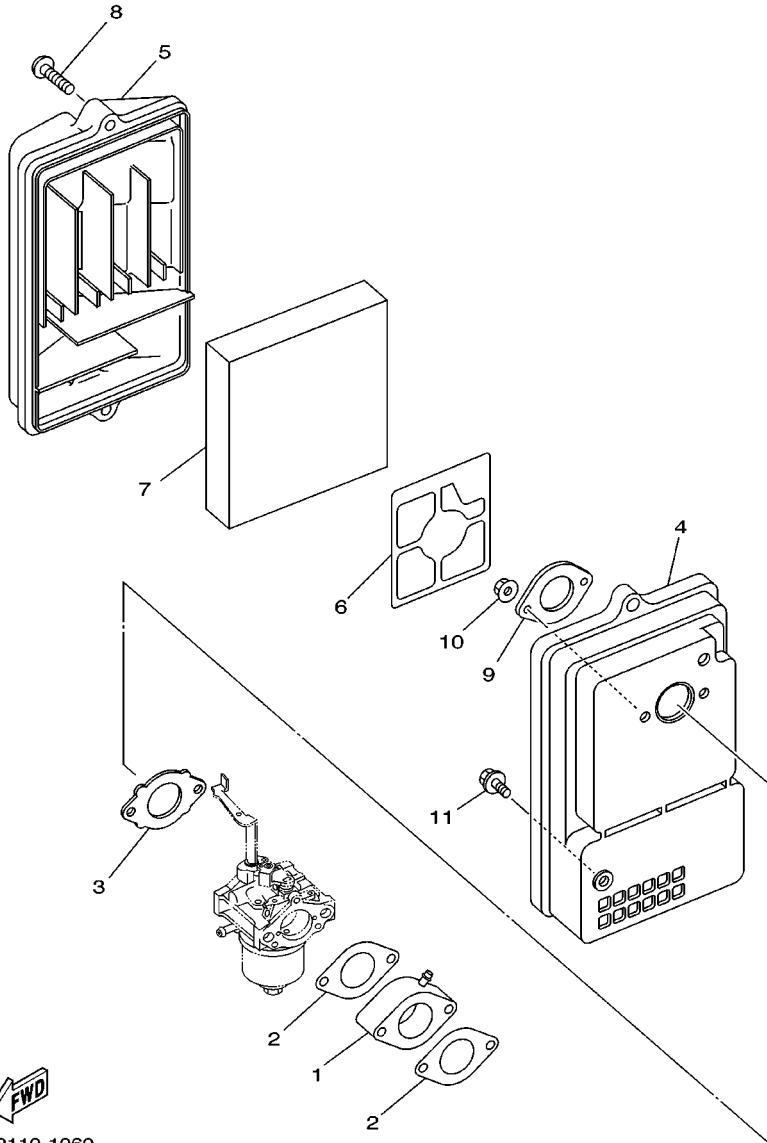


FIG. 5 AIR SHROUD. STARTER

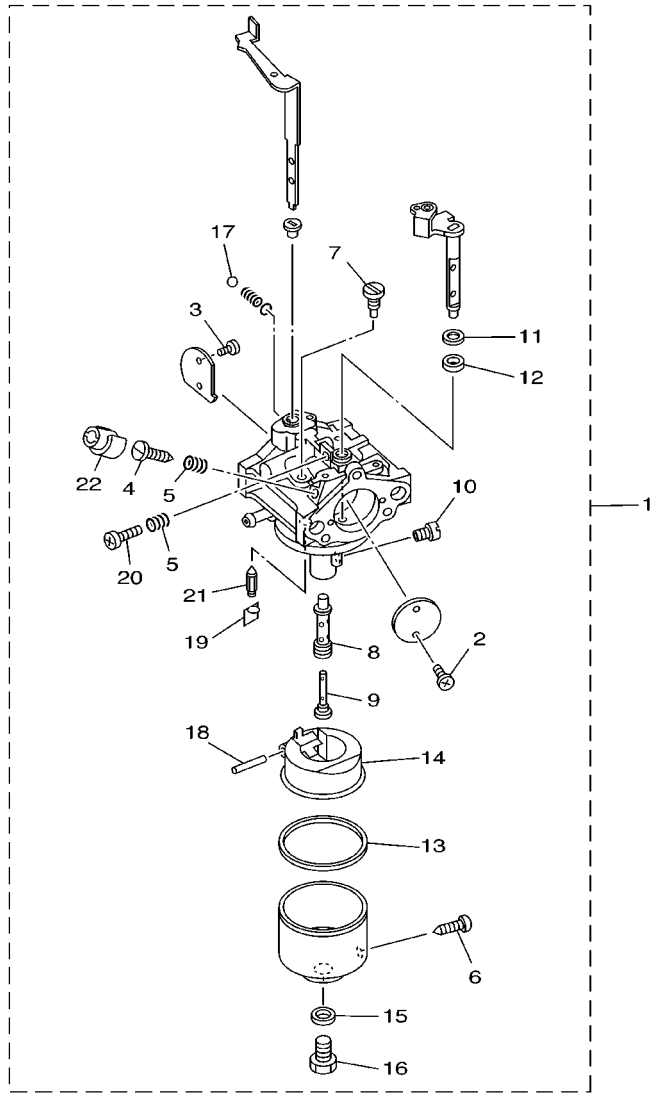
REF. NO.	PART NO.	DESCRIPTION	7WX2	7WY2				REMARKS
1	7WG-12621-10	CASE, FAN	1	1				
2	95807-06012	BOLT, FLANGE	5	5				
3	7RH-12651-01	AIR SHROUD, CYLINDER 1	1	1				
4	7RH-15710-00	STARTER ASSY	1	1				
5	7RH-15711-00	.CASE, STARTER	1	1				
6	7RH-15714-00	.DRUM, SHEAVE	1	1				
7	7RH-15713-00	.SPRING, STARTER	1	1				
8	7RH-15741-00	.PAWL, DRIVE	2	2				
9	7RH-15716-00	.PLATE, DRIVE	1	1				
10	7RH-15715-00	.SPRING, FRICTION	1	1				
11	JK4-15743-00	.SPRING, RETURN	2	2				
12	7NJ-15793-00	.SCREW	1	1				
13	7RH-15751-00	.WIRE, STARTER	1	1				
14	7RH-15755-00	.HANDLE, STARTER	1	1				
15	95807-06008	BOLT, FLANGE	4	4				
16	7RH-15723-00	PULLEY, STARTER	1	1				



7XB2110-1060

FIG. 6 INTAKE

REF. NO.	PART NO.	DESCRIPTION	7WX2	7WY2			REMARKS
1	7RH-13596-10	JOINT, CARBURETOR 2	1	1			
2	7RH-13557-00	GASKET	2	2			
3	7RH-13567-00	GASKET	1	1			
4	7RH-14411-01	CASE, AIR CLEANER 1	1	1			
5	7RH-14412-01	CAP, CLEANER CASE 1	1	1			
6	7RH-14468-00	PLATE, ELEMENT FITTING	1	1			
7	7RH-14451-00	ELEMENT, AIR CLEANER	1	1			
8	7RH-14429-00	SCREW	2	2			
9	7LV-14477-00	PLATE	1	1			
10	95707-08500	NUT, FLANGE	2	2			
11	95807-06016	BOLT, FLANGE	1	1			



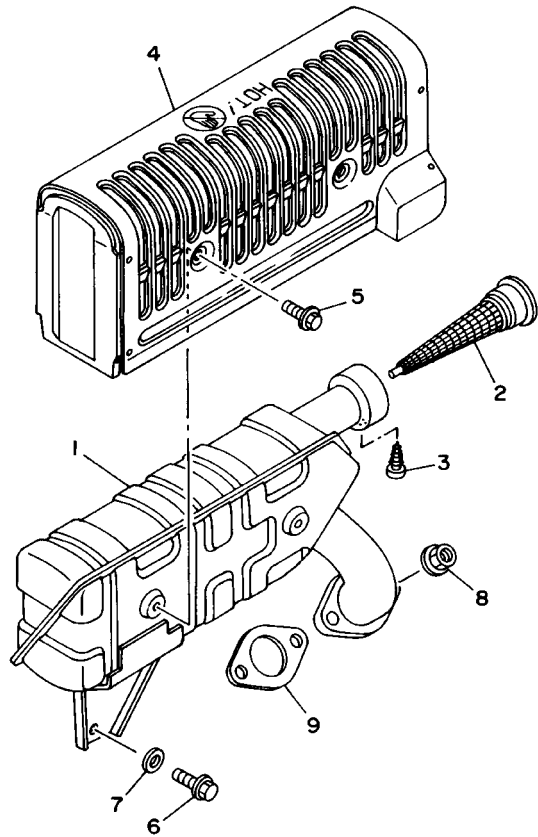
7UUV2110-8070

FIG. 7 CARBURETOR

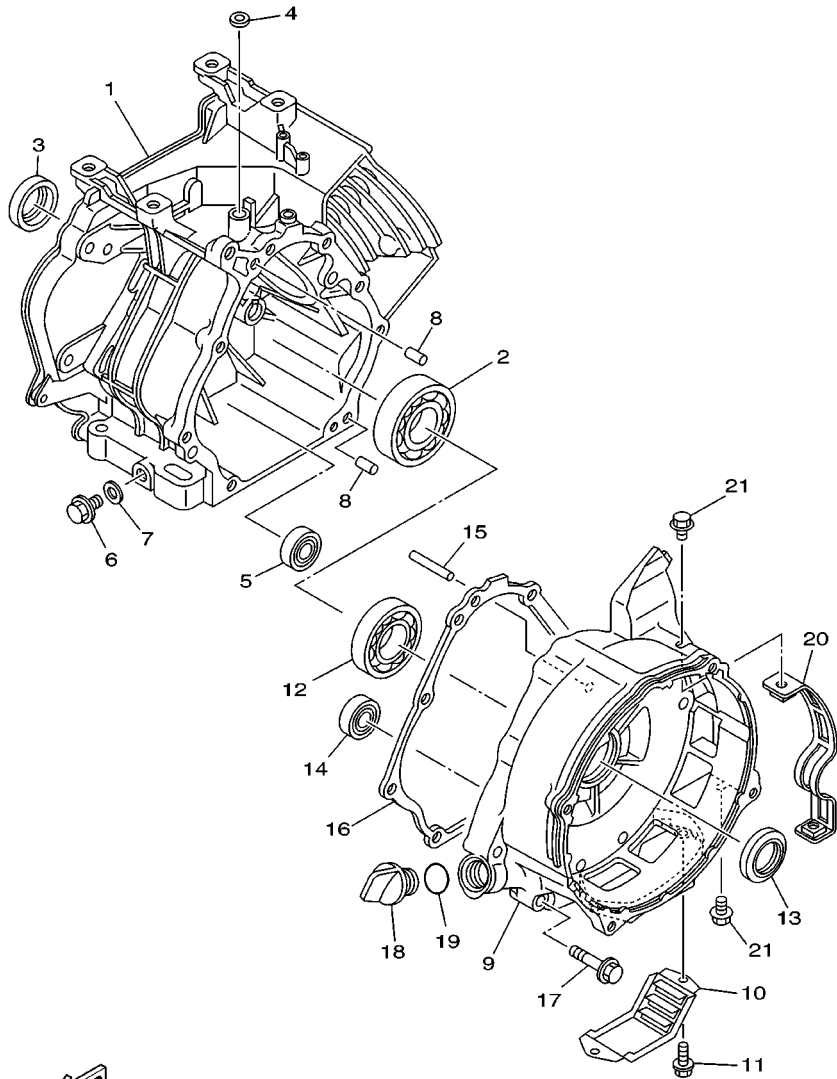
REF. NO.	PART NO.	DESCRIPTION	7WX2	7WY2	REMARKS
1	7UV-14101-00	CARBURETOR ASSY 1	1		
	7UW-14101-00	CARBURETOR ASSY 1		1	
2	7RH-14216-00	.SCREW	2	2	
3	7RH-14486-00	.SCREW, ROD	2	2	
4	7NJ-14211-00	.SCREW, PILOT ADJUSTING	1	1	
5	73A-14212-00	.SPRING	2	2	
6	7E1-14191-00	.PLUG, DRAIN	1	1	
7	620-14142-57-A0	.JET, PILOT (#100)	1	1	
8	7RK-1495N-6B	.NOZZLE, MAIN	1	1	
9	73A-1414G-00	.PIPE, MAIN BREED	1	1	
10	3G2-14231-20-A0	.JET, MAIN (#100)	1		
	3G2-14231-21-A0	.JET, MAIN (#105)		1	
11	4CW-14117-00	.WASHER, PLUG SCREW	1	1	
12	7X9-14239-00	.SEAL	1	1	
13	796-14184-00	.GASKET, FLOAT CHAMBER	1	1	
14	JN6-14185-00	.FLOAT	1	1	
15	127-14198-00	.GASKET	1	1	
16	7RG-14162-00	.BOLT, HOLDING	1	1	
17	93501-08001	.BALL	1	1	
18	22F-14186-00	.PIN, FLOAT	1	1	
19	7EG-14159-00	.CLIP	1	1	
20	1WG-14922-00	.SCREW, THROTTLE	1	1	
21	73A-14150-00	.NEEDLE ASSY	1	1	
22	7LV-14118-00	.CAP (CUT AWAY 1/8)	1	1	

FIG. 8 EXHAUST

REF. NO.	PART NO.	DESCRIPTION	7WX2	7WY2				REMARKS
1	7RK-14721-02	MUFFLER 2	1	1				
2	7LR-14786-00	ARRESTER, SPARK	1	1				
3	97707-40506	SCREW, TAPPING	1	1				
4	7RK-14708-00	PROTECTOR ASSY	1	1				
5	95827-06008	BOLT, FLANGE	4	4				
6	95827-08016	BOLT, FLANGE	1	1				
7	90201-086A3	WASHER, PLATE	1	1				
8	95307-08600	NUT	2	2				
9	7KY-14613-01	GASKET, EXHAUST PIPE	1	1				



7RJI400-6100



FWD
7WX2110-1090

FIG. 9 CRANKCASE

REF. NO.	PART NO.	DESCRIPTION	7WX2	7WY2			REMARKS
1	7WE-15111-00	CRANKCASE 1	1				
	7WG-15111-00	CRANKCASE 1		1			
2	93306-30709	BEARING	1	1			
3	93102-35191	OIL SEAL	1	1			
4	93109-08050	OIL SEAL	1	1			
5	93306-20201	BEARING (B6202)	1	1			
6	90340-12097	PLUG, STRAIGHT SCREW	2	2			
7	812-11198-00	GASKET	2	2			
8	99530-08016	PIN, DOWEL	2	2			
9	7RH-15411-01	COVER, CRANKCASE 1	1	1			
10	7RH-15414-00	COVER, AIR CLEANER	1	1			
11	90109-06513	BOLT	2	2			
12	93306-20714	BEARING	1	1			
13	93102-35191	OIL SEAL	1	1			
14	93306-20201	BEARING (B6202)	1	1			
15	7RH-11971-00	SHAFT, FLYWEIGHT	1	1			
16	7RH-15451-01	GASKET, CRANKCASE COVER 1	1	1			
17	95817-08045	BOLT, FLANGE	8	8			
18	796-15363-01	PLUG, OIL	1	1			
19	93210-22344	O-RING	1	1			
20	7UW-15417-00	COVER, CAP	1	1			
21	95827-06012	BOLT, FLANGE	2	2			

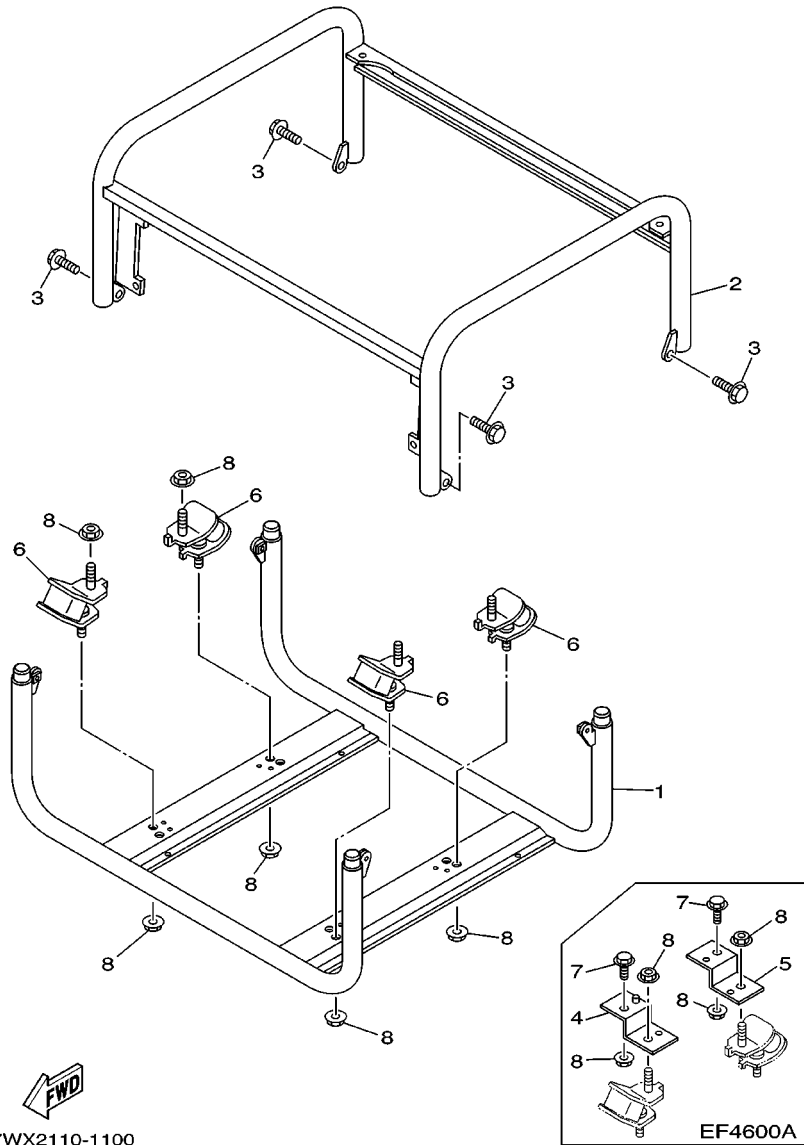


FIG. 10 FRAME

REF. NO.	PART NO.	DESCRIPTION	7WX2	7WY2		REMARKS
1	7RH-22840-00	FRAME COMP.	1	1		
2	7UW-22850-00	FRAME COMP. 2	1	1		
3	95807-06010	BOLT, FLANGE	4	4		
4	7RG-11011-00	BRACKET, ENGINE 1	1			
5	7RG-11012-00	BRACKET, ENGINE 2	1			
6	7RH-22891-00	INSULATOR, MOUNTING	4	4		
7	95807-10030	BOLT, FLANGE	2			
8	95707-10500	NUT, FLANGE	10	8		

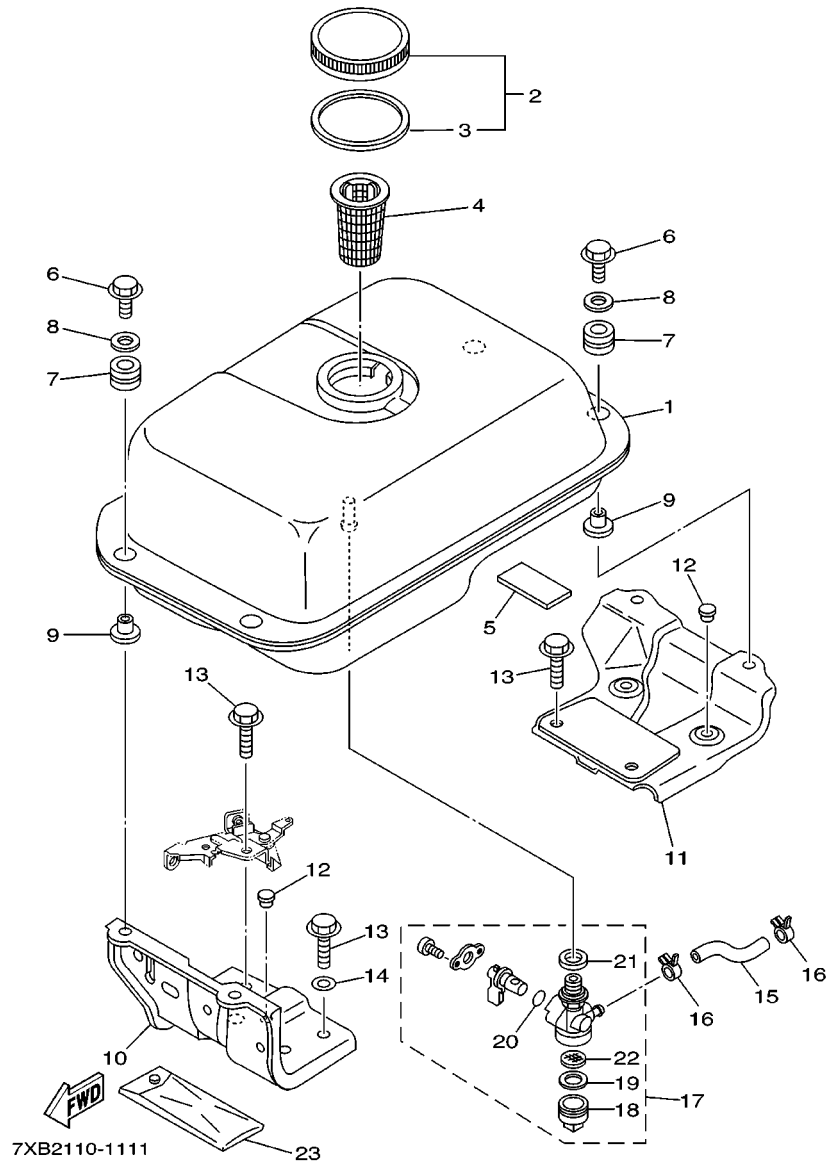
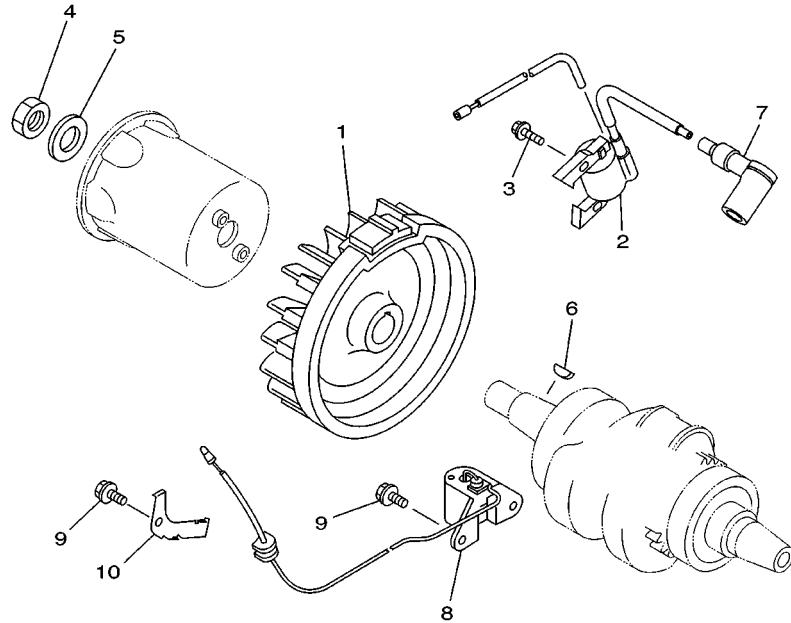


FIG. 11 FUEL TANK

REF. NO.	PART NO.	DESCRIPTION	7WX2	7WY2		REMARKS
1	7RK-24110-01-NJ	FUEL TANK COMP.	1	1		FWB
2	7T9-24610-00	CAP ASSY	1	1		
3	7T9-24612-00	.GASKET, CAP	1	1		
4	730-24167-10	STRAINER	1	1		
5	7RK-24181-00	DAMPER, LOCATING 1	1	1		
6	95827-06020	BOLT, FLANGE	4	4		
7	90480-15235	GROMMET	4	4		
8	90201-06380	WASHER, PLATE	4	4		
9	90387-067K8	COLLAR	4	4		
10	7WT-24115-00	STAY, FUEL TANK 1	1	1		
11	7RK-24116-02	STAY, FUEL TANK	1	1		
12	90338-05251	PLUG	3	3		
13	95817-08020	BOLT, FLANGE	4	4		
14	90201-08102	WASHER, PLATE	1	1		
15	90445-10456	HOSE (L95)	1	1		
16	90467-09037	CLIP	2	2		
17	7NJ-24500-01	FUEL COCK ASSY 1	1	1		
18	7J3-24521-00	.CUP, FILTER	1	1		
19	4X8-24565-00	.GASKET	1	1		
20	7NJ-24534-00	.SEAL, COCK	1	1		
21	7NJ-24532-00	.GASKET	1	1		
22	7NJ-24515-01	.NET, FILTER 2	1	1		
23	7LV-28100-00	TOOL KIT	1	1		

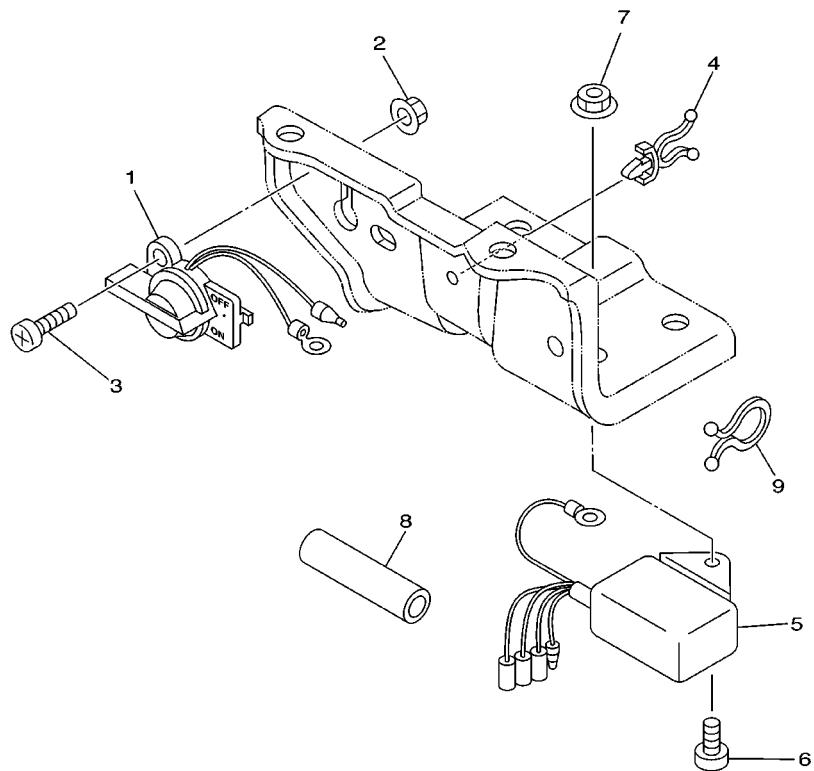
FIG. 12 MAGNETO



REF. NO.	PART NO.	DESCRIPTION	7WX2	7WY2				REMARKS
1	7WG-85650-00	ROTOR ASSY	1	1				
2	7WG-85640-00	T.C.I. UNIT ASSY	1	1				
3	95880-06020	BOLT, FLANGE	2	2				
4	90170-18391	NUT	1	1				
5	90201-180T9	WASHER, PLATE	1	1				
6	90280-04052	KEY, WOODRUFF	1	1				
7	JN6-82370-00	PLUG CAP ASSY	1	1				
8	7RH-85720-02	OIL LEVEL GAUGE ASSY	1	1				
9	95827-06012	BOLT, FLANGE	3	3				
10	7NJ-85724-00	CLAMP	1	1				

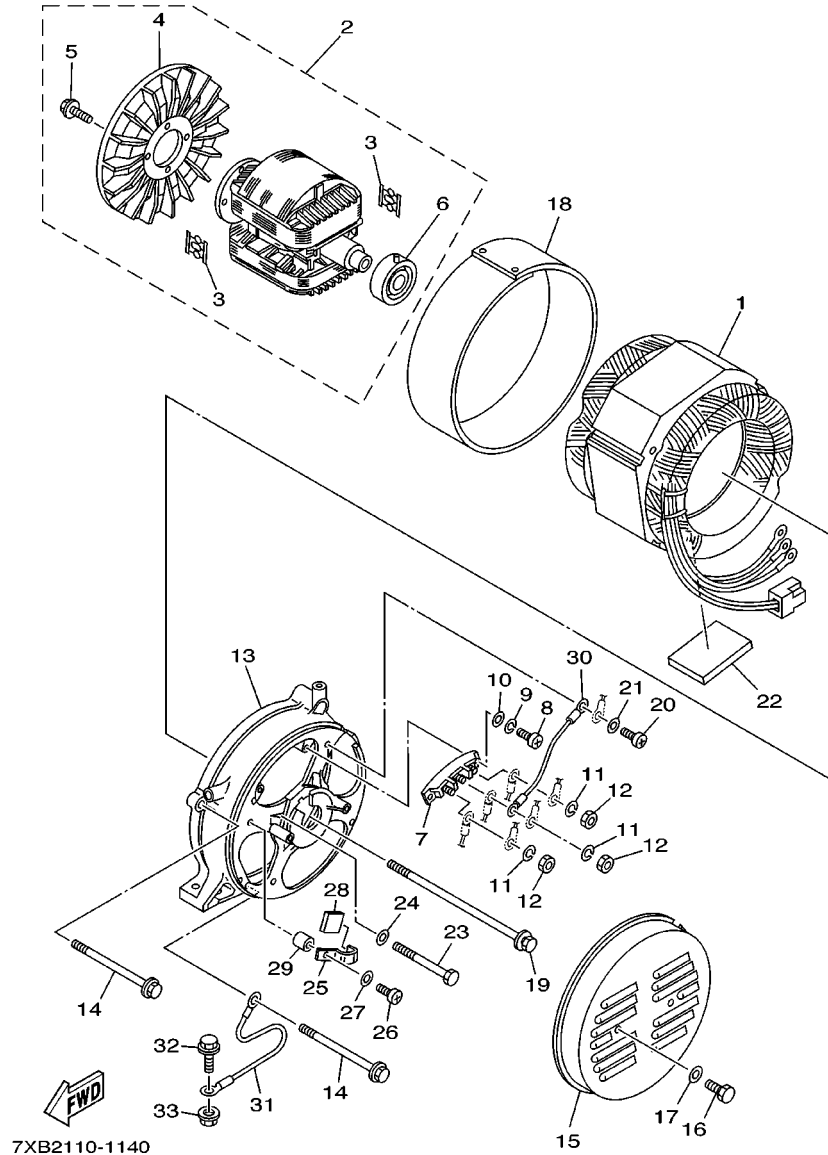
FIG. 13 ELECTRICAL

REF. NO.	PART NO.	DESCRIPTION	7WX2	7WY2				REMARKS
1	7NN-82550-00	ENGINE STOP SWITCH ASSY	1	1				
2	95704-06500	NUT, FLANGE	1	1				
3	98507-06014	SCREW, PAN HEAD	1	1				
4	90464-07078	CLAMP	1	1				
5	7NN-85690-10	OIL WARNING UNIT	1	1				
6	98507-06020	SCREW, PAN HEAD	1	1				
7	95704-06500	NUT, FLANGE	1	1				
8	7RK-82139-00	TUBE	2	2				
9	90464-16039	CLAMP	1	1				



7XB2110-1130

FIG. 14 GENERATOR 1 (EF4600A)



REF. NO.	PART NO.	DESCRIPTION	7WX2	7WY2	REMARKS
1	7VX-87150-40	STATOR ASSY	1		
2	7VX-87160-00	ROTOR ASSY	1		
3	7FK-87115-01	.RECTIFIER ASSY 2	4		
4	7LR-87172-01	.FAN, GENERATOR	1		
5	90159-06032	.SCREW, WITH WASHER	4		
6	93306-37202	.BEARING	1		
7	7LR-87220-00	TERMINAL SUB ASSY 1	1		
8	98507-05014	SCREW, PAN HEAD	2		
9	92907-05100	WASHER, SPRING	2		
10	92907-05600	WASHER, PLATE	2		
11	95307-05700	NUT	3		
12	92907-05100	WASHER, SPRING	3		
13	7LR-87131-02	FRAME, REAR	1		
14	95827-06100	BOLT, FLANGE	4		
15	7RH-87174-00-98	COVER, REAR END	1		LGB
16	97007-06010	BOLT	2		
17	92907-06600	WASHER, PLATE	2		
18	7RG-87153-00	COVER, STATOR	1		
19	7RG-81152-00	BOLT	1		
20	98507-05010	SCREW, PAN HEAD	1		
21	92907-05600	WASHER, PLATE	1		
22	7LR-87159-00	SEAL, STATOR	1		
23	97027-06080	BOLT	2		
24	92907-06600	WASHER, PLATE	2		
25	7J5-88195-00	HOLDER, CONNECTOR	1		
26	98507-05020	SCREW, PAN HEAD	1		
27	92907-05600	WASHER, PLATE	1		

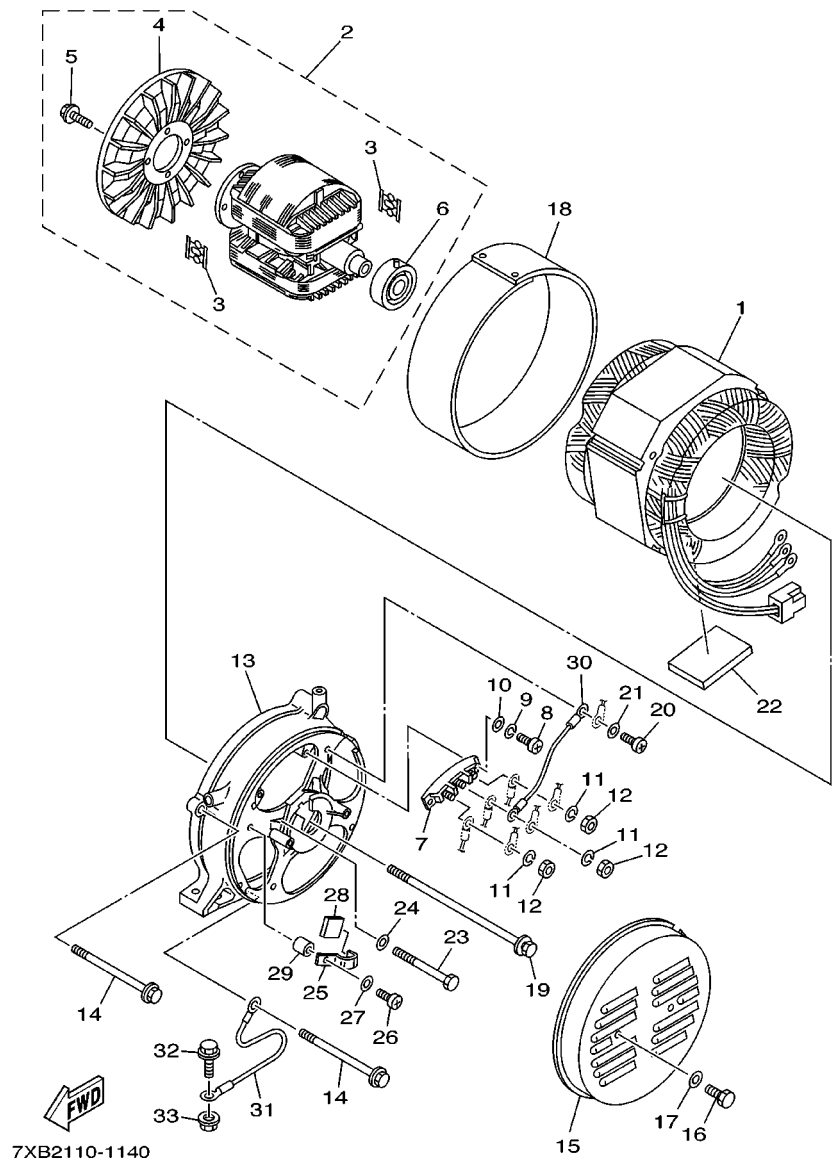


FIG. 14 GENERATOR 1 (EF4600A)

REF. NO.	PART NO.	DESCRIPTION	7WX2	7WY2	REMARKS
28	7LV-8713J-00	DAMPER	1		
29	90387-06N38	COLLAR	1		
30	7LR-8722W-80	WIRE, LEAD 6	1		
31	7NJ-87139-80	LEAD WIRE ASSY 2	1		
32	95880-06010	BOLT, FLANGE	1		
33	95780-06500	NUT, FLANGE	1		

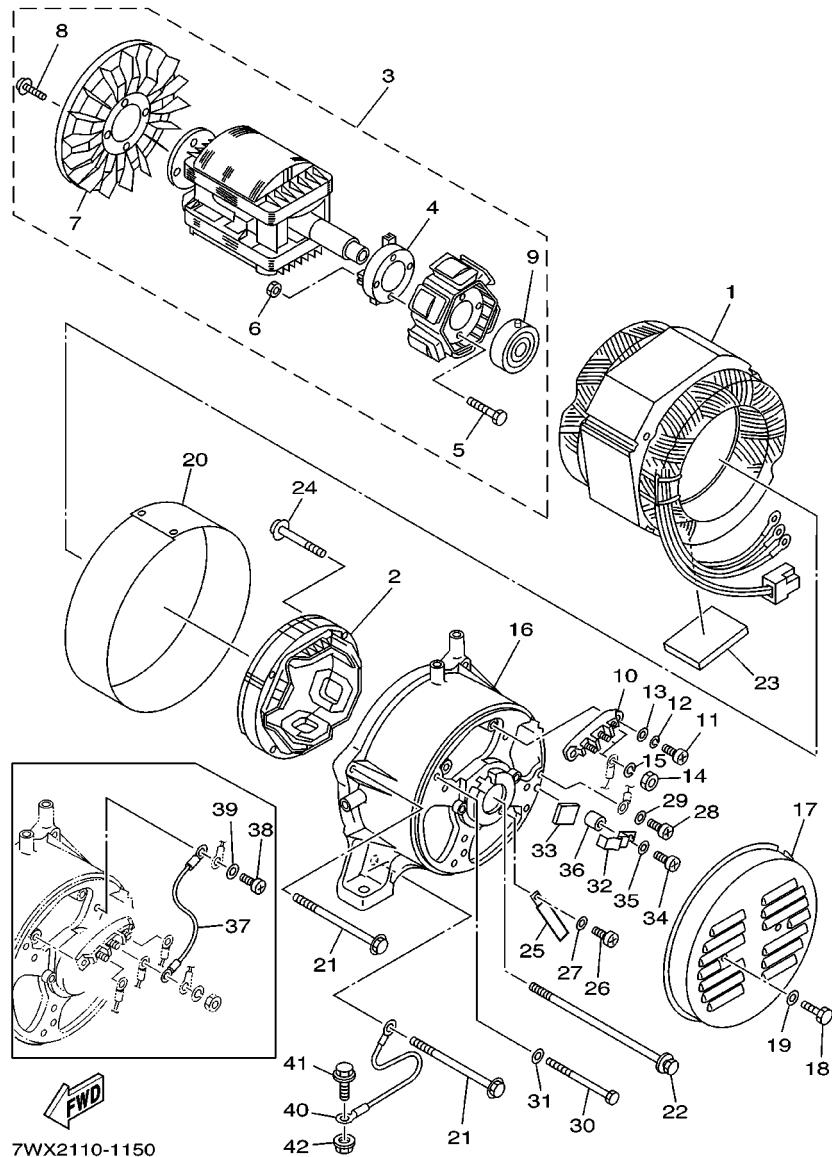
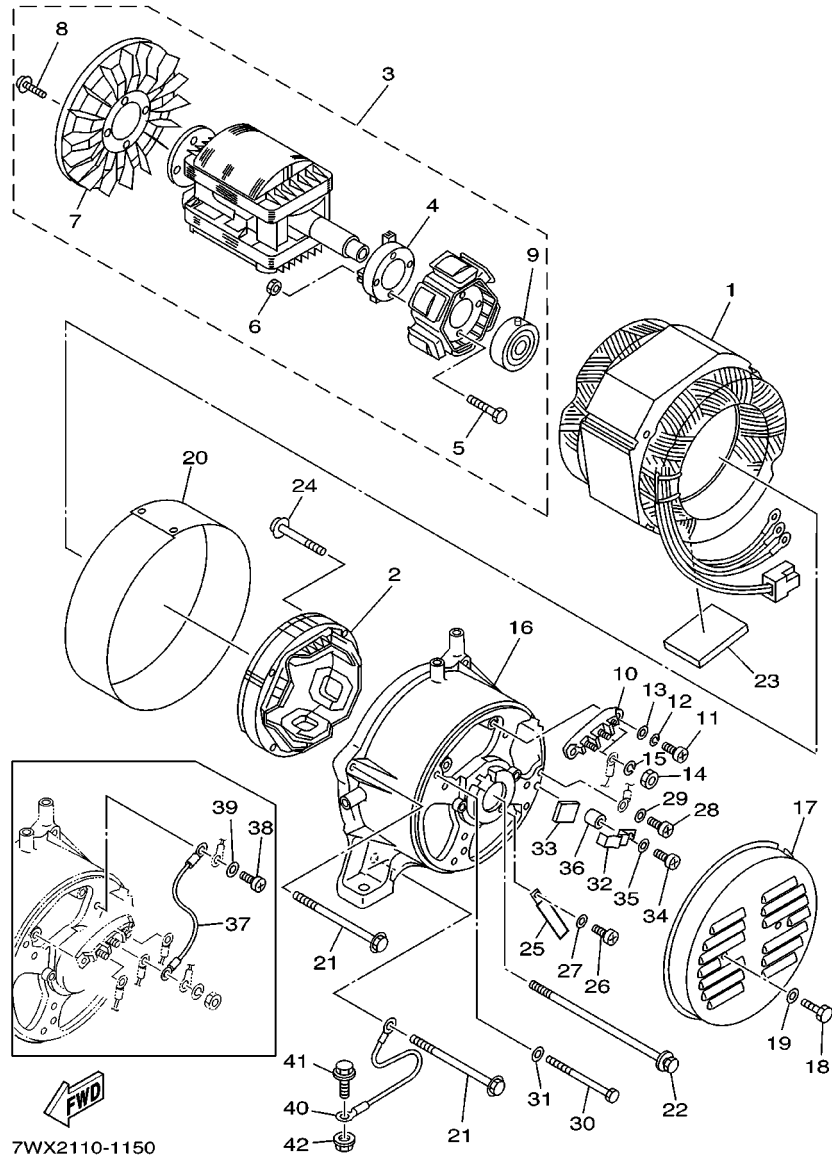


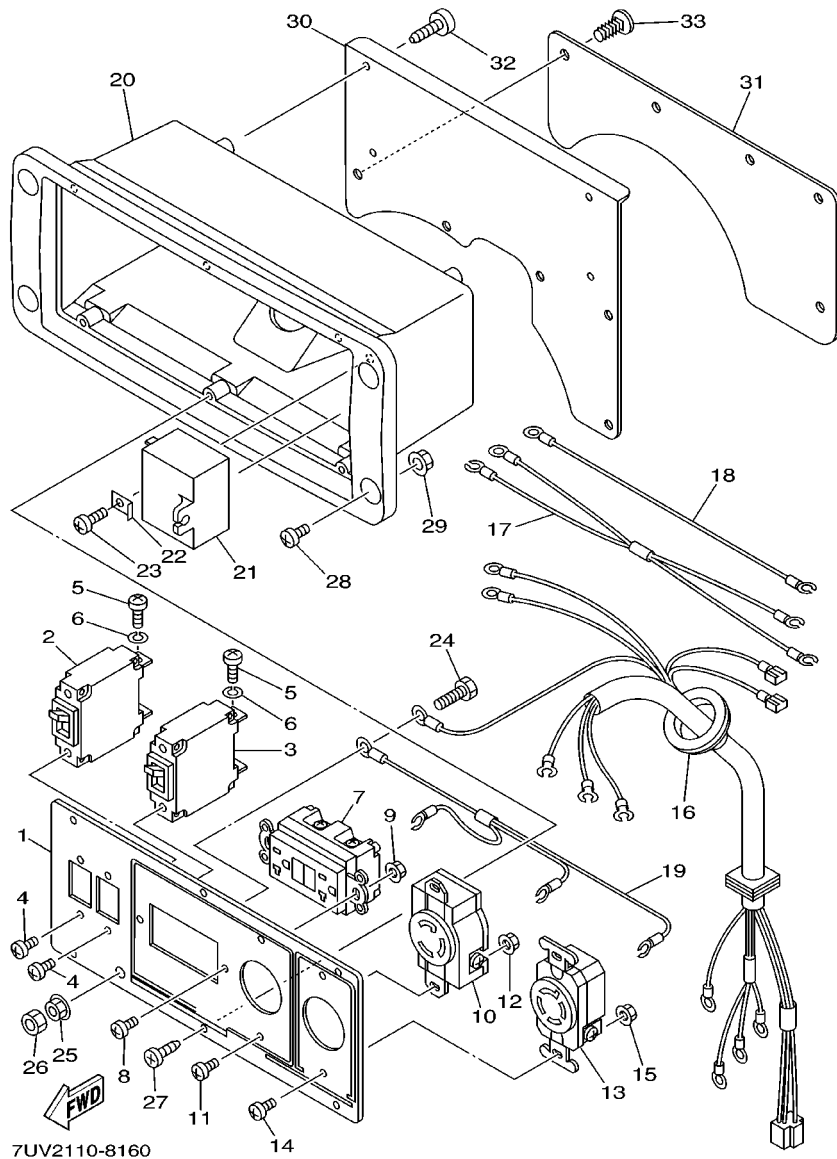
FIG. 15 GENERATOR 2 (EF6600A)

REF. NO.	PART NO.	DESCRIPTION	7WX2	7WY2	REMARKS
1	7RH-87150-40	STATOR ASSY (120V/240V-60HZ)		1	
2	73A-8712A-01	STATOR EXITER ASSY		1	
3	7RH-87160-02	ROTOR ASSY		1	
4	7LV-87115-00	.RECTIFIER ASSY 2		1	
5	97027-05050	.BOLT		4	
6	95307-05600	.NUT		4	
7	7LR-87172-01	.FAN, GENERATOR		1	
8	90159-06032	.SCREW, WITH WASHER		4	
9	93306-37202	.BEARING		1	
10	7LR-87220-00	TERMINAL SUB ASSY 1		1	
11	98507-05014	SCREW, PAN HEAD		2	
12	92907-05100	WASHER, SPRING		2	
13	92907-05600	WASHER, PLATE		2	
14	95307-05700	NUT		3	
15	92907-05100	WASHER, SPRING		3	
16	7RH-87131-00	FRAME, REAR		1	
17	7RH-87174-00-98	COVER, REAR END		1	LGB
18	97007-06010	BOLT		2	
19	92907-06600	WASHER, PLATE		2	
20	7RH-87153-00	COVER, STATOR		1	
21	95827-06130	BOLT, FLANGE		4	
22	7RH-81152-00	BOLT		1	
23	7LR-87159-00	SEAL, STATOR		4	
24	90159-05091	SCREW, WITH WASHER		4	
25	90462-05061	CLAMP		1	
26	98507-05010	SCREW, PAN HEAD		1	
27	92907-05600	WASHER, PLATE		1	

FIG. 15 GENERATOR 2 (EF6600A)



REF. NO.	PART NO.	DESCRIPTION	7WX2	7WY2	REMARKS
28	98507-05010	SCREW, PAN HEAD		1	
29	92907-05600	WASHER, PLATE		1	
30	90101-06739	BOLT		2	
31	92907-06600	WASHER, PLATE		2	
32	7J5-88195-00	HOLDER, CONNECTOR		1	
33	7LV-8713J-00	DAMPER		1	
34	98507-05020	SCREW, PAN HEAD		1	
35	92907-05600	WASHER, PLATE		1	
36	90387-06N38	COLLAR		1	
37	7LR-8722W-80	WIRE, LEAD 6		1	
38	98507-05010	SCREW, PAN HEAD		1	
39	92907-05600	WASHER, PLATE		1	
40	7NJ-87139-80	LEAD WIRE ASSY 2		1	
41	95880-06010	BOLT, FLANGE		1	
42	95780-06500	NUT, FLANGE		1	



7UV2110-8160

FIG. 16 CONTROL BOX 1 (EF4600A)

REF. NO.	PART NO.	DESCRIPTION	7WX2	7WY2	REMARKS
1	7UV-87249-40	PLATE	1		
2	7MF-87204-00	CIRCUIT BREAKER COMP. (35.8A)	1		
3	7RG-87204-40	BREAKER COMP. (AC250V-17A)	1		
4	98507-04005	SCREW, PAN HEAD	4		
5	98507-06012	SCREW, PAN HEAD	4		
6	92907-06100	WASHER, SPRING	4		
7	7MC-87221-A1	RECEPTACLE 1	1		
8	98507-04012	SCREW, PAN HEAD	2		
9	95707-04500	NUT, FLANGE	2		
10	7LR-87221-90	RECEPTACLE 1 (WCF63130BO2)	1		UR MATSUSHITA
	73H-87222-91	RECEPTACLE 2	1		UR P&S
	7VU-87221-90	RECEPTACLE 1	1		UR MEIKOSHA
11	98507-04012	SCREW, PAN HEAD	2		
12	95707-04500	NUT, FLANGE	2		
13	73H-87222-70	RECEPTACLE 2 (14-20R)	1		UR P&S
	7LR-87222-90	RECEPTACLE 2 (WCF63420BO2)	1		UR MATSUSHITA
	7UV-87222-40	RECEPTACLE (NEMA L14-20R)	1		UR MEIKOSHA
14	98507-04012	SCREW, PAN HEAD	2		
15	95707-04500	NUT, FLANGE	2		
16	7UV-87226-40	WIRE HARNESS ASSY	1		
17	7UW-87224-40	WIRE, LEAD 2	1		
18	7UW-8722X-40	WIRE, LEAD 5	1		
19	7UW-8722Y-40	WIRE, LEAD 4	1		
20	7UU-87213-00	COVER, CONTROL BOX	1		
21	7VX-87107-00	CONDENSER ASSY	1		
22	7LG-87248-00	HOLDER, BREAKER 2	1		
23	97707-40512	SCREW, TAPPING	1		

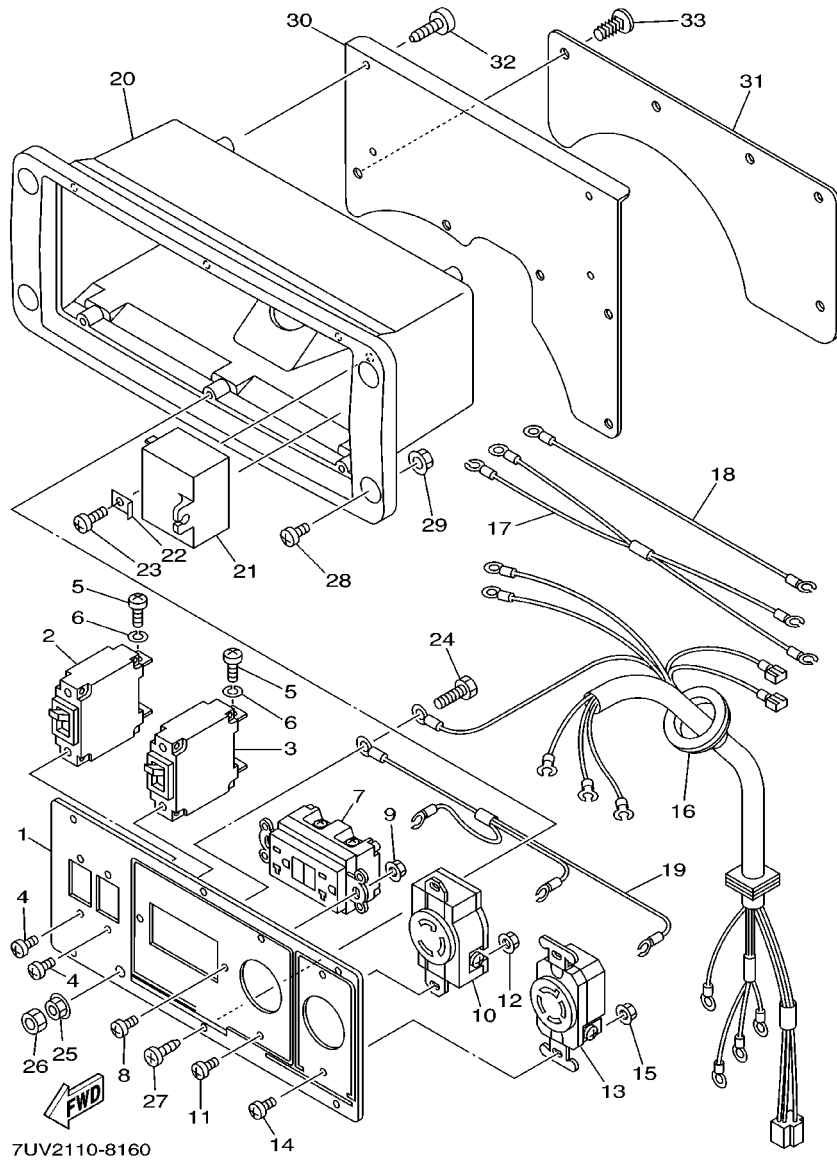


FIG. 16 CONTROL BOX 1 (EF4600A)

REF. NO.	PART NO.	DESCRIPTION	7WX2	7WY2	REMARKS
24	97080-06020	BOLT	1		
25	95707-06500	NUT, FLANGE	1		
26	95380-06700	NUT	1		
27	97707-40516	SCREW, TAPPING	6		
28	98907-06014	SCREW, BIND	4		
29	95707-06500	NUT, FLANGE	2		
30	7UU-15415-00	COVER, GENERATOR	1		
31	7UV-15416-00	COVER, OIL PUMP	1		
32	97707-50512	SCREW, TAPPING	4		
33	90338-08220	PLUG	5		

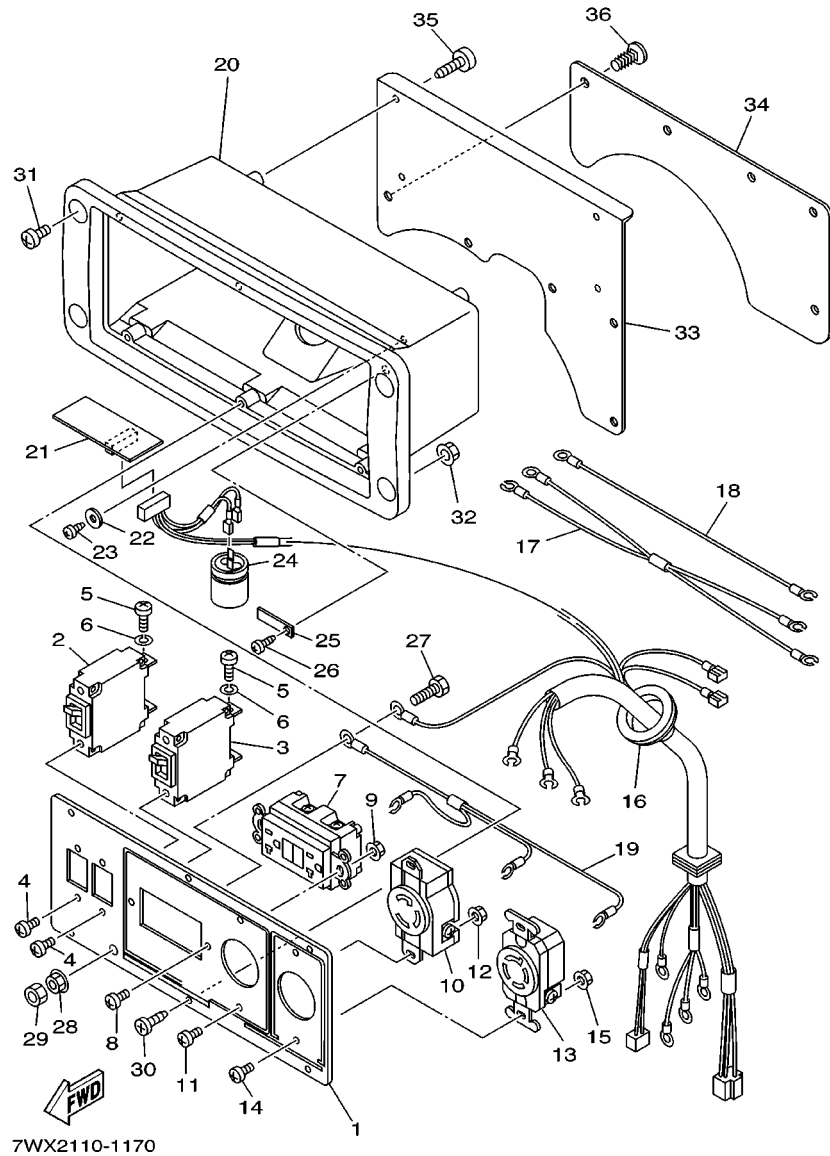


FIG. 17 CONTROL BOX 2 (EF6600A)

REF. NO.	PART NO.	DESCRIPTION	7WX2	7WY2	REMARKS
1	7UW-87249-40	PLATE		1	
2	7LU-87204-00	CIRCUIT BREAKER COMP. (50A)		1	
3	7RH-87204-60	BREAKER COMP. (220V-25A)		1	
4	98507-04005	SCREW, PAN HEAD		4	
5	98507-06012	SCREW, PAN HEAD		4	
6	92907-06100	WASHER, SPRING		4	
7	7MC-87221-A1	RECEPTACLE 1		1	
8	98507-04012	SCREW, PAN HEAD		2	
9	95707-04500	NUT, FLANGE		2	
10	7LR-87221-90	RECEPTACLE 1 (WCF63130B02)		1	MATSUSHITA
11	98507-04012	SCREW, PAN HEAD		2	
12	95707-04500	NUT, FLANGE		2	
13	7RH-87222-40	RECEPTACLE 2		1	UR MATSUSHITA
	7UW-87222-40	RECEPTACLE 2 (L14-30R UL)		1	UR MEIKOSHA
14	98507-04012	SCREW, PAN HEAD		2	
15	95707-04500	NUT, FLANGE		2	
16	7UW-87226-40	WIRE HARNESS ASSY		1	
17	7UW-87224-40	WIRE, LEAD 2		1	
18	7UW-8722X-40	WIRE, LEAD 5		1	
19	7UW-8722Y-40	WIRE, LEAD 4		1	
20	7UU-87213-00	COVER, CONTROL BOX		1	
21	7LU-8722A-00	VOLTAGE REGULATOR ASSY		1	
22	90201-03013	WASHER, PLATE		1	
23	97707-30512	SCREW, TAPPING		1	
24	7RH-87107-00	CONDENSER ASSY		1	
25	7LR-86112-00	STAY, SOLENOID		1	
26	97707-40512	SCREW, TAPPING		1	

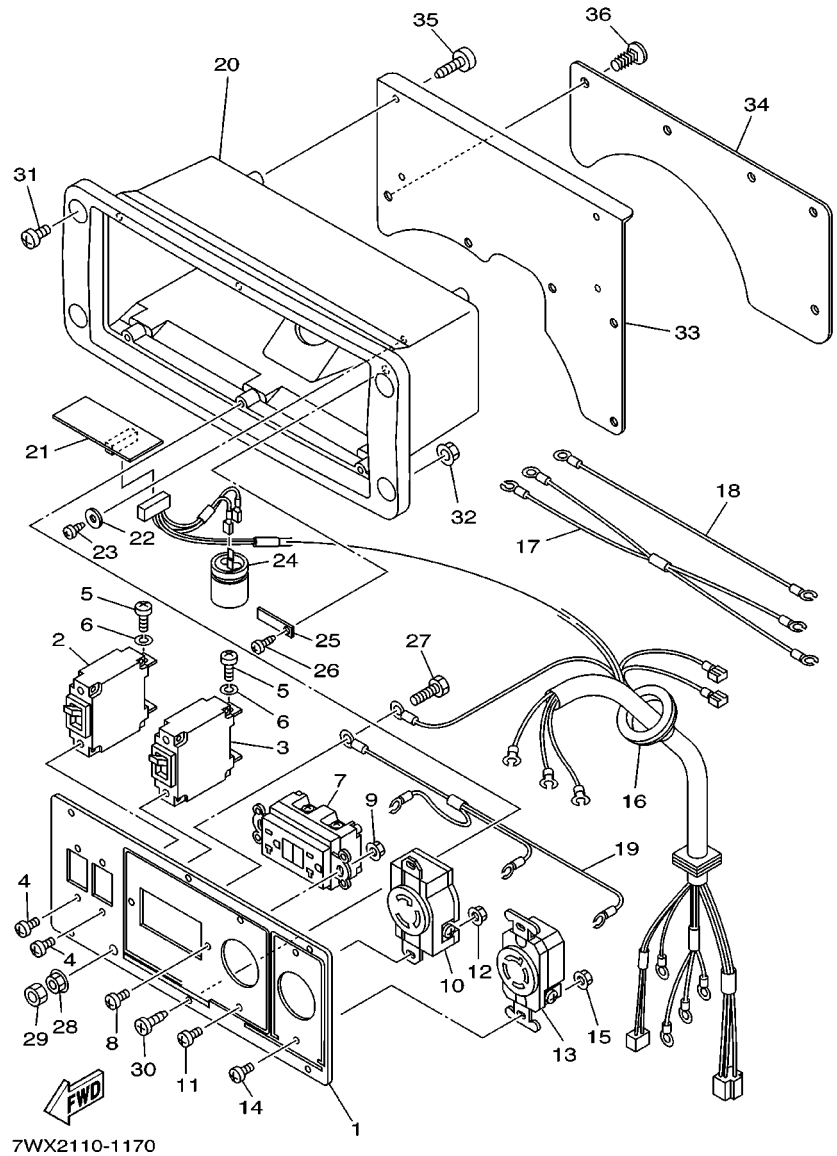
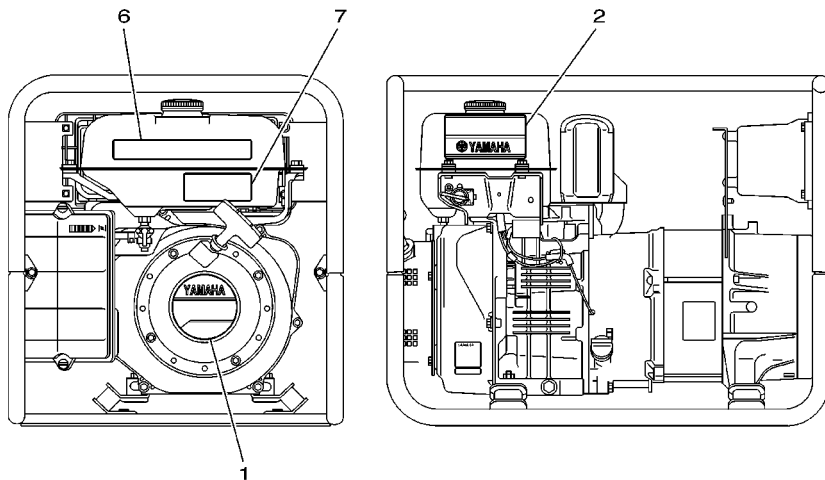
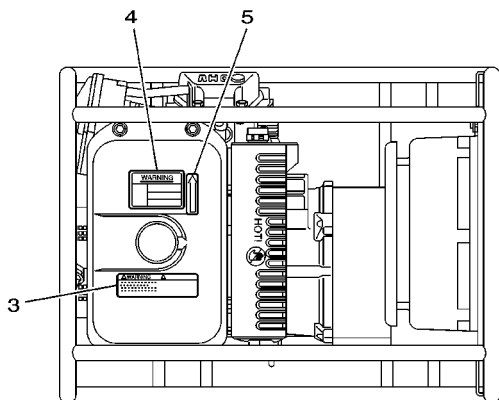


FIG. 17 CONTROL BOX 2 (EF6600A)

REF. NO.	PART NO.	DESCRIPTION	7WX2	7WY2	REMARKS
27	97080-06020	BOLT		1	
28	95707-06500	NUT, FLANGE		1	
29	95380-06700	NUT		1	
30	97707-40516	SCREW, TAPPING		6	
31	98907-06014	SCREW, BIND		4	
32	95707-06500	NUT, FLANGE		2	
33	7UU-15415-00	COVER, GENERATOR		1	
34	7UW-15416-00	COVER, OIL PUMP		1	
35	97707-50512	SCREW, TAPPING		4	
36	90338-08220	PLUG		5	

FIG. 18 LABELS



7XB2110-1160

REF. NO.	PART NO.	DESCRIPTION	7WX2	7WY2	REMARKS
1	7RJ-12629-00	EMBLEM (MZ300)	1		
	7RK-12629-00	EMBLEM (MZ360)		1	
2	7UV-24161-00	EMBLEM 1 (EF4600A)	1		
	7UW-24161-00	EMBLEM 1 (EF6600A)		1	
3	7TA-24162-10	EMBLEM 2 (WARNING)	1	1	
4	73H-2415A-00	LABEL, CAUTION (WARNING)	1	1	
5	7Y0-2415A-10	LABEL, CAUTION (HOT EXHAUST)	1	1	
6	7RG-2179R-05	PLATE, EPA 2(CALIFORNIA)	1		
	7RH-2179R-05	PLATE, EPA 2(CALIFORNIA)		1	
7	7UH-2111F-00	LABEL, EMISSION	1	1	

NUMERICAL INDEX

PARTNO.	REF. NO.	PARTNO.	REF. NO.	PARTNO.	REF. NO.	PARTNO.	REF. NO.	PARTNO.	REF. NO.	PARTNO.	REF. NO.
7RG-11011-00	10 - 4	22F-12159-00	4 - 10	7UU-15415-00	16 - 30	7WG-85640-00	12 - 2	7VU-87221-90	16 - 10	90501-264A9	4 - 6
7RG-11012-00	10 - 5	7WG-12170-00	4 - 1		17 - 33	7WG-85650-00	12 - 1	7LR-87222-90	16 - 13	90506-04458	3 - 16
7WE-11111-00	1 - 1	7WG-12287-00	4 - 2	7UV-15416-00	16 - 31	7NN-85690-10	13 - 5	7RH-87222-40	17 - 13	92907-05100	14 - 9
7WG-11111-00	1 - 1	7WG-12621-10	5 - 1	7UW-15416-00	17 - 34	7RH-85720-02	12 - 8	7UV-87222-40	16 - 13		14 - 12
7RH-11166-00	1 - 10	7RJ-12629-00	18 - 1	7UW-15417-00	9 - 20	7NJ-85724-00	12 - 10	7UW-87222-40	17 - 13		15 - 12
7WE-11181-00	1 - 2	7RK-12629-00	18 - 1	7RH-15451-01	9 - 16	7LR-86112-00	17 - 25	73H-87222-70	16 - 13		15 - 15
7WG-11181-00	1 - 2	7RH-12651-01	5 - 3	7RH-15710-00	5 - 4	7RH-87107-00	17 - 24	73H-87222-91	16 - 10	92907-05600	14 - 10
7WG-11190-00	1 - 7	7RH-13557-00	6 - 2	7RH-15711-00	5 - 5	7VX-87107-00	16 - 21	7UW-87224-40	16 - 17		14 - 21
JN6-11193-00	1 - 8	7RH-13567-00	6 - 3	7RH-15713-00	5 - 7	7FK-87115-01	14 - 3		17 - 17		14 - 27
812-11198-00	9 - 7	7RH-13596-10	6 - 1	7RH-15714-00	5 - 6	7LV-87115-00	15 - 4	7UV-87226-40	16 - 16		15 - 13
7WR-11400-00	2 - 1	7UV-14101-00	7 - 1	7RH-15715-00	5 - 10	73A-8712A-01	15 - 2	7UW-87226-40	17 - 16		15 - 27
7WR-11400-10	2 - 1	7UW-14101-00	7 - 1	7RH-15716-00	5 - 9	7LR-8713J-00	14 - 28	7LG-87248-00	16 - 22		15 - 29
7WG-11454-00	2 - 8	4CW-14117-00	7 - 11	7RH-15723-00	5 - 16		15 - 33	7UV-87249-40	16 - 1		15 - 35
7RH-11603-00	2 - 3	7LV-14118-00	7 - 22	7RH-15741-00	5 - 8	7LR-87131-02	14 - 13	7UW-87249-40	17 - 1		15 - 39
7RH-11604-00	2 - 3	73A-1414G-00	7 - 9	JK4-15743-00	5 - 11	7RH-87131-00	15 - 16	7J5-88195-00	14 - 25	92907-06100	16 - 6
7RH-11605-00	2 - 3	620-14142-57-A0	7 - 7	7RH-15751-00	5 - 13	7NJ-87139-80	14 - 31		15 - 32		17 - 6
JN6-11610-00	2 - 3	73A-14150-00	7 - 21	7RH-15755-00	5 - 14		15 - 40	90101-06739	15 - 30	92907-06600	3 - 13
JN6-11610-10	2 - 3	7EG-14159-00	7 - 19	7NJ-15793-00	5 - 12	7RH-87150-40	15 - 1	90109-06513	9 - 11		14 - 17
JN6-11610-20	2 - 3	7RG-14162-00	7 - 16	7UH-2111F-00	18 - 7	7VX-87150-40	14 - 1	90159-05091	15 - 24		14 - 24
JN6-11631-00-A0	2 - 2	796-14184-00	7 - 13	7RG-2179R-05	18 - 6	7RG-87153-00	14 - 18	90159-06032	14 - 5		15 - 19
7RH-11631-00-A0	2 - 2	JN6-14185-00	7 - 14	7RH-2179R-05	18 - 6	7RH-87153-00	15 - 20		15 - 8		15 - 31
447-11633-00	2 - 4	22F-14186-00	7 - 18	7RH-22840-00	10 - 1	7LR-87159-00	14 - 22	90170-05302	4 - 11	93102-35191	9 - 3
583-11633-00	2 - 4	7E1-14191-00	7 - 6	7UW-22850-00	10 - 2		15 - 23	90170-18391	12 - 4		9 - 13
JN6-11635-00	2 - 2	127-14198-00	7 - 15	7RH-22891-00	10 - 6	7RH-87160-02	15 - 3	90173-06017	3 - 14	93109-08050	9 - 4
7RH-11635-00	2 - 2	7NJ-14211-00	7 - 4	7RK-24110-01-NJ	11 - 1	7VX-87160-00	14 - 2	90201-03013	17 - 22	93210-22344	9 - 19
JN6-11636-00	2 - 2	73A-14212-00	7 - 5	7WT-24115-00	11 - 10	7LR-87172-01	14 - 4	90201-06380	11 - 8	93306-20201	9 - 5
7RH-11636-00	2 - 2	7RH-14216-00	7 - 2	7RK-24116-02	11 - 11		15 - 7	90201-065K7	3 - 4		9 - 14
JN6-11650-00	2 - 6	3G2-14231-20-A0	7 - 10	7Y0-2415A-10	18 - 5	7RH-87174-00-98	14 - 15	90201-067L0	3 - 6	93306-20714	9 - 12
JN6-11654-00	2 - 7	3G2-14231-21-A0	7 - 10	73H-2415A-00	18 - 4		15 - 17	90201-08092	3 - 9	93306-30709	9 - 2
7RH-11913-00	3 - 2	7X9-14239-00	7 - 12	7UV-24161-00	18 - 2	7LU-87204-00	17 - 2	90201-08102	11 - 14	93306-37202	14 - 6
7FK-11914-00	3 - 3	7RH-14411-01	6 - 4	7UW-24161-00	18 - 2	7MF-87204-00	16 - 2	90201-086A3	8 - 7		15 - 9
7KY-11917-00	3 - 7	7RH-14412-01	6 - 5	7TA-24162-10	18 - 3	7RG-87204-40	16 - 3	90201-180T9	12 - 5	93440-06107	3 - 5
7RH-11922-00	3 - 8	7RH-14429-00	6 - 8	730-24167-10	11 - 4	7RH-87204-60	17 - 3	90280-04052	12 - 6	93450-21053	2 - 5
7RK-11924-10	3 - 11	7RH-14451-00	6 - 7	7RK-24181-00	11 - 5	7UU-87213-00	16 - 20	90338-05251	11 - 12	93501-08001	7 - 17
7RK-11925-20	3 - 20	7RH-14468-00	6 - 6	7NJ-24500-01	11 - 17		17 - 20	90338-08220	16 - 33	94702-00331	1 - 6
7RH-11928-00	3 - 15	7LV-14477-00	6 - 9	7NJ-24515-01	11 - 22	7LU-8722A-00	17 - 21		17 - 36	95307-05600	15 - 6
7RK-11950-11	3 - 17	7RH-14486-00	7 - 3	7J3-24521-00	11 - 18	7LR-8722W-80	14 - 30	90340-12097	9 - 6	95307-05700	14 - 11
7RH-11970-00	3 - 1	7KY-14613-01	8 - 9	7NJ-24532-00	11 - 21		15 - 37	90387-06N38	14 - 29		15 - 14
7RH-11971-00	9 - 15	7RK-14708-00	8 - 4	7NJ-24534-00	11 - 20	7UW-8722X-40	16 - 18		15 - 36	95307-08600	8 - 8
JN6-12111-01	4 - 3	7RK-14721-02	8 - 1	4X8-24565-00	11 - 19		17 - 18	90387-067K8	11 - 9	95380-06700	16 - 26
J38-12117-01	4 - 7	7LR-14786-00	8 - 2	7T9-24610-00	11 - 2	7UW-8722Y-40	16 - 19	90445-10456	11 - 15		17 - 29
J38-12118-00	4 - 8	1WG-14922-00	7 - 20	7T9-24612-00	11 - 3		17 - 19	90462-05061	15 - 25	95607-08700	1 - 11
4G0-12119-00	4 - 14	7RK-1495N-6B	7 - 8	7LV-28100-00	11 - 23	7LR-87220-00	14 - 7	90464-07078	13 - 4	95627-08618	1 - 5
7RH-12121-00	4 - 4	7WE-15111-00	9 - 1	7RG-81152-00	14 - 19		15 - 10	90464-16039	13 - 9	95704-06500	13 - 2
JN6-12151-00	4 - 9	7WG-15111-00	9 - 1	7RH-81152-00	15 - 22	7LR-87221-90	16 - 10	90467-09037	11 - 16		13 - 7
JN6-12153-00	4 - 5	796-15363-01	9 - 18	7RK-82139-00	13 - 8		17 - 10	90468-12006	3 - 10	95707-04500	16 - 9
JN6-12154-00	4 - 13	7RH-15411-01	9 - 9	JN6-82370-00	12 - 7	7MC-87221-A1	16 - 7	90480-15235	11 - 7		16 - 12
J38-12156-00	4 - 12	7RH-15414-00	9 - 10	7NN-82550-00	13 - 1		17 - 7	90501-090A8	3 - 19		16 - 15

NUMERICAL INDEX

PARTNO.	REF. NO.	PARTNO.	REF. NO.	PARTNO.	REF. NO.	PARTNO.	REF. NO.	PARTNO.	REF. NO.	PARTNO.	REF. NO.
95707-04500	17 - 9	98507-04012	16 - 11								
	17 - 12		16 - 14								
	17 - 15		17 - 8								
95707-06500	16 - 25		17 - 11								
	16 - 29		17 - 14								
	17 - 28	98507-05010	14 - 20								
	17 - 32		15 - 26								
95707-08500	6 - 10		15 - 28								
95707-10500	10 - 8		15 - 38								
95780-06500	14 - 33	98507-05014	14 - 8								
	15 - 42		15 - 11								
95807-06008	5 - 15	98507-05020	14 - 26								
95807-06010	10 - 3		15 - 34								
95807-06012	5 - 2	98507-05030	3 - 18								
95807-06016	6 - 11	98507-06012	16 - 5								
95807-10030	10 - 7		17 - 5								
95817-08020	11 - 13	98507-06014	13 - 3								
95817-08045	9 - 17	98507-06020	13 - 6								
95817-10070	1 - 3	98907-06014	16 - 28								
95827-06008	8 - 5		17 - 31								
95827-06012	9 - 21	99530-08016	9 - 8								
	12 - 9	99530-14016	1 - 4								
95827-06020	11 - 6										
95827-06030	1 - 9										
95827-06100	14 - 14										
95827-06130	15 - 21										
95827-08016	8 - 6										
95880-06010	14 - 32										
	15 - 41										
95880-06020	12 - 3										
97007-06010	14 - 16										
	15 - 18										
97027-05050	15 - 5										
97027-06030	3 - 12										
97027-06080	14 - 23										
97080-06020	16 - 24										
	17 - 27										
97707-30512	17 - 23										
97707-40506	8 - 3										
97707-40512	16 - 23										
	17 - 26										
97707-40516	16 - 27										
	17 - 30										
97707-50512	16 - 32										
	17 - 35										
98507-04005	16 - 4										
	17 - 4										
98507-04012	16 - 8										