

# PARTS CATALOGUE

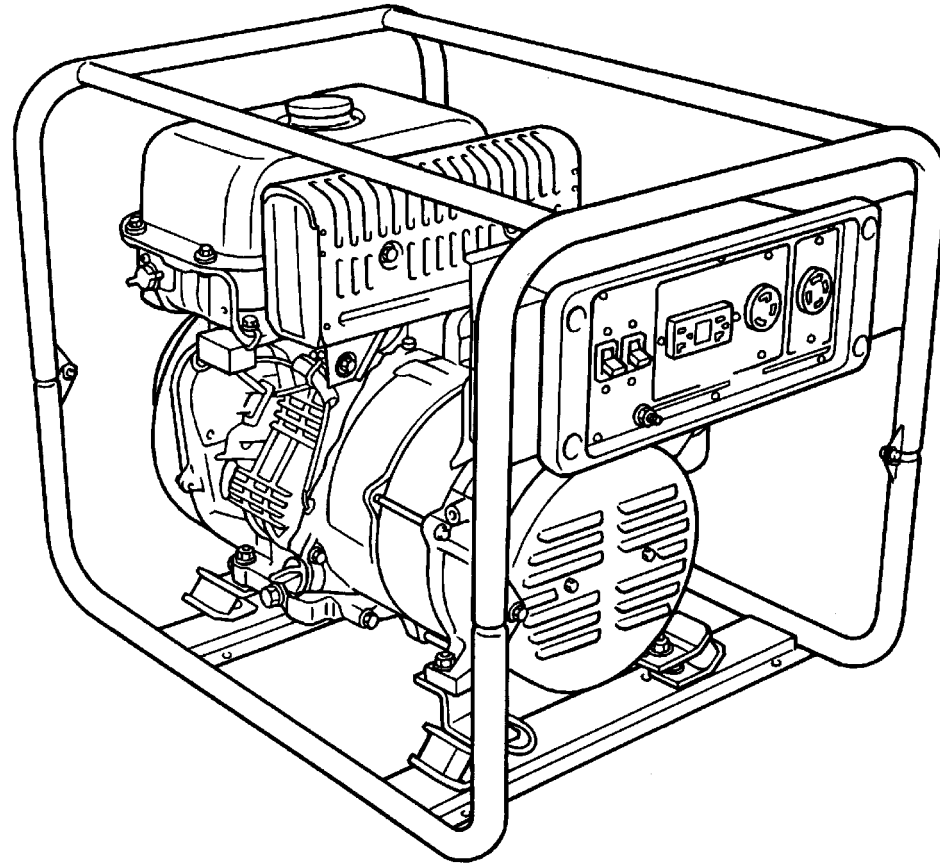
YAMAHA GENERATOR

**EF4600A** (7XB2) (120/240V-60Hz) USA

**YAMAHA**  
**GENUINE**  
Parts & Accessories

117XB-110E1

EF4600A  
PARTS CATALOGUE  
©2001 by Yamaha Motor Co., Ltd.  
1st Edition, Mar. 2001  
All rights reserved.  
Any reprinting or unauthorized use  
without the written permission of  
Yamaha Motor Co., Ltd.  
is expressly prohibited.  
Printed in Japan



# FOREWORD

This Parts Catalogue is related to the parts for the model(s) in the below frame. When you are ordering replacement parts, please refer to this Parts Catalogue and quote both part numbers and part names correctly.

1. Modifications or additions which have been made after issue of the Parts Catalogue will be announced in the Yamaha Parts News.  
It is advisable that you make necessary corrections to the Parts Catalogue according to the Yamaha Parts News.

2. Abbreviations

The following abbreviations are used in this Parts Catalogue.

“UR” Use specified parts number.

“UN” Use as many as needed.

“AP” Alternate Parts

“LM” Local Made (Parts need to be ordered locally)

“F#” Frame No. (Applicable machine No.)

3. Parts, which are to be supplied in an assembly, are listed with a dot(.) in front of the part name as shown below.

EXAMPLE

CARBURETOR ASSY

.JET, PILOT

.NOZZLE, MAIN

4. Number of component for assembly

The numeral appearing to the right of each component part indicates the quantity of parts for each assembly unit.

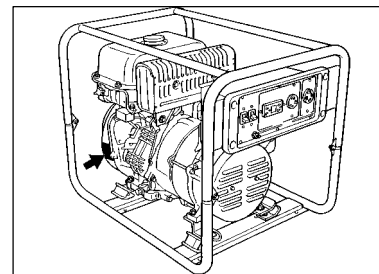
EXAMPLE

PART NO.	DESCRIPTION	Q'TY	REMARKS
2F5-83310-60	FRONT FLASHER LIGHT ASSY	2	
115-83311-60	.BULB (6V-18W)	1	

5. Applicable Starting Serial No. and Color Code

MODEL NAME	MODEL TYPE	FRAME NO.
EF4600A	7XB2	7XB-200101

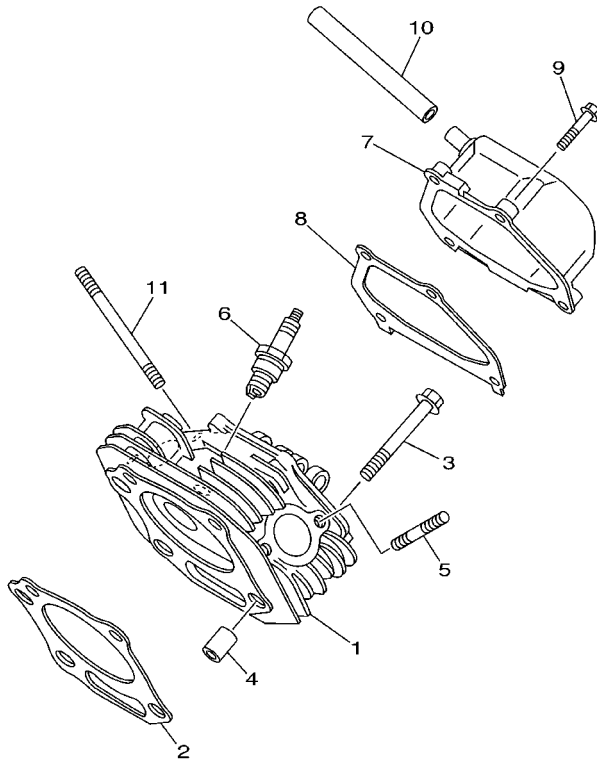
Engine Serial No.



Color Code	Color Name	Abbreviation	MODEL	Country (destination)
00NJ	FARAWAY BLUE	FWB	7XB2	USA

6. Note that the illustrations for reference in finding parts numbers, not to be used for assembling. When assembling, please use the applicable service manual.

7. The asterisk (\*) before a reference number indicates modification items after the first edition.



**FIG. 1 CYLINDER**

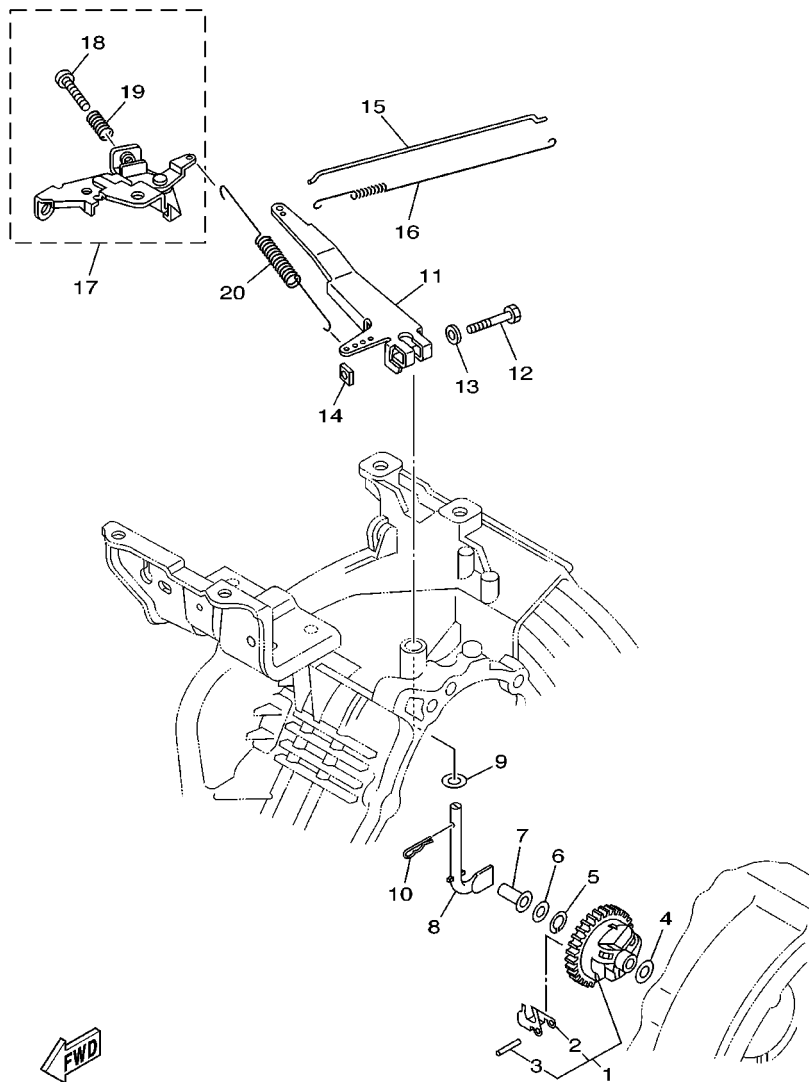
REF. NO.	PART NO.	DESCRIPTION	7XB2				REMARKS
1	7RG-11111-01	HEAD, CYLINDER 1	1				
2	7RG-11181-02	GASKET, CYLINDER HEAD 1	1				
3	95817-10070	BOLT, FLANGE	4				
4	99530-14016	PIN, DOWEL	2				
5	95627-08618	BOLT, STUD	2				
6	94702-00331	PLUG, SPARK (NGK BPR4ES)	1				
7	7RH-11190-00	COVER, CYLINDER HEAD 1	1				
8	JN6-11193-00	GASKET, HEAD COVER 1	1				
9	95827-06030	BOLT, FLANGE	4				
10	7RH-11166-00	PIPE, BREATHER 1	1				
11	95607-08700	BOLT, STUD	2				



7UV2171-9010



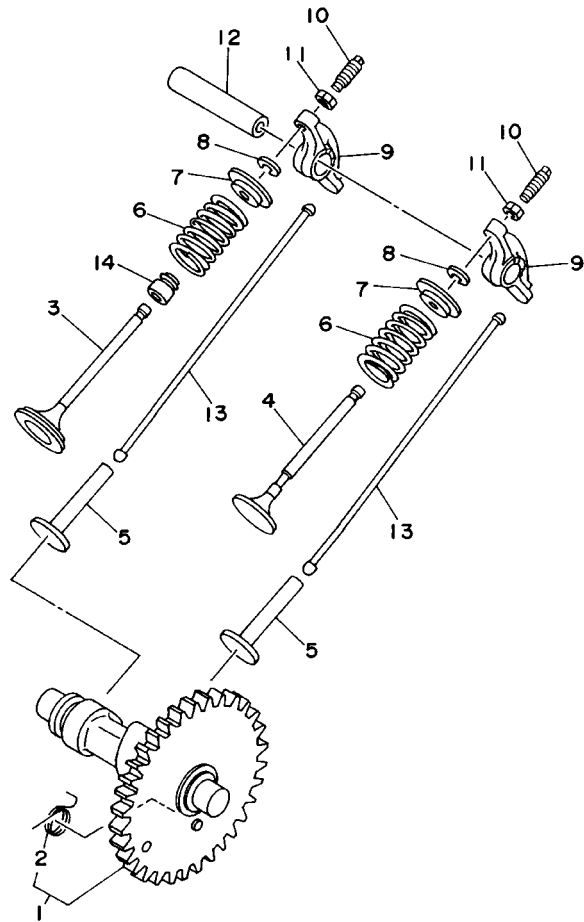
**FIG. 3 GOVERNOR 1**



7XB2110-1030

REF. NO.	PART NO.	DESCRIPTION	7XB2				REMARKS
1	7RH-11970-00	FLYWEIGHT SHAFT ASSY.	1				
2	7RH-11913-00	.WEIGHT	3				
3	7FK-11914-00	.SHAFT, WEIGHT	3				
4	90201-065K7	WASHER, PLATE	1				
5	93440-06107	CIRCLIP	1				
6	90201-067L0	WASHER, PLATE	1				
7	7KY-11917-00	COLLAR	1				
8	7RH-11922-00	FORK, GOVERNOR	1				
9	90201-08092	WASHER, PLATE	2				
10	90468-12006	CLIP	1				
11	7RK-11924-10	ARM, GOVERNOR	1				
12	97027-06030	BOLT	1				
13	92907-06600	WASHER, PLATE	1				
14	90173-06017	NUT, SQUARE	1				
15	7RH-11928-00	ROD, LINK	1				
16	90506-04458	SPRING, TENSION	1				
17	7RK-11950-11	ADJUST PLATE COMP.	1				
18	98507-05030	.SCREW, PAN HEAD	1				
19	90501-090A8	.SPRING, COMPRESSION	1				
20	7RK-11925-20	SPRING, GOVERNOR	1				

**FIG. 4 CAMSHAFT.VALVE**

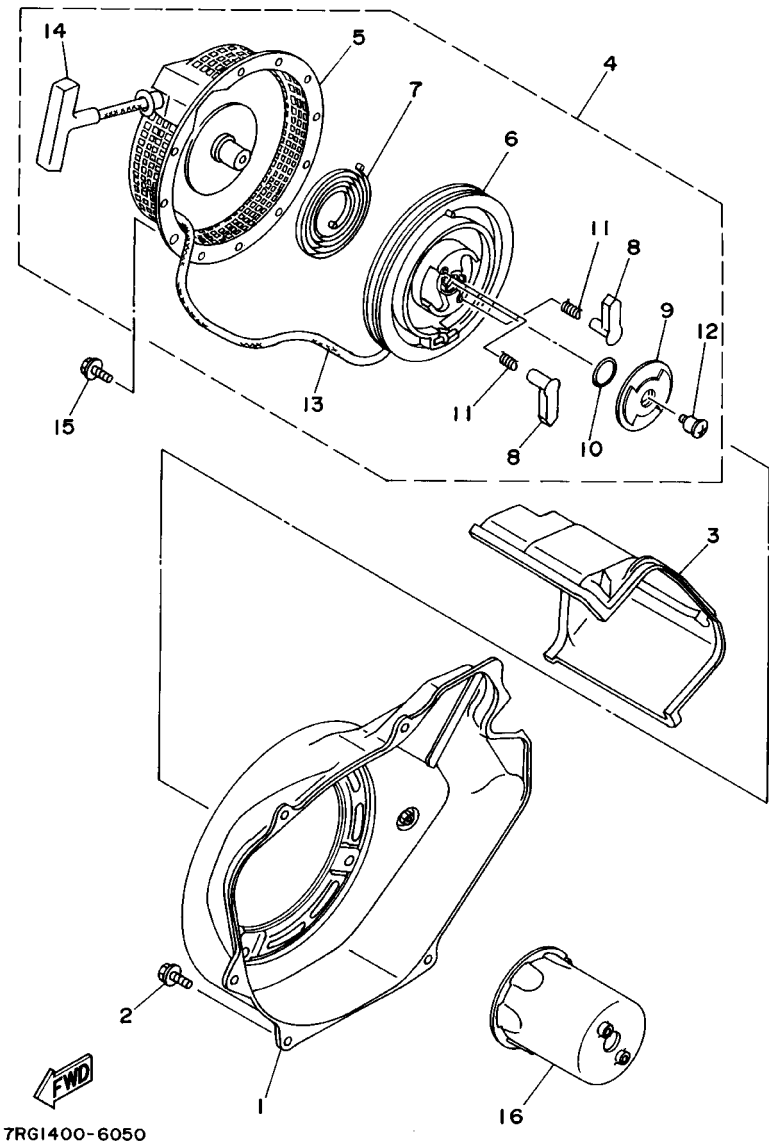


REF. NO.	PART NO.	DESCRIPTION	7XB2				REMARKS
1	7RH-12170-00	CAMSHAFT ASSY 1	1				
2	7NJ-12287-00	.SPRING, DECOMPRESSION	1				
3	JN6-12111-01	VALVE, INTAKE	1				
4	7RH-12121-00	VALVE, EXHAUST	1				
5	JN6-12153-00	LIFTER, VALVE	2				
6	90501-264A9	SPRING, COMPRESSION	2				
7	J38-12117-01	RETAINER, VALVE SPRING	2				
8	J38-12118-00	COTTER, VALVE	2				
9	JN6-12151-00	ARM, VALVE ROCKER	2				
10	22F-12159-00	SCREW, VALVE ADJUSTING	2				
11	90170-05302	NUT	2				
12	J38-12156-00	SHAFT, ROCKER 2	1				
13	JN6-12154-00	ROD, VALVE PUSH	2				
14	4G0-12119-00	SEAL, VALVE STEM	1				



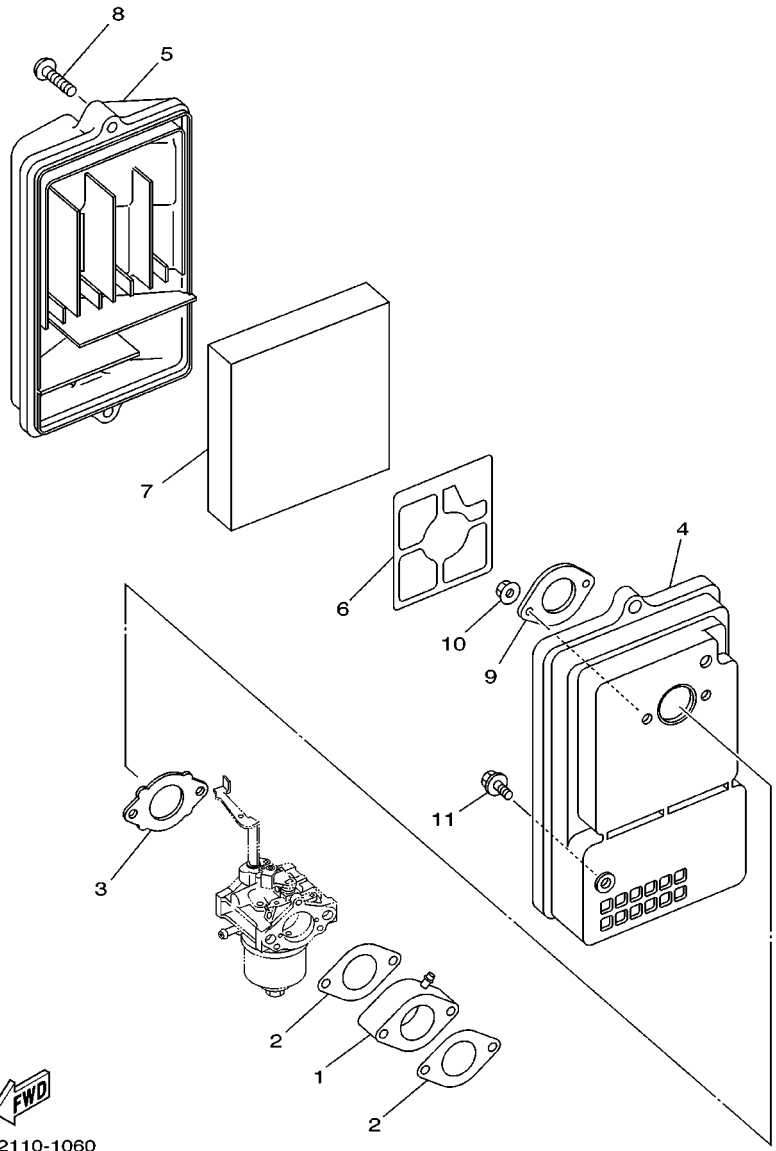
7RG1400-6040





**FIG. 5 AIR SHROUD. STARTER**

REF. NO.	PART NO.	DESCRIPTION	7XB2	REMARKS
1	7RH-12621-00	CASE, FAN	1	
2	95807-06012	BOLT, FLANGE	5	
3	7RH-12651-01	AIR SHROUD, CYLINDER 1	1	
4	7RH-15710-00	STARTER ASSY	1	
5	7RH-15711-00	.CASE, STARTER	1	
6	7RH-15714-00	.DRUM, SHEAVE	1	
7	7RH-15713-00	.SPRING, STARTER	1	
8	7RH-15741-00	.PAWL, DRIVE	2	
9	7RH-15716-00	.PLATE, DRIVE	1	
10	7RH-15715-00	.SPRING, FRICTION	1	
11	JK4-15743-00	.SPRING, RETURN	2	
12	7NJ-15793-00	.SCREW	1	
13	7RH-15751-00	.WIRE, STARTER	1	
14	7RH-15755-00	.HANDLE, STARTER	1	
15	95807-06008	BOLT, FLANGE	4	
16	7RH-15723-00	PULLEY, STARTER	1	

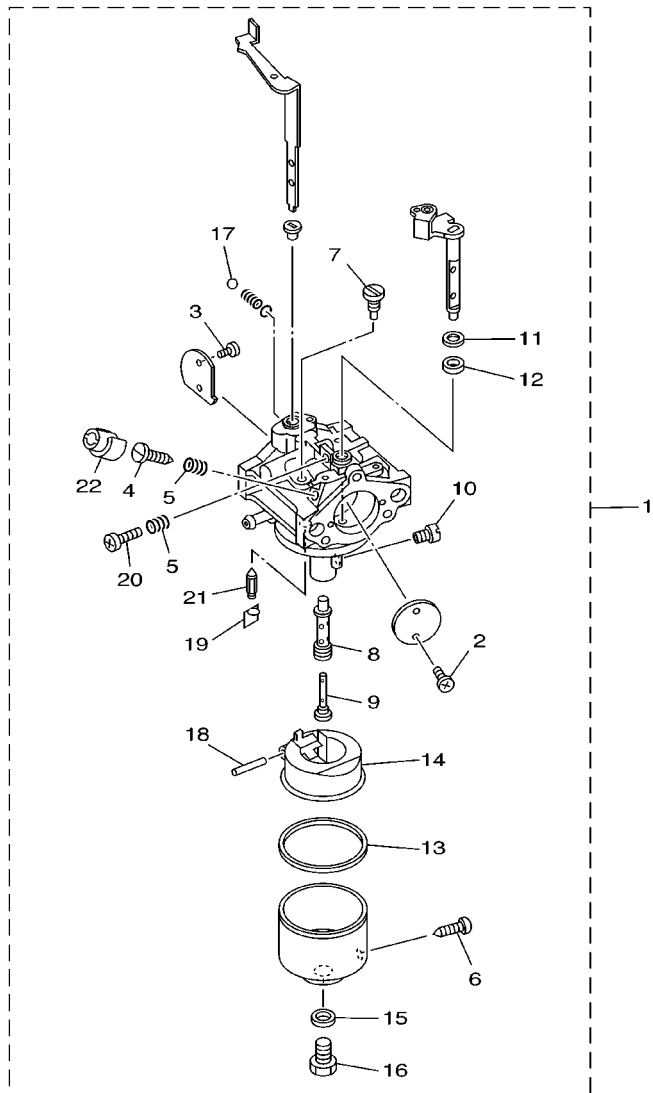


7XB2110-1060

FIG. 6 INTAKE

REF. NO.	PART NO.	DESCRIPTION	7XB2	REMARKS
1	7RH-13596-10	JOINT, CARBURETOR 2	1	
2	7RH-13557-00	GASKET	2	
3	7RH-13567-00	GASKET	1	
4	7RH-14411-01	CASE, AIR CLEANER 1	1	
5	7RH-14412-01	CAP, CLEANER CASE 1	1	
6	7RH-14468-00	PLATE, ELEMENT FITTING	1	
7	7RH-14451-00	ELEMENT, AIR CLEANER	1	
8	7RH-14429-00	SCREW	2	
9	7LV-14477-00	PLATE	1	
10	95707-08500	NUT, FLANGE	2	
11	95807-06016	BOLT, FLANGE	1	

**FIG. 7 CARBURETOR**

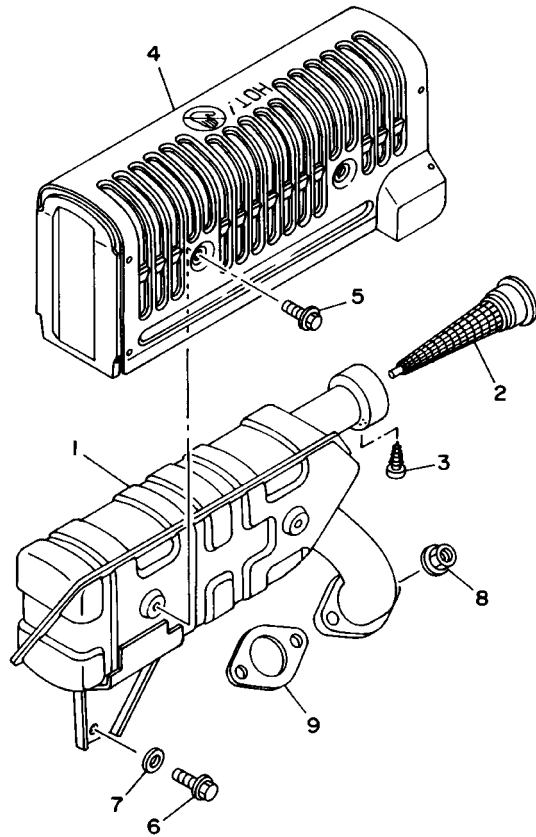


7UUV2110-8070



REF. NO.	PART NO.	DESCRIPTION	7XB2				REMARKS
1	7UV-14101-00	CARBURETOR ASSY 1	1				
2	7RH-14216-00	.SCREW	2				
3	7RH-14486-00	.SCREW, ROD	2				
4	7NJ-14211-00	.SCREW, PILOT ADJUSTING	1				
5	73A-14212-00	.SPRING	2				
6	7E1-14191-00	.PLUG, DRAIN	1				
7	620-14142-57-A0	.JET, PILOT (#100)	1				
8	7RK-1495N-6B	.NOZZLE, MAIN	1				
9	73A-1414G-00	.PIPE, MAIN BREED	1				
10	3G2-14231-20-A0	.JET, MAIN (#100)	1				
11	4CW-14117-00	.WASHER, PLUG SCREW	1				
12	7X9-14239-00	.SEAL	1				
13	796-14184-00	.GASKET, FLOAT CHAMBER	1				
14	JN6-14185-00	.FLOAT	1				
15	127-14198-00	.GASKET	1				
16	7RG-14162-00	.BOLT, HOLDING	1				
17	93501-08001	.BALL	1				
18	22F-14186-00	.PIN, FLOAT	1				
19	7EG-14159-00	.CLIP	1				
20	1WG-14922-00	.SCREW, THROTTLE	1				
21	73A-14150-00	.NEEDLE ASSY	1				
22	7LV-14118-00	.CAP (CUT AWAY 1/8)	1				

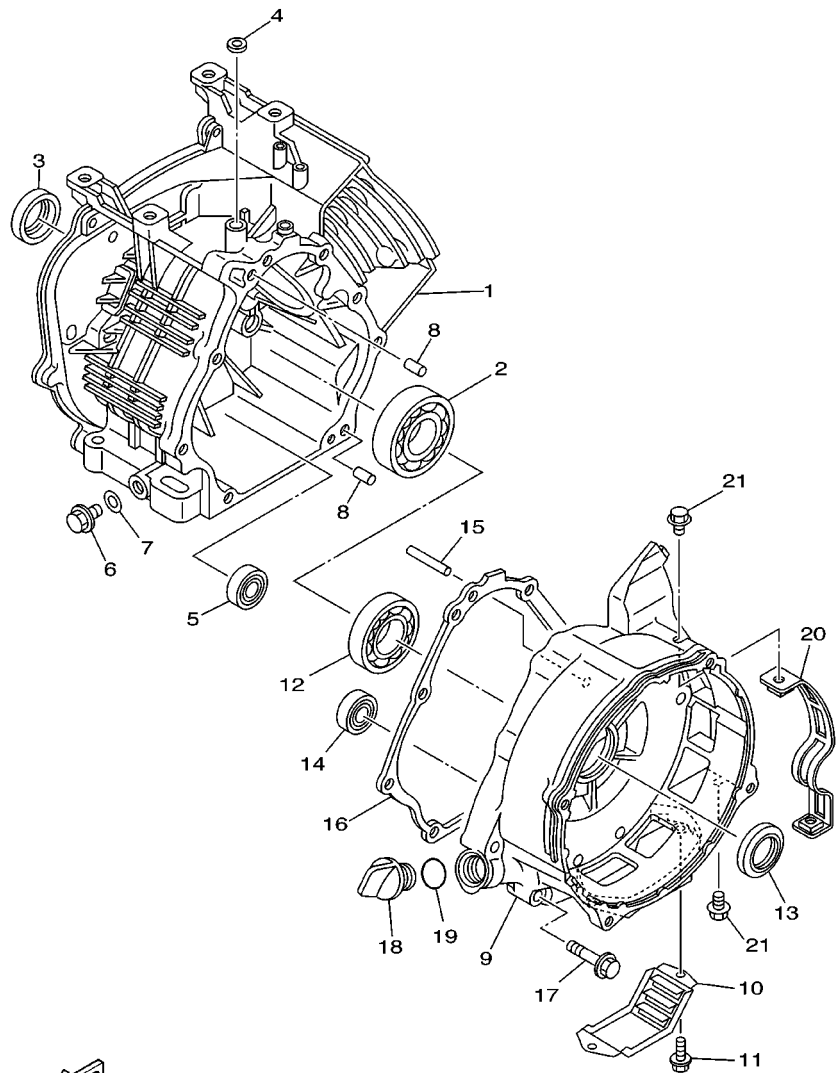
**FIG. 8 EXHAUST**



REF. NO.	PART NO.	DESCRIPTION	7XB2			REMARKS
1	7RK-14721-02	MUFFLER 2	1			
2	7LR-14786-00	ARRESTER, SPARK	1			
3	97707-40506	SCREW, TAPPING	1			
4	7RK-14708-00	PROTECTOR ASSY	1			
5	95827-06008	BOLT, FLANGE	4			
6	95827-08016	BOLT, FLANGE	1			
7	90201-086A3	WASHER, PLATE	1			
8	95307-08600	NUT	2			
9	7KY-14613-01	GASKET, EXHAUST PIPE	1			



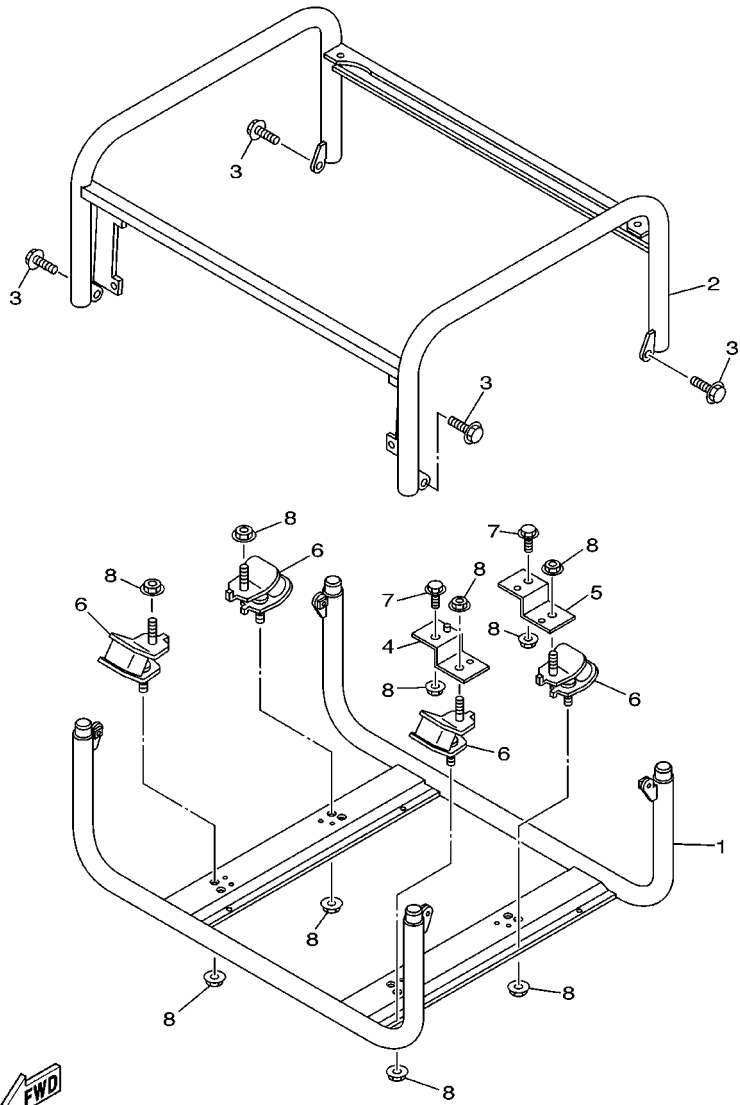
7RJI400-6100



7XB2110-1090

FIG. 9 CRANKCASE

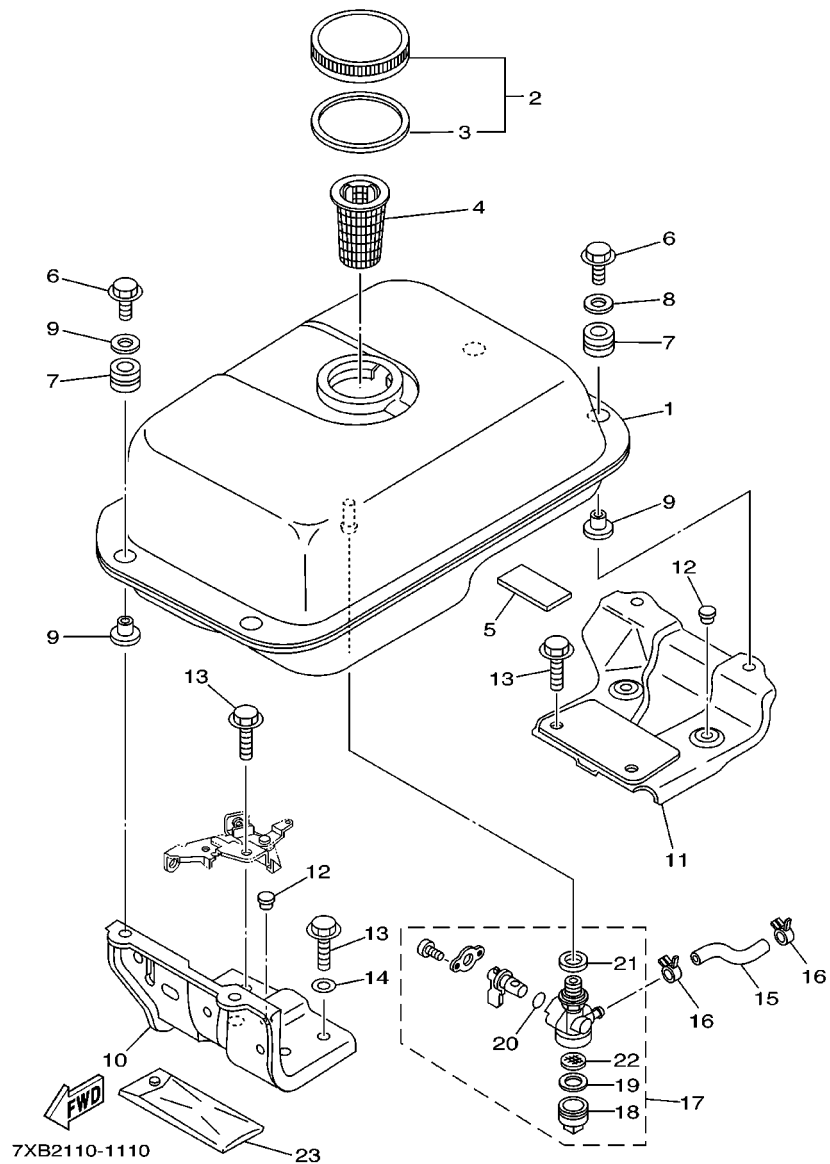
REF. NO.	PART NO.	DESCRIPTION	7XB2				REMARKS
1	7RJ-15111-00	CRANKCASE 1	1				
2	93306-30709	BEARING	1				
3	93102-35191	OIL SEAL	1				
4	93109-08050	OIL SEAL	1				
5	93306-20201	BEARING (B6202)	1				
6	90340-12097	PLUG, STRAIGHT SCREW	2				
7	812-11198-00	GASKET	2				
8	99530-08016	PIN, DOWEL	2				
9	7RH-15411-01	COVER, CRANKCASE 1	1				
10	7RH-15414-00	COVER, AIR CLEANER	1				
11	90109-06513	BOLT	2				
12	93306-20714	BEARING	1				
13	93102-35191	OIL SEAL	1				
14	93306-20201	BEARING (B6202)	1				
15	7RH-11971-00	SHAFT, FLYWEIGHT	1				
16	7RH-15451-00	GASKET, CRANKCASE COVER 1	1				
17	95817-08045	BOLT, FLANGE	8				
18	796-15363-01	PLUG, OIL	1				
19	93210-22344	O-RING	1				
20	7UW-15417-00	COVER, CAP	1				
21	95827-06012	BOLT, FLANGE	2				



7VX3300-1100

**FIG. 10 FRAME**

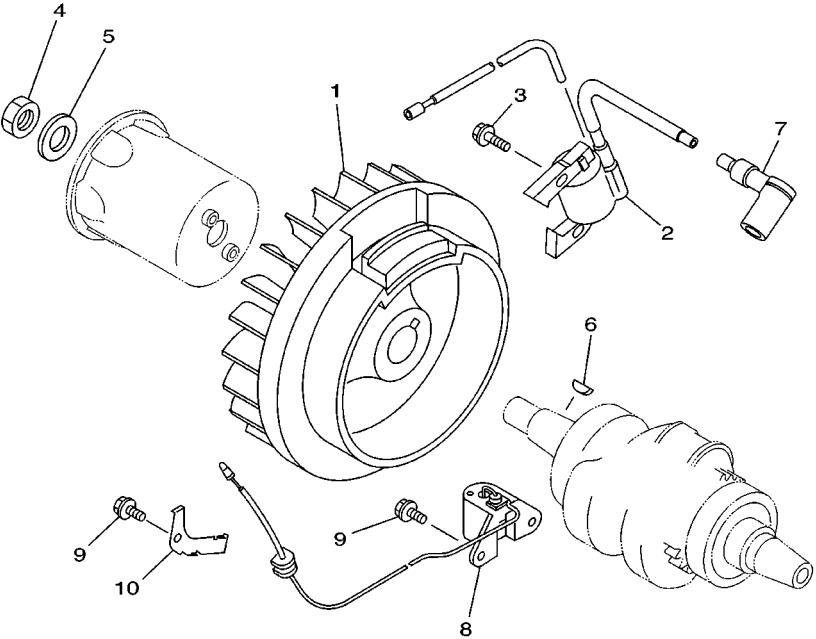
REF. NO.	PART NO.	DESCRIPTION	7XB2	REMARKS
1	7RH-22840-00	FRAME COMP.	1	
2	7UW-22850-00	FRAME COMP. 2	1	
3	95807-06010	BOLT, FLANGE	4	
4	7RG-11011-00	BRACKET, ENGINE 1	1	
5	7RG-11012-00	BRACKET, ENGINE 2	1	
6	7RH-22891-00	INSULATOR, MOUNTING	4	
7	95807-10030	BOLT, FLANGE	2	
8	95707-10500	NUT, FLANGE	10	



**FIG. 11 FUEL TANK**

REF. NO.	PART NO.	DESCRIPTION	7XB2				REMARKS
1	7RK-24110-01-NJ	FUEL TANK COMP.	1				FWB
2	7T9-24610-00	CAP ASSY	1				
3	7T9-24612-00	.GASKET, CAP	1				
4	730-24167-00	STRAINER	1				
5	7RK-24181-00	DAMPER, LOCATING 1	1				
6	95827-06020	BOLT, FLANGE	4				
7	90480-15235	GROMMET	4				
8	90201-06380	WASHER, PLATE	4				
9	90387-067K8	COLLAR	4				
10	7RK-24115-01	STAY, FUEL TANK 1	1				
11	7RK-24116-02	STAY, FUEL TANK	1				
12	90338-05251	PLUG	3				
13	95817-08020	BOLT, FLANGE	4				
14	90201-08102	WASHER, PLATE	1				
15	90445-10456	HOSE (L95)	1				
16	90467-09037	CLIP	2				
17	7NJ-24500-01	FUEL COCK ASSY 1	1				
18	7J3-24521-00	.CUP, FILTER	1				
19	4X8-24565-00	.GASKET	1				
20	7NJ-24534-00	.SEAL, COCK	1				
21	7NJ-24532-00	.GASKET	1				
22	7NJ-24515-00	.NET, FILTER 2	1				
23	7LV-28100-00	TOOL KIT	1				

**FIG. 12 MAGNETO**



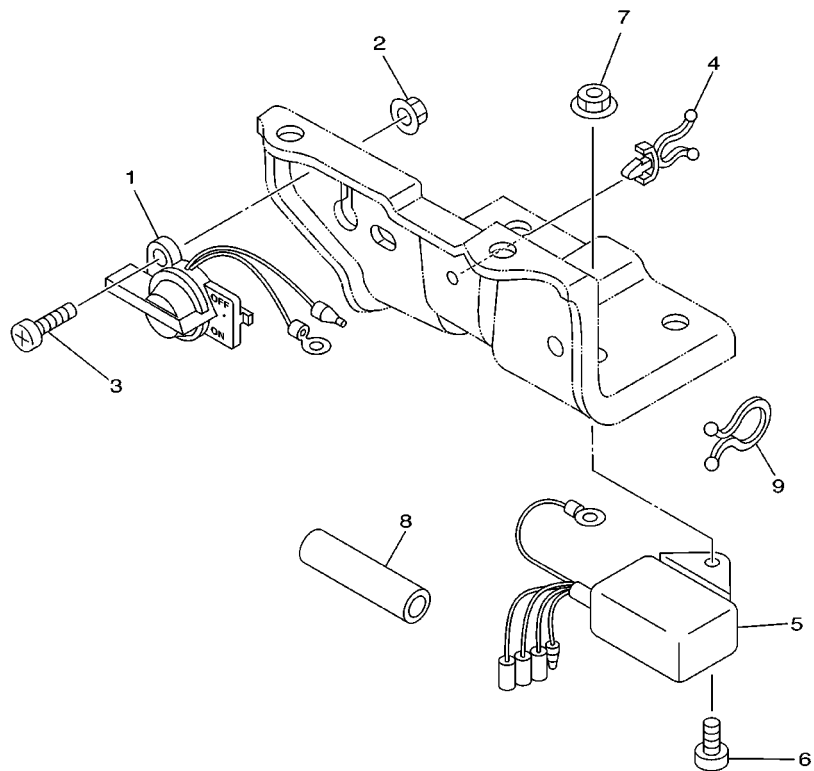
REF. NO.	PART NO.	DESCRIPTION	7XB2				REMARKS
1	7RG-85650-00	ROTOR ASSY (MANUAL START)	1				
2	7RH-85640-00	T.C.I. UNIT ASSY	1				
3	95880-06020	BOLT, FLANGE	2				
4	90170-18391	NUT	1				
5	90201-180T9	WASHER, PLATE	1				
6	90280-04052	KEY, WOODRUFF	1				
7	JN6-82370-00	PLUG CAP ASSY	1				
8	7RH-85720-02	OIL LEVEL GAUGE ASSY	1				
9	95827-06012	BOLT, FLANGE	3				
10	7NJ-85724-00	CLAMP	1				

FWD  
7UV2110-8121



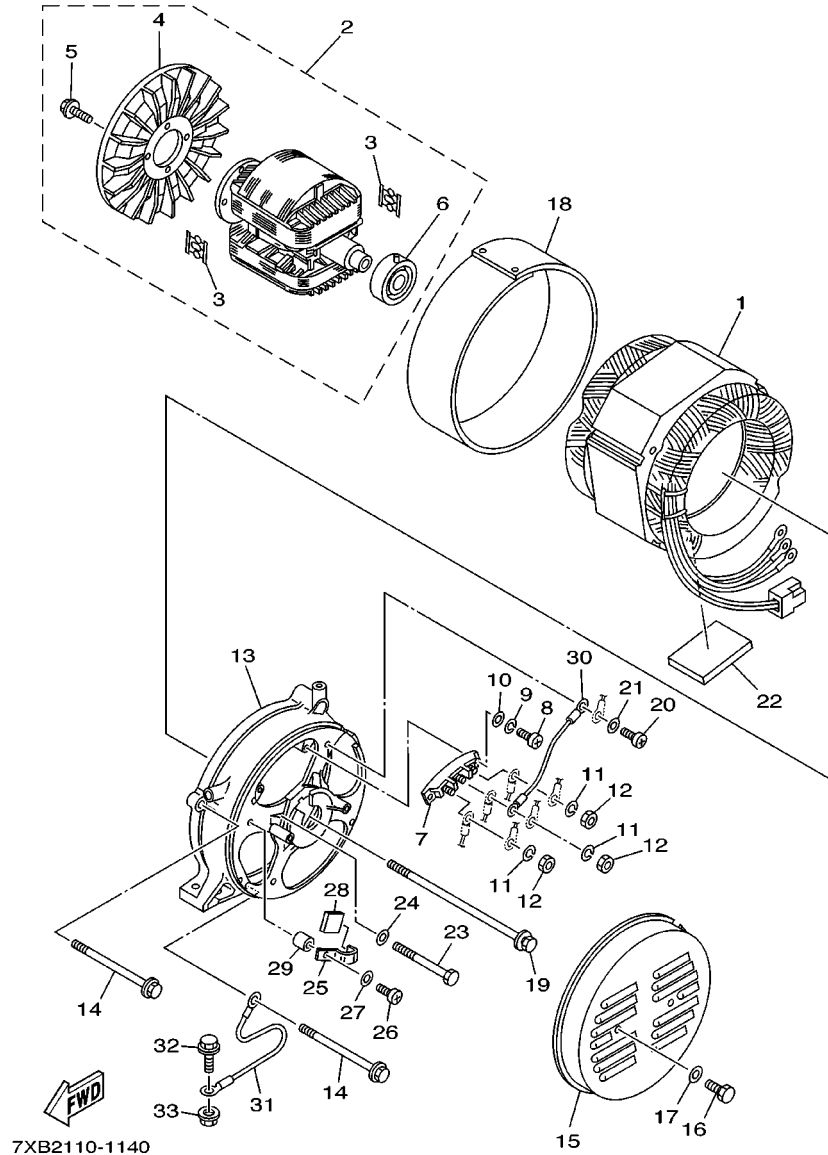
**FIG. 13 ELECTRICAL**

REF. NO.	PART NO.	DESCRIPTION	7XB2				REMARKS
1	7NN-82550-00	ENGINE STOP SWITCH ASSY	1				
2	95704-06500	NUT, FLANGE	1				
3	98507-06014	SCREW, PAN HEAD	1				
4	90464-07078	CLAMP	1				
5	7NN-85690-10	OIL WARNING UNIT	1				
6	98507-06020	SCREW, PAN HEAD	1				
7	95704-06500	NUT, FLANGE	1				
8	7RK-82139-00	TUBE	2				
9	90464-16039	CLAMP	1				
-----							
-----							
-----							
-----							
-----							
-----							



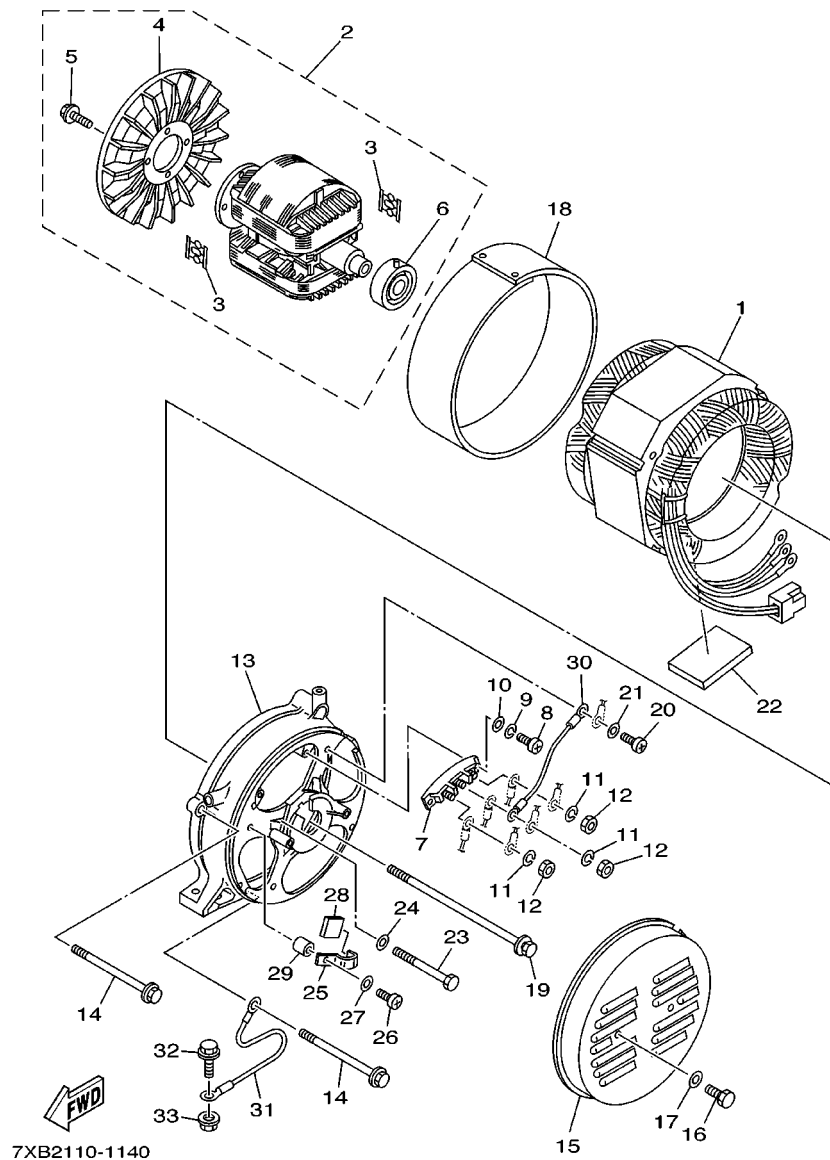
7XB2110-1130

FIG. 14 GENERATOR



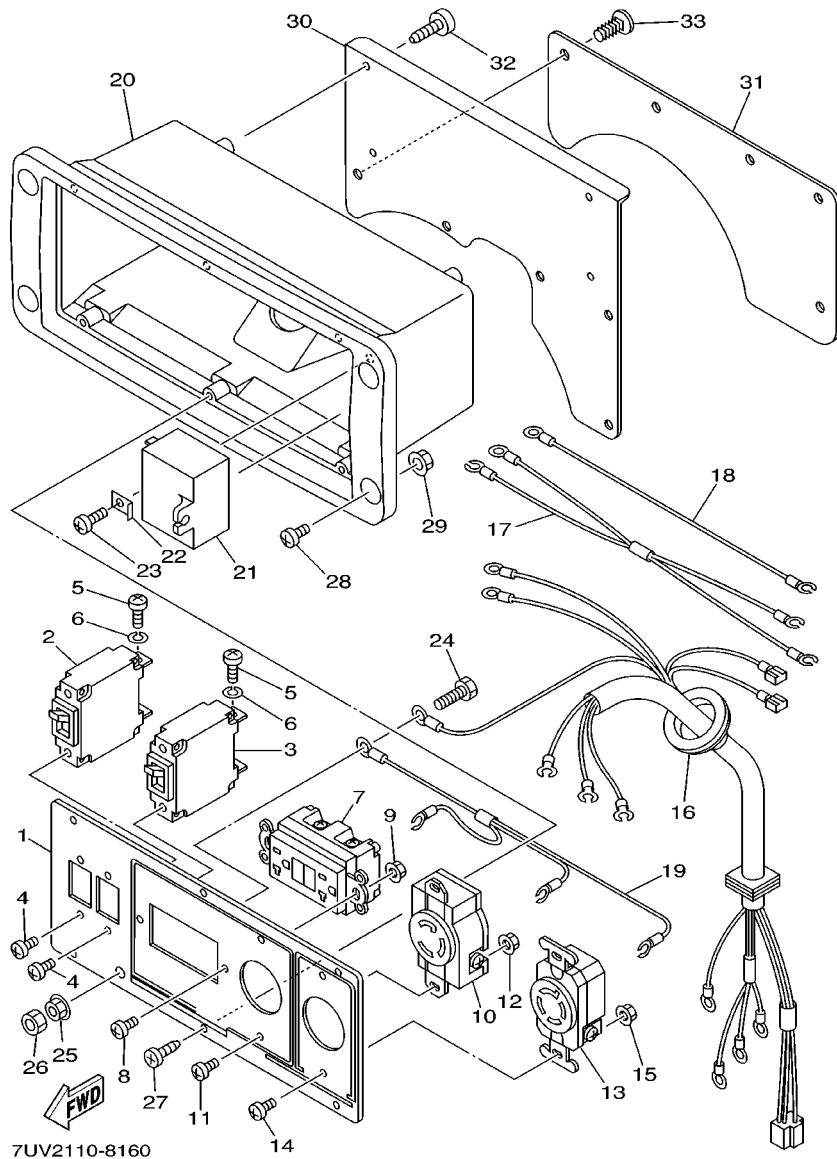
REF. NO.	PART NO.	DESCRIPTION	7XB2				REMARKS
1	7VX-87150-40	STATOR ASSY	1				
2	7VX-87160-00	ROTOR ASSY	1				
3	7FK-87115-01	.RECTIFIER ASSY 2	4				
4	7LR-87172-01	.FAN, GENERATOR	1				
5	90159-06032	.SCREW, WITH WASHER	4				
6	93306-37202	.BEARING	1				
7	7LR-87220-00	TERMINAL SUB ASSY 1	1				
8	98507-05014	SCREW, PAN HEAD	2				
9	92907-05100	WASHER, SPRING	2				
10	92907-05600	WASHER, PLATE	2				
11	95307-05700	NUT	3				
12	92907-05100	WASHER, SPRING	3				
13	7LR-87131-02	FRAME, REAR	1				
14	95827-06100	BOLT, FLANGE	4				
15	7RH-87174-00-98	COVER, REAR END	1				LGB
16	97007-06010	BOLT	2				
17	92907-06600	WASHER, PLATE	2				
18	7RG-87153-00	COVER, STATOR	1				
19	7RG-81152-00	BOLT	1				
20	98507-05010	SCREW, PAN HEAD	1				
21	92907-05600	WASHER, PLATE	1				
22	7LR-87159-00	SEAL, STATOR	1				
23	97027-06080	BOLT	2				
24	92907-06600	WASHER, PLATE	2				
25	7J5-88195-00	HOLDER, CONNECTOR	1				
26	98507-05020	SCREW, PAN HEAD	1				
27	92907-05600	WASHER, PLATE	1				

**FIG. 14 GENERATOR**



7XB2110-1140

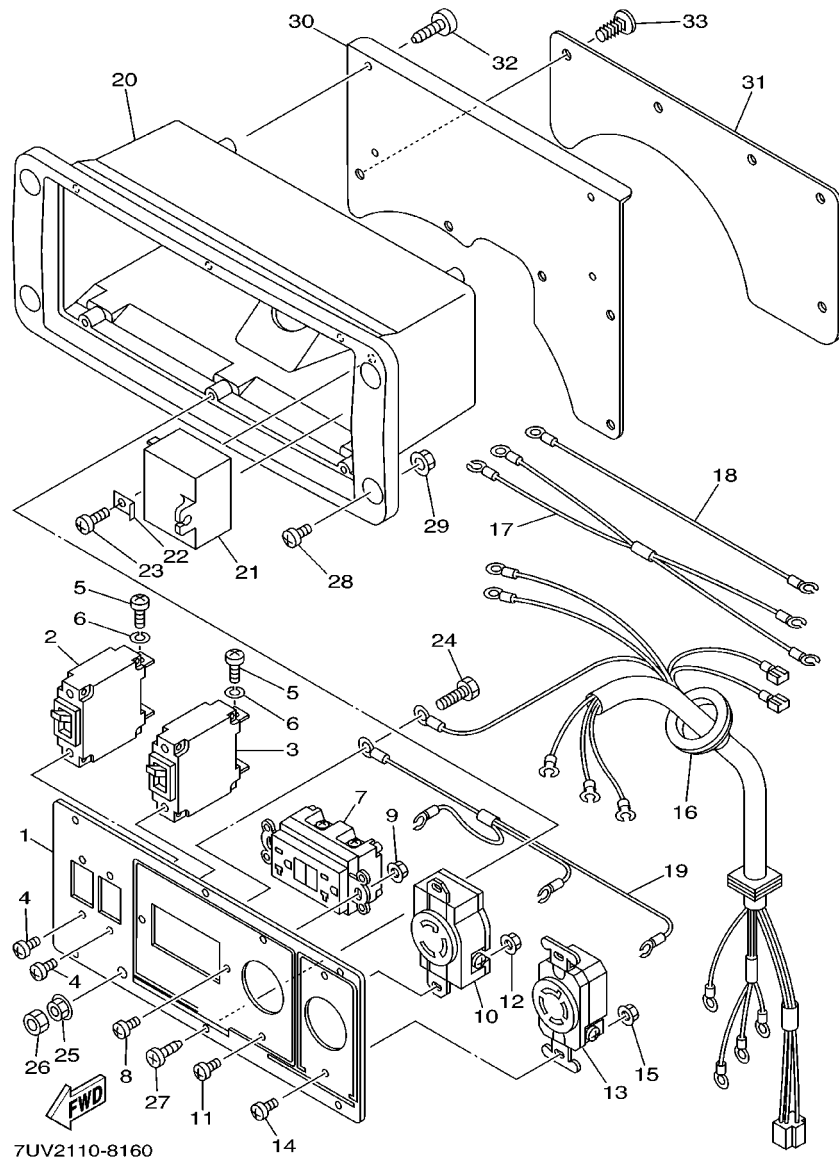
REF. NO.	PART NO.	DESCRIPTION	7XB2				REMARKS
28	7LV-8713J-00	DAMPER	1				
29	90387-06N38	COLLAR	1				
30	7LR-8722W-80	WIRE, LEAD 6	1				
31	7NJ-87139-00	LEAD WIRE ASSY 2	1				
32	95880-06010	BOLT, FLANGE	1				
33	95780-06500	NUT, FLANGE	1				



7UV2110-8160

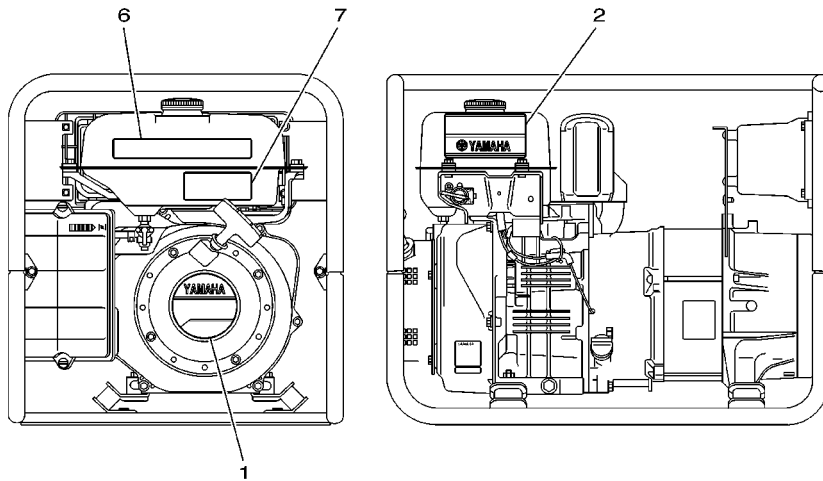
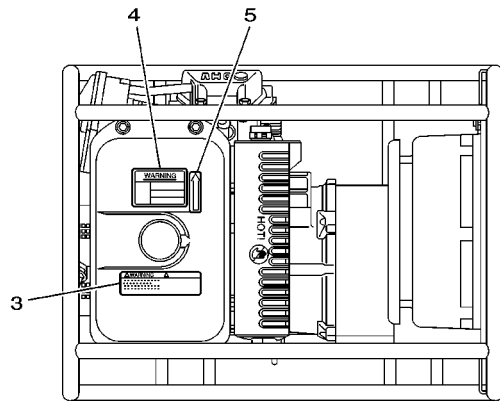
FIG. 15 CONTROL BOX 1

REF. NO.	PART NO.	DESCRIPTION	7XB2	REMARKS
1	7UV-87249-40	PLATE	1	
2	7MF-87204-00	CIRCUIT BREAKER COMP. (35.8A)	1	
3	7RG-87204-40	BREAKER COMP. (AC250V-17A)	1	
4	98507-04005	SCREW, PAN HEAD	4	
5	98507-06012	SCREW, PAN HEAD	4	
6	92907-06100	WASHER, SPRING	4	
7	7MC-87221-A1	RECEPTACLE 1	1	
8	98507-04012	SCREW, PAN HEAD	2	
9	95707-04500	NUT, FLANGE	2	
10	7LR-87221-90	RECEPTACLE 1 (WCF63130BO2)	1	UR MATSUSHITA
	73H-87222-91	RECEPTACLE 2	1	UR P&S L530-R
	7VU-87221-90	RECEPTACLE 1	1	UR MEIKOSHA
11	98507-04012	SCREW, PAN HEAD	2	
12	95707-04500	NUT, FLANGE	2	
13	73H-87222-70	RECEPTACLE 2	1	UR P&S L14-20R
	7LR-87222-90	RECEPTACLE 2 (WCF63420BO2)	1	UR MATSUSHITA
	7UV-87222-40	RECEPTACLE (NEMA L14-20R)	1	UR MEIKOSHA
14	98507-04012	SCREW, PAN HEAD	2	
15	95707-04500	NUT, FLANGE	2	
16	7UV-87226-40	WIRE HARNESS ASSY	1	
17	7UW-87224-40	WIRE, LEAD 2	1	
18	7UW-8722X-40	WIRE, LEAD 5	1	
19	7UW-8722Y-40	WIRE, LEAD 4	1	
20	7UU-87213-00	COVER, CONTROL BOX	1	
21	7VX-87107-00	CONDENSER ASSY	1	
22	7LG-87248-00	HOLDER, BREAKER 2	1	
23	97707-40512	SCREW, TAPPING	1	



**FIG. 15 CONTROL BOX 1**

REF. NO.	PART NO.	DESCRIPTION	7XB2				REMARKS
24	97080-06020	BOLT	1				
25	95707-06500	NUT, FLANGE	1				
26	95380-06700	NUT	1				
27	97707-40516	SCREW, TAPPING	6				
28	98907-06014	SCREW, BIND	4				
29	95707-06500	NUT, FLANGE	2				
30	7UU-15415-00	COVER, GENERATOR	1				
31	7UV-15416-00	COVER, OIL PUMP	1				
32	97707-50512	SCREW, TAPPING	4				
33	90338-08220	PLUG	5				



7XB2110-1160

FIG. 16 LABELS

REF. NO.	PART NO.	DESCRIPTION	7XB2				REMARKS
1	7RJ-12629-00	EMBLEM (MZ300)	1				
2	7UV-24161-00	EMBLEM 1 (EF4600A)	1				
3	7TA-24162-10	EMBLEM 2 (WARNING)	1				
4	73H-2415A-00	LABEL, CAUTION (WARNING)	1				
5	7Y0-2415A-10	LABEL, CAUTION (HOT EXHAUST)	1				
6	7RG-2179R-05	PLATE, EPA 2 (CALIFORNIA)	1				
7	7UH-2111F-00	LABEL, EMISSION	1				

NUMERICAL INDEX

PARTNO.	REF. NO.	PARTNO.	REF. NO.	PARTNO.	REF. NO.	PARTNO.	REF. NO.	PARTNO.	REF. NO.	PARTNO.	REF. NO.
7RG-11011-00	10 - 4	4CW-14117-00	7 - 11	7RH-15755-00	5 - 14	7LR-8722W-80	14 - 30	92907-06100	15 - 6	95880-06020	12 - 3
7RG-11012-00	10 - 5	7LV-14118-00	7 - 22	7NJ-15793-00	5 - 12	7UW-8722X-40	15 - 18	92907-06600	3 - 13	97007-06010	14 - 16
7RG-11111-01	1 - 1	73A-1414G-00	7 - 9	7UW-2111F-00	16 - 7	7UW-8722Y-40	15 - 19		14 - 17	97027-06030	3 - 12
7RH-11166-00	1 - 10	620-14142-57-A0	7 - 7	7RG-2179R-05	16 - 6	7LR-87220-00	14 - 7		14 - 24	97027-06080	14 - 23
7RG-11181-02	1 - 2	73A-14150-00	7 - 21	7RH-22840-00	10 - 1	7LR-87221-90	15 - 10	93102-35191	9 - 3	97080-06020	15 - 24
7RH-11190-00	1 - 7	7EG-14159-00	7 - 19	7UW-22850-00	10 - 2	7MC-87221-A1	15 - 7		9 - 13	97707-40506	8 - 3
JN6-11193-00	1 - 8	7RG-14162-00	7 - 16	7RH-22891-00	10 - 6	7VU-87221-90	15 - 10	93109-08050	9 - 4	97707-40512	15 - 23
812-11198-00	9 - 7	796-14184-00	7 - 13	7RK-24110-01-NJ	11 - 1	7LR-87222-90	15 - 13	93210-22344	9 - 19	97707-40516	15 - 27
7RH-11400-00	2 - 1	JN6-14185-00	7 - 14	7RK-24115-01	11 - 10	7UV-87222-40	15 - 13	93306-20201	9 - 5	97707-50512	15 - 32
JN6-11454-00	2 - 8	22F-14186-00	7 - 18	7RK-24116-02	11 - 11	73H-87222-70	15 - 13		9 - 14	98507-04005	15 - 4
JN6-11610-00	2 - 3	7E1-14191-00	7 - 6	7Y0-2415A-10	16 - 5	73H-87222-91	15 - 10	93306-20714	9 - 12	98507-04012	15 - 8
JN6-11610-10	2 - 3	127-14198-00	7 - 15	73H-2415A-00	16 - 4	7UW-87224-40	15 - 17	93306-30709	9 - 2		15 - 11
JN6-11610-20	2 - 3	7NJ-14211-00	7 - 4	7UV-24161-00	16 - 2	7UV-87226-40	15 - 16	93306-37202	14 - 6		15 - 14
JN6-11631-00-A0	2 - 2	73A-14212-00	7 - 5	7TA-24162-10	16 - 3	7LG-87248-00	15 - 22	93440-06107	3 - 5	98507-05010	14 - 20
447-11633-00	2 - 4	7RH-14216-00	7 - 2	730-24167-00	11 - 4	7UV-87249-40	15 - 1	93450-21053	2 - 5	98507-05014	14 - 8
JN6-11635-00	2 - 2	3G2-14231-20-A0	7 - 10	7RK-24181-00	11 - 5	7J5-88195-00	14 - 25	93501-08001	7 - 17	98507-05020	14 - 26
JN6-11636-00	2 - 2	7X9-14239-00	7 - 12	7NJ-24500-01	11 - 17	90109-06513	9 - 11	94702-00331	1 - 6	98507-05030	3 - 18
JN6-11650-00	2 - 6	7RH-14411-01	6 - 4	7NJ-24515-00	11 - 22	90159-06032	14 - 5	95307-05700	14 - 11	98507-06012	15 - 5
JN6-11654-00	2 - 7	7RH-14412-01	6 - 5	7J3-24521-00	11 - 18	90170-05302	4 - 11	95307-08600	8 - 8	98507-06014	13 - 3
7RH-11913-00	3 - 2	7RH-14429-00	6 - 8	7NJ-24532-00	11 - 21	90170-18391	12 - 4	95380-06700	15 - 26	98507-06020	13 - 6
7FK-11914-00	3 - 3	7RH-14451-00	6 - 7	7NJ-24534-00	11 - 20	90173-06017	3 - 14	95607-08700	1 - 11	98907-06014	15 - 28
7KY-11917-00	3 - 7	7RH-14468-00	6 - 6	4X8-24565-00	11 - 19	90201-06380	11 - 8	95627-08618	1 - 5	99530-08016	9 - 8
7RH-11922-00	3 - 8	7LV-14477-00	6 - 9	7T9-24610-00	11 - 2	90201-065K7	3 - 4	95704-06500	13 - 2	99530-14016	1 - 4
7RK-11924-10	3 - 11	7RH-14486-00	7 - 3	7T9-24612-00	11 - 3	90201-067L0	3 - 6		13 - 7		
7RK-11925-20	3 - 20	7KY-14613-01	8 - 9	7LV-28100-00	11 - 23	90201-08092	3 - 9	95707-04500	15 - 9		
7RH-11928-00	3 - 15	7RK-14708-00	8 - 4	7RG-81152-00	14 - 19	90201-08102	11 - 14		15 - 12		
7RK-11950-11	3 - 17	7RK-14721-02	8 - 1	7RK-82139-00	13 - 8	90201-086A3	8 - 7		15 - 15		
7RH-11970-00	3 - 1	7LR-14786-00	8 - 2	JN6-82370-00	12 - 7	90201-180T9	12 - 5	95707-06500	15 - 25		
7RH-11971-00	9 - 15	1WG-14922-00	7 - 20	7NN-82550-00	13 - 1	90280-04052	12 - 6		15 - 29		
JN6-12111-01	4 - 3	7RK-1495N-6B	7 - 8	7RH-85640-00	12 - 2	90338-05251	11 - 12	95707-08500	6 - 10		
J38-12117-01	4 - 7	7RJ-15111-00	9 - 1	7RG-85650-00	12 - 1	90338-08220	15 - 33	95707-10500	10 - 8		
J38-12118-00	4 - 8	796-15363-01	9 - 18	7NN-85690-10	13 - 5	90340-12097	9 - 6	95780-06500	14 - 33		
4G0-12119-00	4 - 14	7RH-15411-01	9 - 9	7RH-85720-02	12 - 8	90387-06N38	14 - 29	95807-06008	5 - 15		
7RH-12121-00	4 - 4	7RH-15414-00	9 - 10	7NJ-85724-00	12 - 10	90387-067K8	11 - 9	95807-06010	10 - 3		
JN6-12151-00	4 - 9	7UU-15415-00	15 - 30	7VX-87107-00	15 - 21	90445-10456	11 - 15	95807-06012	5 - 2		
JN6-12153-00	4 - 5	7UV-15416-00	15 - 31	7FK-87115-01	14 - 3	90464-07078	13 - 4	95807-06016	6 - 11		
JN6-12154-00	4 - 13	7UW-15417-00	9 - 20	7LV-8713J-00	14 - 28	90464-16039	13 - 9	95807-10030	10 - 7		
J38-12156-00	4 - 12	7RH-15451-00	9 - 16	7LR-87131-02	14 - 13	90467-09037	11 - 16	95817-08020	11 - 13		
22F-12159-00	4 - 10	7RH-15710-00	5 - 4	7NJ-87139-00	14 - 31	90468-12006	3 - 10	95817-08045	9 - 17		
7RH-12170-00	4 - 1	7RH-15711-00	5 - 5	7VX-87150-40	14 - 1	90480-15235	11 - 7	95817-10070	1 - 3		
7NJ-12287-00	4 - 2	7RH-15713-00	5 - 7	7RG-87153-00	14 - 18	90501-090A8	3 - 19	95827-06008	8 - 5		
7RH-12621-00	5 - 1	7RH-15714-00	5 - 6	7LR-87159-00	14 - 22	90501-264A9	4 - 6	95827-06012	9 - 21		
7RJ-12629-00	16 - 1	7RH-15715-00	5 - 10	7VX-87160-00	14 - 2	90506-04458	3 - 16		12 - 9		
7RH-12651-01	5 - 3	7RH-15716-00	5 - 9	7LR-87172-01	14 - 4	92907-05100	14 - 9	95827-06020	11 - 6		
7RH-13557-00	6 - 2	7RH-15723-00	5 - 16	7RH-87174-00-98	14 - 15		14 - 12	95827-06030	1 - 9		
7RH-13567-00	6 - 3	7RH-15741-00	5 - 8	7MF-87204-00	15 - 2	92907-05600	14 - 10	95827-06100	14 - 14		
7RH-13596-10	6 - 1	JK4-15743-00	5 - 11	7RG-87204-40	15 - 3		14 - 21	95827-08016	8 - 6		
7UV-14101-00	7 - 1	7RH-15751-00	5 - 13	7UU-87213-00	15 - 20		14 - 27	95880-06010	14 - 32		

# CONTENTS

CYLINDER .....	1
CRANKSHAFT. PISTON .....	2
GOVERNOR 1 .....	3
CAMSHAFT.VALVE .....	4
AIR SHROUD. STARTER .....	5
INTAKE .....	6
CARBURETOR .....	7
EXHAUST .....	8
CRANKCASE .....	9
FRAME .....	10
FUEL TANK .....	11
MAGNETO .....	12
ELECTRICAL .....	13
GENERATOR .....	14
CONTROL BOX 1 .....	16
LABELS .....	18
<b>INDEX</b>	
NUMERICAL INDEX .....	19