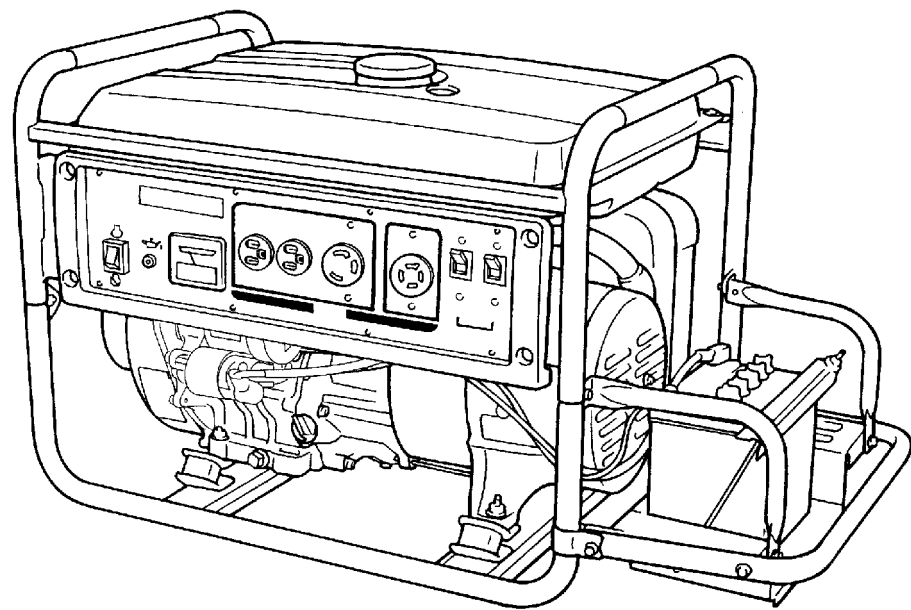


PARTS CATALOGUE

EF5200D	(7WV2)OTHER		
EF5200(E)	(7WV3)OTHER	EF6600(E)	(7WW3)OTHER
EF5200	(7WV4)AUS	EF6600E	(7WW4)AUS
EF6600DE	(7WW2)OTHER	EF5500TE	(7WW8)CHN

EF5200D/EF5200(E)/EF6600DE/
EF6600(E)/EF5500TE
PARTS CATALOGUE
E 2001 by Yamaha Motor Co., Ltd.
1st Edition, Oct. 2001
All rights reserved.
Any reprinting or unauthorized use
without the written permission of
Yamaha Motor Co., Ltd.
is expressly prohibited.

A3



A4

FOREWORD

This Parts Catalogue is related to the parts for the model(s) in the below frame. When you are ordering replacement parts, please refer to this Parts Catalogue and quote both part numbers and part names correctly.

1. Modifications or additions which have been made after issue of the Parts Catalogue will be announced in the Yamaha Parts News.
It is advisable that you make necessary corrections to the Parts Catalogue according to the Yamaha Parts News.

2. Abbreviations

The following abbreviations are used in this Parts Catalogue.

“UR” Use specified parts number.

“UN” Use as many as needed.

“AP” Alternate Parts

“LM” Local Made (Parts need to be ordered locally)

“F#” Frame No. (Applicable machine No.)

3. Parts, which are to be supplied in an assembly, are listed with a dot(.) in front of the part name as shown below.

EXAMPLE

CARBURETOR ASSY

.JET, PILOT

.NOZZLE, MAIN

4. Number of component for assembly

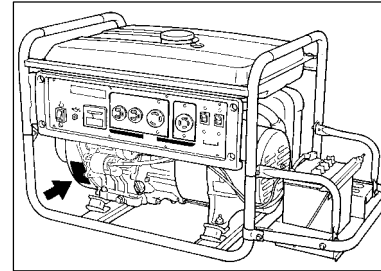
The numeral appearing to the right of each component part indicates the quantity of parts for each assembly unit.

EXAMPLE

PART NO.	DESCRIPTION	Q'TY	REMARKS
2F5-83310-60	FRONT FLASHER LIGHT ASSY	2	
115-83311-60	.BULB (6V-18W)	1	

5. Applicable Starting Serial No. and Color Code

Engine Serial No.



Color Code	Color Name	Abbreviation	MODEL
00NJ	FARAWAY BLUE	FWB	7WV2
			7WV3
			7WV4
			7WW2
			7WW3
			7WW8

6. Note that the illustrations for reference in finding parts numbers, not to be used for assembling. When assembling, please use the applicable service manual.
7. The asterisk (*) before a reference number indicates modification items after the first edition.

Engine Serial No.

This parts catalogue is related to the parts for the models in the list below.

MODEL CODE	MODEL NAME	DESTINATION	SPECIFICATION (OUT LINE)	ENGINE SERIAL NO
7WV2	EF5200D	OTHER	120/240V-60Hz	7WV-200101
7WV3	EF5200	OTHER	220V-50Hz	7WV-300101
7WV3	EF5200	CHINA	220V-50Hz	7WV-320101
7WV3	EF5200E	CHINA	220V-50Hz	7WV-330101
7WV3	EF5200E	OTHER	220V-50Hz	7WV-360101
7WV3	EF5200	OTHER (PER,PHL,SAU)	220V-60Hz	7WV-370101
7WV3	EF5200	SOUTH AFRICA	220V-50Hz	7WV-380101
7WV4	EF5200	AUSTRALIA	240V-50Hz	7WV-400101
7WW2	EF6600DE	OTHER	120/240V-60Hz	7WW-200101
7WW3	EF6600	OTHER	220V-50Hz	7WW-300101
7WW3	EF6600	CHINA	220V-50Hz	7WW-320101
7WW3	EF6600E	CHINA	220V-50Hz	7WW-330101
7WW3	EF6600E	OTHER	220V-50Hz	7WW-370101
7WW3	EF6600E	OTHER (PER,PHL,SAU)	220V-60Hz	7WW-380101
7WW3	EF6600E	SOUTH AFRICA	220V-50Hz	7WW-390101
7WW4	EF6600E	AUSTRALIA	240V-50Hz	7WW-400101
7WW8	EF5500TE	CHINA	230/400V-50Hz	7WW-820101

CONTENTS

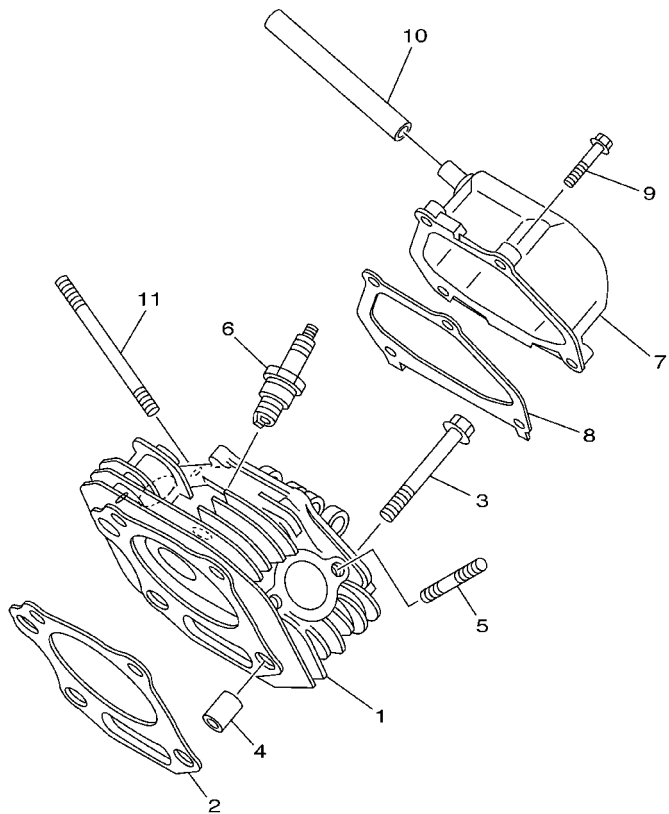
CYLINDER	B2
CRANKSHAFT. PISTON	B3
GOVERNOR 1	B4
GOVERNOR 2	B5
CAMSHAFT.VALVE	B7
AIR SHROUD. STARTER	B8
INTAKE 1	B9
INTAKE 2	B10
CARBURETOR 1	B11
CARBURETOR 2	B12
EXHAUST	B13
CRANKCASE	B14
FRAME	B15
FUEL TANK	C2
BATTERY TRAY (FOR EL. START MODEL)	C3
FRONT WHEEL (OPTIONAL PARTS)	C4
T.C.I.MAGNETO	C5
STARTING MOTOR (FOR EL. START MODEL)	C6
GENERATOR 1 (FOR EF5200D/5200(E))	C7
GENERATOR 2 (FOR EF6600D/6600(E))	C9
GENERATOR (FOR EF5500TE)	C11
CONTROL BOX 1 (220V-50/60Hz:CHN,OTHER,ZAF)	C13
CONTROL BOX 2 (120/240V-60Hz:OTHER)	C15
CONTROL BOX 3 (240V-50Hz:AUS)	D3
CONTROL BOX 4 (220V-50/60Hz:OTHER,CHN,ZAF)	D4
CONTROL BOX 5 (120/240V-60Hz:OTHER)	D7

CONTROL BOX 6 (240V-50Hz:AUS)	D10
CONTROL BOX 7 (230/400V-50Hz:CHN)	D12
EMBLEM.LABEL 1	D14

INDEX

NUMERICAL INDEX	M1
-----------------------	----

FIG. 1 CYLINDER

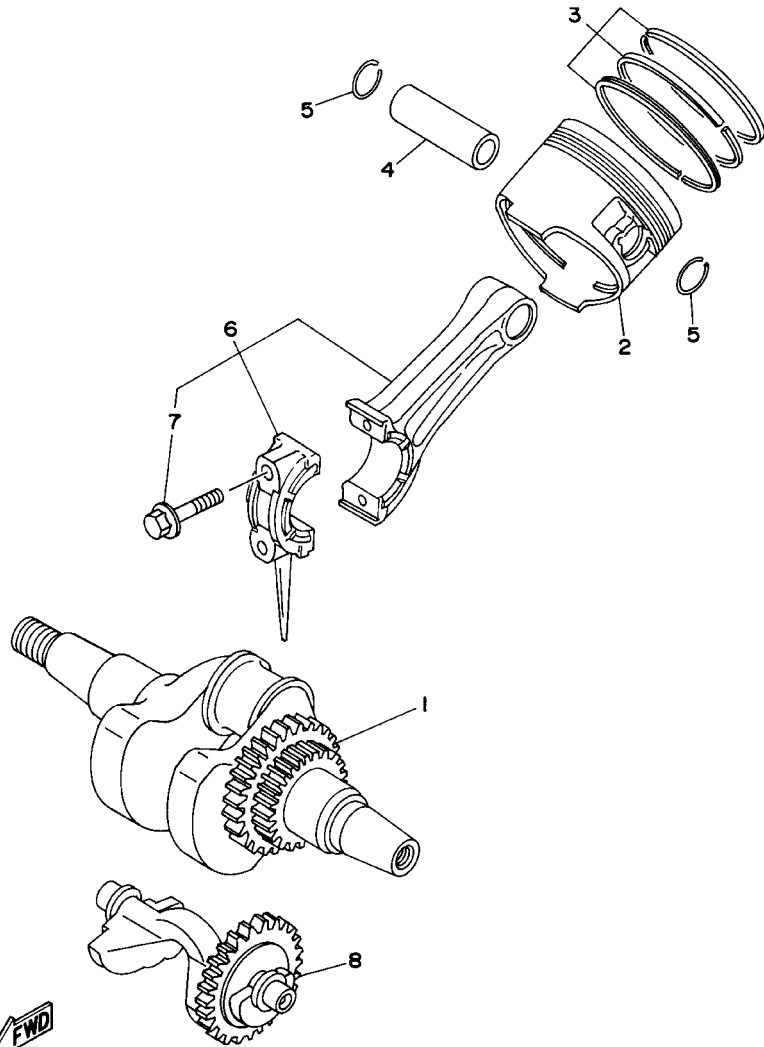


REF. NO.	PART NO.	DESCRIPTION	5200	6600	5500	REMARKS
1	7WE-11111-00	HEAD, CYLINDER 1	1			
	7WG-11111-00	HEAD, CYLINDER 1		1	1	
2	7WE-11181-00	GASKET, CYLINDER HEAD 1	1			
	7WG-11181-00	GASKET, CYLINDER HEAD 1		1	1	
3	95817-10070	BOLT, FLANGE	4	4	4	
4	99530-14016	PIN, DOWEL	2	2	2	
5	95627-08618	BOLT, STUD	2	2	2	
6	94702-00331	PLUG, SPARK (NGK BPR4ES)	1	1	1	
7	7WG-11190-00	COVER, CYLINDER HEAD 1	1	1	1	
8	JN6-11193-00	GASKET, HEAD COVER 1	1	1	1	
9	95827-06030	BOLT, FLANGE	4	4	4	
10	7RH-11166-00	PIPE, BREATHER 1	1	1	1	
11	95607-08700	BOLT, STUD	2	2	2	


7WV1010-1010

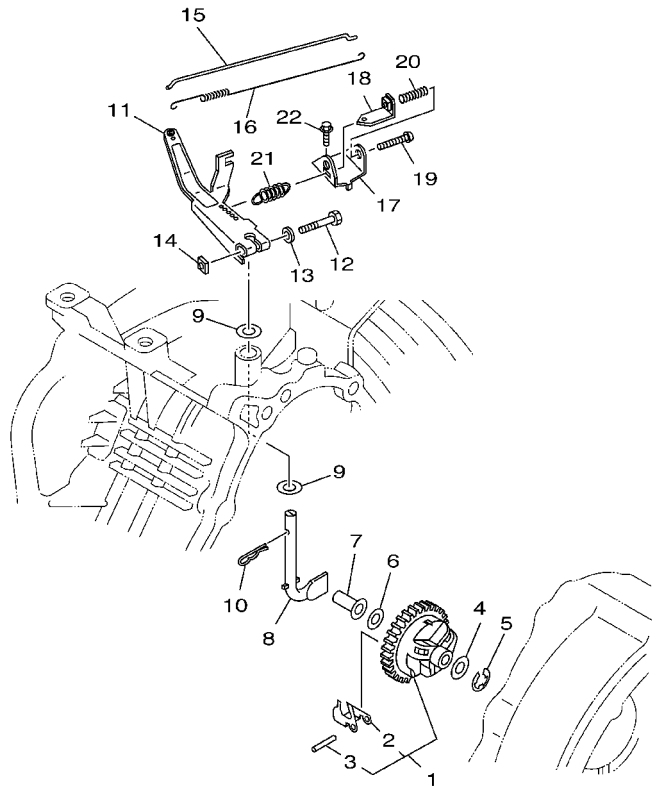
FIG. 2 CRANKSHAFT. PISTON

REF. NO.	PART NO.	DESCRIPTION	5200	6600	5500	REMARKS
1	7WR-11400-00	CRANKSHAFT ASSY	1			
	7WR-11400-10	CRANKSHAFT ASSY		1	1	
2	JN6-11631-00-A0	PISTON (STD)	1			
	7RH-11631-00-A0	PISTON (STD)		1	1	
	JN6-11635-00	PISTON (0.25MM O/S)	1			AP
	7RH-11635-00	PISTON (0.25MM O/S)		1	1	AP
	JN6-11636-00	PISTON (0.50MM O/S)	1			AP
	7RH-11636-00	PISTON (0.50MM O/S)		1	1	AP
3	JN6-11610-00	PISTON RING SET (STD)	1			
	7RH-11603-00	PISTON RING SET (STD)		1	1	
	JN6-11610-10	PISTON RING SET (0.25MM O/S)	1			AP
	7RH-11604-00	PISTON RING SET (0.25MM O/S)		1	1	AP
	JN6-11610-20	PISTON RING SET (0.50MM O/S)	1			AP
	7RH-11605-00	PISTON RING SET (0.50MM O/S)		1	1	AP
4	447-11633-00	PIN, PISTON	1			
	583-11633-00	PIN, PISTON		1	1	
5	93450-21053	CIRCLIP	2	2	2	
6	JN6-11650-00	CONNECTING ROD ASSY	1	1	1	
7	JN6-11654-00	.BOLT, CONNECTING ROD	2	2	2	
8	7WG-11454-00	WEIGHT 1	1	1	1	



7RGI400-6020

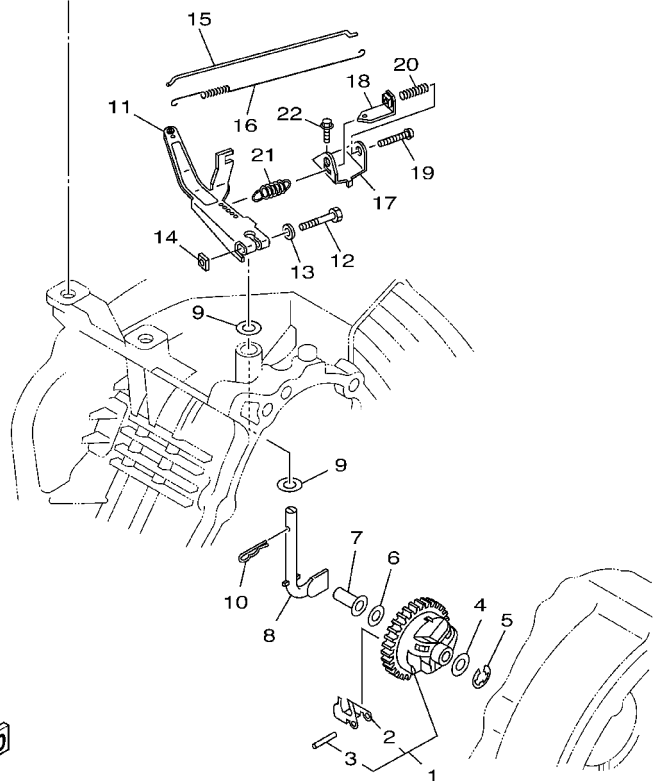
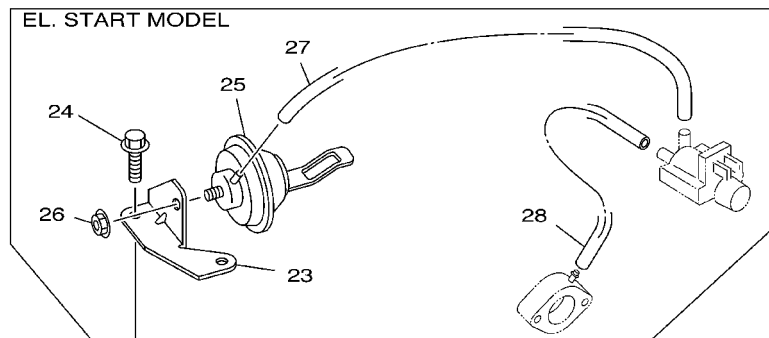
FIG. 3 GOVERNOR 1



REF. NO.	PART NO.	DESCRIPTION	5200	6600	5500	REMARKS
1	7RH-11970-00	FLYWEIGHT SHAFT ASSY.	1			
2	7RH-11913-00	.WEIGHT	3			
3	7FK-11914-00	.SHAFT, WEIGHT	3			
4	90201-065K7	WASHER, PLATE	1			
5	93440-06107	CIRCLIP	1			
6	90201-067L0	WASHER, PLATE	1			
7	7KY-11917-00	COLLAR	1			
8	7RH-11922-00	FORK, GOVERNOR	1			
9	90201-08092	WASHER, PLATE	2			
10	90468-12006	CLIP	1			
11	7RH-11901-00	GOVERNOR ASSY	1			
12	97027-06030	BOLT	1			
13	92907-06600	WASHER, PLATE	1			
14	90173-06017	NUT, SQUARE	1			
15	7RH-11928-00	ROD, LINK	1			
16	90506-04458	SPRING, TENSION	1			
17	73A-11941-00	STAY	1			
18	73A-11931-00	LEVER	1			
19	98507-06035	SCREW, PAN HEAD	1			
20	90501-10264	SPRING, COMPRESSION	1			
21	7VX-11925-00	SPRING, GOVERNOR	1			
22	95807-06012	BOLT, FLANGE	1			



7WV1010-1030

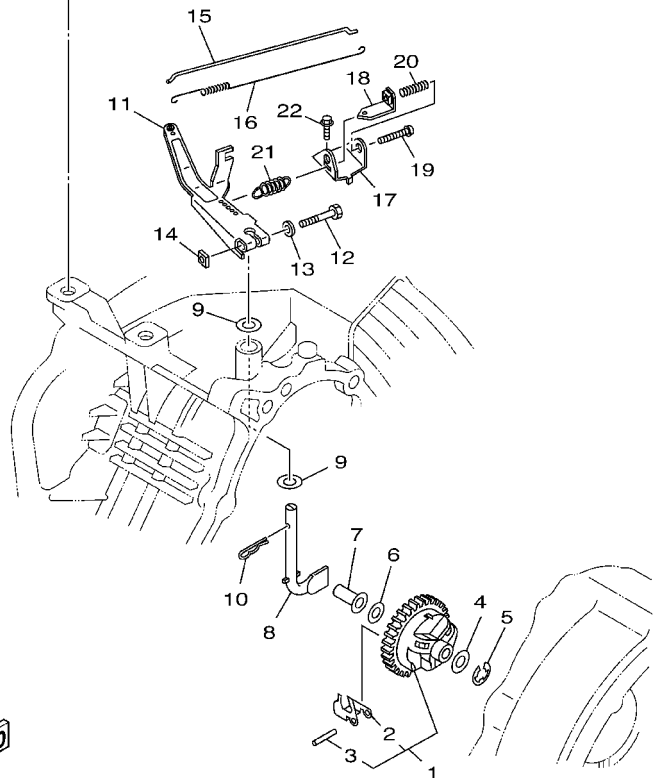
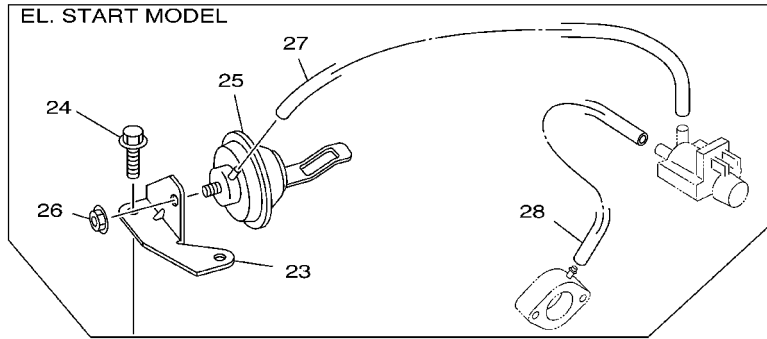


7WV2400-1040

FIG. 4 GOVERNOR 2

REF. NO.	PART NO.	DESCRIPTION	5200	6600	5500	REMARKS
1	7RH-11970-00	FLYWEIGHT SHAFT ASSY.		1	1	
2	7RH-11913-00	.WEIGHT		3	3	
3	7FK-11914-00	.SHAFT, WEIGHT		3	3	
4	90201-065K7	WASHER, PLATE		1	1	
5	93440-06107	CIRCLIP		1	1	
6	90201-067L0	WASHER, PLATE		1	1	
7	7KY-11917-00	COLLAR		1	1	
8	7RH-11922-00	FORK, GOVERNOR		1	1	
9	90201-08092	WASHER, PLATE		2	2	
10	90468-12006	CLIP		1	1	
11	7RH-11901-00	GOVERNOR ASSY		1	1	
12	97027-06030	BOLT		1	1	
13	92907-06600	WASHER, PLATE		1	1	
14	90173-06017	NUT, SQUARE		1	1	
15	7RH-11928-00	ROD, LINK		1	1	
16	90506-04458	SPRING, TENSION		1	1	
17	73A-11941-00	STAY		1	1	
18	73A-11931-00	LEVER		1	1	
19	98507-06035	SCREW, PAN HEAD		1	1	
20	90501-10264	SPRING, COMPRESSION		1	1	
21	7VX-11925-00	SPRING, GOVERNOR		1	1	
22	95807-06012	BOLT, FLANGE		1	1	
23	7RH-11998-00	BRACKET 1		1	1	FOR EL. START MODEL
24	95807-08016	BOLT, FLANGE		2	2	FOR EL. START MODEL
25	7X6-11960-00	DIAPHRAGM ASSY		1	1	FOR EL. START MODEL
26	95707-08500	NUT, FLANGE		1	1	FÖR EL. START MODEL
27	7RH-13545-10	HOSE 1		1	1	FOR EL. START MODEL

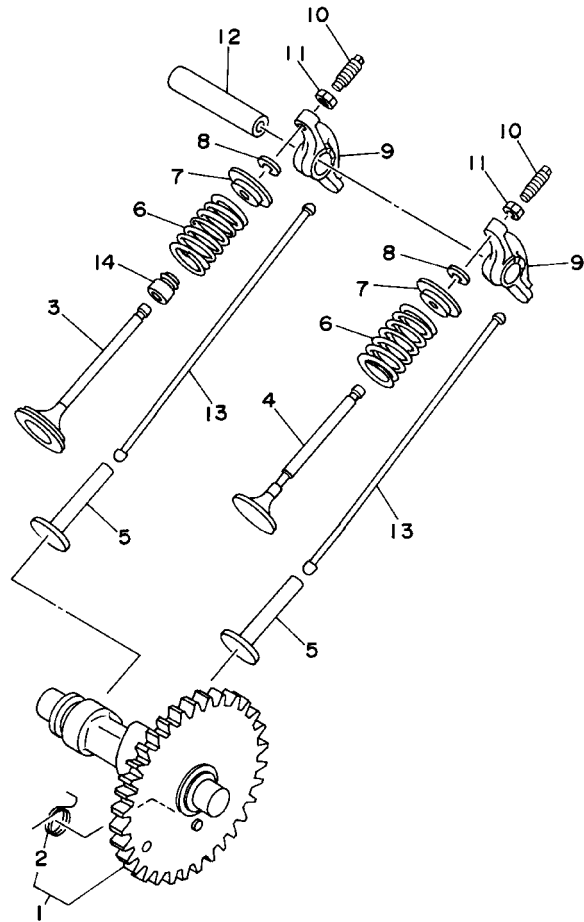
FIG. 4 GOVERNOR 2



7WV2400-1040

REF. NO.	PART NO.	DESCRIPTION	5200	6600	5500	REMARKS
28	7RH-13545-00	HOSE 1		1	1	FOR EL. START MODEL

FIG. 5 CAMSHAFT.VALVE



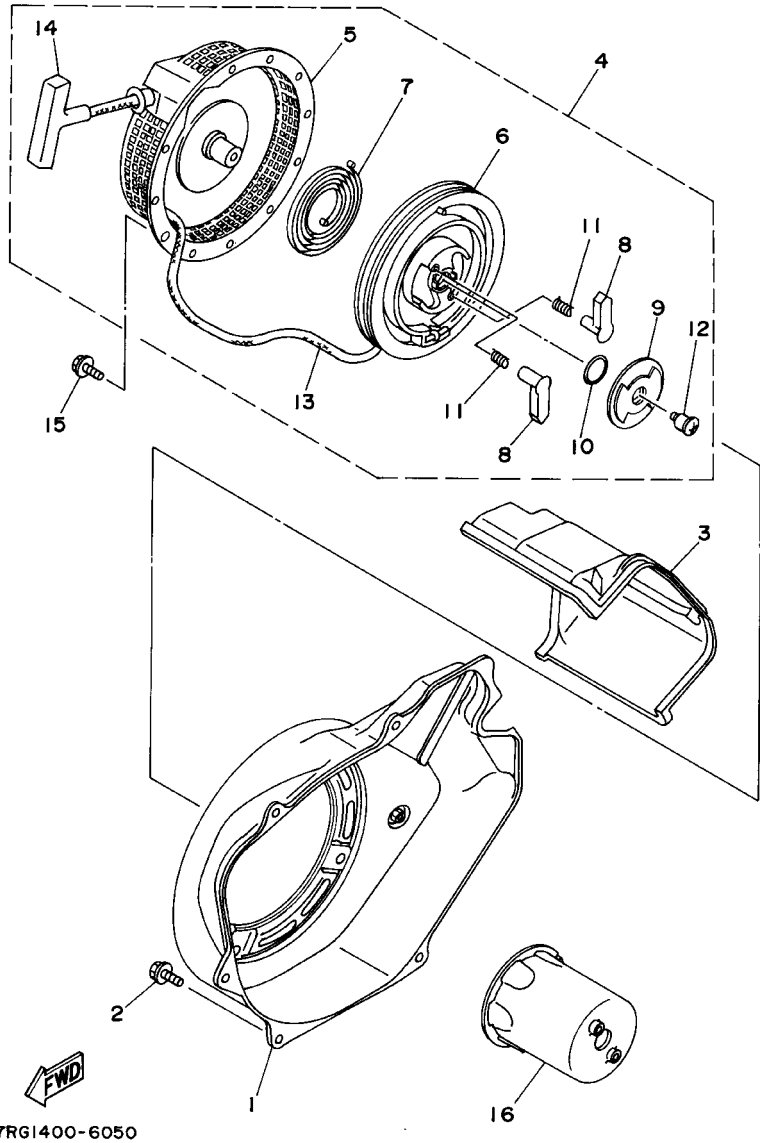
REF. NO.	PART NO.	DESCRIPTION	5200	6600	5500	REMARKS
1	7WG-12170-00	CAMSHAFT ASSY 1	1	1	1	
2	7WG-12287-00	.SPRING, DECOMPRESSION	1	1	1	
3	JN6-12111-01	VALVE, INTAKE	1	1	1	
4	7RH-12121-00	VALVE, EXHAUST	1	1	1	
5	JN6-12153-00	LIFTER, VALVE	2	2	2	
6	90501-264A9	SPRING, COMPRESSION	2	2	2	
7	J38-12117-01	RETAINER, VALVE SPRING	2	2	2	
8	J38-12118-00	COTTER, VALVE	2	2	2	
9	JN6-12151-00	ARM, VALVE ROCKER	2	2	2	
10	22F-12159-00	SCREW, VALVE ADJUSTING	2	2	2	
11	90170-05302	NUT	2	2	2	
12	J38-12156-00	SHAFT, ROCKER 2	1	1	1	
13	JN6-12154-00	ROD, VALVE PUSH	2	2	2	
14	4G0-12119-00	SEAL, VALVE STEM	1	1	1	

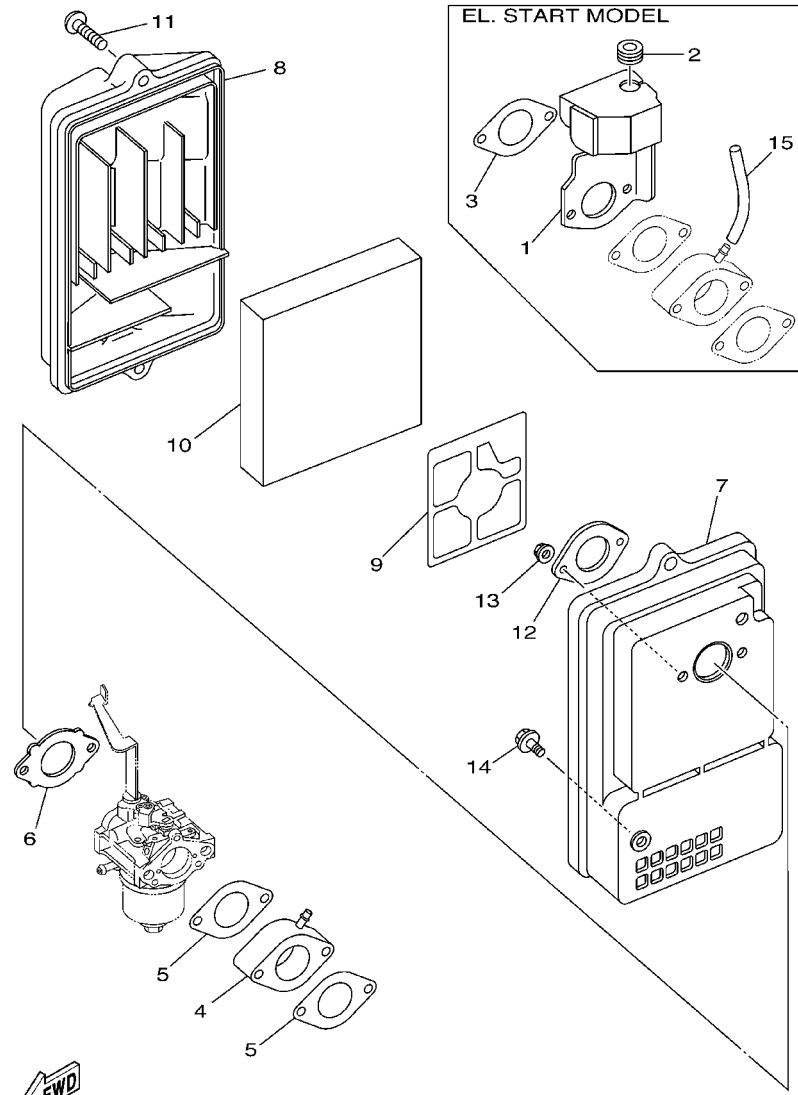


7RG1400-6040

FIG. 6 AIR SHROUD. STARTER

REF. NO.	PART NO.	DESCRIPTION	5200	6600	5500	REMARKS
1	7WG-12621-10	CASE, FAN	1	1	1	
2	95807-06012	BOLT, FLANGE	5	5	5	
3	7RH-12651-01	AIR SHROUD, CYLINDER 1	1	1	1	
4	7RH-15710-00	STARTER ASSY	1	1	1	
5	7RH-15711-00	.CASE, STARTER	1	1	1	
6	7RH-15714-00	.DRUM, SHEAVE	1	1	1	
7	7RH-15713-00	.SPRING, STARTER	1	1	1	
8	7RH-15741-00	.PAWL, DRIVE	2	2	2	
9	7RH-15716-00	.PLATE, DRIVE	1	1	1	
10	7RH-15715-00	.SPRING, FRICTION	1	1	1	
11	JK4-15743-00	.SPRING, RETURN	2	2	2	
12	7NJ-15793-00	.SCREW	1	1	1	
13	7RH-15751-00	.WIRE, STARTER	1	1	1	
14	7RH-15755-00	.HANDLE, STARTER	1	1	1	
15	95807-06008	BOLT, FLANGE	4	4	4	
16	7RH-15723-00	PULLEY, STARTER	1	1	1	



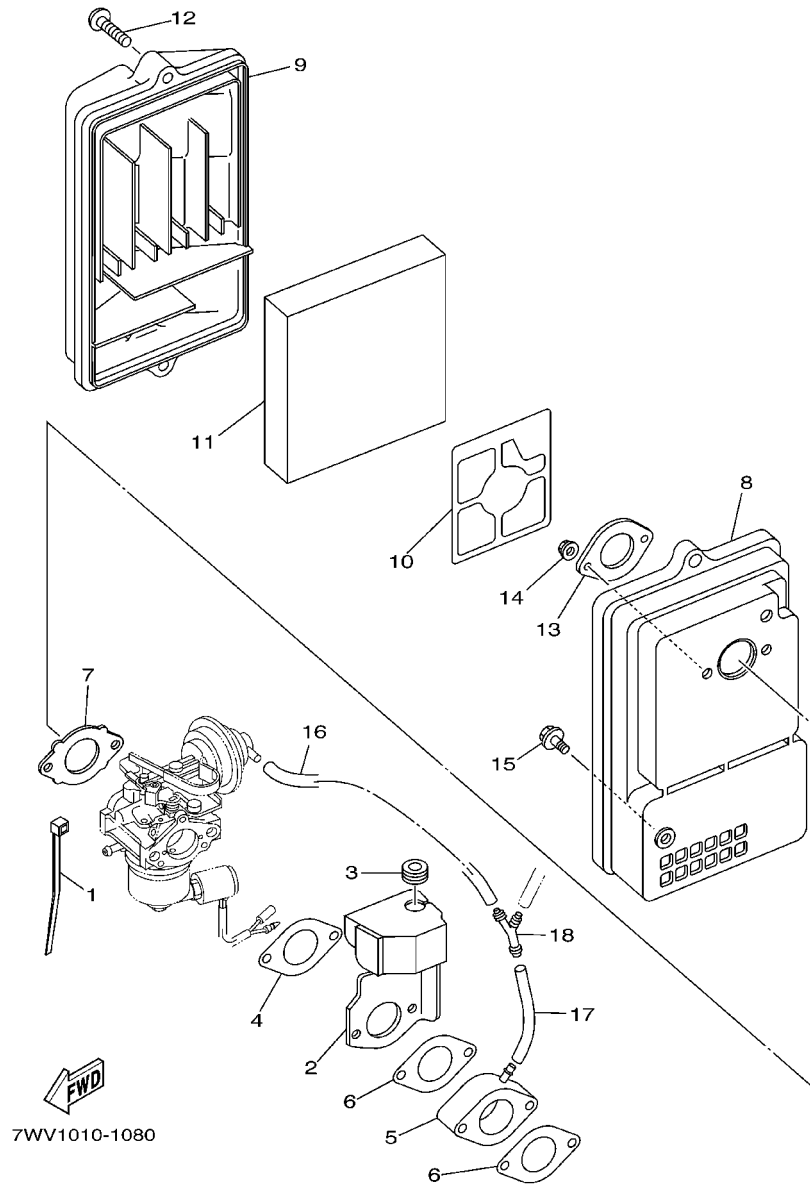


7WV2400-1070

FIG. 7 INTAKE 1

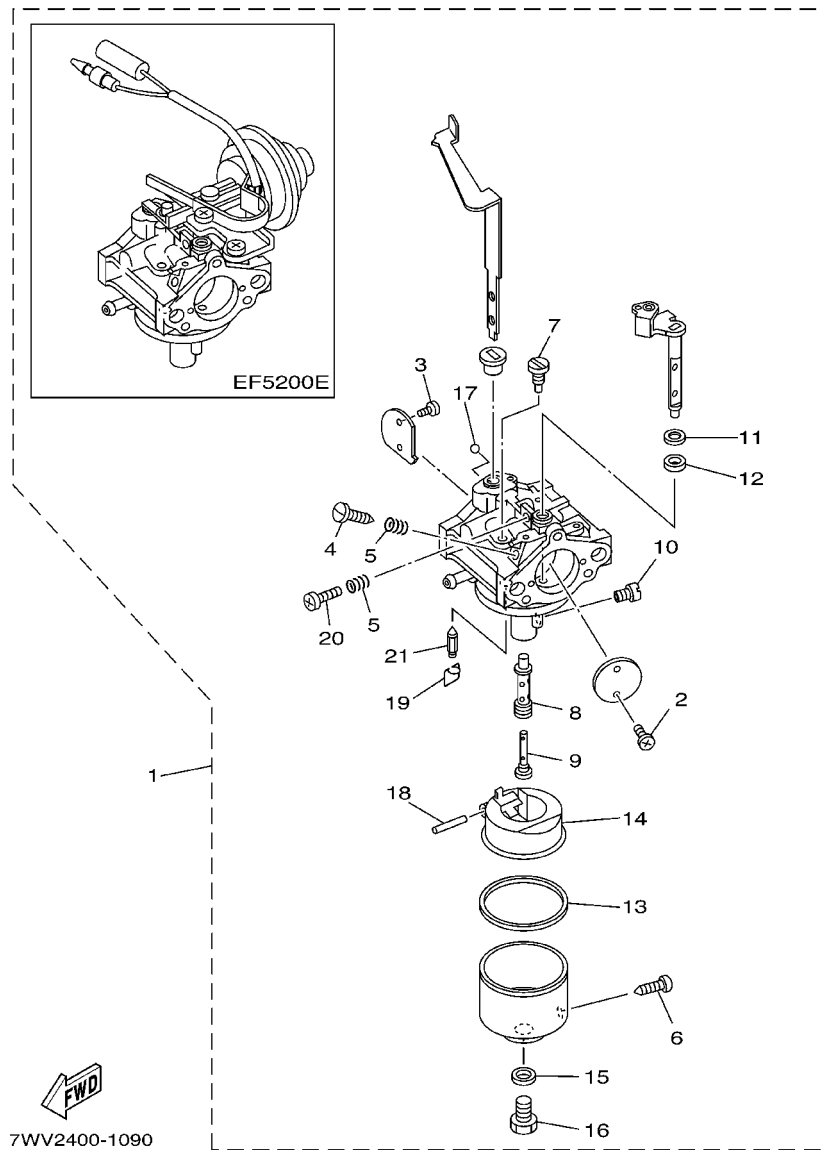
REF. NO.	PART NO.	DESCRIPTION	5200	6600	5500	REMARKS
1	7RH-14283-00	COVER, CARBURETOR 1	1			FOR EL. START MODEL
2	90480-13016	GROMMET	1			FOR EL. START MODEL
3	7RH-13557-00	GASKET	1			FOR EL. START MODEL
4	7RH-13596-00	JOINT, CARBURETOR 2	1			FOR EL. START MODEL
	7RH-13596-10	JOINT, CARBURETOR 2	1			
5	7RH-13557-00	GASKET	2			
6	7RH-13567-00	GASKET	1			
7	7RH-14411-01	CASE, AIR CLEANER 1	1			
8	7RH-14412-01	CAP, CLEANER CASE 1	1			
9	7RH-14468-00	PLATE,ELEMENT FITTING	1			
10	7RH-14451-00	ELEMENT, AIR CLEANER	1			
11	7RH-14429-00	SCREW	2			
12	7LV-14477-00	PLATE	1			
13	95707-08500	NUT, FLANGE	2			
14	95807-06016	BOLT, FLANGE	1			
15	90445-08743	HOSE (L120)	1			FOR EL. START MODEL

FIG. 8 INTAKE 2



REF. NO.	PART NO.	DESCRIPTION	5200	6600	5500	REMARKS
1	7G5-87188-00	BINDER		1	1	
2	7RH-14283-00	COVER, CARBURETOR 1		1	1	FOR EL. START MODEL
3	90480-13016	GROMMET		1	1	FOR EL. START MODEL
4	7RH-13557-00	GASKET		1	1	FOR EL. START MODEL
5	7RH-13596-00	JOINT, CARBURETOR 2		1	1	FOR EL. START MODEL
	7RH-13596-10	JOINT, CARBURETOR 2		1		
6	7RH-13557-00	GASKET		2	2	
7	7RH-13567-00	GASKET		1	1	
8	7RH-14411-01	CASE, AIR CLEANER 1		1	1	
9	7RH-14412-01	CAP, CLEANER CASE 1		1	1	
10	7RH-14468-00	PLATE,ELEMENT FITTING		1	1	
11	7RH-14451-00	ELEMENT, AIR CLEANER		1	1	
12	7RH-14429-00	SCREW		2	2	
13	7LV-14477-00	PLATE		1	1	
14	95707-08500	NUT, FLANGE		2	2	
15	95807-06016	BOLT, FLANGE		1	1	
16	7LV-13546-00	HOSE 2		1	1	FOR EL. START MODEL
17	90445-08741	HOSE (L45)		1	1	FOR EL. START MODEL
18	90413-05013	WAY 3		1	1	FOR EL. START MODEL

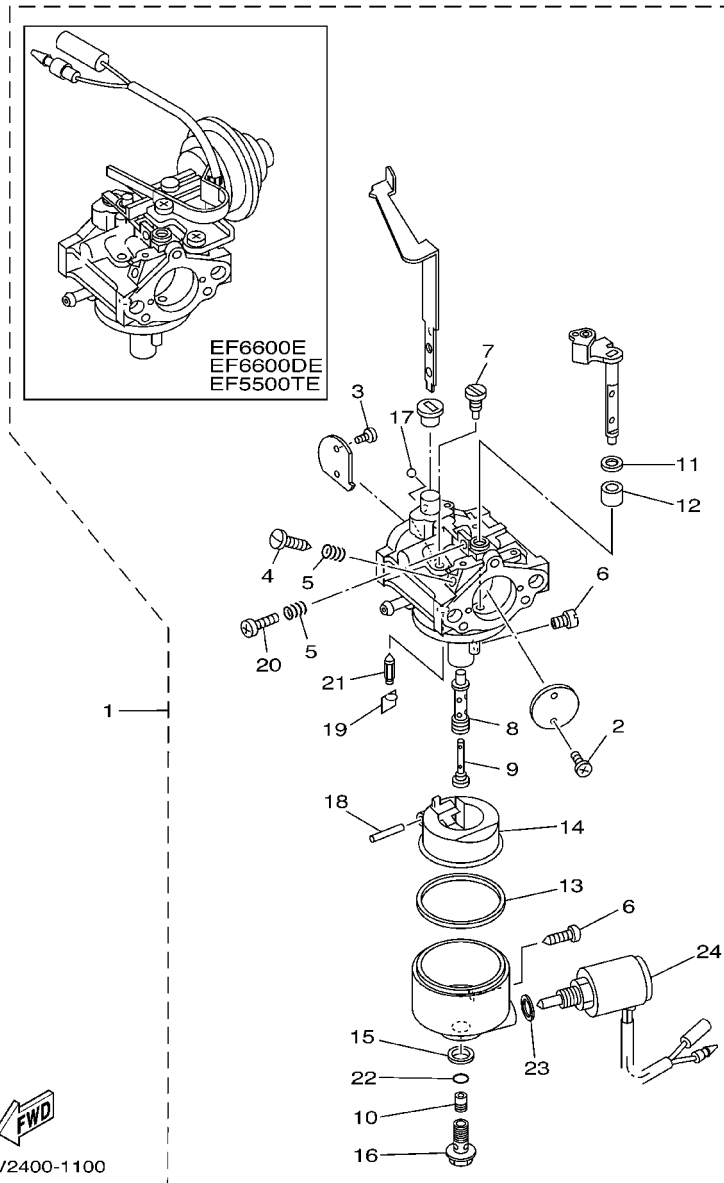
FIG. 9 CARBURETOR 1



7WV2400-1090

REF. NO.	PART NO.	DESCRIPTION	5200	6600	5500	REMARKS
1	7RG-14101-00	CARBURETOR ASSY 1	1			FOR EL. START MODEL
	7RG-14101-10	CARBURETOR ASSY 1	1			
2	7RH-14216-00	.SCREW	2			
3	7RH-14486-00	.SCREW, ROD	2			
4	7LV-14211-00	.SCREW, PILOT ADJUSTING	1			
5	73A-14212-00	.SPRING	2			
6	7E1-14191-00	.PLUG, DRAIN	1			
7	620-14142-62	.JET, PILOT (#62.5)	1			
8	7LW-14941-53	.NOZZLE, MAIN	1			
9	73A-1414G-00	.PIPE, MAIN BREED	1			
10	3G2-1423E-41	.JET, MAIN (#103.8)	1			
11	4CW-14117-00	.WASHER, PLUG SCREW	1			
12	7X9-14239-00	.SEAL	1			
13	796-14184-00	.GASKET, FLOAT CHAMBER	1			
14	JN6-14185-00	.FLOAT	1			
15	127-14198-00	.GASKET	1			
16	7RG-14162-00	.BOLT, HOLDING	1			
17	93501-08001	.BALL	1			FOR MANUAL START MODEL
18	22F-14186-00	.PIN, FLOAT	1			
19	7EG-14159-00	.CLIP	1			
20	1WG-14922-00	.SCREW, THROTTLE	1			
21	73A-14150-00	.NEEDLE ASSY	1			

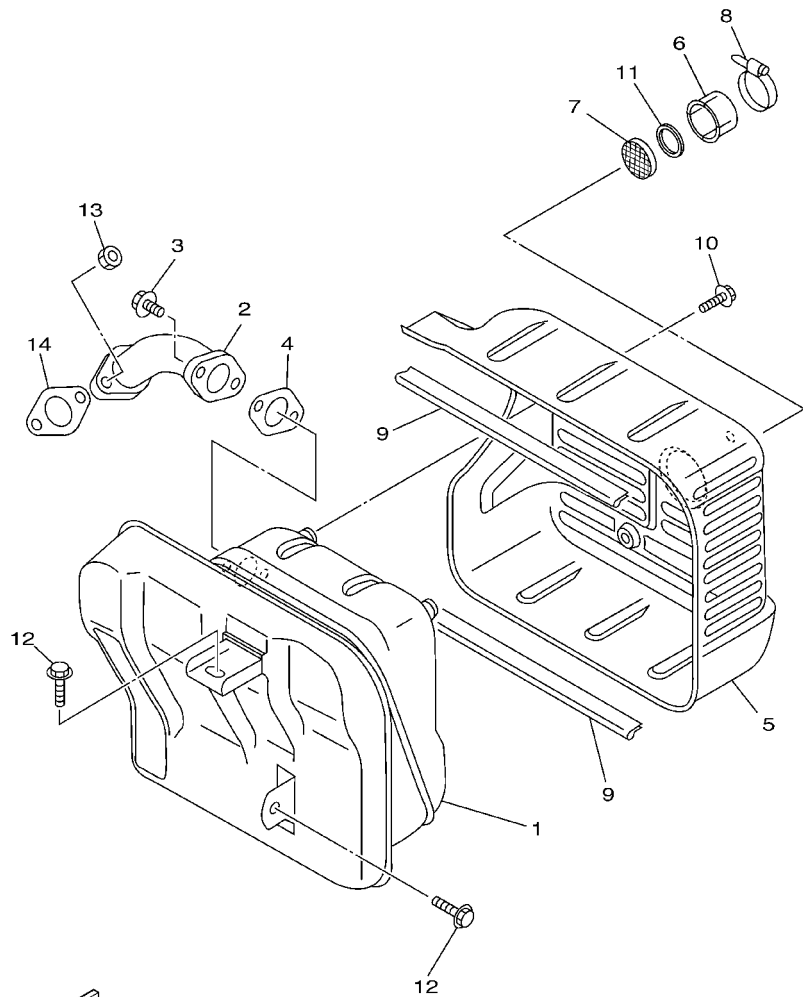
FIG. 10 CARBURETOR 2



7WV2400-1100

REF. NO.	PART NO.	DESCRIPTION	5200	6600	5500	REMARKS
1	7RH-14101-01	CARBURETOR ASSY 1		1	1	FOR EL. START MODEL
	7RH-14101-11	CARBURETOR ASSY 1		1		
2	7RH-14216-00	.SCREW		2	2	
3	7RH-14486-00	.SCREW, ROD		2	2	
4	7LV-14211-00	.SCREW, PILOT ADJUSTING		1	1	
5	73A-14212-00	.SPRING		2	2	
6	7RH-14191-00	.PLUG, DRAIN		1	1	
7	620-1414J-25	.JET, PILOT (#63.8)		1	1	
8	7LW-14941-53	.NOZZLE, MAIN		1	1	
9	73A-1414G-00	.PIPE, MAIN BREED		1	1	
10	1HX-1423E-40	.JET, MAIN (#101.3)		1	1	
11	4CW-14117-00	.WASHER, PLUG SCREW		1	1	
12	7X9-14239-00	.SEAL		1	1	
13	796-14184-00	.GASKET, FLOAT CHAMBER		1	1	
14	JN6-14185-00	.FLOAT		1	1	FOR EL. START MODEL
	7KY-14185-00	.FLOAT		1		
15	78A-14227-00	.WASHER		1	1	
16	7RH-14162-00	.BOLT, HOLDING		1	1	
17	93501-08001	.BALL		1		FOR MANUAL START MODEL
18	22F-14186-00	.PIN, FLOAT		1	1	
19	7EG-14159-00	.CLIP		1	1	
20	1WG-14922-00	.SCREW, THROTTLE		1	1	
21	73A-14150-00	.NEEDLE ASSY		1	1	
22	36Y-14147-00	.O-RING		1	1	
23	256-14956-01	.WASHER		1	1	
24	7RH-1410H-01	.FUEL CUT SOLENOID VALVE		1	1	

FIG. 11 EXHAUST



7RH6010-6080

REF. NO.	PART NO.	DESCRIPTION	5200	6600	5500	REMARKS
1	7RG-14711-00	MUFFLER 1	1			
	7RH-14711-00	MUFFLER 1		1		
	7RH-14711-11	MUFFLER 1			1	
2	7RH-14611-00	PIPE, EXHAUST 1	1	1	1	
3	95807-08020	BOLT, FLANGE	2	2	2	
4	7RH-14623-00	GASKET, EXHAUST PIPE	1	1	1	
5	7RH-14718-00	PROTECTOR, MUFFLER 1	1	1	1	
6	7RH-14799-00	CAP	1	1	1	
7	7RH-1479E-00	NET, WIRE 2	1	1	1	
8	90460-31253	CLAMP, HOSE	1	1	1	
9	7RH-14737-00	DAMPER, MUFFLER	2	2	2	
10	95807-06008	BOLT, FLANGE	4	4	4	
11	90201-22793	WASHER, PLATE	1	1	1	
12	95807-08016	BOLT, FLANGE	2	2	2	
13	95307-08600	NUT	2	2	2	
14	7KY-14613-01	GASKET, EXHAUST PIPE	1	1	1	

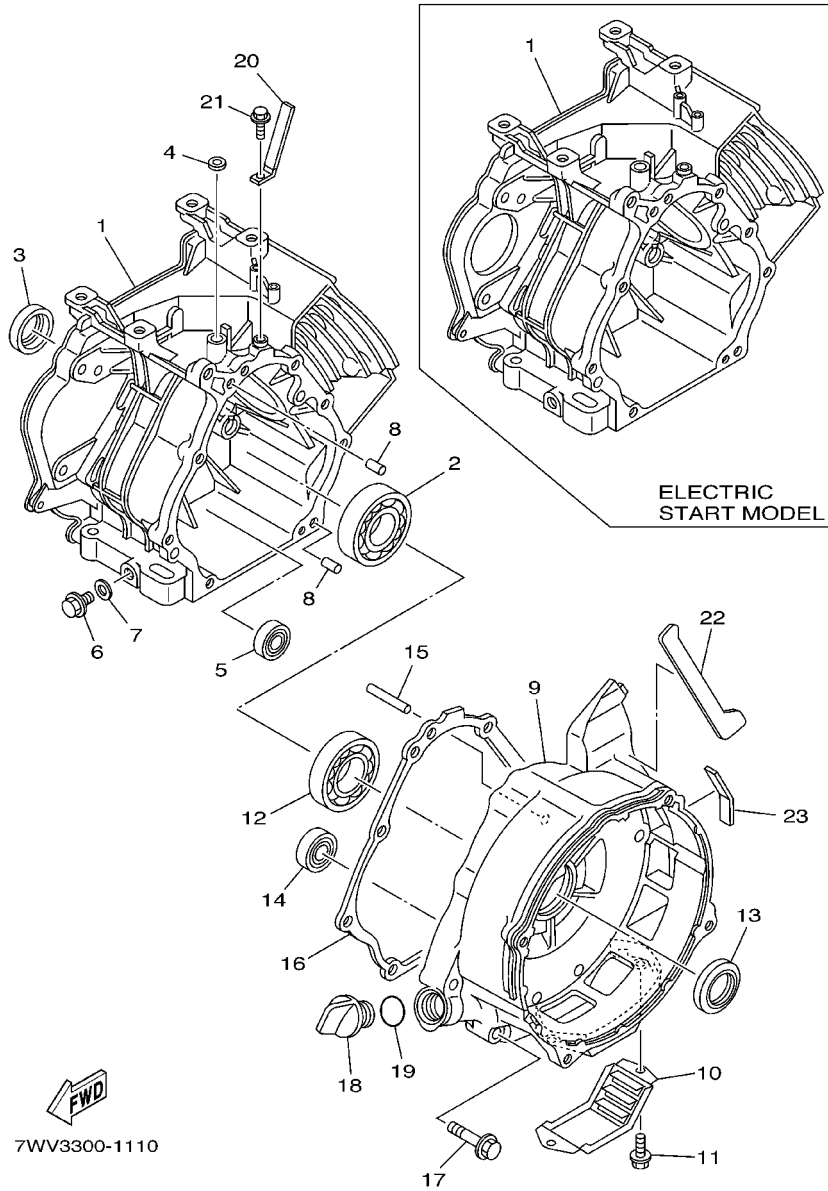
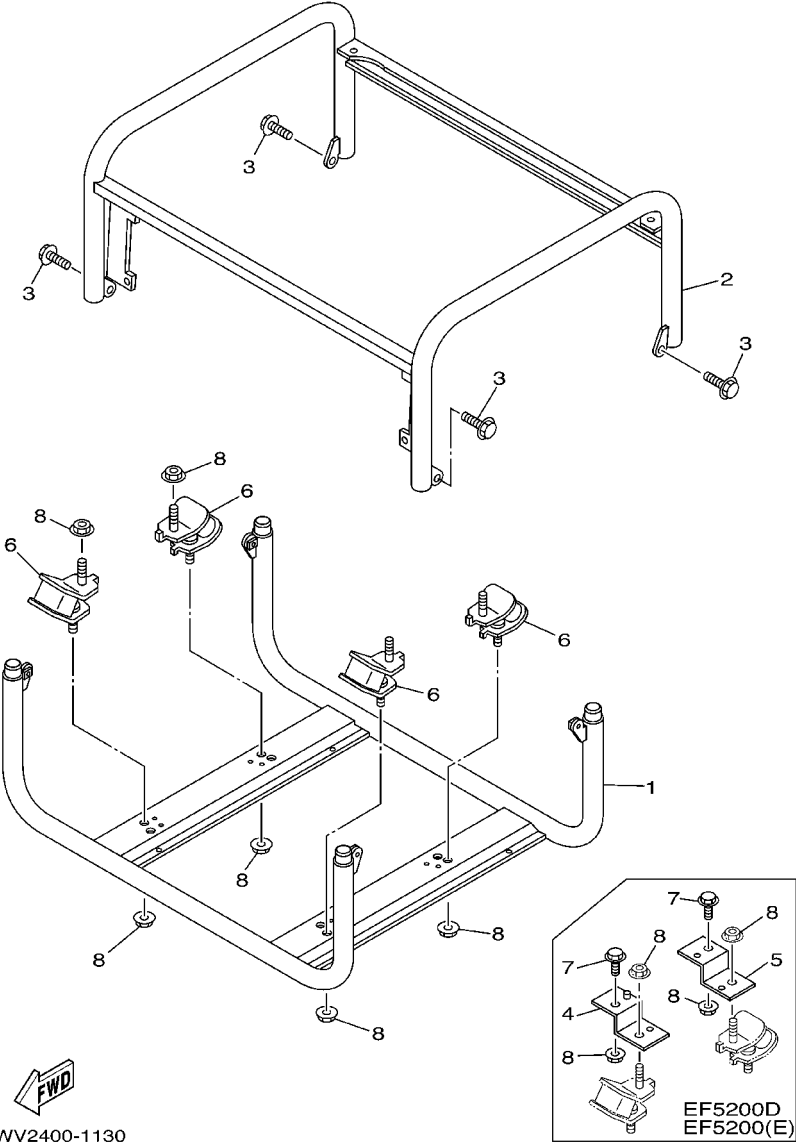


FIG. 12 CRANKCASE

REF. NO.	PART NO.	DESCRIPTION				REMARKS
			5200	6600	5500	
1	7WE-15111-00	CRANKCASE 1	1			UR
	7WE-15111-10	CRANKCASE 1	1			UR EL. START MODEL
	7WG-15111-00	CRANKCASE 1		1		UR
	7WG-15111-10	CRANKCASE 1		1	1	UR EL. START MODEL
2	93306-30709	BEARING	1	1	1	
3	93102-35191	OIL SEAL	1	1	1	
4	93109-08050	OIL SEAL	1	1	1	
5	93306-20201	BEARING (B6202)	1	1	1	
6	90340-12097	PLUG, STRAIGHT SCREW	2	2	2	
7	812-11198-00	GASKET	2	2	2	
8	99530-08016	PIN, DOWEL	2	2	2	
9	7RH-15411-01	COVER, CRANKCASE 1	1	1	1	
10	7RH-15414-00	COVER, AIR CLEANER	1	1	1	
11	90109-06513	BOLT	2	2	2	
12	93306-20714	BEARING	1	1	1	
13	93102-35191	OIL SEAL	1	1	1	
14	93306-20201	BEARING (B6202)	1	1	1	
15	7RH-11971-00	SHAFT, FLYWEIGHT	1	1	1	
16	7RH-15451-01	GASKET, CRANKCASE COVER 1	1	1	1	
17	95817-08045	BOLT, FLANGE	8	8	8	
18	796-15363-01	PLUG, OIL	1	1	1	
19	93210-22344	O-RING	1	1	1	
20	90462-05061	CLAMP	1	1	1	
21	95807-06010	BOLT, FLANGE	1	1	1	
22	7RH-14757-00	DAMPER, MUFFLER 2	1	1	1	
23	7RH-14747-00	DAMPÉR, MUFFLER			1	

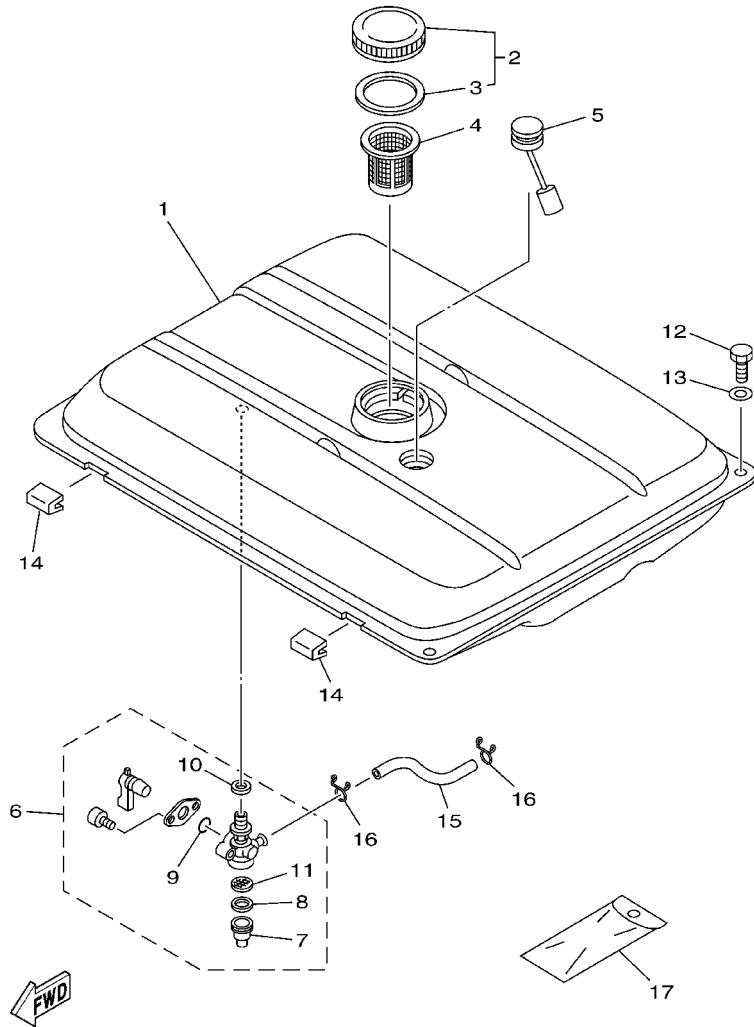
FIG. 13 FRAME



FWD
7WV2400-1130

REF. NO.	PART NO.	DESCRIPTION	5200	6600	5500	REMARKS
1	7RH-22840-00	FRAME COMP.	1	1	1	
2	7RH-22850-00	FRAME COMP. 2	1	1	1	
3	95807-06010	BOLT, FLANGE	4	4	4	
4	7RG-11011-00	BRACKET, ENGINE 1	1			FOR EF5200D/5200(E)
5	7RG-11012-00	BRACKET, ENGINE 2	1			FOR EF5200D/5200(E)
6	7RH-22891-00	INSULATOR, MOUNTING	4	4	4	
7	95807-10030	BOLT, FLANGE	2			FOR EF5200D/5200(E)
8	95707-10500	NUT, FLANGE	10	8	8	

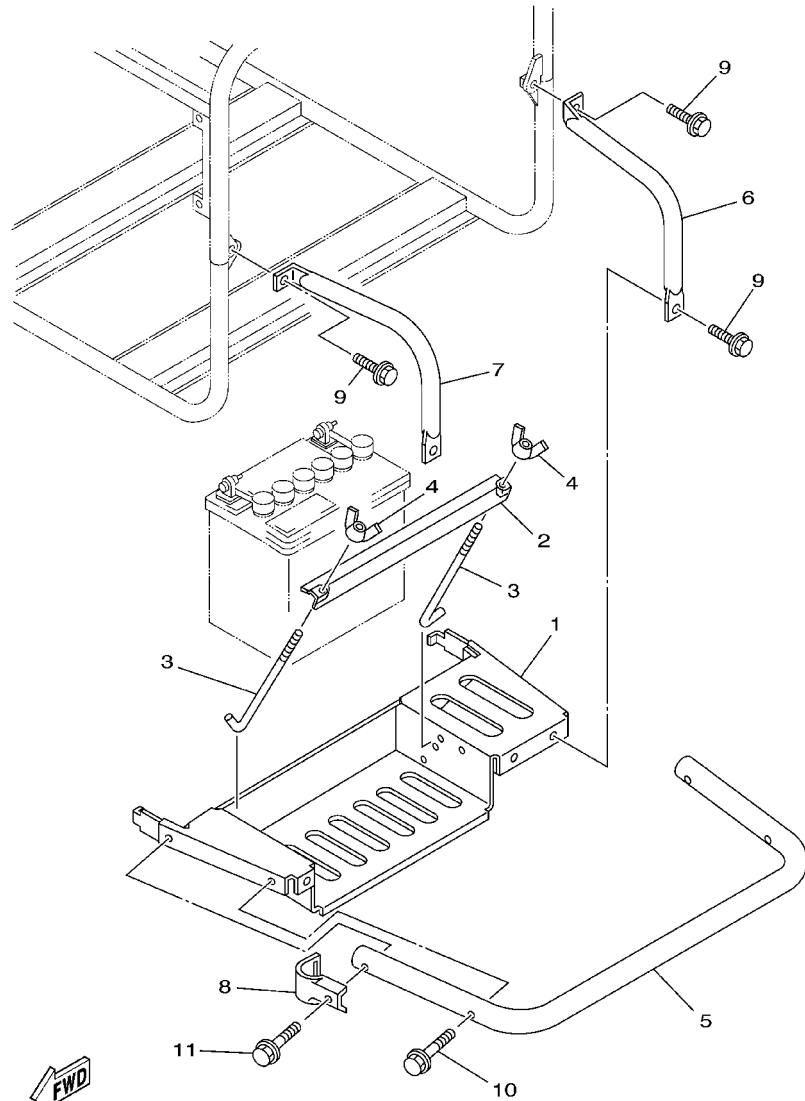
FIG. 14 FUEL TANK



7RG2171-9120

REF. NO.	PART NO.	DESCRIPTION	5200	6600	5500	REMARKS
1	7RH-24110-01-NJ	FUEL TANK COMP.	1	1	1	FWB
2	74T-24610-00	CAP ASSY	1	1	1	
3	796-24612-00	.GASKET, CAP	1	1	1	
4	630-24167-00	STRAINER	1	1	1	
5	7F7-85710-02	FUEL LEVEL GAUGE ASSY	1	1	1	
6	7NJ-24500-01	FUEL COCK ASSY 1	1	1	1	
7	7J3-24521-00	.CUP, FILTER	1	1	1	
8	4X8-24565-00	.GASKET	1	1	1	
9	7NJ-24534-00	.SEAL, COCK	1	1	1	
10	7NJ-24532-00	.GASKET	1	1	1	
11	7NJ-24515-01	.NET, FILTER 2	1	1	1	
12	97007-06012	BOLT	2	2	2	
13	90201-06380	WASHER, PLATE	2	2	2	
14	7LG-24181-00	DAMPER, LOCATING 1	2	2	2	
15	90445-100E9	HOSE (L155)	1	1	1	
16	90467-09006	CLIP	2	2	2	
17	7LV-28100-00	TOOL KIT	1	1	1	

FIG. 15 BATTERY TRAY (FOR EL. START MODEL)

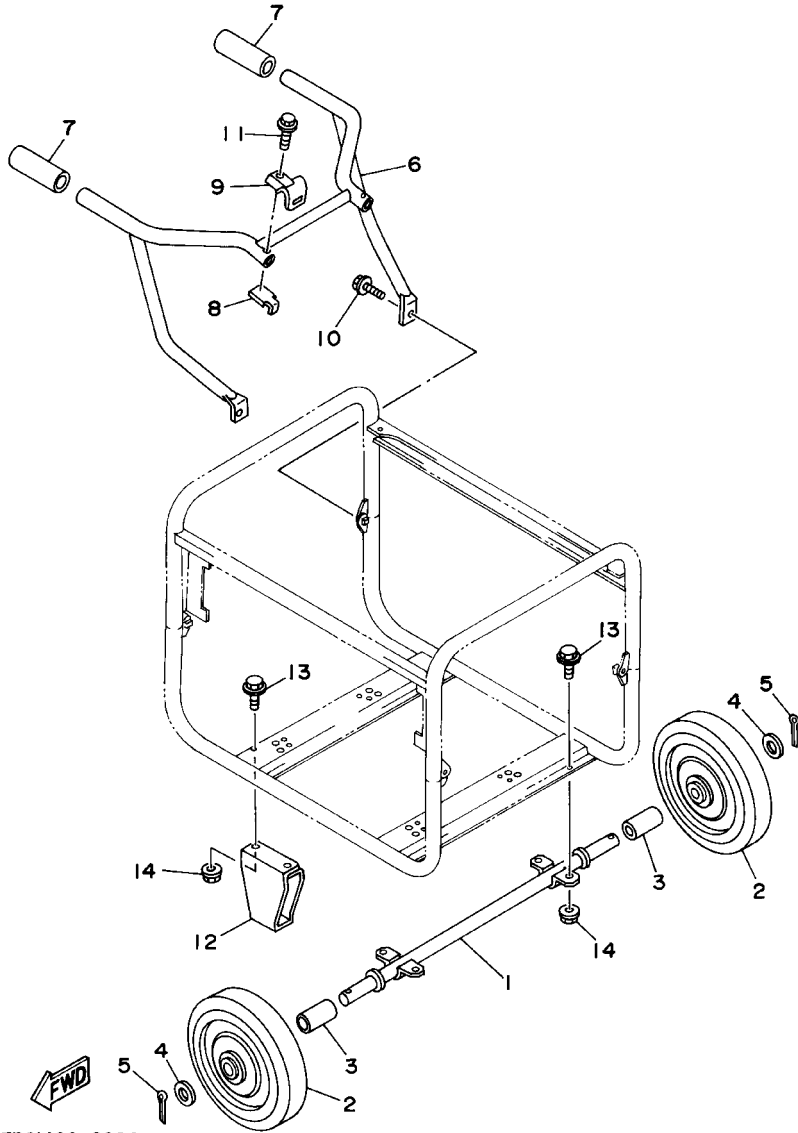


7VW2110-0130

REF. NO.	PART NO.	DESCRIPTION	5200	6600	5500	REMARKS
1	7RH-82122-01	SEAT, BATTERY	1	1	1	
2	J10-82136-00	PLATE, BATTERY FITTING	1	1	1	
3	7LP-82133-00	SCREW, FITTING	2	2	2	
4	90175-06008	NUT, WING	2	2	2	
5	7RH-22836-00	STAY, 3	1	1	1	
6	7RH-22838-00	STAY 6	1	1	1	
7	7RH-22839-00	STAY 7	1	1	1	
8	7RH-22864-00	COVER, SIDE 1	2	2	2	
9	95807-06012	BOLT, FLANGE	4	4	4	
10	95807-06030	BOLT, FLANGE	2	2	2	
11	95807-06035	BOLT, FLANGE	2	2	2	

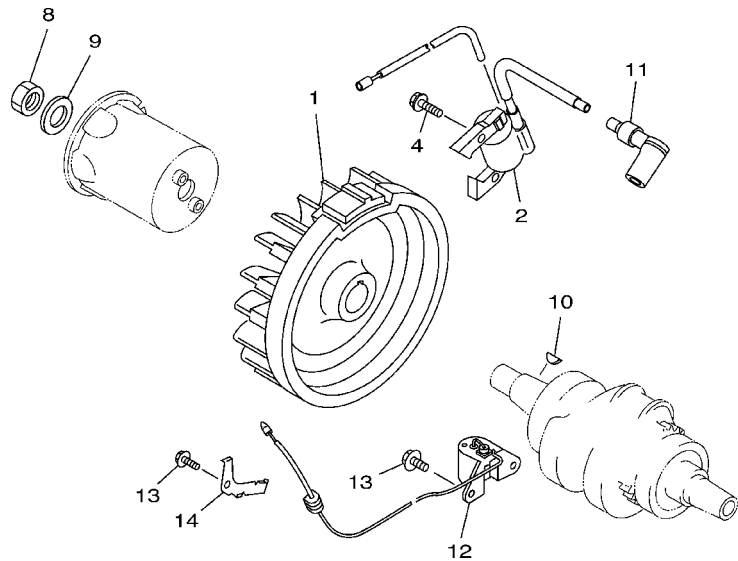
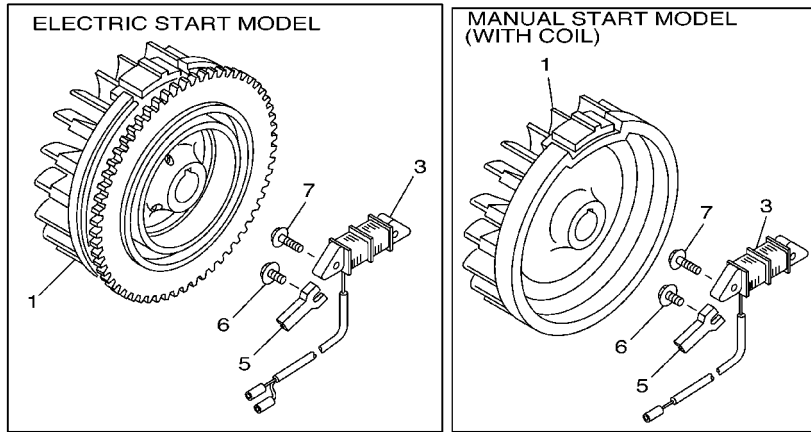
FIG. 16 FRONT WHEEL (OPTIONAL PARTS)

REF. NO.	PART NO.	DESCRIPTION	5200	6600	5500	REMARKS
1	7RH-25381-00	AXLE, WHEEL	1	1		
2	73A-22846-10	CASTER 2	2	2		
3	73A-25322-10	INSERT, SHAFT	2	2		
4	92907-20600	WASHER	2	2		
5	91401-30040	PIN, COTTER	2	2		
6	7RH-26100-00	HANDLE ASSY	1	1		
7	801-26241-01	GRIP	2	2		
8	7RH-2284F-00	PLATE 3	2	2		
9	7RH-22864-00	COVER, SIDE 1	2	2		
10	95807-06014	BOLT, FLANGE	2	2		
11	95807-06035	BOLT, FLANGE	2	2		
12	7LR-27111-01	STAND, MAIN	2	2		
13	95807-08016	BOLT, FLANGE	8	8		
14	95707-08500	NUT, FLANGE	8	8		



7RGI400-6220

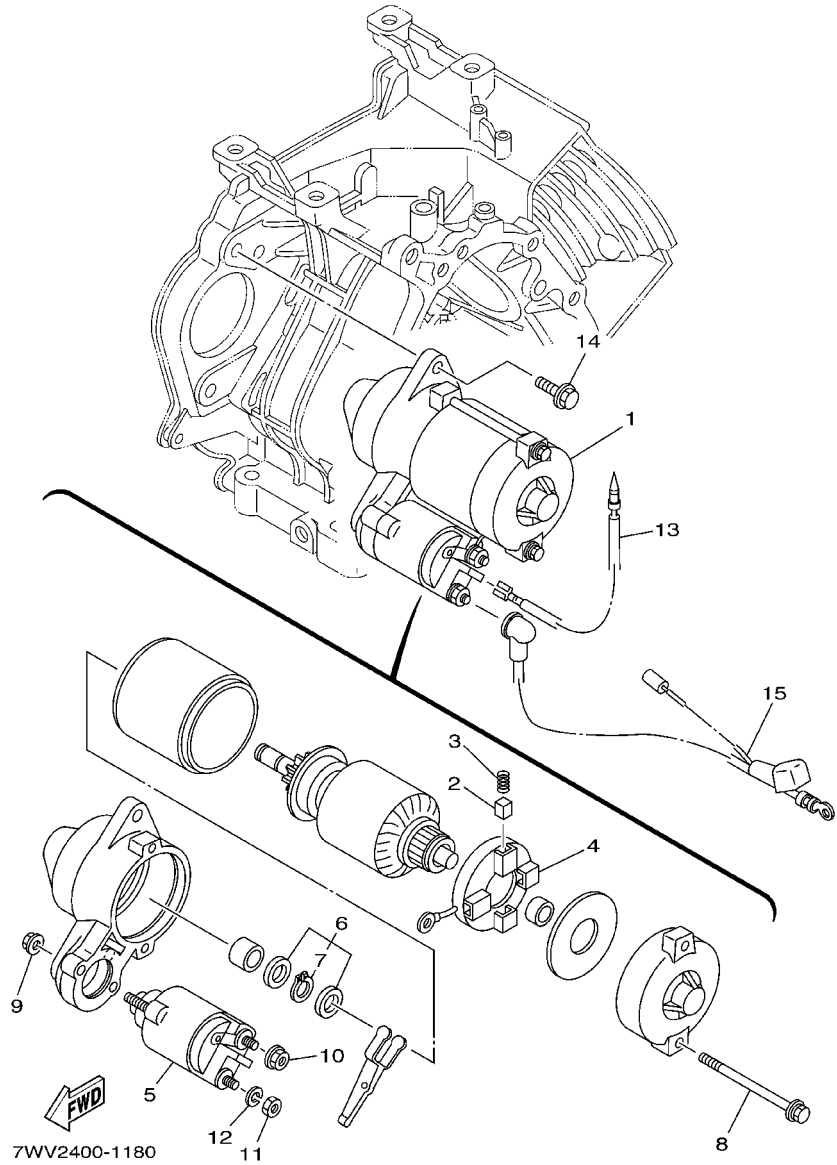
FIG. 17 T.C.I.MAGNETO



7WV2400-1170

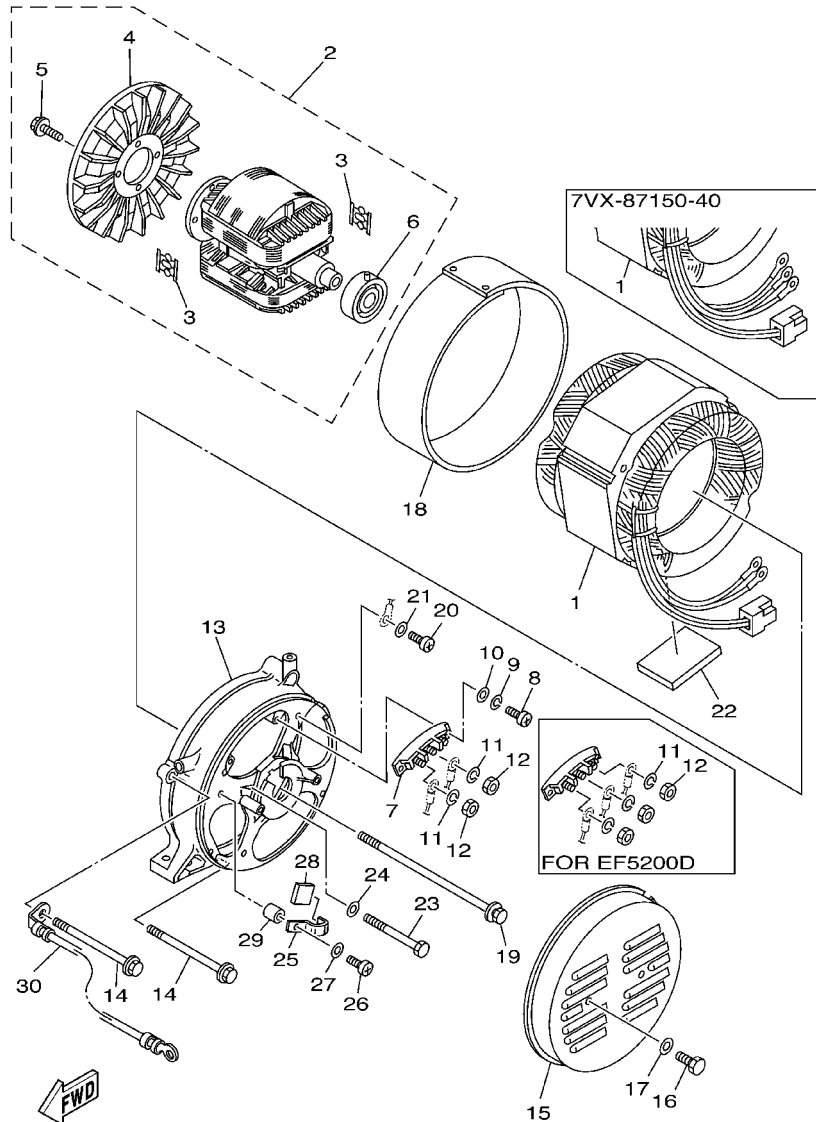
REF. NO.	PART NO.	DESCRIPTION				REMARKS
			5200	6600	5500	
1	7WG-85650-00	ROTOR ASSY	1			
	7WH-85650-10	ROTOR ASSY	1	1	1	FOR EL. START MODEL
	7WH-85650-20	ROTOR ASSY		1		FOR MANUAL START MODEL (WITH COIL)
2	7WG-85640-00	T.C.I. UNIT ASSY	1	1	1	
3	7VW-85521-00	COIL ASSY	1	1	1	FOR EL. START MODEL
	7WW-85521-10	COIL ASSY		1		FOR MANUAL START MODEL (WITH COIL)
4	95880-06020	BOLT, FLANGE	2	2	2	
5	90462-06232	CLAMP	1	1	1	EXCEPT FOR EF5200D/5200
6	95807-06012	BOLT, FLANGE	1	1	1	EXCEPT FOR EF5200D/5200
7	95807-06025	BOLT, FLANGE	2	2	2	FOR EL. START MODEL
	95807-06020	BOLT, FLANGE		2		FOR MANUAL START MODEL (WITH COIL)
8	90170-18391	NUT	1	1	1	
9	90201-180T9	WASHER, PLATE	1	1	1	
10	90280-04052	KEY, WOODRUFF	1	1	1	
11	JN6-82370-00	PLUG CAP ASSY	1	1	1	
12	7RH-85720-02	OIL LEVEL GAUGE ASSY	1	1	1	
13	95827-06012	BOLT, FLANGE	3	3	3	
14	7NJ-85724-00	CLAMP	1	1	1	

FIG. 18 STARTING MOTOR (FOR EL. START MODEL)



REF. NO.	PART NO.	DESCRIPTION	5200	6600	5500	REMARKS
1	7WW-81800-00	STARTING MOTOR ASSY	1	1	1	
2	JE8-81812-00	.BRUSH 2	4	4	4	
3	JE8-81813-00	.SPRING, BRUSH	4	4	4	
4	JE8-81840-00	.BRUSH HOLDER ASSY	1	1	1	
5	JE8-81870-00	.STARTING SWITCH ASSY	1	1	1	
6	7UJ-81833-00	.RING, STOP	1	1	1	
7	JE8-81834-00	.RING	1	1	1	
8	JE8-81826-00	.BOLT	2	2	2	
9	95302-06600	.NUT	2	2	2	
10	95302-08700	.NUT	1	1	1	
11	95302-08600	.NUT	1	1	1	
12	92902-08100	.WASHER, SPRING	1	1	1	
13	7WW-82507-00	WIRE, LEAD	1	1	1	
14	95807-08025	BOLT, FLANGE	2	2	2	
15	7WW-82115-G0	WIRE, PLUS LEAD	1	1	1	

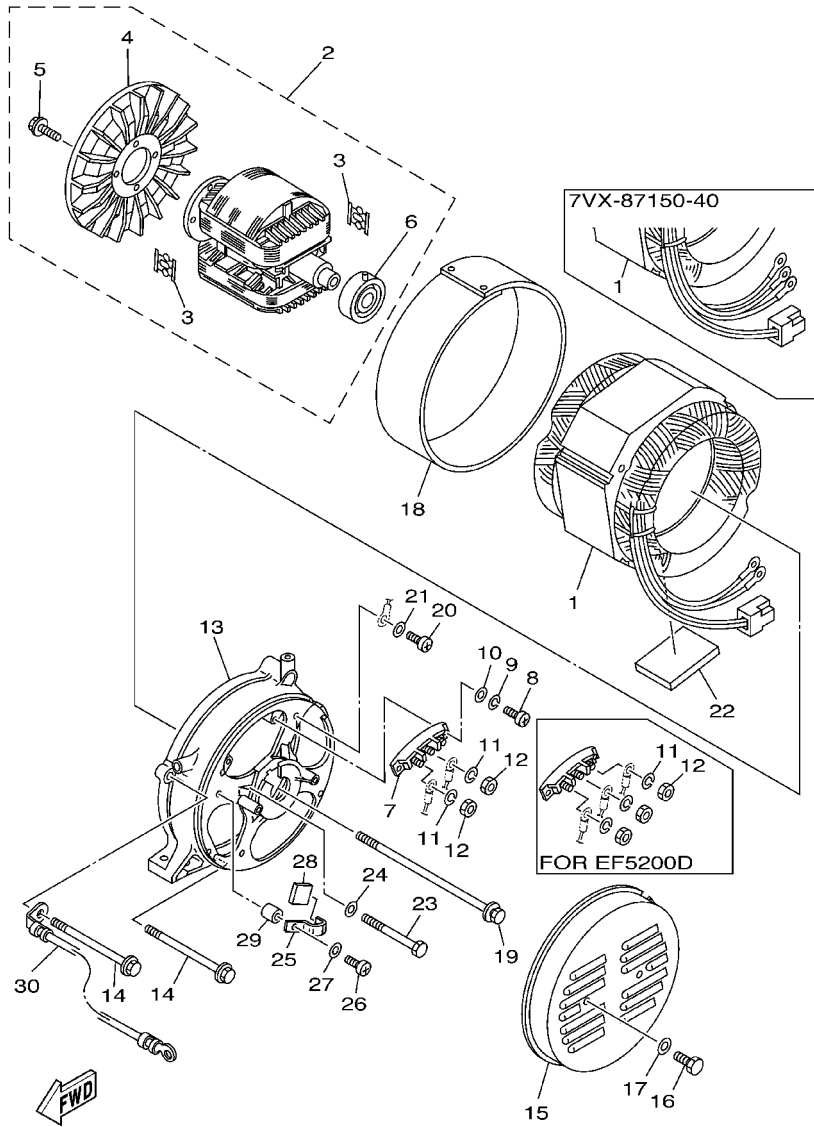
FIG. 19 GENERATOR 1 (FOR EF5200D/5200(E))



7WV2400-1190

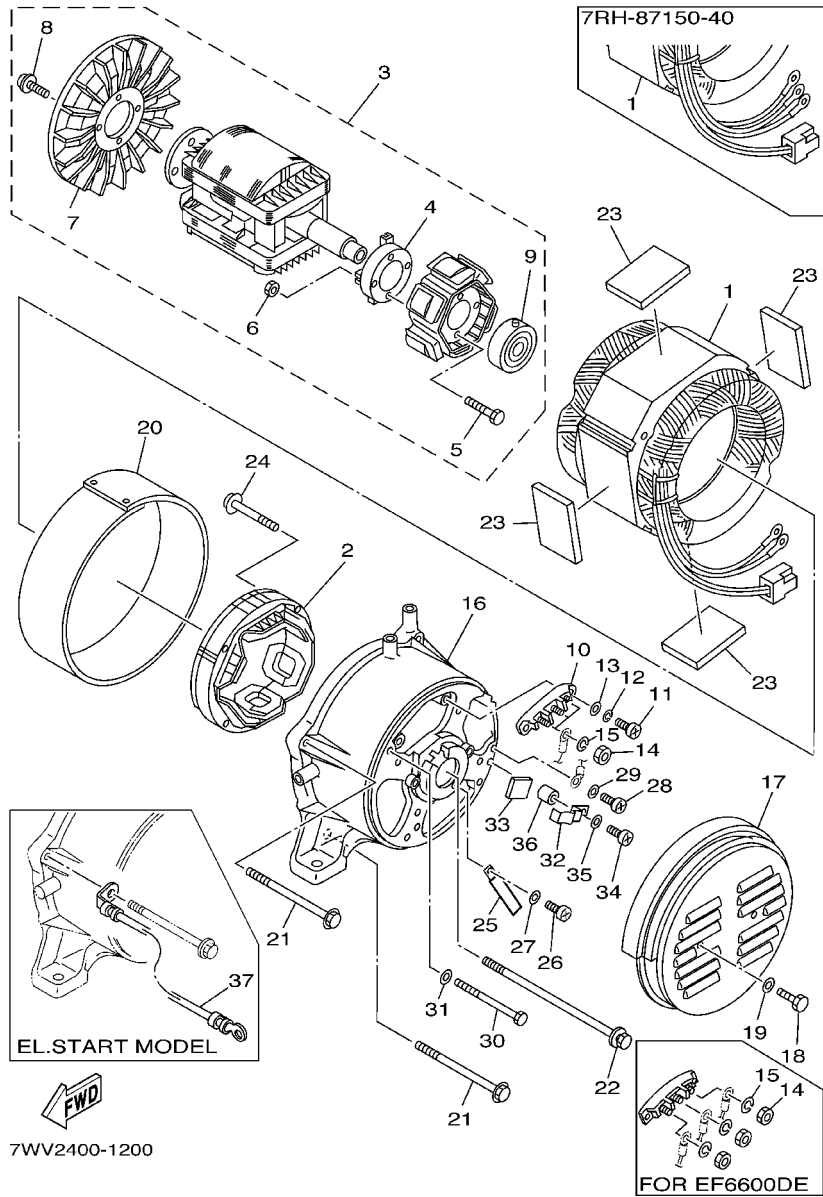
REF. NO.	PART NO.	DESCRIPTION	5200	6600	5500	REMARKS
1	7VX-87150-40	STATOR ASSY (120/240V-60Hz)	1			FOR EF5200D
	7VX-87150-G0	STATOR ASSY (220V-50Hz)	1			
	7VX-87150-L0	STATOR ASSY (220V-60Hz)	1			FOR PER,PHL,SAU
	7VX-87150-N0	STATOR ASSY (220V-50Hz)	1			FOR AUS
2	7VX-87160-00	ROTOR ASSY	1			
3	7FK-87115-01	.RECTIFIER ASSY 2	4			
4	7LR-87172-01	.FAN, GENERATOR	1			
5	90159-06032	.SCREW, WITH WASHER	4			
6	93306-37202	.BEARING	1			
7	7LR-87220-00	TERMINAL SUB ASSY 1	1			
8	98507-05014	SCREW, PAN HEAD	2			
9	92907-05100	WASHER, SPRING	2			
10	92907-05600	WASHER, PLATE	2			
11	95307-05700	NUT	2			
	95307-05700	NUT	3			FOR EF5200D
12	92907-05100	WASHER, SPRING	2			
	92907-05100	WASHER, SPRING	3			FOR EF5200D
13	7LR-87131-02	FRAME, REAR	1			
14	95827-06100	BOLT, FLANGE	4			
15	7RH-87174-00-98	COVER, REAR END	1			LGB
16	97007-06010	BOLT	2			
17	92907-06600	WASHER, PLATE	2			
18	7RG-87153-00	COVER, STATOR	1			
19	7RG-81152-00	BOLT	1			
20	98507-05010	SCREW, PAN HEAD	1			
21	92907-05600	WASHER, PLATE	1			
22	7LR-87159-00	SEAL, STATOR	1			

FIG. 19 GENERATOR 1 (FOR EF5200D/5200(E))



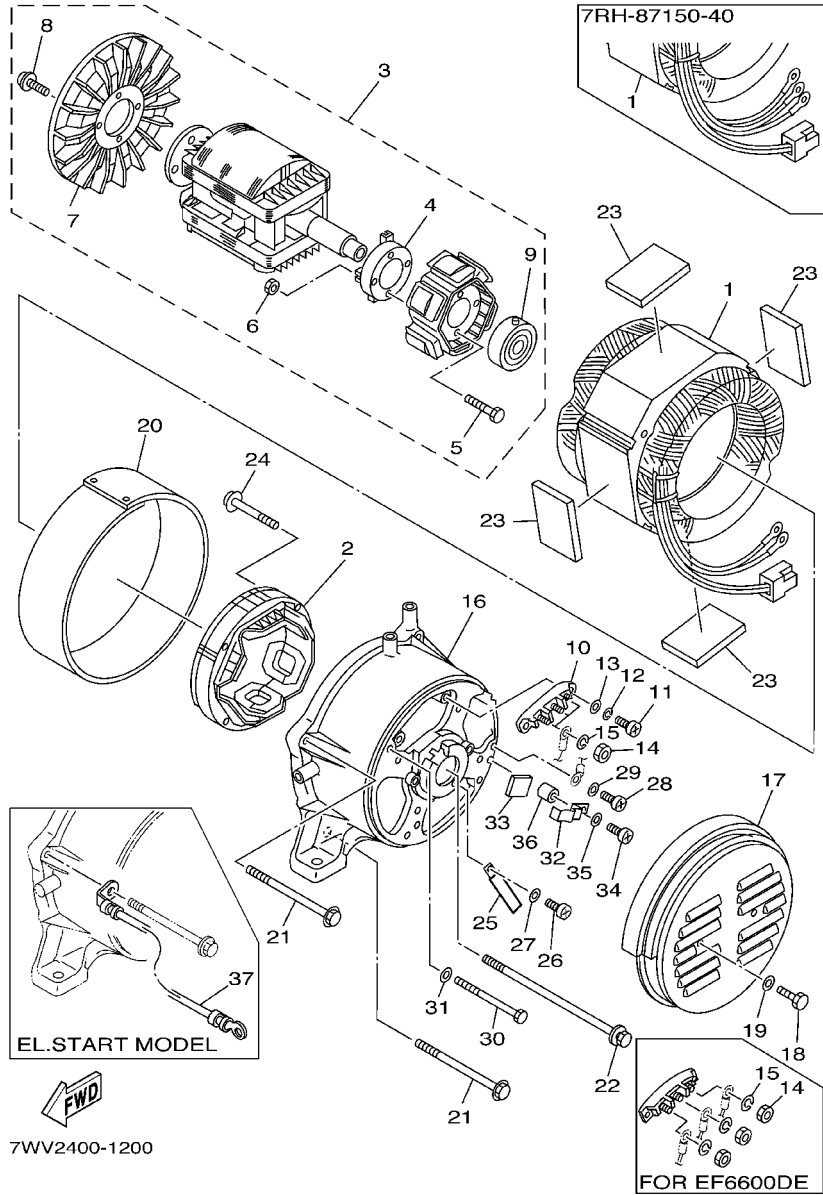
REF. NO.	PART NO.	DESCRIPTION	5200	6600	5500	REMARKS
23	97027-06080	BOLT	2			
24	92907-06600	WASHER, PLATE	2			
25	7J5-88195-00	HOLDER, CONNECTOR	1			
26	98507-05020	SCREW, PAN HEAD	1			
27	92907-05600	WASHER, PLATE	1			
28	7LV-8713J-00	DAMPER	1			
29	90387-06N38	COLLAR	1			
30	73E-82116-01	WIRE, MINUS LEAD	1			FOR EL. START MODEL

FIG. 20 GENERATOR 2 (FOR EF6600D/6600(E))



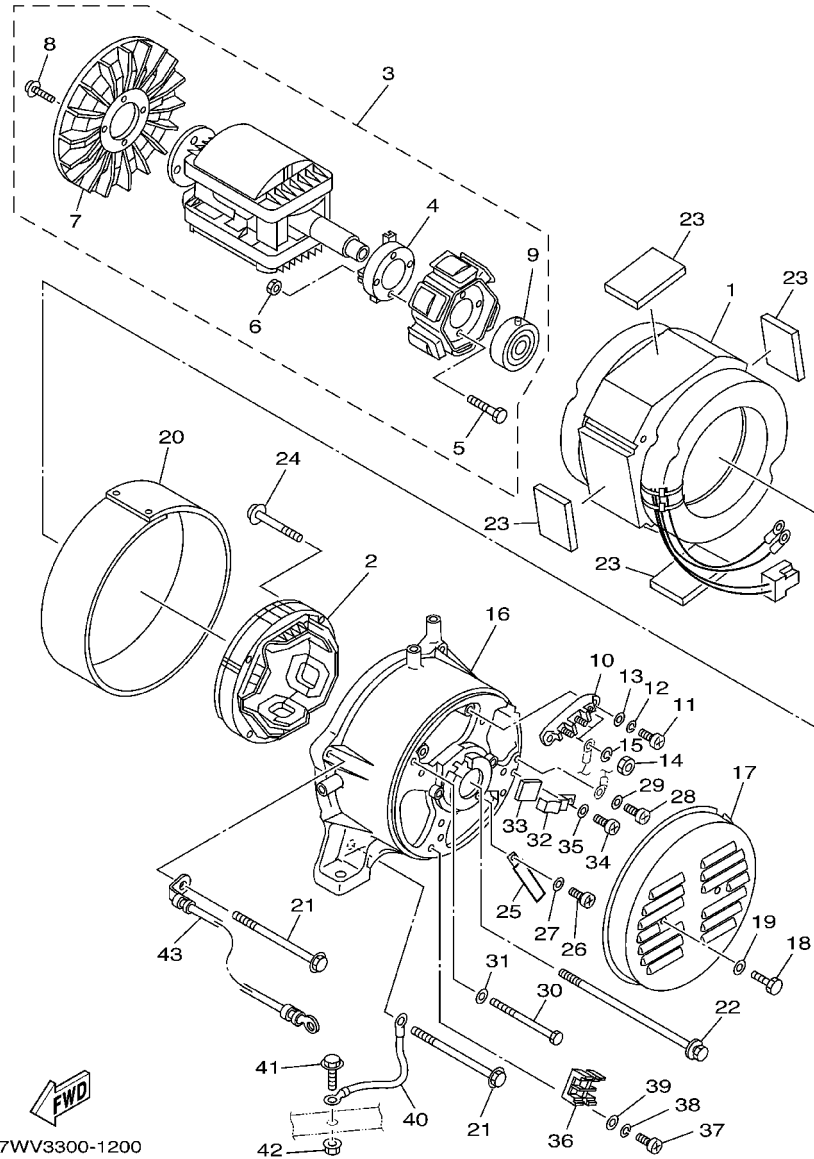
REF. NO.	PART NO.	DESCRIPTION	5200	6600	5500	REMARKS
1	7RH-87150-40	STATOR ASSY (120V/240V-60HZ)		1		FOR EF6600DE
	7RH-87150-G0	STATOR ASSY (220V/230V-50HZ)		1		
	7RH-87150-H0	STATOR ASSY (220V-50HZ)		1		FOR CHN
	7RH-87150-L0	STATOR ASSY (220V-60HZ)		1		FOR PER,PHL,SAU
	7RH-87150-N0	STATOR ASSY (240V-50HZ)		1		FOR AUS
2	73A-8712A-01	STATOR EXITER ASSY		1		
3	7RH-87160-02	ROTOR ASSY		1		
4	7LV-87115-00	.RECTIFIER ASSY 2		1		
5	97027-05050	.BOLT		4		
6	95307-05600	.NUT		4		
7	7LR-87172-01	.FAN, GENERATOR		1		
8	90159-06032	.SCREW, WITH WASHER		4		
9	93306-37202	.BEARING		1		
10	7LR-87220-00	TERMINAL SUB ASSY 1		1		
11	98507-05014	SCREW, PAN HEAD		2		
12	92907-05100	WASHER, SPRING		2		
13	92907-05600	WASHER, PLATE		2		
14	95307-05700	NUT		2		
	95307-05700	NUT		3		FOR EF6600DE
15	92907-05100	WASHER, SPRING		2		
	92907-05100	WASHER, SPRING		3		FOR EF6600DE
16	7RH-87131-00	FRAME, REAR		1		
17	7RH-87174-00-98	COVER, REAR END		1		LGB
18	97007-06010	BOLT		2		
19	92907-06600	WASHER, PLATE		2		
20	7RH-87153-00	COVER, STATOR		1		
21	95827-06130	BOLT, FLANGE		4		

FIG. 20 GENERATOR 2 (FOR EF6600D/6600(E))



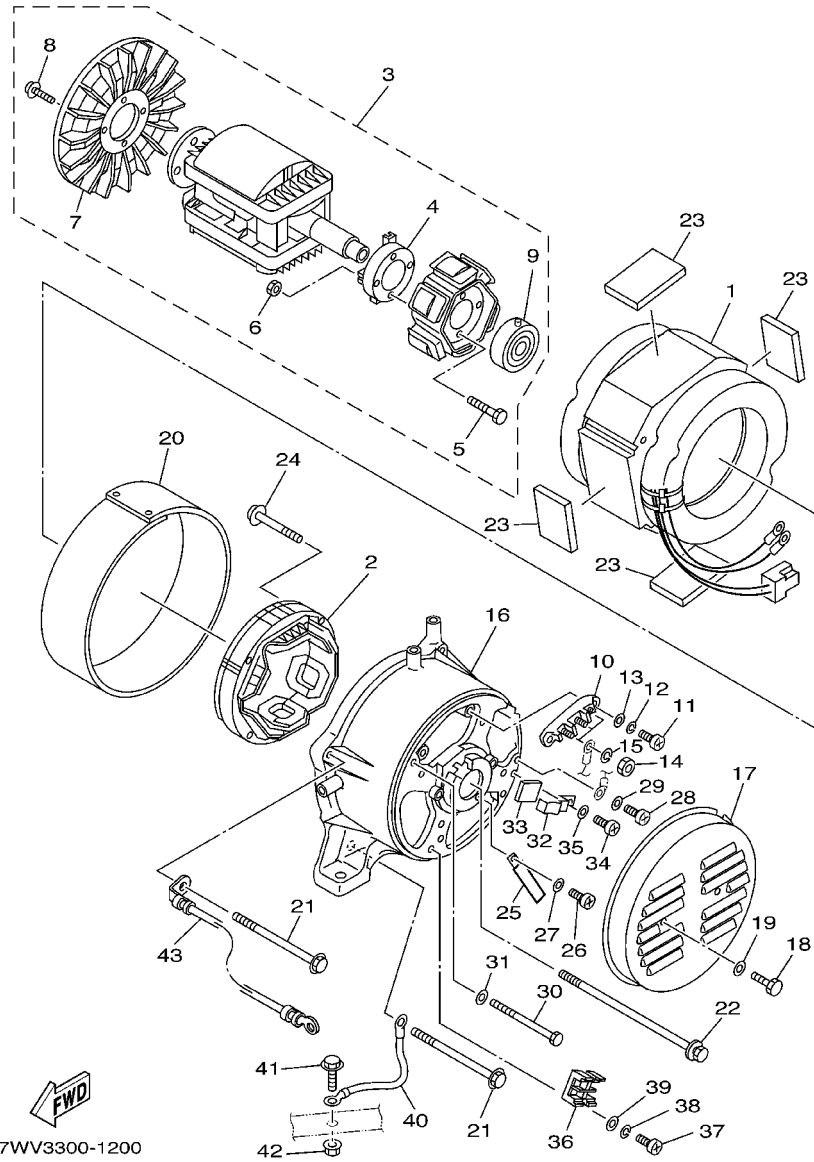
REF. NO.	PART NO.	DESCRIPTION	5200	6600	5500	REMARKS
22	7RH-81152-00	BOLT		1		
23	7LR-87159-00	SEAL, STATOR		4		
24	90159-05091	SCREW, WITH WASHER		4		
25	90462-05061	CLAMP		1		
26	98507-05010	SCREW, PAN HEAD		1		
27	92907-05600	WASHER, PLATE		1		
28	98507-05010	SCREW, PAN HEAD		1		
29	92907-05600	WASHER, PLATE		1		
30	90101-06739	BOLT		2		
31	92907-06600	WASHER, PLATE		2		
32	7J5-88195-00	HOLDER, CONNECTOR		1		
33	7LV-8713J-00	DAMPER		1		
34	98507-05020	SCREW, PAN HEAD		1		
35	92907-05600	WASHER, PLATE		1		
36	90387-06N38	COLLAR		1		
37	73E-82116-01	WIRE, MINUS LEAD		1		FOR EL. START MODEL

FIG. 21 GENERATOR (FOR EF5500TE)



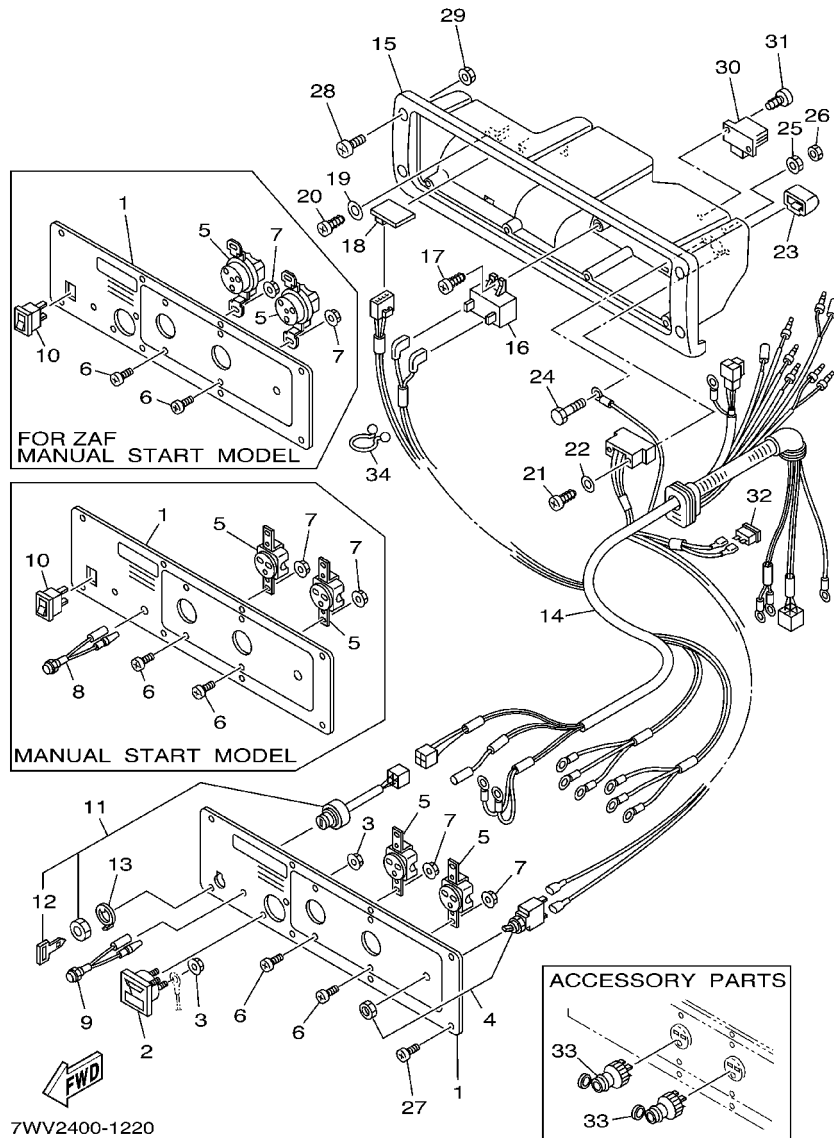
REF. NO.	PART NO.	DESCRIPTION	5200	6600	5500	REMARKS
1	7RH-87150-V0	STATOR ASSY			1	
2	73A-8712A-01	STATOR EXITER ASSY			1	
3	7RH-87160-02	ROTOR ASSY			1	
4	7LV-87115-00	.RECTIFIER ASSY 2			1	
5	97027-05050	.BOLT			4	
6	95307-05600	.NUT			4	
7	7LR-87172-01	.FAN, GENERATOR			1	
8	90159-06032	.SCREW, WITH WASHER			4	
9	93306-37202	.BEARING			1	
10	7LR-87220-00	TERMINAL SUB ASSY 1			1	
11	98507-05014	SCREW, PAN HEAD			2	
12	92907-05100	WASHER, SPRING			2	
13	92907-05600	WASHER, PLATE			2	
14	95307-05700	NUT			3	
15	92907-05100	WASHER, SPRING			3	
16	7RH-87131-10	FRAME, REAR			1	
17	7RH-87174-A1-98	COVER, REAR END			1	LGB
18	97007-06010	BOLT			2	
19	92907-06600	WASHER(6TA)			2	
20	7RH-87153-00	COVER, STATOR			1	
21	95827-06130	BOLT, FLANGE			4	
22	7RH-81152-00	BOLT			1	
23	7LR-87159-00	SEAL, STATOR			4	
24	90159-05091	SCREW, WITH WASHER			4	
25	90462-05061	CLAMP			1	
26	98507-05010	SCREW, PAN HEAD			1	
27	92907-05600	WASHER, PLATE			1	

FIG. 21 GENERATOR (FOR EF5500TE)



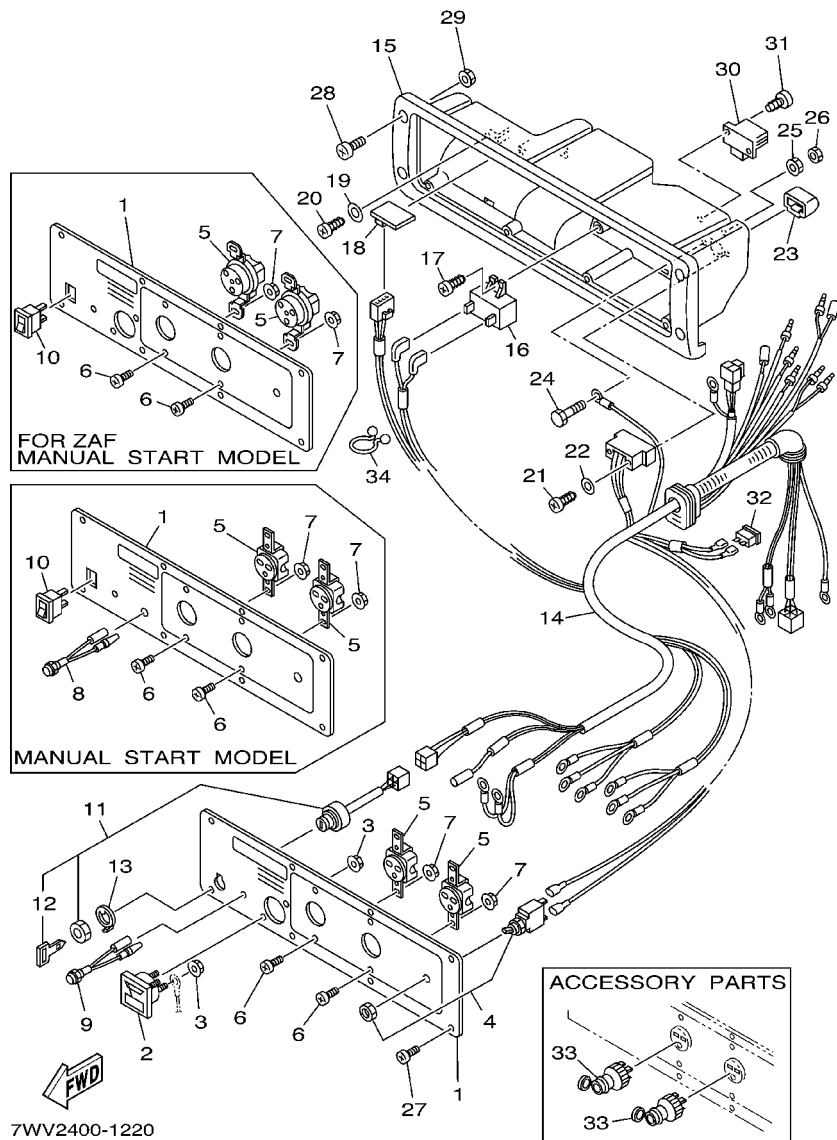
REF. NO.	PART NO.	DESCRIPTION	5200	6600	5500	REMARKS
28	98507-05010	SCREW, PAN HEAD			1	
29	92907-05600	WASHER, PLATE			1	
30	90101-06739	BOLT			2	
31	92907-06600	WASHER, PLATE			2	
32	7LV-88195-00	HOLDER, CONNECTOR			1	
33	7LV-8713J-00	DAMPER			1	
34	98507-05010	SCREW, PAN HEAD			1	
35	92907-05600	WASHER, PLATE			1	
36	7RH-87220-01	TERMINAL SUB ASSY 1			1	
37	98507-04016	SCREW, PAN HEAD			2	
38	92907-04100	WASHER, SPRING			2	
39	92907-04600	WASHER			2	
40	7NJ-87139-80	LEAD WIRE ASSY 2			1	
41	95880-06010	BOLT, FLANGE			1	
42	95780-06500	NUT, FLANGE			1	
43	73E-82116-01	WIRE, MINUS LEAD			1	

FIG. 22 CONTROL BOX 1 (220V-50/60Hz:CHN,OTHER,ZAF)



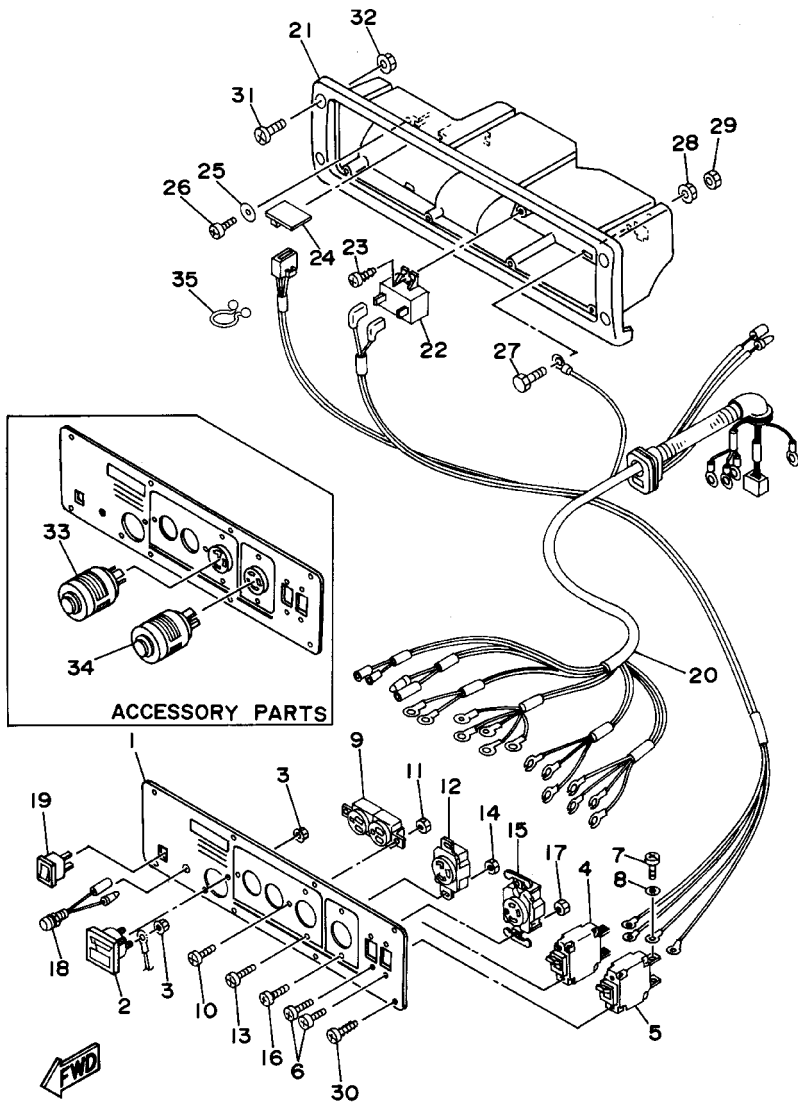
REF. NO.	PART NO.	DESCRIPTION	5200	6600	5500	REMARKS
1	7VX-87249-G0	PLATE (220V-50/60Hz)	1			
	7VX-87249-H0	PLATE (220V-50Hz)	1			FOR EL. START MODEL
	7VX-87249-J0	PLATE (220V-50Hz)	1			FOR ZAF
2	7G7-8720A-00	VOLTEGE METER COMP.	1			FOR EL. START MODEL ZAF
3	90179-03478	NUT	4			FOR EL. START MODEL ZAF
4	7VX-87204-G0	BREAKER COMP.	1			
	7VX-87204-K0	BREAKER COMP.	1			FOR PER,PHL,SAU
5	7G7-87221-01	RECEPTACLE 1 (NATIONAL WCZ1312-9)	2			
	73F-87221-A0	RECEPTACLE 1 (LUMEX)	2			FOR ZAF
6	98507-04012	SCREW, PAN HEAD	4			
7	95707-04500	NUT, FLANGE	4			
8	7NJ-83530-G0	PILOT LIGHT ASSY	1			EXCEPT FOR EL. START MODEL,ZAF
9	7NJ-85770-00	OIL PILOT LIGHT ASSY	1			
10	7NJ-82550-00	ENGINE STOP SWITCH ASSY	1			EXCEPT FOR EL. START MODEL
11	7LP-82510-00	MAIN SWITCH ASSY	1			FOR EL. START MODEL
12	73A-82511-00	.KEY, MAIN SWITCH	2			
13	7RG-82517-00	WASHER, SPECIAL	1			FOR EL. START MODEL
14	7RG-87226-G0	WIRE HARNESS ASSY(220V-50HZ/60	1			
	7RG-87226-H0	WIRE HARNESS ASSY (220V-50HZ)	1			FOR EL. START MODEL
	7RG-87226-J0	WIRE HARNESS ASSY (220V-50HZ)	1			FOR ZAF
15	7RH-87213-00	COVER, CONTROL BOX	1			FOR EL. START MODEL
	7RH-87213-G0	COVER, CONTROL BOX	1			
16	7VX-87107-00	CONDENSER ASSY	1			
17	97707-40516	SCREW, TAPPING	1			
18	7LG-85690-00	OIL WARNING UNIT	1			
19	90201-03013	WASHER, PLATE	1			
20	97707-30512	SCREW, TAPPING	1			

FIG. 22 CONTROL BOX 1 (220V-50/60Hz:CHN,OTHER,ZAF)



REF. NO.	PART NO.	DESCRIPTION	5200	6600	5500	REMARKS
21	97707-30512	SCREW, TAPPING	2			FOR EL. START MODEL
22	92907-03200	WASHER	2			FOR EL. START MODEL
23	7LP-82599-00	COVER, CONNECTER	1			FOR EL. START MODEL
24	97080-06020	BOLT	1			
25	90179-06511	NUT	1			
26	95380-06700	NUT	1			
27	97707-40516	SCREW, TAPPING	8			
28	98907-06014	SCREW, BIND	4			
29	95707-06500	NUT, FLANGE	2			
30	22J-81960-60	RECTIFIER & REGULATOR ASSY	1			FOR EL. START MODEL
31	97707-50520	SCREW, TAPPING	2			FOR EL. START MODEL
32	42X-82151-00	FUSE (10A-BL)	1			FOR EL. START MODEL
33	767-87236-00	PLUG, AC RECEPTACLE	2			ACCESSORY EXCEPT FOR ZAF
34	90465-18147	CLAMP	1			

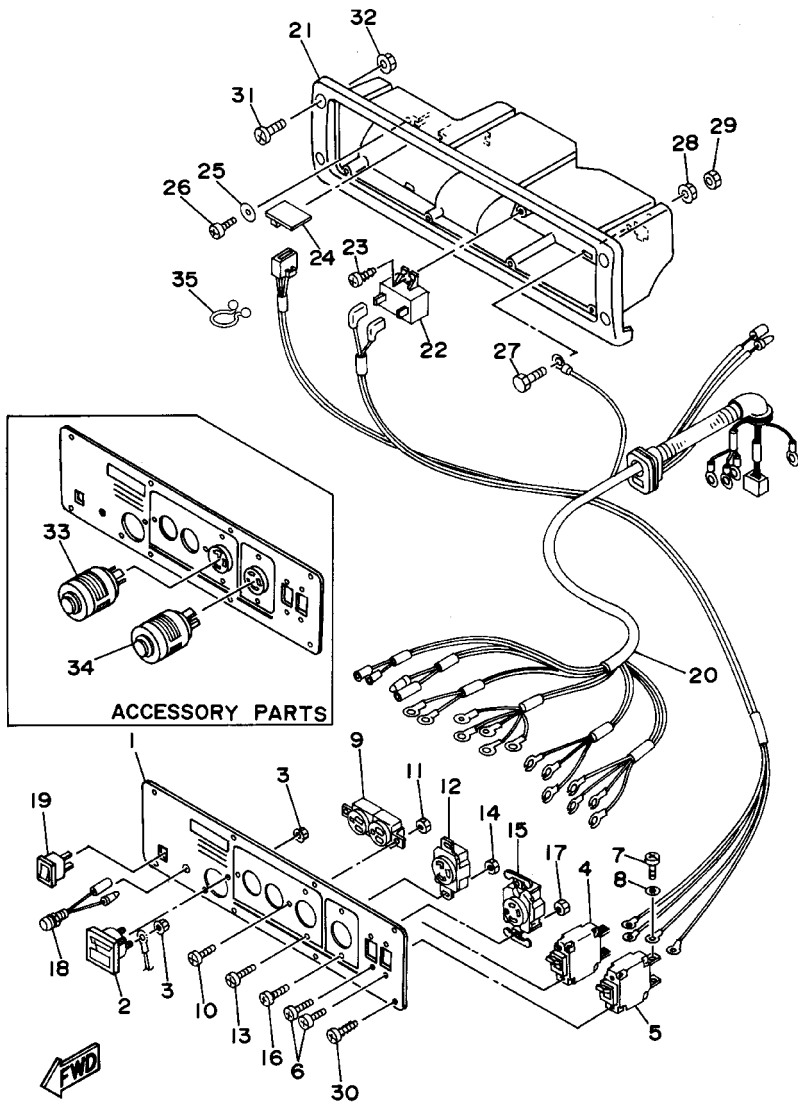
FIG. 23 CONTROL BOX 2 (120/240V-60Hz:OTHER)



7VX2400-1170

REF. NO.	PART NO.	DESCRIPTION	5200	6600	5500	REMARKS
1	7VX-87249-60	PLATE (120/240V-60Hz)	1			
2	7LR-8720A-00	VOLTEGE METER COMP.	1			
3	90179-03478	NUT	4			
4	7VX-87204-10	BREAKER COMP. (38A)	1			
5	7VX-87204-40	BREAKER COMP. (19A)	1			
6	98507-04005	SCREW, PAN HEAD	4			
7	98507-06012	SCREW, PAN HEAD	4			
8	92907-06100	WASHER, SPRING	4			
9	77V-87221-00	RECEPTACLE	1			
10	98507-04012	SCREW, PAN HEAD	2			
11	95707-04500	NUT, FLANGE	2			
12	73H-87222-91	RECEPTACLE 2 (30A-125V)	1			UR P&S
	7LR-87221-90	RECEPTACLE 1 (WCF63130BO2)	1			UR MATSUSHITA
	7VU-87221-90	RECEPTACLE 1 (30A-125V)	1			UR MEIKOSHA
13	98507-04012	SCREW, PAN HEAD	2			
14	95707-04500	NUT, FLANGE	2			
15	73H-87222-70	RECEPTACLE 2 (14-20R)	1			UR P&S
	7UV-87222-40	RECEPTACLE (NEMA L14-20R)	1			UR MEIKOSHA
	7LR-87222-90	RECEPTACLE 2 (WCF63420BO2)	1			UR MATSUSHITA
16	98507-04012	SCREW, PAN HEAD	2			
17	95707-04500	NUT, FLANGE	2			
18	7NJ-85770-00	OIL PILOT LIGHT ASSY	1			
19	7NJ-82550-00	ENGINE STOP SWITCH ASSY	1			
20	7RG-87226-60	WIRE HARNESS ASSY(120/240V-60H	1			
21	7RH-87213-G0	COVER, CONTROL BOX	1			
22	7VX-87107-00	CONDENSER ASSY	1			
23	97707-40516	SCREW, TAPPING	1			

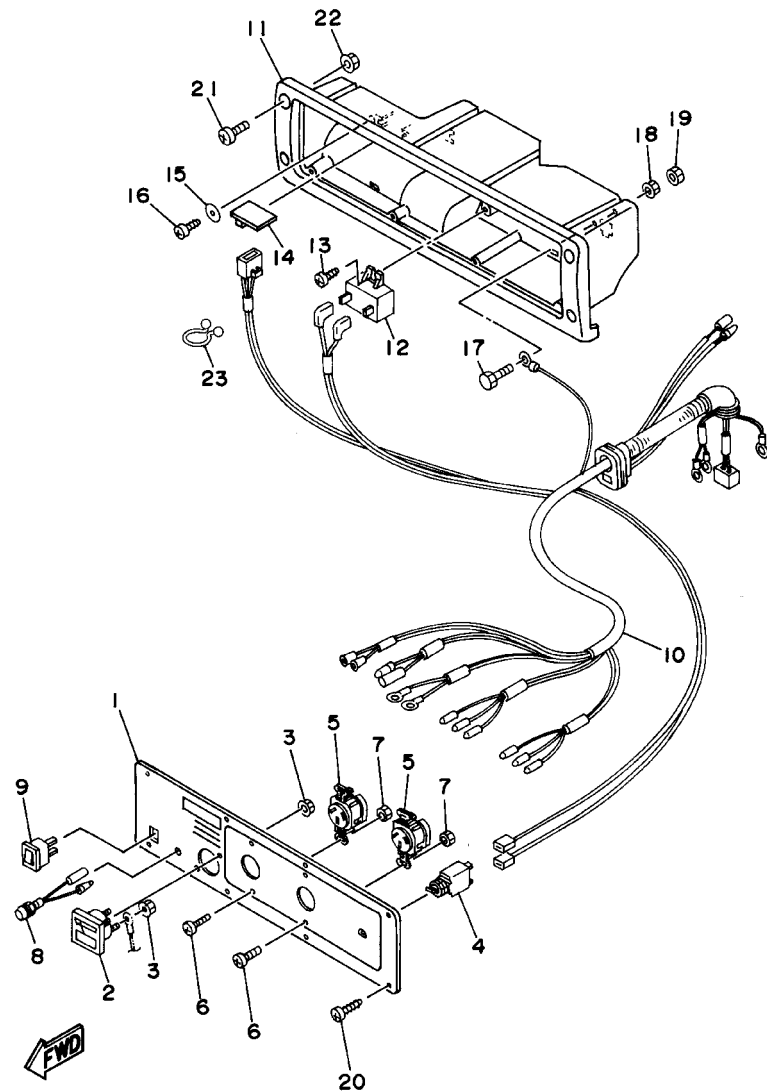
FIG. 23 CONTROL BOX 2 (120/240V-60Hz:OTHER)



7VX2400-1170

REF. NO.	PART NO.	DESCRIPTION	5200	6600	5500	REMARKS
24	7LG-85690-00	OIL WARNING UNIT	1			
25	90201-03013	WASHER, PLATE	1			
26	97707-30512	SCREW, TAPPING	1			
27	97080-06020	BOLT	1			
28	90179-06511	NUT	1			
29	95380-06700	NUT	1			
30	97707-40516	SCREW, TAPPING	8			
31	98907-06014	SCREW, BIND	4			
32	95707-06500	NUT, FLANGE	2			
33	7RH-87236-00	PLUG, AC RECEPTACLE (30A-125V)	1			ACCESSORY (L5-30P)
34	7RG-87236-10	PLUG, AC RECEPT.(20A-125V/250V)	1			ACCESSORY (L14-20P)
35	90465-18147	CLAMP	1			

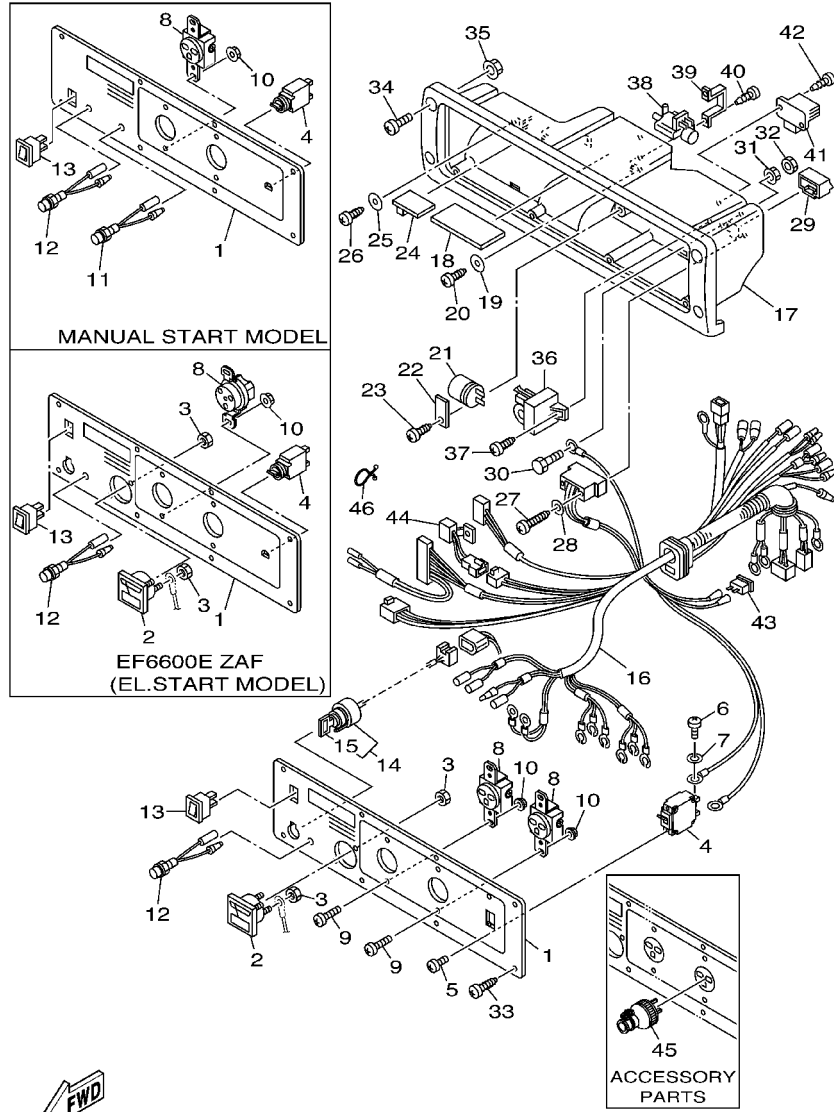
FIG. 24 CONTROL BOX 3 (240V-50Hz:AUS)



7VX2400-1190

REF. NO.	PART NO.	DESCRIPTION	5200	6600	5500	REMARKS
1	7VX-87249-N0	PLATE (240V-50Hz)	1			
2	7G7-8720A-00	VOLTEGE METER COMP.	1			
3	90179-03478	NUT	4			
4	7VX-87204-N0	BREAKER COMP.	1			
5	73G-87221-90	RECEPTACLE 1 (CRIPSAL 415/15)	2			
6	98507-04012	SCREW, PAN HEAD	4			
7	95707-04500	NUT, FLANGE	4			
8	7NJ-85770-00	OIL PILOT LIGHT ASSY	1			
9	7NJ-82550-00	ENGINE STOP SWITCH ASSY	1			
10	7RG-87226-N0	WIRE HARNESS ASSY (OCEANIA)	1			
11	7RH-87213-G0	COVER, CONTROL BOX	1			
12	7VX-87107-00	CONDENSER ASSY	1			
13	97707-40516	SCREW, TAPPING	1			
14	7LG-85690-00	OIL WARNING UNIT	1			
15	90201-03013	WASHER, PLATE	1			
16	97707-30512	SCREW, TAPPING	1			
17	97080-06020	BOLT	1			
18	90179-06511	NUT	1			
19	95380-06700	NUT	1			
20	97707-40516	SCREW, TAPPING	8			
21	98907-06014	SCREW, BIND	4			
22	95707-06500	NUT, FLANGE	2			
23	90465-18147	CLAMP	1			

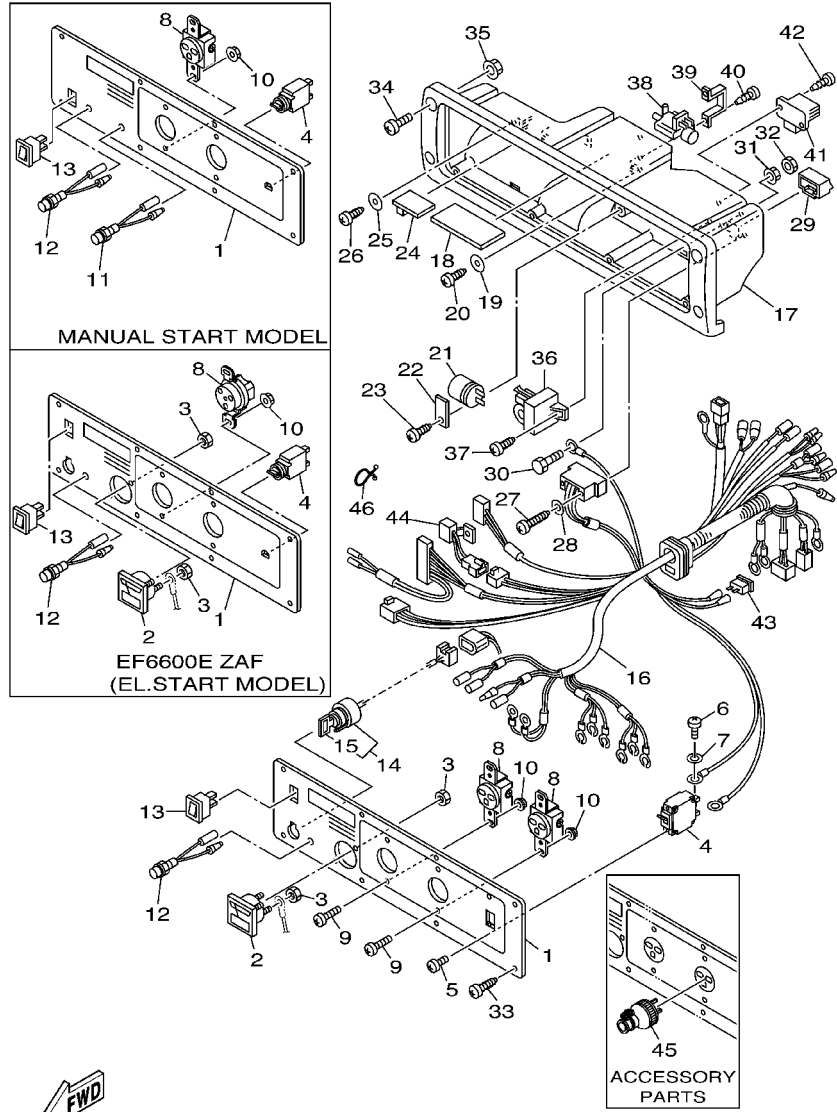
FIG. 25 CONTROL BOX 4 (220V-50/60Hz:OTHER,CHN,ZAF)



7WV2400-1250

REF. NO.	PART NO.	DESCRIPTION	5200	6600	5500	REMARKS
1	7RH-87249-G0	PLATE (220V-50HZ MANUAL START)		1		FOR OTHER,CHN
	7RH-87249-H0	PLATE (240V-50HZ EL.START)		1		FOR OTHER,CHN
	7RH-87249-J0	PLATE (220V-50HZ EL.START)		1		FOR ZAF
	7RH-87249-L0	PLATE (220V-60HZ EL.START)		1		FOR PER,PHL,SAU
2	7G7-8720A-00	VOLTEGE METER COMP.		1		FOR EL. START MODEL
3	90179-03478	NUT		4		FOR EL. START MODEL
4	7LR-87204-00	BREAKER COMP. (27.5A)		1		FOR 60Hz
	7RH-87204-G0	BREAKER COMP. (240V-23A)		1		FOR 50Hz (PER,PHL,SAU)
5	98507-04005	SCREW, PAN HEAD		2		FOR PER,PHL,SAU
6	98507-06012	SCREW, PAN HEAD		2		FOR PER,PHL,SAU
7	92907-06100	WASHER, SPRING		2		FOR PER,PHL,SAU
8	7G7-87221-01	RECEPTACLE 1(NATIONAL WCZ1312-9)		2		
	73F-87221-A0	RECEPTACLE 1 (LUMEX)		2		FOR ZAF
9	98507-04012	SCREW, PAN HEAD		4		
10	95707-04500	NUT, FLANGE		4		
11	7NJ-83530-G0	PILOT LIGHT ASSY		1		FOR MANUAL START MODEL
12	7NJ-85770-00	OIL PILOT LIGHT ASSY		1		
13	7RH-82550-00	ENGINE STOP SWITCH ASSY		1		FOR MANUAL START MODEL
	7NJ-82550-00	ENGINE STOP SWITCH ASSY		1		
14	7RH-82510-00	MAIN SWITCH ASSY		1		FOR EL. START MODEL
15	73A-82511-00	.KEY, MAIN SWITCH		2		
16	7RH-87226-G0	WIRE HARNESS ASSY (220V-50HZ)		1		FOR MANUAL START MODEL
	7RH-87226-H0	WIRE HARNESS ASSY (220V-50Hz)		1		FOR OTHER, CHN (EL. START MODEL)
	7RH-87226-J0	WIRE HARNESS ASSY(SOUTH AFRICA)		1		FOR ZAF
	7RH-87226-L0	WIRE HARNESS ASSY (220V-60HZ)		1		FOR PER,PHL,SAU
17	7RH-87213-G0	COVER, CONTRÖL BOX		1		FOR MANUAL START MODEL
	7RH-87213-00	COVER, CONTROL BOX		1		FOR EL. START MODEL

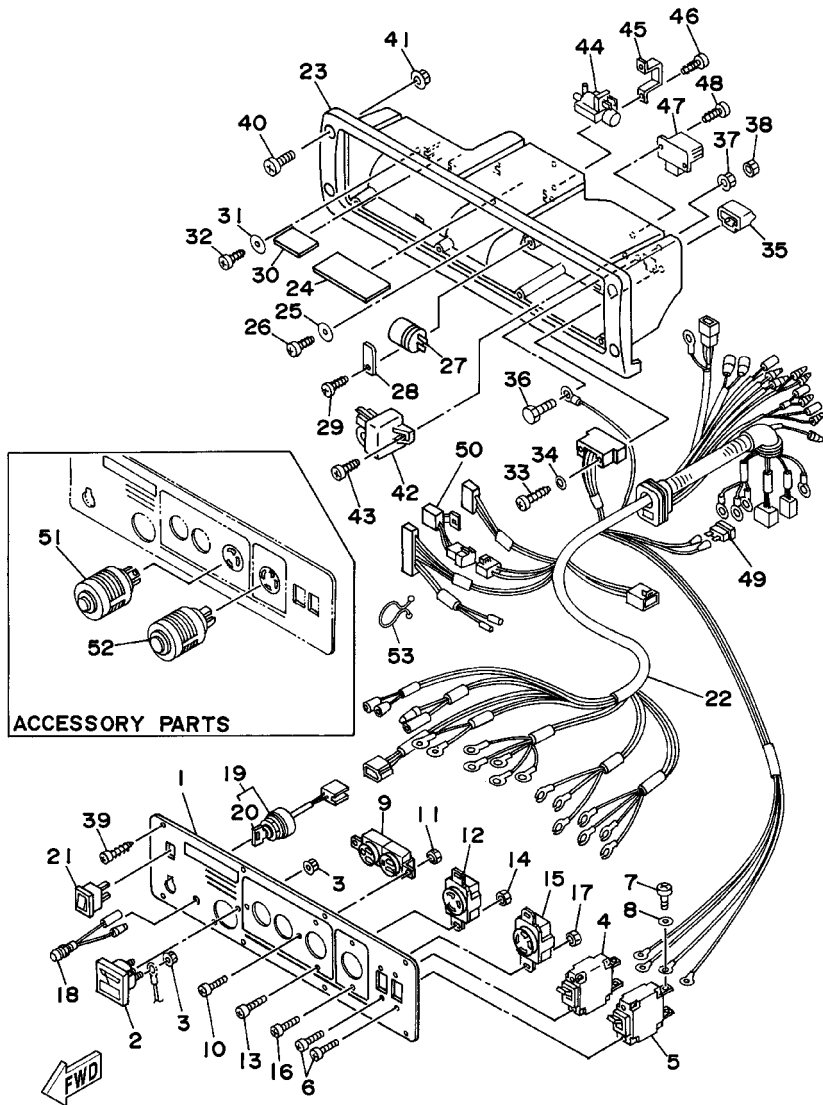
FIG. 25 CONTROL BOX 4 (220V-50/60Hz:OTHER,CHN,ZAF)



FWD
7WV2400-1250

REF. NO.	PART NO.	DESCRIPTION	5200	6600	5500	REMARKS
18	7LU-8722A-00	VOLTAGE REGULATOR ASSY		1		EXCEPT FOR CHN
	7RH-8722A-00	VOLTAGE REGULATOR ASSY		1		FOR CHN
19	90201-03013	WASHER, PLATE		1		
20	97707-30512	SCREW, TAPPING		1		
21	7RH-87107-00	CONDENSER ASSY		1		
22	7LR-86112-00	STAY, SOLENOID		1		
23	97707-50512	SCREW, TAPPING		1		
24	7LG-85690-00	OIL WARNING UNIT		1		
25	90201-03013	WASHER, PLATE		1		
26	97707-30512	SCREW, TAPPING		1		
27	97707-30512	SCREW, TAPPING		2		FOR EL. START MODEL
28	92907-03200	WASHER		2		FOR EL. START MODEL
29	7LP-82599-00	COVER, CONNECTER		1		FOR EL. START MODEL
30	97080-06020	BOLT		1		
31	90179-06511	NUT		1		
32	95380-06700	NUT		1		
33	97707-40516	SCREW, TAPPING		8		
34	98907-06014	SCREW, BIND		4		
35	95707-06500	NUT, FLANGE		2		
36	73M-87286-00	SLOW DOWN UNIT ASSY		1		FOR EL. START MODEL
37	97707-60520	SCREW, TAPPING		1		FOR EL. START MODEL
38	7LR-86120-90	SOLENOID VALVE ASSY		1		FOR EL. START MODEL
39	7RH-86112-00	STAY, SOLENOID		1		FOR EL. START MODEL
40	97707-50512	SCREW, TAPPING		2		FOR EL. START MODEL
41	22J-81960-60	RECTIFIER & REGULATOR ASSY		1		FOR EL. START MODEL
42	97707-50520	SCREW, TAPPING		2		FOR EL. START MODEL
43	42X-82151-00	FUSE (10A-BL)		1		FOR EL. START MODEL

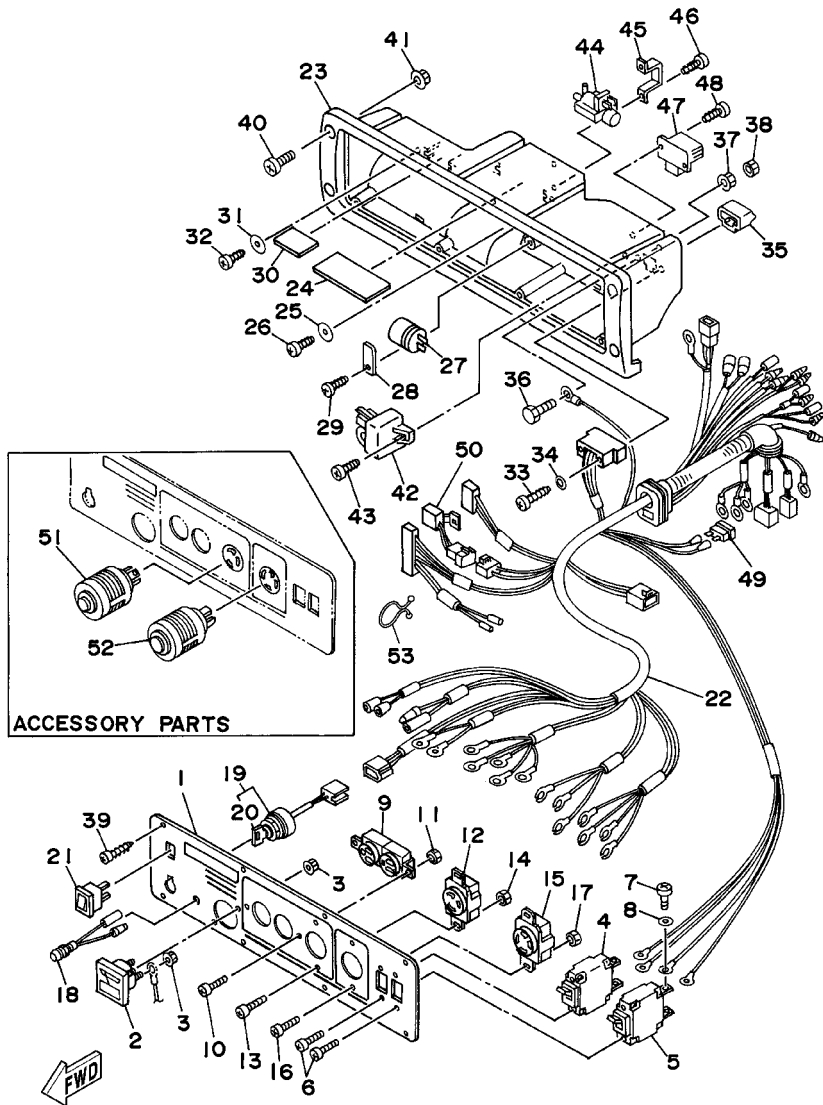
FIG. 26 CONTROL BOX 5 (120/240V-60Hz:OTHER)



7WV2400-1260

REF. NO.	PART NO.	DESCRIPTION	5200	6600	5500	REMARKS
1	7RH-87249-60	PLATE (120V/240V-60HZ)		1		
2	7LR-8720A-00	VOLTEGE METER COMP.		1		
3	90179-03478	NUT		4		
4	7LU-87204-00	CIRCUIT BREAKER COMP. (50A)		1		
5	7RH-87204-60	BREAKER COMP. (220V-25A)		1		
6	98507-04005	SCREW, PAN HEAD		4		
7	98507-06012	SCREW, PAN HEAD		4		
8	92907-06100	WASHER, SPRING		4		
9	77V-87221-00	RECEPTACLE		1		
10	98507-04012	SCREW, PAN HEAD		2		
11	95707-04500	NUT, FLANGE		2		
12	73H-87222-91	RECEPTACLE 2 (30A-125V)		1		UR P&S
	7LR-87221-90	RECEPTACLE 1 (WCF63130B02)		1		UR MATSUSHITA
	7VU-87221-90	RECEPTACLE 1 (30A-125V)		1		UR MEIKOSHA
13	98507-04012	SCREW, PAN HEAD		2		
14	95707-04500	NUT, FLANGE		2		
15	7RH-87222-40	RECEPTACLE 2 (WCF 63430B02)		1		UR MATSUSHITA
	7UW-87222-40	RECEPTACLE 2 (L14-30R UL)		1		UR MEIKOSHA
16	98507-04012	SCREW, PAN HEAD		2		
17	95707-04500	NUT, FLANGE		2		
18	7NJ-85770-00	OIL PILOT LIGHT ASSY		1		
19	7RH-82510-00	MAIN SWITCH ASSY		1		
20	73A-82511-00	.KEY, MAIN SWITCH		2		
21	7NJ-82550-00	ENGINE STOP SWITCH ASSY		1		
22	7RH-87226-60	WIRE HARNESS ASSY(120V/240V-60		1		
23	7RH-87213-00	CÖVER, CÖNTRÖL BÖX		1		
24	7LU-8722A-00	VOLTAGE REGULATOR ASSY		1		

FIG. 26 CONTROL BOX 5 (120/240V-60Hz:OTHER)

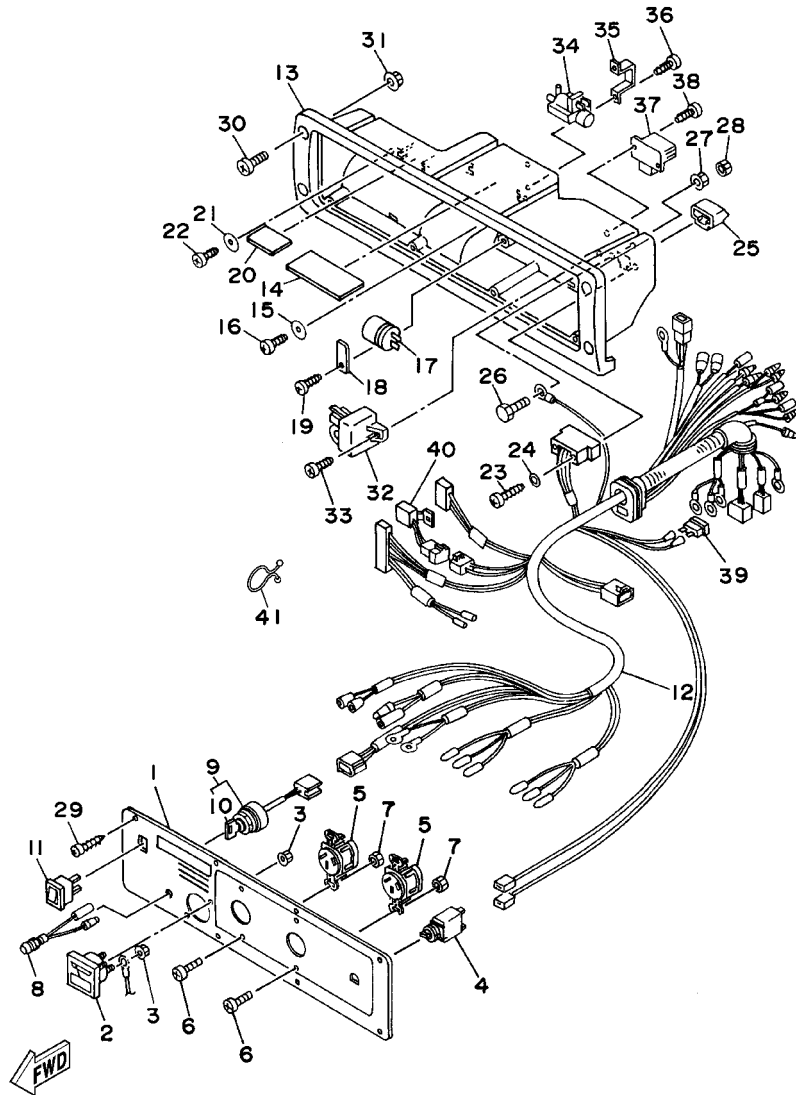


7WV2400-1260

REF. NO.	PART NO.	DESCRIPTION	5200	6600	5500	REMARKS
25	90201-03013	WASHER, PLATE		1		
26	97707-30512	SCREW, TAPPING		1		
27	7RH-87107-00	CONDENSER ASSY		1		
28	7LR-86112-00	STAY, SOLENOID		1		
29	97707-50512	SCREW, TAPPING		1		
30	7LG-85690-00	OIL WARNING UNIT		1		
31	90201-03013	WASHER, PLATE		1		
32	97707-30512	SCREW, TAPPING		1		
33	97707-30512	SCREW, TAPPING		2		
34	92907-03200	WASHER		2		
35	7LP-82599-00	COVER, CONNECTER		1		
36	97080-06020	BOLT		1		
37	90179-06511	NUT		1		
38	95380-06700	NUT		1		
39	97707-40516	SCREW, TAPPING		8		
40	98907-06014	SCREW, BIND		4		
41	95707-06500	NUT, FLANGE		2		
42	73M-87286-00	SLOW DOWN UNIT ASSY		1		
43	97707-60520	SCREW, TAPPING		1		
44	7LR-86120-90	SOLENOID VALVE ASSY		1		
45	7RH-86112-00	STAY, SOLENOID		1		
46	97707-50512	SCREW, TAPPING		2		
47	22J-81960-60	RECTIFIER & REGULATOR ASSY		1		
48	97707-50520	SCREW, TAPPING		2		
49	42X-82151-00	FUSE (10A-BL)		1		
50	7RH-81970-00	RECTIFIER ASSY		1		
51	7RH-87236-00	PLUG, AC RECEPTACLE (30A-125V)		1		ACCESSORY (NEMA LP-30A)

FIG. 27 CONTROL BOX 6 (240V-50Hz:AUS)

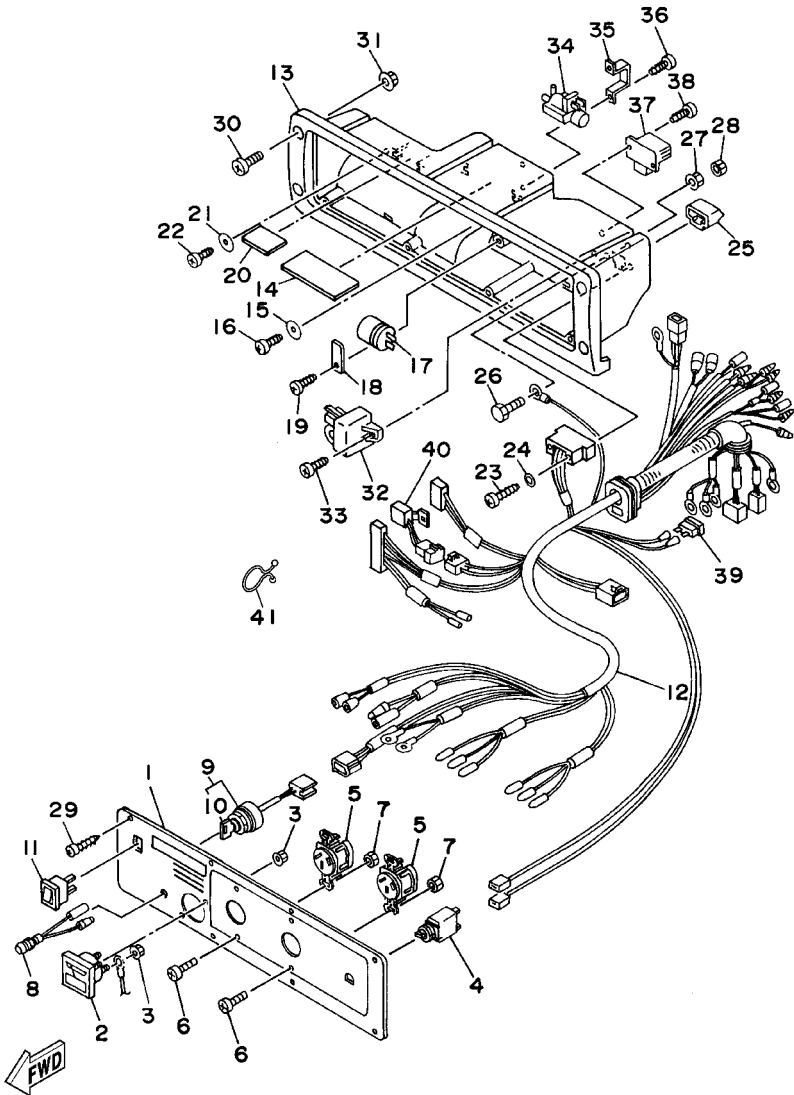
REF. NO.	PART NO.	DESCRIPTION	5200	6600	5500	REMARKS
1	7RH-87249-H0	PLATE (240V-50HZ EL.START)		1		
2	7G7-8720A-00	VOLTEGE METER COMP.		1		
3	90179-03478	NUT		4		
4	7RH-87204-N0	BREAKER COMP. (240V-21A)		1		
5	73G-87221-90	RECEPTACLE 1 (CRIPSAL 415/15)		2		
6	98507-04012	SCREW, PAN HEAD		4		
7	95707-04500	NUT, FLANGE		4		
8	7NJ-85770-00	OIL PILOT LIGHT ASSY		1		
9	7RH-82510-00	MAIN SWITCH ASSY		1		
10	73A-82511-00	.KEY, MAIN SWITCH		1		
11	7NJ-82550-00	ENGINE STOP SWITCH ASSY		1		
12	7RH-87226-N0	WIRE HARNESS ASSY (OCEANIA)		1		
13	7RH-87213-00	COVER, CONTROL BOX		1		
14	7LU-8722A-00	VOLTAGE REGULATOR ASSY		1		
15	90201-03013	WASHER, PLATE		1		
16	97707-30512	SCREW, TAPPING		1		
17	7RH-87107-00	CONDENSER ASSY		1		
18	7LR-86112-00	STAY, SOLENOID		1		
19	97707-50512	SCREW, TAPPING		1		
20	7LG-85690-00	OIL WARNING UNIT		1		
21	90201-03013	WASHER, PLATE		1		
22	97707-30512	SCREW, TAPPING		1		
23	97707-30512	SCREW, TAPPING		2		
24	92907-03200	WASHER		2		
25	7LP-82599-00	COVER, CONNECTER		1		
26	97080-06020	BOLT		1		
27	90179-06511	NUT		1		



7WV2400-1270

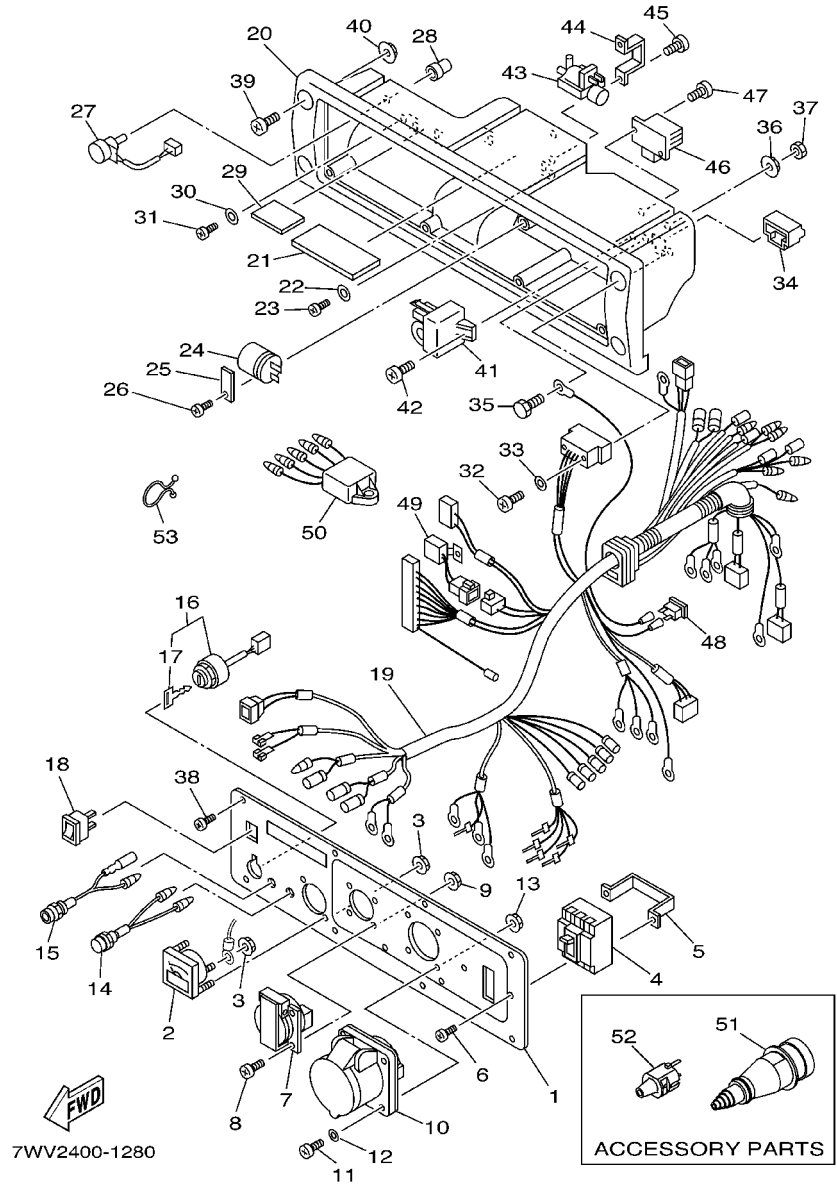
FIG. 27 CONTROL BOX 6 (240V-50Hz:AUS)

REF. NO.	PART NO.	DESCRIPTION	5200	6600	5500	REMARKS
28	95380-06700	NUT		1		
29	97707-40516	SCREW, TAPPING		8		
30	98907-06014	SCREW, BIND		4		
31	95707-06500	NUT, FLANGE		2		
32	73M-87286-00	SLOW DOWN UNIT ASSY		1		
33	97707-60520	SCREW, TAPPING		1		
34	7LR-86120-90	SOLENOID VALVE ASSY		1		
35	7RH-86112-00	STAY, SOLENOID		1		
36	97707-50512	SCREW, TAPPING		2		
37	22J-81960-60	RECTIFIER & REGULATOR ASSY		1		
38	97707-50520	SCREW, TAPPING		2		
39	42X-82151-00	FUSE (10A-BL)		1		
40	7RH-81970-00	RECTIFIER ASSY		1		
41	90465-18147	CLAMP		1		



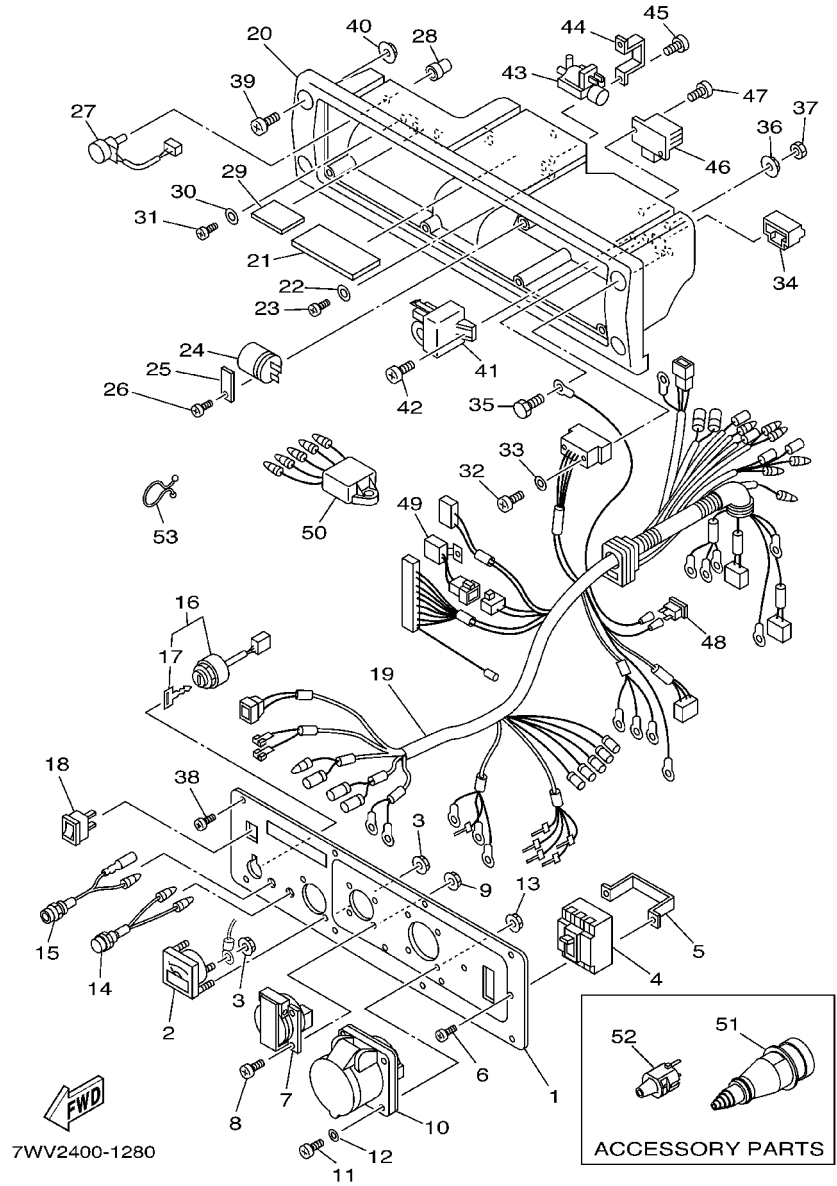
7WV2400-1270

FIG. 28 CONTROL BOX 7 (230/400V-50Hz:CHN)

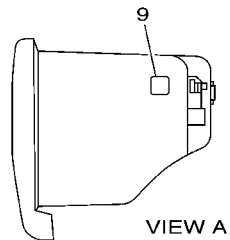
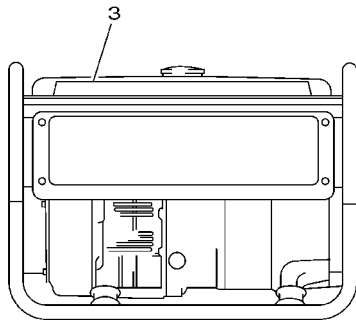
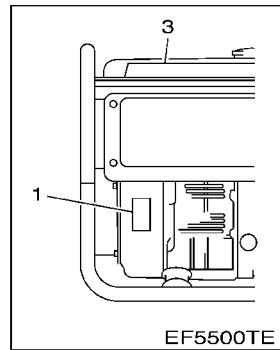
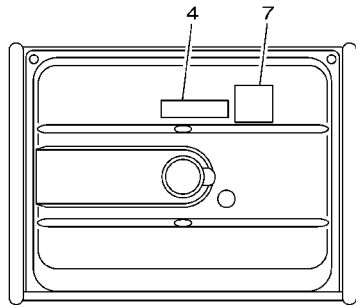
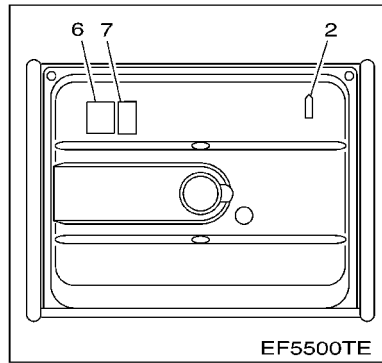
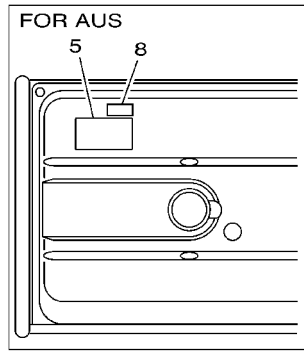


REF. NO.	PART NO.	DESCRIPTION	5200	6600	5500	REMARKS
1	7RH-87249-V0	PLATE (230/400V-50Hz)			1	
2	7RH-8720A-V0	VOLTEGE METER COMP.			1	
3	90179-03478	NUT			4	
4	7RH-87204-V0	BREAKER COMP.			1	
5	73J-87244-01	HOLDER, BREAKER			1	
6	98507-04008	SCREW, PAN HEAD			2	
7	7H7-87221-80	RECEPTACLE 1 (ABL 6995)			1	ABL
8	90151-03032	SCREW, COUNTERSUNK			4	
9	90179-03478	NUT			4	
10	73Y-87222-61	RECEPTACLE 2			1	
11	98507-05016	SCREW, PAN HEAD			4	
12	92907-05200	WASHER			4	
13	95707-05500	NUT, FLANGE			4	
14	7NJ-83530-G0	PILOT LIGHT ASSY			1	
15	7NJ-85770-00	OIL PILOT LIGHT ASSY			1	
16	7RH-82510-00	MAIN SWITCH ASSY			1	
17	73A-82511-00	.KEY, MAIN SWITCH			2	
18	7NJ-82550-00	ENGINE STOP SWITCH ASSY			1	
19	7RH-87226-V0	WIRE HARNESS ASSY			1	
20	7RH-87213-00	COVER, CONTROL BOX			1	
21	7RH-8722A-T1	VOLTAGE REGULATOR ASSY			1	
22	90201-03013	WASHER, PLATE			1	
23	97707-30512	SCREW, TAPPING			1	
24	7RH-87107-00	CONDENSER ASSY			1	
25	7LR-86112-00	STAY, SOLENOID			1	
26	97707-50512	SCREW, TAPPING			1	
27	7LV-87283-00	RESISTOR, VARIABLE			1	

FIG. 28 CONTROL BOX 7 (230/400V-50Hz:CHN)



REF. NO.	PART NO.	DESCRIPTION	5200	6600	5500	REMARKS
28	7LV-82532-00	CAP			1	
29	7LG-85690-00	OIL WARNING UNIT			1	
30	90201-03013	WASHER, PLATE			1	
31	97707-30512	SCREW, TAPPING			1	
32	97707-30512	SCREW, TAPPING			2	
33	92907-03200	WASHER			2	
34	7LP-82599-00	COVER, CONNECTER			1	
35	90101-06484	BOLT			1	
36	90179-06511	NUT			1	
37	90179-06300	NUT			1	
38	97707-40516	SCREW, TAPPING			8	
39	98907-06014	SCREW, BIND			4	
40	95707-06500	NUT, FLANGE			2	
41	73M-87286-00	SLOW DOWN UNIT ASSY			1	
42	97707-60520	SCREW, TAPPING			1	
43	7LR-86120-90	SOLENOID VALVE ASSY			1	
44	7RH-86112-00	STAY, SOLENOID			1	
45	97707-50512	SCREW, TAPPING			2	
46	22J-81960-60	RECTIFIER & REGULATOR ASSY			1	
47	97707-50520	SCREW, TAPPING			2	
48	42X-82151-00	FUSE (10A-BL)			1	
49	7RH-81970-00	RECTIFIER ASSY			1	
50	7RH-88188-00	FILTER, NOISE			1	
51	7RH-87236-60	PLUG, AC RECEPTACLE (16A-415V)			1	ACCESSORY
52	7RH-87236-80	PLUG, AC RECEPTACLE (16A-250V)			1	ACCESSORY
53	90465-18147	CLAMP			1	



7WV2400-1290

FIG. 29 EMBLEM.LABEL 1

REF. NO.	PART NO.	DESCRIPTION	5200	6600	5500	REMARKS
1	73A-21793-00	ORNAMENT (OIL)			1	
2	7NJ-2415E-00	LABEL, CAUTION (HOT)			1	
3	7RH-24161-10	EMBLEM 1 (YAMAHA)	1	1	1	
4	7NJ-24162-10	EMBLEM 2 (WARNING)	1	1		FOR AUS
	7NJ-24162-30	EMBLEM 1 (WARNING)			1	
	7NJ-24162-L0	EMBLEM 2 (WARNING)	1	1		
	7NJ-24162-N0	EMBLEM 2 (WARNING)	1	1		FOR CHN
5	7LX-2415A-00	LABEL, CAUTION (WARNING)	1	1		FOR AUS
6	7VW-24235-01	MARK 1 (LWA MARK)			1	
7	7NJ-24236-00	MARK 2 (CE MARK)			1	
8	7MJ-24237-00	MARK(C N432)	1	1		FOR AUS
9	7NJ-87261-00	EMBLEM 1 (GROUND)	1	1	1	

NUMERICAL INDEX

PART NO.	GRID NO.	PART NO.	GRID NO.	PART NO.	GRID NO.	PART NO.	GRID NO.	PART NO.	GRID NO.	PART NO.	GRID NO.
7RG-11011-00	B - 15	7RH-11970-00	B - 4	796-14184-00	B - 12	1WG-14922-00	B - 11	7MJ-24237-00	D - 14	7WW-82507-00	C - 6
7RG-11012-00	B - 15		B - 5	JN6-14185-00	B - 11		B - 12	7NJ-24500-01	C - 2	7LP-82510-00	C - 13
7WE-11111-00	B - 2	7RH-11971-00	B - 14		B - 12	7LW-14941-53	B - 11	7NJ-24515-01	C - 2	7RH-82510-00	D - 4
7WG-11111-00	B - 2	7RH-11998-00	B - 5	7KY-14185-00	B - 12		B - 12	7J3-24521-00	C - 2		D - 7
7RH-11166-00	B - 2	JN6-12111-01	B - 7	22F-14186-00	B - 11	256-14956-01	B - 12	7NJ-24532-00	C - 2		D - 10
7WE-11181-00	B - 2	J38-12117-01	B - 7		B - 12	7WE-15111-00	B - 14	7NJ-24534-00	C - 2		D - 12
7WG-11181-00	B - 2	J38-12118-00	B - 7	7E1-14191-00	B - 11	7WE-15111-10	B - 14	4X8-24565-00	C - 2	73A-82511-00	C - 13
7WG-11190-00	B - 2	4G0-12119-00	B - 7	7RH-14191-00	B - 12	7WG-15111-00	B - 14	74T-24610-00	C - 2		D - 4
JN6-11193-00	B - 2	7RH-12121-00	B - 7	127-14198-00	B - 11	7WG-15111-10	B - 14	796-24612-00	C - 2		D - 7
812-11198-00	B - 14	JN6-12151-00	B - 7	7LV-14211-00	B - 11	796-15363-01	B - 14	73A-25322-10	C - 4		D - 10
7WR-11400-00	B - 3	JN6-12153-00	B - 7		B - 12	7RH-15411-01	B - 14	7RH-25381-00	C - 4		D - 12
7WR-11400-10	B - 3	JN6-12154-00	B - 7	73A-14212-00	B - 11	7RH-15414-00	B - 14	7RH-26100-00	C - 4	7RG-82517-00	C - 13
7WG-11454-00	B - 3	J38-12156-00	B - 7		B - 12	7RH-15451-01	B - 14	801-26241-01	C - 4	7LV-82532-00	D - 13
7RH-11603-00	B - 3	22F-12159-00	B - 7	7RH-14216-00	B - 11	7RH-15710-00	B - 8	7LR-27111-01	C - 4	7NJ-82550-00	C - 13
7RH-11604-00	B - 3	7WG-12170-00	B - 7		B - 12	7RH-15711-00	B - 8	7LV-28100-00	C - 2		C - 15
7RH-11605-00	B - 3	7WG-12287-00	B - 7	78A-14227-00	B - 12	7RH-15713-00	B - 8	7RG-81152-00	C - 7		D - 3
JN6-11610-00	B - 3	7WG-12621-10	B - 8	1HX-1423E-40	B - 12	7RH-15714-00	B - 8	7RH-81152-00	C - 10		D - 4
JN6-11610-10	B - 3	7RH-12651-01	B - 8	3G2-1423E-41	B - 11	7RH-15715-00	B - 8		C - 11		D - 7
JN6-11610-20	B - 3	7RH-13545-00	B - 6	7X9-14239-00	B - 11	7RH-15716-00	B - 8	7WW-81800-00	C - 6		D - 10
JN6-11631-00-A0	B - 3	7RH-13545-10	B - 5		B - 12	7RH-15723-00	B - 8	JE8-81812-00	C - 6		D - 12
7RH-11631-00-A0	B - 3	7LV-13546-00	B - 10	7RH-14283-00	B - 9	7RH-15741-00	B - 8	JE8-81813-00	C - 6	7RH-82550-00	D - 4
447-11633-00	B - 3	7RH-13557-00	B - 9	7RH-14411-01	B - 10	JK4-15743-00	B - 8	JE8-81826-00	C - 6	7LP-82599-00	C - 14
583-11633-00	B - 3		B - 10		B - 9	7RH-15751-00	B - 8	7UJ-81833-00	C - 6		D - 5
JN6-11635-00	B - 3	7RH-13567-00	B - 9	7RH-14412-01	B - 9	7RH-15755-00	B - 8	JE8-81834-00	C - 6		D - 8
7RH-11635-00	B - 3		B - 10		B - 10	7NJ-15793-00	B - 8	JE8-81840-00	C - 6		D - 10
JN6-11636-00	B - 3	7RH-13596-00	B - 9		B - 10	73A-21793-00	D - 14	JE8-81870-00	C - 6		D - 13
7RH-11636-00	B - 3		B - 10	7RH-14429-00	B - 9	7RH-22836-00	C - 3	22J-81960-60	C - 14	7NJ-83530-G0	C - 13
JN6-11650-00	B - 3	7RH-13596-10	B - 9		B - 10	7RH-22838-00	C - 3		D - 5		D - 4
JN6-11654-00	B - 3		B - 10	7RH-14451-00	B - 9	7RH-22839-00	C - 3		D - 8		D - 12
7RH-11901-00	B - 4	7RH-1410H-01	B - 12		B - 10	7RH-2284F-00	C - 4		D - 11	7VW-85521-00	C - 5
	B - 5	7RG-14101-00	B - 11	7RH-14468-00	B - 9	7RH-22840-00	B - 15		D - 13	7WW-85521-10	C - 5
	B - 4	7RG-14101-10	B - 11		B - 10	73A-22846-10	C - 4	7RH-81970-00	D - 6	7WG-85640-00	C - 5
7RH-11913-00	B - 4	7RH-14101-01	B - 12	7LV-14477-00	B - 9	7RH-22850-00	B - 15		D - 8	7WG-85650-00	C - 5
	B - 5	7RH-14101-11	B - 12		B - 10	7RH-22864-00	C - 3		D - 11	7WH-85650-10	C - 5
7FK-11914-00	B - 4	4CW-14117-00	B - 11	7RH-14486-00	B - 11		C - 4		D - 13	7WH-85650-20	C - 5
	B - 5		B - 12		B - 12	7RH-22891-00	B - 15	7WW-82115-G0	C - 6	7LG-85690-00	C - 13
7KY-11917-00	B - 4	73A-1414G-00	B - 11	7RH-14611-00	B - 13	7RH-24110-01-NJ	C - 2	73E-82116-01	C - 8		D - 2
	B - 5		B - 12	7KY-14613-01	B - 13	7LX-2415A-00	D - 14		C - 10		D - 3
7RH-11922-00	B - 4		B - 12	7RH-14623-00	B - 13	7NJ-2415E-00	D - 14		C - 12		D - 5
	B - 5	620-1414J-25	B - 12	7RG-14711-00	B - 13	7RH-24161-10	D - 14		C - 10	7RH-82122-01	C - 3
7VX-11925-00	B - 4	620-14142-62	B - 11	7RH-14711-00	B - 13	7NJ-24162-L0	D - 14		D - 6	7LP-82133-00	C - 3
	B - 5	36Y-14147-00	B - 12	7RH-14711-11	B - 13	7NJ-24162-N0	D - 14		D - 11	J10-82136-00	C - 3
7RH-11928-00	B - 4	73A-14150-00	B - 11	7RH-14718-00	B - 13	7NJ-24162-10	D - 14		D - 13	42X-82151-00	C - 14
	B - 5		B - 12	7RH-14737-00	B - 13	7NJ-24162-30	D - 14		D - 5		D - 5
73A-11931-00	B - 4	7EG-14159-00	B - 11	7RH-14747-00	B - 14	630-24167-00	C - 2		D - 8	7F7-85710-02	C - 2
	B - 5		B - 12	7RH-14757-00	B - 14	7LG-24181-00	C - 2		D - 11	7RH-85720-00	C - 5
73A-11941-00	B - 4	7RG-14162-00	B - 11	7RH-1479E-00	B - 13	7VW-24235-01	D - 14		D - 13	7NJ-85724-00	C - 5
	B - 5	7RH-14162-00	B - 12	7RH-14799-00	B - 13	7NJ-24236-00	D - 14		D - 14	7NJ-85770-00	C - 13
7X6-11960-00	B - 5	796-14184-00	B - 11		B - 13			JN6-82370-00	C - 5		D - 3

NUMERICAL INDEX

PART NO.	GRID NO.	PART NO.	GRID NO.	PART NO.	GRID NO.	PART NO.	GRID NO.	PART NO.	GRID NO.	PART NO.	GRID NO.
7NJ-85770-00	D - 4	7LR-87159-00	C - 7	7RH-87220-01	C - 12	7RH-87249-V0	D - 12	90201-03013	D - 2	92907-03200	C - 14
	D - 7		C - 10	7G7-87221-01	C - 13	7RH-87249-60	D - 7		D - 3		D - 5
	D - 10		C - 11		D - 4	7VX-87249-G0	C - 13		D - 5		D - 8
	D - 12	7RH-87160-02	C - 9	7H7-87221-80	D - 12	7VX-87249-H0	C - 13		D - 8		D - 10
7LR-86112-00	D - 5		C - 11	7LR-87221-90	C - 15	7VX-87249-J0	C - 13		D - 10		D - 13
	D - 8	7VX-87160-00	C - 7		D - 7	7VX-87249-N0	D - 3		D - 12	92907-04100	C - 12
	D - 10	7LR-87172-01	C - 7	7VU-87221-90	C - 15	7VX-87249-60	C - 15		D - 13	92907-04600	C - 12
	D - 12		C - 9		D - 7	7NJ-87261-00	D - 14	90201-06380	C - 2	92907-05100	C - 7
7RH-86112-00	D - 5		C - 11	73F-87221-A0	C - 13	7LV-87283-00	D - 12	90201-065K7	B - 4		C - 9
	D - 8	7RH-87174-A1-98	C - 11		D - 4	73M-87286-00	D - 5		B - 5		C - 11
	D - 11	7RH-87174-00-98	C - 7	73G-87221-90	D - 3		D - 8	90201-067L0	B - 4	92907-05200	D - 12
	D - 13		C - 9		D - 10		D - 11		B - 5	92907-05600	C - 7
7LR-86120-90	D - 5	7G5-87188-00	B - 10	77V-87221-00	C - 15		D - 13	90201-08092	B - 4		C - 8
	D - 8	7G7-8720A-00	C - 13		D - 7	7RH-88188-00	D - 13		B - 5		C - 9
	D - 11		D - 3	7LR-87222-90	C - 15	7J5-88195-00	C - 8	90201-180T9	C - 5		C - 10
	D - 13		D - 4	7RH-87222-40	D - 7		C - 10	90201-22793	B - 13		C - 11
7RH-87107-00	D - 5		D - 10	7UV-87222-40	C - 15	7LV-88195-00	C - 12	90280-04052	C - 5		C - 12
	D - 8	7LR-8720A-00	C - 15	7UW-87222-40	D - 7	90101-06484	D - 13	90340-12097	B - 14	92907-06100	C - 15
	D - 10		D - 7	73H-87222-70	C - 15	90101-06739	C - 10	90387-06N38	C - 8		D - 4
	D - 12	7RH-8720A-V0	D - 12	73H-87222-91	C - 15		C - 12		C - 10		D - 7
7VX-87107-00	C - 13	7LR-87204-00	D - 4		D - 7	90109-06513	B - 14	90413-05013	B - 10	92907-06600	B - 4
	C - 15	7LU-87204-00	D - 7	73Y-87222-61	D - 12	90151-03032	D - 12	90445-08741	B - 10		B - 5
	D - 3	7RH-87204-G0	D - 4	7RG-87226-G0	C - 13	90159-05091	C - 10	90445-08743	B - 9		C - 7
7FK-87115-01	C - 7	7RH-87204-N0	D - 10	7RG-87226-H0	C - 13		C - 11	90445-100E9	C - 2		C - 8
7LV-87115-00	C - 9	7RH-87204-V0	D - 12	7RG-87226-J0	C - 13	90159-06032	C - 7	90460-31253	B - 13		C - 9
	C - 11	7RH-87204-60	D - 7	7RG-87226-N0	D - 3		C - 9	90462-05061	B - 14		C - 10
73A-8712A-01	C - 9	7VX-87204-G0	C - 13	7RG-87226-60	C - 15		C - 11		C - 10		C - 11
	C - 11	7VX-87204-K0	C - 13	7RH-87226-G0	D - 4	90170-05302	B - 7		C - 11		C - 12
7LV-8713J-00	C - 8	7VX-87204-N0	D - 3	7RH-87226-H0	D - 4	90170-18391	C - 5	90462-06232	C - 5	92907-20600	C - 4
	C - 10	7VX-87204-10	C - 15	7RH-87226-J0	D - 4	90173-06017	B - 4	90465-18147	C - 14	93102-35191	B - 14
	C - 12	7VX-87204-40	C - 15	7RH-87226-L0	D - 4		B - 5		D - 2	93109-08050	B - 14
7LR-87131-02	C - 7	7RH-87213-G0	C - 13	7RH-87226-N0	D - 10	90175-06008	C - 3		D - 3	93210-22344	B - 14
7RH-87131-00	C - 9		C - 15	7RH-87226-V0	D - 12	90179-03478	C - 13		D - 6	93306-20201	B - 14
7RH-87131-10	C - 11		D - 3	7RH-87226-60	D - 7		C - 15		D - 9	93306-20714	B - 14
7NJ-87139-80	C - 12		D - 4	7G7-87236-00	D - 6		D - 3		D - 11	93306-30709	B - 14
7RH-87150-G0	C - 9	7RH-87213-00	C - 13	7RG-87236-10	D - 2		D - 4		D - 13	93306-37202	C - 7
7RH-87150-H0	C - 9		D - 4	7RH-87236-00	D - 2		D - 7	90467-09006	C - 2		C - 9
7RH-87150-L0	C - 9		D - 7		D - 8		D - 10	90468-12006	B - 4		C - 11
7RH-87150-N0	C - 9		D - 10	7RH-87236-10	D - 9		D - 12		B - 5	93440-06107	B - 4
7RH-87150-V0	C - 11		D - 12	7RH-87236-60	D - 13	90179-06300	D - 13	90480-13016	B - 9		B - 5
7RH-87150-40	C - 9	7LU-8722A-00	D - 5	7RH-87236-80	D - 13	90179-06511	C - 14		B - 10	93450-21053	B - 3
7VX-87150-G0	C - 7		D - 7	767-87236-00	C - 14		D - 2	90501-10264	B - 4	93501-08001	B - 11
7VX-87150-L0	C - 7		D - 10	73J-87244-01	D - 12		D - 3		B - 5		B - 12
7VX-87150-N0	C - 7	7RH-8722A-T1	D - 12	7RH-87249-G0	D - 4		D - 5	90501-264A9	B - 7	94702-00331	B - 2
7VX-87150-40	C - 7	7RH-8722A-00	D - 5	7RH-87249-H0	D - 4		D - 8	90506-04458	B - 4	95302-06600	C - 6
7RG-87153-00	C - 7	7LR-87220-00	C - 7		D - 10		D - 10		B - 5	95302-08600	C - 6
7RH-87153-00	C - 9		C - 9	7RH-87249-J0	D - 4		D - 13	91401-30040	C - 4	95302-08700	C - 6
	C - 11		C - 11	7RH-87249-L0	D - 4	90201-03013	C - 13	92902-08100	C - 6	95307-05600	C - 9

NUMERICAL INDEX

PART NO.	GRID NO.	PART NO.	GRID NO.	PART NO.	GRID NO.	PART NO.	GRID NO.	PART NO.	GRID NO.	PART NO.	GRID NO.
95307-05600	C - 11	95807-06035	C - 3	97707-40516	D - 11	98907-06014	D - 11				
95307-05700	C - 7		C - 4		D - 13		D - 13				
	C - 9	95807-08016	B - 5	97707-50512	D - 5	99530-08016	B - 14				
	C - 11		B - 13		D - 8	99530-14016	B - 2				
95307-08600	B - 13		C - 4		D - 10						
95380-06700	C - 14	95807-08020	B - 13		D - 11						
	D - 2	95807-08025	C - 6		D - 12						
	D - 3	95807-10030	B - 15		D - 13						
	D - 5	95817-08045	B - 14	97707-50520	C - 14						
	D - 8	95817-10070	B - 2		D - 5						
	D - 11	95827-06012	C - 5		D - 8						
95607-08700	B - 2	95827-06030	B - 2		D - 11						
95627-08618	B - 2	95827-06100	C - 7		D - 13						
95707-04500	C - 13	95827-06130	C - 9	97707-60520	D - 5						
	C - 15		C - 11		D - 8						
	D - 3	95880-06010	C - 12		D - 11						
	D - 4	95880-06020	C - 5		D - 13						
	D - 7	97007-06010	C - 7	98507-04005	C - 15						
	D - 10		C - 9		D - 4						
95707-05500	D - 12		C - 11		D - 7						
95707-06500	C - 14	97007-06012	C - 2	98507-04008	D - 12						
	D - 2	97027-05050	C - 9	98507-04012	C - 13						
	D - 3		C - 11		C - 15						
	D - 5	97027-06030	B - 4		D - 3						
	D - 8		B - 5		D - 4						
	D - 11	97027-06080	C - 8		D - 7						
	D - 13	97080-06020	C - 14		D - 10						
95707-08500	B - 5		D - 2	98507-04016	C - 12						
	B - 9		D - 3	98507-05010	C - 7						
	B - 10		D - 5		C - 10						
	C - 4		D - 8		C - 11						
95707-10500	B - 15		D - 10		C - 12						
95780-06500	C - 12	97707-30512	C - 13	98507-05014	C - 7						
95807-06008	B - 8		C - 14		C - 9						
	B - 13		D - 2		C - 11						
95807-06010	B - 14		D - 3	98507-05016	D - 12						
	B - 15		D - 5	98507-05020	C - 8						
95807-06012	B - 4		D - 8		C - 10						
	B - 5		D - 10	98507-06012	C - 15						
	B - 8		D - 12		D - 4						
	C - 3		D - 13		D - 7						
	C - 5	97707-40516	C - 13	98507-06035	B - 4						
95807-06014	C - 4		C - 14		B - 5						
95807-06016	B - 9		C - 15	98907-06014	C - 14						
	B - 10		D - 2		D - 2						
95807-06020	C - 5		D - 3		D - 3						
95807-06025	C - 5		D - 5		D - 5						
95807-06030	C - 3		D - 8		D - 8						