

PARTS CATALOGUE

YAMAHA GENERATOR

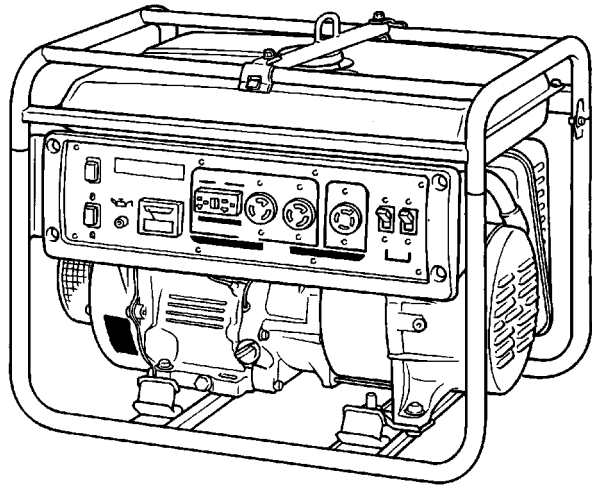
EF5200DE (7VX2) (120/240V–60Hz) USA

YG5200D (7VX2) (120/240V–60Hz) USA

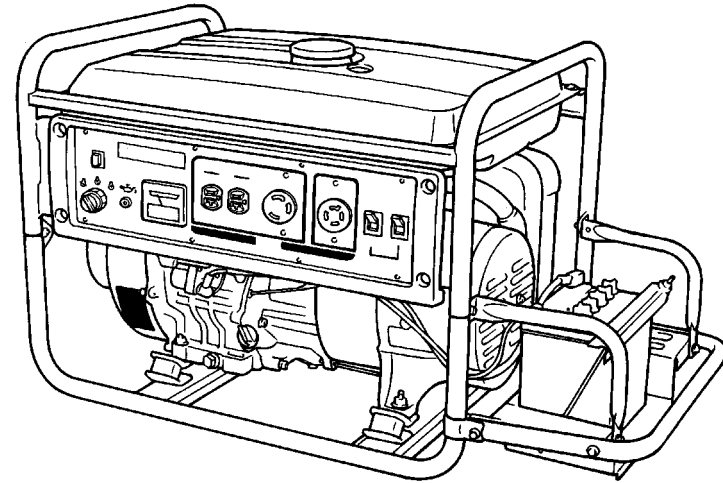
EF5200DE/YG5200D
PARTS CATALOGUE

©2001 by Yamaha Motor Co., Ltd.
1st Edition, Mar. 2001
All rights reserved.

Any reprinting or unauthorized use
without the written permission of
Yamaha Motor Co., Ltd.
is expressly prohibited.
Printed in Japan



YG5200D



EF5200DE

FOREWORD

This Parts Catalogue is related to the parts for the model(s) in the below frame. When you are ordering replacement parts, please refer to this Parts Catalogue and quote both part numbers and part names correctly.

1. Modifications or additions which have been made after issue of the Parts Catalogue will be announced in the Yamaha Parts News.
It is advisable that you make necessary corrections to the Parts Catalogue according to the Yamaha Parts News.

2. Abbreviations
The following abbreviations are used in this Parts Catalogue.

“UR” Use specified parts number.

“UN” Use as many as needed.

“AP” Alternate Parts

“LM” Local Made (Parts need to be ordered locally)

“F#” Frame No. (Applicable machine No.)

3. Parts, which are to be supplied in an assembly, are listed with a dot(.) in front of the part name as shown below.

EXAMPLE

CARBURETOR ASSY

.JET, PILOT

.NOZZLE, MAIN

4. Number of component for assembly
The numeral appearing to the right of each component part indicates the quantity of parts for each assembly unit.

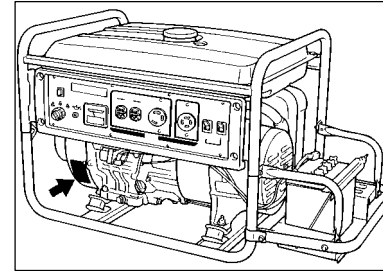
EXAMPLE

PART NO.	DESCRIPTION	Q'TY	REMARKS
2F5-83310-60	FRONT FLASHER LIGHT ASSY	2	
115-83311-60	.BULB (6V-18W)	1	

5. Applicable Starting Serial No. and Color Code

MODEL NAME	MODEL TYPE	FRAME NO.
EF5200DE	7VX2	7VX-220101
YG5200D	7VX2	7VX-240101

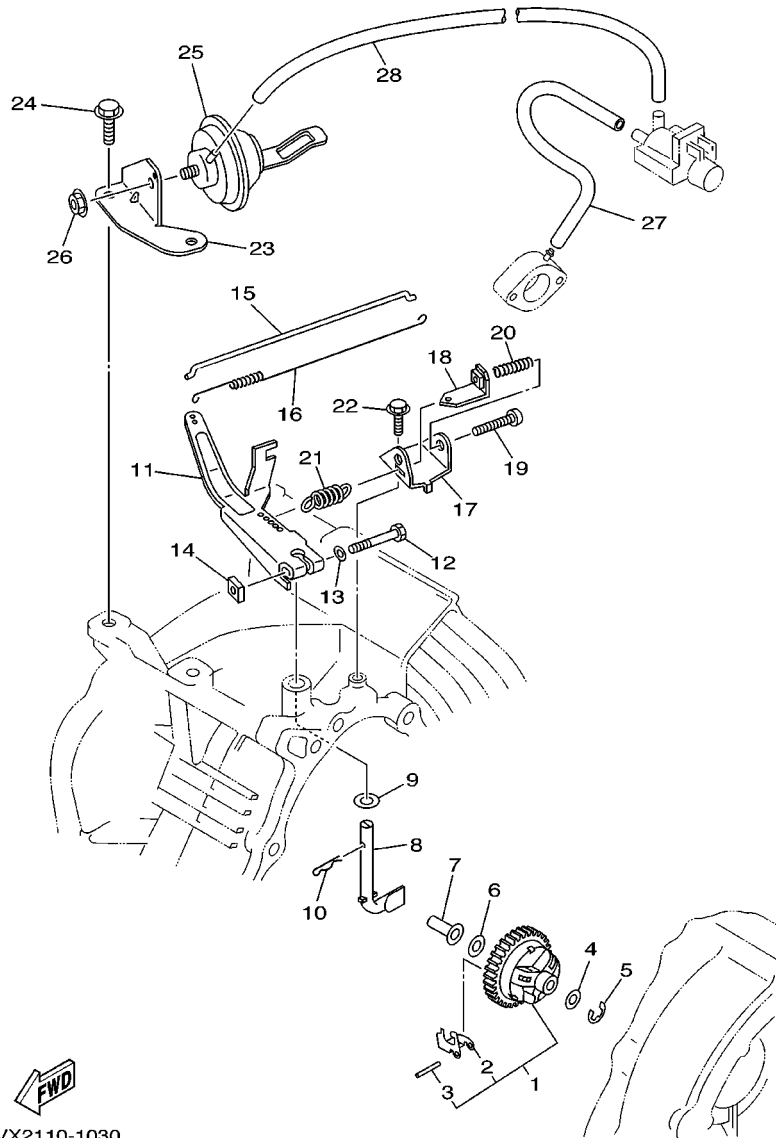
Engine Serial No.



Color Code	Color Name	Abbreviation	MODEL	Country (destination)
00NJ	FARAWAY BLUE	FWB	7VX2	USA

6. Note that the illustrations for reference in finding parts numbers, not to be used for assembling. When assembling, please use the applicable service manual.
7. The asterisk (*) before a reference number indicates modification items after the first edition.

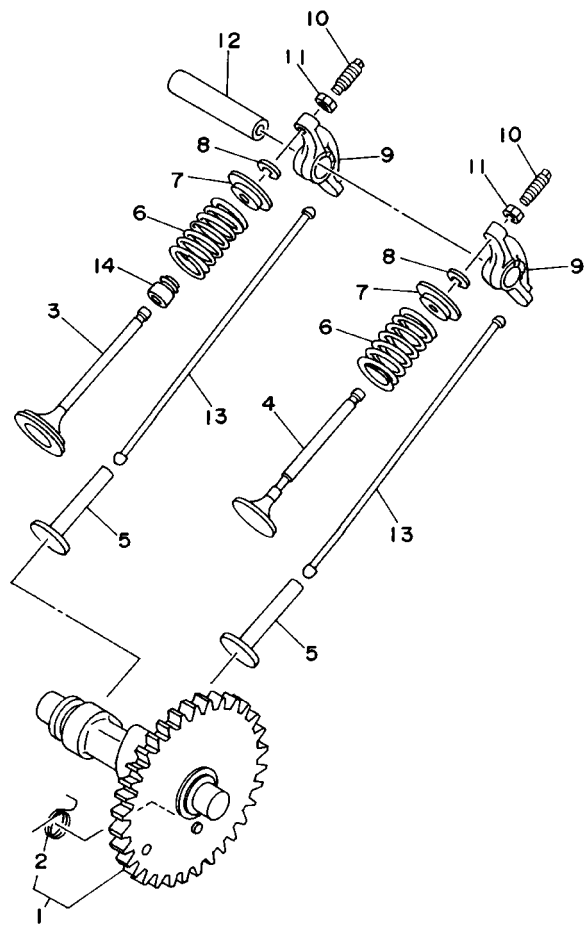
FIG. 3 GOVERNOR



7VX2110-1030

REF. NO.	PART NO.	DESCRIPTION	EF52	YG52				REMARKS
1	7RH-11970-00	FLYWEIGHT SHAFT ASSY.	1	1				
2	7RH-11913-00	.WEIGHT	3	3				
3	7FK-11914-00	.SHAFT, WEIGHT	3	3				
4	90201-065K7	WASHER, PLATE	1	1				
5	93440-06107	CIRCLIP	1	1				
6	90201-067L0	WASHER, PLATE	1	1				
7	7KY-11917-00	COLLAR	1	1				
8	7RH-11922-00	FORK, GOVERNOR	1	1				
9	90201-08092	WASHER, PLATE	2	2				
10	90468-12006	CLIP	1	1				
11	7RH-11901-00	GOVERNOR ASSY	1	1				
12	97027-06030	BOLT	1	1				
13	92907-06600	WASHER, PLATE	1	1				
14	90173-06017	NUT, SQUARE	1	1				
15	7RH-11928-00	ROD, LINK	1	1				
16	90506-04458	SPRING, TENSION	1	1				
17	73A-11941-00	STAY	1	1				
18	73A-11931-00	LEVER	1	1				
19	98507-06035	SCREW, PAN HEAD	1	1				
20	90501-10264	SPRING, COMPRESSION	1	1				
21	7VX-11925-00	SPRING, GOVERNOR	1	1				
22	95807-06012	BOLT, FLANGE	1	1				
23	7RH-11998-00	BRACKET 1	1	1				
24	95807-08016	BOLT, FLANGE	2	2				
25	7X6-11960-00	DIAPHRAGM ASSY	1	1				
26	95707-08500	NUT, FLANGE	1	1				
27	7RH-13545-10	HOSE 1	1	1				

FIG. 4 CAMSHAFT.VALVE



REF. NO.	PART NO.	DESCRIPTION	EF52	YG52	REMARKS
1	7RH-12170-00	CAMSHAFT ASSY 1	1	1	
2	7NJ-12287-00	.SPRING, DECOMPRESSION	1	1	
3	JN6-12111-01	VALVE, INTAKE	1	1	
4	7RH-12121-00	VALVE, EXHAUST	1	1	
5	JN6-12153-00	LIFTER, VALVE	2	2	
6	90501-264A9	SPRING, COMPRESSION	2	2	
7	J38-12117-01	RETAINER, VALVE SPRING	2	2	
8	J38-12118-00	COTTER, VALVE	2	2	
9	JN6-12151-00	ARM, VALVE ROCKER	2	2	
10	22F-12159-00	SCREW, VALVE ADJUSTING	2	2	
11	90170-05302	NUT	2	2	
12	J38-12156-00	SHAFT, ROCKER 2	1	1	
13	JN6-12154-00	ROD, VALVE PUSH	2	2	
14	4G0-12119-00	SEAL, VALVE STEM	1	1	



7RG1400-6040

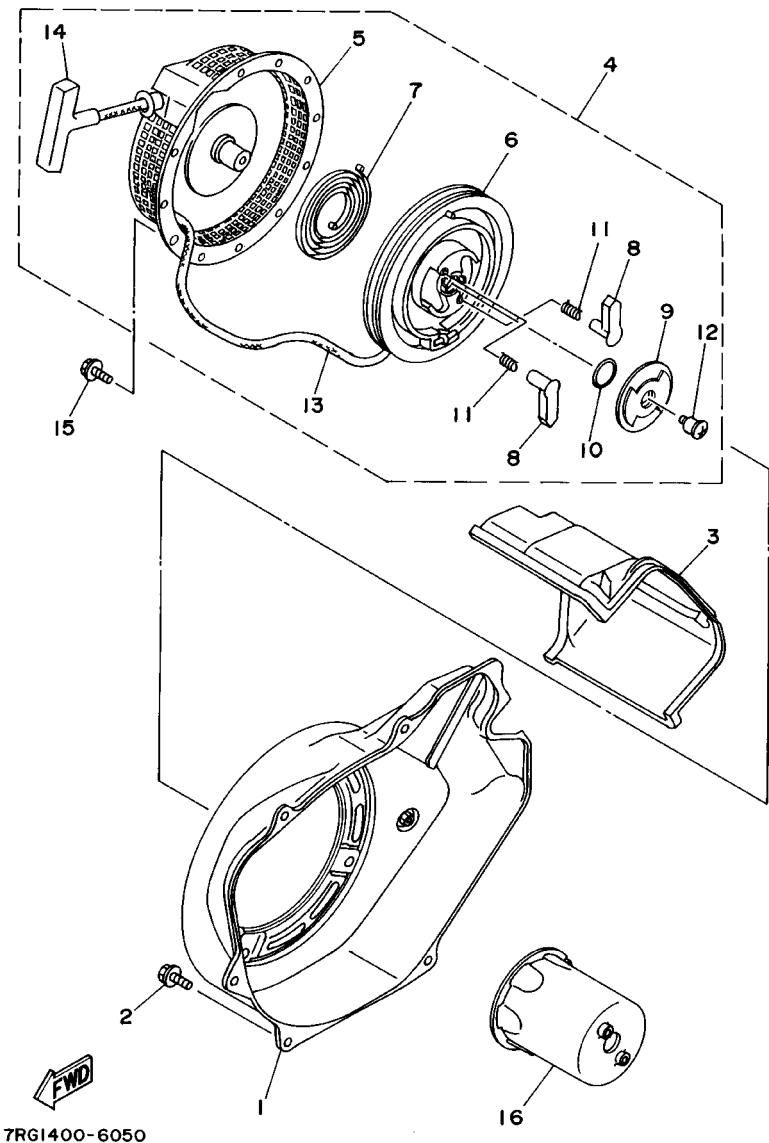
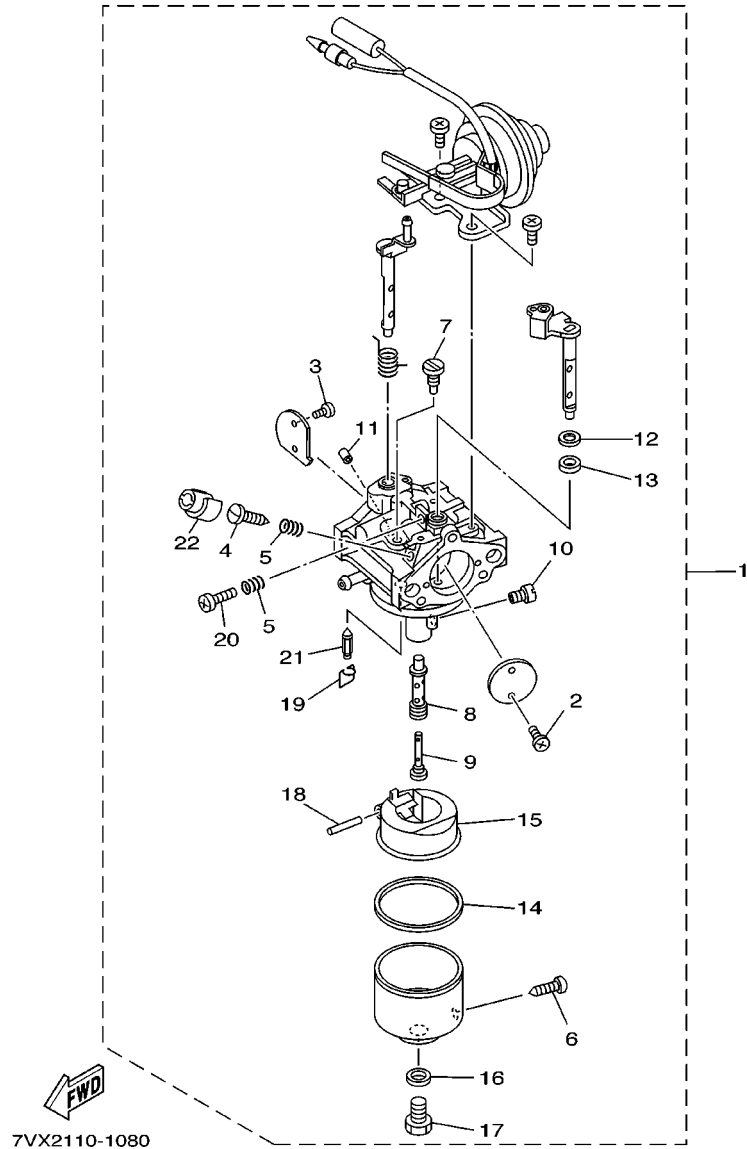


FIG. 5 AIR SHROUD. STARTER

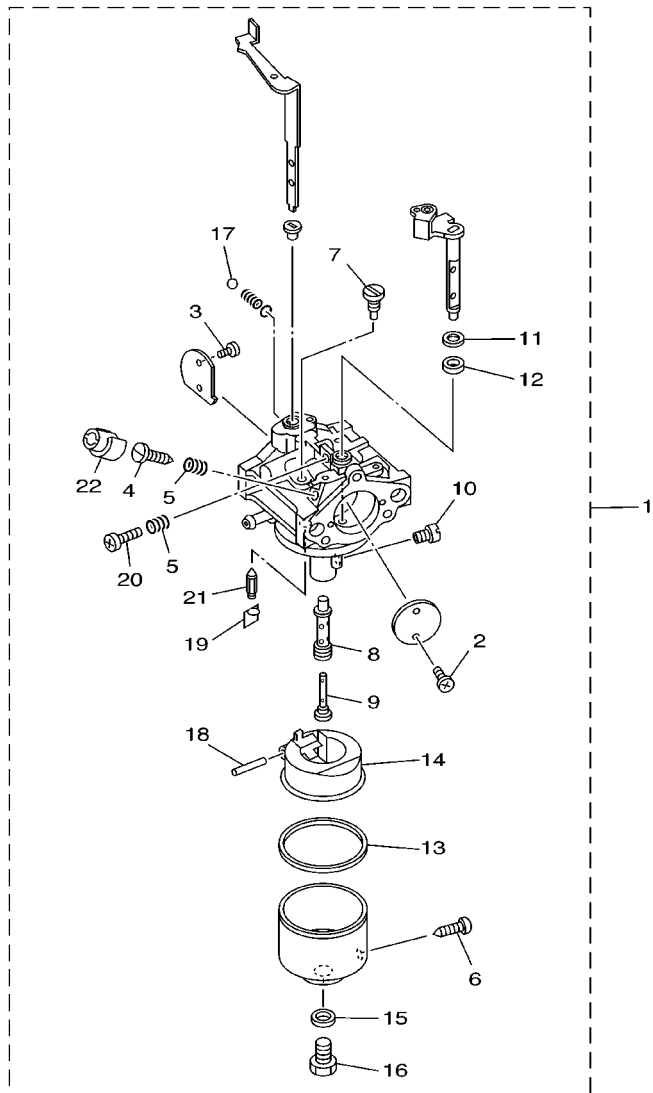
REF. NO.	PART NO.	DESCRIPTION	EF52	YG52			REMARKS
1	7RH-12621-00	CASE, FAN	1	1			
2	95807-06012	BOLT, FLANGE	5	5			
3	7RH-12651-01	AIR SHROUD, CYLINDER 1	1	1			
4	7RH-15710-00	STARTER ASSY	1	1			
5	7RH-15711-00	.CASE, STARTER	1	1			
6	7RH-15714-00	.DRUM, SHEAVE	1	1			
7	7RH-15713-00	.SPRING, STARTER	1	1			
8	7RH-15741-00	.PAWL, DRIVE	2	2			
9	7RH-15716-00	.PLATE, DRIVE	1	1			
10	7RH-15715-00	.SPRING, FRICTION	1	1			
11	JK4-15743-00	.SPRING, RETURN	2	2			
12	7NJ-15793-00	.SCREW	1	1			
13	7RH-15751-00	.WIRE, STARTER	1	1			
14	7RH-15755-00	.HANDLE, STARTER	1	1			
15	95807-06008	BOLT, FLANGE	4	4			
16	7RH-15723-00	PULLEY, STARTER	1	1			

FIG. 8 CARBURETOR 1



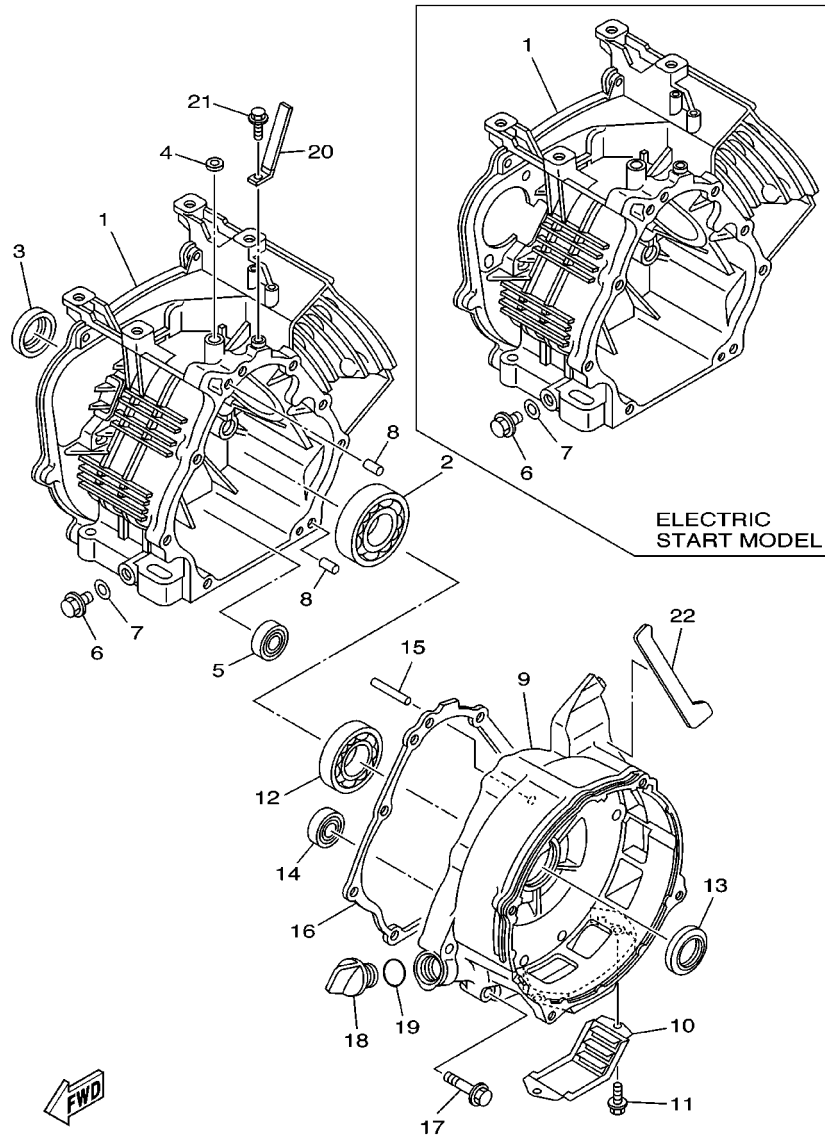
REF. NO.	PART NO.	DESCRIPTION	EF52	YG52		REMARKS
1	7RG-14101-20	CARBURETOR ASSY 1	1			
2	7RH-14216-00	.SCREW	2			
3	7RH-14486-00	.SCREW, ROD	2			
4	7NJ-14211-00	.SCREW, PILOT ADJUSTING	1			
5	73A-14212-00	.SPRING	2			
6	7E1-14191-00	.PLUG, DRAIN	1			
7	620-14142-62	.JET, PILOT (#62.5)	1			
8	7LW-14941-53	.NOZZLE, MAIN	1			
9	73A-1414G-00	.PIPE, MAIN BREED	1			
10	3G2-1423E-39	.JET, MAIN	1			
11	7U6-24462-00	.PILOT AIR JET	1			
12	4CW-14117-00	.WASHER, PLUG SCREW	1			
13	7X9-14239-00	.SEAL	1			
14	796-14184-00	.GASKET, FLOAT CHAMBER	1			
15	JN6-14185-00	.FLOAT	1			
16	127-14198-00	.GASKET	1			
17	7RG-14162-00	.BOLT, HOLDING	1			
18	22F-14186-00	.PIN, FLOAT	1			
19	7EG-14159-00	.CLIP	1			
20	1WG-14922-00	.SCREW, THROTTLE	1			
21	73A-14150-00	.NEEDLE ASSY	1			
22	7LV-14118-00	.CAP (CUT AWAY 1/8)	1			

FIG. 9 CARBURETOR 2



7UV2110-8070

REF. NO.	PART NO.	DESCRIPTION	EF52	YG52	REMARKS
1	7RT-14101-30	CARBURETOR ASSY 1		1	
2	7RH-14216-00	.SCREW		2	
3	7RH-14486-00	.SCREW, ROD		2	
4	7NJ-14211-00	.SCREW, PILOT ADJUSTING		1	
5	73A-14212-00	.SPRING		2	
6	7E1-14191-00	.PLUG, DRAIN		1	
7	620-14142-62-A0	.JET, PILOT (#62.5)		1	
8	7LW-14941-53	.NOZZLE, MAIN		1	
9	73A-1414G-00	.PIPE, MAIN BREED		1	
10	3G2-1423E-39-A0	.JET, MAIN (#98.8)		1	
11	4CW-14117-00	.WASHER, PLUG SCREW		1	
12	7X9-14239-00	.SEAL		1	
13	796-14184-00	.GASKET, FLOAT CHAMBER		1	
14	JN6-14185-00	.FLOAT		1	
15	127-14198-00	.GASKET		1	
16	7RG-14162-00	.BOLT, HOLDING		1	
17	93501-08001	.BALL		1	
18	22F-14186-00	.PIN, FLOAT		1	
19	7EG-14159-00	.CLIP		1	
20	1WG-14922-00	.SCREW, THROTTLE		1	
21	73A-14150-00	.NEEDLE ASSY		1	
22	7LV-14118-00	.CAP (CUT AWAY 1/8)		1	

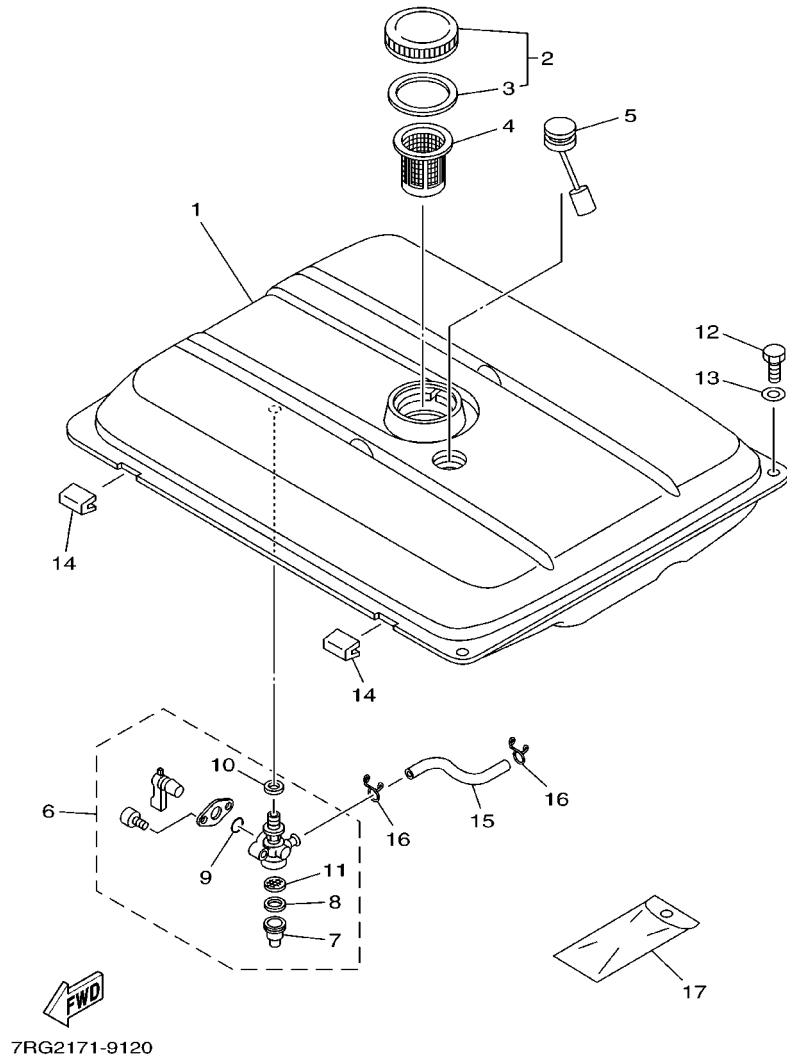


7VX2110-1110

FIG. 11 CRANKCASE

REF. NO.	PART NO.	DESCRIPTION	EF52	YG52			REMARKS
1	7TS-15111-00	CRANKCASE 1 (EL.START)	1				
	7RG-15111-00	CRANKCASE 1 (MANUAL START)		1			
2	93306-30709	BEARING	1	1			
3	93102-35191	OIL SEAL	1	1			
4	93109-08050	OIL SEAL	1	1			
5	93306-20201	BEARING (B6202)	1	1			
6	90340-12097	PLUG, STRAIGHT SCREW	1	1			
7	812-11198-00	GASKET	1	1			
8	99530-08016	PIN, DOWEL	2	2			
9	7RH-15411-01	COVER, CRANKCASE 1	1	1			
10	7RH-15414-00	COVER, AIR CLEANER	1	1			
11	90109-06513	BOLT	2	2			
12	93306-20714	BEARING	1	1			
13	93102-35191	OIL SEAL	1	1			
14	93306-20201	BEARING (B6202)	1	1			
15	7RH-11971-00	SHAFT, FLYWEIGHT	1	1			
16	7RH-15451-00	GASKET, CRANKCASE COVER 1	1	1			
17	95817-08045	BOLT, FLANGE	8	8			
18	796-15363-01	PLUG, OIL	1	1			
19	93210-22344	O-RING	1	1			
20	90462-05061	CLAMP	1	1			
21	95807-06010	BOLT, FLANGE	1	1			
22	7RH-14757-00	DAMPER, MUFFLER 2	1	1			

FIG. 15 FUEL TANK



REF. NO.	PART NO.	DESCRIPTION	EF52	YG52		REMARKS
1	7RH-24110-01-NJ	FUEL TANK COMP.	1	1		FWB
2	74T-24610-00	CAP ASSY	1	1		
3	796-24612-00	.GASKET, CAP	1	1		
4	630-24167-00	STRAINER	1	1		
5	7F7-85710-02	FUEL LEVEL GAUGE ASSY	1	1		
6	7NJ-24500-01	FUEL COCK ASSY 1	1	1		
7	7J3-24521-00	.CUP, FILTER	1	1		
8	4X8-24565-00	.GASKET	1	1		
9	7NJ-24534-00	.SEAL, COCK	1	1		
10	7NJ-24532-00	.GASKET	1	1		
11	7NJ-24515-00	.NET, FILTER 2	1	1		
12	97007-06012	BOLT	2	2		
13	90201-06380	WASHER, PLATE	2	2		
14	7LG-24181-00	DAMPER, LOCATING 1	2	2		
15	90445-100E9	HOSE (L155)	1	1		
16	90467-09006	CLIP	2	2		
17	7LV-28100-00	TOOL KIT	1	1		

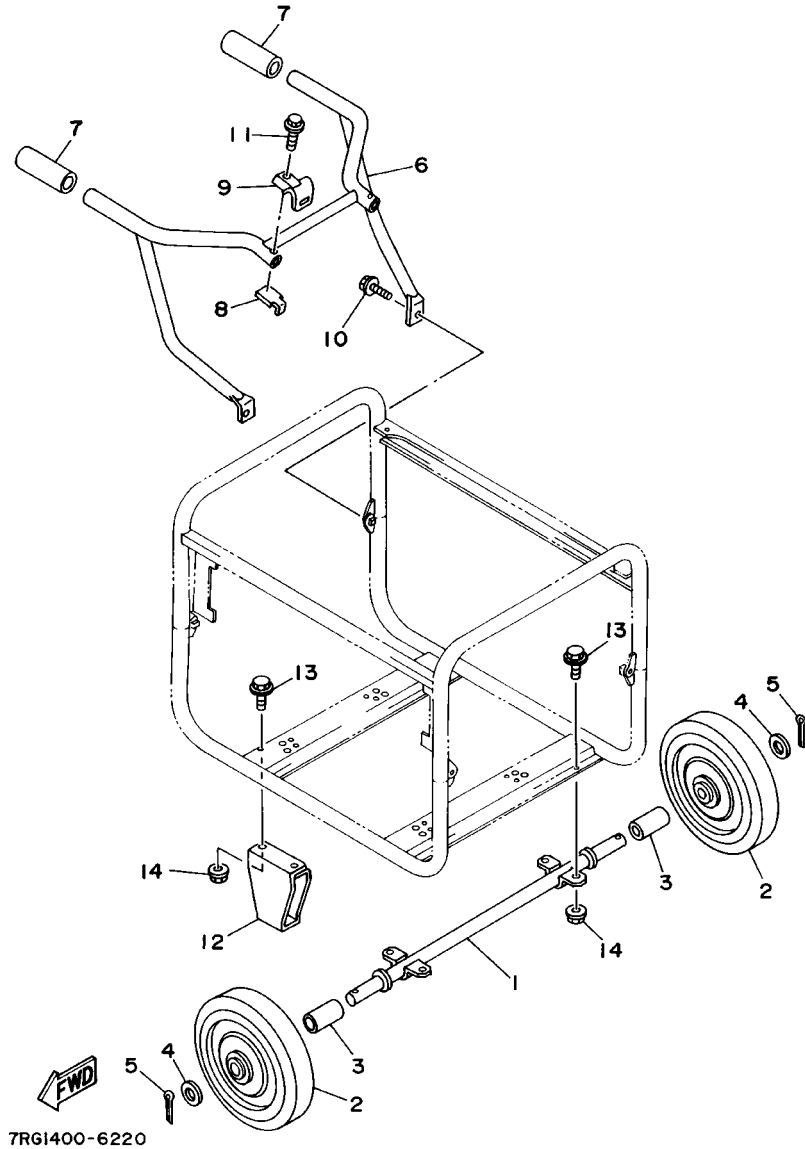
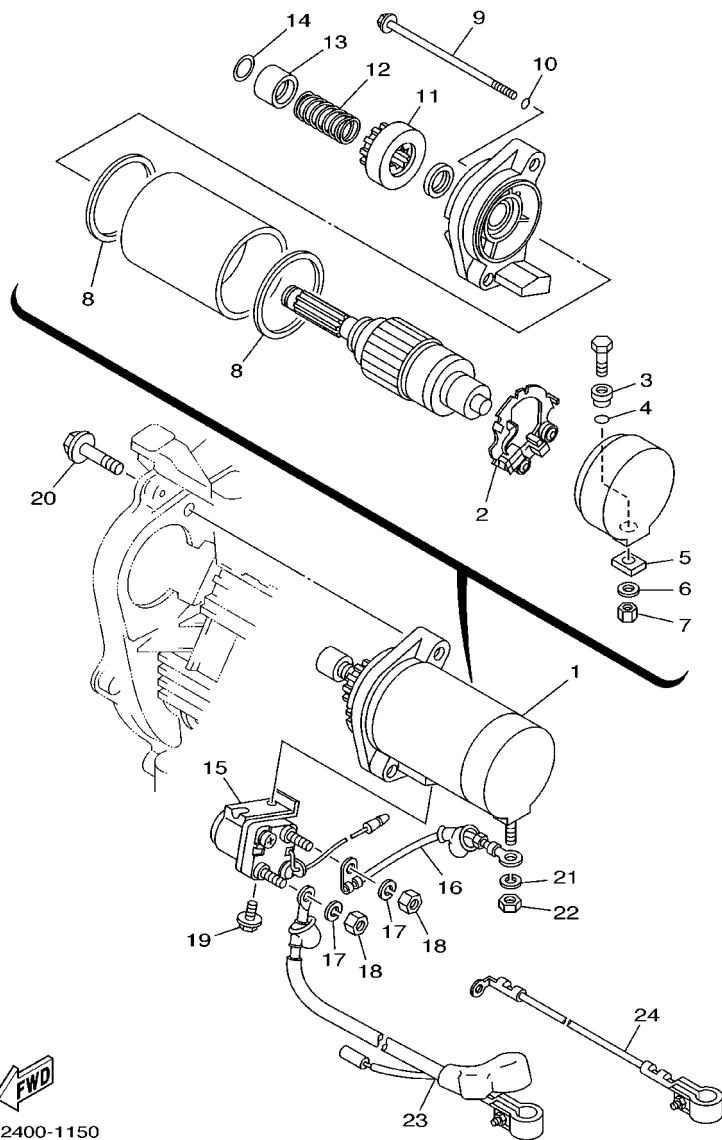


FIG. 16 CARRIER (OPTIONAL PARTS)

REF. NO.	PART NO.	DESCRIPTION	EF52	YG52	REMARKS
1	7RH-25381-00	AXLE, WHEEL	1	1	
2	73A-22846-10	CASTER 2	2	2	
3	73A-25322-10	INSERT, SHAFT	2	2	
4	92907-20600	WASHER	2	2	
5	91401-30040	PIN, COTTER	2	2	
6	7RH-26100-10	HANDLE ASSY	1	1	
7	801-26241-01	GRIP	2	2	
8	7RH-2284F-10	PLATE 3	2	2	
9	7RH-22864-10	COVER, SIDE 1	2	2	
10	95807-06014	BOLT, FLANGE	2	2	
11	95807-06035	BOLT, FLANGE	2	2	
12	7LR-27111-01	STAND, MAIN	2	2	
13	95807-08016	BOLT, FLANGE	8	8	
14	95707-08500	NUT, FLANGE	8	8	

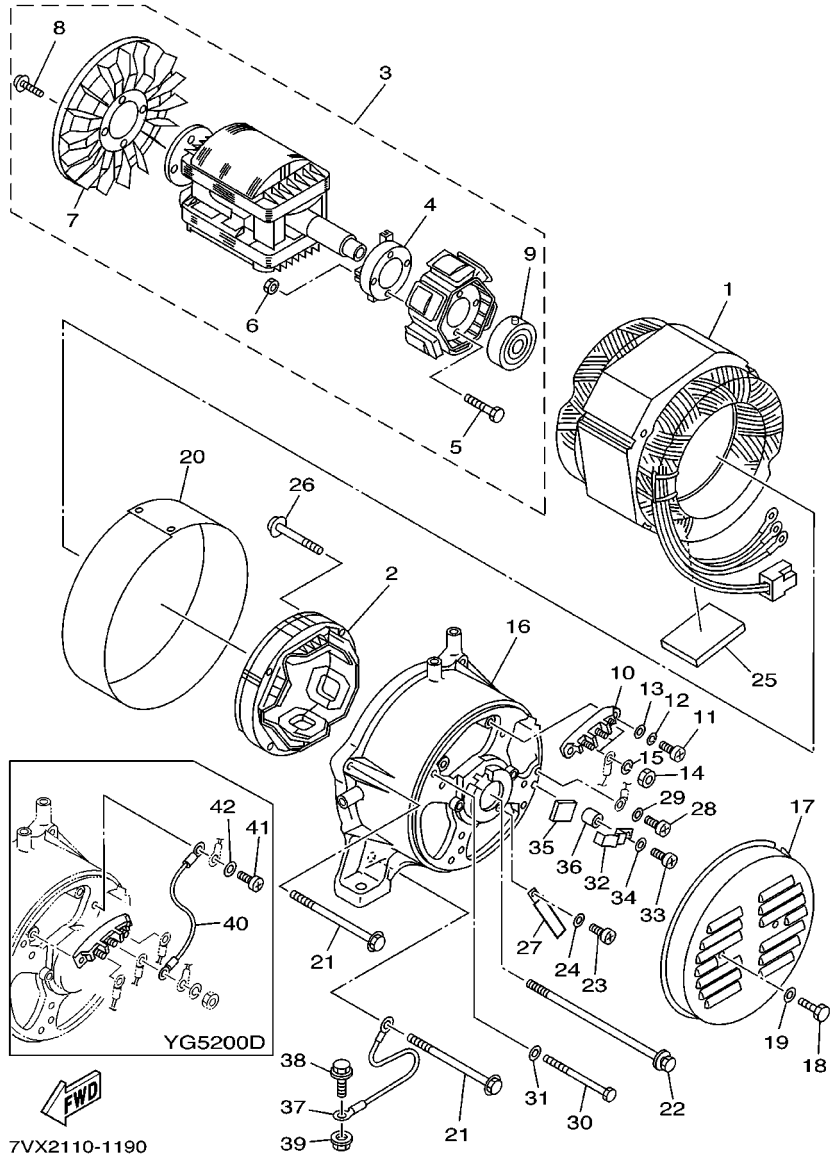
FIG. 18 STARTING MOTOR



7VX2400-1150

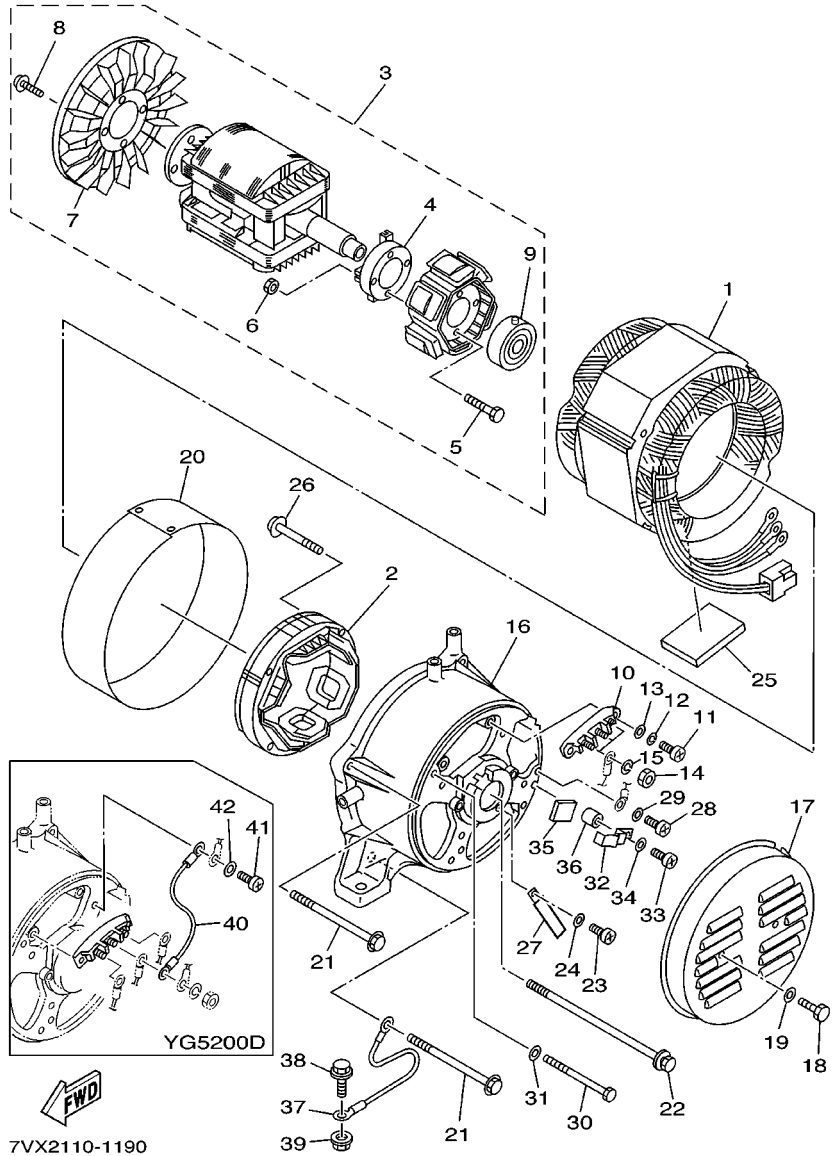
REF. NO.	PART NO.	DESCRIPTION	EF52	YG52		REMARKS
1	7RH-81800-00	STARTING MOTOR ASSY	1			
2	7RH-81840-00	.BRUSH HOLDER ASSY	1			
3	7RH-8182G-00	.BUSH, TERMINAL	1			
4	93210-06001	.O-RING	1			
5	7RH-8181L-00	.WASHER, PLAIN	1			
6	92907-061A5	.WASHER	1			
7	95304-06700	.NUT	1			
8	7RH-81861-00	.GASKET	2			
9	7RH-81846-00	.SCREW	2			
10	93210-05098	.O-RING	2			
11	7RH-81807-00	.GEAR ASSY, STARTING MOTOR	1			
12	7KA-81858-00	.SPRING, RETURN	1			
13	7KA-81859-00	.STOPPER, PINION	1			
14	7KA-81833-00	.RING, STOP	1			
15	73A-81940-10	STARTER RELAY ASSY	1			
16	73A-81815-00	CORD, STARTER MOTOR	1			
17	92907-06100	WASHER, SPRING	2			
18	95307-06700	NUT	2			
19	95807-06016	BOLT, FLANGE	1			
20	95807-08035	BOLT, FLANGE	2			
21	92907-06100	WASHER, SPRING	1			
22	95307-06700	NUT	1			
23	73H-82115-01	WIRE, PLUS LEAD	1			
24	73H-82116-00	WIRE, MINUS LEAD	1			

FIG. 19 GENERATOR



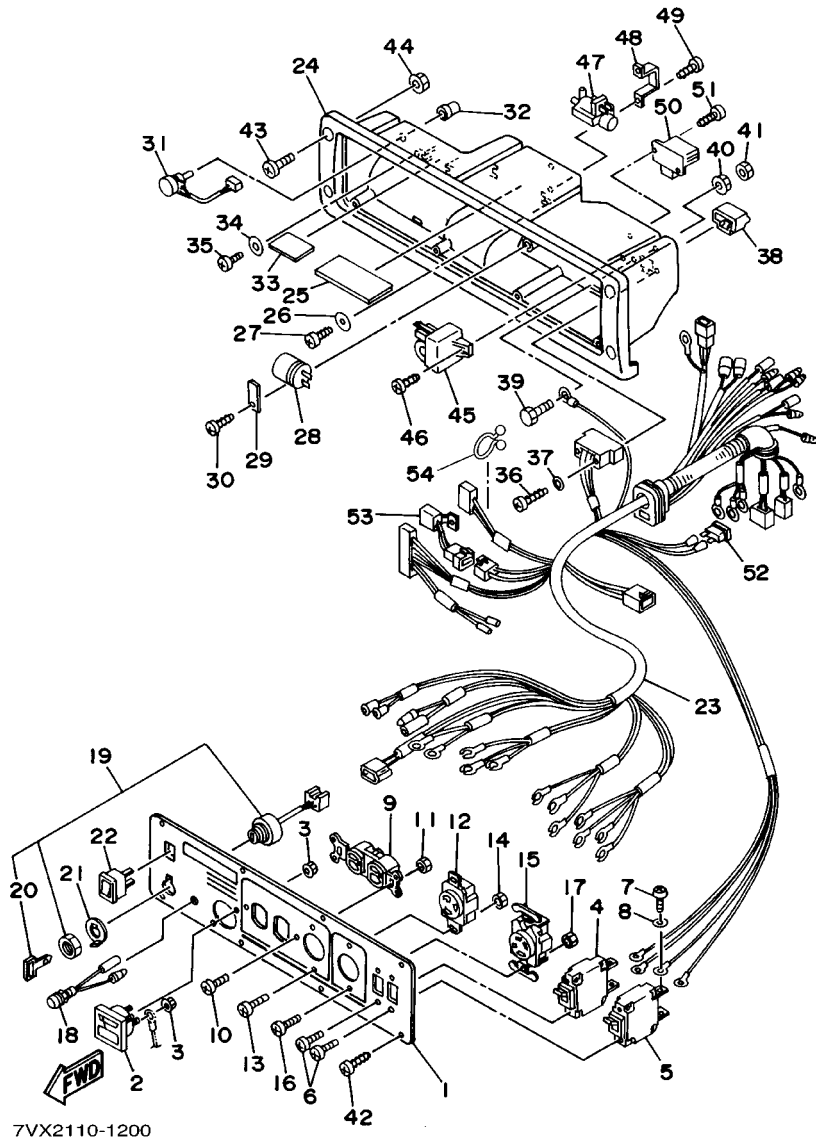
REF. NO.	PART NO.	DESCRIPTION	EF52	YG52	REMARKS
1	7RH-87150-40	STATOR ASSY (120V/240V-60HZ)	1	1	
2	73A-8712A-01	STATOR EXITER ASSY	1	1	
3	7RH-87160-02	ROTOR ASSY	1	1	
4	7LV-87115-00	.RECTIFIER ASSY 2	1	1	
5	97027-05050	.BOLT	4	4	
6	95307-05600	.NUT	4	4	
7	7LR-87172-01	.FAN, GENERATOR	1	1	
8	90159-06032	.SCREW, WITH WASHER	4	4	
9	93306-37202	.BEARING	1	1	
10	7LR-87220-00	TERMINAL SUB ASSY 1	1	1	
11	98507-05014	SCREW, PAN HEAD	2	2	
12	92907-05100	WASHER, SPRING	2	2	
13	92907-05600	WASHER, PLATE	2	2	
14	95307-05700	NUT	3	3	
15	92907-05100	WASHER, SPRING	3	3	
16	7RH-87131-00	FRAME, REAR	1	1	
17	7RH-87174-00-98	COVER, REAR END	1	1	LGB
18	97007-06010	BOLT	2	2	
19	92907-06600	WASHER, PLATE	2	2	
20	7RH-87153-00	COVER, STATOR	1	1	
21	95827-06130	BOLT, FLANGE	4	4	
22	7RH-81152-00	BOLT	1	1	
23	98507-05010	SCREW, PAN HEAD	1	1	
24	92907-05600	WASHER, PLATE	1	1	
25	7LR-87159-00	SEAL, STATOR	1	1	
26	90159-05091	SCREW, WITH WASHER	4	4	
27	90462-05061	CLAMP	1	1	

FIG. 19 GENERATOR



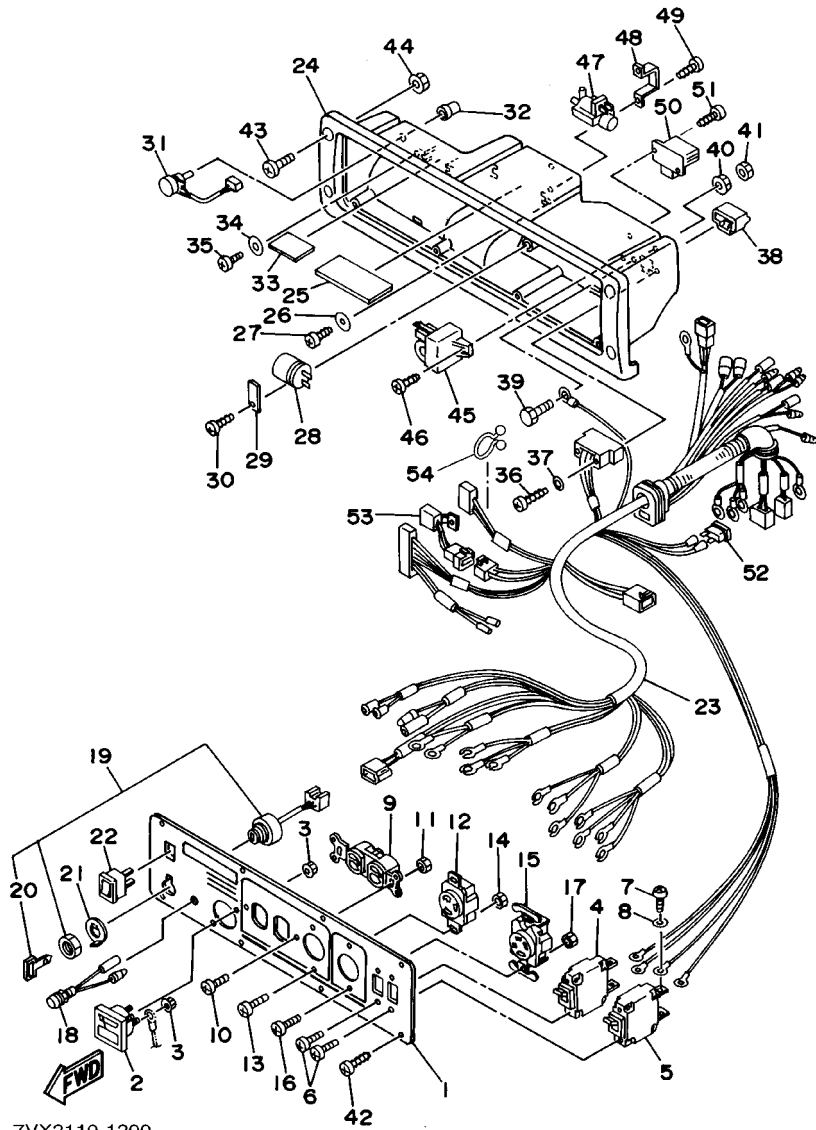
REF. NO.	PART NO.	DESCRIPTION	EF52	YG52			REMARKS
28	98507-05010	SCREW, PAN HEAD	1	1			
29	92907-05600	WASHER, PLATE	1	1			
30	90101-06739	BOLT	2	2			
31	92907-06600	WASHER, PLATE	2	2			
32	7J5-88195-00	HOLDER, CONNECTOR	1	1			
33	98507-05020	SCREW, PAN HEAD	1	1			
34	92907-05600	WASHER, PLATE	1	1			
35	7LV-8713J-00	DAMPER	1	1			
36	90387-06N38	COLLAR	1	1			
37	7NJ-87139-00	LEAD WIRE ASSY 2	1	1			
38	95880-06010	BOLT, FLANGE	1	1			
39	95780-06500	NUT, FLANGE	1	1			
40	7LR-8722W-80	WIRE, LEAD 6		1			
41	98507-05010	SCREW, PAN HEAD		1			
42	92907-05600	WASHER, PLATE		1			

FIG. 20 CONTROL BOX 1



REF. NO.	PART NO.	DESCRIPTION	EF52	YG52	REMARKS
1	7VX-87249-40	PLATE	1		
2	7LR-8720A-00	VOLTEGE METER COMP.	1		
3	90179-03478	NUT	4		
4	7VX-87204-10	BREAKER COMP. (38A)	1		
5	7VX-87204-40	BREAKER COMP. (19A)	1		
6	98507-04005	SCREW, PAN HEAD	4		
7	98507-06012	SCREW, PAN HEAD	4		
8	92907-06100	WASHER, SPRING	4		
9	73H-87221-90	RECEPTACLE 1 (P&S 5-20R)	1		UR P&S 5-20R
	7LL-87221-90	RECEPTACLE (WCF62120B02)	1		UR MATSUSHITA
10	98507-04012	SCREW, PAN HEAD	2		
11	95707-04500	NUT, FLANGE	2		
12	73H-87222-91	RECEPTACLE 2	1		UR P&S L530-R
	7LR-87221-90	RECEPTACLE 1 (WCF63130B02)	1		UR MATSUSHITA
	7VU-87221-90	RECEPTACLE 1	1		UR MEIKOSHA
13	98507-04012	SCREW, PAN HEAD	2		
14	95707-04500	NUT, FLANGE	2		
15	73H-87222-70	RECEPTACLE 2	1		UR P&S L14-20R
	7UV-87222-40	RECEPTACLE (NEMA L14-20R)	1		UR MEIKOSHA
	7LR-87222-90	RECEPTACLE 2 (WCF63420B02)	1		UR MATSUSHITA
16	98507-04012	SCREW, PAN HEAD	2		
17	95707-04500	NUT, FLANGE	2		
18	7NJ-85770-00	OIL PILOT LIGHT ASSY	1		
19	7LP-82510-00	MAIN SWITCH ASSY	1		
20	73A-82511-00	.KEY, MAIN SWITCH	2		
21	7RG-82517-00	WASHER, SPECIÁL	1		
22	7NJ-82550-00	ENGINE STOP SWITCH ASSY	1		ECON.SW

FIG. 20 CONTROL BOX 1



7VX2110-1200

REF. NO.	PART NO.	DESCRIPTION	EF52	YG52	REMARKS
23	7RG-87226-40	WIRE HARNESS ASSY (120/240V-60HZ)	1		
24	7RH-87213-00	COVER, CONTROL BOX	1		
25	7LV-8722A-90	VOLTAGE REGULATOR ASSY	1		
26	90201-03013	WASHER, PLATE	1		
27	97707-30512	SCREW, TAPPING	1		
28	7RH-87107-00	CONDENSER ASSY	1		
29	7LR-86112-00	STAY, SOLENOID	1		
30	97707-50512	SCREW, TAPPING	1		
31	7LV-87283-00	RESISTOR, VARIABLE	1		
32	7LV-82532-00	CAP	1		
33	7LG-85690-00	OIL WARNING UNIT	1		
34	90201-03013	WASHER, PLATE	1		
35	97707-30512	SCREW, TAPPING	1		
36	97707-30512	SCREW, TAPPING	2		
37	92907-03200	WASHER	2		
38	7LP-82599-00	COVER, CONNECTER	1		
39	97080-06020	BOLT	1		
40	90179-06511	NUT	1		
41	95380-06700	NUT	1		
42	97707-40516	SCREW, TAPPING	8		
43	98907-06014	SCREW, BIND	4		
44	95707-06500	NUT, FLANGE	2		
45	73M-87286-00	SLOW DOWN UNIT ASSY	1		
46	97707-60520	SCREW, TAPPING	1		
47	7LR-86120-90	SOLENOID VALVE ASSY	1		
48	7RH-86112-00	STAY, SOLENOID	1		
49	97707-50512	SCREW, TAPPING	2		

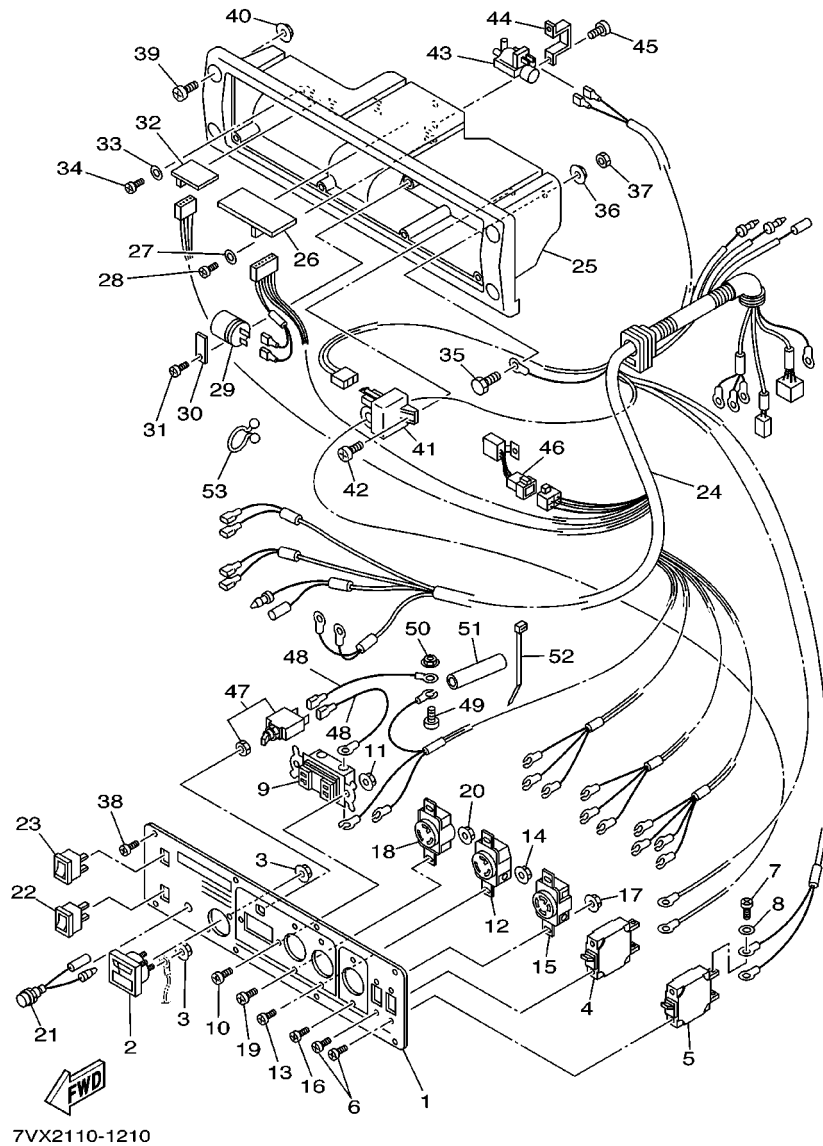
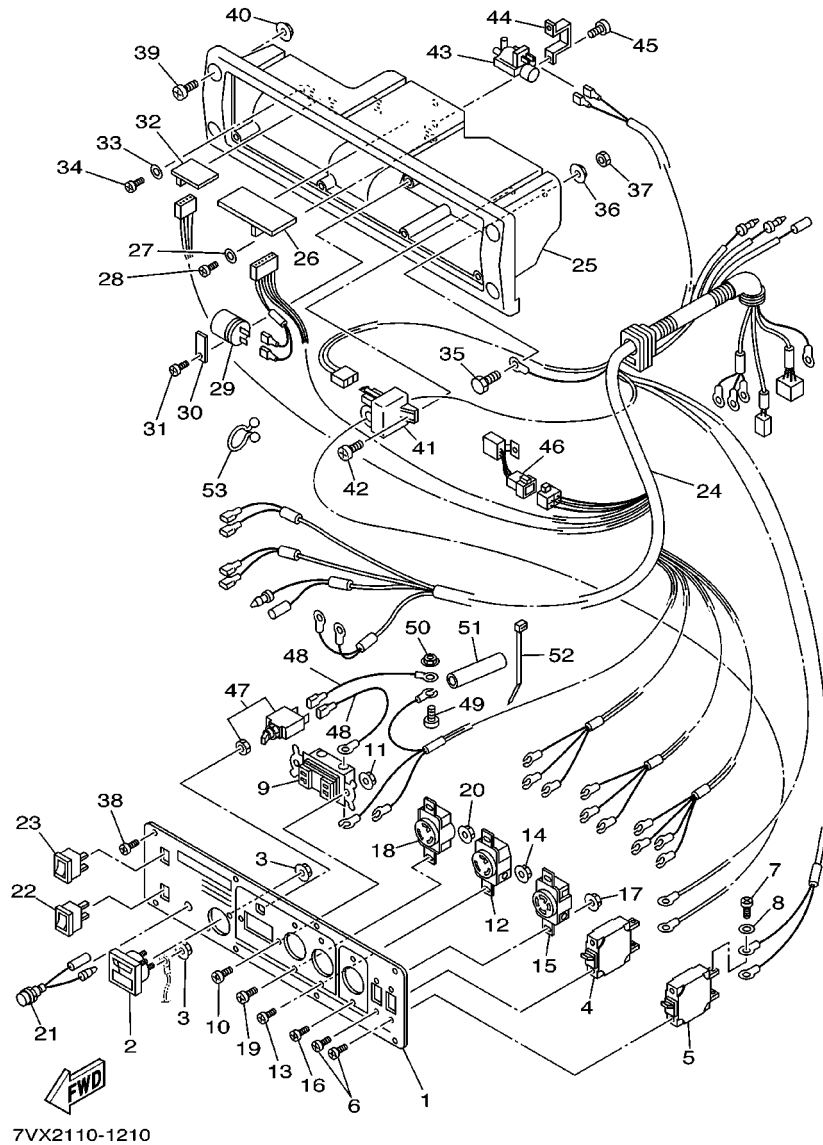


FIG. 21 CONTROL BOX 2

REF. NO.	PART NO.	DESCRIPTION	EF52	YG52	REMARKS
1	7VX-87249-50	PLATE		1	
2	7LR-8720A-00	VOLTEGE METER COMP.		1	
3	90179-03478	NUT		4	
4	7VX-87204-10	BREAKER COMP. (38A)		1	
5	7VX-87204-40	BREAKER COMP. (19A)		1	
6	98507-04005	SCREW, PAN HEAD		4	
7	98507-06012	SCREW, PAN HEAD		4	
8	92907-06100	WASHER, SPRING		4	
9	7MC-87221-A1	RECEPTACLE 1		1	
10	98507-04012	SCREW, PAN HEAD		2	
11	95707-04500	NUT, FLANGE		2	
12	73H-87222-91	RECEPTACLE 2		1	UR P&S L530-R
	7LR-87221-90	RECEPTACLE 1 (WCF63130B02)		1	UR MATSUSHITA
	7VU-87221-90	RECEPTACLE 1		1	UR MEIKOSHA
13	98507-04012	SCREW, PAN HEAD		2	
14	95707-04500	NUT, FLANGE		2	
15	73H-87222-70	RECEPTACLE 2		1	UR P&S L14-20R
	7UV-87222-40	RECEPTACLE (NEMA L14-20R)		1	UR MEIKOSHA
	7LR-87222-90	RECEPTACLE 2 (WCF63420B02)		1	UR MATSUSHITA
16	98507-04012	SCREW, PAN HEAD		2	
17	95707-04500	NUT, FLANGE		2	
18	7LL-87222-90	RECEPTACLE (WCF63120B02)		1	UR MATSUSHITA
	7J4-87222-90	RECEPTACLE (20A-125V)		1	UR CROUSE-HINDS
19	98507-04012	SCREW, PAN HEAD		2	
20	95707-04500	NUT, FLANGE		2	
21	7NJ-85770-00	OIL PILOT LIGHT ASSY		1	
22	7NJ-82550-00	ENGINE STOP SWITCH ASSY		1	

FIG. 21 CONTROL BOX 2



REF. NO.	PART NO.	DESCRIPTION	EF52	YG52	REMARKS
23	7NJ-82550-00	ENGINE STOP SWITCH ASSY		1	ECON.SW
24	7RT-87226-50	WIRE HARNESS ASSY		1	
25	7RH-87213-G0	COVER, CONTROL BOX		1	
26	7LU-8722A-00	VOLTAGE REGULATOR ASSY		1	
27	90201-03013	WASHER, PLATE		1	
28	97707-30512	SCREW, TAPPING		1	
29	7RH-87107-00	CONDENSER ASSY		1	
30	7LR-86112-00	STAY, SOLENOID		1	
31	97707-50512	SCREW, TAPPING		1	
32	7LG-85690-00	OIL WARNING UNIT		1	
33	90201-03013	WASHER, PLATE		1	
34	97707-30512	SCREW, TAPPING		1	
35	97080-06020	BOLT		1	
36	90179-06511	NUT		1	
37	95380-06700	NUT		1	
38	97707-40516	SCREW, TAPPING		8	
39	98907-06014	SCREW, BIND		4	
40	95707-06500	NUT, FLANGE		2	
41	73M-87286-00	SLOW DOWN UNIT ASSY		1	
42	97707-60520	SCREW, TAPPING		1	
43	7LR-86120-90	SOLENOID VALVE ASSY		1	
44	7RH-86112-00	STAY, SOLENOID		1	
45	97707-50512	SCREW, TAPPING		2	
46	7RH-81970-00	RECTIFIER ASSY		1	
47	7RH-87204-N0	BREAKER COMP. (240V-21A)		1	
48	7VX-87224-00	WIRE, LEAD 2		2	
49	98907-04010	SCREW, BIND		1	

NUMERICAL INDEX

PARTNO.	REF. NO.	PARTNO.	REF. NO.	PARTNO.	REF. NO.	PARTNO.	REF. NO.	PARTNO.	REF. NO.	PARTNO.	REF. NO.
7MC-1111F-00	14 - 3	7RH-13545-10	3 - 27	7RH-14412-01	6 - 8	7RH-22838-10	13 - 6	7RH-81970-00	21 - 46	7LR-8720A-00	20 - 2
7RG-11111-01	1 - 1	7LV-13546-00	6 - 15		7 - 5	7RH-22839-10	13 - 7	73H-82115-01	18 - 23		21 - 2
7MC-11119-00	14 - 1	7RH-13557-00	6 - 3	7RH-14429-00	6 - 11	7RH-2284F-10	14 - 7	73H-82116-00	18 - 24	7RH-87204-N0	21 - 47
7MC-1112F-00	14 - 2		6 - 5		7 - 8		16 - 8	7RH-82122-01	13 - 1	7VX-87204-10	20 - 4
7RH-11166-00	1 - 10		7 - 2	7RH-14451-00	6 - 10	7RH-22840-10	12 - 1	7LP-82133-00	13 - 3		21 - 4
7RG-11181-02	1 - 2	7RH-13567-00	6 - 6		7 - 7	73A-22846-10	16 - 2	J10-82136-00	13 - 2	7VX-87204-40	20 - 5
7RH-11190-00	1 - 7		7 - 3	7RH-14468-00	6 - 9	7RH-22850-11	12 - 2	42X-82151-00	20 - 52		21 - 5
JN6-11193-00	1 - 8	7RH-13596-00	6 - 4		7 - 6	7RH-22864-10	13 - 8	JN6-82370-00	17 - 11	7RH-87213-G0	21 - 25
812-11198-00	11 - 7		7 - 1	7LV-14477-00	6 - 12		14 - 6	7LP-82510-00	20 - 19	7RH-87213-00	20 - 24
7RH-11400-10	2 - 1	7RG-14101-20	8 - 1		7 - 9		16 - 9	73A-82511-00	20 - 20	7LU-8722A-00	21 - 26
JN6-11454-00	2 - 8	7RT-14101-30	9 - 1	7RH-14486-00	8 - 3	7RH-22891-00	12 - 4	7RG-82517-00	20 - 21	7LV-8722A-90	20 - 25
JN6-11610-00	2 - 3	4CW-14117-00	8 - 12		9 - 3	7RH-24110-01-NJ	15 - 1	7LV-82532-00	20 - 32	7LR-8722W-80	19 - 40
JN6-11610-10	2 - 3		9 - 11	7RH-14611-00	10 - 2	7FL-2415A-10	22 - 1	7NJ-82550-00	20 - 22	7LR-87220-00	19 - 10
JN6-11610-20	2 - 3	7LV-14118-00	8 - 22	7KY-14613-01	10 - 14	73H-2415A-00	22 - 4		21 - 22	7LL-87221-90	20 - 9
JN6-11631-00-A0	2 - 2		9 - 22	7RH-14623-00	10 - 4	7RH-24161-10	22 - 2		21 - 23	7LR-87221-90	20 - 12
447-11633-00	2 - 4	73A-1414G-00	8 - 9	7RH-14718-00	10 - 5	7NJ-24162-10	22 - 3	7RK-82589-00	21 - 51		21 - 12
JN6-11635-00	2 - 2		9 - 9	7RH-14721-00	10 - 1	630-24167-00	15 - 4	7LP-82599-00	20 - 38	7MC-87221-A1	21 - 9
JN6-11636-00	2 - 2	620-14142-62	8 - 7	7RH-14737-00	10 - 9	7LG-24181-00	15 - 14	7RH-85521-00	17 - 3	7VU-87221-90	20 - 12
JN6-11650-00	2 - 6	620-14142-62-A0	9 - 7	7RH-14757-00	11 - 22	7U6-24462-00	8 - 11	7RH-85521-10	17 - 3		21 - 12
JN6-11654-00	2 - 7	73A-14150-00	8 - 21	7LR-14786-00	10 - 10	7NJ-24500-01	15 - 6	7RH-85640-00	17 - 2	73H-87221-90	20 - 9
7RH-11901-00	3 - 11		9 - 21	7RH-1479E-10	10 - 7	7NJ-24515-00	15 - 11	7RH-85650-00	17 - 1	7J4-87222-90	21 - 18
7RH-11913-00	3 - 2	7EG-14159-00	8 - 19	7RH-14799-10	10 - 6	7J3-24521-00	15 - 7	7RH-85650-10	17 - 1	7LL-87222-90	21 - 18
7FK-11914-00	3 - 3		9 - 19	1WG-14922-00	8 - 20	7NJ-24532-00	15 - 10	7LG-85690-00	20 - 33	7LR-87222-90	20 - 15
7KY-11917-00	3 - 7	7RG-14162-00	8 - 17		9 - 20	7NJ-24534-00	15 - 9		21 - 32		21 - 15
7RH-11922-00	3 - 8		9 - 16	7LW-14941-53	8 - 8	4X8-24565-00	15 - 8	7F7-85710-02	15 - 5	7UV-87222-40	20 - 15
7VX-11925-00	3 - 21	796-14184-00	8 - 14		9 - 8	74T-24610-00	15 - 2	7RH-85720-02	17 - 12		21 - 15
7RH-11928-00	3 - 15		9 - 13	7RG-15111-00	11 - 1	796-24612-00	15 - 3	7NJ-85724-00	17 - 14	73H-87222-70	20 - 15
73A-11931-00	3 - 18	JN6-14185-00	8 - 15	7TS-15111-00	11 - 1	73A-25322-10	16 - 3	7NJ-85770-00	20 - 18		21 - 15
73A-11941-00	3 - 17		9 - 14	796-15363-01	11 - 18	7RH-25381-00	16 - 1		21 - 21	73H-87222-91	20 - 12
7X6-11960-00	3 - 25	22F-14186-00	8 - 18	7RH-15411-01	11 - 9	7RH-26100-10	16 - 6	7LR-86112-00	20 - 29		21 - 12
7RH-11970-00	3 - 1		9 - 18	7RH-15414-00	11 - 10	801-26241-01	16 - 7		21 - 30	7VX-87224-00	21 - 48
7RH-11971-00	11 - 15	7E1-14191-00	8 - 6	7RH-15451-00	11 - 16	7LR-27111-01	16 - 12	7RH-86112-00	20 - 48	7RG-87226-40	20 - 23
7RH-11998-00	3 - 23		9 - 6	7RH-15710-00	5 - 4	7LV-28100-00	15 - 17		21 - 44	7RT-87226-50	21 - 24
JN6-12111-01	4 - 3	127-14198-00	8 - 16	7RH-15711-00	5 - 5	7RH-81152-00	19 - 22	7LR-86120-90	20 - 47	7VX-87249-40	20 - 1
J38-12117-01	4 - 7		9 - 15	7RH-15713-00	5 - 7	7RH-81800-00	18 - 1		21 - 43	7VX-87249-50	21 - 1
J38-12118-00	4 - 8	7NJ-14211-00	8 - 4	7RH-15714-00	5 - 6	7RH-81807-00	18 - 11	7RH-87107-00	20 - 28	7NJ-87261-00	22 - 7
4G0-12119-00	4 - 14		9 - 4	7RH-15715-00	5 - 10	7RH-8181L-00	18 - 5		21 - 29	7LV-87283-00	20 - 31
7RH-12121-00	4 - 4	73A-14212-00	8 - 5	7RH-15716-00	5 - 9	73A-81815-00	18 - 16		19 - 4	73M-87286-00	20 - 45
JN6-12151-00	4 - 9		9 - 5	7RH-15723-00	5 - 16	7RH-8182G-00	18 - 3	7LV-87115-00	19 - 4		21 - 41
JN6-12153-00	4 - 5	7RH-14216-00	8 - 2	7RH-15741-00	5 - 8	7KA-81833-00	18 - 14	73A-8712A-01	19 - 2	7J5-88195-00	19 - 32
JN6-12154-00	4 - 13		9 - 2	JK4-15743-00	5 - 11	7RH-81840-00	18 - 2	7LV-8713J-00	19 - 35	90101-06739	19 - 30
J38-12156-00	4 - 12	3G2-1423E-39	8 - 10	7RH-15751-00	5 - 13	7RH-81846-00	18 - 9	7RH-87131-00	19 - 16	7RH-87131-00	19 - 37
22F-12159-00	4 - 10	3G2-1423E-39-A0	9 - 10	7RH-15755-00	5 - 14	7KA-81858-00	18 - 12	7NJ-87139-00	19 - 37	90109-06513	11 - 11
7RH-12170-00	4 - 1	7X9-14239-00	8 - 13	7NJ-15793-00	5 - 12	7KA-81859-00	18 - 13	7RH-87150-40	19 - 1	90159-05091	19 - 26
7NJ-12287-00	4 - 2		9 - 12	7UH-2111F-00	22 - 6	7KA-81859-00	18 - 13	7RH-87153-00	19 - 20	90159-06032	19 - 8
7RH-12621-00	5 - 1	7RH-14283-00	6 - 1	7RG-2179R-05	22 - 5	7RH-81861-00	18 - 8	7LR-87159-00	19 - 25	90170-05302	4 - 11
7RH-12651-01	5 - 3	7RH-14411-01	6 - 7	7RU-22825-00	14 - 5	73A-81940-10	18 - 15	7RH-87160-02	19 - 3	90170-18391	17 - 8
7RH-13545-00	3 - 28		7 - 4	7RH-22836-10	13 - 5	22J-81960-60	20 - 50	7LR-87172-01	19 - 7	90173-06017	3 - 14
						7RH-81970-00	20 - 53	7RH-87174-00-98	19 - 17	90175-06008	13 - 4

NUMERICAL INDEX

PARTNO.	REF. NO.	PARTNO.	REF. NO.	PARTNO.	REF. NO.	PARTNO.	REF. NO.	PARTNO.	REF. NO.	PARTNO.	REF. NO.
90179-03478	20 - 3	92907-06600	19 - 31	95807-06012	5 - 2	98507-04012	20 - 13				
	21 - 3	92907-20600	16 - 4		13 - 9		20 - 16				
90179-06511	20 - 40	93102-35191	11 - 3		17 - 6		21 - 10				
	21 - 36		11 - 13	95807-06014	16 - 10		21 - 13				
90201-03013	20 - 26	93109-08050	11 - 4	95807-06016	6 - 14		21 - 16				
	20 - 34	93210-05098	18 - 10		7 - 11		21 - 19				
	21 - 27	93210-06001	18 - 4		18 - 19	98507-05010	19 - 23				
	21 - 33	93210-22344	11 - 19	95807-06025	17 - 7		19 - 28				
90201-06380	15 - 13	93306-20201	11 - 5	95807-06030	13 - 10		19 - 41				
90201-065K7	3 - 4		11 - 14	95807-06035	13 - 11	98507-05014	19 - 11				
90201-067L0	3 - 6	93306-20714	11 - 12		14 - 8	98507-05020	19 - 33				
90201-08092	3 - 9	93306-30709	11 - 2		16 - 11	98507-06012	20 - 7				
90201-180T9	17 - 9	93306-37202	19 - 9	95807-08016	3 - 24		21 - 7				
90280-04052	17 - 10	93440-06107	3 - 5		10 - 12	98507-06035	3 - 19				
90340-12097	11 - 6	93450-21053	2 - 5		16 - 13	98907-04010	21 - 49				
90387-06N38	19 - 36	93501-08001	9 - 17	95807-08020	10 - 3	98907-06014	20 - 43				
90413-05013	6 - 17	94702-00331	1 - 6	95807-08035	14 - 4		21 - 39				
90445-08741	6 - 16	95304-06700	18 - 7		18 - 20	99530-08016	11 - 8				
90445-100E9	15 - 15	95307-05600	19 - 6	95817-08045	11 - 17	99530-14016	1 - 4				
90460-38241	10 - 8	95307-05700	19 - 14	95817-10070	1 - 3						
90462-05061	11 - 20	95307-06700	18 - 18	95827-06012	17 - 13						
	19 - 27		18 - 22	95827-06030	1 - 9						
90462-06232	17 - 5	95307-08600	10 - 13	95827-06130	19 - 21						
90465-10098	21 - 52	95380-06700	20 - 41	95880-06010	19 - 38						
90465-18147	20 - 54		21 - 37	95880-06020	17 - 4						
	21 - 53	95607-08700	1 - 11	97007-06010	19 - 18						
90467-09006	15 - 16	95627-08618	1 - 5	97007-06012	15 - 12						
90468-12006	3 - 10	95707-04500	20 - 11	97027-05050	19 - 5						
90480-13016	6 - 2		20 - 14	97027-06030	3 - 12						
90501-10264	3 - 20		20 - 17	97080-06020	20 - 39						
90501-264A9	4 - 6		21 - 11		21 - 35						
90506-04458	3 - 16		21 - 14	97707-30512	20 - 27						
91401-30040	16 - 5		21 - 17		20 - 35						
92907-03200	20 - 37		21 - 20		20 - 36						
92907-05100	19 - 12		21 - 50		21 - 28						
	19 - 15	95707-06500	20 - 44		21 - 34						
92907-05600	19 - 13		21 - 40	97707-40516	20 - 42						
	19 - 24	95707-08500	3 - 26		21 - 38						
	19 - 29		6 - 13	97707-50512	20 - 30						
	19 - 34		7 - 10		20 - 49						
	19 - 42		16 - 14		21 - 31						
92907-061A5	18 - 6	95707-10500	12 - 5		21 - 45						
92907-06100	18 - 17	95780-06500	19 - 39	97707-50520	20 - 51						
	18 - 21	95807-06008	5 - 15	97707-60520	20 - 46						
	20 - 8		10 - 11		21 - 42						
	21 - 8	95807-06010	11 - 21	98507-04005	20 - 6						
92907-06600	3 - 13		12 - 3		21 - 6						
	19 - 19	95807-06012	3 - 22	98507-04012	20 - 10						

CONTENTS

CYLINDER	1
CRANKSHAFT. PISTON	2
GOVERNOR	3
CAMSHAFT.VALVE	5
AIR SHROUD. STARTER	6
INTAKE	7
INTAKE 2	8
CARBURETOR 1	9
CARBURETOR 2	10
EXHAUST	11
CRANKCASE	12
FRAME	13
FRAME 2	14
FRAME 3	15
FUEL TANK	16
CARRIER (OPTIONAL PARTS)	17
MAGNETO	18
STARTING MOTOR	19
GENERATOR	20
CONTROL BOX 1	22
CONTROL BOX 2	25
LABELS	28
INDEX	
NUMERICAL INDEX	29