



# **PARTS CATALOGUE**

**EF5200DFW** (7CB2) CSA,PHL

**EF5200FW** (7CB3) AFR,CHN,SEA

**EF5200EFW** (7CB3) AFR,CHN,SEA

EF5200DFW  
EF5200FW/EF5200EFW  
PARTS CATALOGUE  
©2007 by Yamaha Motor Co., Ltd.  
1st edition, June 2007  
All rights reserved.  
Any reprinting or unauthorized use  
without the written permission of  
Yamaha Motor Co., Ltd.  
is expressly prohibited.  
Printed in Japan.

# FOREWORD

This Parts Catalogue is related to the parts for the model(s) on the cover page. When you are ordering replacement parts, please refer to this Parts Catalogue and quote both part numbers and part names correctly.

1. Modifications or additions which have been made after the issue of the Parts Catalogue will be announced in the Parts News.

It is advisable that you make the necessary corrections to the Parts Catalogue according to the Parts News.

2. Abbreviations

The following abbreviations are used in this Parts Catalogue.

“UR” Use specified parts number.

“UN” Use as many as needed.

“AP” Alternate Parts

“LM” Locally Made (Parts need to be ordered locally)

“F#” Frame No. (Applicable machine No.)

“O/S” Over Size

3. The number of components for assembly

- Parts, which are to be supplied in an assembly, are listed with a dot (.) in front of the part name as shown below.
- The numeral appearing to the right of each component part indicates the quantity of parts for each assembly unit.

PART NO.	DESCRIPTION	Q'TY	REMARKS
2F5-83310-60	FRONT FLASHER LIGHT ASSY	2	
115-83311-60	.BULB (6V-18W)	1	

4. Applicable colours of graphics are represented in the “REMARKS” as shown below.

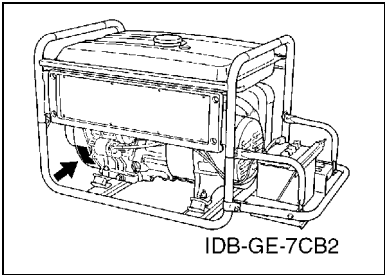
PART NO.	DESCRIPTION	Q'TY	REMARKS
2N4-24110-00-X5	FUEL TANK COMP.	2	MXR
3J1-24240-10	.GRAPHIC, FUEL TANK	1	FOR MXR

5. Note that the illustrations for reference in finding parts numbers are not to be used for assembling. When assembling, please use the applicable service manual.

6. The asterisk (\*) before a reference number indicates modified items after the first edition.

# FOREWORD

7. Applicable Serial No.  
 Frame Serial No.



8. Applicable Colour Code (The (\*) mark shows Model colour.)

Abbreviation	Colour Name	Colour Code
FWB(*)	FARAWAY BLUE	00NJ

9. Applicable Starting Serial No.  
 \*\*\*\*\*Serial NO.

Model	Model Code	Destination	Voltage	Serial NO.
EF5200DFW	7CB2	CSA,PHL	120/240V-60Hz	7CB-0200101
EF5200FW	7CB3	AFR,CHN,SEA	220V-50Hz	7CB-0300101
EF5200EFW	7CB3	AFR,CHN,SEA	220V-50Hz	7CB-0320101

# CONTENTS

CYLINDER .....	1
CRANKSHAFT & PISTON .....	2
GOVERNOR .....	3
CAMSHAFT & VALVE .....	4
AIR SHROUD & STARTER .....	5
INTAKE 1 .....	6
INTAKE 2 .....	7
CARBURETOR 1 .....	8
CARBURETOR 2 .....	9
EXHAUST .....	10
CRANKCASE .....	11
FRAME .....	12
BATTERY TRAY .....	13
FUEL TANK .....	14
TCI MAGNETO .....	15
STARTING MOTOR .....	16
GENERATOR .....	17
CONTROL BOX 1 .....	19
CONTROL BOX 2 .....	21
EMBLEM & LABEL 1 .....	23

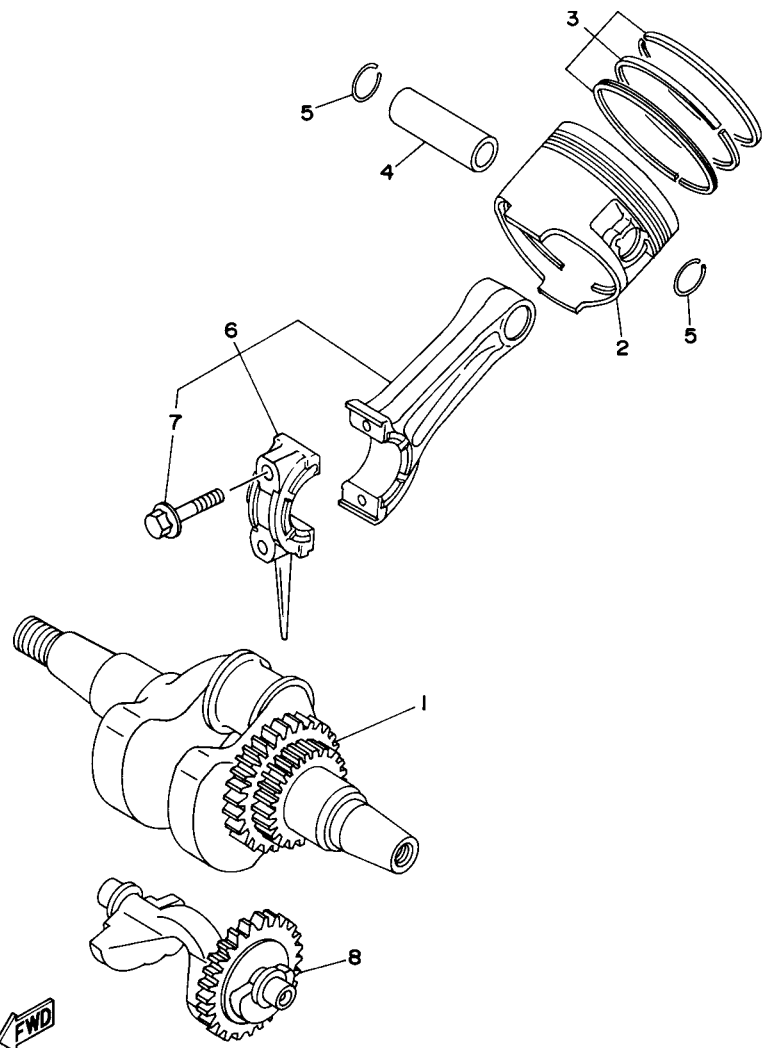
## INDEX

NUMERICAL INDEX .....	24
-----------------------	----

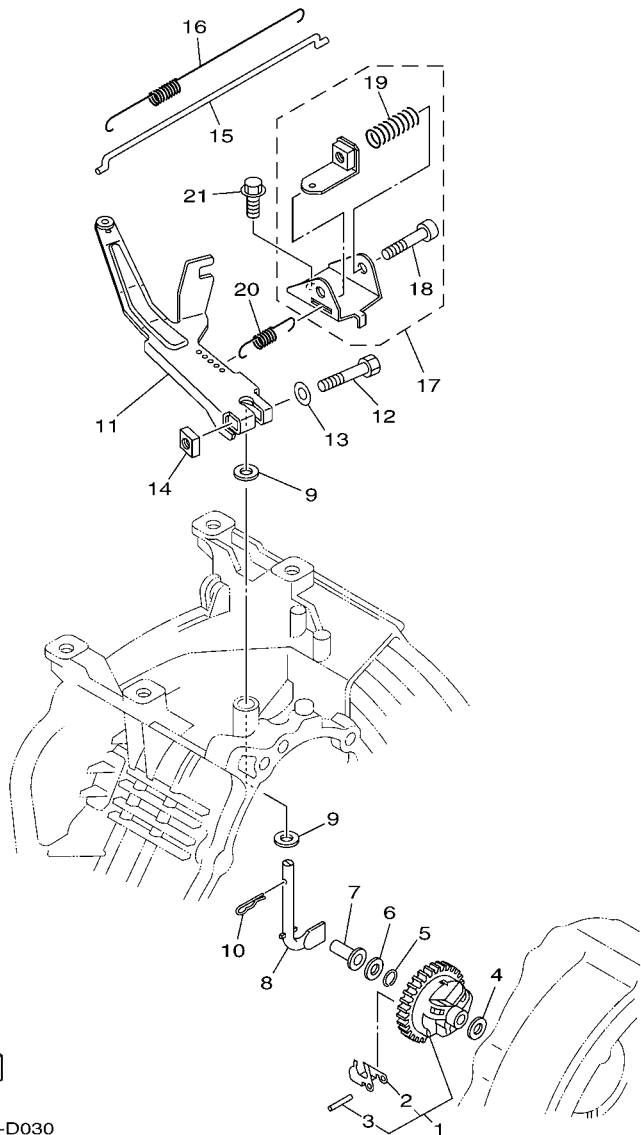


**FIG. 2 CRANKSHAFT & PISTON**

REF. NO.	PART NO.	DESCRIPTION	SZ/D	SZ/E		REMARKS
1	7CT-E1400-00	CRANKSHAFT ASSY	1	1		
2	7CT-E1631-00-A0	PISTON (STD)	1	1		
	7CT-E1635-00	PISTON (0.25MM O/S)	1	1		AP
	7CT-E1636-00	PISTON (0.50MM O/S)	1	1		AP
3	7CT-E1610-00	PISTON RING SET (STD)	1	1		
	7CT-E1610-10	PISTON RING SET (0.25MM O/S)	1	1		AP
	7CT-E1610-20	PISTON RING SET (0.50MM O/S)	1	1		AP
4	7CT-E1633-00	PIN, PISTON	1	1		
5	93450-21833	CIRCLIP	2	2		
6	7CT-E1650-00	CONNECTING ROD ASSY	1	1		
7	7CT-E1654-00	.BOLT, CONNECTING ROD	2	2		
8	7CT-E1454-00	WEIGHT 1	1	1		
-----						
-----						
-----						
-----						
-----						



7RGI400-6020



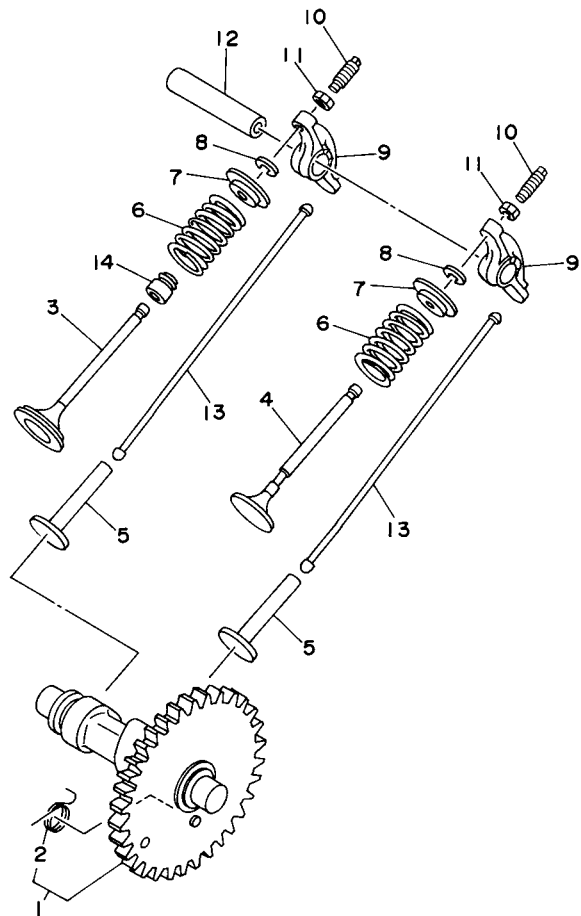
  
 7CC3400-D030

**FIG. 3 GOVERNOR**

REF. NO.	PART NO.	DESCRIPTION	SZ/D	SZ/E			REMARKS
1	7CT-E1970-00	FLYWEIGHT SHAFT ASSY.	1	1			
2	7CT-E1913-00	.WEIGHT	3	3			
3	7CN-E1914-00	.SHAFT, WEIGHT	3	3			
4	90201-06842	WASHER, PLATE	1	1			
5	93440-06826	CIRCLIP	1	1			
6	90201-067L0	WASHER, PLATE	1	1			
7	7CT-E1917-00	COLLAR	1	1			
8	7CT-E1922-00	FORK, GOVERNOR	1	1			
9	90201-08092	WASHER, PLATE	2	2			
10	90468-12006	CLIP	1	1			
11	7CT-E1901-00	GOVERNOR ASSY	1	1			
12	97027-06030	BOLT	1	1			
13	92907-06600	WASHER, PLATE	1	1			
14	90173-06802	NUT, SQUARE	1	1			
15	7CT-E1928-00	ROD, LINK	1	1			
16	90506-04458	SPRING, TENSION	1	1			
17	7CN-E1950-00	ADJUST PLATE COMP.	1	1			
18	98507-06035	.SCREW, PAN HEAD	1	1			
19	90501-10812	.SPRING, COMPRESSION	1	1			
20	7CT-E1925-30	SPRING, GOVERNOR	1	1			
21	95807-06012	BOLT, FLANGE	1	1			

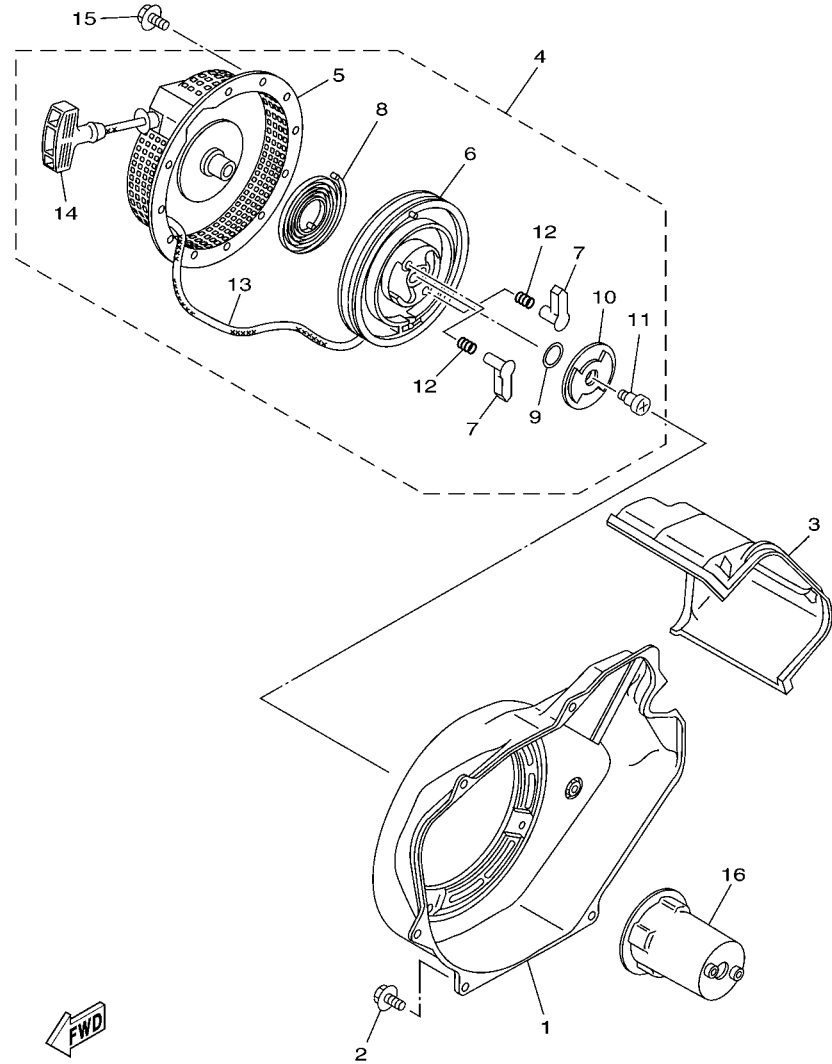


**FIG. 4 CAMSHAFT & VALVE**



7RGI400-6040

REF. NO.	PART NO.	DESCRIPTION	SZ/D	SZ/E	REMARKS
1	7CT-E2170-00	CAMSHAFT ASSY 1	1	1	
2	7CT-E2287-00	.SPRING, DECOMPRESSION	1	1	
3	7CT-E2111-00	VALVE, INTAKE	1	1	
4	7CT-E2121-00	VALVE, EXHAUST	1	1	
5	7CT-E2153-00	LIFTER, VALVE	2	2	
6	90501-264A9	SPRING, COMPRESSION	2	2	
7	7CT-E2117-00	RETAINER, VALVE SPRING	2	2	
8	7CT-E2118-00	COTTER, VALVE	2	2	
9	7CT-E2151-00	ARM, VALVE ROCKER	2	2	
10	22F-12159-00	SCREW, VALVE ADJUSTING	2	2	
11	90170-05804	NUT	2	2	
12	7CT-E2156-00	SHAFT, ROCKER 2	1	1	
13	7CT-E2154-00	ROD, VALVE PUSH	2	2	
14	7CT-E2119-00	SEAL, VALVE STEM	1	1	



  
 7CC3400-D060

**FIG. 5 AIR SHROUD & STARTER**

REF. NO.	PART NO.	DESCRIPTION	SZ/D	SZ/E			REMARKS
1	7CT-E2621-10	CASE, FAN	1	1			
2	95807-06012	BOLT, FLANGE	5	5			
3	7CT-E2651-00	AIR SHROUD, CYLINDER 1	1	1			
4	7CT-E5710-00	STARTER ASSY	1	1			
5	7CT-15711-00	.CASE, STARTER	1	1			
6	7CT-15714-00	.DRUM, SHEAVE	1	1			
7	7CT-15741-00	.PAWL, DRIVE	2	2			
8	7CT-15713-00	.SPRING, STARTER	1	1			
9	7CN-15715-00	.SPRING, FRICTION	1	1			
10	7CT-15716-00	.PLATE, DRIVE	1	1			
11	7CN-15793-00	.SCREW	1	1			
12	7CN-15743-00	.SPRING, RETURN	2	2			
13	7CT-15751-00	.WIRE, STARTER	1	1			
14	7CN-15755-00	.HANDLE, STARTER	1	1			
15	95807-06008	BOLT, FLANGE	4	4			
16	7CT-E5723-00	PULLEY, STARTER	1	1			



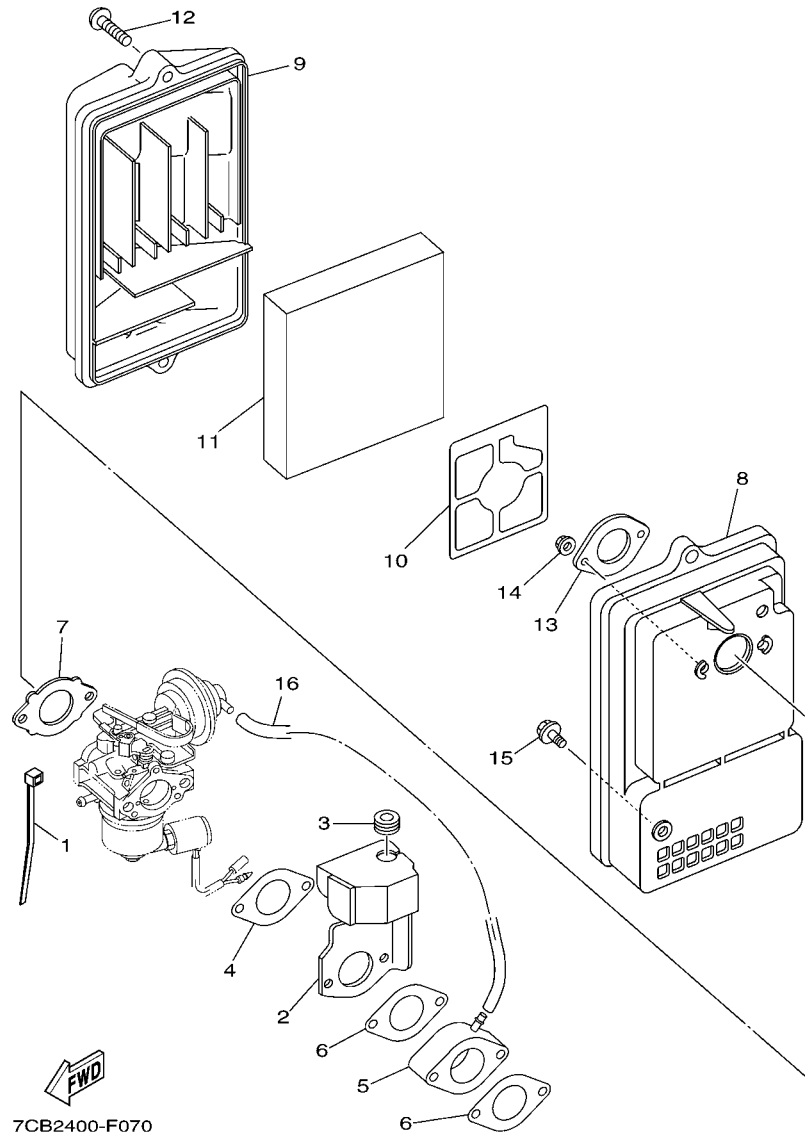
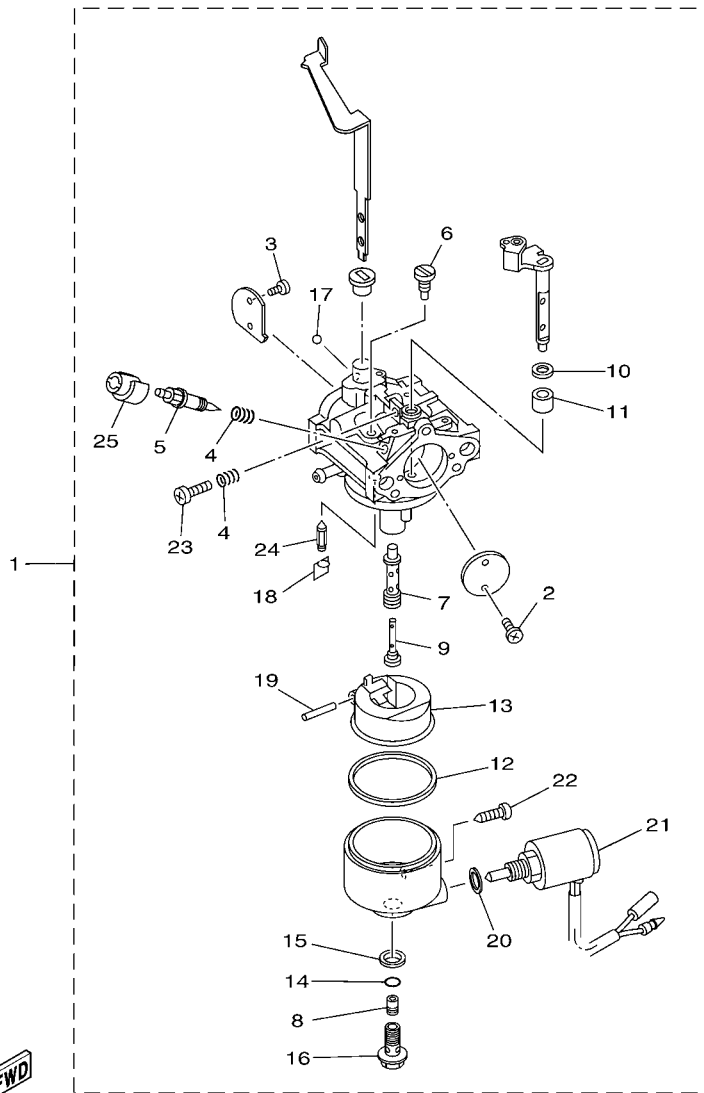


FIG. 7 INTAKE 2

REF. NO.	PART NO.	DESCRIPTION	52/D	52/E	REMARKS
1	7CN-H7188-00	BINDER		1	
2	7CU-E4283-00	COVER, CARBURETOR 1		1	
3	90480-13016	GROMMET		1	
4	7CT-E3557-00	GASKET		1	
5	7CT-E3596-10	JOINT, CARBURETOR 2		1	
6	7CT-E3557-00	GASKET		2	
7	7CT-E3567-00	GASKET		1	
8	7CT-E4411-00	CASE, AIR CLEANER 1		1	
9	7CT-E4412-00	CAP, CLEANER CASE 1		1	
10	7CT-E4468-00	PLATE, ELEMENT FITTING		1	
11	7CT-E4451-00	ELEMENT, AIR CLEANER		1	
12	7CT-E4429-00	SCREW		2	
13	7CT-E4477-00	PLATE		1	
14	95707-08500	NUT, FLANGE		2	
15	95807-06016	BOLT, FLANGE		1	
16	90445-08743	HOSE (L120)		1	

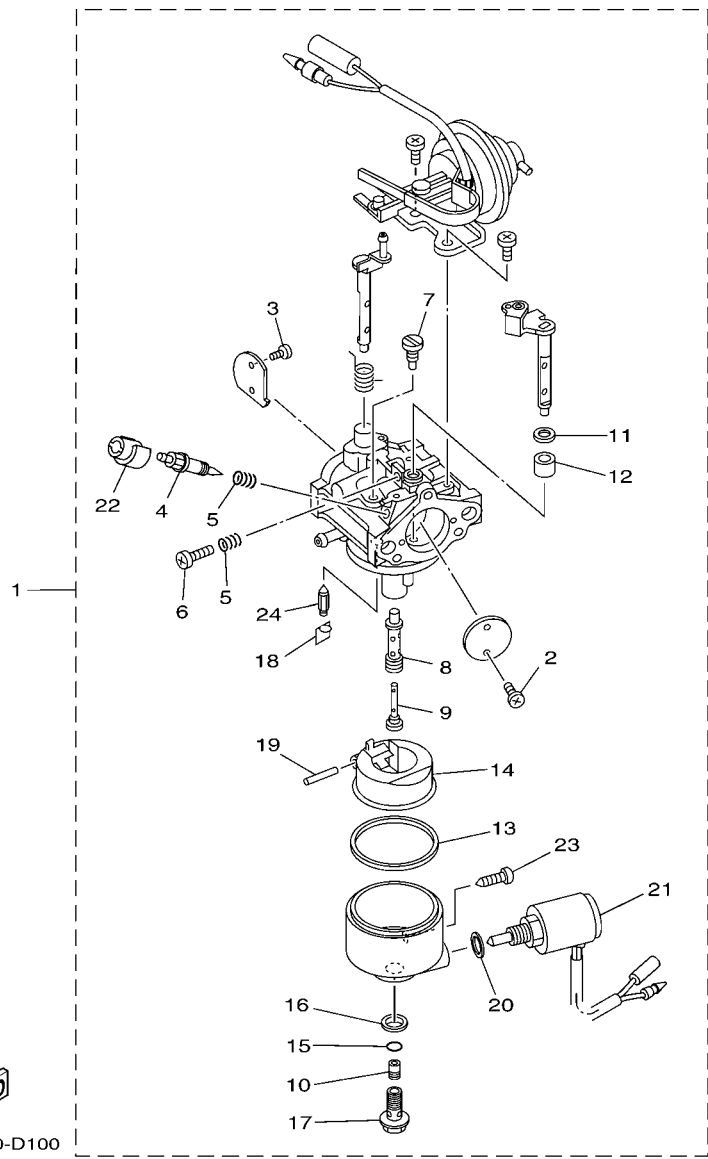


7CC3400-D090

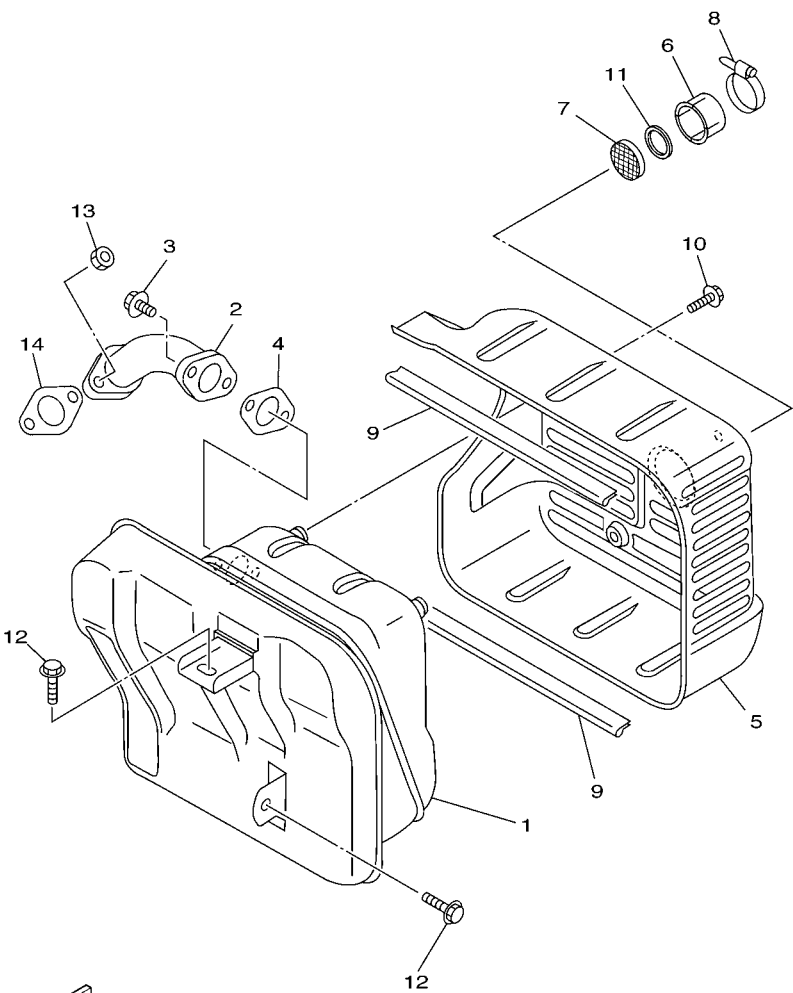
FIG. 8 CARBURETOR 1

REF. NO.	PART NO.	DESCRIPTION	52/D	52/E	REMARKS
1	7CT-E4101-20	CARBURETOR ASSY 1	1		
2	7RH-14216-00	.SCREW	2		
3	7RH-14486-00	.SCREW, ROD	2		
4	73A-14212-00	.SPRING	2		
5	7NJ-14211-00	.SCREW, PILOT ADJUSTING	1		
6	620-1414J-25-A0	.JET, PILOT (#63.8)	1		
7	7LW-14941-53	.NOZZLE, MAIN	1		
8	1HX-1423E-39-A0	.JET, MAIN (#98.8)	1		
9	73A-1414G-00	.PIPE, MAIN BLEED	1		
10	4CW-14117-00	.WASHER, PLUG SCREW	1		
11	7X9-14239-00	.SEAL	1		
12	796-14184-00	.GASKET, FLOAT CHAMBER	1		
13	JN6-14185-00	.FLOAT	1		
14	36Y-14147-00	.O-RING	1		
15	78A-14227-00	.WASHER	1		
16	7RH-14162-00	.BOLT, HOLDING	1		
17	93501-08001	.BALL	1		
18	7EG-14159-00	.CLIP	1		
19	22F-14186-00	.PIN, FLOAT	1		
20	256-14956-01	.WASHER	1		
21	7RH-1410H-01	.FUEL CUT SOLENOID VALVE	1		
22	7RH-14191-00	.PLUG, DRAIN	1		
23	1WG-14922-00	.SCREW, THROTTLE	1		
24	73A-14150-00	.NEEDLE ASSY	1		
25	7LV-14118-00	.CAP	1		

**FIG. 9 CARBURETOR 2**



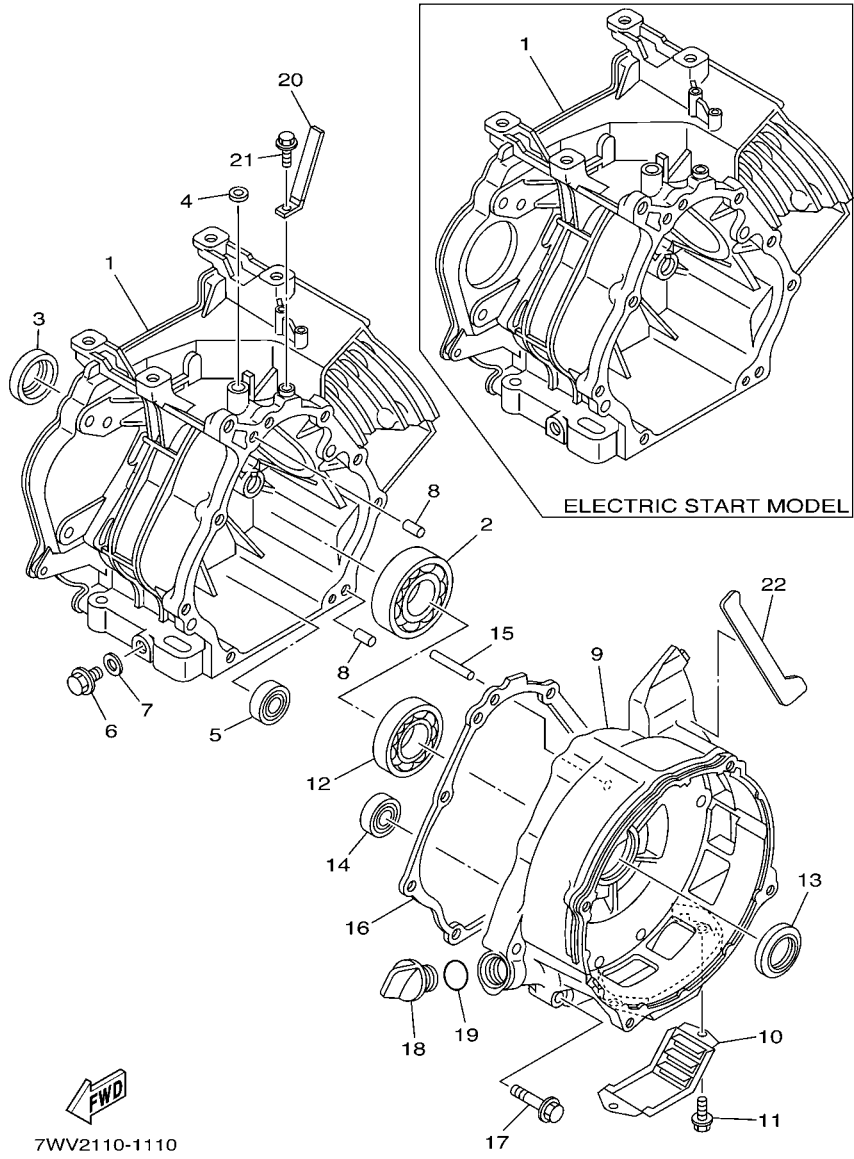
REF. NO.	PART NO.	DESCRIPTION	52/D	52/E	REMARKS
1	7CU-E4101-00	CARBURETOR ASSY 1		1	
2	7RH-14216-00	.SCREW		2	
3	7RH-14486-00	.SCREW, ROD		2	
4	7NJ-14211-00	.SCREW, PILOT ADJUSTING		1	
5	73A-14212-00	.SPRING		2	
6	1WG-14922-00	.SCREW, THROTTLE		1	
7	620-1414J-25-A0	.JET, PILOT (#63.8)		1	
8	7LW-14941-53	.NOZZLE, MAIN		1	
9	73A-1414G-00	.PIPE, MAIN BLEED		1	
10	1HX-1423E-39-A0	.JET, MAIN (#98.8)		1	
11	4CW-14117-00	.WASHER, PLUG SCREW		1	
12	7X9-14239-00	.SEAL		1	
13	796-14184-00	.GASKET, FLOAT CHAMBER		1	
14	JN6-14185-00	.FLOAT		1	
15	36Y-14147-00	.O-RING		1	
16	78A-14227-00	.WASHER		1	
17	7RH-14162-00	.BOLT, HOLDING		1	
18	7EG-14159-00	.CLIP		1	
19	22F-14186-00	.PIN, FLOAT		1	
20	256-14956-01	.WASHER		1	
21	7RH-1410H-01	.FUEL CUT SOLENOID VALVE		1	
22	7LV-14118-00	.CAP		1	
23	7RH-14191-00	.PLUG, DRAIN		1	
24	73A-14150-00	.NEEDLE ASSY		1	



7RH6010-6080

FIG. 10 EXHAUST

REF. NO.	PART NO.	DESCRIPTION	SZ/D	SZ/E			REMARKS
1	7CC-E4711-00	MUFFLER 1	1	1			
2	7CC-E4611-00	PIPE, EXHAUST 1	1	1			
3	90105-08881	BOLT, FLANGE	2	2			
4	7CC-E4623-00	GASKET, EXHAUST PIPE	1	1			
5	7CC-E4718-00	PROTECTOR, MUFFLER 1	1	1			
6	7CC-E4799-00	CAP	1	1			
7	7CC-E479E-00	NET, WIRE 2	1	1			
8	90450-38804	HOSE CLAMP ASSY	1	1			
9	7CC-E4737-00	DAMPER, MUFFLER	2	2			
10	95807-06008	BOLT, FLANGE	4	4			
11	90201-22803	WASHER, PLATE	1	1			
12	90105-08880	BOLT, FLANGE	2	2			
13	95307-08600	NUT	2	2			
14	7CT-E4613-00	GASKET, EXHAUST PIPE	1	1			



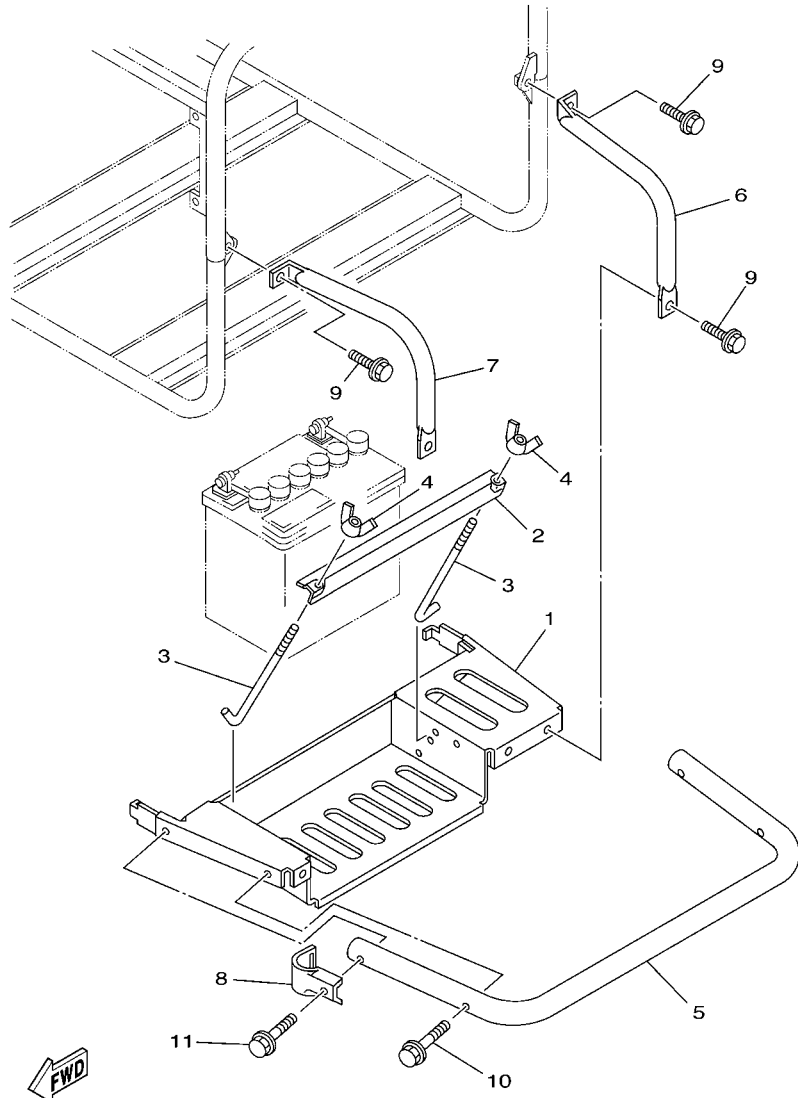
7WV2110-1110

FIG. 11 CRANKCASE

REF. NO.	PART NO.	DESCRIPTION	52D	52E	REMARKS
1	7CT-E5111-00	CRANKCASE 1	1		MANUAL START
	7CT-E5111-10	CRANKCASE 1		1	EL. START
2	93306-307Y1	BEARING	1	1	
3	93102-35802	OIL SEAL	1	1	
4	93109-08803	OIL SEAL	1	1	
5	93306-252X4	BEARING	1	1	
6	90340-12097	PLUG, STRAIGHT SCREW	2	2	
7	7CT-E1198-00	GASKET	2	2	
8	99530-08016	PIN, DOWEL	2	2	
9	7CT-E5411-00	COVER, CRANKCASE 1	1	1	
10	7CT-E5414-00	COVER 1	1	1	
11	90105-06827	BOLT, FLANGE	2	2	
12	93306-207Y0	BEARING	1	1	
13	93102-35802	OIL SEAL	1	1	
14	93306-252X4	BEARING	1	1	
15	7CT-E1971-00	SHAFT, FLYWEIGHT	1	1	
16	7CT-E5451-00	GASKET, CRANKCASE COVER 1	1	1	
17	95817-08045	BOLT, FLANGE	8	8	
18	7CN-E5363-00	PLUG, OIL	1	1	
19	93210-22805	O-RING	1	1	
20	90462-05061	CLAMP	1	1	
21	95807-06010	BOLT, FLANGE	1	1	
22	7CC-E4757-00	DAMPER, MUFFLER 2	1	1	





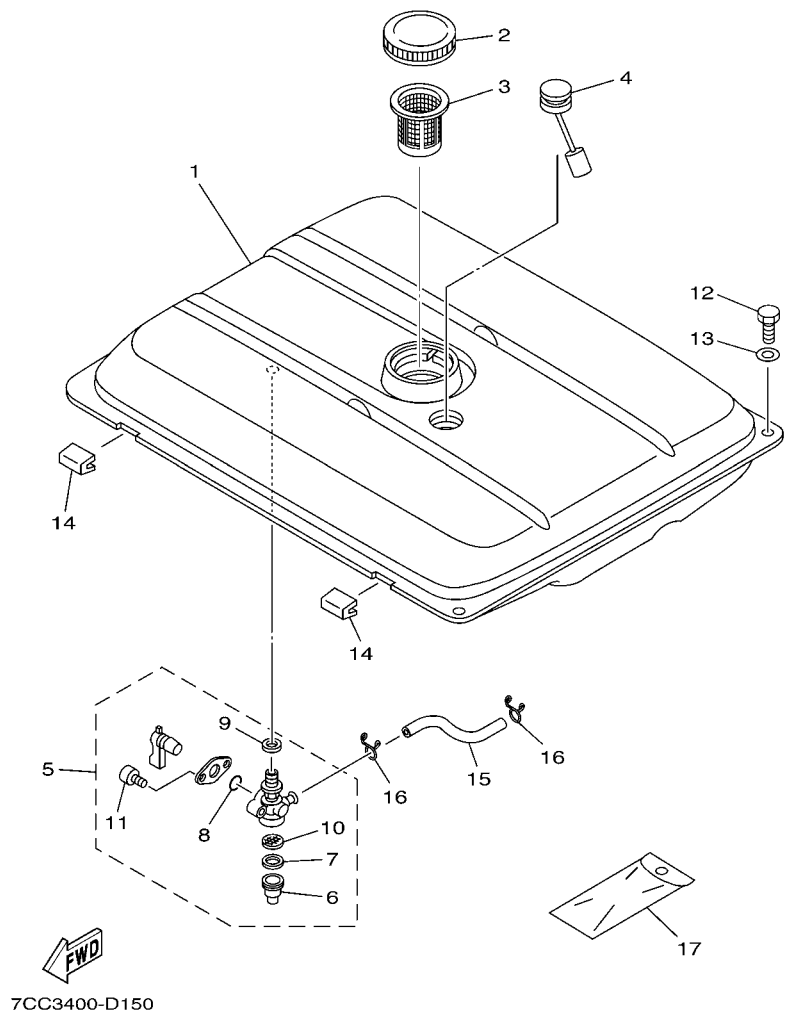


7VW2110-0130

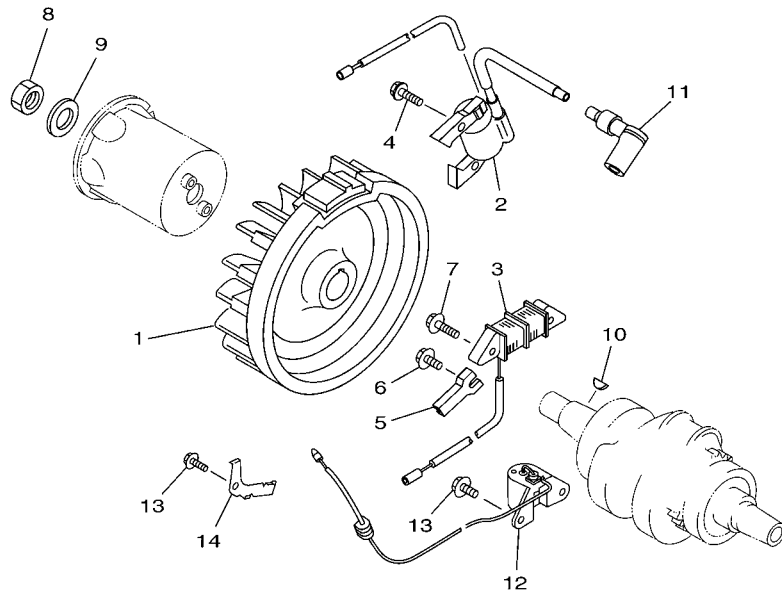
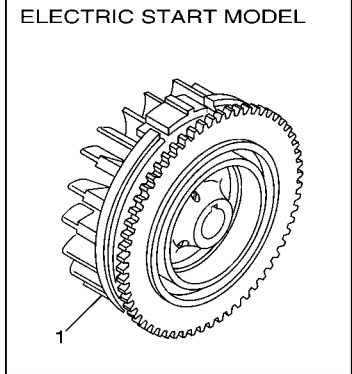
**FIG. 13 BATTERY TRAY**

REF. NO.	PART NO.	DESCRIPTION	52/D	52/E	REMARKS
1	7CC-H2122-00	SEAT, BATTERY		1	
2	7CC-H2136-00	PLATE, BATTERY FITTING		1	
3	7CC-H2133-00	SCREW, FITTING		2	
4	90175-06806	NUT, WING		2	
5	7CC-F2836-00	STAY, 3		1	
6	7CC-F2838-00	STAY 6		1	
7	7CC-F2839-00	STAY 7		1	
8	7CC-F2864-00	COVER, SIDE 1		2	
9	95807-06012	BOLT, FLANGE		4	
10	90105-06844	BOLT, FLANGE		2	
11	90105-06847	BOLT, FLANGE		2	

FIG. 14 FUEL TANK



REF. NO.	PART NO.	DESCRIPTION	SZ/D	SZ/E			REMARKS
1	7CB-F4110-00	FUEL TANK COMP.	1	1			
2	7XC-F4610-00	CAP ASSY	1	1			
3	7XC-F4167-10	STRAINER	1	1			
4	7F7-85710-02	FUEL LEVEL GAUGE ASSY	1	1			
5	7CN-F4500-00	FUEL COCK ASSY 1	1	1			
6	7J3-24521-00	.CUP, FILTER	1	1			
7	4X8-24565-00	.GASKET	1	1			
8	7NJ-24534-00	.SEAL, COCK	1	1			
9	7NJ-24532-00	.GASKET	1	1			
10	7NJ-24515-01	.NET, FILTER 2	1	1			
11	98507-03008	.SCREW, PAN HEAD	2	2			
12	97007-06012	BOLT	2	2			
13	90201-06859	WASHER, PLATE	2	2			
14	7CA-F4181-00	DAMPER, LOCATING 1	2	2			
15	7CC-F4311-00	PIPE, FUEL 1	1	1			
16	90467-10800	CLIP	2	2			
17	7CA-F8100-00	TOOL KIT	1	1			



**FWD**  
7CC3400-D160

**FIG. 15 TCI MAGNETO**

REF. NO.	PART NO.	DESCRIPTION	52/D	52/E	REMARKS
1	7CT-H5650-10	ROTOR ASSY	1		MANUAL START
	7CU-H5650-00	ROTOR ASSY		1	EL. START
2	7CT-H5640-00	T.C.I. UNIT ASSY	1	1	
3	7CT-H5521-00	COIL ASSY	1		MANUAL START
	7CU-H5521-00	COIL ASSY		1	EL. START
4	95880-06020	BOLT, FLANGE	2	2	
5	90462-06232	CLAMP	1	1	
6	95807-06012	BOLT, FLANGE	1	1	
7	95807-06020	BOLT, FLANGE	2		MANUAL START
	95807-06025	BOLT, FLANGE		2	EL. START
8	90170-18391	NUT	1	1	
9	90201-18008	WASHER, PLATE	1	1	
10	90280-04801	KEY, WOODRUFF	1	1	
11	7CN-H2370-00	PLUG CAP ASSY	1	1	
12	7CT-H5720-00	OIL LEVEL GAUGE ASSY	1	1	
13	95827-06012	BOLT, FLANGE	3	3	
14	7CN-H5724-00	CLAMP	1	1	

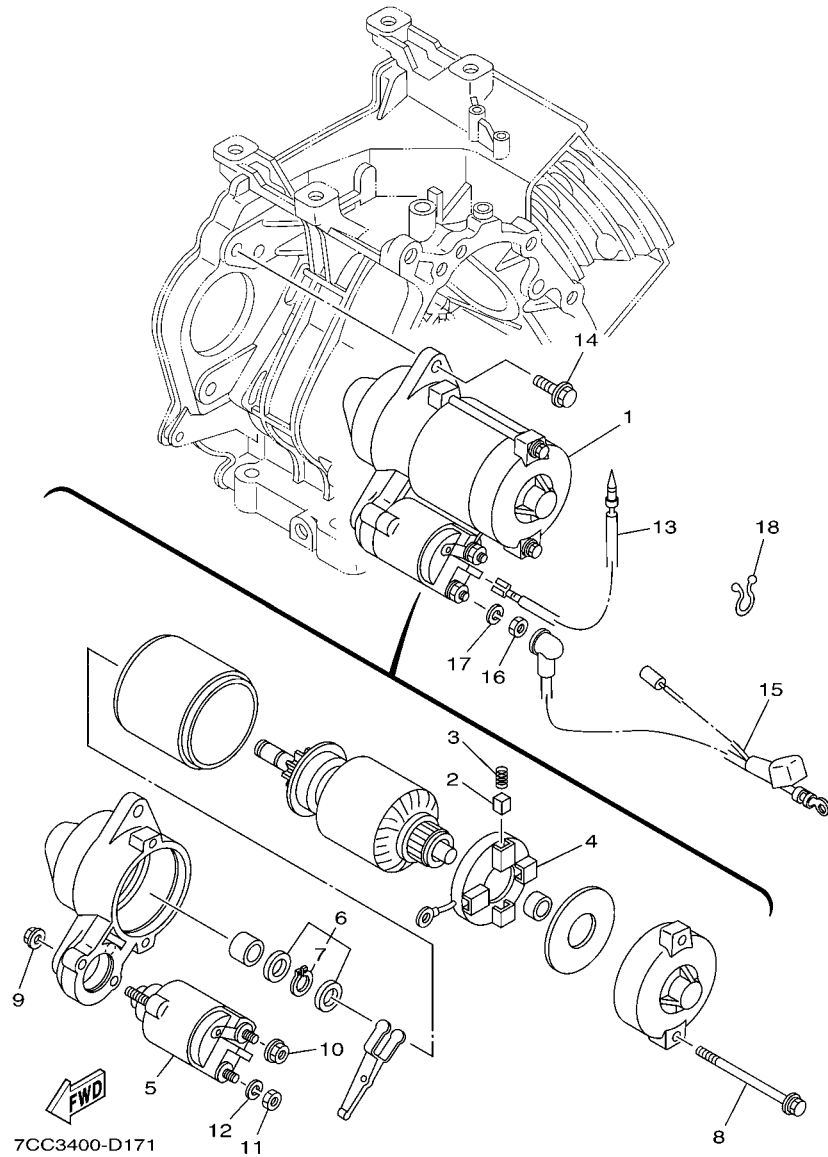


FIG. 16 STARTING MOTOR

REF. NO.	PART NO.	DESCRIPTION	52/D	52/E	REMARKS
1	7WW-81800-00	STARTING MOTOR ASSY		1	
2	JE8-81812-00	.BRUSH 2		4	
3	JE8-81813-00	.SPRING, BRUSH		4	
4	JE8-81840-00	.BRUSH HOLDER ASSY		1	
5	JE8-81870-00	.STARTING SWITCH ASSY		1	
6	7UJ-81833-00	.RING, STOP		1	
7	JE8-81834-00	.RING		1	
8	JE8-81826-00	.BOLT		2	
9	95302-06600	.NUT		2	
10	95302-08700	.NUT		1	
11	95302-08600	.NUT		1	
12	92902-08100	.WASHER, SPRING		1	
13	7CU-H2507-00	WIRE, LEAD		1	
14	95807-08025	BOLT, FLANGE		2	
15	7CC-H2115-G0	WIRE, PLUS LEAD		1	
16	95307-08600	NUT		1	
17	92907-08100	WASHER, SPRING		1	
18	90465-18147	CLAMP		1	

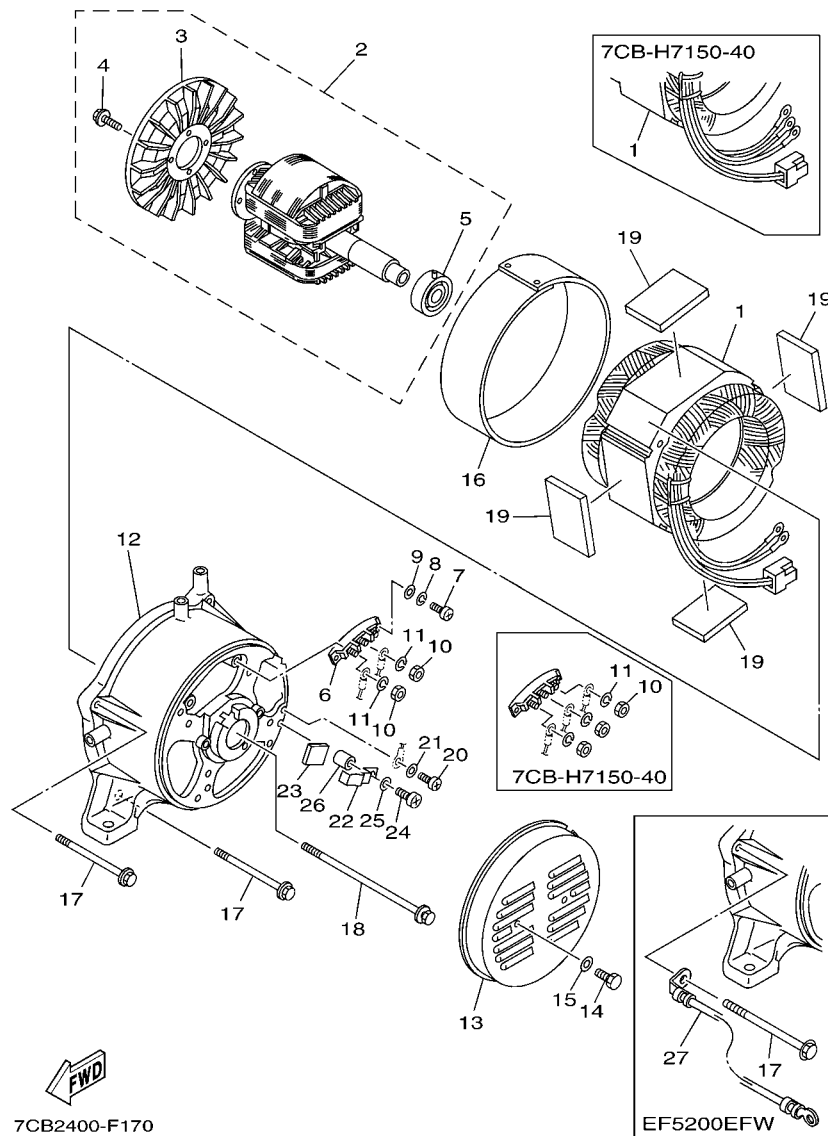
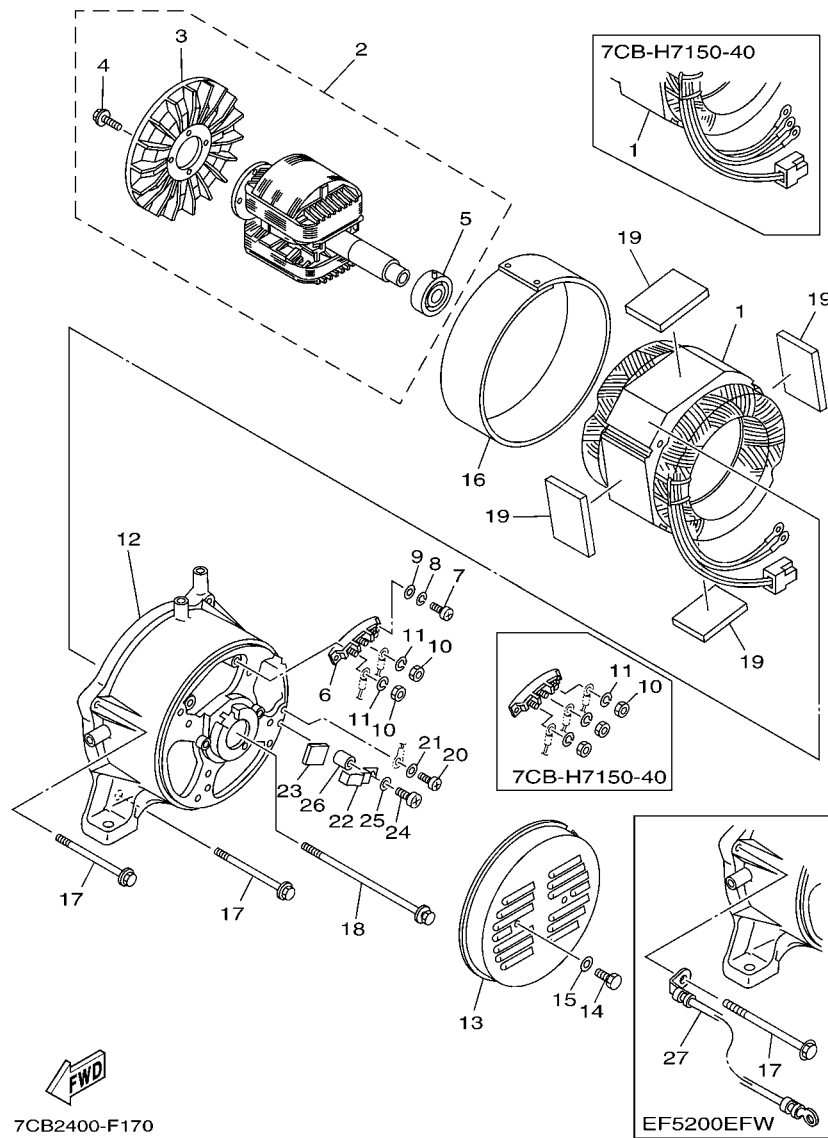


FIG. 17 GENERATOR

REF. NO.	PART NO.	DESCRIPTION	52/D	52/E	REMARKS
1	7CB-H7150-40	STATOR ASSY	1		120/240V-60HZ
	7CB-H7150-H0	STATOR ASSY	1	1	220V-50HZ
2	7CB-H7160-00	ROTOR ASSY	1	1	
3	7CC-H7172-00	.FAN, GENERATOR	1	1	
4	90159-06834	.SCREW, WITH WASHER	4	4	
5	93306-37202	.BEARING	1	1	
6	7CC-H7220-00	TERMINAL SUB ASSY 1	1	1	
7	98507-05014	SCREW, PAN HEAD	2	2	
8	92907-05100	WASHER, SPRING	2	2	
9	92907-05600	WASHER, PLATE	2	2	
10	95307-05700	NUT	3		120/240V-60HZ
	95307-05700	NUT	2	2	220V-50HZ
11	92907-05100	WASHER, SPRING	3		120/240V-60HZ
	92907-05100	WASHER, SPRING	2	2	220V-50HZ
12	7CC-H7131-00	FRAME, REAR	1	1	
13	7CC-H7174-00	COVER, REAR END	1	1	
14	97007-06010	BOLT	2	2	
15	92907-06600	WASHER, PLATE	2	2	
16	7CC-H7153-00	COVER, STATOR	1	1	
17	90105-06843	BOLT, FLANGE	4	4	
18	7CC-H7152-00	BOLT	1	1	
19	7CC-H7159-00	SEAL, STATOR	4	4	
20	98507-05010	SCREW, PAN HEAD	1	1	
21	92907-05600	WASHER, PLATE	1	1	
22	7CC-H8195-00	HOLDER, CONNECTOR	1	1	
23	7CC-H713J-00	DAMPER	1	1	
24	98507-05020	SCREW, PAN HEAD	1	1	



**FIG. 17 GENERATOR**

REF. NO.	PART NO.	DESCRIPTION	52/D	52/E	REMARKS
25	92907-05600	WASHER, PLATE	1	1	
26	90387-06895	COLLAR	1	1	
27	7CC-H2116-G0	WIRE, MINUS LEAD		1	EL. START
-----					
-----					
-----					
-----					
-----					
-----					
-----					
-----					
-----					
-----					

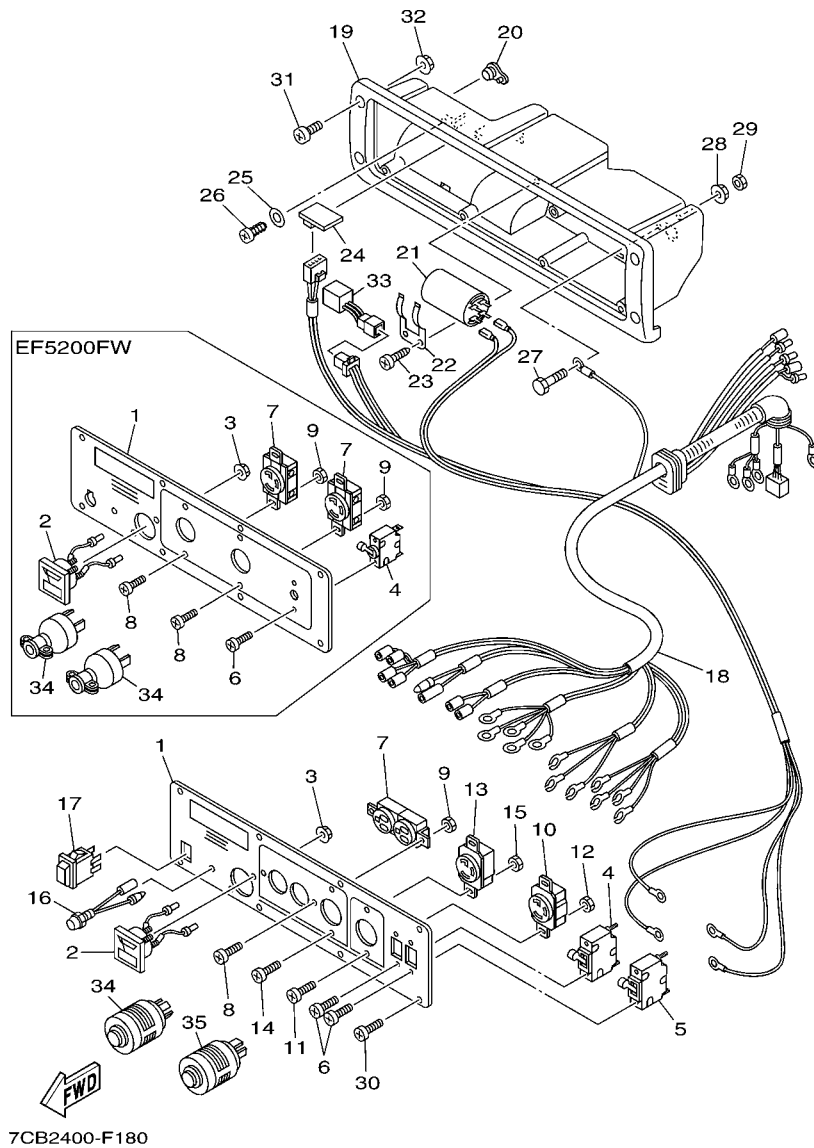


FIG. 18 CONTROL BOX 1

REF. NO.	PART NO.	DESCRIPTION	52/D	52/E	REMARKS
1	7CB-H7249-60	PLATE	1		FOR EF5200DFW
	7CB-H7249-G0	PLATE	1		FOR EF5200FW
2	7CC-H7202-00	METER SUB ASSY	1		FOR EF5200DFW
	7CA-H7202-A0	METER SUB ASSY	1		FOR EF5200FW
3	90179-03800	NUT	2		
4	7CB-H7204-10	BREAKER COMP.	1		FOR EF5200DFW
	7CB-H7204-00	BREAKER COMP.	1		FOR EF5200FW
5	7CB-H7204-60	BREAKER COMP.	1		FOR EF5200DFW
6	98507-03006	SCREW, PAN HEAD	4		FOR EF5200DFW
	98507-03006	SCREW, PAN HEAD	2		FOR EF5200FW
7	7CA-H7221-00	RECEPTACLE 1	1		FOR EF5200DFW
	7CC-H7221-C0	RECEPTACLE 1 (XH001)	2		FOR EF5200FW
8	98507-04012	SCREW, PAN HEAD	2		FOR EF5200DFW
	98507-04012	SCREW, PAN HEAD	4		FOR EF5200FW
9	90179-04800	NUT	2		FOR EF5200DFW
	90179-04800	NUT	4		FOR EF5200FW
10	7CC-H7221-90	RECEPTACLE 1 (WJ-6430B)	1		FOR EF5200DFW
11	98507-04012	SCREW, PAN HEAD	2		FOR EF5200DFW
12	90179-04800	NUT	2		FOR EF5200DFW
13	7CC-H7222-40	RECEPTACLE 2 (WJ6330B-1)	1		FOR EF5200DFW
14	98507-04012	SCREW, PAN HEAD	2		FOR EF5200DFW
15	90179-04800	NUT	2		FOR EF5200DFW
16	7CA-H5770-01	OIL PILOT LIGHT ASSY	1		
17	7CC-H2550-00	ENGINE STOP SWITCH ASSY	1		
18	7CB-H7226-60	WIRE HARNESS ASSY	1		FOR EF5200DFW
	7CB-H7226-G0	WIRE HARNESS ASSY	1		FOR EF5200FW
19	7CC-H7213-G1	COVER, CONTROL BOX	1		



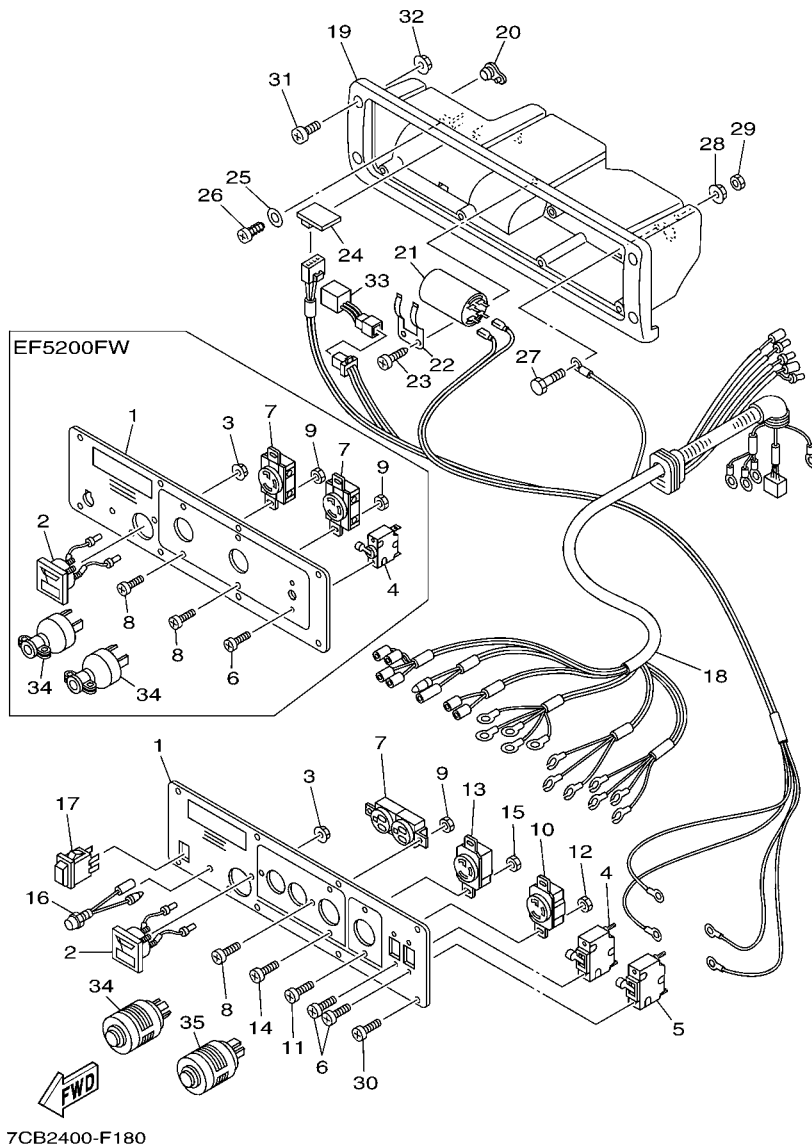


FIG. 18 CONTROL BOX 1

REF. NO.	PART NO.	DESCRIPTION	52/D	52/E	REMARKS
20	7CB-H4762-00	GROMMET	1		
21	7CB-H7107-00	CONDENSER ASSY	1		
22	7CB-H7216-00	HOLDER, CONDENSER	1		
23	97707-50512	SCREW, TAPPING	2		
24	7CA-H5690-00	OIL WARNING UNIT	1		
25	90201-03801	WASHER, PLATE	1		
26	90167-03803	SCREW, TAPPING	1		
27	97080-06020	BOLT	1		
28	90179-06830	NUT	1		
29	95380-06700	NUT	1		
30	97707-40516	SCREW, TAPPING	8		
31	90157-06808	SCREW, PAN HEAD	4		
32	90179-06830	NUT	2		
33	7CC-H1970-00	RECTIFIER ASSY	1		
34	7CC-H7236-00	PLUG, AC RECEPTACLE	1		FOR EF5200DFW
35	7CC-H7236-10	PLUG, AC RECEPTACLE	1		FOR EF5200DFW
	7CC-H7236-C0	PLUG, AC RECEPTACLE	2		FOR EF5200FW

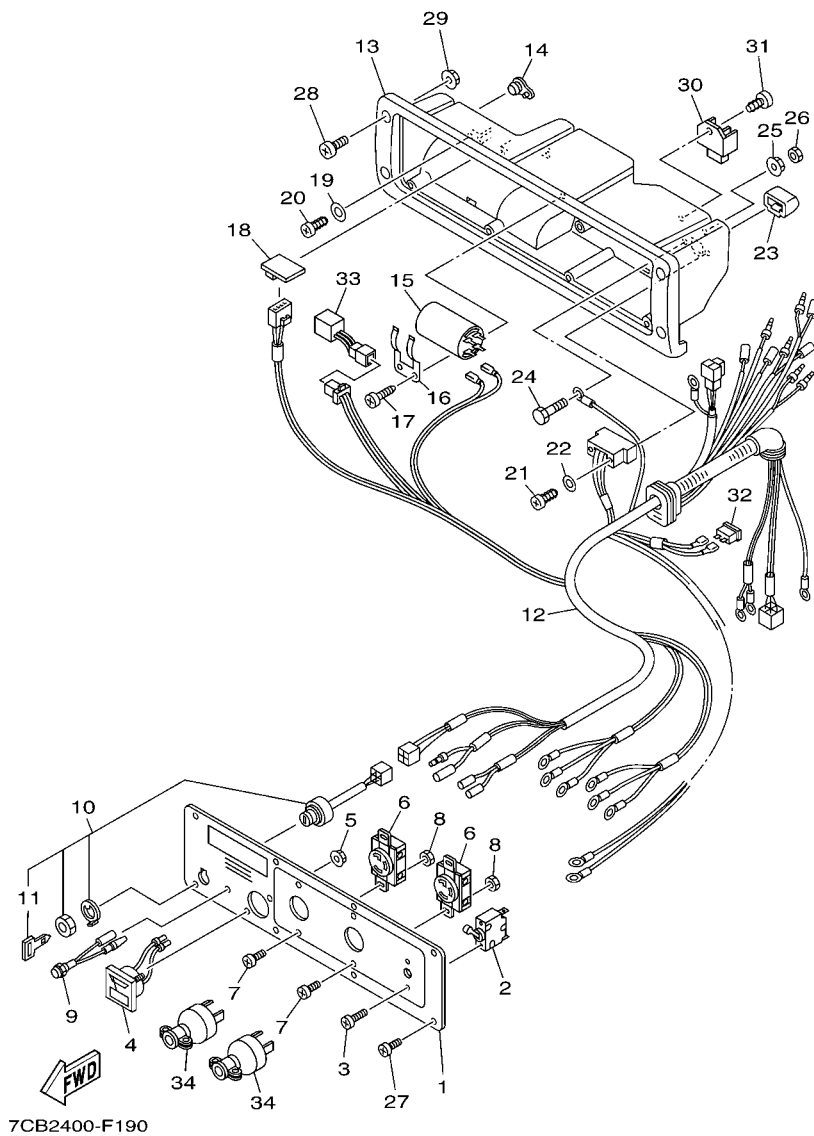
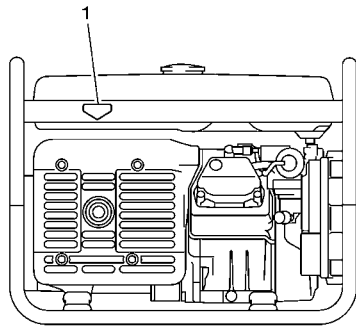
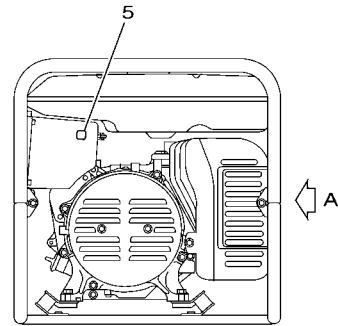
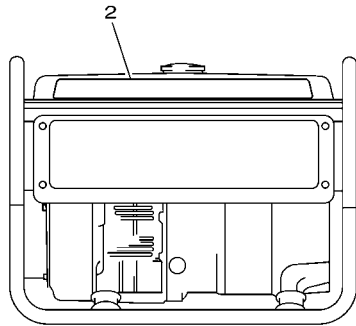
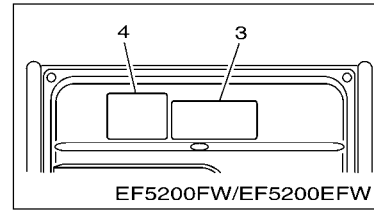
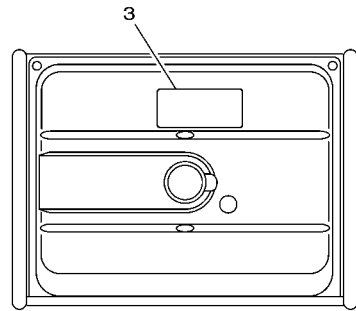


FIG. 19 CONTROL BOX 2

REF. NO.	PART NO.	DESCRIPTION	52/D	52/E	REMARKS
1	7CB-H7249-H0	PLATE		1	
2	7CB-H7204-00	BREAKER COMP.		1	
3	98507-03006	SCREW, PAN HEAD		2	
4	7CA-H7202-A0	METER SUB ASSY		1	
5	90179-03800	NUT		2	
6	7CC-H7221-C0	RECEPTACLE 1 (XH001)		2	
7	98507-04012	SCREW, PAN HEAD		4	
8	90179-04800	NUT		4	
9	7CA-H5770-01	OIL PILOT LIGHT ASSY		1	
10	7RH-82510-00	MAIN SWITCH ASSY		1	
11	73A-82511-00	.KEY, MAIN SWITCH		2	
12	7CB-H7226-H0	WIRE HARNESS ASSY		1	
13	7CC-H7213-01	COVER, CONTROL BOX		1	
14	7CB-H4762-00	GROMMET		1	
15	7CB-H7107-00	CONDENSER ASSY		1	
16	7CB-H7216-00	HOLDER, CONDENSER		1	
17	97707-50512	SCREW, TAPPING		2	
18	7CA-H5690-00	OIL WARNING UNIT		1	
19	90201-03801	WASHER, PLATE		1	
20	90167-03803	SCREW, TAPPING		1	
21	90167-03803	SCREW, TAPPING		2	
22	92907-03200	WASHER		2	
23	7CC-H2599-00	COVER, CONNECTER		1	
24	97080-06020	BOLT		1	
25	90179-06830	NUT		1	
26	95380-06700	NUT		1	
27	97707-40516	SCREW, TAPPING		8	





VIEW A

7CB2400-F200

FIG. 20 EMBLEM & LABEL 1

REF. NO.	PART NO.	DESCRIPTION	SZ/D	SZ/E			REMARKS
1	7FL-2415A-10	LABEL, CAUTION (HOT EXHAUST)	1	1			
2	7CB-F4161-40	EMBLEM 1 (EF5200DFW)	1				
	7CB-F4161-00	EMBLEM 1 (EF5200FW)	1				
	7CB-F4161-10	EMBLEM 1 (EF5200EFW)		1			
3	7CA-F4162-L0	EMBLEM 2 (WARNING)	1	1			
4	7CA-F4162-N1	EMBLEM 2 (WARNING)	1	1			EF5200FW/5200EFW
5	7CA-H7261-00	EMBLEM 1 (GROUND)	1	1			

NUMERICAL INDEX

PART NO.	REF. NO.	PART NO.	REF. NO.	PART NO.	REF. NO.	PART NO.	REF. NO.	PART NO.	REF. NO.	PART NO.	REF. NO.
22F-12159-00	4 - 10	7CT-15713-00	5 - 8	7CT-E1922-00	3 - 8	7CC-E4799-00	10 - 6	7CT-H5650-10	15 - 1	7CC-H8195-00	17 - 22
7RH-1410H-01	8 - 21	7CT-15714-00	5 - 6	7CT-E1925-30	3 - 20	7CC-E479E-00	10 - 7	7CA-H5690-00	18 - 24	90105-06827	11 - 11
	9 - 21	7CN-15715-00	5 - 9	7CT-E1928-00	3 - 15	7CT-E5111-00	11 - 1		19 - 18	90105-06843	17 - 17
4CW-14117-00	8 - 10	7CT-15716-00	5 - 10	7CN-E1950-00	3 - 17	7CT-E5111-10	11 - 1	7CT-H5720-00	15 - 12	90105-06844	13 - 10
	9 - 11	7CT-15741-00	5 - 7	7CT-E1970-00	3 - 1	7CN-E5363-00	11 - 18	7CN-H5724-00	15 - 14	90105-06847	13 - 11
7LV-14118-00	8 - 25	7CN-15743-00	5 - 12	7CT-E1971-00	11 - 15	7CT-E5411-00	11 - 9	7CA-H5770-01	18 - 16	90105-08880	10 - 12
	9 - 22	7CT-15751-00	5 - 13	7CT-E2111-00	4 - 3	7CT-E5414-00	11 - 10		19 - 9	90105-08881	10 - 3
36Y-14147-00	8 - 14	7CN-15755-00	5 - 14	7CT-E2117-00	4 - 7	7CT-E5451-00	11 - 16	7CB-H7107-00	18 - 21	90157-06808	18 - 31
	9 - 15	7CN-15793-00	5 - 11	7CT-E2118-00	4 - 8	7CT-E5710-00	5 - 4		19 - 15		19 - 28
73A-1414G-00	8 - 9	7FL-2415A-10	20 - 1	7CT-E2119-00	4 - 14	7CT-E5723-00	5 - 16	7CC-H7131-00	17 - 12	90159-06834	17 - 4
	9 - 9	7NJ-24515-01	14 - 10	7CT-E2121-00	4 - 4	7CC-F2836-00	13 - 5	7CC-H713J-00	17 - 23	90167-03803	18 - 26
620-1414J-25-A0	8 - 6	7J3-24521-00	14 - 6	7CT-E2151-00	4 - 9	7CC-F2838-00	13 - 6	7CB-H7150-40	17 - 1		19 - 20
	9 - 7	7NJ-24532-00	14 - 9	7CT-E2153-00	4 - 5	7CC-F2839-00	13 - 7	7CB-H7150-H0	17 - 1		19 - 21
73A-14150-00	8 - 24	7NJ-24534-00	14 - 8	7CT-E2154-00	4 - 13	7CC-F2840-00	12 - 1	7CC-H7153-00	17 - 16	90170-05804	4 - 11
	9 - 24	4X8-24565-00	14 - 7	7CT-E2156-00	4 - 12	7CB-F2850-00	12 - 2	7CC-H7159-00	17 - 19	90170-18391	15 - 8
7EG-14159-00	8 - 18	7WW-81800-00	16 - 1	7CT-E2170-00	4 - 1	7CC-F2864-00	13 - 8	7CB-H7160-00	17 - 2	90173-06802	3 - 14
	9 - 18	JE8-81812-00	16 - 2	7CT-E2287-00	4 - 2	7CC-F2891-00	12 - 4	7CC-H7172-00	17 - 3	90175-06806	13 - 4
7RH-14162-00	8 - 16	JE8-81813-00	16 - 3	7CT-E2621-10	5 - 1	7CB-F4110-00	14 - 1	7CC-H7174-00	17 - 13	90179-03800	18 - 3
	9 - 17	JE8-81826-00	16 - 8	7CT-E2651-00	5 - 3	7CB-F4161-00	20 - 2	7CN-H7188-00	6 - 1		19 - 5
796-14184-00	8 - 12	7UJ-81833-00	16 - 6	7CT-E3557-00	6 - 3	7CB-F4161-10	20 - 2		7 - 1	90179-04800	18 - 9
	9 - 13	JE8-81834-00	16 - 7		7 - 4	7CB-F4161-40	20 - 2	7CC-H7202-00	18 - 2		18 - 9
JN6-14185-00	8 - 13	JE8-81840-00	16 - 4		7 - 6	7CA-F4162-L0	20 - 3	7CA-H7202-A0	18 - 2		18 - 12
	9 - 14	JE8-81870-00	16 - 5	7CT-E3567-00	6 - 4	7CA-F4162-N1	20 - 4		19 - 4		18 - 15
22F-14186-00	8 - 19	7VW-81960-00	19 - 30		7 - 7	7XC-F4167-10	14 - 3	7CB-H7204-00	18 - 4		19 - 8
	9 - 19	7RH-82510-00	19 - 10	7CT-E3596-00	6 - 2	7CA-F4181-00	14 - 14		19 - 2	90179-06830	18 - 28
7RH-14191-00	8 - 22	73A-82511-00	19 - 11	7CT-E3596-10	7 - 5	7CC-F4311-00	14 - 15	7CB-H7204-10	18 - 4		18 - 32
	9 - 23	7F7-85710-02	14 - 4	7CU-E4101-00	9 - 1	7CN-F4500-00	14 - 5	7CB-H7204-60	18 - 5		19 - 25
7NJ-14211-00	8 - 5	7CT-E1111-00	1 - 1	7CT-E4101-20	8 - 1	7XC-F4610-00	14 - 2	7CC-H7213-01	19 - 13		19 - 29
	9 - 4	7CT-E1166-00	1 - 10	7CU-E4283-00	7 - 2	7CA-F8100-00	14 - 17	7CC-H7213-G1	18 - 19	90201-03801	18 - 25
73A-14212-00	8 - 4	7CT-E1181-00	1 - 2	7CT-E4411-00	6 - 5	7CC-H1152-00	17 - 18	7CB-H7216-00	18 - 22		19 - 19
	9 - 5	7CT-E1190-00	1 - 7		7 - 8	7CC-H1970-00	18 - 33		19 - 16	90201-067L0	3 - 6
7RH-14216-00	8 - 2	7CT-E1193-00	1 - 8	7CT-E4412-00	6 - 6		19 - 33	7CC-H7220-00	17 - 6	90201-06842	3 - 4
	9 - 2	7CT-E1198-00	11 - 7		7 - 9	7CC-H2115-G0	16 - 15	7CA-H7221-00	18 - 7	90201-06859	14 - 13
78A-14227-00	8 - 15	7CT-E1400-00	2 - 1	7CT-E4429-00	6 - 9	7CC-H2116-G0	17 - 27	7CC-H7221-90	18 - 10	90201-08092	3 - 9
	9 - 16	7CT-E1454-00	2 - 8		7 - 12	7CC-H2122-00	13 - 1	7CC-H7221-C0	18 - 7	90201-18008	15 - 9
7X9-14239-00	8 - 11	7CT-E1610-00	2 - 3	7CT-E4451-00	6 - 8	7CC-H2133-00	13 - 3		19 - 6	90201-22803	10 - 11
	9 - 12	7CT-E1610-10	2 - 3		7 - 11	7CC-H2136-00	13 - 2	7CC-H7222-40	18 - 13	90280-04801	15 - 10
1HX-1423E-39-A0	8 - 8	7CT-E1610-20	2 - 3	7CT-E4468-00	6 - 7	7CC-H2151-00	19 - 32	7CB-H7226-60	18 - 18	90340-12097	11 - 6
	9 - 10	7CT-E1631-00-A0	2 - 2		7 - 10	7CN-H2370-00	15 - 11	7CB-H7226-G0	18 - 18	90387-06895	17 - 26
7RH-14486-00	8 - 3	7CT-E1633-00	2 - 4	7CT-E4477-00	6 - 10	7CU-H2507-00	16 - 13	7CB-H7226-H0	19 - 12	90445-08743	7 - 16
	9 - 3	7CT-E1635-00	2 - 2		7 - 13	7CC-H2550-00	18 - 17	7CC-H7236-00	18 - 34	90450-38804	10 - 8
1WG-14922-00	8 - 23	7CT-E1636-00	2 - 2	7CC-E4611-00	10 - 2	7CC-H2599-00	19 - 23	7CC-H7236-10	18 - 35	90462-05061	11 - 20
	9 - 6	7CT-E1650-00	2 - 6	7CT-E4613-00	10 - 14	7CB-H4762-00	18 - 20	7CC-H7236-C0	18 - 34	90462-06232	15 - 5
7LW-14941-53	8 - 7	7CT-E1654-00	2 - 7	7CC-E4623-00	10 - 4		19 - 14		19 - 34	90465-18147	16 - 18
	9 - 8	7CT-E1901-00	3 - 11	7CC-E4711-00	10 - 1	7CT-H5521-00	15 - 3	7CB-H7249-60	18 - 1	90467-10800	14 - 16
256-14956-01	8 - 20	7CT-E1913-00	3 - 2	7CC-E4718-00	10 - 5	7CU-H5521-00	15 - 3	7CB-H7249-G0	18 - 1	90468-12006	3 - 10
	9 - 20	7CN-E1914-00	3 - 3	7CC-E4737-00	10 - 9	7CT-H5640-00	15 - 2	7CB-H7249-H0	19 - 1	90480-13016	7 - 3
7CT-15711-00	5 - 5	7CT-E1917-00	3 - 7	7CC-E4757-00	11 - 22	7CU-H5650-00	15 - 1	7CA-H7261-00	20 - 5	90501-10812	3 - 19

NUMERICAL INDEX

PART NO.	REF. NO.	PART NO.	REF. NO.	PART NO.	REF. NO.	PART NO.	REF. NO.	PART NO.	REF. NO.	PART NO.	REF. NO.
90501-264A9	4 - 6	95807-06016	6 - 12								
90506-04458	3 - 16		7 - 15								
92902-08100	16 - 12	95807-06020	15 - 7								
92907-03200	19 - 22	95807-06025	15 - 7								
92907-05100	17 - 8	95807-08025	16 - 14								
	17 - 11	95817-08045	11 - 17								
	17 - 11	95817-10070	1 - 3								
92907-05600	17 - 9	95827-06012	15 - 13								
	17 - 21	95827-06030	1 - 9								
	17 - 25	95880-06020	15 - 4								
92907-06600	3 - 13	97007-06010	17 - 14								
	17 - 15	97007-06012	14 - 12								
92907-08100	16 - 17	97027-06030	3 - 12								
93102-35802	11 - 3	97080-06020	18 - 27								
	11 - 13		19 - 24								
93109-08803	11 - 4	97707-40516	18 - 30								
93210-22805	11 - 19		19 - 27								
93306-207Y0	11 - 12	97707-50512	18 - 23								
93306-252X4	11 - 5		19 - 17								
	11 - 14	97707-60520	19 - 31								
93306-307Y1	11 - 2	98507-03006	18 - 6								
93306-37202	17 - 5		18 - 6								
93440-06826	3 - 5		19 - 3								
93450-21833	2 - 5	98507-03008	14 - 11								
93501-08001	8 - 17	98507-04012	18 - 8								
94702-00819	1 - 6		18 - 8								
95302-06600	16 - 9		18 - 11								
95302-08600	16 - 11		18 - 14								
95302-08700	16 - 10		19 - 7								
95307-05700	17 - 10	98507-05010	17 - 20								
	17 - 10	98507-05014	17 - 7								
95307-08600	10 - 13	98507-05020	17 - 24								
	16 - 16	98507-06035	3 - 18								
95380-06700	18 - 29	99530-08016	11 - 8								
	19 - 26	99530-14016	1 - 4								
95607-08700	1 - 11										
95627-08618	1 - 5										
95707-08500	6 - 11										
	7 - 14										
95707-10500	12 - 5										
95807-06008	5 - 15										
	10 - 10										
95807-06010	11 - 21										
	12 - 3										
95807-06012	3 - 21										
	5 - 2										
	13 - 9										
	15 - 6										