

PARTS CATALOGUE

YAMAHA GENERATOR

EF4500E	(7WV3) (230V–50Hz)	EUROPE
EF5500	(7WW3) (230V–50Hz)	EUROPE
EF5500E	(7WW3) (230V–50Hz)	EUROPE
EF5500TE	(7WW8) (230V/400V–50Hz)	EUROPE

EF4500E/EF5500(E)/EF5500TE
PARTS CATALOGUE

©2001 by Yamaha Motor Co., Ltd.

1st Edition, Sep. 2001

All rights reserved.

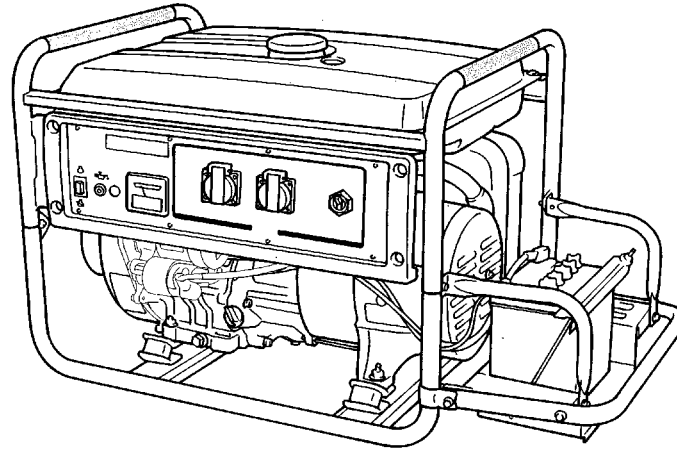
Any reprinting or unauthorized use
without the written permission of

Yamaha Motor Co., Ltd.

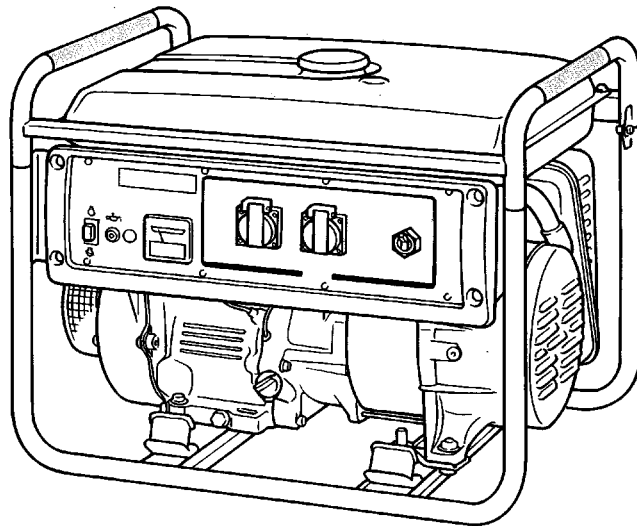
is expressly prohibited.

Printed in Japan

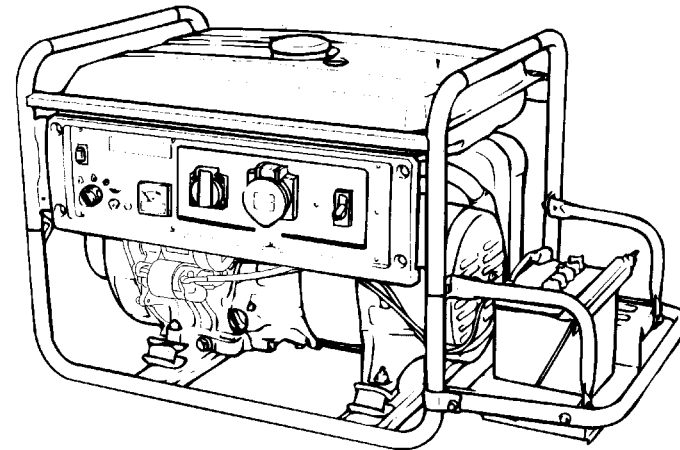
A3



EF4500E/EF5500E



EF5500



EF5500TE

FOREWORD

This Parts Catalogue is related to the parts for the model(s) in the below frame. When you are ordering replacement parts, please refer to this Parts Catalogue and quote both part numbers and part names correctly.

1. Modifications or additions which have been made after issue of the Parts Catalogue will be announced in the Yamaha Parts News.
It is advisable that you make necessary corrections to the Parts Catalogue according to the Yamaha Parts News.

2. Abbreviations
The following abbreviations are used in this Parts Catalogue.

“UR” Use specified parts number.

“UN” Use as many as needed.

“AP” Alternate Parts

“LM” Local Made (Parts need to be ordered locally)

“F#” Frame No. (Applicable machine No.)

3. Parts, which are to be supplied in an assembly, are listed with a dot(.) in front of the part name as shown below.

EXAMPLE

CARBURETOR ASSY

.JET, PILOT

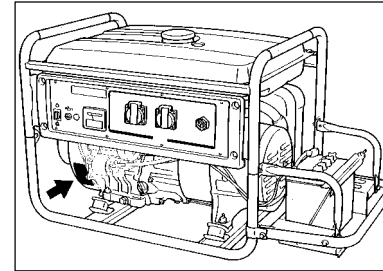
.NOZZLE, MAIN

4. Number of component for assembly
The numeral appearing to the right of each component part indicates the quantity of parts for each assembly unit.

EXAMPLE

PART NO.	DESCRIPTION	Q'TY	REMARKS
2F5-83310-60	FRONT FLASHER LIGHT ASSY	2	
115-83311-60	.BULB (6V-18W)	1	

5. Applicable Starting Serial No. and Color Code
Engine Serial No.



Color Code	Color Name	Abbreviation	MODEL	Country (destination)
00NJ	FARAWAY BLUE	FWB	7WV3	EUR
			7WW3	
			7WW8	

6. Note that the illustrations for reference in finding parts numbers, not to be used for assembling. When assembling, please use the applicable service manual.
7. The asterisk (*) before a reference number indicates modification items after the first edition.

Engine Serial No.

This parts catalogue is related to the parts for the models in the list below.

MODEL NAME	MODEL TYPE	DESTINATION	FRAME NO
EF4500E	7WV3	EUROPE (EXCEPT FRANCE)	7WV-350101
EF4500E	7WV3	EUROPE (FRANCE)	7WV-355101
EF5500	7WW3	EUROPE (EXCEPT FRANCE)	7WW-350101
EF5500	7WW3	EUROPE (FRANCE)	7WW-360101
EF5500E	7WW3	EUROPE (EXCEPT FRANCE)	7WW-355101
EF5500E	7WW3	EUROPE (FRANCE)	7WW-365101
EF5500TE	7WW8	EUROPE	7WW-800101

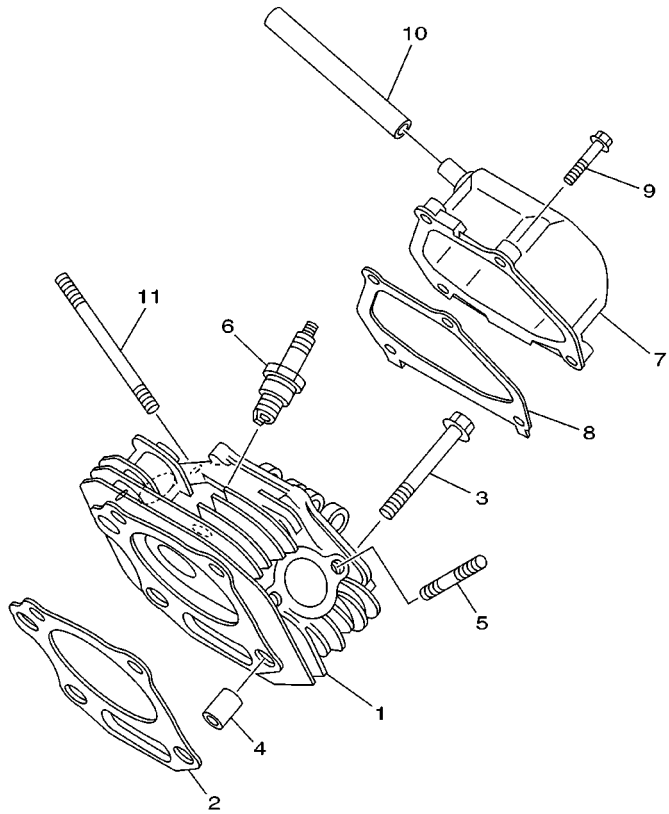
CONTENTS

CYLINDER	B2
CRANKSHAFT. PISTON	B3
GOVERNOR	B4
CAMSHAFT.VALVE	B6
AIR SHROUD. STARTER	B7
INTAKE 1 (EF4500E)	B8
INTAKE 2 (EF5500(E)/EF5500TE)	B9
CARBURETOR 1 (EF4500E)	B10
CARBURETOR 2 (EF5500(E)/EF5500TE)	B11
EXHAUST	B12
CRANKCASE	B13
FRAME	B14
FUEL TANK	B15
BATTERY TRAY (FOR EL.START MODEL)	C2
FRONT WHEEL (OPTIONAL PARTS)	C3
T.C.I.MAGNETO	C4
STARTING MOTOR (FOR EL.START MODEL)	C5
GENERATOR (EF4500E)	C6
GENERATOR 1 (EF5500/EF5500E)	C8
GENERATOR 2 (EF5500TE)	C10
CONTROL BOX 1 (EF4500E)	C12
CONTROL BOX 2 (EF5500/EF5500E)	C14
CONTROL BOX 3 (EF5500TE)	D2
LABELS	D4

INDEX

NUMERICAL INDEX	M1
-----------------------	----

FIG. 1 CYLINDER



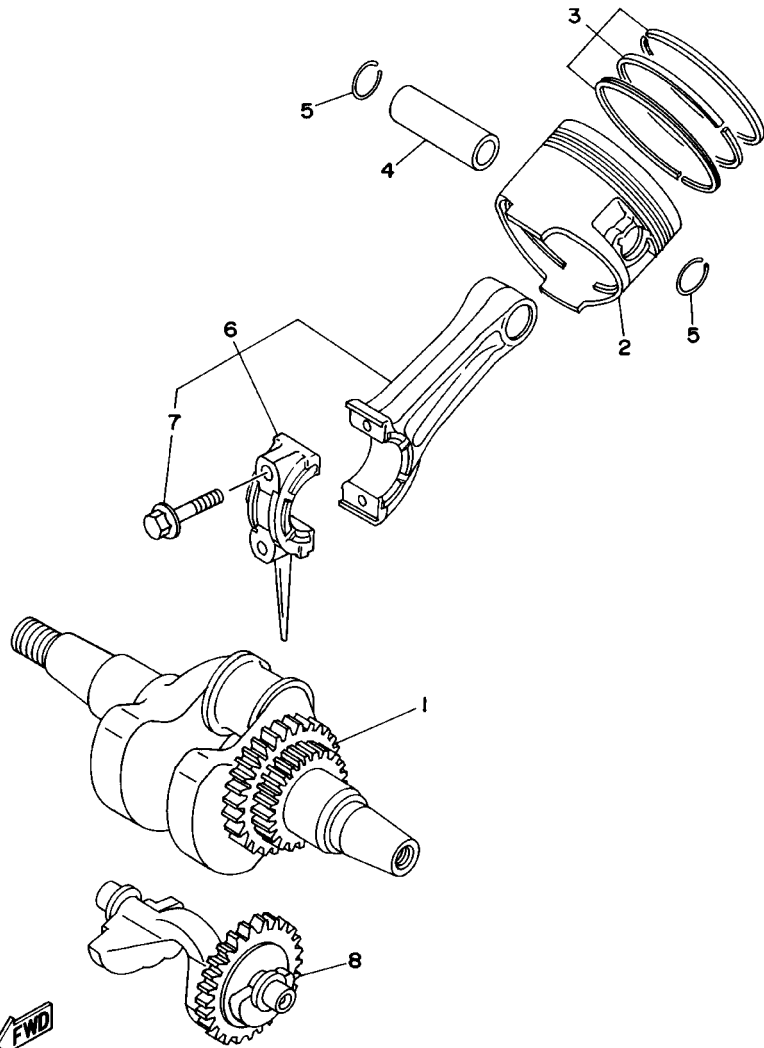
REF. NO.	PART NO.	DESCRIPTION	7WV3	7WV3	8WV8	REMARKS
1	7WE-11111-00	HEAD, CYLINDER 1	1			
	7WG-11111-00	HEAD, CYLINDER 1		1	1	
2	7WE-11181-00	GASKET, CYLINDER HEAD 1	1			
	7WG-11181-00	GASKET, CYLINDER HEAD 1		1	1	
3	95817-10070	BOLT, FLANGE	4	4	4	
4	99530-14016	PIN, DOWEL	2	2	2	
5	95627-08618	BOLT, STUD	2	2	2	
6	94702-00331	PLUG, SPARK (BPR4ES)	1	1	1	
7	7WG-11190-00	COVER, CYLINDER HEAD 1	1	1	1	
8	JN6-11193-00	GASKET, HEAD COVER 1	1	1	1	
9	95827-06030	BOLT, FLANGE	4	4	4	
10	7RH-11166-00	PIPE, BREATHER 1	1	1	1	
11	95607-08700	BOLT, STUD	2	2	2	



7WV1010-1010

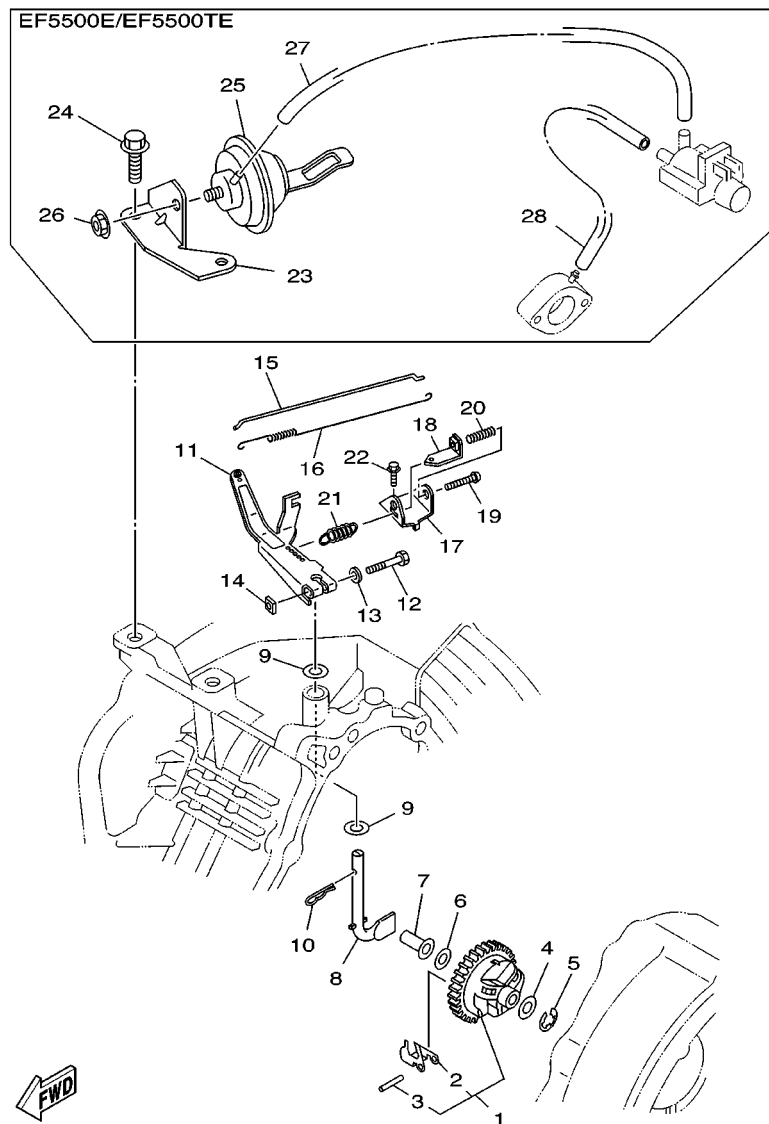
FIG. 2 CRANKSHAFT. PISTON

REF. NO.	PART NO.	DESCRIPTION	7WV3	7WV3	8WV8	REMARKS
1	7WR-11400-00	CRANKSHAFT ASSY	1			
	7WR-11400-10	CRANKSHAFT ASSY		1	1	
2	JN6-11631-00-A0	PISTON (STD)	1			
	7RH-11631-00-A0	PISTON (STD)		1	1	
	JN6-11635-00	PISTON (0.25MM O/S)	1			AP
	7RH-11635-00	PISTON (0.25MM O/S)		1	1	AP
	JN6-11636-00	PISTON (0.50MM O/S)	1			AP
	7RH-11636-00	PISTON (0.50MM O/S)		1	1	AP
3	JN6-11610-00	PISTON RING SET (STD)	1			
	7RH-11603-00	PISTON RING SET (STD)		1	1	
	JN6-11610-10	PISTON RING SET (0.25MM O/S)	1			AP
	7RH-11604-00	PISTON RING SET (0.25MM O/S)		1	1	AP
	JN6-11610-20	PISTON RING SET (0.50MM O/S)	1			AP
	7RH-11605-00	PISTON RING SET (0.50MM O/S)		1	1	AP
4	447-11633-00	PIN, PISTON	1			
	583-11633-00	PIN, PISTON		1	1	
5	93450-21053	CIRCLIP	2	2	2	
6	JN6-11650-00	CONNECTING ROD ASSY	1	1	1	
7	JN6-11654-00	.BOLT, CONNECTING ROD	2	2	2	
8	7WG-11454-00	WEIGHT 1	1	1	1	



7RGI400-6020

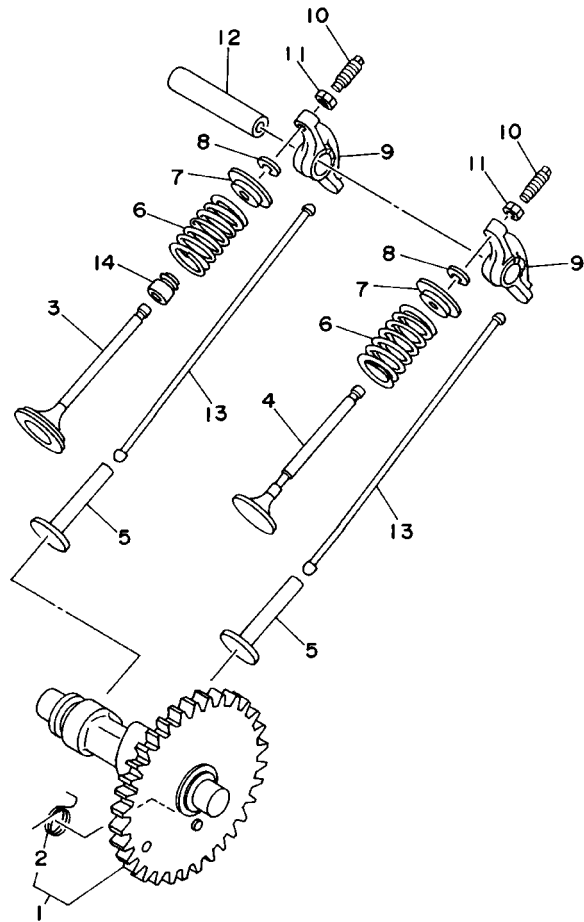
FIG. 3 GOVERNOR



FWD
7WV3300-1030

REF. NO.	PART NO.	DESCRIPTION	7WV3	7WV3	8WV8	REMARKS
1	7RH-11970-00	FLYWEIGHT SHAFT ASSY.	1	1	1	
2	7RH-11913-00	.WEIGHT	3	3	3	
3	7FK-11914-00	.SHAFT, WEIGHT	3	3	3	
4	90201-065K7	WASHER, PLATE	1	1	1	
5	93440-06107	CIRCLIP	1	1	1	
6	90201-067L0	WASHER, PLATE	1	1	1	
7	7KY-11917-00	COLLAR	1	1	1	
8	7RH-11922-00	FORK, GOVERNOR	1	1	1	
9	90201-08092	WASHER, PLATE	2	2	2	
10	90468-12006	CLIP	1	1	1	
11	7RH-11901-00	GOVERNOR ASSY	1	1	1	
12	97027-06030	BOLT	1	1	1	
13	92907-06600	WASHER, PLATE	1	1	1	
14	90173-06017	NUT, SQUARE	1	1	1	
15	7RH-11928-00	ROD, LINK	1	1	1	
16	90506-04458	SPRING, TENSION	1	1	1	
17	73A-11941-00	STAY	1	1	1	
18	73A-11931-00	LEVER	1	1	1	
19	98507-06035	SCREW, PAN HEAD	1	1	1	
20	90501-10264	SPRING, COMPRESSION	1	1	1	
21	7VX-11925-00	SPRING, GOVERNOR	1	1	1	
22	95807-06012	BOLT, FLANGE	1	1	1	
23	7RH-11998-00	BRACKET 1	1	1	1	EF5500E/EF5500TE
24	95807-08016	BOLT, FLANGE	2	2	2	EF5500E/EF5500TE
25	7X6-11960-00	DIAPHRAGM ASSY	1	1	1	EF5500E/EF5500TE
26	95707-08500	NUT, FLANGE	1	1	1	EF5500E/EF5500TE
27	7RH-13545-10	HOSE 1	1	1	1	EF5500E/EF5500TE

FIG. 4 CAMSHAFT.VALVE



REF. NO.	PART NO.	DESCRIPTION	7WV3	7WV3	8WV8	REMARKS
1	7WG-12170-00	CAMSHAFT ASSY 1	1	1	1	
2	7WG-12287-00	.SPRING, DECOMPRESSION	1	1	1	
3	JN6-12111-01	VALVE, INTAKE	1	1	1	
4	7RH-12121-00	VALVE, EXHAUST	1	1	1	
5	JN6-12153-00	LIFTER, VALVE	2	2	2	
6	90501-264A9	SPRING, COMPRESSION	2	2	2	
7	J38-12117-01	RETAINER, VALVE SPRING	2	2	2	
8	J38-12118-00	COTTER, VALVE	2	2	2	
9	JN6-12151-00	ARM, VALVE ROCKER	2	2	2	
10	22F-12159-00	SCREW, VALVE ADJUSTING	2	2	2	
11	90170-05302	NUT	2	2	2	
12	J38-12156-00	SHAFT, ROCKER 2	1	1	1	
13	JN6-12154-00	ROD, VALVE PUSH	2	2	2	
14	4G0-12119-00	SEAL, VALVE STEM	1	1	1	



7RGI400-6040

FIG. 5 AIR SHROUD. STARTER

REF. NO.	PART NO.	DESCRIPTION	7WV3	7WV3	8WV8	REMARKS
1	7WG-12621-10	CASE, FAN	1	1	1	
2	95807-06012	BOLT, FLANGE	5	5	5	
3	7RH-12651-01	AIR SHROUD, CYLINDER 1	1	1	1	
4	7RH-15710-00	STARTER ASSY	1	1	1	
5	7RH-15711-00	.CASE, STARTER	1	1	1	
6	7RH-15714-00	.DRUM, SHEAVE	1	1	1	
7	7RH-15713-00	.SPRING, STARTER	1	1	1	
8	7RH-15741-00	.PAWL, DRIVE	2	2	2	
9	7RH-15716-00	.PLATE, DRIVE	1	1	1	
10	7RH-15715-00	.SPRING, FRICTION	1	1	1	
11	JK4-15743-00	.SPRING, RETURN	2	2	2	
12	7NJ-15793-00	.SCREW	1	1	1	
13	7RH-15751-00	.WIRE, STARTER	1	1	1	
14	7RH-15755-00	.HANDLE, STARTER	1	1	1	
15	95807-06008	BOLT, FLANGE	4	4	4	
16	7RH-15723-00	PULLEY, STARTER	1	1	1	

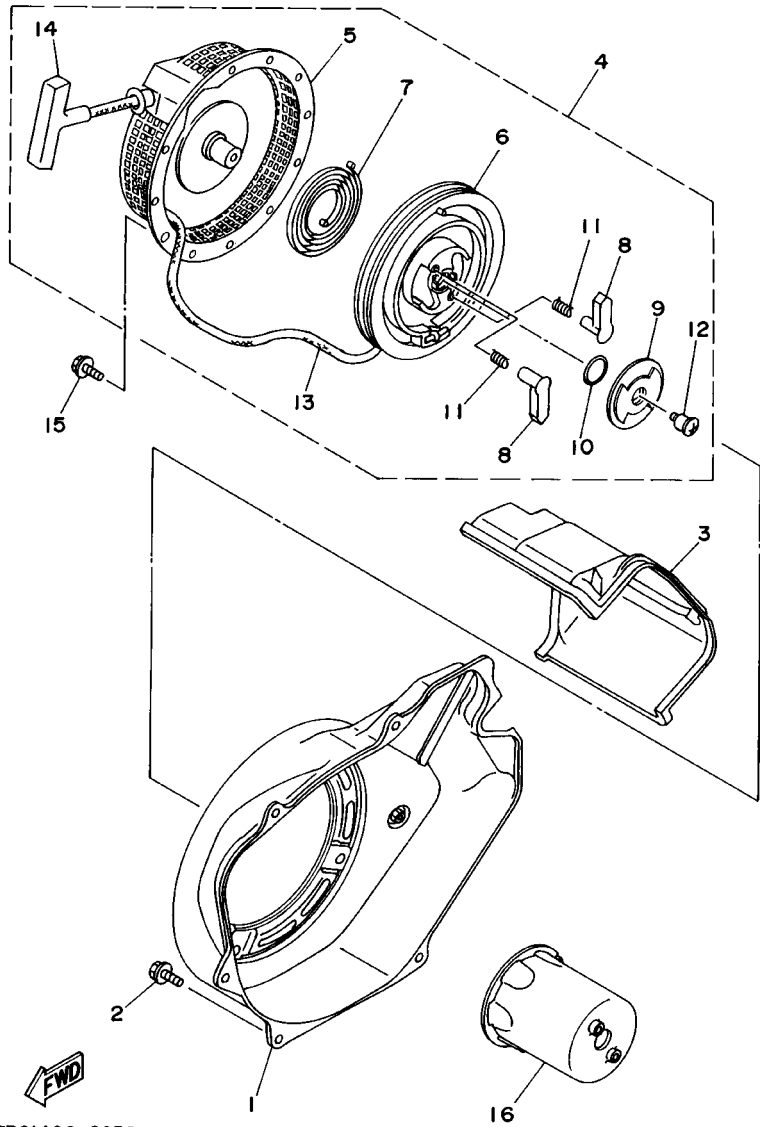
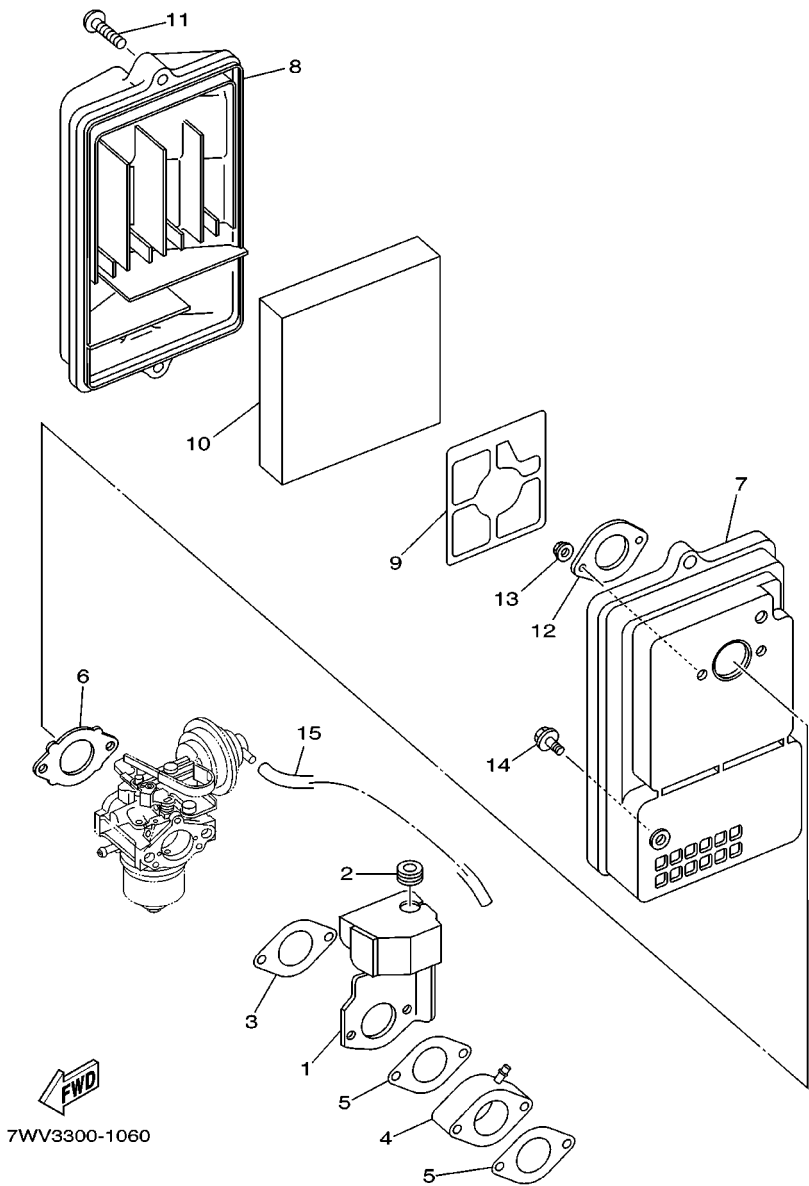


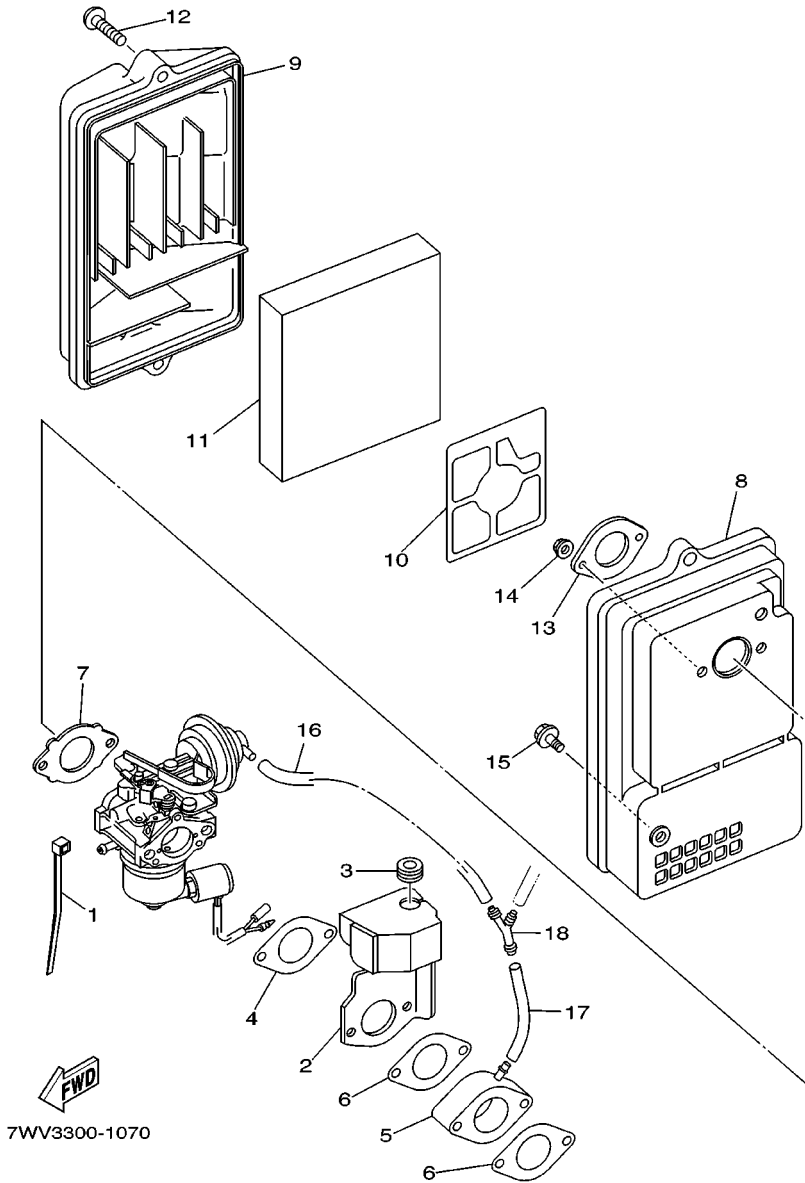
FIG. 6 INTAKE 1 (EF4500E)

REF. NO.	PART NO.	DESCRIPTION	7WV3	7WV3	8WV8	REMARKS
1	7RH-14283-00	COVER, CARBURETOR 1	1			
2	90480-13016	GROMMET	1			
3	7RH-13557-00	GASKET	1			
4	7RH-13596-00	JOINT, CARBURETOR 2	1			
5	7RH-13557-00	GASKET	2			
6	7RH-13567-00	GASKET	1			
7	7RH-14411-01	CASE, AIR CLEANER 1	1			
8	7RH-14412-01	CAP, CLEANER CASE 1	1			
9	7RH-14468-00	PLATE,ELEMENT FITTING	1			
10	7RH-14451-00	ELEMENT, AIR CLEANER	1			
11	7RH-14429-00	SCREW	2			
12	7LV-14477-00	PLATE	1			
13	95707-08500	NUT, FLANGE	2			
14	95807-06016	BOLT, FLANGE	1			
15	90445-08743	HOSE (L120)	1			



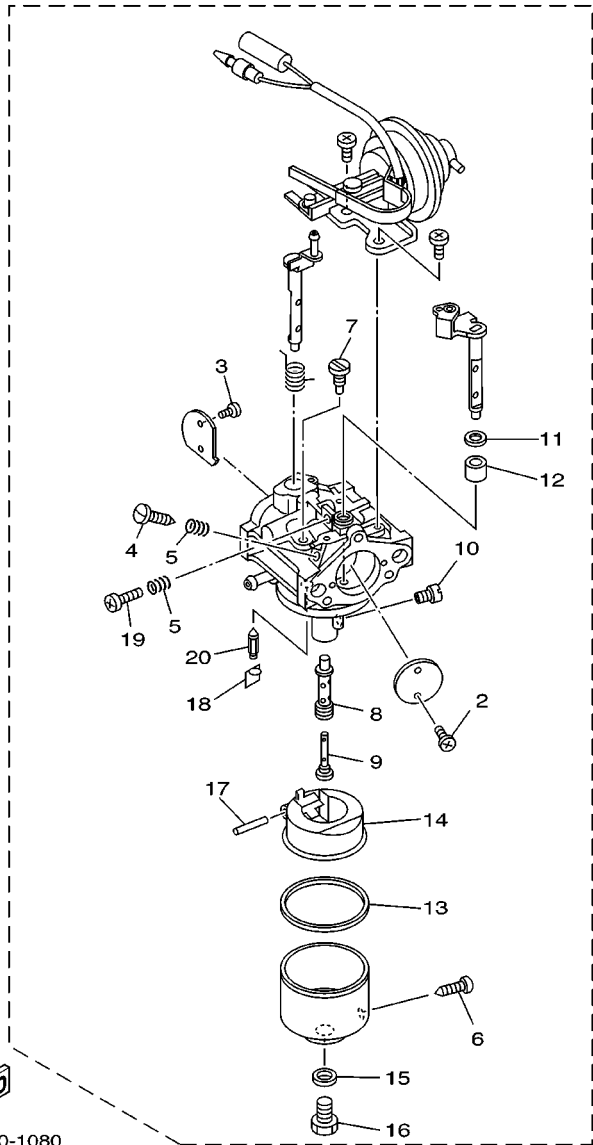
FWD
7WV3300-1060

FIG. 7 INTAKE 2 (EF5500(E)/EF5500TE)



REF. NO.	PART NO.	DESCRIPTION	7WV3	7WV3	8WV8	REMARKS
1	7G5-87188-00	BINDER		1	1	
2	7RH-14283-00	COVER, CARBURETOR 1		1	1	
3	90480-13016	GROMMET		1	1	
4	7RH-13557-00	GASKET		1	1	
5	7RH-13596-00	JOINT, CARBURETOR 2		1	1	UR EF5500E
	7RH-13596-10	JOINT, CARBURETOR 2		1		UR EF5500
6	7RH-13557-00	GASKET		2	2	
7	7RH-13567-00	GASKET		1	1	
8	7RH-14411-01	CASE, AIR CLEANER 1		1	1	
9	7RH-14412-01	CAP, CLEANER CASE 1		1	1	
10	7RH-14468-00	PLATE,ELEMENT FITTING		1	1	
11	7RH-14451-00	ELEMENT, AIR CLEANER		1	1	
12	7RH-14429-00	SCREW		2	2	
13	7LV-14477-00	PLATE		1	1	
14	95707-08500	NUT, FLANGE		2	2	
15	95807-06016	BOLT, FLANGE		1	1	
16	7LV-13546-00	HOSE 2		1	1	
17	90445-08741	HOSE (L45)		1	1	
18	90413-05013	WAY 3		1	1	

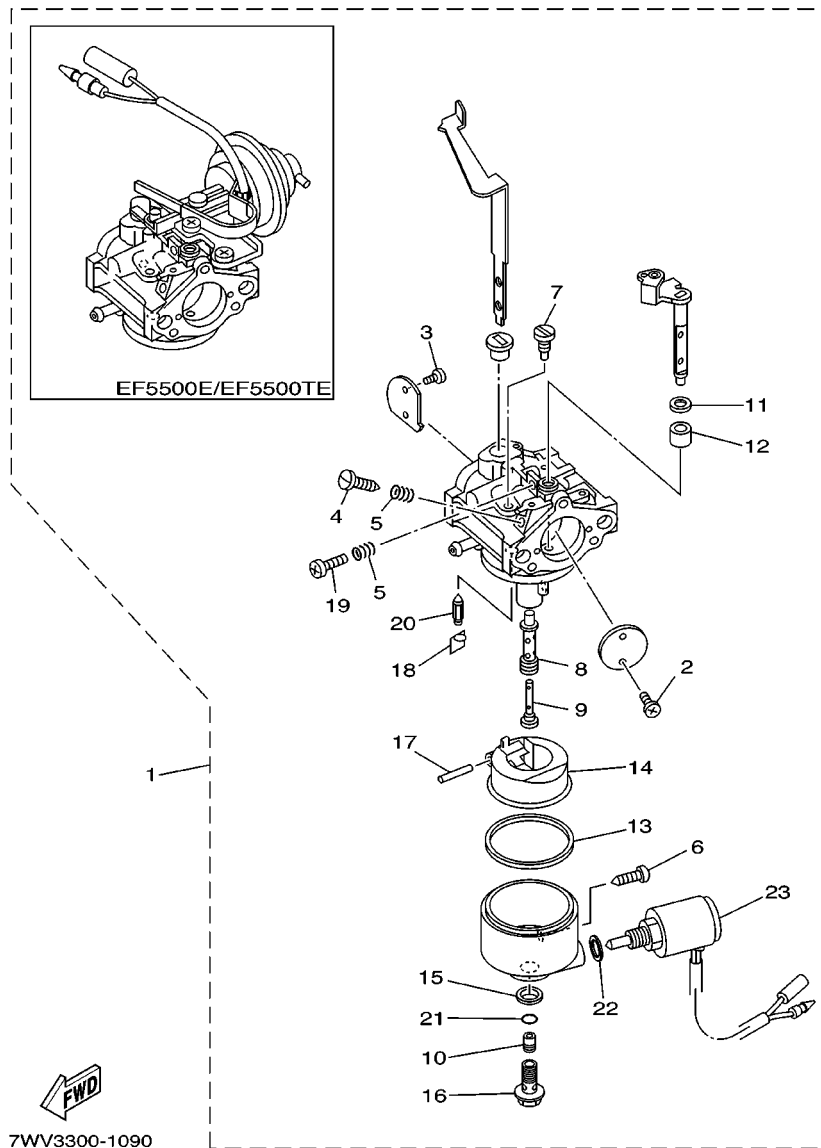
FIG. 8 CARBURETOR 1 (EF4500E)



7WV3300-1080

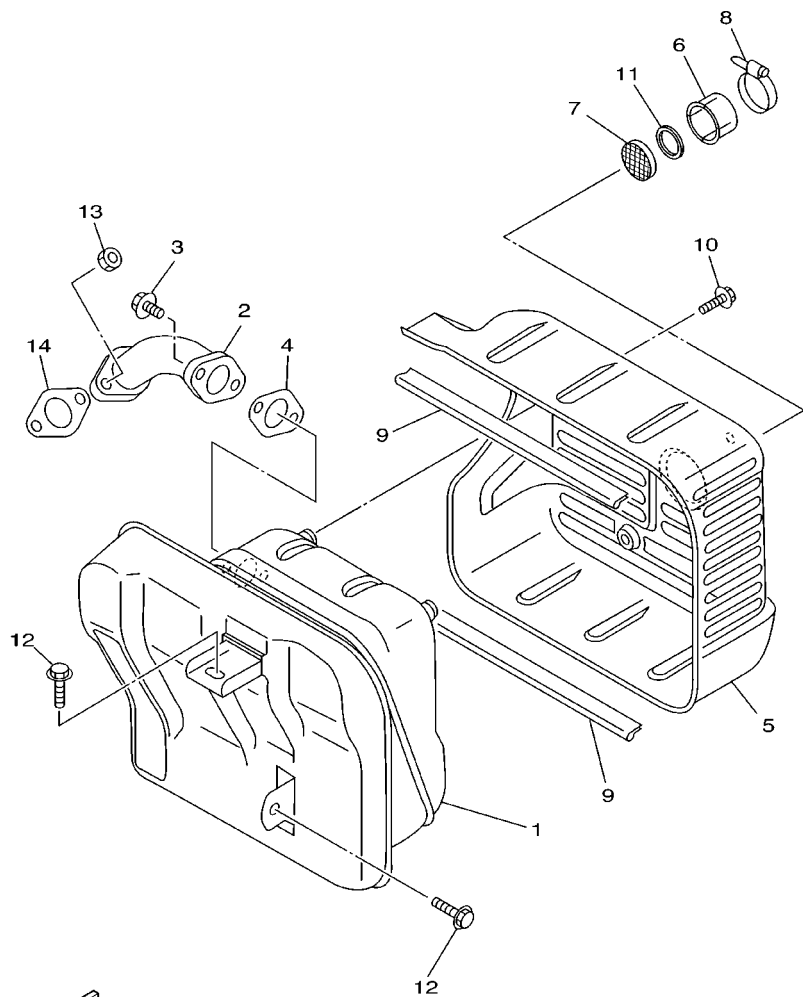
REF. NO.	PART NO.	DESCRIPTION	7WV3	7WV3	8WV8	REMARKS
1	7RG-14101-00	CARBURETOR ASSY 1	1			
2	7RH-14216-00	.SCREW	2			
3	7RH-14486-00	.SCREW, ROD	2			
4	7LV-14211-00	.SCREW, PILOT ADJUSTING	1			
5	73A-14212-00	.SPRING	2			
6	7E1-14191-00	.PLUG, DRAIN	1			
7	620-14142-62	.JET, PILOT (#62.5)	1			
8	7LW-14941-53	.NOZZLE, MAIN	1			
9	73A-1414G-00	.PIPE, MAIN BREED	1			
10	3G2-1423E-41	.JET, MAIN (#103.8)	1			
11	4CW-14117-00	.WASHER, PLUG SCREW	1			
12	7X9-14239-00	.SEAL	1			
13	796-14184-00	.GASKET, FLOAT CHAMBER	1			
14	JN6-14185-00	.FLOAT	1			
15	127-14198-00	.GASKET	1			
16	7RG-14162-00	.BOLT, HOLDING	1			
17	22F-14186-00	.PIN, FLOAT	1			
18	7EG-14159-00	.CLIP	1			
19	1WG-14922-00	.SCREW, THROTTLE	1			
20	73A-14150-00	.NEEDLE ASSY	1			

FIG. 9 CARBURETOR 2 (EF5500(E)/EF5500TE)



REF. NO.	PART NO.	DESCRIPTION	7WV3	7WV3	8WV8	REMARKS
1	7RH-14101-01	CARBURETOR ASSY 1		1	1	UR EF5500E
	7RH-14101-11	CARBURETOR ASSY 1		1		UR EF5500
2	7RH-14216-00	.SCREW		2	2	
3	7RH-14486-00	.SCREW, ROD		2	2	
4	7LV-14211-00	.SCREW, PILOT ADJUSTING		1	1	
5	73A-14212-00	.SPRING		2	2	
6	7RH-14191-00	.PLUG, DRAIN		1	1	
7	620-1414J-25	.JET, PILOT (#63.8)		1	1	
8	7LW-14941-53	.NOZZLE, MAIN		1	1	
9	73A-1414G-00	.PIPE, MAIN BREED		1	1	
10	1HX-1423E-40	.JET, MAIN (#101.3)		1	1	
11	4CW-14117-00	.WASHER, PLUG SCREW		1	1	
12	7X9-14239-00	.SEAL		1	1	
13	796-14184-00	.GASKET, FLOAT CHAMBER		1	1	
14	JN6-14185-00	.FLOAT		1	1	UR EF5500E
	7KY-14185-00	.FLOAT		1		UR EF5500
15	78A-14227-00	.WASHER		1	1	
16	7RH-14162-00	.BOLT, HOLDING		1	1	
17	22F-14186-00	.PIN, FLOAT		1	1	
18	7EG-14159-00	.CLIP		1	1	
19	1WG-14922-00	.SCREW, THROTTLE		1	1	
20	73A-14150-00	.NEEDLE ASSY		1	1	
21	36Y-14147-00	.O-RING		1	1	
22	256-14956-01	.WASHER		1	1	
23	7RH-1410H-01	.FUEL CUT SOLENOID VALVE		1	1	

FIG. 10 EXHAUST



FWD
7RH6010-6080

REF. NO.	PART NO.	DESCRIPTION	7WV3	7WV3	8WV8	REMARKS
1	7RG-14711-11	MUFFLER 1	1			
	7RH-14711-11	MUFFLER 1		1	1	
2	7RH-14611-00	PIPE, EXHAUST 1	1	1	1	
3	95807-08020	BOLT, FLANGE	2	2	2	
4	7RH-14623-00	GASKET, EXHAUST PIPE	1	1	1	
5	7RH-14718-00	PROTECTOR, MUFFLER 1	1	1	1	
6	7RH-14799-00	CAP	1	1	1	
7	7RH-1479E-00	NET, WIRE 2	1	1	1	
8	90460-31253	CLAMP, HOSE	1	1	1	
9	7RH-14737-00	DAMPER, MUFFLER	2	2	2	
10	95807-06008	BOLT, FLANGE	4	4	4	
11	90201-22793	WASHER, PLATE	1	1	1	
12	95807-08016	BOLT, FLANGE	2	2	2	
13	95307-08600	NUT	2	2	2	
14	7KY-14613-01	GASKET, EXHAUST PIPE	1	1	1	

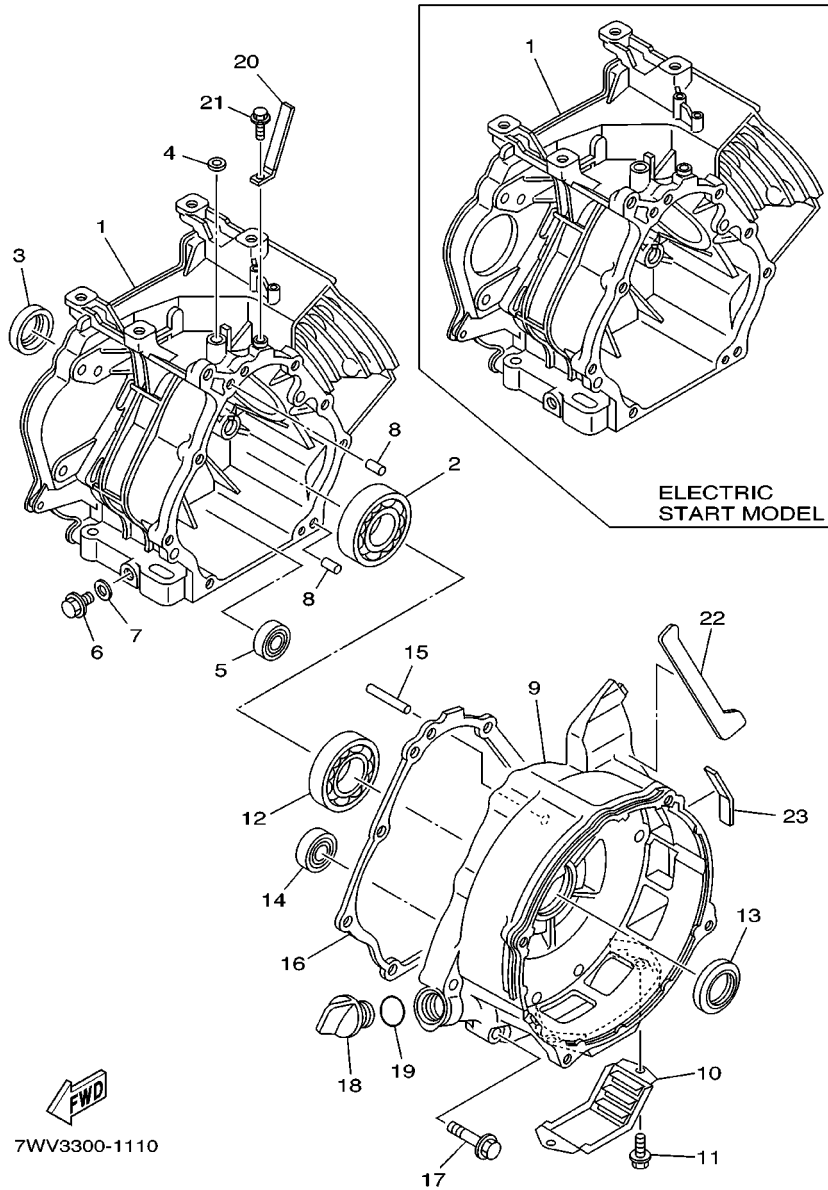
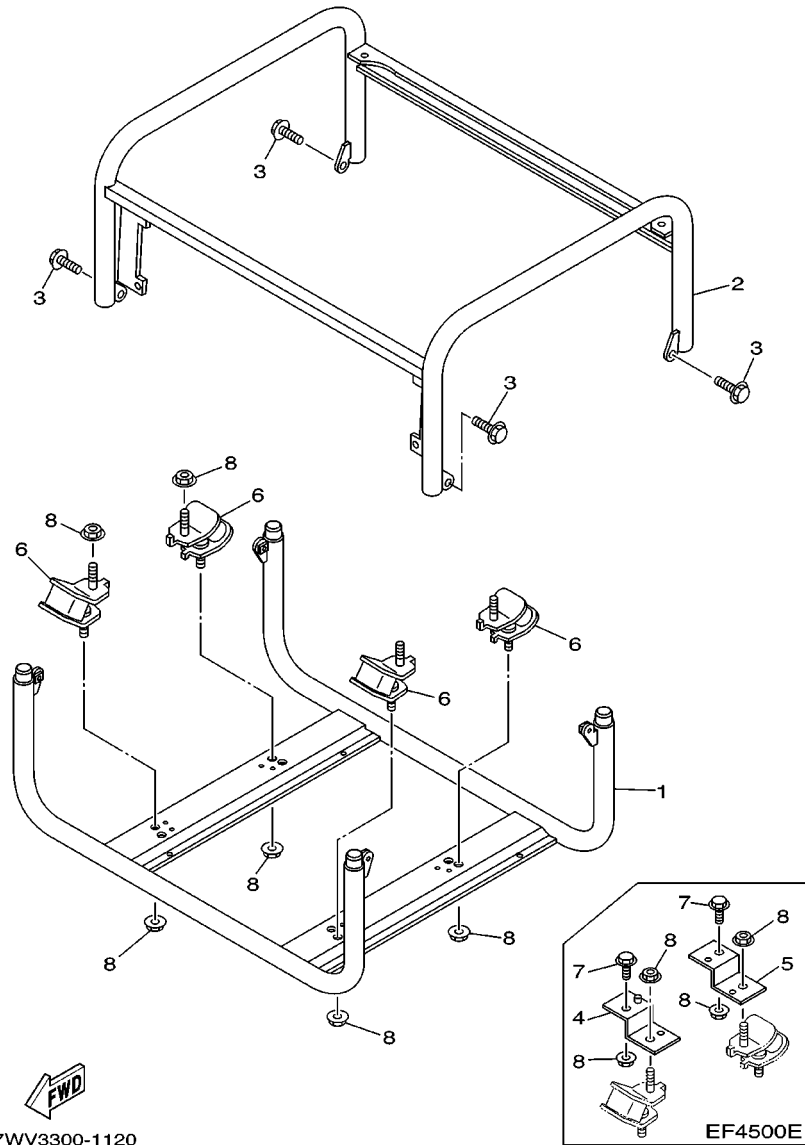


FIG. 11 CRANKCASE

REF. NO.	PART NO.	DESCRIPTION	7WV3	7WV3	8WV8	REMARKS
1	7WE-15111-10	CRANKCASE 1	1			
	7WG-15111-00	CRANKCASE 1		1		UR EF5500
	7WG-15111-10	CRANKCASE 1		1	1	UR EF5500E
2	93306-30709	BEARING	1	1	1	
3	93102-35191	OIL SEAL	1	1	1	
4	93109-08050	OIL SEAL	1	1	1	
5	93306-20201	BEARING (B6202)	1	1	1	
6	90340-12097	PLUG, STRAIGHT SCREW	2	2	2	
7	812-11198-00	GASKET	2	2	2	
8	99530-08016	PIN, DOWEL	2	2	2	
9	7RH-15411-01	COVER, CRANKCASE 1	1	1	1	
10	7RH-15414-00	COVER 1	1	1	1	
11	90109-06513	BOLT	2	2	2	
12	93306-20714	BEARING	1	1	1	
13	93102-35191	OIL SEAL	1	1	1	
14	93306-20201	BEARING (B6202)	1	1	1	
15	7RH-11971-00	SHAFT, FLYWEIGHT	1	1	1	
16	7RH-15451-01	GASKET, CRANKCASE COVER 1	1	1	1	
17	95817-08045	BOLT, FLANGE	8	8	8	
18	796-15363-01	PLUG, OIL	1	1	1	
19	93210-22344	O-RING	1	1	1	
20	90462-05061	CLAMP	1	1	1	
21	95807-06010	BOLT, FLANGE	1	1	1	
22	7RH-14757-00	DAMPER, MUFFLER 2	1	1	1	
23	7RH-14747-00	DAMPER, MUFFLER	1	1	1	

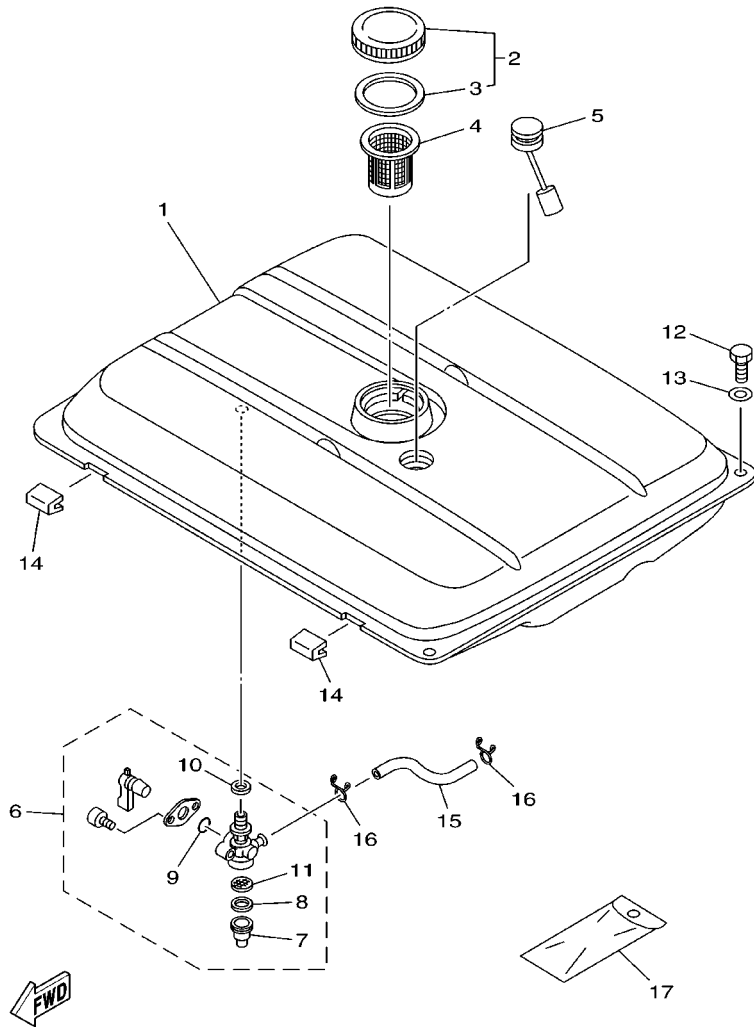
FIG. 12 FRAME



REF. NO.	PART NO.	DESCRIPTION	7WV3	7WV3	8WV8	REMARKS
1	7RH-22840-00	FRAME COMP.	1	1	1	
2	7RH-22850-00	FRAME COMP. 2	1	1	1	
3	95807-06010	BOLT, FLANGE	4	4	4	
4	7RG-11011-00	BRACKET, ENGINE 1	1			
5	7RG-11012-00	BRACKET, ENGINE 2	1			
6	7RH-22891-00	INSULATOR, MOUNTING	4	4	4	
7	95807-10030	BOLT, FLANGE	2			
8	95707-10500	NUT, FLANGE	10	8	8	

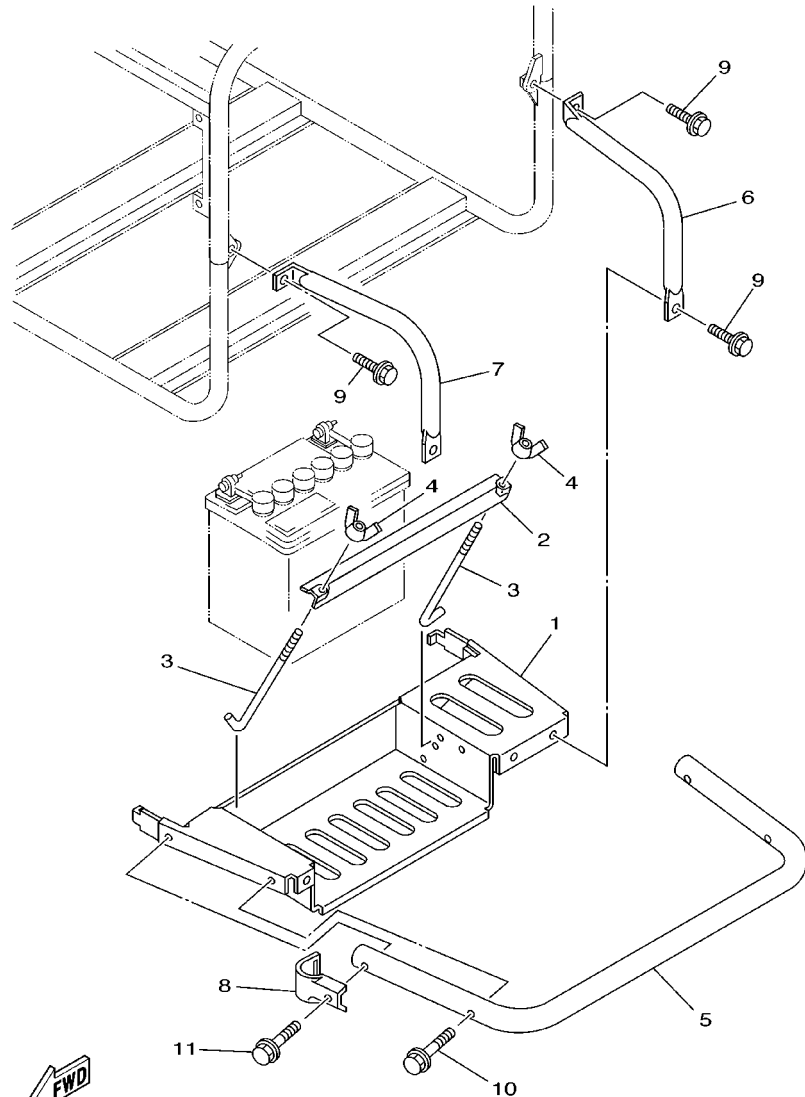
FIG. 13 FUEL TANK

REF. NO.	PART NO.	DESCRIPTION	7WV3	7WV3	8WV8	REMARKS
1	7RH-24110-01-NJ	FUEL TANK COMP.	1	1	1	FWB
2	74T-24610-00	CAP ASSY	1	1	1	
3	796-24612-00	.GASKET, CAP	1	1		
4	630-24167-00	STRAINER	1	1	1	
5	7F7-85710-02	FUEL LEVEL GAUGE ASSY	1	1	1	
6	7NJ-24500-01	FUEL COCK ASSY 1	1	1	1	
7	7J3-24521-00	.CUP, FILTER	1	1	1	
8	4X8-24565-00	.GASKET	1	1	1	
9	7NJ-24534-00	.SEAL, COCK	1	1	1	
10	7NJ-24532-00	.GASKET	1	1	1	
11	7NJ-24515-01	.NET, FILTER 2	1	1	1	
12	97007-06012	BOLT	2	2	2	
13	90201-06380	WASHER, PLATE	2	2	2	
14	7LG-24181-00	DAMPER, LOCATING 1	2	2	2	
15	90445-100E9	HOSE (L155)	1	1	1	
16	90467-09006	CLIP	2	2	2	
17	7LV-28100-00	TOOL KIT	1	1	1	



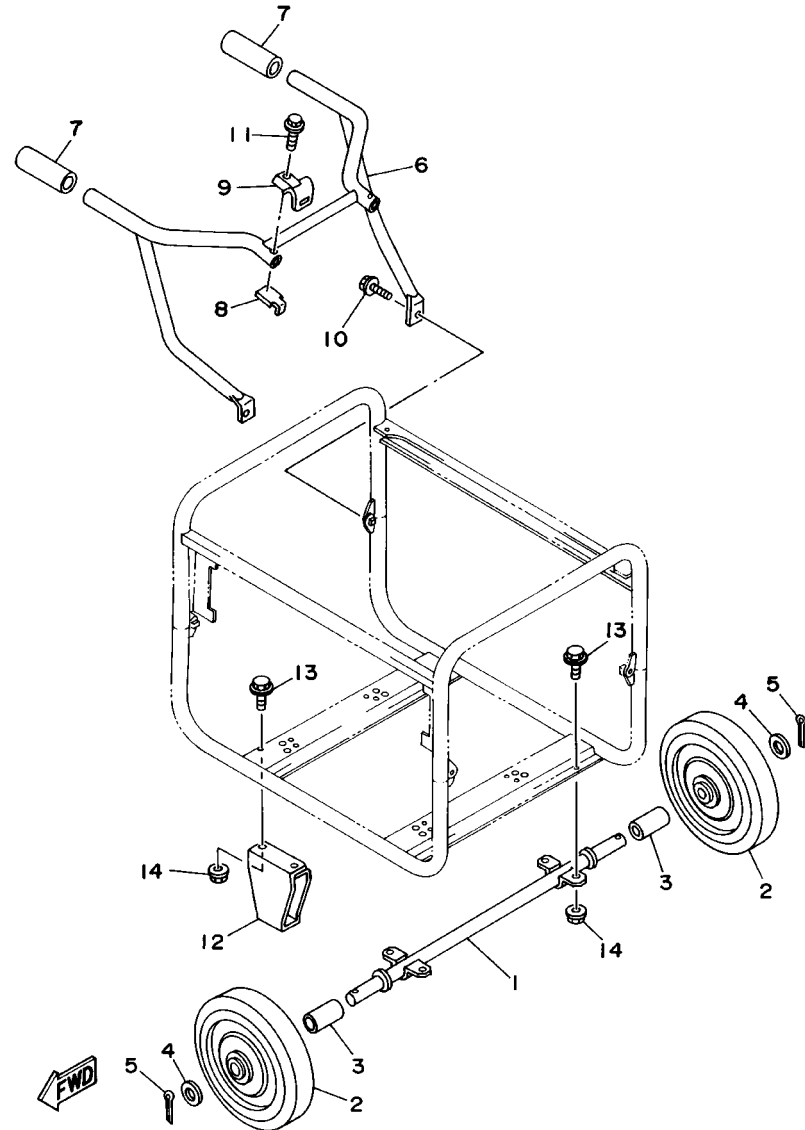
7RG2171-9120

FIG. 14 BATTERY TRAY (FOR EL. START MODEL)



7VW2110-0130

REF. NO.	PART NO.	DESCRIPTION	7VV3	7VV3	8VV8	REMARKS
1	7RH-82122-01	SEAT, BATTERY	1	1	1	
2	J10-82136-00	PLATE, BATTERY FITTING	1	1	1	
3	7LP-82133-00	SCREW, FITTING	2	2	2	
4	90175-06008	NUT, WING	2	2	2	
5	7RH-22836-00	STAY, 3	1	1	1	
6	7RH-22838-00	STAY 6	1	1	1	
7	7RH-22839-00	STAY 7	1	1	1	
8	7RH-22864-00	COVER, SIDE 1	2	2	2	
9	95807-06012	BOLT, FLANGE	4	4	4	
10	95807-06030	BOLT, FLANGE	2	2	2	
11	95807-06035	BOLT, FLANGE	2	2	2	

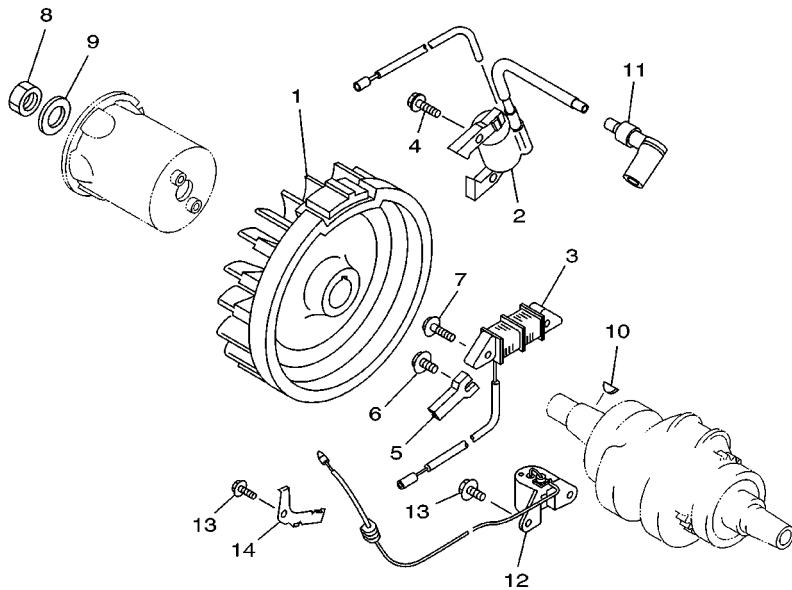
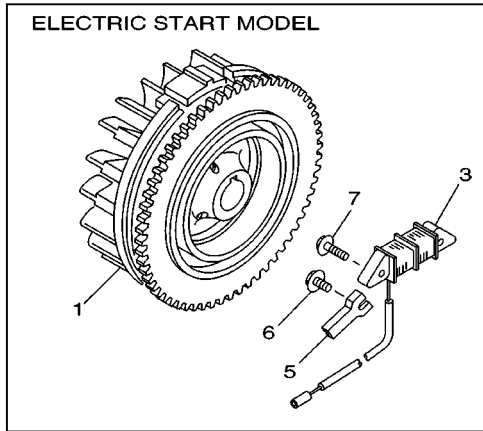


7RG1400-6220

FIG. 15 FRONT WHEEL (OPTIONAL PARTS)

REF. NO.	PART NO.	DESCRIPTION	7WV3	7WV3	8WV8	REMARKS
1	7RH-25381-00	AXLE, WHEEL	1	1	1	
2	73A-22846-10	CASTER 2	2	2	2	
3	73A-25322-10	INSERT, SHAFT	2	2	2	
4	92907-20600	WASHER	2	2	2	
5	91401-30040	PIN, COTTER	2	2	2	
6	7RH-26100-00	HANDLE ASSY	1	1	1	
7	801-26241-01	GRIP	2	2	2	
8	7RH-2284F-00	PLATE 3	2	2	2	
9	7RH-22864-00	COVER, SIDE 1	2	2	2	
10	95807-06014	BOLT, FLANGE	2	2	2	
11	95807-06035	BOLT, FLANGE	2	2	2	
12	7LR-27111-01	STAND, MAIN	2	2	2	
13	95807-08016	BOLT, FLANGE	8	8	8	
14	95707-08500	NUT, FLANGE	8	8	8	

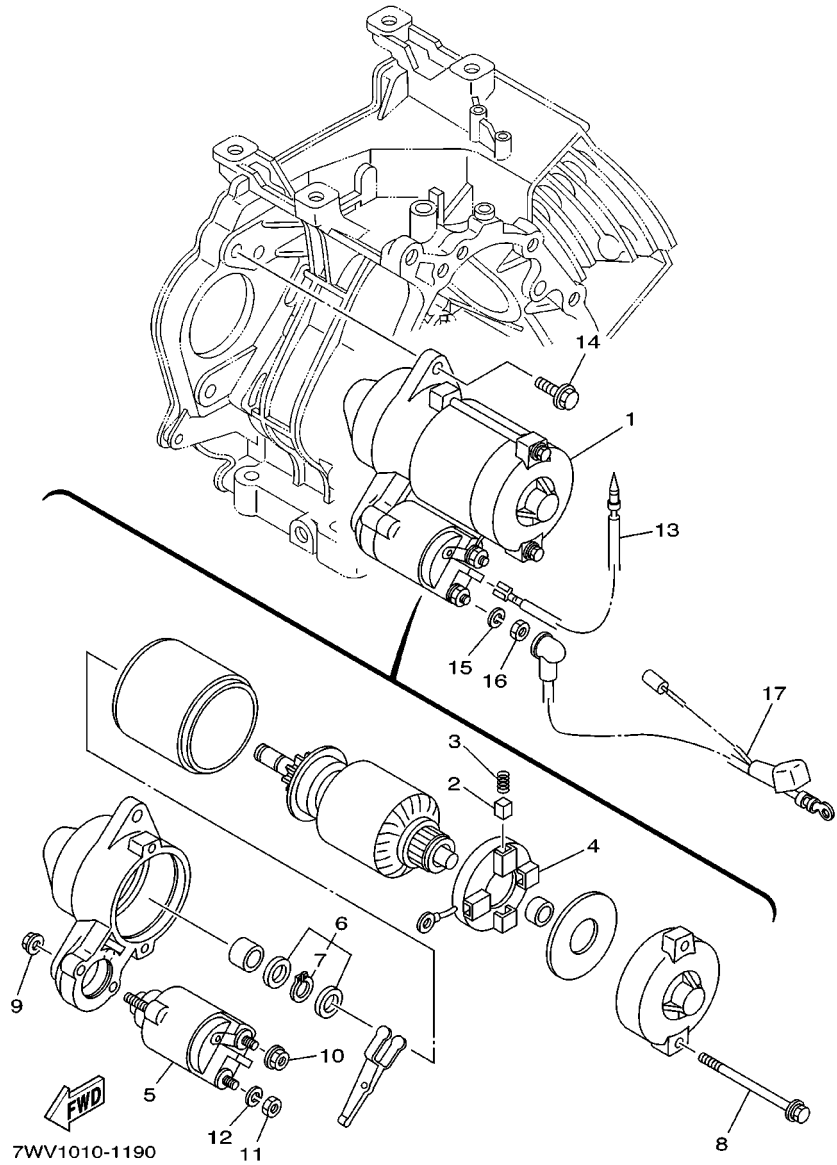
FIG. 16 T.C.I.MAGNETO



7WV3300-1160

REF. NO.	PART NO.	DESCRIPTION	7WV3	7WV3	8WV8	REMARKS
1	7WH-85650-10	ROTOR ASSY	1	1	1	
	7WH-85650-20	ROTOR ASSY		1		FOR EF5500
2	7WG-85640-00	T.C.I. UNIT ASSY	1	1	1	
3	7VW-85521-00	COIL ASSY	1	1	1	
	7WW-85521-10	COIL ASSY		1		FOR EF5500
4	95880-06020	BOLT, FLANGE	2	2	2	
5	90462-06232	CLAMP	1	1	1	
6	95807-06012	BOLT, FLANGE	1	1	1	
7	95807-06025	BOLT, FLANGE	2	2	2	
	95807-06020	BOLT, FLANGE		2		FOR EF5500
8	90170-18391	NUT	1	1	1	
9	90201-180T9	WASHER, PLATE	1	1	1	
10	90280-04052	KEY, WOODRUFF	1	1	1	
11	JN6-82370-00	PLUG CAP ASSY	1	1	1	
12	7RH-85720-02	OIL LEVEL GAUGE ASSY	1	1	1	
13	95827-06012	BOLT, FLANGE	3	3	3	
14	7NJ-85724-00	CLAMP	1	1	1	

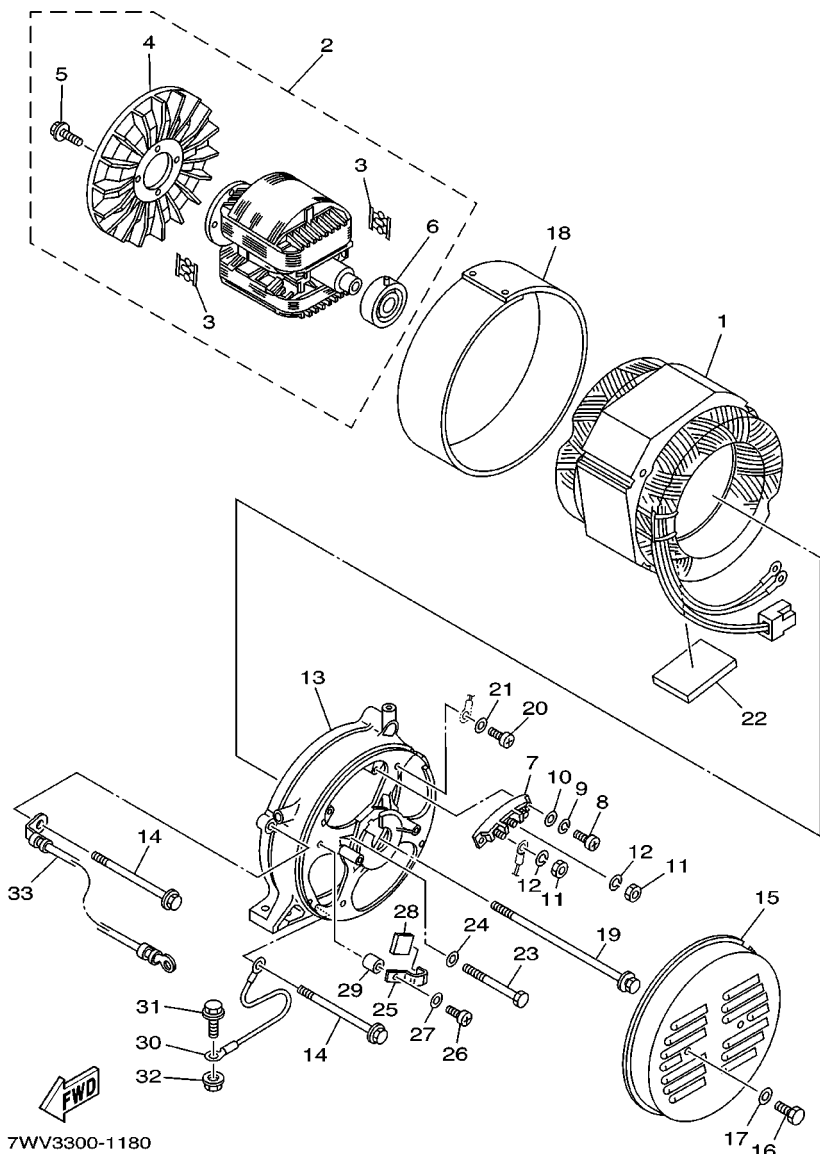
FIG. 17 STARTING MOTOR (FOR EL. START MODEL)



REF. NO.	PART NO.	DESCRIPTION	7WV3	7WV3	8WV8	REMARKS
1	7WW-81800-00	STARTING MOTOR ASSY	1	1	1	
2	JE8-81812-00	.BRUSH 2	4	4	4	
3	JE8-81813-00	.SPRING, BRUSH	4	4	4	
4	JE8-81840-00	.BRUSH HOLDER ASSY	1	1	1	
5	JE8-81870-00	.STARTING SWITCH ASSY	1	1	1	
6	7UJ-81833-00	.RING, STOP	1	1	1	
7	JE8-81834-00	..RING	1	1	1	
8	JE8-81826-00	..BOLT	2	2	2	
9	95302-06600	.NUT	2	2	2	
10	95302-08700	.NUT	1	1	1	
11	95302-08600	.NUT	1	1	1	
12	92902-08100	.WASHER, SPRING	1	1	1	
13	7WW-82507-00	WIRE, LEAD	1	1	1	
14	95807-08025	BOLT, FLANGE	2	2	2	
15	92907-08100	WASHER, SPRING	1	1	1	
16	95307-08600	NUT	1	1	1	
17	7WW-82115-G0	WIRE, PLUS LEAD	1	1	1	

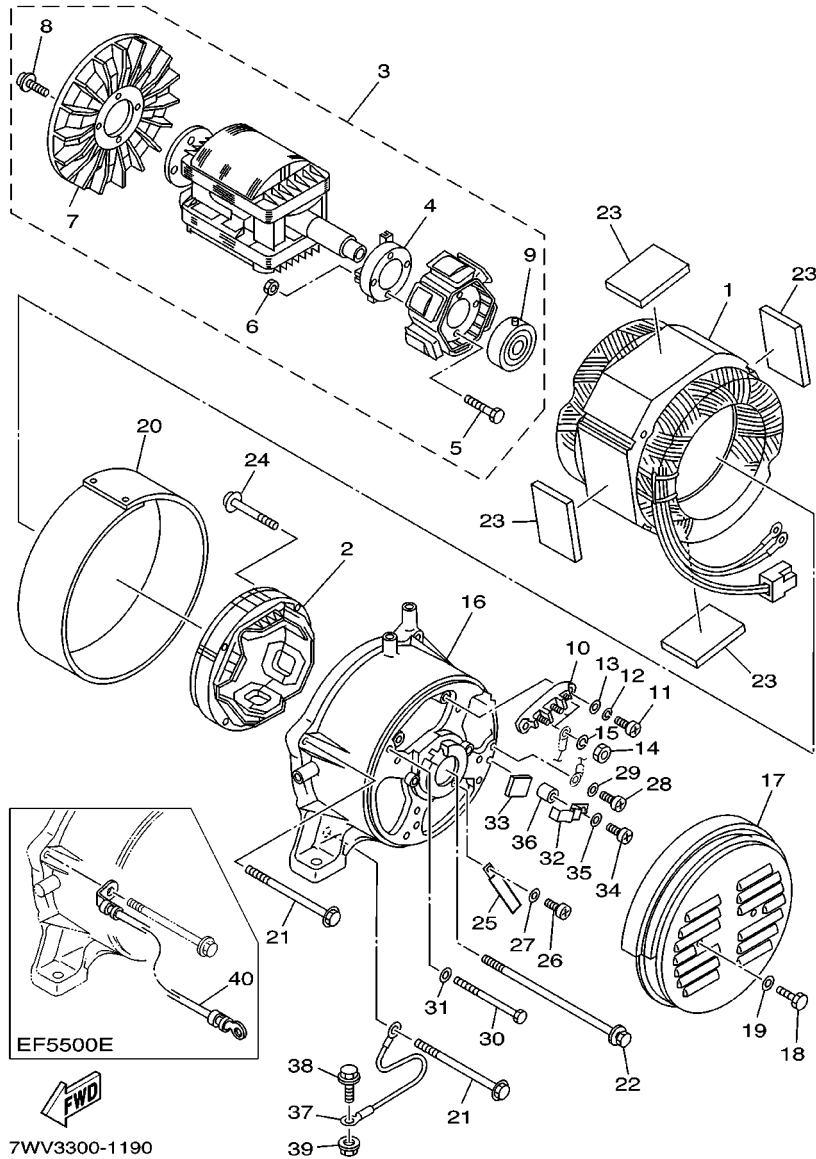
FIG. 18 GENERATOR (EF4500E)

REF. NO.	PART NO.	DESCRIPTION	7WV3	7WV3	8WV8	REMARKS
1	7VX-87150-G0	STATOR ASSY	1			
2	7VX-87160-00	ROTOR ASSY	1			
3	7FK-87115-01	.RECTIFIER ASSY 2	4			
4	7LR-87172-01	.FAN, GENERATOR	1			
5	90159-06032	.SCREW, WITH WASHER	4			
6	93306-37202	.BEARING	1			
7	7LR-87220-00	TERMINAL SUB ASSY 1	1			
8	98507-05014	SCREW, PAN HEAD	2			
9	92907-05100	WASHER, SPRING	2			
10	92907-05600	WASHER, PLATE	2			
11	95307-05700	NUT	2			
12	92907-05100	WASHER, SPRING	2			
13	7LR-87131-02	FRAME, REAR	1			
14	95827-06100	BOLT, FLANGE	4			
15	7RH-87174-A1-98	COVER, REAR END	1			LGB
16	97007-06010	BOLT	2			
17	92907-06600	WASHER, PLATE	2			
18	7RG-87153-00	COVER, STATOR	1			
19	7RG-81152-00	BOLT	1			
20	98507-05010	SCREW, PAN HEAD	1			
21	92907-05600	WASHER, PLATE	1			
22	7LR-87159-00	SEAL, STATOR	1			
23	97027-06080	BOLT	2			
24	92907-06600	WASHER, PLATE	2			
25	7J5-88195-00	HOLDER, CONNECTOR	1			
26	98507-05020	SCREW, PAN HEAD	1			
27	92907-05600	WASHER, PLATE	1			



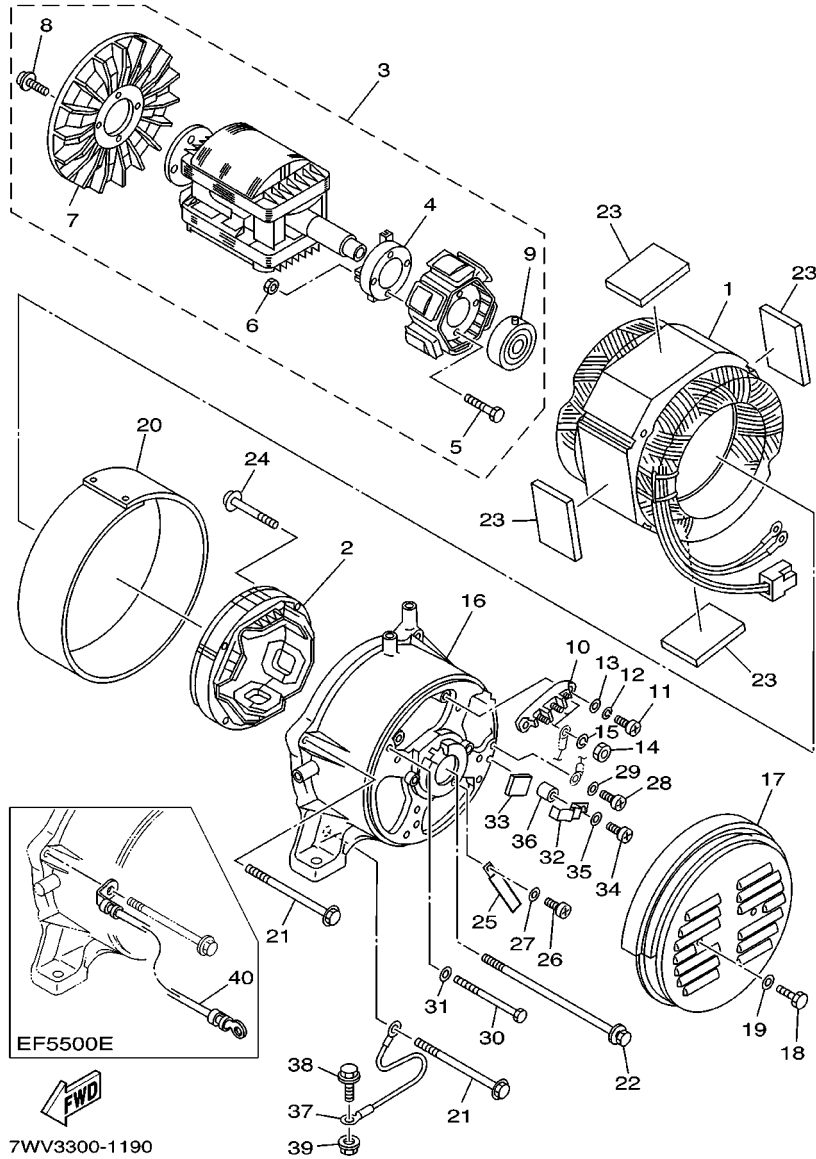
7WV3300-1180

FIG. 19 GENERATOR 1 (EF5500/EF5500E)



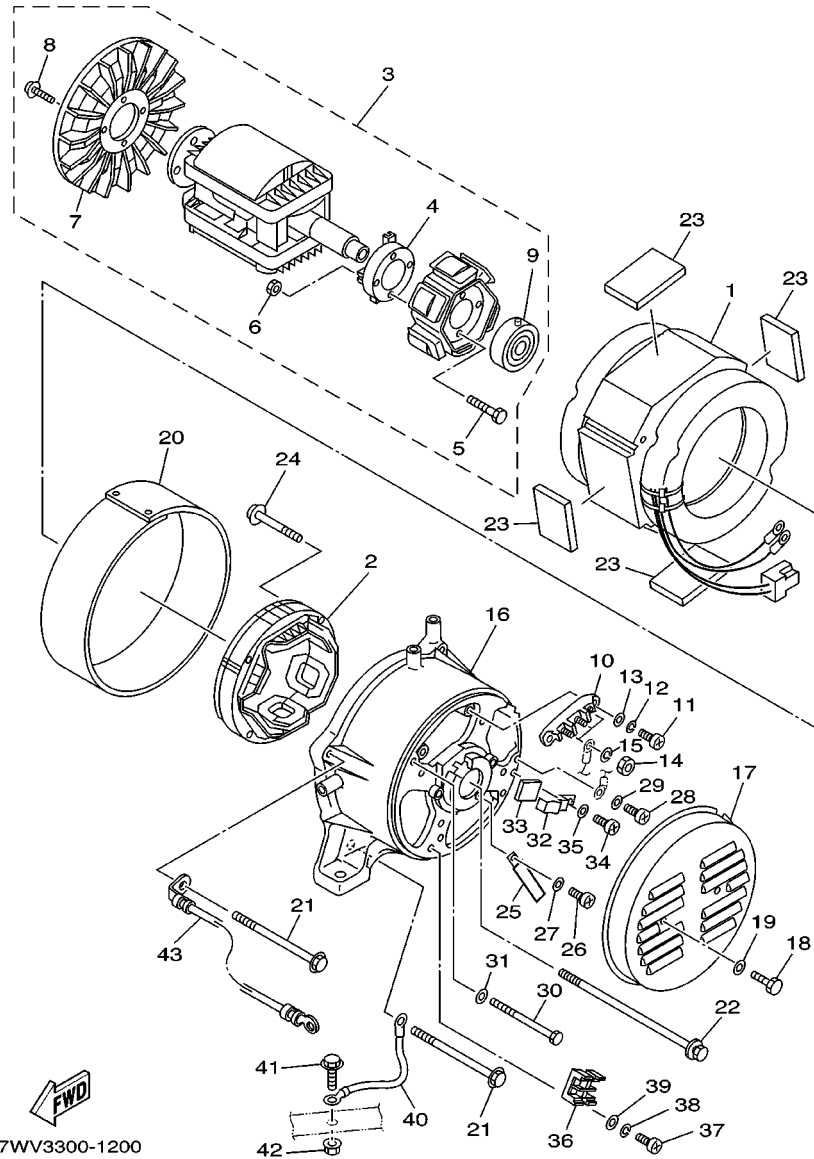
REF. NO.	PART NO.	DESCRIPTION	7WV3	7WV3	8WV8	REMARKS
1	7RH-87150-G0	STATOR ASSY (220V-230V/50HZ)		1		
2	73A-8712A-01	STATOR EXITER ASSY		1		
3	7RH-87160-02	ROTOR ASSY		1		
4	7LV-87115-00	.RECTIFIER ASSY 2		1		
5	97027-05050	.BOLT		4		
6	95307-05600	.NUT		4		
7	7LR-87172-01	.FAN, GENERATOR		1		
8	90159-06032	.SCREW, WITH WASHER		4		
9	93306-37202	.BEARING		1		
10	7LR-87220-00	TERMINAL SUB ASSY 1		1		
11	98507-05014	SCREW, PAN HEAD		2		
12	92907-05100	WASHER, SPRING		2		
13	92907-05600	WASHER, PLATE		2		
14	95307-05700	NUT		2		
15	92907-05100	WASHER, SPRING		2		
16	7RH-87131-00	FRAME, REAR		1		
17	7RH-87174-A1-98	COVER, REAR END		1		LGB
18	97007-06010	BOLT		2		
19	92907-06600	WASHER, PLATE		2		
20	7RH-87153-00	COVER, STATOR		1		
21	95827-06130	BOLT, FLANGE		4		
22	7RH-81152-00	BOLT		1		
23	7LR-87159-00	SEAL, STATOR		4		
24	90159-05091	SCREW, WITH WASHER		4		
25	90462-05061	CLAMP		1		
26	98507-05010	SCREW, PAN HEAD		1		
27	92907-05600	WASHER, PLATE		1		

FIG. 19 GENERATOR 1 (EF5500/EF5500E)



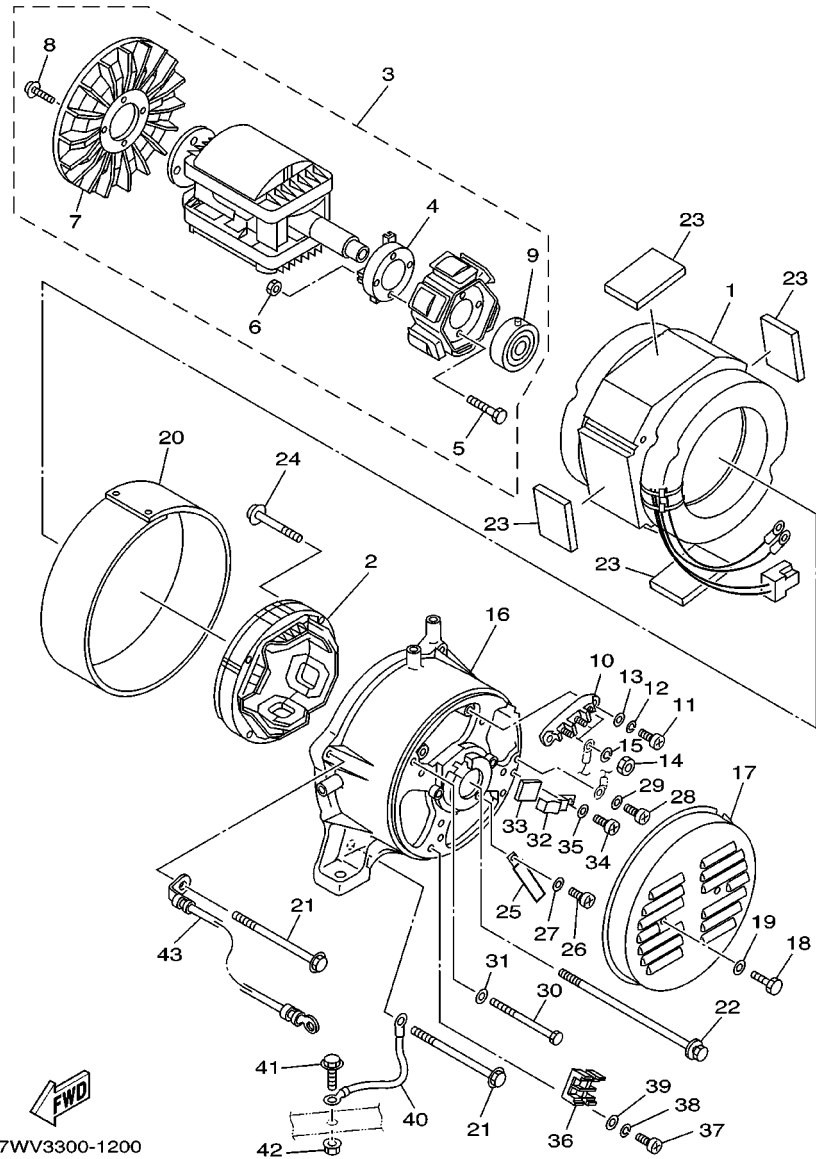
REF. NO.	PART NO.	DESCRIPTION	7WV3	7WV3	8WV8	REMARKS
28	98507-05010	SCREW, PAN HEAD			1	
29	92907-05600	WASHER, PLATE			1	
30	90101-06739	BOLT			2	
31	92907-06600	WASHER, PLATE			2	
32	7J5-88195-00	HOLDER, CONNECTOR			1	
33	7LV-8713J-00	DAMPER			1	
34	98507-05020	SCREW, PAN HEAD			1	
35	92907-05600	WASHER, PLATE			1	
36	90387-06N38	COLLAR			1	
37	7NJ-87139-80	LEAD WIRE ASSY 2			1	
38	95880-06010	BOLT, FLANGE			1	
39	95780-06500	NUT, FLANGE			1	
40	73E-82116-01	WIRE, MINUS LEAD			1	FOR EF5500E

FIG. 20 GENERATOR 2 (EF5500TE)



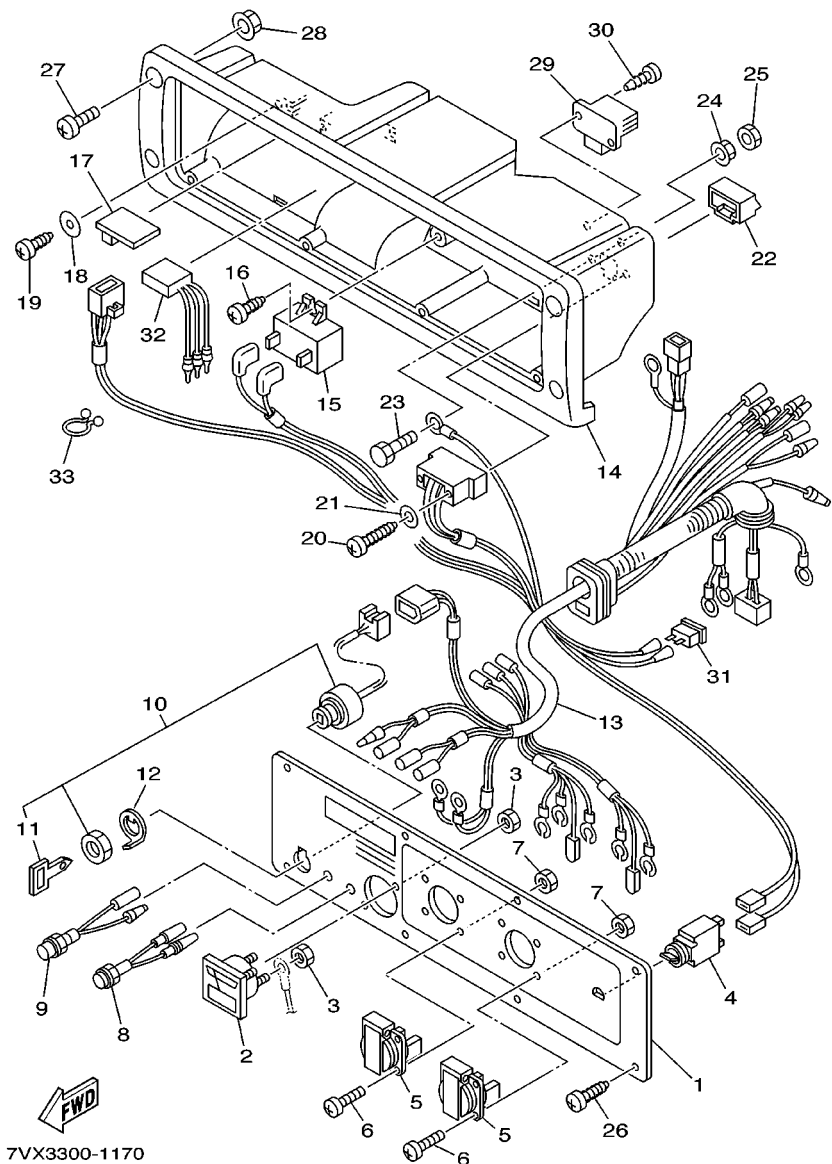
REF. NO.	PART NO.	DESCRIPTION	7WV3	7WV3	8WV8	REMARKS
1	7RH-87150-V0	STATOR ASSY			1	
2	73A-8712A-01	STATOR EXITER ASSY			1	
3	7RH-87160-02	ROTOR ASSY			1	
4	7LV-87115-00	.RECTIFIER ASSY 2			1	
5	97027-05050	.BOLT			4	
6	95307-05600	.NUT			4	
7	7LR-87172-01	.FAN, GENERATOR			1	
8	90159-06032	.SCREW, WITH WASHER			4	
9	93306-37202	.BEARING			1	
10	7LR-87220-00	TERMINAL SUB ASSY 1			1	
11	98507-05014	SCREW, PAN HEAD			2	
12	92907-05100	WASHER, SPRING			2	
13	92907-05600	WASHER, PLATE			2	
14	95307-05700	NUT			3	
15	92907-05100	WASHER, SPRING			3	
16	7RH-87131-10	FRAME, REAR			1	
17	7RH-87174-A1-98	COVER, REAR END			1	LGB
18	97007-06010	BOLT			2	
19	92907-06600	WASHER, PLATE			2	
20	7RH-87153-00	COVER, STATOR			1	
21	95827-06130	BOLT, FLANGE			4	
22	7RH-81152-00	BOLT			1	
23	7LR-87159-00	SEAL, STATOR			4	
24	90159-05091	SCREW, WITH WASHER			4	
25	90462-05061	CLAMP			1	
26	98507-05010	SCREW, PAN HEAD			1	
27	92907-05600	WASHER, PLATE			1	

FIG. 20 GENERATOR 2 (EF5500TE)



REF. NO.	PART NO.	DESCRIPTION	7WV3	7WV3	8WV8	REMARKS
28	98507-05010	SCREW, PAN HEAD			1	
29	92907-05600	WASHER, PLATE			1	
30	90101-06739	BOLT			2	
31	92907-06600	WASHER, PLATE			2	
32	7LV-88195-00	HOLDER, CONNECTOR			1	
33	7LV-8713J-00	DAMPER			1	
34	98507-05010	SCREW, PAN HEAD			1	
35	92907-05600	WASHER, PLATE			1	
36	7RH-87220-01	TERMINAL SUB ASSY 1			1	
37	98507-04016	SCREW, PAN HEAD			2	
38	92907-04100	WASHER, SPRING			2	
39	92907-04600	WASHER			2	
40	7NJ-87139-80	LEAD WIRE ASSY 2			1	
41	95880-06010	BOLT, FLANGE			1	
42	95780-06500	NUT, FLANGE			1	
43	73E-82116-01	WIRE, MINUS LEAD			1	

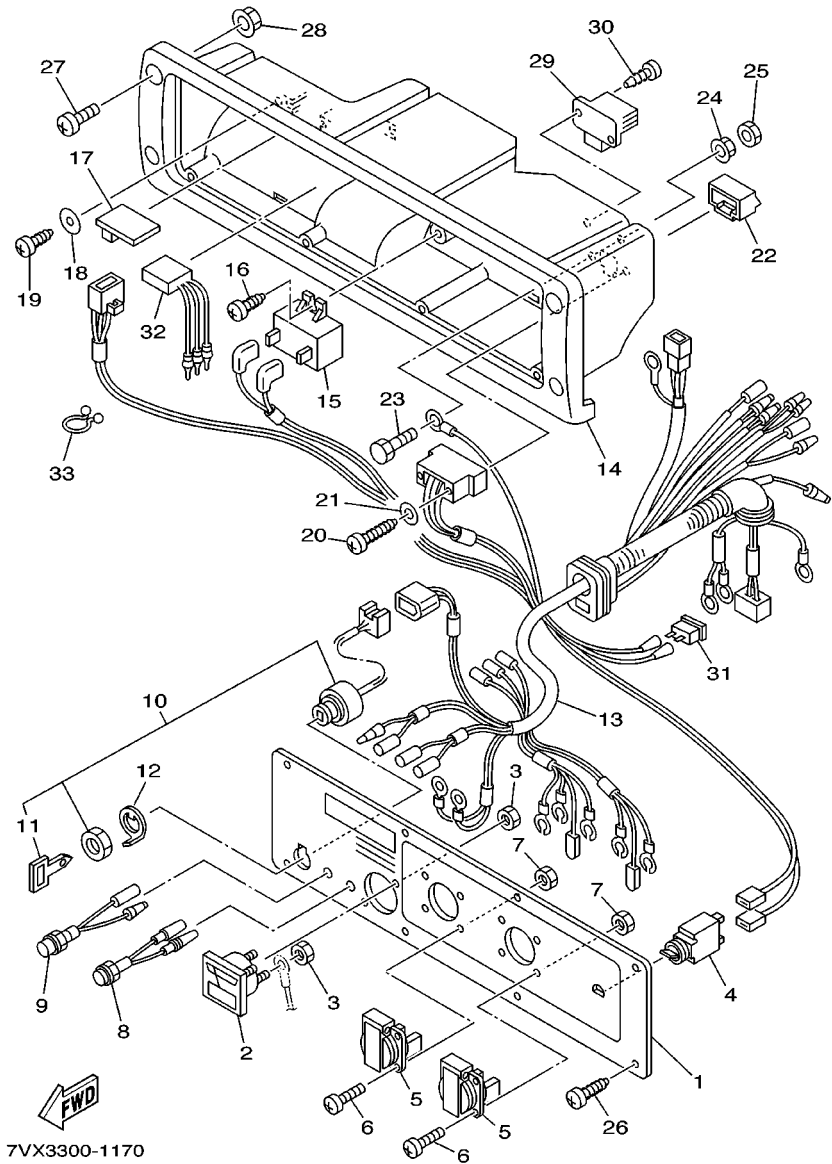
FIG. 21 CONTROL BOX 1 (EF4500E)



7VX3300-1170

REF. NO.	PART NO.	DESCRIPTION	7WV3	7WV3	8WV8	REMARKS
1	7VX-87249-A0	PLATE	1			
2	7NJ-8720A-B0	VOLTEGE METER COMP.	1			
3	90179-03478	NUT	4			
4	7VX-87204-G0	BREAKER COMP.	1			
5	7H7-87221-60	RECEPTACLE 1 (ABL 6300)	2			UR FOR FRANCE
	7H7-87221-80	RECEPTACLE 1 (ABL 6995)	2			UR EXCEPT FOR FRANCE
6	90151-03032	SCREW, COUNTERSUNK	8			
7	90179-03478	NUT	8			
8	7NJ-83530-G0	PILOT LIGHT ASSY	1			
9	7NJ-85770-00	OIL PILOT LIGHT ASSY	1			
10	7LP-82510-00	MAIN SWITCH ASSY	1			
11	73A-82511-00	.KEY, MAIN SWITCH	2			
12	7RG-82517-00	WASHER, SPECIAL	1			
13	7RG-87226-A0	WIRE HARNES ASSY (230V-50HZ/60	1			
14	7RH-87213-00	COVER, CONTROL BOX	1			
15	7VX-87107-00	CONDENSER ASSY	1			
16	97707-40516	SCREW, TAPPING	1			
17	7LG-85690-00	OIL WARNING UNIT	1			
18	90201-03013	WASHER, PLATE	1			
19	97707-30512	SCREW, TAPPING	1			
20	97707-30512	SCREW, TAPPING	2			
21	92907-03200	WASHER	2			
22	7LP-82599-00	COVER, CONNECTER	1			
23	97080-06020	BOLT	1			
24	90179-06511	NUT	1			
25	95380-06700	NUT	1			
26	97707-40516	SCREW, TAPPING	8			

FIG. 21 CONTROL BOX 1 (EF4500E)



7VX3300-1170

REF. NO.	PART NO.	DESCRIPTION	7WV3	7WV3	8WV8	REMARKS
27	98907-06014	SCREW, BIND	4			
28	95707-06500	NUT, FLANGE	2			
29	22J-81960-60	RECTIFIER & REGULATOR ASSY	1			
30	97707-50520	SCREW, TAPPING	2			
31	42X-82151-00	FUSE (10A-BL)	1			
32	7NJ-88188-00	FILTER, NOISE	1			
33	90465-18147	CLAMP	1			

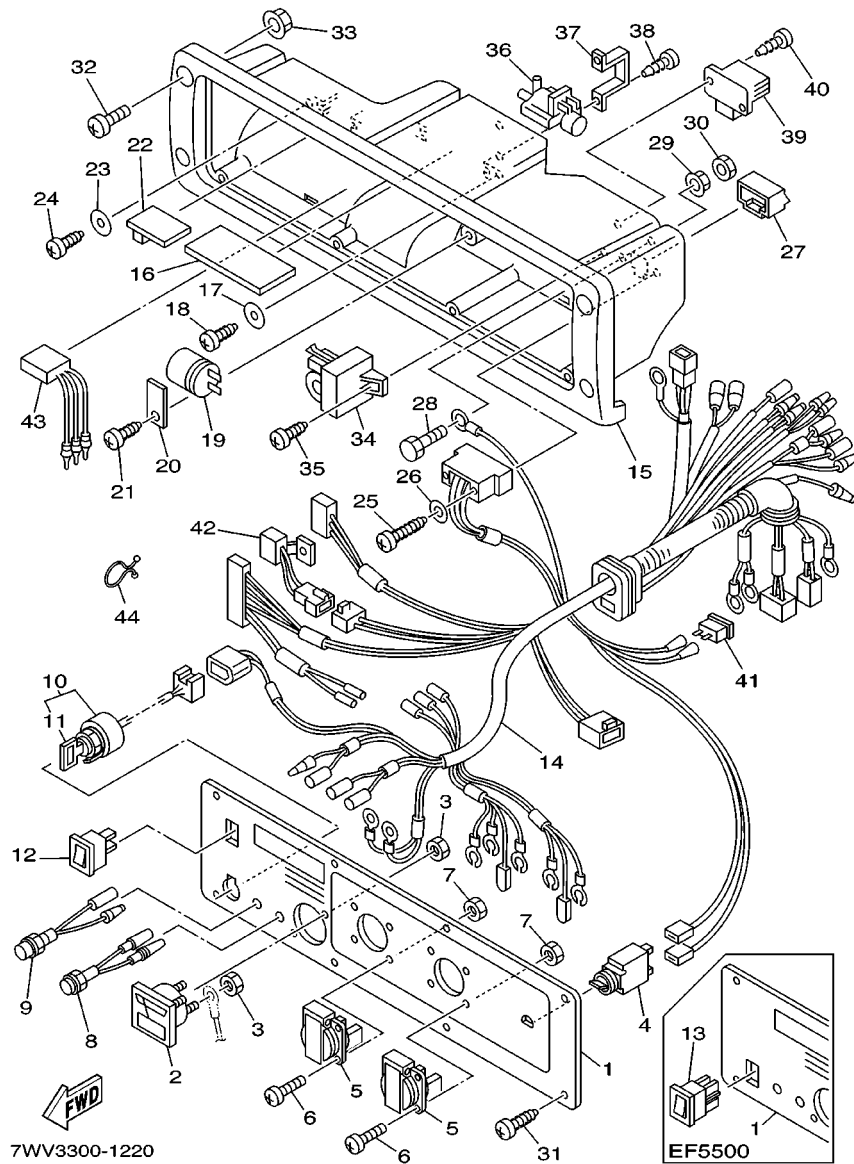
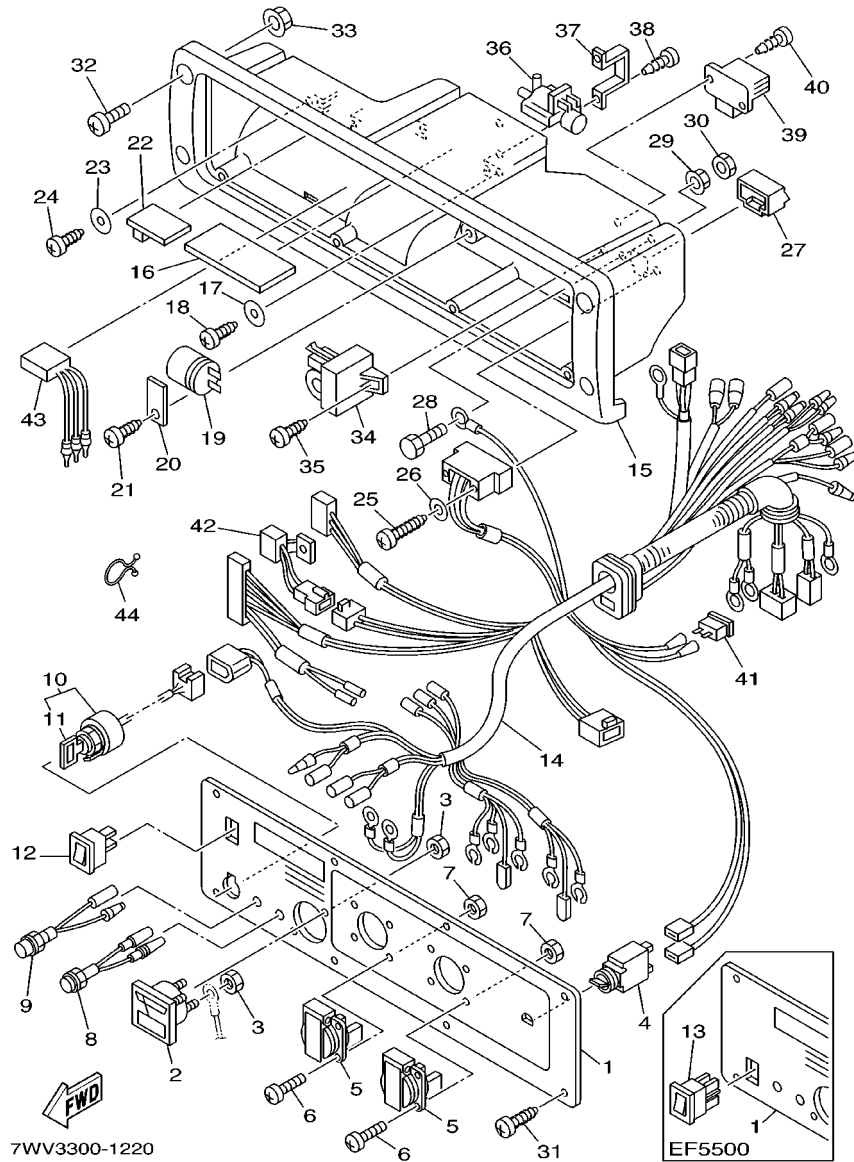


FIG. 22 CONTROL BOX 2 (EF5500/EF5500E)

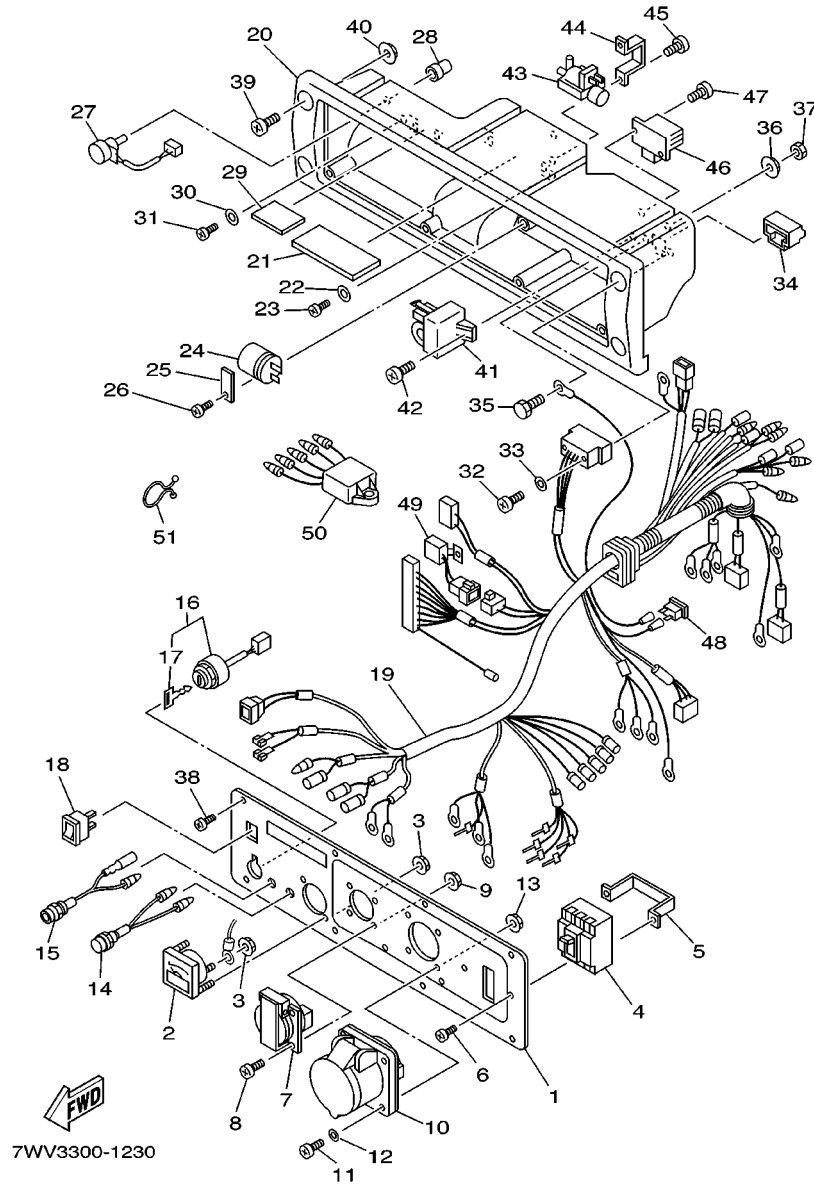
REF. NO.	PART NO.	DESCRIPTION	7WV3	7WV3	8WV8	REMARKS
1	7RH-87249-A1	PLATE		1		UR EF5500E
	7RH-87249-B1	PLATE		1		UR EF5500
2	7NJ-8720A-B0	VOLTEGE METER COMP.		1		
3	90179-03478	NUT		4		
4	7RH-87204-G0	BREAKER COMP. (240V-23A)		1		
5	7H7-87221-60	RECEPTACLE 1 (ABL 6300)		2		UR FOR FRANCE
	7H7-87221-80	RECEPTACLE 1 (ABL 6995)		2		UR EXCEPT FOR FRANCE
6	90151-03032	SCREW, COUNTERSUNK		8		
7	90179-03478	NUT		8		
8	7NJ-83530-G0	PILOT LIGHT ASSY		1		
9	7NJ-85770-00	OIL PILOT LIGHT ASSY		1		
10	7RH-82510-00	MAIN SWITCH ASSY		1		EF5500E
11	73A-82511-00	.KEY, MAIN SWITCH		2		
12	7NJ-82550-00	ENGINE STOP SWITCH ASSY		1		EF5500E
13	7RH-82550-00	ENGINE STOP SWITCH ASSY		1		EF5500
14	7RH-87226-A0	WIRE HARNESS ASSY (230V-50HZ)		1		EF5500E
	7RH-87226-B0	WIRE HARNESS ASSY (230V-50HZ)		1		EF5500
15	7RH-87213-00	COVER, CONTROL BOX		1		EF5500E
	7RH-87213-G0	COVER, CONTROL BOX		1		EF5500
16	7LU-8722A-00	VOLTAGE REGULATOR ASSY		1		
17	90201-03013	WASHER, PLATE		1		
18	97707-30512	SCREW, TAPPING		1		
19	7RH-87107-00	CONDENSER ASSY		1		
20	7LR-86112-00	STAY, SOLENOID		1		
21	97707-50512	SCREW, TAPPING		1		
22	7LG-85690-00	OIL WARNING UNIT		1		
23	90201-03013	WASHER, PLATE		1		

FIG. 22 CONTROL BOX 2 (EF5500/EF5500E)



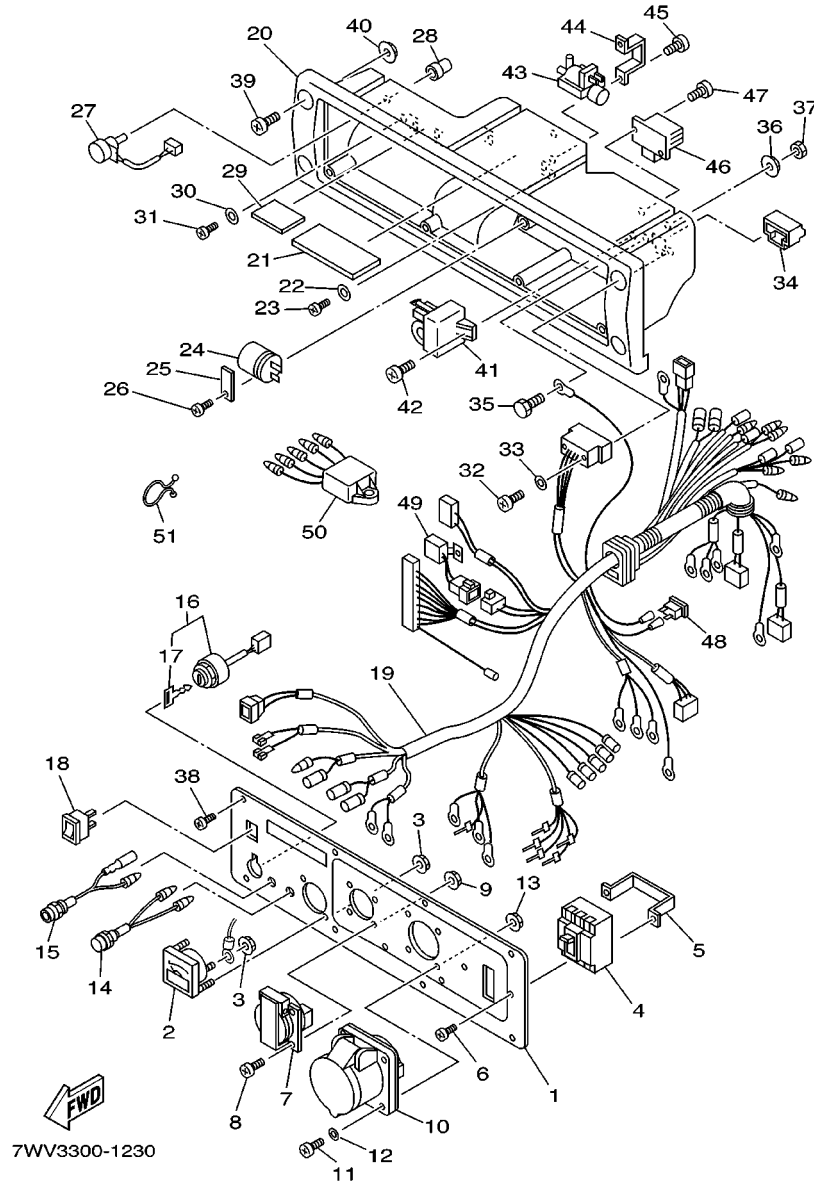
REF. NO.	PART NO.	DESCRIPTION	7WV3	7WV3	8WV8	REMARKS
24	97707-30512	SCREW, TAPPING			1	
25	97707-30512	SCREW, TAPPING			2	EF5500E
26	92907-03200	WASHER			2	EF5500E
27	7LP-82599-00	COVER, CONNECTER			1	EF5500E
28	97080-06020	BOLT			1	
29	90179-06511	NUT			1	
30	95380-06700	NUT			1	
31	97707-40516	SCREW, TAPPING			8	
32	98907-06014	SCREW, BIND			4	
33	95707-06500	NUT, FLANGE			2	
34	73M-87286-00	SLOW DOWN UNIT ASSY			1	EF5500E
35	97707-60520	SCREW, TAPPING			1	EF5500E
36	7LR-86120-90	SOLENOID VALVE ASSY			1	EF5500E
37	7RH-86112-00	STAY, SOLENOID			1	EF5500E
38	97707-50512	SCREW, TAPPING			2	EF5500E
39	22J-81960-60	RECTIFIER & REGULATOR ASSY			1	EF5500E
40	97707-50520	SCREW, TAPPING			2	EF5500E
41	42X-82151-00	FUSE (10A-BL)			1	EF5500E
42	7RH-81970-00	RECTIFIER ASSY			1	
43	7NJ-88188-00	FILTER, NOISE			1	
44	90465-18147	CLAMP			1	

FIG. 23 CONTROL BOX 3 (EF5500TE)

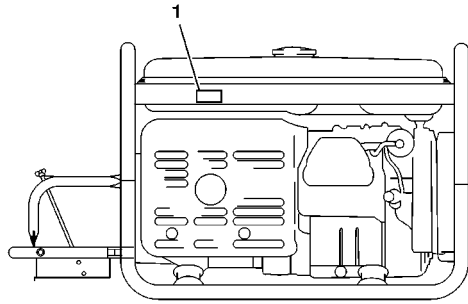


REF. NO.	PART NO.	DESCRIPTION	7WV3	7WV3	8WV8	REMARKS
1	7RH-87249-V0	PLATE			1	
2	7RH-8720A-V0	VOLTEGE METER COMP.			1	
3	90179-03478	NUT			4	
4	7RH-87204-V0	BREAKER COMP.			1	
5	73J-87244-01	HOLDER, BREAKER			1	
6	98507-04008	SCREW, PAN HEAD			2	
7	7H7-87221-80	RECEPTACLE 1 (ABL 6995)			1	
8	90151-03032	SCREW, COUNTERSUNK			4	
9	90179-03478	NUT			4	
10	73Y-87222-61	RECEPTACLE 2			1	
11	98507-05016	SCREW, PAN HEAD			4	
12	92907-05200	WASHER			4	
13	95707-05500	NUT, FLANGE			4	
14	7NJ-83530-G0	PILOT LIGHT ASSY			1	
15	7NJ-85770-00	OIL PILOT LIGHT ASSY			1	
16	7RH-82510-00	MAIN SWITCH ASSY			1	
17	73A-82511-00	.KEY, MAIN SWITCH			2	
18	7NJ-82550-00	ENGINE STOP SWITCH ASSY			1	
19	7RH-87226-V0	WIRE HARNESS ASSY			1	
20	7RH-87213-00	COVER, CONTROL BOX			1	
21	7RH-8722A-T1	VOLTAGE REGULATOR ASSY			1	
22	90201-03013	WASHER, PLATE			1	
23	97707-30512	SCREW, TAPPING			1	
24	7RH-87107-00	CONDENSER ASSY			1	
25	7LR-86112-00	STAY, SOLENOID			1	
26	97707-50512	SCREW, TAPPING			1	
27	7LV-87283-00	RESISTOR, VARIABLE			1	

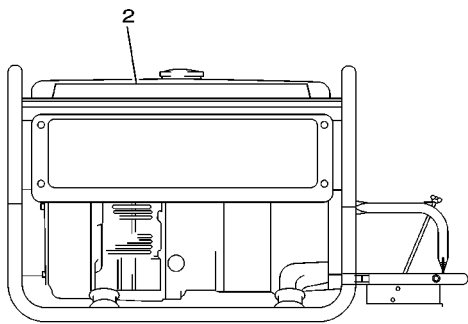
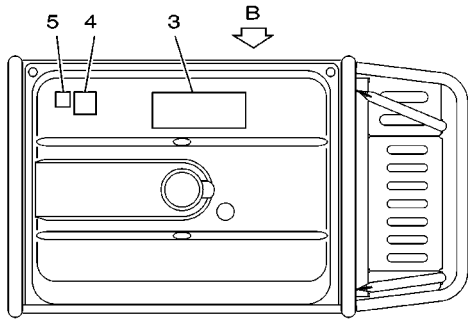
FIG. 23 CONTROL BOX 3 (EF5500TE)



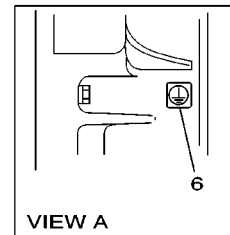
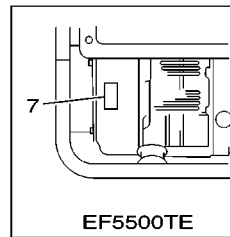
REF. NO.	PART NO.	DESCRIPTION	7WV3	7WV3	8WV8	REMARKS
28	7LV-82532-00	CAP			1	
29	7LG-85690-00	OIL WARNING UNIT			1	
30	90201-03013	WASHER, PLATE			1	
31	97707-30512	SCREW, TAPPING			1	
32	97707-30512	SCREW, TAPPING			2	
33	92907-03200	WASHER			2	
34	7LP-82599-00	COVER, CONNECTER			1	
35	90101-06484	BOLT			1	
36	90179-06511	NUT			1	
37	90179-06300	NUT			1	
38	97707-40516	SCREW, TAPPING			8	
39	98907-06014	SCREW, BIND			4	
40	95707-06500	NUT, FLANGE			2	
41	73M-87286-00	SLOW DOWN UNIT ASSY			1	
42	97707-60520	SCREW, TAPPING			1	
43	7LR-86120-90	SOLENOID VALVE ASSY			1	
44	7RH-86112-00	STAY, SOLENOID			1	
45	97707-50512	SCREW, TAPPING			2	
46	22J-81960-60	RECTIFIER & REGULATOR ASSY			1	
47	97707-50520	SCREW, TAPPING			2	
48	42X-82151-00	FUSE (10A-BL)			1	
49	7RH-81970-00	RECTIFIER ASSY			1	
50	7RH-88188-00	FILTER, NOISE			1	
51	90465-18147	CLAMP			1	



VIEW B



A



VIEW A

7WV3300-1240

FIG. 24 LABELS

REF. NO.	PART NO.	DESCRIPTION	7WV3	7WV3	8WV8	REMARKS
1	7NJ-2415E-00	LABEL, CAUTION (HOT)	1	1	1	
2	7RH-24161-10	EMBLEM 1 (YAMAHA)	1	1	1	
3	7NJ-24162-30	EMBLEM 1 (WARNING)	1	1	1	
4	7VW-24235-01	MARK 1 (LWA MARK)	1	1	1	
5	7NJ-24236-00	MARK 2 (CE MARK)	1	1	1	
6	7NJ-87261-00	EMBLEM 1 (GROUND)	1	1	1	
7	73A-21793-00	ORNAMENT (OIL)			1	

NUMERICAL INDEX

PART NO.	GRID NO.	PART NO.	GRID NO.	PART NO.	GRID NO.	PART NO.	GRID NO.	PART NO.	GRID NO.	PART NO.	GRID NO.
7RG-11011-00	B - 14	JN6-12153-00	B - 6	73A-14212-00	B - 11	7RH-15711-00	B - 7	JE8-81812-00	C - 5	7LG-85690-00	D - 3
7RG-11012-00	B - 14	JN6-12154-00	B - 6	7RH-14216-00	B - 10	7RH-15713-00	B - 7	JE8-81813-00	C - 5	7F7-85710-02	B - 15
7WE-11111-00	B - 2	J38-12156-00	B - 6		B - 11	7RH-15714-00	B - 7	JE8-81826-00	C - 5	7RH-85720-02	C - 4
7WG-11111-00	B - 2	22F-12159-00	B - 6	78A-14227-00	B - 11	7RH-15715-00	B - 7	7UJ-81833-00	C - 5	7NJ-85724-00	C - 4
7RH-11166-00	B - 2	7WG-12170-00	B - 6	1HX-1423E-40	B - 11	7RH-15716-00	B - 7	JE8-81834-00	C - 5	7NJ-85770-00	C - 12
7WE-11181-00	B - 2	7WG-12287-00	B - 6	3G2-1423E-41	B - 10	7RH-15723-00	B - 7	JE8-81840-00	C - 5		C - 14
7WG-11181-00	B - 2	7WG-12621-10	B - 7	7X9-14239-00	B - 10	7RH-15741-00	B - 7	JE8-81870-00	C - 5		D - 2
7WG-11190-00	B - 2	7RH-12651-01	B - 7		B - 11	JK4-15743-00	B - 7	22J-81960-60	C - 15	7LR-86112-00	C - 14
JN6-11193-00	B - 2	7RH-13545-00	B - 5	7RH-14283-00	B - 8	7RH-15751-00	B - 7		C - 13		D - 2
812-11198-00	B - 13	7RH-13545-10	B - 4		B - 9	7RH-15755-00	B - 7		D - 3	7RH-86112-00	C - 15
7WR-11400-00	B - 3	7LV-13546-00	B - 9	7RH-14411-01	B - 8	7NJ-15793-00	B - 7	7RH-81970-00	C - 15		D - 3
7WR-11400-10	B - 3	7RH-13557-00	B - 8		B - 9	73A-21793-00	D - 4		D - 3	7LR-86120-90	C - 15
7WG-11454-00	B - 3		B - 9	7RH-14412-01	B - 8	7RH-22836-00	C - 2	7WW-82115-G0	C - 5		D - 3
7RH-11603-00	B - 3	7RH-13567-00	B - 8		B - 9	7RH-22838-00	C - 2	73E-82116-01	C - 11	7RH-87107-00	C - 14
7RH-11604-00	B - 3		B - 9	7RH-14429-00	B - 8	7RH-22839-00	C - 2		C - 7		D - 2
7RH-11605-00	B - 3	7RH-13596-00	B - 8		B - 9	7RH-2284F-00	C - 3		C - 9	7VX-87107-00	C - 12
JN6-11610-00	B - 3		B - 9	7RH-14451-00	B - 8	7RH-22840-00	B - 14	7RH-82122-01	C - 2	7FK-87115-01	C - 6
JN6-11610-10	B - 3	7RH-13596-10	B - 9		B - 9	73A-22846-10	C - 3	7LP-82133-00	C - 2	7LV-87115-00	C - 10
JN6-11610-20	B - 3	7RH-1410H-01	B - 11	7RH-14468-00	B - 8	7RH-22850-00	B - 14	J10-82136-00	C - 2		C - 8
JN6-11631-00-A0	B - 3	7RG-14101-00	B - 10		B - 9	7RH-22864-00	C - 2	42X-82151-00	C - 13	73A-8712A-01	C - 10
7RH-11631-00-A0	B - 3	7RH-14101-01	B - 11	7LV-14477-00	B - 8		C - 3		C - 15		C - 8
447-11633-00	B - 3	7RH-14101-11	B - 11		B - 9	7RH-22891-00	B - 14		D - 3	7LV-8713J-00	C - 11
583-11633-00	B - 3	4CW-14117-00	B - 10	7RH-14486-00	B - 10	7RH-24110-01-NJ	B - 15	JN6-82370-00	C - 4		C - 7
JN6-11635-00	B - 3		B - 11		B - 11	7NJ-2415E-00	D - 4	7WW-82507-00	C - 5		C - 9
7RH-11635-00	B - 3	73A-1414G-00	B - 10	7RH-14611-00	B - 12	7RH-24161-10	D - 4	7LP-82510-00	C - 12	7LR-87131-02	C - 6
JN6-11636-00	B - 3		B - 11	7KY-14613-01	B - 12	7NJ-24162-30	D - 4	7RH-82510-00	C - 14	7RH-87131-00	C - 8
7RH-11636-00	B - 3	620-1414J-25	B - 11	7RH-14623-00	B - 12	630-24167-00	B - 15		D - 2	7RH-87131-10	C - 10
JN6-11650-00	B - 3	620-14142-62	B - 10	7RG-14711-11	B - 12	7LG-24181-00	B - 15	73A-82511-00	C - 12	7NJ-87139-80	C - 11
JN6-11654-00	B - 3	36Y-14147-00	B - 11	7RH-14711-11	B - 12	7VW-24235-01	D - 4		C - 14		C - 7
7RH-11901-00	B - 4	73A-14150-00	B - 10	7RH-14718-00	B - 12	7NJ-24236-00	D - 4		D - 2		C - 9
7RH-11913-00	B - 4		B - 11	7RH-14737-00	B - 12	7NJ-24500-01	B - 15	7RG-82517-00	C - 12	7RH-87150-G0	C - 8
7FK-11914-00	B - 4	7EG-14159-00	B - 10	7RH-14747-00	B - 13	7NJ-24515-01	B - 15	7LV-82532-00	D - 3	7RH-87150-V0	C - 10
7KY-11917-00	B - 4		B - 11	7RH-14757-00	B - 13	7J3-24521-00	B - 15	7NJ-82550-00	C - 14	7VX-87150-G0	C - 6
7RH-11922-00	B - 4	7RG-14162-00	B - 10	7RH-1479E-00	B - 12	7NJ-24532-00	B - 15		D - 2	7RG-87153-00	C - 6
7VX-11925-00	B - 4	7RH-14162-00	B - 11	7RH-14799-00	B - 12	7NJ-24534-00	B - 15	7RH-82550-00	C - 14	7RH-87153-00	C - 10
7RH-11928-00	B - 4	796-14184-00	B - 10	1WG-14922-00	B - 10	4X8-24565-00	B - 15	7LP-82599-00	C - 12		C - 8
73A-11931-00	B - 4		B - 11		B - 11	74T-24610-00	B - 15		C - 15	7LR-87159-00	C - 10
73A-11941-00	B - 4	JN6-14185-00	B - 10	7LW-14941-53	B - 10	796-24612-00	B - 15		D - 3		C - 6
7X6-11960-00	B - 4		B - 11		B - 11	73A-25322-10	C - 3	7NJ-83530-G0	C - 12		C - 8
7RH-11970-00	B - 4	7KY-14185-00	B - 11	256-14956-01	B - 11	7RH-25381-00	C - 3		C - 14	7RH-87160-02	C - 10
7RH-11971-00	B - 13	22F-14186-00	B - 10	7WE-15111-10	B - 13	7RH-26100-00	C - 3		D - 2		C - 8
7RH-11998-00	B - 4		B - 11	7WG-15111-00	B - 13	801-26241-01	C - 3	7VW-85521-00	C - 4	7VX-87160-00	C - 6
JN6-12111-01	B - 6	7E1-14191-00	B - 10	7WG-15111-10	B - 13	7LR-27111-01	C - 3	7WW-85521-10	C - 4	7LR-87172-01	C - 10
J38-12117-01	B - 6	7RH-14191-00	B - 11	796-15363-01	B - 13	7LV-28100-00	B - 15	7WG-85640-00	C - 4		C - 6
J38-12118-00	B - 6	127-14198-00	B - 10	7RH-15411-01	B - 13	7RG-81152-00	C - 6	7WH-85650-10	C - 4		C - 8
4G0-12119-00	B - 6	7LV-14211-00	B - 10	7RH-15414-00	B - 13	7RH-81152-00	C - 10	7WH-85650-20	C - 4	7RH-87174-A1-98	C - 10
7RH-12121-00	B - 6		B - 11	7RH-15451-01	B - 13		C - 8	7LG-85690-00	C - 12		C - 6
JN6-12151-00	B - 6	73A-14212-00	B - 10	7RH-15710-00	B - 7	7WW-81800-00	C - 5		C - 14		C - 8

NUMERICAL INDEX

PART NO.	GRID NO.	PART NO.	GRID NO.	PART NO.	GRID NO.	PART NO.	GRID NO.	PART NO.	GRID NO.	PART NO.	GRID NO.
7G5-87188-00	B - 9	90151-03032	D - 2	90501-264A9	B - 6	95380-06700	C - 12	95880-06020	C - 4		
7NJ-8720A-B0	C - 12	90159-05091	C - 10	90506-04458	B - 4		C - 15	97007-06010	C - 10		
	C - 14		C - 8	91401-30040	C - 3	95607-08700	B - 2		C - 6		
7RH-8720A-V0	D - 2	90159-06032	C - 10	92902-08100	C - 5	95627-08618	B - 2		C - 8		
7RH-87204-G0	C - 14		C - 6	92907-03200	C - 12	95707-05500	D - 2	97007-06012	B - 15		
7RH-87204-V0	D - 2		C - 8		C - 15	95707-06500	C - 13	97027-05050	C - 10		
7VX-87204-G0	C - 12	90170-05302	B - 6		D - 3		C - 15		C - 8		
7RH-87213-G0	C - 14	90170-18391	C - 4	92907-04100	C - 11		D - 3	97027-06030	B - 4		
7RH-87213-00	C - 12	90173-06017	B - 4	92907-04600	C - 11	95707-08500	B - 4	97027-06080	C - 6		
	C - 14	90175-06008	C - 2	92907-05100	C - 10		B - 8	97080-06020	C - 12		
	D - 2	90179-03478	C - 12		C - 6		B - 9		C - 15		
7LU-8722A-00	C - 14		C - 14		C - 8		C - 3	97707-30512	C - 12		
7RH-8722A-T1	D - 2		D - 2	92907-05200	D - 2	95707-10500	B - 14		C - 14		
7LR-87220-00	C - 10	90179-06300	D - 3	92907-05600	C - 10	95780-06500	C - 11		C - 15		
	C - 6	90179-06511	C - 12		C - 11		C - 7		D - 2		
	C - 8		C - 15		C - 6		C - 9		D - 3		
7RH-87220-01	C - 11		D - 3		C - 8	95807-06008	B - 12	97707-40516	C - 12		
7H7-87221-60	C - 12	90201-03013	C - 12		C - 9		B - 7		C - 15		
	C - 14		C - 14	92907-06600	B - 4	95807-06010	B - 13		D - 3		
7H7-87221-80	C - 12		D - 2		C - 10		B - 14	97707-50512	C - 14		
	C - 14		D - 3		C - 11	95807-06012	B - 4		C - 15		
	D - 2	90201-06380	B - 15		C - 6		B - 7		D - 2		
73Y-87222-61	D - 2	90201-065K7	B - 4		C - 8		C - 2		D - 3		
7RG-87226-A0	C - 12	90201-067L0	B - 4		C - 9		C - 4	97707-50520	C - 13		
7RH-87226-A0	C - 14	90201-08092	B - 4	92907-08100	C - 5	95807-06014	C - 3		C - 15		
7RH-87226-B0	C - 14	90201-180T9	C - 4	92907-20600	C - 3	95807-06016	B - 8		D - 3		
7RH-87226-V0	D - 2	90201-22793	B - 12	93102-35191	B - 13		B - 9	97707-60520	C - 15		
73J-87244-01	D - 2	90280-04052	C - 4	93109-08050	B - 13	95807-06020	C - 4		D - 3		
7RH-87249-A1	C - 14	90340-12097	B - 13	93210-22344	B - 13	95807-06025	C - 4	98507-04008	D - 2		
7RH-87249-B1	C - 14	90387-06N38	C - 7	93306-20201	B - 13	95807-06030	C - 2	98507-04016	C - 11		
7RH-87249-V0	D - 2		C - 9	93306-20714	B - 13	95807-06035	C - 2	98507-05010	C - 10		
7VX-87249-A0	C - 12	90413-05013	B - 9	93306-30709	B - 13		C - 3		C - 11		
7NJ-87261-00	D - 4	90445-08741	B - 9	93306-37202	C - 10	95807-08016	B - 12		C - 6		
7LV-87283-00	D - 2	90445-08743	B - 8		C - 6		B - 4		C - 8		
73M-87286-00	C - 15	90445-100E9	B - 15		C - 8		C - 3		C - 9		
	D - 3	90460-31253	B - 12	93440-06107	B - 4	95807-08020	B - 12	98507-05014	C - 10		
7NJ-88188-00	C - 13	90462-05061	B - 13	93450-21053	B - 3	95807-08025	C - 5		C - 6		
	C - 15		C - 10	94702-00331	B - 2	95807-10030	B - 14		C - 8		
7RH-88188-00	D - 3		C - 8	95302-06600	C - 5	95817-08045	B - 13	98507-05016	D - 2		
7J5-88195-00	C - 6	90462-06232	C - 4	95302-08600	C - 5	95817-10070	B - 2	98507-05020	C - 6		
	C - 9	90465-18147	C - 13	95302-08700	C - 5	95827-06012	C - 4		C - 9		
7LV-88195-00	C - 11		C - 15	95307-05600	C - 10	95827-06030	B - 2	98507-06035	B - 4		
90101-06484	D - 3		D - 3		C - 8	95827-06100	C - 6	98907-06014	C - 13		
90101-06739	C - 11	90467-09006	B - 15	95307-05700	C - 10	95827-06130	C - 10		C - 15		
	C - 9	90468-12006	B - 4		C - 6		C - 8		D - 3		
90109-06513	B - 13	90480-13016	B - 8		C - 8	95880-06010	C - 11	99530-08016	B - 13		
90151-03032	C - 12		B - 9	95307-08600	B - 12		C - 7	99530-14016	B - 2		
	C - 14	90501-10264	B - 4		C - 5		C - 9				