

PARTS CATALOGUE

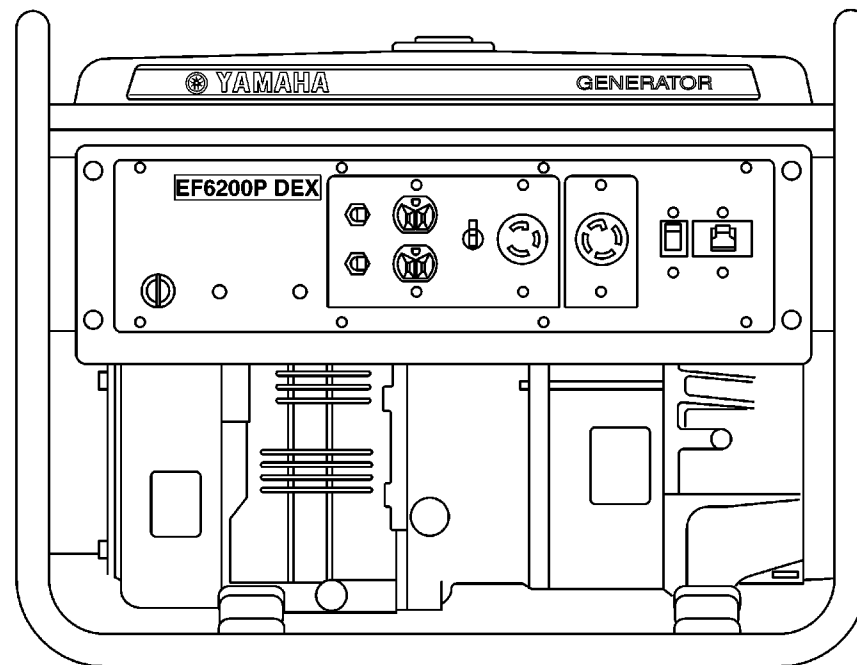
YAMAHA GENERATOR

EF6200PDEX (7VS2) CANADA

EF5500NDEX (7VS2) CANADA

YAMAHA
GENUINE
Parts & Accessories

207VS-171E1



FOREWORD

This Parts Catalogue is related to the parts for the model(s) in the below frame. When you are ordering replacement parts, please refer to this Parts Catalogue and quote both part numbers and part names correctly.

1. Modifications or additions which have been made after issue of the Parts Catalogue will be announced in the Yamaha Parts News.
It is advisable that you make necessary corrections to the Parts Catalogue according to the Yamaha Parts News.

2. Abbreviations

The following abbreviations are used in this Parts Catalogue.

"UR" Use specified parts number.

"UN" Use as many as needed.

"AP" Alternate Parts

"LM" Local Made (Parts need to be ordered locally)

"F#" Frame No. (Applicable machine No.)

3. Parts, which are to be supplied in an assembly, are listed with a dot(.) in front of the part name as shown below.

EXAMPLE

CARBURETOR ASSY

.JET, PILOT

.NOZZLE, MAIN

4. Number of component for assembly

The numeral appearing to the right of each component part indicates the quantity of parts for each assembly unit.

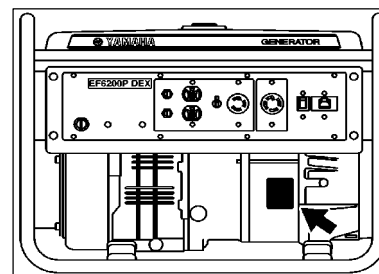
EXAMPLE

PART NO.	DESCRIPTION	Q'TY	REMARKS
2F5-83310-60	FRONT FLASHER LIGHT ASSY	2	
115-83311-60	.BULB (6V-18W)	1	

5. Applicable Starting Serial No. and Color Code

MODEL NAME	MODEL TYPE	DESTINATION	VOLTAGE	FRAME NO.
EF6200PDEX	7VS2	CANADA	120,240V/ 60HZ	7VS-200101
EF5500NDEX	7VS2	CANADA	120,240V/ 60HZ	7VS-220101

Serial No.

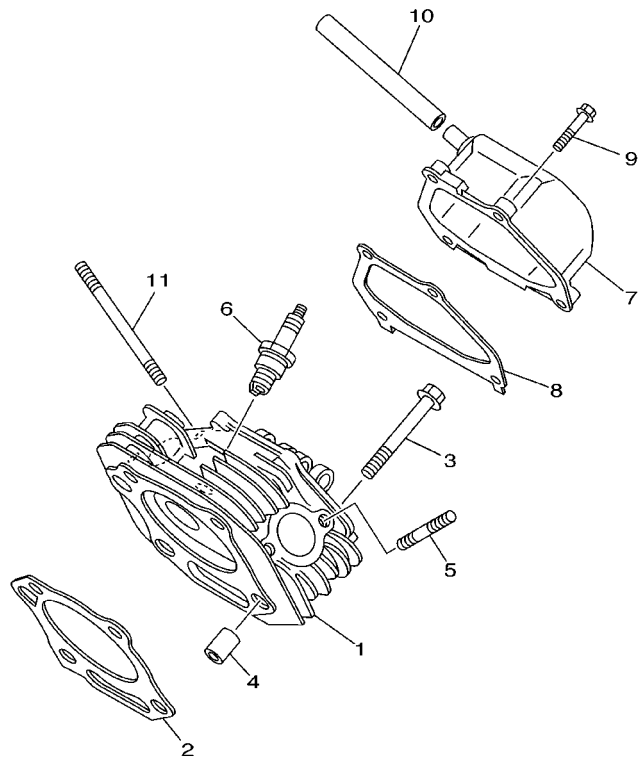


Color Code	Color Name	Abbreviation	MODEL	Country (destination)
00NJ	FARAWAY BLUE	FWB	7VS2	CANADA

6. Note that the illustrations for reference in finding parts numbers, not to be used for assembling. When assembling, please use the applicable service manual.

7. The asterisk (*) before a reference number indicates modification items after the first edition.

FIG. 1 CYLINDER

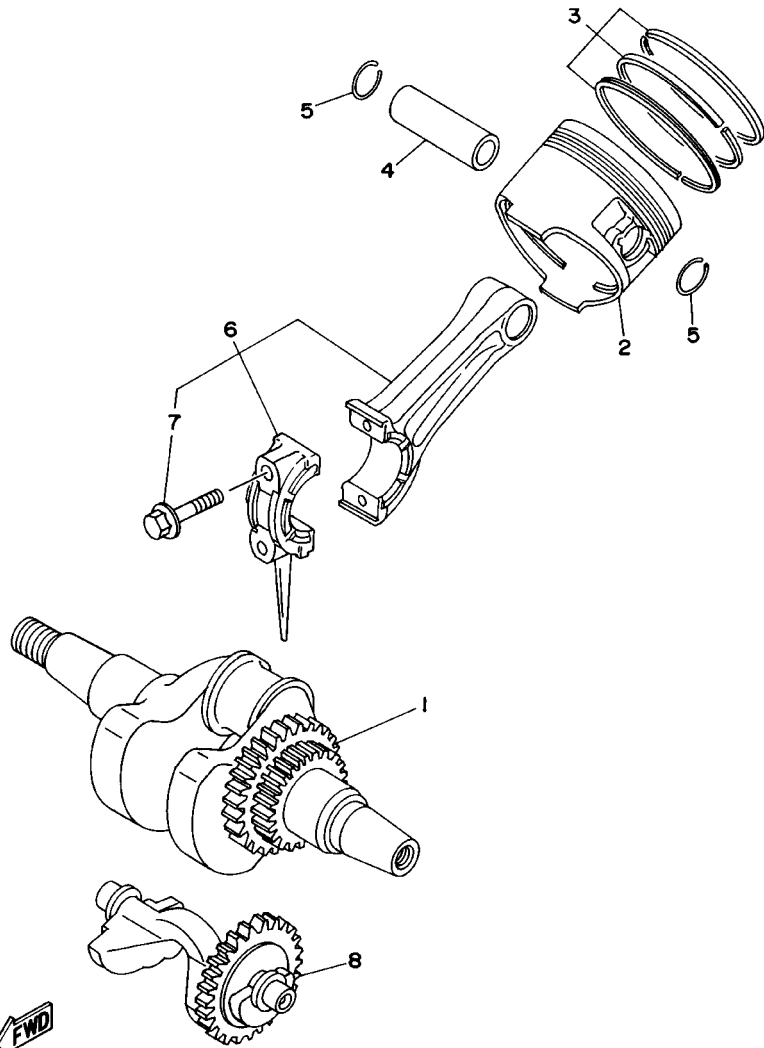


REF. NO.	PART NO.	DESCRIPTION	6200	5500				REMARKS
1	7VS-11111-00	HEAD, CYLINDER 1	1	1				
2	7RH-11181-02	GASKET, CYLINDER HEAD 1	1	1				
3	95817-10070	BOLT, FLANGE	4	4				
4	99530-14016	PIN, DOWEL	2	2				
5	95627-08618	BOLT, STUD	2	2				
6	94701-00331	PLUG, SPARK (BPR4ES)	1	1				
7	7RH-11190-00	COVER, CYLINDER HEAD 1	1	1				
8	JN6-11193-00	GASKET, HEAD COVER 1	1	1				
9	95827-06030	BOLT, FLANGE	4	4				
10	7RH-11166-00	PIPE, BREATHER 1	1	1				
11	95607-08700	BOLT, STUD	2	2				


7VS2171-0010

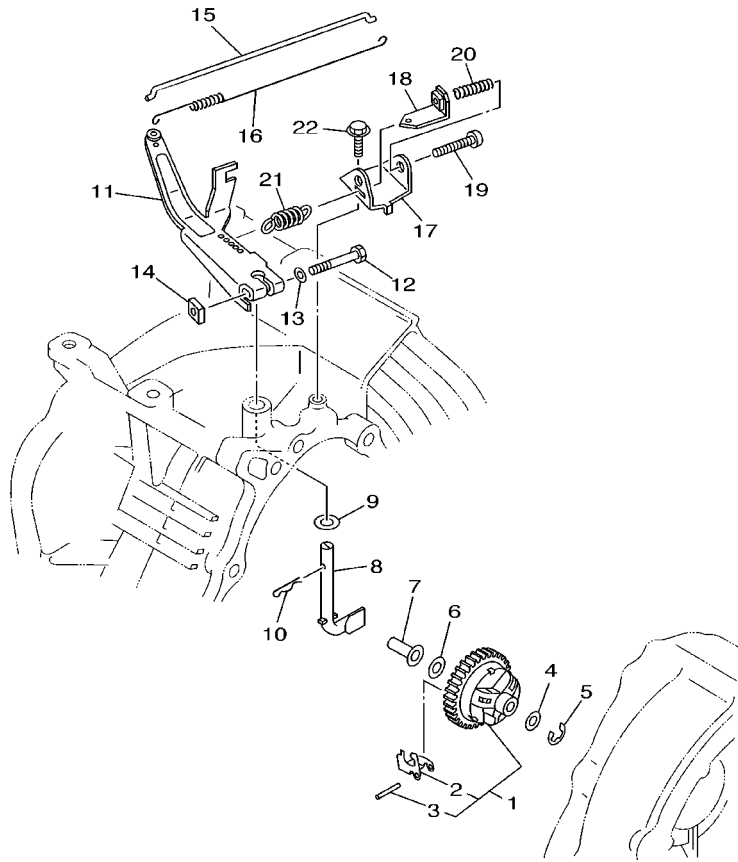
FIG. 2 CRANKSHAFT, PISTON

REF. NO.	PART NO.	DESCRIPTION	6200	5500				REMARKS
1	7RH-11400-10	CRANKSHAFT ASSY	1	1				
2	7RH-11631-00-A0	PISTON (STD)	1	1				
	7RH-11635-00	PISTON (0.25MM O/S)	1	1				AP
	7RH-11636-00	PISTON (0.50MM O/S)	1	1				AP
3	7RH-11603-00	PISTON RING SET (STD)	1	1				
	7RH-11604-00	PISTON RING SET (0.25MM O/S)	1	1				AP
	7RH-11605-00	PISTON RING SET (0.50MM O/S)	1	1				AP
4	583-11633-00	PIN, PISTON	1	1				
5	93450-21053	CIRCLIP	2	2				
6	JN6-11650-00	CONNECTING ROD ASSY	1	1				
7	JN6-11654-00	.BOLT, CONNECTING ROD	2	2				
8	JN6-11454-00	WEIGHT 1	1	1				



7RGI400-6020

FIG. 3 GOVERNOR

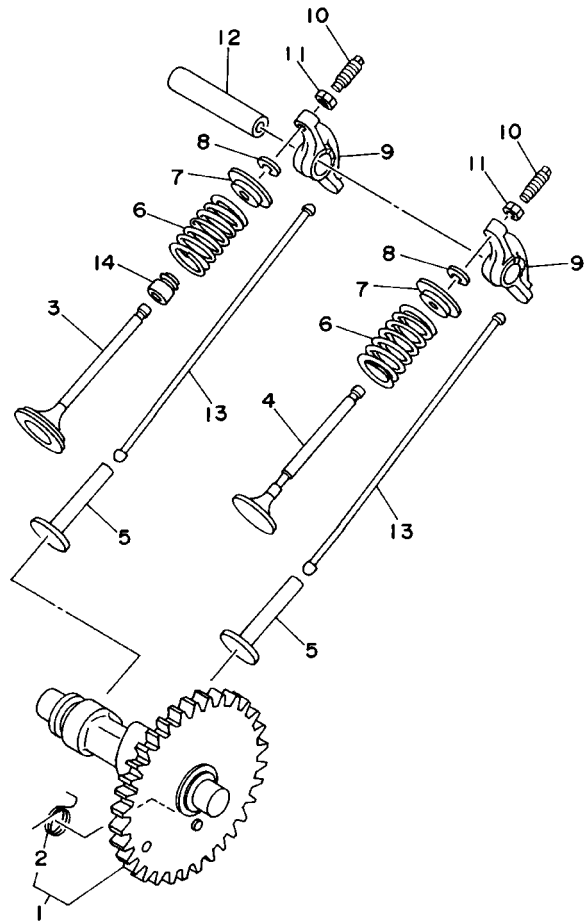


REF. NO.	PART NO.	DESCRIPTION	6200	5500				REMARKS
1	7RH-11970-00	FLYWEIGHT SHAFT ASSY.	1	1				
2	7RH-11913-00	.WEIGHT	3	3				
3	7FK-11914-00	.SHAFT, WEIGHT	3	3				
4	90201-065K7	WASHER, PLATE	1	1				
5	93440-06107	CIRCLIP	1	1				
6	90201-067L0	WASHER, PLATE	1	1				
7	7KY-11917-00	COLLAR	1	1				
8	7RH-11922-00	FORK, GOVERNOR	1	1				
9	90201-08092	WASHER, PLATE	2	2				
10	90468-12006	CLIP	1	1				
11	7RH-11901-00	GOVERNOR ASSY	1	1				
12	97027-06030	BOLT	1	1				
13	92907-06600	WASHER, PLATE	1	1				
14	90173-06017	NUT, SQUARE	1	1				
15	7RH-11928-00	ROD, LINK	1	1				
16	90506-04458	SPRING, TENSION	1	1				
17	73A-11941-00	STAY	1	1				
18	73A-11931-00	LEVER	1	1				
19	98507-06035	SCREW, PAN HEAD	1	1				
20	90501-10264	SPRING, COMPRESSION	1	1				
21	7VS-11925-00	SPRING, GOVERNOR	1	1				
22	95807-06012	BOLT, FLANGE	1	1				



7VS2171-0030

FIG. 4 CAMSHAFT.VALVE



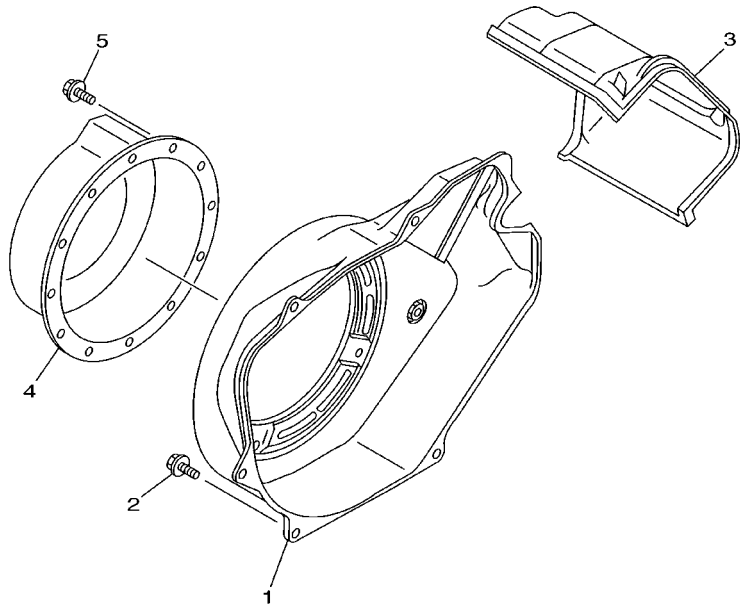
REF. NO.	PART NO.	DESCRIPTION	6200	5500				REMARKS
1	7RH-12170-00	CAMSHAFT ASSY 1	1	1				
2	7NJ-12287-00	.SPRING, DECOMPRESSION	1	1				
3	JN6-12111-01	VALVE, INTAKE	1	1				
4	7RH-12121-00	VALVE, EXHAUST	1	1				
5	JN6-12153-00	LIFTER, VALVE	2	2				
6	90501-264A9	SPRING, COMPRESSION	2	2				
7	J38-12117-01	RETAINER, VALVE SPRING	2	2				
8	J38-12118-00	COTTER, VALVE	2	2				
9	JN6-12151-00	ARM, VALVE ROCKER	2	2				
10	22F-12159-00	SCREW, VALVE ADJUSTING	2	2				
11	90170-05302	NUT	2	2				
12	J38-12156-00	SHAFT, ROCKER 2	1	1				
13	JN6-12154-00	ROD, VALVE PUSH	2	2				
14	4G0-12119-00	SEAL, VALVE STEM	1	1				



7RG1400-6040

FIG. 5 AIR SHROUD. STARTER

REF. NO.	PART NO.	DESCRIPTION	6200	5500				REMARKS
1	7RH-12621-00	CASE, FAN	1	1				
2	95807-06012	BOLT, FLANGE	5	5				
3	7RH-12651-01	AIR SHROUD, CYLINDER 1	1	1				
4	7VS-12616-00	COVER, FAN CASE	1	1				
5	95807-06008	BOLT, FLANGE	4	4				



7VS2171-0050

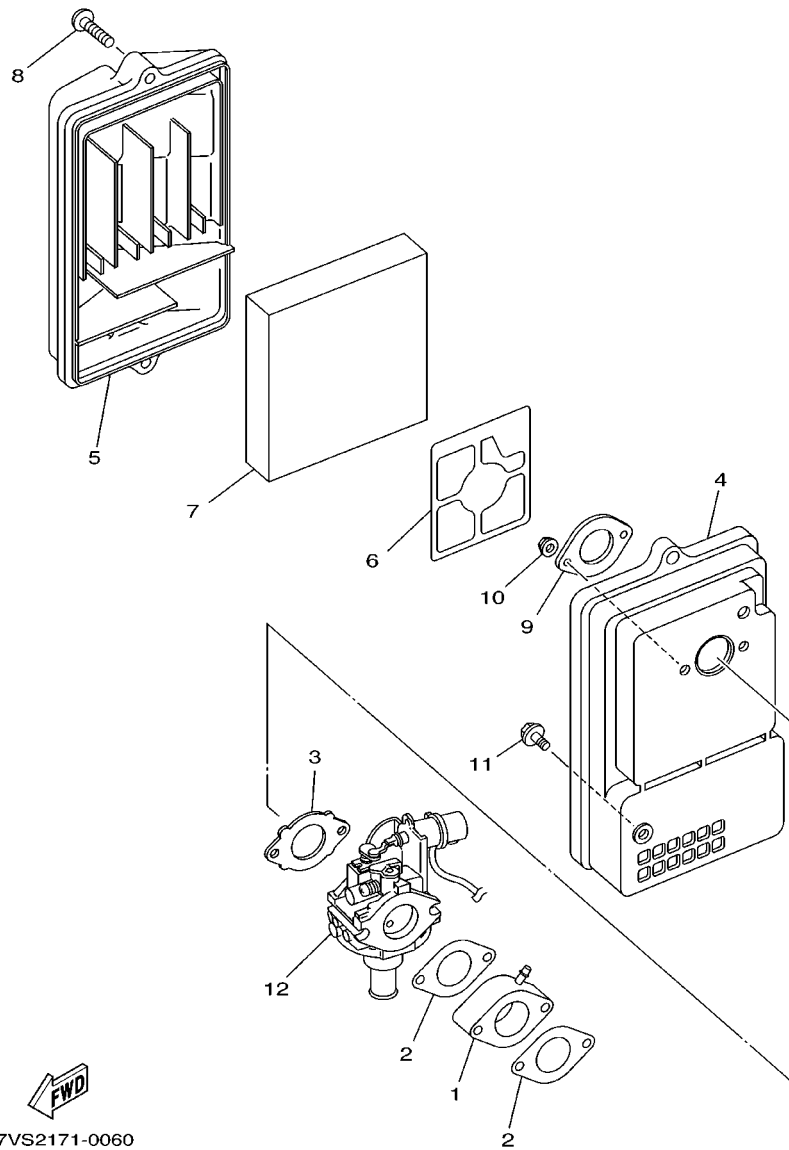
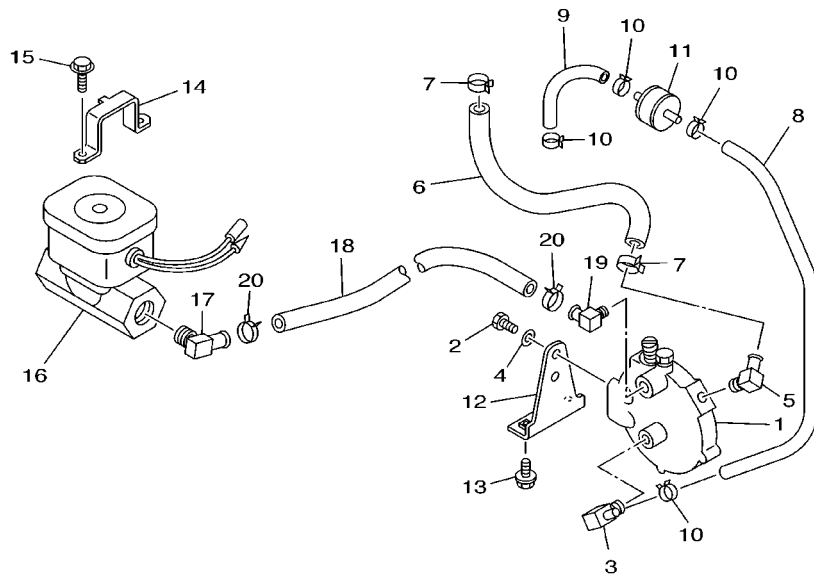


FIG. 6 INTAKE

REF. NO.	PART NO.	DESCRIPTION	6200	5500			REMARKS
1	7VS-13596-00	JOINT, CARBURETOR 2	1	1			
2	7RH-13557-00	GASKET	2	2			
3	7RH-13567-00	GASKET	1	1			
4	7RH-14411-01	CASE, AIR CLEANER 1	1	1			
5	7RH-14412-00	CAP, CLEANER CASE 1	1	1			
6	7RH-14468-00	PLATE, ELEMENT FITTING	1	1			
7	7RH-14451-00	ELEMENT, AIR CLEANER	1	1			
8	7RH-14429-00	SCREW	2	2			
9	7LV-14477-00	PLATE	1	1			
10	95707-08500	NUT, FLANGE	2	2			
11	95807-06016	BOLT, FLANGE	1	1			
12	7VS-14110-00	MIXING ASSY 1	1				EF6200PDEX
	7VS-14110-10	MIXING ASSY 1		1			EF5500NDEX

FIG. 8 FUEL SYSTEM 2 (EF5500NDEX)

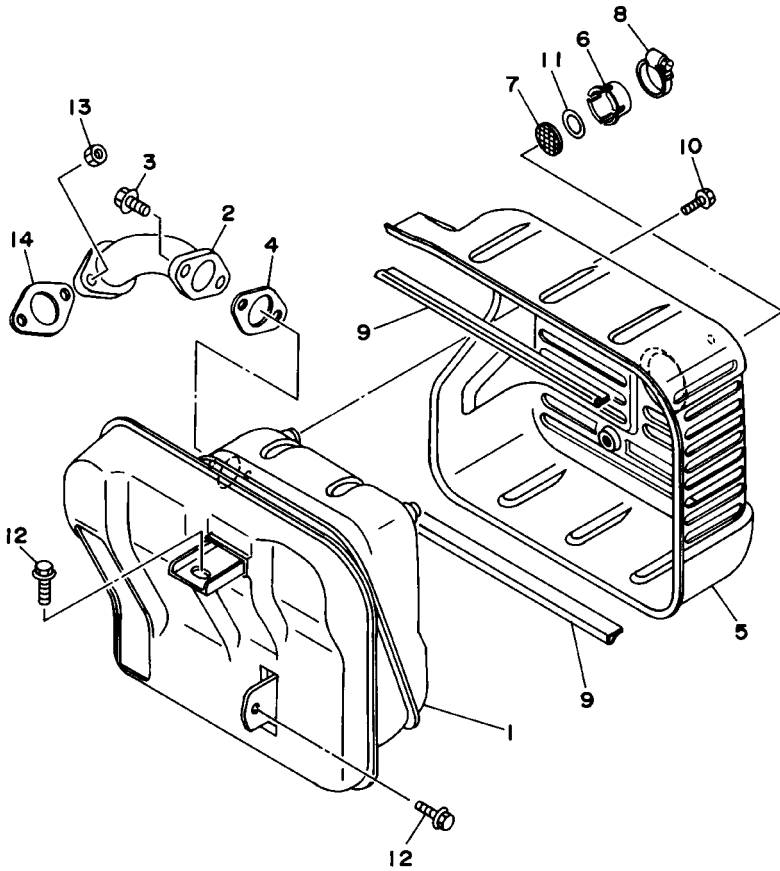


REF. NO.	PART NO.	DESCRIPTION	6200	5500				REMARKS
1	7VS-13800-00	ZERO GOVERNOR ASSY		1				
2	7VS-24176-00	BOLT 1		2				
3	7VS-13925-00	PULSE, JOINT		1				
4	92907-06600	WASHER, PLATE		2				
5	7VS-24376-10	PIPE, JOINT 1		1				
6	7VS-24311-10	PIPE, FUEL 1		1				
7	90467-18179	CLIP		2				
8	7VS-24335-10	PIPE, SUCTION 1		1				
9	7VS-24335-20	PIPE, SUCTION 1		1				
10	90467-09037	CLIP		4				
11	7VS-14388-00	VALVE, VACUUM CONTROL		1				
12	7VS-13997-10	STAY, REGULATOR		1				
13	95827-06012	BOLT, FLANGE		2				
14	7VS-86121-00	BAND		1				
15	95827-06012	BOLT, FLANGE		2				
16	7VS-86120-10	SOLENOID VALVE ASSY		1				
17	7VS-24379-00	PIPE, JOINT 4		1				
18	7VS-24313-00	PIPE 3		1				
19	7VS-24378-00	PIPE, JOINT 4		1				
20	90467-20154	CLIP		2				


7VS2171-0080

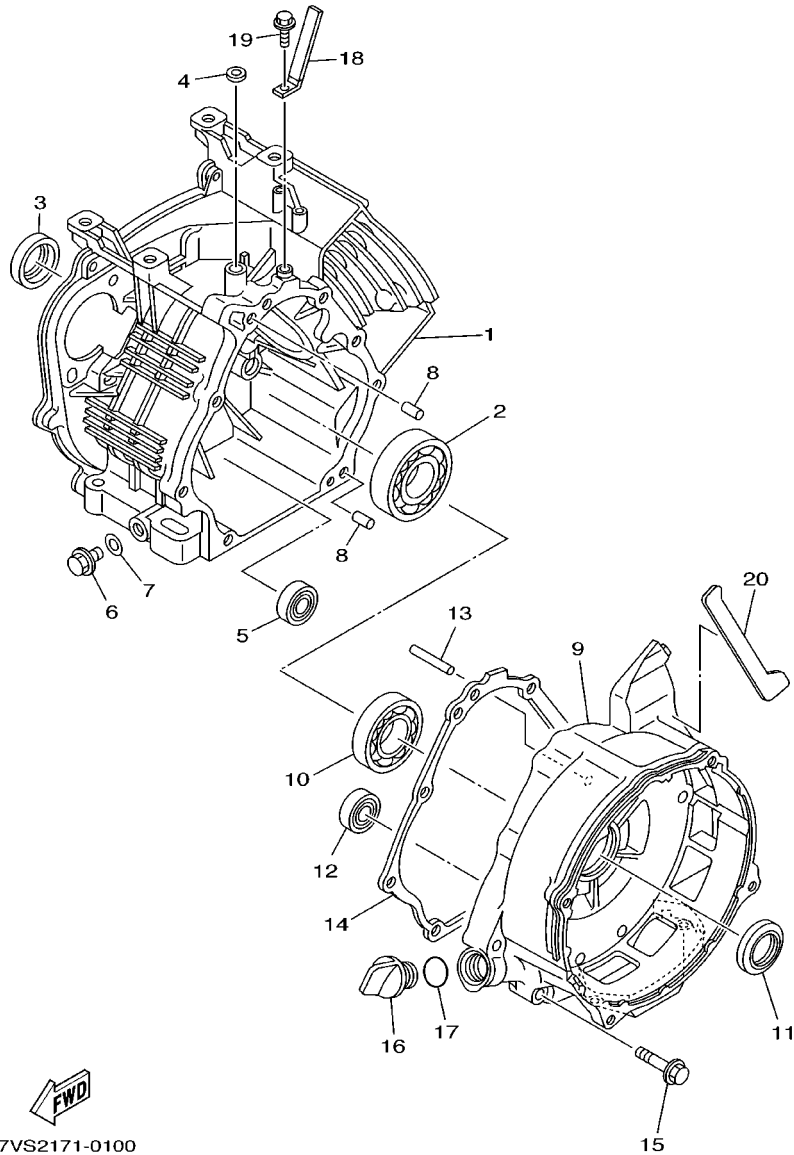
FIG. 9 EXHAUST

REF. NO.	PART NO.	DESCRIPTION	6200	5500	REMARKS
1	7RH-14711-00	MUFFLER 1	1	1	
2	7RH-14611-00	PIPE, EXHAUST 1	1	1	
3	95807-08020	BOLT, FLANGE	2	2	
4	7RH-14623-00	GASKET, EXHAUST PIPE	1	1	
5	7RH-14718-00	PROTECTOR, MUFFLER 1	1	1	
6	7RH-14799-00	CAP	1	1	
7	7RH-1479E-00	NET, WIRE 2	1	1	
8	90460-31253	CLAMP, HOSE	1	1	
9	7RH-14737-00	DAMPER, MUFFLER	2	2	
10	95807-06008	BOLT, FLANGE	4	4	
11	90201-22793	WASHER, PLATE	1	1	
12	95807-08016	BOLT, FLANGE	2	2	
13	95307-08600	NUT	2	2	
14	7KY-14613-01	GASKET, EXHAUST PIPE	1	1	



7RG1400-6150

FIG. 10 CRANKCASE




7VS2171-0100

REF. NO.	PART NO.	DESCRIPTION	6200	5500				REMARKS
1	7RH-15111-10	CRANKCASE 1 (EL.START)	1	1				
2	93306-30709	BEARING	1	1				
3	93102-35191	OIL SEAL	1	1				
4	93109-08050	OIL SEAL	1	1				
5	93306-20201	BEARING (B6202)	1	1				
6	90340-12097	PLUG, STRAIGHT SCREW	1	1				
7	812-11198-00	GASKET	1	1				
8	99530-08016	PIN, DOWEL	2	2				
9	7RH-15411-01	COVER, CRANKCASE 1	1	1				
10	93306-20714	BEARING	1	1				
11	93102-35191	OIL SEAL	1	1				
12	93306-20201	BEARING (B6202)	1	1				
13	7RH-11971-00	SHAFT, FLYWEIGHT	1	1				
14	7RH-15451-00	GASKET, CRANKCASE COVER 1	1	1				
15	95817-08045	BOLT, FLANGE	8	8				
16	796-15363-01	PLUG, OIL	1	1				
17	93210-22344	O-RING	1	1				
18	90462-05061	CLAMP	1	1				
19	95807-06010	BOLT, FLANGE	1	1				
20	7RH-14757-00	DAMPER, MUFFLER 2	1	1				

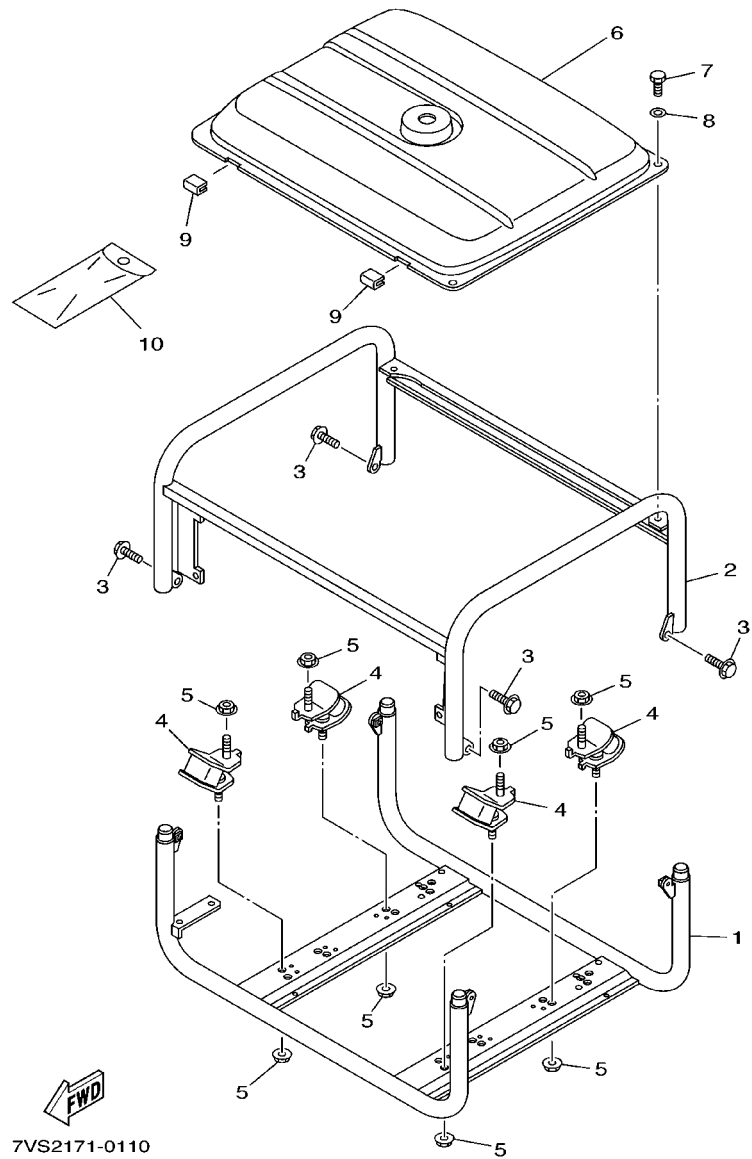
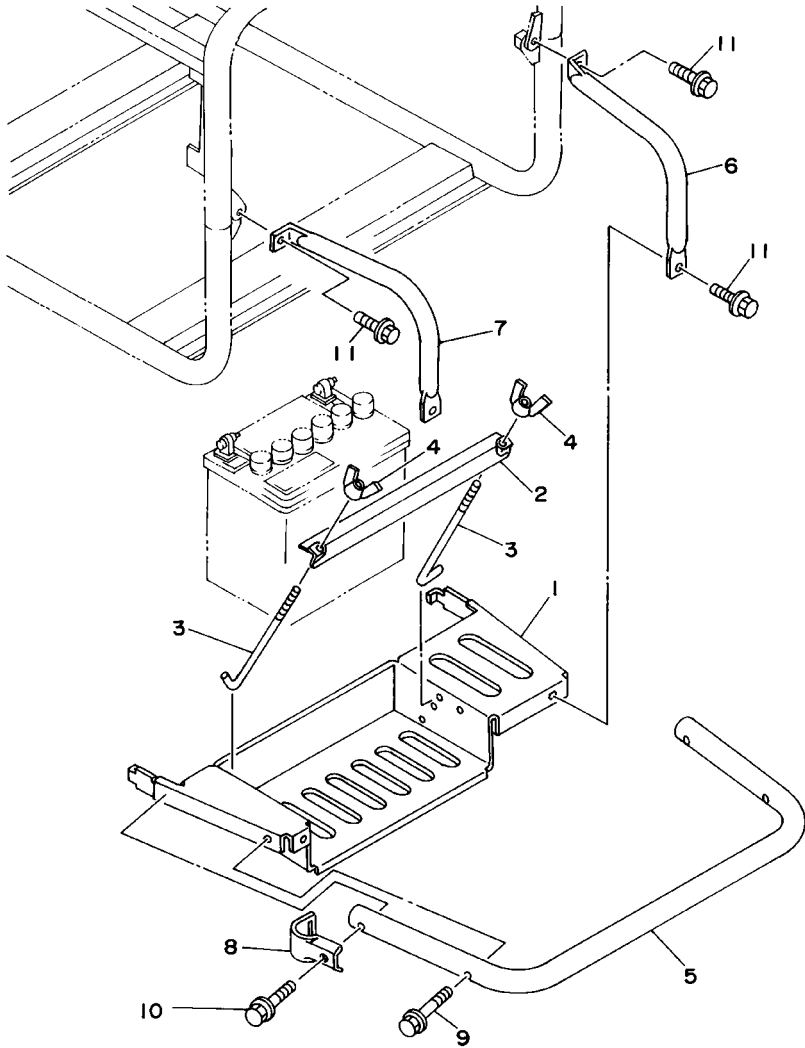


FIG. 11 FRAME

REF. NO.	PART NO.	DESCRIPTION	6200	5500			REMARKS
1	7VS-22840-00	FRAME COMP.	1				EF6200PDEX
	7VS-22840-10	FRAME COMP.		1			EF5500NDEX
2	7RH-22850-00	FRAME COMP. 2	1	1			
3	95807-06010	BOLT, FLANGE	4	4			
4	7RH-22891-00	INSULATOR, MOUNTING	4	4			
5	95707-10500	NUT, FLANGE	8	8			
6	7VS-22861-00	COVER 1	1	1			
7	97007-06012	BOLT	2	2			
8	90201-06380	WASHER, PLATE	2	2			
9	7LG-24181-00	DAMPER, LOCATING 1	2	2			
10	7LV-28100-00	TOOL KIT	1	1			



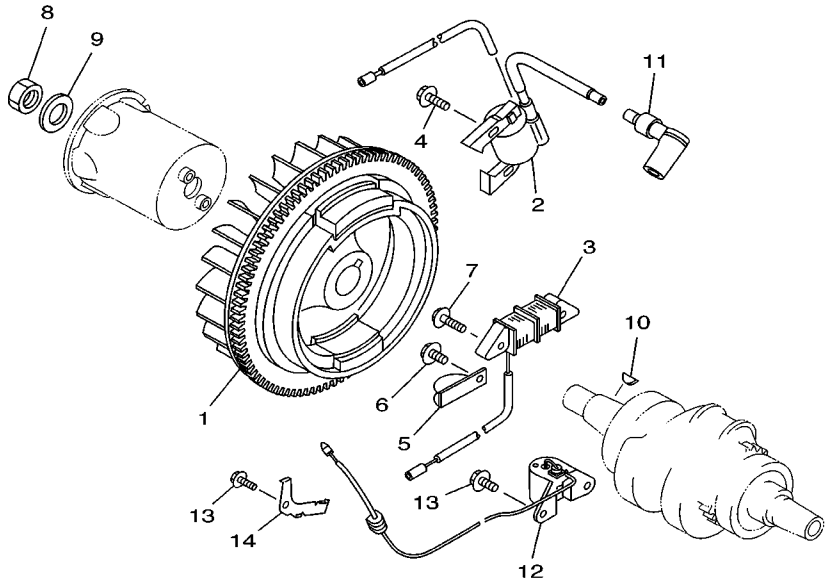
FWD
7RG1400-6210

FIG. 12 BATTERY TRAY

REF. NO.	PART NO.	DESCRIPTION	6200	5500				REMARKS
1	7RH-82122-01	SEAT, BATTERY	1	1				
2	J10-82136-00	PLATE, BATTERY FITTING	1	1				
3	7LP-82133-00	SCREW, FITTING	2	2				
4	90175-06008	NUT, WING	2	2				
5	7RH-22836-00	STAY, 3	1	1				
6	7RH-22838-00	STAY 6	1	1				
7	7RH-22839-00	STAY 7	1	1				
8	7RH-22864-00	COVER, SIDE 1	2	2				
9	95807-06030	BOLT, FLANGE	2	2				
10	95807-06035	BOLT, FLANGE	2	2				
11	95807-06012	BOLT, FLANGE	4	4				

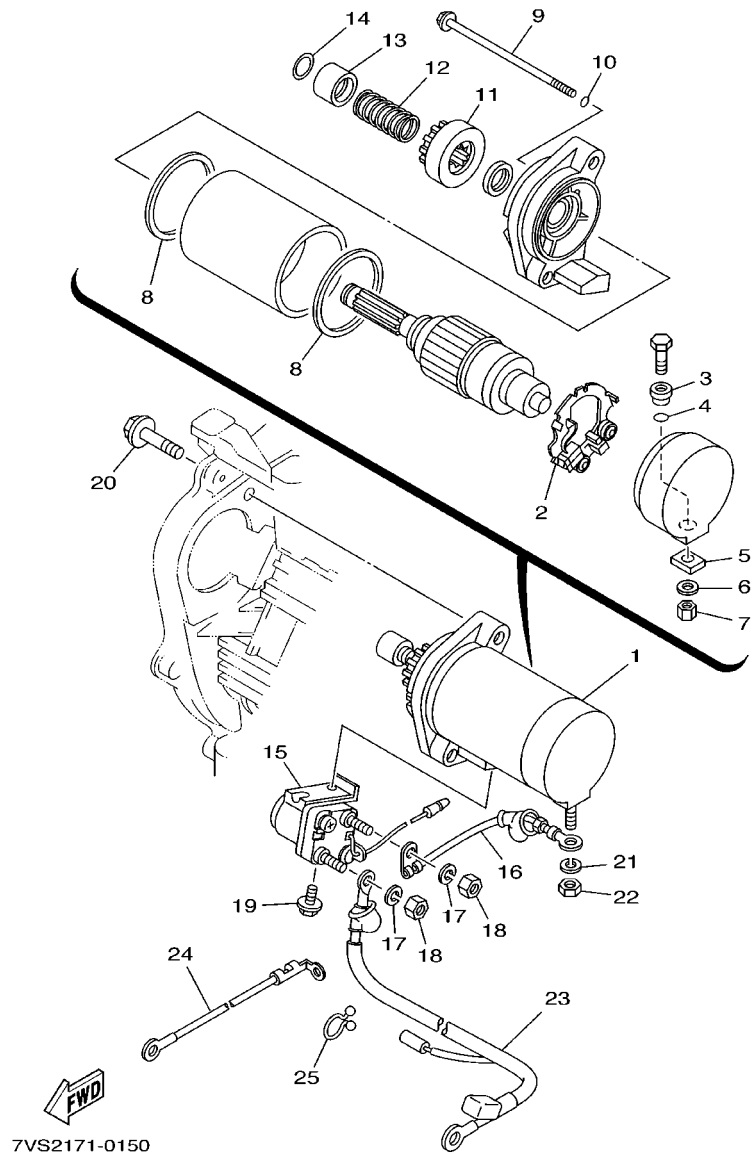
FIG. 13 T.C.I.MAGNETO

REF. NO.	PART NO.	DESCRIPTION	6200	5500				REMARKS
1	7RH-85650-00	ROTOR ASSY (EL. START)	1	1				
2	7RH-85640-00	T.C.I. UNIT ASSY	1	1				
3	7RH-85521-00	COIL ASSY	1	1				
4	95880-06020	BOLT, FLANGE	2	2				
5	90462-06232	CLAMP	1	1				
6	95807-06012	BOLT, FLANGE	1	1				
7	95807-06025	BOLT, FLANGE	2	2				
8	90170-18391	NUT	1	1				
9	90201-18008	WASHER, PLATE	1	1				
10	90280-04052	KEY, WOODRUFF	1	1				
11	JN6-82370-00	PLUG CAP ASSY	1	1				
12	7RH-85720-02	OIL LEVEL GAUGE ASSY	1	1				
13	95827-06012	BOLT, FLANGE	3	3				
14	7NJ-85724-00	CLAMP	1	1				



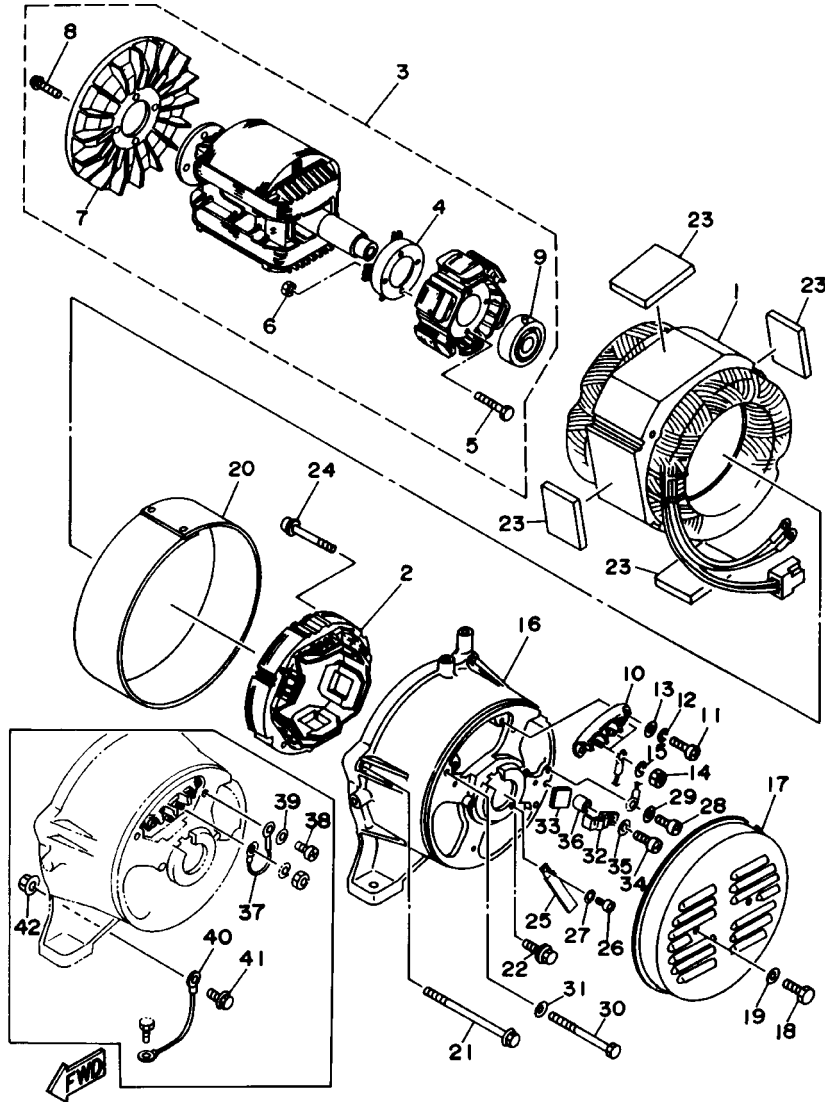
7VS2171-0130

FIG. 14 STARTING MOTOR



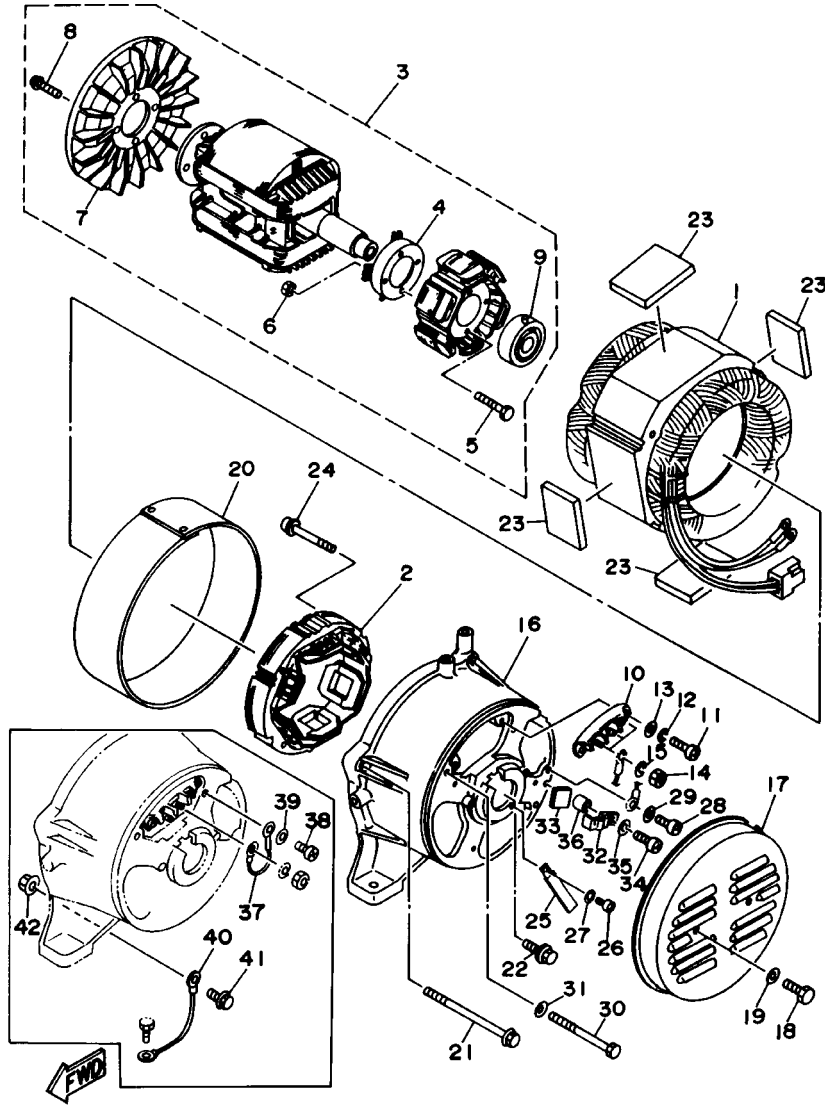
REF. NO.	PART NO.	DESCRIPTION	6200	5500				REMARKS
1	7RH-81800-00	STARTING MOTOR ASSY	1	1				
2	7RH-81840-00	.BRUSH HOLDER ASSY	1	1				
3	7RH-8182G-00	.BUSH, TERMINAL	1	1				
4	93210-06001	.O-RING	1	1				
5	7RH-8181L-00	.WASHER, PLAIN	1	1				
6	92907-061A5	.WASHER	1	1				
7	95304-06700	.NUT	1	1				
8	7RH-81861-00	.GASKET	2	2				
9	7RH-81846-00	.SCREW	2	2				
10	93210-05098	.O-RING	2	2				
11	7RH-81807-00	.GEAR ASSY, STARTING MOTOR	1	1				
12	7KA-81858-00	.SPRING, RETURN	1	1				
13	7KA-81859-00	.STOPPER, PINION	1	1				
14	7KA-81833-00	.RING, STOP	1	1				
15	73A-81940-10	STARTER RELAY ASSY	1	1				
16	73A-81815-00	CORD, STARTER MOTOR	1	1				
17	92907-06100	WASHER, SPRING	2	2				
18	95307-06700	NUT	2	2				
19	95807-06016	BOLT, FLANGE	1	1				
20	95807-08035	BOLT, FLANGE	2	2				
21	92907-06100	WASHER, SPRING	1	1				
22	95307-06700	NUT	1	1				
23	7VS-82115-80	WIRE, PLUS LEAD	1	1				
24	73H-82116-00	WIRE, MINUS LEAD	1	1				
25	90465-18147	CLAMP	2	2				

FIG. 15 GENERATOR



7RG1400-6310

REF. NO.	PART NO.	DESCRIPTION	6200	5500	REMARKS
1	7RH-87150-80	STATOR ASSY	1	1	
2	73A-8712A-01	STATOR EXITER ASSY	1	1	
3	7RH-87160-02	ROTOR ASSY	1	1	
4	7LV-87115-00	.RECTIFIER ASSY 2	1	1	
5	97027-05050	.BOLT	4	4	
6	95307-05600	.NUT	4	4	
7	7LR-87172-01	.FAN, GENERATOR	1	1	
8	90159-06032	.SCREW, WITH WASHER	4	4	
9	93306-37202	.BEARING	1	1	
10	7LR-87220-00	TERMINAL SUB ASSY 1	1	1	
11	98507-05014	SCREW, PAN HEAD	2	2	
12	92907-05100	WASHER, SPRING	2	2	
13	92907-05600	WASHER, PLATE	2	2	
14	95307-05700	NUT	3	3	
15	92907-05100	WASHER, SPRING	3	3	
16	7RH-87131-00	FRAME, REAR	1	1	
17	7RH-87174-00-98	COVER, REAR END	1	1	LGB
18	97007-06012	BOLT	2	2	
19	92907-06300	WASHER	2	2	
20	7RH-87153-80	COVER, STATOR	1	1	
21	95827-06130	BOLT, FLANGE	4	4	
22	7RH-81152-00	BOLT	1	1	
23	7LR-87159-00	SEAL, STATOR	4	4	
24	90159-05091	SCREW, WITH WASHER	4	4	
25	90462-05061	CLAMP	1	1	
26	98507-05010	SCREW, PAN HEAD	1	1	
27	92907-05600	WASHER, PLATE	1	1	



7RG1400-6310

FIG. 15 GENERATOR

REF. NO.	PART NO.	DESCRIPTION	6200	5500				REMARKS
28	98507-05010	SCREW, PAN HEAD	1	1				
29	92907-05600	WASHER, PLATE	1	1				
30	90101-06739	BOLT	2	2				
31	92907-06600	WASHER, PLATE	2	2				
32	7J5-88195-00	HOLDER, CONNECTOR	1	1				
33	7LV-8713J-00	DAMPER	1	1				
34	98507-05020	SCREW, PAN HEAD	1	1				
35	92907-05600	WASHER, PLATE	1	1				
36	90387-06N38	COLLAR	1	1				
37	7LR-8722W-80	WIRE, LEAD 6	1	1				
38	98507-05010	SCREW, PAN HEAD	1	1				
39	92907-05600	WASHER, PLATE	1	1				
40	7RH-87139-80	LEAD WIRE ASSY 2	1	1				
41	95880-06010	BOLT, FLANGE	1	1				
42	95780-06500	NUT, FLANGE	1	1				

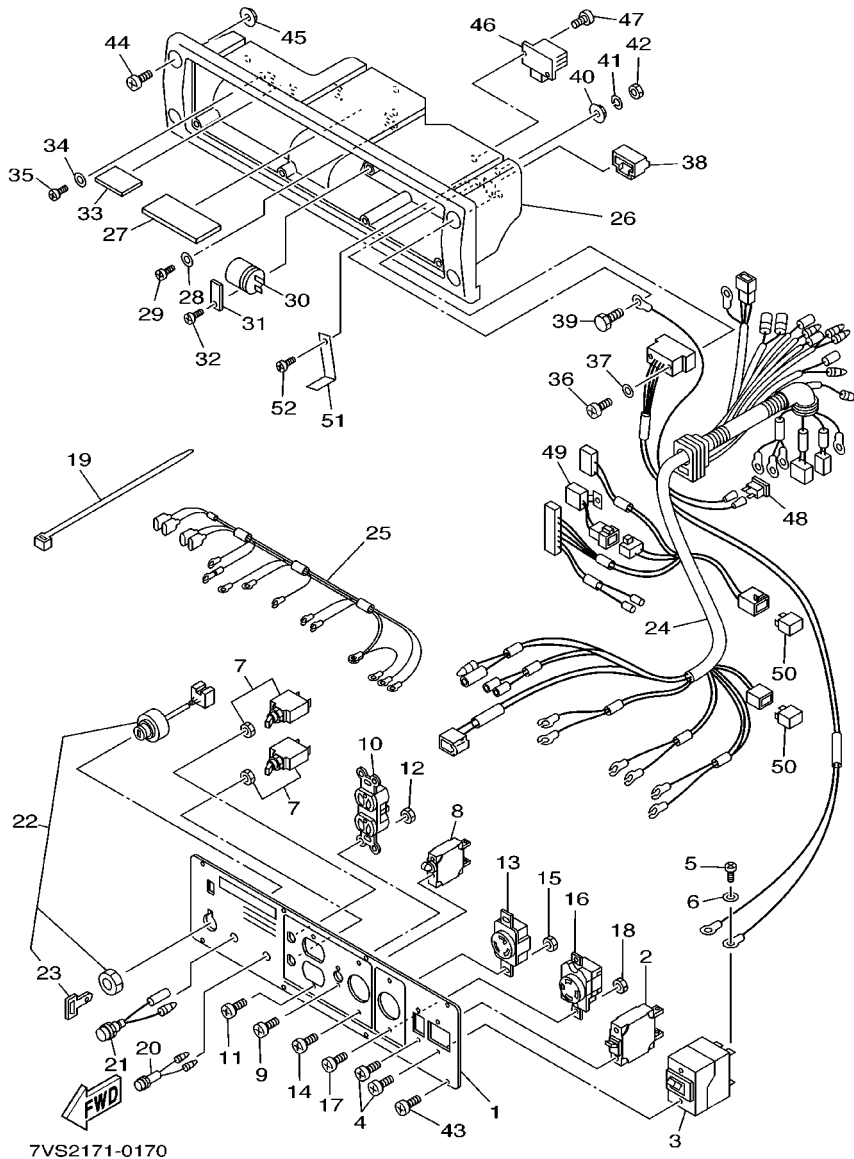
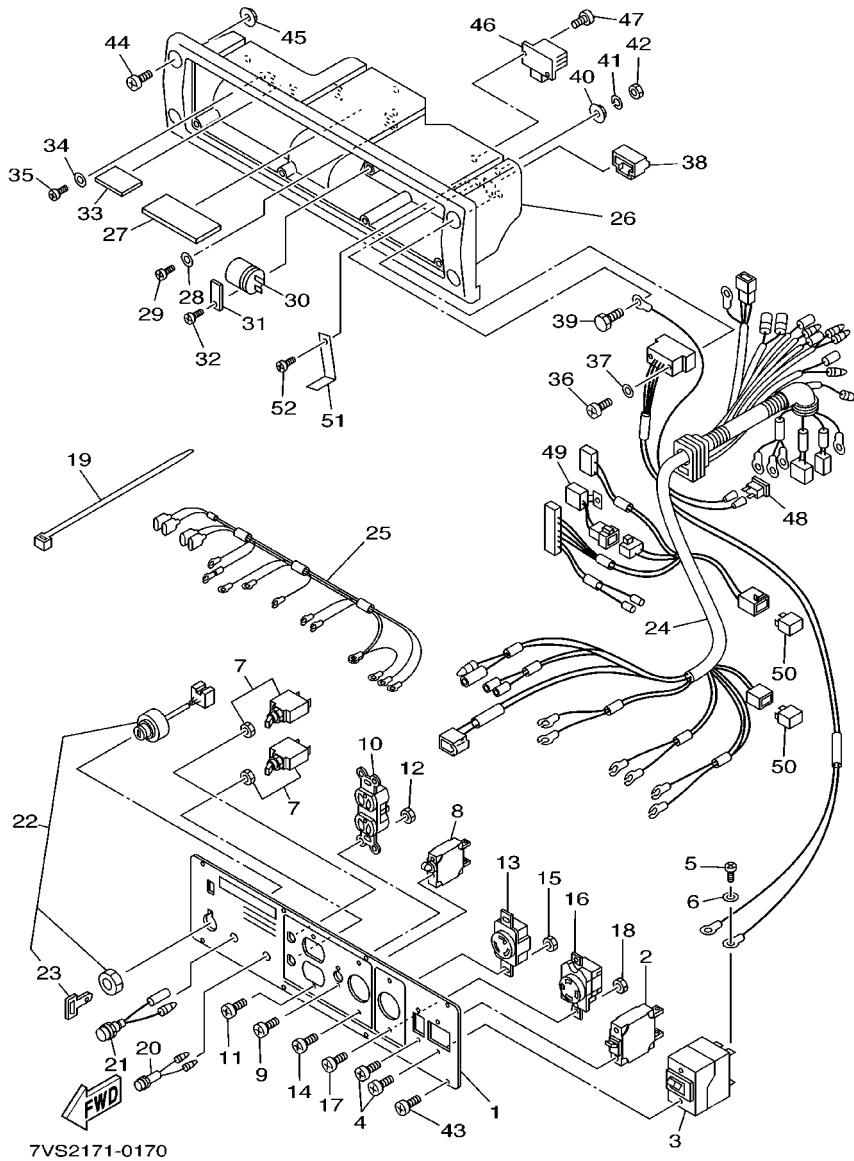


FIG. 16 CONTROL BOX

REF. NO.	PART NO.	DESCRIPTION	6200	5500	REMARKS
1	7VS-87249-80	PLATE	1		EF6200PDEX
	7VS-87249-90	PLATE		1	EF5500NDEX
2	7VS-87204-80	BREAKER COMP.	1		EF6200PDEX
	7LV-87204-00	CIRCUIT BREAKER COMP. (41.7A)		1	EF5500NDEX
3	7VS-8720J-80	BREAKER COMP. CIRCUIT	1		EF6200PDEX
	7VS-8720J-90	BREAKER COMP. CIRCUIT		1	EF5500NDEX
4	98507-04005	SCREW, PAN HEAD	4	4	
5	98507-06012	SCREW, PAN HEAD	6	6	
6	92907-06100	WASHER, SPRING	6	6	
7	7RG-87204-N0	BREAKER COMP. (AC240V-15A)	2	2	
8	7LV-8720H-80	BREAKER COMP, CIRCUIT	1	1	
9	98507-03006	SCREW, PAN HEAD	2	2	
10	7RH-87221-80	RECEPTACLE 1	1	1	UR
	7UV-87221-80	RECEPTACLE 1	1	1	UR
11	98507-04012	SCREW, PAN HEAD	2	2	
12	95707-04500	NUT, FLANGE	2	2	
13	73H-87222-91	RECEPTACLE 2	1	1	UR
	7LR-87221-90	CONSENT 1 (WCF63130BO2)	1	1	UR MATSUSHITA
	7VU-87221-90	RECEPTACLE 1	1	1	UR
14	98507-04012	SCREW, PAN HEAD	2	2	
15	95707-04500	NUT, FLANGE	2	2	
16	7RH-87222-40	RECEPTACLE 2	1	1	UR
	7UW-87222-40	RECEPTACLE 2	1	1	UR
17	98507-04012	SCREW, PAN HEAD	2	2	
18	95707-04500	NUT, FLANGE	2	2	
19	7G5-87188-00	BINDER	3	3	
20	7NJ-83530-80	PILOT LIGHT ASSY	1	1	

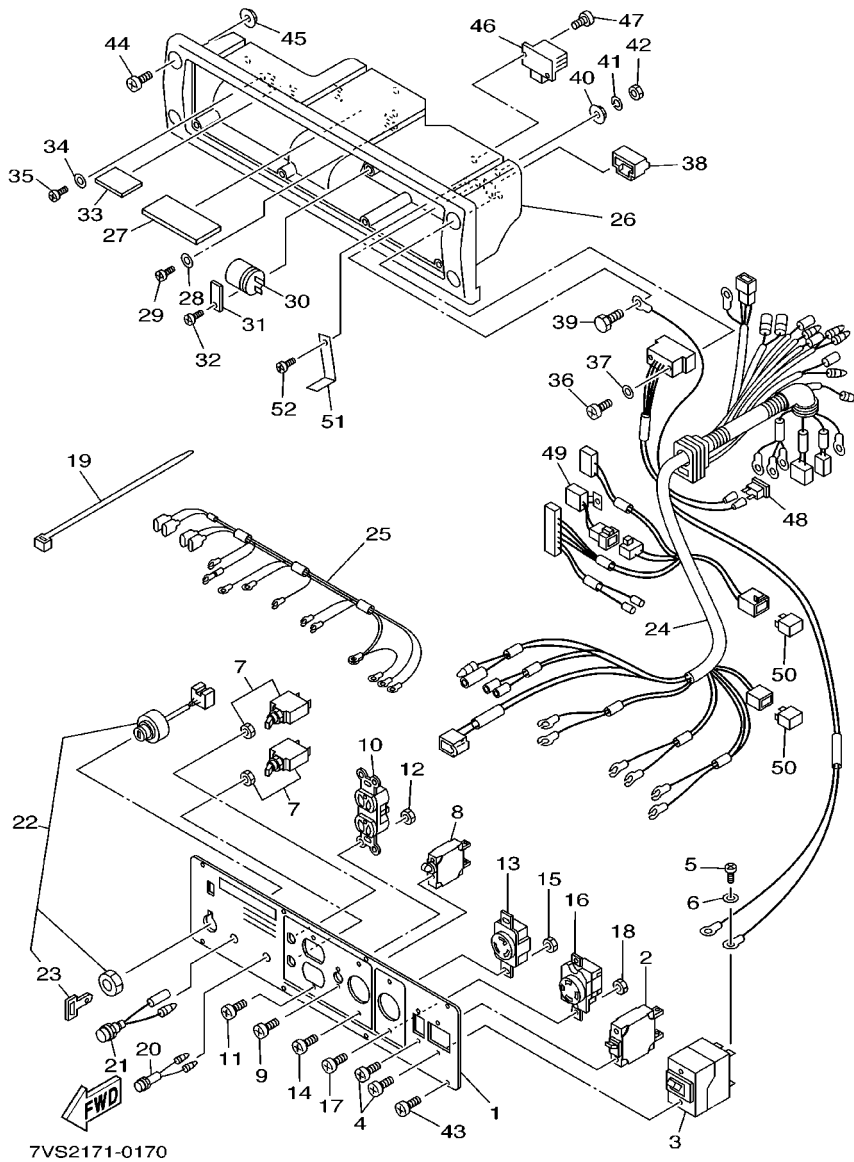
FIG. 16 CONTROL BOX



7VS2171-0170

REF. NO.	PART NO.	DESCRIPTION	6200	5500				REMARKS
21	7NJ-85770-00	OIL PILOT LIGHT ASSY	1	1				
22	7RH-82510-00	MAIN SWITCH ASSY	1	1				
23	73A-82511-00	.KEY, MAIN SWITCH	2	2				
24	7VS-87226-80	WIRE HARNESS ASSY	1	1				
25	7RH-82509-80	WIRE, SUB LEAD	1	1				
26	7RH-87213-80	COVER, CONTROL BOX	1	1				
27	7LU-8722A-00	VOLTAGE REGULATOR ASSY	1	1				
28	90201-03013	WASHER, PLATE	1	1				
29	97707-30512	SCREW, TAPPING	1	1				
30	7RH-87107-00	CONDENSER ASSY	1	1				
31	7LR-86112-00	STAY, SOLENOID	1	1				
32	97707-50512	SCREW, TAPPING	1	1				
33	7LG-85690-00	OIL WARNING UNIT	1	1				
34	90201-03013	WASHER, PLATE	1	1				
35	97707-30512	SCREW, TAPPING	1	1				
36	97707-30512	SCREW, TAPPING	2	2				
37	92907-03200	WASHER	2	2				
38	7LP-82599-00	COVER, CONNECTER	1	1				
39	97080-06020	BOLT	1	1				
40	90179-06511	NUT	1	1				
41	92990-06100	WASHER, SPRING	1	1				
42	95380-06700	NUT	1	1				
43	97707-40516	SCREW, TAPPING	8	8				
44	98907-06014	SCREW, BIND	4	4				
45	95707-06500	NUT, FLANGE	2	2				
46	22J-81960-60	RECTIFIER & REGULATOR ASSY	1	1				
47	97707-50520	SCREW, TAPPING	2	2				

FIG. 16 CONTROL BOX



REF. NO.	PART NO.	DESCRIPTION	6200	5500				REMARKS
48	42X-82151-00	FUSE (10A-BL)	1	1				
49	7RH-81970-00	RECTIFIER ASSY	1	1				
50	J44-81980-60	DIODE ASSY	2	2				
51	90462-05061	CLAMP	1	1				
52	97707-60514	SCREW, TAPPING	1	1				

NUMERICAL INDEX

PARTNO.	GRID NO.	PARTNO.	GRID NO.	PARTNO.	GRID NO.	PARTNO.	GRID NO.	PARTNO.	GRID NO.	PARTNO.	GRID NO.
7VS-11111-00	B - 2	7VS-13925-00	B - 9	7VS-24335-10	B - 9	7RH-87107-00	C - 5	90201-18008	B - 14	95307-08600	B - 10
7RH-11166-00	B - 2	7VS-13997-00	B - 8	7VS-24335-20	B - 8	7LV-87115-00	C - 2	90201-22793	B - 10	95380-06700	C - 5
7RH-11181-02	B - 2	7VS-13997-10	B - 9		B - 9	73A-8712A-01	C - 2	90280-04052	B - 14	95607-08700	B - 2
7RH-11190-00	B - 2	7VS-14110-00	B - 7	7VS-24376-00	B - 8	7LV-8713J-00	C - 3	90340-12097	B - 11	95627-08618	B - 2
JN6-11193-00	B - 2	7VS-14110-10	B - 7	7VS-24376-10	B - 9	7RH-87131-00	C - 2	90387-06N38	C - 3	95707-04500	C - 4
812-11198-00	B - 11	7VS-14388-00	B - 8	7VS-24378-00	B - 9	7RH-87139-80	C - 3	90460-31253	B - 10	95707-06500	C - 5
7RH-11400-10	B - 3		B - 9	7VS-24379-00	B - 9	7RH-87150-80	C - 2	90462-05061	B - 11	95707-08500	B - 7
JN6-11454-00	B - 3	7RH-14411-01	B - 7	7LV-28100-00	B - 12	7RH-87153-80	C - 2		C - 2	95707-10500	B - 12
7RH-11603-00	B - 3	7RH-14412-00	B - 7	7RH-87152-00	C - 2	7LR-87159-00	C - 2		C - 6	95780-06500	C - 3
7RH-11604-00	B - 3	7RH-14429-00	B - 7	7RH-81800-00	B - 15	7RH-87160-02	C - 2	90462-06232	B - 14	95807-06008	B - 10
7RH-11605-00	B - 3	7RH-14451-00	B - 7	7RH-81807-00	B - 15	7LR-87172-01	C - 2	90465-18147	B - 15		B - 6
7RH-11631-00-A0	B - 3	7RH-14468-00	B - 7	7RH-8181L-00	B - 15	7RH-87174-00-98	C - 2	90467-09037	B - 8	95807-06010	B - 11
583-11633-00	B - 3	7LV-14477-00	B - 7	73A-81815-00	B - 15	7G5-87188-00	C - 4		B - 9		B - 12
7RH-11635-00	B - 3	7RH-14611-00	B - 10	7RH-8182G-00	B - 15	7LV-8720H-80	C - 4	90467-18179	B - 8	95807-06012	B - 13
7RH-11636-00	B - 3	7KY-14613-01	B - 10	7KA-81833-00	B - 15	7VS-8720J-80	C - 4		B - 9		B - 14
JN6-11650-00	B - 3	7RH-14623-00	B - 10	7RH-81840-00	B - 15	7VS-8720J-90	C - 4	90467-20154	B - 9		B - 4
JN6-11654-00	B - 3	7RH-14711-00	B - 10	7RH-81846-00	B - 15	7LV-87204-00	C - 4	90468-12006	B - 4		B - 6
7RH-11901-00	B - 4	7RH-14718-00	B - 10	7KA-81858-00	B - 15	7RG-87204-N0	C - 4	90501-10264	B - 4	95807-06016	B - 15
7RH-11913-00	B - 4	7RH-14737-00	B - 10	7KA-81859-00	B - 15	7VS-87204-80	C - 4	90501-264A9	B - 5		B - 7
7FK-11914-00	B - 4	7RH-14757-00	B - 11	7RH-81861-00	B - 15	7RH-87213-80	C - 5	90506-04458	B - 4	95807-06025	B - 14
7KY-11917-00	B - 4	7RH-1479E-00	B - 10	73A-81940-10	B - 15	7LU-8722A-00	C - 5	92907-03200	C - 5	95807-06030	B - 13
7RH-11922-00	B - 4	7RH-14799-00	B - 10	22J-81960-60	C - 5	7LR-8722W-80	C - 3	92907-05100	C - 2	95807-06035	B - 13
7VS-11925-00	B - 4	7RH-15111-10	B - 11	7RH-81970-00	C - 6	7LR-87220-00	C - 2	92907-05600	C - 2	95807-08016	B - 10
7RH-11928-00	B - 4	796-15363-01	B - 11	J44-81980-60	C - 6	7LR-87221-90	C - 4		C - 3	95807-08020	B - 10
73A-11931-00	B - 4	7RH-15411-01	B - 11	7VS-82115-80	B - 15	7RH-87221-80	C - 4	92907-061A5	B - 15	95807-08035	B - 15
73A-11941-00	B - 4	7RH-15451-00	B - 11	73H-82116-00	B - 15	7UV-87221-80	C - 4	92907-06100	B - 15	95807-08045	B - 8
7RH-11970-00	B - 4	5AU-2157B-00	C - 7	7RH-82122-01	B - 13	7VU-87221-90	C - 4		C - 4	95817-08045	B - 11
7RH-11971-00	B - 11	73A-21793-00	C - 7	7LP-82133-00	B - 13	7RH-87222-40	C - 4	92907-06300	C - 2	95817-10070	B - 2
JN6-12111-01	B - 5	7RH-22836-00	B - 13	J10-82136-00	B - 13	7UW-87222-40	C - 4	92907-06600	B - 4	95827-06012	B - 14
J38-12117-01	B - 5	7RH-22838-00	B - 13	42X-82151-00	C - 6	73H-87222-91	C - 4		B - 9		B - 8
J38-12118-00	B - 5	7RH-22839-00	B - 13	JN6-82370-00	B - 14	7VS-87226-80	C - 5		C - 3		B - 9
4G0-12119-00	B - 5	7VS-22840-00	B - 12	63V-82377-50	C - 7	7VS-87249-80	C - 4	92990-06100	C - 5	95827-06030	B - 2
7RH-12121-00	B - 5	7VS-22840-10	B - 12	7RH-82509-80	C - 5	7VS-87249-90	C - 4	93102-35191	B - 11	95827-06130	C - 2
JN6-12151-00	B - 5	7RH-22850-00	B - 12	7RH-82510-00	C - 5	7NJ-87261-10	C - 7	93109-08050	B - 11	95880-06010	C - 3
JN6-12153-00	B - 5	7VS-22861-00	B - 12	73A-82511-00	C - 5	7J5-88195-00	C - 3	93210-05098	B - 15	95880-06020	B - 14
JN6-12154-00	B - 5	7RH-22864-00	B - 13	7LP-82599-00	C - 5	90101-06739	C - 3	93210-06001	B - 15	97007-06012	B - 12
J38-12156-00	B - 5	7RH-22891-00	B - 12	7NJ-83530-80	C - 4	90159-05091	C - 2	93210-22344	B - 11		C - 2
22F-12159-00	B - 5	7VS-2415E-00	C - 7	7RH-85521-00	B - 14	90159-06032	C - 2	93306-20201	B - 11	97027-05050	C - 2
7RH-12170-00	B - 5	7RH-24161-10	C - 7	7RH-85640-00	B - 14	90170-05302	B - 5	93306-20714	B - 11	97027-06030	B - 4
7NJ-12287-00	B - 5	7VS-24162-00	C - 7	7RH-85650-00	B - 14	90170-18391	B - 14	93306-30709	B - 11	97080-06020	C - 5
7VS-12616-00	B - 6	7VS-24164-00	C - 7	7LG-85690-00	C - 5	90173-06017	B - 4	93306-37202	C - 2	97707-30512	C - 5
7RH-12621-00	B - 6	7VS-24164-10	C - 7	7RH-85720-02	B - 14	90175-06008	B - 13	93440-06107	B - 4	97707-40516	C - 5
7RH-12651-01	B - 6	7NJ-85724-00	B - 9	7NJ-85724-00	B - 14	90179-06511	C - 5	93450-21053	B - 3	97707-50512	C - 5
7RH-13557-00	B - 7	7LG-24181-00	B - 12	7NJ-85770-00	C - 5	90201-03013	C - 5	94701-00331	B - 2	97707-50520	C - 5
7RH-13567-00	B - 7	7VS-24311-00	B - 8	7LR-86112-00	C - 5	90201-06380	B - 12	95304-06700	B - 15	97707-60514	C - 6
7VS-13596-00	B - 7	7VS-24311-10	B - 9	7VS-86120-00	B - 8	90201-065K7	B - 4	95307-05600	C - 2	98507-03006	C - 4
7VS-13800-00	B - 9	7VS-24313-00	B - 9	7VS-86120-10	B - 9	90201-067L0	B - 4	95307-05700	C - 2	98507-04005	C - 4
7VS-13906-00	B - 8	7VS-24335-00	B - 8	7VS-86121-00	B - 9	90201-08092	B - 4	95307-06700	B - 15	98507-04012	C - 4

NUMERICAL INDEX

PARTNO.	GRID NO.	PARTNO.	GRID NO.	PARTNO.	GRID NO.	PARTNO.	GRID NO.	PARTNO.	GRID NO.
98507-05010	C - 2								
	C - 3								
98507-05014	C - 2								
98507-05020	C - 3								
98507-06012	C - 4								
98507-06035	B - 4								
98907-06014	C - 5								
99530-08016	B - 11								
99530-14016	B - 2								

CONTENTS

CYLINDER	B2
CRANKSHAFT. PISTON	B3
GOVERNOR	B4
CAMSHAFT.VALVE	B5
AIR SHROUD. STARTER	B6
INTAKE	B7
FUEL SYSTEM	B8
FUEL SYSTEM 2	B9
EXHAUST	B10
CRANKCASE	B11
FRAME	B12
BATTERY TRAY	B13
T.C.I.MAGNETO	B14
STARTING MOTOR	B15
GENERATOR	C2
CONTROL BOX	C4
LABELS	C7
INDEX	
NUMERICAL INDEX	M1