

# **PARTS CATALOGUE**

**YAMAHA GENERATOR**

**EF6200PDEX** (7XA2)(120/240V-60Hz) CANADA

**EF5500NDEX** (7XA2)(120/240V-60Hz) CANADA

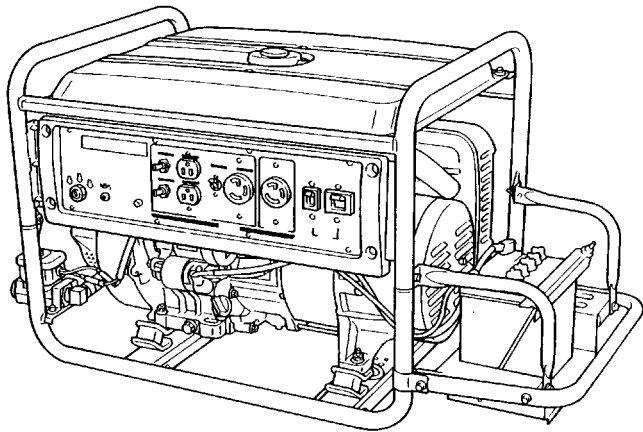
---

**YAMAHA**  
**GENUINE**  
Parts & Accessories

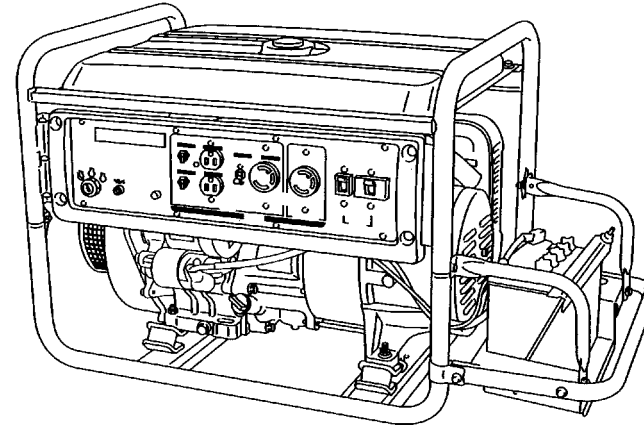
217XA-171E1

EF6200PDEX/EF5500NDEX  
PARTS CATALOGUE  
©2001 by Yamaha Motor Co., Ltd.  
1st Edition, Sep. 2001  
All rights reserved.  
Any reprinting or unauthorized use  
without the written permission of  
Yamaha Motor Co., Ltd.  
is expressly prohibited.

**A3**



EF550NDEX



EF6200PDEX

# FOREWORD

This Parts Catalogue is related to the parts for the model(s) in the below frame. When you are ordering replacement parts, please refer to this Parts Catalogue and quote both part numbers and part names correctly.

1. Modifications or additions which have been made after issue of the Parts Catalogue will be announced in the Yamaha Parts News.  
It is advisable that you make necessary corrections to the Parts Catalogue according to the Yamaha Parts News.

2. Abbreviations  
The following abbreviations are used in this Parts Catalogue.

“UR” Use specified parts number.

“UN” Use as many as needed.

“AP” Alternate Parts

“LM” Local Made (Parts need to be ordered locally)

“F#” Frame No. (Applicable machine No.)

3. Parts, which are to be supplied in an assembly, are listed with a dot(.) in front of the part name as shown below.

EXAMPLE

CARBURETOR ASSY

.JET, PILOT

.NOZZLE, MAIN

4. Number of component for assembly  
The numeral appearing to the right of each component part indicates the quantity of parts for each assembly unit.

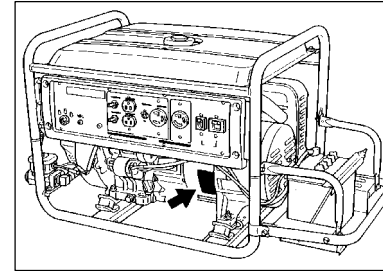
EXAMPLE

PART NO.	DESCRIPTION	Q'TY	REMARKS
2F5-83310-60	FRONT FLASHER LIGHT ASSY	2	
115-83311-60	.BULB (6V-18W)	1	

5. Applicable Starting Serial No. and Color Code

MODEL NAME	MODEL TYPE	VOLTAGE	FRAME NO.
EF6200PDEX	7XA2	120/240V-60Hz	7XA-200101
EF5500NDEX	7XA2	120/240V-50Hz	7XA-220101

Engine Serial No.



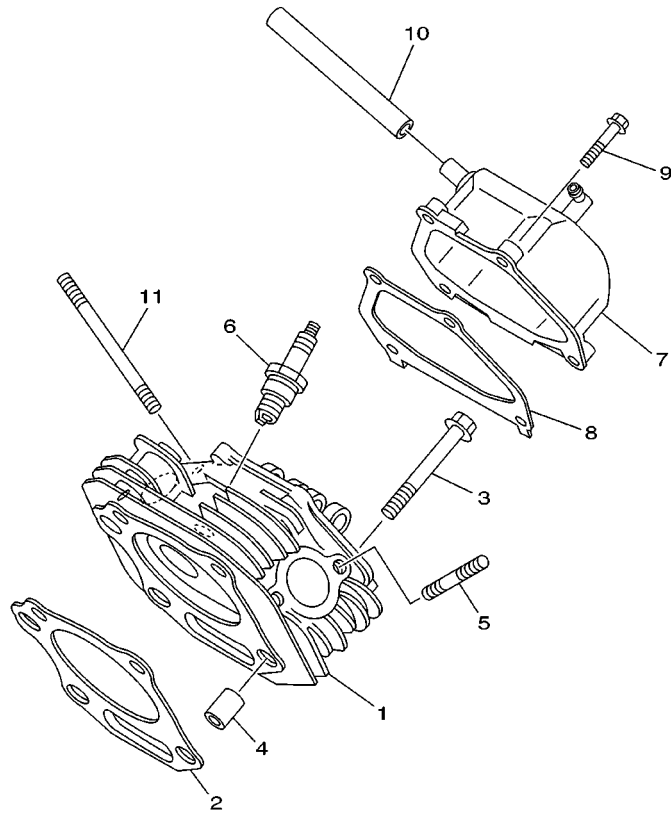
Color Code	Color Name	Abbreviation	MODEL	Country (destination)
00NJ	FARAWAY BLUE	FWB	7XA2	CANADA

6. Note that the illustrations for reference in finding parts numbers, not to be used for assembling. When assembling, please use the applicable service manual.
7. The asterisk (\*) before a reference number indicates modification items after the first edition.

# CONTENTS

CYLINDER .....	B2
CRANKSHAFT. PISTON .....	B3
GOVERNOR .....	B4
CAMSHAFT.VALVE .....	B5
AIR SHROUD. STARTER .....	B6
INTAKE .....	B7
FUEL SYSTEM (EF6200PDEX) .....	B8
FUEL SYSTEM 2 (EF5500NDEX) .....	B9
EXHAUST .....	B11
CRANKCASE .....	B12
FRAME .....	B13
FRAME 2 .....	B14
MAGNETO .....	B15
STARTING MOTOR .....	C2
GENERATOR .....	C3
CONTROL BOX 1 .....	C5
LABELS .....	C8
<b>INDEX</b>	
NUMERICAL INDEX .....	M1

**FIG. 1 CYLINDER**

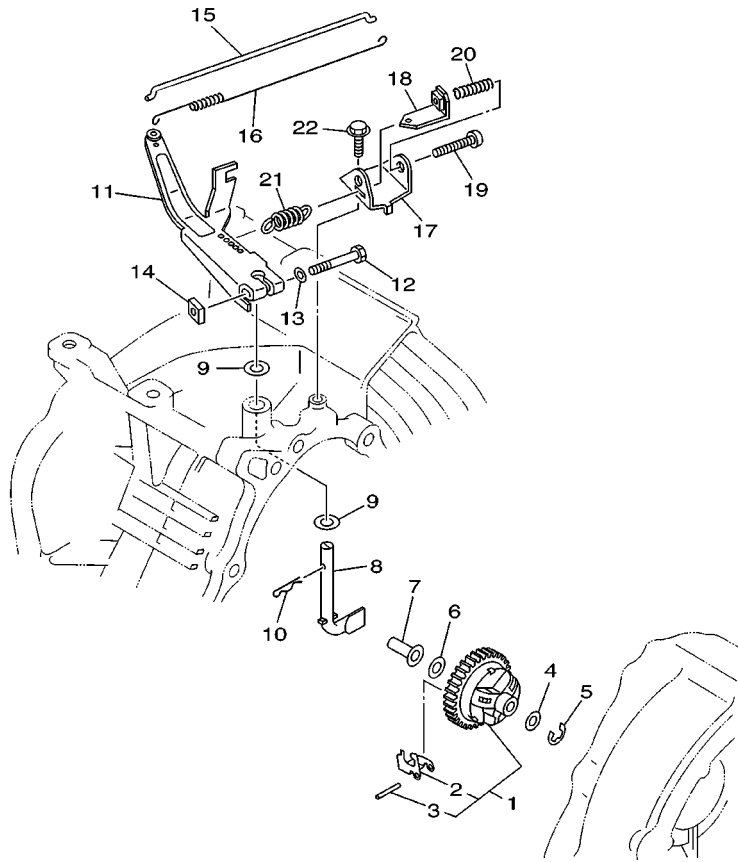


REF. NO.	PART NO.	DESCRIPTION	6200	5500				REMARKS
1	7XA-11111-00	HEAD, CYLINDER 1	1	1				
2	7WG-11181-00	GASKET, CYLINDER HEAD 1	1	1				
3	95817-10070	BOLT, FLANGE	4	4				
4	99530-14016	PIN, DOWEL	2	2				
5	95627-08618	BOLT, STUD	2	2				
6	94702-00331	PLUG, SPARK (BPR4ES)	1	1				
7	7XA-11190-00	COVER, CYLINDER HEAD 1	1	1				
8	JN6-11193-00	GASKET, HEAD COVER 1	1	1				
9	95827-06030	BOLT, FLANGE	4	4				
10	7RH-11166-00	PIPE, BREATHER 1	1	1				
11	95607-08700	BOLT, STUD	2	2				

  
7XA2171-1010



**FIG. 3 GOVERNOR**



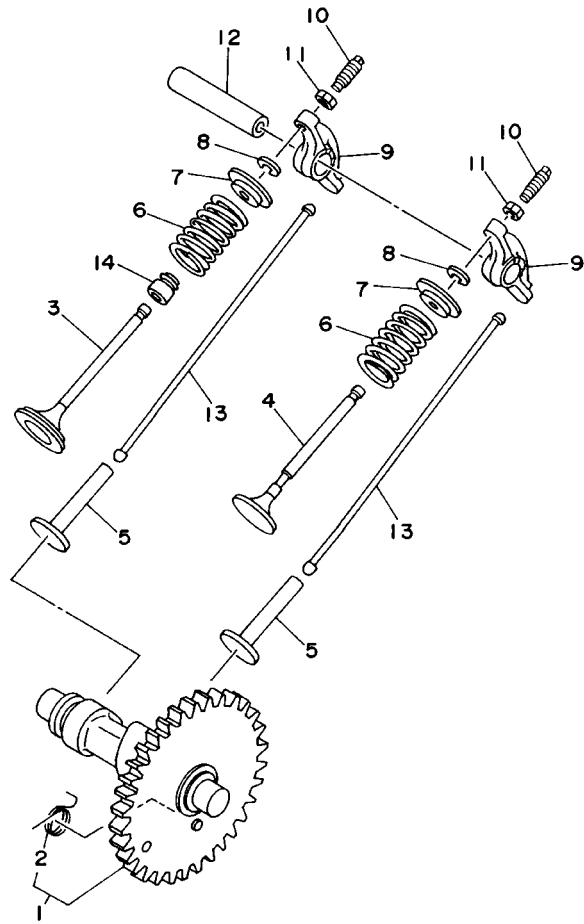
REF. NO.	PART NO.	DESCRIPTION	6200	5500				REMARKS
1	7RH-11970-00	FLYWEIGHT SHAFT ASSY.	1	1				
2	7RH-11913-00	.WEIGHT	3	3				
3	7FK-11914-00	.SHAFT, WEIGHT	3	3				
4	90201-065K7	WASHER, PLATE	1	1				
5	93440-06107	CIRCLIP	1	1				
6	90201-067L0	WASHER, PLATE	1	1				
7	7KY-11917-00	COLLAR	1	1				
8	7RH-11922-00	FORK, GOVERNOR	1	1				
9	90201-08092	WASHER, PLATE	2	2				
10	90468-12006	CLIP	1	1				
11	7RH-11901-00	GOVERNOR ASSY	1	1				
12	97027-06030	BOLT	1	1				
13	92907-06600	WASHER, PLATE	1	1				
14	90173-06017	NUT, SQUARE	1	1				
15	7RH-11928-00	ROD, LINK	1	1				
16	90506-04458	SPRING, TENSION	1	1				
17	73A-11941-00	STAY	1	1				
18	73A-11931-00	LEVER	1	1				
19	98507-06035	SCREW, PAN HEAD	1	1				
20	90501-10264	SPRING, COMPRESSION	1	1				
21	7VS-11925-00	SPRING, GOVERNOR	1	1				
22	95807-06012	BOLT, FLANGE	1	1				



7XA2171-1030



FIG. 4 CAMSHAFT.VALVE



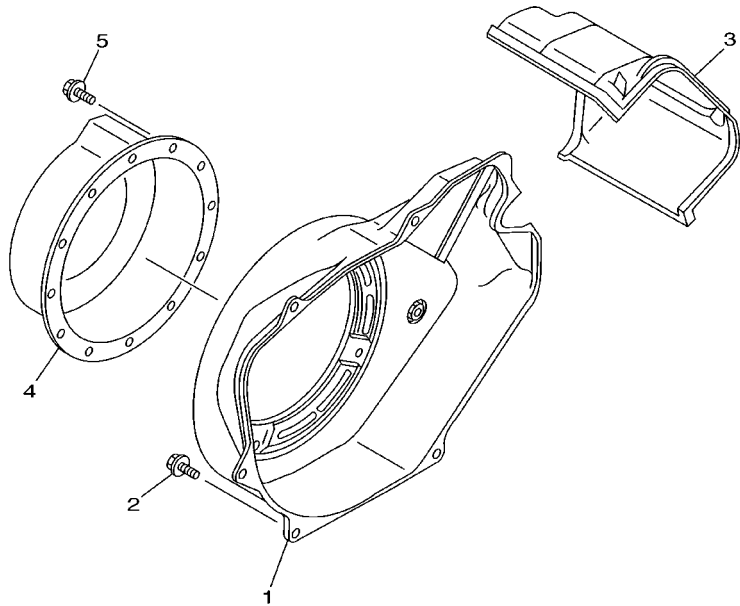
REF. NO.	PART NO.	DESCRIPTION	6200	5500				REMARKS
1	7WG-12170-00	CAMSHAFT ASSY 1	1	1				
2	7WG-12287-00	.SPRING, DECOMPRESSION	1	1				
3	7VS-12111-00	VALVE, INTAKE	1	1				
4	7VS-12121-00	VALVE, EXHAUST	1	1				
5	JN6-12153-00	LIFTER, VALVE	2	2				
6	90501-264A9	SPRING, COMPRESSION	2	2				
7	J38-12117-01	RETAINER, VALVE SPRING	2	2				
8	J38-12118-00	COTTER, VALVE	2	2				
9	JN6-12151-00	ARM, VALVE ROCKER	2	2				
10	22F-12159-00	SCREW, VALVE ADJUSTING	2	2				
11	90170-05302	NUT	2	2				
12	J38-12156-00	SHAFT, ROCKER 2	1	1				
13	JN6-12154-00	ROD, VALVE PUSH	2	2				
14	4G0-12119-00	SEAL, VALVE STEM	1	1				



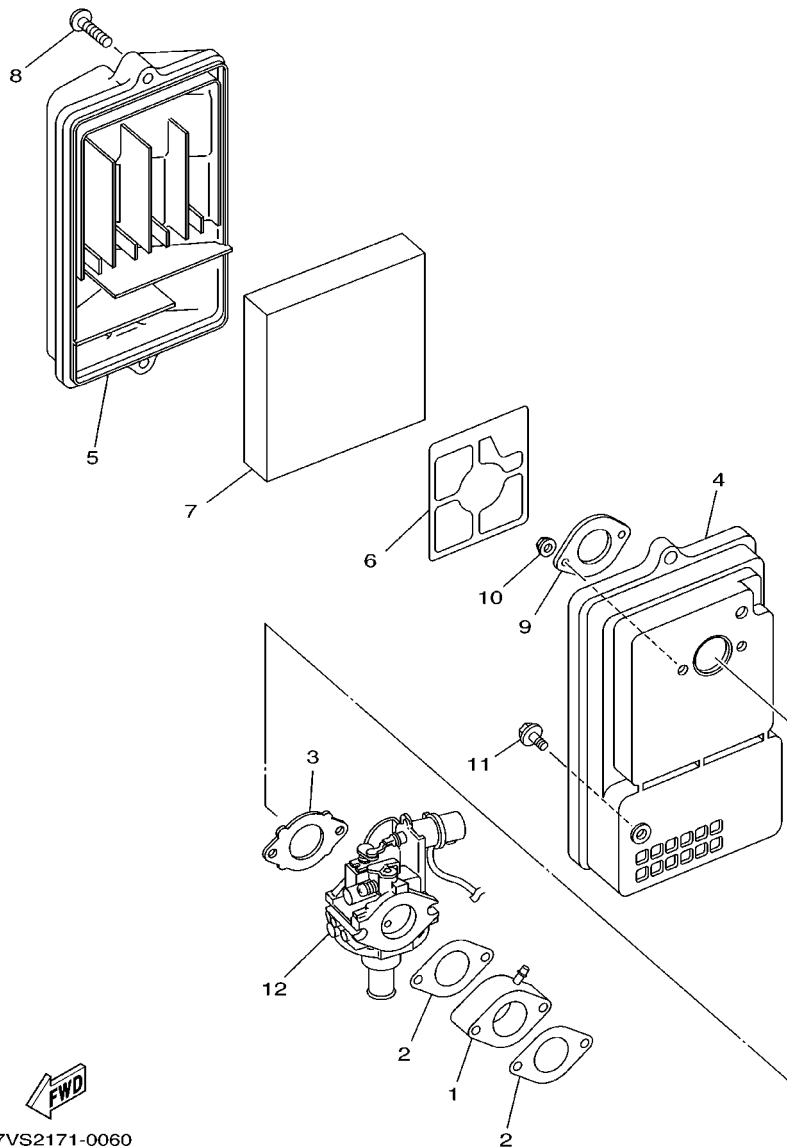
7RG1400-6040

**FIG. 5 AIR SHROUD. STARTER**

REF. NO.	PART NO.	DESCRIPTION	6200	5500				REMARKS
1	7WG-12621-10	CASE, FAN	1	1				
2	95807-06012	BOLT, FLANGE	5	5				
3	7RH-12651-01	AIR SHROUD, CYLINDER 1	1	1				
4	7VS-12616-00	COVER, FAN CASE	1	1				
5	95807-06008	BOLT, FLANGE	4	4				
-----								
-----								
-----								
-----								
-----								
-----								
-----								



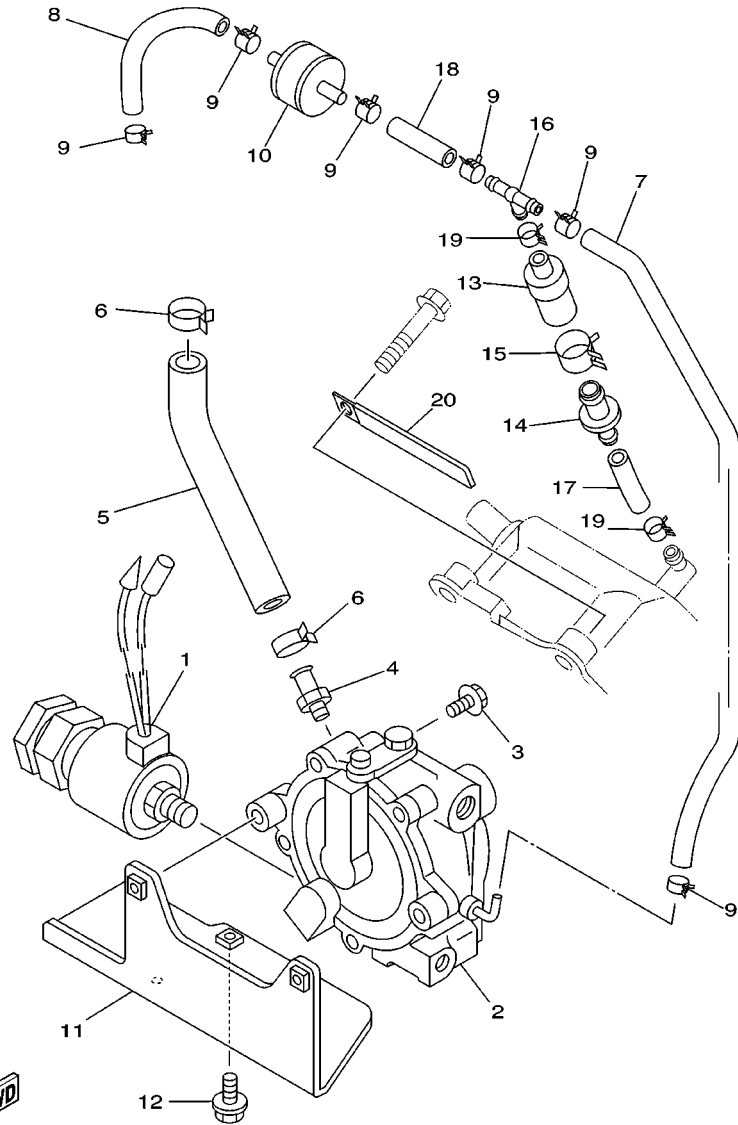
7VS2171-0050



**FIG. 6 INTAKE**

REF. NO.	PART NO.	DESCRIPTION	6200	5500				REMARKS
1	7VS-13596-00	JOINT, CARBURETOR 2	1	1				
2	7RH-13557-00	GASKET	2	2				
3	7RH-13567-00	GASKET	1	1				
4	7RH-14411-01	CASE, AIR CLEANER 1	1	1				
5	7RH-14412-01	CAP, CLEANER CASE 1	1	1				
6	7RH-14468-00	PLATE,ELEMENT FITTING	1	1				
7	7RH-14451-00	ELEMENT, AIR CLEANER	1	1				
8	7RH-14429-00	SCREW	2	2				
9	7LV-14477-00	PLATE	1	1				
10	95707-08500	NUT, FLANGE	2	2				
11	95807-06016	BOLT, FLANGE	1	1				
12	7VS-14110-00	MIXING ASSY 1	1					EF6200PDEX
	7VS-14110-10	MIXING ASSY 1		1				EF5500NDEX

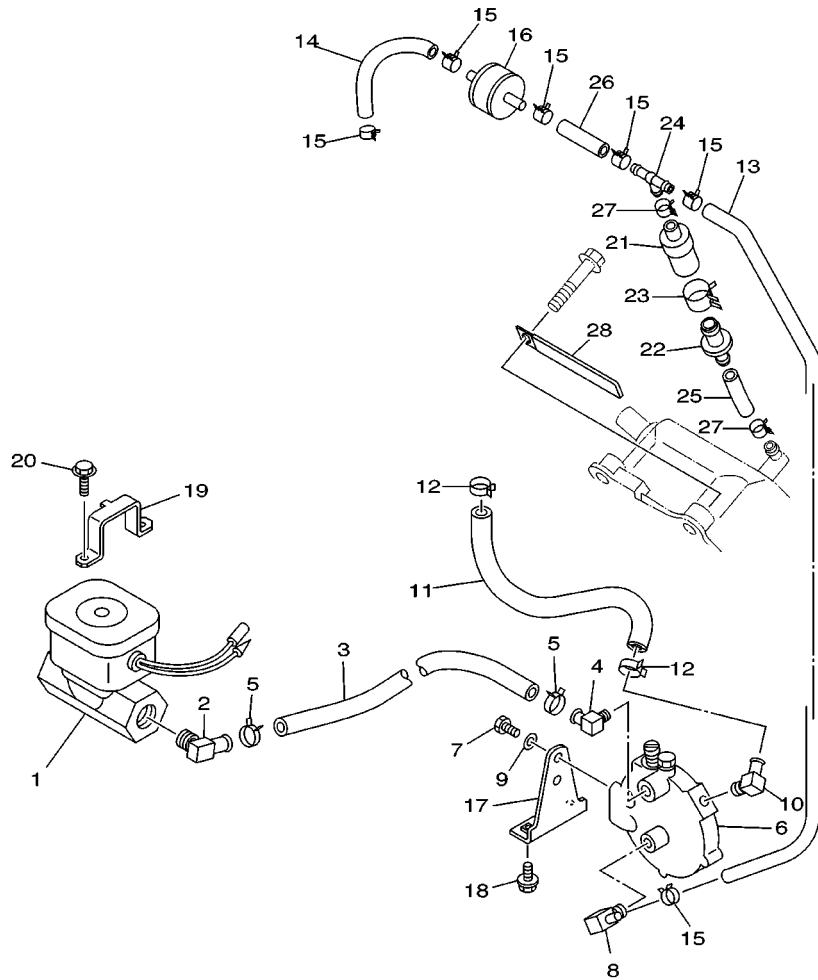
FIG. 7 FUEL SYSTEM (EF6200PDEX)



7XA2171-1070

REF. NO.	PART NO.	DESCRIPTION	6200	5500				REMARKS
1	7VS-86120-00	SOLENOID VALVE ASSY	1					
2	7VS-13906-00	REGULATOR, PRESSURE	1					
3	95807-08045	BOLT, FLANGE	2					
4	7VS-24376-00	PIPE, JOINT 1	1					
5	7VS-24311-00	PIPE, FUEL 1	1					
6	90467-18179	CLIP	2					
7	7XA-24336-00	PIPE, SUCTION 2	1					
8	7VS-24335-20	PIPE, SUCTION 1	1					
9	90467-09037	CLIP	6					
10	JN2-14388-00	VALVE, VACUUM CONTROL	1					
11	7VS-13997-00	STAY, REGULATOR	1					
12	95827-06012	BOLT, FLANGE	2					
13	J38-14388-00	VALVE, VACUUM CONTROL	1					
14	J38-13115-00	CONNECTOR, SUCTION PIPE	1					
15	90468-08104	CLIP	1					
16	807-24376-00	PIPE, JOINT 1	1					
17	7XA-24335-00	PIPE, SUCTION 1	1					
18	7XA-24337-00	PIPE, SUCTION 3	1					
19	90467-11028	CLIP	2					
20	90462-06199	CLAMP	1					

**FIG. 8 FUEL SYSTEM 2 (EF5500INDEX)**



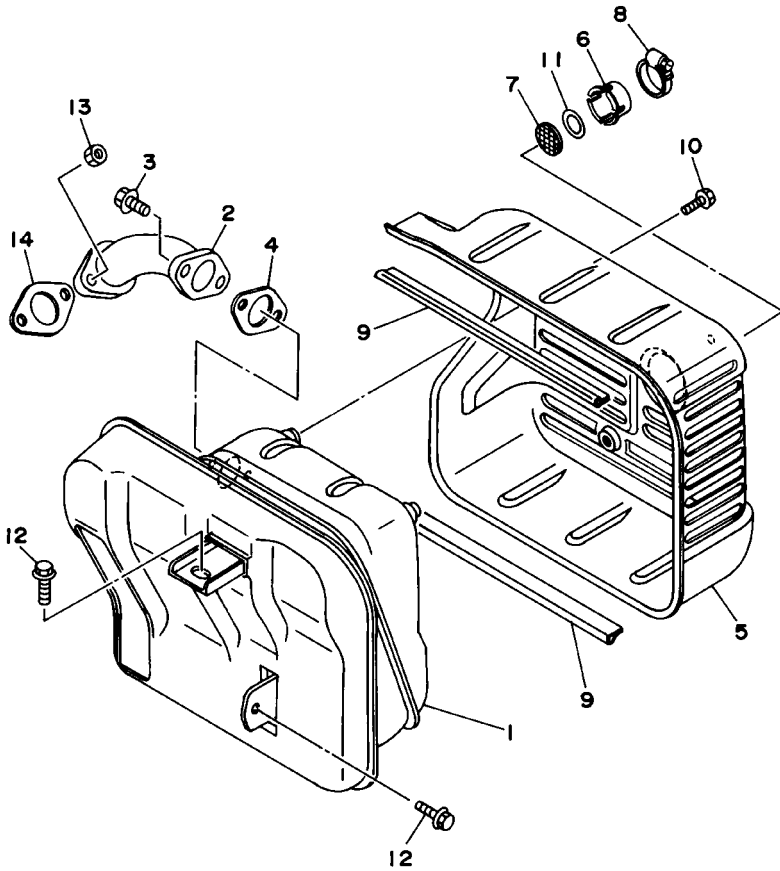
7XA2171-1080

REF. NO.	PART NO.	DESCRIPTION	6200	5500	REMARKS
1	7VS-86120-10	SOLENOID VALVE ASSY		1	
2	7VS-24379-00	PIPE, JOINT 4		1	
3	7VS-24313-00	PIPE 3		1	
4	7VS-24378-00	PIPE, JOINT 4		1	
5	90467-20154	CLIP		2	
6	7VS-13800-00	ZERO GOVERNOR ASSY		1	
7	7VS-24176-00	BOLT 1		2	
8	7VS-13925-00	PULSE, JOINT		1	
9	92907-06600	WASHER, PLATE		2	
10	7VS-24376-10	PIPE, JOINT 1		1	
11	7VS-24311-10	PIPE, FUEL 1		1	
12	90467-18179	CLIP		2	
13	7XA-24336-10	PIPE, SUCTION 2		1	
14	7VS-24335-20	PIPE, SUCTION 1		1	
15	90467-09037	CLIP		6	
16	JN2-14388-00	VALVE, VACUUM CONTROL		1	
17	7VS-13997-10	STAY, REGULATOR		1	
18	95827-06012	BOLT, FLANGE		2	
19	7VS-86121-00	BAND		1	
20	95827-06012	BOLT, FLANGE		2	
21	J38-14388-00	VALVE, VACUUM CONTROL		1	
22	J38-13115-00	CONNECTOR, SUCTION PIPE		1	
23	90468-08104	CLIP		1	
24	807-24376-00	PIPE, JOINT 1		1	
25	7XA-24335-00	PIPE, SUCTION 1		1	
26	7XA-24337-00	PIPE, SUCTION 3		1	
27	90467-11028	CLIP		2	

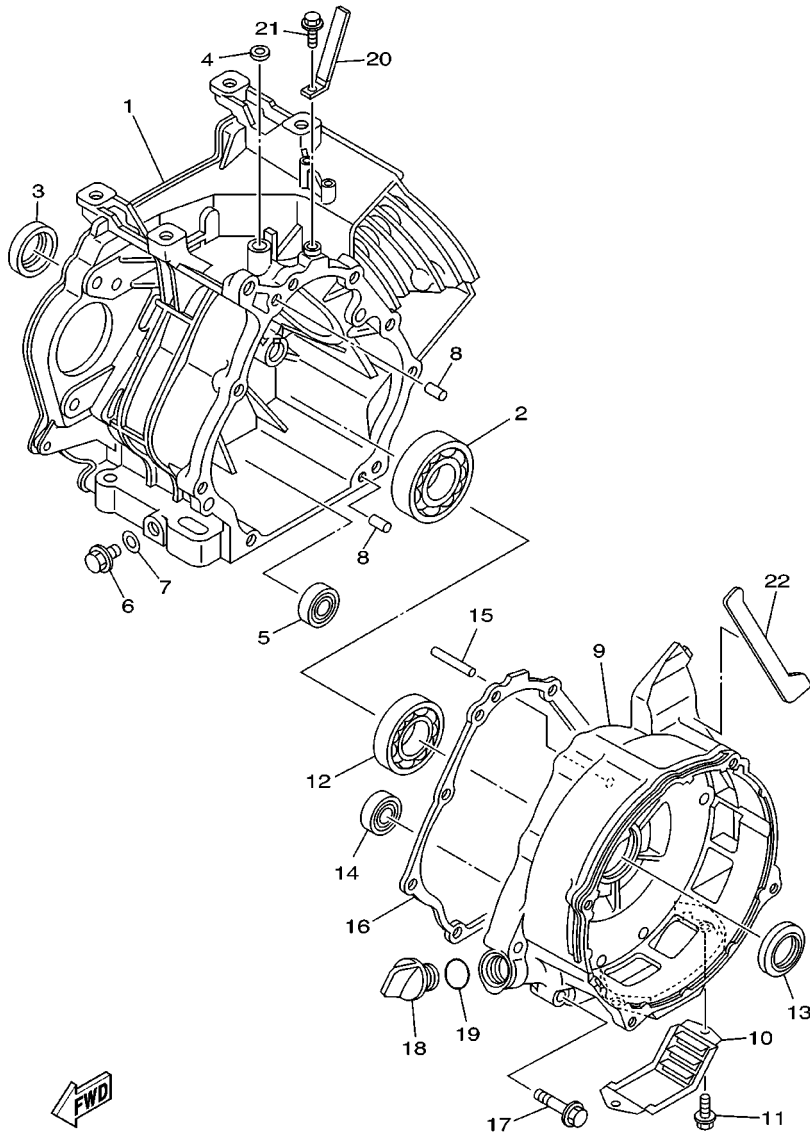


**FIG. 9 EXHAUST**

REF. NO.	PART NO.	DESCRIPTION	6200	5500	REMARKS
1	7RH-14711-00	MUFFLER 1	1	1	
2	7RH-14611-00	PIPE, EXHAUST 1	1	1	
3	95807-08020	BOLT, FLANGE	2	2	
4	7RH-14623-00	GASKET, EXHAUST PIPE	1	1	
5	7RH-14718-00	PROTECTOR, MUFFLER 1	1	1	
6	7RH-14799-00	CAP	1	1	
7	7RH-1479E-00	NET, WIRE 2	1	1	
8	90460-31253	CLAMP, HOSE	1	1	
9	7RH-14737-00	DAMPER, MUFFLER	2	2	
10	95807-06008	BOLT, FLANGE	4	4	
11	90201-22793	WASHER, PLATE	1	1	
12	95807-08016	BOLT, FLANGE	2	2	
13	95307-08600	NUT	2	2	
14	7KY-14613-01	GASKET, EXHAUST PIPE	1	1	



7RG1400-6150

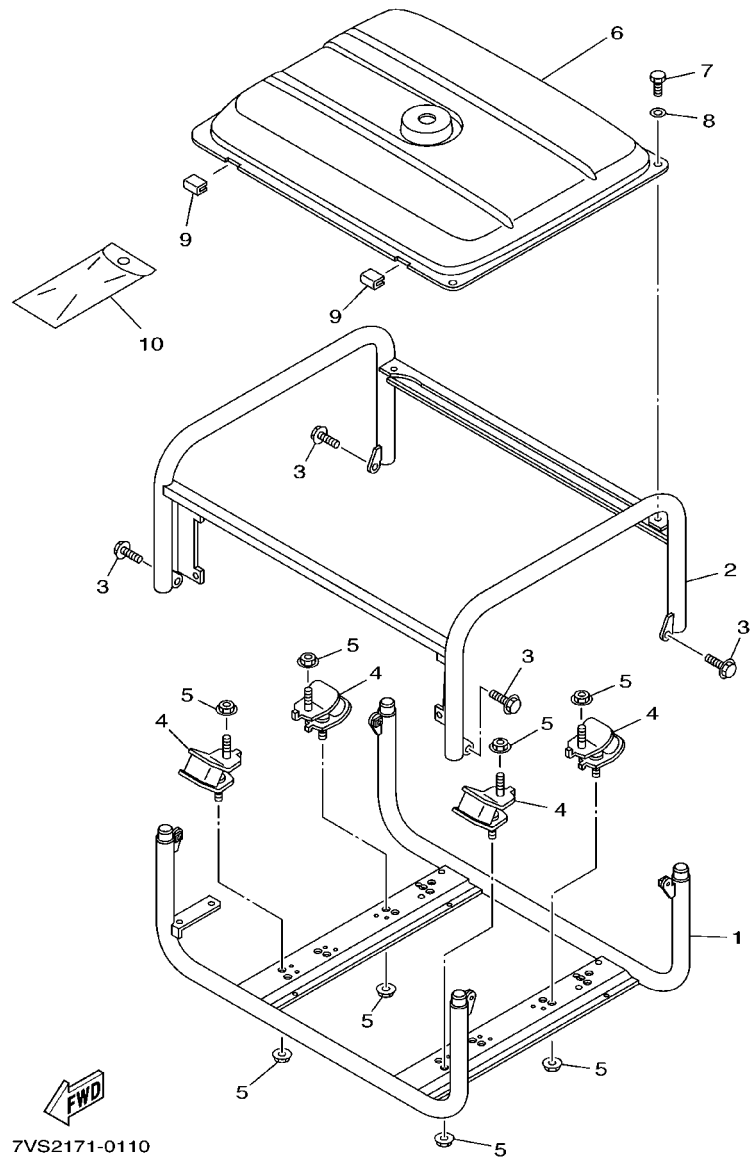


7XA2171-1100

FIG. 10 CRANKCASE

REF. NO.	PART NO.	DESCRIPTION	6200	5500				REMARKS
1	7WG-15111-10	CRANKCASE 1	1	1				
2	93306-30709	BEARING	1	1				
3	93102-35191	OIL SEAL	1	1				
4	93109-08050	OIL SEAL	1	1				
5	93306-20201	BEARING (B6202)	1	1				
6	90340-12097	PLUG, STRAIGHT SCREW	2	2				
7	812-11198-00	GASKET	2	2				
8	99530-08016	PIN, DOWEL	2	2				
9	7RH-15411-01	COVER, CRANKCASE 1	1	1				
10	7RH-15414-00	COVER 1	1	1				
11	90109-06513	BOLT	2	2				
12	93306-20714	BEARING	1	1				
13	93102-35191	OIL SEAL	1	1				
14	93306-20201	BEARING (B6202)	1	1				
15	7RH-11971-00	SHAFT, FLYWEIGHT	1	1				
16	7RH-15451-01	GASKET, CRANKCASE COVER 1	1	1				
17	95817-08045	BOLT, FLANGE	8	8				
18	796-15363-01	PLUG, OIL	1	1				
19	93210-22344	O-RING	1	1				
20	90462-05061	CLAMP	1	1				
21	95807-06010	BOLT, FLANGE	1	1				
22	7RH-14757-00	DAMPER, MUFFLER 2	1	1				

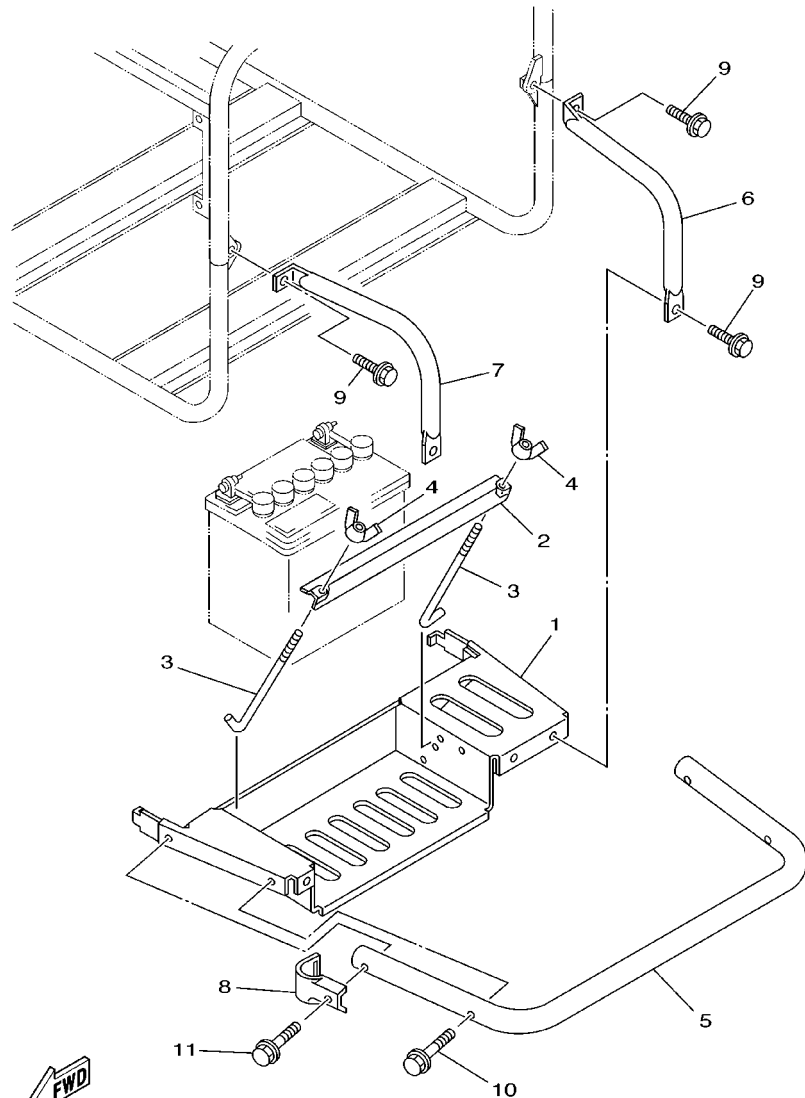




**FIG. 11 FRAME**

REF. NO.	PART NO.	DESCRIPTION	6200	5500	REMARKS
1	7VS-22840-00	FRAME COMP.	1		EF6200PDEX
	7VS-22840-10	FRAME COMP.		1	EF5500NDEX
2	7RH-22850-00	FRAME COMP. 2	1	1	
3	95807-06010	BOLT, FLANGE	4	4	
4	7RH-22891-00	INSULATOR, MOUNTING	4	4	
5	95707-10500	NUT, FLANGE	8	8	
6	7VS-22861-01	COVER 1	1	1	
7	97007-06012	BOLT	2	2	
8	90201-06380	WASHER, PLATE	2	2	
9	7LG-24181-00	DAMPER, LOCATING 1	2	2	
10	7LV-28100-00	TOOL KIT	1	1	

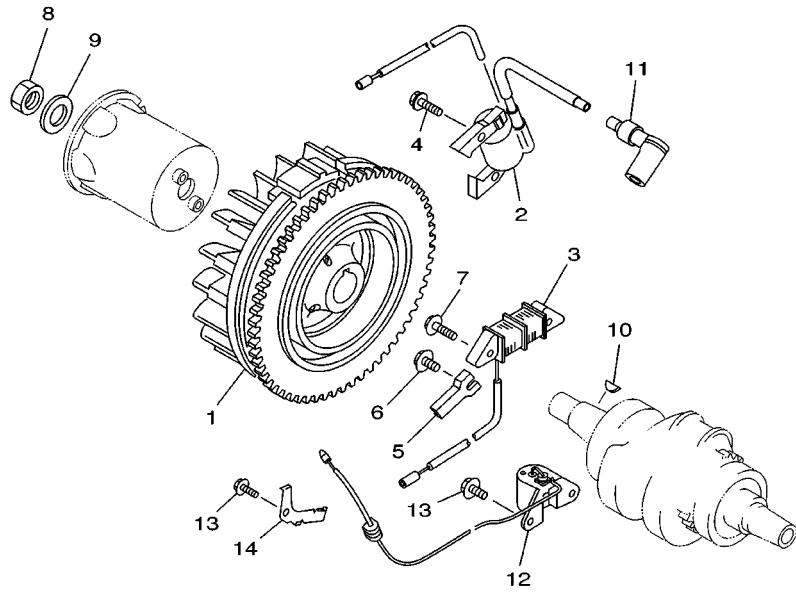
FIG. 12 FRAME 2



7VW2110-0130

REF. NO.	PART NO.	DESCRIPTION	6200	5500	REMARKS
1	7RH-82122-01	SEAT, BATTERY	1	1	
2	J10-82136-00	PLATE, BATTERY FITTING	1	1	
3	7LP-82133-00	SCREW, FITTING	2	2	
4	90175-06008	NUT, WING	2	2	
5	7RH-22836-00	STAY, 3	1	1	
6	7RH-22838-00	STAY 6	1	1	
7	7RH-22839-00	STAY 7	1	1	
8	7RH-22864-00	COVER, SIDE 1	2	2	
9	95807-06012	BOLT, FLANGE	4	4	
10	95807-06030	BOLT, FLANGE	2	2	
11	95807-06035	BOLT, FLANGE	2	2	

**FIG. 13 MAGNETO**

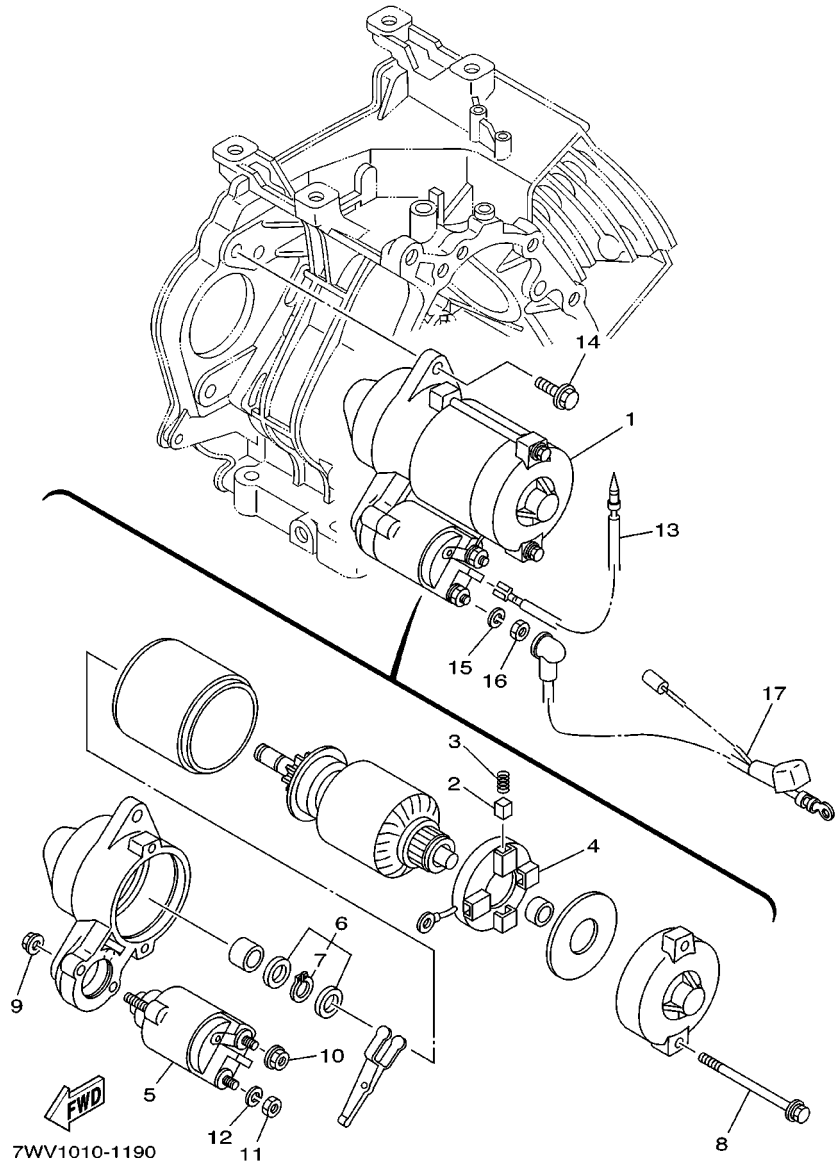


REF. NO.	PART NO.	DESCRIPTION	6200	5500				REMARKS
1	7WH-85650-10	ROTOR ASSY	1	1				
2	7WG-85640-00	T.C.I. UNIT ASSY	1	1				
3	7VW-85521-00	COIL ASSY	1	1				
4	95880-06020	BOLT, FLANGE	2	2				
5	90462-06232	CLAMP	1	1				
6	95807-06012	BOLT, FLANGE	1	1				
7	95807-06025	BOLT, FLANGE	2	2				
8	90170-18391	NUT	1	1				
9	90201-18008	WASHER, PLATE	1	1				
10	90280-04052	KEY, WOODRUFF	1	1				
11	JN6-82370-00	PLUG CAP ASSY	1	1				
12	7RH-85720-02	OIL LEVEL GAUGE ASSY	1	1				
13	95827-06012	BOLT, FLANGE	3	3				
14	7NJ-85724-00	CLAMP	1	1				



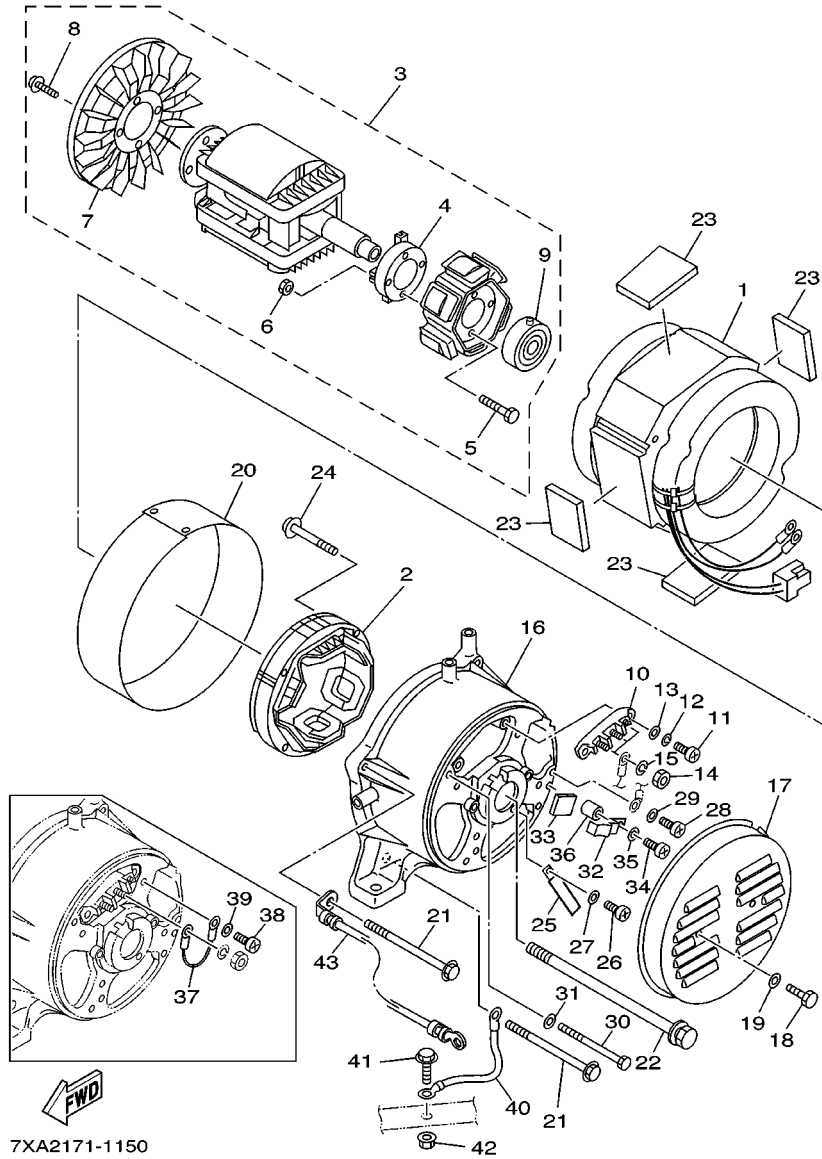
7XA2171-1130

FIG. 14 STARTING MOTOR



REF. NO.	PART NO.	DESCRIPTION	6200	5500	REMARKS
1	7WW-81800-00	STARTING MOTOR ASSY	1	1	
2	JE8-81812-00	.BRUSH 2	4	4	
3	JE8-81813-00	.SPRING, BRUSH	4	4	
4	JE8-81840-00	.BRUSH HOLDER ASSY	1	1	
5	JE8-81870-00	.STARTING SWITCH ASSY	1	1	
6	7UJ-81833-00	.RING, STOP	1	1	
7	JE8-81834-00	..RING	1	1	
8	JE8-81826-00	..BOLT	2	2	
9	95302-06600	.NUT	2	2	
10	95302-08700	.NUT	1	1	
11	95302-08600	.NUT	1	1	
12	92902-08100	.WASHER, SPRING	1	1	
13	7WW-82507-00	WIRE, LEAD	1	1	
14	95807-08025	BOLT, FLANGE	2	2	
15	92907-08100	WASHER, SPRING	1	1	
16	95307-08600	NUT	1	1	
17	7XA-82115-00	WIRE, PLUS LEAD	1	1	

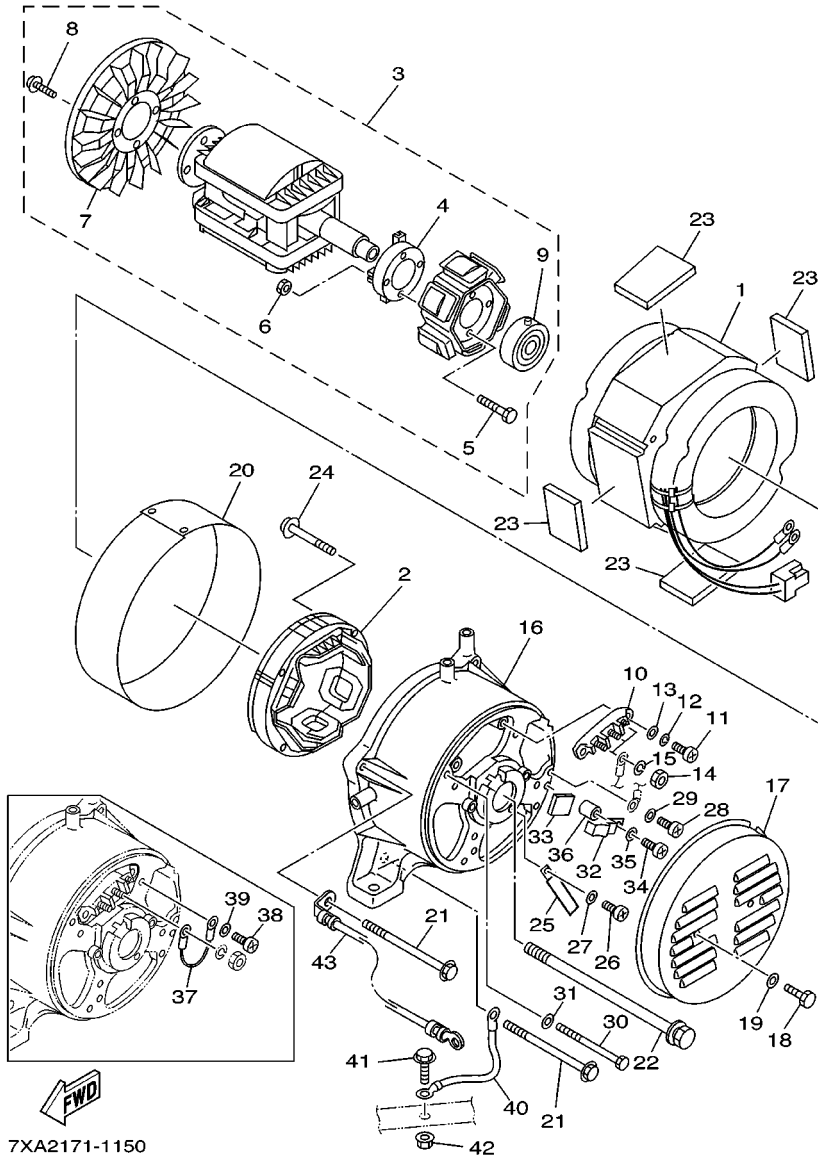
FIG. 15 GENERATOR



7XA2171-1150

REF. NO.	PART NO.	DESCRIPTION	6200	5500				REMARKS
1	7RH-87150-80	STATOR ASSY	1	1				
2	73A-8712A-01	STATOR EXITER ASSY	1	1				
3	7RH-87160-02	ROTOR ASSY	1	1				
4	7LV-87115-00	.RECTIFIER ASSY 2	1	1				
5	97027-05050	.BOLT	4	4				
6	95307-05600	.NUT	4	4				
7	7LR-87172-01	.FAN, GENERATOR	1	1				
8	90159-06032	.SCREW, WITH WASHER	4	4				
9	93306-37202	.BEARING	1	1				
10	7LR-87220-00	TERMINAL SUB ASSY 1	1	1				
11	98507-05014	SCREW, PAN HEAD	2	2				
12	92907-05100	WASHER, SPRING	2	2				
13	92907-05600	WASHER, PLATE	2	2				
14	95307-05700	NUT	3	3				
15	92907-05100	WASHER, SPRING	3	3				
16	7RH-87131-00	FRAME, REAR	1	1				
17	7RH-87174-00-98	COVER, REAR END	1	1				LGB
18	97007-06012	BOLT	2	2				
19	92907-06300	WASHER	2	2				
20	7RH-87153-80	COVER, STATOR	1	1				
21	95827-06130	BOLT, FLANGE	4	4				
22	7RH-81152-00	BOLT	1	1				
23	7LR-87159-00	SEAL, STATOR	4	4				
24	90159-05091	SCREW, WITH WASHER	4	4				
25	90462-05061	CLAMP	1	1				
26	98507-05010	SCREW, PAN HEAD	1	1				
27	92907-05600	WASHER, PLATE	1	1				

**FIG. 15 GENERATOR**



REF. NO.	PART NO.	DESCRIPTION	6200	5500				REMARKS
28	98507-05010	SCREW, PAN HEAD	1	1				
29	92907-05600	WASHER, PLATE	1	1				
30	90101-06739	BOLT	2	2				
31	92907-06600	WASHER, PLATE	2	2				
32	7J5-88195-00	HOLDER, CONNECTOR	1	1				
33	7LV-8713J-00	DAMPER	1	1				
34	98507-05020	SCREW, PAN HEAD	1	1				
35	92907-05600	WASHER, PLATE	1	1				
36	90387-06N38	COLLAR	1	1				
37	7LR-8722W-80	WIRE, LEAD 6	1	1				
38	98507-05010	SCREW, PAN HEAD	1	1				
39	92907-05600	WASHER, PLATE	1	1				
40	7RH-87139-80	LEAD WIRE ASSY 2	1	1				
41	95880-06010	BOLT, FLANGE	1	1				
42	95780-06500	NUT, FLANGE	1	1				
43	73H-82116-00	WIRE, MINUS LEAD	1	1				

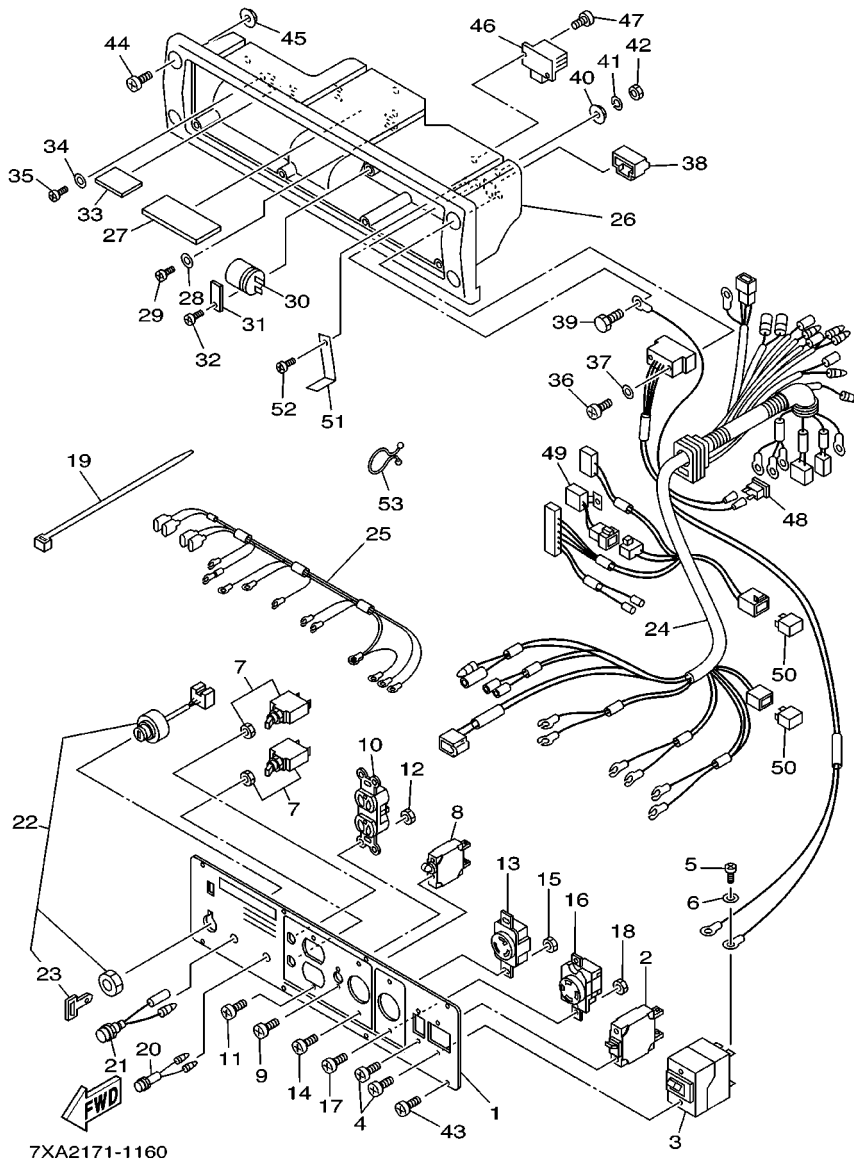
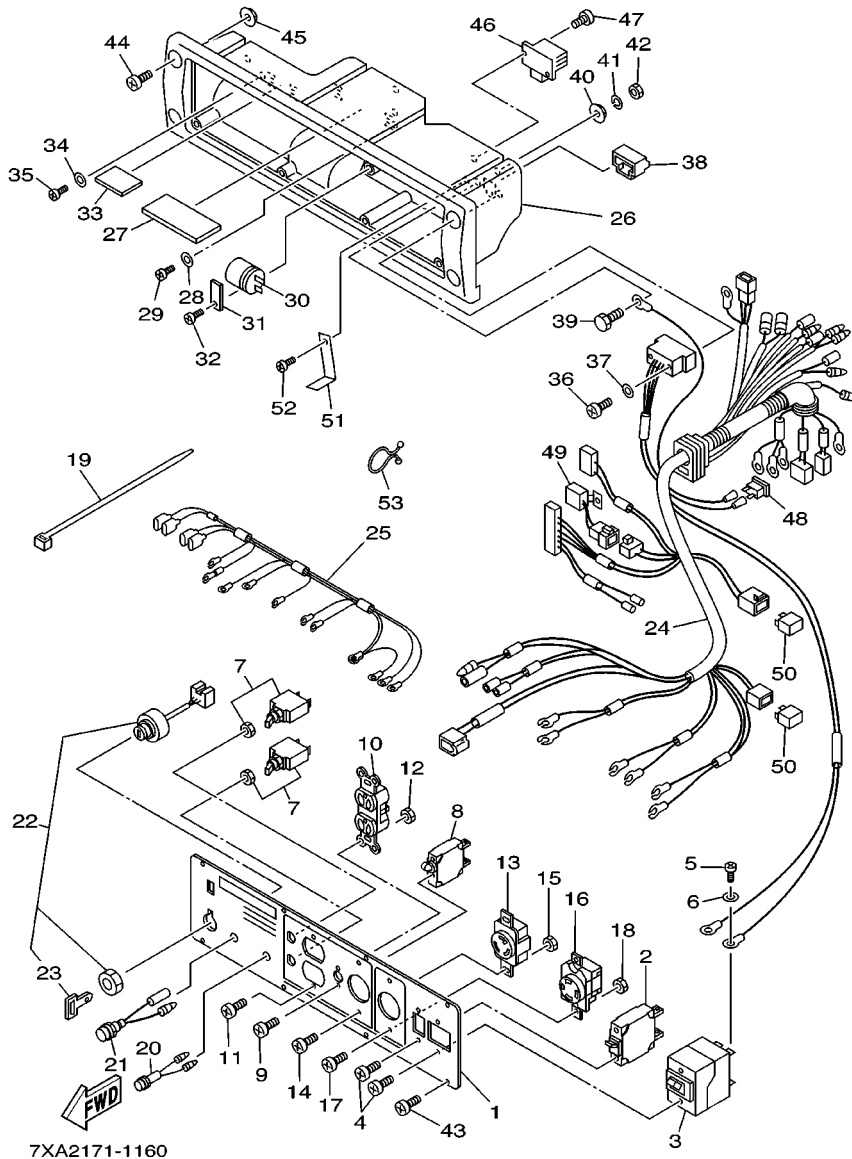


FIG. 16 CONTROL BOX 1

REF. NO.	PART NO.	DESCRIPTION	6200	5500	REMARKS
1	7VS-87249-80	PLATE	1		EF6200PDEX
	7VS-87249-90	PLATE		1	EF5500NDEX
2	7VS-87204-80	BREAKER COMP.	1		EF6200PDEX
	7LV-87204-00	CIRCUIT BREAKER COMP. (41.7A)		1	EF5500NDEX
3	7VS-8720J-80	BREAKER COMP. CIRCUIT	1		EF6200PDEX
	7VS-8720J-90	BREAKER COMP. CIRCUIT		1	EF5500NDEX
4	98507-04005	SCREW, PAN HEAD	4	4	
5	98507-06012	SCREW, PAN HEAD	6	6	
6	92907-06100	WASHER, SPRING	6	6	
7	7RG-87204-N0	BREAKER COMP. (AC240V-15A)	2	2	
8	7LV-8720H-80	BREAKER COMP, CIRCUIT	1	1	
9	98507-03006	SCREW, PAN HEAD	2	2	
	7RH-87221-80	RECEPTACLE 1 (15A-125V)	1	1	UR P&S
10	7UV-87221-80	RECEPTACLE 1 (5-15R UL)	1	1	UR MEIKOSHA
	98507-04012	SCREW, PAN HEAD	2	2	
12	95707-04500	NUT, FLANGE	2	2	
13	73H-87222-91	RECEPTACLE 2 (30A-125V)	1	1	UR P&S
	7LR-87221-90	RECEPTACLE 1 (WCF63130BO2)	1	1	UR MATSUSHITA
	7VU-87221-90	RECEPTACLE 1 (30A-125V)	1	1	UR MEIKOSHA
14	98507-04012	SCREW, PAN HEAD	2	2	
15	95707-04500	NUT, FLANGE	2	2	
16	7RH-87222-40	RECEPTACLE 2 (WCF63430BO2)	1	1	UR MATSUSHITA
	7UW-87222-40	RECEPTACLE 2 (L14-30R UL)	1	1	UR MEIKOSHA
17	98507-04012	SCREW, PAN HEAD	2	2	
18	95707-04500	NUT, FLANGE	2	2	
19	7G5-87188-00	BINDER	3	3	
20	7NJ-83530-80	PILOT LIGHT ASSY	1	1	

FIG. 16 CONTROL BOX 1

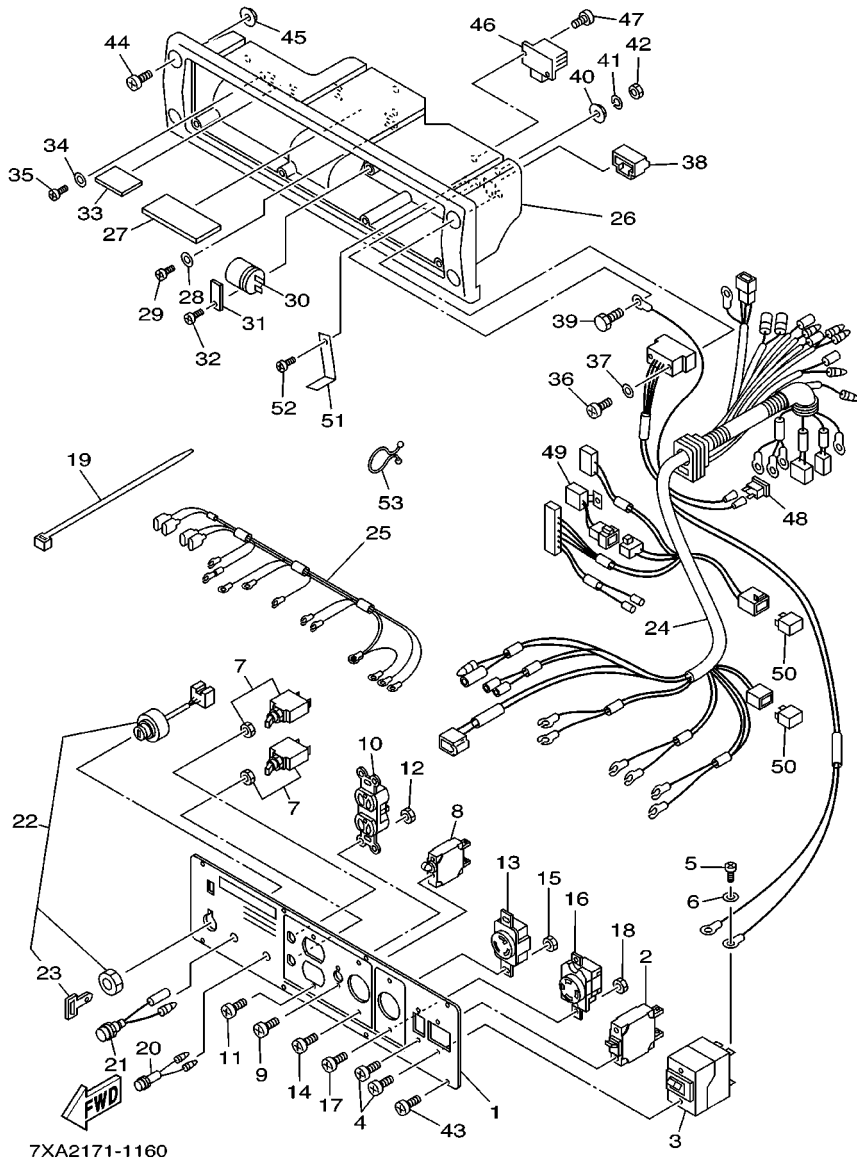


7XA2171-1160

REF. NO.	PART NO.	DESCRIPTION	6200	5500	REMARKS
21	7NJ-85770-00	OIL PILOT LIGHT ASSY	1	1	
22	7RH-82510-00	MAIN SWITCH ASSY	1	1	
23	73A-82511-00	.KEY, MAIN SWITCH	2	2	
24	7VS-87226-80	WIRE HARNESS ASSY	1	1	
25	7RH-82509-80	WIRE, SUB LEAD	1	1	
26	7RH-87213-80	COVER, CONTROL BOX	1	1	
27	7LU-8722A-00	VOLTAGE REGULATOR ASSY	1	1	
28	90201-03013	WASHER, PLATE	1	1	
29	97707-30512	SCREW, TAPPING	1	1	
30	7RH-87107-00	CONDENSER ASSY	1	1	
31	7LR-86112-00	STAY, SOLENOID	1	1	
32	97707-50512	SCREW, TAPPING	1	1	
33	7LG-85690-00	OIL WARNING UNIT	1	1	
34	90201-03013	WASHER, PLATE	1	1	
35	97707-30512	SCREW, TAPPING	1	1	
36	97707-30512	SCREW, TAPPING	2	2	
37	92907-03200	WASHER	2	2	
38	7LP-82599-00	COVER, CONNECTER	1	1	
39	97080-06020	BOLT	1	1	
40	90179-06511	NUT	1	1	
41	92990-06100	WASHER, SPRING	1	1	
42	95380-06700	NUT	1	1	
43	97707-40516	SCREW, TAPPING	8	8	
44	98907-06014	SCREW, BIND	4	4	
45	95707-06500	NUT, FLANGE	2	2	
46	22J-81960-60	RECTIFIER & REGULATOR ASSY	1	1	
47	97707-50520	SCREW, TAPPING	2	2	



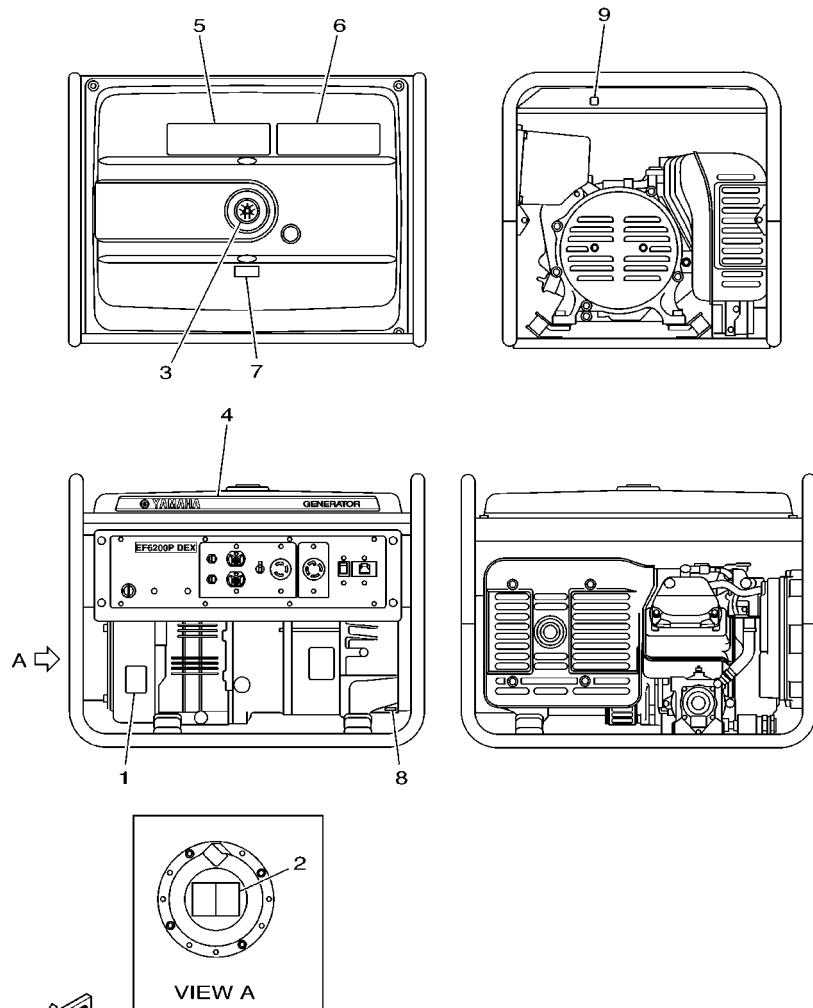
FIG. 16 CONTROL BOX 1



7XA2171-1160

REF. NO.	PART NO.	DESCRIPTION	6200	5500	REMARKS
48	42X-82151-00	FUSE (10A-BL)	1	1	
49	7RH-81970-00	RECTIFIER ASSY	1	1	
50	J44-81980-60	DIODE ASSY	2	2	
51	90462-05061	CLAMP	1	1	
52	97707-60514	SCREW, TAPPING	1	1	
53	90465-18147	CLAMP	2	2	

FIG. 17 LABELS



7VS2171-0180

REF. NO.	PART NO.	DESCRIPTION	6200	5500				REMARKS
1	73A-21793-00	ORNAMENT (OIL)	1	1				
2	7VS-24164-00	EMBLEM 4 (SPECIFICATION)	1					EF6200PDEX
	7VS-24164-10	EMBLEM 4 (SPECIFICATION)		1				EF5500NDEX
3	5AU-2157B-00	EMBLEM (TUNING FORK MARK)	1	1				
4	7RH-24161-10	EMBLEM 1 (YAMAHA)	1	1				
5	7VS-24162-00	EMBLEM 2 (WARNING)	1	1				
6	7VS-2415E-00	EMBLEM 2 (DANGER)	1	1				
7	63V-82377-50	LABEL (SPARK,IGNITION)	1	1				
8	7NJ-87261-10	EMBLEM 1 (GROUND)	1	1				
9	7NJ-87261-10	EMBLEM 1 (GROUND)	1	1				

NUMERICAL INDEX

PARTNO.	GRID NO.	PARTNO.	GRID NO.	PARTNO.	GRID NO.	PARTNO.	GRID NO.	PARTNO.	GRID NO.	PARTNO.	GRID NO.
7XA-11111-00	B - 2	7VS-13800-00	B - 9	7LG-24181-00	B - 13	7LG-85690-00	C - 6	90170-18391	B - 15	93109-08050	B - 12
7RH-11166-00	B - 2	7VS-13906-00	B - 8	7VS-24311-00	B - 8	7RH-85720-02	B - 15	90173-06017	B - 4	93210-22344	B - 12
7WG-11181-00	B - 2	7VS-13925-00	B - 9	7VS-24311-10	B - 9	7NJ-85724-00	B - 15	90175-06008	B - 14	93306-20201	B - 12
7XA-11190-00	B - 2	7VS-13997-00	B - 8	7VS-24313-00	B - 9	7NJ-85770-00	C - 6	90179-06511	C - 6	93306-20714	B - 12
JN6-11193-00	B - 2	7VS-13997-10	B - 9	7VS-24335-20	B - 8	7LR-86112-00	C - 6	90201-03013	C - 6	93306-30709	B - 12
812-11198-00	B - 12	7VS-14110-00	B - 7		B - 9	7VS-86120-00	B - 8	90201-06380	B - 13	93306-37202	C - 3
7WR-11400-10	B - 3	7VS-14110-10	B - 7	7XA-24335-00	B - 8	7VS-86120-10	B - 9	90201-065K7	B - 4	93440-06107	B - 4
7WG-11454-00	B - 3	JN2-14388-00	B - 8		B - 9	7VS-86121-00	B - 9	90201-067L0	B - 4	93450-21053	B - 3
7RH-11603-00	B - 3		B - 9	7XA-24336-00	B - 8	7RH-87107-00	C - 6	90201-08092	B - 4	94702-00331	B - 2
7RH-11604-00	B - 3	J38-14388-00	B - 8	7XA-24336-10	B - 9	7LV-87115-00	C - 3	90201-18008	B - 15	95302-06600	C - 2
7RH-11605-00	B - 3		B - 9	7XA-24337-00	B - 8	73A-8712A-01	C - 3	90201-22793	B - 11	95302-08600	C - 2
7RH-11631-00-A0	B - 3	7RH-14411-01	B - 7		B - 9	7LV-8713J-00	C - 4	90280-04052	B - 15	95302-08700	C - 2
583-11633-00	B - 3	7RH-14412-01	B - 7	7VS-24376-00	B - 8	7RH-87131-00	C - 3	90340-12097	B - 12	95307-05600	C - 3
7RH-11635-00	B - 3	7RH-14429-00	B - 7	7VS-24376-10	B - 9	7RH-87139-80	C - 4	90387-06N38	C - 4	95307-05700	C - 3
7RH-11636-00	B - 3	7RH-14451-00	B - 7	807-24376-00	B - 8	7RH-87150-80	C - 3	90460-31253	B - 11	95307-08600	B - 11
JN6-11650-00	B - 3	7RH-14468-00	B - 7		B - 9	7RH-87153-80	C - 3	90462-05061	B - 12		C - 2
JN6-11654-00	B - 3	7LV-14477-00	B - 7	7VS-24378-00	B - 9	7LR-87159-00	C - 3		C - 3	95380-06700	C - 6
7RH-11901-00	B - 4	7RH-14611-00	B - 11	7VS-24379-00	B - 9	7RH-87160-02	C - 3		C - 7	95607-08700	B - 2
7RH-11913-00	B - 4	7KY-14613-01	B - 11	7LV-28100-00	B - 13	7LR-87172-01	C - 3	90462-06199	B - 10	95627-08618	B - 2
7FK-11914-00	B - 4	7RH-14623-00	B - 11	7RH-81152-00	C - 3	7RH-87174-00-98	C - 3		B - 8	95707-04500	C - 5
7KY-11917-00	B - 4	7RH-14711-00	B - 11	7WW-81800-00	C - 2	7G5-87188-00	C - 5	90462-06232	B - 15	95707-06500	C - 6
7RH-11922-00	B - 4	7RH-14718-00	B - 11	JE8-81812-00	C - 2	7LV-8720H-80	C - 5	90465-18147	C - 7	95707-08500	B - 7
7VS-11925-00	B - 4	7RH-14737-00	B - 11	JE8-81813-00	C - 2	7VS-8720J-80	C - 5	90467-09037	B - 8	95707-10500	B - 13
7RH-11928-00	B - 4	7RH-14757-00	B - 12	JE8-81826-00	C - 2	7VS-8720J-90	C - 5		B - 9	95780-06500	C - 4
73A-11931-00	B - 4	7RH-1479E-00	B - 11	7UJ-81833-00	C - 2	7LV-87204-00	C - 5	90467-11028	B - 8	95807-06008	B - 11
73A-11941-00	B - 4	7RH-14799-00	B - 11	JE8-81834-00	C - 2	7RG-87204-N0	C - 5		B - 9		B - 6
7RH-11970-00	B - 4	7WG-15111-10	B - 12	JE8-81840-00	C - 2	7VS-87204-80	C - 5	90467-18179	B - 8	95807-06010	B - 12
7RH-11971-00	B - 12	796-15363-01	B - 12	JE8-81870-00	C - 2	7RH-87213-80	C - 6		B - 9		B - 13
7VS-12111-00	B - 5	7RH-15411-01	B - 12	22J-81960-60	C - 6	7LU-8722A-00	C - 6	90467-20154	B - 9	95807-06012	B - 14
J38-12117-01	B - 5	7RH-15414-00	B - 12	7RH-81970-00	C - 7	7LR-8722W-80	C - 4	90468-08104	B - 8		B - 15
J38-12118-00	B - 5	7RH-15451-01	B - 12	J44-81980-60	C - 7	7LR-87220-00	C - 3		B - 9		B - 4
4G0-12119-00	B - 5	5AU-2157B-00	C - 8	7XA-82115-00	C - 2	7LR-87221-90	C - 5	90468-12006	B - 4		B - 6
7VS-12121-00	B - 5	73A-21793-00	C - 8	73H-82116-00	C - 4	7RH-87221-80	C - 5	90501-10264	B - 4	95807-06016	B - 7
JN6-12151-00	B - 5	7RH-22836-00	B - 14	7RH-82122-01	B - 14	7UV-87221-80	C - 5	90501-264A9	B - 5	95807-06025	B - 15
JN6-12153-00	B - 5	7RH-22838-00	B - 14	7LP-82133-00	B - 14	7VU-87221-90	C - 5	90506-04458	B - 4	95807-06030	B - 14
JN6-12154-00	B - 5	7RH-22839-00	B - 14	J10-82136-00	B - 14	7RH-87222-40	C - 5	92902-08100	C - 2	95807-06035	B - 14
J38-12156-00	B - 5	7VS-22840-00	B - 13	42X-82151-00	C - 7	7UW-87222-40	C - 5	92907-03200	C - 6	95807-08016	B - 11
22F-12159-00	B - 5	7VS-22840-10	B - 13	JN6-82370-00	B - 15	73H-87222-91	C - 5	92907-05100	C - 3	95807-08020	B - 11
7WG-12170-00	B - 5	7RH-22850-00	B - 13	63V-82377-50	C - 8	7VS-87226-80	C - 6	92907-05600	C - 3	95807-08025	C - 2
7VS-12287-00	B - 5	7VS-22861-01	B - 13	7WW-82507-00	C - 2	7VS-87249-80	C - 5		C - 4	95807-08045	B - 8
7VS-12616-00	B - 6	7RH-22864-00	B - 14	7RH-82509-80	C - 6	7VS-87249-90	C - 5	92907-06100	C - 5	95817-08045	B - 12
7WG-12621-10	B - 6	7RH-22891-00	B - 13	7RH-82510-00	C - 6	7NJ-87261-10	C - 8	92907-06300	C - 3	95817-10070	B - 2
7RH-12651-01	B - 6	7VS-2415E-00	C - 8	73A-82511-00	C - 6	7J5-88195-00	C - 4	92907-06600	B - 4	95827-06012	B - 15
J38-13115-00	B - 8	7RH-24161-10	C - 8	7LP-82599-00	C - 6	90101-06739	C - 4		B - 9		B - 8
	B - 9	7VS-24162-00	C - 8	7NJ-83530-80	C - 5	90109-06513	B - 12		C - 4		B - 9
7RH-13557-00	B - 7	7VS-24164-00	C - 8	7VW-85521-00	B - 15	90159-05091	C - 3	92907-08100	C - 2	95827-06030	B - 2
7RH-13567-00	B - 7	7VS-24164-10	C - 8	7WG-85640-00	B - 15	90159-06032	C - 3	92990-06100	C - 6	95827-06130	C - 3
7VS-13596-00	B - 7	7VS-24176-00	B - 9	7WH-85650-10	B - 15	90170-05302	B - 5	93102-35191	B - 12	95880-06010	C - 4

NUMERICAL INDEX

PART NO.	GRID NO.	PART NO.	GRID NO.	PART NO.	GRID NO.	PART NO.	GRID NO.	PART NO.	GRID NO.
95880-06020	B - 15								
97007-06012	B - 13								
	C - 3								
97027-05050	C - 3								
97027-06030	B - 4								
97080-06020	C - 6								
97707-30512	C - 6								
97707-40516	C - 6								
97707-50512	C - 6								
97707-50520	C - 6								
97707-60514	C - 7								
98507-03006	C - 5								
98507-04005	C - 5								
98507-04012	C - 5								
98507-05010	C - 3								
	C - 4								
98507-05014	C - 3								
98507-05020	C - 4								
98507-06012	C - 5								
98507-06035	B - 4								
98907-06014	C - 6								
99530-08016	B - 12								
99530-14016	B - 2								