



# PARTS CATALOGUE

## *WaveRunner VX700* **VX700-L** (F3D1/6DUA/6DU1)

---



1LF3D-100E1



VX700-L  
PARTS CATALOGUE  
©2011 by Yamaha Motor Co., Ltd.  
1st edition, October 2011  
All rights reserved.  
Any reprinting or unauthorized use  
without the written permission of  
Yamaha Motor Co., Ltd.  
is expressly prohibited.  
Printed in Japan.

# FOREWORD

This Parts Catalogue is related to the parts for the model(s) on the cover page. When you are ordering replacement parts, please refer to this Parts Catalogue and quote both part numbers and part names correctly.

1. Modifications or additions which have been made after the issue of the Parts Catalogue will be announced in the Parts News.

It is advisable that you make the necessary corrections to the Parts Catalogue according to the Parts News.

2. Abbreviations

The following abbreviations are used in this Parts Catalogue.

“UR” Use specified parts number.

“UN” Use as many as needed.

“AP” Alternate Parts

“LM” Locally Made (Parts need to be ordered locally)

“F#” Frame No. (Applicable machine No.)

“O/S” Over Size

3. The number of components for assembly

- Parts, which are to be supplied in an assembly, are listed with a dot (.) in front of the part name as shown below.
- The numeral appearing to the right of each component part indicates the quantity of parts for each assembly unit.

| PART NO.     | DESCRIPTION              | Q'TY | REMARKS |
|--------------|--------------------------|------|---------|
| 2F5-83310-60 | FRONT FLASHER LIGHT ASSY | 2    |         |
| 115-83311-60 | .BULB (6V-18W)           | 1    |         |

4. Applicable colours of graphics are represented in the “REMARKS” as shown below.

| PART NO.        | DESCRIPTION         | Q'TY | REMARKS |
|-----------------|---------------------|------|---------|
| 2N4-24110-00-X5 | FUEL TANK COMP.     | 2    | MXR     |
| 3J1-24240-10    | .GRAPHIC, FUEL TANK | 1    | FOR MXR |

5. Note that the illustrations for reference in finding parts numbers are not to be used for assembling. When assembling, please use the applicable service manual.

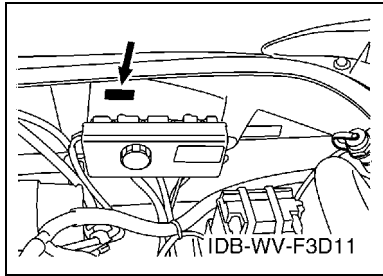
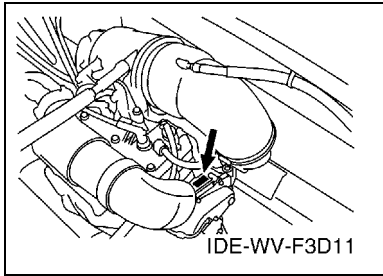
6. The asterisk (\*) before a reference number indicates modified items after the first edition.

# FOREWORD

7. Applicable Serial No.

Engine Serial No.

Primary Identification No.



8. Applicable Colour Code (The (\*) mark shows Model colour.)

| Abbreviation | Colour Name               | Colour Code |
|--------------|---------------------------|-------------|
| SS4          | BLACK SOLID 4             | 008P        |
| WC7(*)       | WHITE COAT 7              | GA7J        |
| RYM4         | REDDISH YELLOW METALLIC 4 | 1190        |
| WC3          | WHITE COAT 3              | GA3T        |
| SC1          | BLACK COAT 1              | GA5W        |
| NMC(*)       | GRAY METALLIC C           | 008S        |
|              |                           |             |
|              |                           |             |
|              |                           |             |
|              |                           |             |

9. Quantity Column Information

| Column No. | Name Of Q'ty Column | Destination |
|------------|---------------------|-------------|
| 1          | OTH                 | OTHERS      |
|            |                     |             |
|            |                     |             |
|            |                     |             |
|            |                     |             |

10. Applicable Starting Serial No.

Engine Serial No.

| Serial No.  | Name Of Q'ty Column | Model Code |
|-------------|---------------------|------------|
| 6DU-1000081 | OTH                 | 6DUA       |
|             |                     |            |
|             |                     |            |
|             |                     |            |
|             |                     |            |

Primary Identification No.

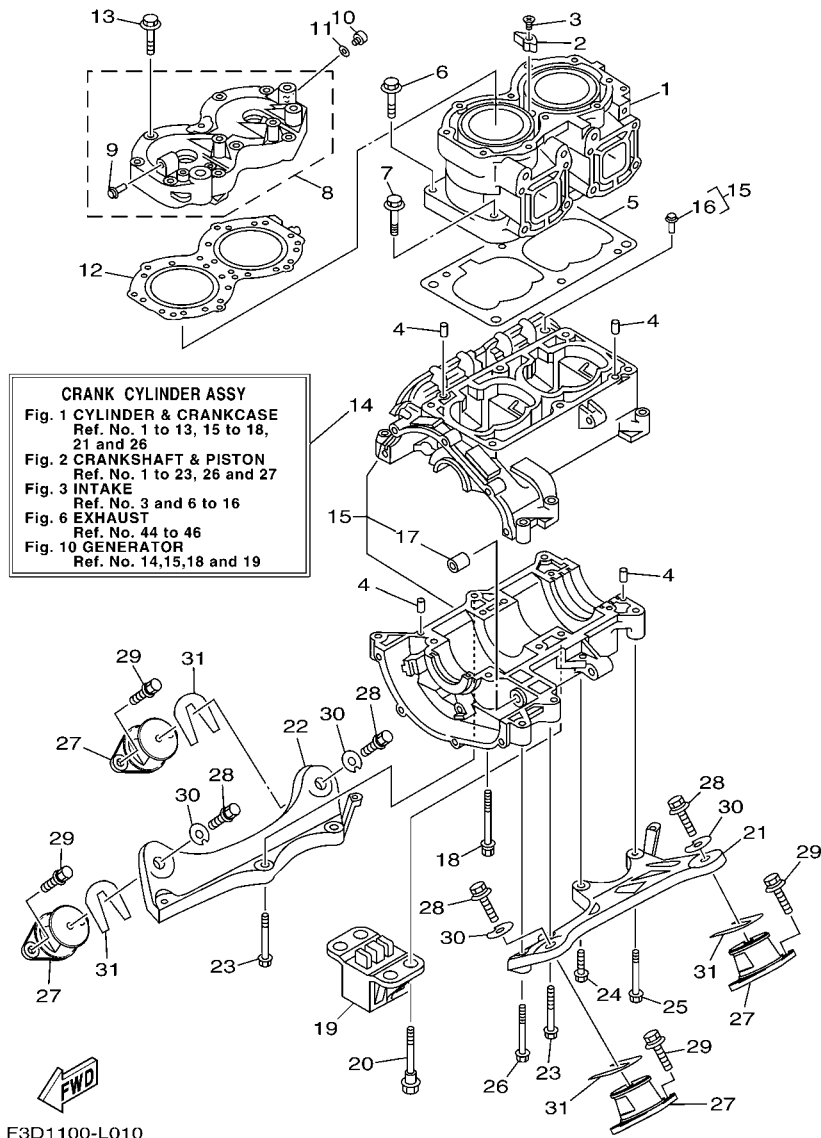
| Serial No. | Name Of Q'ty Column | Model Code |
|------------|---------------------|------------|
| F3D-400101 | OTH                 | F3D1       |
|            |                     |            |
|            |                     |            |
|            |                     |            |
|            |                     |            |

# CONTENTS

|                            |    |
|----------------------------|----|
| CYLINDER & CRANKCASE ..... | 1  |
| CRANKSHAFT & PISTON .....  | 3  |
| INTAKE .....               | 5  |
| CARBURETOR .....           | 7  |
| OIL PUMP .....             | 9  |
| EXHAUST 1 .....            | 10 |
| FUEL .....                 | 13 |
| JET UNIT 1 .....           | 14 |
| JET UNIT 2 .....           | 16 |
| GENERATOR .....            | 17 |
| STARTING MOTOR .....       | 18 |
| ELECTRICAL 1 .....         | 19 |
| ELECTRICAL 2 .....         | 21 |
| ENGINE HATCH 1 .....       | 23 |
| ENGINE HATCH 2 .....       | 24 |
| HULL & DECK .....          | 26 |
| GUNWALE & MAT .....        | 28 |
| VENTILATION .....          | 29 |
| SEAT & UNDER LOCKER .....  | 30 |
| OIL TANK .....             | 31 |
| FUEL TANK .....            | 32 |
| EXHAUST 2 .....            | 34 |
| CONTROL CABLE .....        | 35 |
| STEERING 1 .....           | 36 |
| STEERING 2 .....           | 38 |
| GRAPHICS .....             | 39 |
| IMPORTANT LABELS .....     | 40 |
| REPAIR KIT 1 .....         | 41 |
| REPAIR KIT 2 .....         | 42 |

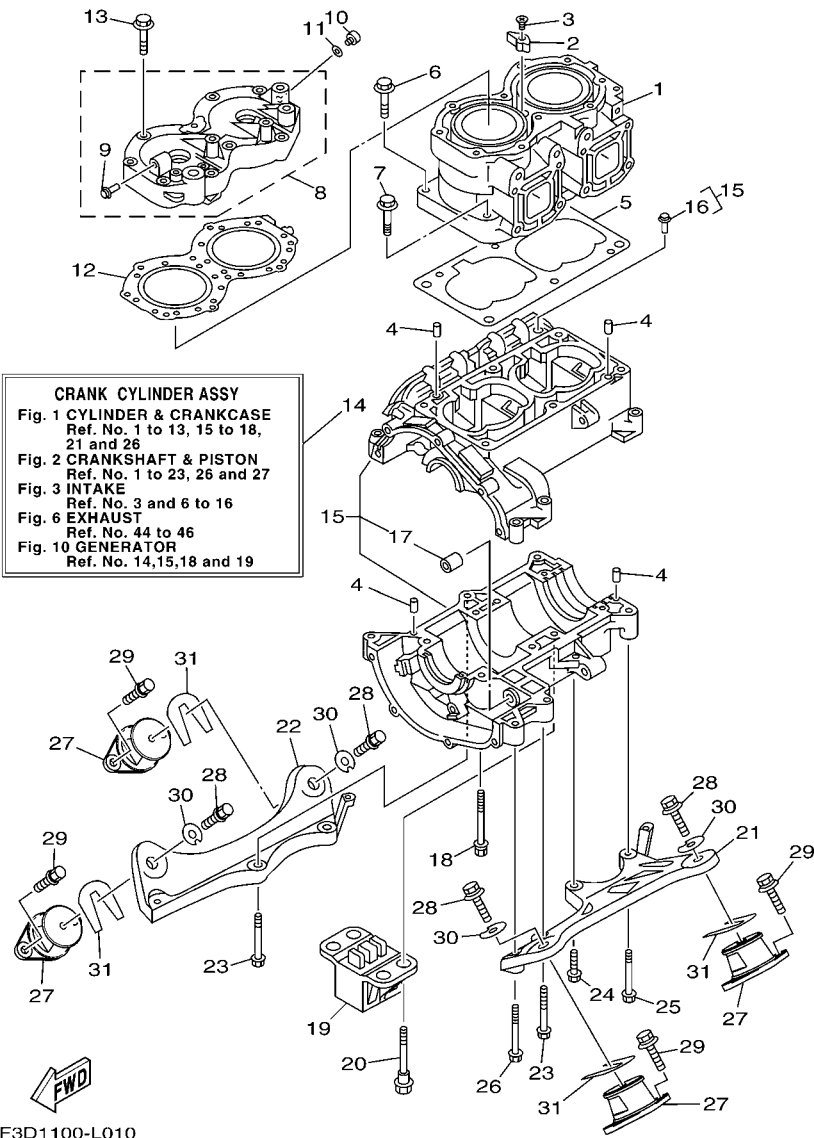
## INDEX

|                       |    |
|-----------------------|----|
| NUMERICAL INDEX ..... | 43 |
|-----------------------|----|



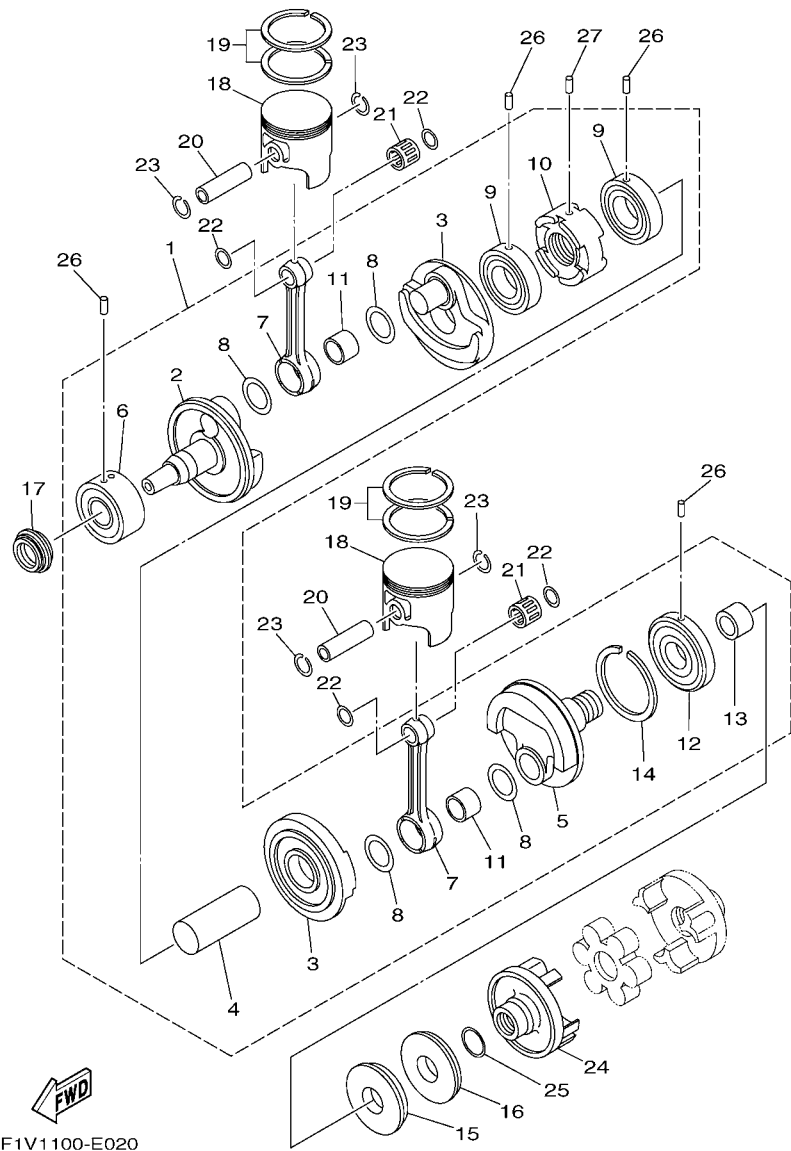
**FIG. 1 CYLINDER & CRANKCASE**

| REF. NO. | PART NO.        | DESCRIPTION             | QTY |  |  |  | REMARKS |
|----------|-----------------|-------------------------|-----|--|--|--|---------|
| 1        | 62T-11311-00-8S | CYLINDER 1              | 1   |  |  |  |         |
| 2        | 6E5-11325-00    | ANODE                   | 1   |  |  |  |         |
| 3        | 98780-04015     | SCREW, FLAT HEAD        | 1   |  |  |  |         |
| 4        | 93606-12019     | PIN, DOWEL              | 4   |  |  |  |         |
| 5        | 6M6-11351-A2    | GASKET, CYLINDER        | 1   |  |  |  |         |
| 6        | 90119-10M56     | BOLT, WITH WASHER       | 4   |  |  |  |         |
| 7        | 90119-10M07     | BOLT, WITH WASHER       | 2   |  |  |  |         |
| 8        | 62T-11111-00-8S | HEAD, CYLINDER 1        | 1   |  |  |  |         |
| 9        | 6K8-51129-00    | .NIPPLE                 | 1   |  |  |  |         |
| 10       | 90340-08M04     | PLUG, STRAIGHT SCREW    | 1   |  |  |  |         |
| 11       | 90430-08020     | GASKET                  | 1   |  |  |  |         |
| 12       | 62T-11181-01    | GASKET, CYLINDER HEAD 1 | 1   |  |  |  |         |
| 13       | 90119-08M96     | BOLT, WITH WASHER       | 10  |  |  |  |         |
| 14       | 62T-W0090-03-8S | CRANK CYLINDER ASSY     | 1   |  |  |  |         |
| 15       | 62T-15100-00-8S | CRANKCASE ASSY          | 1   |  |  |  |         |
| 16       | 62T-14251-10    | .NIPPLE                 | 1   |  |  |  |         |
| 17       | 90380-12M29     | .BUSH, SOLID            | 1   |  |  |  |         |
| 18       | 90119-08M55     | BOLT, WITH WASHER       | 4   |  |  |  |         |
| 19       | 6CP-44532-00    | STOPPER, UPPER MOUNT    | 1   |  |  |  |         |
| 20       | 90109-08M56     | BOLT                    | 4   |  |  |  |         |
| 21       | 6R7-21415-01-94 | BRACKET, FRONT UPPER 1  | 1   |  |  |  |         |
| 22       | 6R7-21425-01-94 | BRACKET, REAR UPPER 1   | 1   |  |  |  |         |
| 23       | 90119-10M02     | BOLT, WITH WASHER       | 4   |  |  |  |         |
| 24       | 90119-10M00     | BOLT, WITH WASHER       | 1   |  |  |  |         |
| 25       | 90119-10M03     | BOLT, WITH WASHER       | 1   |  |  |  |         |
| 26       | 90119-10M01     | BOLT, WITH WASHER       | 1   |  |  |  |         |
| 27       | 62E-44517-A1-8P | MOUNT RUBBER            | 4   |  |  |  |         |



**FIG. 1 CYLINDER & CRANKCASE**

| REF. NO. | PART NO.        | DESCRIPTION       | QTY |  |  |  | REMARKS |
|----------|-----------------|-------------------|-----|--|--|--|---------|
| 28       | 90119-08855     | BOLT, WITH WASHER | 4   |  |  |  |         |
| 29       | 90119-08823     | BOLT, WITH WASHER | 8   |  |  |  |         |
| 30       | EU0-67324-00    | PLATE             | 4   |  |  |  |         |
| 31       | EU0-67354-00-01 | SHIM (T=0.1)      | 4   |  |  |  | UN      |
|          | EU0-67354-00-03 | SHIM (T=0.3)      | 4   |  |  |  | UN      |
|          | EU0-67354-00-05 | SHIM (T=0.5)      | 4   |  |  |  | UN      |
|          | EU0-67354-00-10 | SHIM (T=1.0)      | 4   |  |  |  | UN      |
|          | EU0-67354-00-20 | SHIM (T=2.0)      | 4   |  |  |  | UN      |
| -----    |                 |                   |     |  |  |  |         |
| -----    |                 |                   |     |  |  |  |         |
| -----    |                 |                   |     |  |  |  |         |
| -----    |                 |                   |     |  |  |  |         |
| -----    |                 |                   |     |  |  |  |         |
| -----    |                 |                   |     |  |  |  |         |
| -----    |                 |                   |     |  |  |  |         |
| -----    |                 |                   |     |  |  |  |         |
| -----    |                 |                   |     |  |  |  |         |
| -----    |                 |                   |     |  |  |  |         |

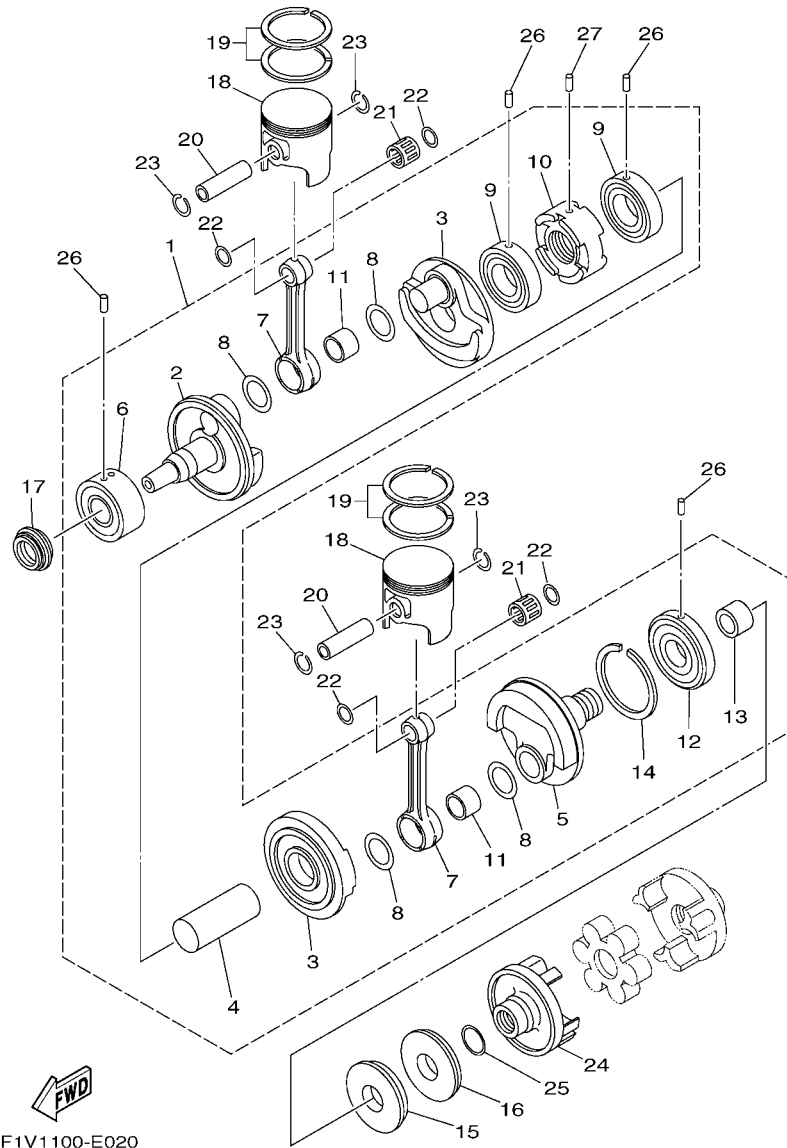


F1V1100-E020

FIG. 2 CRANKSHAFT & PISTON

| REF. NO. | PART NO.        | DESCRIPTION                  | QTY |  |  |  | REMARKS |
|----------|-----------------|------------------------------|-----|--|--|--|---------|
| 1        | 62T-11400-02    | CRANKSHAFT ASSY              | 1   |  |  |  |         |
| 2        | 6M6-11412-00    | .CRANK 1                     | 1   |  |  |  |         |
| 3        | 6M6-11422-00    | .CRANK 2                     | 2   |  |  |  |         |
| 4        | 6M6-11431-10    | .CRANK 3                     | 1   |  |  |  |         |
| 5        | 6M6-11442-01    | .CRANK 4                     | 1   |  |  |  |         |
| 6        | 93305-30601     | .BEARING                     | 1   |  |  |  |         |
| 7        | 64X-11651-01    | .ROD, CONNECTING             | 2   |  |  |  |         |
| 8        | 82M-11685-00    | .WASHER, CRANK PIN           | 4   |  |  |  |         |
| 9        | 93306-207U2     | .BEARING                     | 2   |  |  |  |         |
| 10       | 65U-11515-00    | .SEAL, LABYRINTH 1           | 1   |  |  |  |         |
| 11       | 93310-525U3     | .BEARING                     | 2   |  |  |  |         |
| 12       | 93306-307U3     | .BEARING                     | 1   |  |  |  |         |
| 13       | 62T-45526-00    | .COLLAR, DRIVE SHAFT         | 1   |  |  |  |         |
| 14       | 93440-80023     | .CIRCLIP                     | 1   |  |  |  |         |
| 15       | 93102-36M33     | OIL SEAL                     | 1   |  |  |  |         |
| 16       | 93101-36M46     | OIL SEAL                     | 1   |  |  |  |         |
| 17       | 93103-32M01     | OIL SEAL                     | 1   |  |  |  |         |
| 18       | 62T-11631-02-92 | PISTON (STD)                 | 2   |  |  |  |         |
|          | 62T-11635-02    | PISTON (0.25MM O/S)          | 2   |  |  |  | AP      |
|          | 62T-11636-02    | PISTON (0.50MM O/S)          | 2   |  |  |  | AP      |
| 19       | 61X-11603-01    | PISTON RING SET (STD)        | 2   |  |  |  |         |
|          | 61X-11604-01    | PISTON RING SET (0.25MM O/S) | 2   |  |  |  | AP      |
|          | 61X-11605-01    | PISTON RING SET (0.50MM O/S) | 2   |  |  |  | AP      |
| 20       | 62T-11633-00    | PIN, PISTON                  | 2   |  |  |  |         |
| 21       | 93310-320U2     | BEARING                      | 2   |  |  |  |         |
| 22       | 90201-20M04     | WASHER, PLATE                | 4   |  |  |  |         |
| 23       | 93450-21053     | CIRCLIP                      | 4   |  |  |  |         |

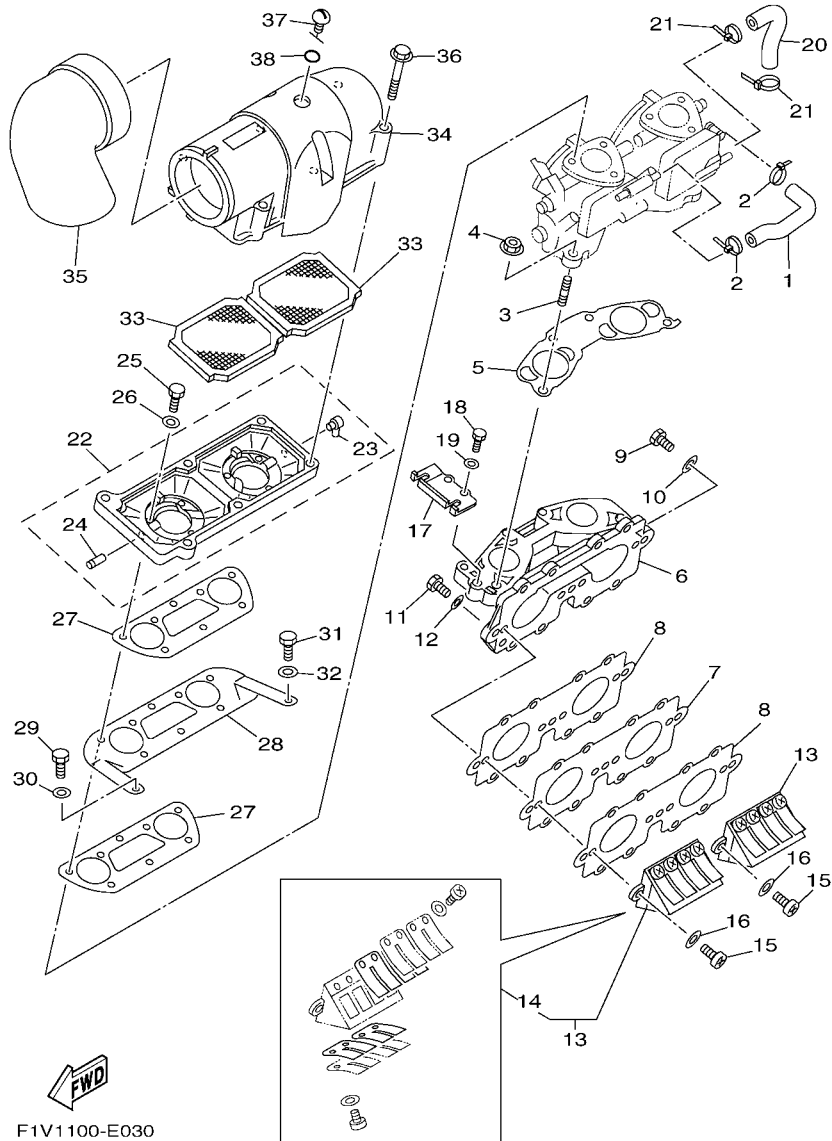




F1V1100-E020

FIG. 2 CRANKSHAFT & PISTON

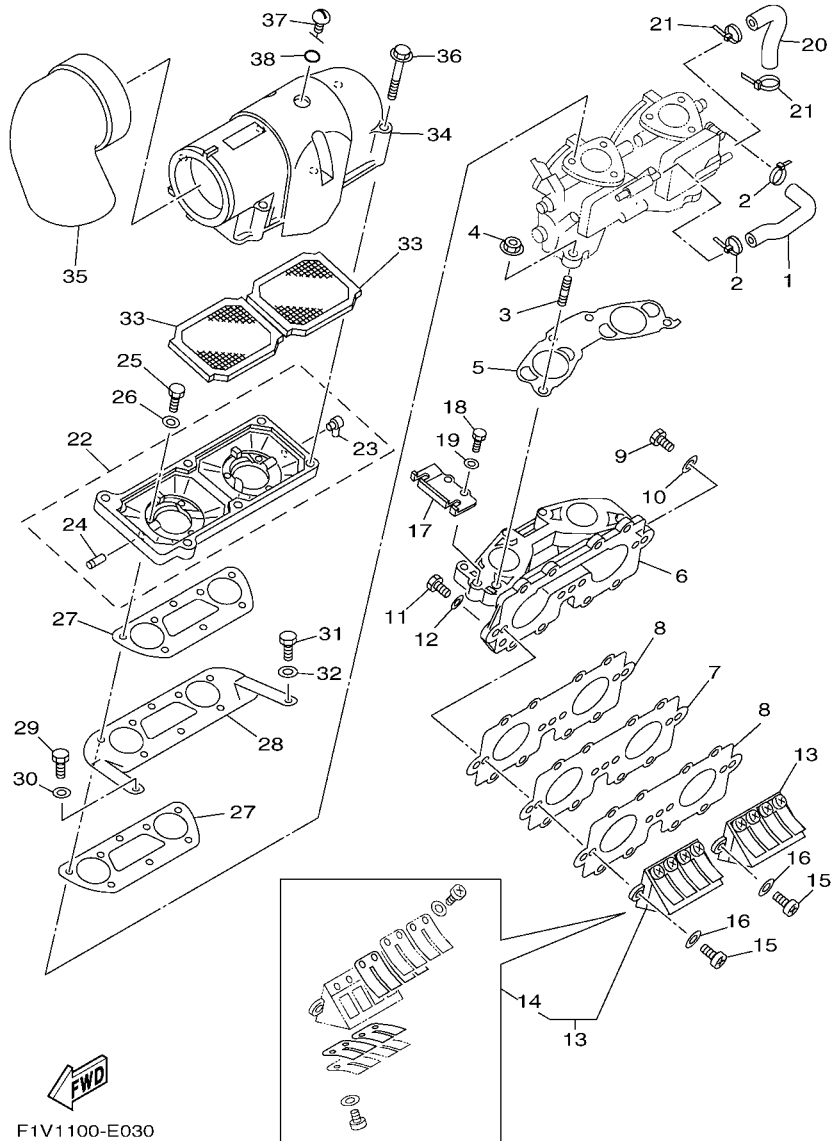
| REF. NO. | PART NO.        | DESCRIPTION      | QTY |  |  |  | REMARKS |
|----------|-----------------|------------------|-----|--|--|--|---------|
| 24       | 6M6-45813-32-8P | FLANGE, COUPLING | 1   |  |  |  |         |
| 25       | 62T-45127-00    | SEAL             | 1   |  |  |  |         |
| 26       | 93603-10049     | PIN, DOWEL       | 4   |  |  |  |         |
| 27       | 93604-07141     | PIN, DOWEL       | 1   |  |  |  |         |
|          |                 |                  |     |  |  |  |         |
|          |                 |                  |     |  |  |  |         |
|          |                 |                  |     |  |  |  |         |
|          |                 |                  |     |  |  |  |         |
|          |                 |                  |     |  |  |  |         |
|          |                 |                  |     |  |  |  |         |
|          |                 |                  |     |  |  |  |         |
|          |                 |                  |     |  |  |  |         |
|          |                 |                  |     |  |  |  |         |
|          |                 |                  |     |  |  |  |         |
|          |                 |                  |     |  |  |  |         |



F1V1100-E030

FIG. 3 INTAKE

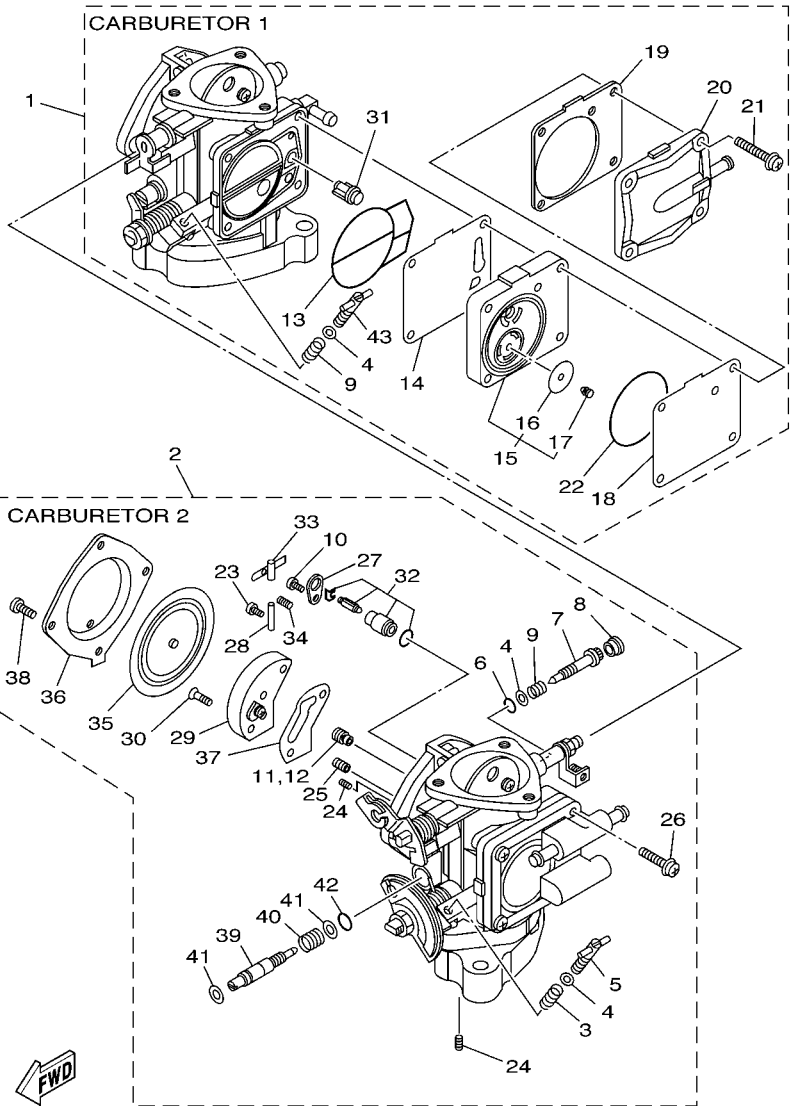
| REF. NO. | PART NO.        | DESCRIPTION                | QTY |  |  |  | REMARKS |
|----------|-----------------|----------------------------|-----|--|--|--|---------|
| 1        | 62T-24313-01    | PIPE 3                     | 1   |  |  |  |         |
| 2        | 90465-11M10     | CLAMP                      | 2   |  |  |  |         |
| 3        | 90116-08M60     | BOLT, STUD                 | 4   |  |  |  |         |
| 4        | 90179-08M15     | NUT                        | 4   |  |  |  |         |
| 5        | 62T-13556-00    | GASKET, MANIFOLD           | 1   |  |  |  |         |
| 6        | 62T-13555-00-94 | MANIFOLD, INTAKE           | 1   |  |  |  |         |
| 7        | 62T-13624-00    | PLATE, REED VALVE          | 1   |  |  |  |         |
| 8        | 62T-13566-00    | GASKET                     | 2   |  |  |  |         |
| 9        | 97013-06035     | BOLT                       | 3   |  |  |  |         |
| 10       | 92903-06600     | WASHER, PLATE              | 3   |  |  |  |         |
| 11       | 97013-06025     | BOLT                       | 8   |  |  |  |         |
| 12       | 92903-06600     | WASHER, PLATE              | 8   |  |  |  |         |
| 13       | 62T-13610-00    | REED VALVE ASSY            | 2   |  |  |  |         |
| 14       | 62T-W0004-00    | .REED SET                  | 1   |  |  |  |         |
| 15       | 97880-05016     | SCREW, PAN HEAD            | 4   |  |  |  |         |
| 16       | 92990-05600     | WASHER, PLATE              | 4   |  |  |  |         |
| 17       | 62T-14527-02    | PLATE                      | 1   |  |  |  |         |
| 18       | 97013-06016     | BOLT                       | 2   |  |  |  |         |
| 19       | 92903-06600     | WASHER, PLATE              | 2   |  |  |  |         |
| 20       | 62T-24314-01    | PIPE 4                     | 1   |  |  |  |         |
| 21       | 90465-11M10     | CLAMP                      | 2   |  |  |  |         |
| 22       | 62T-14284-01-8S | COVER, CARBURETOR 2        | 1   |  |  |  |         |
| 23       | 6E5-11372-01    | .NIPPLE, HOSE              | 1   |  |  |  |         |
| 24       | 6H1-14485-00    | .PIPE, JOINT               | 1   |  |  |  |         |
| 25       | 97013-06020     | BOLT                       | 6   |  |  |  |         |
| 26       | 92903-06600     | WASHER, PLATE              | 6   |  |  |  |         |
| 27       | 62T-13674-00    | GASKET, AIR COOLER COVER 1 | 2   |  |  |  |         |



F1V1100-E030

FIG. 3 INTAKE

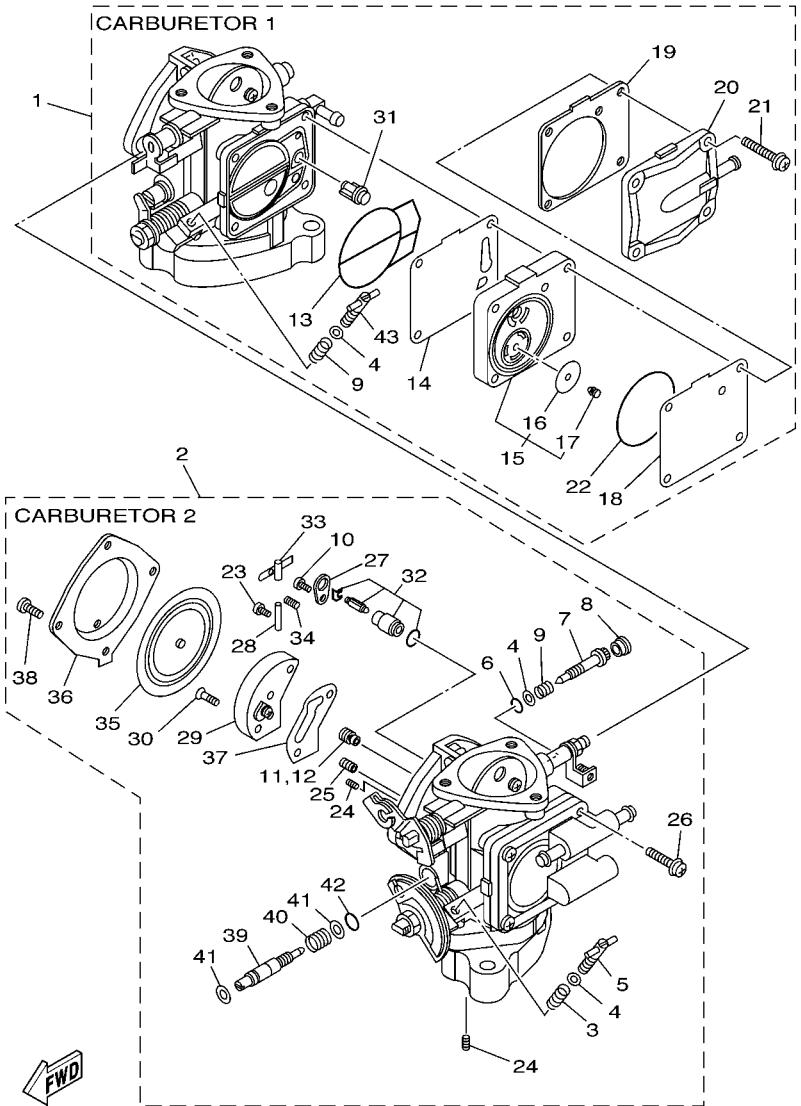
| REF. NO. | PART NO.     | DESCRIPTION          | QTY |  |  |  | REMARKS |
|----------|--------------|----------------------|-----|--|--|--|---------|
| 28       | 62T-14255-00 | PLATE                | 1   |  |  |  |         |
| 29       | 97013-06012  | BOLT                 | 1   |  |  |  |         |
| 30       | 92903-06600  | WASHER, PLATE        | 1   |  |  |  |         |
| 31       | 90109-06M66  | BOLT                 | 1   |  |  |  |         |
| 32       | 90201-06M31  | WASHER, PLATE        | 1   |  |  |  |         |
| 33       | 62T-14451-00 | ELEMENT, AIR CLEANER | 2   |  |  |  |         |
| 34       | 62T-14283-01 | COVER, CARBURETOR 1  | 1   |  |  |  |         |
| 35       | 62T-14419-00 | PIPE                 | 1   |  |  |  |         |
| 36       | 90119-05M02  | BOLT, WITH WASHER    | 6   |  |  |  |         |
| 37       | 62T-14435-00 | GROMMET              | 1   |  |  |  |         |
| 38       | 93210-13M63  | O-RING               | 1   |  |  |  |         |
|          |              |                      |     |  |  |  |         |
|          |              |                      |     |  |  |  |         |
|          |              |                      |     |  |  |  |         |
|          |              |                      |     |  |  |  |         |
|          |              |                      |     |  |  |  |         |



FOM5100-0040

FIG. 4 CARBURETOR

| REF. NO. | PART NO.     | DESCRIPTION            | QTY |  |  | REMARKS         |
|----------|--------------|------------------------|-----|--|--|-----------------|
| 1        | 62T-14301-03 | CARBURETOR ASSY 1      | 1   |  |  |                 |
| 2        | 62T-14302-03 | CARBURETOR ASSY 2      | 1   |  |  |                 |
| 3        | 47X-14133-00 | .SPRING, THROTTLE STOP | 1   |  |  | CARBURETOR 2    |
| 4        | 812-14235-00 | .WASHER, NEEDLE        | 4   |  |  |                 |
| 5        | 6M6-14521-00 | .SCREW, ADJUST         | 1   |  |  | CARBURETOR 2    |
| 6        | 812-14147-00 | .O-RING                | 2   |  |  |                 |
| 7        | 6K8-14946-10 | .METERING NEEDLE       | 2   |  |  |                 |
| 8        | 6K8-14471-10 | .CAP, CARBURETOR       | 2   |  |  |                 |
| 9        | 3KW-14932-00 | .SPRING, THROTTLE 2    | 3   |  |  |                 |
| 10       | 6M6-14503-00 | .SCREW                 | 2   |  |  |                 |
| 11       | 3G2-14231-26 | .JET, MAIN (#130)      | 1   |  |  | CARBURETOR 1    |
| 12       | 3G2-14231-24 | .JET, MAIN (#120)      | 1   |  |  | CARBURETOR 2    |
| 13       | 6K8-14564-00 | .O-RING                | 2   |  |  |                 |
| 14       | 6K8-24411-20 | .DIAPHRAGM             | 1   |  |  | CARBURETOR 1    |
| 15       | 6M6-24413-01 | .BODY 2                | 1   |  |  | CARBURETOR 1    |
| 16       | 65U-24421-00 | ..VALVE, CHECK         | 2   |  |  | CARBURETOR 1    |
| 17       | 65U-24492-00 | ..BUSH, FUEL PUMP      | 2   |  |  | CARBURETOR 1    |
| 18       | 6K8-24421-10 | .VALVE, CHECK          | 1   |  |  | CARBURETOR 1    |
| 19       | 6K8-24431-20 | .GASKET, FUEL PUMP 1   | 1   |  |  | CARBURETOR 1    |
| 20       | 6K8-24452-10 | .COVER                 | 1   |  |  | UR CARBURETOR 1 |
|          | 62T-14293-00 | .COVER 1               | 1   |  |  | UR CARBURETOR 2 |
| 21       | 97980-05330  | .SCREW, WITH WASHER    | 4   |  |  | CARBURETOR 1    |
| 22       | 6K8-14563-00 | .O-RING                | 1   |  |  | CARBURETOR 1    |
| 23       | 6K8-14503-02 | .SCREW                 | 2   |  |  |                 |
| 24       | 6K8-14521-10 | .SCREW                 | 4   |  |  |                 |
| 25       | 830-1423A-64 | .JET, MAIN (# 67.5)    | 2   |  |  |                 |
| 26       | 98580-05018  | .SCREW, PAN HEAD       | 4   |  |  | CARBURETOR 2    |



FOM5100-0040

FIG. 4 CARBURETOR

| REF. NO. | PART NO.     | DESCRIPTION       | QTY |  |  |  | REMARKS      |
|----------|--------------|-------------------|-----|--|--|--|--------------|
| 27       | 6K8-14527-11 | .PLATE            | 2   |  |  |  |              |
| 28       | 439-14186-00 | .PIN, FLOAT       | 2   |  |  |  |              |
| 29       | 6R7-24412-01 | .BODY 1           | 2   |  |  |  |              |
| 30       | 6K8-14523-11 | .SCREW, STOP      | 4   |  |  |  |              |
| 31       | 6R7-14569-00 | .STRAINER         | 2   |  |  |  |              |
| 32       | 61X-14916-16 | .JET NEEDLE COMP. | 2   |  |  |  |              |
| 33       | 6K8-14547-01 | .ARM, FLOAT       | 2   |  |  |  |              |
| 34       | 6R7-14253-00 | .SPRING           | 2   |  |  |  |              |
| 35       | 6R7-14541-00 | .DIAPHRAGM, PUMP  | 2   |  |  |  |              |
| 36       | 6R7-14542-00 | .BODY, PUMP 1     | 2   |  |  |  |              |
| 37       | 6K8-14536-11 | .GASKET           | 2   |  |  |  |              |
| 38       | 97880-05012  | .SCREW, PAN HEAD  | 8   |  |  |  |              |
| 39       | 65U-14923-10 | .SCREW, PILOT     | 2   |  |  |  |              |
| 40       | 6K8-14589-00 | .SPRING           | 2   |  |  |  |              |
| 41       | 822-14235-00 | .WASHER, NEEDLE   | 4   |  |  |  |              |
| 42       | 583-14561-00 | .O-RING           | 2   |  |  |  |              |
| 43       | 6K8-14521-00 | .SCREW, ADJUST    | 1   |  |  |  | CARBURETOR 1 |

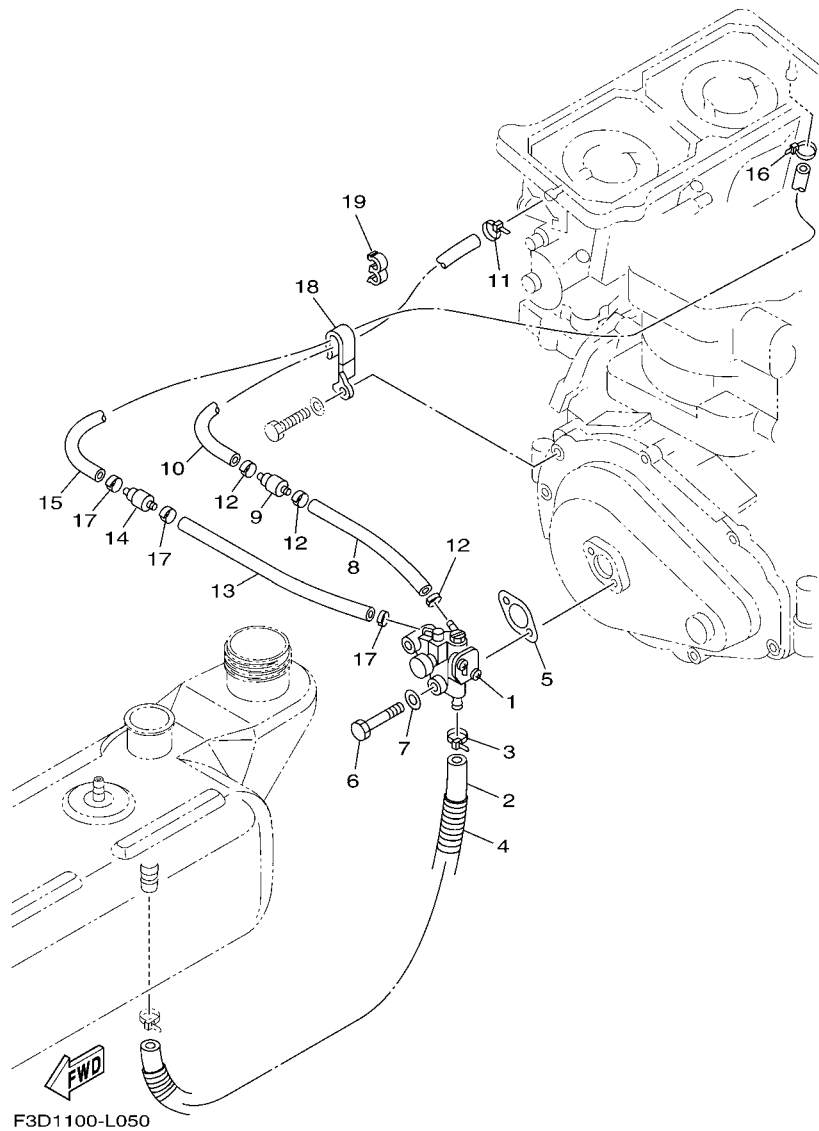


FIG. 5 OIL PUMP

| REF. NO. | PART NO.     | DESCRIPTION             | QTY |  |  |  | REMARKS |
|----------|--------------|-------------------------|-----|--|--|--|---------|
| 1        | 61X-13200-12 | OIL INJECTION PUMP ASSY | 1   |  |  |  |         |
| 2        | 90445-11M34  | HOSE (L480)             | 1   |  |  |  |         |
| 3        | 90465-11M10  | CLAMP                   | 1   |  |  |  |         |
| 4        | 90446-17MF0  | HOSE (L400)             | 1   |  |  |  |         |
| 5        | 6R8-13116-A0 | GASKET, PUMP CASE       | 1   |  |  |  |         |
| 6        | 97095-06035  | BOLT                    | 2   |  |  |  |         |
| 7        | 92995-06600  | WASHER                  | 2   |  |  |  |         |
| 8        | 90445-07009  | HOSE (L85)              | 1   |  |  |  |         |
| 9        | 67X-13183-00 | VALVE, CHECK            | 1   |  |  |  |         |
| 10       | 90446-07M18  | HOSE (L210)             | 1   |  |  |  |         |
| 11       | 90465-11M10  | CLAMP                   | 1   |  |  |  |         |
| 12       | 90468-02001  | CLIP                    | 3   |  |  |  |         |
| 13       | 90445-07008  | HOSE (L70)              | 1   |  |  |  |         |
| 14       | 67X-13183-00 | VALVE, CHECK            | 1   |  |  |  |         |
| 15       | 90446-07M48  | HOSE (L450)             | 1   |  |  |  |         |
| 16       | 90465-11M10  | CLAMP                   | 1   |  |  |  |         |
| 17       | 90468-02001  | CLIP                    | 3   |  |  |  |         |
| 18       | 90465-08M69  | CLAMP                   | 1   |  |  |  |         |
| 19       | 90464-10M38  | CLAMP                   | 2   |  |  |  |         |
|          |              |                         |     |  |  |  |         |
|          |              |                         |     |  |  |  |         |
|          |              |                         |     |  |  |  |         |
|          |              |                         |     |  |  |  |         |

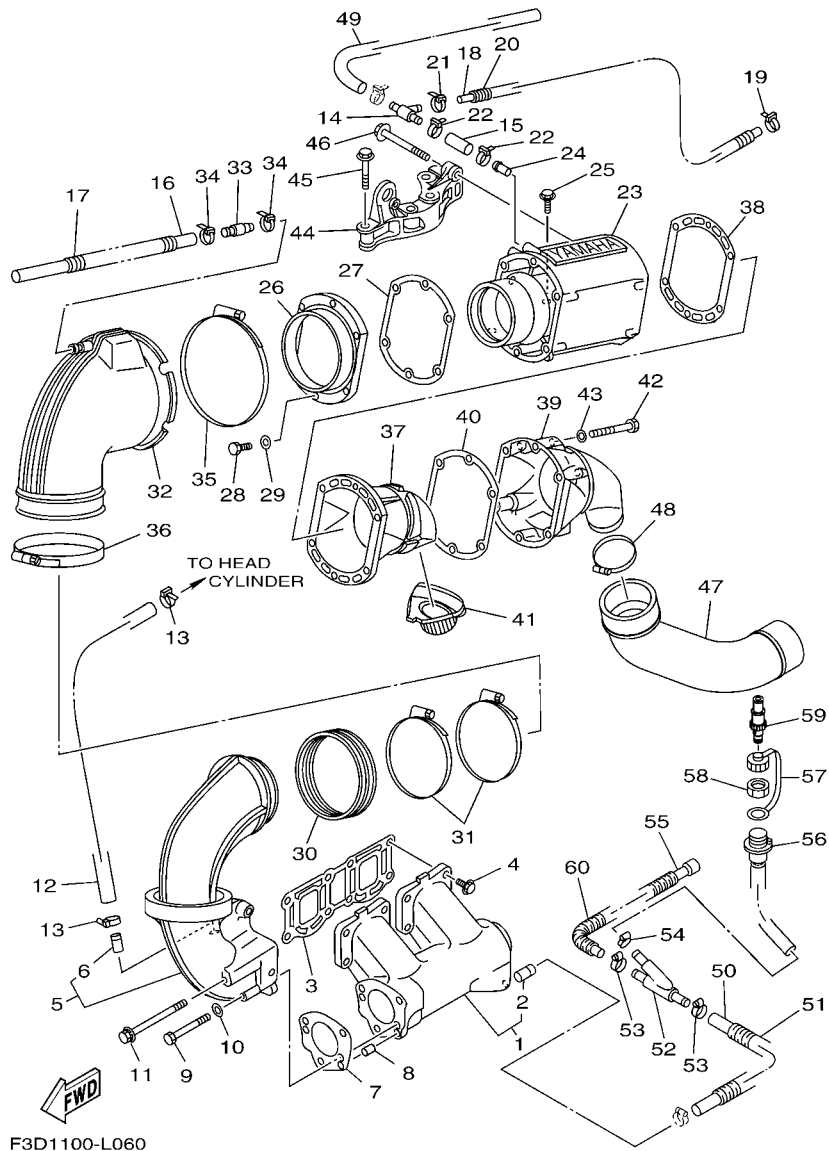
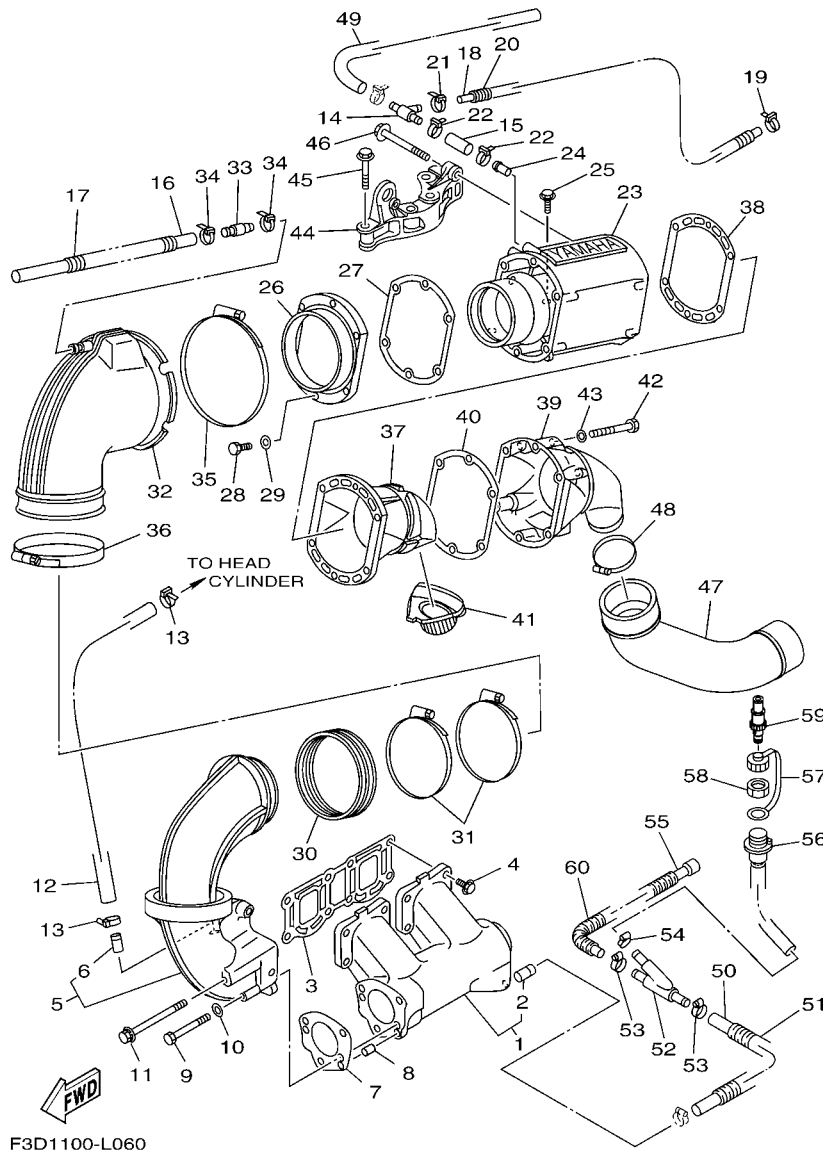


FIG. 6 EXHAUST 1

| REF. NO. | PART NO.        | DESCRIPTION                 | QTY |  |  |  | REMARKS |
|----------|-----------------|-----------------------------|-----|--|--|--|---------|
| 1        | 62T-14711-10-94 | MUFFLER 1                   | 1   |  |  |  |         |
| 2        | 6K8-51129-00    | .NIPPLE                     | 1   |  |  |  |         |
| 3        | 62T-14613-01    | GASKET, EXHAUST PIPE        | 1   |  |  |  |         |
| 4        | 90105-10M60     | BOLT, FLANGE                | 8   |  |  |  |         |
| 5        | 62T-14712-00-94 | RING, JOINT                 | 1   |  |  |  |         |
| 6        | 6K8-51129-00    | .NIPPLE                     | 1   |  |  |  |         |
| 7        | 62T-14749-02    | GASKET, MUFFLER DAMPER 2    | 1   |  |  |  |         |
| 8        | 93605-12M21     | PIN, DOWEL                  | 2   |  |  |  |         |
| 9        | 97013-08075     | BOLT                        | 2   |  |  |  |         |
| 10       | 92903-08600     | WASHER, PLATE               | 2   |  |  |  |         |
| 11       | 90119-08M11     | BOLT, WITH WASHER           | 2   |  |  |  |         |
| 12       | 90445-14M24     | HOSE (L260)                 | 1   |  |  |  |         |
| 13       | 90465-11M10     | CLAMP                       | 2   |  |  |  |         |
| 14       | 63N-24378-00    | PIPE, JOINT 3               | 1   |  |  |  |         |
| 15       | 90445-21010     | HOSE (L70)                  | 1   |  |  |  |         |
| 16       | 90445-14M07     | HOSE (L1070)                | 1   |  |  |  |         |
| 17       | 90447-15004     | TUBE (L970)                 | 1   |  |  |  |         |
| 18       | 90445-14M25     | HOSE (L380)                 | 1   |  |  |  |         |
| 19       | 90465-11M10     | CLAMP                       | 1   |  |  |  |         |
| 20       | 90446-20M31     | HOSE (L340)                 | 1   |  |  |  |         |
| 21       | 90465-11M10     | CLAMP                       | 1   |  |  |  |         |
| 22       | 90465-11M59     | CLAMP                       | 2   |  |  |  |         |
| 23       | 62T-14721-00-8S | MUFFLER 2                   | 1   |  |  |  |         |
| 24       | 62T-14485-10    | PIPE, JOINT                 | 1   |  |  |  |         |
| 25       | 90105-10M60     | BOLT, FLANGE                | 2   |  |  |  |         |
| 26       | 62T-41113-00-8S | OUTER COVER, EXHAUST        | 1   |  |  |  |         |
| 27       | 62T-41114-01    | GASKET, EXHAUST OUTER COVER | 1   |  |  |  |         |

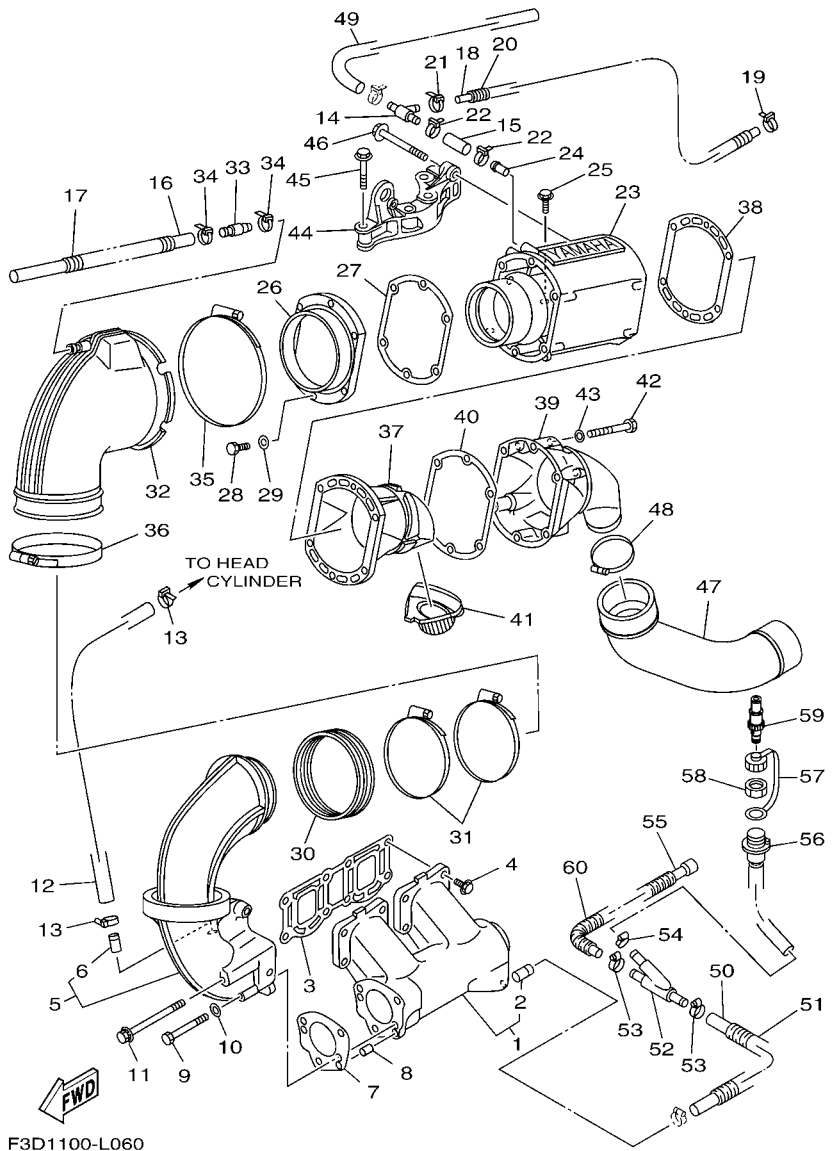


F3D1100-L060

FIG. 6 EXHAUST 1

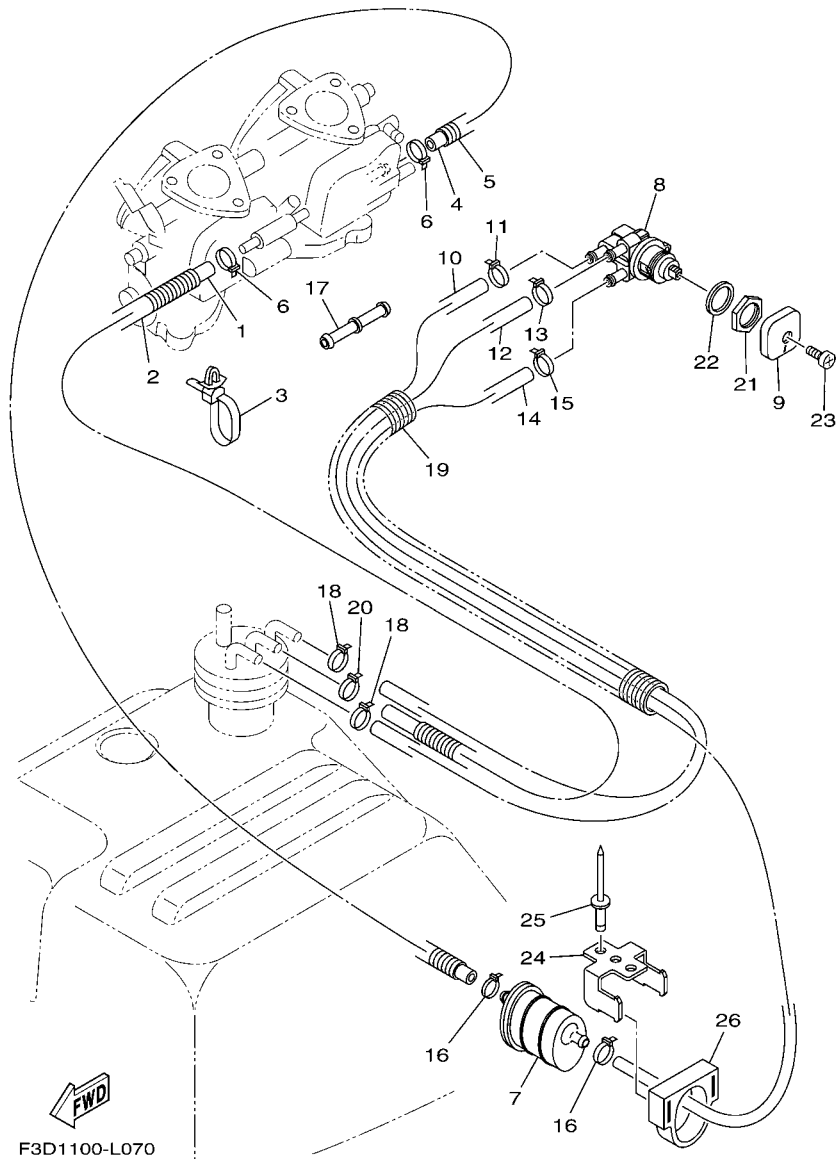
| REF. NO. | PART NO.        | DESCRIPTION                 | QTY |  |  |  | REMARKS |
|----------|-----------------|-----------------------------|-----|--|--|--|---------|
| 28       | 97013-06025     | BOLT                        | 6   |  |  |  |         |
| 29       | 92903-06600     | WASHER, PLATE               | 6   |  |  |  |         |
| 30       | 62T-14625-00    | JOINT, EXHAUST 2            | 1   |  |  |  |         |
| 31       | 90450-99M06     | HOSE CLAMP ASSY             | 2   |  |  |  |         |
| 32       | 62T-14615-01    | JOINT, EXHAUST 1            | 1   |  |  |  |         |
| 33       | 6R3-24377-00    | PIPE, JOINT 2               | 1   |  |  |  |         |
| 34       | 90465-11M10     | CLAMP                       | 2   |  |  |  |         |
| 35       | 90450-99M01     | HOSE CLAMP ASSY             | 1   |  |  |  |         |
| 36       | 90450-99M02     | HOSE CLAMP ASSY             | 1   |  |  |  |         |
| 37       | 62T-41121-00-8S | INNER COVER, EXHAUST        | 1   |  |  |  |         |
| 38       | 62T-41122-00    | GASKET, EXHAUST INNER COVER | 1   |  |  |  |         |
| 39       | 62T-41123-01-8S | OUTER COVER, EXHAUST        | 1   |  |  |  |         |
| 40       | 62T-41124-00    | GASKET, EXHAUST OUTER COVER | 1   |  |  |  |         |
| 41       | 63N-15761-00    | SEAL, RUBBER 1              | 1   |  |  |  |         |
| 42       | 97013-06070     | BOLT                        | 6   |  |  |  |         |
| 43       | 92903-06600     | WASHER, PLATE               | 6   |  |  |  |         |
| 44       | 62T-14771-00-94 | STAY, MUFFLER 1             | 1   |  |  |  |         |
| 45       | 90119-10M17     | BOLT, WITH WASHER           | 4   |  |  |  |         |
| 46       | 90105-10M88     | BOLT, FLANGE                | 2   |  |  |  |         |
| 47       | 6AE-14752-00    | PIPE, OUTLET                | 1   |  |  |  |         |
| 48       | 90450-70M03     | HOSE CLAMP ASSY             | 1   |  |  |  |         |
| 49       | 90445-21009     | HOSE (L1030)                | 1   |  |  |  |         |
| 50       | 90445-14M14     | HOSE (L330)                 | 1   |  |  |  |         |
| 51       | 90446-20M13     | HOSE (L260)                 | 1   |  |  |  |         |
| 52       | 64X-12581-00    | JOINT, HOSE 1               | 1   |  |  |  |         |
| 53       | 90450-14M05     | HOSE CLAMP ASSY             | 2   |  |  |  |         |
| 54       | 90450-18M09     | HOSE CLAMP ASSY             | 1   |  |  |  |         |





**FIG. 6 EXHAUST 1**

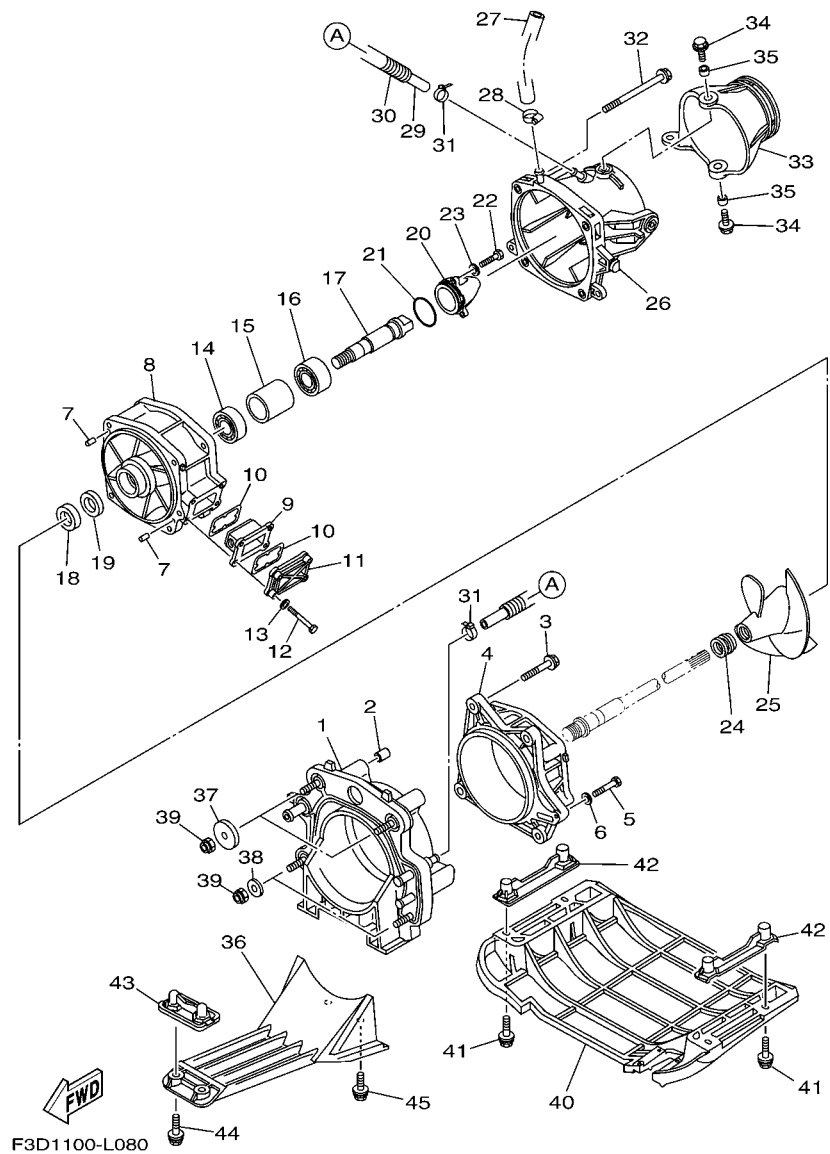
| REF. NO. | PART NO.     | DESCRIPTION         | QTY | UNIT | REMARKS |
|----------|--------------|---------------------|-----|------|---------|
| 55       | 6AE-12564-00 | PIPE, WATER         | 1   |      |         |
| 56       | 64T-12580-00 | JOINT ASSY          | 1   |      |         |
| 57       | 682-84385-01 | CAP,1               | 1   |      |         |
| 58       | EU0-61652-00 | NUT                 | 1   |      |         |
| 59       | 67X-12590-30 | CONDUCTION ASSY     | 1   |      |         |
| 60       | 90669-B2002  | HOSE (VINYL) (L200) | 1   |      |         |
|          |              |                     |     |      |         |
|          |              |                     |     |      |         |
|          |              |                     |     |      |         |
|          |              |                     |     |      |         |
|          |              |                     |     |      |         |
|          |              |                     |     |      |         |
|          |              |                     |     |      |         |
|          |              |                     |     |      |         |
|          |              |                     |     |      |         |
|          |              |                     |     |      |         |



F3D1100-L070

FIG. 7 FUEL

| REF. NO. | PART NO.     | DESCRIPTION           | QTY |  |  |  | REMARKS |
|----------|--------------|-----------------------|-----|--|--|--|---------|
| 1        | 6DU-24313-00 | PIPE 3                | 1   |  |  |  |         |
| 2        | 90446-17MA6  | HOSE (L700)           | 1   |  |  |  |         |
| 3        | 90465-12M56  | CLAMP                 | 1   |  |  |  |         |
| 4        | 6CP-24312-00 | PIPE 2                | 1   |  |  |  |         |
| 5        | 90447-13006  | TUBE (L1250)          | 1   |  |  |  |         |
| 6        | 90465-11M10  | CLAMP                 | 2   |  |  |  |         |
| 7        | 66V-24560-01 | FILTER ASSY           | 1   |  |  |  |         |
| 8        | 6DU-24500-00 | FUEL COCK ASSY 1      | 1   |  |  |  |         |
| 9        | 6R7-24524-00 | LEVER, COCK           | 1   |  |  |  |         |
| 10       | 90445-11M68  | HOSE (L450)           | 1   |  |  |  |         |
| 11       | 90465-11M10  | CLAMP                 | 1   |  |  |  |         |
| 12       | 6DU-24315-00 | PIPE 5                | 1   |  |  |  |         |
| 13       | 90465-11M10  | CLAMP                 | 1   |  |  |  |         |
| 14       | 6DU-24316-00 | PIPE 6                | 1   |  |  |  |         |
| 15       | 90465-11M10  | CLAMP                 | 1   |  |  |  |         |
| 16       | 90465-11M10  | CLAMP                 | 2   |  |  |  |         |
| 17       | 6G8-24376-00 | PIPE, JOINT 1         | 1   |  |  |  |         |
| 18       | 90465-11M10  | CLAMP                 | 2   |  |  |  |         |
| 19       | 90669-68003  | CORRUGATE TUBE (L300) | 1   |  |  |  |         |
| 20       | 90465-11M10  | CLAMP                 | 1   |  |  |  |         |
| 21       | 90170-22187  | NUT                   | 1   |  |  |  |         |
| 22       | 90202-22922  | WASHER, PLATE         | 1   |  |  |  |         |
| 23       | 98980-04008  | SCREW, BIND           | 1   |  |  |  |         |
| 24       | EU0-67816-30 | BRACKET, FUEL FILTER  | 1   |  |  |  |         |
| 25       | 90267-48020  | RIVET, BLIND          | 2   |  |  |  |         |
| 26       | EU0-67817-00 | HOLDER                | 1   |  |  |  |         |



F3D1100-L080

FIG. 8 JET UNIT 1

| REF. NO. | PART NO.        | DESCRIPTION          | QTY |  |  |  | REMARKS |
|----------|-----------------|----------------------|-----|--|--|--|---------|
| 1        | 6DU-45831-00    | PLATE, TRANSOM       | 1   |  |  |  |         |
| 2        | 99590-14016     | PIN, DOWEL           | 2   |  |  |  |         |
| 3        | 90119-10024     | BOLT, WITH WASHER    | 4   |  |  |  |         |
| 4        | 66V-51312-01-94 | HOUSING, IMPELLER    | 1   |  |  |  |         |
| 5        | 97095-06030     | BOLT                 | 1   |  |  |  |         |
| 6        | 92995-06600     | WASHER               | 1   |  |  |  |         |
| 7        | 93606-12019     | PIN, DOWEL           | 2   |  |  |  |         |
| 8        | 66V-51315-01-94 | DUCT, IMPELLER       | 1   |  |  |  |         |
| 9        | 66V-46882-00    | FILTER               | 1   |  |  |  |         |
| 10       | 66V-42414-00    | O-RING               | 2   |  |  |  |         |
| 11       | 66V-45214-00-94 | COVER, WATER INLET 1 | 1   |  |  |  |         |
| 12       | 97095-06035     | BOLT                 | 4   |  |  |  |         |
| 13       | 92995-06600     | WASHER               | 4   |  |  |  |         |
| 14       | 93306-27211     | BEARING              | 1   |  |  |  |         |
| 15       | 65V-45538-00    | SPACER 1             | 1   |  |  |  |         |
| 16       | 93306-205U0     | BEARING              | 1   |  |  |  |         |
| 17       | 6D3-45514-00    | SHAFT, DRIVE 4       | 1   |  |  |  |         |
| 18       | 93101-21001     | OIL SEAL             | 1   |  |  |  |         |
| 19       | 93101-21002     | OIL SEAL             | 1   |  |  |  |         |
| 20       | 62T-51326-10    | CAP                  | 1   |  |  |  |         |
| 21       | 93210-464A3     | O-RING               | 1   |  |  |  |         |
| 22       | 97095-06020     | BOLT                 | 3   |  |  |  |         |
| 23       | 92995-06600     | WASHER               | 3   |  |  |  |         |
| 24       | 6D3-R1319-00    | CAP, IMPELLER        | 1   |  |  |  |         |
| 25       | 6AE-R1321-00    | IMPELLER             | 1   |  |  |  |         |
| 26       | 6BU-R1318-00    | NOZZLE               | 1   |  |  |  |         |
| 27       | 90445-16006     | HOSE (L260)          | 1   |  |  |  |         |

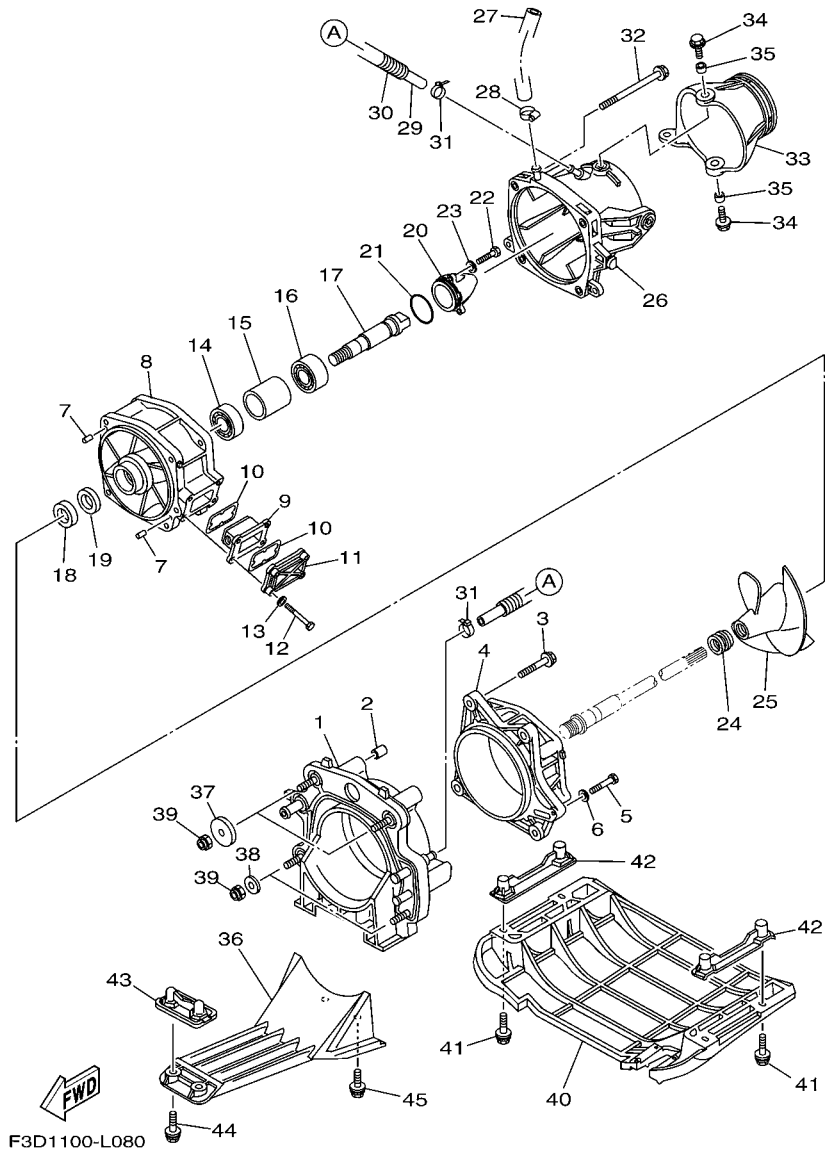


FIG. 8 JET UNIT 1

| REF. NO. | PART NO.     | DESCRIPTION       | QTY |  |  |  | REMARKS |
|----------|--------------|-------------------|-----|--|--|--|---------|
| 28       | 90450-20078  | HOSE CLAMP ASSY   | 1   |  |  |  |         |
| 29       | 90445-14008  | HOSE (L355)       | 1   |  |  |  |         |
| 30       | 90446-20MF5  | HOSE (L320)       | 1   |  |  |  |         |
| 31       | 90465-11M10  | CLAMP             | 2   |  |  |  |         |
| 32       | 90119-10055  | BOLT, WITH WASHER | 4   |  |  |  |         |
| 33       | 6BU-R1313-00 | NOZZLE, DEFLECTOR | 1   |  |  |  |         |
| 34       | 90119-08161  | BOLT, WITH WASHER | 2   |  |  |  |         |
| 35       | 90387-08M06  | COLLAR            | 2   |  |  |  |         |
| 36       | 6D3-R1333-01 | SCREEN, INTAKE    | 1   |  |  |  |         |
| 37       | F1S-U725E-01 | WASHER            | 2   |  |  |  |         |
| 38       | 90201-10801  | WASHER, PLATE     | 2   |  |  |  |         |
| 39       | 95720-10300  | NUT               | 4   |  |  |  |         |
| 40       | F2N-U273B-00 | PLATE 2           | 1   |  |  |  |         |
| 41       | 90119-08823  | BOLT, WITH WASHER | 4   |  |  |  |         |
| 42       | F1G-U8572-02 | BRACKET 2         | 2   |  |  |  |         |
| 43       | F1K-U8577-01 | BRACKET, 3        | 1   |  |  |  |         |
| 44       | 90119-06895  | BOLT, WITH WASHER | 2   |  |  |  |         |
| 45       | 90119-10808  | BOLT, WITH WASHER | 2   |  |  |  |         |
|          |              |                   |     |  |  |  |         |
|          |              |                   |     |  |  |  |         |
|          |              |                   |     |  |  |  |         |
|          |              |                   |     |  |  |  |         |

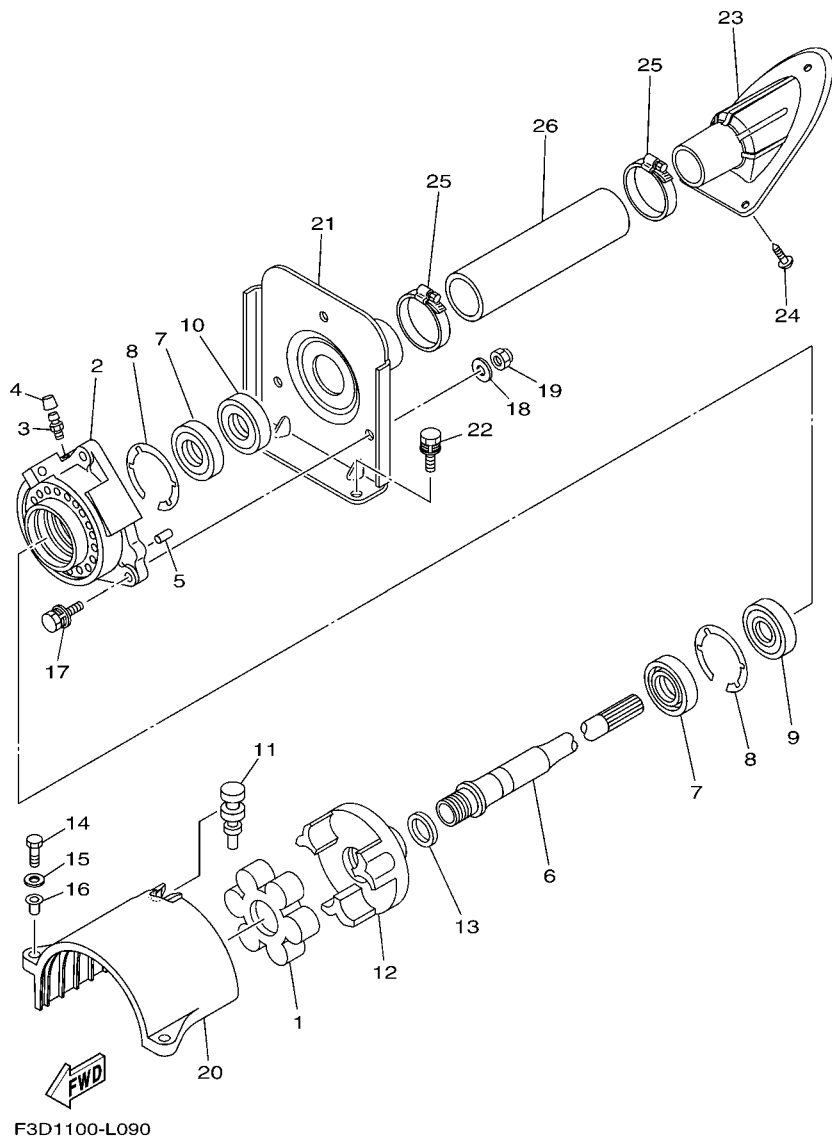
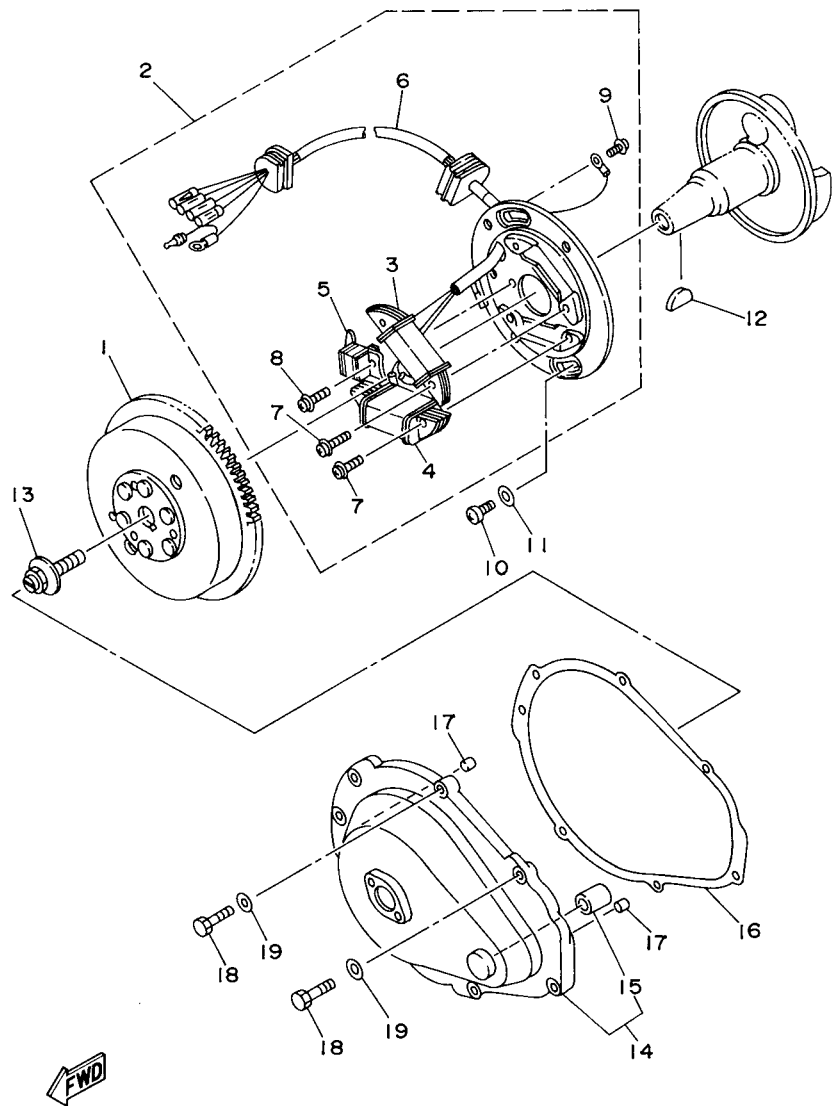


FIG. 9 JET UNIT 2

| REF. NO. | PART NO.        | DESCRIPTION           | QTY |  |  |  | REMARKS |
|----------|-----------------|-----------------------|-----|--|--|--|---------|
| 1        | 61X-4581J-00    | RUBBER SHAFT COUPLING | 1   |  |  |  |         |
| 2        | 61X-45332-03-94 | HOUSING, BEARING      | 1   |  |  |  |         |
| 3        | 93700-06M03     | NIPPLE, GREASE        | 1   |  |  |  |         |
| 4        | 663-45119-00    | CAP, GREASE NIPPLE    | 1   |  |  |  |         |
| 5        | 93606-12019     | PIN, DOWEL            | 2   |  |  |  |         |
| 6        | 6BU-45511-00    | SHAFT, DRIVE          | 1   |  |  |  |         |
| 7        | 93101-25M55     | OIL SEAL              | 2   |  |  |  |         |
| 8        | 93430-47M04     | CIRCLIP               | 2   |  |  |  |         |
| 9        | 93306-205A3     | BEARING               | 1   |  |  |  |         |
| 10       | 93102-25009     | OIL SEAL              | 1   |  |  |  |         |
| 11       | 90480-06M46     | GROMMET               | 1   |  |  |  |         |
| 12       | 6M6-45813-22-8P | FLANGE, COUPLING      | 1   |  |  |  |         |
| 13       | 90201-24M02     | WASHER, PLATE         | 1   |  |  |  |         |
| 14       | 97095-06025     | BOLT                  | 2   |  |  |  |         |
| 15       | 92995-06600     | WASHER                | 2   |  |  |  |         |
| 16       | 90387-06M60     | COLLAR                | 2   |  |  |  |         |
| 17       | 90119-08942     | BOLT, WITH WASHER     | 3   |  |  |  |         |
| 18       | 92990-08200     | WASHER, PLAIN         | 3   |  |  |  |         |
| 19       | 95720-08300     | NUT, SELF-LOCKING     | 3   |  |  |  |         |
| 20       | 6DU-51381-00    | COVER                 | 1   |  |  |  |         |
| 21       | F3D-68571-00    | BRACKET 1             | 1   |  |  |  |         |
| 22       | 90119-08965     | BOLT, WITH WASHER     | 2   |  |  |  |         |
| 23       | F3D-6883E-00    | JOINT, PIPE           | 1   |  |  |  |         |
| 24       | 97780-50220     | SCREW, TAPPING        | 3   |  |  |  |         |
| 25       | 90601-15041     | BAND, HOSE 50         | 2   |  |  |  | SUS     |
| 26       | F3D-6883B-00    | PIPE, 1               | 1   |  |  |  |         |



GHI4010-4100

FIG. 10 GENERATOR

| REF. NO. | PART NO.        | DESCRIPTION         | QTY |  |  |  | REMARKS |
|----------|-----------------|---------------------|-----|--|--|--|---------|
| 1        | 62T-85550-00    | ROTOR ASSY          | 1   |  |  |  |         |
| 2        | 62T-85560-00    | BASE ASSY           | 1   |  |  |  |         |
| 3        | 62T-85520-01    | .COIL, CHARGE       | 1   |  |  |  |         |
| 4        | 62T-85533-00    | .COIL, LIGHTING     | 1   |  |  |  |         |
| 5        | 6M6-85580-00    | .COIL, PULSER       | 1   |  |  |  |         |
| 6        | 62T-85515-00    | .LEAD WIRE ASSY     | 1   |  |  |  |         |
| 7        | 97902-05125     | .SCREW, WITH WASHER | 4   |  |  |  |         |
| 8        | 97902-04122     | .SCREW, WITH WASHER | 2   |  |  |  |         |
| 9        | 97802-04008     | .SCREW, PAN HEAD    | 1   |  |  |  |         |
| 10       | 97880-06016     | SCREW, PAN HEAD     | 2   |  |  |  |         |
| 11       | 92990-06600     | WASHER, PLATE       | 2   |  |  |  |         |
| 12       | 90280-05013     | KEY, WOODRUFF       | 1   |  |  |  |         |
| 13       | 90109-10M47     | BOLT                | 1   |  |  |  |         |
| 14       | 6R8-81337-00-8S | COVER, FLYWHEEL     | 1   |  |  |  |         |
| 15       | 90380-12M29     | .BUSH, SOLID        | 1   |  |  |  |         |
| 16       | 6M6-81365-A0    | GASKET, HOLE COVER  | 1   |  |  |  |         |
| 17       | 93606-12019     | PIN, DOWEL          | 2   |  |  |  |         |
| 18       | 97095-06025     | BOLT                | 7   |  |  |  |         |
| 19       | 92995-06600     | WASHER              | 7   |  |  |  |         |

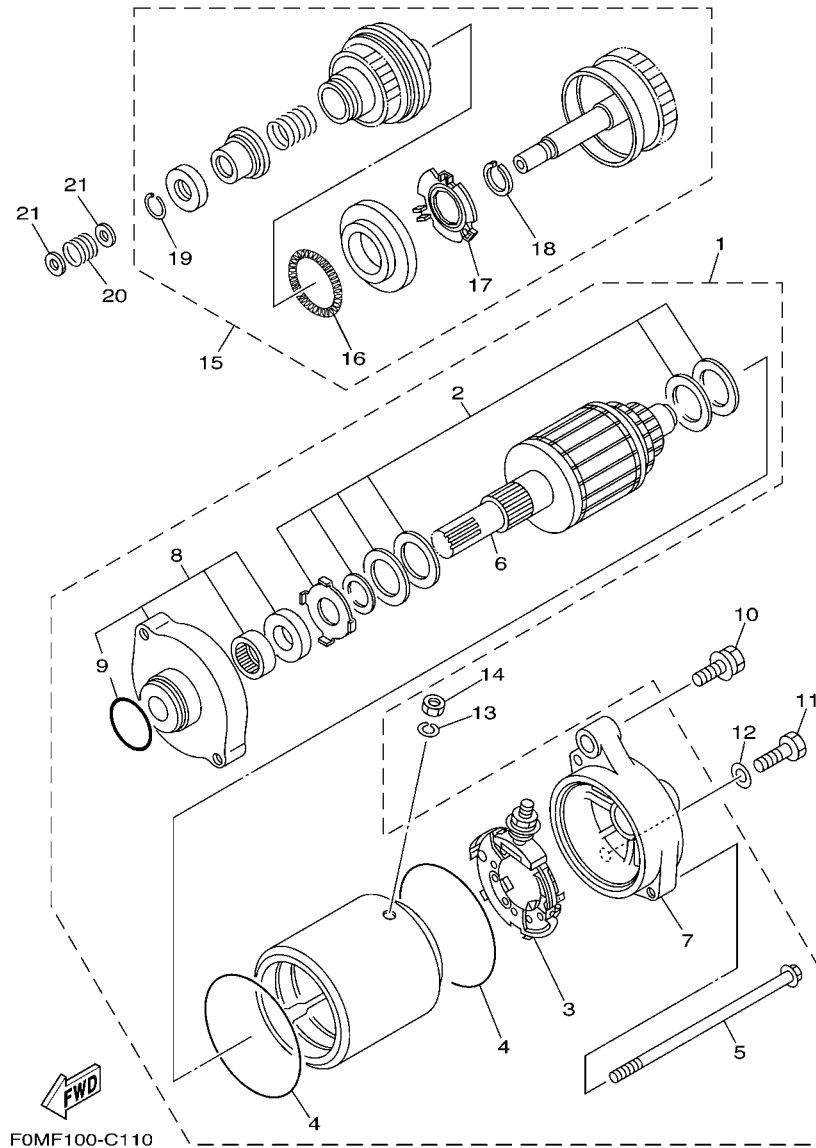
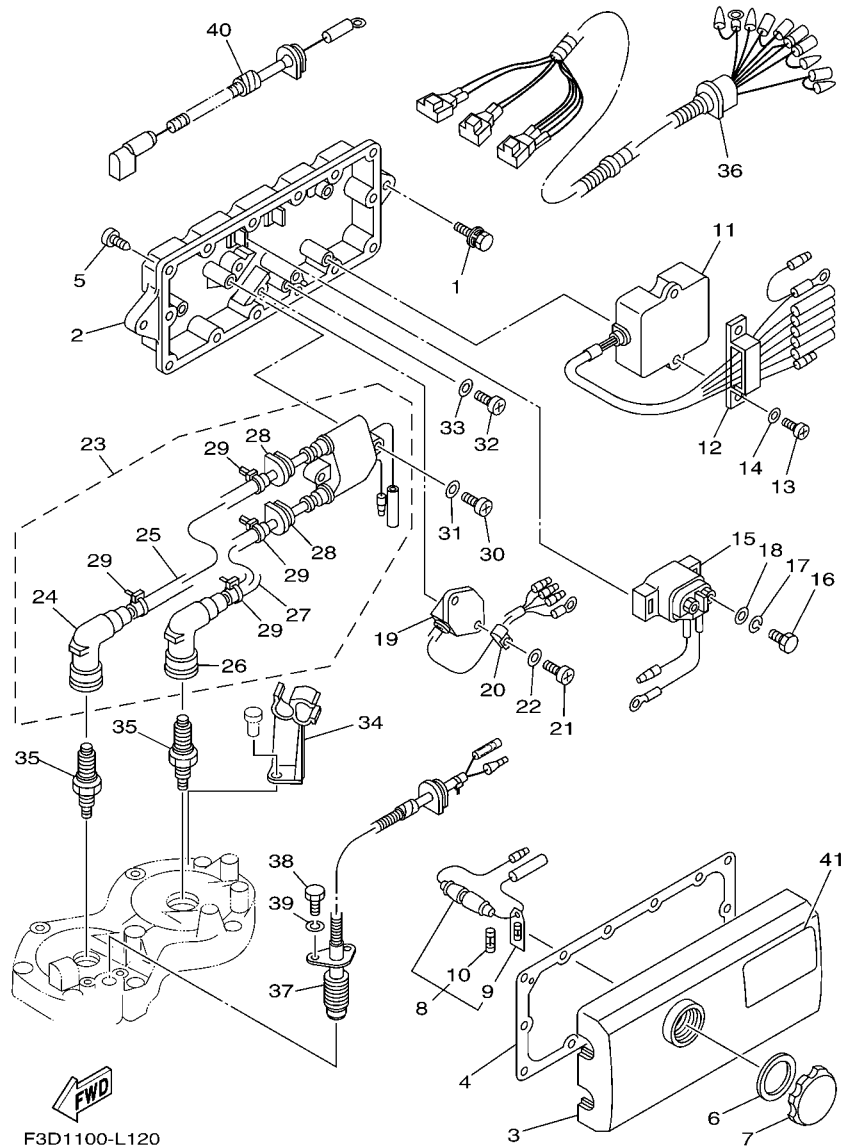


FIG. 11 STARTING MOTOR

| REF. NO. | PART NO.     | DESCRIPTION         | QTY |  |  |  | REMARKS |
|----------|--------------|---------------------|-----|--|--|--|---------|
| 1        | 6M6-81800-10 | STARTING MOTOR ASSY | 1   |  |  |  |         |
| 2        | 3AJ-81809-00 | .WASHER KIT         | 1   |  |  |  |         |
| 3        | 6M6-81840-10 | .BRUSH HOLDER ASSY  | 1   |  |  |  |         |
| 4        | 11H-81844-00 | .GASKET             | 2   |  |  |  |         |
| 5        | 6M6-81826-00 | .BOLT               | 2   |  |  |  |         |
| 6        | 6M6-81850-00 | .ARMATURE ASSY      | 1   |  |  |  |         |
| 7        | 6M6-81820-00 | .REAR BRACKET ASSY  | 1   |  |  |  |         |
| 8        | 6M6-81830-00 | .FRONT BRACKET ASSY | 1   |  |  |  |         |
| 9        | 26H-81847-00 | ..O-RING            | 1   |  |  |  |         |
| 10       | 97513-08540  | BOLT, WITH WASHER   | 1   |  |  |  |         |
| 11       | 97013-08035  | BOLT                | 1   |  |  |  |         |
| 12       | 92903-08600  | WASHER, PLATE       | 1   |  |  |  |         |
| 13       | 92990-06100  | WASHER, SPRING      | 1   |  |  |  |         |
| 14       | 95380-06700  | NUT                 | 1   |  |  |  |         |
| 15       | 6M6-8183E-01 | IDLE GEAR COMP.     | 1   |  |  |  |         |
| 16       | 6M6-81866-00 | .WEIGHT SPRING      | 1   |  |  |  |         |
| 17       | 6M6-81865-00 | .WEIGHT HOLDER      | 1   |  |  |  |         |
| 18       | 93440-25M08  | .CIRCLIP            | 1   |  |  |  |         |
| 19       | 93450-18M06  | .CIRCLIP            | 1   |  |  |  |         |
| 20       | 90501-14M73  | SPRING, COMPRESSION | 1   |  |  |  |         |
| 21       | 92903-06600  | WASHER, PLATE       | 2   |  |  |  |         |



**FIG. 12 ELECTRICAL 1**

| REF. NO. | PART NO.        | DESCRIPTION                | QTY |  |  |  | REMARKS |
|----------|-----------------|----------------------------|-----|--|--|--|---------|
| 1        | 90119-08965     | BOLT, WITH WASHER          | 2   |  |  |  |         |
| 2        | 62L-8552A-00-8P | HOUSING                    | 1   |  |  |  |         |
| 3        | 6M6-8552E-01    | COVER, CASE                | 1   |  |  |  |         |
| 4        | 6M6-81921-00    | GASKET, TERMINAL           | 1   |  |  |  |         |
| 5        | 97780-60525     | SCREW, TAPPING             | 14  |  |  |  |         |
| 6        | 6M6-81844-00    | GASKET                     | 1   |  |  |  |         |
| 7        | 6M6-8132W-00    | CAP                        | 1   |  |  |  |         |
| 8        | 6K8-82150-01    | FUSE HOLDER ASSY           | 1   |  |  |  |         |
| 9        | 6G1-82151-00    | .FUSE (10A)                | 1   |  |  |  |         |
| 10       | 6K8-82159-00    | .FUSE SPEAR (10A)          | 1   |  |  |  |         |
| 11       | 62T-85540-01    | C.D.I. UNIT ASSY           | 1   |  |  |  |         |
| 12       | 90464-06M29     | CLAMP                      | 1   |  |  |  |         |
| 13       | 97880-06016     | SCREW, PAN HEAD            | 2   |  |  |  |         |
| 14       | 92990-06600     | WASHER, PLATE              | 2   |  |  |  |         |
| 15       | 68N-81940-00    | STARTER RELAY ASSY         | 1   |  |  |  |         |
| 16       | 97095-06010     | BOLT                       | 2   |  |  |  |         |
| 17       | 92995-06100     | WASHER, SPRING             | 2   |  |  |  |         |
| 18       | 92995-06600     | WASHER                     | 2   |  |  |  |         |
| 19       | 6M6-81960-A0    | RECTIFIER & REGULATOR ASSY | 1   |  |  |  |         |
| 20       | 90465-06M86     | CLAMP                      | 1   |  |  |  |         |
| 21       | 97880-06016     | SCREW, PAN HEAD            | 2   |  |  |  |         |
| 22       | 92990-06600     | WASHER, PLATE              | 2   |  |  |  |         |
| 23       | 62E-85570-11    | IGNITION COIL ASSY         | 1   |  |  |  |         |
| 24       | 62E-82371-11    | .CAP, PLUG                 | 1   |  |  |  |         |
| 25       | 62E-82351-01    | .TUBE, CORD                | 1   |  |  |  |         |
| 26       | 62E-82371-11    | .CAP, PLUG                 | 1   |  |  |  |         |
| 27       | 62E-82352-01    | .TUBE, CORD 2              | 1   |  |  |  |         |



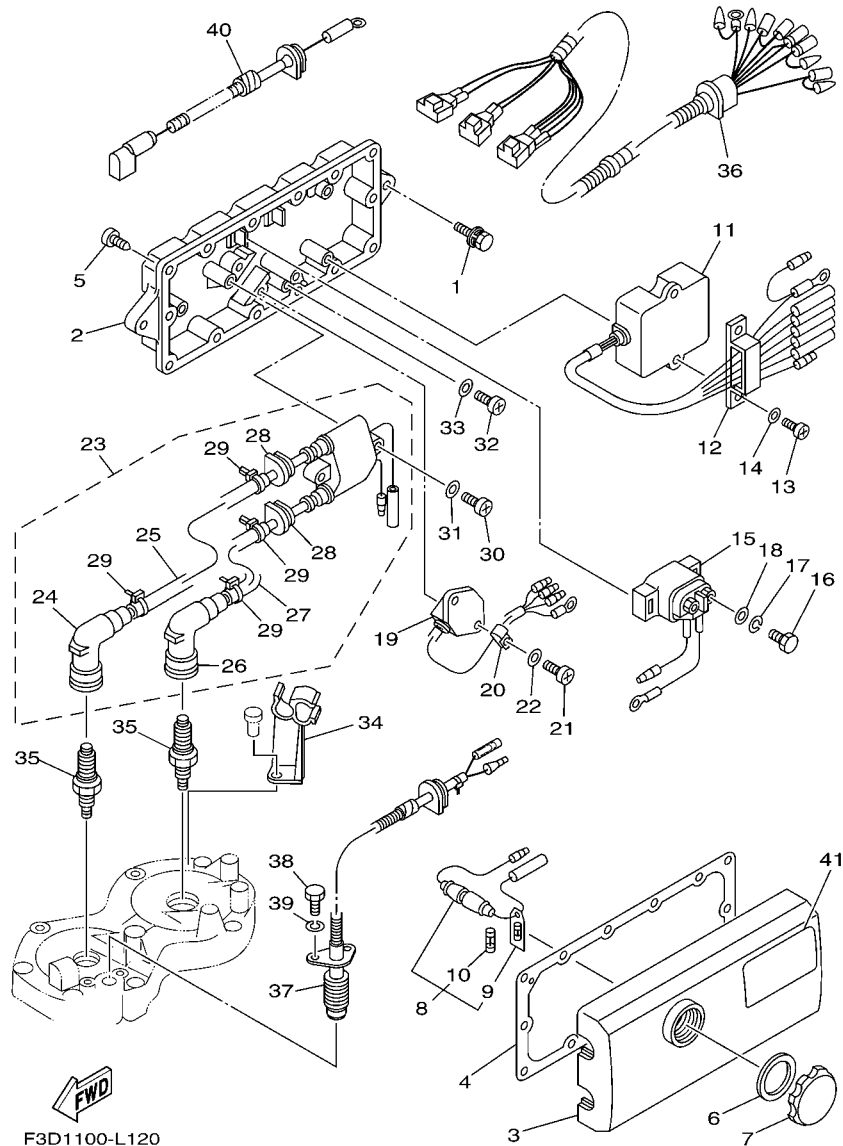
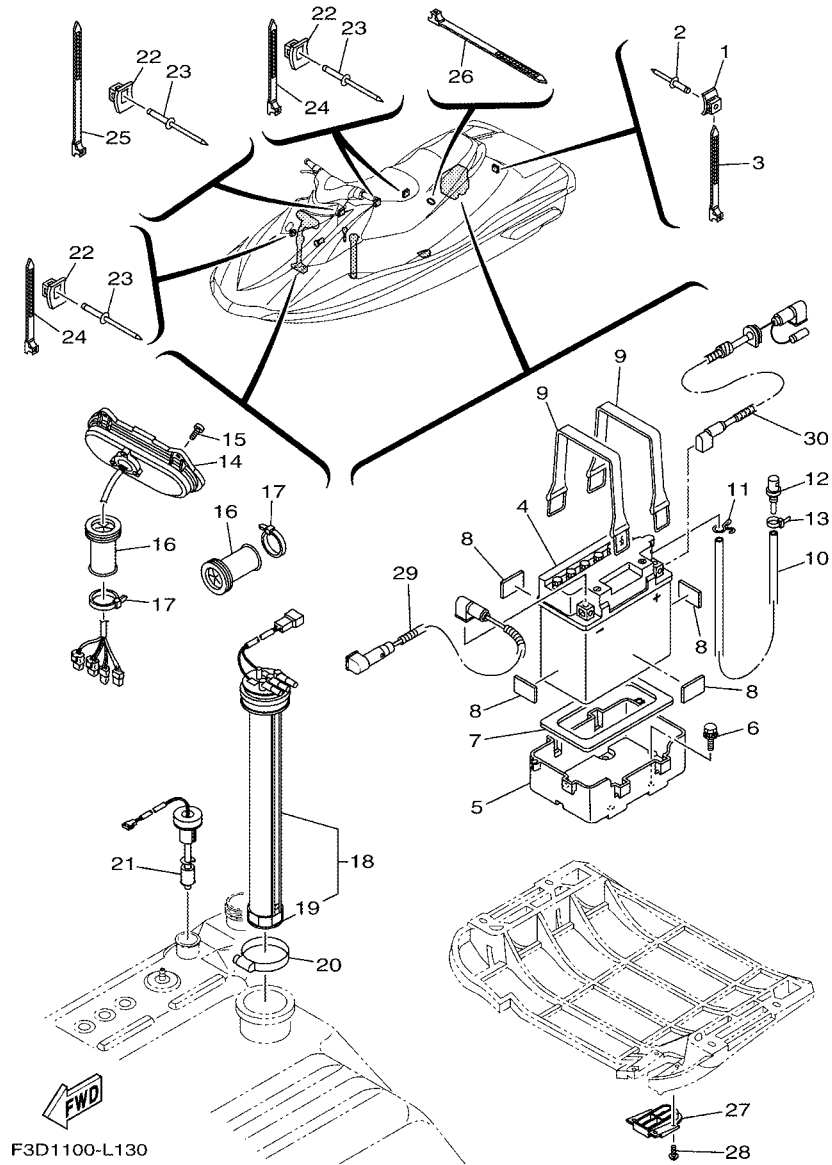


FIG. 12 ELECTRICAL 1

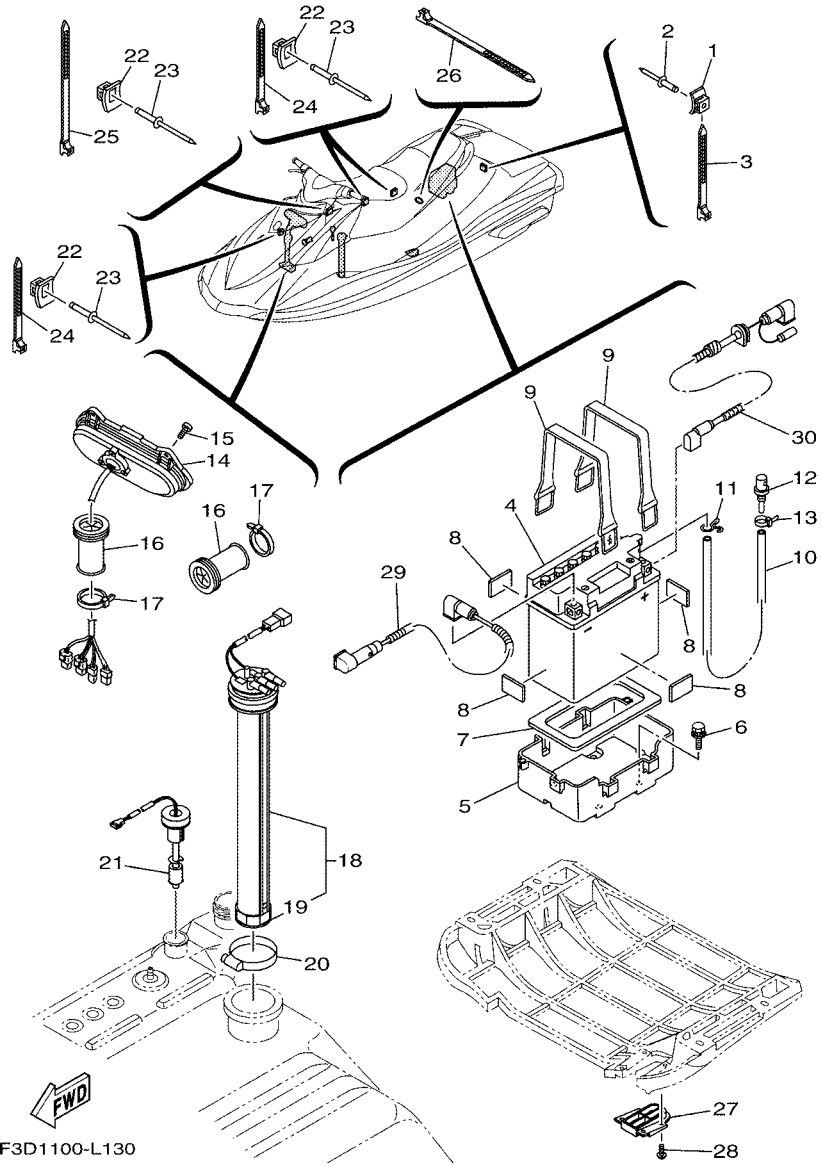
| REF. NO. | PART NO.     | DESCRIPTION             | QTY |  |  |  | REMARKS |
|----------|--------------|-------------------------|-----|--|--|--|---------|
| 28       | 90480-06M43  | .GROMMET                | 2   |  |  |  |         |
| 29       | 90465-11M10  | .CLAMP                  | 4   |  |  |  |         |
| 30       | 97880-06030  | SCREW, PAN HEAD         | 2   |  |  |  |         |
| 31       | 92990-06600  | WASHER, PLATE           | 2   |  |  |  |         |
| 32       | 97880-06016  | SCREW, PAN HEAD         | 2   |  |  |  |         |
| 33       | 92990-06600  | WASHER, PLATE           | 2   |  |  |  |         |
| 34       | 62T-82361-00 | CLAMP, CORD             | 1   |  |  |  |         |
| 35       | 94702-00195  | PLUG, SPARK (NGK BR8HS) | 2   |  |  |  |         |
| 36       | 6AE-82553-00 | EXTENSION, WIRE LEAD    | 1   |  |  |  |         |
| 37       | 62T-82560-11 | THERMO SWITCH ASSY      | 1   |  |  |  |         |
| 38       | 97095-06016  | BOLT                    | 2   |  |  |  |         |
| 39       | 92995-06100  | WASHER, SPRING          | 2   |  |  |  |         |
| 40       | 6AE-82117-20 | WIRE, LEAD              | 1   |  |  |  |         |
| 41       | 6B6-83623-00 | MARK 3                  | 1   |  |  |  |         |



F3D1100-L130

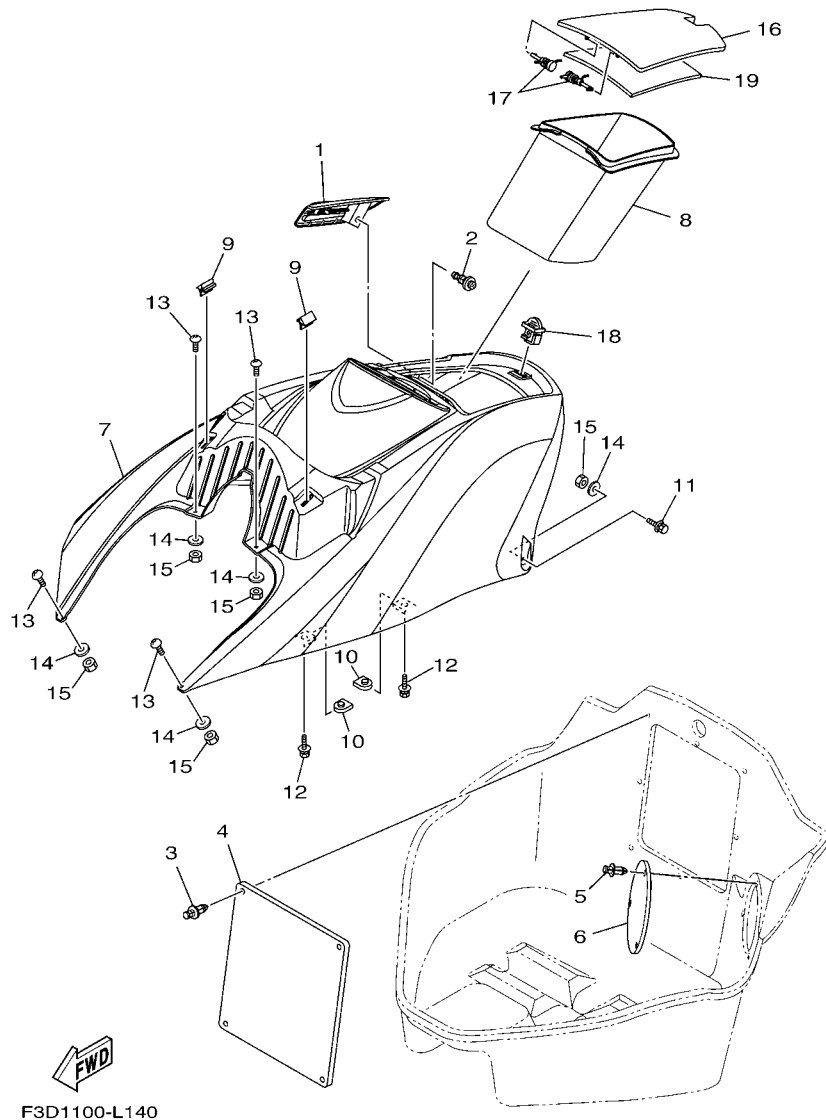
FIG. 13 ELECTRICAL 2

| REF. NO. | PART NO.     | DESCRIPTION              | QTY |  |  |  | REMARKS |
|----------|--------------|--------------------------|-----|--|--|--|---------|
| 1        | F1W-U828M-00 | BASE, CLAMP              | 1   |  |  |  |         |
| 2        | 90267-48930  | RIVET, SEALD             | 1   |  |  |  |         |
| 3        | 90601-20006  | BAND                     | 1   |  |  |  |         |
| 4        | EU0-68217-A1 | BATTERY (YB16CL-B)       | 1   |  |  |  |         |
| 5        | EW2-68211-00 | CASE, BATTERY            | 1   |  |  |  |         |
| 6        | 90119-06920  | BOLT, WITH WASHER        | 4   |  |  |  |         |
| 7        | EU0-68221-00 | PAD, BATTERY 1           | 1   |  |  |  |         |
| 8        | EU0-68221-30 | PAD, BATTERY 2           | 4   |  |  |  |         |
| 9        | EU0-68218-04 | BAND, BATTERY            | 2   |  |  |  |         |
| 10       | 90699-50090  | HOSE                     | 1   |  |  |  |         |
| 11       | 90467-08M10  | CLIP                     | 1   |  |  |  |         |
| 12       | GJ3-6215F-00 | NIPPLE                   | 1   |  |  |  |         |
| 13       | 90465-11M10  | CLAMP                    | 1   |  |  |  |         |
| 14       | F1V-6820A-01 | METER ASSY               | 1   |  |  |  |         |
| 15       | 90111-05008  | BOLT, HEX. SOCKET BUTTON | 4   |  |  |  |         |
| 16       | GU2-6822E-01 | GROMMET                  | 2   |  |  |  |         |
| 17       | 90601-20006  | BAND                     | 2   |  |  |  |         |
| 18       | F0V-U824B-04 | SENDER, FUEL             | 1   |  |  |  |         |
| 19       | F0V-H369N-00 | .FLOAT                   | 1   |  |  |  |         |
| 20       | 90601-16542  | BAND, HOSE 65            | 1   |  |  |  |         |
| 21       | GJ8-U824C-02 | SENDER, OIL              | 1   |  |  |  |         |
| 22       | F1W-U828M-00 | BASE, CLAMP              | 5   |  |  |  |         |
| 23       | 90267-48930  | RIVET, SEALD             | 5   |  |  |  |         |
| 24       | 90601-20006  | BAND                     | 4   |  |  |  |         |
| 25       | 90601-20006  | BAND                     | 1   |  |  |  |         |
| 26       | 90601-20009  | BAND                     | 1   |  |  |  |         |
| 27       | F1V-U273C-01 | COVER, PLATE             | 1   |  |  |  |         |



**FIG. 13 ELECTRICAL 2**

| REF. NO. | PART NO.     | DESCRIPTION       | QTY |  |  | REMARKS |
|----------|--------------|-------------------|-----|--|--|---------|
| 28       | 90150-05807  | SCREW, ROUND HEAD | 4   |  |  |         |
| 29       | 6AE-82117-00 | WIRE, LEAD        | 1   |  |  |         |
| 30       | 63N-82117-11 | WIRE, LEAD        | 1   |  |  |         |
|          |              |                   |     |  |  |         |
|          |              |                   |     |  |  |         |
|          |              |                   |     |  |  |         |
|          |              |                   |     |  |  |         |
|          |              |                   |     |  |  |         |
|          |              |                   |     |  |  |         |
|          |              |                   |     |  |  |         |



**FIG. 14 ENGINE HATCH 1**

| REF. NO. | PART NO.        | DESCRIPTION         | QTY |  |  |  | REMARKS |
|----------|-----------------|---------------------|-----|--|--|--|---------|
| 1        | F2N-U2723-00    | SEAL                | 1   |  |  |  |         |
| 2        | 90269-08801     | RIVET               | 1   |  |  |  |         |
| 3        | F3D-62698-00    | RIVET               | 4   |  |  |  |         |
| 4        | F3D-67227-00    | COVER, INSPECTION 1 | 1   |  |  |  |         |
| 5        | F3D-62698-00    | RIVET               | 3   |  |  |  |         |
| 6        | F3D-67228-00    | COVER, INSPECTION 2 | 1   |  |  |  |         |
| 7        | F2N-U516N-00-P8 | COVER, ENGINE HATCH | 1   |  |  |  | RYM4    |
| 8        | F2N-U516P-00    | BOX GLOVE           | 1   |  |  |  |         |
| 9        | F1K-U266C-00    | PACKING 4           | 2   |  |  |  |         |
| 10       | 90183-06902     | NUT, SPRING         | 4   |  |  |  |         |
| 11       | 90119-06880     | BOLT, WITH WASHER   | 2   |  |  |  |         |
| 12       | 90119-06882     | BOLT, WITH WASHER   | 4   |  |  |  |         |
| 13       | F2N-67823-10    | SCREW               | 4   |  |  |  |         |
| 14       | 92990-06200     | WASHER, PLAIN       | 6   |  |  |  |         |
| 15       | 95720-06300     | NUT, SELF-LOCKING   | 6   |  |  |  |         |
| 16       | F2N-U517H-01    | LID HATCH           | 1   |  |  |  |         |
| 17       | F0X-6517R-01    | PIN, HINGE          | 2   |  |  |  |         |
| 18       | GU2-62875-01    | LOCK                | 1   |  |  |  |         |
| 19       | F3D-6519D-00    | PACKING CASE        | 1   |  |  |  |         |

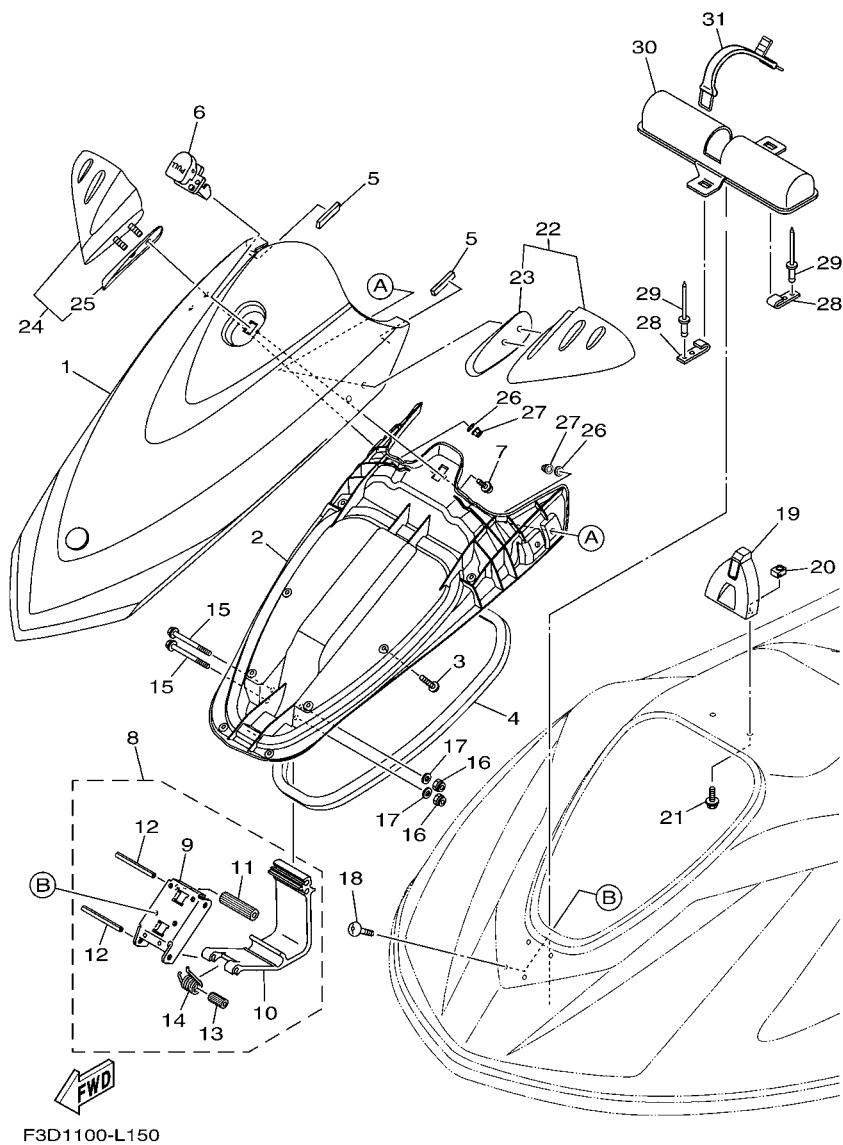
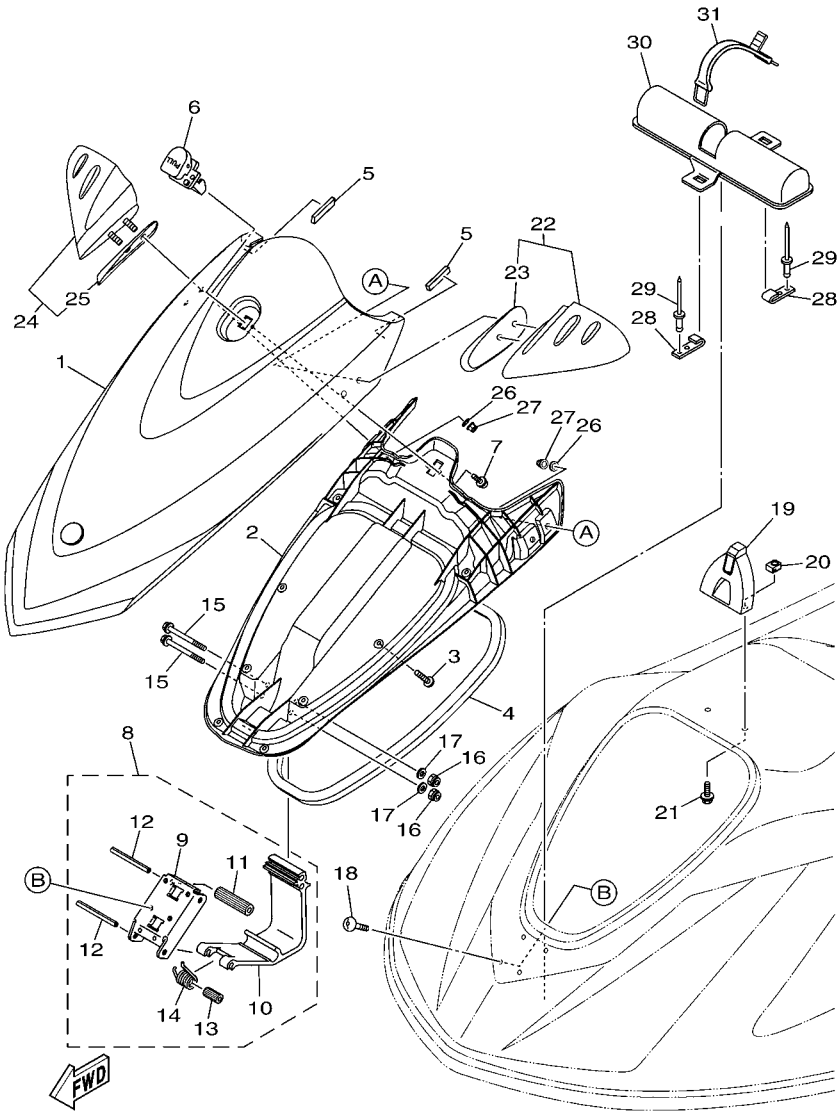


FIG. 15 ENGINE HATCH 2

| REF. NO. | PART NO.        | DESCRIPTION         | QTY |  |  | REMARKS |
|----------|-----------------|---------------------|-----|--|--|---------|
| 1        | F2N-U517B-10-P6 | LID, ENGINE ROOM    | 1   |  |  | RYM4    |
| 2        | F2N-U213B-00    | COVER, VENTILATOR 1 | 1   |  |  |         |
| 3        | 90149-05903     | SCREW               | 8   |  |  |         |
| 4        | F3D-62663-00    | PACKING 1           | 1   |  |  |         |
| 5        | F3D-6266B-00    | PACKING 3           | 2   |  |  |         |
| 6        | F1K-6517C-00    | LOCK, LID           | 1   |  |  |         |
| 7        | 90119-059U4     | BOLT, WITH WASHER   | 2   |  |  |         |
| 8        | F1K-U515A-00    | HINGE ASSY.         | 1   |  |  |         |
| 9        | F1K-U518E-04    | .PLATE, HINGE LID   | 1   |  |  |         |
| 10       | F1K-U517D-05    | .HINGE, LID         | 1   |  |  |         |
| 11       | F1K-U135C-01    | .ROLLER, DETENT     | 1   |  |  |         |
| 12       | F1K-U517R-00    | .PIN, HINGE         | 2   |  |  |         |
| 13       | F1K-U471E-03    | .SPACER 1           | 1   |  |  |         |
| 14       | F1K-U283B-02    | .SPRING, TORSION    | 1   |  |  |         |
| 15       | 90105-06826     | BOLT, FLANGE        | 2   |  |  |         |
| 16       | 95720-06300     | NUT, SELF-LOCKING   | 2   |  |  |         |
| 17       | 92990-06200     | WASHER, PLAIN       | 2   |  |  |         |
| 18       | F2N-67823-00    | SCREW               | 4   |  |  |         |
| 19       | F2N-U517F-00    | HOOK, LID LOCK      | 1   |  |  |         |
| 20       | F1X-U517E-01    | NUT                 | 2   |  |  |         |
| 21       | 90119-06880     | BOLT, WITH WASHER   | 2   |  |  |         |
| 22       | F2N-U596B-00    | MIRROR LH           | 1   |  |  |         |
| 23       | F2N-U471E-00    | .SPACER 1           | 1   |  |  |         |
| 24       | F2N-U596C-00    | MIRROR RH           | 1   |  |  |         |
| 25       | F2N-U471F-00    | .SPACER 2           | 1   |  |  |         |
| 26       | 92990-08200     | WASHER, PLAIN       | 4   |  |  |         |
| 27       | 95720-08300     | NUT, SELF-LOCKING   | 4   |  |  |         |



F3D1100-L150

FIG. 15 ENGINE HATCH 2

| REF. NO. | PART NO.     | DESCRIPTION            | QTY |  |  |  | REMARKS |
|----------|--------------|------------------------|-----|--|--|--|---------|
| 28       | GA7-65772-00 | HOOK A                 | 2   |  |  |  |         |
| 29       | 90267-48020  | RIVET, BLIND           | 4   |  |  |  |         |
| 30       | F1K-U5983-01 | BOX, FIRE EXTINGUISHER | 1   |  |  |  |         |
| 31       | GA7-68218-00 | BAND, BATTERY          | 1   |  |  |  |         |
| -----    |              |                        |     |  |  |  |         |
| -----    |              |                        |     |  |  |  |         |
| -----    |              |                        |     |  |  |  |         |
| -----    |              |                        |     |  |  |  |         |
| -----    |              |                        |     |  |  |  |         |
| -----    |              |                        |     |  |  |  |         |
| -----    |              |                        |     |  |  |  |         |
| -----    |              |                        |     |  |  |  |         |
| -----    |              |                        |     |  |  |  |         |

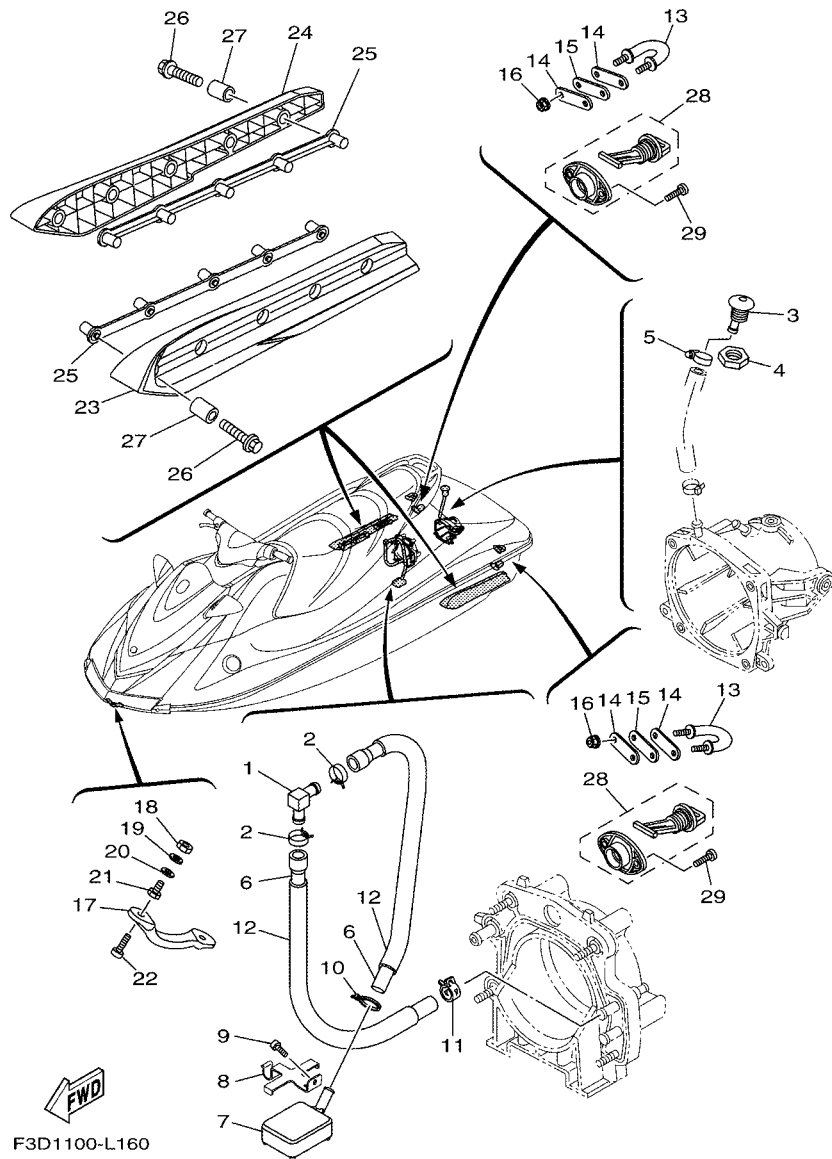


FIG. 16 HULL & DECK

| REF. NO. | PART NO.     | DESCRIPTION               | QTY |  |  |  | REMARKS |
|----------|--------------|---------------------------|-----|--|--|--|---------|
| 1        | 61X-51162-00 | JOINT, HOSE               | 1   |  |  |  |         |
| 2        | 90467-180A3  | CLIP                      | 2   |  |  |  |         |
| 3        | FN8-6269B-00 | SPOUT                     | 1   |  |  |  |         |
| 4        | EU0-61652-00 | NUT                       | 1   |  |  |  |         |
| 5        | 90601-12538  | BAND, HOSE 25             | 1   |  |  |  | SUS     |
| 6        | 90445-20805  | HOSE (L710)               | 2   |  |  |  |         |
| 7        | GD0-6761D-00 | STRAINER, BILGE           | 1   |  |  |  |         |
| 8        | EW2-67618-00 | BASE, STRAINER BILGE      | 1   |  |  |  |         |
| 9        | 97780-50510  | SCREW, TAPPING            | 1   |  |  |  |         |
| 10       | 90601-20005  | BAND                      | 1   |  |  |  |         |
| 11       | 90467-200A0  | CLIP                      | 1   |  |  |  |         |
| 12       | 90669-67006  | CORRUGATE TUBE (L600)     | 2   |  |  |  |         |
| 13       | F2N-U1628-01 | STERN EYE                 | 2   |  |  |  |         |
| 14       | F3D-64953-00 | PLATE A                   | 4   |  |  |  |         |
| 15       | F3D-61653-00 | PACKING                   | 2   |  |  |  |         |
| 16       | 95720-08300  | NUT, SELF-LOCKING         | 4   |  |  |  |         |
| 17       | F1K-61624-00 | BOWEYE 1                  | 1   |  |  |  |         |
| 18       | 99780-12600  | NUT.HEX.(COARS)           | 2   |  |  |  |         |
| 19       | 92990-12200  | WASHER, PLAIN             | 2   |  |  |  |         |
| 20       | F0X-61637-00 | WASHER                    | 2   |  |  |  |         |
| 21       | F0X-61652-00 | NUT (BOLT/NUT)            | 2   |  |  |  |         |
| 22       | 90110-06040  | BOLT, HEXAGON SOCKET HEAD | 2   |  |  |  |         |
| 23       | F1S-U883N-01 | STABILIZER LH             | 1   |  |  |  | BLACK   |
| 24       | F1S-U883P-01 | STABILIZER RH             | 1   |  |  |  | BLACK   |
| 25       | F1X-U883T-01 | BRACKET,STABILIZER        | 2   |  |  |  |         |
| 26       | 90105-08860  | BOLT, FLANGE              | 10  |  |  |  |         |
| 27       | F3D-68169-00 | SPACER                    | 10  |  |  |  |         |

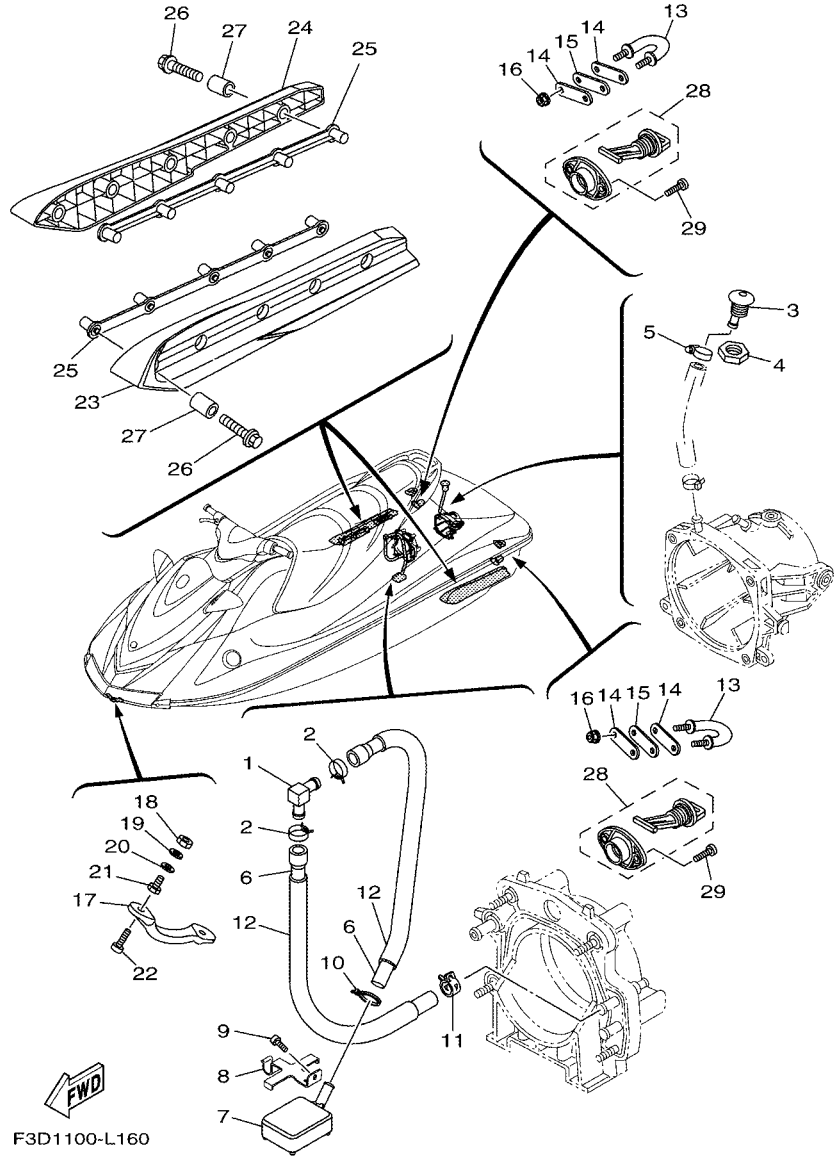
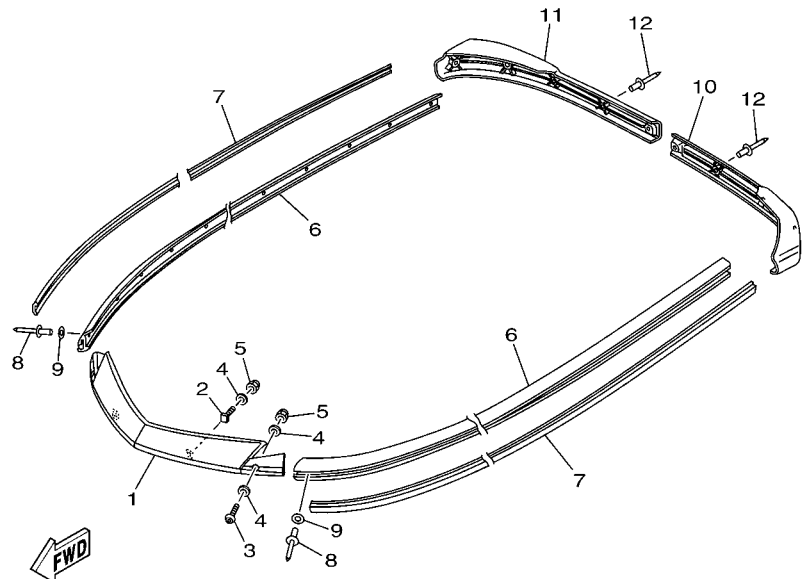
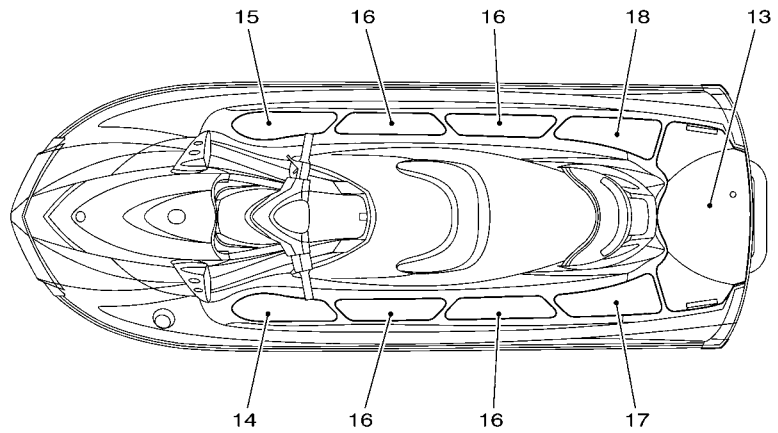


FIG. 16 HULL & DECK

| REF. NO. | PART NO.     | DESCRIPTION      | QTY |  |  |  | REMARKS |
|----------|--------------|------------------|-----|--|--|--|---------|
| 28       | F1S-U2280-00 | DRAIN PLUG ASSY. | 2   |  |  |  |         |
| 29       | 97780-50510  | SCREW, TAPPING   | 4   |  |  |  |         |
| -----    |              |                  |     |  |  |  |         |
| -----    |              |                  |     |  |  |  |         |
| -----    |              |                  |     |  |  |  |         |
| -----    |              |                  |     |  |  |  |         |
| -----    |              |                  |     |  |  |  |         |
| -----    |              |                  |     |  |  |  |         |
| -----    |              |                  |     |  |  |  |         |
| -----    |              |                  |     |  |  |  |         |
| -----    |              |                  |     |  |  |  |         |
| -----    |              |                  |     |  |  |  |         |
| -----    |              |                  |     |  |  |  |         |
| -----    |              |                  |     |  |  |  |         |

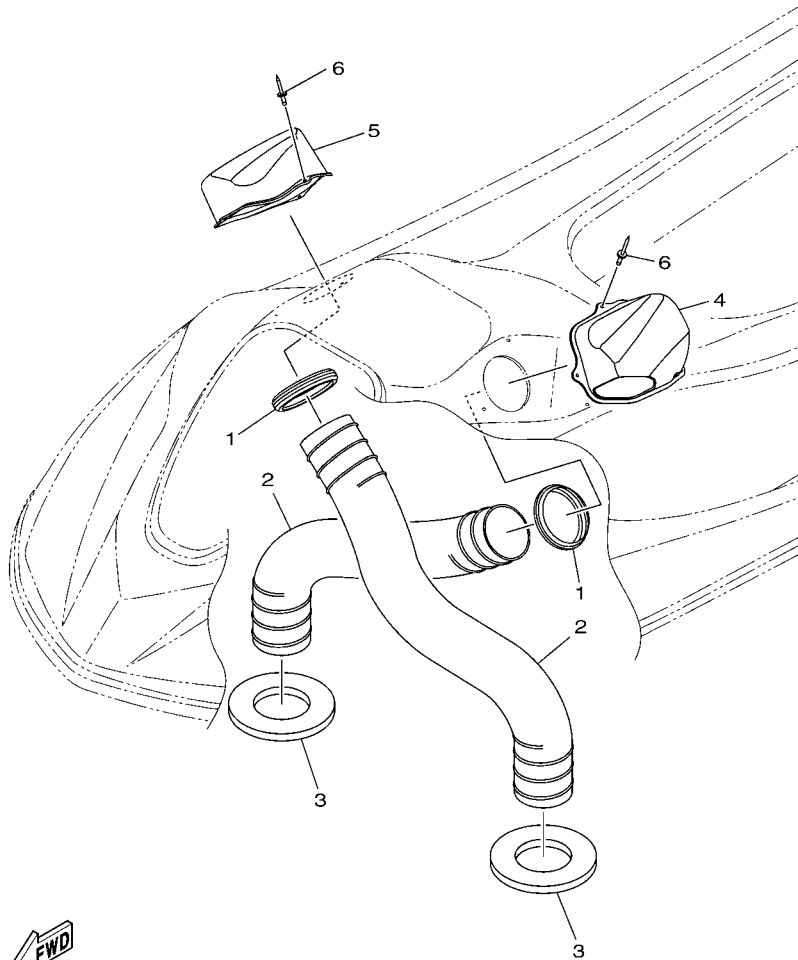




F2V1100-K170

FIG. 17 GUNWALE & MAT

| REF. NO. | PART NO.     | DESCRIPTION              | QTY |  |  |  | REMARKS   |
|----------|--------------|--------------------------|-----|--|--|--|-----------|
| 1        | F2N-U2511-02 | GUNWALE, BOW             | 1   |  |  |  |           |
| 2        | F1W-U491K-00 | BOLT, SPECIAL            | 2   |  |  |  |           |
| 3        | 90111-06803  | BOLT, HEX. SOCKET BUTTON | 2   |  |  |  |           |
| 4        | 92990-06200  | WASHER, PLAIN            | 6   |  |  |  |           |
| 5        | 95720-06300  | NUT, SELF-LOCKING        | 4   |  |  |  |           |
| 6        | F3D-62512-00 | GUNWALE, SIDE            | 2   |  |  |  |           |
| 7        | F3D-62519-00 | INNER, GUNWALE           | 2   |  |  |  |           |
| 8        | 90267-48932  | RIVET, BLIND             | 30  |  |  |  |           |
| 9        | 92990-05200  | WASHER, PLAIN            | 30  |  |  |  |           |
| 10       | F1K-U251D-01 | GUNWALE, STERN 1         | 1   |  |  |  | GRAY      |
| 11       | F1K-U251E-01 | GUNWALE, STERN 2         | 1   |  |  |  | GRAY      |
| 12       | 90267-48949  | RIVET, BLIND             | 9   |  |  |  |           |
| 13       | F2N-U3581-00 | MAT, UPPER               | 1   |  |  |  | DARK GREY |
| 14       | F2N-U351H-00 | MAT, STEP 1              | 1   |  |  |  | DARK GREY |
| 15       | F2N-U351J-00 | MAT, STEP 2              | 1   |  |  |  | DARK GREY |
| 16       | F2N-U351K-00 | MAT, STEP 3              | 4   |  |  |  | DARK GREY |
| 17       | F2N-U351M-00 | MAT, STEP 4              | 1   |  |  |  | DARK GREY |
| 18       | F2N-U351N-00 | MAT, STEP 5              | 1   |  |  |  | DARK GREY |

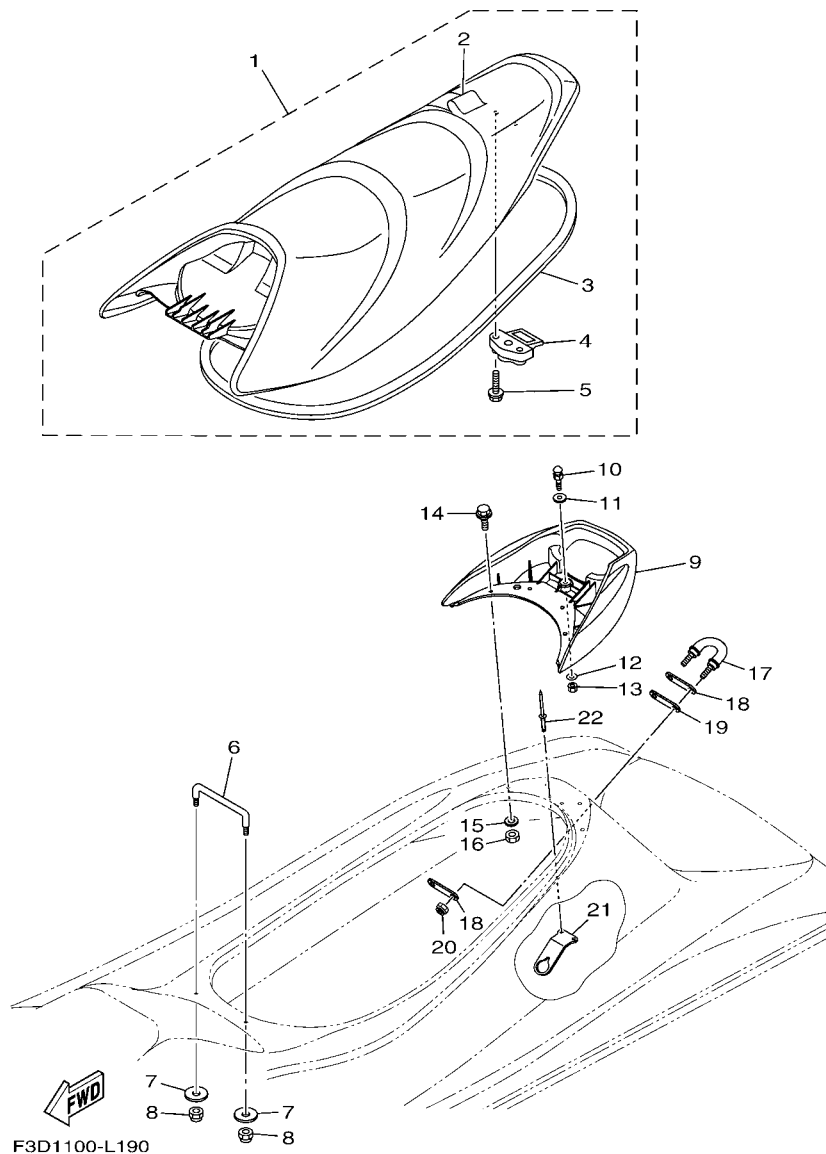


  
 F3D1100-L180

**FIG. 18 VENTILATION**

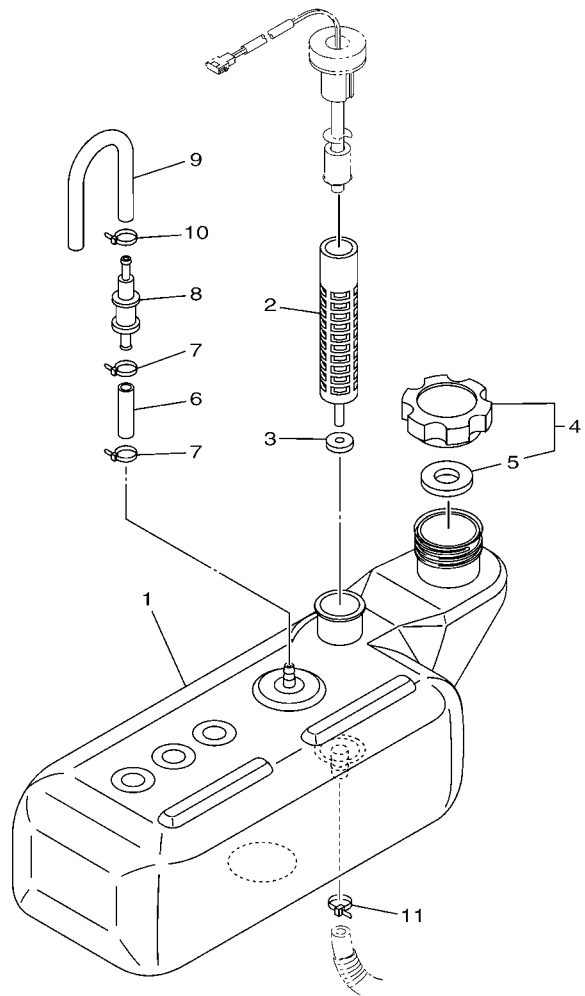
| REF. NO. | PART NO.     | DESCRIPTION        | QTY |  |  |  | REMARKS |
|----------|--------------|--------------------|-----|--|--|--|---------|
| 1        | F1K-U2127-00 | BASE, AIR INTAKE   | 2   |  |  |  |         |
| 2        | F3D-6213G-00 | HOSE, VENTILATOR 2 | 2   |  |  |  |         |
| 3        | F3D-62111-00 | PLATE, AIR INTAKE  | 2   |  |  |  |         |
| 4        | F2N-U2187-00 | BOX, INDUCTION 1   | 1   |  |  |  |         |
| 5        | F2N-U2188-00 | BOX, INDUCTION 2   | 1   |  |  |  |         |
| 6        | 90267-48930  | RIVET, SEALD       | 6   |  |  |  |         |
|          |              |                    |     |  |  |  |         |
|          |              |                    |     |  |  |  |         |
|          |              |                    |     |  |  |  |         |
|          |              |                    |     |  |  |  |         |
|          |              |                    |     |  |  |  |         |
|          |              |                    |     |  |  |  |         |

**FIG. 19 SEAT & UNDER LOCKER**



| REF. NO. | PART NO.     | DESCRIPTION        | QTY |  |  |  | REMARKS |
|----------|--------------|--------------------|-----|--|--|--|---------|
| 1        | F2N-U371A-04 | DOUBLE SEAT ASSY   | 1   |  |  |  |         |
| 2        | F2N-U371B-00 | .COVER, SEAT 1     | 1   |  |  |  |         |
| 3        | F2N-U2664-00 | .PACKING           | 1   |  |  |  |         |
| 4        | F2C-U3850-00 | .SEAT LOCK ASSY    | 1   |  |  |  |         |
| 5        | 90119-069UP  | .BOLT, WITH WASHER | 2   |  |  |  |         |
| 6        | F0X-6378C-00 | STAY, SEAT 1       | 1   |  |  |  |         |
| 7        | 90201-08929  | WASHER, PLATE      | 2   |  |  |  |         |
| 8        | 95720-08300  | NUT, SELF-LOCKING  | 2   |  |  |  |         |
| 9        | F2N-U271B-01 | GRIP, HAND         | 1   |  |  |  |         |
| 10       | A00-63774-00 | PIN                | 1   |  |  |  |         |
| 11       | 90201-10017  | WASHER, PLATE      | 1   |  |  |  |         |
| 12       | 92990-10200  | WASHER, PLAIN      | 1   |  |  |  |         |
| 13       | 95720-10300  | NUT                | 1   |  |  |  |         |
| 14       | 90119-089U2  | BOLT, WITH WASHER  | 4   |  |  |  |         |
| 15       | 92990-08200  | WASHER, PLAIN      | 4   |  |  |  |         |
| 16       | 95720-08300  | NUT, SELF-LOCKING  | 4   |  |  |  |         |
| 17       | F2N-U1628-02 | STERN EYE          | 1   |  |  |  |         |
| 18       | F3D-64953-00 | PLATE A            | 2   |  |  |  |         |
| 19       | F3D-61653-00 | PACKING            | 1   |  |  |  |         |
| 20       | 95720-08300  | NUT, SELF-LOCKING  | 2   |  |  |  |         |
| 21       | F3D-65938-00 | STAY 1             | 1   |  |  |  |         |
| 22       | 90267-48020  | RIVET, BLIND       | 2   |  |  |  |         |

FIG. 20 OIL TANK



| REF. NO. | PART NO.     | DESCRIPTION            | QTY |  |  |  | REMARKS |
|----------|--------------|------------------------|-----|--|--|--|---------|
| 1        | F3D-6775B-00 | TANK, OIL              | 1   |  |  |  |         |
| 2        | 6J8-13411-00 | STRAINER, OIL          | 1   |  |  |  |         |
| 3        | 6J8-13414-00 | GASKET, STRAINER COVER | 1   |  |  |  |         |
| 4        | GE2-6784A-00 | OIL TANK CAP ASSY.     | 1   |  |  |  |         |
| 5        | FJ0-67841-01 | .PACKING, OIL CAP      | 1   |  |  |  |         |
| 6        | 90699-50004  | HOSE (L40)             | 1   |  |  |  |         |
| 7        | 90465-11M10  | CLAMP                  | 2   |  |  |  |         |
| 8        | FJ0-67766-00 | ROLL OVER VALVE        | 1   |  |  |  |         |
| 9        | FJ0-62158-00 | HOSE                   | 1   |  |  |  |         |
| 10       | 90465-11M10  | CLAMP                  | 1   |  |  |  |         |
| 11       | 90465-11M10  | CLAMP                  | 1   |  |  |  |         |
|          |              |                        |     |  |  |  |         |
|          |              |                        |     |  |  |  |         |
|          |              |                        |     |  |  |  |         |
|          |              |                        |     |  |  |  |         |
|          |              |                        |     |  |  |  |         |
|          |              |                        |     |  |  |  |         |

← FWD  
F3D1100-L200

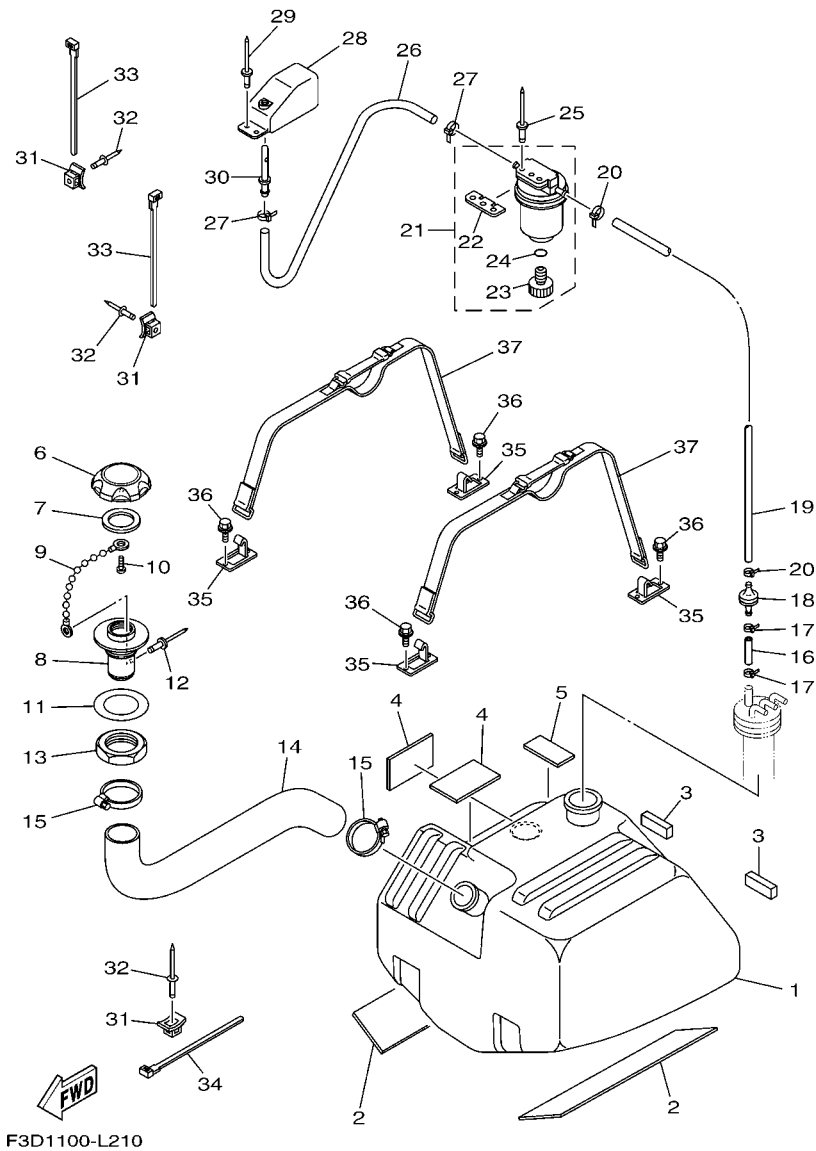
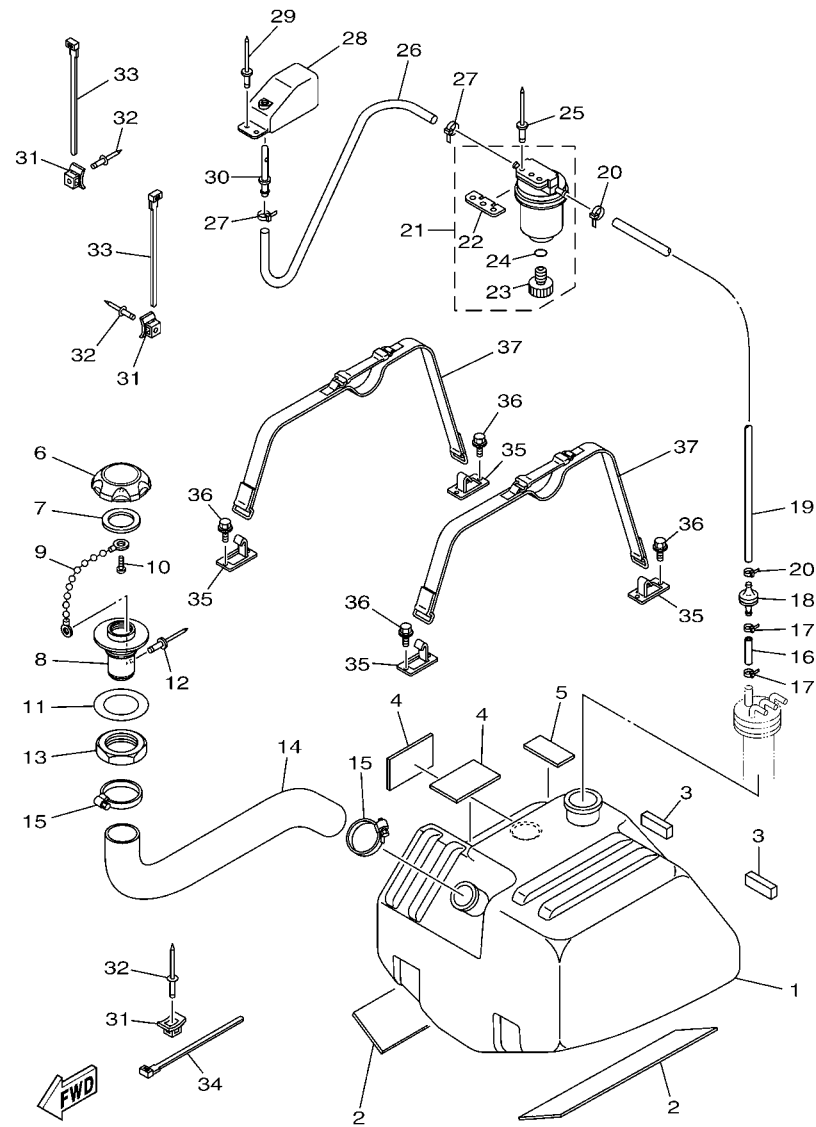


FIG. 21 FUEL TANK

| REF. NO. | PART NO.     | DESCRIPTION         | QTY |  | REMARKS |
|----------|--------------|---------------------|-----|--|---------|
| 1        | F3D-67711-00 | TANK, FUEL          | 1   |  |         |
| 2        | F3D-6759B-00 | MAT 1               | 2   |  |         |
| 3        | F3D-6759C-00 | MAT 2               | 2   |  |         |
| 4        | GJ1-6759B-00 | MAT 1               | 2   |  |         |
| 5        | GJ1-6759C-00 | MAT 2               | 1   |  |         |
| 6        | F2N-U7831-10 | CAP, FUEL FILLER    | 1   |  | BLACK   |
| 7        | GP7-U7832-01 | PACKING             | 1   |  |         |
| 8        | GP7-U7833-11 | SOCKET              | 1   |  | BLACK   |
| 9        | GP7-U7835-00 | CHAIN BALL          | 1   |  |         |
| 10       | 90169-049U1  | TAPPING SCREW       | 1   |  |         |
| 11       | GP7-U7834-00 | PACKING FUEL FILLER | 1   |  |         |
| 12       | 90267-329UR  | RIVET, BLIND        | 1   |  |         |
| 13       | GP7-U783F-00 | NUT, FUEL FILLER    | 1   |  |         |
| 14       | F3D-67844-00 | HOSE                | 1   |  |         |
| 15       | 90601-15350  | CLAMP, HOSE 53      | 2   |  |         |
| 16       | 90699-50004  | HOSE (L40)          | 1   |  |         |
| 17       | 90465-11M10  | CLAMP               | 2   |  |         |
| 18       | EU0-67767-31 | CHECK VALVE         | 1   |  |         |
| 19       | 90699-50020  | HOSE (L200)         | 1   |  |         |
| 20       | 90465-11M10  | CLAMP               | 2   |  |         |
| 21       | F2F-6214A-00 | FILTER, VENT ASSY   | 1   |  |         |
| 22       | EW2-62142-00 | .PLATE, FILTER      | 1   |  |         |
| 23       | 70R-24543-00 | .PLUG, DRAIN        | 1   |  |         |
| 24       | 70R-24489-00 | .O-RING             | 1   |  |         |
| 25       | 90267-48020  | RIVET, BLIND        | 2   |  |         |
| 26       | 90699-50130  | HOSE (L1300)        | 1   |  |         |
| 27       | 90465-11M10  | CLAMP               | 2   |  |         |



F3D1100-L210

FIG. 21 FUEL TANK

| REF. NO. | PART NO.     | DESCRIPTION         | QTY |  |  |  | REMARKS |
|----------|--------------|---------------------|-----|--|--|--|---------|
| 28       | GP7-62159-02 | SOCKET, VENTILATION | 1   |  |  |  |         |
| 29       | 90267-48930  | RIVET, SEALD        | 2   |  |  |  |         |
| 30       | F1G-62149-00 | PIPE, VENTILATION   | 1   |  |  |  |         |
| 31       | F1W-U828M-00 | BASE, CLAMP         | 3   |  |  |  |         |
| 32       | 90267-48930  | RIVET, SEALD        | 3   |  |  |  |         |
| 33       | 90601-20006  | BAND                | 2   |  |  |  |         |
| 34       | 90601-20006  | BAND                | 1   |  |  |  |         |
| 35       | F3D-65772-00 | HOOK A              | 4   |  |  |  |         |
| 36       | 90119-069UH  | BOLT, WITH WASHER   | 8   |  |  |  |         |
| 37       | F1K-67743-00 | BELT, TANK 1        | 2   |  |  |  |         |

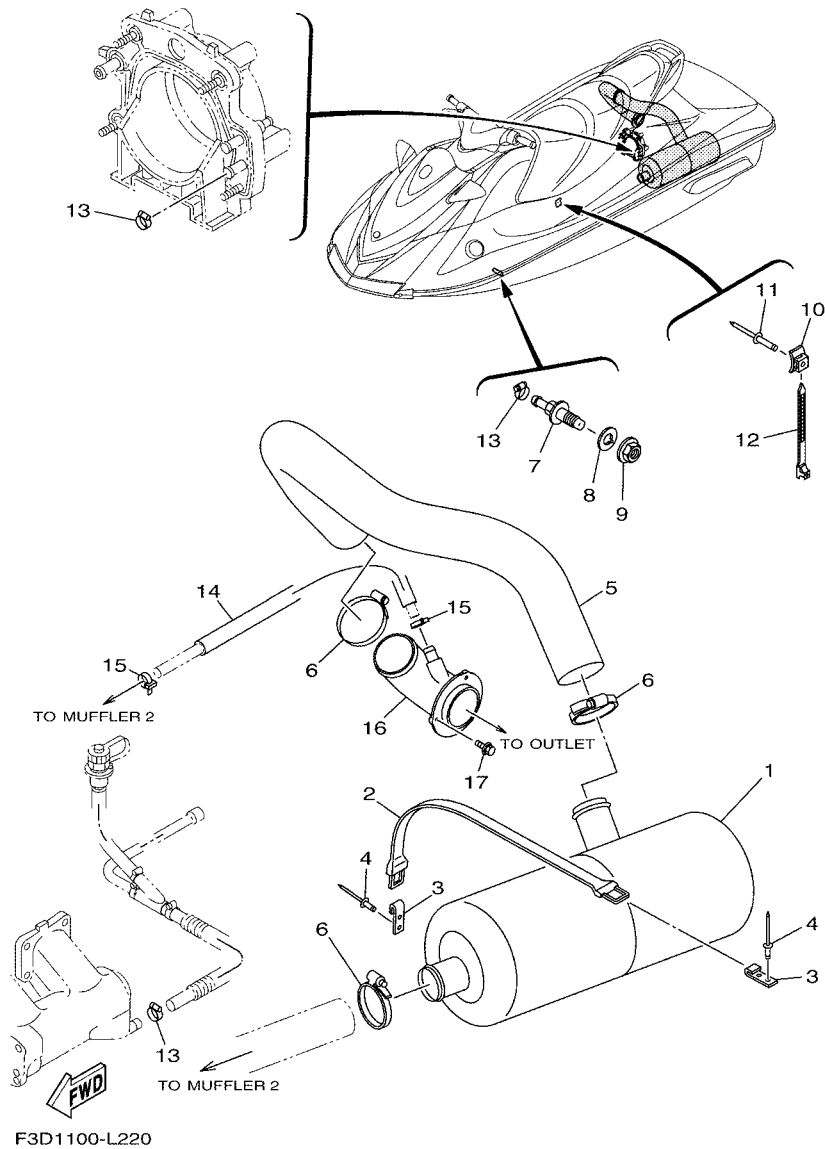
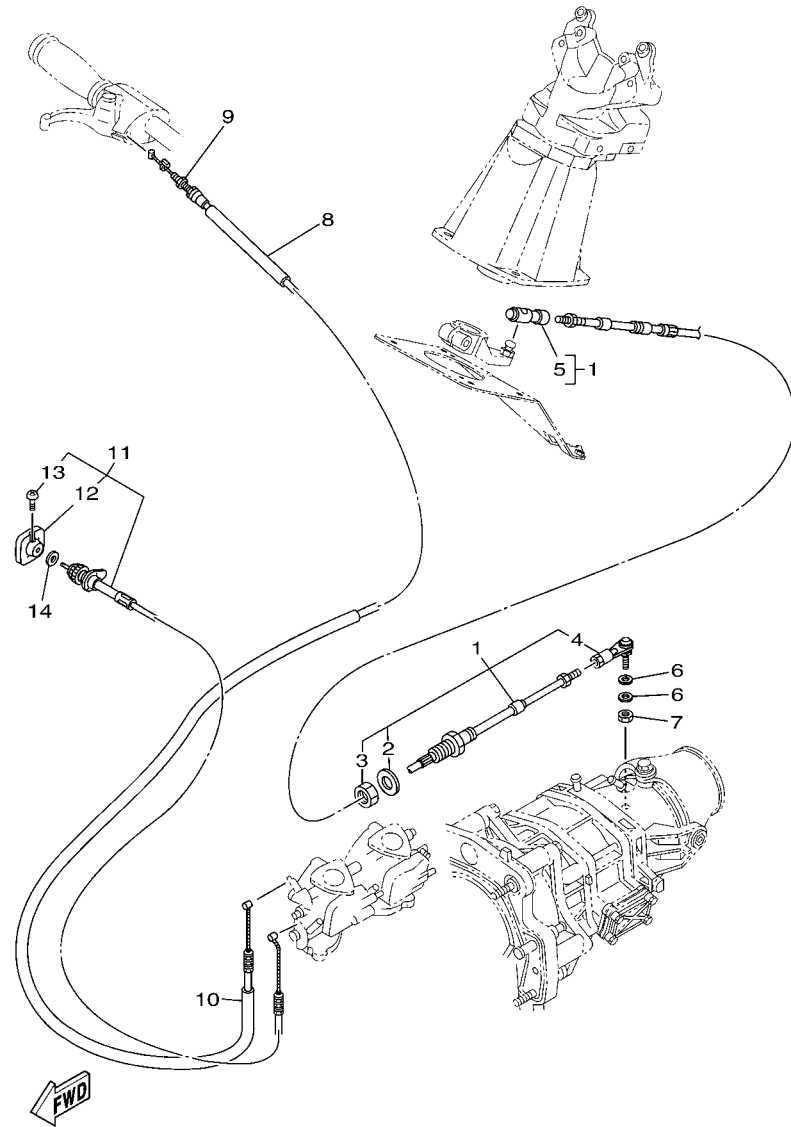


FIG. 22 EXHAUST 2

| REF. NO. | PART NO.     | DESCRIPTION              | QTY |  |  |  | REMARKS |
|----------|--------------|--------------------------|-----|--|--|--|---------|
| 1        | F3D-67550-00 | WATER LOCK COMP.         | 1   |  |  |  |         |
| 2        | EU0-68218-04 | BAND, BATTERY            | 1   |  |  |  |         |
| 3        | GA7-65772-00 | HOOK A                   | 2   |  |  |  |         |
| 4        | 90267-48020  | RIVET, BLIND             | 4   |  |  |  |         |
| 5        | F3D-67555-00 | HOSE, EXHAUST            | 1   |  |  |  |         |
| 6        | 90601-16030  | CLAMP, HOSE 60           | 3   |  |  |  |         |
| 7        | F1G-6753B-00 | PILOT, WATER             | 1   |  |  |  |         |
| 8        | F1B-67564-00 | GASKET                   | 1   |  |  |  |         |
| 9        | F0X-62733-00 | NUT                      | 1   |  |  |  |         |
| 10       | F1W-U828M-00 | BASE, CLAMP              | 1   |  |  |  |         |
| 11       | 90267-48930  | RIVET, SEALD             | 1   |  |  |  |         |
| 12       | 90601-20009  | BAND                     | 1   |  |  |  |         |
| 13       | 90450-14M05  | HOSE CLAMP ASSY          | 3   |  |  |  |         |
| 14       | 90669-67009  | CORRUGATE TUBE (L900)    | 1   |  |  |  |         |
| 15       | 90601-20005  | BAND                     | 2   |  |  |  |         |
| 16       | GJ3-U7560-01 | EXHAUST, THRU-HALL COMP. | 1   |  |  |  |         |
| 17       | 90119-059U4  | BOLT, WITH WASHER        | 3   |  |  |  |         |
|          |              |                          |     |  |  |  |         |
|          |              |                          |     |  |  |  |         |
|          |              |                          |     |  |  |  |         |
|          |              |                          |     |  |  |  |         |



F3D1100-L230

FIG. 23 CONTROL CABLE

| REF. NO. | PART NO.     | DESCRIPTION            | QTY |  |  |  | REMARKS |
|----------|--------------|------------------------|-----|--|--|--|---------|
| 1        | F2N-61481-00 | CABLE, STEERING        | 1   |  |  |  |         |
| 2        | F1B-61438-00 | .PACKING C             | 1   |  |  |  |         |
| 3        | F1B-6151S-00 | .NUT                   | 1   |  |  |  |         |
| 4        | F1B-61461-02 | .STUD, JOINT BALL      | 1   |  |  |  |         |
| 5        | F2N-61460-00 | .BALL JOINT ASSY       | 1   |  |  |  |         |
| 6        | 90201-06906  | WASHER, PLATE          | 2   |  |  |  |         |
| 7        | 95380-06700  | NUT                    | 1   |  |  |  |         |
| 8        | 90447-07018  | TUBE (L150)            | 1   |  |  |  |         |
| 9        | F3D-67252-00 | CABLE, THROTTLE        | 1   |  |  |  |         |
| 10       | 90669-62015  | CORRUGATE TUBE (L1500) | 1   |  |  |  |         |
| 11       | F3D-67242-00 | CABLE, CHOKE           | 1   |  |  |  |         |
| 12       | EW2-67243-00 | .KNOB                  | 1   |  |  |  |         |
| 13       | 90149-03930  | .SCREW                 | 1   |  |  |  |         |
| 14       | 90201-11008  | WASHER, PLATE          | 1   |  |  |  |         |
|          |              |                        |     |  |  |  |         |
|          |              |                        |     |  |  |  |         |
|          |              |                        |     |  |  |  |         |
|          |              |                        |     |  |  |  |         |



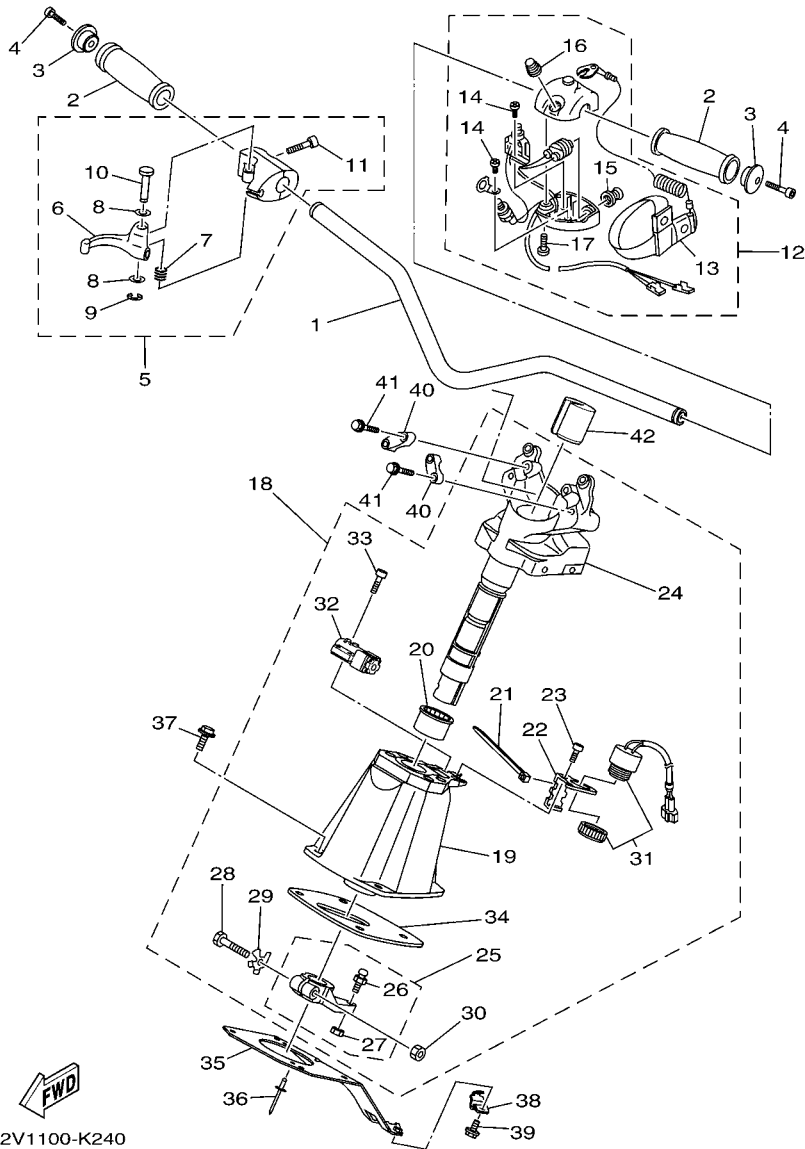
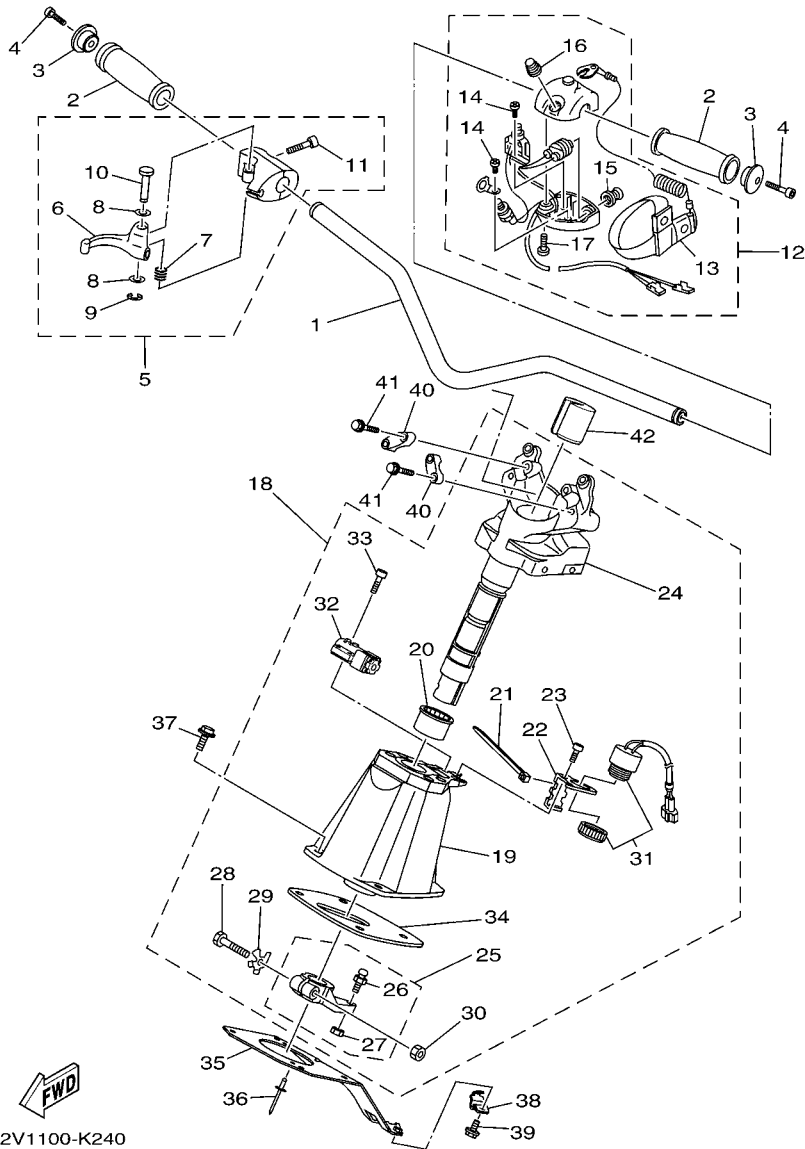


FIG. 24 STEERING 1

| REF. NO. | PART NO.     | DESCRIPTION               | QTY |  |  |  | REMARKS |
|----------|--------------|---------------------------|-----|--|--|--|---------|
| 1        | F3D-61552-00 | HANDLE                    | 1   |  |  |  |         |
| 2        | GP7-U155D-01 | GRIP, HANDLE              | 2   |  |  |  |         |
| 3        | GP7-U155F-00 | GRIP, END                 | 2   |  |  |  |         |
| 4        | 90110-05908  | BOLT, HEXAGON SOCKET HEAD | 2   |  |  |  |         |
| 5        | F0D-67250-10 | THROTTLE LEVER ASSY       | 1   |  |  |  |         |
| 6        | F0D-67255-02 | .LEVER, THROTTLE          | 1   |  |  |  |         |
| 7        | EW2-67256-00 | .SPRING                   | 1   |  |  |  |         |
| 8        | EW2-67258-01 | .WASHER                   | 2   |  |  |  |         |
| 9        | EW2-67259-01 | .E-RING                   | 1   |  |  |  |         |
| 10       | F0D-67257-00 | .SHAFT                    | 1   |  |  |  |         |
| 11       | F1X-6725F-01 | .BOLT, THROTTLE           | 2   |  |  |  |         |
| 12       | FK7-68310-07 | SWITCH BOX ASSY           | 1   |  |  |  |         |
| 13       | EW2-68348-00 | .LANYARD, STOP SWITCH     | 1   |  |  |  |         |
| 14       | 97880-03008  | .SCREW, PAN HEAD          | 2   |  |  |  |         |
| 15       | FK7-68312-02 | .STOP BUTTON COMP         | 1   |  |  |  |         |
| 16       | FK7-68313-02 | .START BUTTON COMP.       | 1   |  |  |  |         |
| 17       | 97880-05025  | .SCREW, PAN HEAD          | 2   |  |  |  |         |
| 18       | F1V-61400-00 | STEERING MASTER ASSY      | 1   |  |  |  |         |
| 19       | F1K-6152M-00 | .HOUSING ASSY             | 1   |  |  |  |         |
| 20       | F1K-6134M-00 | .BUSH                     | 1   |  |  |  |         |
| 21       | 703-82591-00 | .BAND                     | 2   |  |  |  |         |
| 22       | F1K-6146H-10 | .SPACER, BRKT.            | 1   |  |  |  |         |
| 23       | F1B-613C1-00 | .SCREW                    | 2   |  |  |  |         |
| 24       | F1K-6152D-00 | .SHAFT                    | 1   |  |  |  |         |
| 25       | F1K-6153R-00 | .ARM ASSY.                | 1   |  |  |  |         |
| 26       | EU0-61461-02 | ..STUD, JOINT BALL        | 1   |  |  |  |         |
| 27       | 95720-06300  | ..NUT, SELF-LOCKING       | 1   |  |  |  |         |

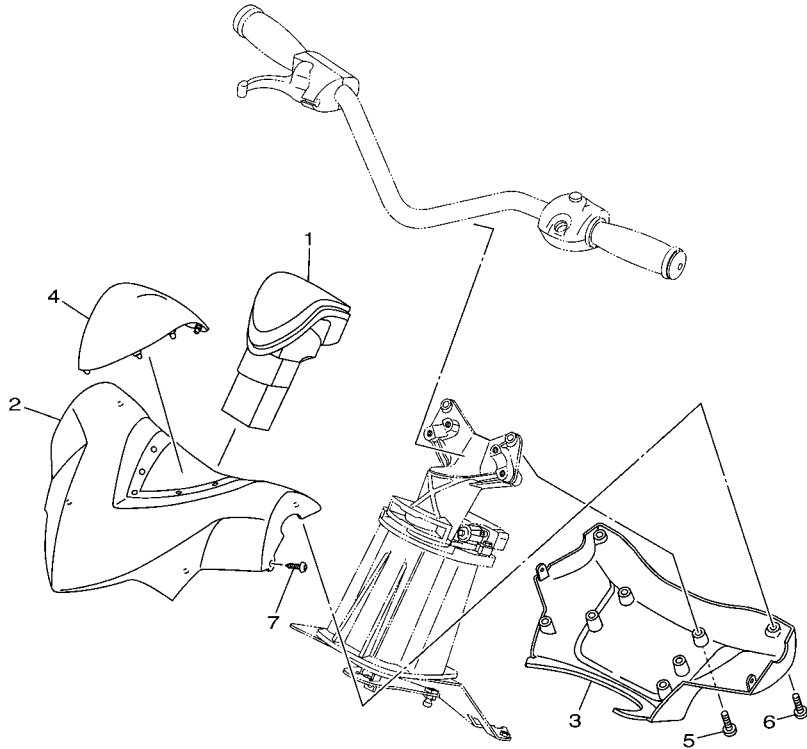


F2V1100-K240

FIG. 24 STEERING 1

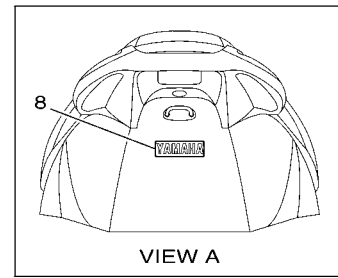
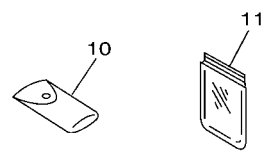
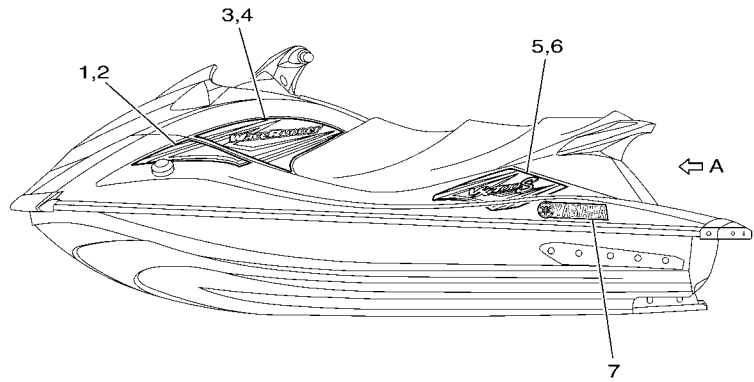
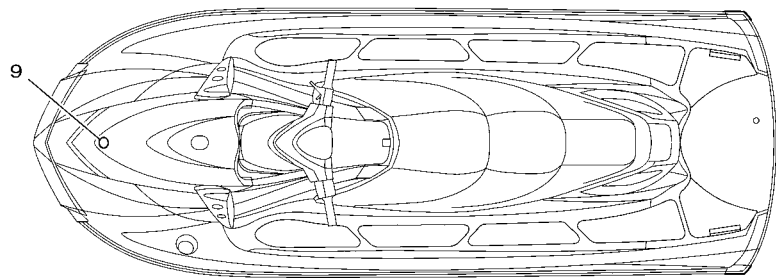
| REF. NO. | PART NO.     | DESCRIPTION            | QTY |  |  |  | REMARKS |
|----------|--------------|------------------------|-----|--|--|--|---------|
| 28       | F1K-61355-00 | .BOLT                  | 1   |  |  |  |         |
| 29       | F1K-6142B-00 | .PLATE, RETAINING      | 1   |  |  |  |         |
| 30       | 95720-08300  | .NUT, SELF-LOCKING     | 1   |  |  |  |         |
| 31       | F1S-68341-00 | .BUZZER                | 1   |  |  |  |         |
| 32       | F1V-82144-00 | .CASE ASSY.            | 1   |  |  |  |         |
| 33       | F1W-61516-00 | .BOLT                  | 4   |  |  |  |         |
| 34       | F1K-6143C-00 | .SEAL, RUBBER          | 1   |  |  |  |         |
| 35       | F3D-61467-00 | BRACKET, STOPPER CABLE | 1   |  |  |  |         |
| 36       | 90267-48940  | RIVET, BLIND           | 2   |  |  |  |         |
| 37       | 90119-08836  | BOLT, WITH WASHER      | 4   |  |  |  |         |
| 38       | F3D-61468-00 | STOPPER, CABLE         | 1   |  |  |  |         |
| 39       | 90119-069UH  | BOLT, WITH WASHER      | 1   |  |  |  |         |
| 40       | EU0-23814-31 | HOLDER, HANDLE UPPER   | 2   |  |  |  |         |
| 41       | 90119-08827  | BOLT, WITH WASHER      | 4   |  |  |  |         |
| 42       | F1K-U1949-00 | PLUG                   | 1   |  |  |  |         |

**FIG. 25 STEERING 2**



| REF. NO. | PART NO.     | DESCRIPTION     | QTY |  |  |  | REMARKS |
|----------|--------------|-----------------|-----|--|--|--|---------|
| 1        | F1K-U156E-01 | PAD 1           | 1   |  |  |  |         |
| 2        | F1K-U143D-01 | PAD, STEERING 1 | 1   |  |  |  |         |
| 3        | F1K-U143E-01 | PAD, STEERING 2 | 1   |  |  |  |         |
| 4        | F1K-U142D-00 | COVER, PAD      | 1   |  |  |  |         |
| 5        | 90154-06017  | SCREW, BINDING  | 4   |  |  |  |         |
| 6        | 90149-05903  | SCREW           | 4   |  |  |  |         |
| 7        | 90167-04003  | SCREW, TAPPING  | 2   |  |  |  |         |
|          |              |                 |     |  |  |  |         |
|          |              |                 |     |  |  |  |         |
|          |              |                 |     |  |  |  |         |
|          |              |                 |     |  |  |  |         |
|          |              |                 |     |  |  |  |         |
|          |              |                 |     |  |  |  |         |

  
F1K1100-D290

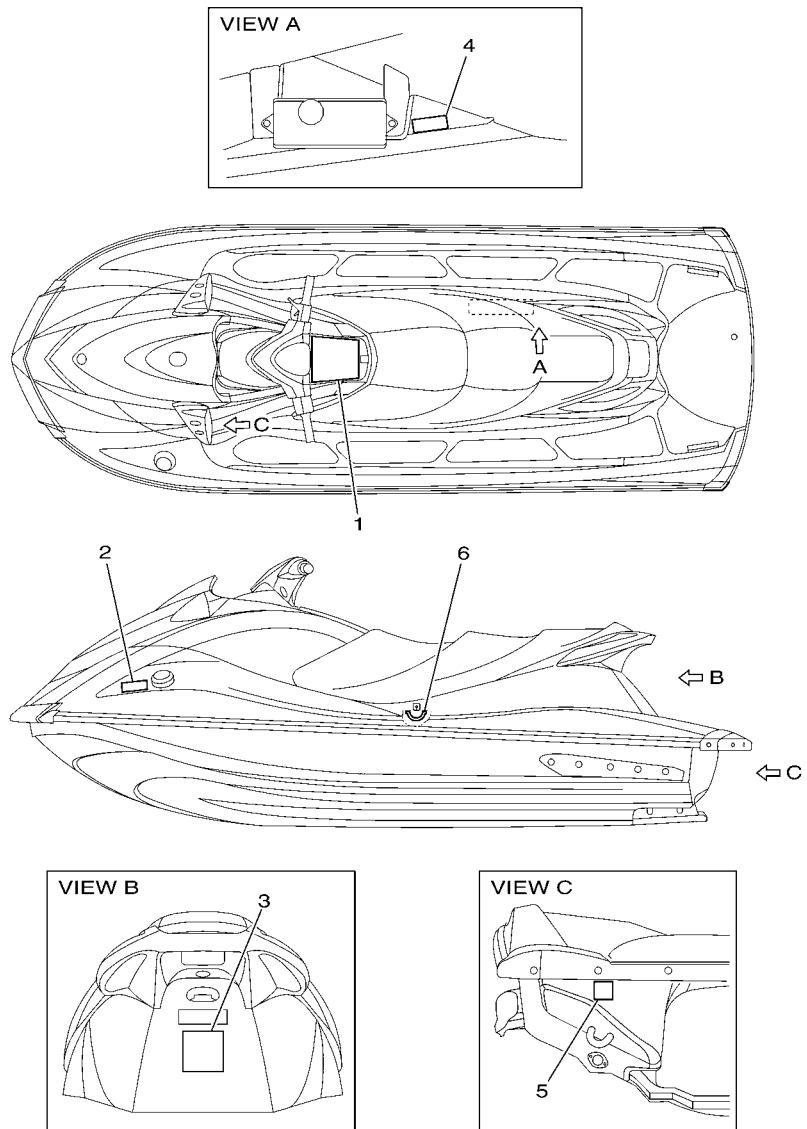


FWD  
F3D1100-L260

FIG. 26 GRAPHICS

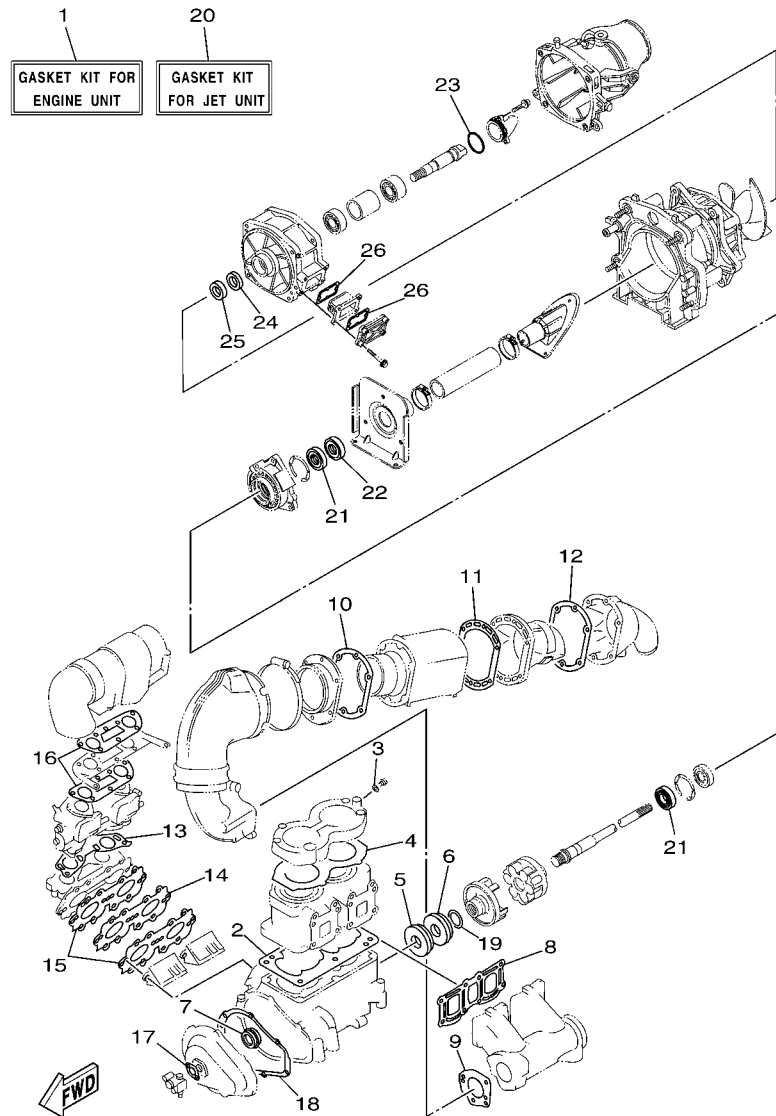
| REF. NO. | PART NO.     | DESCRIPTION         | QTY |  |  |  | REMARKS |
|----------|--------------|---------------------|-----|--|--|--|---------|
| 1        | F3D-6417B-00 | GRAPHIC 1 (LH)      | 1   |  |  |  |         |
| 2        | F3D-6417C-00 | GRAPHIC 2 (RH)      | 1   |  |  |  |         |
| 3        | F3D-6417D-00 | GRAPHIC 3 (LH)      | 1   |  |  |  |         |
| 4        | F3D-6417E-00 | GRAPHIC 4 (RH)      | 1   |  |  |  |         |
| 5        | F3D-6417F-00 | GRAPHIC 5 (LH)      | 1   |  |  |  |         |
| 6        | F3D-6417G-00 | GRAPHIC 6 (RH)      | 1   |  |  |  |         |
| 7        | F3D-6411C-00 | EMBLEM, YAMAHA      | 2   |  |  |  |         |
| 8        | F3D-64114-00 | MARK, YAMAHA A      | 1   |  |  |  |         |
| 9        | F1K-U411H-00 | EMBLEM, TUNING FORK | 1   |  |  |  |         |
| 10       | EU0-65986-00 | TOOL SET            | 1   |  |  |  |         |
| 11       | EU0-65901-01 | TOOL BAG            | 1   |  |  |  |         |
|          |              |                     |     |  |  |  |         |
|          |              |                     |     |  |  |  |         |
|          |              |                     |     |  |  |  |         |
|          |              |                     |     |  |  |  |         |
|          |              |                     |     |  |  |  |         |

**FIG. 27 IMPORTANT LABELS**



F3D1100-L270

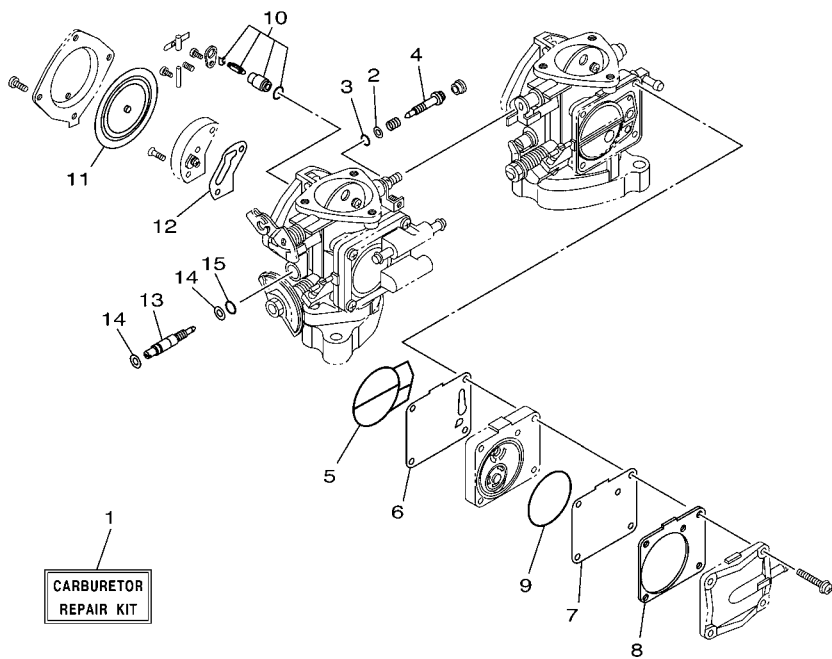
| REF. NO. | PART NO.     | DESCRIPTION              | QTY |  |  |  | REMARKS |
|----------|--------------|--------------------------|-----|--|--|--|---------|
| 1        | F3D-641B1-00 | LABEL, WARNING UNIFORM 1 | 1   |  |  |  |         |
| 2        | F3D-6415B-00 | LABEL, WARNING(FUEL)     | 1   |  |  |  |         |
| 3        | F3D-641E1-00 | LABEL, SET 1             | 1   |  |  |  |         |
| 4        | F1N-641DB-00 | LABEL, WARNING BATTERY   | 1   |  |  |  |         |
| 5        | GE2-6418F-00 | LABEL, RIGHTING          | 1   |  |  |  |         |
| 6        | FJ0-64183-70 | LABEL, CAUTION 6         | 1   |  |  |  |         |
|          |              |                          |     |  |  |  |         |
|          |              |                          |     |  |  |  |         |
|          |              |                          |     |  |  |  |         |
|          |              |                          |     |  |  |  |         |
|          |              |                          |     |  |  |  |         |
|          |              |                          |     |  |  |  |         |
|          |              |                          |     |  |  |  |         |



F3D1100-L280

FIG. 28 REPAIR KIT 1

| REF. NO. | PART NO.     | DESCRIPTION                  | QTY |  |  |  | REMARKS |
|----------|--------------|------------------------------|-----|--|--|--|---------|
| 1        | 62T-W0001-02 | GASKET KIT FOR ENGINE UNIT   | 1   |  |  |  |         |
| 2        | 6M6-11351-A2 | .GASKET, CYLINDER            | 1   |  |  |  |         |
| 3        | 90430-08020  | .GASKET                      | 1   |  |  |  |         |
| 4        | 62T-11181-01 | .GASKET, CYLINDER HEAD 1     | 1   |  |  |  |         |
| 5        | 93102-36M33  | .OIL SEAL                    | 1   |  |  |  |         |
| 6        | 93101-36M46  | .OIL SEAL                    | 1   |  |  |  |         |
| 7        | 93103-32M01  | .OIL SEAL                    | 1   |  |  |  |         |
| 8        | 62T-14613-01 | .GASKET, EXHAUST PIPE        | 1   |  |  |  |         |
| 9        | 62T-14749-02 | .GASKET, MUFFLER DAMPER 2    | 1   |  |  |  |         |
| 10       | 62T-41114-01 | .GASKET, EXHAUST OUTER COVER | 1   |  |  |  |         |
| 11       | 62T-41122-00 | .GASKET, EXHAUST INNER COVER | 1   |  |  |  |         |
| 12       | 62T-41124-00 | .GASKET, EXHAUST OUTER COVER | 1   |  |  |  |         |
| 13       | 62T-13556-00 | .GASKET, MANIFOLD            | 1   |  |  |  |         |
| 14       | 62T-13624-00 | .PLATE, REED VALVE           | 1   |  |  |  |         |
| 15       | 62T-13566-00 | .GASKET                      | 2   |  |  |  |         |
| 16       | 62T-13674-00 | .GASKET, AIR COOLER COVER 1  | 2   |  |  |  |         |
| 17       | 6R8-13116-A0 | .GASKET, PUMP CASE           | 1   |  |  |  |         |
| 18       | 6M6-81365-A0 | .GASKET, HOLE COVER          | 1   |  |  |  |         |
| 19       | 62T-45127-00 | .SEAL                        | 1   |  |  |  |         |
| 20       | 6BU-W0001-20 | GASKET KIT FOR JET UNIT      | 1   |  |  |  |         |
| 21       | 93101-25M55  | .OIL SEAL                    | 2   |  |  |  |         |
| 22       | 93102-25009  | .OIL SEAL                    | 1   |  |  |  |         |
| 23       | 93210-464A3  | .O-RING                      | 1   |  |  |  |         |
| 24       | 93101-21002  | .OIL SEAL                    | 1   |  |  |  |         |
| 25       | 93101-21001  | .OIL SEAL                    | 1   |  |  |  |         |
| 26       | 66V-42414-00 | .O-RING                      | 2   |  |  |  |         |



1  
CARBURETOR  
REPAIR KIT



GM6D100-9250

FIG. 29 REPAIR KIT 2

| REF. NO. | PART NO.     | DESCRIPTION           | QTY |  |  |  | REMARKS |
|----------|--------------|-----------------------|-----|--|--|--|---------|
| 1        | 67E-W0093-00 | CARBURETOR REPAIR KIT | 1   |  |  |  |         |
| 2        | 812-14235-00 | .WASHER, NEEDLE       | 4   |  |  |  |         |
| 3        | 812-14147-00 | .O-RING               | 2   |  |  |  |         |
| 4        | 6K8-14946-10 | .METERING NEEDLE      | 2   |  |  |  |         |
| 5        | 6K8-14564-00 | .O-RING               | 2   |  |  |  |         |
| 6        | 6K8-24411-20 | .DIAPHRAGM            | 1   |  |  |  |         |
| 7        | 6K8-24421-10 | .VALVE, CHECK         | 1   |  |  |  |         |
| 8        | 6K8-24431-20 | .GASKET, FUEL PUMP 1  | 1   |  |  |  |         |
| 9        | 6K8-14563-00 | .O-RING               | 1   |  |  |  |         |
| 10       | 61X-14916-16 | .JET NEEDLE COMP.     | 2   |  |  |  |         |
| 11       | 6R7-14541-00 | .DIAPHRAGM, PUMP      | 2   |  |  |  |         |
| 12       | 6K8-14536-11 | .GASKET               | 2   |  |  |  |         |
| 13       | 65U-14923-10 | .SCREW, PILOT         | 2   |  |  |  |         |
| 14       | 822-14235-00 | .WASHER, NEEDLE       | 4   |  |  |  |         |
| 15       | 583-14561-00 | .O-RING               | 2   |  |  |  |         |
|          |              |                       |     |  |  |  |         |
|          |              |                       |     |  |  |  |         |
|          |              |                       |     |  |  |  |         |
|          |              |                       |     |  |  |  |         |

NUMERICAL INDEX

| PART NO.        | REF. NO. | PART NO.        | REF. NO. | PART NO.        | REF. NO. | PART NO.        | REF. NO. | PART NO.     | REF. NO. | PART NO.        | REF. NO. |
|-----------------|----------|-----------------|----------|-----------------|----------|-----------------|----------|--------------|----------|-----------------|----------|
| 62T-11111-00-8S | 1 - 8    | 3G2-14231-24    | 4 - 12   | 62T-14712-00-94 | 6 - 5    | 62T-41122-00    | 28 - 11  | F1K-6153R-00 | 24 - 25  | GA7-65772-00    | 15 - 28  |
| 62T-11181-01    | 1 - 12   | 3G2-14231-26    | 4 - 11   | 62T-14721-00-8S | 6 - 23   | 62T-41123-01-8S | 6 - 39   | F3D-61552-00 | 24 - 1   |                 | 22 - 3   |
|                 | 28 - 4   | 812-14235-00    | 4 - 4    | 62T-14749-02    | 6 - 7    | 62T-41124-00    | 6 - 40   | F1K-61624-00 | 16 - 17  | EU0-65901-01    | 26 - 11  |
| 62T-11311-00-8S | 1 - 1    |                 | 29 - 2   |                 | 28 - 9   |                 | 28 - 12  | F0X-61637-00 | 16 - 20  | F3D-65938-00    | 19 - 21  |
| 6E5-11325-00    | 1 - 2    | 822-14235-00    | 4 - 41   | 6AE-14752-00    | 6 - 47   | 66V-42414-00    | 8 - 10   | EU0-61652-00 | 6 - 58   | EU0-65986-00    | 26 - 10  |
| 6M6-11351-A2    | 1 - 5    |                 | 29 - 14  | 62T-14771-00-94 | 6 - 44   |                 | 28 - 26  |              | 16 - 4   | F3D-67227-00    | 14 - 4   |
|                 | 28 - 2   | 830-1423A-64    | 4 - 25   | 61X-14916-16    | 4 - 32   | 62E-44517-A1-8P | 1 - 27   | F0X-61652-00 | 16 - 21  | F3D-67228-00    | 14 - 6   |
| 6E5-11372-01    | 3 - 23   | 62T-14251-10    | 1 - 16   |                 | 29 - 10  | 6CP-44532-00    | 1 - 19   | F3D-61653-00 | 16 - 15  | F3D-67242-00    | 23 - 11  |
| 62T-11400-02    | 2 - 1    | 6R7-14253-00    | 4 - 34   | 65U-14923-10    | 4 - 39   | 663-45119-00    | 9 - 4    |              | 19 - 19  | EW2-67243-00    | 23 - 12  |
| 6M6-11412-00    | 2 - 2    | 62T-14255-00    | 3 - 28   |                 | 29 - 13  | 62T-45127-00    | 2 - 25   |              | 18 - 3   | F0D-67250-10    | 24 - 5   |
| 6M6-11422-00    | 2 - 3    | 62T-14283-01    | 3 - 34   | 3KW-14932-00    | 4 - 9    |                 | 28 - 19  | F3D-62111-00 | 18 - 2   | F3D-67252-00    | 23 - 9   |
| 6M6-11431-10    | 2 - 4    | 62T-14284-01-8S | 3 - 22   | 6K8-14946-10    | 4 - 7    | 66V-45214-00-94 | 8 - 11   | EW2-62142-00 | 21 - 22  | F0D-67255-02    | 24 - 6   |
| 6M6-11442-01    | 2 - 5    | 62T-14293-00    | 4 - 20   |                 | 29 - 4   | 61X-45332-03-94 | 9 - 2    | F1G-62149-00 | 21 - 30  | EW2-67256-00    | 24 - 7   |
| 65U-11515-00    | 2 - 10   | 62T-14301-03    | 4 - 1    | 62T-15100-00-8S | 1 - 15   | 6BU-45511-00    | 9 - 6    | F2F-6214A-00 | 21 - 21  | F0D-67257-00    | 24 - 10  |
| 61X-11603-01    | 2 - 19   | 62T-14302-03    | 4 - 2    | 63N-15761-00    | 6 - 41   | 6D3-45514-00    | 8 - 17   | FJ0-62158-00 | 20 - 9   | EW2-67258-01    | 24 - 8   |
| 61X-11604-01    | 2 - 19   | 62T-14419-00    | 3 - 35   | 6R7-21415-01-94 | 1 - 21   | 62T-45526-00    | 2 - 13   | GP7-62159-02 | 21 - 28  | EW2-67259-01    | 24 - 9   |
| 61X-11605-01    | 2 - 19   | 62T-14435-00    | 3 - 37   | 6R7-21425-01-94 | 1 - 22   | 65V-45538-00    | 8 - 15   | GJ3-6215F-00 | 13 - 12  | F1X-6725F-01    | 24 - 11  |
| 62T-11631-02-92 | 2 - 18   | 62T-14451-00    | 3 - 33   | EU0-23814-31    | 24 - 40  | 6M6-45813-22-8P | 9 - 12   | F3D-62512-00 | 17 - 6   | EU0-67324-00    | 1 - 30   |
| 62T-11633-00    | 2 - 20   | 6K8-14471-10    | 4 - 8    | 6CP-24312-00    | 7 - 4    | 6M6-45813-32-8P | 2 - 24   | F3D-62519-00 | 17 - 7   | EU0-67354-00-01 | 1 - 31   |
| 62T-11635-02    | 2 - 18   | 6H1-14485-00    | 3 - 24   | 6DU-24313-00    | 7 - 1    | 61X-4581J-00    | 9 - 1    | F3D-62663-00 | 15 - 4   | EU0-67354-00-03 | 1 - 31   |
| 62T-11636-02    | 2 - 18   | 62T-14485-10    | 6 - 24   | 6DU-24313-01    | 3 - 1    | 6DU-45831-00    | 8 - 1    | F3D-6266B-00 | 15 - 5   | EU0-67354-00-05 | 1 - 31   |
| 64X-11651-01    | 2 - 7    | 6M6-14503-00    | 4 - 10   | 62T-24314-01    | 3 - 20   | 66V-46882-00    | 8 - 9    | F3D-62698-00 | 14 - 3   | EU0-67354-00-10 | 1 - 31   |
| 82M-11685-00    | 2 - 8    | 6K8-14503-02    | 4 - 23   | 6DU-24315-00    | 7 - 12   | 6K8-51129-00    | 1 - 9    |              | 14 - 5   | EU0-67354-00-20 | 1 - 31   |
| 6AE-12564-00    | 6 - 55   | 6K8-14521-00    | 4 - 43   | 6DU-24316-00    | 7 - 14   |                 | 6 - 2    | FN8-6269B-00 | 16 - 3   | F1G-6753B-00    | 22 - 7   |
| 64T-12580-00    | 6 - 56   | 6M6-14521-00    | 4 - 5    | 6G8-24376-00    | 7 - 17   |                 | 6 - 6    | F0X-62733-00 | 22 - 9   | F3D-67550-00    | 22 - 1   |
| 64X-12581-00    | 6 - 52   | 6K8-14521-10    | 4 - 24   | 6R3-24377-00    | 6 - 33   | 61X-51162-00    | 16 - 1   | GU2-62875-01 | 14 - 18  | F3D-67555-00    | 22 - 5   |
| 67X-12590-30    | 6 - 59   | 6K8-14523-11    | 4 - 30   | 63N-24378-00    | 6 - 14   | 66V-51312-01-94 | 8 - 4    | A00-63774-00 | 19 - 10  | F1B-67564-00    | 22 - 8   |
| 6R8-13116-A0    | 5 - 5    | 62T-14527-02    | 3 - 17   | 6K8-24411-20    | 4 - 14   | 66V-51315-01-94 | 8 - 8    | F0X-6378C-00 | 19 - 6   | F3D-6759B-00    | 21 - 2   |
|                 | 28 - 17  | 6K8-14527-11    | 4 - 27   |                 | 29 - 6   | 62T-51326-10    | 8 - 20   | F3D-64114-00 | 26 - 8   | GJ1-6759B-00    | 21 - 4   |
| 67X-13183-00    | 5 - 9    | 6K8-14536-11    | 4 - 37   | 6R7-24412-01    | 4 - 29   | 6DU-51381-00    | 9 - 20   | F3D-6411C-00 | 26 - 7   | F3D-6759C-00    | 21 - 3   |
|                 | 5 - 14   |                 | 29 - 12  | 6M6-24413-01    | 4 - 15   | F1K-6134M-00    | 24 - 20  | F3D-6415B-00 | 27 - 2   | GJ1-6759C-00    | 21 - 5   |
| 61X-13200-12    | 5 - 1    | 6R7-14541-00    | 4 - 35   | 65U-24421-00    | 4 - 16   | F1K-61355-00    | 24 - 28  | F3D-6417B-00 | 26 - 1   | EW2-67618-00    | 16 - 8   |
| 6J8-13411-00    | 20 - 2   |                 | 29 - 11  | 6K8-24421-10    | 4 - 18   | F1B-613C1-00    | 24 - 23  | F3D-6417C-00 | 26 - 2   | GD0-6761D-00    | 16 - 7   |
| 6J8-13414-00    | 20 - 3   | 6R7-14542-00    | 4 - 36   |                 | 29 - 7   | F1V-61400-00    | 24 - 18  | F3D-6417D-00 | 26 - 3   | F3D-67711-00    | 21 - 1   |
| 62T-13555-00-94 | 3 - 6    | 6K8-14547-01    | 4 - 33   | 6K8-24431-20    | 4 - 19   | F1K-6142B-00    | 24 - 29  | F3D-6417E-00 | 26 - 4   | F1K-67743-00    | 21 - 37  |
| 62T-13556-00    | 3 - 5    | 583-14561-00    | 4 - 42   |                 | 29 - 8   | F1B-61438-00    | 23 - 2   | F3D-6417F-00 | 26 - 5   | F3D-6775B-00    | 20 - 1   |
|                 | 28 - 13  |                 | 29 - 15  | 6K8-24452-10    | 4 - 20   | F1K-6143C-00    | 24 - 34  | F3D-6417G-00 | 26 - 6   | FJ0-67766-00    | 20 - 8   |
| 62T-13566-00    | 3 - 8    | 6K8-14563-00    | 4 - 22   | 70R-24489-00    | 21 - 24  | F2N-61460-00    | 23 - 5   | FJ0-64183-70 | 27 - 6   | EU0-67767-31    | 21 - 18  |
|                 | 28 - 15  |                 | 29 - 9   | 65U-24492-00    | 4 - 17   | EU0-61461-02    | 24 - 26  | GE2-6418F-00 | 27 - 5   | EU0-67816-30    | 7 - 24   |
| 62T-13610-00    | 3 - 13   | 6K8-14564-00    | 4 - 13   | 6DU-24500-00    | 7 - 8    | F1B-61461-02    | 23 - 4   | F3D-641B1-00 | 27 - 1   | EU0-67817-00    | 7 - 26   |
| 62T-13624-00    | 3 - 7    |                 | 29 - 5   | 6R7-24524-00    | 7 - 9    | F3D-61467-00    | 24 - 35  | F1N-641DB-00 | 27 - 4   | F2N-67823-00    | 15 - 18  |
|                 | 28 - 14  | 6R7-14569-00    | 4 - 31   | 70R-24543-00    | 21 - 23  | F3D-61468-00    | 24 - 38  | F3D-641E1-00 | 27 - 3   | F2N-67823-10    | 14 - 13  |
| 62T-13674-00    | 3 - 27   | 6K8-14589-00    | 4 - 40   | 66V-24560-01    | 7 - 7    | F1K-6146H-10    | 24 - 22  | F3D-64953-00 | 16 - 14  | FJ0-67841-01    | 20 - 5   |
|                 | 28 - 16  | 62T-14613-01    | 6 - 3    | 62T-41113-00-8S | 6 - 26   | F2N-61481-00    | 23 - 1   |              | 19 - 18  | F3D-67844-00    | 21 - 14  |
| 47X-14133-00    | 4 - 3    |                 | 28 - 8   | 62T-41114-01    | 6 - 27   | F1W-61516-00    | 24 - 33  | F1K-6517C-00 | 15 - 6   | GE2-6784A-00    | 20 - 4   |
| 812-14147-00    | 4 - 6    | 62T-14615-01    | 6 - 32   |                 | 28 - 10  | F1B-6151S-00    | 23 - 3   | F0X-6517R-01 | 14 - 17  | F3D-68169-00    | 16 - 27  |
|                 | 29 - 3   | 62T-14625-00    | 6 - 30   | 62T-41121-00-8S | 6 - 37   | F1K-6152D-00    | 24 - 24  | F3D-6519D-00 | 14 - 19  | F1V-6820A-01    | 13 - 14  |
| 439-14186-00    | 4 - 28   | 62T-14711-10-94 | 6 - 1    | 62T-41122-00    | 6 - 38   | F1K-6152M-00    | 24 - 19  | F3D-65772-00 | 21 - 35  | EW2-68211-00    | 13 - 5   |



NUMERICAL INDEX

| PART NO.        | REF. NO. | PART NO.        | REF. NO. | PART NO.        | REF. NO. | PART NO.    | REF. NO. | PART NO.    | REF. NO. | PART NO.    | REF. NO. |
|-----------------|----------|-----------------|----------|-----------------|----------|-------------|----------|-------------|----------|-------------|----------|
| EU0-68217-A1    | 13 - 4   | 62T-82560-11    | 12 - 37  | F2N-U351M-00    | 17 - 17  | 90105-06826 | 15 - 15  | 90149-05903 | 15 - 3   | 90445-14M14 | 6 - 50   |
| GA7-68218-00    | 15 - 31  | 703-82591-00    | 24 - 21  | F2N-U351N-00    | 17 - 18  | 90105-08860 | 16 - 26  |             | 25 - 6   | 90445-14M24 | 6 - 12   |
| EU0-68218-04    | 13 - 9   | 6B6-83623-00    | 12 - 41  | F2N-U3581-00    | 17 - 13  | 90105-10M60 | 6 - 4    | 90150-05807 | 13 - 28  | 90445-14M25 | 6 - 18   |
|                 | 22 - 2   | 682-84385-01    | 6 - 57   | F2N-U371A-04    | 19 - 1   |             | 6 - 25   | 90154-06017 | 25 - 5   | 90445-16006 | 8 - 27   |
| EU0-68221-00    | 13 - 7   | 62T-85515-00    | 10 - 6   | F2N-U371B-00    | 19 - 2   | 90105-10M88 | 6 - 46   | 90167-04003 | 25 - 7   | 90445-20805 | 16 - 6   |
| EU0-68221-30    | 13 - 8   | 62T-85520-01    | 10 - 3   | F2C-U3850-00    | 19 - 4   | 90109-06M66 | 3 - 31   | 90169-049U1 | 21 - 10  | 90445-21009 | 6 - 49   |
| GU2-6822E-01    | 13 - 16  | 62L-8552A-00-8P | 12 - 2   | F1K-U411H-00    | 26 - 9   | 90109-08M56 | 1 - 20   | 90170-22187 | 7 - 21   | 90445-21010 | 6 - 15   |
| FK7-68310-07    | 24 - 12  | 6M6-8552E-01    | 12 - 3   | F1W-U471E-00    | 15 - 23  | 90109-10M47 | 10 - 13  | 90179-08M15 | 3 - 4    | 90446-07M18 | 5 - 10   |
| FK7-68312-02    | 24 - 15  | 62T-85533-00    | 10 - 4   | F1K-U471E-03    | 15 - 13  | 90110-05908 | 24 - 4   | 90183-06902 | 14 - 10  | 90446-07M48 | 5 - 15   |
| FK7-68313-02    | 24 - 16  | 62T-85540-01    | 12 - 11  | F2N-U471F-00    | 15 - 25  | 90110-06040 | 16 - 22  | 90201-06906 | 23 - 6   | 90446-17MA6 | 7 - 2    |
| F1S-68341-00    | 24 - 31  | 62T-85550-00    | 10 - 1   | F1W-U491K-00    | 17 - 2   | 90111-05008 | 13 - 15  | 90201-06M31 | 3 - 32   | 90446-17MF0 | 5 - 4    |
| EW2-68348-00    | 24 - 13  | 62T-85560-00    | 10 - 2   | F1K-U515A-00    | 15 - 8   | 90111-06803 | 17 - 3   | 90201-08929 | 19 - 7   | 90446-20M13 | 6 - 51   |
| F3D-68571-00    | 9 - 21   | 62E-85570-11    | 12 - 23  | F2N-U516N-00-P8 | 14 - 7   | 90116-08M60 | 3 - 3    | 90201-10017 | 19 - 11  | 90446-20M31 | 6 - 20   |
| F3D-6883B-00    | 9 - 26   | 6M6-85580-00    | 10 - 5   | F2N-U516P-00    | 14 - 8   | 90119-059U4 | 15 - 7   | 90201-10801 | 8 - 38   | 90446-20MF5 | 8 - 30   |
| F3D-6883E-00    | 9 - 23   | F0V-H369N-00    | 13 - 19  | F2N-U517B-10-P6 | 15 - 1   |             | 22 - 17  | 90201-11008 | 23 - 14  | 90447-07018 | 23 - 8   |
| 6M6-8132W-00    | 12 - 7   | 6BU-R1313-00    | 8 - 33   | F1K-U517D-05    | 15 - 10  | 90119-05M02 | 3 - 36   | 90201-20M04 | 2 - 22   | 90447-13006 | 7 - 5    |
| 6R8-81337-00-8S | 10 - 14  | 6BU-R1318-00    | 8 - 26   | F1X-U517E-01    | 15 - 20  | 90119-06880 | 14 - 11  | 90201-24M02 | 9 - 13   | 90447-15004 | 6 - 17   |
| 6M6-81365-A0    | 10 - 16  | 6D3-R1319-00    | 8 - 24   | F2N-U517F-00    | 15 - 19  |             | 15 - 21  | 90202-22922 | 7 - 22   | 90450-14M05 | 6 - 53   |
|                 | 28 - 18  | 6AE-R1321-00    | 8 - 25   | F2N-U517H-01    | 14 - 16  | 90119-06882 | 14 - 12  | 90267-329UR | 21 - 12  |             | 22 - 13  |
| 6M6-81800-10    | 11 - 1   | 6D3-R1333-01    | 8 - 36   | F1K-U517R-00    | 15 - 12  | 90119-06895 | 8 - 44   | 90267-48020 | 7 - 25   | 90450-18M09 | 6 - 54   |
| 3AJ-81809-00    | 11 - 2   | F1K-U135C-01    | 15 - 11  | F1K-U518E-04    | 15 - 9   | 90119-06920 | 13 - 6   |             | 15 - 29  | 90450-20078 | 8 - 28   |
| 6M6-81820-00    | 11 - 7   | F1K-U142D-00    | 25 - 4   | F2N-U596B-00    | 15 - 22  | 90119-069UH | 21 - 36  |             | 19 - 22  | 90450-70M03 | 6 - 48   |
| 6M6-81826-00    | 11 - 5   | F1K-U143D-01    | 25 - 2   | F2N-U596C-00    | 15 - 24  |             | 24 - 39  |             | 21 - 25  | 90450-99M01 | 6 - 35   |
| 6M6-81830-00    | 11 - 8   | F1K-U143E-01    | 25 - 3   | F1K-U5983-01    | 15 - 30  | 90119-069UP | 19 - 5   |             | 22 - 4   | 90450-99M02 | 6 - 36   |
| 6M6-8183E-01    | 11 - 15  | GP7-U155D-01    | 24 - 2   | F1S-U725E-01    | 8 - 37   | 90119-08161 | 8 - 34   | 90267-48930 | 13 - 2   | 90450-99M06 | 6 - 31   |
| 6M6-81840-10    | 11 - 3   | GP7-U155F-00    | 24 - 3   | GJ3-U7560-01    | 22 - 16  | 90119-08823 | 1 - 29   |             | 13 - 23  | 90464-06M29 | 12 - 12  |
| 11H-81844-00    | 11 - 4   | F1K-U156E-01    | 25 - 1   | F2N-U7831-10    | 21 - 6   |             | 8 - 41   |             | 18 - 6   | 90464-10M38 | 5 - 19   |
| 6M6-81844-00    | 12 - 6   | F2N-U1628-01    | 16 - 13  | GP7-U7832-01    | 21 - 7   | 90119-08827 | 24 - 41  |             | 21 - 29  | 90465-06M86 | 12 - 20  |
| 26H-81847-00    | 11 - 9   | F2N-U1628-02    | 19 - 17  | GP7-U7833-11    | 21 - 8   | 90119-08836 | 24 - 37  |             | 21 - 32  | 90465-08M69 | 5 - 18   |
| 6M6-81850-00    | 11 - 6   | F1K-U1949-00    | 24 - 42  | GP7-U7834-00    | 21 - 11  | 90119-08855 | 1 - 28   |             | 22 - 11  | 90465-11M10 | 3 - 2    |
| 6M6-81865-00    | 11 - 17  | F1K-U2127-00    | 18 - 1   | GP7-U7835-00    | 21 - 9   | 90119-08942 | 9 - 17   | 90267-48932 | 17 - 8   |             | 3 - 21   |
| 6M6-81866-00    | 11 - 16  | F2N-U213B-00    | 15 - 2   | GP7-U783F-00    | 21 - 13  | 90119-08965 | 9 - 22   | 90267-48940 | 24 - 36  |             | 5 - 3    |
| 6M6-81921-00    | 12 - 4   | F2N-U2187-00    | 18 - 4   | F0V-U824B-04    | 13 - 18  |             | 12 - 1   | 90267-48949 | 17 - 12  |             | 5 - 11   |
| 68N-81940-00    | 12 - 15  | F2N-U2188-00    | 18 - 5   | GJ8-U824C-02    | 13 - 21  | 90119-089U2 | 19 - 14  | 90269-08801 | 14 - 2   |             | 5 - 16   |
| 6M6-81960-A0    | 12 - 19  | F1S-U2280-00    | 16 - 28  | F1W-U828M-00    | 13 - 1   | 90119-08M11 | 6 - 11   | 90280-05013 | 10 - 12  |             | 6 - 13   |
| 6AE-82117-00    | 13 - 29  | F2N-U2511-02    | 17 - 1   |                 | 13 - 22  | 90119-08M55 | 1 - 18   | 90340-08M04 | 1 - 10   |             | 6 - 19   |
| 63N-82117-11    | 13 - 30  | F1K-U251D-01    | 17 - 10  |                 | 21 - 31  | 90119-08M96 | 1 - 13   | 90380-12M29 | 1 - 17   |             | 6 - 21   |
| 6AE-82117-20    | 12 - 40  | F1K-U251E-01    | 17 - 11  |                 | 22 - 10  | 90119-10024 | 8 - 3    |             | 10 - 15  |             | 6 - 34   |
| F1V-82144-00    | 24 - 32  | F2N-U2664-00    | 19 - 3   | F1G-U8572-02    | 8 - 42   | 90119-10055 | 8 - 32   | 90387-06M60 | 9 - 16   |             | 7 - 6    |
| 6K8-82150-01    | 12 - 8   | F1K-U266C-00    | 14 - 9   | F1K-U8577-01    | 8 - 43   | 90119-10808 | 8 - 45   | 90387-08M06 | 8 - 35   |             | 7 - 11   |
| 6G1-82151-00    | 12 - 9   | F2N-U271B-01    | 19 - 9   | F1S-U883N-01    | 16 - 23  | 90119-10M00 | 1 - 24   | 90430-08020 | 1 - 11   |             | 7 - 13   |
| 6K8-82159-00    | 12 - 10  | F2N-U2723-00    | 14 - 1   | F1S-U883P-01    | 16 - 24  | 90119-10M01 | 1 - 26   |             | 28 - 3   |             | 7 - 15   |
| 62E-82351-01    | 12 - 25  | F2N-U273B-00    | 8 - 40   | F1X-U883T-01    | 16 - 25  | 90119-10M02 | 1 - 23   | 90445-07008 | 5 - 13   |             | 7 - 16   |
| 62E-82352-01    | 12 - 27  | F1V-U273C-01    | 13 - 27  | 62T-W0001-02    | 28 - 1   | 90119-10M03 | 1 - 25   | 90445-07009 | 5 - 8    |             | 7 - 18   |
| 62T-82361-00    | 12 - 34  | F1K-U283B-02    | 15 - 14  | 6BU-W0001-20    | 28 - 20  | 90119-10M07 | 1 - 7    | 90445-11M34 | 5 - 2    |             | 7 - 20   |
| 62E-82371-11    | 12 - 24  | F2N-U351H-00    | 17 - 14  | 62T-W0004-00    | 3 - 14   | 90119-10M17 | 6 - 45   | 90445-11M68 | 7 - 10   |             | 8 - 31   |
|                 | 12 - 26  | F2N-U351J-00    | 17 - 15  | 62T-W0009-03-8S | 1 - 14   | 90119-10M56 | 1 - 6    | 90445-14008 | 8 - 29   |             | 12 - 29  |
| 6AE-82553-00    | 12 - 36  | F2N-U351K-00    | 17 - 16  | 67E-W0093-00    | 29 - 1   | 90149-03930 | 23 - 13  | 90445-14M07 | 6 - 16   |             | 13 - 13  |

NUMERICAL INDEX

| PART NO.    | REF. NO. | PART NO.    | REF. NO. | PART NO.    | REF. NO. | PART NO.    | REF. NO. | PART NO. | REF. NO. | PART NO. | REF. NO. |
|-------------|----------|-------------|----------|-------------|----------|-------------|----------|----------|----------|----------|----------|
| 90465-11M10 | 20 - 7   | 92903-06600 | 11 - 21  | 93306-207U2 | 2 - 9    | 97095-06030 | 8 - 5    |          |          |          |          |
|             | 20 - 10  | 92903-08600 | 6 - 10   | 93306-27211 | 8 - 14   | 97095-06035 | 5 - 6    |          |          |          |          |
|             | 20 - 11  |             | 11 - 12  | 93306-307U3 | 2 - 12   |             | 8 - 12   |          |          |          |          |
|             | 21 - 17  | 92990-05200 | 17 - 9   | 93310-320U2 | 2 - 21   | 97513-08540 | 11 - 10  |          |          |          |          |
|             | 21 - 20  | 92990-05600 | 3 - 16   | 93310-525U3 | 2 - 11   | 97780-50220 | 9 - 24   |          |          |          |          |
|             | 21 - 27  | 92990-06100 | 11 - 13  | 93430-47M04 | 9 - 8    | 97780-50510 | 16 - 9   |          |          |          |          |
| 90465-11M59 | 6 - 22   | 92990-06200 | 14 - 14  | 93440-25M08 | 11 - 18  |             | 16 - 29  |          |          |          |          |
| 90465-12M56 | 7 - 3    |             | 15 - 17  | 93440-80023 | 2 - 14   | 97780-60525 | 12 - 5   |          |          |          |          |
| 90467-08M10 | 13 - 11  |             | 17 - 4   | 93450-18M06 | 11 - 19  | 97802-04008 | 10 - 9   |          |          |          |          |
| 90467-180A3 | 16 - 2   | 92990-06600 | 10 - 11  | 93450-21053 | 2 - 23   | 97880-03008 | 24 - 14  |          |          |          |          |
| 90467-200A0 | 16 - 11  |             | 12 - 14  | 93603-10049 | 2 - 26   | 97880-05012 | 4 - 38   |          |          |          |          |
| 90468-02001 | 5 - 12   |             | 12 - 22  | 93604-07141 | 2 - 27   | 97880-05016 | 3 - 15   |          |          |          |          |
|             | 5 - 17   |             | 12 - 31  | 93605-12M21 | 6 - 8    | 97880-05025 | 24 - 17  |          |          |          |          |
| 90480-06M43 | 12 - 28  |             | 12 - 33  | 93606-12019 | 1 - 4    | 97880-06016 | 10 - 10  |          |          |          |          |
| 90480-06M46 | 9 - 11   | 92990-08200 | 9 - 18   |             | 8 - 7    |             | 12 - 13  |          |          |          |          |
| 90501-14M73 | 11 - 20  |             | 15 - 26  |             | 9 - 5    |             | 12 - 21  |          |          |          |          |
| 90601-12538 | 16 - 5   |             | 19 - 15  |             | 10 - 17  |             | 12 - 32  |          |          |          |          |
| 90601-15041 | 9 - 25   | 92990-10200 | 19 - 12  | 93700-06M03 | 9 - 3    | 97880-06030 | 12 - 30  |          |          |          |          |
| 90601-15350 | 21 - 15  | 92990-12200 | 16 - 19  | 94702-00195 | 12 - 35  | 97902-04122 | 10 - 8   |          |          |          |          |
| 90601-16030 | 22 - 6   | 92995-06100 | 12 - 17  | 95380-06700 | 11 - 14  | 97902-05125 | 10 - 7   |          |          |          |          |
| 90601-16542 | 13 - 20  |             | 12 - 39  |             | 23 - 7   | 97980-05330 | 4 - 21   |          |          |          |          |
| 90601-20005 | 16 - 10  | 92995-06600 | 5 - 7    | 95720-06300 | 14 - 15  | 98580-05018 | 4 - 26   |          |          |          |          |
|             | 22 - 15  |             | 8 - 6    |             | 15 - 16  | 98780-04015 | 1 - 3    |          |          |          |          |
| 90601-20006 | 13 - 3   |             | 8 - 13   |             | 17 - 5   | 98980-04008 | 7 - 23   |          |          |          |          |
|             | 13 - 17  |             | 8 - 23   |             | 24 - 27  | 99590-14016 | 8 - 2    |          |          |          |          |
|             | 13 - 24  |             | 9 - 15   | 95720-08300 | 9 - 19   | 99780-12600 | 16 - 18  |          |          |          |          |
|             | 13 - 25  |             | 10 - 19  |             | 15 - 27  |             |          |          |          |          |          |
|             | 21 - 33  |             | 12 - 18  |             | 16 - 16  |             |          |          |          |          |          |
|             | 21 - 34  | 93101-21001 | 8 - 18   |             | 19 - 8   |             |          |          |          |          |          |
| 90601-20009 | 13 - 26  |             | 28 - 25  |             | 19 - 16  |             |          |          |          |          |          |
|             | 22 - 12  | 93101-21002 | 8 - 19   |             | 19 - 20  |             |          |          |          |          |          |
| 90669-62015 | 23 - 10  |             | 28 - 24  |             | 24 - 30  |             |          |          |          |          |          |
| 90669-67006 | 16 - 12  | 93101-25M55 | 9 - 7    | 95720-10300 | 8 - 39   |             |          |          |          |          |          |
| 90669-67009 | 22 - 14  |             | 28 - 21  |             | 19 - 13  |             |          |          |          |          |          |
| 90669-68003 | 7 - 19   | 93101-36M46 | 2 - 16   | 97013-06012 | 3 - 29   |             |          |          |          |          |          |
| 90669-B2002 | 6 - 60   |             | 28 - 6   | 97013-06016 | 3 - 18   |             |          |          |          |          |          |
| 90699-50004 | 20 - 6   | 93102-25009 | 9 - 10   | 97013-06020 | 3 - 25   |             |          |          |          |          |          |
|             | 21 - 16  |             | 28 - 22  | 97013-06025 | 3 - 11   |             |          |          |          |          |          |
| 90699-50020 | 21 - 19  | 93102-36M33 | 2 - 15   |             | 6 - 28   |             |          |          |          |          |          |
| 90699-50090 | 13 - 10  |             | 28 - 5   | 97013-06035 | 3 - 9    |             |          |          |          |          |          |
| 90699-50130 | 21 - 26  | 93103-32M01 | 2 - 17   | 97013-06070 | 6 - 42   |             |          |          |          |          |          |
| 92903-06600 | 3 - 10   |             | 28 - 7   | 97013-08035 | 11 - 11  |             |          |          |          |          |          |
|             | 3 - 12   | 93210-13M63 | 3 - 38   | 97013-08075 | 6 - 9    |             |          |          |          |          |          |
|             | 3 - 19   | 93210-464A3 | 8 - 21   | 97095-06010 | 12 - 16  |             |          |          |          |          |          |
|             | 3 - 26   |             | 28 - 23  | 97095-06016 | 12 - 38  |             |          |          |          |          |          |
|             | 3 - 30   | 93305-30601 | 2 - 6    | 97095-06020 | 8 - 22   |             |          |          |          |          |          |
|             | 6 - 29   | 93306-205A3 | 9 - 9    | 97095-06025 | 9 - 14   |             |          |          |          |          |          |
|             | 6 - 43   | 93306-205U0 | 8 - 16   |             | 10 - 18  |             |          |          |          |          |          |