



PARTS CATALOGUE

SuperJet

SJ700B-G (F2F1/6BAA/6BA1)

SJ700B-G (F2F2/6BAB/6BA1)

SJ700B-G (F2F3/6BAB/6BA1)

MJ-SJ700 '08 (F2F4/6BAC/6BA1)

SJ700B-G/MJ-SJ700
PARTS CATALOGUE
©2007 by Yamaha Motor Co., Ltd.
1st edition, June 2007
All rights reserved.
Any reprinting or unauthorized use
without the written permission of
Yamaha Motor Co., Ltd.
is expressly prohibited.

FOREWORD

This Parts Catalogue is related to the parts for the model(s) on the cover page. When you are ordering replacement parts, please refer to this Parts Catalogue and quote both part numbers and part names correctly.

1. Modifications or additions which have been made after the issue of the Parts Catalogue will be announced in the Parts News.

It is advisable that you make the necessary corrections to the Parts Catalogue according to the Parts News.

2. Abbreviations

The following abbreviations are used in this Parts Catalogue.

“UR” Use specified parts number.

“UN” Use as many as needed.

“AP” Alternate Parts

“LM” Locally Made (Parts need to be ordered locally)

“F#” Frame No. (Applicable machine No.)

“O/S” Over Size

3. The number of components for assembly

- Parts, which are to be supplied in an assembly, are listed with a dot (.) in front of the part name as shown below.
- The numeral appearing to the right of each component part indicates the quantity of parts for each assembly unit.

PART NO.	DESCRIPTION	Q'TY	REMARKS
2F5-83310-60	FRONT FLASHER LIGHT ASSY	2	
115-83311-60	.BULB (6V-18W)	1	

4. Applicable colours of graphics are represented in the “REMARKS” as shown below.

PART NO.	DESCRIPTION	Q'TY	REMARKS
2N4-24110-00-X5	FUEL TANK COMP.	2	MXR
3J1-24240-10	.GRAPHIC, FUEL TANK	1	FOR MXR

5. Note that the illustrations for reference in finding parts numbers are not to be used for assembling. When assembling, please use the applicable service manual.

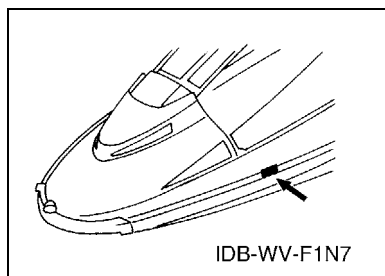
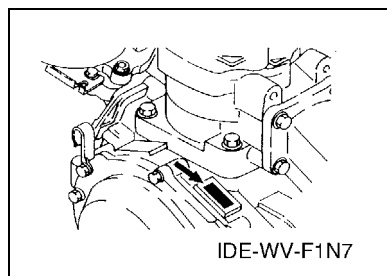
6. The asterisk (*) before a reference number indicates modified items after the first edition.

FOREWORD

7. Applicable Serial No.

Engine Serial No.

Hull Serial No.



8. Applicable Colour Code (The (*) mark shows Model colour.)

Abbreviation	Colour Name	Colour Code
NMC(*)	GRAY METALLIC C	008S
PURW(*)	PURE WHITE	0240
SS4	BLACK SOLID 4	008P
DPBSM	DARK PURPLISH BLUE SOLID M	0754
DVC2	DARK VIOLET COAT 2	GA5D
YB	YAMAHA BLACK	0033

9. Quantity Column Information

Column No.	Name Of Q'ty Column	Destination
1	USA	U.S.A.
2	EUR	EUROPE
3	GENE	EXCEPT USA, EUR, JPN
4	JPN	JAPAN

10. Applicable Starting Serial No.

Engine Serial No.

Serial No.	Name Of Q'ty Column	Model Code
6BA-1016013	USA	6BAA
6BA-1016013	EUR	6BAB
6BA-1016013	GENE	6BAB
6BA-1016013	JPN	6BAC

Hull Serial No.

Serial No.	Name Of Q'ty Column	Model Code
F2F-0500101	USA	F2F1
F2F-0500101	EUR	F2F2
F2F-0500101	GENE	F2F3
F2F-1800101	JPN	F2F4

CONTENTS

SHEET1/2

CYLINDER & CRANKCASE	A6
CRANKSHAFT & PISTON	B1
INTAKE	B3
CARBURETOR	B5
CARBURETOR 2	B7
EXHAUST 1	C2
FUEL	C5
JET UNIT 1	C7
JET UNIT 2	D3
GENERATOR	D4
STARTING MOTOR	D5
ELECTRICAL 1	D6
ELECTRICAL 2	E1
ENGINE HATCH	E2
HULL & DECK	E4
GUNWALE & MAT	E5
FUEL TANK	E6
EXHAUST 2	F1
CONTROL CABLE	F2
STEERING 1	F3
STEERING 2	F5
GRAPHICS	F7

INDEX

NUMERICAL INDEX	G1
-----------------------	----

SHEET2/2

IMPORTANT LABELS	A6*
IMPORTANT LABELS 2	A7*
IMPORTANT LABELS 3	B1*
REPAIR KIT 1	B2*
REPAIR KIT 2	B3*

INDEX

NUMERICAL INDEX	G1*
-----------------------	-----

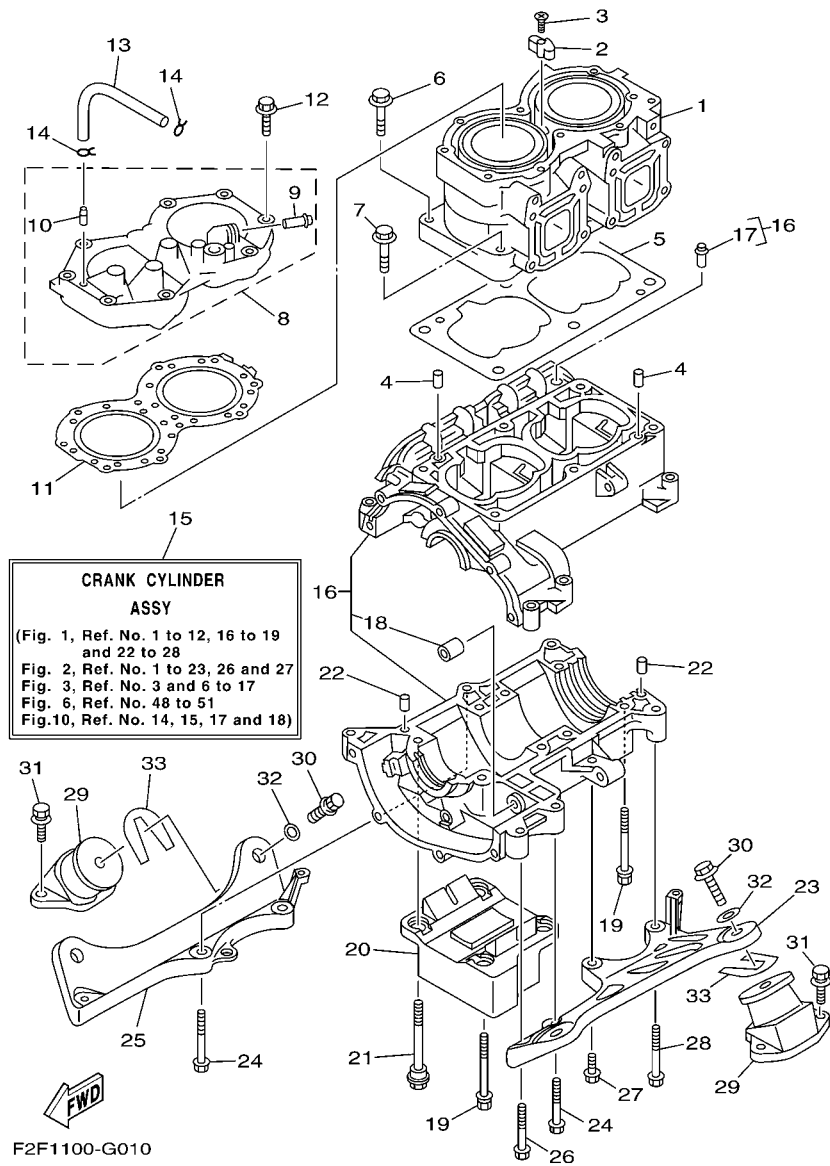


FIG. 1 CYLINDER & CRANKCASE

REF. NO.	PART NO.	DESCRIPTION	USA	EUR	GENE	JPN	REMARKS
1	61X-11311-01-8S	CYLINDER 1	1	1	1	1	
2	6E5-11325-00	ANODE	1	1	1	1	
3	98780-04015	SCREW, FLAT HEAD	1	1	1	1	
4	93606-12019	PIN, DOWEL	2	2	2	2	
5	6M6-11351-A2	GASKET, CYLINDER	1	1	1	1	
6	90119-10M56	BOLT, WITH WASHER	4	4	4	4	
7	90119-10M07	BOLT, WITH WASHER	2	2	2	2	
8	64U-11111-00-8S	HEAD, CYLINDER 1	1	1	1	1	
9	6K8-51129-00	.NIPPLE	1	1	1	1	
10	6R7-14485-00	.PIPE, JOINT	1	1	1	1	
11	62T-11181-01	GASKET, CYLINDER HEAD 1	1	1	1	1	
12	90119-08M96	BOLT, WITH WASHER	10	10	10	10	
13	90445-07M19	HOSE (L200)	1	1	1	1	
14	90467-06016	CLIP	2	2	2	2	
15	64V-W0090-02-8S	CRANK CYLINDER ASSY	1	1	1	1	
16	62T-15100-00-8S	CRANKCASE ASSY	1	1	1	1	
17	62T-14251-10	.NIPPLE	1	1	1	1	
18	90380-12M29	.BUSH, SOLID	1	1	1	1	
19	90119-08M55	BOLT, WITH WASHER	5	5	5	5	
20	6BA-44532-00	STOPPER, UPPER MOUNT	1	1	1	1	
21	90109-08M56	BOLT	3	3	3	3	
22	93606-12019	PIN, DOWEL	2	2	2	2	
23	6R7-21415-01-94	BRACKET, FRONT UPPER 1	1	1	1	1	
24	90119-10M02	BOLT, WITH WASHER	4	4	4	4	
25	6R7-21425-01-94	BRACKET, REAR UPPER 1	1	1	1	1	
26	90119-10M01	BOLT, WITH WASHER	1	1	1	1	
27	90119-10M00	BOLT, WITH WASHER	1	1	1	1	

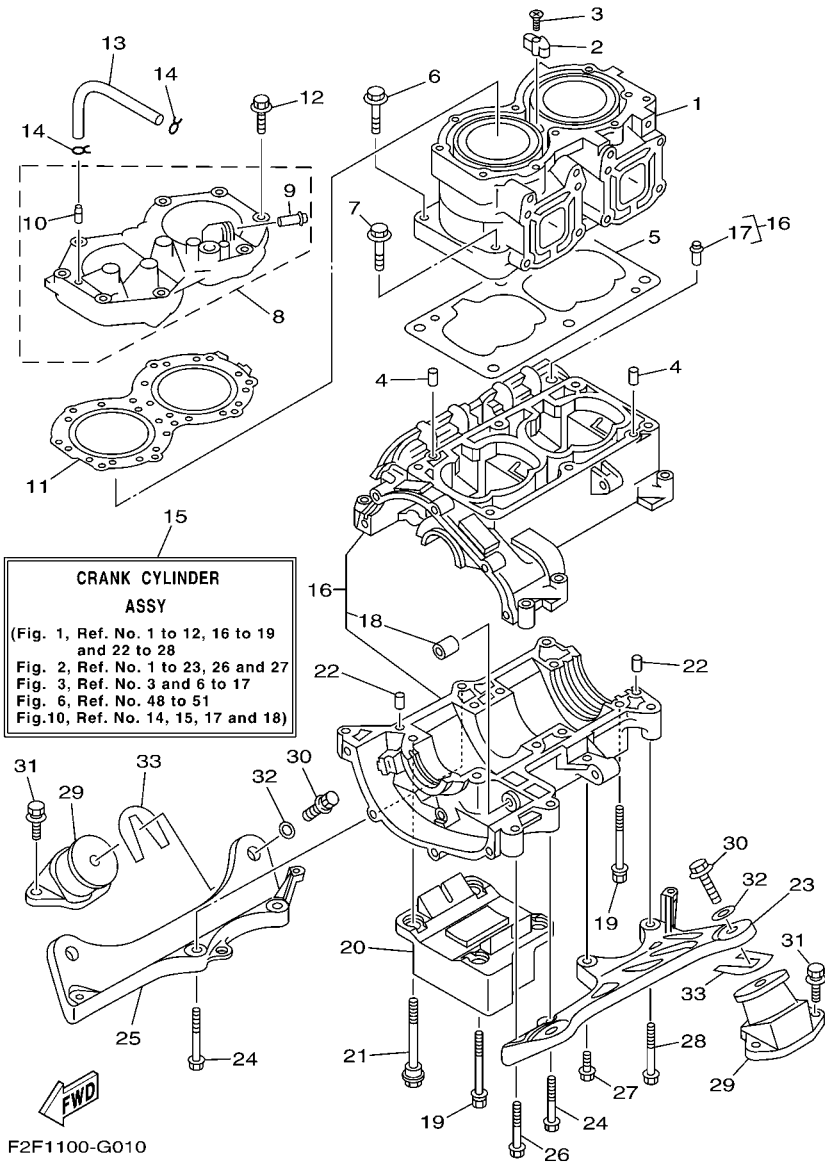
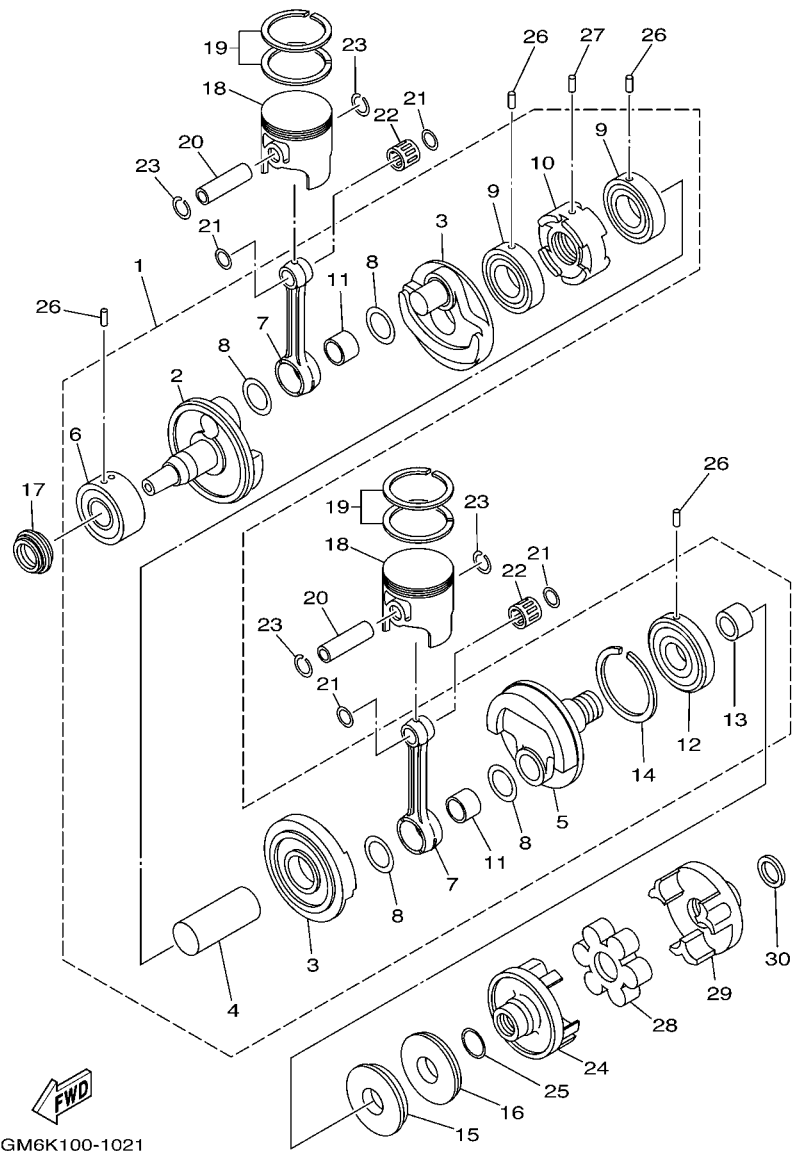


FIG. 1 CYLINDER & CRANKCASE

REF. NO.	PART NO.	DESCRIPTION	USA	EUR	GENE	JPN	REMARKS
28	90119-10M03	BOLT, WITH WASHER	1	1	1	1	
29	6R7-44517-00-8S	MOUNT RUBBER	4	4	4	4	
30	90119-08904	BOLT, WITH WASHER	4	4	4	4	
31	90119-08038	BOLT, WITH WASHER	8	8	8	8	
32	EU0-67324-00	PLATE	4	4	4	4	
33	EU0-67354-00-01	SHIM (T=0.1)	10	10	10	10	UR
	EU0-67354-00-03	SHIM (T=0.3)	10	10	10	10	UR
	EU0-67354-00-05	SHIM (T=0.5)	10	10	10	10	UR
	EU0-67354-00-10	SHIM (T=1.0)	10	10	10	10	UR
	EU0-67354-00-20	SHIM (T=2.0)	10	10	10	10	UR

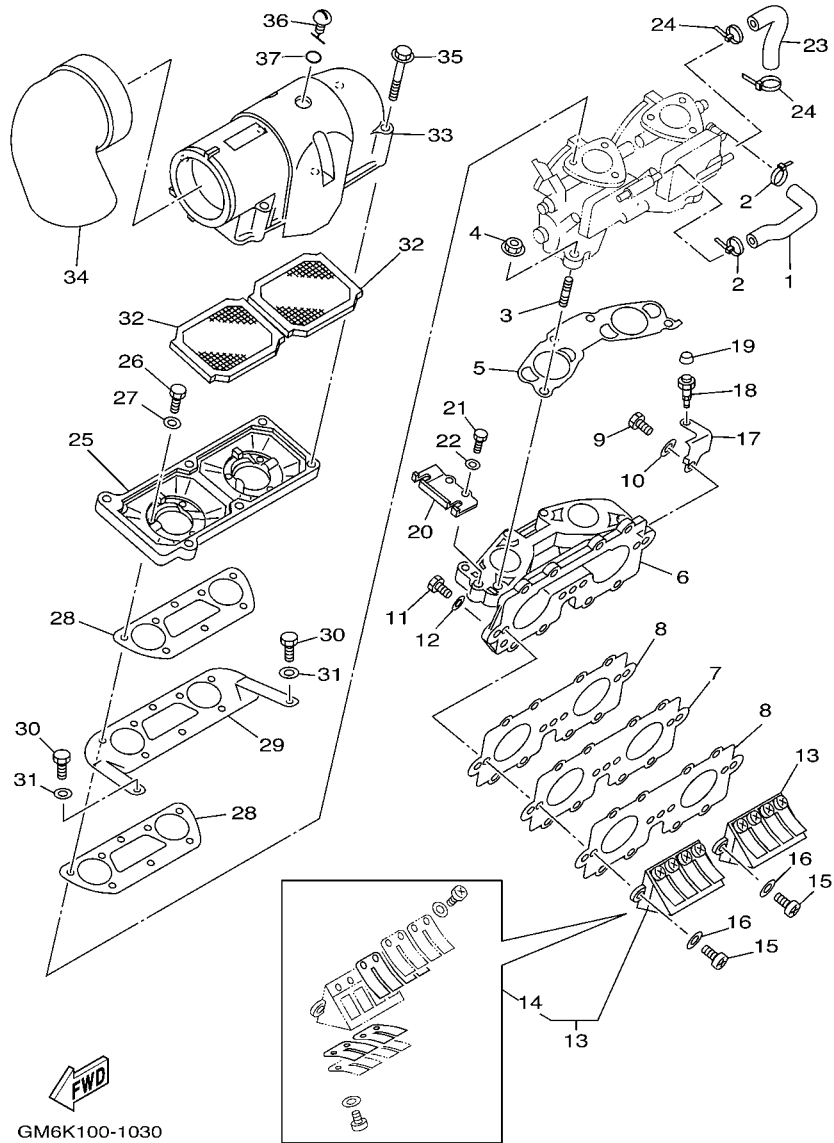


GM6K100-1021

FIG. 2 CRANKSHAFT & PISTON

REF. NO.	PART NO.	DESCRIPTION	USA	EUR	GENE	JPN	REMARKS
1	61X-11400-03	CRANKSHAFT ASSY	1	1	1	1	
2	6M6-11412-00	.CRANK 1	1	1	1	1	
3	6M6-11422-00	.CRANK 2	2	2	2	2	
4	6M6-11431-00	.CRANK 3	1	1	1	1	
5	6M6-11442-01	.CRANK 4	1	1	1	1	
6	93305-30601	.BEARING	1	1	1	1	
7	62T-11651-00	.ROD, CONNECTING	2	2	2	2	
8	82M-11685-00	.WASHER, CRANK PIN	4	4	4	4	
9	93306-207U2	.BEARING	2	2	2	2	
10	82M-11515-00	.SEAL, LABYRINTH 1	1	1	1	1	
11	93310-525U0	.BEARING	2	2	2	2	
12	93306-307U3	.BEARING	1	1	1	1	
13	62T-45526-00	.COLLAR, DRIVE SHAFT	1	1	1	1	
14	93440-80023	.CIRCLIP	1	1	1	1	
15	93102-36M33	OIL SEAL	1	1	1	1	
16	93101-36M46	OIL SEAL	1	1	1	1	
17	93103-32M01	OIL SEAL	1	1	1	1	
18	61X-11631-02-93	PISTON (STD)	2	2	2	2	
	61X-11635-02	PISTON (0.25MM O/S)	2	2	2	2	AP
	61X-11636-02	PISTON (0.50MM O/S)	2	2	2	2	AP
19	61X-11603-01	PISTON RING SET (STD)	2	2	2	2	
	61X-11604-01	PISTON RING SET (0.25MM O/S)	2	2	2	2	AP
	61X-11605-01	PISTON RING SET (0.50MM O/S)	2	2	2	2	AP
20	61X-11633-00	PIN, PISTON	2	2	2	2	
21	90201-20M04	WASHER, PLATE	4	4	4	4	
22	93310-320U2	BEARING	2	2	2	2	
23	93450-21053	CIRCLIP	4	4	4	4	

B1

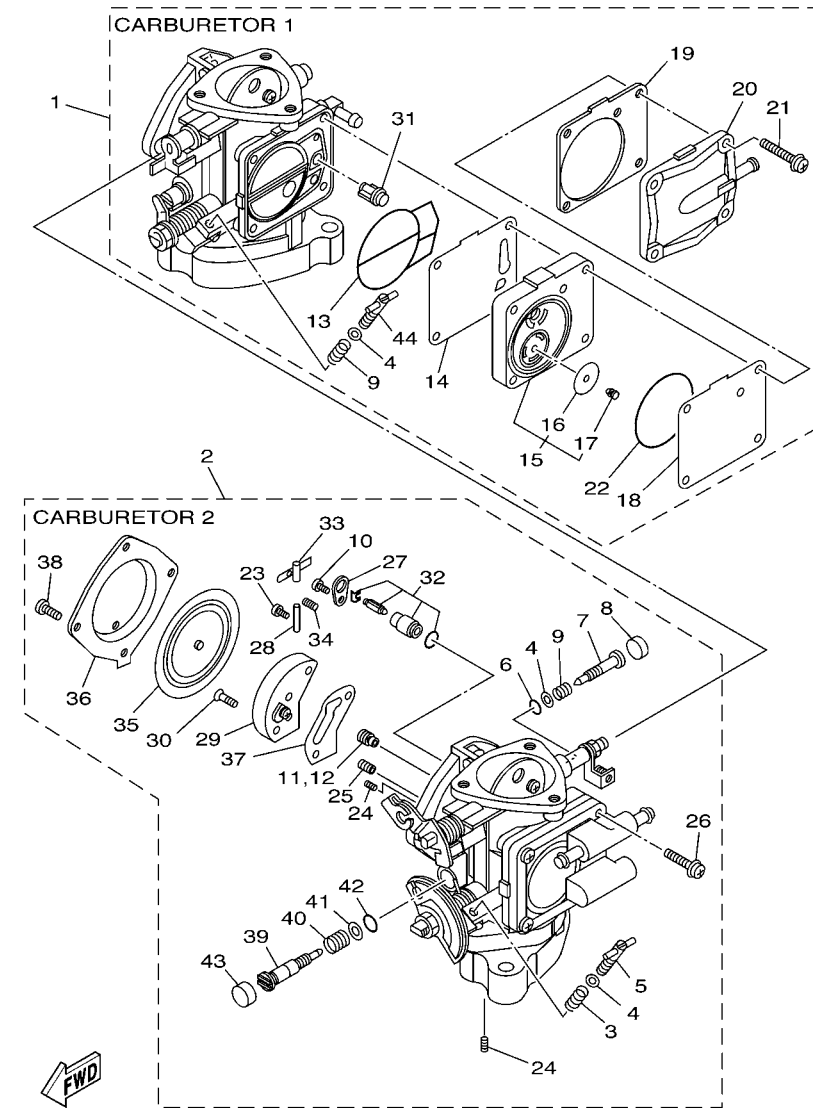


GM6K100-1030

FIG. 3 INTAKE

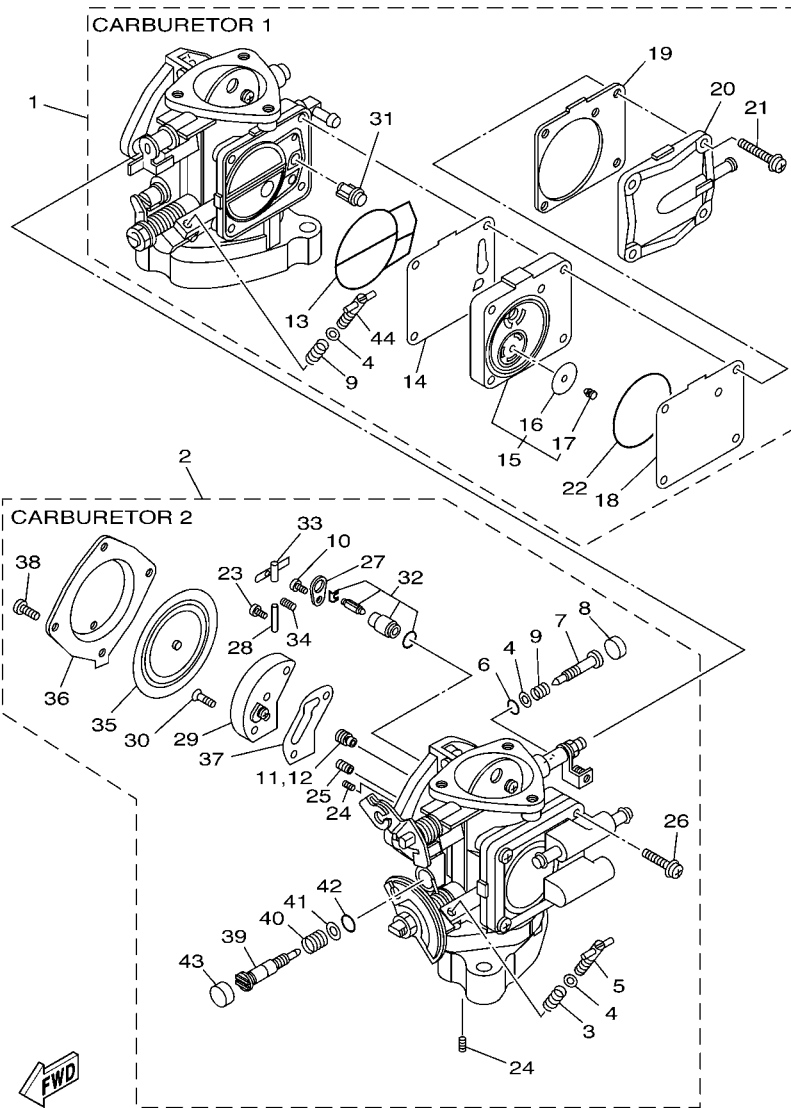
REF. NO.	PART NO.	DESCRIPTION	USA	EUR	GENE	JPN	REMARKS
1	62T-24313-01	PIPE 3	1	1	1	1	
2	90465-11M10	CLAMP	2	2	2	2	
3	90116-08M60	BOLT, STUD	4	4	4	4	
4	90179-08M15	NUT	4	4	4	4	
5	62T-13556-00	GASKET, MANIFOLD	1	1	1	1	
6	62T-13555-00-94	MANIFOLD, INTAKE	1	1	1	1	
7	62T-13624-00	PLATE, REED VALVE	1	1	1	1	
8	62T-13566-00	GASKET	2	2	2	2	
9	97013-06035	BOLT	3	3	3	3	
10	92903-06600	WASHER, PLATE	3	3	3	3	
11	97013-06025	BOLT	8	8	8	8	
12	92903-06600	WASHER, PLATE	8	8	8	8	
13	62T-13610-00	REED VALVE ASSY	2	2	2	2	
14	62T-W0004-00	.REED SET	1	1	1	1	
15	97880-05016	SCREW, PAN HEAD	4	4	4	4	
16	92990-05600	WASHER, PLATE	4	4	4	4	
17	62T-14243-01	PLATE	1	1	1	1	
18	61L-5169A-00	NIPPLE, GREASE	1	1	1	1	
19	663-45119-00	CAP, GREASE NIPPLE	1	1	1	1	
20	62T-14527-02	PLATE	1	1	1	1	
21	97013-06016	BOLT	2	2	2	2	
22	92903-06600	WASHER, PLATE	2	2	2	2	
23	62T-24314-01	PIPE 4	1	1	1	1	
24	90465-11M10	CLAMP	2	2	2	2	
25	62T-14284-10-8S	COVER, CARBURETOR 2	1	1	1	1	
26	97013-06020	BOLT	6	6	6	6	
27	92903-06600	WASHER, PLATE	6	6	6	6	

FIG. 4 CARBURETOR



F1N7100-C040

REF. NO.	PART NO.	DESCRIPTION	USA	EUR	GENE	JPN	REMARKS
1	64U-14301-10	CARBURETOR ASSY 1	1				
2	64U-14302-10	CARBURETOR ASSY 2	1				
3	47X-14133-00	.SPRING, THROTTLE STOP	1				CARBURETOR 2
4	812-14235-00	.WASHER, NEEDLE	4				
5	6M6-14521-01	.SCREW, ADJUST	1				CARBURETOR 2
6	812-14147-00	.O-RING	2				
7	64U-14946-00	.PLATE, NEEDLE FITTING	2				
8	64U-1432A-00	.PLUG	2				
9	3KW-14932-00	.SPRING, THROTTLE 2	3				
10	6M6-14503-00	.SCREW	2				
11	3G2-14231-26	.JET, MAIN (#130)	1				CARBURETOR 1
12	3G2-14231-26	.JET, MAIN (#130)	1				CARBURETOR 2
13	6K8-14564-00	.O-RING	2				
14	6K8-24411-20	.DIAPHRAGM	1				CARBURETOR 1
15	6M6-24413-02	.BODY 2	1				CARBURETOR 1
16	65U-24421-00	..VALVE, CHECK	2				CARBURETOR 1
17	65U-24492-00	..BUSH, FUEL PUMP	2				CARBURETOR 1
18	6K8-24421-10	.VALVE, CHECK	1				CARBURETOR 1
19	6K8-24431-20	.GASKET, FUEL PUMP 1	1				CARBURETOR 1
20	6K8-24452-10	.COVER	1				CARBURETOR 1
21	97980-05330	.SCREW, WITH WASHER	4				CARBURETOR 1
22	6K8-14563-00	.O-RING	1				CARBURETOR 1
23	6K8-14503-02	.SCREW	2				
24	6K8-14521-10	.SCREW	4				
25	830-14231-14	.JET, MAIN (# 70)	2				
26	98580-05018	.SCREW, PAN HEAD	4				CARBURETOR 2
27	6K8-14527-11	.PLATE	2				

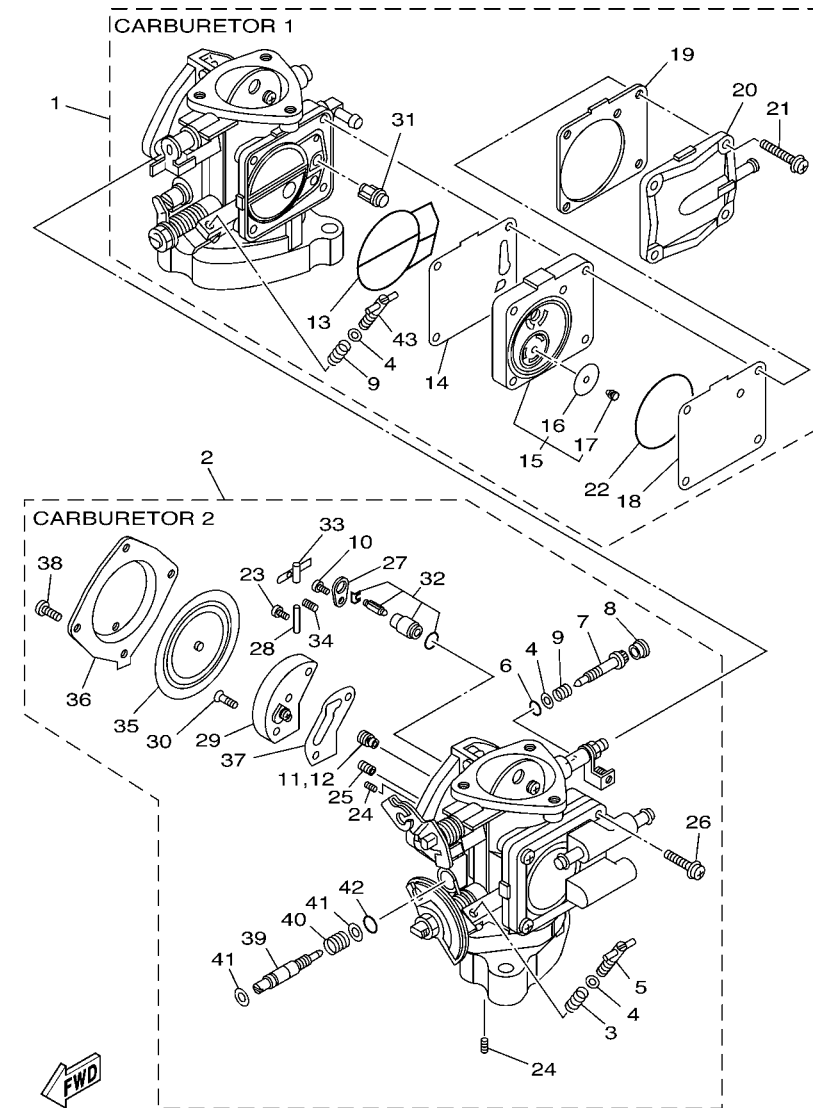


F1N7100-C040

FIG. 4 CARBURETOR

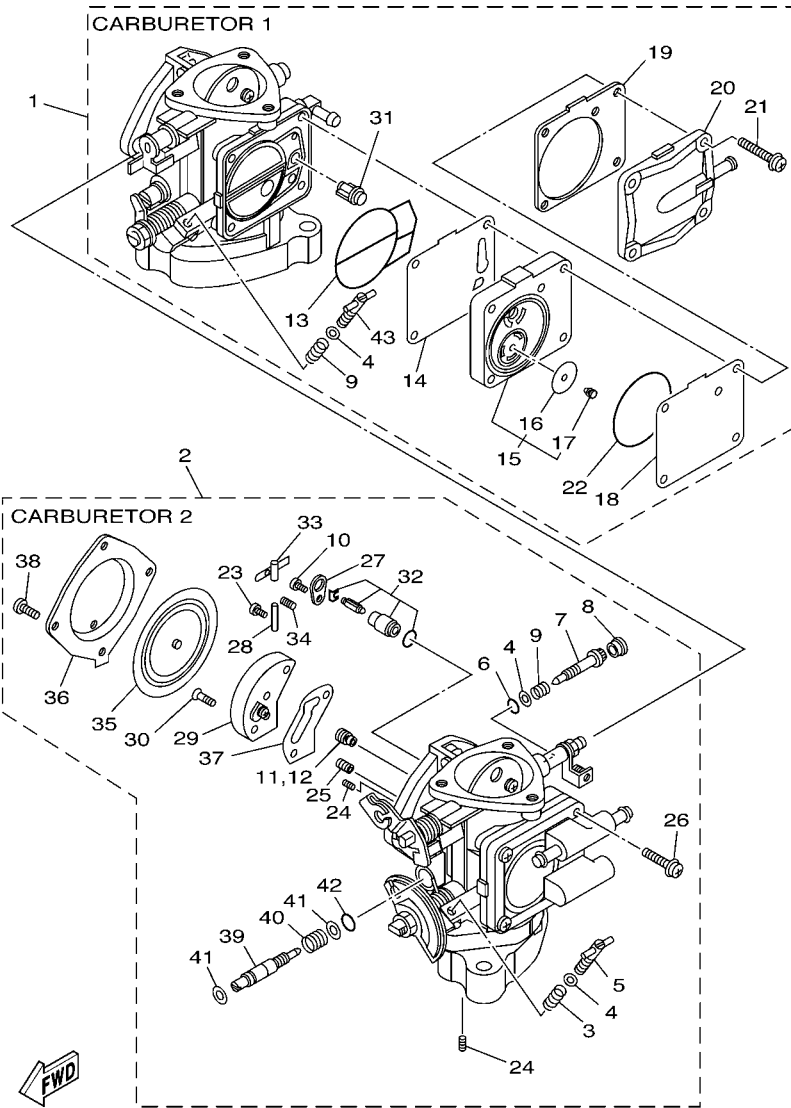
REF. NO.	PART NO.	DESCRIPTION	USA	EUR	GENE	JPN	REMARKS
28	439-14186-00	.PIN, FLOAT	2				
29	6R7-24412-02	.BODY 1	2				
30	6K8-14523-11	.SCREW, STOP	4				
31	6R7-14569-00	.STRAINER	2				
32	61X-14916-16	.NEEDLE	2				
33	6K8-14547-01	.ARM, FLOAT	2				
34	6R7-14253-00	.SPRING	2				
35	6R7-14541-00	.DIAPHRAGM, PUMP	2				
36	6R7-14542-00	.BODY, PUMP 1	2				
37	6K8-14536-11	.GASKET	2				
38	97880-05012	.SCREW, PAN HEAD	8				
39	64U-14923-10	.SCREW, PILOT	2				
40	6K8-14589-00	.SPRING	2				
41	822-14235-00	.WASHER, NEEDLE	2				
42	583-14561-00	.O-RING	2				
43	64U-1432A-10	.PLUG	2				
44	6K8-14521-01	.SCREW, ADJUST	1				CARBURETOR 1

FIG. 5 CARBURETOR 2



GM6K100-1040

REF. NO.	PART NO.	DESCRIPTION	USA	EUR	GENE	JPN	REMARKS
1	64U-14301-03	CARBURETOR ASSY 1		1	1	1	
2	64U-14302-03	CARBURETOR ASSY 2		1	1	1	
3	47X-14133-00	.SPRING, THROTTLE STOP		1	1	1	CARBURETOR 2
4	812-14235-00	.WASHER, NEEDLE		4	4	4	
5	6M6-14521-01	.SCREW, ADJUST		1	1	1	CARBURETOR 2
6	812-14147-00	.O-RING		2	2	2	
7	63M-14946-00	.PLATE, NEEDLE FITTING		2	2	2	
8	6K8-14471-10	.CAP, CARBURETOR		2	2	2	
9	3KW-14932-00	.SPRING, THROTTLE 2		3	3	3	
10	6M6-14503-00	.SCREW		2	2	2	
11	3G2-14231-26	.JET, MAIN (#130)		1	1	1	CARBURETOR 1
12	3G2-14231-26	.JET, MAIN (#130)		1	1	1	CARBURETOR 2
13	6K8-14564-00	.O-RING		2	2	2	
14	6K8-24411-20	.DIAPHRAGM		1	1	1	CARBURETOR 1
15	6M6-24413-01	.BODY 2		1	1	1	CARBURETOR 1
16	65U-24421-00	..VALVE, CHECK		2	2	2	CARBURETOR 1
17	65U-24492-00	..BUSH, FUEL PUMP		2	2	2	CARBURETOR 1
18	6K8-24421-10	.VALVE, CHECK		1	1	1	CARBURETOR 1
19	6K8-24431-20	.GASKET, FUEL PUMP 1		1	1	1	CARBURETOR 1
20	6K8-24452-10	.COVER		1	1	1	CARBURETOR 1
21	97980-05330	.SCREW, WITH WASHER		4	4	4	CARBURETOR 1
22	6K8-14563-00	.O-RING		1	1	1	CARBURETOR 1
23	6K8-14503-02	.SCREW		2	2	2	
24	6K8-14521-10	.SCREW		4	4	4	
25	830-14231-14	.JET, MAIN (# 70)		2	2	2	
26	98580-05018	.SCREW, PAN HEAD		4	4	4	CARBURETOR 2
27	6K8-14527-11	.PLATE		2	2	2	



GM6K100-1040

FIG. 5 CARBURETOR 2

REF. NO.	PART NO.	DESCRIPTION	USA	EUR	GENE	JPN	REMARKS
28	439-14186-00	.PIN, FLOAT		2	2	2	
29	6R7-24412-02	.BODY 1		2	2	2	
30	6K8-14523-11	.SCREW, STOP		4	4	4	
31	6R7-14569-00	.STRAINER		2	2	2	
32	61X-14916-16	.NEEDLE		2	2	2	
33	6K8-14547-01	.ARM, FLOAT		2	2	2	
34	6R7-14253-00	.SPRING		2	2	2	
35	6R7-14541-00	.DIAPHRAGM, PUMP		2	2	2	
36	6R7-14542-00	.BODY, PUMP 1		2	2	2	
37	6K8-14536-11	.GASKET		2	2	2	
38	97880-05012	.SCREW, PAN HEAD		8	8	8	
39	64U-14923-00	.SCREW, PILOT		2	2	2	
40	6K8-14589-00	.SPRING		2	2	2	
41	822-14235-00	.WASHER, NEEDLE		4	4	4	
42	583-14561-00	.O-RING		2	2	2	
43	6K8-14521-01	.SCREW, ADJUST		1	1	1	CARBURETOR 1

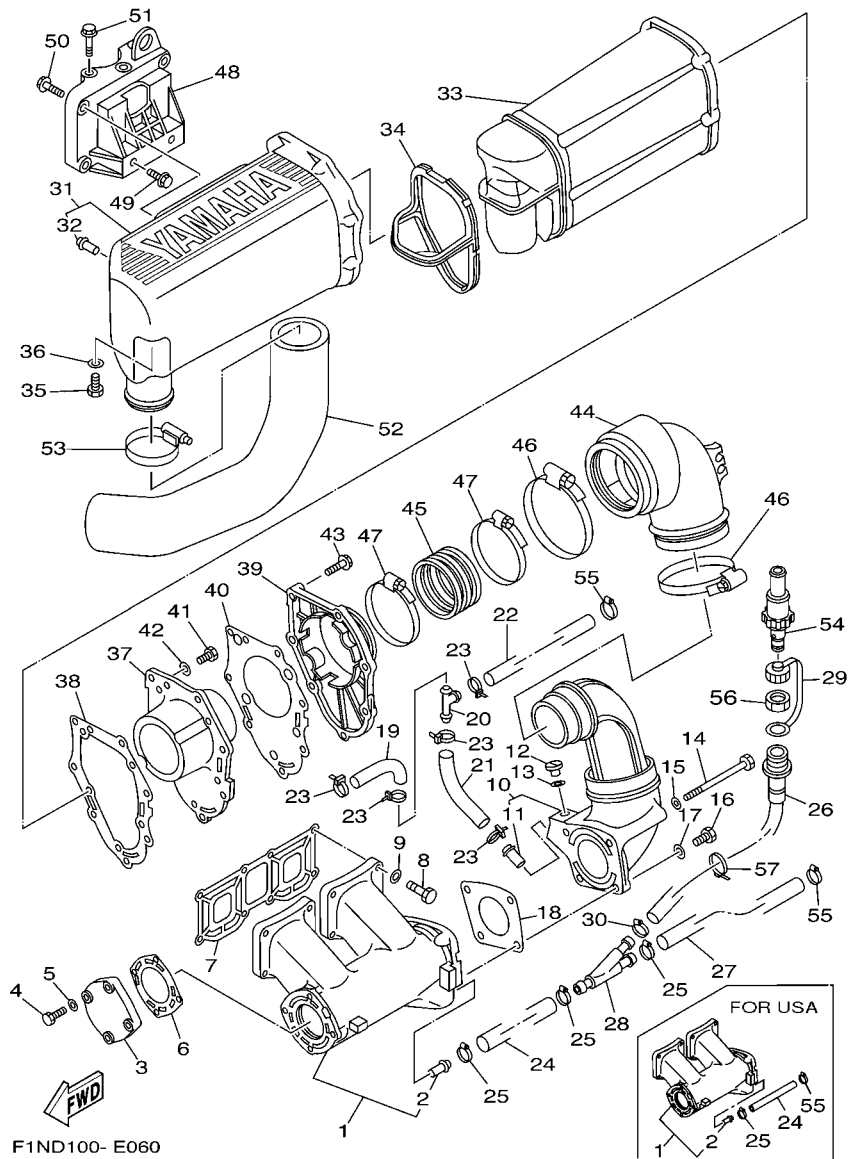


FIG. 6 EXHAUST 1

REF. NO.	PART NO.	DESCRIPTION	USA	EUR	GENE	JPN	REMARKS
1	61X-14711-01-94	MUFFLER 1	1	1	1	1	
2	6K8-51129-00	.NIPPLE	1	1	1	1	
3	6M6-14718-01-8S	PROTECTOR, MUFFLER 1	1	1	1	1	
4	97013-06025	BOLT	4	4	4	4	
5	92903-06600	WASHER, PLATE	4	4	4	4	
6	6M6-14739-A1	GASKET, MUFFLER DAMPER 1	1	1	1	1	
7	61X-14613-A1	GASKET, EXHAUST PIPE	1	1	1	1	
8	97013-08035	BOLT	8	8	8	8	
9	92903-08600	WASHER, PLATE	8	8	8	8	
10	61L-14712-00-94	RING, JOINT	1	1	1	1	
11	6K8-51129-00	.NIPPLE	1	1	1	1	
12	90340-08M04	PLUG, STRAIGHT SCREW	1	1	1	1	
13	90430-08020	GASKET	1	1	1	1	
14	97013-08090	BOLT	2	2	2	2	
15	92903-08600	WASHER, PLATE	2	2	2	2	
16	97013-08025	BOLT	2	2	2	2	
17	92903-08600	WASHER, PLATE	2	2	2	2	
18	6R7-14749-A1	GASKET, MUFFLER DAMPER 2	1	1	1	1	
19	90445-14M29	HOSE (L125)	1	1	1	1	
20	6E5-24378-00	PIPE, JOINT 3	1	1	1	1	
21	90445-14M29	HOSE (L125)	1	1	1	1	
22	90445-14M33	HOSE (L1150)	1	1	1	1	
23	90465-11M10	CLAMP	5	5	5	5	
24	90445-14M06	HOSE (L630)	1				FOR USA
	90445-14M14	HOSE (L330)		1	1	1	FOR EUR,GENE,JPN
25	90450-14M05	HOSE CLAMP ASSY	1				FOR USA
	90450-14M05	HOSE CLAMP ASSY		3	3	3	FOR EUR,GENE,JPN

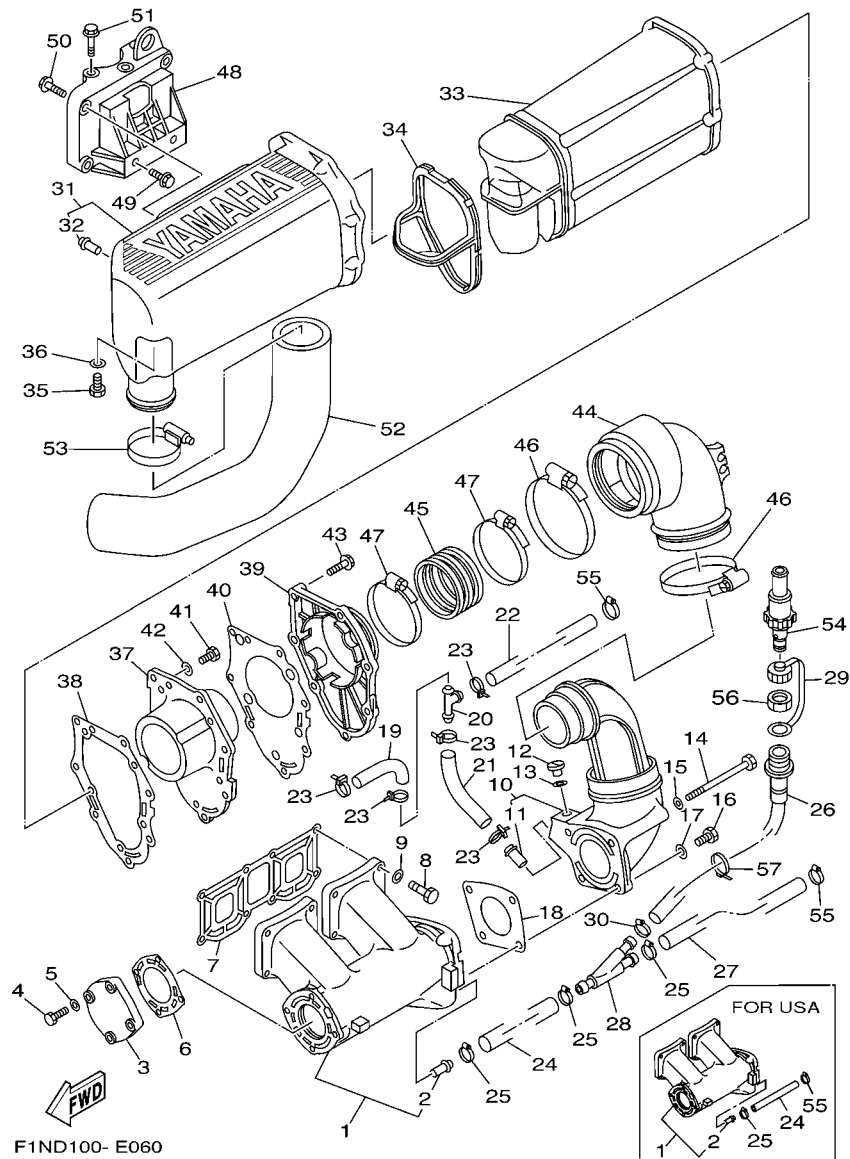


FIG. 6 EXHAUST 1

REF. NO.	PART NO.	DESCRIPTION	USA	EUR	GENE	JPN	REMARKS
26	63M-12580-00	JOINT ASSY		1	1	1	FOR EUR,GENE,JPN
27	90445-14M05	HOSE (L240)		1	1	1	FOR EUR,GENE,JPN
28	64X-12581-00	JOINT, HOSE 1		1	1	1	FOR EUR,GENE,JPN
29	682-84385-01	CAP,1		1	1	1	FOR EUR,GENE,JPN
30	90450-18M09	HOSE CLAMP ASSY		1	1	1	FOR EUR,GENE,JPN
31	6R7-14721-00-8S	MUFFLER 2	1	1	1	1	
32	6R7-14485-00	.PIPE, JOINT	1	1	1	1	
33	6R7-14753-00-9M	SILENCER, EXHAUST	1	1	1	1	
34	6R7-15761-00	SEAL, RUBBER 1	1	1	1	1	
35	97013-06020	BOLT	1	1	1	1	
36	92903-06600	WASHER, PLATE	1	1	1	1	
37	6R7-14785-00-8S	DIFFUSER	1	1	1	1	
38	6R7-14755-A0	GASKET, SILENCER	1	1	1	1	
39	6R7-41113-00-8S	OUTER COVER, EXHAUST	1	1	1	1	
40	6R7-41114-A0	GASKET, EXHAUST OUTER COVER	1	1	1	1	
41	97095-06016	BOLT	5	5	5	5	
42	92995-06600	WASHER	5	5	5	5	
43	90119-06MA1	BOLT, WITH WASHER	7	7	7	7	
44	61L-14615-A0	JOINT, EXHAUST 1	1	1	1	1	
45	61L-14625-A0	JOINT, EXHAUST 2	1	1	1	1	
46	90460-90M11	CLAMP, HOSE	2	2	2	2	
47	90460-70M16	CLAMP, HOSE	2	2	2	2	
48	6M6-14771-00-94	STAY, MUFFLER 1	1	1	1	1	
49	90105-10M49	BOLT, FLANGE	2	2	2	2	
50	90105-10M88	BOLT, FLANGE	3	3	3	3	
51	90119-10M17	BOLT, WITH WASHER	3	3	3	3	
52	64V-14752-00	PIPE, OUTLET	1	1	1	1	

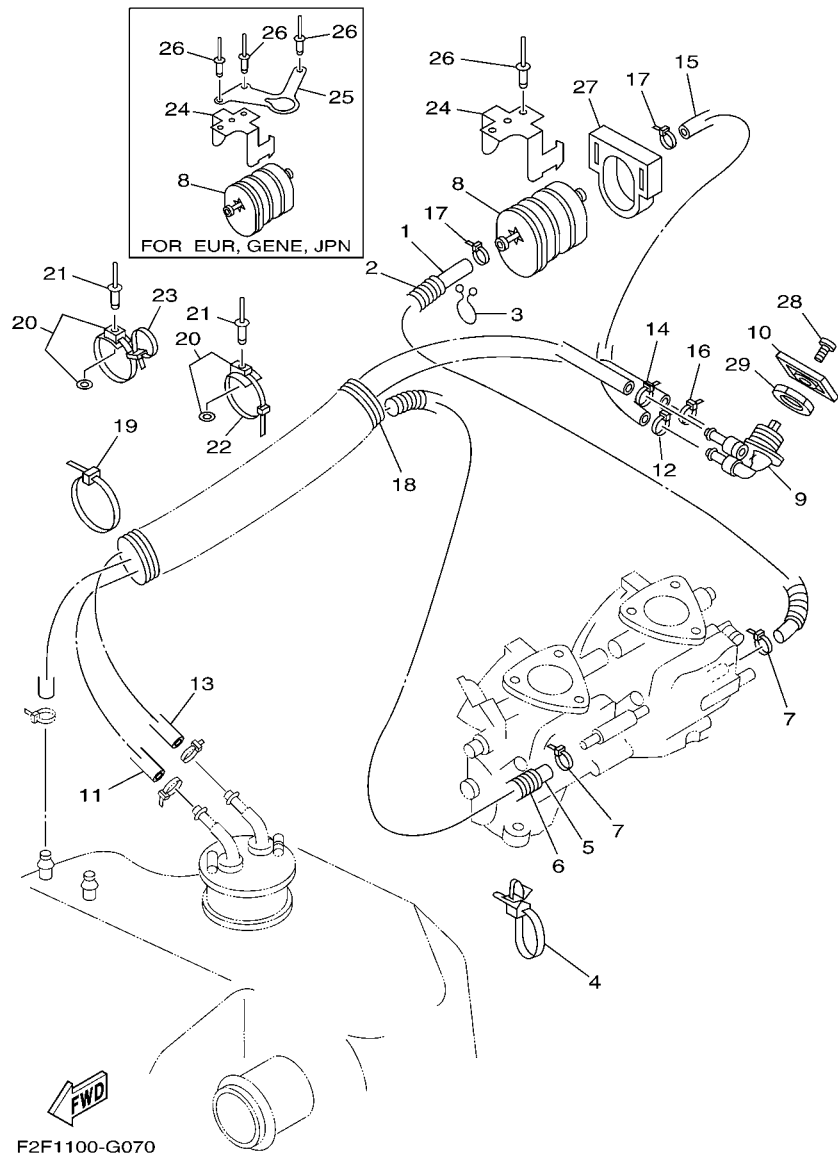


FIG. 7 FUEL

REF. NO.	PART NO.	DESCRIPTION	USA	EUR	GENE	JPN	REMARKS
1	90445-10ME8	HOSE (L230)	1	1	1	1	
2	90446-14M23	HOSE (L180)	1	1	1	1	
3	90464-08M07	CLAMP	1	1	1	1	
4	90465-12M56	CLAMP	1	1	1	1	
5	90445-10MF1	HOSE (L1220)	1	1	1	1	
6	90446-14M64	HOSE (L560)	1	1	1	1	
7	90465-11M10	CLAMP	2	2	2	2	
8	6K8-24560-10	FILTER ASSY	1	1	1	1	
9	6K8-24500-02	FUEL COCK ASSY 1	1	1	1	1	
10	6R7-24524-00	LEVER, COCK	1	1	1	1	
11	90445-10ME3	HOSE (L1010)	1	1	1	1	
12	90465-11M10	CLAMP	1	1	1	1	
13	90445-10M98	HOSE (L1010)	1	1	1	1	
14	90465-11M10	CLAMP	1	1	1	1	
15	90445-10ME4	HOSE (L140)	1	1	1	1	
16	90465-11M10	CLAMP	1	1	1	1	
17	90465-11M10	CLAMP	2	2	2	2	
18	GM6-6773E-00	TUBE,2	1	1	1	1	
19	90601-20006	BAND	1	1	1	1	
20	90600-91736	CLAMP COMP.	7	7	7	7	
21	90267-48925	RIVET, BLIND	7	7	7	7	
22	90601-20006	BAND	6	6	6	6	
23	90601-20016	BAND	2	2	2	2	
24	EU0-67816-30	BRACKET, FUEL FILTER	1	1	1	1	
25	F1N-65938-00	STAY 1		1	1	1	FOR EUR,GENE,JPN
26	90267-48925	RIVET, BLIND	2				FOR USA
	90267-48940	RIVET, BLIND		3	3	3	FOR EUR,GENE,JPN

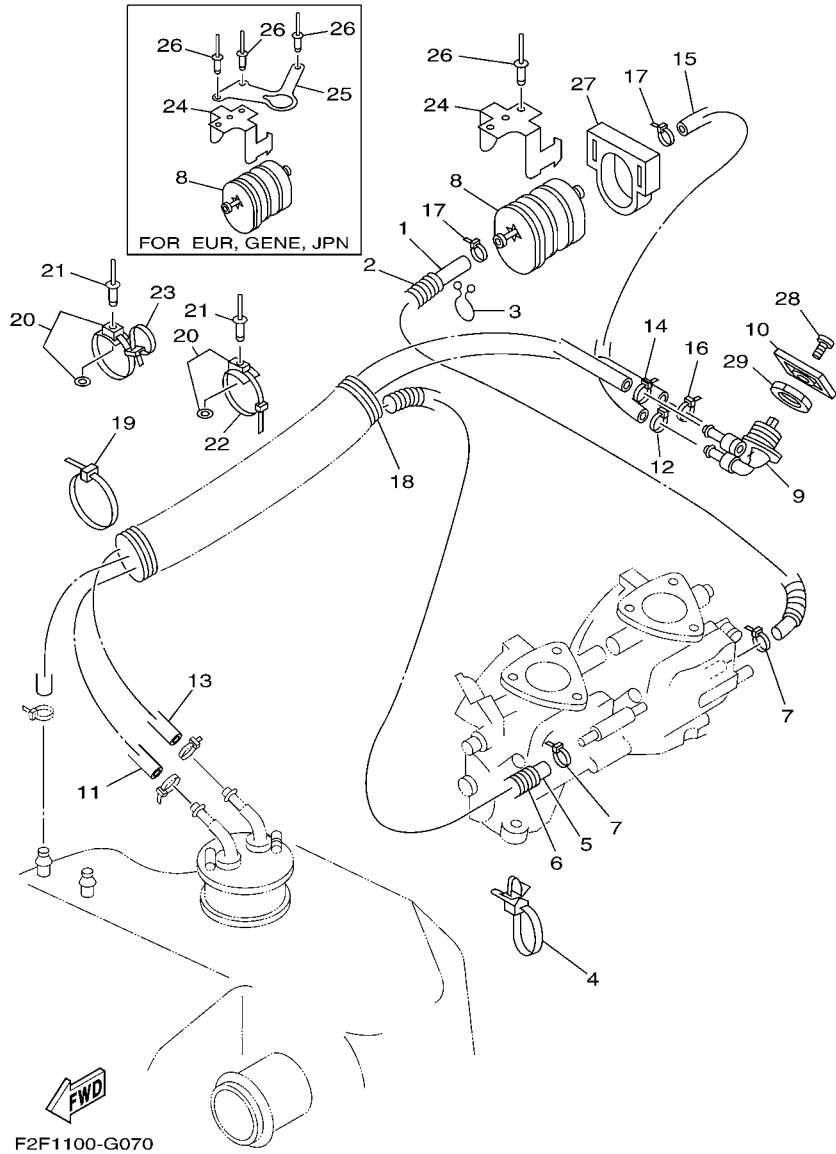


FIG. 7 FUEL

REF. NO.	PART NO.	DESCRIPTION	USA	EUR	GENE	JPN	REMARKS
27	EU0-67817-00	HOLDER	1	1	1	1	
28	98980-04008	SCREW, BIND	1	1	1	1	
29	90170-22187	NUT	1	1	1	1	

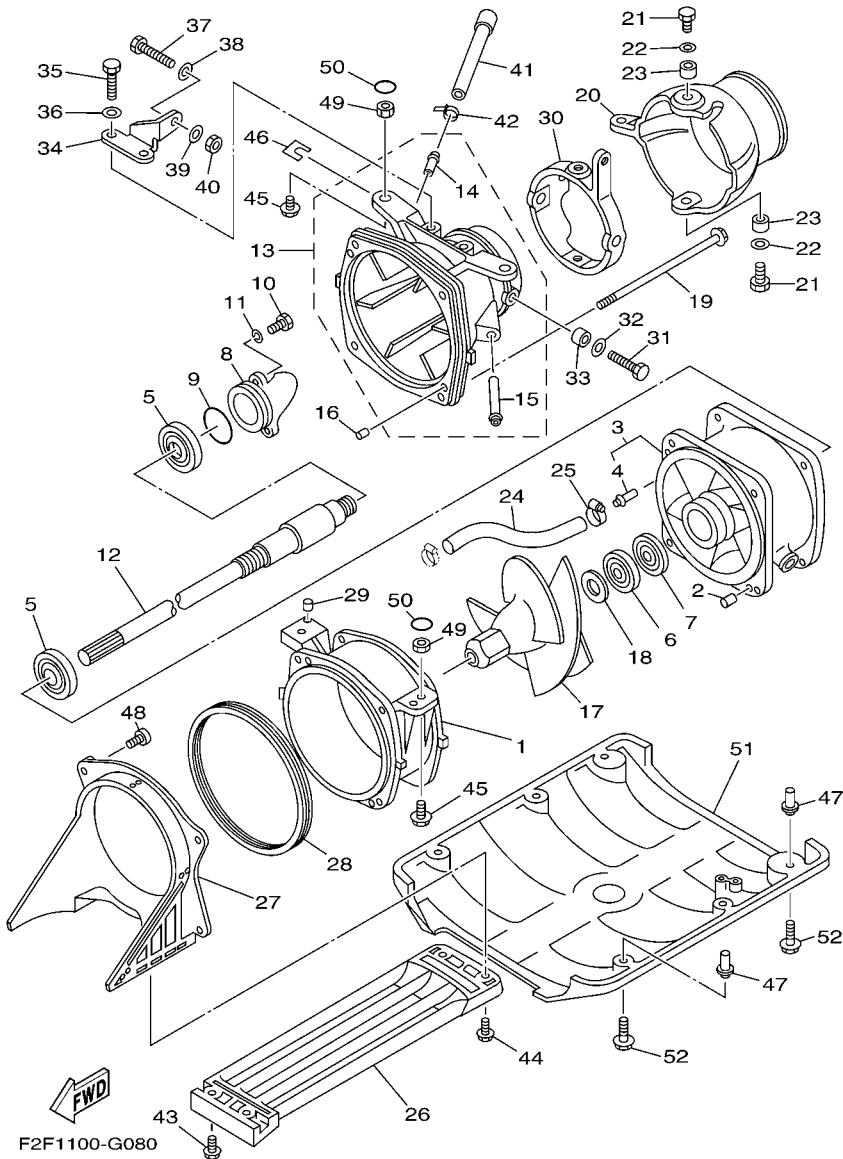
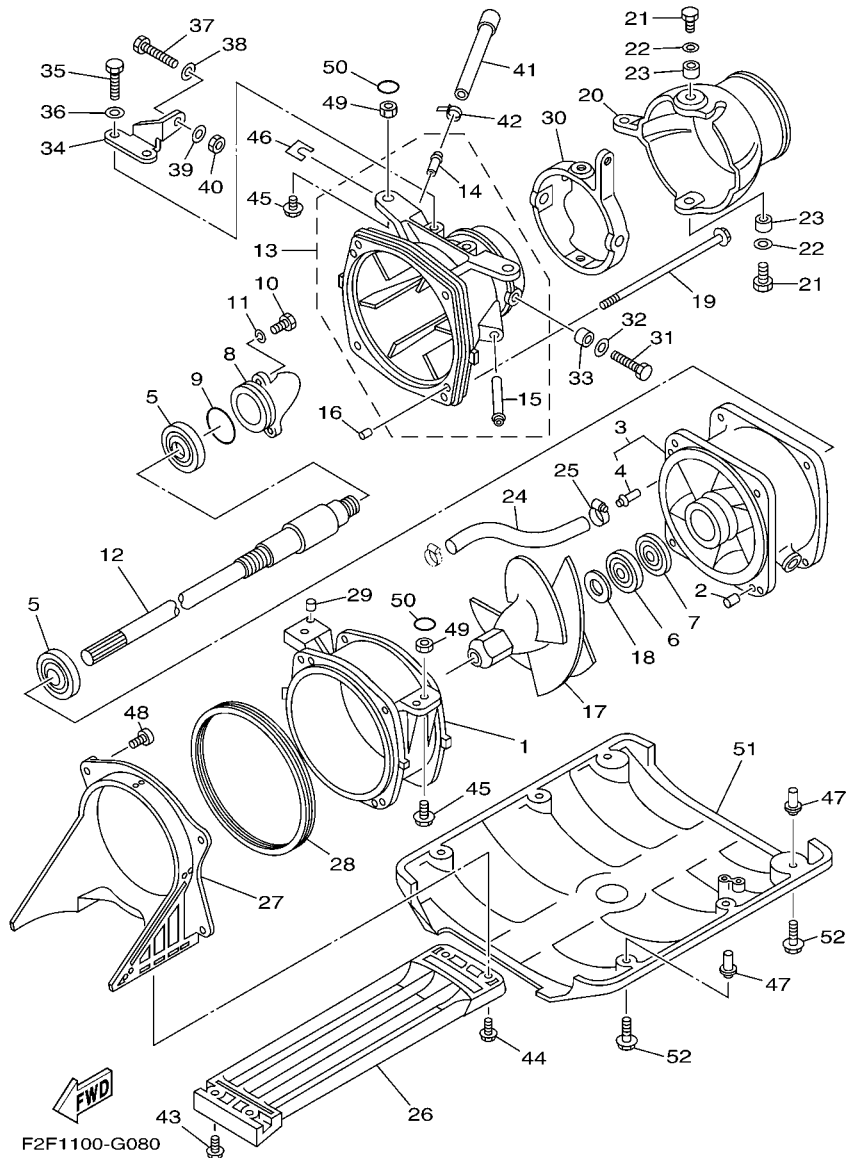


FIG. 8 JET UNIT 1

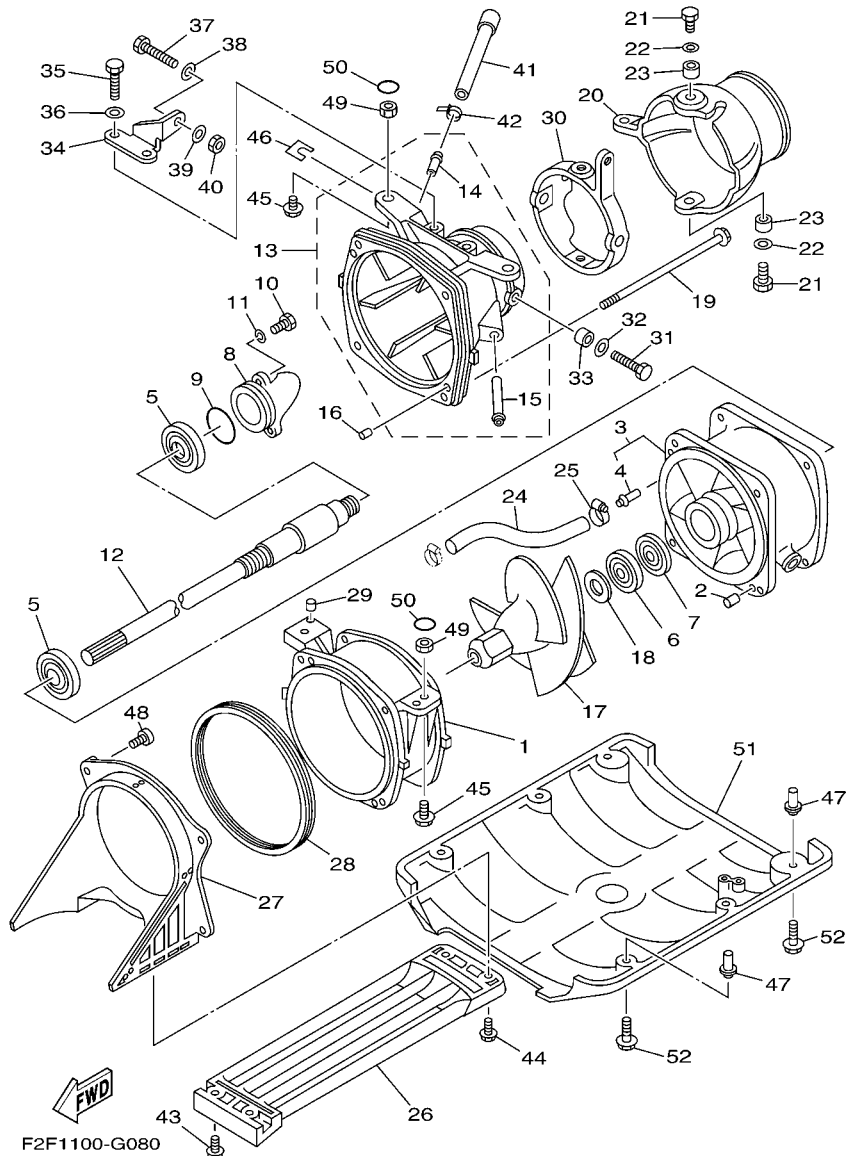
REF. NO.	PART NO.	DESCRIPTION	USA	EUR	GENE	JPN	REMARKS
1	6R7-51312-03-94	HOUSING, IMPELLER	1	1	1	1	
2	93606-12019	PIN, DOWEL	2	2	2	2	
3	62T-51315-01-94	DUCT, IMPELLER	1	1	1	1	
4	6K8-51129-00	.NIPPLE	1	1	1	1	
5	93306-205U0	BEARING	2	2	2	2	
6	93102-25M34	OIL SEAL	1	1	1	1	
7	93101-25M50	OIL SEAL	1	1	1	1	
8	62T-51326-00	CAP	1	1	1	1	
9	93210-46M16	O-RING	1	1	1	1	
10	97095-06020	BOLT	3	3	3	3	
11	92995-06600	WASHER	3	3	3	3	
12	6BA-45511-00	SHAFT, DRIVE	1	1	1	1	
13	64R-51318-01-94	NOZZLE	1	1	1	1	
14	6K8-51129-00	.NIPPLE	1	1	1	1	
15	62T-51129-00	.NIPPLE	1	1	1	1	
16	93606-12019	PIN, DOWEL	2	2	2	2	
17	6BA-51321-00	IMPELLER	1	1	1	1	
18	62T-51348-00	SPACER	1	1	1	1	
19	90119-06M70	BOLT, WITH WASHER	4	4	4	4	
20	6BA-51313-00	NOZZLE, DEFLECTOR	1	1	1	1	
21	97095-08020	BOLT	2	2	2	2	
22	92995-08600	WASHER	2	2	2	2	
23	90387-08M06	COLLAR	2	2	2	2	
24	90445-14M12	HOSE (L110)	1	1	1	1	
25	90450-14M05	HOSE CLAMP ASSY	1	1	1	1	
26	6R7-51333-00	SCREEN, INTAKE	1	1	1	1	
27	6R7-51311-00	DUCT, INTAKE	1	1	1	1	

FIG. 8 JET UNIT 1



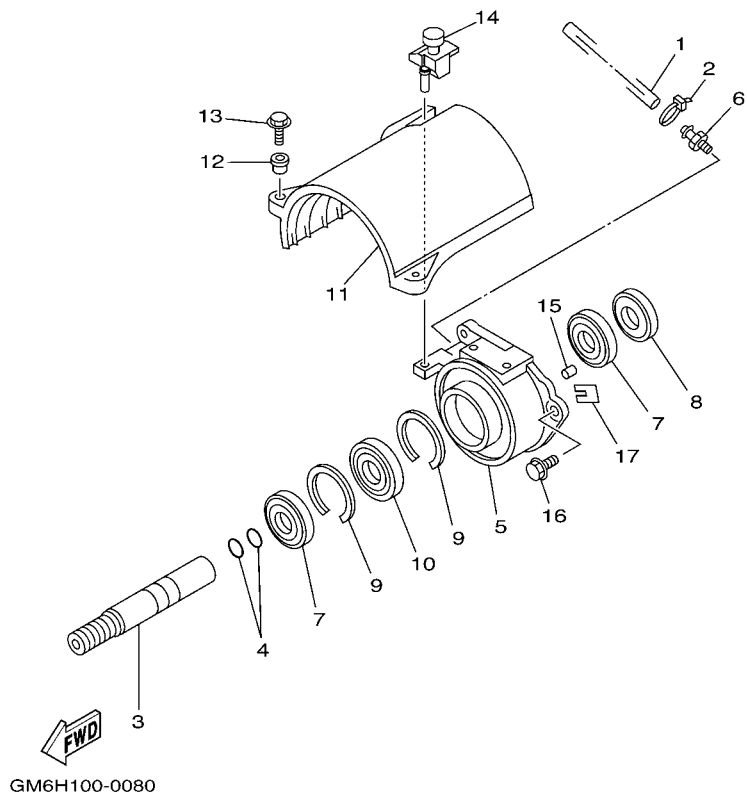
REF. NO.	PART NO.	DESCRIPTION	USA	EUR	GENE	JPN	REMARKS
28	6R7-51117-01	PACKING	1	1	1	1	
29	93606-07M17	PIN, DOWEL	2	2	2	2	
30	62T-51190-01-94	RING, TRIM	1	1	1	1	
31	97095-08018	BOLT	2	2	2	2	
32	92995-08600	WASHER	2	2	2	2	
33	90387-08M08	COLLAR	2	2	2	2	
34	6BA-51387-00	STAY	1	1	1	1	
35	97095-06014	BOLT	2	2	2	2	
36	92995-06600	WASHER	2	2	2	2	
37	97095-06020	BOLT	1	1	1	1	
38	92995-06600	WASHER	1	1	1	1	
39	90201-06M31	WASHER, PLATE	1	1	1	1	
40	95380-06700	NUT	1	1	1	1	
41	6BA-51673-00	PIPE 1	1	1	1	1	
42	90465-11M10	CLAMP	1	1	1	1	
43	90119-06915	BOLT, WITH WASHER	2	2	2	2	
44	90119-06908	BOLT, WITH WASHER	2	2	2	2	
45	90119-10948	BOLT, WITH WASHER	4	4	4	4	
46	EW2-67354-00-01	SHIM (T=0.1)	10	10	10	10	UR
	EW2-67354-00-03	SHIM (T=0.3)	10	10	10	10	UR
	EW2-67354-00-05	SHIM (T=0.5)	10	10	10	10	UR
	EW2-67354-00-10	SHIM (T=1.0)	10	10	10	10	UR
47	90179-08962	NUT	4	4	4	4	
48	97780-60120	SCREW, TAPPING	4	4	4	4	
49	90179-10925	NUT	4	4	4	4	
50	EW2-62723-30	SEAL	4	4	4	4	
51	F2F-6273B-00	PLATE 2	1	1	1	1	

FIG. 8 JET UNIT 1

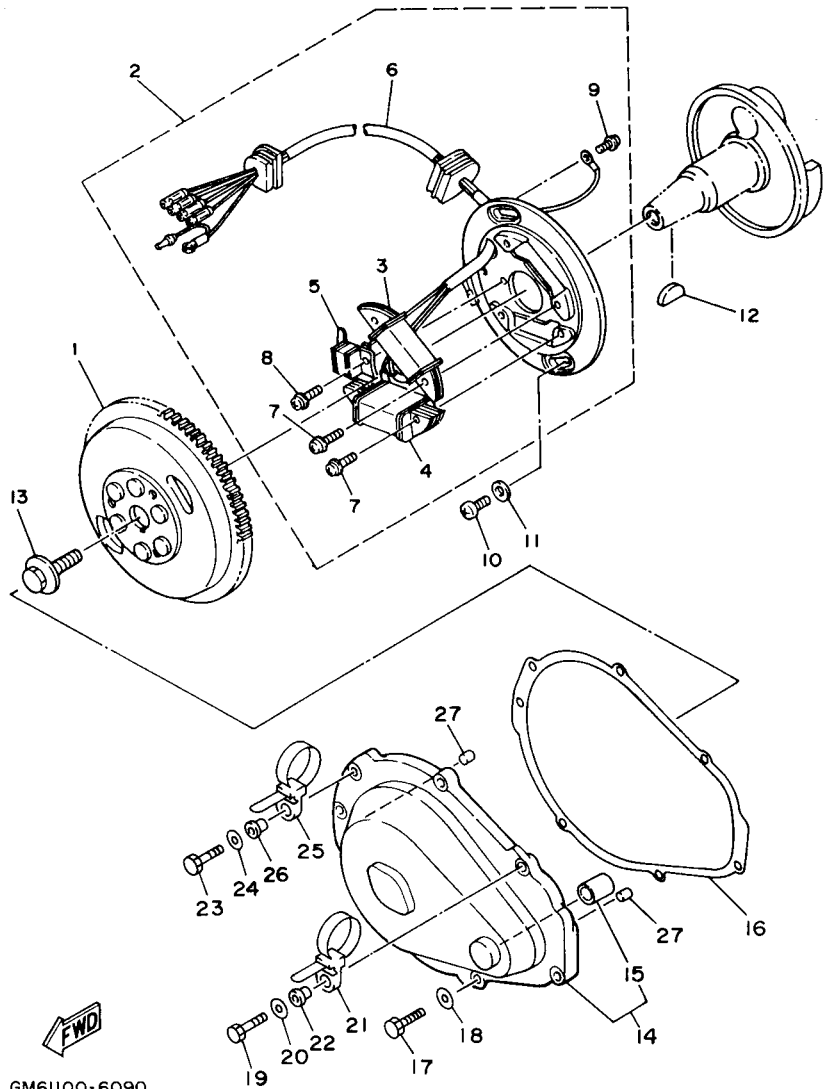


REF. NO.	PART NO.	DESCRIPTION	USA	EUR	GENE	JPN	REMARKS
52	90119-08943	BOLT, WITH WASHER	4	4	4	4	

FIG. 9 JET UNIT 2



REF. NO.	PART NO.	DESCRIPTION	USA	EUR	GENE	JPN	REMARKS
1	90445-09M17	HOSE (L320)	1	1	1	1	
2	90465-11M10	CLAMP	1	1	1	1	
3	6R7-51323-02	SHAFT, COUPLER	1	1	1	1	
4	93210-17MA4	O-RING	2	2	2	2	
5	61X-45332-03-94	HOUSING, BEARING	1	1	1	1	
6	61L-45378-00	NIPPLE, HOSE	1	1	1	1	
7	93101-25M55	OIL SEAL	2	2	2	2	
8	93101-25M56	OIL SEAL	1	1	1	1	
9	93430-47M04	CIRCLIP	2	2	2	2	
10	93306-205U6	BEARING	1	1	1	1	
11	61X-51381-00	COVER	1	1	1	1	
12	90387-06M60	COLLAR	2	2	2	2	
13	97595-06525	BOLT, WITH WASHER	2	2	2	2	
14	90480-06M69	GROMMET	1	1	1	1	
15	93606-12019	PIN, DOWEL	2	2	2	2	
16	90119-08907	BOLT, WITH WASHER	3	3	3	3	
17	GD0-67249-00-05	SHIM (T=0.5)	1	1	1	1	UR
	GD0-67249-00-10	SHIM (T=1.0)	1	1	1	1	UR



GM61100-6090

FIG. 10 GENERATOR

REF. NO.	PART NO.	DESCRIPTION	USA	EUR	GENE	JPN	REMARKS
1	62T-85550-00	ROTOR ASSY	1	1	1	1	
2	62T-85560-00	BASE ASSY	1	1	1	1	
3	62T-85520-01	.COIL, CHARGE	1	1	1	1	
4	62T-85533-00	.COIL, LIGHTING	1	1	1	1	
5	6M6-85580-00	.COIL, PULSER	1	1	1	1	
6	62T-85515-00	.LEAD WIRE ASSY	1	1	1	1	
7	97902-05125	.SCREW, WITH WASHER	4	4	4	4	
8	97902-04122	.SCREW, WITH WASHER	2	2	2	2	
9	97802-04008	.SCREW, PAN HEAD	1	1	1	1	
10	97880-06016	SCREW, PAN HEAD	2	2	2	2	
11	92990-06600	WASHER, PLATE	2	2	2	2	
12	90280-05013	KEY, WOODRUFF	1	1	1	1	
13	90109-10M44	BOLT	1	1	1	1	
14	6M6-81337-00-8S	COVER, FLYWHEEL	1	1	1	1	
15	90380-12M29	.BUSH, SOLID	1	1	1	1	
16	6M6-81365-A0	GASKET, HOLE COVER	1	1	1	1	
17	97095-06025	BOLT	5	5	5	5	
18	92995-06600	WASHER	5	5	5	5	
19	97095-06035	BOLT	1	1	1	1	
20	92995-06600	WASHER	1	1	1	1	
21	90465-12M53	CLAMP	1	1	1	1	
22	90387-06M05	COLLAR	1	1	1	1	
23	97095-06035	BOLT	1	1	1	1	
24	92995-06600	WASHER	1	1	1	1	
25	90465-12M53	CLAMP	1	1	1	1	
26	90387-06M05	COLLAR	1	1	1	1	
27	93606-12019	PIN, DOWEL	2	2	2	2	

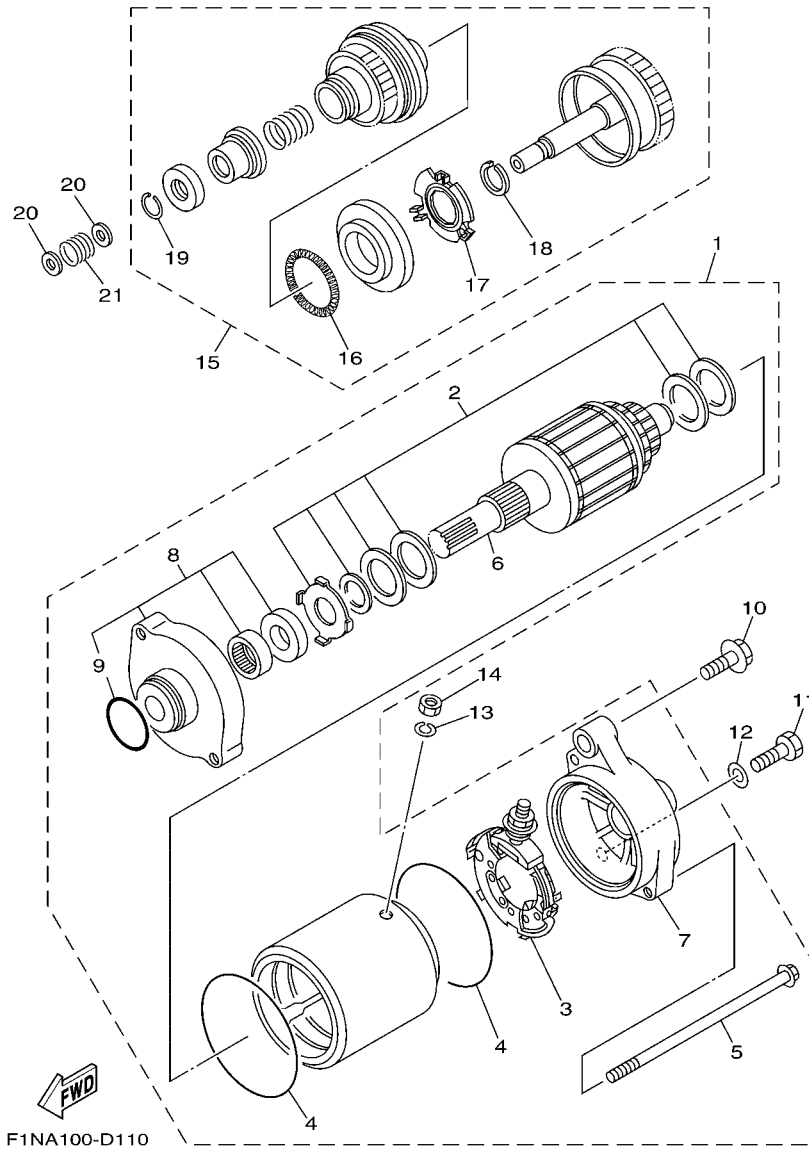


FIG. 11 STARTING MOTOR

REF. NO.	PART NO.	DESCRIPTION	USA	EUR	GENE	JPN	REMARKS
1	6M6-81800-10	STARTING MOTOR ASSY	1	1	1	1	
2	3AJ-81809-00	.WASHER KIT	1	1	1	1	
3	6M6-81840-10	.BRUSH HOLDER ASSY	1	1	1	1	
4	11H-81844-00	.GASKET	2	2	2	2	
5	6M6-81826-00	.BOLT	2	2	2	2	
6	6M6-81850-00	.ARMATURE ASSY	1	1	1	1	
7	6M6-81820-00	.REAR BRACKET ASSY	1	1	1	1	
8	6M6-81830-00	.FRONT BRACKET ASSY	1	1	1	1	
9	26H-81847-00	..O-RING	1	1	1	1	
10	97513-08540	BOLT, WITH WASHER	1	1	1	1	
11	97013-08035	BOLT	1	1	1	1	
12	92903-08600	WASHER, PLATE	1	1	1	1	
13	92990-06100	WASHER, SPRING	1	1	1	1	
14	95380-06700	NUT	1	1	1	1	
15	6M6-8183E-01	IDLE GEAR COMP.	1	1	1	1	
16	6M6-81866-00	.WEIGHT SPRING	1	1	1	1	
17	6M6-81865-00	.WEIGHT HOLDER	1	1	1	1	
18	93440-25M08	.CIRCLIP	1	1	1	1	
19	93450-18M06	.CIRCLIP	1	1	1	1	
20	92903-06600	WASHER, PLATE	2	2	2	2	
21	90501-14M73	SPRING, COMPRESSION	1	1	1	1	

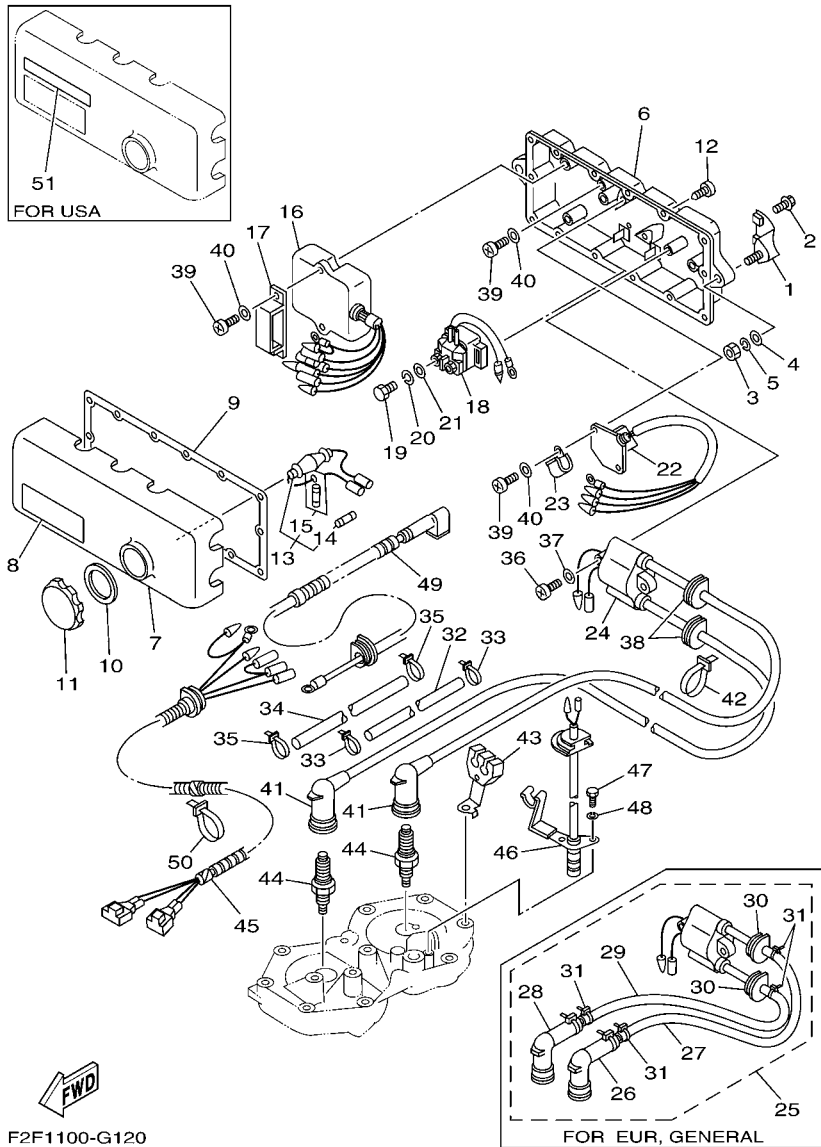


FIG. 12 ELECTRICAL 1

REF. NO.	PART NO.	DESCRIPTION	USA	EUR	GENE	JPN	REMARKS
1	EW2-68156-00	BRACKET, ELECTRIC BOX	2	2	2	2	
2	90119-06908	BOLT, WITH WASHER	4	4	4	4	
3	95380-08600	NUT	2	2	2	2	
4	92990-08200	WASHER, PLAIN	2	2	2	2	
5	92990-08100	WASHER, SPRING	2	2	2	2	
6	6M6-8552A-01-8P	HOUSING	1	1	1	1	
7	6M6-8552E-01	COVER, CASE	1	1	1	1	
8	6B6-83623-00	MARK 3	1	1	1	1	
9	6M6-81921-00	GASKET, TERMINAL	1	1	1	1	
10	6M6-81844-00	GASKET	1	1	1	1	
11	6M6-8132W-00	CAP	1	1	1	1	
12	97780-60525	SCREW, TAPPING	14	14	14	14	
13	6K8-82150-01	FUSE HOLDER ASSY	1	1	1	1	
14	6G1-82151-00	.FUSE (10A)	1	1	1	1	
15	6K8-82159-00	.FUSE SPEAR (10A)	1	1	1	1	
16	62T-85540-01	C.D.I. UNIT ASSY	1	1	1	1	
17	90464-06M29	CLAMP	1	1	1	1	
18	68N-81940-00	STARTER RELAY ASSY	1	1	1	1	
19	97095-06010	BOLT	2	2	2	2	
20	92995-06100	WASHER, SPRING	2	2	2	2	
21	92995-06600	WASHER	2	2	2	2	
22	6M6-81960-A0	RECTIFIER & REGULATOR ASSY	1	1	1	1	
23	90465-06M86	CLAMP	1	1	1	1	
24	62E-85570-00	IGNITION COIL ASSY	1			1	FOR USA, JPN
25	62E-85570-11	IGNITION COIL ASSY		1	1		FOR EUR, GENE
26	62E-82371-11	.CAP, PLUG		1	1		FOR EUR, GENE
27	62E-82351-01	.TUBE, CORD		1	1		FOR EUR, GENE

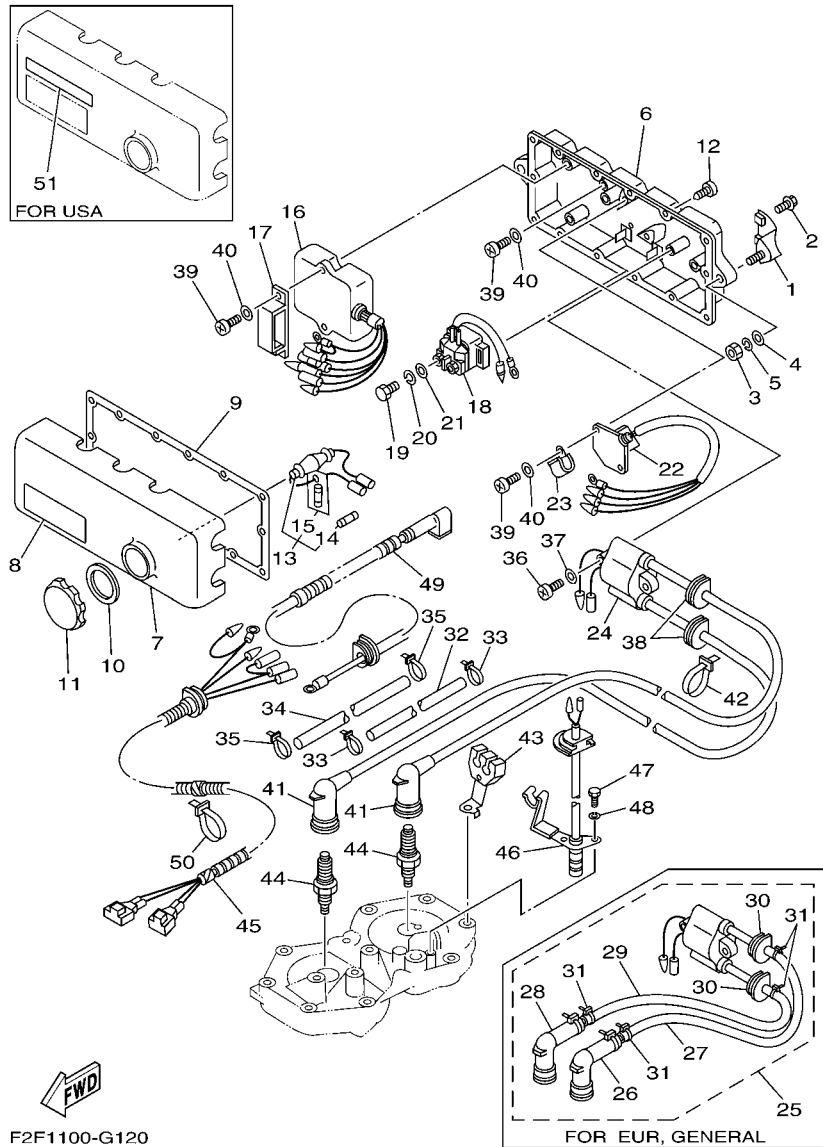
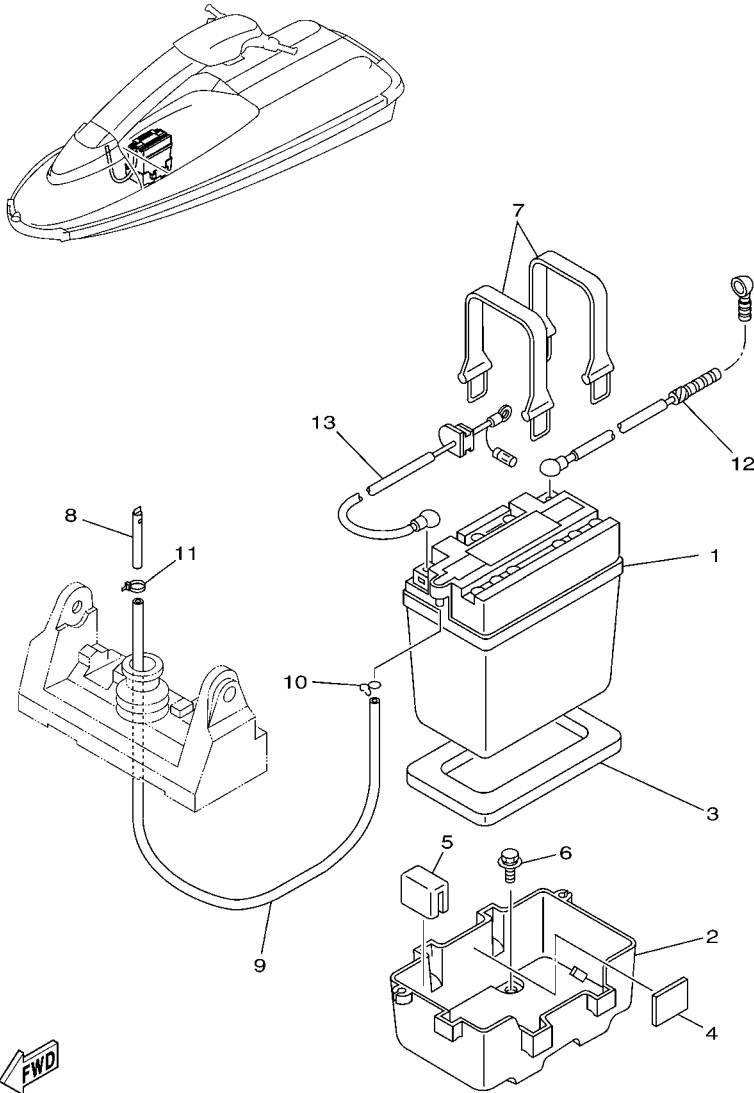


FIG. 12 ELECTRICAL 1

REF. NO.	PART NO.	DESCRIPTION	USA	EUR	GENE	JPN	REMARKS
28	62E-82371-11	.CAP, PLUG		1	1		FOR EUR,GENE
29	62E-82352-01	.TUBE, CORD 2		1	1		FOR EUR,GENE
30	90480-06M43	.GROMMET		2	2		FOR EUR,GENE
31	90465-11M10	.CLAMP		4	4		FOR EUR,GENE
32	6R7-82351-00	TUBE, CORD	1			1	FOR USA,JPN
33	90465-11M10	CLAMP	2			2	FOR USA,JPN
34	6R7-82352-00	TUBE, CORD 2	1			1	FOR USA,JPN
35	90465-11M10	CLAMP	2			2	FOR USA,JPN
36	97880-06030	SCREW, PAN HEAD	2	2	2	2	
37	92990-06600	WASHER, PLATE	2	2	2	2	
38	90480-06M43	GROMMET	2			2	FOR USA,JPN
39	97880-06016	SCREW, PAN HEAD	6	6	6	6	
40	92990-06600	WASHER, PLATE	6	6	6	6	
41	66T-82370-00	PLUG CAP ASSY	2			2	FOR USA,JPN
42	90465-11M10	CLAMP	2			2	FOR USA,JPN
43	6R7-82361-01	CLAMP, CORD	1	1	1	1	
44	94702-00040	PLUG, SPARK (NGK B7HS)	2				FOR USA
	94702-00272	PLUG, SPARK (NGK BR7HS)		2	2		FOR EUR,GENE
	94709-00040	PLUG, SPARK (NGK B7HS)				2	FOR JPN
45	6R7-82553-01	EXTENSION, WIRE LEAD	1	1	1	1	
46	6R7-82560-11	THERMO SWITCH ASSY	1	1	1	1	
47	97095-06016	BOLT	2	2	2	2	
48	92995-06100	WASHER, SPRING	2	2	2	2	
49	62E-82117-20	WIRE, LEAD	1	1	1	1	
50	90465-13M11	CLAMP	1	1	1	1	
51	60E-83627-00	LABEL, CAUTION 7	1				FOR USA

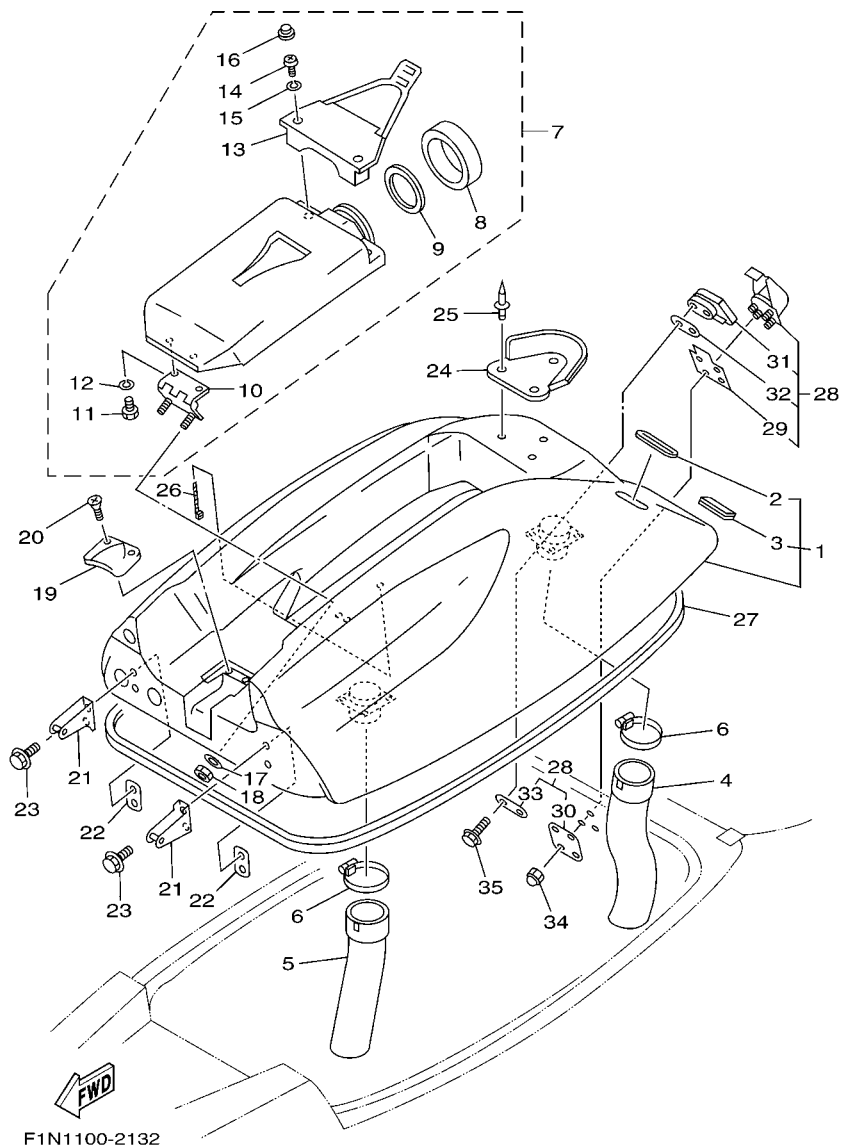


F1NA100-D130

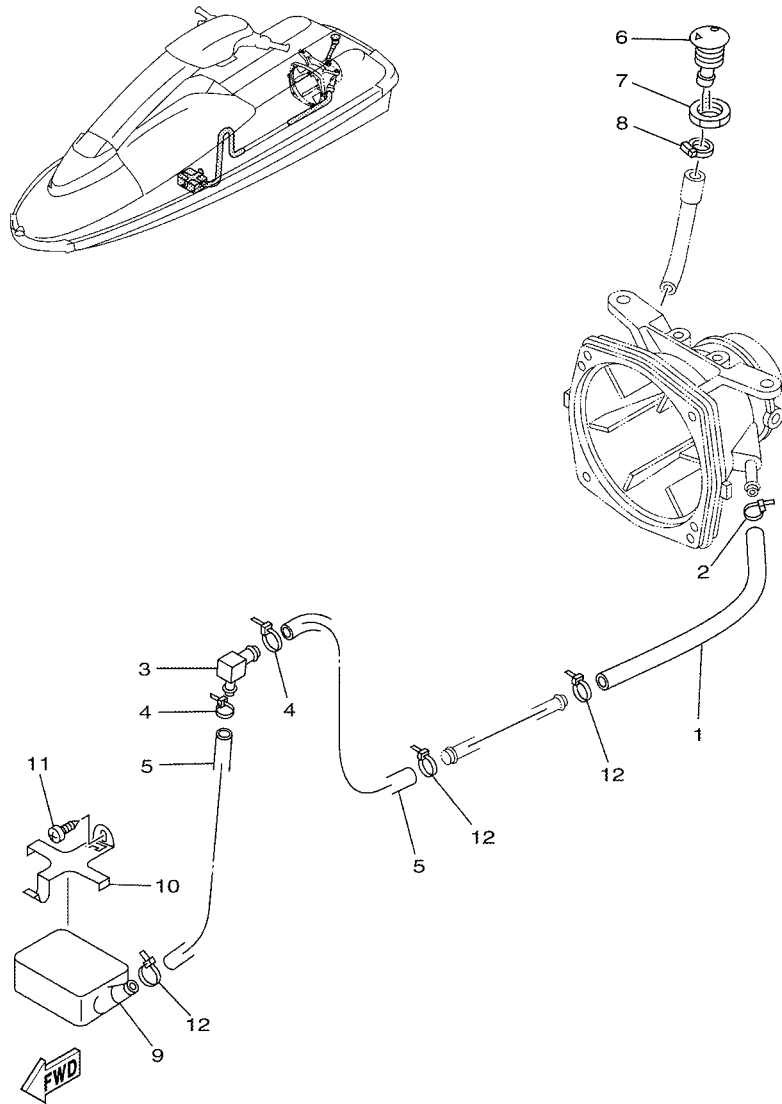
FIG. 13 ELECTRICAL 2

REF. NO.	PART NO.	DESCRIPTION	USA	EUR	GENE	JPN	REMARKS
1	EU0-82110-09	BATTERY ASSY (YB16CL-B)	1	1	1	1	YUASA
2	EW2-68211-00	CASE, BATTERY	1	1	1	1	
3	EU0-68221-00	PAD, BATTERY 1	1	1	1	1	
4	EU0-68221-30	PAD, BATTERY 2	3	3	3	3	
5	EW2-68221-00	PAD, BATTERY	1	1	1	1	
6	90119-06920	BOLT, WITH WASHER	4	4	4	4	
7	EU0-68218-04	BAND, BATTERY	2	2	2	2	
8	EW2-62149-00	PIPE, VENTILATION 1	1	1	1	1	
9	EU0-67856-40	HOSE, AIRVENT 3	1	1	1	1	
10	90467-08M10	CLIP	1	1	1	1	
11	90465-11M10	CLAMP	1	1	1	1	
12	64V-82117-00	WIRE, LEAD	1	1	1	1	
13	6R7-82117-11	WIRE, LEAD	1	1	1	1	

FIG. 14 ENGINE HATCH



REF. NO.	PART NO.	DESCRIPTION	USA	EUR	GENE	JPN	REMARKS
1	GM6-6516A-10-P1	ENGINE HATCH COMP.	1	1	1	1	DPBSM
2	FX1-65116-10	.TRIM,HATCH 2	2	2	2	2	
3	GM6-6516C-00	.TRIM 1	1	1	1	1	
4	GM6-6213F-00	HOSE,VENTILATOR 1	1	1	1	1	
5	EW2-62137-00	HOSE, VENTILATOR 2	1	1	1	1	
6	90601-16875	BAND, HOSE 68	2	2	2	2	
7	FX1-6591A-10	CASE,ASSY 1	1	1	1	1	
8	EW2-65912-00	.CAP, CASE	1	1	1	1	
9	EW2-65913-00	.PACKING, CASE	1	1	1	1	
10	FX1-6517D-00	.HINGE, LID	1	1	1	1	
11	97090-06014	.BOLT	2	2	2	2	
12	92990-06100	.WASHER, SPRING	2	2	2	2	
13	FX1-6591K-00	.BAND,CASE	1	1	1	1	
14	92580-06016	.SCREW	2	2	2	2	
15	92990-06100	.WASHER, SPRING	2	2	2	2	
16	FX1-6514F-00	.CAP	2	2	2	2	
17	92990-06200	WASHER, PLAIN	2	2	2	2	
18	95720-06300	NUT, SELF-LOCKING	2	2	2	2	
19	A00-62858-02	PLATE, HATCH (FL1)	1	1	1	1	
20	97780-50316	SCREW, TAPPING	2	2	2	2	
21	GM6-65136-00	STOPPER HATCH 2	2	2	2	2	
22	EW2-65137-00	PLATE, STOPPER HATCH 2	2	2	2	2	
23	90119-06900	BOLT, WITH WASHER	4	4	4	4	
24	FX1-6514B-00	DAMPER, POLE	1	1	1	1	
25	90267-48938	RIVET, BLIND	3	3	3	3	
26	90464-20258	CLAMP	2	2	2	2	
27	GM6-62664-01	PACKING	1	1	1	1	



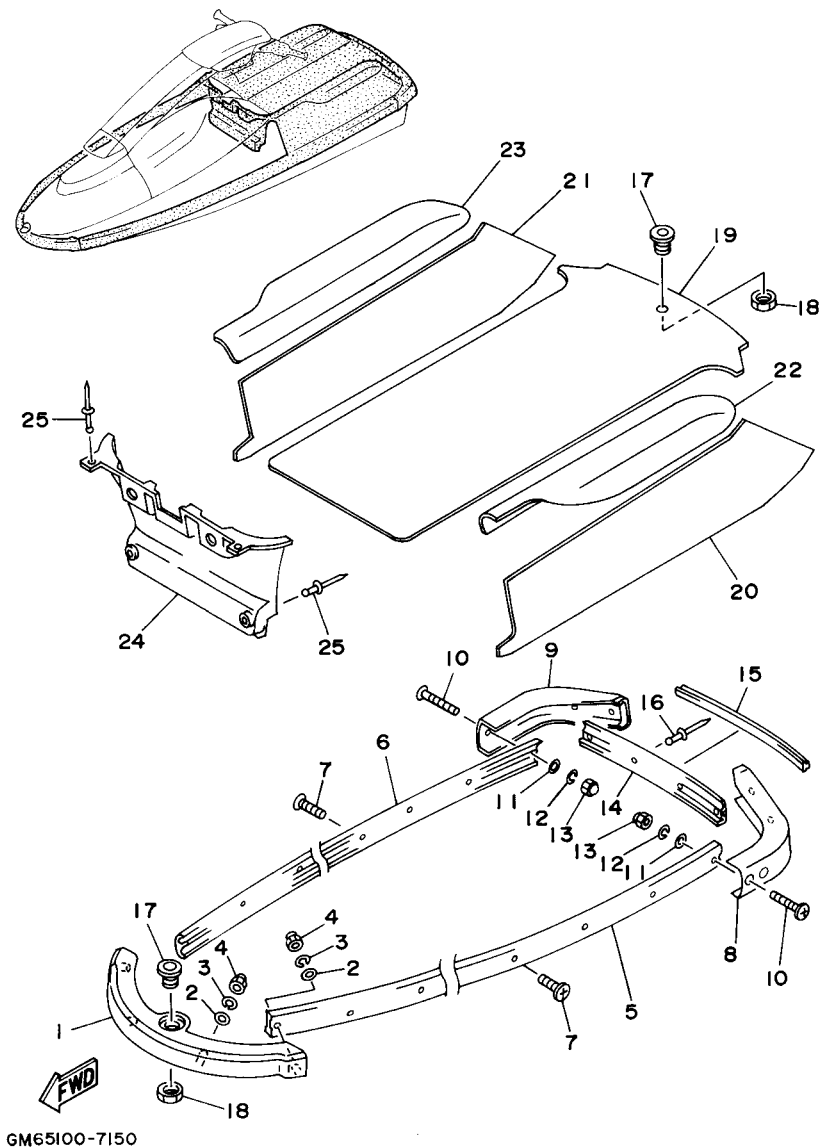
F2F1100-G150

FIG. 15 HULL & DECK

REF. NO.	PART NO.	DESCRIPTION	USA	EUR	GENE	JPN	REMARKS
1	90445-14M24	HOSE (L260)	1	1	1	1	
2	90465-11M10	CLAMP	1	1	1	1	
3	6K8-51162-00	JOINT, HOSE	1	1	1	1	
4	90465-13M11	CLAMP	2	2	2	2	
5	90445-14M04	HOSE (L450)	2	2	2	2	
6	FN8-6269B-00	SPOUT	1	1	1	1	
7	EU0-61652-00	NUT	1	1	1	1	
8	90600-91755	CLIP	1	1	1	1	
9	EU0-67613-00	STRAINER	1	1	1	1	
10	EW2-67618-00	BASE, STRAINER BLIGE	1	1	1	1	
11	97780-50114	SCREW, PAN HEAD TAPPING	1	1	1	1	
12	90465-13M11	CLAMP	3	3	3	3	

FIG. 16 GUNWALE & MAT

REF. NO.	PART NO.	DESCRIPTION	USA	EUR	GENE	JPN	REMARKS
1	GM6-62501-10	BOW GUNWALE COMP.	1	1	1	1	BLACK
2	92990-06200	WASHER, PLAIN	4	4	4	4	
3	92990-06100	WASHER, SPRING	4	4	4	4	
4	95380-06800	NUT	4	4	4	4	
5	GM6-62552-10	GUNWALE, SIDE 1	1	1	1	1	BLACK
6	GM6-62553-10	GUNWALE, SIDE 2	1	1	1	1	BLACK
7	90149-05962	SCREW	22	22	22	22	
8	GM6-6251D-10	GUNWALE, STERN 1	1	1	1	1	YAMAHA BLACK
9	GM6-6251E-10	GUNWALE, STERN 2	1	1	1	1	YAMAHA BLACK
10	90149-05960	SCREW	8	8	8	8	
11	92990-05200	WASHER, PLAIN	8	8	8	8	
12	92990-05100	WASHER, SPRING	8	8	8	8	
13	90179-05964	NUT	8	8	8	8	
14	GM6-6252C-10	COVER, GUNWALE 1	1	1	1	1	BLACK
15	GM6-6252D-10	COVER, GUNWALE 2	1	1	1	1	BLACK
16	90267-48932	RIVET, BLIND	4	4	4	4	
17	FN8-61651-01	ROPE HOLE	2	2	2	2	
18	EU0-61652-00	NUT	2	2	2	2	
19	F2F-6351B-00	MAT, LOWER	1	1	1	1	BLACK
20	GM6-6351C-00	MAT, SIDE 1	1	1	1	1	BLACK
21	GM6-6351D-00	MAT, SIDE 2	1	1	1	1	BLACK
22	GM6-6521C-10	PAD 1	1	1	1	1	BLACK
23	GM6-6521D-10	PAD 2	1	1	1	1	BLACK
24	GM6-6351E-10	MAT, BOW	1	1	1	1	YAMAHA BLACK
25	90267-48963	RIVET, BLIND	4	4	4	4	



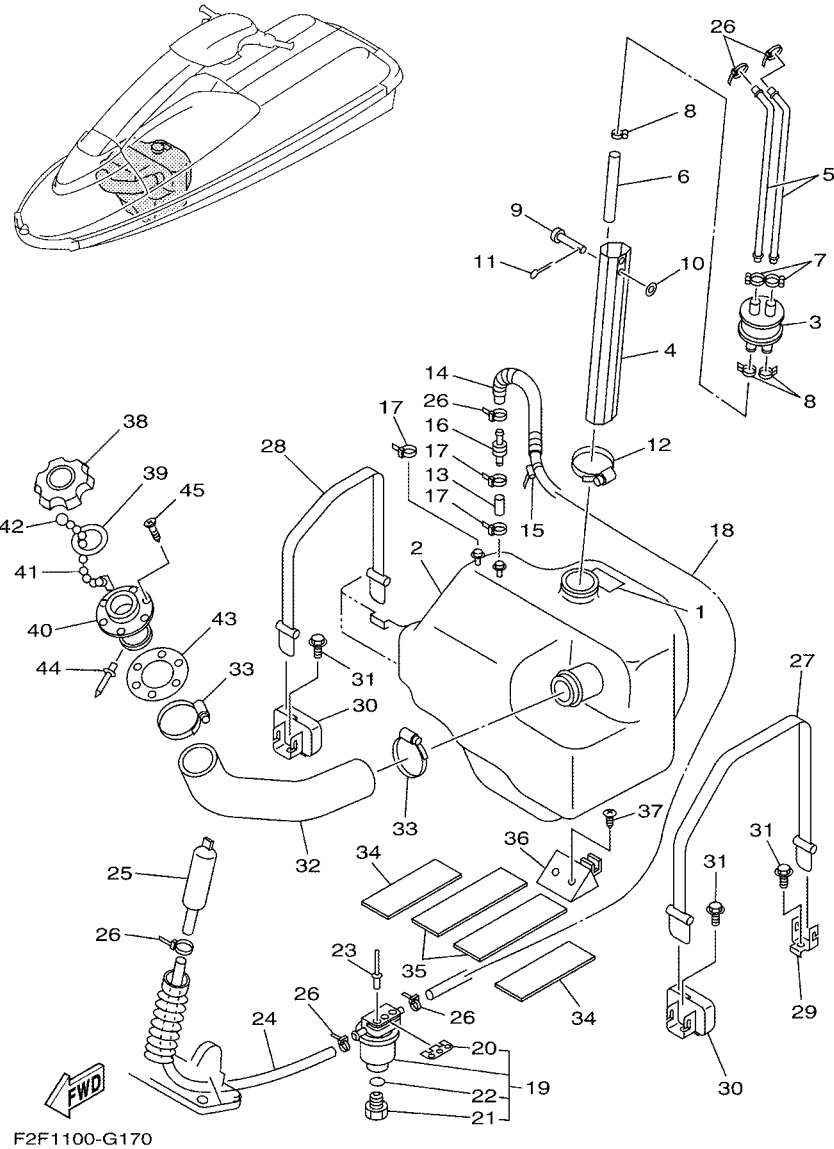


FIG. 17 FUEL TANK

REF. NO.	PART NO.	DESCRIPTION	USA	EUR	GENE	JPN	REMARKS
1	GM6-6418D-00	LABEL,FUEL TANK	1	1	1		FOR USA.EUR.GENE
2	EW2-67711-01	TANK, FUEL	1	1	1	1	
3	FJ0-67713-00	PIPE, JOINT	1	1	1	1	
4	EW2-67716-02	PIPE, FILLER	1	1	1	1	
5	EW2-67714-02	PIPE, SUCTION 3	2	2	2	2	
6	90445-11055	HOSE (L95)	1	1	1	1	
7	90601-11062	BAND, HOSE 11	2	2	2	2	
8	90467-11032	CLIP	3	3	3	3	
9	91790-05040	PIN, CLEVIS	1	1	1	1	
10	92990-05600	WASHER, PLATE	1	1	1	1	
11	91490-16010	PIN, COTTER	1	1	1	1	
12	90601-16274	BAND, HOSE 62	1	1	1	1	
13	90699-50003	HOSE	1	1	1	1	
14	90446-14M30	TUBE (L120)	1	1	1	1	
15	90465-13M11	CLAMP	1	1	1	1	
16	EU0-67767-31	CHECK VALVE	1	1	1	1	
17	90465-11M10	CLAMP	3	3	3	3	
18	90699-50120	HOSE	1	1	1	1	
19	EW2-62140-00	FILTER, VENT ASSY	1	1	1	1	
20	EW2-62142-00	.PLATE, FILTER	1	1	1	1	
21	70R-24543-00	.PLUG, DRAIN	1	1	1	1	
22	70R-24489-00	.O-RING	1	1	1	1	
23	90267-48925	RIVET, BLIND	2	2	2	2	
24	90699-50045	HOSE	1	1	1	1	
25	EW2-62150-00	PIPE,VENTILATION 3	1	1	1	1	
26	90465-11M10	CLAMP	6	6	6	6	
27	EW2-67821-00	BAND, FUEL TANK	1	1	1	1	

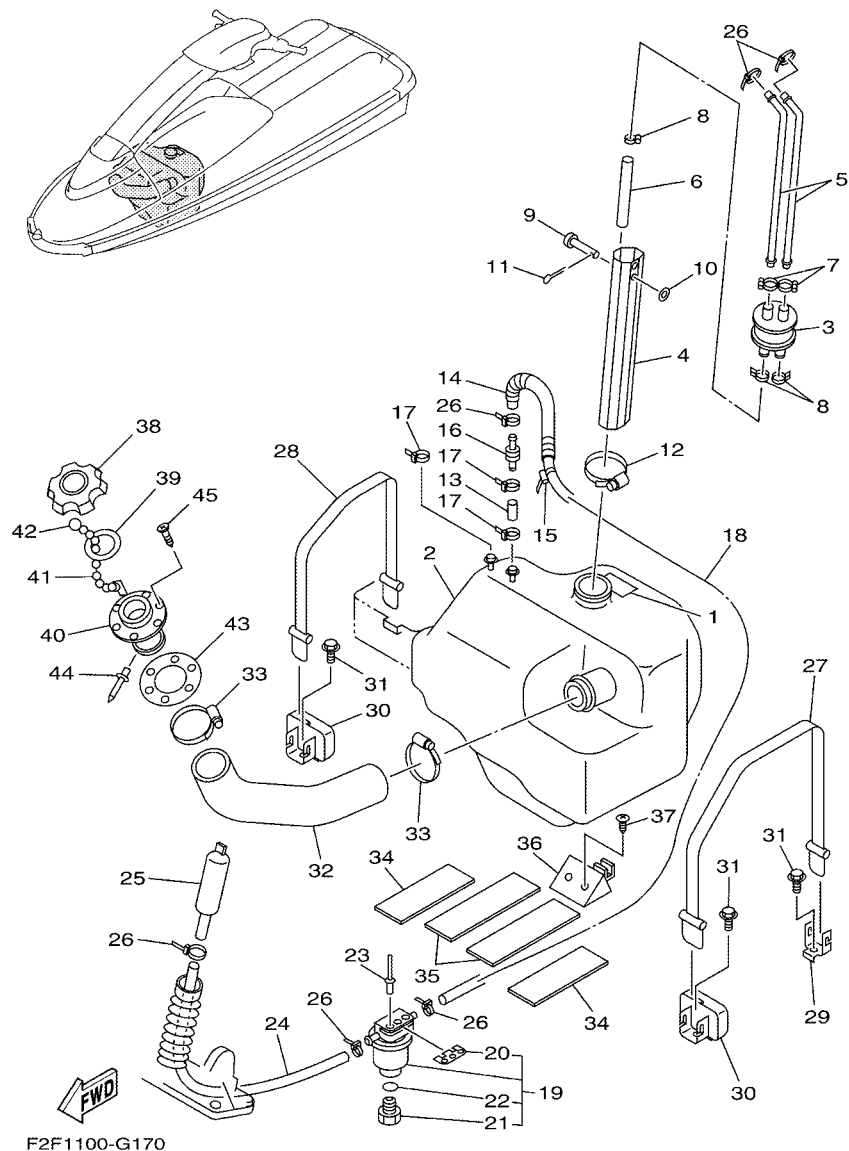


FIG. 17 FUEL TANK

REF. NO.	PART NO.	DESCRIPTION	USA	EUR	GENE	JPN	REMARKS
28	EW2-67821-30	BAND, FUEL TANK	1	1	1	1	
29	EW2-65772-00	HOOK A	1	1	1	1	
30	FX1-65760-00	HOOK B ASSY	2	2	2	2	
31	90105-06900	BOLT, FLANGE	3	3	3	3	
32	GM6-67844-11	HOSE	1	1	1	1	
33	90601-15573	BAND, HOSE 55	2	2	2	2	
34	GM6-67593-00	MAT	2	2	2	2	
35	F2F-6759B-00	MAT 1	2	2	2	2	
36	EW2-67822-01	DAMPER FUEL TANK	1	1	1	1	
37	97780-50114	SCREW, PAN HEAD TAPPING	2	2	2	2	
38	FN8-67831-01	CAP, FUEL FILLER	1	1	1	1	YAMAHA BLACK
39	EU0-67832-00	PACKING 1	1	1	1	1	
40	FN8-67833-00	SOCKET	1	1	1	1	
41	EU0-67835-00	CHAIN BALL	1	1	1	1	
42	EU0-67839-00	COUPLING	1	1	1	1	
43	EU0-67834-00	PACKING, FUEL FILLER	1	1	1	1	
44	90267-40935	RIVET, BLIND	1	1	1	1	
45	EU0-67869-00	SCREW, FLAT HEAD	6	6	6	6	

FIG. 18 EXHAUST 2

REF. NO.	PART NO.	DESCRIPTION	USA	EUR	GENE	JPN	REMARKS
1	F2F-67550-00	WATER LOCK COMP.	1	1	1	1	
2	GM6-6755J-00	MAT,WATER LOCK	1	1	1	1	
3	EU0-68218-04	BAND, BATTERY	2	2	2	2	
4	FX1-65760-00	HOOK B ASSY	2	2	2	2	
5	EW2-65772-00	HOOK A	2	2	2	2	
6	90105-06900	BOLT, FLANGE	4	4	4	4	
7	GM6-67555-00	HOSE	1	1	1	1	
8	GM6-63844-00	MAT	1	1	1	1	
9	90601-16875	BAND, HOSE 68	2	2	2	2	
10	90601-16875	BAND, HOSE 68	1	1	1	1	
11	GH7-6753B-00	PILOT,WATER	1	1	1	1	
12	GP7-61652-00	NUT	1	1	1	1	
13	92990-14200	WASHER, PLAIN	1	1	1	1	
14	90465-11M10	CLAMP	1	1	1	1	
15	GM6-67565-00	THRU-HULL,EXHAUST	1	1	1	1	
16	90267-48930	RIVET, SEALD	3	3	3	3	

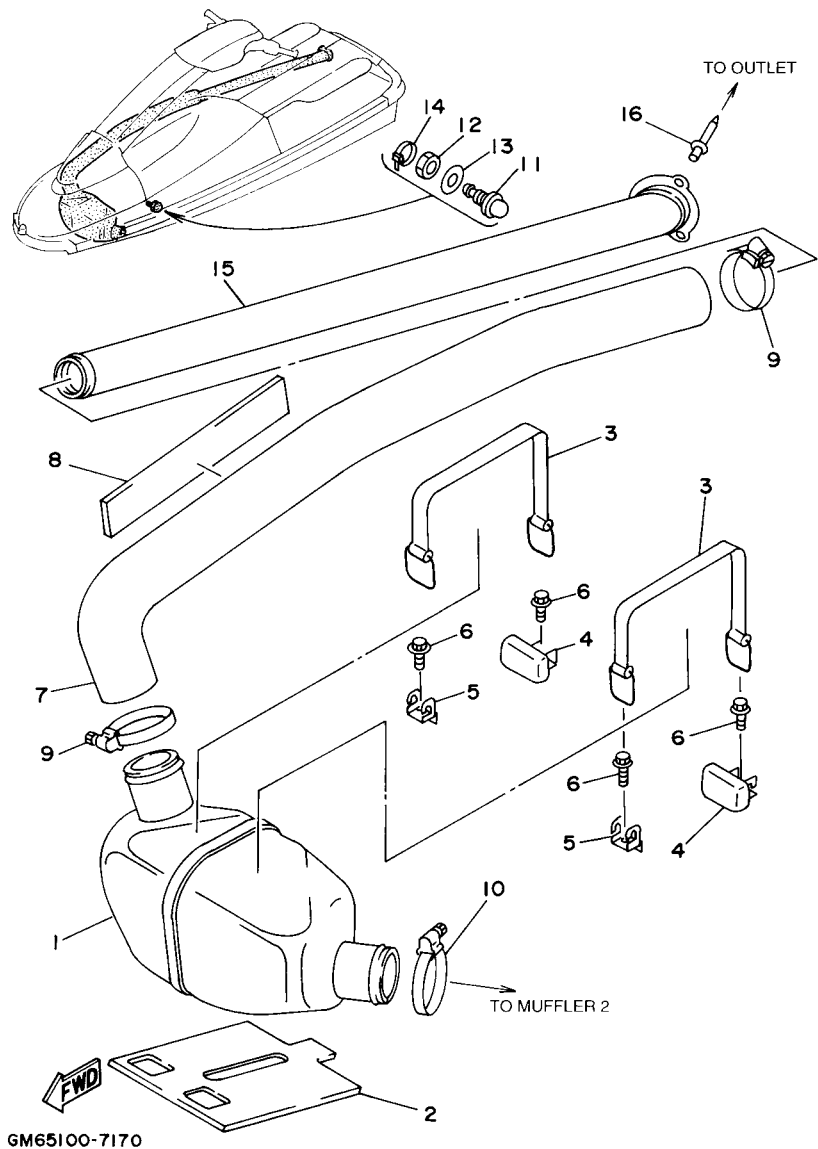
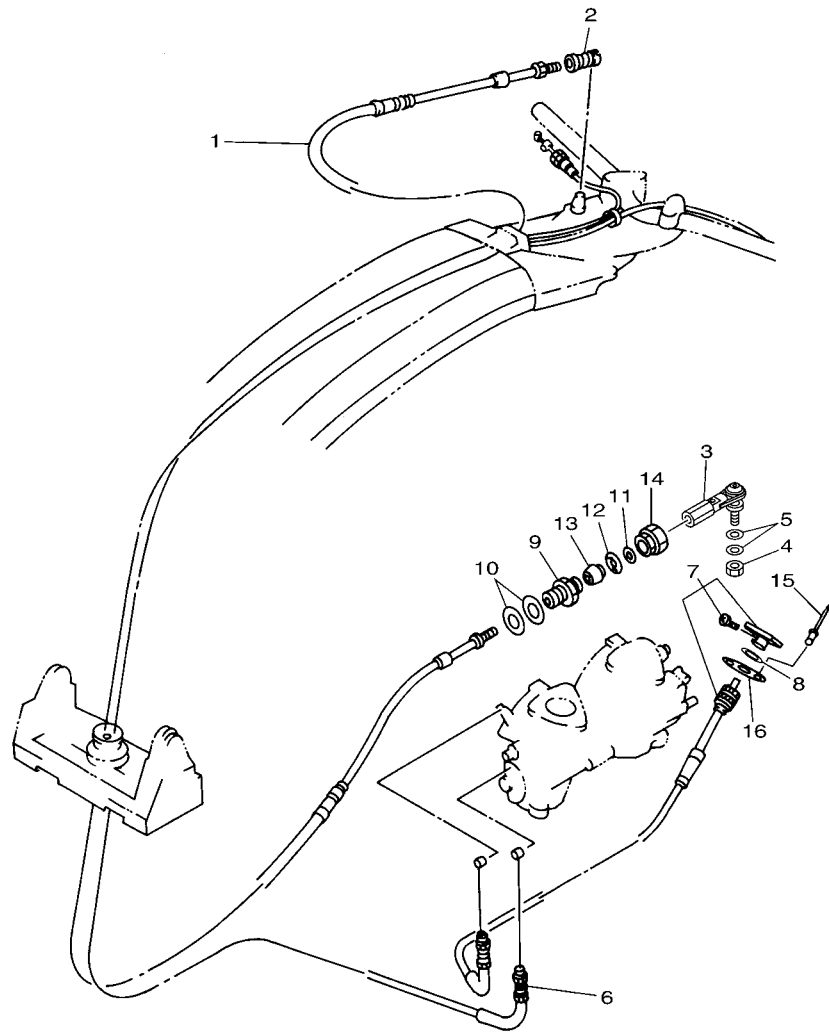


FIG. 19 CONTROL CABLE

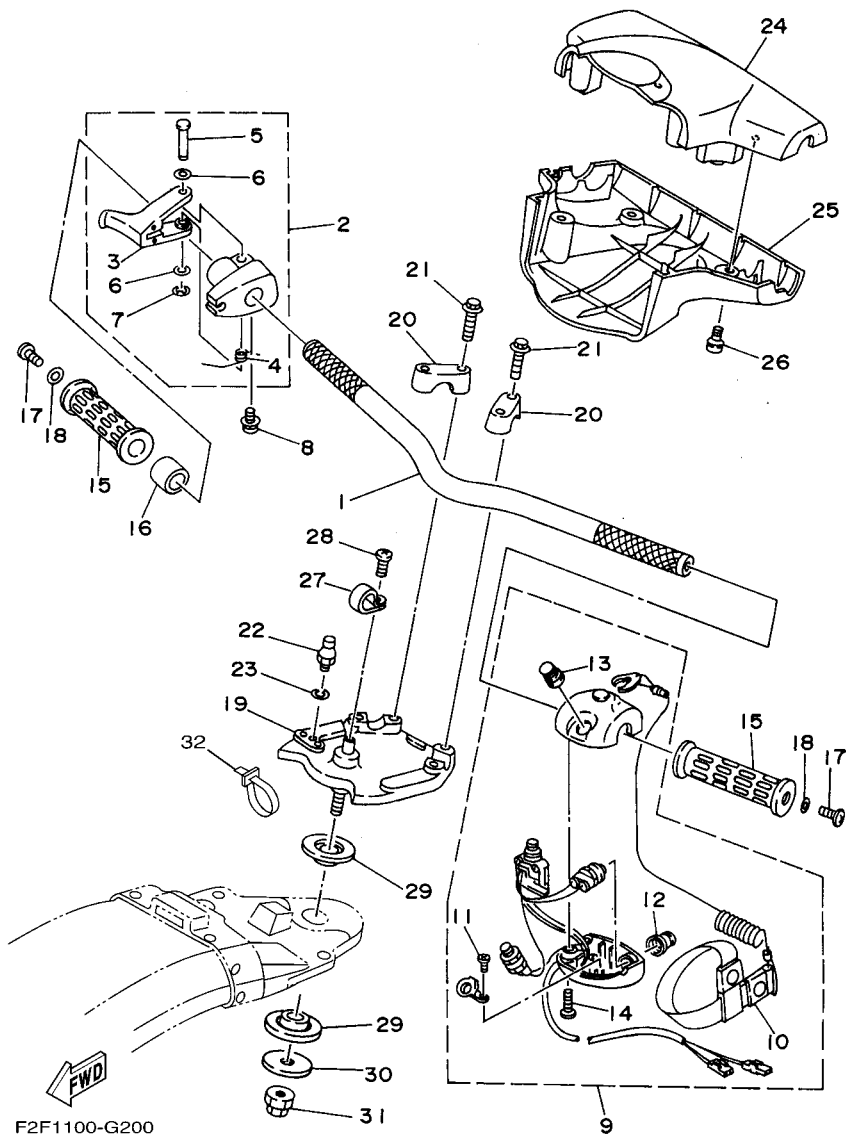


REF. NO.	PART NO.	DESCRIPTION	USA	EUR	GENE	JPN	REMARKS
1	F2F-61481-00	CABLE, STEERING	1	1	1	1	
2	EU0-61461-30	SHAFT, JOINT BALL	1	1	1	1	
3	F2F-61461-00	STUD, JOINT BALL	1	1	1	1	
4	95380-06700	NUT	1	1	1	1	
5	90201-06906	WASHER, PLATE	2	2	2	2	
6	GM6-67252-00	CABLE, THROTTLE	1	1	1	1	
7	GM6-67242-00	CABLE, CHOKE	1	1	1	1	
8	90201-11008	WASHER, PLATE	1	1	1	1	
9	EU0-61436-00	BODY,CABLE CONNECTOR	1	1	1	1	
10	EU0-61438-00	PACKING (C)	2	2	2	2	
11	EU0-61446-00	WASHER 30	1	1	1	1	
12	EU0-61486-00	STOPPER	1	1	1	1	
13	EU0-61435-00	SEAL, PIPE 30	1	1	1	1	
14	EU0-62694-00	CAP	1	1	1	1	
15	90267-40945	RIVET, BLIND	2	2	2	2	
16	90209-12920	WASHER	1	1	1	1	


F2F1100-G190

FIG. 20 STEERING 1

REF. NO.	PART NO.	DESCRIPTION	USA	EUR	GENE	JPN	REMARKS
1	F2F-61552-00	HANDLE	1	1	1	1	
2	EW2-67250-02	THROTTLE LEVER ASSY	1	1	1	1	
3	EW2-67255-00	.LEVER, THROTTLE	1	1	1	1	
4	EW2-67256-00	.SPRING	1	1	1	1	
5	EW2-67257-01	.SHAFT	1	1	1	1	
6	EW2-67258-01	.WASHER	2	2	2	2	
7	EW2-67259-01	.E-RING	1	1	1	1	
8	90159-05900	SCREW, WITH WASHER	1	1	1	1	
9	EW2-68310-04	SWITCH BOX ASSY	1	1	1	1	
10	EW2-68348-00	.LANYARD, STOP SWITCH	1	1	1	1	
11	97880-03008	.SCREW, PAN HEAD	2	2	2	2	
12	FK7-68312-02	.STOP BUTTON COMP	1	1	1	1	
13	FK7-68313-02	.START BUTTON COMP.	1	1	1	1	
14	97880-05025	.SCREW, PAN HEAD	1	1	1	1	
15	EW2-61553-00	GRIP, HANDLE 1	2	2	2	2	
16	90560-22281	SPACER	1	1	1	1	
17	90149-05959	SCREW	2	2	2	2	
18	90201-05928	WASHER, PLATE	2	2	2	2	
19	F2F-61541-00	COLUMN, STEERING	1	1	1	1	
20	EU0-23814-01	HOLDER, HANDLE LOWER	2	2	2	2	
21	90105-08902	BOLT, FLANGE	4	4	4	4	
22	EU0-61461-02	STUD, JOINT BALL	1	1	1	1	
23	92990-06100	WASHER, SPRING	1	1	1	1	
24	FX1-6143D-20	PAD, STEERING 1	1	1	1	1	YAMAHA BLACK
25	FX1-6143E-20	PAD, STEERING 2	1	1	1	1	YAMAHA BLACK
26	90149-05937	SCREW	4	4	4	4	
27	90600-91728	CLIP, NYLON 17	1	1	1	1	



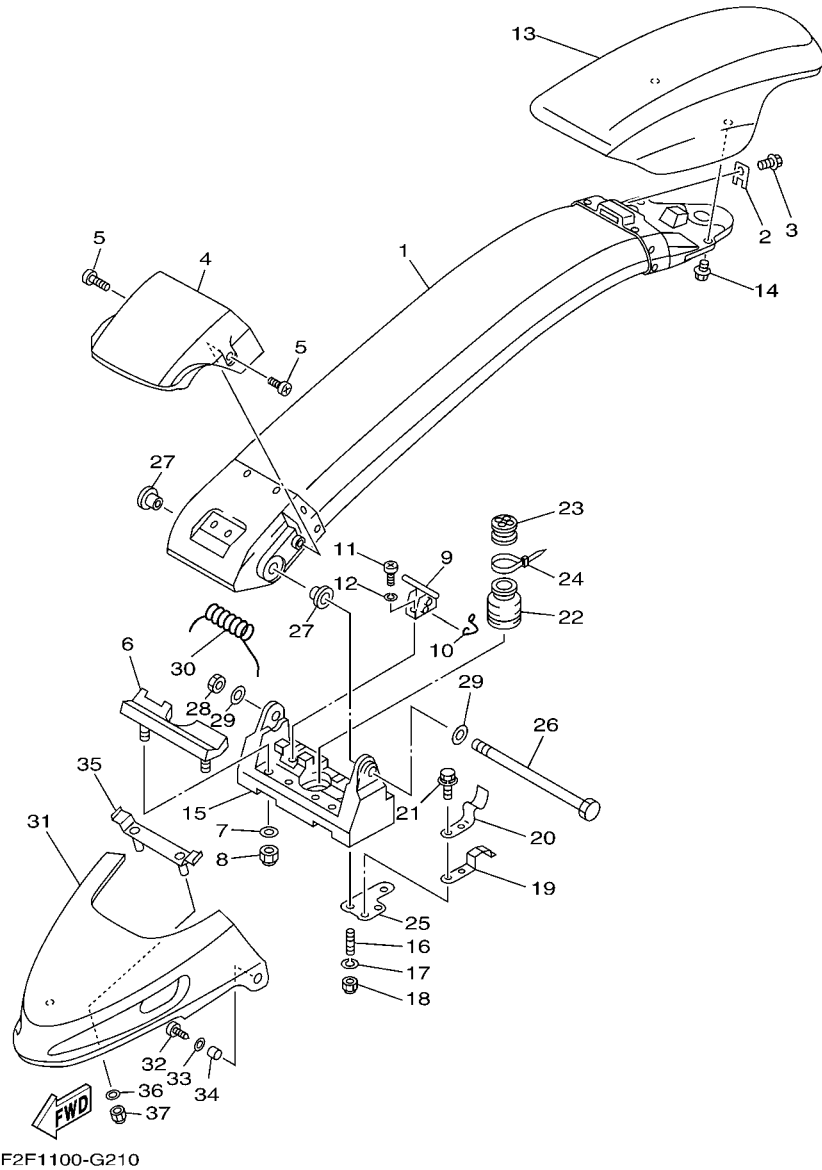
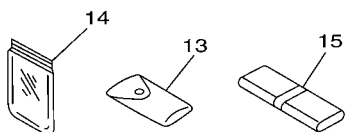
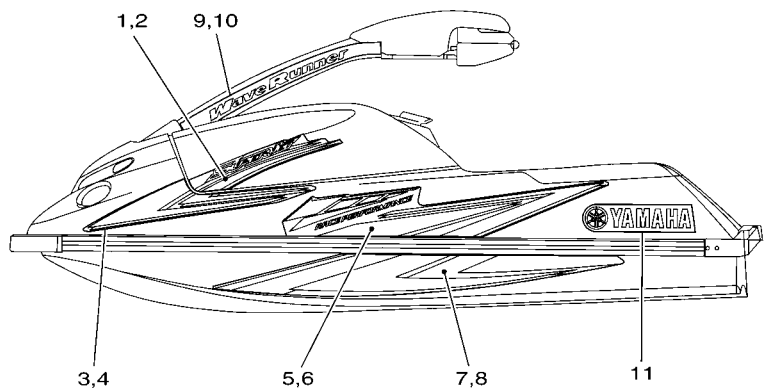
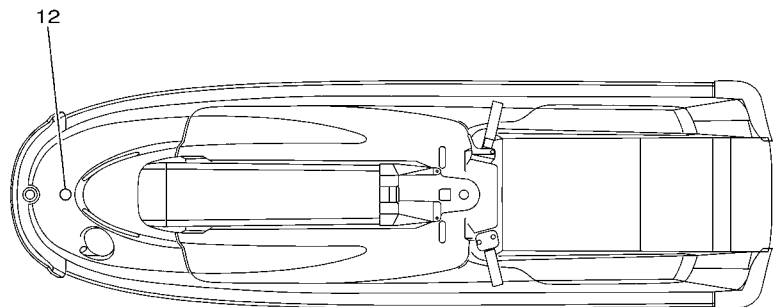


FIG. 21 STEERING 2

REF. NO.	PART NO.	DESCRIPTION	USA	EUR	GENE	JPN	REMARKS
1	F2F-6491A-09-P0	STEERING POLE COMP.	1	1	1	1	DVC2
2	FX1-61468-00	STOPPER, CABLE	1	1	1	1	
3	90119-06913	BOLT, WITH WASHER	1	1	1	1	
4	FX1-6492E-10	COVER,POLE	1	1	1	1	BLACK
5	90149-06997	SCREW	2	2	2	2	
6	FX1-61337-00	STOPPER, POLE	1	1	1	1	
7	92990-06200	WASHER, PLAIN	2	2	2	2	
8	95720-06300	NUT, SELF-LOCKING	2	2	2	2	
9	FX1-61105-00	STOPPER PIN ASSY	1	1	1	1	
10	EW2-61395-30	SPRING, TORSION	1	1	1	1	
11	97880-05012	SCREW, PAN HEAD	2	2	2	2	
12	92990-05100	WASHER, SPRING	2	2	2	2	
13	GM6-6142A-30	STEERING PAD COMP	1	1	1	1	LNS6
14	90119-06908	BOLT, WITH WASHER	2	2	2	2	
15	FX1-6133C-13	BRACKET,PIVOT	1	1	1	1	
16	95680-08630	BOLT, STUD	4	4	4	4	
17	92990-08100	WASHER, SPRING	4	4	4	4	
18	95720-08300	NUT, SELF-LOCKING	4	4	4	4	
19	GM6-6215G-00	PLATE,GUIDE	2	2	2	2	
20	GM6-65135-00	STOPPER, HATCH 1	2	2	2	2	
21	90119-06900	BOLT, WITH WASHER	4	4	4	4	
22	FX1-61338-00	GROMMET	1	1	1	1	
23	EW2-61465-00	PACKING, CABLE	1	1	1	1	
24	90601-20006	BAND	1	1	1	1	
25	GM6-6133B-00	PLATE, BRACKET	2	2	2	2	
26	FX1-6134L-00	SHAFT,PIVOT	1	1	1	1	
27	EW2-61344-01	BUSH	2	2	2	2	

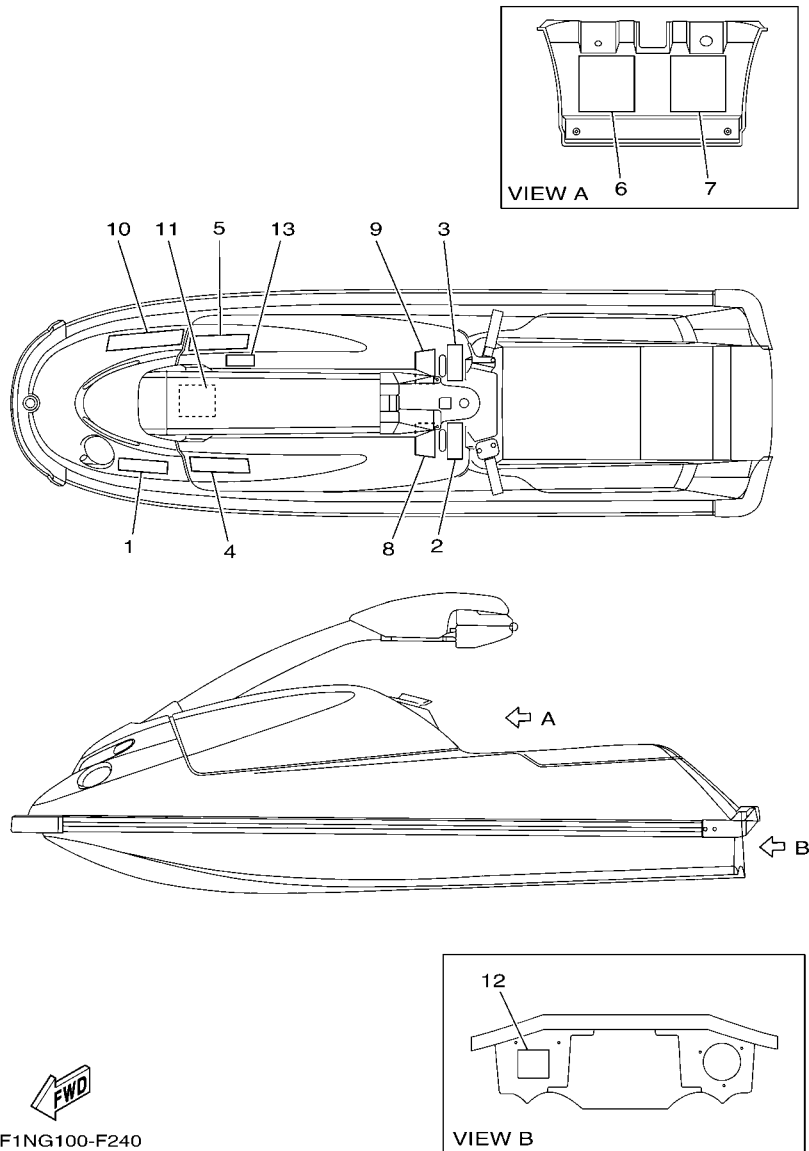
FIG. 22 GRAPHICS



FWD
F2F1100-G220

REF. NO.	PART NO.	DESCRIPTION	USA	EUR	GENE	JPN	REMARKS
1	F2F-6417B-00	GRAPHIC 1	1	1	1	1	LH
2	F2F-6417B-10	GRAPHIC 1	1	1	1	1	RH
3	F2F-6417C-00	GRAPHIC 2	1	1	1	1	LH
4	F2F-6417C-10	GRAPHIC 2	1	1	1	1	RH
5	F2F-6417D-00	GRAPHIC 3	1	1	1	1	LH
6	F2F-6417D-10	GRAPHIC 3	1	1	1	1	RH
7	F2F-6417E-00	GRAPHIC 4	1	1	1	1	LH
8	F2F-6417E-10	GRAPHIC 4	1	1	1	1	RH
9	F2F-6417F-00	GRAPHIC 5	1	1	1	1	LH
10	F2F-6417F-10	GRAPHIC 5	1	1	1	1	RH
11	F2F-64114-00	MARK, YAMAHA A	2	2	2	2	
12	GM6-6411H-00	EMBLEM, TUNING FORK	1	1	1	1	
13	EU0-65986-00	TOOL SET	1	1	1	1	
14	EU0-65901-01	TOOL BAG	1	1	1	1	
15	GM6-65987-00	BAG	1	1	1	1	

FIG. 24 IMPORTANT LABELS 2



REF. NO.	PART NO.	DESCRIPTION	USA	EUR	GENE	JPN	REMARKS
1	F1N-6415B-10	LABEL, WARNING(FUEL)		1	1		
2	GM6-641B1-21	LABEL, WARNING JDC 1		1	1		
3	GM6-641B1-10	LABEL, WARNING JDC 1		1	1		
4	GM6-641B1-41	LABEL, WARNING JDC 1		1	1		
5	GM6-641B1-50	LABEL, WARNING JDC 1		1	1		
6	GM6-641B2-00	LABEL, WARNING JDC 2		1	1		
7	GM6-641B2-10	LABEL, WARNING JDC 2		1	1		
8	GM6-641B2-40	LABEL, WARNING JDC 2		1	1		
9	GM6-641B2-50	LABEL, WARNING JDC 2		1	1		
10	GA7-6416H-20	LABEL,WARNING(FRANCE)		1			FOR EUR
11	F1N-641DB-10	LABEL, WARNING BATTERY		1	1		
12	EU0-64188-00	LABEL, RIGHTING		1	1		
13	F1N-6413S-00	LABEL, COMPETITION		1			FOR EUR

FIG. 26 REPAIR KIT 1

REF. NO.	PART NO.	DESCRIPTION	USA	EUR	GENE	JPN	REMARKS
1	64U-W0001-00	GASKET KIT FOR ENGINE UNIT	1	1	1	1	
2	6M6-11351-A2	.GASKET, CYLINDER	1	1	1	1	
3	62T-11181-01	.GASKET, CYLINDER HEAD 1	1	1	1	1	
4	93102-36M33	.OIL SEAL	1	1	1	1	
5	93101-36M46	.OIL SEAL	1	1	1	1	
6	93103-32M01	.OIL SEAL	1	1	1	1	
7	6M6-14739-A1	.GASKET, MUFFLER DAMPER 1	1	1	1	1	
8	61X-14613-A1	.GASKET, EXHAUST PIPE	1	1	1	1	
9	90430-08020	.GASKET	1	1	1	1	
10	6R7-14749-A1	.GASKET, MUFFLER DAMPER 2	1	1	1	1	
11	6R7-14755-A0	.GASKET, SILENCER	1	1	1	1	
12	6R7-41114-A0	.GASKET, EXHAUST OUTER COVER	1	1	1	1	
13	62T-13556-00	.GASKET, MANIFOLD	1	1	1	1	
14	62T-13624-00	.PLATE, REED VALVE	1	1	1	1	
15	62T-13566-00	.GASKET	2	2	2	2	
16	62T-13674-00	.GASKET, AIR COOLER COVER 1	2	2	2	2	
17	6R8-13116-A0	.GASKET, PUMP CASE	1	1	1	1	
18	6M6-81365-A0	.GASKET, HOLE COVER	1	1	1	1	
19	62T-45127-00	.SEAL	1	1	1	1	
20	61X-W0001-22	GASKETKIT FOR JET UNIT	1	1	1	1	
21	93210-17MA4	.O-RING	2	2	2	2	
22	93101-25M55	.OIL SEAL	2	2	2	2	
23	93101-25M56	.OIL SEAL	1	1	1	1	
24	93102-25M34	.OIL SEAL	1	1	1	1	
25	93101-25M50	.OIL SEAL	1	1	1	1	
26	93210-46M16	.O-RING	1	1	1	1	
27	6R7-51117-01	.PACKING	1	1	1	1	

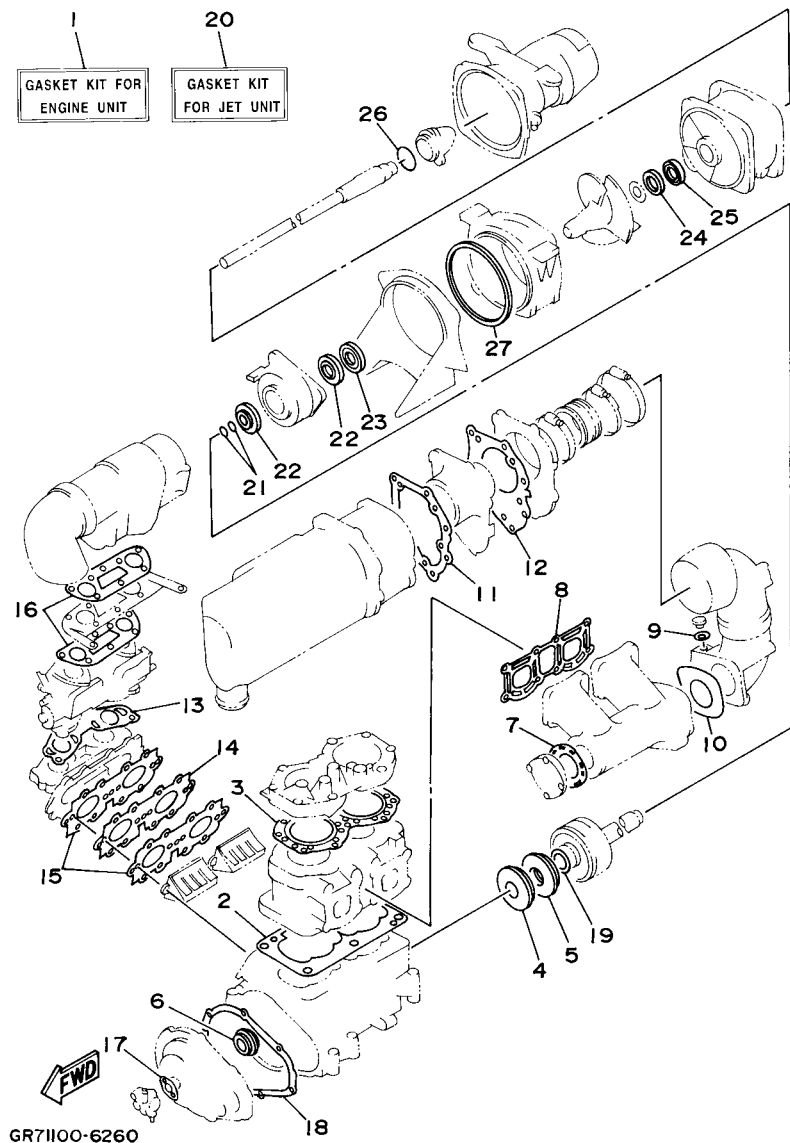
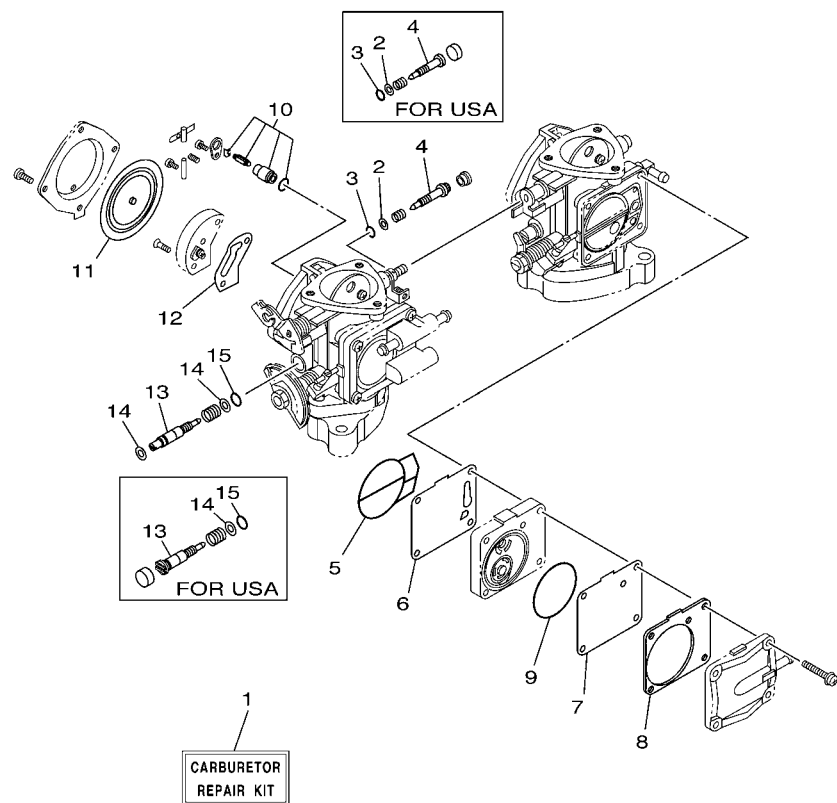


FIG. 27 REPAIR KIT 2



F1N7100-C270

REF. NO.	PART NO.	DESCRIPTION	USA	EUR	GENE	JPN	REMARKS
1	64U-W0093-10	CARBURETOR REPAIR KIT	1				FOR USA
	64U-W0093-03	CARBURETOR REPAIR KIT		1	1	1	FOR EUR,GENE,JPN
2	812-14235-00	.WASHER, NEEDLE	4	4	4	4	
3	812-14147-00	.O-RING	2	2	2	2	
4	64U-14946-00	.PLATE, NEEDLE FITTING	2				FOR USA
	63M-14946-00	.PLATE, NEEDLE FITTING		2	2	2	FOR EUR,GENE,JPN
5	6K8-14564-00	.O-RING	2	2	2	2	
6	6K8-24411-20	.DIAPHRAGM	1	1	1	1	
7	6K8-24421-10	.VALVE, CHECK	1	1	1	1	
8	6K8-24431-20	.GASKET, FUEL PUMP 1	1	1	1	1	
9	6K8-14563-00	.O-RING	1	1	1	1	
10	61X-14916-16	.NEEDLE	2	2	2	2	
11	6R7-14541-00	.DIAPHRAGM, PUMP	2	2	2	2	
12	6K8-14536-11	.GASKET	2	2	2	2	
13	64U-14923-10	.SCREW, PILOT	2				FOR USA
	64U-14923-00	.SCREW, PILOT		2	2	2	FOR EUR,GENE,JPN
14	822-14235-00	.WASHER, NEEDLE	2				FOR USA
	822-14235-00	.WASHER, NEEDLE		4	4	4	FOR EUR,GENE,JPN
15	583-14561-00	.O-RING	2	2	2	2	

NUMERICAL INDEX

PART NO.	REF. NO.	PART NO.	REF. NO.	PART NO.	REF. NO.	PART NO.	REF. NO.	PART NO.	REF. NO.	PART NO.	REF. NO.
64U-11111-00-8S	1 - 8	812-14235-00	27 - 2	583-14561-00	4 - 42	EU0-23814-01	20 - 20	6K8-51129-00	8 - 4	EU0-61652-00	16 - 18
62T-11181-01	1 - 11	822-14235-00	4 - 41		5 - 42	62T-24313-01	3 - 1	6K8-51162-00	15 - 3	GP7-61652-00	18 - 12
	26 - 3		5 - 41		27 - 15	62T-24314-01	3 - 23	62T-51190-01-94	8 - 30	EW2-62137-00	14 - 5
61X-11311-01-8S	1 - 1		27 - 14	6K8-14563-00	4 - 22	6E5-24378-00	6 - 20	6R7-51311-00	8 - 27	GM6-6213F-00	14 - 4
6E5-11325-00	1 - 2	62T-14243-01	3 - 17		5 - 22	6K8-24411-20	4 - 14	6R7-51312-03-94	8 - 1	EW2-62140-00	17 - 19
6M6-11351-A2	1 - 5	62T-14251-10	1 - 17		27 - 9		5 - 14	6BA-51313-00	8 - 20	EW2-62142-00	17 - 20
	26 - 2	6R7-14253-00	4 - 34	6K8-14564-00	4 - 13		27 - 6	62T-51315-01-94	8 - 3	EW2-62149-00	13 - 8
61X-11400-03	2 - 1		5 - 34		5 - 13	6R7-24412-02	4 - 29	64R-51318-01-94	8 - 13	EW2-62150-00	17 - 25
6M6-11412-00	2 - 2	62T-14255-00	3 - 29		27 - 5		5 - 29	6BA-51321-00	8 - 17	GM6-6215G-00	21 - 19
6M6-11422-00	2 - 3	62T-14283-01	3 - 33	6R7-14569-00	4 - 31	6M6-24413-01	5 - 15	6R7-51323-02	9 - 3	GM6-62501-10	16 - 1
6M6-11431-00	2 - 4	62T-14284-10-8S	3 - 25		5 - 31	6M6-24413-02	4 - 15	62T-51326-00	8 - 8	GM6-6251D-10	16 - 8
6M6-11442-01	2 - 5	64U-14301-03	5 - 1	6K8-14589-00	4 - 40	65U-24421-00	4 - 16	6R7-51333-00	8 - 26	GM6-6251E-10	16 - 9
82M-11515-00	2 - 10	64U-14301-10	4 - 1		5 - 40		5 - 16	62T-51348-00	8 - 18	GM6-6252C-10	16 - 14
61X-11603-01	2 - 19	64U-14302-03	5 - 2	61X-14613-A1	6 - 7		4 - 18	61X-51381-00	9 - 11	GM6-6252D-10	16 - 15
61X-11604-01	2 - 19	64U-14302-10	4 - 2		26 - 8	6K8-24421-10	5 - 18	6BA-51387-00	8 - 34	GM6-62552-10	16 - 5
61X-11605-01	2 - 19	64U-1432A-00	4 - 8	61L-14615-A0	6 - 44		27 - 7	6BA-51673-00	8 - 41	GM6-62553-10	16 - 6
61X-11631-02-93	2 - 18	64U-1432A-10	4 - 43	61L-14625-A0	6 - 45	6K8-24431-20	4 - 19	61L-5169A-00	3 - 18	GM6-62664-01	14 - 27
61X-11633-00	2 - 20	62T-14419-00	3 - 34	61X-14711-01-94	6 - 1		5 - 19	FX1-61105-00	21 - 9	EU0-62694-00	19 - 14
61X-11635-02	2 - 18	62T-14435-00	3 - 36	61L-14712-00-94	6 - 10		27 - 8	FX1-61337-00	21 - 6	FN8-6269B-00	15 - 6
61X-11636-02	2 - 18	62T-14451-00	3 - 32	6M6-14718-01-8S	6 - 3	6K8-24452-10	4 - 20	FX1-61338-00	21 - 22	EW2-62723-30	8 - 50
62T-11651-00	2 - 7	6K8-14471-10	5 - 8	6R7-14721-00-8S	6 - 31		5 - 20	GM6-6133B-00	21 - 25	F2F-6273B-00	8 - 51
82M-11685-00	2 - 8	6R7-14485-00	1 - 10	6M6-14739-A1	6 - 6	70R-24489-00	17 - 22	FX1-6133C-13	21 - 15	EW2-62840-10	14 - 28
63M-12580-00	6 - 26		6 - 32		26 - 7	65U-24492-00	4 - 17	EW2-61344-01	21 - 27	EW2-62843-00	14 - 31
64X-12581-00	6 - 28	6M6-14503-00	4 - 10	6R7-14749-A1	6 - 18		5 - 17	FX1-6134L-00	21 - 26	EW2-62845-10	14 - 29
6R8-13116-A0	26 - 17		5 - 10		26 - 10	6K8-24500-02	7 - 9	FX1-61391-00	21 - 30	EW2-62846-00	14 - 30
62T-13555-00-94	3 - 6	6K8-14503-02	4 - 23	64V-14752-00	6 - 52	6R7-24524-00	7 - 10	EW2-61395-30	21 - 10	EW2-62847-00	14 - 32
62T-13556-00	3 - 5		5 - 23	6R7-14753-00-9M	6 - 33	70R-24543-00	17 - 21	EW2-61417-00	20 - 29	EW2-62848-00	14 - 33
	26 - 13	6K8-14521-01	4 - 44	6R7-14755-A0	6 - 38	6K8-24560-10	7 - 8	EW2-61419-00	20 - 30	A00-62858-02	14 - 19
62T-13566-00	3 - 8		5 - 43		26 - 11	6R7-41113-00-8S	6 - 39	GM6-6142A-30	21 - 13	F2F-6351B-00	16 - 19
	26 - 15	6M6-14521-01	4 - 5	6M6-14771-00-94	6 - 48	6R7-41114-A0	6 - 40	EU0-61435-00	19 - 13	GM6-6351C-00	16 - 20
62T-13610-00	3 - 13		5 - 5	6R7-14785-00-8S	6 - 37		26 - 12	EU0-61436-00	19 - 9	GM6-6351D-00	16 - 21
62T-13624-00	3 - 7	6K8-14521-10	4 - 24	61X-14916-16	4 - 32	6R7-44517-00-8S	1 - 29	EU0-61438-00	19 - 10	GM6-6351E-10	16 - 24
	26 - 14		5 - 24		5 - 32	6BA-44532-00	1 - 20	FX1-6143D-20	20 - 24	GM6-63844-00	18 - 8
62T-13674-00	3 - 28	6K8-14523-11	4 - 30		27 - 10	663-45119-00	3 - 19	FX1-6143E-20	20 - 25	F2F-64114-00	22 - 11
	26 - 16		5 - 30	64U-14923-00	5 - 39	62T-45127-00	2 - 25	EU0-61446-00	19 - 11	GM6-6411H-00	22 - 12
47X-14133-00	4 - 3	62T-14527-02	3 - 20		27 - 13		26 - 19	F2F-61461-00	19 - 3	F1N-6413S-00	24 - 13
	5 - 3	6K8-14527-11	4 - 27	64U-14923-10	4 - 39	61X-45332-03-94	9 - 5	EU0-61461-02	20 - 22	F1N-6415B-00	23 - 1
812-14147-00	4 - 6		5 - 27		27 - 13	61L-45378-00	9 - 6	EU0-61461-30	19 - 2	F1N-6415B-10	24 - 1
	5 - 6	6K8-14536-11	4 - 37	3KW-14932-00	4 - 9	6BA-45511-00	8 - 12	EW2-61465-00	21 - 23	F1N-6415B-20	25 - 1
	27 - 3		5 - 37		5 - 9	62T-45526-00	2 - 13	FX1-61468-00	21 - 2	GA7-6416H-20	24 - 10
439-14186-00	4 - 28		27 - 12	63M-14946-00	5 - 7	6M6-45813-22-8P	2 - 29	F2F-61481-00	19 - 1	F2F-6417B-00	22 - 1
	5 - 28	6R7-14541-00	4 - 35		27 - 4	6M6-45813-32-8P	2 - 24	EU0-61486-00	19 - 12	F2F-6417B-10	22 - 2
830-14231-14	4 - 25		5 - 35	64U-14946-00	4 - 7	61X-4581J-00	2 - 28	F2F-61541-00	20 - 19	F2F-6417C-00	22 - 3
	5 - 25		27 - 11		27 - 4	6R7-51117-01	8 - 28	F2F-61552-00	20 - 1	F2F-6417C-10	22 - 4
3G2-14231-26	4 - 11	6R7-14542-00	4 - 36	62T-15100-00-8S	1 - 16		26 - 27	EW2-61553-00	20 - 15	F2F-6417D-00	22 - 5
	5 - 11		5 - 36	6R7-15761-00	6 - 34	62T-51129-00	8 - 15	FN8-61651-01	16 - 17	F2F-6417D-10	22 - 6
812-14235-00	4 - 4	6K8-14547-01	4 - 33	6R7-21415-01-94	1 - 23	6K8-51129-00	1 - 9	EU0-61652-00	6 - 56	F2F-6417E-00	22 - 7
	5 - 4		5 - 33	6R7-21425-01-94	1 - 25		6 - 2		15 - 7	F2F-6417E-10	22 - 8

NUMERICAL INDEX

PART NO.	REF. NO.	PART NO.	REF. NO.	PART NO.	REF. NO.	PART NO.	REF. NO.	PART NO.	REF. NO.	PART NO.	REF. NO.
F2F-6417F-00	22 - 9	FX1-6591A-10	14 - 7	EU0-67834-00	17 - 43	6R7-82361-01	12 - 43	90119-08907	9 - 16	90387-08M06	8 - 23
F2F-6417F-10	22 - 10	FX1-6591K-00	14 - 13	EU0-67835-00	17 - 41	66T-82370-00	12 - 41	90119-08943	8 - 52	90387-08M08	8 - 33
EU0-64188-00	23 - 7	F1N-65938-00	7 - 25	EU0-67839-00	17 - 42	62E-82371-11	12 - 26	90119-08M55	1 - 19	90430-08020	6 - 13
	24 - 12	EU0-65986-00	22 - 13	GM6-67844-11	17 - 32	6R7-82553-01	12 - 45	90119-08M96	1 - 12		26 - 9
	25 - 8	GM6-65987-00	22 - 15	GM6-67856-40	13 - 9	6R7-82560-11	12 - 46	90119-10948	8 - 45	90445-07M19	1 - 13
GM6-6418D-00	17 - 1	GM6-67242-00	19 - 7	EU0-67869-00	17 - 45	6B6-83623-00	12 - 8	90119-10M00	1 - 27	90445-09M17	9 - 1
EW3-64197-00	25 - 7	GD0-67249-00-05	9 - 17	EW2-68156-00	12 - 1	60E-83627-00	12 - 51	90119-10M01	1 - 26	90445-10M98	7 - 13
GM6-641B1-01	23 - 2	GD0-67249-00-10	9 - 17	EW2-68211-00	13 - 2	682-84385-01	6 - 29	90119-10M02	1 - 24	90445-10ME3	7 - 11
GM6-641B1-10	23 - 3	EW2-67250-02	20 - 2	EU0-68218-04	13 - 7	62T-85515-00	10 - 6	90119-10M03	1 - 28	90445-10ME4	7 - 15
	24 - 3	GM6-67252-00	19 - 6		18 - 3	62T-85520-01	10 - 3	90119-10M07	1 - 7	90445-10ME8	7 - 1
GM6-641B1-21	24 - 2	EW2-67255-00	20 - 3	EU0-68221-00	13 - 3	6M6-8552A-01-8P	12 - 6	90119-10M17	6 - 51	90445-10MF1	7 - 5
GM6-641B1-41	24 - 4	EW2-67256-00	20 - 4	EW2-68221-00	13 - 5	6M6-8552E-01	12 - 7	90119-10M56	1 - 6	90445-11055	17 - 6
GM6-641B1-50	24 - 5	EW2-67257-01	20 - 5	EU0-68221-30	13 - 4	62T-85533-00	10 - 4	90149-05937	20 - 26	90445-14M04	15 - 5
GM6-641B1-61	25 - 2	EW2-67258-01	20 - 6	EW2-68310-04	20 - 9	62T-85540-01	12 - 16	90149-05959	20 - 17	90445-14M05	6 - 27
GM6-641B1-70	25 - 3	EW2-67259-01	20 - 7	FK7-68312-02	20 - 12	62T-85550-00	10 - 1	90149-05960	16 - 10	90445-14M06	6 - 24
GM6-641B2-00	23 - 4	EU0-67324-00	1 - 32	FK7-68313-02	20 - 13	62T-85560-00	10 - 2	90149-05962	16 - 7	90445-14M12	8 - 24
	24 - 6	EU0-67354-00-01	1 - 33	EW2-68348-00	20 - 10	62E-85570-00	12 - 24	90149-06997	21 - 5	90445-14M14	6 - 24
GM6-641B2-10	23 - 5	EW2-67354-00-01	8 - 46	6M6-8132W-00	12 - 11	62E-85570-11	12 - 25	90159-05900	20 - 8	90445-14M24	15 - 1
	24 - 7	EU0-67354-00-03	1 - 33	6M6-81337-00-8S	10 - 14	6M6-85580-00	10 - 5	90170-14913	21 - 28	90445-14M29	6 - 19
GM6-641B2-40	24 - 8	EW2-67354-00-03	8 - 46	6M6-81365-A0	10 - 16	67X-E2590-10	6 - 54	90170-22187	7 - 29	90445-14M33	6 - 22
GM6-641B2-50	24 - 9	EU0-67354-00-05	1 - 33		26 - 18	64U-W0001-00	26 - 1	90179-05964	16 - 13	90446-14M23	7 - 2
GM6-641B2-60	25 - 4	EW2-67354-00-05	8 - 46	6M6-81800-10	11 - 1	61X-W0001-22	26 - 20	90179-08962	8 - 47	90446-14M30	17 - 14
GM6-641B2-70	25 - 5	EU0-67354-00-10	1 - 33	3AJ-81809-00	11 - 2	62T-W0004-00	3 - 14	90179-08M15	3 - 4	90446-14M64	7 - 6
F1N-641DB-00	23 - 6	EW2-67354-00-10	8 - 46	6M6-81820-00	11 - 7	64V-W0090-02-8S	1 - 15	90179-10925	8 - 49	90450-14M05	6 - 25
F1N-641DB-10	24 - 11	EU0-67354-00-20	1 - 33	6M6-81826-00	11 - 5	64U-W0093-03	27 - 1	90179-12933	20 - 31		8 - 25
F1N-641DB-20	25 - 6	GH7-6753B-00	18 - 11	6M6-81830-00	11 - 8	64U-W0093-10	27 - 1	90201-05928	20 - 18	90450-18M09	6 - 30
F2F-6491A-09-P0	21 - 1	F2F-67550-00	18 - 1	6M6-8183E-01	11 - 15	90105-06900	17 - 31	90201-06906	19 - 5	90460-64M15	6 - 53
FX1-6492E-10	21 - 4	GM6-67555-00	18 - 7	6M6-81840-10	11 - 3		18 - 6	90201-06M31	8 - 39	90460-70M16	6 - 47
GM6-6492J-20	21 - 31	GM6-6755J-00	18 - 2	11H-81844-00	11 - 4	90105-08902	20 - 21	90201-11008	19 - 8	90460-90M11	6 - 46
GM6-64949-00	21 - 35	GM6-67565-00	18 - 15	6M6-81844-00	12 - 10	90105-10M49	6 - 49	90201-20M04	2 - 21	90464-06M29	12 - 17
FX1-65116-10	14 - 2	GM6-67593-00	17 - 34	26H-81847-00	11 - 9	90105-10M88	6 - 50	90201-24M02	2 - 30	90464-08M07	7 - 3
GM6-65135-00	21 - 20	F2F-6759B-00	17 - 35	6M6-81850-00	11 - 6	90109-08M56	1 - 21	90209-12920	19 - 16	90464-20258	14 - 26
GM6-65136-00	14 - 21	EU0-67613-00	15 - 9	6M6-81865-00	11 - 17	90109-10M44	10 - 13	90267-40935	17 - 44	90465-06M86	12 - 23
EW2-65137-00	14 - 22	EW2-67618-00	15 - 10	6M6-81866-00	11 - 16	90116-08M60	3 - 3	90267-40945	19 - 15	90465-11M10	3 - 2
FX1-6514B-00	14 - 24	EW2-67711-01	17 - 2	6M6-81921-00	12 - 9	90119-05923	14 - 35	90267-48925	7 - 21		6 - 23
FX1-6514F-00	14 - 16	FJ0-67713-00	17 - 3	68N-81940-00	12 - 18	90119-05M02	3 - 35		17 - 23		7 - 7
GM6-6516A-10-P1	14 - 1	EW2-67714-02	17 - 5	6M6-81960-A0	12 - 22	90119-06900	14 - 23	90267-48930	18 - 16		8 - 42
GM6-6516C-00	14 - 3	EW2-67716-02	17 - 4	EU0-82110-09	13 - 1		21 - 21	90267-48932	16 - 16		9 - 2
FX1-6517D-00	14 - 10	GM6-6773E-00	7 - 18	64V-82117-00	13 - 12	90119-06908	8 - 44	90267-48938	14 - 25		12 - 31
GM6-6521C-10	16 - 22	EU0-67767-31	17 - 16	6R7-82117-11	13 - 13		12 - 2	90267-48940	7 - 26		13 - 11
GM6-6521D-10	16 - 23	EU0-67816-30	7 - 24	62E-82117-20	12 - 49		21 - 14	90267-48963	16 - 25		15 - 2
FX1-65760-00	17 - 30	EU0-67817-00	7 - 27	6K8-82150-01	12 - 13	90119-06913	21 - 3	90280-05013	10 - 12		17 - 17
	18 - 4	EW2-67821-00	17 - 27	6G1-82151-00	12 - 14	90119-06915	8 - 43	90340-08M04	6 - 12		18 - 14
EW2-65772-00	17 - 29	EW2-67821-30	17 - 28	6K8-82159-00	12 - 15	90119-06920	13 - 6	90380-12M29	1 - 18	90465-12M53	10 - 21
	18 - 5	EW2-67822-01	17 - 36	6R7-82351-00	12 - 32	90119-06M70	8 - 19		10 - 15	90465-12M56	7 - 4
EU0-65901-01	22 - 14	FN8-67831-01	17 - 38	62E-82351-01	12 - 27	90119-06MA1	6 - 43	90387-06916	21 - 34	90465-13M11	12 - 50
EW2-65912-00	14 - 8	EU0-67832-00	17 - 39	6R7-82352-00	12 - 34	90119-08038	1 - 31	90387-06M05	10 - 22		15 - 4
EW2-65913-00	14 - 9	FN8-67833-00	17 - 40	62E-82352-01	12 - 29	90119-08904	1 - 30	90387-06M60	9 - 12		17 - 15

NUMERICAL INDEX

PART NO.	REF. NO.	PART NO.	REF. NO.	PART NO.	REF. NO.	PART NO.	REF. NO.	PART NO.	REF. NO.	PART NO.	REF. NO.
90465-13M11	20 - 32	92990-14200	18 - 13	94709-00040	12 - 44	97880-06016	12 - 39				
90467-06016	1 - 14		21 - 29	95380-06700	8 - 40	97880-06030	12 - 36				
90467-08M10	13 - 10	92995-06100	12 - 20		11 - 14	97902-04122	10 - 8				
90467-11032	17 - 8	92995-06600	6 - 42		19 - 4	97902-05125	10 - 7				
90480-06M43	12 - 30		8 - 11	95380-06800	16 - 4	97980-05330	4 - 21				
90480-06M69	9 - 14		10 - 18	95380-08600	12 - 3		5 - 21				
90501-14M73	11 - 21		12 - 21	95680-08630	21 - 16	98580-05018	4 - 26				
90560-22281	20 - 16	92995-08600	8 - 22	95720-05300	14 - 34		5 - 26				
90600-91728	20 - 27	93101-25M50	8 - 7	95720-06300	14 - 18	98780-04015	1 - 3				
90600-91736	7 - 20		26 - 25		21 - 8	98980-04008	7 - 28				
90600-91755	15 - 8	93101-25M55	9 - 7	95720-08300	21 - 18	98980-04010	20 - 28				
90601-11062	17 - 7		26 - 22	97013-06012	3 - 30						
90601-15573	17 - 33	93101-25M56	9 - 8	97013-06016	3 - 21						
90601-16274	17 - 12		26 - 23	97013-06020	3 - 26						
90601-16875	14 - 6	93101-36M46	2 - 16		6 - 35						
	18 - 9		26 - 5	97013-06025	3 - 11						
90601-20006	7 - 19	93102-25M34	8 - 6		6 - 4						
	21 - 24		26 - 24	97013-06035	3 - 9						
90601-20016	7 - 23	93102-36M33	2 - 15	97013-08025	6 - 16						
90601-20024	6 - 57		26 - 4	97013-08035	6 - 8						
90699-50003	17 - 13	93103-32M01	2 - 17		11 - 11						
90699-50045	17 - 24		26 - 6	97013-08090	6 - 14						
90699-50120	17 - 18	93210-13M63	3 - 37	97090-06014	14 - 11						
91490-16010	17 - 11	93210-17MA4	9 - 4	97095-06010	12 - 19						
91790-05040	17 - 9		26 - 21	97095-06014	8 - 35						
92580-06016	14 - 14	93210-46M16	8 - 9	97095-06016	6 - 41						
92903-06600	3 - 10		26 - 26		12 - 47						
	6 - 5	93305-30601	2 - 6	97095-06020	8 - 10						
	11 - 20	93306-205U0	8 - 5	97095-06025	10 - 17						
92903-08600	6 - 9	93306-205U6	9 - 10	97095-06035	10 - 19						
	11 - 12	93306-207U2	2 - 9	97095-08018	8 - 31						
92990-05100	16 - 12	93306-307U3	2 - 12	97095-08020	8 - 21						
	21 - 12	93310-320U2	2 - 22	97513-08540	11 - 10						
92990-05200	16 - 11	93310-525U0	2 - 11	97595-06525	9 - 13						
92990-05600	3 - 16	93430-47M04	9 - 9	97780-50114	15 - 11						
	17 - 10	93440-25M08	11 - 18		17 - 37						
92990-06100	11 - 13	93440-80023	2 - 14	97780-50316	14 - 20						
	14 - 12	93450-18M06	11 - 19	97780-60120	8 - 48						
	16 - 3	93450-21053	2 - 23	97780-60520	21 - 32						
	20 - 23	93603-10049	2 - 26	97780-60525	12 - 12						
92990-06200	14 - 17	93604-07141	2 - 27	97802-04008	10 - 9						
	16 - 2	93606-07M17	8 - 29	97880-03008	20 - 11						
	21 - 7	93606-12019	1 - 4	97880-05012	4 - 38						
92990-06600	10 - 11		8 - 2		5 - 38						
	12 - 37		9 - 15		21 - 11						
92990-08100	12 - 5		10 - 27	97880-05016	3 - 15						
	21 - 17	94702-00040	12 - 44	97880-05025	20 - 14						
92990-08200	12 - 4	94702-00272	12 - 44	97880-06016	10 - 10						