



**PARTS  
CATALOGUE  
CATALOGO  
DE REPUESTOS**

**225DET'11 (64FB)**

---



1K64F-200S1

( )

225DET  
PARTS CATALOGUE  
©2010 by Yamaha Motor Co., Ltd.  
1st edition, September 2010  
All rights reserved.  
Any reprinting or unauthorized use  
without the written permission of  
Yamaha Motor Co., Ltd.  
is expressly prohibited.  
Printed in Japan.

225DET  
CATALOGO DE REPUESTOS  
©2010 por Yamaha Motor Co., Ltd.  
1ª edición, septiembre 2010  
Todos los derechos reservados.  
Toda reproducción o uso no autorizado  
sin el consentimiento escrito de  
Yamaha Motor Co., Ltd.  
quedan expresamente prohibidos  
Impreso en Japón.

# FOREWORD

This Parts Catalogue is related to the parts for the model(s) on the cover page. When you are ordering replacement parts, please refer to this Parts Catalogue and quote both part numbers and part names correctly.

1. Modifications or additions which have been made after the issue of the Parts Catalogue will be announced in the Parts News.

It is advisable that you make the necessary corrections to the Parts Catalogue according to the Parts News.

2. Abbreviations

The following abbreviations are used in this Parts Catalogue.

“UR” Use specified parts number.

“UN” Use as many as needed.

“AP” Alternate Parts

“LM” Locally Made (Parts need to be ordered locally)

“F#” Frame No. (Applicable machine No.)

“O/S” Over Size

3. The number of components for assembly

- Parts, which are to be supplied in an assembly, are listed with a dot (.) in front of the part name as shown below.
- The numeral appearing to the right of each component part indicates the quantity of parts for each assembly unit.

| PART NO.     | DESCRIPTION              | Q'TY | REMARKS |
|--------------|--------------------------|------|---------|
| 2F5-83310-60 | FRONT FLASHER LIGHT ASSY | 2    |         |
| 115-83311-60 | .BULB (6V-18W)           | 1    |         |

4. Applicable colours of graphics are represented in the “REMARKS” as shown below.

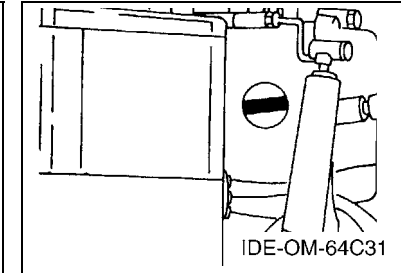
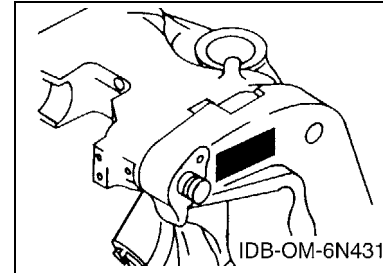
| PART NO.        | DESCRIPTION         | Q'TY | REMARKS |
|-----------------|---------------------|------|---------|
| 2N4-24110-00-X5 | FUEL TANK COMP.     | 2    | MXR     |
| 3J1-24240-10    | .GRAPHIC, FUEL TANK | 1    | FOR MXR |

5. Note that the illustrations for reference in finding parts numbers are not to be used for assembling. When assembling, please use the applicable service manual.

6. The asterisk (\*) before a reference number indicates modified items after the first edition.

7. Applicable Serial No.

Engine Serial No.



8. Applicable Engine Starting Serial No.

| Model | Serial No.  | Model | Serial No. |
|-------|-------------|-------|------------|
| 225D  | 6K7-1000785 |       |            |
|       |             |       |            |
|       |             |       |            |
|       |             |       |            |

9. Applicable Colour Code

| Abbreviation | Colour Name        | Colour Code |
|--------------|--------------------|-------------|
| DBN1         | DARK BLUISH GRAY 1 | 008D        |

10. Quantity Column Information

| Column No. | Name Of Q'ty Column | Applicable Model |
|------------|---------------------|------------------|
| 1          | 64FB                | 225DET           |
|            |                     |                  |
|            |                     |                  |
|            |                     |                  |

# PROLOGO

Este catálogo de repuestos corresponde a las piezas para el o los modelos que figuran en la página de portada. Al formular el pedido de repuestos, se ruega citar este catálogo y especificar correctamente el número y el nombre de las piezas.

- Las modificaciones y agregados que se hayan realizado después de la edición de este Catálogo de Repuestos, serán anunciados en las Informaciones de Recambios. Es recomendable que se hagan las correcciones necesarias en el Catálogo de Repuestos de acuerdo con las Informaciones de Recambios.

## 2. Abreviaciones

En este. Catálogo de Repuestos se emplean las siguientes abreviaciones.

“UR” Usar el número de partes especificado

“UN” Usar la cantidad necesaria

“AP” Piezas sustitutivas

“LM” Fabricación local (Hay que pedir los repuestos en las cercanías)

“F#” N° de bastidor (N° aplicable a la máquina)

“O/S” Sobredimensionado

## 3. La cantidad de componentes para el montaje

- Los componentes, suministrados como conjunto, se describen con un punto (.) que precede al nombre del parte como se indica a continuación.
- La numeración que aparece a la derecha de cada descripción indica la cantidad de partes por cada unidad de conjunto.

| CODIGO N°    | DESCRIPCION          | CANT. | OBSERVACIONES |
|--------------|----------------------|-------|---------------|
| 2F5-83310-60 | ENSAMBLAJE DE LA LUZ | 2     |               |
| 115-83311-60 | .BOMBILLA (6V-18W)   | 1     |               |

## 4. Los colores de los componentes se indican como sigue en la columna de “OBSERVACIONES”.

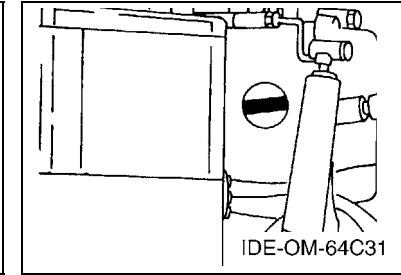
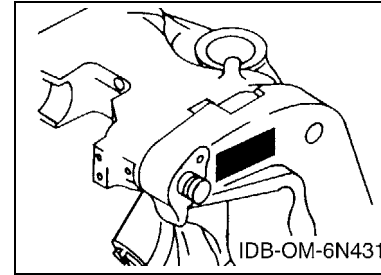
| CODIGO N°       | DESCRIPCION          | CANT. | OBSERVACIONES |
|-----------------|----------------------|-------|---------------|
| 2N4-24110-00-X5 | COMP. DEL TANQUE     | 2     | MXR           |
| 3J1-24240-10    | .GRAFICO, DEL TANQUE | 1     | PARA MXR      |

- Debe tenerse en cuenta que las ilustraciones sirven como guía para la búsqueda de los números de partes y no deben usarse para el montaje. Durante el montaje, se recomienda usar el manual de taller correspondiente.

- EL asterisco (\*) antes del número de referencia indica los elementos modificados después de la primera edición.

## 7. Números de serie

N° de Serie del motor



## 8. Números de serie del motor

| Modelo | N° de serie | Modelo | N° de serie |
|--------|-------------|--------|-------------|
| 225D   | 6K7-1000785 |        |             |
|        |             |        |             |
|        |             |        |             |
|        |             |        |             |

## 9. Códigos de color aplicables

| Abreviatura | Nombre de color    | Código de color |
|-------------|--------------------|-----------------|
| DBN1        | DARK BLUISH GRAY 1 | 008D            |

## 10. Información para la columna de cantidades

| Columna N° | Nombre de la columna de cantidades | Modelo aplicable |
|------------|------------------------------------|------------------|
| 1          | 64FB                               | 225DET           |
|            |                                    |                  |
|            |                                    |                  |
|            |                                    |                  |

# CONTENTS

|                                |    |
|--------------------------------|----|
| TOP COWLING .....              | 1  |
| CYLINDER & CRANKCASE 1 .....   | 2  |
| CRANKSHAFT & PISTON .....      | 4  |
| CYLINDER & CRANKCASE 2 .....   | 6  |
| INTAKE .....                   | 7  |
| CARBURETOR .....               | 9  |
| FUEL 1 .....                   | 11 |
| FUEL 2 .....                   | 13 |
| GENERATOR .....                | 14 |
| ELECTRICAL 1 .....             | 15 |
| ELECTRICAL 2 .....             | 17 |
| STARTING MOTOR .....           | 19 |
| BOTTOM COWLING .....           | 21 |
| CONTROL .....                  | 23 |
| BRACKET 1 .....                | 26 |
| BRACKET 2 .....                | 28 |
| POWER TRIM & TILT ASSY 1 ..... | 30 |
| POWER TRIM & TILT ASSY 2 ..... | 32 |
| UPPER CASING .....             | 34 |
| LOWER CASING & DRIVE 1 .....   | 36 |
| LOWER CASING & DRIVE 2 .....   | 40 |
| STEERING GUIDE .....           | 42 |
| REMOTE CONTROL BOX .....       | 43 |
| REMOTE CONTROL ASSY .....      | 44 |
| METER .....                    | 47 |
| REPAIR KIT 1 .....             | 48 |
| REPAIR KIT 2 .....             | 50 |

## INDEX

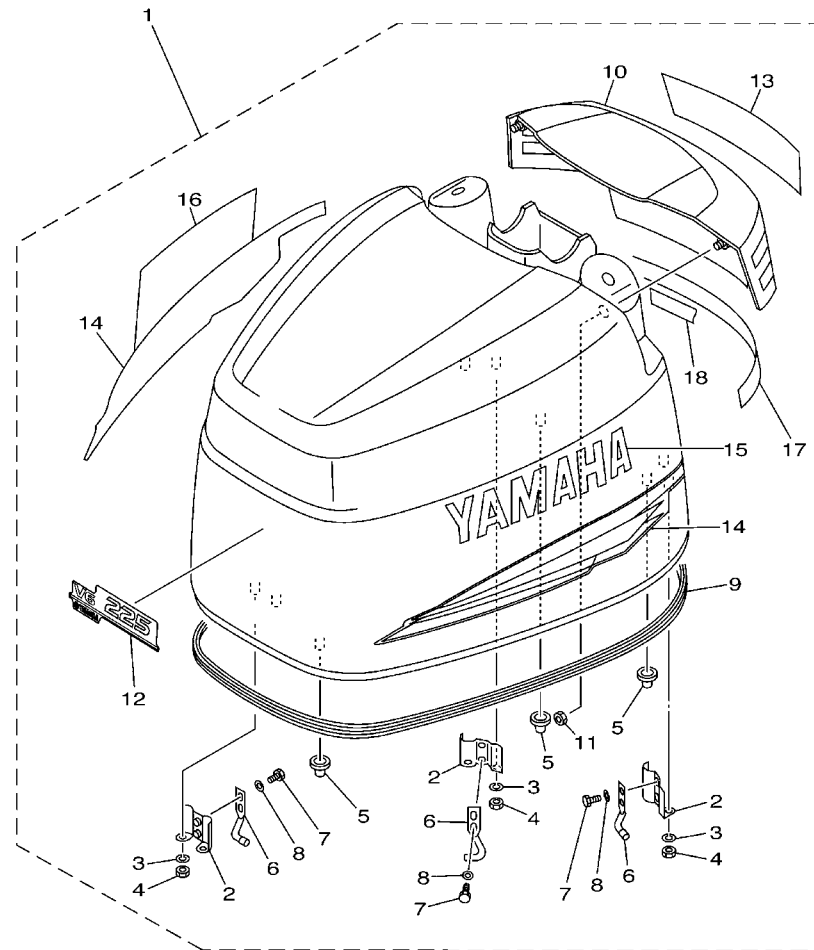
|                       |    |
|-----------------------|----|
| NUMERICAL INDEX ..... | 52 |
|-----------------------|----|

# CONTENIDO

|                                  |    |
|----------------------------------|----|
| SOPORTE SUPERIOR .....           | 1  |
| CILINDRO & CARTER 1 .....        | 2  |
| CIGUENAL & PISTON .....          | 4  |
| CILINDRO & CARTER 2 .....        | 6  |
| ADMISION .....                   | 7  |
| CARBURADOR .....                 | 9  |
| COMBUSTIBLE 1 .....              | 11 |
| COMBUSTIBLE 2 .....              | 13 |
| GENERADOR .....                  | 14 |
| EQUIPO ELECTRICO 1 .....         | 15 |
| EQUIPO ELECTRICO 2 .....         | 17 |
| MOTOR DE ARRANQUE .....          | 19 |
| CUBIERTA INFERIOR .....          | 21 |
| CONTROL .....                    | 23 |
| SOPORTE 1 .....                  | 26 |
| SOPORTE 2 .....                  | 28 |
| COMPONER Y PODER VARILLA 1 ..... | 30 |
| COMPONER Y PODER VARILLA 2 ..... | 32 |
| FUNDA SUPERIOR .....             | 34 |
| IMPULSOR E INFERIOR 1 .....      | 36 |
| IMPULSOR E INFERIOR 2 .....      | 40 |
| DIRECCIONGUIAR .....             | 42 |
| CONTROL REMOTO COMPLETO .....    | 43 |
| CONTROL REMOTO COMPL .....       | 44 |
| MEDIDOR .....                    | 47 |
| ESTUCHE REPARATION 1 .....       | 48 |
| ESTUCHE REPARATION 2 .....       | 50 |

## INDICE

|                       |    |
|-----------------------|----|
| INDICE NUMERICO ..... | 52 |
|-----------------------|----|

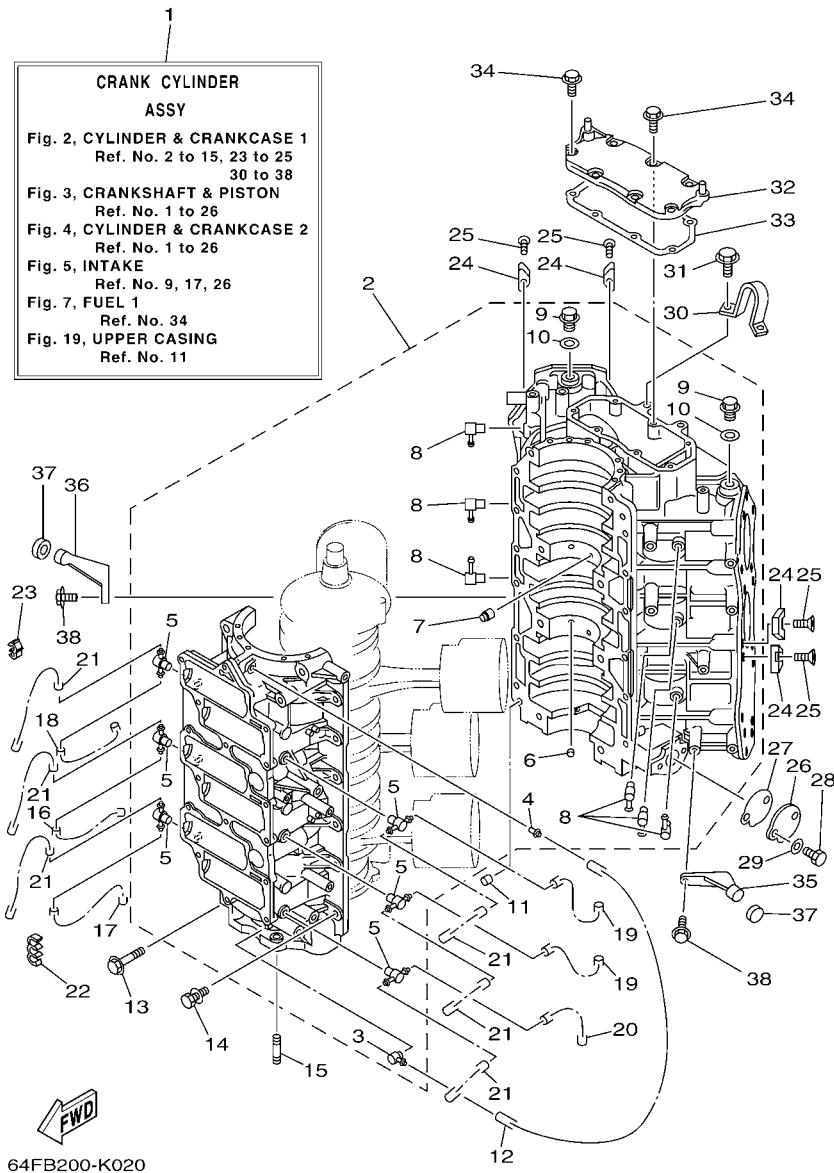


64F1664-2010

FIG. 1 TOP COWLING

SOPORTE SUPERIOR

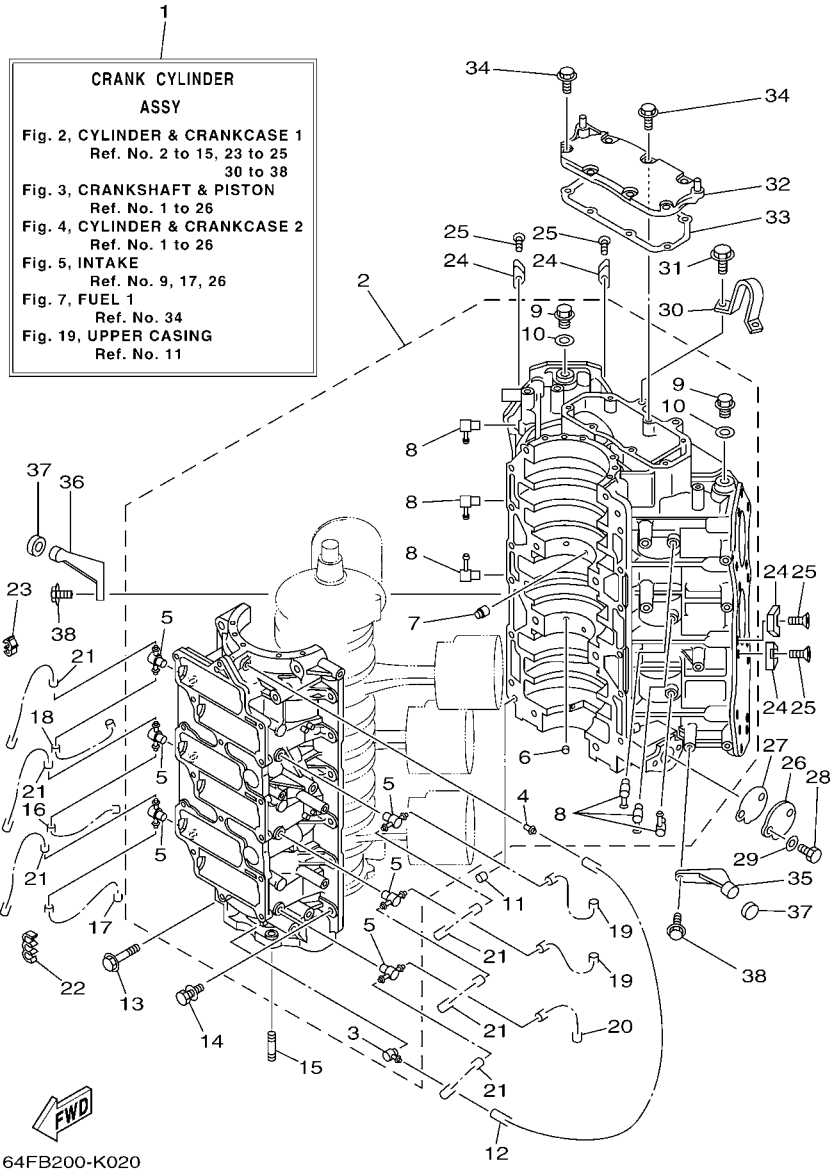
| REF. NO. | PART NO. CODIGO Nº | DESCRIPTION DESCRIPCION                       | 64FEB |  |  |  | REMARKS OBSERVACIONES |
|----------|--------------------|---|-------|--|--|--|-----------------------|
| 1        | 64F-42610-50       | TOP COWLING ASSY<br>SOPORTE SUPERIOR COMPL.   | 1     |  |  |  |                       |
| 2        | 6R3-42647-00       | .HOLDER, CLAMP BAND<br>.MORDAZA DE ABRAZADERA | 3     |  |  |  |                       |
| 3        | 92990-06100        | .WASHER, SPRING<br>.ARANDELA PLANA            | 6     |  |  |  |                       |
| 4        | 95380-06600        | .NUT, HEXAGON<br>.TUERCA                      | 6     |  |  |  |                       |
| 5        | 64D-42662-00       | .DAMPER<br>.AMORTIGUADOR                      | 3     |  |  |  |                       |
| 6        | 64D-42814-00       | .HOOK, CLAMP<br>.GANCHO GRAMPA                | 3     |  |  |  |                       |
| 7        | 97095-06012        | .BOLT<br>.PERNO                               | 6     |  |  |  |                       |
| 8        | 92995-06600        | .WASHER<br>.ARANDELA                          | 6     |  |  |  |                       |
| 9        | 64D-42615-00       | .SEAL<br>.SELLO                               | 1     |  |  |  |                       |
| 10       | 64D-42613-00-8D    | .MOLDING, AIR DUCT<br>.MOLDURA CONDUCTO AIRE  | 1     |  |  |  |                       |
| 11       | 90179-06M24        | .NUT<br>.TUERCA                               | 4     |  |  |  |                       |
| 12       | 64F-42677-50       | .GRAPHIC, FRONT<br>.CALCAMONIA FRONTAL        | 1     |  |  |  |                       |
| 13       | 64F-42687-30       | .EMBLEM, REAR<br>.EMBLEMA TRASERO             | 1     |  |  |  |                       |
| 14       | 64D-W0070-30       | .GRAPHIC SET<br>.JUEGO DE EMBLEMA             | 1     |  |  |  |                       |
| 15       | 64C-42681-30       | .MARK, COWLING<br>.MARCA DE CUBIERTA          | 1     |  |  |  |                       |
| 16       | 64C-42682-30       | .MARK, COWLING<br>.MARCA DE CUBIERTA          | 1     |  |  |  |                       |
| 17       | 64D-4267A-30       | .GRAPHIC, REAR 2<br>.CALCAMONIA TRASERA 2     | 1     |  |  |  |                       |
| 18       | 64D-42678-30       | .GRAPHIC, REAR<br>.CALCAMONIA TRASERA         | 1     |  |  |  |                       |



**FIG. 2 CYLINDER & CRANKCASE 1 CILINDRO & CARTER 1**

| REF. NO. | PART NO. CODIGO Nº | DESCRIPTION DESCRIPCION                         | 64FB |  |  |  | REMARKS OBSERVACIONES |
|----------|--------------------|---|------|--|--|--|-----------------------|
| 1        | 64F-W0090-04-1S    | CRANK CYLINDER ASSY<br>BLOQUE MOTOR COMPLETO    | 1    |  |  |  |                       |
| 2        | 64F-15100-00       | CRANKCASE ASSY<br>CARTER COMPLETO               | 1    |  |  |  |                       |
| 3        | 6E5-11372-01       | .NIPPLE, HOSE<br>.NIPLE DE MANGUERA             | 1    |  |  |  |                       |
| 4        | 624-14485-00       | .PIPE, JOINT<br>.TUBO DE UNION                  | 1    |  |  |  |                       |
| 5        | 6F6-11372-01       | .NIPPLE, HOSE<br>.NIPLE DE MANGUERA             | 6    |  |  |  |                       |
| 6        | 624-11379-00       | .VALVE, CHECK<br>.VALVULA DE CONTROL            | 2    |  |  |  |                       |
| 7        | 663-11518-01       | .LOCK, BEARING<br>.SEGURO BALERO                | 2    |  |  |  |                       |
| 8        | 646-11370-01       | .CHECK VALVE ASSY<br>.VALVULA DE CONTROL COMPL. | 6    |  |  |  |                       |
| 9        | 90340-14M00        | .PLUG, STRAIGHT SCREW<br>.TORNILLO, DE DRENAJE  | 2    |  |  |  |                       |
| 10       | 90430-14115        | .GASKET<br>.JUNTA                               | 2    |  |  |  |                       |
| 11       | 93608-12063        | PIN, DOWEL<br>PASADOR DE CLAVIJA                | 2    |  |  |  |                       |
| 12       | 90445-07M10        | HOSE (L510)<br>TUBO (L510)                      | 1    |  |  |  |                       |
| 13       | 90105-10M20        | BOLT, FLANGE<br>TORNILLO                        | 8    |  |  |  |                       |
| 14       | 90119-08M94        | BOLT, WITH WASHER<br>TORNILLO CON ARANDELA      | 12   |  |  |  |                       |
| 15       | 90116-08026        | BOLT, STUD<br>ESPARRAGO                         | 2    |  |  |  |                       |
| 16       | 90445-07M11        | HOSE (L610)<br>TUBO (L610)                      | 1    |  |  |  |                       |
| 17       | 90445-07M09        | HOSE (L380)<br>TUBO (L380)                      | 1    |  |  |  |                       |
| 18       | 90445-07M12        | HOSE (L300)<br>TUBO (L300)                      | 1    |  |  |  |                       |
| 19       | 90445-07M08        | HOSE (L220)<br>TUBO (L220)                      | 2    |  |  |  |                       |
| 20       | 90445-07M90        | HOSE (L390)<br>TUBO (L390)                      | 1    |  |  |  |                       |
| 21       | 90445-07M34        | HOSE (L260)<br>TUBO (L260)                      | 6    |  |  |  |                       |
| 22       | 90464-07M05        | CLAMP<br>BRIDA                                  | 1    |  |  |  |                       |
| 23       | 90464-07M20        | CLAMP<br>BRIDA                                  | 1    |  |  |  |                       |
| 24       | 6E5-11325-00       | ANODE<br>ANODO                                  | 8    |  |  |  |                       |
| 25       | 98780-04015        | SCREW, FLAT HEAD<br>TORNILLO CABEZA PLANA       | 8    |  |  |  |                       |
| 26       | 6R3-1131M-01       | COVER<br>CUBIERTA                               | 1    |  |  |  |                       |
| 27       | 6R3-11397-01       | GASKET<br>EMPAQUE                               | 1    |  |  |  |                       |





**FIG. 2 CYLINDER & CRANKCASE 1 CILINDRO & CARTER 1**

| REF. NO. | PART NO. CODIGO Nº | DESCRIPTION DESCRIPCION                             | 64FB |  | REMARKS OBSERVACIONES |
|----------|--------------------|---|------|--|-----------------------|
| 28       | 97013-06016        | BOLT<br>PERNO                                       | 2    |  |                       |
| 29       | 92903-06600        | WASHER, PLATE<br>RONDANA SENCILLA                   | 2    |  |                       |
| 30       | 67H-11119-01       | HANGER, ENGINE<br>SOPORTE DEL MOTOR                 | 1    |  |                       |
| 31       | 90119-08MA3        | BOLT, WITH WASHER<br>TORNILLO CON ARANDELA          | 2    |  |                       |
| 32       | 6K7-11371-01-1S    | COVER<br>CUBIERTA 1                                 | 1    |  |                       |
| 33       | 6E5-11381-A2       | GASKET 1<br>EMPAQUE 1                               | 1    |  |                       |
| 34       | 90119-06MA2        | BOLT, WITH WASHER<br>TORNILLO CON ARANDELA          | 7    |  |                       |
| 35       | 6E5-42761-00-1S    | STOPPER<br>RETEN 1                                  | 1    |  |                       |
| 36       | 6E5-42762-00-1S    | STOPPER<br>RETEN 2                                  | 1    |  |                       |
| 37       | 68F-44533-01       | DAMPER, UPPER MOUNT RUBBER<br>AMORTIGUADOR SUPERIOR | 2    |  |                       |
| 38       | 90119-06MA2        | BOLT, WITH WASHER<br>TORNILLO CON ARANDELA          | 4    |  |                       |

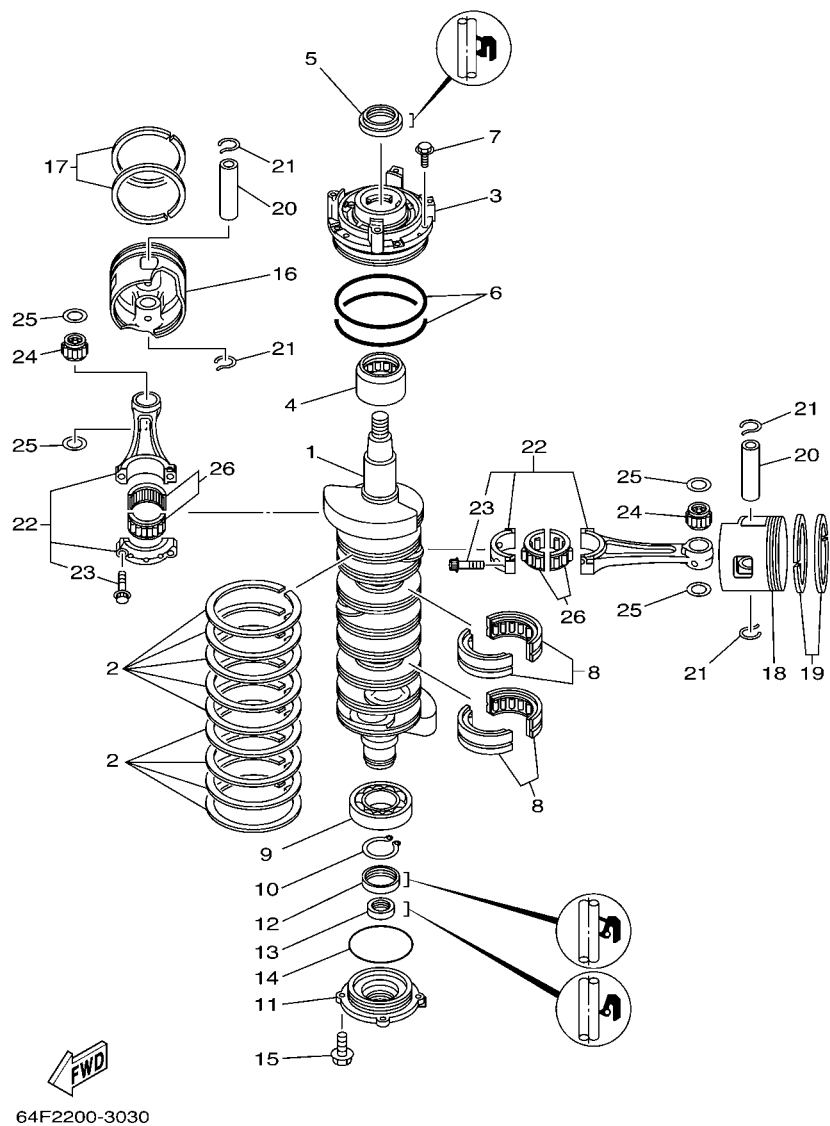
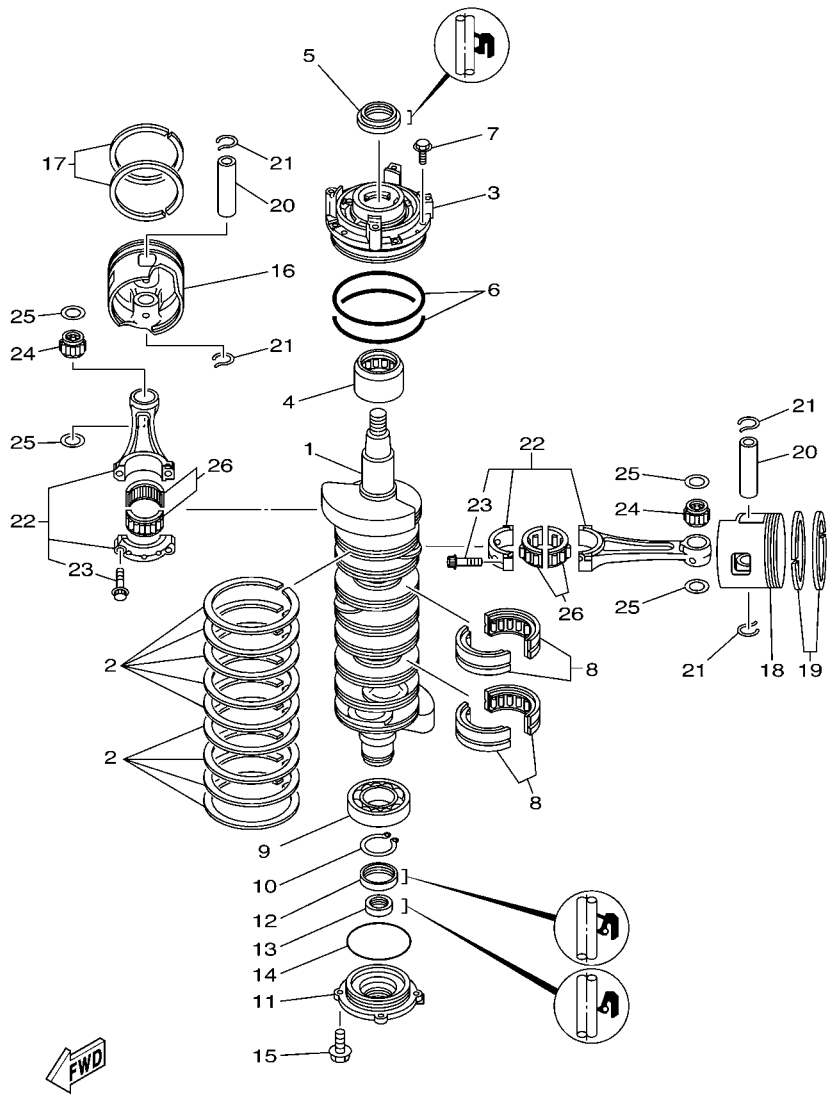


FIG. 3 CRANKSHAFT & PISTON

CIGUENAL & PISTON

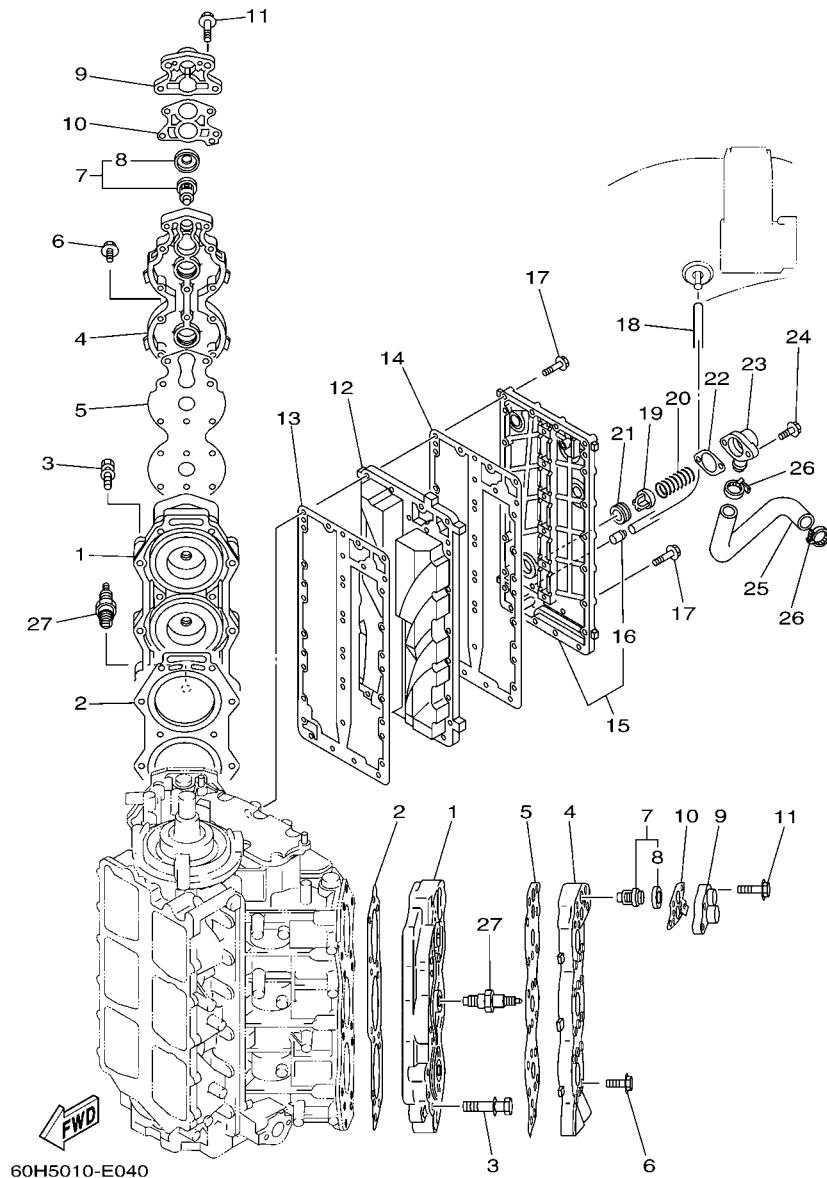
| REF. NO. | PART NO. CODIGO Nº | DESCRIPTION DESCRIPCION                                    | 64FEB |  |  |  | REMARKS OBSERVACIONES |
|----------|--------------------|--|-------|--|--|--|-----------------------|
| 1        | 6G5-11411-02       | CRANKSHAFT CIGUENAL  | 1     |  |  |  |                       |
| 2        | 6E5-11447-00       | SEAL, CRANK SELLO MANIVELA                                 | 9     |  |  |  |                       |
| 3        | 6R3-15163-00-1S    | HOUSING, BEARING 1 CAJA DE COJINETE 1                      | 1     |  |  |  |                       |
| 4        | 93311-940U3        | BEARING COJINETE DE RODILLOS                               | 1     |  |  |  |                       |
| 5        | 93102-40M14        | OIL SEAL SELLO ACEITE                                      | 1     |  |  |  |                       |
| 6        | 93211-04001        | O-RING ANILLO O  | 2     |  |  |  |                       |
| 7        | 90119-06MA2        | BOLT, WITH WASHER TORNILLO CON ARANDELA                    | 3     |  |  |  |                       |
| 8        | 93310-954U1        | BEARING COJINETE DE RODILLOS                               | 2     |  |  |  |                       |
| 9        | 93306-208U0        | BEARING COJINETE   | 1     |  |  |  |                       |
| 10       | 93410-40M03        | CIRCLIP SEGURO   | 1     |  |  |  |                       |
| 11       | 6G5-15359-00-94    | HOUSING, OIL SEAL CAJA DE SELLO DE ACEITE                  | 1     |  |  |  |                       |
| 12       | 93102-35M13        | OIL SEAL SELLO ACEITE                                      | 1     |  |  |  |                       |
| 13       | 93101-22M15        | OIL SEAL SELLO ACEITE                                      | 1     |  |  |  |                       |
| 14       | 93210-74M35        | O-RING ANILLO O  | 1     |  |  |  |                       |
| 15       | 90119-06MA2        | BOLT, WITH WASHER TORNILLO CON ARANDELA                    | 4     |  |  |  |                       |
| 16       | 64D-11631-02-90    | PISTON (STD) PISTON (NORMA)                                | 3     |  |  |  |                       |
|          | 64D-11635-02       | PISTON (0.25MM O/S) PISTON (0.25MM O/S)                    | 3     |  |  |  | AP                    |
|          | 64D-11636-02       | PISTON (0.50MM O/S) PISTON (0.50MM O/S)                    | 3     |  |  |  | AP                    |
| 17       | 64D-11603-02       | PISTON RING SET (STD) JUEGO DE ANILLOS (NORMA)             | 3     |  |  |  |                       |
|          | 64D-11604-02       | PISTON RING SET (0.25MM O/S) JUEGO DE ANILLOS (0.25MM O/S) | 3     |  |  |  | AP                    |
|          | 64D-11605-02       | PISTON RING SET (0.50MM O/S) JUEGO DE ANILLOS (0.50MM O/S) | 3     |  |  |  | AP                    |
| 18       | 64D-11642-02-90    | PISTON 2 (STD) PISTON 2 (NORMA)                            | 3     |  |  |  |                       |
|          | 64D-11645-02       | PISTON 2 (0.25MM O/S) PISTON 2 (0.25MM O/S)                | 3     |  |  |  | AP                    |
|          | 64D-11646-02       | PISTON 2 (0.50MM O/S) PISTON 2 (0.50MM O/S)                | 3     |  |  |  | AP                    |
| 19       | 64D-11603-02       | PISTON RING SET (STD) JUEGO DE ANILLOS (NORMA)             | 3     |  |  |  |                       |
|          | 64D-11604-02       | PISTON RING SET (0.25MM O/S) JUEGO DE ANILLOS (0.25MM O/S) | 3     |  |  |  | AP                    |
|          | 64D-11605-02       | PISTON RING SET (0.50MM O/S) JUEGO DE ANILLOS (0.50MM O/S) | 3     |  |  |  | AP                    |



64F2200-3030

**FIG. 3 CRANKSHAFT & PISTON CIGUENAL & PISTON**

| REF. NO. | PART NO. CODIGO Nº | DESCRIPTION DESCRIPCION                    | 64FB |  |  |  | REMARKS OBSERVACIONES |
|----------|--------------------|--|------|--|--|--|-----------------------|
| 20       | 6R5-11633-10       | PIN, PISTON PASADOR, PISTON                | 6    |  |  |  |                       |
| 21       | 6R5-11634-10       | CLIP, PISTON PIN PRESILLA, BULON DE PISTON | 12   |  |  |  |                       |
| 22       | 6R5-11650-10       | CONNECTING ROD ASSY BIELA COMPLETA         | 6    |  |  |  |                       |
| 23       | 90109-08022        | .BOLT .PERNO                               | 2    |  |  |  |                       |
| 24       | 93310-32337        | BEARING COJINETE DE RODILLOS               | 6    |  |  |  |                       |
| 25       | 90201-23M01        | WASHER, PLATE ARANDELA PLANA               | 12   |  |  |  |                       |
| 26       | 93310-836V2        | BEARING COJINETE DE RODILLOS               | 6    |  |  |  |                       |
|          |                    |  |      |  |  |  |                       |
|          |                    |  |      |  |  |  |                       |
|          |                    |  |      |  |  |  |                       |
|          |                    |  |      |  |  |  |                       |
|          |                    |  |      |  |  |  |                       |
|          |                    |  |      |  |  |  |                       |
|          |                    |  |      |  |  |  |                       |
|          |                    |  |      |  |  |  |                       |
|          |                    |  |      |  |  |  |                       |
|          |                    |  |      |  |  |  |                       |



60H5010-E040

FIG. 4 CYLINDER & CRANKCASE 2 CILINDRO & CARTER 2

| REF. NO. | PART NO. CODIGO Nº | DESCRIPTION DESCRIPCION                                  | 64FEB |  |  |  | REMARKS OBSERVACIONES |
|----------|--------------------|--|-------|--|--|--|-----------------------|
| 1        | 64E-11111-00-1S    | HEAD, CYLINDER 1<br>CULATA CILINDRO 1                    | 2     |  |  |  |                       |
| 2        | 6G5-11181-A3       | GASKET, CYLINDER HEAD 1<br>JUNTA, DE CULATA 1            | 2     |  |  |  |                       |
| 3        | 90119-08MA8        | BOLT, WITH WASHER<br>TORNILLO CON ARANDELA               | 28    |  |  |  |                       |
| 4        | 6G5-11191-00-1S    | COVER, CYLINDER HEAD 1<br>TAPA CULATA DE CILINDRO 1      | 2     |  |  |  |                       |
| 5        | 6G5-11193-A2       | GASKET, HEAD COVER 1<br>EMPAQUE                          | 2     |  |  |  |                       |
| 6        | 90119-06MA4        | BOLT, WITH WASHER<br>TORNILLO CON ARANDELA               | 36    |  |  |  |                       |
| 7        | 6E5-12411-30       | THERMOSTAT<br>TERMOSTAT                                  | 2     |  |  |  |                       |
| 8        | 688-12412-00       | .SEAL, THERMOSTAT<br>.SELLO TERMOSTATO                   | 1     |  |  |  |                       |
| 9        | 688-12413-00-1S    | COVER, THERMOSTAT<br>CUBIERTA TERMOSTATO                 | 2     |  |  |  |                       |
| 10       | 688-12414-A1       | GASKET, COVER<br>EMPAQUE                                 | 2     |  |  |  |                       |
| 11       | 90119-06MA6        | BOLT, WITH WASHER<br>TORNILLO CON ARANDELA               | 8     |  |  |  |                       |
| 12       | 64D-41111-00-1S    | INNER COVER, EXHAUST<br>CUBIERTA INTERIOR DE ESCAPE      | 1     |  |  |  |                       |
| 13       | 6G5-41112-A1       | GASKET, EXHAUST INNER COVER<br>EMPAQUE                   | 1     |  |  |  |                       |
| 14       | 6G5-41114-A0       | GASKET, EXHAUST OUTER COVER<br>EMPAQUE                   | 1     |  |  |  |                       |
| 15       | 6R3-41113-00-1S    | OUTER COVER, EXHAUST<br>CUBIERTA EXTERIOR DE ESCAPE      | 1     |  |  |  |                       |
| 16       | 650-24378-00       | .PIPE, JOINT 4<br>.TUBO DE UNION 3                       | 1     |  |  |  |                       |
| 17       | 90119-06MA5        | BOLT, WITH WASHER<br>TORNILLO CON ARANDELA               | 29    |  |  |  |                       |
| 18       | 90445-09097        | HOSE (L250)<br>TUBO (L250)                               | 1     |  |  |  |                       |
| 19       | 60H-12416-00       | VALVE, PRESSURE CONTROL<br>VALVULA DE CONTROL DE PRESION | 1     |  |  |  |                       |
| 20       | 90501-16M11        | SPRING, COMPRESSION<br>RESORTE DE COMPRESION             | 1     |  |  |  |                       |
| 21       | 90480-20M05        | GROMMET<br>TAPON   | 1     |  |  |  |                       |
| 22       | 6G5-11382-A1       | GASKET 2<br>EMPAQUE 2                                    | 1     |  |  |  |                       |
| 23       | 6G5-11372-00-1S    | COVER, BYPASS 2<br>CUBIERTA                              | 1     |  |  |  |                       |
| 24       | 97595-06420        | BOLT, WITH WASHER<br>PERNO CON ARANDELA                  | 2     |  |  |  |                       |
| 25       | 6G5-12576-00       | HOSE 1<br>MANGUERA 1                                     | 1     |  |  |  |                       |
| 26       | 90465-13M18        | CLAMP<br>BRIDA   | 2     |  |  |  |                       |
| 27       | 94702-00247        | PLUG, SPARK (NGK BR8HS-10)<br>BUJIA (NGK BR8HS-10)       | 6     |  |  |  |                       |

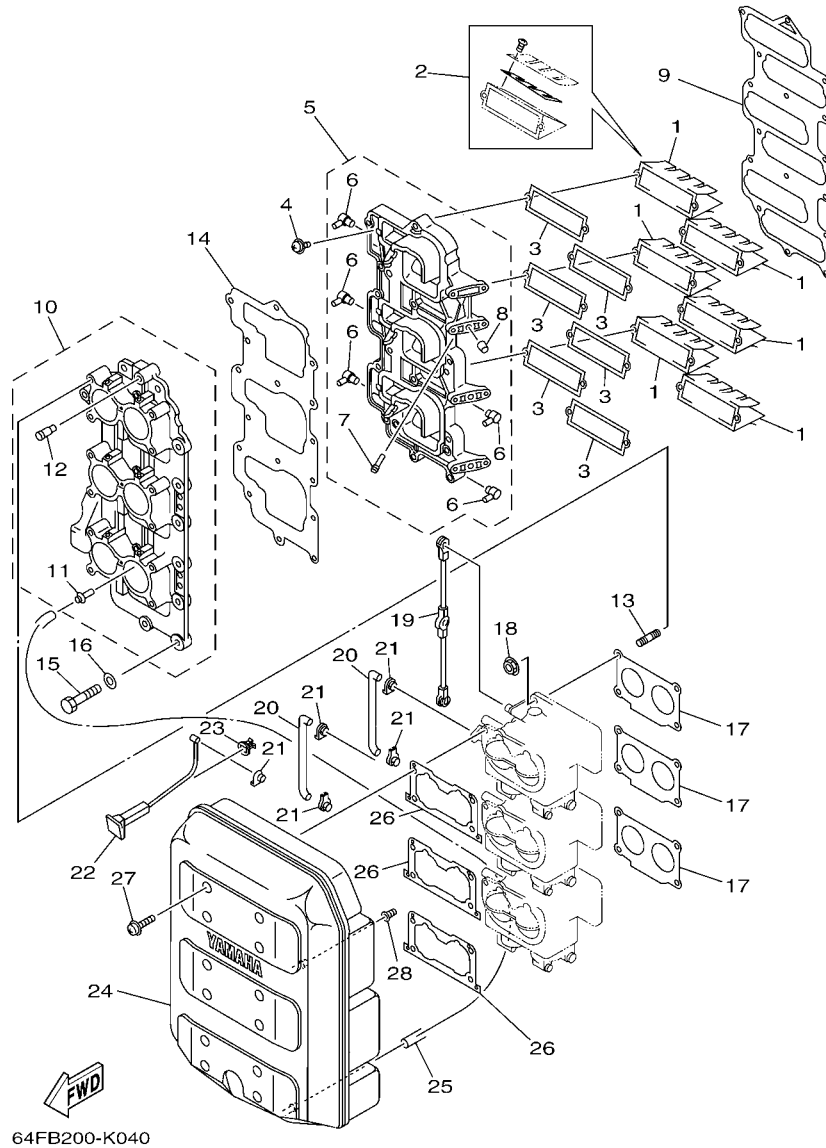


FIG. 5 INTAKE

ADMISION

| REF. NO. | PART NO. CODIGO Nº | DESCRIPTION DESCRIPCION                                | 64FB |  |  |  | REMARKS OBSERVACIONES |
|----------|--------------------|--|------|--|--|--|-----------------------|
| 1        | 6K7-13610-00       | REED VALVE ASSY<br>VALVULA DE LAMINAS COMPLETA         | 6    |  |  |  |                       |
| 2        | 6E5-W0004-00       | .REED SET<br>.JUEGO DE VALVULAS DE LENGUETA            | 1    |  |  |  |                       |
| 3        | 6K7-13621-A1       | GASKET, VALVE SEAT<br>JUNTA, DE VALV.DE EMPAQUE        | 6    |  |  |  |                       |
| 4        | 97980-05216        | SCREW, WITH WASHER<br>TORNILLO, CON ARANDELA           | 12   |  |  |  |                       |
| 5        | 64E-13624-00-1S    | PLATE, REED VALVE<br>PLACA DE VALVULA DE LAMINAS       | 1    |  |  |  |                       |
| 6        | 688-11372-01       | .NIPPLE, HOSE<br>.NIPL DE MANGUERA                     | 5    |  |  |  |                       |
| 7        | 6R5-14485-00       | .PIPE, JOINT<br>.TUBO DE UNION                         | 1    |  |  |  |                       |
| 8        | 90336-08M06        | .PLUG, TAPER<br>.TAPON AHUSADO                         | 1    |  |  |  |                       |
| 9        | 6K7-13646-A2       | GASKET, MANIFOLD 2<br>EMPAQ. DE MULTIPLE 2             | 1    |  |  |  |                       |
| 10       | 64E-13641-10-1S    | MANIFOLD 1<br>MULTIPLE 1                               | 1    |  |  |  |                       |
| 11       | 624-14485-00       | .PIPE, JOINT<br>.TUBO DE UNION                         | 1    |  |  |  |                       |
| 12       | 6K7-81338-01       | .CLAMP, LEAD<br>.GRAMPA DE CONDUCTOR                   | 1    |  |  |  |                       |
| 13       | 90116-06M30        | BOLT, STUD<br>ESPARRAGO                                | 12   |  |  |  |                       |
| 14       | 64E-13645-A0       | GASKET, MANIFOLD 1<br>EMPAQUE                          | 1    |  |  |  |                       |
| 15       | 97013-06050        | BOLT<br>PERNO  | 16   |  |  |  |                       |
| 16       | 92903-06600        | WASHER, PLATE<br>RONDANA SENCILLA                      | 16   |  |  |  |                       |
| 17       | 6E5-14198-A2       | GASKET<br>EMPAQUE                                      | 3    |  |  |  |                       |
| 18       | 90179-06M28        | NUT<br>TUERCA  | 12   |  |  |  |                       |
| 19       | 6G5-41217-01       | ROD, ACCEL. LEVER<br>VARILLA PALANCA ACELERADOR        | 1    |  |  |  |                       |
| 20       | 6E5-41256-01       | ROD, CHOKE 1<br>VARILLA DE AHOGADOR                    | 2    |  |  |  |                       |
| 21       | 661-41262-02       | JOINT, CHOKE LEVER<br>CONECTOR DE AHOGADOR             | 5    |  |  |  |                       |
| 22       | 61H-41271-11       | KNOB, CHOKE<br>PERILLA AHOGADOR                        | 1    |  |  |  |                       |
| 23       | 689-41273-00       | GROMMET<br>TAPON PROTECTOR                             | 1    |  |  |  |                       |
| 24       | 64D-14440-00       | SILENCER ASSY, INTAKE<br>SILENCIADOR COMPL DE ADMISION | 1    |  |  |  |                       |
| 25       | 90445-07MA3        | HOSE (L200)<br>TUBO (L200)                             | 1    |  |  |  |                       |
| 26       | 6K7-14483-00       | GASKET<br>EMPAQUE                                      | 3    |  |  |  |                       |
| 27       | 90159-06M08        | SCREW, WITH WASHER<br>TORNILLO CON VALONA              | 12   |  |  |  |                       |

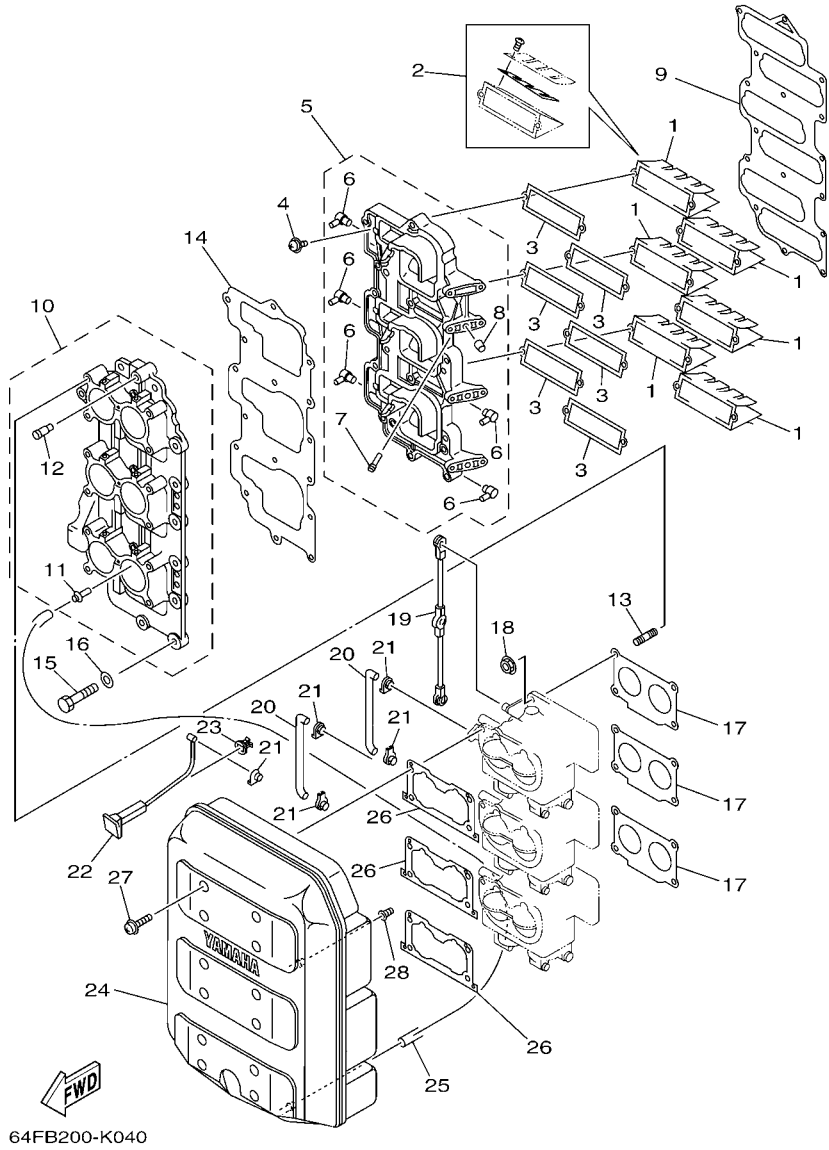
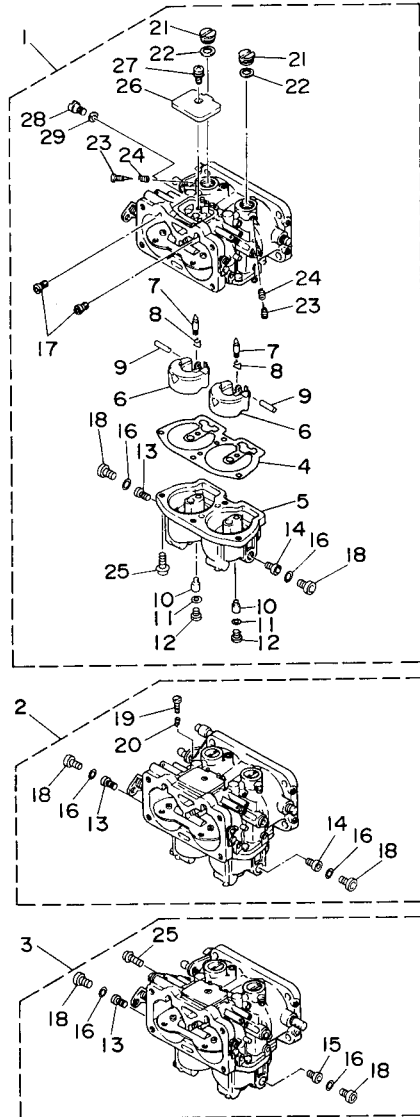


FIG. 5 INTAKE

ADMISION

| REF. NO. | PART NO. CODIGO Nº | DESCRIPTION DESCRIPCION                         | 64FB |  |  |  | REMARKS OBSERVACIONES |
|----------|--------------------|---|------|--|--|--|-----------------------|
| 28       | 647-14395-60       | CAP, OVERFLOW PIPE<br>TAPA DE TUBO REBOSAMIENTO | 1    |  |  |  |                       |
|          |                    |   |      |  |  |  |                       |
|          |                    |   |      |  |  |  |                       |
|          |                    |   |      |  |  |  |                       |
|          |                    |   |      |  |  |  |                       |
|          |                    |   |      |  |  |  |                       |
|          |                    |   |      |  |  |  |                       |
|          |                    |   |      |  |  |  |                       |
|          |                    |   |      |  |  |  |                       |
|          |                    |   |      |  |  |  |                       |

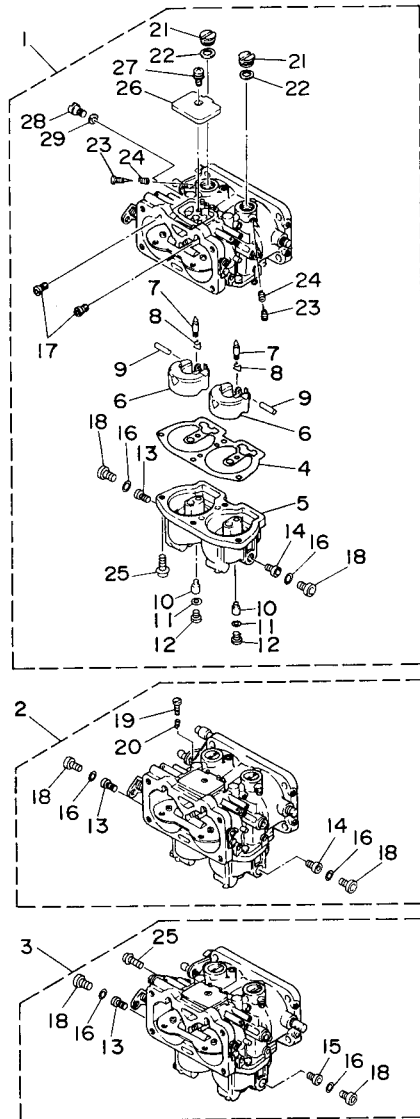


64F0010-6060

FIG. 6 CARBURETOR

CARBURADOR

| REF. NO. | PART NO. CODIGO N° | DESCRIPTION DESCRIPCION                              | 64FEB |  |  |  | REMARKS OBSERVACIONES |
|----------|--------------------|--|-------|--|--|--|-----------------------|
| 1        | 64F-14301-02       | CARBURETOR ASSY 1<br>CARBURADOR COMPLETO 1           | 1     |  |  |  |                       |
| 2        | 64F-14302-02       | CARBURETOR ASSY 2<br>CARBURADOR COMPLETO 2           | 1     |  |  |  |                       |
| 3        | 64F-14303-02       | CARBURETOR ASSY 3<br>CARBURADOR COMPLETO 3           | 1     |  |  |  |                       |
| 4        | 64D-14384-01       | .GASKET, FLOAT CHAMBER<br>.EMPAQUE DE CAMARA DE BOIA | 3     |  |  |  |                       |
| 5        | 64D-14381-00       | .BODY, FLOAT CHAMBER<br>.CUERPO DE CAMARA DE BOIA    | 3     |  |  |  |                       |
| 6        | 6E5-14385-02       | .FLOAT<br>.BOIA                                      | 6     |  |  |  |                       |
| 7        | 6E5-14546-00       | .VALVE, NEEDLE<br>.VALVULA DE AGUJA                  | 6     |  |  |  |                       |
| 8        | 6E5-14159-00       | .CLIP<br>.PRESILLA                                   | 6     |  |  |  |                       |
| 9        | 6E5-14386-02       | .PIN, FLOAT<br>.PASADOR DE BOIA                      | 6     |  |  |  |                       |
| 10       | 64D-1492F-40       | .JET, AIR SLOW (#80)<br>.ESPREA (#80)                | 6     |  |  |  |                       |
| 11       | 61U-14959-00       | .GASKET<br>.EMPAQUE                                  | 6     |  |  |  |                       |
| 12       | 64D-14394-00       | .VALVE, DRAIN<br>.VALVULA DE DRENAJE                 | 6     |  |  |  |                       |
| 13       | 64D-1492E-75       | .JET, MAIN (#150)<br>.INYECTOR PRINCIPAL (#150)      | 3     |  |  |  |                       |
| 14       | 64D-1492E-77       | .JET, MAIN (#154)<br>.INYECTOR PRINCIPAL (#154)      | 2     |  |  |  |                       |
| 15       | 64D-1492E-79       | .JET, MAIN (#158)<br>.INYECTOR PRINCIPAL (#158)      | 1     |  |  |  |                       |
| 16       | 6E5-14398-01       | .GASKET<br>.EMPAQUE                                  | 6     |  |  |  |                       |
| 17       | 61A-1492H-12       | .JET, SLOW AIR BLEED (#60)<br>.ESPREA AIRE (#60)     | 6     |  |  |  |                       |
| 18       | 61A-14383-01       | .SCREW, DRAIN<br>.TORNILLO DE DRENAJE                | 6     |  |  |  |                       |
| 19       | 6E5-14321-00       | .SCREW, THROTTLE<br>.TORNILLO DE OBTURADOR           | 1     |  |  |  | #2                    |
| 20       | 6J8-14334-00       | .SPRING, THROTTLE<br>.RESORTE DE AJUSTADOR DE AIRE   | 1     |  |  |  | #2                    |
| 21       | 6E5-14328-01       | .PLUG<br>.TORNILLO TOPE DE PILOTO                    | 6     |  |  |  |                       |
| 22       | 6E5-14979-00       | .GASKET<br>.EMPAQUE DE ARRANQUE                      | 6     |  |  |  |                       |
| 23       | 6E5-14323-03       | .SCREW, AIR ADJUSTING<br>.TORNILLO DE AJUSTE DE AIRE | 6     |  |  |  |                       |
| 24       | 6E5-14223-00       | .SPRING, AIR ADJUSTING<br>.RESORTE, AJUSTE DE AIRE   | 6     |  |  |  |                       |
| 25       | 97980-05116        | .SCREW, WITH WASHER<br>.TORNILLO, CON ARANDELA       | 13    |  |  |  |                       |
| 26       | 6E5-14527-01       | .PLATE<br>.PLACA                                     | 3     |  |  |  |                       |
| 27       | 97980-05108        | .SCREW, WITH WASHER<br>.TORNILLO, CON ARANDELA       | 3     |  |  |  |                       |



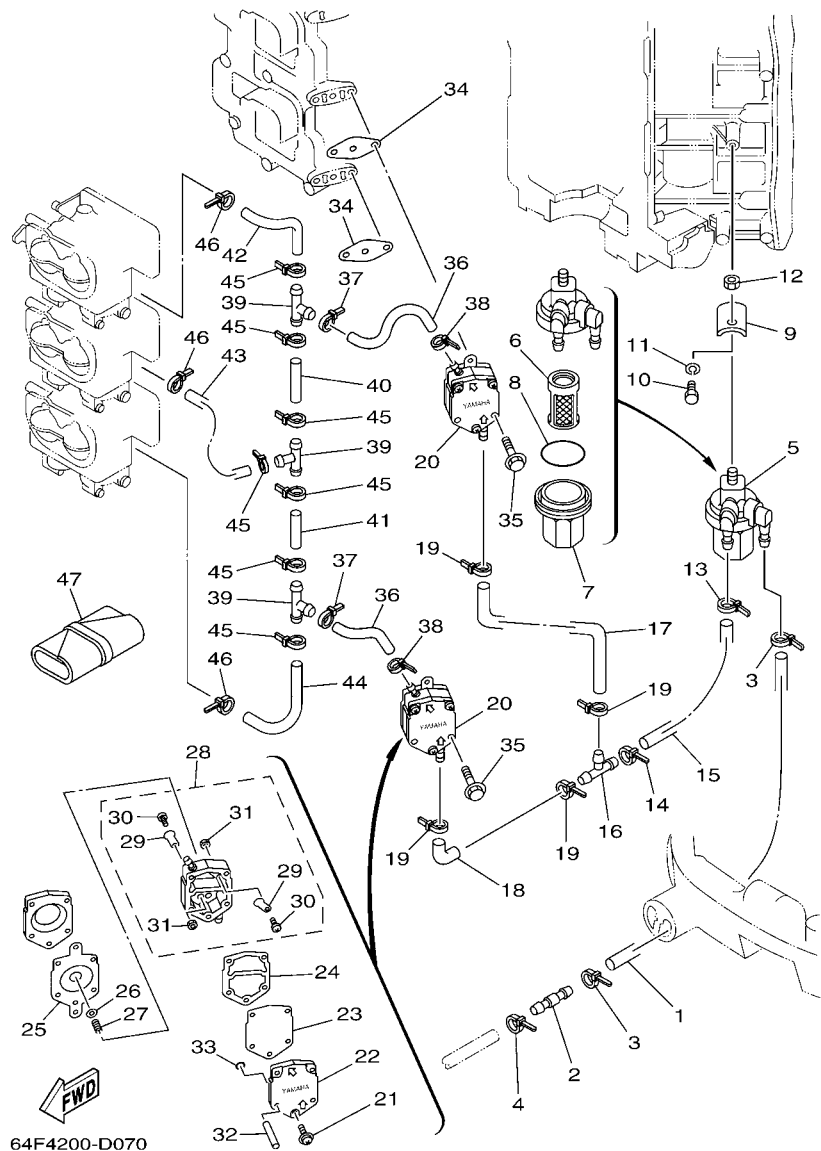
64F0010-6060

FIG. 6 CARBURETOR

CARBURADOR

| REF. NO. | PART NO. CODIGO Nº | DESCRIPTION DESCRIPCION                     | 64F0010-6060 |  |  |  | REMARKS OBSERVACIONES |
|----------|--------------------|---|--------------|--|--|--|-----------------------|
| 28       | 6E5-14324-00       | .SCREW, FLAT HEAD<br>.TORNILLO CABEZA PLANA | 3            |  |  |  |                       |
| 29       | 6J8-14959-00       | .GASKET<br>.EMPAQUE                         | 3            |  |  |  |                       |
| -----    |                    |   |              |  |  |  |                       |
| -----    |                    |   |              |  |  |  |                       |
| -----    |                    |   |              |  |  |  |                       |
| -----    |                    |   |              |  |  |  |                       |
| -----    |                    |   |              |  |  |  |                       |
| -----    |                    |   |              |  |  |  |                       |
| -----    |                    |   |              |  |  |  |                       |
| -----    |                    |   |              |  |  |  |                       |
| -----    |                    |   |              |  |  |  |                       |
| -----    |                    |   |              |  |  |  |                       |
| -----    |                    |   |              |  |  |  |                       |
| -----    |                    |   |              |  |  |  |                       |





64F4200-D070

FIG. 7 FUEL 1 COMBUSTIBLE 1

| REF. NO. | PART NO. CODIGO Nº | DESCRIPTION DESCRIPCION                         | 64FEB |  |  |  | REMARKS OBSERVACIONES |
|----------|--------------------|---|-------|--|--|--|-----------------------|
| 1        | 6R3-24313-01       | PIPE 3 (L880)<br>TUBO 3 (L880)                  | 1     |  |  |  |                       |
| 2        | 6R3-24377-00       | PIPE, JOINT 2<br>TUBO DE UNION 2                | 1     |  |  |  |                       |
| 3        | 90465-11M10        | CLAMP<br>BRIDA                                  | 2     |  |  |  |                       |
| 4        | 90465-11M10        | CLAMP<br>BRIDA                                  | 1     |  |  |  |                       |
| 5        | 6R3-24560-00       | FILTER ASSY<br>FILTRO COMPLETO                  | 1     |  |  |  |                       |
| 6        | 6R3-24563-00       | .ELEMENT, FILTER<br>.ELEMENTO DEL FILTRO        | 1     |  |  |  |                       |
| 7        | 61N-24521-00       | .CUP, FILTER<br>.COPA DE FILTRO                 | 1     |  |  |  |                       |
| 8        | 93210-32738        | .O-RING<br>.ANILLO O                            | 1     |  |  |  |                       |
| 9        | 648-24566-02       | BRACKET, FILTER<br>SOPORTE DEL FILTRO           | 1     |  |  |  |                       |
| 10       | 97013-06014        | BOLT<br>PERNO                                   | 1     |  |  |  |                       |
| 11       | 92903-06100        | WASHER, SPRING<br>RONDANA SENCILLA              | 1     |  |  |  |                       |
| 12       | 95380-08600        | NUT<br>TUERCA                                   | 1     |  |  |  |                       |
| 13       | 90465-11M10        | CLAMP<br>BRIDA                                  | 1     |  |  |  |                       |
| 14       | 90465-11M10        | CLAMP<br>BRIDA                                  | 1     |  |  |  |                       |
| 15       | 6G5-24314-00       | PIPE 4<br>TUBO 4                                | 1     |  |  |  |                       |
| 16       | 6E5-24378-00       | PIPE, JOINT 3<br>TUBO DE UNION 3                | 1     |  |  |  |                       |
| 17       | 6K7-24315-00       | PIPE 5<br>TUBO DE DESAGUE                       | 1     |  |  |  |                       |
| 18       | 6E5-24315-00       | PIPE 5<br>TUBO DE DESAGUE                       | 1     |  |  |  |                       |
| 19       | 90465-11M10        | CLAMP<br>BRIDA                                  | 4     |  |  |  |                       |
| 20       | 6E5-24410-04       | FUEL PUMP ASSY<br>BOMBA DE COMBUSTIBLE COMPLETA | 2     |  |  |  |                       |
| 21       | 6E5-24444-01       | .SCREW<br>.TORNILLO                             | 3     |  |  |  |                       |
| 22       | 6E5-24413-01       | .BODY 2<br>.CUERPO 2                            | 1     |  |  |  |                       |
| 23       | 6E5-24471-01       | .DIAPHRAGM<br>.DIAFRAGMA                        | 1     |  |  |  |                       |
| 24       | 6E5-24435-01       | .GASKET, BODY 2<br>.EMPAQUE                     | 1     |  |  |  |                       |
| 25       | 6E5-24411-01       | .DIAPHRAGM<br>.DIAFRAGMA                        | 1     |  |  |  |                       |
| 26       | 648-24424-00       | .SEAT, SPRING<br>.PLACA DE RESORTE              | 1     |  |  |  |                       |
| 27       | 6E5-24423-00       | .SPRING, DIAPHRAGM<br>.RESORTE DE DIAFRAGMA     | 1     |  |  |  |                       |

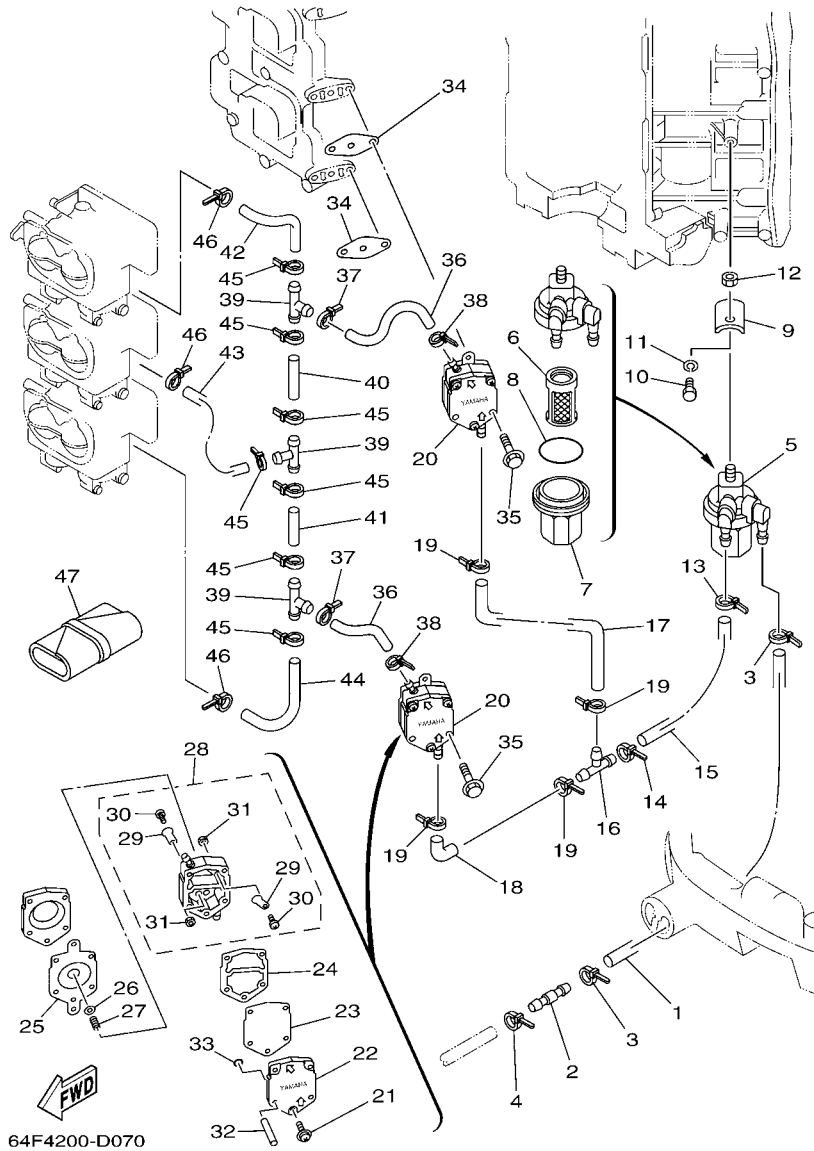
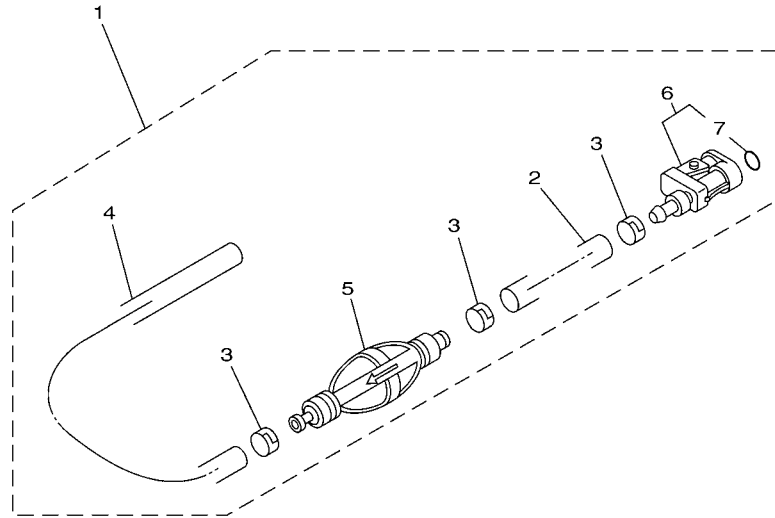


FIG. 7 FUEL 1

COMBUSTIBLE 1

| REF. NO. | PART NO. CODIGO Nº | DESCRIPTION DESCRIPCION                        | 64FEB |  |  |  | REMARKS OBSERVACIONES |
|----------|--------------------|--|-------|--|--|--|-----------------------|
| 28       | 6E5-24412-11       | .BODY 1<br>.CUERPO 1                           | 1     |  |  |  |                       |
| 29       | 6A0-24421-01       | ..VALVE, CHECK<br>..VALVULA DE RETENCION       | 4     |  |  |  |                       |
| 30       | 6A0-14325-00       | ..SCREW, PAN HEAD<br>..TORNILLO CABEZA REDONDA | 4     |  |  |  |                       |
| 31       | 95380-03600        | ..NUT<br>..TUERCA                              | 4     |  |  |  |                       |
| 32       | 6E5-24492-00       | .BUSH, FUEL PUMP<br>.BUJE                      | 2     |  |  |  |                       |
| 33       | 6E5-24486-00       | .O-RING<br>.ANILLO O                           | 2     |  |  |  |                       |
| 34       | 650-24431-A0       | GASKET, FUEL PUMP 1<br>EMPAQUE BOMBA COMBUST 1 | 2     |  |  |  |                       |
| 35       | 97595-06550        | BOLT, WITH WASHER<br>PERNO CON ARANDELA        | 4     |  |  |  |                       |
| 36       | 6G5-24316-10       | PIPE 6<br>TUBO 6                               | 2     |  |  |  |                       |
| 37       | 90465-11M10        | CLAMP<br>BRIDA                                 | 2     |  |  |  |                       |
| 38       | 90465-11M10        | CLAMP<br>BRIDA                                 | 2     |  |  |  |                       |
| 39       | 6E5-24378-00       | PIPE, JOINT 3<br>TUBO DE UNION 3               | 3     |  |  |  |                       |
| 40       | 90445-13M03        | HOSE (L50)<br>TUBO (L50)                       | 1     |  |  |  |                       |
| 41       | 90445-13M02        | HOSE (L40)<br>TUBO (L40)                       | 1     |  |  |  |                       |
| 42       | 6K7-24317-00       | PIPE 7<br>TUBO 7                               | 1     |  |  |  |                       |
| 43       | 6K7-24318-00       | PIPE, OVERFLOW<br>TUBO DE REBOSAMIENTO         | 1     |  |  |  |                       |
| 44       | 6K7-24319-00       | PIPE, OIL<br>TUBO DE ACEITE                    | 1     |  |  |  |                       |
| 45       | 90465-11M10        | CLAMP<br>BRIDA                                 | 7     |  |  |  |                       |
| 46       | 90465-11M10        | CLAMP<br>BRIDA                                 | 3     |  |  |  |                       |
| 47       | 656-W2810-02       | TOOL KIT<br>JUEGO DE HERRAMIENTAS              | 1     |  |  |  |                       |



  
6N43100-C100

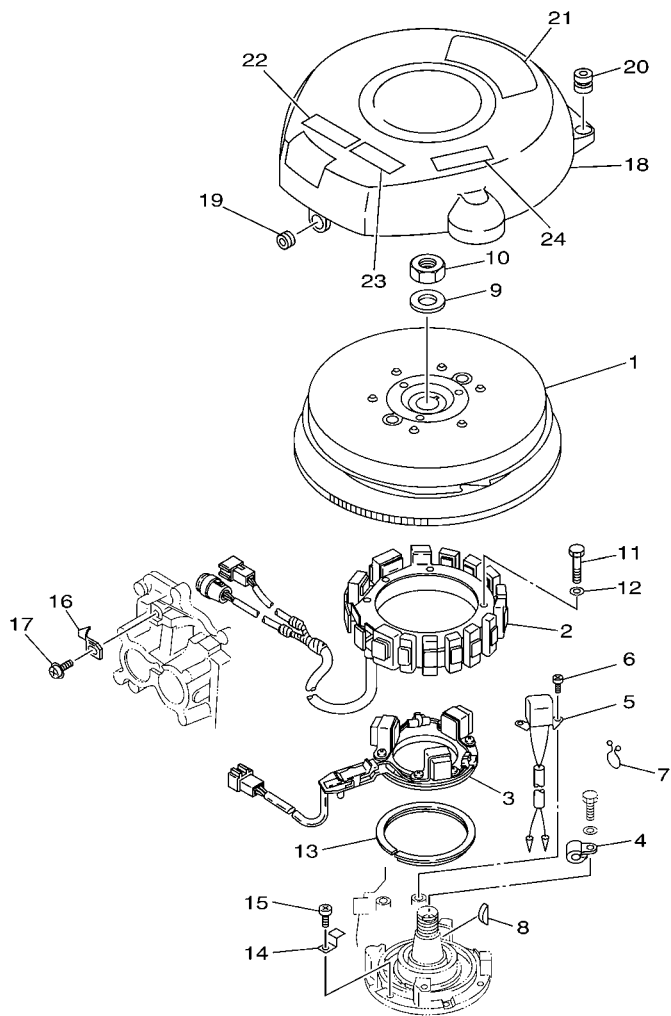
FIG. 8 FUEL 2

COMBUSTIBLE 2

| REF. NO. | PART NO. CODIGO N° | DESCRIPTION DESCRIPCION                                   | 64FB |  |  |  | REMARKS OBSERVACIONES |
|----------|--------------------|---|------|--|--|--|-----------------------|
| 1        | 6Y2-24306-45       | FUEL PIPE COMP. 1<br>TUBO COMBUST. COMPL 1                | 1    |  |  |  | AP<br>AP              |
| 2        | 90445-13M01        | .HOSE (L2050)<br>.MANGUERA (L2050)                        | 1    |  |  |  |                       |
| 3        | 6E5-24351-51       | .BAND 1<br>.ABRAZADERA 1                                  | 3    |  |  |  |                       |
| 4        | 90445-13M35        | .HOSE (L250)<br>.MANGUERA (L250)                          | 1    |  |  |  |                       |
| 5        | 6Y2-24360-60       | .PRIMER PUMP ASSY<br>.SOPORTE BOMBA                       | 1    |  |  |  |                       |
| 6        | 6Y2-24305-06       | .FUEL PIPE JOINT COMP. 2<br>.CONECTOR MANGUERA COMBUST. 2 | 1    |  |  |  |                       |
| 7        | 93210-08287        | ..O-RING<br>..ANILLO O                                    | 1    |  |  |  |                       |

FIG. 9 GENERATOR

GENERADOR

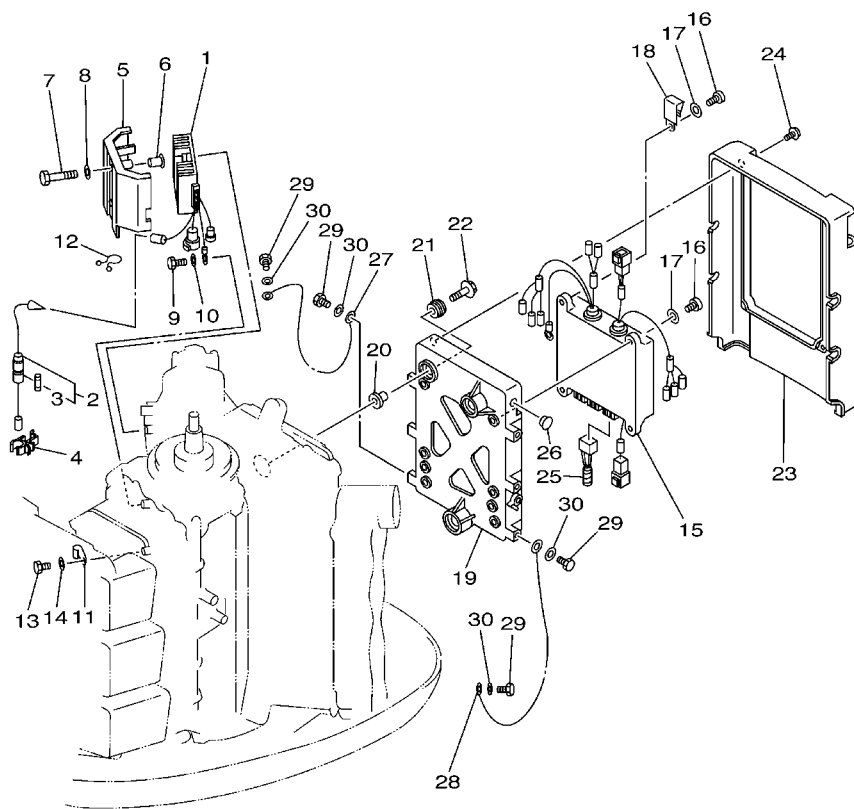


  
64CA110-J100

| REF. NO. | PART NO. CODIGO Nº | DESCRIPTION DESCRIPCION                                | 64FEB |  |  |  | REMARKS OBSERVACIONES |
|----------|--------------------|--|-------|--|--|--|-----------------------|
| 1        | 64D-85550-02       | ROTOR ASSY<br>ROTOR COMPLETO                           | 1     |  |  |  |                       |
| 2        | 6R3-85510-00       | STATOR ASSY<br>ESTATOR COMPLETO                        | 1     |  |  |  |                       |
| 3        | 64D-85580-00       | COIL, PULSER<br>BOBINA DE PULSACION                    | 1     |  |  |  |                       |
| 4        | 90465-06M86        | CLAMP<br>BRIDA   | 1     |  |  |  |                       |
| 5        | 6R5-85895-01       | CRANK POSITION SENDER<br>SENSOR, POSICION DE CIGUENAL  | 1     |  |  |  |                       |
| 6        | 97885-05012        | SCREW, PAN HEAD<br>TORNILLO A MUESCA                   | 2     |  |  |  |                       |
| 7        | 90464-15M11        | CLAMP<br>BRIDA   | 1     |  |  |  |                       |
| 8        | 90280-05015        | KEY, WOODRUFF<br>CUNA WOODRUFF                         | 1     |  |  |  |                       |
| 9        | 90201-21M18        | WASHER, PLATE<br>ARANDELA PLANA                        | 1     |  |  |  |                       |
| 10       | 90170-20137        | NUT<br>TUERCA  | 1     |  |  |  |                       |
| 11       | 97013-06070        | BOLT<br>PERNO  | 4     |  |  |  |                       |
| 12       | 92903-06600        | WASHER, PLATE<br>RONDANA SENCILLA                      | 4     |  |  |  |                       |
| 13       | 688-41611-00       | RETAINER, MAGNETO BASE<br>RETENEDOR BASE MAGNETO       | 1     |  |  |  |                       |
| 14       | 688-41612-00       | RETAINER, MAGNETO BASE<br>RETENEDOR BASE MAGNETO       | 4     |  |  |  |                       |
| 15       | 97880-06018        | SCREW, PAN HEAD<br>TORNILLO DE CABEZA CON PLANA        | 4     |  |  |  |                       |
| 16       | 6E5-81332-00       | PLATE, TIMING<br>PLACA REGULADOR DE TIEMPO             | 1     |  |  |  |                       |
| 17       | 97985-06210        | SCREW, WITH WASHER<br>TORNILLO, CON ARANDELA           | 1     |  |  |  |                       |
| 18       | 64D-81337-01       | COVER, FLYWHEEL<br>CUBIERTA DE VOLANTE                 | 1     |  |  |  |                       |
| 19       | 90480-13M24        | GROMMET<br>TAPON                                       | 1     |  |  |  |                       |
| 20       | 663-82317-01       | DAMPER, IGNITION COIL<br>AMORTIGUADOR BOBINA ENCENDIDO | 2     |  |  |  |                       |
| 21       | 64E-14488-00       | LABEL, CAUTION<br>ETIQUETA PRECAUCION                  | 1     |  |  |  |                       |
| 22       | 6AH-81994-40       | LABEL, SAFETY<br>ETIQUETA DE SEGURIDAD                 | 1     |  |  |  |                       |
| 23       | 6AH-81995-40       | LABEL, WARNING<br>ETIQUETA DE PRECAUCION               | 1     |  |  |  |                       |
| 24       | 6AG-81996-00       | MARK<br>MARCA  | 1     |  |  |  |                       |

FIG. 10 ELECTRICAL 1

EQUIPO ELECTRICO 1

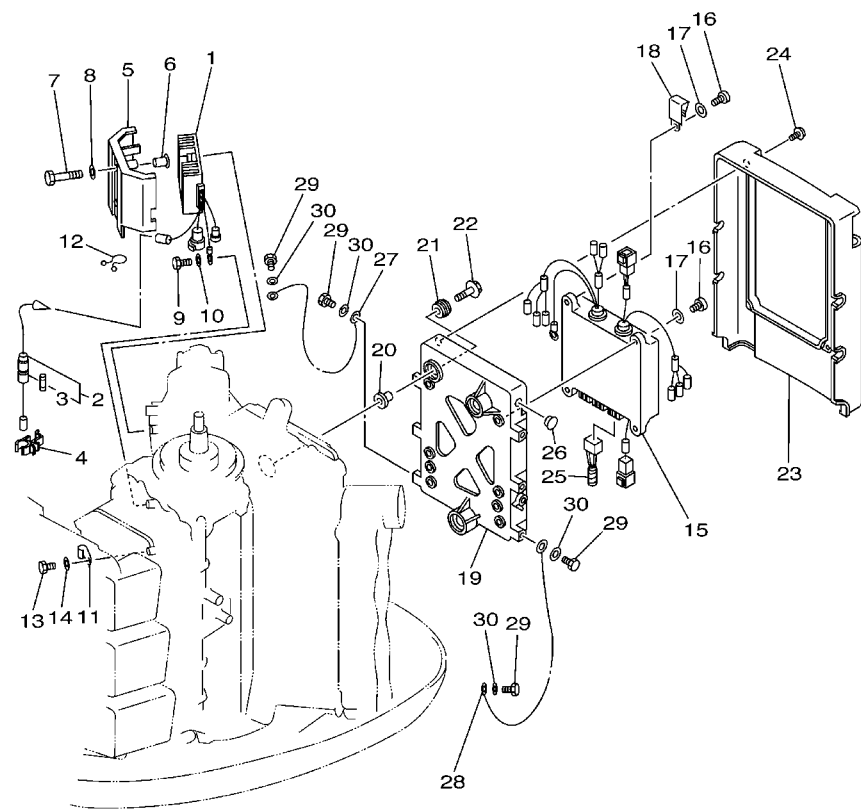


64F0200-1100

| REF. NO. | PART NO. CODIGO Nº | DESCRIPTION DESCRIPCION                                | 64FEB |  |  |  | REMARKS OBSERVACIONES |
|----------|--------------------|--|-------|--|--|--|-----------------------|
| 1        | 6R3-81960-10       | RECTIFIER & REGULATOR ASSY<br>RECTIFICADOR Y REGULADOR | 1     |  |  |  |                       |
| 2        | 6R3-82150-00       | FUSE HOLDER ASSY<br>PORTA-FUSIBLES COMPLETO            | 1     |  |  |  |                       |
| 3        | 705-82151-00       | .FUSE (30A)<br>.FUSIBLE (30A)                          | 1     |  |  |  |                       |
| 4        | 6G5-82152-00       | HOLDER, FUSE<br>PORTA-FUSIBLES                         | 1     |  |  |  |                       |
| 5        | 64D-81942-00       | COVER<br>CUBIERTA                                      | 1     |  |  |  |                       |
| 6        | 90387-06M66        | COLLAR<br>ESPACIADOR                                   | 2     |  |  |  |                       |
| 7        | 97013-06055        | BOLT<br>PERNO  | 2     |  |  |  |                       |
| 8        | 92903-06600        | WASHER, PLATE<br>RONDANA SENCILLA                      | 2     |  |  |  |                       |
| 9        | 97095-06012        | BOLT<br>PERNO  | 1     |  |  |  |                       |
| 10       | 92995-06600        | WASHER<br>ARANDELA                                     | 1     |  |  |  |                       |
| 11       | 90465-06M88        | CLAMP<br>BRIDA   | 1     |  |  |  |                       |
| 12       | 90464-15M11        | CLAMP<br>BRIDA   | 1     |  |  |  |                       |
| 13       | 97095-06012        | BOLT<br>PERNO  | 1     |  |  |  |                       |
| 14       | 92995-06600        | WASHER<br>ARANDELA                                     | 1     |  |  |  |                       |
| 15       | 64E-85540-01       | C.D.I. UNIT ASSY<br>UNIDAD C.D.I. COMPLETA             | 1     |  |  |  |                       |
| 16       | 97880-06020        | SCREW, PAN HEAD<br>TORNILLO DE CABEZA CON PLANA        | 4     |  |  |  |                       |
| 17       | 92990-06600        | WASHER, PLATE<br>ARANDELA PLANA                        | 4     |  |  |  |                       |
| 18       | 90465-05M87        | CLAMP<br>BRIDA   | 1     |  |  |  |                       |
| 19       | 6R3-85542-03-1S    | BRACKET<br>SOPORTE                                     | 1     |  |  |  |                       |
| 20       | 90387-06M03        | COLLAR<br>ESPACIADOR                                   | 3     |  |  |  |                       |
| 21       | 90480-09M12        | GROMMET<br>TAPON                                       | 3     |  |  |  |                       |
| 22       | 90119-06M61        | BOLT, WITH WASHER<br>TORNILLO CON ARANDELA             | 3     |  |  |  |                       |
| 23       | 64D-85537-00       | COVER<br>CUBIERTA                                      | 1     |  |  |  |                       |
| 24       | 90159-06M11        | SCREW, WITH WASHER<br>TORNILLO CON VALONA              | 4     |  |  |  |                       |
| 25       | 6R5-82582-00       | COVER, WIRE HARNESS<br>CUBIERTA DE ARNES DE CABLE      | 1     |  |  |  |                       |
| 26       | 90480-12M25        | GROMMET<br>TAPON                                       | 1     |  |  |  |                       |
| 27       | 662-82519-00       | WIRE, EARTH LEAD<br>CABLE CONDUCTOR A TIERRA           | 1     |  |  |  |                       |

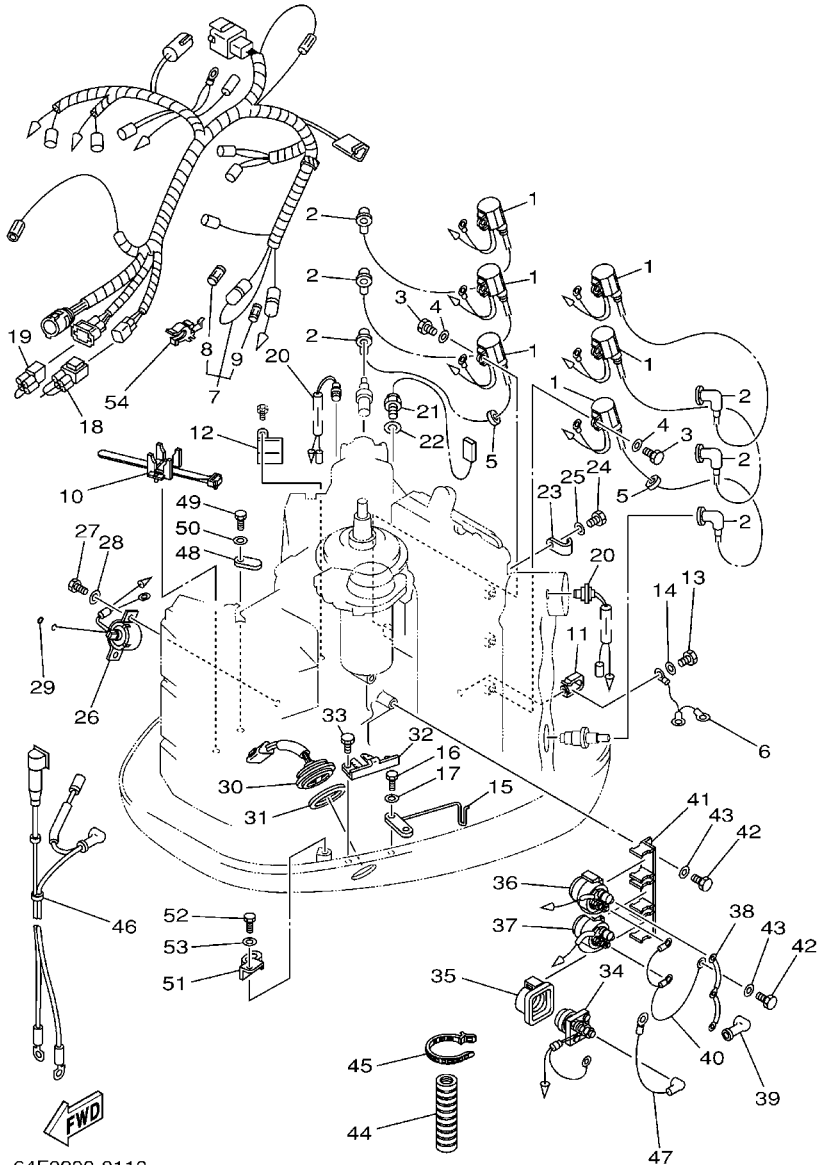
FIG. 10 ELECTRICAL 1

EQUIPO ELECTRICO 1



64F0200-1100

| REF. NO. | PART NO. CODIGO Nº | DESCRIPTION DESCRIPCION                      | 64FB |  |  |  | REMARKS OBSERVACIONES |
|----------|--------------------|--|------|--|--|--|-----------------------|
| 28       | 6R3-82519-00       | WIRE, EARTH LEAD<br>CABLE CONDUCTOR A TIERRA | 1    |  |  |  |                       |
| 29       | 97095-06012        | BOLT<br>PERNO                                | 5    |  |  |  |                       |
| 30       | 92995-06600        | WASHER<br>ARANDELA                           | 5    |  |  |  |                       |
|          |                    |  |      |  |  |  |                       |
|          |                    |  |      |  |  |  |                       |
|          |                    |  |      |  |  |  |                       |
|          |                    |  |      |  |  |  |                       |
|          |                    |  |      |  |  |  |                       |
|          |                    |  |      |  |  |  |                       |
|          |                    |  |      |  |  |  |                       |
|          |                    |  |      |  |  |  |                       |

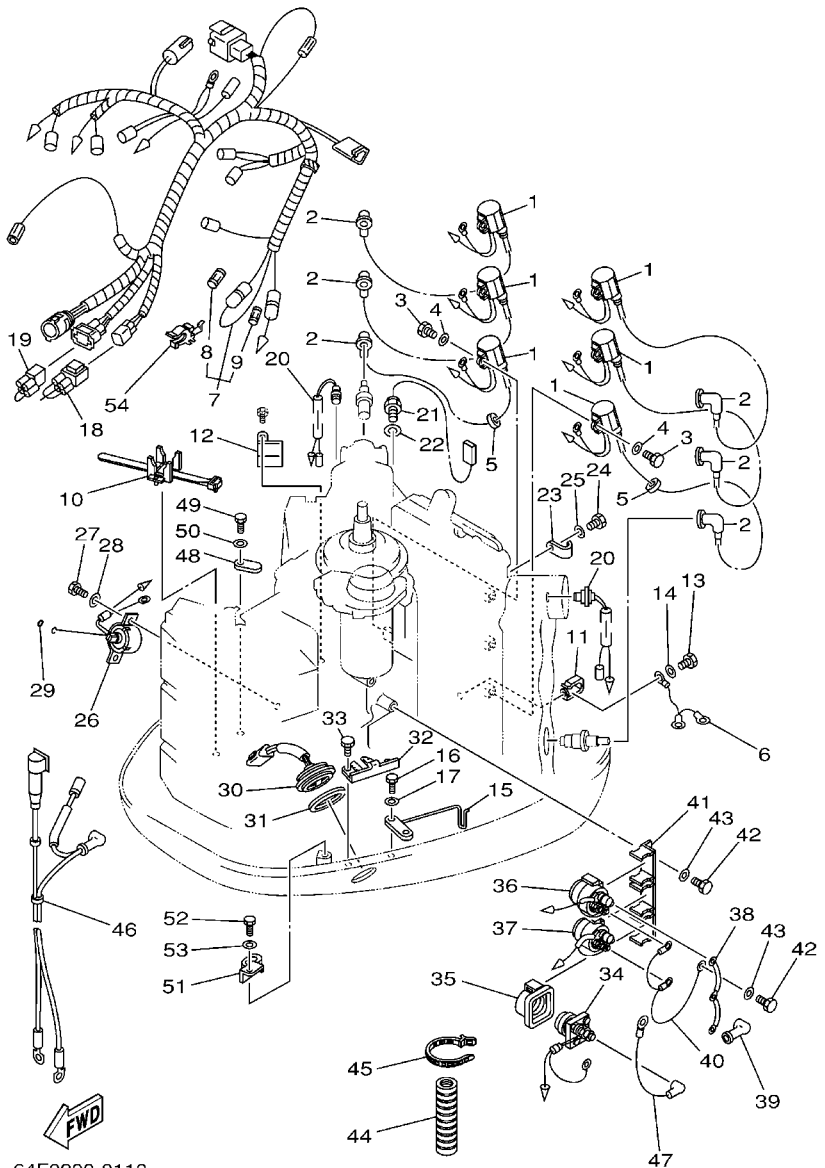


64F0200-0110

FIG. 11 ELECTRICAL 2

EQUIPO ELECTRICO 2

| REF. NO. | PART NO. CODIGO N° | DESCRIPTION DESCRIPCION                           | 64FEB |  |  |  | REMARKS OBSERVACIONES |
|----------|--------------------|---|-------|--|--|--|-----------------------|
| 1        | 6R3-85570-01       | IGNITION COIL ASSY<br>BOBINA DE IGNICION COMPLETO | 6     |  |  |  |                       |
| 2        | 6E3-82370-21       | PLUG CAP ASSY<br>TAPON DE BUJIA COMPLT            | 6     |  |  |  |                       |
| 3        | 97095-06020        | BOLT<br>PERNO                                     | 6     |  |  |  |                       |
| 4        | 92995-06600        | WASHER<br>ARANDELA                                | 6     |  |  |  |                       |
| 5        | 90480-25161        | GROMMET<br>TAPON                                  | 2     |  |  |  |                       |
| 6        | 6E5-82531-10       | WIRE, LEAD<br>CABLE CONDUCTOR                     | 1     |  |  |  |                       |
| 7        | 64D-82590-00       | WIRE HARNESS ASSY<br>CONJUNTO DE CABLES           | 1     |  |  |  |                       |
| 8        | 663-82151-00       | .FUSE (12V-20A)<br>.FUSIBLE (12V-20A)             | 1     |  |  |  |                       |
| 9        | 705-82151-00       | .FUSE (30A)<br>.FUSIBLE (30A)                     | 1     |  |  |  |                       |
| 10       | 688-82594-00       | CLAMP<br>GRAMPA                                   | 1     |  |  |  |                       |
| 11       | 90465-05M87        | CLAMP<br>BRIDA                                    | 1     |  |  |  |                       |
| 12       | 90465-08M89        | CLAMP<br>BRIDA                                    | 1     |  |  |  |                       |
| 13       | 97095-06012        | BOLT<br>PERNO                                     | 1     |  |  |  |                       |
| 14       | 92995-06600        | WASHER<br>ARANDELA                                | 1     |  |  |  |                       |
| 15       | 6K7-82588-00       | PLATE<br>PLACA                                    | 1     |  |  |  |                       |
| 16       | 97095-06020        | BOLT<br>PERNO                                     | 1     |  |  |  |                       |
| 17       | 92995-06600        | WASHER<br>ARANDELA                                | 1     |  |  |  |                       |
| 18       | 6R5-82582-A0       | COVER, WIRE HARNESS<br>CUBIERTA DE ARNES DE CABLE | 1     |  |  |  |                       |
| 19       | 6R5-82582-B0       | COVER, WIRE HARNESS<br>CUBIERTA DE ARNES DE CABLE | 1     |  |  |  |                       |
| 20       | 688-82560-10       | THERMO SWITCH ASSY<br>INTER. DE TERMO             | 2     |  |  |  |                       |
| 21       | 61A-85790-00       | THERMOSENSOR ASSY<br>TERMICA SENSORIO             | 1     |  |  |  |                       |
| 22       | 92990-10600        | WASHER, PLATE<br>ARANDELA PLANA                   | 1     |  |  |  |                       |
| 23       | 90465-06M86        | CLAMP<br>BRIDA                                    | 1     |  |  |  |                       |
| 24       | 97095-06012        | BOLT<br>PERNO                                     | 1     |  |  |  |                       |
| 25       | 92995-06600        | WASHER<br>ARANDELA                                | 1     |  |  |  |                       |
| 26       | 64E-86110-01       | SOLENOID<br>SOLENOIDE                             | 1     |  |  |  |                       |
| 27       | 97095-06016        | BOLT<br>PERNO                                     | 2     |  |  |  |                       |



64F0200-0110

FIG. 11 ELECTRICAL 2

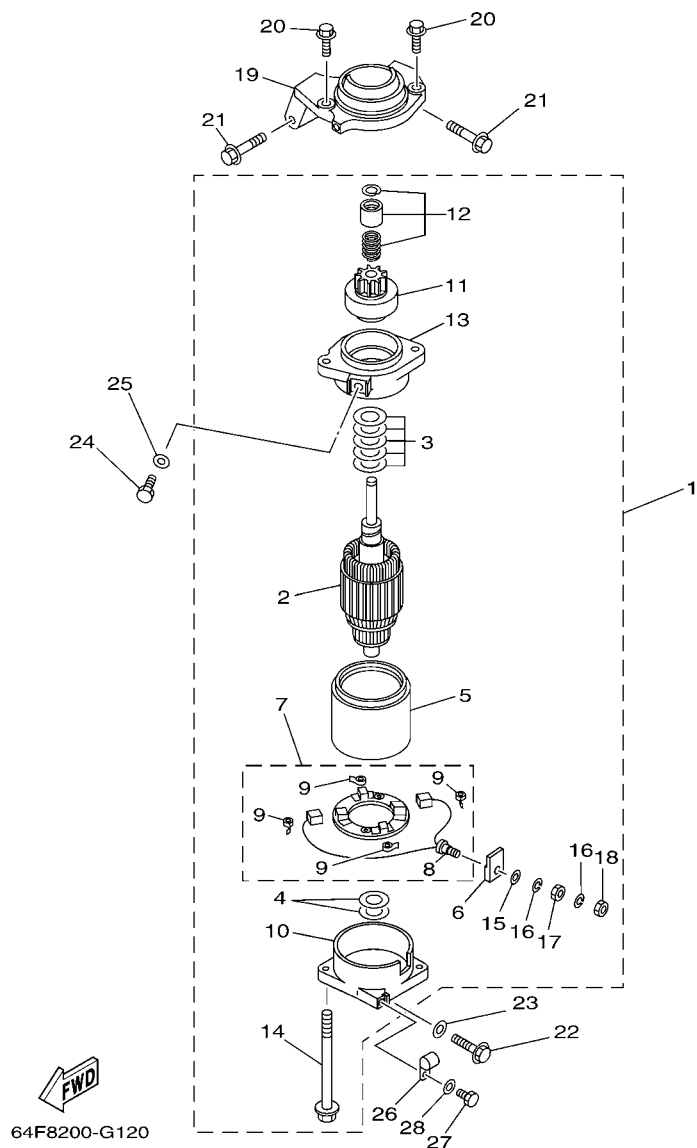
EQUIPO ELECTRICO 2

| REF. NO. | PART NO. CODIGO Nº | DESCRIPTION DESCRIPCION                               | 64FEB |  |  |  | REMARKS OBSERVACIONES |
|----------|--------------------|---|-------|--|--|--|-----------------------|
| 28       | 92995-06600        | WASHER<br>ARANDELA                                    | 2     |  |  |  |                       |
| 29       | 93210-03261        | O-RING<br>ANILLO O                                    | 1     |  |  |  |                       |
| 30       | 6R3-82563-00       | TRIM & TILT SWITCH ASSY<br>INTERRUPTOR DE INCLINACION | 1     |  |  |  |                       |
| 31       | 6E5-82587-00       | GASKET<br>EMPAQUETADURA                               | 1     |  |  |  |                       |
| 32       | 6R3-83614-00       | BRACKET<br>SOPORTE                                    | 1     |  |  |  |                       |
| 33       | 97095-06012        | BOLT<br>PERNO   | 2     |  |  |  |                       |
| 34       | 61A-81941-00       | STARTER RELAY ASSY<br>RELE DE ARRANQUE                | 1     |  |  |  |                       |
| 35       | 689-81952-10       | HOLDER, RELAY<br>SOSTEN DE RELE                       | 1     |  |  |  |                       |
| 36       | 6E5-81950-00       | RELAY ASSY<br>RELE COMPLETO                           | 1     |  |  |  |                       |
| 37       | 6E5-8195A-00       | RELAY ASSY<br>RELE COMPLETO                           | 1     |  |  |  |                       |
| 38       | 6G5-87149-10       | CONNECTOR<br>CONECTOR                                 | 1     |  |  |  |                       |
| 39       | 6G5-82119-00       | COVER, LEAD WIRE<br>CUBIERTA DE CABLE CONDUCTOR       | 2     |  |  |  |                       |
| 40       | 6E5-82116-00       | WIRE, MINUS LEAD<br>CABLE CONDUCTOR NEGATIVO          | 1     |  |  |  |                       |
| 41       | 6G5-81948-11       | BRACKET<br>SOPORTE                                    | 1     |  |  |  |                       |
| 42       | 97095-06016        | BOLT<br>PERNO   | 2     |  |  |  |                       |
| 43       | 92995-06600        | WASHER<br>ARANDELA                                    | 2     |  |  |  |                       |
| 44       | 6E9-83557-70       | TUBE<br>ENCHUFE DE ACEITE                             | 1     |  |  |  |                       |
| 45       | 90465-13M18        | CLAMP<br>BRIDA  | 1     |  |  |  |                       |
| 46       | 6R3-82105-02       | WIRE HARNESS<br>ARNES DE CABLES                       | 1     |  |  |  |                       |
| 47       | 6K7-82117-00       | WIRE, LEAD<br>CABLE CONDUCTOR                         | 1     |  |  |  |                       |
| 48       | 6E5-82588-00       | PLATE<br>PLACA  | 1     |  |  |  |                       |
| 49       | 97095-06020        | BOLT<br>PERNO   | 1     |  |  |  |                       |
| 50       | 92995-06600        | WASHER<br>ARANDELA                                    | 1     |  |  |  |                       |
| 51       | 90465-12M25        | CLAMP<br>BRIDA  | 1     |  |  |  |                       |
| 52       | 97095-06012        | BOLT<br>PERNO   | 1     |  |  |  |                       |
| 53       | 92995-06600        | WASHER<br>ARANDELA                                    | 1     |  |  |  |                       |
| 54       | 6G5-82152-00       | HOLDER, FUSE<br>PORTA-FUSIBLES                        | 2     |  |  |  |                       |



FIG. 12 STARTING MOTOR

MOTOR DE ARRANQUE

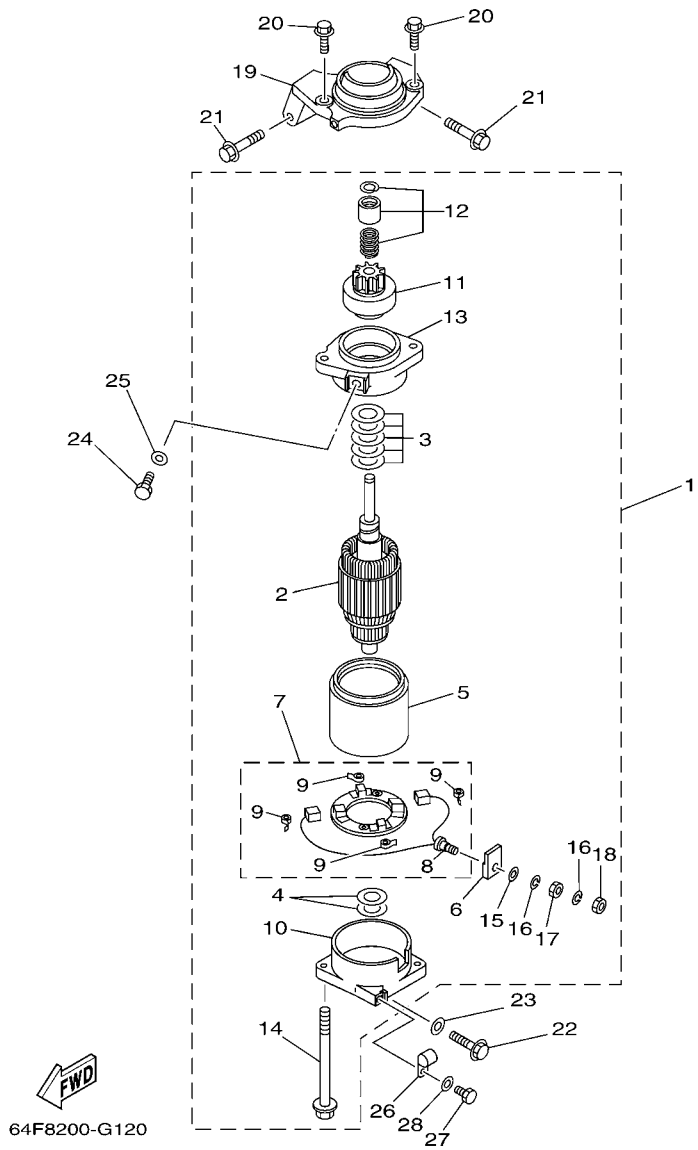


64F8200-G120

| REF. NO. | PART NO. CODIGO Nº | DESCRIPTION DESCRIPCION                                 | 64F8 |  |  |  | REMARKS OBSERVACIONES |
|----------|--------------------|---|------|--|--|--|-----------------------|
| 1        | 6N7-81800-10       | STARTING MOTOR ASSY<br>MOTOR DE ARRANQUE COMPLETO       | 1    |  |  |  |                       |
| 2        | 6N7-81850-10       | .ARMATURE ASSY<br>.INDUCIDO COMPLETO                    | 1    |  |  |  |                       |
| 3        | 61A-81809-00       | .WASHER KIT<br>.JUEGO DE ARANDELA                       | 1    |  |  |  |                       |
| 4        | 61A-81824-00       | .WASHER 2<br>.ARANDELA 2                                | 2    |  |  |  |                       |
| 5        | 6N7-81810-00       | .STATOR ASSY<br>.ESTATOR COMPLETO                       | 1    |  |  |  |                       |
| 6        | 6K7-8182G-10       | .BUSH, TERMINAL<br>.BUJE DE TERMINAL                    | 1    |  |  |  |                       |
| 7        | 6N7-81840-00       | .BRUSH HOLDER ASSY<br>.SOSTEN DE ESCOBILLA COMPLETO     | 1    |  |  |  |                       |
| 8        | 6N7-81801-00       | .BRUSH SET<br>.JUEGO DE ESCOBILLA                       | 1    |  |  |  |                       |
| 9        | 6N7-81813-00       | .SPRING, BRUSH<br>.RESORTE DE ESCOBILLA                 | 4    |  |  |  |                       |
| 10       | 6N7-81820-10       | .REAR BRACKET ASSY<br>.CUBIERTA TRASERA COMPL           | 1    |  |  |  |                       |
| 11       | 6N7-81807-00       | .GEAR ASSY, STARTING MOTOR<br>.PINON CONJUNTO           | 1    |  |  |  |                       |
| 12       | 6N7-81857-00       | .RETAINER<br>.SEGURO                                    | 1    |  |  |  |                       |
| 13       | 6N7-81830-00       | .FRONT BRACKET ASSY<br>.SOPORTE DELANTERO COMPLETO      | 1    |  |  |  |                       |
| 14       | 6K7-81826-11       | .BOLT<br>.PERNO   | 2    |  |  |  |                       |
| 15       | 6E5-8182E-10       | .WASHER<br>.RONDANA                                     | 1    |  |  |  |                       |
| 16       | 6E5-8182F-10       | .WASHER<br>.RONDANA                                     | 2    |  |  |  |                       |
| 17       | 6E5-8182A-10       | .NUT<br>.TUERCA   | 1    |  |  |  |                       |
| 18       | 6E5-8182K-10       | .NUT<br>.TUERCA   | 1    |  |  |  |                       |
| 19       | 6K7-81822-00-94    | BRACKET, STARTING MOTOR<br>SOPORTE DE MOTOR DE ARRANQUE | 1    |  |  |  |                       |
| 20       | 90119-08M76        | BOLT, WITH WASHER<br>TORNILLO CON ARANDELA              | 2    |  |  |  |                       |
| 21       | 90119-08M77        | BOLT, WITH WASHER<br>TORNILLO CON ARANDELA              | 2    |  |  |  |                       |
| 22       | 90119-08M57        | BOLT, WITH WASHER<br>TORNILLO CON ARANDELA              | 1    |  |  |  |                       |
| 23       | 92990-08600        | WASHER, PLATE<br>ARANDELA PLANA                         | 1    |  |  |  |                       |
| 24       | 97095-08016        | BOLT<br>PERNO   | 1    |  |  |  |                       |
| 25       | 92995-08600        | WASHER<br>ARANDELA                                      | 1    |  |  |  |                       |
| 26       | 90465-06M86        | CLAMP<br>BRIDA  | 1    |  |  |  |                       |
| 27       | 97095-06012        | BOLT<br>PERNO   | 1    |  |  |  |                       |

FIG. 12 STARTING MOTOR

MOTOR DE ARRANQUE



| REF. NO. | PART NO. CODIGO Nº | DESCRIPTION DESCRIPCION | 64FB |  |  |  | REMARKS OBSERVACIONES |
|----------|--------------------|-------------------------|------|--|--|--|-----------------------|
| 28       | 92995-06600        | WASHER<br>ARANDELA      | 1    |  |  |  |                       |
|          |                    |                         |      |  |  |  |                       |
|          |                    |                         |      |  |  |  |                       |
|          |                    |                         |      |  |  |  |                       |
|          |                    |                         |      |  |  |  |                       |
|          |                    |                         |      |  |  |  |                       |
|          |                    |                         |      |  |  |  |                       |
|          |                    |                         |      |  |  |  |                       |
|          |                    |                         |      |  |  |  |                       |
|          |                    |                         |      |  |  |  |                       |

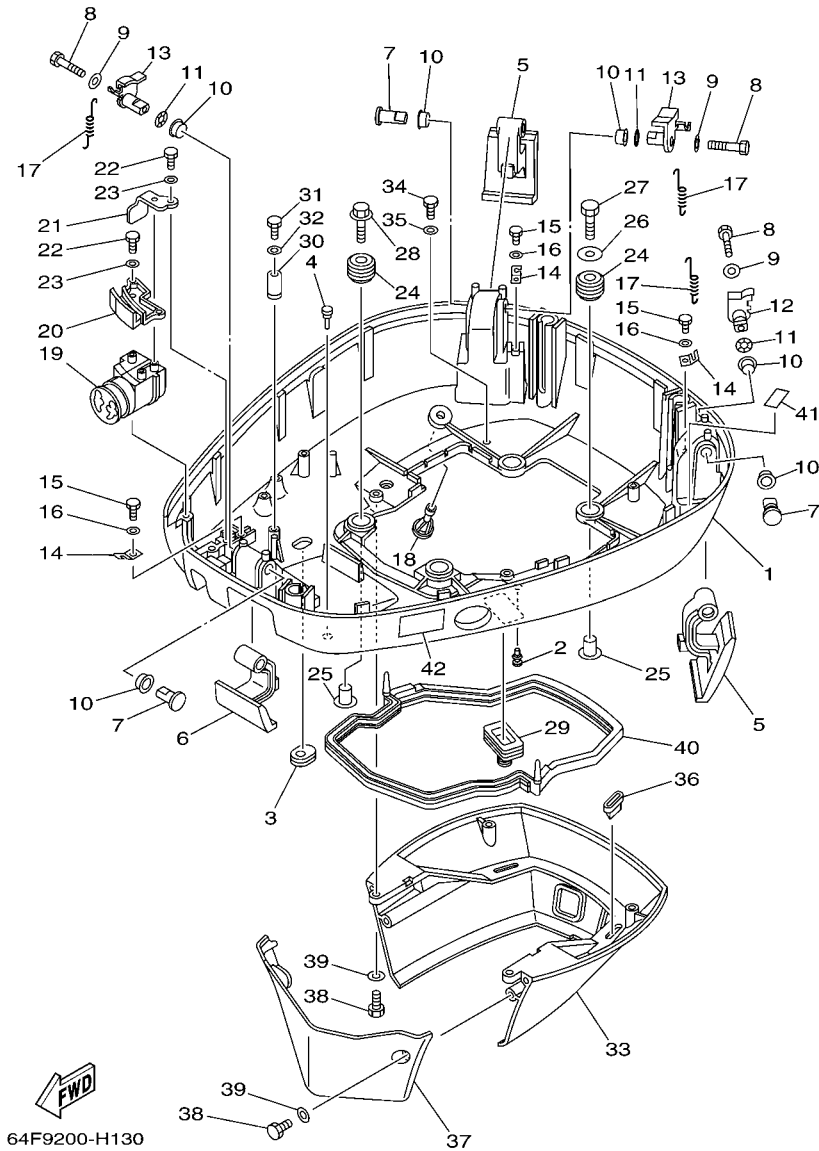


FIG. 13 BOTTOM COWLING

CUBIERTA INFERIOR

| REF. NO. | PART NO. CODIGO Nº | DESCRIPTION DESCRIPCION                  | 64FEB |  |  |  | REMARKS OBSERVACIONES |
|----------|--------------------|--|-------|--|--|--|-----------------------|
| 1        | 64D-42711-01-8D    | COWLING, BOTTOM 1<br>CUBIERTA INFERIOR 1 | 1     |  |  |  |                       |
| 2        | 90480-06M19        | GROMMET<br>TAPON                         | 1     |  |  |  |                       |
| 3        | 61A-42727-00       | GROMMET<br>TAPON                         | 1     |  |  |  |                       |
| 4        | 6H4-42748-00       | GROMMET<br>TAPON                         | 1     |  |  |  |                       |
| 5        | 64D-42815-00-8D    | LEVER, CLAMP<br>PALANCA ABRAZADERA       | 2     |  |  |  |                       |
| 6        | 64D-42816-00-8D    | LEVER, CLAMP<br>PALANCA ABRAZADERA       | 1     |  |  |  |                       |
| 7        | 64D-42835-00       | PIN, SET 1<br>PASADOR 1                  | 3     |  |  |  |                       |
| 8        | 97095-06040        | BOLT<br>PERNO                            | 3     |  |  |  |                       |
| 9        | 90201-06068        | WASHER, PLATE<br>ARANDELA PLANA          | 3     |  |  |  |                       |
| 10       | 90386-15M73        | BUSH<br>BUJE                             | 6     |  |  |  |                       |
| 11       | 90206-15M18        | WASHER, WAVE<br>ARANDELA ONDULADA        | 3     |  |  |  |                       |
| 12       | 64D-42818-20       | LEVER, CLAMP<br>PALANCA, ABRAZADERA      | 1     |  |  |  |                       |
| 13       | 64D-42818-30       | LEVER, CLAMP<br>PALANCA, ABRAZADERA      | 2     |  |  |  |                       |
| 14       | 64D-43144-00       | HOOK, SPRING<br>GANCHO                   | 3     |  |  |  |                       |
| 15       | 97090-06012        | BOLT<br>PERNO                            | 3     |  |  |  |                       |
| 16       | 92990-06600        | WASHER, PLATE<br>ARANDELA PLANA          | 3     |  |  |  |                       |
| 17       | 90506-16M34        | SPRING, TENSION<br>RESORTE DE TENSION    | 3     |  |  |  |                       |
| 18       | 6E5-44391-00       | NIPPLE, HOSE<br>NIPLE MANGUERA           | 1     |  |  |  |                       |
| 19       | 64D-42725-00       | GROMMET<br>TAPON                         | 1     |  |  |  |                       |
| 20       | 64D-42738-00-8D    | PLATE, FITTING<br>PLACA DE AJUSTE        | 1     |  |  |  |                       |
| 21       | 64D-42738-11       | PLATE, FITTING<br>PLACA DE AJUSTE        | 1     |  |  |  |                       |
| 22       | 97095-06016        | BOLT<br>PERNO                            | 3     |  |  |  |                       |
| 23       | 92995-06600        | WASHER<br>ARANDELA                       | 3     |  |  |  |                       |
| 24       | 90480-22M15        | GROMMET<br>TAPON                         | 4     |  |  |  |                       |
| 25       | 90387-08M37        | COLLAR<br>ESPACIADOR                     | 4     |  |  |  |                       |
| 26       | 90201-08M54        | WASHER, PLATE<br>ARANDELA PLANA          | 1     |  |  |  |                       |
| 27       | 97075-08035        | BOLT<br>PERNO                            | 1     |  |  |  |                       |

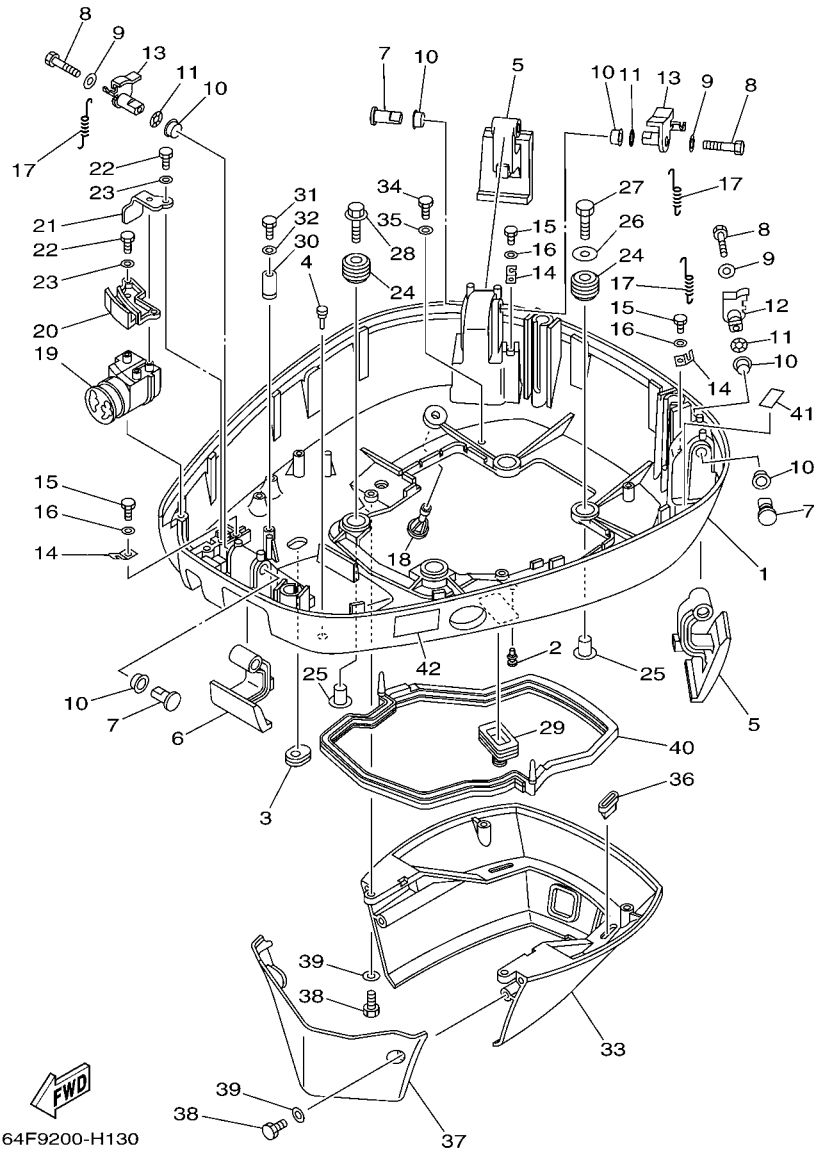
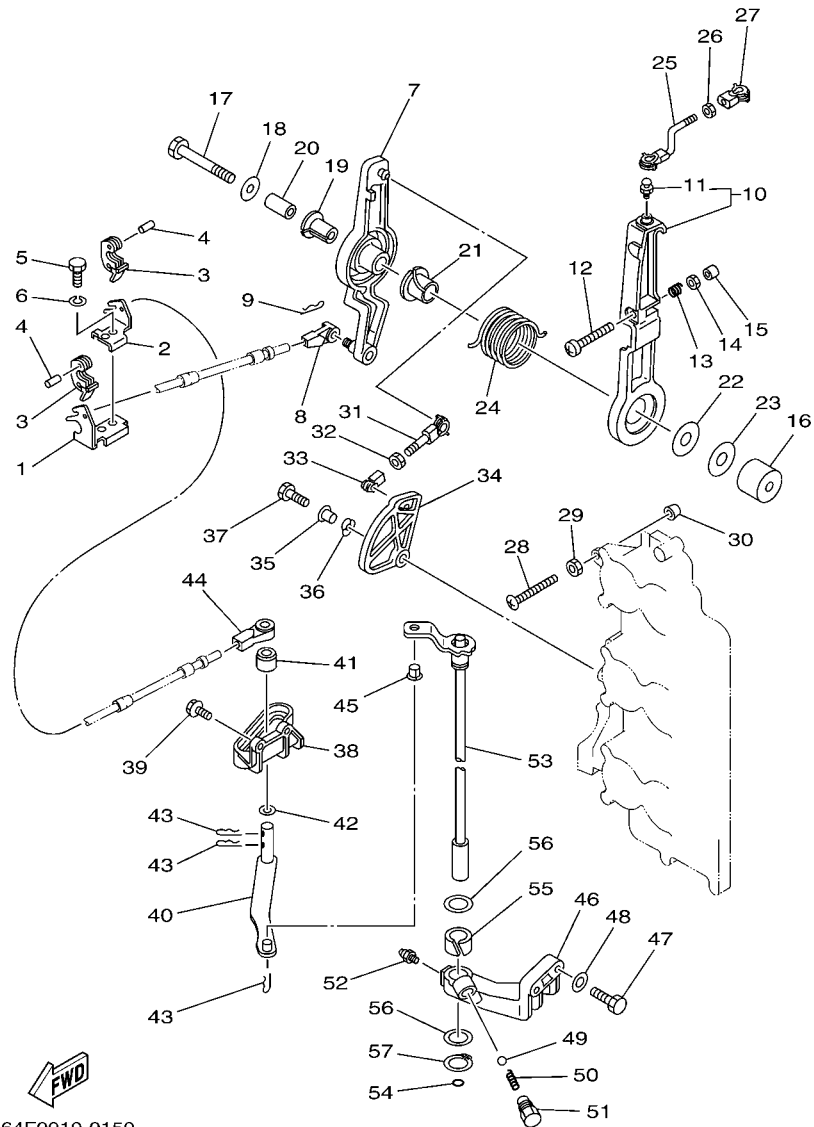


FIG. 13 BOTTOM COWLING

CUBIERTA INFERIOR

| REF. NO. | PART NO. CODIGO N° | DESCRIPTION DESCRIPCION                            | 64FEB |  |  |  | REMARKS OBSERVACIONES |
|----------|--------------------|--|-------|--|--|--|-----------------------|
| 28       | 90119-08M22        | BOLT, WITH WASHER<br>TORNILLO CON ARANDELA         | 3     |  |  |  |                       |
| 29       | 688-42726-10       | GROMMET<br>TAPON                                   | 1     |  |  |  |                       |
| 30       | 6E5-82588-00       | PLATE<br>PLACA                                     | 1     |  |  |  |                       |
| 31       | 97095-06020        | BOLT<br>PERNO                                      | 1     |  |  |  |                       |
| 32       | 92995-06600        | WASHER<br>ARANDELA                                 | 1     |  |  |  |                       |
| 33       | 6R3-42741-02-8D    | APRON<br>MANDIL                                    | 1     |  |  |  |                       |
| 34       | 97095-06020        | BOLT<br>PERNO                                      | 2     |  |  |  |                       |
| 35       | 92995-06600        | WASHER<br>ARANDELA                                 | 2     |  |  |  |                       |
| 36       | 64D-42717-00       | RUBBER, SEAL 2<br>GOMA                             | 2     |  |  |  |                       |
| 37       | 6R3-42771-01-8D    | APRON<br>MANDIL                                    | 1     |  |  |  |                       |
| 38       | 97095-06020        | BOLT<br>PERNO                                      | 4     |  |  |  |                       |
| 39       | 92995-06600        | WASHER<br>ARANDELA                                 | 4     |  |  |  |                       |
| 40       | 6E5-42716-10       | RUBBER, SEAL 1<br>SELLO DE GOMA 1                  | 1     |  |  |  |                       |
| 41       | 6G5-42791-10       | MARK 1<br>MARCA 1                                  | 1     |  |  |  |                       |
| 42       | 6AH-42794-40       | LABEL, WARNING (GENERAL)<br>ETIQUETA DE PRECAUCION | 1     |  |  |  |                       |

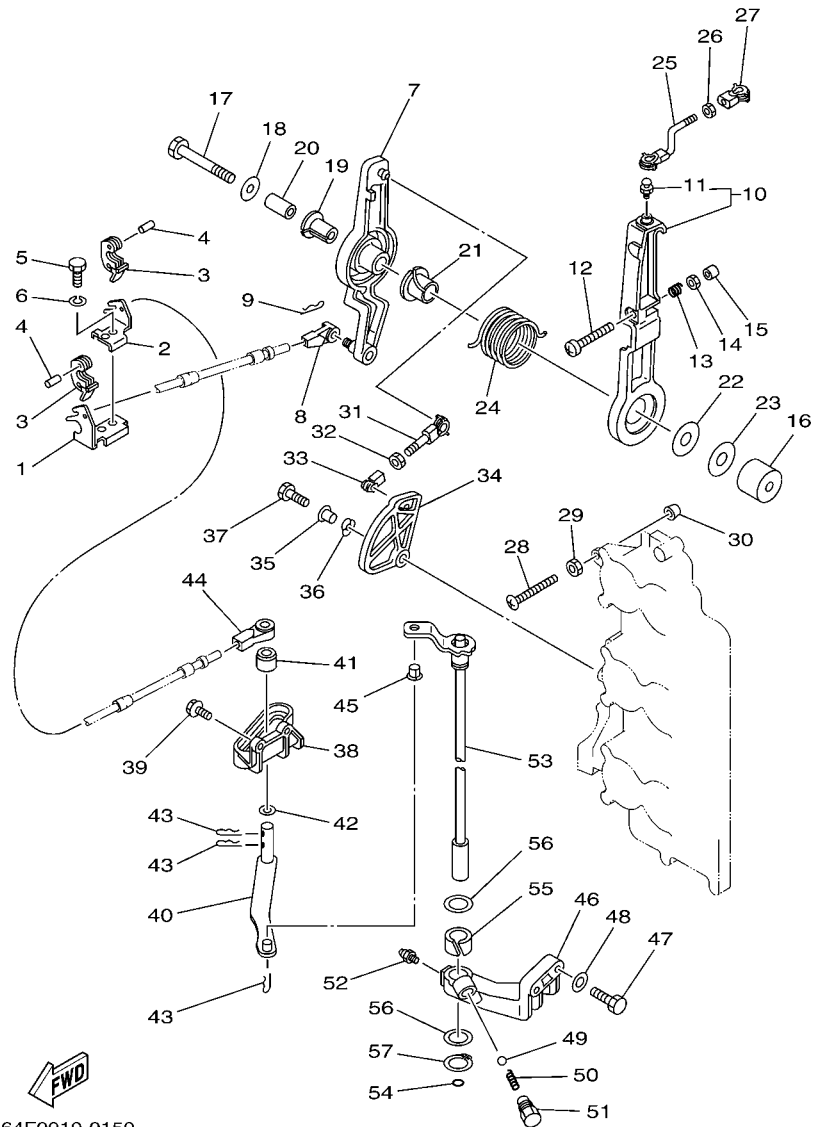


64F0010-0150

FIG. 14 CONTROL

CONTROL

| REF. NO. | PART NO. CODIGO Nº | DESCRIPTION DESCRIPCION                                 | 64FEB |  |  |  | REMARKS OBSERVACIONES |
|----------|--------------------|---|-------|--|--|--|-----------------------|
| 1        | 64D-48531-00       | BRACKET, REMOTE CONTROL 1<br>SOPORTE DE CONTROL REMOTO  | 1     |  |  |  |                       |
| 2        | 64D-48532-00       | BRACKET, REMOTE CONTROL 2<br>SOPORTE DE CONTROL REMOTO  | 1     |  |  |  |                       |
| 3        | 6E5-48538-00       | CLAMP, CABLE<br>GRAMPA DE CABLE                         | 2     |  |  |  |                       |
| 4        | 91690-30012        | PIN, SPRING<br>PASADOR DE RESORTE                       | 2     |  |  |  |                       |
| 5        | 97095-08020        | BOLT<br>PERNO   | 1     |  |  |  |                       |
| 6        | 92995-08100        | WASHER<br>ARANDELA                                      | 1     |  |  |  |                       |
| 7        | 61H-41632-02-1S    | LEVER, MAGNETO CONTROL<br>PALANCA DE CONTROL DE MAGNETO | 1     |  |  |  |                       |
| 8        | 6E5-48344-00       | CABLE END, REMOTE CONTROL<br>BASE CONTROL               | 1     |  |  |  |                       |
| 9        | 90468-18008        | CLIP<br>PRESILLA  | 1     |  |  |  |                       |
| 10       | 6G5-41631-01-1S    | LEVER, MAGNETO CONTROL<br>PALANCA DE CONTROL DE MAGNETO | 1     |  |  |  |                       |
| 11       | 663-85518-00       | JOINT, BALL<br>CONECTOR                                 | 1     |  |  |  |                       |
| 12       | 90157-06013        | SCREW, PAN HEAD<br>TORNILLO CABEZA CONICA PLANA         | 1     |  |  |  |                       |
| 13       | 90501-16M12        | SPRING, COMPRESSION<br>RESORTE DE COMPRESION            | 1     |  |  |  |                       |
| 14       | 95303-06600        | NUT<br>TUERCA   | 1     |  |  |  |                       |
| 15       | 688-44194-00       | CAP<br>TAPA   | 1     |  |  |  |                       |
| 16       | 90387-08M17        | COLLAR<br>ESPACIADOR                                    | 1     |  |  |  |                       |
| 17       | 90101-08M14        | BOLT<br>TORNILLO  | 1     |  |  |  |                       |
| 18       | 90201-08M23        | WASHER, PLATE<br>ARANDELA PLANA                         | 1     |  |  |  |                       |
| 19       | 90386-12089        | BUSH<br>BUJE  | 1     |  |  |  |                       |
| 20       | 90387-08M16        | COLLAR<br>ESPACIADOR                                    | 1     |  |  |  |                       |
| 21       | 90386-22M13        | BUSH<br>BUJE  | 1     |  |  |  |                       |
| 22       | 90202-12092        | WASHER, PLATE<br>ARANDELA DE PLANA                      | 1     |  |  |  |                       |
| 23       | 90201-08M13        | WASHER, PLATE<br>ARANDELA PLANA                         | 1     |  |  |  |                       |
| 24       | 90508-29M12        | SPRING, TORSION<br>RESORTE DE TORSION                   | 1     |  |  |  |                       |
| 25       | 6G5-41636-01       | ROD, MAGNETO CONTROL<br>VARILLA DE CONTROL MAGNETO      | 1     |  |  |  |                       |
| 26       | 95380-05600        | NUT<br>TUERCA   | 1     |  |  |  |                       |
| 27       | 662-41237-01       | JOINT, LINK<br>CONECTOR                                 | 1     |  |  |  |                       |

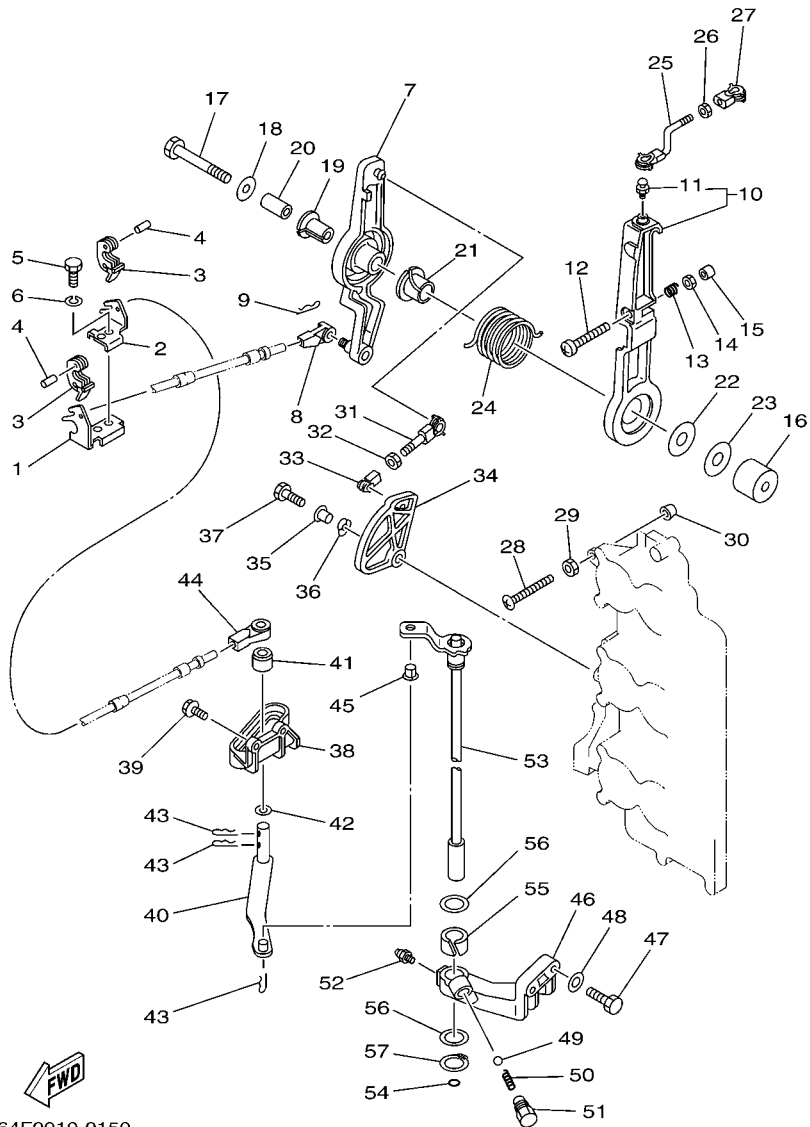


64F0010-0150

FIG. 14 CONTROL

CONTROL

| REF. NO. | PART NO. CODIGO Nº | DESCRIPTION DESCRIPCION                                    | 64FEB |  |  | REMARKS OBSERVACIONES |
|----------|--------------------|--|-------|--|--|-----------------------|
| 28       | 90157-06M07        | SCREW, PAN HEAD<br>TORNILLO CABEZA CONICA PLANA            | 1     |  |  |                       |
| 29       | 95303-06600        | NUT<br>TUERCA  | 1     |  |  |                       |
| 30       | 688-44194-00       | CAP<br>TAPA  | 1     |  |  |                       |
| 31       | 682-41237-50       | JOINT, LINK<br>CONECTOR                                    | 1     |  |  |                       |
| 32       | 95380-05600        | NUT<br>TUERCA  | 1     |  |  |                       |
| 33       | 662-41237-01       | JOINT, LINK<br>CONECTOR                                    | 1     |  |  |                       |
| 34       | 61H-41213-00       | CAM, ACCEL.<br>LEVA ACELERADOR                             | 1     |  |  |                       |
| 35       | 90387-06M29        | COLLAR<br>ESPACIADOR                                       | 1     |  |  |                       |
| 36       | 90206-10M04        | WASHER, WAVE<br>ARANDELA ONDULADA                          | 1     |  |  |                       |
| 37       | 97095-06025        | BOLT<br>PERNO  | 1     |  |  |                       |
| 38       | 6E5-44117-00-94    | BRACKET<br>SOPORTE   | 1     |  |  |                       |
| 39       | 90119-06MA2        | BOLT, WITH WASHER<br>TORNILLO CON ARANDELA                 | 2     |  |  |                       |
| 40       | 68F-44121-00       | LEVER, SHIFT ROD<br>PALANCA VARILLA CAMBIOS                | 1     |  |  |                       |
| 41       | 6E5-44122-00       | BUSHING, SHIFT ROD LEVER<br>BUJE PALANCA VARILLA DE CAMBIO | 1     |  |  |                       |
| 42       | 90202-08M20        | WASHER, PLATE<br>ARANDELA DE PLANA                         | 1     |  |  |                       |
| 43       | 90468-18008        | CLIP<br>PRESILLA   | 3     |  |  |                       |
| 44       | 6E5-48344-00       | CABLE END, REMOTE CONTROL<br>BASE CONTROL                  | 1     |  |  |                       |
| 45       | 90386-06M12        | BUSH<br>BUJE   | 1     |  |  |                       |
| 46       | 6E5-44118-01-94    | BRACKET<br>SOPORTE   | 1     |  |  |                       |
| 47       | 97013-08030        | BOLT<br>PERNO  | 2     |  |  |                       |
| 48       | 92903-08600        | WASHER, PLATE<br>RONDANA SENCILLA                          | 2     |  |  |                       |
| 49       | 93501-04M02        | BALL<br>BOLA   | 1     |  |  |                       |
| 50       | 90501-12082        | SPRING, COMPRESSION<br>RESORTE DE COMPRESION               | 1     |  |  |                       |
| 51       | 648-42715-00       | BUSHING<br>BUJE  | 1     |  |  |                       |
| 52       | 93700-06M03        | NIPPLE, GREASE<br>BOQUILLA DE ENGRASAR                     | 1     |  |  |                       |
| 53       | 6E5-44120-03       | HANDLE GEAR SHIFT ASSY<br>MANIJA DE CAMBIO COMPL           | 1     |  |  | L(20.3")<br>L(20.3")  |
|          | 6E5-44120-23       | HANDLE GEAR SHIFT ASSY<br>MANIJA DE CAMBIO COMPL           | 1     |  |  | X(25.3")<br>X(25.3")  |

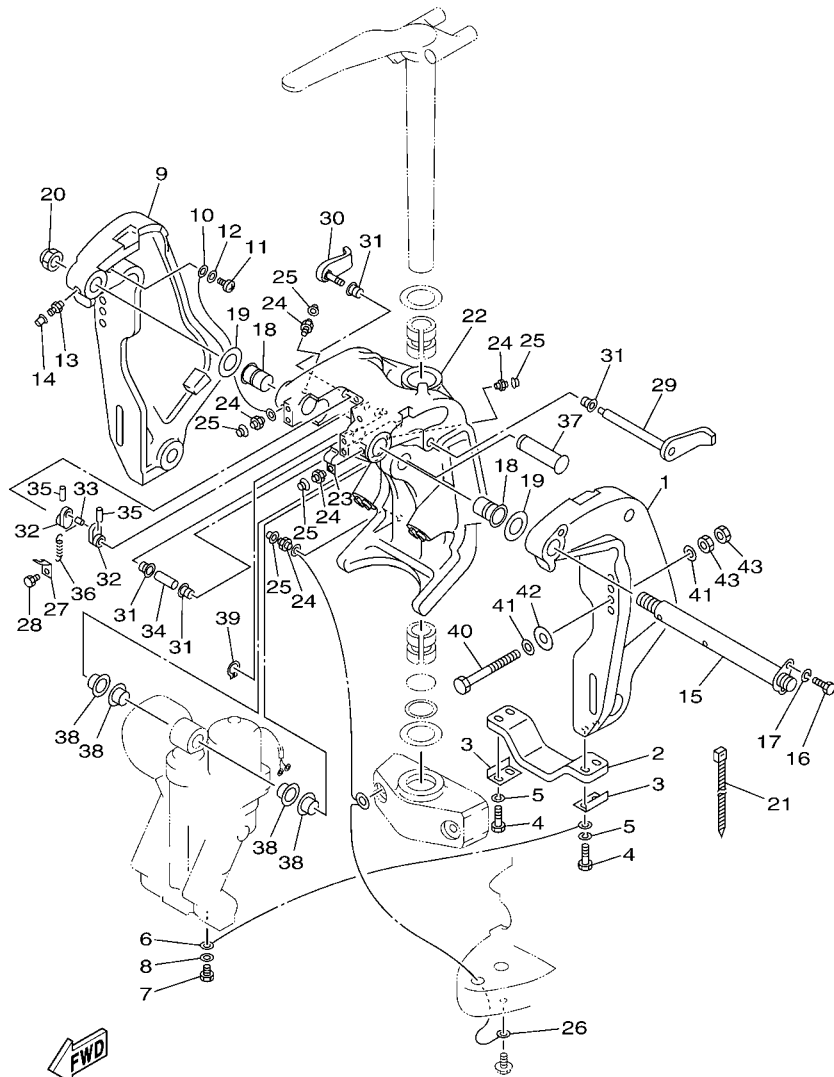


64F0010-0150

FIG. 14 CONTROL

CONTROL

| REF. NO. | PART NO. CODIGO N° | DESCRIPTION DESCRIPCION         | 64FB |  |  |  | REMARKS OBSERVACIONES |
|----------|--------------------|---------------------------------|------|--|--|--|-----------------------|
| 54       | 93210-09165        | O-RING ANILLO O                 | 1    |  |  |  |                       |
| 55       | 90386-16M66        | BUSH BUJE                       | 1    |  |  |  |                       |
| 56       | 90202-16061        | WASHER, PLATE ARANDELA DE PLANA | 2    |  |  |  |                       |
| 57       | 93410-16006        | CIRCLIP SEGURO                  | 1    |  |  |  |                       |
| -----    |                    |                                 |      |  |  |  |                       |
| -----    |                    |                                 |      |  |  |  |                       |
| -----    |                    |                                 |      |  |  |  |                       |
| -----    |                    |                                 |      |  |  |  |                       |
| -----    |                    |                                 |      |  |  |  |                       |
| -----    |                    |                                 |      |  |  |  |                       |
| -----    |                    |                                 |      |  |  |  |                       |
| -----    |                    |                                 |      |  |  |  |                       |
| -----    |                    |                                 |      |  |  |  |                       |



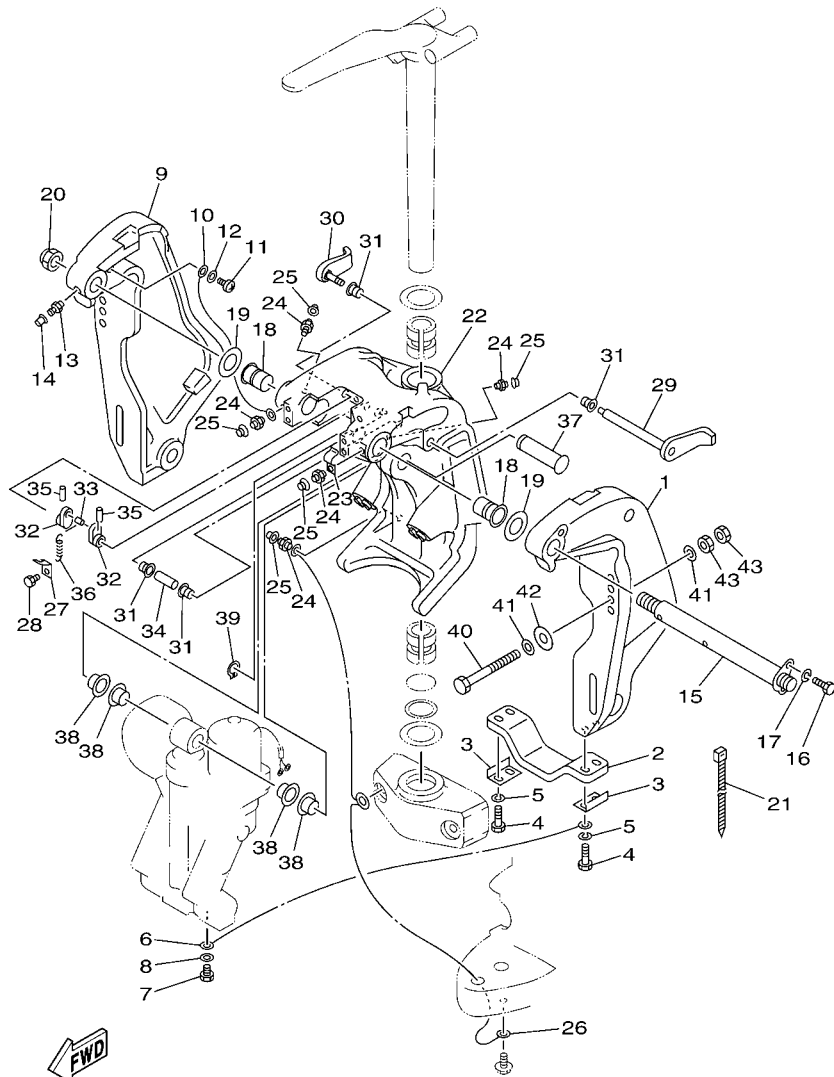
68JF110-K220

FIG. 15 BRACKET 1

SOPORTE 1

| REF. NO. | PART NO. CODIGO N° | DESCRIPTION DESCRIPCION                               | 64FB |  |  | REMARKS OBSERVACIONES |
|----------|--------------------|---|------|--|--|-----------------------|
| 1        | 64E-43111-02-8D    | BRACKET, CLAMP 1<br>SOPORTE DE LA ABRAZADERA 1        | 1    |  |  |                       |
| 2        | 6G5-45251-02       | ANODE<br>CATODE                                       | 1    |  |  |                       |
| 3        | 6G5-44526-00       | PLATE<br>PLACA 1                                      | 2    |  |  |                       |
| 4        | 97095-06030        | BOLT<br>PERNO   | 4    |  |  |                       |
| 5        | 92995-06100        | WASHER, SPRING<br>ARANDELA                            | 4    |  |  |                       |
| 6        | 6E5-82148-00       | WIRE, LEAD 4<br>CABLE CONDUCTOR 4                     | 1    |  |  |                       |
| 7        | 97095-06010        | BOLT<br>PERNO   | 1    |  |  |                       |
| 8        | 92995-06600        | WASHER<br>ARANDELA                                    | 1    |  |  |                       |
| 9        | 64E-43112-02-8D    | BRACKET, CLAMP 2<br>SOPORTE DE LA ABRAZADERA 2        | 1    |  |  |                       |
| 10       | 6E5-82148-00       | WIRE, LEAD 4<br>CABLE CONDUCTOR 4                     | 1    |  |  |                       |
| 11       | 97885-06012        | SCREW, PAN HEAD<br>TORNILLO A MUESCA                  | 1    |  |  |                       |
| 12       | 92995-06600        | WASHER<br>ARANDELA                                    | 1    |  |  |                       |
| 13       | 93700-06M03        | NIPPLE, GREASE<br>BOQUILLA DE ENGRASAR                | 1    |  |  |                       |
| 14       | 663-45119-00       | CAP, GREASE NIPPLE<br>TAPA DE GRASERA                 | 1    |  |  | AP<br>AP              |
| 15       | 64E-43131-01       | BOLT, CLAMP BRACKET<br>TORNILLO DE ABRAZADERA DEL SOP | 1    |  |  |                       |
| 16       | 97095-08020        | BOLT<br>PERNO   | 1    |  |  |                       |
| 17       | 92995-08100        | WASHER<br>ARANDELA                                    | 1    |  |  |                       |
| 18       | 90386-25M31        | BUSH<br>BUJE  | 2    |  |  |                       |
| 19       | 90201-26M59        | WASHER, PLATE<br>ARANDELA PLANA                       | 2    |  |  |                       |
| 20       | 90185-22M11        | NUT, SELF-LOCKING<br>TUERCA AUTOBLOCANTE              | 1    |  |  |                       |
| 21       | 90465-11M10        | CLAMP<br>BRIDA  | 1    |  |  |                       |
| 22       | 64E-43311-10-8D    | BRACKET, SWIVEL 1<br>SOPORTE GIRATORIO 1              | 1    |  |  | L(20.3")<br>L(20.3")  |
|          | 64E-43311-20-8D    | BRACKET, SWIVEL 1<br>SOPORTE GIRATORIO 1              | 1    |  |  | X(25.3")<br>X(25.3")  |
| 23       | 90465-08M63        | CLAMP<br>BRIDA  | 1    |  |  |                       |
| 24       | 93700-06M03        | NIPPLE, GREASE<br>BOQUILLA DE ENGRASAR                | 5    |  |  |                       |
| 25       | 663-45119-00       | CAP, GREASE NIPPLE<br>TAPA DE GRASERA                 | 5    |  |  | AP<br>AP              |
| 26       | 6E5-82147-00       | WIRE, LEAD 5<br>CABLE CONDUCTOR 5                     | 1    |  |  | L(20.3")<br>L(20.3")  |



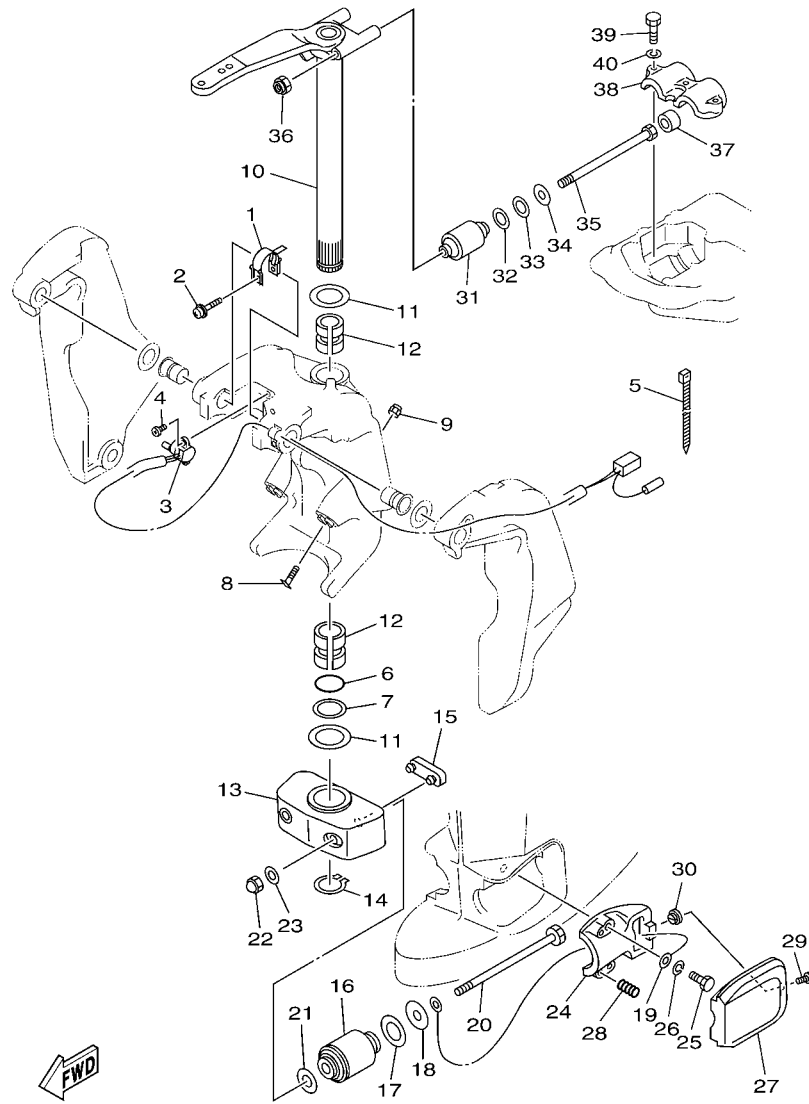


68JF110-K220

FIG. 15 BRACKET 1

SOPORTE 1

| REF. NO. | PART NO. CODIGO Nº | DESCRIPTION DESCRIPCION                                    | 64FB |  |  |  | REMARKS OBSERVACIONES |
|----------|--------------------|--|------|--|--|--|-----------------------|
| 26       | 6E5-82147-20       | WIRE, LEAD 5<br>CABLE CONDUCTOR 5                          | 1    |  |  |  | X(25.3")<br>X(25.3")  |
| 27       | 6G5-43144-00       | HOOK, SPRING<br>GANCHO                                     | 1    |  |  |  |                       |
| 28       | 97095-06010        | BOLT<br>PERNO  | 1    |  |  |  |                       |
| 29       | 6G5-43181-02       | LEVER, TILT STOP 1<br>PALANCA TOPE INCLINACION 1           | 1    |  |  |  |                       |
| 30       | 6G5-43185-02       | LEVER, TILT STOP 2<br>PALANCA TOPE INCLINACION 2           | 1    |  |  |  |                       |
| 31       | 90386-10M16        | BUSH<br>BUJE   | 4    |  |  |  |                       |
| 32       | 6G5-43148-00       | COLLAR, DISTANCE<br>COLLAR                                 | 2    |  |  |  |                       |
| 33       | 90249-06M19        | PIN<br>PASADOR   | 1    |  |  |  |                       |
| 34       | 90387-10M05        | COLLAR<br>ESPACIADOR                                       | 1    |  |  |  |                       |
| 35       | 91690-30020        | PIN, SPRING<br>PASADOR DE RESORTE                          | 2    |  |  |  |                       |
| 36       | 90506-14M24        | SPRING, TENSION<br>RESORTE DE TENSION                      | 1    |  |  |  |                       |
| 37       | 64E-43126-00       | PIN, UPPER SHOCK MOUNT<br>PASADOR DE AMORTIGUADOR SUPERIOR | 1    |  |  |  |                       |
| 38       | 90386-22M98        | BUSH<br>BUJE   | 4    |  |  |  |                       |
| 39       | 93410-22M11        | CIRCLIP<br>SEGURO  | 1    |  |  |  |                       |
| 40       | 90101-12M03        | BOLT (L:115MM)<br>TORNILLO (L:115MM)                       | 4    |  |  |  |                       |
| 41       | 90201-13M01        | WASHER, PLATE<br>ARANDELA PLANA                            | 8    |  |  |  |                       |
| 42       | 90201-12M05        | WASHER, PLATE<br>ARANDELA PLANA                            | 4    |  |  |  |                       |
| 43       | 95380-12600        | NUT<br>TUERCA  | 8    |  |  |  |                       |

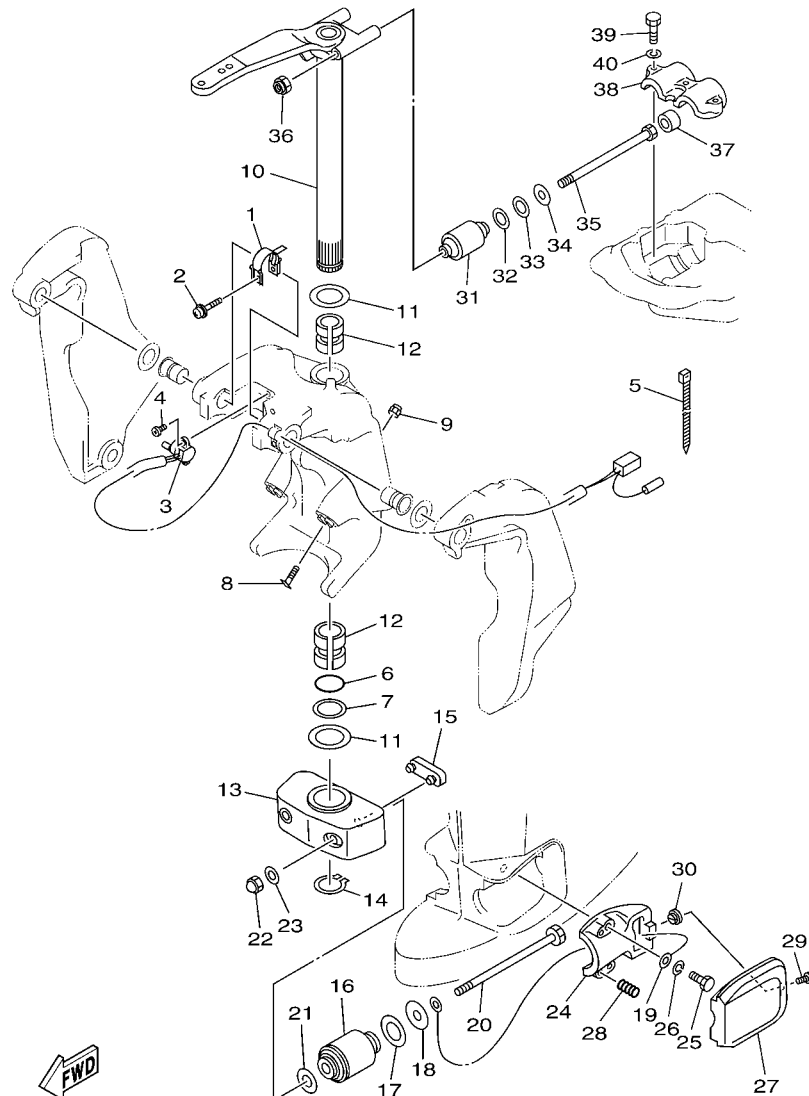


6E58200-G150

FIG. 16 BRACKET 2

SOPORTE 2

| REF. NO. | PART NO. CODIGO Nº | DESCRIPTION DESCRIPCION  | 64FEB |  |  |  | REMARKS OBSERVACIONES |
|----------|--------------------|--|-------|--|--|--|-----------------------|
| 1        | 64E-43139-10       | CAM, TRIM SENDER<br>LEVA TRANSMISOR DE INCLINDOR               | 1     |  |  |  |                       |
| 2        | 90159-05059        | SCREW, WITH WASHER<br>TORNILLO CON VALONA                      | 1     |  |  |  |                       |
| 3        | 64E-83672-03       | TRIM SENDER<br>TRANSMISOR DE INCLINADOR                        | 1     |  |  |  |                       |
| 4        | 97885-06016        | SCREW, PAN HEAD<br>TORNILLO A MUESCA                           | 2     |  |  |  |                       |
| 5        | 90465-11M10        | CLAMP<br>BRIDA   | 3     |  |  |  |                       |
| 6        | 93210-37MH7        | O-RING<br>ANILLO O   | 1     |  |  |  |                       |
| 7        | 90202-40M47        | WASHER, PLATE<br>ARANDELA DE PLANA                             | 1     |  |  |  |                       |
| 8        | 61A-43376-00       | BOLT, THRUST RECEIVER<br>TORNILLO RECEPTOR                     | 2     |  |  |  |                       |
| 9        | 95780-10300        | NUT, FLANGE<br>TUERCA  | 2     |  |  |  |                       |
| 10       | 6E5-42510-C0-8D    | STEERING BRACKET ASSY<br>SOPORTE DIRECCION COMPL.              | 1     |  |  |  | L(20.3")<br>L(20.3")  |
|          | 6E5-42510-D0-8D    | STEERING BRACKET ASSY<br>SOPORTE DIRECCION COMPL.              | 1     |  |  |  | X(25.3")<br>X(25.3")  |
| 11       | 90201-38M60        | WASHER, PLATE<br>ARANDELA PLANA                                | 2     |  |  |  |                       |
| 12       | 90386-38M32        | BUSH<br>BUJE   | 2     |  |  |  |                       |
| 13       | 6G5-44551-01-8D    | HOUSING, LOWER MOUNT RUBBER 1<br>CAJA AMORTIGUADOR INFERIOR HU | 1     |  |  |  |                       |
| 14       | 93410-37M04        | CIRCLIP<br>SEGURO  | 1     |  |  |  |                       |
| 15       | 6E5-44575-00       | DAMPER, LOWER MOUNT RUBBER<br>AMORTIGUADOR INFERIOR            | 1     |  |  |  |                       |
| 16       | 6G5-44555-00       | MOUNT DAMPER, LOWER SIDE<br>AMORTIGUADOR DE HULE LADO INFE     | 2     |  |  |  |                       |
| 17       | 90202-32M19        | WASHER, PLATE<br>ARANDELA DE PLANA                             | 2     |  |  |  |                       |
| 18       | 90201-16M55        | WASHER, PLATE<br>ARANDELA PLANA                                | 2     |  |  |  |                       |
| 19       | 6E5-82149-00       | WIRE, LEAD 3<br>CABLE CONDUCTOR 3                              | 1     |  |  |  |                       |
| 20       | 90109-14M34        | BOLT<br>PERNO  | 2     |  |  |  |                       |
| 21       | 90201-15M58        | WASHER, PLATE<br>ARANDELA PLANA                                | 2     |  |  |  |                       |
| 22       | 95380-14800        | NUT<br>TUERCA  | 2     |  |  |  |                       |
| 23       | 92995-14600        | WASHER<br>ARANDELA   | 2     |  |  |  |                       |
| 24       | 6E5-44552-01-CA    | HOUSING, LOWER MOUNT RUBBER 2<br>CAJA AMORTIGUADOR INFERIOR HU | 2     |  |  |  |                       |
| 25       | 97095-10045        | BOLT<br>PERNO  | 4     |  |  |  |                       |
| 26       | 92995-10100        | WASHER<br>ARANDELA   | 4     |  |  |  |                       |



6E58200-G150

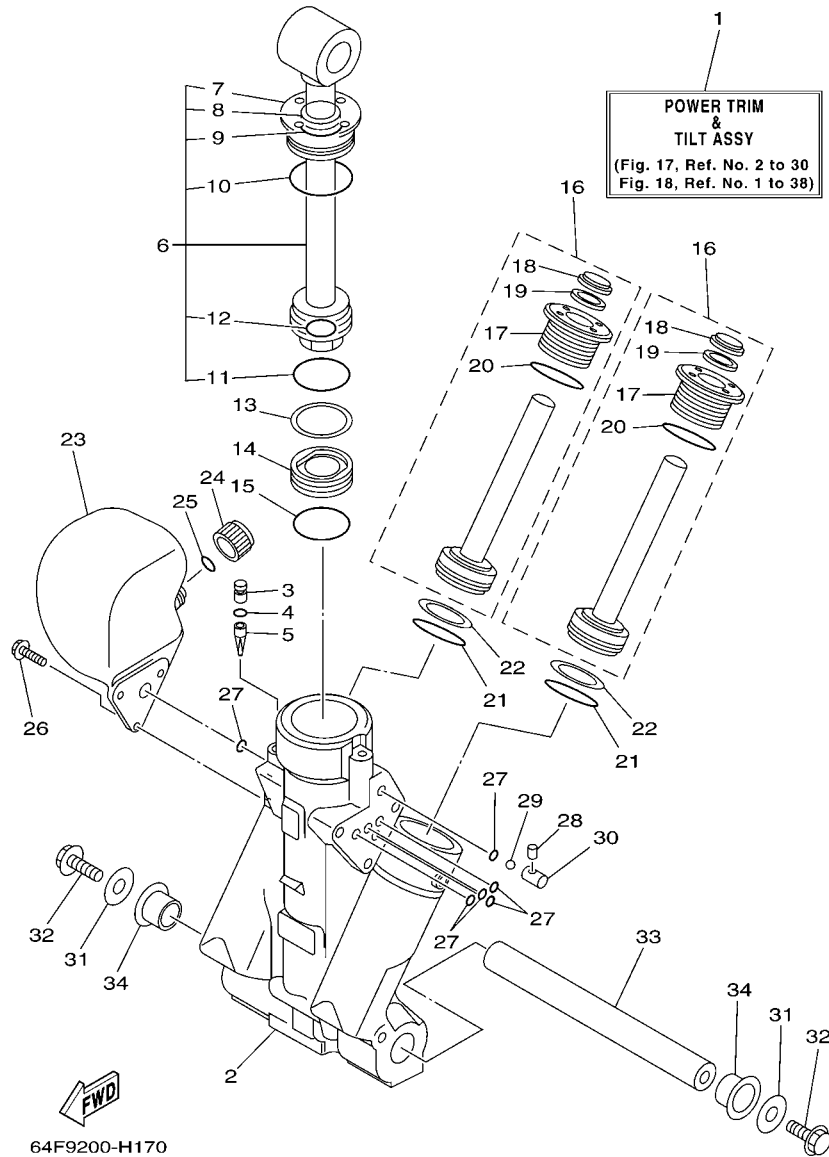
FIG. 16 BRACKET 2

SOPORTE 2

| REF. NO. | PART NO. CODIGO Nº | DESCRIPTION DESCRIPCION                                | 64FEB |  |  |  | REMARKS OBSERVACIONES |
|----------|--------------------|--|-------|--|--|--|-----------------------|
| 27       | 6E5-44553-01-8D    | COVER, LOWER MOUNT<br>CUBIERTA, AMORTIGUADOR INFERIOR  | 2     |  |  |  |                       |
| 28       | 90501-16M28        | SPRING, COMPRESSION<br>RESORTE DE COMPRESION           | 4     |  |  |  |                       |
| 29       | 97885-06016        | SCREW, PAN HEAD<br>TORNILLO A MUESCA                   | 2     |  |  |  |                       |
| 30       | 90179-06066        | NUT<br>TUERCA  | 2     |  |  |  |                       |
| 31       | 6G5-44514-00       | MOUNT DAMPER, UPPER SIDE<br>AMORTIGUADOR LADO SUPERIOR | 2     |  |  |  |                       |
| 32       | 90201-26M57        | WASHER, PLATE<br>ARANDELA PLANA                        | 2     |  |  |  |                       |
| 33       | 90202-26M18        | WASHER, PLATE<br>ARANDELA DE PLANA                     | 2     |  |  |  |                       |
| 34       | 90201-14M56        | WASHER, PLATE<br>ARANDELA PLANA                        | 2     |  |  |  |                       |
| 35       | 90109-12007        | BOLT<br>PERNO  | 2     |  |  |  |                       |
| 36       | 90185-12M12        | NUT, SELF-LOCKING<br>TUERCA AUTOBLOCANTE               | 2     |  |  |  |                       |
| 37       | 663-44575-00       | DAMPER, LOWER MOUNT RUBBER<br>AMORTIGUADOR INFERIOR    | 2     |  |  |  |                       |
| 38       | 6E5-44511-00-94    | COVER, UPPER MOUNT<br>CUBIERTA AMORTIGUADOR SUPERIOR   | 1     |  |  |  |                       |
| 39       | 97095-10045        | BOLT<br>PERNO  | 3     |  |  |  |                       |
| 40       | 92995-10100        | WASHER<br>ARANDELA                                     | 3     |  |  |  |                       |

FIG. 17 POWER TRIM & TILT ASSY 1

COMPONER Y PODER VARILLA 1



| REF. NO. | PART NO. CODIGO N° | DESCRIPTION DESCRIPCION                                  | 64FEB |  |  |  | REMARKS OBSERVACIONES |
|----------|--------------------|--|-------|--|--|--|-----------------------|
| 1        | 64E-43800-05       | POWER TRIM & TILT ASSY<br>ELEVADOR HIDRAULICO COMPL.     | 1     |  |  |  |                       |
| 2        | 64E-43825-03       | HOUSING, TRIM & TILT<br>CAJA INCLINACION Y ADRNO         | 1     |  |  |  |                       |
| 3        | 6AW-4388J-00       | PLUG 2<br>TAPON 2  | 1     |  |  |  |                       |
| 4        | 93210-10M74        | O-RING<br>ANILLO O                                       | 1     |  |  |  |                       |
| 5        | 64E-43817-00       | FILTER 2<br>FILTRO 2                                     | 1     |  |  |  |                       |
| 6        | 64E-43810-02       | TILT PISTON SUB ASSY<br>ELEVADOR SUB-PISTON COMPL.       | 1     |  |  |  |                       |
| 7        | 64E-43811-02       | .SCREW, CYLINDER END<br>.TORNILLO CILINDRO EXTREMO       | 1     |  |  |  |                       |
| 8        | 64E-43898-00       | .SEAL, DUST 2<br>.SELLO ANTIPOLVO                        | 1     |  |  |  |                       |
| 9        | 64E-43867-00       | .O-RING<br>.ANILLO EN O 7                                | 1     |  |  |  |                       |
| 10       | 64E-43866-00       | .O-RING<br>.ANILLO EN O 6                                | 1     |  |  |  |                       |
| 11       | 6E5-43862-00       | .O-RING<br>.ANILLO EN O 2                                | 1     |  |  |  |                       |
| 12       | 64E-43883-00       | .O-RING<br>.ANILLO EN O 10                               | 1     |  |  |  |                       |
| 13       | 6E5-43872-00       | RING, BACK UP<br>ANILLO                                  | 1     |  |  |  |                       |
| 14       | 6E5-43814-02       | PISTON, FREE<br>PISTON LIBRE                             | 1     |  |  |  |                       |
| 15       | 6E5-43862-00       | O-RING<br>ANILLO EN O 2                                  | 1     |  |  |  |                       |
| 16       | 64E-43820-02       | TRIM PISTON SUB ASSY<br>ELEVADOR PISTON COMPL.           | 2     |  |  |  |                       |
| 17       | 64E-43821-02       | .SCREW, TRIM CYLINDER END<br>.TORNILLO CILINDURO EXTREMO | 1     |  |  |  |                       |
| 18       | 64E-43822-00       | .SEAL, TRIM DUST<br>.SELLO DE POLVO                      | 1     |  |  |  |                       |
| 19       | 64E-4384J-00       | .SEAL, TRIM DOWN<br>.SELLO                               | 1     |  |  |  |                       |
| 20       | 6G5-43864-00       | .O-RING<br>.ANILLO EN O 4                                | 1     |  |  |  |                       |
| 21       | 6E5-43864-00       | O-RING<br>ANILLO EN O 4                                  | 2     |  |  |  |                       |
| 22       | 6E5-43874-01       | RING, BACK UP<br>ANILLO                                  | 2     |  |  |  |                       |
| 23       | 64E-43828-01       | BODY, RESERVOIR<br>CUERPO DEPOSITO                       | 1     |  |  |  |                       |
| 24       | 64E-43829-01       | PLUG, RESERVOIR<br>TAPON DEPOSITO                        | 1     |  |  |  |                       |
| 25       | 64E-43897-00       | O-RING<br>ANILLO EN O                                    | 1     |  |  |  |                       |
| 26       | 64E-4388E-01       | BOLT ,SCREW (L:14MM)<br>PERNO (L:14MM)                   | 3     |  |  |  |                       |
| 27       | 64E-43869-00       | O-RING<br>ANILLO EN O 9                                  | 6     |  |  |  |                       |

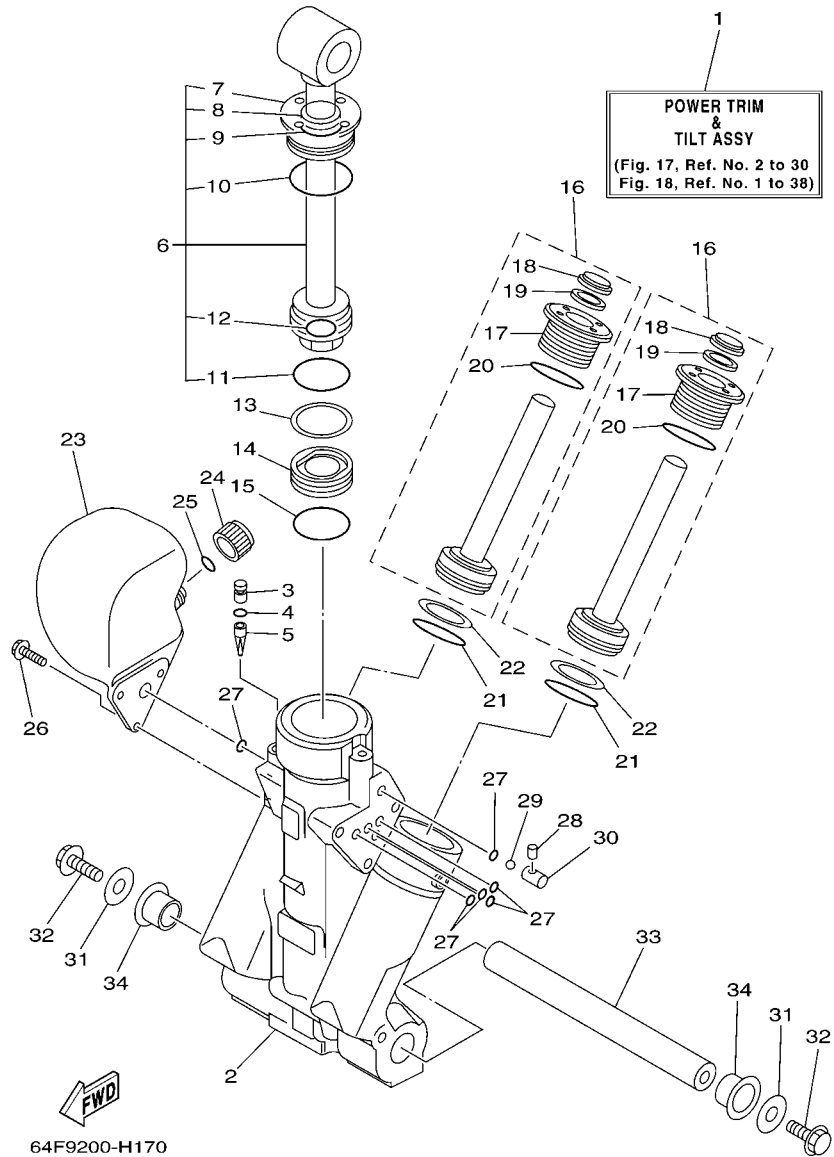
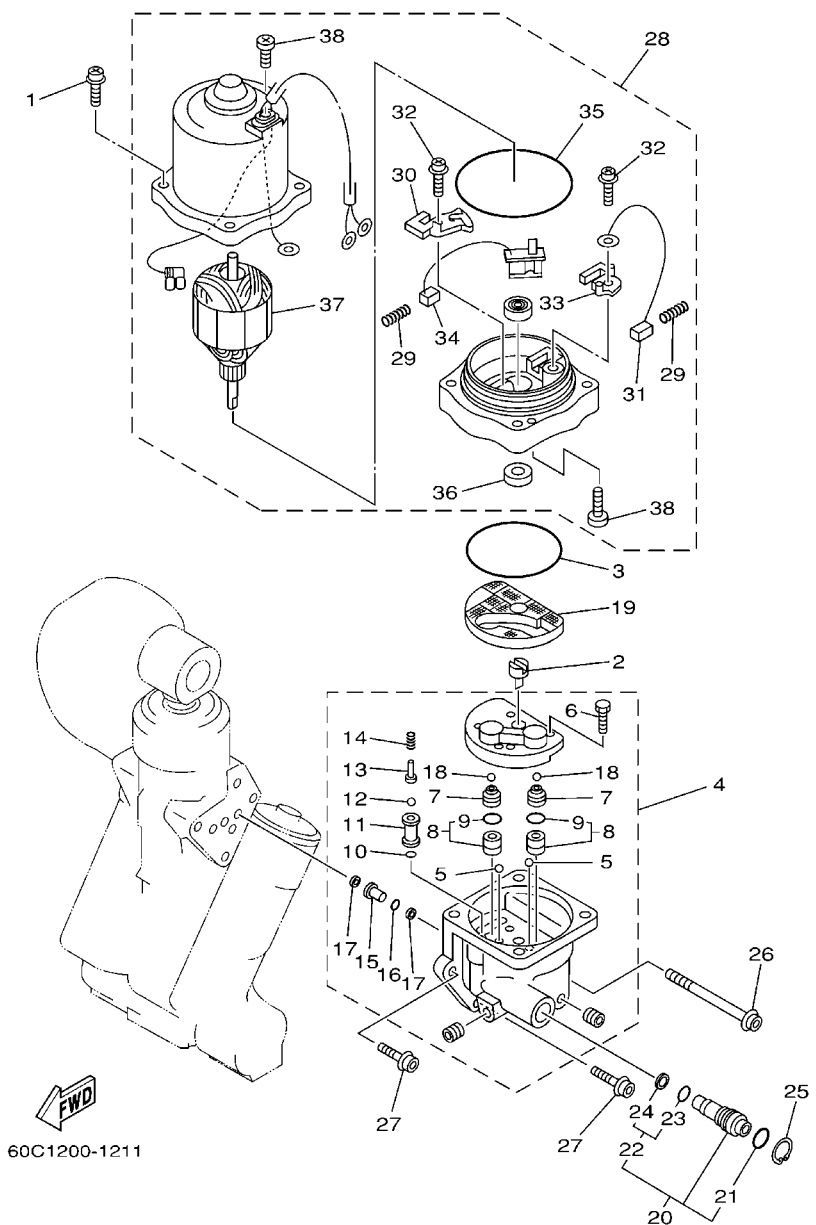


FIG. 17 POWER TRIM & TILT ASSY 1      COMPONER Y PODER VARILLA 1

| REF. NO. | PART NO. CODIGO N° | DESCRIPTION DESCRIPCION                              | 64FB |  |  |  | REMARKS OBSERVACIONES |
|----------|--------------------|--|------|--|--|--|-----------------------|
| 28       | 64E-4381G-00       | PIN PASADOR 1  | 1    |  |  |  |                       |
| 29       | 6E5-43858-00       | BALL ESFERA  | 1    |  |  |  |                       |
| 30       | 64E-4382G-00       | VALVE, SEAT JUEGO ASIENTO VALVULA                    | 1    |  |  |  |                       |
| 31       | 90201-10060        | WASHER, PLATE ARANDELA PLANA                         | 2    |  |  |  |                       |
| 32       | 97575-10530        | BOLT, WITH WASHER PERNO CON ARANDELA                 | 2    |  |  |  |                       |
| 33       | 6BC-43818-00       | PIN, LOWER SHOCK MOUNT PASADOR AMORTIGUADOR INFERIOR | 1    |  |  |  |                       |
| 34       | 90386-22M98        | BUSH BUJE  | 2    |  |  |  |                       |
| <hr/>    |                    |  |      |  |  |  |                       |
| <hr/>    |                    |  |      |  |  |  |                       |
| <hr/>    |                    |  |      |  |  |  |                       |
| <hr/>    |                    |  |      |  |  |  |                       |
| <hr/>    |                    |  |      |  |  |  |                       |
| <hr/>    |                    |  |      |  |  |  |                       |
| <hr/>    |                    |  |      |  |  |  |                       |
| <hr/>    |                    |  |      |  |  |  |                       |
| <hr/>    |                    |  |      |  |  |  |                       |
| <hr/>    |                    |  |      |  |  |  |                       |

FIG. 18 POWER TRIM & TILT ASSY 2

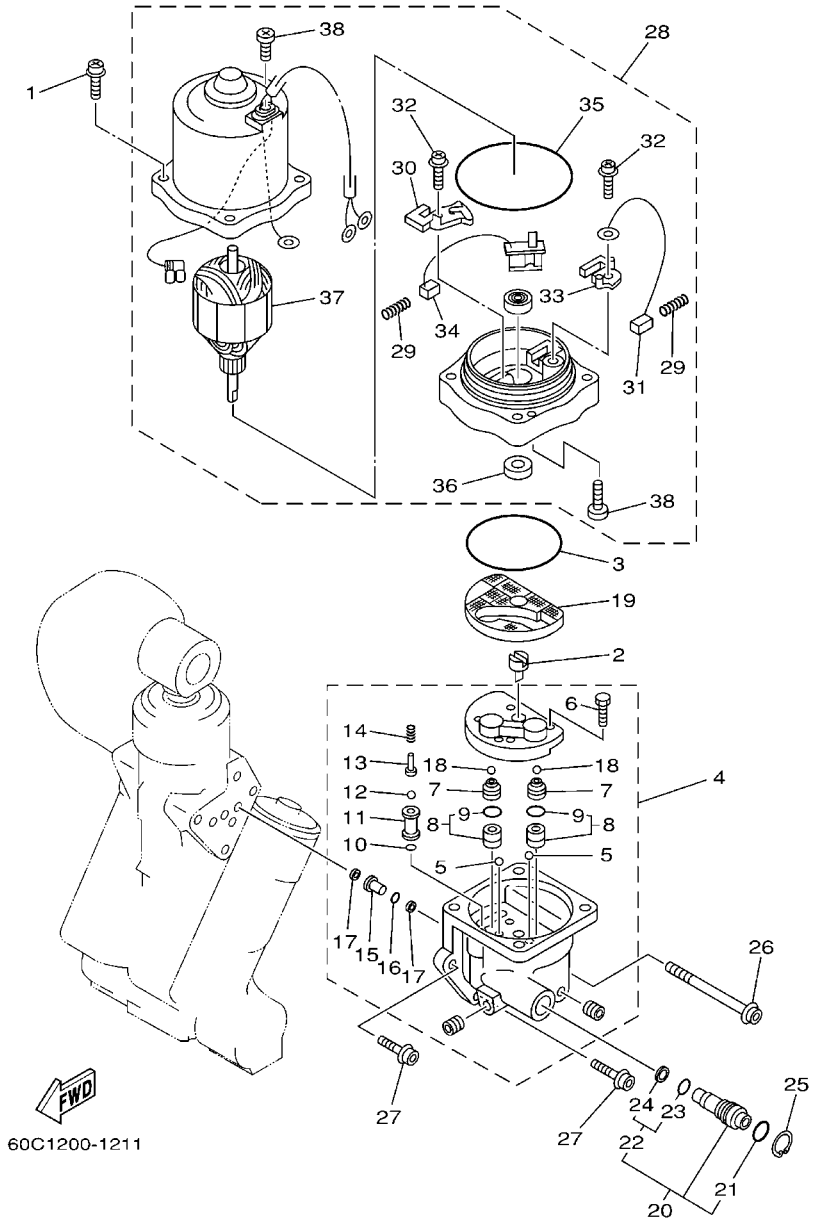
COMPONER Y PODER VARILLA 2



60C1200-1211

| REF. NO. | PART NO. CODIGO Nº | DESCRIPTION DESCRIPCION                             | 64FEB |  |  |  | REMARKS OBSERVACIONES |
|----------|--------------------|---|-------|--|--|--|-----------------------|
| 1        | 64E-4388E-11       | BOLT ,SCREW (L:34.7MM)<br>PERNO (L:34.7MM)          | 4     |  |  |  |                       |
| 2        | 64E-43831-00       | CONNECTOR, SHAFT<br>CONEXION EJE                    | 1     |  |  |  |                       |
| 3        | 64E-43868-00       | O-RING<br>ANILLO EN O 8                             | 1     |  |  |  |                       |
| 4        | 64E-43830-01       | GEAR PUMP ASSY<br>ENGRANAJE BOMBA COMPL.            | 1     |  |  |  |                       |
| 5        | 72X-43858-00       | .BALL<br>.ESFERA                                    | 2     |  |  |  |                       |
| 6        | 64E-43843-00       | .SCREW, VALVE LOCK<br>.TORNILLO                     | 4     |  |  |  |                       |
| 7        | 6AW-43841-00       | .PISTON, SHUTTLE<br>.PISTON                         | 2     |  |  |  |                       |
| 8        | 64E-43802-00       | .VALVE SUB ASSY<br>.VALVULA PRINCIPAL COMPL.        | 2     |  |  |  |                       |
| 9        | 6E5-43896-00       | ..O-RING<br>..ANILLO EN O                           | 1     |  |  |  |                       |
| 10       | 6G5-43863-00       | O-RING<br>ANILLO EN O 3                             | 1     |  |  |  |                       |
| 11       | 64E-43851-00       | .SEAT, RELIEF VALVE<br>.ASIENTO VALVULA DE DESCARGA | 1     |  |  |  |                       |
| 12       | 64E-43858-00       | .BALL<br>.ESFERA                                    | 1     |  |  |  |                       |
| 13       | 64E-43859-00       | .PIN, VALVE SUPPORT<br>.PASADOR VALVULA SOPORTE     | 1     |  |  |  |                       |
| 14       | 64E-43855-00       | .SPRING, UP RELIEF<br>.RESORTE SEGURIDAD SUPERIOR   | 1     |  |  |  |                       |
| 15       | 64E-43850-00       | .VALVE SUB ASSY<br>.VALVULA COMPL                   | 1     |  |  |  |                       |
| 16       | 64E-43865-00       | .O-RING<br>.ANILLO EN O 5                           | 1     |  |  |  |                       |
| 17       | 64E-43816-00       | .FILTER 1<br>.FILTRO 1                              | 2     |  |  |  |                       |
| 18       | 6AW-43858-00       | .BALL<br>.ESFERA                                    | 2     |  |  |  |                       |
| 19       | 64E-43817-11       | FILTER 2<br>FILTRO 2                                | 1     |  |  |  |                       |
| 20       | 64E-43860-01       | MANUAL VALVE SUB-ASSY<br>VALVULA SUB-COMPL.         | 1     |  |  |  |                       |
| 21       | 72X-85075-L0       | .O-RING<br>.ANILLO EN O 5                           | 1     |  |  |  |                       |
| 22       | 64E-43827-00       | .RING SET<br>.ESFERA                                | 1     |  |  |  |                       |
| 23       | 64E-4387A-00       | ..O-RING<br>..ANILLO O                              | 1     |  |  |  |                       |
| 24       | 64E-43873-00       | ..RING, BACK UP<br>..ANILLO                         | 1     |  |  |  |                       |
| 25       | 6AW-43875-00       | RING, SNAP<br>ANILLO                                | 1     |  |  |  |                       |
| 26       | 64E-43879-11       | SCREW, WITH WASHER<br>TORNILLO CON RONDANA          | 1     |  |  |  |                       |
| 27       | 64E-43879-01       | SCREW, WITH WASHER<br>TORNILLO CON RONDANA          | 2     |  |  |  |                       |

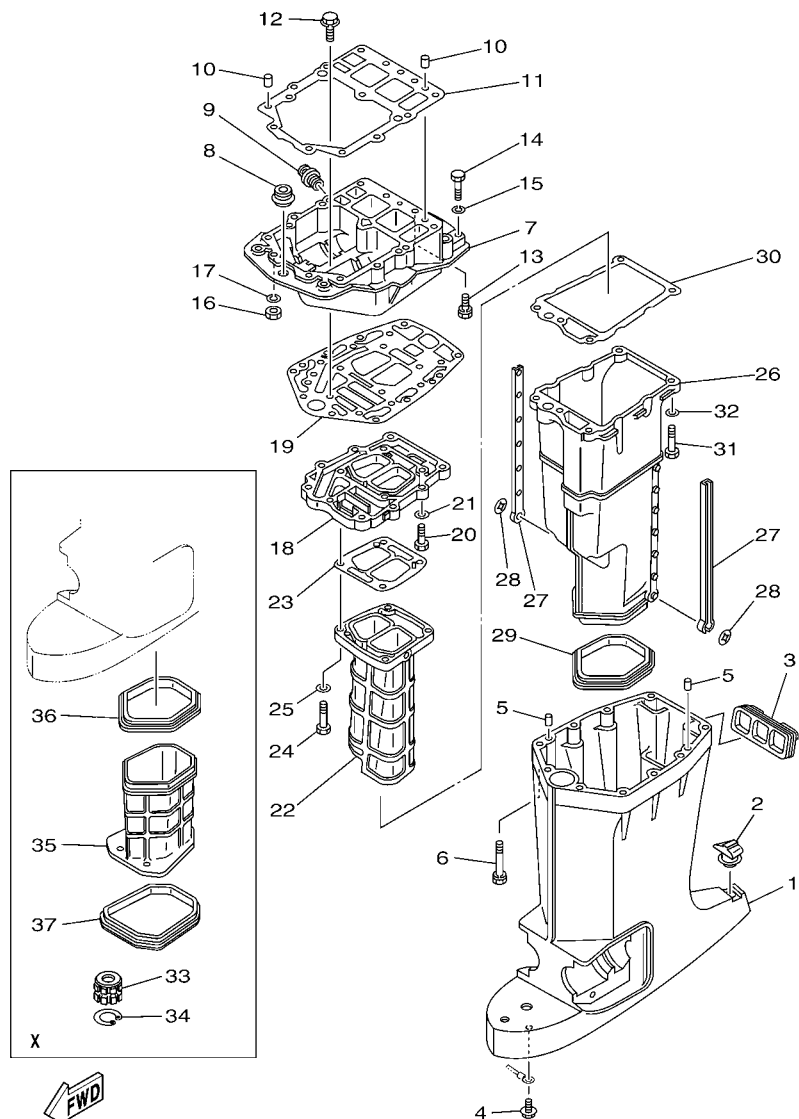
FIG. 18 POWER TRIM & TILT ASSY 2 COMPONER Y PODER VARILLA 2



| REF. NO. | PART NO. CODIGO Nº | DESCRIPTION DESCRIPCION                               | 64FB |  |  |  |  | REMARKS OBSERVACIONES |
|----------|--------------------|---|------|--|--|--|--|-----------------------|
| 28       | 64E-43880-03       | MOTOR ASSY<br>MOTOR COMPL.                            | 1    |  |  |  |  |                       |
| 29       | 6H1-4386K-10       | .SPRING, BRUSH<br>.RESORTE, ESCOBILLA                 | 2    |  |  |  |  |                       |
| 30       | 64E-4380J-00       | .HOLDER, BRUSH<br>.PORTAESCOBILLA                     | 1    |  |  |  |  |                       |
| 31       | 64E-43891-00       | .BRUSH 1<br>.ESCOBILLA 1                              | 1    |  |  |  |  |                       |
| 32       | 97607-04310        | .SCREW, WITH WASHER<br>.TORNILLO CAB CON PLANA C/ARAN | 2    |  |  |  |  |                       |
| 33       | 64E-4380F-00       | .HOLDER, BRUSH 2<br>.PORTAESCOBILLA 2                 | 1    |  |  |  |  |                       |
| 34       | 64E-43892-00       | .BRUSH 2<br>.ESCOBILLA 2                              | 1    |  |  |  |  |                       |
| 35       | 6G5-43865-00       | .O-RING<br>.ANILLO EN O 5                             | 1    |  |  |  |  |                       |
| 36       | 93102-08M43        | .OIL SEAL<br>.SELLO ACEITE                            | 1    |  |  |  |  |                       |
| 37       | 64E-43805-00       | .ARMATURE ASSY<br>.INDUCIDO COMPL.                    | 1    |  |  |  |  |                       |
| 38       | 64E-43843-10       | .SCREW, VALVE LOCK<br>.TORNILLO                       | 3    |  |  |  |  |                       |
|          |                    |   |      |  |  |  |  |                       |
|          |                    |   |      |  |  |  |  |                       |
|          |                    |   |      |  |  |  |  |                       |
|          |                    |   |      |  |  |  |  |                       |
|          |                    |   |      |  |  |  |  |                       |
|          |                    |   |      |  |  |  |  |                       |
|          |                    |   |      |  |  |  |  |                       |
|          |                    |   |      |  |  |  |  |                       |
|          |                    |   |      |  |  |  |  |                       |

FIG. 19 UPPER CASING

FUNDA SUPERIOR



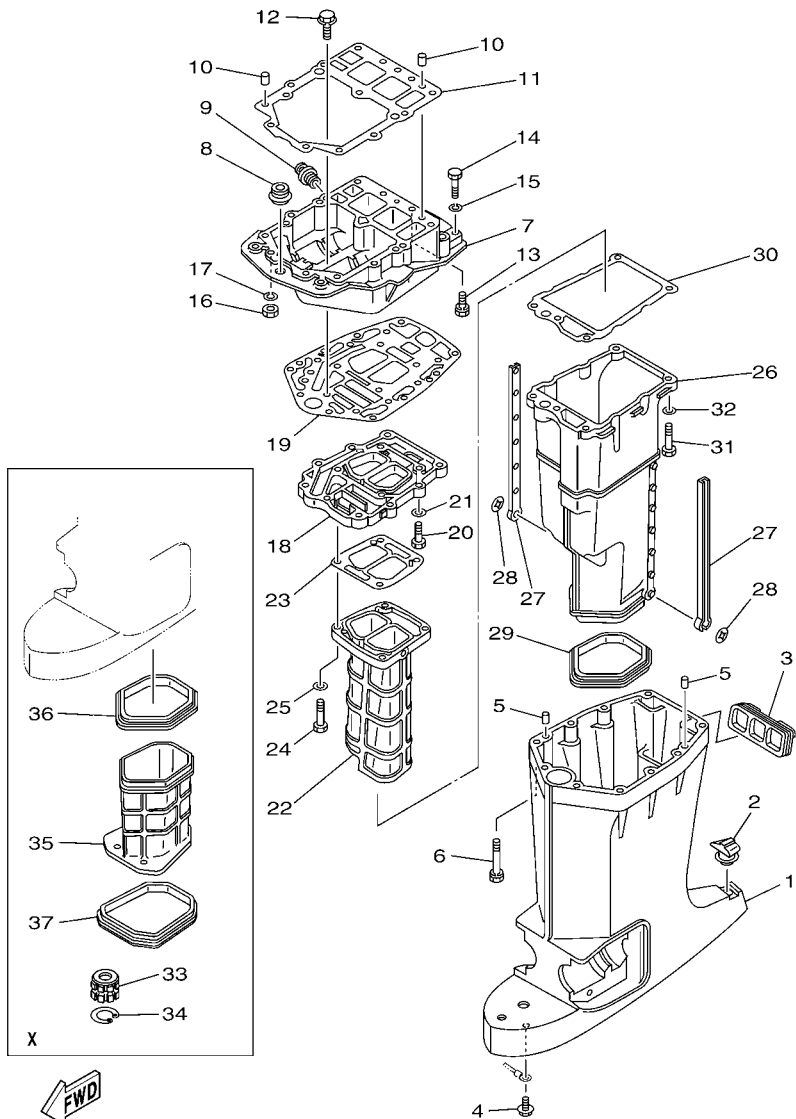
64FB200-K190

| REF. NO. | PART NO. CODIGO Nº | DESCRIPTION DESCRIPCION                      | 64FB |  |  | REMARKS OBSERVACIONES |
|----------|--------------------|--|------|--|--|-----------------------|
| 1        | 6E5-45111-02-8D    | CASING, UPPER<br>CAJA SUPERIOR               | 1    |  |  | L(20.3")<br>L(20.3")  |
|          | 6E5-45111-23-8D    | CASING, UPPER<br>CAJA SUPERIOR               | 1    |  |  | X(25.3")<br>X(25.3")  |
| 2        | 6E5-45155-00       | CAP<br>TAPA                                  | 1    |  |  |                       |
| 3        | 6E5-42769-00       | SEAL, RUBBER<br>SELLO DE GOMA                | 1    |  |  |                       |
| 4        | 95895-06010        | BOLT, FLANGE<br>TORNILLO DE REBORDE          | 1    |  |  |                       |
| 5        | 93608-12M05        | PIN, DOWEL<br>PASADOR DE CLAVIJA             | 2    |  |  |                       |
| 6        | 90119-08078        | BOLT, WITH WASHER<br>TORNILLO CON ARANDELA   | 6    |  |  |                       |
| 7        | 6G5-41137-02-CA    | GUIDE, EXHAUST<br>GUIA DE ESCAPE             | 1    |  |  |                       |
| 8        | 6E5-42724-00       | GROMMET<br>TAPON                             | 1    |  |  |                       |
| 9        | 6G5-12581-00       | JOINT, HOSE 1<br>CONEXION                    | 1    |  |  |                       |
| 10       | 93608-12M05        | PIN, DOWEL<br>PASADOR DE CLAVIJA             | 2    |  |  |                       |
| 11       | 68F-45113-01       | GASKET, UPPER CASING<br>EMPAQUE              | 1    |  |  |                       |
| 12       | 90119-08M79        | BOLT, WITH WASHER<br>TORNILLO CON ARANDELA   | 2    |  |  |                       |
| 13       | 90119-08077        | BOLT, WITH WASHER<br>TORNILLO CON ARANDELA   | 4    |  |  |                       |
| 14       | 97095-08045        | BOLT<br>PERNO                                | 2    |  |  |                       |
| 15       | 92995-08100        | WASHER<br>ARANDELA                           | 2    |  |  |                       |
| 16       | 95380-08700        | NUT<br>TUERCA                                | 2    |  |  |                       |
| 17       | 92995-08100        | WASHER<br>ARANDELA                           | 2    |  |  |                       |
| 18       | 6G5-41131-01-CA    | MANIFOLD, EXT. 1<br>TUBO MULTIPLE DE ESCAPE  | 1    |  |  |                       |
| 19       | 6G5-45114-A1       | GASKET, UPPER CASING<br>EMPAQUE              | 1    |  |  |                       |
| 20       | 97095-08030        | BOLT<br>PERNO                                | 4    |  |  |                       |
| 21       | 92995-08600        | WASHER<br>ARANDELA                           | 4    |  |  |                       |
| 22       | 64D-41132-00-CA    | MANIFOLD, EXHAUST<br>TUBO MULTIPLE DE ESCAPE | 1    |  |  |                       |
| 23       | 6G5-41134-A1       | GASKET, EXHAUST MANIFOLD<br>EMPAQUE          | 1    |  |  |                       |
| 24       | 97095-08045        | BOLT<br>PERNO                                | 4    |  |  |                       |
| 25       | 92995-08600        | WASHER<br>ARANDELA                           | 4    |  |  |                       |
| 26       | 6E5-14711-01-CA    | MUFFLER 1<br>SILENCIADOR 1                   | 1    |  |  |                       |



FIG. 19 UPPER CASING

FUNDA SUPERIOR



64FB200-K190

| REF. NO. | PART NO. CODIGO Nº | DESCRIPTION DESCRIPCION                        | 64FB |  |  |  | REMARKS OBSERVACIONES |
|----------|--------------------|--|------|--|--|--|-----------------------|
| 27       | 6E5-14737-00       | DAMPER, MUFFLER<br>AMORTIGUADOR DE SILENCIADOR | 2    |  |  |  |                       |
| 28       | 90183-05M02        | NUT, SPRING<br>TUERCA DE RESORTE               | 2    |  |  |  |                       |
| 29       | 6E5-45123-00       | GASKET, MUFFLER<br>EMPAQUE SILENCIADOR         | 1    |  |  |  |                       |
| 30       | 6E5-41135-A0       | GASKET, EXHAUST MANIFOLD<br>EMPAQUE            | 1    |  |  |  |                       |
| 31       | 97095-08045        | BOLT<br>PERNO                                  | 5    |  |  |  |                       |
| 32       | 92995-08600        | WASHER<br>ARANDELA                             | 5    |  |  |  |                       |
| 33       | 6E5-45318-00       | BUSHING, DRIVE SHAFT<br>BUJE, EJE DE MANDO     | 1    |  |  |  | X(25.3")<br>X(25.3")  |
| 34       | 93420-36M01        | CIRCLIP<br>SEGURO                              | 1    |  |  |  | X(25.3")<br>X(25.3")  |
| 35       | 64D-14721-20-CA    | MUFFLER 2<br>SILENCIADOR 2                     | 1    |  |  |  | X(25.3")<br>X(25.3")  |
| 36       | 64D-45123-00       | GASKET, MUFFLER<br>EMPAQUE SILENCIADOR         | 1    |  |  |  | X(25.3")<br>X(25.3")  |
| 37       | 64D-45375-00       | DAMPER, SEAL<br>GOMA DE SELLO                  | 1    |  |  |  | X(25.3")<br>X(25.3")  |

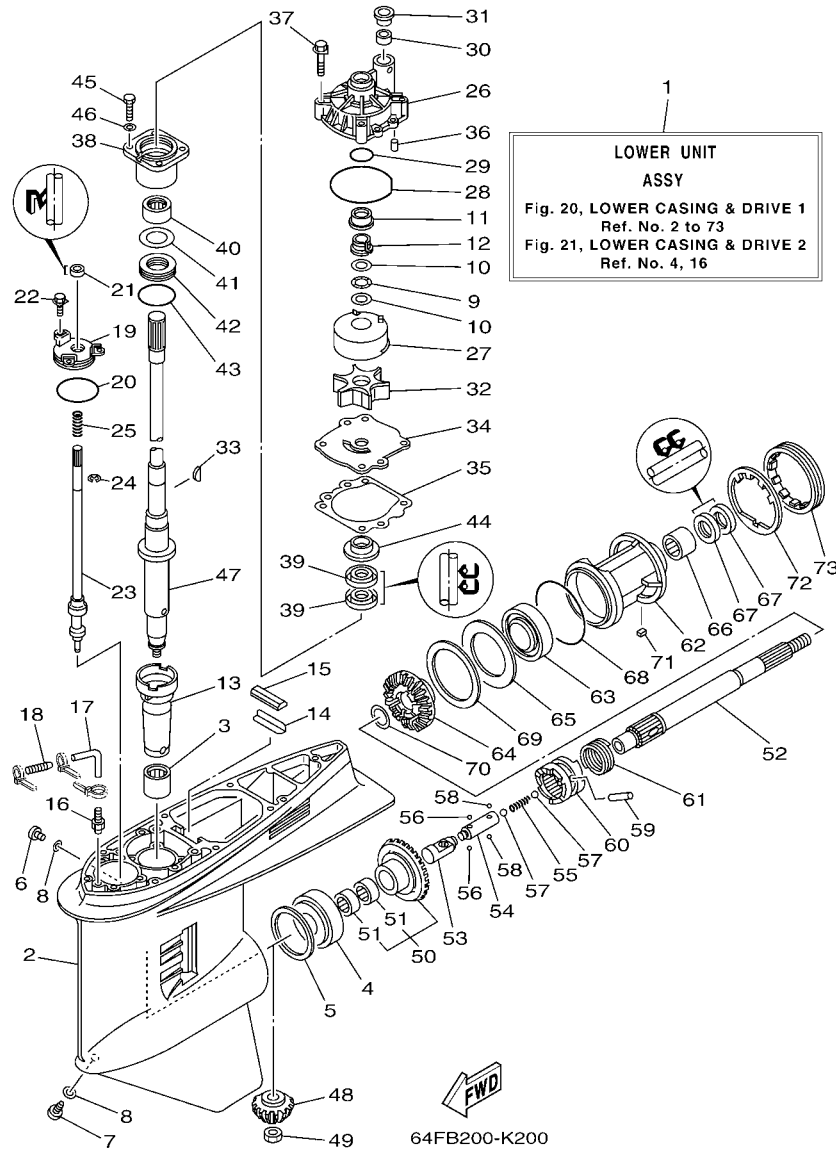
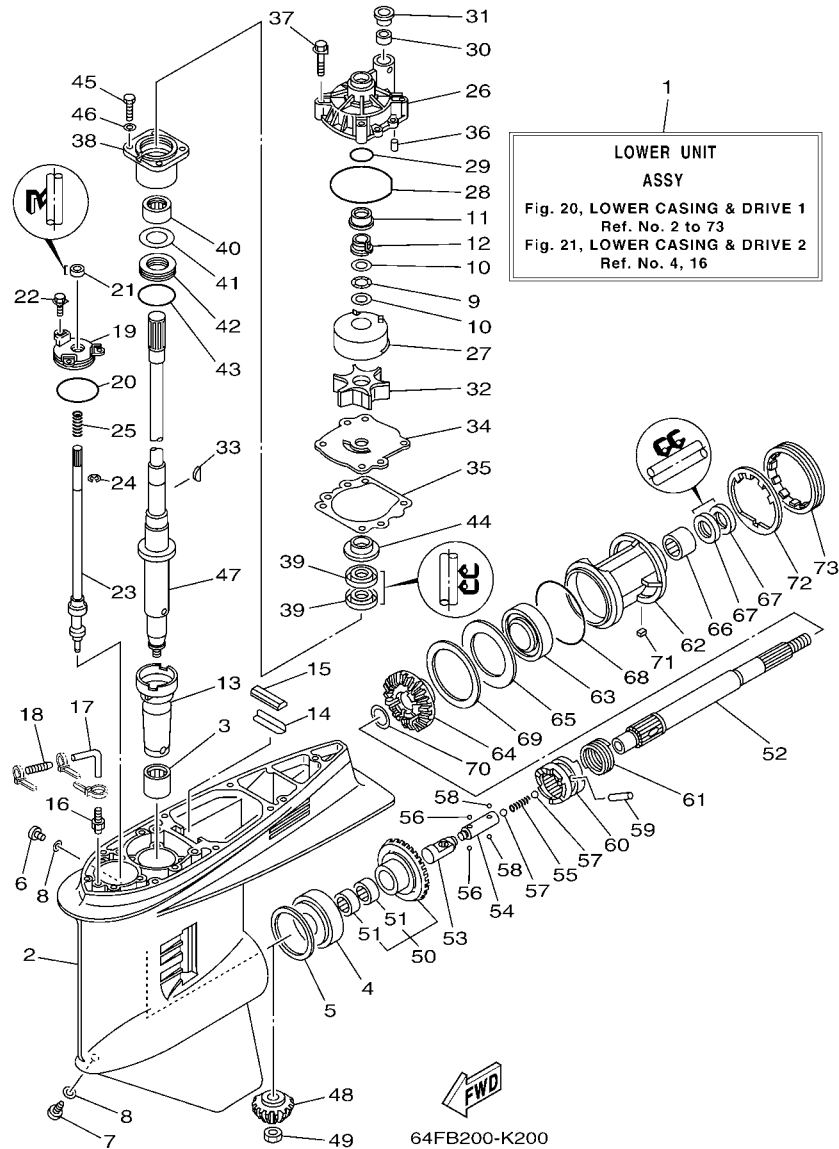


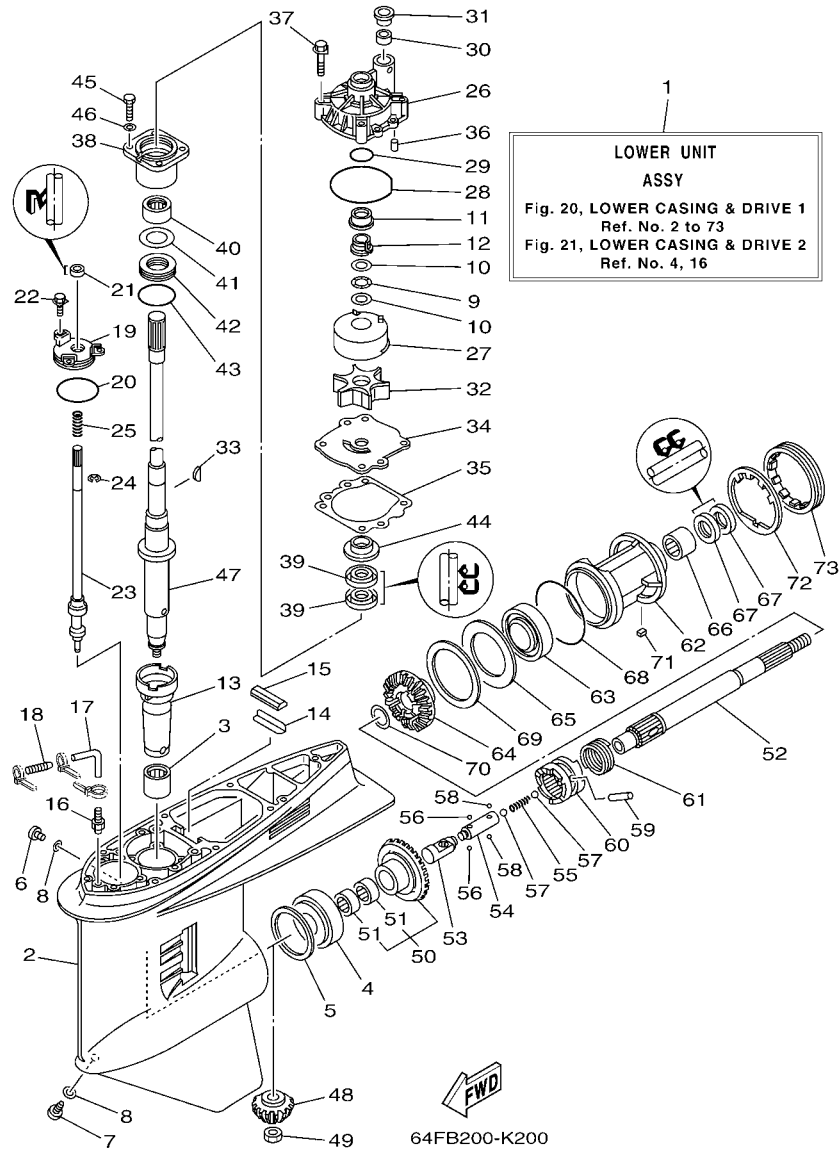
FIG. 20 LOWER CASING & DRIVE 1 IMPULSOR E INFERIOR 1

| REF. NO. | PART NO. CODIGO Nº | DESCRIPTION DESCRIPCION                               | 64FB |  | REMARKS OBSERVACIONES |
|----------|--------------------|---|------|--|-----------------------|
| 1        | 64F-45300-02-8D    | LOWER UNIT ASSY<br>CONJUNTO UNIDAD INFERIOR           | 1    |  | L(20.3")<br>L(20.3")  |
|          | 64F-45300-22-8D    | LOWER UNIT ASSY<br>CONJUNTO UNIDAD INFERIOR           | 1    |  | X(25.3")<br>X(25.3")  |
| 2        | 6J9-45301-05-8D    | CASING, LOWER<br>FUNDA INFERIOR COMPLETA              | 1    |  |                       |
| 3        | 93311-928U5        | BEARING<br>COJINETE DE RODILLOS                       | 1    |  |                       |
| 4        | 93332-000V3        | BEARING<br>COJINETE                                   | 1    |  |                       |
| 5        | 6G5-45567-01       | SHIM (T:0.10MM)<br>LAINA (T:0.10MM)                   | 1    |  | UR<br>UR              |
|          | 6G5-45567-10       | SHIM (T:0.12MM)<br>LAINA (T:0.12MM)                   | 1    |  | UR<br>UR              |
|          | 6G5-45567-20       | SHIM (T:0.15MM)<br>LAINA (T:0.15MM)                   | 1    |  | UR<br>UR              |
|          | 6G5-45567-30       | SHIM (T:0.18MM)<br>LAINA (T:0.18MM)                   | 1    |  | UR<br>UR              |
|          | 6G5-45567-40       | SHIM (T:0.30MM)<br>LAINA (T:0.30MM)                   | 1    |  | UR<br>UR              |
|          | 6G5-45567-50       | SHIM (T:0.40MM)<br>LAINA (T:0.40MM)                   | 1    |  | UR<br>UR              |
|          | 6G5-45567-60       | SHIM (T:0.50MM)<br>LAINA (T:0.50MM)                   | 1    |  | UR<br>UR              |
| 6        | 90340-08002        | PLUG, STRAIGHT SCREW<br>TORNILLO, DE DRENAJE          | 1    |  |                       |
| 7        | 688-45341-10       | PLUG, DRAIN<br>TAPON, DREN                            | 1    |  |                       |
| 8        | 90430-08020        | GASKET<br>JUNTA                                       | 2    |  |                       |
| 9        | 90206-22M19        | WASHER, WAVE<br>ARANDELA ONDULADA                     | 1    |  |                       |
| 10       | 90201-22M01        | WASHER, PLATE<br>ARANDELA PLANA                       | 2    |  |                       |
| 11       | 61A-45527-00       | COLLAR, DRIVE SHAFT<br>COLLAR EJE FLECHA DE PROPULSIO | 1    |  |                       |
| 12       | 61A-45538-00       | SPACER 1<br>ESPACIADOR 1                              | 1    |  |                       |
| 13       | 6G5-45536-01       | SLEEVE, DRIVE SHAFT<br>CAMISA EJE DE MANDO            | 1    |  |                       |
| 14       | 663-45376-00       | GUIDE, SEAL DAMPER<br>GUIA DE SELLO GOMA              | 1    |  | L(20.3")<br>L(20.3")  |
|          | 64D-45376-00       | GUIDE, SEAL DAMPER<br>GUIA DE SELLO GOMA              | 1    |  | X(25.3")<br>X(25.3")  |
| 15       | 688-45375-00       | DAMPER, SEAL<br>GOMA DE SELLO                         | 1    |  |                       |
| 16       | 6E5-45378-00       | NIPPLE, HOSE<br>NIPLE MANGUERA                        | 1    |  |                       |
| 17       | 90445-07ME8        | HOSE (L80)<br>TUBO (L80)                              | 1    |  | L(20.3")<br>L(20.3")  |
|          | 90445-07ME9        | HOSE (L120)<br>TUBO (L120)                            | 1    |  | X(25.3")<br>X(25.3")  |
| 18       | 6E5-83558-10       | END, NIPPLE<br>EXTREMO DE NIPLE                       | 1    |  |                       |



**FIG. 20 LOWER CASING & DRIVE 1      IMPULSOR E INFERIOR 1**

| REF. NO. | PART NO. CODIGO Nº | DESCRIPTION DESCRIPCION                                  | 64FB |  | REMARKS OBSERVACIONES |
|----------|--------------------|--|------|--|-----------------------|
| 19       | 6E5-45321-00       | PLATE<br>PLACA   | 1    |  |                       |
| 20       | 93210-58144        | O-RING<br>ANILLO O                                       | 1    |  |                       |
| 21       | 93106-09014        | OIL SEAL<br>SELLO ACEITE                                 | 1    |  |                       |
| 22       | 90119-06M10        | BOLT, WITH WASHER<br>TORNILLO CON ARANDELA               | 3    |  |                       |
| 23       | 6G5-44150-02       | SHIFT CAM ASSY<br>CONJUNTO EJE LEVA COMPL.               | 1    |  |                       |
| 24       | 99001-08600        | CIRCLIP<br>PRESILLA REDONDA                              | 1    |  |                       |
| 25       | 90501-11M10        | SPRING, COMPRESSION<br>RESORTE DE COMPRESION             | 1    |  |                       |
| 26       | 61A-44311-01       | HOUSING, WATER PUMP<br>CAJA BOMBA DE AGUA                | 1    |  |                       |
| 27       | 61A-44322-02       | INSERT, CARTRIDGE<br>CARTUCHO                            | 1    |  |                       |
| 28       | 93210-86M38        | O-RING<br>ANILLO O                                       | 1    |  |                       |
| 29       | 93210-37160        | O-RING<br>ANILLO O                                       | 1    |  |                       |
| 30       | 6E5-44365-00       | DAMPER, WATER SEAL 1<br>HULE DE SELLO DE AGUA 1          | 1    |  |                       |
| 31       | 6E5-44312-00       | COVER, WATER PUMP HOUSING<br>CUBIERTA CAJA BOMBA DE AGUA | 1    |  |                       |
| 32       | 6E5-44352-01       | IMPELLER<br>IMPULSOR                                     | 1    |  |                       |
| 33       | 90280-04M05        | KEY, WOODRUFF<br>CUNA WOODRUFF                           | 1    |  |                       |
| 34       | 6G5-44323-00       | OUTER PLATE, CARTRIDGE<br>PLACA EXTERIOR DEL CARTUCHO    | 1    |  |                       |
| 35       | 6E5-44315-A0       | GASKET, WATER PUMP<br>EMPAQUE                            | 1    |  |                       |
| 36       | 93606-12019        | PIN, DOWEL<br>PASADOR DE CLAVIJA                         | 2    |  |                       |
| 37       | 90119-08M14        | BOLT, WITH WASHER<br>TORNILLO CON ARANDELA               | 4    |  |                       |
| 38       | 6E5-45331-00-9S    | HOUSING, BEARING<br>CAJA DE COJINETE                     | 1    |  |                       |
| 39       | 93101-28M16        | OIL SEAL<br>SELLO ACEITE                                 | 2    |  |                       |
| 40       | 93317-330U2        | BEARING<br>COJINETE                                      | 1    |  |                       |
| 41       | 6E5-45587-01       | SHIM (T:0.10MM)<br>LAINA (T:0.10MM)                      | 1    |  | UR                    |
|          | 6E5-45587-10       | SHIM (T:0.12MM)<br>LAINA (T:0.12MM)                      | 1    |  | UR                    |
|          | 6E5-45587-20       | SHIM (T:0.15MM)<br>LAINA (T:0.15MM)                      | 1    |  | UR                    |
|          | 6E5-45587-30       | SHIM (T:0.18MM)<br>LAINA (T:0.18MM)                      | 1    |  | UR                    |
|          | 6E5-45587-40       | SHIM (T:0.30MM)<br>LAINA (T:0.30MM)                      | 1    |  | UR                    |



**FIG. 20 LOWER CASING & DRIVE 1 IMPULSOR E INFERIOR 1**

| REF. NO. | PART NO. CODIGO Nº | DESCRIPTION DESCRIPCION                        | 64FB |  |  | REMARKS OBSERVACIONES            |
|----------|--------------------|--|------|--|--|----------------------------------|
| 41       | 6E5-45587-50       | SHIM (T:0.40MM)<br>LAINA (T:0.40MM)            | 1    |  |  | UR                               |
|          | 6E5-45587-60       | SHIM (T:0.50MM)<br>LAINA (T:0.50MM)            | 1    |  |  | UR                               |
| 42       | 93341-930V2        | BEARING<br>COJINETES CON RODAMIENTOS           | 1    |  |  | UR                               |
| 43       | 93210-55M14        | O-RING<br>ANILLO O                             | 1    |  |  |                                  |
| 44       | 6E5-45344-00       | COVER, OIL SEAL<br>CUBIERTA SELLO ACEITE       | 1    |  |  |                                  |
| 45       | 97095-08025        | BOLT<br>PERNO                                  | 4    |  |  |                                  |
| 46       | 92995-08600        | WASHER<br>ARANDELA                             | 4    |  |  |                                  |
| 47       | 6G5-45501-01       | DRIVE SHAFT COMP.<br>EJE DE MANDO COMPL.       | 1    |  |  | L(20.3")                         |
|          | 6G5-45501-21       | DRIVE SHAFT COMP.<br>EJE DE MANDO COMPL.       | 1    |  |  | L(20.3")<br>X(25.3")<br>X(25.3") |
| 48       | 61H-45551-00       | PINION (14T)<br>PINON (14T)                    | 1    |  |  |                                  |
| 49       | 90170-16M01        | NUT<br>TUERCA                                  | 1    |  |  |                                  |
| 50       | 61H-45560-00       | GEAR 1 (26T)<br>ENGRANAJE 1 (26T)              | 1    |  |  |                                  |
| 51       | 93315-425V3        | .BEARING<br>.COJINETE DE RODILLOS              | 2    |  |  |                                  |
| 52       | 6J9-45611-01       | SHAFT, PROPELLER<br>EJE PROPUSOR               | 1    |  |  |                                  |
| 53       | 6E5-45641-03       | SHIFTER<br>CAMBIO                              | 1    |  |  |                                  |
| 54       | 6E5-45634-01       | SLIDE, SHIFT<br>DESILIZADOR, CAMBIO            | 1    |  |  |                                  |
| 55       | 90501-16M37        | SPRING, COMPRESSION<br>RESORTE DE COMPRESION   | 1    |  |  |                                  |
| 56       | 93507-32009        | BALL<br>ESFERA                                 | 2    |  |  |                                  |
| 57       | 93511-32017        | BALL<br>ESFERA                                 | 2    |  |  |                                  |
| 58       | 93503-16003        | BALL<br>ESFERA                                 | 2    |  |  |                                  |
| 59       | 90250-08M07        | PIN, STRAIGHT<br>PASADOR CILINDRICO            | 1    |  |  |                                  |
| 60       | 6G5-45631-10       | CLUTCH, DOG<br>EMBRAGUE DE GARRA               | 1    |  |  |                                  |
| 61       | 6E5-45633-01       | RING, CROSS PIN<br>ANILLO DE PASADOR           | 1    |  |  |                                  |
| 62       | 6J9-45332-00-CA    | HOUSING, BEARING<br>CAJA BALERO 2              | 1    |  |  |                                  |
| 63       | 93306-209U0        | BEARING<br>COJINETE                            | 1    |  |  |                                  |
| 64       | 61H-45571-01       | GEAR 2 (26T)<br>ENGRANAJE 2 (26T)              | 1    |  |  |                                  |
| 65       | 6G5-45576-10       | WASHER, THRUST 2<br>ARANDELA DE EMPUJE AXIAL 2 | 1    |  |  |                                  |

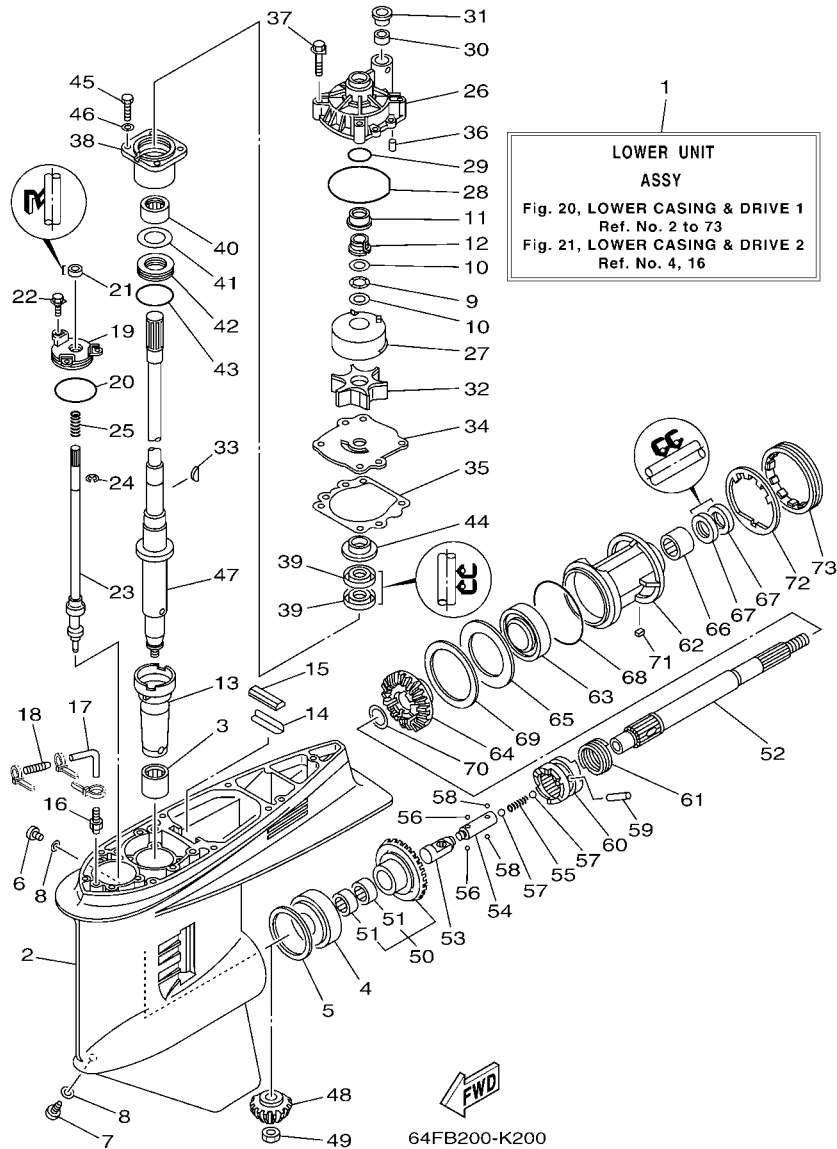
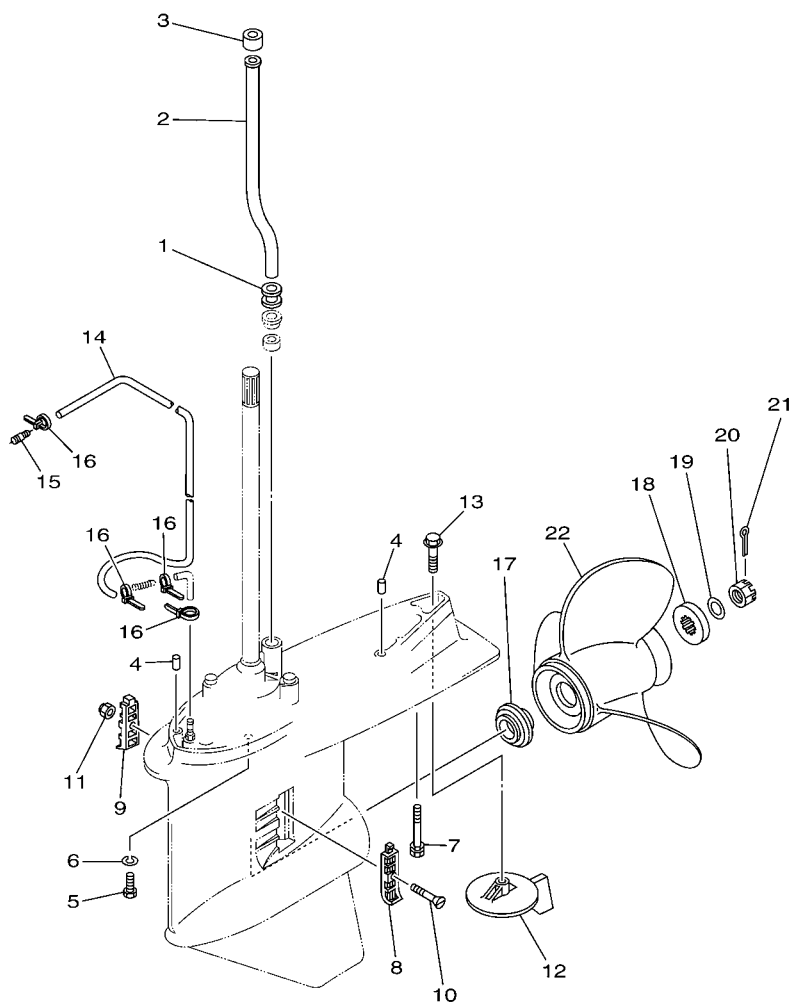


FIG. 20 LOWER CASING & DRIVE 1 IMPULSOR E INFERIOR 1

| REF. NO. | PART NO. CODIGO Nº | DESCRIPTION DESCRIPCION             | 64FB |  |  |  | REMARKS OBSERVACIONES |
|----------|--------------------|-------------------------------------|------|--|--|--|-----------------------|
| 66       | 93315-43061        | BEARING<br>COJINETE DE RODILLOS     | 1    |  |  |  |                       |
| 67       | 93101-30M17        | OIL SEAL<br>SELLO ACEITE            | 2    |  |  |  |                       |
| 68       | 93210-97M55        | O-RING<br>ANILLO O                  | 1    |  |  |  |                       |
| 69       | 6G5-45577-02       | SHIM (T:0.10MM)<br>LAINA (T:0.10MM) | 1    |  |  |  | UR<br>UR              |
|          | 6G5-45577-10       | SHIM (T:0.12MM)<br>LAINA (T:0.12MM) | 1    |  |  |  | UR<br>UR<br>UR        |
|          | 6G5-45577-20       | SHIM (T:0.15MM)<br>LAINA (T:0.15MM) | 1    |  |  |  | UR<br>UR              |
|          | 6G5-45577-30       | SHIM (T:0.18MM)<br>LAINA (T:0.18MM) | 1    |  |  |  | UR<br>UR              |
|          | 6G5-45577-40       | SHIM (T:0.30MM)<br>LAINA (T:0.30MM) | 1    |  |  |  | UR<br>UR              |
|          | 6G5-45577-50       | SHIM (T:0.40MM)<br>LAINA (T:0.40MM) | 1    |  |  |  | UR<br>UR              |
|          | 6G5-45577-60       | SHIM (T:0.50MM)<br>LAINA (T:0.50MM) | 1    |  |  |  | UR<br>UR              |
| 70       | 90201-30M92        | WASHER, PLATE<br>ARANDELA PLANA     | 1    |  |  |  |                       |
| 71       | 90282-04M00        | KEY, STRAIGHT<br>CHAVETA, RECTA     | 1    |  |  |  |                       |
| 72       | 6G5-45383-01       | WASHER, CLAW<br>ARANDELA DE UNA     | 1    |  |  |  |                       |
| 73       | 6G5-45384-02       | NUT<br>TUERCA                       | 1    |  |  |  |                       |

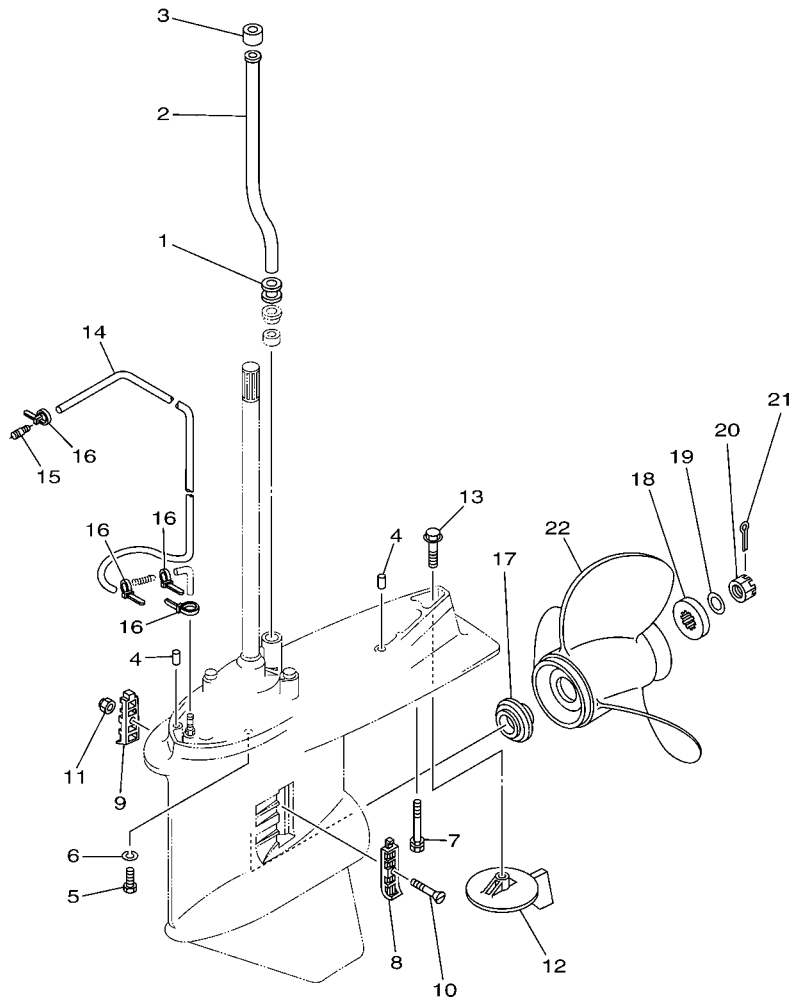
FIG. 21 LOWER CASING & DRIVE 2 IMPULSOR E INFERIOR 2



67H0010-9250

| REF. NO. | PART NO. CODIGO Nº | DESCRIPTION DESCRIPCION                                  | 64FEB |  |  |  | REMARKS OBSERVACIONES |
|----------|--------------------|--|-------|--|--|--|-----------------------|
| 1        | 6E5-44366-00       | DAMPER, WATER SEAL 2<br>GOMA DEL SELLO DE AGUA 2         | 1     |  |  |  |                       |
| 2        | 6E5-44361-00       | TUBE, WATER 1<br>TUBO DE AGUA 1                          | 1     |  |  |  | L(20.3")<br>L(20.3")  |
|          | 6E5-44361-20       | TUBE, WATER 1<br>TUBO DE AGUA 1                          | 1     |  |  |  | X(25.3")<br>X(25.3")  |
| 3        | 6E5-44365-00       | DAMPER, WATER SEAL 1<br>HULE DE SELLO DE AGUA 1          | 1     |  |  |  |                       |
| 4        | 93608-12M05        | PIN, DOWEL<br>PASADOR DE CLAVIJA                         | 2     |  |  |  |                       |
| 5        | 97075-10045        | BOLT<br>PERNO  | 6     |  |  |  |                       |
| 6        | 92995-10100        | WASHER<br>ARANDELA                                       | 6     |  |  |  |                       |
| 7        | 90119-10M89        | BOLT, WITH WASHER<br>TORNILLO CON ARANDELA               | 1     |  |  |  |                       |
| 8        | 6J9-45214-00       | COVER, WATER INLET 1<br>CUBIERTA ENTRADA AGUA 1          | 1     |  |  |  |                       |
| 9        | 6J9-45215-00       | COVER, WATER INLET 2<br>CUBIERTA ENTRADA AGUA 2          | 1     |  |  |  |                       |
| 10       | 90152-05M08        | SCREW, COUNTERSUNK<br>TORNILLO EMBUTIDO                  | 1     |  |  |  |                       |
| 11       | 90185-05002        | NUT, NYLON<br>TUERCA AUTOBLOCANTE                        | 1     |  |  |  |                       |
| 12       | 6J9-45371-01       | TAB-TRIM<br>QUILLA ESTABILIZADOR                         | 1     |  |  |  |                       |
| 13       | 90105-10M00        | BOLT, FLANGE<br>TORNILLO                                 | 1     |  |  |  |                       |
| 14       | 90445-07M33        | HOSE (L1080)<br>TUBO (L1080)                             | 1     |  |  |  |                       |
| 15       | 6E5-83558-00       | END, NIPPLE<br>EXTREMO DE NIPLE                          | 1     |  |  |  |                       |
| 16       | 90465-11M10        | CLAMP<br>BRIDA   | 4     |  |  |  |                       |
| 17       | 6E5-45987-01       | SPACER 1<br>ESPACIADOR 1                                 | 1     |  |  |  |                       |
| 18       | 688-45997-01       | SPACER 2<br>ESPACIADOR 2                                 | 1     |  |  |  |                       |
| 19       | 92990-18200        | WASHER<br>ARANDELA PLANA                                 | 1     |  |  |  |                       |
| 20       | 90171-18M04        | NUT, CASTLE<br>TUERCA ENTALLADA                          | 1     |  |  |  |                       |
| 21       | 91490-40030        | PIN, COTTER<br>CHAVETA                                   | 1     |  |  |  |                       |
| 22       | 6G5-45941-00-98    | PROPELLER (3X15-1/4"X15"-M)<br>PROPELA (3X15-1/4"X15"-M) | 1     |  |  |  | UR<br>UR              |
|          | 6G5-45943-01-98    | PROPELLER (3X13-3/4"X21"-M)<br>PROPELA (3X13-3/4"X21"-M) | 1     |  |  |  | UR<br>UR              |
|          | 6G5-45945-01-98    | PROPELLER (3X14"X19"-M)<br>PROPELA (3X14"X19"-M)         | 1     |  |  |  | UR<br>UR              |
|          | 6G5-45947-01-98    | PROPELLER (3X14-1/2"X17"-M)<br>PROPELA (3X14-1/2"X17"-M) | 1     |  |  |  | UR<br>UR              |
|          | 6G5-45949-00-98    | PROPELLER (3X13-1/2"X23"-M)<br>PROPELA (3X13-1/2"X23"-M) | 1     |  |  |  | UR<br>UR              |

**FIG. 21 LOWER CASING & DRIVE 2 IMPULSOR E INFERIOR 2**

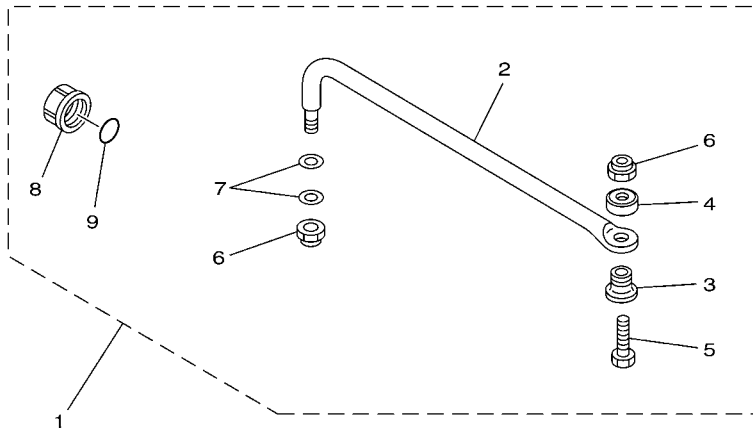


**FWD**  
67H0010-9250

| REF. NO. | PART NO. CODIGO Nº | DESCRIPTION DESCRIPCION                                    | 64FB |  |  |  | REMARKS OBSERVACIONES |
|----------|--------------------|--|------|--|--|--|-----------------------|
| 22       | 6G5-45952-00-98    | PROPELLER (3X14-5/8"X16"-M)<br>PROPELA (3X14-5/8"X16"-M)   | 1    |  |  |  | UR<br>UR              |
|          | 6G5-45930-00-98    | PROPELLER (3X13-3/8"X25"-M)<br>PROPELA (3X13-3/8"X25"-M)   | 1    |  |  |  | UR<br>UR              |
|          | 6G5-45932-00-98    | PROPELLER (3X15-3/4"X13"-M)<br>PROPELA (3X15-3/4"X13"-M)   | 1    |  |  |  | UR<br>UR              |
|          | 6G5-45970-02-98    | PROPELLER (3X15-1/4"X15"-M)<br>PROPELA (3X15-1/4"X15"-M)   | 1    |  |  |  | UR<br>UR              |
|          | 6G5-45972-02-98    | PROPELLER (3X13-3/4"X21"-M)<br>PROPELA (3X13-3/4"X21"-M)   | 1    |  |  |  | UR<br>UR              |
|          | 6G5-45974-03-98    | PROPELLER (3X13-3/4"X19"-M2)<br>PROPELA (3X13-3/4"X19"-M2) | 1    |  |  |  | UR<br>UR              |
|          | 6G5-45976-01-98    | PROPELLER (3X13-3/8"X23"-M)<br>PROPELA (3X13-3/8"X23"-M)   | 1    |  |  |  | UR<br>UR              |
|          | 6G5-45978-03-98    | PROPELLER (3X13-3/4"X17"-M2)<br>PROPELA (3X13-3/4"X17"-M2) | 1    |  |  |  | UR<br>UR              |
| -----    |                    |  |      |  |  |  |                       |
| -----    |                    |  |      |  |  |  |                       |
| -----    |                    |  |      |  |  |  |                       |
| -----    |                    |  |      |  |  |  |                       |
| -----    |                    |  |      |  |  |  |                       |
| -----    |                    |  |      |  |  |  |                       |
| -----    |                    |  |      |  |  |  |                       |

FIG. 22 STEERING GUIDE

DIRECCIONGUIAR



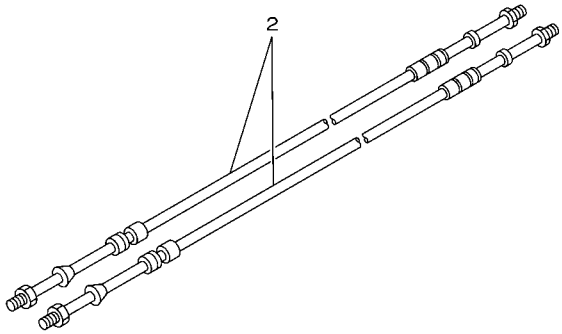
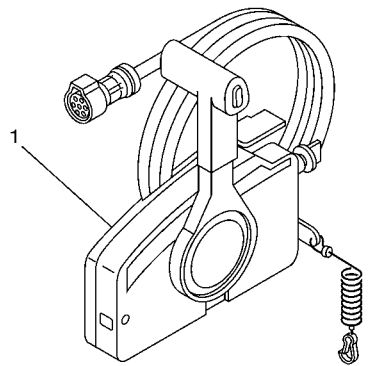
67H0100-9290

| REF. NO. | PART NO. CODIGO Nº | DESCRIPTION DESCRIPCION   | 64FB |  |  | REMARKS OBSERVACIONES |
|----------|--------------------|---|------|--|--|-----------------------|
| 1        | 6E5-61350-02       | STEERING GUIDE ATTACHMENT KIT<br>ESTUCHE ADITAMENTO GUIA DE TIM | 1    |  |  | AP<br>AP              |
| 2        | 6E5-61351-01       | .ROD, STEERING LINK<br>.VARILLA ESLABON DIRECCION               | 1    |  |  |                       |
| 3        | 90387-10M61        | .COLLAR<br>.ESPACIADOR  | 1    |  |  |                       |
| 4        | 90560-12M01        | .SPACER<br>.SEPARADOR   | 1    |  |  |                       |
| 5        | 6E5-61355-00       | .BOLT<br>.TORNILLO  | 1    |  |  |                       |
| 6        | 90185-09M01        | .NUT, SELF-LOCKING<br>.TUERCA AUTOBLOCANTE                      | 2    |  |  |                       |
| 7        | 90201-10M20        | .WASHER, PLATE<br>.ARANDELA PLANA                               | 2    |  |  |                       |
| 8        | 6E5-43145-01       | .CAP, CLAMP BRACKET<br>.TAPA                                    | 1    |  |  |                       |
| 9        | 93210-16275        | .O-RING<br>.ANILLO O  | 1    |  |  |                       |
|          |                    |   |      |  |  |                       |
|          |                    |   |      |  |  |                       |
|          |                    |   |      |  |  |                       |
|          |                    |   |      |  |  |                       |



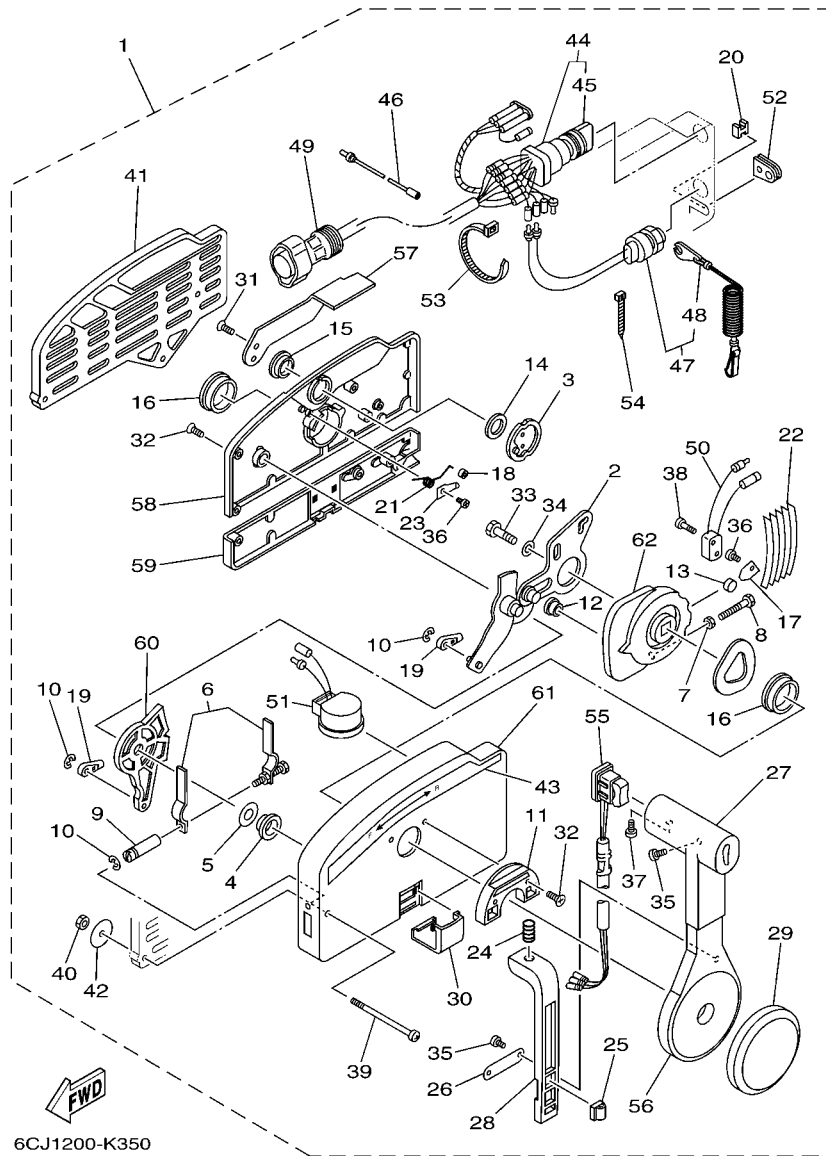
FIG. 23 REMOTE CONTROL BOX

CONTROL REMOTO COMPLETO



| REF. NO. | PART NO. CODIGO Nº | DESCRIPTION DESCRIPCION                                   | 64FB |  |  |  | REMARKS OBSERVACIONES                |
|----------|--------------------|---|------|--|--|--|--------------------------------------|
| 1        | 703-48205-18       | REMOTE CONTROL ASSY (10P)<br>REMOTO CONTROL COMPL. (10P)  | 1    |  |  |  | AP WITH PT/T SW.<br>AP WITH PT/T SW. |
| 2        | 701-48320-80       | CABLE, REMOTE CONTROL L=17F<br>CABLE CONTROL REMOTO L=17F | 2    |  |  |  |                                      |
| -----    |                    |   |      |  |  |  |                                      |
| -----    |                    |   |      |  |  |  |                                      |
| -----    |                    |   |      |  |  |  |                                      |
| -----    |                    |   |      |  |  |  |                                      |
| -----    |                    |   |      |  |  |  |                                      |
| -----    |                    |   |      |  |  |  |                                      |
| -----    |                    |   |      |  |  |  |                                      |
| -----    |                    |   |      |  |  |  |                                      |

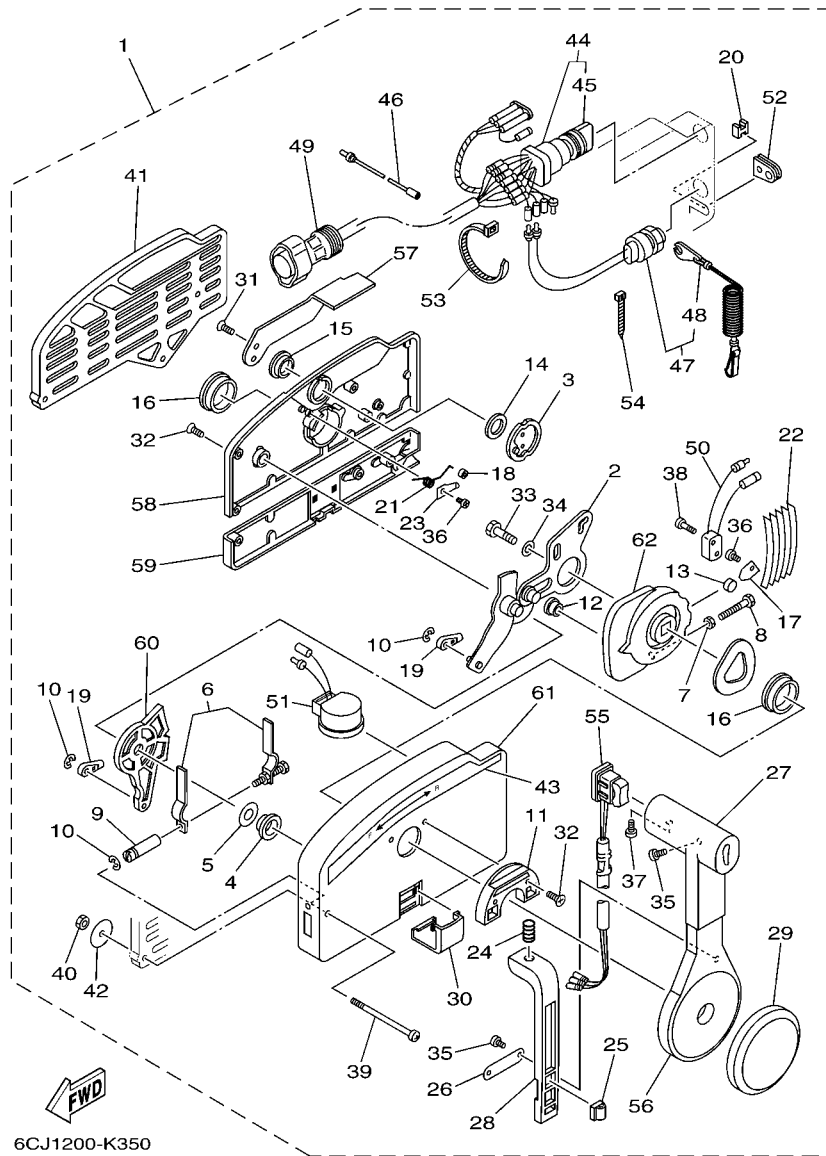
 67M0100-8280



6CJ1200-K350

FIG. 24 REMOTE CONTROL ASSY CONTROL REMOTO COMPL

| REF. NO. | PART NO. CODIGO Nº | DESCRIPTION DESCRIPCION   | 64FEB |  |  |  | REMARKS OBSERVACIONES                |
|----------|--------------------|---|-------|--|--|--|--------------------------------------|
| 1        | 703-48205-18       | REMOTE CONTROL ASSY (10P)<br>REMOTO CONTROL COMPL. (10P)        | 1     |  |  |  | AP WITH PT/T SW.<br>AP WITH PT/T SW. |
| 2        | 703-48261-01       | .ARM, THROTTLE<br>.BRAZO ACELERADOR                             | 1     |  |  |  |                                      |
| 3        | 703-48153-00       | .SHAFT, FREE ACCEL.<br>.EJE                                     | 1     |  |  |  |                                      |
| 4        | 703-48235-00       | .BUSHING<br>.BUJE   | 1     |  |  |  |                                      |
| 5        | 703-48268-00       | .SPACER<br>.ESPACIADOR 3  | 1     |  |  |  |                                      |
| 6        | 703-48264-00       | .FRICTION, THROTTLE<br>.FRICCION DE ACELERADOR                  | 1     |  |  |  |                                      |
| 7        | 95380-05600        | .NUT<br>.TUERCA   | 1     |  |  |  |                                      |
| 8        | 97380-05025        | .BOLT<br>.TORNILLO HEXAGONAL                                    | 1     |  |  |  |                                      |
| 9        | 703-48265-00       | .SHAFT, FRICTION<br>.EJE FRICCION                               | 1     |  |  |  |                                      |
| 10       | 93430-06024        | .CIRCLIP<br>.SEGURO   | 3     |  |  |  |                                      |
| 11       | 703-48245-00       | .PLATE, LOCK<br>.PLACA CERRADURA                                | 1     |  |  |  |                                      |
| 12       | 703-48252-00       | .ROLLER, CAM<br>.RODILLO LEVA                                   | 1     |  |  |  |                                      |
| 13       | 701-48248-00       | .ROLLER, FREE ACCEL.<br>.RODILLO ACELERADOR LIBRE               | 1     |  |  |  |                                      |
| 14       | 703-48198-00       | .WASHER, WAVE<br>.RONDANA ONDULADA 3                            | 1     |  |  |  |                                      |
| 15       | 703-48243-00       | .BUSHING<br>.BUJE 3   | 1     |  |  |  |                                      |
| 16       | 703-48236-00       | .BUSHING 1<br>.BUJE   | 2     |  |  |  |                                      |
| 17       | 703-48189-00       | .RETAINER<br>.RETEDEDOR   | 1     |  |  |  |                                      |
| 18       | 703-48234-00       | .ROLLER, DETENT<br>.RODILLO                                     | 1     |  |  |  |                                      |
| 19       | 703-48345-01       | .CABLE END, REMOTE CONTROL 2<br>.TERMINAL CABLE DE CONTROL REMO | 2     |  |  |  |                                      |
| 20       | 703-48358-00       | .ANCHOR, CABLE<br>.ABRAZADERA CABLE                             | 1     |  |  |  |                                      |
| 21       | 703-48244-00       | .SPRING, FREE ACCEL.<br>.RESORTE ACELERADOR LIBRE               | 1     |  |  |  |                                      |
| 22       | 703-48238-00       | .SPRING, DETENT<br>.RESORTE                                     | 5     |  |  |  |                                      |
| 23       | 703-48246-00       | .SPACER<br>.ESPACIADOR  | 1     |  |  |  |                                      |
| 24       | 703-48227-00       | .SPRING, NEUTRAL LOCK<br>.RESORTE DE SEGURO                     | 1     |  |  |  |                                      |
| 25       | 703-82594-00       | .CLAMP<br>.GRAMPA   | 1     |  |  |  | WITH PT/T SW.<br>WITH PT/T SW.       |
| 26       | 703-48226-00       | .PLATE, STOPPER<br>.PLACA RETEN                                 | 1     |  |  |  |                                      |
| 27       | 703-48222-00       | .GRIP, CONTROL LEVER<br>.MANGO DE PALANCA CONTROL               | 1     |  |  |  | SINGLE<br>SINGLE                     |



6CJ1200-K350

FIG. 24 REMOTE CONTROL ASSY CONTROL REMOTO COMPL

| REF. NO. | PART NO. CODIGO Nº | DESCRIPTION DESCRIPCION  | 64FEB |  |  |  | REMARKS OBSERVACIONES |
|----------|--------------------|--|-------|--|--|--|-----------------------|
| 28       | 703-48223-00       | .LOCK, NEUTRAL<br>.CERRADURA NEUTRO                                | 1     |  |  |  |                       |
| 29       | 703-48225-00       | .COVER<br>.CUBIERTA  | 1     |  |  |  |                       |
| 30       | 703-48219-00       | .COVER, LEAD<br>.CUBIERTA  | 1     |  |  |  |                       |
| 31       | 703-48281-00       | .SCREW<br>.TORNILLO 1  | 2     |  |  |  |                       |
| 32       | 703-48282-00       | .SCREW<br>.TORNILLO 2  | 7     |  |  |  |                       |
| 33       | 97380-08030        | .BOLT<br>.TORNILLO HEXAGONAL                                       | 1     |  |  |  |                       |
| 34       | 92990-08600        | .WASHER, PLATE<br>.ARANDELA PLANA                                  | 1     |  |  |  |                       |
| 35       | 98580-04010        | .SCREW, PAN HEAD<br>.TORNILLO DE CABEZA CRUZADA                    | 3     |  |  |  |                       |
| 36       | 98580-04006        | .SCREW, PAN HEAD<br>.TORNILLO DE CABEZA CRUZADA                    | 2     |  |  |  |                       |
| 37       | 98580-05010        | .SCREW, PAN HEAD<br>.TORNILLO DE CABEZA CRUZADA                    | 1     |  |  |  |                       |
| 38       | 98580-03015        | .SCREW, PAN HEAD<br>.TORNILLO DE CABEZA CRUZADA                    | 2     |  |  |  |                       |
| 39       | 703-48291-10       | .SCREW (M6)<br>.TORNILLO (M6)                                      | 3     |  |  |  |                       |
| 40       | 95380-06600        | .NUT, HEXAGON<br>.TUERCA   | 3     |  |  |  |                       |
| 41       | 703-48293-10       | .SPACER, REMOTE CONTROL<br>.ESPACIADOR                             | 1     |  |  |  | SINGLE SINGLE         |
| 42       | 701-48287-00       | .WASHER<br>.ARANDELA   | 3     |  |  |  |                       |
| 43       | 703-48215-00       | .GRAPHIC<br>.CALCOMANIA 1  | 1     |  |  |  |                       |
| 44       | 703-82510-43       | .MAIN SWITCH ASSY<br>.CONJUNTO DE LLAVE IGNICION                   | 1     |  |  |  |                       |
| 45       | 703-82577-00       | .CAP, KEY<br>.TAPA   | 1     |  |  |  |                       |
| 46       | 703-82531-00       | .WIRE, LEAD (L70)<br>.CABLE CONDUCTOR (L70)                        | 1     |  |  |  |                       |
| 47       | 688-82575-01       | .ENGINE STOP SWITCH ASSY<br>.INTERRUPTOR DE PARADA COMPL           | 1     |  |  |  |                       |
| 48       | 682-82556-00       | .LANYARD, STOP SWITCH<br>.RETENER                                  | 1     |  |  |  |                       |
| 49       | 688-8258A-20       | .EXTENSION, WIRE HARNESS (4.9M)<br>.EXTENSION, ARNES DE CABLES (4. | 1     |  |  |  | (10P)<br>(10P)        |
| 50       | 703-82540-00       | .NEUTRAL SWITCH ASSY<br>.INTERRUPTOR NEUTRAL COMPL                 | 1     |  |  |  |                       |
| 51       | 703-83383-10       | .BUZZER<br>.ZUMBADOR   | 1     |  |  |  |                       |
| 52       | 703-48284-00       | .GROMMET<br>.TAPON   | 1     |  |  |  |                       |
| 53       | 703-82591-00       | .BAND<br>.BANDA  | 1     |  |  |  |                       |
| 54       | 703-82592-00       | .BAND<br>.BANDA  | 1     |  |  |  |                       |

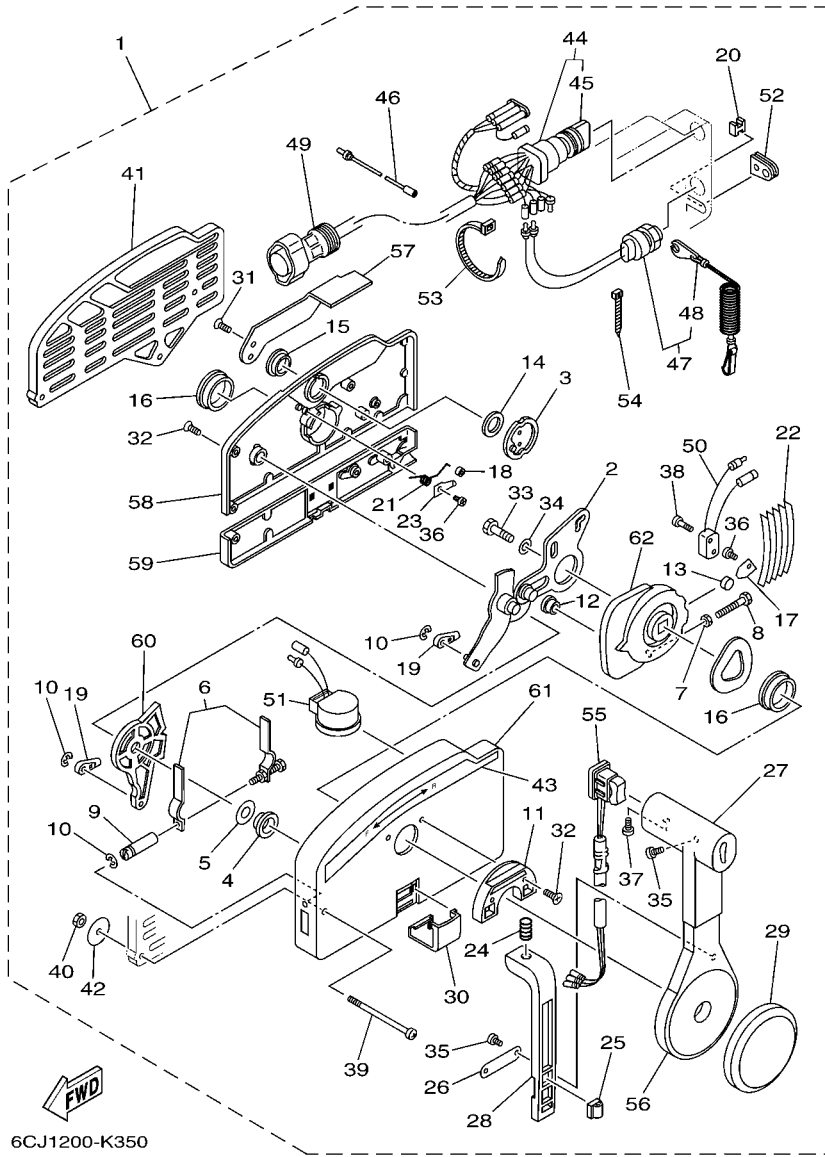
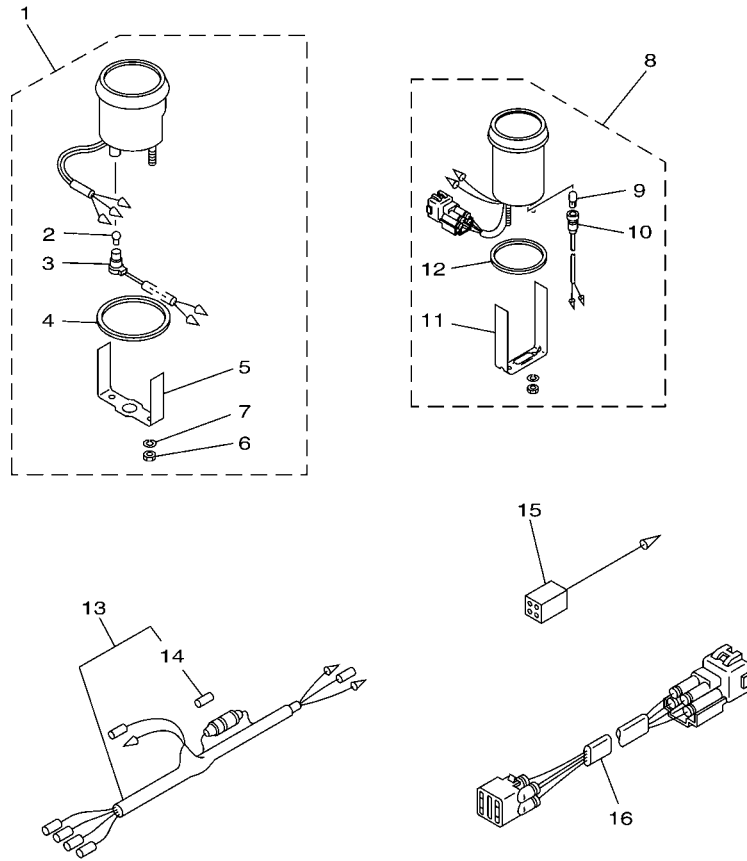


FIG. 24 REMOTE CONTROL ASSY

CONTROL REMOTO COMPL

| REF. NO. | PART NO. CODIGO Nº | DESCRIPTION DESCRIPCION                                 | 64FB |  |  |  | REMARKS OBSERVACIONES          |
|----------|--------------------|---|------|--|--|--|--------------------------------|
| 55       | 703-82563-02       | .TRIM & TILT SWITCH ASSY<br>.INTERRUPTOR DE INCLINACION | 1    |  |  |  | WITH PT/T SW.<br>WITH PT/T SW. |
| 56       | 703-48221-00       | .LEVER, CONTROL<br>.PALANCA CONTROL                     | 1    |  |  |  |                                |
| 57       | 703-48152-00       | .KNOB, FREE ACCEL.<br>.PERILLA                          | 1    |  |  |  |                                |
| 58       | 703-48212-00       | .BACK PLATE 1<br>.PLACA TRASERA 1                       | 1    |  |  |  |                                |
| 59       | 703-48213-00       | .BACK PLATE 2<br>.PLACA TRASERA 2                       | 1    |  |  |  |                                |
| 60       | 703-48271-00       | .ARM, SHIFT<br>.BRAZO CAMBIADOR                         | 1    |  |  |  |                                |
| 61       | 703-48211-02       | .HOUSING,1<br>.CAJA                                     | 1    |  |  |  |                                |
| 62       | 703-48232-00       | .GEAR<br>.ENGRANAJE 1                                   | 1    |  |  |  |                                |
|          |                    |   |      |  |  |  |                                |
|          |                    |   |      |  |  |  |                                |
|          |                    |   |      |  |  |  |                                |
|          |                    |   |      |  |  |  |                                |
|          |                    |   |      |  |  |  |                                |
|          |                    |   |      |  |  |  |                                |
|          |                    |   |      |  |  |  |                                |
|          |                    |   |      |  |  |  |                                |
|          |                    |   |      |  |  |  |                                |
|          |                    |   |      |  |  |  |                                |
|          |                    |   |      |  |  |  |                                |
|          |                    |   |      |  |  |  |                                |



6H37200-G260

FIG. 25 METER

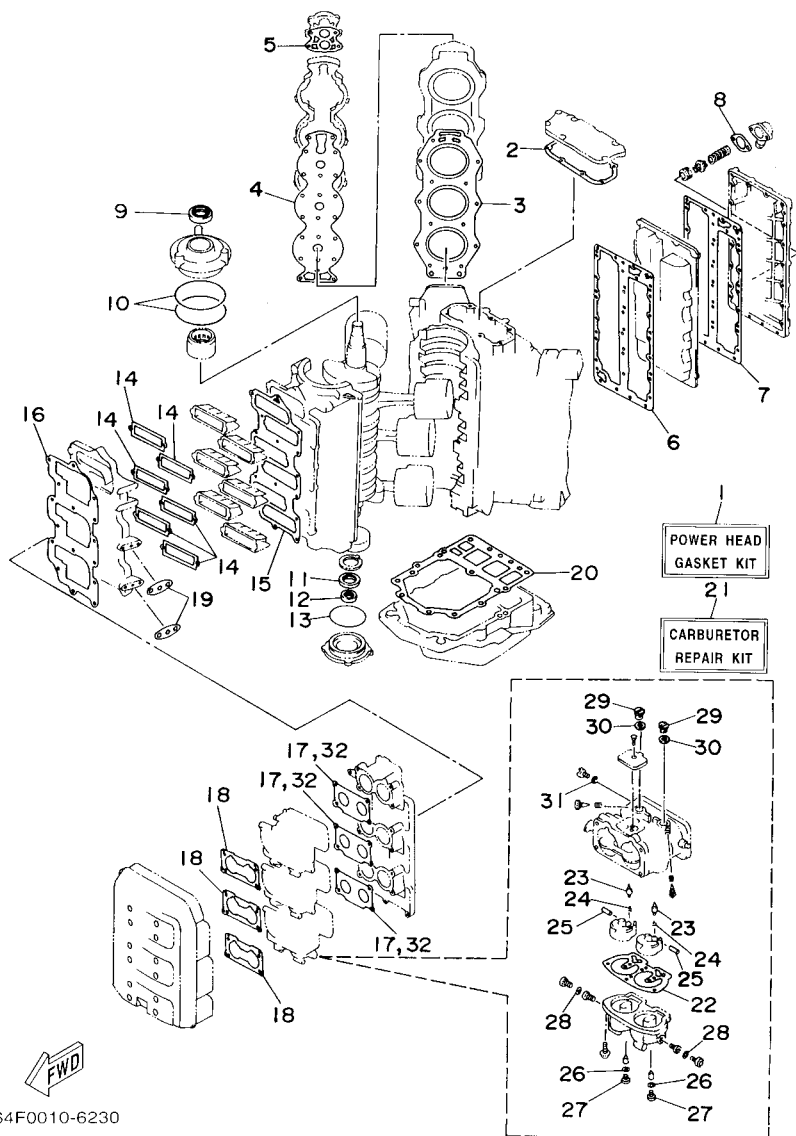
MEDIDOR

| REF. NO. | PART NO. CODIGO Nº | DESCRIPTION DESCRIPCION                               | 64FB |  |  |  | REMARKS OBSERVACIONES                      |
|----------|--------------------|---|------|--|--|--|--|
| 1        | 6Y7-83540-20       | TACHOMETER ASSY<br>TACOMETRO COMPLETO                 | 1    |  |  |  | AP WITHOUT OIL LAMP<br>AP WITHOUT OIL LAMP |
| 2        | 6Y5-83517-00       | .BULB (T10, 12V-1.7W)<br>.BOMBILLA (T10, 12V-1.7W)    | 1    |  |  |  |  |
| 3        | 6Y5-83536-40       | .SOCKET, METER<br>.ENCASTRE DE MEDIDOR                | 1    |  |  |  |  |
| 4        | 6Y5-83523-00       | .DAMPER<br>.AMORTIGUADOR                              | 1    |  |  |  |  |
| 5        | 6Y5-83514-00       | .PLATE, FITTING<br>.PLACA ACCESORIA                   | 1    |  |  |  |  |
| 6        | 95380-05600        | .NUT<br>.TUERCA                                       | 2    |  |  |  |  |
| 7        | 92990-05100        | .WASHER, SPRING<br>.ARANDELA PLANA                    | 2    |  |  |  |  |
| 8        | 6Y7-83670-00       | TRIM METER ASSY.<br>MEDIDOR DE INCLINACION            | 1    |  |  |  | AP<br>AP                                   |
| 9        | 6Y5-83518-00       | .BULB (12V-1.7W T6.5)<br>.BOMBILLA (12V-1.7W T6.5)    | 1    |  |  |  |  |
| 10       | 6Y5-83536-00       | .SOCKET, METER<br>.ENCASTRE DE MEDIDOR                | 1    |  |  |  |  |
| 11       | 6Y5-83544-00       | .PLATE, FITTING<br>.PLACA ACCESORIA                   | 1    |  |  |  |  |
| 12       | 688-83664-00       | .DAMPER<br>.AMORTIGUADOR                              | 1    |  |  |  |  |
| 13       | 6Y5-83553-00       | WIRE, LEAD (L=2.5M)<br>CABLE CONDUCTOR (L=2.5M)       | 1    |  |  |  | AP<br>AP                                   |
| 14       | 1E6-82151-00       | .FUSE (10A)<br>.FUSIBLE (10A)                         | 1    |  |  |  |  |
| 15       | 6Y5-82117-00       | WIRE, LEAD (BLACK) (L300)<br>CABLE, CONDUCTOR (NEGRO) | 1    |  |  |  | AP<br>AP                                   |
| 16       | 6R3-82553-70       | EXTENSION, WIRE LEAD (L=7.0M)<br>CABLE (L=7.0M)       | 1    |  |  |  | AP (4P)<br>AP (4P)                         |
|          |                    |   |      |  |  |  |  |
|          |                    |   |      |  |  |  |  |
|          |                    |   |      |  |  |  |  |

FIG. 26 REPAIR KIT 1

ESTUCHE REPARACION 1

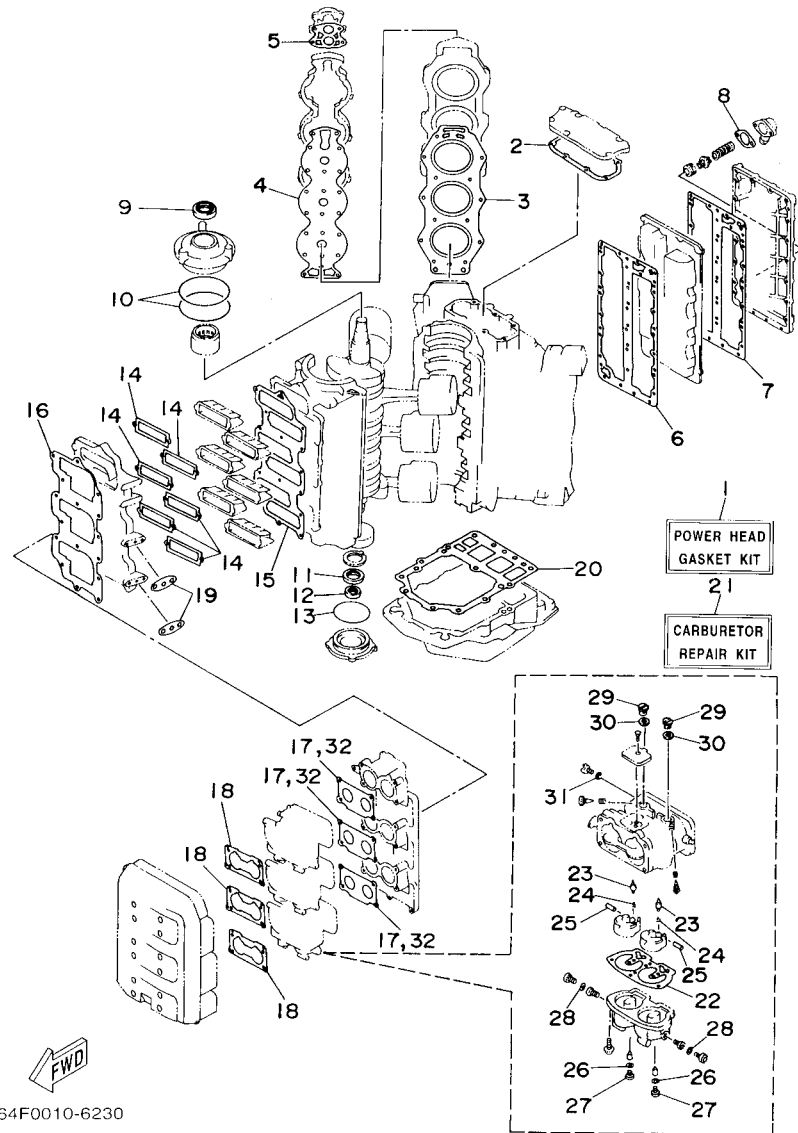
| REF. NO. | PART NO. CODIGO N° | DESCRIPTION DESCRIPCION                                 | 64FEB |  |  |  | REMARKS OBSERVACIONES |
|----------|--------------------|---|-------|--|--|--|-----------------------|
| 1        | 64F-W0001-01       | POWER HEAD GASKET KIT<br>JUEGO DE EMPAQUE UNIDAD INFER. | 1     |  |  |  |                       |
| 2        | 6E5-11381-A2       | .GASKET 1<br>.EMPAQUE 1                                 | 1     |  |  |  |                       |
| 3        | 6G5-11181-A3       | .GASKET, CYLINDER HEAD 1<br>.JUNTA, DE CULATA 1         | 2     |  |  |  |                       |
| 4        | 6G5-11193-A2       | .GASKET, HEAD COVER 1<br>.EMPAQUE                       | 2     |  |  |  |                       |
| 5        | 688-12414-A1       | .GASKET, COVER<br>.EMPAQUE                              | 2     |  |  |  |                       |
| 6        | 6G5-41112-A1       | .GASKET, EXHAUST INNER COVER<br>.EMPAQUE                | 1     |  |  |  |                       |
| 7        | 6G5-41114-A0       | .GASKET, EXHAUST OUTER COVER<br>.EMPAQUE                | 1     |  |  |  |                       |
| 8        | 6G5-11382-A1       | .GASKET 2<br>.EMPAQUE 2                                 | 1     |  |  |  |                       |
| 9        | 93102-40M14        | .OIL SEAL<br>.SELLO ACEITE                              | 1     |  |  |  |                       |
| 10       | 93211-04001        | .O-RING<br>.ANILLO O                                    | 2     |  |  |  |                       |
| 11       | 93102-35M13        | .OIL SEAL<br>.SELLO ACEITE                              | 1     |  |  |  |                       |
| 12       | 93101-22M15        | .OIL SEAL<br>.SELLO ACEITE                              | 1     |  |  |  |                       |
| 13       | 93210-74M35        | .O-RING<br>.ANILLO O                                    | 1     |  |  |  |                       |
| 14       | 6K7-13621-A1       | .GASKET, VALVE SEAT<br>.JUNTA, DE VALV.DE EMPAQUE       | 6     |  |  |  |                       |
| 15       | 6K7-13646-A2       | .GASKET, MANIFOLD 2<br>.EMPAQ. DE MULTIPLE 2            | 1     |  |  |  |                       |
| 16       | 64E-13645-A0       | .GASKET, MANIFOLD 1<br>.EMPAQUE                         | 1     |  |  |  |                       |
| 17       | 6E5-14198-A2       | .GASKET<br>.EMPAQUE                                     | 3     |  |  |  |                       |
| 18       | 6K7-14483-00       | .GASKET<br>.EMPAQUE                                     | 3     |  |  |  |                       |
| 19       | 650-24431-A0       | .GASKET, FUEL PUMP 1<br>.EMPAQUE BOMBA COMBUST 1        | 2     |  |  |  |                       |
| 20       | 68F-45113-01       | .GASKET, UPPER CASING<br>.EMPAQUE                       | 1     |  |  |  |                       |
| 21       | 64D-W0093-01       | CARBURETOR REPAIR KIT<br>KIT REPARACION CARBURADOR      | 1     |  |  |  |                       |
| 22       | 64D-14384-01       | .GASKET, FLOAT CHAMBER<br>.EMPAQUE DE CAMARA DE BOIA    | 1     |  |  |  |                       |
| 23       | 6E5-14546-00       | .VALVE, NEEDLE<br>.VALVULA DE AGUJA                     | 2     |  |  |  |                       |
| 24       | 6E5-14159-00       | .CLIP<br>.PRESILLA                                      | 2     |  |  |  |                       |
| 25       | 6E5-14386-02       | .PIN, FLOAT<br>.PASADOR DE BOIA                         | 2     |  |  |  |                       |
| 26       | 61U-14959-00       | .GASKET<br>.EMPAQUE                                     | 2     |  |  |  |                       |
| 27       | 64D-14394-00       | .VALVE, DRAIN<br>.VALVULA DE DRENAJE                    | 2     |  |  |  |                       |



64F0010-6230

FIG. 26 REPAIR KIT 1

ESTUCHE REPARATION 1



64F0010-6230

| REF. NO. | PART NO. CODIGO Nº | DESCRIPTION DESCRIPCION           | 64F0 |  |  | REMARKS OBSERVACIONES |
|----------|--------------------|-----------------------------------|------|--|--|-----------------------|
| 28       | 6E5-14398-01       | .GASKET<br>.EMPAQUE               | 2    |  |  |                       |
| 29       | 6E5-14328-01       | .PLUG<br>.TORNILLO TOPE DE PILOTO | 2    |  |  |                       |
| 30       | 6E5-14979-00       | .GASKET<br>.EMPAQUE DE ARRANQUE   | 2    |  |  |                       |
| 31       | 6J8-14959-00       | .GASKET<br>.EMPAQUE               | 1    |  |  |                       |
| 32       | 6E5-14198-A2       | .GASKET<br>.EMPAQUE               | 1    |  |  |                       |
| -----    |                    |                                   |      |  |  |                       |
| -----    |                    |                                   |      |  |  |                       |
| -----    |                    |                                   |      |  |  |                       |
| -----    |                    |                                   |      |  |  |                       |
| -----    |                    |                                   |      |  |  |                       |
| -----    |                    |                                   |      |  |  |                       |
| -----    |                    |                                   |      |  |  |                       |
| -----    |                    |                                   |      |  |  |                       |
| -----    |                    |                                   |      |  |  |                       |
| -----    |                    |                                   |      |  |  |                       |
| -----    |                    |                                   |      |  |  |                       |
| -----    |                    |                                   |      |  |  |                       |

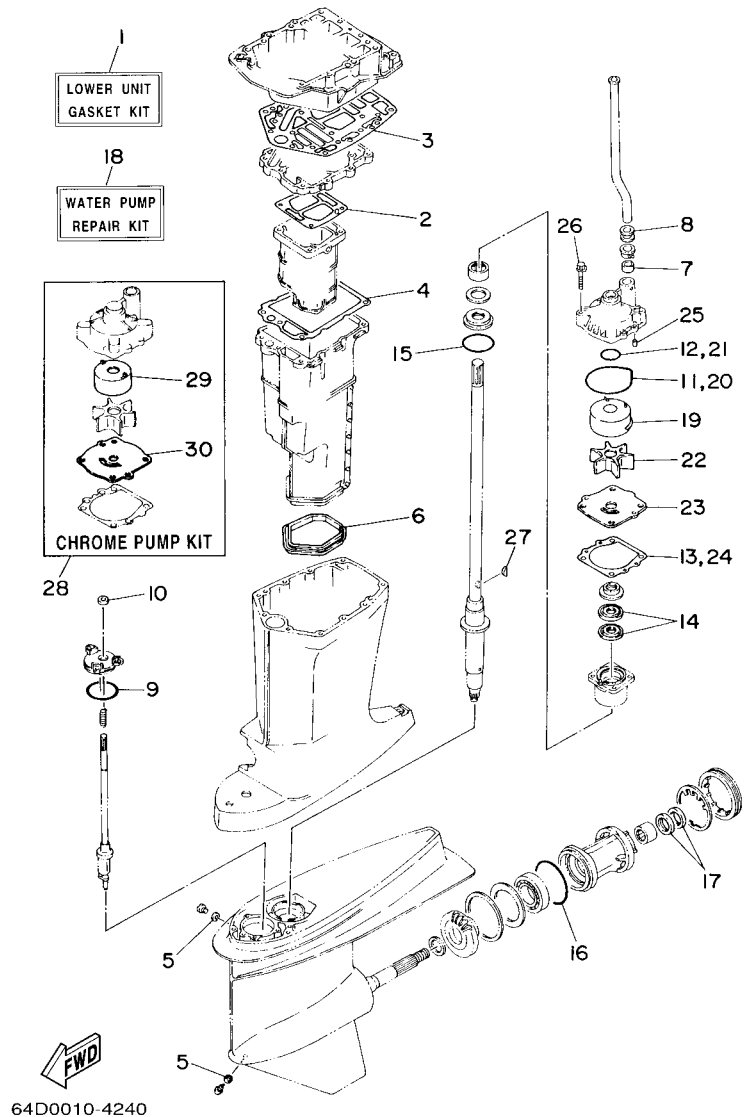


FIG. 27 REPAIR KIT 2

ESTUCHE REPARACION 2

| REF. NO. | PART NO. CODIGO N° | DESCRIPTION DESCRIPCION                                 | 64FEB |  |  |  | REMARKS OBSERVACIONES |
|----------|--------------------|---|-------|--|--|--|-----------------------|
| 1        | 6G5-W0001-C1       | LOWER UNIT GASKET KIT<br>JUEGO DE EMPAQUE UNIDAD INFER  | 1     |  |  |  |                       |
| 2        | 6G5-41134-A1       | .GASKET, EXHAUST MANIFOLD<br>.EMPAQUE                   | 1     |  |  |  |                       |
| 3        | 6G5-45114-A1       | .GASKET, UPPER CASING<br>.EMPAQUE                       | 1     |  |  |  |                       |
| 4        | 6E5-41135-A0       | .GASKET, EXHAUST MANIFOLD<br>.EMPAQUE                   | 1     |  |  |  |                       |
| 5        | 90430-08020        | .GASKET<br>JUNTA  | 2     |  |  |  |                       |
| 6        | 6E5-45123-00       | .GASKET, MUFFLER<br>.EMPAQUE SILENCIADOR                | 1     |  |  |  |                       |
| 7        | 6E5-44365-00       | .DAMPER, WATER SEAL 1<br>.HULE DE SELLO DE AGUA 1       | 1     |  |  |  |                       |
| 8        | 6E5-44366-00       | .DAMPER, WATER SEAL 2<br>.GOMA DEL SELLO DE AGUA 2      | 1     |  |  |  |                       |
| 9        | 93210-58144        | .O-RING<br>.ANILLO O                                    | 1     |  |  |  |                       |
| 10       | 93106-09014        | .OIL SEAL<br>.SELLO ACEITE                              | 1     |  |  |  |                       |
| 11       | 93210-86M38        | .O-RING<br>.ANILLO O                                    | 1     |  |  |  |                       |
| 12       | 93210-37160        | .O-RING<br>.ANILLO O                                    | 1     |  |  |  |                       |
| 13       | 6E5-44315-A0       | .GASKET, WATER PUMP<br>.EMPAQUE                         | 1     |  |  |  |                       |
| 14       | 93101-28M16        | .OIL SEAL<br>.SELLO ACEITE                              | 2     |  |  |  |                       |
| 15       | 93210-55M14        | .O-RING<br>.ANILLO O                                    | 1     |  |  |  |                       |
| 16       | 93210-97M55        | .O-RING<br>.ANILLO O                                    | 1     |  |  |  |                       |
| 17       | 93101-30M17        | .OIL SEAL<br>.SELLO ACEITE                              | 2     |  |  |  |                       |
| 18       | 61A-W0078-A3       | WATER PUMP REPAIR KIT<br>ESTUCHE REPARACION BOMBA AGUA  | 1     |  |  |  |                       |
| 19       | 61A-44322-02       | .INSERT, CARTRIDGE<br>.CARTUCHO                         | 1     |  |  |  |                       |
| 20       | 93210-86M38        | .O-RING<br>.ANILLO O                                    | 1     |  |  |  |                       |
| 21       | 93210-37160        | .O-RING<br>.ANILLO O                                    | 1     |  |  |  |                       |
| 22       | 6E5-44352-01       | .IMPELLER<br>.IMPULSOR                                  | 1     |  |  |  |                       |
| 23       | 6G5-44323-00       | .OUTER PLATE, CARTRIDGE<br>.PLACA EXTERIOR DEL CARTUCHO | 1     |  |  |  |                       |
| 24       | 6E5-44315-A0       | .GASKET, WATER PUMP<br>.EMPAQUE                         | 1     |  |  |  |                       |
| 25       | 93606-12019        | .PIN, DOWEL<br>.PASADOR DE CLAVIJA                      | 2     |  |  |  |                       |
| 26       | 90119-08M14        | .BOLT, WITH WASHER<br>.TORNILLO CON ARANDELA            | 4     |  |  |  |                       |
| 27       | 90280-04M05        | .KEY, WOODRUFF<br>.CUNA WOODRUFF                        | 1     |  |  |  |                       |



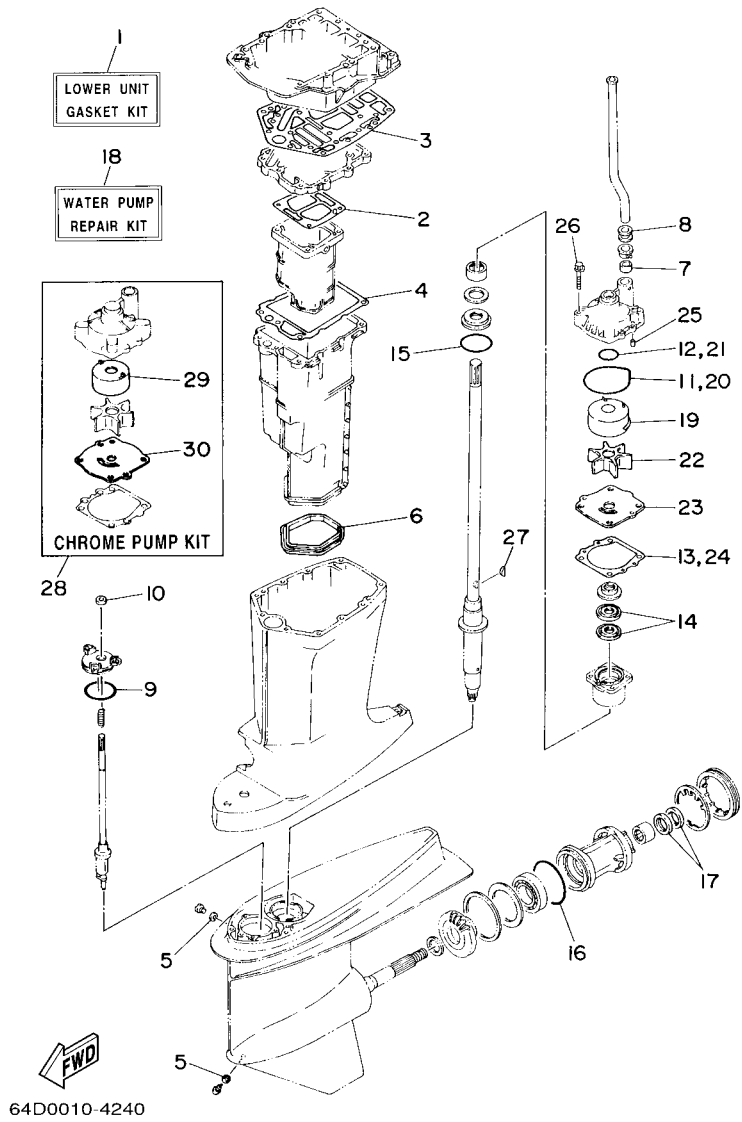


FIG. 27 REPAIR KIT 2

ESTUCHE REPARATION 2

| REF. NO. | PART NO. CODIGO Nº | DESCRIPTION DESCRIPCION                                 | 64FB |  |  |  | REMARKS OBSERVACIONES |
|----------|--------------------|---|------|--|--|--|-----------------------|
| 28       | 61A-W0078-2A       | CHROME PUMP KIT<br>ESTUCHE REPARACION BOMBA AGUA        | 1    |  |  |  |                       |
| 29       | 6R3-44322-42       | .INSERT, CARTRIDGE<br>.CARTUCHO                         | 1    |  |  |  |                       |
| 30       | 6G5-44323-40       | .OUTER PLATE, CARTRIDGE<br>.PLACA EXTERIOR DEL CARTUCHO | 1    |  |  |  |                       |
| -----    |                    |   |      |  |  |  |                       |
| -----    |                    |   |      |  |  |  |                       |
| -----    |                    |   |      |  |  |  |                       |
| -----    |                    |   |      |  |  |  |                       |
| -----    |                    |   |      |  |  |  |                       |
| -----    |                    |   |      |  |  |  |                       |
| -----    |                    |   |      |  |  |  |                       |
| -----    |                    |   |      |  |  |  |                       |
| -----    |                    |   |      |  |  |  |                       |
| -----    |                    |   |      |  |  |  |                       |

NUMERICAL INDEX  
INDICE NUMERICO

| PART NO.<br>CODIGO N° | REF.<br>NO. | PART NO.<br>CODIGO N° | REF.<br>NO. | PART NO.<br>CODIGO N° | REF.<br>NO. | PART NO.<br>CODIGO N° | REF.<br>NO. | PART NO.<br>CODIGO N° | REF.<br>NO. | PART NO.<br>CODIGO N° | REF.<br>NO. |
|-----------------------|-------------|-----------------------|-------------|-----------------------|-------------|-----------------------|-------------|-----------------------|-------------|-----------------------|-------------|
| 64E-11111-00-1S       | 4 - 1       | 6K7-13621-A1          | 5 - 3       | 6E5-14737-00          | 19 - 27     | 648-24566-02          | 7 - 9       | 61A-42727-00          | 13 - 3      | 64E-43827-00          | 18 - 22     |
| 67H-11119-01          | 2 - 30      |                       | 26 - 14     | 64D-1492E-75          | 6 - 13      | 64D-41111-00-1S       | 4 - 12      | 64D-42738-00-8D       | 13 - 20     | 64E-43828-01          | 17 - 23     |
| 6G5-11181-A3          | 4 - 2       | 64E-13624-00-1S       | 5 - 5       | 64D-1492E-77          | 6 - 14      | 6G5-41112-A1          | 4 - 13      | 64D-42738-11          | 13 - 21     | 64E-43829-01          | 17 - 24     |
|                       | 26 - 3      | 64E-13641-10-1S       | 5 - 10      | 64D-1492E-79          | 6 - 15      |                       | 26 - 6      | 6R3-42741-02-8D       | 13 - 33     | 64E-4382G-00          | 17 - 30     |
| 6G5-11191-00-1S       | 4 - 4       | 64E-13645-A0          | 5 - 14      | 64D-1492F-40          | 6 - 10      | 6R3-41113-00-1S       | 4 - 15      | 6H4-42748-00          | 13 - 4      | 64E-43830-01          | 18 - 4      |
| 6G5-11193-A2          | 4 - 5       |                       | 26 - 16     | 61A-1492H-12          | 6 - 17      | 6G5-41114-A0          | 4 - 14      | 6E5-42761-00-1S       | 2 - 35      | 64E-43831-00          | 18 - 2      |
|                       | 26 - 4      | 6K7-13646-A2          | 5 - 9       | 61U-14959-00          | 6 - 11      |                       | 26 - 7      | 6E5-42762-00-1S       | 2 - 36      | 6AW-43841-00          | 18 - 7      |
| 6R3-1131M-01          | 2 - 26      |                       | 26 - 15     |                       | 26 - 26     | 6G5-41131-01-CA       | 19 - 18     | 6E5-42769-00          | 19 - 3      | 64E-43843-00          | 18 - 6      |
| 6E5-11325-00          | 2 - 24      | 6E5-14159-00          | 6 - 8       | 6J8-14959-00          | 6 - 29      | 64D-41132-00-CA       | 19 - 22     | 6R3-42771-01-8D       | 13 - 37     | 64E-43843-10          | 18 - 38     |
| 646-11370-01          | 2 - 8       |                       | 26 - 24     |                       | 26 - 31     | 6G5-41134-A1          | 19 - 23     | 6G5-42791-10          | 13 - 41     | 64E-4384J-00          | 17 - 19     |
| 6K7-11371-01-1S       | 2 - 32      | 6E5-14198-A2          | 5 - 17      | 6E5-14979-00          | 6 - 22      |                       | 27 - 2      | 6AH-42794-40          | 13 - 42     | 64E-43850-00          | 18 - 15     |
| 6G5-11372-00-1S       | 4 - 23      |                       | 26 - 17     |                       | 26 - 30     | 6E5-41135-A0          | 19 - 30     | 64D-42814-00          | 1 - 6       | 64E-43851-00          | 18 - 11     |
| 688-11372-01          | 5 - 6       |                       | 26 - 32     | 64F-15100-00          | 2 - 2       |                       | 27 - 4      | 64D-42815-00-8D       | 13 - 5      | 64E-43855-00          | 18 - 14     |
| 6E5-11372-01          | 2 - 3       | 6E5-14223-00          | 6 - 24      | 6R3-15163-00-1S       | 3 - 3       | 6G5-41137-02-CA       | 19 - 7      | 64D-42816-00-8D       | 13 - 6      | 64E-43858-00          | 18 - 12     |
| 6F6-11372-01          | 2 - 5       | 64F-14301-02          | 6 - 1       | 6G5-15359-00-94       | 3 - 11      | 61H-41213-00          | 14 - 34     | 64D-42818-20          | 13 - 12     | 6AW-43858-00          | 18 - 18     |
| 624-11379-00          | 2 - 6       | 64F-14302-02          | 6 - 2       | 6Y2-24305-06          | 8 - 6       | 6G5-41217-01          | 5 - 19      | 64D-42818-30          | 13 - 13     | 6E5-43858-00          | 17 - 29     |
| 6E5-11381-A2          | 2 - 33      | 64F-14303-02          | 6 - 3       | 6Y2-24306-45          | 8 - 1       | 662-41237-01          | 14 - 27     | 64D-42835-00          | 13 - 7      | 72X-43858-00          | 18 - 5      |
|                       | 26 - 2      | 6E5-14321-00          | 6 - 19      | 6R3-24313-01          | 7 - 1       |                       | 14 - 33     | 64E-43111-02-8D       | 15 - 1      | 64E-43859-00          | 18 - 13     |
| 6G5-11382-A1          | 4 - 22      | 6E5-14323-03          | 6 - 23      | 6G5-24314-00          | 7 - 15      | 682-41237-50          | 14 - 31     | 64E-43112-02-8D       | 15 - 9      | 64E-43860-01          | 18 - 20     |
|                       | 26 - 8      | 6E5-14324-00          | 6 - 28      | 6E5-24315-00          | 7 - 18      | 6E5-41256-01          | 5 - 20      | 64E-43126-00          | 15 - 37     | 6E5-43862-00          | 17 - 11     |
| 6R3-11397-01          | 2 - 27      | 6A0-14325-00          | 7 - 30      | 6K7-24315-00          | 7 - 17      | 661-41262-02          | 5 - 21      | 64E-43131-01          | 15 - 15     |                       | 17 - 15     |
| 6G5-11411-02          | 3 - 1       | 6E5-14328-01          | 6 - 21      | 6G5-24316-10          | 7 - 36      | 61H-41271-11          | 5 - 22      | 64E-43139-10          | 16 - 1      | 6G5-43863-00          | 18 - 10     |
| 6E5-11447-00          | 3 - 2       |                       | 26 - 29     | 6K7-24317-00          | 7 - 42      | 689-41273-00          | 5 - 23      | 64D-43144-00          | 13 - 14     | 6E5-43864-00          | 17 - 21     |
| 663-11518-01          | 2 - 7       | 6J8-14334-00          | 6 - 20      | 6K7-24318-00          | 7 - 43      | 688-41611-00          | 9 - 13      | 6G5-43144-00          | 15 - 27     | 6G5-43864-00          | 17 - 20     |
| 64D-11603-02          | 3 - 17      | 64D-14381-00          | 6 - 5       | 6K7-24319-00          | 7 - 44      | 688-41612-00          | 9 - 14      | 6E5-43145-01          | 22 - 8      | 64E-43865-00          | 18 - 16     |
|                       | 3 - 19      | 61A-14383-01          | 6 - 18      | 6E5-24351-51          | 8 - 3       | 6G5-41631-01-1S       | 14 - 10     | 6G5-43148-00          | 15 - 32     | 6G5-43865-00          | 18 - 35     |
| 64D-11604-02          | 3 - 17      | 64D-14384-01          | 6 - 4       | 6Y2-24360-60          | 8 - 5       | 61H-41632-02-1S       | 14 - 7      | 6G5-43181-02          | 15 - 29     | 64E-43866-00          | 17 - 10     |
|                       | 3 - 19      |                       | 26 - 22     | 6R3-24377-00          | 7 - 2       | 6G5-41636-01          | 14 - 25     | 6G5-43185-02          | 15 - 30     | 64E-43867-00          | 17 - 9      |
| 64D-11605-02          | 3 - 17      | 6E5-14385-02          | 6 - 6       | 650-24378-00          | 4 - 16      | 6E5-42510-C0-8D       | 16 - 10     | 64E-43311-10-8D       | 15 - 22     | 64E-43868-00          | 18 - 3      |
|                       | 3 - 19      | 6E5-14386-02          | 6 - 9       | 6E5-24378-00          | 7 - 16      | 6E5-42510-D0-8D       | 16 - 10     | 64E-43311-20-8D       | 15 - 22     | 64E-43869-00          | 17 - 27     |
|                       | 3 - 16      |                       | 26 - 25     |                       | 7 - 39      | 64F-42610-50          | 1 - 1       | 61A-43376-00          | 16 - 8      | 6H1-4386K-10          | 18 - 29     |
| 64D-11631-02-90       | 3 - 16      |                       | 6 - 12      | 6E5-24410-04          | 7 - 20      | 64D-42613-00-8D       | 1 - 10      | 64E-43800-05          | 17 - 1      | 6E5-43872-00          | 17 - 13     |
| 6R5-11633-10          | 3 - 20      | 64D-14394-00          | 6 - 12      | 6E5-24411-01          | 7 - 25      | 64D-42615-00          | 1 - 9       | 64E-43802-00          | 18 - 8      | 64E-43873-00          | 18 - 24     |
| 6R5-11634-10          | 3 - 21      |                       | 26 - 27     | 6E5-24412-11          | 7 - 28      | 6R3-42647-00          | 1 - 2       | 64E-43805-00          | 18 - 37     | 6E5-43874-01          | 17 - 22     |
| 64D-11635-02          | 3 - 16      | 647-14395-60          | 5 - 28      | 6E5-24413-01          | 7 - 22      | 64D-42662-00          | 1 - 5       | 64E-4380F-00          | 18 - 33     | 6AW-43875-00          | 18 - 25     |
| 64D-11636-02          | 3 - 16      | 6E5-14398-01          | 6 - 16      | 6A0-24421-01          | 7 - 29      | 64F-42677-50          | 1 - 12      | 64E-4380J-00          | 18 - 30     | 64E-43879-01          | 18 - 27     |
| 64D-11642-02-90       | 3 - 18      |                       | 26 - 28     | 6E5-24423-00          | 7 - 27      | 64D-42678-30          | 1 - 18      | 64E-43810-02          | 17 - 6      | 64E-43879-11          | 18 - 26     |
| 64D-11645-02          | 3 - 18      | 64D-14440-00          | 5 - 24      | 648-24424-00          | 7 - 26      | 64D-4267A-30          | 1 - 17      | 64E-43811-02          | 17 - 7      | 64E-4387A-00          | 18 - 23     |
| 64D-11646-02          | 3 - 18      | 6K7-14483-00          | 5 - 26      | 650-24431-A0          | 7 - 34      | 64C-42681-30          | 1 - 15      | 6E5-43814-02          | 17 - 14     | 64E-43880-03          | 18 - 28     |
| 6R5-11650-10          | 3 - 22      |                       | 26 - 18     |                       | 26 - 19     | 64C-42682-30          | 1 - 16      | 64E-43816-00          | 18 - 17     | 64E-43883-00          | 17 - 12     |
| 6E5-12411-30          | 4 - 7       | 624-14485-00          | 2 - 4       | 6E5-24435-01          | 7 - 24      | 64F-42683-30          | 1 - 13      | 64E-43817-00          | 17 - 5      | 64E-4388E-01          | 17 - 26     |
| 688-12412-00          | 4 - 8       |                       | 5 - 11      | 6E5-24444-01          | 7 - 21      | 64D-42711-01-8D       | 13 - 1      | 64E-43817-11          | 18 - 19     | 64E-4388E-11          | 18 - 1      |
| 688-12413-00-1S       | 4 - 9       | 6R5-14485-00          | 5 - 7       | 6E5-24471-01          | 7 - 23      | 648-42715-00          | 14 - 51     | 6BC-43818-00          | 17 - 33     | 6AW-4388J-00          | 17 - 3      |
| 688-12414-A1          | 4 - 10      | 64E-14488-00          | 9 - 21      | 6E5-24486-00          | 7 - 33      | 6E5-42716-10          | 13 - 40     | 64E-4381G-00          | 17 - 28     | 64E-43891-00          | 18 - 31     |
|                       | 26 - 5      | 6E5-14527-01          | 6 - 26      | 6E5-24492-00          | 7 - 32      | 64D-42717-00          | 13 - 36     | 64E-43820-02          | 17 - 16     | 64E-43892-00          | 18 - 34     |
| 60H-12416-00          | 4 - 19      | 6E5-14546-00          | 6 - 7       | 61N-24521-00          | 7 - 7       | 6E5-42724-00          | 19 - 8      | 64E-43821-02          | 17 - 17     | 6E5-43896-00          | 18 - 9      |
| 6G5-12576-00          | 4 - 25      |                       | 26 - 23     | 6R3-24560-00          | 7 - 5       | 64D-42725-00          | 13 - 19     | 64E-43822-00          | 17 - 18     | 64E-43897-00          | 17 - 25     |
| 6G5-12581-00          | 19 - 9      | 6E5-14711-01-CA       | 19 - 26     | 6R3-24563-00          | 7 - 6       | 688-42726-10          | 13 - 29     | 64E-43825-03          | 17 - 2      | 64E-43898-00          | 17 - 8      |
| 6K7-13610-00          | 5 - 1       | 64D-14721-20-CA       | 19 - 35     |                       |             |                       |             |                       |             |                       |             |

NUMERICAL INDEX  
INDICE NUMERICO

| PART NO.<br>CODIGO N° | REF.<br>NO. | PART NO.<br>CODIGO N° | REF.<br>NO. | PART NO.<br>CODIGO N° | REF.<br>NO. | PART NO.<br>CODIGO N° | REF.<br>NO. | PART NO.<br>CODIGO N° | REF.<br>NO. | PART NO.<br>CODIGO N° | REF.<br>NO. |
|-----------------------|-------------|-----------------------|-------------|-----------------------|-------------|-----------------------|-------------|-----------------------|-------------|-----------------------|-------------|
| 6E5-44117-00-94       | 14 - 38     | 64D-45123-00          | 19 - 36     | 6E5-45587-10          | 20 - 41     | 703-48243-00          | 24 - 15     | 6N7-81850-10          | 12 - 2      | 6E5-82588-00          | 11 - 48     |
| 6E5-44118-01-94       | 14 - 46     | 6E5-45123-00          | 19 - 29     | 6E5-45587-20          | 20 - 41     | 703-48244-00          | 24 - 21     | 6N7-81857-00          | 12 - 12     |                       | 13 - 30     |
| 6E5-44120-03          | 14 - 53     |                       | 27 - 6      | 6E5-45587-30          | 20 - 41     | 703-48245-00          | 24 - 11     | 61A-81941-00          | 11 - 34     | 6K7-82588-00          | 11 - 15     |
| 6E5-44120-23          | 14 - 53     | 6E5-45155-00          | 19 - 2      | 6E5-45587-40          | 20 - 41     | 703-48246-00          | 24 - 23     | 64D-81942-00          | 10 - 5      | 688-8258A-20          | 24 - 49     |
| 68F-44121-00          | 14 - 40     | 6J9-45214-00          | 21 - 8      | 6E5-45587-50          | 20 - 41     | 701-48248-00          | 24 - 13     | 6G5-81948-11          | 11 - 41     | 64D-82590-00          | 11 - 7      |
| 6E5-44122-00          | 14 - 41     | 6J9-45215-00          | 21 - 9      | 6E5-45587-60          | 20 - 41     | 703-48252-00          | 24 - 12     | 6E5-81950-00          | 11 - 36     | 703-82591-00          | 24 - 53     |
| 6G5-44150-02          | 20 - 23     | 6G5-45251-02          | 15 - 2      | 6J9-45611-01          | 20 - 52     | 703-48261-01          | 24 - 2      | 689-81952-10          | 11 - 35     | 703-82592-00          | 24 - 54     |
| 688-44194-00          | 14 - 15     | 64F-45300-02-8D       | 20 - 1      | 6G5-45631-10          | 20 - 60     | 703-48264-00          | 24 - 6      | 6E5-8195A-00          | 11 - 37     | 688-82594-00          | 11 - 10     |
|                       | 14 - 30     | 64F-45300-22-8D       | 20 - 1      | 6E5-45633-01          | 20 - 61     | 703-48265-00          | 24 - 9      | 6R3-81960-10          | 10 - 1      | 703-82594-00          | 24 - 25     |
| 61A-44311-01          | 20 - 26     | 6J9-45301-05-8D       | 20 - 2      | 6E5-45634-01          | 20 - 54     | 703-48268-00          | 24 - 5      | 6AH-81994-40          | 9 - 22      | 703-83383-10          | 24 - 51     |
| 6E5-44312-00          | 20 - 31     | 6E5-45318-00          | 19 - 33     | 6E5-45641-03          | 20 - 53     | 703-48271-00          | 24 - 60     | 6AH-81995-40          | 9 - 23      | 6Y5-83514-00          | 25 - 5      |
| 6E5-44315-A0          | 20 - 35     | 6E5-45321-00          | 20 - 19     | 6G5-45930-00-98       | 21 - 22     | 703-48281-00          | 24 - 31     | 6AG-81996-00          | 9 - 24      | 6Y5-83517-00          | 25 - 2      |
|                       | 27 - 13     | 6E5-45331-00-9S       | 20 - 38     | 6G5-45932-00-98       | 21 - 22     | 703-48282-00          | 24 - 32     | 6R3-82105-02          | 11 - 46     | 6Y5-83518-00          | 25 - 9      |
|                       | 27 - 24     | 6J9-45332-00-CA       | 20 - 62     | 6G5-45941-00-98       | 21 - 22     | 703-48284-00          | 24 - 52     | 6E5-82116-00          | 11 - 40     | 6Y5-83523-00          | 25 - 4      |
| 61A-44322-02          | 20 - 27     | 688-45341-10          | 20 - 7      | 6G5-45943-01-98       | 21 - 22     | 701-48287-00          | 24 - 42     | 6K7-82117-00          | 11 - 47     | 6Y5-83536-00          | 25 - 10     |
|                       | 27 - 19     | 6E5-45344-00          | 20 - 44     | 6G5-45945-01-98       | 21 - 22     | 703-48291-10          | 24 - 39     | 6Y5-82117-00          | 25 - 15     | 6Y5-83536-40          | 25 - 3      |
| 6R3-44322-42          | 27 - 29     | 6J9-45371-01          | 21 - 12     | 6G5-45947-01-98       | 21 - 22     | 703-48293-10          | 24 - 41     | 6G5-82119-00          | 11 - 39     | 6Y7-83540-20          | 25 - 1      |
| 6G5-44323-00          | 20 - 34     | 64D-45375-00          | 19 - 37     | 6G5-45949-00-98       | 21 - 22     | 701-48320-80          | 23 - 2      | 6E5-82147-00          | 15 - 26     | 6Y5-83544-00          | 25 - 11     |
|                       | 27 - 23     | 688-45375-00          | 20 - 15     | 6G5-45952-00-98       | 21 - 22     | 6E5-48344-00          | 14 - 8      | 6E5-82147-20          | 15 - 26     | 6Y5-83553-00          | 25 - 13     |
| 6G5-44323-40          | 27 - 30     | 64D-45376-00          | 20 - 14     | 6G5-45970-02-98       | 21 - 22     |                       | 14 - 44     | 6E5-82148-00          | 15 - 6      | 6E9-83557-70          | 11 - 44     |
| 6E5-44352-01          | 20 - 32     | 663-45376-00          | 20 - 14     | 6G5-45972-02-98       | 21 - 22     | 703-48345-01          | 24 - 19     |                       | 15 - 10     | 6E5-83558-00          | 21 - 15     |
|                       | 27 - 22     | 6E5-45378-00          | 20 - 16     | 6G5-45974-03-98       | 21 - 22     | 703-48358-00          | 24 - 20     | 6E5-82149-00          | 16 - 19     | 6E5-83558-10          | 20 - 18     |
| 6E5-44361-00          | 21 - 2      | 6G5-45383-01          | 20 - 72     | 6G5-45976-01-98       | 21 - 22     | 64D-48531-00          | 14 - 1      | 6R3-82150-00          | 10 - 2      | 6R3-83614-00          | 11 - 32     |
| 6E5-44361-20          | 21 - 2      | 6G5-45384-02          | 20 - 73     | 6G5-45978-03-98       | 21 - 22     | 64D-48532-00          | 14 - 2      | 1E6-82151-00          | 25 - 14     | 688-83664-00          | 25 - 12     |
| 6E5-44365-00          | 20 - 30     | 6G5-45501-01          | 20 - 47     | 6E5-45987-01          | 21 - 17     | 6E5-48538-00          | 14 - 3      | 663-82151-00          | 11 - 8      | 6Y7-83670-00          | 25 - 8      |
|                       | 21 - 3      | 6G5-45501-21          | 20 - 47     | 688-45997-01          | 21 - 18     | 6E5-61350-02          | 22 - 1      | 705-82151-00          | 10 - 3      | 64E-83672-03          | 16 - 3      |
|                       | 27 - 7      | 61A-45527-00          | 20 - 11     | 703-48152-00          | 24 - 57     | 6E5-61351-01          | 22 - 2      |                       | 11 - 9      | 72X-85075-L0          | 18 - 21     |
| 6E5-44366-00          | 21 - 1      | 6G5-45536-01          | 20 - 13     | 703-48153-00          | 24 - 3      | 6E5-61355-00          | 22 - 5      | 6G5-82152-00          | 10 - 4      | 6R3-85510-00          | 9 - 2       |
|                       | 27 - 8      | 61A-45538-00          | 20 - 12     | 703-48189-00          | 24 - 17     | 6E5-81332-00          | 9 - 16      |                       | 11 - 54     | 663-85518-00          | 14 - 11     |
| 6E5-44391-00          | 13 - 18     | 61H-45551-00          | 20 - 48     | 703-48198-00          | 24 - 14     | 64D-81337-01          | 9 - 18      | 663-82317-01          | 9 - 20      | 64D-85537-00          | 10 - 23     |
| 6E5-44511-00-94       | 16 - 38     | 61H-45560-00          | 20 - 50     | 703-48205-18          | 23 - 1      | 6K7-81338-01          | 5 - 12      | 6E3-82370-21          | 11 - 2      | 64E-85540-01          | 10 - 15     |
| 6G5-44514-00          | 16 - 31     | 6G5-45567-01          | 20 - 5      |                       | 24 - 1      | 6N7-81800-10          | 12 - 1      | 703-82510-43          | 24 - 44     | 6R3-85542-03-1S       | 10 - 19     |
| 6G5-44526-00          | 15 - 3      | 6G5-45567-10          | 20 - 5      | 703-48211-02          | 24 - 61     | 6N7-81801-00          | 12 - 8      | 662-82519-00          | 10 - 27     | 64D-85550-02          | 9 - 1       |
| 68F-44533-01          | 2 - 37      | 6G5-45567-20          | 20 - 5      | 703-48212-00          | 24 - 58     | 6N7-81807-00          | 12 - 11     | 6R3-82519-00          | 10 - 28     | 6R3-85570-01          | 11 - 1      |
| 6G5-44551-01-8D       | 16 - 13     | 6G5-45567-30          | 20 - 5      | 703-48213-00          | 24 - 59     | 61A-81809-00          | 12 - 3      | 703-82531-00          | 24 - 46     | 64D-85580-00          | 9 - 3       |
| 6E5-44552-01-CA       | 16 - 24     | 6G5-45567-40          | 20 - 5      | 703-48215-00          | 24 - 43     | 6N7-81810-00          | 12 - 5      | 6E5-82531-10          | 11 - 6      | 61A-85790-00          | 11 - 21     |
| 6E5-44553-01-8D       | 16 - 27     | 6G5-45567-50          | 20 - 5      | 703-48219-00          | 24 - 30     | 6N7-81813-00          | 12 - 9      | 703-82540-00          | 24 - 50     | 6R5-85895-01          | 9 - 5       |
| 6G5-44555-00          | 16 - 16     | 6G5-45567-60          | 20 - 5      | 703-48221-00          | 24 - 56     | 6N7-81820-10          | 12 - 10     | 6R3-82553-70          | 25 - 16     | 64E-86110-01          | 11 - 26     |
| 663-44575-00          | 16 - 37     | 61H-45571-01          | 20 - 64     | 703-48222-00          | 24 - 27     | 6K7-81822-00-94       | 12 - 19     | 682-82556-00          | 24 - 48     | 6G5-87149-10          | 11 - 38     |
| 6E5-44575-00          | 16 - 15     | 6G5-45576-10          | 20 - 65     | 703-48223-00          | 24 - 28     | 61A-81824-00          | 12 - 4      | 688-82560-10          | 11 - 20     | 64F-W0001-01          | 26 - 1      |
| 6E5-45111-02-8D       | 19 - 1      | 6G5-45577-02          | 20 - 69     | 703-48225-00          | 24 - 29     | 6K7-81826-11          | 12 - 14     | 6R3-82563-00          | 11 - 30     | 6G5-W0001-C1          | 27 - 1      |
| 6E5-45111-23-8D       | 19 - 1      | 6G5-45577-10          | 20 - 69     | 703-48226-00          | 24 - 26     | 6E5-8182A-10          | 12 - 17     | 703-82563-02          | 24 - 55     | 6E5-W0004-00          | 5 - 2       |
| 68F-45113-01          | 19 - 11     | 6G5-45577-20          | 20 - 69     | 703-48227-00          | 24 - 24     | 6E5-8182E-10          | 12 - 15     | 688-82575-01          | 24 - 47     | 64D-W0070-30          | 1 - 14      |
|                       | 26 - 20     | 6G5-45577-30          | 20 - 69     | 703-48232-00          | 24 - 62     | 6E5-8182F-10          | 12 - 16     | 703-82577-00          | 24 - 45     | 61A-W0078-2A          | 27 - 28     |
| 6G5-45114-A1          | 19 - 19     | 6G5-45577-40          | 20 - 69     | 703-48234-00          | 24 - 18     | 6K7-8182G-10          | 12 - 6      | 6R5-82582-00          | 10 - 25     | 61A-W0078-A3          | 27 - 18     |
|                       | 27 - 3      | 6G5-45577-50          | 20 - 69     | 703-48235-00          | 24 - 4      | 6E5-8182K-10          | 12 - 18     | 6R5-82582-A0          | 11 - 18     | 64F-W0090-04-1S       | 2 - 1       |
| 663-45119-00          | 15 - 14     | 6G5-45577-60          | 20 - 69     | 703-48236-00          | 24 - 16     | 6N7-81830-00          | 12 - 13     | 6R5-82582-B0          | 11 - 19     | 64D-W0093-01          | 26 - 21     |
|                       | 15 - 25     | 6E5-45587-01          | 20 - 41     | 703-48238-00          | 24 - 22     | 6N7-81840-00          | 12 - 7      | 6E5-82587-00          | 11 - 31     | 656-W2810-02          | 7 - 47      |

NUMERICAL INDEX  
INDICE NUMERICO

| PART NO.<br>CODIGO N° | REF.<br>NO. | PART NO.<br>CODIGO N° | REF.<br>NO. | PART NO.<br>CODIGO N° | REF.<br>NO. | PART NO.<br>CODIGO N° | REF.<br>NO. | PART NO.<br>CODIGO N° | REF.<br>NO. | PART NO.<br>CODIGO N° | REF.<br>NO. |
|-----------------------|-------------|-----------------------|-------------|-----------------------|-------------|-----------------------|-------------|-----------------------|-------------|-----------------------|-------------|
| 90101-08M14           | 14 - 17     | 90185-22M11           | 15 - 20     | 90387-06M29           | 14 - 35     | 90465-11M10           | 16 - 5      | 92995-06600           | 11 - 17     | 93210-37MH7           | 16 - 6      |
| 90101-12M03           | 15 - 40     | 90201-06068           | 13 - 9      | 90387-06M66           | 10 - 6      |                       | 21 - 16     |                       | 11 - 25     | 93210-55M14           | 20 - 43     |
| 90105-10M00           | 21 - 13     | 90201-08M13           | 14 - 23     | 90387-08M16           | 14 - 20     | 90465-12M25           | 11 - 51     |                       | 11 - 28     |                       | 27 - 15     |
| 90105-10M20           | 2 - 13      | 90201-08M23           | 14 - 18     | 90387-08M17           | 14 - 16     | 90465-13M18           | 4 - 26      |                       | 11 - 43     | 93210-58144           | 20 - 20     |
| 90109-08022           | 3 - 23      | 90201-08M54           | 13 - 26     | 90387-08M37           | 13 - 25     |                       | 11 - 45     |                       | 11 - 50     |                       | 27 - 9      |
| 90109-12007           | 16 - 35     | 90201-10060           | 17 - 31     | 90387-10M05           | 15 - 34     | 90468-18008           | 14 - 9      |                       | 11 - 53     | 93210-74M35           | 3 - 14      |
| 90109-14M34           | 16 - 20     | 90201-10M20           | 22 - 7      | 90387-10M61           | 22 - 3      |                       | 14 - 43     |                       | 12 - 28     |                       | 26 - 13     |
| 90116-06M30           | 5 - 13      | 90201-12M05           | 15 - 42     | 90430-08020           | 20 - 8      | 90480-06M19           | 13 - 2      |                       | 13 - 23     | 93210-86M38           | 20 - 28     |
| 90116-08026           | 2 - 15      | 90201-13M01           | 15 - 41     |                       | 27 - 5      | 90480-09M12           | 10 - 21     |                       | 13 - 32     |                       | 27 - 11     |
| 90119-06M10           | 20 - 22     | 90201-14M56           | 16 - 34     | 90430-14115           | 2 - 10      | 90480-12M25           | 10 - 26     |                       | 13 - 35     |                       | 27 - 20     |
| 90119-06M61           | 10 - 22     | 90201-15M58           | 16 - 21     | 90445-07M08           | 2 - 19      | 90480-13M24           | 9 - 19      |                       | 13 - 39     | 93210-97M55           | 20 - 68     |
| 90119-06MA2           | 2 - 34      | 90201-16M55           | 16 - 18     | 90445-07M09           | 2 - 17      | 90480-20M05           | 4 - 21      |                       | 15 - 8      |                       | 27 - 16     |
|                       | 2 - 38      | 90201-21M18           | 9 - 9       | 90445-07M10           | 2 - 12      | 90480-22M15           | 13 - 24     |                       | 15 - 12     | 93211-04001           | 3 - 6       |
|                       | 3 - 7       | 90201-22M01           | 20 - 10     | 90445-07M11           | 2 - 16      | 90480-25161           | 11 - 5      | 92995-08100           | 14 - 6      |                       | 26 - 10     |
|                       | 3 - 15      | 90201-23M01           | 3 - 25      | 90445-07M12           | 2 - 18      | 90501-11M10           | 20 - 25     |                       | 15 - 17     | 93306-208U0           | 3 - 9       |
|                       | 14 - 39     | 90201-26M57           | 16 - 32     | 90445-07M33           | 21 - 14     | 90501-12082           | 14 - 50     |                       | 19 - 15     | 93306-209U0           | 20 - 63     |
| 90119-06MA4           | 4 - 6       | 90201-26M59           | 15 - 19     | 90445-07M34           | 2 - 21      | 90501-16M11           | 4 - 20      |                       | 19 - 17     | 93310-32337           | 3 - 24      |
| 90119-06MA5           | 4 - 17      | 90201-30M92           | 20 - 70     | 90445-07M90           | 2 - 20      | 90501-16M12           | 14 - 13     | 92995-08600           | 12 - 25     | 93310-836V2           | 3 - 26      |
| 90119-06MA6           | 4 - 11      | 90201-38M60           | 16 - 11     | 90445-07MA3           | 5 - 25      | 90501-16M28           | 16 - 28     |                       | 19 - 21     | 93310-954U1           | 3 - 8       |
| 90119-08077           | 19 - 13     | 90202-08M20           | 14 - 42     | 90445-07ME8           | 20 - 17     | 90501-16M37           | 20 - 55     |                       | 19 - 25     | 93311-928U5           | 20 - 3      |
| 90119-08078           | 19 - 6      | 90202-12092           | 14 - 22     | 90445-07ME9           | 20 - 17     | 90506-14M24           | 15 - 36     |                       | 19 - 32     | 93311-940U3           | 3 - 4       |
| 90119-08M14           | 20 - 37     | 90202-16061           | 14 - 56     | 90445-09097           | 4 - 18      | 90506-16M34           | 13 - 17     |                       | 20 - 46     | 93315-425V3           | 20 - 51     |
|                       | 27 - 26     | 90202-26M18           | 16 - 33     | 90445-13M01           | 8 - 2       | 90508-29M12           | 14 - 24     | 92995-10100           | 16 - 26     | 93315-43061           | 20 - 66     |
| 90119-08M22           | 13 - 28     | 90202-32M19           | 16 - 17     | 90445-13M02           | 7 - 41      | 90560-12M01           | 22 - 4      |                       | 16 - 40     | 93317-330U2           | 20 - 40     |
| 90119-08M57           | 12 - 22     | 90202-40M47           | 16 - 7      | 90445-13M03           | 7 - 40      | 91490-40030           | 21 - 21     |                       | 21 - 6      | 93332-000V3           | 20 - 4      |
| 90119-08M76           | 12 - 20     | 90206-10M04           | 14 - 36     | 90445-13M35           | 8 - 4       | 91690-30012           | 14 - 4      | 92995-14600           | 16 - 23     | 93341-930V2           | 20 - 42     |
| 90119-08M77           | 12 - 21     | 90206-15M18           | 13 - 11     | 90464-07M05           | 2 - 22      | 91690-30020           | 15 - 35     | 93101-22M15           | 3 - 13      | 93410-16006           | 14 - 57     |
| 90119-08M79           | 19 - 12     | 90206-22M19           | 20 - 9      | 90464-07M20           | 2 - 23      | 92903-06100           | 7 - 11      |                       | 26 - 12     | 93410-22M11           | 15 - 39     |
| 90119-08M94           | 2 - 14      | 90249-06M19           | 15 - 33     | 90464-15M11           | 9 - 7       | 92903-06600           | 2 - 29      | 93101-28M16           | 20 - 39     | 93410-37M04           | 16 - 14     |
| 90119-08MA3           | 2 - 31      | 90250-08M07           | 20 - 59     |                       | 10 - 12     |                       | 5 - 16      |                       | 27 - 14     | 93410-40M03           | 3 - 10      |
| 90119-08MA8           | 4 - 3       | 90280-04M05           | 20 - 33     | 90465-05M87           | 10 - 18     |                       | 9 - 12      | 93101-30M17           | 20 - 67     | 93420-36M01           | 19 - 34     |
| 90119-10M89           | 21 - 7      |                       | 27 - 27     |                       | 11 - 11     |                       | 10 - 8      |                       | 27 - 17     | 93430-06024           | 24 - 10     |
| 90152-05M08           | 21 - 10     | 90280-05015           | 9 - 8       | 90465-06M86           | 9 - 4       | 92903-08600           | 14 - 48     | 93102-08M43           | 18 - 36     | 93501-04M02           | 14 - 49     |
| 90157-06013           | 14 - 12     | 90282-04M00           | 20 - 71     |                       | 11 - 23     | 92990-05100           | 25 - 7      | 93102-35M13           | 3 - 12      | 93503-16003           | 20 - 58     |
| 90157-06M07           | 14 - 28     | 90336-08M06           | 5 - 8       |                       | 12 - 26     | 92990-06100           | 1 - 3       |                       | 26 - 11     | 93507-32009           | 20 - 56     |
| 90159-05059           | 16 - 2      | 90340-08002           | 20 - 6      | 90465-06M88           | 10 - 11     | 92990-06600           | 10 - 17     | 93102-40M14           | 3 - 5       | 93511-32017           | 20 - 57     |
| 90159-06M08           | 5 - 27      | 90340-14M00           | 2 - 9       | 90465-08M63           | 15 - 23     |                       | 13 - 16     |                       | 26 - 9      | 93606-12019           | 20 - 36     |
| 90159-06M11           | 10 - 24     | 90386-06M12           | 14 - 45     | 90465-08M89           | 11 - 12     | 92990-08600           | 12 - 23     | 93106-09014           | 20 - 21     |                       | 27 - 25     |
| 90170-16M01           | 20 - 49     | 90386-10M16           | 15 - 31     | 90465-11M10           | 7 - 3       |                       | 24 - 34     |                       | 27 - 10     | 93608-12063           | 2 - 11      |
| 90170-20137           | 9 - 10      | 90386-12089           | 14 - 19     |                       | 7 - 4       | 92990-10600           | 11 - 22     | 93210-03261           | 11 - 29     | 93608-12M05           | 19 - 5      |
| 90171-18M04           | 21 - 20     | 90386-15M73           | 13 - 10     |                       | 7 - 13      | 92990-18200           | 21 - 19     | 93210-08287           | 8 - 7       |                       | 19 - 10     |
| 90179-06066           | 16 - 30     | 90386-16M66           | 14 - 55     |                       | 7 - 14      | 92995-06100           | 15 - 5      | 93210-09165           | 14 - 54     |                       | 21 - 4      |
| 90179-06M24           | 1 - 11      | 90386-22M13           | 14 - 21     |                       | 7 - 19      | 92995-06600           | 1 - 8       | 93210-10M74           | 17 - 4      | 93700-06M03           | 14 - 52     |
| 90179-06M28           | 5 - 18      | 90386-22M98           | 15 - 38     |                       | 7 - 37      |                       | 10 - 10     | 93210-16275           | 22 - 9      |                       | 15 - 13     |
| 90183-05M02           | 19 - 28     |                       | 17 - 34     |                       | 7 - 38      |                       | 10 - 14     | 93210-32738           | 7 - 8       |                       | 15 - 24     |
| 90185-05002           | 21 - 11     | 90386-25M31           | 15 - 18     |                       | 7 - 45      |                       | 10 - 30     | 93210-37160           | 20 - 29     | 94702-00247           | 4 - 27      |
| 90185-09M01           | 22 - 6      | 90386-38M32           | 16 - 12     |                       | 7 - 46      |                       | 11 - 4      |                       | 27 - 12     | 95303-06600           | 14 - 14     |
| 90185-12M12           | 16 - 36     | 90387-06M03           | 10 - 20     |                       | 15 - 21     |                       | 11 - 14     |                       | 27 - 21     |                       | 14 - 29     |

NUMERICAL INDEX  
INDICE NUMERICO

| PART NO.<br>CODIGO N° | REF.<br>NO. | PART NO.<br>CODIGO N° | REF.<br>NO. | PART NO.<br>CODIGO N° | REF.<br>NO. | PART NO.<br>CODIGO N° | REF.<br>NO. | PART NO.<br>CODIGO N° | REF.<br>NO. | PART NO.<br>CODIGO N° | REF.<br>NO. |
|-----------------------|-------------|-----------------------|-------------|-----------------------|-------------|-----------------------|-------------|-----------------------|-------------|-----------------------|-------------|
| 95380-03600           | 7 - 31      | 97095-08025           | 20 - 45     |                       |             |                       |             |                       |             |                       |             |
| 95380-05600           | 14 - 26     | 97095-08030           | 19 - 20     |                       |             |                       |             |                       |             |                       |             |
|                       | 14 - 32     | 97095-08045           | 19 - 14     |                       |             |                       |             |                       |             |                       |             |
|                       | 24 - 7      |                       | 19 - 24     |                       |             |                       |             |                       |             |                       |             |
|                       | 25 - 6      |                       | 19 - 31     |                       |             |                       |             |                       |             |                       |             |
| 95380-06600           | 1 - 4       | 97095-10045           | 16 - 25     |                       |             |                       |             |                       |             |                       |             |
|                       | 24 - 40     |                       | 16 - 39     |                       |             |                       |             |                       |             |                       |             |
| 95380-08600           | 7 - 12      | 97380-05025           | 24 - 8      |                       |             |                       |             |                       |             |                       |             |
| 95380-08700           | 19 - 16     | 97380-08030           | 24 - 33     |                       |             |                       |             |                       |             |                       |             |
| 95380-12600           | 15 - 43     | 97575-10530           | 17 - 32     |                       |             |                       |             |                       |             |                       |             |
| 95380-14800           | 16 - 22     | 97595-06420           | 4 - 24      |                       |             |                       |             |                       |             |                       |             |
| 95780-10300           | 16 - 9      | 97595-06550           | 7 - 35      |                       |             |                       |             |                       |             |                       |             |
| 95895-06010           | 19 - 4      | 97607-04310           | 18 - 32     |                       |             |                       |             |                       |             |                       |             |
| 97013-06014           | 7 - 10      | 97880-06018           | 9 - 15      |                       |             |                       |             |                       |             |                       |             |
| 97013-06016           | 2 - 28      | 97880-06020           | 10 - 16     |                       |             |                       |             |                       |             |                       |             |
| 97013-06050           | 5 - 15      | 97885-05012           | 9 - 6       |                       |             |                       |             |                       |             |                       |             |
| 97013-06055           | 10 - 7      | 97885-06012           | 15 - 11     |                       |             |                       |             |                       |             |                       |             |
| 97013-06070           | 9 - 11      | 97885-06016           | 16 - 4      |                       |             |                       |             |                       |             |                       |             |
| 97013-08030           | 14 - 47     |                       | 16 - 29     |                       |             |                       |             |                       |             |                       |             |
| 97075-08035           | 13 - 27     | 97980-05108           | 6 - 27      |                       |             |                       |             |                       |             |                       |             |
| 97075-10045           | 21 - 5      | 97980-05116           | 6 - 25      |                       |             |                       |             |                       |             |                       |             |
| 97090-06012           | 13 - 15     | 97980-05216           | 5 - 4       |                       |             |                       |             |                       |             |                       |             |
| 97095-06010           | 15 - 7      | 97985-06210           | 9 - 17      |                       |             |                       |             |                       |             |                       |             |
|                       | 15 - 28     | 98580-03015           | 24 - 38     |                       |             |                       |             |                       |             |                       |             |
| 97095-06012           | 1 - 7       | 98580-04006           | 24 - 36     |                       |             |                       |             |                       |             |                       |             |
|                       | 10 - 9      | 98580-04010           | 24 - 35     |                       |             |                       |             |                       |             |                       |             |
|                       | 10 - 13     | 98580-05010           | 24 - 37     |                       |             |                       |             |                       |             |                       |             |
|                       | 10 - 29     | 98780-04015           | 2 - 25      |                       |             |                       |             |                       |             |                       |             |
|                       | 11 - 13     | 99001-08600           | 20 - 24     |                       |             |                       |             |                       |             |                       |             |
|                       | 11 - 24     |                       |             |                       |             |                       |             |                       |             |                       |             |
|                       | 11 - 33     |                       |             |                       |             |                       |             |                       |             |                       |             |
|                       | 11 - 52     |                       |             |                       |             |                       |             |                       |             |                       |             |
|                       | 12 - 27     |                       |             |                       |             |                       |             |                       |             |                       |             |
| 97095-06016           | 11 - 27     |                       |             |                       |             |                       |             |                       |             |                       |             |
|                       | 11 - 42     |                       |             |                       |             |                       |             |                       |             |                       |             |
|                       | 13 - 22     |                       |             |                       |             |                       |             |                       |             |                       |             |
| 97095-06020           | 11 - 3      |                       |             |                       |             |                       |             |                       |             |                       |             |
|                       | 11 - 16     |                       |             |                       |             |                       |             |                       |             |                       |             |
|                       | 11 - 49     |                       |             |                       |             |                       |             |                       |             |                       |             |
|                       | 13 - 31     |                       |             |                       |             |                       |             |                       |             |                       |             |
|                       | 13 - 34     |                       |             |                       |             |                       |             |                       |             |                       |             |
|                       | 13 - 38     |                       |             |                       |             |                       |             |                       |             |                       |             |
| 97095-06025           | 14 - 37     |                       |             |                       |             |                       |             |                       |             |                       |             |
| 97095-06030           | 15 - 4      |                       |             |                       |             |                       |             |                       |             |                       |             |
| 97095-06040           | 13 - 8      |                       |             |                       |             |                       |             |                       |             |                       |             |
| 97095-08016           | 12 - 24     |                       |             |                       |             |                       |             |                       |             |                       |             |
| 97095-08020           | 14 - 5      |                       |             |                       |             |                       |             |                       |             |                       |             |
|                       | 15 - 16     |                       |             |                       |             |                       |             |                       |             |                       |             |