



**PARTS
CATALOGUE
CATALOGO
DE REPUESTOS**

E60JMHD'11 (64S9)

E65AMHD'11 (65S9)

E75BMHD'11 (692M)



2011/5/25

1K692-200S1

()

| NEWS NO. | DATE | COMMENT |
|---------------|-------------|---------------------------------------|
| PE0-OM-110028 | May,16,2011 | MOD:FIG.13 LIST/ILLUSTRATION REVISION |

E60JMHD
E65AMHD/E75BMHD
PARTS CATALOGUE
©2010 by Yamaha Motor Co., Ltd.
1st edition, September 2010
All rights reserved.
Any reprinting or unauthorized use
without the written permission of
Yamaha Motor Co., Ltd.
is expressly prohibited.
Printed in Japan.

E60JMHD
E65AMHD/E75BMHD
CATALOGO DE REPUESTOS
©2010 por Yamaha Motor Co., Ltd.
1ª edición, septiembre 2010
Todos los derechos reservados.
Toda reproducción o uso no autorizado
sin el consentimiento escrito de
Yamaha Motor Co., Ltd.
quedan expresamente prohibidos
Impreso en Japón.

FOREWORD

This Parts Catalogue is related to the parts for the model(s) on the cover page. When you are ordering replacement parts, please refer to this Parts Catalogue and quote both part numbers and part names correctly.

1. Modifications or additions which have been made after the issue of the Parts Catalogue will be announced in the Parts News.
It is advisable that you make the necessary corrections to the Parts Catalogue according to the Parts News.

2. Abbreviations

The following abbreviations are used in this Parts Catalogue.

“UR” Use specified parts number.

“UN” Use as many as needed.

“AP” Alternate Parts

“LM” Locally Made (Parts need to be ordered locally)

“F#” Frame No. (Applicable machine No.)

“O/S” Over Size

3. The number of components for assembly

- Parts, which are to be supplied in an assembly, are listed with a dot (.) in front of the part name as shown below.
- The numeral appearing to the right of each component part indicates the quantity of parts for each assembly unit.

| PART NO. | DESCRIPTION | Q'TY | REMARKS |
|--------------|--------------------------|------|---------|
| 2F5-83310-60 | FRONT FLASHER LIGHT ASSY | 2 | |
| 115-83311-60 | .BULB (6V-18W) | 1 | |

4. Applicable colours of graphics are represented in the “REMARKS” as shown below.

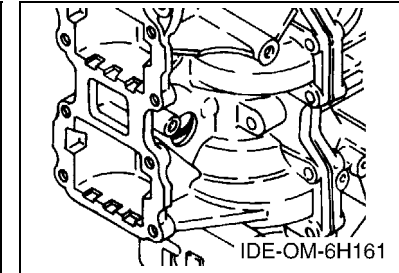
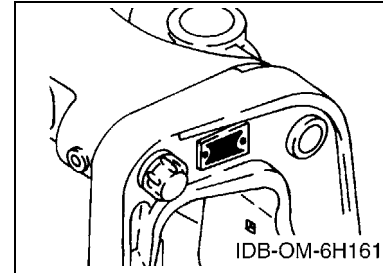
| PART NO. | DESCRIPTION | Q'TY | REMARKS |
|-----------------|---------------------|------|---------|
| 2N4-24110-00-X5 | FUEL TANK COMP. | 2 | MXR |
| 3J1-24240-10 | .GRAPHIC, FUEL TANK | 1 | FOR MXR |

5. Note that the illustrations for reference in finding parts numbers are not to be used for assembling. When assembling, please use the applicable service manual.

6. The asterisk (*) before a reference number indicates modified items after the first edition.

7. Applicable Serial No.

Engine Serial No.



8. Applicable Engine Starting Serial No.

| Model | Serial No. | Model | Serial No. |
|-------|-------------|-------|-------------|
| E60J | 64S-1000517 | E65A | 65S-1000657 |
| E75B | 692-1050658 | | |
| | | | |
| | | | |

9. Applicable Colour Code

| Abbreviation | Colour Name | Colour Code |
|--------------|--------------------|-------------|
| DBN1 | DARK BLUISH GRAY 1 | 008D |

10. Quantity Column Information

| Column No. | Name Of Q'ty Column | Applicable Model |
|------------|---------------------|------------------|
| 1 | 64S9 | E60JMHD |
| 2 | 65S9 | E65AMHD |
| 3 | 692M | E75BMHD |
| | | |
| | | |

PROLOGO

Este catálogo de repuestos corresponde a las piezas para el o los modelos que figuran en la página de portada. Al formular el pedido de repuestos, se ruega citar este catálogo y especificar correctamente el número y el nombre de las piezas.

- Las modificaciones y agregados que se hayan realizado después de la edición de este Catálogo de Repuestos, serán anunciados en las Informaciones de Recambios. Es recomendable que se hagan las correcciones necesarias en el Catálogo de Repuestos de acuerdo con las Informaciones de Recambios.

2. Abreviaciones

En este. Catálogo de Repuestos se emplean las siguientes abreviaciones.

“UR” Usar el número de partes especificado

“UN” Usar la cantidad necesaria

“AP” Piezas sustitutivas

“LM” Fabricación local (Hay que pedir los repuestos en las cercanías)

“F#” N° de bastidor (N° aplicable a la máquina)

“O/S” Sobredimensionado

3. La cantidad de componentes para el montaje

- Los componentes, suministrados como conjunto, se describen con un punto (.) que precede al nombre del parte como se indica a continuación.
- La numeración que aparece a la derecha de cada descripción indica la cantidad de partes por cada unidad de conjunto.

| CODIGO N° | DESCRIPCION | CANT. | OBSERVACIONES |
|--------------|----------------------|-------|---------------|
| 2F5-83310-60 | ENSAMBLAJE DE LA LUZ | 2 | |
| 115-83311-60 | .BOMBILLA (6V-18W) | 1 | |

4. Los colores de los componentes se indican como sigue en la columna de “OBSERVACIONES”.

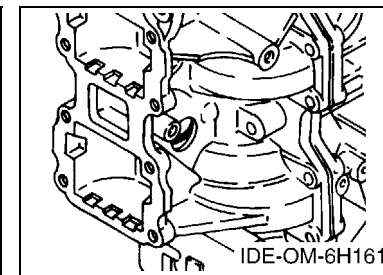
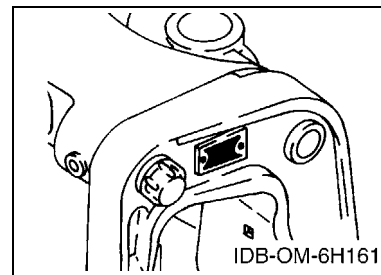
| CODIGO N° | DESCRIPCION | CANT. | OBSERVACIONES |
|-----------------|----------------------|-------|---------------|
| 2N4-24110-00-X5 | COMP. DEL TANQUE | 2 | MXR |
| 3J1-24240-10 | .GRAFICO, DEL TANQUE | 1 | PARA MXR |

- Debe tenerse en cuenta que las ilustraciones sirven como guía para la búsqueda de los números de partes y no deben usarse para el montaje. Durante el montaje, se recomienda usar el manual de taller correspondiente.

- EL asterisco (*) antes del número de referencia indica los elementos modificados después de la primera edición.

7. Números de serie

N° de Serie del motor



8. Números de serie del motor

| Modelo | N° de serie | Modelo | N° de serie |
|--------|-------------|--------|-------------|
| E60J | 64S-1000517 | E65A | 65S-1000657 |
| E75B | 692-1050658 | | |
| | | | |
| | | | |

9. Códigos de color aplicables

| Abreviatura | Nombre de color | Código de color |
|-------------|--------------------|-----------------|
| DBN1 | DARK BLUISH GRAY 1 | 008D |

10. Información para la columna de cantidades

| Columna N° | Nombre de la columna de cantidades | Modelo aplicable |
|------------|------------------------------------|------------------|
| 1 | 64S9 | E60JMHD |
| 2 | 65S9 | E65AMHD |
| 3 | 692M | E75BMHD |
| | | |
| | | |

CONTENTS

| | |
|------------------------------|----|
| TOP COWLING | 1 |
| CYLINDER & CRANKCASE | 2 |
| CRANKSHAFT & PISTON | 4 |
| INTAKE | 6 |
| CARBURETOR | 8 |
| FUEL | 10 |
| STARTER | 12 |
| GENERATOR | 15 |
| ELECTRICAL | 16 |
| BOTTOM COWLING | 18 |
| STEERING | 20 |
| CONTROL | 23 |
| BRACKET 1 | 26 |
| BRACKET 2 | 28 |
| BRACKET 3 | 29 |
| UPPER CASING | 31 |
| LOWER CASING & DRIVE 1 | 33 |
| LOWER CASING & DRIVE 2 | 37 |
| LOWER CASING & DRIVE 3 | 41 |
| FUEL TANK | 43 |
| OPTIONAL PARTS | 44 |
| REPAIR KIT 1 | 45 |
| REPAIR KIT 2 | 47 |

INDEX

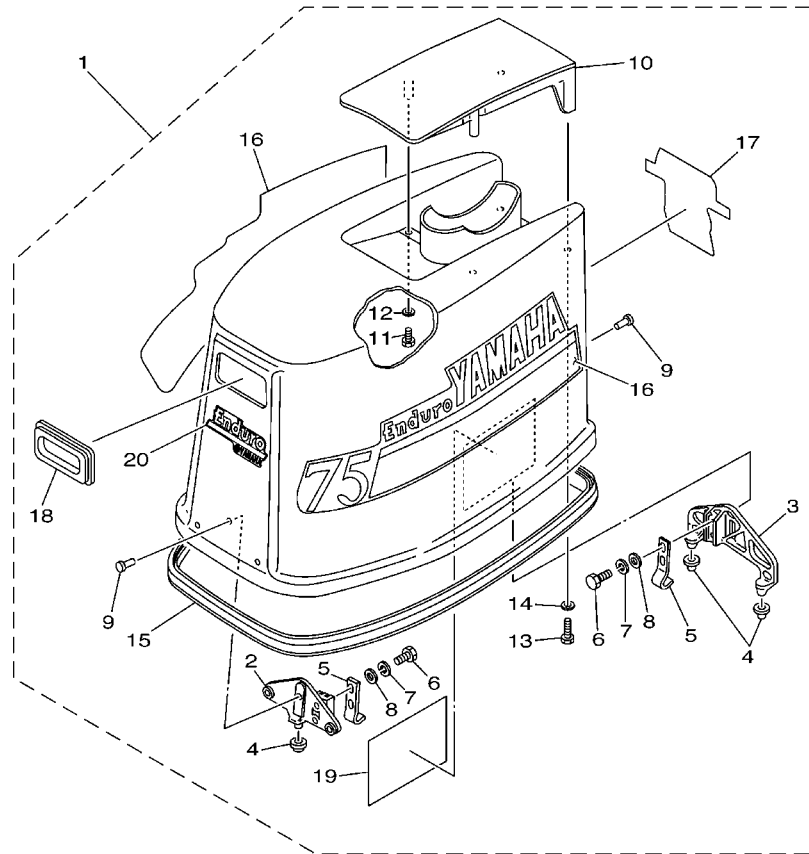
| | |
|-----------------------|----|
| NUMERICAL INDEX | 49 |
|-----------------------|----|

CONTENIDO

| | |
|-------------------------------|----|
| SOPORTE SUPERIOR | 1 |
| CYLINDRO & CARTER | 2 |
| CIGUENAL & PISTON | 4 |
| ADMISION | 6 |
| CARBURADOR | 8 |
| COMBUSTIBLE | 10 |
| ARRANQUE | 12 |
| GENERADOR | 15 |
| ELECTRICO | 16 |
| CUBIERTA INFERIOR | 18 |
| DIRECCION | 20 |
| CONTROL | 23 |
| SOPORTE 1 | 26 |
| SOPORTE 2 | 28 |
| SOPORTE 3 | 29 |
| FUNDA SUPERIOR | 31 |
| IMPULSOR E INFERIOR 1 | 33 |
| IMPULSOR E INFERIOR 2 | 37 |
| IMPULSOR E INFERIOR 3 | 41 |
| DEPOSITO DE COMBUSTIBLE | 43 |
| PARTES OPCIONALES | 44 |
| ESTUCHE REPARATION 1 | 45 |
| ESTUCHE REPARATION 2 | 47 |

INDICE

| | |
|-----------------------|----|
| INDICE NUMERICO | 49 |
|-----------------------|----|



6923200-2010

FIG. 1 TOP COWLING

SOPORTE SUPERIOR

| REF. NO. | PART NO. CODIGO Nº | DESCRIPTION DESCRIPCION | 64S9 | 65S9 | 692M | REMARKS OBSERVACIONES |
|----------|--------------------|---|------|------|------|-----------------------|
| 1 | 692-42610-F0 | TOP COWLING ASSY SOPORTE SUPERIOR COMPL. | 1 | | | |
| | 692-42610-K0 | TOP COWLING ASSY SOPORTE SUPERIOR COMPL. | | 1 | | |
| | 692-42610-L0 | TOP COWLING ASSY SOPORTE SUPERIOR COMPL. | | | 1 | |
| 2 | 688-42647-00 | .HOLDER, CLAMP BAND .MORDAZA DE ABRAZADERA | 1 | 1 | 1 | |
| 3 | 692-42649-00 | .HOLDER, CLAMP BAND .MORDAZA DE ABRAZADERA | 1 | 1 | 1 | |
| 4 | 663-42662-00 | .DAMPER .AMORTIGUADOR | 3 | 3 | 3 | |
| 5 | 688-42652-10 | .HOOK .GANCHO | 2 | 2 | 2 | |
| 6 | 97095-06018 | .BOLT .PERNO | 2 | 2 | 2 | |
| 7 | 92995-06100 | .WASHER, SPRING .ARANDELA | 2 | 2 | 2 | |
| 8 | 92995-06600 | .WASHER .ARANDELA | 2 | 2 | 2 | |
| 9 | 90266-06009 | .RIVET .REMACHE | 6 | 6 | 6 | |
| 10 | 692-42613-01-8D | .MOLDING, AIR DUCT .MOLDURA CONDUCTO AIRE | 1 | 1 | 1 | |
| 11 | 97095-06016 | .BOLT .PERNO | 2 | 2 | 2 | |
| 12 | 92995-06600 | .WASHER .ARANDELA | 2 | 2 | 2 | |
| 13 | 97095-06020 | .BOLT .PERNO | 2 | 2 | 2 | |
| 14 | 92995-06600 | .WASHER .ARANDELA | 2 | 2 | 2 | |
| 15 | 688-42615-00 | .SEAL .SELLO | 1 | 1 | 1 | |
| 16 | 692-W0070-J0 | .GRAPHIC SET JUEGO DE EMBLEMA | 1 | | | |
| | 692-W0070-W0 | .GRAPHIC SET JUEGO DE EMBLEMA | | 1 | | |
| | 692-W0070-H0 | .GRAPHIC SET JUEGO DE EMBLEMA | | | 1 | |
| 17 | 6K5-42678-H0 | .GRAPHIC, REAR .CALCAMONIA TRASERA | 1 | | | |
| | 692-42678-W0 | .GRAPHIC, REAR .CALCAMONIA TRASERA | | 1 | | |
| | 692-42678-H0 | .GRAPHIC, REAR .CALCAMONIA TRASERA | | | 1 | |
| 18 | 697-15761-01 | .SEAL, RUBBER 1 .SELLO DE GOMA 1 | 1 | 1 | 1 | |
| 19 | 677-13437-0B | .MARKER .MARKER | 1 | 1 | 1 | |
| 20 | 69P-42677-H0 | .GRAPHIC, FRONT .CALCAMONIA FRONTAL | 1 | 1 | 1 | ENDURO ENDURO |

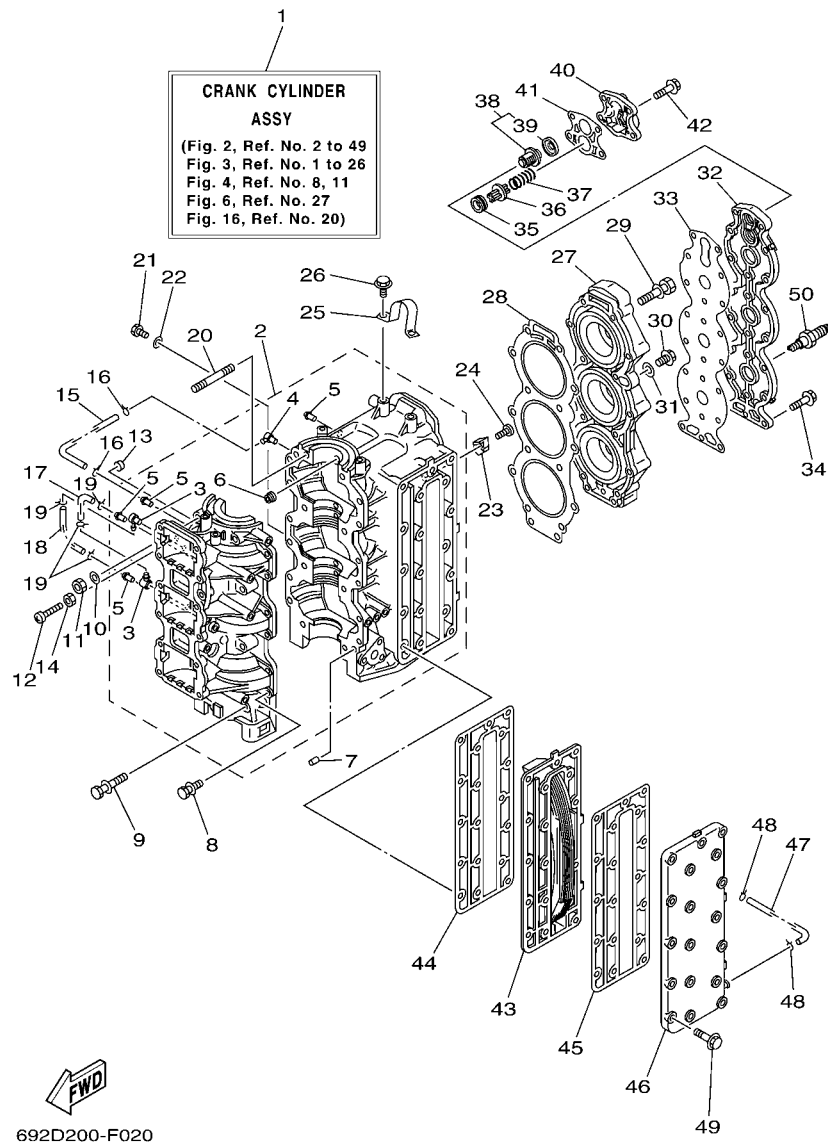


FIG. 2 CYLINDER & CRANKCASE **CYLINDRO & CARTER**

| REF. NO. | PART NO. CODIGO Nº | DESCRIPTION DESCRIPCION | 64S9 | 65S9 | 692M | REMARKS OBSERVACIONES |
|----------|--------------------|---|------|------|------|-----------------------|
| 1 | 692-W0090-45-1S | CRANK CYLINDER ASSY BLOQUE MOTOR COMPLETO | 1 | 1 | 1 | |
| 2 | 688-15100-07 | CRANKCASE ASSY CARTER COMPLETO | 1 | 1 | 1 | |
| 3 | 688-11370-01 | .CHECK VALVE ASSY .VALVULA DE CONTROL COMPL. | 2 | 2 | 2 | |
| 4 | 650-11370-01 | .CHECK VALVE ASSY .VALVULA DE CONTROL COMPL. | 1 | 1 | 1 | |
| 5 | 624-14485-00 | .PIPE, JOINT .TUBO DE UNION | 4 | 4 | 4 | |
| 6 | 663-11518-01 | .LOCK, BEARING .SEGURO BALERO | 3 | 3 | 3 | |
| 7 | 99530-08012 | PIN, DOWEL PASADOR, DE ESPIGA | 2 | 2 | 2 | |
| 8 | 90119-06M12 | BOLT, WITH WASHER TORNILLO CON ARANDELA | 12 | 12 | 12 | |
| 9 | 90119-10005 | BOLT, WITH WASHER TORNILLO CON ARANDELA | 6 | 6 | 6 | |
| 10 | 90201-10008 | WASHER, PLATE ARANDELA PLANA | 2 | 2 | 2 | |
| 11 | 95313-10600 | NUT TUERCA | 2 | 2 | 2 | |
| 12 | 90157-06014 | SCREW, PAN HEAD TORNILLO CABEZA CONICA PLANA | 1 | 1 | 1 | |
| 13 | 688-44194-00 | CAP TAPA | 1 | 1 | 1 | |
| 14 | 95303-06700 | NUT TUERCA | 1 | 1 | 1 | |
| 15 | 90445-07260 | HOSE (L276) TUBO (L276) | 1 | 1 | 1 | |
| 16 | 90467-06016 | CLIP PRESILLA | 2 | 2 | 2 | |
| 17 | 90445-07M00 | HOSE (L100) TUBO (L100) | 1 | 1 | 1 | |
| 18 | 90445-07M23 | HOSE (L408) TUBO (L408) | 1 | 1 | 1 | |
| 19 | 90467-06016 | CLIP PRESILLA | 4 | 4 | 4 | |
| 20 | 90116-10M06 | BOLT, STUD ESPARRAGO | 2 | 2 | 2 | |
| 21 | 97095-06012 | BOLT PERNO | 1 | 1 | 1 | |
| 22 | 92995-06100 | WASHER, SPRING ARANDELA | 1 | 1 | 1 | |
| 23 | 688-11325-00 | ANODE ANODO | 2 | 2 | 2 | |
| 24 | 98780-04015 | SCREW, FLAT HEAD TORNILLO CABEZA PLANA | 2 | 2 | 2 | |
| 25 | 692-11119-01 | HANGER, ENGINE SOPORTE DEL MOTOR | 1 | 1 | 1 | |
| 26 | 90119-08MA3 | BOLT, WITH WASHER TORNILLO CON ARANDELA | 2 | 2 | 2 | |
| 27 | 692-11111-01-1S | HEAD, CYLINDER 1 CULATA CILINDRO 1 | 1 | 1 | 1 | |

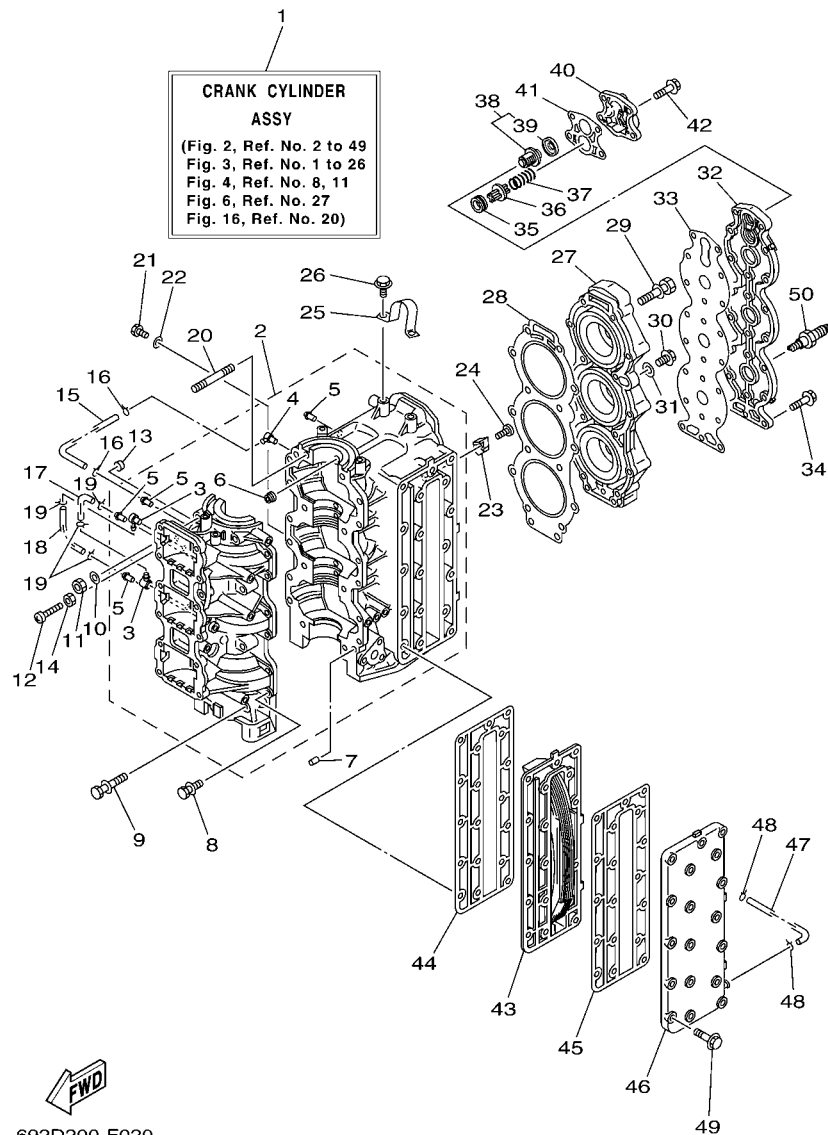
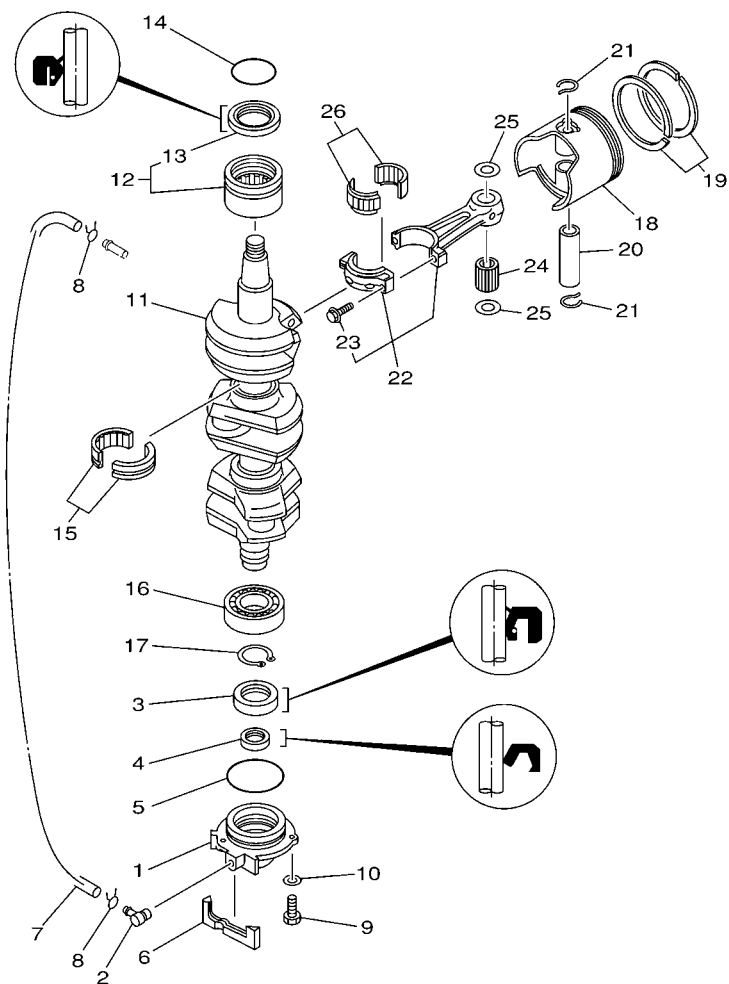


FIG. 2 CYLINDER & CRANKCASE **CYLINDRO & CARTER**

| REF. NO. | PART NO. CODIGO Nº | DESCRIPTION DESCRIPCION | 64S9 | 65S9 | 692M | REMARKS OBSERVACIONES |
|----------|--------------------|--|------|------|------|--------------------------------------|
| 28 | 688-11181-A2 | GASKET, CYLINDER HEAD 1 JUNTA, DE CULATA 1 | 1 | 1 | 1 | |
| 29 | 90119-08MA8 | BOLT, WITH WASHER TORNILLO CON ARANDELA | 14 | 14 | 14 | |
| 30 | 90340-14M00 | PLUG, STRAIGHT SCREW TORNILLO, DE DRENAJE | 1 | 1 | 1 | |
| 31 | 90430-14115 | GASKET JUNTA | 1 | 1 | 1 | |
| 32 | 688-11191-00-1S | COVER, CYLINDER HEAD 1 TAPA CULATA DE CILINDRO 1 | 1 | 1 | 1 | |
| 33 | 688-11193-A1 | GASKET, HEAD COVER 1 EMPAQUE | 1 | 1 | 1 | |
| 34 | 90119-06MA3 | BOLT, WITH WASHER TORNILLO CON ARANDELA | 18 | 18 | 18 | |
| 35 | 90480-20M05 | GROMMET TAPON | 1 | 1 | 1 | |
| 36 | 688-12416-00 | VALVE, PRESSURE CONTROL VALVULA DE CONTROL DE PRESION | 1 | 1 | 1 | |
| 37 | 90501-16M11 | SPRING, COMPRESSION RESORTE DE COMPRESION | 1 | 1 | 1 | |
| 38 | 688-12411-11 | THERMOSTAT TERMOSTAT | 1 | 1 | 1 | |
| 39 | 688-12412-00 | .SEAL, THERMOSTAT .SELLO TERMOSTATO | 1 | 1 | 1 | |
| 40 | 688-12413-00-1S | COVER, THERMOSTAT CUBIERTA TERMOSTATO | 1 | 1 | 1 | |
| 41 | 688-12414-A1 | GASKET, COVER EMPAQUE | 1 | 1 | 1 | |
| 42 | 90119-06MA5 | BOLT, WITH WASHER TORNILLO CON ARANDELA | 4 | 4 | 4 | |
| 43 | 688-41111-00-1S | INNER COVER, EXHAUST CUBIERTA INTERIOR DE ESCAPE | 1 | 1 | 1 | |
| 44 | 688-41112-A0 | GASKET, EXHAUST INNER COVER EMPAQUE | 1 | 1 | 1 | |
| 45 | 688-41114-A0 | GASKET, EXHAUST OUTER COVER EMPAQUE | 1 | 1 | 1 | |
| 46 | 688-41113-00-1S | OUTER COVER, EXHAUST CUBOERTA EXTERIOR DE ESCAPE | 1 | 1 | 1 | |
| 47 | 663-24312-01 | PIPE 2 TUBO 2 | 1 | 1 | 1 | |
| 48 | 90467-08004 | CLIP PRESILLA | 2 | 2 | 2 | |
| 49 | 90119-08020 | BOLT, WITH WASHER TORNILLO CON ARANDELA | 18 | 18 | 18 | |
| 50 | 94702-00160 | PLUG, SPARK (NGK B8HS-10) BUJIA (NGK B8HS-10) | 3 | 3 | 3 | |
| | 94702-00247 | PLUG, SPARK (NGK BR8HS-10) BUJIA (NGK BR8HS-10) | | 3 | 3 | E75B-FOR CAR(CE) E75B-FOR CAR(CE) |

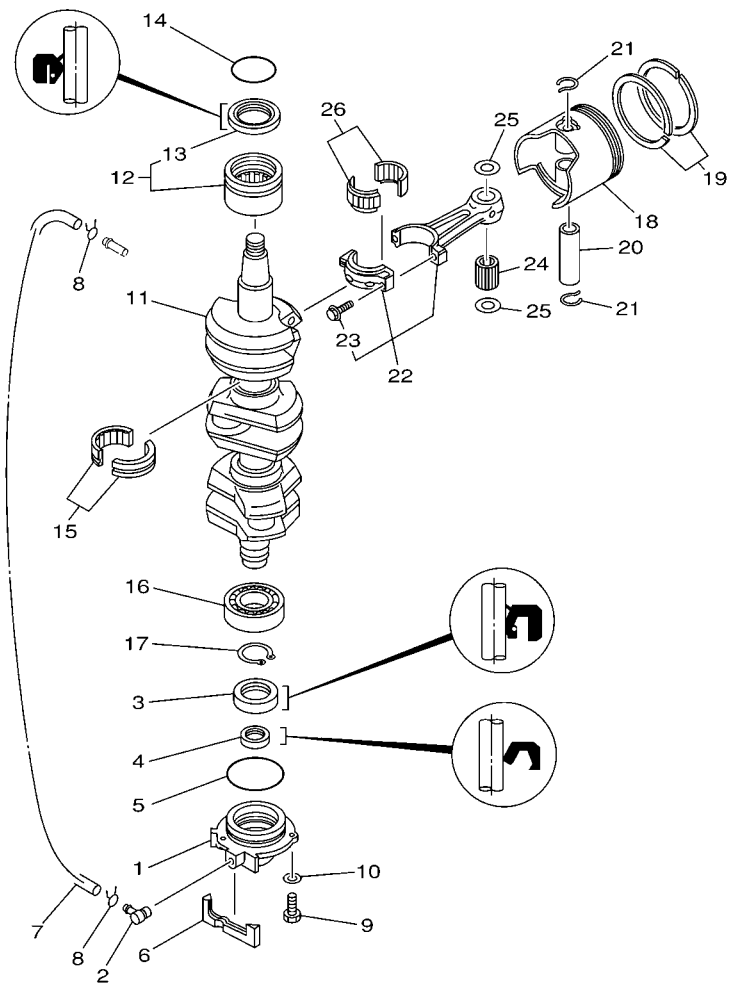
FIG. 3 CRANKSHAFT & PISTON

CIGUENAL & PISTON



FWD
6H10010-0030

| REF. NO. | PART NO. CODIGO Nº | DESCRIPTION DESCRIPCION | 64S9 | 65S9 | 662M | REMARKS OBSERVACIONES |
|----------|--------------------|---|------|------|------|-----------------------|
| 1 | 6H1-15359-01-94 | HOUSING, OIL SEAL CAJA DE SELLO DE ACEITE | 1 | 1 | 1 | |
| 2 | 688-11370-01 | CHECK VALVE ASSY VALVULA DE CONTROL COMPL. | 1 | 1 | 1 | |
| 3 | 93102-30M05 | OIL SEAL SELLO ACEITE | 1 | 1 | 1 | |
| 4 | 93104-20M02 | OIL SEAL SELLO ACEITE | 1 | 1 | 1 | |
| 5 | 93210-62269 | O-RING ANILLO O | 1 | 1 | 1 | |
| 6 | 688-15379-00 | SEAL, CRANKCASE SELLO DE CARTER | 1 | 1 | 1 | |
| 7 | 90445-07M86 | HOSE (L460) TUBO (L460) | 1 | 1 | 1 | |
| 8 | 90467-06016 | CLIP PRESILLA | 2 | 2 | 2 | |
| 9 | 97095-06020 | BOLT PERNO | 3 | 3 | 3 | |
| 10 | 92995-06600 | WASHER ARANDELA | 3 | 3 | 3 | |
| 11 | 688-11411-01 | CRANKSHAFT CIGUENAL | 1 | 1 | 1 | |
| 12 | 93310-636U4 | BEARING COJINETE DE RODILLOS | 1 | 1 | 1 | |
| 13 | 93102-36M02 | OIL SEAL SELLO ACEITE | 1 | 1 | 1 | |
| 14 | 93210-46M16 | O-RING ANILLO O | 1 | 1 | 1 | |
| 15 | 93310-835U8 | BEARING COJINETE DE RODILLOS | 2 | 2 | 2 | |
| 16 | 93306-206U5 | BEARING COJINETE | 1 | 1 | 1 | |
| 17 | 93410-32M00 | CIRCLIP SEGURO | 1 | 1 | 1 | |
| 18 | 688-11631-03-94 | PISTON (STD) PISTON (NORMA) | 3 | 3 | 3 | |
| | 688-11635-03 | PISTON (0.25MM O/S) PISTON (0.25MM O/S) | 3 | 3 | 3 | AP AP |
| | 688-11636-03 | PISTON (0.50MM O/S) PISTON (0.50MM O/S) | 3 | 3 | 3 | AP AP |
| 19 | 688-11603-A0 | PISTON RING SET (STD) JUEGO DE ANILLOS (NORMA) | 3 | 3 | 3 | |
| | 688-11604-A0 | PISTON RING SET (0.25MM O/S) JUEGO DE ANILLOS (0.25MM O/S) | 3 | 3 | 3 | AP AP |
| | 688-11605-A0 | PISTON RING SET (0.50MM O/S) JUEGO DE ANILLOS (0.50MM O/S) | 3 | 3 | 3 | AP AP |
| 20 | 663-11633-00 | PIN, PISTON PASADOR, PISTON | 3 | 3 | 3 | |
| 21 | 688-11634-00 | CLIP, PISTON PIN PRESILLA, BULON DE PISTON | 6 | 6 | 6 | |
| 22 | 688-11650-03 | CONNECTING ROD ASSY BIELA COMPLETA | 3 | 3 | 3 | |
| 23 | 90109-08022 | BOLT PERNO | 2 | 2 | 2 | |



FWD
6H10010-0030

FIG. 3 CRANKSHAFT & PISTON

CIGUENAL & PISTON

| REF. NO. | PART NO. CODIGO Nº | DESCRIPTION DESCRIPCION | 64S9 | 65S9 | 692M | REMARKS OBSERVACIONES |
|----------|--------------------|----------------------------------|------|------|------|-----------------------|
| 24 | 93603-21111 | PIN, DOWEL PASADOR DE CLAVIJA | 84 | 84 | 84 | |
| 25 | 90201-20417 | WASHER, PLATE ARANDELA PLANA | 6 | 6 | 6 | |
| 26 | 93310-730V8 | BEARING COJINETE DE RODILLOS | 3 | 3 | 3 | |
| ----- | | | | | | |
| ----- | | | | | | |
| ----- | | | | | | |
| ----- | | | | | | |
| ----- | | | | | | |
| ----- | | | | | | |
| ----- | | | | | | |
| ----- | | | | | | |
| ----- | | | | | | |
| ----- | | | | | | |

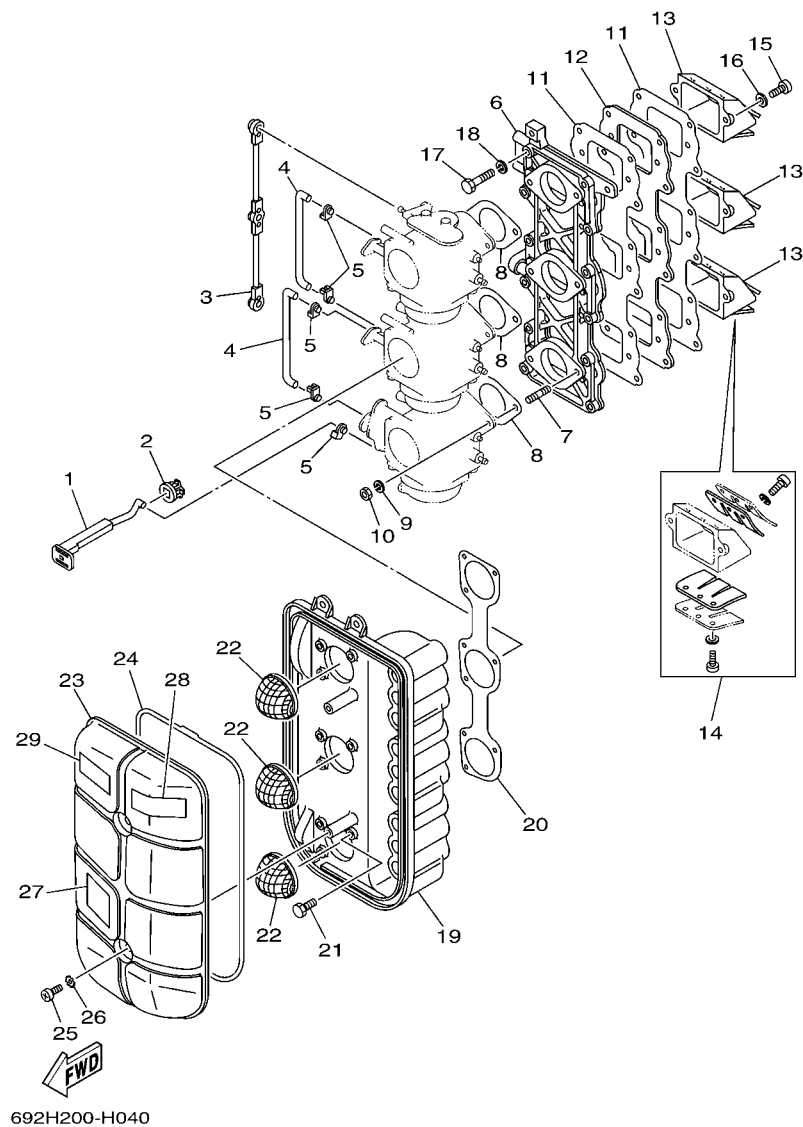
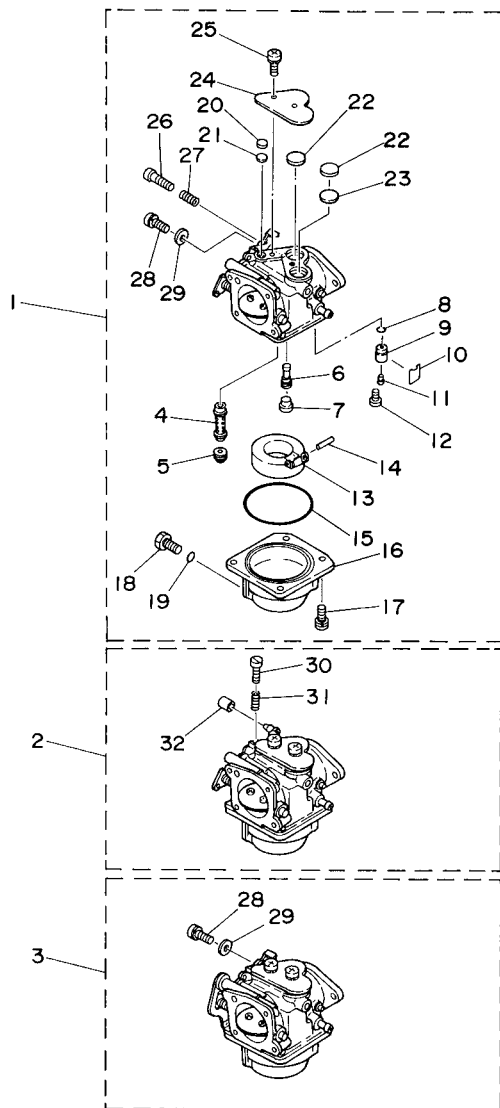


FIG. 4 INTAKE

ADMISION

| REF. NO. | PART NO. CODIGO N° | DESCRIPTION DESCRIPCION | 64S9 | 65S9 | 692M | REMARKS OBSERVACIONES |
|----------|--------------------|--|------|------|------|-----------------------|
| 1 | 692-41256-01 | ROD, CHOKE 1 VARILLA DE AHOGADOR | 1 | 1 | 1 | |
| 2 | 689-41273-00 | GROMMET | 1 | 1 | 1 | |
| 3 | 688-41217-01 | ROD, ACCEL. LEVER VARILLA PALANCA ACELERADOR | 1 | 1 | 1 | |
| 4 | 688-41257-01 | ROD, CHOKE 2 VARILLA DE AHOGADOR | 2 | 2 | 2 | |
| 5 | 661-41262-02 | JOINT, CHOKE LEVER CONECTOR DE AHOGADOR | 5 | 5 | 5 | |
| 6 | 688-13641-00-94 | MANIFOLD 1 MULTIPLE 1 | 1 | 1 | 1 | |
| 7 | 90116-06122 | BOLT, STUD ESPARRAGO | 6 | 6 | 6 | |
| 8 | 688-14198-A2 | GASKET EMPAQUE | 3 | 3 | 3 | |
| 9 | 92995-06100 | WASHER, SPRING ARANDELA | 6 | 6 | 6 | |
| 10 | 95380-06600 | NUT, HEXAGON TUERCA | 6 | 6 | 6 | |
| 11 | 688-13621-A1 | GASKET, VALVE SEAT JUNTA, DE VALV.DE EMPAQUE | 2 | 2 | 2 | |
| 12 | 688-13624-00 | PLATE, REED VALVE PLACA DE VALVULA DE LAMINAS | 1 | 1 | 1 | |
| 13 | 688-13610-00 | REED VALVE ASSY VALVULA DE LAMINAS COMPLETA | 3 | 3 | 3 | |
| 14 | 688-W0004-00 | .REED SET .JUEGO DE VALVULAS DE LENGUETA | 1 | 1 | 1 | |
| 15 | 97880-05020 | SCREW, PAN HEAD TORNILLO DE CABEZA CON PLANA | 6 | 6 | 6 | |
| 16 | 92990-05100 | WASHER, SPRING ARANDELA PLANA | 6 | 6 | 6 | |
| 17 | 97013-06030 | BOLT PERNO | 12 | 12 | 12 | |
| 18 | 92903-06100 | WASHER, SPRING RONDANA SENCILLA | 12 | 12 | 12 | |
| 19 | 688-14417-01-94 | COVER 1 CUBIERTA 1 | 1 | 1 | 1 | |
| 20 | 688-14483-A0 | GASKET EMPAQUE | 1 | 1 | 1 | |
| 21 | 97013-06018 | BOLT PERNO | 6 | 6 | 6 | |
| 22 | 688-14481-00 | CAP, CARBURETOR TAPA DE CARBURADOR | 3 | 3 | 3 | |
| 23 | 688-14418-01 | COVER 2 CUBIERTA 2 | 1 | 1 | 1 | |
| 24 | 688-14416-01 | GASKET, AIR CLEANER EMPAQUE | 1 | 1 | 1 | |
| 25 | 97885-06016 | SCREW, PAN HEAD TORNILLO A MUESCA | 2 | 2 | 2 | |
| 26 | 90209-06M05 | WASHER ARANDELA DE SEPARACION | 2 | 2 | 2 | |
| 27 | 6H1-14488-00 | LABEL, CAUTION ETIQUETA PRECAUCION | 1 | 1 | 1 | |

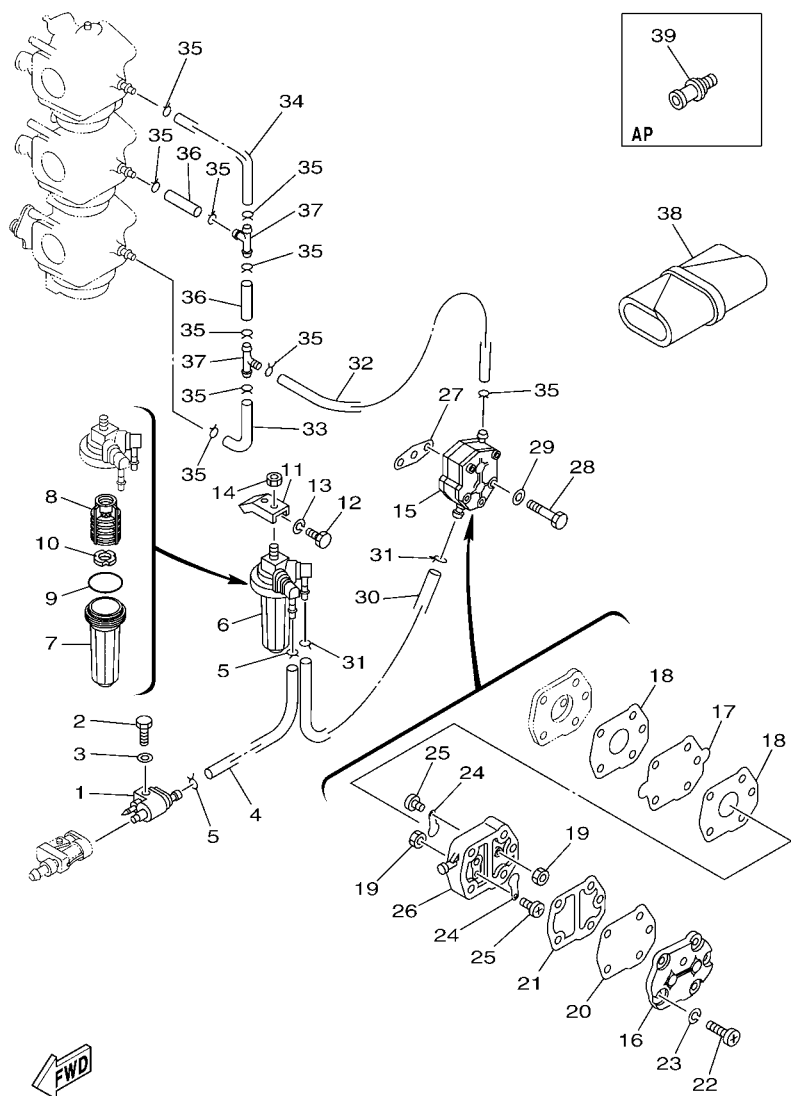



6880010-4050

FIG. 5 CARBURETOR

CARBURADOR

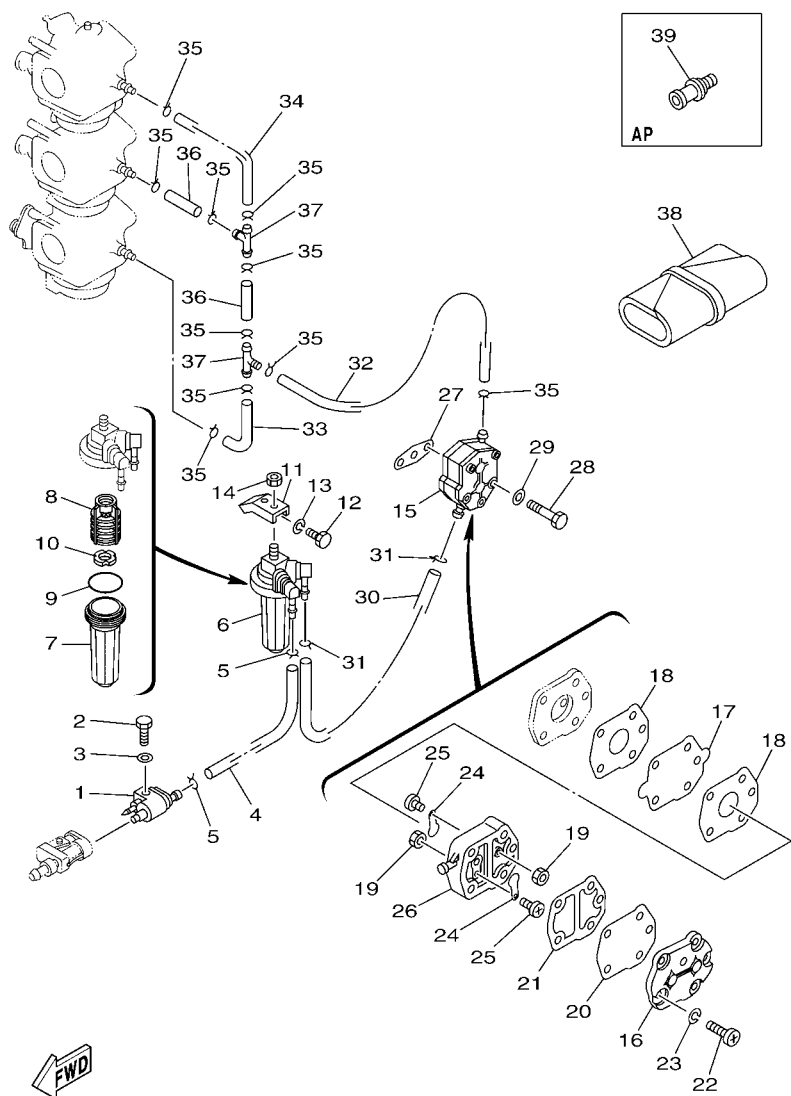
| REF. NO. | PART NO. CODIGO Nº | DESCRIPTION DESCRIPCION | 64S9 | 65S9 | 662M | REMARKS OBSERVACIONES |
|----------|--------------------|---|------|------|------|-----------------------|
| 1 | 692-14301-45 | CARBURETOR ASSY 1 CARBURADOR COMPLETO 1 | 1 | 1 | 1 | |
| 2 | 692-14302-45 | CARBURETOR ASSY 2 CARBURADOR COMPLETO 2 | 1 | 1 | 1 | |
| 3 | 692-14303-45 | CARBURETOR ASSY 3 CARBURADOR COMPLETO 3 | 1 | 1 | 1 | |
| 4 | 692-14947-00 | .JET, NEEDLE .INYECTOR DE AGUJA | 3 | 3 | 3 | |
| 5 | 676-14943-41 | .JET, MAIN (#170) .INYECTOR PRINCIPAL (#170) | 3 | 3 | 3 | |
| 6 | 676-14948-18 | .JET (#78) .INYECTOR (#78) | 3 | 3 | 3 | |
| 7 | 676-14966-00 | .CAP .TAPA | 3 | 3 | 3 | |
| 8 | 93210-04228 | .O-RING .ANILLO O | 3 | 3 | 3 | |
| 9 | 692-14590-01 | .NEEDLE VALVE ASSY .VALVULA DE AGUJA COMPLETA | 3 | 3 | 3 | |
| 10 | 663-14159-00 | .CLIP .PRESILLA | 3 | 3 | 3 | |
| 11 | 676-14186-00 | .PIN, FLOAT .PASADOR DE LA BOYA | 3 | 3 | 3 | |
| 12 | 98580-04008 | .SCREW, PAN HEAD .TORNILLO DE CABEZA CRUZADA | 3 | 3 | 3 | |
| 13 | 676-14985-01 | .FLOAT .BOIA | 3 | 3 | 3 | |
| 14 | 688-14548-00 | .PIN, FLOAT ARM .PASADOR DE BRAZO DE BOIA | 3 | 3 | 3 | |
| 15 | 676-14984-00 | .GASKET, FLOAT CHAMBER .EMPAQUE CAMARA DE BOIA | 3 | 3 | 3 | |
| 16 | 688-14980-00 | .BODY, FLOAT CHAMBER .CUERPO CAMARA DE BOIA | 3 | 3 | 3 | |
| 17 | 97980-04114 | .SCREW, WITH WASHER .TORNILLO, CON ARANDELA | 12 | 12 | 12 | |
| 18 | 6H3-14992-00 | .SCREW, DRAIN .TORNILLO, SEGURO | 3 | 3 | 3 | |
| 19 | 93210-04230 | .O-RING .ANILLO O | 3 | 3 | 3 | |
| 20 | 663-14126-00 | .GASKET .EMPAQUE | 3 | 3 | 3 | |
| 21 | 663-14527-00 | .PLATE .PLACA | 3 | 3 | 3 | |
| 22 | 688-14126-00 | .GASKET .EMPAQUE | 6 | 6 | 6 | |
| 23 | 688-14527-00 | .PLATE .PLACA | 3 | 3 | 3 | |
| 24 | 688-14572-01 | .PLATE, STAY .PLACA DE SOPORTE | 3 | 3 | 3 | |
| 25 | 97980-05310 | .SCREW, WITH WASHER .TORNILLO, CON ARANDELA | 6 | 6 | 6 | |
| 26 | 692-14923-00 | .SCREW, PILOT .TORNILLO DE AJUSTE | 3 | 3 | 3 | |
| 27 | 679-14555-00 | .SPRING .RESORTE | 3 | 3 | 3 | |



692M200-K060

FIG. 6 FUEL COMBUSTIBLE

| REF. NO. | PART NO. CODIGO N° | DESCRIPTION DESCRIPCION | 64S9 | 65S9 | 662M | REMARKS OBSERVACIONES |
|----------|--------------------|--|------|------|------|-----------------------|
| 1 | 6G1-24304-02 | FUEL PIPE JOINT COMP. 1 CONECTOR MANGUERA COMBUST.1 | 1 | 1 | 1 | |
| 2 | 97095-06020 | BOLT PERNO | 1 | 1 | 1 | |
| 3 | 92995-06600 | WASHER ARANDELA | 1 | 1 | 1 | |
| 4 | 90445-09090 | HOSE (L185) TUBO (L185) | 1 | 1 | 1 | |
| 5 | 90467-08004 | CLIP PRESILLA | 2 | 2 | 2 | |
| 6 | 64J-24560-00 | FILTER ASSY FILTRO COMPLETO | 1 | 1 | 1 | |
| 7 | 68V-24521-01 | .CUP, FILTER .COPA DE FILTRO | 1 | 1 | 1 | |
| 8 | 61N-24563-00 | .ELEMENT, FILTER .ELEMENTO DEL FILTRO | 1 | 1 | 1 | |
| 9 | 93210-32738 | .O-RING .ANILLO O | 1 | 1 | 1 | |
| 10 | 68V-24469-01 | .FLOAT, WATER LEVEL .BOIA | 1 | 1 | 1 | |
| 11 | 648-24566-02 | BRACKET, FILTER SOPORTE DEL FILTRO | 1 | 1 | 1 | |
| 12 | 97013-06014 | BOLT PERNO | 1 | 1 | 1 | |
| 13 | 92903-06100 | WASHER, SPRING RONDANA SENCILLA | 1 | 1 | 1 | |
| 14 | 95380-08600 | NUT TUERCA | 1 | 1 | 1 | |
| 15 | 692-24410-00 | FUEL PUMP ASSY BOMBA DE COMBUSTIBLE COMPLETA | 1 | 1 | 1 | |
| 16 | 6A0-24413-00 | .BODY 2 .CUERPO 2 | 1 | 1 | 1 | |
| 17 | 692-24411-00 | .DIAPHRAGM .DIAFRAGMA | 1 | 1 | 1 | |
| 18 | 648-24434-01 | .GASKET, BODY .EMPAQUE | 2 | 2 | 2 | |
| 19 | 95380-03600 | .NUT .TUERCA | 2 | 2 | 2 | |
| 20 | 663-24411-00 | .DIAPHRAGM .DIAFRAGMA | 1 | 1 | 1 | |
| 21 | 648-24435-02 | .GASKET, BODY 2 .EMPAQUE | 1 | 1 | 1 | |
| 22 | 98503-05028 | .SCREW, PAN HEAD .TORNILLO DE CABEZA DE CONO ACH | 3 | 3 | 3 | |
| 23 | 92990-05100 | .WASHER, SPRING .ARANDELA PLANA | 3 | 3 | 3 | |
| 24 | 6A0-24421-01 | .VALVE, CHECK .VALVULA DE RETENCION | 2 | 2 | 2 | |
| 25 | 6A0-14325-00 | .SCREW, PAN HEAD .TORNILLO CABEZA REDONDA | 2 | 2 | 2 | |
| 26 | 6A0-24412-02 | .BODY 1 .CUERPO 1 | 1 | 1 | 1 | |
| 27 | 650-24431-A0 | GASKET, FUEL PUMP 1 EMPAQUE BOMBA COMBUST 1 | 1 | 1 | 1 | |



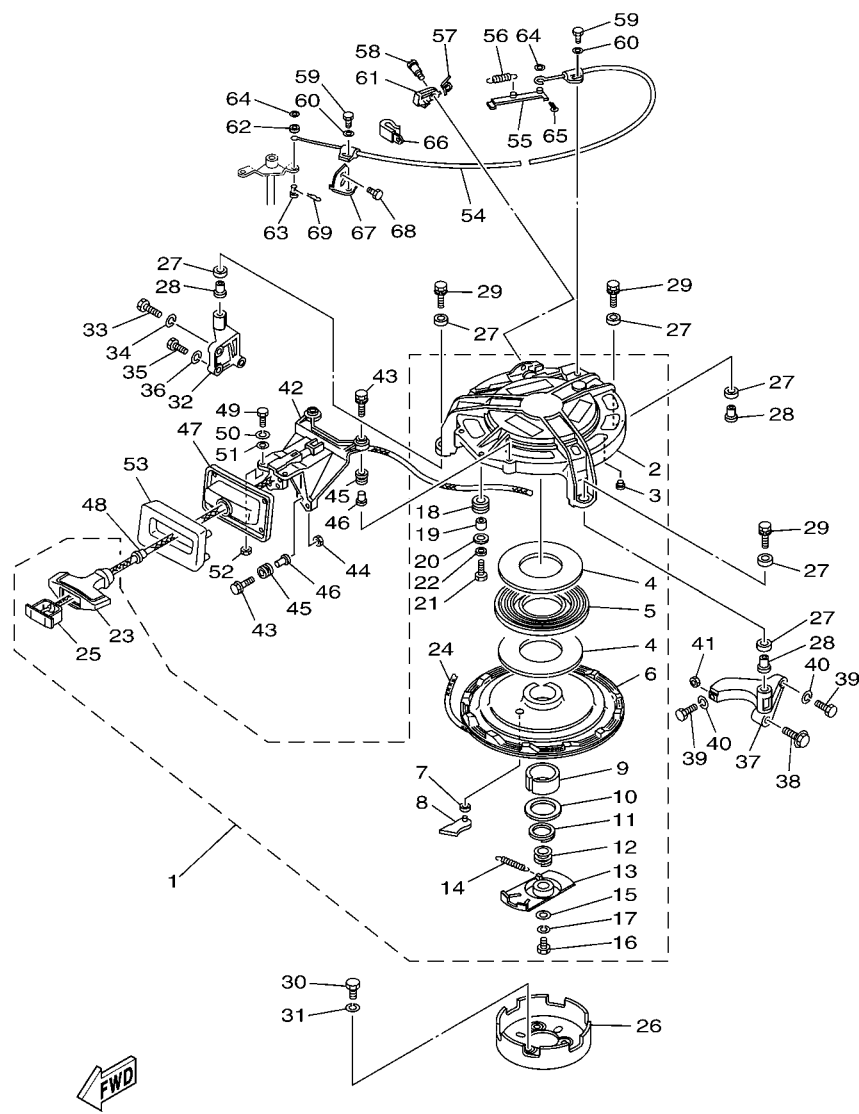
692M200-K060

FIG. 6 FUEL COMBUSTIBLE

| REF. NO. | PART NO. CODIGO N° | DESCRIPTION DESCRIPCION | 64S9 | 65S9 | 692M | REMARKS OBSERVACIONES |
|----------|--------------------|---|------|------|------|----------------------------|
| 28 | 97095-06040 | BOLT PERNO | 2 | 2 | 2 | |
| 29 | 92995-06600 | WASHER ARANDELA | 2 | 2 | 2 | |
| 30 | 90445-09221 | HOSE (L205) TUBO (L205) | 1 | 1 | 1 | |
| 31 | 90467-08004 | CLIP PRESILLA | 2 | 2 | 2 | |
| 32 | 90445-09097 | HOSE (L250) TUBO (L250) | 1 | 1 | 1 | |
| 33 | 688-24313-00 | PIPE 3 TUBO 3 | 1 | 1 | 1 | |
| 34 | 688-24314-00 | PIPE 4 TUBO 4 | 1 | 1 | 1 | |
| 35 | 90467-08004 | CLIP PRESILLA | 10 | 10 | 10 | |
| 36 | 90445-09220 | HOSE (L30) TUBO (L30) | 2 | 2 | 2 | |
| 37 | 688-24378-00 | PIPE, JOINT 3 TUBO DE UNION 3 | 2 | 2 | 2 | |
| 38 | 656-W2810-02 | TOOL KIT JUEGO DE HERRAMIENTAS | 1 | 1 | 1 | |
| 39 | 6E0-28193-00-94 | PLUG, WATER CHECK TAPON DE CONTROL DE LA AGUA | 1 | 1 | 1 | AP D:12.5MM AP D:12.5MM |
| | | | | | | |
| | | | | | | |
| | | | | | | |
| | | | | | | |

FIG. 7 STARTER

ARRANQUE

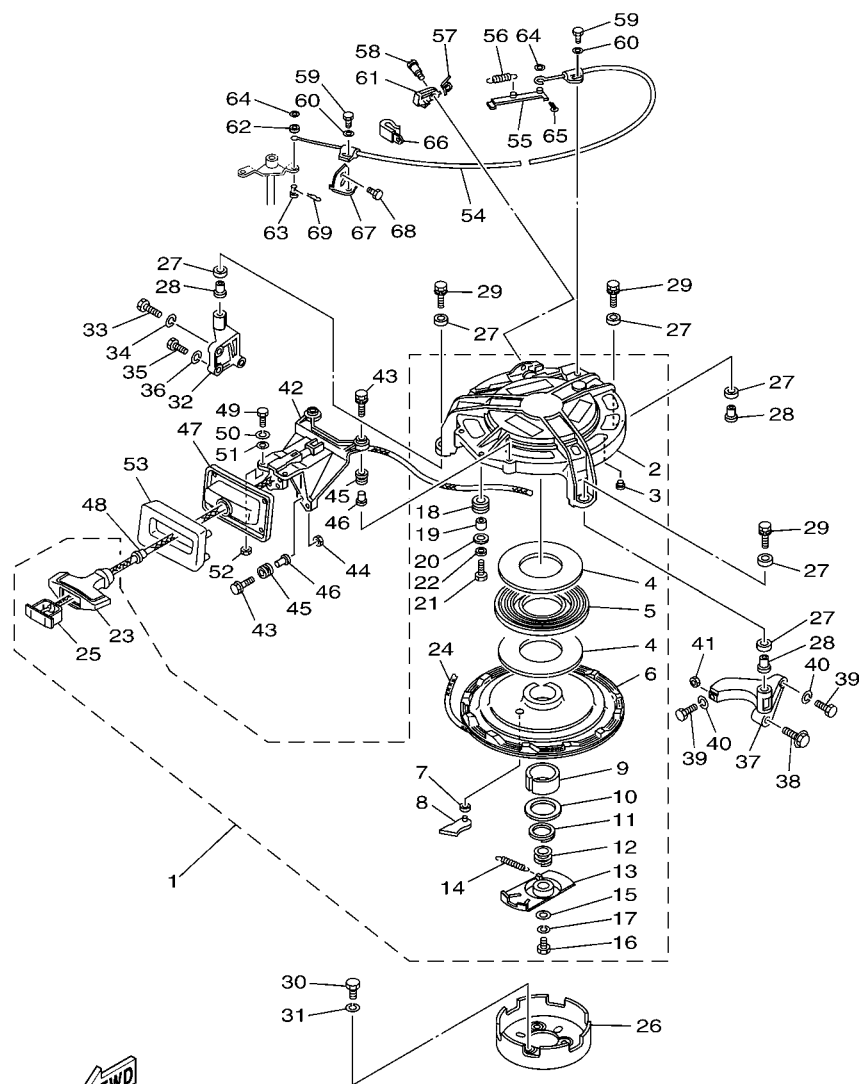


692H200-H070

*1: CUT FROM 50M ROLLS, PART NO. 90890-44374, CUTTING LENGTH 2.3M

*1: CORTE DE UN RODILLO DE 50M , PARTS NUMERO 90890-44374, LARGO DEL CORTE 2.3M

| REF. NO. | PART NO. CODIGO N° | DESCRIPTION DESCRIPCION | 64S9 | 65S9 | 662M | REMARKS OBSERVACIONES |
|----------|--------------------|---|------|------|------|-----------------------|
| 1 | 692-W1571-03 | STARTER ASSY ARRANQUE COMPLETO | 1 | 1 | 1 | |
| 2 | 692-15711-01 | .CASE, STARTER .CAJA DE ARRANQUE | 1 | 1 | 1 | |
| 3 | 648-15773-00 | .STAY 3 .SOPORTE 3 | 5 | 5 | 5 | |
| 4 | 663-15739-00 | .WASHER, THRUST .ARANDELA DE EMPUJE AXIAL | 2 | 2 | 2 | |
| 5 | 663-15713-00 | .SPRING, STARTER .RESORTE DE ARRANQUE | 1 | 1 | 1 | |
| 6 | 663-15714-01 | .DRUM, SHEAVE .TAMBOR ROLDANA | 1 | 1 | 1 | |
| 7 | 663-15764-00 | .COLLAR 1 .COLLAR 1 | 1 | 1 | 1 | |
| 8 | 663-15741-02 | .PAWL, DRIVE .TRINQUETE DE TRACCION | 1 | 1 | 1 | |
| 9 | 663-15754-00 | .BUSH 2 .BUJE 2 | 1 | 1 | 1 | |
| 10 | 663-15726-01 | .WASHER, FLAT .ARANDELA PLANA | 1 | 1 | 1 | |
| 11 | 663-15744-00 | .CIRCLIP .SEGURO | 1 | 1 | 1 | |
| 12 | 663-15715-00 | .SPRING, FRICTION .RESORTE PLACA DE TRACCION | 1 | 1 | 1 | |
| 13 | 696-15716-00 | .PLATE, DRIVE .PLACA DE TRACCION | 1 | 1 | 1 | |
| 14 | 696-15734-00 | .SPRING, RETURN .RESORTE DE RETORNO | 1 | 1 | 1 | |
| 15 | 663-15719-00 | .WASHER, THRUST .ARANDELA DE EMPUJE | 1 | 1 | 1 | |
| 16 | 97095-06016 | .BOLT .PERNO | 1 | 1 | 1 | |
| 17 | 92995-06100 | .WASHER, SPRING .ARANDELA | 1 | 1 | 1 | |
| 18 | 663-15752-00 | .ROLLER, WIRE .RODILLO DE CUERDA | 1 | 1 | 1 | |
| 19 | 6F5-15753-00 | .BUSH .BUJE | 1 | 1 | 1 | |
| 20 | 6F5-15791-00 | .WASHER, LOCK .EMBLEMA | 1 | 1 | 1 | |
| 21 | 97017-06025 | .BOLT .PERNO | 1 | 1 | 1 | |
| 22 | 92995-06100 | .WASHER, SPRING .ARANDELA | 1 | 1 | 1 | |
| 23 | 689-15755-01 | .HANDLE, STARTER .MANIJA DE ARRANQUE | 1 | 1 | 1 | |
| 24 | * | .WIRE (L:2300MM) .CABLE (L:2300MM) | 1 | 1 | 1 | *1 *1 |
| 25 | 6F5-15779-02 | .COVER .CUBIERTA | 1 | 1 | 1 | |
| 26 | 6K5-15723-00 | PULLEY, STARTER POLEA DE ARRANQUE | 1 | 1 | 1 | |
| 27 | 90385-12M04 | BUSH BUJE | 6 | 6 | 6 | |



692H200-H070

*1: CUT FROM 50M ROLLS, PART NO. 90890-44374, CUTTING LENGTH 2.3M

*1: CORTE DE UN RODILLO DE 50M , PARTS NUMERO 90890-44374, LARGO DEL CORTE 2.3M

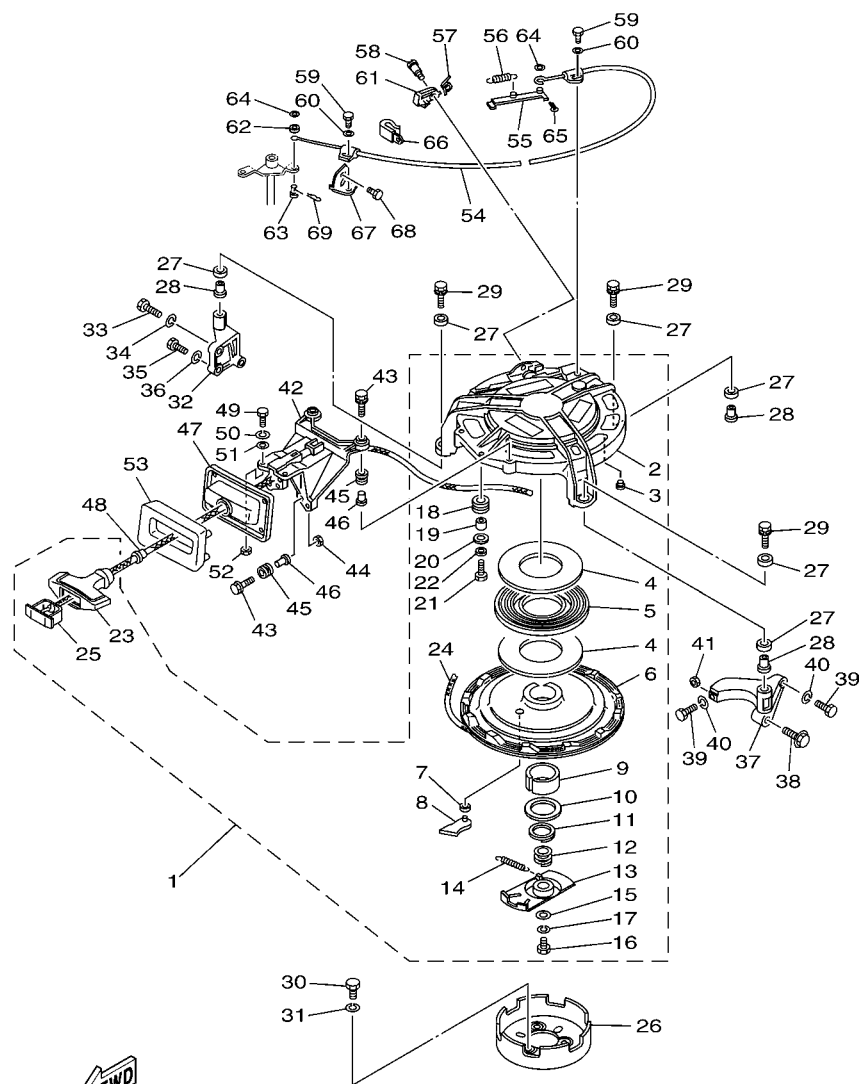
FIG. 7 STARTER

ARRANQUE

| REF. NO. | PART NO. CODIGO N° | DESCRIPTION DESCRIPCION | 64S9 | 65S9 | 662M | REMARKS OBSERVACIONES |
|----------|--------------------|---|------|------|------|-----------------------|
| 28 | 90387-08M05 | COLLAR ESPACIADOR | 3 | 3 | 3 | |
| 29 | 90119-08M26 | BOLT, WITH WASHER TORNILLO CON ARANDELA | 3 | 3 | 3 | |
| 30 | 97013-08016 | BOLT PERNO | 3 | 3 | 3 | |
| 31 | 92903-08100 | WASHER, SPRING RONDANA SENCILLA | 3 | 3 | 3 | |
| 32 | 692-15771-00 | STAY 1 SOPORTE 1 | 1 | 1 | 1 | |
| 33 | 97013-06035 | BOLT PERNO | 1 | 1 | 1 | |
| 34 | 92903-06100 | WASHER, SPRING RONDANA SENCILLA | 1 | 1 | 1 | |
| 35 | 97013-06025 | BOLT PERNO | 2 | 2 | 2 | |
| 36 | 92903-06100 | WASHER, SPRING RONDANA SENCILLA | 2 | 2 | 2 | |
| 37 | 692-15772-00 | STAY 2 SOPORTE 2 | 1 | 1 | 1 | |
| 38 | 97513-08440 | BOLT, WITH WASHER PERNO CON ARANDELA | 1 | 1 | 1 | |
| 39 | 97013-06030 | BOLT PERNO | 2 | 2 | 2 | |
| 40 | 92903-06100 | WASHER, SPRING RONDANA SENCILLA | 2 | 2 | 2 | |
| 41 | 95303-06600 | NUT TUERCA | 1 | 1 | 1 | |
| 42 | 697-15787-00-94 | ADAPTOR ADAPTADOR | 1 | 1 | 1 | |
| 43 | 90119-06M30 | BOLT, WITH WASHER TORNILLO CON ARANDELA | 4 | 4 | 4 | |
| 44 | 95303-06600 | NUT TUERCA | 2 | 2 | 2 | |
| 45 | 6A0-82317-00 | DAMPER, IGNITION COIL AMORTIGUADOR BOBINA ENCENDIDO | 4 | 4 | 4 | |
| 46 | 90387-06119 | COLLAR ESPACIADOR | 4 | 4 | 4 | |
| 47 | 692-15758-01-94 | GUIDE, ROPE GUIA DE CUERDA | 1 | 1 | 1 | |
| 48 | 697-15789-00 | DAMPÉR AMORTIGUADOR | 1 | 1 | 1 | |
| 49 | 97095-06020 | BOLT PERNO | 2 | 2 | 2 | |
| 50 | 92995-06100 | WASHER, SPRING ARANDELA | 2 | 2 | 2 | |
| 51 | 92995-06600 | WASHER ARANDELA | 2 | 2 | 2 | |
| 52 | 95303-06600 | NUT TUERCA | 2 | 2 | 2 | |
| 53 | 697-15762-00 | SEAL, RUBBER 2 SELLO DE GOMA 2 | 1 | 1 | 1 | |
| 54 | 692-15770-01 | CABLE COMP., STARTER STOP CABLECOMPL DE SEGURO ARRANQUE | 1 | 1 | 1 | |

FIG. 7 STARTER

ARRANQUE

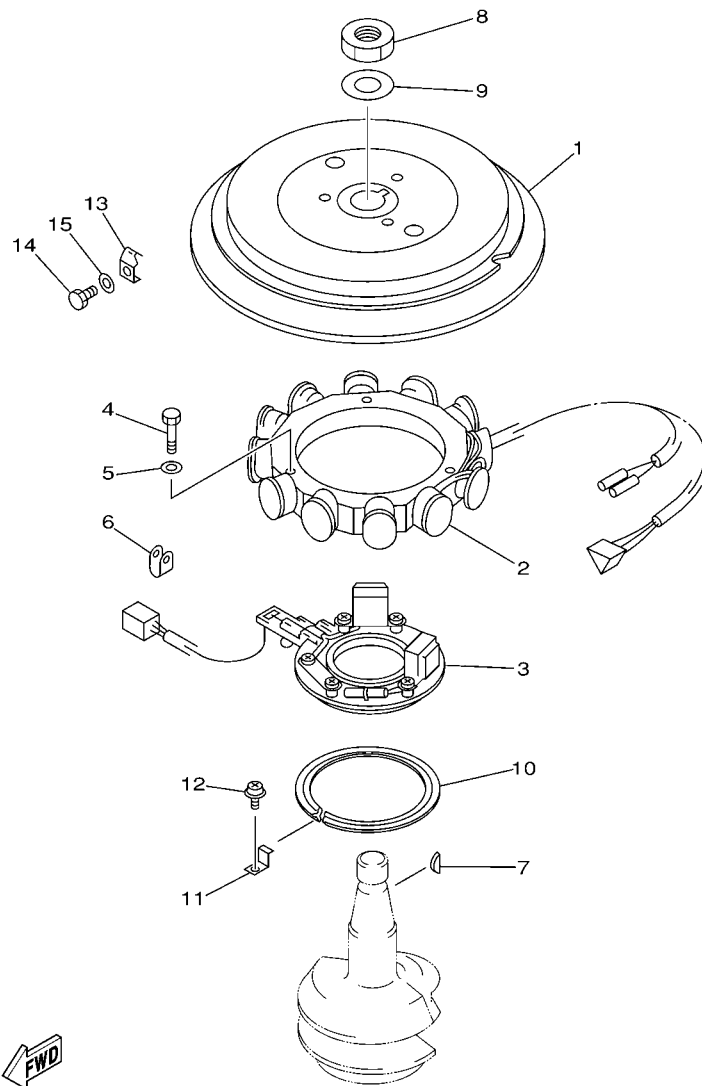


692H200-H070

*1: CUT FROM 50M ROLLS, PART NO. 90890-44374, CUTTING LENGTH 2.3M

*1: CORTE DE UN RODILLO DE 50M , PARTS NUMERO 90890-44374, LARGO DEL CORTE 2.3M

| REF. NO. | PART NO. CODIGO Nº | DESCRIPTION DESCRIPCION | 64S9 | 65S9 | 692M | REMARKS OBSERVACIONES |
|----------|--------------------|---------------------------------------|------|------|------|-----------------------|
| 55 | 663-15735-01 | GUIDE, CAM GUIA DE LEVA | 1 | 1 | 1 | |
| 56 | 90506-08M23 | SPRING, TENSION RESORTE DE TENSION | 1 | 1 | 1 | |
| 57 | 90508-12015 | SPRING, TORSION RESORTE DE TORSION | 1 | 1 | 1 | |
| 58 | 90149-05095 | SCREW TORNILLO DE REGLAJE | 1 | 1 | 1 | |
| 59 | 97095-06012 | BOLT PERNO | 2 | 2 | 2 | |
| 60 | 92995-06600 | WASHER ARANDELA | 2 | 2 | 2 | |
| 61 | 663-15794-00 | STOPPER TOPE | 1 | 1 | 1 | |
| 62 | 663-15736-00 | RING, RETAINING 1 ANILLO DE RETEN | 1 | 1 | 1 | |
| 63 | 90240-06M18 | PIN, CLEVIS PASADOR CON HOYO | 1 | 1 | 1 | |
| 64 | 92990-06200 | WASHER, PLAIN ARANDELA PLANA | 2 | 2 | 2 | |
| 65 | 91490-16012 | PIN, COTTER CHAVETA | 1 | 1 | 1 | |
| 66 | 90465-06M90 | CLAMP BRIDA | 1 | 1 | 1 | |
| 67 | 663-15772-01 | STAY 2 SOPORTE 2 | 1 | 1 | 1 | |
| 68 | 97013-08012 | BOLT PERNO | 1 | 1 | 1 | |
| 69 | 90468-18008 | CLIP PRESILLA | 1 | 1 | 1 | |

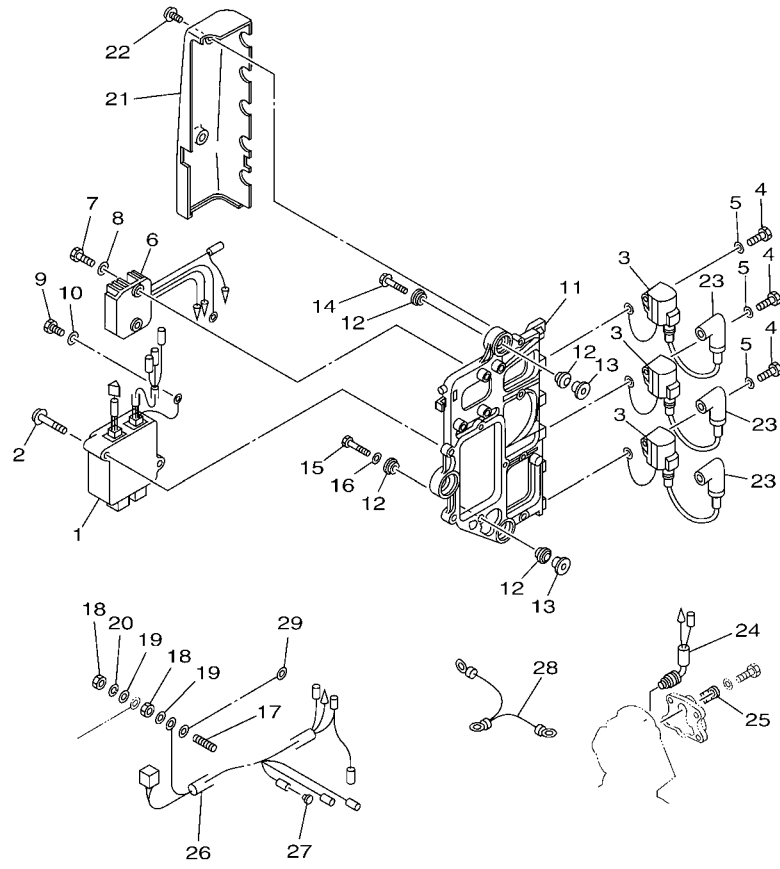


FWD
6920100-0090

FIG. 8 GENERATOR

GENERADOR

| REF. NO. | PART NO. CODIGO Nº | DESCRIPTION DESCRIPCION | 64S9 | 65S9 | 692M | REMARKS OBSERVACIONES |
|----------|--------------------|--|------|------|------|-----------------------|
| 1 | 692-85550-00 | ROTOR ASSY ROTOR COMPLETO | 1 | 1 | 1 | |
| 2 | 688-85510-01 | STATOR ASSY ESTATOR COMPLETO | 1 | 1 | 1 | |
| 3 | 688-85580-00 | COIL, PULSER BOBINA DE PULSACION | 1 | 1 | 1 | |
| 4 | 97013-06030 | BOLT PERNO | 3 | 3 | 3 | |
| 5 | 92903-06600 | WASHER, PLATE RONDANA SENCILLA | 3 | 3 | 3 | |
| 6 | 90464-12M00 | CLAMP BRIDA | 1 | 1 | 1 | |
| 7 | 90280-05015 | KEY, WOODRUFF CUNA WOODRUFF | 1 | 1 | 1 | |
| 8 | 90170-20137 | NUT TUERCA | 1 | 1 | 1 | |
| 9 | 90201-21M18 | WASHER, PLATE ARANDELA PLANA | 1 | 1 | 1 | |
| 10 | 688-41611-00 | RETAINER, MAGNETO BASE RETENEDOR BASE MAGNETO | 1 | 1 | 1 | |
| 11 | 688-41612-00 | RETAINER, MAGNETO BASE RETENEDOR BASE MAGNETO | 3 | 3 | 3 | |
| 12 | 90159-06M31 | SCREW, WITH WASHER TORNILLO CON VALONA | 3 | 3 | 3 | |
| 13 | 688-81332-01 | PLATE, TIMING PLACA REGULADOR DE TIEMPO | 1 | 1 | 1 | |
| 14 | 97095-06010 | BOLT PERNO | 1 | 1 | 1 | |
| 15 | 92995-06600 | WASHER ARANDELA | 1 | 1 | 1 | |

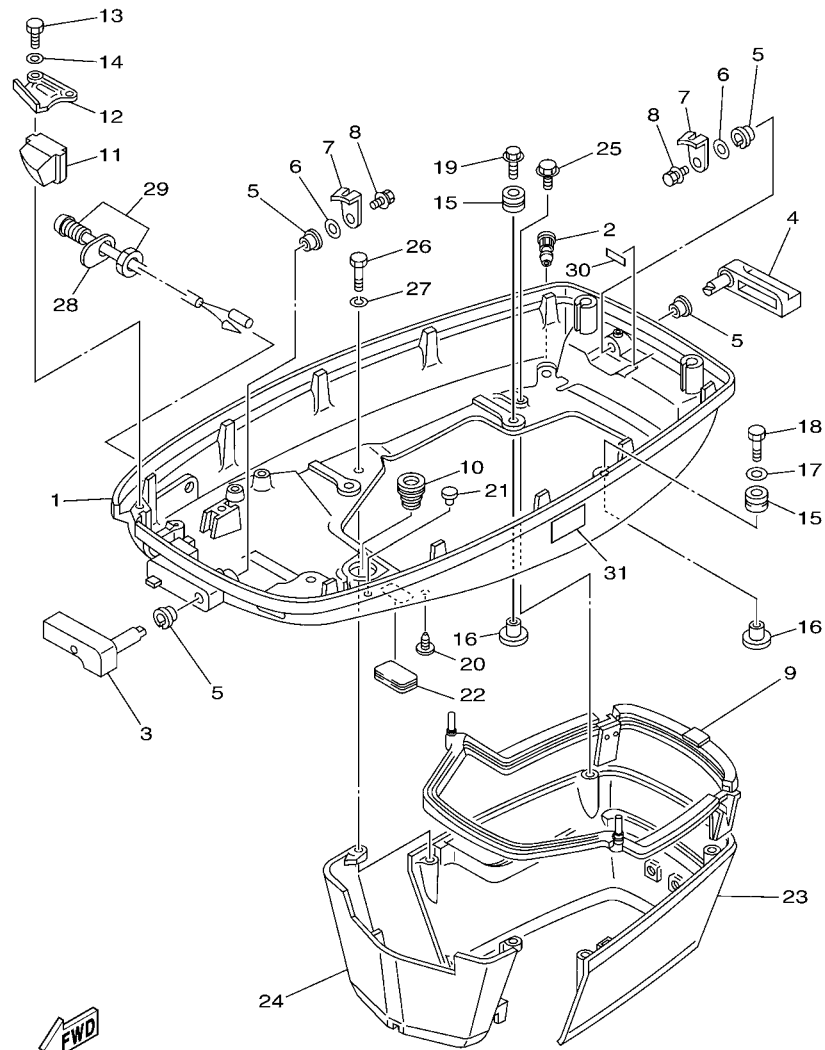


FWD
692M200-K090

FIG. 9 ELECTRICAL

ELECTRICO

| REF. NO. | PART NO. CODIGO N° | DESCRIPTION DESCRIPCION | 64S9 | 65S9 | 692M | REMARKS OBSERVACIONES |
|----------|------------------------------|--|------|------|------|--------------------------------------|
| 1 | 688-85540-00 | C.D.I. UNIT ASSY UNIDAD C.D.I. COMPLETA | 1 | 1 | 1 | |
| 2 | 97980-06340 | SCREW, WITH WASHER TORNILLO, CON ARANDELA | 2 | 2 | 2 | |
| 3 | 697-85570-00 | IGNITION COIL ASSY BOBINA DE IGNICION COMPLETO | 3 | 3 | 3 | |
| 4 | 97095-06020 | BOLT PERNO | 3 | 3 | 3 | |
| 5 | 92995-06600 | WASHER ARANDELA | 3 | 3 | 3 | |
| 6 | 6H0-81960-00 | RECTIFIER & REGULATOR ASSY RECTIFICADOR Y REGULADOR | 1 | 1 | 1 | |
| 7 | 97095-06020 | BOLT PERNO | 2 | 2 | 2 | |
| 8 | 92995-06600 | WASHER ARANDELA | 2 | 2 | 2 | |
| 9 | 97013-06016 | BOLT PERNO | 1 | 1 | 1 | |
| 10 | 92903-06600 | WASHER, PLATE RONDANA SENCILLA | 1 | 1 | 1 | |
| 11 | 6H1-85542-00-94 | BRACKET SOPORTE | 1 | 1 | 1 | |
| 12 | 90480-09M25 | GROMMET TAPON | 6 | 6 | 6 | |
| 13 | 90387-06M03 | COLLAR ESPACIADOR | 3 | 3 | 3 | |
| 14 | 90119-06M75 | BOLT, WITH WASHER TORNILLO CON ARANDELA | 2 | 2 | 2 | |
| 15 | 90109-06M39 | BOLT PERNO | 1 | 1 | 1 | |
| 16 | 90201-06M31 | WASHER, PLATE ARANDELA PLANA | 1 | 1 | 1 | |
| 17 | 90116-06M22 | BOLT, STUD ESPARRAGO | 1 | 1 | 1 | |
| 18 | 95380-06700 | NUT TUERCA | 2 | 2 | 2 | |
| 19 | 92990-06200 | WASHER, PLAIN ARANDELA PLANA | 2 | 2 | 2 | |
| 20 | 92990-06100 | WASHER, SPRING ARANDELA PLANA | 1 | 1 | 1 | |
| 21 | 6H1-81916-00 | COVER, TERMINAL CUBIERTA DE TERMINAL | 1 | 1 | 1 | |
| 22 | 90159-06M11 | SCREW, WITH WASHER TORNILLO CON VALONA | 2 | 2 | 2 | |
| 23 | 663-82370-01 6G1-82370-21 | PLUG CAP ASSY TAPON DE BUJIA COMPLT | 3 | 3 | 3 | E75B-FOR CAR(CE) E75B-FOR CAR(CE) |
| 24 | 688-82560-10 | THERMO SWITCH ASSY INTER. DE TERMO | 1 | 1 | 1 | |
| 25 | 688-82588-01 | PLATE PLACA | 1 | 1 | 1 | |
| 26 | 692-82590-00 | WIRE HARNESS ASSY CONJUNTO DE CABLES | 1 | 1 | 1 | |



692K200-J100

FIG. 10 BOTTOM COWLING

CUBIERTA INFERIOR

| REF. NO. | PART NO. CODIGO Nº | DESCRIPTION DESCRIPCION | 64S9 | 65S9 | 692M | REMARKS OBSERVACIONES |
|----------|--------------------|---|------|------|------|-----------------------|
| 1 | 692-42711-02-8D | COWLING, BOTTOM 1 CUBIERTA INFERIOR 1 | 1 | 1 | 1 | |
| 2 | 6BL-44391-00 | NIPPLE, HOSE NIPLE MANGUERA | 1 | 1 | 1 | |
| 3 | 688-42815-01-8D | LEVER, CLAMP PALANCA ABRAZADERA | 1 | 1 | 1 | |
| 4 | 688-42817-01-8D | LEVER, CLAMP PALANCA ABRAZADERA | 1 | 1 | 1 | |
| 5 | 90386-13M38 | BUSH BUJE | 4 | 4 | 4 | |
| 6 | 90206-13019 | WASHER, WAVE ARANDELA ONDULADA | 2 | 2 | 2 | |
| 7 | 688-42816-00 | LEVER, CLAMP PALANCA ABRAZADERA | 2 | 2 | 2 | |
| 8 | 90119-06M09 | BOLT, WITH WASHER TORNILLO CON ARANDELA | 2 | 2 | 2 | |
| 9 | 688-42716-02 | RUBBER, SEAL 1 SELLO DE GOMA 1 | 1 | 1 | 1 | |
| 10 | 663-42724-00 | GROMMET TAPON | 1 | 1 | 1 | |
| 11 | 692-42725-10 | GROMMET TAPON | 1 | 1 | 1 | |
| 12 | 688-42738-01-8D | PLATE, FITTING PLACA DE AJUSTE | 1 | 1 | 1 | |
| 13 | 97095-06016 | BOLT PERNO | 2 | 2 | 2 | |
| 14 | 92995-06600 | WASHER ARANDELA | 2 | 2 | 2 | |
| 15 | 6BG-42748-00 | GROMMET TAPON | 4 | 4 | 4 | |
| 16 | 90387-06M69 | COLLAR ESPACIADOR | 4 | 4 | 4 | |
| 17 | 90201-06416 | WASHER, PLATE ARANDELA PLANA | 1 | 1 | 1 | |
| 18 | 97095-06030 | BOLT PERNO | 1 | 1 | 1 | |
| 19 | 90119-06M61 | BOLT, WITH WASHER TORNILLO CON ARANDELA | 3 | 3 | 3 | |
| 20 | 90338-05M03 | PLUG TAPON | 1 | 1 | 1 | |
| 21 | 703-82119-00 | COVER, LEAD WIRE CUBIERTA DE CABLE CONDUCTOR | 1 | 1 | 1 | |
| 22 | 6H4-42726-00 | GROMMET TAPON | 1 | 1 | 1 | |
| 23 | 688-42741-01-8D | APRON MANDIL | 1 | 1 | 1 | |
| 24 | 688-42771-01-8D | APRON MANDIL | 1 | 1 | 1 | |
| 25 | 97595-06420 | BOLT, WITH WASHER PERNO CON ARANDELA | 2 | 2 | 2 | |
| 26 | 97095-06030 | BOLT PERNO | 2 | 2 | 2 | |
| 27 | 92995-06100 | WASHER, SPRING ARANDELA | 2 | 2 | 2 | |

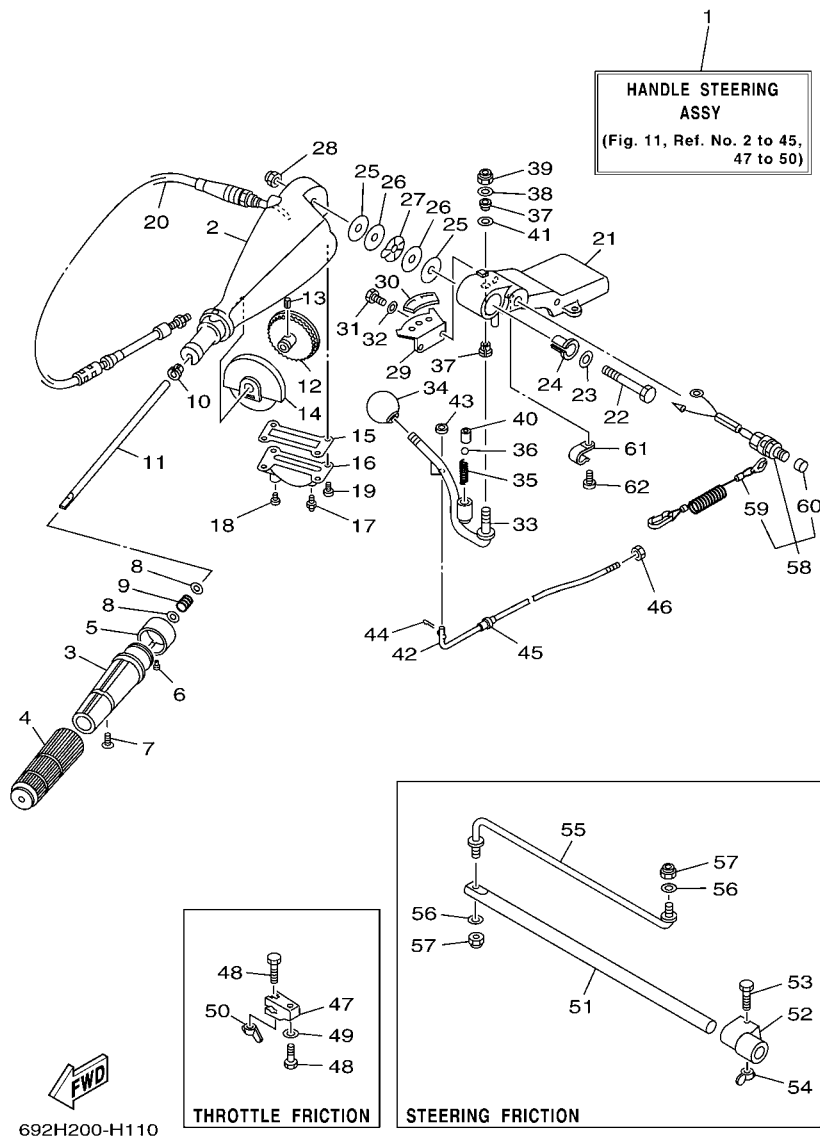


FIG. 11 STEERING

DIRECCION

| REF. NO. | PART NO. CODIGO Nº | DESCRIPTION DESCRIPCION | 64S9 | 65S9 | 662M | REMARKS OBSERVACIONES |
|----------|--------------------|--|------|------|------|-----------------------|
| 1 | 692-W0084-11-8D | HANDLE STEERING ASSY CONJUNTO DE MANIJA | 1 | 1 | 1 | |
| 2 | 692-42111-12-8D | HANDLE, STEERING MANIJA DE DIRECCION | 1 | 1 | 1 | |
| 3 | 664-42119-00 | GRIP, STEERING HANDLE MANGO, MANIJA DE DIRRECCION | 1 | 1 | 1 | |
| 4 | 6F6-42177-A0 | RUBBER, HANDLE HULE DE MANIJA | 1 | 1 | 1 | |
| 5 | 692-42137-02 | INDICATOR, THROTTLE INDICADOR ACELERADOR | 1 | 1 | 1 | |
| 6 | 90269-02M09 | RIVET REMACHE | 1 | 1 | 1 | |
| 7 | 90152-05011 | SCREW, COUNTERSUNK TORNILLO EMBUTIDO | 1 | 1 | 1 | |
| 8 | 90201-10M02 | WASHER, PLATE ARANDELA PLANA | 2 | 2 | 2 | |
| 9 | 90501-23215 | SPRING, COMPRESSION RESORTE DE COMPRESION | 1 | 1 | 1 | |
| 10 | 90386-08032 | BUSH BUJE | 1 | 1 | 1 | |
| 11 | 692-42115-00 | SHAFT, STEERING HANDLE EJE MANIJA DE DIRECCION | 1 | 1 | 1 | |
| 12 | 663-42138-00 | LEVER, THROTTLE PLANCA DE ACELERACION | 1 | 1 | 1 | |
| 13 | 90254-03003 | PIN, SPRING PASADOR DE TIPO A RESORTE | 1 | 1 | 1 | |
| 14 | 692-42135-00 | HOUSING, THROTTLE LEVER CAJA PALANCA ACELERADOR | 1 | 1 | 1 | |
| 15 | 663-42133-01 | GASKET EMPAQUE | 1 | 1 | 1 | |
| 16 | 692-42134-03-8D | COVER, THROTTLE LEVER CUBIERTA PALANCA ACELERADOR | 1 | 1 | 1 | |
| 17 | 93700-06M03 | NIPPLE, GREASE BOQUILLA DE ENGRASAR | 1 | 1 | 1 | |
| 18 | 97885-06008 | SCREW, PAN HEAD TORNILLO A MUESCA | 1 | 1 | 1 | |
| 19 | 97885-05012 | SCREW, PAN HEAD TORNILLO A MUESCA | 4 | 4 | 4 | |
| 20 | 692-26301-03 | THROTTLE CABLE ASSY CABLE DE ACELERADOR COMPLETO | 1 | 1 | 1 | |
| 21 | 692-42121-02-8D | BRACKET SOPORTE | 1 | 1 | 1 | |
| 22 | 90101-12M06 | BOLT TORNILLO | 1 | 1 | 1 | |
| 23 | 92990-12200 | WASHER, PLAIN ARANDELA PLANA | 1 | 1 | 1 | |
| 24 | 90386-12089 | BUSH BUJE | 1 | 1 | 1 | |
| 25 | 90202-12092 | WASHER, PLATE ARANDELA DE PLANA | 2 | 2 | 2 | |
| 26 | 90201-12537 | WASHER, PLATE ARANDELA PLANA | 2 | 2 | 2 | |
| 27 | 90206-12054 | WASHER, WAVE ARANDELA ONDULADA | 1 | 1 | 1 | |

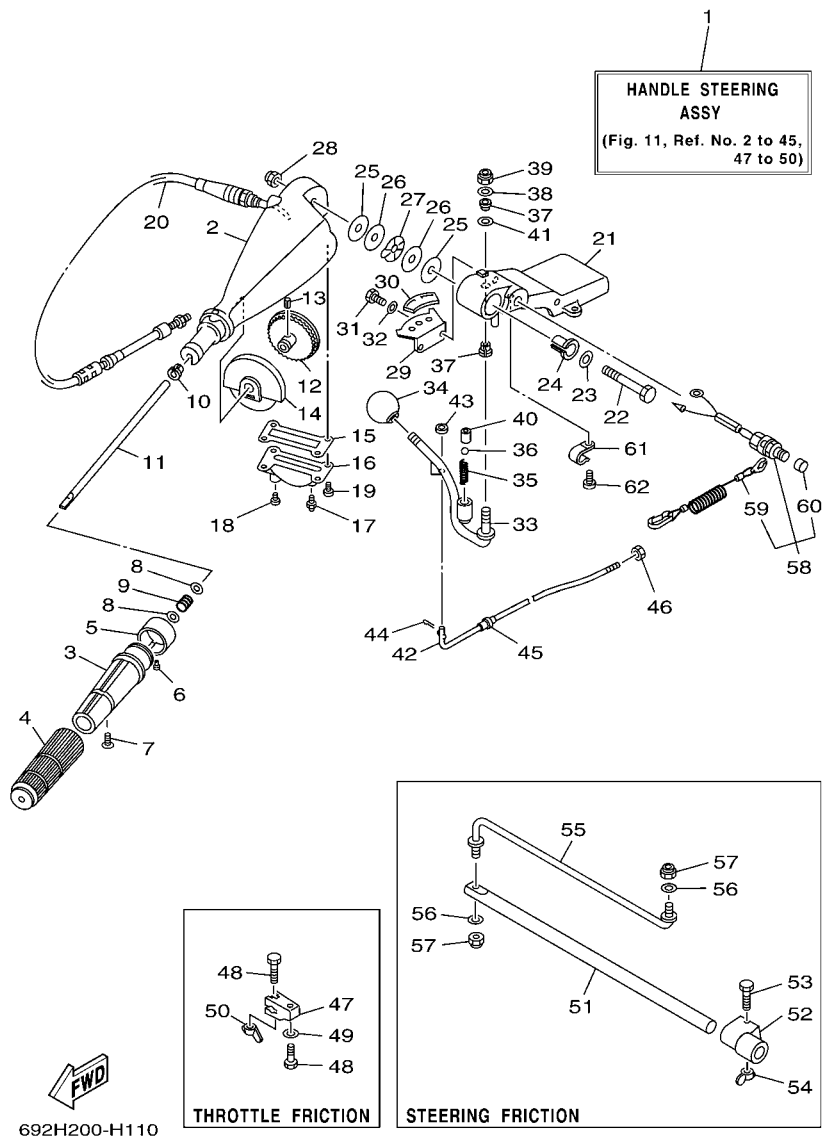
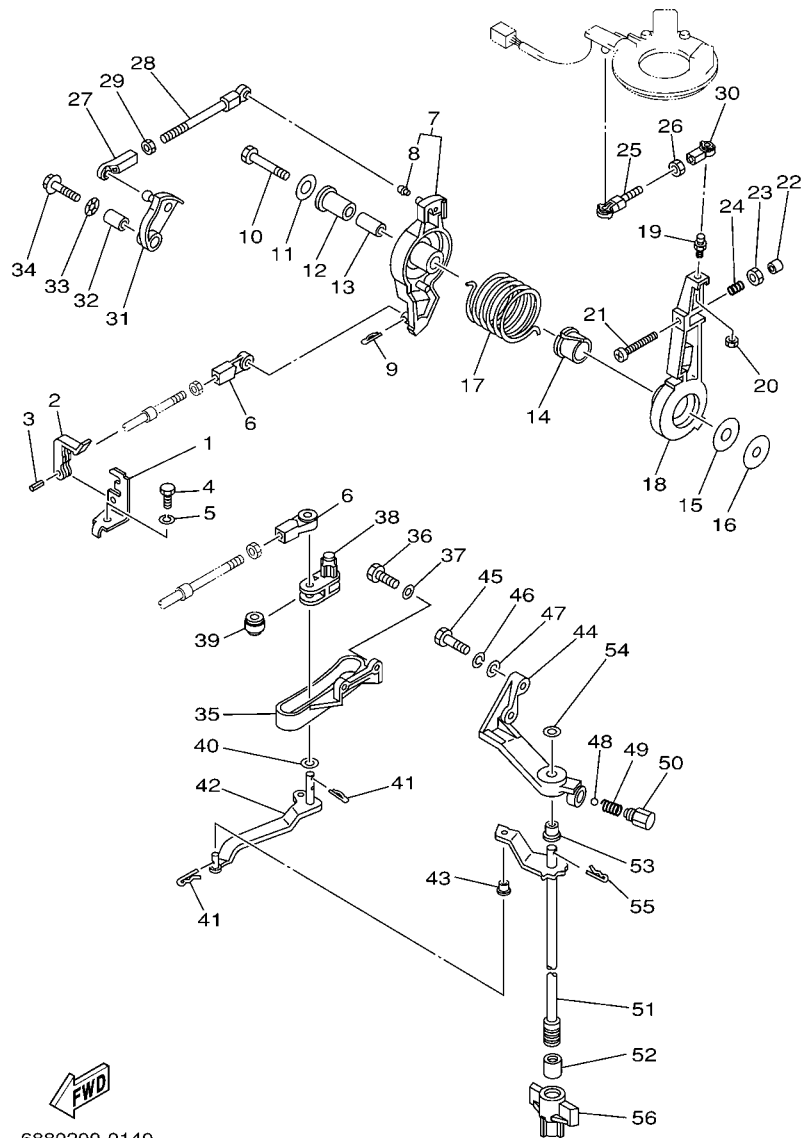


FIG. 11 STEERING

DIRECCION

| REF. NO. | PART NO. CODIGO Nº | DESCRIPTION DESCRIPCION | 64S9 | 65S9 | 692M | REMARKS OBSERVACIONES |
|----------|--------------------|---|------|------|------|-----------------------|
| 28 | 90185-12058 | NUT, SELF-LOCKING TUERCA AUTOBLOCANTE | 1 | 1 | 1 | |
| 29 | 697-44113-00 | CAM PLATE, HANDLE PLACA DE LA LEVA DEL MANGO | 1 | 1 | 1 | |
| 30 | 6K5-44191-00 | INDICATOR, SHIFT INDICADOR DE CAMBIOS | 1 | 1 | 1 | |
| 31 | 97013-06016 | BOLT PERNO | 2 | 2 | 2 | |
| 32 | 92903-06100 | WASHER, SPRING RONDANA SENCILLA | 2 | 2 | 2 | |
| 33 | 692-44159-01 | HANDLE, GEAR SHIFT MANIJA DE CAMBIO DE MARCHAS | 1 | 1 | 1 | |
| 34 | 663-44173-00 | LEVER, SHIFT CONTROL PALANCA CONTROL CAMBIOS | 1 | 1 | 1 | |
| 35 | 90501-16M17 | SPRING, COMPRESSION RESORTE DE COMPRESION | 1 | 1 | 1 | |
| 36 | 93515-32M01 | BALL ESFERA | 1 | 1 | 1 | |
| 37 | 90386-10009 | BUSH BUJE | 2 | 2 | 2 | |
| 38 | 90201-10120 | WASHER, PLATE ARANDELA PLANA | 1 | 1 | 1 | |
| 39 | 90185-10051 | NUT, SELF-LOCKING TUERCA AUTOBLOCANTE | 1 | 1 | 1 | |
| 40 | 90387-12M30 | COLLAR ESPACIADOR | 1 | 1 | 1 | |
| 41 | 90201-12M34 | WASHER, PLATE ARANDELA PLANA | 1 | 1 | 1 | |
| 42 | 692-42164-00 | ROD, MANUAL SHIFT VARILLA DE CAMBIOS MANUAL | 1 | 1 | 1 | |
| 43 | 92990-06600 | WASHER, PLATE ARANDELA PLANA | 1 | 1 | 1 | |
| 44 | 91490-25012 | PIN, COTTER CHAVETA | 1 | 1 | 1 | |
| 45 | 90386-06088 | BUSH BUJE | 1 | 1 | 1 | |
| 46 | 700-48339-00 | NUT, CABLE END TUERCA TERMINAL | 1 | 1 | 1 | |
| 47 | 663-42126-01 | FRICTION, STEERING HANDLE GRIP FRICCION DE MANGO DIRECCION | 1 | 1 | 1 | |
| 48 | 90101-06M27 | BOLT TORNILLO | 2 | 2 | 2 | |
| 49 | 92990-06600 | WASHER, PLATE ARANDELA PLANA | 1 | 1 | 1 | |
| 50 | 90175-06003 | NUT, WING TUERCA MARIPOSA | 1 | 1 | 1 | |
| 51 | 663-42518-00 | SHAFT, FRICTION EJE FRICCION | 1 | 1 | | |
| 52 | 663-42528-00 | PLATE, FRICTION PIEZA DE FRICCION | 1 | 1 | | |
| 53 | 97080-06035 | BOLT PERNO | 1 | 1 | | |
| 54 | 90175-06003 | NUT, WING TUERCA MARIPOSA | 1 | 1 | | |



6880200-0140

FIG. 12 CONTROL

CONTROL

| REF. NO. | PART NO. CODIGO Nº | DESCRIPTION DESCRIPCION | 64S9 | 65S9 | 692M | REMARKS OBSERVACIONES |
|----------|--------------------|---|------|------|------|-----------------------|
| 1 | 663-48531-00 | BRACKET, REMOTE CONTROL SOPORTE DE CONTROL REMOTO | 1 | 1 | 1 | |
| 2 | 663-48538-00 | CLAMP, CABLE 1 GRAMPA DE CABLE | 1 | 1 | 1 | |
| 3 | 91690-30012 | PIN, SPRING PASADOR DE RESORTE | 1 | 1 | 1 | |
| 4 | 97095-08016 | BOLT PERNO | 1 | 1 | 1 | |
| 5 | 92995-08100 | WASHER ARANDELA | 1 | 1 | 1 | |
| 6 | 663-48344-00 | CABLE END, REMOTE CONTROL BASE CONTROL | 2 | 2 | 2 | |
| 7 | 688-41632-01-1S | LEVER, MAGNETO CONTROL PALANCA DE CONTROL DE MAGNETO | 1 | 1 | 1 | |
| 8 | 662-41214-01 | .JOINT 1 .CONECTOR | 1 | 1 | 1 | |
| 9 | 90468-18008 | CLIP PRESILLA | 1 | 1 | 1 | |
| 10 | 97095-08045 | BOLT PERNO | 1 | 1 | 1 | |
| 11 | 90201-08M23 | WASHER, PLATE ARANDELA PLANA | 1 | 1 | 1 | |
| 12 | 90386-12089 | BUSH BUJE | 1 | 1 | 1 | |
| 13 | 90387-08M16 | COLLAR ESPACIADOR | 1 | 1 | 1 | |
| 14 | 90386-22M13 | BUSH BUJE | 1 | 1 | 1 | |
| 15 | 90202-12092 | WASHER, PLATE ARANDELA DE PLANA | 1 | 1 | 1 | |
| 16 | 90201-08M13 | WASHER, PLATE ARANDELA PLANA | 1 | 1 | 1 | |
| 17 | 90508-29M05 | SPRING, TORSION RESORTE DE TORSION | 1 | 1 | 1 | |
| 18 | 688-41631-01-1S | LEVER, MAGNETO CONTROL PALANCA DE CONTROL DE MAGNETO | 1 | 1 | 1 | |
| 19 | 663-85518-00 | JOINT, BALL CONECTOR | 1 | 1 | 1 | |
| 20 | 95303-05700 | NUT TUERCA | 1 | 1 | 1 | |
| 21 | 90157-06013 | SCREW, PAN HEAD TORNILLO CABEZA CONICA PLANA | 1 | 1 | 1 | |
| 22 | 688-44194-00 | CAP TAPA | 1 | 1 | 1 | |
| 23 | 95303-06600 | NUT TUERCA | 1 | 1 | 1 | |
| 24 | 90501-16M12 | SPRING, COMPRESSION RESORTE DE COMPRESION | 1 | 1 | 1 | |
| 25 | 682-41237-50 | JOINT, LINK CONECTOR | 1 | 1 | 1 | |
| 26 | 95380-05600 | NUT TUERCA | 1 | 1 | 1 | |
| 27 | 682-41237-00 | JOINT, LINK CONECTOR | 1 | 1 | 1 | |

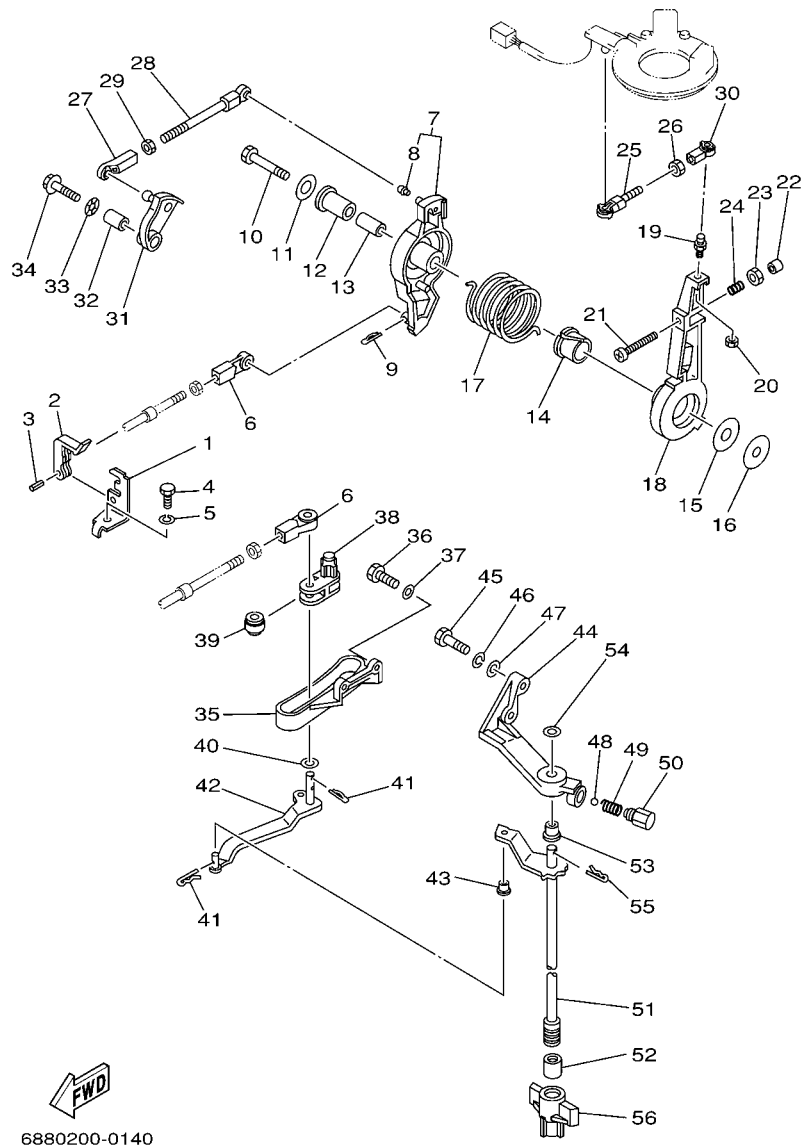
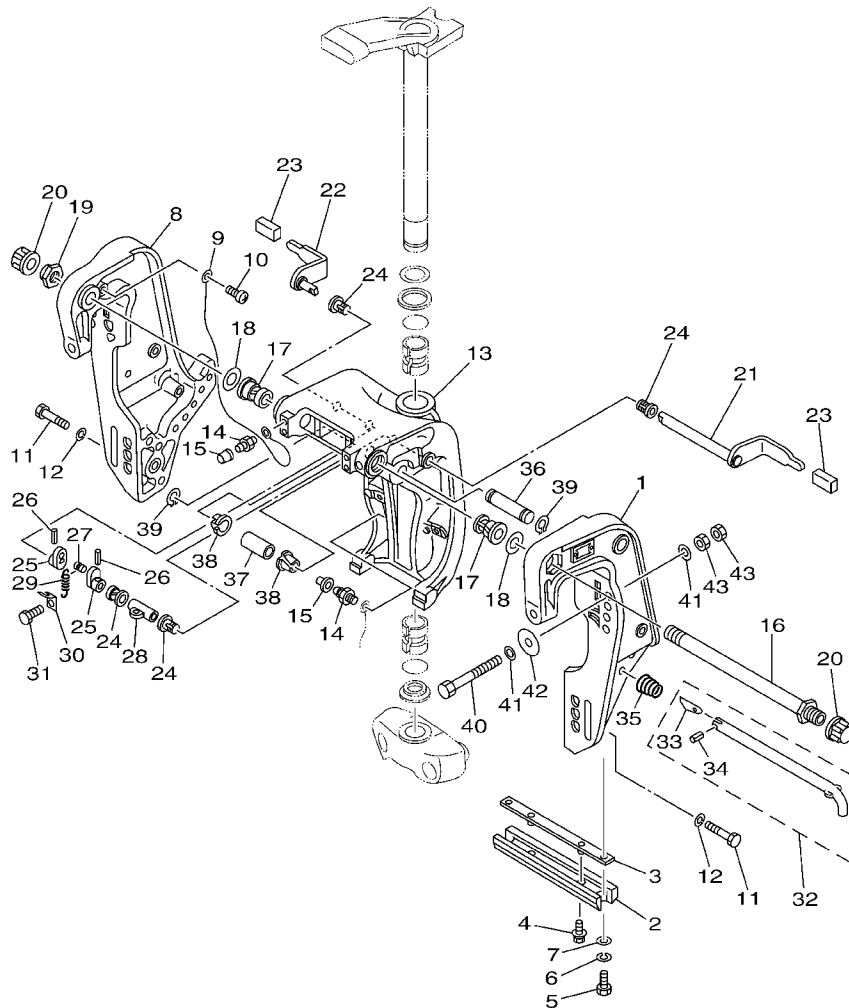


FIG. 12 CONTROL

CONTROL

| REF. NO. | PART NO. CODIGO Nº | DESCRIPTION DESCRIPCION | 64S9 | 65S9 | 692M | REMARKS OBSERVACIONES |
|----------|--------------------|--|------|------|------|--------------------------------------|
| 28 | 688-41211-01 | LINK, ACCEL. ESLABON, ACELERADOR | 1 | 1 | 1 | |
| 29 | 95380-05600 | NUT TUERCA | 1 | 1 | 1 | |
| 30 | 682-41237-00 | JOINT, LINK CONECTOR | 1 | 1 | 1 | |
| 31 | 692-41213-00 | CAM, ACCEL. LEVA ACELERADOR | 1 | 1 | | |
| | 688-41213-00 | CAM, ACCEL. LEVA ACELERADOR | | | 1 | |
| 32 | 90387-06M17 | COLLAR ESPACIADOR | 1 | 1 | 1 | |
| 33 | 90206-10M04 | WASHER, WAVE ARANDELA ONDULADA | 1 | 1 | 1 | |
| 34 | 90119-06M24 | BOLT, WITH WASHER TORNILLO CON ARANDELA | 1 | 1 | 1 | |
| 35 | 688-44117-00-94 | BRACKET SOPORTE | 1 | 1 | 1 | |
| 36 | 97013-06020 | BOLT PERNO | 2 | 2 | 2 | |
| 37 | 92903-06600 | WASHER, PLATE RONDANA SENCILLA | 2 | 2 | 2 | |
| 38 | 688-44124-00 | LINK, SHIFT ROD ESLABON | 1 | 1 | 1 | |
| 39 | 688-44122-00 | BUSHING, SHIFT ROD LEVER BUJE PALANCA VARILLA DE CAMBIO | 1 | 1 | 1 | |
| 40 | 90202-07M07 | WASHER, PLATE ARANDELA DE PLANA | 1 | 1 | 1 | |
| 41 | 90468-18008 | CLIP PRESILLA | 3 | 3 | 3 | |
| 42 | 688-44121-02 | LEVER, SHIFT ROD PALANCA VARILLA CAMBIOS | 1 | 1 | 1 | EXCEPT FOR MYS |
| | 6H1-44121-00 | LEVER, SHIFT ROD PALANCA VARILLA CAMBIOS | | | 1 | EXCEPT FOR MYS FOR MYS |
| 43 | 90386-06M12 | BUSH BUJE | 1 | 1 | 1 | EXCEPT FOR MYS EXCEPT FOR MYS |
| 44 | 688-44118-01-94 | BRACKET SOPORTE | 1 | 1 | 1 | |
| 45 | 97013-08030 | BOLT PERNO | 2 | 2 | 2 | |
| 46 | 92903-08100 | WASHER, SPRING RONDANA SENCILLA | 2 | 2 | 2 | |
| 47 | 92903-08600 | WASHER, PLATE RONDANA SENCILLA | 2 | 2 | 2 | |
| 48 | 93501-04M02 | BALL BOLA | 1 | 1 | 1 | |
| 49 | 90501-12082 | SPRING, COMPRESSION RESORTE DE COMPRESION | 1 | 1 | 1 | |
| 50 | 648-42715-00 | BUSHING BUJE | 1 | 1 | 1 | |
| 51 | 692-44120-12 | HANDLE GEAR SHIFT ASSY MANIJA DE CAMBIO COMPL | 1 | 1 | 1 | L(20.5") L(20.5") |
| | 692-44120-00 | HANDLE GEAR SHIFT ASSY MANIJA DE CAMBIO COMPL | | | 1 | L(20.5")-FOR MYS L(20.5")-FOR MYS |

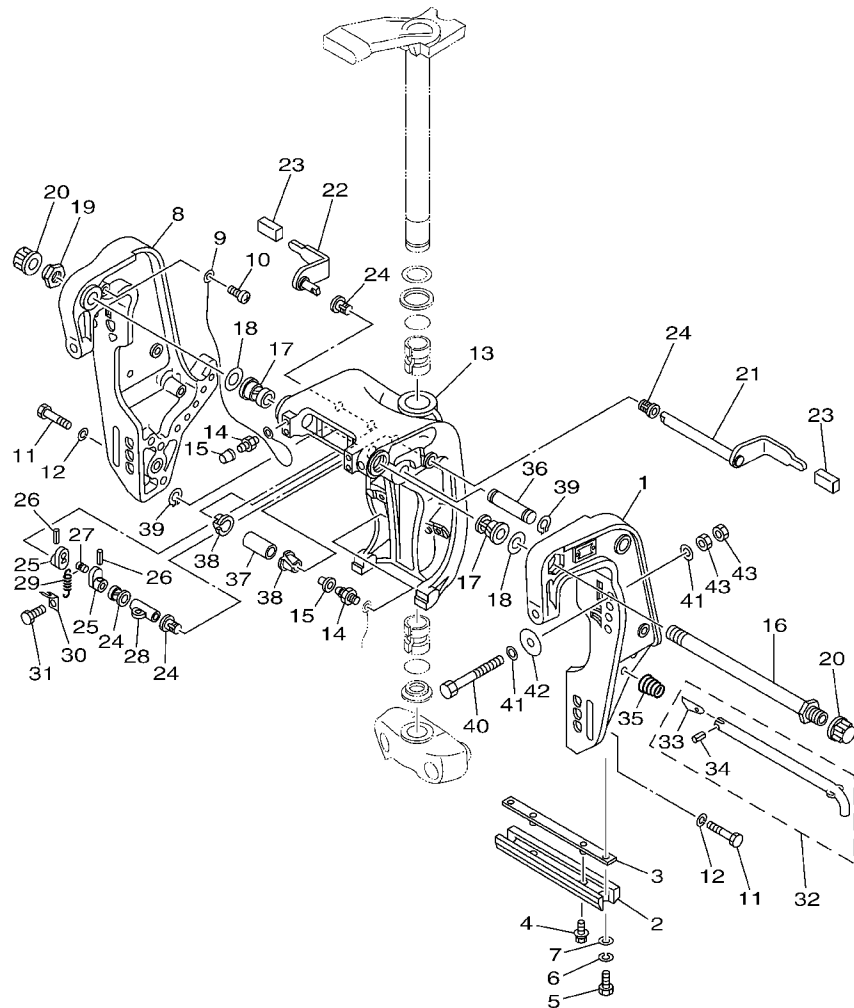


688266431201

FIG. 13 BRACKET 1

SOPORTE 1

| REF. NO. | PART NO. CODIGO Nº | DESCRIPTION DESCRIPCION | 64S9 | 65S9 | 662M | REMARKS OBSERVACIONES |
|----------|--------------------|---|------|------|------|-----------------------|
| 1 | 688-43111-13-8D | BRACKET, CLAMP 1 SOPORTE DE LA ABRAZADERA 1 | 1 | 1 | 1 | |
| 2 | 6H1-45251-03 | ANODE CATODE | 1 | 1 | 1 | |
| 3 | 6H1-44526-00 | PLATE PLACA 1 | 1 | 1 | 1 | |
| 4 | 90119-06M29 | BOLT, WITH WASHER TORNILLO CON ARANDELA | 2 | 2 | 2 | |
| 5 | 97095-06016 | BOLT PERNO | 2 | 2 | 2 | |
| 6 | 92995-06100 | WASHER, SPRING ARANDELA | 2 | 2 | 2 | |
| 7 | 92995-06600 | WASHER ARANDELA | 2 | 2 | 2 | |
| 8 | 688-43112-12-8D | BRACKET, CLAMP 2 SOPORTE DE LA ABRAZADERA 2 | 1 | 1 | 1 | |
| 9 | 6E5-82148-00 | WIRE, LEAD 4 CABLE CONDUCTOR 4 | 1 | 1 | 1 | |
| 10 | 97880-06012 | SCREW, PAN HEAD TORNILLO DE CABEZA CON PLANA | 1 | 1 | 1 | |
| 11 | 97095-10045 | BOLT PERNO | 6 | 6 | 6 | |
| 12 | 92995-10100 | WASHER ARANDELA | 6 | 6 | 6 | |
| 13 | 6H1-43311-02-8D | BRACKET, SWIVEL 1 SOPORTE GIRATORIO 1 | 1 | 1 | 1 | |
| 14 | 93700-06M03 | NIPPLE, GREASE BOQUILLA DE ENGRASAR | 3 | 3 | 3 | |
| 15 | 663-45119-00 | CAP, GREASE NIPPLE TAPA DE GRASERA | 3 | 3 | 3 | |
| 16 | 688-43131-03 | BOLT, CLAMP BRACKET TORNILLO DE ABRAZADERA DEL SOP | 1 | 1 | 1 | |
| 17 | 90386-22M15 | BUSH BUJE | 2 | 2 | 2 | |
| 18 | 90201-22M67 | WASHER, PLATE ARANDELA PLANA | 2 | 2 | 2 | |
| 19 | 90185-22M11 | NUT, SELF-LOCKING TUERCA AUTOBLOCANTE | 1 | 1 | 1 | |
| 20 | 6G5-43145-01 | CAP, CLAMP BRACKET TAPA | 2 | 2 | 2 | |
| 21 | 688-43181-10 | LEVER, TILT STOP 1 PALANCA TOPE INCLINACION 1 | 1 | 1 | 1 | |
| 22 | 688-43185-10 | LEVER, TILT STOP 2 PALANCA TOPE INCLINACION 2 | 1 | 1 | 1 | |
| 23 | 663-43318-00 | COVER CUBIERTA | 2 | 2 | 2 | |
| 24 | 90386-10M16 | BUSH BUJE | 4 | 4 | 4 | |
| 25 | 6G5-43148-00 | COLLAR, DISTANCE COLLAR | 2 | 2 | 2 | |
| 26 | 91690-30020 | PIN, SPRING PASADOR DE RESORTE | 2 | 2 | 2 | |
| 27 | 90249-06M19 | PIN PASADOR | 1 | 1 | 1 | |



688266431201

FIG. 13 BRACKET 1

SOPORTE 1

| REF. NO. | PART NO. CODIGO Nº | DESCRIPTION DESCRIPCION | 64S9 | 65S9 | 662M | REMARKS OBSERVACIONES |
|----------|--------------------|---|------|------|------|-------------------------|
| 28 | 90387-10M02 | COLLAR ESPACIADOR | 1 | 1 | 1 | |
| 29 | 90506-14M24 | SPRING, TENSION RESORTE DE TENSION | 1 | 1 | 1 | |
| 30 | 6G5-43144-00 | HOOK, SPRING GANCHO | 1 | 1 | 1 | |
| 31 | 97095-06010 | BOLT PERNO | 1 | 1 | 1 | |
| 32 | 688-43160-01 | TILT ROD ASSY VARILLA DE BASCULACION COMPL. | 1 | 1 | 1 | |
| 33 | 688-43165-00 | .PLATE, TILT LOCK .PLACA DE TOPE, VARILLA SEGURID | 1 | 1 | 1 | |
| 34 | 91690-30012 | .PIN, SPRING .PASADOR DE RESORTE | 1 | 1 | 1 | |
| 35 | 90502-16M02 | SPRING, CONICAL RESORTE CONICO | 1 | 1 | 1 | |
| 36 | 6E5-43126-10 | PIN, UPPER SHOCK MOUNT PASADOR DE AMORTIGUADOR SUPERI | 1 | 1 | 1 | Go to P/N:PE0-OM-110028 |
| 37 | 90386-18M21 | BUSH BUJE | 1 | 1 | 1 | |
| 38 | 90386-18M35 | BUSH BUJE | 2 | 2 | 2 | |
| 39 | 93410-18M02 | CIRCLIP SEGURO | 2 | 2 | 2 | Go to P/N:PE0-OM-110028 |
| 40 | 90101-12M65 | BOLT TORNILLO | 4 | 4 | 4 | |
| 41 | 92995-12200 | WASHER ARANDELA | 8 | 8 | 8 | |
| 42 | 90201-12426 | WASHER, PLATE ARANDELA PLANA | 4 | 4 | 4 | |
| 43 | 95380-12600 | NUT TUERCA | 8 | 8 | 8 | |

PARTS NEWS

News No. PE0-OM-110028

Date: May 16, 2011

Signature: S. Ishibashi

Cause : Revision Notice Correction Sales Unit Change Others

| | |
|--|--|
| Model | E60JMHD (64S9) / E65AMHD (65S9) / E75BMHD (692M) |
| Subject | PARTS CATALOGUE CORRECTIONS |
| CATALOGUE NO. | 1K692-200S1 |
| Time of YPEC Revision Text, Illustration --> Jun./20/2011 PDF Replace --> Jun./20/2011 (YPEC = Yamaha Parts Electrical Catalogue = Website parts catalogue) | |

Applicable Engine Serial No.

| MODEL NAME | MODEL CODE | Applicable Engine Serial No. |
|------------|------------|------------------------------|
| E60J | 64S9 | 64S:1000517- |
| E65A | 65S9 | 65S:1000722- |
| E75B | 692M | 692:1052923- |

*1: Interchangeability

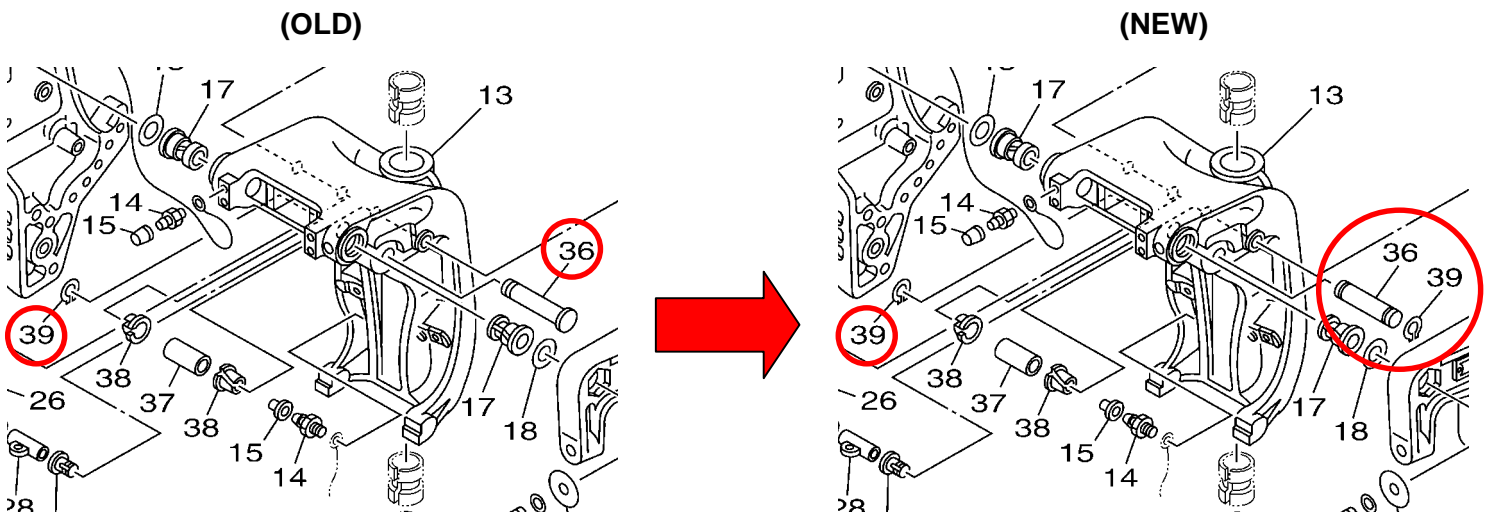
| | | | |
|---|--|---|-----------|
| A | Old Parts | → | Old Parts |
| | New Parts | → | New Parts |
| B | Old Parts | → | Old Parts |
| | New Parts | → | New Parts |
| C | Old Parts | → | Old Parts |
| | New Parts | → | New Parts |
| | ○ ○ These parts are interchangeable with a set | | |

FIG.13 BRACKET 1

1. LIST CORRECTION

| Fig. No. | Ref. No. | OLD P/No. | NEW P/No. | PART NAME | Q'TY | *Interchangeability | |
|----------|----------|--------------|--------------|------------------------|---------|---------------------|-----------------------|
| | | | | | | REMARKS | |
| 13 | 36 | 6E5-43126-02 | 6E5-43126-10 | PIN, UPPER SHOCK MOUNT | 1 | ○ | *Part number revision |
| | 39 | 93410-18M02 | - | CIRCLIP | 1 --> 2 | ○ | *Q'TY change |

2. ILLUSTRATION CORRECTION



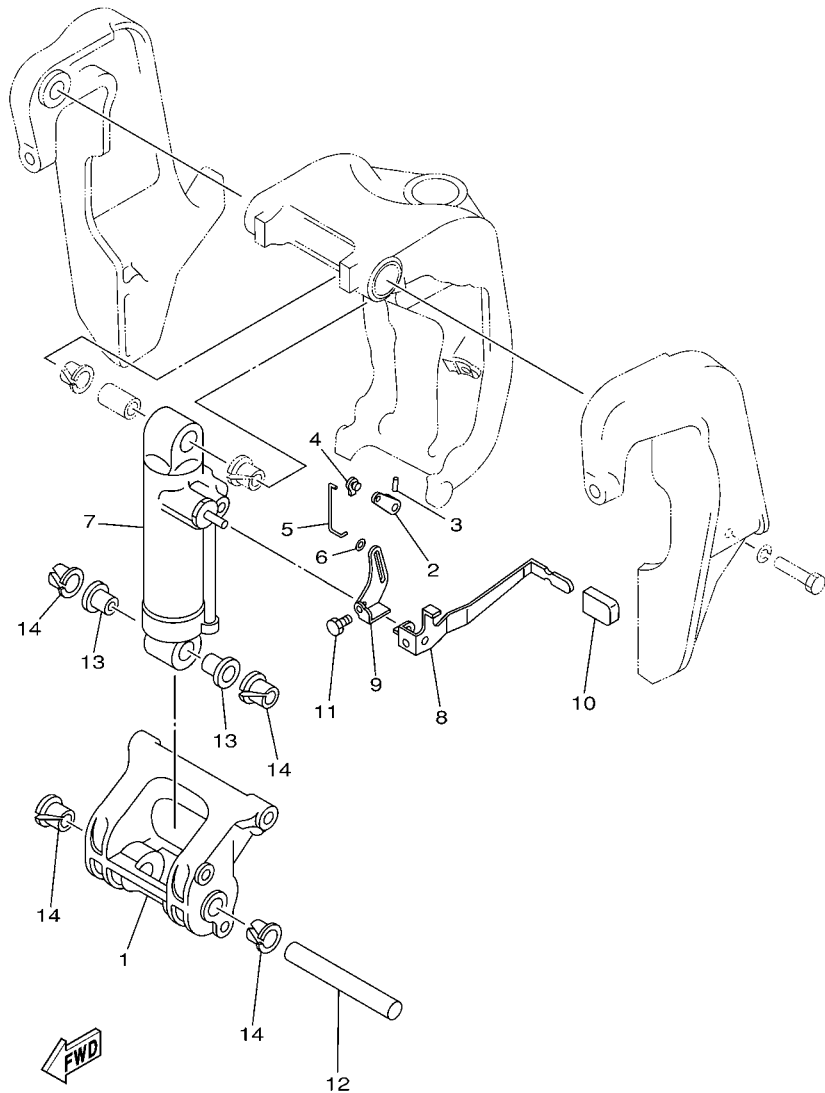
Thank you very much for your cooperation.

Parts
Manager
Check

Service
Manager
Check

Parts
Manager
File

YAMAHA MOTOR CO.,LTD
2500 Shingai Iwata Shizuoka 438-8501.Japan
Technical Publication Dept.



6H10010-0170

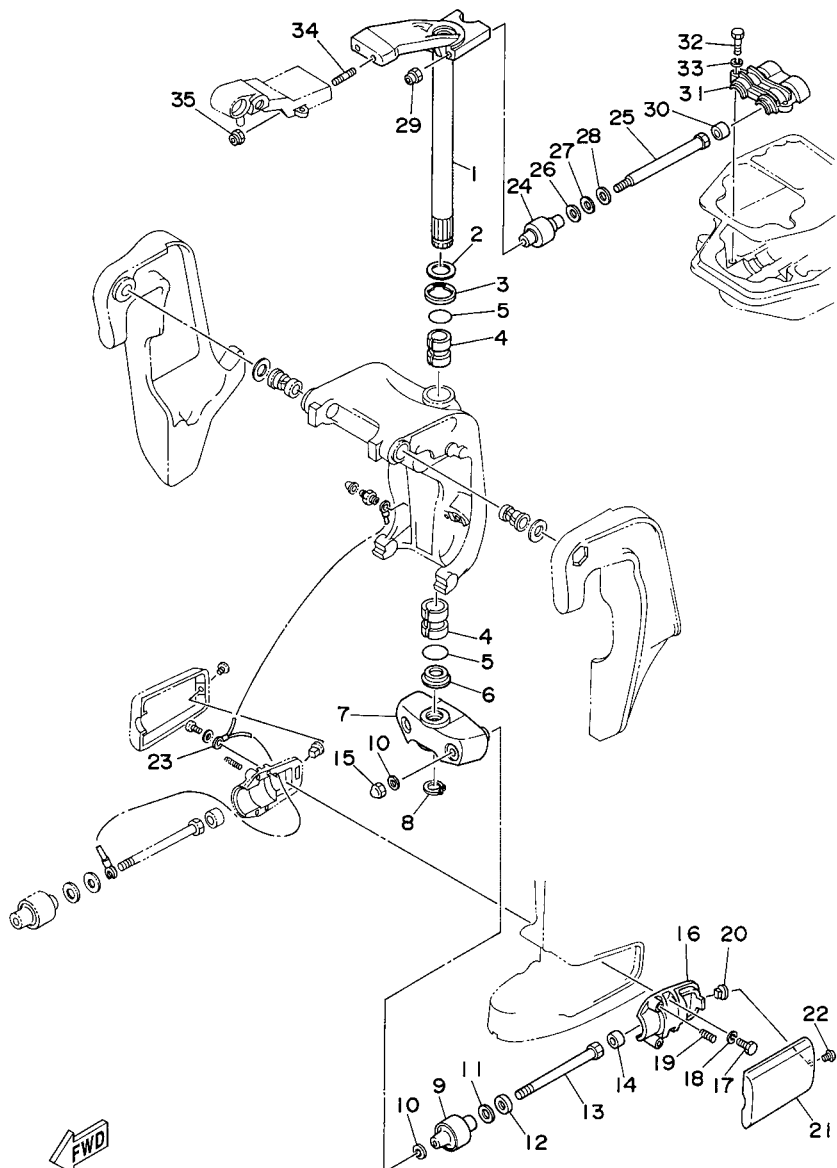
FIG. 14 BRACKET 2

SOPORTE 2

| REF. NO. | PART NO. CODIGO Nº | DESCRIPTION DESCRIPCION | 64S9 | 65S9 | 692M | REMARKS OBSERVACIONES |
|----------|--------------------|--|------|------|------|-----------------------|
| 1 | 688-43128-01-8D | SPACER, CLAMP BRACKET ESPACIADOR ABRAZADERA SOPORTE | 1 | 1 | 1 | |
| 2 | 688-43186-00 | LEVER PALANCA | 1 | 1 | 1 | |
| 3 | 91690-30020 | PIN, SPRING PASADOR DE RESORTE | 1 | 1 | 1 | |
| 4 | 6J8-41262-00 | JOINT, CHOKE LEVER CONECTOR DE AHOGADOR | 1 | 1 | 1 | |
| 5 | 688-43616-00 | ROD, TILT LOCK VARILLA SEGURO DE INCLINACION | 1 | 1 | 1 | |
| 6 | 90202-03M51 | WASHER, PLATE ARANDELA DE PLANA | 1 | 1 | 1 | |
| 7 | 688-43107-05-8D | SHOCK ABSORBER SUB-ASSY AMORTIGUADOR COMPL | 1 | 1 | 1 | |
| 8 | 688-43631-10 | LEVER, TILT PALANCA DE INCLINACION | 1 | 1 | 1 | |
| 9 | 688-43651-00 | LEVER, REVERSE LOCK 1 PALANCA SEGURO DE RESERVA | 1 | 1 | 1 | |
| 10 | 682-43318-01 | COVER CUBIERTA | 1 | 1 | 1 | |
| 11 | 97080-06010 | BOLT PERNO | 1 | 1 | 1 | |
| 12 | 688-43124-02 | PIN, LOWER SHOCK MOUNT PASADOR DE AMORTIGUADOR INFERI | 1 | 1 | 1 | |
| 13 | 90386-18M63 | BUSH BUJE | 2 | 2 | 2 | |
| 14 | 90386-18M35 | BUSH BUJE | 4 | 4 | 4 | |

FIG. 15 BRACKET 3

SOPORTE 3

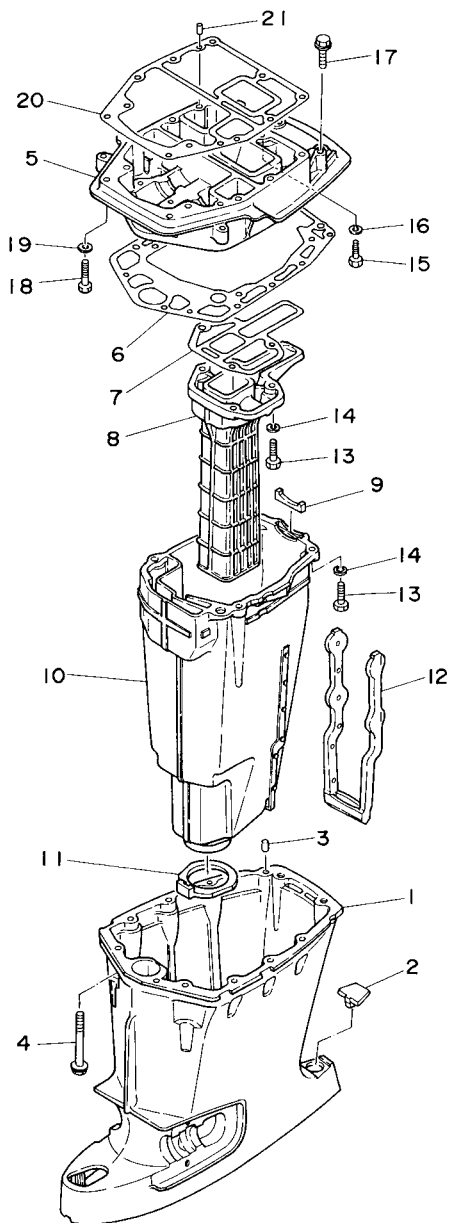
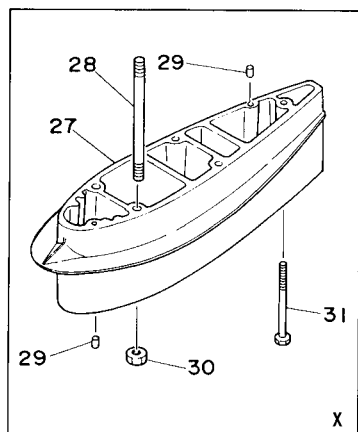
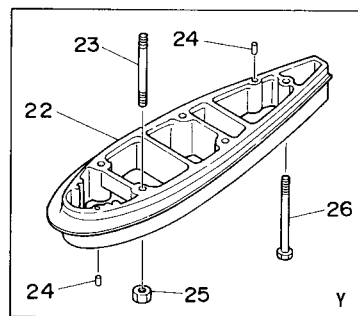


6920100-4160

| REF. NO. | PART NO. CODIGO Nº | DESCRIPTION DESCRIPCION | 64S9 | 65S9 | 662M | REMARKS OBSERVACIONES |
|----------|--------------------|--|------|------|------|-----------------------|
| 1 | 692-42510-00-8D | STEERING BRACKET ASSY SOPORTE DIRECCION COMPL. | 1 | 1 | 1 | |
| 2 | 90201-30M00 | WASHER, PLATE ARANDELA PLANA | 1 | 1 | 1 | |
| 3 | 90386-30M78 | BUSH BUJE | 1 | 1 | 1 | |
| 4 | 90386-30M77 | BUSH BUJE | 2 | 2 | 2 | |
| 5 | 93210-29M94 | O-RING ANILLO O | 2 | 2 | 2 | |
| 6 | 90386-30M60 | BUSH BUJE | 1 | 1 | 1 | |
| 7 | 692-44551-00-8D | HOUSING, LOWER MOUNT RUBBER 1 CAJA AMORTIGUADOR INFERIOR HU | 1 | 1 | 1 | |
| 8 | 93410-28M06 | CIRCLIP SEGURO | 1 | 1 | 1 | |
| 9 | 687-44555-00 | MOUNT DAMPER, LOWER SIDE AMORTIGUADOR DE HULE LADO INFE | 2 | 2 | 2 | |
| 10 | 90201-12M16 | WASHER, PLATE ARANDELA PLANA | 4 | 4 | 4 | |
| 11 | 90202-25M04 | WASHER, PLATE ARANDELA DE PLANA | 2 | 2 | 2 | |
| 12 | 90201-13M19 | WASHER, PLATE ARANDELA PLANA | 2 | 2 | 2 | |
| 13 | 90109-12261 | BOLT PERNO | 2 | 2 | 2 | |
| 14 | 663-44575-00 | DAMPER, LOWER MOUNT RUBBER AMORTIGUADOR INFERIOR | 2 | 2 | 2 | |
| 15 | 95380-12800 | NUT, CROWN TUERCA | 2 | 2 | 2 | |
| 16 | 687-44552-02 | HOUSING, LOWER MOUNT RUBBER 2 CAJA AMORTIGUADOR INFERIOR HU | 2 | 2 | 2 | |
| 17 | 97075-08025 | BOLT PERNO | 4 | 4 | 4 | |
| 18 | 92995-08100 | WASHER ARANDELA | 4 | 4 | 4 | |
| 19 | 90501-14M08 | SPRING, COMPRESSION RESORTE DE COMPRESION | 4 | 4 | 4 | |
| 20 | 90179-06066 | NUT TUERCA | 2 | 2 | 2 | |
| 21 | 663-44553-01-8D | COVER, LOWER MOUNT CUBIERTA, AMORTIGUADOR INFERIOR | 2 | 2 | 2 | |
| 22 | 97885-06016 | SCREW, PAN HEAD TORNILLO A MUESCA | 2 | 2 | 2 | |
| 23 | 688-82127-02 | WIRE, LEAD 2 CABLE CONDUCTOR 2 | 1 | 1 | 1 | |
| 24 | 688-44514-00 | MOUNT DAMPER, UPPER SIDE AMORTIGUADOR LADO SUPERIOR | 2 | 2 | 2 | |
| 25 | 90101-10M49 | BOLT TORNILLO | 2 | 2 | 2 | |
| 26 | 90201-20M21 | WASHER, PLATE ARANDELA PLANA | 2 | 2 | 2 | |
| 27 | 90202-20M06 | WASHER, PLATE ARANDELA DE PLANA | 2 | 2 | 2 | |

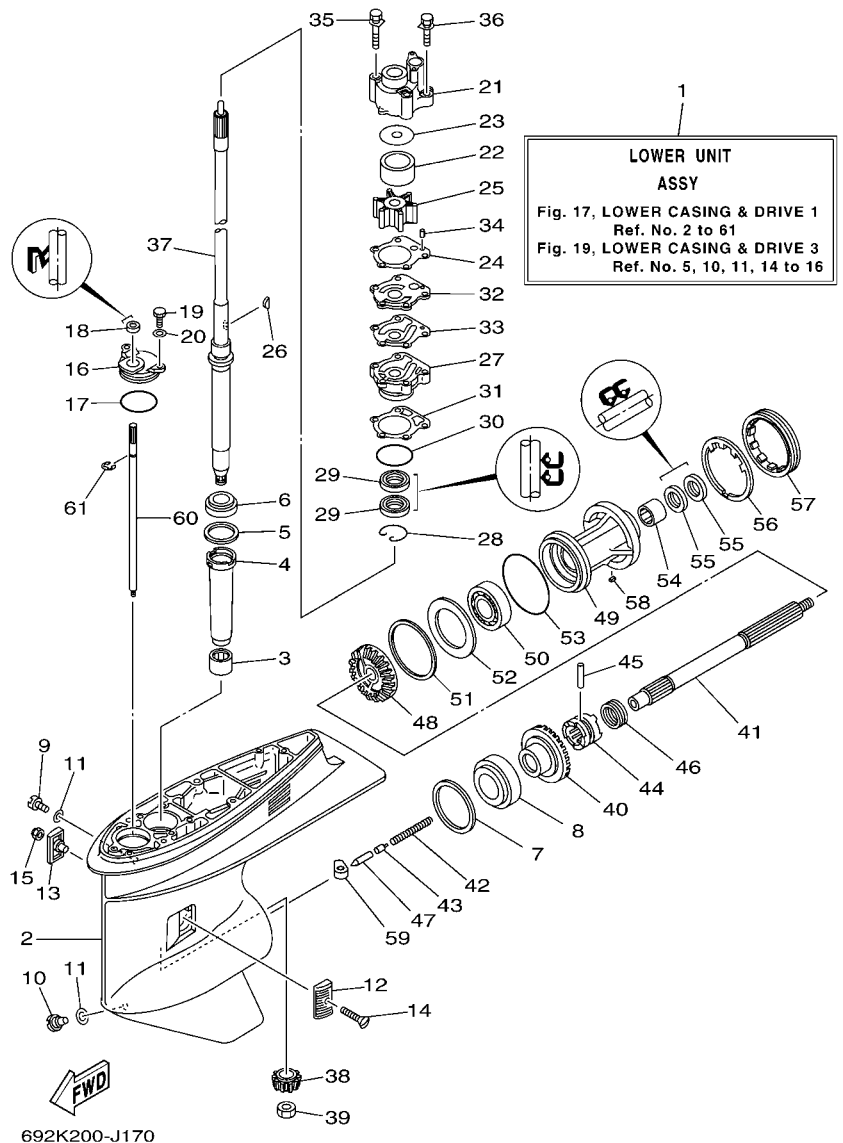
FIG. 16 UPPER CASING

FUNDA SUPERIOR



6925200-4160

| REF. NO. | PART NO. CODIGO Nº | DESCRIPTION DESCRIPCION | 64S9 | 65S9 | 662M | REMARKS OBSERVACIONES |
|----------|--------------------|---|------|------|------|-----------------------|
| 1 | 688-45111-04-8D | CASING, UPPER CAJA SUPERIOR | 1 | 1 | 1 | |
| 2 | 663-45155-10 | CAP TAPA | 1 | 1 | 1 | |
| 3 | 93606-12019 | PIN, DOWEL PASADOR DE CLAVIJA | 2 | 2 | 2 | |
| 4 | 90119-08M80 | BOLT, WITH WASHER TORNILLO CON ARANDELA | 8 | 8 | 8 | |
| 5 | 688-41137-03-CA | GUIDE, EXHAUST GUIA DE ESCAPE | 1 | 1 | 1 | |
| 6 | 688-45114-A1 | GASKET, UPPER CASING EMPAQUE | 1 | 1 | 1 | |
| 7 | 688-41134-A0 | GASKET, EXHAUST MANIFOLD EMPAQUE | 1 | 1 | 1 | |
| 8 | 688-41131-00-CA | MANIFOLD, EXT. 1 TUBO MULTIPLE DE ESCAPE | 1 | 1 | 1 | |
| | 688-41131-10-CA | MANIFOLD, EXT. 1 TUBO MULTIPLE DE ESCAPE | | 1 | 1 | FOR NME FOR NME |
| 9 | 688-41133-00 | GASKET, EXHAUST MANIFOLD 1 EMPAQUE ESCAPE MULTIPLE | 1 | 1 | 1 | |
| 10 | 688-14711-01-CA | MUFFLER 1 SILENCIADOR 1 | 1 | 1 | 1 | |
| | 688-14711-10-CA | MUFFLER 1 SILENCIADOR 1 | | 1 | 1 | FOR NME FOR NME |
| 11 | 688-45123-00 | GASKET, MUFFLER EMPAQUE SILENCIADOR | 1 | 1 | 1 | |
| 12 | 663-14737-10 | DAMPER, MUFFLER AMORTIGUADOR DE SILENCIADOR | 1 | 1 | 1 | |
| 13 | 97075-08030 | BOLT PERNO | 7 | 7 | 7 | |
| 14 | 92995-08100 | WASHER ARANDELA | 7 | 7 | 7 | |
| 15 | 97075-08025 | BOLT PERNO | 1 | 1 | 1 | |
| 16 | 92995-08100 | WASHER ARANDELA | 1 | 1 | 1 | |
| 17 | 90119-08102 | BOLT, WITH WASHER TORNILLO CON ARANDELA | 2 | 2 | 2 | |
| 18 | 97075-08035 | BOLT PERNO | 2 | 2 | 2 | |
| 19 | 92995-08100 | WASHER ARANDELA | 2 | 2 | 2 | |
| 20 | 688-45113-A0 | GASKET, UPPER CASING EMPAQUE | 1 | 1 | 1 | |
| 21 | 93606-12019 | PIN, DOWEL PASADOR DE CLAVIJA | 2 | 2 | 2 | |
| 22 | 696-45211-01-8D | EXTENSION EXTENSION | | | 1 | Y(22.5") Y(22.5") |
| 23 | 90116-10M31 | BOLT, STUD ESPARRAGO | | | 4 | Y(22.5") Y(22.5") |
| 24 | 93606-12019 | PIN, DOWEL PASADOR DE CLAVIJA | | | 4 | Y(22.5") Y(22.5") |
| 25 | 95380-10600 | NUT TUERCA | | | 4 | Y(22.5") Y(22.5") |



692K200-J170

FIG. 17 LOWER CASING & DRIVE 1 IMPULSOR E INFERIOR 1

| REF. NO. | PART NO. CODIGO Nº | DESCRIPTION DESCRIPCION | 64S9 | 65S9 | 692M | REMARKS OBSERVACIONES |
|----------|--------------------|--|------|------|------|-----------------------|
| 1 | 692-45300-63-8D | LOWER UNIT ASSY CONJUNTO UNIDAD INFERIOR | 1 | 1 | | L(20.5") L(20.5") |
| | 692-45300-16-8D | LOWER UNIT ASSY CONJUNTO UNIDAD INFERIOR | | | 1 | L(20.5") L(20.5") |
| | 692-45300-35-8D | LOWER UNIT ASSY CONJUNTO UNIDAD INFERIOR | | | 1 | Y(22.5") Y(22.5") |
| | 692-45300-81-8D | LOWER UNIT ASSY CONJUNTO UNIDAD INFERIOR | | 1 | | X(25.5") X(25.5") |
| | 692-45300-25-8D | LOWER UNIT ASSY CONJUNTO UNIDAD INFERIOR | | | 1 | X(25.5") X(25.5") |
| 2 | 688-45311-06-8D | CASING, LOWER FUNDA INFERIOR | 1 | 1 | 1 | |
| 3 | 93315-325V1 | BEARING COJINETE DE RODILLOS | 1 | 1 | 1 | |
| 4 | 688-45536-01 | SLEEVE, DRIVE SHAFT CAMISA EJE DE MANDO | 1 | 1 | 1 | |
| 5 | 688-45587-01 | SHIM (T:0.10MM) LAINA (T:0.10MM) | 1 | 1 | 1 | UR |
| | 688-45587-10 | SHIM (T:0.12MM) LAINA (T:0.12MM) | 1 | 1 | 1 | UR |
| | 688-45587-20 | SHIM (T:0.15MM) LAINA (T:0.15MM) | 1 | 1 | 1 | UR |
| | 688-45587-30 | SHIM (T:0.18MM) LAINA (T:0.18MM) | 1 | 1 | 1 | UR |
| | 688-45587-40 | SHIM (T:0.30MM) LAINA (T:0.30MM) | 1 | 1 | 1 | UR |
| | 688-45587-50 | SHIM (T:0.40MM) LAINA (T:0.40MM) | 1 | 1 | 1 | UR |
| | 688-45587-60 | SHIM (T:0.50MM) LAINA (T:0.50MM) | 1 | 1 | 1 | UR |
| 6 | 93332-000U3 | BEARING COJINETE | 1 | 1 | 1 | |
| 7 | 688-45567-01 | SHIM (T:0.10MM) LAINA (T:0.10MM) | 1 | 1 | 1 | UR |
| | 688-45567-10 | SHIM (T:0.12MM) LAINA (T:0.12MM) | 1 | 1 | 1 | UR |
| | 688-45567-20 | SHIM (T:0.15MM) LAINA (T:0.15MM) | 1 | 1 | 1 | UR |
| | 688-45567-30 | SHIM (T:0.18MM) LAINA (T:0.18MM) | 1 | 1 | 1 | UR |
| | 688-45567-40 | SHIM (T:0.30MM) LAINA (T:0.30MM) | 1 | 1 | 1 | UR |
| | 688-45567-50 | SHIM (T:0.40MM) LAINA (T:0.40MM) | 1 | 1 | 1 | UR |
| | 688-45567-60 | SHIM (T:0.50MM) LAINA (T:0.50MM) | 1 | 1 | 1 | UR |
| 8 | 93332-000W7 | BEARING COJINETE | 1 | 1 | 1 | |
| 9 | 90340-08002 | PLUG, STRAIGHT SCREW TORNILLO, DE DRENAJE | 1 | 1 | 1 | |
| 10 | 688-45341-10 | PLUG, DRAIN TAPON, DREN | 1 | 1 | 1 | |
| 11 | 90430-08020 | GASKET JUNTA | 2 | 2 | 2 | |

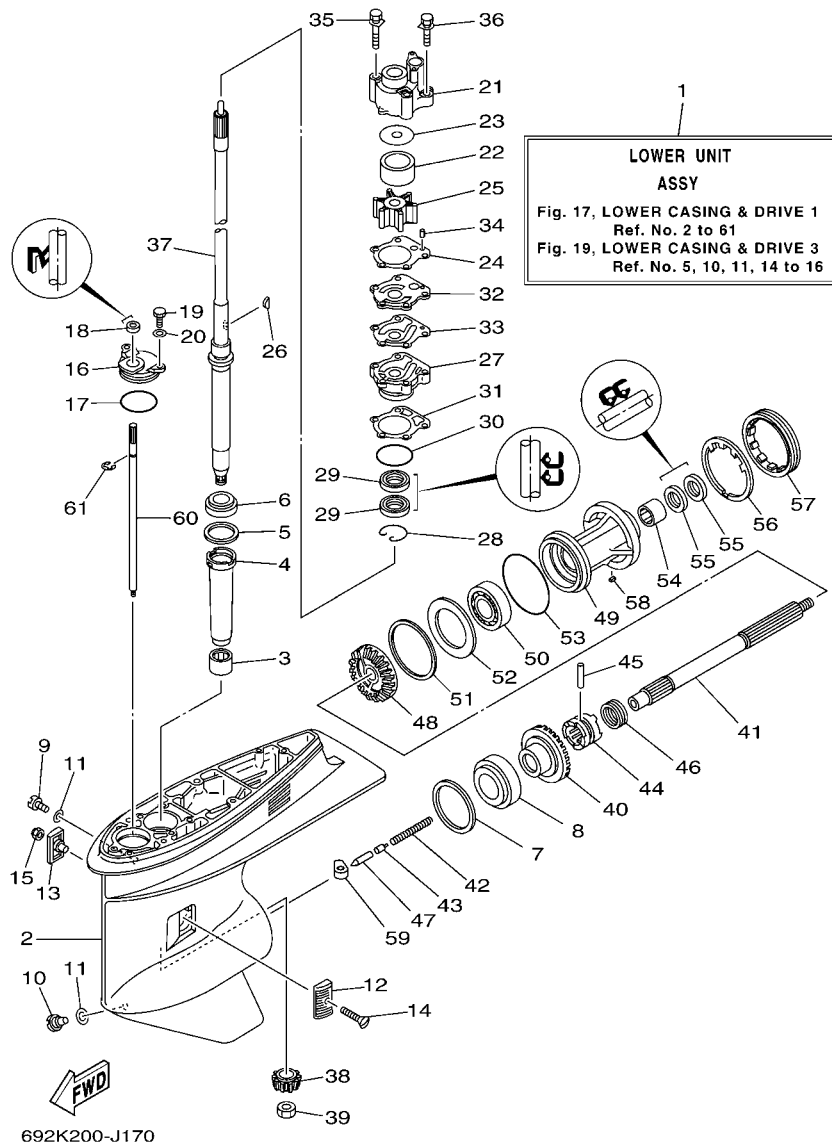


FIG. 17 LOWER CASING & DRIVE 1 IMPULSOR E INFERIOR 1

| REF. NO. | PART NO. CODIGO Nº | DESCRIPTION DESCRIPCION | 64S9 | 65S9 | 692M | REMARKS OBSERVACIONES |
|----------|--------------------|---|------|------|------|--|
| 12 | 6H1-45214-00 | COVER, WATER INLET 1 CUBIERTA ENTRADA AGUA 1 | 1 | 1 | 1 | |
| 13 | 6H1-45215-00 | COVER, WATER INLET 2 CUBIERTA ENTRADA AGUA 2 | 1 | 1 | 1 | |
| 14 | 90151-05M00 | SCREW, COUNTERSUNK TORNILLO EMBUTIDO | 1 | 1 | 1 | |
| 15 | 90185-05002 | NUT, NYLON TUERCA AUTOBLOCANTE | 1 | 1 | 1 | |
| 16 | 688-45321-00 | PLATE PLACA | 1 | 1 | 1 | |
| 17 | 93210-49046 | O-RING ANILLO O | 1 | 1 | 1 | |
| 18 | 93106-09014 | OIL SEAL SELLO ACEITE | 1 | 1 | 1 | |
| 19 | 97095-06016 | BOLT PERNO | 2 | 2 | 2 | |
| 20 | 92995-06600 | WASHER ARANDELA | 2 | 2 | 2 | |
| 21 | 688-44311-01 | HOUSING, WATER PUMP CAJA BOMBA DE AGUA | 1 | 1 | 1 | |
| 22 | 688-44322-41 | INSERT, CARTRIDGE CARTUCHO | 1 | 1 | 1 | FOR CHROMATE FOR CHROMATE FOR CHROMATE |
| 23 | 688-44321-41 | INNER PLATE, CARTRIDGE PLACA INTERIOR CARTUCHO | 1 | 1 | 1 | FOR CHROMATE FOR CHROMATE FOR CHROMATE |
| 24 | 688-44315-A0 | GASKET, WATER PUMP EMPAQUE | 1 | 1 | 1 | |
| 25 | 688-44352-03 | IMPELLER IMPULSOR | 1 | 1 | 1 | |
| 26 | 90280-04M04 | KEY, WOODRUFF CUNA WOODRUFF | 1 | 1 | 1 | |
| 27 | 6D8-44341-01-CA | HOUSING, WATER PUMP CAJA BOMBA DE AGUA | 1 | 1 | 1 | |
| 28 | 93450-44166 | CIRCLIP SEGURO | 1 | 1 | 1 | |
| 29 | 93101-25M03 | OIL SEAL SELLO ACEITE | 2 | 2 | 2 | |
| 30 | 93210-46044 | O-RING ANILLO O | 1 | 1 | 1 | |
| 31 | 688-44316-A0 | GASKET, WATER PUMP EMPAQUE | 1 | 1 | 1 | |
| 32 | 688-44323-40 | OUTER PLATE, CARTRIDGE PLACA EXTERIOR DEL CARTUCHO | 1 | 1 | 1 | FOR CHROMATE FOR CHROMATE |
| 33 | 688-44324-A0 | GASKET, CARTRIDGE EMPAQUE | 1 | 1 | 1 | |
| 34 | 93604-10M03 | PIN, DOWEL PASADOR DE CLAVIJA | 2 | 2 | 2 | |
| 35 | 90119-08M16 | BOLT, WITH WASHER TORNILLO CON ARANDELA | 2 | 2 | 2 | |
| 36 | 90119-08M13 | BOLT, WITH WASHER TORNILLO CON ARANDELA | 2 | 2 | 2 | |
| 37 | 688-45501-11 | DRIVE SHAFT COMP. EJE DE MANDO COMPL. | 1 | 1 | 1 | L(20.5") L(20.5") |
| | 692-45501-21 | DRIVE SHAFT COMP. EJE DE MANDO COMPL. | | | 1 | Y(22.5") Y(22.5") |

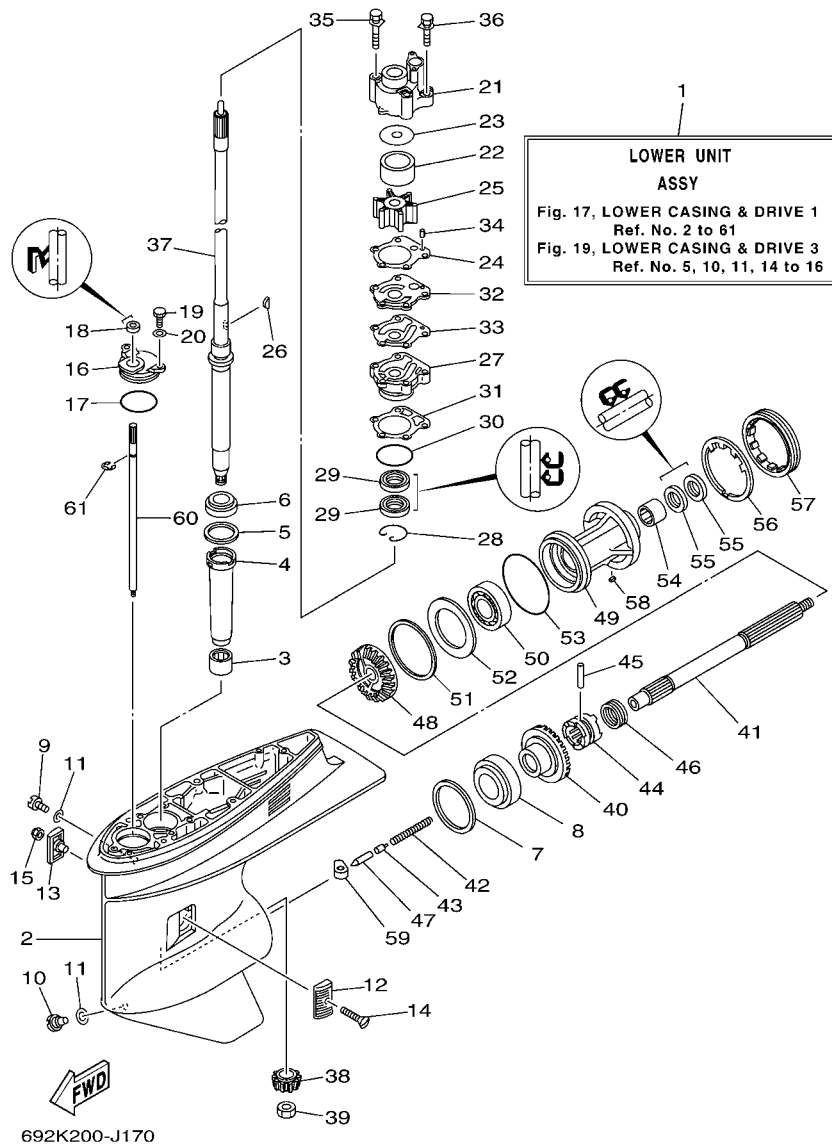


FIG. 17 LOWER CASING & DRIVE 1 IMPULSOR E INFERIOR 1

| REF. NO. | PART NO. CODIGO Nº | DESCRIPTION DESCRIPCION | 64S9 | 65S9 | 692M | REMARKS OBSERVACIONES |
|----------|--------------------|--|------|------|------|-----------------------|
| 37 | 688-45501-22 | DRIVE SHAFT COMP. EJE DE MANDO COMPL. | | 1 | 1 | X(25.5") X(25.5") |
| 38 | 6K5-45551-00 | PINION (12T) PINON (12T) | 1 | 1 | | |
| | 688-45551-01 | PINION (13T) PINON (13T) | | | 1 | |
| 39 | 90170-16M01 | NUT TUERCA | 1 | 1 | 1 | |
| 40 | 6K5-45560-00 | GEAR 1 (28T) ENGRANAJE 1 (28T) | 1 | 1 | | |
| | 688-45560-00 | GEAR 1 (26T) ENGRANAJE 1 (26T) | | | 1 | |
| 41 | 688-45611-00 | SHAFT, PROPELLER EJE PROPUSOR | 1 | 1 | 1 | |
| 42 | 90501-16233 | SPRING, COMPRESSION RESORTE DE COMPRESION | 1 | 1 | 1 | |
| 43 | 688-45634-00 | SLIDE, SHIFT DESILIZADOR, CAMBIO | 1 | 1 | 1 | |
| 44 | 688-45631-01 | CLUTCH, DOG EMBRAGUE DE GARRA | 1 | 1 | 1 | |
| 45 | 90250-07M02 | PIN, STRAIGHT PASADOR CILINDRICO | 1 | 1 | 1 | |
| 46 | 688-45633-00 | RING, CROSS PIN ANILLO DE PASADOR | 1 | 1 | 1 | |
| 47 | 688-45635-00 | PLUNGER, SHIFT EMBOLO DE CAMBIO | 1 | 1 | 1 | |
| 48 | 6K5-45571-00 | GEAR 2 (28T) ENGRANAJE 2 (28T) | 1 | 1 | | |
| | 688-45571-01 | GEAR 2 (26T) ENGRANAJE 2 (26T) | | | 1 | |
| 49 | 688-45331-00-CA | HOUSING, BEARING CAJA DE COJINETE | 1 | 1 | 1 | |
| 50 | 93306-207U0 | BEARING COJINETE | 1 | 1 | 1 | |
| 51 | 688-45577-01 | SHIM (T:0.10MM) LAINA (T:0.10MM) | 1 | 1 | 1 | UR |
| | 688-45577-10 | SHIM (T:0.12MM) LAINA (:0.12MM) | 1 | 1 | 1 | UR |
| | 688-45577-20 | SHIM (T:0.15MM) LAINA (T:0.15MM) | 1 | 1 | 1 | UR |
| | 688-45577-30 | SHIM (T:0.18MM) LAINA (T:0.18MM) | 1 | 1 | 1 | UR |
| | 688-45577-40 | SHIM (T:0.30MM) LAINA (T:0.30MM) | 1 | 1 | 1 | UR |
| | 688-45577-50 | SHIM (T:0.40MM) LAINA (T:0.40MM) | 1 | 1 | 1 | UR |
| | 688-45577-60 | SHIM (T:0.50MM) LAINA (T:0.50MM) | 1 | 1 | 1 | UR |
| 52 | 688-45576-00 | WASHER, THRUST 2 ARANDELA DE EMPUJE AXIAL 2 | 1 | 1 | 1 | |
| 53 | 93210-85M97 | O-RING ANILLO O | 1 | 1 | 1 | |
| 54 | 93317-325U0 | BEARING COJINETE | 1 | 1 | 1 | |

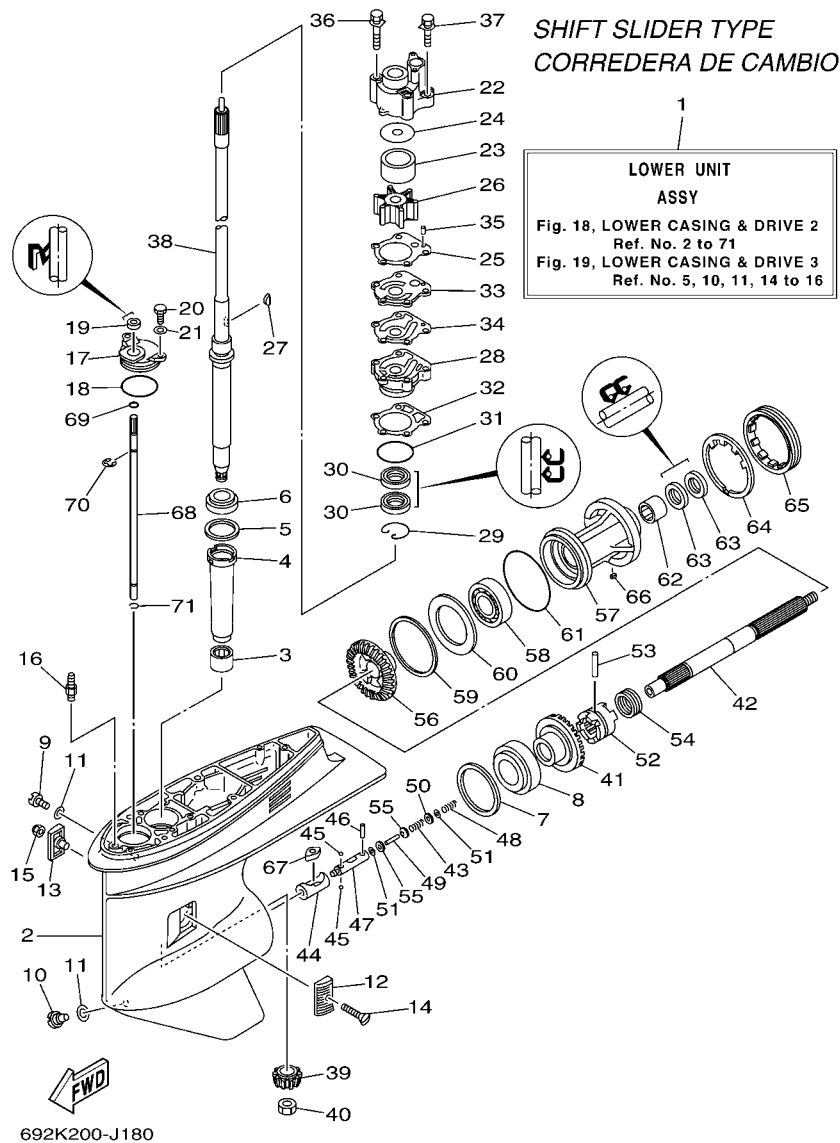


FIG. 18 LOWER CASING & DRIVE 2 IMPULSOR E INFERIOR 2

| REF. NO. | PART NO. CODIGO Nº | DESCRIPTION DESCRIPCION | 64S9 | 65S9 | 692M | REMARKS OBSERVACIONES |
|----------|--------------------|---|------|------|------|--------------------------------------|
| 1 | 692-45300-41-8D | LOWER UNIT ASSY CONJUNTO UNIDAD INFERIOR | | | 1 | L(20.5")-FOR MYS L(20.5")-FOR MYS |
| 2 | 6H1-45301-03-8D | CASING, LOWER FUNDA INFERIOR COMPLETA | | | 1 | |
| 3 | 93315-325V1 | BEARING COJINETE DE RODILLOS | | | 1 | |
| 4 | 688-45536-01 | SLEEVE, DRIVE SHAFT CAMISA EJE DE MANDO | | | 1 | |
| 5 | 688-45587-01 | SHIM (T:0.10MM) LAINA (T:0.10MM) | | | 1 | UR UR |
| | 688-45587-10 | SHIM (T:0.12MM) LAINA (T:0.12MM) | | | 1 | UR UR |
| | 688-45587-20 | SHIM (T:0.15MM) LAINA (T:0.15MM) | | | 1 | UR UR |
| | 688-45587-30 | SHIM (T:0.18MM) LAINA (T:0.18MM) | | | 1 | UR UR |
| | 688-45587-40 | SHIM (T:0.30MM) LAINA (T:0.30MM) | | | 1 | UR UR |
| | 688-45587-50 | SHIM (T:0.40MM) LAINA (T:0.40MM) | | | 1 | UR UR |
| | 688-45587-60 | SHIM (T:0.50MM) LAINA (T:0.50MM) | | | 1 | UR UR |
| 6 | 93332-000U3 | BEARING COJINETE | | | 1 | |
| 7 | 688-45567-01 | SHIM (T:0.10MM) LAINA (T:0.10MM) | | | 1 | UR UR |
| | 688-45567-10 | SHIM (T:0.12MM) LAINA (T:0.12MM) | | | 1 | UR UR |
| | 688-45567-20 | SHIM (T:0.15MM) LAINA (T:0.15MM) | | | 1 | UR UR |
| | 688-45567-30 | SHIM (T:0.18MM) LAINA (T:0.18MM) | | | 1 | UR UR |
| | 688-45567-40 | SHIM (T:0.30MM) LAINA (T:0.30MM) | | | 1 | UR UR |
| | 688-45567-50 | SHIM (T:0.40MM) LAINA (T:0.40MM) | | | 1 | UR UR |
| | 688-45567-60 | SHIM (T:0.50MM) LAINA (T:0.50MM) | | | 1 | UR UR |
| 8 | 93332-000W7 | BEARING COJINETE | | | 1 | |
| 9 | 90340-08002 | PLUG, STRAIGHT SCREW TORNILLO, DE DRENAJE | | | 1 | |
| 10 | 688-45341-10 | PLUG, DRAIN TAPON, DREN | | | 1 | |
| 11 | 90430-08020 | GASKET JUNTA | | | 2 | |
| 12 | 6H1-45214-00 | COVER, WATER INLET 1 CUBIERTA ENTRADA AGUA 1 | | | 1 | |
| 13 | 6H1-45215-00 | COVER, WATER INLET 2 CUBIERTA ENTRADA AGUA 2 | | | 1 | |
| 14 | 90151-05M00 | SCREW, COUNTERSUNK TORNILLO EMBUTIDO | | | 1 | |
| 15 | 90185-05002 | NUT, NYLON TUERCA AUTOBLOCANTE | | | 1 | |

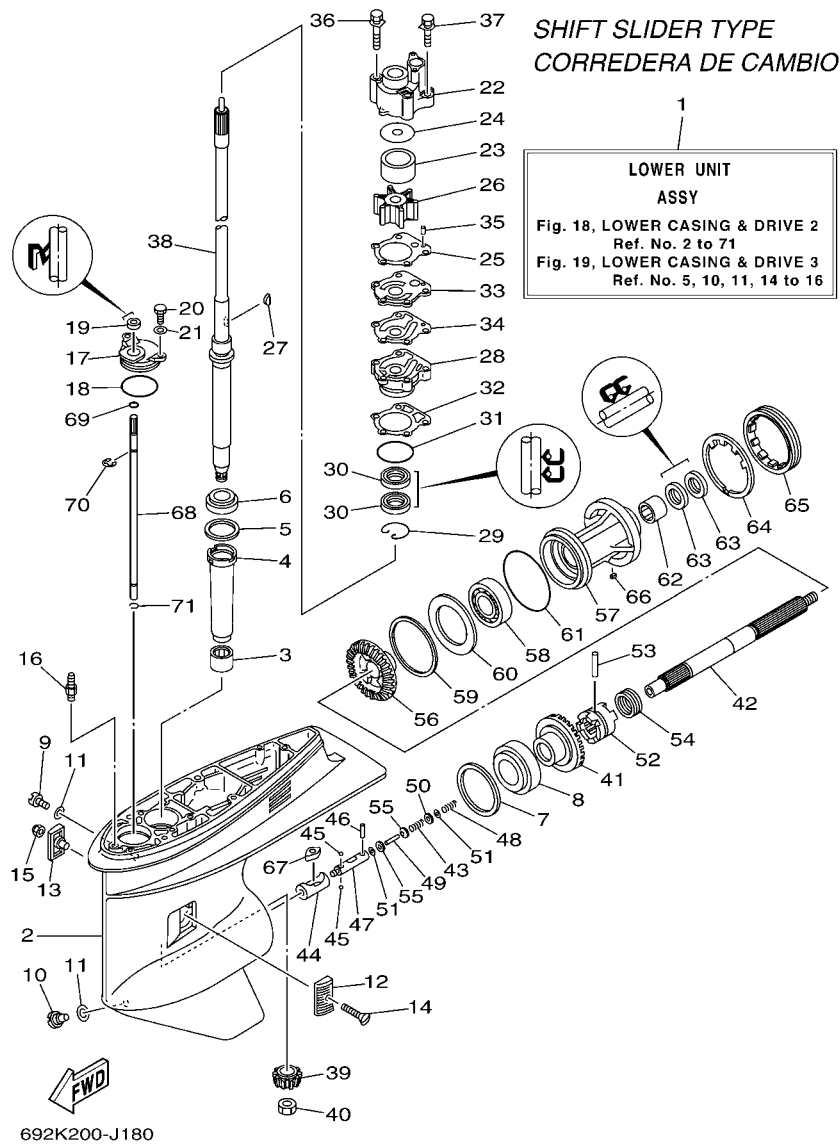


FIG. 18 LOWER CASING & DRIVE 2 IMPULSOR E INFERIOR 2

| REF. NO. | PART NO. CODIGO Nº | DESCRIPTION DESCRIPCION | 64S9 | 65S9 | 692M | REMARKS OBSERVACIONES |
|----------|--------------------|---|------|------|------|------------------------------|
| 16 | 6J8-45378-00 | NIPPLE, HOSE (PLUG) NIPLE MANGUERA (TAPON) | | | 1 | |
| 17 | 688-45321-00 | PLATE PLACA | | | 1 | |
| 18 | 93210-49046 | O-RING ANILLO O | | | 1 | |
| 19 | 93106-09014 | OIL SEAL SELLO ACEITE | | | 1 | |
| 20 | 97095-06016 | BOLT PERNO | | | 2 | |
| 21 | 92995-06600 | WASHER ARANDELA | | | 2 | |
| 22 | 688-44311-01 | HOUSING, WATER PUMP CAJA BOMBA DE AGUA | | | 1 | |
| 23 | 688-44322-41 | INSERT, CARTRIDGE CARTUCHO | | | 1 | FOR CHROMATE FOR CHROMATE |
| 24 | 688-44321-41 | INNER PLATE, CARTRIDGE PLACA INTERIOR CARTUCHO | | | 1 | FOR CHROMATE FOR CHROMATE |
| 25 | 688-44315-A0 | GASKET, WATER PUMP EMPAQUE | | | 1 | FOR CHROMATE |
| 26 | 688-44352-03 | IMPELLER IMPULSOR | | | 1 | |
| 27 | 90280-04M04 | KEY, WOODRUFF CUNA WOODRUFF | | | 1 | |
| 28 | 6D8-44341-01-CA | HOUSING, WATER PUMP CAJA BOMBA DE AGUA | | | 1 | |
| 29 | 93450-44166 | CIRCLIP SEGURO | | | 1 | |
| 30 | 93101-25M03 | OIL SEAL SELLO ACEITE | | | 2 | |
| 31 | 93210-46044 | O-RING ANILLO O | | | 1 | |
| 32 | 688-44316-A0 | GASKET, WATER PUMP EMPAQUE | | | 1 | |
| 33 | 688-44323-40 | OUTER PLATE, CARTRIDGE PLACA EXTERIOR DEL CARTUCHO | | | 1 | FOR CHROMATE FOR CHROMATE |
| 34 | 688-44324-A0 | GASKET, CARTRIDGE EMPAQUE | | | 1 | |
| 35 | 93604-10M03 | PIN, DOWEL PASADOR DE CLAVIJA | | | 2 | |
| 36 | 90119-08M16 | BOLT, WITH WASHER TORNILLO CON ARANDELA | | | 2 | |
| 37 | 90119-08M13 | BOLT, WITH WASHER TORNILLO CON ARANDELA | | | 2 | |
| 38 | 688-45501-11 | DRIVE SHAFT COMP. EJE DE MANDO COMPL. | | | 1 | L(20.5") L(20.5") |
| 39 | 688-45551-01 | PINION (13T) PINON (13T) | | | 1 | |
| 40 | 90170-16M01 | NUT TUERCA | | | 1 | |
| 41 | 688-45560-00 | GEAR 1 (26T) ENGRANAJE 1 (26T) | | | 1 | |
| 42 | 6H1-45611-01 | SHAFT, PROPELLER EJE PROPUSOR | | | 1 | |

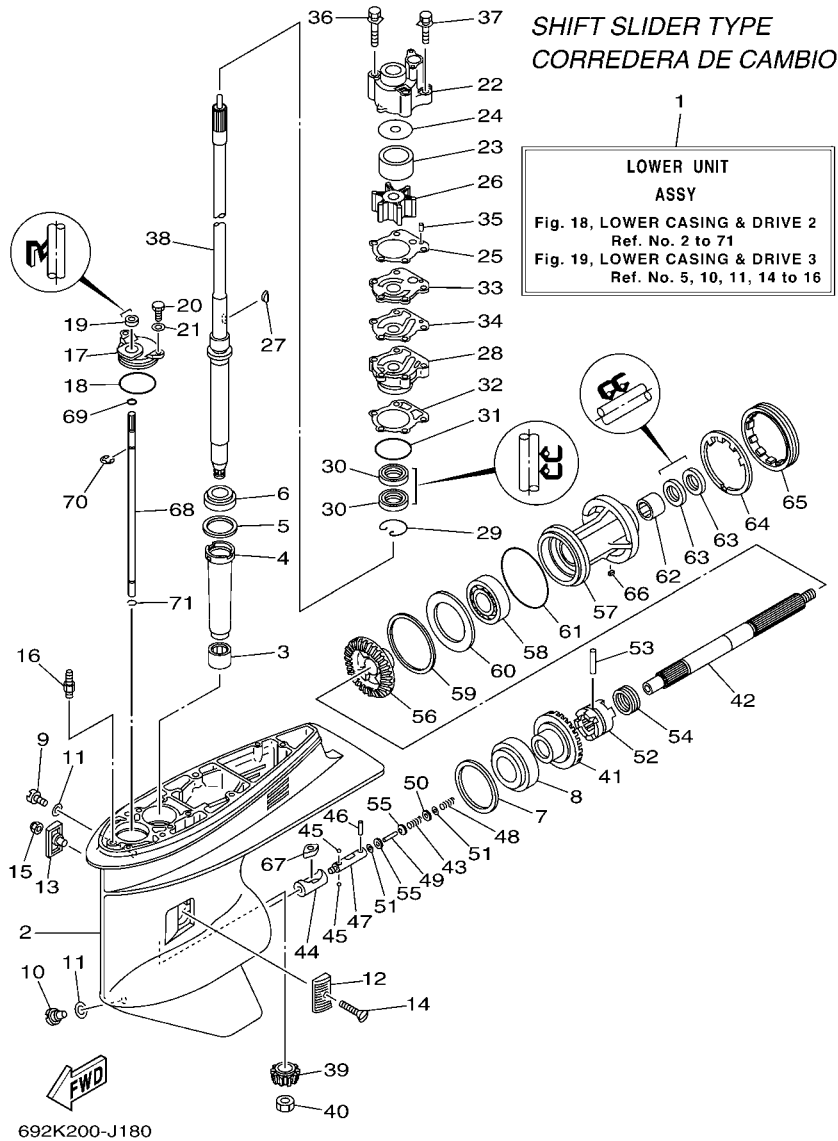
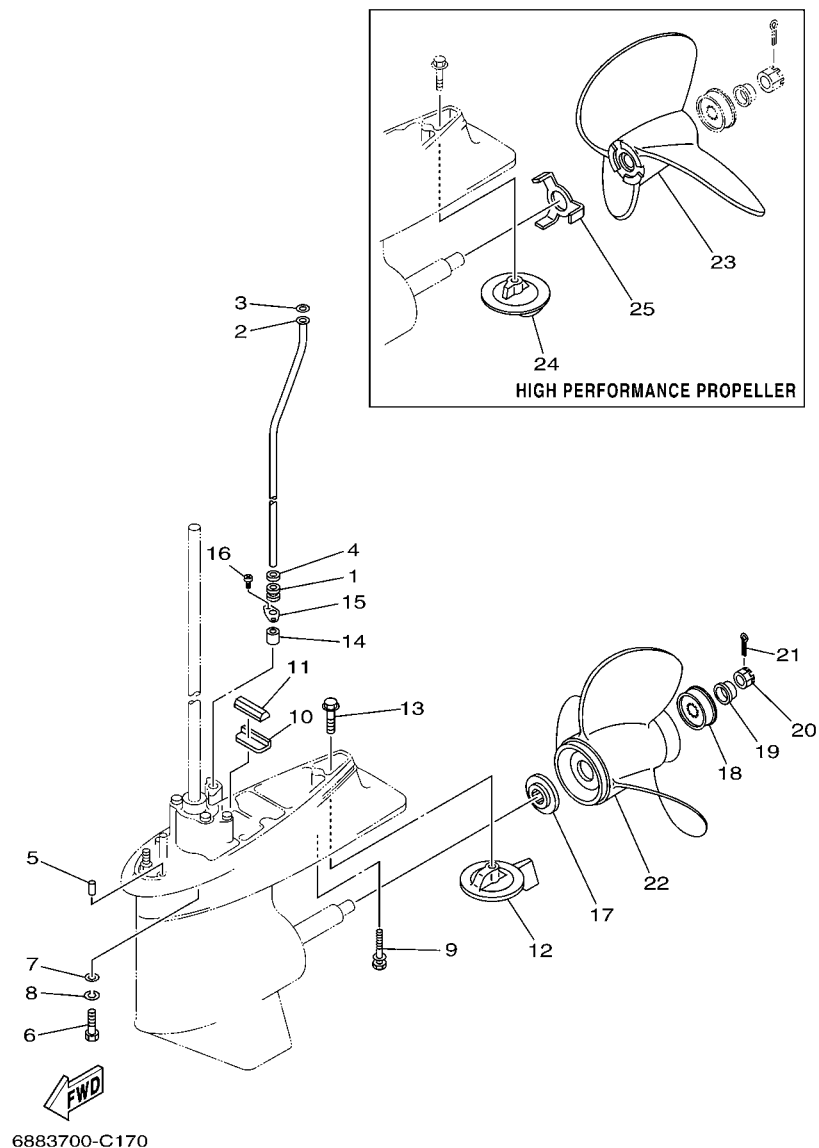


FIG. 18 LOWER CASING & DRIVE 2 IMPULSOR E INFERIOR 2

| REF. NO. | PART NO. CODIGO Nº | DESCRIPTION DESCRIPCION | 64S9 | 65S9 | 692M | REMARKS OBSERVACIONES |
|----------|--------------------|--|------|------|------|-----------------------|
| 43 | 90501-12M48 | SPRING, COMPRESSION RESORTE DE COMPRESION | | | 1 | |
| 44 | 6H1-45641-01 | SHIFTER CAMBIO | | | 1 | |
| 45 | 93503-16003 | BALL ESFERA | | | 2 | |
| 46 | 93603-12M11 | PIN, DOWEL PASADOR DE CLAVIJA | | | 1 | |
| 47 | 6H1-45634-02 | SLIDE, SHIFT DESILIZADOR, CAMBIO | | | 1 | |
| 48 | 90501-16M65 | SPRING, COMPRESSION RESORTE DE COMPRESION | | | 1 | |
| 49 | 6H1-45668-00 | SHAFT, FREE 1 EJE 1 | | | 1 | |
| 50 | 90201-03313 | WASHER, PLATE ARANDELA PLANA | | | 1 | |
| 51 | 90183-02M03 | NUT, SPRING TUERCA DE RESORTE | | | 2 | |
| 52 | 6H1-45631-01 | CLUTCH, DOG EMBRAGUE DE GARRA | | | 1 | |
| 53 | 90250-07M02 | PIN, STRAIGHT PASADOR CILINDRICO | | | 1 | |
| 54 | 688-45633-00 | RING, CROSS PIN ANILLO DE PASADOR | | | 1 | |
| 55 | 6H1-45635-00 | PLUNGER, SHIFT EMBOLO DE CAMBIO | | | 2 | |
| 56 | 6H1-45571-00 | GEAR 2 (26T) ENGRANAJE 2 (26T) | | | 1 | |
| 57 | 688-45331-00-CA | HOUSING, BEARING CAJA DE COJINETE | | | 1 | |
| 58 | 93306-207U0 | BEARING COJINETE | | | 1 | |
| 59 | 688-45577-01 | SHIM (T:0.10MM) LAINA (T:0.10MM) | | | 1 | UR |
| | 688-45577-10 | SHIM (T:0.12MM) LAINA (T:0.12MM) | | | 1 | UR |
| | 688-45577-20 | SHIM (T:0.15MM) LAINA (T:0.15MM) | | | 1 | UR |
| | 688-45577-30 | SHIM (T:0.18MM) LAINA (T:0.18MM) | | | 1 | UR |
| | 688-45577-40 | SHIM (T:0.30MM) LAINA (T:0.30MM) | | | 1 | UR |
| | 688-45577-50 | SHIM (T:0.40MM) LAINA (T:0.40MM) | | | 1 | UR |
| | 688-45577-60 | SHIM (T:0.50MM) LAINA (T:0.50MM) | | | 1 | UR |
| 60 | 688-45576-00 | WASHER, THRUST 2 ARANDELA DE EMPUJE AXIAL 2 | | | 1 | |
| 61 | 93210-85M97 | O-RING ANILLO O | | | 1 | |
| 62 | 93317-325U0 | BEARING COJINETE | | | 1 | |
| 63 | 93101-25M03 | OIL SEAL SELLO ACEITE | | | 2 | |

FIG. 19 LOWER CASING & DRIVE 3 IMPULSOR E INFERIOR 3



| REF. NO. | PART NO. CODIGO Nº | DESCRIPTION DESCRIPCION | 64S9 | 65S9 | 692M | REMARKS OBSERVACIONES |
|----------|--------------------|--|------|------|------|-----------------------|
| 1 | 663-44367-00 | DAMPER, WATER SEAL 3 GOMA DEL SELLO DE AGUA 3 | 1 | 1 | 1 | |
| 2 | 688-44361-10 | TUBE, WATER 1 TUBO DE AGUA 1 | 1 | 1 | 1 | L(20.5") L(20.5") |
| | 692-44361-20 | TUBE, WATER 1 TUBO DE AGUA 1 | | | 1 | Y(22.5") Y(22.5") |
| | 688-44361-20 | TUBE, WATER 1 TUBO DE AGUA 1 | | 1 | 1 | X(25.5") X(25.5") |
| 3 | 90202-12060 | WASHER, PLATE ARANDELA DE PLANA | 1 | 1 | 1 | |
| 4 | 90430-12072 | GASKET JUNTA | 1 | 1 | 1 | |
| 5 | 93606-12019 | PIN, DOWEL PASADOR DE CLAVIJA | 2 | 2 | 2 | L(20.5") L(20.5") |
| 6 | 97075-10040 | BOLT PERNO | 4 | 4 | 4 | L(20.5") L(20.5") |
| 7 | 92995-10600 | WASHER ARANDELA | 4 | 4 | 4 | |
| 8 | 92990-10100 | WASHER, SPRING ARANDELA PLANA | 4 | 4 | 4 | |
| 9 | 90119-08M84 | BOLT, WITH WASHER TORNILLO CON ARANDELA | 1 | 1 | 1 | L(20.5") L(20.5") |
| 10 | 663-45376-00 | GUIDE, SEAL DAMPER GUIA DE SELLO GOMA | 1 | 1 | 1 | |
| 11 | 688-45375-00 | DAMPER, SEAL GOMA DE SELLO | 1 | 1 | 1 | |
| 12 | 688-45371-02 | TAB-TRIM QUILLA ESTABILIZADOR | 1 | 1 | 1 | |
| 13 | 90105-10M67 | BOLT, FLANGE TORNILLO | 1 | 1 | 1 | |
| 14 | 663-44366-00 | DAMPÉR, WATER SEAL 2 GOMA DEL SELLO DE AGUA 2 | 1 | 1 | 1 | |
| 15 | 90480-19M06 | GROMMET TAPON | 1 | 1 | 1 | |
| 16 | 90160-04006 | SCREW, ROUND TAPPING TORNILLO REDONDO ROSCA HEMBRA | 2 | 2 | 2 | |
| 17 | 688-45987-01 | SPACER 1 ESPACIADOR 1 | 1 | 1 | 1 | |
| 18 | 67F-45997-00 | SPACER 2 ESPACIADOR 2 | 1 | 1 | 1 | |
| 19 | 90389-25M00 | BUSH BUJE | 1 | 1 | 1 | |
| 20 | 90171-16011 | NUT, CASTLE TUERCA ENTALLADA | 1 | 1 | 1 | |
| 21 | 91490-40025 | PIN. COTTER CHAVETA | 1 | 1 | 1 | |
| 22 | 6E5-45941-00-EL | PROPELLER (3X13"X19"-K) PROPELA (3X13"X19"-K) | 1 | 1 | 1 | UR UR |
| | 6E5-45943-00-EL | PROPELLER (3X12-5/8"X21"-K) PROPELA (3X12-5/8"X21"-K) | 1 | 1 | 1 | UR UR |
| | 6E5-45945-01-EL | PROPELLER (3X13-1/4"X17"-K) PROPELA (3X13-1/4"X17"-K) | 1 | 1 | 1 | UR UR |
| | 6E5-45947-00-EL | PROPELLER (3X13-1/2"X15"-K) PROPELA (3X13-1/2"X15"-K) | 1 | 1 | 1 | UR UR |

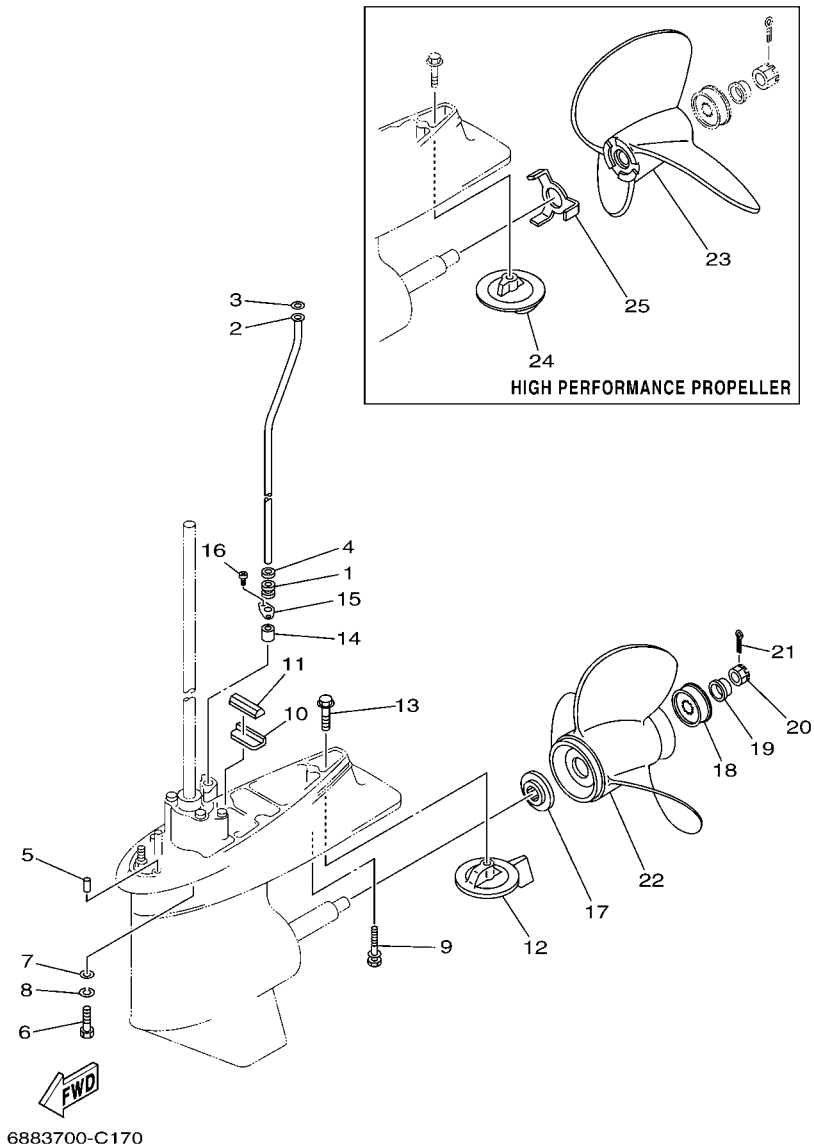


FIG. 19 LOWER CASING & DRIVE 3 IMPULSOR E INFERIOR 3

| REF. NO. | PART NO. CODIGO Nº | DESCRIPTION DESCRIPCION | 64S9 | 65S9 | 692M | REMARKS OBSERVACIONES |
|----------|--------------------|--|------|------|------|-----------------------|
| 22 | 6E5-45949-00-EL | PROPELLER (3X13-5/8"X13"-K) PROPELA (3X13-5/8"X13"-K) | 1 | 1 | 1 | UR UR |
| | 6E5-45952-00-EL | PROPELLER (3X13"X23"-K) PROPELA (3X13"X23"-K) | 1 | 1 | 1 | UR UR |
| | 6E5-45954-00-EL | PROPELLER (3X14"X11"-K) PROPELA (3X14"X11"-K) | 1 | 1 | 1 | UR UR |
| | 688-45970-03-98 | PROPELLER (3X13"X19"-K) PROPELA (3X13"X19"-K) | 1 | 1 | 1 | UR UR |
| | 688-45972-02-98 | PROPELLER (3X13"X21"-K) PROPELA (3X13"X21"-K) | 1 | 1 | 1 | UR UR |
| | 688-45974-02-98 | PROPELLER (3X13"X23"-K) PROPELA (3X13"X23"-K) | 1 | 1 | 1 | UR UR |
| | 688-45976-01-98 | PROPELLER (3X13"X25"-K) PROPELA (3X13"X25"-K) | 1 | 1 | 1 | UR UR |
| | 688-45978-60-98 | PROPELLER (3X13-1/2"X16"-K) PROPELA (3X13-1/2"X16"-K) | 1 | 1 | 1 | UR UR |
| | 688-45930-02-98 | PROPELLER (3X13"X17"-K) PROPELA (3X13"X17"-K) | 1 | 1 | 1 | UR UR |
| | 688-45932-60-98 | PROPELLER (3X13-1/2"X14"-K) PROPELA (3X13-1/2"X14"-K) | 1 | 1 | 1 | UR UR |
| 23 | 6E5-45970-10 | PROPELLER (3X14"X20"-P) PROPELA (3X14"X20"-P) | 1 | 1 | 1 | UR UR |
| | 6E5-45972-10 | PROPELLER (3X14"X24"-P) PROPELA (3X14"X24"-P) | 1 | 1 | 1 | UR UR |
| | 6E5-45974-10 | PROPELLER (3X14"X28"-P) PROPELA (3X14"X28"-P) | 1 | 1 | 1 | UR UR |
| | 6E5-45976-10 | PROPELLER (3X14"X22"-P) PROPELA (3X14"X22"-P) | 1 | 1 | 1 | UR UR |
| | 6E5-45978-10 | PROPELLER (3X14"X26"-P) PROPELA (3X14"X26"-P) | 1 | 1 | 1 | UR UR |
| 24 | 6E5-45371-10 | TAB-TRIM QUILLA ESTABILIZADOR | 1 | 1 | 1 | |
| 25 | 6E5-45994-10 | PLATE, TOOTH PLACA | 1 | 1 | 1 | |

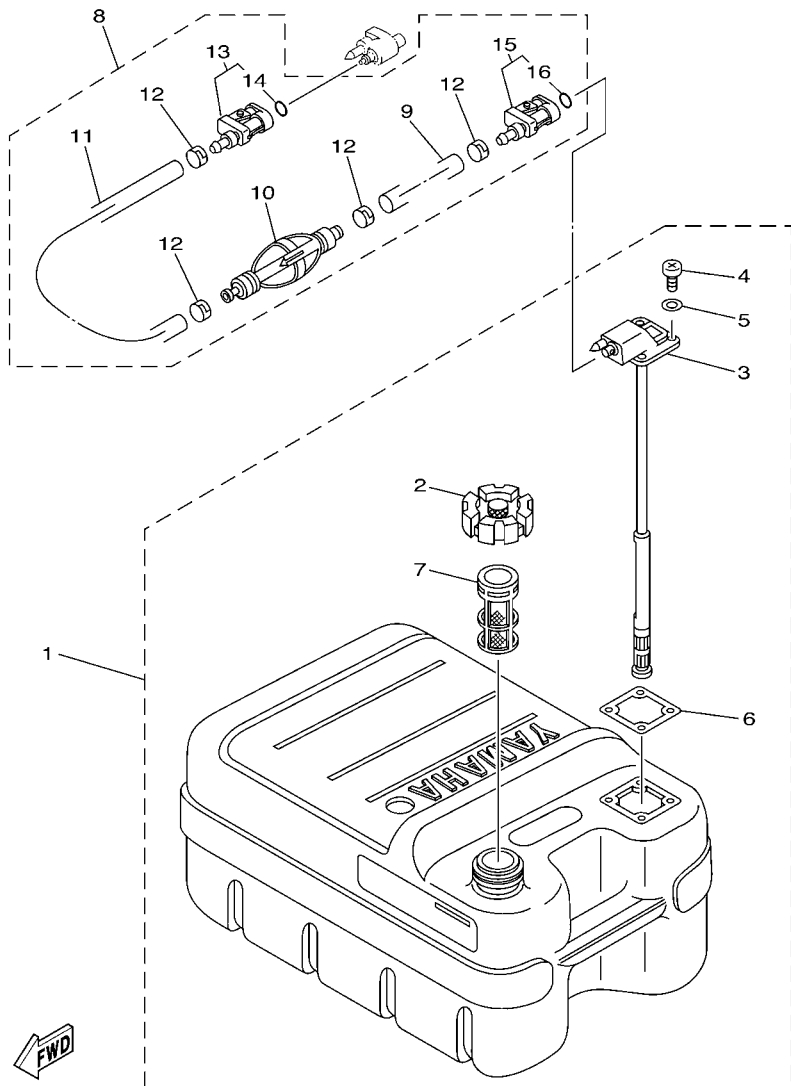


FIG. 20 FUEL TANK

DEPOSITO DE COMBUSTIBLE

| REF. NO. | PART NO. CODIGO Nº | DESCRIPTION DESCRIPCION | 64S9 | 65S9 | 692M | REMARKS OBSERVACIONES |
|----------|--------------------|---|------|------|------|-----------------------|
| 1 | 6YJ-24201-00 | FUEL TANK ASSY (24L) TANQUE DEL COMBUSTIBLE (24L) | 1 | 1 | 1 | AP AP |
| 2 | 6YJ-24610-01 | .CAP ASSY .TAPA COMPLETA | 1 | 1 | 1 | |
| 3 | 6YJ-24260-00 | .FUEL METER ASSY .MEDIDOR DE COMBUSTIBLE COMPL. | 1 | 1 | 1 | |
| 4 | 90157-05M19 | .SCREW, PAN HEAD .TORNILLO CABEZA CONICA PLANA | 4 | 4 | 4 | |
| 5 | 6Y1-24329-00 | .SEAL .SELLO | 4 | 4 | 4 | |
| 6 | 6Y1-24268-00 | .GASKET, FUEL METER .EMPAQ MEDIDOR DE COMBUSTIBLE | 1 | 1 | 1 | |
| 7 | 6YJ-24167-00 | .STRAINER .COLADOR | 1 | 1 | 1 | |
| 8 | 61J-24306-04 | FUEL PIPE COMP. 1 TUBO COMBUST. COMPL 1 | 1 | 1 | 1 | AP AP |
| 9 | 90445-11M06 | .HOSE (L2050) .MANGUERA (L2050) | 1 | 1 | 1 | |
| 10 | 61J-24360-00 | .PRIMER PUMP ASSY .SOPORTE BOMBA | 1 | 1 | 1 | |
| 11 | 90445-11M05 | .HOSE (L850) .MANGUERA (L850) | 1 | 1 | 1 | |
| 12 | 650-24351-01 | .BAND 1 .ABRAZADERA 1 | 4 | 4 | 4 | |
| 13 | 6G1-24305-05 | .FUEL PIPE JOINT COMP. 2 .CONECTOR MANGUERA COMBUST. 2 | 1 | 1 | 1 | |
| 14 | 93210-08287 | ..O-RING ..ANILLO O | 1 | 1 | 1 | |
| 15 | 6Y1-24305-06 | .FUEL PIPE JOINT COMP. 2 .CONECTOR MANGUERA COMBUST. 2 | 1 | 1 | 1 | |
| 16 | 93210-08287 | ..O-RING ..ANILLO O | 1 | 1 | 1 | |

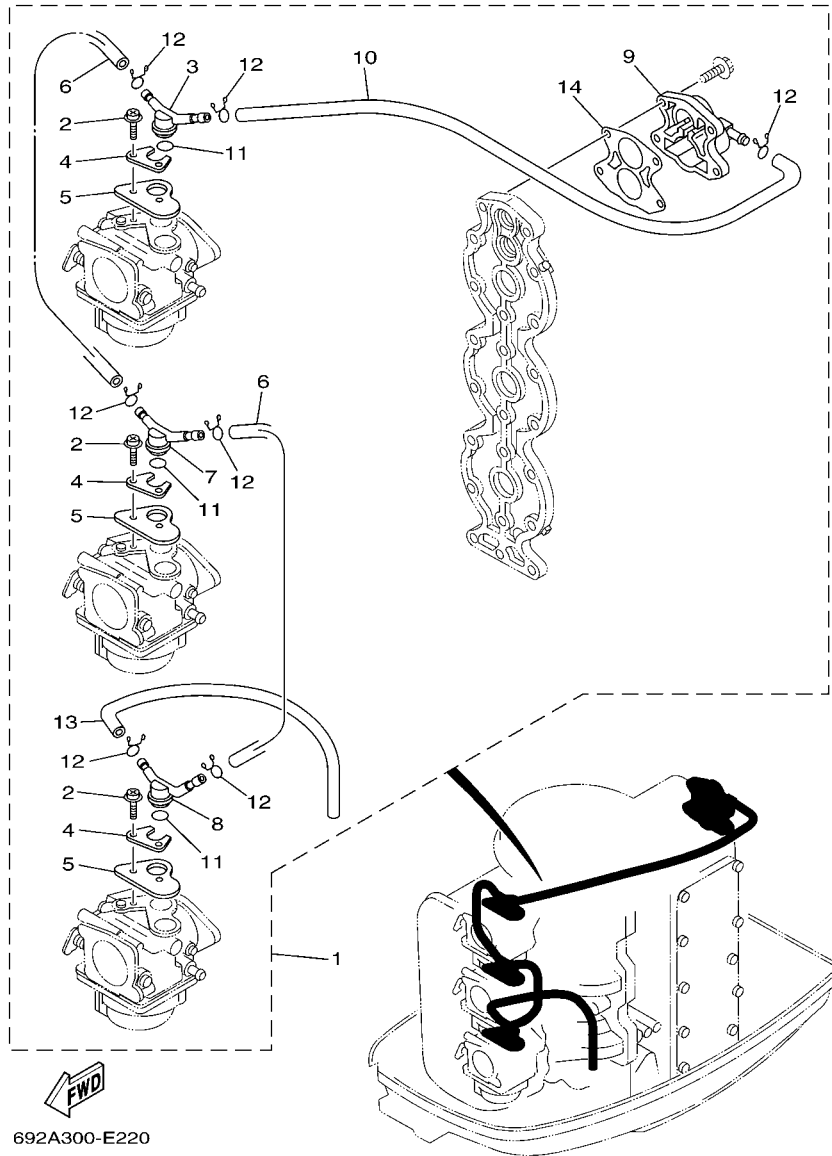


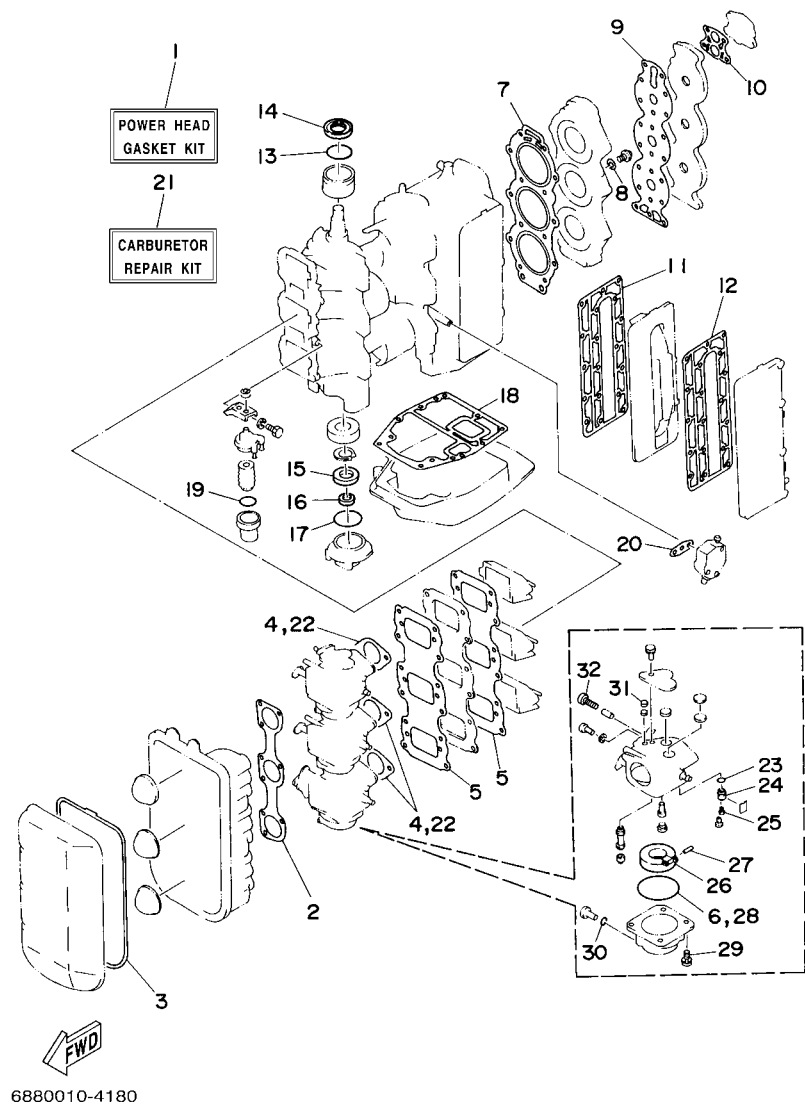
FIG. 21 OPTIONAL PARTS

PARTES OPCIONALES

| REF. NO. | PART NO. CODIGO Nº | DESCRIPTION DESCRIPCION | 64S9 | 65S9 | 692M | REMARKS OBSERVACIONES |
|----------|--------------------|--|------|------|------|-----------------------|
| 1 | 688-12440-51 | HEAT EXCHANGER ASSY INTERCAMBIADOR DE CALOR COMPL | 1 | 1 | 1 | AP AP |
| 2 | 97980-05114 | .SCREW, WITH WASHER .TORNILLO, CON ARANDELA | 6 | 6 | 6 | |
| 3 | 6H1-14969-50 | .CAP .TAPA | 1 | 1 | 1 | |
| 4 | 6H1-14945-50 | .PLATE .PLACA | 3 | 3 | 3 | |
| 5 | 6H1-14572-50 | .PLATE, STAY .PLACA DE SOPORTE | 3 | 3 | 3 | |
| 6 | 90445-11M01 | .HOSE (L180) .TUBO (L180) | 2 | 2 | 2 | |
| 7 | 6H1-14169-50 | .CAP .FUNDA | 1 | 1 | 1 | |
| 8 | 6H1-14968-50 | .CAP .TAPA | 1 | 1 | 1 | |
| 9 | 6H1-12413-50 | .COVER, THERMOSTAT .CUBIERTA TERMOSTATO | 1 | 1 | 1 | |
| 10 | 6H1-14348-51 | .PIPE 1 .MANGUERA | 1 | 1 | 1 | |
| 11 | 93210-15M52 | .O-RING .ANILLO O | 3 | 3 | 3 | |
| 12 | 90467-10M04 | .CLIP .PRESILLA | 7 | 7 | 7 | |
| 13 | 6E5-12481-00 | .PIPE 1 .TUBO 1 | 1 | 1 | 1 | |
| 14 | 6H1-12414-50 | .GASKET, COVER .EMPAQUE | 1 | 1 | 1 | |

FIG. 22 REPAIR KIT 1

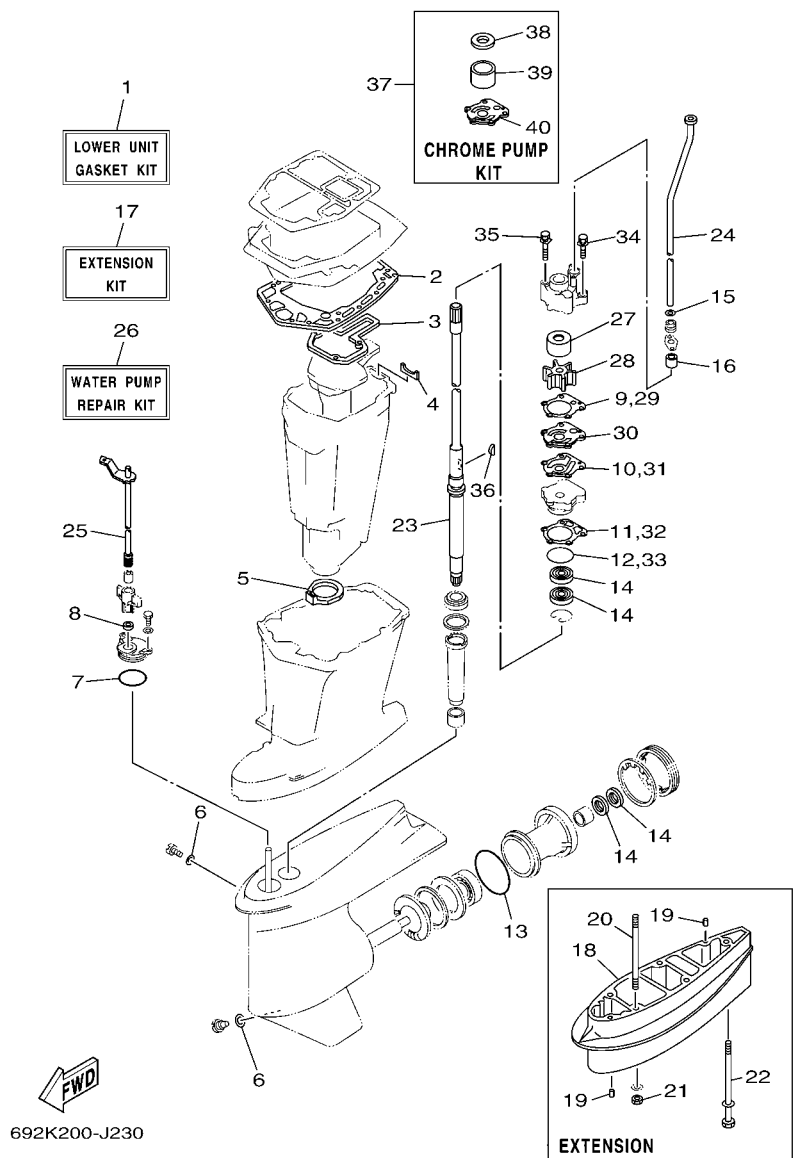
ESTUCHE REPARATION 1



| REF. NO. | PART NO. CODIGO Nº | DESCRIPTION DESCRIPCION | 64S9 | 65S9 | 692M | REMARKS OBSERVACIONES |
|----------|--------------------|--|------|------|------|-----------------------|
| 1 | 688-W0001-02 | POWER HEAD GASKET KIT JUEGO DE EMPAQUE | 1 | 1 | 1 | |
| 2 | 688-14483-A0 | .GASKET .EMPAQUE | 1 | 1 | 1 | |
| 3 | 688-14416-01 | .GASKET, AIR CLEANER .EMPAQUE | 1 | 1 | 1 | |
| 4 | 688-14198-A2 | .GASKET .EMPAQUE | 3 | 3 | 3 | |
| 5 | 688-13621-A1 | .GASKET, VALVE SEAT JUNTA, DE VALV.DE EMPAQUE | 2 | 2 | 2 | |
| 6 | 676-14984-00 | .GASKET, FLOAT CHAMBER .EMPAQUE CAMARA DE BOIA | 3 | 3 | 3 | |
| 7 | 688-11181-A2 | .GASKET, CYLINDER HEAD 1 JUNTA, DE CULATA 1 | 1 | 1 | 1 | |
| 8 | 90430-14115 | .GASKET JUNTA | 1 | 1 | 1 | |
| 9 | 688-11193-A1 | .GASKET, HEAD COVER 1 .EMPAQUE | 1 | 1 | 1 | |
| 10 | 688-12414-A1 | .GASKET, COVER .EMPAQUE | 1 | 1 | 1 | |
| 11 | 688-41112-A0 | .GASKET, EXHAUST INNER COVER .EMPAQUE | 1 | 1 | 1 | |
| 12 | 688-41114-A0 | .GASKET, EXHAUST OUTER COVER .EMPAQUE | 1 | 1 | 1 | |
| 13 | 93210-46M16 | .O-RING .ANILLO O | 1 | 1 | 1 | |
| 14 | 93102-36M02 | .OIL SEAL .SELLO ACEITE | 1 | 1 | 1 | |
| 15 | 93102-30M05 | .OIL SEAL .SELLO ACEITE | 1 | 1 | 1 | |
| 16 | 93104-20M02 | .OIL SEAL .SELLO ACEITE | 1 | 1 | 1 | |
| 17 | 93210-62269 | .O-RING .ANILLO O | 1 | 1 | 1 | |
| 18 | 688-45113-A0 | .GASKET, UPPER CASING .EMPAQUE | 1 | 1 | 1 | |
| 19 | 93210-32738 | .O-RING .ANILLO O | 1 | 1 | 1 | |
| 20 | 650-24431-A0 | .GASKET, FUEL PUMP 1 .EMPAQUE BOMBA COMBUST 1 | 1 | 1 | 1 | |
| 21 | 6H1-W0093-01 | CARBURETOR REPAIR KIT KIT REPARACION CARBURADOR | 1 | 1 | 1 | |
| 22 | 688-14198-A2 | .GASKET .EMPAQUE | 3 | 3 | 3 | |
| 23 | 93210-04228 | .O-RING .ANILLO O | 3 | 3 | 3 | |
| 24 | 692-14590-01 | .NEEDLE VALVE ASSY .VALVULA DE AGUJA COMPLETA | 3 | 3 | 3 | |
| 25 | 676-14186-00 | .PIN, FLOAT .PASADOR DE LA BOYA | 3 | 3 | 3 | |
| 26 | 676-14985-01 | .FLOAT .BOIA | 3 | 3 | 3 | |
| 27 | 688-14548-00 | .PIN, FLOAT ARM .PASADOR DE BRAZO DE BOIA | 3 | 3 | 3 | |

FIG. 23 REPAIR KIT 2

ESTUCHE REPARATION 2



| REF. NO. | PART NO. CODIGO Nº | DESCRIPTION DESCRIPCION | 64S9 | 65S9 | 692M | REMARKS OBSERVACIONES |
|----------|--------------------|---|------|------|------|-----------------------|
| 1 | 688-W0001-22 | LOWER UNIT GASKET KIT JUEGO DE EMPAQUE UNIDAD INFER. | 1 | 1 | 1 | |
| 2 | 688-45114-A1 | .GASKET, UPPER CASING .EMPAQUE | 1 | 1 | 1 | |
| 3 | 688-41134-A0 | .GASKET, EXHAUST MANIFOLD .EMPAQUE | 1 | 1 | 1 | |
| 4 | 688-41133-00 | .GASKET, EXHAUST MANIFOLD 1 .EMPAQUE ESCAPE MULTIPLE | 1 | 1 | 1 | |
| 5 | 688-45123-00 | .GASKET, MUFFLER .EMPAQUE SILENCIADOR | 1 | 1 | 1 | |
| 6 | 90430-08020 | .GASKET .JUNTA | 2 | 2 | 2 | |
| 7 | 93210-49046 | .O-RING .ANILLO O | 1 | 1 | 1 | |
| 8 | 93106-09014 | .OIL SEAL .SELLO ACEITE | 1 | 1 | 1 | |
| 9 | 688-44315-A0 | .GASKET, WATER PUMP .EMPAQUE | 1 | 1 | 1 | |
| 10 | 688-44324-A0 | .GASKET, CARTRIDGE .EMPAQUE | 1 | 1 | 1 | |
| 11 | 688-44316-A0 | .GASKET, WATER PUMP .EMPAQUE | 1 | 1 | 1 | |
| 12 | 93210-46044 | .O-RING .ANILLO O | 1 | 1 | 1 | |
| 13 | 93210-85M97 | .O-RING .ANILLO O | 1 | 1 | 1 | |
| 14 | 93101-25M03 | .OIL SEAL .SELLO ACEITE | 4 | 4 | 4 | |
| 15 | 90430-12072 | .GASKET .JUNTA | 1 | 1 | 1 | |
| 16 | 663-44366-00 | .DAMPER, WATER SEAL 2 .GOMA DEL SELLO DE AGUA 2 | 1 | 1 | 1 | |
| 17 | 688-W0072-00-8D | EXTENSION KIT ESTUCHE PARA EXTENSION | 1 | 1 | | X(25.5") X(25.5") |
| 18 | 688-45211-01-8D | .EXTENSION .EXTENSION | 1 | 1 | | |
| 19 | 93606-12019 | .PIN, DOWEL .PASADOR DE CLAVIJA | 4 | 4 | | |
| 20 | 90116-10M05 | .BOLT, STUD .ESPARRAGO | 4 | 4 | | |
| 21 | 95380-10600 | .NUT .TUERCA | 4 | 4 | | |
| 22 | 90119-08M86 | .BOLT, WITH WASHER .TORNILLO CON ARANDELA | 1 | 1 | | |
| 23 | 688-45501-22 | .DRIVE SHAFT COMP. .EJE DE MANDO COMPL. | 1 | 1 | | |
| 24 | 688-44361-20 | .TUBE, WATER 1 .TUBO DE AGUA 1 | 1 | 1 | | |
| 25 | 688-44120-22 | .HANDLE GEAR SHIFT ASSY .MANIJA DE CAMBIO COMPL. | 1 | 1 | | |
| 26 | 692-W0078-02 | WATER PUMP REPAIR KIT ESTUCHE REPARACION BOMBA AGUA | 1 | 1 | 1 | |
| 27 | 688-44322-00 | .INSERT, CARTRIDGE .CARTUCHO | 1 | 1 | 1 | |

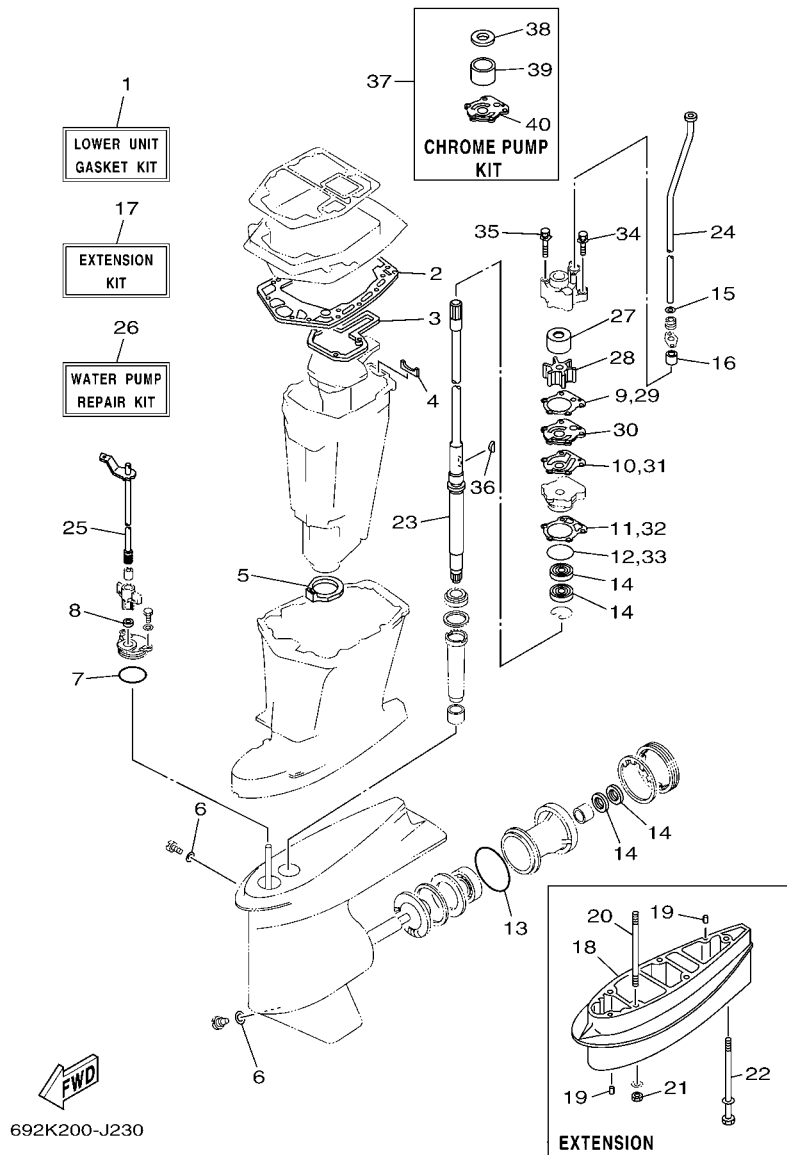


FIG. 23 REPAIR KIT 2

ESTUCHE REPARATION 2

| REF. NO. | PART NO. CODIGO Nº | DESCRIPTION DESCRIPCION | 64S9 | 65S9 | 692M | REMARKS OBSERVACIONES |
|----------|--------------------|--|------|------|------|-----------------------|
| 28 | 688-44352-03 | .IMPELLER .IMPULSOR | 1 | 1 | 1 | |
| 29 | 688-44315-A0 | .GASKET, WATER PUMP .EMPAQUE | 1 | 1 | 1 | |
| 30 | 688-44323-00 | .OUTER PLATE, CARTRIDGE .PLACA EXTERIOR DEL CARTUCHO | 1 | 1 | 1 | |
| 31 | 688-44324-A0 | .GASKET, CARTRIDGE .EMPAQUE | 1 | 1 | 1 | |
| 32 | 688-44316-A0 | .GASKET, WATER PUMP .EMPAQUE | 1 | 1 | 1 | |
| 33 | 93210-46044 | .O-RING .ANILLO O | 1 | 1 | 1 | |
| 34 | 90119-08M13 | .BOLT, WITH WASHER .TORNILLO CON ARANDELA | 2 | 2 | 2 | |
| 35 | 90119-08M16 | .BOLT, WITH WASHER .TORNILLO CON ARANDELA | 2 | 2 | 2 | |
| 36 | 90280-04M04 | .KEY, WOODRUFF .CUNA WOODRUFF | 1 | 1 | 1 | |
| 37 | 688-W0078-1A | CHROME PUMP KIT ESTUCHE REPARACION BOMBA AGUA | 1 | 1 | 1 | |
| 38 | 688-44321-41 | .INNER PLATE, CARTRIDGE .PLACA INTERIOR CARTUCHO | 1 | 1 | 1 | |
| 39 | 688-44322-41 | .INSERT, CARTRIDGE .CARTUCHO | 1 | 1 | 1 | |
| 40 | 688-44323-40 | .OUTER PLATE, CARTRIDGE .PLACA EXTERIOR DEL CARTUCHO | 1 | 1 | 1 | |

NUMERICAL INDEX
INDICE NUMERICO

| PART NO. CODIGO N° | REF. NO. | PART NO. CODIGO N° | REF. NO. | PART NO. CODIGO N° | REF. NO. | PART NO. CODIGO N° | REF. NO. | PART NO. CODIGO N° | REF. NO. | PART NO. CODIGO N° | REF. NO. |
|-----------------------|-------------|-----------------------|-------------|-----------------------|-------------|-----------------------|-------------|-----------------------|-------------|-----------------------|-------------|
| 692-11111-01-1S | 2 - 27 | 692-14301-45 | 5 - 1 | 692-15711-01 | 7 - 2 | 663-24411-00 | 6 - 20 | 692-42115-00 | 11 - 11 | 6E5-43126-02 | 13 - 36 |
| 692-11119-01 | 2 - 25 | 692-14302-45 | 5 - 2 | 663-15713-00 | 7 - 5 | 692-24411-00 | 6 - 17 | 664-42119-00 | 11 - 3 | 688-43128-01-8D | 14 - 1 |
| 688-11181-A2 | 2 - 28 | 692-14303-45 | 5 - 3 | 663-15714-01 | 7 - 6 | 6A0-24412-02 | 6 - 26 | 692-42121-02-8D | 11 - 21 | 688-43131-03 | 13 - 16 |
| | 22 - 7 | 6A0-14325-00 | 6 - 25 | 663-15715-00 | 7 - 12 | 6A0-24413-00 | 6 - 16 | 663-42126-01 | 11 - 47 | 6G5-43144-00 | 13 - 30 |
| 688-11191-00-1S | 2 - 32 | 6H1-14348-51 | 21 - 10 | 696-15716-00 | 7 - 13 | 6A0-24421-01 | 6 - 24 | 6A0-24421-01 | 11 - 15 | 6G5-43145-01 | 13 - 20 |
| 688-11193-A1 | 2 - 33 | 688-14416-01 | 4 - 24 | 663-15719-00 | 7 - 15 | 650-24431-A0 | 6 - 27 | 692-42134-03-8D | 11 - 16 | 6G5-43148-00 | 13 - 25 |
| | 22 - 9 | | 22 - 3 | 6K5-15723-00 | 7 - 26 | | 22 - 20 | 692-42135-00 | 11 - 14 | 688-43160-01 | 13 - 32 |
| 688-11325-00 | 2 - 23 | 688-14417-01-94 | 4 - 19 | 663-15726-01 | 7 - 10 | 648-24434-01 | 6 - 18 | 692-42137-02 | 11 - 5 | 688-43165-00 | 13 - 33 |
| 650-11370-01 | 2 - 4 | 688-14418-01 | 4 - 23 | 696-15734-00 | 7 - 14 | 648-24435-02 | 6 - 21 | 663-42138-00 | 11 - 12 | 688-43181-10 | 13 - 21 |
| 688-11370-01 | 2 - 3 | 688-14481-00 | 4 - 22 | 663-15735-01 | 7 - 55 | 68V-24469-01 | 6 - 10 | 692-42164-00 | 11 - 42 | 688-43185-10 | 13 - 22 |
| | 3 - 2 | 688-14483-A0 | 4 - 20 | 663-15736-00 | 7 - 62 | 68V-24521-01 | 6 - 7 | 68V-24521-01 | 11 - 4 | 688-43186-00 | 14 - 2 |
| 688-11411-01 | 3 - 11 | | 22 - 2 | 663-15739-00 | 7 - 4 | 64J-24560-00 | 6 - 6 | 692-42510-00-8D | 15 - 1 | 6H1-43311-02-8D | 13 - 13 |
| 663-11518-01 | 2 - 6 | 624-14485-00 | 2 - 5 | 663-15741-02 | 7 - 8 | 61N-24563-00 | 6 - 8 | 692-42515-01 | 11 - 55 | 663-43318-00 | 13 - 23 |
| 688-11603-A0 | 3 - 19 | 6H1-14488-00 | 4 - 27 | 663-15744-00 | 7 - 11 | 648-24566-02 | 6 - 11 | 663-42518-00 | 11 - 51 | 682-43318-01 | 14 - 10 |
| 688-11604-A0 | 3 - 19 | 63V-14523-00 | 5 - 30 | 663-15752-00 | 7 - 18 | 6YJ-24610-01 | 20 - 2 | 663-42528-00 | 11 - 52 | 688-43616-00 | 14 - 5 |
| 688-11605-A0 | 3 - 19 | 663-14527-00 | 5 - 21 | 6F5-15753-00 | 7 - 19 | 692-26301-03 | 11 - 20 | 692-42610-F0 | 1 - 1 | 688-43631-10 | 14 - 8 |
| 688-11631-03-94 | 3 - 18 | 688-14527-00 | 5 - 23 | 663-15754-00 | 7 - 9 | 6E0-28193-00-94 | 6 - 39 | 692-42610-K0 | 1 - 1 | 688-43651-00 | 14 - 9 |
| 663-11633-00 | 3 - 20 | 688-14548-00 | 5 - 14 | 689-15755-01 | 7 - 23 | 688-41111-00-1S | 2 - 43 | 692-42610-L0 | 1 - 1 | 697-43662-00 | 12 - 56 |
| 688-11634-00 | 3 - 21 | | 22 - 27 | 692-15758-01-94 | 7 - 47 | 688-41112-A0 | 2 - 44 | 692-42613-01-8D | 1 - 10 | 697-44113-00 | 11 - 29 |
| 688-11635-03 | 3 - 18 | 679-14555-00 | 5 - 27 | 697-15761-01 | 1 - 18 | | 22 - 11 | 688-42615-00 | 1 - 15 | 688-44117-00-94 | 12 - 35 |
| 688-11636-03 | 3 - 18 | 688-14572-01 | 5 - 24 | 697-15762-00 | 7 - 53 | 688-41113-00-1S | 2 - 46 | 688-42647-00 | 1 - 2 | 688-44118-01-94 | 12 - 44 |
| 688-11650-03 | 3 - 22 | 6H1-14572-50 | 21 - 5 | 663-15764-00 | 7 - 7 | 688-41114-A0 | 2 - 45 | 692-42649-00 | 1 - 3 | 692-44120-00 | 12 - 51 |
| 688-12411-11 | 2 - 38 | 6H2-14578-00 | 5 - 32 | 692-15770-01 | 7 - 54 | | 22 - 12 | 688-42652-10 | 1 - 5 | 692-44120-12 | 12 - 51 |
| 688-12412-00 | 2 - 39 | 692-14590-01 | 5 - 9 | 692-15771-00 | 7 - 32 | 688-41131-00-CA | 16 - 8 | 663-42662-00 | 1 - 4 | 688-44120-22 | 23 - 25 |
| 688-12413-00-1S | 2 - 40 | | 22 - 24 | 692-15772-00 | 7 - 37 | 688-41131-10-CA | 16 - 8 | 69P-42677-H0 | 1 - 20 | 692-44120-22 | 12 - 51 |
| 6H1-12413-50 | 21 - 9 | 6K5-14592-00 | 5 - 28 | 663-15772-01 | 7 - 67 | 688-41133-00 | 16 - 9 | 692-42678-H0 | 1 - 17 | 692-44120-42 | 12 - 51 |
| 6H1-12414-50 | 21 - 14 | 688-14711-01-CA | 16 - 10 | 648-15773-00 | 7 - 3 | | 23 - 4 | 6K5-42678-H0 | 1 - 17 | 6H1-44121-00 | 12 - 42 |
| 688-12414-A1 | 2 - 41 | 688-14711-10-CA | 16 - 10 | 6F5-15779-02 | 7 - 25 | 688-41134-A0 | 16 - 7 | 692-42678-W0 | 1 - 17 | 688-44121-02 | 12 - 42 |
| | 22 - 10 | 663-14737-10 | 16 - 12 | 697-15787-00-94 | 7 - 42 | | 23 - 3 | 692-42711-02-8D | 10 - 1 | 688-44122-00 | 12 - 39 |
| 688-12416-00 | 2 - 36 | 692-14923-00 | 5 - 26 | 697-15789-00 | 7 - 48 | 688-41137-03-CA | 16 - 5 | 648-42715-00 | 12 - 50 | 688-44124-00 | 12 - 38 |
| 688-12440-51 | 21 - 1 | | 22 - 32 | 6F5-15791-00 | 7 - 20 | 688-41211-01 | 12 - 28 | 688-42716-02 | 10 - 9 | 6H1-44144-00 | 18 - 68 |
| 6E5-12481-00 | 21 - 13 | 676-14943-41 | 5 - 5 | 663-15794-00 | 7 - 61 | 688-41213-00 | 12 - 31 | 663-42724-00 | 10 - 10 | 663-44144-01 | 17 - 60 |
| 677-13437-0B | 1 - 19 | 6H1-14945-50 | 21 - 4 | 6YJ-24167-00 | 20 - 7 | 692-41213-00 | 12 - 31 | 692-42725-10 | 10 - 11 | 696-44147-00 | 12 - 52 |
| 688-13610-00 | 4 - 13 | 692-14947-00 | 5 - 4 | 6YJ-24201-00 | 20 - 1 | 662-41214-01 | 12 - 8 | 6H4-42726-00 | 10 - 22 | 663-44151-00 | 17 - 59 |
| 688-13621-A1 | 4 - 11 | 676-14948-18 | 5 - 6 | 6YJ-24260-00 | 20 - 3 | 688-41217-01 | 4 - 3 | 688-42738-01-8D | 10 - 12 | 6H1-44151-00 | 18 - 67 |
| | 22 - 5 | 676-14966-00 | 5 - 7 | 6Y1-24268-00 | 20 - 6 | 682-41237-00 | 12 - 27 | 688-42741-01-8D | 10 - 23 | 692-44159-01 | 11 - 33 |
| 688-13624-00 | 4 - 12 | 6H1-14968-50 | 21 - 8 | 6G1-24304-02 | 6 - 1 | | 12 - 30 | 6BG-42748-00 | 10 - 15 | 663-44173-00 | 11 - 34 |
| 688-13641-00-94 | 4 - 6 | 6H1-14969-50 | 21 - 3 | 6G1-24305-05 | 20 - 13 | 682-41237-50 | 12 - 25 | 688-42771-01-8D | 10 - 24 | 6K5-44191-00 | 11 - 30 |
| 663-14126-00 | 5 - 20 | 688-14980-00 | 5 - 16 | 6Y1-24305-06 | 20 - 15 | 692-41256-01 | 4 - 1 | 6G5-42791-00 | 10 - 30 | 688-44194-00 | 2 - 13 |
| | 22 - 31 | 676-14984-00 | 5 - 15 | 61J-24306-04 | 20 - 8 | 688-41257-01 | 4 - 4 | 6G5-42791-10 | 10 - 30 | | 12 - 22 |
| 688-14126-00 | 5 - 22 | | 22 - 6 | 663-24312-01 | 2 - 47 | 6J8-41262-00 | 14 - 4 | 6AH-42794-40 | 10 - 31 | 688-44311-01 | 17 - 21 |
| 663-14159-00 | 5 - 10 | | 22 - 28 | 688-24313-00 | 6 - 33 | 661-41262-02 | 4 - 5 | 688-42815-01-8D | 10 - 3 | | 18 - 22 |
| 6H1-14169-50 | 21 - 7 | 676-14985-01 | 5 - 13 | 688-24314-00 | 6 - 34 | 689-41273-00 | 4 - 2 | 688-42816-00 | 10 - 7 | 688-44315-A0 | 17 - 24 |
| 676-14186-00 | 5 - 11 | | 22 - 26 | 6Y1-24329-00 | 20 - 5 | 688-41611-00 | 8 - 10 | 688-42817-01-8D | 10 - 4 | | 18 - 25 |
| | 22 - 25 | 6H3-14992-00 | 5 - 18 | 650-24351-01 | 20 - 12 | 688-41612-00 | 8 - 11 | 688-43107-05-8D | 14 - 7 | | 23 - 9 |
| 688-14198-A2 | 4 - 8 | 688-15100-07 | 2 - 2 | 61J-24360-00 | 20 - 10 | 688-41631-01-1S | 12 - 18 | 688-43111-13-8D | 13 - 1 | | 23 - 29 |
| | 22 - 4 | 6H1-15359-01-94 | 3 - 1 | 688-24378-00 | 6 - 37 | 688-41632-01-1S | 12 - 7 | 688-43112-12-8D | 13 - 8 | 688-44316-A0 | 17 - 31 |
| | 22 - 22 | 688-15379-00 | 3 - 6 | 692-24410-00 | 6 - 15 | 692-42111-12-8D | 11 - 2 | 688-43124-02 | 14 - 12 | | 18 - 32 |

NUMERICAL INDEX
INDICE NUMERICO

| PART NO. CODIGO N° | REF. NO. | PART NO. CODIGO N° | REF. NO. | PART NO. CODIGO N° | REF. NO. | PART NO. CODIGO N° | REF. NO. | PART NO. CODIGO N° | REF. NO. | PART NO. CODIGO N° | REF. NO. |
|-----------------------|-------------|-----------------------|-------------|-----------------------|-------------|-----------------------|-------------|-----------------------|-------------|-----------------------|-------------|
| 688-44316-A0 | 23 - 11 | 688-45211-01-8D | 16 - 27 | 688-45567-20 | 17 - 7 | 688-45633-00 | 18 - 54 | 688-82560-10 | 9 - 24 | 90119-06M61 | 10 - 19 |
| | 23 - 32 | | 23 - 18 | | 18 - 7 | 688-45634-00 | 17 - 43 | 697-82575-00 | 11 - 58 | 90119-06M75 | 9 - 14 |
| 688-44321-41 | 17 - 23 | 696-45211-01-8D | 16 - 22 | 688-45567-30 | 17 - 7 | 6H1-45634-02 | 18 - 47 | 689-8257Y-00 | 11 - 60 | 90119-06MA3 | 2 - 34 |
| | 18 - 24 | 6H1-45214-00 | 17 - 12 | | 18 - 7 | 688-45635-00 | 17 - 47 | 688-82588-01 | 9 - 25 | 90119-06MA5 | 2 - 42 |
| | 23 - 38 | | 18 - 12 | 688-45567-40 | 17 - 7 | 6H1-45635-00 | 18 - 55 | 692-82590-00 | 9 - 26 | 90119-08020 | 2 - 49 |
| 688-44322-00 | 23 - 27 | 6H1-45215-00 | 17 - 13 | | 18 - 7 | 6H1-45641-01 | 18 - 44 | 6H4-85411-00 | 10 - 29 | 90119-08102 | 16 - 17 |
| 688-44322-41 | 17 - 22 | | 18 - 13 | 688-45567-50 | 17 - 7 | 6H1-45668-00 | 18 - 49 | 692-85415-00 | 10 - 28 | 90119-08M13 | 17 - 36 |
| | 18 - 23 | 6H1-45251-03 | 13 - 2 | | 18 - 7 | 688-45930-02-98 | 19 - 22 | 688-85510-01 | 8 - 2 | | 18 - 37 |
| | 23 - 39 | 692-45300-16-8D | 17 - 1 | 688-45567-60 | 17 - 7 | 688-45932-60-98 | 19 - 22 | 663-85518-00 | 12 - 19 | | 23 - 34 |
| 688-44323-00 | 23 - 30 | 692-45300-25-8D | 17 - 1 | | 18 - 7 | 6E5-45941-00-EL | 19 - 22 | 688-85540-00 | 9 - 1 | 90119-08M16 | 17 - 35 |
| 688-44323-40 | 17 - 32 | 692-45300-35-8D | 17 - 1 | 6H1-45571-00 | 18 - 56 | 6E5-45943-00-EL | 19 - 22 | 6H1-85542-00-94 | 9 - 11 | | 18 - 36 |
| | 18 - 33 | 692-45300-41-8D | 18 - 1 | 6K5-45571-00 | 17 - 48 | 6E5-45945-01-EL | 19 - 22 | 692-85550-00 | 8 - 1 | | 23 - 35 |
| | 23 - 40 | 692-45300-63-8D | 17 - 1 | 688-45571-01 | 17 - 48 | 6E5-45947-00-EL | 19 - 22 | 697-85570-00 | 9 - 3 | 90119-08M26 | 7 - 29 |
| 688-44324-A0 | 17 - 33 | 692-45300-81-8D | 17 - 1 | 688-45576-00 | 17 - 52 | 6E5-45949-00-EL | 19 - 22 | 688-85580-00 | 8 - 3 | 90119-08M80 | 16 - 4 |
| | 18 - 34 | 6H1-45301-03-8D | 18 - 2 | | 18 - 60 | 6E5-45952-00-EL | 19 - 22 | 688-W0001-02 | 22 - 1 | 90119-08M84 | 19 - 9 |
| | 23 - 10 | 688-45311-06-8D | 17 - 2 | 688-45577-01 | 17 - 51 | 6E5-45954-00-EL | 19 - 22 | 688-W0001-22 | 23 - 1 | 90119-08M85 | 16 - 26 |
| | 23 - 31 | 688-45321-00 | 17 - 16 | | 18 - 59 | 688-45970-03-98 | 19 - 22 | 688-W0004-00 | 4 - 14 | 90119-08M86 | 16 - 31 |
| 6D8-44341-01-CA | 17 - 27 | | 18 - 17 | 688-45577-10 | 17 - 51 | 6E5-45970-10 | 19 - 23 | 692-W0070-H0 | 1 - 16 | | 23 - 22 |
| | 18 - 28 | 688-45331-00-CA | 17 - 49 | | 18 - 59 | 688-45972-02-98 | 19 - 22 | 692-W0070-J0 | 1 - 16 | 90119-08MA3 | 2 - 26 |
| 688-44352-03 | 17 - 25 | | 18 - 57 | 688-45577-20 | 17 - 51 | 6E5-45972-10 | 19 - 23 | 692-W0070-W0 | 1 - 16 | 90119-08MA8 | 2 - 29 |
| | 18 - 26 | 688-45341-10 | 17 - 10 | | 18 - 59 | 688-45974-02-98 | 19 - 22 | 688-W0072-00-8D | 23 - 17 | 90119-10005 | 2 - 9 |
| | 23 - 28 | | 18 - 10 | 688-45577-30 | 17 - 51 | 6E5-45974-10 | 19 - 23 | 692-W0078-02 | 23 - 26 | 90149-05095 | 7 - 58 |
| 688-44361-10 | 19 - 2 | 688-45371-02 | 19 - 12 | | 18 - 59 | 688-45976-01-98 | 19 - 22 | 688-W0078-1A | 23 - 37 | 90151-05M00 | 17 - 14 |
| 688-44361-20 | 19 - 2 | 6E5-45371-10 | 19 - 24 | 688-45577-40 | 17 - 51 | 6E5-45976-10 | 19 - 23 | 692-W0084-11-8D | 11 - 1 | | 18 - 14 |
| | 23 - 24 | 688-45375-00 | 19 - 11 | | 18 - 59 | 6E5-45978-10 | 19 - 23 | 692-W0090-45-1S | 2 - 1 | 90152-05011 | 11 - 7 |
| 692-44361-20 | 19 - 2 | 663-45376-00 | 19 - 10 | 688-45577-50 | 17 - 51 | 688-45978-60-98 | 19 - 22 | 6H1-W0093-01 | 22 - 21 | 90157-05M19 | 20 - 4 |
| 663-44366-00 | 19 - 14 | 6J8-45378-00 | 18 - 16 | | 18 - 59 | 688-45987-01 | 19 - 17 | 692-W1571-03 | 7 - 1 | 90157-06013 | 12 - 21 |
| | 23 - 16 | 688-45383-02 | 17 - 56 | 688-45577-60 | 17 - 51 | 6E5-45994-10 | 19 - 25 | 656-W2810-02 | 6 - 38 | 90157-06014 | 2 - 12 |
| 663-44367-00 | 19 - 1 | | 18 - 64 | | 18 - 59 | 67F-45997-00 | 19 - 18 | 90101-06M27 | 11 - 48 | 90159-06M11 | 9 - 22 |
| 6BL-44391-00 | 10 - 2 | 688-45384-02 | 17 - 57 | 688-45587-01 | 17 - 5 | 700-48339-00 | 11 - 46 | 90101-10M49 | 15 - 25 | 90159-06M31 | 8 - 12 |
| 688-44511-00 | 15 - 31 | | 18 - 65 | | 18 - 5 | 663-48344-00 | 12 - 6 | 90101-12M06 | 11 - 22 | 90160-04006 | 19 - 16 |
| 688-44514-00 | 15 - 24 | 688-45501-11 | 17 - 37 | 688-45587-10 | 17 - 5 | 663-48531-00 | 12 - 1 | 90101-12M65 | 13 - 40 | 90170-16M01 | 17 - 39 |
| 6H1-44526-00 | 13 - 3 | | 18 - 38 | | 18 - 5 | 663-48538-00 | 12 - 2 | 90105-10M67 | 19 - 13 | | 18 - 40 |
| 692-44551-00-8D | 15 - 7 | 692-45501-21 | 17 - 37 | 688-45587-20 | 17 - 5 | 688-81332-01 | 8 - 13 | 90109-06M39 | 9 - 15 | 90170-20137 | 8 - 8 |
| 687-44552-02 | 15 - 16 | 688-45501-22 | 17 - 37 | | 18 - 5 | 6H1-81916-00 | 9 - 21 | 90109-08022 | 3 - 23 | 90171-16011 | 19 - 20 |
| 663-44553-01-8D | 15 - 21 | | 23 - 23 | 688-45587-30 | 17 - 5 | 6H0-81960-00 | 9 - 6 | 90109-12261 | 15 - 13 | 90175-06003 | 11 - 50 |
| 687-44555-00 | 15 - 9 | 688-45536-01 | 17 - 4 | | 18 - 5 | 6AH-81994-40 | 4 - 28 | 90116-06122 | 4 - 7 | | 11 - 54 |
| 663-44575-00 | 15 - 14 | | 18 - 4 | 688-45587-40 | 17 - 5 | 6AH-81995-40 | 4 - 29 | 90116-06M22 | 9 - 17 | 90179-06066 | 15 - 20 |
| | 15 - 30 | 6K5-45551-00 | 17 - 38 | | 18 - 5 | 703-82119-00 | 9 - 27 | 90116-10M05 | 16 - 28 | 90183-02M03 | 18 - 51 |
| 688-45111-04-8D | 16 - 1 | 688-45551-01 | 17 - 38 | 688-45587-50 | 17 - 5 | | 10 - 21 | | 23 - 20 | 90185-05002 | 17 - 15 |
| 688-45113-A0 | 16 - 20 | | 18 - 39 | | 18 - 5 | 688-82127-02 | 15 - 23 | 90116-10M06 | 2 - 20 | | 18 - 15 |
| | 22 - 18 | 688-45560-00 | 17 - 40 | 688-45587-60 | 17 - 5 | 6E5-82148-00 | 13 - 9 | 90116-10M28 | 15 - 34 | 90185-08057 | 11 - 57 |
| 688-45114-A1 | 16 - 6 | | 18 - 41 | | 18 - 5 | 6A0-82317-00 | 7 - 45 | 90116-10M31 | 16 - 23 | 90185-10051 | 11 - 39 |
| | 23 - 2 | 6K5-45560-00 | 17 - 40 | 688-45611-00 | 17 - 41 | 663-82370-01 | 9 - 23 | 90119-06M09 | 10 - 8 | | 15 - 29 |
| 663-45119-00 | 13 - 15 | 688-45567-01 | 17 - 7 | 6H1-45611-01 | 18 - 42 | 6G1-82370-21 | 9 - 23 | 90119-06M12 | 2 - 8 | | 15 - 35 |
| 688-45123-00 | 16 - 11 | | 18 - 7 | 688-45631-01 | 17 - 44 | 61A-82519-00 | 9 - 29 | 90119-06M24 | 12 - 34 | 90185-12058 | 11 - 28 |
| | 23 - 5 | 688-45567-10 | 17 - 7 | 6H1-45631-01 | 18 - 52 | 697-82519-00 | 9 - 28 | 90119-06M29 | 13 - 4 | 90185-22M11 | 13 - 19 |
| 663-45155-10 | 16 - 2 | | 18 - 7 | 688-45633-00 | 17 - 46 | 682-82556-00 | 11 - 59 | 90119-06M30 | 7 - 43 | 90201-03313 | 18 - 50 |

NUMERICAL INDEX
INDICE NUMERICO

| PART NO. CODIGO N° | REF. NO. | PART NO. CODIGO N° | REF. NO. | PART NO. CODIGO N° | REF. NO. | PART NO. CODIGO N° | REF. NO. | PART NO. CODIGO N° | REF. NO. | PART NO. CODIGO N° | REF. NO. |
|-----------------------|-------------|-----------------------|-------------|-----------------------|-------------|-----------------------|-------------|-----------------------|-------------|-----------------------|-------------|
| 90201-05652 | 5 - 29 | 90386-06088 | 11 - 45 | 90465-06M90 | 11 - 61 | 92903-08100 | 12 - 46 | 93101-25M03 | 18 - 63 | 93332-000W7 | 17 - 8 |
| 90201-06416 | 10 - 17 | 90386-06M12 | 12 - 43 | 90467-06016 | 2 - 16 | 92903-08600 | 12 - 47 | | 23 - 14 | | 18 - 8 |
| 90201-06M31 | 9 - 16 | 90386-07M58 | 12 - 53 | | 2 - 19 | 92990-05100 | 4 - 16 | 93102-30M05 | 3 - 3 | 93410-18M02 | 13 - 39 |
| 90201-08M13 | 12 - 16 | 90386-08006 | 12 - 53 | | 3 - 8 | | 6 - 23 | | 22 - 15 | 93410-28M06 | 15 - 8 |
| 90201-08M23 | 12 - 11 | 90386-08032 | 11 - 10 | 90467-08004 | 2 - 48 | 92990-06100 | 9 - 20 | 93102-36M02 | 3 - 13 | 93410-32M00 | 3 - 17 |
| 90201-10008 | 2 - 10 | 90386-10009 | 11 - 37 | | 6 - 5 | 92990-06200 | 7 - 64 | | 22 - 14 | 93450-07M00 | 18 - 71 |
| 90201-10120 | 11 - 38 | 90386-10M16 | 13 - 24 | | 6 - 31 | | 9 - 19 | 93104-20M02 | 3 - 4 | 93450-44166 | 17 - 28 |
| 90201-10M02 | 11 - 8 | 90386-12089 | 11 - 24 | | 6 - 35 | 92990-06600 | 11 - 43 | | 22 - 16 | | 18 - 29 |
| 90201-11M22 | 15 - 28 | | 12 - 12 | 90467-10M04 | 21 - 12 | | 11 - 49 | 93106-09014 | 17 - 18 | 93501-04M02 | 12 - 48 |
| 90201-12426 | 13 - 42 | 90386-13M38 | 10 - 5 | 90468-18008 | 7 - 69 | 92990-08200 | 12 - 54 | | 18 - 19 | 93503-16003 | 18 - 45 |
| 90201-12537 | 11 - 26 | 90386-18M21 | 13 - 37 | | 12 - 9 | 92990-08600 | 11 - 56 | | 23 - 8 | 93515-32M01 | 11 - 36 |
| 90201-12M16 | 15 - 10 | 90386-18M35 | 13 - 38 | | 12 - 41 | 92990-10100 | 19 - 8 | 93210-04228 | 5 - 8 | 93603-12M11 | 18 - 46 |
| 90201-12M34 | 11 - 41 | | 14 - 14 | | 12 - 55 | 92990-12200 | 11 - 23 | | 22 - 23 | 93603-21111 | 3 - 24 |
| 90201-13M19 | 15 - 12 | 90386-18M63 | 14 - 13 | 90480-09M25 | 9 - 12 | 92995-06100 | 1 - 7 | 93210-04230 | 5 - 19 | 93604-10M03 | 17 - 34 |
| 90201-20417 | 3 - 25 | 90386-22M13 | 12 - 14 | 90480-19M06 | 19 - 15 | | 2 - 22 | | 22 - 30 | | 18 - 35 |
| 90201-20M21 | 15 - 26 | 90386-22M15 | 13 - 17 | 90480-20M05 | 2 - 35 | | 4 - 9 | 93210-07003 | 18 - 69 | 93606-12019 | 16 - 3 |
| 90201-21M18 | 8 - 9 | 90386-30M60 | 15 - 6 | 90501-10326 | 5 - 31 | | 7 - 17 | 93210-08287 | 20 - 14 | | 16 - 21 |
| 90201-22M67 | 13 - 18 | 90386-30M77 | 15 - 4 | 90501-12082 | 12 - 49 | | 7 - 22 | | 20 - 16 | | 16 - 24 |
| 90201-30M00 | 15 - 2 | 90386-30M78 | 15 - 3 | 90501-12M48 | 18 - 43 | | 7 - 50 | 93210-15M52 | 21 - 11 | | 16 - 29 |
| 90202-03M51 | 14 - 6 | 90387-06119 | 7 - 46 | 90501-14M08 | 15 - 19 | | 10 - 27 | 93210-29M94 | 15 - 5 | | 19 - 5 |
| 90202-07M07 | 12 - 40 | 90387-06M03 | 9 - 13 | 90501-16233 | 17 - 42 | | 13 - 6 | 93210-32738 | 6 - 9 | | 23 - 19 |
| 90202-12060 | 19 - 3 | 90387-06M17 | 12 - 32 | 90501-16M11 | 2 - 37 | 92995-06600 | 1 - 8 | | 22 - 19 | 93700-06M03 | 11 - 17 |
| 90202-12092 | 11 - 25 | 90387-06M69 | 10 - 16 | 90501-16M12 | 12 - 24 | | 1 - 12 | 93210-46044 | 17 - 30 | | 13 - 14 |
| | 12 - 15 | 90387-08M05 | 7 - 28 | 90501-16M17 | 11 - 35 | | 1 - 14 | | 18 - 31 | 94702-00160 | 2 - 50 |
| 90202-20M06 | 15 - 27 | 90387-08M16 | 12 - 13 | 90501-16M65 | 18 - 48 | | 3 - 10 | | 23 - 12 | 94702-00247 | 2 - 50 |
| 90202-25M04 | 15 - 11 | 90387-10M02 | 13 - 28 | 90501-23215 | 11 - 9 | | 6 - 3 | | 23 - 33 | 95303-05700 | 12 - 20 |
| 90206-10M04 | 12 - 33 | 90387-12M30 | 11 - 40 | 90502-16M02 | 13 - 35 | | 6 - 29 | 93210-46M16 | 3 - 14 | 95303-06600 | 7 - 41 |
| 90206-12054 | 11 - 27 | 90389-25M00 | 19 - 19 | 90506-08M23 | 7 - 56 | | 7 - 51 | | 22 - 13 | | 7 - 44 |
| 90206-13019 | 10 - 6 | 90430-08020 | 17 - 11 | 90506-14M24 | 13 - 29 | | 7 - 60 | 93210-49046 | 17 - 17 | | 7 - 52 |
| 90209-06M05 | 4 - 26 | | 18 - 11 | 90508-12015 | 7 - 57 | | 8 - 15 | | 18 - 18 | | 12 - 23 |
| 90240-06M18 | 7 - 63 | | 23 - 6 | 90508-29M05 | 12 - 17 | | 9 - 5 | | 23 - 7 | 95303-06700 | 2 - 14 |
| 90249-06M19 | 13 - 27 | 90430-12072 | 19 - 4 | 91490-16012 | 7 - 65 | | 9 - 8 | 93210-62269 | 3 - 5 | 95313-10600 | 2 - 11 |
| 90250-07M02 | 17 - 45 | | 23 - 15 | 91490-25012 | 11 - 44 | | 10 - 14 | | 22 - 17 | 95380-03600 | 6 - 19 |
| | 18 - 53 | 90430-14115 | 2 - 31 | 91490-40025 | 19 - 21 | | 13 - 7 | 93210-85M97 | 17 - 53 | 95380-05600 | 12 - 26 |
| 90254-03003 | 11 - 13 | | 22 - 8 | 91690-30012 | 12 - 3 | | 17 - 20 | | 18 - 61 | | 12 - 29 |
| 90266-06009 | 1 - 9 | 90445-07260 | 2 - 15 | | 13 - 34 | | 18 - 21 | | 23 - 13 | 95380-06600 | 4 - 10 |
| 90269-02M09 | 11 - 6 | 90445-07M00 | 2 - 17 | 91690-30020 | 13 - 26 | 92995-08100 | 12 - 5 | 93306-206U5 | 3 - 16 | 95380-06700 | 9 - 18 |
| 90280-04M04 | 17 - 26 | 90445-07M23 | 2 - 18 | | 14 - 3 | | 15 - 18 | 93306-207U0 | 17 - 50 | 95380-08600 | 6 - 14 |
| | 18 - 27 | 90445-07M86 | 3 - 7 | 92903-06100 | 4 - 18 | | 15 - 33 | | 18 - 58 | 95380-10600 | 16 - 25 |
| | 23 - 36 | 90445-09090 | 6 - 4 | | 6 - 13 | | 16 - 14 | 93310-636U4 | 3 - 12 | | 16 - 30 |
| 90280-05015 | 8 - 7 | 90445-09097 | 6 - 32 | | 7 - 34 | | 16 - 16 | 93310-730V8 | 3 - 26 | | 23 - 21 |
| 90282-04010 | 17 - 58 | 90445-09220 | 6 - 36 | | 7 - 36 | | 16 - 19 | 93310-835U8 | 3 - 15 | 95380-12600 | 13 - 43 |
| | 18 - 66 | 90445-09221 | 6 - 30 | | 7 - 40 | 92995-10100 | 13 - 12 | 93315-325V1 | 17 - 3 | 95380-12800 | 15 - 15 |
| 90338-05M03 | 10 - 20 | 90445-11M01 | 21 - 6 | | 11 - 32 | 92995-10600 | 19 - 7 | | 18 - 3 | 97013-06014 | 6 - 12 |
| 90340-08002 | 17 - 9 | 90445-11M05 | 20 - 11 | 92903-06600 | 8 - 5 | 92995-12200 | 13 - 41 | 93317-325U0 | 17 - 54 | 97013-06016 | 9 - 9 |
| | 18 - 9 | 90445-11M06 | 20 - 9 | | 9 - 10 | 93101-25M03 | 17 - 29 | | 18 - 62 | | 11 - 31 |
| 90340-14M00 | 2 - 30 | 90464-12M00 | 8 - 6 | | 12 - 37 | | 17 - 55 | 93332-000U3 | 17 - 6 | 97013-06018 | 4 - 21 |
| 90385-12M04 | 7 - 27 | 90465-06M90 | 7 - 66 | 92903-08100 | 7 - 31 | | 18 - 30 | | 18 - 6 | 97013-06020 | 12 - 36 |

NUMERICAL INDEX
INDICE NUMERICO

| PART NO. CODIGO N° | REF. NO. | PART NO. CODIGO N° | REF. NO. | PART NO. CODIGO N° | REF. NO. | PART NO. CODIGO N° | REF. NO. | PART NO. CODIGO N° | REF. NO. | PART NO. CODIGO N° | REF. NO. |
|-----------------------|-------------|-----------------------|-------------|-----------------------|-------------|-----------------------|-------------|-----------------------|-------------|-----------------------|-------------|
| 97013-06025 | 7 - 35 | 97885-06016 | 15 - 22 | | | | | | | | |
| 97013-06030 | 4 - 17 | 97980-04114 | 5 - 17 | | | | | | | | |
| | 7 - 39 | | 22 - 29 | | | | | | | | |
| | 8 - 4 | 97980-05114 | 21 - 2 | | | | | | | | |
| 97013-06035 | 7 - 33 | 97980-05310 | 5 - 25 | | | | | | | | |
| 97013-08012 | 7 - 68 | 97980-06340 | 9 - 2 | | | | | | | | |
| 97013-08016 | 7 - 30 | 98503-05028 | 6 - 22 | | | | | | | | |
| 97013-08030 | 12 - 45 | 98580-04008 | 5 - 12 | | | | | | | | |
| 97017-06025 | 7 - 21 | 98780-04015 | 2 - 24 | | | | | | | | |
| 97075-08025 | 15 - 17 | 99001-08600 | 17 - 61 | | | | | | | | |
| | 16 - 15 | | 18 - 70 | | | | | | | | |
| 97075-08030 | 16 - 13 | 99530-08012 | 2 - 7 | | | | | | | | |
| 97075-08035 | 15 - 32 | | | | | | | | | | |
| | 16 - 18 | | | | | | | | | | |
| 97075-10040 | 19 - 6 | | | | | | | | | | |
| 97080-06010 | 14 - 11 | | | | | | | | | | |
| 97080-06035 | 11 - 53 | | | | | | | | | | |
| 97095-06010 | 8 - 14 | | | | | | | | | | |
| | 13 - 31 | | | | | | | | | | |
| 97095-06012 | 2 - 21 | | | | | | | | | | |
| | 7 - 59 | | | | | | | | | | |
| 97095-06016 | 1 - 11 | | | | | | | | | | |
| | 7 - 16 | | | | | | | | | | |
| | 10 - 13 | | | | | | | | | | |
| | 13 - 5 | | | | | | | | | | |
| | 17 - 19 | | | | | | | | | | |
| | 18 - 20 | | | | | | | | | | |
| 97095-06018 | 1 - 6 | | | | | | | | | | |
| 97095-06020 | 1 - 13 | | | | | | | | | | |
| | 3 - 9 | | | | | | | | | | |
| | 6 - 2 | | | | | | | | | | |
| | 7 - 49 | | | | | | | | | | |
| | 9 - 4 | | | | | | | | | | |
| | 9 - 7 | | | | | | | | | | |
| 97095-06030 | 10 - 18 | | | | | | | | | | |
| | 10 - 26 | | | | | | | | | | |
| 97095-06040 | 6 - 28 | | | | | | | | | | |
| 97095-08016 | 12 - 4 | | | | | | | | | | |
| 97095-08045 | 12 - 10 | | | | | | | | | | |
| 97095-10045 | 13 - 11 | | | | | | | | | | |
| 97513-08440 | 7 - 38 | | | | | | | | | | |
| 97595-06420 | 10 - 25 | | | | | | | | | | |
| 97880-05020 | 4 - 15 | | | | | | | | | | |
| 97880-06012 | 13 - 10 | | | | | | | | | | |
| 97885-05012 | 11 - 19 | | | | | | | | | | |
| 97885-06008 | 11 - 18 | | | | | | | | | | |
| 97885-06012 | 11 - 62 | | | | | | | | | | |
| 97885-06016 | 4 - 25 | | | | | | | | | | |