

# PARTS CATALOGUE

## EK40GMH'12 (6F5B)

---



2012/3/8

1L6F5-200E1

( )

NEWS NO.	DATE	COMMENT
PE0-OM-120008	Mar.,7,2012	MOD:FIG.10 ELECTRICAL LIST REVISION

EK40GMH  
PARTS CATALOGUE  
©2011 by Yamaha Motor Co., Ltd.  
1st edition, October 2011  
All rights reserved.  
Any reprinting or unauthorized use  
without the written permission of  
Yamaha Motor Co., Ltd.  
is expressly prohibited.  
Printed in Japan.

# FOREWORD

This Parts Catalogue is related to the parts for the model(s) on the cover page. When you are ordering replacement parts, please refer to this Parts Catalogue and quote both part numbers and part names correctly.

1. Modifications or additions which have been made after the issue of the Parts Catalogue will be announced in the Parts News.  
It is advisable that you make the necessary corrections to the Parts Catalogue according to the Parts News.

2. Abbreviations

The following abbreviations are used in this Parts Catalogue.

“UR” Use specified parts number.

“UN” Use as many as needed.

“AP” Alternate Parts

“LM” Locally Made (Parts need to be ordered locally)

“F#” Frame No. (Applicable machine No.)

“O/S” Over Size

3. The number of components for assembly

- Parts, which are to be supplied in an assembly, are listed with a dot (.) in front of the part name as shown below.
- The numeral appearing to the right of each component part indicates the quantity of parts for each assembly unit.

PART NO.	DESCRIPTION	Q'TY	REMARKS
2F5-83310-60	FRONT FLASHER LIGHT ASSY	2	
115-83311-60	.BULB (6V-18W)	1	

4. Applicable colours of graphics are represented in the “REMARKS” as shown below.

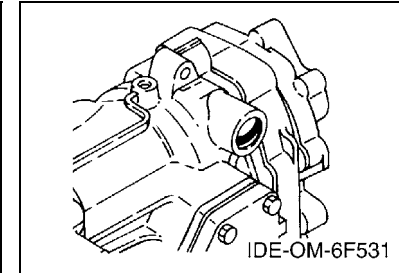
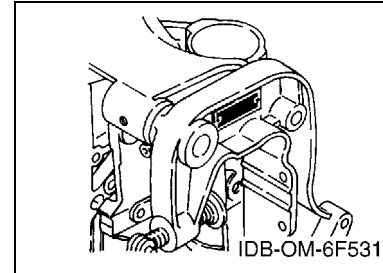
PART NO.	DESCRIPTION	Q'TY	REMARKS
2N4-24110-00-X5	FUEL TANK COMP.	2	MXR
3J1-24240-10	.GRAPHIC, FUEL TANK	1	FOR MXR

5. Note that the illustrations for reference in finding parts numbers are not to be used for assembling. When assembling, please use the applicable service manual.

6. The asterisk (\*) before a reference number indicates modified items after the first edition.

7. Applicable Serial No.

Engine Serial No.



8. Applicable Engine Starting Serial No.

Model	Serial No.	Model	Serial No.
EK40G	6F5K-1018484		

9. Applicable Colour Code

Abbreviation	Colour Name	Colour Code
DBNM2	DARK BLUISH GRAY METALLIC 2	004D

10. Quantity Column Information

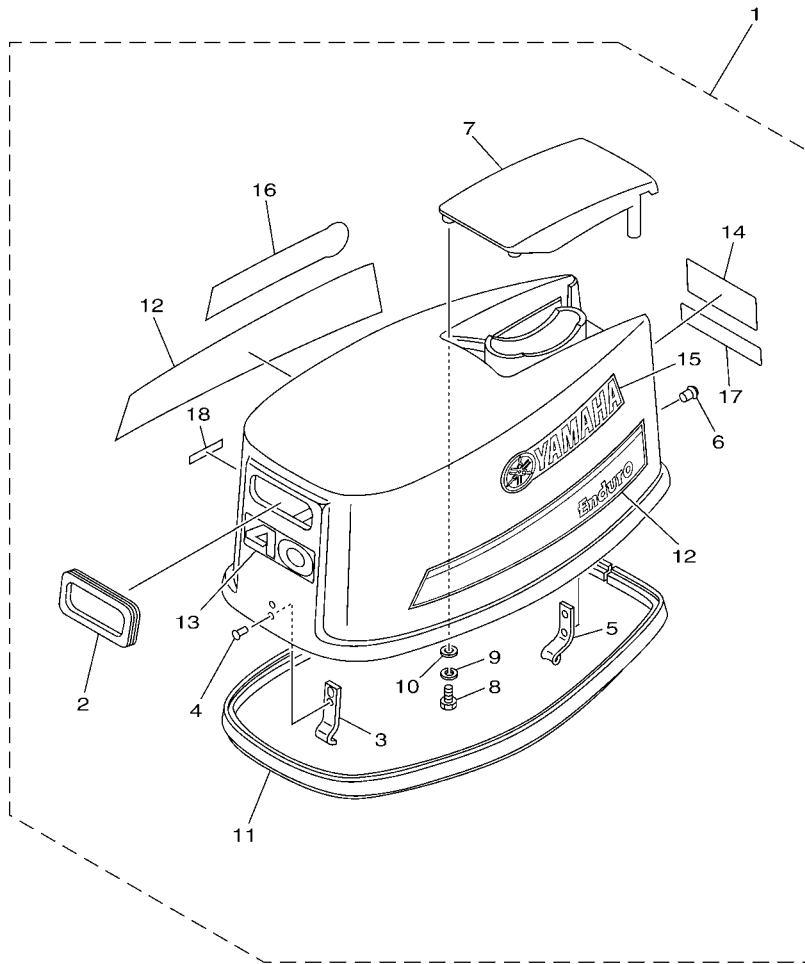
Column No.	Name Of Q'ty Column	Applicable Model
1	6F5B	EK40GMH

# CONTENTS

TOP COWLING .....	1
CYLINDER & CRANKCASE .....	2
CRANKSHAFT & PISTON .....	4
INTAKE .....	5
CARBURETOR .....	7
FUEL 1 .....	9
FUEL 2 .....	11
STARTER .....	12
GENERATOR .....	14
ELECTRICAL .....	15
BOTTOM COWLING .....	17
STEERING .....	19
CONTROL .....	21
BRACKET 1 .....	23
BRACKET 2 .....	26
UPPER CASING .....	28
LOWER CASING & DRIVE 1 .....	29
LOWER CASING & DRIVE 2 .....	32
FUEL TANK .....	33
REPAIR KIT 1 .....	34
REPAIR KIT 2 .....	36

## INDEX

NUMERICAL INDEX .....	37
-----------------------	----



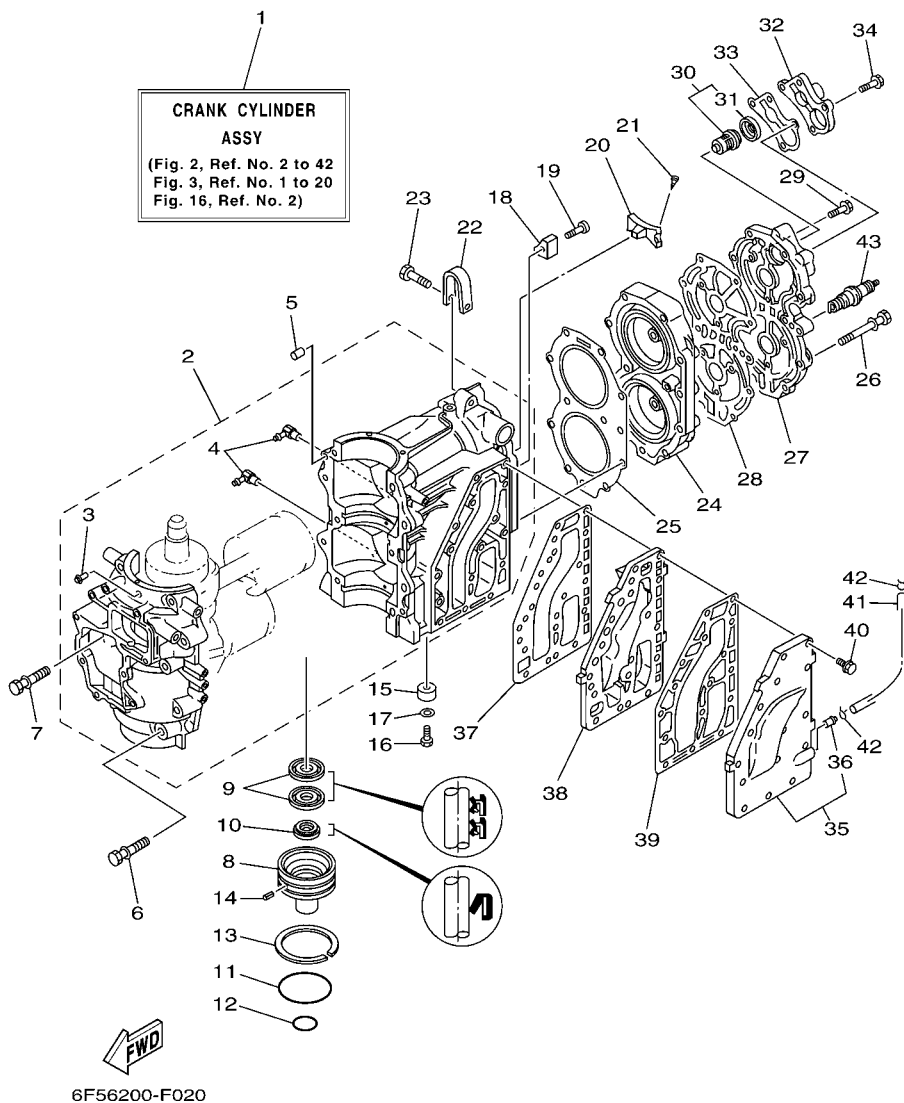
  
6F5B200-L010

**FIG. 1 TOP COWLING**

REF. NO.	PART NO.	DESCRIPTION	6F5B				REMARKS
1	6F5-42610-10	TOP COWLING ASSY	1				
2	6A0-15761-00	.SEAL, RUBBER 1	1				
3	6E9-42651-01	.HOOK	1				
4	90266-04M04	.RIVET	2				
5	6F5-42652-01	.HOOK	1				
6	90266-04M01	.RIVET	2				
7	6F5-42613-01-4D	.MOLDING, AIR DUCT	1				
8	97095-06016	.BOLT	4				
9	92995-06100	.WASHER, SPRING	4				
10	92995-06600	.WASHER	4				
11	6F5-42615-00	.SEAL	1				
12	61N-W0070-40	.GRAPHIC SET	1				
13	63D-42678-40	.GRAPHIC, REAR	1				
14	63D-42678-40	.GRAPHIC, REAR	1				
15	61R-42681-00	.MARK, COWLING	1				
16	61R-42681-00	.MARK, COWLING	1				
17	680-42684-00	.MARK, COWLING	1				
18	6E0-44191-11	.INDICATOR, SHIFT	1				

**FIG. 2 CYLINDER & CRANKCASE**

REF. NO.	PART NO.	DESCRIPTION	6F5B				REMARKS
1	6F5-W0090-64-1S	CRANK CYLINDER ASSY	1				
2	6F6-15100-02	CRANKCASE ASSY	1				
3	624-14485-00	.PIPE, JOINT	1				
4	650-11370-01	.CHECK VALVE ASSY	2				
5	93608-12063	PIN, DOWEL	2				
6	90119-10005	BOLT, WITH WASHER	9				
7	90119-10028	BOLT, WITH WASHER	1				
8	6F5-15396-01-CA	HOUSING, OIL SEAL	1				
9	93101-30M33	OIL SEAL	2				
10	93104-16M01	OIL SEAL	1				
11	93210-65M50	O-RING	1				
12	93210-22M02	O-RING	1				
13	93440-68M03	CIRCLIP	1				
14	91690-30010	PIN, SPRING	1				
15	676-45251-00	ANODE	1				
16	97095-06016	BOLT	1				
17	92995-06600	WASHER	1				
18	676-11325-00	ANODE	1				
19	90141-06M00	SCREW, COUNTERSUNK	1				
20	6F5-11325-00	ANODE	1				
21	97880-05030	SCREW, PAN HEAD	2				
22	6F5-11119-00	HANGER, ENGINE	1				
23	90101-08001	BOLT	1				
24	6F5-11111-00-1S	HEAD, CYLINDER 1	1				
25	6F5-11181-A2	GASKET, CYLINDER HEAD 1	1				
26	90119-08MA5	BOLT, WITH WASHER	11				
27	6F5-11191-00-1S	COVER, CYLINDER HEAD 1	1				



**FIG. 2 CYLINDER & CRANKCASE**

REF. NO.	PART NO.	DESCRIPTION	6F5B				REMARKS
28	6F5-11193-A1	GASKET, HEAD COVER 1	1				
29	90119-06MA3	BOLT, WITH WASHER	5				
30	6F5-12411-03	THERMOSTAT	1				
31	6E5-12412-00	.SEAL, THERMOSTAT	1				
32	676-12413-00-1S	COVER, THERMOSTAT	1				
33	676-12414-A1	GASKET, COVER	1				
34	90119-06MA2	BOLT, WITH WASHER	4				
35	6F5-41113-01-1S	OUTER COVER, EXHAUST	1				
36	650-24378-00	.PIPE, JOINT 4	1				
37	6F5-41112-A0	GASKET, EXHAUST INNER COVER	1				
38	6F5-41111-01-1S	INNER COVER, EXHAUST	1				
39	6F5-41114-A0	GASKET, EXHAUST OUTER COVER	1				
40	90119-06MA3	BOLT, WITH WASHER	16				
41	90445-09M37	HOSE (L240)	1				
42	90467-08004	CLIP	2				AP
43	94702-00040	PLUG, SPARK (NGK B7HS)	2				

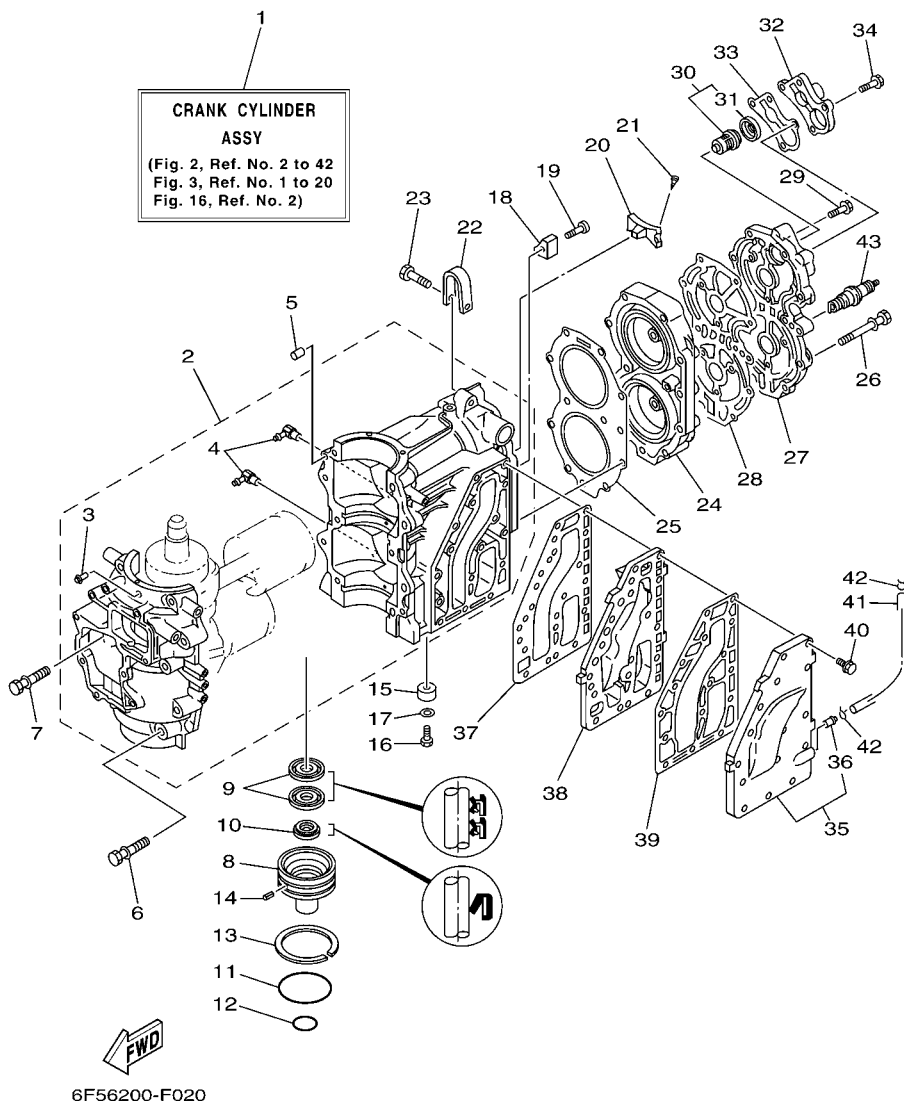
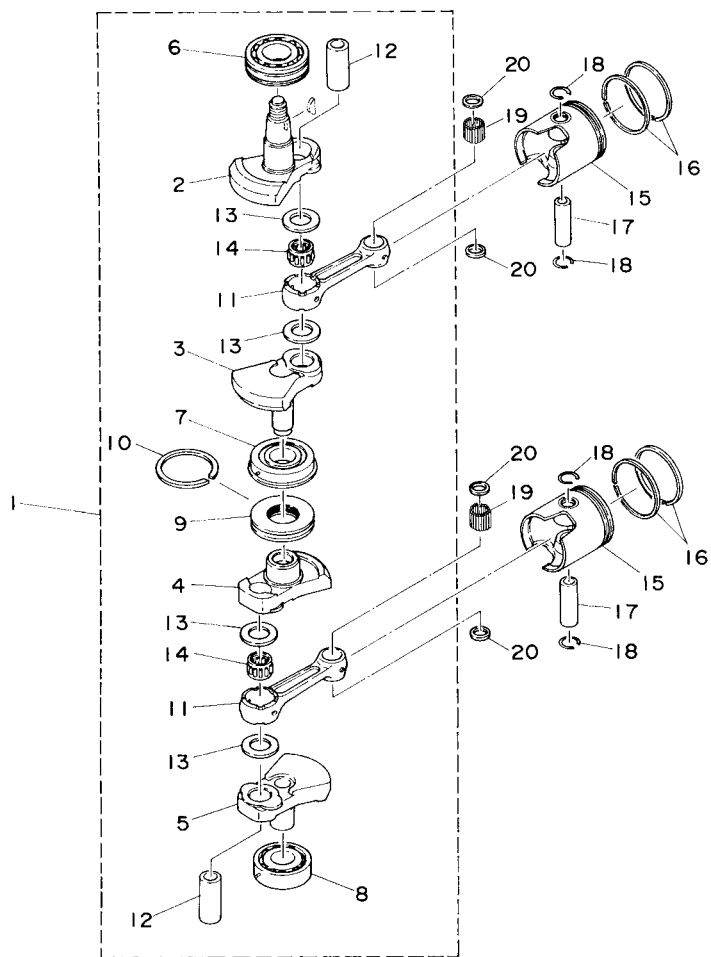


FIG. 3 CRANKSHAFT & PISTON



REF. NO.	PART NO.	DESCRIPTION	6F9B				REMARKS
1	6F5-11400-11	CRANKSHAFT ASSY	1				
2	6F5-11412-11	.CRANK 1	1				
3	6F5-11422-11	.CRANK 2	1				
4	6F5-11432-11	.CRANK 3	1				
5	6F5-11442-11	.CRANK 4	1				
6	93306-307U0	.BEARING	1				
7	93332-000UE	.BEARING	1				
8	93306-306U2	.BEARING	1				
9	6F5-11515-00	.SEAL, LABYRINTH 1	1				
10	93440-68M03	.CIRCLIP	1				
11	6F5-11651-00	.ROD, CONNECTING	2				
12	6F5-11681-00	.PIN, CRANK 1	2				
13	90202-27M23	.WASHER, PLATE	4				
14	93310-727V7	.BEARING	2				
15	6F6-11631-00-95	PISTON (STD)	2				
	6F6-11635-00	PISTON (0.25MM O/S)	2				AP
	6F6-11636-00	PISTON (0.50MM O/S)	2				AP
16	6F5-11610-00	PISTON RING SET (STD)	2				
	6F5-11610-10	PISTON RING SET (0.25MM O/S)	2				AP
	6F5-11610-20	PISTON RING SET (0.50MM O/S)	2				AP
17	6F5-11633-00	PIN, PISTON	2				
18	663-11634-00	CLIP, PISTON PIN	4				
19	93603-21111	PIN, DOWEL	56				
20	90201-20417	WASHER, PLATE	4				

FWD  
6H90010-4030



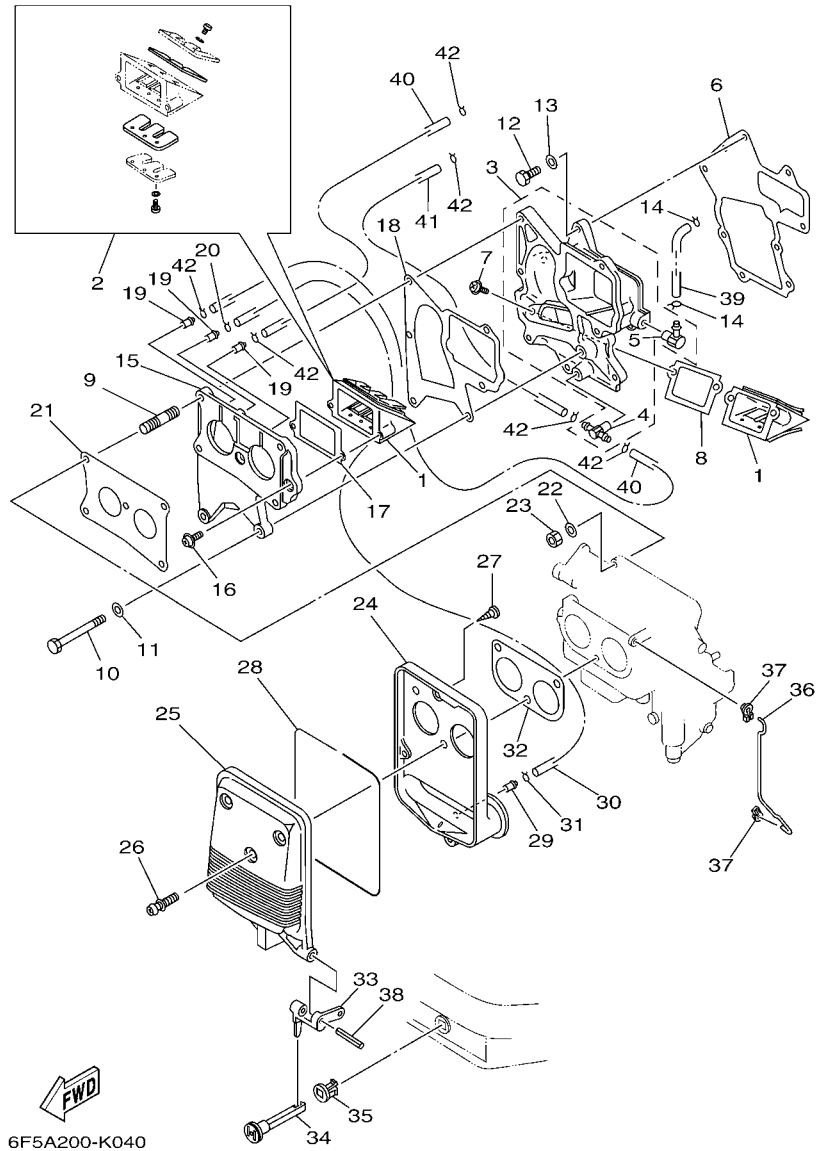


FIG. 4 INTAKE

REF. NO.	PART NO.	DESCRIPTION	6F5B				REMARKS
1	6F5-13610-00	REED VALVE ASSY	2				
2	6F5-W0004-00	.REED SET	1				
3	6F6-13641-00-1S	MANIFOLD, INTAKE 1	1				
4	6F6-11370-01	.CHECK VALVE ASSY	1				
5	650-11370-01	.CHECK VALVE ASSY	1				
6	6F5-13646-A2	GASKET, MANIFOLD 2	1				
7	97980-05114	SCREW, WITH WASHER	2				
8	6F5-13621-A1	GASKET, VALVE SEAT	1				
9	90116-06M17	BOLT, STUD	4				
10	97013-06065	BOLT	2				
11	92903-06600	WASHER, PLATE	2				
12	97013-06025	BOLT	7				
13	92903-06600	WASHER, PLATE	7				
14	90467-06016	CLIP	2				
15	6F6-13643-01-1S	COVER, MANIFOLD	1				
16	97980-05114	SCREW, WITH WASHER	2				
17	6F5-13621-A1	GASKET, VALVE SEAT	1				
18	6F5-13645-A1	GASKET, MANIFOLD 1	1				
19	624-14485-00	PIPE, JOINT	3				
20	90467-06016	CLIP	1				
21	6F5-14198-A1	GASKET	1				
22	92995-06600	WASHER	4				
23	95380-06600	NUT, HEXAGON	4				
24	6F5-14417-00	COVER 1	1				
25	6F5-14418-00	COVER 2	1				
26	90159-06M01	SCREW, WITH WASHER	3				
27	97780-50716	SCREW, TAPPING	4				

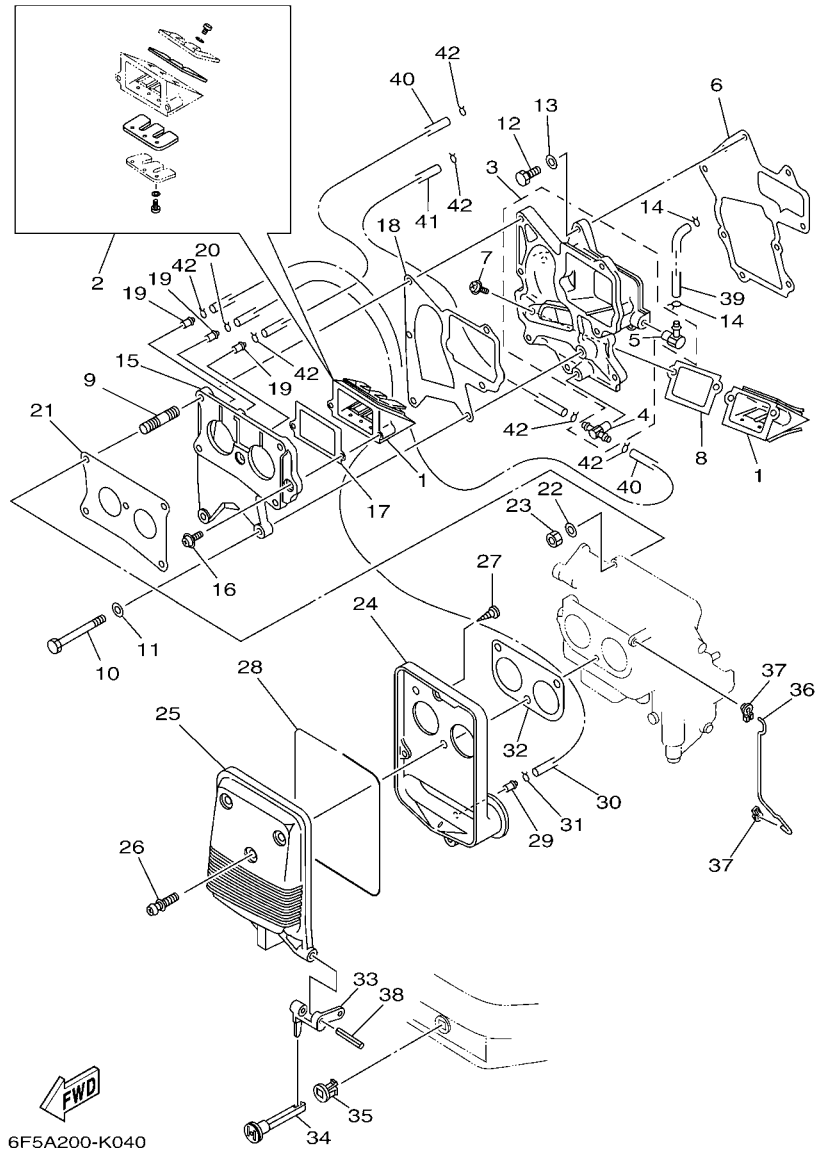
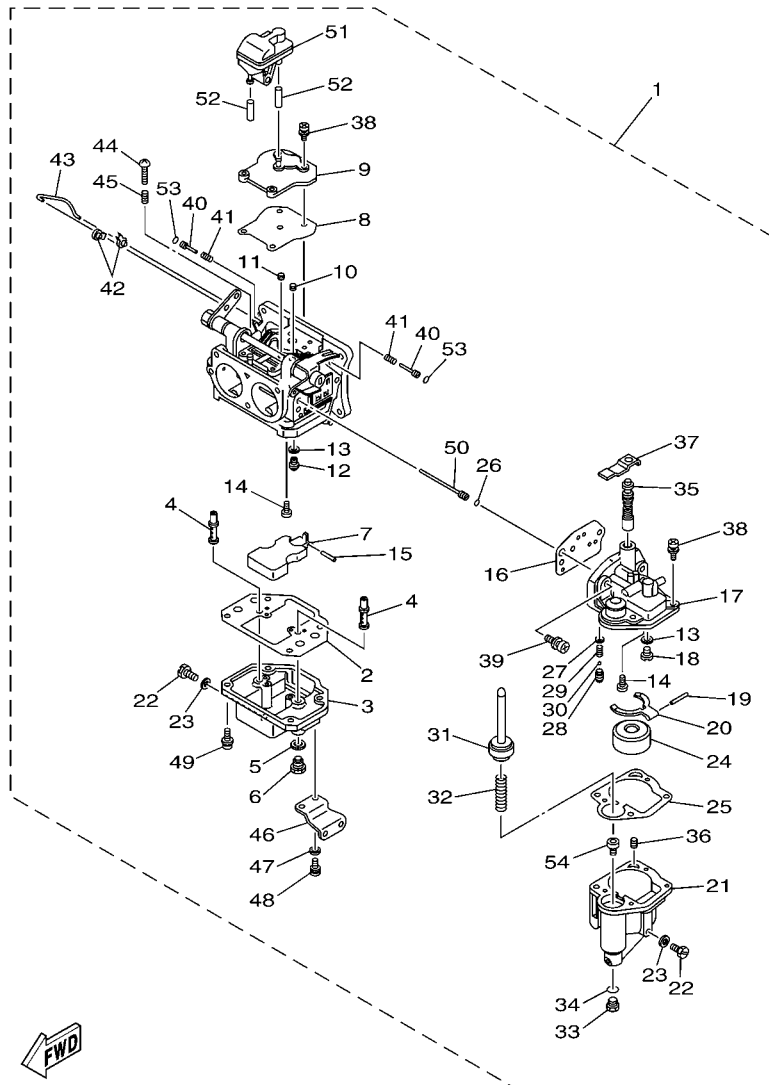


FIG. 4 INTAKE

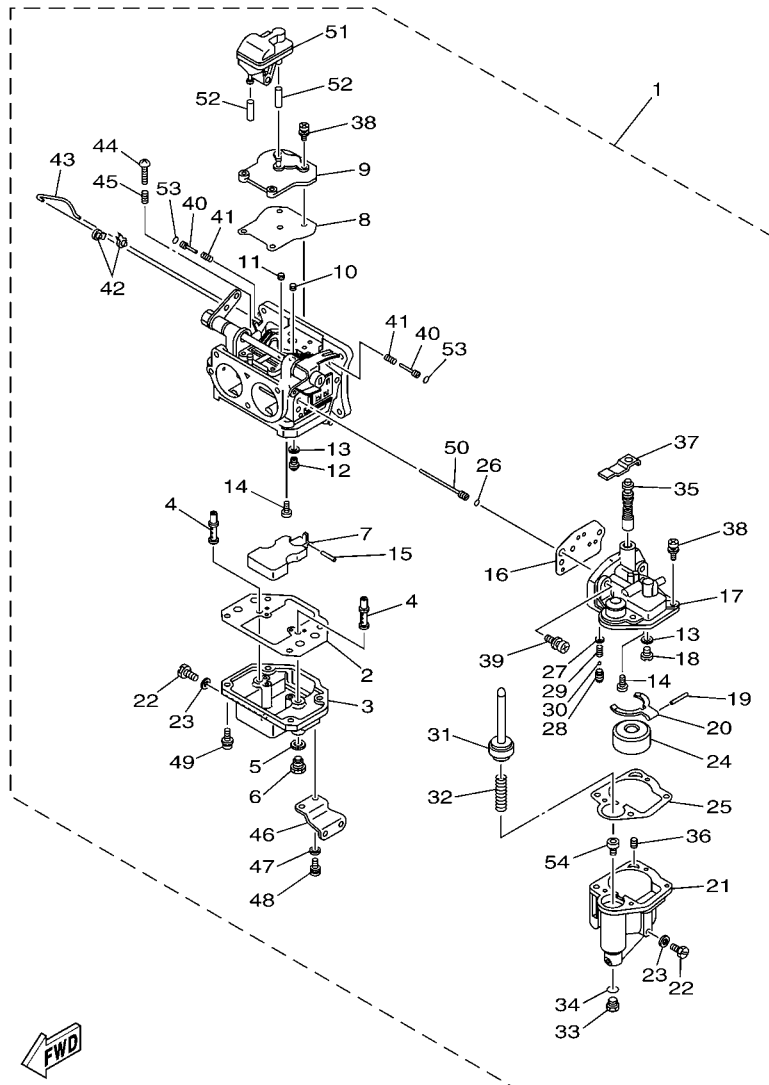
REF. NO.	PART NO.	DESCRIPTION	6F5B				REMARKS
28	6F5-14476-00	SEAL	1				
29	624-14485-00	PIPE, JOINT	1				
30	90445-07240	HOSE (L330)	1				
31	90467-06016	CLIP	1				
32	6F5-14483-00	GASKET	1				
33	6F5-41252-00	LEVER, CHOKE 1	1				
34	682-41271-01	KNOB, CHOKE	1				
35	689-41273-00	GROMMET	1				
36	6F5-41256-00	ROD, CHOKE 1	1				
37	661-41262-02	JOINT, CHOKE LEVER	2				
38	91690-40032	PIN, SPRING	1				
39	90445-07254	HOSE (L118)	1				
40	90445-07240	HOSE (L330)	2				
41	90445-07M24	HOSE (L240)	1				
42	90467-06016	CLIP	6				



6F55200-E050

FIG. 5 CARBURETOR

REF. NO.	PART NO.	DESCRIPTION	6F5B				REMARKS
1	6F5-14301-42	CARBURETOR ASSY 1	1				
2	6F5-14384-00	.GASKET, FLOAT CHAMBER	1				
3	6F5-14381-00	.BODY, FLOAT CHAMBER	1				
4	6F5-14341-00	.NOZZLE, MAIN	2				
5	1J2-14398-00	.GASKET	2				
6	677-14343-73	.JET, MAIN (#145)	2				
7	6F6-14385-00	.FLOAT	1				
8	6F5-14398-00	.GASKET	1				
9	6F5-14383-00	.PLATE, COVER	1				
10	647-14342-45	.JET, PILOT (# 90)	2				
11	647-14342-30	.JET, PILOT (# 60)	2				
12	6F5-14390-21	.NEEDLE VALVE ASSY	1				
13	367-14195-00	.GASKET	2				
14	98980-04006	.SCREW, BIND	2				
15	6E5-14386-01	.PIN, FLOAT	1				
16	6F5-14399-00	.GASKET	1				
17	6F5-14182-41	.COVER, FLOAT CHAMBER	1				
18	6F5-14390-12	.NEEDLE VALVE ASSY	1				
19	367-14386-00	.PIN, FLOAT	1				
20	6F5-14387-00	.ARM, FLOAT	1				
21	6F5-14381-11	.BODY, FLOAT CHAMBER	1				
22	6F5-14383-10	.SCREW, DRAIN	2				
23	6E5-14398-00	.GASKET	2				
24	626-14385-00	.FLOAT	1				
25	6F5-14384-10	.GASKET, FLOAT CHAMBER	1				
26	6F5-14397-00	.O-RING	1				
27	6F5-14372-01	.SEAT, PACKING	1				



6F55200-E050

FIG. 5 CARBURETOR

REF. NO.	PART NO.	DESCRIPTION	6F5B				REMARKS
28	6A4-14355-00	.SEAT, BALL	1				
29	6F5-14332-01	.SPRING	1				
30	6F5-14369-00	.BALL	1				
31	6F5-14370-02	.PLUNGER STARTER ASSY	1				
32	6F5-14339-00	.SPRING	1				
33	6A4-14394-00	.SCREW, DRAIN	1				
34	652-14397-00	.O-RING	1				
35	6F5-14371-00	.PLUNGER, STARTER	1				
36	647-14344-35	.JET, STARTER (# 70)	1				
37	6F5-14377-00	.STOPPER	1				
38	97603-04114	.SCREW, PAN HEAD WITH WASHER	8				
39	97603-06120	.SCREW, PAN HEAD WITH WASHER	2				
40	6F5-14323-01	.SCREW, AIR ADJUSTING	2				
41	6F5-14334-01	.SPRING, AIR ADJUSTING	2				
42	6F5-41262-01	.JOINT, THROTTLE LEVER	2				
43	6F5-14379-00	.ROD, STARTER	1				
44	650-14321-01	.SCREW, THROTTLE	1				
45	647-14334-00	.SPRING	1				
46	6F5-14346-00	.PLATE	1				
47	654-14243-00	.WASHER	4				
48	97603-06113	.SCREW, PAN HEAD WITH WASHER	4				
49	97603-05117	.SCREW, PAN HEAD WITH WASHER	4				
50	6F5-14340-00	.NOZZLE, ACCELERATING	1				
51	6F5-14425-00	.DAMPER 1	1				
52	90445-09M55	.HOSE (L20)	2				
53	5Y1-14397-00	.O-RING	2				
54	6F5-13940-01	.CHECK VALVE ASSY	1				

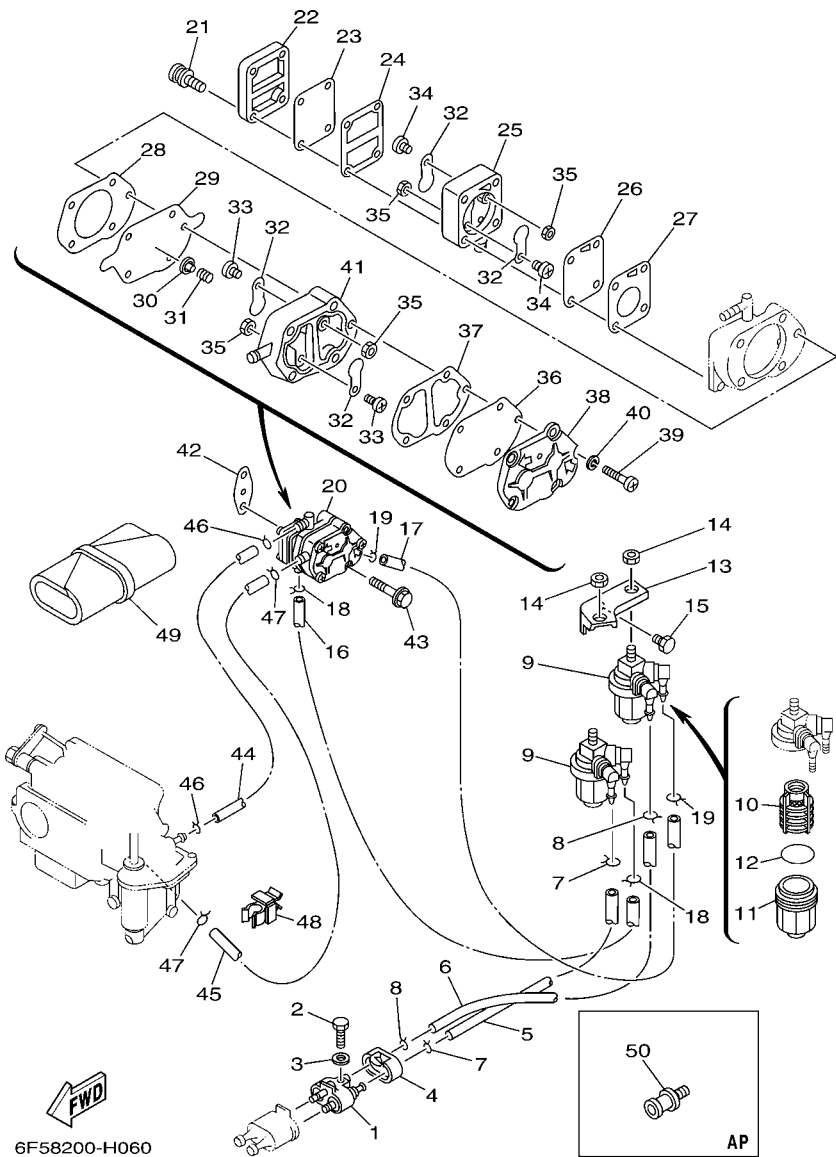


FIG. 6 FUEL 1

REF. NO.	PART NO.	DESCRIPTION	6F58				REMARKS
1	680-24304-01	FUEL PIPE JOINT COMP. 1	1				
2	97095-06025	BOLT	1				
3	92995-06600	WASHER	1				
4	6A4-24329-00	SEAL	1				
5	90445-09226	HOSE (L390)	1				
6	90445-10M43	HOSE (L400)	1				
7	90467-08004	CLIP	2				
8	90467-09M03	CLIP	2				
9	61N-24560-00	FILTER ASSY	2				
10	61N-24563-00	.ELEMENT, FILTER	1				
11	61N-24521-00	.CUP, FILTER	1				
12	93210-32738	.O-RING	1				
13	6F5-24566-00	BRACKET, FILTER	1				
14	95380-08600	NUT	2				
15	97013-06014	BOLT	1				
16	90445-09M54	HOSE (L225)	1				
17	90445-10M50	HOSE (L170)	1				
18	90467-08004	CLIP	2				
19	90467-09M03	CLIP	2				
20	6F5-24410-06	FUEL PUMP ASSY	1				
21	677-24444-01	.SCREW	4				
22	677-24413-01	.BODY 2	1				
23	677-24471-01	.DIAPHRAGM	1				
24	677-24435-02	.GASKET, BODY 2	1				
25	682-24412-01	.BODY 1	1				
26	677-24411-02	.DIAPHRAGM	1				
27	677-24434-02	.GASKET, BODY	1				

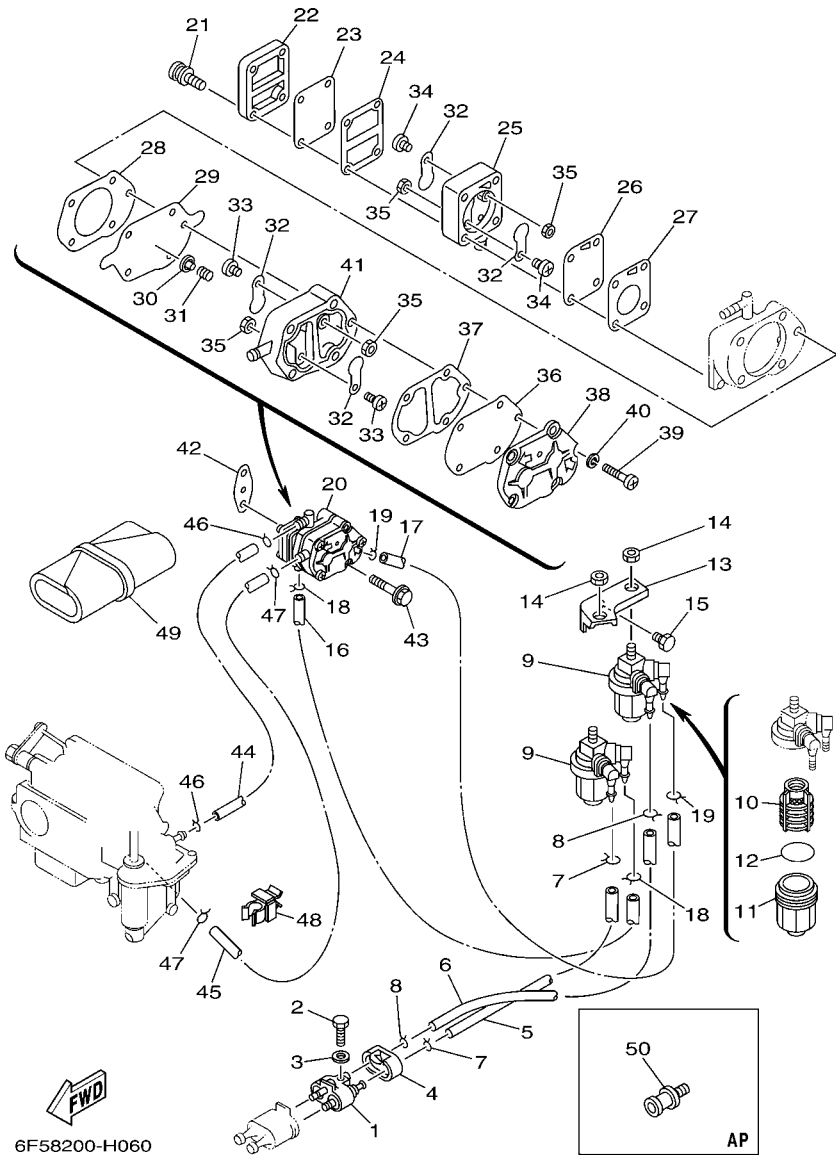
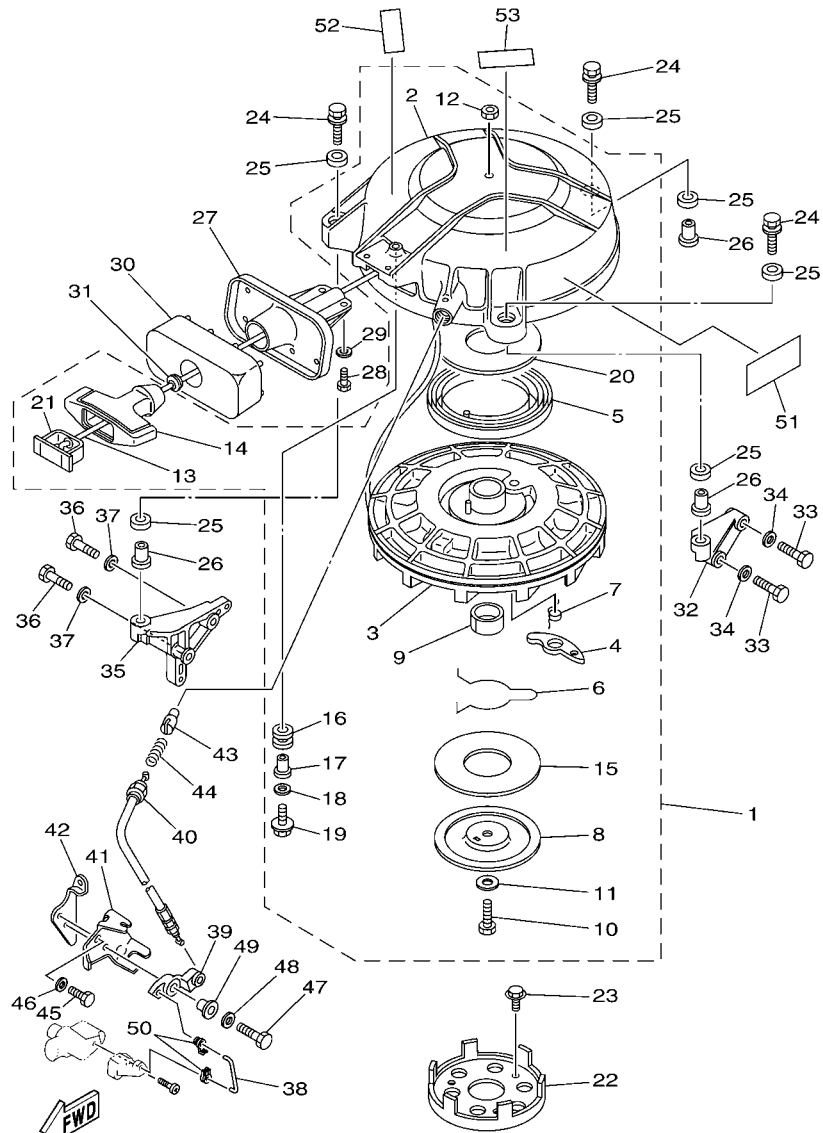


FIG. 6 FUEL 1

REF. NO.	PART NO.	DESCRIPTION	6F58				REMARKS
28	648-24434-01	.GASKET, BODY	1				
29	648-24411-00	.DIAPHRAGM	1				
30	648-24424-00	.SEAT, SPRING	1				
31	648-24423-00	.SPRING, DIAPHRAGM	1				
32	6A0-24421-01	.VALVE, CHECK	4				
33	6A0-14325-00	.SCREW, PAN HEAD	2				
34	6E7-14325-00	.SCREW, PAN HEAD	2				
35	95380-03600	.NUT	4				
36	663-24411-00	.DIAPHRAGM	1				
37	648-24435-02	.GASKET, BODY 2	1				
38	6A0-24413-00	.BODY 2	1				
39	98503-05028	.SCREW, PAN HEAD	3				
40	92990-05100	.WASHER, SPRING	3				
41	6A0-24412-02	.BODY 1	1				
42	650-24431-A0	GASKET, FUEL PUMP 1	1				
43	97595-06555	BOLT, WITH WASHER	2				
44	90445-09M53	HOSE (L160)	1				
45	90445-10M50	HOSE (L170)	1				
46	90467-08004	CLIP	2				
47	90467-09M03	CLIP	2				
48	90464-07008	CLAMP	1				
49	676-W2810-01	TOOL KIT	1				
50	626-28193-01-94	PLUG, WATER CHECK	1				AP D:15MM





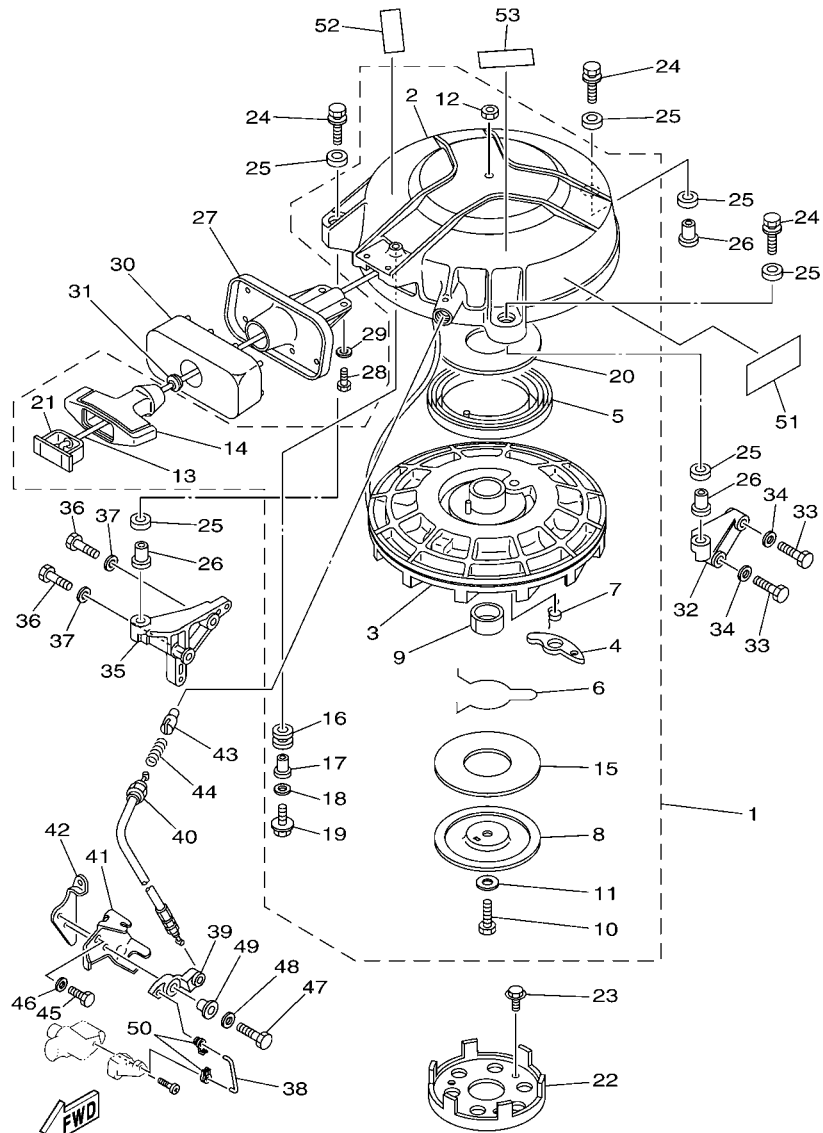
6F58200-H080

\*1: CUT FROM 50M ROLLS, PART NO. 90890-44373, CUTTING LENGTH 1.9M

FIG. 8 STARTER

REF. NO.	PART NO.	DESCRIPTION	6F5B				REMARKS
1	6F5-W1571-03	STARTER ASSY	1				
2	6F5-15711-02	.CASE, STARTER	1				
3	6F5-15714-03	.DRUM, SHEAVE	1				
4	6F5-15741-01	.PAWL, DRIVE	1				
5	6F5-15713-00	.SPRING, STARTER	1				
6	6F5-15715-00	.SPRING, FRICTION	1				
7	6F5-15734-01	.SPRING, RETURN	1				
8	6F5-15716-01	.PLATE, DRIVE	1				
9	6F5-15754-00	.BUSH 2	1				
10	97013-08030	.BOLT	1				
11	6F5-15726-01	.WASHER, FLAT	1				
12	95303-08700	.NUT	1				
13	*	.WIRE (L:1900MM)	1				*1
14	689-15755-01	.HANDLE, STARTER	1				
15	6F5-15764-00	.COLLAR 1	1				
16	6F5-15752-00	.ROLLER, WIRE	1				
17	6F5-15753-00	.BUSH	1				
18	6F5-15791-00	.WASHER, LOCK	1				
19	6F5-15768-00	.BOLT	1				
20	6F5-15739-00	.WASHER, THRUST	1				
21	6F5-15779-02	.COVER	1				
22	6F5-15723-01	PULLEY, STARTER	1				
23	90105-08M10	BOLT, FLANGE	3				
24	90119-08M10	BOLT, WITH WASHER	3				
25	90385-12M04	BUSH	6				
26	90387-08M05	COLLAR	3				
27	6A0-15758-01-94	GUIDE, ROPE	1				



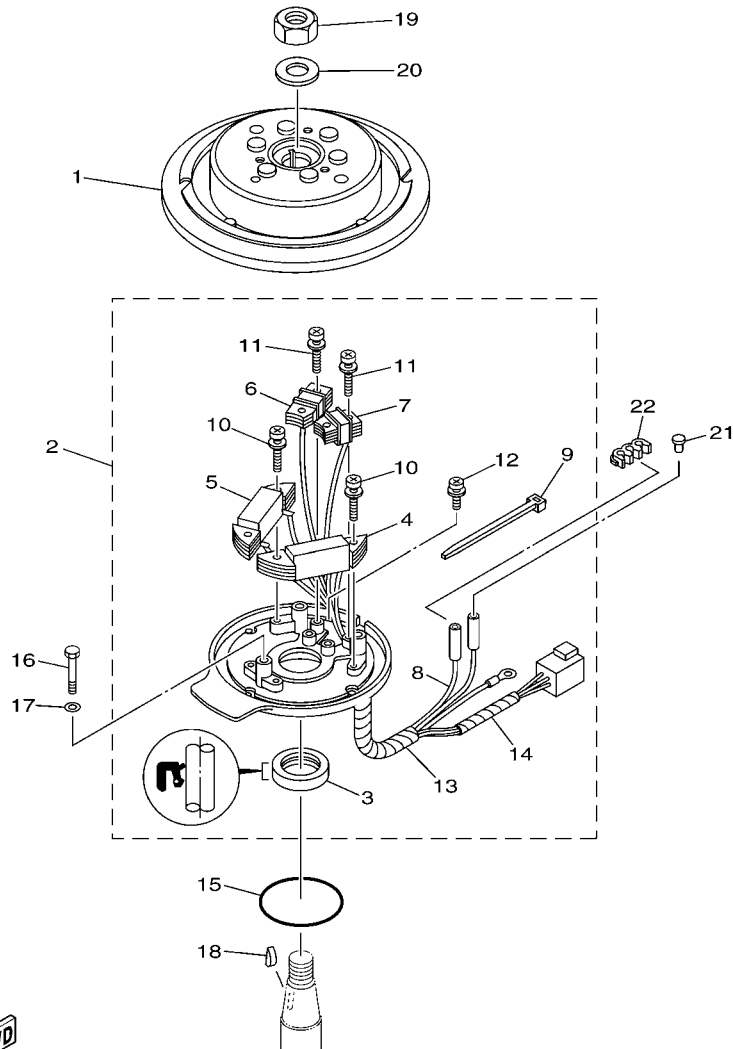


6F58200-H080

\*1: CUT FROM 50M ROLLS, PART NO.90890-44373, CUTTING LENGTH 1.9M

FIG. 8 STARTER

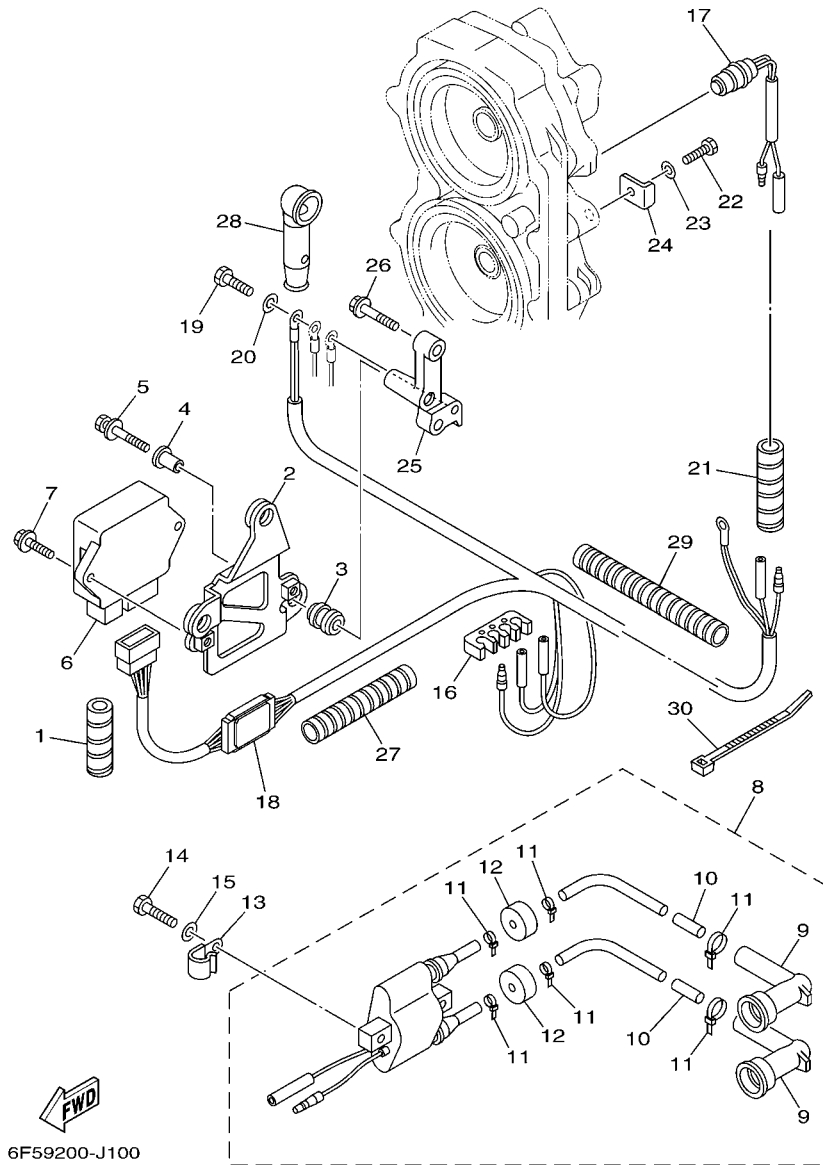
REF. NO.	PART NO.	DESCRIPTION	QTY	REMARKS
28	97095-06016	BOLT	2	
29	92995-06600	WASHER	2	
30	6A0-15762-01	SEAL, RUBBER 2	1	
31	6A0-15789-00	DAMPER	1	
32	6F5-15771-00-94	STAY 1	1	
33	97013-08035	BOLT	2	
34	92903-08600	WASHER, PLATE	2	
35	6F5-15772-00-94	STAY 2	1	
36	97013-08035	BOLT	2	
37	92903-08600	WASHER, PLATE	2	
38	6F5-15747-00	LINK	1	
39	6F5-15746-00	ARM	1	
40	6F5-15770-00	CABLE COMP., STARTER STOP	1	
41	6F5-15774-00	STAY 4	1	
42	6F5-15773-00	STAY 3	1	
43	656-15748-00	PLUNGER, STARTER STOP	1	
44	90501-10227	SPRING, COMPRESSION	1	
45	97095-06016	BOLT	1	
46	92995-06600	WASHER	1	
47	97095-06030	BOLT	1	
48	92995-06600	WASHER	1	
49	90387-06M29	COLLAR	1	
50	661-41262-02	JOINT, CHOKE LEVER	2	
51	6F6-14488-00	LABEL, CAUTION	1	
52	6AH-81994-40	LABEL, SAFETY	1	
53	6AH-81995-40	LABEL, WARNING	1	



6J44200-D080

FIG. 9 GENERATOR

REF. NO.	PART NO.	DESCRIPTION	6F9B				REMARKS
1	6F5-85550-G0	ROTOR ASSY	1				
2	6F5-85560-B0	BASE ASSY	1				
3	93102-35M18	.OIL SEAL	1				
4	6F5-85520-10	.COIL, CHARGE	1				
5	6F5-85533-10	.COIL, LIGHTING	1				
6	6F5-85580-10	.COIL, PULSER	1				
7	6F5-85580-20	.COIL, PULSER	1				
8	6F5-85515-10	.LEAD WIRE ASSY	1				
9	6F5-81328-00	.CLAMP	1				
10	90159-05040	.SCREW, WITH WASHER	4				
11	90159-04063	.SCREW, WITH WASHER	4				
12	90159-04035	.SCREW, WITH WASHER	1				
13	6F5-85597-J0	.TUBE 1	1				
14	6F5-85597-H0	.TUBE 1	1				
15	93210-75M51	O-RING	1				
16	97095-06040	BOLT	3				
17	92995-06600	WASHER	3				
18	90280-05015	KEY, WOODRUFF	1				
19	90170-20137	NUT	1				
20	90201-21M18	WASHER, PLATE	1				
21	703-82119-00	COVER, LEAD WIRE	2				
22	90468-07179	CLIP	1				



6F59200-J100

FIG. 10 ELECTRICAL

REF. NO.	PART NO.	DESCRIPTION	QTY	REMARKS
1	90446-10M02	HOSE	1	
2	6F5-85542-10	BRACKET	1	
3	61N-82317-00	DAMPER, IGNITION COIL	3	
4	90387-06119	COLLAR	3	
5	90119-06M65	BOLT, WITH WASHER	3	
6	6F5-85540-31	C.D.I. UNIT ASSY	1	
7	90109-06M86	BOLT	2	
8	6F6-85530-01	IGNITION COIL ASSY	1	
9	62E-82371-11	.CAP, PLUG	2	
10	62E-8231X-00	.TERMINAL 1	2	
11	90465-11M10	.CLAMP	6	
12	90480-25161	.GROMMET	2	
13	90465-08M07	CLAMP	1	
14	97095-06025	BOLT	2	
15	92995-06600	WASHER	2	
16	90464-07M06	CLAMP	1	
17	688-82560-10	THERMO SWITCH ASSY	1	
18	6F5-W8258-00	WIRE HARNESS ASSY 2	1	Go to P/N : PE0-OM-120008
19	97095-06016	BOLT	1	
20	92995-06600	WASHER	1	
21	90446-10M01	HOSE (L60)	1	
22	97095-06016	BOLT	1	
23	92995-06600	WASHER	1	
24	6F5-82588-00	PLATE	1	
25	6F5-81948-00	BRACKET	1	
26	90105-08M35	BOLT, FLANGE	2	
27	6N7-83557-00	TUBE (I.DIA:22MM)	1	

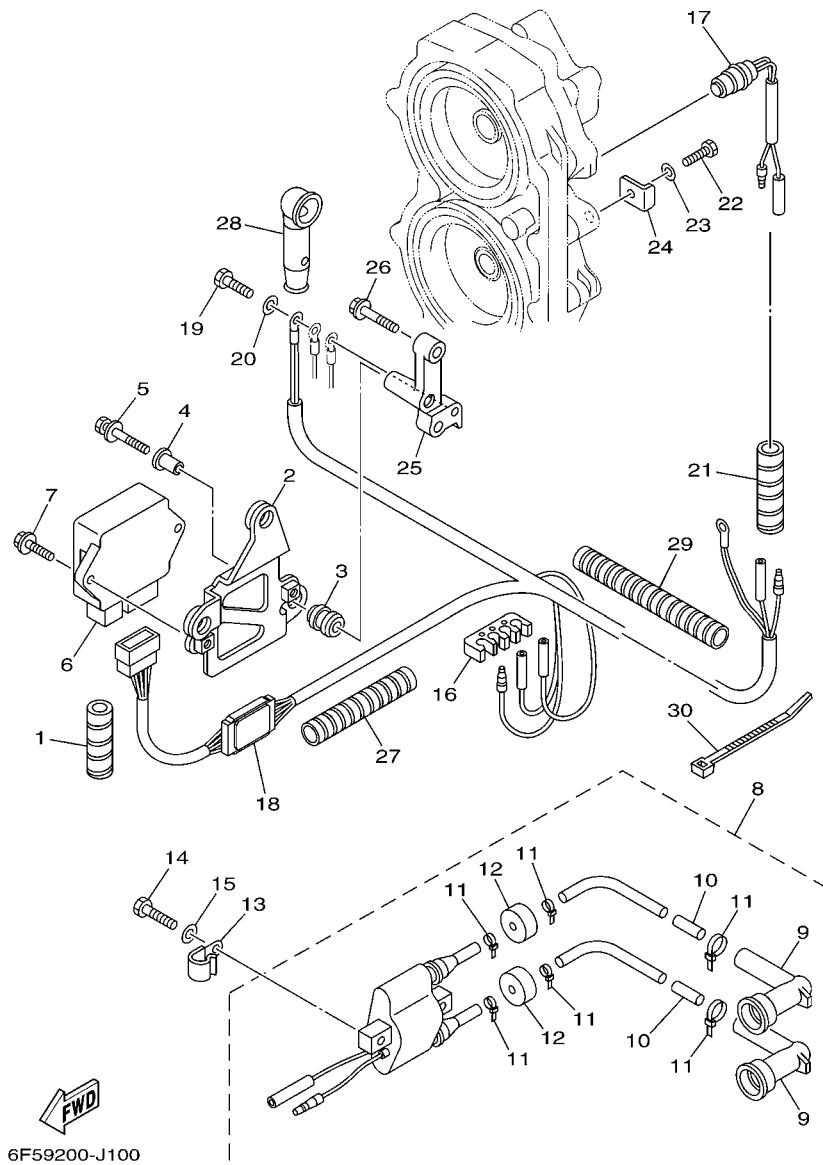


FIG. 10 ELECTRICAL

REF. NO.	PART NO.	DESCRIPTION	6F59				REMARKS
28	61A-82119-00	COVER, LEAD WIRE	1				
29	65L-83557-00	TUBE	1				
30	90465-11M10	CLAMP	1				

# PARTS NEWS



News No. PE0-OM-120008

Date:2012/03/07

Signature:S. Ishibashi

Cause :  Revision Notice  Correction  Sales Unit Change  Others

Model	EK40GMH (6F5B)
Subject	PARTS CATALOGUE CORRECTIONS
CATALOGUE NO.	1L6F5-200E1
Time of YPEC Revision Text, Illustration --> Mar./30/2012 PDF Replace --> Mar./30/2012 (YPEC = Yamaha Parts Electrical Catalogue = Website parts catalogue)	

## Applicable Engine Serial No.

MODEL NAME	MODEL CODE	Applicable Engine Serial No.
EK40G	6F5B	6F5K:1019317-

### \*1: Interchangeability

A	Old Parts	→	Old Parts
	New Parts	→	New Parts
B	Old Parts	→	Old Parts
	New Parts	→	New Parts
C	Old Parts	→	Old Parts
	New Parts	→	New Parts
	These parts are interchangeable with a set		

## FIG.10 ELECTRICAL LIST CORRECTION

Fig. No.	Ref. No.	OLD P/No.	NEW P/No.	PART NAME	Q'TY	*Interchangeability	
							REMARKS
10	18	6F5-82590-21	6F5-W8258-00	WIRE HARNESS ASSY 2	1	B	*Part number revision

Thank you very much for your cooperation.

Parts  
Manager  
Check

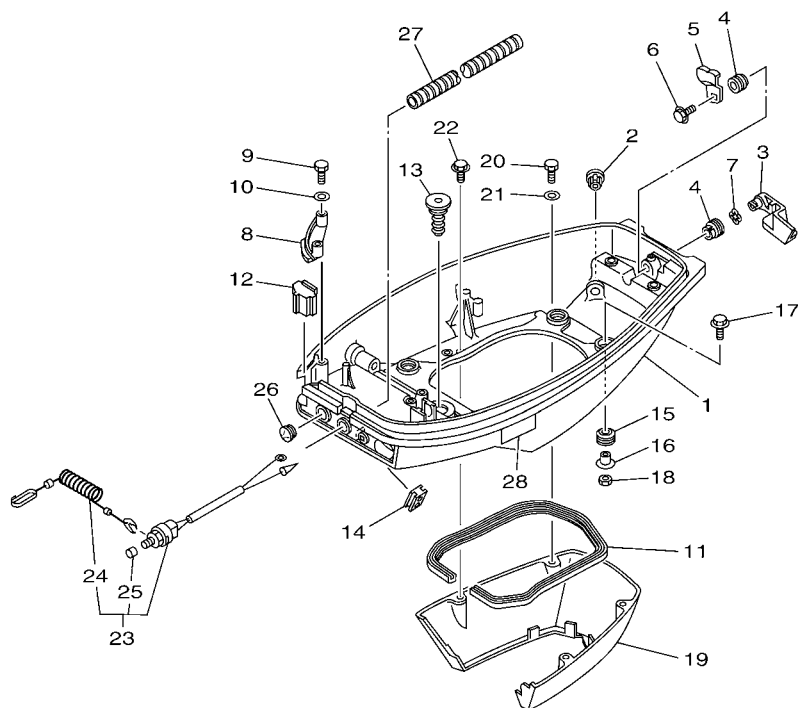
Service  
Manager  
Check

Parts  
Manager  
File

YAMAHA MOTOR CO.,LTD  
2500 Shingai Iwata Shizuoka 438-8501.Japan  
Technical Publication Dept.



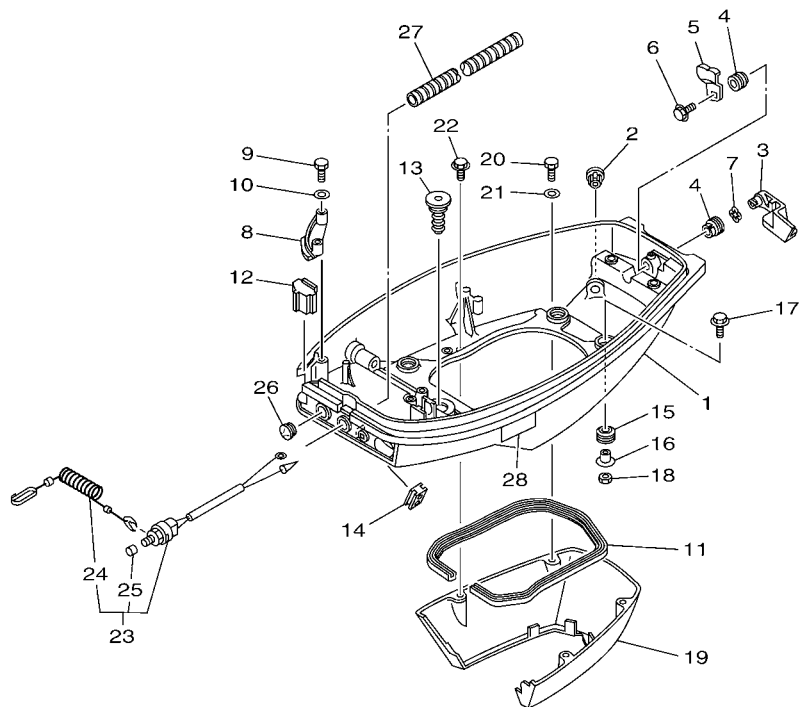
**FIG. 11 BOTTOM COWLING**



  
6F5B200-L110

REF. NO.	PART NO.	DESCRIPTION	6F5B				REMARKS
1	6F5-42711-03-4D	COWLING, BOTTOM 1	1				
2	6E5-44391-00	NIPPLE, HOSE	1				
3	6F5-42815-01-4D	LEVER, CLAMP	1				
4	90386-12M37	BUSH	2				
5	6F5-42816-00	LEVER, CLAMP	1				
6	90119-06M73	BOLT, WITH WASHER	1				
7	90206-12052	WASHER, WAVE	1				
8	6F5-42738-01-94	PLATE, FITTING	1				
9	97013-06025	BOLT	2				
10	92903-06600	WASHER, PLATE	2				
11	6F5-42716-00	RUBBER, SEAL 1	1				
12	6F5-42724-00	GROMMET	1				
13	6F5-42727-00	GROMMET	1				
14	676-26326-00	GROMMET	1				
15	90480-09M21	GROMMET	4				
16	90387-06M41	COLLAR	4				
17	90119-06M61	BOLT, WITH WASHER	4				
18	95380-06600	NUT, HEXAGON	4				
19	6F5-42741-11	APRON	1				
20	97095-06025	BOLT	2				
21	92995-06600	WASHER	2				
22	90119-06M11	BOLT, WITH WASHER	2				
23	6E9-82575-02	ENGINE STOP SWITCH ASSY	1				
24	682-82556-00	.LANYARD, STOP SWITCH	1				
25	689-8257Y-00	.CAP	1				
26	676-42726-00	GROMMET	1				
27	90447-13011	TUBE	1				

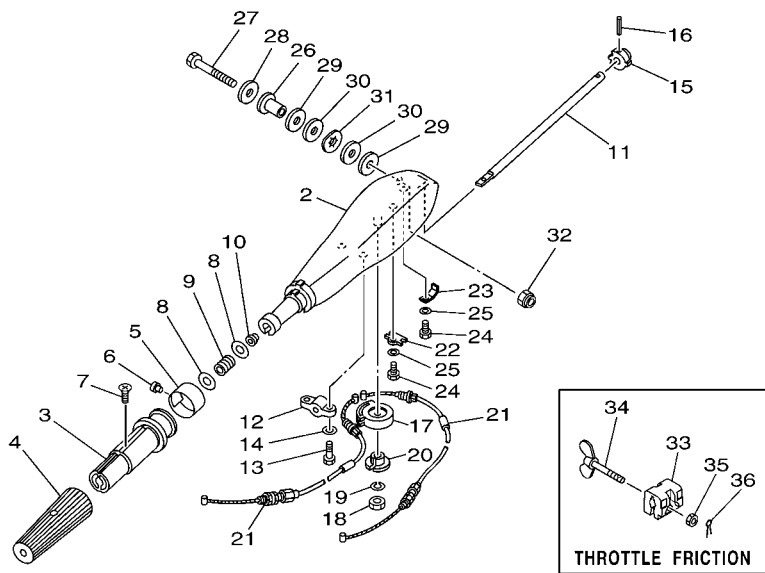
FIG. 11 BOTTOM COWLING



6F5B200-L110

REF. NO.	PART NO.	DESCRIPTION	6F5B				REMARKS
28	6AH-42794-40	LABEL, WARNING (GENERAL)	1				

1  
**HANDLE STEERING  
 ASSY**  
 (Fig. 12, Ref. No. 2 to 32)



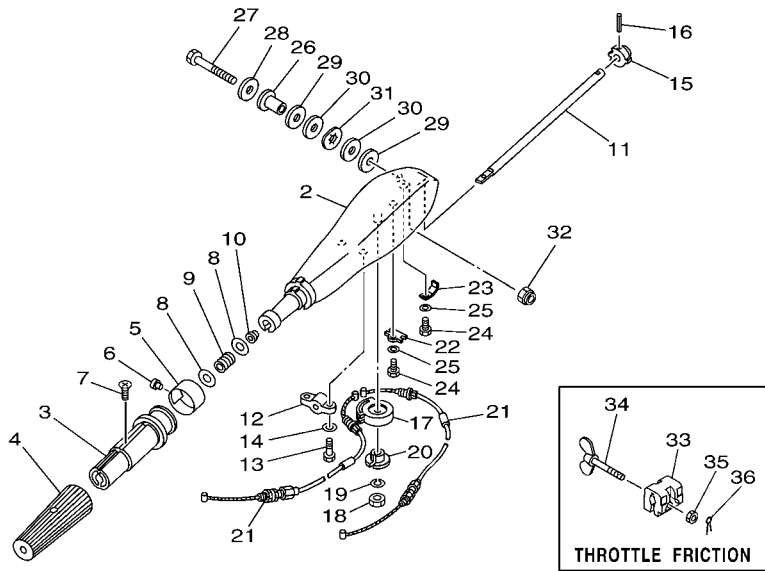
**FWD**  
 6F58200-H120

**FIG. 12 STEERING**

REF. NO.	PART NO.	DESCRIPTION	6F5B				REMARKS
1	6F5-W0084-01-4D	HANDLE STEERING ASSY	1				
2	676-42111-03-4D	HANDLE, STEERING	1				
3	664-42119-00	GRIP, STEERING HANDLE	1				
4	6F6-42177-A0	RUBBER, HANDLE	1				
5	6F5-42137-00	INDICATOR, THROTTLE	1				
6	90269-02M09	RIVET	1				
7	90152-05011	SCREW, COUNTERSUNK	1				
8	90201-10M02	WASHER, PLATE	2				
9	90501-23215	SPRING, COMPRESSION	1				
10	90386-08032	BUSH	1				
11	676-42115-00	SHAFT, STEERING HANDLE	1				
12	676-42159-00	STAY	1				
13	97095-06020	BOLT	2				
14	92995-06600	WASHER	2				
15	650-42152-00-94	GEAR	1				
16	91690-30025	PIN, SPRING	1				
17	676-42151-00-94	PINION	1				
18	95380-06600	NUT, HEXAGON	1				
19	92990-06100	WASHER, SPRING	1				
20	90386-08M00	BUSH	1				
21	6F5-26311-00	CABLE, THROTTLE 1	2				
22	676-26391-00	CLIP, CABLE	1				
23	676-26392-00	CLIP, CABLE 2	1				
24	97095-05010	BOLT	2				
25	92995-05600	WASHER	2				
26	90386-12089	BUSH	1				
27	90101-12M37	BOLT	1				



**HANDLE STEERING  
ASSY**  
(Fig. 12, Ref. No. 2 to 32)



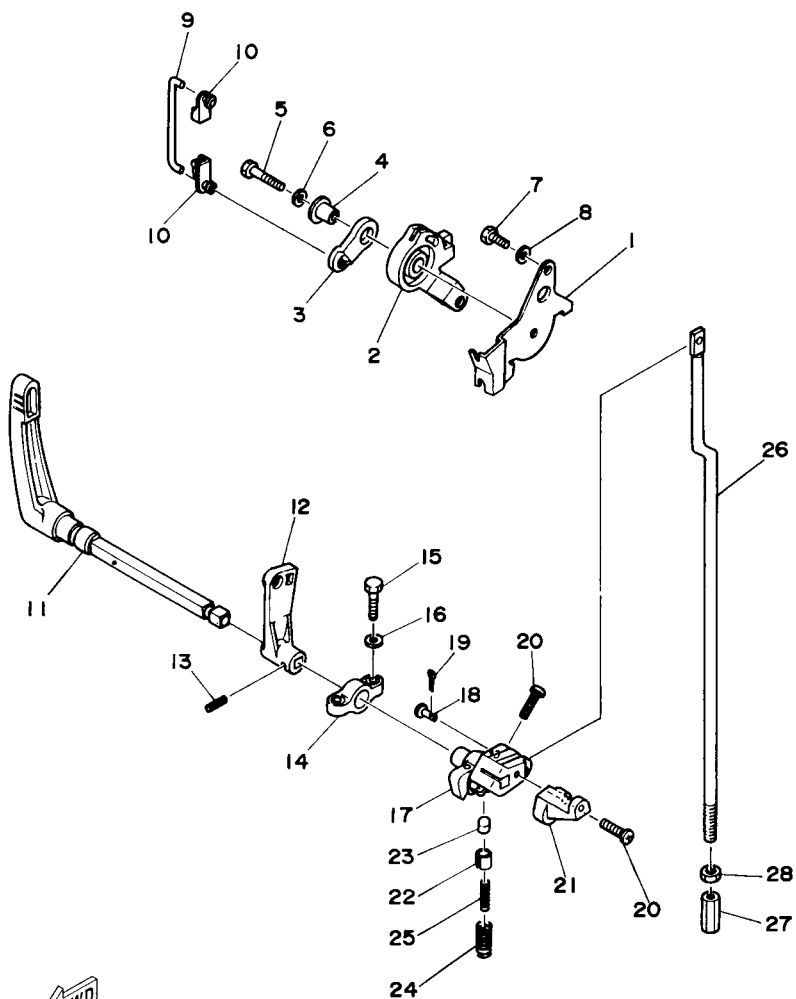
6F58200-H120

**FIG. 12 STEERING**

REF. NO.	PART NO.	DESCRIPTION	6F58				REMARKS
28	92990-12200	WASHER, PLAIN	1				
29	90202-12092	WASHER, PLATE	2				
30	90201-12537	WASHER, PLATE	2				
31	90206-12054	WASHER, WAVE	1				
32	90185-12058	NUT, SELF-LOCKING	1				
33	6F5-42126-00	FRICTION, STEERING HANDLE GRIP	1				
34	6F5-42125-00	BOLT, FRICTION ADJUSTING	1				
35	95380-06600	NUT, HEXAGON	1				
36	91490-16010	PIN, COTTER	1				
-----							
-----							
-----							
-----							
-----							
-----							
-----							
-----							

FIG. 13 CONTROL

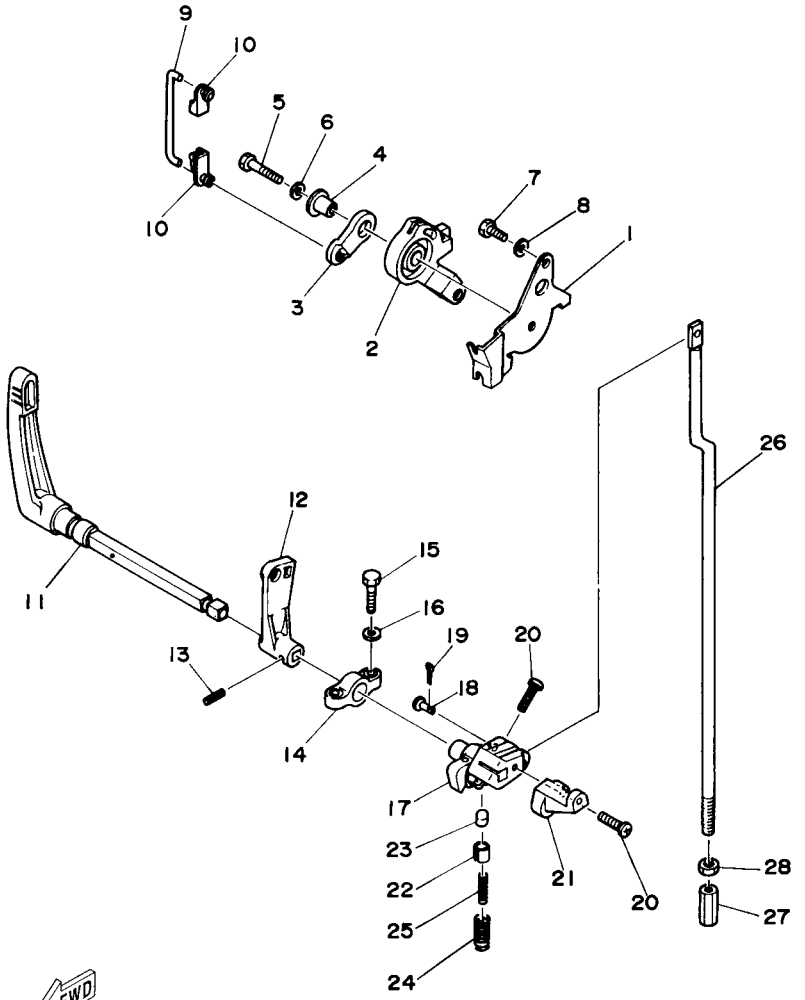
REF. NO.	PART NO.	DESCRIPTION	6F5B				REMARKS
1	6F5-14497-00	STAY, THROTTLE WIRE	1				
2	6F5-41638-00	PULLEY	1				
3	6F5-41283-00	LEVER, FREE ACCEL.	1				
4	90387-06M29	COLLAR	1				
5	97095-06030	BOLT	1				
6	92995-06600	WASHER	1				
7	97095-06016	BOLT	1				
8	92995-06600	WASHER	1				
9	6F5-41211-00	LINK, ACCEL.	1				
10	6E9-41237-00	JOINT, LINK	2				
11	6F5-44111-00	HANDLE, GEAR SHIFT	1				
12	6F5-44125-00	LEVER, SHIFT ROD	1				
13	91690-25016	PIN, SPRING	1				
14	6F5-41662-00	BRACKET 2	1				
15	97013-06025	BOLT	2				
16	92903-06600	WASHER, PLATE	2				
17	6F5-44121-00	LEVER, SHIFT ROD	1				
18	90240-05M09	PIN, CLEVIS	1				
19	91490-16010	PIN, COTTER	1				
20	97780-40520	SCREW, TAPPING	2				
21	6F5-44173-00	LEVER, SHIFT CONTROL	1				
22	6F5-42715-00	BUSHING	1				
23	6F5-44167-00	PLUNGER, SHIFT CAM	1				
24	90501-12M36	SPRING, COMPRESSION	1				
25	90501-07M33	SPRING, COMPRESSION	1				
26	676-44143-00	ROD, SHIFT	1				
27	648-44146-00	CONNECTOR, SHIFT ROD	1				



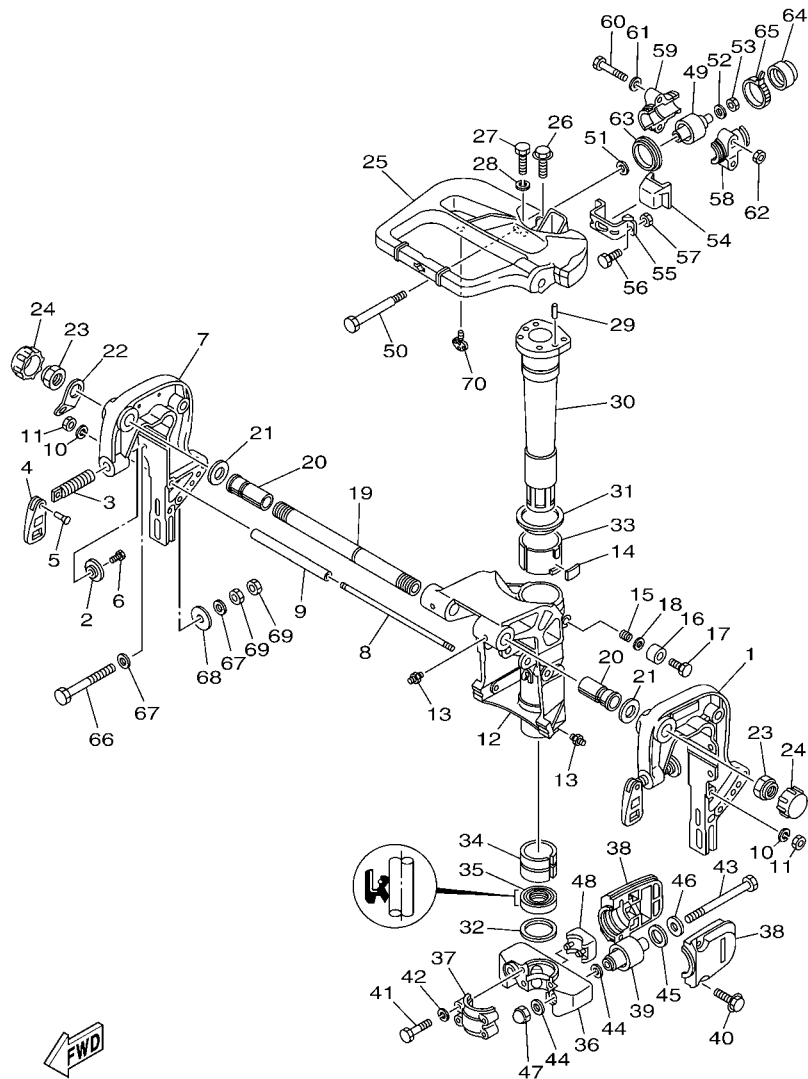
FWD  
6H90010-4150

FIG. 13 CONTROL

REF. NO.	PART NO.	DESCRIPTION	REMARKS
28	90170-07021	NUT	



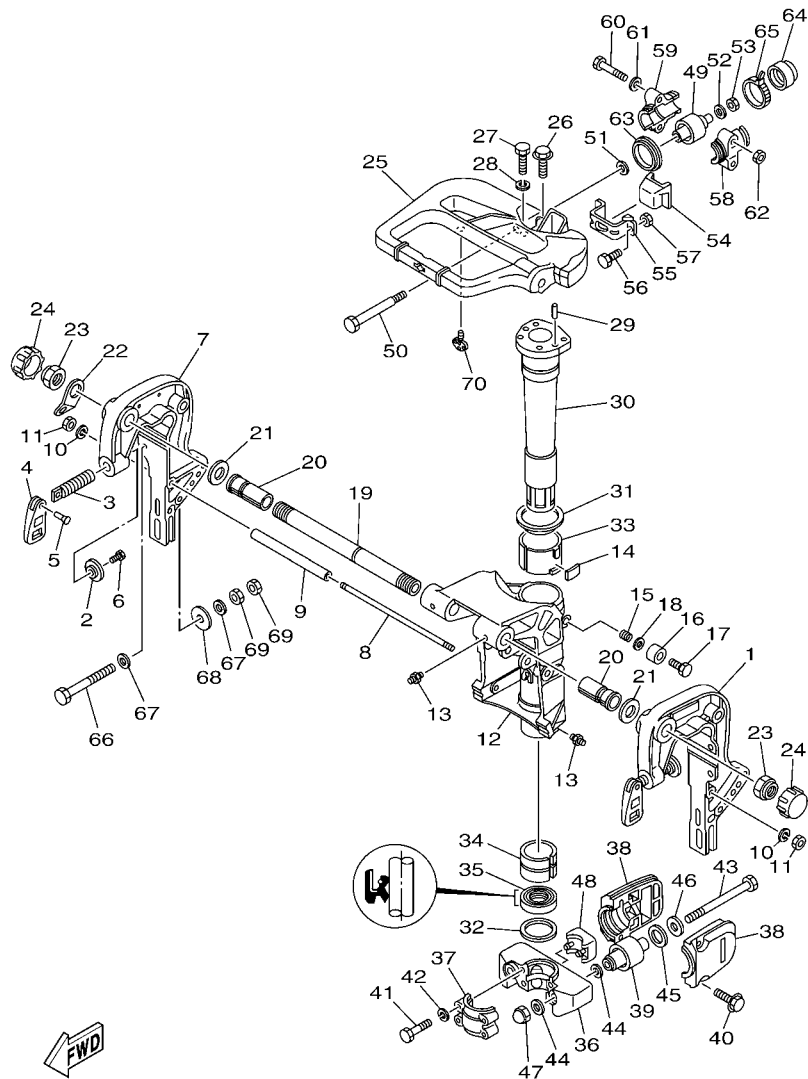
6H90010-4150



6J4B200-L170

FIG. 14 BRACKET 1

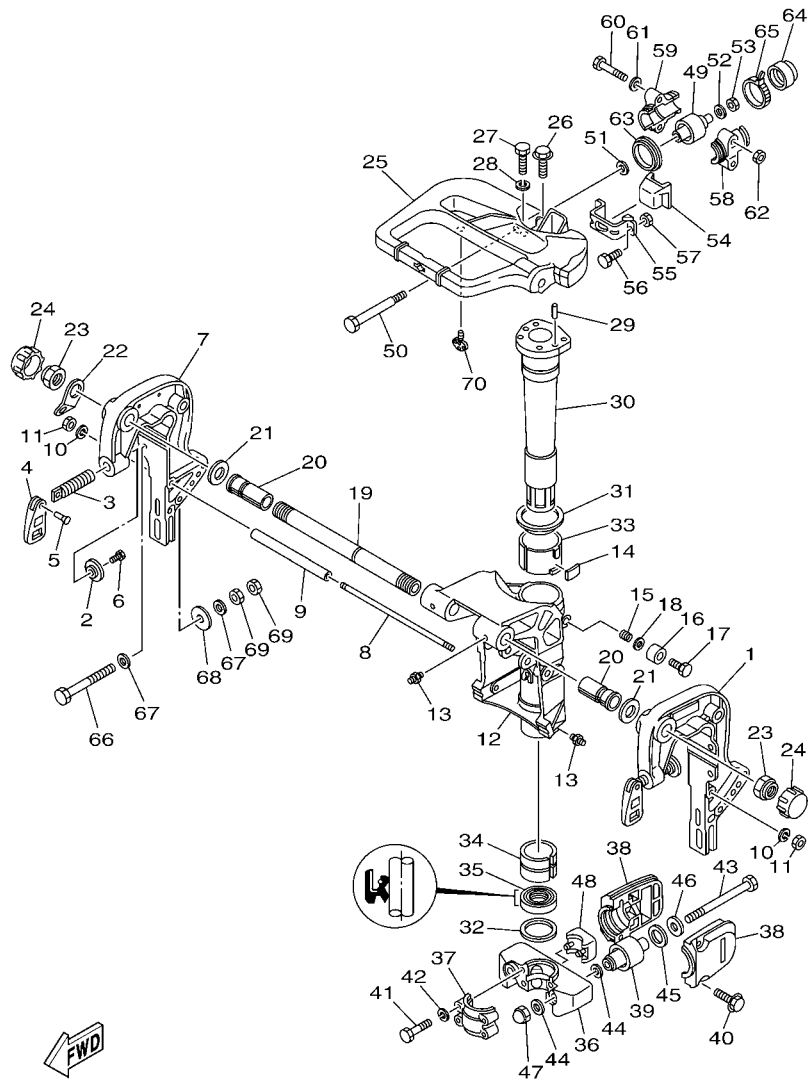
REF. NO.	PART NO.	DESCRIPTION	6F9B				REMARKS
1	676-43111-04-4D	BRACKET, CLAMP 1	1				
2	6F5-43114-00	PAD, TRANSOM CLAMP	2				
3	6F5-43116-00	SCREW, TRANSOM CLAMP	2				
4	663-43118-01-4D	HANDLE, TRANSOM CLAMP	2				
5	90243-04007	PIN	2				
6	90109-06M12	BOLT	2				
7	676-43112-04-4D	BRACKET, CLAMP 2	1				
8	90116-08M00	BOLT, STUD	1				
9	90387-08M02	COLLAR	1				
10	92990-08100	WASHER, SPRING	2				
11	95380-08600	NUT	2				
12	676-43311-11-4D	BRACKET, SWIVEL 1	1				
13	93700-06M03	NIPPLE, GREASE	4				
14	648-42528-00	PLATE, FRICTION	1				
15	90501-18M00	SPRING, COMPRESSION	1				
16	676-43373-00	SEAL, DAMPER	1				
17	97075-08025	BOLT	1				
18	92995-08600	WASHER	1				
19	6J8-43131-01	BOLT, CLAMP BRACKET	1				
20	90386-22M15	BUSH	2				
21	90201-22M03	WASHER, PLATE	2				
22	6J8-43113-01	PLATE, CLAMP BRACKET	1				
23	90185-22043	NUT, SELF-LOCKING	2				
24	6G5-43145-01	CAP, CLAMP BRACKET	2				
25	676-42511-03-4D	BRACKET, STEERING	1				
26	97575-08430	BOLT, WITH WASHER	2				
27	97075-08035	BOLT	2				



6J4B200-L170

FIG. 14 BRACKET 1

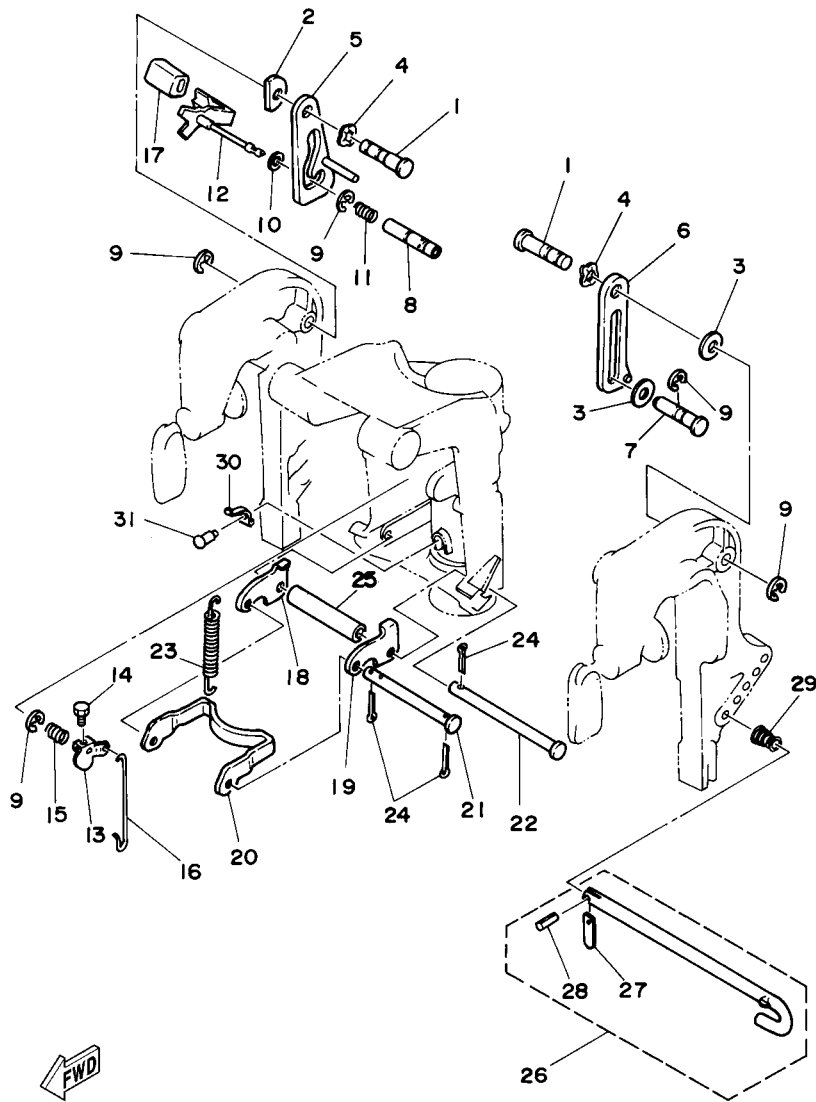
REF. NO.	PART NO.	DESCRIPTION	QTY	REMARKS
28	92995-08100	WASHER	2	
29	93608-12063	PIN, DOWEL	2	
30	676-42521-00-94	SHAFT, STEERING PIVOT	1	
31	90209-52M00	WASHER	1	
32	90201-44M01	WASHER, PLATE	1	
33	90386-52M02	BUSH	1	
34	90386-44M03	BUSH	1	
35	93109-44M00	OIL SEAL	1	
36	676-44551-01-4D	HOUSING, LOWER MOUNT RUBBER 1	1	
37	676-44552-01-4D	HOUSING, LOWER MOUNT RUBBER 2	1	
38	676-44553-01-4D	COVER, LOWER MOUNT	2	
39	62Y-44555-00	MOUNT DAMPER, LOWER SIDE	2	
40	97575-08430	BOLT, WITH WASHER	4	
41	97095-08045	BOLT	4	
42	92995-08100	WASHER	4	
43	90101-12M01	BOLT	2	
44	90201-12M16	WASHER, PLATE	4	
45	90202-21100	WASHER, PLATE	2	
46	90201-13M11	WASHER, PLATE	2	
47	95380-12800	NUT, CROWN	2	
48	676-44575-00	DAMPER, LOWER MOUNT RUBBER	1	
49	679-44514-00-94	MOUNT DAMPER, UPPER SIDE	2	
50	90101-08M02	BOLT	2	
51	90201-08M08	WASHER, PLATE	2	
52	90201-09M00	WASHER, PLATE	2	
53	90185-08057	NUT, SELF-LOCKING	2	
54	676-44533-00	DAMPER, UPPER MOUNT RUBBER	1	



6J4B200-L170

FIG. 14 BRACKET 1

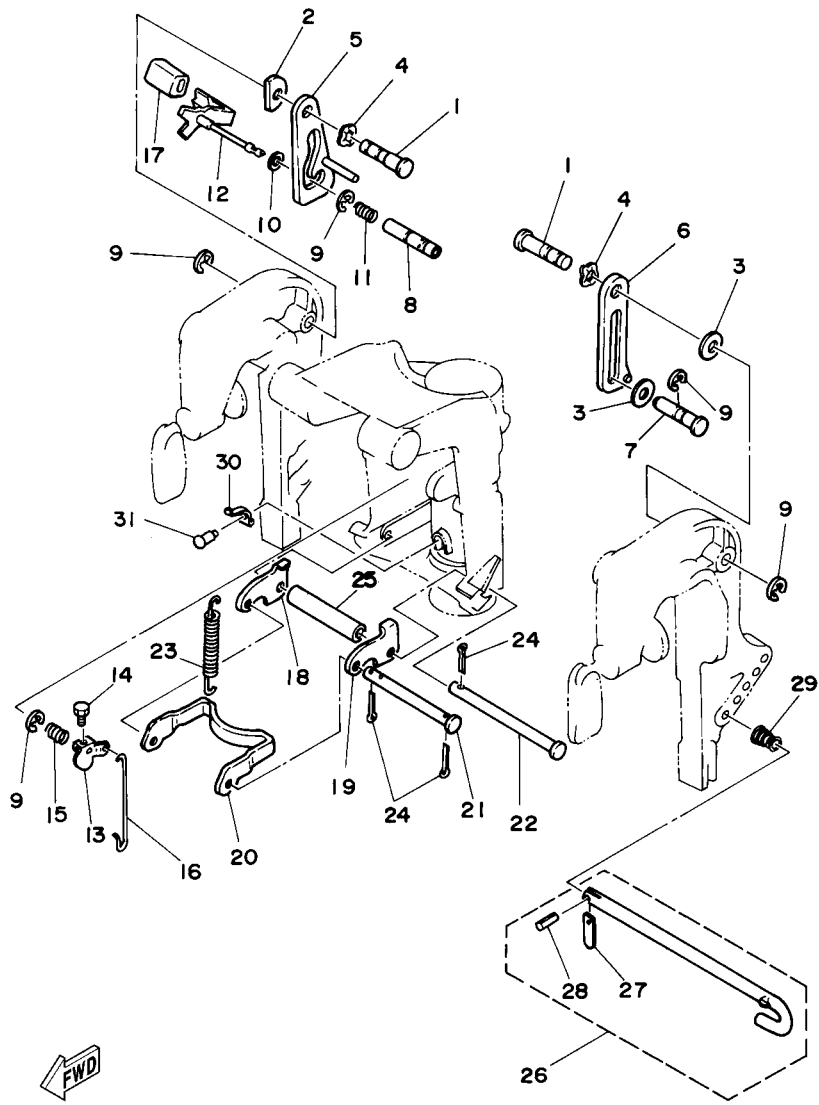
REF. NO.	PART NO.	DESCRIPTION	QTY	REMARKS
55	676-44518-00	BRACKET COMP.	1	
56	97095-06025	BOLT	2	
57	95380-06600	NUT, HEXAGON	2	
58	676-44511-00	COVER, UPPER MOUNT	2	
59	676-44512-00	COVER, UPPER MOUNT	2	
60	97095-08050	BOLT	4	
61	92995-08600	WASHER	4	
62	95380-08600	NUT	4	
63	676-44521-00	SEAL	2	
64	676-44522-01	SEAL	2	
65	90465-11M52	CLAMP	2	
66	90101-10M58	BOLT	4	
67	92995-10600	WASHER	8	
68	90201-12426	WASHER, PLATE	4	
69	95380-10600	NUT	8	
70	676-42591-00	HOLDER, SHEAR PIN	1	



6J40200-4180

FIG. 15 BRACKET 2

REF. NO.	PART NO.	DESCRIPTION	QTY	REMARKS
1	90249-12M27	PIN	2	
2	676-43132-00	WASHER, FRICTION	1	
3	90202-12M01	WASHER, PLATE	2	
4	90206-12M00	WASHER, WAVE	2	
5	6F5-43627-80	STOPPER	1	
6	6F5-43628-80	STOPPER	1	
7	90249-12M13	PIN	1	
8	676-43191-00	SHAFT, STOPPER	1	
9	99080-10600	CIRCLIP	5	
10	90202-06M00	WASHER, PLATE	1	
11	90501-14M05	SPRING, COMPRESSION	1	
12	6F5-43630-80	TILT LEVER ASSY	1	
13	676-43631-00	LEVER, TILT	1	
14	97095-05010	BOLT	1	
15	90508-14M00	SPRING, TORSION	1	
16	676-43616-00	ROD, TILT LOCK	1	
17	663-43318-00	COVER	1	
18	676-43614-00	PLATE, TILT LOCK	1	
19	676-43615-00	PLATE, TILT LOCK	1	
20	676-43613-00	ARM, TILT LOCK	1	
21	90249-07M01	PIN	1	
22	90249-07M02	PIN	1	
23	90506-30M00	SPRING, TENSION	2	
24	91490-20012	PIN, COTTER	4	
25	90387-07M04	COLLAR	1	
26	676-43160-02	TILT ROD ASSY	1	
27	676-43165-00	.PLATE, TILT LOCK	1	



6J40200-4180

FIG. 15 BRACKET 2

REF. NO.	PART NO.	DESCRIPTION	QTY	REMARKS
28	91690-30010	.PIN, SPRING	1	
29	90502-10M04	SPRING, CONICAL	1	
30	676-43643-00	SPRING	1	
31	90260-04002	RIVET, ROUND HEAD	1	



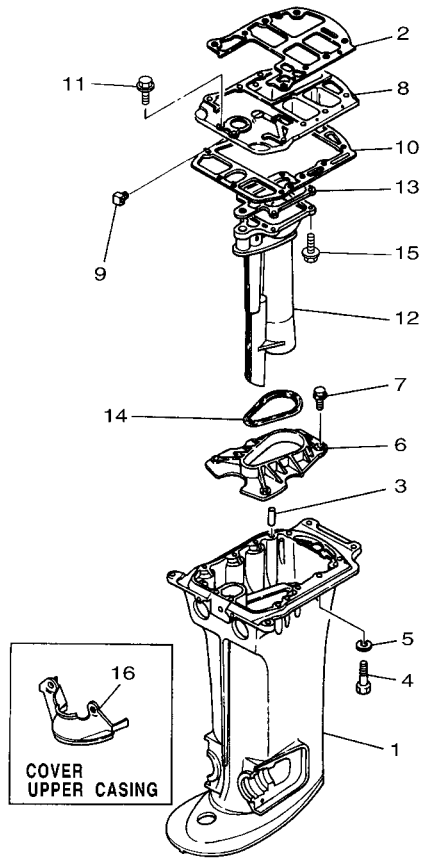


FIG. 16 UPPER CASING

REF. NO.	PART NO.	DESCRIPTION	6F5B			REMARKS
1	676-45111-15-4D	CASING, UPPER	1			L(22.5")
2	6F5-45113-A0	GASKET, UPPER CASING	1			
3	93606-25M00	PIN, DOWEL	2			
4	97095-08040	BOLT	8			
5	92995-08100	WASHER	8			
6	6F5-41116-00-CA	PROTECTOR	1			
7	90105-06M01	BOLT, FLANGE	4			
8	6F5-41137-02-CA	GUIDE, EXHAUST	1			
9	6F5-41141-00	ELBOW, WATER MIXING	1			
10	676-45114-A1	GASKET, UPPER CASING	1			
11	97595-06425	BOLT, WITH WASHER	3			
12	676-41131-01-CA	MANIFOLD, EXT. 1	1			
13	676-41133-A1	GASKET, EXHAUST MANIFOLD 1	1			
14	676-45127-00	SEAL	1			
15	97595-06420	BOLT, WITH WASHER	4			
16	676-45151-10-4D	COVER, UPPER CASING	1			L(22.5")

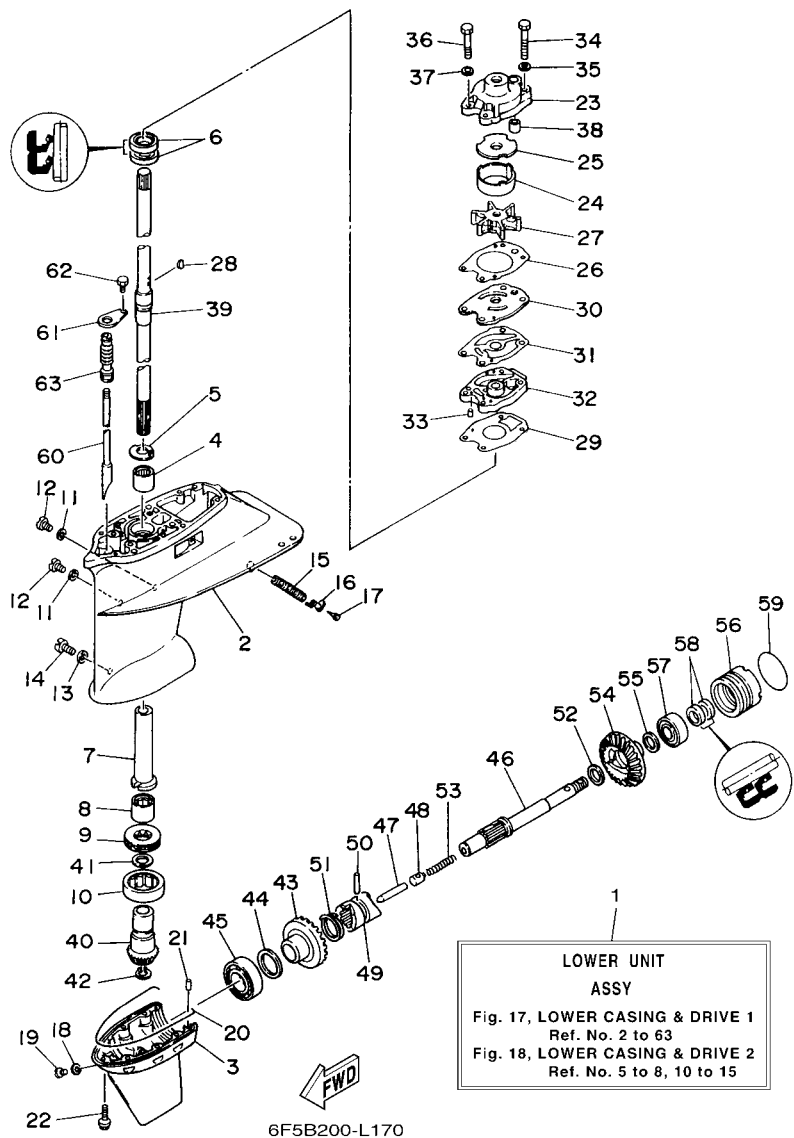


FIG. 17 LOWER CASING & DRIVE 1

REF. NO.	PART NO.	DESCRIPTION	6F5B				REMARKS
1	6F5-45300-12-4D	LOWER UNIT ASSY	1				L(22.5")
2	6F5-45311-02-4D	CASING, LOWER	1				
3	6F5-45312-01-4D	CASING, LOWER	1				
4	93315-217U0	BEARING	1				
5	676-45533-00	SHIM	1				
6	93101-22M00	OIL SEAL	2				
7	676-45536-00	SLEEVE, DRIVE SHAFT	1				
8	93315-324U1	BEARING	1				
9	93342-624U0	BEARING	1				
10	93390-000U0	BEARING	1				
11	90430-08020	GASKET	2				
12	90340-08002	PLUG, STRAIGHT SCREW	2				
13	90430-06M03	GASKET	1				
14	90149-06M00	SCREW	1				
15	676-45215-01	COVER, WATER INLET 2	1				
16	6F5-45279-01	CAP	1				
17	97780-60525	SCREW, TAPPING	1				
18	90430-08020	GASKET	1				
19	688-45341-10	PLUG, DRAIN	1				
20	676-45314-00	SEAL, LOWER CASING	1				
21	93604-09068	PIN, DOWEL	1				
22	90105-06M01	BOLT, FLANGE	9				
23	676-44311-00	HOUSING, WATER PUMP	1				FOR CHROMATE
24	676-44322-40	INSERT, CARTRIDGE	1				FOR CHROMATE
25	676-44321-40	INNER PLATE, CARTRIDGE	1				
26	676-44315-A1	GASKET, WATER PUMP	1				
27	6F5-44352-00	IMPELLER	1				

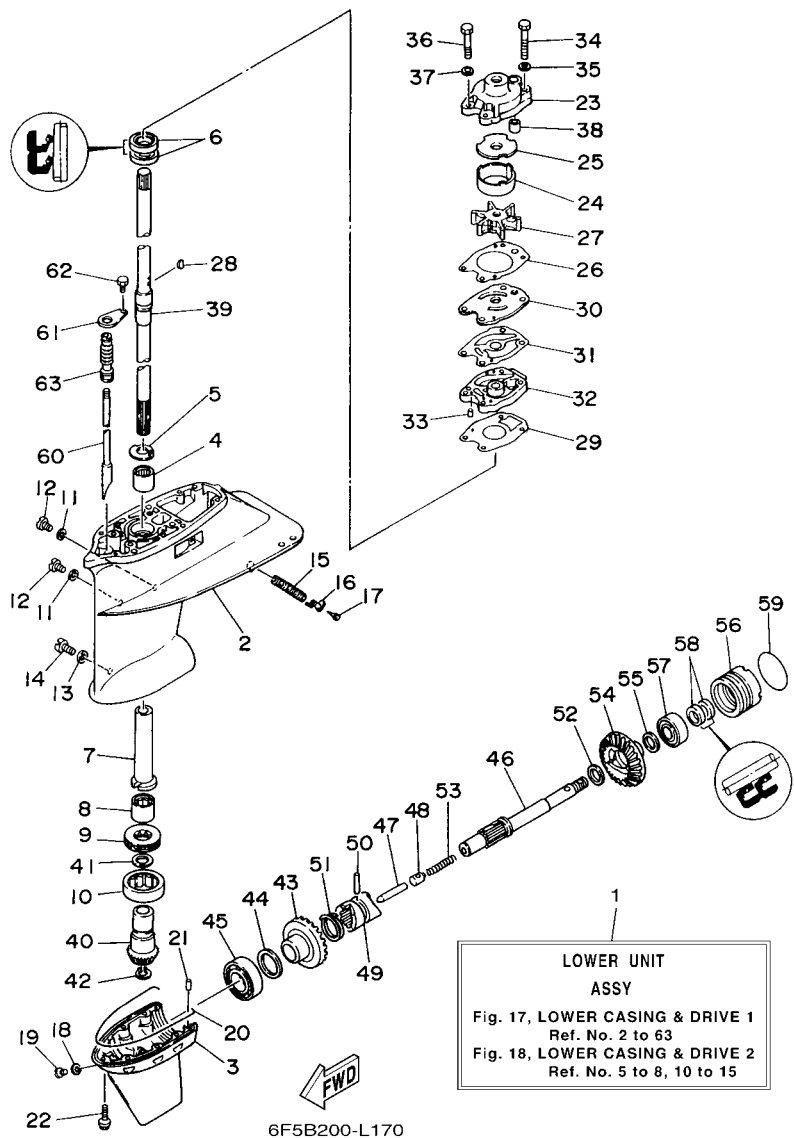


FIG. 17 LOWER CASING & DRIVE 1

REF. NO.	PART NO.	DESCRIPTION	6F5B				REMARKS
28	90280-04M00	KEY, WOODRUFF	1				
29	676-44316-A1	GASKET, WATER PUMP	1				
30	676-44323-40	OUTER PLATE, CARTRIDGE	1				FOR CHROMATE
31	676-44324-A1	GASKET, CARTRIDGE	1				
32	676-44341-01	HOUSING, WATER PUMP	1				
33	93604-08062	PIN, DOWEL	3				
34	97095-08055	BOLT	2				
35	92995-08600	WASHER	2				
36	97095-08045	BOLT	2				
37	92995-08600	WASHER	2				
38	663-44366-00	DAMPER, WATER SEAL 2	1				
39	676-45501-10	DRIVE SHAFT COMP.	1				L(22.5")
40	6F5-45551-01	PINION (13T)	1				
41	676-45587-00	SHIM (T:0.70MM)	1				UR
	676-45587-10	SHIM (T:0.75MM)	1				UR
	676-45587-20	SHIM (T:0.80MM)	1				UR
	676-45587-30	SHIM (T:0.85MM)	1				UR
42	93410-16007	CIRCLIP	1				
43	6F5-45560-01	GEAR 1 (24T)	1				
44	676-45567-00	SHIM (T:0.7MM)	1				UR
	676-45567-10	SHIM (T:0.8MM)	1				UR
	676-45567-20	SHIM (T:0.9MM)	1				UR
	676-45567-30	SHIM (T:1.0MM)	1				UR
	676-45567-40	SHIM (T:1.1MM)	1				UR
	676-45567-50	SHIM (T:1.2MM)	1				UR
45	93332-000U0	BEARING	1				
46	6F5-45611-01	SHAFT, PROPELLER	1				

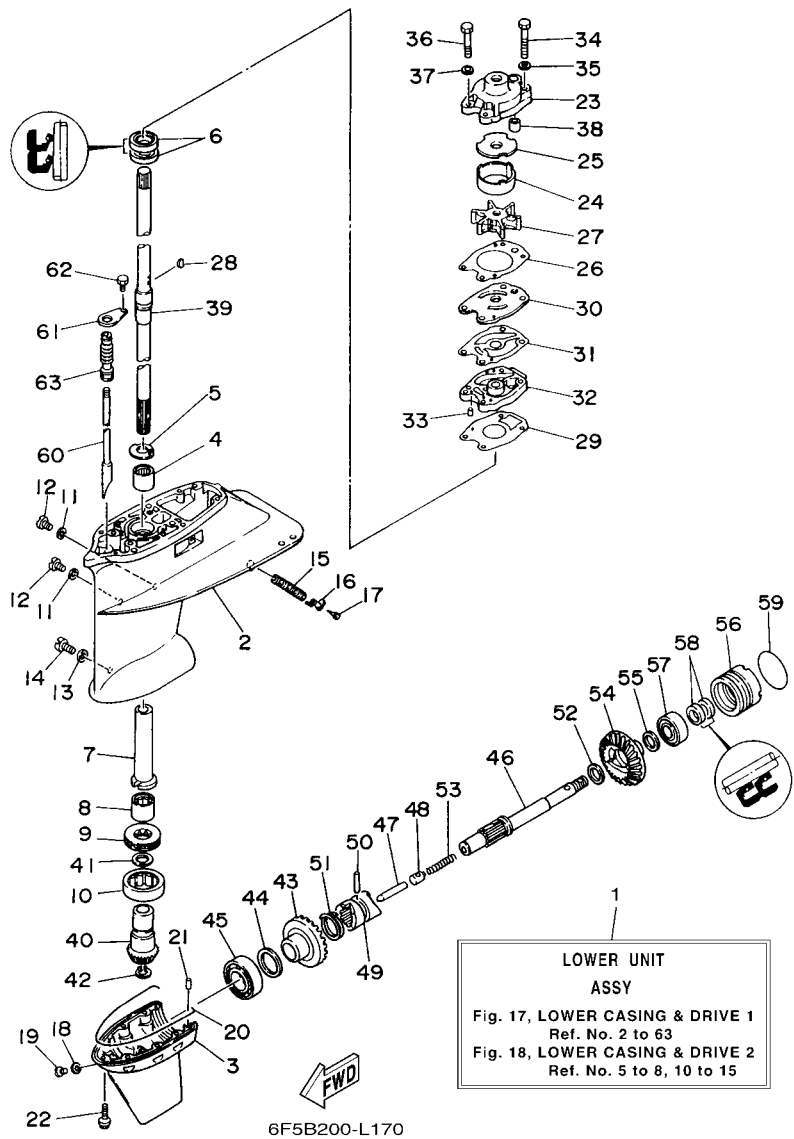
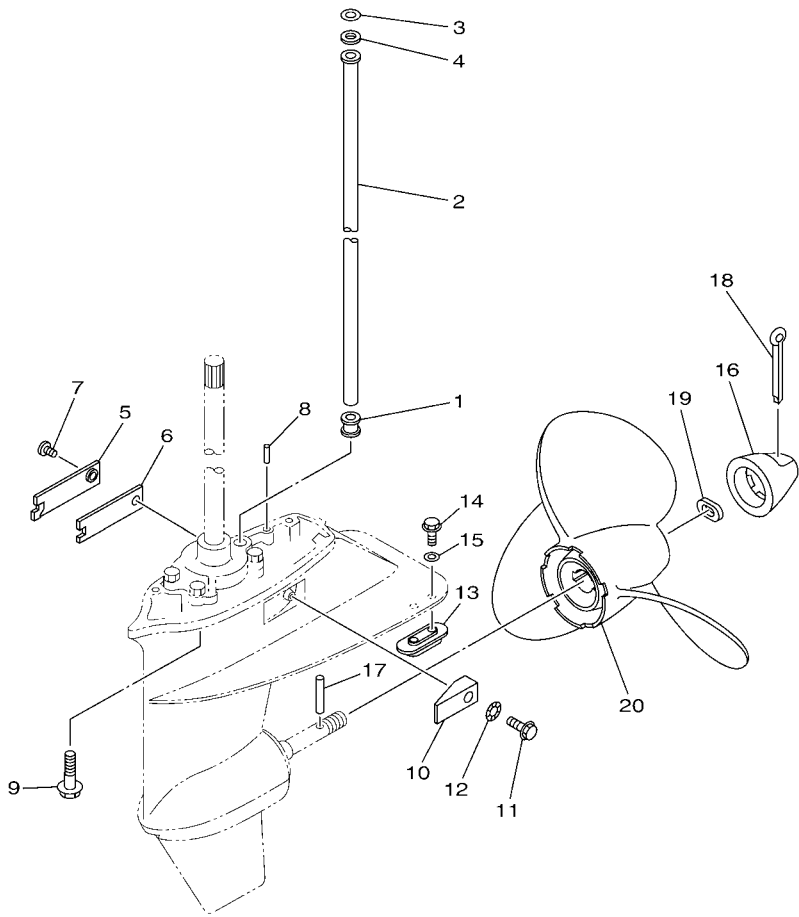


FIG. 17 LOWER CASING & DRIVE 1

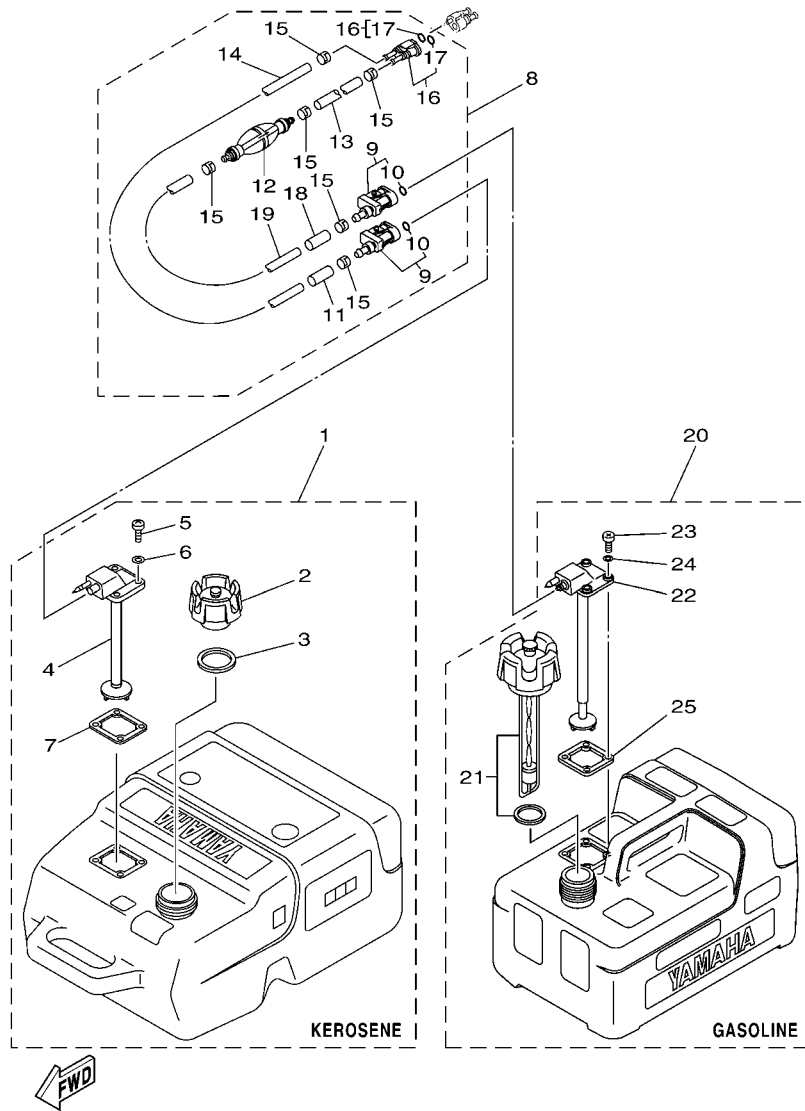
REF. NO.	PART NO.	DESCRIPTION	6F5B				REMARKS
47	676-45635-00	PLUNGER, SHIFT	1				
48	663-45634-00	SLIDE, SHIFT	1				
49	663-45631-01	CLUTCH, DOG	1				
50	90250-06023	PIN, STRAIGHT	1				
51	663-45633-00	RING, CROSS PIN	1				
52	90201-20MA8	WASHER, PLATE	1				
53	90501-16M01	SPRING, COMPRESSION	1				
54	6F5-45570-00	GEAR 2 (24T)	1				
55	676-45577-00	SHIM (T:1.8MM)	1				UR
	676-45577-10	SHIM (T:1.9MM)	1				UR
	676-45577-20	SHIM (T:2.0MM)	1				UR
	676-45577-30	SHIM (T:2.1MM)	1				UR
	676-45577-40	SHIM (T:2.2MM)	1				UR
	676-45577-50	SHIM (T:2.3MM)	1				UR
	676-45577-60	SHIM (T:2.4MM)	1				UR
	676-45577-70	SHIM (T:2.5MM)	1				UR
56	676-45361-01-CA	CAP, LOWER CASING	1				
57	93306-20401	BEARING	1				
58	93101-20048	OIL SEAL	2				
59	93210-57M00	O-RING	1				
60	676-44150-10	SHIFT CAM ASSY	1				L(22.5")
61	650-45321-00	PLATE	1				
62	97095-06010	BOLT	1				
63	650-44147-00	BOOT, SHIFT ROD	1				



  
 6J4B200-L240

**FIG. 18 LOWER CASING & DRIVE 2**

REF. NO.	PART NO.	DESCRIPTION	QTY	REMARKS
1	663-44367-00	DAMPER, WATER SEAL 3	1	
2	676-44361-10	TUBE, WATER 1	1	L(22.5")
3	90202-12060	WASHER, PLATE	1	
4	90430-12072	GASKET	1	
5	6F5-45214-00	COVER, WATER INLET 1	1	
6	6F5-45252-00	SEAT	1	
7	90152-06M06	SCREW, COUNTERSUNK	1	
8	93606-12019	PIN, DOWEL	2	
9	97575-08430	BOLT, WITH WASHER	6	
10	6F5-45251-02	ANODE	1	
11	90105-06M21	BOLT, FLANGE	1	
12	92990-06300	WASHER, INTERNAL TOOTH	1	
13	6E0-45251-12	ANODE	1	
14	95895-06016	BOLT, FLANGE	2	
15	92990-06300	WASHER, INTERNAL TOOTH	2	
16	676-45616-01	NUT, PROPELLER	1	
17	90250-07M00	PIN, STRAIGHT	1	
18	91490-40040	PIN, COTTER	1	
19	90206-16M03	WASHER, WAVE	1	
20	676-45941-62	PROPELLER (3X11-1/2"X11"-H)	1	UR
	676-45943-62	PROPELLER (3X11-1/2"X12"-H)	1	UR
	676-45945-62	PROPELLER (3X11-3/4"X10"-H)	1	UR
	676-45947-62	PROPELLER (3X11-3/4"X8-3/4"-H)	1	UR
	676-45949-62	PROPELLER (3X11-1/2"X13-1/2"-H)	1	UR
	676-45952-62	PROPELLER (3X11-1/2"X13"-H)	1	UR
	676-45956-61	PROPELLER (3X11-3/4"X7-1/2"-H)	1	UR



69T5200-D190

FIG. 19 FUEL TANK

REF. NO.	PART NO.	DESCRIPTION	6F9B				REMARKS
1	6YK-24201-21	FUEL TANK ASSY (25L,KEROSENE)	1				AP KEROSENE
2	6YK-24610-10	.CAP ASSY	1				WITHOUT INDICATOR
3	6YL-24641-00	.GASKET, CAP 1	1				
4	6YK-24260-01	.FUEL METER ASSY	1				
5	90157-05M16	.SCREW, PAN HEAD	4				
6	6YL-24329-00	.SEAL	4				
7	6YL-24268-01	.GASKET, FUEL METER	1				
8	6YK-24306-04	FUEL PIPE COMP. 1	1				AP
9	6Y1-24305-06	.FUEL PIPE JOINT COMP. 2	2				
10	93210-08287	..O-RING	1				
11	6Y1-24397-10	.COLLAR (KEROSENE)	1				
12	61J-24360-00	.PRIMER PUMP ASSY	1				
13	90445-11M05	.HOSE (L850)	1				
14	90445-11M81	.HOSE (L3000)	1				
15	650-24351-51	.BAND 1	6				
16	680-24305-01	.FUEL PIPE JOINT COMP. 2	1				
17	93210-08287	..O-RING	2				
18	6Y1-24397-00	.COLLAR (GASOLINE)	1				
19	90445-11M06	.HOSE (L2050)	1				
20	6YL-24201-05	FUEL TANK ASSY (12L)	1				AP GASOLINE
21	6YL-24610-01	.CAP ASSY	1				
22	6YL-24260-01	.FUEL METER ASSY	1				
23	90157-05M16	.SCREW, PAN HEAD	4				
24	6YL-24329-00	.SEAL	4				
25	6YL-24268-01	.GASKET, FUEL METER	1				

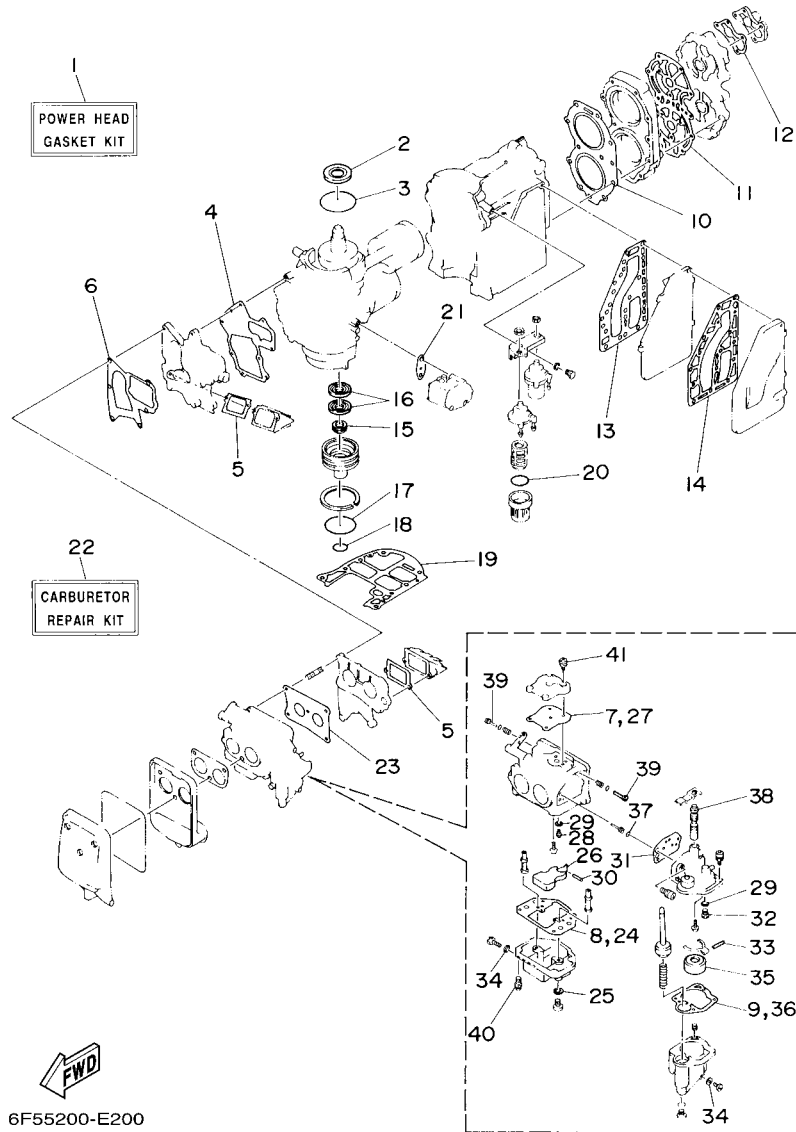


FIG. 20 REPAIR KIT 1

REF. NO.	PART NO.	DESCRIPTION	6F5B				REMARKS
1	6F5-W0001-A2	POWER HEAD GASKET KIT	1				
2	93102-35M18	.OIL SEAL	1				
3	93210-75M51	.O-RING	1				
4	6F5-13646-A2	.GASKET, MANIFOLD 2	1				
5	6F5-13621-A1	.GASKET, VALVE SEAT	2				
6	6F5-13645-A1	.GASKET, MANIFOLD 1	1				
7	6F5-14398-00	.GASKET	1				
8	6F5-14384-00	.GASKET, FLOAT CHAMBER	1				
9	6F5-14384-10	.GASKET, FLOAT CHAMBER	1				
10	6F5-11181-A2	.GASKET, CYLINDER HEAD 1	1				
11	6F5-11193-A1	.GASKET, HEAD COVER 1	1				
12	676-12414-A1	.GASKET, COVER	1				
13	6F5-41112-A0	.GASKET, EXHAUST INNER COVER	1				
14	6F5-41114-A0	.GASKET, EXHAUST OUTER COVER	1				
15	93104-16M01	.OIL SEAL	1				
16	93101-30M33	.OIL SEAL	2				
17	93210-65M50	.O-RING	1				
18	93210-22M02	.O-RING	1				
19	6F5-45113-A0	.GASKET, UPPER CASING	1				
20	93210-32738	.O-RING	2				
21	650-24431-A0	.GASKET, FUEL PUMP 1	1				
22	6F5-W0093-01	CARBURETOR REPAIR KIT	1				
23	6F5-14198-A1	.GASKET	1				
24	6F5-14384-00	.GASKET, FLOAT CHAMBER	1				
25	1J2-14398-00	.GASKET	2				
26	6F6-14385-00	.FLOAT	1				
27	6F5-14398-00	.GASKET	1				

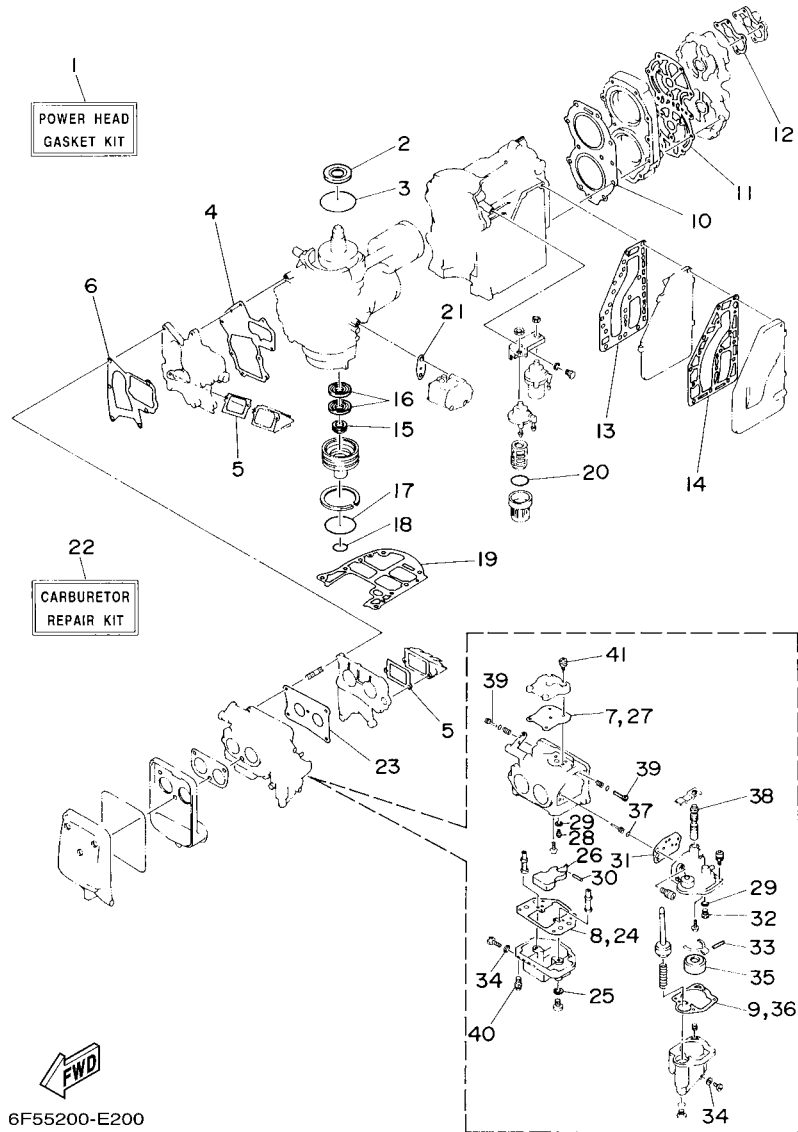
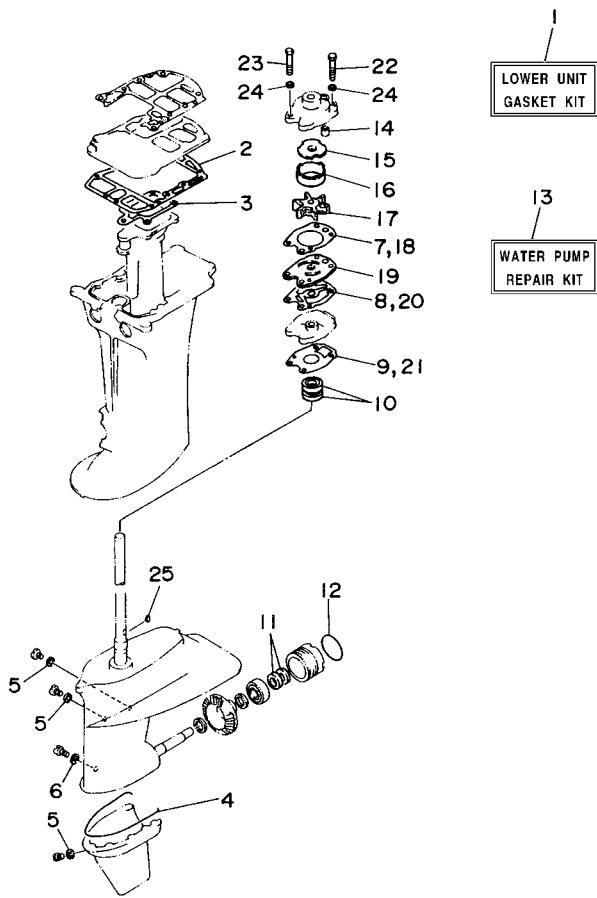


FIG. 20 REPAIR KIT 1

REF. NO.	PART NO.	DESCRIPTION	6F5B				REMARKS
28	6F5-14390-21	.NEEDLE VALVE ASSY	1				
29	367-14195-00	.GASKET	2				
30	6E5-14386-01	.PIN, FLOAT	1				
31	6F5-14399-00	.GASKET	1				
32	6F5-14390-12	.NEEDLE VALVE ASSY	1				
33	367-14386-00	.PIN, FLOAT	1				
34	6E5-14398-00	.GASKET	2				
35	626-14385-00	.FLOAT	1				
36	6F5-14384-10	.GASKET, FLOAT CHAMBER	1				
37	6F5-14397-00	.O-RING	2				
38	6F5-14371-00	.PLUNGER, STARTER	1				
39	6F5-14323-01	.SCREW, AIR ADJUSTING	2				
40	97603-05117	.SCREW, PAN HEAD WITH WASHER	4				
41	97603-04114	.SCREW, PAN HEAD WITH WASHER	8				





6J46200-F310

FIG. 21 REPAIR KIT 2

REF. NO.	PART NO.	DESCRIPTION	QTY	REMARKS
1	6F5-W0001-C0	LOWER UNIT GASKET KIT	1	
2	676-45114-A1	.GASKET, UPPER CASING	1	
3	676-41133-A1	.GASKET, EXHAUST MANIFOLD 1	1	
4	676-45314-00	.SEAL, LOWER CASING	1	
5	90430-08020	.GASKET	3	
6	90430-06M03	.GASKET	1	
7	676-44315-A1	.GASKET, WATER PUMP	1	
8	676-44324-A1	.GASKET, CARTRIDGE	1	
9	676-44316-A1	.GASKET, WATER PUMP	1	
10	93101-22M00	.OIL SEAL	2	
11	93101-20048	.OIL SEAL	2	
12	93210-57M00	.O-RING	1	
13	6F6-W0078-00	WATER PUMP REPAIR KIT	1	
14	663-44366-00	.DAMPER, WATER SEAL 2	1	
15	676-44321-40	.INNER PLATE, CARTRIDGE	1	
16	676-44322-40	.INSERT, CARTRIDGE	1	
17	6F5-44352-00	.IMPELLER	1	
18	676-44315-A1	.GASKET, WATER PUMP	1	
19	676-44323-40	.OUTER PLATE, CARTRIDGE	1	
20	676-44324-A1	.GASKET, CARTRIDGE	1	
21	676-44316-A1	.GASKET, WATER PUMP	1	
22	97095-08055	.BOLT	2	
23	97095-08045	.BOLT	2	
24	92995-08600	.WASHER	4	
25	90280-04M00	.KEY, WOODRUFF	1	

NUMERICAL INDEX

PART NO.	REF. NO.	PART NO.	REF. NO.	PART NO.	REF. NO.	PART NO.	REF. NO.	PART NO.	REF. NO.	PART NO.	REF. NO.
6F5-11111-00-1S	2 - 24	6F5-14198-A1	20 - 23	6F5-14390-21	5 - 12	6F5-15764-00	8 - 15	677-24435-02	6 - 24	6F6-42177-A0	12 - 4
6F5-11119-00	2 - 22	654-14243-00	5 - 47		20 - 28	6F5-15768-00	8 - 19	677-24444-01	6 - 21	676-42511-03-4D	14 - 25
6F5-11181-A2	2 - 25	6F5-14301-42	5 - 1	6A4-14394-00	5 - 33	6F5-15770-00	8 - 40	677-24471-01	6 - 23	676-42521-00-94	14 - 30
	20 - 10	650-14321-01	5 - 44	5Y1-14397-00	5 - 53	6F5-15771-00-94	8 - 32	61N-24521-00	6 - 11	648-42528-00	14 - 14
6F5-11191-00-1S	2 - 27	6F5-14323-01	5 - 40	652-14397-00	5 - 34	6F5-15772-00-94	8 - 35	61N-24560-00	6 - 9	676-42591-00	14 - 70
6F5-11193-A1	2 - 28		20 - 39	6F5-14397-00	5 - 26	6F5-15773-00	8 - 42	61N-24563-00	6 - 10	6F5-42610-10	1 - 1
	20 - 11	6A0-14325-00	6 - 33		20 - 37	6F5-15774-00	8 - 41	6F5-24566-00	6 - 13	6F5-42613-01-4D	1 - 7
676-11325-00	2 - 18	6E7-14325-00	6 - 34	1J2-14398-00	5 - 5	6F5-15779-02	8 - 21	6YL-24610-01	19 - 21	6F5-42615-00	1 - 11
6F5-11325-00	2 - 20	6F5-14332-01	5 - 29		20 - 25	6A0-15789-00	8 - 31	6YK-24610-10	19 - 2	6E9-42651-01	1 - 3
650-11370-01	2 - 4	647-14334-00	5 - 45	6E5-14398-00	5 - 23	6F5-15791-00	8 - 18	6YL-24641-00	19 - 3	6F5-42652-01	1 - 5
	4 - 5	6F5-14334-01	5 - 41		20 - 34	6YL-24201-05	19 - 20	6F5-26311-00	12 - 21	63D-42678-40	1 - 13
6F6-11370-01	4 - 4	6F5-14339-00	5 - 32	6F5-14398-00	5 - 8	6YK-24201-21	19 - 1	676-26326-00	11 - 14		1 - 14
6F5-11400-11	3 - 1	6F5-14340-00	5 - 50		20 - 7	6YK-24260-01	19 - 4	676-26391-00	12 - 22	61R-42681-00	1 - 15
6F5-11412-11	3 - 2	6F5-14341-00	5 - 4		20 - 27	6YL-24260-01	19 - 22	676-26392-00	12 - 23		1 - 16
6F5-11422-11	3 - 3	647-14342-30	5 - 11	6F5-14399-00	5 - 16	6YL-24268-01	19 - 7	626-28193-01-94	6 - 50	680-42684-00	1 - 17
6F5-11432-11	3 - 4	647-14342-45	5 - 10		20 - 31		19 - 25	6F5-41111-01-1S	2 - 38	6F5-42711-03-4D	11 - 1
6F5-11442-11	3 - 5	677-14343-73	5 - 6	6F5-14417-00	4 - 24	680-24304-01	6 - 1	6F5-41112-A0	2 - 37	6F5-42715-00	13 - 22
6F5-11515-00	3 - 9	647-14344-35	5 - 36	6F5-14418-00	4 - 25	680-24305-01	7 - 6		20 - 13	6F5-42716-00	11 - 11
6F5-11610-00	3 - 16	6F5-14346-00	5 - 46	6F5-14425-00	5 - 51		19 - 16	6F5-41113-01-1S	2 - 35	6F5-42724-00	11 - 12
6F5-11610-10	3 - 16	6A4-14355-00	5 - 28	6F5-14476-00	4 - 28	6Y1-24305-06	19 - 9	6F5-41114-A0	2 - 39	676-42726-00	11 - 26
6F5-11610-20	3 - 16	6F5-14369-00	5 - 30	6F5-14483-00	4 - 32	6Y3-24306-04	7 - 1		20 - 14	6F5-42727-00	11 - 13
6F6-11631-00-95	3 - 15	6F5-14370-02	5 - 31	624-14485-00	2 - 3	6YK-24306-04	19 - 8	6F5-41116-00-CA	16 - 6	6F5-42738-01-94	11 - 8
6F5-11633-00	3 - 17	6F5-14371-00	5 - 35		4 - 19	6A4-24329-00	6 - 4	676-41131-01-CA	16 - 12	6F5-42741-11	11 - 19
663-11634-00	3 - 18		20 - 38		4 - 29	6YL-24329-00	19 - 6	676-41133-A1	16 - 13	6AH-42794-40	11 - 28
6F6-11635-00	3 - 15	6F5-14372-01	5 - 27	6F6-14488-00	8 - 51		19 - 24		21 - 3	6F5-42815-01-4D	11 - 3
6F6-11636-00	3 - 15	6F5-14377-00	5 - 37	6F5-14497-00	13 - 1	650-24351-51	7 - 5	6F5-41137-02-CA	16 - 8	6F5-42816-00	11 - 5
6F5-11651-00	3 - 11	6F5-14379-00	5 - 43	6F6-15100-02	2 - 2		19 - 15	6F5-41141-00	16 - 9	676-43111-04-4D	14 - 1
6F5-11681-00	3 - 12	6F5-14381-00	5 - 3	6F5-15396-01-CA	2 - 8	61J-24360-00	7 - 3	6F5-41211-00	13 - 9	676-43112-04-4D	14 - 7
6F5-12411-03	2 - 30	6F5-14381-11	5 - 21	6F5-15711-02	8 - 2		19 - 12	6E9-41237-00	13 - 10	6J8-43113-01	14 - 22
6E5-12412-00	2 - 31	6F5-14383-00	5 - 9	6F5-15713-00	8 - 5	650-24378-00	2 - 36	6F5-41252-00	4 - 33	6F5-43114-00	14 - 2
676-12413-00-1S	2 - 32	6F5-14383-10	5 - 22	6F5-15714-03	8 - 3	6Y1-24397-00	19 - 18	6F5-41256-00	4 - 36	6F5-43116-00	14 - 3
676-12414-A1	2 - 33	6F5-14384-00	5 - 2	6F5-15715-00	8 - 6	6Y1-24397-10	19 - 11	6F5-41262-01	5 - 42	663-43118-01-4D	14 - 4
	20 - 12		20 - 8	6F5-15716-01	8 - 8	6F5-24410-06	6 - 20	661-41262-02	4 - 37	6J8-43131-01	14 - 19
6F5-13610-00	4 - 1		20 - 24	6F5-15723-01	8 - 22	648-24411-00	6 - 29		8 - 50	676-43132-00	15 - 2
6F5-13621-A1	4 - 8	6F5-14384-10	5 - 25	6F5-15726-01	8 - 11	663-24411-00	6 - 36	682-41271-01	4 - 34	6G5-43145-01	14 - 24
	4 - 17		20 - 9	6F5-15734-01	8 - 7	677-24411-02	6 - 26	689-41273-00	4 - 35	676-43160-02	15 - 26
	20 - 5		20 - 36	6F5-15739-00	8 - 20	682-24412-01	6 - 25	6F5-41283-00	13 - 3	676-43165-00	15 - 27
6F6-13641-00-1S	4 - 3	626-14385-00	5 - 24	6F5-15741-01	8 - 4	6A0-24412-02	6 - 41	6F5-41638-00	13 - 2	676-43191-00	15 - 8
6F6-13643-01-1S	4 - 15		20 - 35	6F5-15746-00	8 - 39	6A0-24413-00	6 - 38	6F5-41662-00	13 - 14	676-43311-11-4D	14 - 12
6F5-13645-A1	4 - 18	6F6-14385-00	5 - 7	6F5-15747-00	8 - 38	677-24413-01	6 - 22	676-42111-03-4D	12 - 2	663-43318-00	15 - 17
	20 - 6		20 - 26	656-15748-00	8 - 43	6A0-24421-01	6 - 32	676-42115-00	12 - 11	676-43373-00	14 - 16
6F5-13646-A2	4 - 6	367-14386-00	5 - 19	6F5-15752-00	8 - 16	648-24423-00	6 - 31	676-42119-00	12 - 3	676-43613-00	15 - 20
	20 - 4		20 - 33	6F5-15753-00	8 - 17	648-24424-00	6 - 30	6F5-42125-00	12 - 34	676-43614-00	15 - 18
6F5-13940-01	5 - 54	6E5-14386-01	5 - 15	6F5-15754-00	8 - 9	650-24431-A0	6 - 42	6F5-42126-00	12 - 33	676-43615-00	15 - 19
6F5-14182-41	5 - 17		20 - 30	689-15755-01	8 - 14		20 - 21	6F5-42137-00	12 - 5	676-43616-00	15 - 16
367-14195-00	5 - 13	6F5-14387-00	5 - 20	6A0-15758-01-94	8 - 27	648-24434-01	6 - 28	676-42151-00-94	12 - 17	6F5-43627-80	15 - 5
	20 - 29	6F5-14390-12	5 - 18	6A0-15761-00	1 - 2	677-24434-02	6 - 27	650-42152-00-94	12 - 15	6F5-43628-80	15 - 6
6F5-14198-A1	4 - 21		20 - 32	6A0-15762-01	8 - 30	648-24435-02	6 - 37	676-42159-00	12 - 12	6F5-43630-80	15 - 12

NUMERICAL INDEX

PART NO.	REF. NO.	PART NO.	REF. NO.	PART NO.	REF. NO.	PART NO.	REF. NO.	PART NO.	REF. NO.	PART NO.	REF. NO.
676-43631-00	15 - 13	676-45111-15-4D	16 - 1	663-45631-01	17 - 49	6F5-W1571-03	8 - 1	90201-13M11	14 - 46	90430-06M03	17 - 13
676-43643-00	15 - 30	6F5-45113-A0	16 - 2	663-45633-00	17 - 51	676-W2810-01	6 - 49	90201-20417	3 - 20		21 - 6
6F5-44111-00	13 - 11		20 - 19	663-45634-00	17 - 48	90101-08001	2 - 23	90201-20MA8	17 - 52	90430-08020	17 - 11
6F5-44121-00	13 - 17	676-45114-A1	16 - 10	676-45635-00	17 - 47	90101-08M02	14 - 50	90201-21M18	9 - 20		17 - 18
6F5-44125-00	13 - 12		21 - 2	676-45941-62	18 - 20	90101-10M58	14 - 66	90201-22M03	14 - 21		21 - 5
676-44143-00	13 - 26	676-45127-00	16 - 14	676-45943-62	18 - 20	90101-12M01	14 - 43	90201-44M01	14 - 32	90430-12072	18 - 4
648-44146-00	13 - 27	676-45151-10-4D	16 - 16	676-45945-62	18 - 20	90101-12M37	12 - 27	90202-06M00	15 - 10	90445-07240	4 - 30
650-44147-00	17 - 63	6F5-45214-00	18 - 5	676-45947-62	18 - 20	90105-06M01	16 - 7	90202-12060	18 - 3		4 - 40
676-44150-10	17 - 60	676-45215-01	17 - 15	676-45949-62	18 - 20		17 - 22	90202-12092	12 - 29	90445-07254	4 - 39
6F5-44167-00	13 - 23	676-45251-00	2 - 15	676-45952-62	18 - 20	90105-06M21	18 - 11	90202-12M01	15 - 3	90445-07M24	4 - 41
6F5-44173-00	13 - 21	6F5-45251-02	18 - 10	676-45956-61	18 - 20	90105-08M10	8 - 23	90202-21100	14 - 45	90445-09226	6 - 5
6E0-44191-11	1 - 18	6E0-45251-12	18 - 13	6F5-81328-00	9 - 9	90105-08M35	10 - 26	90202-27M23	3 - 13	90445-09M37	2 - 41
676-44311-00	17 - 23	6F5-45252-00	18 - 6	6F5-81948-00	10 - 25	90109-06M12	14 - 6	90206-12052	11 - 7	90445-09M53	6 - 44
676-44315-A1	17 - 26	6F5-45279-01	17 - 16	6AH-81994-40	8 - 52	90109-06M86	10 - 7	90206-12054	12 - 31	90445-09M54	6 - 16
	21 - 7	6F5-45300-12-4D	17 - 1	6AH-81995-40	8 - 53	90116-06M17	4 - 9	90206-12M00	15 - 4	90445-09M55	5 - 52
	21 - 18	6F5-45311-02-4D	17 - 2	61A-82119-00	10 - 28	90116-08M00	14 - 8	90206-16M03	18 - 19	90445-10M43	6 - 6
676-44316-A1	17 - 29	6F5-45312-01-4D	17 - 3	703-82119-00	9 - 21	90119-06M11	11 - 22	90209-52M00	14 - 31	90445-10M50	6 - 17
	21 - 9	676-45314-00	17 - 20	61N-82317-00	10 - 3	90119-06M61	11 - 17	90240-05M09	13 - 18		6 - 45
	21 - 21		21 - 4	62E-8231X-00	10 - 10	90119-06M65	10 - 5	90243-04007	14 - 5	90445-11M05	7 - 4
676-44321-40	17 - 25	650-45321-00	17 - 61	62E-82371-11	10 - 9	90119-06M73	11 - 6	90249-07M01	15 - 21		19 - 13
	21 - 15	688-45341-10	17 - 19	682-82556-00	11 - 24	90119-06MA2	2 - 34	90249-07M02	15 - 22	90445-11M06	7 - 2
676-44322-40	17 - 24	676-45361-01-CA	17 - 56	688-82560-10	10 - 17	90119-06MA3	2 - 29	90249-12M13	15 - 7		19 - 19
	21 - 16	676-45501-10	17 - 39	6E9-82575-02	11 - 23		2 - 40	90249-12M27	15 - 1	90445-11M81	7 - 8
676-44323-40	17 - 30	676-45533-00	17 - 5	689-8257Y-00	11 - 25	90119-08M10	8 - 24	90250-06023	17 - 50		19 - 14
	21 - 19	676-45536-00	17 - 7	6F5-82588-00	10 - 24	90119-08MA5	2 - 26	90250-07M00	18 - 17	90446-10M01	10 - 21
676-44324-A1	17 - 31	6F5-45551-01	17 - 40	6F5-82590-21	10 - 18	90119-10005	2 - 6	90260-04002	15 - 31	90446-10M02	10 - 1
	21 - 8	6F5-45560-01	17 - 43	65L-83557-00	10 - 29	90119-10028	2 - 7	90266-04M01	1 - 6	90447-13011	11 - 27
	21 - 20	676-45567-00	17 - 44	6N7-83557-00	10 - 27	90141-06M00	2 - 19	90266-04M04	1 - 4	90464-07008	6 - 48
676-44341-01	17 - 32	676-45567-10	17 - 44	6F5-85515-10	9 - 8	90149-06M00	17 - 14	90269-02M09	12 - 6	90464-07M06	10 - 16
6F5-44352-00	17 - 27	676-45567-20	17 - 44	6F5-85520-10	9 - 4	90152-05011	12 - 7	90280-04M00	17 - 28	90465-08M07	10 - 13
	21 - 17	676-45567-30	17 - 44	6F6-85530-01	10 - 8	90152-06M06	18 - 7		21 - 25	90465-11M10	10 - 11
676-44361-10	18 - 2	676-45567-40	17 - 44	6F5-85533-10	9 - 5	90157-05M16	19 - 5	90280-05015	9 - 18		10 - 30
663-44366-00	17 - 38	676-45567-50	17 - 44	6F5-85540-31	10 - 6		19 - 23	90340-08002	17 - 12	90465-11M52	14 - 65
	21 - 14	6F5-45570-00	17 - 54	6F5-85542-10	10 - 2	90159-04035	9 - 12	90385-12M04	8 - 25	90467-06016	4 - 14
663-44367-00	18 - 1	676-45577-00	17 - 55	6F5-85550-G0	9 - 1	90159-04063	9 - 11	90386-08032	12 - 10		4 - 20
6E5-44391-00	11 - 2	676-45577-10	17 - 55	6F5-85560-B0	9 - 2	90159-05040	9 - 10	90386-08M00	12 - 20		4 - 31
676-44511-00	14 - 58	676-45577-20	17 - 55	6F5-85580-10	9 - 6	90159-06M01	4 - 26	90386-12089	12 - 26		4 - 42
676-44512-00	14 - 59	676-45577-30	17 - 55	6F5-85580-20	9 - 7	90170-07021	13 - 28	90386-12M37	11 - 4	90467-08004	2 - 42
679-44514-00-94	14 - 49	676-45577-40	17 - 55	6F5-85597-H0	9 - 14	90170-20137	9 - 19	90386-22M15	14 - 20		6 - 7
676-44518-00	14 - 55	676-45577-50	17 - 55	6F5-85597-J0	9 - 13	90185-08057	14 - 53	90386-44M03	14 - 34		6 - 18
676-44521-00	14 - 63	676-45577-60	17 - 55	6F5-W0001-A2	20 - 1	90185-12058	12 - 32	90386-52M02	14 - 33		6 - 46
676-44522-01	14 - 64	676-45577-70	17 - 55	6F5-W0001-C0	21 - 1	90185-22043	14 - 23	90387-06119	10 - 4	90467-09M03	6 - 8
676-44533-00	14 - 54	676-45587-00	17 - 41	6F5-W0004-00	4 - 2	90201-08M08	14 - 51	90387-06M29	8 - 49		6 - 19
676-44551-01-4D	14 - 36	676-45587-10	17 - 41	61N-W0070-40	1 - 12	90201-09M00	14 - 52		13 - 4		6 - 47
676-44552-01-4D	14 - 37	676-45587-20	17 - 41	6F6-W0078-00	21 - 13	90201-10M02	12 - 8	90387-06M41	11 - 16	90468-07179	9 - 22
676-44553-01-4D	14 - 38	676-45587-30	17 - 41	6F5-W0084-01-4D	12 - 1	90201-12426	14 - 68	90387-07M04	15 - 25	90480-09M21	11 - 15
62Y-44555-00	14 - 39	6F5-45611-01	17 - 46	6F5-W0090-64-1S	2 - 1	90201-12537	12 - 30	90387-08M02	14 - 9	90480-25161	10 - 12
676-44575-00	14 - 48	676-45616-01	18 - 16	6F5-W0093-01	20 - 22	90201-12M16	14 - 44	90387-08M05	8 - 26	90501-07M33	13 - 25

NUMERICAL INDEX

PART NO.	REF. NO.	PART NO.	REF. NO.	PART NO.	REF. NO.	PART NO.	REF. NO.	PART NO.	REF. NO.	PART NO.	REF. NO.
90501-10227	8 - 44	92995-08100	14 - 42	93606-12019	18 - 8	97095-08045	14 - 41				
90501-12M36	13 - 24		16 - 5	93606-25M00	16 - 3		17 - 36				
90501-14M05	15 - 11	92995-08600	14 - 18	93608-12063	2 - 5		21 - 23				
90501-16M01	17 - 53		14 - 61		14 - 29	97095-08050	14 - 60				
90501-18M00	14 - 15		17 - 35	93700-06M03	14 - 13	97095-08055	17 - 34				
90501-23215	12 - 9		17 - 37	94702-00040	2 - 43		21 - 22				
90502-10M04	15 - 29		21 - 24	95303-08700	8 - 12	97575-08430	14 - 26				
90506-30M00	15 - 23	92995-10600	14 - 67	95380-03600	6 - 35		14 - 40				
90508-14M00	15 - 15	93101-20048	17 - 58	95380-06600	4 - 23		18 - 9				
91490-16010	12 - 36		21 - 11		11 - 18	97595-06420	16 - 15				
	13 - 19	93101-22M00	17 - 6		12 - 18	97595-06425	16 - 11				
91490-20012	15 - 24		21 - 10		12 - 35	97595-06555	6 - 43				
91490-40040	18 - 18	93101-30M33	2 - 9		14 - 57	97603-04114	5 - 38				
91690-25016	13 - 13		20 - 16	95380-08600	6 - 14		20 - 41				
91690-30010	2 - 14	93102-35M18	9 - 3		14 - 11	97603-05117	5 - 49				
	15 - 28		20 - 2		14 - 62		20 - 40				
91690-30025	12 - 16	93104-16M01	2 - 10	95380-10600	14 - 69	97603-06113	5 - 48				
91690-40032	4 - 38		20 - 15	95380-12800	14 - 47	97603-06120	5 - 39				
92903-06600	4 - 11	93109-44M00	14 - 35	95895-06016	18 - 14	97780-40520	13 - 20				
	4 - 13	93210-08287	7 - 7	97013-06014	6 - 15	97780-50716	4 - 27				
	11 - 10		19 - 10	97013-06025	4 - 12	97780-60525	17 - 17				
	13 - 16		19 - 17		11 - 9	97880-05030	2 - 21				
92903-08600	8 - 34	93210-22M02	2 - 12		13 - 15	97980-05114	4 - 7				
	8 - 37		20 - 18	97013-06065	4 - 10		4 - 16				
92990-05100	6 - 40	93210-32738	6 - 12	97013-08030	8 - 10	98503-05028	6 - 39				
92990-06100	12 - 19		20 - 20	97013-08035	8 - 33	98980-04006	5 - 14				
92990-06300	18 - 12	93210-57M00	17 - 59		8 - 36	99080-10600	15 - 9				
	18 - 15		21 - 12	97075-08025	14 - 17						
92990-08100	14 - 10	93210-65M50	2 - 11	97075-08035	14 - 27						
92990-12200	12 - 28		20 - 17	97095-05010	12 - 24						
92995-05600	12 - 25	93210-75M51	9 - 15		15 - 14						
92995-06100	1 - 9		20 - 3	97095-06010	17 - 62						
92995-06600	1 - 10	93306-20401	17 - 57	97095-06016	1 - 8						
	2 - 17	93306-306U2	3 - 8		2 - 16						
	4 - 22	93306-307U0	3 - 6		8 - 28						
	6 - 3	93310-727V7	3 - 14		8 - 45						
	8 - 29	93315-217U0	17 - 4		10 - 19						
	8 - 46	93315-324U1	17 - 8		10 - 22						
	8 - 48	93332-000U0	17 - 45		13 - 7						
	9 - 17	93332-000UE	3 - 7	97095-06020	12 - 13						
	10 - 15	93342-624U0	17 - 9	97095-06025	6 - 2						
	10 - 20	93390-000U0	17 - 10		10 - 14						
	10 - 23	93410-16007	17 - 42		11 - 20						
	11 - 21	93440-68M03	2 - 13		14 - 56						
	12 - 14		3 - 10	97095-06030	8 - 47						
	13 - 6	93603-21111	3 - 19		13 - 5						
	13 - 8	93604-08062	17 - 33	97095-06040	9 - 16						
92995-08100	14 - 28	93604-09068	17 - 21	97095-08040	16 - 4						