

# PARTS CATALOGUE

## EK40JMH'12 (6H9B)

---



2012/3/8

1L6H9-200E1

( )

NEWS NO.	DATE	COMMENT
PE0-OM-120010	Mar.,7,2012	MOD:FIG.10 ELECTRICAL LIST REVISION

EK40JMH  
PARTS CATALOGUE  
©2011 by Yamaha Motor Co., Ltd.  
1st edition, October 2011  
All rights reserved.  
Any reprinting or unauthorized use  
without the written permission of  
Yamaha Motor Co., Ltd.  
is expressly prohibited.  
Printed in Japan.

# FOREWORD

This Parts Catalogue is related to the parts for the model(s) on the cover page. When you are ordering replacement parts, please refer to this Parts Catalogue and quote both part numbers and part names correctly.

1. Modifications or additions which have been made after the issue of the Parts Catalogue will be announced in the Parts News.  
It is advisable that you make the necessary corrections to the Parts Catalogue according to the Parts News.

## 2. Abbreviations

The following abbreviations are used in this Parts Catalogue.

“UR” Use specified parts number.

“UN” Use as many as needed.

“AP” Alternate Parts

“LM” Locally Made (Parts need to be ordered locally)

“F#” Frame No. (Applicable machine No.)

“O/S” Over Size

## 3. The number of components for assembly

- Parts, which are to be supplied in an assembly, are listed with a dot (.) in front of the part name as shown below.
- The numeral appearing to the right of each component part indicates the quantity of parts for each assembly unit.

PART NO.	DESCRIPTION	Q'TY	REMARKS
2F5-83310-60	FRONT FLASHER LIGHT ASSY	2	
115-83311-60	.BULB (6V-18W)	1	

## 4. Applicable colours of graphics are represented in the “REMARKS” as shown below.

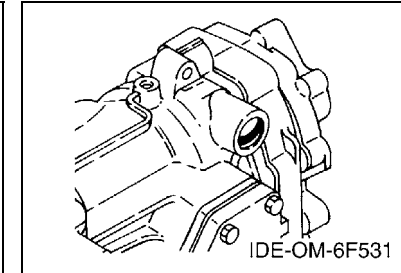
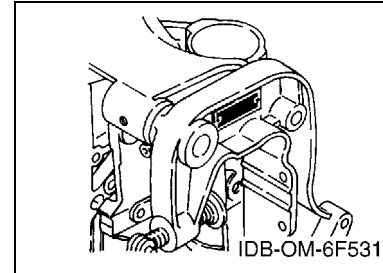
PART NO.	DESCRIPTION	Q'TY	REMARKS
2N4-24110-00-X5	FUEL TANK COMP.	2	MXR
3J1-24240-10	.GRAPHIC, FUEL TANK	1	FOR MXR

## 5. Note that the illustrations for reference in finding parts numbers are not to be used for assembling. When assembling, please use the applicable service manual.

## 6. The asterisk (\*) before a reference number indicates modified items after the first edition.

## 7. Applicable Serial No.

Engine Serial No.



## 8. Applicable Engine Starting Serial No.

Model	Serial No.	Model	Serial No.
EK40J	6H9K-1004725		

## 9. Applicable Colour Code

Abbreviation	Colour Name	Colour Code
DBNM2	DARK BLUISH GRAY METALLIC 2	004D

## 10. Quantity Column Information

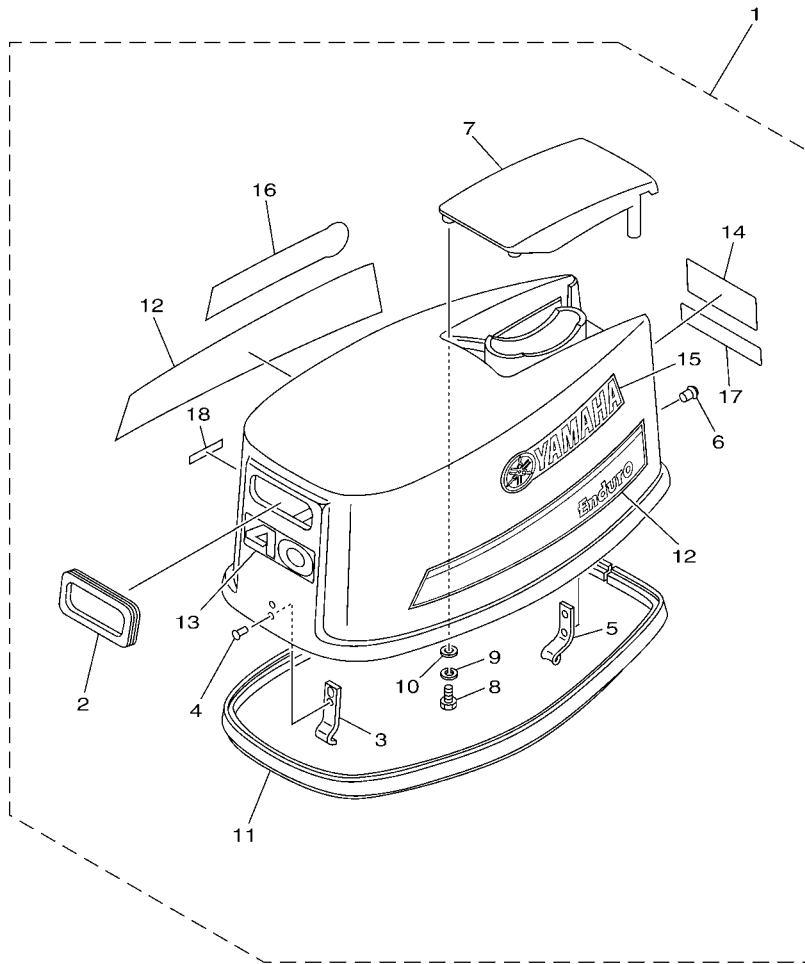
Column No.	Name Of Q'ty Column	Applicable Model
1	6H9B	EK40JMH

# CONTENTS

TOP COWLING .....	1
CYLINDER & CRANKCASE .....	2
CRANKSHAFT & PISTON .....	4
INTAKE .....	5
CARBURETOR .....	7
FUEL 1 .....	9
FUEL 2 .....	11
STARTER .....	12
GENERATOR .....	14
ELECTRICAL .....	15
BOTTOM COWLING .....	17
STEERING .....	19
CONTROL .....	21
BRACKET 1 .....	23
BRACKET 2 .....	26
UPPER CASING .....	28
LOWER CASING & DRIVE 1 .....	29
LOWER CASING & DRIVE 2 .....	33
FUEL TANK .....	35
REPAIR KIT 1 .....	36
REPAIR KIT 2 .....	38

## INDEX

NUMERICAL INDEX .....	39
-----------------------	----



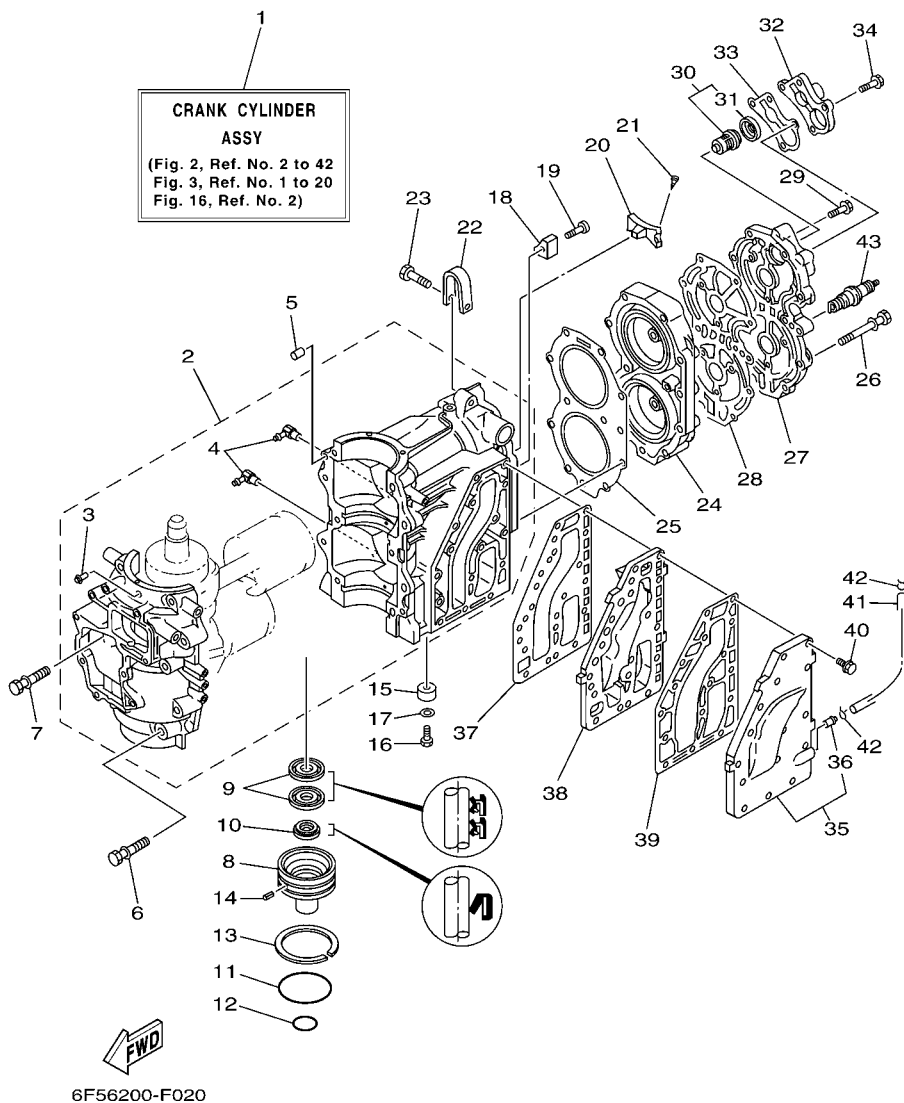
6F5B200-L010

FIG. 1 TOP COWLING

REF. NO.	PART NO.	DESCRIPTION	QTY	REMARKS
1	6F5-42610-10	TOP COWLING ASSY	1	
2	6A0-15761-00	.SEAL, RUBBER 1	1	
3	6E9-42651-01	.HOOK	1	
4	90266-04M04	.RIVET	2	
5	6F5-42652-01	.HOOK	1	
6	90266-04M01	.RIVET	2	
7	6F5-42613-01-4D	.MOLDING, AIR DUCT	1	
8	97095-06016	.BOLT	4	
9	92995-06100	.WASHER, SPRING	4	
10	92995-06600	.WASHER	4	
11	6F5-42615-00	.SEAL	1	
12	61N-W0070-40	.GRAPHIC SET	1	
13	63D-42678-40	.GRAPHIC, REAR	1	
14	63D-42678-40	.GRAPHIC, REAR	1	
15	61R-42681-00	.MARK, COWLING	1	
16	61R-42681-00	.MARK, COWLING	1	
17	680-42684-00	.MARK, COWLING	1	
18	6E0-44191-11	.INDICATOR, SHIFT	1	

**FIG. 2 CYLINDER & CRANKCASE**

REF. NO.	PART NO.	DESCRIPTION	QTY	REMARKS
1	6F5-W0090-64-1S	CRANK CYLINDER ASSY	1	
2	6F6-15100-02	CRANKCASE ASSY	1	
3	624-14485-00	.PIPE, JOINT	1	
4	650-11370-01	.CHECK VALVE ASSY	2	
5	93608-12063	PIN, DOWEL	2	
6	90119-10005	BOLT, WITH WASHER	9	
7	90119-10028	BOLT, WITH WASHER	1	
8	6F5-15396-01-CA	HOUSING, OIL SEAL	1	
9	93101-30M33	OIL SEAL	2	
10	93104-16M01	OIL SEAL	1	
11	93210-65M50	O-RING	1	
12	93210-22M02	O-RING	1	
13	93440-68M03	CIRCLIP	1	
14	91690-30010	PIN, SPRING	1	
15	676-45251-00	ANODE	1	
16	97095-06016	BOLT	1	
17	92995-06600	WASHER	1	
18	676-11325-00	ANODE	1	
19	90141-06M00	SCREW, COUNTERSUNK	1	
20	6F5-11325-00	ANODE	1	
21	97880-05030	SCREW, PAN HEAD	2	
22	6F5-11119-00	HANGER, ENGINE	1	
23	90101-08001	BOLT	1	
24	6F5-11111-00-1S	HEAD, CYLINDER 1	1	
25	6F5-11181-A2	GASKET, CYLINDER HEAD 1	1	
26	90119-08MA5	BOLT, WITH WASHER	11	
27	6F5-11191-00-1S	COVER, CYLINDER HEAD 1	1	



**FIG. 2 CYLINDER & CRANKCASE**

REF. NO.	PART NO.	DESCRIPTION	QTY	REMARKS
28	6F5-11193-A1	GASKET, HEAD COVER 1	1	
29	90119-06MA3	BOLT, WITH WASHER	5	
30	6F5-12411-03	THERMOSTAT	1	
31	6E5-12412-00	.SEAL, THERMOSTAT	1	
32	676-12413-00-1S	COVER, THERMOSTAT	1	
33	676-12414-A1	GASKET, COVER	1	
34	90119-06MA2	BOLT, WITH WASHER	4	
35	6F5-41113-01-1S	OUTER COVER, EXHAUST	1	
36	650-24378-00	.PIPE, JOINT 4	1	
37	6F5-41112-A0	GASKET, EXHAUST INNER COVER	1	
38	6F5-41111-01-1S	INNER COVER, EXHAUST	1	
39	6F5-41114-A0	GASKET, EXHAUST OUTER COVER	1	
40	90119-06MA3	BOLT, WITH WASHER	16	
41	90445-09M37	HOSE (L240)	1	
42	90467-08004	CLIP	2	AP
43	94702-00040	PLUG, SPARK (NGK B7HS)	2	

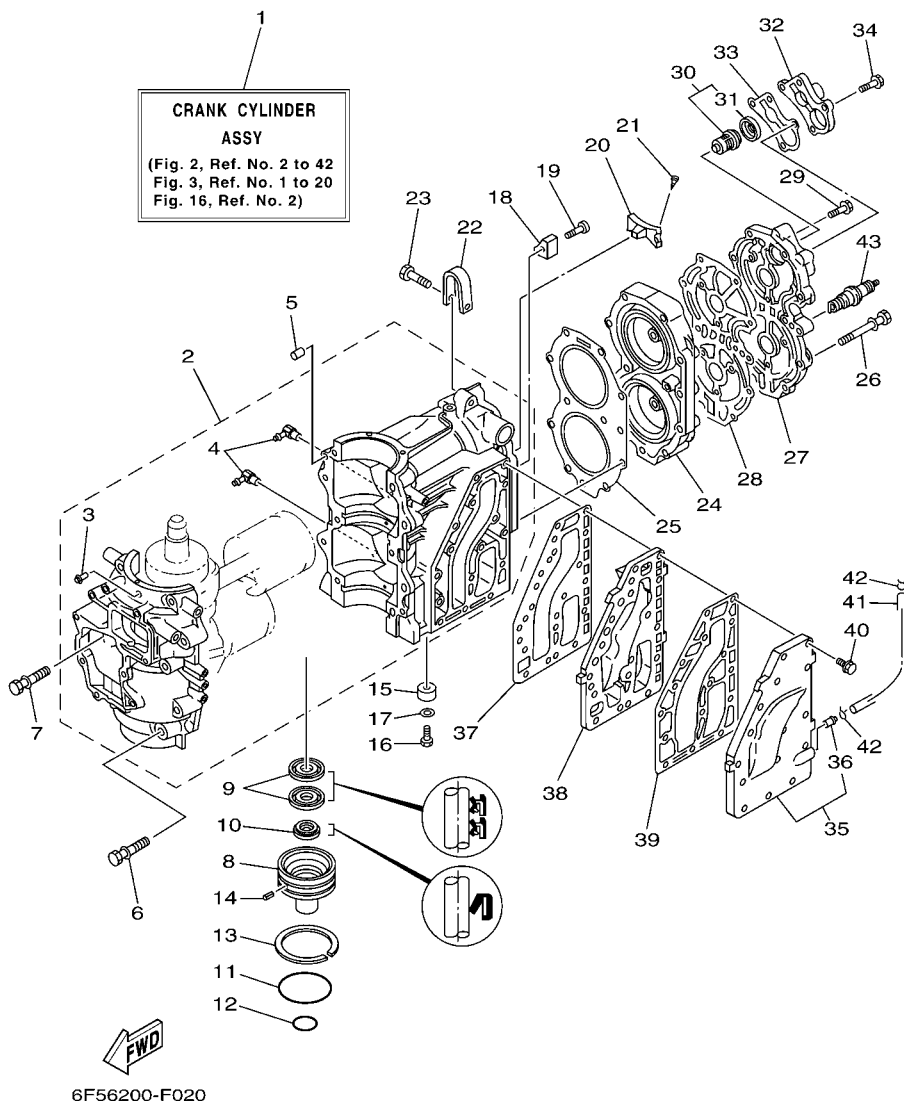
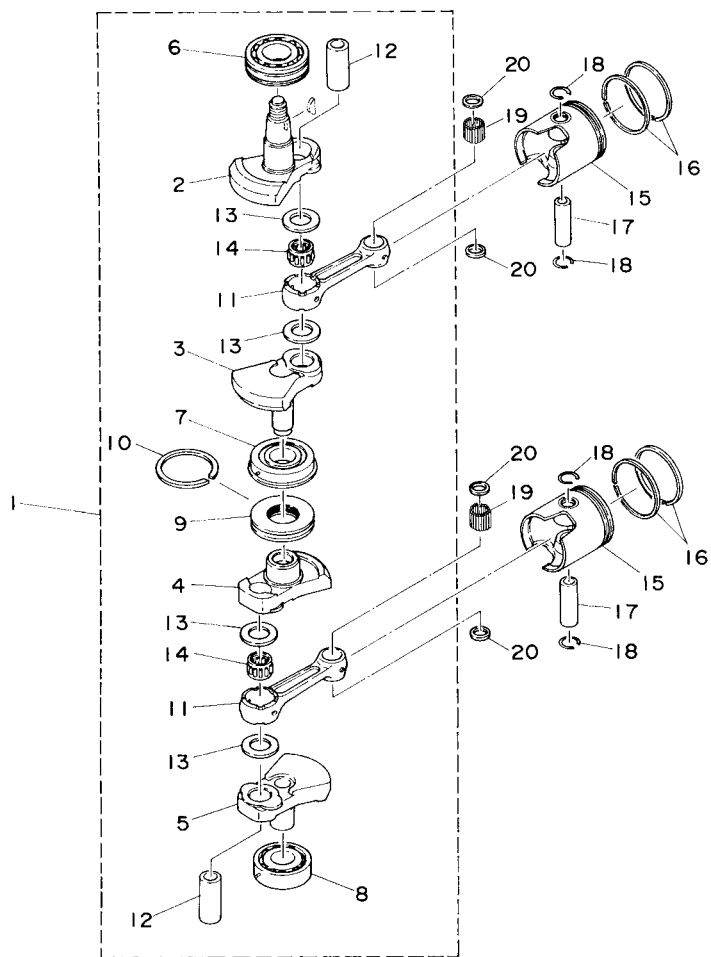


FIG. 3 CRANKSHAFT & PISTON



REF. NO.	PART NO.	DESCRIPTION	QTY	REMARKS
1	6F5-11400-11	CRANKSHAFT ASSY	1	
2	6F5-11412-11	.CRANK 1	1	
3	6F5-11422-11	.CRANK 2	1	
4	6F5-11432-11	.CRANK 3	1	
5	6F5-11442-11	.CRANK 4	1	
6	93306-307U0	.BEARING	1	
7	93332-000UE	.BEARING	1	
8	93306-306U2	.BEARING	1	
9	6F5-11515-00	.SEAL, LABYRINTH 1	1	
10	93440-68M03	.CIRCLIP	1	
11	6F5-11651-00	.ROD, CONNECTING	2	
12	6F5-11681-00	.PIN, CRANK 1	2	
13	90202-27M23	.WASHER, PLATE	4	
14	93310-727V7	.BEARING	2	
15	6F6-11631-00-95	PISTON (STD)	2	
	6F6-11635-00	PISTON (0.25MM O/S)	2	AP
	6F6-11636-00	PISTON (0.50MM O/S)	2	AP
16	6F5-11610-00	PISTON RING SET (STD)	2	
	6F5-11610-10	PISTON RING SET (0.25MM O/S)	2	AP
	6F5-11610-20	PISTON RING SET (0.50MM O/S)	2	AP
17	6F5-11633-00	PIN, PISTON	2	
18	663-11634-00	CLIP, PISTON PIN	4	
19	93603-21111	PIN, DOWEL	56	
20	90201-20417	WASHER, PLATE	4	

FWD  
6H90010-4030



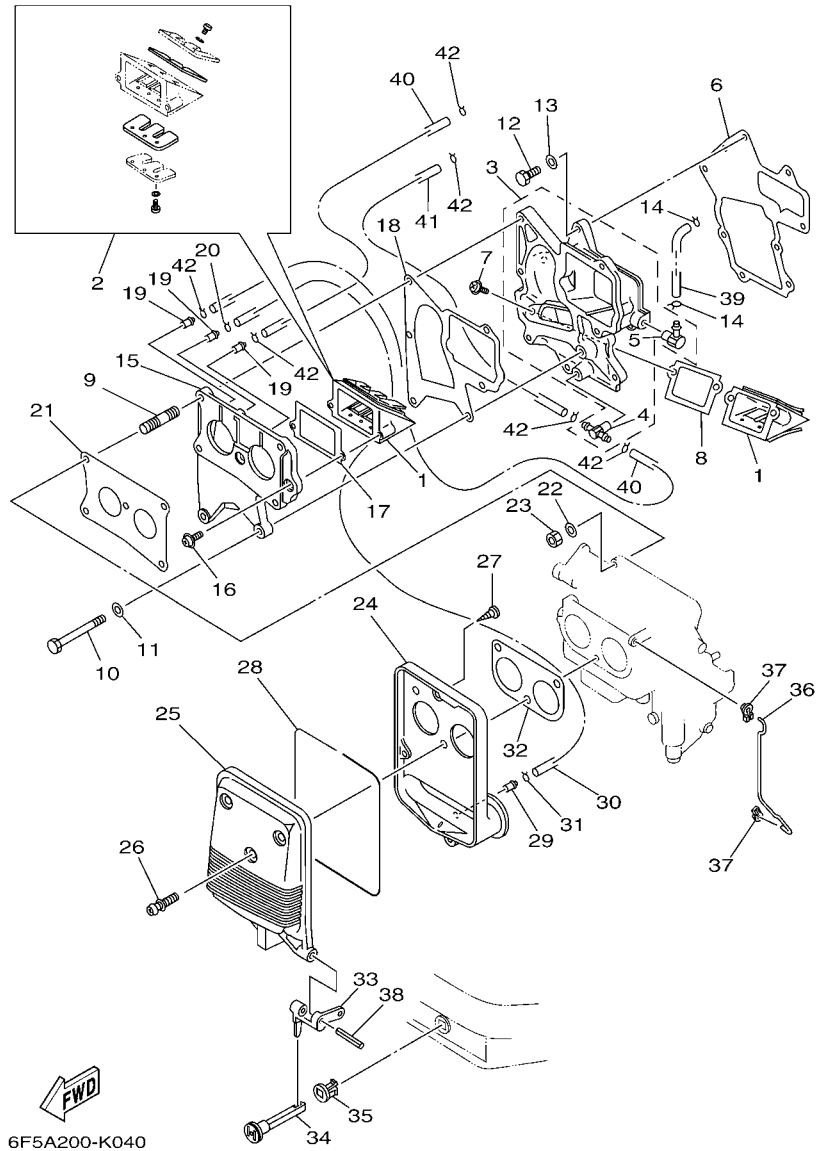


FIG. 4 INTAKE

REF. NO.	PART NO.	DESCRIPTION	QTY				REMARKS
1	6F5-13610-00	REED VALVE ASSY	2				
2	6F5-W0004-00	.REED SET	1				
3	6F6-13641-00-1S	MANIFOLD, INTAKE 1	1				
4	6F6-11370-01	.CHECK VALVE ASSY	1				
5	650-11370-01	.CHECK VALVE ASSY	1				
6	6F5-13646-A2	GASKET, MANIFOLD 2	1				
7	97980-05114	SCREW, WITH WASHER	2				
8	6F5-13621-A1	GASKET, VALVE SEAT	1				
9	90116-06M17	BOLT, STUD	4				
10	97013-06065	BOLT	2				
11	92903-06600	WASHER, PLATE	2				
12	97013-06025	BOLT	7				
13	92903-06600	WASHER, PLATE	7				
14	90467-06016	CLIP	2				
15	6F6-13643-01-1S	COVER, MANIFOLD	1				
16	97980-05114	SCREW, WITH WASHER	2				
17	6F5-13621-A1	GASKET, VALVE SEAT	1				
18	6F5-13645-A1	GASKET, MANIFOLD 1	1				
19	624-14485-00	PIPE, JOINT	3				
20	90467-06016	CLIP	1				
21	6F5-14198-A1	GASKET	1				
22	92995-06600	WASHER	4				
23	95380-06600	NUT, HEXAGON	4				
24	6F5-14417-00	COVER 1	1				
25	6F5-14418-00	COVER 2	1				
26	90159-06M01	SCREW, WITH WASHER	3				
27	97780-50716	SCREW, TAPPING	4				

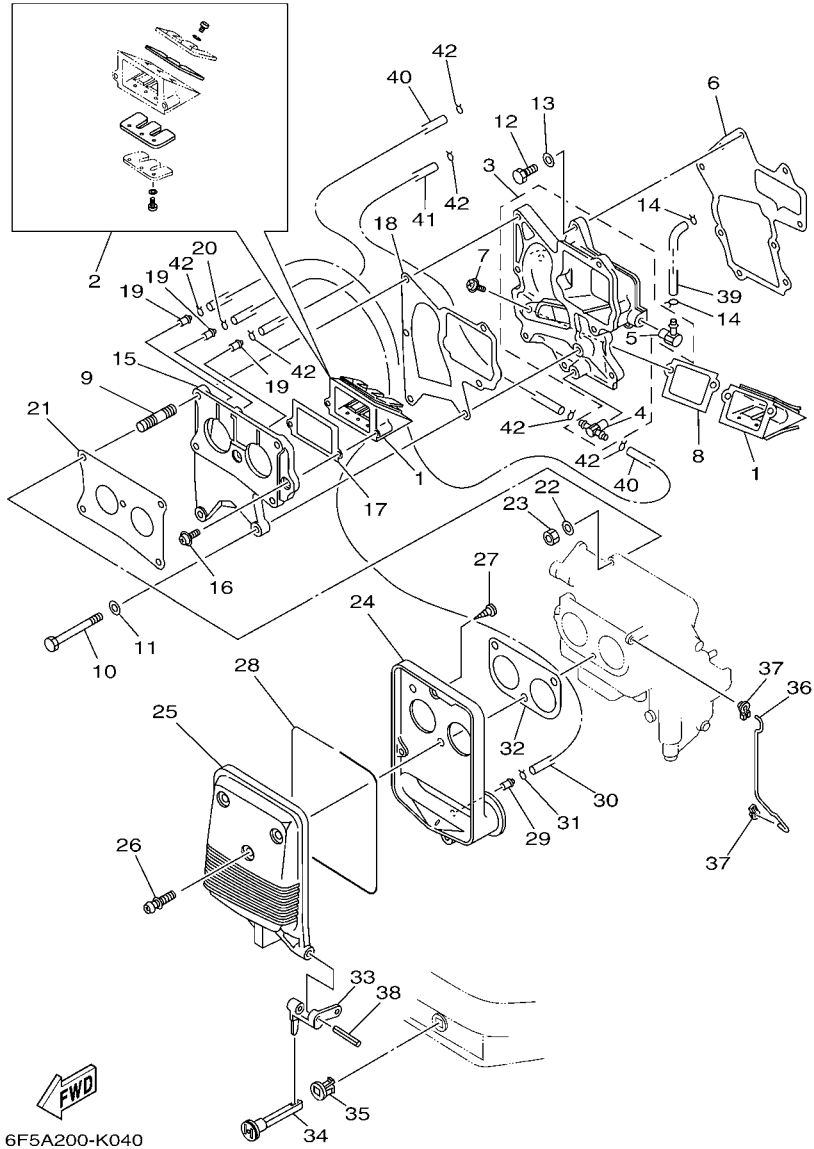
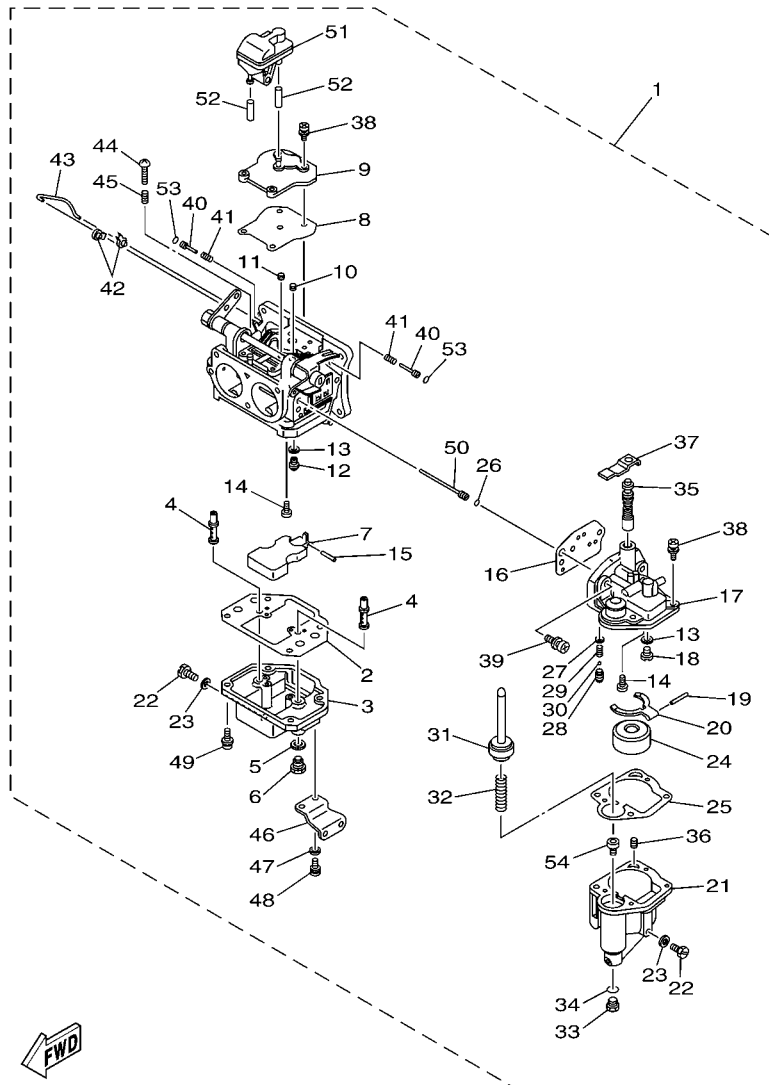


FIG. 4 INTAKE

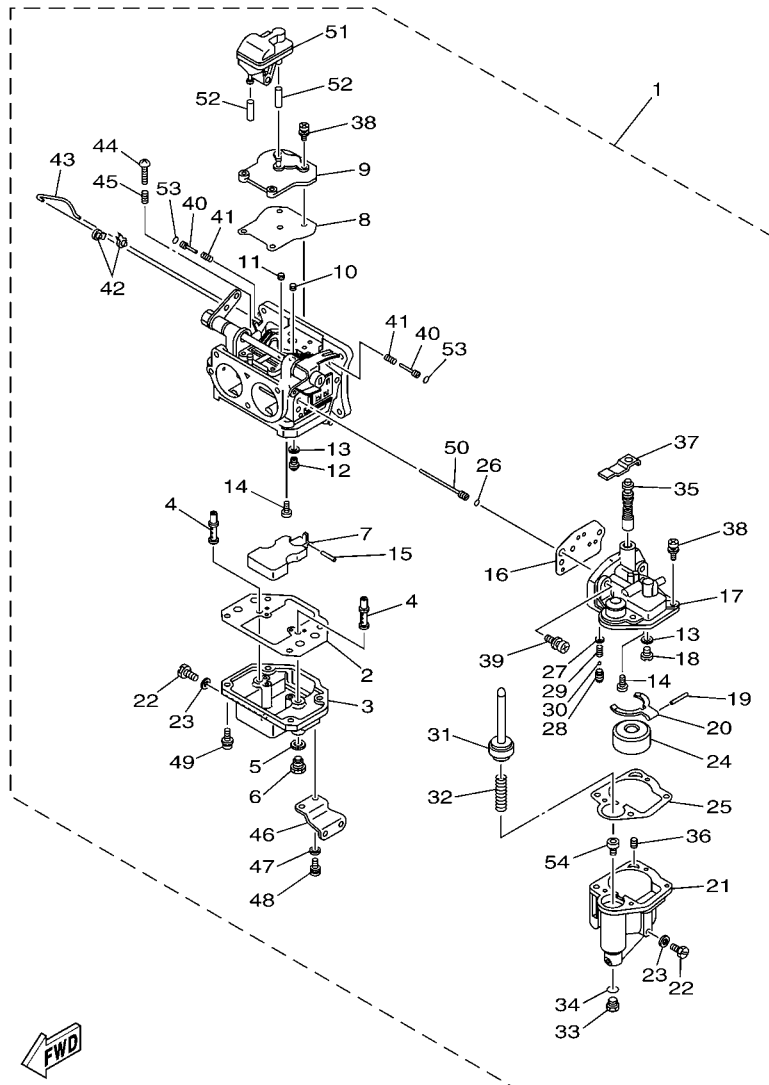
REF. NO.	PART NO.	DESCRIPTION	QTY	REMARKS
28	6F5-14476-00	SEAL	1	
29	624-14485-00	PIPE, JOINT	1	
30	90445-07240	HOSE (L330)	1	
31	90467-06016	CLIP	1	
32	6F5-14483-00	GASKET	1	
33	6F5-41252-00	LEVER, CHOKE 1	1	
34	682-41271-01	KNOB, CHOKE	1	
35	689-41273-00	GROMMET	1	
36	6F5-41256-00	ROD, CHOKE 1	1	
37	661-41262-02	JOINT, CHOKE LEVER	2	
38	91690-40032	PIN, SPRING	1	
39	90445-07254	HOSE (L118)	1	
40	90445-07240	HOSE (L330)	2	
41	90445-07M24	HOSE (L240)	1	
42	90467-06016	CLIP	6	



6F55200-E050

FIG. 5 CARBURETOR

REF. NO.	PART NO.	DESCRIPTION	QTY	REMARKS
1	6F5-14301-42	CARBURETOR ASSY 1	1	
2	6F5-14384-00	.GASKET, FLOAT CHAMBER	1	
3	6F5-14381-00	.BODY, FLOAT CHAMBER	1	
4	6F5-14341-00	.NOZZLE, MAIN	2	
5	1J2-14398-00	.GASKET	2	
6	677-14343-73	.JET, MAIN (#145)	2	
7	6F6-14385-00	.FLOAT	1	
8	6F5-14398-00	.GASKET	1	
9	6F5-14383-00	.PLATE, COVER	1	
10	647-14342-45	.JET, PILOT (# 90)	2	
11	647-14342-30	.JET, PILOT (# 60)	2	
12	6F5-14390-21	.NEEDLE VALVE ASSY	1	
13	367-14195-00	.GASKET	2	
14	98980-04006	.SCREW, BIND	2	
15	6E5-14386-01	.PIN, FLOAT	1	
16	6F5-14399-00	.GASKET	1	
17	6F5-14182-41	.COVER, FLOAT CHAMBER	1	
18	6F5-14390-12	.NEEDLE VALVE ASSY	1	
19	367-14386-00	.PIN, FLOAT	1	
20	6F5-14387-00	.ARM, FLOAT	1	
21	6F5-14381-11	.BODY, FLOAT CHAMBER	1	
22	6F5-14383-10	.SCREW, DRAIN	2	
23	6E5-14398-00	.GASKET	2	
24	626-14385-00	.FLOAT	1	
25	6F5-14384-10	.GASKET, FLOAT CHAMBER	1	
26	6F5-14397-00	.O-RING	1	
27	6F5-14372-01	.SEAT, PACKING	1	



6F55200-E050

FIG. 5 CARBURETOR

REF. NO.	PART NO.	DESCRIPTION	QTY	REMARKS
28	6A4-14355-00	.SEAT, BALL	1	
29	6F5-14332-01	.SPRING	1	
30	6F5-14369-00	.BALL	1	
31	6F5-14370-02	.PLUNGER STARTER ASSY	1	
32	6F5-14339-00	.SPRING	1	
33	6A4-14394-00	.SCREW, DRAIN	1	
34	652-14397-00	.O-RING	1	
35	6F5-14371-00	.PLUNGER, STARTER	1	
36	647-14344-35	.JET, STARTER (# 70)	1	
37	6F5-14377-00	.STOPPER	1	
38	97603-04114	.SCREW, PAN HEAD WITH WASHER	8	
39	97603-06120	.SCREW, PAN HEAD WITH WASHER	2	
40	6F5-14323-01	.SCREW, AIR ADJUSTING	2	
41	6F5-14334-01	.SPRING, AIR ADJUSTING	2	
42	6F5-41262-01	.JOINT, THROTTLE LEVER	2	
43	6F5-14379-00	.ROD, STARTER	1	
44	650-14321-01	.SCREW, THROTTLE	1	
45	647-14334-00	.SPRING	1	
46	6F5-14346-00	.PLATE	1	
47	654-14243-00	.WASHER	4	
48	97603-06113	.SCREW, PAN HEAD WITH WASHER	4	
49	97603-05117	.SCREW, PAN HEAD WITH WASHER	4	
50	6F5-14340-00	.NOZZLE, ACCELERATING	1	
51	6F5-14425-00	.DAMPER 1	1	
52	90445-09M55	.HOSE (L20)	2	
53	5Y1-14397-00	.O-RING	2	
54	6F5-13940-01	.CHECK VALVE ASSY	1	



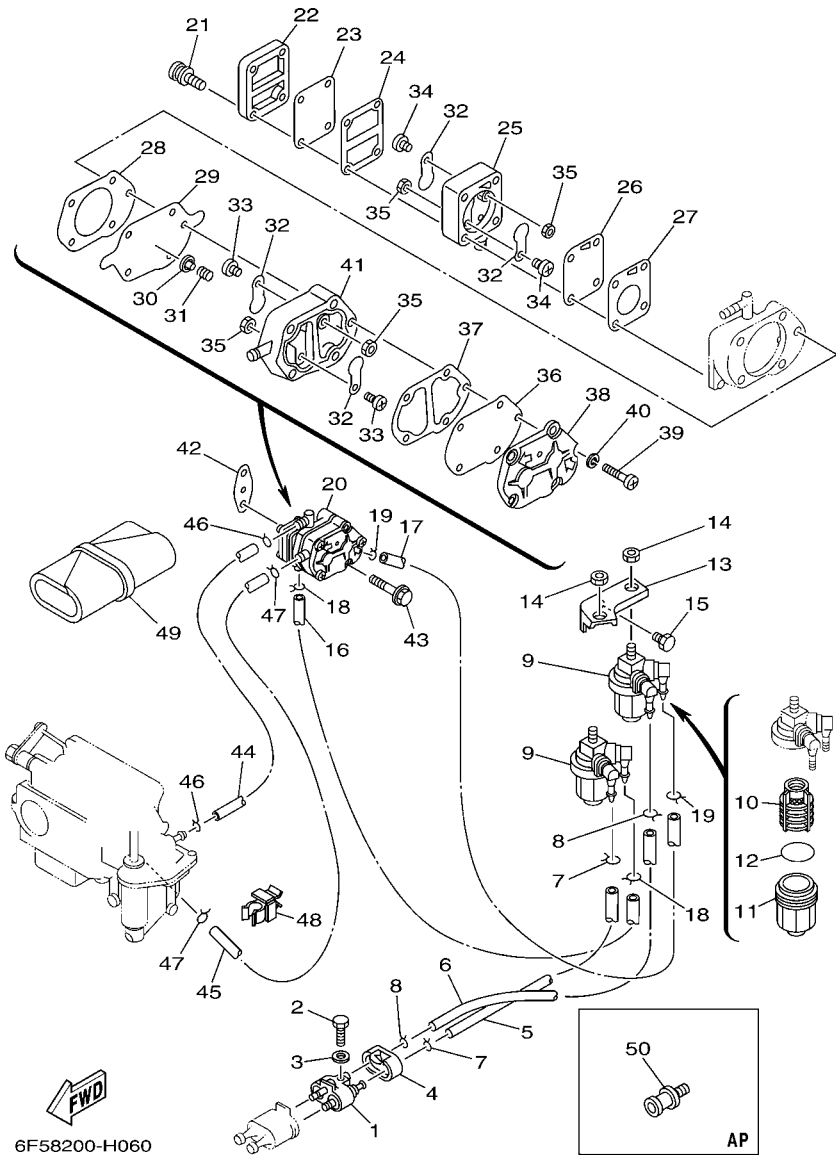
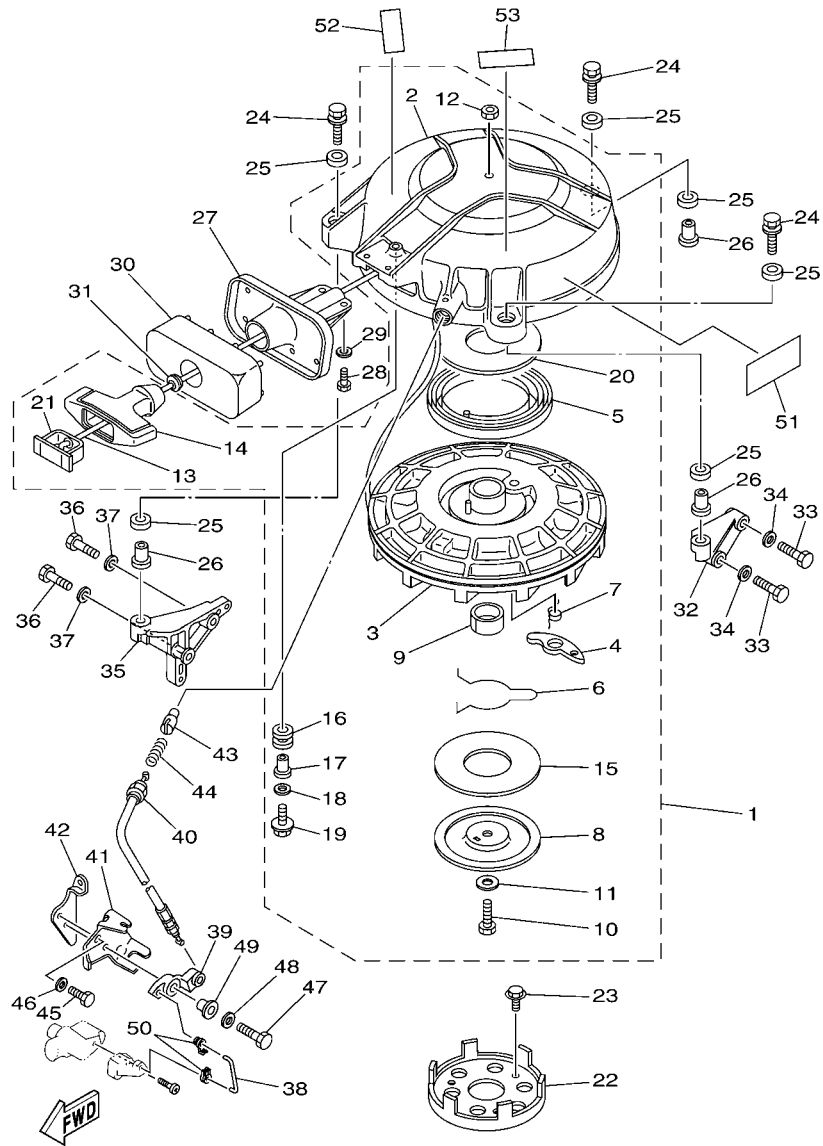


FIG. 6 FUEL 1

REF. NO.	PART NO.	DESCRIPTION	QTY	REMARKS
28	648-24434-01	.GASKET, BODY	1	
29	648-24411-00	.DIAPHRAGM	1	
30	648-24424-00	.SEAT, SPRING	1	
31	648-24423-00	.SPRING, DIAPHRAGM	1	
32	6A0-24421-01	.VALVE, CHECK	4	
33	6A0-14325-00	.SCREW, PAN HEAD	2	
34	6E7-14325-00	.SCREW, PAN HEAD	2	
35	95380-03600	.NUT	4	
36	663-24411-00	.DIAPHRAGM	1	
37	648-24435-02	.GASKET, BODY 2	1	
38	6A0-24413-00	.BODY 2	1	
39	98503-05028	.SCREW, PAN HEAD	3	
40	92990-05100	.WASHER, SPRING	3	
41	6A0-24412-02	.BODY 1	1	
42	650-24431-A0	GASKET, FUEL PUMP 1	1	
43	97595-06555	BOLT, WITH WASHER	2	
44	90445-09M53	HOSE (L160)	1	
45	90445-10M50	HOSE (L170)	1	
46	90467-08004	CLIP	2	
47	90467-09M03	CLIP	2	
48	90464-07008	CLAMP	1	
49	676-W2810-01	TOOL KIT	1	
50	626-28193-01-94	PLUG, WATER CHECK	1	AP D:15MM





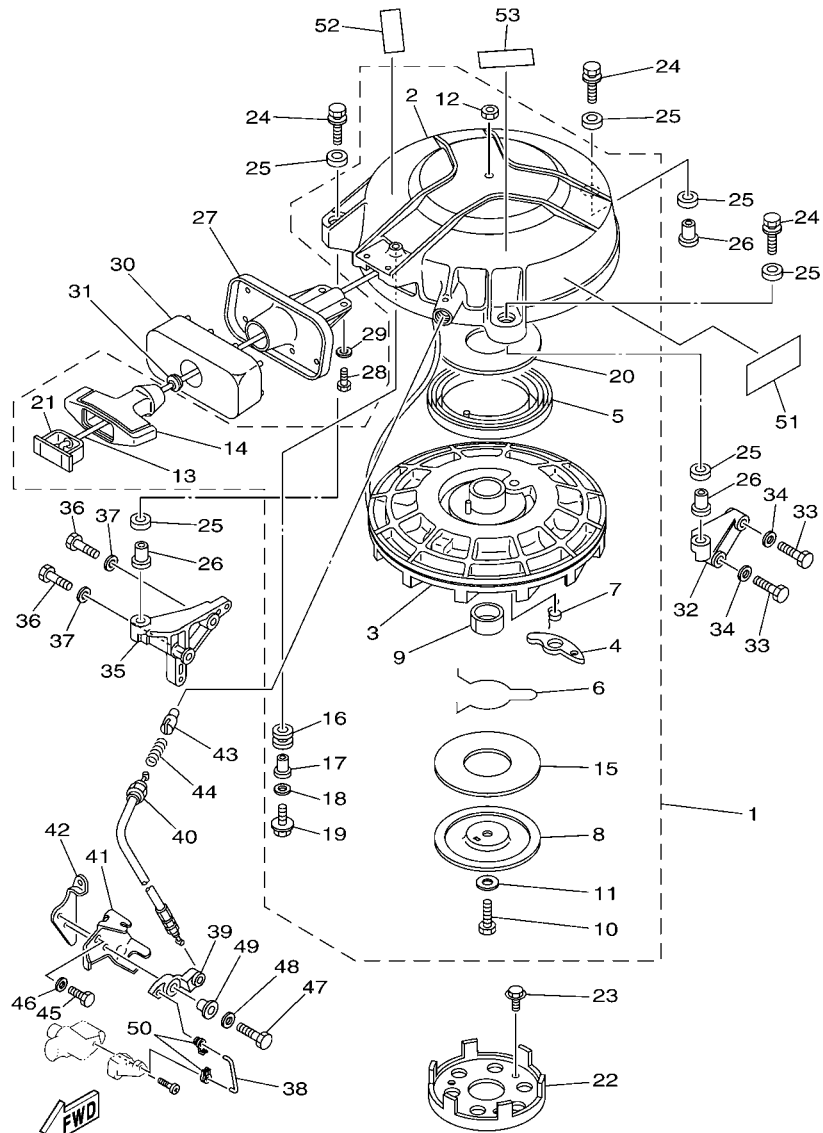
6F58200-H080

\*1: CUT FROM 50M ROLLS, PART NO. 90890-44373, CUTTING LENGTH 1.9M

FIG. 8 STARTER

REF. NO.	PART NO.	DESCRIPTION	QTY	REMARKS
1	6F5-W1571-03	STARTER ASSY	1	
2	6F5-15711-02	.CASE, STARTER	1	
3	6F5-15714-03	.DRUM, SHEAVE	1	
4	6F5-15741-01	.PAWL, DRIVE	1	
5	6F5-15713-00	.SPRING, STARTER	1	
6	6F5-15715-00	.SPRING, FRICTION	1	
7	6F5-15734-01	.SPRING, RETURN	1	
8	6F5-15716-01	.PLATE, DRIVE	1	
9	6F5-15754-00	.BUSH 2	1	
10	97013-08030	.BOLT	1	
11	6F5-15726-01	.WASHER, FLAT	1	
12	95303-08700	.NUT	1	
13	*	.WIRE (L:1900MM)	1	*1
14	689-15755-01	.HANDLE, STARTER	1	
15	6F5-15764-00	.COLLAR 1	1	
16	6F5-15752-00	.ROLLER, WIRE	1	
17	6F5-15753-00	.BUSH	1	
18	6F5-15791-00	.WASHER, LOCK	1	
19	6F5-15768-00	.BOLT	1	
20	6F5-15739-00	.WASHER, THRUST	1	
21	6F5-15779-02	.COVER	1	
22	6F5-15723-01	PULLEY, STARTER	1	
23	90105-08M10	BOLT, FLANGE	3	
24	90119-08M10	BOLT, WITH WASHER	3	
25	90385-12M04	BUSH	6	
26	90387-08M05	COLLAR	3	
27	6A0-15758-01-94	GUIDE, ROPE	1	



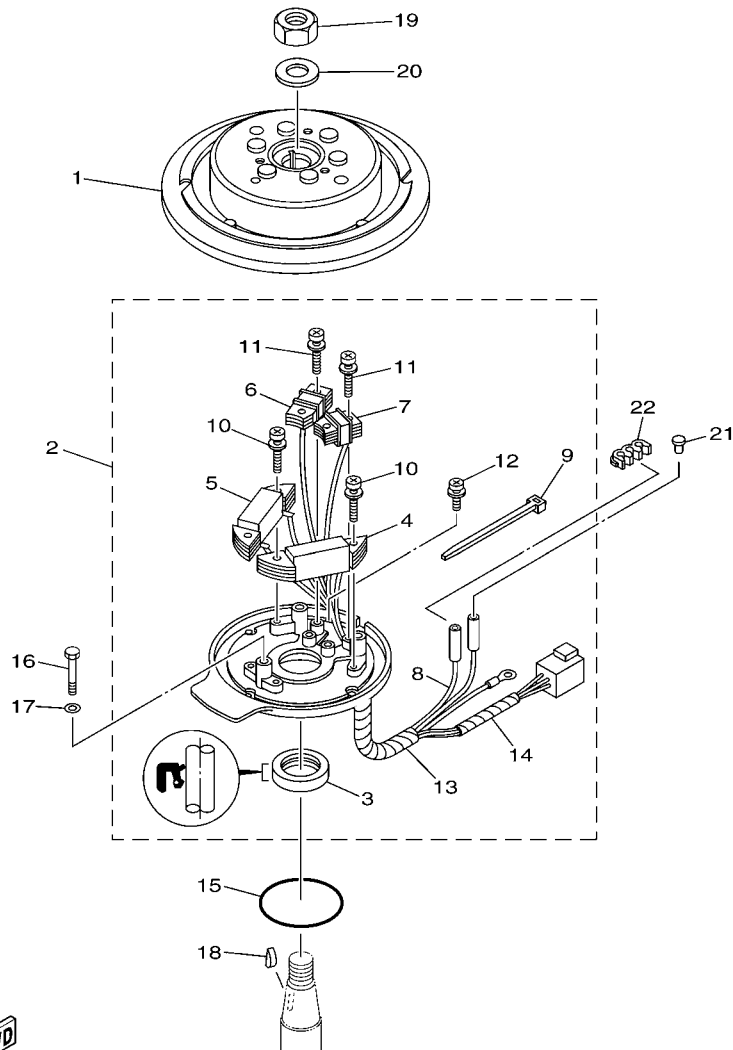


6F58200-H080

\*1: CUT FROM 50M ROLLS, PART NO.90890-44373, CUTTING LENGTH 1.9M

FIG. 8 STARTER

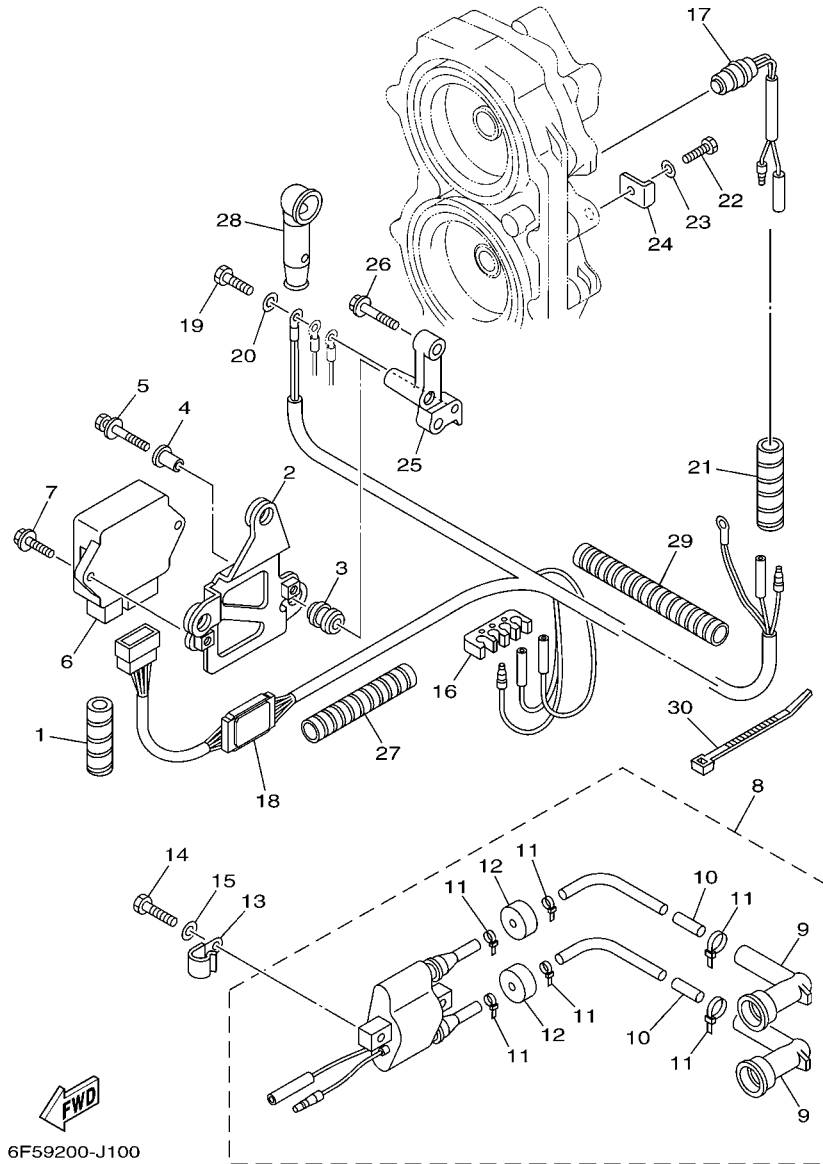
REF. NO.	PART NO.	DESCRIPTION	QTY	REMARKS
28	97095-06016	BOLT	2	
29	92995-06600	WASHER	2	
30	6A0-15762-01	SEAL, RUBBER 2	1	
31	6A0-15789-00	DAMPER	1	
32	6F5-15771-00-94	STAY 1	1	
33	97013-08035	BOLT	2	
34	92903-08600	WASHER, PLATE	2	
35	6F5-15772-00-94	STAY 2	1	
36	97013-08035	BOLT	2	
37	92903-08600	WASHER, PLATE	2	
38	6F5-15747-00	LINK	1	
39	6F5-15746-00	ARM	1	
40	6F5-15770-00	CABLE COMP., STARTER STOP	1	
41	6F5-15774-00	STAY 4	1	
42	6F5-15773-00	STAY 3	1	
43	656-15748-00	PLUNGER, STARTER STOP	1	
44	90501-10227	SPRING, COMPRESSION	1	
45	97095-06016	BOLT	1	
46	92995-06600	WASHER	1	
47	97095-06030	BOLT	1	
48	92995-06600	WASHER	1	
49	90387-06M29	COLLAR	1	
50	661-41262-02	JOINT, CHOKE LEVER	2	
51	6F6-14488-00	LABEL, CAUTION	1	
52	6AH-81994-40	LABEL, SAFETY	1	
53	6AH-81995-40	LABEL, WARNING	1	



**FWD**  
6J44200-D080

**FIG. 9 GENERATOR**

REF. NO.	PART NO.	DESCRIPTION	QTY	REMARKS
1	6F5-85550-G0	ROTOR ASSY	1	
2	6F5-85560-B0	BASE ASSY	1	
3	93102-35M18	.OIL SEAL	1	
4	6F5-85520-10	.COIL, CHARGE	1	
5	6F5-85533-10	.COIL, LIGHTING	1	
6	6F5-85580-10	.COIL, PULSER	1	
7	6F5-85580-20	.COIL, PULSER	1	
8	6F5-85515-10	.LEAD WIRE ASSY	1	
9	6F5-81328-00	.CLAMP	1	
10	90159-05040	.SCREW, WITH WASHER	4	
11	90159-04063	.SCREW, WITH WASHER	4	
12	90159-04035	.SCREW, WITH WASHER	1	
13	6F5-85597-J0	.TUBE 1	1	
14	6F5-85597-H0	.TUBE 1	1	
15	93210-75M51	O-RING	1	
16	97095-06040	BOLT	3	
17	92995-06600	WASHER	3	
18	90280-05015	KEY, WOODRUFF	1	
19	90170-20137	NUT	1	
20	90201-21M18	WASHER, PLATE	1	
21	703-82119-00	COVER, LEAD WIRE	2	
22	90468-07179	CLIP	1	



6F59200-J100

FIG. 10 ELECTRICAL

REF. NO.	PART NO.	DESCRIPTION	QTY				REMARKS
1	90446-10M02	HOSE	1				
2	6F5-85542-10	BRACKET	1				
3	61N-82317-00	DAMPER, IGNITION COIL	3				
4	90387-06119	COLLAR	3				
5	90119-06M65	BOLT, WITH WASHER	3				
6	6F5-85540-31	C.D.I. UNIT ASSY	1				
7	90109-06M86	BOLT	2				
8	6F6-85530-01	IGNITION COIL ASSY	1				
9	62E-82371-11	.CAP, PLUG	2				
10	62E-8231X-00	.TERMINAL 1	2				
11	90465-11M10	.CLAMP	6				
12	90480-25161	.GROMMET	2				
13	90465-08M07	CLAMP	1				
14	97095-06025	BOLT	2				
15	92995-06600	WASHER	2				
16	90464-07M06	CLAMP	1				
17	688-82560-10	THERMO SWITCH ASSY	1				
18	6F5-W8258-00	WIRE HARNESS ASSY 2	1				Go to P/N : PE0-OM-120010
19	97095-06016	BOLT	1				
20	92995-06600	WASHER	1				
21	90446-10M01	HOSE (L60)	1				
22	97095-06016	BOLT	1				
23	92995-06600	WASHER	1				
24	6F5-82588-00	PLATE	1				
25	6F5-81948-00	BRACKET	1				
26	90105-08M35	BOLT, FLANGE	2				
27	6N7-83557-00	TUBE (I.DIA:22MM)	1				



# PARTS NEWS



News No. PE0-OM-120010

Date:2012/03/07

Signature:S. Ishibashi

Cause :  Revision Notice  Correction  Sales Unit Change  Others

Model	EK40JMH (6H9B)
Subject	PARTS CATALOGUE CORRECTIONS
CATALOGUE NO.	1L6H9-200E1
Time of YPEC Revision Text, Illustration --> Mar./30/2012 PDF Replace --> Mar./30/2012 (YPEC = Yamaha Parts Electrical Catalogue = Website parts catalogue)	

## Applicable Engine Serial No.

MODEL NAME	MODEL CODE	Applicable Engine Serial No.
EK40J	6H9B	6H9K:1004770-

### \*1: Interchangeability

A	Old Parts	→	Old Parts
	New Parts	→	New Parts
B	Old Parts	→	Old Parts
	New Parts	→	New Parts
C	Old Parts	→	Old Parts
	New Parts	→	New Parts
	These parts are interchangeable with a set		

## FIG.10 ELECTRICAL LIST CORRECTION

Fig. No.	Ref. No.	OLD P/No.	NEW P/No.	PART NAME	Q'TY	*Interchangeability	
							REMARKS
10	18	6F5-82590-21	6F5-W8258-00	WIRE HARNESS ASSY 2	1	B	*Part number revision

Thank you very much for your cooperation.

Parts Manager Check

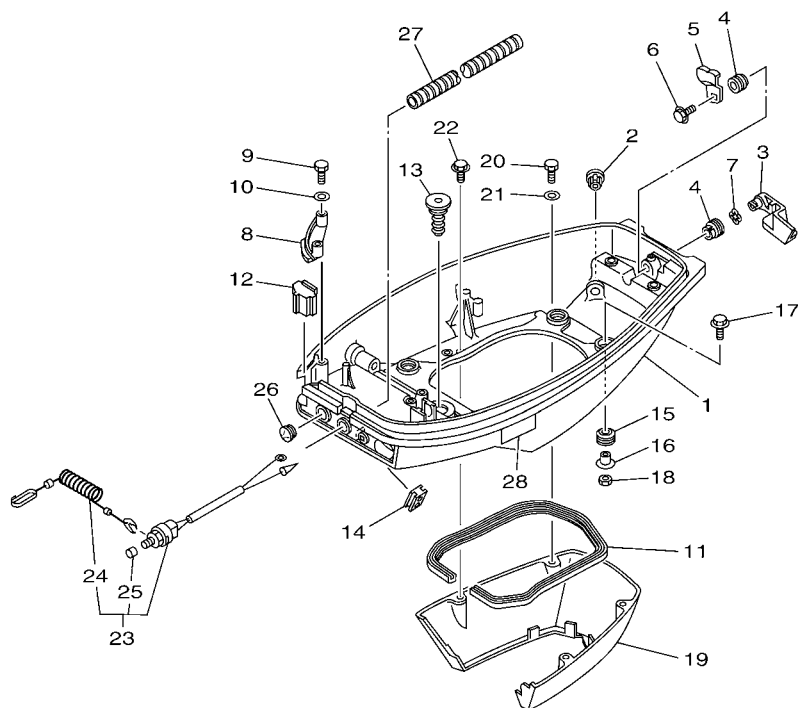
Service Manager Check

Parts Manager File

YAMAHA MOTOR CO.,LTD  
2500 Shingai Iwata Shizuoka 438-8501.Japan  
Technical Publication Dept.



**FIG. 11 BOTTOM COWLING**

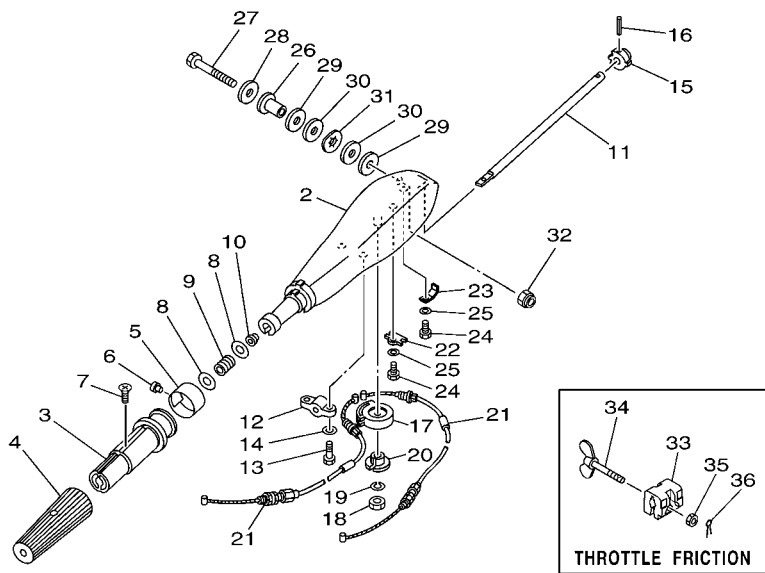


  
6F5B200-L110

REF. NO.	PART NO.	DESCRIPTION	QTY	REMARKS
1	6F5-42711-03-4D	COWLING, BOTTOM 1	1	
2	6E5-44391-00	NIPPLE, HOSE	1	
3	6F5-42815-01-4D	LEVER, CLAMP	1	
4	90386-12M37	BUSH	2	
5	6F5-42816-00	LEVER, CLAMP	1	
6	90119-06M73	BOLT, WITH WASHER	1	
7	90206-12052	WASHER, WAVE	1	
8	6F5-42738-01-94	PLATE, FITTING	1	
9	97013-06025	BOLT	2	
10	92903-06600	WASHER, PLATE	2	
11	6F5-42716-00	RUBBER, SEAL 1	1	
12	6F5-42724-00	GROMMET	1	
13	6F5-42727-00	GROMMET	1	
14	676-26326-00	GROMMET	1	
15	90480-09M21	GROMMET	4	
16	90387-06M41	COLLAR	4	
17	90119-06M61	BOLT, WITH WASHER	4	
18	95380-06600	NUT, HEXAGON	4	
19	6F5-42741-11	APRON	1	
20	97095-06025	BOLT	2	
21	92995-06600	WASHER	2	
22	90119-06M11	BOLT, WITH WASHER	2	
23	6E9-82575-02	ENGINE STOP SWITCH ASSY	1	
24	682-82556-00	.LANYARD, STOP SWITCH	1	
25	689-8257Y-00	.CAP	1	
26	676-42726-00	GROMMET	1	
27	90447-13011	TUBE	1	



1  
**HANDLE STEERING  
 ASSY**  
 (Fig. 12, Ref. No. 2 to 32)



6F58200-H120

**FIG. 12 STEERING**

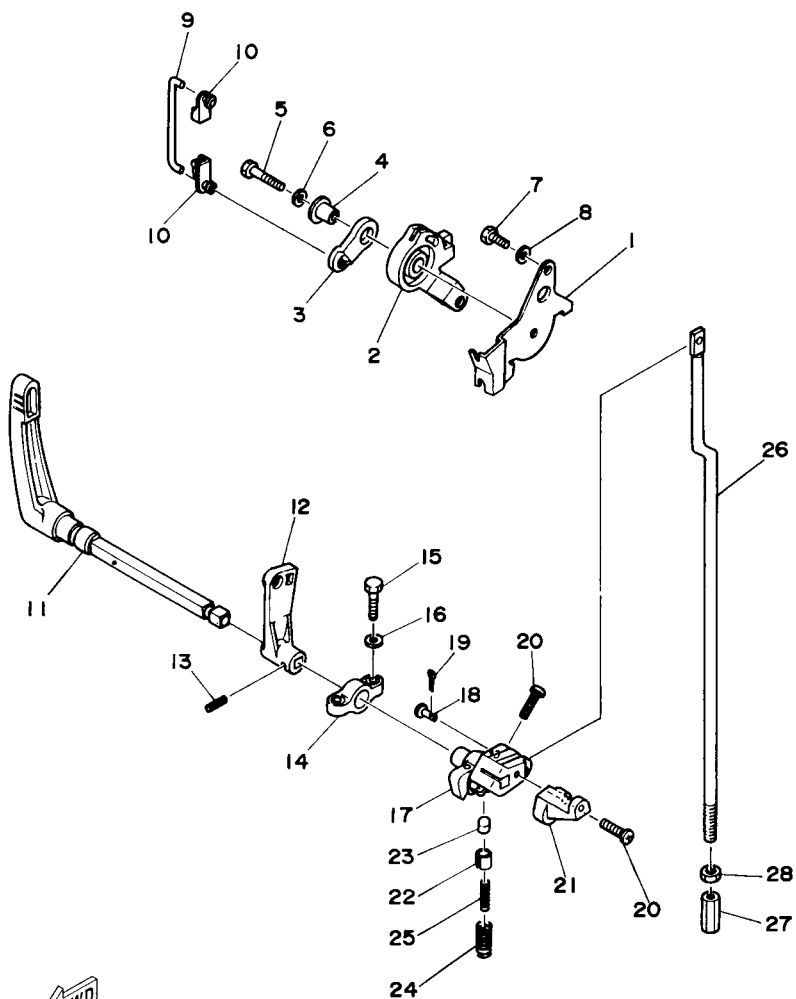
REF. NO.	PART NO.	DESCRIPTION	QTY	REMARKS
1	6F5-W0084-01-4D	HANDLE STEERING ASSY	1	
2	676-42111-03-4D	HANDLE, STEERING	1	
3	664-42119-00	GRIP, STEERING HANDLE	1	
4	6F6-42177-A0	RUBBER, HANDLE	1	
5	6F5-42137-00	INDICATOR, THROTTLE	1	
6	90269-02M09	RIVET	1	
7	90152-05011	SCREW, COUNTERSUNK	1	
8	90201-10M02	WASHER, PLATE	2	
9	90501-23215	SPRING, COMPRESSION	1	
10	90386-08032	BUSH	1	
11	676-42115-00	SHAFT, STEERING HANDLE	1	
12	676-42159-00	STAY	1	
13	97095-06020	BOLT	2	
14	92995-06600	WASHER	2	
15	650-42152-00-94	GEAR	1	
16	91690-30025	PIN, SPRING	1	
17	676-42151-00-94	PINION	1	
18	95380-06600	NUT, HEXAGON	1	
19	92990-06100	WASHER, SPRING	1	
20	90386-08M00	BUSH	1	
21	6F5-26311-00	CABLE, THROTTLE 1	2	
22	676-26391-00	CLIP, CABLE	1	
23	676-26392-00	CLIP, CABLE 2	1	
24	97095-05010	BOLT	2	
25	92995-05600	WASHER	2	
26	90386-12089	BUSH	1	
27	90101-12M37	BOLT	1	





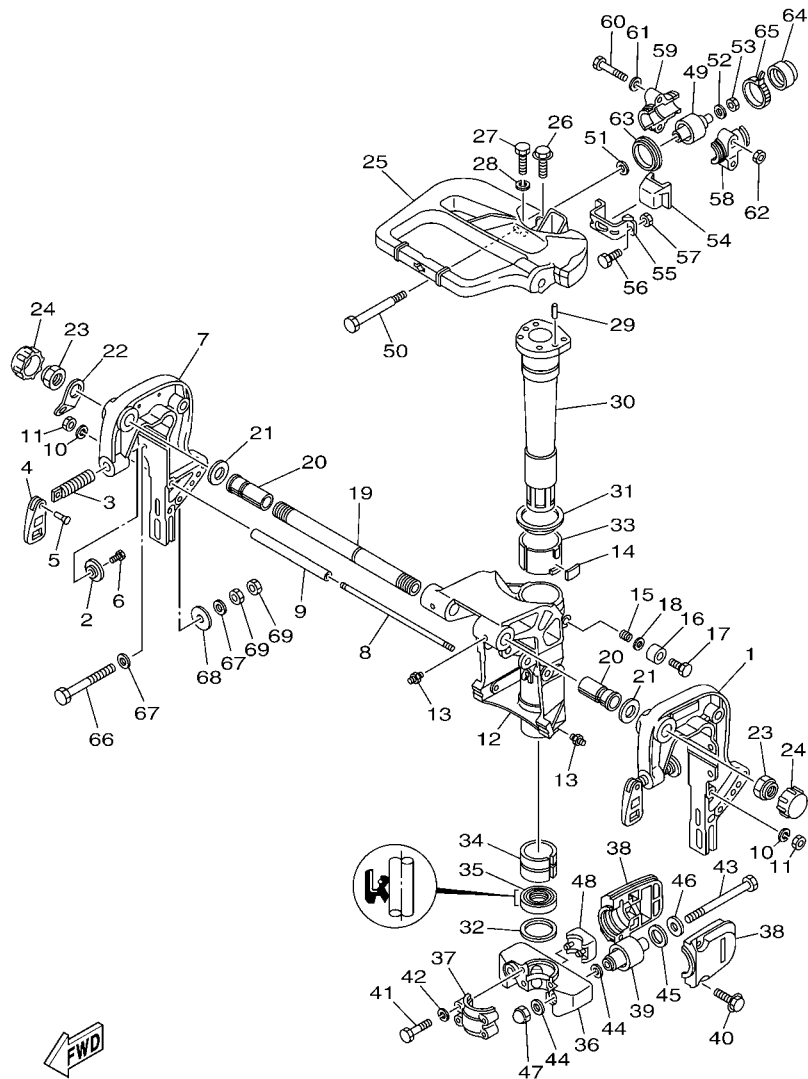
FIG. 13 CONTROL

REF. NO.	PART NO.	DESCRIPTION	QTY	REMARKS
1	6F5-14497-00	STAY, THROTTLE WIRE	1	
2	6F5-41638-00	PULLEY	1	
3	6F5-41283-00	LEVER, FREE ACCEL.	1	
4	90387-06M29	COLLAR	1	
5	97095-06030	BOLT	1	
6	92995-06600	WASHER	1	
7	97095-06016	BOLT	1	
8	92995-06600	WASHER	1	
9	6F5-41211-00	LINK, ACCEL.	1	
10	6E9-41237-00	JOINT, LINK	2	
11	6F5-44111-00	HANDLE, GEAR SHIFT	1	
12	6F5-44125-00	LEVER, SHIFT ROD	1	
13	91690-25016	PIN, SPRING	1	
14	6F5-41662-00	BRACKET 2	1	
15	97013-06025	BOLT	2	
16	92903-06600	WASHER, PLATE	2	
17	6F5-44121-00	LEVER, SHIFT ROD	1	
18	90240-05M09	PIN, CLEVIS	1	
19	91490-16010	PIN, COTTER	1	
20	97780-40520	SCREW, TAPPING	2	
21	6F5-44173-00	LEVER, SHIFT CONTROL	1	
22	6F5-42715-00	BUSHING	1	
23	6F5-44167-00	PLUNGER, SHIFT CAM	1	
24	90501-12M36	SPRING, COMPRESSION	1	
25	90501-07M33	SPRING, COMPRESSION	1	
26	676-44143-00	ROD, SHIFT	1	
27	648-44146-00	CONNECTOR, SHIFT ROD	1	



6H90010-4150

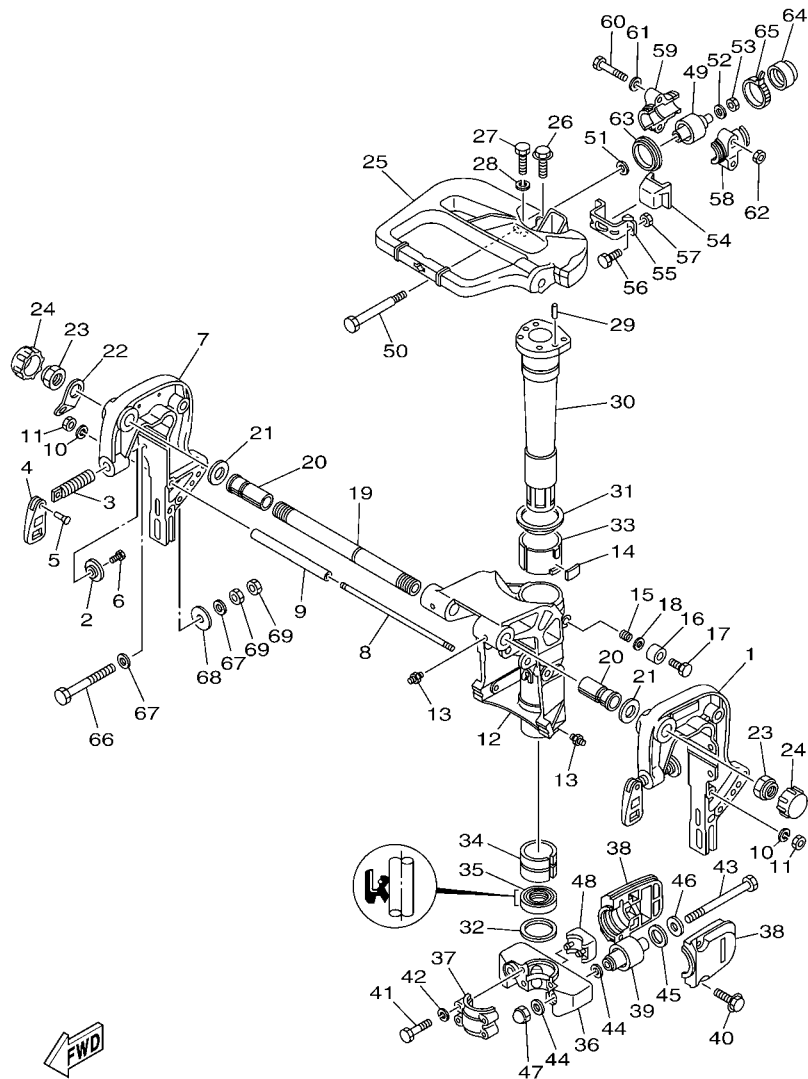




6H9B200-L140

FIG. 14 BRACKET 1

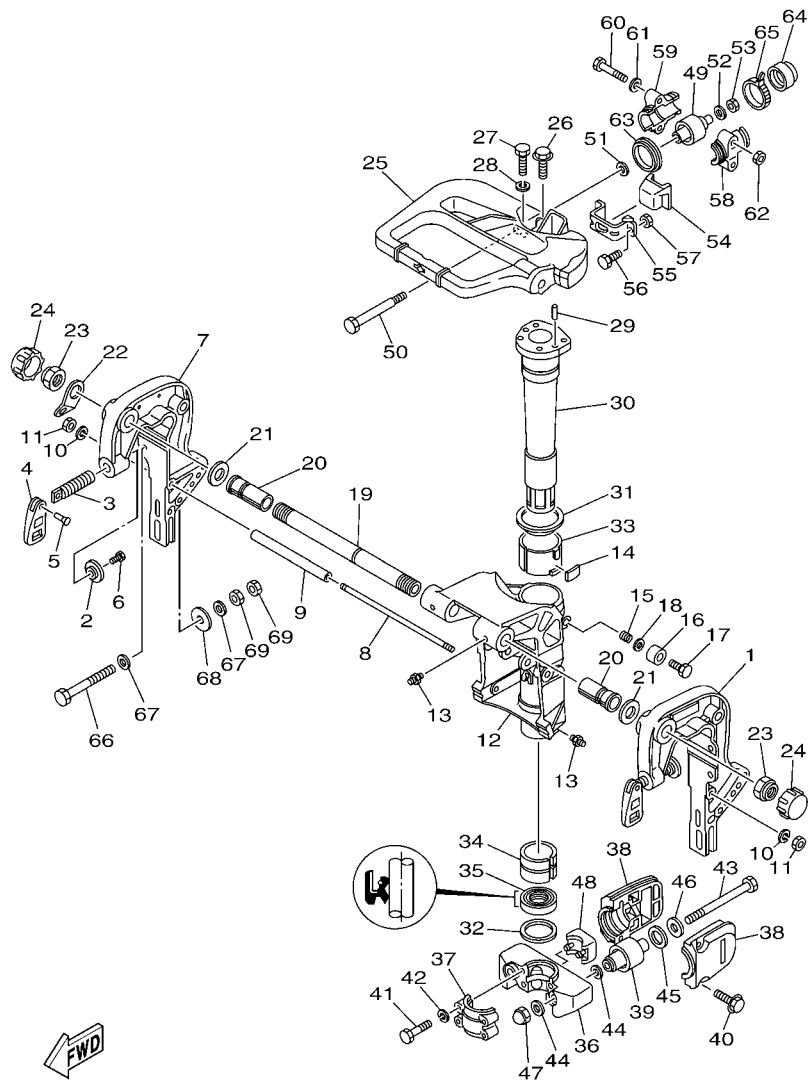
REF. NO.	PART NO.	DESCRIPTION	QTY	REMARKS
1	676-43111-04-4D	BRACKET, CLAMP 1	1	
2	6F5-43114-00	PAD, TRANSOM CLAMP	2	
3	6F5-43116-00	SCREW, TRANSOM CLAMP	2	
4	663-43118-01-4D	HANDLE, TRANSOM CLAMP	2	
5	90243-04007	PIN	2	
6	90109-06M12	BOLT	2	
7	676-43112-04-4D	BRACKET, CLAMP 2	1	
8	90116-08M00	BOLT, STUD	1	
9	90387-08M02	COLLAR	1	
10	92990-08100	WASHER, SPRING	2	
11	95380-08600	NUT	2	
12	676-43311-11-4D	BRACKET, SWIVEL 1	1	
13	93700-06M03	NIPPLE, GREASE	4	
14	648-42528-00	PLATE, FRICTION	1	
15	90501-18M00	SPRING, COMPRESSION	1	
16	676-43373-00	SEAL, DAMPER	1	
17	97075-08025	BOLT	1	
18	92995-08600	WASHER	1	
19	6J8-43131-01	BOLT, CLAMP BRACKET	1	
20	90386-22M15	BUSH	2	
21	90201-22M03	WASHER, PLATE	2	
22	6J8-43113-01	PLATE, CLAMP BRACKET	1	
23	90185-22043	NUT, SELF-LOCKING	2	
24	6G5-43145-01	CAP, CLAMP BRACKET	2	
25	676-42511-03-4D	BRACKET, STEERING	1	
26	97575-08430	BOLT, WITH WASHER	2	
27	97075-08035	BOLT	2	



6H9B200-L140

FIG. 14 BRACKET 1

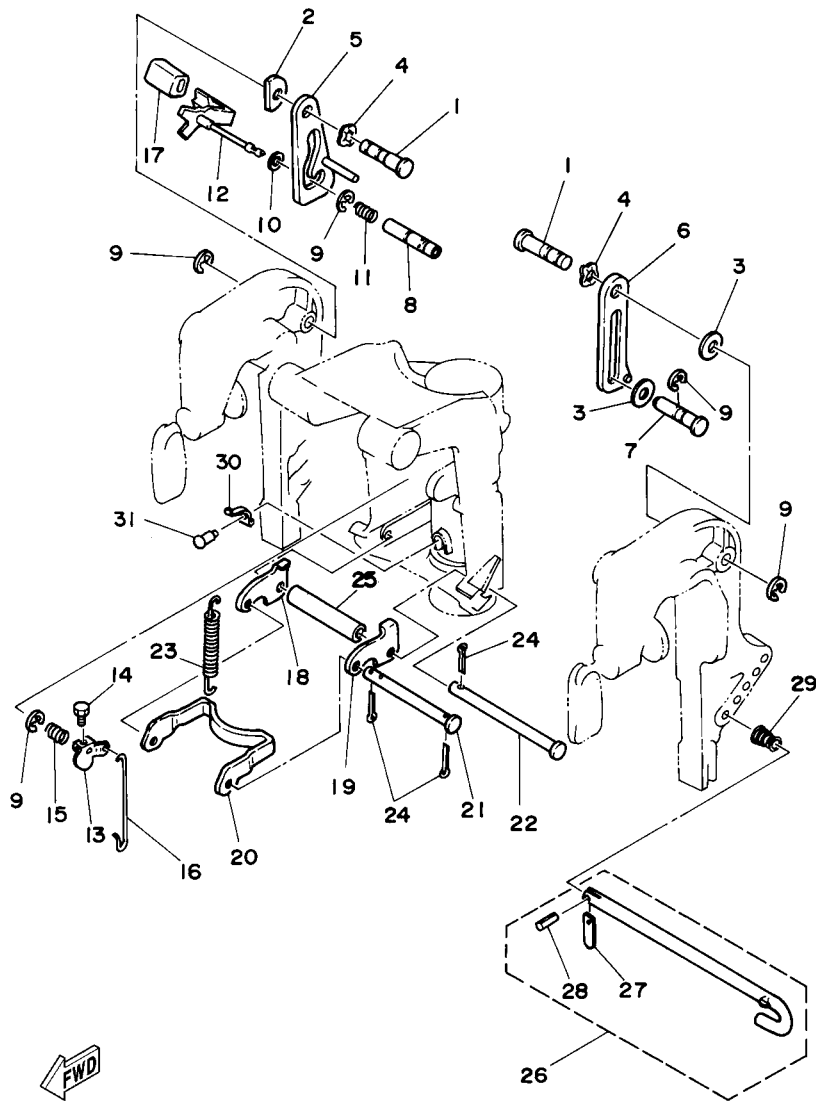
REF. NO.	PART NO.	DESCRIPTION	QTY				REMARKS
28	92995-08100	WASHER	2				
29	93608-12063	PIN, DOWEL	2				
30	676-42521-00-94	SHAFT, STEERING PIVOT	1				
31	90209-52M00	WASHER	1				
32	90201-44M01	WASHER, PLATE	1				
33	90386-52M02	BUSH	1				
34	90386-44M03	BUSH	1				
35	93109-44M00	OIL SEAL	1				
36	676-44551-01-4D	HOUSING, LOWER MOUNT RUBBER 1	1				
37	676-44552-01-4D	HOUSING, LOWER MOUNT RUBBER 2	1				
38	676-44553-01-4D	COVER, LOWER MOUNT	2				
39	62Y-44555-00	MOUNT DAMPER, LOWER SIDE	2				
40	97575-08430	BOLT, WITH WASHER	4				
41	97095-08045	BOLT	4				
42	92995-08100	WASHER	4				
43	90101-12M01	BOLT	2				
44	90201-12M16	WASHER, PLATE	4				
45	90202-21100	WASHER, PLATE	2				
46	90201-13M11	WASHER, PLATE	2				
47	95380-12800	NUT, CROWN	2				
48	676-44575-00	DAMPER, LOWER MOUNT RUBBER	1				
49	679-44514-00-94	MOUNT DAMPER, UPPER SIDE	2				
50	90101-08M02	BOLT	2				
51	90201-08M08	WASHER, PLATE	2				
52	90201-09M00	WASHER, PLATE	2				
53	90185-08057	NUT, SELF-LOCKING	2				
54	676-44533-00	DAMPER, UPPER MOUNT RUBBER	1				



6H9B200-L140

FIG. 14 BRACKET 1

REF. NO.	PART NO.	DESCRIPTION	6H9B				REMARKS
55	676-44518-00	BRACKET COMP.	1				
56	97095-06025	BOLT	2				
57	95380-06600	NUT, HEXAGON	2				
58	676-44511-00	COVER, UPPER MOUNT	2				
59	676-44512-00	COVER, UPPER MOUNT	2				
60	97095-08050	BOLT	4				
61	92995-08600	WASHER	4				
62	95380-08600	NUT	4				
63	676-44521-00	SEAL	2				
64	676-44522-01	SEAL	2				
65	90465-11M52	CLAMP	2				
66	90101-10M58	BOLT	4				
67	92995-10600	WASHER	8				
68	90201-12426	WASHER, PLATE	4				
69	95380-10600	NUT	8				



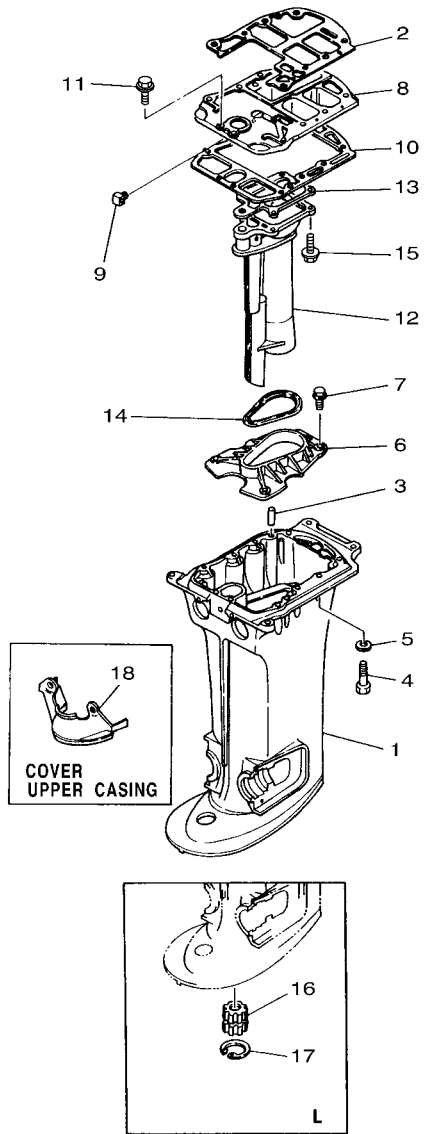
6J40200-4180

FIG. 15 BRACKET 2

REF. NO.	PART NO.	DESCRIPTION	QTY	REMARKS
1	90249-12M27	PIN	2	
2	676-43132-00	WASHER, FRICTION	1	
3	90202-12M01	WASHER, PLATE	2	
4	90206-12M00	WASHER, WAVE	2	
5	6F5-43627-80	STOPPER	1	
6	6F5-43628-80	STOPPER	1	
7	90249-12M13	PIN	1	
8	676-43191-00	SHAFT, STOPPER	1	
9	99080-10600	CIRCLIP	5	
10	90202-06M00	WASHER, PLATE	1	
11	90501-14M05	SPRING, COMPRESSION	1	
12	6F5-43630-80	TILT LEVER ASSY	1	
13	676-43631-00	LEVER, TILT	1	
14	97095-05010	BOLT	1	
15	90508-14M00	SPRING, TORSION	1	
16	676-43616-00	ROD, TILT LOCK	1	
17	663-43318-00	COVER	1	
18	676-43614-00	PLATE, TILT LOCK	1	
19	676-43615-00	PLATE, TILT LOCK	1	
20	676-43613-00	ARM, TILT LOCK	1	
21	90249-07M01	PIN	1	
22	90249-07M02	PIN	1	
23	90506-30M00	SPRING, TENSION	2	
24	91490-20012	PIN, COTTER	4	
25	90387-07M04	COLLAR	1	
26	676-43160-02	TILT ROD ASSY	1	
27	676-43165-00	.PLATE, TILT LOCK	1	







  
6H99200-J160

**FIG. 16 UPPER CASING**

REF. NO.	PART NO.	DESCRIPTION	QTY	REMARKS
1	676-45111-03-4D	CASING, UPPER	1	S(16.6")
	6H9-45111-11-4D	CASING, UPPER	1	L(21.6")
2	6F5-45113-A0	GASKET, UPPER CASING	1	
3	93606-25M00	PIN, DOWEL	2	
4	97095-08040	BOLT	8	
5	92995-08100	WASHER	8	
6	6F5-41116-00-CA	PROTECTOR	1	
7	90105-06M01	BOLT, FLANGE	4	
8	6F5-41137-02-CA	GUIDE, EXHAUST	1	
9	6F5-41141-00	ELBOW, WATER MIXING	1	
10	676-45114-A1	GASKET, UPPER CASING	1	
11	97595-06425	BOLT, WITH WASHER	3	
12	676-41131-01-CA	MANIFOLD, EXT. 1	1	
13	676-41133-A1	GASKET, EXHAUST MANIFOLD 1	1	
14	676-45127-00	SEAL	1	
15	97595-06420	BOLT, WITH WASHER	4	
16	6A0-45318-00	BUSHING, DRIVE SHAFT	1	L(21.6")
17	93420-36M01	CIRCLIP	1	L(21.6")
18	676-45151-00-4D	COVER, UPPER CASING	1	S(16.6")
	676-45151-10-4D	COVER, UPPER CASING	1	L(21.6")

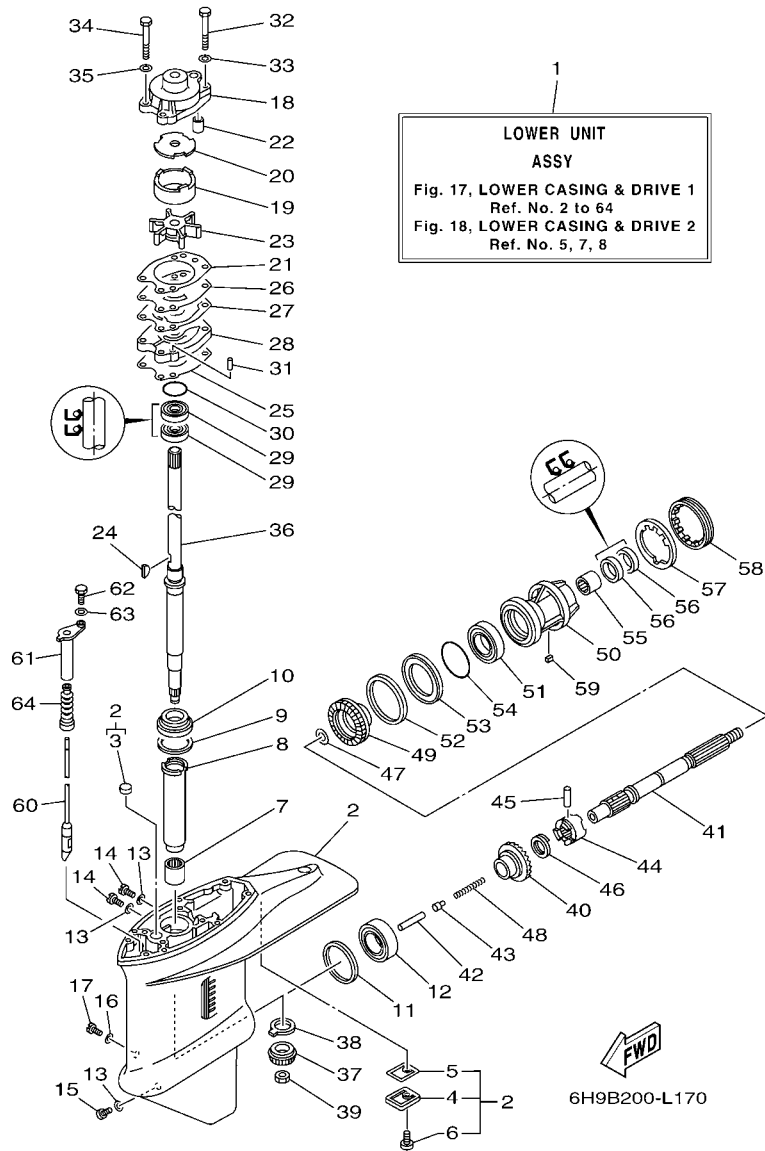
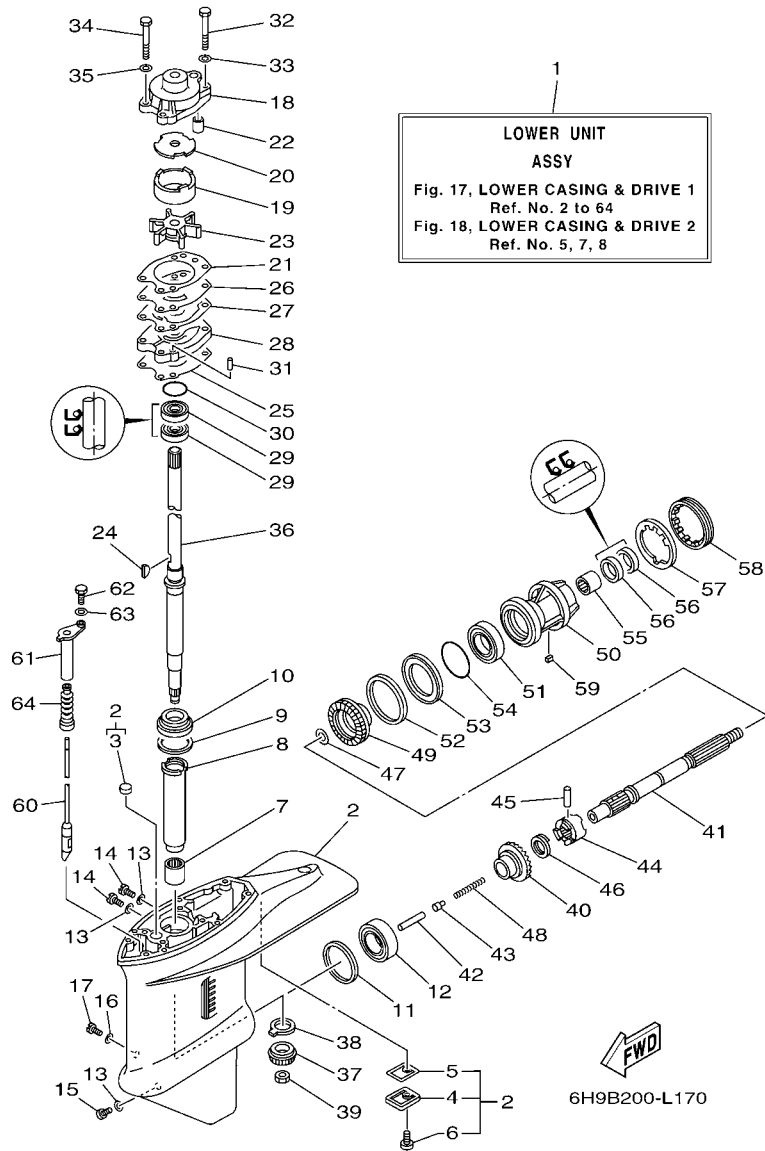


FIG. 17 LOWER CASING & DRIVE 1

REF. NO.	PART NO.	DESCRIPTION	6H9B				REMARKS
1	6J4-45300-02-4D	LOWER UNIT ASSY	1				S(16.6")
	6J4-45300-12-4D	LOWER UNIT ASSY	1				L(21.6")
2	6J4-W4531-01-4D	CASING, LOWER	1				
3	90338-22007	.PLUG	1				
4	679-45321-02	.PLATE	1				
5	679-45315-A1	.PACKING, LOWER CASING	1				
6	97880-06016	.SCREW, PAN HEAD	1				
7	93315-32224	BEARING	1				
8	679-45536-00	SLEEVE, DRIVE SHAFT	1				
9	663-45587-01	SHIM (T:0.10MM)	1				UR
	663-45587-10	SHIM (T:0.12MM)	1				UR
	663-45587-20	SHIM (T:0.15MM)	1				UR
	663-45587-30	SHIM (T:0.18MM)	1				UR
	663-45587-40	SHIM (T:0.30MM)	1				UR
	663-45587-50	SHIM (T:0.40MM)	1				UR
	663-45587-60	SHIM (T:0.50MM)	1				UR
10	93332-00001	BEARING	1				
11	663-45567-01	SHIM (T:0.10MM)	1				UR
	663-45567-10	SHIM (T:0.12MM)	1				UR
	663-45567-20	SHIM (T:0.15MM)	1				UR
	663-45567-30	SHIM (T:0.18MM)	1				UR
	663-45567-40	SHIM (T:0.30MM)	1				UR
	663-45567-50	SHIM (T:0.40MM)	1				UR
	663-45567-60	SHIM (T:0.50MM)	1				UR
12	93332-00003	BEARING	1				
13	90430-08020	GASKET	3				
14	90340-08002	PLUG, STRAIGHT SCREW	2				



**FIG. 17 LOWER CASING & DRIVE 1**

REF. NO.	PART NO.	DESCRIPTION	6H9B				REMARKS
15	688-45341-10	PLUG, DRAIN	1				
16	90430-06M03	GASKET	1				
17	90149-06M00	SCREW	1				
18	676-44311-00	HOUSING, WATER PUMP	1				
19	676-44322-40	INSERT, CARTRIDGE	1				FOR CHROMATE
20	676-44321-40	INNER PLATE, CARTRIDGE	1				FOR CHROMATE
21	676-44315-A1	GASKET, WATER PUMP	1				
22	663-44366-00	DAMPER, WATER SEAL 2	1				
23	6F5-44352-00	IMPELLER	1				
24	90280-04M00	KEY, WOODRUFF	1				
25	679-44316-A1	GASKET, WATER PUMP	1				
26	676-44323-40	OUTER PLATE, CARTRIDGE	1				FOR CHROMATE
27	676-44324-A1	GASKET, CARTRIDGE	1				
28	679-44341-00	HOUSING, WATER PUMP	1				
29	93101-22M00	OIL SEAL	2				
30	93210-41042	O-RING	1				
31	93604-08062	PIN, DOWEL	2				
32	97095-08055	BOLT	2				
33	92995-08600	WASHER	2				
34	97095-08045	BOLT	2				
35	92995-08600	WASHER	2				
36	679-45501-00	DRIVE SHAFT COMP.	1				S(16.6")
	679-45501-10	DRIVE SHAFT COMP.	1				L(21.6")
37	6H9-45551-00	PINION (13T)	1				
38	663-45552-00	BEARING, PLAIN	1				
39	90170-12138	NUT	1				
40	679-45560-00	GEAR 1 (26T)	1				

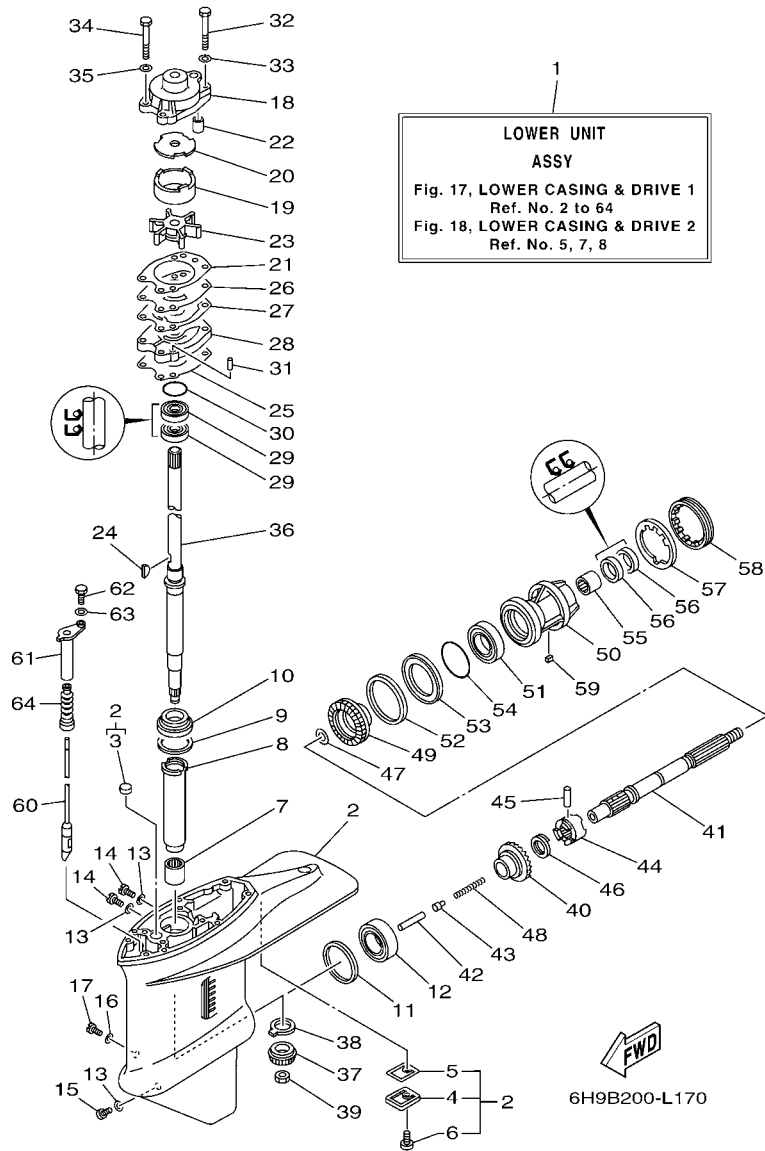
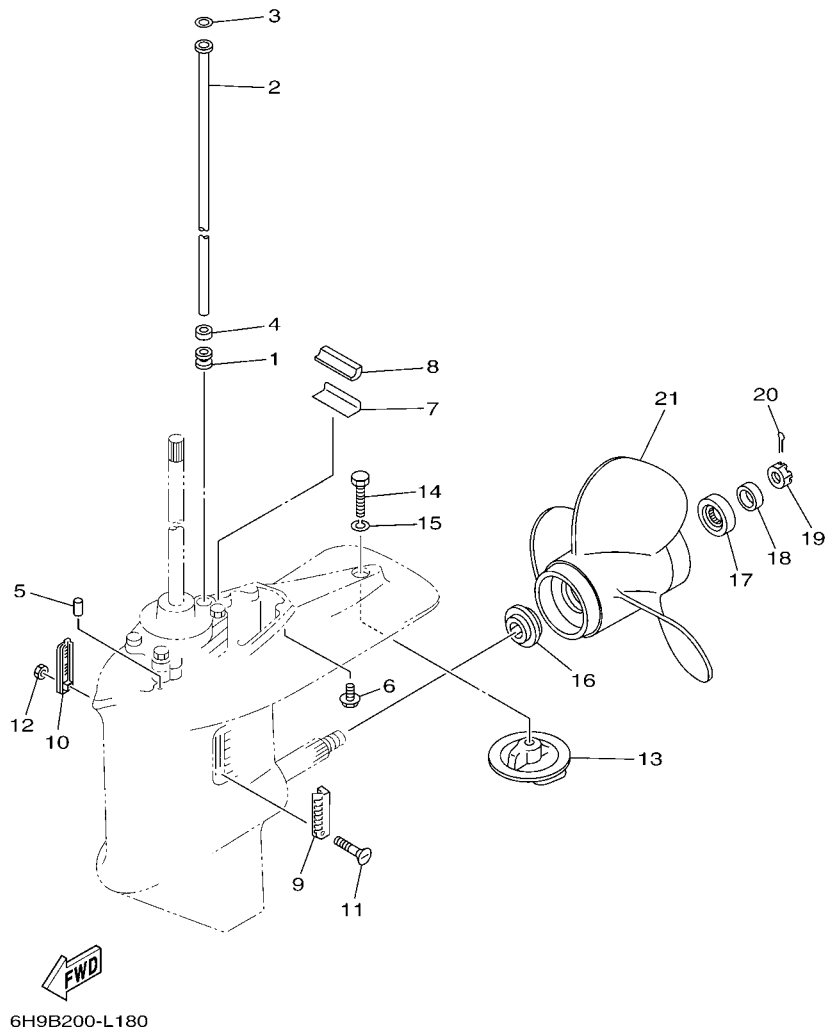


FIG. 17 LOWER CASING & DRIVE 1

REF. NO.	PART NO.	DESCRIPTION	QTY	REMARKS
41	679-45611-01	SHAFT, PROPELLER	1	
42	676-45635-00	PLUNGER, SHIFT	1	
43	663-45634-00	SLIDE, SHIFT	1	
44	663-45631-01	CLUTCH, DOG	1	
45	90250-06023	PIN, STRAIGHT	1	
46	663-45633-00	RING, CROSS PIN	1	
47	90201-22429	WASHER, PLATE	1	
48	90501-16M01	SPRING, COMPRESSION	1	
49	679-45571-00	GEAR 2 (26T)	1	
50	679-45331-00-94	HOUSING, BEARING	1	
51	93306-00702	BEARING	1	
52	663-45577-01	SHIM (T:0.10MM)	1	UR
	663-45577-10	SHIM (T:0.12MM)	1	UR
	663-45577-20	SHIM (T:0.15MM)	1	UR
	663-45577-30	SHIM (T:0.18MM)	1	UR
	663-45577-40	SHIM (T:0.30MM)	1	UR
	663-45577-50	SHIM (T:0.40MM)	1	UR
	663-45577-60	SHIM (T:0.50MM)	1	UR
53	663-45576-00	WASHER, THRUST 2	1	
54	93210-66M98	O-RING	1	
55	93317-22204	BEARING	1	
56	93101-22M00	OIL SEAL	2	
57	90214-48M03	WASHER, CLAW	1	
58	697-45384-02	NUT	1	
59	90282-04010	KEY, STRAIGHT	1	
60	679-44150-00	SHIFT CAM ASSY	1	S(16.6")
	679-44150-10	SHIFT CAM ASSY	1	L(21.6")

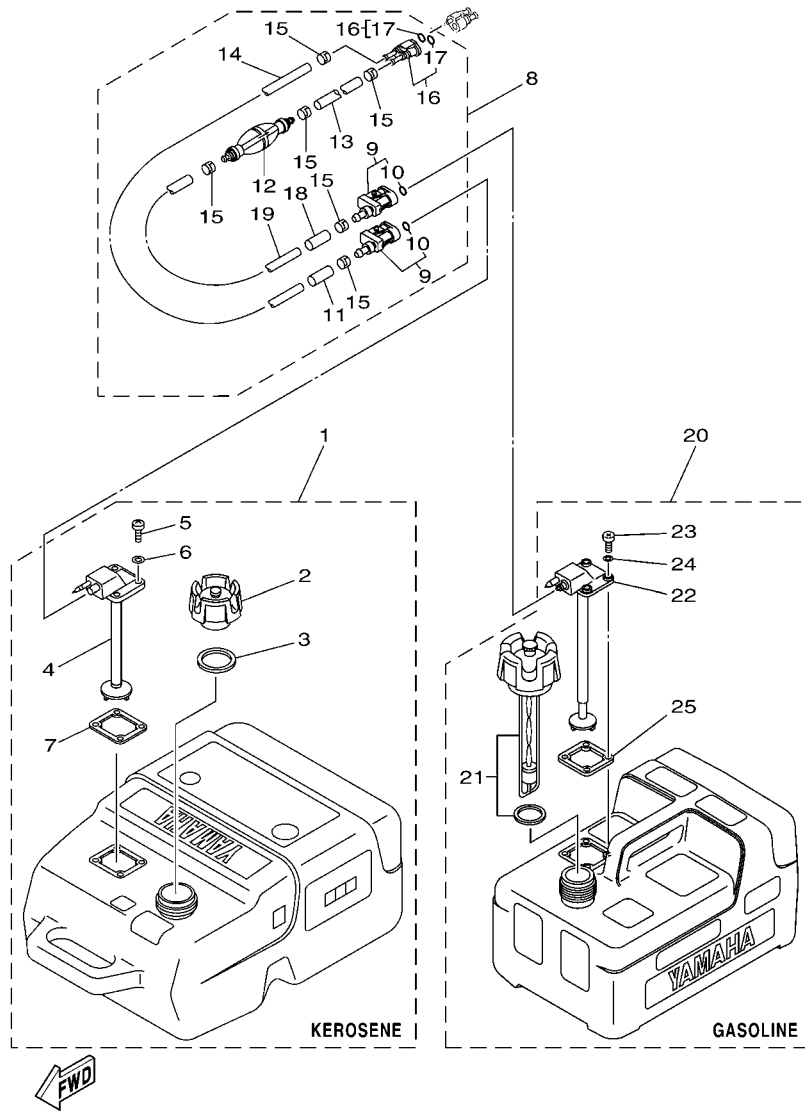




**FIG. 18 LOWER CASING & DRIVE 2**

REF. NO.	PART NO.	DESCRIPTION	6H9B				REMARKS
1	663-44367-00	DAMPER, WATER SEAL 3	1				
2	676-44361-00	TUBE, WATER 1	1				S(16.6")
	676-44361-10	TUBE, WATER 1	1				L(21.6")
3	90202-12060	WASHER, PLATE	1				
4	90430-12072	GASKET	1				
5	93606-12019	PIN, DOWEL	2				
6	97575-08430	BOLT, WITH WASHER	6				
7	663-45376-00	GUIDE, SEAL DAMPER	1				
8	663-45375-00	DAMPER, SEAL	1				
9	688-45214-02	COVER, WATER INLET 1	1				
10	688-45215-02	COVER, WATER INLET 2	1				
11	90152-05M09	SCREW, COUNTERSUNK	1				
12	90185-05002	NUT, NYLON	1				
13	679-45371-00	TAB-TRIM	1				
14	97095-10030	BOLT	1				
15	92995-10100	WASHER	1				
16	663-45987-02	SPACER 1	1				
17	66T-45997-00	SPACER 2	1				
18	90389-22M01	BUSH	1				
19	90171-16011	NUT, CASTLE	1				
20	91490-30025	PIN, COTTER	1				
21	69W-45943-00	PROPELLER (3X11"X15"-G)	1				UR
	69W-45945-00	PROPELLER (3X11-1/8"X13"-G)	1				UR
	69W-45947-00	PROPELLER (3X11-5/8"X11"-G)	1				UR
	69W-45952-00	PROPELLER (3X11-3/8"X12"-G)	1				UR
	663-45941-01	PROPELLER (3X10-3/4"X17"-G)	1				UR
	663-45949-01	PROPELLER (3X10-3/4"X16"-G)	1				UR





69T5200-D190

FIG. 19 FUEL TANK

REF. NO.	PART NO.	DESCRIPTION	QTY			REMARKS
1	6YK-24201-21	FUEL TANK ASSY (25L,KEROSENE)	1			AP KEROSENE
2	6YK-24610-10	.CAP ASSY	1			WITHOUT INDICATOR
3	6YL-24641-00	.GASKET, CAP 1	1			
4	6YK-24260-01	.FUEL METER ASSY	1			
5	90157-05M16	.SCREW, PAN HEAD	4			
6	6YL-24329-00	.SEAL	4			
7	6YL-24268-01	.GASKET, FUEL METER	1			
8	6YK-24306-04	FUEL PIPE COMP. 1	1			AP
9	6Y1-24305-06	.FUEL PIPE JOINT COMP. 2	2			
10	93210-08287	..O-RING	1			
11	6Y1-24397-10	.COLLAR (KEROSENE)	1			
12	61J-24360-00	.PRIMER PUMP ASSY	1			
13	90445-11M05	.HOSE (L850)	1			
14	90445-11M81	.HOSE (L3000)	1			
15	650-24351-51	.BAND 1	6			
16	680-24305-01	.FUEL PIPE JOINT COMP. 2	1			
17	93210-08287	..O-RING	2			
18	6Y1-24397-00	.COLLAR (GASOLINE)	1			
19	90445-11M06	.HOSE (L2050)	1			
20	6YL-24201-05	FUEL TANK ASSY (12L)	1			AP GASOLINE
21	6YL-24610-01	.CAP ASSY	1			
22	6YL-24260-01	.FUEL METER ASSY	1			
23	90157-05M16	.SCREW, PAN HEAD	4			
24	6YL-24329-00	.SEAL	4			
25	6YL-24268-01	.GASKET, FUEL METER	1			



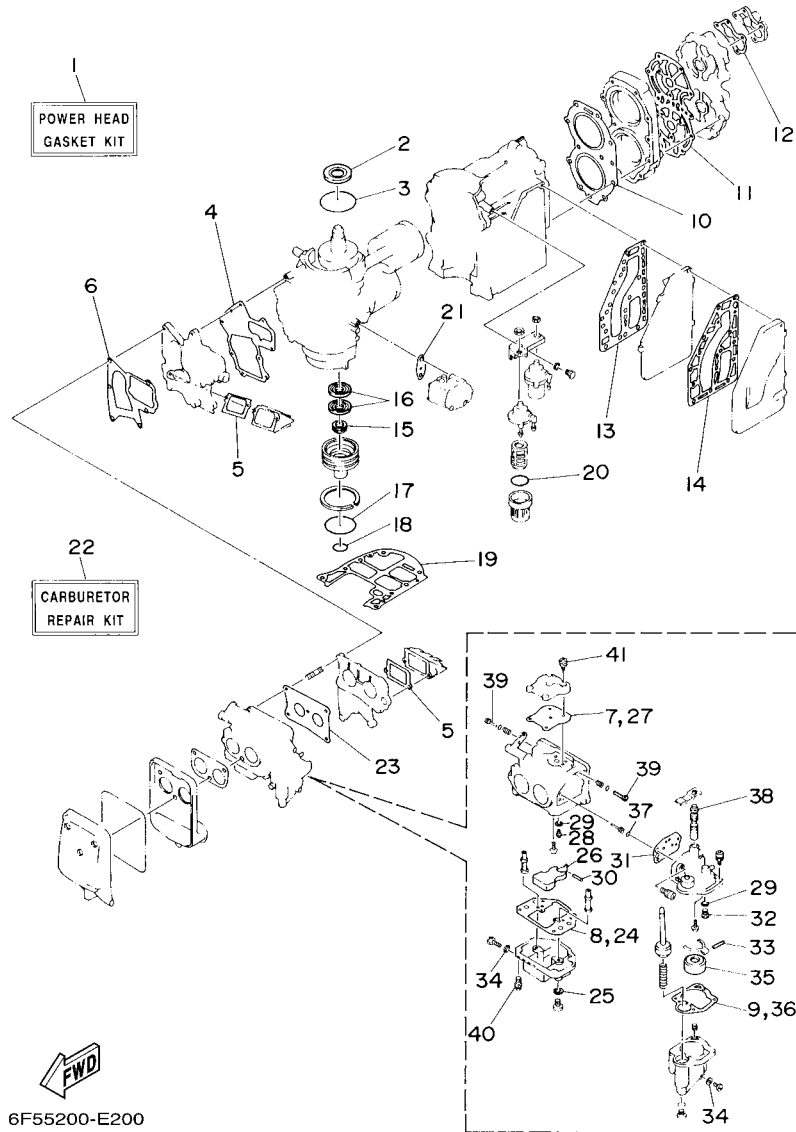


FIG. 20 REPAIR KIT 1

REF. NO.	PART NO.	DESCRIPTION	QTY	REMARKS
1	6F5-W0001-A2	POWER HEAD GASKET KIT	1	
2	93102-35M18	.OIL SEAL	1	
3	93210-75M51	.O-RING	1	
4	6F5-13646-A2	.GASKET, MANIFOLD 2	1	
5	6F5-13621-A1	.GASKET, VALVE SEAT	2	
6	6F5-13645-A1	.GASKET, MANIFOLD 1	1	
7	6F5-14398-00	.GASKET	1	
8	6F5-14384-00	.GASKET, FLOAT CHAMBER	1	
9	6F5-14384-10	.GASKET, FLOAT CHAMBER	1	
10	6F5-11181-A2	.GASKET, CYLINDER HEAD 1	1	
11	6F5-11193-A1	.GASKET, HEAD COVER 1	1	
12	676-12414-A1	.GASKET, COVER	1	
13	6F5-41112-A0	.GASKET, EXHAUST INNER COVER	1	
14	6F5-41114-A0	.GASKET, EXHAUST OUTER COVER	1	
15	93104-16M01	.OIL SEAL	1	
16	93101-30M33	.OIL SEAL	2	
17	93210-65M50	.O-RING	1	
18	93210-22M02	.O-RING	1	
19	6F5-45113-A0	.GASKET, UPPER CASING	1	
20	93210-32738	.O-RING	2	
21	650-24431-A0	.GASKET, FUEL PUMP 1	1	
22	6F5-W0093-01	CARBURETOR REPAIR KIT	1	
23	6F5-14198-A1	.GASKET	1	
24	6F5-14384-00	.GASKET, FLOAT CHAMBER	1	
25	1J2-14398-00	.GASKET	2	
26	6F6-14385-00	.FLOAT	1	
27	6F5-14398-00	.GASKET	1	

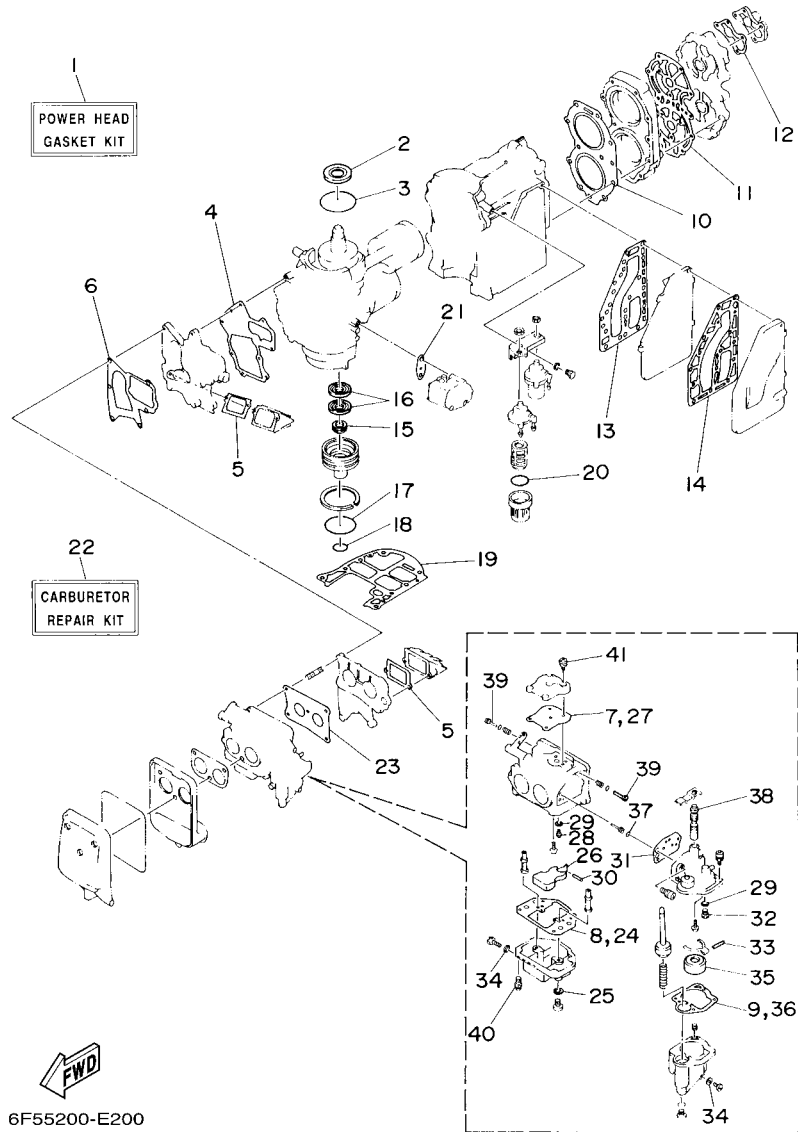
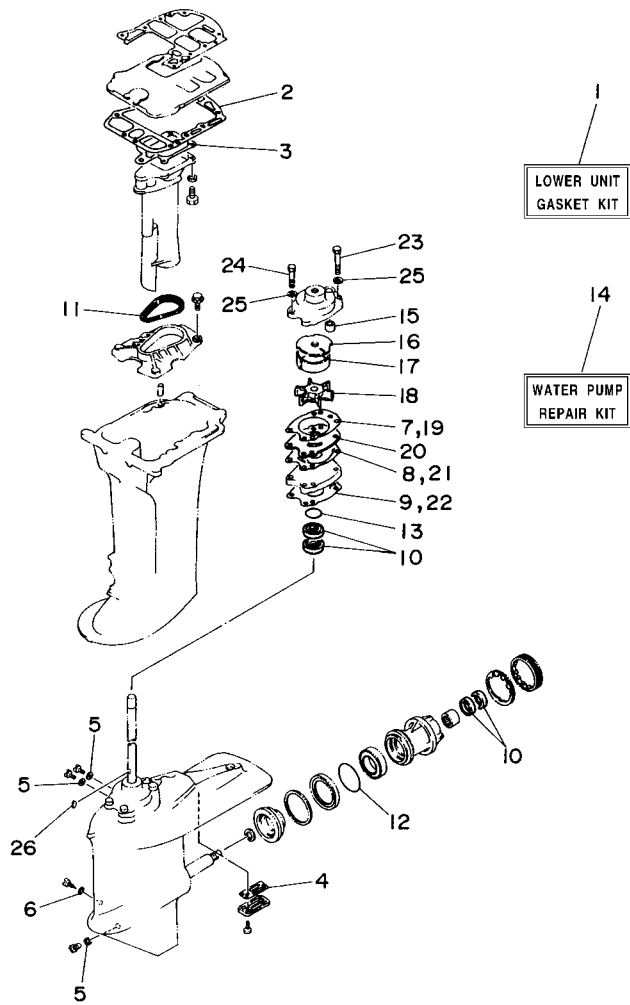


FIG. 20 REPAIR KIT 1

REF. NO.	PART NO.	DESCRIPTION	QTY	REMARKS
28	6F5-14390-21	.NEEDLE VALVE ASSY	1	
29	367-14195-00	.GASKET	2	
30	6E5-14386-01	.PIN, FLOAT	1	
31	6F5-14399-00	.GASKET	1	
32	6F5-14390-12	.NEEDLE VALVE ASSY	1	
33	367-14386-00	.PIN, FLOAT	1	
34	6E5-14398-00	.GASKET	2	
35	626-14385-00	.FLOAT	1	
36	6F5-14384-10	.GASKET, FLOAT CHAMBER	1	
37	6F5-14397-00	.O-RING	2	
38	6F5-14371-00	.PLUNGER, STARTER	1	
39	6F5-14323-01	.SCREW, AIR ADJUSTING	2	
40	97603-05117	.SCREW, PAN HEAD WITH WASHER	4	
41	97603-04114	.SCREW, PAN HEAD WITH WASHER	8	



**FWD**  
6J46200-F300

**FIG. 21 REPAIR KIT 2**

REF. NO.	PART NO.	DESCRIPTION	QTY	REMARKS
1	6H9-W0001-22	LOWER UNIT GASKET KIT	1	
2	676-45114-A1	.GASKET, UPPER CASING	1	
3	676-41133-A1	.GASKET, EXHAUST MANIFOLD 1	1	
4	679-45315-A1	.PACKING, LOWER CASING	1	
5	90430-08020	.GASKET	3	
6	90430-06M03	.GASKET	1	
7	676-44315-A1	.GASKET, WATER PUMP	1	
8	676-44324-A1	.GASKET, CARTRIDGE	1	
9	679-44316-A1	.GASKET, WATER PUMP	1	
10	93101-22M00	.OIL SEAL	4	
11	676-45127-00	.SEAL	1	
12	93210-66M98	.O-RING	1	
13	93210-41042	.O-RING	1	
14	6J4-W0078-00	WATER PUMP REPAIR KIT	1	
15	663-44366-00	.DAMPER, WATER SEAL 2	1	
16	676-44321-40	.INNER PLATE, CARTRIDGE	1	
17	676-44322-40	.INSERT, CARTRIDGE	1	
18	6F5-44352-00	.IMPELLER	1	
19	676-44315-A1	.GASKET, WATER PUMP	1	
20	676-44323-40	.OUTER PLATE, CARTRIDGE	1	
21	676-44324-A1	.GASKET, CARTRIDGE	1	
22	679-44316-A1	.GASKET, WATER PUMP	1	
23	97095-08055	.BOLT	2	
24	97095-08045	.BOLT	2	
25	92995-08600	.WASHER	4	
26	90280-04M00	.KEY, WOODRUFF	1	

NUMERICAL INDEX

PART NO.	REF. NO.	PART NO.	REF. NO.	PART NO.	REF. NO.	PART NO.	REF. NO.	PART NO.	REF. NO.	PART NO.	REF. NO.
6F5-11111-00-1S	2 - 24	6F5-14198-A1	20 - 23	6F5-14390-21	5 - 12	6F5-15764-00	8 - 15	677-24435-02	6 - 24	6F6-42177-A0	12 - 4
6F5-11119-00	2 - 22	654-14243-00	5 - 47		20 - 28	6F5-15768-00	8 - 19	677-24444-01	6 - 21	676-42511-03-4D	14 - 25
6F5-11181-A2	2 - 25	6F5-14301-42	5 - 1	6A4-14394-00	5 - 33	6F5-15770-00	8 - 40	677-24471-01	6 - 23	676-42521-00-94	14 - 30
	20 - 10	650-14321-01	5 - 44	5Y1-14397-00	5 - 53	6F5-15771-00-94	8 - 32	61N-24521-00	6 - 11	648-42528-00	14 - 14
6F5-11191-00-1S	2 - 27	6F5-14323-01	5 - 40	652-14397-00	5 - 34	6F5-15772-00-94	8 - 35	61N-24560-00	6 - 9	6F5-42610-10	1 - 1
6F5-11193-A1	2 - 28		20 - 39	6F5-14397-00	5 - 26	6F5-15773-00	8 - 42	61N-24563-00	6 - 10	6F5-42613-01-4D	1 - 7
	20 - 11	6A0-14325-00	6 - 33		20 - 37	6F5-15774-00	8 - 41	6F5-24566-00	6 - 13	6F5-42615-00	1 - 11
676-11325-00	2 - 18	6E7-14325-00	6 - 34	1J2-14398-00	5 - 5	6F5-15779-02	8 - 21	6YL-24610-01	19 - 21	6E9-42651-01	1 - 3
6F5-11325-00	2 - 20	6F5-14332-01	5 - 29		20 - 25	6A0-15789-00	8 - 31	6YK-24610-10	19 - 2	6F5-42652-01	1 - 5
650-11370-01	2 - 4	647-14334-00	5 - 45	6E5-14398-00	5 - 23	6F5-15791-00	8 - 18	6YL-24641-00	19 - 3	63D-42678-40	1 - 13
	4 - 5	6F5-14334-01	5 - 41		20 - 34	6YL-24201-05	19 - 20	6F5-26311-00	12 - 21		1 - 14
6F6-11370-01	4 - 4	6F5-14339-00	5 - 32	6F5-14398-00	5 - 8	6YK-24201-21	19 - 1	676-26326-00	11 - 14	61R-42681-00	1 - 15
6F5-11400-11	3 - 1	6F5-14340-00	5 - 50		20 - 7	6YK-24260-01	19 - 4	676-26391-00	12 - 22		1 - 16
6F5-11412-11	3 - 2	6F5-14341-00	5 - 4		20 - 27	6YL-24260-01	19 - 22	676-26392-00	12 - 23	680-42684-00	1 - 17
6F5-11422-11	3 - 3	647-14342-30	5 - 11	6F5-14399-00	5 - 16	6YL-24268-01	19 - 7	626-28193-01-94	6 - 50	6F5-42711-03-4D	11 - 1
6F5-11432-11	3 - 4	647-14342-45	5 - 10		20 - 31		19 - 25	6F5-41111-01-1S	2 - 38	6F5-42715-00	13 - 22
6F5-11442-11	3 - 5	677-14343-73	5 - 6	6F5-14417-00	4 - 24	680-24304-01	6 - 1	6F5-41112-A0	2 - 37	6F5-42716-00	11 - 11
6F5-11515-00	3 - 9	647-14344-35	5 - 36	6F5-14418-00	4 - 25	680-24305-01	7 - 6		20 - 13	6F5-42724-00	11 - 12
6F5-11610-00	3 - 16	6F5-14346-00	5 - 46	6F5-14425-00	5 - 51		19 - 16	6F5-41113-01-1S	2 - 35	676-42726-00	11 - 26
6F5-11610-10	3 - 16	6A4-14355-00	5 - 28	6F5-14476-00	4 - 28	6Y1-24305-06	19 - 9	6F5-41114-A0	2 - 39	6F5-42727-00	11 - 13
6F5-11610-20	3 - 16	6F5-14369-00	5 - 30	6F5-14483-00	4 - 32	6Y3-24306-04	7 - 1		20 - 14	6F5-42738-01-94	11 - 8
6F6-11631-00-95	3 - 15	6F5-14370-02	5 - 31	624-14485-00	2 - 3	6YK-24306-04	19 - 8	6F5-41116-00-CA	16 - 6	6F5-42741-11	11 - 19
6F5-11633-00	3 - 17	6F5-14371-00	5 - 35		4 - 19	6A4-24329-00	6 - 4	676-41131-01-CA	16 - 12	6AH-42794-40	11 - 28
663-11634-00	3 - 18		20 - 38		4 - 29	6YL-24329-00	19 - 6	676-41133-A1	16 - 13	6F5-42815-01-4D	11 - 3
6F6-11635-00	3 - 15	6F5-14372-01	5 - 27	6F6-14488-00	8 - 51		19 - 24		21 - 3	6F5-42816-00	11 - 5
6F6-11636-00	3 - 15	6F5-14377-00	5 - 37	6F5-14497-00	13 - 1	650-24351-51	7 - 5	6F5-41137-02-CA	16 - 8	676-43111-04-4D	14 - 1
6F5-11651-00	3 - 11	6F5-14379-00	5 - 43	6F6-15100-02	2 - 2		19 - 15	6F5-41141-00	16 - 9	676-43112-04-4D	14 - 7
6F5-11681-00	3 - 12	6F5-14381-00	5 - 3	6F5-15396-01-CA	2 - 8	61J-24360-00	7 - 3	6F5-41211-00	13 - 9	6J8-43113-01	14 - 22
6F5-12411-03	2 - 30	6F5-14381-11	5 - 21	6F5-15711-02	8 - 2		19 - 12	6E9-41237-00	13 - 10	6F5-43114-00	14 - 2
6E5-12412-00	2 - 31	6F5-14383-00	5 - 9	6F5-15713-00	8 - 5	650-24378-00	2 - 36	6F5-41252-00	4 - 33	6F5-43116-00	14 - 3
676-12413-00-1S	2 - 32	6F5-14383-10	5 - 22	6F5-15714-03	8 - 3	6Y1-24397-00	19 - 18	6F5-41256-00	4 - 36	663-43118-01-4D	14 - 4
676-12414-A1	2 - 33	6F5-14384-00	5 - 2	6F5-15715-00	8 - 6	6Y1-24397-10	19 - 11	6F5-41262-01	5 - 42	6J8-43131-01	14 - 19
	20 - 12		20 - 8	6F5-15716-01	8 - 8	6F5-24410-06	6 - 20	661-41262-02	4 - 37	676-43132-00	15 - 2
6F5-13610-00	4 - 1		20 - 24	6F5-15723-01	8 - 22	648-24411-00	6 - 29		8 - 50	6G5-43145-01	14 - 24
6F5-13621-A1	4 - 8	6F5-14384-10	5 - 25	6F5-15726-01	8 - 11	663-24411-00	6 - 36	682-41271-01	4 - 34	676-43160-02	15 - 26
	4 - 17		20 - 9	6F5-15734-01	8 - 7	677-24411-02	6 - 26	689-41273-00	4 - 35	676-43165-00	15 - 27
	20 - 5		20 - 36	6F5-15739-00	8 - 20	682-24412-01	6 - 25	6F5-41283-00	13 - 3	676-43191-00	15 - 8
6F6-13641-00-1S	4 - 3	626-14385-00	5 - 24	6F5-15741-01	8 - 4	6A0-24412-02	6 - 41	6F5-41638-00	13 - 2	676-43311-11-4D	14 - 12
6F6-13643-01-1S	4 - 15		20 - 35	6F5-15746-00	8 - 39	6A0-24413-00	6 - 38	6F5-41662-00	13 - 14	663-43318-00	15 - 17
6F5-13645-A1	4 - 18	6F6-14385-00	5 - 7	6F5-15747-00	8 - 38	677-24413-01	6 - 22	676-42111-03-4D	12 - 2	676-43373-00	14 - 16
	20 - 6		20 - 26	656-15748-00	8 - 43	6A0-24421-01	6 - 32	676-42115-00	12 - 11	676-43613-00	15 - 20
6F5-13646-A2	4 - 6	367-14386-00	5 - 19	6F5-15752-00	8 - 16	648-24423-00	6 - 31	676-42119-00	12 - 3	676-43614-00	15 - 18
	20 - 4		20 - 33	6F5-15753-00	8 - 17	648-24424-00	6 - 30	6F5-42125-00	12 - 34	676-43615-00	15 - 19
6F5-13940-01	5 - 54	6E5-14386-01	5 - 15	6F5-15754-00	8 - 9	650-24431-A0	6 - 42	6F5-42126-00	12 - 33	676-43616-00	15 - 16
6F5-14182-41	5 - 17		20 - 30	689-15755-01	8 - 14		20 - 21	6F5-42137-00	12 - 5	6F5-43627-80	15 - 5
367-14195-00	5 - 13	6F5-14387-00	5 - 20	6A0-15758-01-94	8 - 27	648-24434-01	6 - 28	676-42151-00-94	12 - 17	6F5-43628-80	15 - 6
	20 - 29	6F5-14390-12	5 - 18	6A0-15761-00	1 - 2	677-24434-02	6 - 27	650-42152-00-94	12 - 15	6F5-43630-80	15 - 12
6F5-14198-A1	4 - 21		20 - 32	6A0-15762-01	8 - 30	648-24435-02	6 - 37	676-42159-00	12 - 12	676-43631-00	15 - 13

NUMERICAL INDEX

PART NO.	REF. NO.	PART NO.	REF. NO.	PART NO.	REF. NO.	PART NO.	REF. NO.	PART NO.	REF. NO.	PART NO.	REF. NO.
676-43643-00	15 - 30	62Y-44555-00	14 - 39	663-45577-60	17 - 52	6F5-85515-10	9 - 8	90152-05011	12 - 7	90266-04M04	1 - 4
6F5-44111-00	13 - 11	676-44575-00	14 - 48	663-45587-01	17 - 9	6F5-85520-10	9 - 4	90152-05M09	18 - 11	90269-02M09	12 - 6
6F5-44121-00	13 - 17	676-45111-03-4D	16 - 1	663-45587-10	17 - 9	6F6-85530-01	10 - 8	90157-05M16	19 - 5	90280-04M00	17 - 24
6F5-44125-00	13 - 12	6H9-45111-11-4D	16 - 1	663-45587-20	17 - 9	6F5-85533-10	9 - 5		19 - 23		21 - 26
676-44143-00	13 - 26	6F5-45113-A0	16 - 2	663-45587-30	17 - 9	6F5-85540-31	10 - 6	90159-04035	9 - 12	90280-05015	9 - 18
648-44146-00	13 - 27		20 - 19	663-45587-40	17 - 9	6F5-85542-10	10 - 2	90159-04063	9 - 11	90282-04010	17 - 59
650-44147-00	17 - 64	676-45114-A1	16 - 10	663-45587-50	17 - 9	6F5-85550-G0	9 - 1	90159-05040	9 - 10	90338-22007	17 - 3
679-44150-00	17 - 60		21 - 2	663-45587-60	17 - 9	6F5-85560-B0	9 - 2	90159-06M01	4 - 26	90340-08002	17 - 14
679-44150-10	17 - 60	676-45127-00	16 - 14	679-45611-01	17 - 41	6F5-85580-10	9 - 6	90170-07021	13 - 28	90385-12M04	8 - 25
679-44152-00	17 - 61		21 - 11	663-45631-01	17 - 44	6F5-85580-20	9 - 7	90170-12138	17 - 39	90386-08032	12 - 10
6F5-44167-00	13 - 23	676-45151-00-4D	16 - 18	663-45633-00	17 - 46	6F5-85597-H0	9 - 14	90170-20137	9 - 19	90386-08M00	12 - 20
6F5-44173-00	13 - 21	676-45151-10-4D	16 - 18	663-45634-00	17 - 43	6F5-85597-J0	9 - 13	90171-16011	18 - 19	90386-12089	12 - 26
6E0-44191-11	1 - 18	688-45214-02	18 - 9	676-45635-00	17 - 42	6H9-W0001-22	21 - 1	90185-05002	18 - 12	90386-12M37	11 - 4
676-44311-00	17 - 18	688-45215-02	18 - 10	663-45930-00	18 - 21	6F5-W0001-A2	20 - 1	90185-08057	14 - 53	90386-22M15	14 - 20
676-44315-A1	17 - 21	676-45251-00	2 - 15	663-45941-01	18 - 21	6F5-W0004-00	4 - 2	90185-12058	12 - 32	90386-44M03	14 - 34
	21 - 7	6J4-45300-02-4D	17 - 1	69W-45943-00	18 - 21	61N-W0070-40	1 - 12	90185-22043	14 - 23	90386-52M02	14 - 33
	21 - 19	6J4-45300-12-4D	17 - 1	69W-45945-00	18 - 21	6J4-W0078-00	21 - 14	90201-08M08	14 - 51	90387-06119	10 - 4
679-44316-A1	17 - 25	679-45315-A1	17 - 5	69W-45947-00	18 - 21	6F5-W0084-01-4D	12 - 1	90201-09M00	14 - 52	90387-06M29	8 - 49
	21 - 9		21 - 4	663-45949-01	18 - 21	6F5-W0090-64-1S	2 - 1	90201-10M02	12 - 8		13 - 4
	21 - 22	6A0-45318-00	16 - 16	69W-45952-00	18 - 21	6F5-W0093-01	20 - 22	90201-12426	14 - 68	90387-06M41	11 - 16
676-44321-40	17 - 20	679-45321-02	17 - 4	663-45952-02	18 - 21	6F5-W1571-03	8 - 1	90201-12537	12 - 30	90387-07M04	15 - 25
	21 - 16	679-45331-00-94	17 - 50	663-45954-01	18 - 21	676-W2810-01	6 - 49	90201-12M16	14 - 44	90387-08M02	14 - 9
676-44322-40	17 - 19	688-45341-10	17 - 15	663-45956-01	18 - 21	6J4-W4531-01-4D	17 - 2	90201-13M11	14 - 46	90387-08M05	8 - 26
	21 - 17	679-45371-00	18 - 13	663-45958-01	18 - 21	90101-08001	2 - 23	90201-20417	3 - 20	90389-22M01	18 - 18
676-44323-40	17 - 26	663-45375-00	18 - 8	663-45970-60	18 - 21	90101-08M02	14 - 50	90201-21M18	9 - 20	90430-06M03	17 - 16
	21 - 20	663-45376-00	18 - 7	663-45972-60	18 - 21	90101-10M58	14 - 66	90201-22429	17 - 47		21 - 6
676-44324-A1	17 - 27	697-45384-02	17 - 58	663-45974-60	18 - 21	90101-12M01	14 - 43	90201-22M03	14 - 21	90430-08020	17 - 13
	21 - 8	679-45501-00	17 - 36	663-45976-00	18 - 21	90101-12M37	12 - 27	90201-44M01	14 - 32		21 - 5
	21 - 21	679-45501-10	17 - 36	663-45978-00	18 - 21	90105-06M01	16 - 7	90202-06M00	15 - 10	90430-12072	18 - 4
679-44341-00	17 - 28	679-45536-00	17 - 8	663-45987-02	18 - 16	90105-08M10	8 - 23	90202-12060	18 - 3	90445-07240	4 - 30
6F5-44352-00	17 - 23	6H9-45551-00	17 - 37	66T-45997-00	18 - 17	90105-08M35	10 - 26	90202-12092	12 - 29		4 - 40
	21 - 18	663-45552-00	17 - 38	6F5-81328-00	9 - 9	90109-06M12	14 - 6	90202-12M01	15 - 3	90445-07254	4 - 39
676-44361-00	18 - 2	679-45560-00	17 - 40	6F5-81948-00	10 - 25	90109-06M86	10 - 7	90202-21100	14 - 45	90445-07M24	4 - 41
676-44361-10	18 - 2	663-45567-01	17 - 11	6AH-81994-40	8 - 52	90116-06M17	4 - 9	90202-27M23	3 - 13	90445-09226	6 - 5
663-44366-00	17 - 22	663-45567-10	17 - 11	6AH-81995-40	8 - 53	90116-08M00	14 - 8	90206-12052	11 - 7	90445-09M37	2 - 41
	21 - 15	663-45567-20	17 - 11	61A-82119-00	10 - 28	90119-06M11	11 - 22	90206-12054	12 - 31	90445-09M53	6 - 44
663-44367-00	18 - 1	663-45567-30	17 - 11	703-82119-00	9 - 21	90119-06M61	11 - 17	90206-12M00	15 - 4	90445-09M54	6 - 16
6E5-44391-00	11 - 2	663-45567-40	17 - 11	61N-82317-00	10 - 3	90119-06M65	10 - 5	90209-52M00	14 - 31	90445-09M55	5 - 52
676-44511-00	14 - 58	663-45567-50	17 - 11	62E-8231X-00	10 - 10	90119-06M73	11 - 6	90214-48M03	17 - 57	90445-10M43	6 - 6
676-44512-00	14 - 59	663-45567-60	17 - 11	62E-82371-11	10 - 9	90119-06MA2	2 - 34	90240-05M09	13 - 18	90445-10M50	6 - 17
679-44514-00-94	14 - 49	679-45571-00	17 - 49	682-82556-00	11 - 24	90119-06MA3	2 - 29	90243-04007	14 - 5		6 - 45
676-44518-00	14 - 55	663-45576-00	17 - 53	688-82560-10	10 - 17		2 - 40	90249-07M01	15 - 21	90445-11M05	7 - 4
676-44521-00	14 - 63	663-45577-01	17 - 52	6E9-82575-02	11 - 23	90119-08M10	8 - 24	90249-07M02	15 - 22		19 - 13
676-44522-01	14 - 64	663-45577-10	17 - 52	689-8257Y-00	11 - 25	90119-08MA5	2 - 26	90249-12M13	15 - 7	90445-11M06	7 - 2
676-44533-00	14 - 54	663-45577-20	17 - 52	6F5-82588-00	10 - 24	90119-10005	2 - 6	90249-12M27	15 - 1		19 - 19
676-44551-01-4D	14 - 36	663-45577-30	17 - 52	6F5-82590-21	10 - 18	90119-10028	2 - 7	90250-06023	17 - 45	90445-11M81	7 - 8
676-44552-01-4D	14 - 37	663-45577-40	17 - 52	65L-83557-00	10 - 29	90141-06M00	2 - 19	90260-04002	15 - 31		19 - 14
676-44553-01-4D	14 - 38	663-45577-50	17 - 52	6N7-83557-00	10 - 27	90149-06M00	17 - 17	90266-04M01	1 - 6	90446-10M01	10 - 21

NUMERICAL INDEX

PART NO.	REF. NO.	PART NO.	REF. NO.	PART NO.	REF. NO.	PART NO.	REF. NO.	PART NO.	REF. NO.	PART NO.	REF. NO.
90446-10M02	10 - 1	92990-06100	12 - 19	93210-41042	17 - 30	97075-08025	14 - 17	99080-10600	15 - 9		
90447-13011	11 - 27	92990-08100	14 - 10		21 - 13	97075-08035	14 - 27				
90464-07008	6 - 48	92990-12200	12 - 28	93210-65M50	2 - 11	97095-05010	12 - 24				
90464-07M06	10 - 16	92995-05600	12 - 25		20 - 17		15 - 14				
90465-08M07	10 - 13	92995-06100	1 - 9	93210-66M98	17 - 54	97095-06016	1 - 8				
90465-11M10	10 - 11	92995-06600	1 - 10		21 - 12		2 - 16				
	10 - 30		2 - 17	93210-75M51	9 - 15		8 - 28				
90465-11M52	14 - 65		4 - 22		20 - 3		8 - 45				
90467-06016	4 - 14		6 - 3	93306-00702	17 - 51		10 - 19				
	4 - 20		8 - 29	93306-306U2	3 - 8		10 - 22				
	4 - 31		8 - 46	93306-307U0	3 - 6		13 - 7				
	4 - 42		8 - 48	93310-727V7	3 - 14	97095-06018	17 - 62				
90467-08004	2 - 42		9 - 17	93315-32224	17 - 7	97095-06020	12 - 13				
	6 - 7		10 - 15	93317-22204	17 - 55	97095-06025	6 - 2				
	6 - 18		10 - 20	93332-00001	17 - 10		10 - 14				
	6 - 46		10 - 23	93332-00003	17 - 12		11 - 20				
90467-09M03	6 - 8		11 - 21	93332-000UE	3 - 7		14 - 56				
	6 - 19		12 - 14	93420-36M01	16 - 17	97095-06030	8 - 47				
	6 - 47		13 - 6	93440-68M03	2 - 13		13 - 5				
90468-07179	9 - 22		13 - 8		3 - 10	97095-06040	9 - 16				
90480-09M21	11 - 15		17 - 63	93603-21111	3 - 19	97095-08040	16 - 4				
90480-25161	10 - 12	92995-08100	14 - 28	93604-08062	17 - 31	97095-08045	14 - 41				
90501-07M33	13 - 25		14 - 42	93606-12019	18 - 5		17 - 34				
90501-10227	8 - 44		16 - 5	93606-25M00	16 - 3		21 - 24				
90501-12M36	13 - 24	92995-08600	14 - 18	93608-12063	2 - 5	97095-08050	14 - 60				
90501-14M05	15 - 11		14 - 61		14 - 29	97095-08055	17 - 32				
90501-16M01	17 - 48		17 - 33	93700-06M03	14 - 13		21 - 23				
90501-18M00	14 - 15		17 - 35	94702-00040	2 - 43	97095-10030	18 - 14				
90501-23215	12 - 9		21 - 25	95303-08700	8 - 12	97575-08430	14 - 26				
90502-10M04	15 - 29	92995-10100	18 - 15	95380-03600	6 - 35		14 - 40				
90506-30M00	15 - 23	92995-10600	14 - 67	95380-06600	4 - 23		18 - 6				
90508-14M00	15 - 15	93101-22M00	17 - 29		11 - 18	97595-06420	16 - 15				
91490-16010	12 - 36		17 - 56		12 - 18	97595-06425	16 - 11				
	13 - 19		21 - 10		12 - 35	97595-06555	6 - 43				
91490-20012	15 - 24	93101-30M33	2 - 9		14 - 57	97603-04114	5 - 38				
91490-30025	18 - 20		20 - 16	95380-08600	6 - 14		20 - 41				
91690-25016	13 - 13	93102-35M18	9 - 3		14 - 11	97603-05117	5 - 49				
91690-30010	2 - 14		20 - 2		14 - 62		20 - 40				
	15 - 28	93104-16M01	2 - 10	95380-10600	14 - 69	97603-06113	5 - 48				
91690-30025	12 - 16		20 - 15	95380-12800	14 - 47	97603-06120	5 - 39				
91690-40032	4 - 38	93109-44M00	14 - 35	97013-06014	6 - 15	97780-40520	13 - 20				
92903-06600	4 - 11	93210-08287	7 - 7	97013-06025	4 - 12	97780-50716	4 - 27				
	4 - 13		19 - 10		11 - 9	97880-05030	2 - 21				
	11 - 10		19 - 17		13 - 15	97880-06016	17 - 6				
	13 - 16	93210-22M02	2 - 12	97013-06065	4 - 10	97980-05114	4 - 7				
92903-08600	8 - 34		20 - 18	97013-08030	8 - 10		4 - 16				
	8 - 37	93210-32738	6 - 12	97013-08035	8 - 33	98503-05028	6 - 39				
92990-05100	6 - 40		20 - 20		8 - 36	98980-04006	5 - 14				