

**PARTS
CATALOGUE
CATALOGUE
DE PIÈCES DÉTACHÉES**

115CETO '02(6N61)

130BETO '02(6N71)

FOREWORD

This Parts Catalogue is related to the parts for the model(s) in the below frame. When you are ordering replacement parts, please refer to this Parts Catalogue and quote both part numbers and part names correctly.

115CETO'02(6N61), 130BETO'02(6N71)

1. Modifications or additions which have been made after issue of the Parts Catalogue will be announced in the Yamaha Parts News. It is advisable that you make necessary corrections to the Parts Catalogue according to the Yamaha Parts News.

2. Abbreviations

The Following abbreviations are used in this Parts Catalogue.

“UR” Use specified parts number.

“UN” Use as many as needed.

“AP” Alternate Parts

“LM” Local Made

(Parts need to be ordered locally)

“O/S” Over Size

“SWS” Salt Water Series

3. Parts, which are to be supplied in an assembly, are listed with a dot(.) in front of the part name as shown below.

EXAMPLE

CARBURETOR ASSY

.JET, PILOT

.NOZZLE, MAIN

4. Number of component for assembly

The numeral appearing to the right of each component part indicates the quantity of parts for each assembly unit.

EXAMPLE

PART NO.	DESCRIPTION	Ⓜ	Ⓢ	Ⓛ	REMARKS
6E0-85500-70	C.D.I. MAGNETO ASSY	1			
6E0-85550-70	.ROTOR ASSY	1			
6E0-15723-00-94.	PULLY, STARTER	1			

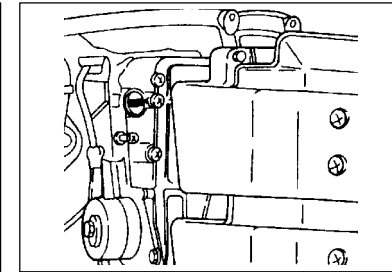
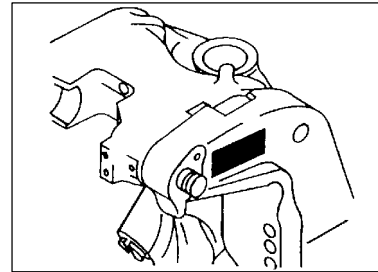
5. Quantity Column Information

NAME for Q'TY COLUMN	APPLICABLE MODEL
115C	115CETO
130B	130BETO

6. Applicable Starting Serial No. and Color Code

1) Engine Starting Serial No.

115CETO 6E5 L : 410242	130BETO 6L1 L : 313819
------------------------	------------------------



2) Color Code

Color Code	Color Name	Abbreviation
004D	DARK BLUISH GRAY METALLIC 2	DBNM2

7. Note that the illustrations for reference in finding parts numbers, not to be used for assembling. When assembling, please use the applicable service manual.

8. The asterisk (*) before a reference number indicates modification items after the first edition.

CONTENTS

SHEET 1/2

TOP COWLING	A4
CYLINDER. CRANKCASE 1	A5
CRANKSHAFT. PISTON	A6
CYLINDER. CRANKCASE 2	B1
INTAKE	B3
CARBURETOR	B5
OIL PUMP	B7
OIL TANK	C2
FUEL 1	C4
FUEL 2	C6
GENERATOR	C7
ELECTRICAL 1	D1
ELECTRICAL 2	D2
STARTING MOTOR	D4
BOTTOM COWLING	D5
CONTROL	E1
BRACKET 1	E4
BRACKET 2	E6
POWER TRIM & TILT ASSY 1	F1
POWER TRIM & TILT ASSY 2	F3
UPPER CASING	F5
LOWER CASING. DRIVE 1	F7

INDEX

NUMERICAL INDEX	G1
-----------------------	----

SHEET 2/2

LOWER CASING. DRIVE 1	A4*
LOWER CASING. DRIVE 2	A7*
STEERING GUIDE	B2*
REMOTE CONTROL BOX	B3*
REMOTE CONTROL ASSY	B4*
METER	B7*
REPAIR KIT 1	C1*
REPAIR KIT 2	C3*

INDEX

NUMERICAL INDEX	G1*
-----------------------	-----

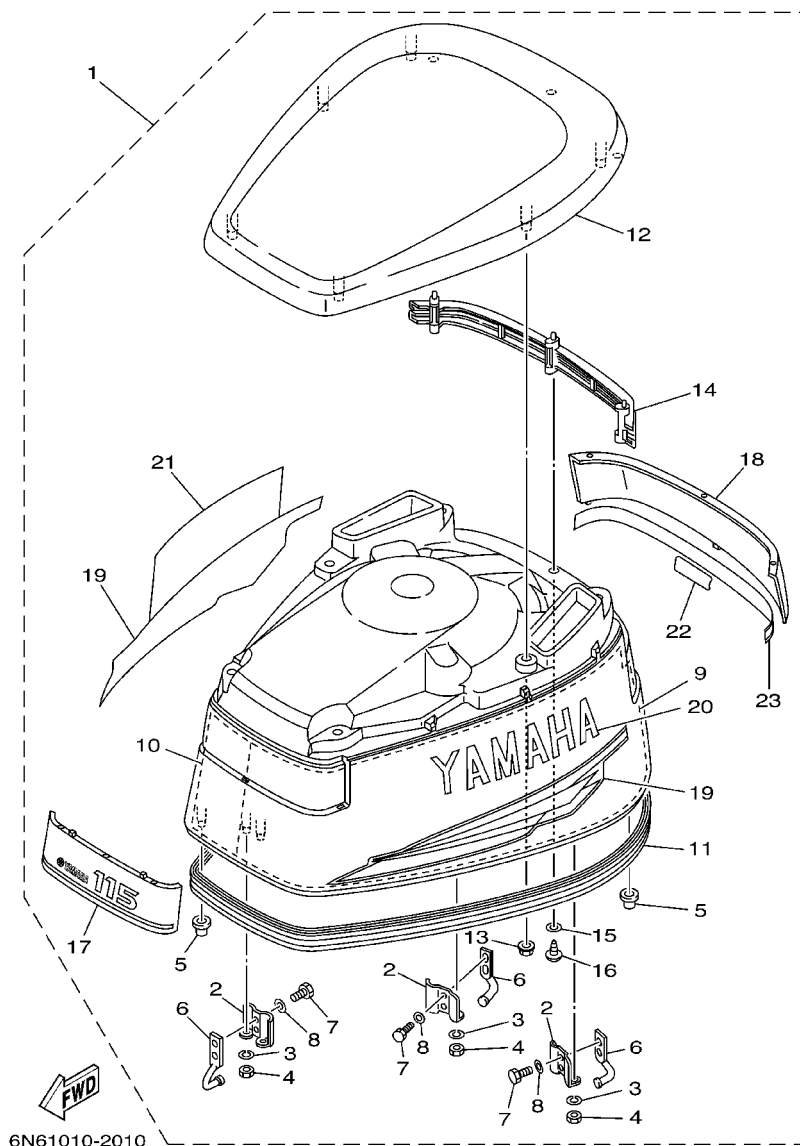
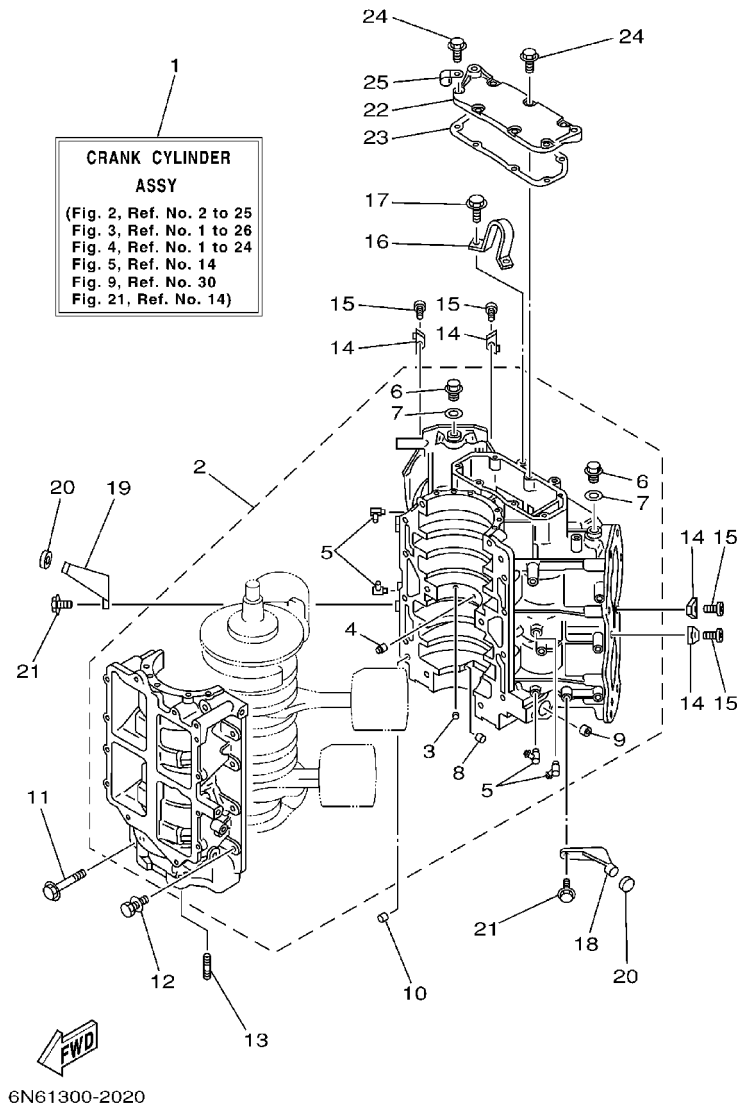


FIG. 1 TOP COWLING

CAPOT SUPERIEUR

REF. NO.	PART NO. NO. PIECES	DESCRIPTION DESCRIPTION	115C	130B	REMARKS REMARQUES
1	6N6-42610-60-4D	TOP COWLING ASSY CAPOT (ENS.)	1		
	6N7-42610-60-4D	TOP COWLING ASSY CAPOT (ENS.)		1	
2	6R3-42647-00	.HOLDER, CLAMP BAND .SUPPORT, SANDOW DE SERRAGE	3	3	
3	92990-06100	.WASHER, SPRING .RONDELLE, GROWER	6	6	
4	95380-06600	.NUT, HEXAGON ECROU	6	6	
5	6R3-42662-00	.DAMPER .AMORTISSEUR	3	3	
6	6R3-42814-00	.HOOK, CLAMP .CROCHET DE BRIDE	3	3	
7	97095-06012	.BOLT .BOULON	6	6	
8	92995-06600	.WASHER .RONDELLE	6	6	
9	6N7-42619-00	.DAMPER, FORM .BOURRELET, CAOUTCHOUC	1	1	
10	6N7-42627-00	.DAMPER, FORM .BOURRELET, CAOUTCHOUC	1	1	
11	6R3-42615-01	.SEAL .JOINT	1	1	
12	6N7-42613-00-4D	.MOLDING, AIR DUCT .MANCHON A AIR	1	1	
13	90179-06M24	.NUT ECROU	6	6	
14	6N7-42636-00	.LOUVER 2 VOLET 2	1	1	
15	92990-04600	.WASHER, PLATE .RONDELLE, PLATE	3	3	
16	97780-40520	.SCREW, TAPPING .VIS, TETE FRAISEE	3	3	
17	6N6-42686-40	.EMBLEM, FRONT .EMBLEME, AVANT	1		
	6N7-42686-40	.EMBLEM, FRONT .EMBLEME, AVANT		1	
18	6N6-42687-30	.EMBLEM, REAR .EMBLEME, ARRIERE	1		
	6N7-42687-30	.EMBLEM, REAR .EMBLEME, ARRIERE		1	
19	6N7-W0070-30	.GRAPHIC SET .JEU DIEMBLEMES	1	1	
20	6N7-42681-30	.MARK, COWLING .ADHESIF, CAPOT	1	1	
21	6N7-42682-30	.MARK, COWLING .ADHESIF, CAPOT	1	1	
22	6N7-42678-30	.GRAPHIC, REAR .ADHESIF, ARRIERE	1	1	
23	6N7-4267A-30	.GRAPHIC, REAR 2 .ADHESIF, ARRIERE 2	1	1	

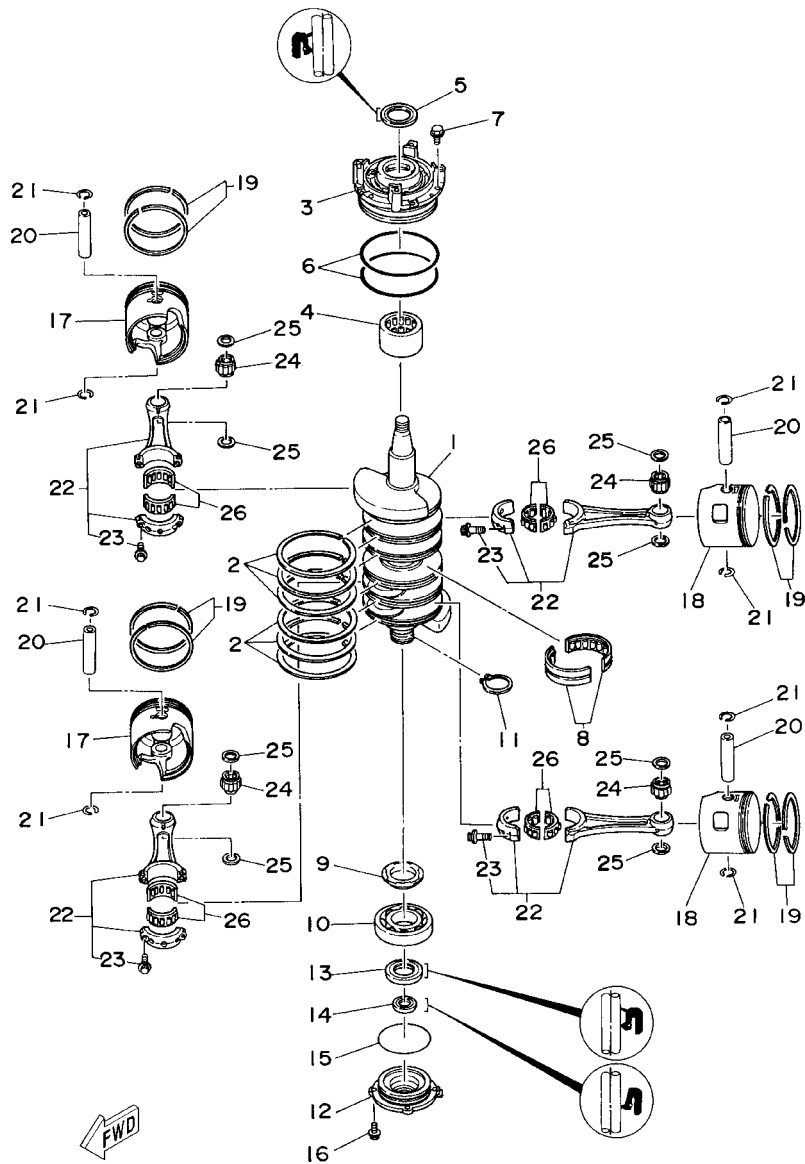
FIG. 2 CYLINDER. CRANKCASE 1 CYLINDRE. CARTER 1



REF. NO.	PART NO. NO. PIECES	DESCRIPTION DESCRIPTION	115C	130B	REMARKS REMARQUES
1	6N6-W0090-15-1S	CRANK CYLINDER ASSY EMBIELLAGE CYLINDRE (ENS.)	1		
	6N7-W0090-16-1S	CRANK CYLINDER ASSY EMBIELLAGE CYLINDRE (ENS.)		1	
2	6N6-15100-01-1S	CRANKCASE ASSY CARTER DE MOTEUR COMPLET	1		
	6N7-15100-01-1S	CRANKCASE ASSY CARTER DE MOTEUR COMPLET		1	
3	624-11379-00	.VALVE, CHECK .CLAPET	1	1	
4	663-11518-01	.LOCK, BEARING .CENTREUR, ROULEMENT	1	1	
5	6E5-11372-00	.NIPPLE, HOSE .RACCORD, TUYAU	4	4	
6	90340-14M00	.PLUG, STRAIGHT SCREW .PLOT, FILETE DROIT	2	2	
7	90430-14115	.GASKET .JOINT	2	2	
8	90384-06M07	.BUSH, BIMETAL FORMED .DOUILLE, BIMETAL MISE EN FORM	1	1	
9	90384-14M09	.BUSH, BIMETAL FORMED .DOUILLE, BIMETAL MISE EN FORM	1	1	
10	93608-12063	PIN, DOWEL GOUJON	2	2	
11	90105-10M20	BOLT, FLANGE BOULON	6	6	
12	90119-08M94	BOLT, WITH WASHER BOULON, AVEC RONDELLE	8	8	
13	90116-08M45	BOLT, STUD GOUJON	2	2	
14	6E5-11325-00	ANODE ANODE	4	4	
15	98780-04015	SCREW, FLAT HEAD VIS, TETE PLATE	4	4	
16	6E5-11119-01	HANGER, ENGINE ANNEAU, LEVAGE	1	1	
17	90119-08MA3	BOLT, WITH WASHER BOULON, AVEC RONDELLE	2	2	
18	6E5-42761-00-1S	STOPPER PLAQUETTE	1	1	
19	6E5-42762-00-1S	STOPPER PLAQUETTE	1	1	
20	68F-44533-00	DAMPER, UPPER MOUNT RUBBER COUVERCLE, SUSPENSION INFERIEU	2	2	
21	90119-06MA2	BOLT, WITH WASHER BOULON, AVEC RONDELLE	4	4	
22	6K7-11371-01-1S	COVER COUVERCLE	1	1	
23	6E5-11381-A2	GASKET 1 JOINT 1	1	1	
24	90119-06MA2	BOLT, WITH WASHER BOULON, AVEC RONDELLE	7	7	
25	90465-06M86	CLAMP BRIDE	1	1	

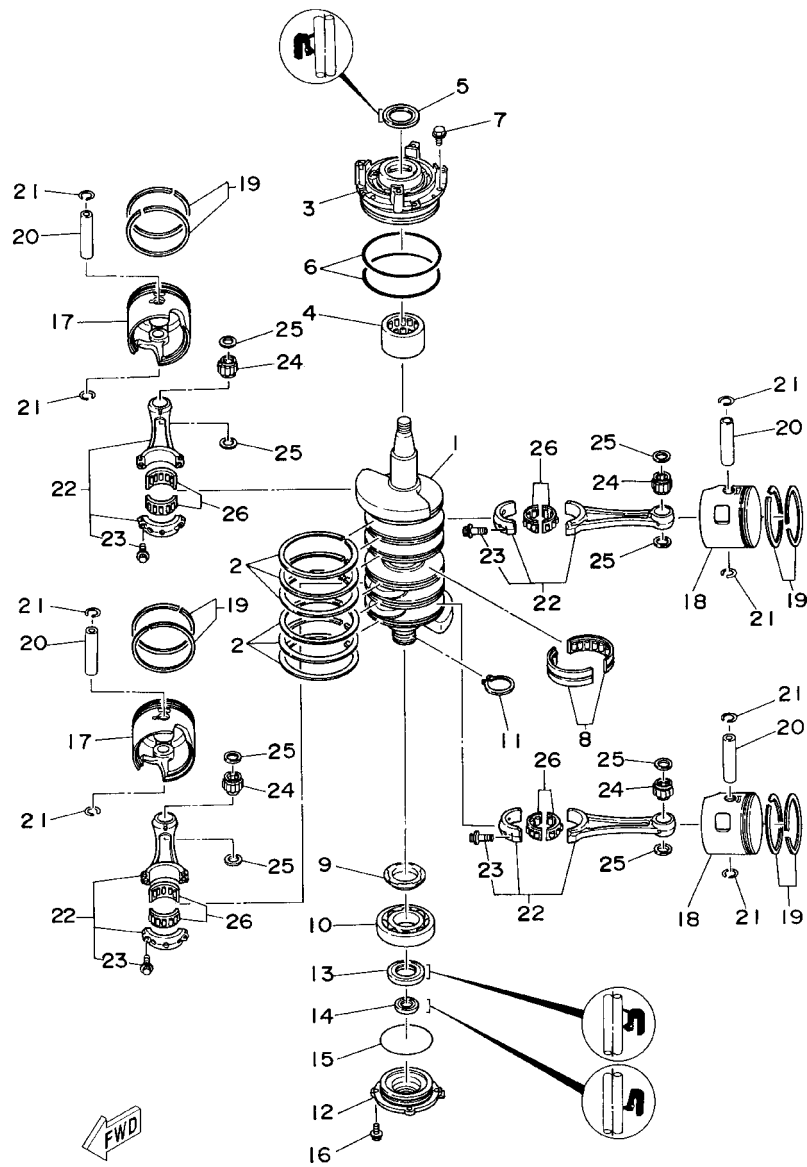
FIG. 3 CRANKSHAFT. PISTON

VILEBREQUIN. PISTON



6N60010-4030

REF. NO.	PART NO. NO. PIECES	DESCRIPTION DESCRIPTION	115C	130B	REMARKS REMARQUES
1	6N7-11411-01	CRANKSHAFT VILEBREQUIN COMPLET	1	1	
2	6E5-11447-00	SEAL, CRANK JOINT, VILEBREQUIN	6	6	
3	6R3-15163-00-1S	HOUSING, BEARING 1 LOGEMENT, ROULEMENT 1	1	1	
4	93311-940U3	BEARING ROULEMENT	1	1	
5	93102-40M14	OIL SEAL JOINT SPY	1	1	
6	93211-04001	O-RING JOINT TORIQUE	2	2	
7	90119-06MA2	BOLT, WITH WASHER BOULON, AVEC RONDELLE	3	3	
8	93310-954U1	BEARING ROULEMENT	1	1	
9	6R3-11536-00	GEAR, DRIVE ENGRENAGE, MENANT	1	1	
10	93306-208U0	BEARING ROULEMENT	1	1	
11	93410-40M03	CIRCLIP CIRCLIP, TYPE S	1	1	
12	6G5-15359-00-94	HOUSING, OIL SEAL LOGEMENT, BAGUE D'ETANCHEITE	1	1	
13	93102-35M13	OIL SEAL JOINT SPY	1	1	
14	93101-22M15	OIL SEAL JOINT SPY	1	1	
15	93210-74M35	O-RING JOINT TORIQUE	1	1	
16	90119-06MA2	BOLT, WITH WASHER BOULON, AVEC RONDELLE	4	4	
17	6R5-11631-11-93	PISTON (STD)	2	2	
	6R5-11635-11	PISTON (0.25MM O/S)	2	2	AP
	6R5-11636-11	PISTON (0.50MM O/S)	2	2	AP
	6R5-11637-11	PISTON (0.50MM O/S)	2	2	
18	6R5-11642-11-93	PISTON 2 (STD)	2	2	
	6R5-11645-11	PISTON 2 (0.25MM O/S)	2	2	AP
	6R5-11646-11	PISTON 2 (0.50MM O/S)	2	2	AP
	6R5-11647-11	PISTON 2 (0.50MM O/S)	2	2	
19	64D-11603-01	PISTON RING SET (STD) JUE DE SEGMENTS (STD)	4	4	
	64D-11604-01	PISTON RING SET (0.25MM O/S) JUE DE SEGMENTS (0.25MM O/S)	4	4	AP
	64D-11605-01	PISTON RING SET (0.50MM O/S) JUE DE SEGMENTS (0.50MM O/S)	4	4	AP
20	6R5-11633-10	PIN, PISTON AXE, PISTON	4	4	
21	6R5-11634-10	CLIP, PISTON PIN AGRAFE, AXE DE PISTON	8	8	



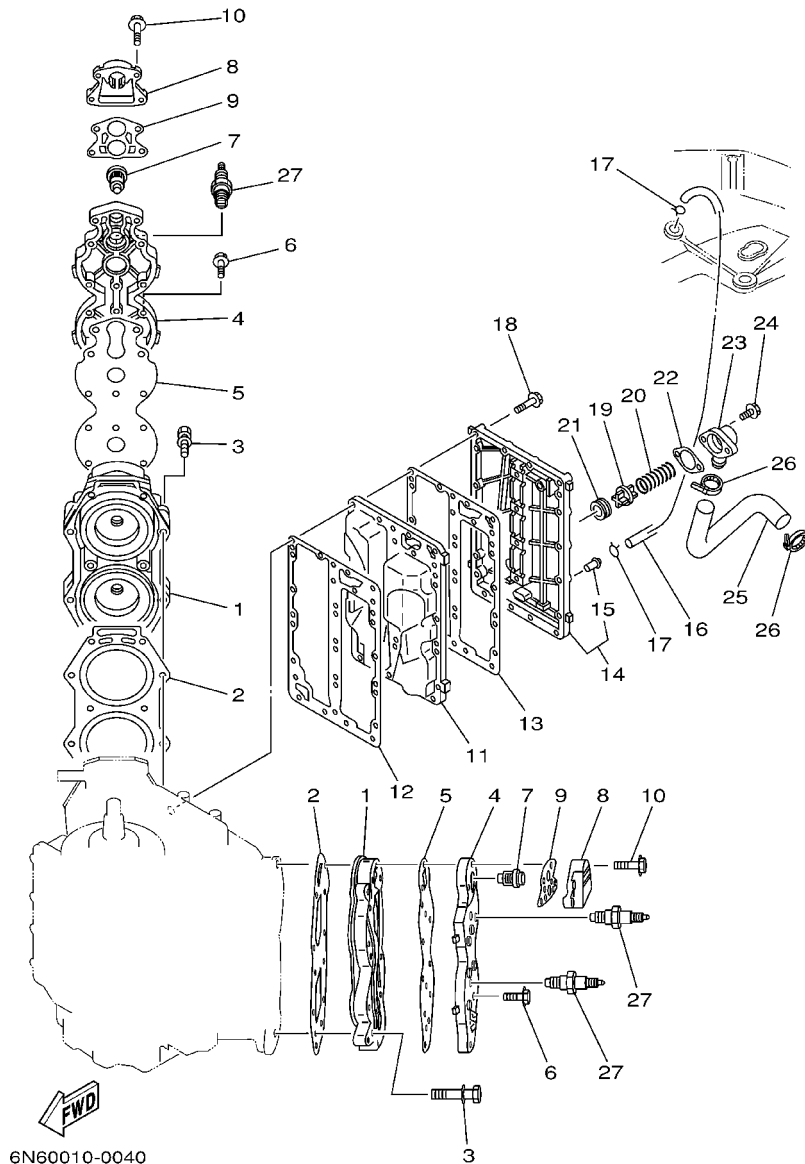
6N60010-4030

FIG. 3 CRANKSHAFT. PISTON

VILEBREQUIN. PISTON

REF. NO.	PART NO. NO. PIECES	DESCRIPTION DESCRIPTION	115C	130B			REMARKS REMARQUES
22	6R5-11650-10	CONNECTING ROD ASSY BIELLE COMPLETE	4	4			
23	90109-08022	.BOLT .BOULON	2	2			
24	93310-323V6	BEARING ROULEMENT	4	4			
25	90201-23M01	WASHER, PLATE RONDELLE, PLATE	8	8			
26	93310-836U0	BEARING ROULEMENT	4	4			

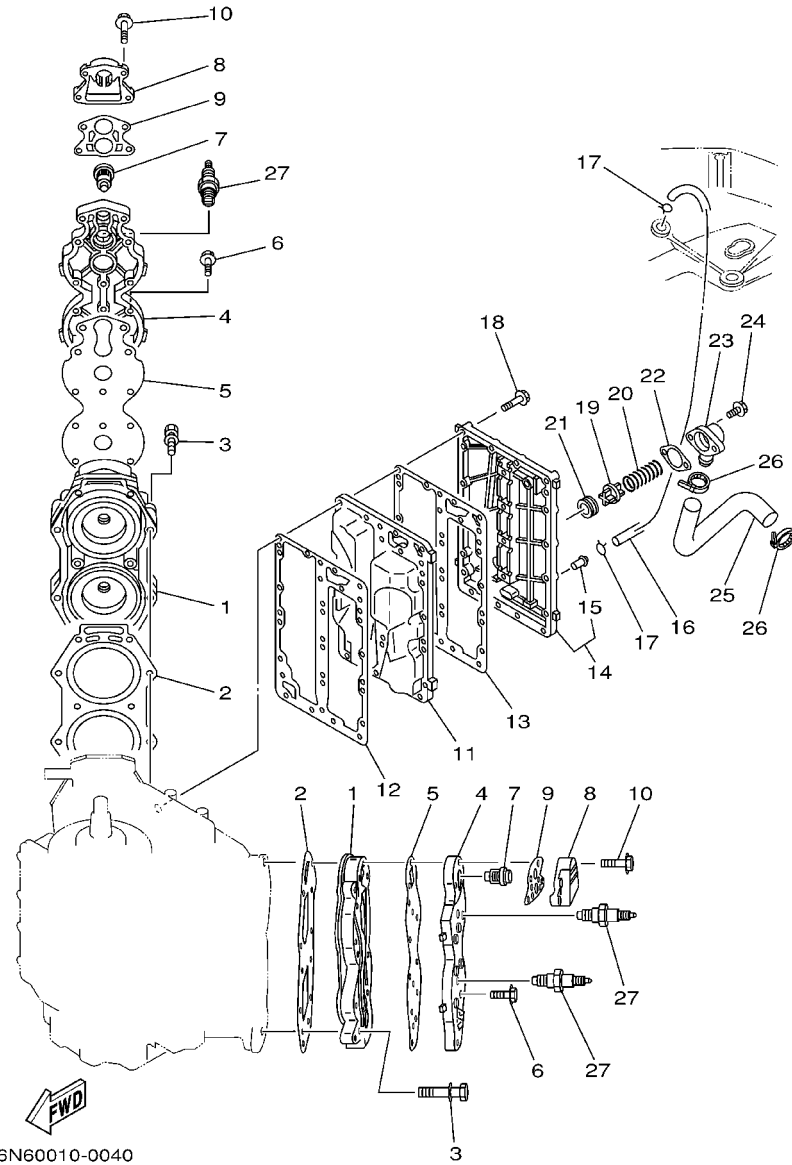
FIG. 4 CYLINDER. CRANKCASE 2 CYLINDRE. CARTER 2



6N60010-0040

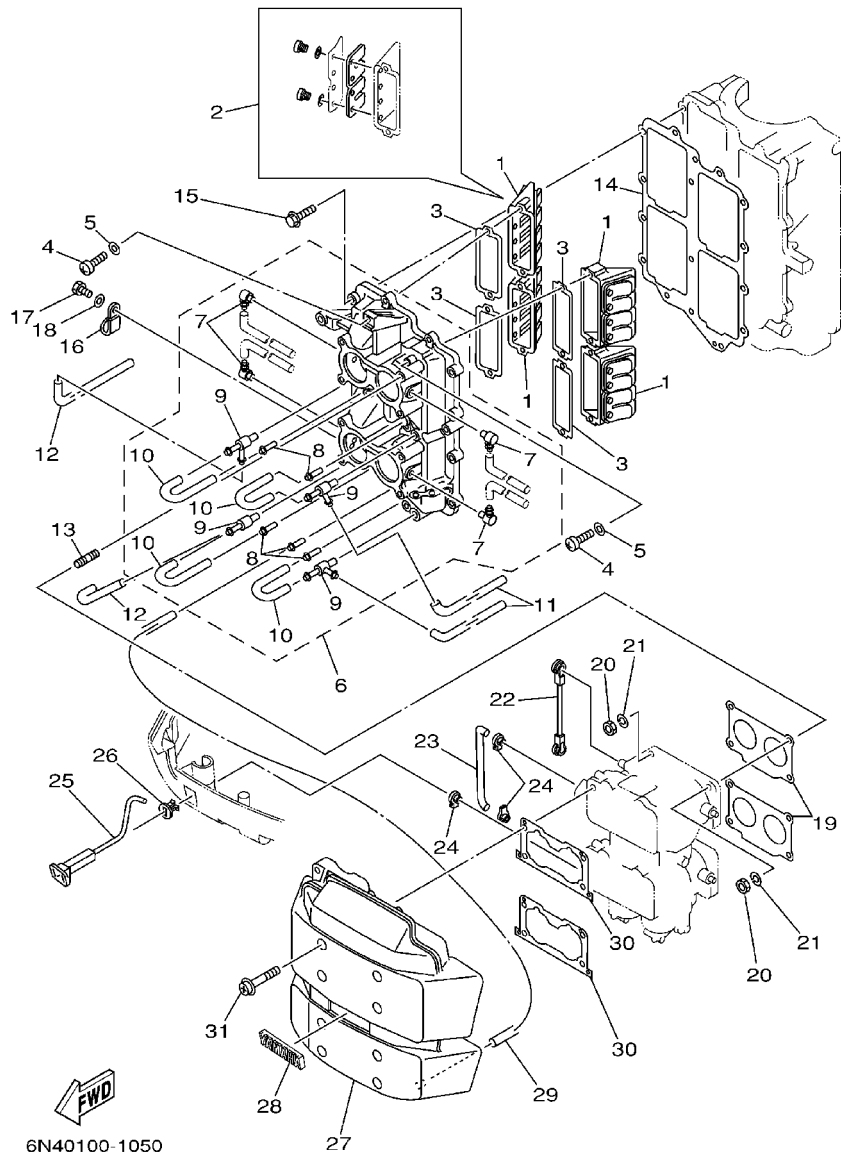
REF. NO.	PART NO. NO. PIECES	DESCRIPTION DESCRIPTION	115C	130B	REMARKS REMARQUES
1	6E5-11111-10-1S	HEAD, CYLINDER 1 CULASSE	2		
	6L1-11111-00-1S	HEAD, CYLINDER 1 CULASSE		2	
2	6E5-11181-A1	GASKET, CYLINDER HEAD 1 JOINT, DE CULASSE 1	2	2	
3	90119-08MA8	BOLT, WITH WASHER BOULON, AVEC RONDELLE	20	20	
4	6E5-11191-01-1S	COVER, CYLINDER HEAD 1 COUVERCLE, CULASSE 1	2	2	
5	6E5-11193-A0	GASKET, HEAD COVER 1 JOINT, COUVERCLE DE CULASSE 1	2	2	
6	90119-06MA4	BOLT, WITH WASHER BOULON, AVEC RONDELLE	24	24	
7	6E5-12411-20	THERMOSTAT THERMOSTAT	2	2	
8	6G5-12413-00-1S	COVER, THERMOSTAT COUVERCLE, THERMOSTAT	2	2	
9	688-12414-A1	GASKET, COVER JOINT, COUVERCLE	2	2	
10	90119-06MA6	BOLT, WITH WASHER BOULON, AVEC RONDELLE	8	8	
11	6E5-41111-00-1S	INNER COVER, EXHAUST PLAQUE, ECHAPPEMENT	1		
	6L1-41111-00-1S	INNER COVER, EXHAUST PLAQUE, ECHAPPEMENT		1	
12	6E5-41112-A1	GASKET, EXHAUST INNER COVER JOINT, PLAQUE D'ECHAPPEMENT	1	1	
13	6E5-41112-A1	GASKET, EXHAUST INNER COVER JOINT, PLAQUE D'ECHAPPEMENT	1	1	
14	6N7-41113-00-1S	OUTER COVER, EXHAUST COUVERCLE, ECHAPPEMENT	1	1	
15	650-24378-00	.PIPE, JOINT 4 .DURITE RACCORDEMENT 4	1	1	
16	6E5-24312-00	PIPE 2 DURITE 2	1	1	
17	90467-08004	CLIP JONC	2	2	
18	90119-06MA5	BOLT, WITH WASHER BOULON, AVEC RONDELLE	23	23	
19	6G5-12416-00	VALVE, PRESSURE CONTROL SOUPAPE DE CONTROLEUR PRESS	1	1	
20	90501-16M11	SPRING, COMPRESSION RESSORT, COMPRESSION	1	1	
21	90480-20M05	GROMMET PASSE-FIL	1	1	
22	6G5-11382-A1	GASKET 2 JOINT 2	1	1	
23	6G5-11372-00-1S	COVER, BYPASS 2 CONVERCLE	1	1	
24	90119-06MA2	BOLT, WITH WASHER BOULON, AVEC RONDELLE	2	2	
25	6E5-12576-00	HOSE 1 TUYAU 1	1	1	

FIG. 4 CYLINDER. CRANKCASE 2 CYLINDRE. CARTER 2



6N60010-0040

REF. NO.	PART NO. NO. PIECES	DESCRIPTION DESCRIPTION	115C	130B	REMARKS REMARQUES
26	90465-13M18	CLAMP BRIDE	2	2	
27	94702-00247	PLUG, SPARK (NGK BR8HS-10) BOUGIE D'ALLUMAGE (NGK BR8HS-10)	4		
	94702-00309	PLUG, SPARK (NGK BR9HS-10) BOUGIE D'ALLUMAGE (NGK BR9HS-10)		4	



6N40100-1050

FIG. 5 INTAKE

ADMISSION

REF. NO.	PART NO. NO. PIECES	DESCRIPTION DESCRIPTION	ADMISSION		REMARKS REMARQUES
			115C	130B	
1	6E5-13610-00	REED VALVE ASSY CLAPET COMPLET	4	4	
2	6E5-W0004-00	.REED SET .JEU DE CLAPETS	1	1	
3	6E5-13621-A1	GASKET, VALVE SEAT JOINT, SIEGE DE CLAPET	4	4	
4	97880-05025	SCREW, PAN HEAD VIS, TETE TRONCONIQUE	8	8	
5	92990-05600	WASHER, PLATE RONDELLE, PLATE	8	8	
6	6E5-13641-11-1S	MANIFOLD 1 TUBULURE 1	1	1	
7	6E5-13552-00	.NOZZLE .GICLEUR	4	4	
8	624-14485-00	.PIPE, JOINT .DURITE	5	5	
9	6E5-11370-00	.CHECK VALVE ASSY .CLAPET (ENS.)	4	4	
10	90445-07M28	.HOSE (L70) .DURITE (L70)	4	4	
11	90445-07M24	HOSE (L240) DURITE (L240)	2	2	
12	90445-07M46	HOSE (L360) DURITE (L360)	2	2	
13	90116-06M30	BOLT, STUD GOUJON	8	8	
14	6E5-13645-A1	GASKET, MANIFOLD 1 JOINT, TUBULURE 1	1	1	
15	90119-06MA3	BOLT, WITH WASHER BOULON, AVEC RONDELLE	12	12	
16	90465-06M86	CLAMP BRIDE	1	1	
17	97095-06012	BOLT BOULON	1	1	
18	92995-06600	WASHER RONDELLE	1	1	
19	6E5-14198-A2	GASKET JOINT	2	2	
20	95380-06600	NUT, HEXAGON ECROU	8	8	
21	92995-06100	WASHER, SPRING RONDELLE, GROWER	8	8	
22	6E5-41217-01	ROD, ACCEL. LEVER TIGE, LEVIER ACCELERATION	1	1	
23	6E5-41256-01	ROD, CHOKE 1 TRINGLE 1, STARTER	1	1	
24	661-41262-02	JOINT, CHOKE LEVER RACCORD, LEVIER DE STARTER	3	3	
25	6N7-41271-00	KNOB, CHOKE BOUTON DE STARTER	1	1	
26	689-41273-00	GROMMET PASSE-FIL	1	1	
27	6N7-14440-01	SILENCER ASSY, INTAKE SIENCIEUX D'ADMISSION	1	1	

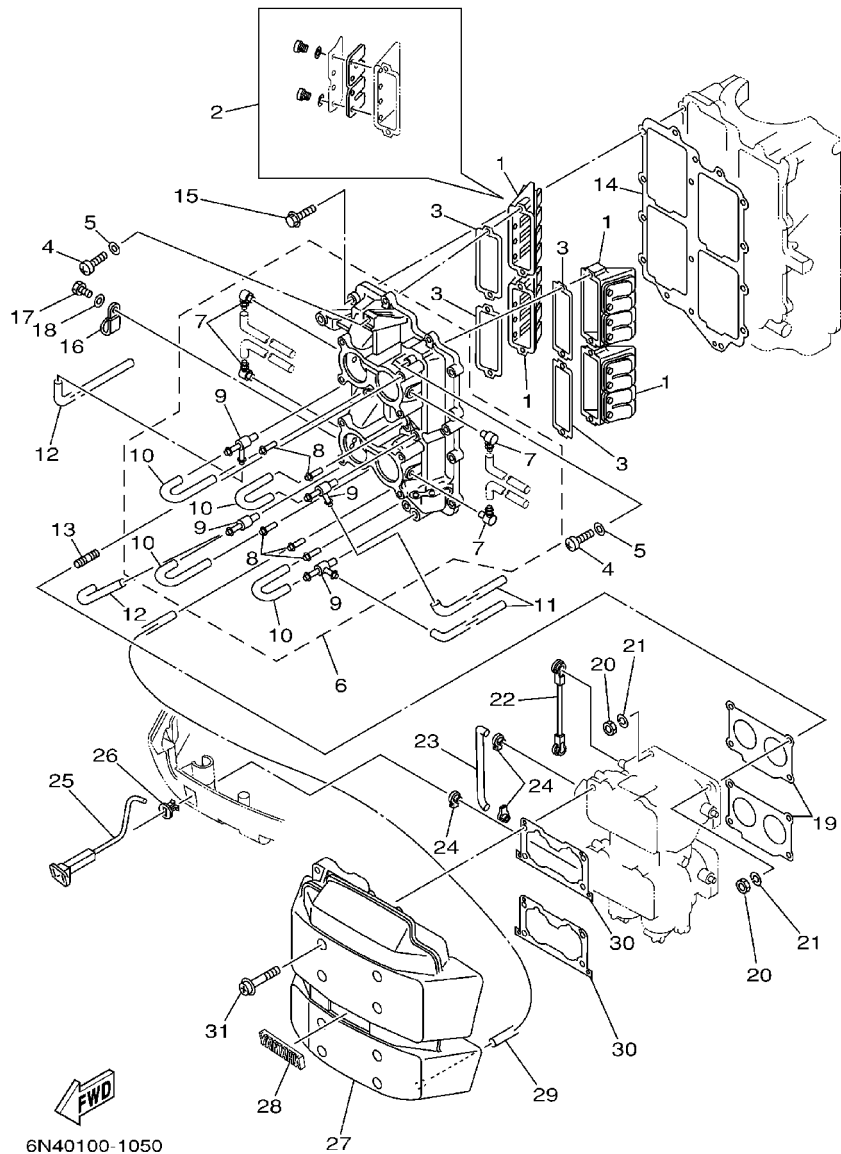


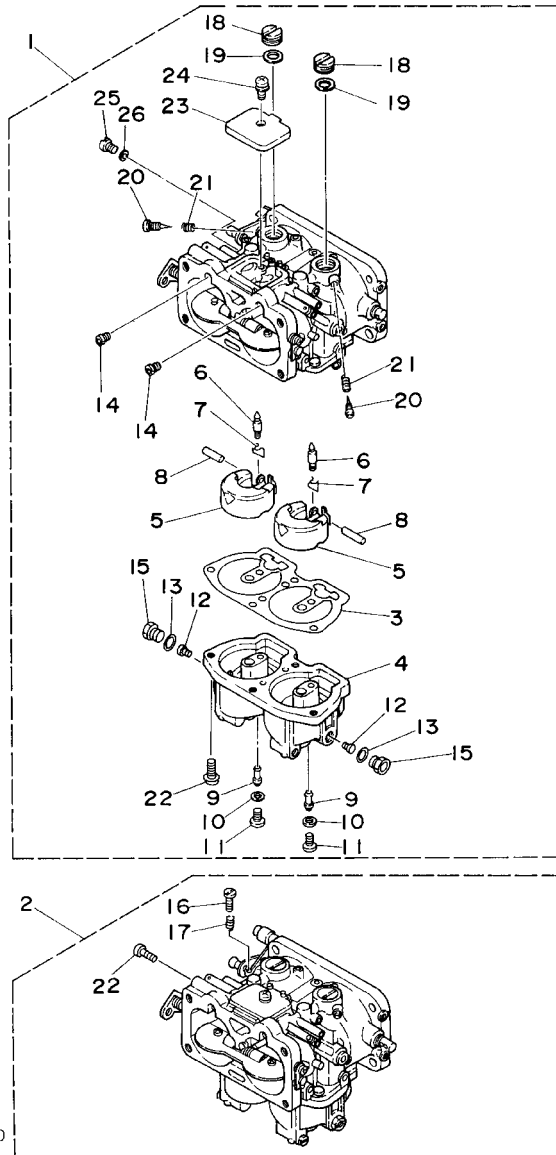
FIG. 5 INTAKE

ADMISSION

REF. NO.	PART NO. NO. PIECES	DESCRIPTION DESCRIPTION	115C	130B	REMARKS REMARQUES
28	6E5-1441K-00	EMBLEM EMBLEME	1	1	
29	90445-07258	HOSE (L200) DURITE (L200)	1	1	
30	6K7-14483-00	GASKET JOINT	2	2	
31	90159-06M14	SCREW, WITH WASHER VIS, AVEC RONDELLE	8	8	

FIG. 6 CARBURETOR

CARBUREATEUR

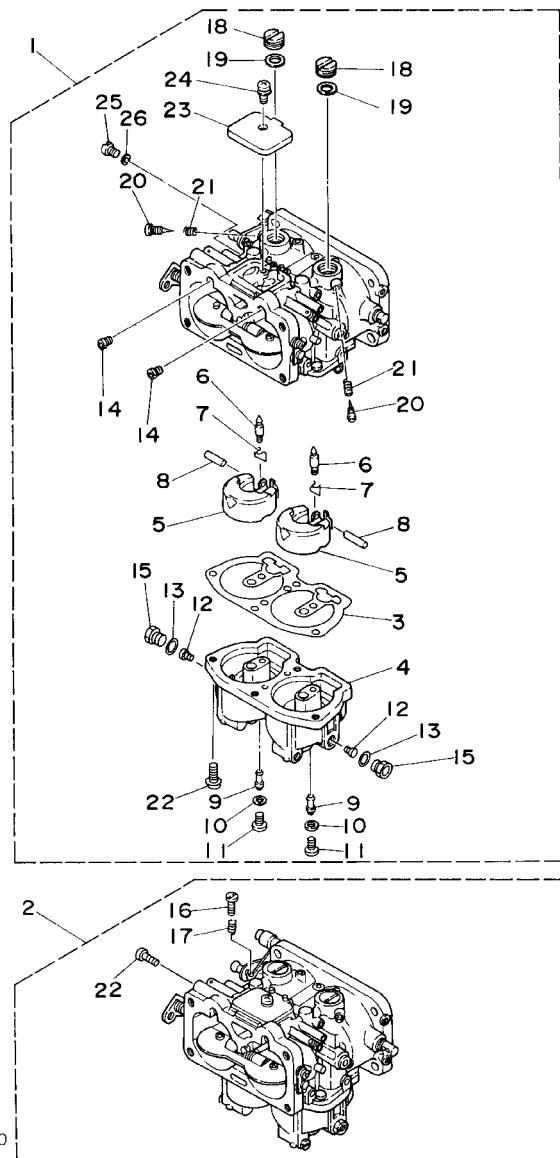


6N60010-4060

REF. NO.	PART NO. NO. PIECES	DESCRIPTION DESCRIPTION	115C	130B	REMARKS REMARQUES
1	6E5-14301-16	CARBURETOR ASSY 1 CARBURATEUR COMPLET 1	1		
	6L1-14301-04	CARBURETOR ASSY 1 CARBURATEUR COMPLET 1		1	
2	6E5-14302-16	CARBURETOR ASSY 2 CARBURATEUR COMPLET 2	1		
	6L1-14302-04	CARBURETOR ASSY 2 CARBURATEUR COMPLET 2		1	
3	64D-14384-01	.GASKET, FLOAT CHAMBER .JOINT, CUVE DE FLOTTEUR	2	2	
4	64D-14381-00	.BODY, FLOAT CHAMBER .CORPS, CUVE DE FLOTTEUR	2	2	
5	6E5-14385-02	.FLOAT .FLOTTEUR	4	4	
6	6E5-14546-00	.VALVE, NEEDLE .POINTEAU	4	4	
7	6E5-14159-00	.CLIP .JONC	4	4	
8	6E5-14386-02	.PIN, FLOAT .AXE, FLOTTEUR	4	4	
9	64D-1492F-39	.JET, AIR SLOW (#78) .GICLEUR, AIR (#78)	4		
	64D-1492F-41	.JET, AIR SLOW (#82) .GICLEUR, AIR (#82)		4	
10	61U-14959-00	.GASKET .JOINT	4	4	
11	64D-14394-00	.VALVE, DRAIN .SOUPAPE, VIDANGE	4	4	
12	64D-1492E-88	.JET, MAIN (#176) .GICLEUR, PRINCIPAL (#176)	4		
	64D-1492E-90	.JET, MAIN (#180) .GICLEUR, PRINCIPAL (#180)		4	
13	6E5-14398-00	.GASKET .JOINT	4	4	
14	61A-1492H-12	.JET, SLOW AIR BLEED (#60) .GICLEUR, AIR (#60)	4	4	
15	61A-14383-01	.SCREW, DRAIN .BOUCHON, PURGE	4	4	
16	6E5-14321-00	.SCREW, THROTTLE .VIS, ACCELERATEUR	1	1	#2
17	6J8-14334-00	.SPRING, THROTTLE .RESSORT, ACCELERATEUR	1	1	#2
18	6E5-14328-01	.PLUG .PLOT	4	4	
19	6E5-14979-00	.GASKET .JOINT	4	4	
20	6E5-14323-03	.SCREW, AIR ADJUSTING .VIS DE DOSEUR D'AIR	4	4	
21	6E5-14223-00	.SPRING, AIR ADJUSTING .RESSORT, DOSAGE DE L'AIR	4	4	
22	97980-05116	.SCREW, WITH WASHER .VIS, AVEC RONDELLE	9	9	
23	6E5-14527-01	.PLATE .PLAQUE	2	2	

FIG. 6 CARBURETOR

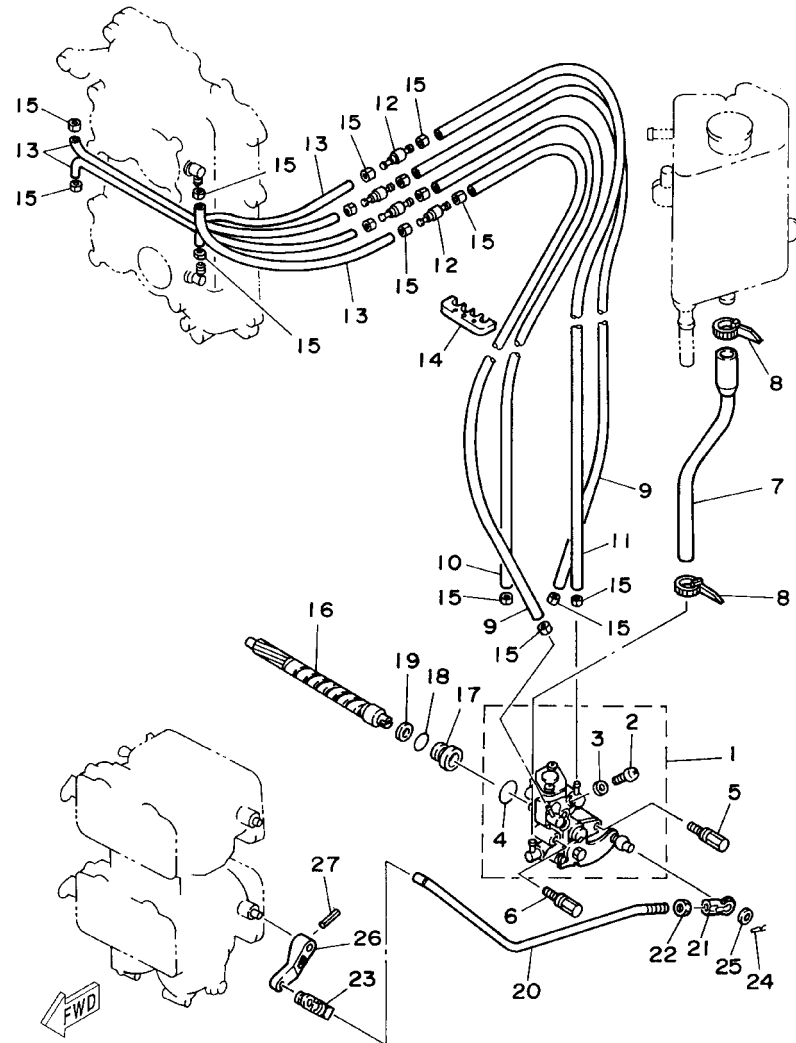
CARBURATEUR



REF. NO.	PART NO. NO. PIECES	DESCRIPTION DESCRIPTION	115C	130B	REMARKS REMARQUES
24	97980-05108	.SCREW, WITH WASHER .VIS, AVEC RONDELLE	2	2	
25	6E5-14324-00	.SCREW, FLAT HEAD .VIS TETE PLATE	2	2	
26	6J8-14959-00	.GASKET .JOINT	2	2	

FIG. 7 OIL PUMP

POMPE A HUILE

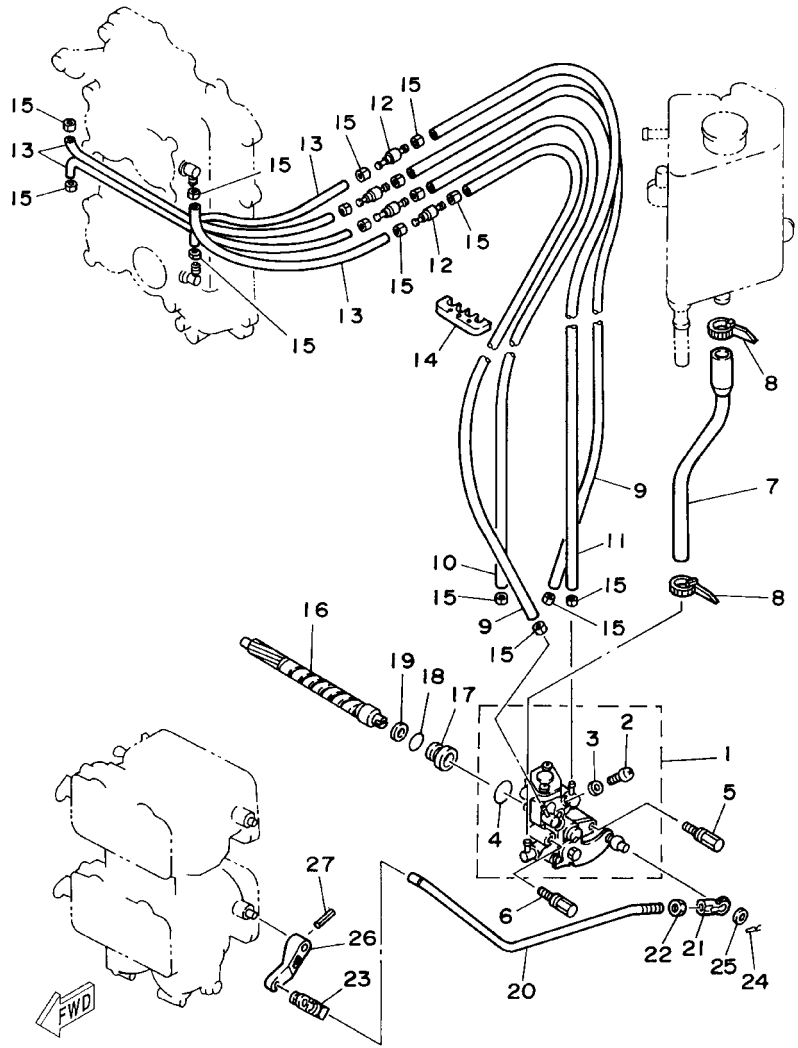


6N60010-4070

REF. NO.	PART NO. NO. PIECES	DESCRIPTION DESCRIPTION	115C	130B	REMARKS REMARQUES
1	6N6-13200-00	OIL INJECTION PUMP ASSY POMPE A HUILE COMPLET	1		
	6N7-13200-00	OIL INJECTION PUMP ASSY POMPE A HUILE COMPLET		1	
2	6R3-13471-00	.PLUG, DRAIN .PLOT, VIDANGE	1	1	
3	6L2-13475-00	.GASKET .JOINT	1	1	
4	93210-19MA7	.O-RING .JOINT TORIQUE	1	1	
5	90109-06M40	BOLT BOULON	1	1	
6	90109-06M39	BOLT BOULON	1	1	
7	6N7-13416-00	PIPE, OIL 1 DURITE A HUILE	1	1	
8	90465-11M10	CLAMP BRIDE	2	2	
9	90445-07M89	HOSE (L310) DURITE (L310)	2	2	
10	90445-07196	HOSE (L160) DURITE (L160)	1	1	
11	90445-07M72	HOSE (L250) DURITE (L250)	1	1	
12	6R3-13183-10	VALVE, CHECK S'OUPAPE DE RATANUE	4	4	
13	90445-07M87	HOSE (L110) DURITE (L110)	4	4	
14	90464-07M06	CLAMP BRIDE	1	1	
15	90468-07M02	CLIP JONC	16	16	
16	6R3-11537-00	GEAR, DRIVEN PIGNON SECONDAIRE	1	1	
17	6R3-13117-00	COLLAR, DISTANCE ENTRETOISE	1	1	
18	93210-13M04	O-RING JOINT TORIQUE	1	1	
19	90202-08M44	WASHER, PLATE RONDELLE, PLATE	1	1	
20	6R3-41241-00	ROD, LINK BIELLETTTE	1	1	
21	6H1-41237-00	JOINT, LINK RACCORD	1	1	
22	95380-05600	NUT ECROU	1	1	
23	6R5-41237-00	JOINT, LINK RACCORD	1	1	
24	90468-05M03	CLIP JONC	1	1	
25	90202-05088	WASHER, PLATE RONDELLE, PLATE	1	1	
26	6E5-14276-01	LEVER LEVIER	1	1	

FIG. 7 OIL PUMP**POMPE A HUILE**

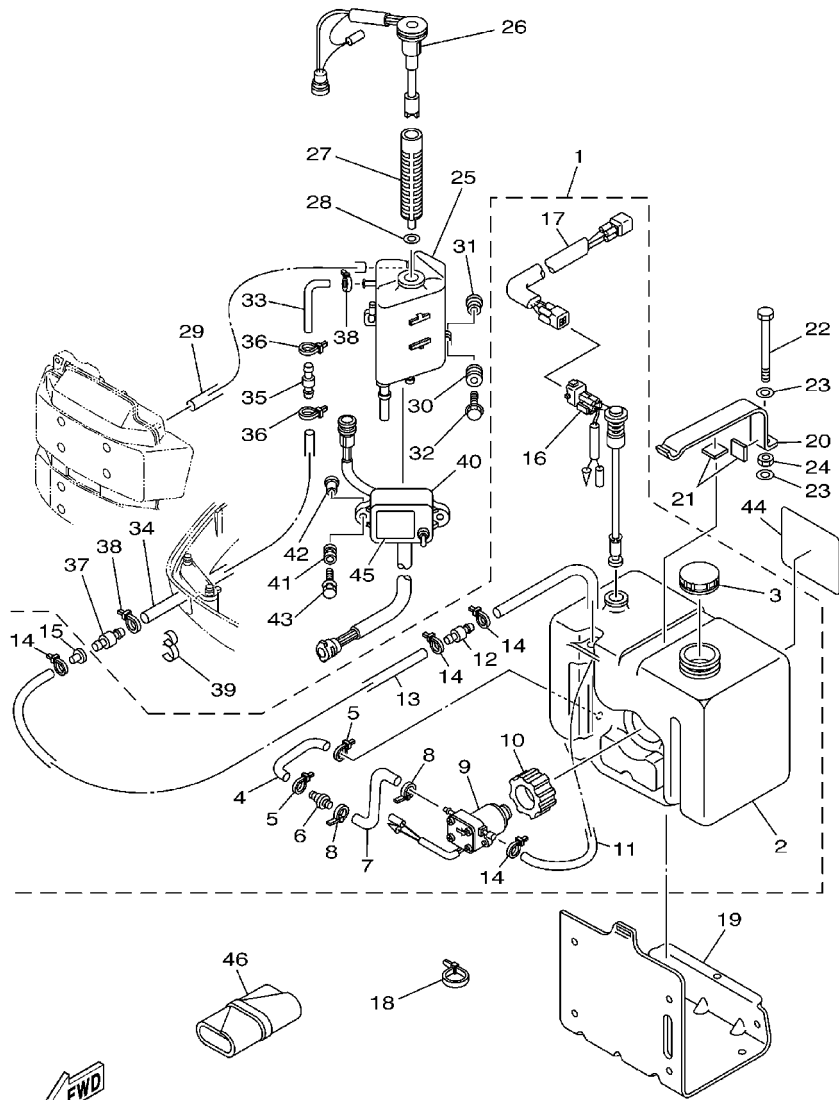
REF. NO.	PART NO. NO. PIECES	DESCRIPTION DESCRIPTION	115C	130B				REMARKS REMARQUES
27	91690-30016	PIN, SPRING GOUILLE, ELASTIQUE	1	1				



6N60010-4070

FIG. 8 OIL TANK

RESERVOIR A PETROLE

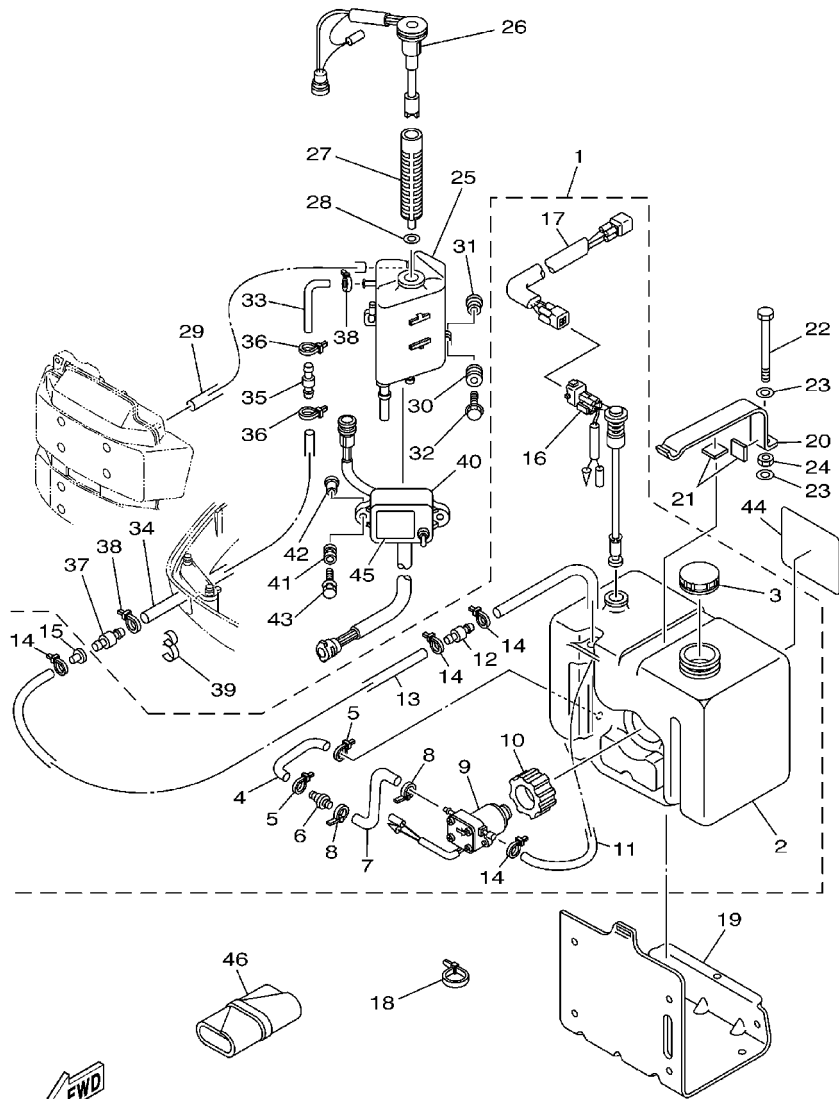


6N61300-2080

REF. NO.	PART NO. NO. PIECES	DESCRIPTION DESCRIPTION	115C	130B	REMARKS REMARQUES
1	61A-21708-03	OIL TANK SUB-ASSY RESERVOIR A PETROLE (ENS.)	1	1	
2	6E5-21733-02	.SUB TANK, OIL (10.5L) .RESERVOIR A HUILE SECOURS:10.	1	1	
3	6E5-21770-03	.OIL TANK CAP ASSY .CABOCHON DE RESERVOIR A HUILE	1	1	
4	6E5-24322-00	.PIPE 11 .DURITE	1	1	
5	90465-11M10	.CLAMP .BRIDE	2	2	
6	646-24251-02	.STRAINER 1 .FILTRE 1	1	1	
7	6E5-24319-01	.PIPE, OIL .DURITE A HUILE	1	1	
8	90465-11M10	.CLAMP .BRIDE	2	2	
9	6E5-81900-01	.OIL FEED PUMP ASSY .VIEUX	1	1	
10	6E5-81922-00	.GROMMET .OEILLET CAOUTCHOUC	1	1	
11	6E5-24321-01	.PIPE 10 .DURITE	1	1	
12	6E5-24379-00	.PIPE, JOINT 4 .DURITE RACCORDEMENT	1	1	
13	90445-11M26	.HOSE (L8000) .DURITE (L8000)	1	1	
14	90465-11M10	.CLAMP .BRIDE	4	4	
15	90480-06M19	.GROMMET .PASSE-FIL	1	1	
16	6E5-85720-04	.OIL LEVEL GAUGE ASSY .JAUGE A HUILE CPLT	1	1	
17	6R3-85721-80	.WIRE, LEAD .FIL, SECONDAIRE	1	1	
18	90465-13M11	CLAMP BRIDE	1	1	
19	6E5-21734-01-33	HOLDER, OIL SUB TANK SUPPORT, RESERV AUXIL A HUILE	1	1	
20	6E5-21798-01-33	BRACKET, DAMPER SUPPORT, AMORTISSEUR	1	1	
21	6E5-21746-00	DAMPÉR AMORTISSEUR	2	2	
22	97080-06100	BOLT BOULON	1	1	
23	92990-06600	WASHER, PLATE RONDELLE, PLATE	2	2	
24	95380-06600	NUT, HEXAGON ECROU	1	1	
25	6E5-21750-05	OIL TANK ASSY RESERVOIR A HUILE	1	1	
26	6G7-85730-04	OIL LEVEL GAUGE ASSY VIEUX	1	1	
27	6E5-13411-00	STRAINER, OIL FILTRE, HUILE	1	1	

FIG. 8 OIL TANK

RESERVOIR A PETROLE

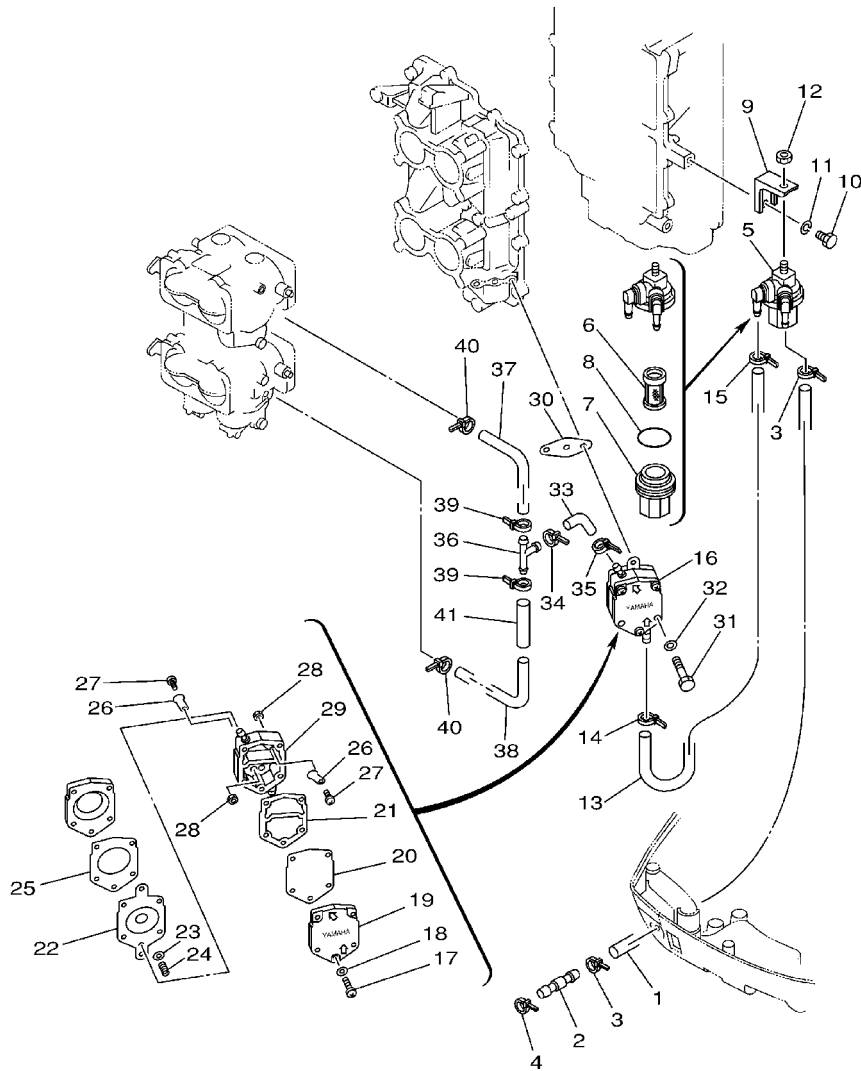


6N61300-2080

REF. NO.	PART NO. NO. PIECES	DESCRIPTION DESCRIPTION	115C	130B	REMARKS REMARQUES
28	6E5-13414-00	GASKET, STRAINER COVER JOINT, COUVERCLE DE FILTRE	1	1	
29	90445-05M02	HOSE (L380) DURITE (L380)	1	1	
30	6A0-82317-00	DAMPER, IGNITION COIL AMORTISSEUR, BOBINE D'ALLUM	3	3	
31	624-42542-00	PIPE TUYAU	3	3	
32	90119-06M65	BOLT, WITH WASHER BOULON, AVEC RONDELLE	3	3	
33	64E-24323-00	PIPE 12 DURITE	1	1	
34	90445-12207	HOSE (L2400) DURITE (L2400)	1	1	
35	6E5-24379-00	PIPE, JOINT 4 DURITE RACCORDEMENT	1	1	
36	90465-11M10	CLAMP BRIDE	2	2	
37	6E5-24379-00	PIPE, JOINT 4 DURITE RACCORDEMENT	1	1	
38	90465-11M10	CLAMP BRIDE	2	2	
39	90464-13M34	CLAMP BRIDE	1	1	
40	6E5-85740-02	CONTROL UNIT ASSY UNITE DE CONTROLE COMPLETE	1	1	
41	6A0-82317-00	DAMPER, IGNITION COIL AMORTISSEUR, BOBINE D'ALLUM	2	2	
42	624-42542-00	PIPE TUYAU	2	2	
43	90119-06M65	BOLT, WITH WASHER BOULON, AVEC RONDELLE	2	2	
44	6E5-13437-62	MARK, CAUTION MAKER	1	1	
45	6E5-85711-60	MARK, CAUTION MAKER	1	1	
46	656-W2810-02	TOOL KIT TROUSSE A OUTILS	1	1	

FIG. 9 FUEL 1

CARBURANT 1

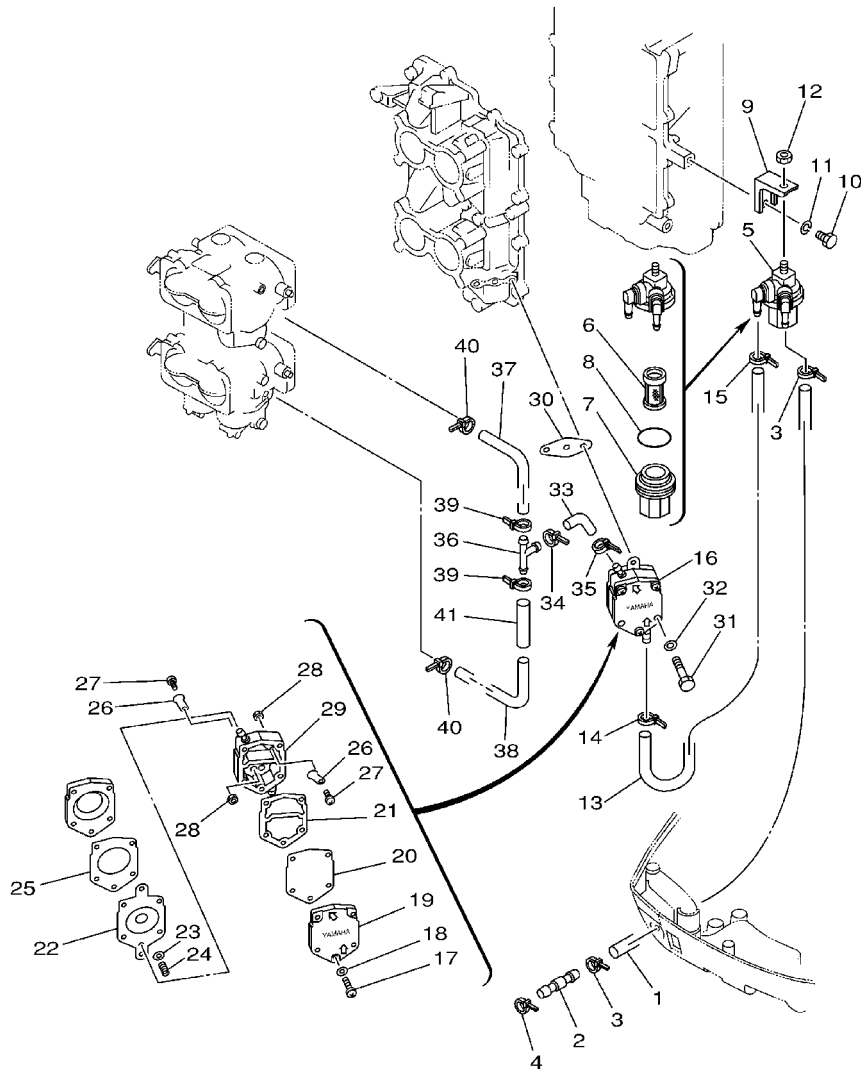


6N61300-2090

REF. NO.	PART NO. NO. PIECES	DESCRIPTION DESCRIPTION	115C	130B	REMARKS REMARQUES
1	6R3-24313-20	PIPE 3 (L:2820) DURITE 3 (L:2820)	1	1	
2	6R3-24377-00	PIPE, JOINT 3 DURITE RACCORDEMENT	1	1	
3	90465-11M10	CLAMP BRIDE	2	2	
4	90465-11M10	CLAMP BRIDE	1	1	
5	6R3-24560-00	FILTER ASSY ENS FILTRE	1	1	
6	61N-24563-00	.ELEMENT, FILTER .ELEMENT, FILTRE	1	1	
7	61N-24521-00	.CUP, FILTER .CUVETTE, FILTRE	1	1	
8	93210-32738	.O-RING .JOINT TORIQUE	1	1	
9	6E5-24566-00	BRACKET, FILTER SUPPORT, FILTRE	1	1	
10	97013-06014	BOLT BOULON	1	1	
11	92903-06100	WASHER, SPRING RONDELLE, GROWER	1	1	
12	95380-08600	NUT ECROU	1	1	
13	6E5-24314-00	PIPE 4 DURITE 4	1	1	
14	90465-11M10	CLAMP BRIDE	1	1	
15	90465-11M10	CLAMP BRIDE	1	1	
16	6E5-24410-03	FUEL PUMP ASSY POMPE A ESSENCE	1	1	
17	98503-05035	.SCREW, PAN HEAD .VIS, TETE TRONCONIQUE	3	3	
18	92903-05600	.WASHER, PLATE .RONDELLE, PLATE	3	3	
19	6E5-24413-00	.BODY 2 .CORPS 2	1	1	
20	6E5-24471-00	.DIAPHRAGM .DIAPHRAGME	1	1	
21	6E5-24435-00	.GASKET, BODY 2 .JOINT, CORPS 2	1	1	
22	6E5-24411-00	.DIAPHRAGM .DIAPHRAGME	1	1	
23	648-24424-00	.SEAT, SPRING .SIEGE, RESSORT	1	1	
24	6E5-24423-00	.SPRING, DIAPHRAGM .RESSORT, DIAPHRAGME	1	1	
25	6E5-24434-02	.GASKET, BODY .JOINT, CORPS	1	1	
26	6A0-24421-01	.VALVE, CHECK .SOUPAPE, RETENUE	4	4	
27	6A0-14325-00	.SCREW, PAN HEAD .VIS TETE CONIQUE	4	4	

FIG. 9 FUEL 1

CARBURANT 1



6N61300-2090

REF. NO.	PART NO. NO. PIECES	DESCRIPTION DESCRIPTION			REMARKS REMARQUES
			115C	130B	
28	95380-03600	.NUT .ECROU	4	4	
29	6E5-24412-10	.BODY 1 .CORPS 1	1	1	
30	650-24431-A0	GASKET, FUEL PUMP 1 JOINT 1 DE POMPE A ESSENCE	1	1	
31	97095-06050	BOLT BOULON	2	2	
32	92995-06600	WASHER RONDELLE	2	2	
33	6G5-24316-10	PIPE 6 DURITE 6	1	1	
34	90465-11M10	CLAMP BRIDE	1	1	
35	90465-11M10	CLAMP BRIDE	1	1	
36	6E5-24376-10	PIPE, JOINT 1 DURITE 1, RACCORDEMENT	1	1	
37	6G5-24318-10	PIPE, OVERFLOW DURITE, REFOULEMENT	1	1	
38	6G5-24319-10	PIPE, OIL DURITE A HUILE	1	1	
39	90465-11M10	CLAMP BRIDE	2	2	
40	90465-11M10	CLAMP BRIDE	2	2	
41	90446-15M07	HOSE DURITE	1	1	

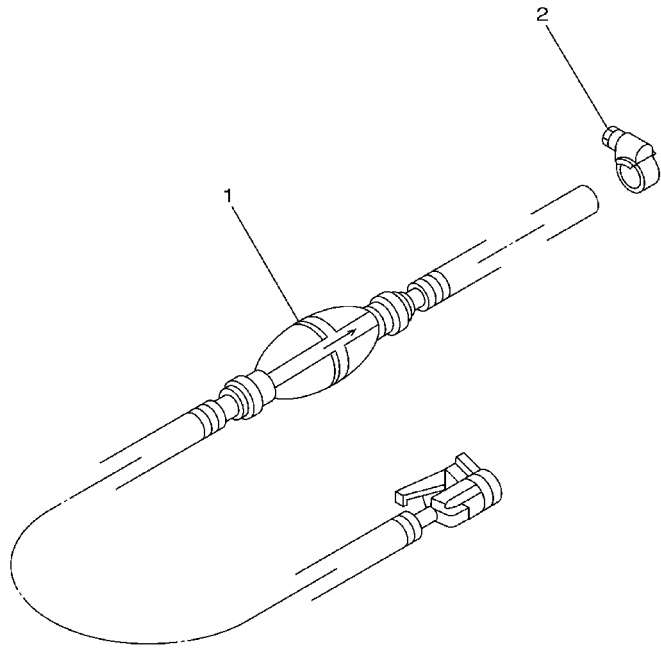


FIG. 10 FUEL 2

CARBURANT 2

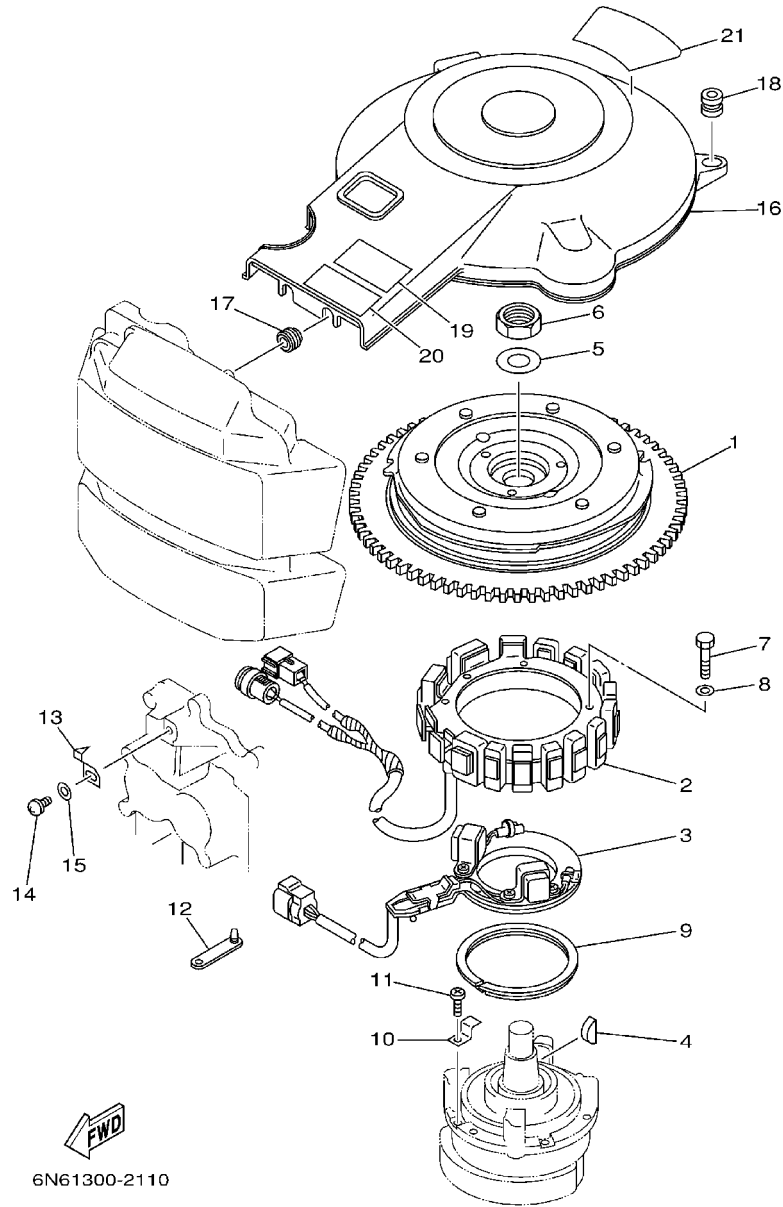
REF. NO.	PART NO. NO. PIECES	DESCRIPTION DESCRIPTION	115C	130B	REMARKS REMARQUES
1	6YK-24307-42	FUEL PIPE COMP. 2 DURITE A ESSENCE 2	1	1	AP
2	90450-10M07	HOSE CLAMP ASSY BRIDE, DE DURITE	1	1	AP



6N61300-2100

FIG. 11 GENERATOR

GENERATRICE

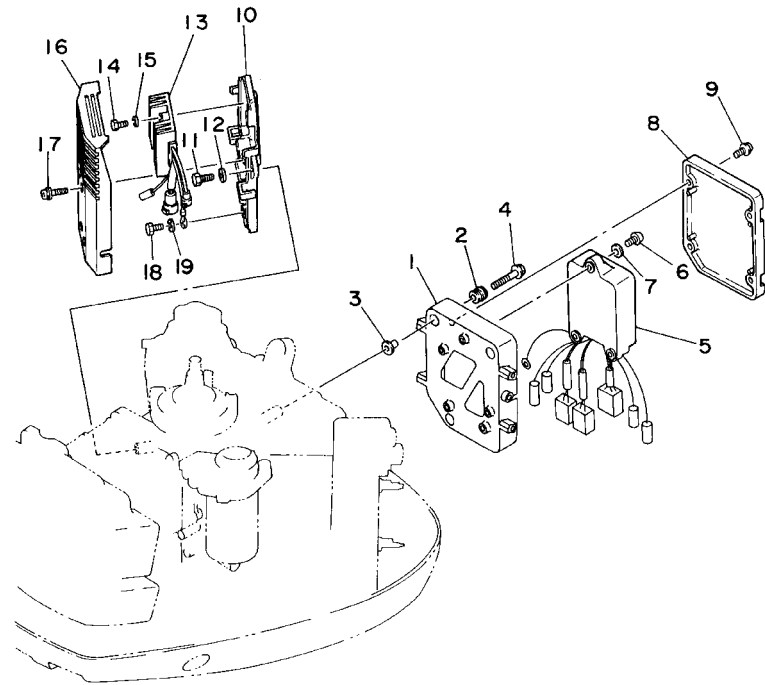


6N61300-2110

REF. NO.	PART NO. NO. PIECES	DESCRIPTION DESCRIPTION	115C	130B	REMARKS REMARQUES
1	6N7-85550-00	ROTOR ASSY ROTOR CPLT	1	1	
2	6N7-85510-00	STATOR ASSY STATOR CPLT	1	1	
3	6E5-85580-00	COIL, PULSER BOBINE, PULSEUR	1	1	
4	90280-05015	KEY, WOODRUFF CLAVETTE, DEMI-LUNE	1	1	
5	90201-21M18	WASHER, PLATE RONDELLE, PLATE	1	1	
6	90170-20137	NUT ECROU	1	1	
7	97013-06065	BOLT BOULON	4	4	
8	92903-06600	WASHER, PLATE RONDELLE, PLATE	4	4	
9	688-41611-00	RETAINER, MAGNETO BASE FLASQUE, PLATEAU D'AVANCE	1	1	
10	688-41612-00	RETAINER, MAGNETO BASE FLASQUE, PLATEAU D'AVANCE	4	4	
11	97880-06018	SCREW, PAN HEAD VIS, TETE TRONCONIQUE	4	4	
12	90464-12M00	CLAMP BRIDE	1	1	
13	6E5-81332-00	PLATE, TIMING PLATEAU, ALLUMAGE	1	1	
14	97885-06010	SCREW, PAN HEAD VIS, TETE TRONCONIQUE	1	1	
15	92995-06600	WASHER RONDELLE	1	1	
16	6N7-81337-00	COVER, FLYWHEEL COUVERCLE, VOLANT	1	1	
17	90480-12M11	GROMMET PASSE-FIL	2	2	
18	663-82317-01	DAMPER, IGNITION COIL AMORTISSEUR, BOBINE D'ALLUM	2	2	
19	6A1-83625-51	MARK 5 ETIQUETTE 5	1	1	
20	6A1-83625-41	MARK 5 ETIQUETTE 5	1	1	
21	6E5-14488-00	LABEL, CAUTION ETIQUETTE, RECOMMANDATION	1	1	

FIG. 12 ELECTRICAL 1

PARTIE ELECTRIQUE 1



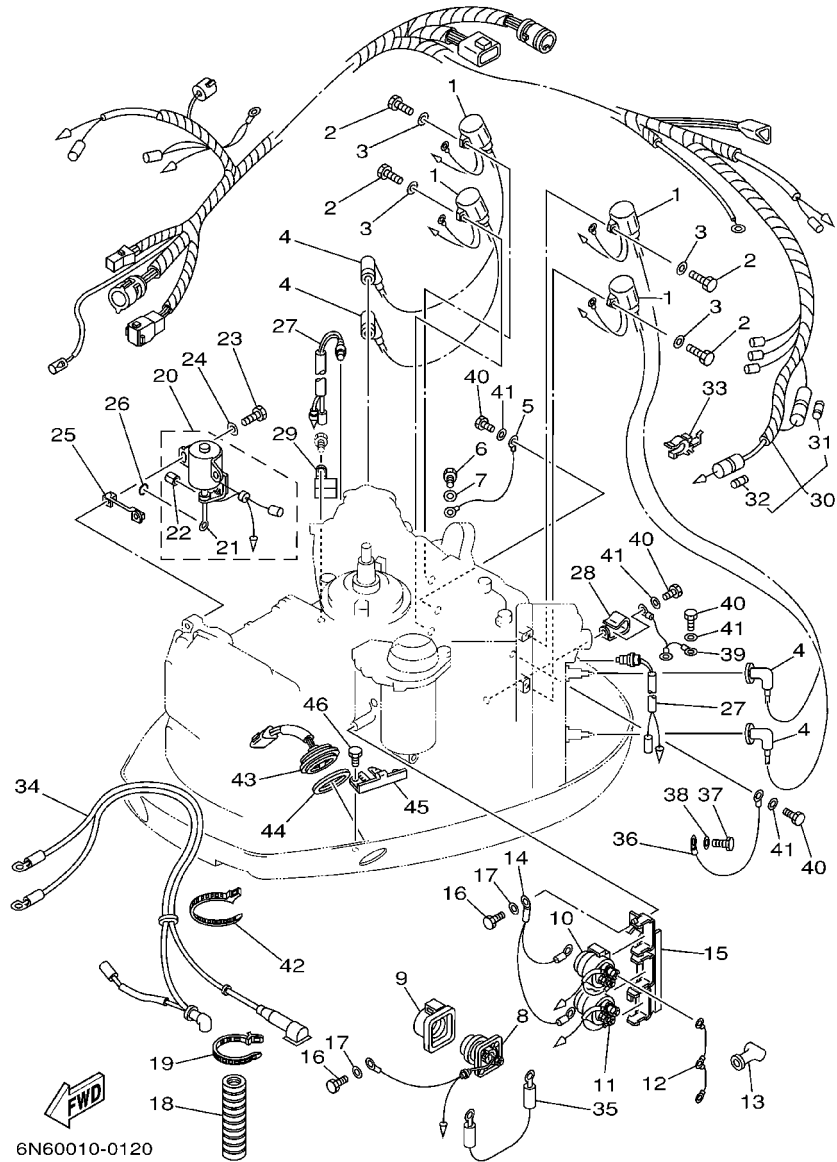
REF. NO.	PART NO. NO. PIECES	DESCRIPTION DESCRIPTION	115C	130B	REMARKS REMARQUES
1	6N7-85542-01-1S	BRACKET SUPPORT	1	1	
2	6A0-82317-00	DAMPER, IGNITION COIL AMORTISSEUR, BOBINE D'ALLUM	3	3	
3	624-42542-00	PIPE TUYAU	3	3	
4	90119-06M59	BOLT, WITH WASHER BOULON, AVEC RONDELLE	3	3	
5	6N7-85540-01	C.D.I. UNIT ASSY BLOC C.D.I.	1	1	
6	97880-06020	SCREW, PAN HEAD VIS, TETE TRONCONIQUE	3	3	
7	92990-06600	WASHER, PLATE RONDELLE, PLATE	3	3	
8	6N7-85537-00	COVER COUVERCLE	1	1	
9	90159-06M11	SCREW, WITH WASHER VIS, AVEC RONDELLE	4	4	
10	6N7-81948-00-94	BRACKET JOINT TORIQUE	1	1	
11	97013-06016	BOLT BOULON	3	3	
12	92903-06600	WASHER, PLATE RONDELLE, PLATE	3	3	
13	6R3-81960-00	RECTIFIER & REGULATOR ASSY REDRESSEUR REGULATEUR CPLT	1	1	
14	97013-06025	BOLT BOULON	2	2	
15	92903-06600	WASHER, PLATE RONDELLE, PLATE	2	2	
16	6R3-81942-00	COVER COUVERCLE	1	1	
17	90159-06M08	SCREW, WITH WASHER VIS, AVEC RONDELLE	4	4	
18	97013-06012	BOLT BOULON	1	1	
19	92903-06600	WASHER, PLATE RONDELLE, PLATE	1	1	



6N60010-4110

FIG. 13 ELECTRICAL 2

PARTIE ELECTRIQUE 2

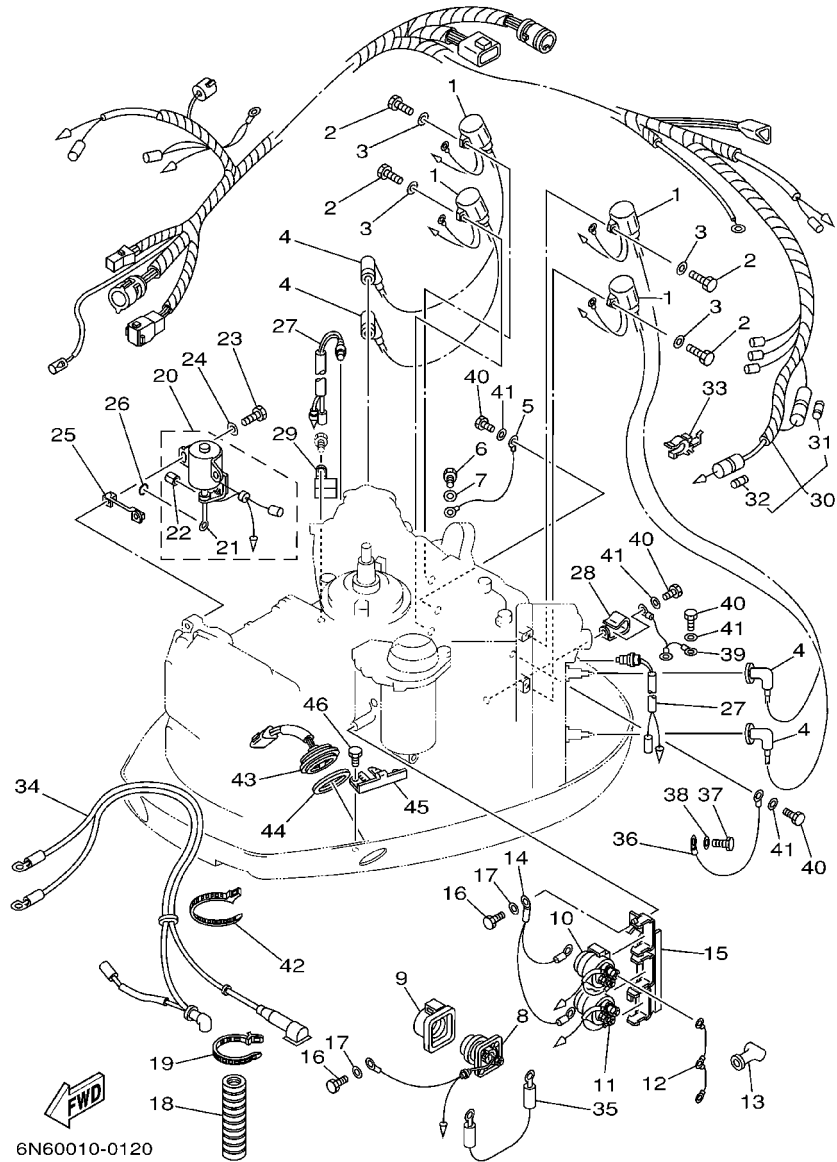


6N60010-0120

REF. NO.	PART NO. NO. PIECES	DESCRIPTION DESCRIPTION	115C	130B	REMARKS REMARQUES
1	6R3-85570-01	IGNITION COIL ASSY BOBINE D'ALLUMAGE (ENS.)	4	4	
2	97095-06020	BOLT BOULON	4	4	
3	92995-06600	WASHER RONDELLE	4	4	
4	6G1-82370-21	PLUG CAP ASSY ANTIPARASITE	4	4	
5	662-82519-00	WIRE, EARTH LEAD FIL. MASSE	1	1	
6	97095-06012	BOLT BOULON	1	1	
7	92995-06600	WASHER RONDELLE	1	1	
8	61A-81941-00	STARTER RELAY ASSY LANCEUR RELAIS (ENS.)	1	1	
9	689-81952-10	HOLDER, RELAY SUPPORT, RELAIS	1	1	
10	6E5-81950-00	RELAY ASSY RELAIS COMPLET	1	1	
11	6E5-8195A-00	RELAY ASSY RELAIS COMPLET	1	1	
12	6G5-87149-10	CONNECTOR RACCORD	1	1	
13	6G5-82119-00	COVER, LEAD WIRE GARNITURE, FIL	2	2	
14	6E5-82116-00	WIRE, MINUS LEAD FIL, NEGATIF	1	1	
15	6E5-81948-22	BRACKET JOINT TORIQUE	1	1	
16	97095-06016	BOLT BOULON	2	2	
17	92995-06600	WASHER RONDELLE	2	2	
18	6N7-83557-00	TUBE TUBE	1	1	I.DIA.: 22MM
19	90465-13M18	CLAMP BRIDE	1	1	
20	6N7-86110-00	SOLENOID SOLENOID	1	1	
21	6N7-86116-00	WIRE, PULL CABLE, TENSION	1	1	
22	91609-30010	PIN, SPRING GOUPILE, ELASTIQUE	1	1	
23	97095-06030	BOLT BOULON	2	2	
24	92995-06600	WASHER RONDELLE	2	2	
25	6N7-86112-00	STAY, SOLENOID SUPPORT, SOLENOIDE	1	1	
26	93210-03261	O-RING JOINT TORIQUE	1	1	
27	688-82560-10	THERMO SWITCH ASSY THERMO-CONTACT COMPLET	2	2	

FIG. 13 ELECTRICAL 2

PARTIE ELECTRIQUE 2

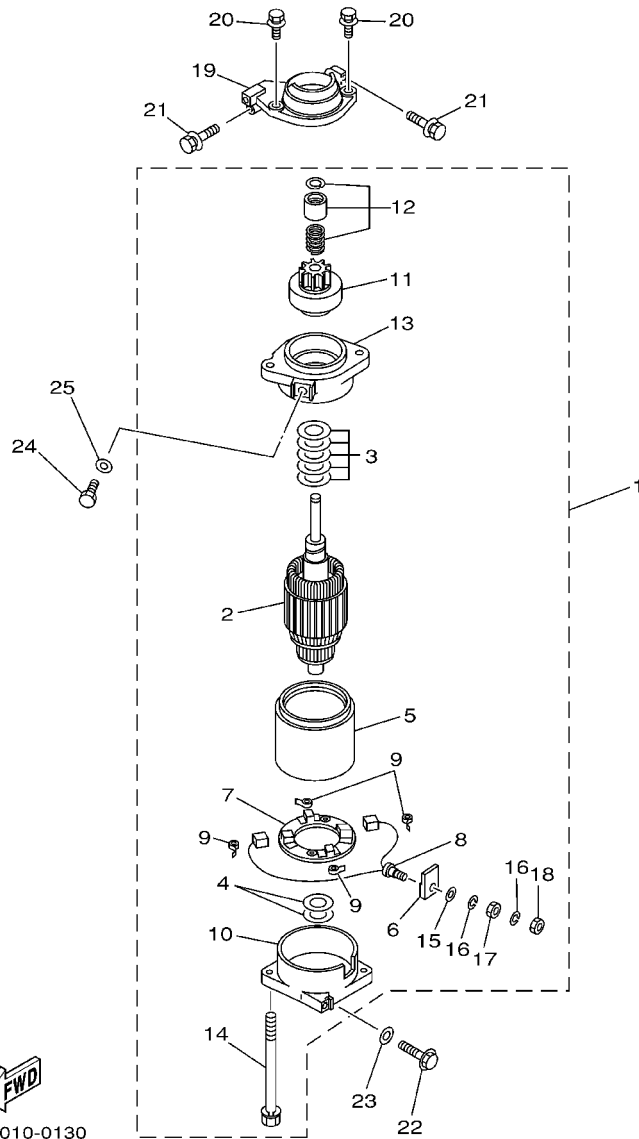


6N60010-0120

REF. NO.	PART NO. NO. PIECES	DESCRIPTION DESCRIPTION	115C	130B	REMARKS REMARQUES
28	90465-05M87	CLAMP BRIDE	1	1	
29	90465-08M89	CLAMP BRIDE	1	1	
30	6N7-82590-14	WIRE HARNESS ASSY FAISCEAU DE FILS COMPLET	1	1	
31	663-82151-00	.FUSE (12V-20A) FUSIBLE (12V-20A)	1	1	
32	705-82151-00	.FUSE (30A) FUSIBLE (30A)	1	1	
33	6G5-82152-00	HOLDER, FUSE SUPPORT, FUSIBLE	2	2	
34	6N7-82105-02	WIRE HARNESS FAISCEAU DE FILS	1	1	
35	6E5-82117-01	WIRE, LEAD FIL	1	1	
36	6R3-82519-00	WIRE, EARTH LEAD FIL, MASSE	1	1	
37	97095-06012	BOLT BOULON	1	1	
38	92995-06600	WASHER RONDELLE	1	1	
39	6E5-82531-10	WIRE, LEAD FIL	1	1	
40	97095-06012	BOLT BOULON	4	4	
41	92995-06600	WASHER RONDELLE	4	4	
42	90465-13M18	CLAMP BRIDE	1	1	
43	6R3-82563-00	TRIM & TILT SWITCH ASSY INCLINER ET PARER COMMUTEUR	1	1	
44	6E5-82587-00	GASKET JOINT	1	1	
45	6R3-83614-00	BRACKET SUPPORT	1	1	
46	97095-06012	BOLT BOULON	2	2	

FIG. 14 STARTING MOTOR

DEMARREUR ELECTRIQUE

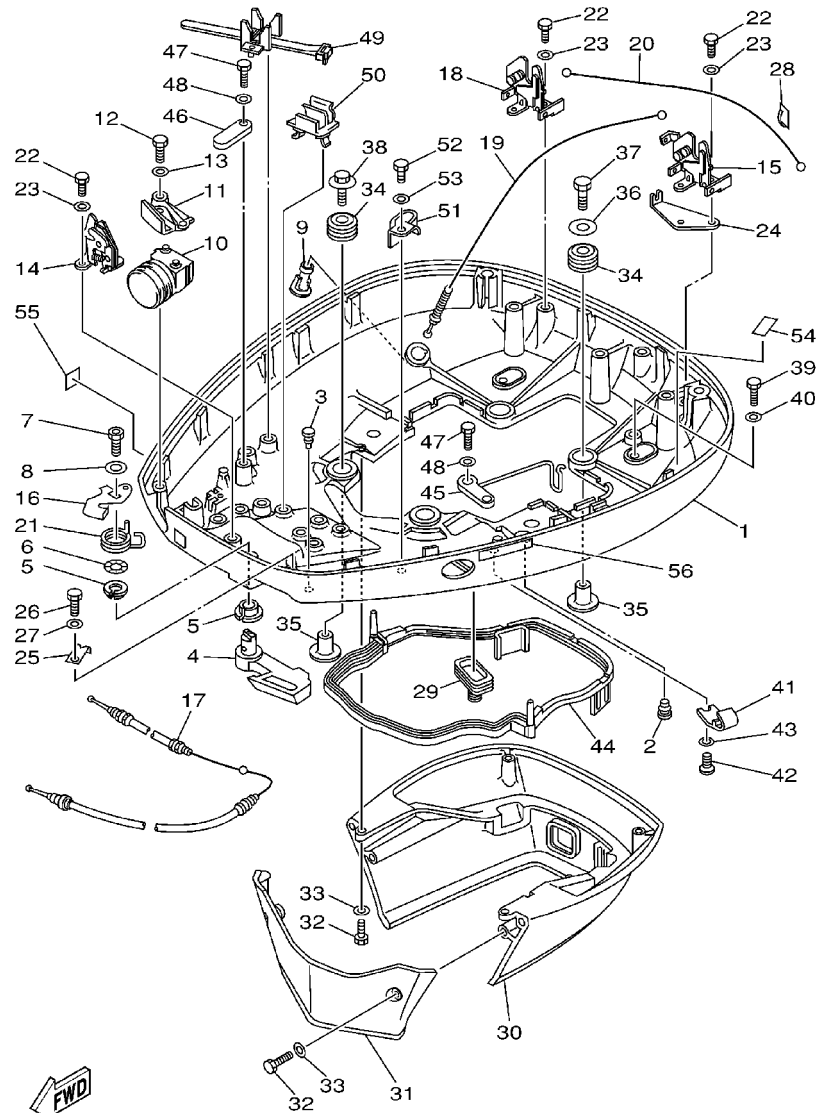


64D0010-0130

REF. NO.	PART NO. NO. PIECES	DESCRIPTION DESCRIPTION	115C	130B	REMARKS REMARQUES
1	6N7-81800-10	STARTING MOTOR ASSY DEMARREUR ELECTRIQUE COMPLET	1	1	
2	6N7-81850-10	.ARMATURE ASSY .INDUIT	1	1	
3	61A-81809-00	.WASHER KIT .JEU DE RONDELLES	1	1	
4	61A-81824-00	.WASHER 2 .RONDELLE 2	2	2	
5	6N7-81810-00	.STATOR ASSY .STATOR COMPLET	1	1	
6	6K7-8182G-10	.BUSH, TERMINAL .DOUILLE	1	1	
7	6N7-81840-00	.BRUSH HOLDER ASSY .SUPPORT DE CHARBON	1	1	
8	6N7-81801-00	.BRUSH SET .CHARBON	1	1	
9	6N7-81813-00	.SPRING, BRUSH .RESSORT, DE CHARBON	4	4	
10	6N7-81820-10	.REAR BRACKET ASSY .SUPPORT ARRIERE COMPLET	1	1	
11	6N7-81807-00	.GEAR ASSY, STARTING MOTOR .PIGNON, DEMARREUR ELECTRIQUE	1	1	
12	6N7-81857-00	.RETAINER .ARRETOIR	1	1	
13	6N7-81830-00	.FRONT BRACKET ASSY .SUPPORT AVANT	1	1	
14	6K7-81826-10	.BOLT .BOULON	2	2	
15	6E5-8182E-10	.WASHER .RONDELLE	1	1	
16	6E5-8182F-10	.WASHER .RONDELLE	2	2	
17	6E5-8182A-10	.NUT .ECROU	1	1	
18	6E5-8182K-10	.NUT .ECROU	1	1	
19	6R3-81822-00-94	BRACKET, STARTING MOTOR SUPPORT, DEMARREUR ELECTRIQUE	1	1	
20	90119-08M76	BOLT, WITH WASHER BOULON, AVEC RONDELLE	2	2	
21	90119-08M77	BOLT, WITH WASHER BOULON, AVEC RONDELLE	2	2	
22	90119-08M57	BOLT, WITH WASHER BOULON, AVEC RONDELLE	1	1	
23	92990-08600	WASHER, PLATE RONDELLE, PLATE	1	1	
24	97095-08016	BOLT BOULON	1	1	
25	92995-08600	WASHER RONDELLE	1	1	

FIG. 15 BOTTOM COWLING

CAPOT INFERIEUR

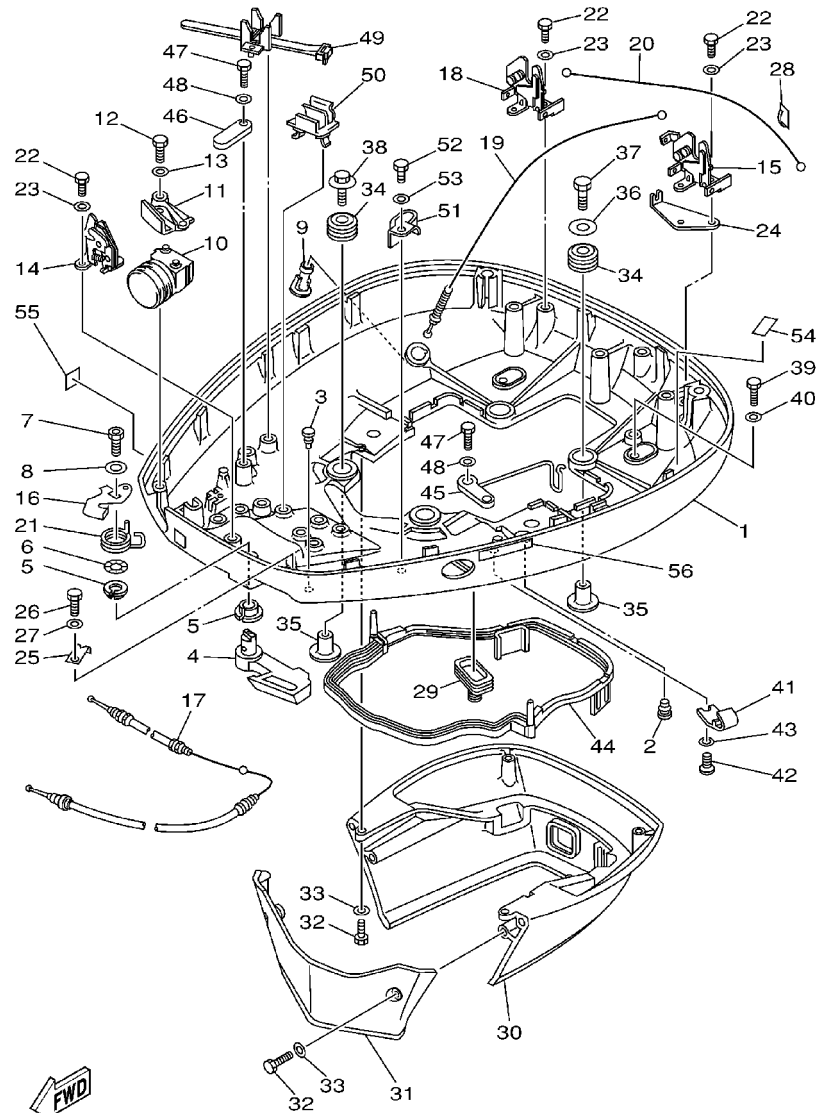


6N61300-2150

REF. NO.	PART NO. NO. PIECES	DESCRIPTION DESCRIPTION	115C	130B	REMARKS REMARQUES
1	6N7-42711-43-8D	COWLING, BOTTOM CUVETTE	1	1	
2	90480-06M19	GROMMET PASSE-FIL	1	1	
3	6H4-42748-00	GROMMET PASSE-FIL	1	1	
4	6N7-42815-01-8D	LEVER, CLAMP LEVIER, PRESSE	1	1	
5	90386-13M88	BUSH DOUILLE	2	2	
6	90206-13M10	WASHER, WAVE RONDELLE, ONDULEE	1	1	
7	90109-08M45	BOLT BOULON	1	1	
8	92990-08200	WASHER, PLAIN RONDELLE, PLATE	1	1	
9	6E5-44391-00	NIPPLE, HOSE RACCORD D'ESSENCE	1	1	
10	6N7-42725-30	GROMMET PASSE-FIL	1	1	
11	6N7-42738-02-5B	PLATE, FITTING ETRIER	1	1	
12	97095-06016	BOLT BOULON	2	2	
13	92995-06600	WASHER RONDELLE	2	2	
14	6R3-42824-00	BASE, CLAMP LEVER BASE, BIRDE LEVIER	1	1	
15	6R3-42811-01	STAY SUPPORT	1	1	
16	6R3-42816-00	LEVER, CLAMP LEVIER, PRESSE	1	1	
17	6N7-42850-00	WIRE COMPLETE FIL COMPLET	1	1	
18	6R3-42811-10	STAY SUPPORT	1	1	
19	6N7-42850-10	WIRE COMPLETE FIL COMPLET	1	1	
20	6N7-42850-20	WIRE COMPLETE FIL COMPLET	1	1	
21	6R3-42813-00	SPRING, CLAMP LEVER RESSORT	1	1	
22	97095-06016	BOLT BOULON	6	6	
23	92995-06600	WASHER RONDELLE	6	6	
24	6N7-42828-00	PLATE, CLAMP PLAQUE, PRESSE	1	1	
25	6R3-42828-00	PLATE, CLAMP PLAQUE, PRESSE	1	1	
26	97095-06010	BOLT BOULON	1	1	
27	92995-06600	WASHER RONDELLE	1	1	

FIG. 15 BOTTOM COWLING

CAPOT INFERIEUR

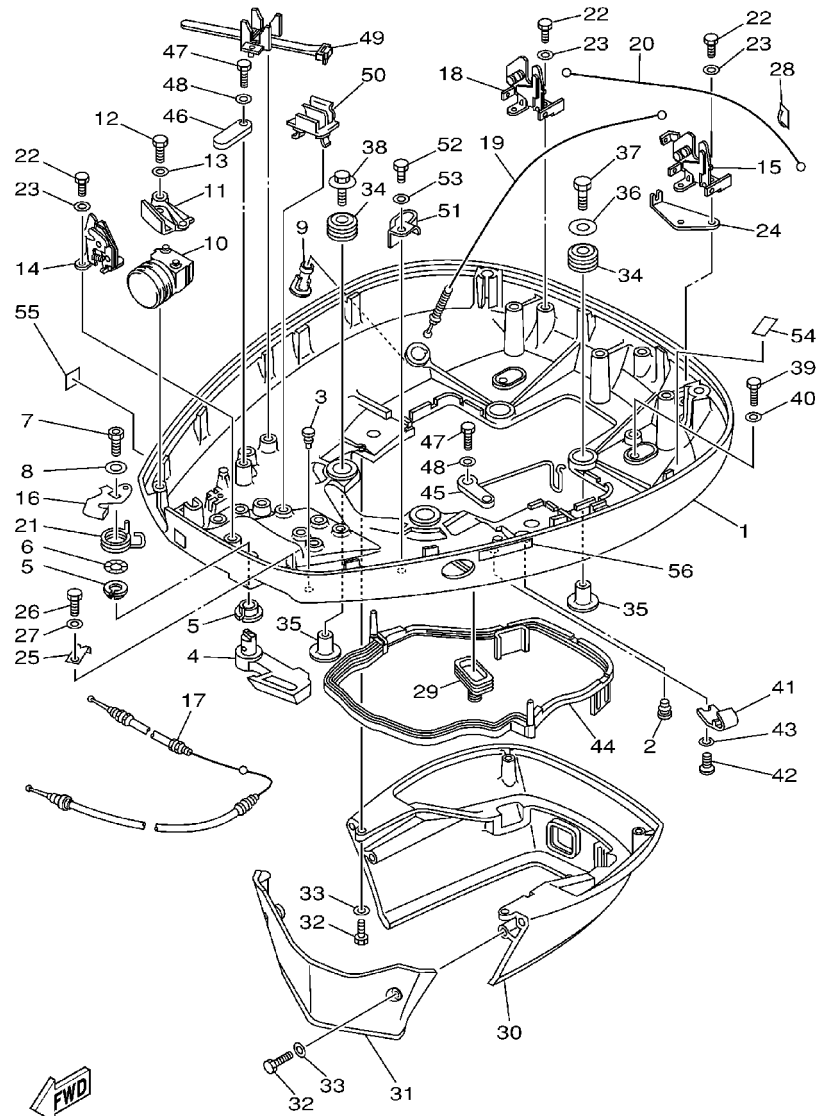


6N61300-2150

REF. NO.	PART NO. NO. PIECES	DESCRIPTION DESCRIPTION	115C	130B	REMARKS REMARQUES
28	6N7-42841-00	MARK, CLAMP ADHESIF, BRIDE	1	1	
29	688-42726-10	GROMMET PASSE-FIL	1	1	
30	6N7-42741-01-8D	APRON CAPOT LATERAL	1	1	
31	6R3-42771-01-8D	APRON CAPOT LATERAL	1	1	
32	97095-06020	BOLT BOULON	4	4	
33	92995-06600	WASHER RONDELLE	4	4	
34	90480-22M15	GROMMET PASSE-FIL	4	4	
35	90387-08M37	COLLAR COLLERETTE	4	4	
36	90201-08M54	WASHER, PLATE RONDELLE, PLATE	1	1	
37	97075-08035	BOLT BOULON	1	1	
38	90119-08M22	BOLT, WITH WASHER BOULON, AVEC RONDELLE	3	3	
39	97095-06020	BOLT BOULON	2	2	
40	92995-06600	WASHER RONDELLE	2	2	
41	6E5-24367-10	CLAMP, FUEL PIPE 2 COLLIER DE DURITE A ESSENCE	1	1	
42	90157-06M01	SCREW, PAN HEAD VIS, TETE TRONCONIQUE	1	1	
43	92990-06600	WASHER, PLATE RONDELLE, PLATE	1	1	
44	6E5-42716-00	RUBBER, SEAL 1 JOINT EN CAOUTCHOUC 1	1	1	
45	6K7-82588-00	PLATE PLAQUE	1	1	
46	6E5-82588-00	PLATE PLAQUE	1	1	
47	97095-06020	BOLT BOULON	2	2	
48	92995-06600	WASHER RONDELLE	2	2	
49	688-82594-00	CLAMP BRIDE	1	1	
50	6E5-82594-00	CLAMP BRIDE	4	4	
51	90465-12M25	CLAMP BRIDE	1	1	
52	97095-06012	BOLT BOULON	1	1	
53	92995-06600	WASHER RONDELLE	1	1	
54	6G5-42791-10	MARK 1 ETIQUETTE 1	1		

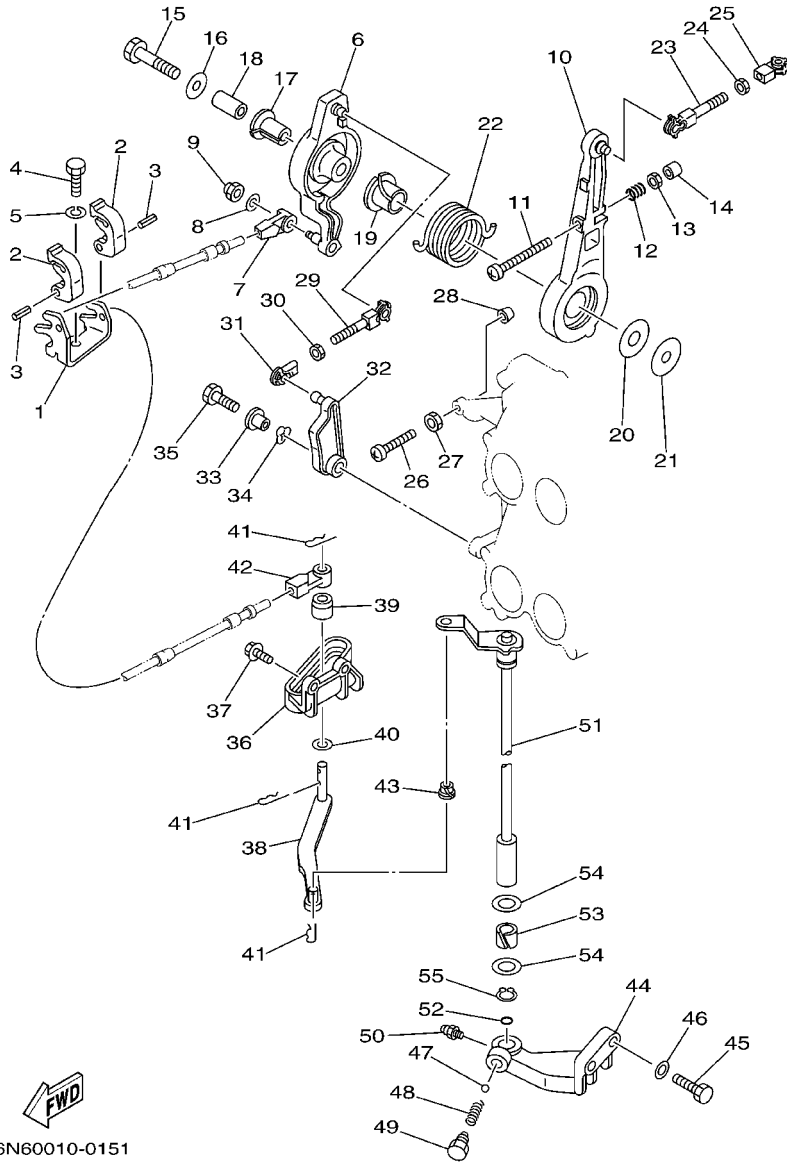
FIG. 15 BOTTOM COWLING

CAPOT INFERIEUR



REF. NO.	PART NO. NO. PIECES	DESCRIPTION DESCRIPTION	115C	130B	REMARKS REMARQUES
54	6K7-42791-00	MARK 1 ETIQUETTE 1		1	
55	6A1-28176-00	LABEL, CAUTION ETIQUETTE, RECOMMANDATION	1	1	
56	6E3-8257H-00	PLATE, MARK PLAQUE, ADHESIF	1	1	

FWD
6N61300-2150

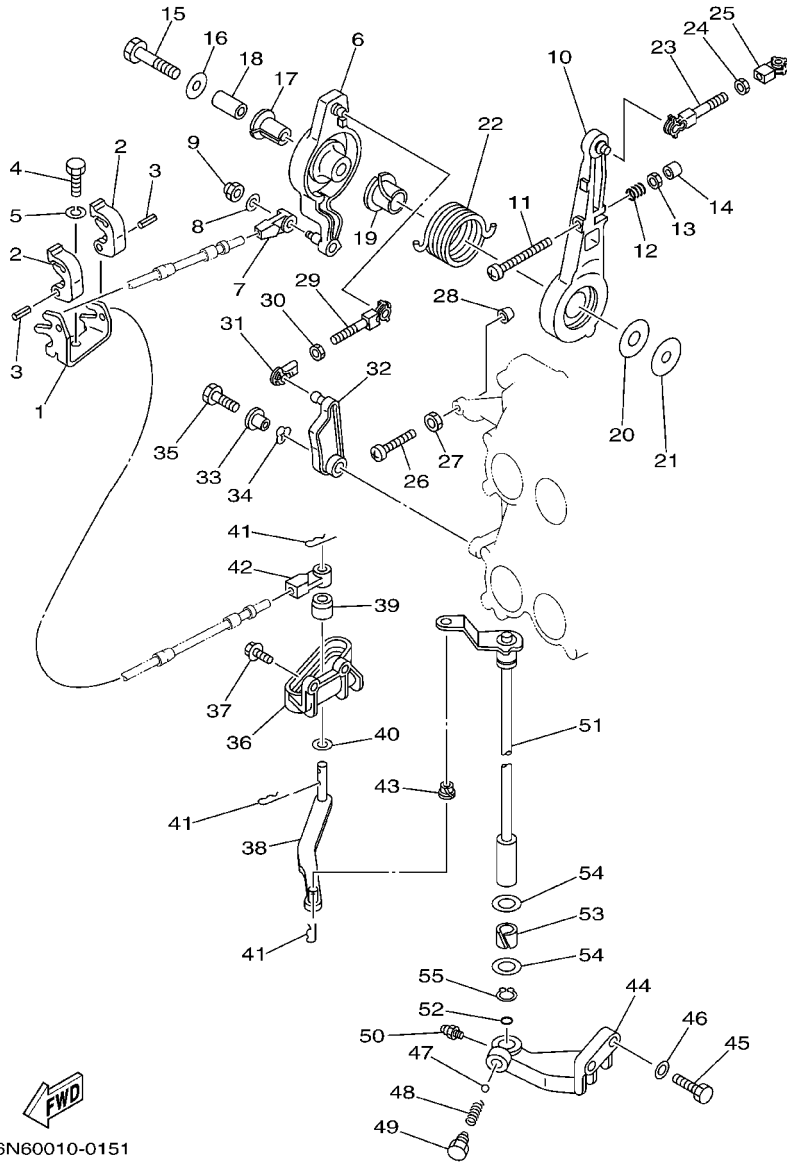


6N60010-0151

FIG. 16 CONTROL

COMMANDE

REF. NO.	PART NO. NO. PIECES	DESCRIPTION DESCRIPTION	115C	130B	REMARKS REMARQUES
1	6E5-48531-00	BRACKET, REMOTE CONTROL 1 ETRIER 1, COMMANDE A DISTANCE	1	1	
2	6E5-48538-00	CLAMP, CABLE 1 COLLIER	2	2	
3	91690-30012	PIN, SPRING GOUILLE, ELASTIQUE	2	2	
4	97095-08020	BOLT BOULON	1	1	
5	92995-08100	WASHER RONDELLE	1	1	
6	6E5-41632-02-1S	LEVER, MAGNETO CONTROL LEVIER, COMMANDE D'AVANCE	1	1	
7	6E5-48344-00	CABLE END, REMOTE CONTROL CHAPE CABLE	1	1	
8	92990-06200	WASHER, PLAIN RONDELLE, PLATE	1	1	
9	90185-06M07	NUT, SELF-LOCKING ECROU, AUTO-BLOCANT	1	1	
10	6E5-41631-01-1S	LEVER, MAGNETO CONTROL LEVIER, COMMANDE D'AVANCE	1	1	
11	90157-06013	SCREW, PAN HEAD VIS, TETE TRONCONIQUE	1	1	
12	90501-16M12	SPRING, COMPRESSION RESSORT, COMPRESSION	1	1	
13	95303-06600	NUT ECROU	1	1	
14	688-44194-00	CAP CAPUCHON	1	1	
15	97013-08045	BOLT BOULON	1	1	
16	90201-08M23	WASHER, PLATE RONDELLE, PLATE	1	1	
17	90386-12089	BUSH DOUILLE	1	1	
18	90387-08M16	COLLAR COLLERETTE	1	1	
19	90386-22M13	BUSH DOUILLE	1	1	
20	90202-12092	WASHER, PLATE RONDELLE, PLATE	1	1	
21	90201-08M13	WASHER, PLATE RONDELLE, PLATE	1	1	
22	90508-29M12	SPRING, TORSION RESSORT, TORSION	1	1	
23	6E5-41636-01	ROD, MAGNETO CONTROL BIELLETTTE, COMMANDE D'AVANCE	1	1	
24	95380-05600	NUT ECROU	1	1	
25	662-41237-01	JOINT, LINK RACCORD	1	1	
26	90157-06013	SCREW, PAN HEAD VIS, TETE TRONCONIQUE	1	1	
27	95303-06600	NUT ECROU	1	1	



6N60010-0151

FIG. 16 CONTROL

COMMANDE

REF. NO.	PART NO. NO. PIECES	DESCRIPTION DESCRIPTION	115C	130B	REMARKS REMARQUES
28	688-44194-00	CAP CAPUCHON	1	1	
29	688-41636-00	ROD, MAGNETO CONTROL BIELLETTTE, COMMANDE D'AVANCE	1	1	
30	95380-05600	NUT ECROU	1	1	
31	662-41237-01	JOINT, LINK RACCORD	1	1	
32	6E5-41213-00	CAM, ACCEL. CAME, ACCELERATION	1	1	
33	90387-06M29	COLLAR COLLERETTE	1	1	
34	90206-10M04	WASHER, WAVE RONDELLE, ONDULEE	1	1	
35	97095-06025	BOLT BOULON	1	1	
36	6E5-44117-00-1S	BRACKET SUPPORT	1	1	
37	90119-06MA2	BOLT, WITH WASHER BOULON, AVEC RONDELLE	2	2	
38	68F-44121-00	LEVER, SHIFT ROD LEVIER, TIGE D'INVERSION	1	1	
39	6E5-44122-00	BUSHING, SHIFT ROD LEVER DOUILLE, LEVIER D'EMBRAYAGE	1	1	
40	90202-08M20	WASHER, PLATE RONDELLE, PLATE	1	1	
41	90468-18008	CLIP JONC	3	3	
42	6E5-48344-00	CABLE END, REMOTE CONTROL CHAPE CABLE	1	1	
43	90386-06M12	BUSH DOUILLE	1	1	
44	6E5-44118-01-94	BRACKET SUPPORT	1	1	
45	97013-08030	BOLT BOULON	2	2	
46	92903-08600	WASHER, PLATE RONDELLE, PLATE	2	2	
47	93501-04M02	BALL BILLE	1	1	
48	90501-12082	SPRING, COMPRESSION RESSORT, COMPRESSION	1	1	
49	648-42715-00	BUSHING COUSSINET	1	1	
50	93700-06M03	NIPPLE, GREASE GRAISSEUR	1	1	
51	6E5-44120-03	HANDLE GEAR SHIFT ASSY LEVIER D'EMBRAYAGE	1	1	L
52	93210-09165	O-RING JOINT TORIQUE	1	1	
53	90386-16M66	BUSH DOUILLE	1	1	
54	90202-16061	WASHER, PLATE RONDELLE, PLATE	2	2	

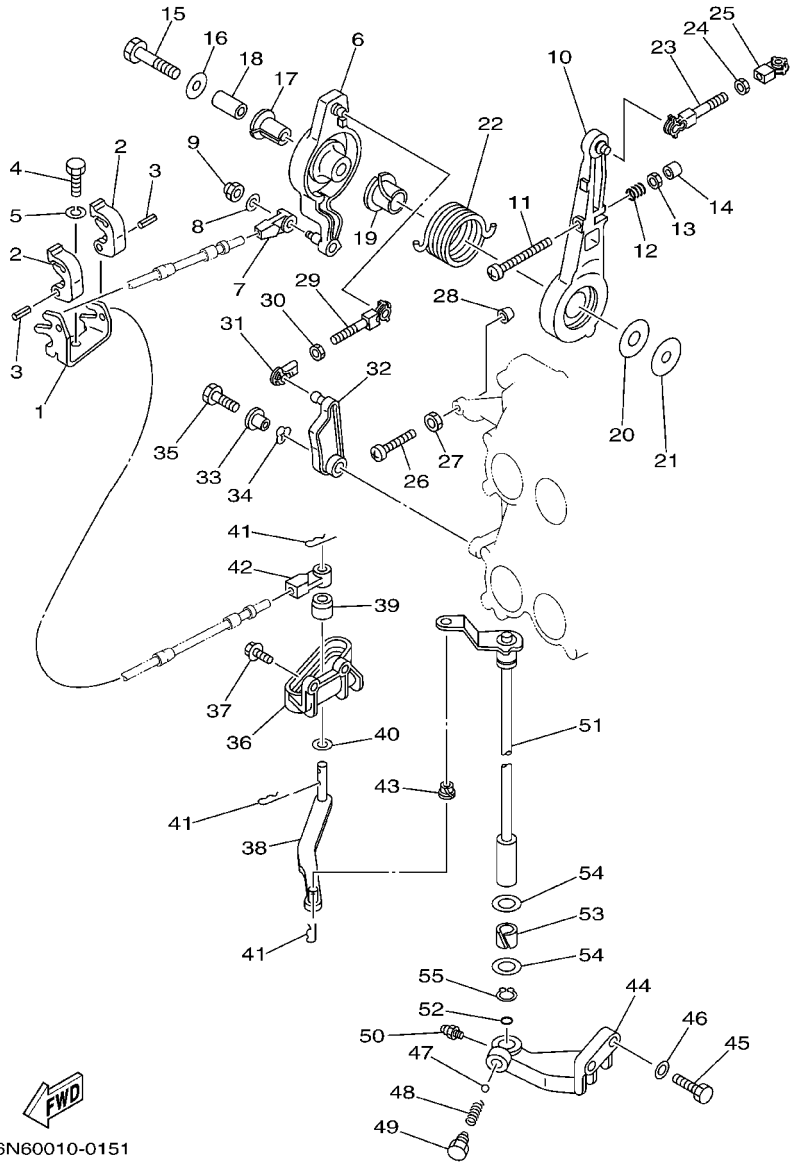


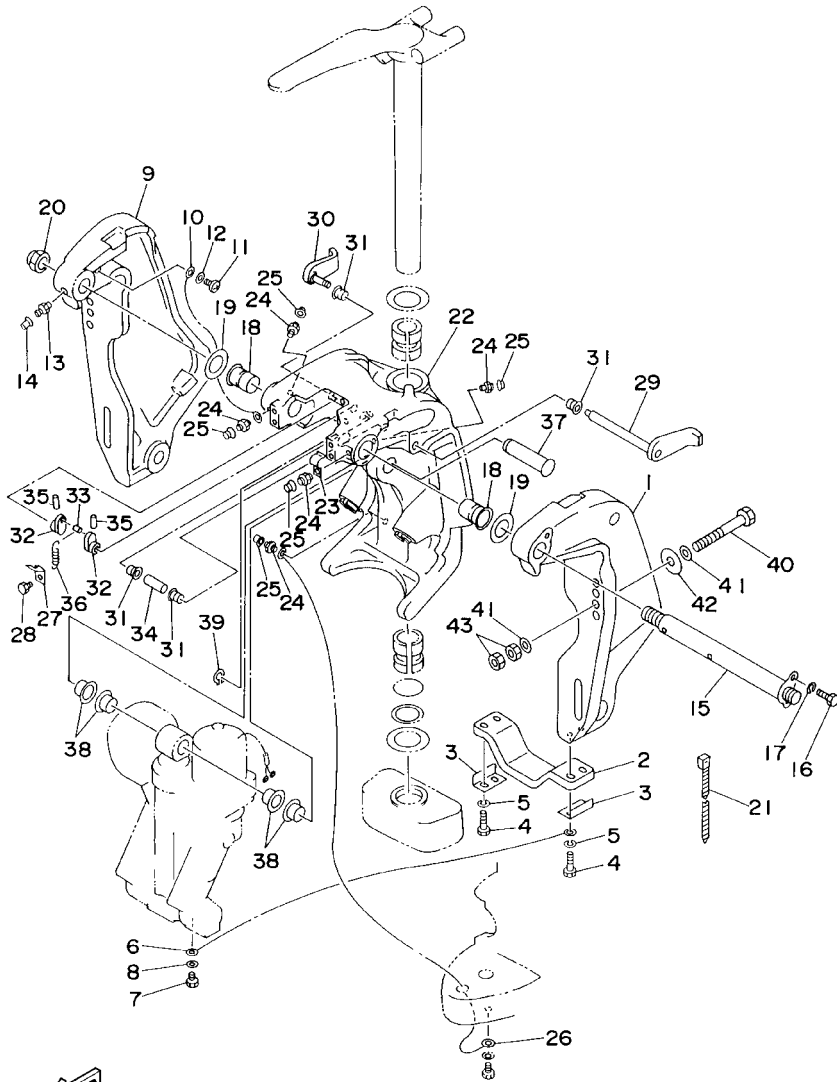
FIG. 16 CONTROL

COMMANDE

REF. NO.	PART NO. NO. PIECES	DESCRIPTION DESCRIPTION	115C	130B	REMARKS REMARQUES
55	93410-16006	CIRCLIP CIRCLIP, TYPE S	1	1	

FIG. 17 BRACKET 1

SUPPORT 1

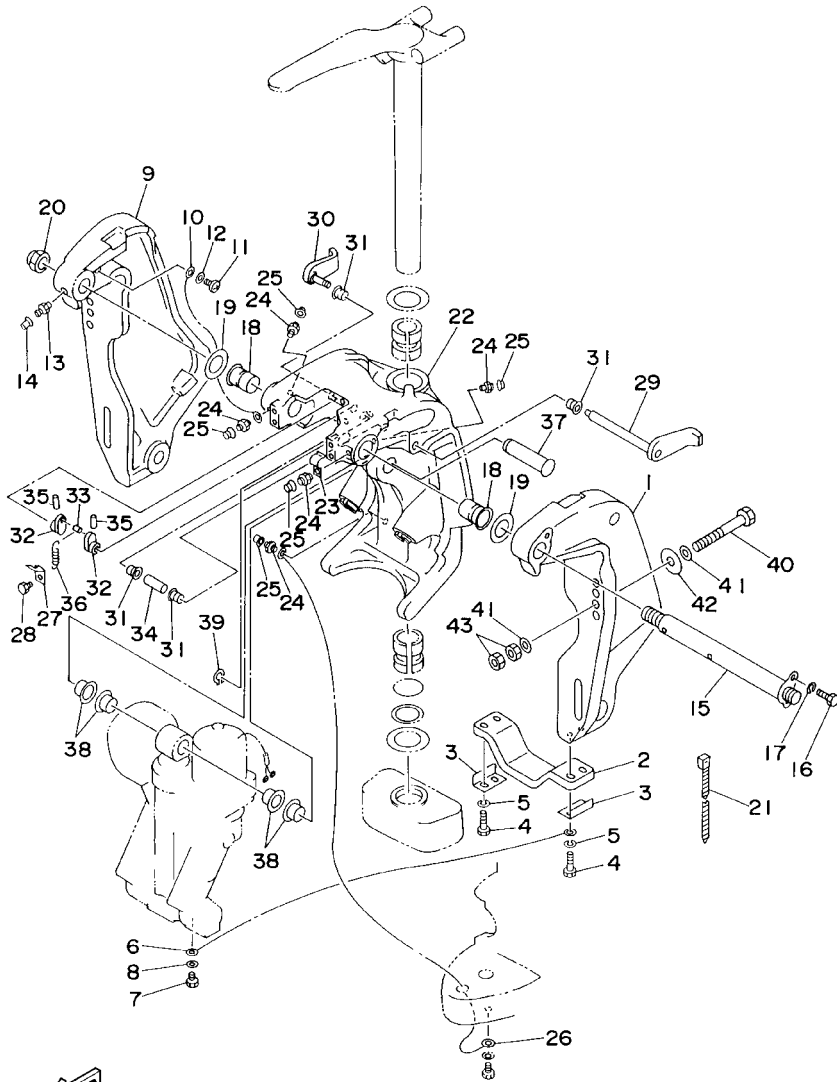


6N60010-7160

REF. NO.	PART NO. NO. PIECES	DESCRIPTION DESCRIPTION	115C	130B	REMARKS REMARQUES
1	64E-43111-02-8D	BRACKET, CLAMP PRESSE	1	1	
2	6G5-45251-02	ANODE ANODE	1	1	
3	6G5-44526-00	PLATE PLAQUE	2	2	
4	97095-06030	BOLT BOULON	4	4	
5	92995-06100	WASHER, SPRING RONDELLE, GROWER	4	4	
6	6E5-82148-00	WIRE, LEAD 4 FIL 4	1	1	
7	97095-06010	BOLT BOULON	1	1	
8	92995-06600	WASHER RONDELLE	1	1	
9	64E-43112-02-8D	BRACKET, CLAMP PRESSE	1	1	
10	6E5-82148-00	WIRE, LEAD 4 FIL 4	1	1	
11	97880-06012	SCREW, PAN HEAD VIS, TETE TRONCONIQUE	1	1	
12	92990-06600	WASHER, PLATE RONDELLE, PLATE	1	1	
13	93700-06M03	NIPPLE, GREASE GRAISSEUR	1	1	
14	663-45119-00	CAP, GREASE NIPPLE CAPUCHON, GRAISSEUR	1	1	AP
15	64E-43131-01	BOLT, CLAMP BRACKET BOULON, PRESSE	1	1	
16	97095-08020	BOLT BOULON	1	1	
17	92995-08100	WASHER RONDELLE	1	1	
18	90386-25M31	BUSH DOUILLE	2	2	
19	90201-26M59	WASHER, PLATE RONDELLE, PLATE	2	2	
20	90185-22M11	NUT, SELF-LOCKING ECROU, AUTO-BLOCANT	1	1	
21	90465-11M10	CLAMP BRIDE	1	1	
22	64E-43311-10-8D	BRACKET, SWIVEL 1 SUPPORT, PIVOT 1	1	1	L
23	90465-08M63	CLAMP BRIDE	1	1	
24	93700-06M03	NIPPLE, GREASE GRAISSEUR	5	5	
25	663-45119-00	CAP, GREASE NIPPLE CAPUCHON, GRAISSEUR	5	5	AP
26	6E5-82147-00	WIRE, LEAD 4 FIL 4	1	1	L
27	6G5-43144-00	HOOK, SPRING CROCHET	1	1	

FIG. 17 BRACKET 1

SUPPORT 1

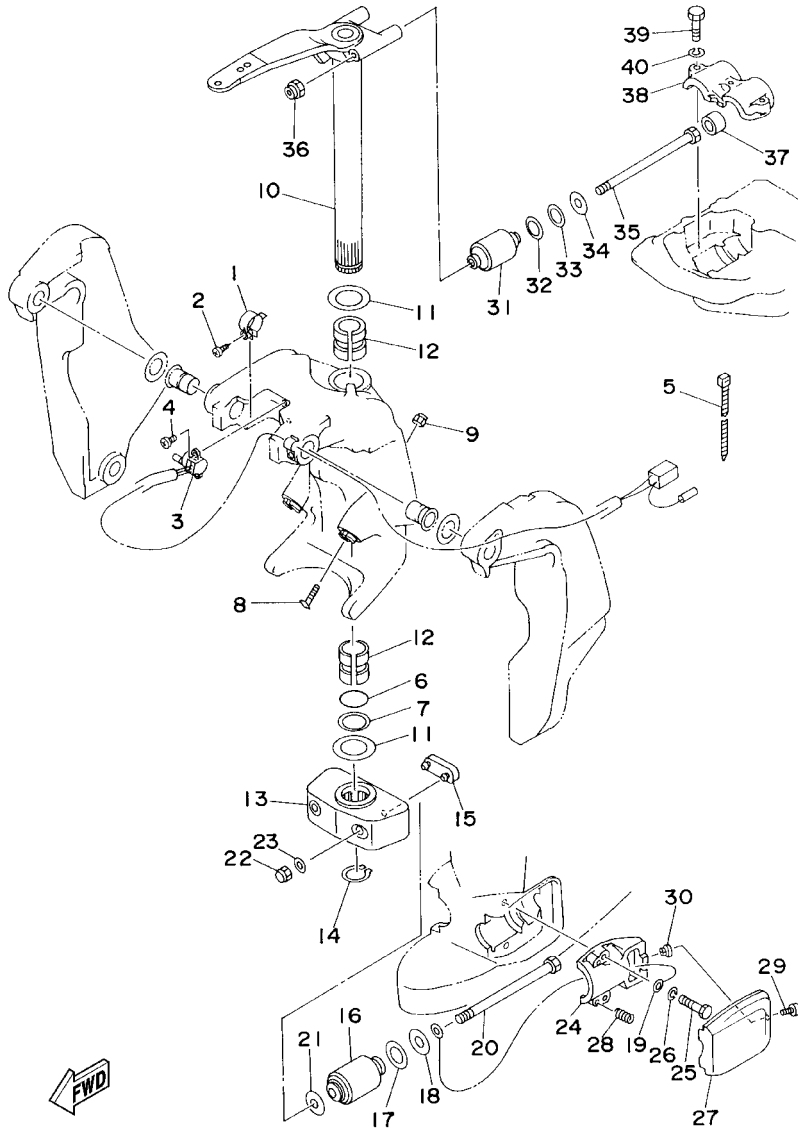


6N60010-7160

REF. NO.	PART NO. NO. PIECES	DESCRIPTION DESCRIPTION	115C	130B	REMARKS REMARQUES
28	97095-06010	BOLT BOULON	1	1	
29	6G5-43181-02	LEVER, TILT STOP LEVIER, VERROUILLAGE RELEVAGE	1	1	
30	6G5-43185-02	LEVER, TILT STOP LEVIER, VERROUILLAGE RELEVAGE	1	1	
31	90386-10M16	BUSH DOUILLE	4	4	
32	6G5-43148-00	COLLAR, DISTANCE ENTRETOISE	2	2	
33	90249-06M19	PIN GOUPILLE	1	1	
34	90387-10M05	COLLAR COLLERETTE	1	1	
35	91690-30020	PIN, SPRING GOUPILLE, ELASTIQUE	2	2	
36	90506-14M24	SPRING, TENSION RESSORT, TENSION	1	1	
37	64E-43126-00	PIN, UPPER SHOCK MOUNT AXE, SUPERIEUR AMORTISSEUR	1	1	
38	90386-22M98	BUSH DOUILLE	4	4	
39	93410-22M11	CIRCLIP CIRCLIP, TYPE S	1	1	
40	90101-12M03	BOLT (L:115MM) BOULON (L:115MM)	4	4	
41	90201-13M01	WASHER, PLATE RONDELLE, PLATE	8	8	
42	90201-12M05	WASHER, PLATE RONDELLE, PLATE	4	4	
43	95380-12600	NUT ECROU	8	8	

FIG. 18 BRACKET 2

SUPPORT 2

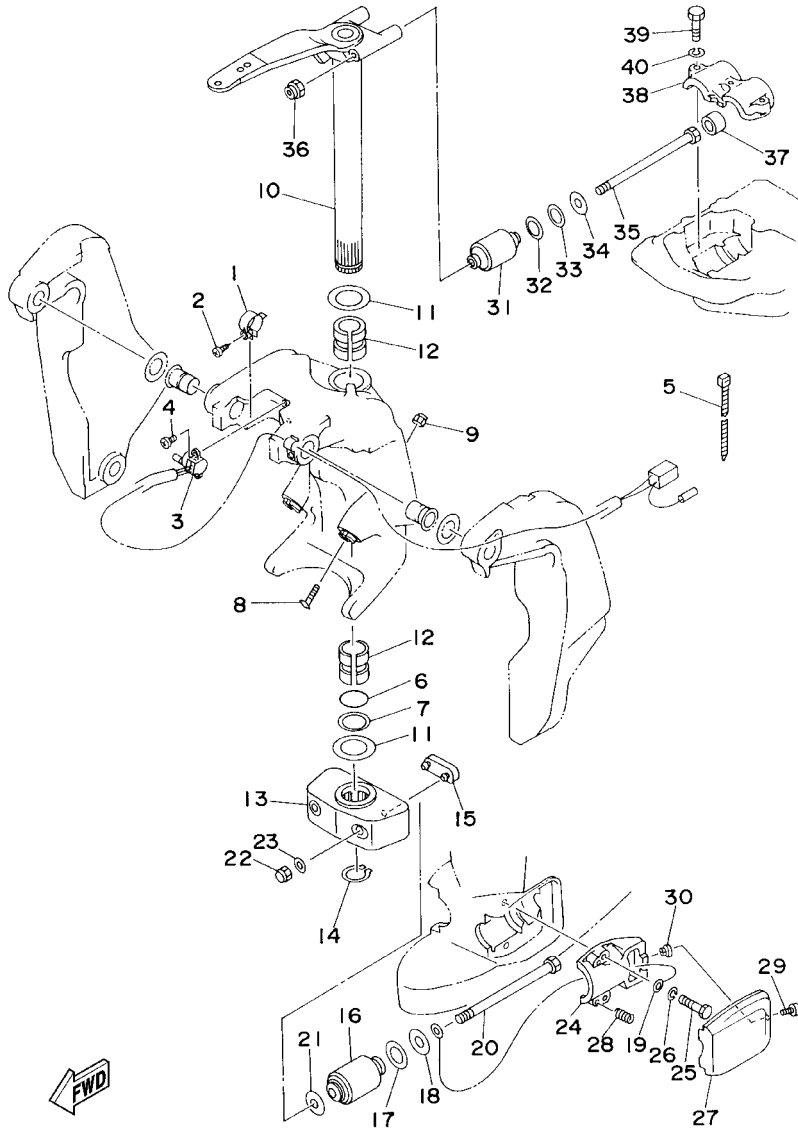


64D0010-7170

REF. NO.	PART NO. NO. PIECES	DESCRIPTION DESCRIPTION	115C	130B	REMARKS REMARQUES
1	64E-43139-02	CAM, TRIM SENDER VILEBREQUIN TRUM	1	1	
2	97780-60525	SCREW, TAPPING VIS, TETE FRAISEE	1	1	
3	64E-83672-02	TRIM SENDER INCLINER RACCORD	1	1	
4	97885-06016	SCREW, PAN HEAD VIS, TETE TRONCONIQUE	2	2	
5	90465-11M10	CLAMP BRIDE	3	3	
6	93210-37MH7	O-RING JOINT TORIQUE	1	1	
7	90202-40M47	WASHER, PLATE RONDELLE, PLATE	1	1	
8	61A-43376-00	BOLT, THRUST RECEIVER BOULON	2	2	
9	95780-10300	NUT, FLANGE ECROU, A COLLERETTE	2	2	
10	6E5-42510-A1-8D	STEERING BRACKET ASSY DIRECTION SUPPORT (ENS.)	1	1	L
11	90201-38M60	WASHER, PLATE RONDELLE, PLATE	2	2	
12	90386-38M32	BUSH DOUILLE	2	2	
13	6G5-44551-01-8D	HOUSING, LOWER MOUNT RUBBER BOITIER, SILENT-BLOC INFERIEUR	1	1	
14	93410-37M04	CIRCLIP CIRCLIP, TYPE S	1	1	
15	6E5-44575-00	DAMPER, LOWER MOUNT RUBBER SILENT-BLOC, INFERIEUR	1	1	
16	6E5-44555-00-94	MOUNT DAMPER, LOWER SIDE SILENT-BLOC, INFERIEUR LATERAL	2	2	
17	90202-32M19	WASHER, PLATE RONDELLE, PLATE	2	2	
18	90201-16M55	WASHER, PLATE RONDELLE, PLATE	2	2	
19	6E5-82149-00	WIRE, LEAD 3 FIL 3	1	1	
20	90109-14M34	BOLT BOULON	2	2	
21	90201-15M58	WASHER, PLATE RONDELLE, PLATE	2	2	
22	95380-14800	NUT ECROU	2	2	
23	92995-14600	WASHER RONDELLE	2	2	
24	6E5-44552-01-94	HOUSING, LOWER MOUNT RUBBER BOITIER, SILENT-BLOC INFERIEUR	2	2	
25	97095-10045	BOLT BOULON	4	4	
26	92995-10100	WASHER RONDELLE	4	4	
27	6E5-44553-01-8D	COVER, LOWER MOUNT COUVERCLE, SUSPENSION INFERIEUR	2	2	

FIG. 18 BRACKET 2

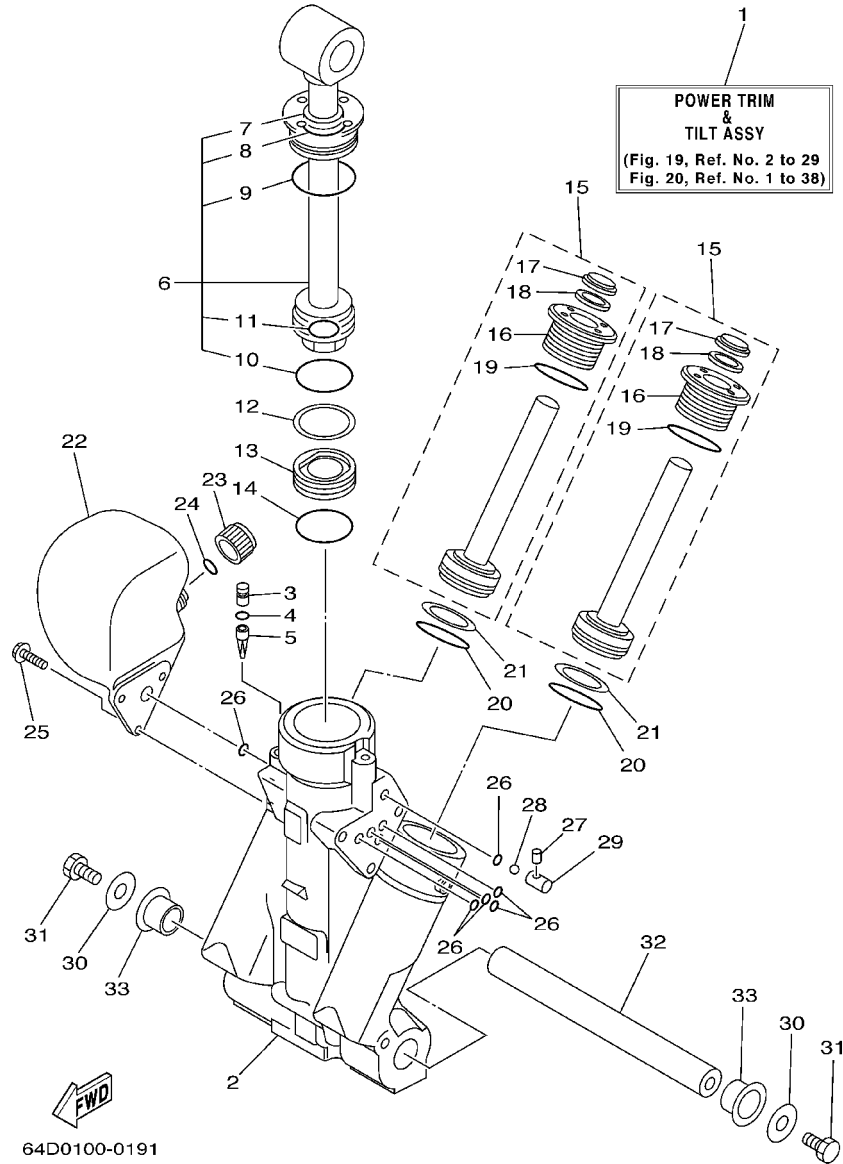
SUPPORT 2



64D0010-7170

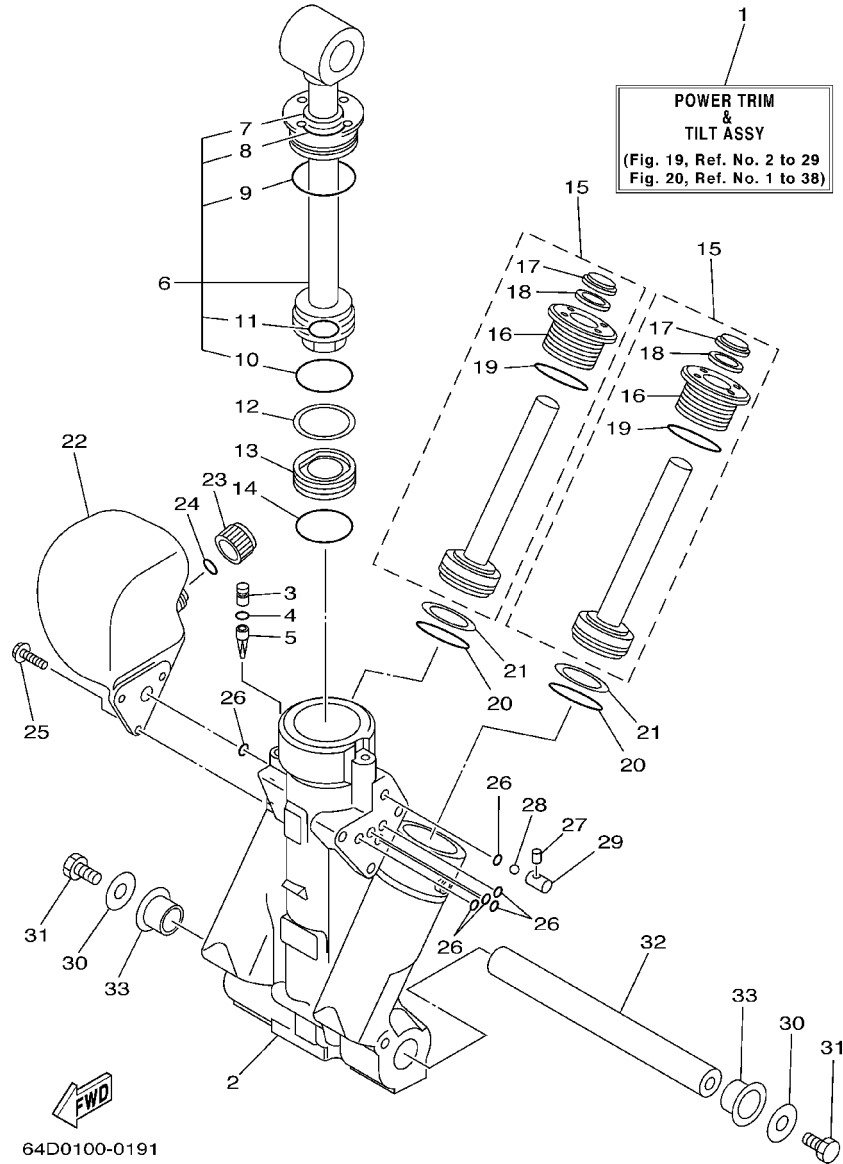
REF. NO.	PART NO. NO. PIECES	DESCRIPTION DESCRIPTION	115C	130B	REMARKS REMARQUES
28	90501-16M28	SPRING, COMPRESSION RESSORT, COMPRESSION	4	4	
29	97885-06016	SCREW, PAN HEAD VIS, TETE TRONCONIQUE	2	2	
30	90179-06066	NUT ECROU	2	2	
31	6E5-44514-00-94	MOUNT DAMPER, UPPER SIDE SILENT-BLOC, SUPERIEUR LATERAL	2	2	
32	90201-26M57	WASHER, PLATE RONDELLE, PLATE	2	2	
33	90202-26M18	WASHER, PLATE RONDELLE, PLATE	2	2	
34	90201-14M56	WASHER, PLATE RONDELLE, PLATE	2	2	
35	90109-12M37	BOLT BOULON	2	2	
36	90185-12M12	NUT, SELF-LOCKING ECROU, AUTO-BLOCANT	2	2	
37	663-44575-00	DAMPER, LOWER MOUNT RUBBER SILENT-BLOC, INFERIEUR	2	2	
38	6E5-44511-00-5B	COVER, UPPER MOUNT COUVERCLE, SUSPENSION SUPERIEUR	1	1	
39	97095-10045	BOLT BOULON	3	3	
40	92995-10100	WASHER RONDELLE	3	3	

FIG. 19 POWER TRIM & TILT ASSY 1 PUISSANCE PARER ET INCLINER 1



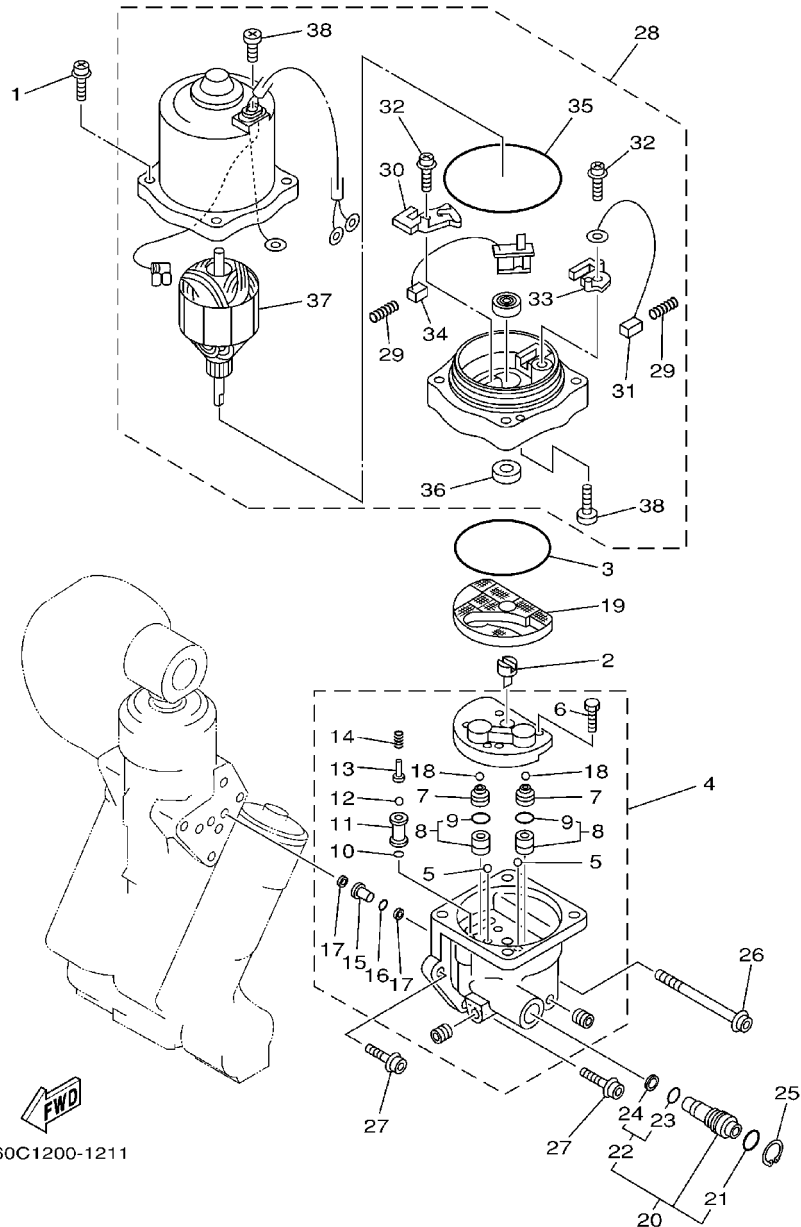
REF. NO.	PART NO. NO. PIECES	DESCRIPTION DESCRIPTION	115C	130B	REMARKS REMARQUES
1	64E-43800-02-4D	POWER TRIM & TILT ASSY PUISSANCE PARER ET INCLINER (ENS.)	1	1	
2	64E-43825-01	HOUSING, TRIM & TILT CARTER	1	1	
3	64E-4388J-00	PLUG 2 BOUCHON 2	1	1	
4	93210-10M74	O-RING JOINT TORIQUE	1	1	
5	64E-43817-00	FILTER 2 FILTRE 2	1	1	
6	64E-43810-00	TILT PISTON SUB ASSY INCLINER PISTON AUXILIAIRE (ENS.)	1	1	
7	64E-43898-00	.SEAL ,DUST 2 .JOINT ANTI-PUSSIERE	1	1	
8	64E-43867-00	.O-RING .JOINT TORIQUE	1	1	
9	64E-43866-00	.O-RING .JOINT TORIQUE	1	1	
10	6E5-43862-00	.O-RING .JOINT TORIQUE	1	1	
11	64E-43883-00	.O-RING .JOINT TORIQUE	1	1	
12	6E5-43872-00	RING, BACK UP RESSORT	1	1	
13	6E5-43814-02	PISTON, FREE PISTON	1	1	
14	6E5-43862-00	O-RING JOINT TORIQUE	1	1	
15	64E-43820-00	TRIM PISTON SUB ASSY PARER PISTON AUXILIAIRE (ENS.)	2	2	
16	64E-43821-00	SCREW, TRIM CYLINDER END .VIS	1	1	
17	64E-43822-00	.SEAL, TRIM DUST .JOINT	1	1	
18	64E-4384J-00	.SEAL, TRIM DOWN .JOINT	1	1	
19	6G5-43864-00	.O-RING .JOINT TORIQUE	1	1	
20	6E5-43864-00	O-RING JOINT TORIQUE	2	2	
21	6E5-43874-01	RING, BACK UP RESSORT	2	2	
22	64E-43828-00	BODY, RESERVOIR CORPS	1	1	
23	64E-43829-00	PLUG, RESERVOIR BOUCHON	1	1	
24	64E-43897-00	O-RING JOINT TORIQUE	1	1	
25	64E-4388E-00	BOLT ,SCREW (L:14MM) VIS (L:14MM)	3	3	
26	64E-43869-00	O-RING JOINT TORIQUE	6	6	
27	64E-4381G-00	PIN COUPELL	1	1	

FIG. 19 POWER TRIM & TILT ASSY 1 PUISSANCE PARER ET INCLINER 1



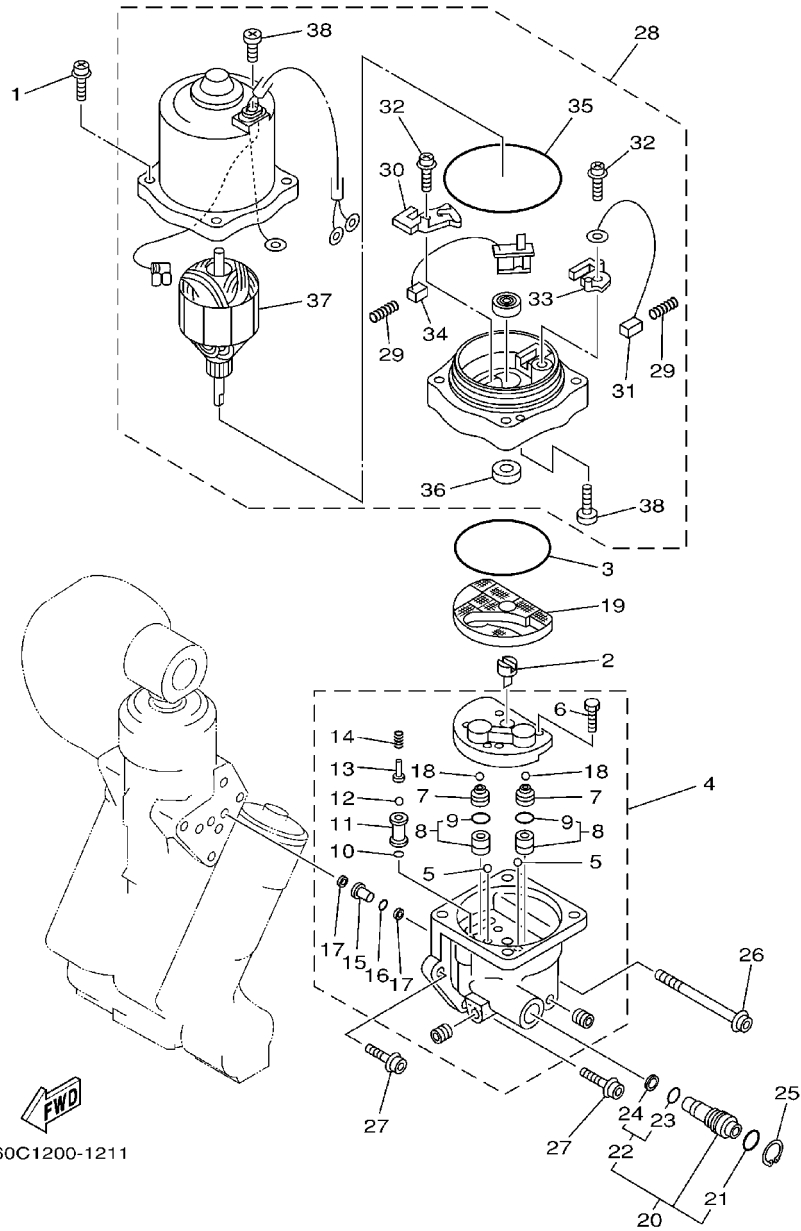
REF. NO.	PART NO. NO. PIECES	DESCRIPTION DESCRIPTION	115C	130B	REMARKS REMARQUES
28	6E5-43858-00	BALL BILLE	1	1	
29	64E-4382G-00	VALVE, SEAT JEU DE POINTEAUX	1	1	
30	90201-08M14	WASHER, PLATE RONDELLE, PLATE	2	2	
31	97080-08016	BOLT BOULON	2	2	
32	64E-43818-01	PIN, LOWER SHOCK MOUNT AXE, INFERIEUR AMORTISSEUR	1	1	
33	90386-22M98	BUSH DOUILLE	2	2	

FIG. 20 POWER TRIM & TILT ASSY 2 PUISSANCE PARER ET INCLINER 2



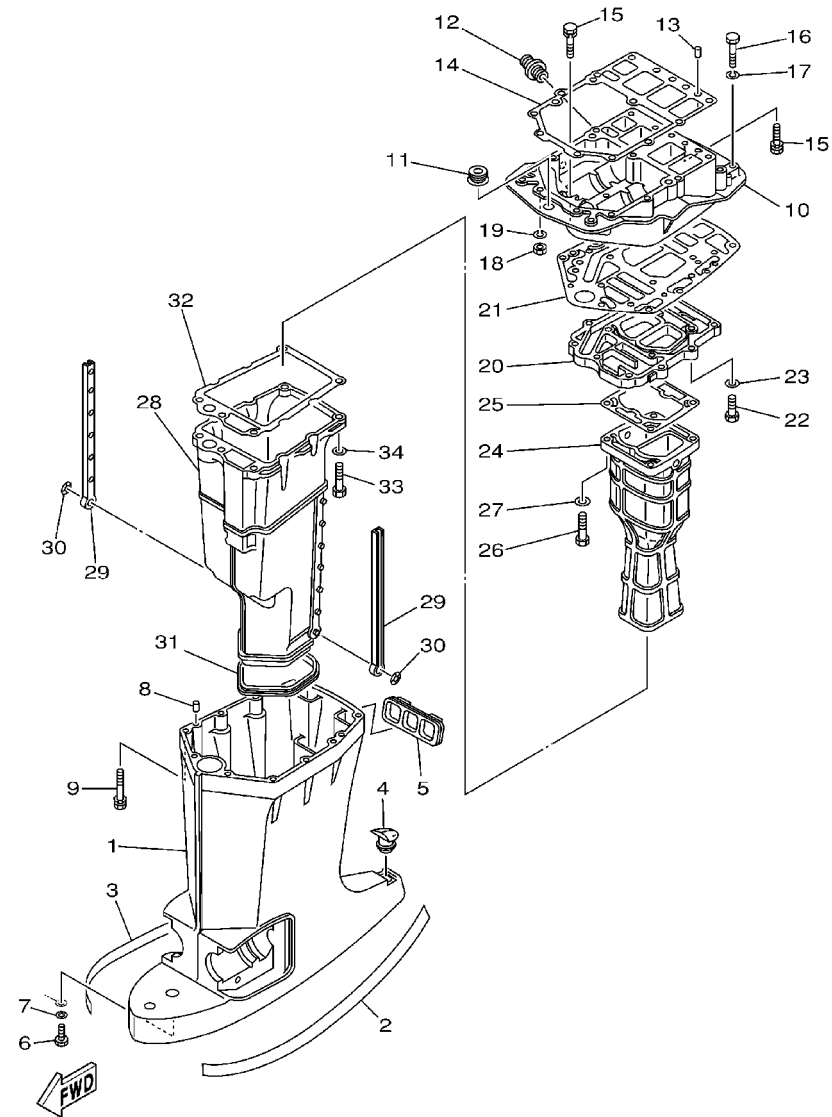
REF. NO.	PART NO. NO. PIECES	DESCRIPTION DESCRIPTION	115C	130B	REMARKS REMARQUES
1	64E-4388E-10	BOLT ,SCREW (L:34.7MM) VIS (L:34.7MM)	4	4	
2	64E-43831-00	CONNECTOR, SHAFT RACCORD	1	1	
3	64E-43868-00	O-RING JOINT TORIQUE	1	1	
4	64E-43830-00	GEAR PUMP ASSY POMPE A PIGNON (ENS.)	1	1	
5	72X-43858-00	.BALL .BILLE	2	2	
6	64E-43843-00	.SCREW, VALVE LOCK .VIS	4	4	
7	64E-43841-00	.PISTON, SHUTTLE .PISTON	2	2	
8	64E-43802-00	.VALVE SUB ASSY .CLAPET AUXILIAIRE (ENS.)	2	2	
9	6E5-43896-00	..O-RING ..JOINT TORIQUE	1	1	
10	6G5-43863-00	.O-RING ..JOINT TORIQUE	1	1	
11	64E-43851-00	.SEAT, RELIEF VALVE .SIEGE	1	1	
12	64E-43858-00	.BALL .BILLE	1	1	
13	64E-43859-00	.PIN, VALVE SUPPORT .GOUPILLE	1	1	
14	64E-43855-00	.SPRING, UP RELIEF .RESSORT	1	1	
15	64E-43850-00	.VALVE SUB ASSY .CLAPET AUXILIAIRE (ENS.)	1	1	
16	64E-43865-00	.O-RING ..JOINT TORIQUE	1	1	
17	64E-43816-00	.FILTER 1 .FILTRE 1	2	2	
18	64E-43858-00	.BALL .BILLE	2	2	
19	64E-43817-10	FILTER 2 FILTRE 2	1	1	
20	64E-43860-00	MANUAL VALVE SUB-ASSY SOUPAPE, MANUEL (ENS.)	1	1	
21	72X-85075-L0	.O-RING ..JOINT TORIQUE	1	1	
22	64E-43827-00	.RING SET .BILLE	1	1	
23	64E-4387A-00	..O-RING ..JOINT TORIQUE	1	1	
24	64E-43873-00	..RING, BACK UP ..RESSORT	1	1	
25	64E-43875-00	RING, SNAP RESSORT	1	1	
26	64E-43879-10	SCREW, WITH WASHER VIS, AVEC RONDELLE	1	1	
27	64E-43879-00	SCREW, WITH WASHER VIS, AVEC RONDELLE	2	2	

FIG. 20 POWER TRIM & TILT ASSY 2 PUISSANCE PARER ET INCLINER 2



60C1200-1211

REF. NO.	PART NO. NO. PIECES	DESCRIPTION DESCRIPTION	115C	130B	REMARKS REMARQUES
28	64E-43880-01	MOTOR ASSY MOTEUR (ENS.)	1	1	
29	6H1-4386K-10	.SPRING, BRUSH .RESSORT, BALAI	2	2	
30	64E-4380J-00	.HOLDER, BRUSH .PORTE-BALAI	1	1	
31	64E-43891-00	.BRUSH 1 .BALAI 1	1	1	
32	97607-04310	.SCREW, PAN HEAD WITH WASHER .VIS HEXAGONAL	2	2	
33	64E-4380F-00	.HOLDER, BRUSH 2 .PORTE-BALAI 2	1	1	
34	64E-43892-00	.BRUSH 2 .BALAI 2	1	1	
35	6G5-43865-00	.O-RING .JOINT TORIQUE	1	1	
36	93102-08M43	.OIL SEAL .JOINT SPY	1	1	
37	64E-43805-00	.ARMATURE ASSY .INDUIT (ENS.)	1	1	
38	64E-43843-10	.SCREW, VALVE LOCK .VIS	3	3	

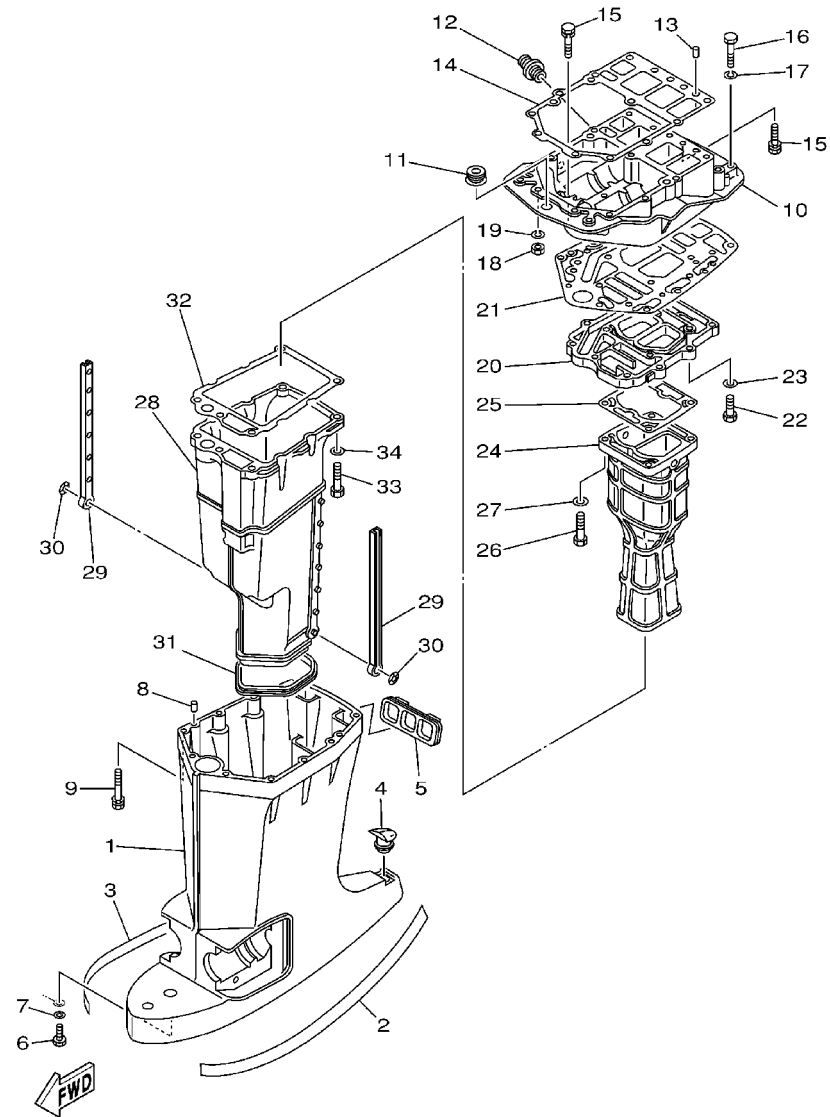


6N61300-2210

FIG. 21 UPPER CASING

FOURREAU

REF. NO.	PART NO. NO. PIECES	DESCRIPTION DESCRIPTION	115C	130B		REMARKS REMARQUES
1	6E5-45111-02-8D	CASING, UPPER FOURREAU	1	1		L
2	6R3-42791-41	MARK 1 ETIQUETTE 1	1	1		
3	6R3-42792-41	MARK ETIQUETTE	1	1		
4	6E5-45155-00	CAP CAPUCHON	1	1		
5	6E5-42769-00	SEAL, RUBBER BOURRELET, CAOUTCHOUC	1	1		
6	97095-06010	BOLT BOULON	1	1		
7	92995-06600	WASHER RONDELLE	1	1		
8	93608-12M05	PIN, DOWEL GOUJON	2	2		
9	90119-08027	BOLT, WITH WASHER BOULON, AVEC RONDELLE	6	6		
10	6G5-41137-02-94	GUIDE, EXHAUST COLLECTEUR D'ECHAPPEMENT	1	1		
11	6E5-42724-00	GROMMET PASSE-FIL	1	1		
12	6G5-12581-00	JOINT, HOSE 1 JOINT DE TUYAU	1	1		
13	93608-12M05	PIN, DOWEL GOUJON	2	2		
14	6G5-45113-A1	GASKET, UPPER CASING JOINT, TUBE D'ARBRE	1	1		
15	90119-08M79	BOLT, WITH WASHER BOULON, AVEC RONDELLE	6	6		
16	97095-08045	BOLT BOULON	2	2		
17	92995-08100	WASHER RONDELLE	2	2		
18	95380-08700	NUT ECROU	2	2		
19	92995-08100	WASHER RONDELLE	2	2		
20	6G5-41131-01-5B	MANIFOLD, EXT. 1 PIPE D'ECHAPPEMENT	1	1		
21	6G5-45114-A0	GASKET, UPPER CASING JOINT, TUBE D'ARBRE	1	1		
22	97095-08030	BOLT BOULON	4	4		
23	92995-08600	WASHER RONDELLE	4	4		
24	6E5-41132-10-5B	MANIFOLD, EXHAUST PIPE D'ECHAPPEMENT	1			
	6L1-41132-00-5B	MANIFOLD, EXHAUST PIPE D'ECHAPPEMENT		1		
25	6E5-41134-A0	GASKET, EXHAUST MANIFOLD JOINT, PIPE D'ECHAPPEMENT	1			
	6G5-41134-A0	GASKET, EXHAUST MANIFOLD JOINT, PIPE D'ECHAPPEMENT		1		



6N61300-2210

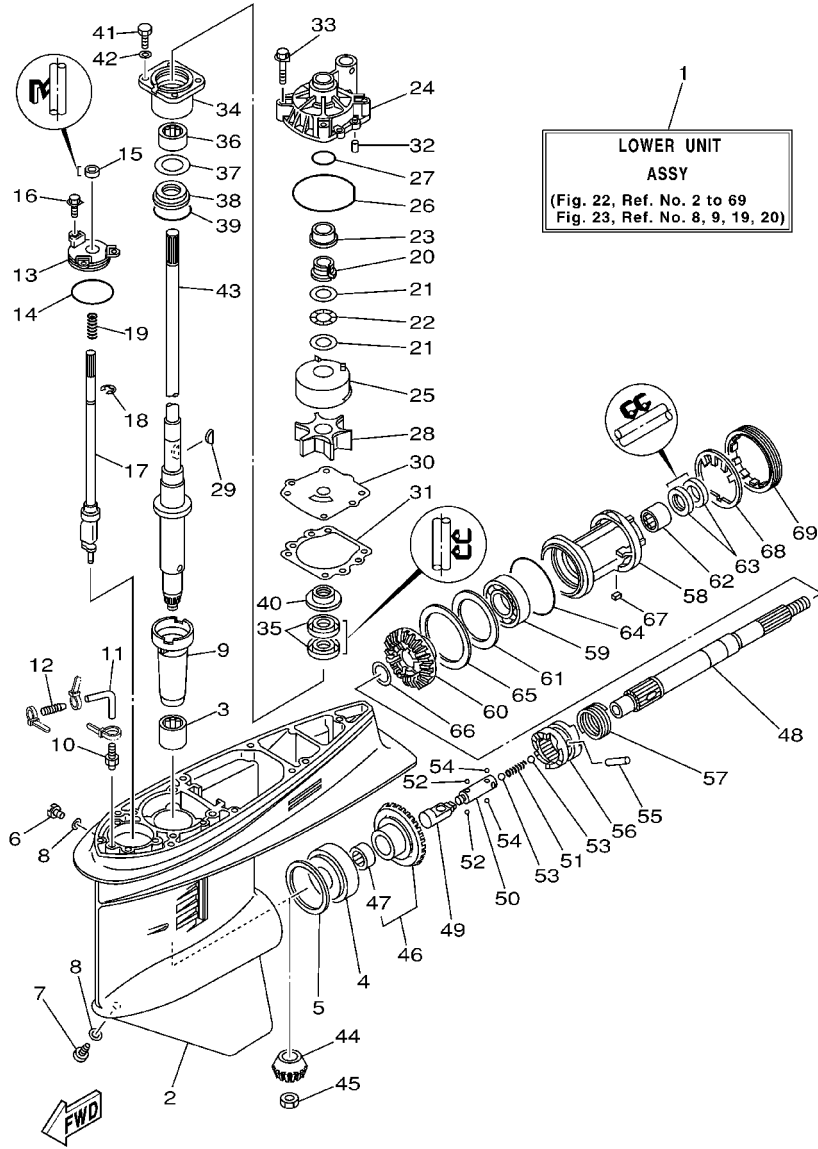
FIG. 21 UPPER CASING

FOURREAU

REF. NO.	PART NO. NO. PIECES	DESCRIPTION DESCRIPTION			REMARKS REMARQUES
			115C	130B	
26	97095-08045	BOLT BOULON	4	4	
27	92995-08600	WASHER RONDELLE	4	4	
28	6E5-14711-01-5B	MUFFLER 1 POT D'ECHAPPEMENT 1	1	1	
29	6E5-14737-00	DAMPER, MUFFLER AMORTISSEUR DE POT D'ECHAPPT	2	2	
30	90183-05M02	NUT, SPRING ECROU, RESSORT	2	2	
31	6E5-45123-00	GASKET, MUFFLER JOINT, POT DE DETENTE	1	1	
32	6E5-41135-A0	GASKET, EXHAUST MANIFOLD JOINT, PIPE D'ECHAPPEMENT	1	1	
33	97095-08045	BOLT BOULON	5	5	
34	92995-08600	WASHER RONDELLE	5	5	

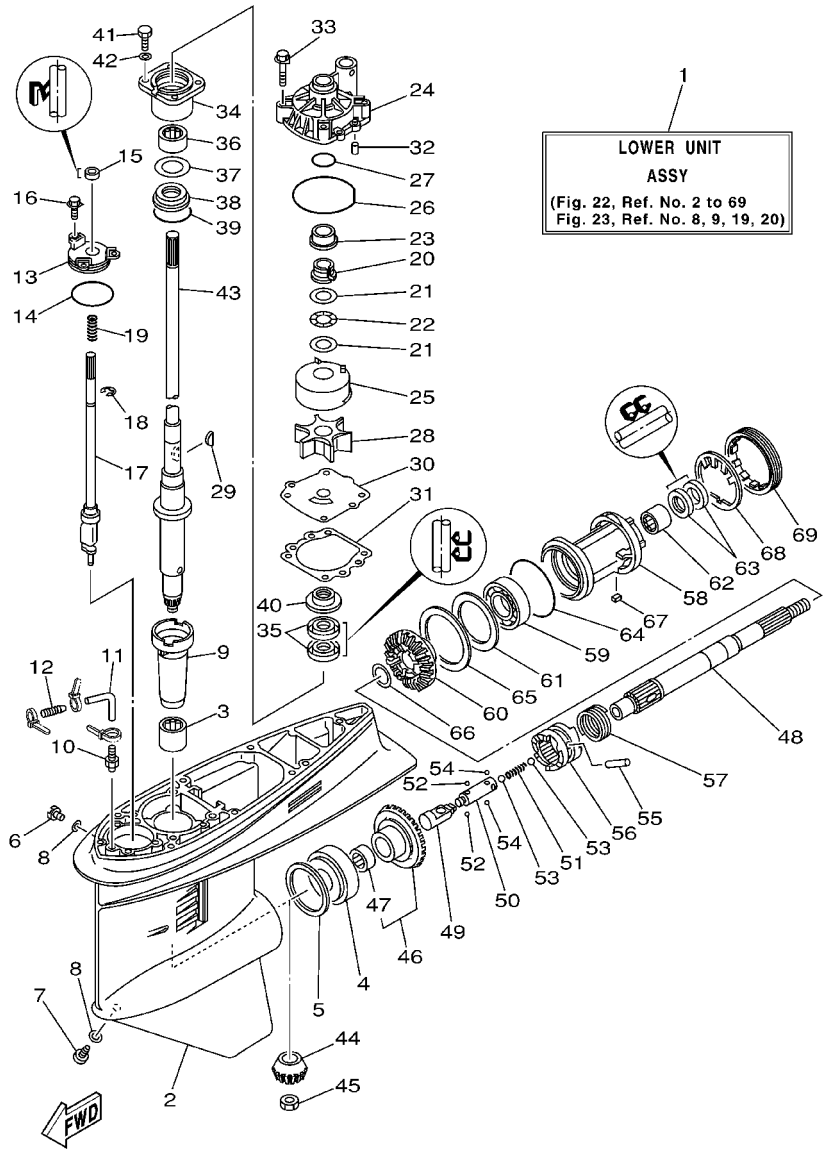
FIG. 22 LOWER CASING. DRIVE 1

BOITIER D'HELICE, TRANSMISSION 1



64W0171-0220

REF. NO.	PART NO. NO. PIECES	DESCRIPTION DESCRIPTION	115C	130B	REMARKS REMARQUES
1	6E5-45300-16-8D	LOWER UNIT ASSY UNITE INFERIEURE (ENS.)	1	1	L
2	6E5-45301-04-8D	CASING, LOWER BEQUILLE	1	1	
3	93315-628U9	BEARING ROULEMENT	1	1	
4	93332-000U7	BEARING ROULEMENT	1	1	
5	6E5-45567-01-10	SHIM (T:0.10MM) CALE (T:0.10MM)	1	1	UR
6E5-45567-01-12	SHIM (T:0.12MM) CALE (T:0.12MM)	1	1	UR	
6E5-45567-01-15	SHIM (T:0.15MM) CALE (T:0.15MM)	1	1	UR	
6E5-45567-01-18	SHIM (T:0.18MM) CALE (T:0.18MM)	1	1	UR	
6E5-45567-01-30	SHIM (T:0.30MM) CALE (T:0.30MM)	1	1	UR	
6E5-45567-01-40	SHIM (T:0.40MM) CALE (T:0.40MM)	1	1	UR	
6E5-45567-01-50	SHIM (T:0.50MM) CALE (T:0.50MM)	1	1	UR	
6	90340-08002	PLUG, STRAIGHT SCREW PLOT, FILETE DROIT	1	1	
7	688-45341-10	PLUG, DRAIN BOUCHON DE VIDANGE	1	1	
8	90430-08020	GASKET JOINT	2	2	
9	6E5-45536-00	SLEEVE, DRIVE SHAFT MANCHON, ARBRE MOTEUR	1	1	
10	6E5-45378-00	NIPPLE, HOSE RACCORD, TUYAU	1	1	
11	90445-07ME8	HOSE (L80) DURITE (L80)	1	1	L
12	6E5-83558-10	END, NIPPLE RACCORD DE NIPPLE	1	1	
13	6E5-45321-00	PLATE PLAQUETTE	1	1	
14	93210-58144	O-RING JOINT TORIQUE	1	1	
15	93106-09014	OIL SEAL JOINT SPY	1	1	
16	90119-06M10	BOLT, WITH WASHER BOULON, AVEC RONDELLE	3	3	
17	6E5-44150-02	SHIFT CAM ASSY CAME D'INVERSION	1	1	
18	99001-08600	CIRCLIP CIRCLIP	1	1	
19	90501-11M10	SPRING, COMPRESSION RESSORT, COMPRESSION	1	1	
20	61A-45538-00	SPACER 1 ENTRETOISE	1	1	
21	90201-22M01	WASHER, PLATE RONDELLE, PLATE	2	2	

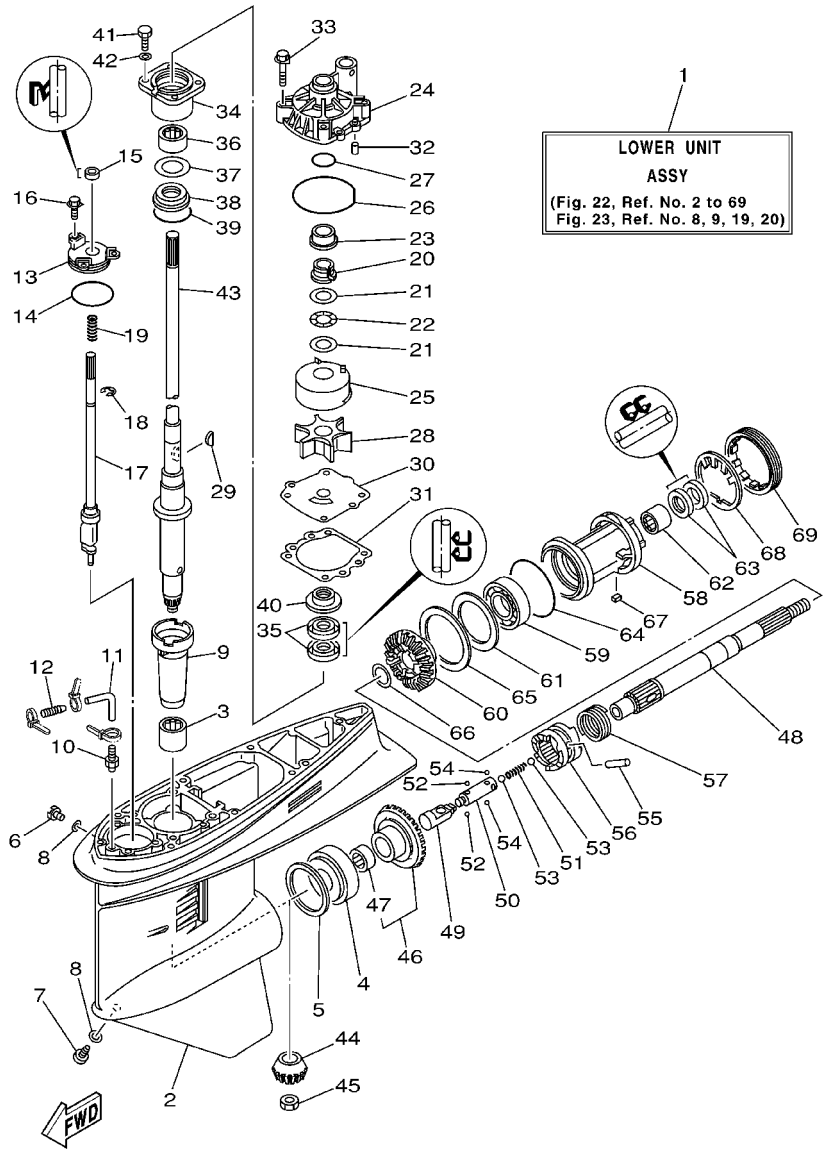


64W0171-0220

FIG. 22 LOWER CASING. DRIVE 1

BOITIER D'HELICE, TRANSMISSION 1

REF. NO.	PART NO. NO. PIECES	DESCRIPTION DESCRIPTION	115C	130B	REMARKS REMARQUES
22	90206-22M19	WASHER, WAVE RONDELLE, ONDULEE	1	1	
23	61A-45527-00	COLLAR, DRIVE SHAFT ENTRETOISE	1	1	
24	61A-44311-01	HOUSING, WATER PUMP CORPS, POMPE A EAU	1	1	
25	61A-44322-02	INSERT, CARTRIDGE CUVETTE	1	1	
26	93210-86M38	O-RING JOINT TORIQUE	1	1	
27	93210-37160	O-RING JOINT TORIQUE	1	1	
28	6E5-44352-01	IMPELLER TURBINE	1	1	
29	90280-04M05	KEY, WOODRUFF CLAVETTE, DEMI-LUNE	1	1	
30	6E5-44323-00	OUTER PLATE, CARTRIDGE PLAQUE EXTERIEURE	1	1	
31	6E5-44315-A0	GASKET, WATER PUMP JOINT, POMPE A EAU	1	1	
32	93606-12019	PIN, DOWEL GOUJON	2	2	
33	90119-08M14	BOLT, WITH WASHER BOULON, AVEC RONDELLE	4	4	
34	6E5-45331-00-94	HOUSING, BEARING FLASQUE, ROULEMENT	1	1	
35	93101-28M16	OIL SEAL JOINT SPY	2	2	
36	93317-330U2	BEARING ROULEMENT	1	1	
37	6E5-45587-01-10	SHIM (T:0.10MM) CALE (T:0.10MM)	1	1	UR
	6E5-45587-01-12	SHIM (T:0.12MM) CALE (T:0.12MM)	1	1	UR
	6E5-45587-01-15	SHIM (T:0.15MM) CALE (T:0.15MM)	1	1	UR
	6E5-45587-01-18	SHIM (T:0.18MM) CALE (T:0.18MM)	1	1	UR
	6E5-45587-01-30	SHIM (T:0.30MM) CALE (T:0.30MM)	1	1	UR
	6E5-45587-01-40	SHIM (T:0.40MM) CALE (T:0.40MM)	1	1	UR
	6E5-45587-01-50	SHIM (T:0.50MM) CALE (T:0.50MM)	1	1	UR
38	93341-930V2	BEARING ROULEMENT	1	1	
39	93210-55M14	O-RING JOINT TORIQUE	1	1	
40	6E5-45344-00	COVER, OIL SEAL FLASQE, JOINT D'HUILE	1	1	
41	97095-08025	BOLT BOULON	4	4	
42	92995-08600	WASHER RONDELLE	4	4	



64W0171-0220

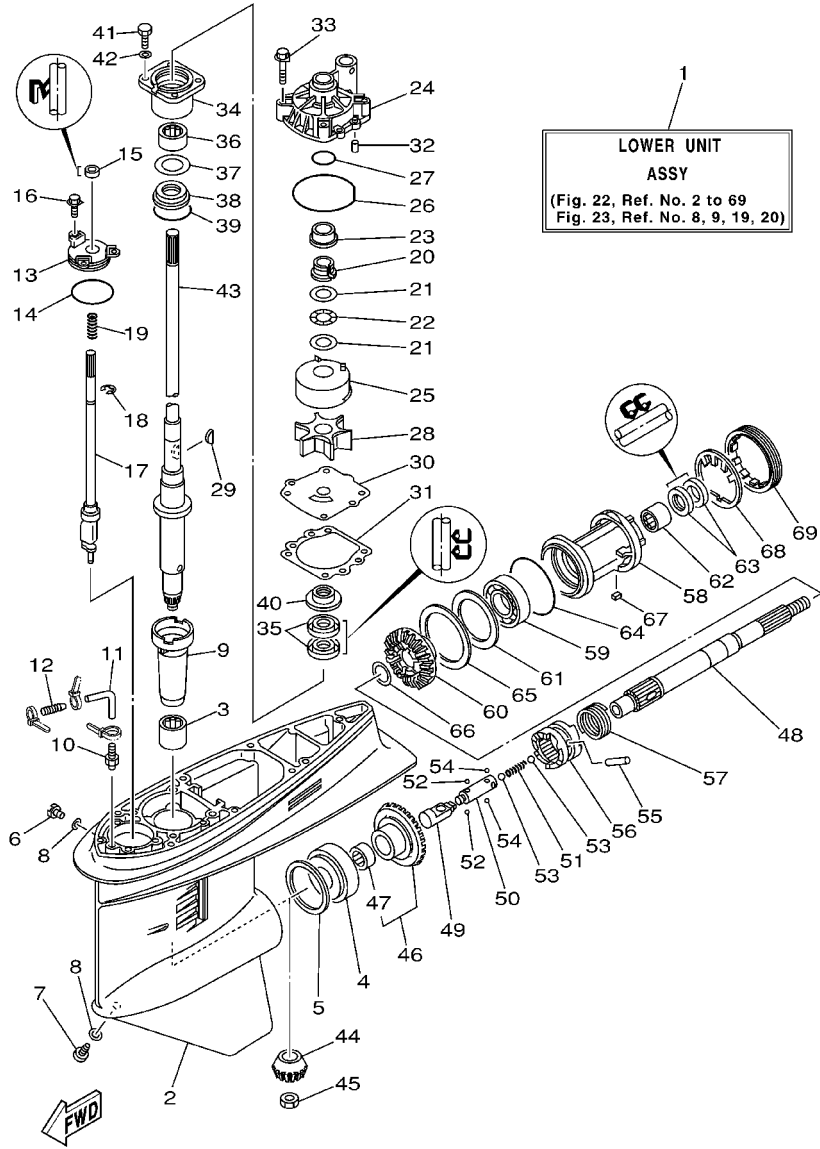
FIG. 22 LOWER CASING. DRIVE 1

BOITIER D'HELICE, TRANSMISSION 1

REF. NO.	PART NO. NO. PIECES	DESCRIPTION DESCRIPTION	115C	130B	REMARKS REMARQUES
43	6E5-45501-01	DRIVE SHAFT COMP. ARBRE MOTEUR COMP.	1	1	L
44	6E5-45551-02	PINION PIGNON D'ATTAQUE	1	1	
45	90170-16M01	NUT ECROU	1	1	
46	6E5-45560-01	GEAR PIGNON	1	1	
47	93315-425U7	.BEARING ROULEMENT	1	1	
48	6E5-45611-01	SHAFT, PROPELLER ARBRE, HELICE	1	1	
49	6E5-45641-02	SHIFTER EMBRAYAGE	1	1	
50	6E5-45634-01	SLIDE, SHIFT CONTRE-POUSSOIR	1	1	
51	90501-16M37	SPRING, COMPRESSION RESSORT, COMPRESSION	1	1	
52	93507-32009	BALL BILLE	2	2	
53	93511-32017	BALL BILLE	2	2	
54	93503-16003	BALL BILLE	2	2	
55	90250-08M07	PIN, STRAIGHT GOUPILLE, DROITE	1	1	
56	6E5-45631-01	CLUTCH, DOG CRABOT	1	1	
57	6E5-45633-01	RING, CROSS PIN JONC, GOUPILLE CRABOT	1	1	
58	6E5-45332-00-94	HOUSING, BEARING FLASQUE, ROULEMENT	1	1	
59	93306-208U0	BEARING ROULEMENT	1	1	
60	6E5-45571-01	GEAR PIGNON	1	1	
61	6E5-45576-00	WASHER, THRUST RONDELLE DE CALAGE	1	1	
62	93315-430U8	BEARING ROULEMENT	1	1	
63	93101-30M17	OIL SEAL JOINT SPY	2	2	
64	93210-86M39	O-RING JOINT TORIQUE	1	1	
65	6L6-45577-00-10	SHIM (T:0.10MM) CALE (T:0.10MM)	1	1	UR
	6L6-45577-00-12	SHIM (T:0.12MM) CALE (T:0.12MM)	1	1	UR
	6L6-45577-00-15	SHIM (T:0.15MM) CALE (T:0.15MM)	1	1	UR
	6L6-45577-00-18	SHIM (T:0.18MM) CALE (T:0.18MM)	1	1	UR
	6L6-45577-00-30	SHIM (T:0.30MM) CALE (T:0.30MM)	1	1	UR

FIG. 22 LOWER CASING. DRIVE 1

BOITIER D'HELICE, TRANSMISSION 1

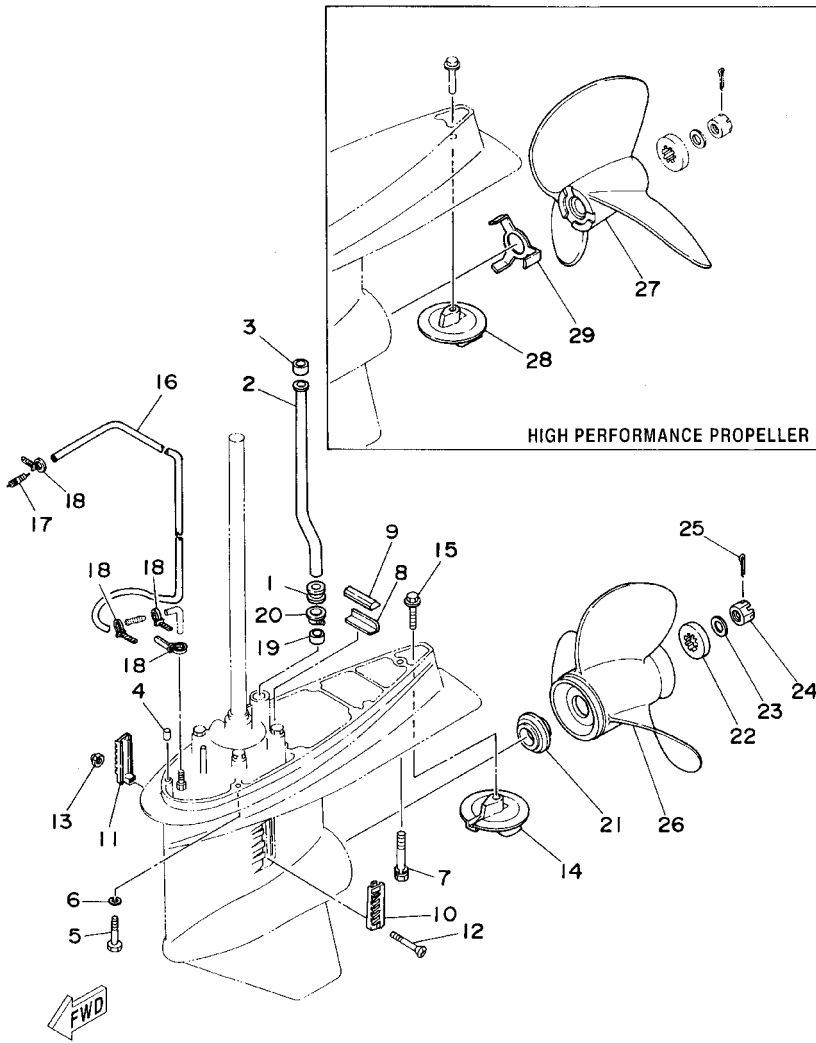


64W0171-0220

REF. NO.	PART NO. NO. PIECES	DESCRIPTION DESCRIPTION	115C	130B	REMARKS REMARQUES
65	6L6-45577-00-40	SHIM (T:0.40MM)	1	1	UR
	6L6-45577-00-50	CALE (T:0.40MM)			
		SHIM (T:0.50MM)	1	1	UR
		CALE (T:0.50MM)			
66	90201-30M92	WASHER, PLATE	1	1	
67	90282-04010	KEY, STRAIGHT	1	1	
68	688-45383-02	CLAVETTE, DROITE	1	1	
		WASHER, CLAW			
		FREIN D'ECROU			
69	688-45384-00	NUT	1	1	
		ECROU			

FIG. 23 LOWER CASING. DRIVE 2

BOITIER D'HELICE, TRANSMISSION 2

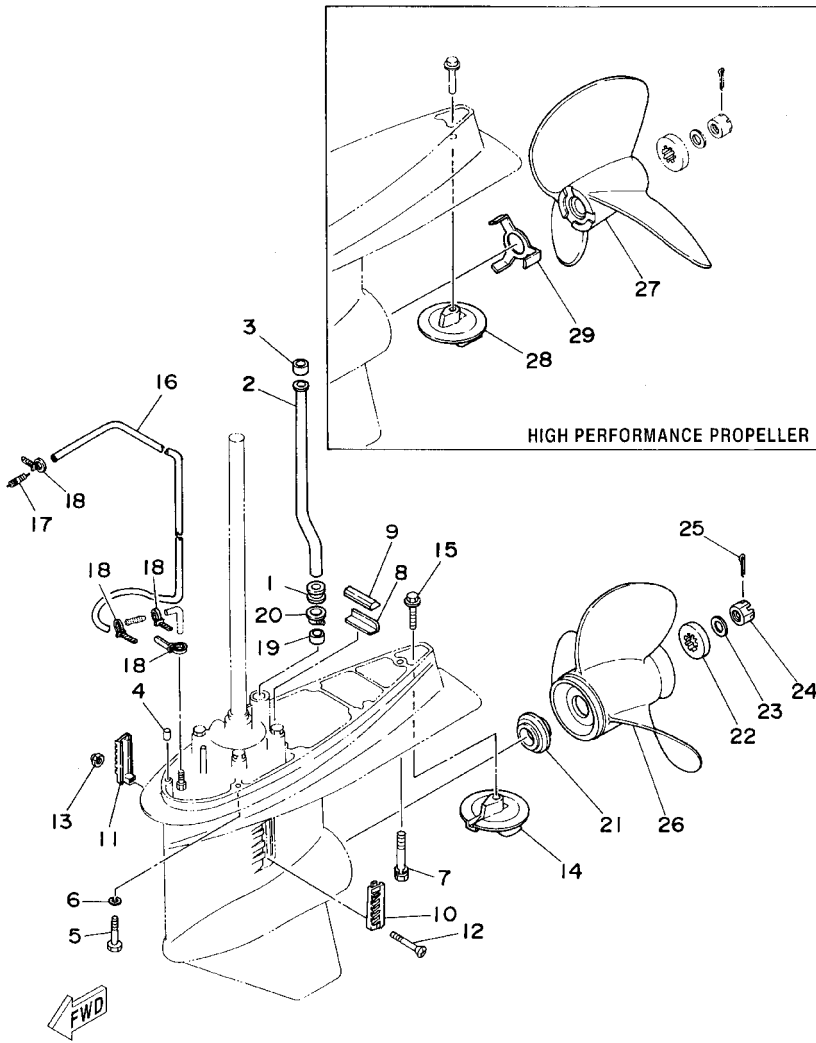


6N60010-4220

REF. NO.	PART NO. NO. PIECES	DESCRIPTION DESCRIPTION	115C	130B	REMARKS REMARQUES
1	6E5-44366-00	DAMPER, WATER SEAL JOINT, TUBE D'EAU	1	1	
2	6E5-44361-00	TUBE, WATER TUBE D'EAU	1	1	L
3	6E5-44365-00	DAMPER, WATER SEAL JOINT, TUBE D'EAU	1	1	
4	93608-12M05	PIN, DOWEL GOUJON	2	2	
5	97075-10045	BOLT BOULON	6	6	
6	92995-10100	WASHER RONDELLE	6	6	
7	90119-10M89	BOLT, WITH WASHER BOULON, AVEC RONDELLE	1	1	
8	663-45376-00-94	GUIDE, SEAL DAMPER BUTEE, JOINT CAOUTCHOUC	1	1	
9	688-45375-00	DAMPER, SEAL BOURRELET, CAOUTCHOUC	1	1	
10	688-45214-02	COVER, WATER INLET GRILLE, ENTREE D'EAU	1	1	
11	688-45215-02	COVER, WATER INLET GRILLE, ENTREE D'EAU	1	1	
12	90152-05M07	SCREW, COUNTERSUNK VIS, TETE NOYEE	1	1	
13	90185-05002	NUT, SELF-LOCKING ECROU, AUTO-BLOCANT	1	1	
14	6E5-45371-01	TAB-TRIM ANODE DERIVE	1	1	
15	90105-10M00	BOLT, FLANGE BOULON	1	1	
16	90445-07MF0	HOSE (L1030) DURITE (L1030)	1	1	
17	6E5-83558-00	END, NIPPLE RACCORD DE NIPPLE	1	1	
18	90465-11M10	CLAMP BRIDE	4	4	
19	6E5-44365-00	DAMPER, WATER SEAL JOINT, TUBE D'EAU	1	1	
20	6E5-44312-00	COVER, WATER PUMP HOUSING COUVERCLE	1	1	
21	6E5-45987-01	SPACER ENTRETOISE	1	1	
22	688-45997-01	SPACER ENTRETOISE	1	1	
23	92990-18200	WASHER RONDELLE	1	1	
24	90171-18M04	NUT, CASTLE ECROU, CRENELE	1	1	
25	91490-40030	PIN, COTTER GOUPILLE, FENDUE	1	1	
26	6E5-45941-00-EL	PROPELLER (3X13"X19"-K) HELICE (3X13"X19"-K)	1	1	UR
	6E5-45943-00-EL	PROPELLER (3X12-5/8"X21"-K) HELICE (3X12-5/8"X21"-K)	1	1	UR

FIG. 23 LOWER CASING. DRIVE 2

BOITIER D'HELICE, TRANSMISSION 2

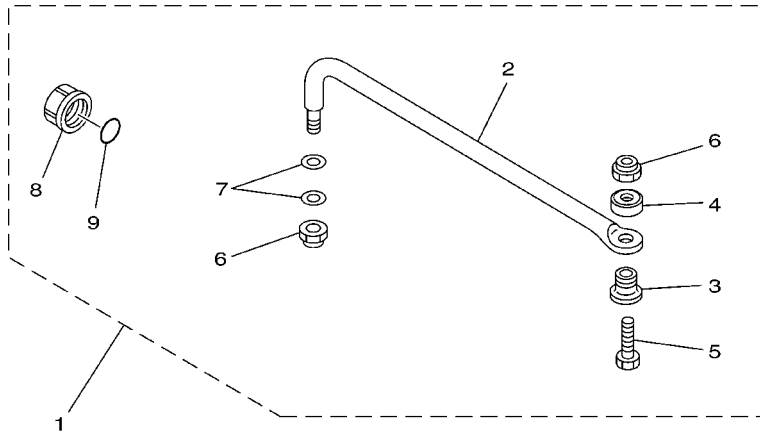


6N60010-4220

REF. NO.	PART NO. NO. PIECES	DESCRIPTION DESCRIPTION	115C	130B	REMARKS REMARQUES
26	6E5-45945-01-EL	PROPELLER (3X13-1/4"X17"-K) HELICE (3X13-1/4"X17"-K)	1	1	UR
	6E5-45947-00-EL	PROPELLER (3X13-1/2"X15"-K) HELICE (3X13-1/2"X15"-K)	1	1	UR
	6E5-45949-00-EL	PROPELLER (3X13-5/8"X13"-K) HELICE (3X13-5/8"X13"-K)	1	1	UR
	6E5-45952-00-EL	PROPELLER (3X13"X23"-K) HELICE (3X13"X23"-K)	1	1	UR
	6E5-45954-00-EL	PROPELLER (3X14"X11"-K) HELICE (3X14"X11"-K)	1	1	UR
	6E5-45956-00-EL	PROPELLER (3X13"X25"-K) HELICE (3X13"X25"-K)	1	1	UR
		STAINLESS STEEL PROPELLER ACIER INOXYDABLE HELICE			
	688-45930-02-98	PROPELLER (3X13"X17"-K) HELICE (3X13"X17"-K)	1	1	UR
	688-45932-60-98	PROPELLER (3X13-1/2"X14"-K) HELICE (3X13-1/2"X14"-K)	1	1	UR
	688-45970-03-98	PROPELLER (3X13"X19"-K) HELICE (3X13"X19"-K)	1	1	UR
	688-45972-02-98	PROPELLER (3X13"X21"-K) HELICE (3X13"X21"-K)	1	1	UR
	688-45974-02-98	PROPELLER (3X13"X23"-K) HELICE (3X13"X23"-K)	1	1	UR
	688-45976-01-98	PROPELLER (3X13"X25"-K) HELICE (3X13"X25"-K)	1	1	UR
	688-45978-60-98	PROPELLER (3X13-1/2"X16"-K) HELICE (3X13-1/2"X16"-K)	1	1	UR
		HIGH PERFORMANCE PROPELLER HELICE RENDEMENT DE HAUTEUR			
27	6E5-45970-10	PROPELLER (3X14"X20"-P) HELICE (3X14"X20"-P)	1	1	UR
	6E5-45972-10	PROPELLER (3X14"X24"-P) HELICE (3X14"X24"-P)	1	1	UR
	6E5-45974-10	PROPELLER (3X14"X28"-P) HELICE (3X14"X28"-P)	1	1	UR
	6E5-45976-10	PROPELLER (3X14"X22"-P) HELICE (3X14"X22"-P)	1	1	UR
	6E5-45978-10	PROPELLER (3X14"X26"-P) HELICE (3X14"X26"-P)	1	1	UR
28	6E5-45371-10	TAB-TRIM ANODE DERIVE	1	1	
29	6E5-45994-10	PLATE, TOOTH PLAQUETTE	1	1	

FIG. 24 STEERING GUIDE

FIXATION DE DIRECTION

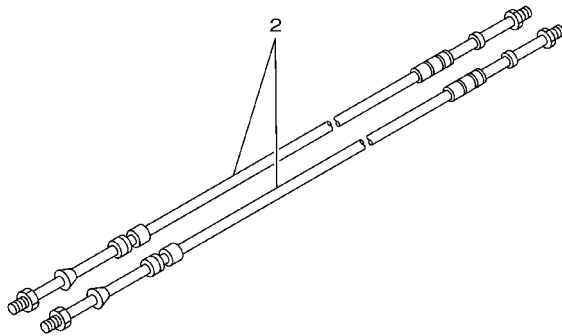
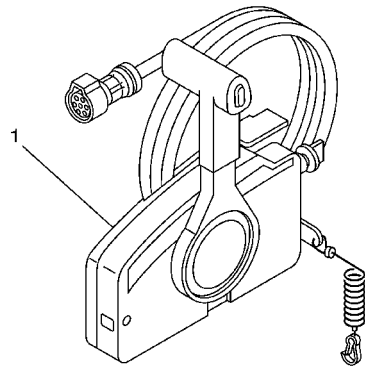


REF. NO.	PART NO. NO. PIECES	DESCRIPTION DESCRIPTION	115C	130B	REMARKS REMARQUES
1	6E5-61350-02	STEERING GUIDE ATTACHMENT KIT FIXATIONS DE DIRECTION	1	1	AP
2	6E5-61351-01	.ROD, STEERING LINK .RENOI DE DIRECTION	1	1	
3	90387-10M61	.COLLAR .COLLERETTE	1	1	
4	90560-12M01	.SPACER .ENTRETOISE	1	1	
5	6E5-61355-00	.BOLT .BOULON	1	1	
6	90185-09M01	.NUT, SELF-LOCKING .ECROU, AUTO-BLOCANT	2	2	
7	90201-10M20	.WASHER, PLATE .RONDELLE, PLATE	2	2	
8	6E5-43145-01	.CAP, CLAMP BRACKET .CAPUCHON, PRESSE	1	1	
9	93210-16275	.O-RING .JOINT TORIQUE	1	1	

67H0100-9290

FIG. 25 REMOTE CONTROL BOX

BOITIER DE COMMANDE A DISTANCE

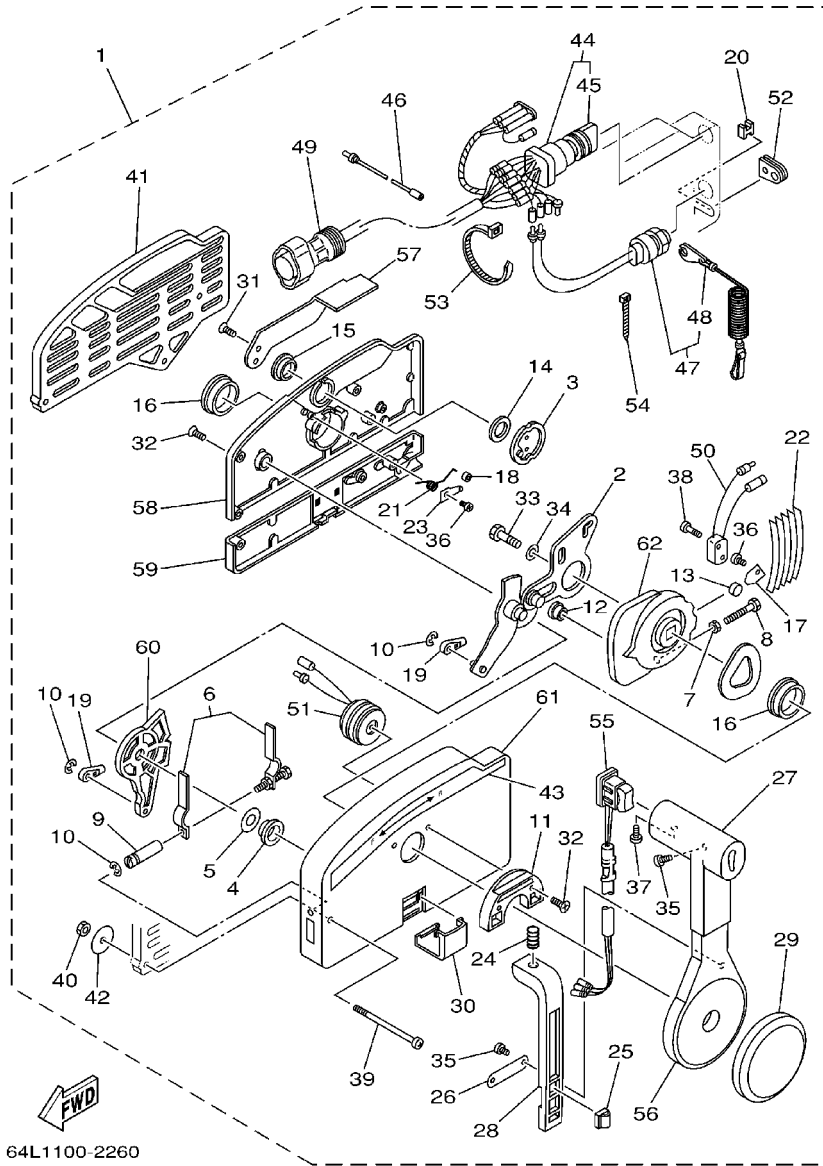


67M0100-8280

REF. NO.	PART NO. NO. PIECES	DESCRIPTION DESCRIPTION	115C	130B	REMARKS REMARQUES
1	703-48205-17	REMOTE CONTROL ASSY BOITIER DE COMMANDE A DISTANCE	1	1	AP WITH PT/T SW.
2	701-48320-00	CABLE, REMOTE CONTROL L=12F CABLE, COMMANDE A DISTANCE:12F	2	2	UR
	701-48320-50	CABLE, REMOTE CONTROL L=15F CABLE, COMMANDE A DISTANCE:15F	2	2	UR
	701-48320-60	CABLE, REMOTE CONTROL L=16F CABLE, COMMANDE A DISTANCE:16F	2	2	UR
	701-48320-80	CABLE, REMOTE CONTROL L=17F CABLE, COMMANDE A DISTANCE:17F	2	2	UR
	701-48350-00	CABLE, REMOTE CONTROL L=21F CABLE, COMMANDE A DISTANCE:21F	2	2	UR
	701-48350-20	CABLE, REMOTE CONTROL L=23F CABLE, COMMANDE A DISTANCE:23F	2	2	UR

FIG. 26 REMOTE CONTROL ASSY

BOITIER DE COMMANDE A DISTANCE

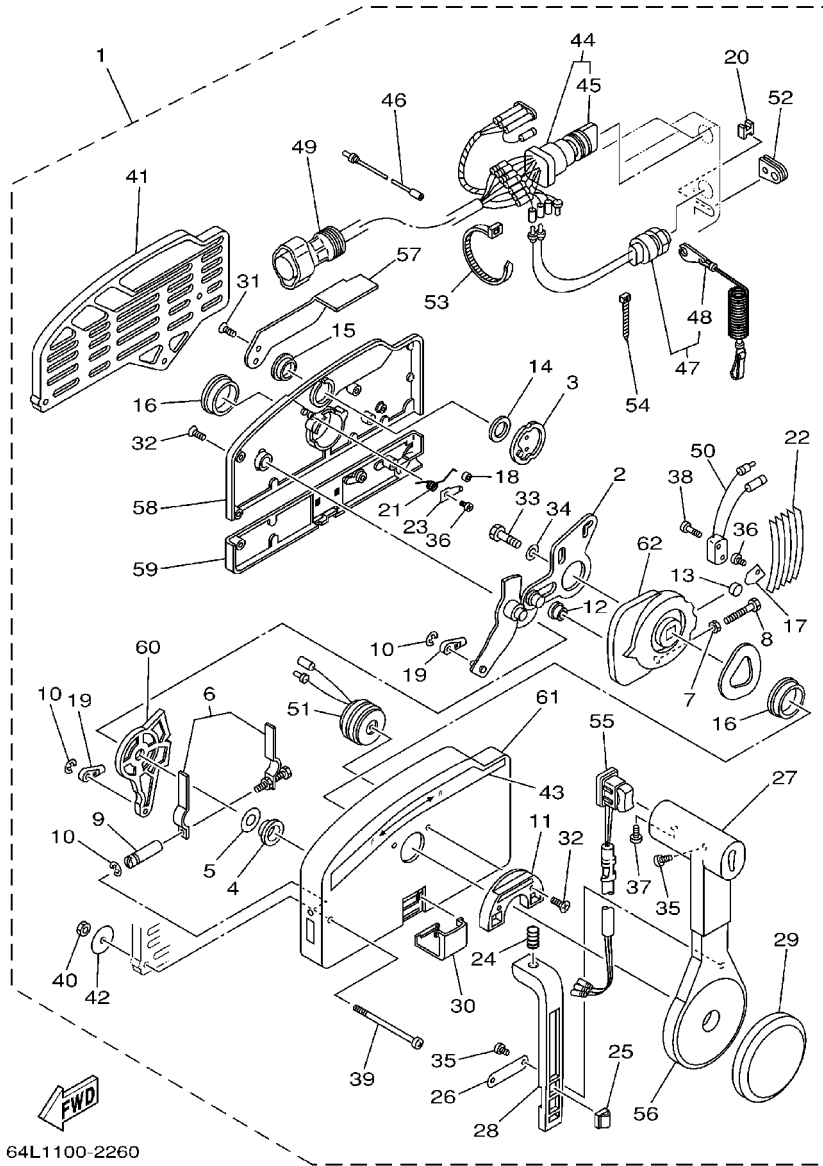


64L1100-2260

REF. NO.	PART NO. NO. PIECES	DESCRIPTION DESCRIPTION	115C	130B	REMARKS REMARQUES
1	703-48205-17	REMOTE CONTROL ASSY BOITIER DE COMMANDE A DISTANCE	1	1	AP WITH PT/T SW.
2	703-48261-01	.ARM, THROTTLE .BRAS, ACCELERATION	1	1	
3	703-48153-00	.SHAFT, FREE ACCEL. .AXE	1	1	
4	703-48235-00	.BUSHING .COUSSINET	1	1	
5	703-48268-00	.SPACER .ENTRETOISE	1	1	
6	703-48264-00	.THROTTLE, FRICTION .ACCELERATION	1	1	
7	95380-05600	.NUT .ECROU	1	1	
8	97380-05025	.BOLT .BOULON	1	1	
9	703-48265-00	.SHAFT, FRICTION .AXE, COPILOTE	1	1	
10	93430-06024	.CIRCLIP .CIRCLIP, TYPE S	3	3	
11	703-48245-00	.PLATE, LOCK .PLAQUE, VERROU	1	1	
12	703-48252-00	.ROLLER, CAM .POULIE	1	1	
13	701-48248-00	.ROLLER, FREE ACCEL. .POULIE	1	1	
14	703-48198-00	.WASHER, WAVE .RONDELLE, ELASTIQUE ONDULEE	1	1	
15	703-48243-00	.BUSHING .COUSSINET	1	1	
16	703-48236-00	.BUSHING 1 .POULIE	2	2	
17	703-48189-00	.RETAINER .FLASQUE	1	1	
18	703-48234-00	.ROLLER, DETENT .POULIE	1	1	
19	703-48345-01	.CABLE END,REMOTE CONTROL 2 .CHAPE CABLE	2	2	
20	703-48358-00	.ANCHOR, CABLE .COLLIER	1	1	
21	703-48244-00	.SPRING, FREE ACCEL. .RESSORT	1	1	
22	703-48238-00	.SPRING, DETENT .RESSORT	5	5	
23	703-48246-00	.SPACER .ENTRETOISE	1	1	
24	703-48227-00	.SPRING, NEUTRAL LOCK .RESSORT	1	1	
25	703-82594-00	.CLAMP .BRIDE	1	1	WITH PT/T SW.
26	703-48226-00	.PLATE, STOPPER .PLAQUETTE	1	1	
27	703-48222-00	.GRIP, CONTROL LEVER .POIGNEE, COMMANDE LEVIER	1	1	SINGLE

FIG. 26 REMOTE CONTROL ASSY

BOITIER DE COMMANDE A DISTANCE

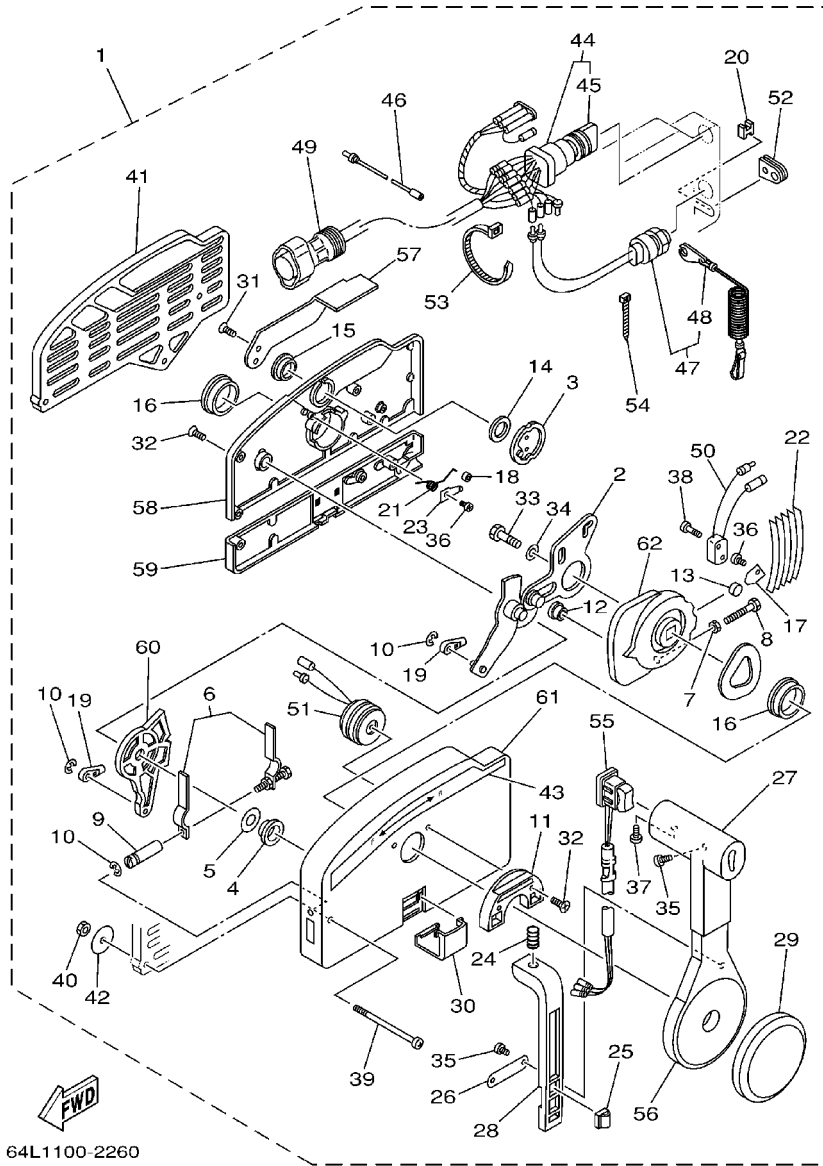


64L1100-2260

REF. NO.	PART NO. NO. PIECES	DESCRIPTION DESCRIPTION	115C	130B	REMARKS REMARQUES
28	703-48223-00	.LOCK, NEUTRAL .VERROU, NEUTRAL	1	1	
29	703-48225-00	.COVER .COUVERCLE	1	1	
30	703-48219-00	.COVER, LEAD .COUVERCLE	1	1	
31	703-48281-00	.SCREW .VIS	2	2	
32	703-48282-00	.SCREW .VIS	7	7	
33	97380-08030	.BOLT .BOULON	1	1	
34	92990-08600	.WASHER, PLATE .RONDELLE, PLATE	1	1	
35	98580-04010	.SCREW, PAN HEAD .VIS, TETE TRONCONIQUE	3	3	
36	98580-04006	.SCREW, PAN HEAD .VIS, TETE TRONCONIQUE	2	2	
37	98580-05010	.SCREW, PAN HEAD .VIS, TETE TRONCONIQUE	1	1	
38	98580-03015	.SCREW, PAN HEAD .VIS, TETE TRONCONIQUE	2	2	
39	703-48291-10	.SCREW (M6) .VIS (M6)	3	3	
40	95380-06600	.NUT, HEXAGON .ECROU	3	3	
41	703-48293-10	.SPACER, REMOTE CONTROL .ENTRETOISE	1	1	SINGLE
42	701-48287-00	.WASHER .RONDELLE	3	3	
43	703-48215-00	.GRAPHIC .ADHESIF	1	1	
44	703-82510-43	.MAIN SWITCH ASSY .CONTACTEUR A CLEF COMPLET	1	1	
45	703-82577-00	.CAP, KEY .CABOCHON	1	1	
46	703-82531-00	.WIRE, LEAD .FIL	1	1	
47	688-82575-01	.ENGINE STOP SWITCH ASSY .COUPE CIRCUIT CPLT	1	1	
48	682-82556-00	.STOPPER .PLAQUETTE	1	1	
49	688-8258A-20	.EXTENSION, WIRE HARNESS .EXTENSION, FAISCEAU	1	1	L:5M (10P)
50	703-82540-00	.NEUTRAL SWITCH ASSY .CONTACTEUR DE POINT-MORT	1	1	
51	703-83383-02	.BUZZER .RONFLEUR	1	1	
52	703-48284-00	.GROMMET .PASSE-FIL	1	1	
53	703-82591-00	.BAND .COLLIER	1	1	
54	703-82592-00	.BAND .COLLIER	1	1	

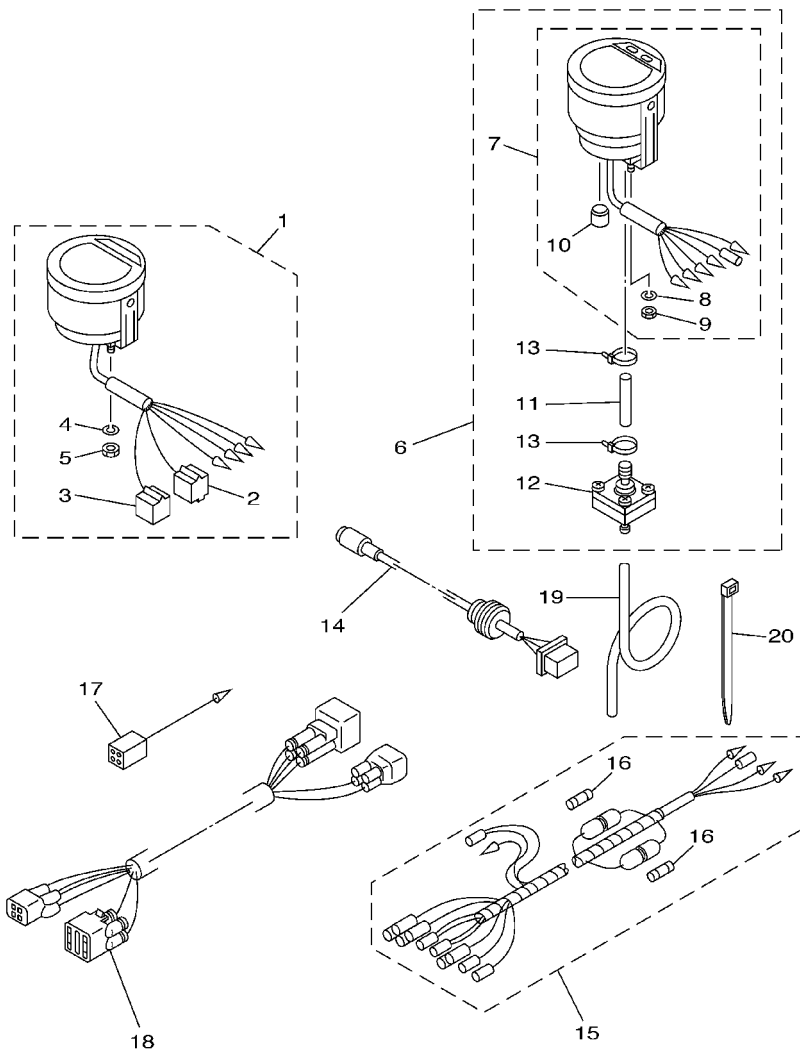
FIG. 26 REMOTE CONTROL ASSY

BOITIER DE COMMANDE A DISTANCE



64L1100-2260

REF. NO.	PART NO. NO. PIECES	DESCRIPTION DESCRIPTION	115C	130B	REMARKS REMARQUES
55	703-82563-02	.TRIM & TILT SWITCH ASSY .INCLINER ET PARER COMMUTATEUR	1	1	
56	703-48221-00	.LEVER, CONTROL .LEVIER, COMMANDE	1	1	
57	703-48152-00	.KNOB, FREE ACCEL. .BOUTON	1	1	
58	703-48212-00	.BACK PLATE 1 .PLAQUETTE 1	1	1	
59	703-48213-00	.BACK PLATE 2 .PLAQUETTE 2	1	1	
60	703-48271-00	.ARM, SHIFT .BRAS	1	1	
61	703-48211-01	.HOUSING,1 .CORPS	1	1	
62	703-48232-00	.GEAR .PIGNON	1	1	



61A1700-2290

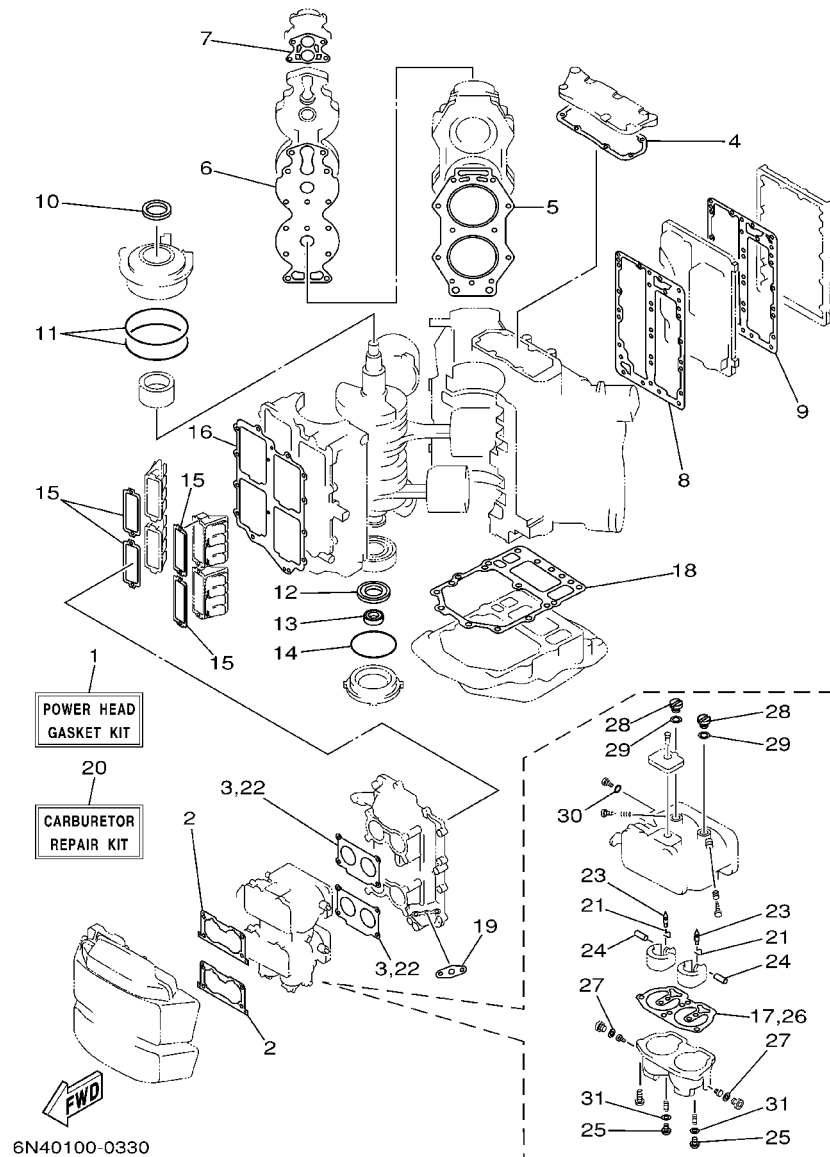
FIG. 27 METER

COMPTEUR

REF. NO.	PART NO. NO. PIECES	DESCRIPTION DESCRIPTION	115C	130B	REMARKS REMARQUES
1	6Y5-8350T-01	DIGITAL TACHOMETER ASSY COMPTE-TOURS NUMERIQUE CPLT	1	1	AP
2	9E450-04433	.CONNECTOR .CONNECTEUR	1	1	M-4-W
3	9E450-04533	.CONNECTOR .CONNECTEUR	1	1	F-4-W
4	92990-04100	.WASHER, SPRING .RONDELLE, GROWER	2	2	
5	95380-04600	.NUT .ECROU	2	2	
6	6Y5-83500-S5	DIGITAL SPEEDOMETER ASSY TACHYMETRE NUMERIQUE CPLT.	1	1	AP
7	6Y5-83570-S5	.SPEEDOMETER ASSY .COMPTEUR DE VITESSE CPLT	1	1	
8	92990-04100	.WASHER, SPRING .RONDELLE, GROWER	2	2	
9	95380-04600	.NUT .ECROU	2	2	
10	6Y5-83533-T2	.GROMMET .RONDELLE CAOUTCHOUC	1	1	
11	6Y5-83557-31	.TUBE .TUBE	1	1	
12	6Y5-83728-00	.CONNECTOR ASSY .CONNEXION COMPLET	1	1	
13	90465-11M10	.CLAMP .BRIDE	2	2	
14	6Y5-87122-S0	CORD ASSY 1 COPDON COMPLET	1	1	AP
15	6Y5-83553-M0	WIRE, LEAD FIL	1	1	AP
16	1E6-82151-00	.FUSE (10A) .FUSIBLE (10A)	2	2	
17	6Y5-82117-00	WIRE, LEAD (BLACK) FIL (NOIR)	1	1	AP
18	68F-82553-80	EXTENSION, WIRE LEAD EXTENSION, FAISCEAU	1	1	AP
19	6Y5-83557-10	TUBE (8M) TUBE (8M)	1	1	AP
20	90465-11M10	CLAMP BRIDE	2	2	AP

FIG. 28 REPAIR KIT 1

KITS DE REPARATION 1



6N40100-0330

REF. NO.	PART NO. NO. PIECES	DESCRIPTION DESCRIPTION	115C	130B	REMARKS REMARQUES
1	6N6-W0001-A5	POWER HEAD GASKET KIT POCHETTE DE JINTS TETE MOTRICE	1	1	
2	6K7-14483-00	.GASKET .JOINT	2	2	
3	6E5-14198-A2	.GASKET .JOINT	2	2	
4	6E5-11381-A2	.GASKET 1 .JOINT 1	1	1	
5	6E5-11181-A1	.GASKET, CYLINDER HEAD 1 .JOINT, DE CULASSE 1	2	2	
6	6E5-11193-A0	.GASKET, HEAD COVER 1 .JOINT, COUVERCLE DE CULASSE 1	2	2	
7	688-12414-A1	.GASKET, COVER .JOINT, COUVERCLE	2	2	
8	6E5-41112-A1	.GASKET, EXHAUST INNER COVER .JOINT, PLAQUE D'ECHAPPEMENT	1	1	
9	6E5-41112-A1	.GASKET, EXHAUST INNER COVER .JOINT, PLAQUE D'ECHAPPEMENT	1	1	
10	93102-40M14	.OIL SEAL .JOINT SPY	1	1	
11	93211-04001	.O-RING .JOINT TORIQUE	2	2	
12	93102-35M13	.OIL SEAL .JOINT SPY	1	1	
13	93101-22M15	.OIL SEAL .JOINT SPY	1	1	
14	93210-74M35	.O-RING .JOINT TORIQUE	1	1	
15	6E5-13621-A1	.GASKET, VALVE SEAT .JOINT, SIEGE DE CLAPET	4	4	
16	6E5-13645-A1	.GASKET, MANIFOLD 1 .JOINT, TUBULURE 1	1	1	
17	64D-14384-01	.GASKET, FLOAT CHAMBER .JOINT, CUVE DE FLOTTEUR	2	2	
18	6G5-45113-A1	.GASKET, UPPER CASING .JOINT, TUBE D'ARBRE	1	1	
19	650-24431-A0	.GASKET, FUEL PUMP 1 .JOINT 1 DE POMPE A ESSENCE	1	1	
20	6N6-W0093-09	CARBURETOR REPAIR KIT KIT DE REPARATION CARBURATEUR	1	1	
21	6E5-14159-00	.CLIP .JONC	2	2	
22	6E5-14198-A2	.GASKET .JOINT	1	1	
23	6E5-14546-00	.VALVE, NEEDLE .POINTEAU	2	2	
24	6E5-14386-02	.PIN, FLOAT .AXE, FLOTTEUR	2	2	
25	64D-14394-00	.VALVE, DRAIN .SOUPAPE, VIDANGE	2	2	
26	64D-14384-01	.GASKET, FLOAT CHAMBER .JOINT, CUVE DE FLOTTEUR	1	1	
27	6E5-14398-00	.GASKET .JOINT	2	2	

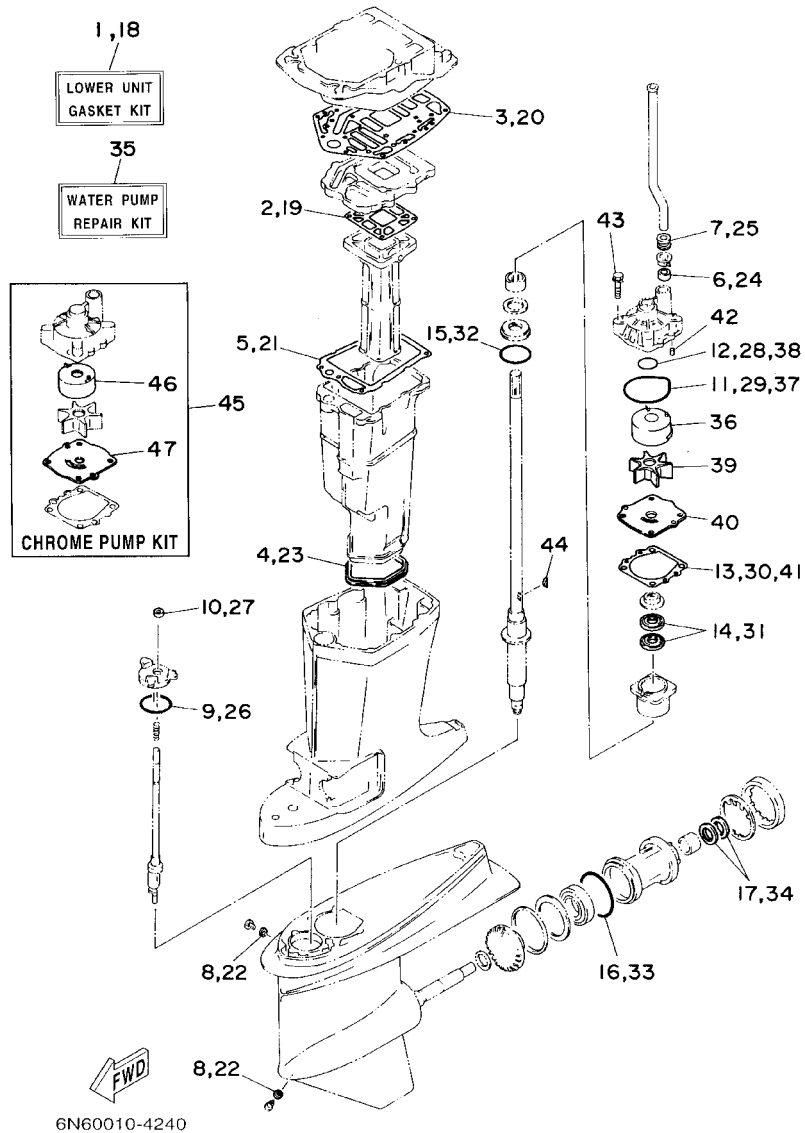


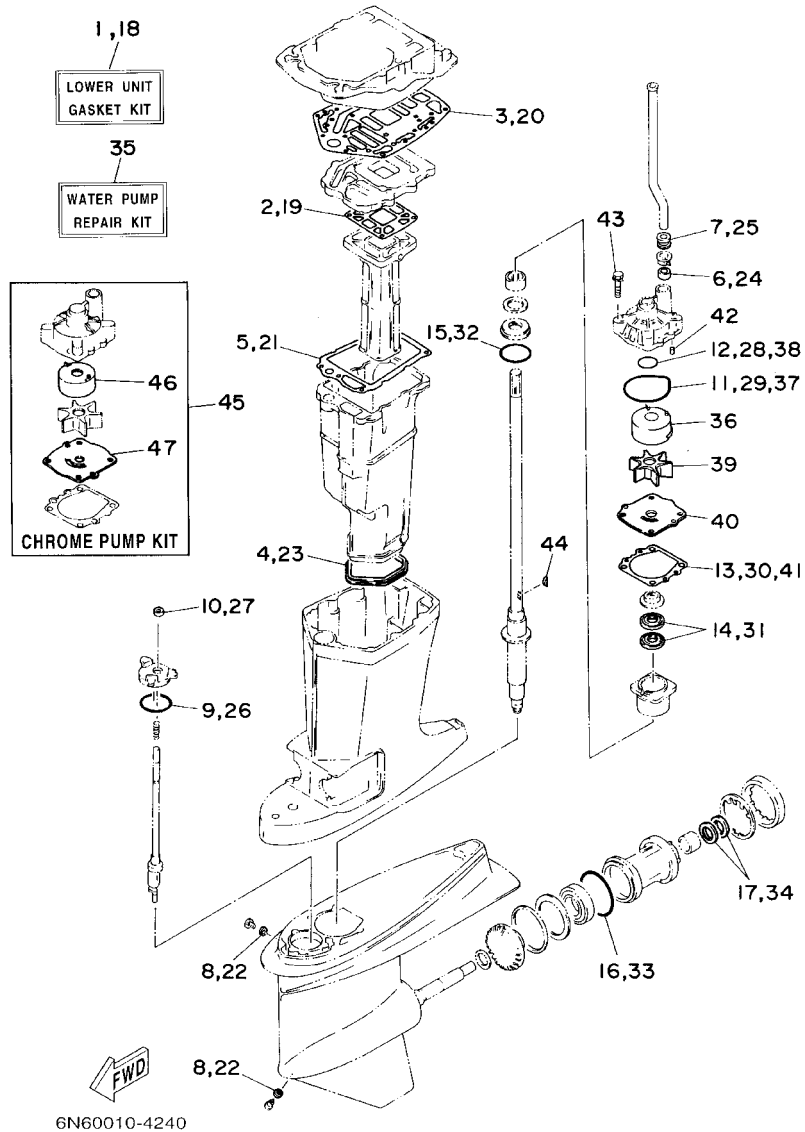
FIG. 29 REPAIR KIT 2

KITS DE REPARATION 2

REF. NO.	PART NO. NO. PIECES	DESCRIPTION DESCRIPTION	115C	130B	REMARKS REMARQUES
1	6E5-W0001-F1	LOWER UNIT GASKET KIT POCHETTE DE JOINTS EMBASE	1		
2	6E5-41134-A0	.GASKET, EXHAUST MANIFOLD .JOINT, PIPE D'ECHAPPEMENT	1		
3	6G5-45114-A0	.GASKET, UPPER CASING .JOINT, TUBE D'ARBRE	1		
4	6E5-45123-00	.GASKET, MUFFLER .JOINT, POT DE DETENTE	1		
5	6E5-41135-A0	.GASKET, EXHAUST MANIFOLD .JOINT, PIPE D'ECHAPPEMENT	1		
6	6E5-44365-00	.DAMPER, WATER SEAL .JOINT, TUBE D'EAU	1		
7	6E5-44366-00	.DAMPER, WATER SEAL .JOINT, TUBE D'EAU	1		
8	90430-08020	.GASKET .JOINT	2		
9	93210-58144	.O-RING .JOINT TORIQUE	1		
10	93106-09014	.OIL SEAL .JOINT SPY	1		
11	93210-86M38	.O-RING .JOINT TORIQUE	1		
12	93210-37160	.O-RING .JOINT TORIQUE	1		
13	6E5-44315-A0	.GASKET, WATER PUMP .JOINT, POMPE A EAU	1		
14	93101-28M16	.OIL SEAL .JOINT SPY	2		
15	93210-55M14	.O-RING .JOINT TORIQUE	1		
16	93210-86M39	.O-RING .JOINT TORIQUE	1		
17	93101-30M17	.OIL SEAL .JOINT SPY	2		
18	6F3-W0001-C1	LOWER UNIT GASKET KIT UNITE INFEPIEURE TETE MOTRICE	1		
19	6G5-41134-A0	.GASKET, EXHAUST MANIFOLD .JOINT, PIPE D'ECHAPPEMENT	1		
20	6G5-45114-A0	.GASKET, UPPER CASING .JOINT, TUBE D'ARBRE	1		
21	6E5-41135-A0	.GASKET, EXHAUST MANIFOLD .JOINT, PIPE D'ECHAPPEMENT	1		
22	90430-08020	.GASKET .JOINT	2		
23	6E5-45123-00	.GASKET, MUFFLER .JOINT, POT DE DETENTE	1		
24	6E5-44365-00	.DAMPER, WATER SEAL .JOINT, TUBE D'EAU	1		
25	6E5-44366-00	.DAMPER, WATER SEAL .JOINT, TUBE D'EAU	1		
26	93210-58144	.O-RING .JOINT TORIQUE	1		
27	93106-09014	.OIL SEAL .JOINT SPY	1		

FIG. 29 REPAIR KIT 2

KITS DE REPARATION 2



REF. NO.	PART NO. NO. PIECES	DESCRIPTION DESCRIPTION	115C	130B	REMARKS REMARQUES
28	93210-37160	.O-RING .JOINT TORIQUE		1	
29	93210-86M38	.O-RING .JOINT TORIQUE		1	
30	6E5-44315-A0	.GASKET, WATER PUMP .JOINT, POMPE A EAU		1	
31	93101-28M16	.OIL SEAL .JOINT SPY		2	
32	93210-55M14	.O-RING .JOINT TORIQUE		1	
33	93210-86M39	.O-RING .JOINT TORIQUE		1	
34	93101-30M17	.OIL SEAL .JOINT SPY		2	
35	6N6-W0078-02	WATER PUMP REPAIR KIT KIT DE REPARATION DE LA POMPE	1	1	
36	61A-44322-02	.INSERT, CARTRIDGE .CUVETTE	1	1	
37	93210-86M38	.O-RING .JOINT TORIQUE	1	1	
38	93210-37160	.O-RING .JOINT TORIQUE	1	1	
39	6E5-44352-01	.IMPELLER .TURBINE	1	1	
40	6E5-44323-00	.OUTER PLATE, CARTRIDGE .PLAQUE EXTERIEURE	1	1	
41	6E5-44315-A0	.GASKET, WATER PUMP .JOINT, POMPE A EAU	1	1	
42	93606-12019	.PIN, DOWEL .GOUJON	2	2	
43	90119-08M14	.BOLT, WITH WASHER .BOULON, AVEC RONDELLE	4	4	
44	90280-04M05	.KEY, WOODRUFF .CLAVETTE, DEMI-LUNE	1	1	
45	6E5-W0078-3A	CHROME PUMP KIT KIT DE POMPE A EAU CHROMEE	1	1	
46	6R3-44322-42	.INSERT, CARTRIDGE .CUVETTE	1	1	
47	6E5-44323-40	.OUTER PLATE, CARTRIDGE .PLAQUE EXTERIEURE	1	1	

NUMERICAL INDEX
INDEX NUMERIQUE

PART NO. NO. PIECES	REF. NO.	PART NO. NO. PIECES	REF. NO.	PART NO. NO. PIECES	REF. NO.	PART NO. NO. PIECES	REF. NO.	PART NO. NO. PIECES	REF. NO.	PART NO. NO. PIECES	REF. NO.
6E5-W0001-F1	29 - 1	688-12414-A1	28 - 7	64D-14394-00	28 - 25	6E5-24367-10	15 - 41	6R3-41241-00	7 - 20	6R3-42792-41	21 - 3
6F3-W0001-C1	29 - 18	6G5-12416-00	4 - 19	6E5-14398-00	6 - 13	6E5-24376-10	9 - 36	6E5-41256-01	5 - 23	6R3-42811-01	15 - 15
6N6-W0001-A5	28 - 1	6E5-12576-00	4 - 25		28 - 27	6R3-24377-00	9 - 2	661-41262-02	5 - 24	6R3-42811-10	15 - 18
6E5-W0004-00	5 - 2	6G5-12581-00	21 - 12	6E5-1441K-00	5 - 28	650-24378-00	4 - 15	6N7-41271-00	5 - 25	6R3-42813-00	15 - 21
6N7-W0070-30	1 - 19	6R3-13117-00	7 - 17	6N7-14440-01	5 - 27	6E5-24379-00	8 - 12	689-41273-00	5 - 26	6R3-42814-00	1 - 6
6E5-W0078-3A	29 - 45	6R3-13183-10	7 - 12	6K7-14483-00	5 - 30		8 - 35	688-41611-00	11 - 9	6N7-42815-01-8D	15 - 4
6N6-W0078-02	29 - 35	6N6-13200-00	7 - 1		28 - 2		8 - 37	688-41612-00	11 - 10	6R3-42816-00	15 - 16
6N6-W0090-15-1S	2 - 1	6N7-13200-00	7 - 1	624-14485-00	5 - 8	6E5-24410-03	9 - 16	6E5-41631-01-1S	16 - 10	6R3-42824-00	15 - 14
6N7-W0090-16-1S	2 - 1	6E5-13411-00	8 - 27	6E5-14488-00	11 - 21	6E5-24411-00	9 - 22	6E5-41632-02-1S	16 - 6	6N7-42828-00	15 - 24
6N6-W0093-09	28 - 20	6E5-13414-00	8 - 28	6E5-14527-01	6 - 23	6E5-24412-10	9 - 29	6E5-41636-01	16 - 23	6R3-42828-00	15 - 25
656-W2810-02	8 - 46	6N7-13416-00	7 - 7	6E5-14546-00	6 - 6	6E5-24413-00	9 - 19	688-41636-00	16 - 29	6N7-42841-00	15 - 28
6E5-11111-10-1S	4 - 1	6E5-13437-62	8 - 44		28 - 23	6A0-24421-01	9 - 26	6E5-42510-A1-8D	18 - 10	6N7-42850-00	15 - 17
6L1-11111-00-1S	4 - 1	6R3-13471-00	7 - 2	6E5-14711-01-5B	21 - 28	6E5-24423-00	9 - 24	624-42542-00	8 - 31	6N7-42850-10	15 - 19
6E5-11119-01	2 - 16	6L2-13475-00	7 - 3	6E5-14737-00	21 - 29	648-24424-00	9 - 23		8 - 42	6N7-42850-20	15 - 20
6E5-11181-A1	4 - 2	6E5-13552-00	5 - 7	64D-1492E-88	6 - 12	650-24431-A0	9 - 30		12 - 3	6N7-42850-01	17 - 1
	28 - 5	6E5-13610-00	5 - 1	64D-1492E-90	6 - 12		28 - 19	6N6-42610-60-4D	1 - 1	64E-43112-02-8D	17 - 9
6E5-11191-01-1S	4 - 4	6E5-13621-A1	5 - 3	64D-1492F-39	6 - 9	6E5-24434-02	9 - 25	6N7-42610-60-4D	1 - 1	64E-43126-00	17 - 37
6E5-11193-A0	4 - 5		28 - 15	64D-1492F-41	6 - 9	6E5-24435-00	9 - 21	6N7-42613-00-4D	1 - 12	64E-43131-01	17 - 15
	28 - 6	6E5-13641-11-1S	5 - 6	61A-1492H-12	6 - 14	6E5-24471-00	9 - 20	6R3-42615-01	1 - 11	64E-43139-02	18 - 1
6E5-11325-00	2 - 14	6E5-13645-A1	5 - 14	6J8-14959-00	6 - 26	61N-24521-00	9 - 7	6N7-42619-00	1 - 9	6G5-43144-00	17 - 27
6E5-11370-00	5 - 9		28 - 16	61U-14959-00	6 - 10	6R3-24560-00	9 - 5	6N7-42627-00	1 - 10	6E5-43145-01	24 - 8
6K7-11371-01-1S	2 - 22	6E5-14159-00	6 - 7		28 - 31	61N-24563-00	9 - 6	6N7-42636-00	1 - 14	6G5-43148-00	17 - 32
6E5-11372-00	2 - 5		28 - 21	6E5-14979-00	6 - 19	6E5-24566-00	9 - 9	6R3-42647-00	1 - 2	6G5-43181-02	17 - 29
6G5-11372-00-1S	4 - 23	6E5-14198-A2	5 - 19		28 - 29	6A1-28176-00	15 - 55	6R3-42662-00	1 - 5	6G5-43185-02	17 - 30
624-11379-00	2 - 3		28 - 3	6N6-15100-01-1S	2 - 2	6E5-41111-00-1S	4 - 11	6N7-4267A-30	1 - 23	64E-43311-10-8D	17 - 22
6E5-11381-A2	2 - 23		28 - 22	6N7-15100-01-1S	2 - 2	6L1-41111-00-1S	4 - 11	6N7-42678-30	1 - 22	61A-43376-00	18 - 8
	28 - 4	6E5-14223-00	6 - 21	6R3-15163-00-1S	3 - 3	6E5-41112-A1	4 - 12	6N7-42681-30	1 - 20	64E-4380F-00	20 - 33
6G5-11382-A1	4 - 22	6E5-14276-01	7 - 26	6G5-15359-00-94	3 - 12		4 - 13	6N7-42682-30	1 - 21	64E-4380J-00	20 - 30
6N7-11411-01	3 - 1	6E5-14301-16	6 - 1	61A-21708-03	8 - 1		28 - 8	6N6-42686-40	1 - 17	64E-43800-02-4D	19 - 1
6E5-11447-00	3 - 2	6L1-14301-04	6 - 1	6E5-21733-02	8 - 2		28 - 9	6N7-42686-40	1 - 17	64E-43802-00	20 - 8
663-11518-01	2 - 4	6E5-14302-16	6 - 2	6E5-21734-01-33	8 - 19	6N7-41113-00-1S	4 - 14	6N6-42687-30	1 - 18	64E-43805-00	20 - 37
6R3-11536-00	3 - 9	6L1-14302-04	6 - 2	6E5-21746-00	8 - 21	6G5-41131-01-5B	21 - 20	6N7-42687-30	1 - 18	64E-4381G-00	19 - 27
6R3-11537-00	7 - 16	6E5-14321-00	6 - 16	6E5-21750-05	8 - 25	6E5-41132-10-5B	21 - 24	6N7-42711-43-8D	15 - 1	64E-43810-00	19 - 6
64D-11603-01	3 - 19	6E5-14323-03	6 - 20	6E5-21770-03	8 - 3	6L1-41132-00-5B	21 - 24	648-42715-00	16 - 49	6E5-43814-02	19 - 13
64D-11604-01	3 - 19	6E5-14324-00	6 - 25	6E5-21798-01-33	8 - 20	6E5-41134-A0	21 - 25	6E5-42716-00	15 - 44	64E-43816-00	20 - 17
64D-11605-01	3 - 19	6A0-14325-00	9 - 27	646-24251-02	8 - 6		29 - 2	6E5-42724-00	21 - 11	64E-43817-00	19 - 5
6R5-11631-11-93	3 - 17	6E5-14328-01	6 - 18	6YK-24307-42	10 - 1	6G5-41134-A0	21 - 25	6N7-42725-30	15 - 10	64E-43817-10	20 - 19
6R5-11633-10	3 - 20		28 - 28	6E5-24312-00	4 - 16		29 - 19	688-42726-10	15 - 29	64E-43818-01	19 - 32
6R5-11634-10	3 - 21	6J8-14334-00	6 - 17	6R3-24313-20	9 - 1	6E5-41135-A0	21 - 32	6N7-42738-02-5B	15 - 11	64E-4382G-00	19 - 29
6R5-11635-11	3 - 17	64D-14381-00	6 - 4	6E5-24314-00	9 - 13		29 - 5	6N7-42741-01-8D	15 - 30	64E-43820-00	19 - 15
6R5-11636-11	3 - 17	61A-14383-01	6 - 15	6G5-24316-10	9 - 33		29 - 21	6H4-42748-00	15 - 3	64E-43821-00	19 - 16
6R5-11642-11-93	3 - 18	64D-14384-01	6 - 3	6G5-24318-10	9 - 37	6G5-41137-02-94	21 - 10	6E5-42761-00-1S	2 - 18	64E-43822-00	19 - 17
6R5-11645-11	3 - 18		28 - 17	6E5-24319-01	8 - 7	6E5-41213-00	16 - 32	6E5-42762-00-1S	2 - 19	64E-43825-01	19 - 2
6R5-11646-11	3 - 18		28 - 26	6G5-24319-10	9 - 38	6E5-41217-01	5 - 22	6E5-42769-00	21 - 5	64E-43827-00	20 - 22
6R5-11650-10	3 - 22	6E5-14385-02	6 - 5	6E5-24321-01	8 - 11	6H1-41237-00	7 - 21	6R3-42771-01-8D	15 - 31	64E-43828-00	19 - 22
6E5-12411-20	4 - 7	6E5-14386-02	6 - 8	6E5-24322-00	8 - 4	6R5-41237-00	7 - 23	6G5-42791-10	15 - 54	64E-43829-00	19 - 23
6G5-12413-00-1S	4 - 8		28 - 24	64E-24323-00	8 - 33	662-41237-01	16 - 25	6K7-42791-00	15 - 54	64E-43830-00	20 - 4
688-12414-A1	4 - 9	64D-14394-00	6 - 11				16 - 31	6R3-42791-41	21 - 2	64E-43831-00	20 - 2

NUMERICAL INDEX
INDEX NUMERIQUE

PART NO. NO. PIECES	REF. NO.	PART NO. NO. PIECES	REF. NO.	PART NO. NO. PIECES	REF. NO.	PART NO. NO. PIECES	REF. NO.	PART NO. NO. PIECES	REF. NO.	PART NO. NO. PIECES	REF. NO.
64E-4384J-00	19 - 18	688-44194-00	16 - 14	688-45215-02	23 - 11	6E5-45634-01	22 - 50	703-48244-00	26 - 21	6N7-81830-00	14 - 13
64E-4384I-00	20 - 7		16 - 28	6G5-45251-02	17 - 2	6E5-45641-02	22 - 49	703-48245-00	26 - 11	6N7-81840-00	14 - 7
64E-43843-00	20 - 6	61A-44311-01	22 - 24	6E5-45300-16-8D	22 - 1	688-45930-02-98	23 - 26	703-48246-00	26 - 23	6N7-81850-10	14 - 2
64E-43843-10	20 - 38	6E5-44312-00	23 - 20	6E5-45301-04-8D	22 - 2	688-45932-60-98	23 - 26	701-48248-00	26 - 13	6N7-81857-00	14 - 12
64E-43850-00	20 - 15	6E5-44315-A0	22 - 31	6E5-45321-00	22 - 13	6E5-45941-00-EL	23 - 26	703-48252-00	26 - 12	6E5-81900-01	8 - 9
64E-43851-00	20 - 11		29 - 13	6E5-45331-00-94	22 - 34	6E5-45331-00-EL	23 - 26	703-48261-01	26 - 2	6E5-81922-00	8 - 10
64E-43855-00	20 - 14		29 - 30	6E5-45332-00-94	22 - 58	6E5-45945-01-EL	23 - 26	703-48264-00	26 - 6	61A-81941-00	13 - 8
6E5-43858-00	19 - 28		29 - 41	688-45341-10	22 - 7	6E5-45947-00-EL	23 - 26	703-48265-00	26 - 9	6R3-81942-00	12 - 16
64E-43858-00	20 - 12	6R3-44322-42	29 - 46	6E5-45344-00	22 - 40	6E5-45949-00-EL	23 - 26	703-48268-00	26 - 5	6E5-81948-22	13 - 15
	20 - 18	61A-44322-02	22 - 25	6E5-45371-01	23 - 14	6E5-45952-00-EL	23 - 26	703-48271-00	26 - 60	6N7-81948-00-94	12 - 10
72X-43858-00	20 - 5		29 - 36	6E5-45371-10	23 - 28	6E5-45954-00-EL	23 - 26	703-48281-00	26 - 31	6E5-8195A-00	13 - 11
64E-43859-00	20 - 13	6E5-44323-00	22 - 30	688-45375-00	23 - 9	6E5-45956-00-EL	23 - 26	703-48282-00	26 - 32	6E5-81950-00	13 - 10
6H1-4386K-10	20 - 29		29 - 40	663-45376-00-94	23 - 8	6E5-45970-10	23 - 27	703-48284-00	26 - 52	689-81952-10	13 - 9
64E-43860-00	20 - 20	6E5-44323-40	29 - 47	6E5-45378-00	22 - 10	688-45970-03-98	23 - 26	701-48287-00	26 - 42	6R3-81960-00	12 - 13
6E5-43862-00	19 - 10	6E5-44352-01	22 - 28	688-45383-02	22 - 68	6E5-45972-10	23 - 27	703-48291-10	26 - 39	6N7-82105-02	13 - 34
	19 - 14		29 - 39	688-45384-00	22 - 69	688-45972-02-98	23 - 26	703-48293-10	26 - 41	6E5-82116-00	13 - 14
6G5-43863-00	20 - 10	6E5-44361-00	23 - 2	6E5-45501-01	22 - 43	6E5-45974-10	23 - 27	701-48320-00	25 - 2	6E5-82117-01	13 - 35
6E5-43864-00	19 - 20	6E5-44365-00	23 - 3	61A-45527-00	22 - 23	688-45974-02-98	23 - 26	701-48320-50	25 - 2	6Y5-82117-00	27 - 17
6G5-43864-00	19 - 19		23 - 19	6E5-45536-00	22 - 9	6E5-45976-10	23 - 27	701-48320-60	25 - 2	6G5-82119-00	13 - 13
6G5-43865-00	20 - 35		29 - 6	61A-45538-00	22 - 20	688-45976-01-98	23 - 26	701-48320-80	25 - 2	6E5-82147-00	17 - 26
64E-43865-00	20 - 16		29 - 24	6E5-45551-02	22 - 44	6E5-45578-10	23 - 27	6E5-48344-00	16 - 7	6E5-82148-00	17 - 6
64E-43866-00	19 - 9	6E5-44366-00	23 - 1	6E5-45560-01	22 - 46	688-45978-60-98	23 - 26		16 - 42		17 - 10
64E-43867-00	19 - 8		29 - 7	6E5-45567-01-10	22 - 5	6E5-45987-01	23 - 21	703-48345-01	26 - 19	6E5-82149-00	18 - 19
64E-43868-00	20 - 3		29 - 25	6E5-45567-01-12	22 - 5	6E5-45994-10	23 - 29	701-48350-00	25 - 2	1E6-82151-00	27 - 16
64E-43869-00	19 - 26	6E5-44391-00	15 - 9	6E5-45567-01-15	22 - 5	688-45997-01	23 - 22	701-48350-20	25 - 2	663-82151-00	13 - 31
64E-4387A-00	20 - 23	6E5-44511-00-5B	18 - 38	6E5-45567-01-18	22 - 5	703-48152-00	26 - 57	703-48358-00	26 - 20	705-82151-00	13 - 32
6E5-43872-00	19 - 12	6E5-44514-00-94	18 - 31	6E5-45567-01-30	22 - 5	703-48153-00	26 - 3	6E5-48531-00	16 - 1	6G5-82152-00	13 - 33
64E-43873-00	20 - 24	6G5-44526-00	17 - 3	6E5-45567-01-40	22 - 5	703-48189-00	26 - 17	6E5-48538-00	16 - 2	6A0-82317-00	8 - 30
6E5-43874-01	19 - 21	68F-44533-00	2 - 20	6E5-45567-01-50	22 - 5	703-48198-00	26 - 14	6E5-61350-02	24 - 1		8 - 41
64E-43875-00	20 - 25	6G5-44551-01-8D	18 - 13	6E5-45571-01	22 - 60	703-48205-17	25 - 1	6E5-61351-01	24 - 2		12 - 2
64E-43879-00	20 - 27	6E5-44552-01-94	18 - 24	6E5-45576-00	22 - 61		26 - 1	6E5-61355-00	24 - 5	663-82317-01	11 - 18
64E-43879-10	20 - 26	6E5-44553-01-8D	18 - 27	6L6-45577-00-10	22 - 65	703-48211-01	26 - 61	6E5-81332-00	11 - 13	6G1-82370-21	13 - 4
64E-4388E-00	19 - 25	6E5-44555-00-94	18 - 16	6L6-45577-00-12	22 - 65	703-48212-00	26 - 58	6N7-81337-00	11 - 16	703-82510-43	26 - 44
64E-4388E-10	20 - 1	6E5-44575-00	18 - 15	6L6-45577-00-15	22 - 65	703-48213-00	26 - 59	6N7-81800-10	14 - 1	6R3-82519-00	13 - 36
64E-4388J-00	19 - 3	663-44575-00	18 - 37	6L6-45577-00-18	22 - 65	703-48215-00	26 - 43	6N7-81801-00	14 - 8	662-82519-00	13 - 5
64E-43880-01	20 - 28	6E5-45111-02-8D	21 - 1	6L6-45577-00-30	22 - 65	703-48219-00	26 - 30	6N7-81807-00	14 - 11	6E5-82531-10	13 - 39
64E-43883-00	19 - 11	6G5-45113-A1	21 - 14	6L6-45577-00-40	22 - 65	703-48221-00	26 - 56	61A-81809-00	14 - 3	703-82531-00	26 - 46
64E-43891-00	20 - 31		28 - 18	6L6-45577-00-50	22 - 65	703-48222-00	26 - 27	6N7-81810-00	14 - 5	703-82540-00	26 - 50
64E-43892-00	20 - 34	6G5-45114-A0	21 - 21	6E5-45587-01-10	22 - 37	703-48223-00	26 - 28	6N7-81813-00	14 - 9	68F-82553-80	27 - 18
6E5-43896-00	20 - 9		29 - 3	6E5-45587-01-12	22 - 37	703-48225-00	26 - 29	6E5-8182A-10	14 - 17	682-82556-00	26 - 48
64E-43897-00	19 - 24		29 - 20	6E5-45587-01-15	22 - 37	703-48226-00	26 - 26	6E5-8182E-10	14 - 15	688-82560-10	13 - 27
64E-43898-00	19 - 7	663-45119-00	17 - 14	6E5-45587-01-18	22 - 37	703-48227-00	26 - 24	6E5-8182F-10	14 - 16	6R3-82563-00	13 - 43
6E5-44117-00-1S	16 - 36		17 - 25	6E5-45587-01-30	22 - 37	703-48232-00	26 - 62	6K7-8182G-10	14 - 6	703-82563-02	26 - 55
6E5-44118-01-94	16 - 44	6E5-45123-00	21 - 31	6E5-45587-01-40	22 - 37	703-48234-00	26 - 18	6E5-8182K-10	14 - 18	6E3-8257H-00	15 - 56
6E5-44120-03	16 - 51		29 - 4	6E5-45587-01-50	22 - 37	703-48235-00	26 - 4	6N7-81820-10	14 - 10	688-82575-01	26 - 47
68F-44121-00	16 - 38		29 - 23	6E5-45611-01	22 - 48	703-48236-00	26 - 16	6R3-81822-00-94	14 - 19	703-82577-00	26 - 45
6E5-44122-00	16 - 39	6E5-45155-00	21 - 4	6E5-45631-01	22 - 56	703-48238-00	26 - 22	61A-81824-00	14 - 4	688-8258A-20	26 - 49
6E5-44150-02	22 - 17	688-45214-02	23 - 10	6E5-45633-01	22 - 57	703-48243-00	26 - 15	6K7-81826-10	14 - 14	6E5-82587-00	13 - 44

NUMERICAL INDEX
INDEX NUMERIQUE

PART NO. NO. PIECES	REF. NO.	PART NO. NO. PIECES	REF. NO.	PART NO. NO. PIECES	REF. NO.	PART NO. NO. PIECES	REF. NO.	PART NO. NO. PIECES	REF. NO.	PART NO. NO. PIECES	REF. NO.
6E5-82588-00	15 - 46	90109-06M40	7 - 5	90185-09M01	24 - 6	90386-22M98	19 - 33	90465-11M10	9 - 40	92990-06600	12 - 7
6K7-82588-00	15 - 45	90109-08M45	15 - 7	90185-12M12	18 - 36	90386-25M31	17 - 18		17 - 21		15 - 43
6N7-82590-14	13 - 30	90109-08022	3 - 23	90185-22M11	17 - 20	90386-38M32	18 - 12		18 - 5		17 - 12
703-82591-00	26 - 53	90109-12M37	18 - 35	90201-08M13	16 - 21	90387-06M29	16 - 33		23 - 18	92990-08200	15 - 8
703-82592-00	26 - 54	90109-14M34	18 - 20	90201-08M14	19 - 30	90387-08M16	16 - 18		27 - 13	92990-08600	14 - 23
6E5-82594-00	15 - 50	90116-06M30	5 - 13	90201-08M23	16 - 16	90387-08M37	15 - 35		27 - 20		26 - 34
688-82594-00	15 - 49	90116-08M45	2 - 13	90201-08M54	15 - 36	90387-10M05	17 - 34	90465-12M25	15 - 51	92990-18200	23 - 23
703-82594-00	26 - 25	90119-06MA2	2 - 21	90201-10M20	24 - 7	90387-10M61	24 - 3	90465-13M11	8 - 18	92995-06100	5 - 21
703-83383-02	26 - 51		2 - 24	90201-12M05	17 - 42	90430-08020	22 - 8	90465-13M18	4 - 26		17 - 5
6Y5-8350T-01	27 - 1		3 - 7	90201-13M01	17 - 41		29 - 8		13 - 19	92995-06600	1 - 8
6Y5-83500-S5	27 - 6		3 - 16	90201-14M56	18 - 34		29 - 22		13 - 42		5 - 18
6Y5-83533-T2	27 - 10		4 - 24	90201-15M58	18 - 21	90430-14115	2 - 7	90467-08004	4 - 17		9 - 32
6Y5-83553-M0	27 - 15		16 - 37	90201-16M55	18 - 18	90445-05M02	8 - 29	90468-05M03	7 - 24		11 - 15
6N7-83557-00	13 - 18	90119-06MA3	5 - 15	90201-21M18	11 - 5	90445-07ME8	22 - 11	90468-07M02	7 - 15		13 - 3
6Y5-83557-10	27 - 19	90119-06MA4	4 - 6	90201-22M01	22 - 21	90445-07MFO	23 - 16	90468-18008	16 - 41		13 - 7
6Y5-83557-31	27 - 11	90119-06MA5	4 - 18	90201-23M01	3 - 25	90445-07M24	5 - 11	90480-06M19	8 - 15		13 - 17
6E5-83558-00	23 - 17	90119-06MA6	4 - 10	90201-26M57	18 - 32	90445-07M28	5 - 10		15 - 2		13 - 24
6E5-83558-10	22 - 12	90119-06M10	22 - 16	90201-26M59	17 - 19	90445-07M46	5 - 12	90480-12M11	11 - 17		13 - 38
6Y5-83570-S5	27 - 7	90119-06M59	12 - 4	90201-30M92	22 - 66	90445-07M72	7 - 11	90480-20M05	4 - 21		13 - 41
6R3-83614-00	13 - 45	90119-06M65	8 - 32	90201-38M60	18 - 11	90445-07M87	7 - 13	90480-22M15	15 - 34		15 - 13
6A1-83625-41	11 - 20		8 - 43	90202-05088	7 - 25	90445-07M89	7 - 9	90501-11M10	22 - 19		15 - 23
6A1-83625-51	11 - 19	90119-08MA3	2 - 17	90202-08M20	16 - 40	90445-07196	7 - 10	90501-12082	16 - 48		15 - 27
64E-83672-02	18 - 3	90119-08MA8	4 - 3	90202-08M44	7 - 19	90445-07258	5 - 29	90501-16M11	4 - 20		15 - 33
6Y5-83728-00	27 - 12	90119-08M14	22 - 33	90202-12092	16 - 20	90445-11M26	8 - 13	90501-16M12	16 - 12		15 - 40
72X-85075-LO	20 - 21		29 - 43	90202-16061	16 - 54	90445-12207	8 - 34	90501-16M28	18 - 28		15 - 48
6N7-85510-00	11 - 2	90119-08M22	15 - 38	90202-26M18	18 - 33	90446-15M07	9 - 41	90501-16M37	22 - 51		15 - 53
6N7-85537-00	12 - 8	90119-08M57	14 - 22	90202-32M19	18 - 17	90450-10M07	10 - 2	90506-14M24	17 - 36		17 - 8
6N7-85540-01	12 - 5	90119-08M76	14 - 20	90202-40M47	18 - 7	90464-07M06	7 - 14	90508-29M12	16 - 22		21 - 7
6N7-85542-01-1S	12 - 1	90119-08M77	14 - 21	90206-10M04	16 - 34	90464-12M00	11 - 12	90560-12M01	24 - 4	92995-08100	16 - 5
6N7-85550-00	11 - 1	90119-08M79	21 - 15	90206-13M10	15 - 6	90464-13M34	8 - 39	91490-40030	23 - 25		17 - 17
6R3-85570-01	13 - 1	90119-08M94	2 - 12	90206-22M19	22 - 22	90465-05M87	13 - 28	91609-30010	13 - 22		21 - 17
6E5-85580-00	11 - 3	90119-08027	21 - 9	90249-06M19	17 - 33	90465-06M86	2 - 25	91690-30012	16 - 3		21 - 19
6E5-85711-60	8 - 45	90119-10M89	23 - 7	90250-08M07	22 - 55		5 - 16	91690-30016	7 - 27	92995-08600	14 - 25
6E5-85720-04	8 - 16	90152-05M07	23 - 12	90280-04M05	22 - 29	90465-08M63	17 - 23	91690-30020	17 - 35		21 - 23
6R3-85721-80	8 - 17	90157-06M01	15 - 42		29 - 44	90465-08M89	13 - 29	92903-05600	9 - 18		21 - 27
6G7-85730-04	8 - 26	90157-06013	16 - 11	90280-05015	11 - 4	90465-11M10	7 - 8	92903-06100	9 - 11		21 - 34
6E5-85740-02	8 - 40		16 - 26	90282-04010	22 - 67		8 - 5	92903-06600	11 - 8		22 - 42
6N7-86110-00	13 - 20	90159-06M08	12 - 17	90340-08002	22 - 6		8 - 8		12 - 12	92995-10100	18 - 26
6N7-86112-00	13 - 25	90159-06M11	12 - 9	90340-14M00	2 - 6		8 - 14		12 - 15		18 - 40
6N7-86116-00	13 - 21	90159-06M14	5 - 31	90384-06M07	2 - 8		8 - 36		12 - 19		23 - 6
6Y5-87122-S0	27 - 14	90170-16M01	22 - 45	90384-14M09	2 - 9		8 - 38	92903-08600	16 - 46	92995-14600	18 - 23
6G5-87149-10	13 - 12	90170-20137	11 - 6	90386-06M12	16 - 43		9 - 3	92990-04100	27 - 4	93101-22M15	3 - 14
9E450-04433	27 - 2	90171-18M04	23 - 24	90386-10M16	17 - 31		9 - 4		27 - 8		28 - 13
9E450-04533	27 - 3	90179-06M24	1 - 13	90386-12089	16 - 17		9 - 14	92990-04600	1 - 15	93101-28M16	22 - 35
90101-12M03	17 - 40	90179-06066	18 - 30	90386-13M88	15 - 5		9 - 15	92990-05600	5 - 5		29 - 14
90105-10M00	23 - 15	90183-05M02	21 - 30	90386-16M66	16 - 53		9 - 34	92990-06100	1 - 3		29 - 31
90105-10M20	2 - 11	90185-05002	23 - 13	90386-22M13	16 - 19		9 - 35	92990-06200	16 - 8	93101-30M17	22 - 63
90109-06M39	7 - 6	90185-06M07	16 - 9	90386-22M98	17 - 38		9 - 39	92990-06600	8 - 23		29 - 17

NUMERICAL INDEX
INDEX NUMERIQUE

PART NO. NO. PIECES	REF. NO.	PART NO. NO. PIECES	REF. NO.	PART NO. NO. PIECES	REF. NO.	PART NO. NO. PIECES	REF. NO.	PART NO. NO. PIECES	REF. NO.	PART NO. NO. PIECES	REF. NO.
93101-30M17	29 - 34	93332-000U7	22 - 4	97075-10045	23 - 5	97980-05116	6 - 22				
93102-08M43	20 - 36	93341-930V2	22 - 38	97080-06100	8 - 22	98503-05035	9 - 17				
93102-35M13	3 - 13	93410-16006	16 - 55	97080-08016	19 - 31	98580-03015	26 - 38				
	28 - 12	93410-22M11	17 - 39	97095-06010	15 - 26	98580-04006	26 - 36				
93102-40M14	3 - 5	93410-37M04	18 - 14		17 - 7	98580-04010	26 - 35				
	28 - 10	93410-40M03	3 - 11		17 - 28	98580-05010	26 - 37				
93106-09014	22 - 15	93430-06024	26 - 10		21 - 6	98780-04015	2 - 15				
	29 - 10	93501-04M02	16 - 47	97095-06012	1 - 7	99001-08600	22 - 18				
	29 - 27	93503-16003	22 - 54		5 - 17						
93210-03261	13 - 26	93507-32009	22 - 52		13 - 6						
93210-09165	16 - 52	93511-32017	22 - 53		13 - 37						
93210-10M74	19 - 4	93606-12019	22 - 32		13 - 40						
93210-13M04	7 - 18		29 - 42		13 - 46						
93210-16275	24 - 9	93608-12M05	21 - 8		15 - 52						
93210-19MA7	7 - 4		21 - 13	97095-06016	13 - 16						
93210-32738	9 - 8		23 - 4		15 - 12						
93210-37MH7	18 - 6	93608-12063	2 - 10		15 - 22						
93210-37160	22 - 27	93700-06M03	16 - 50	97095-06020	13 - 2						
	29 - 12		17 - 13		15 - 32						
	29 - 28		17 - 24		15 - 39						
	29 - 38	94702-00247	4 - 27		15 - 47						
93210-55M14	22 - 39	94702-00309	4 - 27	97095-06025	16 - 35						
	29 - 15	95303-06600	16 - 13	97095-06030	13 - 23						
	29 - 32		16 - 27		17 - 4						
93210-58144	22 - 14	95380-03600	9 - 28	97095-06050	9 - 31						
	29 - 9	95380-04600	27 - 5	97095-08016	14 - 24						
	29 - 26		27 - 9	97095-08020	16 - 4						
93210-74M35	3 - 15	95380-05600	7 - 22		17 - 16						
	28 - 14		16 - 24	97095-08025	22 - 41						
93210-86M38	22 - 26		16 - 30	97095-08030	21 - 22						
	29 - 11		26 - 7	97095-08045	21 - 16						
	29 - 29	95380-06600	1 - 4		21 - 26						
	29 - 37		5 - 20		21 - 33						
93210-86M39	22 - 64		8 - 24	97095-10045	18 - 25						
	29 - 16		26 - 40		18 - 39						
	29 - 33	95380-08600	9 - 12	97380-05025	26 - 8						
93211-04001	3 - 6	95380-08700	21 - 18	97380-08030	26 - 33						
	28 - 11	95380-12600	17 - 43	97607-04310	20 - 32						
93306-208U0	3 - 10	95380-14800	18 - 22	97780-40520	1 - 16						
	22 - 59	95780-10300	18 - 9	97780-60525	18 - 2						
93310-323V6	3 - 24	97013-06012	12 - 18	97880-05025	5 - 4						
93310-836U0	3 - 26	97013-06014	9 - 10	97880-06012	17 - 11						
93310-954U1	3 - 8	97013-06016	12 - 11	97880-06018	11 - 11						
93311-940U3	3 - 4	97013-06025	12 - 14	97880-06020	12 - 6						
93315-425U7	22 - 47	97013-06065	11 - 7	97885-06010	11 - 14						
93315-430U8	22 - 62	97013-08030	16 - 45	97885-06016	18 - 4						
93315-628U9	22 - 3	97013-08045	16 - 15		18 - 29						
93317-330U2	22 - 36	97075-08035	15 - 37	97980-05108	6 - 24						

115CETO/130BETO
PARTS CATALOGUE
E2001 by Yamaha Motor Co., Ltd.
1st Edition, Oct. 2001
All rights reserved.
Any reprinting or unauthorized use
without the written permission of
Yamaha Motor Co., Ltd.
is expressly prohibited.

115CETO/130BETO
CATALOGUE DE PIECES DETACHEES
E2001 Yamaha Motor Co., Ltd.
1ère Edition, Oct. 2001
Tous droits réservés.
Toute réimpression ou utilisation
sans la permission écrite de la
Yamaha Motor Co., Ltd.
est formellement interdite.