



**PARTS
CATALOGUE
CATALOGO
DE REPUESTOS**

150AET'04 (6G43)

175AET'04 (6G53)

200AET'04 (60H3)

L150AET'04 (6K03)

L200AET'04 (60J3)

FOREWORD

This Parts Catalogue is related to the parts for the model(s) on the cover page. When you are ordering replacement parts, please refer to this Parts Catalogue and quote both part numbers and part names correctly.

1. Modifications or additions which have been made after the issue of the Parts Catalogue will be announced in the Parts News.
It is advisable that you make the necessary corrections to the Parts Catalogue according to the Parts News.

2. Abbreviations

The following abbreviations are used in this Parts Catalogue.

“UR” Use specified parts number.

“UN” Use as many as needed.

“AP” Alternate Parts

“LM” Locally Made (Parts need to be ordered locally)

“F#” Frame No. (Applicable machine No.)

“O/S” Over Size

3. The number of components for assembly

- Parts, which are to be supplied in an assembly, are listed with a dot (.) in front of the part name as shown below.
- The numeral appearing to the right of each component part indicates the quantity of parts for each assembly unit.

| PART NO. | DESCRIPTION | Q'TY | REMARKS |
|--------------|--------------------------|------|---------|
| 2F5-83310-60 | FRONT FLASHER LIGHT ASSY | 2 | |
| 115-83311-60 | .BULB (6V-18W) | 1 | |

4. Applicable colours of graphics are represented in the “REMARKS” as shown below.

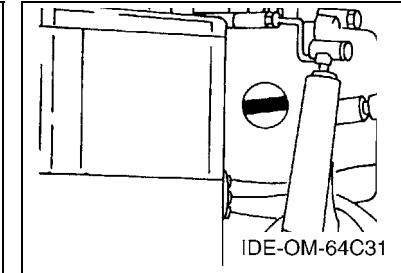
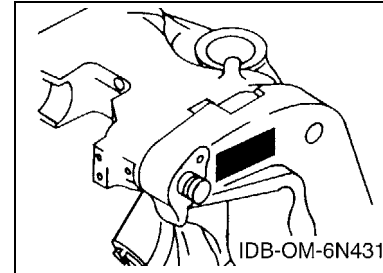
| PART NO. | DESCRIPTION | Q'TY | REMARKS |
|-----------------|---------------------|------|---------|
| 2N4-24110-00-X5 | FUEL TANK COMP. | 2 | MXR |
| 3J1-24240-10 | .GRAPHIC, FUEL TANK | 1 | FOR MXR |

5. Note that the illustrations for reference in finding parts numbers are not to be used for assembling. When assembling, please use the applicable service manual.

6. The asterisk (*) before a reference number indicates modified items after the first edition.

7. Applicable Serial No.

Engine Serial No.



8. Applicable Engine Starting Serial No.

| Model | Serial No. | Model | Serial No. |
|-------|-------------|-------|-------------|
| 150A | 6G4-1006970 | 175A | 6G5-1000348 |
| 200A | 6G6-1008788 | L150A | 6K0-1000468 |
| L200A | 6K1-1001418 | | |
| | | | |

9. Applicable Colour Code

| Abbreviation | Colour Name | Colour Code |
|--------------|-----------------------------|-------------|
| DBNM2 | DARK BLUISH GRAY METALLIC 2 | 004D |

10. Quantity Column Information

| Column No. | Name Of Q'ty Column | Applicable Model |
|------------|---------------------|------------------|
| 1 | 150A | 150AET |
| 2 | 175A | 175AET |
| 3 | 200A | 200AET |
| 4 | L150 | L150AET |
| 5 | L200 | L200AET |

PROLOGO

Este catálogo de repuestos corresponde a las piezas para el o los modelos que figuran en la página de portada. Al formular el pedido de repuestos, se ruega citar este catálogo y especificar correctamente el número y el nombre de las piezas.

- Las modificaciones y agregados que se hayan realizado después de la edición de este Catálogo de Repuestos, serán anunciados en las Informaciones de Recambios. Es recomendable que se hagan las correcciones necesarias en el Catálogo de Repuestos de acuerdo con las Informaciones de Recambios.

2. Abreviaciones

En este Catálogo de Repuestos se emplean las siguientes abreviaciones.

- “UR” Usar el número de partes especificado
- “UN” Usar la cantidad necesaria
- “AP” Piezas sustitutivas
- “LM” Fabricación local (Hay que pedir los repuestos en las cercanías)
- “F#” N° de bastidor (N° aplicable a la máquina)
- “O/S” Sobredimensionado

3. La cantidad de componentes para el montaje

- Los componentes, suministrados como conjunto, se describen con un punto (.) que precede al nombre del parte como se indica a continuación.
- La numeración que aparece a la derecha de cada descripción indica la cantidad de partes por cada unidad de conjunto.

| CODIGO N° | DESCRIPCION | CANT. | OBSERVACIONES |
|--------------|----------------------|-------|---------------|
| 2F5-83310-60 | ENSAMBLAJE DE LA LUZ | 2 | |
| 115-83311-60 | .BOMBILLA (6V-18W) | 1 | |

4. Los colores de los componentes se indican como sigue en la columna de “OBSERVACIONES”.

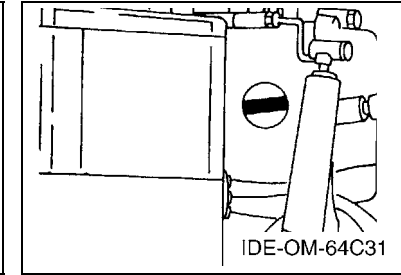
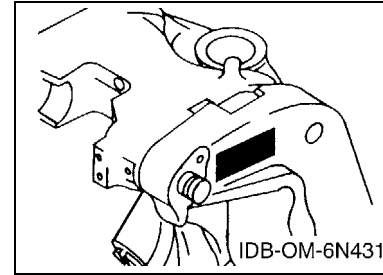
| CODIGO N° | DESCRIPCION | CANT. | OBSERVACIONES |
|-----------------|----------------------|-------|---------------|
| 2N4-24110-00-X5 | COMP. DEL TANQUE | 2 | MXR |
| 3J1-24240-10 | .GRAFICO, DEL TANQUE | 1 | PARA MXR |

- Debe tenerse en cuenta que las ilustraciones sirven como guía para la búsqueda de los números de partes y no deben usarse para el montaje. Durante el montaje, se recomienda usar el manual de taller correspondiente.

- EL asterisco (*) antes del número de referencia indica los elementos modificados después de la primera edición.

7. Números de serie

N° de Serie del motor



8. Números de serie del motor

| Modelo | N° de serie | Modelo | N° de serie |
|--------|-------------|--------|-------------|
| 150A | 6G4-1006970 | 175A | 6G5-1000348 |
| 200A | 6G6-1008788 | L150A | 6K0-1000468 |
| L200A | 6K1-1001418 | | |
| | | | |

9. Códigos de color aplicables

| Abreviatura | Nombre de color | Código de color |
|-------------|-----------------------------|-----------------|
| DBNM2 | DARK BLUISH GRAY METALLIC 2 | 004D |

10. Información para la columna de cantidades

| Columna N° | Nombre de la columna de cantidades | Modelo aplicable |
|------------|------------------------------------|------------------|
| 1 | 150A | 150AET |
| 2 | 175A | 175AET |
| 3 | 200A | 200AET |
| 4 | L150 | L150AET |
| 5 | L200 | L200AET |

CONTENTS

SHEET1/2

| | |
|--------------------------------|----|
| TOP COWLING | A4 |
| CYLINDER & CRANKCASE 1 | A6 |
| CRANKSHAFT & PISTON | B1 |
| CYLINDER & CRANKCASE 2 | B3 |
| INTAKE | B4 |
| CARBURETOR | B6 |
| FUEL 1 | C1 |
| FUEL 2 | C3 |
| GENERATOR | C4 |
| ELECTRICAL 1 | C5 |
| ELECTRICAL 2 | C6 |
| ELECTRICAL 3 | D1 |
| STARTING MOTOR | D2 |
| BOTTOM COWLING | D3 |
| CONTROL | D5 |
| BRACKET 1 | E1 |
| BRACKET 2 | E3 |
| POWER TRIM & TILT ASSY 1 | E5 |
| POWER TRIM & TILT ASSY 2 | E7 |
| UPPER CASING | F2 |
| LOWER CASING & DRIVE 1 | F4 |

INDEX

| | |
|-----------------------|----|
| NUMERICAL INDEX | G1 |
|-----------------------|----|

SHEET2/2

| | |
|-----------------------------------|-----|
| LOWER CASING & DRIVE 2 | A4* |
| LOWER CASING & DRIVE 3 | A6* |
| LOWER CASING & DRIVE 4 | B3* |
| FUEL TANK | B4* |
| STEERING GUIDE ATTACHMENT 1 | B5* |
| STEERING GUIDE ATTACHMENT 2 | B6* |
| REMOTE CONTROL BOX | B7* |
| REMOTE CONTROL ASSY 1 | C1* |
| REMOTE CONTROL ASSY 2 | C4* |
| METER | C7* |
| SWITCH & PANEL | D1* |
| REPAIR KIT 1 | D2* |
| REPAIR KIT 2 | D4* |

INDEX

| | |
|-----------------------|-----|
| NUMERICAL INDEX | G1* |
|-----------------------|-----|

CONTENIDO

PAGINA1/2

| | |
|----------------------------------|----|
| SOPORTE SUPERIOR | A4 |
| CILINDRO & CARTER 1 | A6 |
| CIGUENAL & PISTON | B1 |
| CILINDRO & CARTER 2 | B3 |
| ADMISION | B4 |
| CARBURADOR | B6 |
| COMBUSTIBLE 1 | C1 |
| COMBUSTIBLE 2 | C3 |
| GENERADOR | C4 |
| EQUIPO ELECTRICO 1 | C5 |
| EQUIPO ELECTRICO 2 | C6 |
| EQUIPO ELECTRICO 3 | D1 |
| MOTOR DE ARRANQUE | D2 |
| CUBIERTA INFERIOR | D3 |
| CONTROL | D5 |
| SOPORTE 1 | E1 |
| SOPORTE 2 | E3 |
| COMPONER Y PODER VARILLA 1 | E5 |
| COMPONER Y PODER VARILLA 2 | E7 |
| FUNDA SUPERIOR | F2 |
| IMPULSOR E INFERIOR 1 | F4 |

INDICE

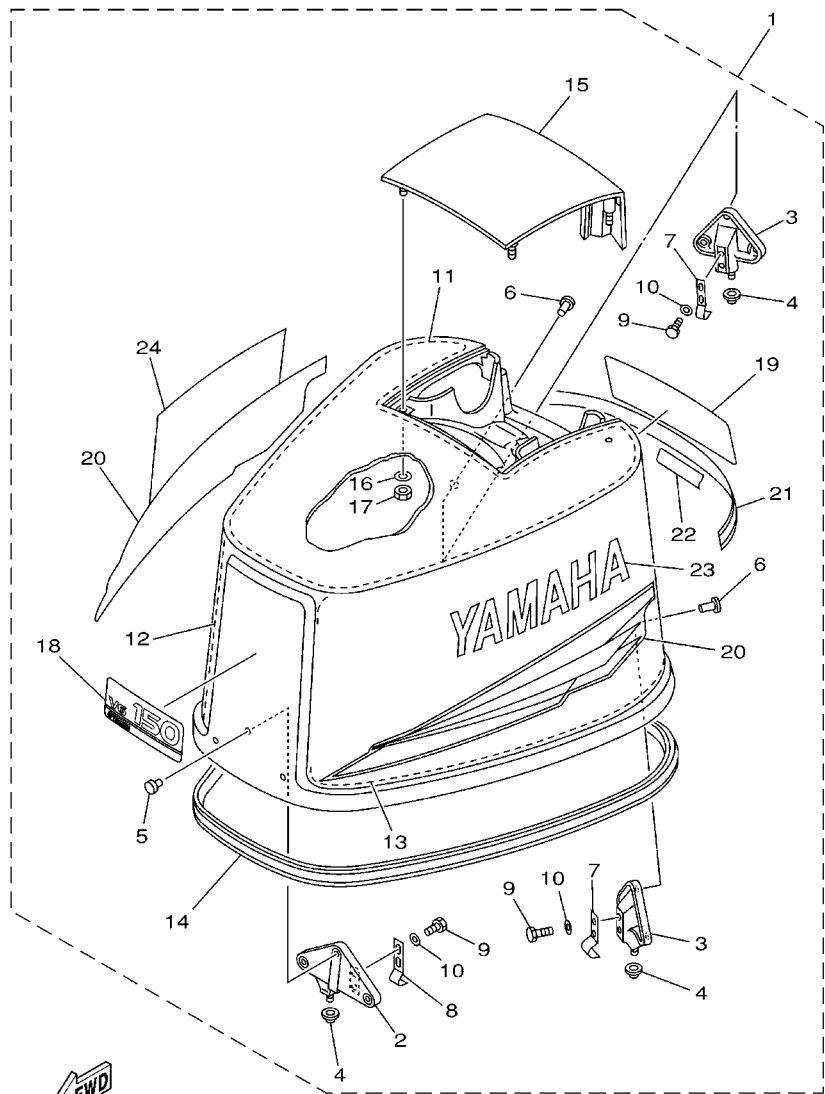
| | |
|-----------------------|----|
| INDICE NUMERICO | G1 |
|-----------------------|----|

PAGINA2/2

| | |
|-------------------------------------|-----|
| IMPULSOR E INFERIOR 2 | A4* |
| IMPULSOR E INFERIOR 3 | A6* |
| IMPULSOR E INFERIOR 4 | B3* |
| DEPOSITO DE COMBUSTIBLE | B4* |
| ADITAMENTO GUIA DE GOBIERNO 1 | B5* |
| ADITAMENTO GUIA DE GOBIERNO 2 | B6* |
| CONTROL REMOTO COMPLETO | B7* |
| CONTROL REMOTO COMPL 1 | C1* |
| CONTROL REMOTO COMPL 2 | C4* |
| MEDIDOR | C7* |
| PANEL DE INTERRUPTOR | D1* |
| ESTUCHE REPARATION 1 | D2* |
| ESTUCHE REPARATION 2 | D4* |

INDICE

| | |
|-----------------------|-----|
| INDICE NUMERICO | G1* |
|-----------------------|-----|

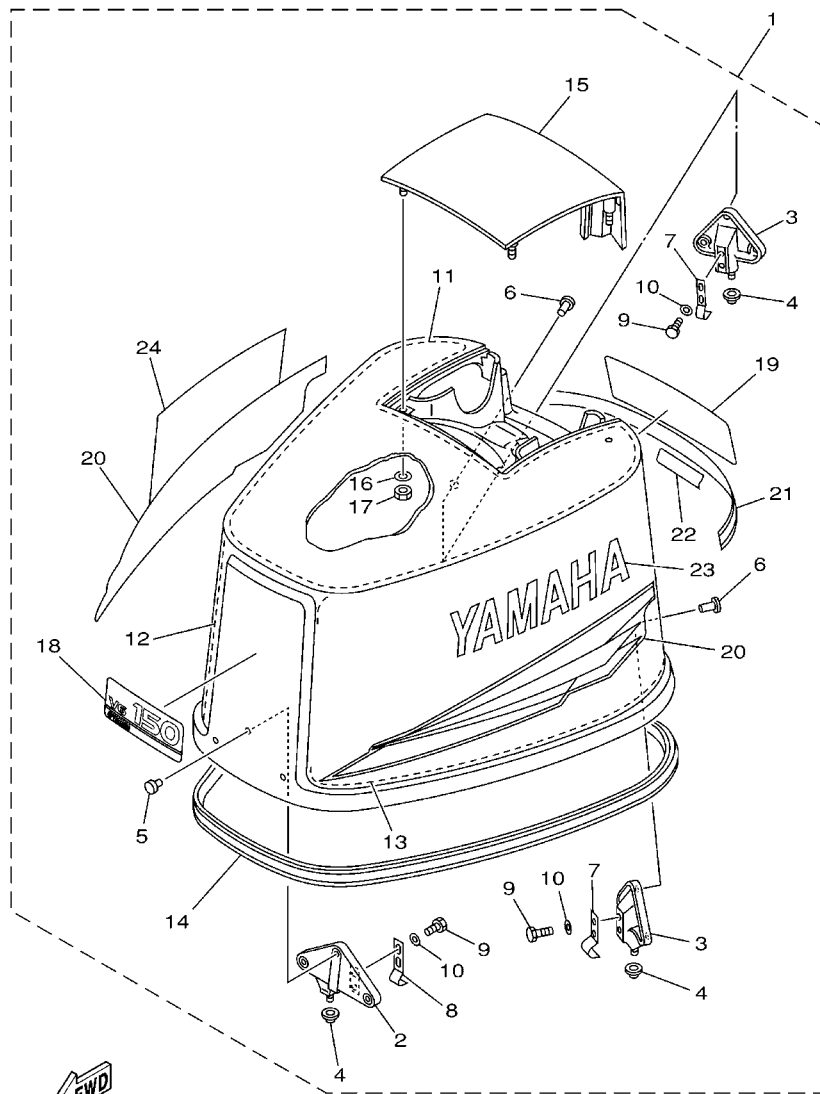


6G51200-2010

FIG. 1 TOP COWLING

SOPORTE SUPERIOR

| REF. NO. | PART NO. CODIGO Nº | DESCRIPTION DESCRIPCION | 150A | 175A | 200A | L150 | L200 | REMARKS OBSERVACIONES |
|----------|--------------------|---|------|------|------|------|------|----------------------------------|
| 1 | 6G4-42610-60-4D | TOP COWLING ASSY SOPORTE SUPERIOR COMPL. | 1 | | | 1 | | |
| | 6G5-42610-60-4D | TOP COWLING ASSY SOPORTE SUPERIOR COMPL. | | 1 | | | | |
| | 6G6-42610-60-4D | TOP COWLING ASSY SOPORTE SUPERIOR COMPL. | | | 1 | | 1 | |
| 2 | 6E5-42647-00-94 | .HOLDER, CLAMP BAND .MORDAZA DE ABRAZADERA | 1 | 1 | 1 | 1 | 1 | |
| 3 | 6E5-42649-01-94 | .HOLDER, CLAMP BAND .MORDAZA DE ABRAZADERA | 2 | 2 | 2 | 2 | 2 | |
| 4 | 663-42662-00 | .DAMPER .AMORTIGUADOR | 3 | 3 | 3 | 3 | 3 | |
| 5 | 90266-06009 | .RIVET .REMACHE | 3 | 3 | 3 | 3 | 3 | |
| 6 | 90266-06M02 | .RIVET .REMACHE | 6 | 6 | 6 | 6 | 6 | |
| 7 | 6E5-42652-00 | .HOOK .GANCHO | 2 | 2 | 2 | 2 | 2 | |
| 8 | 688-42652-00 | .HOOK .GANCHO | 1 | 1 | 1 | 1 | 1 | |
| 9 | 97095-06016 | .BOLT .PERNO | 6 | 6 | 6 | 6 | 6 | |
| 10 | 92995-06600 | .WASHER .ARANDELA | 6 | 6 | 6 | 6 | 6 | |
| 11 | 6E5-42617-00 | .DAMPER, FORM .HULE DE FORMA | 1 | 1 | 1 | 1 | 1 | |
| 12 | 6G5-42619-00 | .DAMPER, FORM .HULE DE FORMA | 1 | 1 | 1 | 1 | 1 | STARBOARD SIDE STARBOARD SIDE |
| 13 | 6G5-42627-00 | .DAMPER, FORM .AMORTIGUADOR FORMA 3 | 1 | 1 | 1 | 1 | 1 | PORT SIDE PORT SIDE |
| 14 | 6E5-42615-00 | .SEAL .SELLO | 1 | 1 | 1 | 1 | 1 | |
| 15 | 6G5-42613-00-4D | .MOLDING, AIR DUCT .MOLDURA CONDUCTO AIRE | 1 | 1 | 1 | 1 | 1 | |
| 16 | 92990-06600 | .WASHER, PLATE .ARANDELA PLANA | 4 | 4 | 4 | 4 | 4 | |
| 17 | 95380-06600 | .NUT, HEXAGON .TUERCA | 4 | 4 | 4 | 4 | 4 | |
| 18 | 6G4-42677-40 | .GRAPHIC, FRONT .CALCAMONIA FRONTAL | 1 | | | 1 | | |
| | 6G5-42677-40 | .GRAPHIC, FRONT .CALCAMONIA FRONTAL | | 1 | | | | |
| | 6G6-42677-40 | .GRAPHIC, FRONT .CALCAMONIA FRONTAL | | | 1 | | 1 | |
| 19 | 6G4-42678-31 | .GRAPHIC, REAR .CALCAMONIA TRASERA | 1 | | | 1 | | |
| | 6G5-42678-31 | .GRAPHIC, REAR .CALCAMONIA TRASERA | | 1 | | | | |
| | 6G6-42678-31 | .GRAPHIC, REAR .CALCAMONIA TRASERA | | | 1 | | 1 | |
| 20 | 6G5-W0070-31 | .GRAPHIC SET .JUEGO DE EMBLEMA | 1 | 1 | 1 | 1 | 1 | |
| 21 | 6G5-4267A-31 | .GRAPHIC, REAR 2 .CALCAMONIA TRASERA 2 | 1 | 1 | 1 | 1 | 1 | |



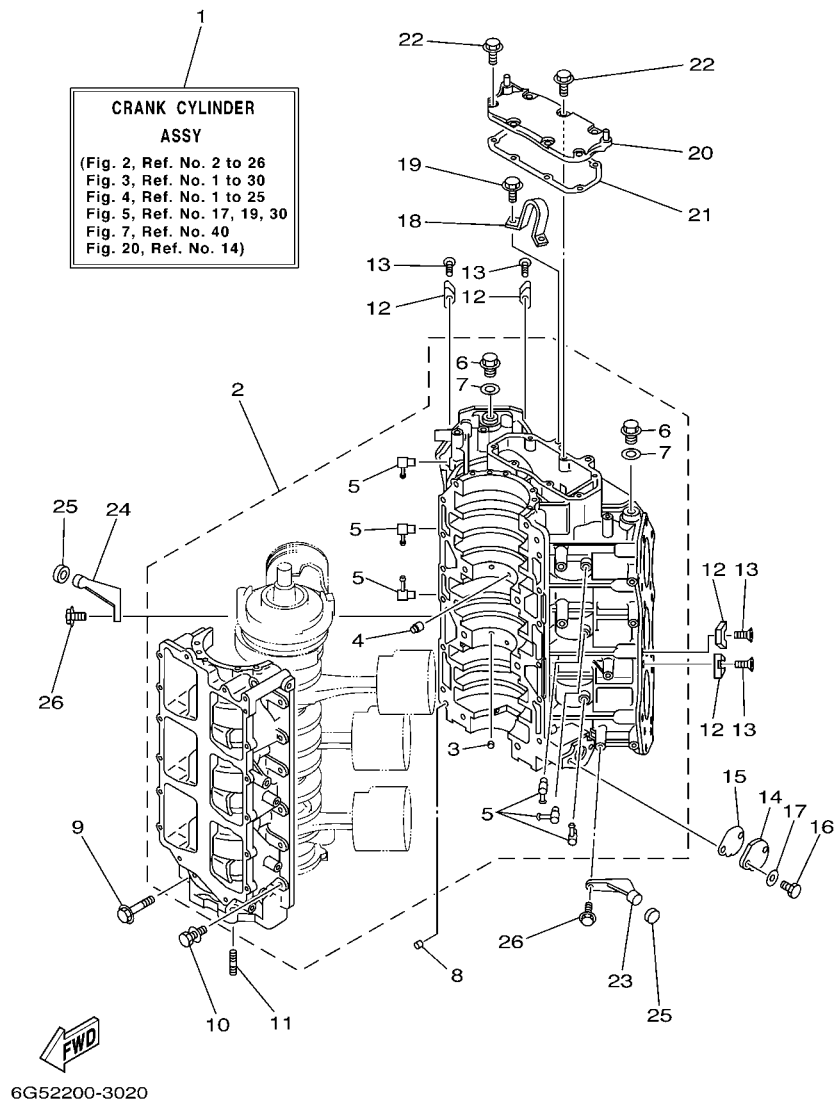
6G51200-2010

FIG. 1 TOP COWLING

SOPORTE SUPERIOR

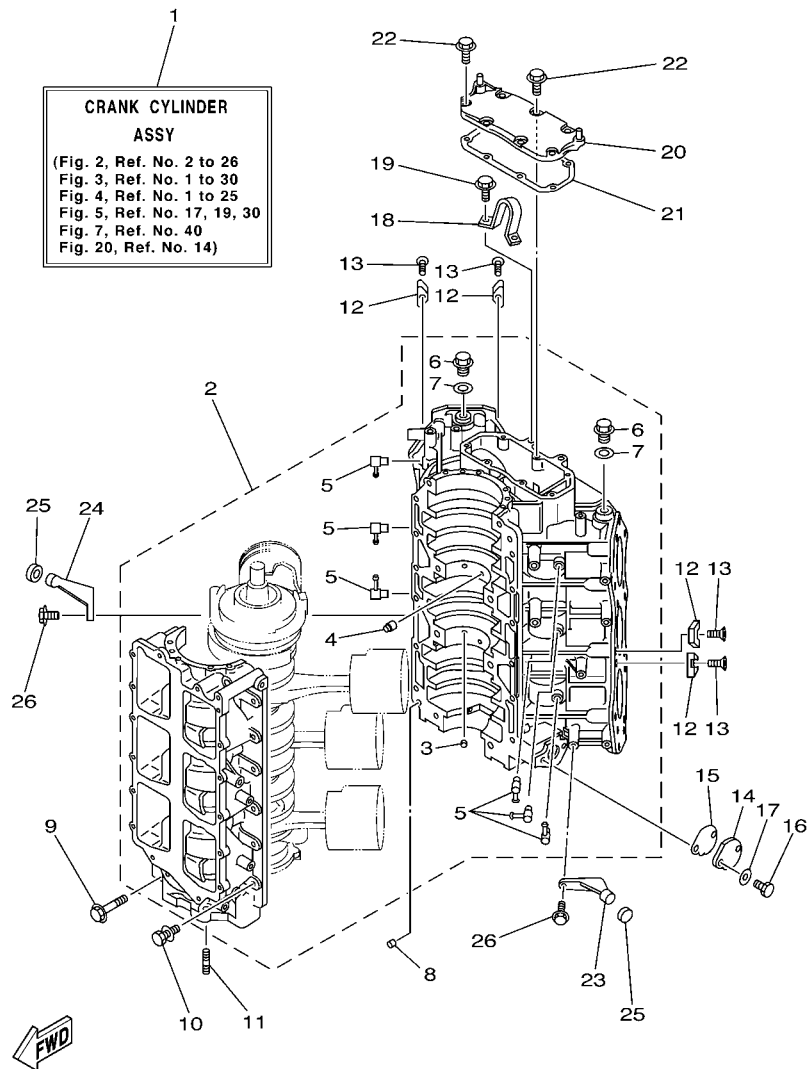
| REF. NO. | PART NO. CODIGO Nº | DESCRIPTION DESCRIPCION | 150A | 175A | 200A | L150 | L200 | REMARKS OBSERVACIONES |
|----------|--------------------|---------------------------------------|------|------|------|------|------|-----------------------|
| 22 | 64D-42678-30 | .GRAPHIC, REAR .CALCAMONIA TRASERA | 1 | 1 | 1 | 1 | 1 | |
| 23 | 6G5-42681-31 | .MARK, COWLING .MARCA DE CUBIERTA | 1 | 1 | 1 | 1 | 1 | |
| 24 | 6G5-42682-31 | .MARK, COWLING .MARCA DE CUBIERTA | 1 | 1 | 1 | 1 | 1 | |
| | | | | | | | | |
| | | | | | | | | |
| | | | | | | | | |
| | | | | | | | | |
| | | | | | | | | |
| | | | | | | | | |

FIG. 2 CYLINDER & CRANKCASE 1 CILINDRO & CARTER 1



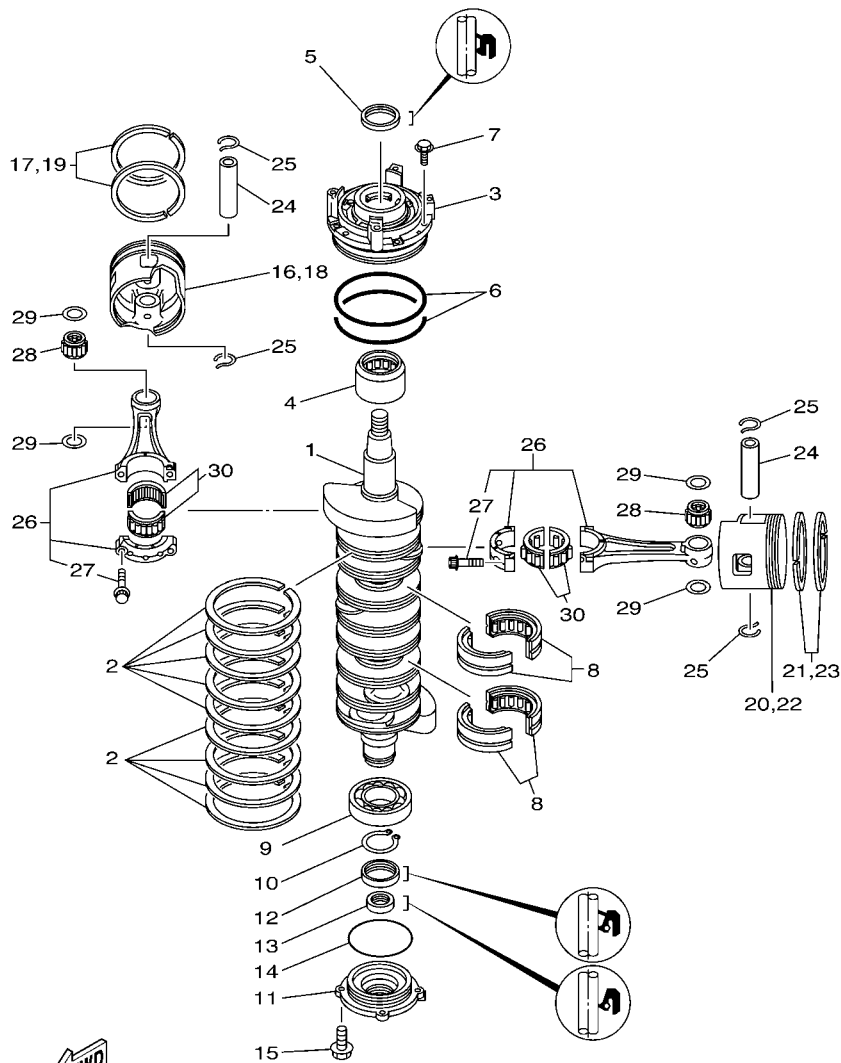
| REF. NO. | PART NO. CODIGO Nº | DESCRIPTION DESCRIPCION | 150A | 175A | 200A | L150 | L200 | REMARKS OBSERVACIONES |
|----------|--------------------|---|------|------|------|------|------|-----------------------|
| 1 | 64C-W0090-03-1S | CRANK CYLINDER ASSY BLOQUE MOTOR COMPLETO | 1 | | | 1 | | |
| | 64D-W0090-03-1S | CRANK CYLINDER ASSY BLOQUE MOTOR COMPLETO | | 1 | | | | |
| | 60H-W0090-00-1S | CRANK CYLINDER ASSY BLOQUE MOTOR COMPLETO | | | 1 | | 1 | |
| 2 | 64C-15100-22-1S | CRANKCASE ASSY CARTER COMPLETO | 1 | | | 1 | | |
| | 64D-15100-22-1S | CRANKCASE ASSY CARTER COMPLETO | | 1 | | | | |
| | 60H-15100-00-1S | CRANKCASE ASSY CARTER COMPLETO | | | 1 | | 1 | |
| 3 | 624-11379-00 | .VALVE, CHECK .VALVULA DE CONTROL | 2 | 2 | 2 | 2 | 2 | |
| 4 | 663-11518-01 | .LOCK, BEARING .SEGURO BALERO | 2 | 2 | 2 | 2 | 2 | |
| 5 | 646-11370-01 | .CHECK VALVE ASSY .VALVULA DE CONTROL COMPL. | 6 | 6 | 6 | 6 | 6 | |
| 6 | 90340-14M00 | .PLUG, STRAIGHT SCREW .TORNILLO DE DRENAJE | 2 | 2 | 2 | 2 | 2 | |
| 7 | 90430-14115 | .GASKET .JUNTA | 2 | 2 | 2 | 2 | 2 | |
| 8 | 93608-12063 | PIN, DOWEL PASADOR DE CLAVIJA | 2 | 2 | 2 | 2 | 2 | |
| 9 | 90105-10M20 | BOLT, FLANGE TORNILLO | 8 | 8 | 8 | 8 | 8 | |
| 10 | 90119-08M94 | BOLT, WITH WASHER TORNILLO CON ARANDELA | 12 | 12 | 12 | 12 | 12 | |
| 11 | 90116-08M45 | BOLT, STUD ESPARRAGO | 2 | 2 | 2 | 2 | 2 | |
| 12 | 6E5-11325-00 | ANODE ANODO | 8 | 8 | 8 | 8 | 8 | |
| 13 | 98780-04015 | SCREW, FLAT HEAD TORNILLO CABEZA PLANA | 8 | 8 | 8 | 8 | 8 | |
| 14 | 6R3-1131M-01 | COVER CUBIERTA | 1 | 1 | 1 | 1 | 1 | |
| 15 | 6R3-11397-01 | GASKET EMPAQUE | 1 | 1 | 1 | 1 | 1 | |
| 16 | 97013-06016 | BOLT PERNO | 2 | 2 | 2 | 2 | 2 | |
| 17 | 92903-06600 | WASHER, PLATE RONDANA SENCILLA | 2 | 2 | 2 | 2 | 2 | |
| 18 | 6E5-11119-01 | HANGER, ENGINE SOPORTE DEL MOTOR | 1 | 1 | 1 | 1 | 1 | |
| 19 | 90119-08MA3 | BOLT, WITH WASHER TORNILLO CON ARANDELA | 2 | 2 | 2 | 2 | 2 | |
| 20 | 6E5-11371-00-1S | COVER CUBIERTA 1 | 1 | 1 | 1 | 1 | 1 | |
| 21 | 6E5-11381-A2 | GASKET 1 EMPAQUE 1 | 1 | 1 | 1 | 1 | 1 | |
| 22 | 90119-06MA2 | BOLT, WITH WASHER TORNILLO CON ARANDELA | 7 | 7 | 7 | 7 | 7 | |
| 23 | 6E5-42761-00-1S | STOPPER RETEN 1 | 1 | 1 | 1 | 1 | 1 | |

FIG. 2 CYLINDER & CRANKCASE 1 CILINDRO & CARTER 1



6G52200-3020

| REF. NO. | PART NO. CODIGO N° | DESCRIPTION DESCRIPCION | 150A | 175A | 200A | L150 | L200 | REMARKS OBSERVACIONES |
|----------|--------------------|---|------|------|------|------|------|-----------------------|
| 24 | 6E5-42762-00-1S | STOPPER RETEN 2 | 1 | 1 | 1 | 1 | 1 | |
| 25 | 68F-44533-00 | DAMPER, UPPER MOUNT RUBBER AMORTIGUADOR SUPERIOR | 2 | 2 | 2 | 2 | 2 | |
| 26 | 90119-06MA2 | BOLT, WITH WASHER TORNILLO CON ARANDELA | 4 | 4 | 4 | 4 | 4 | |
| <hr/> | | | | | | | | |
| <hr/> | | | | | | | | |
| <hr/> | | | | | | | | |
| <hr/> | | | | | | | | |
| <hr/> | | | | | | | | |
| <hr/> | | | | | | | | |
| <hr/> | | | | | | | | |
| <hr/> | | | | | | | | |
| <hr/> | | | | | | | | |
| <hr/> | | | | | | | | |
| <hr/> | | | | | | | | |
| <hr/> | | | | | | | | |



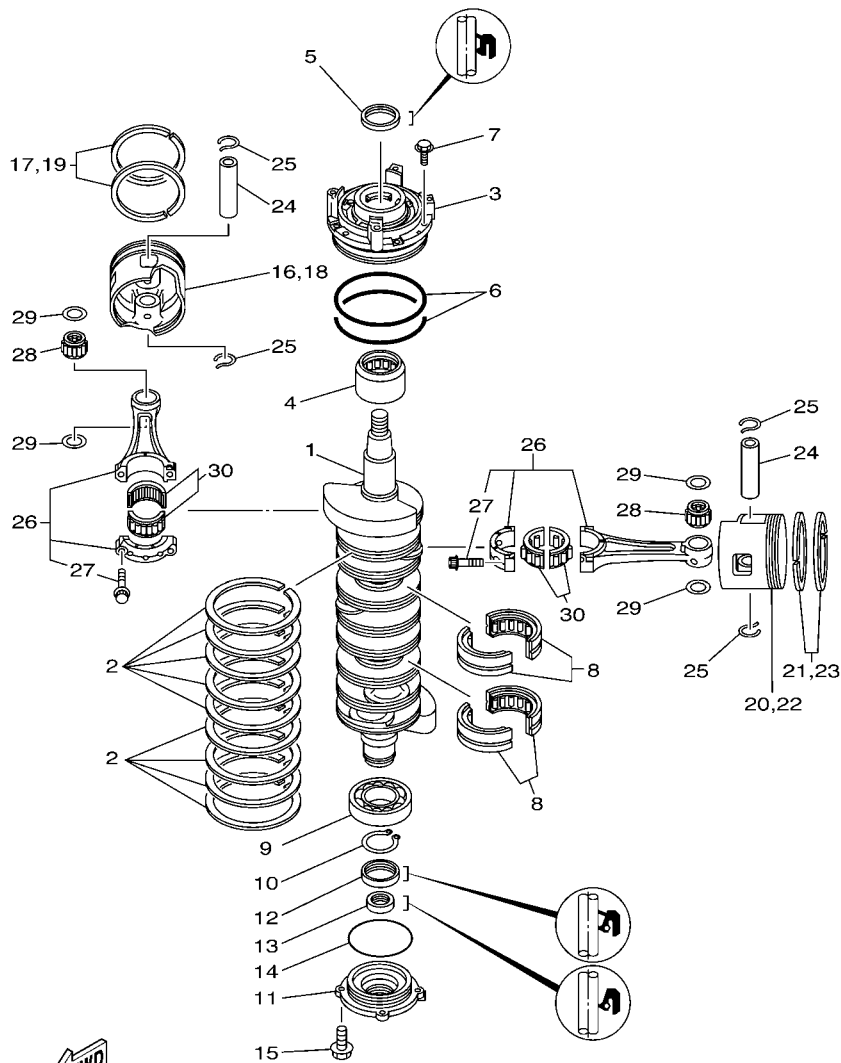
6G52200-3030

FIG. 3 CRANKSHAFT & PISTON

CIGUENAL & PISTON

| REF. NO. | PART NO. CODIGO Nº | DESCRIPTION DESCRIPCION | 150A | 175A | 200A | L150 | L200 | REMARKS OBSERVACIONES |
|----------|--------------------|--|------|------|------|------|------|-----------------------|
| 1 | 6G5-11411-02 | CRANKSHAFT CIGUENAL | 1 | 1 | 1 | 1 | 1 | |
| 2 | 6E5-11447-00 | SEAL, CRANK SELLO MANIVELA | 9 | 9 | 9 | 9 | 9 | |
| 3 | 6E5-15163-00-1S | HOUSING, BEARING 1 CAJA DE COJINETE 1 | 1 | 1 | 1 | 1 | 1 | |
| 4 | 93311-940U3 | BEARING COJINETE DE RODILLOS | 1 | 1 | 1 | 1 | 1 | |
| 5 | 93102-40M14 | OIL SEAL SELLO ACEITE | 1 | 1 | 1 | 1 | 1 | |
| 6 | 93211-04001 | O-RING ANILLO O | 2 | 2 | 2 | 2 | 2 | |
| 7 | 90119-06MA2 | BOLT, WITH WASHER TORNILLO CON ARANDELA | 4 | 4 | 4 | 4 | 4 | |
| 8 | 93310-954U1 | BEARING COJINETE DE RODILLOS | 2 | 2 | 2 | 2 | 2 | |
| 9 | 93306-20802 | BEARING COJINETE | 1 | 1 | 1 | 1 | 1 | |
| 10 | 93410-40M03 | CIRCLIP SEGURO | 1 | 1 | 1 | 1 | 1 | |
| 11 | 6G5-15359-00-94 | HOUSING, OIL SEAL CAJA DE SELLO DE ACEITE | 1 | 1 | 1 | 1 | 1 | |
| 12 | 93102-35M61 | OIL SEAL SELLO ACEITE | 1 | 1 | 1 | 1 | 1 | |
| 13 | 93101-22M15 | OIL SEAL SELLO ACEITE | 1 | 1 | 1 | 1 | 1 | |
| 14 | 93210-74M35 | O-RING ANILLO O | 1 | 1 | 1 | 1 | 1 | |
| 15 | 90119-06MA2 | BOLT, WITH WASHER TORNILLO CON ARANDELA | 4 | 4 | 4 | 4 | 4 | |
| 16 | 64D-11631-02-90 | PISTON (STD) PISTON (NORMA) | 2 | 2 | 2 | 2 | 2 | #3,5 |
| | 64D-11635-02 | PISTON (0.25MM O/S) PISTON (0.25MM O/S) | 2 | 2 | 2 | 2 | 2 | AP #3,5 |
| | 64D-11636-02 | PISTON (0.50MM O/S) PISTON (0.50MM O/S) | 2 | 2 | 2 | 2 | 2 | AP #3,5 |
| 17 | 64D-11603-01 | PISTON RING SET (STD) JUEGO DE ANILLOS (NORMA) | 2 | 2 | 2 | 2 | 2 | #3,5 |
| | 64D-11604-01 | PISTON RING SET (0.25MM O/S) JUEGO DE ANILLOS (0.25MM O/S) | 2 | 2 | 2 | 2 | 2 | AP #3,5 |
| | 64D-11605-01 | PISTON RING SET (0.50MM O/S) JUEGO DE ANILLOS (0.50MM O/S) | 2 | 2 | 2 | 2 | 2 | AP #3,5 |
| 18 | 64D-11631-22-90 | PISTON (STD) PISTON (NORMA) | 1 | 1 | 1 | 1 | 1 | #1 |
| | 64D-11635-22 | PISTON (0.25MM O/S) PISTON (0.25MM O/S) | 1 | 1 | 1 | 1 | 1 | AP #1 |
| | 64D-11636-22 | PISTON (0.50MM O/S) PISTON (0.50MM O/S) | 1 | 1 | 1 | 1 | 1 | AP #1 |
| 19 | 64D-11603-01 | PISTON RING SET (STD) JUEGO DE ANILLOS (NORMA) | 1 | 1 | 1 | 1 | 1 | #1 |
| | 64D-11604-01 | PISTON RING SET (0.25MM O/S) JUEGO DE ANILLOS (0.25MM O/S) | 1 | 1 | 1 | 1 | 1 | AP #1 |
| | 64D-11605-01 | PISTON RING SET (0.50MM O/S) JUEGO DE ANILLOS (0.50MM O/S) | 1 | 1 | 1 | 1 | 1 | AP #1 |

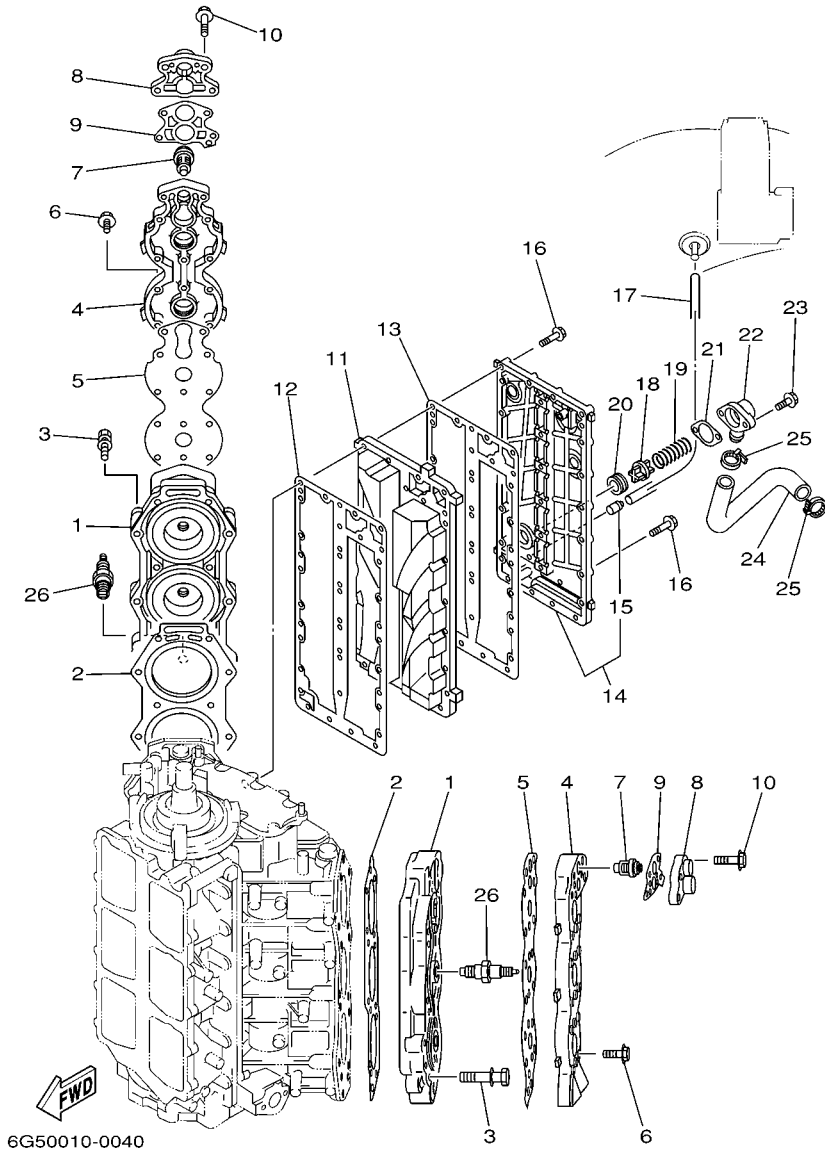
B1



6G52200-3030

FIG. 3 CRANKSHAFT & PISTON CIGUENAL & PISTON

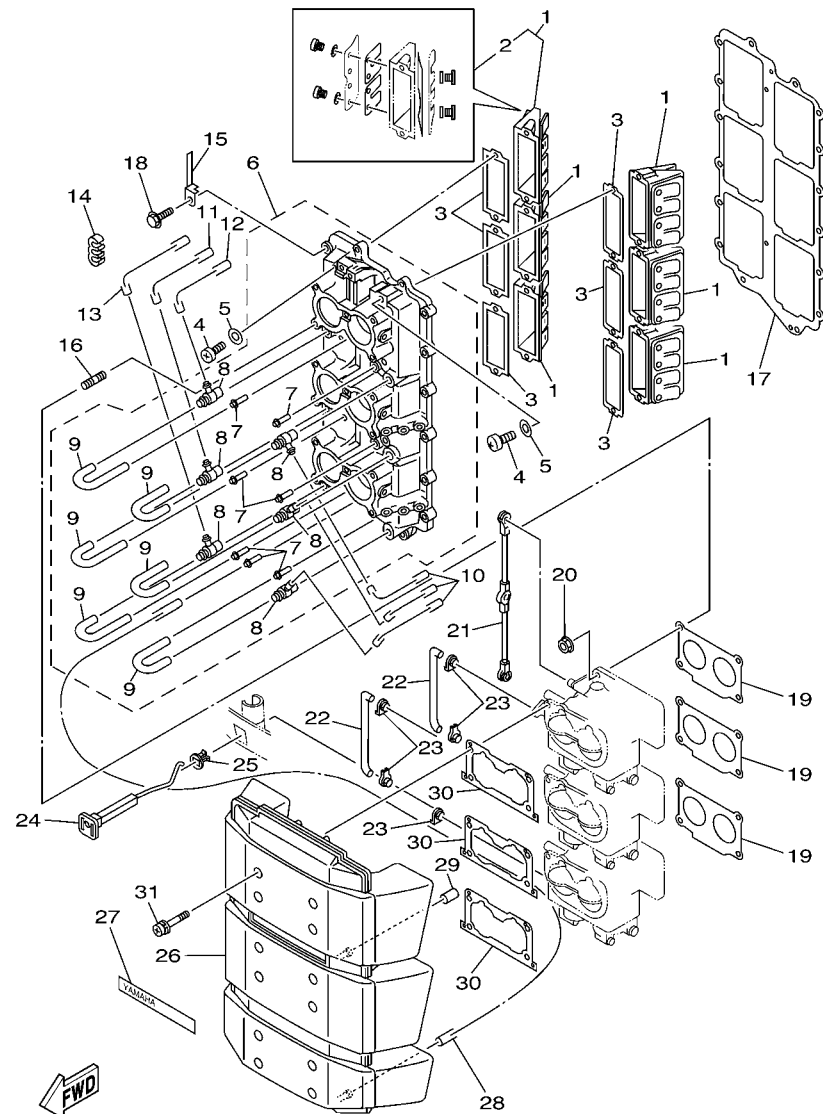
| REF. NO. | PART NO. CODIGO Nº | DESCRIPTION DESCRIPCION | 150A | 175A | 200A | L150 | L200 | REMARKS OBSERVACIONES |
|----------|--------------------|---|------|------|------|------|------|-----------------------|
| 20 | 64D-11642-02-90 | PISTON 2 (STD) PISTON 2 (NORMA) | 2 | 2 | 2 | 2 | 2 | #4,6 #4,6 |
| | 64D-11645-02 | PISTON 2 (0.25MM O/S) PISTON 2 (0.25MM O/S) | 2 | 2 | 2 | 2 | 2 | AP #4,6 AP #4,6 |
| | 64D-11646-02 | PISTON 2 (0.50MM O/S) PISTON 2 (0.50MM O/S) | 2 | 2 | 2 | 2 | 2 | AP #4,6 AP #4,6 |
| 21 | 64D-11603-01 | PISTON RING SET (STD) JUEGO DE ANILLOS (NORMA) | 2 | 2 | 2 | 2 | 2 | #4,6 #4,6 |
| | 64D-11604-01 | PISTON RING SET (0.25MM O/S) JUEGO DE ANILLOS (0.25MM O/S) | 2 | 2 | 2 | 2 | 2 | AP #4,6 AP #4,6 |
| | 64D-11605-01 | PISTON RING SET (0.50MM O/S) JUEGO DE ANILLOS (0.50MM O/S) | 2 | 2 | 2 | 2 | 2 | AP #4,6 AP #4,6 |
| 22 | 64D-11642-22-90 | PISTON 2 (STD) PISTON 2 (NORMA) | 1 | 1 | 1 | 1 | 1 | #2 #2 |
| | 64D-11645-22 | PISTON 2 (0.25MM O/S) PISTON 2 (0.25MM O/S) | 1 | 1 | 1 | 1 | 1 | AP #2 AP #2 |
| | 64D-11646-22 | PISTON 2 (0.50MM O/S) PISTON 2 (0.50MM O/S) | 1 | 1 | 1 | 1 | 1 | AP #2 AP #2 |
| 23 | 64D-11603-01 | PISTON RING SET (STD) JUEGO DE ANILLOS (NORMA) | 1 | 1 | 1 | 1 | 1 | #2 #2 |
| | 64D-11604-01 | PISTON RING SET (0.25MM O/S) JUEGO DE ANILLOS (0.25MM O/S) | 1 | 1 | 1 | 1 | 1 | AP #2 AP #2 |
| | 64D-11605-01 | PISTON RING SET (0.50MM O/S) JUEGO DE ANILLOS (0.50MM O/S) | 1 | 1 | 1 | 1 | 1 | AP #2 AP #2 |
| 24 | 6R5-11633-10 | PIN, PISTON PASADOR, PISTON | 6 | 6 | 6 | 6 | 6 | |
| 25 | 6R5-11634-10 | CLIP, PISTON PIN PRESILLA, BULON DE PISTON | 12 | 12 | 12 | 12 | 12 | |
| 26 | 60H-11650-00 | CONNECTING ROD ASSY BIELA COMPLETA | 6 | 6 | 6 | 6 | 6 | |
| 27 | 90109-08022 | .BOLT .PERNO | 2 | 2 | 2 | 2 | 2 | |
| 28 | 93310-32337 | BEARING COJINETE DE RODILLOS | 6 | 6 | 6 | 6 | 6 | |
| 29 | 90201-23M01 | WASHER, PLATE ARANDELA PLANA | 12 | 12 | 12 | 12 | 12 | |
| 30 | 93310-836U0 | BEARING COJINETE DE RODILLOS | 6 | 6 | 6 | 6 | 6 | |



6G50010-0040

FIG. 4 CYLINDER & CRANKCASE 2 CILINDRO & CARTER 2

| REF. NO. | PART NO. CODIGO Nº | DESCRIPTION DESCRIPCION | 150A | 175A | 200A | L150 | L200 | REMARKS OBSERVACIONES |
|----------|--------------------|--|------|------|------|------|------|--|
| 1 | 6G5-11111-04-1S | HEAD, CYLINDER 1 CULATA CILINDRO 1 | 2 | 2 | 2 | 2 | 2 | |
| 2 | 6G5-11181-A2 | GASKET, CYLINDER HEAD 1 JUNTA, DE CULATA 1 | 2 | 2 | 2 | 2 | 2 | |
| 3 | 90119-08MA8 | BOLT, WITH WASHER TORNILLO CON ARANDELA | 28 | 28 | 28 | 28 | 28 | |
| 4 | 6G5-11191-00-1S | COVER, CYLINDER HEAD 1 TAPA CULATA DE CILINDRO 1 | 2 | 2 | 2 | 2 | 2 | |
| 5 | 6G5-11193-A0 | GASKET, HEAD COVER 1 EMPAQUE | 2 | 2 | 2 | 2 | 2 | |
| 6 | 90119-06MA4 | BOLT, WITH WASHER TORNILLO CON ARANDELA | 36 | 36 | 36 | 36 | 36 | |
| 7 | 6E5-12411-30 | THERMOSTAT TERMOSTAT | 2 | 2 | 2 | 2 | 2 | |
| 8 | 688-12413-00-1S | COVER, THERMOSTAT CUBIERTA TERMOSTATO | 2 | 2 | 2 | 2 | 2 | |
| 9 | 688-12414-A1 | GASKET, COVER EMPAQUE | 2 | 2 | 2 | 2 | 2 | |
| 10 | 90119-06MA6 | BOLT, WITH WASHER TORNILLO CON ARANDELA | 8 | 8 | 8 | 8 | 8 | |
| 11 | 64D-41111-00-1S | INNER COVER, EXHAUST CUBIERTA INTERIOR DE ESCAPE | 1 | 1 | 1 | 1 | 1 | |
| 12 | 6G5-41112-A1 | GASKET, EXHAUST INNER COVER EMPAQUE | 1 | 1 | 1 | 1 | 1 | |
| 13 | 6G5-41114-A0 | GASKET, EXHAUST OUTER COVER EMPAQUE | 1 | 1 | 1 | 1 | 1 | |
| 14 | 6R3-41113-00-1S | OUTER COVER, EXHAUST CUBOERTA EXTERIOR DE ESCAPE | 1 | 1 | 1 | 1 | 1 | |
| 15 | 650-24378-00 | .PIPE, JOINT 4 .TUBO DE UNION 4 | 1 | 1 | 1 | 1 | 1 | |
| 16 | 90119-06MA5 | BOLT, WITH WASHER TORNILLO CON ARANDELA | 29 | 29 | 29 | 29 | 29 | |
| 17 | 90445-09097 | HOSE (L250) TUBO (L250) | 1 | 1 | 1 | 1 | 1 | |
| 18 | 6G5-12416-00 | VALVE, PRESSURE CONTROL VALVULA DE CONTROL DE PRESION | 1 | 1 | 1 | 1 | 1 | |
| 19 | 90501-16M11 | SPRING, COMPRESSION RESORTE DE COMPRESION | 1 | 1 | 1 | 1 | 1 | |
| 20 | 90480-20M05 | GROMMET TAPON | 1 | 1 | 1 | 1 | 1 | |
| 21 | 6G5-11382-A1 | GASKET 2 EMPAQUE 2 | 1 | 1 | 1 | 1 | 1 | |
| 22 | 6G5-11372-00-1S | COVER, BYPASS 2 CUBIERTA | 1 | 1 | 1 | 1 | 1 | |
| 23 | 90119-06MA2 | BOLT, WITH WASHER TORNILLO CON ARANDELA | 2 | 2 | 2 | 2 | 2 | |
| 24 | 6G5-12576-00 | HOSE 1 MANGUERA 1 | 1 | 1 | 1 | 1 | 1 | |
| 25 | 90465-13M18 | CLAMP BRIDA | 2 | 2 | 2 | 2 | 2 | |
| 26 | 94702-00160 | PLUG, SPARK (NGK B8HS-10) BUJIA (NGK B8HS-10) | 6 | 6 | 6 | 6 | 6 | |
| | 94702-00247 | PLUG, SPARK (NGK BR8HS-10) BUJIA (NGK BR8HS-10) | 6 | 6 | 6 | 6 | 6 | CHN,BLZ,CAR(EPA-CE/CE) CHN,BLZ,CAR(EPA-CE/CE) |



6G52200-3050

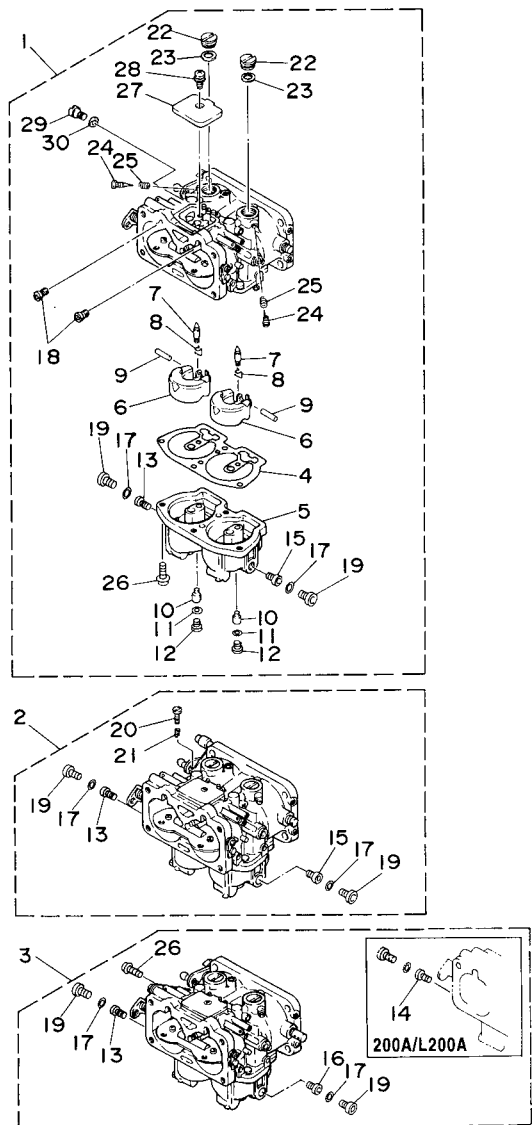
FIG. 5 INTAKE

ADMISION

| REF. NO. | PART NO. CODIGO N° | DESCRIPTION DESCRIPCION | 150A | 175A | 200A | L150 | L200 | REMARKS OBSERVACIONES |
|----------|--------------------|--|------|------|------|------|------|-----------------------|
| 1 | 6G5-13610-00 | REED VALVE ASSY VALVULA DE LAMINAS COMPLETA | 6 | | | 6 | | |
| | 6E5-13610-00 | REED VALVE ASSY VALVULA DE LAMINAS COMPLETA | | 6 | 6 | | 6 | |
| 2 | 6E5-W0004-00 | .REED SET .JUEGO DE VALVULAS DE LENGUETA | 1 | 1 | 1 | 1 | 1 | |
| 3 | 6E5-13621-A1 | GASKET, VALVE SEAT JUNTA, DE VALV.DE EMPAQUE | 6 | 6 | 6 | 6 | 6 | |
| 4 | 97880-05016 | SCREW, PAN HEAD TORNILLO DE CABEZA CON PLANA | 12 | 12 | 12 | 12 | 12 | |
| 5 | 92990-05600 | WASHER, PLATE ARANDELA PLANA | 12 | 12 | 12 | 12 | 12 | |
| 6 | 6G5-13641-00-1S | MANIFOLD 1 MULTIPLE 1 | 1 | 1 | 1 | 1 | 1 | |
| 7 | 624-14485-00 | .PIPE, JOINT .TUBO DE UNION | 7 | 7 | 7 | 7 | 7 | |
| 8 | 6E5-11370-01 | .CHECK VALVE ASSY .VALVULA DE CONTROL COMPL. | 6 | 6 | 6 | 6 | 6 | |
| 9 | 90445-07M28 | .HOSE (L70) .TUBO (L70) | 6 | 6 | 6 | 6 | 6 | |
| 10 | 90445-07M45 | HOSE (L340) TUBO (L340) | 3 | 3 | 3 | 3 | 3 | |
| 11 | 90445-07M46 | HOSE (L360) TUBO (L360) | 1 | 1 | 1 | 1 | 1 | |
| 12 | 90445-07M09 | HOSE (L380) TUBO (L380) | 1 | 1 | 1 | 1 | 1 | |
| 13 | 90445-07M59 | HOSE (L1160) TUBO (L1160) | 1 | 1 | 1 | 1 | 1 | |
| 14 | 90464-07M05 | CLAMP BRIDA | 2 | 2 | 2 | 2 | 2 | |
| 15 | 90465-10M91 | CLAMP BRIDA | 2 | 2 | 2 | 2 | 2 | |
| 16 | 90116-06M30 | BOLT, STUD ESPARRAGO | 12 | 12 | 12 | 12 | 12 | |
| 17 | 6G5-13645-A2 | GASKET, MANIFOLD 1 EMPAQUE | 1 | 1 | 1 | 1 | 1 | |
| 18 | 90119-06MA3 | BOLT, WITH WASHER TORNILLO CON ARANDELA | 16 | 16 | 16 | 16 | 16 | |
| 19 | 6E5-14198-A2 | GASKET EMPAQUE | 3 | 3 | 3 | 3 | 3 | |
| 20 | 90179-06M28 | NUT TUERCA | 12 | 12 | 12 | 12 | 12 | |
| 21 | 6G5-41217-01 | ROD, ACCEL. LEVER VARILLA PALANCA ACCELERADOR | 1 | 1 | 1 | 1 | 1 | |
| 22 | 6E5-41256-01 | ROD, CHOKE 1 VARILLA DE AHOGADOR | 2 | 2 | 2 | 2 | 2 | |
| 23 | 661-41262-02 | JOINT, CHOKE LEVER CONECTOR DE AHOGADOR | 5 | 5 | 5 | 5 | 5 | |
| 24 | 6E5-41271-02 | KNOB, CHOKE PERILLA AHOGADOR | 1 | 1 | 1 | 1 | 1 | |
| 25 | 689-41273-00 | GROMMET TAPON PROTECTOR | 1 | 1 | 1 | 1 | 1 | |
| 26 | 6R3-14440-02 | SILENCER ASSY, INTAKE SILENCIADOR COMPL DE ADMISION | 1 | 1 | 1 | 1 | 1 | |

FIG. 6 CARBURETOR

CARBURADOR



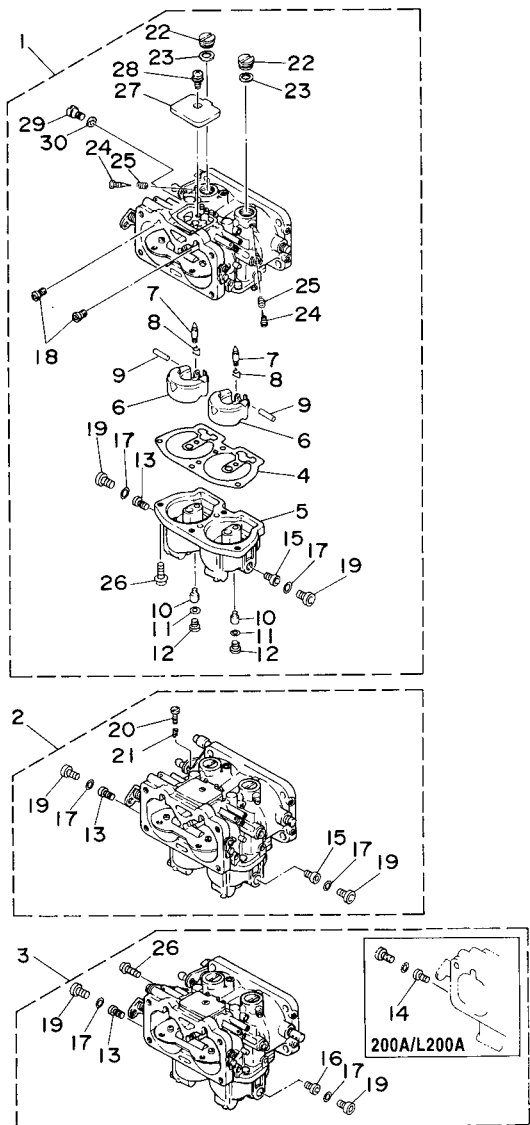
64D0010-6060

| REF. NO. | PART NO. CODIGO Nº | DESCRIPTION DESCRIPCION | 150A | 175A | 200A | L150 | L200 | REMARKS OBSERVACIONES |
|----------|--------------------|--|------|------|------|------|------|------------------------------------|
| 1 | 64C-14301-02 | CARBURETOR ASSY 1 CARBURADOR COMPLETO 1 | 1 | | | 1 | | |
| | 64D-14301-02 | CARBURETOR ASSY 1 CARBURADOR COMPLETO 1 | | 1 | | | | |
| | 64E-14301-02 | CARBURETOR ASSY 1 CARBURADOR COMPLETO 1 | | | 1 | | 1 | |
| | 6G4-14301-10 | CARBURETOR ASSY 1 CARBURADOR COMPLETO 1 | 1 | | | | | CAR(EPA/EPA-CE) CAR(EPA/EPA-CE) |
| | 64E-14301-10 | CARBURETOR ASSY 1 CARBURADOR COMPLETO 1 | | | 1 | | 1 | CAR(EPA/EPA-CE) CAR(EPA/EPA-CE) |
| 2 | 64C-14302-02 | CARBURETOR ASSY 2 CARBURADOR COMPLETO 2 | 1 | | | 1 | | |
| | 64D-14302-02 | CARBURETOR ASSY 2 CARBURADOR COMPLETO 2 | | 1 | | | | |
| | 64E-14302-02 | CARBURETOR ASSY 2 CARBURADOR COMPLETO 2 | | | 1 | | 1 | |
| | 6G4-14302-10 | CARBURETOR ASSY 2 CARBURADOR COMPLETO 2 | 1 | | | | | CAR(EPA/EPA-CE) CAR(EPA/EPA-CE) |
| | 64E-14302-10 | CARBURETOR ASSY 2 CARBURADOR COMPLETO 2 | | | 1 | | 1 | CAR(EPA/EPA-CE) CAR(EPA/EPA-CE) |
| 3 | 64C-14303-02 | CARBURETOR ASSY 3 CARBURADOR COMPLETO 3 | 1 | | | 1 | | |
| | 64D-14303-02 | CARBURETOR ASSY 3 CARBURADOR COMPLETO 3 | | 1 | | | | |
| | 64E-14303-02 | CARBURETOR ASSY 3 CARBURADOR COMPLETO 3 | | | 1 | | 1 | |
| | 6G4-14303-10 | CARBURETOR ASSY 3 CARBURADOR COMPLETO 3 | 1 | | | | | CAR(EPA/EPA-CE) CAR(EPA/EPA-CE) |
| | 64E-14303-10 | CARBURETOR ASSY 3 CARBURADOR COMPLETO 3 | | | 1 | | 1 | CAR(EPA/EPA-CE) CAR(EPA/EPA-CE) |
| 4 | 64D-14384-01 | .GASKET, FLOAT CHAMBER .EMPAQUE DE CAMARA DE BOIA | 3 | 3 | 3 | 3 | 3 | |
| 5 | 64D-14381-00 | .BODY, FLOAT CHAMBER .CUERPO DE CAMARA DE BOIA | 3 | 3 | 3 | 3 | 3 | |
| 6 | 6E5-14385-02 | .FLOAT .BOIA | 6 | 6 | 6 | 6 | 6 | |
| 7 | 6E5-14546-00 | .VALVE, NEEDLE .VALVULA DE AGUJA | 6 | 6 | 6 | 6 | 6 | |
| 8 | 6E5-14159-00 | .CLIP .PRESILLA | 6 | 6 | 6 | 6 | 6 | |
| 9 | 6E5-14386-02 | .PIN, FLOAT .PASADOR DE BOIA | 6 | 6 | 6 | 6 | 6 | |
| 10 | 64D-1492F-42 | .JET, AIR SLOW (#84) .ESPREA (#84) | 6 | 6 | 6 | 6 | 6 | |
| 11 | 61U-14959-00 | .GASKET .EMPAQUE | 6 | 6 | 6 | 6 | 6 | |
| 12 | 64D-14394-00 | .VALVE, DRAIN .VALVULA DE DRENAJE | 6 | 6 | 6 | 6 | 6 | |
| 13 | 64D-1492E-75 | .JET, MAIN (#150) .INYECTOR PRINCIPAL (#150) | 3 | 3 | | 3 | | |
| | 64D-1492E-75 | .JET, MAIN (#150) .INYECTOR PRINCIPAL (#150) | | | | 2 | 2 | |
| 14 | 64D-1492E-76 | .JET, MAIN (#152) .INYECTOR PRINCIPAL(#152) | | | | 1 | 1 | |

B6

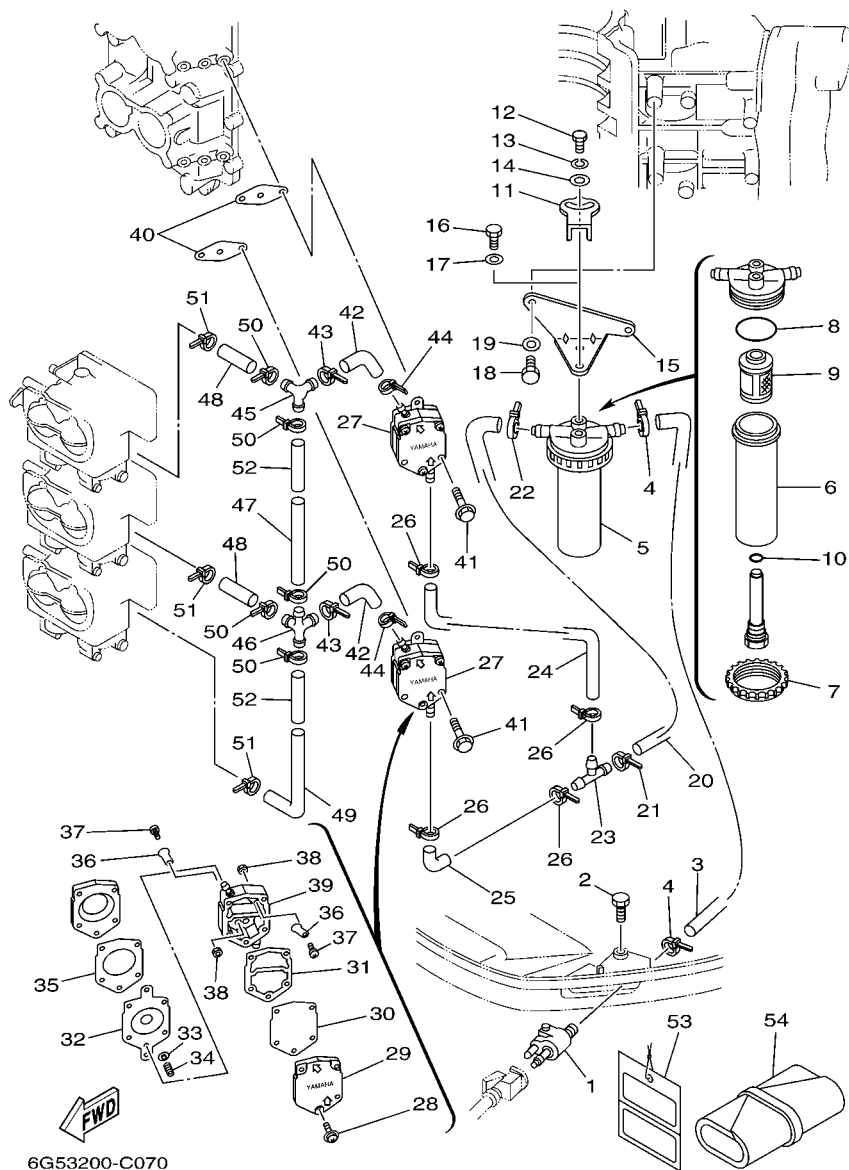
FIG. 6 CARBURETOR

CARBURADOR



FWD
64D0010-6060

| REF. NO. | PART NO. CODIGO Nº | DESCRIPTION DESCRIPCION | 150A | 175A | 200A | L150 | L200 | REMARKS OBSERVACIONES |
|----------|--------------------|--|------|------|------|------|------|-----------------------|
| 15 | 64D-1492E-77 | .JET, MAIN (#154) .INYECTOR PRINCIPAL (#154) | 2 | 2 | 2 | 2 | 2 | |
| 16 | 64D-1492E-79 | .JET, MAIN (#158) .INYECTOR PRINCIPAL (#158) | 1 | 1 | 1 | 1 | 1 | |
| 17 | 6E5-14398-01 | .GASKET .EMPAQUE | 6 | 6 | 6 | 6 | 6 | |
| 18 | 61A-1492H-12 | .JET, SLOW AIR BLEED (#60) .ESPREA AIRE (#60) | 6 | 6 | 6 | 6 | 6 | |
| 19 | 61A-14383-01 | .SCREW, DRAIN .TORNILLO DE DRENAJE | 6 | 6 | 6 | 6 | 6 | |
| 20 | 6E5-14321-00 | .SCREW, THROTTLE .TORNILLO DE OBTURADOR | 1 | 1 | 1 | 1 | 1 | #2 |
| 21 | 6J8-14334-00 | .SPRING, THROTTLE .RESORTE DE AJUSTADOR DE AIRE | 1 | 1 | 1 | 1 | 1 | #2 |
| 22 | 6E5-14328-01 | .PLUG .TORNILLO TOPE DE PILOTO | 6 | 6 | 6 | 6 | 6 | #2 |
| 23 | 6E5-14979-00 | .GASKET .EMPAQUE DE ARRANQUE | 6 | 6 | 6 | 6 | 6 | |
| 24 | 6E5-14323-03 | .SCREW, AIR ADJUSTING .TORNILLO DE AJUSTE DE AIRE | 6 | 6 | 6 | 6 | 6 | |
| 25 | 6E5-14223-00 | .SPRING, AIR ADJUSTING .RESORTE, AJUSTE DE AIRE | 6 | 6 | 6 | 6 | 6 | |
| 26 | 97980-05116 | .SCREW, WITH WASHER .TORNILLO, CON ARANDELA | 13 | 13 | | 13 | | |
| | 97980-05116 | .SCREW, WITH WASHER .TORNILLO, CON ARANDELA | | | 12 | | 12 | |
| 27 | 6E5-14527-01 | .PLATE .PLACA | 3 | 3 | 3 | 3 | 3 | |
| 28 | 97980-05108 | .SCREW, WITH WASHER .TORNILLO, CON ARANDELA | 3 | 3 | 3 | 3 | 3 | |
| 29 | 6E5-14324-00 | .SCREW, FLAT HEAD .TORNILLO CABEZA PLANA | 3 | 3 | 3 | 3 | 3 | |
| 30 | 6J8-14959-00 | .GASKET .EMPAQUE | 3 | 3 | 3 | 3 | 3 | |



6G53200-C070

FIG. 7 FUEL 1

COMBUSTIBLE 1

| REF. NO. | PART NO. CODIGO Nº | DESCRIPTION DESCRIPCION | 150A | 175A | 200A | L150 | L200 | REMARKS OBSERVACIONES |
|----------|--------------------|--|------|------|------|------|------|-----------------------|
| 1 | 6E5-24304-10 | FUEL PIPE JOINT COMP. 1 CONECTOR MANGUERA COMBUST.1 | 1 | 1 | 1 | 1 | 1 | |
| 2 | 97095-06028 | BOLT PERNO | 1 | 1 | 1 | 1 | 1 | |
| 3 | 6G5-24313-01 | PIPE 3 TUBO 3 | 1 | 1 | 1 | 1 | 1 | |
| 4 | 90465-11M10 | CLAMP BRIDA | 2 | 2 | 2 | 2 | 2 | |
| 5 | 60H-24560-00 | FILTER ASSY FILTRO COMPLETO | 1 | 1 | 1 | 1 | 1 | |
| 6 | 68F-24521-00 | .CUP, FILTER .COPA DE FILTRO | 1 | 1 | 1 | 1 | 1 | |
| 7 | 65L-24531-01 | .NUT .TUERCA | 1 | 1 | 1 | 1 | 1 | |
| 8 | 61A-24564-00 | .O-RING .ANILLO O | 1 | 1 | 1 | 1 | 1 | |
| 9 | 61A-24563-00 | .ELEMENT, FILTER .ELEMENTO DEL FILTRO | 1 | 1 | 1 | 1 | 1 | |
| 10 | 68F-24649-00 | .O-RING .ANILLO O | 1 | 1 | 1 | 1 | 1 | |
| 11 | 60H-24558-00 | HOLDER, FILTER SOPORTE DE FILTRO | 1 | 1 | 1 | 1 | 1 | |
| 12 | 97095-06016 | BOLT PERNO | 1 | 1 | 1 | 1 | 1 | |
| 13 | 92995-06100 | WASHER, SPRING ARANDELA | 1 | 1 | 1 | 1 | 1 | |
| 14 | 90201-06068 | WASHER, PLATE ARANDELA PLANA | 1 | 1 | 1 | 1 | 1 | |
| 15 | 61U-24566-01 | BRACKET, FILTER SOPORTE DEL FILTRO | 1 | 1 | 1 | 1 | 1 | |
| 16 | 97095-06014 | BOLT PERNO | 1 | 1 | 1 | 1 | 1 | |
| 17 | 92995-06600 | WASHER ARANDELA | 1 | 1 | 1 | 1 | 1 | |
| 18 | 97095-06016 | BOLT PERNO | 2 | 2 | 2 | 2 | 2 | |
| 19 | 92995-06600 | WASHER ARANDELA | 2 | 2 | 2 | 2 | 2 | |
| 20 | 6G5-24314-10 | PIPE 4 TUBO 4 | 1 | 1 | 1 | 1 | 1 | |
| 21 | 90465-11M10 | CLAMP BRIDA | 1 | 1 | 1 | 1 | 1 | |
| 22 | 90465-11M10 | CLAMP BRIDA | 1 | 1 | 1 | 1 | 1 | |
| 23 | 6E5-24378-00 | PIPE, JOINT 3 TUBO DE UNION 3 | 1 | 1 | 1 | 1 | 1 | |
| 24 | 6G5-24315-00 | PIPE 5 TUBO DE DESAGUE | 1 | 1 | 1 | 1 | 1 | |
| 25 | 6E5-24315-00 | PIPE 5 TUBO DE DESAGUE | 1 | 1 | 1 | 1 | 1 | |
| 26 | 90465-11M10 | CLAMP BRIDA | 4 | 4 | 4 | 4 | 4 | |
| 27 | 6E5-24410-03 | FUEL PUMP ASSY BOMBA DE COMBUSTIBLE COMPLETA | 2 | 2 | 2 | 2 | 2 | |

C1

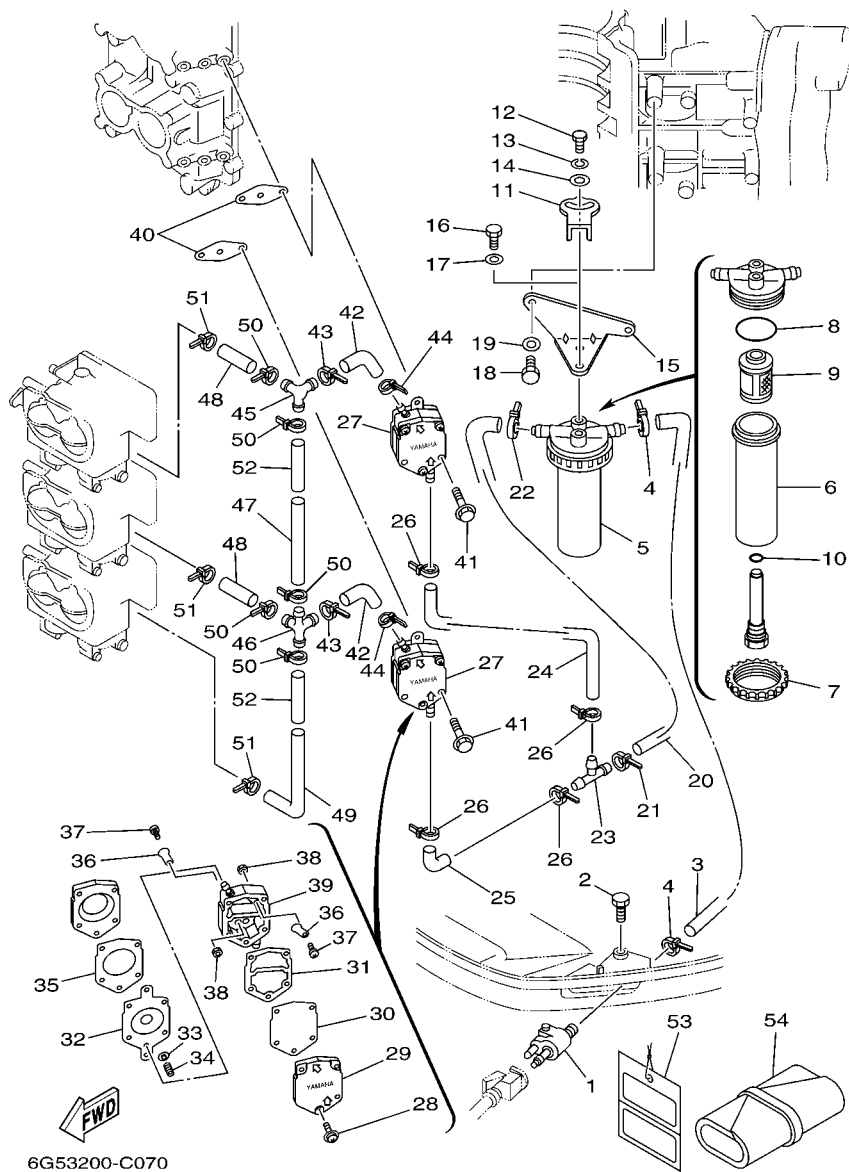


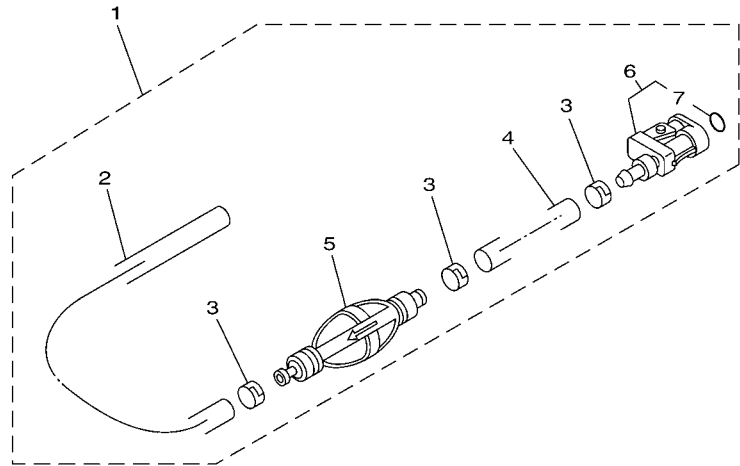
FIG. 7 FUEL 1

COMBUSTIBLE 1

| REF. NO. | PART NO. CODIGO N° | DESCRIPTION DESCRIPCION | 150A | 175A | 200A | L150 | L200 | REMARKS OBSERVACIONES |
|----------|--------------------|--|------|------|------|------|------|-----------------------|
| 28 | 6E5-24444-00 | .SCREW .TORNILLO | 3 | 3 | 3 | 3 | 3 | |
| 29 | 6E5-24413-00 | .BODY 2 .CUERPO 2 | 1 | 1 | 1 | 1 | 1 | |
| 30 | 6E5-24471-00 | .DIAPHRAGM .DIAFRAGMA | 1 | 1 | 1 | 1 | 1 | |
| 31 | 6E5-24435-00 | .GASKET, BODY 2 .EMPAQUE | 1 | 1 | 1 | 1 | 1 | |
| 32 | 6E5-24411-00 | .DIAPHRAGM .DIAFRAGMA | 1 | 1 | 1 | 1 | 1 | |
| 33 | 648-24424-00 | .SEAT, SPRING .PLACA DE RESORTE | 1 | 1 | 1 | 1 | 1 | |
| 34 | 6E5-24423-00 | .SPRING, DIAPHRAGM .RESORTE DE DIAFRAGMA | 1 | 1 | 1 | 1 | 1 | |
| 35 | 6E5-24434-02 | .GASKET, BODY .EMPAQUE | 1 | 1 | 1 | 1 | 1 | |
| 36 | 6A0-24421-01 | .VALVE, CHECK .VALVULA DE RETENCION | 4 | 4 | 4 | 4 | 4 | |
| 37 | 6A0-14325-00 | .SCREW, PAN HEAD .TORNILLO CABEZA REDONDA | 4 | 4 | 4 | 4 | 4 | |
| 38 | 95380-03600 | .NUT .TUERCA | 4 | 4 | 4 | 4 | 4 | |
| 39 | 6E5-24412-10 | .BODY 1 .CUERPO 1 | 1 | 1 | 1 | 1 | 1 | |
| 40 | 650-24431-A0 | GASKET, FUEL PUMP 1 EMPAQUE BOMBA COMBUST 1 | 2 | 2 | 2 | 2 | 2 | |
| 41 | 97595-06550 | BOLT, WITH WASHER PERNO CON ARANDELA RONDELLE | 4 | 4 | 4 | 4 | 4 | |
| 42 | 6G5-24316-10 | PIPE 6 TUBO 6 | 2 | 2 | 2 | 2 | 2 | |
| 43 | 90465-11M10 | CLAMP BRIDA | 2 | 2 | 2 | 2 | 2 | |
| 44 | 90465-11M10 | CLAMP BRIDA | 2 | 2 | 2 | 2 | 2 | |
| 45 | 6G5-24376-00 | PIPE, JOINT 1 TUBO DE UNION 1 | 1 | 1 | 1 | 1 | 1 | |
| 46 | 6G5-24377-00 | PIPE, JOINT 3 TUBO DE UNION 3 | 1 | 1 | 1 | 1 | 1 | |
| 47 | 6G5-24317-01 | PIPE 7 TUBO 7 | 1 | 1 | 1 | 1 | 1 | |
| 48 | 6G5-24318-10 | PIPE, OVERFLOW TUBO DE REBOSAMIENTO | 2 | 2 | 2 | 2 | 2 | |
| 49 | 6G5-24319-10 | PIPE, OIL TUBO DE ACEITE | 1 | 1 | 1 | 1 | 1 | |
| 50 | 90465-11M10 | CLAMP BRIDA | 5 | 5 | 5 | 5 | 5 | |
| 51 | 90465-11M10 | CLAMP BRIDA | 3 | 3 | 3 | 3 | 3 | |
| 52 | 90446-15M07 | HOSE (L60) TUBO (L60) | 2 | 2 | 2 | 2 | 2 | |
| 53 | 61H-2819R-31 | TAG, WARNING ETIQUETA DE ADVERTENCIA | 1 | | 1 | 1 | 1 | FOR CAR FOR CAR |
| 54 | 656-W2810-02 | TOOL KIT JUEGO DE HERRAMIENTAS | 1 | 1 | 1 | 1 | 1 | |

FIG. 8 FUEL 2

COMBUSTIBLE 2

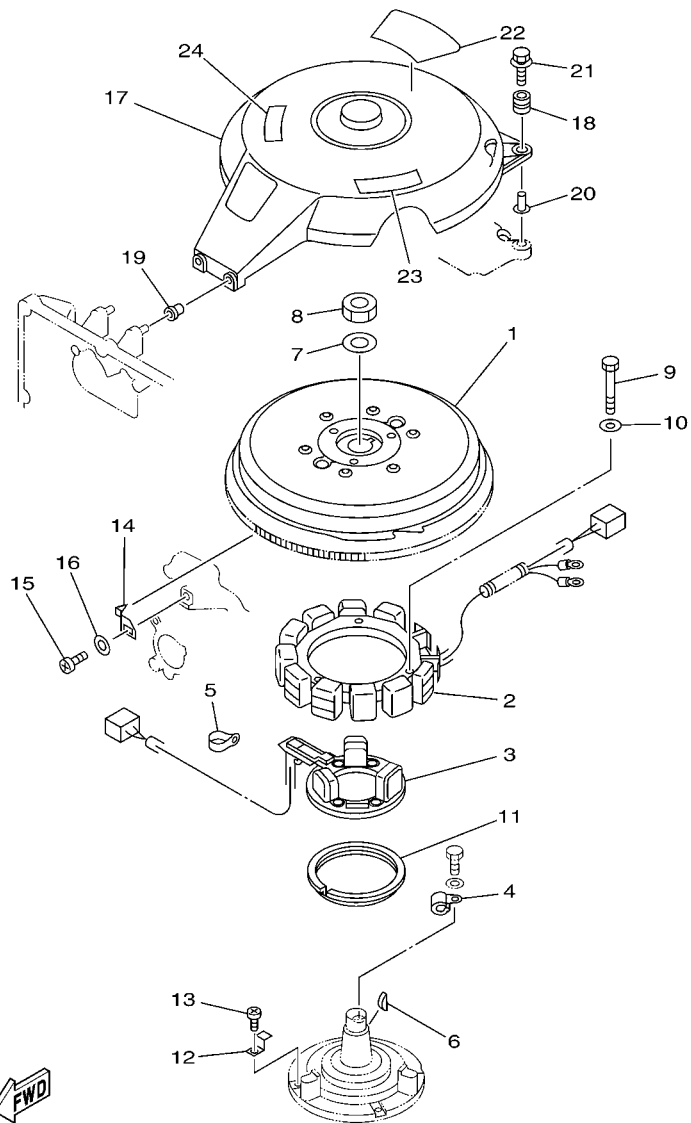


| REF. NO. | PART NO. CODIGO Nº | DESCRIPTION DESCRIPCION | 150A | 175A | 200A | L150 | L200 | REMARKS OBSERVACIONES |
|----------|--------------------|---|------|------|------|------|------|--|
| 1 | 6Y2-24306-A4 | FUEL PIPE COMP. 1 TUBO COMBUST. COMPL 1 | 1 | 1 | 1 | 1 | 1 | AP EXCEPT FOR CHN AP EXCEPT FOR CHN |
| 2 | 90445-13M01 | .HOSE (L2050) .MANGUERA (L2050) | 1 | 1 | 1 | 1 | 1 | |
| 3 | 6E5-24351-01 | .BAND 1 .ABRAZADERA 1 | 3 | 3 | 3 | 3 | 3 | |
| 4 | 90445-13M00 | .HOSE (L850) .MANGUERA (L850) | 1 | 1 | 1 | 1 | 1 | |
| 5 | 61J-24360-11 | .PRIMER PUMP ASSY .SOPORTE BOMBA | 1 | 1 | 1 | 1 | 1 | |
| 6 | 6E5-24305-05 | .FUEL PIPE JOINT COMP. 2 .CONECTOR MANGUERA COMBUST. 2 | 1 | 1 | 1 | 1 | 1 | |
| 7 | 93210-08287 | ..O-RING ..ANILLO O | 1 | 1 | 1 | 1 | 1 | |
| | | | | | | | | |
| | | | | | | | | |
| | | | | | | | | |
| | | | | | | | | |
| | | | | | | | | |
| | | | | | | | | |


6G53200-C080

FIG. 9 GENERATOR

GENERADOR

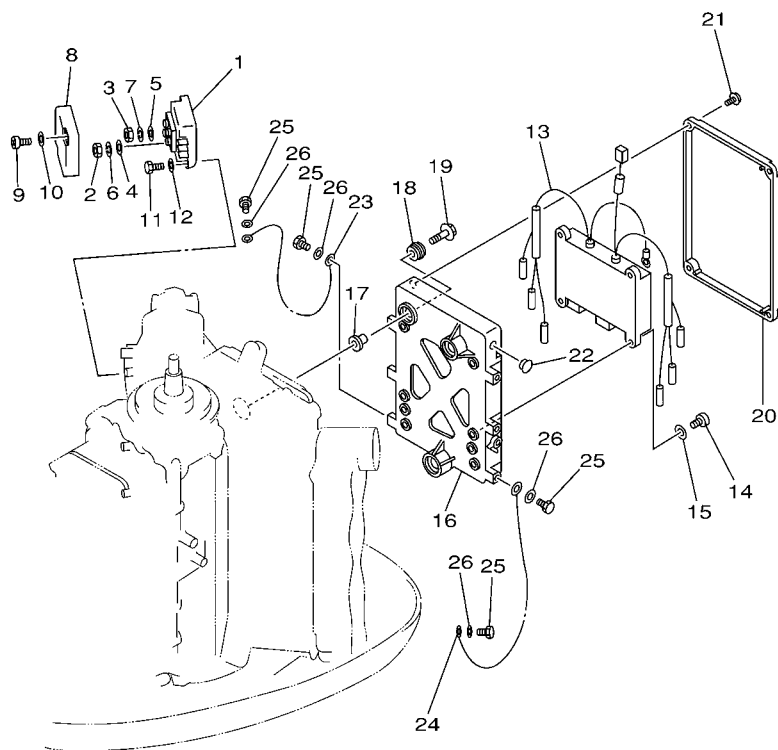


6G53200-C090

| REF. NO. | PART NO. CODIGO Nº | DESCRIPTION DESCRIPCION | 150A | 175A | 200A | L150 | L200 | REMARKS OBSERVACIONES |
|----------|--------------------|--|------|------|------|------|------|----------------------------------|
| 1 | 6G6-85550-02 | ROTOR ASSY ROTOR COMPLETO | 1 | 1 | 1 | 1 | 1 | |
| 2 | 6G6-85510-01 | STATOR ASSY ESTATOR COMPLET | 1 | 1 | 1 | 1 | 1 | |
| 3 | 6G6-85580-00 | COIL, PULSER BOBINA DE PULSACION | 1 | 1 | 1 | 1 | 1 | |
| 4 | 90465-06M86 | CLAMP BRIDA | 1 | 1 | 1 | 1 | 1 | |
| 5 | 90464-12M00 | CLAMP BRIDA | 1 | 1 | 1 | 1 | 1 | |
| 6 | 90280-05015 | KEY, WOODRUFF CUNA WOODRUFF | 1 | 1 | 1 | 1 | 1 | |
| 7 | 90201-21M18 | WASHER, PLATE ARANDELA PLANA | 1 | 1 | 1 | 1 | 1 | |
| 8 | 90170-20137 | NUT TUERCA | 1 | 1 | 1 | 1 | 1 | |
| 9 | 97013-06060 | BOLT PERNO | 3 | 3 | 3 | 3 | 3 | |
| 10 | 92903-06600 | WASHER, PLATE RONDANA SENCILLA | 3 | 3 | 3 | 3 | 3 | |
| 11 | 688-41611-00 | RETAINER, MAGNETO BASE RETENEDOR BASE MAGNETO | 1 | 1 | 1 | 1 | 1 | |
| 12 | 688-41612-00 | RETAINER, MAGNETO BASE RETENEDOR BASE MAGNETO | 4 | 4 | 4 | 4 | 4 | |
| 13 | 97880-06018 | SCREW, PAN HEAD TORNILLO DE CABEZA CON PLANA | 4 | 4 | 4 | 4 | 4 | |
| 14 | 6E5-81332-00 | PLATE, TIMING PLACA REGULADOR DE TIEMPO | 1 | 1 | 1 | 1 | 1 | |
| 15 | 97885-06010 | SCREW, PAN HEAD TORNILLO A MUESCA | 1 | 1 | 1 | 1 | 1 | |
| 16 | 92995-06600 | WASHER ARANDELA | 1 | 1 | 1 | 1 | 1 | |
| 17 | 6G5-81337-00 | COVER, FLYWHEEL CUBIERTA DE VOLANTE | 1 | 1 | 1 | 1 | 1 | |
| 18 | 6G5-82317-00 | DAMPER, IGNITION COIL AMORTIGUADOR BOBINA ENCENDIDO | 2 | 2 | 2 | 2 | 2 | |
| 19 | 6A0-82317-00 | DAMPER, IGNITION COIL AMORTIGUADOR BOBINA ENCENDIDO | 2 | 2 | 2 | 2 | 2 | |
| 20 | 624-42542-00 | PIPE TUBO | 2 | 2 | 2 | 2 | 2 | |
| 21 | 90119-06M65 | BOLT, WITH WASHER TORNILLO CON ARANDELA | 2 | 2 | 2 | 2 | 2 | |
| 22 | 6G5-14488-02 | LABEL, CAUTION ETIQUETA PRECAUCION | 1 | 1 | 1 | 1 | 1 | |
| 23 | 6A1-83625-41 | MARK 5 MARCA 5 | 1 | 1 | 1 | 1 | 1 | EXCEPT FOR THA EXCEPT FOR THA |
| 24 | 6K1-83623-41 | MARK 3 MARCA 3 | | | | 1 | 1 | |

FIG. 10 ELECTRICAL 1

EQUIPO ELECTRICO 1



6G50010-0090

| REF. NO. | PART NO. CODIGO Nº | DESCRIPTION DESCRIPCION | 150A | 175A | 200A | L150 | L200 | REMARKS OBSERVACIONES |
|----------|--------------------|--|------|------|------|------|------|-----------------------|
| 1 | 6G5-81960-A0 | RECTIFIER & REGULATOR ASSY RECTIFICADOR Y REGULADOR | 1 | 1 | 1 | 1 | 1 | |
| 2 | 95380-05600 | NUT TUERCA | 3 | 3 | 3 | 3 | 3 | |
| 3 | 95380-06600 | NUT, HEXAGON TUERCA | 1 | 1 | 1 | 1 | 1 | |
| 4 | 92990-05200 | WASHER, PLAIN ARANDELA PLANA | 3 | 3 | 3 | 3 | 3 | |
| 5 | 92990-06200 | WASHER, PLAIN ARANDELA PLANA | 1 | 1 | 1 | 1 | 1 | |
| 6 | 92903-05100 | WASHER, SPRING RONDANA SENCILLA | 3 | 3 | 3 | 3 | 3 | |
| 7 | 92903-06100 | WASHER, SPRING RONDANA SENCILLA | 1 | 1 | 1 | 1 | 1 | |
| 8 | 688-81961-01 | COVER CUBIERTA | 1 | 1 | 1 | 1 | 1 | |
| 9 | 97885-05025 | SCREW, PAN HEAD TORNILLO A MUESCA | 2 | 2 | 2 | 2 | 2 | |
| 10 | 92995-05600 | WASHER ARANDELA | 2 | 2 | 2 | 2 | 2 | |
| 11 | 97013-06020 | BOLT PERNO | 2 | 2 | 2 | 2 | 2 | |
| 12 | 92903-06600 | WASHER, PLATE RONDANA SENCILLA | 2 | 2 | 2 | 2 | 2 | |
| 13 | 6G6-85540-00 | C.D.I. UNIT ASSY UNIDAD C.D.I. COMPLETA | 1 | 1 | 1 | 1 | 1 | |
| 14 | 97880-06020 | SCREW, PAN HEAD TORNILLO DE CABEZA CON PLANA | 4 | 4 | 4 | 4 | 4 | |
| 15 | 92990-06600 | WASHER, PLATE ARANDELA PLANA | 4 | 4 | 4 | 4 | 4 | |
| 16 | 6R3-85542-03-1S | BRACKET SOPORTE | 1 | 1 | 1 | 1 | 1 | |
| 17 | 90387-06M03 | COLLAR COLLAR | 3 | 3 | 3 | 3 | 3 | |
| 18 | 90480-09M12 | GROMMET TAPON | 3 | 3 | 3 | 3 | 3 | |
| 19 | 90119-06M61 | BOLT, WITH WASHER TORNILLO CON ARANDELA | 3 | 3 | 3 | 3 | 3 | |
| 20 | 6R3-85537-00 | COVER CUBIERTA | 1 | 1 | 1 | 1 | 1 | |
| 21 | 90159-06M11 | SCREW, WITH WASHER TORNILLO CON VALONA | 4 | 4 | 4 | 4 | 4 | |
| 22 | 90480-12M25 | GROMMET TAPON | 1 | 1 | 1 | 1 | 1 | |
| 23 | 662-82519-00 | WIRE, EARTH LEAD CABLE CONDUCTOR A TIERRA | 1 | 1 | 1 | 1 | 1 | |
| 24 | 6R3-82519-00 | WIRE, EARTH LEAD CABLE CONDUCTOR A TIERRA | 1 | 1 | 1 | 1 | 1 | |
| 25 | 97095-06012 | BOLT PERNO | 4 | 4 | 4 | 4 | 4 | |
| 26 | 92995-06600 | WASHER ARANDELA | 4 | 4 | 4 | 4 | 4 | |

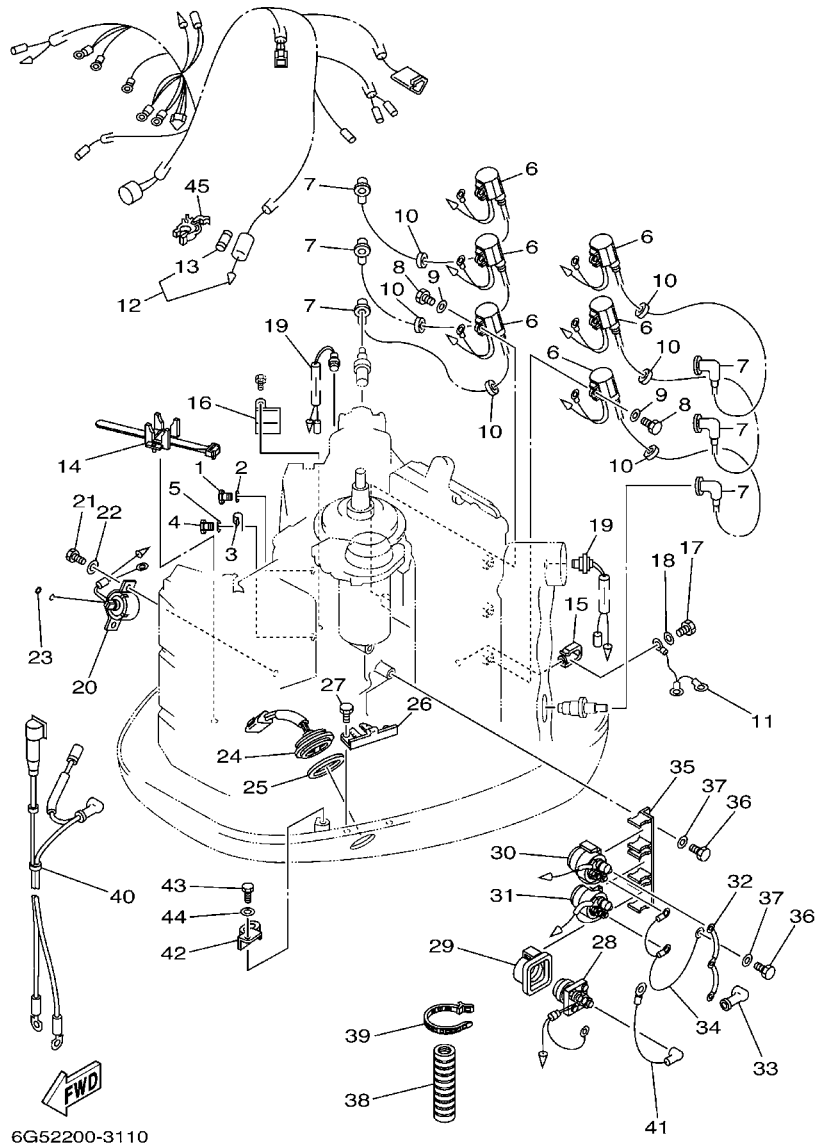
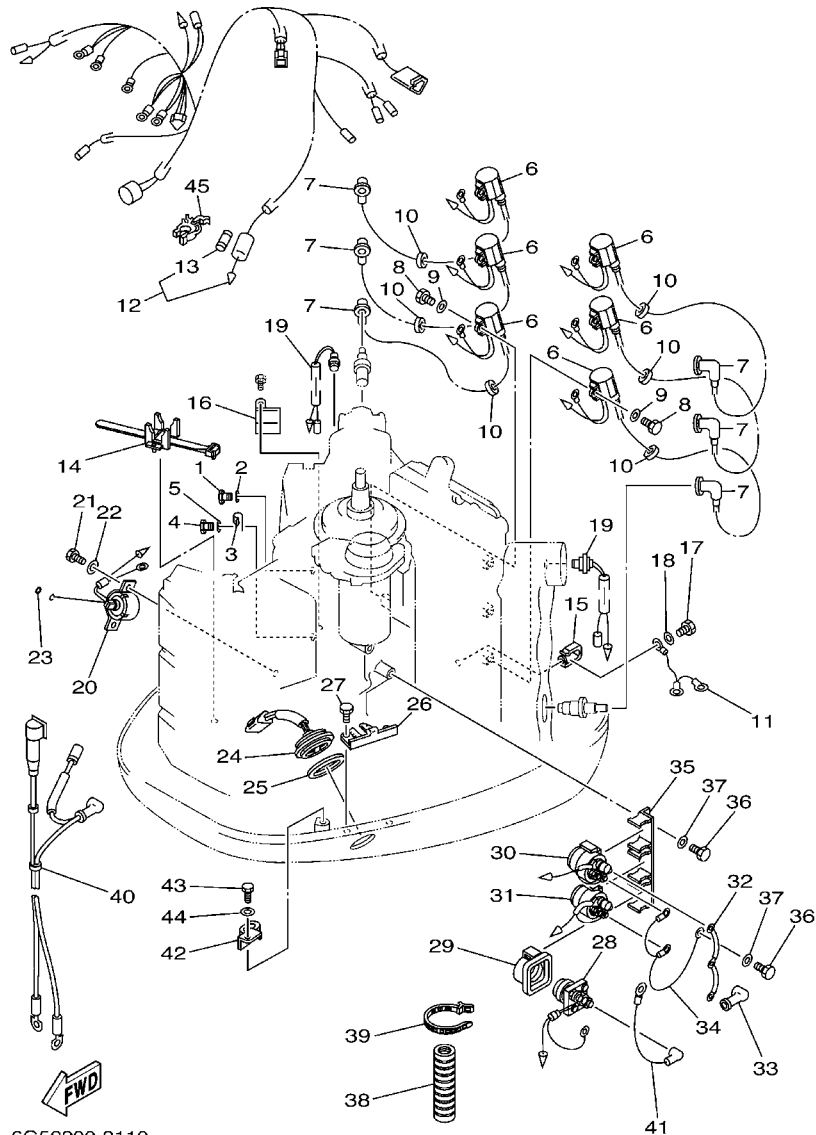


FIG. 11 ELECTRICAL 2

EQUIPO ELECTRICO 2

| REF. NO. | PART NO. CODIGO Nº | DESCRIPTION DESCRIPCION | 150A | 175A | 200A | L150 | L200 | REMARKS OBSERVACIONES |
|----------|--------------------|--|------|------|------|------|------|-----------------------|
| 1 | 97095-06012 | BOLT PERNO | 1 | 1 | 1 | 1 | 1 | |
| 2 | 92995-06600 | WASHER ARANDELA | 1 | 1 | 1 | 1 | 1 | |
| 3 | 90465-06M88 | CLAMP BRIDA | 1 | 1 | 1 | 1 | 1 | |
| 4 | 97095-06012 | BOLT PERNO | 1 | 1 | 1 | 1 | 1 | |
| 5 | 92995-06600 | WASHER ARANDELA | 1 | 1 | 1 | 1 | 1 | |
| 6 | 6R3-85570-01 | IGNITION COIL ASSY BOBINA DE IGNICION COMPLETO | 6 | 6 | 6 | 6 | 6 | |
| 7 | 6E3-82370-21 | PLUG CAP ASSY TAPON DE BUJIA COMPLT | 6 | 6 | 6 | 6 | 6 | |
| 8 | 97095-06020 | BOLT PERNO | 6 | 6 | 6 | 6 | 6 | |
| 9 | 92995-06600 | WASHER ARANDELA | 6 | 6 | 6 | 6 | 6 | |
| 10 | 90480-25161 | GROMMET TAPON | 6 | 6 | 6 | 6 | 6 | |
| 11 | 6E5-82531-10 | WIRE, LEAD CABLE CONDUCTOR | 1 | 1 | 1 | 1 | 1 | |
| 12 | 60H-82590-00 | WIRE HARNESS ASSY CONJUNTO DE CABLES | 1 | 1 | 1 | 1 | 1 | |
| 13 | 663-82151-00 | .FUSE (12V-20A) .FUSIBLE (12V-20A) | 1 | 1 | 1 | 1 | 1 | |
| 14 | 688-82594-00 | CLAMP GRAMPA | 1 | 1 | 1 | 1 | 1 | |
| 15 | 90465-05M87 | CLAMP BRIDA | 1 | 1 | 1 | 1 | 1 | |
| 16 | 90465-08M89 | CLAMP BRIDA | 1 | 1 | 1 | 1 | 1 | |
| 17 | 97095-06012 | BOLT PERNO | 1 | 1 | 1 | 1 | 1 | |
| 18 | 92995-06600 | WASHER ARANDELA | 1 | 1 | 1 | 1 | 1 | |
| 19 | 688-82560-10 | THERMO SWITCH ASSY INTER. DE TERMO | 2 | 2 | 2 | 2 | 2 | |
| 20 | 64D-86110-00 | SOLENOID SOLENOIDE | 1 | 1 | 1 | 1 | 1 | |
| 21 | 97095-06016 | BOLT PERNO | 2 | 2 | 2 | 2 | 2 | |
| 22 | 92995-06600 | WASHER ARANDELA | 2 | 2 | 2 | 2 | 2 | |
| 23 | 93210-03261 | O-RING ANILLO O | 1 | 1 | 1 | 1 | 1 | |
| 24 | 61A-82563-00 | TRIM & TILT SWITCH ASSY INTERRUPTOR DE INCLINACION | 1 | 1 | 1 | 1 | 1 | |
| 25 | 6E5-82587-00 | GASKET EMPAQUETADURA | 1 | 1 | 1 | 1 | 1 | |
| 26 | 6R3-83614-00 | BRACKET SOPORTE | 1 | 1 | 1 | 1 | 1 | |
| 27 | 97095-06012 | BOLT PERNO | 2 | 2 | 2 | 2 | 2 | |



6G52200-3110

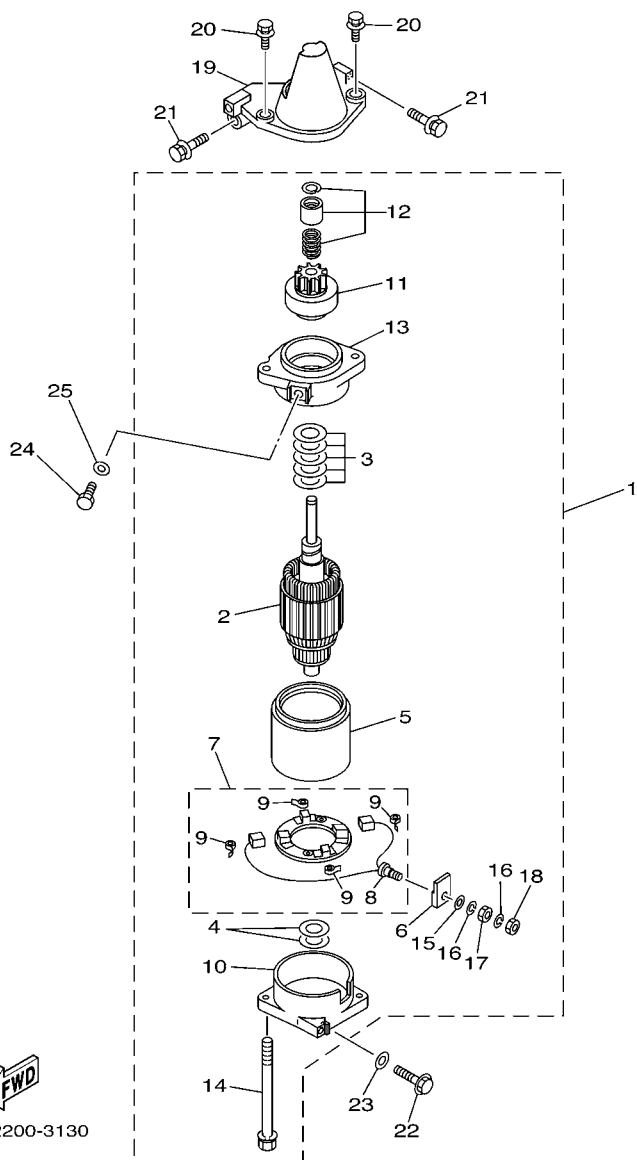
FIG. 11 ELECTRICAL 2

EQUIPO ELECTRICO 2

| REF. NO. | PART NO. CODIGO Nº | DESCRIPTION DESCRIPCION | 150A | 175A | 200A | L150 | L200 | REMARKS OBSERVACIONES |
|----------|--------------------|---|------|------|------|------|------|-----------------------|
| 28 | 61A-81941-00 | STARTER RELAY ASSY RELE DE ARRANQUE | 1 | 1 | 1 | 1 | 1 | |
| 29 | 689-81952-10 | HOLDER, RELAY SOSTEN DE RELE | 1 | 1 | 1 | 1 | 1 | |
| 30 | 6E5-81950-00 | RELAY ASSY RELE COMPLETO | 1 | 1 | 1 | 1 | 1 | |
| 31 | 6E5-8195A-00 | RELAY ASSY RELE COMPLETO | 1 | 1 | 1 | 1 | 1 | |
| 32 | 6G5-87149-10 | CONNECTOR CONECTOR | 1 | 1 | 1 | 1 | 1 | |
| 33 | 6G5-82119-00 | COVER, LEAD WIRE CUBIERTA DE CABLE CONDUCTOR | 2 | 2 | 2 | 2 | 2 | |
| 34 | 6E5-82116-00 | WIRE, MINUS LEAD CABLE CONDUCTOR NEGATIVO | 1 | 1 | 1 | 1 | 1 | |
| 35 | 6G5-81948-11 | BRACKET SOPORTE | 1 | 1 | 1 | 1 | 1 | |
| 36 | 97095-06016 | BOLT PERNO | 2 | 2 | 2 | 2 | 2 | |
| 37 | 92995-06600 | WASHER ARANDELA | 2 | 2 | 2 | 2 | 2 | |
| 38 | 6E9-83557-70 | TUBE ENCHUFE DE ACEITE | 1 | 1 | 1 | 1 | 1 | |
| 39 | 90465-13M18 | CLAMP BRIDA | 1 | 1 | 1 | 1 | 1 | |
| 40 | 6G5-82105-02 | WIRE HARNESS ARNES DE CABLES | 1 | 1 | 1 | 1 | 1 | |
| 41 | 6E5-82117-01 | WIRE, LEAD CABLE CONDUCTOR | 1 | 1 | 1 | 1 | 1 | |
| 42 | 90465-12M25 | CLAMP BRIDA | 1 | 1 | 1 | 1 | 1 | |
| 43 | 97095-06012 | BOLT PERNO | 1 | 1 | 1 | 1 | 1 | |
| 44 | 92995-06600 | WASHER ARANDELA | 1 | 1 | 1 | 1 | 1 | |
| 45 | 6G5-82152-00 | HOLDER, FUSE PORTA-FUSIBLES | 1 | 1 | 1 | 1 | 1 | |

FIG. 13 STARTING MOTOR

MOTOR DE ARRANQUE

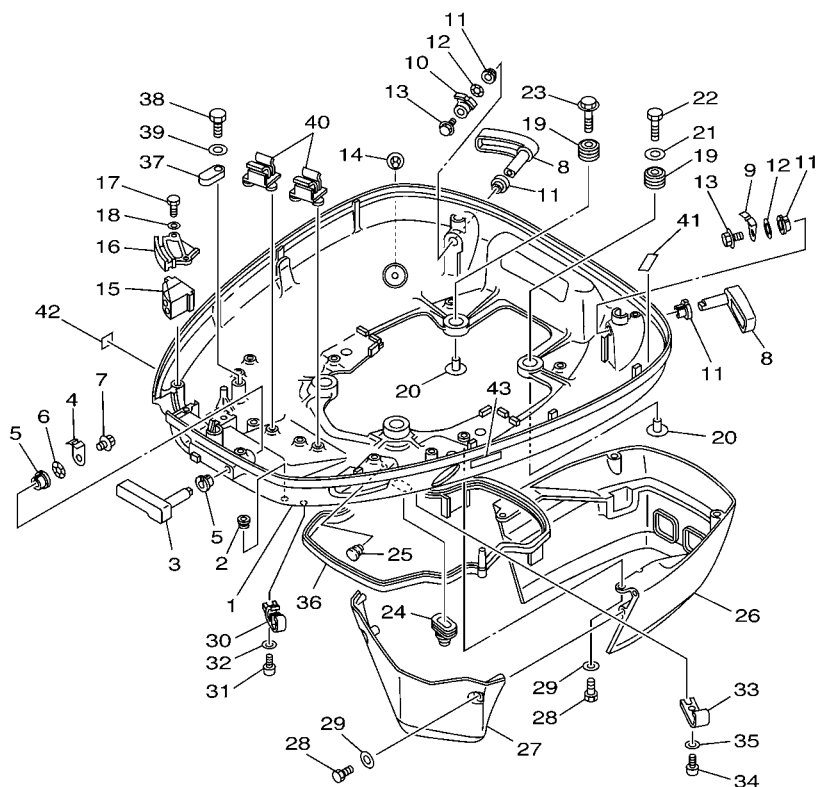


6G52200-3130

| REF. NO. | PART NO. CODIGO Nº | DESCRIPTION DESCRIPCION | 150A | 175A | 200A | L150 | L200 | REMARKS OBSERVACIONES |
|----------|--------------------|---|------|------|------|------|------|-----------------------|
| 1 | 6N7-81800-10 | STARTING MOTOR ASSY MOTOR DE ARRANQUE COMPLETO | 1 | 1 | 1 | 1 | 1 | |
| 2 | 6N7-81850-10 | .ARMATURE ASSY .INDUCIDO COMPLETO | 1 | 1 | 1 | 1 | 1 | |
| 3 | 61A-81809-00 | .WASHER KIT .JUEGO DE ARANDELA | 1 | 1 | 1 | 1 | 1 | |
| 4 | 61A-81824-00 | .WASHER 2 .ARANDELA 2 | 2 | 2 | 2 | 2 | 2 | |
| 5 | 6N7-81810-00 | .STATOR ASSY .ESTATOR COMPLETO | 1 | 1 | 1 | 1 | 1 | |
| 6 | 6K7-8182G-10 | .BUSH, TERMINAL .BUJE DE TERMINAL | 1 | 1 | 1 | 1 | 1 | |
| 7 | 6N7-81840-00 | .BRUSH HOLDER ASSY .SOSTEN DE ESCOBILLA COMPLETO | 1 | 1 | 1 | 1 | 1 | |
| 8 | 6N7-81801-00 | ..BRUSH SET ..JUEGO DE ESCOBILLA | 1 | 1 | 1 | 1 | 1 | |
| 9 | 6N7-81813-00 | ..SPRING, BRUSH ..RESORTE DE ESCOBILLA | 4 | 4 | 4 | 4 | 4 | |
| 10 | 6N7-81820-10 | .REAR BRACKET ASSY .CUBIERTA TRASERA COMPL | 1 | 1 | 1 | 1 | 1 | |
| 11 | 6N7-81807-00 | .GEAR ASSY, STARTING MOTOR .PINON CONJUNTO | 1 | 1 | 1 | 1 | 1 | |
| 12 | 6N7-81857-00 | .RETAINER .SEGURO | 1 | 1 | 1 | 1 | 1 | |
| 13 | 6N7-81830-00 | .FRONT BRACKET ASSY .SOPORTE DELANTERO COMPLETO | 1 | 1 | 1 | 1 | 1 | |
| 14 | 6K7-81826-10 | .BOLT .PERNO | 2 | 2 | 2 | 2 | 2 | |
| 15 | 6E5-8182E-10 | .WASHER .RONDANA | 1 | 1 | 1 | 1 | 1 | |
| 16 | 6E5-8182F-10 | .WASHER .RONDANA | 2 | 2 | 2 | 2 | 2 | |
| 17 | 6E5-8182A-10 | .NUT .TUERCA | 1 | 1 | 1 | 1 | 1 | |
| 18 | 6E5-8182K-10 | .NUT .TUERCA | 1 | 1 | 1 | 1 | 1 | |
| 19 | 6E5-81822-02-98 | BRACKET, STARTING MOTOR SOPORTE DE MOTOR DE ARRANQUE | 1 | 1 | 1 | 1 | 1 | |
| 20 | 90119-08M76 | BOLT, WITH WASHER TORNILLO CON ARANDELA | 2 | 2 | 2 | 2 | 2 | |
| 21 | 90119-08M77 | BOLT, WITH WASHER TORNILLO CON ARANDELA | 2 | 2 | 2 | 2 | 2 | |
| 22 | 90119-08M57 | BOLT, WITH WASHER TORNILLO CON ARANDELA | 1 | 1 | 1 | 1 | 1 | |
| 23 | 92990-08600 | WASHER, PLATE ARANDELA PLANA | 1 | 1 | 1 | 1 | 1 | |
| 24 | 97095-08016 | BOLT PERNO | 1 | 1 | 1 | 1 | 1 | |
| 25 | 92995-08600 | WASHER ARANDELA | 1 | 1 | 1 | 1 | 1 | |

FIG. 14 BOTTOM COWLING

CUBIERTA INFERIOR

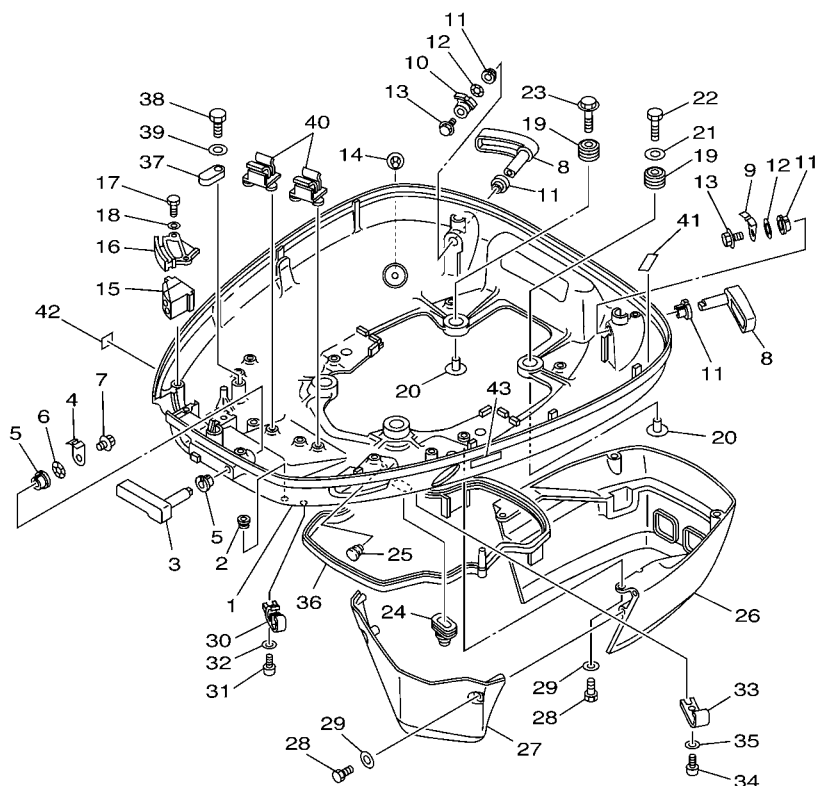


6G52200-3140

| REF. NO. | PART NO. CODIGO Nº | DESCRIPTION DESCRIPCION | 150A | 175A | 200A | L150 | L200 | REMARKS OBSERVACIONES |
|----------|--------------------|--|------|------|------|------|------|-----------------------|
| 1 | 6E5-42711-43-8D | COWLING, BOTTOM CUBIERTA INFERIOR | 1 | 1 | 1 | 1 | 1 | |
| 2 | 6H4-42748-00 | GROMMET TAPON | 1 | 1 | 1 | 1 | 1 | |
| 3 | 688-42815-01-4D | LEVER, CLAMP PALANCA ABRAZADERA | 1 | 1 | 1 | 1 | 1 | |
| 4 | 688-42816-00 | LEVER, CLAMP PALANCA ABRAZADERA | 1 | 1 | 1 | 1 | 1 | |
| 5 | 90386-13M38 | BUSH BUJE | 2 | 2 | 2 | 2 | 2 | |
| 6 | 90206-13M10 | WASHER, WAVE ARANDELA ONDULADA | 1 | 1 | 1 | 1 | 1 | |
| 7 | 90119-06M09 | BOLT, WITH WASHER TORNILLO CON ARANDELA | 1 | 1 | 1 | 1 | 1 | |
| 8 | 6E5-42817-01-4D | LEVER, CLAMP PALANCA ABRAZADERA | 2 | 2 | 2 | 2 | 2 | |
| 9 | 6G5-42816-00 | LEVER, CLAMP PALANCA ABRAZADERA | 1 | 1 | 1 | 1 | 1 | |
| 10 | 6E5-42816-01 | LEVER, CLAMP PALANCA ABRAZADERA | 1 | 1 | 1 | 1 | 1 | |
| 11 | 90386-13M38 | BUSH BUJE | 4 | 4 | 4 | 4 | 4 | |
| 12 | 90206-13M10 | WASHER, WAVE ARANDELA ONDULADA | 2 | 2 | 2 | 2 | 2 | |
| 13 | 90119-06M09 | BOLT, WITH WASHER TORNILLO CON ARANDELA | 2 | 2 | 2 | 2 | 2 | |
| 14 | 6E5-44391-00 | NIPPLE, HOSE NIPLE MANGUERA | 1 | 1 | 1 | 1 | 1 | |
| 15 | 6E5-42725-00 | GROMMET TAPON | 1 | 1 | 1 | 1 | 1 | |
| 16 | 6E5-42738-01-5B | PLATE, FITTING PLACA DE AJUSTE | 1 | 1 | 1 | 1 | 1 | |
| 17 | 97095-06016 | BOLT PERNO | 2 | 2 | 2 | 2 | 2 | |
| 18 | 92995-06600 | WASHER ARANDELA | 2 | 2 | 2 | 2 | 2 | |
| 19 | 90480-22M15 | GROMMET TAPON | 4 | 4 | 4 | 4 | 4 | |
| 20 | 90387-08M37 | COLLAR COLLAR | 4 | 4 | 4 | 4 | 4 | |
| 21 | 90201-08M54 | WASHER, PLATE ARANDELA PLANA | 1 | 1 | 1 | 1 | 1 | |
| 22 | 97075-08035 | BOLT PERNO | 1 | 1 | 1 | 1 | 1 | |
| 23 | 90119-08M22 | BOLT, WITH WASHER TORNILLO CON ARANDELA | 3 | 3 | 3 | 3 | 3 | |
| 24 | 688-42726-10 | GROMMET TAPON | 1 | 1 | 1 | 1 | 1 | |
| 25 | 90480-10M36 | GROMMET TAPON | 1 | 1 | 1 | 1 | 1 | |
| 26 | 6E5-42741-01-4D | APRON MANDIL | 1 | 1 | 1 | 1 | 1 | |
| 27 | 6E5-42771-01-4D | APRON MANDIL | 1 | 1 | 1 | 1 | 1 | |

FIG. 14 BOTTOM COWLING

CUBIERTA INFERIOR

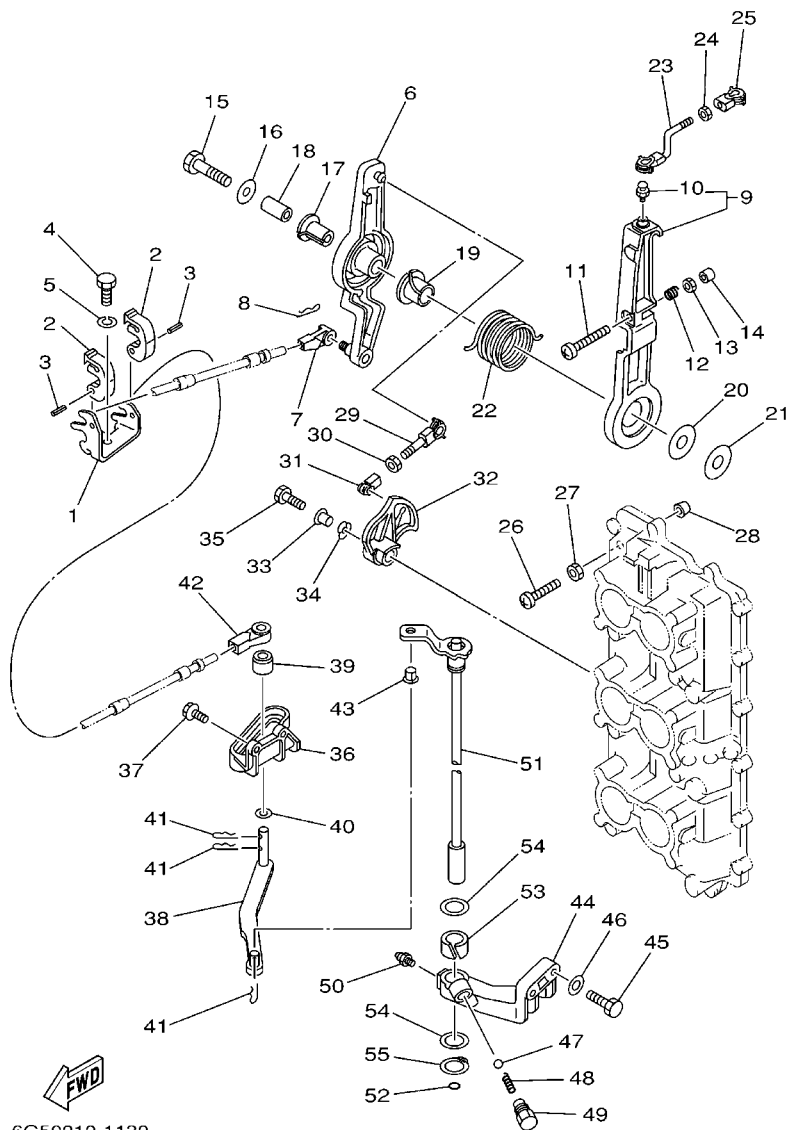


FWD
6G52200-3140

| REF. NO. | PART NO. CODIGO Nº | DESCRIPTION DESCRIPCION | 150A | 175A | 200A | L150 | L200 | REMARKS OBSERVACIONES |
|----------|--------------------|---|------|------|------|------|------|------------------------|
| 28 | 97095-06020 | BOLT PERNO | 6 | 6 | 6 | 6 | 6 | |
| 29 | 92995-06600 | WASHER ARANDELA | 6 | 6 | 6 | 6 | 6 | |
| 30 | 6E5-24367-01 | CLAMP, FUEL PIPE 2 GRAMPA DE TUBO DE COMBUST.2 | 2 | 2 | 2 | 2 | 2 | |
| 31 | 90157-06M01 | SCREW, PAN HEAD TORNILLO CABEZA CONICA PLANA | 2 | 2 | 2 | 2 | 2 | |
| 32 | 92990-06600 | WASHER, PLATE ARANDELA PLANA | 2 | 2 | 2 | 2 | 2 | |
| 33 | 6E5-24367-10 | CLAMP, FUEL PIPE 2 GRAMPA DE TUBO DE COMBUST.2 | 1 | 1 | 1 | 1 | 1 | |
| 34 | 90157-06M01 | SCREW, PAN HEAD TORNILLO CABEZA CONICA PLANA | 1 | 1 | 1 | 1 | 1 | |
| 35 | 92990-06600 | WASHER, PLATE ARANDELA PLANA | 1 | 1 | 1 | 1 | 1 | |
| 36 | 6E5-42716-10 | RUBBER, SEAL 1 SELLO DE GOMA 1 | 1 | 1 | 1 | 1 | 1 | |
| 37 | 6E5-82588-00 | PLATE PLACA | 1 | 1 | 1 | 1 | 1 | |
| 38 | 97095-06020 | BOLT PERNO | 1 | 1 | 1 | 1 | 1 | |
| 39 | 92995-06600 | WASHER ARANDELA | 1 | 1 | 1 | 1 | 1 | |
| 40 | 6E5-82594-00 | CLAMP GRAMPA | 2 | 2 | 2 | 2 | 2 | |
| 41 | 6G5-42791-00 | MARK 1 MARCA 1 | 1 | 1 | 1 | 1 | 1 | CHN,BLZ,CAR(EPA-CE/CE) |
| | 6G5-42791-10 | MARK 1 MARCA 1 | 1 | 1 | 1 | 1 | 1 | CHN,BLZ,CAR(EPA-CE/CE) |
| 42 | 6A1-28176-00 | LABEL, CAUTION ETIQUETA DE PRECAUCION | 1 | 1 | 1 | 1 | 1 | BLZ,CAR(EPA-CE/CE) |
| 43 | 6E3-8257H-00 | PLATE, MARK PLACA DE MARCA | 1 | 1 | 1 | 1 | 1 | BLZ,CAR(EPA-CE/CE) |
| | | | | | | | | BLZ,CAR(EPA-CE/CE) |

FIG. 15 CONTROL

CONTROL



6G50010-1130

| REF. NO. | PART NO. CODIGO Nº | DESCRIPTION DESCRIPCION | 150A | 175A | 200A | L150 | L200 | REMARKS OBSERVACIONES |
|----------|--------------------|---|------|------|------|------|------|-----------------------|
| 1 | 6E5-48531-00 | BRACKET, REMOTE CONTROL 1 SOPORTE DE CONTROL REMOTO | 1 | 1 | 1 | 1 | 1 | |
| 2 | 6E5-48538-00 | CLAMP, CABLE GRAMPA DE CABLE | 2 | 2 | 2 | 2 | 2 | |
| 3 | 91690-30012 | PIN, SPRING PASADOR DE RESORTE | 2 | 2 | 2 | 2 | 2 | |
| 4 | 97095-08020 | BOLT PERNO | 1 | 1 | 1 | 1 | 1 | |
| 5 | 92995-08100 | WASHER ARANDELA | 1 | 1 | 1 | 1 | 1 | |
| 6 | 61H-41632-02-1S | LEVER, MAGNETO CONTROL PALANCA DE CONTROL DE MAGNETO | 1 | 1 | 1 | 1 | 1 | |
| 7 | 6E5-48344-00 | CABLE END, REMOTE CONTROL BASE CONTROL | 1 | 1 | 1 | 1 | 1 | |
| 8 | 90468-18008 | CLIP PRESILLA | 1 | 1 | 1 | 1 | 1 | |
| 9 | 6G5-41631-01-1S | LEVER, MAGNETO CONTROL PALANCA DE CONTROL DE MAGNETO | 1 | 1 | 1 | 1 | 1 | |
| 10 | 663-85518-00 | JOINT, BALL CONECTOR | 1 | 1 | 1 | 1 | 1 | |
| 11 | 90157-06013 | SCREW, PAN HEAD TORNILLO CABEZA CONICA PLANA | 1 | 1 | 1 | 1 | 1 | |
| 12 | 90501-16M12 | SPRING, COMPRESSION RESORTE DE COMPRESION | 1 | 1 | 1 | 1 | 1 | |
| 13 | 95303-06600 | NUT TUERCA | 1 | 1 | 1 | 1 | 1 | |
| 14 | 688-44194-00 | CAP TAPA | 1 | 1 | 1 | 1 | 1 | |
| 15 | 97013-08045 | BOLT PERNO | 1 | 1 | 1 | 1 | 1 | |
| 16 | 90201-08M23 | WASHER, PLATE ARANDELA PLANA | 1 | 1 | 1 | 1 | 1 | |
| 17 | 90386-12089 | BUSH BUJE | 1 | 1 | 1 | 1 | 1 | |
| 18 | 90387-08M16 | COLLAR COLLAR | 1 | 1 | 1 | 1 | 1 | |
| 19 | 90386-22M13 | BUSH BUJE | 1 | 1 | 1 | 1 | 1 | |
| 20 | 90202-12092 | WASHER, PLATE ARANDELA DE PLANA | 1 | 1 | 1 | 1 | 1 | |
| 21 | 90201-08M13 | WASHER, PLATE ARANDELA PLANA | 1 | 1 | 1 | 1 | 1 | |
| 22 | 90508-29M12 | SPRING, TORSION RESORTE DE TORSION | 1 | 1 | 1 | 1 | 1 | |
| 23 | 6G5-41636-01 | ROD, MAGNETO CONTROL VARILLA DE CONTROL MAGNETO | 1 | 1 | 1 | 1 | 1 | |
| 24 | 95380-05600 | NUT TUERCA | 1 | 1 | 1 | 1 | 1 | |
| 25 | 662-41237-01 | JOINT, LINK CONECTOR | 1 | 1 | 1 | 1 | 1 | |
| 26 | 90157-06M00 | SCREW, PAN HEAD TORNILLO CABEZA CONICA PLANA | 1 | 1 | 1 | 1 | 1 | |
| 27 | 95303-06600 | NUT TUERCA | 1 | 1 | 1 | 1 | 1 | |

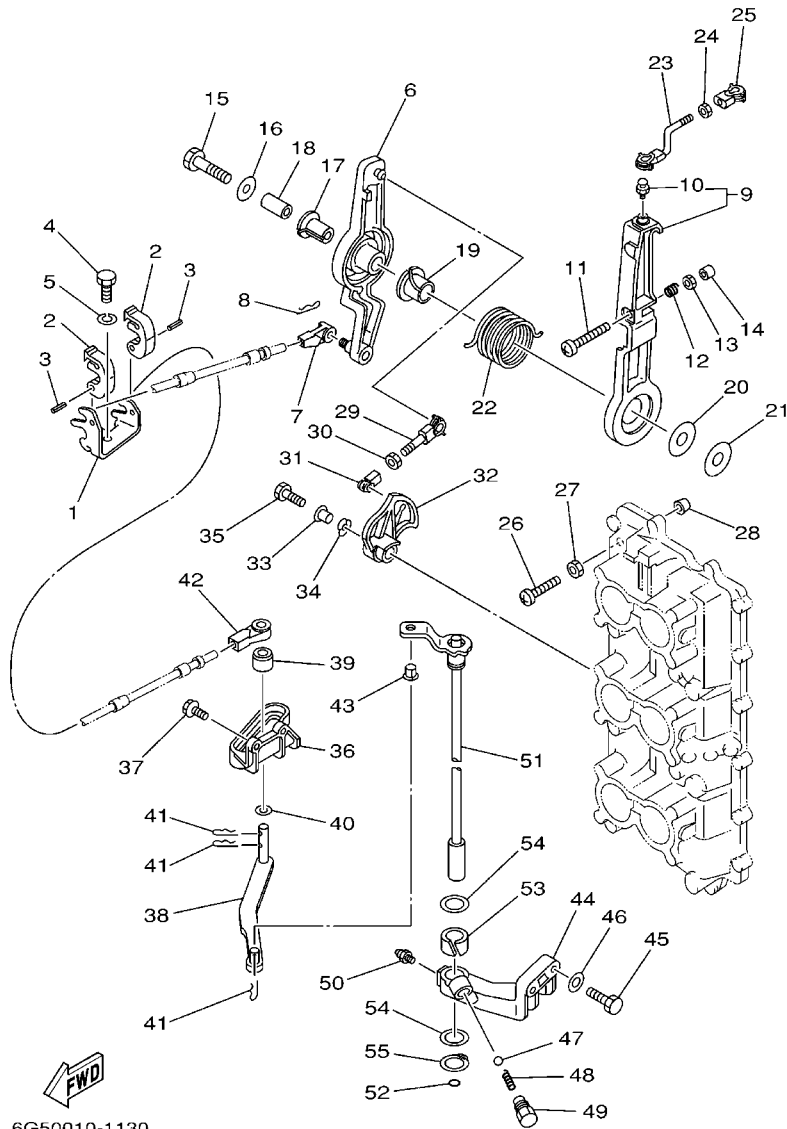


FIG. 15 CONTROL

CONTROL

| REF. NO. | PART NO. CODIGO Nº | DESCRIPTION DESCRIPCION | 150A | 175A | 200A | L150 | L200 | REMARKS OBSERVACIONES |
|----------|--------------------|---|------|------|------|------|------|-----------------------|
| 28 | 688-44194-00 | CAP TAPA | 1 | 1 | 1 | 1 | 1 | |
| 29 | 6G5-41211-01 | LINK, ACCEL. ES LABON, ACELERADOR | 1 | 1 | 1 | 1 | 1 | |
| 30 | 95380-05600 | NUT TUERCA | 1 | 1 | 1 | 1 | 1 | |
| 31 | 662-41237-01 | JOINT, LINK CONECTOR | 1 | 1 | 1 | 1 | 1 | |
| 32 | 6G5-41213-00 | CAM, ACCEL. LEVA ACELERADOR | 1 | 1 | 1 | 1 | 1 | |
| 33 | 90387-06M29 | COLLAR COLLAR | 1 | 1 | 1 | 1 | 1 | |
| 34 | 90206-10M04 | WASHER, WAVE ARANDELA ONDULADA | 1 | 1 | 1 | 1 | 1 | |
| 35 | 97095-06025 | BOLT PERNO | 1 | 1 | 1 | 1 | 1 | |
| 36 | 6E5-44117-00-1S | BRACKET SOPORTE | 1 | 1 | 1 | 1 | 1 | |
| 37 | 90119-06MA2 | BOLT, WITH WASHER TORNILLO CON ARANDELA | 2 | 2 | 2 | 2 | 2 | |
| 38 | 68F-44121-00 | LEVER, SHIFT ROD PALANCA VARILLA CAMBIOS | 1 | 1 | 1 | 1 | 1 | |
| 39 | 6E5-44122-00 | BUSHING, SHIFT ROD LEVER BUJE PALANCA VARILLA DE CAMBIO | 1 | 1 | 1 | 1 | 1 | |
| 40 | 90202-08M20 | WASHER, PLATE ARANDELA DE PLANA | 1 | 1 | 1 | 1 | 1 | |
| 41 | 90468-18008 | CLIP PRESILLA | 3 | 3 | 3 | 3 | 3 | |
| 42 | 6E5-48344-00 | CABLE END, REMOTE CONTROL BASE CONTROL | 1 | 1 | 1 | 1 | 1 | |
| 43 | 90386-06M12 | BUSH BUJE | 1 | 1 | 1 | 1 | 1 | |
| 44 | 6E5-44118-01-94 | BRACKET SOPORTE | 1 | 1 | 1 | 1 | 1 | |
| 45 | 97013-08030 | BOLT PERNO | 2 | 2 | 2 | 2 | 2 | |
| 46 | 92903-08600 | WASHER, PLATE RONDANA SENCILLA | 2 | 2 | 2 | 2 | 2 | |
| 47 | 93501-04M02 | BALL BOLA | 1 | 1 | 1 | 1 | 1 | |
| 48 | 90501-12082 | SPRING, COMPRESSION RESORTE DE COMPRESION | 1 | 1 | 1 | 1 | 1 | |
| 49 | 648-42715-00 | BUSHING BUJE | 1 | 1 | 1 | 1 | 1 | |
| 50 | 93700-06M03 | NIPPLE, GREASE BOQUILLA DE ENGRASAR | 1 | 1 | 1 | 1 | 1 | |
| 51 | 6E5-44120-03 | HANDLE GEAR SHIFT ASSY MANIJA DE CAMBIO COMPL | 1 | 1 | 1 | | | L |
| | 6E5-44120-23 | HANDLE GEAR SHIFT ASSY MANIJA DE CAMBIO COMPL | 1 | 1 | 1 | 1 | 1 | X |
| 52 | 93210-09165 | O-RING ANILLO O | 1 | 1 | 1 | 1 | 1 | X |
| 53 | 90386-16M66 | BUSH BUJE | 1 | 1 | 1 | 1 | 1 | |

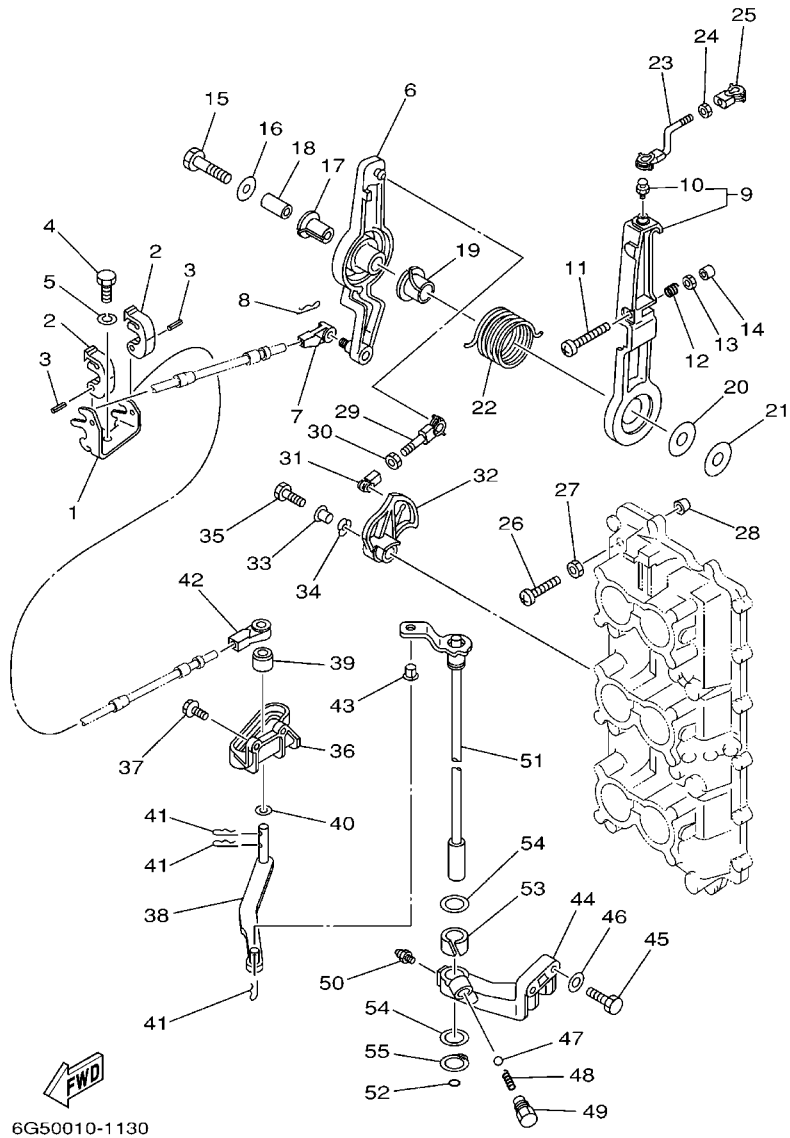
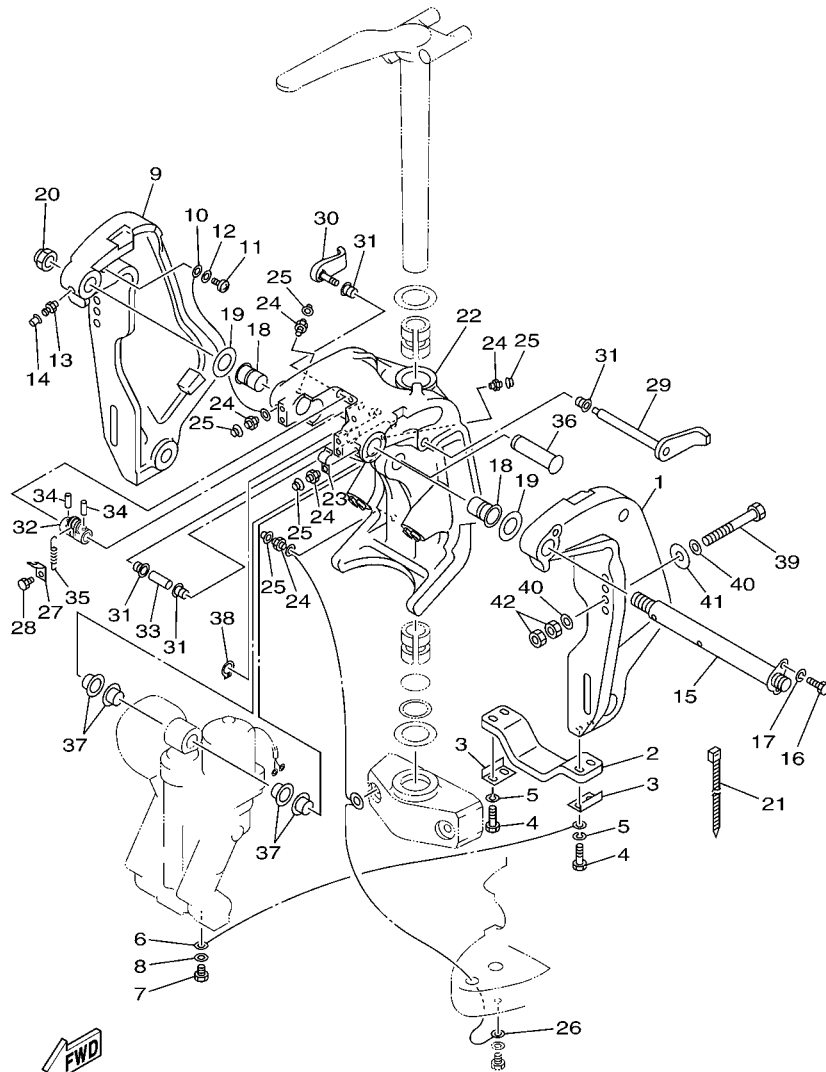


FIG. 15 CONTROL

CONTROL

| REF. NO. | PART NO. CODIGO Nº | DESCRIPTION DESCRIPCION | 150A | 175A | 200A | L150 | L200 | REMARKS OBSERVACIONES |
|----------|--------------------|------------------------------------|------|------|------|------|------|-----------------------|
| 54 | 90202-16061 | WASHER, PLATE ARANDELA DE PLANA | 2 | 2 | 2 | 2 | 2 | |
| 55 | 93410-16006 | CIRCLIP SEGURO | 1 | 1 | 1 | 1 | 1 | |
| ----- | | | | | | | | |
| ----- | | | | | | | | |
| ----- | | | | | | | | |
| ----- | | | | | | | | |
| ----- | | | | | | | | |
| ----- | | | | | | | | |
| ----- | | | | | | | | |
| ----- | | | | | | | | |
| ----- | | | | | | | | |



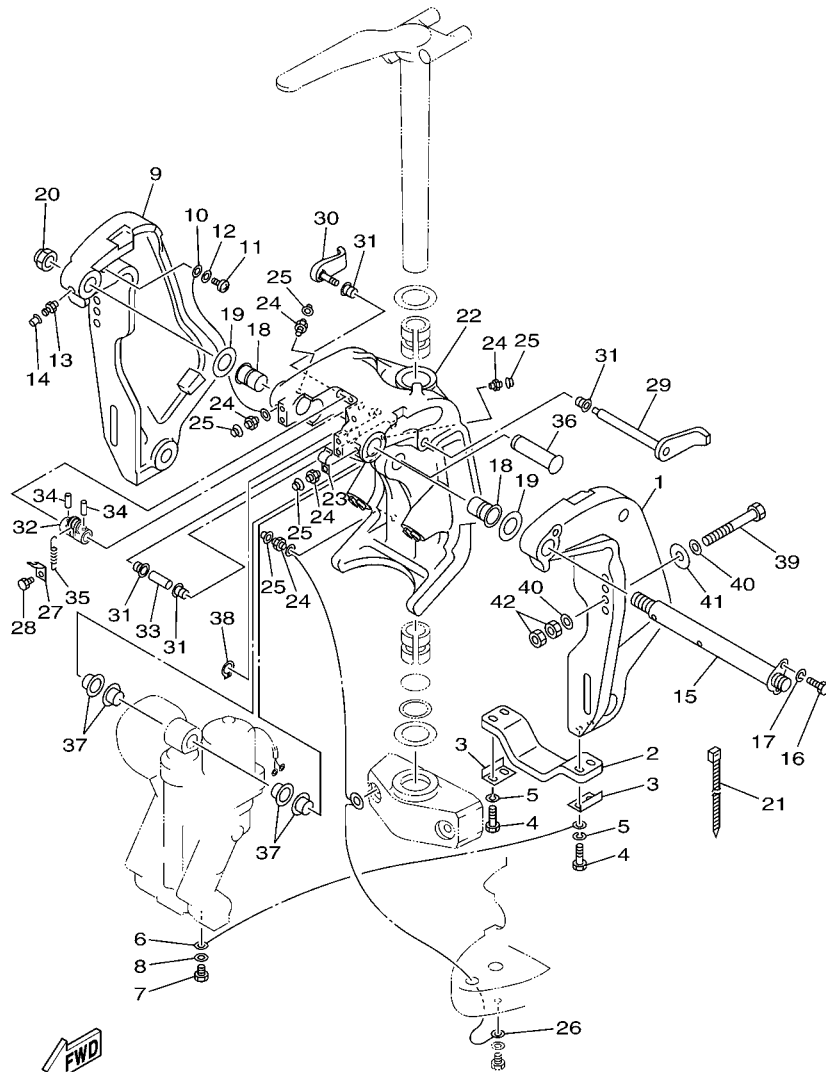
6N63300-C170

FIG. 16 BRACKET 1

SOPORTE 1

| REF. NO. | PART NO. CODIGO Nº | DESCRIPTION DESCRIPCION | 150A | 175A | 200A | L150 | L200 | REMARKS OBSERVACIONES |
|----------|--------------------|---|------|------|------|------|------|-----------------------|
| 1 | 64E-43111-02-8D | BRACKET, CLAMP SOPORTE DE LA ABRAZADERA | 1 | 1 | 1 | 1 | 1 | |
| 2 | 6G5-45251-02 | ANODE CATODE | 1 | 1 | 1 | 1 | 1 | |
| 3 | 6G5-44526-00 | PLATE PLACA 1 | 2 | 2 | 2 | 2 | 2 | |
| 4 | 97095-06030 | BOLT PERNO | 4 | 4 | 4 | 4 | 4 | |
| 5 | 92995-06100 | WASHER, SPRING ARANDELA | 4 | 4 | 4 | 4 | 4 | |
| 6 | 6E5-82148-00 | WIRE, LEAD 4 CABLE CONDUCTOR 4 | 1 | 1 | 1 | 1 | 1 | |
| 7 | 97095-06010 | BOLT PERNO | 1 | 1 | 1 | 1 | 1 | |
| 8 | 92995-06600 | WASHER ARANDELA | 1 | 1 | 1 | 1 | 1 | |
| 9 | 64E-43112-02-8D | BRACKET, CLAMP SOPORTE DE LA ABRAZADERA | 1 | 1 | 1 | 1 | 1 | |
| 10 | 6E5-82148-00 | WIRE, LEAD 4 CABLE CONDUCTOR 4 | 1 | 1 | 1 | 1 | 1 | |
| 11 | 97880-06012 | SCREW, PAN HEAD TORNILLO DE CABEZA CON PLANA | 1 | 1 | 1 | 1 | 1 | |
| 12 | 92990-06600 | WASHER, PLATE ARANDELA PLANA | 1 | 1 | 1 | 1 | 1 | |
| 13 | 93700-06M03 | NIPPLE, GREASE BOQUILLA DE ENGRASAR | 1 | 1 | 1 | 1 | 1 | |
| 14 | 663-45119-00 | CAP, GREASE NIPPLE TAPA DE GRASERA | 1 | 1 | 1 | 1 | 1 | AP AP |
| 15 | 64E-43131-01 | BOLT, CLAMP BRACKET TORNILLO DE ABRAZADERA DEL SOP | 1 | 1 | 1 | 1 | 1 | |
| 16 | 97095-08020 | BOLT PERNO | 1 | 1 | 1 | 1 | 1 | |
| 17 | 92995-08100 | WASHER ARANDELA | 1 | 1 | 1 | 1 | 1 | |
| 18 | 90386-25M31 | BUSH BUJE | 2 | 2 | 2 | 2 | 2 | |
| 19 | 90201-26M59 | WASHER, PLATE ARANDELA PLANA | 2 | 2 | 2 | 2 | 2 | |
| 20 | 90185-22M11 | NUT, SELF-LOCKING TUERCA AUTOBLOCANTE | 1 | 1 | 1 | 1 | 1 | |
| 21 | 90465-11M10 | CLAMP BRIDA | 1 | 1 | 1 | 1 | 1 | |
| 22 | 64E-43311-10-8D | BRACKET, SWIVEL 1 SOPORTE GIRATORIO 1 | 1 | 1 | 1 | | | L L |
| | 64E-43311-20-8D | BRACKET, SWIVEL 1 SOPORTE GIRATORIO 1 | 1 | 1 | 1 | 1 | 1 | X X |
| 23 | 90465-08M63 | CLAMP BRIDA | 1 | 1 | 1 | 1 | 1 | |
| 24 | 93700-06M03 | NIPPLE, GREASE BOQUILLA DE ENGRASAR | 5 | 5 | 5 | 5 | 5 | |
| 25 | 663-45119-00 | CAP, GREASE NIPPLE TAPA DE GRASERA | 5 | 5 | 5 | 5 | 5 | AP AP |
| 26 | 6E5-82147-00 | WIRE, LEAD 4 CABLE CONDUCTOR 4 | 1 | 1 | 1 | | | L L |

E1



6N63300-C170

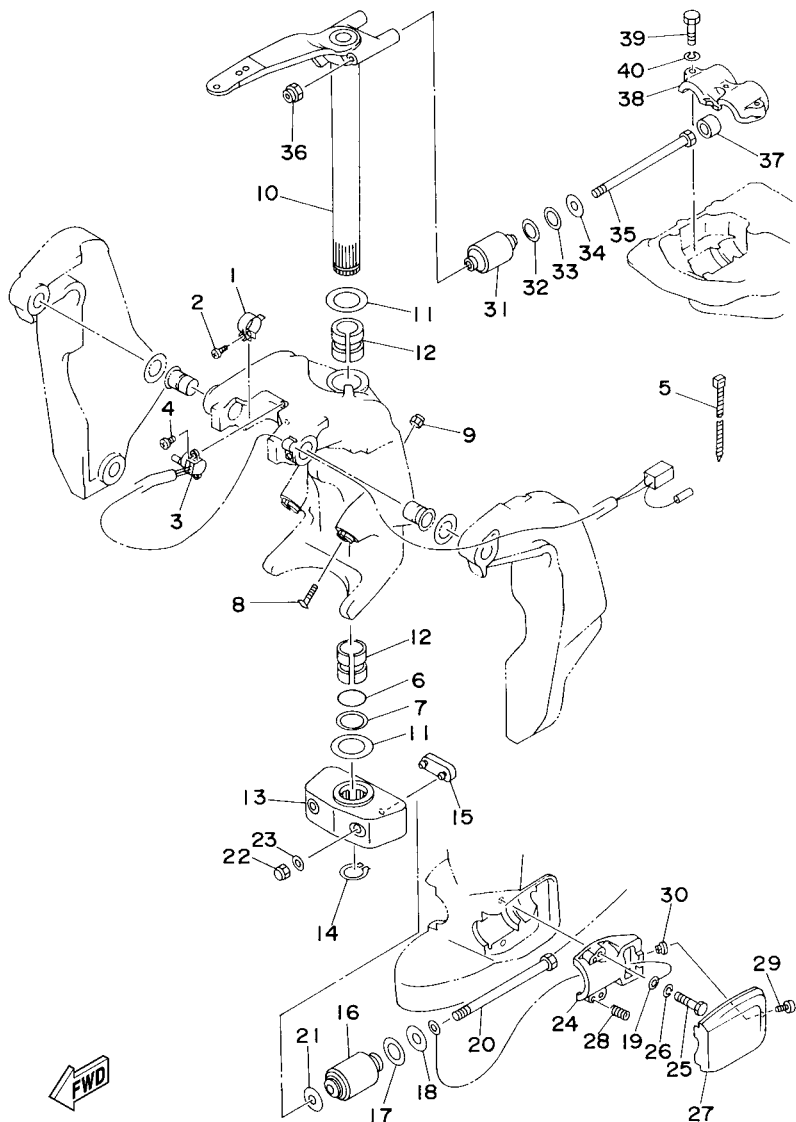
FIG. 16 BRACKET 1

SOPORTE 1

| REF. NO. | PART NO. CODIGO Nº | DESCRIPTION DESCRIPCION | 150A | 175A | 200A | L150 | L200 | REMARKS OBSERVACIONES |
|----------|--------------------|--|------|------|------|------|------|-----------------------|
| 26 | 6E5-82147-20 | WIRE, LEAD 4 CABLE CONDUCTOR 4 | 1 | 1 | 1 | 1 | 1 | X X |
| 27 | 6G5-43144-00 | HOOK, SPRING GANCHO | 1 | 1 | 1 | 1 | 1 | |
| 28 | 97095-06010 | BOLT PERNO | 1 | 1 | 1 | 1 | 1 | |
| 29 | 6G5-43181-02 | LEVER, TILT STOP PALANCA TOPE INCLINACION | 1 | 1 | 1 | 1 | 1 | |
| 30 | 6G5-43185-02 | LEVER, TILT STOP PALANCA TOPE INCLINACION | 1 | 1 | 1 | 1 | 1 | |
| 31 | 90386-10M16 | BUSH BUJE | 4 | 4 | 4 | 4 | 4 | |
| 32 | 6G5-43148-10 | COLLAR, DISTANCE COLLAR | 1 | 1 | 1 | 1 | 1 | |
| 33 | 90387-10M05 | COLLAR COLLAR | 1 | 1 | 1 | 1 | 1 | |
| 34 | 91690-30020 | PIN, SPRING PASADOR DE RESORTE | 2 | 2 | 2 | 2 | 2 | |
| 35 | 90506-20011 | SPRING, TENSION RESORTE DE TENSION | 1 | 1 | 1 | 1 | 1 | |
| 36 | 64E-43126-00 | PIN, UPPER SHOCK MOUNT PASADOR DE AMORTIGUADOR SUPERI | 1 | 1 | 1 | 1 | 1 | |
| 37 | 90386-22M98 | BUSH BUJE | 4 | 4 | 4 | 4 | 4 | |
| 38 | 93410-22M11 | CIRCLIP SEGURO | 1 | 1 | 1 | 1 | 1 | |
| 39 | 90101-12M03 | BOLT (L:115MM) TORNILLO (L:115MM) | 4 | 4 | 4 | 4 | 4 | |
| 40 | 90201-13M01 | WASHER, PLATE ARANDELA PLANA | 8 | 8 | 8 | 8 | 8 | |
| 41 | 90201-12M05 | WASHER, PLATE ARANDELA PLANA | 4 | 4 | 4 | 4 | 4 | |
| 42 | 95380-12600 | NUT TUERCA | 8 | 8 | 8 | 8 | 8 | |
| | | | | | | | | |
| | | | | | | | | |
| | | | | | | | | |

FIG. 17 BRACKET 2

SOPORTE 2

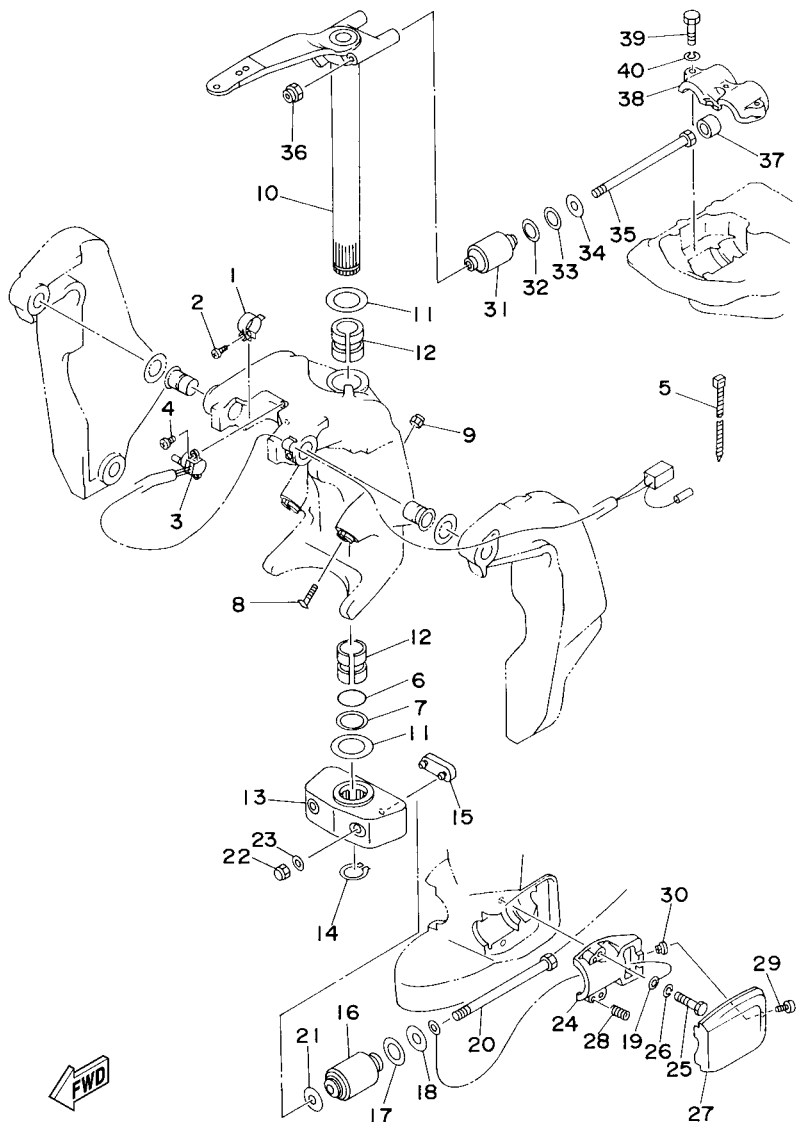


64D0010-7170

| REF. NO. | PART NO. CODIGO Nº | DESCRIPTION DESCRIPCION | 150A | 175A | 200A | L150 | L200 | REMARKS OBSERVACIONES |
|----------|--------------------|--|------|------|------|------|------|-----------------------|
| 1 | 64E-43139-02 | CAM, TRIM SENDER LEVA TRANSMISOR DE INCLINDOR | 1 | 1 | 1 | 1 | 1 | |
| 2 | 97780-60525 | SCREW, TAPPING TORNILLO DE CABEZA DE CONO ACH | 1 | 1 | 1 | 1 | 1 | |
| 3 | 64E-83672-02 | TRIM SENDER TRANSMISOR DE INCLINADOR | 1 | 1 | 1 | 1 | 1 | |
| 4 | 97885-06016 | SCREW, PAN HEAD TORNILLO A MUESCA | 2 | 2 | 2 | 2 | 2 | |
| 5 | 90465-11M10 | CLAMP BRIDA | 3 | 3 | 3 | 3 | 3 | |
| 6 | 93210-37MH7 | O-RING ANILLO O | 1 | 1 | 1 | 1 | 1 | |
| 7 | 90202-40M47 | WASHER, PLATE ARANDELA DE PLANA | 1 | 1 | 1 | 1 | 1 | |
| 8 | 61A-43376-00 | BOLT, THRUST RECEIVER TORNILLO RECEPTOR | 2 | 2 | 2 | 2 | 2 | |
| 9 | 95780-10300 | NUT, FLANGE TUERCA | 2 | 2 | 2 | 2 | 2 | |
| 10 | 6E5-42510-05-8D | STEERING BRACKET ASSY SOPORTE DIRECCION COMPL. | 1 | 1 | 1 | | | L |
| | 6E5-42510-25-8D | STEERING BRACKET ASSY SOPORTE DIRECCION COMPL. | 1 | 1 | 1 | 1 | 1 | X |
| 11 | 90201-38M60 | WASHER, PLATE ARANDELA PLANA | 2 | 2 | 2 | 2 | 2 | |
| 12 | 90386-38M32 | BUSH BUJE | 2 | 2 | 2 | 2 | 2 | |
| 13 | 6G5-44551-01-8D | HOUSING, LOWER MOUNT RUBBER CAJA AMORTIGUADOR INFERIOR HU | 1 | 1 | 1 | 1 | 1 | |
| 14 | 93410-37M04 | CIRCLIP SEGURO | 1 | 1 | 1 | 1 | 1 | |
| 15 | 6E5-44575-00 | DAMPER, LOWER MOUNT RUBBER AMORTIGUADOR INFERIOR | 1 | 1 | 1 | 1 | 1 | |
| 16 | 6J9-44555-00-94 | MOUNT DAMPER, LOWER SIDE AMORTIGUADOR DE HULE LADO INFE | 2 | 2 | 2 | 2 | 2 | |
| 17 | 90202-32M19 | WASHER, PLATE ARANDELA DE PLANA | 2 | 2 | 2 | 2 | 2 | |
| 18 | 90201-16M55 | WASHER, PLATE ARANDELA PLANA | 2 | 2 | 2 | 2 | 2 | |
| 19 | 6E5-82149-00 | WIRE, LEAD 3 CABLE CONDUCTOR 3 | 1 | 1 | 1 | 1 | 1 | |
| 20 | 90109-14M34 | BOLT PERNO | 2 | 2 | 2 | 2 | 2 | |
| 21 | 90201-15M58 | WASHER, PLATE ARANDELA PLANA | 2 | 2 | 2 | 2 | 2 | |
| 22 | 95380-14800 | NUT TUERCA | 2 | 2 | 2 | 2 | 2 | |
| 23 | 92995-14600 | WASHER ARANDELA | 2 | 2 | 2 | 2 | 2 | |
| 24 | 6E5-44552-01-94 | HOUSING, LOWER MOUNT RUBBER CAJA AMORTIGUADOR INFERIOR HU | 2 | 2 | 2 | 2 | 2 | |
| 25 | 97095-10045 | BOLT PERNO | 4 | 4 | 4 | 4 | 4 | |
| 26 | 92995-10100 | WASHER ARANDELA | 4 | 4 | 4 | 4 | 4 | |

FIG. 17 BRACKET 2

SOPORTE 2

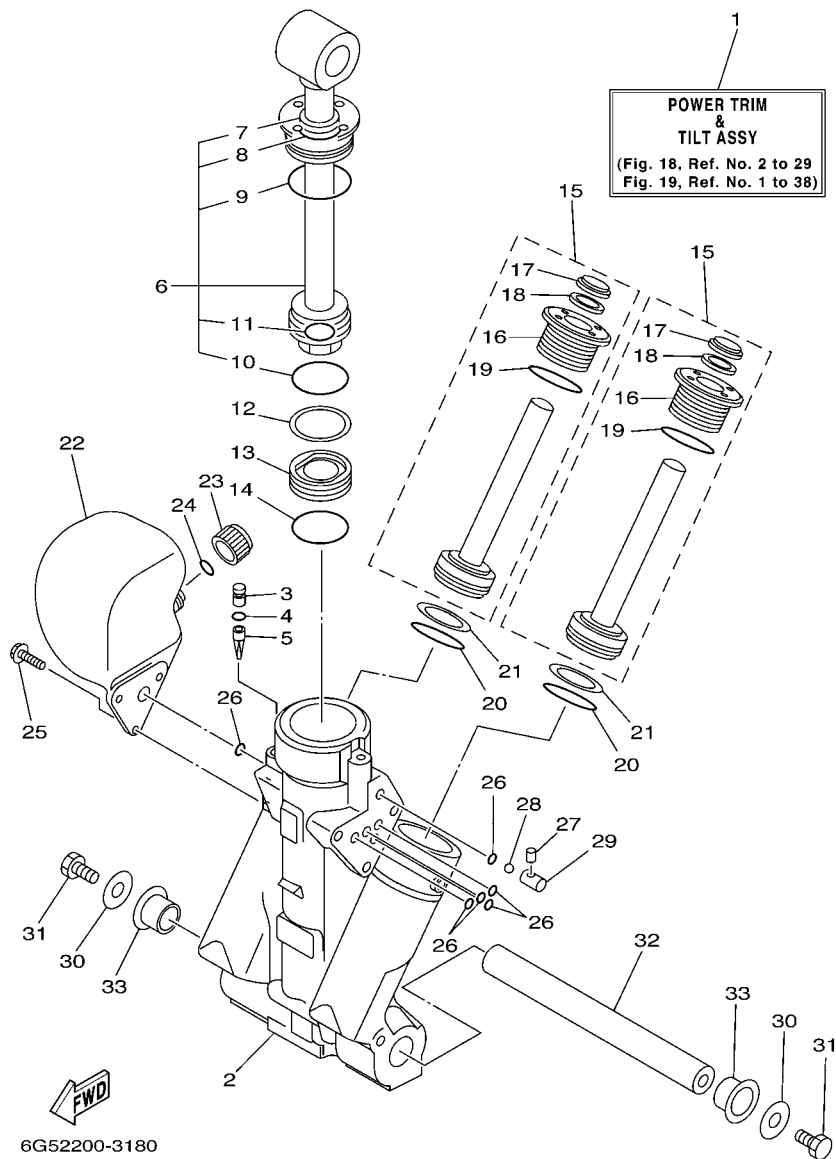


64D0010-7170

| REF. NO. | PART NO. CODIGO Nº | DESCRIPTION DESCRIPCION | 150A | 175A | 200A | L150 | L200 | REMARKS OBSERVACIONES |
|----------|--------------------|--|------|------|------|------|------|-----------------------|
| 27 | 6E5-44553-01-8D | COVER, LOWER MOUNT CUBIERTA, AMORTIGUADOR INFERIOR | 2 | 2 | 2 | 2 | 2 | |
| 28 | 90501-16M28 | SPRING, COMPRESSION RESORTE DE COMPRESION | 4 | 4 | 4 | 4 | 4 | |
| 29 | 97885-06016 | SCREW, PAN HEAD TORNILLO A MUESCA | 2 | 2 | 2 | 2 | 2 | |
| 30 | 90179-06066 | NUT TUERCA | 2 | 2 | 2 | 2 | 2 | |
| 31 | 6J9-44514-00-94 | MOUNT DAMPER, UPPER SIDE AMORTIGUADOR LADO SUPERIOR | 2 | 2 | 2 | 2 | 2 | |
| 32 | 90201-26M57 | WASHER, PLATE ARANDELA PLANA | 2 | 2 | 2 | 2 | 2 | |
| 33 | 90202-26M18 | WASHER, PLATE ARANDELA DE PLANA | 2 | 2 | 2 | 2 | 2 | |
| 34 | 90201-14M56 | WASHER, PLATE ARANDELA PLANA | 2 | 2 | 2 | 2 | 2 | |
| 35 | 90109-12M37 | BOLT PERNO | 2 | 2 | 2 | 2 | 2 | |
| 36 | 90185-12M12 | NUT, SELF-LOCKING TUERCA AUTOBLOCANTE | 2 | 2 | 2 | 2 | 2 | |
| 37 | 663-44575-00 | DAMPER, LOWER MOUNT RUBBER AMORTIGUADOR INFERIOR | 2 | 2 | 2 | 2 | 2 | |
| 38 | 6E5-44511-00-5B | COVER, UPPER MOUNT CUBIERTA AMORTIGUADOR SUPERIOR | 1 | 1 | 1 | 1 | 1 | |
| 39 | 97095-10045 | BOLT PERNO | 3 | 3 | 3 | 3 | 3 | |
| 40 | 92995-10100 | WASHER ARANDELA | 3 | 3 | 3 | 3 | 3 | |
| | | | | | | | | |
| | | | | | | | | |
| | | | | | | | | |
| | | | | | | | | |

FIG. 18 POWER TRIM & TILT ASSY 1

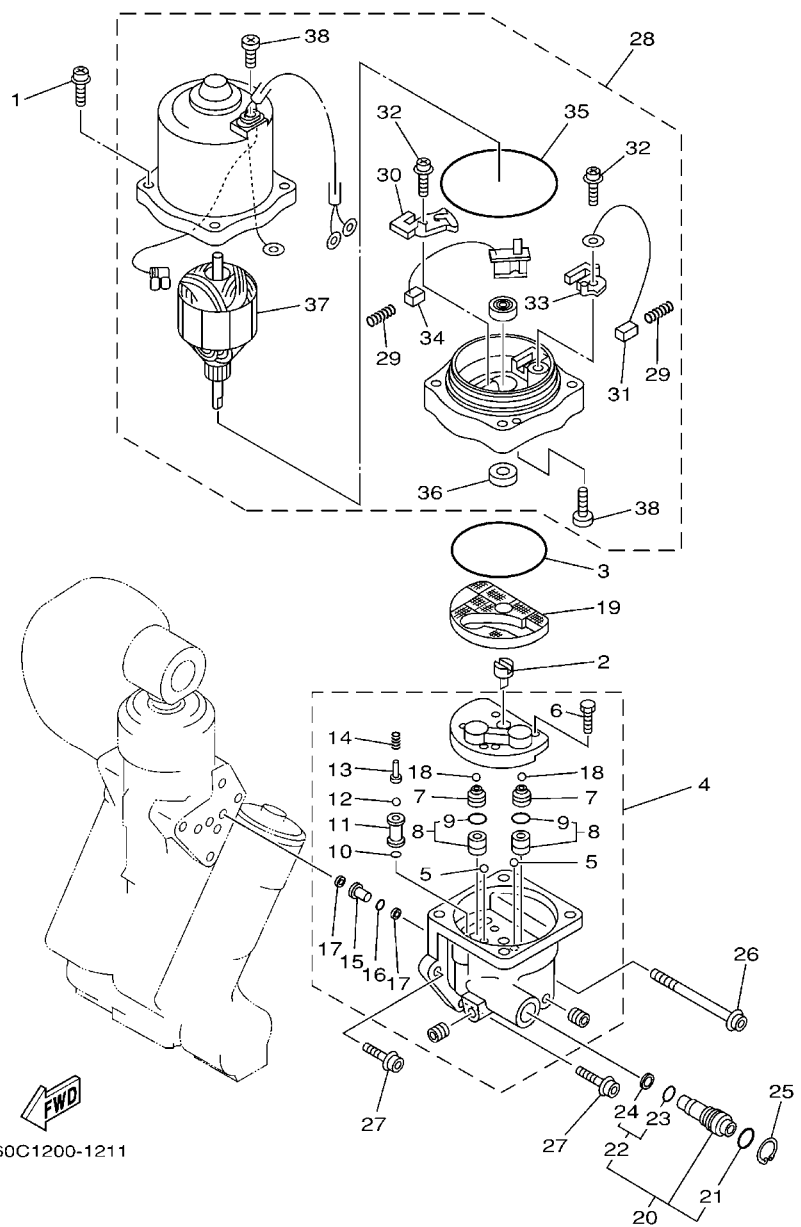
COMPONER Y PODER VARILLA 1



| REF. NO. | PART NO. CODIGO Nº | DESCRIPTION DESCRIPCION | 150A | 175A | 200A | L150 | L200 | REMARKS OBSERVACIONES |
|----------|--------------------|--|------|------|------|------|------|-----------------------|
| 1 | 64E-43800-02-4D | POWER TRIM & TILT ASSY ELEVADOR HIDRAULICO COMPL. | 1 | 1 | 1 | 1 | 1 | |
| 2 | 64E-43825-01 | HOUSING, TRIM & TILT CAJA INCLINACION Y ADRNO | 1 | 1 | 1 | 1 | 1 | |
| 3 | 64E-4388J-00 | PLUG 2 TAPON 2 | 1 | 1 | 1 | 1 | 1 | |
| 4 | 93210-10M74 | O-RING ANILLO O | 1 | 1 | 1 | 1 | 1 | |
| 5 | 64E-43817-00 | FILTER 2 FILTRO 2 | 1 | 1 | 1 | 1 | 1 | |
| 6 | 64E-43810-00 | TILT PISTON SUB ASSY ELEVADOR SUB-PISTON COMPL. | 1 | 1 | 1 | 1 | 1 | |
| 7 | 64E-43898-00 | .SEAL ,DUST 2 .SELLO ANTIPOLVO | 1 | 1 | 1 | 1 | 1 | |
| 8 | 64E-43867-00 | .O-RING .ANILLO EN O 7 | 1 | 1 | 1 | 1 | 1 | |
| 9 | 64E-43866-00 | .O-RING .ANILLO EN O 6 | 1 | 1 | 1 | 1 | 1 | |
| 10 | 6E5-43862-00 | .O-RING .ANILLO EN O 2 | 1 | 1 | 1 | 1 | 1 | |
| 11 | 64E-43883-00 | .O-RING .ANILLO EN O 10 | 1 | 1 | 1 | 1 | 1 | |
| 12 | 6E5-43872-00 | RING, BACK UP ANILLO | 1 | 1 | 1 | 1 | 1 | |
| 13 | 6E5-43814-02 | PISTON, FREE PISTON LIBRE | 1 | 1 | 1 | 1 | 1 | |
| 14 | 6E5-43862-00 | O-RING ANILLO EN O 2 | 1 | 1 | 1 | 1 | 1 | |
| 15 | 64E-43820-00 | TRIM PISTON SUB ASSY ELEVADOR PISTON COMPL. | 2 | 2 | 2 | 2 | 2 | |
| 16 | 64E-43821-00 | .SCREW, TRIM CYLINDER END .TORNILLO CILINDURO EXTREMO | 1 | 1 | 1 | 1 | 1 | |
| 17 | 64E-43822-00 | .SEAL, TRIM DUST .SELLO DE POLVO | 1 | 1 | 1 | 1 | 1 | |
| 18 | 64E-4384J-00 | .SEAL, TRIM DOWN .SELLO | 1 | 1 | 1 | 1 | 1 | |
| 19 | 6G5-43864-00 | .O-RING .ANILLO EN O 4 | 1 | 1 | 1 | 1 | 1 | |
| 20 | 6E5-43864-00 | O-RING ANILLO EN O 4 | 2 | 2 | 2 | 2 | 2 | |
| 21 | 6E5-43874-01 | RING, BACK UP ANILLO | 2 | 2 | 2 | 2 | 2 | |
| 22 | 64E-43828-00 | BODY, RESERVOIR CUERPO DEPOSITO | 1 | 1 | 1 | 1 | 1 | |
| 23 | 64E-43829-00 | PLUG, RESERVOIR TAPON DEPOSITO | 1 | 1 | 1 | 1 | 1 | |
| 24 | 64E-43897-00 | O-RING ANILLO EN O | 1 | 1 | 1 | 1 | 1 | |
| 25 | 64E-4388E-00 | BOLT ,SCREW (L:14MM) PERNO (L:14MM) | 3 | 3 | 3 | 3 | 3 | |
| 26 | 64E-43869-00 | O-RING ANILLO EN O 9 | 6 | 6 | 6 | 6 | 6 | |
| 27 | 64E-4381G-00 | PIN PASADOR 1 | 1 | 1 | 1 | 1 | 1 | |

FIG. 19 POWER TRIM & TILT ASSY 2

COMPONER Y PODER VARILLA 2

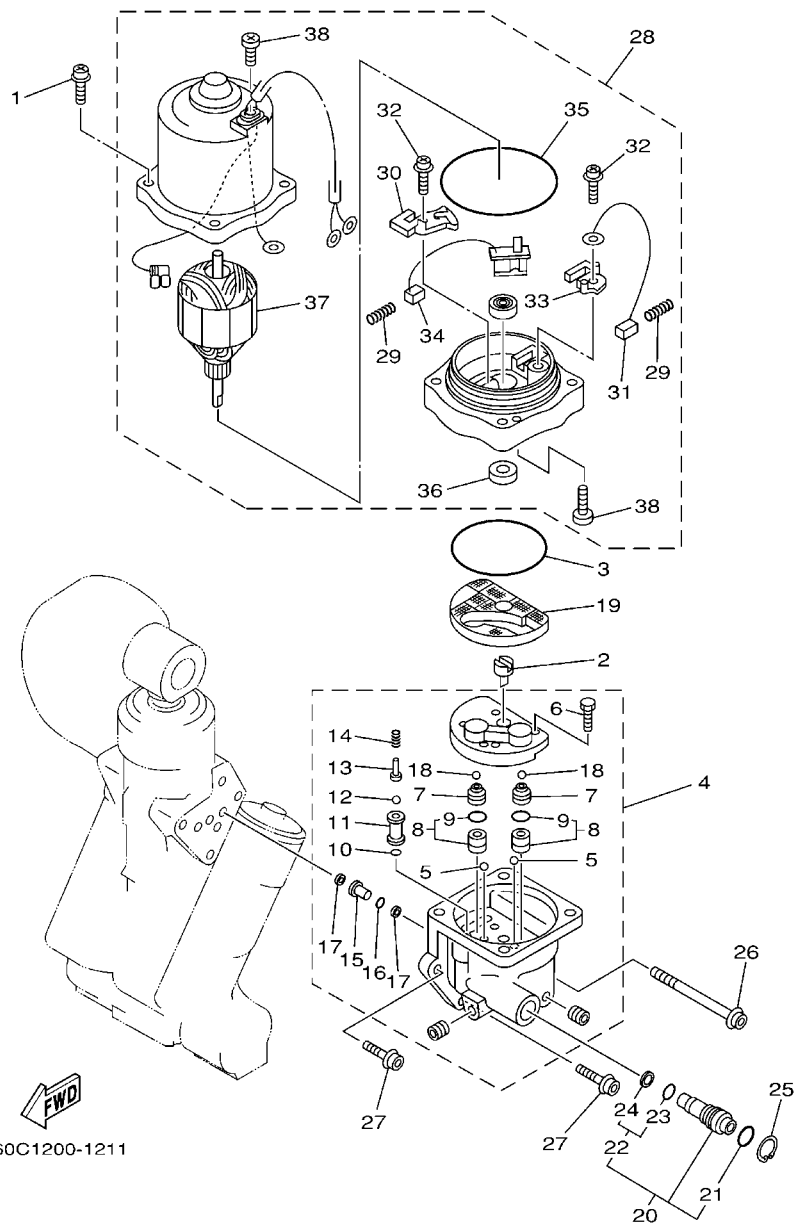


60C1200-1211

| REF. NO. | PART NO. CODIGO N° | DESCRIPTION DESCRIPCION | 150A | 175A | 200A | L150 | L200 | REMARKS OBSERVACIONES |
|----------|--------------------|---|------|------|------|------|------|-----------------------|
| 1 | 64E-4388E-10 | BOLT ,SCREW (L:34.7MM) PERNO (L:34.7MM) | 4 | 4 | 4 | 4 | 4 | |
| 2 | 64E-43831-00 | CONNECTOR, SHAFT CONEXION EJE | 1 | 1 | 1 | 1 | 1 | |
| 3 | 64E-43868-00 | O-RING ANILLO EN O 8 | 1 | 1 | 1 | 1 | 1 | |
| 4 | 64E-43830-00 | GEAR PUMP ASSY ENGRANAJE BOMBA COMPL. | 1 | 1 | 1 | 1 | 1 | |
| 5 | 72X-43858-00 | .BALL .ESFERA | 2 | 2 | 2 | 2 | 2 | |
| 6 | 64E-43843-00 | .SCREW, VALVE LOCK .TORNILLO | 4 | 4 | 4 | 4 | 4 | |
| 7 | 64E-43841-00 | .PISTON, SHUTTLE .PISTON | 2 | 2 | 2 | 2 | 2 | |
| 8 | 64E-43802-00 | .VALVE SUB ASSY .VALVULA PRINCIPAL COMPL. | 2 | 2 | 2 | 2 | 2 | |
| 9 | 6E5-43896-00 | ..O-RING ..ANILLO EN O | 1 | 1 | 1 | 1 | 1 | |
| 10 | 6G5-43863-00 | .O-RING .ANILLO EN O 3 | 1 | 1 | 1 | 1 | 1 | |
| 11 | 64E-43851-00 | .SEAT, RELIEF VALVE .ASIENTO VALVULA DE DESCARGA | 1 | 1 | 1 | 1 | 1 | |
| 12 | 64E-43858-00 | .BALL .ESFERA | 1 | 1 | 1 | 1 | 1 | |
| 13 | 64E-43859-00 | .PIN, VALVE SUPPORT .PASADOR VALVULA SOPORTE | 1 | 1 | 1 | 1 | 1 | |
| 14 | 64E-43855-00 | .SPRING, UP RELIEF .RESORTE SEGURIDAD SUPERIOR | 1 | 1 | 1 | 1 | 1 | |
| 15 | 64E-43850-00 | .VALVE SUB ASSY .VALVULA COMPL | 1 | 1 | 1 | 1 | 1 | |
| 16 | 64E-43865-00 | .O-RING .ANILLO EN O 5 | 1 | 1 | 1 | 1 | 1 | |
| 17 | 64E-43816-00 | .FILTER 1 .FILTRO 1 | 2 | 2 | 2 | 2 | 2 | |
| 18 | 64E-43858-00 | .BALL .ESFERA | 2 | 2 | 2 | 2 | 2 | |
| 19 | 64E-43817-10 | FILTER 2 FILTRO 2 | 1 | 1 | 1 | 1 | 1 | |
| 20 | 64E-43860-00 | MANUAL VALVE SUB-ASSY VALVULA SUB-COMPL. | 1 | 1 | 1 | 1 | 1 | |
| 21 | 72X-85075-L0 | .O-RING .ANILLO EN O 5 | 1 | 1 | 1 | 1 | 1 | |
| 22 | 64E-43827-00 | .RING SET .ESFERA | 1 | 1 | 1 | 1 | 1 | |
| 23 | 64E-4387A-00 | ..O-RING ..ANILLO O | 1 | 1 | 1 | 1 | 1 | |
| 24 | 64E-43873-00 | ..RING, BACK UP ..ANILLO | 1 | 1 | 1 | 1 | 1 | |
| 25 | 64E-43875-00 | RING, SNAP ANILLO | 1 | 1 | 1 | 1 | 1 | |
| 26 | 64E-43879-10 | SCREW, WITH WASHER TORNILLO CON RONDANA | 1 | 1 | 1 | 1 | 1 | |
| 27 | 64E-43879-00 | SCREW, WITH WASHER TORNILLO CON RONDANA | 2 | 2 | 2 | 2 | 2 | |

FIG. 19 POWER TRIM & TILT ASSY 2

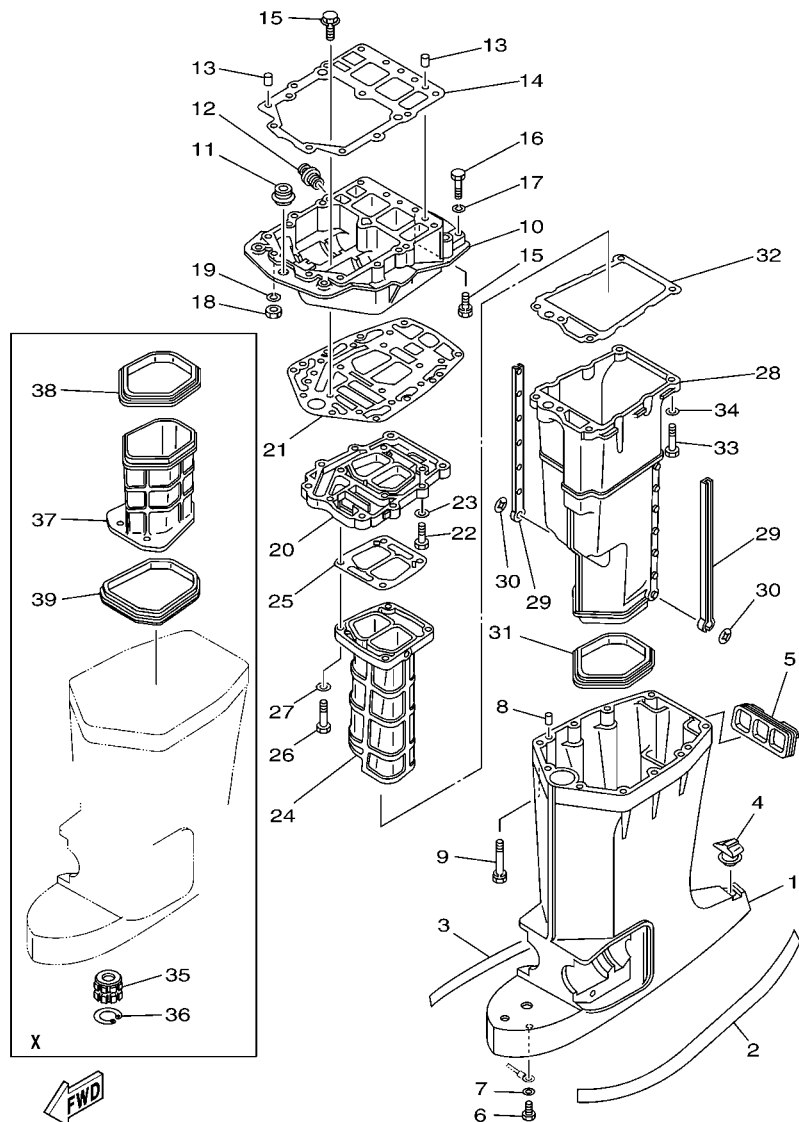
COMPONER Y PODER VARILLA 2



| REF. NO. | PART NO. CODIGO Nº | DESCRIPTION DESCRIPCION | 150A | 175A | 200A | L150 | L200 | REMARKS OBSERVACIONES |
|----------|--------------------|---|------|------|------|------|------|-----------------------|
| 28 | 64E-43880-01 | MOTOR ASSY MOTOR COMPL. | 1 | 1 | 1 | 1 | 1 | |
| 29 | 6H1-4386K-10 | .SPRING, BRUSH .RESORTE, ESCOBILLA | 2 | 2 | 2 | 2 | 2 | |
| 30 | 64E-4380J-00 | .HOLDER, BRUSH .PORTAESCOBILLA | 1 | 1 | 1 | 1 | 1 | |
| 31 | 64E-43891-00 | .BRUSH 1 .ESCOBILLA 1 | 1 | 1 | 1 | 1 | 1 | |
| 32 | 97607-04310 | .SCREW, WITH WASHER .TORNILLO CAB CON PLANA C/ARAN | 2 | 2 | 2 | 2 | 2 | |
| 33 | 64E-4380F-00 | .HOLDER, BRUSH 2 .PORTAESCOBILLA 2 | 1 | 1 | 1 | 1 | 1 | |
| 34 | 64E-43892-00 | .BRUSH 2 .ESCOBILLA 2 | 1 | 1 | 1 | 1 | 1 | |
| 35 | 6G5-43865-00 | .O-RING .ANILLO EN O 5 | 1 | 1 | 1 | 1 | 1 | |
| 36 | 93102-08M43 | .OIL SEAL .SELLO ACEITE | 1 | 1 | 1 | 1 | 1 | |
| 37 | 64E-43805-00 | .ARMATURE ASSY .INDUCIDO COMPL. | 1 | 1 | 1 | 1 | 1 | |
| 38 | 64E-43843-10 | .SCREW, VALVE LOCK .TORNILLO | 3 | 3 | 3 | 3 | 3 | |
| | | | | | | | | |
| | | | | | | | | |
| | | | | | | | | |
| | | | | | | | | |
| | | | | | | | | |
| | | | | | | | | |

FIG. 20 UPPER CASING

FUNDA SUPERIOR

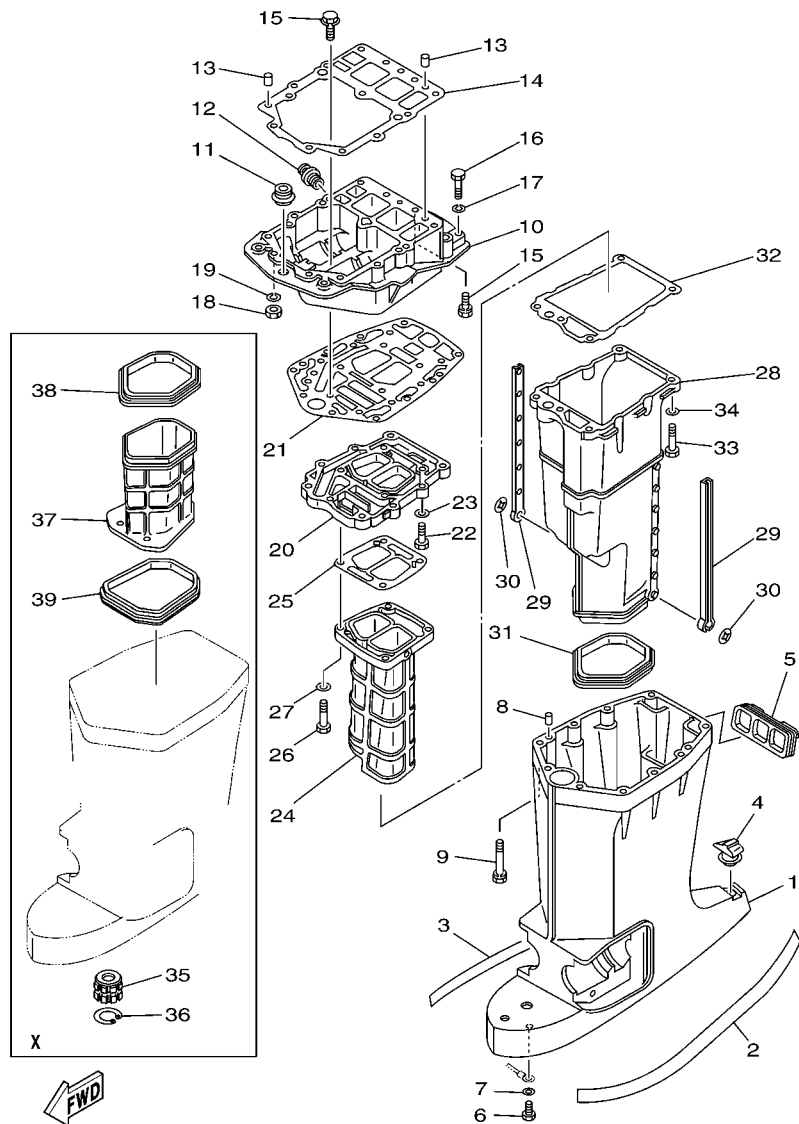


FWD
6G53200-C200

| REF. NO. | PART NO. CODIGO Nº | DESCRIPTION DESCRIPCION | 150A | 175A | 200A | L150 | L200 | REMARKS OBSERVACIONES |
|----------|--------------------|--|------|------|------|------|------|-----------------------|
| 1 | 6E5-45111-02-8D | CASING, UPPER CAJA SUPERIOR | 1 | 1 | 1 | | | L |
| | 6E5-45111-23-8D | CASING, UPPER CAJA SUPERIOR | 1 | 1 | 1 | 1 | 1 | X |
| 2 | 6R3-42791-41 | MARK 1 MARCA 1 | 1 | 1 | 1 | 1 | 1 | X |
| 3 | 6R3-42792-41 | MARK MARCA | 1 | 1 | 1 | 1 | 1 | |
| 4 | 6E5-45155-00 | CAP TAPA | 1 | 1 | 1 | 1 | 1 | |
| 5 | 6E5-42769-00 | SEAL, RUBBER SELLO DE GOMA | 1 | 1 | 1 | 1 | 1 | |
| 6 | 97095-06010 | BOLT PERNO | 1 | 1 | 1 | 1 | 1 | |
| 7 | 92995-06600 | WASHER ARANDELA | 1 | 1 | 1 | 1 | 1 | |
| 8 | 93608-12M05 | PIN, DOWEL PASADOR DE CLAVIJA | 2 | 2 | 2 | 2 | 2 | |
| 9 | 90119-08027 | BOLT, WITH WASHER TORNILLO CON ARANDELA | 6 | 6 | 6 | 6 | 6 | |
| 10 | 6G5-41137-02-94 | GUIDE, EXHAUST GUIA DE ESCAPE | 1 | 1 | 1 | 1 | 1 | |
| 11 | 6E5-42724-00 | GROMMET TAPON | 1 | 1 | 1 | 1 | 1 | |
| 12 | 6G5-12581-00 | JOINT, HOSE 1 CONEXION | 1 | 1 | 1 | 1 | 1 | |
| 13 | 93608-12M05 | PIN, DOWEL PASADOR DE CLAVIJA | 2 | 2 | 2 | 2 | 2 | |
| 14 | 68F-45113-00 | GASKET, UPPER CASING EMPAQUE | 1 | 1 | 1 | 1 | 1 | |
| 15 | 90119-08M79 | BOLT, WITH WASHER TORNILLO CON ARANDELA | 6 | 6 | 6 | 6 | 6 | |
| 16 | 97095-08045 | BOLT PERNO | 2 | 2 | 2 | 2 | 2 | |
| 17 | 92995-08100 | WASHER ARANDELA | 2 | 2 | 2 | 2 | 2 | |
| 18 | 95380-08700 | NUT TUERCA | 2 | 2 | 2 | 2 | 2 | |
| 19 | 92995-08100 | WASHER ARANDELA | 2 | 2 | 2 | 2 | 2 | |
| 20 | 6G5-41131-01-5B | MANIFOLD, EXT. 1 TUBO MULTIPLE DE ESCAPE | 1 | 1 | 1 | 1 | 1 | |
| | 6G5-41131-10-5B | MANIFOLD, EXT. 1 TUBO MULTIPLE DE ESCAPE | 1 | 1 | 1 | | 1 | FOR NME FOR NME |
| 21 | 6G5-45114-A1 | GASKET, UPPER CASING EMPAQUE | 1 | 1 | 1 | 1 | 1 | |
| 22 | 97095-08030 | BOLT PERNO | 4 | 4 | 4 | 4 | 4 | |
| 23 | 92995-08600 | WASHER ARANDELA | 4 | 4 | 4 | 4 | 4 | |
| 24 | 64D-41132-00-5B | MANIFOLD, EXHAUST TUBO MULTIPLE DE ESCAPE | 1 | 1 | 1 | 1 | 1 | |
| | 64D-41132-10-5B | MANIFOLD, EXHAUST TUBO MULTIPLE DE ESCAPE | 1 | 1 | 1 | | 1 | FOR NME FOR NME |

FIG. 20 UPPER CASING

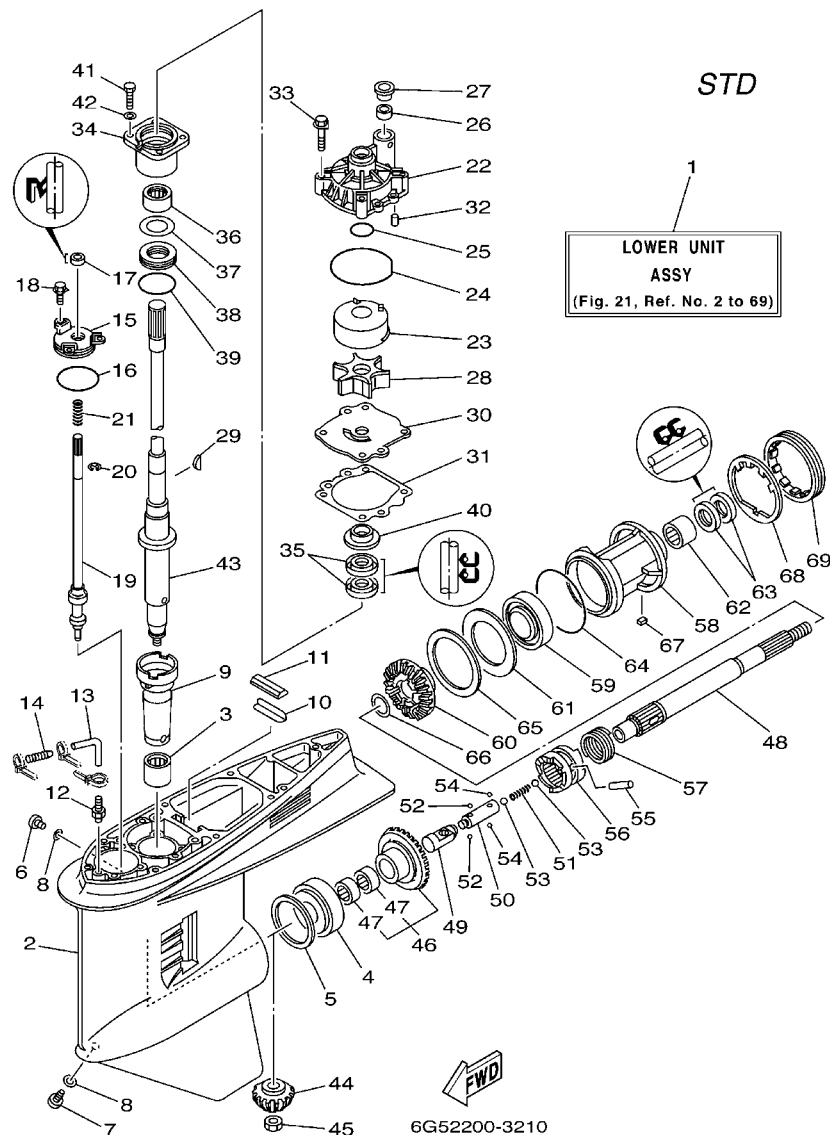
FUNDA SUPERIOR



6G53200-C200

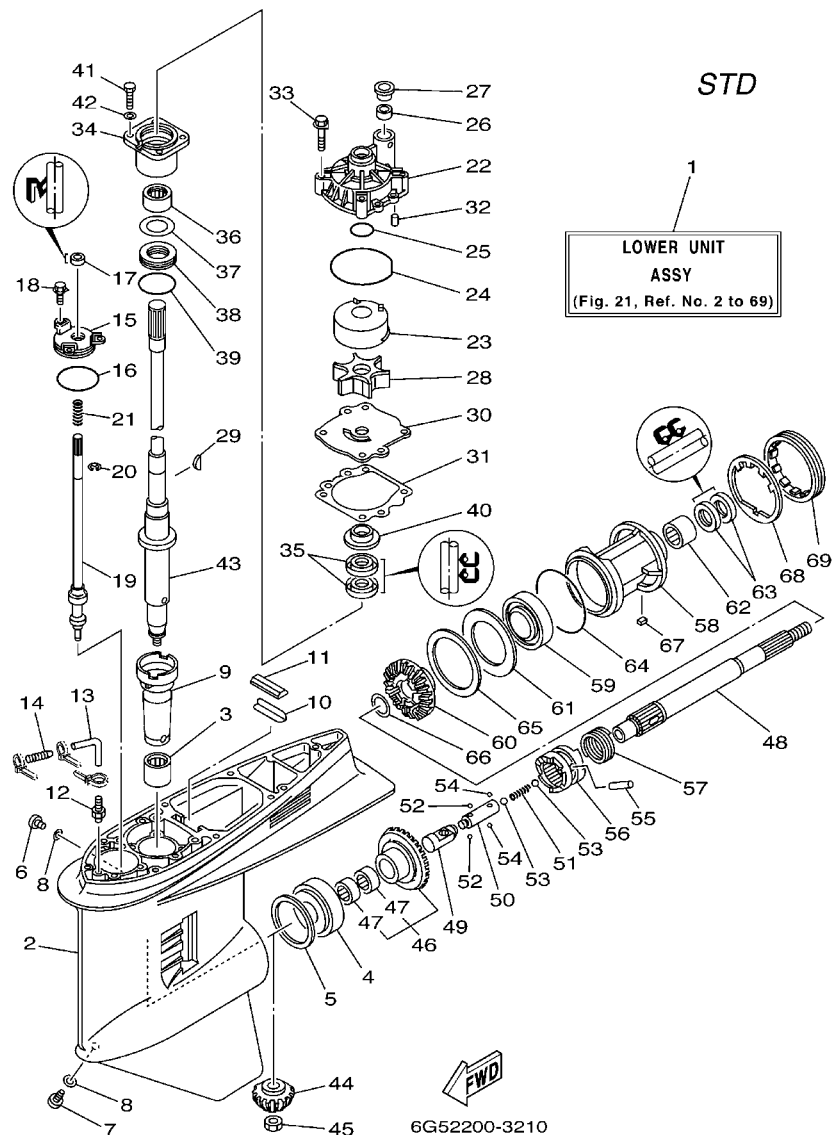
| REF. NO. | PART NO. CODIGO Nº | DESCRIPTION DESCRIPCION | 150A | 175A | 200A | L150 | L200 | REMARKS OBSERVACIONES |
|----------|--------------------|--|------|------|------|------|------|------------------------|
| 25 | 6G5-41134-A1 | GASKET, EXHAUST MANIFOLD EMPAQUE | 1 | 1 | 1 | 1 | 1 | |
| 26 | 97095-08045 | BOLT PERNO | 4 | 4 | 4 | 4 | 4 | |
| 27 | 92995-08600 | WASHER ARANDELA | 4 | 4 | 4 | 4 | 4 | |
| 28 | 6E5-14711-01-5B | MUFFLER 1 SILENCIADOR 1 | 1 | 1 | 1 | 1 | 1 | |
| | 6E5-14711-10-5B | MUFFLER 1 SILENCIADOR 1 | 1 | 1 | 1 | | 1 | FOR NME FOR NME |
| 29 | 6E5-14737-00 | DAMPER, MUFFLER AMORTIGUADOR DE SILENCIADOR | 2 | 2 | 2 | 2 | 2 | |
| 30 | 90183-05M02 | NUT, SPRING TUERCA DE RESORTE | 2 | 2 | 2 | 2 | 2 | |
| 31 | 6E5-45123-00 | GASKET, MUFFLER EMPAQUE SILENCIADOR | 1 | 1 | 1 | 1 | 1 | |
| 32 | 6E5-41135-A0 | GASKET, EXHAUST MANIFOLD EMPAQUE | 1 | 1 | 1 | 1 | 1 | |
| 33 | 97095-08045 | BOLT PERNO | 5 | 5 | 5 | 5 | 5 | |
| 34 | 92995-08600 | WASHER ARANDELA | 5 | 5 | 5 | 5 | 5 | |
| 35 | 6E5-45318-00 | BUSHING, DRIVE SHAFT BUJE, EJE DE MANDO | 1 | 1 | 1 | 1 | 1 | X X |
| 36 | 93420-36M01 | CIRCLIP SEGURO | 1 | 1 | 1 | 1 | 1 | X X |
| 37 | 64D-14721-20-5B | MUFFLER 2 SILENCIADOR 2 | 1 | 1 | 1 | 1 | 1 | X X |
| | 64D-14721-30-5B | MUFFLER 2 SILENCIADOR 2 | 1 | 1 | 1 | 1 | 1 | X-FOR NME X-FOR NME |
| 38 | 64D-45123-00 | GASKET, MUFFLER EMPAQUE SILENCIADOR | 1 | 1 | 1 | 1 | 1 | X X |
| 39 | 64D-45375-00 | DAMPER, SEAL GOMA DE SELLO | 1 | 1 | 1 | 1 | 1 | X X |

FIG. 21 LOWER CASING & DRIVE 1 IMPULSOR E INFERIOR 1



| REF. NO. | PART NO. CODIGO Nº | DESCRIPTION DESCRIPCION | 150A | 175A | 200A | L150 | L200 | REMARKS OBSERVACIONES |
|----------|--------------------|--|------|------|------|------|------|-----------------------|
| 1 | 6G5-45300-16-8D | LOWER UNIT ASSY CONJUNTO UNIDAD INFERIOR | 1 | 1 | 1 | | | L L X X |
| | 6G5-45300-26-8D | LOWER UNIT ASSY CONJUNTO UNIDAD INFERIOR | 1 | 1 | 1 | | | |
| 2 | 6J9-45301-05-8D | CASING, LOWER FUNDA INFERIOR COMPLETA | 1 | 1 | 1 | | | |
| 3 | 93311-928U5 | BEARING COJINETE DE RODILLOS | 1 | 1 | 1 | | | |
| 4 | 93332-000V3 | BEARING COJINETE | 1 | 1 | 1 | | | |
| 5 | 6G5-45567-01-10 | SHIM (T:0.10MM) LAINA (T:0.10MM) | 1 | 1 | 1 | | | UR UR |
| | 6G5-45567-01-12 | SHIM (T:0.12MM) LAINA (T:0.12MM) | 1 | 1 | 1 | | | UR UR |
| | 6G5-45567-01-15 | SHIM (T:0.15MM) LAINA (T:0.15MM) | 1 | 1 | 1 | | | UR UR |
| | 6G5-45567-01-18 | SHIM (T:0.18MM) LAINA (T:0.18MM) | 1 | 1 | 1 | | | UR UR |
| | 6G5-45567-01-30 | SHIM (T:0.30MM) LAINA (T:0.30MM) | 1 | 1 | 1 | | | UR UR |
| | 6G5-45567-01-40 | SHIM (T:0.40MM) LAINA (T:0.40MM) | 1 | 1 | 1 | | | UR UR |
| | 6G5-45567-01-50 | SHIM (T:0.50MM) LAINA (T:0.50MM) | 1 | 1 | 1 | | | UR UR |
| 6 | 90340-08002 | PLUG, STRAIGHT SCREW TORNILLO, DE DRENAJE | 1 | 1 | 1 | | | |
| 7 | 688-45341-10 | PLUG, DRAIN TAPON, DREN | 1 | 1 | 1 | | | |
| 8 | 90430-08020 | GASKET JUNTA | 2 | 2 | 2 | | | |
| 9 | 6G5-45536-01 | SLEEVE, DRIVE SHAFT CAMISA EJE DE MANDO | 1 | 1 | 1 | | | |
| 10 | 663-45376-00-94 | GUIDE, SEAL DAMPER GUIA DE SELLO GOMA | 1 | 1 | 1 | | | L L X X |
| | 64D-45376-00-94 | GUIDE, SEAL DAMPER GUIA DE SELLO GOMA | 1 | 1 | 1 | | | |
| 11 | 688-45375-00 | DAMPER, SEAL GOMA DE SELLO | 1 | 1 | 1 | | | |
| 12 | 6E5-45378-00 | NIPPLE, HOSE NIPLE MANGUERA | 1 | 1 | 1 | | | |
| 13 | 90445-07ME8 | HOSE (L80) TUBO (L80) | 1 | 1 | 1 | | | L L X X |
| | 90445-07ME9 | HOSE (L120) TUBO (L120) | 1 | 1 | 1 | | | |
| 14 | 6E5-83558-10 | END, NIPPLE EXTREMO DE NIPLE | 1 | 1 | 1 | | | |
| 15 | 6E5-45321-00 | PLATE PLACA | 1 | 1 | 1 | | | |
| 16 | 93210-58144 | O-RING ANILLO O | 1 | 1 | 1 | | | |
| 17 | 93106-09014 | OIL SEAL RETEN DE ACEITE | 1 | 1 | 1 | | | |
| 18 | 90119-06M10 | BOLT, WITH WASHER TORNILLO CON ARANDELA | 3 | 3 | 3 | | | |

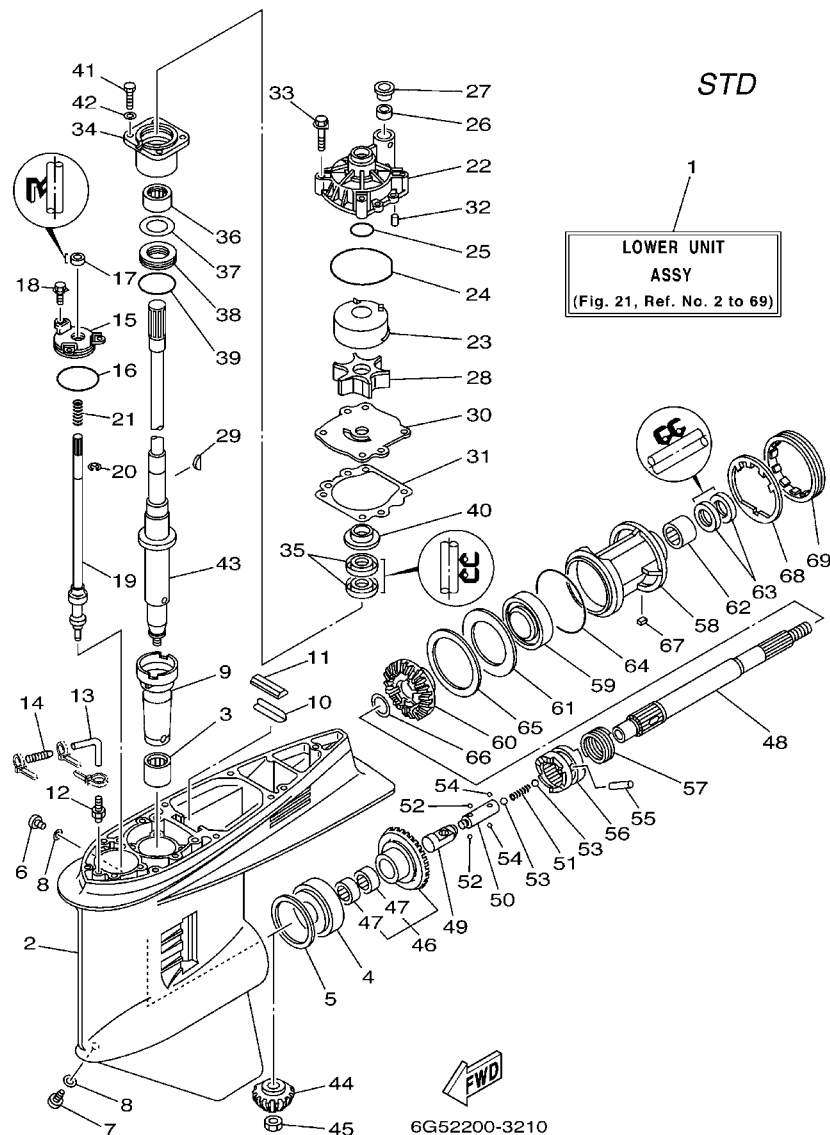
FIG. 21 LOWER CASING & DRIVE 1 IMPULSOR E INFERIOR 1



| REF. NO. | PART NO. CODIGO Nº | DESCRIPTION DESCRIPCION | 150A | 175A | 200A | L150 | L200 | REMARKS OBSERVACIONES |
|----------|--------------------|--|------|------|------|------|------|------------------------------|
| 19 | 6G5-44150-02 | SHIFT CAM ASSY CONJUNTO EJE LEVA COMPL. | 1 | 1 | 1 | | | |
| 20 | 99001-08600 | CIRCLIP PRESILLA REDONDA | 1 | 1 | 1 | | | |
| 21 | 90501-11M10 | SPRING, COMPRESSION RESORTE DE COMPRESION | 1 | 1 | 1 | | | |
| 22 | 61A-44311-01 | HOUSING, WATER PUMP CAJA BOMBA DE AGUA | 1 | 1 | 1 | | | |
| 23 | 6R3-44322-42 | INSERT, CARTRIDGE CARTUCHO | 1 | 1 | 1 | | | FOR CHROMATE FOR CHROMATE |
| 24 | 93210-86M38 | O-RING ANILLO O | 1 | 1 | 1 | | | |
| 25 | 93210-37160 | O-RING ANILLO O | 1 | 1 | 1 | | | |
| 26 | 6E5-44365-00 | DAMPER, WATER SEAL HULE DE SELLO DE AGUA | 1 | 1 | 1 | | | |
| 27 | 6E5-44312-00 | COVER, WATER PUMP HOUSING CUBIERTA CAJA BOMBA DE AGUA | 1 | 1 | 1 | | | |
| 28 | 6E5-44352-01 | IMPELLER IMPULSOR | 1 | 1 | 1 | | | |
| 29 | 90280-04M05 | KEY, WOODRUFF CUNA WOODRUFF | 1 | 1 | 1 | | | |
| 30 | 6G5-44323-40 | OUTER PLATE, CARTRIDGE PLACA EXTERIOR DEL CARTUCHO | 1 | 1 | 1 | | | FOR CHROMATE FOR CHROMATE |
| 31 | 6E5-44315-A0 | GASKET, WATER PUMP EMPAQUE | 1 | 1 | 1 | | | |
| 32 | 93606-12019 | PIN, DOWEL PASADOR DE CLAVIJA | 2 | 2 | 2 | | | |
| 33 | 90119-08M14 | BOLT, WITH WASHER TORNILLO CON ARANDELA | 4 | 4 | 4 | | | |
| 34 | 6E5-45331-00-94 | HOUSING, BEARING CAJA DE COJINETE | 1 | 1 | 1 | | | |
| 35 | 93101-28M16 | OIL SEAL SELLO ACEITE | 2 | 2 | 2 | | | |
| 36 | 93317-330U2 | BEARING COJINETE | 1 | 1 | 1 | | | |
| 37 | 6E5-45587-01-10 | SHIM (T:0.10MM) LAINA (T:0.10MM) | 1 | 1 | 1 | | | UR UR |
| | 6E5-45587-01-12 | SHIM (T:0.12MM) LAINA (T:0.12MM) | 1 | 1 | 1 | | | UR UR |
| | 6E5-45587-01-15 | SHIM (T:0.15MM) LAINA (T:0.15MM) | 1 | 1 | 1 | | | UR UR |
| | 6E5-45587-01-18 | SHIM (T:0.18MM) LAINA (T:0.18MM) | 1 | 1 | 1 | | | UR UR |
| | 6E5-45587-01-30 | SHIM (T:0.30MM) LAINA (T:0.30MM) | 1 | 1 | 1 | | | UR UR |
| | 6E5-45587-01-40 | SHIM (T:0.40MM) LAINA (T:0.40MM) | 1 | 1 | 1 | | | UR UR |
| | 6E5-45587-01-50 | SHIM (T:0.50MM) LAINA (T:0.50MM) | 1 | 1 | 1 | | | UR UR |
| 38 | 93341-930V2 | BEARING COJINETES CON RODAMIENTOS | 1 | 1 | 1 | | | |
| 39 | 93210-55M14 | O-RING ANILLO O | 1 | 1 | 1 | | | |

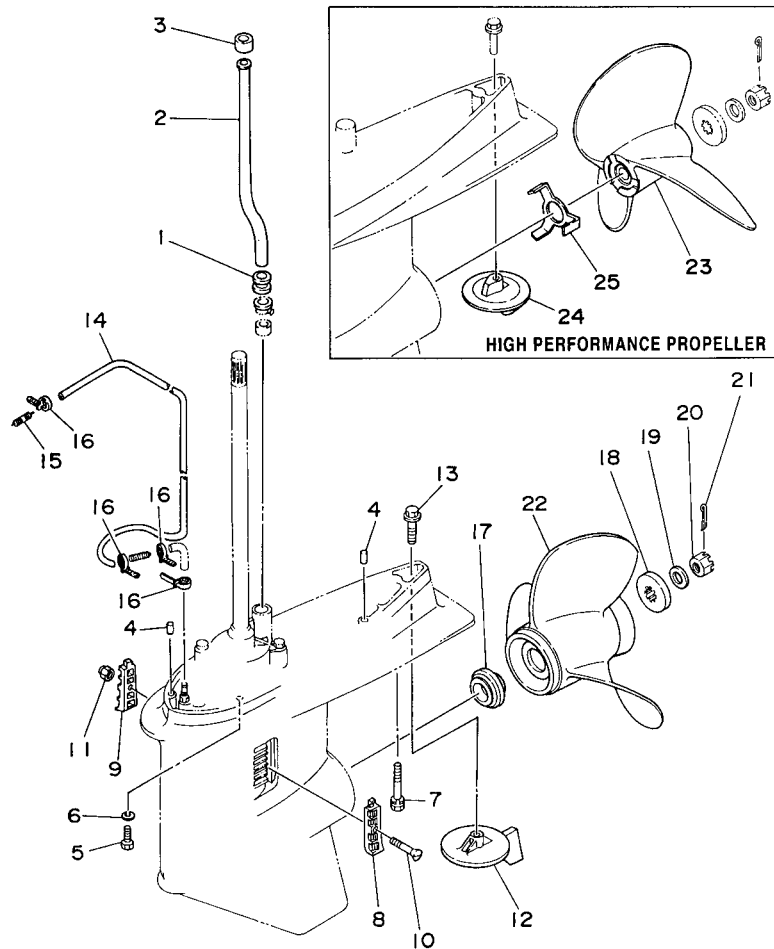
FIG. 21 LOWER CASING & DRIVE 1

IMPULSOR E INFERIOR 1



| REF. NO. | PART NO. CODIGO Nº | DESCRIPTION DESCRIPCION | 150A | 175A | 200A | L150 | L200 | REMARKS OBSERVACIONES |
|----------|--------------------|--|------|------|------|------|------|-----------------------|
| 40 | 6E5-45344-00 | COVER, OIL SEAL CUBIERTA SELLO ACEITE | 1 | 1 | 1 | | | |
| 41 | 97095-08025 | BOLT PERNO | 4 | 4 | 4 | | | |
| 42 | 92995-08600 | WASHER ARANDELA | 4 | 4 | 4 | | | |
| 43 | 6G5-45501-01 | DRIVE SHAFT COMP. EJE DE MANDO COMPL. | 1 | 1 | 1 | | | L L |
| | 6G5-45501-21 | DRIVE SHAFT COMP. EJE DE MANDO COMPL. | 1 | 1 | 1 | | | X X |
| 44 | 6G5-45551-10 | PINION PINON | 1 | 1 | 1 | | | |
| 45 | 90170-16M01 | NUT TUERCA | 1 | 1 | 1 | | | |
| 46 | 6G5-45560-10 | GEAR ENGRANE COMPLE 1 | 1 | 1 | 1 | | | |
| 47 | 93315-425V3 | .BEARING .COJINETE DE RODILLOS | 2 | 2 | 2 | | | |
| 48 | 6J9-45611-01 | SHAFT, PROPELLER EJE PROPUSOR | 1 | 1 | 1 | | | |
| 49 | 6E5-45641-03 | SHIFTER CAMBIO | 1 | 1 | 1 | | | |
| 50 | 6E5-45634-01 | SLIDE, SHIFT DESGLIZADOR, CAMBIO | 1 | 1 | 1 | | | |
| 51 | 90501-16M37 | SPRING, COMPRESSION RESORTE DE COMPRESION | 1 | 1 | 1 | | | |
| 52 | 93507-32009 | BALL ESFERA | 2 | 2 | 2 | | | |
| 53 | 93511-32017 | BALL ESFERA | 2 | 2 | 2 | | | |
| 54 | 93503-16003 | BALL ESFERA | 2 | 2 | 2 | | | |
| 55 | 90250-08M07 | PIN, STRAIGHT PASADOR CILINDRICO | 1 | 1 | 1 | | | |
| 56 | 6G5-45631-10 | CLUTCH, DOG EMBRAGUE DE GARRA | 1 | 1 | 1 | | | |
| 57 | 6E5-45633-01 | RING, CROSS PIN ANILLO DE PASADOR | 1 | 1 | 1 | | | |
| 58 | 6J9-45332-00-94 | HOUSING, BEARING CAJA BALERO 2 | 1 | 1 | 1 | | | |
| 59 | 93306-209U0 | BEARING COJINETE | 1 | 1 | 1 | | | |
| 60 | 6G5-45571-02 | GEAR ENGRANAJE | 1 | 1 | 1 | | | |
| 61 | 6G5-45576-10 | WASHER, THRUST ARANDELA DE EMPUJE AXIAL | 1 | 1 | 1 | | | |
| 62 | 93315-43061 | BEARING COJINETE DE RODILLOS | 1 | 1 | 1 | | | |
| 63 | 93101-30M17 | OIL SEAL SELLO ACEITE | 2 | 2 | 2 | | | |
| 64 | 93210-97M55 | O-RING ANILLO O | 1 | 1 | 1 | | | |
| 65 | 6G5-45577-02-10 | SHIM (T:0.10MM) LAINA (T:0.10MM) | 1 | 1 | 1 | | | UR UR |

STD



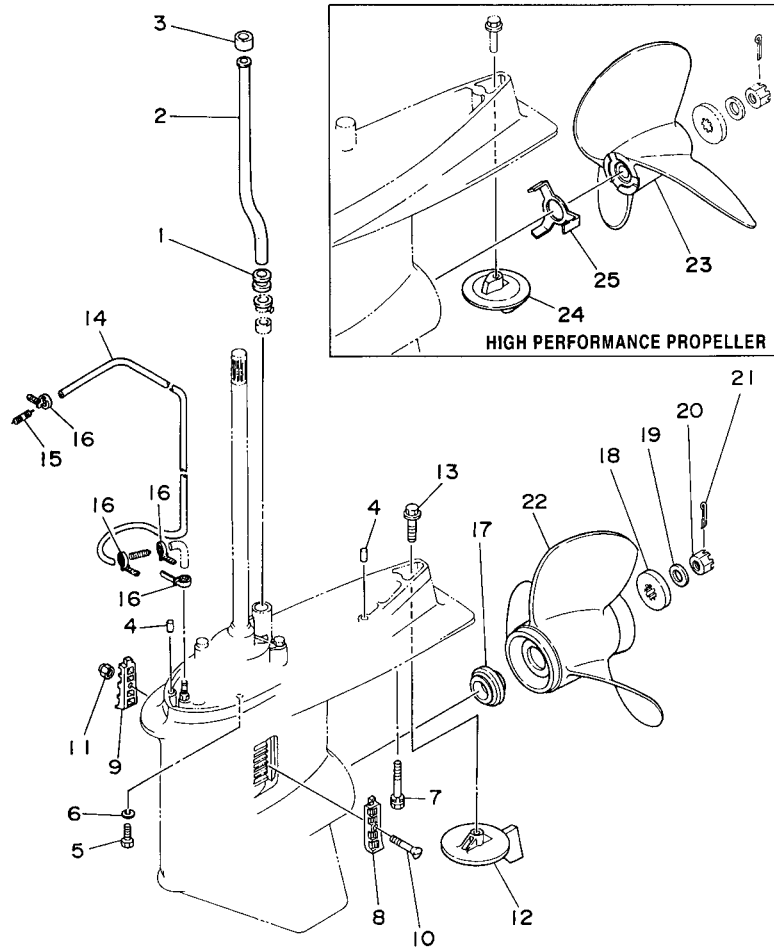
FWD
6G50200-1210

FIG. 22 LOWER CASING & DRIVE 2 IMPULSOR E INFERIOR 2

| REF. NO. | PART NO. CODIGO Nº | DESCRIPTION DESCRIPCION | 150A | 175A | 200A | L150 | L200 | REMARKS OBSERVACIONES |
|----------|--------------------|--|------|------|------|------|------|-----------------------|
| 1 | 6E5-44366-00 | DAMPER, WATER SEAL GOMA DEL SELLO DE AGUA | 1 | 1 | 1 | | | |
| 2 | 6E5-44361-00 | TUBE, WATER TUBO DE AGUA | 1 | 1 | 1 | | | L L X X |
| | 6E5-44361-20 | TUBE, WATER TUBO DE AGUA | 1 | 1 | 1 | | | |
| 3 | 6E5-44365-00 | DAMPER, WATER SEAL HULE DE SELLO DE AGUA | 1 | 1 | 1 | | | |
| 4 | 93608-12M05 | PIN, DOWEL PASADOR DE CLAVIJA | 2 | 2 | 2 | | | |
| 5 | 97075-10045 | BOLT PERNO | 6 | 6 | 6 | | | |
| 6 | 92995-10100 | WASHER ARANDELA | 6 | 6 | 6 | | | |
| 7 | 90119-10M89 | BOLT, WITH WASHER TORNILLO CON ARANDELA | 1 | 1 | 1 | | | |
| 8 | 6J9-45214-00 | COVER, WATER INLET CUBIERTA ENTRADA AGUA | 1 | 1 | 1 | | | |
| 9 | 6J9-45215-00 | COVER, WATER INLET CUBIERTA ENTRADA AGUA | 1 | 1 | 1 | | | |
| 10 | 90152-05M08 | SCREW, COUNTERSUNK TORNILLO EMBUTIDO | 1 | 1 | 1 | | | |
| 11 | 90185-05002 | NUT, SELF-LOCKING TUERCA AUTOBLOCANTE | 1 | 1 | 1 | | | |
| 12 | 6J9-45371-01 | TAB-TRIM QUILLA ESTABILIZADOR | 1 | 1 | 1 | | | |
| 13 | 90105-10M00 | BOLT, FLANGE TORNILLO | 1 | 1 | 1 | | | |
| 14 | 90445-07M33 | HOSE (L1080) TUBO (L1080) | 1 | 1 | 1 | | | |
| 15 | 6E5-83558-00 | END, NIPPLE EXTREMO DE NIPLE | 1 | 1 | 1 | | | |
| 16 | 90465-11M10 | CLAMP BRIDA | 4 | 4 | 4 | | | |
| 17 | 6E5-45987-01 | SPACER ESPACIADOR | 1 | 1 | 1 | | | |
| 18 | 688-45997-01 | SPACER ESPACIADOR | 1 | 1 | 1 | | | |
| 19 | 92990-18200 | WASHER ARANDELA PLANA | 1 | 1 | 1 | | | |
| 20 | 90171-18M04 | NUT, CASTLE TUERCA ENTALLADA | 1 | 1 | 1 | | | |
| 21 | 91490-40030 | PIN, COTTER CHAVETA | 1 | 1 | 1 | | | |
| 22 | 6G5-45941-01-98 | PROPELLER (3X15-1/4"X15"-M) PROPELA (3X15-1/4"X15"-M) | 1 | 1 | 1 | | | UR UR |
| | 6G5-45945-01-98 | PROPELLER (3X14"X19"-M) PROPELA (3X14"X19"-M) | 1 | 1 | 1 | | | UR UR |
| | 6G5-45947-01-98 | PROPELLER (3X14-1/2"X17"-M) PROPELA (3X14-1/2"X17"-M) | 1 | 1 | 1 | | | UR UR |
| | 6G5-45949-00-98 | PROPELLER (3X13-1/2"X23"-M) PROPELA (3X13-1/2"X23"-M) | 1 | 1 | 1 | | | UR UR |
| | 6G5-45952-00-98 | PROPELLER (3X14-5/8"X16"-M) PROPELA (3X14-5/8"X16"-M) | 1 | 1 | 1 | | | UR UR |

A4

STD

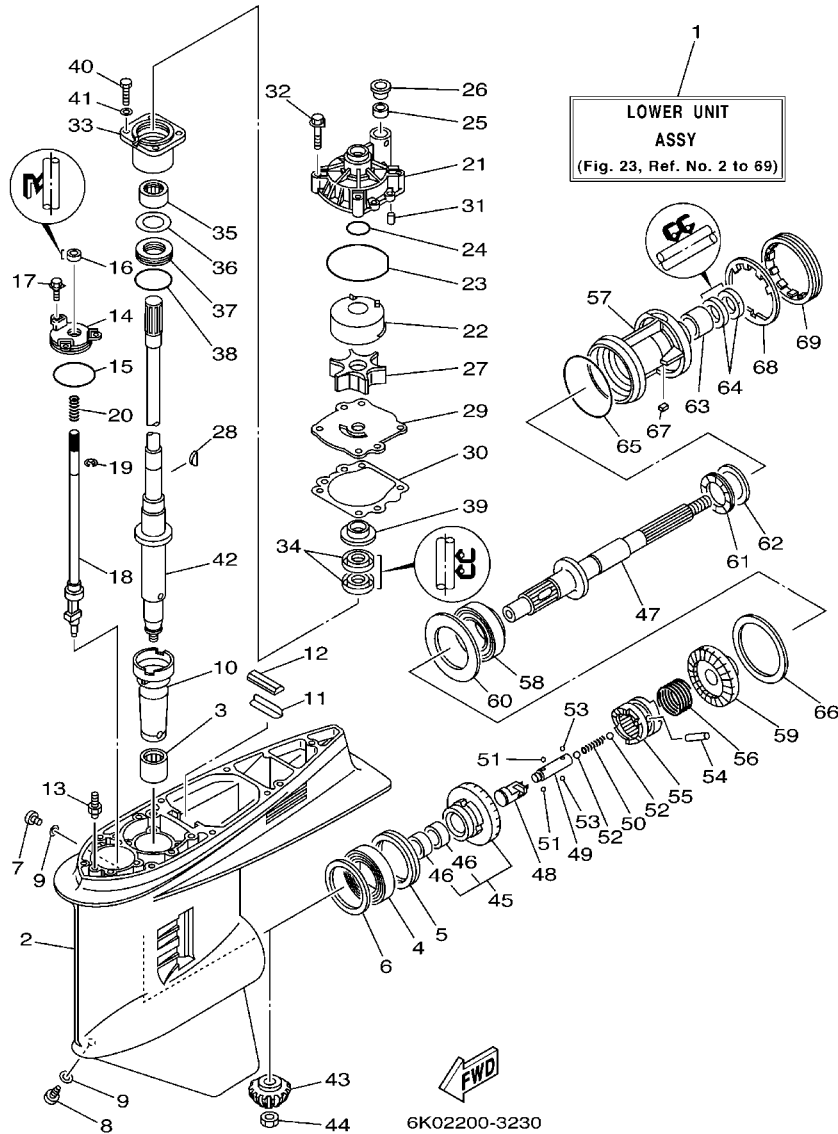


FWD
6G50200-1210

FIG. 22 LOWER CASING & DRIVE 2 IMPULSOR E INFERIOR 2

| REF. NO. | PART NO. CODIGO Nº | DESCRIPTION DESCRIPCION | 150A | 175A | 200A | L150 | L200 | REMARKS OBSERVACIONES |
|----------|--------------------|--|------|------|------|------|------|-----------------------|
| 22 | 6G5-45970-02-98 | PROPELLER (3X15-1/4"X15"-M) PROPELA (3X15-1/4"X15"-M) | 1 | 1 | 1 | | | UR UR |
| | 6G5-45972-02-98 | PROPELLER (3X13-3/4"X21"-M) PROPELA (3X13-3/4"X21"-M) | 1 | 1 | 1 | | | UR UR |
| | 6G5-45974-03-98 | PROPELLER (3X13-3/4"X19"-M2) PROPELA (3X13-3/4"X19"-M2) | 1 | 1 | 1 | | | UR UR |
| | 6G5-45976-01-98 | PROPELLER (3X13-3/8"X23"-M) PROPELA (3X13-3/8"X23"-M) | 1 | 1 | 1 | | | UR UR |
| | 6G5-45978-03-98 | PROPELLER (3X13-3/4"X17"-M2) PROPELA (3X13-3/4"X17"-M2) | 1 | 1 | 1 | | | UR UR |
| | 6G5-45930-00-98 | PROPELLER (3X13-3/8"X25"-M) PROPELA (3X13-3/8"X25"-M) | 1 | 1 | 1 | | | UR UR |
| | 6G5-45932-00-98 | PROPELLER (3X15-3/4"X13"-M) PROPELA (3X15-3/4"X13"-M) | 1 | 1 | 1 | | | UR UR |
| 23 | 6E5-45970-10 | PROPELLER (3X14"X20"-P) PROPELA (3X14"X20"-P) | 1 | 1 | 1 | | | UR UR |
| | 6E5-45972-10 | PROPELLER (3X14"X24"-P) PROPELA (3X14"X24"-P) | 1 | 1 | 1 | | | UR UR |
| | 6E5-45974-10 | PROPELLER (3X14"X28"-P) PROPELA (3X14"X28"-P) | 1 | 1 | 1 | | | UR UR |
| | 6E5-45976-10 | PROPELLER (3X14"X22"-P) PROPELA (3X14"X22"-P) | 1 | 1 | 1 | | | UR UR |
| | 6E5-45978-10 | PROPELLER (3X14"X26"-P) PROPELA (3X14"X26"-P) | 1 | 1 | 1 | | | UR UR |
| 24 | 6E5-45371-10 | TAB-TRIM QUILLA ESTABILIZADOR | 1 | 1 | 1 | | | |
| 25 | 6E5-45994-10 | PLATE, TOOTH PLACA | 1 | 1 | 1 | | | |

COUNTER ROTATION

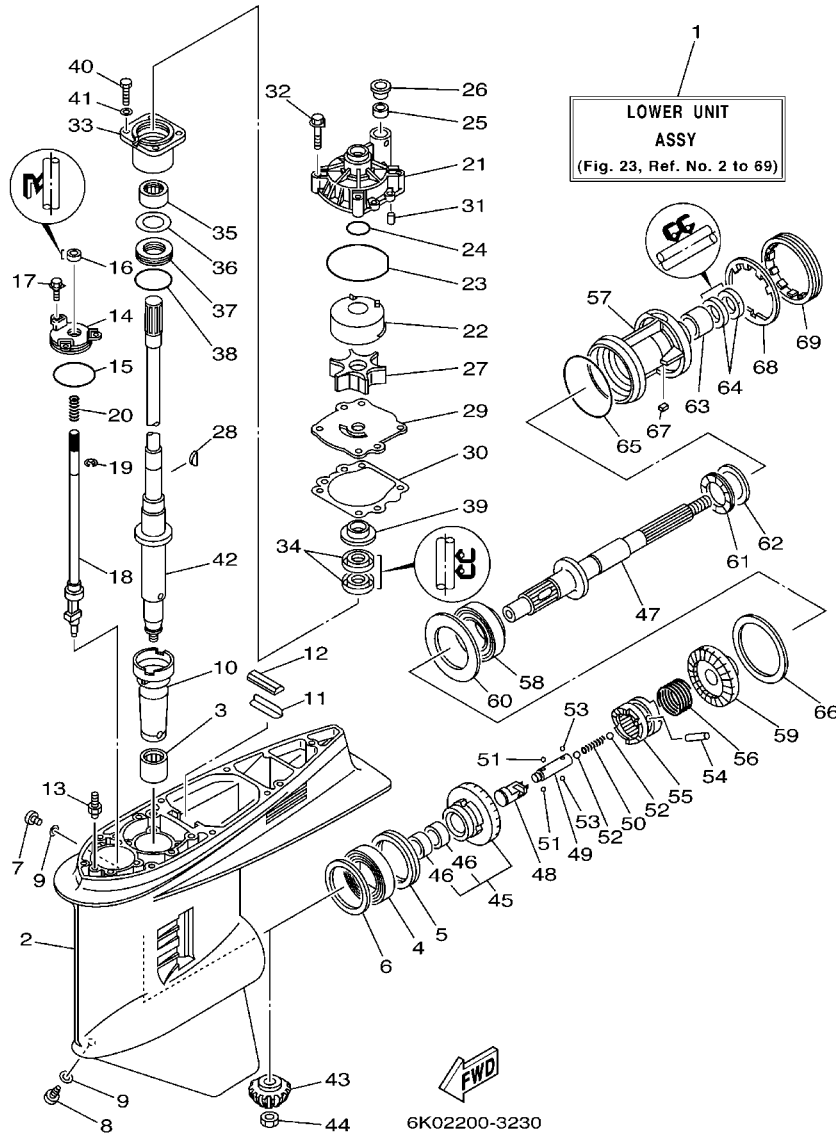


6K02200-3230

FIG. 23 LOWER CASING & DRIVE 3 IMPULSOR E INFERIOR 3

| REF. NO. | PART NO. CODIGO Nº | DESCRIPTION DESCRIPCION | 150A | 175A | 200A | L150 | L200 | REMARKS OBSERVACIONES |
|----------|--------------------|--|------|------|------|------|------|-----------------------|
| 1 | 6K1-45300-25-8D | LOWER UNIT ASSY CONJUNTO UNIDAD INFERIOR | | | | 1 | 1 | X X |
| 2 | 6J9-45301-05-8D | CASING, LOWER FUNDA INFERIOR COMPLETA | | | | 1 | 1 | |
| 3 | 93311-928U5 | BEARING COJINETE DE RODILLOS | | | | 1 | 1 | |
| 4 | 93390-000U2 | BEARING COJINETE DE RODILLOS | | | | 1 | 1 | |
| 5 | 93341-465U4 | BEARING COJINETES CON RODAMIENTOS | | | | 1 | 1 | |
| 6 | 6G5-45567-01-10 | SHIM (T:0.10MM) LAINA (T:0.10MM) | | | | 1 | 1 | UR UR |
| | 6G5-45567-01-12 | SHIM (T:0.12MM) LAINA (T:0.12MM) | | | | 1 | 1 | UR UR |
| | 6G5-45567-01-15 | SHIM (T:0.15MM) LAINA (T:0.15MM) | | | | 1 | 1 | UR UR |
| | 6G5-45567-01-18 | SHIM (T:0.18MM) LAINA (T:0.18MM) | | | | 1 | 1 | UR UR |
| | 6G5-45567-01-30 | SHIM (T:0.30MM) LAINA (T:0.30MM) | | | | 1 | 1 | UR UR |
| | 6G5-45567-01-40 | SHIM (T:0.40MM) LAINA (T:0.40MM) | | | | 1 | 1 | UR UR |
| | 6G5-45567-01-50 | SHIM (T:0.50MM) LAINA (T:0.50MM) | | | | 1 | 1 | UR UR |
| 7 | 90340-08002 | PLUG, STRAIGHT SCREW TORNILLO, DE DRENAJE | | | | 1 | 1 | |
| 8 | 688-45341-10 | PLUG, DRAIN TAPON, DREN | | | | 1 | 1 | |
| 9 | 90430-08020 | GASKET JUNTA | | | | 2 | 2 | |
| 10 | 6G5-45536-01 | SLEEVE, DRIVE SHAFT CAMISA EJE DE MANDO | | | | 1 | 1 | |
| 11 | 64D-45376-00-94 | GUIDE, SEAL DAMPER GUIA DE SELLO GOMA | | | | 1 | 1 | X X |
| 12 | 688-45375-00 | DAMPER, SEAL GOMA DE SELLO | | | | 1 | 1 | |
| 13 | 6J8-45378-00 | NIPPLE, HOSE NIPLE MANGUERA | | | | 1 | 1 | |
| 14 | 6E5-45321-00 | PLATE PLACA | | | | 1 | 1 | |
| 15 | 93210-58144 | O-RING ANILLO O | | | | 1 | 1 | |
| 16 | 93106-09014 | OIL SEAL RETEN DE ACEITE | | | | 1 | 1 | |
| 17 | 90119-06M10 | BOLT, WITH WASHER TORNILLO CON ARANDELA | | | | 3 | 3 | |
| 18 | 6K1-44150-01 | SHIFT CAM ASSY CONJUNTO EJE LEVA COMPL. | | | | 1 | 1 | |
| 19 | 99001-08600 | CIRCLIP PRESILLA REDONDA | | | | 1 | 1 | |
| 20 | 90501-11M10 | SPRING, COMPRESSION RESORTE DE COMPRESION | | | | 1 | 1 | |
| 21 | 61A-44311-01 | HOUSING, WATER PUMP CAJA BOMBA DE AGUA | | | | 1 | 1 | |

COUNTER ROTATION

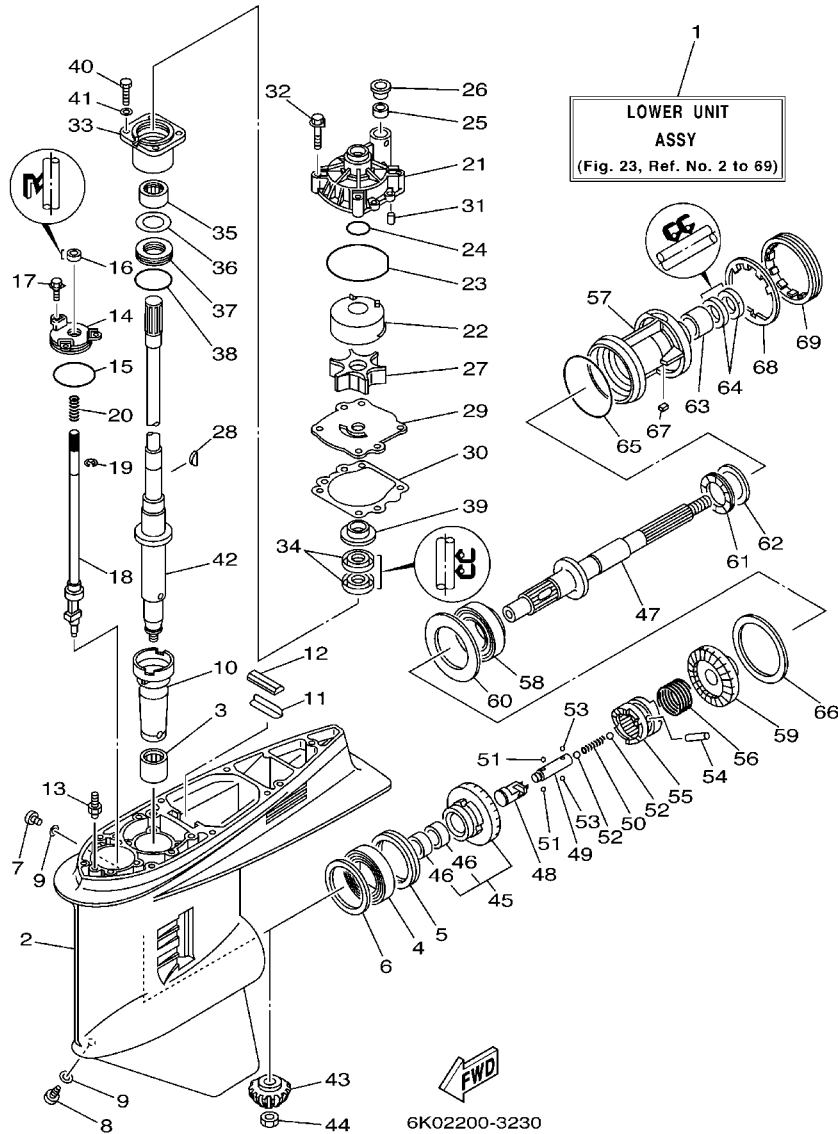


6K02200-3230

FIG. 23 LOWER CASING & DRIVE 3 IMPULSOR E INFERIOR 3

| REF. NO. | PART NO. CODIGO Nº | DESCRIPTION DESCRIPCION | 150A | 175A | 200A | L150 | L200 | REMARKS OBSERVACIONES |
|----------|--------------------|--|------|------|------|------|------|------------------------------|
| 22 | 6R3-44322-42 | INSERT, CARTRIDGE CARTUCHO | | | | 1 | 1 | FOR CHROMATE FOR CHROMATE |
| 23 | 93210-86M38 | O-RING ANILLO O | | | | 1 | 1 | |
| 24 | 93210-37160 | O-RING ANILLO O | | | | 1 | 1 | |
| 25 | 6E5-44365-00 | DAMPER, WATER SEAL HULE DE SELLO DE AGUA | | | | 1 | 1 | |
| 26 | 6E5-44312-00 | COVER, WATER PUMP HOUSING CUBIERTA CAJA BOMBA DE AGUA | | | | 1 | 1 | |
| 27 | 6E5-44352-01 | IMPELLER IMPULSOR | | | | 1 | 1 | |
| 28 | 90280-04M05 | KEY, WOODRUFF CUNA WOODRUFF | | | | 1 | 1 | |
| 29 | 6G5-44323-40 | OUTER PLATE, CARTRIDGE PLACA EXTERIOR DEL CARTUCHO | | | | 1 | 1 | FOR CHROMATE FOR CHROMATE |
| 30 | 6E5-44315-A0 | GASKET, WATER PUMP EMPAQUE | | | | 1 | 1 | |
| 31 | 93606-12019 | PIN, DOWEL PASADOR DE CLAVIJA | | | | 2 | 2 | |
| 32 | 90119-08M14 | BOLT, WITH WASHER TORNILLO CON ARANDELA | | | | 4 | 4 | |
| 33 | 6E5-45331-00-94 | HOUSING, BEARING CAJA DE COJINETE | | | | 1 | 1 | |
| 34 | 93101-28M16 | OIL SEAL SELLO ACEITE | | | | 2 | 2 | |
| 35 | 93317-330U2 | BEARING COJINETE | | | | 1 | 1 | |
| 36 | 6E5-45587-01-10 | SHIM (T:0.10MM) LAINA (T:0.10MM) | | | | 1 | 1 | UR UR |
| | 6E5-45587-01-12 | SHIM (T:0.12MM) LAINA (T:0.12MM) | | | | 1 | 1 | UR UR |
| | 6E5-45587-01-15 | SHIM (T:0.15MM) LAINA (T:0.15MM) | | | | 1 | 1 | UR UR |
| | 6E5-45587-01-18 | SHIM (T:0.18MM) LAINA (T:0.18MM) | | | | 1 | 1 | UR UR |
| | 6E5-45587-01-30 | SHIM (T:0.30MM) LAINA (T:0.30MM) | | | | 1 | 1 | UR UR |
| | 6E5-45587-01-40 | SHIM (T:0.40MM) LAINA (T:0.40MM) | | | | 1 | 1 | UR UR |
| | 6E5-45587-01-50 | SHIM (T:0.50MM) LAINA (T:0.50MM) | | | | 1 | 1 | UR UR |
| 37 | 93341-930V2 | BEARING COJINETES CON RODAMIENTOS | | | | 1 | 1 | |
| 38 | 93210-55M14 | O-RING ANILLO O | | | | 1 | 1 | |
| 39 | 6E5-45344-00 | COVER, OIL SEAL CUBIERTA SELLO ACEITE | | | | 1 | 1 | |
| 40 | 97095-08025 | BOLT PERNO | | | | 4 | 4 | |
| 41 | 92995-08600 | WASHER ARANDELA | | | | 4 | 4 | |
| 42 | 6G5-45501-21 | DRIVE SHAFT COMP. EJE DE MANDO COMPL. | | | | 1 | 1 | X X |

COUNTER ROTATION

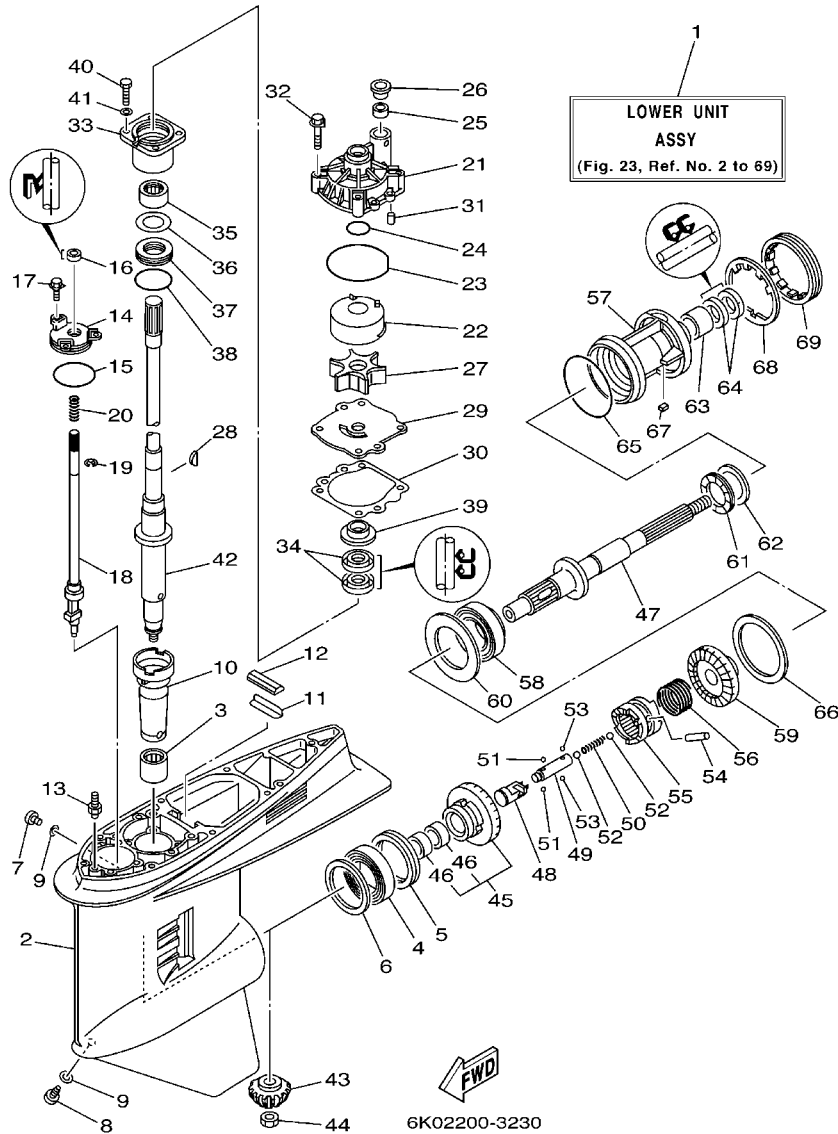


6K02200-3230

FIG. 23 LOWER CASING & DRIVE 3 IMPULSOR E INFERIOR 3

| REF. NO. | PART NO. CODIGO Nº | DESCRIPTION DESCRIPCION | 150A | 175A | 200A | L150 | L200 | REMARKS OBSERVACIONES |
|----------|--------------------|--|------|------|------|------|------|-----------------------|
| 43 | 6G5-45551-10 | PINION PINON | | | | 1 | 1 | |
| 44 | 90170-16M01 | NUT TUERCA | | | | 1 | 1 | |
| 45 | 6K1-45560-01 | GEAR ENGRANE COMPLE 1 | | | | 1 | 1 | |
| 46 | 93315-425V3 | .BEARING .COJINETE DE RODILLOS | | | | 2 | 2 | |
| 47 | 6K1-45611-10 | SHAFT, PROPELLER EJE PROPUSOR | | | | 1 | 1 | |
| 48 | 6K1-45641-01 | SHIFTER CAMBIO | | | | 1 | 1 | |
| 49 | 6E5-45634-01 | SLIDE, SHIFT DESLIZADOR, CAMBIO | | | | 1 | 1 | |
| 50 | 90501-16M37 | SPRING, COMPRESSION RESORTE DE COMPRESION | | | | 1 | 1 | |
| 51 | 93507-32009 | BALL ESFERA | | | | 2 | 2 | |
| 52 | 93511-32017 | BALL ESFERA | | | | 2 | 2 | |
| 53 | 93503-16003 | BALL ESFERA | | | | 2 | 2 | |
| 54 | 90250-08M07 | PIN, STRAIGHT PASADOR CILINDRICO | | | | 1 | 1 | |
| 55 | 6G5-45631-10 | CLUTCH, DOG EMBRAGUE DE GARRA | | | | 1 | 1 | |
| 56 | 6E5-45633-01 | RING, CROSS PIN ANILLO DE PASADOR | | | | 1 | 1 | |
| 57 | 6K1-45332-01-94 | HOUSING, BEARING CAJA BALERO 2 | | | | 1 | 1 | |
| 58 | 93332-00048 | BEARING COJINETE | | | | 1 | 1 | |
| 59 | 6K1-45570-20 | GEAR ENGRANE COMPL 2 | | | | 1 | 1 | |
| 60 | 6K1-45576-00 | WASHER, THRUST ARANDELA DE EMPUJE AXIAL | | | | 1 | 1 | |
| 61 | 93341-440U5 | BEARING COJINETES CON RODAMIENTOS | | | | 1 | 1 | |
| 62 | 6K1-45578-01-10 | SHIM (T:0.10MM) LAINA (T:0.10MM) | | | | 1 | 1 | UR UR |
| | 6K1-45578-01-12 | SHIM (T:0.12MM) LAINA (:0.12MM) | | | | 1 | 1 | UR UR |
| | 6K1-45578-01-15 | SHIM (T:0.15MM) LAINA (T:0.15MM) | | | | 1 | 1 | UR UR |
| | 6K1-45578-01-18 | SHIM (T:0.18MM) LAINA (T:0.18MM) | | | | 1 | 1 | UR UR |
| | 6K1-45578-01-30 | SHIM (T:0.30MM) LAINA (T:0.30MM) | | | | 1 | 1 | UR UR |
| | 6K1-45578-01-40 | SHIM (T:0.40MM) LAINA (T:0.40MM) | | | | 1 | 1 | UR UR |
| | 6K1-45578-01-50 | SHIM (T:0.50MM) LAINA (T:0.50MM) | | | | 1 | 1 | UR UR |
| 63 | 93315-43061 | BEARING COJINETE DE RODILLOS | | | | 1 | 1 | |

COUNTER ROTATION

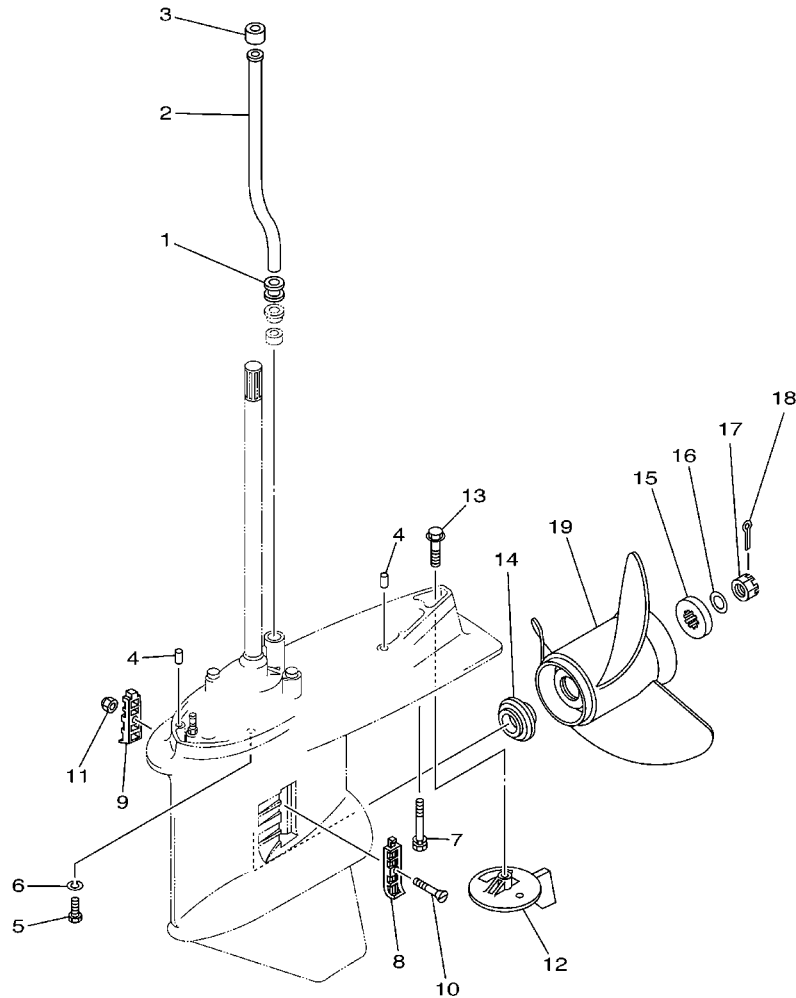


6K02200-3230

FIG. 23 LOWER CASING & DRIVE 3 IMPULSOR E INFERIOR 3

| REF. NO. | PART NO. CODIGO Nº | DESCRIPTION DESCRIPCION | 150A | 175A | 200A | L150 | L200 | REMARKS OBSERVACIONES |
|----------|--------------------|-------------------------------------|------|------|------|------|------|-----------------------|
| 64 | 93101-30M17 | OIL SEAL SELLO ACEITE | | | | 2 | 2 | |
| 65 | 93210-97M55 | O-RING ANILLO O | | | | 1 | 1 | |
| 66 | 6G5-45577-02-10 | SHIM (T:0.10MM) LAINA (T:0.10MM) | | | | 1 | 1 | UR UR |
| | 6G5-45577-02-12 | SHIM (T:0.12MM) LAINA (T:0.12MM) | | | | 1 | 1 | UR UR |
| | 6G5-45577-02-15 | SHIM (T:0.15MM) LAINA (T:0.15MM) | | | | 1 | 1 | UR UR |
| | 6G5-45577-02-18 | SHIM (T:0.18MM) LAINA (T:0.18MM) | | | | 1 | 1 | UR UR |
| | 6G5-45577-02-30 | SHIM (T:0.30MM) LAINA (T:0.30MM) | | | | 1 | 1 | UR UR |
| | 6G5-45577-02-40 | SHIM (T:0.40MM) LAINA (T:0.40MM) | | | | 1 | 1 | UR UR |
| | 6G5-45577-02-50 | SHIM (T:0.50MM) LAINA (T:0.50MM) | | | | 1 | 1 | UR UR |
| 67 | 90282-04M00 | KEY, STRAIGHT CHAVETA, RECTA | | | | 1 | 1 | |
| 68 | 6G5-45383-01 | WASHER, CLAW ARANDELA DE UNA | | | | 1 | 1 | |
| 69 | 6G5-45384-00 | NUT TUERCA | | | | 1 | 1 | |

COUNTER ROTATION



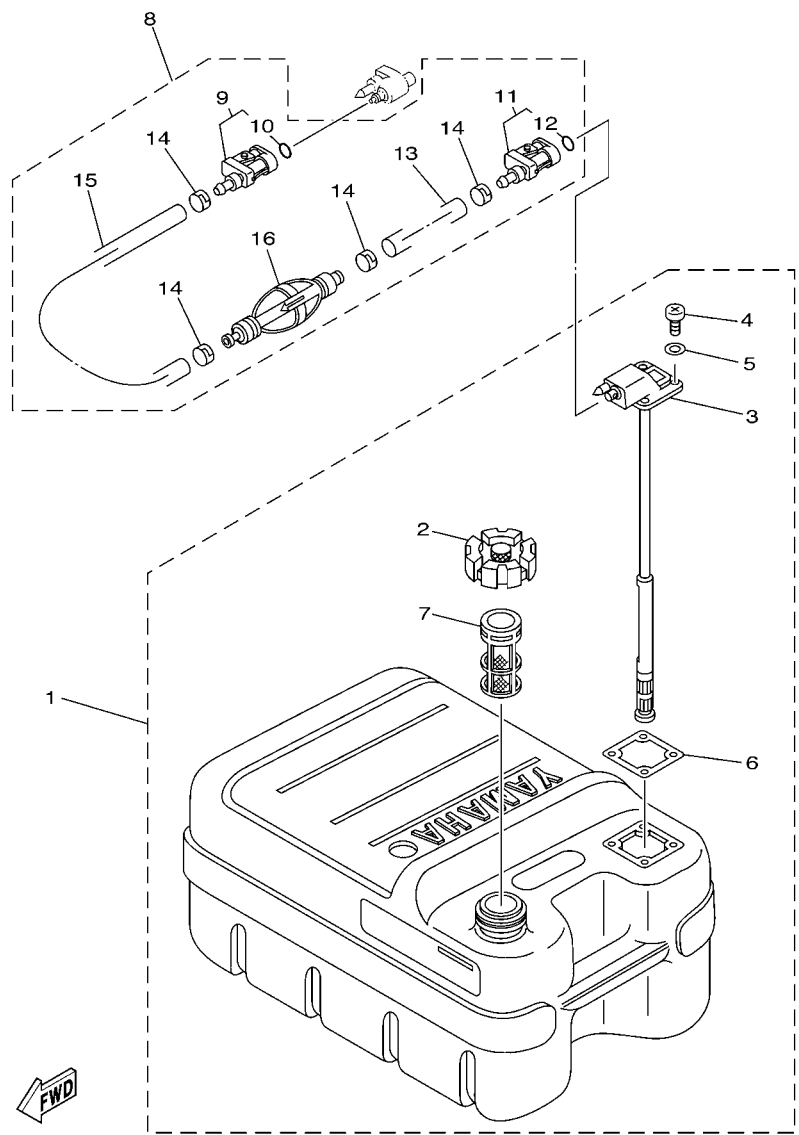
6K02200-3240

FIG. 24 LOWER CASING & DRIVE 4 IMPULSOR E INFERIOR 4

| REF. NO. | PART NO. CODIGO Nº | DESCRIPTION DESCRIPCION | 150A | 175A | 200A | L150 | L200 | REMARKS OBSERVACIONES |
|----------|--------------------|--|------|------|------|------|------|-----------------------|
| 1 | 6E5-44366-00 | DAMPER, WATER SEAL GOMA DEL SELLO DE AGUA | | | | 1 | 1 | |
| 2 | 6E5-44361-20 | TUBE, WATER TUBO DE AGUA | | | | 1 | 1 | X X |
| 3 | 6E5-44365-00 | DAMPER, WATER SEAL HULE DE SELLO DE AGUA | | | | 1 | 1 | |
| 4 | 93608-12M05 | PIN, DOWEL PASADOR DE CLAVIJA | | | | 2 | 2 | |
| 5 | 97075-10045 | BOLT PERNO | | | | 6 | 6 | |
| 6 | 92995-10100 | WASHER ARANDELA | | | | 6 | 6 | |
| 7 | 90119-10M89 | BOLT, WITH WASHER TORNILLO CON ARANDELA | | | | 1 | 1 | |
| 8 | 6J9-45214-00 | COVER, WATER INLET CUBIERTA ENTRADA AGUA | | | | 1 | 1 | |
| 9 | 6J9-45215-00 | COVER, WATER INLET CUBIERTA ENTRADA AGUA | | | | 1 | 1 | |
| 10 | 90152-05M08 | SCREW, COUNTERSUNK TORNILLO EMBUTIDO | | | | 1 | 1 | |
| 11 | 90185-05002 | NUT, SELF-LOCKING TUERCA AUTOBLOCANTE | | | | 1 | 1 | |
| 12 | 6K1-45371-02 | TAB-TRIM QUILLA ESTABILIZADOR | | | | 1 | 1 | |
| 13 | 90105-10M00 | BOLT, FLANGE TORNILLO | | | | 1 | 1 | |
| 14 | 6E5-45987-01 | SPACER ESPACIADOR | | | | 1 | 1 | |
| 15 | 688-45997-01 | SPACER ESPACIADOR | | | | 1 | 1 | |
| 16 | 92990-18200 | WASHER ARANDELA PLANA | | | | 1 | 1 | |
| 17 | 90171-18M04 | NUT, CASTLE TUERCA ENTALLADA | | | | 1 | 1 | |
| 18 | 91490-40030 | PIN, COTTER CHAVETA | | | | 1 | 1 | |
| 19 | 6K1-45970-01-98 | PROPELLER (3X15-1/4"X15"-ML) PROPELA (3X15-1/4"X15"-ML) | | | | 1 | 1 | UR UR |
| | 6K1-45972-01-98 | PROPELLER (3X13-3/4"X21"-ML) PROPELA (3X13-3/4"X21"-ML) | | | | 1 | 1 | UR UR |
| | 6K1-45974-02-98 | PROPELLER (3X13-3/4"X19"-ML1) PROPELA (3X13-3/4"X19"-ML1) | | | | 1 | 1 | UR UR |
| | 6K1-45978-02-98 | PROPELLER (3X13-3/4"X17"-ML1) PROPELA (3X13-3/4"X17"-ML1) | | | | 1 | 1 | UR UR |
| | 6K1-45947-00-98 | PROPELLER (3X14-1/2"X17"-ML) PROPELA (3X14-1/2"X17"-ML) | | | | 1 | 1 | UR UR |

FIG. 25 FUEL TANK

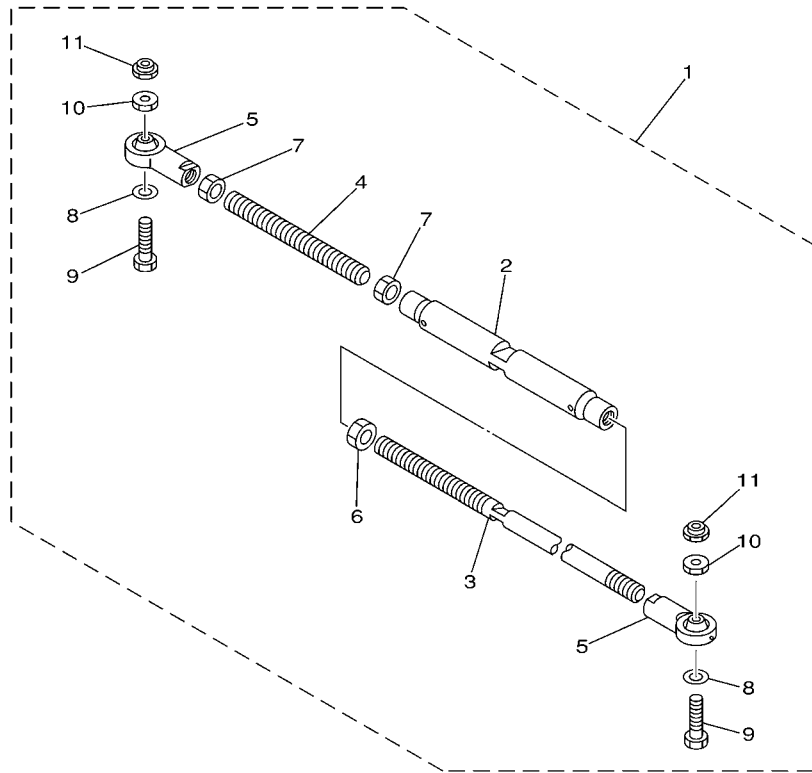
DEPOSITO DE COMBUSTIBLE



6E53200-C240

| REF. NO. | PART NO. CODIGO Nº | DESCRIPTION DESCRIPCION | 150A | 175A | 200A | L150 | L200 | REMARKS OBSERVACIONES |
|----------|--------------------|---|------|------|------|------|------|----------------------------------|
| 1 | 6YJ-24201-10 | FUEL TANK ASSY (24L) TANQUE DEL COMBUSTIBLE (24L) | 1 | | 1 | | | AP FOR CHN AP FOR CHN |
| 2 | 6YJ-24610-01 | .CAP ASSY .TAPA COMPLETA | 1 | | 1 | | | |
| 3 | 6Y1-24260-12 | .FUEL METER ASSY .MEDIDOR DE COMBUSTIBLE COMPL. | 1 | | 1 | | | WITH INDICATOR WITH INDICATOR |
| 4 | 98586-05016 | .SCREW, PAN HEAD .TORNILLO DE CABEZA CON PLANA | 4 | | 4 | | | |
| 5 | 6Y1-24329-00 | .SEAL .SELLO | 4 | | 4 | | | |
| 6 | 6Y1-24268-00 | .GASKET, FUEL METER .EMPAQ MEDIDOR DE COMBUSTIBLE | 1 | | 1 | | | |
| 7 | 6YJ-24167-00 | .STRAINER .COLADOR | 1 | | 1 | | | |
| 8 | 6Y2-24306-0A | FUEL PIPE COMP. 1 TUBO COMBUST. COMPL 1 | 1 | | 1 | | | AP FOR CHN AP FOR CHN |
| 9 | 6E5-24305-05 | .FUEL PIPE JOINT COMP. 2 .CONECTOR MANGUERA COMBUST. 2 | 1 | | 1 | | | |
| 10 | 93210-08287 | ..O-RING ..ANILLO O | 1 | | 1 | | | |
| 11 | 6Y2-24305-05 | .FUEL PIPE JOINT COMP. 2 .CONECTOR MANGUERA COMBUST. 2 | 1 | | 1 | | | |
| 12 | 93210-08287 | ..O-RING ..ANILLO O | 1 | | 1 | | | |
| 13 | 90445-13M01 | .HOSE (L2050) .MANGUERA (L2050) | 1 | | 1 | | | |
| 14 | 6E5-24351-01 | .BAND 1 .ABRAZADERA 1 | 4 | | 4 | | | |
| 15 | 90445-13M00 | .HOSE (L850) .MANGUERA (L850) | 1 | | 1 | | | |
| 16 | 61J-24360-11 | .PRIMER PUMP ASSY .SOPORTE BOMBA | 1 | | 1 | | | |

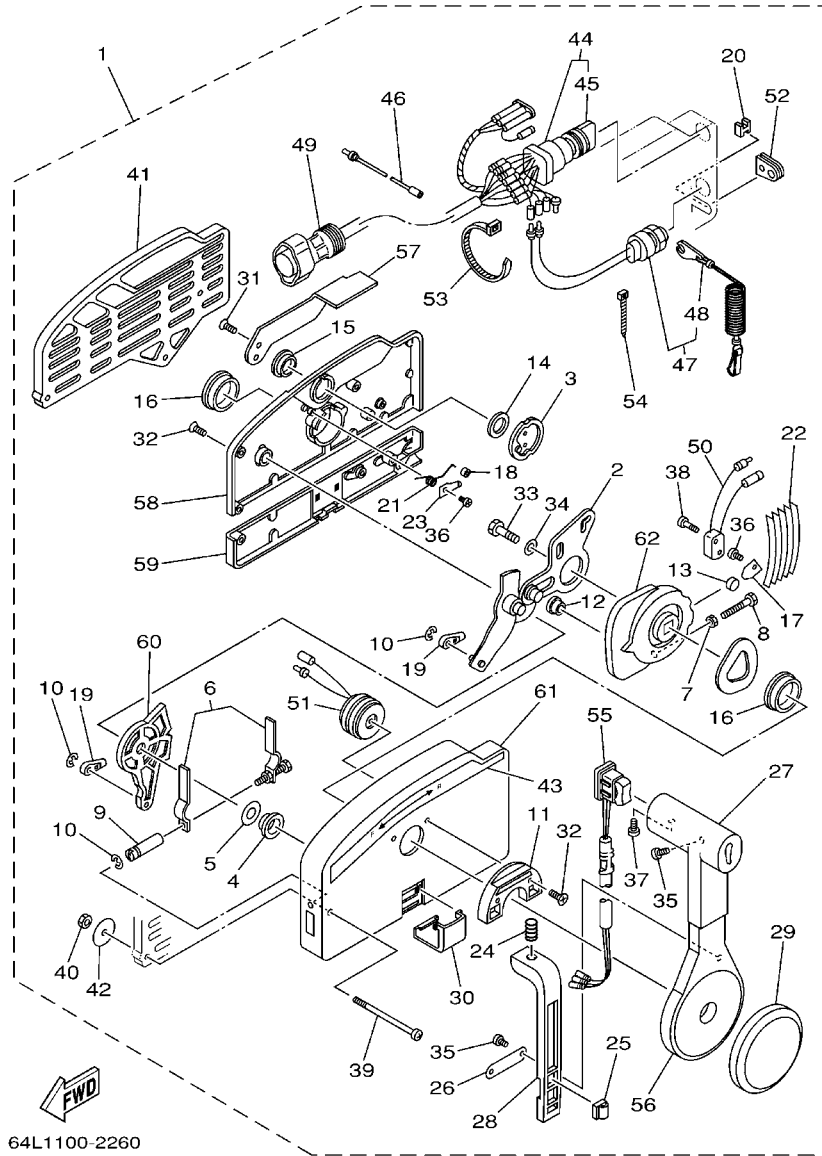
FIG. 27 STEERING GUIDE ATTACHMENT 2 ADITAMENTO GUIA DE GOBIERNO 2



67H0100-0300

| REF. NO. | PART NO. CODIGO Nº | DESCRIPTION DESCRIPCION | 150A | 175A | 200A | L150 | L200 | REMARKS OBSERVACIONES |
|----------|--------------------|--|------|------|------|------|------|-----------------------|
| 1 | 6E5-61301-01 | TWIN KIT (L:600-800MM) KIT ADITAMENTO (L:600-800MM) | | | | 1 | 1 | AP AP |
| 2 | 6E5-61313-00 | .ADJUSTER .AJUSTADOR | | | | 1 | 1 | |
| 3 | 6E5-61311-11 | .TIE BAR .BARRA SEPARADORA | | | | 1 | 1 | |
| 4 | 6E5-61315-00 | .TIE BAR .ROTOR DE BOMBA AGUA | | | | 1 | 1 | |
| 5 | 6E5-61303-00 | .STEERING EYE COMP. .OJO-DIRECCION COMPL. | | | | 2 | 2 | |
| 6 | 90170-14M06 | .NUT .TUERCA | | | | 1 | 1 | |
| 7 | 95380-14700 | .NUT .TUERCA | | | | 2 | 2 | |
| 8 | 90201-10M76 | .WASHER, PLATE .ARANDELA PLANA | | | | 2 | 2 | |
| 9 | 90101-09M70 | .BOLT .TORNILLO | | | | 2 | 2 | |
| 10 | 90170-09M05 | .NUT .TUERCA | | | | 2 | 2 | |
| 11 | 90185-09M01 | .NUT, SELF-LOCKING .TUERCA AUTOBLOCANTE | | | | 2 | 2 | |

B6



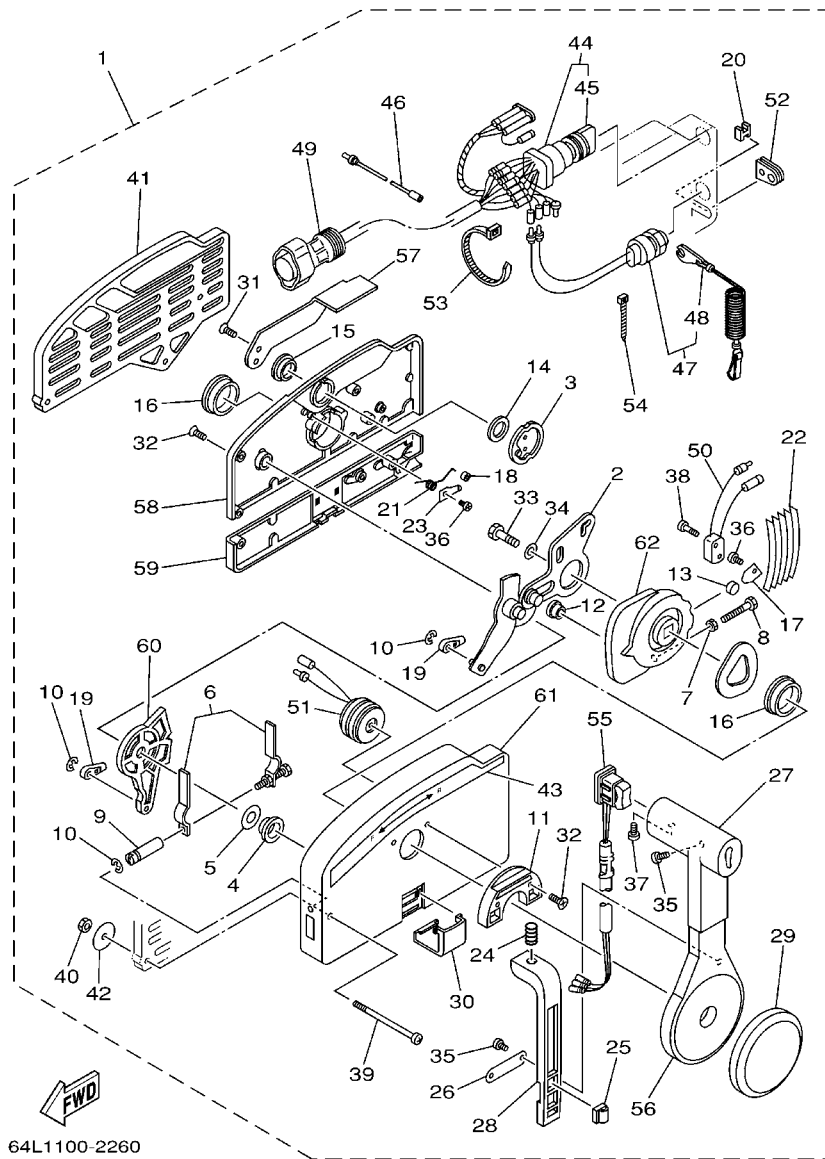
64L1100-2260

FIG. 29 REMOTE CONTROL ASSY 1 CONTROL REMOTO COMPL 1

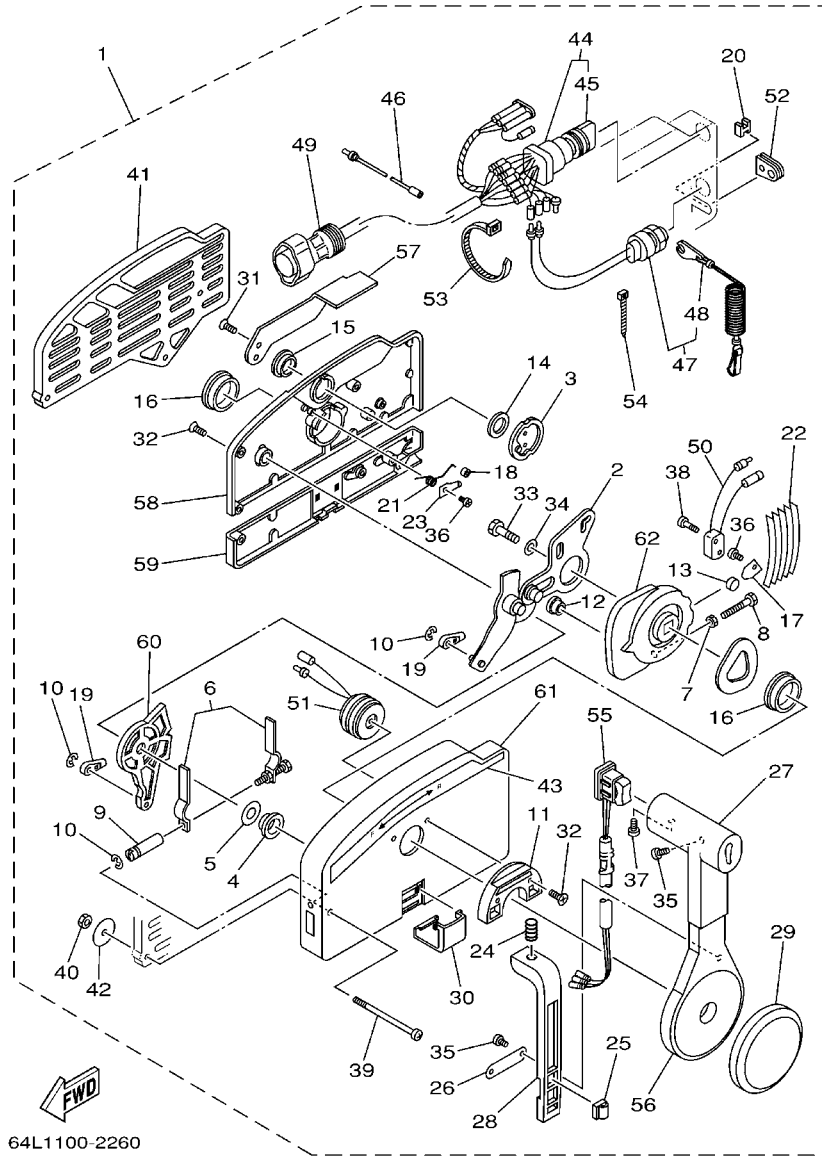
| REF. NO. | PART NO. CODIGO Nº | DESCRIPTION DESCRIPCION | 150A | 175A | 200A | L150 | L200 | REMARKS OBSERVACIONES |
|----------|--------------------|--|------|------|------|------|------|--|
| 1 | 703-48205-17 | REMOTE CONTROL ASSY (10P) REMOTO CONTROL COMPL. (10P) | 1 | 1 | 1 | | | AP 200A-EXCEPT IRN AP 200A-EXCEPT IRN |
| 2 | 703-48261-01 | .ARM, THROTTLE .BRAZO ACELERADOR | 1 | 1 | 1 | | | |
| 3 | 703-48153-00 | .SHAFT, FREE ACCEL. .EJE | 1 | 1 | 1 | | | |
| 4 | 703-48235-00 | .BUSHING .BUJE | 1 | 1 | 1 | | | |
| 5 | 703-48268-00 | .SPACER .ESPACIADOR 3 | 1 | 1 | 1 | | | |
| 6 | 703-48264-00 | .THROTTLE, FRICTION .FRICCION ACELERADOR | 1 | 1 | 1 | | | |
| 7 | 95380-05600 | .NUT .TUERCA | 1 | 1 | 1 | | | |
| 8 | 97380-05025 | .BOLT .TORNILLO HEXAGONAL | 1 | 1 | 1 | | | |
| 9 | 703-48265-00 | .SHAFT, FRICTION .EJE FRICCION | 1 | 1 | 1 | | | |
| 10 | 93430-06024 | .CIRCLIP .SEGURO | 3 | 3 | 3 | | | |
| 11 | 703-48245-00 | .PLATE, LOCK .PLACA CERRADURA | 1 | 1 | 1 | | | |
| 12 | 703-48252-00 | .ROLLER, CAM .RODILLO LEVA | 1 | 1 | 1 | | | |
| 13 | 701-48248-00 | .ROLLER, FREE ACCEL. .RODILLO ACELERADOR LIBRE | 1 | 1 | 1 | | | |
| 14 | 703-48198-00 | .WASHER, WAVE .RONDANA ONDULADA 3 | 1 | 1 | 1 | | | |
| 15 | 703-48243-00 | .BUSHING .BUJE 3 | 1 | 1 | 1 | | | |
| 16 | 703-48236-00 | .BUSHING 1 .BUJE | 2 | 2 | 2 | | | |
| 17 | 703-48189-00 | .RETAINER .RETENEDOR | 1 | 1 | 1 | | | |
| 18 | 703-48234-00 | .ROLLER, DETENT .RODILLO | 1 | 1 | 1 | | | |
| 19 | 703-48345-01 | .CABLE END, REMOTE CONTROL 2 .TERMINAL CABLE DE CONTROL REM | 2 | 2 | 2 | | | |
| 20 | 703-48358-00 | .ANCHOR, CABLE .ABRAZADERA CABLE | 1 | 1 | 1 | | | |
| 21 | 703-48244-00 | .SPRING, FREE ACCEL. .RESORTE ACELERADOR LIBRE | 1 | 1 | 1 | | | |
| 22 | 703-48238-00 | .SPRING, DETENT .RESORTE | 5 | 5 | 5 | | | |
| 23 | 703-48246-00 | .SPACER .ESPACIADOR | 1 | 1 | 1 | | | |
| 24 | 703-48227-00 | .SPRING, NEUTRAL LOCK .RESORTE DE SEGURO | 1 | 1 | 1 | | | |
| 25 | 703-82594-00 | .CLAMP .GRAMPA | 1 | 1 | 1 | | | WITH P/T SW. WITH P/T SW. |
| 26 | 703-48226-00 | .PLATE, STOPPER .PLACA RETEN | 1 | 1 | 1 | | | |
| 27 | 703-48222-00 | .GRIP, CONTROL LEVER .MANGO DE PALANCA CONTROL | 1 | 1 | 1 | | | SINGLE SINGLE |

FIG. 29 REMOTE CONTROL ASSY 1

CONTROL REMOTO COMPL 1



| REF. NO. | PART NO. CODIGO Nº | DESCRIPTION DESCRIPCION | 150A | 175A | 200A | L150 | L200 | REMARKS OBSERVACIONES |
|----------|--------------------|--|------|------|------|------|------|--------------------------|
| 28 | 703-48223-00 | .LOCK, NEUTRAL .CERRADURA NEUTRO | 1 | 1 | 1 | | | |
| 29 | 703-48225-00 | .COVER .CUBIERTA | 1 | 1 | 1 | | | |
| 30 | 703-48219-00 | .COVER, LEAD .CUBIERTA | 1 | 1 | 1 | | | |
| 31 | 703-48281-00 | .SCREW .TORNILLO 1 | 2 | 2 | 2 | | | |
| 32 | 703-48282-00 | .SCREW .TORNILLO 2 | 7 | 7 | 7 | | | |
| 33 | 97380-08030 | .BOLT .TORNILLO HEXAGONAL | 1 | 1 | 1 | | | |
| 34 | 92990-08600 | .WASHER, PLATE .ARANDELA PLANA | 1 | 1 | 1 | | | |
| 35 | 98580-04010 | .SCREW, PAN HEAD .TORNILLO DE CABEZA CRUZADA | 3 | 3 | 3 | | | |
| 36 | 98580-04006 | .SCREW, PAN HEAD .TORNILLO DE CABEZA CRUZADA | 2 | 2 | 2 | | | |
| 37 | 98580-05010 | .SCREW, PAN HEAD .TORNILLO DE CABEZA CRUZADA | 1 | 1 | 1 | | | |
| 38 | 98580-03015 | .SCREW, PAN HEAD .TORNILLO DE CABEZA CRUZADA | 2 | 2 | 2 | | | |
| 39 | 703-48291-10 | .SCREW (M6) .TORNILLO (M6) | 3 | 3 | 3 | | | |
| 40 | 95380-06600 | .NUT, HEXAGON .TUERCA | 3 | 3 | 3 | | | |
| 41 | 703-48293-10 | .SPACER, REMOTE CONTROL .ESPACIADOR | 1 | 1 | 1 | | | SINGLE SINGLE |
| 42 | 701-48287-00 | .WASHER .ARANDELA | 3 | 3 | 3 | | | |
| 43 | 703-48215-00 | .GRAPHIC .CALCOMANIA 1 | 1 | 1 | 1 | | | |
| 44 | 703-82510-43 | .MAIN SWITCH ASSY .CONJUNTO DE LLAVE IGNICION | 1 | 1 | 1 | | | |
| 45 | 703-82577-00 | .CAP, KEY .TAPA | 1 | 1 | 1 | | | |
| 46 | 703-82531-00 | .WIRE, LEAD .CABLE CONDUCTOR | 1 | 1 | 1 | | | |
| 47 | 688-82575-01 | .ENGINE STOP SWITCH ASSY .INTERRUPTOR DE PARADA COMPL | 1 | 1 | 1 | | | |
| 48 | 682-82556-00 | .STOPPER .RETENER | 1 | 1 | 1 | | | |
| 49 | 688-8258A-20 | .EXTENSION, WIRE HARNESS .EXTENSION, ARNES DE CABLES | 1 | 1 | 1 | | | L:5M (10P) L:5M (10P) |
| 50 | 703-82540-00 | .NEUTRAL SWITCH ASSY .INTERRUPTOR NEUTRAL COMPL | 1 | 1 | 1 | | | |
| 51 | 703-83383-02 | .BUZZER .ZUMBADOR | 1 | 1 | 1 | | | |
| 52 | 703-48284-00 | .GROMMET .TAPON 1 | 1 | 1 | 1 | | | |
| 53 | 703-82591-00 | .BAND .BANDA | 1 | 1 | 1 | | | |
| 54 | 703-82592-00 | .BAND .BANDA | 1 | 1 | 1 | | | |



64L1100-2260

FIG. 29 REMOTE CONTROL ASSY 1 CONTROL REMOTO COMPL 1

| REF. NO. | PART NO. CODIGO Nº | DESCRIPTION DESCRIPCION | 150A | 175A | 200A | L150 | L200 | REMARKS OBSERVACIONES |
|----------|--------------------|---|------|------|------|------|------|--------------------------------|
| 55 | 703-82563-02 | .TRIM & TILT SWITCH ASSY .INTERRUPTOR DE INCLINACION | 1 | 1 | 1 | | | WITH PT/T SW. WITH PT/T SW. |
| 56 | 703-48221-00 | .LEVER, CONTROL .PALANCA CONTROL | 1 | 1 | 1 | | | |
| 57 | 703-48152-00 | .KNOB, FREE ACCEL. .PERILLA | 1 | 1 | 1 | | | |
| 58 | 703-48212-00 | .BACK PLATE 1 .PLACA TRASERA 1 | 1 | 1 | 1 | | | |
| 59 | 703-48213-00 | .BACK PLATE 2 .PLACA TRASERA 2 | 1 | 1 | 1 | | | |
| 60 | 703-48271-00 | .ARM, SHIFT .BRAZO CAMBIADOR | 1 | 1 | 1 | | | |
| 61 | 703-48211-01 | .HOUSING,1 .CAJA | 1 | 1 | 1 | | | |
| 62 | 703-48232-00 | .GEAR .ENGRANAJE 1 | 1 | 1 | 1 | | | |

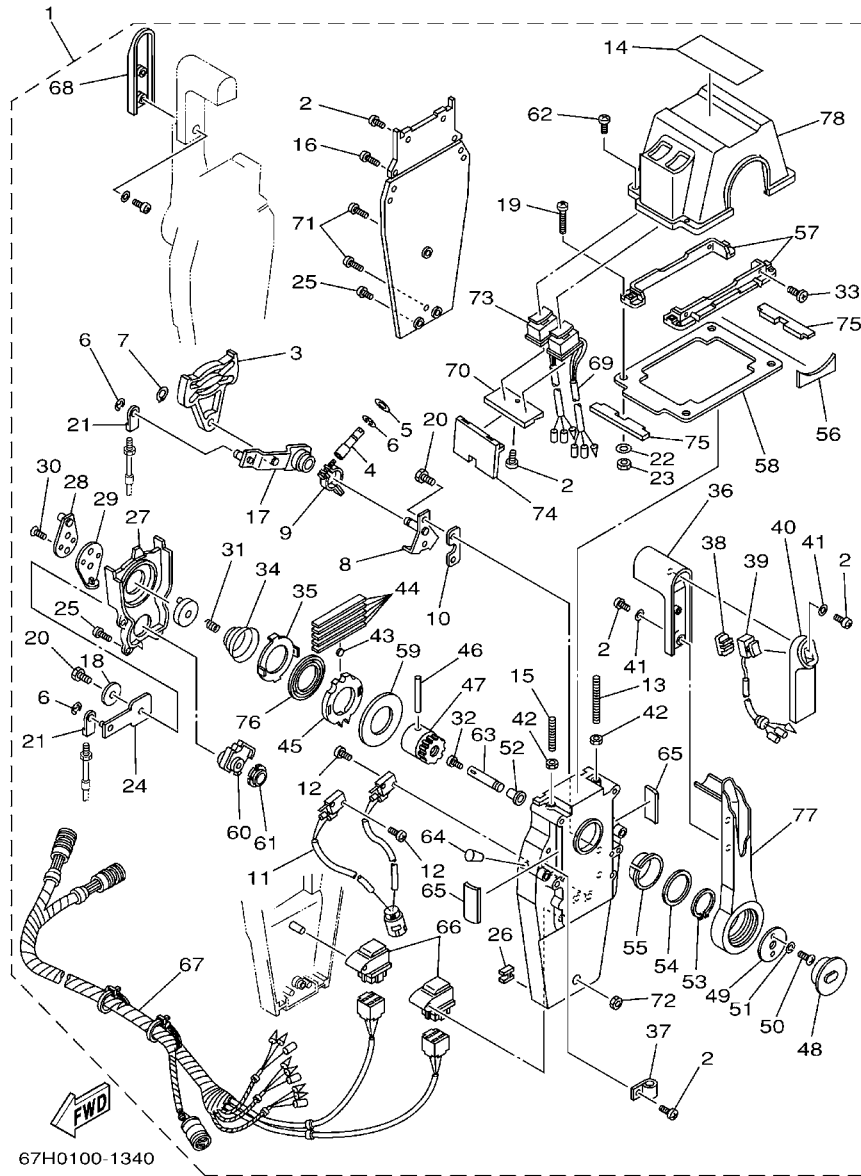


FIG. 30 REMOTE CONTROL ASSY 2 CONTROL REMOTO COMPL 2

| REF. NO. | PART NO. CODIGO N° | DESCRIPTION DESCRIPCION | 150A | 175A | 200A | L150 | L200 | REMARKS OBSERVACIONES |
|----------|--------------------|--|------|------|------|------|------|---------------------------------|
| 1 | 704-48207-23 | REMOTE CONTROL ASSY REMOTO CONTROL COMPL. | | | | 1 | 1 | 1 AP 200A-IRN AP 200A-IRN |
| 2 | 97890-05016 | .SCREW, PAN HEAD .TORNILLO | | | | 12 | 12 | 12 |
| 3 | EL8-48251-00 | .PLATE, CAM .PLACA, LEVA | | | | 2 | 2 | 2 |
| 4 | 704-48265-00 | .SHAFT, FRICTION .EJE FRICCION | | | | 2 | 2 | 2 |
| 5 | 701-48246-00 | .SPACER .ESPACIADOR | | | | 2 | 2 | 2 |
| 6 | 93430-06024 | .CIRCLIP .SEGURO | | | | 8 | 8 | 8 |
| 7 | EL8-48259-00 | .CIRCLIP 1 .SEGURO | | | | 2 | 2 | 2 |
| 8 | 704-48262-00 | .SHAFT, THROTTLE .EJE DE ACELERADOR | | | | 2 | 2 | 2 |
| 9 | 704-48264-00 | .THROTTLE, FRICTION .FRICCION ACELERADOR | | | | 2 | 2 | 2 |
| 10 | 704-48266-00 | .SPACER .ESPACIADOR 2 | | | | 2 | 2 | 2 |
| 11 | 704-82540-10 | .NEUTRAL SWITCH ASSY .INTERRUPTOR NEUTRAL COMPL | | | | 1 | 1 | 1 |
| 12 | 6A5-48129-10 | .SCREW 3 .TORNILLO 3 | | | | 4 | 4 | 4 |
| 13 | EL8-48281-00 | .SCREW .TORNILLO 1 | | | | 2 | 2 | 2 |
| 14 | 704-48215-10 | .GRAPHIC .CALCOMANIA 1 | | | | 1 | 1 | 1 |
| 15 | 704-48281-00 | .SCREW .TORNILLO 1 | | | | 2 | 2 | 2 |
| 16 | 97890-05025 | .SCREW, PAN HEAD .TORNILLO | | | | 4 | 4 | 4 |
| 17 | 704-48261-00 | .ARM, THROTTLE .BRAZO ACELERADOR | | | | 2 | 2 | 2 |
| 18 | EL8-48191-00 | .WASHER 1 .ARANDELA | | | | 2 | 2 | 2 |
| 19 | 704-48283-00 | .SCREW .TORNILLO 3 | | | | 4 | 4 | 4 |
| 20 | 97380-06018 | .BOLT .TORNILLO HEXAGONAL | | | | 6 | 6 | 6 |
| 21 | 703-48345-01 | .CABLE END, REMOTE CONTROL 2 .TERMINAL CABLE DE CONTROL REM | | | | 4 | 4 | 4 |
| 22 | 704-48287-00 | .WASHER .ARANDELA | | | | 4 | 4 | 4 |
| 23 | 95380-05600 | .NUT .TUERCA | | | | 4 | 4 | 4 |
| 24 | EL8-48271-00 | .ARM, SHIFT .BRAZO CAMBIADOR | | | | 2 | 2 | 2 |
| 25 | EL8-48127-00 | .SCREW 1 .TORNILLO 1 | | | | 16 | 16 | 16 |
| 26 | 703-48358-00 | .ANCHOR, CABLE .ABRAZADERA CABLE | | | | 2 | 2 | 2 |
| 27 | EL8-48231-00 | .HOUSING, GEAR .CAJA, ENGRANAJE | | | | 2 | 2 | 2 |

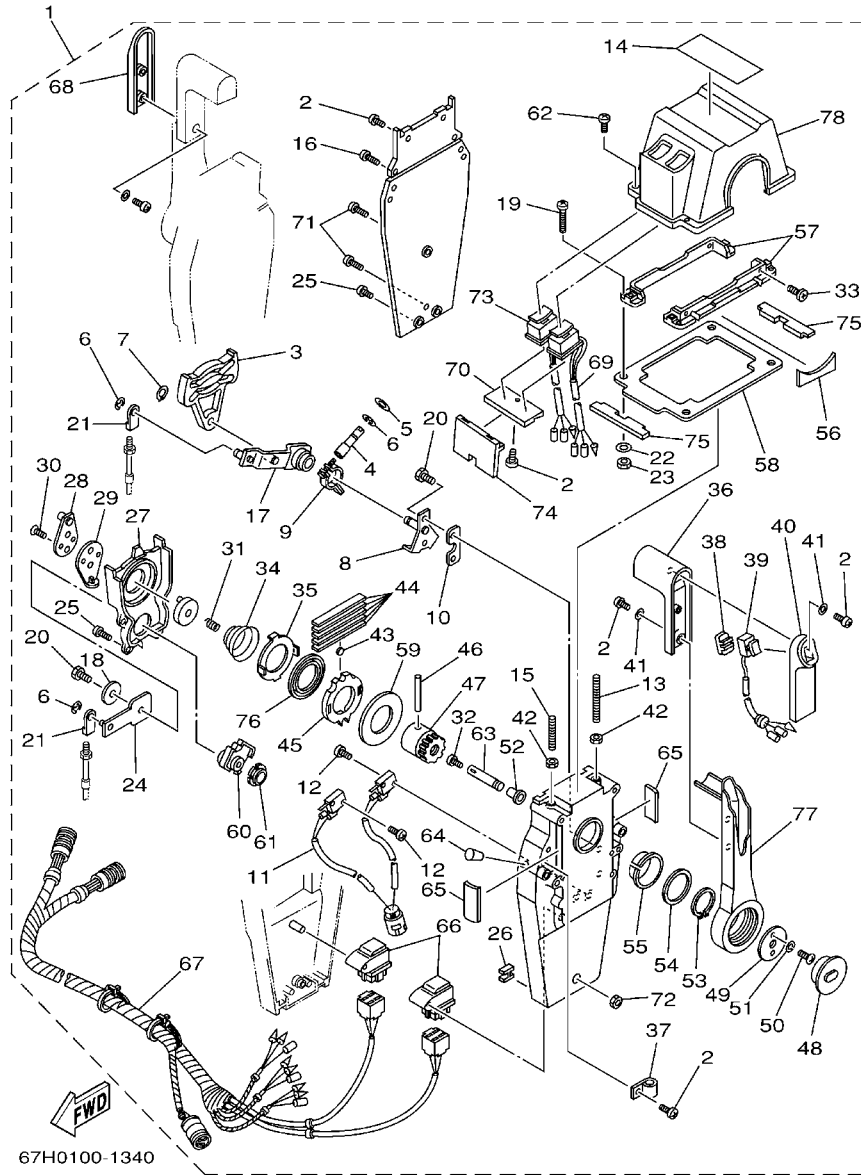


FIG. 30 REMOTE CONTROL ASSY 2 CONTROL REMOTO COMPL 2

| REF. NO. | PART NO. CODIGO N° | DESCRIPTION DESCRIPCION | 150A | 175A | 200A | L150 | L200 | REMARKS OBSERVACIONES |
|----------|--------------------|---|------|------|------|------|------|-----------------------|
| 28 | EL8-48241-00 | .ARM, DRIVE .BRAZO.MANDO | | | 2 | 2 | 2 | |
| 29 | EL8-48254-00 | .STOPPER, THROTTLE ADJUSTING .TAPON | | | 2 | 2 | 2 | |
| 30 | 92780-06020 | .SCREW, FLAT HEAD .TORNILLO CABEZA PLANA | | | 4 | 4 | 4 | |
| 31 | EL8-48158-00 | .SPRING 1 .RESORTE 1 | | | 2 | 2 | 2 | |
| 32 | 98580-04006 | .SCREW, PAN HEAD .TORNILLO DE CABEZA CRUZADA | | | 2 | 2 | 2 | |
| 33 | 98780-05018 | .SCREW, FLAT HEAD .TORNILLO CABEZA PLANA | | | 4 | 4 | 4 | |
| 34 | EL8-48244-00 | .SPRING, FREE ACCEL. .RESORTE ACELERADOR LIBRE | | | 2 | 2 | 2 | |
| 35 | EL8-48245-00 | .PLATE, LOCK .PLACA CERRADURA | | | 2 | 2 | 2 | |
| 36 | 704-48222-00 | .GRIP, CONTROL LEVER .MANGO DE PALANCA CONTROL | | | 2 | 2 | 2 | |
| 37 | 704-82594-00 | .CLAMP .GRAMPA | | | 1 | 1 | 1 | |
| 38 | 704-48228-00 | .HOLDER, SWITCH .MORDAZA | | | 1 | 1 | 1 | |
| 39 | 704-82563-31 | .TRIM & TILT SWITCH ASSY .INTERRUPTOR DE INCLINACION | | | 1 | 1 | 1 | |
| 40 | 704-48229-00 | .GRIP, CONTROL LEVER .MANGO DE PALANCA CONTROL 2 | | | 1 | 1 | 1 | |
| 41 | 92990-05300 | .WASHER, INTERNAL TOOTH .ARANDELA PLANA | | | 6 | 6 | 6 | |
| 42 | 95380-06600 | .NUT, HEXAGON .TUERCA | | | 4 | 4 | 4 | |
| 43 | 701-48248-00 | .ROLLER, FREE ACCEL. .RODILLO ACELERADOR LIBRE | | | 2 | 2 | 2 | |
| 44 | 703-48238-00 | .SPRING, DETENT .RESORTE | | | 10 | 10 | 10 | |
| 45 | EL8-48232-00 | .GEAR 1 .ENGRANAJE 1 | | | 2 | 2 | 2 | |
| 46 | EL8-48164-00 | .PIN 2 .PASADOR 2 | | | 2 | 2 | 2 | |
| 47 | 704-48242-00 | .SHAFT, DRIVE .EJE, PROPULSION | | | 2 | 2 | 2 | |
| 48 | 704-48225-00 | .COVER .CUBIERTA | | | 2 | 2 | 2 | |
| 49 | 704-48192-00 | .WASHER 2 .RONDANA 2 | | | 2 | 2 | 2 | |
| 50 | 97890-06018 | .SCREW, PAN HEAD .TORNILLO | | | 4 | 4 | 4 | |
| 51 | 92990-06300 | .WASHER, INTERNAL TOOTH .ARANDELA PLANA | | | 4 | 4 | 4 | |
| 52 | 702-48263-00 | .BUSHING .BUJE 4 | | | 2 | 2 | 2 | |
| 53 | EL8-48279-00 | .CIRCLIP 2 .SEGURO2 | | | 2 | 2 | 2 | |
| 54 | 704-48193-00 | .WASHER 3 .RONDANA 3 | | | 2 | 2 | 2 | |

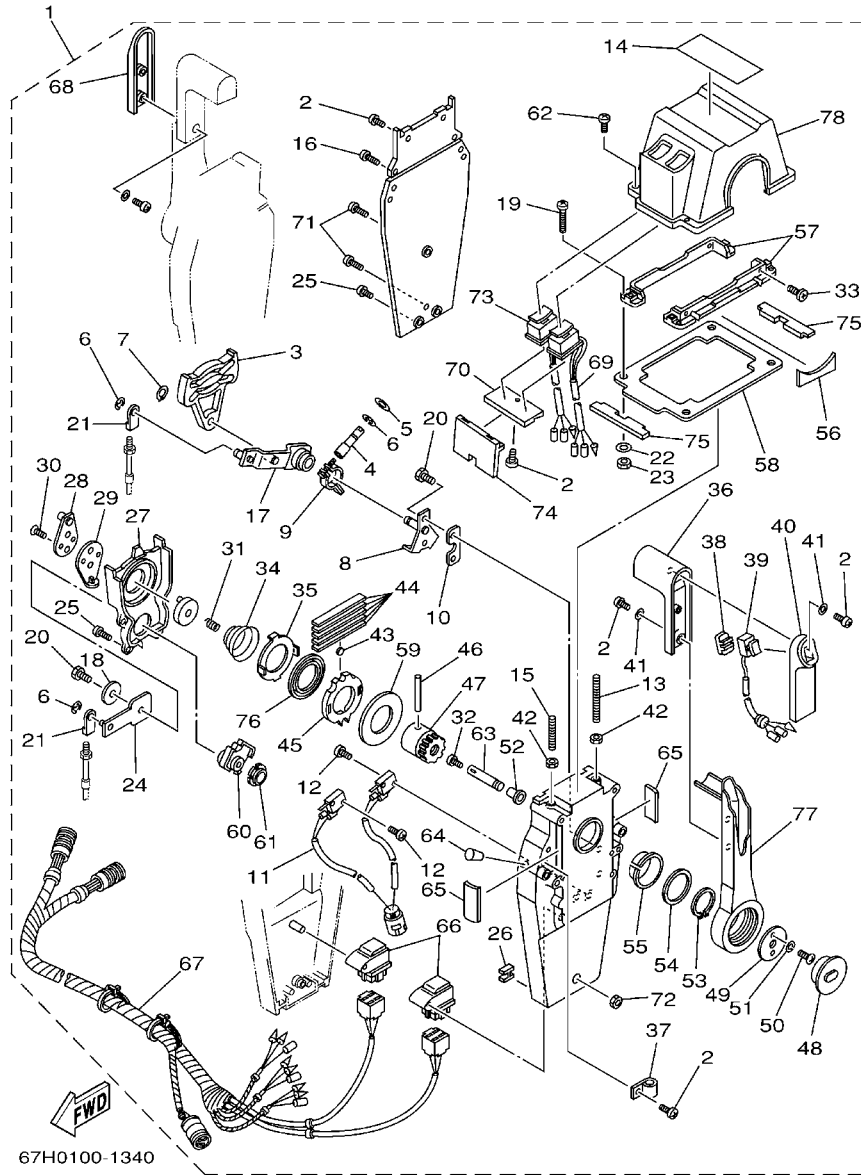
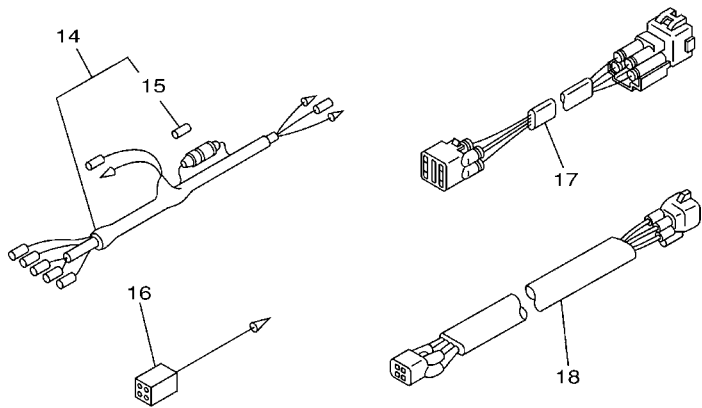
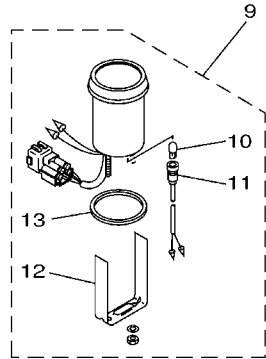
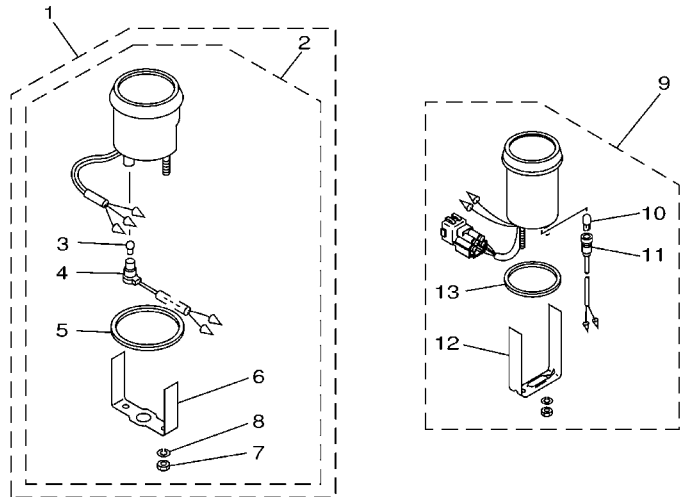


FIG. 30 REMOTE CONTROL ASSY 2 CONTROL REMOTO COMPL 2

| REF. NO. | PART NO. CODIGO Nº | DESCRIPTION DESCRIPCION | 150A | 175A | 200A | L150 | L200 | REMARKS OBSERVACIONES |
|----------|--------------------|---|------|------|------|------|------|-----------------------|
| 55 | EL8-48234-00 | .BUSHING 1 .BUJE | | | | 2 | 2 | 2 |
| 56 | 704-48219-00 | .COVER, LEAD .CUBIERTA | | | | 2 | 2 | 2 |
| 57 | 704-48144-00 | .PLATE, STOPPER 2 .PLACA, RETEN 2 | | | | 2 | 2 | 2 |
| 58 | 704-48176-10 | .GROMMET .TOPON | | | | 1 | 1 | 1 |
| 59 | 703-48192-00 | .WASHER 2 .RONDANA 2 | | | | 2 | 2 | 2 |
| 60 | EL8-48233-00 | .GEAR 2 .ENGRANAJE 2 | | | | 2 | 2 | 2 |
| 61 | 703-48235-00 | .BUSHING .BUJE | | | | 2 | 2 | 2 |
| 62 | 704-48282-00 | .SCREW .TORNILLO 2 | | | | 4 | 4 | 4 |
| 63 | EL8-48153-10 | .SHAFT, FREE ACCEL. .EJE | | | | 2 | 2 | 2 |
| 64 | 704-48166-00 | .PLUG .TAPON | | | | 2 | 2 | 2 |
| 65 | 704-48284-00 | .GROMMET .TAPON 1 | | | | 4 | 4 | 4 |
| 66 | 704-81950-00 | .RELAY ASSY .RELE COMPLETO | | | | 2 | 2 | 2 |
| 67 | 704-82590-10 | .WIRE HARNESS ASSY .CONJUNTO DE CABLES | | | | 1 | 1 | 1 |
| 68 | 704-48229-10 | .GRIP, CONTROL LEVER .MANGO DE PALANCA CONTROL 2 | | | | 1 | 1 | 1 |
| 69 | 704-82563-E0 | .TRIM & TILT SWITCH ASSY .INTERRUPTOR DE INCLINACION | | | | 1 | 1 | 1 |
| 70 | 704-48228-10 | .HOLDER, SWITCH .MORDAZA | | | | 1 | 1 | 1 |
| 71 | 704-48128-00 | .SCREW 2 .TORNILLO 2 | | | | 3 | 3 | 3 |
| 72 | 704-48156-00 | .NUT 1 .TUERCA 1 | | | | 1 | 1 | 1 |
| 73 | 704-82563-F0 | .TRIM & TILT SWITCH ASSY .INTERRUPTOR DE INCLINACION | | | | 1 | 1 | 1 |
| 74 | 704-48285-00 | .GROMMET 2 .TAPON 2 | | | | 1 | 1 | 1 |
| 75 | 704-48286-00 | .GROMMET 3 .TAPON 3 | | | | 2 | 2 | 2 |
| 76 | 704-48178-00 | .PLATE, SHIFT .PLACA | | | | 2 | 2 | 2 |
| 77 | 704-48221-00 | .LEVER, CONTROL .PALANCA CONTROL | | | | 2 | 2 | 2 |
| 78 | 704-48119-20 | .COVER .CUBIERTA | | | | 1 | 1 | 1 |



6G51200-2300

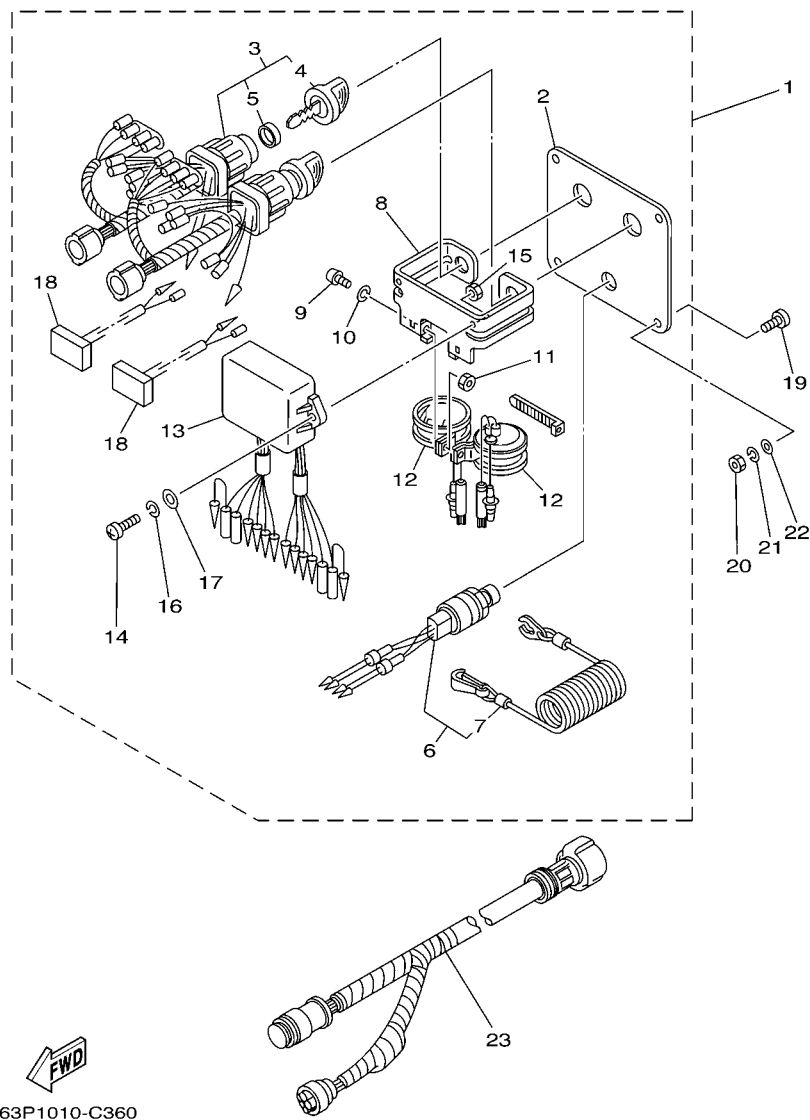
FIG. 31 METER

MEDIDOR

| REF. NO. | PART NO. CODIGO Nº | DESCRIPTION DESCRIPCION | 150A | 175A | 200A | L150 | L200 | REMARKS OBSERVACIONES |
|----------|--------------------|--|------|------|------|------|------|--------------------------------------|
| 1 | 6Y5-W0080-12 | TACHOMETER KIT JUEGO DE TACOMETRO | 1 | 1 | 1 | 1 | 1 | AP AP |
| 2 | 6Y5-83540-14 | .TACHOMETER ASSY .TACOMETRO COMPLETO | 1 | 1 | 1 | 1 | 1 | WITHOUT OIL LAMP WITHOUT OIL LAMP |
| 3 | 6Y5-83517-00 | ..BULB (12V-1.7W, T10) ..BOMBILLA (12V-1.7W, T10) | 1 | 1 | 1 | 1 | 1 | |
| 4 | 6Y5-83536-10 | ..SOCKET, METER ..ENCASTRE DE MEDIDOR | 1 | 1 | 1 | 1 | 1 | |
| 5 | 6Y5-83523-00 | ..DAMPER ..AMORTIGUADOR | 1 | 1 | 1 | 1 | 1 | |
| 6 | 6Y5-83514-00 | ..PLATE, FITTING ..PLACA ACCESORIA | 1 | 1 | 1 | 1 | 1 | |
| 7 | 95380-05600 | ..NUT ..TUERCA | 2 | 2 | 2 | 2 | 2 | |
| 8 | 92990-05100 | ..WASHER, SPRING ..ARANDELA PLANA | 2 | 2 | 2 | 2 | 2 | |
| 9 | 6Y5-83670-12 | TRIM METER ASSY. MEDIDOR DE INCLINACION | 1 | 1 | 1 | 1 | 1 | AP AP |
| 10 | 6Y5-83518-00 | ..BULB (12V-1.7W, T6.5) ..BOMBILLA (12V-1.7W, T6.5) | 1 | 1 | 1 | 1 | 1 | |
| 11 | 6Y5-83536-00 | ..SOCKET, METER ..ENCASTRE DE MEDIDOR | 1 | 1 | 1 | 1 | 1 | |
| 12 | 6Y5-83544-00 | ..PLATE, FITTING ..PLACA ACCESORIA | 1 | 1 | 1 | 1 | 1 | |
| 13 | 688-83664-00 | ..DAMPER ..AMORTIGUADOR | 1 | 1 | 1 | 1 | 1 | |
| 14 | 6Y5-83553-00 | WIRE, LEAD CABLE CONDUCTOR | 1 | 1 | 1 | 1 | 1 | AP AP |
| 15 | 1E6-82151-00 | ..FUSE (10A) ..FUSIBLE (10A) | 1 | 1 | 1 | 1 | 1 | |
| 16 | 6Y5-82117-00 | WIRE, LEAD (BLACK) CABLE, CONDUCTOR (NEGRO) | 1 | 1 | 1 | 1 | 1 | AP AP |
| 17 | 6R3-82553-70 | EXTENSION, WIRE LEAD CABLE | 1 | 1 | 1 | | | AP 4P,7M AP 4P,7M |
| | 6R3-82553-80 | EXTENSION, WIRE LEAD CABLE | | | | 1 | 1 | AP 4P,8M AP 4P,8M |
| 18 | 6R3-82553-30 | EXTENSION, WIRE LEAD L=3000 CABLE L=3000 | | | | 1 | 1 | AP AP |

FIG. 32 SWITCH & PANEL

PANEL DE INTERRUPTOR



63P1010-C360

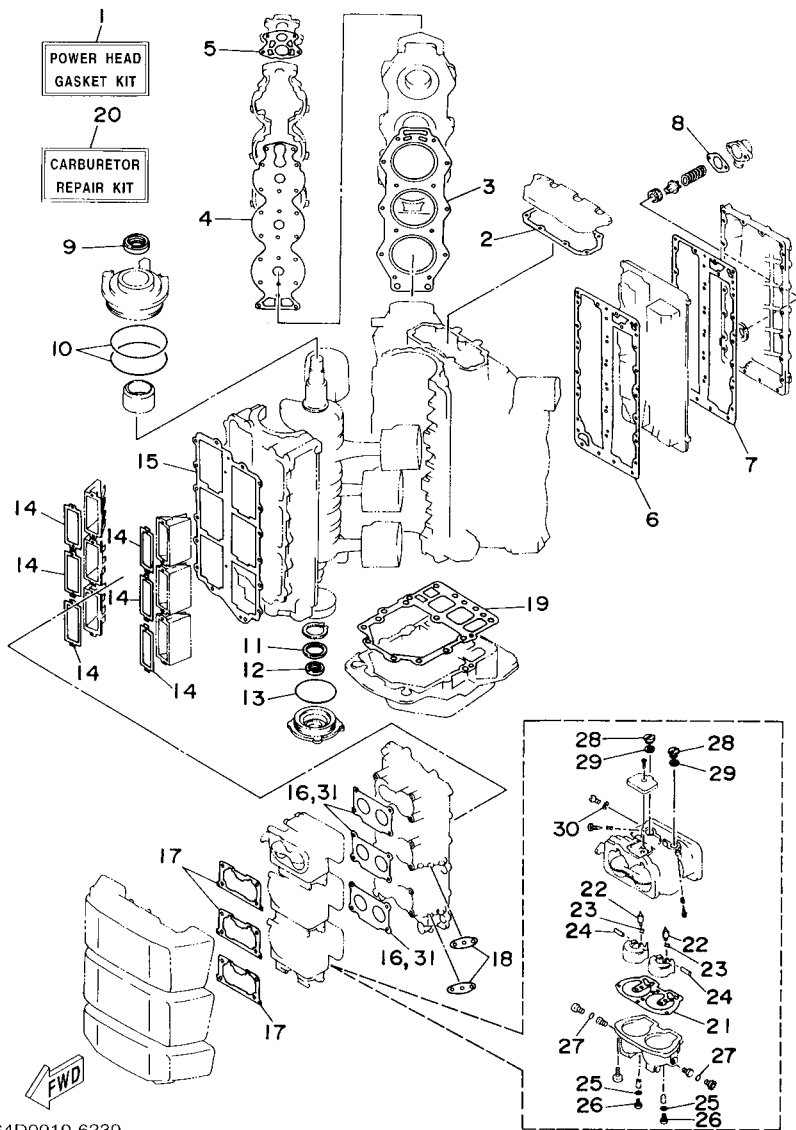
| REF. NO. | PART NO. CODIGO Nº | DESCRIPTION DESCRIPCION | 150A | 175A | 200A | L150 | L200 | REMARKS OBSERVACIONES |
|----------|--------------------|--|------|------|------|------|------|---------------------------------|
| 1 | 6K1-82570-07 | PANEL SWITCH ASSY INTERRUPTOR DE PANEL COMPL. | | | | 1 | 1 | 1 AP 200A-IRN AP 200A-IRN |
| 2 | 6K1-82571-01 | .PANEL, SWITCH .PANEL DE INTERRUPTOR | | | | 1 | 1 | 1 |
| 3 | 6K1-82510-06 | .MAIN SWITCH ASSY .CONJUNTO DE LLAVE IGNICION | | | | 2 | 2 | 2 |
| 4 | 703-82577-00 | ..CAP, KEY ..TAPA | | | | 1 | 1 | 1 |
| 5 | 6K1-82532-00 | ..CAP ..TAPA | | | | 1 | 1 | 1 |
| 6 | 6K1-82575-00 | .ENGINE STOP SWITCH ASSY .INTERRUPTOR DE PARADA COMPL | | | | 1 | 1 | 1 |
| 7 | 682-82556-00 | ..STOPPER ..RETENER | | | | 1 | 1 | 1 |
| 8 | 6K1-83614-01 | .BRACKET .SOPORTE | | | | 1 | 1 | 1 |
| 9 | 98980-05010 | .SCREW, BIND .TORNILLO DE LIGAR | | | | 2 | 2 | 2 |
| 10 | 92990-05100 | .WASHER, SPRING .ARANDELA PLANA | | | | 2 | 2 | 2 |
| 11 | 95380-05600 | .NUT .TUERCA | | | | 2 | 2 | 2 |
| 12 | 688-83383-11 | .BUZZER .ZUMBADOR | | | | 2 | 2 | 2 |
| 13 | 6K1-85830-01 | .CONTROL UNIT ASSY .UNIDAD CONTROL | | | | 1 | 1 | 1 |
| 14 | 98980-06020 | .SCREW, BIND .TORNILLO DE LIGAR | | | | 2 | 2 | 2 |
| 15 | 95380-06600 | .NUT, HEXAGON .TUERCA | | | | 2 | 2 | 2 |
| 16 | 92990-06100 | .WASHER, SPRING .ARANDELA PLANA | | | | 2 | 2 | 2 |
| 17 | 92990-06600 | .WASHER, PLATE .ARANDELA PLANA | | | | 2 | 2 | 2 |
| 18 | 6K1-81980-00 | .DIODE ASSY .RECTIFICADOR 2 | | | | 2 | 2 | 2 |
| 19 | 90149-05M05 | SCREW TORNILLO DE REGLAJE | | | | 4 | 4 | 4 AP 200A-IRN AP 200A-IRN |
| 20 | 95380-05600 | NUT TUERCA | | | | 4 | 4 | 4 AP 200A-IRN AP 200A-IRN |
| 21 | 92990-05100 | WASHER, SPRING ARANDELA PLANA | | | | 4 | 4 | 4 AP 200A-IRN AP 200A-IRN |
| 22 | 92990-05600 | WASHER, PLATE ARANDELA PLANA | | | | 4 | 4 | 4 AP 200A-IRN AP 200A-IRN |
| 23 | 6K1-8258A-40 | EXTENSION, WIRE HARNESS EXTENSION, ARNES DE CABLES | | | | 2 | 2 | 2 AP 200A-IRN AP 200A-IRN |

D1

FIG. 33 REPAIR KIT 1

ESTUCHE REPARATION 1

| REF. NO. | PART NO. CODIGO Nº | DESCRIPTION DESCRIPCION | 150A | 175A | 200A | L150 | L200 | REMARKS OBSERVACIONES |
|----------|--------------------|--|------|------|------|------|------|-----------------------|
| 1 | 6G5-W0001-11 | POWER HEAD GASKET KIT JUEGO DE EMPAQUE | 1 | 1 | 1 | 1 | 1 | |
| 2 | 6E5-11381-A2 | .GASKET 1 .EMPAQUE 1 | 1 | 1 | 1 | 1 | 1 | |
| 3 | 6G5-11181-A2 | .GASKET, CYLINDER HEAD 1 .JUNTA, DE CULATA 1 | 2 | 2 | 2 | 2 | 2 | |
| 4 | 6G5-11193-A0 | .GASKET, HEAD COVER 1 .EMPAQUE | 2 | 2 | 2 | 2 | 2 | |
| 5 | 688-12414-A1 | .GASKET, COVER .EMPAQUE | 2 | 2 | 2 | 2 | 2 | |
| 6 | 6G5-41112-A1 | .GASKET, EXHAUST INNER COVER .EMPAQUE | 1 | 1 | 1 | 1 | 1 | |
| 7 | 6G5-41114-A0 | .GASKET, EXHAUST OUTER COVER .EMPAQUE | 1 | 1 | 1 | 1 | 1 | |
| 8 | 6G5-11382-A1 | .GASKET 2 .EMPAQUE 2 | 1 | 1 | 1 | 1 | 1 | |
| 9 | 93102-40M14 | .OIL SEAL .SELLO ACEITE | 1 | 1 | 1 | 1 | 1 | |
| 10 | 93211-04001 | .O-RING .ANILLO O | 2 | 2 | 2 | 2 | 2 | |
| 11 | 93102-35M61 | .OIL SEAL .SELLO ACEITE | 1 | 1 | 1 | 1 | 1 | |
| 12 | 93101-22M15 | .OIL SEAL .SELLO ACEITE | 1 | 1 | 1 | 1 | 1 | |
| 13 | 93210-74M35 | .O-RING .ANILLO O | 1 | 1 | 1 | 1 | 1 | |
| 14 | 6E5-13621-A1 | .GASKET, VALVE SEAT .JUNTA, DE VALV.DE EMPAQUE | 6 | 6 | 6 | 6 | 6 | |
| 15 | 6G5-13645-A2 | .GASKET, MANIFOLD 1 .EMPAQUE | 1 | 1 | 1 | 1 | 1 | |
| 16 | 6E5-14198-A2 | .GASKET .EMPAQUE | 3 | 3 | 3 | 3 | 3 | |
| 17 | 6K7-14483-00 | .GASKET .EMPAQUE | 3 | 3 | 3 | 3 | 3 | |
| 18 | 650-24431-A0 | .GASKET, FUEL PUMP 1 .EMPAQUE BOMBA COMBUST 1 | 2 | 2 | 2 | 2 | 2 | |
| 19 | 68F-45113-00 | .GASKET, UPPER CASING .EMPAQUE | 1 | 1 | 1 | 1 | 1 | |
| 20 | 64D-W0093-01 | CARBURETOR REPAIR KIT KIT REPARACION CARBURADOR | 1 | 1 | 1 | 1 | 1 | |
| 21 | 64D-14384-01 | .GASKET, FLOAT CHAMBER .EMPAQUE DE CAMARA DE BOIA | 1 | 1 | 1 | 1 | 1 | |
| 22 | 6E5-14546-00 | .VALVE, NEEDLE .VALVULA DE AGUJA | 2 | 2 | 2 | 2 | 2 | |
| 23 | 6E5-14159-00 | .CLIP .PRESILLA | 2 | 2 | 2 | 2 | 2 | |
| 24 | 6E5-14386-02 | .PIN, FLOAT .PASADOR DE BOIA | 2 | 2 | 2 | 2 | 2 | |
| 25 | 61U-14959-00 | .GASKET .EMPAQUE | 2 | 2 | 2 | 2 | 2 | |
| 26 | 64D-14394-00 | .VALVE, DRAIN .VALVULA DE DRENAJE | 2 | 2 | 2 | 2 | 2 | |
| 27 | 6E5-14398-01 | .GASKET .EMPAQUE | 2 | 2 | 2 | 2 | 2 | |



64D0010-6230

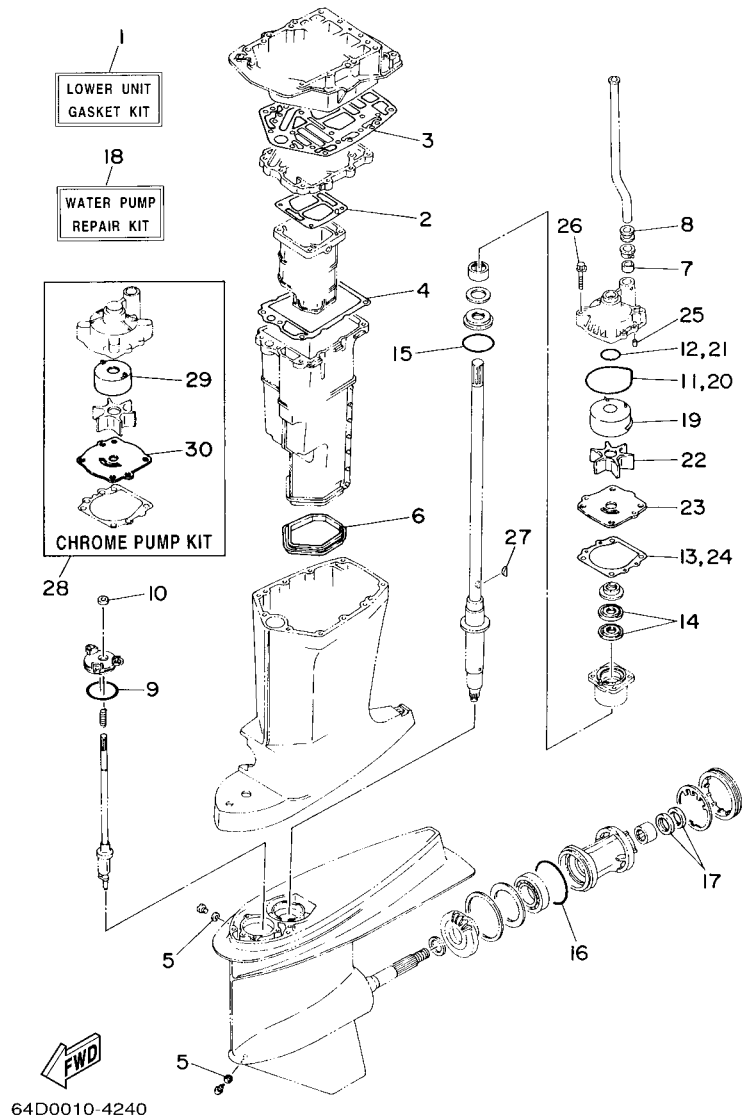


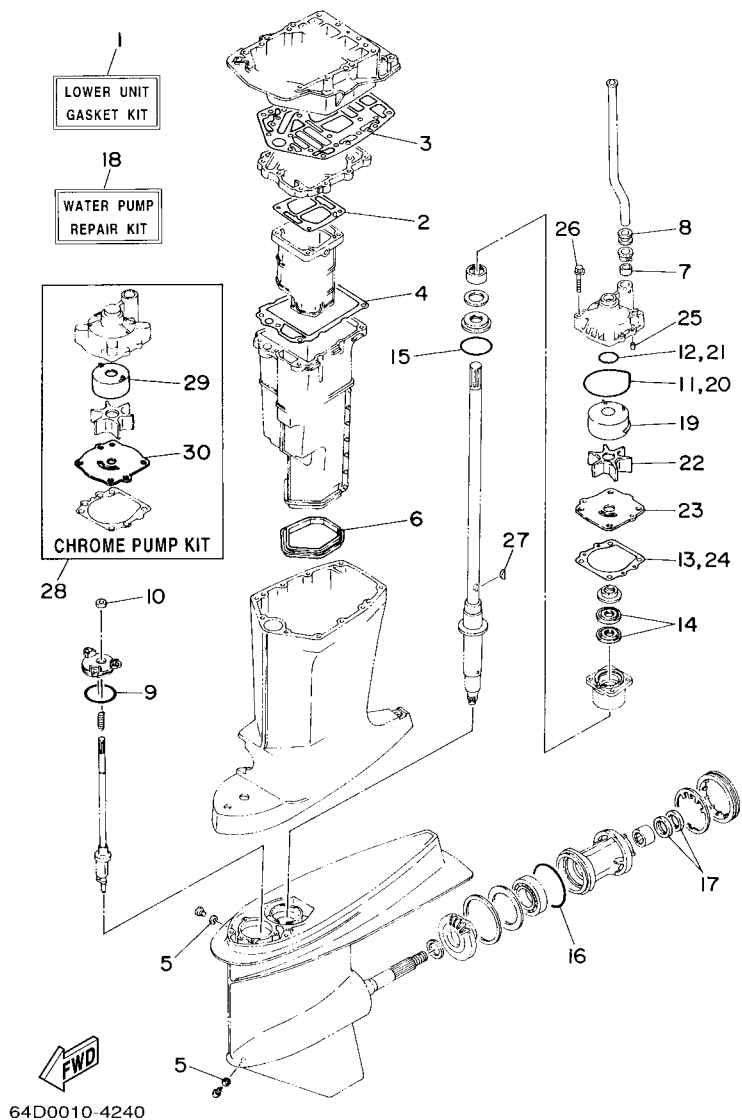
FIG. 34 REPAIR KIT 2

ESTUCHE REPARACION 2

| REF. NO. | PART NO. CODIGO N° | DESCRIPTION DESCRIPCION | 150A | 175A | 200A | L150 | L200 | REMARKS OBSERVACIONES |
|----------|--------------------|---|------|------|------|------|------|-----------------------|
| 1 | 6G5-W0001-C1 | LOWER UNIT GASKET KIT JUEGO DE EMPAQUE UNIDAD INFER | 1 | 1 | 1 | 1 | 1 | |
| 2 | 6G5-41134-A1 | .GASKET, EXHAUST MANIFOLD .EMPAQUE | 1 | 1 | 1 | 1 | 1 | |
| 3 | 6G5-45114-A1 | .GASKET, UPPER CASING .EMPAQUE | 1 | 1 | 1 | 1 | 1 | |
| 4 | 6E5-41135-A0 | .GASKET, EXHAUST MANIFOLD .EMPAQUE | 1 | 1 | 1 | 1 | 1 | |
| 5 | 90430-08020 | .GASKET JUNTA | 2 | 2 | 2 | 2 | 2 | |
| 6 | 6E5-45123-00 | .GASKET, MUFFLER .EMPAQUE SILENCIADOR | 1 | 1 | 1 | 1 | 1 | |
| 7 | 6E5-44365-00 | .DAMPER, WATER SEAL .HULE DE SELLO DE AGUA | 1 | 1 | 1 | 1 | 1 | |
| 8 | 6E5-44366-00 | .DAMPER, WATER SEAL .GOMA DEL SELLO DE AGUA | 1 | 1 | 1 | 1 | 1 | |
| 9 | 93210-58144 | .O-RING .ANILLO O | 1 | 1 | 1 | 1 | 1 | |
| 10 | 93106-09014 | .OIL SEAL .RETEN DE ACEITE | 1 | 1 | 1 | 1 | 1 | |
| 11 | 93210-86M38 | .O-RING .ANILLO O | 1 | 1 | 1 | 1 | 1 | |
| 12 | 93210-37160 | .O-RING .ANILLO O | 1 | 1 | 1 | 1 | 1 | |
| 13 | 6E5-44315-A0 | .GASKET, WATER PUMP .EMPAQUE | 1 | 1 | 1 | 1 | 1 | |
| 14 | 93101-28M16 | .OIL SEAL .SELLO ACEITE | 2 | 2 | 2 | 2 | 2 | |
| 15 | 93210-55M14 | .O-RING .ANILLO O | 1 | 1 | 1 | 1 | 1 | |
| 16 | 93210-97M55 | .O-RING .ANILLO O | 1 | 1 | 1 | 1 | 1 | |
| 17 | 93101-30M17 | .OIL SEAL .SELLO ACEITE | 2 | 2 | 2 | 2 | 2 | |
| 18 | 61A-W0078-A3 | WATER PUMP REPAIR KIT ESTUCHE REPARACION BOMBA AGUA | 1 | 1 | 1 | 1 | 1 | |
| 19 | 61A-44322-02 | .INSERT, CARTRIDGE .CARTUCHO | 1 | 1 | 1 | 1 | 1 | |
| 20 | 93210-86M38 | .O-RING .ANILLO O | 1 | 1 | 1 | 1 | 1 | |
| 21 | 93210-37160 | .O-RING .ANILLO O | 1 | 1 | 1 | 1 | 1 | |
| 22 | 6E5-44352-01 | .IMPELLER .IMPULSOR | 1 | 1 | 1 | 1 | 1 | |
| 23 | 6G5-44323-00 | .OUTER PLATE, CARTRIDGE .PLACA EXTERIOR DEL CARTUCHO | 1 | 1 | 1 | 1 | 1 | |
| 24 | 6E5-44315-A0 | .GASKET, WATER PUMP .EMPAQUE | 1 | 1 | 1 | 1 | 1 | |
| 25 | 93606-12019 | .PIN, DOWEL .PASADOR DE CLAVIJA | 2 | 2 | 2 | 2 | 2 | |
| 26 | 90119-08M14 | .BOLT, WITH WASHER .TORNILLO CON ARANDELA | 4 | 4 | 4 | 4 | 4 | |
| 27 | 90280-04M05 | .KEY, WOODRUFF .CUNA WOODRUFF | 1 | 1 | 1 | 1 | 1 | |

FIG. 34 REPAIR KIT 2

ESTUCHE REPARACION 2



| REF. NO. | PART NO. CODIGO Nº | DESCRIPTION DESCRIPCION | 150A | 175A | 200A | L150 | L200 | REMARKS OBSERVACIONES |
|----------|--------------------|---|------|------|------|------|------|-----------------------|
| 28 | 61A-W0078-2A | CHROME PUMP KIT ESTUCHE REPARACION BOMBA AGUA | 1 | 1 | 1 | 1 | 1 | |
| 29 | 6R3-44322-42 | .INSERT, CARTRIDGE .CARTUCHO | 1 | 1 | 1 | 1 | 1 | |
| 30 | 6G5-44323-40 | .OUTER PLATE, CARTRIDGE .PLACA EXTERIOR DEL CARTUCHO | 1 | 1 | 1 | 1 | 1 | |
| ----- | | | | | | | | |
| ----- | | | | | | | | |
| ----- | | | | | | | | |
| ----- | | | | | | | | |
| ----- | | | | | | | | |
| ----- | | | | | | | | |
| ----- | | | | | | | | |
| ----- | | | | | | | | |
| ----- | | | | | | | | |
| ----- | | | | | | | | |

NUMERICAL INDEX
INDICE NUMERICO

| PART NO. CODIGO N° | REF. NO. | PART NO. CODIGO N° | REF. NO. | PART NO. CODIGO N° | REF. NO. | PART NO. CODIGO N° | REF. NO. | PART NO. CODIGO N° | REF. NO. | PART NO. CODIGO N° | REF. NO. |
|-----------------------|-------------|-----------------------|-------------|-----------------------|-------------|-----------------------|-------------|-----------------------|-------------|-----------------------|-------------|
| 6G5-11111-04-1S | 4 - 1 | 6G5-13610-00 | 5 - 1 | 6K7-14483-00 | 33 - 17 | 6E5-24351-01 | 25 - 14 | 6G5-41211-01 | 15 - 29 | 6E5-42761-00-1S | 2 - 23 |
| 6E5-11119-01 | 2 - 18 | 6E5-13621-A1 | 5 - 3 | 624-14485-00 | 5 - 7 | 61J-24360-11 | 8 - 5 | 6G5-41213-00 | 15 - 32 | 6E5-42762-00-1S | 2 - 24 |
| 6G5-11181-A2 | 4 - 2 | | 33 - 14 | 6G5-14488-02 | 9 - 22 | | 25 - 16 | 6G5-41217-01 | 5 - 21 | 6E5-42769-00 | 20 - 5 |
| | 33 - 3 | 6G5-13641-00-1S | 5 - 6 | 6E5-14527-01 | 6 - 27 | 6E5-24367-01 | 14 - 30 | 662-41237-01 | 15 - 25 | 6E5-42771-01-4D | 14 - 27 |
| 6G5-11191-00-1S | 4 - 4 | 6G5-13645-A2 | 5 - 17 | 6E5-14546-00 | 6 - 7 | 6E5-24367-10 | 14 - 33 | 6E5-41256-01 | 5 - 22 | 6G5-42791-00 | 14 - 41 |
| 6G5-11193-A0 | 4 - 5 | | 33 - 15 | | 33 - 22 | 6G5-24376-00 | 7 - 45 | 661-41262-02 | 5 - 23 | 6G5-42791-10 | 14 - 41 |
| | 33 - 4 | 6E5-14159-00 | 6 - 8 | 6E5-14711-01-5B | 20 - 28 | 6G5-24377-00 | 7 - 46 | 6E5-41271-02 | 5 - 24 | 6R3-42791-41 | 20 - 2 |
| 6R3-1131M-01 | 2 - 14 | | 33 - 23 | 6E5-14711-10-5B | 20 - 28 | 650-24378-00 | 4 - 15 | 689-41273-00 | 5 - 25 | 6R3-42792-41 | 20 - 3 |
| 6E5-11325-00 | 2 - 12 | 6E5-14198-A2 | 5 - 19 | 64D-14721-20-5B | 20 - 37 | 6E5-24378-00 | 7 - 23 | 688-41611-00 | 9 - 11 | 688-42815-01-4D | 14 - 3 |
| 646-11370-01 | 2 - 5 | | 33 - 16 | 64D-14721-30-5B | 20 - 37 | 6E5-24410-03 | 7 - 27 | 688-41612-00 | 9 - 12 | 688-42816-00 | 14 - 4 |
| 6E5-11370-01 | 5 - 8 | 6E5-14223-00 | 6 - 25 | 6E5-14737-00 | 20 - 29 | 6E5-24411-00 | 7 - 32 | 6G5-41631-01-1S | 15 - 9 | 6G5-42816-00 | 14 - 9 |
| 6E5-11371-00-1S | 2 - 20 | 64C-14301-02 | 6 - 1 | 64D-1492E-75 | 6 - 13 | 6E5-24412-10 | 7 - 39 | 61H-41632-02-1S | 15 - 6 | 6E5-42816-01 | 14 - 10 |
| 6G5-11372-00-1S | 4 - 22 | 64D-14301-02 | 6 - 1 | 64D-1492E-76 | 6 - 14 | 6E5-24413-00 | 7 - 29 | 6G5-41636-01 | 15 - 23 | 6E5-42817-01-4D | 14 - 8 |
| 624-11379-00 | 2 - 3 | 64E-14301-02 | 6 - 1 | 64D-1492E-77 | 6 - 15 | 6A0-24421-01 | 7 - 36 | 6E5-42510-05-8D | 17 - 10 | 64E-43111-02-8D | 16 - 1 |
| 6E5-11381-A2 | 2 - 21 | 64E-14301-10 | 6 - 1 | 64D-1492E-79 | 6 - 16 | 6E5-24423-00 | 7 - 34 | 6E5-42510-25-8D | 17 - 10 | 64E-43112-02-8D | 16 - 9 |
| | 33 - 2 | 6G4-14301-10 | 6 - 1 | 64D-1492F-42 | 6 - 10 | 648-24424-00 | 7 - 33 | 624-42542-00 | 9 - 20 | 64E-43126-00 | 16 - 36 |
| 6G5-11382-A1 | 4 - 21 | 64C-14302-02 | 6 - 2 | 61A-1492H-12 | 6 - 18 | 650-24431-A0 | 7 - 40 | 6G4-42610-60-4D | 1 - 1 | 64E-43131-01 | 16 - 15 |
| | 33 - 8 | 64D-14302-02 | 6 - 2 | 61U-14959-00 | 6 - 11 | | 33 - 18 | 6G5-42610-60-4D | 1 - 1 | 64E-43139-02 | 17 - 1 |
| | 2 - 15 | 64E-14302-02 | 6 - 2 | | 33 - 25 | 6E5-24434-02 | 7 - 35 | 6G6-42610-60-4D | 1 - 1 | 6G5-43144-00 | 16 - 27 |
| 6R3-11397-01 | 2 - 15 | 64E-14302-02 | 6 - 2 | 6J8-14959-00 | 6 - 30 | 6E5-24435-00 | 7 - 31 | 6G5-42613-00-4D | 1 - 15 | 6E5-43145-01 | 26 - 8 |
| 6G5-11411-02 | 3 - 1 | 64E-14302-10 | 6 - 2 | | 33 - 30 | 6E5-24444-00 | 7 - 28 | 6E5-42615-00 | 1 - 14 | 6G5-43148-10 | 16 - 32 |
| 6E5-11447-00 | 3 - 2 | 64C-14303-02 | 6 - 3 | 6E5-14979-00 | 6 - 23 | 6E5-24471-00 | 7 - 30 | 6E5-42617-00 | 1 - 11 | 6G5-43181-02 | 16 - 29 |
| 663-11518-01 | 2 - 4 | 64D-14303-02 | 6 - 3 | | 33 - 29 | 68F-24521-00 | 7 - 6 | 6G5-42619-00 | 1 - 12 | 6G5-43185-02 | 16 - 30 |
| 64D-11603-01 | 3 - 17 | 64E-14303-02 | 6 - 3 | 60H-15100-00-1S | 2 - 2 | 65L-24531-01 | 7 - 7 | 6G5-42627-00 | 1 - 13 | 64E-43311-10-8D | 16 - 22 |
| 64D-11604-01 | 3 - 17 | 64E-14303-10 | 6 - 3 | 64C-15100-22-1S | 2 - 2 | 60H-24558-00 | 7 - 11 | 6E5-42627-00 | 1 - 2 | 64E-43311-20-8D | 16 - 22 |
| 64D-11605-01 | 3 - 17 | 6G4-14303-10 | 6 - 3 | 64D-15100-22-1S | 2 - 2 | 60H-24560-00 | 7 - 5 | 6E5-42649-01-94 | 1 - 3 | 61A-43376-00 | 17 - 8 |
| 64D-11631-02-90 | 3 - 16 | 6E5-14321-00 | 6 - 20 | 6E5-15163-00-1S | 3 - 3 | 61A-24563-00 | 7 - 9 | 688-42652-00 | 1 - 8 | 64E-43800-02-4D | 18 - 1 |
| 64D-11631-22-90 | 3 - 18 | 6E5-14323-03 | 6 - 24 | 6G5-15359-00-94 | 3 - 11 | 61A-24564-00 | 7 - 8 | 6E5-42652-00 | 1 - 7 | 64E-43802-00 | 19 - 8 |
| 6R5-11633-10 | 3 - 24 | 6E5-14324-00 | 6 - 29 | 6YJ-24167-00 | 25 - 7 | 61U-24566-01 | 7 - 15 | 663-42662-00 | 1 - 4 | 64E-43805-00 | 19 - 37 |
| 6R5-11634-10 | 3 - 25 | 6A0-14325-00 | 7 - 37 | 6YJ-24201-10 | 25 - 1 | 6YJ-24610-01 | 25 - 2 | 6G4-42677-40 | 1 - 18 | 64E-4380F-00 | 19 - 33 |
| 64D-11635-02 | 3 - 16 | 6E5-14328-01 | 6 - 22 | 6Y1-24260-12 | 25 - 3 | 68F-24649-00 | 7 - 10 | 6G5-42677-40 | 1 - 18 | 64E-4380J-00 | 19 - 30 |
| 64D-11635-22 | 3 - 18 | | 33 - 28 | 6Y1-24268-00 | 25 - 6 | 6A1-28176-00 | 14 - 42 | 6G6-42677-40 | 1 - 18 | 64E-43810-00 | 18 - 6 |
| 64D-11636-02 | 3 - 16 | 6J8-14334-00 | 6 - 21 | 6E5-24304-10 | 7 - 1 | 61H-2819R-31 | 7 - 53 | 64D-42678-30 | 1 - 22 | 6E5-43814-02 | 18 - 13 |
| 64D-11636-22 | 3 - 18 | 64D-14381-00 | 6 - 5 | 6E5-24305-05 | 8 - 6 | 64D-41111-00-1S | 4 - 11 | 6G4-42678-31 | 1 - 19 | 64E-43816-00 | 19 - 17 |
| 64D-11642-02-90 | 3 - 20 | 61A-14383-01 | 6 - 19 | | 25 - 9 | 6G5-41112-A1 | 4 - 12 | 6G5-42678-31 | 1 - 19 | 64E-43817-00 | 18 - 5 |
| 64D-11642-22-90 | 3 - 22 | 64D-14384-01 | 6 - 4 | 6Y2-24305-05 | 25 - 11 | | 33 - 6 | 6G6-42678-31 | 1 - 19 | 64E-43817-10 | 19 - 19 |
| 64D-11645-02 | 3 - 20 | | 33 - 21 | 6Y2-24306-0A | 25 - 8 | 6R3-41113-00-1S | 4 - 14 | 6G5-4267A-31 | 1 - 21 | 64E-43818-01 | 18 - 32 |
| 64D-11645-22 | 3 - 22 | 6E5-14385-02 | 6 - 6 | 6Y2-24306-A4 | 8 - 1 | 6G5-41114-A0 | 4 - 13 | 6G5-42681-31 | 1 - 23 | 64E-4381G-00 | 18 - 27 |
| 64D-11646-02 | 3 - 20 | 6E5-14386-02 | 6 - 9 | 6G5-24313-01 | 7 - 3 | | 33 - 7 | 6G5-42682-31 | 1 - 24 | 64E-43820-00 | 18 - 15 |
| 60H-11650-00 | 3 - 26 | | 33 - 24 | 6G5-24314-10 | 7 - 20 | 6G5-41131-01-5B | 20 - 20 | 6E5-42711-43-8D | 14 - 1 | 64E-43821-00 | 18 - 16 |
| 6E5-12411-30 | 4 - 7 | 64D-14394-00 | 6 - 12 | 6E5-24315-00 | 7 - 25 | 6G5-41131-10-5B | 20 - 20 | 648-42715-00 | 15 - 49 | 64E-43822-00 | 18 - 17 |
| 688-12413-00-1S | 4 - 8 | | 33 - 26 | 6G5-24315-00 | 7 - 24 | 64D-41132-00-5B | 20 - 24 | 6E5-42716-10 | 14 - 36 | 64E-43825-01 | 18 - 2 |
| 688-12414-A1 | 4 - 9 | 647-14395-60 | 5 - 29 | 6G5-24316-10 | 7 - 42 | 64D-41132-10-5B | 20 - 24 | 6E5-42724-00 | 20 - 11 | 64E-43827-00 | 19 - 22 |
| | 33 - 5 | 6E5-14398-01 | 6 - 17 | 6G5-24317-01 | 7 - 47 | 6G5-41134-A1 | 20 - 25 | 6E5-42725-00 | 14 - 15 | 64E-43828-00 | 18 - 22 |
| 6G5-12416-00 | 4 - 18 | | 33 - 27 | 6G5-24318-10 | 7 - 48 | | 34 - 2 | 688-42726-10 | 14 - 24 | 64E-43829-00 | 18 - 23 |
| 6G5-12576-00 | 4 - 24 | 6G5-1441K-00 | 5 - 27 | 6G5-24319-10 | 7 - 49 | 6E5-41135-A0 | 20 - 32 | 6E5-42738-01-5B | 14 - 16 | 64E-4382G-00 | 18 - 29 |
| 6G5-12581-00 | 20 - 12 | 6R3-14440-02 | 5 - 26 | 6Y1-24329-00 | 25 - 5 | | 34 - 4 | 6E5-42741-01-4D | 14 - 26 | 64E-43830-00 | 19 - 4 |
| 6E5-13610-00 | 5 - 1 | 6K7-14483-00 | 5 - 30 | 6E5-24351-01 | 8 - 3 | 6G5-41137-02-94 | 20 - 10 | 6H4-42748-00 | 14 - 2 | 64E-43831-00 | 19 - 2 |

NUMERICAL INDEX
INDICE NUMERICO

| PART NO. CODIGO N° | REF. NO. | PART NO. CODIGO N° | REF. NO. | PART NO. CODIGO N° | REF. NO. | PART NO. CODIGO N° | REF. NO. | PART NO. CODIGO N° | REF. NO. | PART NO. CODIGO N° | REF. NO. |
|-----------------------|-------------|-----------------------|-------------|-----------------------|-------------|-----------------------|-------------|-----------------------|-------------|-----------------------|-------------|
| 64E-43841-00 | 19 - 7 | 688-44194-00 | 15 - 14 | 64D-45123-00 | 20 - 38 | 6G5-45560-10 | 21 - 46 | 6E5-45587-01-30 | 21 - 37 | 703-48152-00 | 29 - 57 |
| 64E-43843-00 | 19 - 6 | 61A-44311-01 | 21 - 22 | 6E5-45123-00 | 20 - 31 | 6G5-45567-01-10 | 21 - 5 | | 23 - 36 | 703-48153-00 | 29 - 3 |
| 64E-43843-10 | 19 - 38 | | 23 - 21 | | 34 - 6 | | 23 - 6 | 6E5-45587-01-40 | 21 - 37 | EL8-48153-10 | 30 - 63 |
| 64E-4384J-00 | 18 - 18 | 6E5-44312-00 | 21 - 27 | 6E5-45155-00 | 20 - 4 | 6G5-45567-01-12 | 21 - 5 | | 23 - 36 | 704-48156-00 | 30 - 72 |
| 64E-43850-00 | 19 - 15 | | 23 - 26 | 6J9-45214-00 | 22 - 8 | | 21 - 6 | 6E5-45587-01-50 | 21 - 37 | EL8-48158-00 | 30 - 31 |
| 64E-43851-00 | 19 - 11 | 6E5-44315-A0 | 21 - 31 | | 24 - 8 | 6G5-45567-01-15 | 21 - 5 | | 23 - 36 | EL8-48164-00 | 30 - 46 |
| 64E-43855-00 | 19 - 14 | | 23 - 30 | 6J9-45215-00 | 22 - 9 | | 23 - 6 | 6J9-45611-01 | 21 - 48 | 704-48166-00 | 30 - 64 |
| 64E-43858-00 | 19 - 12 | | 34 - 13 | | 24 - 9 | 6G5-45567-01-18 | 21 - 5 | 6K1-45611-10 | 23 - 47 | 704-48176-10 | 30 - 58 |
| 6E5-43858-00 | 18 - 28 | 61A-44322-02 | 34 - 19 | 6G5-45251-02 | 16 - 2 | | 23 - 6 | 6G5-45631-10 | 21 - 56 | 704-48178-00 | 30 - 76 |
| 72X-43858-00 | 19 - 5 | 6R3-44322-42 | 21 - 23 | 6G5-45300-16-8D | 21 - 1 | 6G5-45567-01-30 | 21 - 5 | | 23 - 55 | 703-48189-00 | 29 - 17 |
| 64E-43859-00 | 19 - 13 | | 23 - 22 | 6K1-45300-25-8D | 23 - 1 | | 23 - 6 | 6E5-45633-01 | 21 - 57 | EL8-48191-00 | 30 - 18 |
| 64E-43860-00 | 19 - 20 | | 34 - 29 | 6G5-45300-26-8D | 21 - 1 | 6G5-45567-01-40 | 21 - 5 | | 23 - 56 | 703-48192-00 | 30 - 59 |
| 6E5-43862-00 | 18 - 10 | 6G5-44323-00 | 34 - 23 | 6J9-45301-05-8D | 21 - 2 | | 23 - 6 | 6E5-45634-01 | 21 - 50 | 704-48192-00 | 30 - 49 |
| 6G5-43863-00 | 19 - 10 | 6G5-44323-40 | 21 - 30 | | 23 - 2 | 6G5-45567-01-50 | 21 - 5 | | 23 - 49 | 704-48193-00 | 30 - 54 |
| 6E5-43864-00 | 18 - 20 | | 23 - 29 | 6E5-45318-00 | 20 - 35 | | 23 - 6 | 6K1-45641-01 | 23 - 48 | 703-48198-00 | 29 - 14 |
| 6G5-43864-00 | 18 - 19 | | 34 - 30 | 6E5-45321-00 | 21 - 15 | 6K1-45570-20 | 23 - 59 | 6E5-45641-03 | 21 - 49 | 703-48205-17 | 28 - 1 |
| 64E-43865-00 | 19 - 16 | 6E5-44352-01 | 21 - 28 | | 23 - 14 | 6G5-45571-02 | 21 - 60 | 6K1-45930-00-98 | 22 - 22 | | 29 - 1 |
| 6G5-43865-00 | 19 - 35 | | 23 - 27 | 6E5-45331-00-94 | 21 - 34 | 6K1-45576-00 | 23 - 60 | 6G5-45932-00-98 | 22 - 22 | 704-48207-23 | 28 - 2 |
| 64E-43866-00 | 18 - 9 | | 34 - 22 | | 23 - 33 | 6G5-45576-10 | 21 - 61 | 6G5-45941-01-98 | 22 - 22 | | 30 - 1 |
| 64E-43867-00 | 18 - 8 | 6E5-44361-00 | 22 - 2 | 6J9-45332-00-94 | 21 - 58 | 6G5-45577-02-10 | 21 - 65 | 6G5-45945-01-98 | 22 - 22 | 703-48211-01 | 29 - 61 |
| 64E-43868-00 | 19 - 3 | 6E5-44361-20 | 22 - 2 | 6K1-45332-01-94 | 23 - 57 | | 23 - 66 | 6K1-45947-00-98 | 24 - 19 | 703-48212-00 | 29 - 58 |
| 64E-43869-00 | 18 - 26 | | 24 - 2 | 688-45341-10 | 21 - 7 | 6G5-45577-02-12 | 21 - 65 | 6G5-45947-01-98 | 22 - 22 | 703-48213-00 | 29 - 59 |
| 6H1-4386K-10 | 19 - 29 | 6E5-44365-00 | 21 - 26 | | 23 - 8 | | 23 - 66 | 6G5-45949-00-98 | 22 - 22 | 703-48215-00 | 29 - 43 |
| 6E5-43872-00 | 18 - 12 | | 22 - 3 | 6E5-45344-00 | 21 - 40 | 6G5-45577-02-15 | 21 - 65 | 6G5-45952-00-98 | 22 - 22 | 704-48215-10 | 30 - 14 |
| 64E-43873-00 | 19 - 24 | | 23 - 25 | | 23 - 39 | | 23 - 66 | 6K1-45970-01-98 | 24 - 19 | 703-48219-00 | 29 - 30 |
| 6E5-43874-01 | 18 - 21 | | 24 - 3 | 6J9-45371-01 | 22 - 12 | 6G5-45577-02-18 | 21 - 65 | 6G5-45970-02-98 | 22 - 22 | 704-48219-00 | 30 - 56 |
| 64E-43875-00 | 19 - 25 | | 34 - 7 | 6K1-45371-02 | 24 - 12 | | 23 - 66 | 6E5-45970-10 | 22 - 23 | 703-48221-00 | 29 - 56 |
| 64E-43879-00 | 19 - 27 | 6E5-44366-00 | 22 - 1 | 6E5-45371-10 | 22 - 24 | 6G5-45577-02-30 | 21 - 65 | 6K1-45972-01-98 | 24 - 19 | 704-48221-00 | 30 - 77 |
| 64E-43879-10 | 19 - 26 | | 24 - 1 | 64D-45375-00 | 20 - 39 | | 23 - 66 | 6G5-45972-02-98 | 22 - 22 | 703-48222-00 | 29 - 27 |
| 64E-4387A-00 | 19 - 23 | | 34 - 8 | 688-45375-00 | 21 - 11 | 6G5-45577-02-40 | 21 - 65 | 6E5-45972-10 | 22 - 23 | 704-48222-00 | 30 - 36 |
| 64E-43880-01 | 19 - 28 | 6E5-44391-00 | 14 - 14 | | 23 - 12 | | 23 - 66 | 6K1-45974-02-98 | 24 - 19 | 703-48223-00 | 29 - 28 |
| 64E-43883-00 | 18 - 11 | 6E5-44511-00-5B | 17 - 38 | 64D-45376-00-94 | 21 - 10 | 6G5-45577-02-50 | 21 - 65 | 6G5-45974-03-98 | 22 - 22 | 703-48225-00 | 29 - 29 |
| 64E-4388E-00 | 18 - 25 | 6J9-44514-00-94 | 17 - 31 | | 23 - 11 | | 23 - 66 | 6E5-45974-10 | 22 - 23 | 704-48225-00 | 30 - 48 |
| 64E-4388E-10 | 19 - 1 | 6G5-44526-00 | 16 - 3 | 663-45376-00-94 | 21 - 10 | 6K1-45578-01-10 | 23 - 62 | 6G5-45976-01-98 | 22 - 22 | 703-48226-00 | 29 - 26 |
| 64E-4388J-00 | 18 - 3 | 68F-44533-00 | 2 - 25 | 6E5-45378-00 | 21 - 12 | 6K1-45578-01-12 | 23 - 62 | 6E5-45976-10 | 22 - 23 | 703-48227-00 | 29 - 24 |
| 64E-43891-00 | 19 - 31 | 6G5-44551-01-8D | 17 - 13 | 6J8-45378-00 | 23 - 13 | 6K1-45578-01-15 | 23 - 62 | 6K1-45978-02-98 | 24 - 19 | 704-48228-00 | 30 - 38 |
| 64E-43892-00 | 19 - 34 | 6E5-44552-01-94 | 17 - 24 | 6G5-45383-01 | 21 - 68 | 6K1-45578-01-18 | 23 - 62 | 6G5-45978-03-98 | 22 - 22 | 704-48228-10 | 30 - 70 |
| 6E5-43896-00 | 19 - 9 | 6E5-44553-01-8D | 17 - 27 | | 23 - 68 | 6K1-45578-01-30 | 23 - 62 | 6E5-45978-10 | 22 - 23 | 704-48229-00 | 30 - 40 |
| 64E-43897-00 | 18 - 24 | 6J9-44555-00-94 | 17 - 16 | 6G5-45384-00 | 21 - 69 | 6K1-45578-01-40 | 23 - 62 | 6E5-45987-01 | 22 - 17 | 704-48229-10 | 30 - 68 |
| 64E-43898-00 | 18 - 7 | 663-44575-00 | 17 - 37 | | 23 - 69 | 6K1-45578-01-50 | 23 - 62 | | 24 - 14 | EL8-48231-00 | 30 - 27 |
| 6E5-44117-00-1S | 15 - 36 | 6E5-44575-00 | 17 - 15 | 6G5-45501-01 | 21 - 43 | 6E5-45587-01-10 | 21 - 37 | 6E5-45994-10 | 22 - 25 | 703-48232-00 | 29 - 62 |
| 6E5-44118-01-94 | 15 - 44 | 6E5-45111-02-8D | 20 - 1 | 6G5-45501-21 | 21 - 43 | | 23 - 36 | 688-45997-01 | 22 - 18 | EL8-48232-00 | 30 - 45 |
| 6E5-44120-03 | 15 - 51 | 6E5-45111-23-8D | 20 - 1 | | 23 - 42 | 6E5-45587-01-12 | 21 - 37 | | 24 - 15 | EL8-48233-00 | 30 - 60 |
| 6E5-44120-23 | 15 - 51 | 68F-45113-00 | 20 - 14 | 6G5-45536-01 | 21 - 9 | | 23 - 36 | 704-48119-20 | 30 - 78 | 703-48234-00 | 29 - 18 |
| 68F-44121-00 | 15 - 38 | | 33 - 19 | | 23 - 10 | 6E5-45587-01-15 | 21 - 37 | EL8-48127-00 | 30 - 25 | EL8-48234-00 | 30 - 55 |
| 6E5-44122-00 | 15 - 39 | 6G5-45114-A1 | 20 - 21 | 6G5-45551-10 | 21 - 44 | | 23 - 36 | 704-48128-00 | 30 - 71 | 703-48235-00 | 29 - 4 |
| 6K1-44150-01 | 23 - 18 | | 34 - 3 | | 23 - 43 | 6E5-45587-01-18 | 21 - 37 | 6A5-48129-10 | 30 - 12 | | 30 - 61 |
| 6G5-44150-02 | 21 - 19 | 663-45119-00 | 16 - 14 | 6K1-45560-01 | 23 - 45 | | 23 - 36 | 704-48144-00 | 30 - 57 | 703-48236-00 | 29 - 16 |

NUMERICAL INDEX
INDICE NUMERICO

| PART NO. CODIGO Nº | REF. NO. | PART NO. CODIGO Nº | REF. NO. | PART NO. CODIGO Nº | REF. NO. | PART NO. CODIGO Nº | REF. NO. | PART NO. CODIGO Nº | REF. NO. | PART NO. CODIGO Nº | REF. NO. |
|-----------------------|-------------|-----------------------|-------------|-----------------------|-------------|-----------------------|-------------|-----------------------|-------------|-----------------------|-------------|
| 703-48238-00 | 29 - 22 | 701-48320-80 | 28 - 3 | 6G5-82105-02 | 11 - 40 | 703-82591-00 | 29 - 53 | 60H-W0090-00-1S | 2 - 1 | 90157-06M01 | 14 - 31 |
| | 30 - 44 | 6E5-48344-00 | 15 - 7 | 6E5-82116-00 | 11 - 34 | 703-82592-00 | 29 - 54 | 64C-W0090-03-1S | 2 - 1 | 90159-05M26 | 12 - 6 |
| EL8-48241-00 | 30 - 28 | 703-48345-01 | 29 - 19 | 6Y5-82117-00 | 31 - 16 | 688-82594-00 | 11 - 14 | 64D-W0090-03-1S | 2 - 1 | 90159-06M11 | 10 - 21 |
| 704-48242-00 | 30 - 47 | | 30 - 21 | 6E5-82117-01 | 11 - 41 | 6E5-82594-00 | 14 - 40 | 64D-W0093-01 | 33 - 20 | 90159-06M14 | 5 - 31 |
| 703-48243-00 | 29 - 15 | 701-48350-10 | 28 - 3 | 6G5-82119-00 | 11 - 33 | 703-82594-00 | 29 - 25 | 656-W2810-02 | 7 - 54 | 90170-09M05 | 27 - 10 |
| 703-48244-00 | 29 - 21 | 701-48350-50 | 28 - 3 | 6E5-82147-00 | 16 - 26 | 704-82594-00 | 30 - 37 | 90101-09M70 | 27 - 9 | 90170-14M06 | 27 - 6 |
| EL8-48244-00 | 30 - 34 | 703-48358-00 | 29 - 20 | 6E5-82147-20 | 16 - 26 | 703-83383-02 | 29 - 51 | 90101-12M03 | 16 - 39 | 90170-16M01 | 21 - 45 |
| 703-48245-00 | 29 - 11 | | 30 - 26 | 6E5-82148-00 | 16 - 6 | 688-83383-11 | 32 - 12 | 90105-10M00 | 22 - 13 | | 23 - 44 |
| EL8-48245-00 | 30 - 35 | 6E5-48531-00 | 15 - 1 | 6E5-82149-00 | 17 - 19 | 6Y5-83504-20 | 12 - 1 | | 24 - 13 | 90170-20137 | 9 - 8 |
| 701-48246-00 | 30 - 5 | 6E5-48538-00 | 15 - 2 | 1E6-82151-00 | 31 - 15 | 6Y5-83514-00 | 31 - 6 | 90105-10M20 | 2 - 9 | 90171-18M04 | 22 - 20 |
| 703-48246-00 | 29 - 23 | 6E5-61301-01 | 27 - 1 | 663-82151-00 | 11 - 13 | 6Y5-83517-00 | 31 - 3 | 90109-08022 | 3 - 27 | | 24 - 17 |
| 701-48248-00 | 29 - 13 | 6E5-61303-00 | 27 - 5 | 6G5-82152-00 | 11 - 45 | 6Y5-83518-00 | 31 - 10 | 90109-12M37 | 17 - 35 | 90179-06066 | 17 - 30 |
| | 30 - 43 | 6E5-61311-11 | 27 - 3 | 6A0-82317-00 | 9 - 19 | 60H-83519-00 | 12 - 2 | 90109-14M34 | 17 - 20 | 90179-06M28 | 5 - 20 |
| EL8-48251-00 | 30 - 3 | 6E5-61313-00 | 27 - 2 | 6G5-82317-00 | 9 - 18 | 6Y5-83523-00 | 31 - 5 | 90116-06M30 | 5 - 16 | 90183-05M02 | 20 - 30 |
| 703-48252-00 | 29 - 12 | 6E5-61315-00 | 27 - 4 | 6E3-82370-21 | 11 - 7 | 6Y5-83536-00 | 31 - 11 | 90116-08M45 | 2 - 11 | 90185-05002 | 22 - 11 |
| EL8-48254-00 | 30 - 29 | 6E5-61350-02 | 26 - 1 | 6K1-82510-06 | 32 - 3 | 6Y5-83536-10 | 31 - 4 | 90119-06M09 | 14 - 7 | | 24 - 11 |
| EL8-48259-00 | 30 - 7 | 6E5-61351-01 | 26 - 2 | 703-82510-43 | 29 - 44 | 6Y5-83540-14 | 31 - 2 | 90119-06M10 | 21 - 18 | 90185-09M01 | 26 - 6 |
| 704-48261-00 | 30 - 17 | 6E5-61355-00 | 26 - 5 | 662-82519-00 | 10 - 23 | 6Y5-83544-00 | 31 - 12 | | 23 - 17 | | 27 - 11 |
| 703-48261-01 | 29 - 2 | 6E5-81332-00 | 9 - 14 | 6R3-82519-00 | 10 - 24 | 6Y5-83553-00 | 31 - 14 | 90119-06M61 | 10 - 19 | 90185-12M12 | 17 - 36 |
| 704-48262-00 | 30 - 8 | 6G5-81337-00 | 9 - 17 | 703-82531-00 | 29 - 46 | 6E9-83557-70 | 11 - 38 | 90119-06M65 | 9 - 21 | 90185-22M11 | 16 - 20 |
| 702-48263-00 | 30 - 52 | 6N7-81800-10 | 13 - 1 | 6E5-82531-10 | 11 - 11 | 6E5-83558-00 | 22 - 15 | 90119-06M88 | 12 - 5 | 90201-02068 | 7 - 14 |
| 703-48264-00 | 29 - 6 | 6N7-81801-00 | 13 - 8 | 6K1-82532-00 | 32 - 5 | 6E5-83558-10 | 21 - 14 | 90119-06MA2 | 2 - 22 | 90201-08M13 | 15 - 21 |
| 704-48264-00 | 30 - 9 | 6N7-81807-00 | 13 - 11 | 703-82540-00 | 29 - 50 | 6R3-83614-00 | 11 - 26 | | 3 - 7 | 90201-08M14 | 18 - 30 |
| 703-48265-00 | 29 - 9 | 61A-81809-00 | 13 - 3 | 704-82540-10 | 30 - 11 | 6K1-83614-01 | 32 - 8 | | 4 - 23 | 90201-08M23 | 15 - 16 |
| 704-48265-00 | 30 - 4 | 6N7-81810-00 | 13 - 5 | 6R3-82553-30 | 31 - 18 | 6K1-83623-41 | 9 - 24 | | 15 - 37 | 90201-08M54 | 14 - 21 |
| 704-48266-00 | 30 - 10 | 6N7-81813-00 | 13 - 9 | 6R3-82553-70 | 31 - 17 | 6A1-83625-41 | 9 - 23 | 90119-06MA3 | 5 - 18 | 90201-10M20 | 26 - 7 |
| 703-48268-00 | 29 - 5 | 6N7-81820-10 | 13 - 10 | 6R3-82553-80 | 31 - 17 | 688-83664-00 | 31 - 13 | 90119-06MA4 | 4 - 6 | 90201-10M76 | 27 - 8 |
| 703-48271-00 | 29 - 60 | 6E5-81822-02-98 | 13 - 19 | 682-82556-00 | 29 - 48 | 6Y5-83670-12 | 31 - 9 | 90119-06MA5 | 4 - 16 | 90201-12M05 | 16 - 41 |
| EL8-48271-00 | 30 - 24 | 61A-81824-00 | 13 - 4 | | 32 - 7 | 64E-83672-02 | 17 - 3 | 90119-06MA6 | 4 - 10 | 90201-13M01 | 16 - 40 |
| EL8-48279-00 | 30 - 53 | 6K7-81826-10 | 13 - 14 | 688-82560-10 | 11 - 19 | 72X-85075-L0 | 19 - 21 | 90119-08027 | 20 - 9 | 90201-14M56 | 17 - 34 |
| 703-48281-00 | 29 - 31 | 6E5-8182A-10 | 13 - 17 | 61A-82563-00 | 11 - 24 | 6G6-85510-01 | 9 - 2 | 90119-08M14 | 21 - 33 | 90201-15M58 | 17 - 21 |
| 704-48281-00 | 30 - 15 | 6E5-8182E-10 | 13 - 15 | 703-82563-02 | 29 - 55 | 663-85518-00 | 15 - 10 | | 23 - 32 | 90201-16M55 | 17 - 18 |
| EL8-48281-00 | 30 - 13 | 6E5-8182F-10 | 13 - 16 | 704-82563-31 | 30 - 39 | 6R3-85537-00 | 10 - 20 | | 34 - 26 | 90201-21M18 | 9 - 7 |
| 703-48282-00 | 29 - 32 | 6K7-8182G-10 | 13 - 6 | 704-82563-E0 | 30 - 69 | 6G6-85540-00 | 10 - 13 | 90119-08M22 | 14 - 23 | 90201-23M01 | 3 - 29 |
| 704-48282-00 | 30 - 62 | 6E5-8182K-10 | 13 - 18 | 704-82563-F0 | 30 - 73 | 6R3-85542-03-1S | 10 - 16 | 90119-08M57 | 13 - 22 | 90201-26M57 | 17 - 32 |
| 704-48283-00 | 30 - 19 | 6N7-81830-00 | 13 - 13 | 6K1-82570-07 | 32 - 1 | 6G6-85550-02 | 9 - 1 | 90119-08M76 | 13 - 20 | 90201-26M59 | 16 - 19 |
| 703-48284-00 | 29 - 52 | 6N7-81840-00 | 13 - 7 | 6K1-82571-01 | 32 - 2 | 6R3-85570-01 | 11 - 6 | 90119-08M77 | 13 - 21 | 90201-30M92 | 21 - 66 |
| 704-48284-00 | 30 - 65 | 6N7-81850-10 | 13 - 2 | 6K1-82575-00 | 32 - 6 | 6G6-85580-00 | 9 - 3 | 90119-08M79 | 20 - 15 | 90201-38M60 | 17 - 11 |
| 704-48285-00 | 30 - 74 | 6N7-81857-00 | 13 - 12 | 688-82575-01 | 29 - 47 | 6K1-85830-01 | 32 - 13 | 90119-08M94 | 2 - 10 | 90202-08M20 | 15 - 40 |
| 704-48286-00 | 30 - 75 | 61A-81941-00 | 11 - 28 | 703-82577-00 | 29 - 45 | 64D-86110-00 | 11 - 20 | 90119-08MA3 | 2 - 19 | 90202-12092 | 15 - 20 |
| 701-48287-00 | 29 - 42 | 6G5-81948-11 | 11 - 35 | | 32 - 4 | 6G5-87149-10 | 11 - 32 | 90119-08MA8 | 4 - 3 | 90202-16061 | 15 - 54 |
| 704-48287-00 | 30 - 22 | 6E5-81950-00 | 11 - 30 | 6E3-8257H-00 | 14 - 43 | 6G5-W0001-11 | 33 - 1 | 90119-10M89 | 22 - 7 | 90202-26M18 | 17 - 33 |
| 703-48291-10 | 29 - 39 | 704-81950-00 | 30 - 66 | 6E5-82587-00 | 11 - 25 | 6G5-W0001-C1 | 34 - 1 | | 24 - 7 | 90202-32M19 | 17 - 17 |
| 703-48293-10 | 29 - 41 | 689-81952-10 | 11 - 29 | 6E5-82588-00 | 14 - 37 | 6E5-W0004-00 | 5 - 2 | 90149-05M05 | 32 - 19 | 90202-40M47 | 17 - 7 |
| 701-48320-00 | 28 - 3 | 6E5-8195A-00 | 11 - 31 | 688-8258A-20 | 29 - 49 | 6G5-W0070-31 | 1 - 20 | 90152-05M08 | 22 - 10 | 90206-10M04 | 15 - 34 |
| 701-48320-40 | 28 - 3 | 6G5-81960-A0 | 10 - 1 | 6K1-8258A-40 | 32 - 23 | 61A-W0078-2A | 34 - 28 | | 24 - 10 | 90206-13M10 | 14 - 6 |
| 701-48320-50 | 28 - 3 | 688-81961-01 | 10 - 8 | 60H-82590-00 | 11 - 12 | 61A-W0078-A3 | 34 - 18 | 90157-06013 | 15 - 11 | 90250-08M07 | 21 - 55 |
| 701-48320-70 | 28 - 3 | 6K1-81980-00 | 32 - 18 | 704-82590-10 | 30 - 67 | 6Y5-W0080-12 | 31 - 1 | 90157-06M00 | 15 - 26 | | 23 - 54 |

NUMERICAL INDEX
INDICE NUMERICO

| PART NO. CODIGO N° | REF. NO. | PART NO. CODIGO N° | REF. NO. | PART NO. CODIGO N° | REF. NO. | PART NO. CODIGO N° | REF. NO. | PART NO. CODIGO N° | REF. NO. | PART NO. CODIGO N° | REF. NO. |
|-----------------------|-------------|-----------------------|-------------|-----------------------|-------------|-----------------------|-------------|-----------------------|-------------|-----------------------|-------------|
| 90266-06009 | 1 - 5 | 90464-12M00 | 9 - 5 | 92990-05300 | 30 - 41 | 93102-40M14 | 3 - 5 | 93341-465U4 | 23 - 5 | 97013-06020 | 10 - 11 |
| 90266-06M02 | 1 - 6 | 90465-05M87 | 11 - 15 | 92990-05600 | 5 - 5 | | 33 - 9 | 93341-930V2 | 21 - 38 | 97013-06060 | 9 - 9 |
| 90280-04M05 | 21 - 29 | 90465-06M86 | 9 - 4 | | 32 - 22 | 93106-09014 | 21 - 17 | | 23 - 37 | 97013-08030 | 15 - 45 |
| | 23 - 28 | 90465-06M88 | 11 - 3 | 92990-06100 | 32 - 16 | | 23 - 16 | 93390-000U2 | 23 - 4 | 97013-08045 | 15 - 15 |
| | 34 - 27 | 90465-08M63 | 16 - 23 | 92990-06200 | 10 - 5 | | 34 - 10 | 93410-16006 | 15 - 55 | 97075-08035 | 14 - 22 |
| 90280-05015 | 9 - 6 | 90465-08M89 | 11 - 16 | 92990-06300 | 30 - 51 | 93210-03261 | 11 - 23 | 93410-22M11 | 16 - 38 | 97075-10045 | 22 - 5 |
| 90282-04M00 | 21 - 67 | 90465-10M91 | 5 - 15 | 92990-06600 | 1 - 16 | 93210-08287 | 8 - 7 | 93410-37M04 | 17 - 14 | | 24 - 5 |
| | 23 - 67 | 90465-11M10 | 7 - 4 | | 10 - 15 | | 25 - 10 | 93410-40M03 | 3 - 10 | 97080-08016 | 18 - 31 |
| 90340-08002 | 21 - 6 | | 12 - 7 | | 14 - 32 | 93210-09165 | 15 - 52 | 93420-36M01 | 20 - 36 | 97095-06010 | 16 - 7 |
| | 23 - 7 | | 16 - 21 | | 16 - 12 | 93210-10M74 | 18 - 4 | 93430-06024 | 29 - 10 | | 20 - 6 |
| 90340-14M00 | 2 - 6 | | 17 - 5 | | 32 - 17 | 93210-16275 | 26 - 9 | | 30 - 6 | 97095-06012 | 10 - 25 |
| 90386-06M12 | 15 - 43 | | 22 - 16 | 92990-08600 | 13 - 23 | 93210-37160 | 21 - 25 | 93501-04M02 | 15 - 47 | | 11 - 1 |
| 90386-10M16 | 16 - 31 | 90465-12M25 | 11 - 42 | | 29 - 34 | | 23 - 24 | 93503-16003 | 21 - 54 | 97095-06014 | 7 - 16 |
| 90386-12089 | 15 - 17 | 90465-13M18 | 4 - 25 | 92990-18200 | 22 - 19 | | 34 - 12 | | 23 - 53 | 97095-06016 | 1 - 9 |
| 90386-13M38 | 14 - 5 | | 11 - 39 | | 24 - 16 | 93210-37MH7 | 17 - 6 | 93507-32009 | 21 - 52 | | 7 - 12 |
| 90386-16M66 | 15 - 53 | 90468-18008 | 15 - 8 | 92995-05600 | 10 - 10 | 93210-55M14 | 21 - 39 | | 23 - 51 | | 11 - 21 |
| 90386-22M13 | 15 - 19 | 90480-09M12 | 10 - 18 | 92995-06100 | 7 - 13 | | 23 - 38 | 93511-32017 | 21 - 53 | | 14 - 17 |
| 90386-22M98 | 16 - 37 | 90480-10M23 | 12 - 4 | | 16 - 5 | | 34 - 15 | | 23 - 52 | 97095-06020 | 11 - 8 |
| | 18 - 33 | 90480-10M36 | 14 - 25 | 92995-06600 | 1 - 10 | 93210-58144 | 21 - 16 | 93606-12019 | 21 - 32 | | 14 - 28 |
| 90386-25M31 | 16 - 18 | 90480-12M25 | 10 - 22 | | 7 - 17 | | 23 - 15 | | 23 - 31 | 97095-06025 | 15 - 35 |
| 90386-38M32 | 17 - 12 | 90480-20M05 | 4 - 20 | | 9 - 16 | | 34 - 9 | | 34 - 25 | 97095-06028 | 7 - 2 |
| 90387-06M03 | 10 - 17 | 90480-22M15 | 14 - 19 | | 10 - 26 | 93210-74M35 | 3 - 14 | 93608-12063 | 2 - 8 | 97095-06030 | 16 - 4 |
| 90387-06M29 | 15 - 33 | 90480-25161 | 11 - 10 | | 11 - 2 | | 33 - 13 | 93608-12M05 | 20 - 8 | 97095-08016 | 13 - 24 |
| 90387-06M60 | 12 - 3 | 90501-11M10 | 21 - 21 | | 14 - 18 | 93210-86M38 | 21 - 24 | | 22 - 4 | 97095-08020 | 15 - 4 |
| 90387-08M16 | 15 - 18 | | 23 - 20 | | 16 - 8 | | 23 - 23 | | 24 - 4 | | 16 - 16 |
| 90387-08M37 | 14 - 20 | 90501-12082 | 15 - 48 | | 20 - 7 | | 34 - 11 | 93700-06M03 | 15 - 50 | 97095-08025 | 21 - 41 |
| 90387-10M05 | 16 - 33 | 90501-16M11 | 4 - 19 | 92995-08100 | 15 - 5 | 93210-97M55 | 21 - 64 | | 16 - 13 | | 23 - 40 |
| 90387-10M61 | 26 - 3 | 90501-16M12 | 15 - 12 | | 16 - 17 | | 23 - 65 | 94702-00160 | 4 - 26 | 97095-08030 | 20 - 22 |
| 90430-08020 | 21 - 8 | 90501-16M28 | 17 - 28 | | 20 - 17 | | 34 - 16 | 94702-00247 | 4 - 26 | 97095-08045 | 20 - 16 |
| | 23 - 9 | 90501-16M37 | 21 - 51 | 92995-08600 | 13 - 25 | 93211-04001 | 3 - 6 | 95303-06600 | 15 - 13 | 97095-10045 | 17 - 25 |
| | 34 - 5 | | 23 - 50 | | 20 - 23 | | 33 - 10 | 95380-03600 | 7 - 38 | 97380-05025 | 29 - 8 |
| 90430-14115 | 2 - 7 | 90506-20011 | 16 - 35 | | 21 - 42 | 93306-20802 | 3 - 9 | 95380-05600 | 10 - 2 | 97380-06018 | 30 - 20 |
| 90445-07M09 | 5 - 12 | 90508-29M12 | 15 - 22 | | 23 - 41 | 93306-209U0 | 21 - 59 | | 15 - 24 | 97380-08030 | 29 - 33 |
| 90445-07M28 | 5 - 9 | 90560-12M01 | 26 - 4 | 92995-10100 | 17 - 26 | 93310-32337 | 3 - 28 | | 29 - 7 | 97595-06550 | 7 - 41 |
| 90445-07M33 | 22 - 14 | 91490-40030 | 22 - 21 | | 22 - 6 | 93310-836U0 | 3 - 30 | | 30 - 23 | 97607-04310 | 19 - 32 |
| 90445-07M45 | 5 - 10 | | 24 - 18 | | 24 - 6 | 93310-954U1 | 3 - 8 | | 31 - 7 | 97780-60525 | 17 - 2 |
| 90445-07M46 | 5 - 11 | 91690-30012 | 15 - 3 | 92995-14600 | 17 - 23 | 93311-928U5 | 21 - 3 | | 32 - 11 | 97880-05016 | 5 - 4 |
| 90445-07M59 | 5 - 13 | 91690-30020 | 16 - 34 | 93101-22M15 | 3 - 13 | | 23 - 3 | 95380-06600 | 1 - 17 | 97880-06012 | 16 - 11 |
| 90445-07MA3 | 5 - 28 | 92780-06020 | 30 - 30 | | 33 - 12 | 93311-940U3 | 3 - 4 | | 10 - 3 | 97880-06018 | 9 - 13 |
| 90445-07ME8 | 21 - 13 | 92903-05100 | 10 - 6 | 93101-28M16 | 21 - 35 | 93315-425V3 | 21 - 47 | | 29 - 40 | 97880-06020 | 10 - 14 |
| 90445-07ME9 | 21 - 13 | 92903-06100 | 10 - 7 | | 23 - 34 | | 23 - 46 | | 30 - 42 | 97885-05025 | 10 - 9 |
| 90445-09097 | 4 - 17 | 92903-06600 | 2 - 17 | | 34 - 14 | 93315-43061 | 21 - 62 | | 32 - 15 | 97885-06010 | 9 - 15 |
| 90445-13M00 | 8 - 4 | | 9 - 10 | 93101-30M17 | 21 - 63 | | 23 - 63 | 95380-08700 | 20 - 18 | 97885-06016 | 17 - 4 |
| | 25 - 15 | | 10 - 12 | | 23 - 64 | 93317-330U2 | 21 - 36 | 95380-12600 | 16 - 42 | 97890-05016 | 30 - 2 |
| 90445-13M01 | 8 - 2 | 92903-08600 | 15 - 46 | | 34 - 17 | | 23 - 35 | 95380-14700 | 27 - 7 | 97890-05025 | 30 - 16 |
| | 25 - 13 | 92990-05100 | 31 - 8 | 93102-08M43 | 19 - 36 | 93332-00048 | 23 - 58 | 95380-14800 | 17 - 22 | 97890-06018 | 30 - 50 |
| 90446-15M07 | 7 - 52 | | 32 - 10 | 93102-35M61 | 3 - 12 | 93332-000V3 | 21 - 4 | 95780-10300 | 17 - 9 | 97980-05108 | 6 - 28 |
| 90464-07M05 | 5 - 14 | 92990-05200 | 10 - 4 | | 33 - 11 | 93341-440U5 | 23 - 61 | 97013-06016 | 2 - 16 | 97980-05116 | 6 - 26 |

NUMERICAL INDEX
INDICE NUMERICO

| PART NO. CODIGO N° | REF. NO. | PART NO. CODIGO N° | REF. NO. | PART NO. CODIGO N° | REF. NO. | PART NO. CODIGO N° | REF. NO. | PART NO. CODIGO N° | REF. NO. |
|-----------------------|-------------|-----------------------|-------------|-----------------------|-------------|-----------------------|-------------|-----------------------|-------------|
| 98580-03015 | 29 - 38 | | | | | | | | |
| 98580-04006 | 29 - 36 | | | | | | | | |
| | 30 - 32 | | | | | | | | |
| 98580-04010 | 29 - 35 | | | | | | | | |
| 98580-05010 | 29 - 37 | | | | | | | | |
| 98586-05016 | 25 - 4 | | | | | | | | |
| 98780-04015 | 2 - 13 | | | | | | | | |
| 98780-05018 | 30 - 33 | | | | | | | | |
| 98980-05010 | 32 - 9 | | | | | | | | |
| 98980-06020 | 32 - 14 | | | | | | | | |
| 99001-08600 | 21 - 20 | | | | | | | | |
| | 23 - 19 | | | | | | | | |

150AET/175AET
200AET/L150AET/L200AET
PARTS CATALOGUE
©2003 by Yamaha Motor Co., Ltd.
1st edition, July 2003
All rights reserved.
Any reprinting or unauthorized use
without the written permission of
Yamaha Motor Co., Ltd.
is expressly prohibited.
Printed in Japan.

150AET/175AET
200AET/L150AET/L200AET
CATALOGO DE REPUESTOS
©2003 por Yamaha Motor Co., Ltd.
1ª edición, julio 2003
Todos los derechos reservados.
Toda reproducción o uso no autorizado
sin el consentimiento escrito de
Yamaha Motor Co., Ltd.
quedan expresamente prohibidos
Impreso en Japón.