



PARTS CATALOGUE

150FETO'08 (64C8)

200FETO'08 (64E8)

L150FETO'08 (64G8)

L200FETO'08 (64H8)



1G64C-664E1

()

2008/3/28

NEWS NO.	DATE	COMMENT
PE0-OM-080015	Mar.,17,2008	MOD:FIG.19 CAM, TRIM SENDER P/No. REVISION

150FETO/200FETO
L150FETO/L200FETO
PARTS CATALOGUE
©2007 by Yamaha Motor Co., Ltd.
1st edition, October 2007
All rights reserved.
Any reprinting or unauthorized use
without the written permission of
Yamaha Motor Co., Ltd.
is expressly prohibited.
Printed in Japan.

FOREWORD

This Parts Catalogue is related to the parts for the model(s) on the cover page. When you are ordering replacement parts, please refer to this Parts Catalogue and quote both part numbers and part names correctly.

1. Modifications or additions which have been made after the issue of the Parts Catalogue will be announced in the Parts News.
It is advisable that you make the necessary corrections to the Parts Catalogue according to the Parts News.

2. Abbreviations

The following abbreviations are used in this Parts Catalogue.

“UR” Use specified parts number.

“UN” Use as many as needed.

“AP” Alternate Parts

“LM” Locally Made (Parts need to be ordered locally)

“F#” Frame No. (Applicable machine No.)

“O/S” Over Size

3. The number of components for assembly

- Parts, which are to be supplied in an assembly, are listed with a dot (.) in front of the part name as shown below.
- The numeral appearing to the right of each component part indicates the quantity of parts for each assembly unit.

PART NO.	DESCRIPTION	Q'TY	REMARKS
2F5-83310-60	FRONT FLASHER LIGHT ASSY	2	
115-83311-60	.BULB (6V-18W)	1	

4. Applicable colours of graphics are represented in the “REMARKS” as shown below.

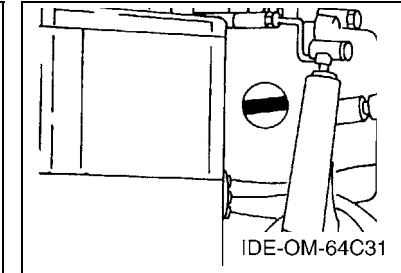
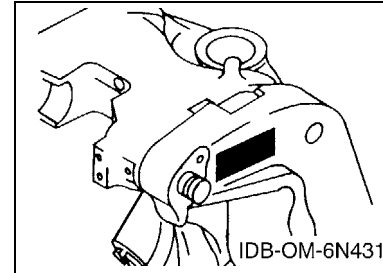
PART NO.	DESCRIPTION	Q'TY	REMARKS
2N4-24110-00-X5	FUEL TANK COMP.	2	MXR
3J1-24240-10	.GRAPHIC, FUEL TANK	1	FOR MXR

5. Note that the illustrations for reference in finding parts numbers are not to be used for assembling. When assembling, please use the applicable service manual.

6. The asterisk (*) before a reference number indicates modified items after the first edition.

7. Applicable Serial No.

Engine Serial No.



8. Applicable Engine Starting Serial No.

Model	Serial No.	Model	Serial No.
150F	6G4-1019349	200F	6G6-1032843
L150F	6K0-1001174	L200F	6K1-1006029

9. Applicable Colour Code

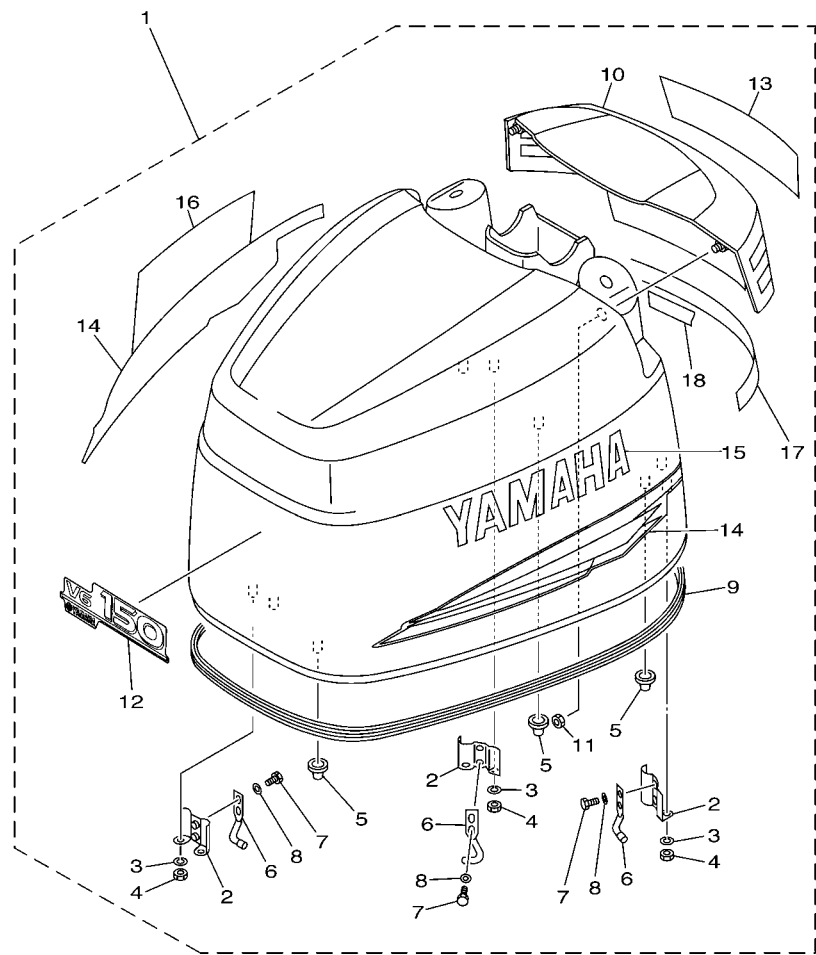
Abbreviation	Colour Name	Colour Code
DBNM2	DARK BLUISH GRAY METALLIC 2	004D

10. Quantity Column Information

Column No.	Name Of Q'ty Column	Applicable Model
1	64C8	150FETO
2	64E8	200FETO
3	64G8	L150FETO
4	64H8	L200FETO

CONTENTS

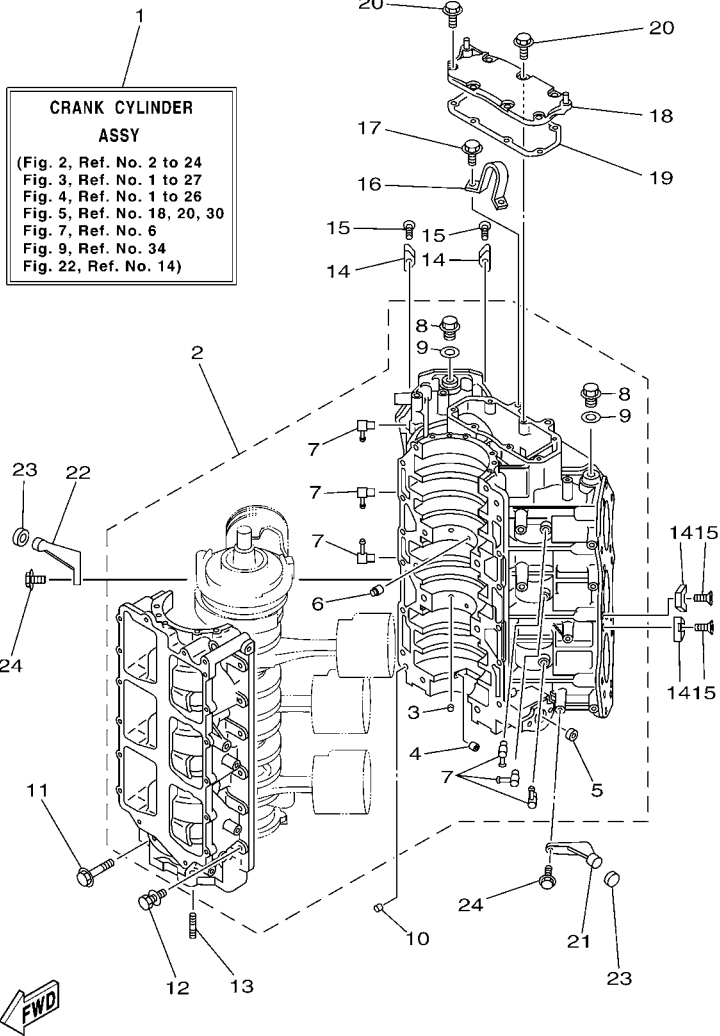
TOP COWLING	1
CYLINDER & CRANKCASE 1	2
CRANKSHAFT & PISTON	3
CYLINDER & CRANKCASE 2	5
INTAKE	7
CARBURETOR	9
OIL PUMP	11
OIL TANK	13
FUEL 1	15
FUEL 2	17
FUEL 3	18
GENERATOR	19
ELECTRICAL 1	20
ELECTRICAL 2	22
STARTING MOTOR	24
BOTTOM COWLING	25
CONTROL	27
BRACKET 1	30
BRACKET 2	32
POWER TRIM & TILT ASSY 1	34
POWER TRIM & TILT ASSY 2	36
UPPER CASING	38
LOWER CASING & DRIVE 1	40
LOWER CASING & DRIVE 2	44
LOWER CASING & DRIVE 3	46
LOWER CASING & DRIVE 4	50
STEERING GUIDE ATTACHMENT 1	51
STEERING GUIDE ATTACHMENT 2	52
REMOTE CONTROL BOX	53
REMOTE CONTROL ASSY 1	54
REMOTE CONTROL ASSY 2	57
METER	60
SWITCH & PANEL	61
REPAIR KIT 1	62
REPAIR KIT 2	64
INDEX	
NUMERICAL INDEX	66



64D1010-2010

FIG. 1 TOP COWLING

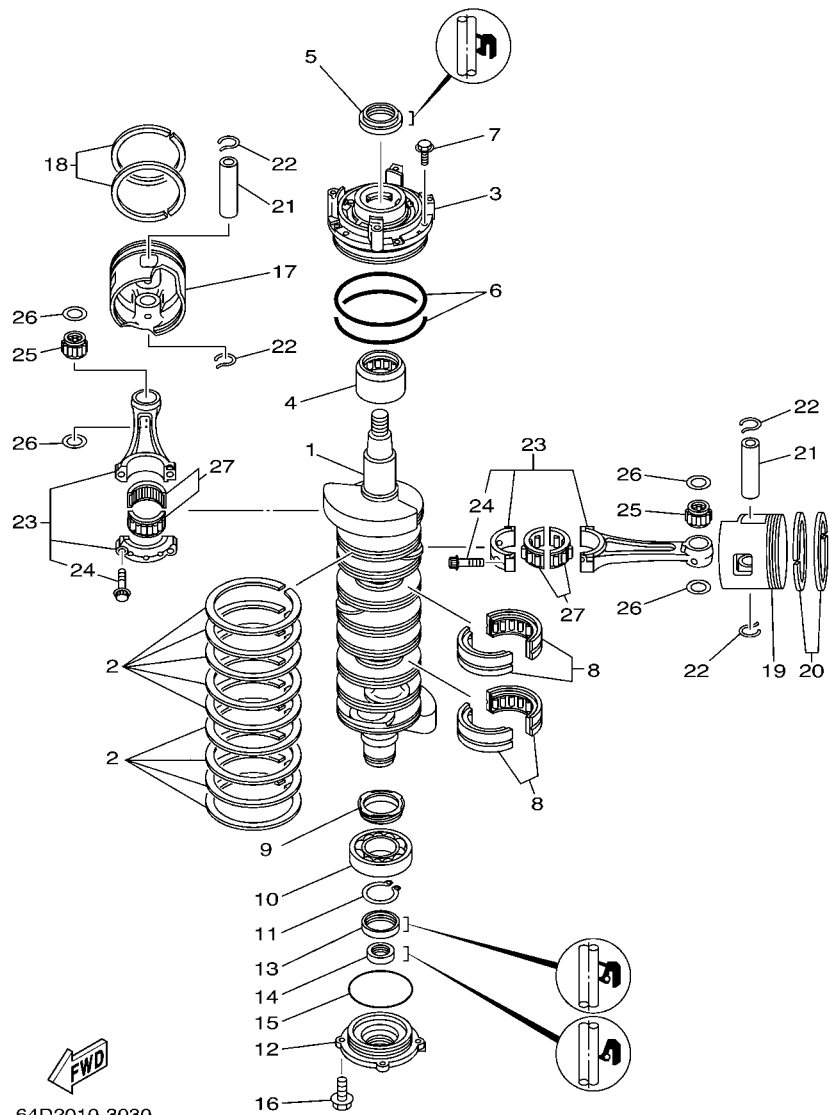
REF. NO.	PART NO.	DESCRIPTION	64C8	64E8	64G8	64H8	REMARKS
1	64C-42610-60-4D	TOP COWLING ASSY	1		1		
	64E-42610-50-4D	TOP COWLING ASSY		1		1	
2	6R3-42647-00	.HOLDER, CLAMP BAND	3	3	3	3	
3	92990-06100	.WASHER, SPRING	6	6	6	6	
4	95380-06600	.NUT, HEXAGON	6	6	6	6	
5	64D-42662-00	.DAMPER	3	3	3	3	
6	64D-42814-00	.HOOK, CLAMP	3	3	3	3	
7	97095-06012	.BOLT	6	6	6	6	
8	92995-06600	.WASHER	6	6	6	6	
9	64D-42615-00	.SEAL	1	1	1	1	
10	64D-42613-00-4D	.MOLDING, AIR DUCT	1	1	1	1	
11	90179-06M24	.NUT	4	4	4	4	
12	64C-42677-50	.GRAPHIC, FRONT	1		1		
	64E-42677-50	.GRAPHIC, FRONT		1		1	
13	64C-42687-30	.EMBLEM, REAR	1		1		
	64E-42687-30	.EMBLEM, REAR		1		1	
14	64D-W0070-30	.GRAPHIC SET	1	1	1	1	
15	64C-42681-30	.MARK, COWLING	1	1	1	1	
16	64C-42682-30	.MARK, COWLING	1	1	1	1	
17	64D-4267A-30	.GRAPHIC, REAR 2	1	1	1	1	
18	64D-42678-30	.GRAPHIC, REAR	1	1	1	1	



64C5664-E020

FIG. 2 CYLINDER & CRANKCASE 1

REF. NO.	PART NO.	DESCRIPTION	64C8	64E8	64G8	64H8	REMARKS
1	64C-W0090-15-1S	CRANK CYLINDER ASSY	1		1		
	64E-W0090-15-1S	CRANK CYLINDER ASSY		1		1	
2	64C-15100-01-1S	CRANKCASE ASSY	1		1		
	64E-15100-01-1S	CRANKCASE ASSY		1		1	
3	624-11379-00	.VALVE, CHECK	2	2	2	2	
4	90384-06M07	.BUSH, BIMETAL FORMED	1	1	1	1	
5	90384-14M09	.BUSH, BIMETAL FORMED	1	1	1	1	
6	663-11518-01	.LOCK, BEARING	2	2	2	2	
7	646-11370-01	.CHECK VALVE ASSY	6	6	6	6	
8	90340-14M00	.PLUG, STRAIGHT SCREW	2	2	2	2	
9	90430-14115	.GASKET	2	2	2	2	
10	93608-12063	PIN, DOWEL	2	2	2	2	
11	90105-10M20	BOLT, FLANGE	8	8	8	8	
12	90119-08M94	BOLT, WITH WASHER	12	12	12	12	
13	90116-08026	BOLT, STUD	2	2	2	2	
14	6E5-11325-00	ANODE	8	8	8	8	
15	98780-04015	SCREW, FLAT HEAD	8	8	8	8	
16	67H-11119-01	HANGER, ENGINE	1	1	1	1	
17	90119-08MA3	BOLT, WITH WASHER	2	2	2	2	
18	6K7-11371-01-1S	COVER	1	1	1	1	
19	6E5-11381-A2	GASKET 1	1	1	1	1	
20	90119-06MA2	BOLT, WITH WASHER	7	7	7	7	
21	6E5-42761-00-1S	STOPPER	1	1	1	1	
22	6E5-42762-00-1S	STOPPER	1	1	1	1	
23	68F-44533-00	DAMPER, UPPER MOUNT RUBBER	2	2	2	2	
24	90119-06MA2	BOLT, WITH WASHER	4	4	4	4	

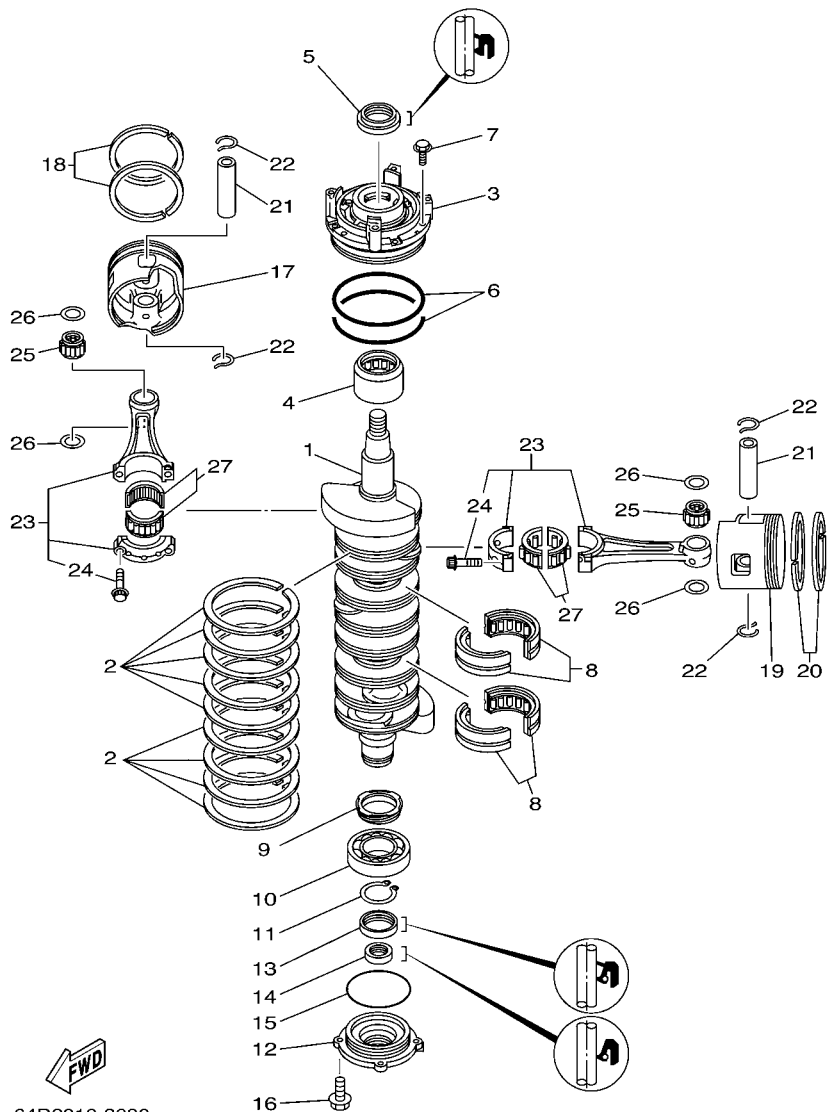


64D2010-3030

FIG. 3 CRANKSHAFT & PISTON

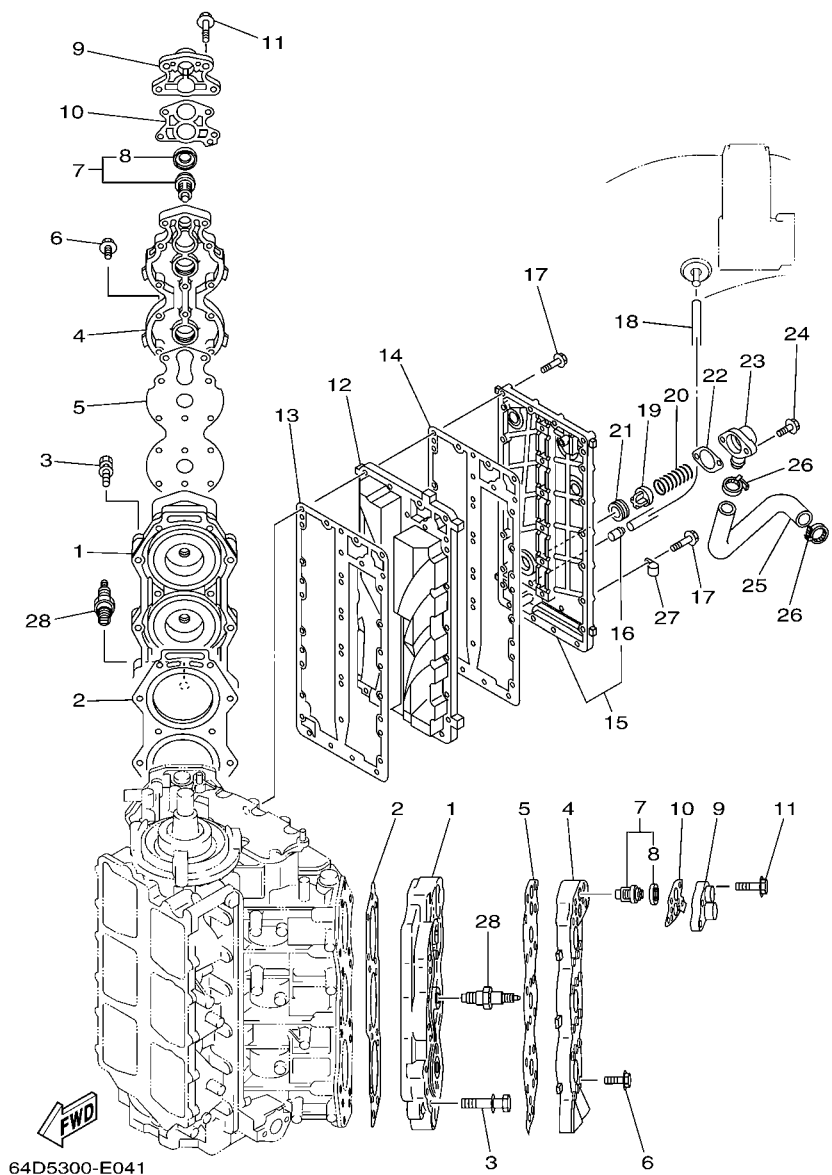
REF. NO.	PART NO.	DESCRIPTION	64C8	64E8	64G8	64H8	REMARKS
1	6G5-11411-02	CRANKSHAFT	1	1	1	1	
2	6E5-11447-00	SEAL, CRANK	9	9	9	9	
3	6R3-15163-00-1S	HOUSING, BEARING 1	1	1	1	1	
4	93311-940U3	BEARING	1	1	1	1	
5	93102-40M14	OIL SEAL	1	1	1	1	
6	93211-04001	O-RING	2	2	2	2	
7	90119-06MA2	BOLT, WITH WASHER	3	3	3	3	
8	93310-954U1	BEARING	2	2	2	2	
9	6R3-11536-00	GEAR, DRIVE	1	1	1	1	
10	93306-208U0	BEARING	1	1	1	1	
11	93410-40M03	CIRCLIP	1	1	1	1	
12	6G5-15359-00-94	HOUSING, OIL SEAL	1	1	1	1	
13	93102-35M13	OIL SEAL	1	1	1	1	
14	93101-22M15	OIL SEAL	1	1	1	1	
15	93210-74M35	O-RING	1	1	1	1	
16	90119-06MA2	BOLT, WITH WASHER	4	4	4	4	
17	64D-11631-02-90	PISTON (STD)	3	3	3	3	
	64D-11635-02	PISTON (0.25MM O/S)	3	3	3	3	AP
	64D-11636-02	PISTON (0.50MM O/S)	3	3	3	3	AP
18	64D-11603-02	PISTON RING SET (STD)	3	3	3	3	
	64D-11604-02	PISTON RING SET (0.25MM O/S)	3	3	3	3	AP
	64D-11605-02	PISTON RING SET (0.50MM O/S)	3	3	3	3	AP
19	64D-11642-02-90	PISTON 2 (STD)	3	3	3	3	
	64D-11645-02	PISTON 2 (0.25MM O/S)	3	3	3	3	AP
	64D-11646-02	PISTON 2 (0.50MM O/S)	3	3	3	3	AP
20	64D-11603-02	PISTON RING SET (STD)	3	3	3	3	
	64D-11604-02	PISTON RING SET (0.25MM O/S)	3	3	3	3	AP

FIG. 3 CRANKSHAFT & PISTON



64D2010-3030

REF. NO.	PART NO.	DESCRIPTION	64C8	64E8	64G8	64H8	REMARKS
20	64D-11605-02	PISTON RING SET (0.50MM O/S)	3	3	3	3	AP
21	6R5-11633-10	PIN, PISTON	6	6	6	6	
22	6R5-11634-10	CLIP, PISTON PIN	12	12	12	12	
23	6R5-11650-10	CONNECTING ROD ASSY	6	6	6	6	
24	90109-08022	.BOLT	2	2	2	2	
25	93310-32337	BEARING	6	6	6	6	
26	90201-23M01	WASHER, PLATE	12	12	12	12	
27	93310-836V2	BEARING	6	6	6	6	



64D5300-E041

FIG. 4 CYLINDER & CRANKCASE 2

REF. NO.	PART NO.	DESCRIPTION	64C8	64E8	64G8	64H8	REMARKS
1	6G5-11111-04-1S	HEAD, CYLINDER 1	2		2		
	64E-11111-00-1S	HEAD, CYLINDER 1		2		2	
2	6G5-11181-A2	GASKET, CYLINDER HEAD 1	2	2	2	2	
3	90119-08MA8	BOLT, WITH WASHER	28	28	28	28	
4	6G5-11191-00-1S	COVER, CYLINDER HEAD 1	2	2	2	2	
5	6G5-11193-A1	GASKET, HEAD COVER 1	2	2	2	2	
6	90119-06MA4	BOLT, WITH WASHER	36	36	36	36	
7	6E5-12411-30	THERMOSTAT	2	2	2	2	
8	688-12412-00	.SEAL, THERMOSTAT	1	1	1	1	
9	688-12413-00-1S	COVER, THERMOSTAT	2	2	2	2	
10	688-12414-A1	GASKET, COVER	2	2	2	2	
11	90119-06MA6	BOLT, WITH WASHER	8	8	8	8	
12	64D-41111-00-1S	INNER COVER, EXHAUST	1	1	1	1	
13	6G5-41112-A1	GASKET, EXHAUST INNER COVER	1	1	1	1	
14	6G5-41114-A0	GASKET, EXHAUST OUTER COVER	1	1	1	1	
15	6R3-41113-00-1S	OUTER COVER, EXHAUST	1	1	1	1	
16	650-24378-00	.PIPE, JOINT 4	1	1	1	1	
17	90119-06MA5	BOLT, WITH WASHER	29	29	29	29	
18	90445-09097	HOSE (L250)	1	1	1	1	
19	60H-12416-00	VALVE, PRESSURE CONTROL	1	1	1	1	
20	90501-16M11	SPRING, COMPRESSION	1	1	1	1	
21	90480-20M05	GROMMET	1	1	1	1	
22	6G5-11382-A1	GASKET 2	1	1	1	1	
23	6G5-11372-00-1S	COVER, BYPASS 2	1	1	1	1	
24	97595-06420	BOLT, WITH WASHER	2	2	2	2	
25	6G5-12576-00	HOSE 1	1	1	1	1	
26	90465-13M18	CLAMP	2	2	2	2	

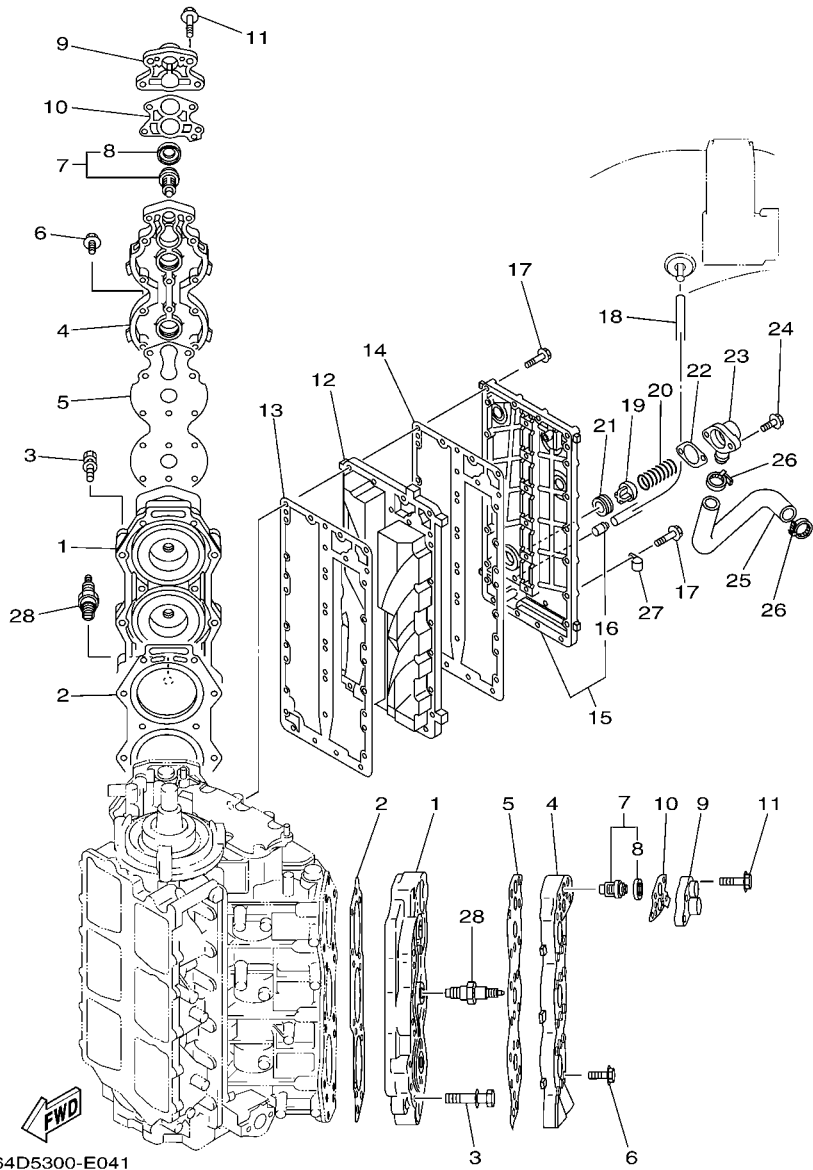
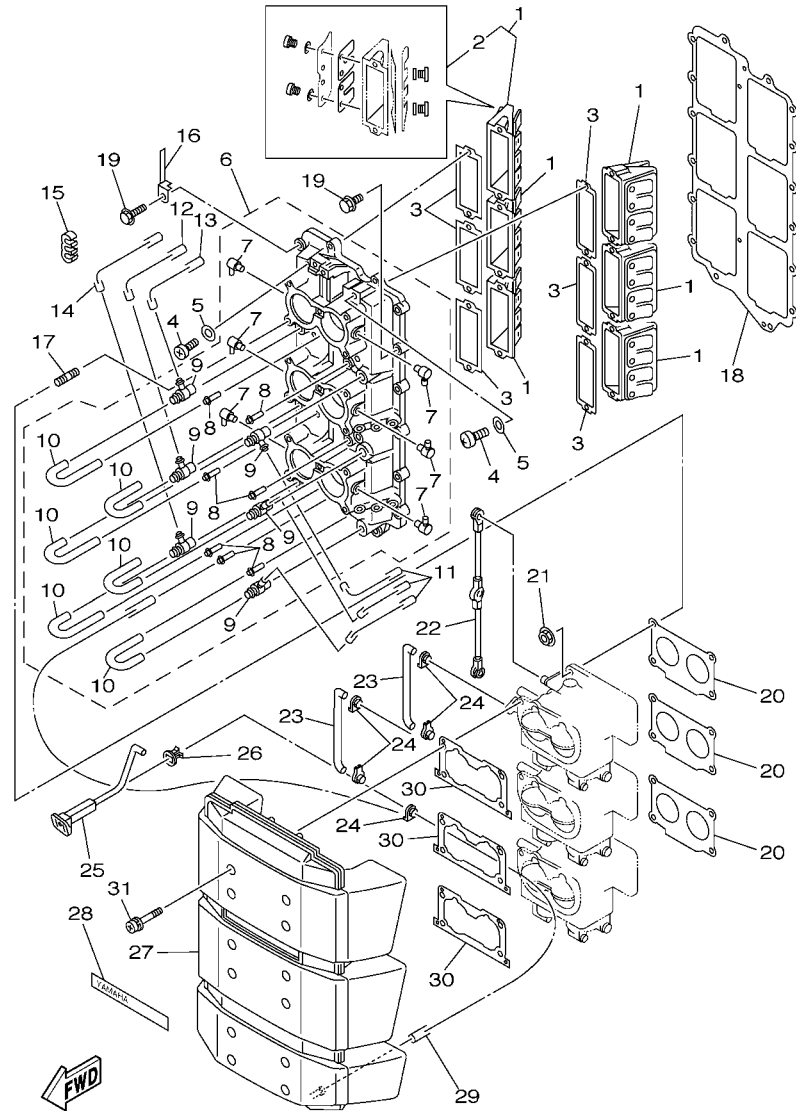


FIG. 4 CYLINDER & CRANKCASE 2

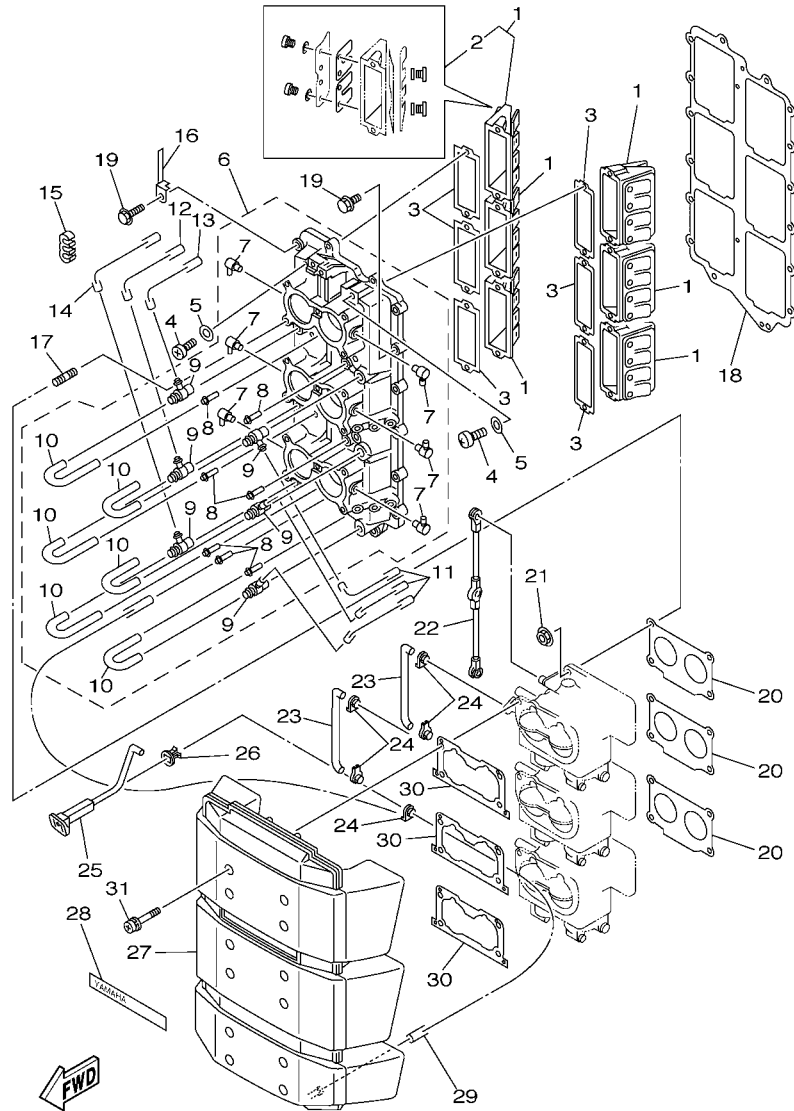
REF. NO.	PART NO.	DESCRIPTION	64C8	64E8	64G8	64H8	REMARKS
27	90465-06M86	CLAMP	2	2	2	2	
28	94702-00271	PLUG, SPARK (NGK BR7HS-10)	6	6			
	94702-00247	PLUG, SPARK (NGK BR8HS-10)		6	6		



64D2100-3050

FIG. 5 INTAKE

REF. NO.	PART NO.	DESCRIPTION	64C8	64E8	64G8	64H8	REMARKS
1	6E5-13610-00	REED VALVE ASSY	6	6	6	6	
2	6E5-W0004-00	.REED SET	1	1	1	1	
3	6E5-13621-A1	GASKET, VALVE SEAT	6	6	6	6	
4	97880-05016	SCREW, PAN HEAD	12	12	12	12	
5	92990-05600	WASHER, PLATE	12	12	12	12	
6	6G5-13641-11-1S	MANIFOLD 1	1	1	1	1	
7	6E5-13552-01	.NOZZLE	6	6	6	6	
8	624-14485-00	.PIPE, JOINT	7	7	7	7	
9	6E5-11370-01	.CHECK VALVE ASSY	6	6	6	6	
10	90445-07M28	.HOSE (L70)	6	6	6	6	
11	90445-07M45	HOSE (L340)	3	3	3	3	
12	90445-07M46	HOSE (L360)	1	1	1	1	
13	90445-07M09	HOSE (L380)	1	1	1	1	
14	90445-07M59	HOSE (L410)	1	1	1	1	
15	90464-07M05	CLAMP	2	2	2	2	
16	90465-10M91	CLAMP	2	2	2	2	
17	90116-06M30	BOLT, STUD	12	12	12	12	
18	6G5-13645-A2	GASKET, MANIFOLD 1	1	1	1	1	
19	90119-06MA3	BOLT, WITH WASHER	16	16	16	16	
20	6E5-14198-A2	GASKET	3	3	3	3	
21	90179-06M28	NUT	12	12	12	12	
22	6G5-41217-01	ROD, ACCEL. LEVER	1	1	1	1	
23	6E5-41256-01	ROD, CHOKE 1	2	2	2	2	
24	661-41262-02	JOINT, CHOKE LEVER	5	5	5	5	
25	6R3-41271-00	KNOB, CHOKE	1	1	1	1	
26	689-41273-00	GROMMET	1	1	1	1	
27	6R3-14440-02	SILENCER ASSY, INTAKE	1	1	1	1	

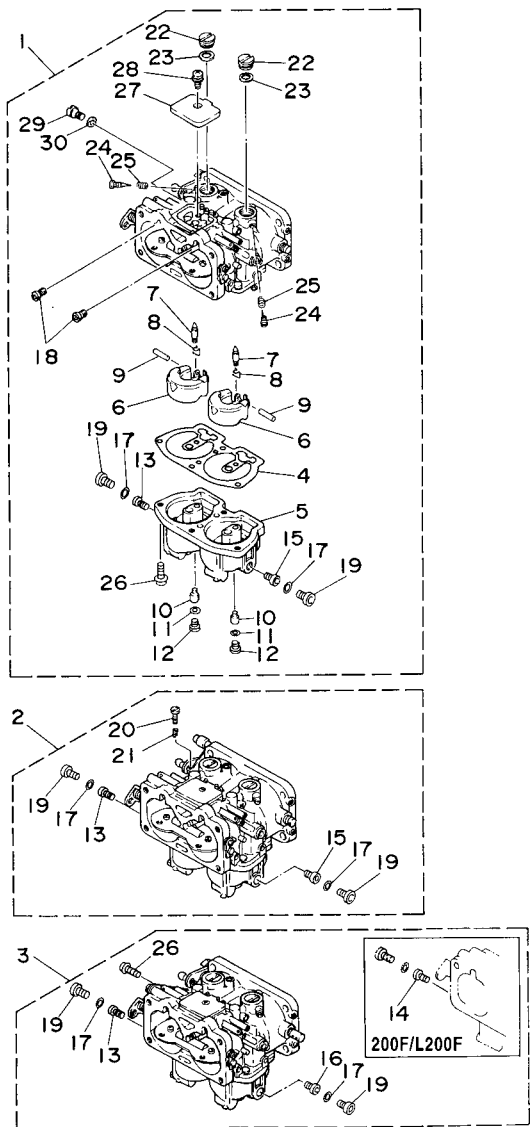


64D2100-3050

FIG. 5 INTAKE

REF. NO.	PART NO.	DESCRIPTION	64C8	64E8	64G8	64H8	REMARKS
28	6G5-1441K-00	EMBLEM	1	1	1	1	
29	90445-07MA3	HOSE (L200)	1	1	1	1	
30	6K7-14483-00	GASKET	3	3	3	3	
31	90159-06M14	SCREW, WITH WASHER	12	12	12	12	

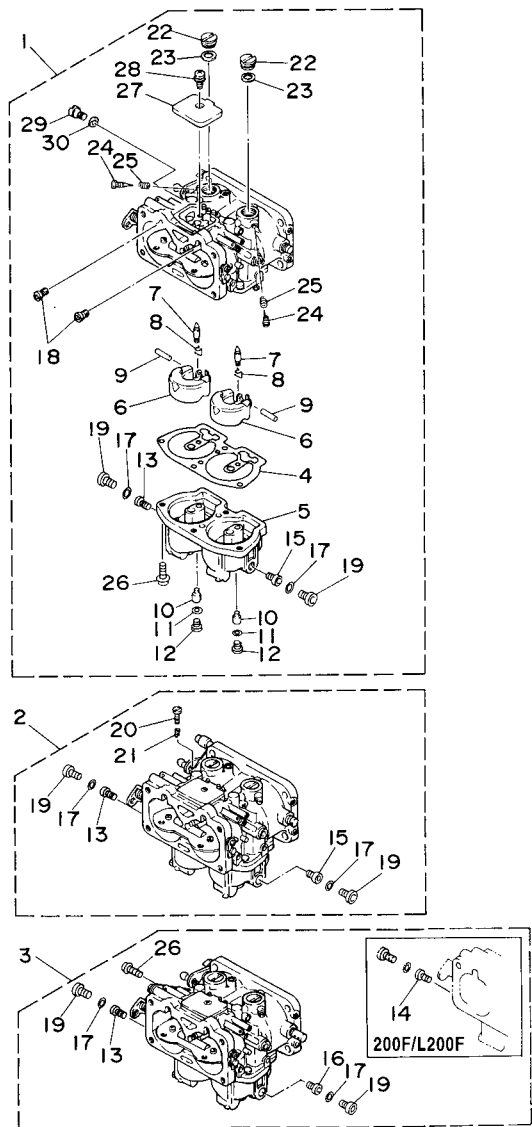
FIG. 6 CARBURETOR



64D0300-6060

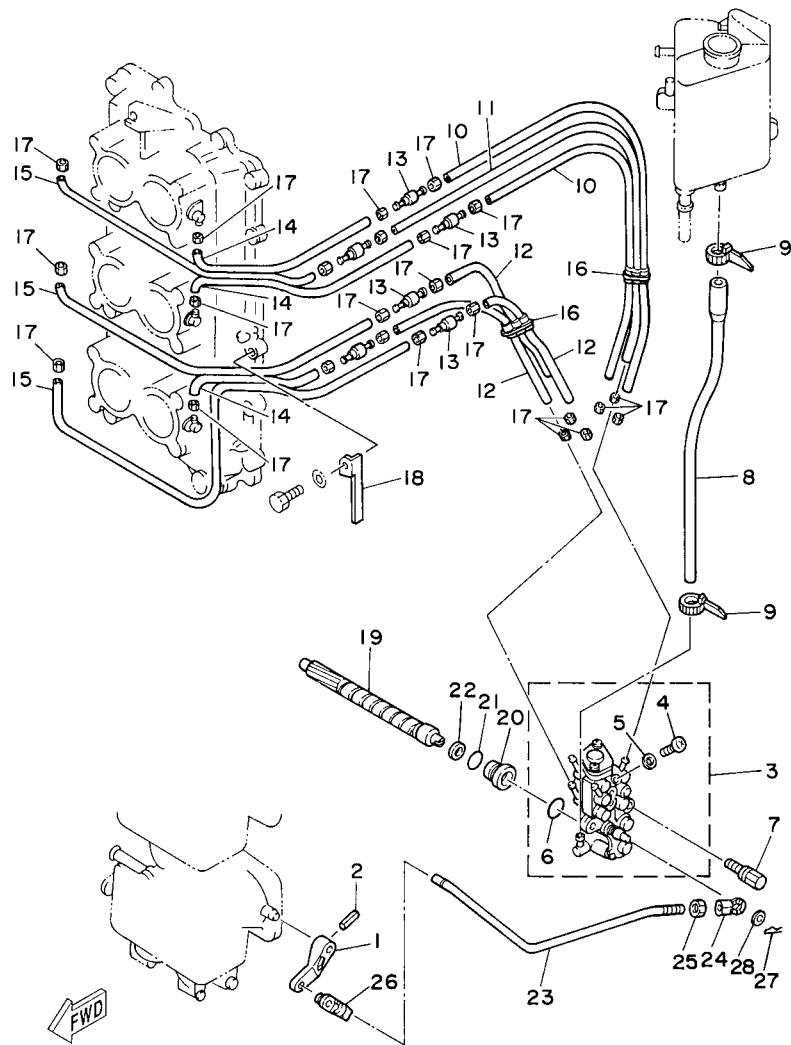
REF. NO.	PART NO.	DESCRIPTION	64C8	64E8	64G8	64H8	REMARKS
1	64C-14301-02	CARBURETOR ASSY 1	1		1		
	64E-14301-02	CARBURETOR ASSY 1		1		1	
2	64C-14302-02	CARBURETOR ASSY 2	1		1		
	64E-14302-02	CARBURETOR ASSY 2		1		1	
3	64C-14303-02	CARBURETOR ASSY 3	1		1		
	64E-14303-02	CARBURETOR ASSY 3		1		1	
4	64D-14384-01	.GASKET, FLOAT CHAMBER	3	3	3	3	
5	64D-14381-00	.BODY, FLOAT CHAMBER	3	3	3	3	
6	6E5-14385-02	.FLOAT	6	6	6	6	
7	6E5-14546-00	.VALVE, NEEDLE	6	6	6	6	
8	6E5-14159-00	.CLIP	6	6	6	6	
9	6E5-14386-02	.PIN, FLOAT	6	6	6	6	
10	64D-1492F-42	.JET, AIR SLOW (#84)	6	6	6	6	
11	61U-14959-00	.GASKET	6	6	6	6	
12	64D-14394-00	.VALVE, DRAIN	6	6	6	6	
13	64D-1492E-75	.JET, MAIN (#150)	3		3		
	64D-1492E-75	.JET, MAIN (#150)		2		2	
14	64D-1492E-76	.JET, MAIN (#152)		1		1	
15	64D-1492E-77	.JET, MAIN (#154)	2	2	2	2	
16	64D-1492E-79	.JET, MAIN (#158)	1	1	1	1	
17	6E5-14398-01	.GASKET	6	6	6	6	
18	61A-1492H-12	.JET, SLOW AIR BLEED (#60)	6	6	6	6	
19	61A-14383-01	.SCREW, DRAIN	6	6	6	6	
20	6E5-14321-00	.SCREW, THROTTLE	1	1	1	1	#2
21	6J8-14334-00	.SPRING, THROTTLE	1	1	1	1	#2
22	6E5-14328-01	.PLUG	6	6	6	6	
23	6E5-14979-00	.GASKET	6	6	6	6	

FIG. 6 CARBURETOR



64D0300-6060

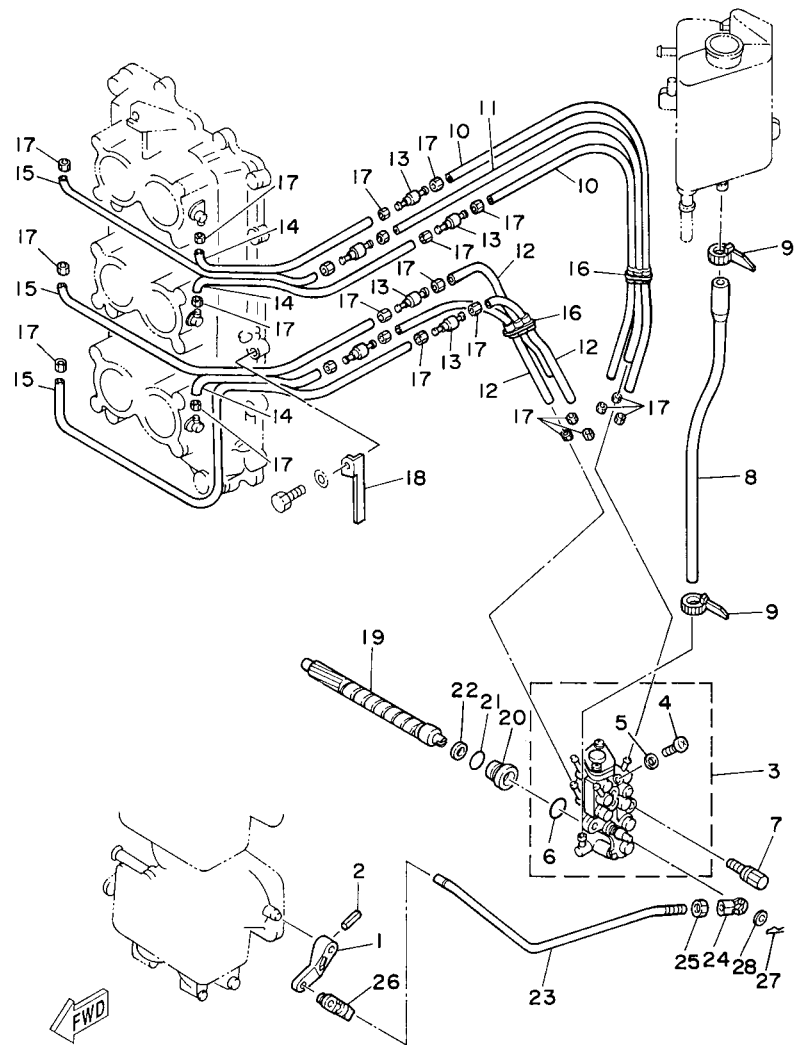
REF. NO.	PART NO.	DESCRIPTION	64C8	64E8	64G8	64H8	REMARKS
24	6E5-14323-03	.SCREW, AIR ADJUSTING	6	6	6	6	
25	6E5-14223-00	.SPRING, AIR ADJUSTING	6	6	6	6	
26	97980-05116	.SCREW, WITH WASHER	13	13	13	13	
27	6E5-14527-01	.PLATE	3	3	3	3	
28	97980-05108	.SCREW, WITH WASHER	3	3	3	3	
29	6E5-14324-00	.SCREW, FLAT HEAD	3	3	3	3	
30	6J8-14959-00	.GASKET	3	3	3	3	



64D0010-6070

FIG. 7 OIL PUMP

REF. NO.	PART NO.	DESCRIPTION	64C8	64E8	64G8	64H8	REMARKS
1	6E5-14276-01	LEVER	1	1	1	1	
2	91690-30016	PIN, SPRING	1	1	1	1	
3	6R4-13200-02	OIL INJECTION PUMP ASSY	1		1		
	6R5-13200-12	OIL INJECTION PUMP ASSY			1	1	
4	6R3-13471-00	.PLUG, DRAIN	1	1	1	1	
5	6L2-13475-00	.GASKET	1	1	1	1	
6	93210-19M82	.O-RING	1	1	1	1	
7	90109-06M40	BOLT	2	2	2	2	
8	6R3-13416-00	PIPE, OIL 1	1	1	1	1	
9	90465-11M10	CLAMP	2	2	2	2	
10	90445-07M72	HOSE (L250)	2	2	2	2	
11	90445-07M89	HOSE (L310)	1	1	1	1	
12	90445-07M83	HOSE (L150)	3	3	3	3	
13	6R3-13183-10	VALVE, CHECK	6	6	6	6	
14	90445-07M87	HOSE (L110)	3	3	3	3	
15	90445-07M96	HOSE (L310)	3	3	3	3	
16	90464-07M05	CLAMP	2	2	2	2	
17	90468-07M02	CLIP	24	24	24	24	
18	90465-10M91	CLAMP	2	2	2	2	
19	6R3-11537-00	GEAR, DRIVEN	1	1	1	1	
20	6R3-13117-00	COLLAR, DISTANCE	1	1	1	1	
21	93210-13M04	O-RING	1	1	1	1	
22	90202-08M44	WASHER, PLATE	1	1	1	1	
23	6R3-41241-00	ROD, LINK	1	1	1	1	
24	6H1-41237-00	JOINT, LINK	1	1	1	1	
25	95380-05600	NUT	1	1	1	1	
26	6R5-41237-00	JOINT, LINK	1	1	1	1	

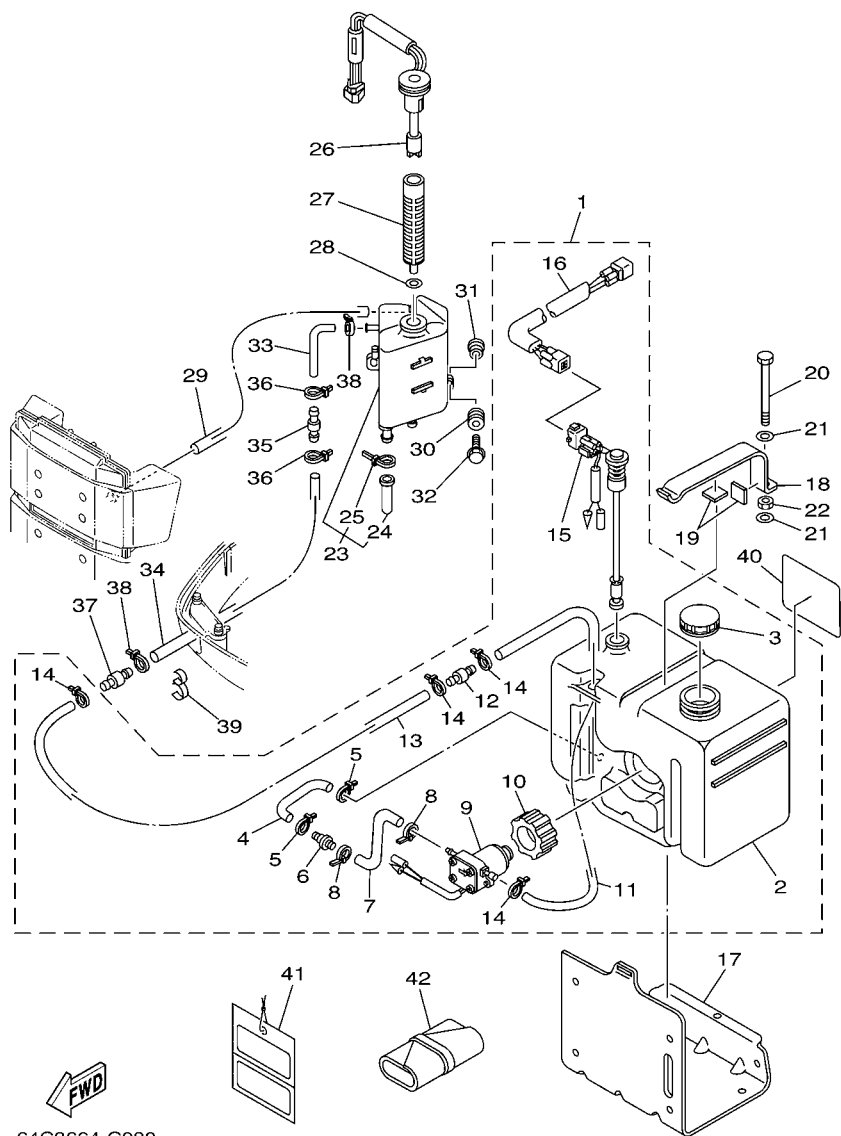


64D0010-6070

FIG. 7 OIL PUMP

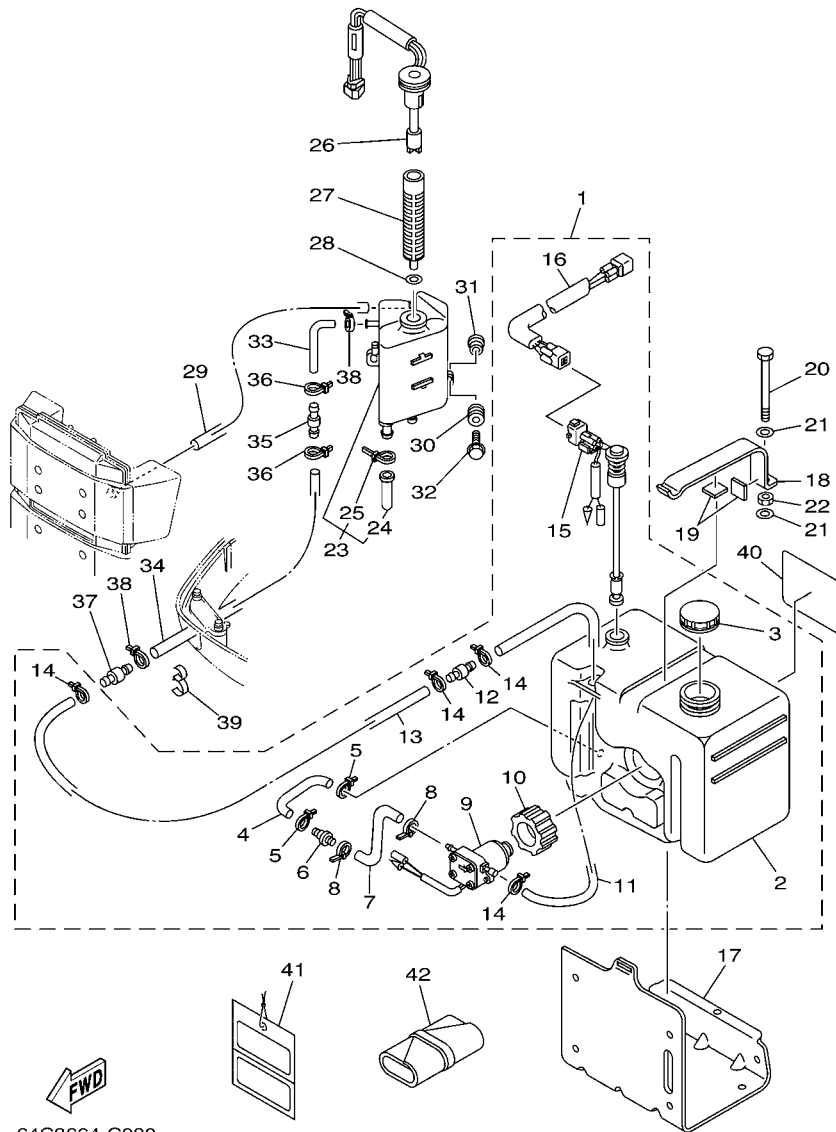
REF. NO.	PART NO.	DESCRIPTION	64C8	64E8	64G8	64H8	REMARKS
27	90468-05M03	CLIP	1	1	1	1	
28	90202-05088	WASHER, PLATE	1	1	1	1	

FIG. 8 OIL TANK



64C3664-C080

REF. NO.	PART NO.	DESCRIPTION	64C8	64E8	64G8	64H8	REMARKS
1	6E5-21708-10	SUB OIL TANK ASSY	1	1			
	6K1-21708-10	SUB OIL TANK ASSY			1	1	
2	6E5-21733-20	.SUB TANK, OIL (10.5L)	1	1	1	1	
3	6E5-21770-03	.OIL TANK CAP ASSY	1	1	1	1	
4	6E5-24322-00	.PIPE 11	1	1	1	1	
5	90465-11M10	.CLAMP	2	2	2	2	
6	646-24251-02	.STRAINER 1	1	1	1	1	
7	6E5-24319-01	.PIPE, OIL	1	1	1	1	
8	90465-11M10	.CLAMP	2	2	2	2	
9	6E5-81900-01	.OIL FEED PUMP ASSY	1	1	1	1	
10	6E5-81922-00	.GROMMET	1	1	1	1	
11	6E5-24321-01	.PIPE 10	1	1	1	1	
12	6E5-24379-00	.PIPE, JOINT 4	1	1	1	1	
13	90445-11M81	.HOSE (L3000)	1	1			FOR 6E5-21708-10
	90445-11M00	.HOSE (L8000)			1	1	FOR 6K1-21708-10
14	90465-11M10	.CLAMP	4	4	4	4	
15	6E5-85720-05	.OIL LEVEL GAUGE ASSY	1	1	1	1	
16	6R3-85721-30	.WIRE, LEAD (L=3.0M)	1	1			FOR 6E5-21708-10
	6R3-85721-80	.WIRE, LEAD (L=8.0M)			1	1	FOR 6K1-21708-10
17	6E5-21734-01-33	HOLDER, OIL SUB TANK	1	1	1	1	
18	6E5-21798-01-33	BRACKET, DAMPER	1	1	1	1	
19	6E5-21746-00	DAMPER	2	2	2	2	
20	97080-06100	BOLT	1	1	1	1	
21	92990-06600	WASHER, PLATE	2	2	2	2	
22	95380-06600	NUT, HEXAGON	1	1	1	1	
23	6E5-21750-05	OIL TANK ASSY	1	1	1	1	
24	6E5-13448-00	.CAP	1	1	1	1	



64C3664-C080

FIG. 8 OIL TANK

REF. NO.	PART NO.	DESCRIPTION	64C8	64E8	64G8	64H8	REMARKS
25	90465-13M11	.CLAMP	1	1	1	1	
26	6R3-85730-03	OIL LEVEL GAUGE ASSY	1	1	1	1	
27	6E5-13411-00	STRAINER, OIL	1	1	1	1	
28	6E5-13414-00	GASKET, STRAINER COVER	1	1	1	1	
29	90445-05M02	HOSE (L380)	1	1	1	1	
30	6A0-82317-00	DAMPER, IGNITION COIL	3	3	3	3	
31	90387-06119	COLLAR	3	3	3	3	
32	90119-06M65	BOLT, WITH WASHER	3	3	3	3	
33	64E-24323-00	PIPE 12	1	1	1	1	
34	90445-12M13	HOSE (L880)	1	1	1	1	
35	6E5-24379-00	PIPE, JOINT 4	1	1	1	1	
36	90465-11M10	CLAMP	2	2	2	2	
37	6E5-24379-00	PIPE, JOINT 4	1	1	1	1	
38	90465-11M10	CLAMP	2	2	2	2	
39	90464-13M34	CLAMP	1	1	1	1	
40	6E5-13437-62	MARK, CAUTION	1	1	1	1	
41	61H-2819R-31	TAG, WARNING	1	1		1	
42	656-W2810-02	TOOL KIT	1	1	1	1	

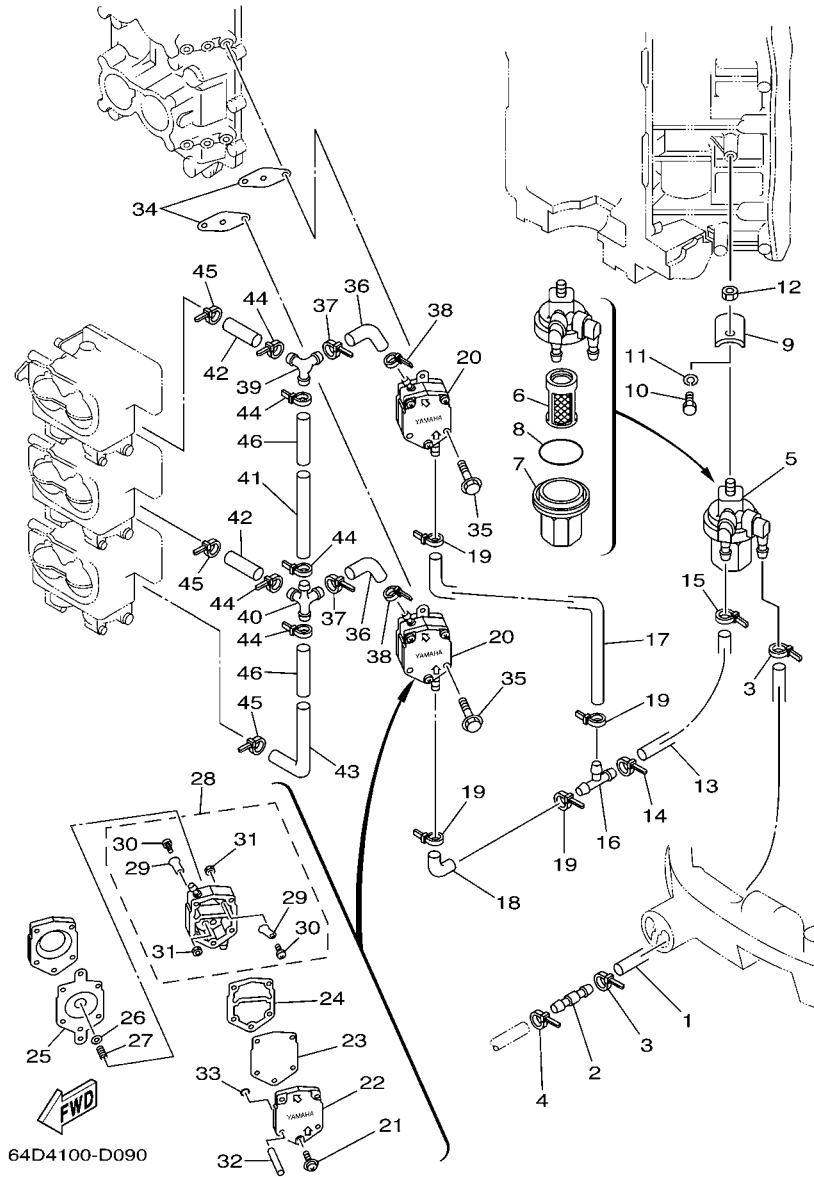


FIG. 9 FUEL 1

REF. NO.	PART NO.	DESCRIPTION	64C8	64E8	64G8	64H8	REMARKS
1	6R3-24313-01	PIPE 3 (L880)	1	1	1	1	
2	6R3-24377-00	PIPE, JOINT 2	1	1	1	1	
3	90465-11M10	CLAMP	2	2	2	2	
4	90465-11M10	CLAMP	1	1	1	1	
5	6R3-24560-00	FILTER ASSY	1	1	1	1	
6	6R3-24563-00	.ELEMENT, FILTER	1	1	1	1	
7	61N-24521-00	.CUP, FILTER	1	1	1	1	
8	93210-32738	.O-RING	1	1	1	1	
9	648-24566-02	BRACKET, FILTER	1	1	1	1	
10	97013-06014	BOLT	1	1	1	1	
11	92903-06100	WASHER, SPRING	1	1	1	1	
12	95380-08600	NUT	1	1	1	1	
13	6G5-24314-00	PIPE 4	1	1	1	1	
14	90465-11M10	CLAMP	1	1	1	1	
15	90465-11M10	CLAMP	1	1	1	1	
16	6E5-24378-00	PIPE, JOINT 3	1	1	1	1	
17	6G5-24315-00	PIPE 5	1	1	1	1	
18	6E5-24315-00	PIPE 5	1	1	1	1	
19	90465-11M10	CLAMP	4	4	4	4	
20	6E5-24410-04	FUEL PUMP ASSY	2	2	2	2	
21	6E5-24444-01	.SCREW	3	3	3	3	
22	6E5-24413-01	.BODY 2	1	1	1	1	
23	6E5-24471-01	.DIAPHRAGM	1	1	1	1	
24	6E5-24435-01	.GASKET, BODY 2	1	1	1	1	
25	6E5-24411-01	.DIAPHRAGM	1	1	1	1	
26	648-24424-00	.SEAT, SPRING	1	1	1	1	
27	6E5-24423-00	.SPRING, DIAPHRAGM	1	1	1	1	

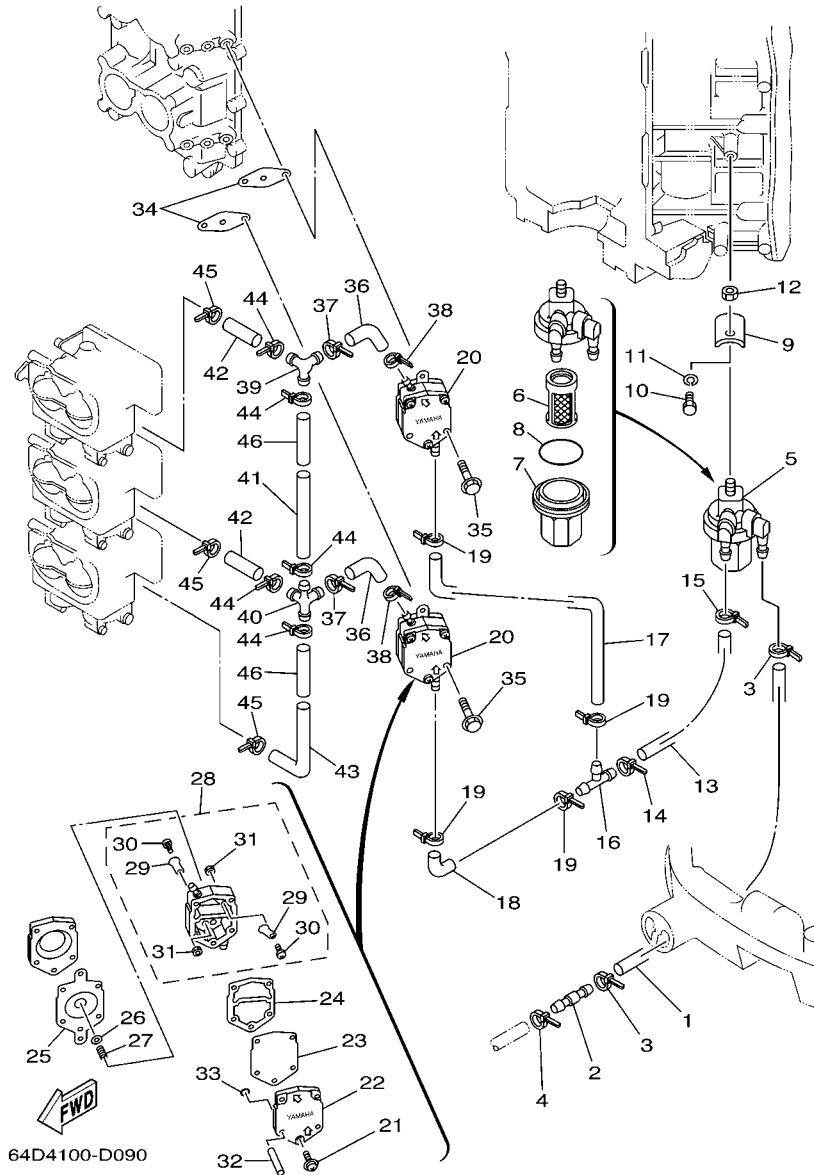
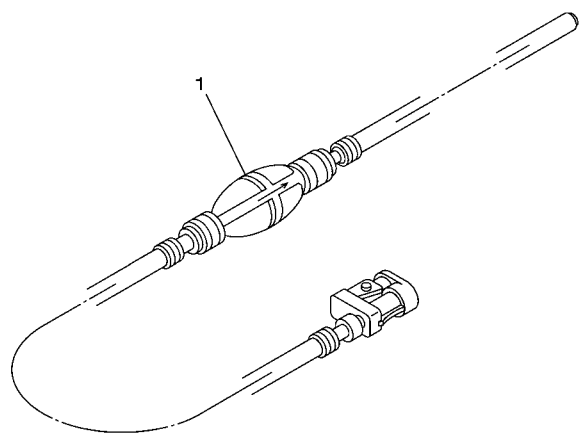


FIG. 9 FUEL 1

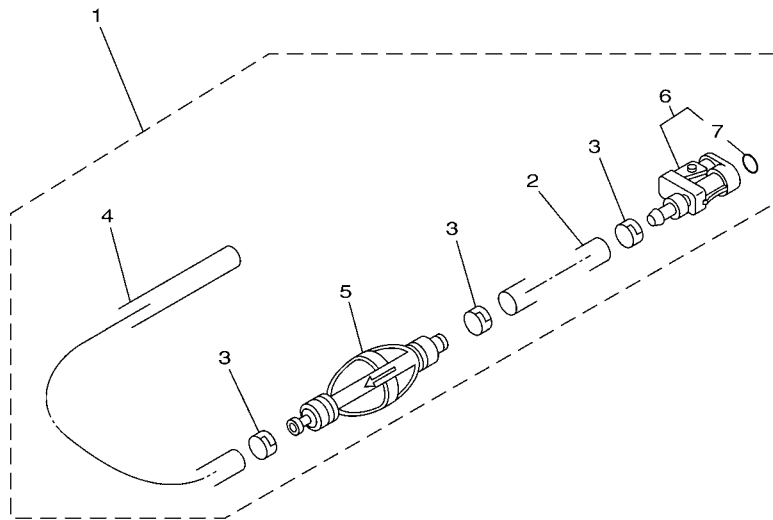
REF. NO.	PART NO.	DESCRIPTION	64C8	64E8	64G8	64H8	REMARKS
28	6E5-24412-11	.BODY 1	1	1	1	1	
29	6A0-24421-01	..VALVE, CHECK	4	4	4	4	
30	6A0-14325-00	..SCREW, PAN HEAD	4	4	4	4	
31	95380-03600	..NUT	4	4	4	4	
32	6E5-24492-00	.BUSH, FUEL PUMP	2	2	2	2	
33	6E5-24486-00	.O-RING	2	2	2	2	
34	650-24431-A0	GASKET, FUEL PUMP 1	2	2	2	2	
35	97595-06550	BOLT, WITH WASHER	4	4	4	4	
36	6G5-24316-10	PIPE 6	2	2	2	2	
37	90465-11M10	CLAMP	2	2	2	2	
38	90465-11M10	CLAMP	2	2	2	2	
39	6G5-24376-00	PIPE, JOINT 1	1	1	1	1	
40	6G5-24377-00	PIPE, JOINT 2	1	1	1	1	
41	6G5-24317-01	PIPE 7	1	1	1	1	
42	6G5-24318-10	PIPE, OVERFLOW	2	2	2	2	
43	6G5-24319-10	PIPE, OIL	1	1	1	1	
44	90465-11M10	CLAMP	5	5	5	5	
45	90465-11M10	CLAMP	3	3	3	3	
46	90446-15M07	HOSE (L60)	2	2	2	2	

FIG. 10 FUEL 2



REF. NO.	PART NO.	DESCRIPTION	64C8	64E8	64G8	64H8	REMARKS
1	6YK-24306-44	FUEL PIPE COMP. 1	1	1		1	AP

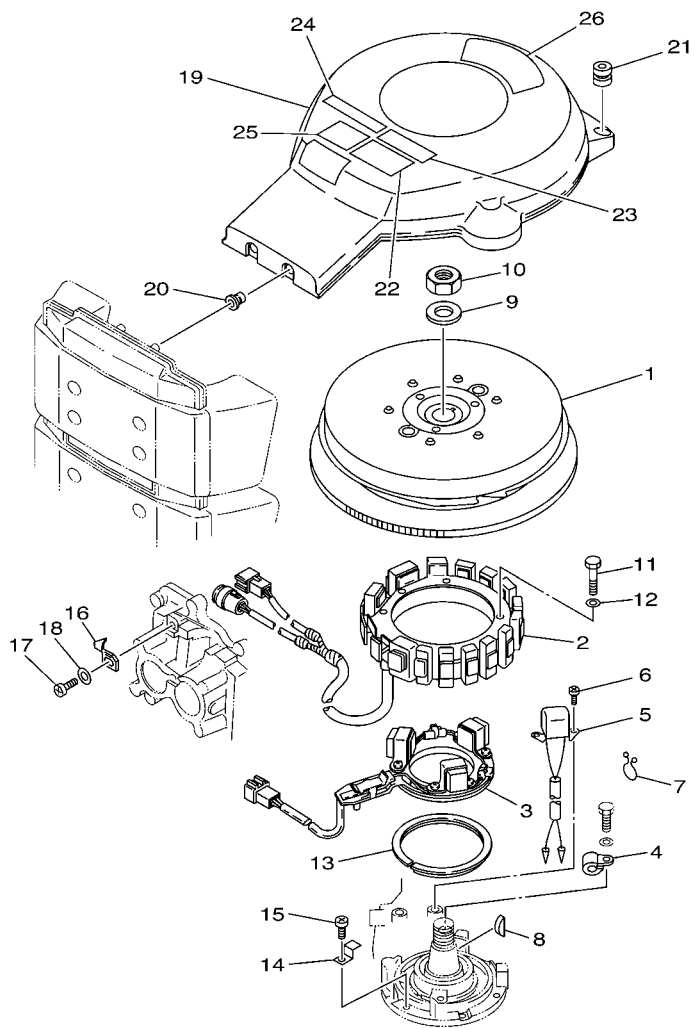
 67F3300-C110




6N43100-C100

FIG. 11 FUEL 3

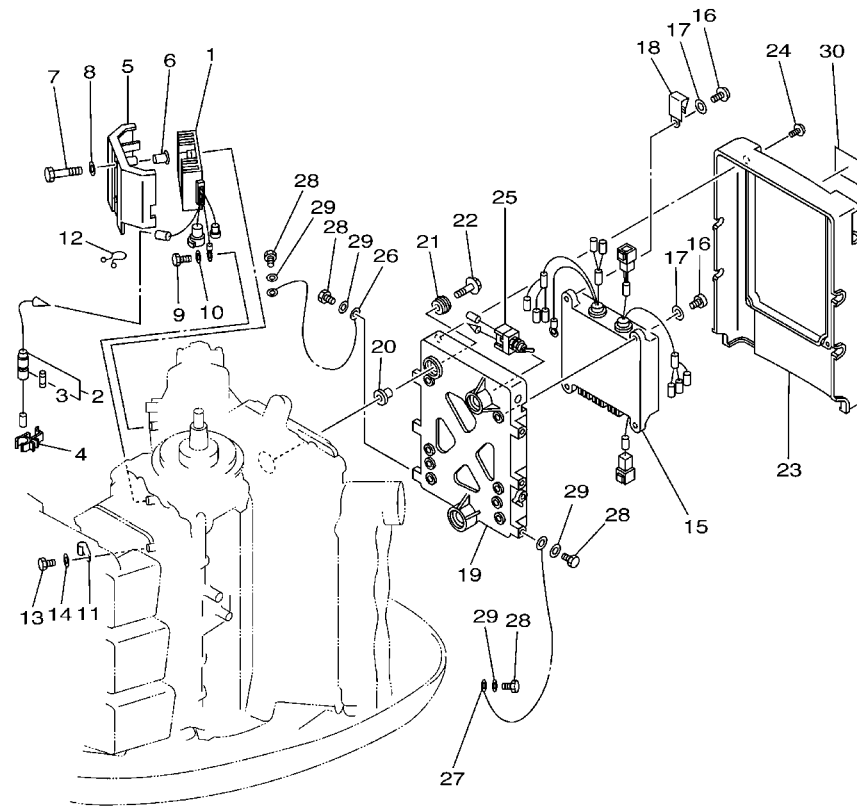
REF. NO.	PART NO.	DESCRIPTION	64C8	64E8	64G8	64H8	REMARKS
1	6Y2-24306-45	FUEL PIPE COMP. 1			1		AP
2	90445-13M01	.HOSE (L2050)			1		
3	6E5-24351-51	.BAND 1			3		
4	90445-13M35	.HOSE (L250)			1		
5	6Y2-24360-60	.PRIMER PUMP ASSY			1		
6	6Y2-24305-06	.FUEL PIPE JOINT COMP. 2			1		
7	93210-08287	.O-RING			1		



FWD
64D1300-2110

FIG. 12 GENERATOR

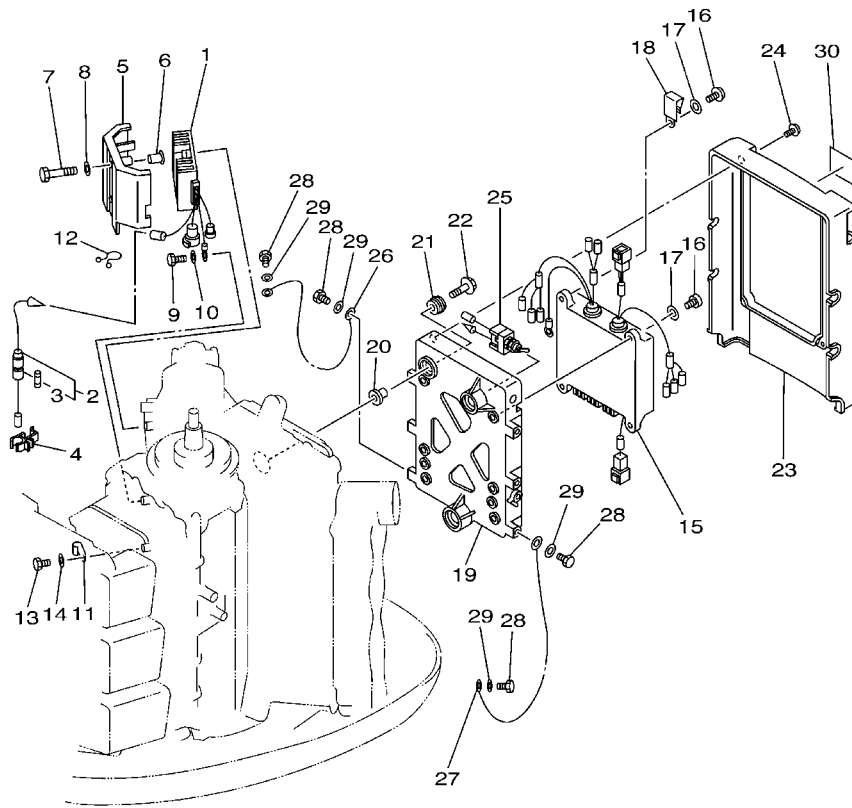
REF. NO.	PART NO.	DESCRIPTION	64C8	64E8	64G8	64H8	REMARKS
1	64D-85550-02	ROTOR ASSY	1	1	1	1	
2	6R3-85510-00	STATOR ASSY	1	1	1	1	
3	64D-85580-00	COIL, PULSER	1	1	1	1	
4	90465-06M86	CLAMP	1	1	1	1	
5	6R5-85895-01	CRANK POSITION SENDER	1	1	1	1	
6	97885-05012	SCREW, PAN HEAD	2	2	2	2	
7	90464-15M11	CLAMP	1	1	1	1	
8	90280-05015	KEY, WOODRUFF	1	1	1	1	
9	90201-21M18	WASHER, PLATE	1	1	1	1	
10	90170-20137	NUT	1	1	1	1	
11	97013-06070	BOLT	4	4	4	4	
12	92903-06600	WASHER, PLATE	4	4	4	4	
13	688-41611-00	RETAINER, MAGNETO BASE	1	1	1	1	
14	688-41612-00	RETAINER, MAGNETO BASE	4	4	4	4	
15	97880-06018	SCREW, PAN HEAD	4	4	4	4	
16	6E5-81332-00	PLATE, TIMING	1	1	1	1	
17	97885-06010	SCREW, PAN HEAD	1	1	1	1	
18	92995-06600	WASHER	1	1	1	1	
19	64D-81337-10	COVER, FLYWHEEL	1	1	1	1	
20	6G5-82317-00	DAMPER, IGNITION COIL	2	2	2	2	
21	663-82317-01	DAMPER, IGNITION COIL	2	2	2	2	
22	6A1-83625-51	MARK 5	1	1	1	1	
23	6A1-83625-41	MARK 5	1	1	1	1	
24	6K1-83623-41	MARK 3			1	1	
25	6K1-83623-50	MARK 3			1	1	
26	6G5-14488-02	LABEL, CAUTION	1	1	1	1	



65N1300-2120

FIG. 13 ELECTRICAL 1

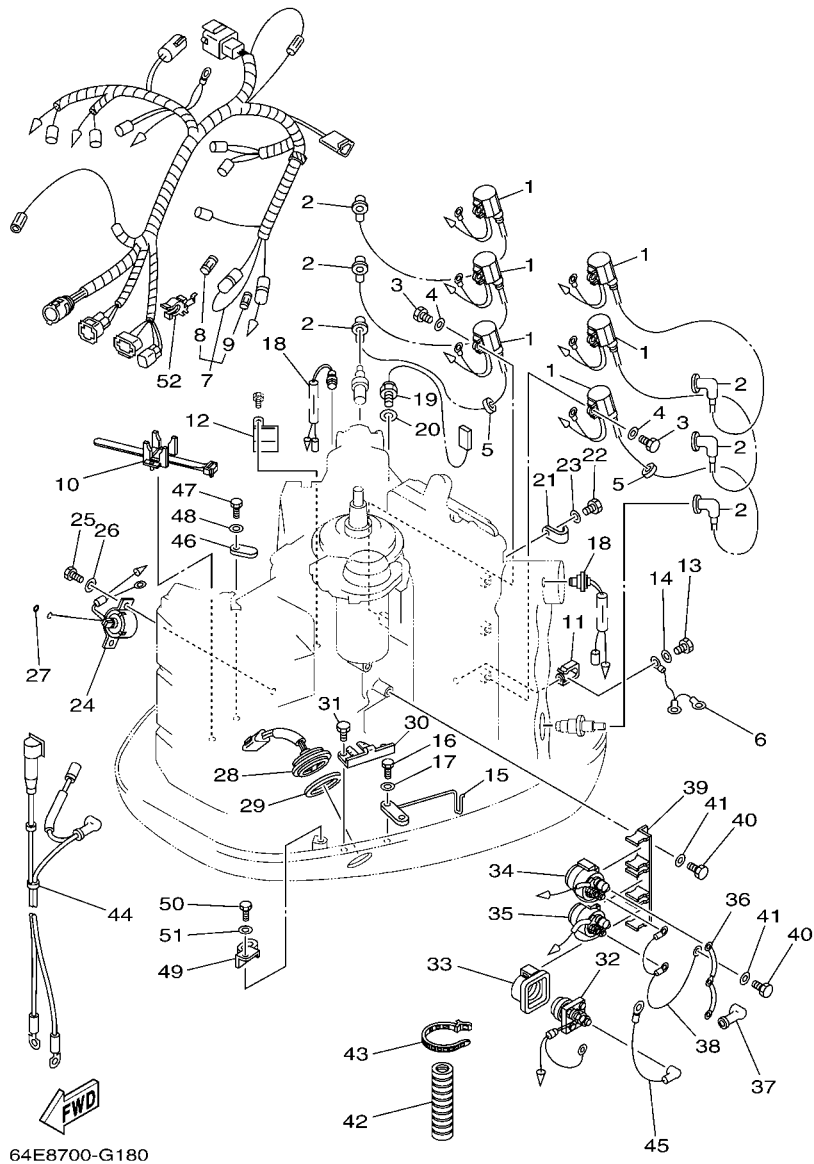
REF. NO.	PART NO.	DESCRIPTION	64C8	64E8	64G8	64H8	REMARKS
1	6R3-81960-10	RECTIFIER & REGULATOR ASSY	1	1	1	1	
2	6R3-82150-00	FUSE HOLDER ASSY	1	1	1	1	
3	705-82151-00	.FUSE (30A)	1	1	1	1	
4	6G5-82152-00	HOLDER, FUSE	1	1	1	1	
5	64D-81942-00	COVER	1	1	1	1	
6	90387-06M66	COLLAR	2	2	2	2	
7	97013-06055	BOLT	2	2	2	2	
8	92903-06600	WASHER, PLATE	2	2	2	2	
9	97095-06012	BOLT	1	1	1	1	
10	92995-06600	WASHER	1	1	1	1	
11	90465-06M88	CLAMP	1	1	1	1	
12	90464-15M11	CLAMP	1	1	1	1	
13	97095-06012	BOLT	1	1	1	1	
14	92995-06600	WASHER	1	1	1	1	
15	64D-85540-01	C.D.I. UNIT ASSY	1	1	1	1	
16	97880-06020	SCREW, PAN HEAD	4	4	4	4	
17	92990-06600	WASHER, PLATE	4	4	4	4	
18	90465-05M87	CLAMP	1	1	1	1	
19	6R3-85542-03-1S	BRACKET	1	1	1	1	
20	90387-06M03	COLLAR	3	3	3	3	
21	90480-09M12	GROMMET	3	3	3	3	
22	90119-06M61	BOLT, WITH WASHER	3	3	3	3	
23	64D-85537-00	COVER	1	1	1	1	
24	90159-06M11	SCREW, WITH WASHER	4	4	4	4	
25	6R3-8259E-00	SWITCH ASSY	1	1	1	1	
26	662-82519-00	WIRE, EARTH LEAD	1	1	1	1	
27	6R3-82519-00	WIRE, EARTH LEAD	1	1	1	1	



65N1300-2120

FIG. 13 ELECTRICAL 1

REF. NO.	PART NO.	DESCRIPTION	64C8	64E8	64G8	64H8	REMARKS
28	97095-06012	BOLT	5	5	5	5	
29	92995-06600	WASHER	5	5	5	5	
30	6E5-85711-60	MARK, CAUTION	1	1	1	1	



64E8700-G180

FIG. 14 ELECTRICAL 2

REF. NO.	PART NO.	DESCRIPTION	64C8	64E8	64G8	64H8	REMARKS
1	6R3-85570-01	IGNITION COIL ASSY	6	6	6	6	
2	6E3-82370-21	PLUG CAP ASSY	6	6	6	6	
3	97095-06020	BOLT	6	6	6	6	
4	92995-06600	WASHER	6	6	6	6	
5	90480-25161	GROMMET	2	2	2	2	
6	6E5-82531-10	WIRE, LEAD	1	1	1	1	
7	64D-82590-20	WIRE HARNESS ASSY	1	1	1	1	
8	663-82151-00	.FUSE (12V-20A)	1	1	1	1	
9	705-82151-00	.FUSE (30A)	1	1	1	1	
10	688-82594-00	CLAMP	1	1	1	1	
11	90465-05M87	CLAMP	1	1	1	1	
12	90465-08M89	CLAMP	1	1	1	1	
13	97095-06012	BOLT	1	1	1	1	
14	92995-06600	WASHER	1	1	1	1	
15	6K7-82588-00	PLATE	1	1	1	1	
16	97095-06020	BOLT	1	1	1	1	
17	92995-06600	WASHER	1	1	1	1	
18	688-82560-10	THERMO SWITCH ASSY	2	2	2	2	
19	61A-85790-00	THERMOSENSOR ASSY	1	1	1	1	
20	92990-10600	WASHER, PLATE	1	1	1	1	
21	90465-06M86	CLAMP	1	1	1	1	
22	97095-06012	BOLT	1	1	1	1	
23	92995-06600	WASHER	1	1	1	1	
24	64D-86110-01	SOLENOID	1	1	1	1	
25	97095-06016	BOLT	2	2	2	2	
26	92995-06600	WASHER	2	2	2	2	
27	93210-03261	O-RING	1	1	1	1	

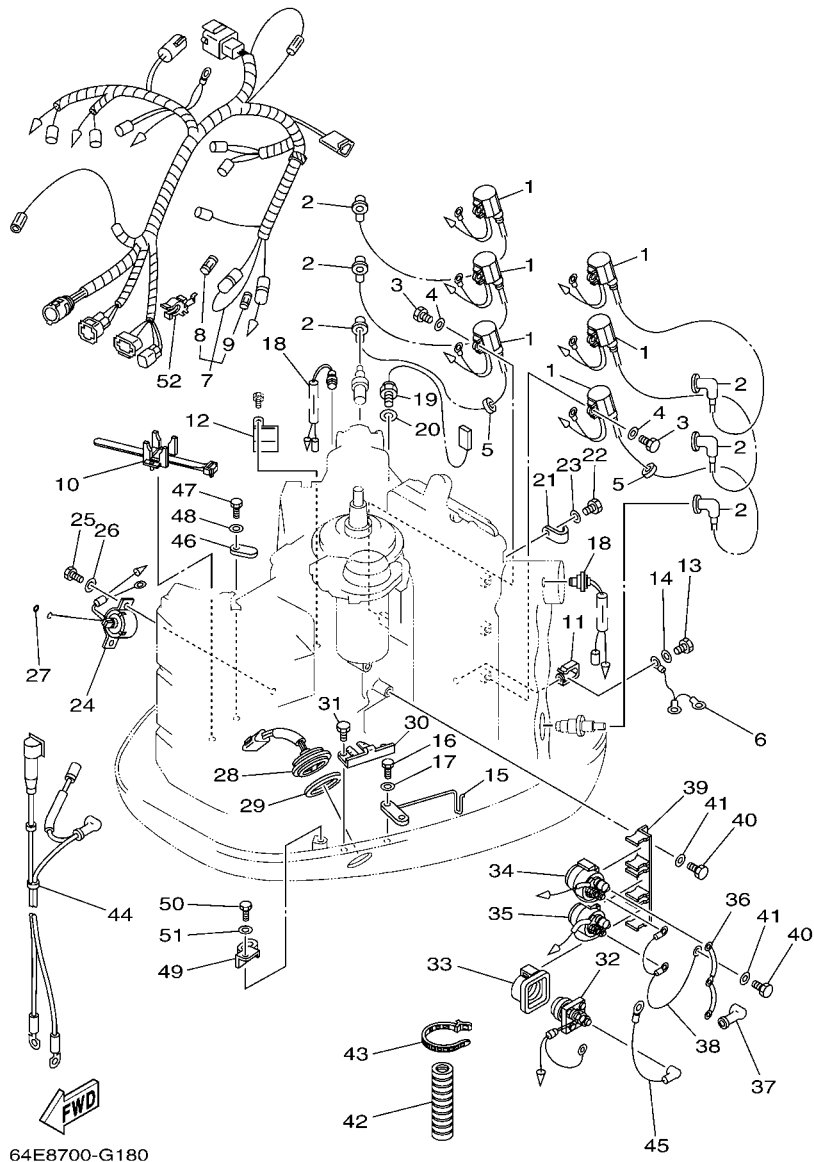


FIG. 14 ELECTRICAL 2

REF. NO.	PART NO.	DESCRIPTION	64C8	64E8	64G8	64H8	REMARKS
28	6R3-82563-00	TRIM & TILT SWITCH ASSY	1	1	1	1	
29	6E5-82587-00	GASKET	1	1	1	1	
30	6R3-83614-00	BRACKET	1	1	1	1	
31	97095-06012	BOLT	2	2	2	2	
32	61A-81941-00	STARTER RELAY ASSY	1	1	1	1	
33	689-81952-10	HOLDER, RELAY	1	1	1	1	
34	6E5-81950-00	RELAY ASSY	1	1	1	1	
35	6E5-8195A-00	RELAY ASSY	1	1	1	1	
36	6G5-87149-10	CONNECTOR	1	1	1	1	
37	6G5-82119-00	COVER, LEAD WIRE	2	2	2	2	
38	6E5-82116-00	WIRE, MINUS LEAD	1	1	1	1	
39	6G5-81948-11	BRACKET	1	1	1	1	
40	97095-06016	BOLT	2	2	2	2	
41	92995-06600	WASHER	2	2	2	2	
42	6E9-83557-70	TUBE	1	1	1	1	
43	90465-13M18	CLAMP	1	1	1	1	
44	6R3-82105-02	WIRE HARNESS	1	1	1	1	
45	6E5-82117-01	WIRE, LEAD	1	1	1	1	
46	6E5-82588-00	PLATE	1	1	1	1	
47	97095-06020	BOLT	1	1	1	1	
48	92995-06600	WASHER	1	1	1	1	
49	90465-12M25	CLAMP	1	1	1	1	
50	97095-06012	BOLT	1	1	1	1	
51	92995-06600	WASHER	1	1	1	1	
52	6G5-82152-00	HOLDER, FUSE	2	2	2	2	

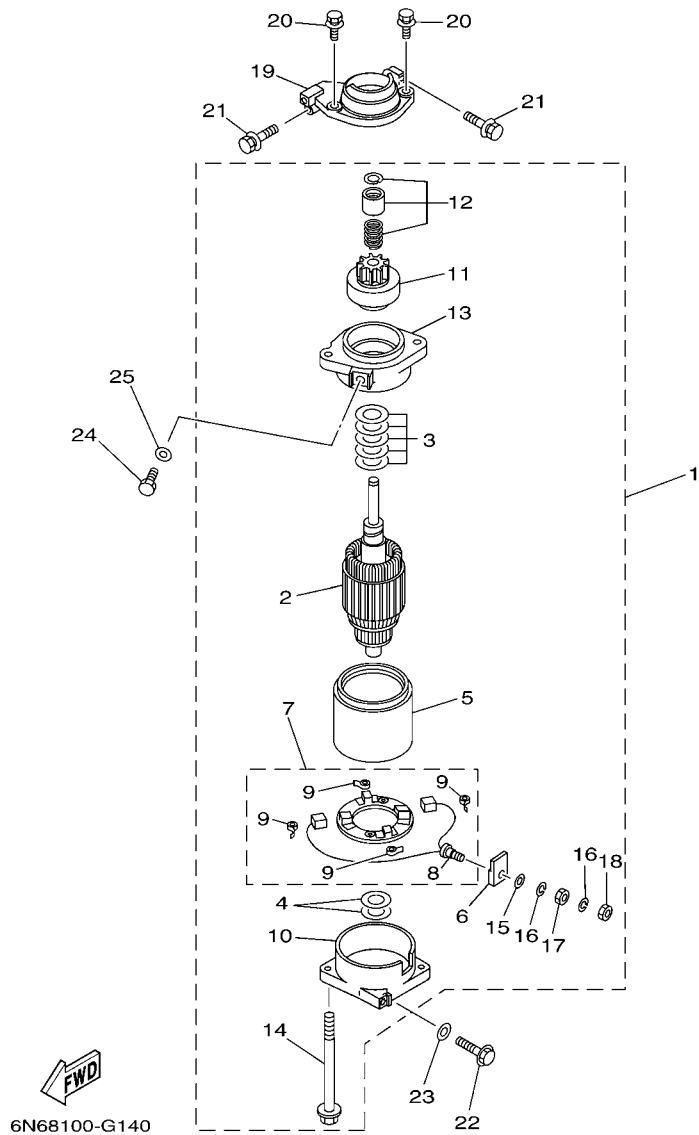


FIG. 15 STARTING MOTOR

REF. NO.	PART NO.	DESCRIPTION	64C8	64E8	64G8	64H8	REMARKS
1	6N7-81800-10	STARTING MOTOR ASSY	1	1	1	1	
2	6N7-81850-10	.ARMATURE ASSY	1	1	1	1	
3	61A-81809-00	.WASHER KIT	1	1	1	1	
4	61A-81824-00	.WASHER 2	2	2	2	2	
5	6N7-81810-00	.STATOR ASSY	1	1	1	1	
6	6K7-8182G-10	.BUSH, TERMINAL	1	1	1	1	
7	6N7-81840-00	.BRUSH HOLDER ASSY	1	1	1	1	
8	6N7-81801-00	..BRUSH SET	1	1	1	1	
9	6N7-81813-00	..SPRING, BRUSH	4	4	4	4	
10	6N7-81820-10	.REAR BRACKET ASSY	1	1	1	1	
11	6N7-81807-00	.GEAR ASSY, STARTING MOTOR	1	1	1	1	
12	6N7-81857-00	.RETAINER	1	1	1	1	
13	6N7-81830-00	.FRONT BRACKET ASSY	1	1	1	1	
14	6K7-81826-11	.BOLT	2	2	2	2	
15	6E5-8182E-10	.WASHER	1	1	1	1	
16	6E5-8182F-10	.WASHER	2	2	2	2	
17	6E5-8182A-10	.NUT	1	1	1	1	
18	6E5-8182K-10	.NUT	1	1	1	1	
19	6R3-81822-00-94	BRACKET, STARTING MOTOR	1	1	1	1	
20	90119-08M76	BOLT, WITH WASHER	2	2	2	2	
21	90119-08M77	BOLT, WITH WASHER	2	2	2	2	
22	90119-08M57	BOLT, WITH WASHER	1	1	1	1	
23	92990-08600	WASHER, PLATE	1	1	1	1	
24	97095-08016	BOLT	1	1	1	1	
25	92995-08600	WASHER	1	1	1	1	

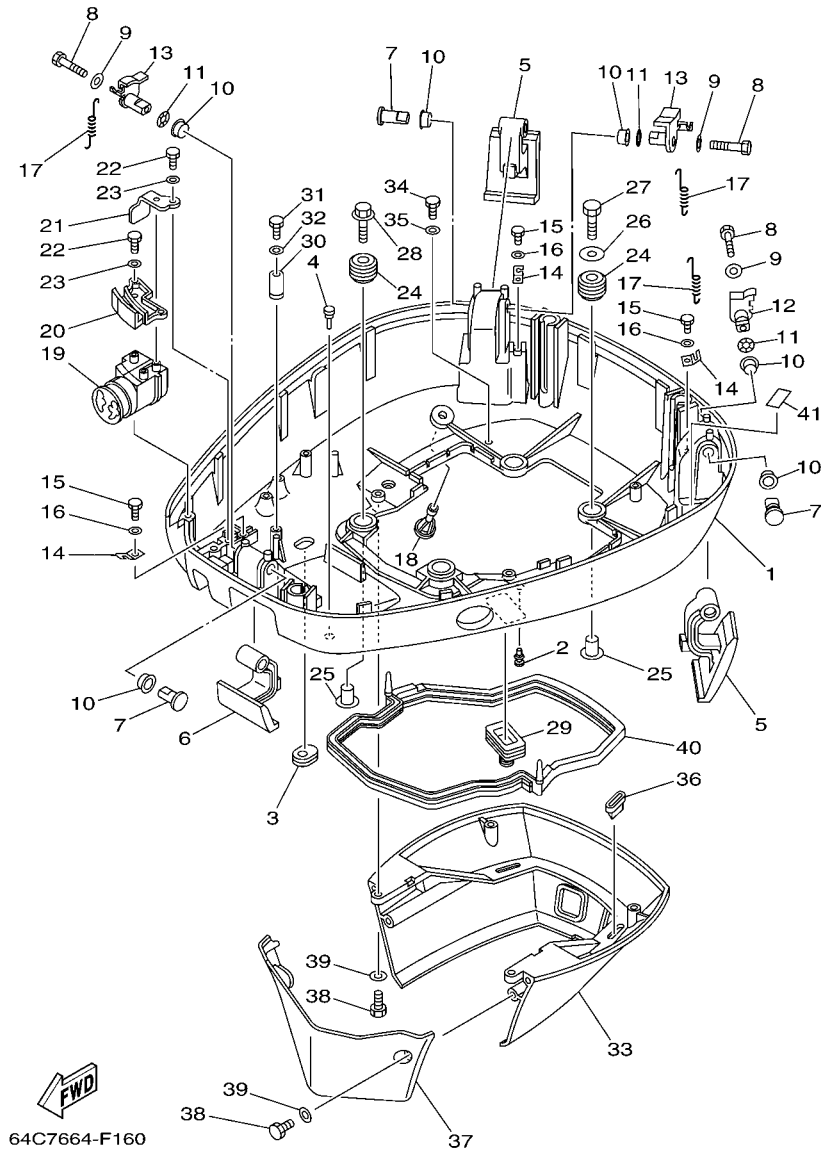


FIG. 16 BOTTOM COWLING

REF. NO.	PART NO.	DESCRIPTION	64C8	64E8	64G8	64H8	REMARKS
1	64D-42711-01-8D	COWLING, BOTTOM 1	1	1	1	1	
2	90480-06M19	GROMMET	1	1	1	1	
3	61A-42727-00	GROMMET	1	1			
	64G-42727-00	GROMMET			1	1	
4	6H4-42748-00	GROMMET	1	1	1	1	
5	64D-42815-00-4D	LEVER, CLAMP	2	2	2	2	
6	64D-42816-00-4D	LEVER, CLAMP	1	1	1	1	
7	64D-42835-00	PIN, SET 1	3	3	3	3	
8	97095-06040	BOLT	3	3	3	3	
9	90201-06068	WASHER, PLATE	3	3	3	3	
10	90386-15M73	BUSH	6	6	6	6	
11	90206-15M18	WASHER, WAVE	3	3	3	3	
12	64D-42818-20	LEVER, CLAMP	1	1	1	1	
13	64D-42818-30	LEVER, CLAMP	2	2	2	2	
14	64D-43144-00	HOOK, SPRING	3	3	3	3	
15	97090-06012	BOLT	3	3	3	3	
16	92990-06600	WASHER, PLATE	3	3	3	3	
17	90506-16M34	SPRING, TENSION	3	3	3	3	
18	6E5-44391-00	NIPPLE, HOSE	1	1	1	1	
19	64D-42725-20	GROMMET	1	1	1	1	
20	64D-42738-00-5B	PLATE, FITTING	1	1	1	1	
21	64D-42738-10-5B	PLATE, FITTING	1	1	1	1	
22	97095-06016	BOLT	3	3	3	3	
23	92995-06600	WASHER	3	3	3	3	
24	90480-22M15	GROMMET	4	4	4	4	
25	90387-08M37	COLLAR	4	4	4	4	
26	90201-08M54	WASHER, PLATE	1	1	1	1	

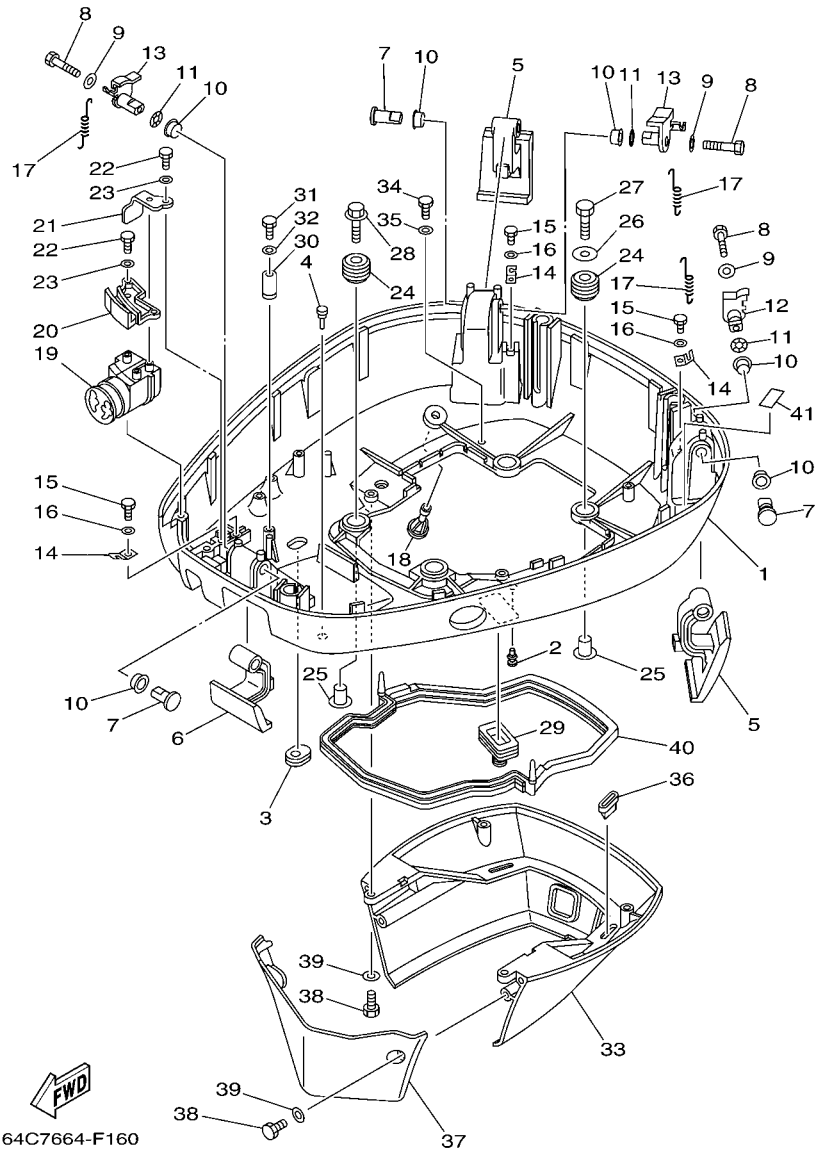
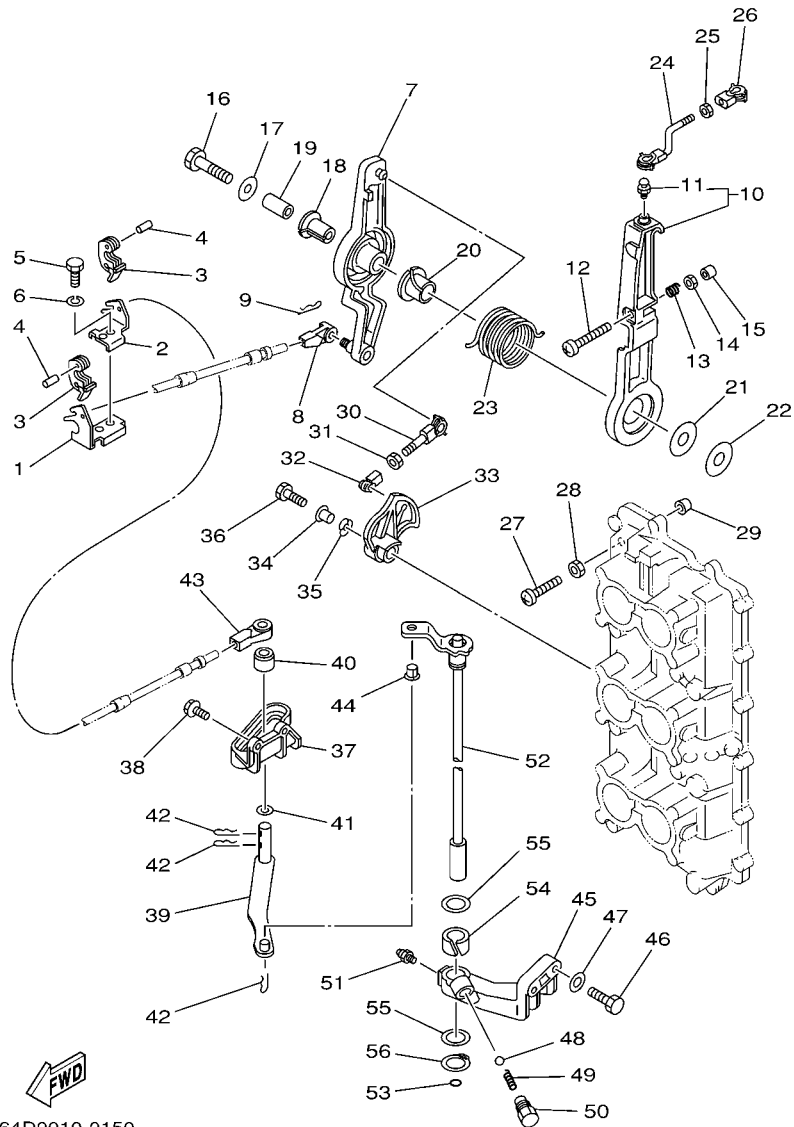


FIG. 16 BOTTOM COWLING

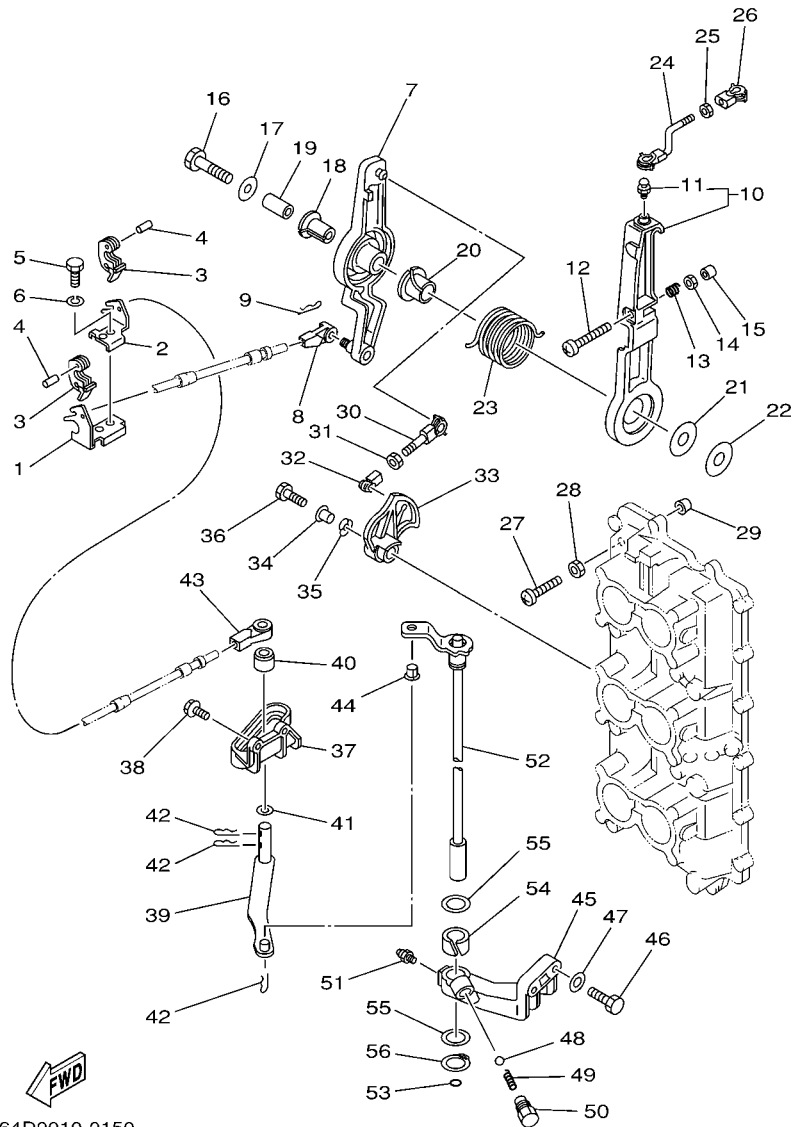
REF. NO.	PART NO.	DESCRIPTION	64C8	64E8	64G8	64H8	REMARKS
27	97075-08035	BOLT	1	1	1	1	
28	90119-08M22	BOLT, WITH WASHER	3	3	3	3	
29	688-42726-10	GROMMET	1	1	1	1	
30	6E5-82588-00	PLATE	1	1	1	1	
31	97095-06020	BOLT	1	1	1	1	
32	92995-06600	WASHER	1	1	1	1	
33	6R3-42741-02-8D	APRON	1	1	1	1	
34	97095-06020	BOLT	2	2	2	2	
35	92995-06600	WASHER	2	2	2	2	
36	64D-42717-00	RUBBER, SEAL 2	2	2	2	2	
37	6R3-42771-01-8D	APRON	1	1	1	1	
38	97095-06020	BOLT	4	4	4	4	
39	92995-06600	WASHER	4	4	4	4	
40	6E5-42716-10	RUBBER, SEAL 1	1	1	1	1	
41	6E7-42791-10	MARK 1	1	1			
	6G5-42791-10	MARK 1		1		1	



64D0010-0150

FIG. 17 CONTROL

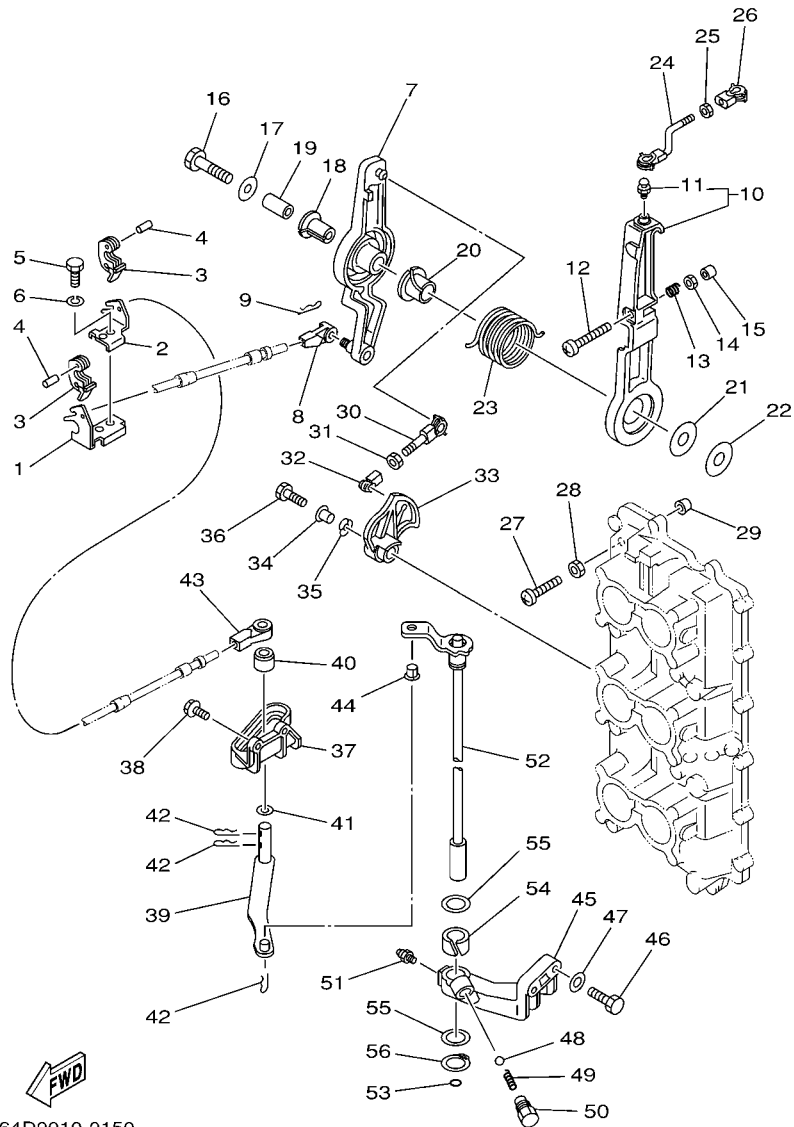
REF. NO.	PART NO.	DESCRIPTION	64C8	64E8	64G8	64H8	REMARKS
1	64D-48531-00	BRACKET, REMOTE CONTROL 1	1	1	1	1	
2	64D-48532-00	BRACKET, REMOTE CONTROL 2	1	1	1	1	
3	6E5-48538-00	CLAMP, CABLE	2	2	2	2	
4	91690-30012	PIN, SPRING	2	2	2	2	
5	97095-08020	BOLT	1	1	1	1	
6	92995-08100	WASHER	1	1	1	1	
7	61H-41632-02-1S	LEVER, MAGNETO CONTROL	1	1	1	1	
8	6E5-48344-00	CABLE END, REMOTE CONTROL	1	1	1	1	
9	90468-18008	CLIP	1	1	1	1	
10	6G5-41631-01-1S	LEVER, MAGNETO CONTROL	1	1	1	1	
11	663-85518-00	JOINT, BALL	1	1	1	1	
12	90157-06013	SCREW, PAN HEAD	1	1	1	1	
13	90501-16M12	SPRING, COMPRESSION	1	1	1	1	
14	95303-06600	NUT	1	1	1	1	
15	688-44194-00	CAP	1	1	1	1	
16	97013-08045	BOLT	1	1	1	1	
17	90201-08M23	WASHER, PLATE	1	1	1	1	
18	90386-12089	BUSH	1	1	1	1	
19	90387-08M16	COLLAR	1	1	1	1	
20	90386-22M13	BUSH	1	1	1	1	
21	90202-12092	WASHER, PLATE	1	1	1	1	
22	90201-08M13	WASHER, PLATE	1	1	1	1	
23	90508-29M12	SPRING, TORSION	1	1	1	1	
24	6G5-41636-01	ROD, MAGNETO CONTROL	1	1	1	1	
25	95380-05600	NUT	1	1	1	1	
26	662-41237-01	JOINT, LINK	1	1	1	1	
27	90157-06M00	SCREW, PAN HEAD	1	1	1	1	



64D0010-0150

FIG. 17 CONTROL

REF. NO.	PART NO.	DESCRIPTION	64C8	64E8	64G8	64H8	REMARKS
28	95303-06600	NUT	1	1	1	1	
29	688-44194-00	CAP	1	1	1	1	
30	6G5-41211-01	LINK, ACCEL.	1	1	1	1	
31	95380-05600	NUT	1	1	1	1	
32	662-41237-01	JOINT, LINK	1	1	1	1	
33	6G5-41213-00	CAM, ACCEL.	1	1	1	1	
34	90387-06M29	COLLAR	1	1	1	1	
35	90206-10M04	WASHER, WAVE	1	1	1	1	
36	97095-06025	BOLT	1	1	1	1	
37	6E5-44117-00-1S	BRACKET	1	1	1	1	
38	90119-06MA2	BOLT, WITH WASHER	2	2	2	2	
39	68F-44121-00	LEVER, SHIFT ROD	1	1	1	1	
40	6E5-44122-00	BUSHING, SHIFT ROD LEVER	1	1	1	1	
41	90202-08M20	WASHER, PLATE	1	1	1	1	
42	90468-18008	CLIP	3	3	3	3	
43	6E5-48344-00	CABLE END, REMOTE CONTROL	1	1	1	1	
44	90386-06M12	BUSH	1	1	1	1	
45	6E5-44118-01-94	BRACKET	1	1	1	1	
46	97013-08030	BOLT	2	2	2	2	
47	92903-08600	WASHER, PLATE	2	2	2	2	
48	93501-04M02	BALL	1	1	1	1	
49	90501-12082	SPRING, COMPRESSION	1	1	1	1	
50	648-42715-00	BUSHING	1	1	1	1	
51	93700-06M03	NIPPLE, GREASE	1	1	1	1	
52	6E5-44120-03	HANDLE GEAR SHIFT ASSY	1	1			L(20.3")
	6E5-44120-23	HANDLE GEAR SHIFT ASSY	1	1	1	1	X(25.3")
53	93210-09165	O-RING	1	1	1	1	



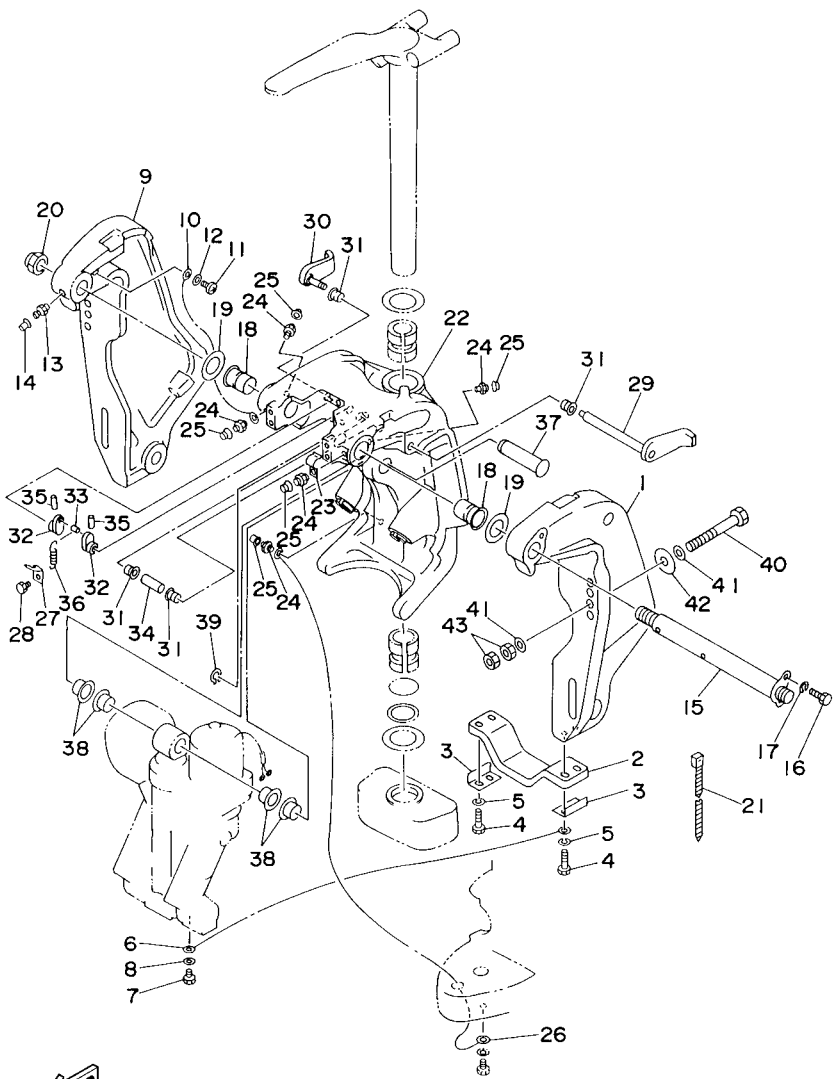
64D0010-0150

FIG. 17 CONTROL

REF. NO.	PART NO.	DESCRIPTION	64C8	64E8	64G8	64H8	REMARKS
54	90386-16M66	BUSH	1	1	1	1	
55	90202-16061	WASHER, PLATE	2	2	2	2	
56	93410-16006	CIRCLIP	1	1	1	1	

FIG. 18 BRACKET 1

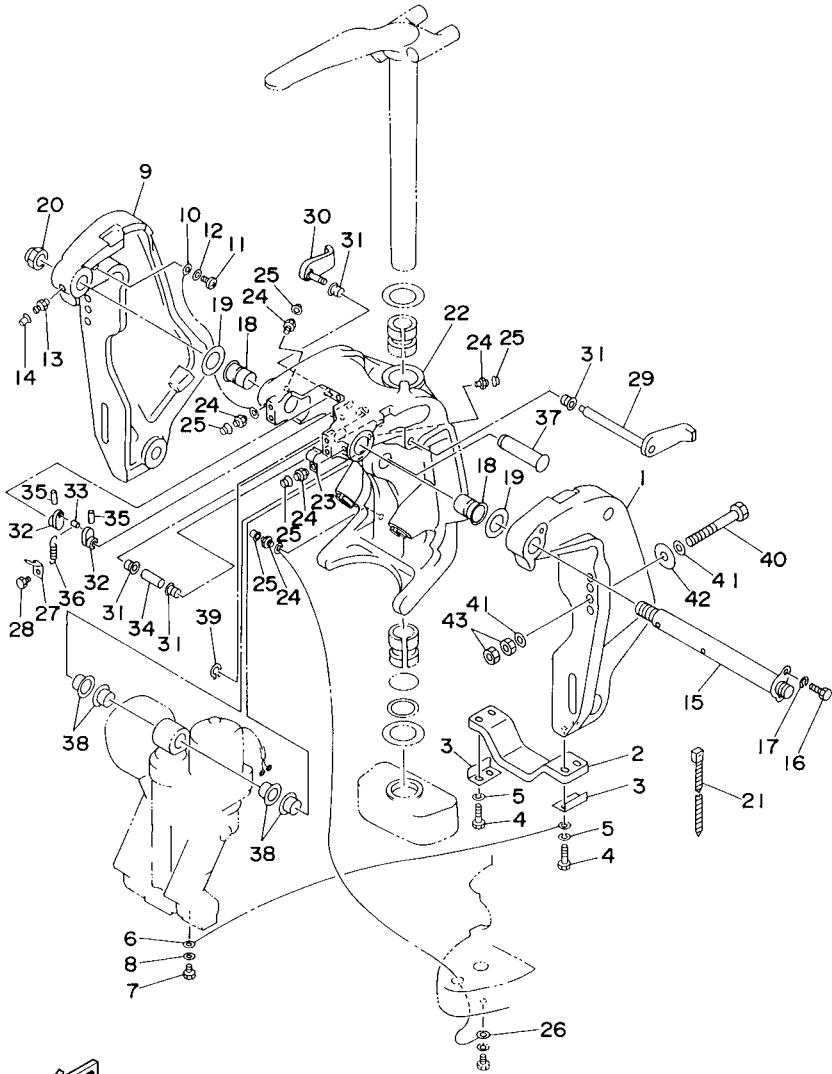
REF. NO.	PART NO.	DESCRIPTION	64C8	64E8	64G8	64H8	REMARKS
1	64E-43111-02-8D	BRACKET, CLAMP 1	1	1	1	1	
2	6G5-45251-02	ANODE	1	1	1	1	
3	6G5-44526-00	PLATE	2	2	2	2	
4	97095-06030	BOLT	4	4	4	4	
5	92995-06100	WASHER, SPRING	4	4	4	4	
6	6E5-82148-00	WIRE, LEAD 4	1	1	1	1	
7	97095-06010	BOLT	1	1	1	1	
8	92995-06600	WASHER	1	1	1	1	
9	64E-43112-02-8D	BRACKET, CLAMP 2	1	1	1	1	
10	6E5-82148-00	WIRE, LEAD 4	1	1	1	1	
11	97885-06012	SCREW, PAN HEAD	1	1	1	1	
12	92995-06600	WASHER	1	1	1	1	
13	93700-06M03	NIPPLE, GREASE	1	1	1	1	
14	663-45119-00	CAP, GREASE NIPPLE	1	1	1	1	AP
15	64E-43131-01	BOLT, CLAMP BRACKET	1	1	1	1	
16	97095-08020	BOLT	1	1	1	1	
17	92995-08100	WASHER	1	1	1	1	
18	90386-25M31	BUSH	2	2	2	2	
19	90201-26M59	WASHER, PLATE	2	2	2	2	
20	90185-22M11	NUT, SELF-LOCKING	1	1	1	1	
21	90465-11M10	CLAMP	1	1	1	1	
22	64E-43311-10-8D	BRACKET, SWIVEL 1	1	1			L(20.3")
	64E-43311-20-8D	BRACKET, SWIVEL 1	1	1	1	1	X(25.3")
23	90465-08M63	CLAMP	1	1	1	1	
24	93700-06M03	NIPPLE, GREASE	5	5	5	5	
25	663-45119-00	CAP, GREASE NIPPLE	5	5	5	5	AP
26	6E5-82147-00	WIRE, LEAD 4	1	1			L(20.3")



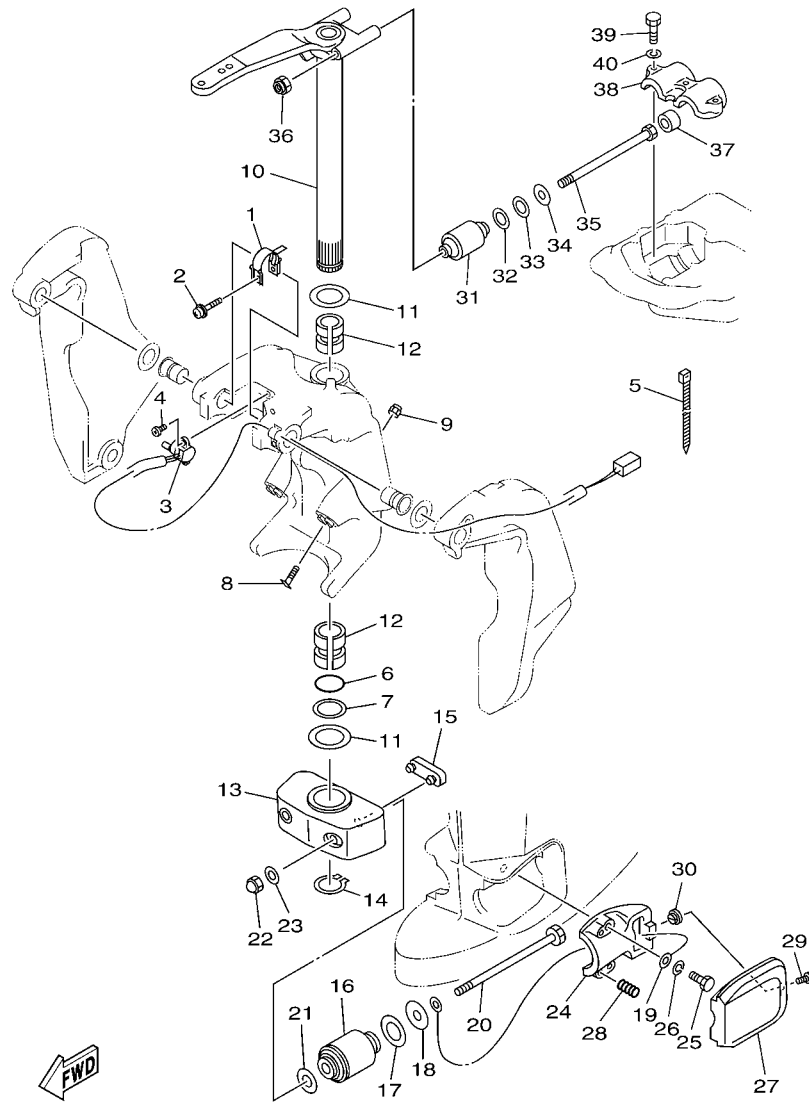
6N60010-7160

FIG. 18 BRACKET 1

REF. NO.	PART NO.	DESCRIPTION	64C8	64E8	64G8	64H8	REMARKS
26	6E5-82147-20	WIRE, LEAD 4	1	1	1	1	X(25.3")
27	6G5-43144-00	HOOK, SPRING	1	1	1	1	
28	97095-06010	BOLT	1	1	1	1	
29	6G5-43181-02	LEVER, TILT STOP	1	1	1	1	
30	6G5-43185-02	LEVER, TILT STOP	1	1	1	1	
31	90386-10M16	BUSH	4	4	4	4	
32	6G5-43148-00	COLLAR, DISTANCE	2	2	2	2	
33	90249-06M19	PIN	1	1	1	1	
34	90387-10M05	COLLAR	1	1	1	1	
35	91690-30020	PIN, SPRING	2	2	2	2	
36	90506-14M24	SPRING, TENSION	1	1	1	1	
37	64E-43126-00	PIN, UPPER SHOCK MOUNT	1	1	1	1	
38	90386-22M98	BUSH	4	4	4	4	
39	93410-22M11	CIRCLIP	1	1	1	1	
40	90101-12M03	BOLT (L:115MM)	4	4	4	4	
41	90201-13M01	WASHER, PLATE	8	8	8	8	
42	90201-12M05	WASHER, PLATE	4	4	4	4	
43	95380-12600	NUT	8	8	8	8	



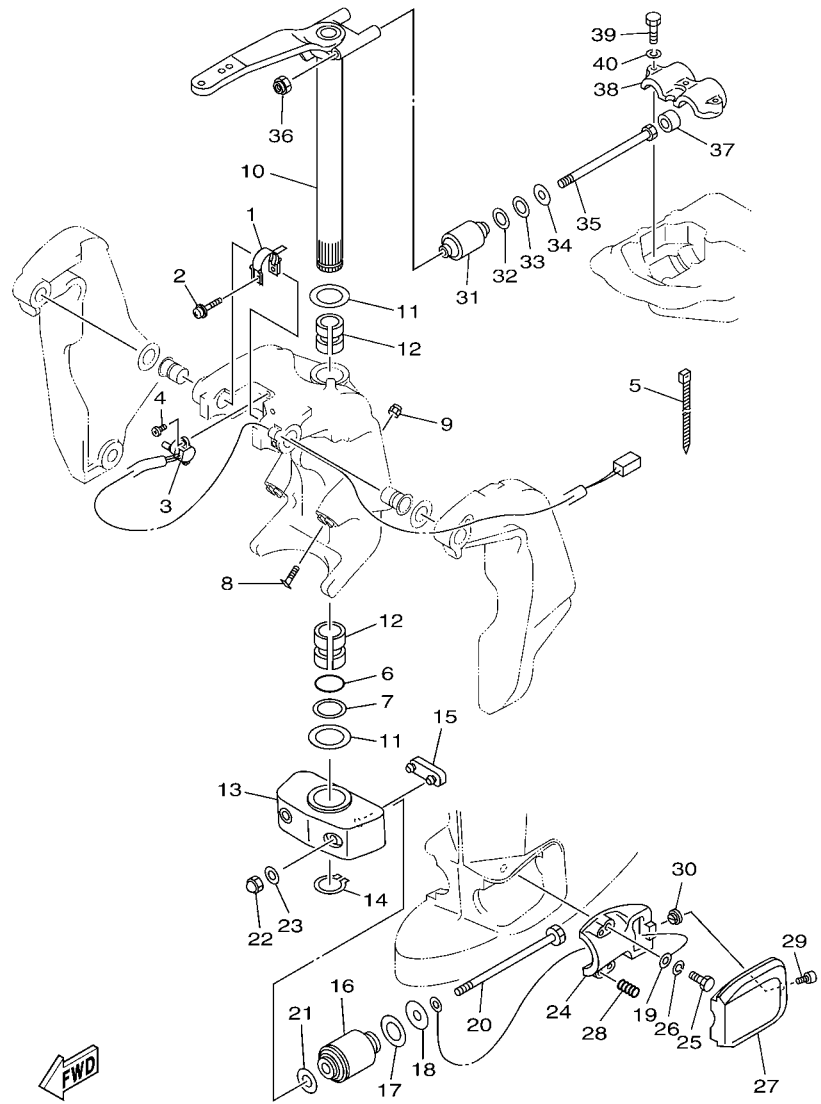
6N60010-7160



6N68100-G180

FIG. 19 BRACKET 2

REF. NO.	PART NO.	DESCRIPTION	64C8	64E8	64G8	64H8	REMARKS
1	64E-43139-10	CAM, TRIM SENDER	1	1	1	1	
2	90159-05059	SCREW, WITH WASHER	1	1	1	1	
3	67H-83672-00	TRIM SENDER	1	1	1	1	
4	97885-06016	SCREW, PAN HEAD	2	2	2	2	
5	90465-11M10	CLAMP	3	3	3	3	
6	93210-37MH7	O-RING	1	1	1	1	
7	90202-40M47	WASHER, PLATE	1	1	1	1	
8	61A-43376-00	BOLT, THRUST RECEIVER	2	2	2	2	
9	95780-10300	NUT, FLANGE	2	2	2	2	
10	6E5-42510-A1-8D	STEERING BRACKET ASSY	1	1			L(20.3")
	6E5-42510-B1-8D	STEERING BRACKET ASSY	1	1	1	1	X(25.3")
11	90201-38M60	WASHER, PLATE	2	2	2	2	
12	90386-38M32	BUSH	2	2	2	2	
13	6G5-44551-01-8D	HOUSING, LOWER MOUNT RUBBER	1	1	1	1	
14	93410-37M04	CIRCLIP	1	1	1	1	
15	6E5-44575-00	DAMPER, LOWER MOUNT RUBBER	1	1	1	1	
16	6G5-44555-00-94	MOUNT DAMPER, LOWER SIDE	2	2	2	2	
17	90202-32M19	WASHER, PLATE	2	2	2	2	
18	90201-16M55	WASHER, PLATE	2	2	2	2	
19	6E5-82149-00	WIRE, LEAD 3	1	1	1	1	
20	90109-14M34	BOLT	2	2	2	2	
21	90201-15M58	WASHER, PLATE	2	2	2	2	
22	95380-14800	NUT	2	2	2	2	
23	92995-14600	WASHER	2	2	2	2	
24	6E5-44552-01-94	HOUSING, LOWER MOUNT RUBBER	2	2	2	2	
25	97095-10045	BOLT	4	4	4	4	
26	92995-10100	WASHER	4	4	4	4	



6N68100-G180

FIG. 19 BRACKET 2

REF. NO.	PART NO.	DESCRIPTION	64C8	64E8	64G8	64H8	REMARKS
27	6E5-44553-01-8D	COVER, LOWER MOUNT	2	2	2	2	
28	90501-16M28	SPRING, COMPRESSION	4	4	4	4	
29	97885-06016	SCREW, PAN HEAD	2	2	2	2	
30	90179-06066	NUT	2	2	2	2	
31	6G5-44514-00-94	MOUNT DAMPER, UPPER SIDE	2	2	2	2	
32	90201-26M57	WASHER, PLATE	2	2	2	2	
33	90202-26M18	WASHER, PLATE	2	2	2	2	
34	90201-14M56	WASHER, PLATE	2	2	2	2	
35	90109-12007	BOLT	2	2	2	2	
36	90185-12M12	NUT, SELF-LOCKING	2	2	2	2	
37	663-44575-00	DAMPER, LOWER MOUNT RUBBER	2	2	2	2	
38	6E5-44511-00-5B	COVER, UPPER MOUNT	1	1	1	1	
39	97095-10045	BOLT	3	3	3	3	
40	92995-10100	WASHER	3	3	3	3	

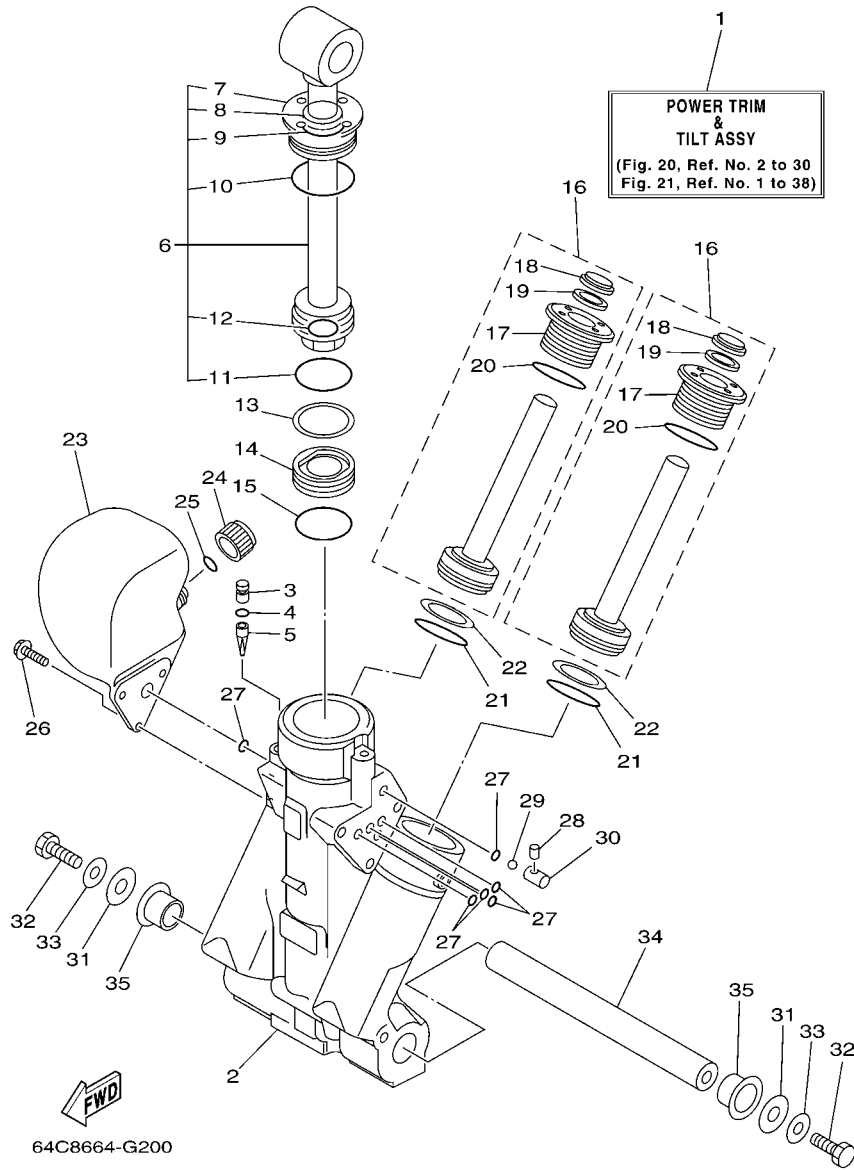


FIG. 20 POWER TRIM & TILT ASSY 1

REF. NO.	PART NO.	DESCRIPTION	64C8	64E8	64G8	64H8	REMARKS
1	64E-43800-04-4D	POWER TRIM & TILT ASSY	1	1	1	1	
2	64E-43825-02	HOUSING, TRIM & TILT	1	1	1	1	
3	64E-4388J-00	PLUG 2	1	1	1	1	
4	93210-10M74	O-RING	1	1	1	1	
5	64E-43817-00	FILTER 2	1	1	1	1	
6	64E-43810-01	TILT PISTON SUB ASSY	1	1	1	1	
7	64E-43811-01	.SCREW, CYLINDER END	1	1	1	1	
8	64E-43898-00	.SEAL ,DUST 2	1	1	1	1	
9	64E-43867-00	.O-RING	1	1	1	1	
10	64E-43866-00	.O-RING	1	1	1	1	
11	6E5-43862-00	.O-RING	1	1	1	1	
12	64E-43883-00	.O-RING	1	1	1	1	
13	6E5-43872-00	RING, BACK UP	1	1	1	1	
14	6E5-43814-02	PISTON, FREE	1	1	1	1	
15	6E5-43862-00	O-RING	1	1	1	1	
16	64E-43820-01	TRIM PISTON SUB ASSY	2	2	2	2	
17	64E-43821-01	.SCREW, TRIM CYLINDER END	1	1	1	1	
18	64E-43822-00	.SEAL, TRIM DUST	1	1	1	1	
19	64E-4384J-00	.SEAL, TRIM DOWN	1	1	1	1	
20	6G5-43864-00	.O-RING	1	1	1	1	
21	6E5-43864-00	O-RING	2	2	2	2	
22	6E5-43874-01	RING, BACK UP	2	2	2	2	
23	64E-43828-00	BODY, RESERVOIR	1	1	1	1	
24	64E-43829-00	PLUG, RESERVOIR	1	1	1	1	
25	64E-43897-00	O-RING	1	1	1	1	
26	64E-4388E-00	BOLT ,SCREW (L:14MM)	3	3	3	3	
27	64E-43869-00	O-RING	6	6	6	6	

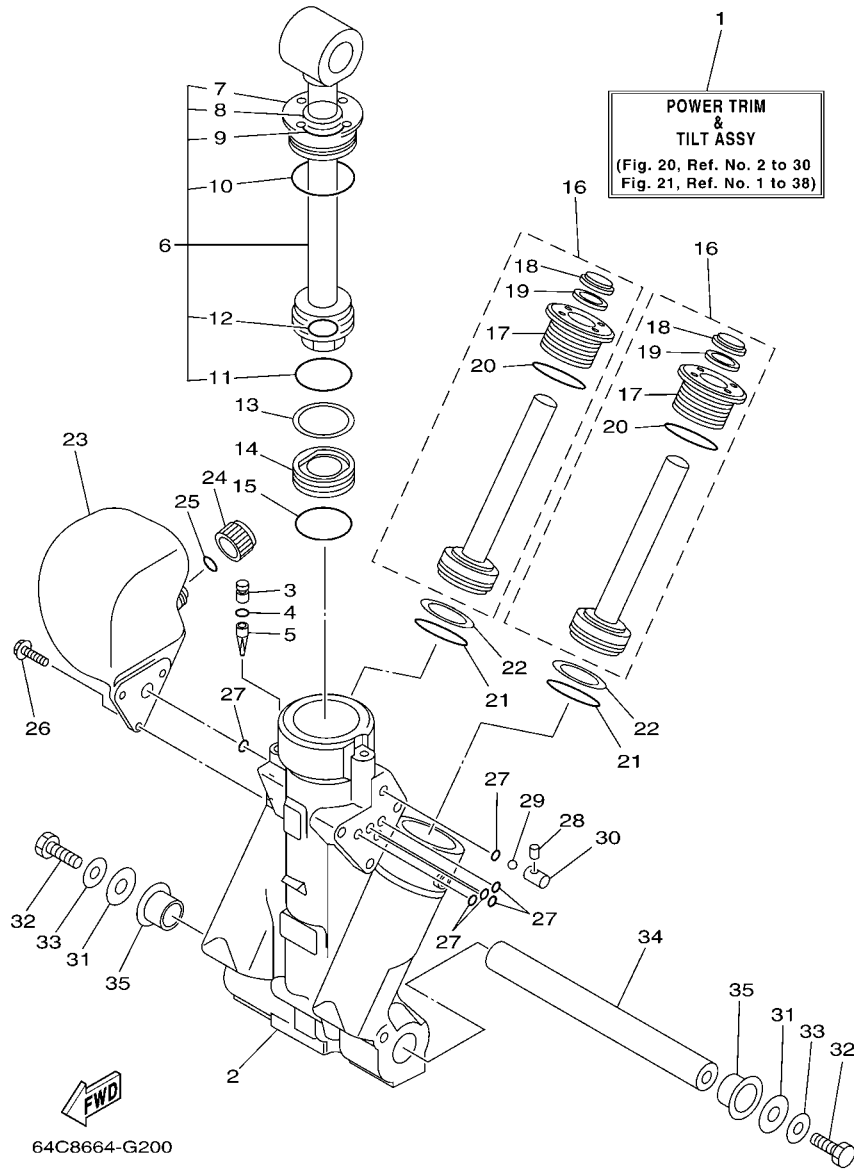
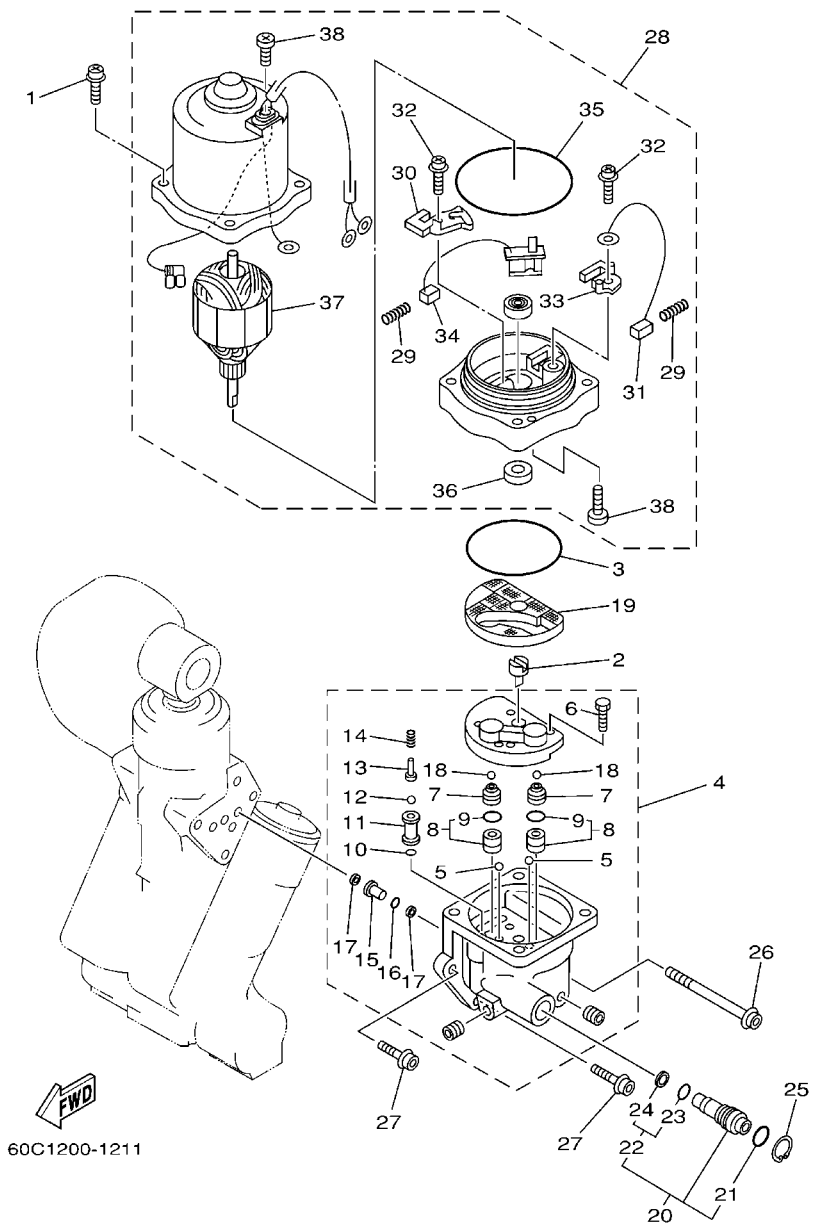


FIG. 20 POWER TRIM & TILT ASSY 1

REF. NO.	PART NO.	DESCRIPTION	64C8	64E8	64G8	64H8	REMARKS
28	64E-4381G-00	PIN	1	1	1	1	
29	6E5-43858-00	BALL	1	1	1	1	
30	64E-4382G-00	VALVE, SEAT	1	1	1	1	
31	90201-10060	WASHER, PLATE	2	2	2	2	
32	97075-10030	BOLT	2	2	2	2	
33	92995-10600	WASHER	2	2	2	2	
34	6BC-43818-00	PIN, LOWER SHOCK MOUNT	1	1	1	1	
35	90386-22M98	BUSH	2	2	2	2	

FIG. 21 POWER TRIM & TILT ASSY 2



60C1200-1211

REF. NO.	PART NO.	DESCRIPTION	64C8	64E8	64G8	64H8	REMARKS
1	64E-4388E-10	BOLT ,SCREW (L:34.7MM)	4	4	4	4	
2	64E-43831-00	CONNECTOR, SHAFT	1	1	1	1	
3	64E-43868-00	O-RING	1	1	1	1	
4	64E-43830-00	GEAR PUMP ASSY	1	1	1	1	
5	72X-43858-00	.BALL	2	2	2	2	
6	64E-43843-00	.SCREW, VALVE LOCK	4	4	4	4	
7	64E-43841-00	.PISTON, SHUTTLE	2	2	2	2	
8	64E-43802-00	.VALVE SUB ASSY	2	2	2	2	
9	6E5-43896-00	..O-RING	1	1	1	1	
10	6G5-43863-00	.O-RING	1	1	1	1	
11	64E-43851-00	.SEAT, RELIEF VALVE	1	1	1	1	
12	64E-43858-00	.BALL	1	1	1	1	
13	64E-43859-00	.PIN, VALVE SUPPORT	1	1	1	1	
14	64E-43855-00	.SPRING, UP RELIEF	1	1	1	1	
15	64E-43850-00	.VALVE SUB ASSY	1	1	1	1	
16	64E-43865-00	.O-RING	1	1	1	1	
17	64E-43816-00	.FILTER 1	2	2	2	2	
18	64E-43858-00	.BALL	2	2	2	2	
19	64E-43817-10	FILTER 2	1	1	1	1	
20	64E-43860-00	MANUAL VALVE SUB-ASSY	1	1	1	1	
21	72X-85075-L0	.O-RING	1	1	1	1	
22	64E-43827-00	.RING SET	1	1	1	1	
23	64E-4387A-00	..O-RING	1	1	1	1	
24	64E-43873-00	..RING, BACK UP	1	1	1	1	
25	64E-43875-00	RING, SNAP	1	1	1	1	
26	64E-43879-10	SCREW, WITH WASHER	1	1	1	1	
27	64E-43879-00	SCREW, WITH WASHER	2	2	2	2	

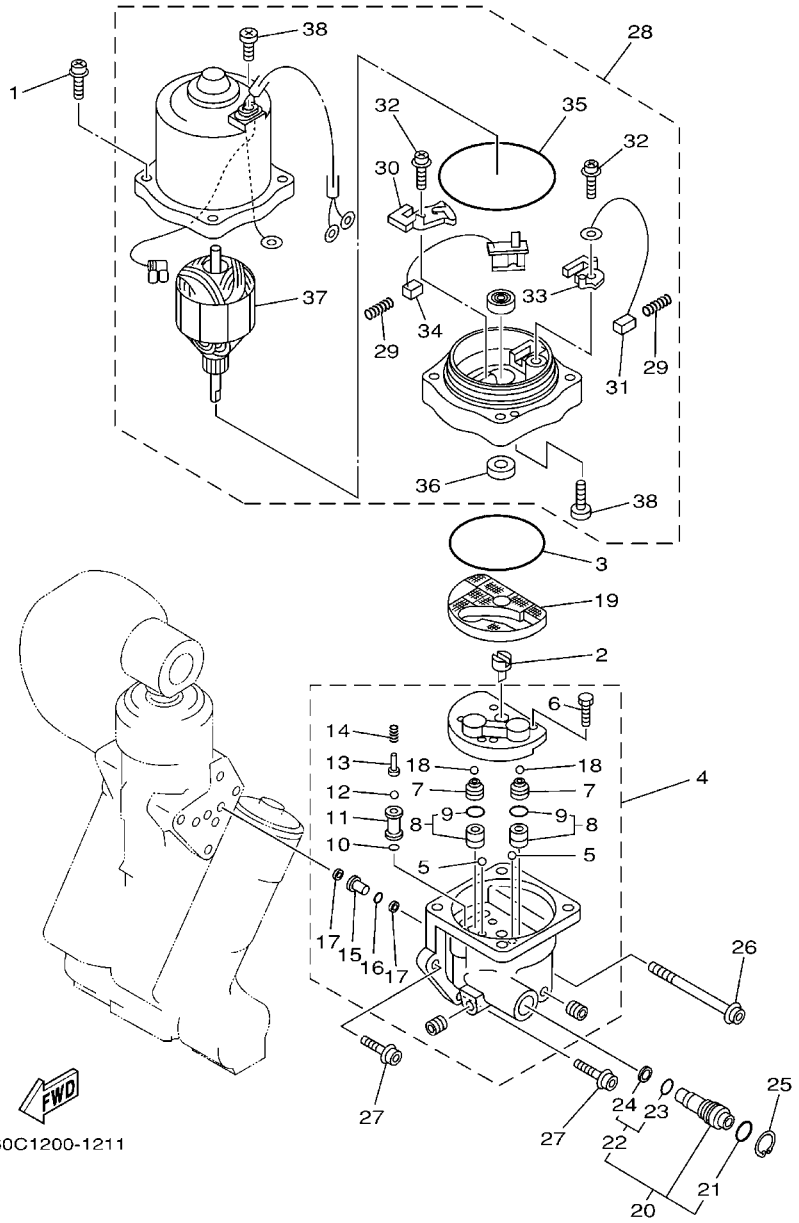
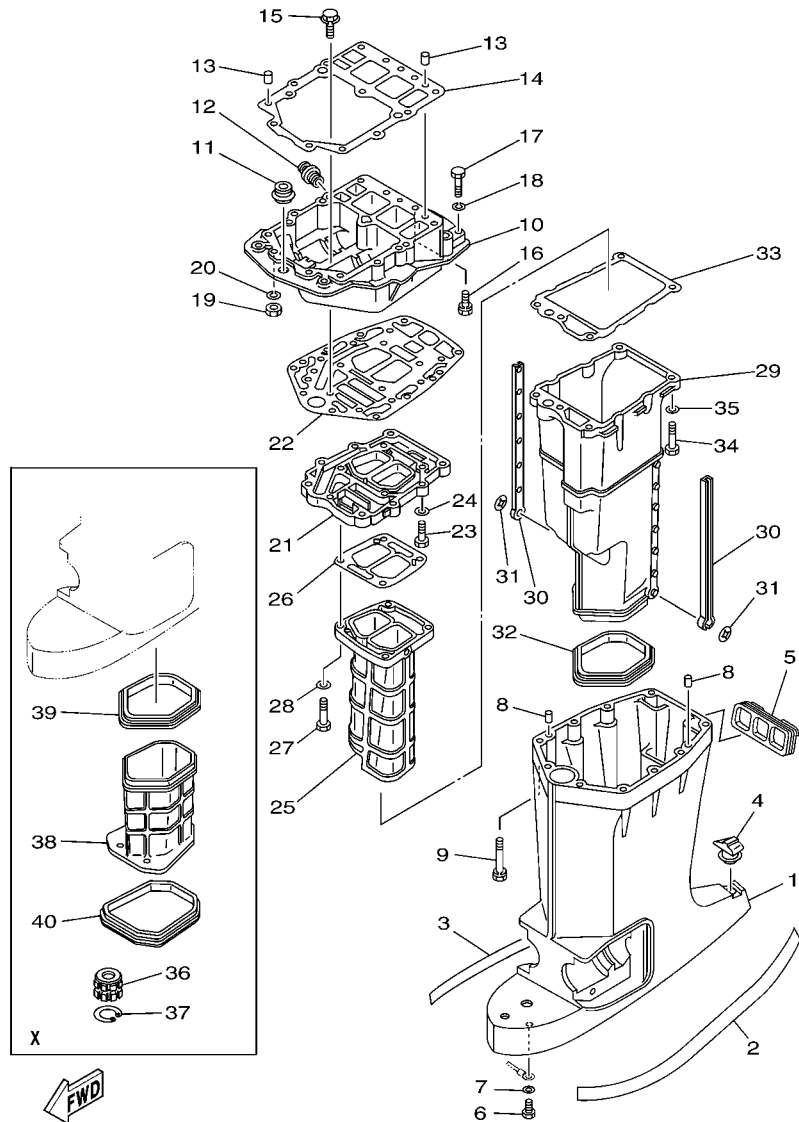


FIG. 21 POWER TRIM & TILT ASSY 2

REF. NO.	PART NO.	DESCRIPTION					REMARKS
			64C8	64E8	64G8	64H8	
28	64E-43880-02	MOTOR ASSY	1	1	1	1	
29	6H1-4386K-10	.SPRING, BRUSH	2	2	2	2	
30	64E-4380J-00	.HOLDER, BRUSH	1	1	1	1	
31	64E-43891-00	.BRUSH 1	1	1	1	1	
32	97607-04310	.SCREW, WITH WASHER	2	2	2	2	
33	64E-4380F-00	.HOLDER, BRUSH 2	1	1	1	1	
34	64E-43892-00	.BRUSH 2	1	1	1	1	
35	6G5-43865-00	.O-RING	1	1	1	1	
36	93102-08M43	.OIL SEAL	1	1	1	1	
37	64E-43805-00	.ARMATURE ASSY	1	1	1	1	
38	64E-43843-10	.SCREW, VALVE LOCK	3	3	3	3	

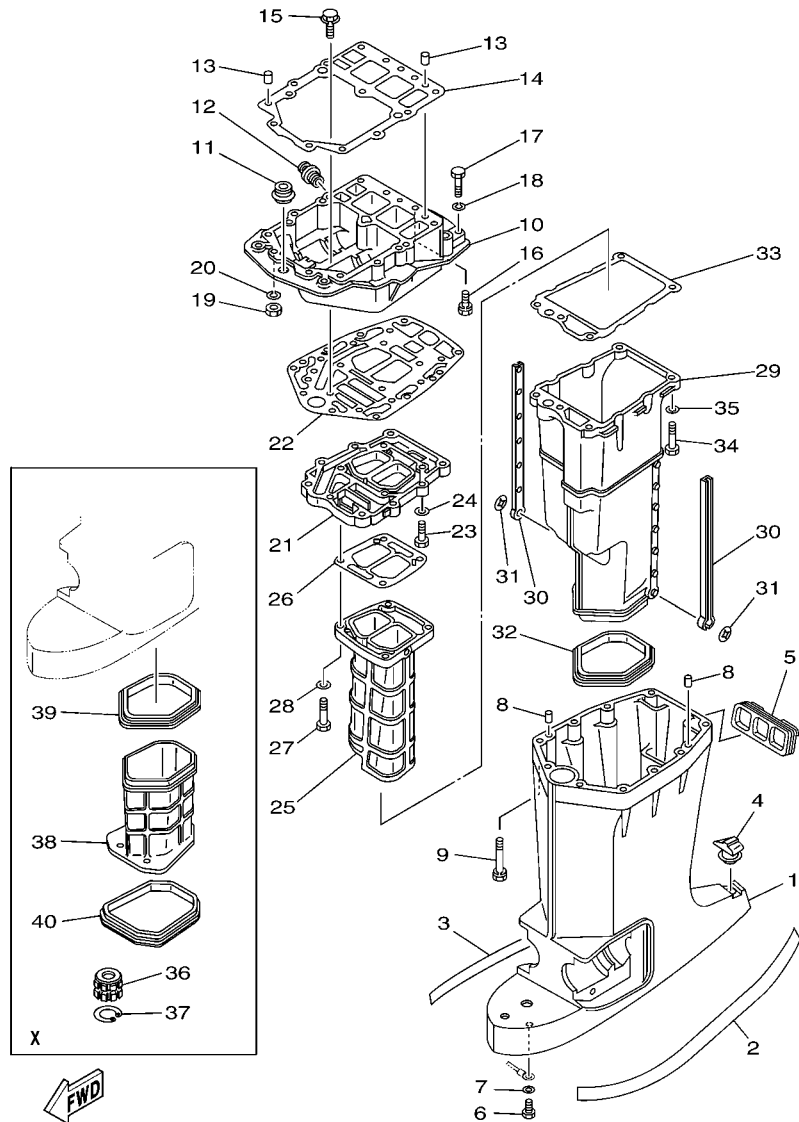


64C4300-D210

FIG. 22 UPPER CASING

REF. NO.	PART NO.	DESCRIPTION	64C8	64E8	64G8	64H8	REMARKS
1	6E5-45111-02-8D	CASING, UPPER	1	1			L(20.3")
	6E5-45111-23-8D	CASING, UPPER	1	1	1	1	X(25.3")
2	6R3-42791-41	MARK 1	1	1	1	1	
3	6R3-42792-41	MARK	1	1	1	1	
4	6E5-45155-00	CAP	1	1	1	1	
5	6E5-42769-00	SEAL, RUBBER	1	1	1	1	
6	97095-06010	BOLT	1	1	1	1	
7	92995-06600	WASHER	1	1	1	1	
8	93608-12M05	PIN, DOWEL	2	2	2	2	
9	90119-08078	BOLT, WITH WASHER	6	6	6	6	
10	6G5-41137-02-94	GUIDE, EXHAUST	1	1	1	1	
11	6E5-42724-00	GROMMET	1	1	1	1	
12	6G5-12581-00	JOINT, HOSE 1	1	1	1	1	
13	93608-12M05	PIN, DOWEL	2	2	2	2	
14	68F-45113-00	GASKET, UPPER CASING	1	1	1	1	
15	90119-08M79	BOLT, WITH WASHER	2	2	2	2	
16	90119-08077	BOLT, WITH WASHER	4	4	4	4	
17	97095-08045	BOLT	2	2	2	2	
18	92995-08100	WASHER	2	2	2	2	
19	95380-08700	NUT	2	2	2	2	
20	92995-08100	WASHER	2	2	2	2	
21	6G5-41131-01-5B	MANIFOLD, EXT. 1	1	1	1	1	
22	6G5-45114-A1	GASKET, UPPER CASING	1	1	1	1	
23	97095-08030	BOLT	4	4	4	4	
24	92995-08600	WASHER	4	4	4	4	
25	64D-41132-00-5B	MANIFOLD, EXHAUST	1	1	1	1	
26	6G5-41134-A1	GASKET, EXHAUST MANIFOLD	1	1	1	1	

FIG. 22 UPPER CASING



64C4300-D210

REF. NO.	PART NO.	DESCRIPTION	64C8	64E8	64G8	64H8	REMARKS
27	97095-08045	BOLT	4	4	4	4	
28	92995-08600	WASHER	4	4	4	4	
29	6E5-14711-01-5B	MUFFLER 1	1	1	1	1	
30	6E5-14737-00	DAMPER, MUFFLER	2	2	2	2	
31	90183-05M02	NUT, SPRING	2	2	2	2	
32	6E5-45123-00	GASKET, MUFFLER	1	1	1	1	
33	6E5-41135-A0	GASKET, EXHAUST MANIFOLD	1	1	1	1	
34	97095-08045	BOLT	5	5	5	5	
35	92995-08600	WASHER	5	5	5	5	
36	6E5-45318-00	BUSHING, DRIVE SHAFT	1	1	1	1	X(25.3")
37	93420-36M01	CIRCLIP	1	1	1	1	X(25.3")
38	64D-14721-20-5B	MUFFLER 2	1	1	1	1	X(25.3")
39	64D-45123-00	GASKET, MUFFLER	1	1	1	1	X(25.3")
40	64D-45375-00	DAMPER, SEAL	1	1	1	1	X(25.3")

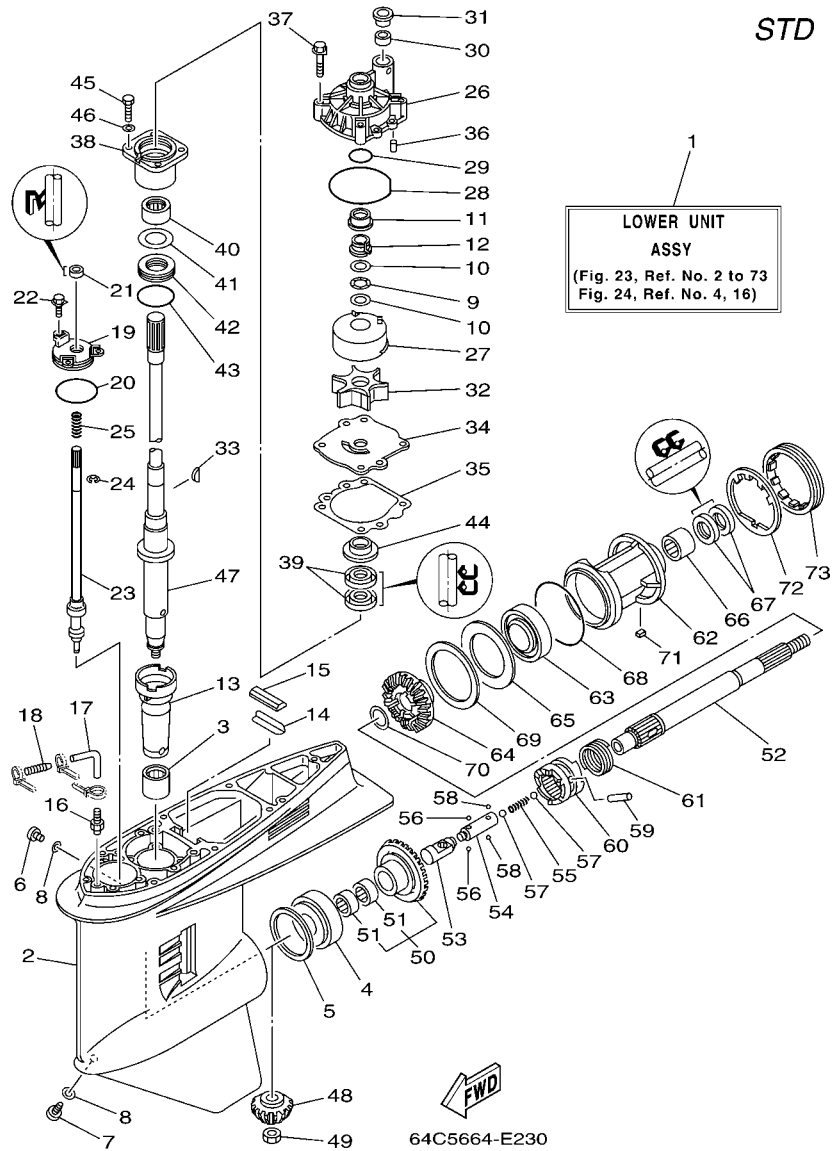


FIG. 23 LOWER CASING & DRIVE 1

REF. NO.	PART NO.	DESCRIPTION	64C8	64E8	64G8	64H8	REMARKS
1	64D-45300-02-8D	LOWER UNIT ASSY	1				L(20.3"),RH
	64E-45300-02-8D	LOWER UNIT ASSY		1			L(20.3"),RH
	64D-45300-22-8D	LOWER UNIT ASSY	1				X(25.3"),RH
	64E-45300-22-8D	LOWER UNIT ASSY		1			X(25.3"),RH
2	6J9-45301-05-8D	CASING, LOWER	1	1			
3	93311-928U5	BEARING	1	1			
4	93332-000V3	BEARING	1	1			
5	6G5-45567-01	SHIM (T:0.10MM)	1	1			UR
	6G5-45567-10	SHIM (T:0.12MM)	1	1			UR
	6G5-45567-20	SHIM (T:0.15MM)	1	1			UR
	6G5-45567-30	SHIM (T:0.18MM)	1	1			UR
	6G5-45567-40	SHIM (T:0.30MM)	1	1			UR
	6G5-45567-50	SHIM (T:0.40MM)	1	1			UR
	6G5-45567-60	SHIM (T:0.50MM)	1	1			UR
6	90340-08002	PLUG, STRAIGHT SCREW	1	1			
7	688-45341-10	PLUG, DRAIN	1	1			
8	90430-08020	GASKET	2	2			
9	90206-22M19	WASHER, WAVE	1	1			
10	90201-22M01	WASHER, PLATE	2	2			
11	61A-45527-00	COLLAR, DRIVE SHAFT	1	1			
12	61A-45538-00	SPACER 1	1	1			
13	6G5-45536-01	SLEEVE, DRIVE SHAFT	1	1			
14	663-45376-00-94	GUIDE, SEAL DAMPER	1	1			L(20.3")
	64D-45376-00-94	GUIDE, SEAL DAMPER	1	1			X(25.3")
15	688-45375-00	DAMPER, SEAL	1	1			
16	6E5-45378-00	NIPPLE, HOSE	1	1			
17	90445-07ME8	HOSE (L80)	1	1			L(20.3")

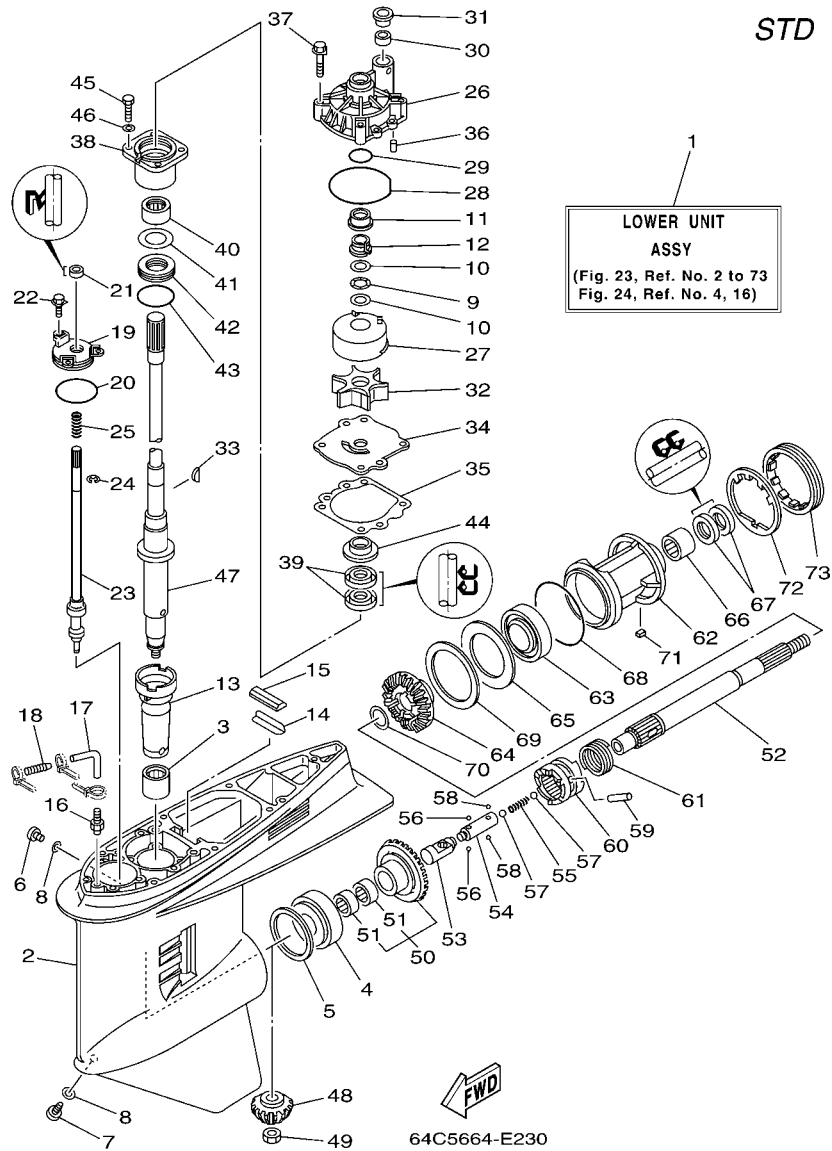


FIG. 23 LOWER CASING & DRIVE 1

REF. NO.	PART NO.	DESCRIPTION	64C8	64E8	64G8	64H8	REMARKS
17	90445-07ME9	HOSE (L120)	1	1			X(25.3")
18	6E5-83558-10	END, NIPPLE	1	1			
19	6E5-45321-00	PLATE	1	1			
20	93210-58144	O-RING	1	1			
21	93106-09014	OIL SEAL	1	1			
22	90119-06M10	BOLT, WITH WASHER	3	3			
23	6G5-44150-02	SHIFT CAM ASSY	1	1			
24	99001-08600	CIRCLIP	1	1			
25	90501-11M10	SPRING, COMPRESSION	1	1			
26	61A-44311-01	HOUSING, WATER PUMP	1	1			
27	61A-44322-02	INSERT, CARTRIDGE	1	1			
28	93210-86M38	O-RING	1	1			
29	93210-37160	O-RING	1	1			
30	6E5-44365-00	DAMPER, WATER SEAL	1	1			
31	6E5-44312-00	COVER, WATER PUMP HOUSING	1	1			
32	6E5-44352-01	IMPELLER	1	1			
33	90280-04M05	KEY, WOODRUFF	1	1			
34	6G5-44323-00	OUTER PLATE, CARTRIDGE	1	1			
35	6E5-44315-A0	GASKET, WATER PUMP	1	1			
36	93606-12019	PIN, DOWEL	2	2			
37	90119-08M14	BOLT, WITH WASHER	4	4			
38	6E5-45331-00-94	HOUSING, BEARING	1	1			
39	93101-28M16	OIL SEAL	2	2			
40	93317-330U2	BEARING	1	1			
41	6E5-45587-01	SHIM (T:0.10MM)	1	1			UR
	6E5-45587-10	SHIM (T:0.12MM)	1	1			UR
	6E5-45587-20	SHIM (T:0.15MM)	1	1			UR

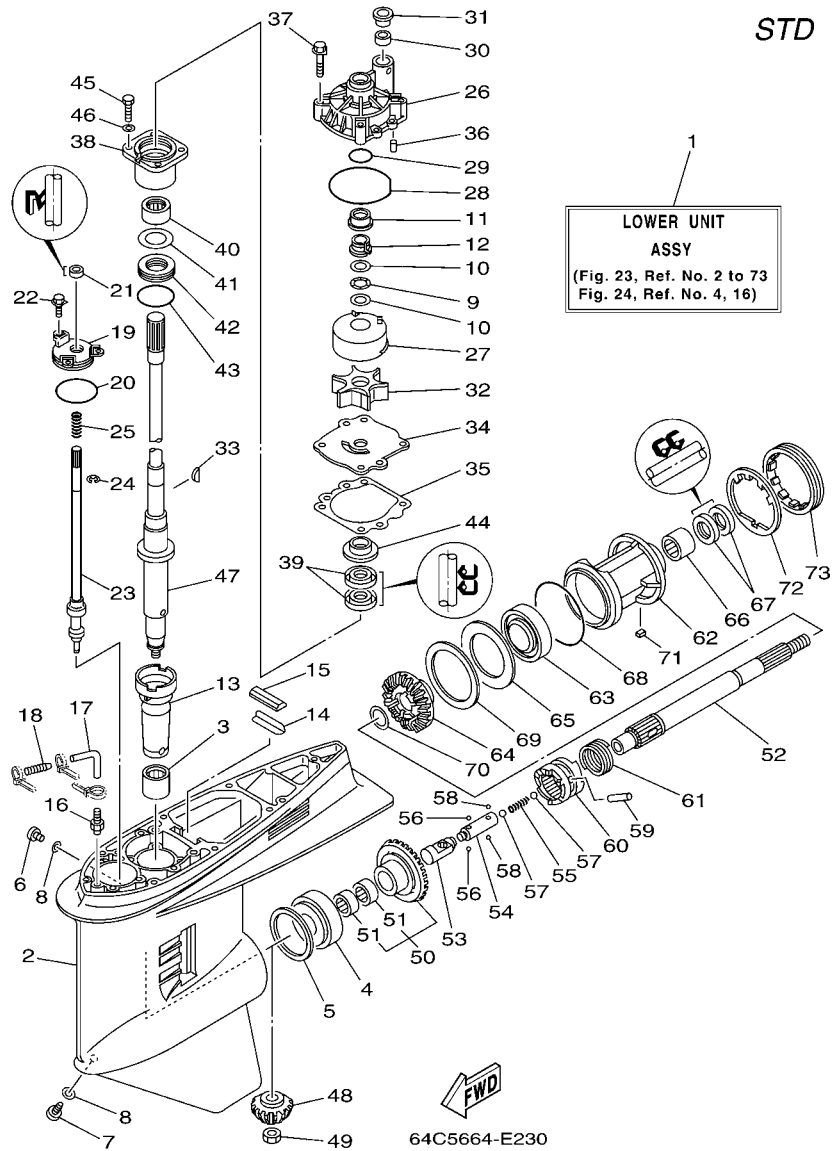


FIG. 23 LOWER CASING & DRIVE 1

REF. NO.	PART NO.	DESCRIPTION	64C8	64E8	64G8	64H8	REMARKS
41	6E5-45587-30	SHIM (T:0.18MM)	1	1			UR
	6E5-45587-40	SHIM (T:0.30MM)	1	1			UR
	6E5-45587-50	SHIM (T:0.40MM)	1	1			UR
	6E5-45587-60	SHIM (T:0.50MM)	1	1			UR
42	93341-930V2	BEARING	1	1			
43	93210-55M14	O-RING	1	1			
44	6E5-45344-00	COVER, OIL SEAL	1	1			
45	97095-08025	BOLT	4	4			
46	92995-08600	WASHER	4	4			
47	6G5-45501-01	DRIVE SHAFT COMP.	1	1			L(20.3")
	6G5-45501-21	DRIVE SHAFT COMP.	1	1			X(25.3")
48	6G5-45551-10	PINION (14T)	1	1			
49	90170-16M01	NUT	1	1			
50	6G5-45560-10	GEAR 1 (26T)	1	1			
51	93315-425V3	.BEARING	2	2			
52	6J9-45611-01	SHAFT, PROPELLER	1	1			
53	6E5-45641-03	SHIFTER	1	1			
54	6E5-45634-01	SLIDE, SHIFT	1	1			
55	90501-16M37	SPRING, COMPRESSION	1	1			
56	93507-32009	BALL	2	2			
57	93511-32017	BALL	2	2			
58	93503-16003	BALL	2	2			
59	90250-08M07	PIN, STRAIGHT	1	1			
60	6G5-45631-00	CLUTCH, DOG	1				
	6G5-45631-10	CLUTCH, DOG		1			
61	6E5-45633-01	RING, CROSS PIN	1	1			
62	6J9-45332-00-94	HOUSING, BEARING	1	1			

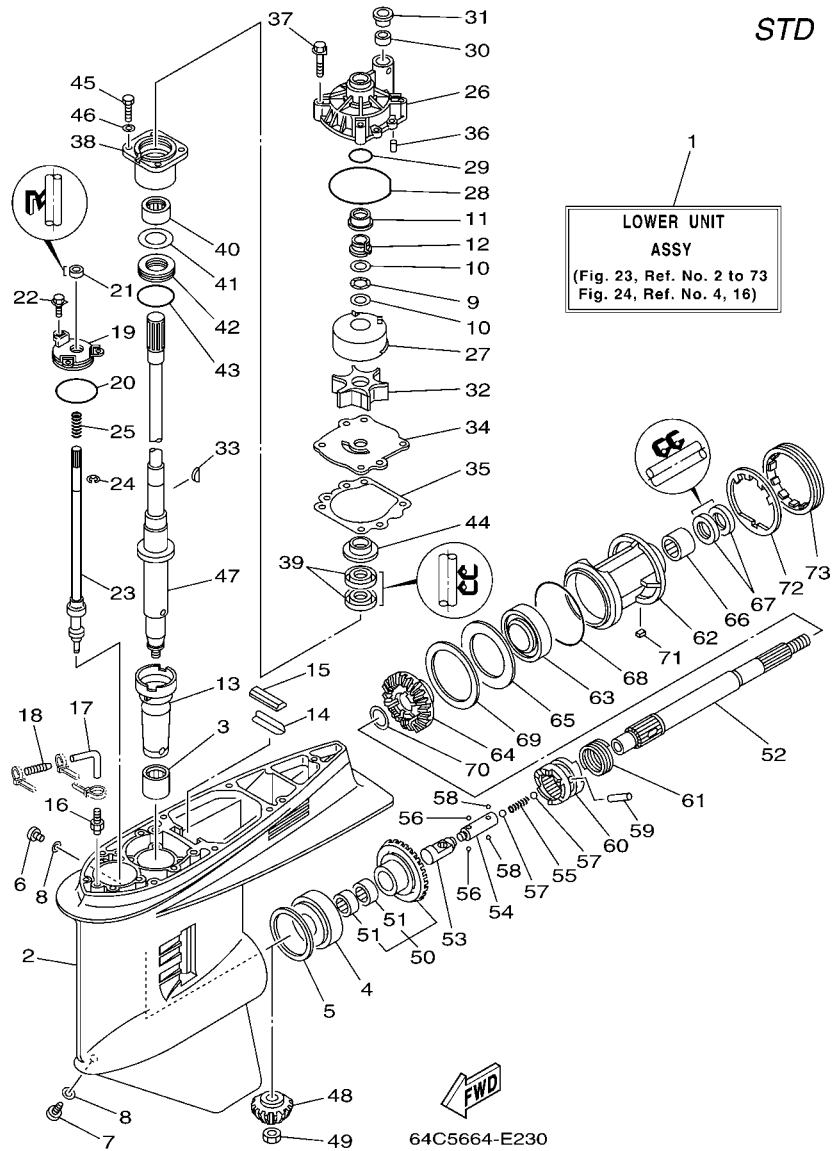
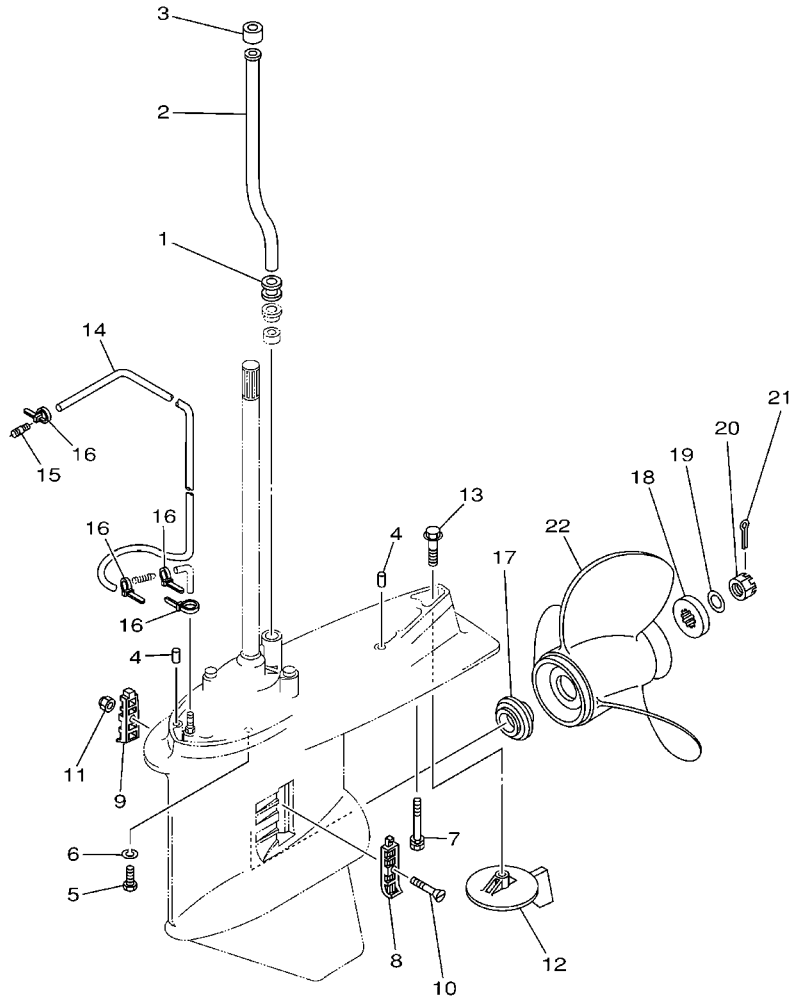


FIG. 23 LOWER CASING & DRIVE 1

REF. NO.	PART NO.	DESCRIPTION	64C8	64E8	64G8	64H8	REMARKS
63	93306-209U0	BEARING	1	1			
64	6G5-45571-02	GEAR 2 (26T)	1	1			
65	6G5-45576-10	WASHER, THRUST	1	1			
66	93315-43061	BEARING	1	1			
67	93101-30M17	OIL SEAL	2	2			
68	93210-97M55	O-RING	1	1			
69	6G5-45577-02	SHIM (T:0.10MM)	1	1			UR
	6G5-45577-10	SHIM (T:0.12MM)	1	1			UR
	6G5-45577-20	SHIM (T:0.15MM)	1	1			UR
	6G5-45577-30	SHIM (T:0.18MM)	1	1			UR
	6G5-45577-40	SHIM (T:0.30MM)	1	1			UR
	6G5-45577-50	SHIM (T:0.40MM)	1	1			UR
	6G5-45577-60	SHIM (T:0.50MM)	1	1			UR
70	90201-30M92	WASHER, PLATE	1	1			
71	90282-04M00	KEY, STRAIGHT	1	1			
72	6G5-45383-01	WASHER, CLAW	1	1			
73	6G5-45384-00	NUT	1	1			

STD

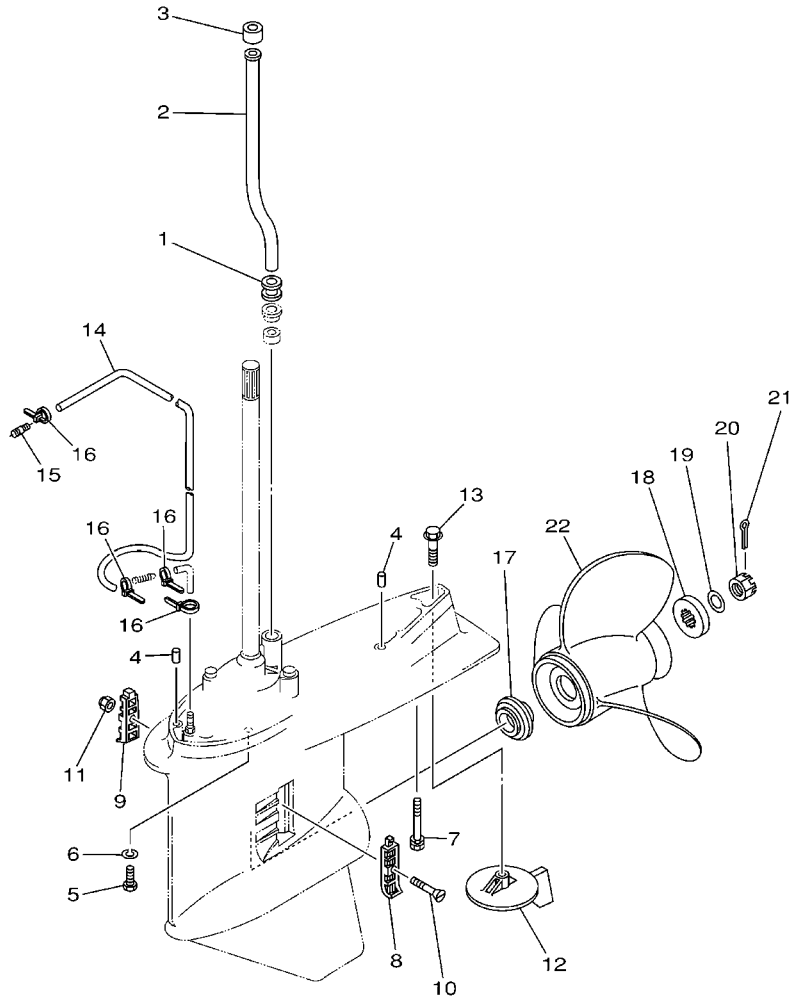


67H0100-1260

FIG. 24 LOWER CASING & DRIVE 2

REF. NO.	PART NO.	DESCRIPTION	64C8	64E8	64G8	64H8	REMARKS
1	6E5-44366-00	DAMPER, WATER SEAL	1	1			
2	6E5-44361-00	TUBE, WATER	1	1			L(20.3")
	6E5-44361-20	TUBE, WATER	1	1			X(25.3")
3	6E5-44365-00	DAMPER, WATER SEAL	1	1			
4	93608-12M05	PIN, DOWEL	2	2			
5	97075-10045	BOLT	6	6			
6	92995-10100	WASHER	6	6			
7	90119-10M89	BOLT, WITH WASHER	1	1			
8	6J9-45214-00	COVER, WATER INLET 1	1	1			
9	6J9-45215-00	COVER, WATER INLET 2	1	1			
10	90152-05M08	SCREW, COUNTERSUNK	1	1			
11	90185-05002	NUT, SELF-LOCKING	1	1			
12	6J9-45371-01	TAB-TRIM	1	1			
13	90105-10M00	BOLT, FLANGE	1	1			
14	90445-07M33	HOSE (L1080)	1	1			
15	6E5-83558-00	END, NIPPLE	1	1			
16	90465-11M10	CLAMP	4	4			
17	6E5-45987-01	SPACER	1	1			
18	688-45997-01	SPACER	1	1			
19	92990-18200	WASHER	1	1			
20	90171-18M04	NUT, CASTLE	1	1			
21	91490-40030	PIN, COTTER	1	1			
22	6G5-45941-00-98	PROPELLER (3X15-1/4"X15"-M)	1	1			UR
	6G5-45943-01-98	PROPELLER (3X13-3/4"X21"-M)	1	1			UR
	6G5-45945-01-98	PROPELLER (3X14"X19"-M)	1	1			UR
	6G5-45947-01-98	PROPELLER (3X14-1/2"X17"-M)	1	1			UR
	6G5-45949-00-98	PROPELLER (3X13-1/2"X23"-M)	1	1			UR

STD



FWD
67H0100-1260

FIG. 24 LOWER CASING & DRIVE 2

REF. NO.	PART NO.	DESCRIPTION	64C8	64E8	64G8	64H8	REMARKS
22	6G5-45952-00-98	PROPELLER (3X14-5/8"X16"-M)	1	1			UR
	6G5-45930-00-98	PROPELLER (3X13-3/8"X25"-M)	1	1			UR
	6G5-45932-00-98	PROPELLER (3X15-3/4"X13"-M)	1	1			UR
	6G5-45970-02-98	PROPELLER (3X15-1/4"X15"-M)	1	1			UR
	6G5-45972-02-98	PROPELLER (3X13-3/4"X21"-M)	1	1			UR
	6G5-45974-03-98	PROPELLER (3X13-3/4"X19"-M2)	1	1			UR
	6G5-45976-01-98	PROPELLER (3X13-3/8"X23"-M)	1	1			UR
	6G5-45978-03-98	PROPELLER (3X13-3/4"X17"-M2)	1	1			UR
	6R4-45970-A1	PROPELLER (3X15-1/4"X19"-M)	1	1			UR
	6R4-45972-A0	PROPELLER (3X14-7/8"X21"-M)	1	1			UR
	6R4-45974-A0	PROPELLER (3X14-1/2"X23"-M)	1	1			UR
	6R4-45976-A0	PROPELLER (3X14-1/2"X15"-M)	1	1			UR
	6R4-45978-A0	PROPELLER (3X15-1/4"X17"-M)	1	1			UR

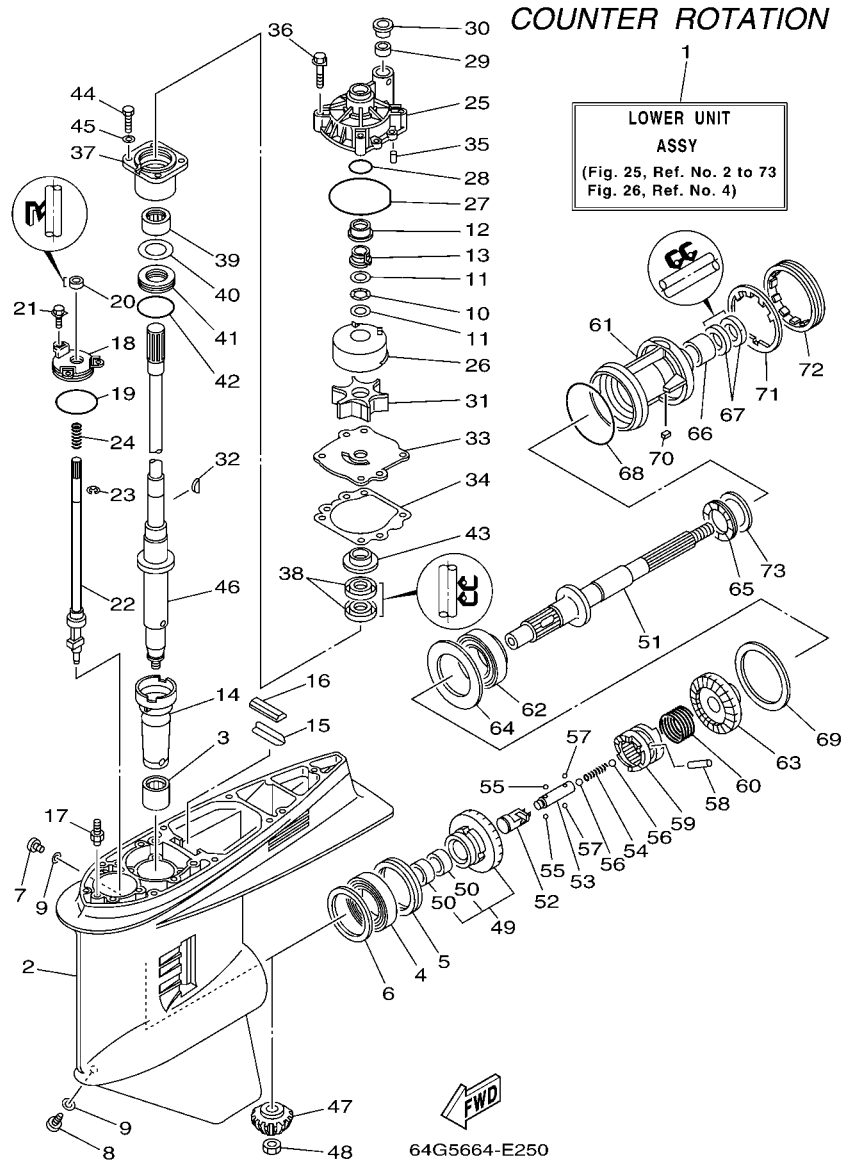


FIG. 25 LOWER CASING & DRIVE 3

REF. NO.	PART NO.	DESCRIPTION	64C8	64E8	64G8	64H8	REMARKS
1	64H-45300-22-8D	LOWER UNIT ASSY			1	1	X(25.3"),LH
2	6J9-45301-05-8D	CASING, LOWER			1	1	
3	93311-928U5	BEARING			1	1	
4	93390-000U2	BEARING			1	1	
5	93341-465U4	BEARING			1	1	
6	6G5-45567-01	SHIM (T:0.10MM)			1	1	UR
	6G5-45567-10	SHIM (T:0.12MM)			1	1	UR
	6G5-45567-20	SHIM (T:0.15MM)			1	1	UR
	6G5-45567-30	SHIM (T:0.18MM)			1	1	UR
	6G5-45567-40	SHIM (T:0.30MM)			1	1	UR
	6G5-45567-50	SHIM (T:0.40MM)			1	1	UR
	6G5-45567-60	SHIM (T:0.50MM)			1	1	UR
7	90340-08002	PLUG, STRAIGHT SCREW			1	1	
8	688-45341-10	PLUG, DRAIN			1	1	
9	90430-08020	GASKET			2	2	
10	90206-22M19	WASHER, WAVE			1	1	
11	90201-22M01	WASHER, PLATE			2	2	
12	61A-45527-00	COLLAR, DRIVE SHAFT			1	1	
13	61A-45538-00	SPACER 1			1	1	
14	6G5-45536-01	SLEEVE, DRIVE SHAFT			1	1	
15	64D-45376-00-94	GUIDE, SEAL DAMPER			1	1	X(25.3")
16	688-45375-00	DAMPER, SEAL			1	1	
17	6J8-45378-00	NIPPLE, HOSE			1	1	
18	6E5-45321-00	PLATE			1	1	
19	93210-58144	O-RING			1	1	
20	93106-09014	OIL SEAL			1	1	
21	90119-06M10	BOLT, WITH WASHER			3	3	

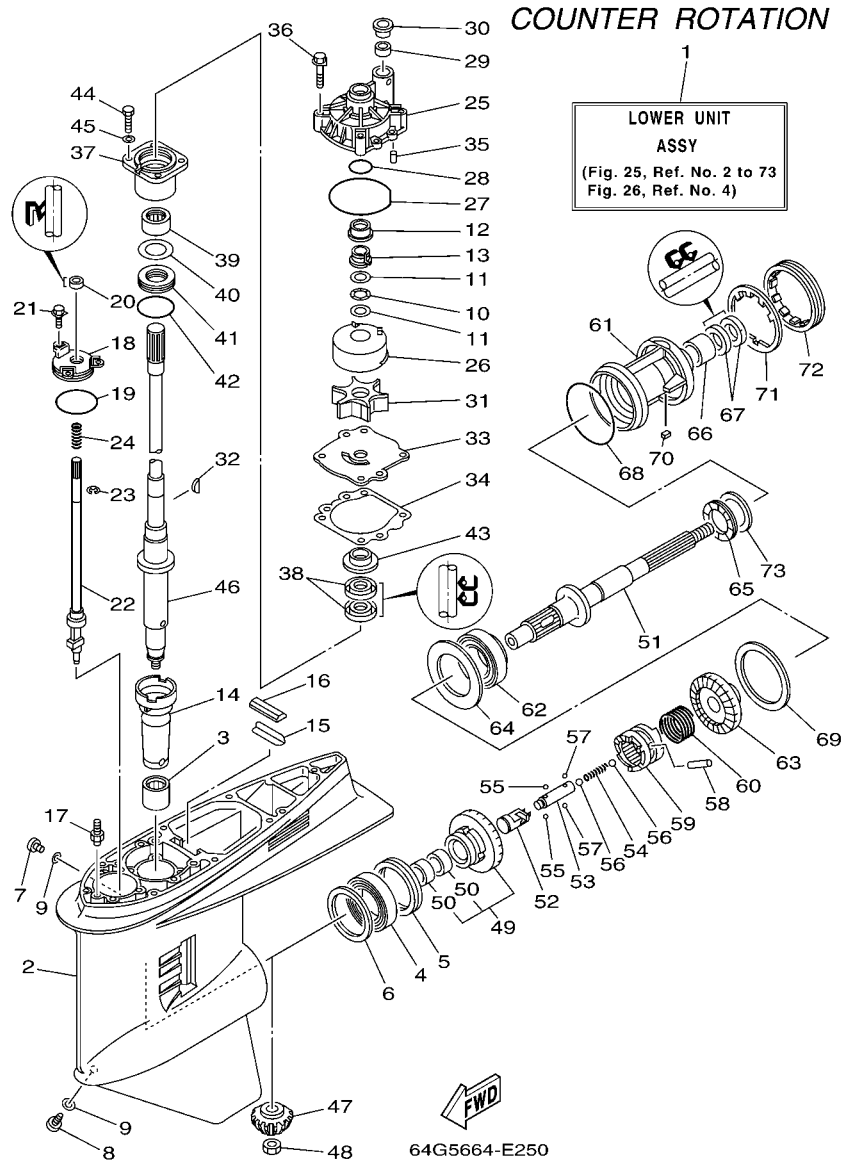


FIG. 25 LOWER CASING & DRIVE 3

REF. NO.	PART NO.	DESCRIPTION	64C8	64E8	64G8	64H8	REMARKS
22	6K1-44150-01	SHIFT CAM ASSY			1	1	
23	99001-08600	CIRCLIP			1	1	
24	90501-11M10	SPRING, COMPRESSION			1	1	
25	61A-44311-01	HOUSING, WATER PUMP			1	1	
26	61A-44322-02	INSERT, CARTRIDGE			1	1	
27	93210-86M38	O-RING			1	1	
28	93210-37160	O-RING			1	1	
29	6E5-44365-00	DAMPER, WATER SEAL			1	1	
30	6E5-44312-00	COVER, WATER PUMP HOUSING			1	1	
31	6E5-44352-01	IMPELLER			1	1	
32	90280-04M05	KEY, WOODRUFF			1	1	
33	6G5-44323-00	OUTER PLATE, CARTRIDGE			1	1	
34	6E5-44315-A0	GASKET, WATER PUMP			1	1	
35	93606-12019	PIN, DOWEL			2	2	
36	90119-08M14	BOLT, WITH WASHER			4	4	
37	6E5-45331-00-94	HOUSING, BEARING			1	1	
38	93101-28M16	OIL SEAL			2	2	
39	93317-330U2	BEARING			1	1	
40	6E5-45587-01	SHIM (T:0.10MM)			1	1	UR
	6E5-45587-10	SHIM (T:0.12MM)			1	1	UR
	6E5-45587-20	SHIM (T:0.15MM)			1	1	UR
	6E5-45587-30	SHIM (T:0.18MM)			1	1	UR
	6E5-45587-40	SHIM (T:0.30MM)			1	1	UR
	6E5-45587-50	SHIM (T:0.40MM)			1	1	UR
	6E5-45587-60	SHIM (T:0.50MM)			1	1	UR
41	93341-930V2	BEARING			1	1	
42	93210-55M14	O-RING			1	1	

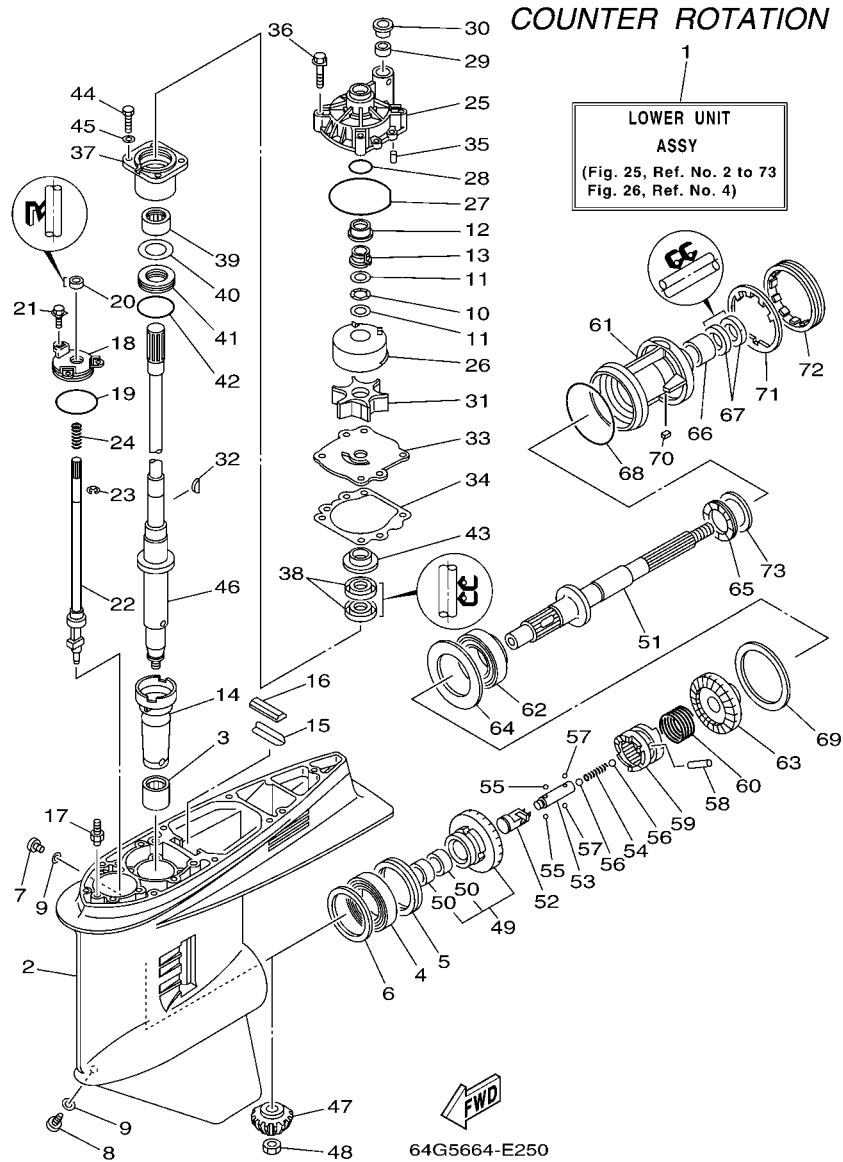


FIG. 25 LOWER CASING & DRIVE 3

REF. NO.	PART NO.	DESCRIPTION	64C8	64E8	64G8	64H8	REMARKS
43	6E5-45344-00	COVER, OIL SEAL			1	1	
44	97095-08025	BOLT			4	4	
45	92995-08600	WASHER			4	4	
46	6G5-45501-21	DRIVE SHAFT COMP.			1	1	X(25.3")
47	6G5-45551-10	PINION (14T)			1	1	
48	90170-16M01	NUT			1	1	
49	6K1-45560-01	GEAR 1 (26T)			1	1	
50	93315-425V3	.BEARING			2	2	
51	6K1-45611-10	SHAFT, PROPELLER			1	1	
52	6K1-45641-01	SHIFTER			1	1	
53	6E5-45634-01	SLIDE, SHIFT			1	1	
54	90501-16M37	SPRING, COMPRESSION			1	1	
55	93507-32009	BALL			2	2	
56	93511-32017	BALL			2	2	
57	93503-16003	BALL			2	2	
58	90250-08M07	PIN, STRAIGHT			1	1	
59	6G5-45631-00	CLUTCH, DOG			1		
	6G5-45631-10	CLUTCH, DOG				1	
60	6E5-45633-01	RING, CROSS PIN			1	1	
61	6K1-45332-01-94	HOUSING, BEARING			1	1	
62	93332-00048	BEARING			1	1	
63	6K1-45570-20	GEAR 2 (26T)			1	1	
64	6K1-45576-00	WASHER, THRUST			1	1	
65	93341-440U5	BEARING			1	1	
66	93315-43061	BEARING			1	1	
67	93101-30M17	OIL SEAL			2	2	
68	93210-97M55	O-RING			1	1	

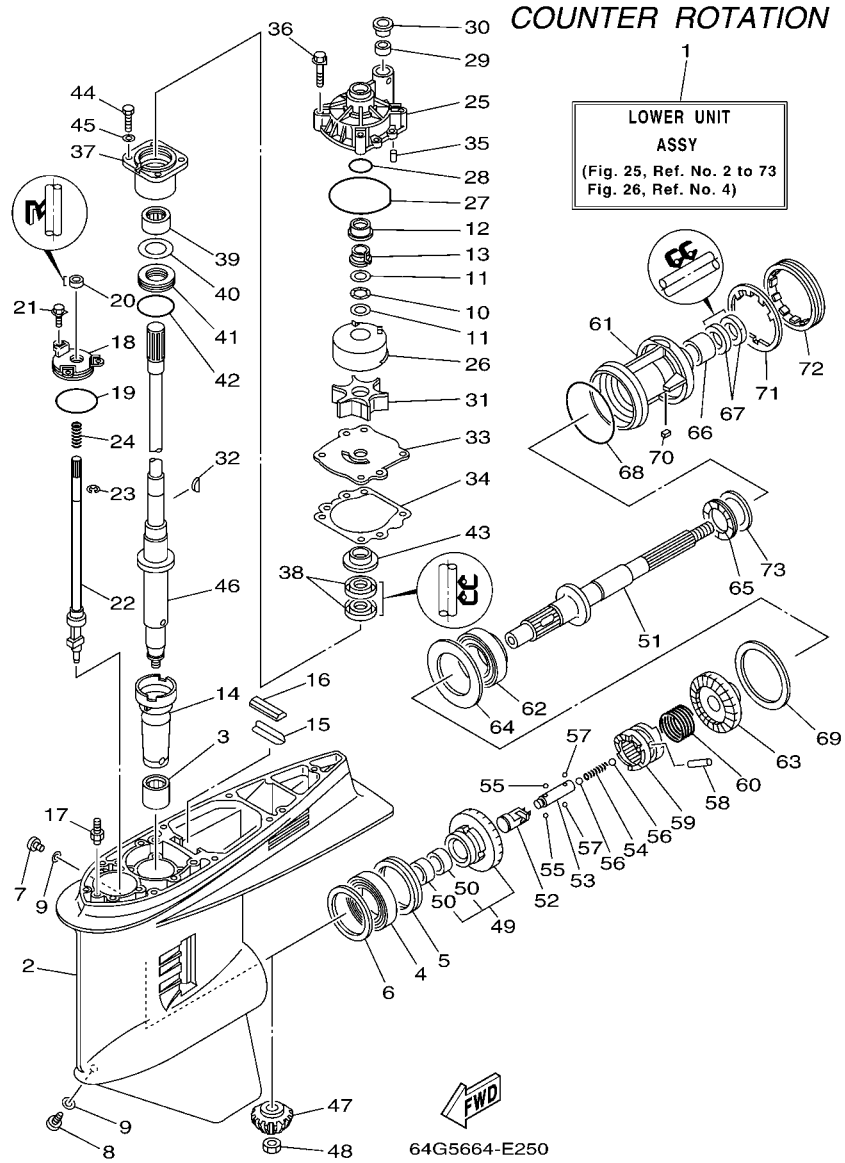
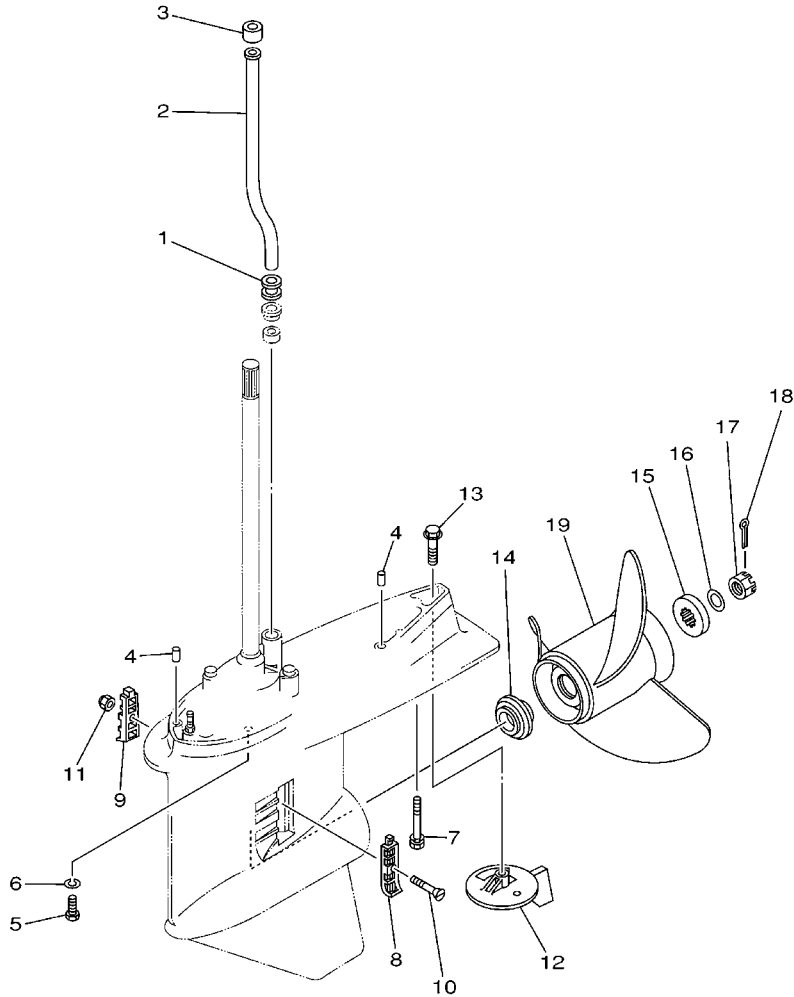


FIG. 25 LOWER CASING & DRIVE 3

REF. NO.	PART NO.	DESCRIPTION	64C8	64E8	64G8	64H8	REMARKS
69	6G5-45577-02	SHIM (T:0.10MM)			1	1	UR
	6G5-45577-10	SHIM (T:0.12MM)			1	1	UR
	6G5-45577-20	SHIM (T:0.15MM)			1	1	UR
	6G5-45577-30	SHIM (T:0.18MM)			1	1	UR
	6G5-45577-40	SHIM (T:0.30MM)			1	1	UR
	6G5-45577-50	SHIM (T:0.40MM)			1	1	UR
	6G5-45577-60	SHIM (T:0.50MM)			1	1	UR
70	90282-04M00	KEY, STRAIGHT			1	1	
71	6G5-45383-01	WASHER, CLAW			1	1	
72	6G5-45384-00	NUT			1	1	
73	6K1-45578-01	SHIM (T:0.10MM)			1	1	UR
	6K1-45578-10	SHIM (T:0.12MM)			1	1	UR
	6K1-45578-20	SHIM (T:0.15MM)			1	1	UR
	6K1-45578-30	SHIM (T:0.18MM)			1	1	UR
	6K1-45578-40	SHIM (T:0.30MM)			1	1	UR
	6K1-45578-50	SHIM (T:0.40MM)			1	1	UR
	6K1-45578-60	SHIM (T:0.50MM)			1	1	UR

COUNTER ROTATION

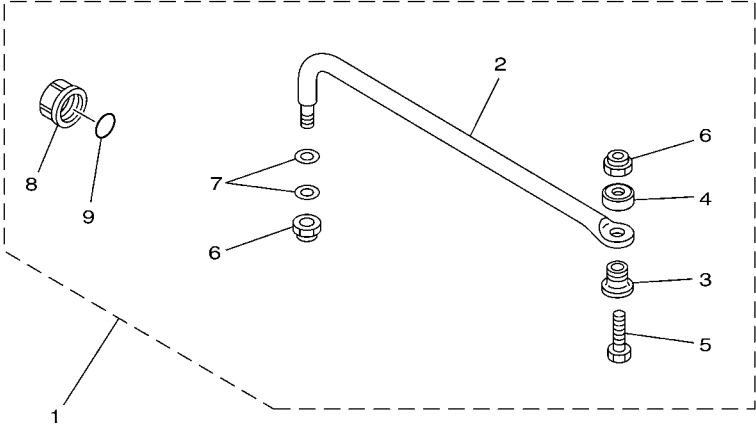


64G0100-1250

FIG. 26 LOWER CASING & DRIVE 4

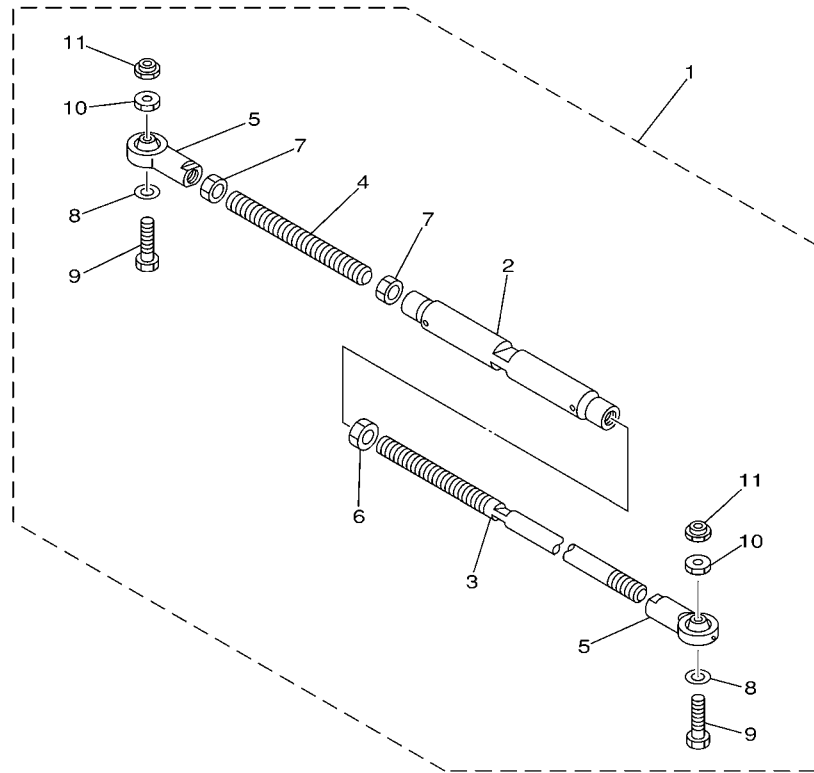
REF. NO.	PART NO.	DESCRIPTION	64C8	64E8	64G8	64H8	REMARKS
1	6E5-44366-00	DAMPER, WATER SEAL			1	1	
2	6E5-44361-20	TUBE, WATER			1	1	X(25.3")
3	6E5-44365-00	DAMPER, WATER SEAL			1	1	
4	93608-12M05	PIN, DOWEL			2	2	
5	97075-10045	BOLT			6	6	
6	92995-10100	WASHER			6	6	
7	90119-10M89	BOLT, WITH WASHER			1	1	
8	6J9-45214-00	COVER, WATER INLET 1			1	1	
9	6J9-45215-00	COVER, WATER INLET 2			1	1	
10	90152-05M08	SCREW, COUNTERSUNK			1	1	
11	90185-05002	NUT, SELF-LOCKING			1	1	
12	6K1-45371-02	TAB-TRIM			1	1	
13	90105-10M00	BOLT, FLANGE			1	1	
14	6E5-45987-01	SPACER			1	1	
15	688-45997-01	SPACER			1	1	
16	92990-18200	WASHER			1	1	
17	90171-18M04	NUT, CASTLE			1	1	
18	91490-40030	PIN, COTTER			1	1	
19	6K1-45970-01-98	PROPELLER (3X15-1/4"X15"-ML)			1	1	UR
	6K1-45972-01-98	PROPELLER (3X13-3/4"X21"-ML)			1	1	UR
	6K1-45974-02-98	PROPELLER (3X13-3/4"X19"-ML1)			1	1	UR
	6K1-45978-02-98	PROPELLER (3X13-3/4"X17"-ML1)			1	1	UR
	6R1-45970-A1	PROPELLER (3X15-1/4"X19"-ML)			1	1	UR
	6R1-45972-A0	PROPELLER (3X14-7/8"X21"-ML)			1	1	UR
	6R1-45974-A0	PROPELLER (3X14-1/2"X23"-ML)			1	1	UR
	6R1-45976-A0	PROPELLER (3X15-1/4"X15"-ML)			1	1	UR
	6R1-45978-A0	PROPELLER (3X15-1/4"X17"-ML)			1	1	UR

FIG. 27 STEERING GUIDE ATTACHMENT 1



67H0100-9290

REF. NO.	PART NO.	DESCRIPTION	64C8	64E8	64G8	64H8	REMARKS
1	6E5-61350-02	STEERING GUIDE ATTACHMENT KIT	1	1	1	1	AP
2	6E5-61351-01	.ROD, STEERING LINK	1	1	1	1	
3	90387-10M61	.COLLAR	1	1	1	1	
4	90560-12M01	.SPACER	1	1	1	1	
5	6E5-61355-00	.BOLT	1	1	1	1	
6	90185-09M01	.NUT, SELF-LOCKING	2	2	2	2	
7	90201-10M20	.WASHER, PLATE	2	2	2	2	
8	6E5-43145-01	.CAP, CLAMP BRACKET	1	1	1	1	
9	93210-16275	.O-RING	1	1	1	1	

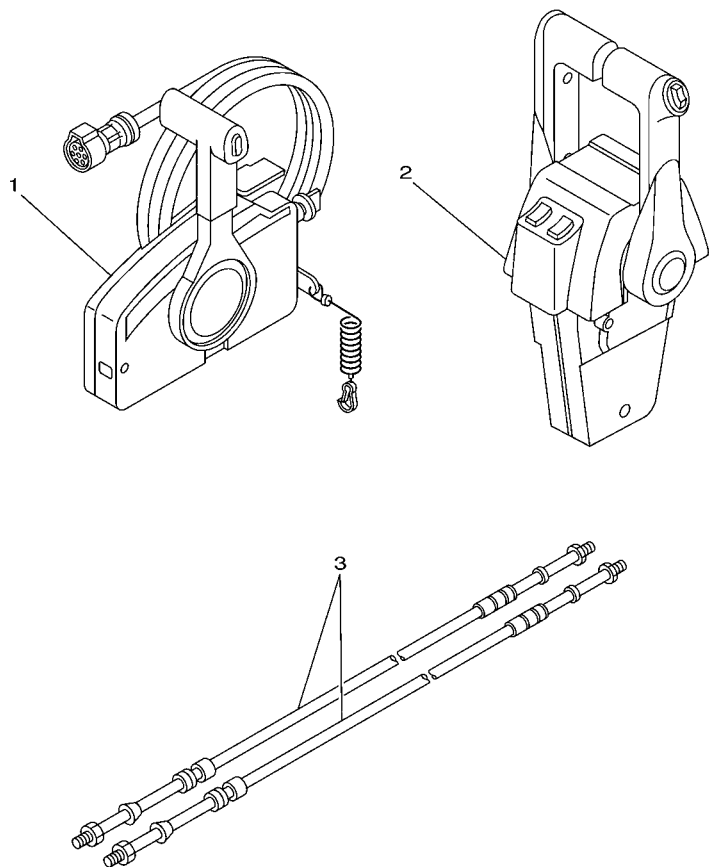


67H0100-0300

FIG. 28 STEERING GUIDE ATTACHMENT 2

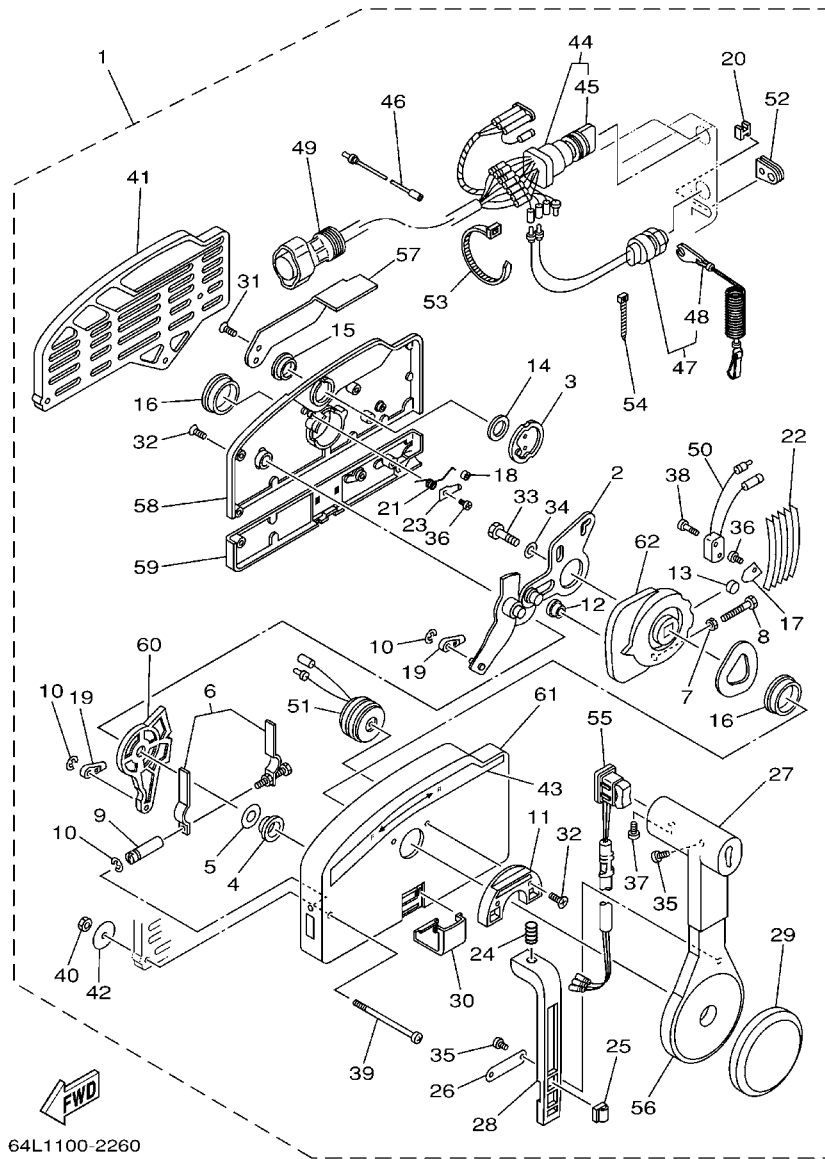
REF. NO.	PART NO.	DESCRIPTION	64C8	64E8	64G8	64H8	REMARKS
1	6E5-61301-01	TWIN KIT (L:600-800MM)			1	1	AP
2	6E5-61313-00	.ADJUSTER			1	1	
3	6E5-61311-11	.TIE BAR			1	1	
4	6E5-61315-00	.TIE BAR			1	1	
5	6E5-61303-00	.STEERING AXLE COMP.			2	2	
6	90170-14M06	.NUT			1	1	
7	95380-14700	.NUT			2	2	
8	90201-10M76	.WASHER, PLATE			2	2	
9	90101-09M70	.BOLT			2	2	
10	90170-09M05	.NUT			2	2	
11	90185-09M01	.NUT, SELF-LOCKING			2	2	

FIG. 29 REMOTE CONTROL BOX




68V4100-D350

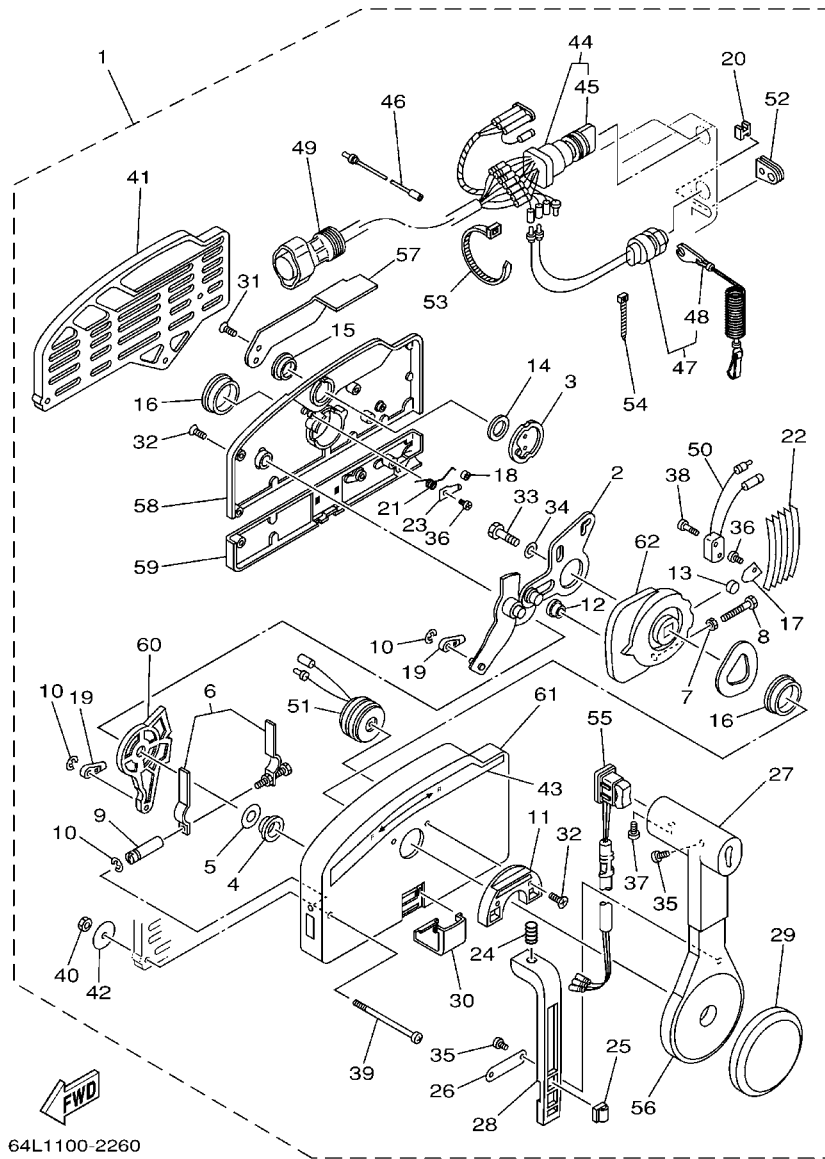
REF. NO.	PART NO.	DESCRIPTION					REMARKS
			64C8	64E8	64G8	64H8	
1	703-48205-17	REMOTE CONTROL ASSY (10P)	1	1			AP WITH PT/T SW.
2	704-48207-P1	REMOTE CONTROL ASSY			1	1	AP WITH PT/T SW.
3	701-48320-50	CABLE, REMOTE CONTROL L=15F	2	2	2	2	UR
	701-48320-60	CABLE, REMOTE CONTROL L=16F	2	2	2	2	UR
	701-48320-80	CABLE, REMOTE CONTROL L=17F	2	2	2	2	UR
	701-48350-00	CABLE, REMOTE CONTROL L=21F	2	2	2	2	UR
	701-48350-20	CABLE, REMOTE CONTROL L=23F	2	2	2	2	UR



64L1100-2260

FIG. 30 REMOTE CONTROL ASSY 1

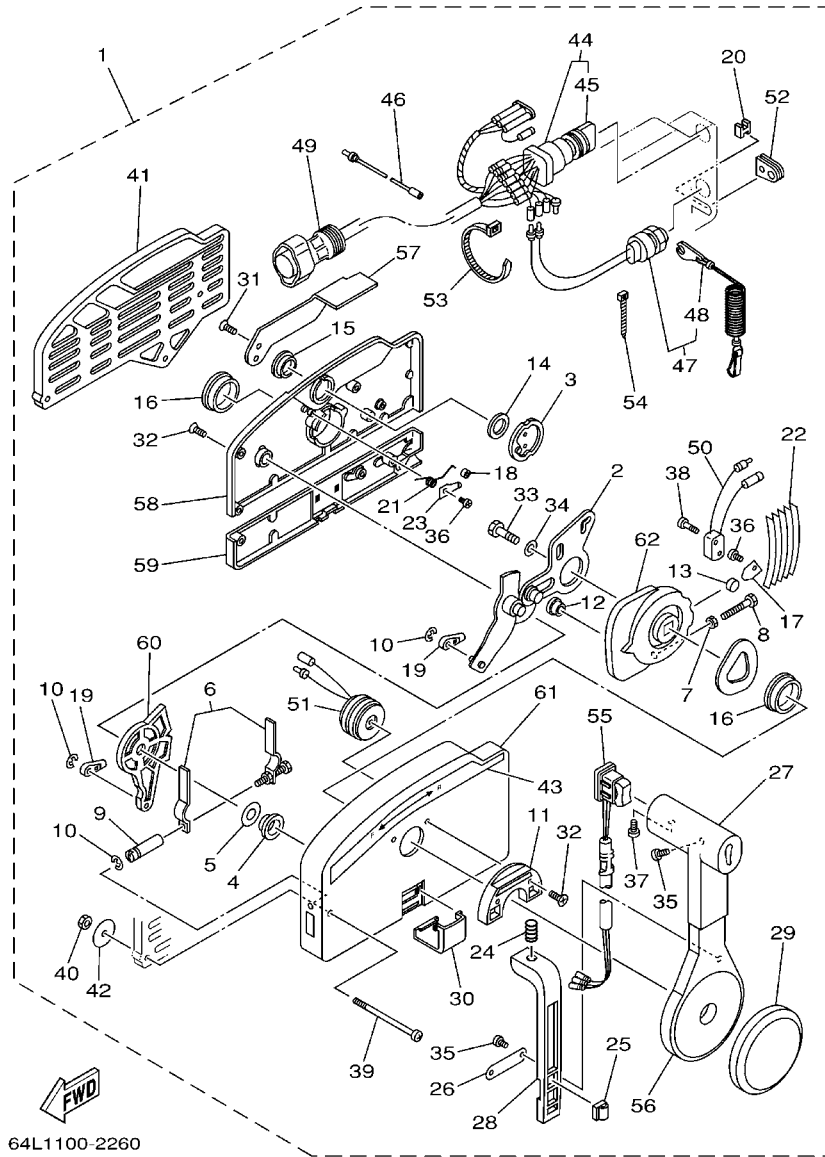
REF. NO.	PART NO.	DESCRIPTION	64C8	64E8	64G8	64H8	REMARKS
1	703-48205-17	REMOTE CONTROL ASSY (10P)	1	1			AP WITH PT/T SW.
2	703-48261-01	.ARM, THROTTLE	1	1			
3	703-48153-00	.SHAFT, FREE ACCEL.	1	1			
4	703-48235-00	.BUSHING	1	1			
5	703-48268-00	.SPACER	1	1			
6	703-48264-00	.FRICTION, THROTTLE	1	1			
7	95380-05600	.NUT	1	1			
8	97380-05025	.BOLT	1	1			
9	703-48265-00	.SHAFT, FRICTION	1	1			
10	93430-06024	.CIRCLIP	3	3			
11	703-48245-00	.PLATE, LOCK	1	1			
12	703-48252-00	.ROLLER, CAM	1	1			
13	701-48248-00	.ROLLER, FREE ACCEL.	1	1			
14	703-48198-00	.WASHER, WAVE	1	1			
15	703-48243-00	.BUSHING	1	1			
16	703-48236-00	.BUSHING 1	2	2			
17	703-48189-00	.RETAINER	1	1			
18	703-48234-00	.ROLLER, DETENT	1	1			
19	703-48345-01	.CABLE END, REMOTE CONTROL 2	2	2			
20	703-48358-00	.ANCHOR, CABLE	1	1			
21	703-48244-00	.SPRING, FREE ACCEL.	1	1			
22	703-48238-00	.SPRING, DETENT	5	5			
23	703-48246-00	.SPACER	1	1			
24	703-48227-00	.SPRING, NEUTRAL LOCK	1	1			
25	703-82594-00	.CLAMP	1	1			WITH PT/T SW.
26	703-48226-00	.PLATE, STOPPER	1	1			
27	703-48222-00	.GRIP, CONTROL LEVER	1	1			SINGLE



64L1100-2260

FIG. 30 REMOTE CONTROL ASSY 1

REF. NO.	PART NO.	DESCRIPTION	64C8	64E8	64G8	64H8	REMARKS
28	703-48223-00	.LOCK, NEUTRAL	1	1			
29	703-48225-00	.COVER	1	1			
30	703-48219-00	.COVER, LEAD	1	1			
31	703-48281-00	.SCREW	2	2			
32	703-48282-00	.SCREW	7	7			
33	97380-08030	.BOLT	1	1			
34	92990-08600	.WASHER, PLATE	1	1			
35	98580-04010	.SCREW, PAN HEAD	3	3			
36	98580-04006	.SCREW, PAN HEAD	2	2			
37	98580-05010	.SCREW, PAN HEAD	1	1			
38	98580-03015	.SCREW, PAN HEAD	2	2			
39	703-48291-10	.SCREW (M6)	3	3			
40	95380-06600	.NUT, HEXAGON	3	3			
41	703-48293-10	.SPACER, REMOTE CONTROL	1	1			SINGLE
42	701-48287-00	.WASHER	3	3			
43	703-48215-00	.GRAPHIC	1	1			
44	703-82510-43	.MAIN SWITCH ASSY	1	1			
45	703-82577-00	.CAP, KEY	1	1			
46	703-82531-00	.WIRE, LEAD (L70)	1	1			
47	688-82575-01	.ENGINE STOP SWITCH ASSY	1	1			
48	682-82556-00	.LANYARD, STOP SWITCH	1	1			
49	688-8258A-20	.EXTENSION, WIRE HARNESS (4.9M)	1	1			(10P)
50	703-82540-00	.NEUTRAL SWITCH ASSY	1	1			
51	703-83383-02	.BUZZER	1	1			
52	703-48284-00	.GROMMET	1	1			
53	703-82591-00	.BAND	1	1			
54	703-82592-00	.BAND	1	1			



64L1100-2260

FIG. 30 REMOTE CONTROL ASSY 1

REF. NO.	PART NO.	DESCRIPTION	64C8	64E8	64G8	64H8	REMARKS
55	703-82563-02	.TRIM & TILT SWITCH ASSY	1	1			WITH PT/T SW.
56	703-48221-00	.LEVER, CONTROL	1	1			
57	703-48152-00	.KNOB, FREE ACCEL.	1	1			
58	703-48212-00	.BACK PLATE 1	1	1			
59	703-48213-00	.BACK PLATE 2	1	1			
60	703-48271-00	.ARM, SHIFT	1	1			
61	703-48211-01	.HOUSING,1	1	1			
62	703-48232-00	.GEAR	1	1			

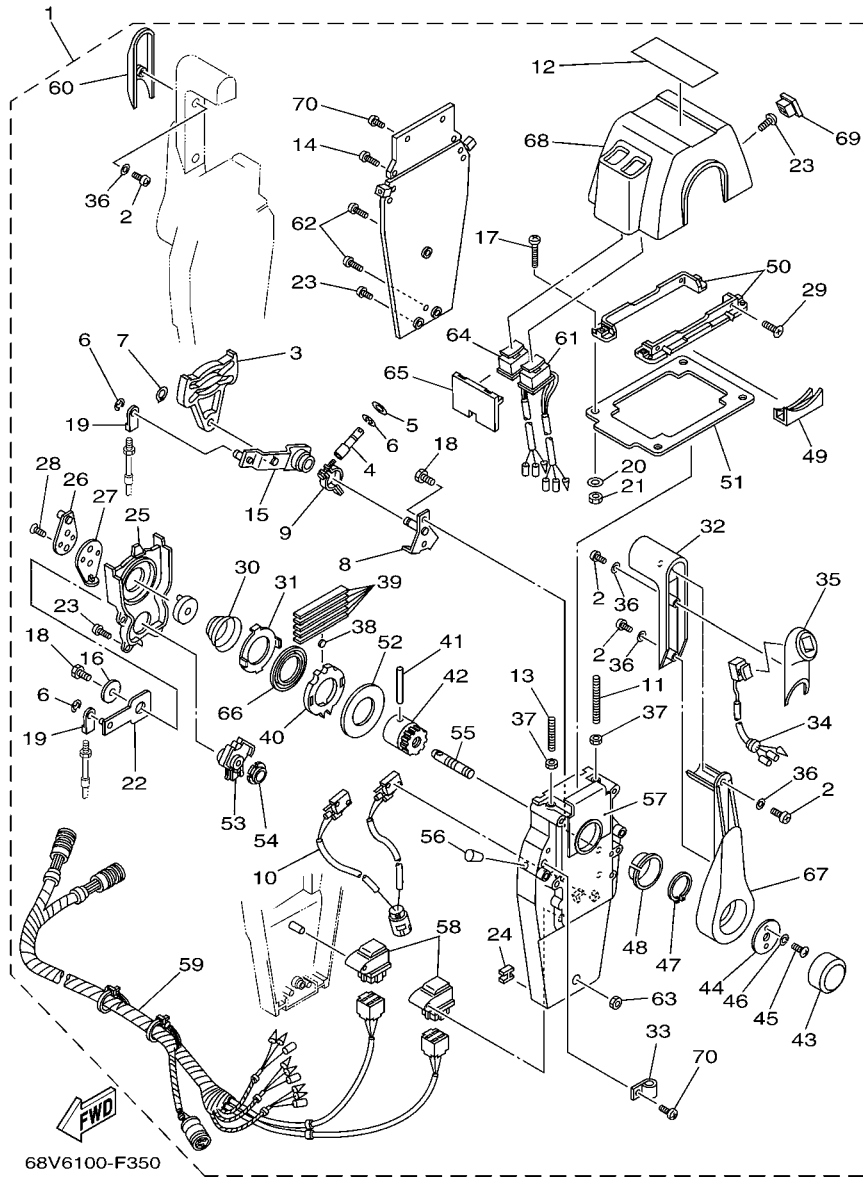


FIG. 31 REMOTE CONTROL ASSY 2

REF. NO.	PART NO.	DESCRIPTION	64C8	64E8	64G8	64H8	REMARKS
1	704-48207-P1	REMOTE CONTROL ASSY			1	1	AP WITH PT/T SW.
2	704-48128-00	.SCREW 2			6	6	
3	EL8-48251-00	.PLATE, CAM			2	2	
4	704-48265-00	.SHAFT, FRICTION			2	2	
5	701-48246-00	.SPACER			2	2	
6	93430-06024	.CIRCLIP			8	8	
7	EL8-48259-00	.CIRCLIP 1			2	2	
8	704-48262-00	.SHAFT, THROTTLE			2	2	
9	704-48264-00	.THROTTLE, FRICTION			2	2	
10	704-82540-30	.NEUTRAL SWITCH ASSY			1	1	
11	EL8-48281-00	.SCREW			2	2	
12	704-48215-30	.GRAPHIC			1	1	
13	704-48281-00	.SCREW			2	2	
14	97890-05025	.SCREW, PAN HEAD			4	4	
15	704-48261-00	.ARM, THROTTLE			2	2	
16	EL8-48191-00	.WASHER 1			2	2	
17	704-48283-00	.SCREW			4	4	
18	97380-06018	.BOLT			6	6	
19	703-48345-01	.CABLE END, REMOTE CONTROL 2			4	4	
20	704-48287-00	.WASHER			4	4	
21	95380-05600	.NUT			4	4	
22	704-48271-00	.ARM, SHIFT			2	2	
23	EL8-48127-00	.SCREW 1			18	18	
24	703-48358-00	.ANCHOR, CABLE			2	2	
25	704-48231-00	.HOUSING, GEAR			2	2	
26	EL8-48241-00	.ARM, DRIVE			2	2	
27	EL8-48254-00	.STOPPER, THROTTLE ADJUSTING			2	2	

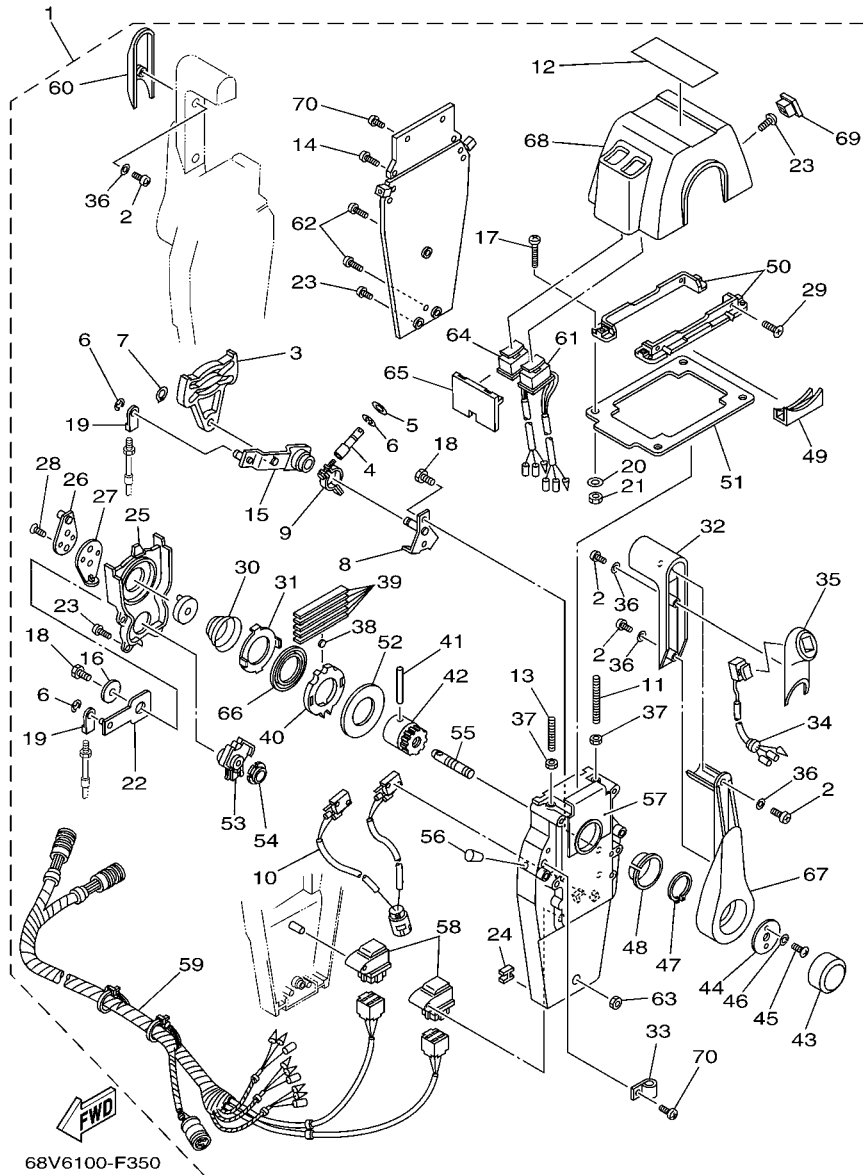


FIG. 31 REMOTE CONTROL ASSY 2

REF. NO.	PART NO.	DESCRIPTION	64C8	64E8	64G8	64H8	REMARKS
28	92780-06020	.SCREW, FLAT HEAD			4	4	
29	98780-05018	.SCREW, FLAT HEAD			4	4	
30	EL8-48244-00	.SPRING, FREE ACCEL.			2	2	
31	EL8-48245-00	.PLATE, LOCK			2	2	
32	704-48222-P0	.GRIP, CONTROL LEVER			2	2	
33	704-82594-00	.CLAMP			1	1	
34	704-82563-51	.TRIM & TILT SWITCH ASSY			1	1	
35	704-48229-P1	.GRIP, CONTROL LEVER			1	1	
36	92990-05300	.WASHER, INTERNAL TOOTH			6	6	
37	95380-06600	.NUT, HEXAGON			4	4	
38	701-48248-00	.ROLLER, FREE ACCEL.			2	2	
39	704-48238-00	.SPRING, DETENT			10	10	
40	704-48232-P1	.GEAR			2	2	
41	EL8-48164-00	.PIN 2			2	2	
42	704-48242-10	.SHAFT, DRIVE			2	2	
43	6X3-48225-20	.COVER			2	2	
44	704-48192-00	.WASHER 2			2	2	
45	97890-06018	.SCREW, PAN HEAD			4	4	
46	92990-06300	.WASHER, INTERNAL TOOTH			4	4	
47	EL8-48279-00	.CIRCLIP 2			2	2	
48	704-48234-00	.BUSHING 1			2	2	
49	704-48219-P0	.COVER, LEAD			2	2	
50	704-48144-20	.PLATE, STOPPER 2			2	2	
51	704-48176-10	.GROMMET			1	1	
52	704-48192-P0	.WASHER 2			2	2	
53	704-48233-00	.GEAR 2			2	2	
54	704-48235-00	.BUSHING			2	2	

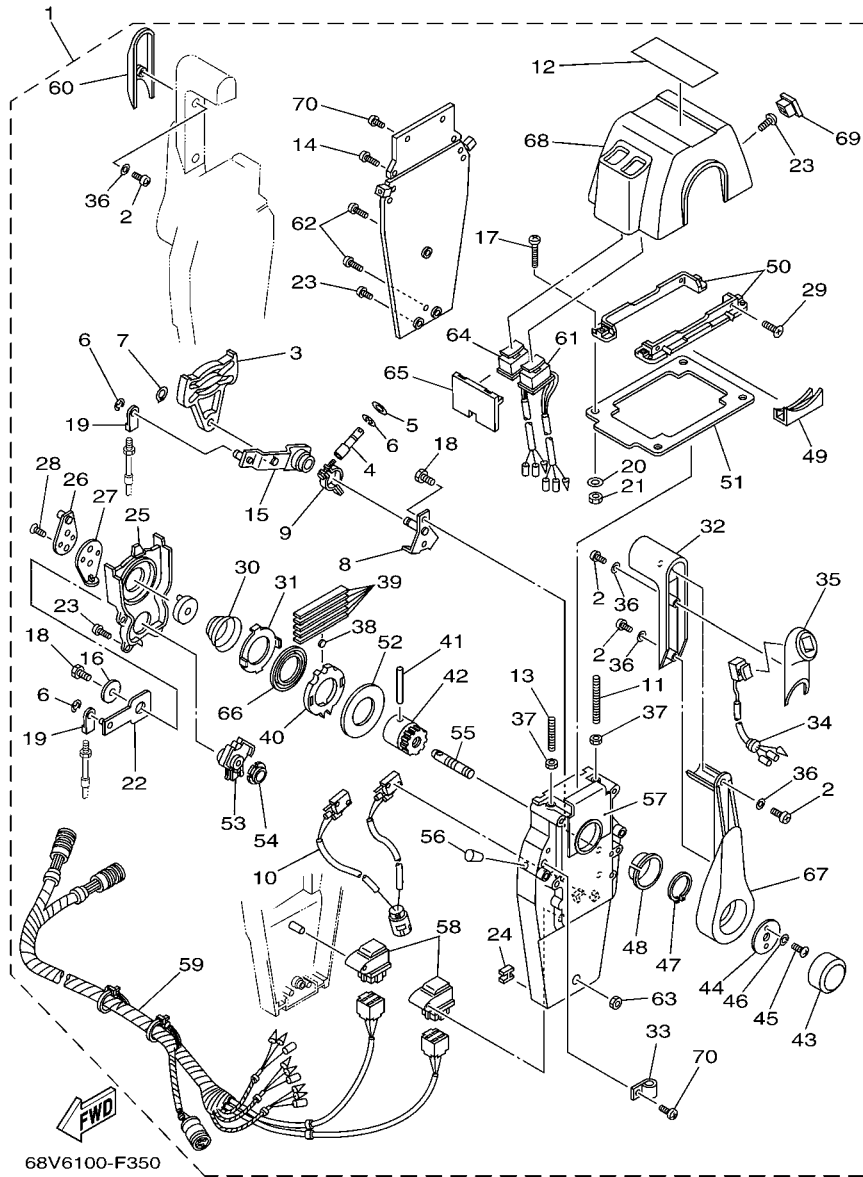
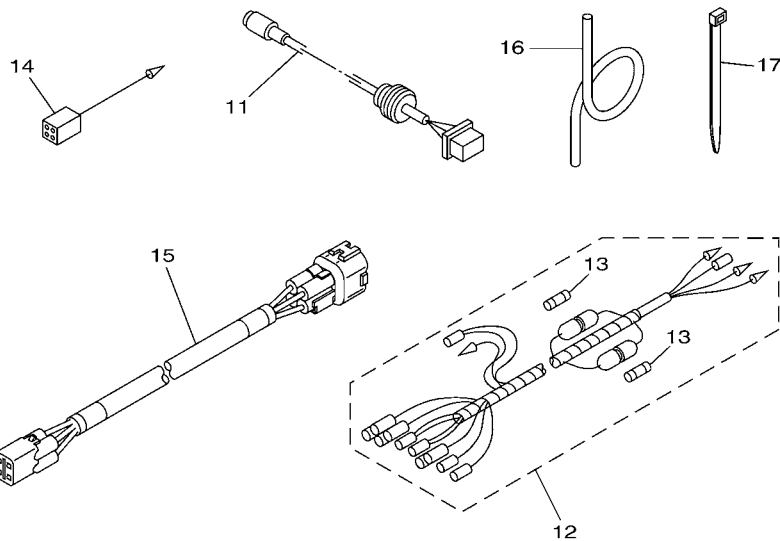
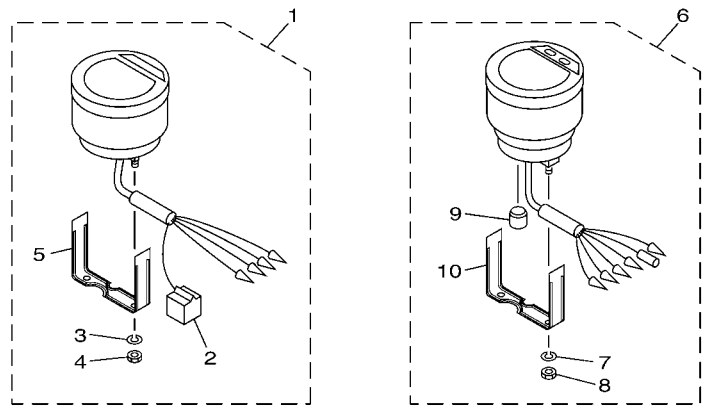


FIG. 31 REMOTE CONTROL ASSY 2

REF. NO.	PART NO.	DESCRIPTION	64C8	64E8	64G8	64H8	REMARKS
55	704-48153-00	.SHAFT, FREE ACCEL.			2	2	
56	704-48166-00	.PLUG			2	2	
57	704-48284-P0	.GROMMET			2	2	
58	704-81950-10	.RELAY ASSY			2	2	
59	704-82590-10	.WIRE HARNESS ASSY			1	1	
60	704-48229-R0	.GRIP, CONTROL LEVER			1	1	
61	704-82563-H1	.TRIM & TILT SWITCH ASSY			1	1	
62	704-48128-00	.SCREW 2			3	3	
63	704-48156-00	.NUT 1			1	1	
64	704-82563-J1	.TRIM & TILT SWITCH ASSY			1	1	
65	704-48285-10	.GROMMET 2			1	1	
66	704-48178-00	.PLATE, SHIFT			2	2	
67	704-48221-P0	.LEVER, CONTROL			2	2	
68	704-48119-41	.COVER			1	1	
69	704-48167-11	.PLUG			1	1	
70	97890-05016	.SCREW, PAN HEAD			5	5	



6C14100-G370

FIG. 32 METER

REF. NO.	PART NO.	DESCRIPTION	64C8	64E8	64G8	64H8	REMARKS
1	6Y5-8350T-90	DIGITAL TACHOMETER ASSY	1	1	1	1	AP
2	9E450-04533	.CONNECTOR	1	1	1	1	F-4-W
3	92990-04100	.WASHER, SPRING	2	2	2	2	
4	95380-04600	.NUT	2	2	2	2	
5	6Y5-8355X-T1	.BRACKET, METER 1	1	1	1	1	
6	6Y5-83570-S5	SPEEDOMETER ASSY	1	1			AP
7	92990-04100	.WASHER, SPRING	2	2			
8	95380-04600	.NUT	2	2			
9	6Y5-83533-T2	.GROMMET	1	1			
10	6Y5-8355X-T1	.BRACKET, METER 1	1	1			
11	6Y5-87122-S0	CORD ASSY 1	1	1			AP
12	6Y5-83553-M0	WIRE, LEAD (L=2.5M)	1	1			AP
	6Y5-83553-00	WIRE, LEAD (L=2.5M)			1	1	AP
13	1E6-82151-00	.FUSE (10A)	2	2			FOR 6Y5-83553-M0
	1E6-82151-00	.FUSE (10A)			1	1	FOR 6Y5-83553-00
14	6Y5-82117-00	WIRE, LEAD (BLACK) (L300)	1	1			AP
15	6Y5-83653-20	WIRE, LEAD	1	1			AP 4P,7M
	6Y5-83653-00	WIRE, LEAD			1	1	AP 4P,5M
	6Y5-83653-30	WIRE, LEAD			1	1	AP 4P,8M
16	6Y5-83557-00	TUBE (6M)	1	1			AP
17	90465-11M10	CLAMP	2	2			AP

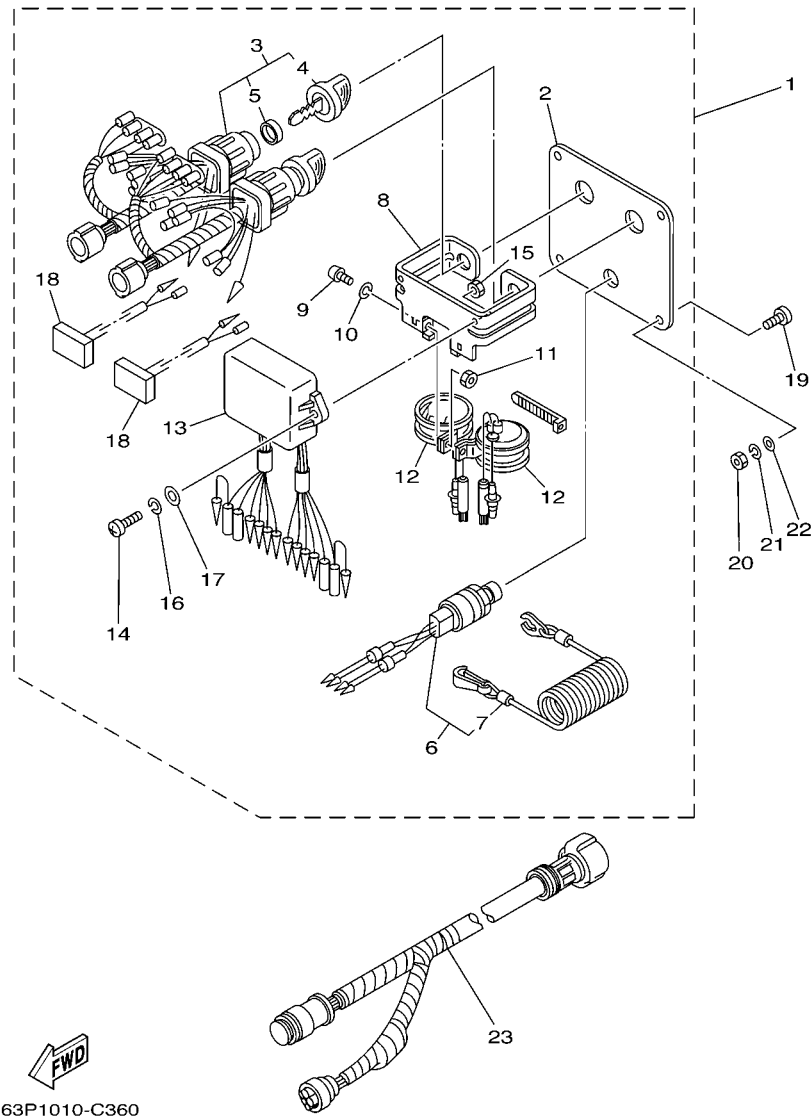
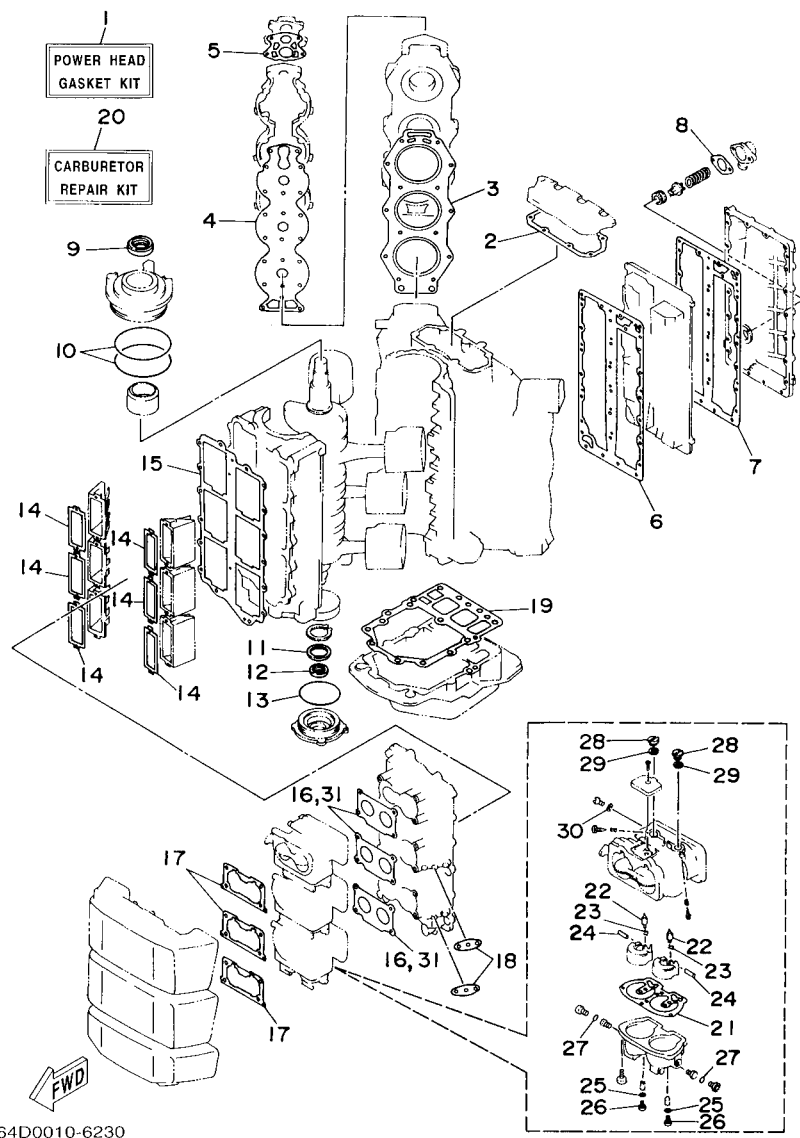


FIG. 33 SWITCH & PANEL

REF. NO.	PART NO.	DESCRIPTION	64C8	64E8	64G8	64H8	REMARKS
1	6K1-82570-08	PANEL SWITCH ASSY			1	1	AP
2	6K1-82571-02	.PLATE, PANEL SWITCH			1	1	
3	6K1-82510-06	.MAIN SWITCH ASSY			2	2	
4	703-82577-00	..CAP, KEY			1	1	
5	6K1-82532-00	..CAP			1	1	
6	6K1-82575-00	.ENGINE STOP SWITCH ASSY			1	1	
7	682-82556-00	..LANYARD, STOP SWITCH			1	1	
8	6K1-83614-01	.BRACKET			1	1	
9	98980-05010	.SCREW, BIND			2	2	
10	92990-05100	.WASHER, SPRING			2	2	
11	95380-05600	.NUT			2	2	
12	688-83383-11	.BUZZER			2	2	
13	6K1-85830-01	.CONTROL UNIT ASSY			1	1	
14	98980-06020	.SCREW, BIND			2	2	
15	95380-06600	.NUT, HEXAGON			2	2	
16	92990-06100	.WASHER, SPRING			2	2	
17	92990-06600	.WASHER, PLATE			2	2	
18	6K1-81980-00	.DIODE ASSY			2	2	
19	90149-05M05	SCREW			4	4	AP
20	95380-05600	NUT			4	4	AP
21	92990-05100	WASHER, SPRING			4	4	AP
22	92990-05600	WASHER, PLATE			4	4	AP
23	6K1-8258A-40	EXTENSION, WIRE HARNESS (8M)			2	2	AP (10P)

FIG. 34 REPAIR KIT 1

REF. NO.	PART NO.	DESCRIPTION	64C8	64E8	64G8	64H8	REMARKS
1	64D-W0001-01	POWER HEAD GASKET KIT	1	1	1	1	
2	6E5-11381-A2	.GASKET 1	1	1	1	1	
3	6G5-11181-A2	.GASKET, CYLINDER HEAD 1	2	2	2	2	
4	6G5-11193-A1	.GASKET, HEAD COVER 1	2	2	2	2	
5	688-12414-A1	.GASKET, COVER	2	2	2	2	
6	6G5-41112-A1	.GASKET, EXHAUST INNER COVER	1	1	1	1	
7	6G5-41114-A0	.GASKET, EXHAUST OUTER COVER	1	1	1	1	
8	6G5-11382-A1	.GASKET 2	1	1	1	1	
9	93102-40M14	.OIL SEAL	1	1	1	1	
10	93211-04001	.O-RING	2	2	2	2	
11	93102-35M13	.OIL SEAL	1	1	1	1	
12	93101-22M15	.OIL SEAL	1	1	1	1	
13	93210-74M35	.O-RING	1	1	1	1	
14	6E5-13621-A1	.GASKET, VALVE SEAT	6	6	6	6	
15	6G5-13645-A2	.GASKET, MANIFOLD 1	1	1	1	1	
16	6E5-14198-A2	.GASKET	3	3	3	3	
17	6K7-14483-00	.GASKET	3	3	3	3	
18	650-24431-A0	.GASKET, FUEL PUMP 1	2	2	2	2	
19	68F-45113-00	.GASKET, UPPER CASING	1	1	1	1	
20	64D-W0093-01	CARBURETOR REPAIR KIT	1	1	1	1	
21	64D-14384-01	.GASKET, FLOAT CHAMBER	1	1	1	1	
22	6E5-14546-00	.VALVE, NEEDLE	2	2	2	2	
23	6E5-14159-00	.CLIP	2	2	2	2	
24	6E5-14386-02	.PIN, FLOAT	2	2	2	2	
25	61U-14959-00	.GASKET	2	2	2	2	
26	64D-14394-00	.VALVE, DRAIN	2	2	2	2	
27	6E5-14398-01	.GASKET	2	2	2	2	



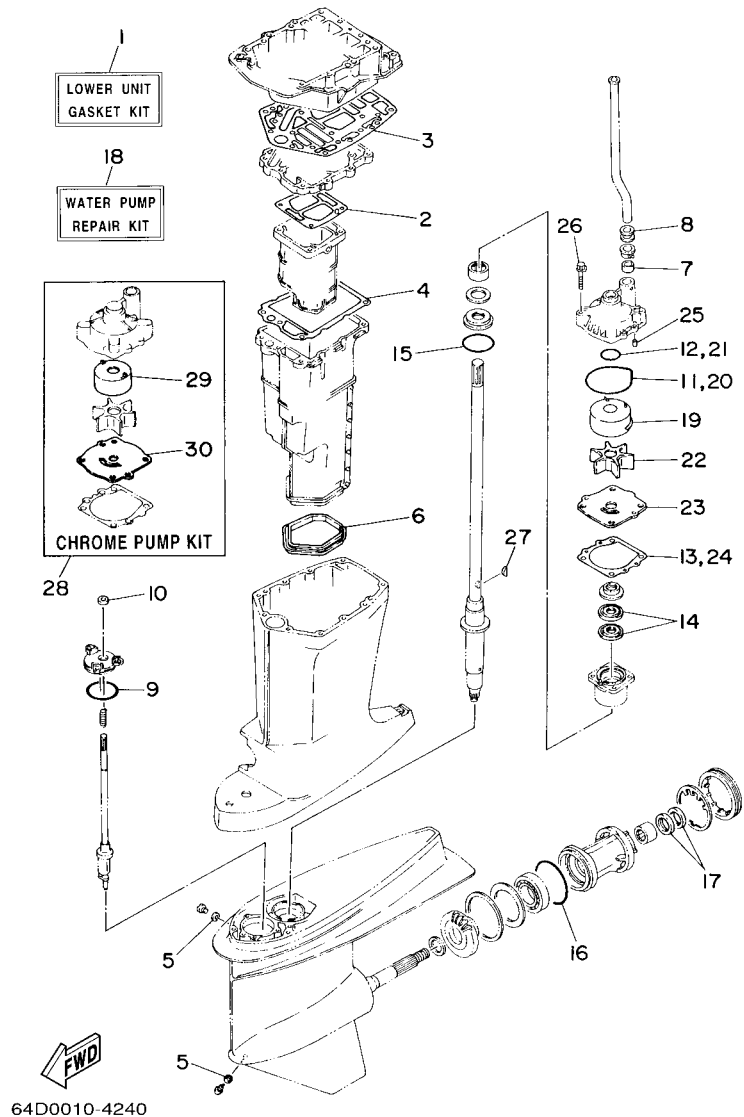


FIG. 35 REPAIR KIT 2

REF. NO.	PART NO.	DESCRIPTION	64C8	64E8	64G8	64H8	REMARKS
1	6G5-W0001-C1	LOWER UNIT GASKET KIT	1	1	1	1	
2	6G5-41134-A1	.GASKET, EXHAUST MANIFOLD	1	1	1	1	
3	6G5-45114-A1	.GASKET, UPPER CASING	1	1	1	1	
4	6E5-41135-A0	.GASKET, EXHAUST MANIFOLD	1	1	1	1	
5	90430-08020	.GASKET	2	2	2	2	
6	6E5-45123-00	.GASKET, MUFFLER	1	1	1	1	
7	6E5-44365-00	.DAMPER, WATER SEAL	1	1	1	1	
8	6E5-44366-00	.DAMPER, WATER SEAL	1	1	1	1	
9	93210-58144	.O-RING	1	1	1	1	
10	93106-09014	.OIL SEAL	1	1	1	1	
11	93210-86M38	.O-RING	1	1	1	1	
12	93210-37160	.O-RING	1	1	1	1	
13	6E5-44315-A0	.GASKET, WATER PUMP	1	1	1	1	
14	93101-28M16	.OIL SEAL	2	2	2	2	
15	93210-55M14	.O-RING	1	1	1	1	
16	93210-97M55	.O-RING	1	1	1	1	
17	93101-30M17	.OIL SEAL	2	2	2	2	
18	61A-W0078-A3	WATER PUMP REPAIR KIT	1	1	1	1	
19	61A-44322-02	.INSERT, CARTRIDGE	1	1	1	1	
20	93210-86M38	.O-RING	1	1	1	1	
21	93210-37160	.O-RING	1	1	1	1	
22	6E5-44352-01	.IMPELLER	1	1	1	1	
23	6G5-44323-00	.OUTER PLATE, CARTRIDGE	1	1	1	1	
24	6E5-44315-A0	.GASKET, WATER PUMP	1	1	1	1	
25	93606-12019	.PIN, DOWEL	2	2	2	2	
26	90119-08M14	.BOLT, WITH WASHER	4	4	4	4	
27	90280-04M05	.KEY, WOODRUFF	1	1	1	1	

NUMERICAL INDEX

PART NO.	REF. NO.	PART NO.	REF. NO.	PART NO.	REF. NO.	PART NO.	REF. NO.	PART NO.	REF. NO.	PART NO.	REF. NO.
64E-11111-00-1S	4 - 1	6R4-13200-02	7 - 3	6R3-14440-02	5 - 27	6G5-24319-10	9 - 43	6G5-41217-01	5 - 22	6E7-42791-10	16 - 41
6G5-11111-04-1S	4 - 1	6R5-13200-12	7 - 3	6K7-14483-00	5 - 30	6E5-24321-01	8 - 11	6H1-41237-00	7 - 24	6G5-42791-10	16 - 41
67H-11119-01	2 - 16	6E5-13411-00	8 - 27		34 - 17	6E5-24322-00	8 - 4	6R5-41237-00	7 - 26	6R3-42791-41	22 - 2
6G5-11181-A2	4 - 2	6E5-13414-00	8 - 28	624-14485-00	5 - 8	64E-24323-00	8 - 33	662-41237-01	17 - 26	6R3-42792-41	22 - 3
	34 - 3	6R3-13416-00	7 - 8	6G5-14488-02	12 - 26	6E5-24351-51	11 - 3		17 - 32	64D-42814-00	1 - 6
6G5-11191-00-1S	4 - 4	6E5-13437-62	8 - 40	6E5-14527-01	6 - 27	6Y2-24360-60	11 - 5	6R3-41241-00	7 - 23	64D-42815-00-4D	16 - 5
6G5-11193-A1	4 - 5	6E5-13448-00	8 - 24	6E5-14546-00	6 - 7	6G5-24376-00	9 - 39	6E5-41256-01	5 - 23	64D-42816-00-4D	16 - 6
	34 - 4	6R3-13471-00	7 - 4		34 - 22	6G5-24377-00	9 - 40	661-41262-02	5 - 24	64D-42818-20	16 - 12
6E5-11325-00	2 - 14	6L2-13475-00	7 - 5	6E5-14711-01-5B	22 - 29	6R3-24377-00	9 - 2	6R3-41271-00	5 - 25	64D-42818-30	16 - 13
646-11370-01	2 - 7	6E5-13552-01	5 - 7	64D-14721-20-5B	22 - 38	650-24378-00	4 - 16	689-41273-00	5 - 26	64D-42835-00	16 - 7
6E5-11370-01	5 - 9	6E5-13610-00	5 - 1	6E5-14737-00	22 - 30	6E5-24378-00	9 - 16	688-41611-00	12 - 13	64E-43111-02-8D	18 - 1
6K7-11371-01-1S	2 - 18	6E5-13621-A1	5 - 3	64D-1492E-75	6 - 13	6E5-24379-00	8 - 12	688-41612-00	12 - 14	64E-43112-02-8D	18 - 9
6G5-11372-00-1S	4 - 23		34 - 14		6 - 13		8 - 35	6G5-41631-01-1S	17 - 10	64E-43126-00	18 - 37
624-11379-00	2 - 3	6G5-13641-11-1S	5 - 6	64D-1492E-76	6 - 14		8 - 37	61H-41632-02-1S	17 - 7	64E-43131-01	18 - 15
6E5-11381-A2	2 - 19	6G5-13645-A2	5 - 18	64D-1492E-77	6 - 15	6E5-24410-04	9 - 20	6G5-41636-01	17 - 24	64E-43139-10	19 - 1
	34 - 2		34 - 15	64D-1492E-79	6 - 16	6E5-24411-01	9 - 25	6E5-42510-A1-8D	19 - 10	64D-43144-00	16 - 14
6G5-11382-A1	4 - 22	6E5-14159-00	6 - 8	64D-1492F-42	6 - 10	6E5-24412-11	9 - 28	6E5-43144-00	19 - 10	6G5-43144-00	18 - 27
	34 - 8		34 - 23	61A-1492H-12	6 - 18	6E5-24413-01	9 - 22	64E-42610-50-4D	1 - 1	6E5-43145-01	27 - 8
6G5-11411-02	3 - 1	6E5-14198-A2	5 - 20	61U-14959-00	6 - 11	6A0-24421-01	9 - 29	64C-42610-60-4D	1 - 1	6G5-43148-00	18 - 32
6E5-11447-00	3 - 2		34 - 16		34 - 25	6E5-24423-00	9 - 27	64D-42613-00-4D	1 - 10	6G5-43181-02	18 - 29
663-11518-01	2 - 6		34 - 31	6J8-14959-00	6 - 30	648-24424-00	9 - 26	64E-42615-00	1 - 9	6G5-43185-02	18 - 30
6R3-11536-00	3 - 9	6E5-14223-00	6 - 25		34 - 30	650-24431-A0	9 - 34	6R3-42647-00	1 - 2	64E-43311-10-8D	18 - 22
6R3-11537-00	7 - 19	6E5-14276-01	7 - 1	6E5-14979-00	6 - 23		34 - 18	64D-42662-00	1 - 5	64E-43311-20-8D	18 - 22
64D-11603-02	3 - 18	64C-14301-02	6 - 1		34 - 29	6E5-24435-01	9 - 24	64C-42677-50	1 - 12	61A-43376-00	19 - 8
	3 - 20	64E-14301-02	6 - 1	64C-15100-01-1S	2 - 2	6E5-24444-01	9 - 21	64E-42677-50	1 - 12	64E-43800-04-4D	20 - 1
64D-11604-02	3 - 18	64C-14302-02	6 - 2	64E-15100-01-1S	2 - 2	6E5-24471-01	9 - 23	64D-42678-30	1 - 18	64E-43802-00	21 - 8
	3 - 20	64E-14302-02	6 - 2	6R3-15163-00-1S	3 - 3	6E5-24486-00	9 - 33	64D-4267A-30	1 - 17	64E-43805-00	21 - 37
64D-11605-02	3 - 18	64C-14303-02	6 - 3	6G5-15359-00-94	3 - 12	6E5-24492-00	9 - 32	64C-42681-30	1 - 15	64E-4380F-00	21 - 33
	3 - 20	64E-14303-02	6 - 3	6E5-21708-10	8 - 1	61N-24521-00	9 - 7	64C-42682-30	1 - 16	64E-4380J-00	21 - 30
64D-11631-02-90	3 - 17	6E5-14321-00	6 - 20	6K1-21708-10	8 - 1	6R3-24560-00	9 - 5	64C-42687-30	1 - 13	64E-43810-01	20 - 6
6R5-11633-10	3 - 21	6E5-14323-03	6 - 24	6E5-21733-20	8 - 2	6R3-24563-00	9 - 6	64E-42687-30	1 - 13	64E-43811-01	20 - 7
6R5-11634-10	3 - 22	6E5-14324-00	6 - 29	6E5-21734-01-33	8 - 17	648-24566-02	9 - 9	64D-42711-01-8D	16 - 1	6E5-43814-02	20 - 14
64D-11635-02	3 - 17	6A0-14325-00	9 - 30	6E5-21746-00	8 - 19	61H-2819R-31	8 - 41	648-42715-00	17 - 50	64E-43816-00	21 - 17
64D-11636-02	3 - 17	6E5-14328-01	6 - 22	6E5-21750-05	8 - 23	64D-41111-00-1S	4 - 12	6E5-42716-10	16 - 40	64E-43817-00	20 - 5
64D-11642-02-90	3 - 19		34 - 28	6E5-21770-03	8 - 3	6G5-41112-A1	4 - 13	64D-42717-00	16 - 36	64E-43817-10	21 - 19
64D-11645-02	3 - 19	6J8-14334-00	6 - 21	6E5-21798-01-33	8 - 18		34 - 6	6E5-42724-00	22 - 11	6BC-43818-00	20 - 34
64D-11646-02	3 - 19	64D-14381-00	6 - 5	646-24251-02	8 - 6	6R3-41113-00-1S	4 - 15	64D-42725-20	16 - 19	64E-4381G-00	20 - 28
6R5-11650-10	3 - 23	61A-14383-01	6 - 19	6Y2-24305-06	11 - 6	6G5-41114-A0	4 - 14	688-42726-10	16 - 29	64E-43820-01	20 - 16
6E5-12411-30	4 - 7	64D-14384-01	6 - 4	6YK-24306-44	10 - 1		34 - 7	61A-42727-00	16 - 3	64E-43821-01	20 - 17
688-12412-00	4 - 8		34 - 21	6Y2-24306-45	11 - 1	6G5-41131-01-5B	22 - 21	64G-42727-00	16 - 3	64E-43822-00	20 - 18
688-12413-00-1S	4 - 9	6E5-14385-02	6 - 6	6R3-24313-01	9 - 1	64D-41132-00-5B	22 - 25	64D-42738-00-5B	16 - 20	64E-43825-02	20 - 2
688-12414-A1	4 - 10	6E5-14386-02	6 - 9	6G5-24314-00	9 - 13	6G5-41134-A1	22 - 26	64D-42738-10-5B	16 - 21	64E-43827-00	21 - 22
	34 - 5		34 - 24	6E5-24315-00	9 - 18		35 - 2	6R3-42741-02-8D	16 - 33	64E-43828-00	20 - 23
60H-12416-00	4 - 19	64D-14394-00	6 - 12	6G5-24315-00	9 - 17	6E5-41135-A0	22 - 33	6H4-42748-00	16 - 4	64E-43829-00	20 - 24
6G5-12576-00	4 - 25		34 - 26	6G5-24316-10	9 - 36		35 - 4	6E5-42761-00-1S	2 - 21	64E-4382G-00	20 - 30
6G5-12581-00	22 - 12	6E5-14398-01	6 - 17	6G5-24317-01	9 - 41	6G5-41137-02-94	22 - 10	6E5-42762-00-1S	2 - 22	64E-43830-00	21 - 4
6R3-13117-00	7 - 20		34 - 27	6G5-24318-10	9 - 42	6G5-41211-01	17 - 30	6E5-42769-00	22 - 5	64E-43831-00	21 - 2
6R3-13183-10	7 - 13	6G5-1441K-00	5 - 28	6E5-24319-01	8 - 7	6G5-41213-00	17 - 33	6R3-42771-01-8D	16 - 37	64E-43841-00	21 - 7

NUMERICAL INDEX

PART NO.	REF. NO.	PART NO.	REF. NO.	PART NO.	REF. NO.	PART NO.	REF. NO.	PART NO.	REF. NO.	PART NO.	REF. NO.
64E-43843-00	21 - 6	6G5-44150-02	23 - 23	6G5-45114-A1	22 - 22	61A-45527-00	23 - 11	6K1-45578-60	25 - 73	6R1-45976-A0	26 - 19
64E-43843-10	21 - 38	688-44194-00	17 - 15		35 - 3		25 - 12	6E5-45587-01	23 - 41	6R4-45976-A0	24 - 22
64E-4384J-00	20 - 19		17 - 29	663-45119-00	18 - 14	6G5-45536-01	23 - 13		25 - 40	6K1-45978-02-98	26 - 19
64E-43850-00	21 - 15	61A-44311-01	23 - 26		18 - 25		25 - 14	6E5-45587-10	23 - 41	6G5-45978-03-98	24 - 22
64E-43851-00	21 - 11		25 - 25	64D-45123-00	22 - 39	61A-45538-00	23 - 12		25 - 40	6R1-45978-A0	26 - 19
64E-43855-00	21 - 14	6E5-44312-00	23 - 31	6E5-45123-00	22 - 32		25 - 13	6E5-45587-20	23 - 41	6R4-45978-A0	24 - 22
64E-43858-00	21 - 12		25 - 30		35 - 6	6G5-45551-10	23 - 48		25 - 40	6E5-45987-01	24 - 17
	21 - 18	6E5-44315-A0	23 - 35	6E5-45155-00	22 - 4		25 - 47	6E5-45587-30	23 - 41		26 - 14
6E5-43858-00	20 - 29		25 - 34	6J9-45214-00	24 - 8	6K1-45560-01	25 - 49		25 - 40	688-45997-01	24 - 18
72X-43858-00	21 - 5		35 - 13		26 - 8	6G5-45560-10	23 - 50	6E5-45587-40	23 - 41		26 - 15
64E-43859-00	21 - 13		35 - 24	6J9-45215-00	24 - 9	6G5-45567-01	23 - 5		25 - 40	704-48119-41	31 - 68
64E-43860-00	21 - 20	61A-44322-02	23 - 27		26 - 9		25 - 6	6E5-45587-50	23 - 41	EL8-48127-00	31 - 23
6E5-43862-00	20 - 11		25 - 26	6G5-45251-02	18 - 2	6G5-45567-10	23 - 5		25 - 40	704-48128-00	31 - 2
	20 - 15		35 - 19	64D-45300-02-8D	23 - 1		25 - 6	6E5-45587-60	23 - 41		31 - 62
6G5-43863-00	21 - 10	6R3-44322-42	35 - 29	64E-45300-02-8D	23 - 1	6G5-45567-20	23 - 5		25 - 40	704-48144-20	31 - 50
6E5-43864-00	20 - 21	6G5-44323-00	23 - 34	64D-45300-22-8D	23 - 1		25 - 6	6J9-45611-01	23 - 52	703-48152-00	30 - 57
6G5-43864-00	20 - 20		25 - 33	64E-45300-22-8D	23 - 1	6G5-45567-30	23 - 5	6K1-45611-10	25 - 51	703-48153-00	30 - 3
64E-43865-00	21 - 16		35 - 23	64H-45300-22-8D	25 - 1		25 - 6	6G5-45631-00	23 - 60	704-48153-00	31 - 55
6G5-43865-00	21 - 35	6G5-44323-40	35 - 30	6J9-45301-05-8D	23 - 2	6G5-45567-40	23 - 5		25 - 59	704-48156-00	31 - 63
64E-43866-00	20 - 10	6E5-44352-01	23 - 32		25 - 2		25 - 6	6G5-45631-10	23 - 60	EL8-48164-00	31 - 41
64E-43867-00	20 - 9		25 - 31	6E5-45318-00	22 - 36	6G5-45567-50	23 - 5		25 - 59	704-48166-00	31 - 56
64E-43868-00	21 - 3		35 - 22	6E5-45321-00	23 - 19		25 - 6	6E5-45633-01	23 - 61	704-48167-11	31 - 69
64E-43869-00	20 - 27	6E5-44361-00	24 - 2		25 - 18	6G5-45567-60	23 - 5		25 - 60	704-48176-10	31 - 51
6H1-4386K-10	21 - 29	6E5-44361-20	24 - 2	6E5-45331-00-94	23 - 38		25 - 6	6E5-45634-01	23 - 54	704-48178-00	31 - 66
6E5-43872-00	20 - 13		26 - 2		25 - 37	6K1-45570-20	25 - 63		25 - 53	703-48189-00	30 - 17
64E-43873-00	21 - 24	6E5-44365-00	23 - 30	6J9-45332-00-94	23 - 62	6G5-45571-02	23 - 64	6K1-45641-01	25 - 52	EL8-48191-00	31 - 16
6E5-43874-01	20 - 22		24 - 3	6K1-45332-01-94	25 - 61	6K1-45576-00	25 - 64	6E5-45641-03	23 - 53	704-48192-00	31 - 44
64E-43875-00	21 - 25		25 - 29	688-45341-10	23 - 7	6G5-45576-10	23 - 65	6G5-45930-00-98	24 - 22	704-48192-P0	31 - 52
64E-43879-00	21 - 27		26 - 3		25 - 8	6G5-45577-02	23 - 69	6G5-45932-00-98	24 - 22	703-48198-00	30 - 14
64E-43879-10	21 - 26		35 - 7	6E5-45344-00	23 - 44		25 - 69	6G5-45941-00-98	24 - 22	703-48205-17	29 - 1
64E-4387A-00	21 - 23	6E5-44366-00	24 - 1		25 - 43	6G5-45577-10	23 - 69	6G5-45943-01-98	24 - 22		30 - 1
64E-43880-02	21 - 28		26 - 1	6J9-45371-01	24 - 12		25 - 69	6G5-45945-01-98	24 - 22	704-48207-P1	29 - 2
64E-43883-00	20 - 12		35 - 8	6K1-45371-02	26 - 12	6G5-45577-20	23 - 69	6G5-45947-01-98	24 - 22		31 - 1
64E-4388E-00	20 - 26	6E5-44391-00	16 - 18	64D-45375-00	22 - 40		25 - 69	6G5-45949-00-98	24 - 22	703-48211-01	30 - 61
64E-4388E-10	21 - 1	6E5-44511-00-5B	19 - 38	688-45375-00	23 - 15	6G5-45577-30	23 - 69	6G5-45952-00-98	24 - 22	703-48212-00	30 - 58
64E-4388J-00	20 - 3	6G5-44514-00-94	19 - 31		25 - 16		25 - 69	6K1-45970-01-98	26 - 19	703-48213-00	30 - 59
64E-43891-00	21 - 31	6G5-44526-00	18 - 3	64D-45376-00-94	23 - 14	6G5-45577-40	23 - 69	6G5-45970-02-98	24 - 22	703-48215-00	30 - 43
64E-43892-00	21 - 34	68F-44533-00	2 - 23		25 - 15		25 - 69	6R1-45970-A1	26 - 19	704-48215-30	31 - 12
6E5-43896-00	21 - 9	6G5-44551-01-8D	19 - 13	663-45376-00-94	23 - 14	6G5-45577-50	23 - 69	6R4-45970-A1	24 - 22	703-48219-00	30 - 30
64E-43897-00	20 - 25	6E5-44552-01-94	19 - 24	6E5-45378-00	23 - 16		25 - 69	6K1-45972-01-98	26 - 19	704-48219-P0	31 - 49
64E-43898-00	20 - 8	6E5-44553-01-8D	19 - 27	6J8-45378-00	25 - 17	6G5-45577-60	23 - 69	6G5-45972-02-98	24 - 22	703-48221-00	30 - 56
6E5-44117-00-1S	17 - 37	6G5-44555-00-94	19 - 16	6G5-45383-01	23 - 72		25 - 69	6R1-45972-A0	26 - 19	704-48221-P0	31 - 67
6E5-44118-01-94	17 - 45	663-44575-00	19 - 37		25 - 71	6K1-45578-01	25 - 73	6R4-45972-A0	24 - 22	703-48222-00	30 - 27
6E5-44120-03	17 - 52	6E5-44575-00	19 - 15	6G5-45384-00	23 - 73	6K1-45578-10	25 - 73	6K1-45974-02-98	26 - 19	704-48222-P0	31 - 32
6E5-44120-23	17 - 52	6E5-45111-02-8D	22 - 1		25 - 72	6K1-45578-20	25 - 73	6G5-45974-03-98	24 - 22	703-48223-00	30 - 28
68F-44121-00	17 - 39	6E5-45111-23-8D	22 - 1	6G5-45501-01	23 - 47	6K1-45578-30	25 - 73	6R1-45974-A0	26 - 19	703-48225-00	30 - 29
6E5-44122-00	17 - 40	68F-45113-00	22 - 14	6G5-45501-21	23 - 47	6K1-45578-40	25 - 73	6R4-45974-A0	24 - 22	6X3-48225-20	31 - 43
6K1-44150-01	25 - 22		34 - 19		25 - 46	6K1-45578-50	25 - 73	6G5-45976-01-98	24 - 22	703-48226-00	30 - 26

NUMERICAL INDEX

PART NO.	REF. NO.	PART NO.	REF. NO.	PART NO.	REF. NO.	PART NO.	REF. NO.	PART NO.	REF. NO.	PART NO.	REF. NO.
703-48227-00	30 - 24	701-48287-00	30 - 42	6E5-81922-00	8 - 10	704-82563-J1	31 - 64	64D-85540-01	13 - 15	90119-06MA5	4 - 17
704-48229-P1	31 - 35	704-48287-00	31 - 20	61A-81941-00	14 - 32	6K1-82570-08	33 - 1	6R3-85542-03-1S	13 - 19	90119-06MA6	4 - 11
704-48229-R0	31 - 60	703-48291-10	30 - 39	64D-81942-00	13 - 5	6K1-82571-02	33 - 2	64D-85550-02	12 - 1	90119-08077	22 - 16
704-48231-00	31 - 25	703-48293-10	30 - 41	6G5-81948-11	14 - 39	6K1-82575-00	33 - 6	6R3-85570-01	14 - 1	90119-08078	22 - 9
703-48232-00	30 - 62	701-48320-50	29 - 3	6E5-81950-00	14 - 34	688-82575-01	30 - 47	64D-85580-00	12 - 3	90119-08M14	23 - 37
704-48232-P1	31 - 40	701-48320-60	29 - 3	704-81950-10	31 - 58	703-82577-00	30 - 45	6E5-85711-60	13 - 30		
704-48233-00	31 - 53	701-48320-80	29 - 3	689-81952-10	14 - 33			6E5-85720-05	8 - 15		
703-48234-00	30 - 18	6E5-48344-00	17 - 8	6E5-8195A-00	14 - 35	6E5-82587-00	14 - 29	6R3-85721-30	8 - 16	90119-08M22	16 - 28
704-48234-00	31 - 48			6R3-81960-10	13 - 1	6E5-82588-00	14 - 46	6R3-85721-80	8 - 16	90119-08M57	15 - 22
703-48235-00	30 - 4	703-48345-01	30 - 19	6K1-81980-00	33 - 18			6R3-85730-03	8 - 26	90119-08M76	15 - 20
704-48235-00	31 - 54			6R3-82105-Q2	14 - 44	6K7-82588-00	14 - 15	61A-85790-00	14 - 19	90119-08M77	15 - 21
703-48236-00	30 - 16	701-48350-00	29 - 3	6E5-82116-00	14 - 38	688-8258A-20	30 - 49	6K1-85830-01	33 - 13	90119-08M79	22 - 15
703-48238-00	30 - 22	701-48350-20	29 - 3	6Y5-82117-00	32 - 14	6K1-8258A-40	33 - 23	6R5-85895-01	12 - 5	90119-08M94	2 - 12
704-48238-00	31 - 39	703-48358-00	30 - 20	6E5-82117-01	14 - 45	704-82590-10	31 - 59	64D-86110-01	14 - 24	90119-08MA3	2 - 17
EL8-48241-00	31 - 26			6G5-82119-00	14 - 37	64D-82590-20	14 - 7	6Y5-87122-S0	32 - 11	90119-08MA8	4 - 3
704-48242-10	31 - 42	64D-48531-00	17 - 1	6E5-82147-00	18 - 26	703-82591-00	30 - 53	6G5-87149-10	14 - 36	90119-10M89	24 - 7
703-48243-00	30 - 15	64D-48532-00	17 - 2	6E5-82147-20	18 - 26	703-82592-00	30 - 54	64D-W0001-01	34 - 1		
703-48244-00	30 - 21	6E5-48538-00	17 - 3	6E5-82148-00	18 - 6	688-82594-00	14 - 10	6G5-W0001-C1	35 - 1	90149-05M05	33 - 19
EL8-48244-00	31 - 30	6E5-61301-01	28 - 1			703-82594-00	30 - 25	6E5-W0004-00	5 - 2	90152-05M08	24 - 10
703-48245-00	30 - 11	6E5-61303-00	28 - 5	6E5-82149-00	19 - 19	704-82594-00	31 - 33	64D-W0070-30	1 - 14		
EL8-48245-00	31 - 31	6E5-61311-11	28 - 3	6R3-82150-00	13 - 2	6R3-8259E-00	13 - 25	61A-W0078-2A	35 - 28	90157-06013	17 - 12
701-48246-00	31 - 5	6E5-61313-00	28 - 2	1E6-82151-00	32 - 13	703-83383-Q2	30 - 51	61A-W0078-A3	35 - 18	90157-06M00	17 - 27
703-48246-00	30 - 23	6E5-61315-00	28 - 4			688-83383-11	33 - 12	64C-W0090-15-1S	2 - 1	90159-06M11	13 - 24
701-48248-00	30 - 13	6E5-61350-02	27 - 1	663-82151-00	14 - 8	6Y5-8350T-90	32 - 1	64E-W0090-15-1S	2 - 1	90159-06M14	5 - 31
		6E5-61351-01	27 - 2	705-82151-00	13 - 3	6Y5-83533-T2	32 - 9	64D-W0093-01	34 - 20	90170-09M05	28 - 10
EL8-48251-00	31 - 3	6E5-61355-00	27 - 5			6Y5-83553-00	32 - 12	656-W2810-02	8 - 42	90170-14M06	28 - 6
703-48252-00	30 - 12	6E5-81332-00	12 - 16	6G5-82152-00	13 - 4	6Y5-83553-M0	32 - 12	90101-09M70	28 - 9	90170-16M01	23 - 49
EL8-48254-00	31 - 27	64D-81337-10	12 - 19			6Y5-83557-00	32 - 16	90101-12M03	18 - 40		
EL8-48259-00	31 - 7	6N7-81800-10	15 - 1	6A0-82317-00	8 - 30	6E9-83557-70	14 - 42	90105-10M00	24 - 13	90170-20137	12 - 10
704-48261-00	31 - 15	6N7-81801-00	15 - 8	6G5-82317-00	12 - 20	6E5-83558-00	24 - 15		26 - 13	90171-18M04	24 - 20
703-48261-01	30 - 2	6N7-81807-00	15 - 11	663-82317-01	12 - 21	6E5-83558-10	23 - 18	90105-10M20	2 - 11		
704-48262-00	31 - 8	61A-81809-00	15 - 3	6E3-82370-21	14 - 2	6Y5-8355X-T1	32 - 5	90109-06M40	7 - 7	90179-06066	19 - 30
703-48264-00	30 - 6	6N7-81810-00	15 - 5	6K1-82510-06	33 - 3			90109-08022	3 - 24	90179-06M24	1 - 11
704-48264-00	31 - 9	6N7-81813-00	15 - 9	703-82510-43	30 - 44	6Y5-83570-S5	32 - 6	90109-12007	19 - 35	90179-06M28	5 - 21
703-48265-00	30 - 9	6N7-81820-10	15 - 10	662-82519-00	13 - 26	6R3-83614-00	14 - 30	90109-14M34	19 - 20	90183-05M02	22 - 31
704-48265-00	31 - 4	6R3-81822-00-94	15 - 19	6R3-82519-00	13 - 27	6K1-83614-01	33 - 8	90116-06M30	5 - 17	90185-05002	24 - 11
703-48268-00	30 - 5	61A-81824-00	15 - 4	703-82531-00	30 - 46	6K1-83623-41	12 - 24	90116-08026	2 - 13		
703-48271-00	30 - 60	6K7-81826-11	15 - 14	6E5-82531-10	14 - 6	6K1-83623-50	12 - 25	90119-06M10	23 - 22	90185-09M01	27 - 6
704-48271-00	31 - 22	6E5-8182A-10	15 - 17	6K1-82532-00	33 - 5	6A1-83625-41	12 - 23		25 - 21		
EL8-48279-00	31 - 47	6E5-8182E-10	15 - 15	703-82540-00	30 - 50	6A1-83625-51	12 - 22	90119-06M61	13 - 22	90185-12M12	19 - 36
703-48281-00	30 - 31	6E5-8182F-10	15 - 16	704-82540-30	31 - 10	6Y5-83653-00	32 - 15	90119-06M65	8 - 32	90185-22M11	18 - 20
704-48281-00	31 - 13	6K7-8182G-10	15 - 6	682-82556-00	30 - 48	6Y5-83653-20	32 - 15	90119-06MA2	2 - 20	90201-06068	16 - 9
EL8-48281-00	31 - 11	6E5-8182K-10	15 - 18			6Y5-83653-30	32 - 15		2 - 24	90201-08M13	17 - 22
703-48282-00	30 - 32	6N7-81830-00	15 - 13	688-82560-10	14 - 18	67H-83672-00	19 - 3		3 - 7	90201-08M23	17 - 17
704-48283-00	31 - 17	6N7-81840-00	15 - 7	6R3-82563-00	14 - 28	72X-85075-L0	21 - 21		3 - 16	90201-08M54	16 - 26
703-48284-00	30 - 52	6N7-81850-10	15 - 2	703-82563-02	30 - 55	6R3-8510-00	12 - 2		17 - 38	90201-10060	20 - 31
704-48284-P0	31 - 57	6N7-81857-00	15 - 12	704-82563-51	31 - 34	663-85518-00	17 - 11	90119-06MA3	5 - 19	90201-10M20	27 - 7
704-48285-10	31 - 65	6E5-81900-01	8 - 9	704-82563-H1	31 - 61	64D-85537-00	13 - 23	90119-06MA4	4 - 6	90201-10M76	28 - 8

NUMERICAL INDEX

PART NO.	REF. NO.	PART NO.	REF. NO.	PART NO.	REF. NO.	PART NO.	REF. NO.	PART NO.	REF. NO.	PART NO.	REF. NO.
90201-12M05	18 - 42	90386-38M32	19 - 12	90465-10M91	5 - 16	91690-30012	17 - 4	92995-08100	17 - 6	93210-58144	23 - 20
90201-13M01	18 - 41	90387-06119	8 - 31		7 - 18	91690-30016	7 - 2		18 - 17		25 - 19
90201-14M56	19 - 34	90387-06M03	13 - 20	90465-11M10	7 - 9	91690-30020	18 - 35		22 - 18		35 - 9
90201-15M58	19 - 21	90387-06M29	17 - 34		8 - 5	92780-06020	31 - 28		22 - 20	93210-74M35	3 - 15
90201-16M55	19 - 18	90387-06M66	13 - 6		8 - 8	92903-06100	9 - 11	92995-08600	15 - 25		34 - 13
90201-21M18	12 - 9	90387-08M16	17 - 19		8 - 14	92903-06600	12 - 12		22 - 24	93210-86M38	23 - 28
90201-22M01	23 - 10	90387-08M37	16 - 25		8 - 36		13 - 8		22 - 28		25 - 27
	25 - 11	90387-10M05	18 - 34		8 - 38	92903-08600	17 - 47		22 - 35		35 - 11
90201-23M01	3 - 26	90387-10M61	27 - 3		9 - 3	92990-04100	32 - 3		23 - 46		35 - 20
90201-26M57	19 - 32	90430-08020	23 - 8		9 - 4		32 - 7		25 - 45	93210-97M55	23 - 68
90201-26M59	18 - 19		25 - 9		9 - 14	92990-05100	33 - 10	92995-10100	19 - 26		25 - 68
90201-30M92	23 - 70		35 - 5		9 - 15		33 - 21		19 - 40		35 - 16
90201-38M60	19 - 11	90430-14115	2 - 9		9 - 19	92990-05300	31 - 36		24 - 6	93211-04001	3 - 6
90202-05088	7 - 28	90445-05M02	8 - 29		9 - 37	92990-05600	5 - 5		26 - 6		34 - 10
90202-08M20	17 - 41	90445-07M09	5 - 13		9 - 38		33 - 22	92995-10600	20 - 33	93306-208U0	3 - 10
90202-08M44	7 - 22	90445-07M28	5 - 10		9 - 44	92990-06100	1 - 3	92995-14600	19 - 23	93306-209U0	23 - 63
90202-12092	17 - 21	90445-07M33	24 - 14		9 - 45		33 - 16	93101-22M15	3 - 14	93310-32337	3 - 25
90202-16061	17 - 55	90445-07M45	5 - 11		18 - 21	92990-06300	31 - 46		34 - 12	93310-836V2	3 - 27
90202-26M18	19 - 33	90445-07M46	5 - 12		19 - 5	92990-06600	8 - 21	93101-28M16	23 - 39	93310-954U1	3 - 8
90202-32M19	19 - 17	90445-07M59	5 - 14		24 - 16		13 - 17		25 - 38	93311-928U5	23 - 3
90202-40M47	19 - 7	90445-07M72	7 - 10		32 - 17		16 - 16		35 - 14		25 - 3
90206-10M04	17 - 35	90445-07M83	7 - 12	90465-12M25	14 - 49		33 - 17	93101-30M17	23 - 67	93311-940U3	3 - 4
90206-15M18	16 - 11	90445-07M87	7 - 14	90465-13M11	8 - 25	92990-08600	15 - 23		25 - 67	93315-425V3	23 - 51
90206-22M19	23 - 9	90445-07M89	7 - 11	90465-13M18	4 - 26		30 - 34		35 - 17		25 - 50
	25 - 10	90445-07M96	7 - 15		14 - 43	92990-10600	14 - 20	93102-08M43	21 - 36	93315-43061	23 - 66
90249-06M19	18 - 33	90445-07MA3	5 - 29	90468-05M03	7 - 27	92990-18200	24 - 19	93102-35M13	3 - 13		25 - 66
90250-08M07	23 - 59	90445-07ME8	23 - 17	90468-07M02	7 - 17		26 - 16		34 - 11	93317-330U2	23 - 40
	25 - 58	90445-07ME9	23 - 17	90468-18008	17 - 9	92995-06100	18 - 5	93102-40M14	3 - 5		25 - 39
90280-04M05	23 - 33	90445-09097	4 - 18		17 - 42	92995-06600	1 - 8		34 - 9	93332-00048	25 - 62
	25 - 32	90445-11M00	8 - 13	90480-06M19	16 - 2		12 - 18	93106-09014	23 - 21	93332-000V3	23 - 4
	35 - 27	90445-11M81	8 - 13	90480-09M12	13 - 21		13 - 10		25 - 20	93341-440U5	25 - 65
90280-05015	12 - 8	90445-12M13	8 - 34	90480-20M05	4 - 21		13 - 14		35 - 10	93341-465U4	25 - 5
90282-04M00	23 - 71	90445-13M01	11 - 2	90480-22M15	16 - 24		13 - 29	93210-03261	14 - 27	93341-930V2	23 - 42
	25 - 70	90445-13M35	11 - 4	90480-25161	14 - 5		14 - 4	93210-08287	11 - 7		25 - 41
90340-08002	23 - 6	90446-15M07	9 - 46	90501-11M10	23 - 25		14 - 14	93210-09165	17 - 53	93390-000U2	25 - 4
	25 - 7	90464-07M05	5 - 15		25 - 24		14 - 17	93210-10M74	20 - 4	93410-16006	17 - 56
90340-14M00	2 - 8		7 - 16	90501-12082	17 - 49		14 - 23	93210-13M04	7 - 21	93410-22M11	18 - 39
90384-06M07	2 - 4	90464-13M34	8 - 39	90501-16M11	4 - 20		14 - 26	93210-16275	27 - 9	93410-37M04	19 - 14
90384-14M09	2 - 5	90464-15M11	12 - 7	90501-16M12	17 - 13		14 - 41	93210-19M82	7 - 6	93410-40M03	3 - 11
90386-06M12	17 - 44		13 - 12	90501-16M28	19 - 28		14 - 48	93210-32738	9 - 8	93420-36M01	22 - 37
90386-10M16	18 - 31	90465-05M87	13 - 18	90501-16M37	23 - 55		14 - 51	93210-37160	23 - 29	93430-06024	30 - 10
90386-12089	17 - 18		14 - 11		25 - 54		16 - 23		25 - 28		31 - 6
90386-15M73	16 - 10	90465-06M86	4 - 27	90506-14M24	18 - 36		16 - 32		35 - 12	93501-04M02	17 - 48
90386-16M66	17 - 54		12 - 4	90506-16M34	16 - 17		16 - 35		35 - 21	93503-16003	23 - 58
90386-22M13	17 - 20		14 - 21	90508-29M12	17 - 23		16 - 39	93210-37MH7	19 - 6		25 - 57
90386-22M98	18 - 38	90465-06M88	13 - 11	90560-12M01	27 - 4		18 - 8	93210-55M14	23 - 43	93507-32009	23 - 56
	20 - 35	90465-08M63	18 - 23	91490-40030	24 - 21		18 - 12		25 - 42		25 - 55
90386-25M31	18 - 18	90465-08M89	14 - 12		26 - 18		22 - 7		35 - 15	93511-32017	23 - 57

NUMERICAL INDEX

PART NO.	REF. NO.	PART NO.	REF. NO.	PART NO.	REF. NO.	PART NO.	REF. NO.	PART NO.	REF. NO.	PART NO.	REF. NO.
93511-32017	25 - 56	97095-06010	18 - 7	97890-05016	31 - 70						
93606-12019	23 - 36		18 - 28	97890-05025	31 - 14						
	25 - 35		22 - 6	97890-06018	31 - 45						
	35 - 25	97095-06012	1 - 7	97980-05108	6 - 28						
93608-12063	2 - 10		13 - 9	97980-05116	6 - 26						
93608-12M05	22 - 8		13 - 13	97980-05230	19 - 2						
	22 - 13		13 - 28	98580-03015	30 - 38						
	24 - 4		14 - 13	98580-04006	30 - 36						
	26 - 4		14 - 22	98580-04010	30 - 35						
93700-06M03	17 - 51		14 - 31	98580-05010	30 - 37						
	18 - 13		14 - 50	98780-04015	2 - 15						
	18 - 24	97095-06016	14 - 25	98780-05018	31 - 29						
94702-00247	4 - 28		14 - 40	98980-05010	33 - 9						
94702-00271	4 - 28		16 - 22	98980-06020	33 - 14						
95303-06600	17 - 14	97095-06020	14 - 3	99001-08600	23 - 24						
	17 - 28		14 - 16		25 - 23						
95380-03600	9 - 31		14 - 47	9E450-04533	32 - 2						
95380-04600	32 - 4		16 - 31								
	32 - 8		16 - 34								
95380-05600	7 - 25		16 - 38								
	17 - 25	97095-06025	17 - 36								
	17 - 31	97095-06030	18 - 4								
	30 - 7	97095-06040	16 - 8								
	31 - 21	97095-08016	15 - 24								
	33 - 11	97095-08020	17 - 5								
	33 - 20		18 - 16								
95380-06600	1 - 4	97095-08025	23 - 45								
	8 - 22		25 - 44								
	30 - 40	97095-08030	22 - 23								
	31 - 37	97095-08045	22 - 17								
	33 - 15		22 - 27								
95380-08600	9 - 12		22 - 34								
95380-08700	22 - 19	97095-10045	19 - 25								
95380-12600	18 - 43		19 - 39								
95380-14700	28 - 7	97380-05025	30 - 8								
95380-14800	19 - 22	97380-06018	31 - 18								
95780-10300	19 - 9	97380-08030	30 - 33								
97013-06014	9 - 10	97595-06420	4 - 24								
97013-06055	13 - 7	97595-06550	9 - 35								
97013-06070	12 - 11	97607-04310	21 - 32								
97013-08030	17 - 46	97880-05016	5 - 4								
97013-08045	17 - 16	97880-06018	12 - 15								
97075-08035	16 - 27	97880-06020	13 - 16								
97075-10030	20 - 32	97885-05012	12 - 6								
97075-10045	24 - 5	97885-06010	12 - 17								
	26 - 5	97885-06012	18 - 11								
97080-06100	8 - 20	97885-06016	19 - 4								
97090-06012	16 - 15		19 - 29								