

PARTS CATALOGUE

20MHZ (6L30)

25MHZ (6L20)

20D'01 (6L30)

25N'01 (6L20)

FOREWORD

This Parts Catalogue is related to the parts for the model(s) in the below frame. When you are ordering replacement parts, please refer to this Parts Catalogue and quote both part numbers and part names correctly.

20MHZ(6L30), 25MHZ(6L20),
20D'01(6L30), 25N'01(6L20)

1. Modifications or additions which have been made after issue of the Parts Catalogue will be announced in the Yamaha Parts News.
It is advisable that you make necessary corrections to the Parts Catalogue according to the Yamaha Parts News.

2. Abbreviations

The Following abbreviations are used in this Parts Catalogue.

- "UR" Use specified parts number.
- "UN" Use as many as needed.
- "AP" Alternate Parts
- "LM" Local Made
(Parts need to be ordered locally)
- "O/S" Over Size

3. Parts, which are to be supplied in an assembly, are listed with a dot(.) in front of the part name as shown below.

EXAMPLE
 CARBURETOR ASSY
 .JET, PILOT
 .NOZZLE, MAIN

4. Number of component for assembly

The numeral appearing to the right of each component part indicates the quantity of parts for each assembly unit.

EXAMPLE

PART NO.	DESCRIPTION	U	H	L	REMARKS
6E0-85500-70	C.D.I. MAGNETO ASSY	1			
6E0-85550-70	.ROTOR ASSY	1			
6E0-15723-00-94	.PULLY, STARTER	1			

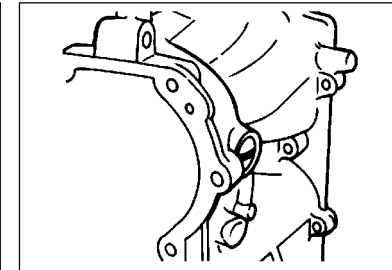
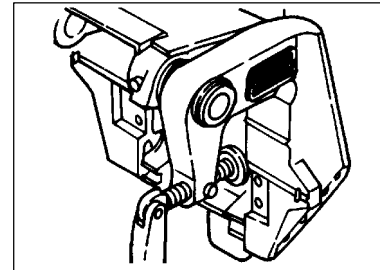
5. Quantity Column Information

NAME for Q'TY COLUMN	APPLICABLE MODEL
20MH	20MHZ, 20DMH
25MH	25MHZ, 25NMH
25W	25NW

6. Applicable Starting Serial No. and Color Code

1) Engine Starting Serial No.

20MHZ	S : 005902 L : 305714	20DMH	S : 005902 L : 305714
25MHZ	S : 007522 L : 308033	25NMH	S : 007522 L : 308033
		25NW	L : 353396



2) Color Code

Color Code	Color Name	Abbreviation
004D	DARK BLUISH GRAY METALLIC 2	DBNM2

7. Note that the illustrations for reference in finding parts numbers, not to be used for assembling. When assembling, please use the applicable service manual.
8. The asterisk (*) before a reference number indicates modification items after the first edition.

CONTENTS

SHEET 1/2

TOP COWLING	A4
CYLINDER. CRANKCASE	A5
CRANKSHAFT. PISTON	A7
INTAKE	B2
CARBURETOR	B3
FUEL 1	B5
FUEL 2	B6
STARTER	B7
GENERATOR	C2
ELECTRICAL 1	C4
ELECTRICAL 2	C5
STARTING MOTOR	C6
BOTTOM COWLING	C7
STEERING	D2
CONTROL 1	D4
CONTROL 2	D6
BRACKET 1	D7
BRACKET 2	E3
UPPER CASING	E5
LOWER CASING. DRIVE 1	E6
LOWER CASING. DRIVE 2	F2
FUEL TANK	F4
REMOTE CONTROL BOX	F5
REMOTE CONTROL ASSY	F6

INDEX

NUMERICAL INDEX	G1
-----------------------	----

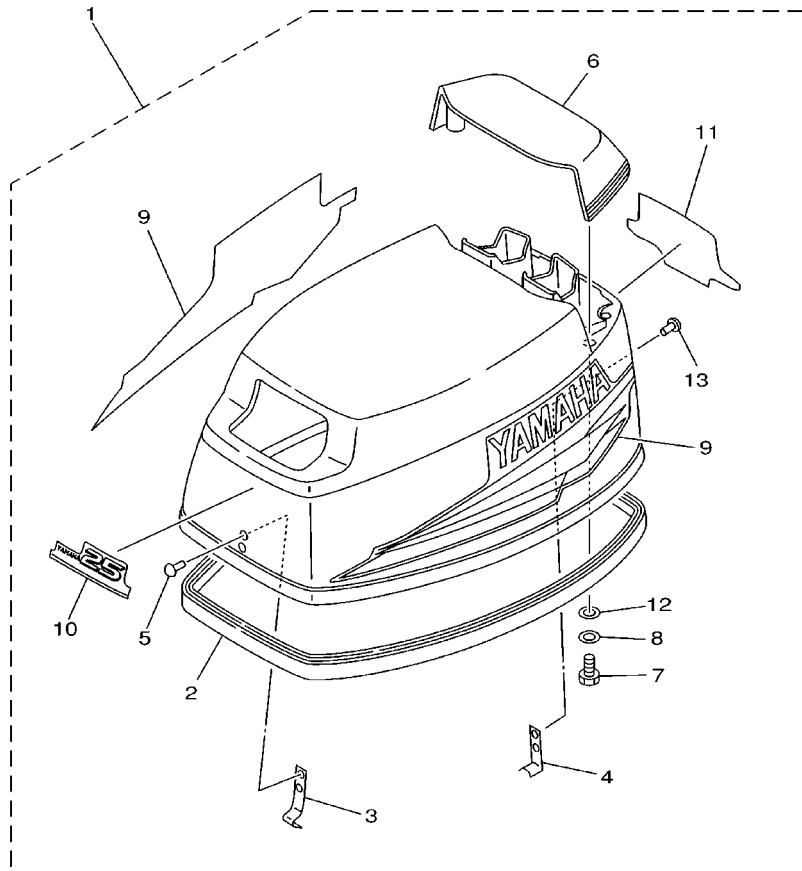
SHEET 2/2

SWITCH. PANEL	A4*
REPAIR KIT 1	A5*
REPAIR KIT 2	A6*

INDEX

NUMERICAL INDEX	G1*
-----------------------	-----

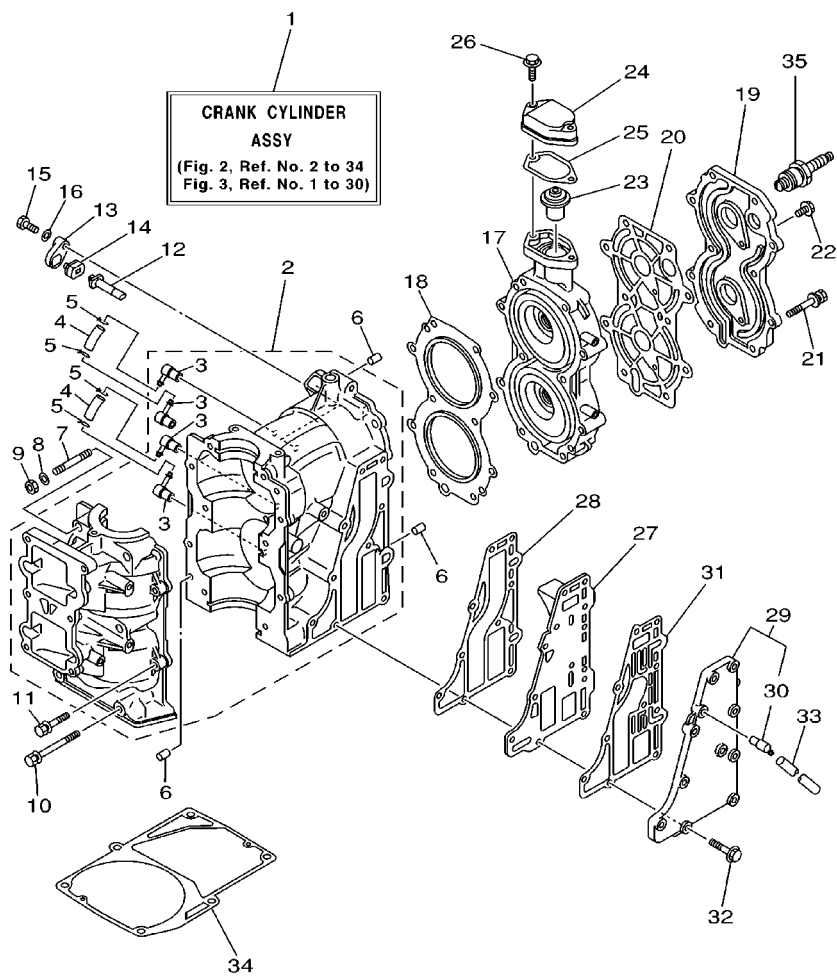
FIG. 1 TOP COWLING



REF. NO.	PART NO.	DESCRIPTION	20MH	25MH	25W	REMARKS
1	6L2-42610-13-4D	TOP COWLING ASSY		1	1	
	6L3-42610-13-4D	TOP COWLING ASSY	1			
2	6L2-42615-00	.SEAL	1	1	1	
3	6G1-42651-71	.HOOK	1	1	1	
4	6L2-42647-00	.HOLDER, CLAMP BAND	1	1	1	
5	90266-04M00	.RIVET	2	2	2	
6	6L2-42613-01-4D	.MOLDING, AIR DUCT	1	1	1	
7	97095-06016	.BOLT	4	4	4	
8	92995-06600	.WASHER	4	4	4	
9	6L2-W0070-13	.GRAPHIC SET	1	1	1	
10	6L2-42677-11	.GRAPHIC, FRONT	1	1		
	6L3-42677-11	.GRAPHIC, FRONT	1			
11	6L2-42678-11	.GRAPHIC, REAR		1	1	
	6L3-42678-11	.GRAPHIC, REAR	1			
12	90202-05M38	.WASHER, PLATE	4	4	4	
13	90266-04M04	.RIVET	2	2	2	



6L20010-0010

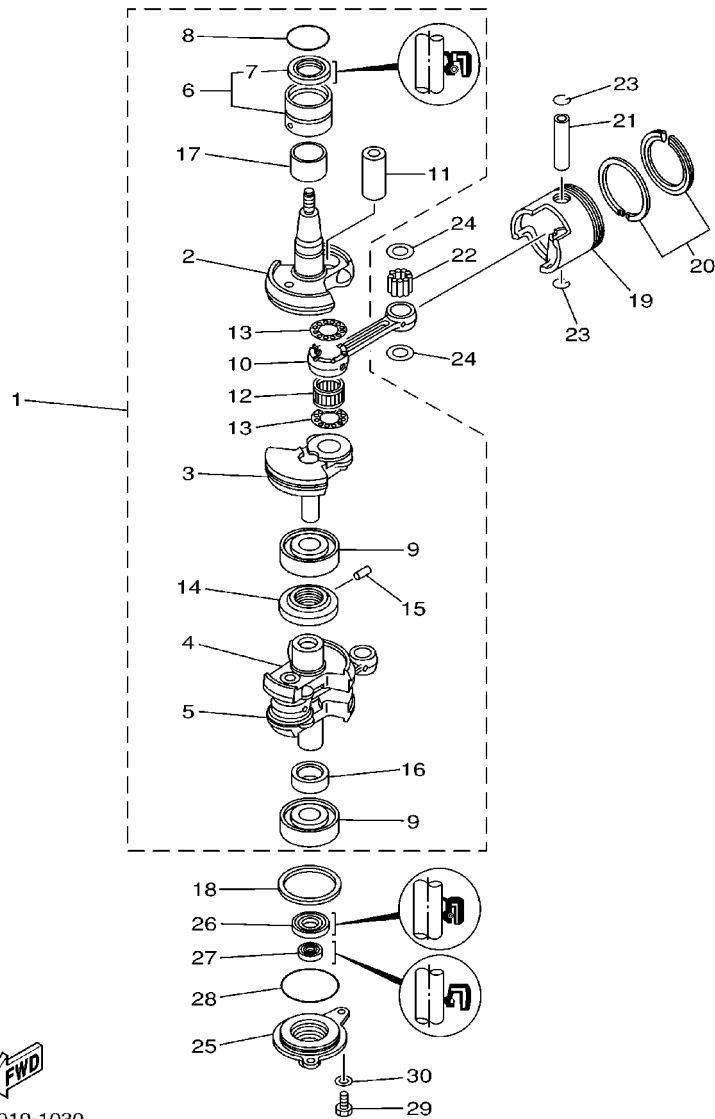


FWD
6L20100-1020

FIG. 2 CYLINDER, CRANKCASE

REF. NO.	PART NO.	DESCRIPTION	20MH	25MH	25W	REMARKS
1	6L2-W0090-03-4D	CRANK CYLINDER ASSY	1	1	1	FOR USA,OCEANIA N.O/I FOR CANADA N.O/I
	6L2-W0090-53-4D	CRANK CYLINDER ASSY	1	1		
2	6L2-15100-00-94	CRANKCASE ASSY	1	1	1	FOR USA,OCEANIA N.O/I FOR CANADA N.O/I
	6L2-15100-50-94	CRANKCASE ASSY	1	1		
3	6E5-11372-00	.NIPPLE, HOSE	4	4	4	FOR USA,OCEANIA
4	90445-07M15	HOSE (L40)	2	2	2	FOR USA,OCEANIA
5	90467-06016	CLIP	4	4	4	FOR USA,OCEANIA
6	93604-12M07	PIN, DOWEL	4	4	4	
7	95617-08645	BOLT, STUD	2	2	2	
8	90201-08086	WASHER, PLATE	2	2	2	
9	95333-08600	NUT	2	2	2	
10	90119-08M65	BOLT, WITH WASHER	4	4	4	
11	90119-06M14	BOLT, WITH WASHER	4	4	4	
12	6J8-11325-00	ANODE	1	1	1	
13	6H3-11327-00-94	COVER, ANODE	1	1	1	
14	6H3-11328-00	GROMMET, ANODE	1	1	1	
15	97013-06016	BOLT	1	1	1	
16	92903-06600	WASHER, PLATE	1	1	1	
17	6L2-11111-01-94	HEAD, CYLINDER 1	1	1	1	
18	6L2-11181-A2	GASKET, CYLINDER HEAD 1	1	1	1	
19	6L2-11191-00-9M	COVER, CYLINDER HEAD 1	1	1	1	
20	6L2-11193-A1	GASKET, HEAD COVER 1	1	1	1	
21	90119-08M91	BOLT, WITH WASHER	10	10	10	
22	90119-06023	BOLT, WITH WASHER	2	2	2	
23	6E5-12411-20	THERMOSTAT	1	1	1	
24	6H4-12413-00-9M	COVER, THERMOSTAT	1	1	1	
25	6J8-12414-A0	GASKET, COVER	1	1	1	

FIG. 3 CRANKSHAFT. PISTON



FWD
6L20010-1030

REF. NO.	PART NO.	DESCRIPTION	20MH	25MH	25W	REMARKS
1	6L2-11400-00	CRANKSHAFT ASSY	1	1	1	N.O/I
2	6L2-11412-00	.CRANK 1	1	1	1	
3	6L2-11422-00	.CRANK 2	1	1	1	
4	6L2-11432-00	.CRANK 3	1	1	1	
5	6L2-11442-00	.CRANK 4	1	1	1	
6	93311-632U7	.BEARING	1	1	1	
7	93102-26M27	..OIL SEAL	1	1	1	
8	93210-42159	.O-RING	1	1	1	
9	93306-305U3	.BEARING	2	2	2	
10	6L2-11651-00	.ROD, CONNECTING	2	2	2	
11	6L2-11681-00	.PIN, CRANK 1	2	2	2	
12	93310-424W9	.BEARING	2	2	2	
13	90209-24M15	.WASHER	4	4	4	
14	6L2-11515-00	.SEAL, LABYRINTH 1	1	1	1	
15	91690-30010	.PIN, SPRING	1	1	1	
16	6J8-11445-00	.SPACER	1	1	1	N.O/I
17	90387-28M00	.COLLAR	1	1	1	
18	90201-50306	WASHER, PLATE	1	1	1	
19	6L2-11631-00-97	PISTON (STD)	2	2	2	
	6L2-11635-00	PISTON (0.25MM O/S)	2	2	2	AP
	6L2-11636-00	PISTON (0.50MM O/S)	2	2	2	AP
20	6L2-11610-00	PISTON RING SET (STD)	2	2	2	
	6L2-11610-10	PISTON RING SET (0.25MM O/S)	2	2	2	AP
	6L2-11610-20	PISTON RING SET (0.50MM O/S)	2	2	2	AP
21	648-11633-00	PIN, PISTON	2	2	2	
22	93602-18M12	PIN, DOWEL	62	62	62	
23	93450-20026	CIRCLIP	4	4	4	

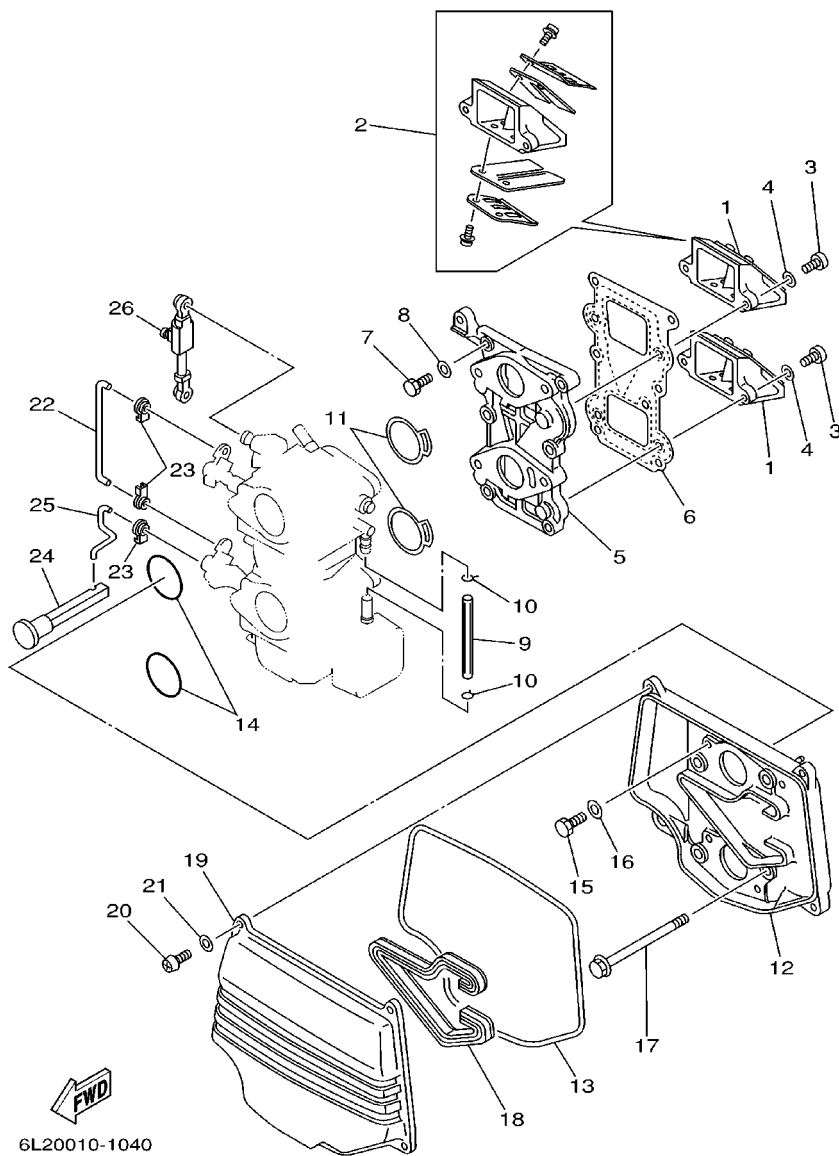
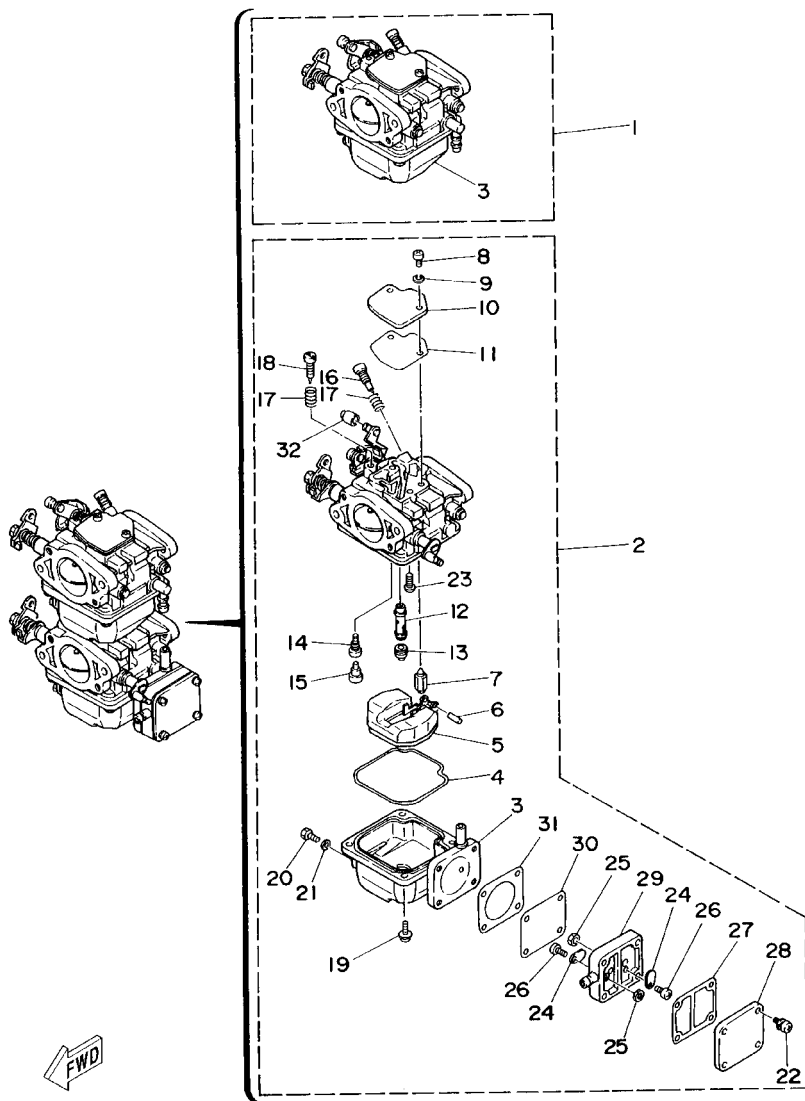


FIG. 4 INTAKE

REF. NO.	PART NO.	DESCRIPTION	20MH	25MH	25W	REMARKS
1	6L2-13610-00	REED VALVE ASSY	2	2	2	
2	6L2-W0004-00	.REED SET	1	1	1	
3	97880-05016	SCREW, PAN HEAD	4	4	4	
4	92990-05600	WASHER, PLATE	4	4	4	
5	6L2-13641-00-94	MANIFOLD 1	1	1	1	
6	6L2-13621-00	GASKET, VALVE SEAT	1	1	1	
7	97013-06025	BOLT	6	6	6	
8	92903-06600	WASHER, PLATE	6	6	6	
9	90445-09012	HOSE (L70)	1	1	1	
10	90467-08004	CLIP	2	2	2	
11	6L2-14198-00	GASKET	2	2	2	
12	6L2-14417-00-94	COVER 1	1	1	1	
13	6L2-14476-00	SEAL	1	1	1	
14	93210-35M86	O-RING	2	2	2	
15	97013-05012	BOLT	4	4	4	
16	92903-05600	WASHER, PLATE	4	4	4	
17	97513-06585	BOLT, WITH WASHER	4	4	4	
18	6L2-14476-11	SEAL	1	1	1	
19	6L2-14418-00	COVER 2	1	1	1	
20	97880-05016	SCREW, PAN HEAD	4	4	4	
21	92990-05600	WASHER, PLATE	4	4	4	
22	6J8-41259-00	ROD, CHOKE 3	1	1	1	
23	661-41262-02	JOINT, CHOKE LEVER	3	3	3	
24	6J8-41271-01	KNOB, CHOKE	1	1	1	
25	6L2-41257-00	ROD, CHOKE 2	1	1	1	
26	6L2-41217-00	ROD, ACCCEL. LEVER	1	1	1	

FIG. 5 CARBURETOR

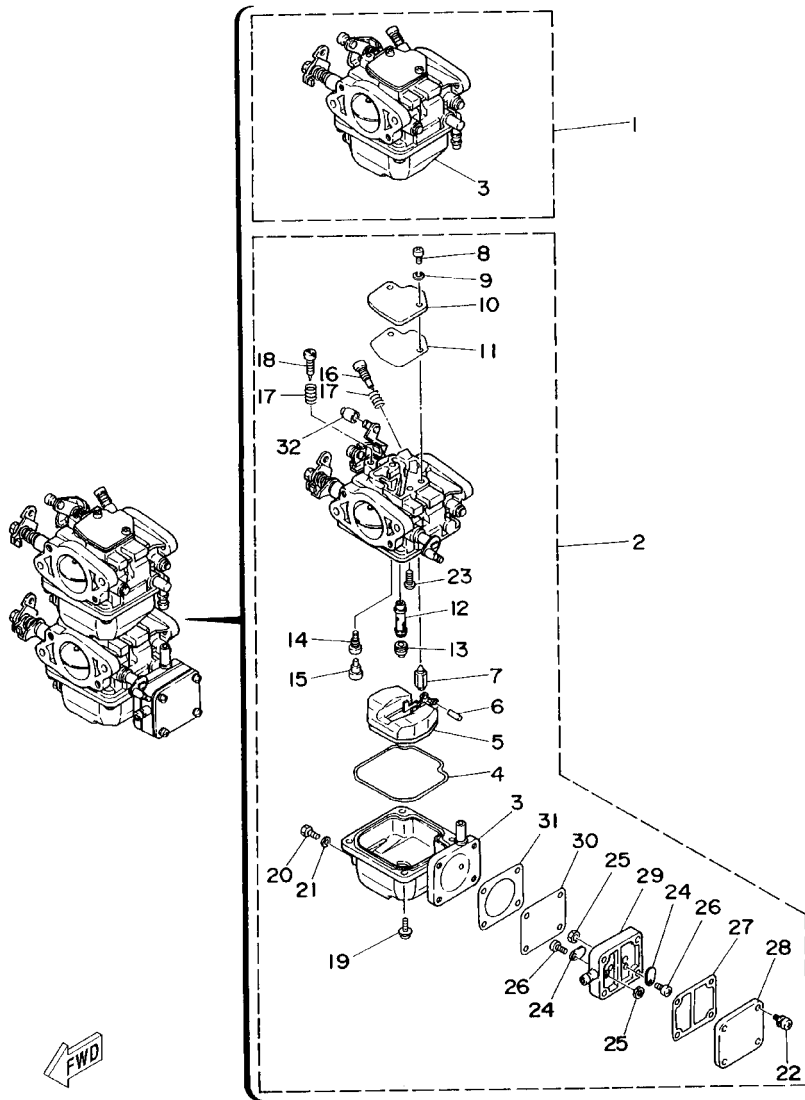
REF. NO.	PART NO.	DESCRIPTION	20MH	25MH	25W	REMARKS
1	6L2-14301-01	CARBURETOR ASSY 1		1	1	#1
	6L3-14301-00	CARBURETOR ASSY 1	1			#1
2	6L2-14302-01	CARBURETOR ASSY 2		1	1	#2
	6L3-14302-00	CARBURETOR ASSY 2	1			#2
3	6L2-14381-00	.BODY, FLOAT CHAMBER 1	1	1	1	#1
	6L2-14383-00	.BODY, FLOAT CHAMBER 2	1	1	1	#2
4	6L2-14384-00	.GASKET, FLOAT CHAMBER	2	2	2	
5	6L2-14385-00	.FLOAT	2	2	2	
6	6E5-14386-01	.PIN, FLOAT	2	2	2	
7	6L2-14392-00	.VALVE, NEEDLE	2	2	2	
8	97880-04010	.SCREW, PAN HEAD	4	4	4	
9	92900-04100	.WASHER	4	4	4	
10	6L2-14157-00	.COVER, MIXING	2	2	2	
11	6L2-14399-00	.GASKET	2	2	2	
12	6L2-14341-00	.NOZZLE, MAIN	2	2	2	
13	30X-14343-63	.JET, MAIN (#125)	2	2	2	
14	6L2-14342-30	.JET, PILOT (#60)	2	2	2	
15	50M-14355-00	.PLUG	2	2	2	
16	6L2-14323-00	.SCREW, AIR ADJUSTING	2	2	2	
17	646-14212-01	.SPRING, PILOT ADJUSTING	4	4	4	
18	664-14321-01	.SCREW, THROTTLE	2	2	2	
19	97980-04112	.SCREW, WITH WASHER	8	8	8	
20	677-14383-00	.SCREW, DRAIN	2	2	2	
21	6L2-14398-00	.GASKET	2	2	2	
22	677-24444-01	.SCREW	4	4	4	
23	98980-04006	.SCREW, BIND	2	2	2	
24	6A0-24421-01	.VALVE, CHECK	2	2	2	



6L20010-4050

FIG. 5 CARBURETOR

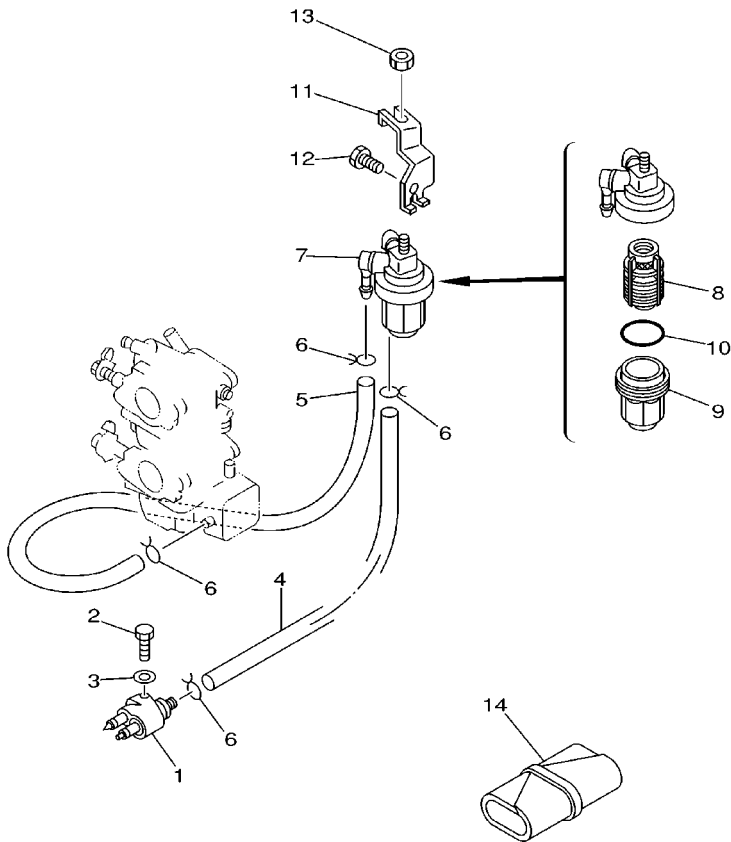
REF. NO.	PART NO.	DESCRIPTION	20MH	25MH	25W	REMARKS
25	95380-03600	.NUT	2	2	2	
26	6E7-14325-00	.SCREW, PAN HEAD	2	2	2	
27	6L2-24435-00	.GASKET, BODY 2	1	1	1	
28	6L2-24413-00	.BODY 2	1	1	1	
29	682-24412-01	.BODY 1	1	1	1	
30	677-24411-02	.DIAPHRAGM	1	1	1	
31	677-24434-02	.GASKET, BODY	1	1	1	
32	6L2-14578-00	.COLLAR	1	1	1	#2



6L20010-4050

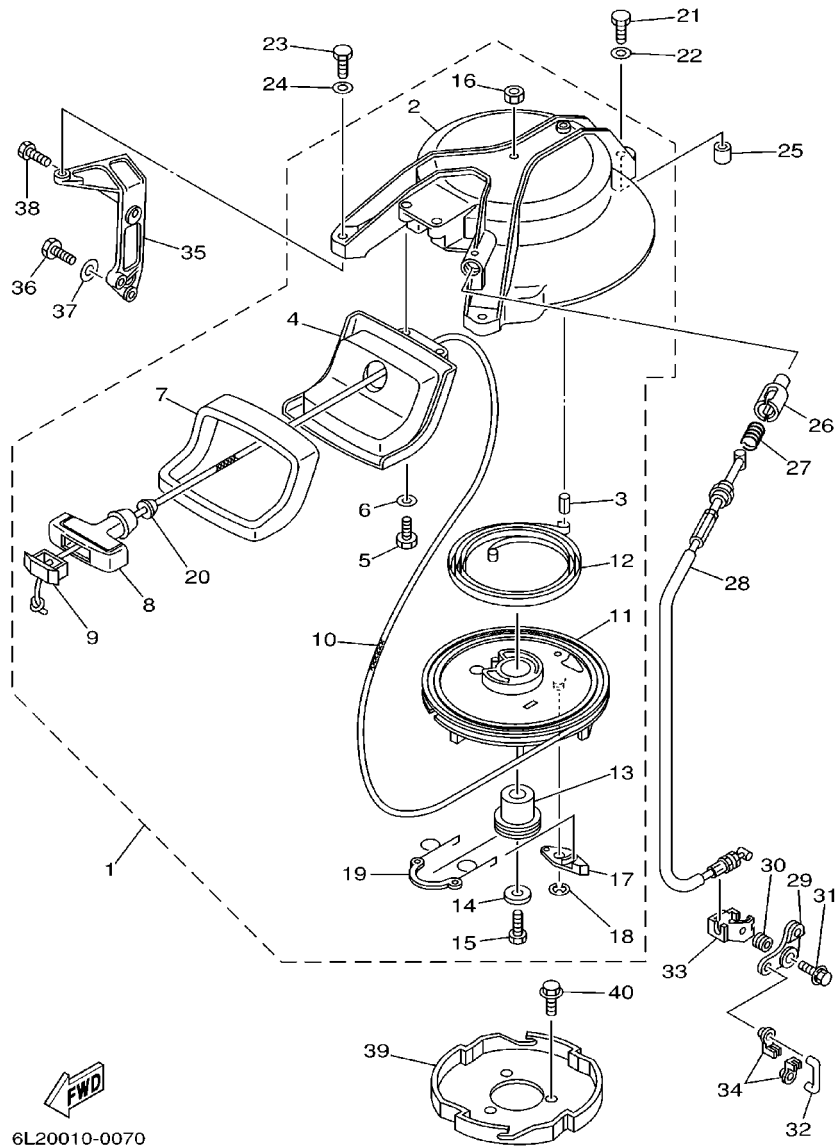
FIG. 6 FUEL 1

REF. NO.	PART NO.	DESCRIPTION	20MH	25MH	25W	REMARKS
1	6G1-24304-02	FUEL PIPE JOINT COMP. 1	1	1	1	
2	97095-06020	BOLT	1	1	1	
3	92995-06600	WASHER	1	1	1	
4	6H4-24311-00	PIPE, FUEL 1	1	1	1	
5	6L2-24311-00	PIPE, FUEL 1	1	1	1	
6	90467-08004	CLIP	4	4	4	
7	61N-24560-00	FILTER ASSY	1	1	1	
8	61N-24563-00	.ELEMENT, FILTER	1	1	1	
9	61N-24521-00	.CUP, FILTER	1	1	1	
10	93210-32738	.O-RING	1	1	1	
11	6L2-24566-00	BRACKET, FILTER	1	1	1	
12	97013-06014	BOLT	1	1	1	
13	95380-08600	NUT	1	1	1	
14	656-W2810-02	TOOL KIT	1	1		FOR CANADA



6L20010-0060

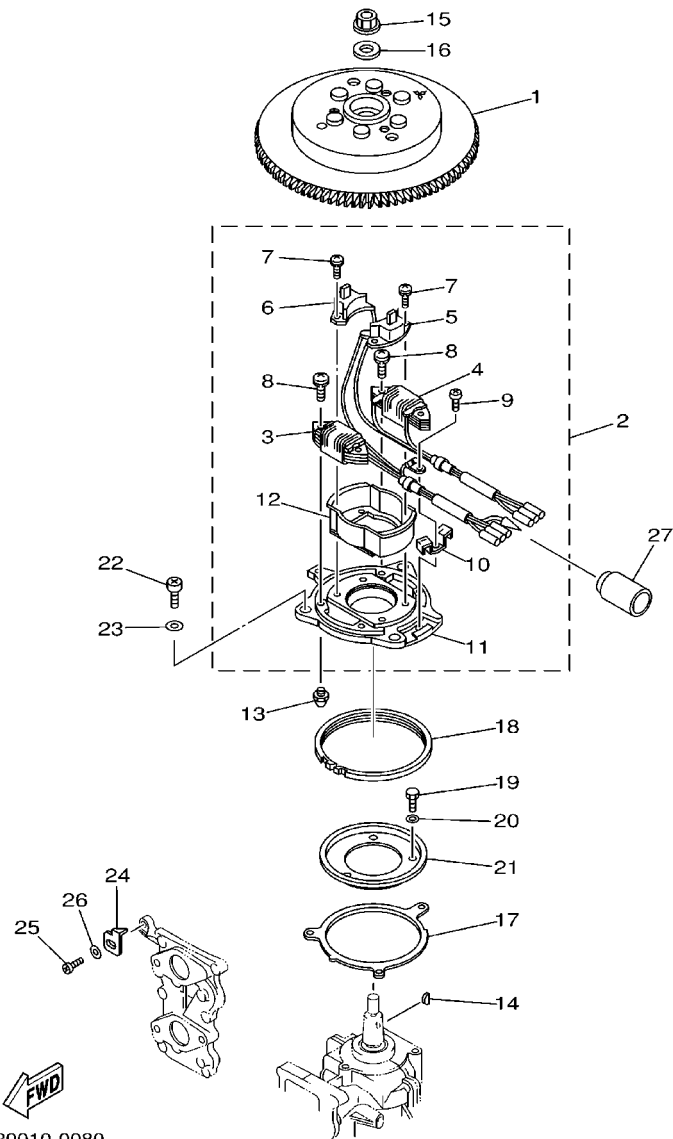
FIG. 8 STARTER



6L20010-0070

REF. NO.	PART NO.	DESCRIPTION	20MH	25MH	25W	REMARKS
26	656-15748-00	PLUNGER, STARTER STOP	1	1	1	
27	90501-10227	SPRING, COMPRESSION	1	1	1	
28	6L2-15770-00	CABLE COMP., STARTER STOP	1	1	1	
29	6L2-15746-00	ARM	1	1	1	
30	90387-06M51	COLLAR	1	1	1	
31	90119-06M53	BOLT, WITH WASHER	1	1	1	
32	6L2-15747-00	LINK	1	1	1	
33	6L2-15774-00	STAY 4	1	1	1	
34	661-41262-02	JOINT, CHOKE LEVER	2	2	2	
35	6L2-15772-00-94	STAY 2	1	1	1	
36	97013-06020	BOLT	1	1	1	
37	92903-06600	WASHER, PLATE	1	1	1	
38	97095-06020	BOLT	1	1	1	
39	6L2-15723-01	PULLEY, STARTER	1	1	1	
40	90105-08M10	BOLT, WASHER BASED	3	3	3	

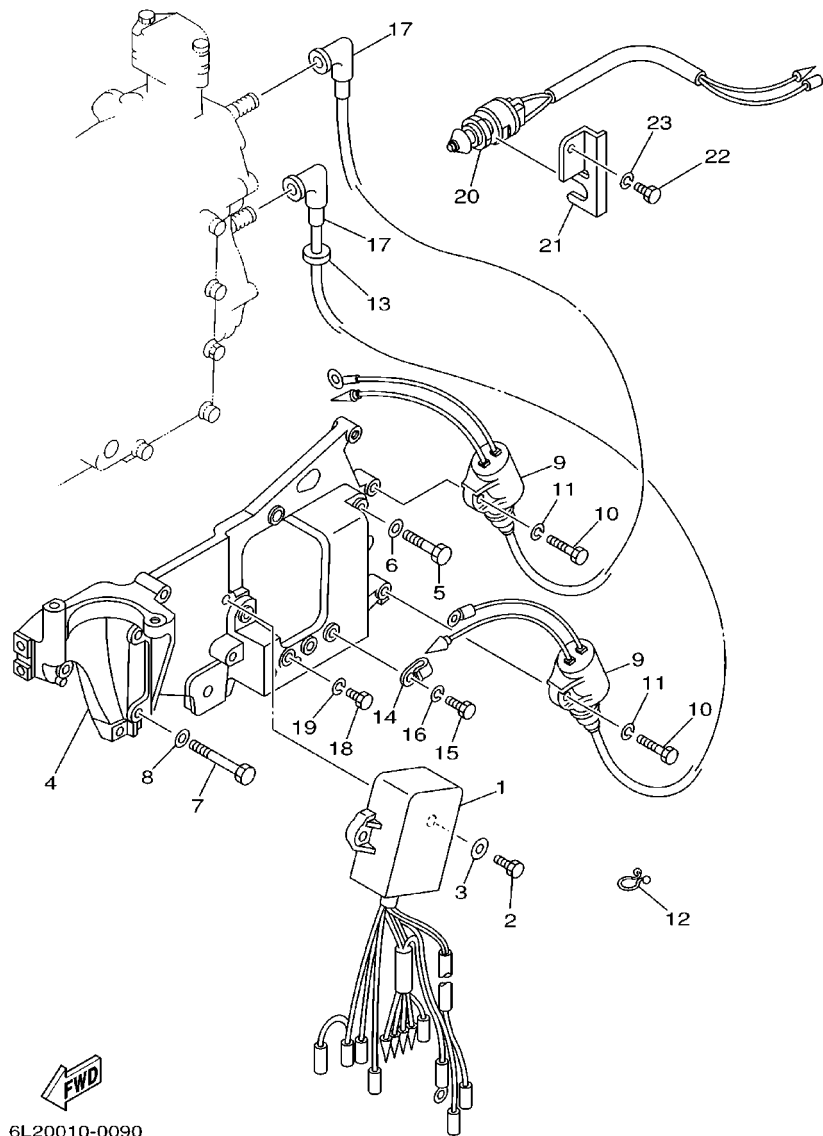
FIG. 9 GENERATOR



6L20010-0080

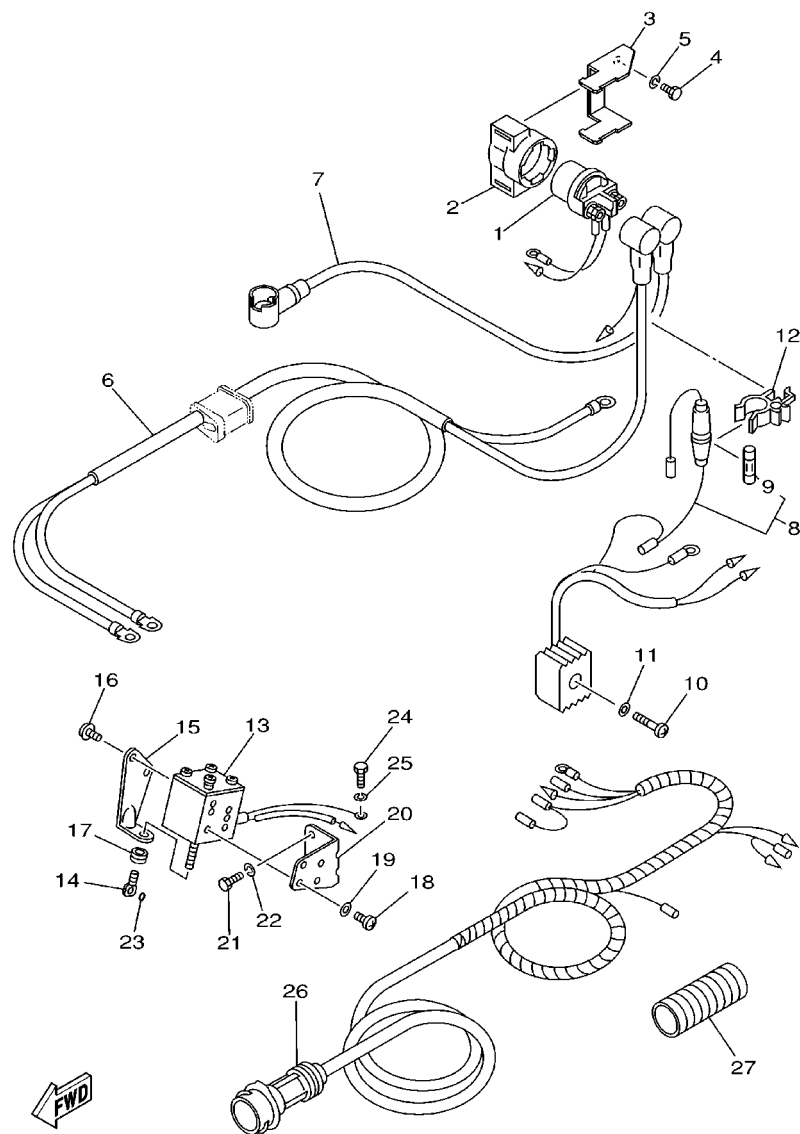
REF. NO.	PART NO.	DESCRIPTION	20MH	25MH	25W	REMARKS
1	6L2-85550-10	ROTOR ASSY			1	
	6L2-85550-00	ROTOR ASSY	1	1		
2	6L2-85560-10	BASE ASSY	1	1	1	
3	6L2-85520-10	.COIL, CHARGE	1	1	1	
4	6L2-85533-10	.COIL, LIGHTING	1	1	1	
5	6L2-85580-10	.COIL, PULSER	1	1	1	
6	6L2-85580-20	.COIL, PULSER	1	1	1	
7	97607-04112	.SCREW, PAN HEAD WITH WASHER	4	4	4	
8	97607-06125	.SCREW, PAN HEAD WITH WASHER	4	4	4	
9	97802-04006	.SCREW, PAN HEAD	1	1	1	
10	6E9-81328-70	.CLAMP	1	1	1	
11	6L2-85561-10	.BASE, MAGNETO	1	1	1	
12	61N-85537-00	.COVER	1	1	1	
13	663-85518-00	JOINT, BALL	1	1	1	
14	90280-05013	KEY, WOODRUFF	1	1	1	
15	90179-12M04	NUT	1	1	1	
16	90201-13M42	WASHER, PLATE	1	1	1	
17	6G1-41611-00	RETAINER, MAGNETO BASE	1	1	1	
18	695-41613-00	PLATE, BASE FRICTION	1	1	1	
19	97095-06012	BOLT	3	3	3	
20	92995-06600	WASHER	3	3	3	
21	6G1-41612-00	RETAINER, MAGNETO BASE	1	1	1	
22	97885-05010	SCREW, PAN HEAD	3	3	3	
23	92995-05600	WASHER	3	3	3	
24	6L2-81332-00	PLATE, TIMING	1	1	1	
25	97885-05010	SCREW, PAN HEAD	1	1	1	
26	92995-05600	WASHER	1	1	1	

FIG. 10 ELECTRICAL 1



REF. NO.	PART NO.	DESCRIPTION	20MH	25MH	25W	REMARKS
1	6L2-85540-21	C.D.I. UNIT ASSY	1	1	1	
2	97095-06020	BOLT	2	2	2	
3	92995-06600	WASHER	2	2	2	
4	6L2-85542-02-94	BRACKET	1	1	1	
5	97075-06030	BOLT	3	3	3	
6	92995-06600	WASHER	3	3	3	
7	90101-06M16	BOLT	2	2	2	
8	92903-06600	WASHER, PLATE	2	2	2	
9	61N-85570-00	IGNITION COIL ASSY	2	2	2	
10	97095-06020	BOLT	2	2	2	
11	92995-06100	WASHER, SPRING	2	2	2	
12	90464-05M16	CLAMP	1	1	1	
13	90480-25161	GROMMET	1	1	1	
14	90465-06M90	CLAMP	1	1	1	
15	97095-06012	BOLT	1	1	1	
16	92995-06100	WASHER, SPRING	1	1	1	
17	663-82370-01	PLUG CAP ASSY		2		FOR USA
	6G1-82370-21	PLUG CAP ASSY	2	2	2	FOR CANADA, OCEANIA
18	97095-06012	BOLT	2	2	2	
19	92995-06100	WASHER, SPRING	2	2	2	
20	6H3-82540-00	NEUTRAL SWITCH ASSY			1	
21	6L2-82554-00	STAY, NEUTRAL SWITCH			1	
22	97095-06012	BOLT			1	
23	92995-06100	WASHER, SPRING			1	

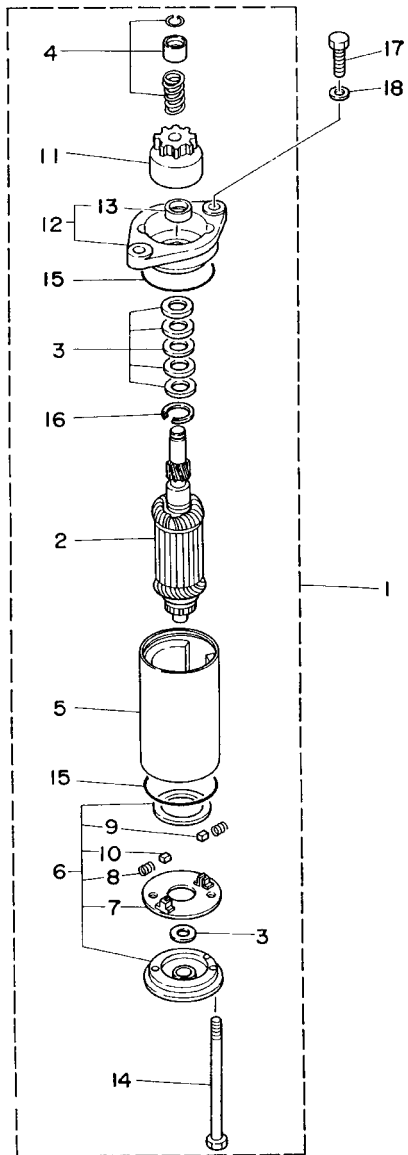
FIG. 11 ELECTRICAL 2



FWD
6L20100-1110

REF. NO.	PART NO.	DESCRIPTION	20MH	25MH	25W	REMARKS
1	6G1-81941-10	STARTER RELAY ASSY			1	
2	6G1-81952-00	HOLDER, RELAY			1	
3	6L2-81945-00	PLATE, SWITCH FITTING			1	
4	97095-06012	BOLT			1	
5	92995-06100	WASHER, SPRING			1	
6	6G1-82105-01	WIRE HARNESS			1	
7	6G1-82117-00	WIRE, LEAD			1	
8	6G1-81970-61	RECTIFIER ASSY			1	
9	6G1-82151-00	.FUSE			1	
10	97880-05025	SCREW, PAN HEAD			1	
11	92990-05600	WASHER, PLATE			1	
12	6G5-82152-00	HOLDER, FUSE			1	
13	6L2-86111-00	COIL, SOLENOID			1	
14	682-86117-00	HOOK, WIRE PULL			1	
15	6L2-86115-00	HOLDER, SOLENOID			1	
16	97980-05208	SCREW, WITH WASHER			2	
17	90480-10155	GROMMET			1	
18	97880-04008	SCREW, PAN HEAD			4	
19	92990-04600	WASHER, PLATE			4	
20	6L2-86112-00	STAY, SOLENOID			1	
21	97095-06012	BOLT			2	
22	92995-06100	WASHER, SPRING			2	
23	93210-03261	O-RING			1	
24	97095-06012	BOLT			1	
25	92995-06100	WASHER, SPRING			1	
26	6L2-82590-00	WIRE HARNESS ASSY			1	
27	6K3-83557-00	TUBE			1	

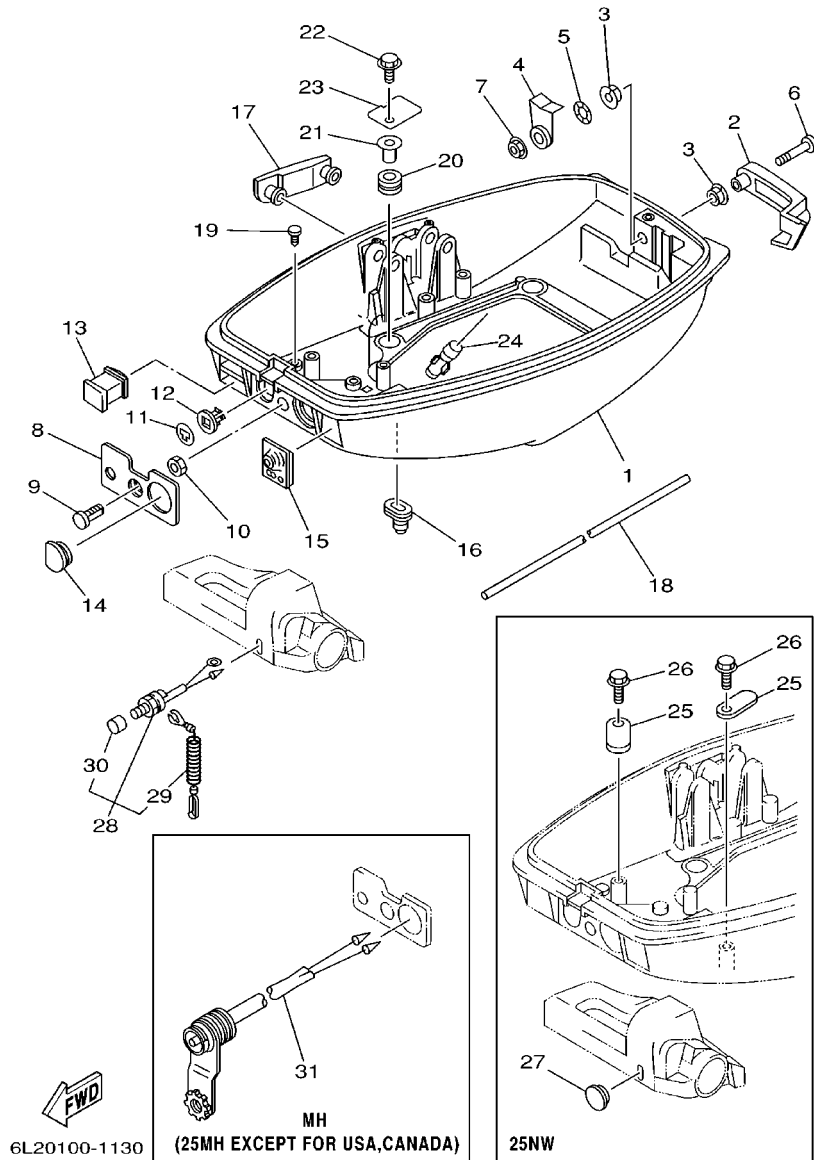
FIG. 12 STARTING MOTOR



REF. NO.	PART NO.	DESCRIPTION	20MH	25MH	25W	REMARKS
1	6L2-81800-11	STARTING MOTOR ASSY			1	
2	6L2-81850-11	.ARMATURE ASSY			1	
3	682-81809-10	.WASHER KIT			1	
4	6L2-81833-10	.RING, STOP			1	
5	682-81810-11	.STATOR ASSY			1	
6	6L2-81820-10	.REAR BRACKET ASSY			1	
7	6L2-81840-10	..BRUSH HOLDER ASSY			1	
8	682-81813-10	..SPRING, BRUSH			2	
9	6L2-81811-10	..BRUSH 1			1	
10	6L2-81812-10	..BRUSH 2			1	
11	682-81832-10	.CLUTCH, OVER RUN			1	
12	682-81830-10	.FRONT BRACKET ASSY			1	
13	682-81831-00	..METAL, FRONT			1	
14	682-81826-10	.BOLT			2	
15	682-81847-10	.O-RING			2	
16	682-81834-10	.RING			1	
17	97013-08025	BOLT			2	
18	92903-08600	WASHER, PLATE			2	

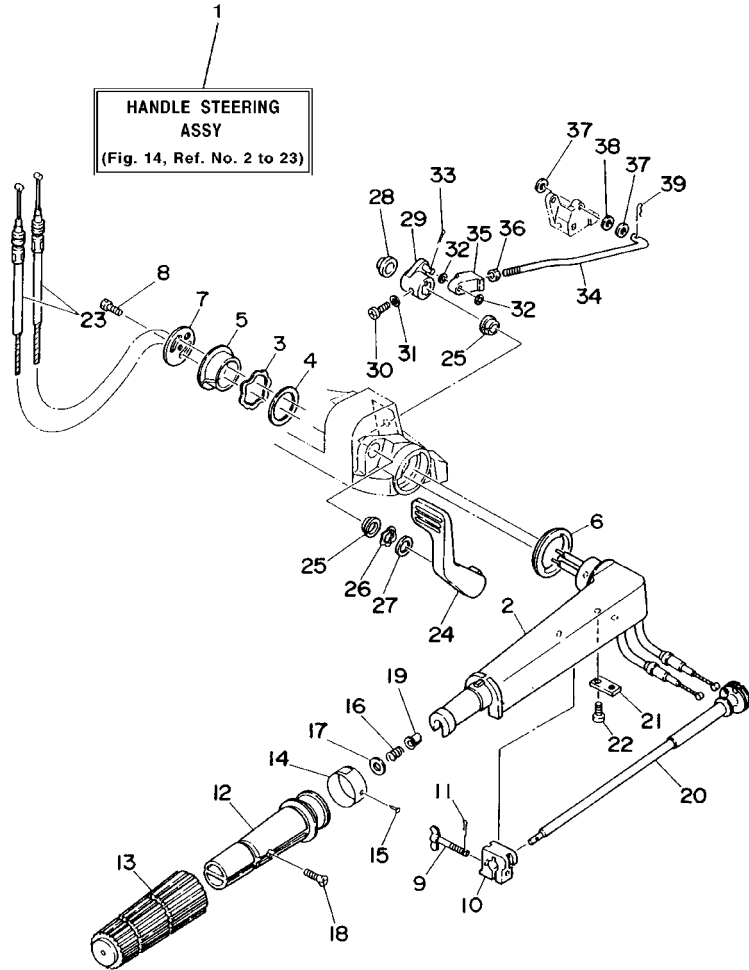

6L20010-4120

FIG. 13 BOTTOM COWLING



REF. NO.	PART NO.	DESCRIPTION	20MH	25MH	25W	REMARKS
1	6L2-42711-03-4D	COWLING, BOTTOM	1	1	1	
2	6L2-42815-01-4D	LEVER, CLAMP	1	1	1	
3	90386-12M45	BUSH	2	2	2	
4	6L2-42816-00	LEVER, CLAMP	1	1	1	
5	90206-12052	WASHER, WAVE	1	1	1	
6	97880-06035	SCREW, PAN HEAD	1	1	1	
7	95780-06300	NUT, FLANGE	1	1	1	
8	6L2-42719-00	PANEL, FRONT LOWER	1	1	1	
9	6L2-42724-00	GROMMET	1	1	1	
10	90170-12M13	NUT	1	1	1	
11	689-41273-00	GROMMET	1	1	1	
12	6J8-41274-00	GROMMET 2	1	1	1	
13	6L2-42725-00	GROMMET	1	1	1	
	6L2-42725-50	GROMMET			1	
14	6G1-42724-00	GROMMET	1	1	1	MH-EXCEPT FOR OCEANIA
15	6L2-42726-01	GROMMET	1	1	1	
16	6G1-42727-00	GROMMET	1	1	1	
17	6L2-42748-01	GROMMET	1	1	1	
18	6L2-42716-00	RUBBER, SEAL 1	1	1	1	
19	90338-05M03	PLUG	2	2	2	
20	90480-15M31	GROMMET	4	4	4	
21	90387-06M52	COLLAR	4	4	4	
22	95895-06020	BOLT, FLANGE	4	4	4	
23	6L2-42738-01	PLATE, FITTING	2	2	2	
24	6H3-44391-01	NIPPLE, HOSE	1	1	1	
25	6E5-82588-00	PLATE			2	
26	95895-06016	BOLT, FLANGE			2	

FIG. 14 STEERING



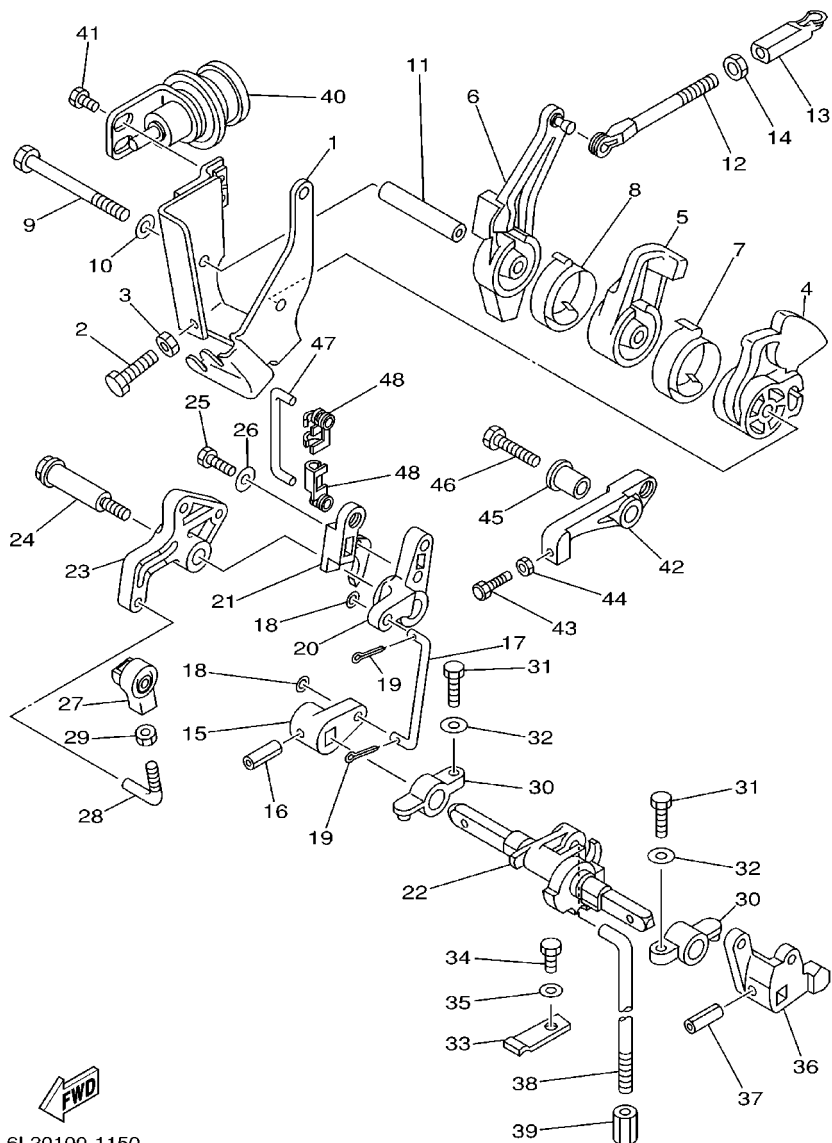
HANDLE STEERING
ASSY
(Fig. 14, Ref. No. 2 to 23)

REF. NO.	PART NO.	DESCRIPTION	20MH	25MH	25W	REMARKS
1	6L2-W0084-00-4D	HANDLE STEERING ASSY	1	1	1	
2	6G1-42111-11-4D	HANDLE, STEERING	1	1	1	
3	90206-36M21	WASHER, WAVE	1	1	1	
4	90202-36M55	WASHER, PLATE	1	1	1	
5	90386-33M96	BUSH	1	1	1	
6	90386-34M97	BUSH	1	1	1	
7	6G1-42131-01	COVER, HANDLE STEERING	1	1	1	
8	97095-06020	BOLT	1	1	1	
9	6G1-42125-01	BOLT, FRICTION ADJUSTING	1	1	1	
10	6G1-42126-00	FRICTION, STEERING HANDLE GRIP	1	1	1	
11	91490-16010	PIN, COTTER	1	1	1	
12	664-42119-00	GRIP, STEERING HANDLE	1	1	1	
13	6F6-42177-A0	RUBBER, HANDLE	1	1	1	
14	6L2-42137-00	INDICATOR, THROTTLE	1	1	1	
15	90269-02M09	RIVET	1	1	1	
16	90501-23215	SPRING, COMPRESSION	1	1	1	
17	92903-10600	WASHER, PLATE	1	1	1	
18	90149-05M13	SCREW	1	1	1	
19	90386-08032	BUSH	1	1	1	
20	6G1-42138-01	LEVER, THROTTLE	1	1	1	
21	6E0-42159-02	STAY	1	1	1	
22	97885-05012	SCREW, PAN HEAD	2	2	2	
23	6L2-26301-00	THROTTLE CABLE ASSY	2	2	2	
24	6L2-44111-01-94	HANDLE, GEAR SHIFT	1	1	1	
25	90386-15M73	BUSH	2	2	2	
26	90206-15M18	WASHER, WAVE	1	1	1	
27	90202-15M37	WASHER, PLATE	1	1	1	



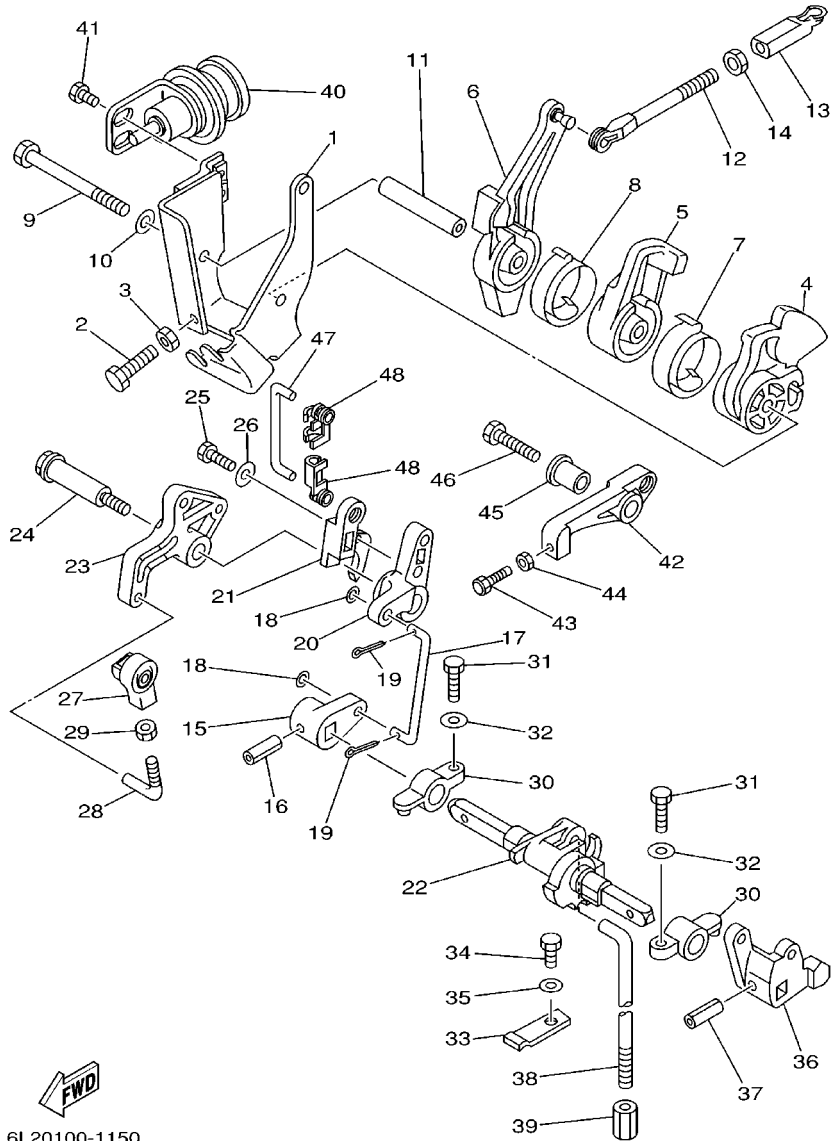
6L20100-4140

FIG. 15 CONTROL 1



6L20100-1150

REF. NO.	PART NO.	DESCRIPTION	20MH	25MH	25W	REMARKS
1	6L2-14497-00	STAY, THROTTLE WIRE	1	1	1	
2	97095-06020	BOLT	1	1	1	
3	95380-06700	NUT	1	1	1	
4	6L2-41213-00	CAM, ACCEL.	1	1	1	
5	6L2-41283-00	LEVER, FREE ACCEL.	1	1	1	
6	6L2-41631-00	LEVER, MAGNETO CONTROL	1	1	1	
7	6J8-42167-00	SPRING 1	1	1	1	
8	6L2-42167-00	SPRING 1	1	1	1	
9	97095-06075	BOLT	1	1	1	
10	92995-06600	WASHER	1	1	1	
11	90387-06M18	COLLAR	1	1	1	
12	689-42169-01	JOINT	1	1	1	
13	662-41237-01	JOINT, LINK	1	1	1	
14	95380-05600	NUT	1	1	1	
15	6L2-44122-00	BUSHING, SHIFT ROD LEVER	1	1	1	
16	90254-03M04	PIN, SPRING	1	1	1	
17	6L2-42192-00	ROD 2	1	1	1	
18	90202-05088	WASHER, PLATE	2	2	2	
19	91490-20010	PIN, COTTER	2	2	2	
20	6L2-44141-01	LINK, SHIFT ROD	1	1	1	
21	6L2-44141-10-94	LINK, SHIFT ROD	1	1	1	
22	6L2-44121-00	LEVER, SHIFT ROD	1	1	1	
23	6L2-41212-00	ARM, ACCEL.	1	1	1	
24	90109-06M28	BOLT	1	1	1	
25	97013-05016	BOLT	1	1	1	
26	92903-05600	WASHER, PLATE	1	1	1	
27	6L2-41237-00	JOINT, LINK	1	1	1	

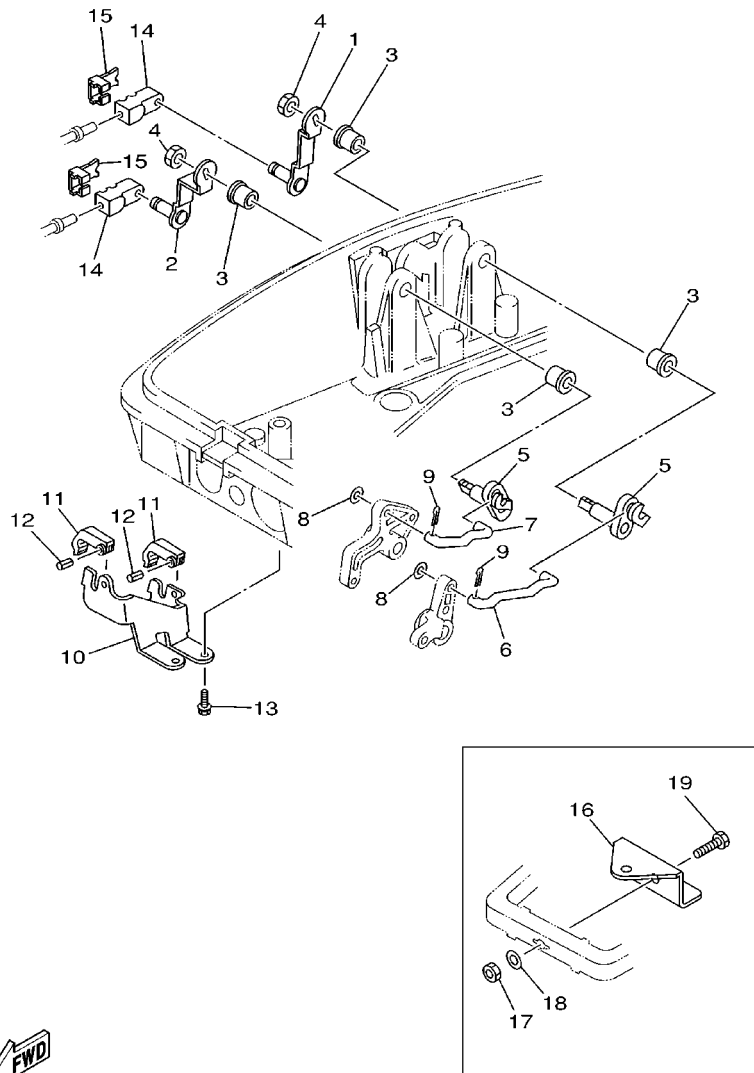


6L20100-1150

FIG. 15 CONTROL 1

REF. NO.	PART NO.	DESCRIPTION	20MH	25MH	25W	REMARKS
28	6L2-41238-00	JOINT, LINK	1	1	1	
29	95380-05700	NUT	1	1	1	
30	6G1-41662-01-94	BRACKET	2	2	2	
31	97013-06020	BOLT	2	2	2	
32	92903-06600	WASHER, PLATE	2	2	2	
33	6J8-44116-00	SPRING	1	1	1	
34	97095-06012	BOLT	1	1	1	
35	92995-06600	WASHER	1	1	1	
36	6L2-44123-00	ARM, SHIFT ROD	1	1	1	
37	90254-03M04	PIN, SPRING	1	1	1	
38	6L2-44143-00	ROD, SHIFT	1	1	1	
39	90170-06015	NUT	1	1	1	
40	6L2-14368-00	DIAPHRAGM ASSY 1	1	1	1	
41	97095-06008	BOLT	2	2	2	
42	6L2-44114-10	STOPPER	1	1		
43	90149-06M09	SCREW	1	1		
44	95380-06700	NUT	1	1		
45	90387-06M15	COLLAR	1	1		
46	97095-06030	BOLT	1	1		
47	6L2-42192-10	ROD 2	1	1		
48	6F5-41237-00	JOINT, LINK	2	2		

FIG. 16 CONTROL 2

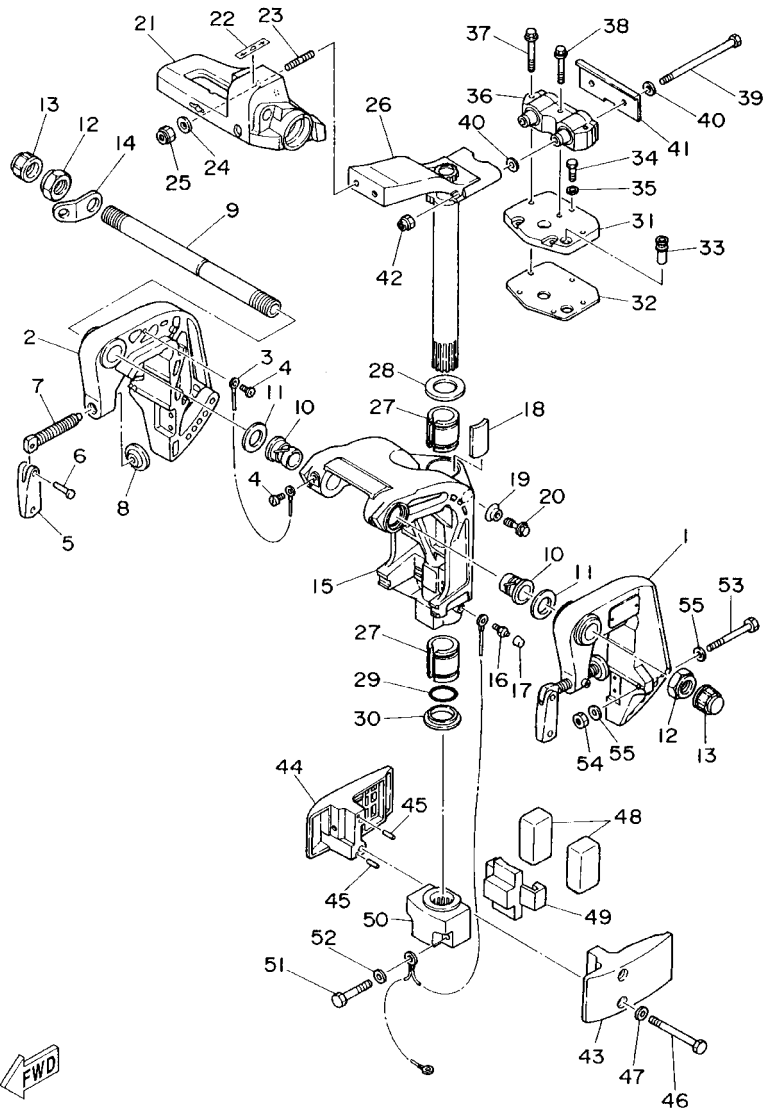


REF. NO.	PART NO.	DESCRIPTION	20MH	25MH	25W	REMARKS
1	6L2-48544-01	LEVER, SHIFTCONTROL			1	
2	6L2-48534-01	THROTTLE LEVER, CONTROL			1	
3	90386-10009	BUSH			4	
4	95780-08300	NUT, FLANGE			2	
5	6L2-42154-01	LEVER, THROTTLE CONTROL			2	
6	6L2-42191-01	ROD 1			1	
7	6L2-42192-20	ROD 2			1	
8	90202-05088	WASHER, PLATE			2	
9	91490-20010	PIN, COTTER			2	
10	6L2-48531-00	BRACKET, REMOTE CONTROL 1			1	
11	682-48538-50	CLAMP, CABLE 1			2	
12	91690-30012	PIN, SPRING			2	
13	90105-06M23	BOLT FLANGE			2	
14	6G8-26363-00	END, CABLE			2	
15	6G8-26364-00	END, CABLE 2			2	
16	6L2-48511-00	HOOK, STEERING			1	
17	90185-10051	NUT, SELF-LOCKING			1	
18	92990-10600	WASHER, PLATE			1	
19	97075-10040	BOLT			1	


6L20100-1160

D6

FIG. 17 BRACKET 1

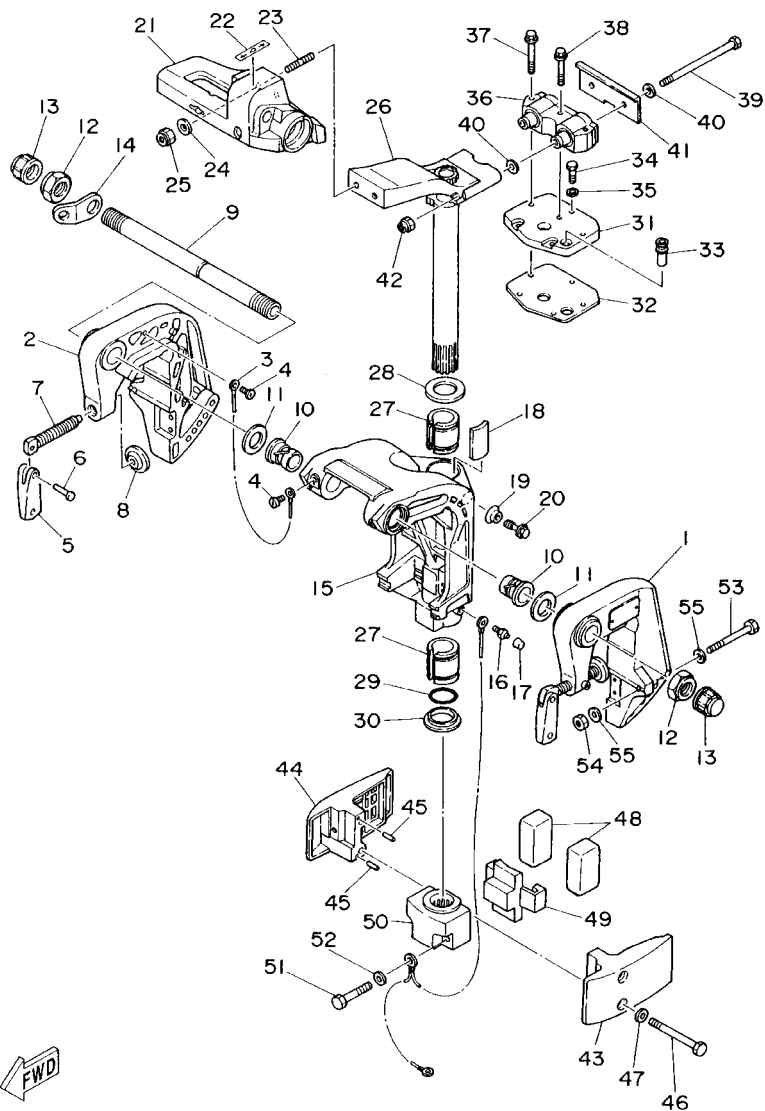


6L20010-4160

REF. NO.	PART NO.	DESCRIPTION	20MH	25MH	25W	REMARKS
1	6L2-43111-04-4D	BRACKET, CLAMP	1	1	1	
2	6L2-43112-05-4D	BRACKET, CLAMP	1	1	1	
3	6E5-82148-00	WIRE, LEAD 4	1	1	1	
4	97885-06008	SCREW, PAN HEAD	2	2	2	
5	6E0-43118-01	HANDLE, TRANSOM CLAMP	2	2	2	
6	90243-04M01	PIN	2	2	2	
7	6L2-43116-00	SCREW, TRANSOM CLAMP	2	2	2	
8	648-43114-01	PAD, TRANSOM CLAMP	2	2	2	
9	6J8-43131-01	BOLT, CLAMP BRACKET	1	1	1	
10	90386-22M67	BUSH	2	2	2	
11	90201-22M03	WASHER, PLATE	2	2	2	
12	90185-22043	NUT, SELF-LOCKING	2	2	2	
13	6G5-43145-01	CAP, CLAMP BRACKET	2	2	2	
14	6J8-43113-01	PLATE, CLAMP BRACKET	1	1	1	
15	6L2-43311-05-4D	BRACKET, SWIVEL 1	1	1	1	
16	93700-06M03	NIPPLE, GREASE	1	1	1	AP
17	663-45119-00	CAP, GREASE NIPPLE	1	1	1	
18	6H4-42528-00	PLATE, FRICTION	1	1	1	
19	689-43373-01	SEAL, DAMPER	1	1	1	
20	90105-06M18	BOLT, WASHER BASED	1	1	1	
21	6L2-42121-02-4D	BRACKET	1	1	1	
22	6E0-44191-11	INDICATOR, SHIFT	1	1	1	
23	90116-10M28	BOLT, STUD	2	2	2	
24	92995-10600	WASHER	2	2	2	
25	90185-10051	NUT, SELF-LOCKING	2	2	2	
26	6L2-42510-01-4D	STEERING BRACKET ASSY	1	1	1	
27	90386-30M75	BUSH	2	2	2	

D7

FIG. 17 BRACKET 1

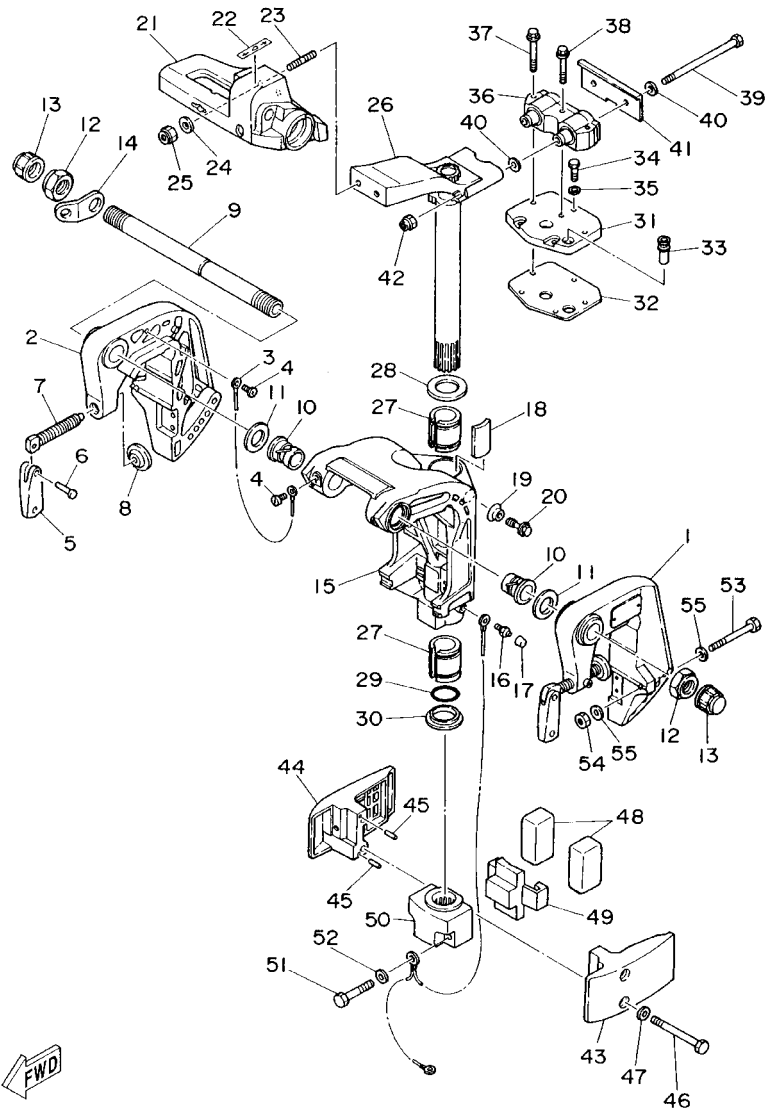


6L20010-4160

REF. NO.	PART NO.	DESCRIPTION	20MH	25MH	25W	REMARKS
28	90201-30M00	WASHER, PLATE	1	1	1	
29	93210-29375	O-RING	1	1	1	
30	90386-30M60	BUSH	1	1	1	
31	6L2-44512-00-4D	COVER, UPPER MOUNT	1	1	1	
32	6L2-45114-A1	GASKET, UPPER CASING	1	1	1	
33	6L2-44365-00	DAMPER, WATER SEAL	1	1	1	
34	97095-06020	BOLT	3	3	3	
35	92995-06600	WASHER	3	3	3	
36	6L2-44514-01	MOUNT DAMPER, UPPER SIDE	1	1	1	
37	90119-06M04	BOLT, WITH WASHER	2	2	2	
38	90119-06M05	BOLT, WITH WASHER	1	1	1	
39	90101-08M09	BOLT	2	2	2	
40	90201-08M01	WASHER, PLATE	4	4	4	
41	6L2-44526-00	PLATE	1	1	1	
42	90185-08057	NUT, SELF-LOCKING	2	2	2	
43	6L2-44551-01-4D	HOUSING, LOWER MOUNT RUBBER	1	1	1	
44	6L2-44552-01-4D	HOUSING, LOWER MOUNT RUBBER	1	1	1	
45	93604-12M07	PIN, DOWEL	2	2	2	
46	97095-08085	BOLT	2	2	2	
47	92995-08600	WASHER	2	2	2	
48	6L2-44555-00	MOUNT DAMPER, LOWER SIDE	2	2	2	
49	6L2-44557-00	MOUNT DAMPER, LOWER FRONT	1	1	1	
50	6L2-44553-01-4D	COVER, LOWER MOUNT	1	1	1	
51	97095-08045	BOLT	2	2	2	
52	92995-08600	WASHER	2	2	2	
53	97095-08070	BOLT	2	2	2	AP
54	95380-08600	NUT	4	4	4	AP

E1

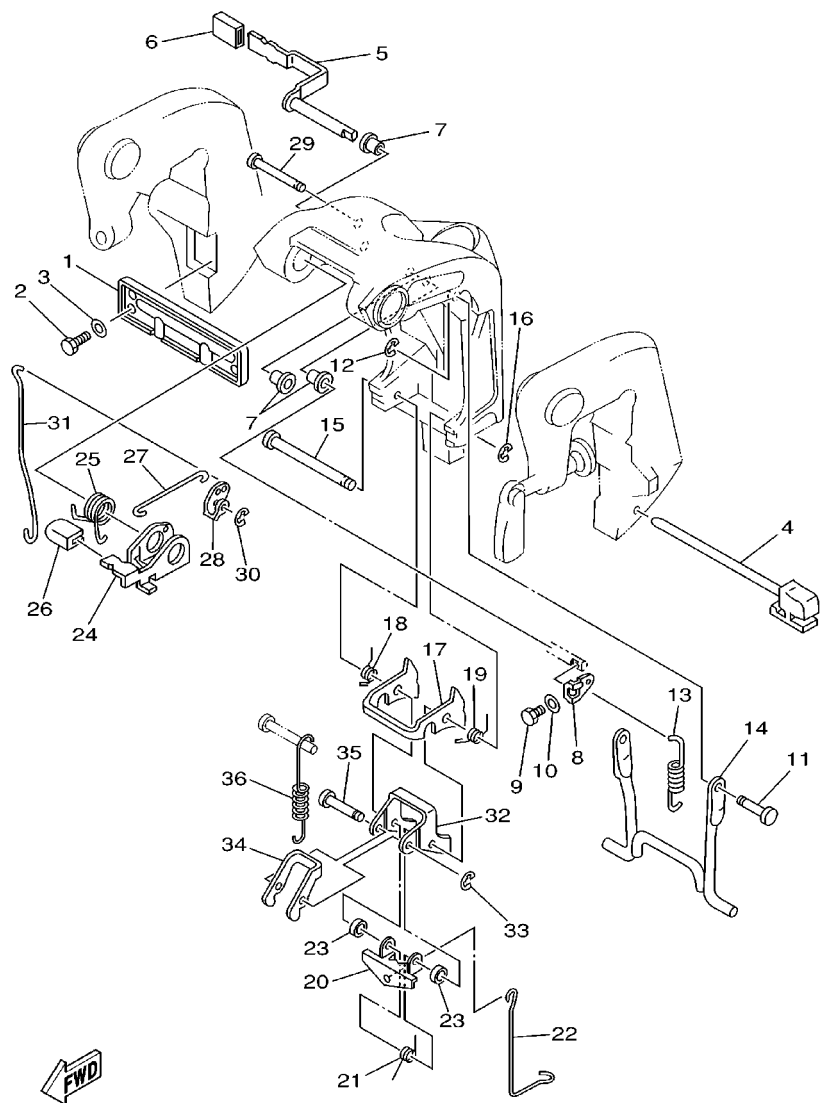
FIG. 17 BRACKET 1



6L20010-4160

REF. NO.	PART NO.	DESCRIPTION	20MH	25MH	25W	REMARKS
55	92995-08600	WASHER	4	4	4	AP

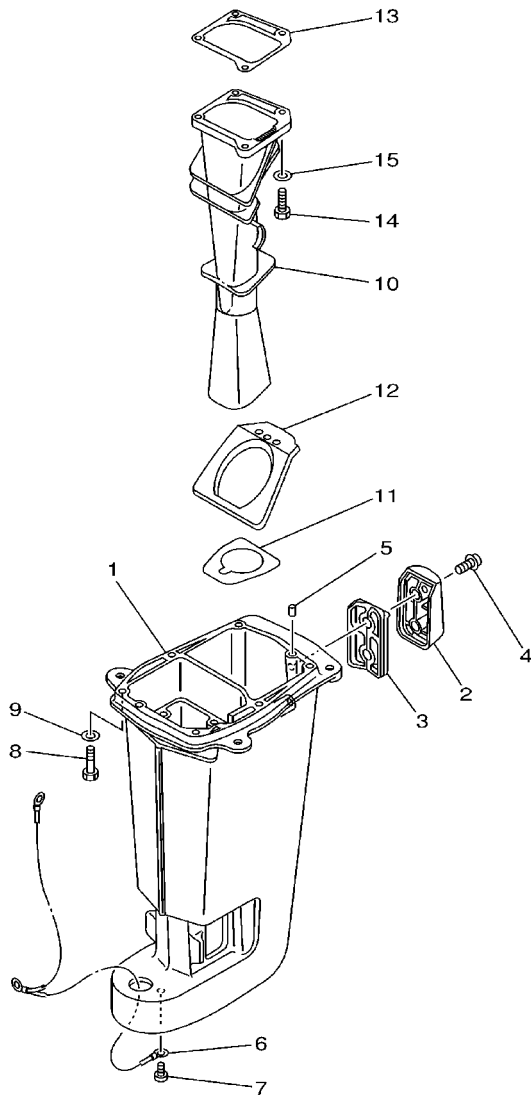
FIG. 18 BRACKET 2



6L20100-1180

REF. NO.	PART NO.	DESCRIPTION	20MH	25MH	25W	REMARKS
1	6L2-43165-01	PLATE, TILT LOCK	1	1	1	
2	97090-06010	BOLT	4	4	4	
3	92990-06600	WASHER, PLATE	4	4	4	
4	6L2-43160-00	TILT ROD ASSY	1	1	1	
5	6L2-43630-01	TILT LEVER ASSY	1	1	1	
6	682-43318-01	COVER	1	1	1	
7	90386-08032	BUSH	3	3	3	
8	6L2-43682-01	LEVER, SHALLOW WATER DRIVE 2	1	1	1	
9	97095-05010	BOLT	1	1	1	
10	92995-05600	WASHER	1	1	1	
11	6L2-43191-01	SHAFT, STOPPER	1	1	1	
12	99080-05600	CIRCLIP	1	1	1	
13	90506-20M27	SPRING, TENSION	1	1	1	
14	6L2-43350-02	RECEIVER ASSY	1	1	1	
15	6J8-43611-01	SHAFT, TILT LOCK	1	1	1	
16	99080-05600	CIRCLIP	1	1	1	
17	6L2-43614-00	PLATE, TILT LOCK	1	1	1	
18	90508-12M28	SPRING, TORSION	1	1	1	
19	90508-12M29	SPRING, TORSION	1	1	1	
20	6L2-43615-00	PLATE, TILT LOCK	1	1	1	
21	6L2-43657-00	SPRING, LOCK	1	1	1	
22	6L2-43676-00	HOOK	1	1	1	
23	6G0-44365-00	DAMPER, WATER SEAL	2	2		FOR USA,CANADA
24	6L2-43631-00	LEVER, TILT	1	1	1	FOR OCEANIA
25	6L2-43188-00	SPRING	1	1	1	FOR OCEANIA
26	6L2-43633-10	COVER, TILT LEVER	1	1	1	FOR OCEANIA
27	6L2-43611-00	SHAFT, TILT LOCK	1	1	1	FOR OCEANIA

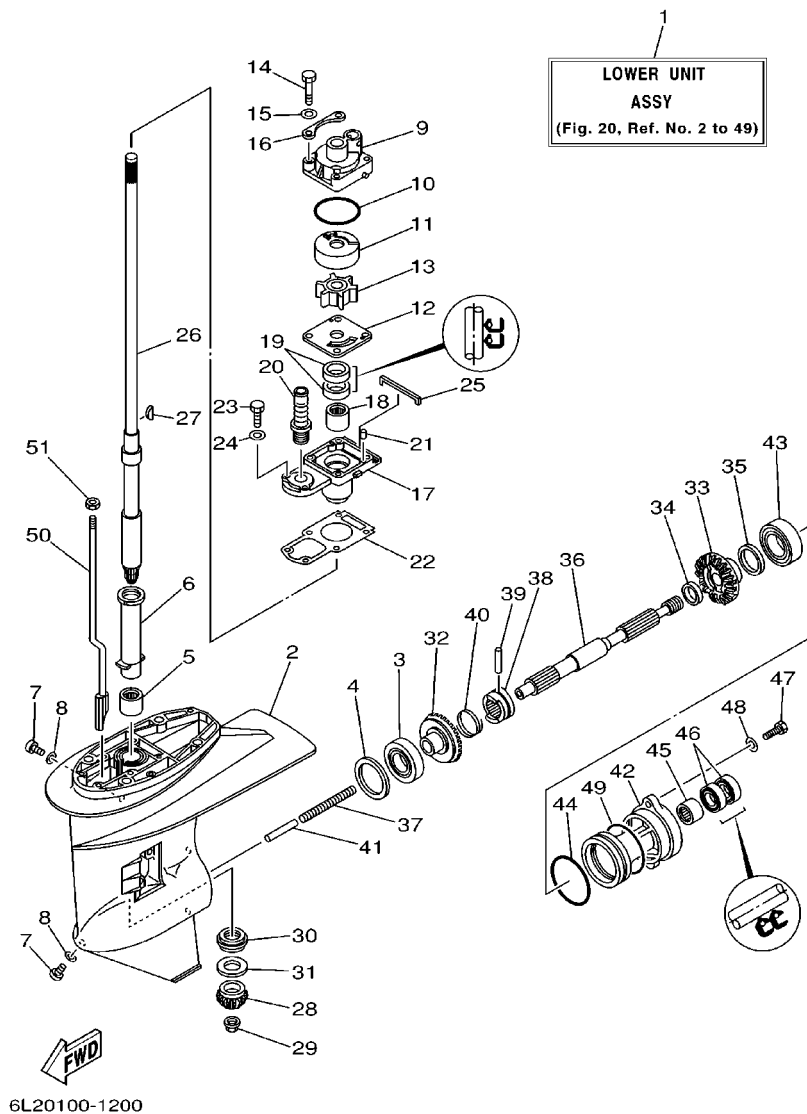
FIG. 19 UPPER CASING



REF. NO.	PART NO.	DESCRIPTION	20MH	25MH	25W	REMARKS
1	6L2-45111-02-4D	CASING, UPPER	1	1		S
	6L2-45111-12-4D	CASING, UPPER	1	1	1	L
2	6L2-45151-01-4D	COVER, UPPER CASING	1	1	1	
3	6L2-45115-00	GASKET, UPPER CASING	1	1	1	
4	90159-06M11	SCREW, WITH WASHER	2	2	2	
5	93604-12M07	PIN, DOWEL	2	2	2	
6	6L2-82127-00	WIRE, LEAD 2	1	1	1	
7	90157-06M06	SCREW, PAN HEAD	1	1	1	
8	97075-08030	BOLT	6	6	6	
9	92995-08600	WASHER	6	6	6	
10	6L2-41131-00-5B	MANIFOLD, EXT. 1		1	1	
	6L3-41131-00-5B	MANIFOLD, EXT. 1	1			
11	6L2-41134-00	GASKET, EXHAUST MANIFOLD	1	1	1	
12	6L2-45123-01	GASKET, MUFFLER	1	1	1	
13	6L2-41133-A1	GASKET, EXHAUST MANIFOLD 1	1	1	1	
14	97095-06020	BOLT	4	4	4	
15	92995-06600	WASHER	4	4	4	

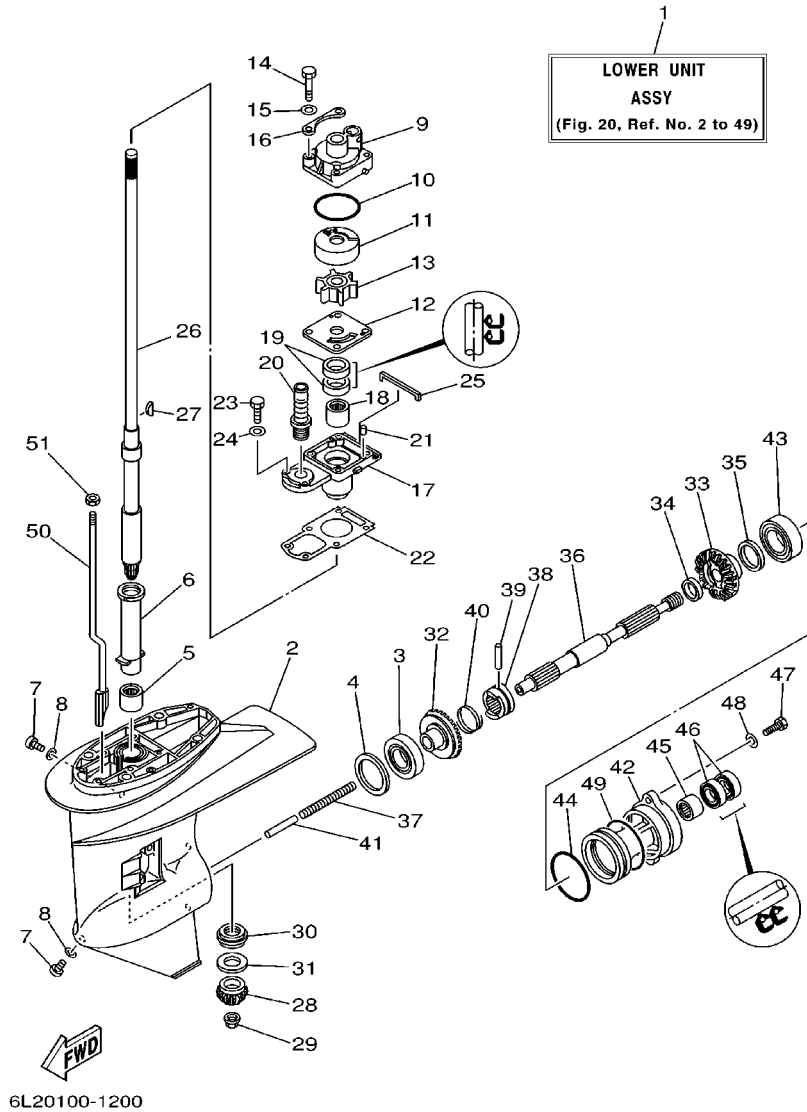
6L20100-1190

FIG. 20 LOWER CASING. DRIVE 1



REF. NO.	PART NO.	DESCRIPTION	20MH	25MH	25W	REMARKS
1	6L2-45300-02-4D	LOWER UNIT ASSY	1	1		S
	6L2-45300-12-4D	LOWER UNIT ASSY	1	1	1	L
2	6L2-45311-02-4D	CASING, LOWER	1	1	1	
3	93332-00005	BEARING	1	1	1	
4	6L2-45567-00-10	SHIM (T:1.0MM)	1	1	1	UR
	6L2-45567-00-11	SHIM (T:1.1MM)	1	1	1	UR
	6L2-45567-00-12	SHIM (T:1.2MM)	1	1	1	UR
	6L2-45567-00-13	SHIM (T:1.3MM)	1	1	1	UR
	6L2-45567-00-14	SHIM (T:1.4MM)	1	1	1	UR
5	93315-220V9	BEARING	1	1	1	
6	6L2-45536-00	SLEEVE, DRIVE SHAFT	1	1	1	
7	90340-08M04	PLUG, STRAIGHT SCREW	2	2	2	
8	90430-08020	GASKET	2	2	2	
9	6L2-44311-00	HOUSING, WATER PUMP	1	1	1	
10	93210-45161	O-RING	1	1	1	
11	6L2-44322-00	INSERT, CARTRIDGE	1	1	1	
12	6L2-44323-00	OUTER PLATE, CARTRIDGE	1	1	1	
13	6L2-44352-00	IMPELLER	1	1	1	
14	97095-06040	BOLT	4	4	4	
15	92995-06600	WASHER	4	4	4	
16	6L2-44328-00	PLATE	2	2	2	
17	6L2-45331-00-5B	HOUSING, BEARING	1	1	1	
18	93315-22004	BEARING	1	1	1	
19	93101-20048	OIL SEAL	2	2	2	
20	6L2-44147-00	BOOT, SHIFT ROD	1	1	1	
21	93604-12M07	PIN, DOWEL	2	2	2	
22	6L2-45315-A0	PACKING, LOWER CASING	1	1	1	

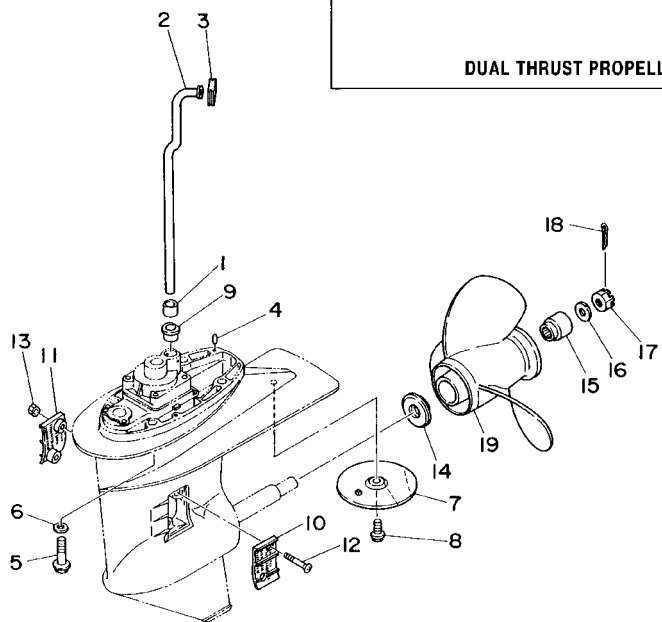
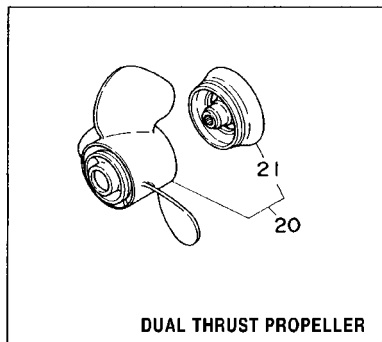
FIG. 20 LOWER CASING. DRIVE 1



REF. NO.	PART NO.	DESCRIPTION	20MH	25MH	25W	REMARKS
23	97095-06020	BOLT	2	2	2	
24	92995-06600	WASHER	2	2	2	
25	6L2-45375-00	DAMPER, SEAL	1	1	1	
26	6L2-45510-00	DRIVE SHAFT ASSY	1	1		S
	6L2-45510-10	DRIVE SHAFT ASSY	1	1	1	L
27	90280-03024	KEY, WOODRUFF	1	1	1	
28	6L2-45551-01	PINION	1	1	1	
29	90179-10M14	NUT	1	1	1	
30	93341-320U0	BEARING	1	1	1	
31	6L2-45587-00-15	SHIM (T:1.5MM)	1	1	1	UR
	6L2-45587-00-16	SHIM (T:1.6MM)	1	1	1	UR
32	6L2-45560-00	GEAR	1	1	1	
33	6L2-45571-00	GEAR	1	1	1	
34	90201-20417	WASHER, PLATE	1	1	1	
35	6L2-45577-00-10	SHIM (T:1.0MM)	1	1	1	UR
	6L2-45577-00-11	SHIM (T:1.1MM)	1	1	1	UR
	6L2-45577-00-12	SHIM (T:1.2MM)	1	1	1	UR
	6L2-45577-00-13	SHIM (T:1.3MM)	1	1	1	UR
36	6L2-45611-00	SHAFT, PROPELLER	1	1	1	
37	90501-10065	SPRING, COMPRESSION	1	1	1	
38	6L2-45631-00	CLUTCH, DOG	1	1	1	
39	90250-05010	PIN, STRAIGHT	1	1	1	
40	648-45633-00	RING, CROSS PIN	1	1	1	
41	648-45635-00	PLUNGER, SHIFT	1	1	1	
42	6L2-45361-03-4D	CAP, LOWER CASING	1	1	1	
43	93306-00612	BEARING	1	1	1	
44	93210-60MA3	O-RING	1	1	1	

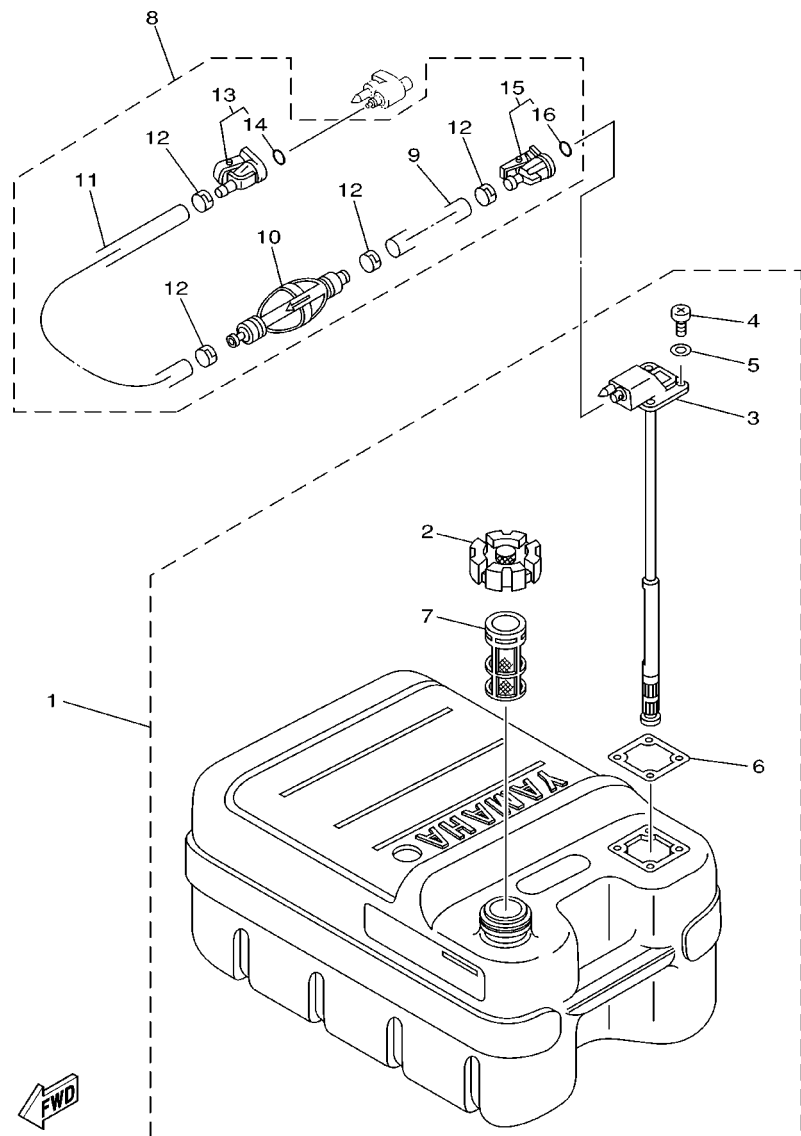
FIG. 21 LOWER CASING. DRIVE 2

REF. NO.	PART NO.	DESCRIPTION	20MH	25MH	25W	REMARKS
1	6L2-44368-00	RUBBER, WATER SEAL 4	1	1	1	
2	6L2-44361-00	TUBE, WATER	1	1		S
	6L2-44361-10	TUBE, WATER	1	1	1	L
3	6L2-44366-00	DAMPER, WATER SEAL	1	1	1	
4	93604-12M07	PIN, DOWEL	2	2	2	
5	90105-10M12	BOLT, WASHER BASED	4	4	4	
6	92990-10600	WASHER, PLATE	4	4	4	
7	664-45371-01	TAB-TRIM	1	1	1	
8	90105-08M02	BOLT, WASHER BASED	1	1	1	
9	6L2-44367-00	DAMPER, WATER SEAL	1	1	1	
10	6L2-45214-00	COVER, WATER INLET	1	1	1	
11	6L2-45215-00	COVER, WATER INLET	1	1	1	
12	90151-05M05	SCREW, COUNTERSUNK	2	2	2	
13	90185-05002	NUT, SELF-LOCKING	2	2	2	
14	6L2-45987-01	SPACER	1	1	1	
15	689-45997-00	SPACER	1	1	1	
16	92990-14200	WASHER, PLAIN	1	1	1	
17	90171-14013	NUT, CASTLE	1	1	1	
18	91490-30022	PIN, COTTER	1	1	1	
19	664-45941-01-EL	PROPELLER (3X9-7/8"X9"-F)	1	1	1	UR
	664-45943-01-EL	PROPELLER (3X9-7/8"X8"-F)	1	1	1	UR
	664-45945-00-EL	PROPELLER (3X9-7/8"X10-1/2"-F)	1	1	1	UR
	664-45947-01-EL	PROPELLER (3X9-7/8"X11-1/4"-F)	1	1	1	UR
	664-45949-02-EL	PROPELLER (3X9-7/8"X13"-F)	1	1	1	UR
	664-45952-00-EL	PROPELLER (3X9-7/8"X14"-F)	1	1	1	UR
	664-45954-01-EL	PROPELLER (3X9-7/8"X12"-F)	1	1	1	UR
	664-45970-00-98	PROPELLER (3X9-1/8"X13"-F)	1	1	1	UR STAINLESS STEEL, WEEDLESS



6L20010-4200

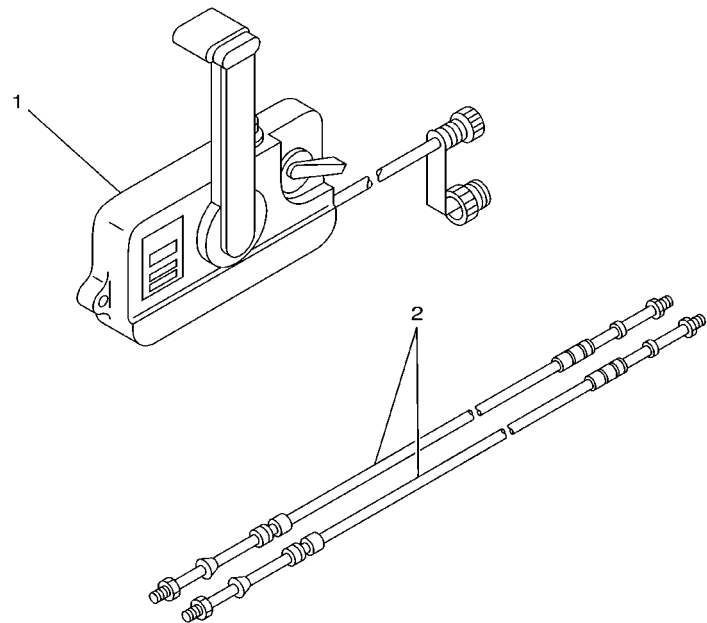
FIG. 22 FUEL TANK



67C0100-9300

REF. NO.	PART NO.	DESCRIPTION	20MH	25MH	25W	REMARKS
1	6YJ-24201-50	FUEL TANK ASSY	1	1		AP FOR CANADA
	6YJ-24201-10	FUEL TANK ASSY (24L)	1	1	1	AP FOR OCEANIA WITH INDICATOR
2	6YJ-24610-01	.CAP ASSY	1	1	1	
3	6Y1-24260-12	.FUEL METER ASSY	1	1	1	WITH INDICATOR
4	98586-05016	.SCREW, PAN HEAD	4	4	4	
5	6Y1-24329-00	.SEAL	4	4	4	
6	6Y1-24268-00	.GASKET, FUEL METER	1	1	1	
7	6YJ-24167-00	.STRAINER	1	1	1	
8	6Y1-24306-53	FUEL PIPE COMP. 1	1	1		AP FOR CANADA
	61J-24306-02	FUEL PIPE COMP. 1	1	1	1	AP FOR OCEANIA
9	90445-11M06	.HOSE (L2050)	1	1	1	
10	6Y1-24360-52	.PRIMER PUMP ASSY	1	1		FOR CANADA
	61J-24360-00	.PRIMER PUMP ASSY	1	1	1	FOR OCEANIA
11	90445-11M05	.HOSE (L:850MM)	1	1	1	
12	650-24351-51	.BAND 1	4	4	4	
13	6G1-24305-03	.FUEL PIPE JOINT COMP. 2	1	1	1	
14	93210-08287	..O-RING	1	1	1	
15	6Y1-24305-04	.FUEL PIPE JOINT COMP. 2	1	1	1	
16	93210-08287	..O-RING	1	1	1	

FIG. 23 REMOTE CONTROL BOX

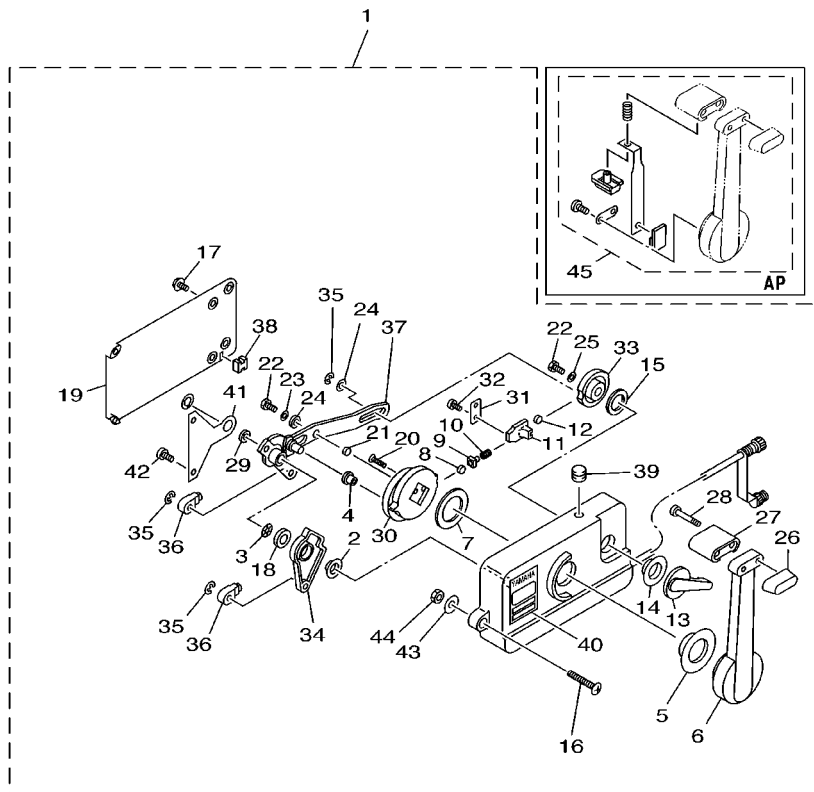


REF. NO.	PART NO.	DESCRIPTION	20MH	25MH	25W	REMARKS
1	701-48101-51	REMOTE CONTROL ASSY			1	AP
2	701-48310-90	CABLE, REMOTE CONTROL L=11F			2	UR
	701-48320-00	CABLE, REMOTE CONTROL L=12F			2	UR
	701-48320-20	CABLE, REMOTE CONTROL L=13F			2	UR
	701-48320-50	CABLE, REMOTE CONTROL L=15F			2	UR



63V0100-9220

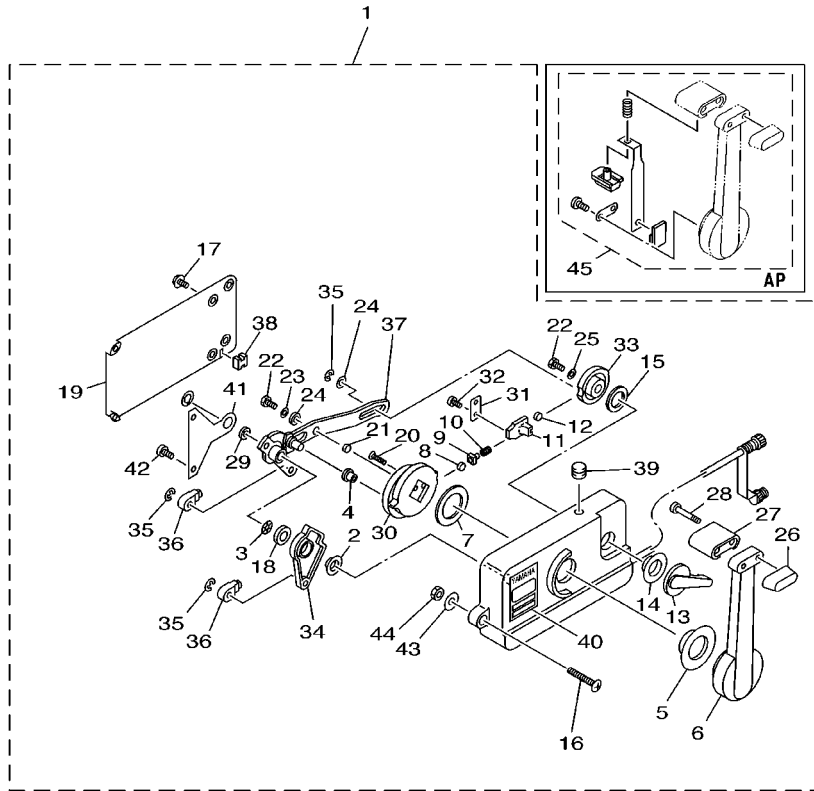
FIG. 24 REMOTE CONTROL ASSY



FWD
6G80100-9300

REF. NO.	PART NO.	DESCRIPTION	20MH	25MH	25W	REMARKS
1	701-48101-51	REMOTE CONTROL ASSY			1	AP
2	701-48235-00	.BUSHING			1	
3	701-48197-10	.WASHER, WAVE			1	
4	701-48252-00	.ROLLER, CAM			1	
5	701-48234-00	.BUSHING 1			1	
6	701-48221-00	.LEVER, CONTROL			1	
7	701-48196-11	.WASHER, WAVE			1	
8	701-48236-00	.ROLLER, DETENT			1	
9	702-48237-00	.ADAPTOR			1	
10	702-48238-00	.SPRING, DETENT			1	
11	701-48249-00	.ADAPTOR, SPRING			1	
12	701-48248-00	.ROLLER, FREE ACCEL.			1	
13	701-48152-11	.KNOB, FREE ACCEL.			1	RIGHT
14	701-48243-00	.BUSHING			1	
15	701-48198-10	.WASHER, WAVE			1	
16	701-48281-10	.SCREW			3	
17	701-48289-00	.SCREW			4	
18	701-48268-00	.SPACER			1	
19	701-48213-00	.BACK PLATE 2			1	
20	92780-06025	.SCREW, FLAT HEAD			2	
21	701-48255-00	.COLLAR			1	
22	97390-06018	.BOLT			2	
23	702-48288-00	.WASHER, PLAIN			1	
24	701-48246-00	.SPACER			2	
25	92990-06300	.WASHER, INTERNAL TOOTH			1	
26	701-48229-00	.GRIP, CONTROL LEVER			1	
27	701-48222-00	.GRIP, CONTROL LEVER			1	

FIG. 24 REMOTE CONTROL ASSY

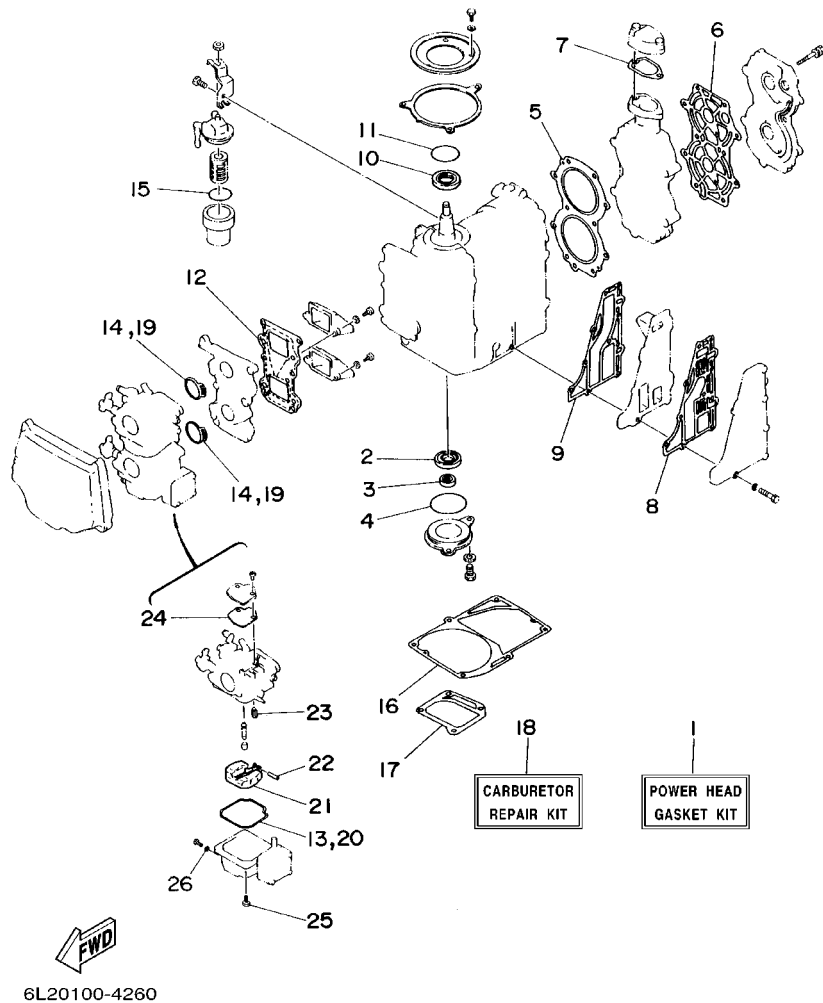


REF. NO.	PART NO.	DESCRIPTION	20MH	25MH	25W	REMARKS
28	701-48282-00	.SCREW			2	
29	701-48266-00	.SPACER			1	
30	701-48232-00	.GEAR			1	
31	701-48189-11	.RETAINER			1	
32	98580-05010	.SCREW, PAN HEAD			2	
33	701-48153-12	.SHAFT, FREE ACCEL.			1	
34	701-48271-00	.ARM, SHIFT			1	RIGHT
35	93430-06024	.CIRCLIP			3	
36	703-48345-01	.CABLE END,REMOTE CONTROL 2			2	
37	701-48261-00	.ARM, THROTTLE			1	RIGHT
38	701-48358-00	.ANCHOR, CABLE			1	
39	701-48138-50	.CAP, LOCK ARM			1	
40	701-48126-00	.GRAPHIC			1	
41	701-48133-00	.PLATE, LINK			1	
42	98580-05020	.SCREW, PAN HEAD			2	
43	701-48287-00	.WASHER			3	
44	95380-06600	.NUT, HEXAGON			3	
45	701-48280-00	NEUTRAL LOCK KIT			1	AP



6G80100-9300

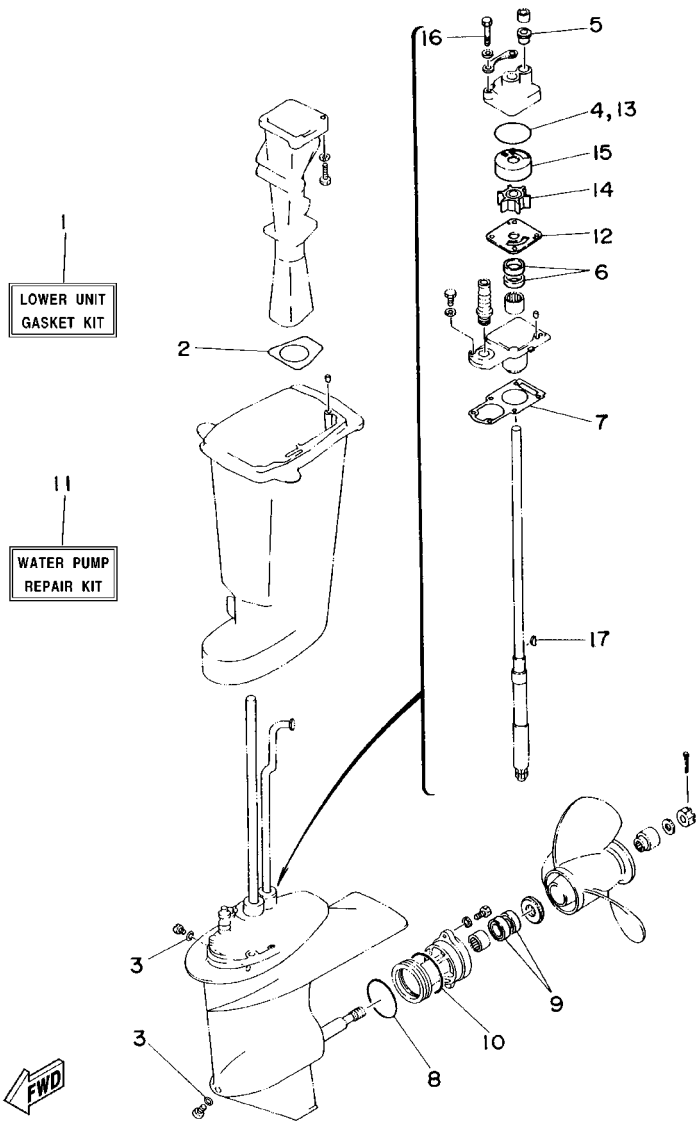
FIG. 26 REPAIR KIT 1



REF. NO.	PART NO.	DESCRIPTION	20MH	25MH	25W	REMARKS
1	6L2-W0001-03	POWER HEAD GASKET KIT	1	1	1	
2	93102-25142	.OIL SEAL	1	1	1	
3	93101-13M37	.OIL SEAL	1	1	1	
4	93210-56M80	.O-RING	1	1	1	
5	6L2-11181-A2	.GASKET, CYLINDER HEAD 1	1	1	1	
6	6L2-11193-A1	.GASKET, HEAD COVER 1	1	1	1	
7	6J8-12414-A0	.GASKET, COVER	1	1	1	
8	6L2-41114-A1	.GASKET, EXHAUST OUTER COVER	1	1	1	
9	6L2-41112-A1	.GASKET, EXHAUST INNER COVER	1	1	1	
10	93102-26M27	.OIL SEAL	1	1	1	
11	93210-42159	.O-RING	1	1	1	
12	6L2-13621-00	.GASKET, VALVE SEAT	1	1	1	
13	6L2-14384-00	.GASKET, FLOAT CHAMBER	2	2	2	
14	6L2-14198-00	.GASKET	2	2	2	
15	93210-32738	.O-RING	1	1	1	
16	6L2-45113-A1	.GASKET, UPPER CASING	1	1	1	
17	6L2-41133-A1	.GASKET, EXHAUST MANIFOLD 1	1	1	1	
18	6L2-W0093-00	CARBURETOR REPAIR KIT	1	1	1	
19	6L2-14198-00	.GASKET	2	2	2	
20	6L2-14384-00	.GASKET, FLOAT CHAMBER	2	2	2	
21	6L2-14385-00	.FLOAT	2	2	2	
22	6E5-14386-01	.PIN, FLOAT	2	2	2	
23	6L2-14392-00	.VALVE, NEEDLE	2	2	2	
24	6L2-14399-00	.GASKET	2	2	2	
25	97980-04112	.SCREW, WITH WASHER	2	2	2	
26	6L2-14398-00	.GASKET	2	2	2	

FIG. 27 REPAIR KIT 2

REF. NO.	PART NO.	DESCRIPTION	20MH	25MH	25W	REMARKS
1	6L2-W0001-C3	LOWER UNIT GASKET KIT	1	1	1	
2	6L2-41134-00	.GASKET, EXHAUST MANIFOLD	1	1	1	
3	90430-08020	.GASKET	2	2	2	
4	93210-45161	.O-RING	1	1	1	
5	6L2-44367-00	.DAMPER, WATER SEAL	1	1	1	
6	93101-20048	.OIL SEAL	2	2	2	
7	6L2-45315-A0	.PACKING, LOWER CASING	1	1	1	
8	93210-60MA3	.O-RING	1	1	1	
9	93101-20M07	.OIL SEAL	2	2	2	
10	93210-60M99	.O-RING	1	1	1	
11	6L2-W0078-00	WATER PUMP REPAIR KIT	1	1	1	
12	6L2-44323-00	.OUTER PLATE, CARTRIDGE	1	1	1	
13	93210-45161	.O-RING	1	1	1	
14	6L2-44352-00	.IMPELLER	1	1	1	
15	6L2-44322-00	.INSERT, CARTRIDGE	1	1	1	
16	97095-06040	.BOLT	4	4	4	
17	90280-03024	.KEY, WOODRUFF	1	1	1	



6L20100-4270

NUMERICAL INDEX

PARTNO.	REF. NO.	PARTNO.	REF. NO.	PARTNO.	REF. NO.	PARTNO.	REF. NO.	PARTNO.	REF. NO.	PARTNO.	REF. NO.
6L2-W0001-C3	27 - 1	6L2-14198-00	26 - 14	6L2-15747-00	8 - 32	6L2-41112-A1	2 - 28	6L2-42192-20	16 - 7	6L2-43615-00	18 - 20
6L2-W0001-03	26 - 1		26 - 19	656-15748-00	8 - 26		26 - 9	6L2-42510-01-4D	17 - 26	6L2-43617-00	18 - 31
6L2-W0004-00	4 - 2	646-14212-01	5 - 17	689-15755-01	8 - 8	6L2-41113-00-9M	2 - 29	6H4-42528-00	17 - 18	6L2-43624-00	18 - 34
6L2-W0070-13	1 - 9	6L2-14301-01	5 - 1	6L2-15758-01-94	8 - 4	6L2-41114-A1	2 - 31	6L2-42610-13-4D	1 - 1	6L2-43630-01	18 - 5
6L2-W0078-00	27 - 11	6L3-14301-00	5 - 1	6L2-15762-00	8 - 7		26 - 8	6L3-42610-13-4D	1 - 1	6L2-43631-00	18 - 24
6L2-W0084-00-4D	14 - 1	6L2-14302-01	5 - 2	6L2-15770-00	8 - 28	6L2-41131-00-5B	19 - 10	6L2-42613-01-4D	1 - 6	6L2-43633-10	18 - 26
6L2-W0090-03-4D	2 - 1	6L3-14302-00	5 - 2	6L2-15772-00-94	8 - 35	6L3-41131-00-5B	19 - 10	6L2-42615-00	1 - 2	6L2-43641-00	18 - 28
6L2-W0090-53-4D	2 - 1	664-14321-01	5 - 18	6L2-15774-00	8 - 33	6L2-41133-A1	19 - 13	6L2-42647-00	1 - 4	6L2-43657-00	18 - 21
6L2-W0093-00	26 - 18	6L2-14323-00	5 - 16	6F5-15779-02	8 - 9		26 - 17	6G1-42651-71	1 - 3	6L2-43659-00	18 - 29
656-W2810-02	6 - 14	6E7-14325-00	5 - 26	6A0-15789-00	8 - 20	6L2-41134-00	19 - 11	6L2-42677-11	1 - 10	6L2-43676-00	18 - 22
6J8-W4591-00-EL	21 - 20	6L2-14341-00	5 - 12	6YJ-24167-00	22 - 7		27 - 2	6L3-42677-11	1 - 10	6L2-43682-01	18 - 8
6L2-11111-01-94	2 - 17	6L2-14342-30	5 - 14	6YJ-24201-10	22 - 1	6L2-41212-00	15 - 23	6L2-42678-11	1 - 11	6L2-44111-01-94	14 - 24
6L2-11181-A2	2 - 18	30X-14343-63	5 - 13	6YJ-24201-50	22 - 1	6L2-41213-00	15 - 4	6L3-42678-11	1 - 11	6L2-44114-10	15 - 42
	26 - 5	50M-14355-00	5 - 15	6Y1-24260-12	22 - 3	6L2-41217-00	4 - 26	6L2-42711-03-4D	13 - 1	6J8-44116-00	15 - 33
6L2-11191-00-9M	2 - 19	6L2-14368-00	15 - 40	6Y1-24268-00	22 - 6	6F5-41237-00	15 - 48	6L2-42716-00	13 - 18	6L2-44121-00	15 - 22
6L2-11193-A1	2 - 20	6L2-14381-00	5 - 3	6G1-24304-02	6 - 1	6L2-41237-00	15 - 27	6L2-42719-00	13 - 8	6L2-44122-00	15 - 15
	26 - 6	6L2-14383-00	5 - 3	6G1-24305-03	7 - 6	662-41237-01	15 - 13	6G1-42724-00	13 - 14	6L2-44123-00	15 - 36
6J8-11325-00	2 - 12	677-14383-00	5 - 20		22 - 13	6L2-41238-00	15 - 28	6L2-42724-00	13 - 9	6L2-44124-00	14 - 34
6H3-11327-00-94	2 - 13	6L2-14384-00	5 - 4	6Y1-24305-04	7 - 8	6L2-41257-00	4 - 25	6G1-42725-00	13 - 27	6L2-44125-00-94	14 - 29
6H3-11328-00	2 - 14		26 - 13		22 - 15	6J8-41259-00	4 - 22	6L2-42725-00	13 - 13	6L2-44141-01	15 - 20
6E5-11372-00	2 - 3		26 - 20	6Y1-24306-53	7 - 1	661-41262-02	4 - 23	6L2-42725-50	13 - 13	6L2-44141-10-94	15 - 21
676-11372-00	2 - 30	6L2-14385-00	5 - 5		22 - 8		8 - 34	6L2-42726-01	13 - 15	6L2-44143-00	15 - 38
6L2-11400-00	3 - 1		26 - 21	61J-24306-02	22 - 8	6J8-41271-01	4 - 24	6G1-42727-00	13 - 16	6L2-44147-00	20 - 20
6L2-11412-00	3 - 2	6E5-14386-01	5 - 6	6H4-24311-00	6 - 4	689-41273-00	13 - 11	6L2-42738-01	13 - 23	6L2-44150-00	20 - 50
6L2-11422-00	3 - 3		26 - 22	6L2-24311-00	6 - 5	6J8-41274-00	13 - 12	6L2-42748-01	13 - 17	6L2-44150-10	20 - 50
6L2-11432-00	3 - 4	6L2-14392-00	5 - 7	6Y1-24329-00	22 - 5	6L2-41283-00	15 - 5	6L2-42815-01-4D	13 - 2	6E0-44191-11	17 - 22
6L2-11442-00	3 - 5		26 - 23	650-24351-51	7 - 5	6G1-41611-00	9 - 17	6L2-42816-00	13 - 4	6L2-44311-00	20 - 9
6J8-11445-00	3 - 16	6L2-14398-00	5 - 21		22 - 12	6G1-41612-00	9 - 21	6L2-43111-04-4D	17 - 1	6L2-44322-00	20 - 11
6L2-11515-00	3 - 14		26 - 26	6Y1-24360-52	7 - 3	695-41613-00	9 - 18	6L2-43112-05-4D	17 - 2		27 - 15
6L2-11610-00	3 - 20	6L2-14399-00	5 - 11		22 - 10	6L2-41631-00	15 - 6	6J8-43113-01	17 - 14	6L2-44323-00	20 - 12
6L2-11610-10	3 - 20		26 - 24	61J-24360-00	22 - 10	6G1-41662-01-94	15 - 30	648-43114-01	17 - 8		27 - 12
6L2-11610-20	3 - 20	6L2-14417-00-94	4 - 12	677-24411-02	5 - 30	6G1-42111-11-4D	14 - 2	6L2-43116-00	17 - 7	6L2-44328-00	20 - 16
6L2-11631-00-97	3 - 19	6L2-14418-00	4 - 19	682-24412-01	5 - 29	664-42119-00	14 - 12	6E0-43118-01	17 - 5	6L2-44352-00	20 - 13
648-11633-00	3 - 21	6L2-14476-00	4 - 13	6L2-24413-00	5 - 28	6L2-42121-02-4D	17 - 21	6J8-43131-01	17 - 9		27 - 14
6L2-11635-00	3 - 19	6L2-14476-11	4 - 18	6A0-24421-01	5 - 24	6G1-42125-01	14 - 9	6G5-43145-01	17 - 13	6L2-44361-00	21 - 2
6L2-11636-00	3 - 19	6L2-14497-00	15 - 1	677-24434-02	5 - 31	6G1-42126-00	14 - 10	6L2-43160-00	18 - 4	6L2-44361-10	21 - 2
6L2-11651-00	3 - 10	6L2-14578-00	5 - 32	6L2-24435-00	5 - 27	6G1-42131-01	14 - 7	6L2-43165-01	18 - 1	6G0-44365-00	18 - 23
6L2-11681-00	3 - 11	6L2-15100-00-94	2 - 2	677-24444-01	5 - 22	6L2-42137-00	14 - 14	6L2-43188-00	18 - 25	6L2-44365-00	17 - 33
6E5-12411-20	2 - 23	6L2-15100-50-94	2 - 2	61N-24521-00	6 - 9	6G1-42138-01	14 - 20	6L2-43191-01	18 - 11	6L2-44366-00	21 - 3
6H4-12413-00-9M	2 - 24	6L2-15396-00-5B	3 - 25	61N-24560-00	6 - 7	6L2-42154-01	16 - 5	6L2-43311-05-4D	17 - 15	6L2-44366-00	21 - 9
6J8-12414-A0	2 - 25	6J8-15705-00	8 - 19	61N-24563-00	6 - 8	6E0-42159-02	14 - 21	682-43318-01	18 - 6		27 - 5
	26 - 7	6L2-15710-02	8 - 1	6L2-24566-00	6 - 11	6J8-42167-00	15 - 7	6L2-43336-00	18 - 35	6L2-44368-00	21 - 1
6L2-13610-00	4 - 1	6L2-15711-00-94	8 - 2	6YJ-24610-01	22 - 2	6L2-42167-00	15 - 8	6L2-43350-02	18 - 14	6H3-44391-01	13 - 24
6L2-13621-00	4 - 6	6J8-15714-00	8 - 11	6L2-26301-00	14 - 23	689-42169-01	15 - 12	689-43373-01	17 - 19	6L2-44512-00-4D	17 - 31
	26 - 12	677-15717-01	8 - 13	6G8-26363-00	16 - 14	6F6-42177-A0	14 - 13	6J8-43611-01	18 - 15	6L2-44514-01	17 - 36
6L2-13641-00-94	4 - 5	6L2-15723-01	8 - 39	6L2-26363-00	14 - 35	6L2-42191-01	16 - 6	6L2-43611-00	18 - 27	6L2-44526-00	17 - 41
6L2-14157-00	5 - 10	676-15741-03	8 - 17	6G8-26364-00	16 - 15	6L2-42192-00	15 - 17	6L2-43613-00	18 - 32	6L2-44551-01-4D	17 - 43
6L2-14198-00	4 - 11	6L2-15746-00	8 - 29	6L2-41111-00-9M	2 - 27	6L2-42192-10	15 - 47	6L2-43614-00	18 - 17	6L2-44552-01-4D	17 - 44

NUMERICAL INDEX

PARTNO.	REF. NO.	PARTNO.	REF. NO.	PARTNO.	REF. NO.	PARTNO.	REF. NO.	PARTNO.	REF. NO.	PARTNO.	REF. NO.
6L2-44553-01-4D	17 - 50	664-45949-02-EL	21 - 19	701-48320-50	23 - 2	64D-82581-00	25 - 6	90170-06015	15 - 39	90386-15M73	14 - 25
6L2-44555-00	17 - 48	664-45952-00-EL	21 - 19	703-48345-01	24 - 36	688-82586-50	25 - 11	90170-12M13	13 - 10	90386-22M67	17 - 10
6L2-44557-00	17 - 49	664-45954-01-EL	21 - 19	701-48358-00	24 - 38	6E5-82588-00	13 - 25	90171-14013	21 - 17	90386-30M60	17 - 30
6L2-45111-02-4D	19 - 1	664-45970-00-98	21 - 19	6L2-48511-00	16 - 16	6L2-82590-00	11 - 26	90179-10M14	20 - 29	90386-30M75	17 - 27
6L2-45111-12-4D	19 - 1	664-45972-00-98	21 - 19	6L2-48531-00	16 - 10	6L2-82599-01	9 - 27	90179-12M04	9 - 15	90386-33M96	14 - 5
6L2-45113-A1	2 - 34	6J8-45986-10-98	21 - 21	6L2-48534-01	16 - 2	6K3-83557-00	11 - 27	90185-05002	21 - 13	90386-34M97	14 - 6
	26 - 16	6L2-45987-01	21 - 14	682-48538-50	16 - 11	682-84381-00	13 - 31	90185-08057	17 - 42	90387-06M15	15 - 45
6L2-45114-A1	17 - 32	689-45997-00	21 - 15	6L2-48544-01	16 - 1	663-85518-00	9 - 13	90185-10051	16 - 17	90387-06M18	15 - 11
6L2-45115-00	19 - 3	701-48101-51	23 - 1	6E9-81328-70	9 - 10	6L2-85520-10	9 - 3		17 - 25	90387-06M51	8 - 30
663-45119-00	17 - 17		24 - 1	6L2-81332-00	9 - 24	6L2-85533-10	9 - 4	90185-22043	17 - 12	90387-06M52	13 - 21
6L2-45123-01	19 - 12	701-48126-00	24 - 40	6L2-81800-11	12 - 1	61N-85537-00	9 - 12	90201-06060	8 - 14	90387-28M00	3 - 17
6L2-45151-01-4D	19 - 2	701-48133-00	24 - 41	682-81809-10	12 - 3	6L2-85540-21	10 - 1	90201-08M01	17 - 40	90430-08020	20 - 8
6L2-45214-00	21 - 10	701-48138-50	24 - 39	682-81810-11	12 - 5	6L2-85542-02-94	10 - 4	90201-08086	2 - 8		27 - 3
6L2-45215-00	21 - 11	701-48152-11	24 - 13	6L2-81811-10	12 - 9	6L2-85550-00	9 - 1	90201-13M42	9 - 16	90445-07M15	2 - 4
6L2-45300-02-4D	20 - 1	701-48153-12	24 - 33	6L2-81812-10	12 - 10	6L2-85550-10	9 - 1	90201-18522	3 - 24	90445-09012	4 - 9
6L2-45300-12-4D	20 - 1	701-48189-11	24 - 31	682-81813-10	12 - 8	6L2-85560-10	9 - 2	90201-20417	20 - 34	90445-10M40	2 - 33
6L2-45311-02-4D	20 - 2	701-48196-11	24 - 7	6L2-81820-10	12 - 6	6L2-85561-10	9 - 11	90201-22M03	17 - 11	90445-11M05	7 - 4
6L2-45315-A0	20 - 22	701-48197-10	24 - 3	682-81826-10	12 - 14	61N-85570-00	10 - 9	90201-30M00	17 - 28		22 - 11
	27 - 7	701-48198-10	24 - 15	682-81830-10	12 - 12	6L2-85580-10	9 - 5	90201-50306	3 - 18	90445-11M06	7 - 2
6L2-45331-00-5B	20 - 17	701-48213-00	24 - 19	682-81831-00	12 - 13	6L2-85580-20	9 - 6	90202-05M38	1 - 12		22 - 9
6L2-45361-03-4D	20 - 42	701-48221-00	24 - 6	682-81832-10	12 - 11	6L2-86111-00	11 - 13		14 - 38	90464-05M16	10 - 12
664-45371-01	21 - 7	701-48222-00	24 - 27	6L2-81833-10	12 - 4	6L2-86112-00	11 - 20	90202-05088	14 - 37	90465-06M90	10 - 14
6L2-45375-00	20 - 25	701-48229-00	24 - 26	682-81834-10	12 - 16	6L2-86115-00	11 - 15		15 - 18	90467-06016	2 - 5
6L2-45510-00	20 - 26	701-48232-00	24 - 30	6L2-81840-10	12 - 7	682-86117-00	11 - 14		16 - 8	90467-08004	4 - 10
6L2-45510-10	20 - 26	701-48234-00	24 - 5	682-81847-10	12 - 15	90101-06M16	10 - 7	90202-06009	14 - 32		6 - 6
6L2-45536-00	20 - 6	701-48235-00	24 - 2	6L2-81850-11	12 - 2	90101-08M09	17 - 39	90202-15M37	14 - 27	90468-05M03	14 - 39
6L2-45551-01	20 - 28	701-48236-00	24 - 8	6G1-81941-10	11 - 1	90105-06M18	17 - 20	90202-36M55	14 - 4	90480-10155	11 - 17
6L2-45560-00	20 - 32	702-48237-00	24 - 9	6L2-81945-00	11 - 3	90105-06M23	16 - 13	90206-12052	13 - 5	90480-15M31	13 - 20
6L2-45567-00-10	20 - 4	702-48238-00	24 - 10	6G1-81952-00	11 - 2	90105-08M02	21 - 8	90206-15M18	14 - 26	90480-25161	10 - 13
6L2-45567-00-11	20 - 4	701-48243-00	24 - 14	6G1-81970-61	11 - 8	90105-08M10	8 - 40	90206-36M21	14 - 3	90501-10065	20 - 37
6L2-45567-00-12	20 - 4	701-48246-00	24 - 24	6G1-82105-01	11 - 6	90105-10M12	21 - 5	90209-24M15	3 - 13	90501-10227	8 - 27
6L2-45567-00-13	20 - 4	701-48248-00	24 - 12	6G1-82117-00	11 - 7	90109-06M28	15 - 24	90243-04M01	17 - 6	90501-23215	14 - 16
6L2-45567-00-14	20 - 4	701-48249-00	24 - 11	6L2-82127-00	19 - 6	90116-10M28	17 - 23	90250-05010	20 - 39	90506-20M27	18 - 13
6L2-45571-00	20 - 33	701-48252-00	24 - 4	6E5-82148-00	17 - 3	90119-06MA3	2 - 26	90254-03M04	15 - 16	90506-23M11	18 - 36
6L2-45577-00-10	20 - 35	701-48255-00	24 - 21	6G1-82151-00	11 - 9	90119-06MA4	2 - 32		15 - 37	90508-12M28	18 - 18
6L2-45577-00-11	20 - 35	701-48261-00	24 - 37	6G5-82152-00	11 - 12	90119-06M04	17 - 37	90266-04M00	1 - 5	90508-12M29	18 - 19
6L2-45577-00-12	20 - 35	701-48266-00	24 - 29	6G1-82370-21	10 - 17	90119-06M05	17 - 38	90266-04M04	1 - 13	90510-08M04	8 - 12
6L2-45577-00-13	20 - 35	701-48268-00	24 - 18	663-82370-01	10 - 17	90119-06M14	2 - 11	90269-02M09	14 - 15	91490-16010	14 - 11
6L2-45587-00-15	20 - 31	701-48271-00	24 - 34	689-82510-03	25 - 3	90119-06M53	8 - 31	90280-03024	20 - 27	91490-20010	14 - 33
6L2-45587-00-16	20 - 31	701-48280-00	24 - 45	6H3-82540-00	10 - 20	90119-06023	2 - 22		27 - 17		15 - 19
6L2-45611-00	20 - 36	701-48281-10	24 - 16	6L2-82554-00	10 - 21	90119-08M65	2 - 10	90280-05013	9 - 14		16 - 9
6L2-45631-00	20 - 38	701-48282-00	24 - 28	682-82556-00	13 - 29	90119-08M91	2 - 21	90338-05M03	13 - 19	91490-30022	21 - 18
648-45633-00	20 - 40	701-48287-00	24 - 43		25 - 5	90149-05M05	25 - 7	90340-08M04	20 - 7	91690-30010	3 - 15
648-45635-00	20 - 41	702-48288-00	24 - 23	689-8257Y-00	13 - 30	90149-05M13	14 - 18	90386-08032	14 - 19	91690-30012	16 - 12
664-45941-01-EL	21 - 19	701-48289-00	24 - 17	689-82570-18	25 - 1	90149-06M09	15 - 43		18 - 7	91690-40014	8 - 3
664-45943-01-EL	21 - 19	701-48310-90	23 - 2	704-82571-01	25 - 2	90151-05M05	21 - 12	90386-10009	16 - 3	92780-06025	24 - 20
664-45945-00-EL	21 - 19	701-48320-00	23 - 2	688-82575-01	25 - 4	90157-06M06	19 - 7	90386-12M45	13 - 3	92900-04100	5 - 9
664-45947-01-EL	21 - 19	701-48320-20	23 - 2	689-82575-04	13 - 28	90159-06M11	19 - 4	90386-12M72	14 - 28	92903-05600	4 - 16

NUMERICAL INDEX

PARTNO.	REF. NO.	PARTNO.	REF. NO.	PARTNO.	REF. NO.	PARTNO.	REF. NO.	PARTNO.	REF. NO.	PARTNO.	REF. NO.
92903-05600	15 - 26	92995-08600	17 - 55	93604-12M07	19 - 5	97095-06016	3 - 29	99530-10014	8 - 25		
92903-06600	2 - 16		19 - 9		20 - 21		8 - 5				
	4 - 8	92995-10600	17 - 24		21 - 4	97095-06020	6 - 2				
	8 - 37	93101-13M37	3 - 27	93700-06M03	17 - 16		8 - 38				
	10 - 8		26 - 3	94702-00217	2 - 35		10 - 2				
	15 - 32	93101-20M07	20 - 46	94702-00271	2 - 35		10 - 10				
92903-08600	12 - 18		27 - 9	95303-06700	8 - 16		14 - 8				
92903-10600	14 - 17	93101-20048	20 - 19	95333-08600	2 - 9		14 - 30				
92990-04600	11 - 19		27 - 6	95380-03600	5 - 25		15 - 2				
92990-05100	25 - 9	93102-25142	3 - 26	95380-05600	15 - 14		17 - 34				
92990-05600	4 - 4		26 - 2		25 - 8		19 - 14				
	4 - 21	93102-26M27	3 - 7	95380-05700	15 - 29		20 - 23				
	11 - 11		26 - 10	95380-06600	20 - 51		20 - 47				
	25 - 10	93210-03261	11 - 23		24 - 44	97095-06025	8 - 23				
92990-06300	24 - 25	93210-08287	7 - 7	95380-06700	14 - 36	97095-06030	15 - 46				
92990-06600	18 - 3		7 - 9		15 - 3	97095-06035	8 - 21				
92990-10600	16 - 18		22 - 14		15 - 44	97095-06040	20 - 14				
	21 - 6		22 - 16	95380-08600	6 - 13		27 - 16				
92990-14200	21 - 16	93210-29375	17 - 29		17 - 54	97095-06075	15 - 9				
92995-05600	9 - 23	93210-32738	6 - 10	95617-08645	2 - 7	97095-08045	17 - 51				
	9 - 26		26 - 15	95780-06300	13 - 7	97095-08070	17 - 53				
	18 - 10	93210-35M86	4 - 14	95780-08300	16 - 4	97095-08085	17 - 46				
92995-06100	10 - 11	93210-42159	3 - 8	95895-06016	13 - 26	97390-06018	24 - 22				
	10 - 16		26 - 11	95895-06020	13 - 22	97513-06585	4 - 17				
	10 - 19	93210-45161	20 - 10	97013-05012	4 - 15	97607-04112	9 - 7				
	10 - 23		27 - 4	97013-05016	15 - 25	97607-06125	9 - 8				
	11 - 5		27 - 13	97013-06014	6 - 12	97802-04006	9 - 9				
	11 - 22	93210-56M80	3 - 28	97013-06016	2 - 15	97880-04008	11 - 18				
	11 - 25		26 - 4	97013-06020	8 - 36	97880-04010	5 - 8				
92995-06600	1 - 8	93210-60MA3	20 - 44		15 - 31	97880-05016	4 - 3				
	3 - 30		27 - 8	97013-06025	4 - 7		4 - 20				
	6 - 3	93210-60M99	20 - 49		8 - 15	97880-05025	11 - 10				
	8 - 6		27 - 10	97013-08025	12 - 17	97880-06035	13 - 6				
	8 - 22	93306-00612	20 - 43	97075-06030	10 - 5	97885-05010	9 - 22				
	8 - 24	93306-305U3	3 - 9	97075-08030	19 - 8		9 - 25				
	9 - 20	93310-424W9	3 - 12	97075-10040	16 - 19	97885-05012	14 - 22				
	10 - 3	93311-632U7	3 - 6	97090-06010	18 - 2	97885-06008	17 - 4				
	10 - 6	93315-220V9	20 - 5	97095-05010	18 - 9	97980-04112	5 - 19				
	14 - 31	93315-22004	20 - 18	97095-06008	15 - 41		26 - 25				
	15 - 10		20 - 45	97095-06012	9 - 19	97980-05208	11 - 16				
	15 - 35	93332-00005	20 - 3		10 - 15	98580-05010	24 - 32				
	17 - 35	93341-320U0	20 - 30		10 - 18	98580-05020	24 - 42				
	19 - 15	93430-06M02	8 - 18		10 - 22	98586-05016	22 - 4				
	20 - 15	93430-06Q24	24 - 35		11 - 4	98980-04006	5 - 23				
	20 - 24	93450-20026	3 - 23		11 - 21	99080-05600	18 - 12				
	20 - 48	93602-18M12	3 - 22		11 - 24		18 - 16				
92995-08600	17 - 47	93604-12M07	2 - 6		15 - 34		18 - 30				
	17 - 52		17 - 45	97095-06016	1 - 7		18 - 33				

20MHZ/25MHZ/20D/25N
PARTS CATALOGUE
©2000 by Yamaha Motor Co., Ltd.
1st Edition, Nov. 2000
All rights reserved.
Any reprinting or unauthorized use
without the written permission of
Yamaha Motor Co., Ltd.
is expressly prohibited.

G7