



# PARTS CATALOGUE

## 225DETO'05 (64F4)

---



1D64F-664E1

( )

225DETO  
PARTS CATALOGUE  
©2004 by Yamaha Motor Co., Ltd.  
1st edition, July 2004  
All rights reserved.  
Any reprinting or unauthorized use  
without the written permission of  
Yamaha Motor Co., Ltd.  
is expressly prohibited.  
Printed in Japan.

# FOREWORD

This Parts Catalogue is related to the parts for the model(s) on the cover page. When you are ordering replacement parts, please refer to this Parts Catalogue and quote both part numbers and part names correctly.

1. Modifications or additions which have been made after the issue of the Parts Catalogue will be announced in the Parts News.  
It is advisable that you make the necessary corrections to the Parts Catalogue according to the Parts News.

2. Abbreviations

The following abbreviations are used in this Parts Catalogue.

“UR” Use specified parts number.

“UN” Use as many as needed.

“AP” Alternate Parts

“LM” Locally Made (Parts need to be ordered locally)

“F#” Frame No. (Applicable machine No.)

“O/S” Over Size

3. The number of components for assembly

- Parts, which are to be supplied in an assembly, are listed with a dot (.) in front of the part name as shown below.
- The numeral appearing to the right of each component part indicates the quantity of parts for each assembly unit.

PART NO.	DESCRIPTION	Q'TY	REMARKS
2F5-83310-60	FRONT FLASHER LIGHT ASSY	2	
115-83311-60	.BULB (6V-18W)	1	

4. Applicable colours of graphics are represented in the “REMARKS” as shown below.

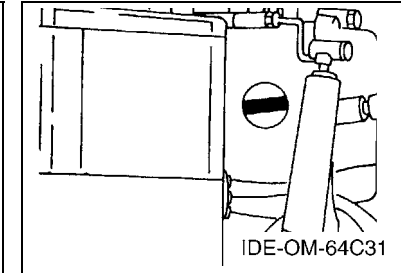
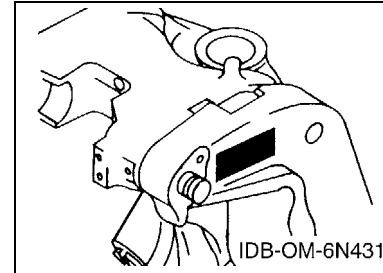
PART NO.	DESCRIPTION	Q'TY	REMARKS
2N4-24110-00-X5	FUEL TANK COMP.	2	MXR
3J1-24240-10	.GRAPHIC, FUEL TANK	1	FOR MXR

5. Note that the illustrations for reference in finding parts numbers are not to be used for assembling. When assembling, please use the applicable service manual.

6. The asterisk (\*) before a reference number indicates modified items after the first edition.

7. Applicable Serial No.

Engine Serial No.



8. Applicable Engine Starting Serial No.

Model	Serial No.	Model	Serial No.
225D	6K7-1000334		

9. Applicable Colour Code

Abbreviation	Colour Name	Colour Code
DBNM2	DARK BLUISH GRAY METALLIC 2	004D

10. Quantity Column Information

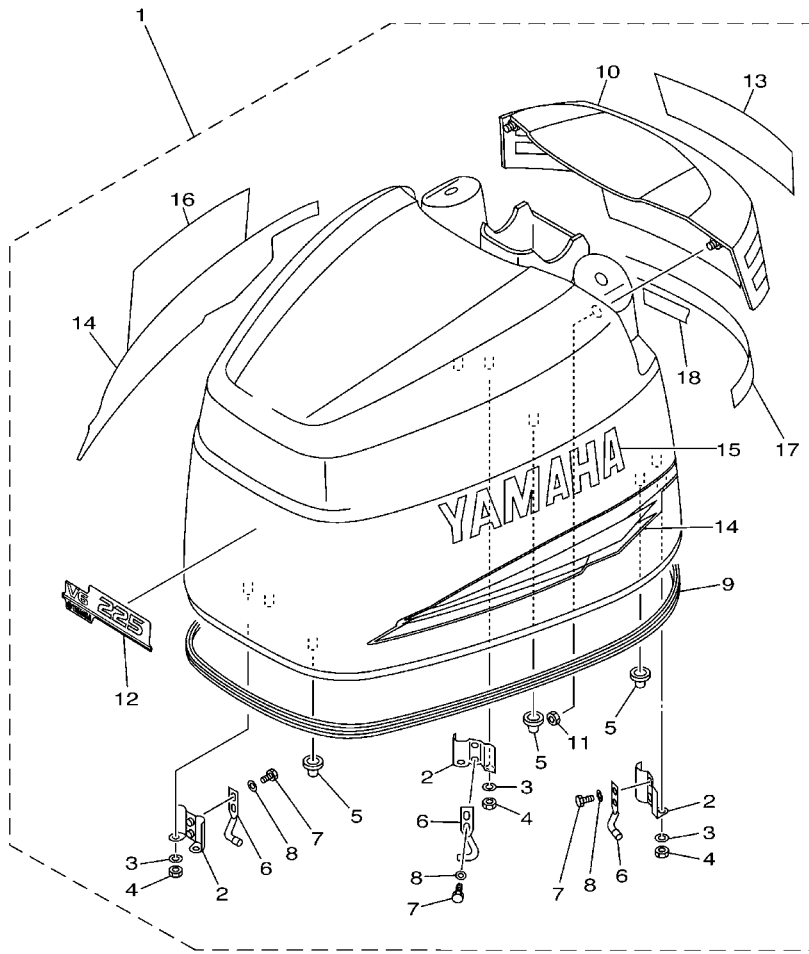
Column No.	Name Of Q'ty Column	Applicable Model
1	64F4	225DETO

# CONTENTS

TOP COWLING .....	1
CYLINDER & CRANKCASE 1 .....	2
CRANKSHAFT & PISTON .....	4
CYLINDER & CRANKCASE 2 .....	6
INTAKE .....	7
CARBURETOR .....	9
OIL PUMP .....	11
OIL TANK .....	13
FUEL .....	15
GENERATOR .....	17
ELECTRICAL 1 .....	18
ELECTRICAL 2 .....	20
STARTING MOTOR .....	22
BOTTOM COWLING .....	24
CONTROL .....	26
BRACKET 1 .....	29
BRACKET 2 .....	31
POWER TRIM & TILT ASSY 1 .....	33
POWER TRIM & TILT ASSY 2 .....	35
UPPER CASING .....	37
LOWER CASING & DRIVE 1 .....	39
LOWER CASING & DRIVE 2 .....	43
FUEL TANK .....	45
STEERING GUIDE .....	46
REMOTE CONTROL BOX .....	47
REMOTE CONTROL ASSY .....	48
METER .....	51
REPAIR KIT 1 .....	52
REPAIR KIT 2 .....	54

## INDEX

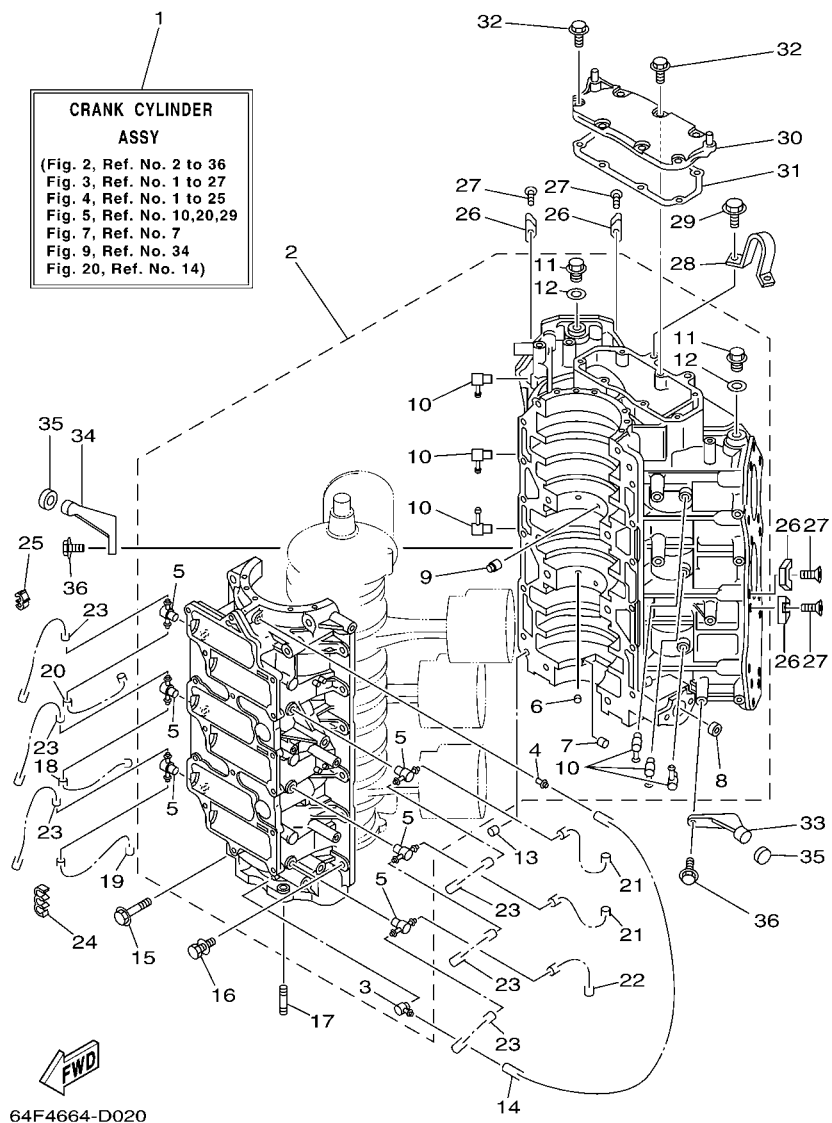
NUMERICAL INDEX .....	56
-----------------------	----



**FWD**  
64F1664-2010

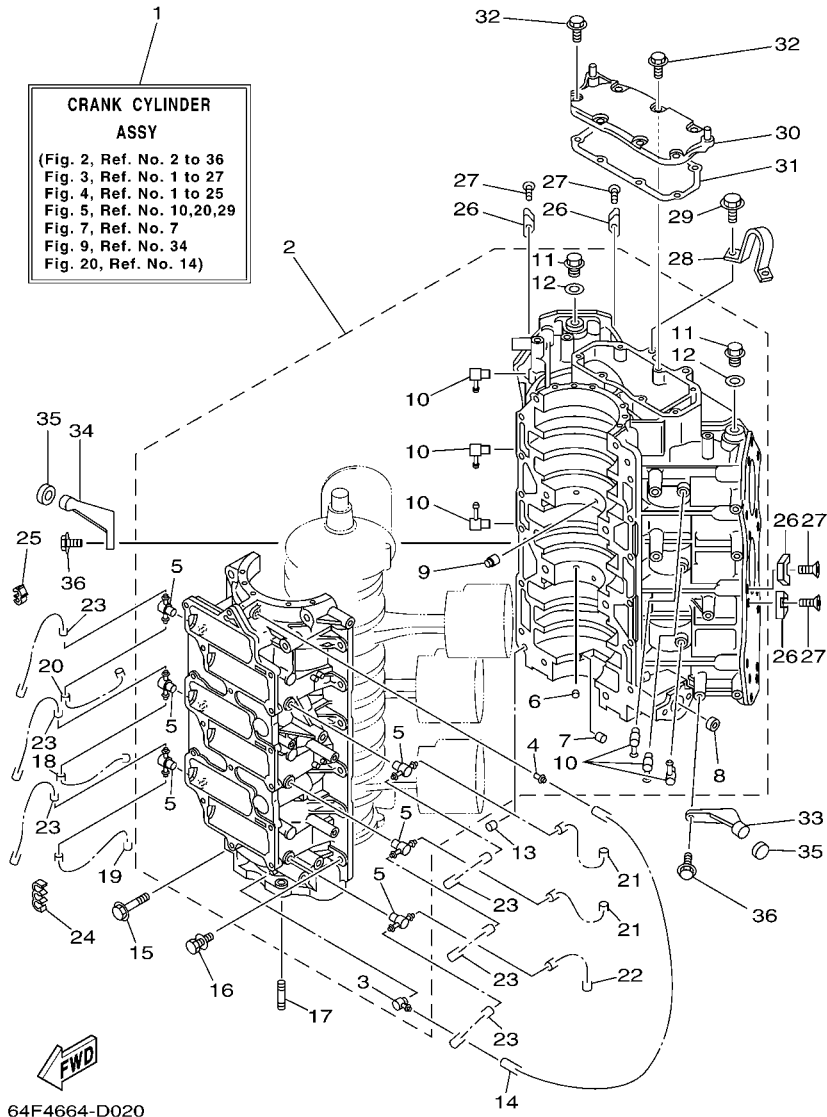
**FIG. 1 TOP COWLING**

REF. NO.	PART NO.	DESCRIPTION	64F4				REMARKS
1	64F-42610-50-4D	TOP COWLING ASSY	1				
2	6R3-42647-00	.HOLDER, CLAMP BAND	3				
3	92990-06100	.WASHER, SPRING	6				
4	95380-06600	.NUT, HEXAGON	6				
5	64D-42662-00	.DAMPER	3				
6	64D-42814-00	.HOOK, CLAMP	3				
7	97095-06012	.BOLT	6				
8	92995-06600	.WASHER	6				
9	64D-42615-00	.SEAL	1				
10	64D-42613-00-4D	.MOLDING, AIR DUCT	1				
11	90179-06M24	.NUT	4				
12	64F-42677-50	.GRAPHIC, FRONT	1				
13	64F-42687-30	.EMBLEM, REAR	1				
14	64D-W0070-30	.GRAPHIC SET	1				
15	64C-42681-30	.MARK, COWLING	1				
16	64C-42682-30	.MARK, COWLING	1				
17	64D-4267A-30	.GRAPHIC, REAR 2	1				
18	64D-42678-30	.GRAPHIC, REAR	1				



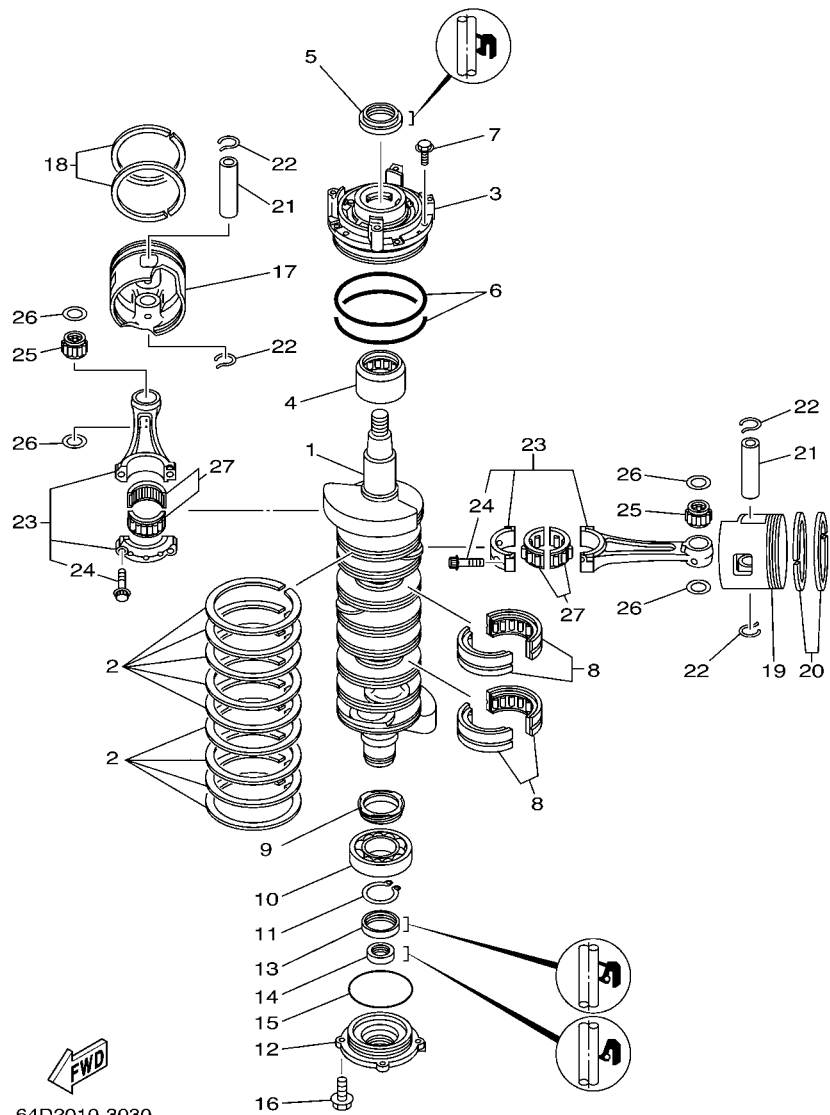
**FIG. 2 CYLINDER & CRANKCASE 1**

REF. NO.	PART NO.	DESCRIPTION	64F4			REMARKS
1	64F-W0090-14-1S	CRANK CYLINDER ASSY	1			
2	64F-15100-00-1S	CRANKCASE ASSY	1			
3	6E5-11372-01	.NIPPLE, HOSE	1			
4	624-14485-00	.PIPE, JOINT	1			
5	6F6-11372-01	.NIPPLE, HOSE	6			
6	624-11379-00	.VALVE, CHECK	2			
7	90384-06M07	.BUSH, BIMETAL FORMED	1			
8	90384-14M09	.BUSH, BIMETAL FORMED	1			
9	663-11518-01	.LOCK, BEARING	2			
10	646-11370-01	.CHECK VALVE ASSY	6			
11	90340-14M00	.PLUG, STRAIGHT SCREW	2			
12	90430-14115	.GASKET	2			
13	93608-12063	PIN, DOWEL	2			
14	90445-07M10	HOSE (L510)	1			
15	90105-10M20	BOLT, FLANGE	8			
16	90119-08M94	BOLT, WITH WASHER	12			
17	90116-08M45	BOLT, STUD	2			
18	90445-07M11	HOSE (L610)	1			
19	90445-07M09	HOSE (L380)	1			
20	90445-07M12	HOSE (L300)	1			
21	90445-07M08	HOSE (L220)	2			
22	90445-07M90	HOSE (L390)	1			
23	90445-07M34	HOSE (L260)	6			
24	90464-07M05	CLAMP	1			
25	90464-07M20	CLAMP	1			
26	6E5-11325-00	ANODE	8			
27	98780-04015	SCREW, FLAT HEAD	8			



**FIG. 2 CYLINDER & CRANKCASE 1**

REF. NO.	PART NO.	DESCRIPTION	64F4					REMARKS
28	67H-11119-01	HANGER, ENGINE	1					
29	90119-08MA3	BOLT, WITH WASHER	2					
30	6K7-11371-01-1S	COVER	1					
31	6E5-11381-A2	GASKET 1	1					
32	90119-06MA2	BOLT, WITH WASHER	7					
33	6E5-42761-00-1S	STOPPER	1					
34	6E5-42762-00-1S	STOPPER	1					
35	68F-44533-00	DAMPER, UPPER MOUNT RUBBER	2					
36	90119-06MA2	BOLT, WITH WASHER	4					

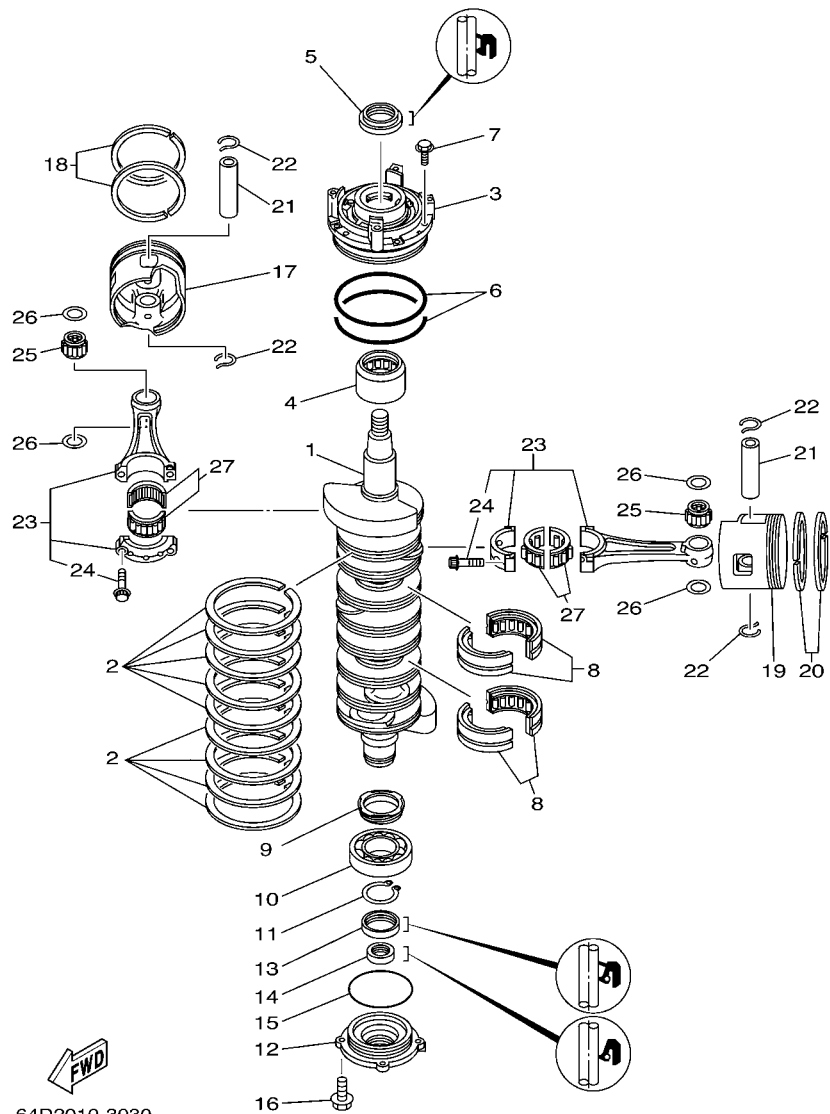


64D2010-3030

FIG. 3 CRANKSHAFT & PISTON

REF. NO.	PART NO.	DESCRIPTION	64F4				REMARKS
1	6G5-11411-02	CRANKSHAFT	1				
2	6E5-11447-00	SEAL, CRANK	9				
3	6R3-15163-00-1S	HOUSING, BEARING 1	1				
4	93311-940U3	BEARING	1				
5	93102-40M14	OIL SEAL	1				
6	93211-04001	O-RING	2				
7	90119-06MA2	BOLT, WITH WASHER	3				
8	93310-954U1	BEARING	2				
9	6R3-11536-00	GEAR, DRIVE	1				
10	93306-208U0	BEARING	1				
11	93410-40M03	CIRCLIP	1				
12	6G5-15359-00-94	HOUSING, OIL SEAL	1				
13	93102-35M13	OIL SEAL	1				
14	93101-22M15	OIL SEAL	1				
15	93210-74M35	O-RING	1				
16	90119-06MA2	BOLT, WITH WASHER	4				
17	64D-11631-02-90	PISTON (STD)	3				
	64D-11635-02	PISTON (0.25MM O/S)	3				AP
	64D-11636-02	PISTON (0.50MM O/S)	3				AP
18	64D-11603-02	PISTON RING SET (STD)	3				
	64D-11604-02	PISTON RING SET (0.25MM O/S)	3				AP
	64D-11605-02	PISTON RING SET (0.50MM O/S)	3				AP
19	64D-11642-02-90	PISTON 2 (STD)	3				
	64D-11645-02	PISTON 2 (0.25MM O/S)	3				AP
	64D-11646-02	PISTON 2 (0.50MM O/S)	3				AP
20	64D-11603-02	PISTON RING SET (STD)	3				
	64D-11604-02	PISTON RING SET (0.25MM O/S)	3				AP

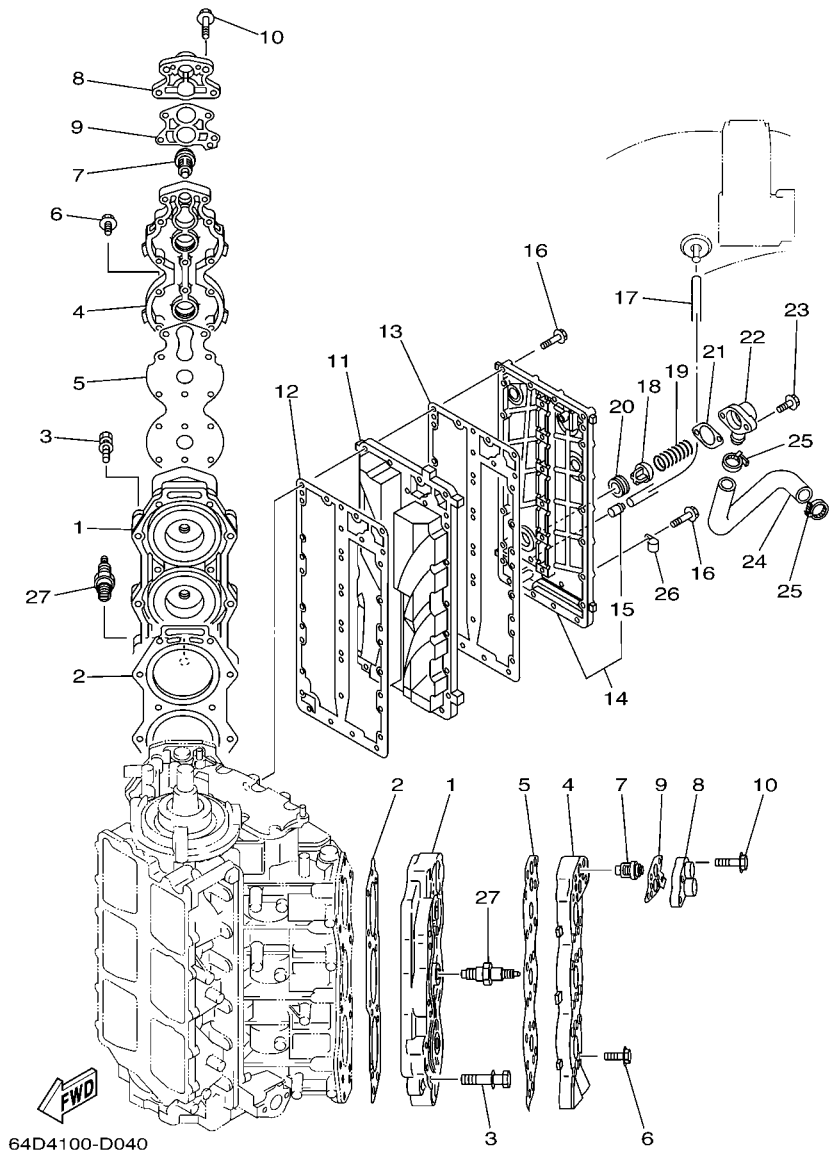




64D2010-3030

FIG. 3 CRANKSHAFT & PISTON

REF. NO.	PART NO.	DESCRIPTION	64F4			REMARKS
20	64D-11605-02	PISTON RING SET (0.50MM O/S)	3			AP
21	6R5-11633-10	PIN, PISTON	6			
22	6R5-11634-10	CLIP, PISTON PIN	12			
23	6R5-11650-10	CONNECTING ROD ASSY	6			
24	90109-08022	.BOLT	2			
25	93310-32337	BEARING	6			
26	90201-23M01	WASHER, PLATE	12			
27	93310-836V2	BEARING	6			



64D4100-D040

FIG. 4 CYLINDER & CRANKCASE 2

REF. NO.	PART NO.	DESCRIPTION	64F4				REMARKS
1	64E-11111-00-1S	HEAD, CYLINDER 1	2				
2	6G5-11181-A2	GASKET, CYLINDER HEAD 1	2				
3	90119-08MA8	BOLT, WITH WASHER	28				
4	6G5-11191-00-1S	COVER, CYLINDER HEAD 1	2				
5	6G5-11193-A0	GASKET, HEAD COVER 1	2				
6	90119-06MA4	BOLT, WITH WASHER	36				
7	6E5-12411-30	THERMOSTAT	2				
8	688-12413-00-1S	COVER, THERMOSTAT	2				
9	688-12414-A1	GASKET, COVER	2				
10	90119-06MA6	BOLT, WITH WASHER	8				
11	64D-41111-00-1S	INNER COVER, EXHAUST	1				
12	6G5-41112-A1	GASKET, EXHAUST INNER COVER	1				
13	6G5-41114-A0	GASKET, EXHAUST OUTER COVER	1				
14	6R3-41113-00-1S	OUTER COVER, EXHAUST	1				
15	650-24378-00	.PIPE, JOINT 4	1				
16	90119-06MA5	BOLT, WITH WASHER	29				
17	90445-09097	HOSE (L250)	1				
18	60H-12416-00	VALVE, PRESSURE CONTROL	1				
19	90501-16M11	SPRING, COMPRESSION	1				
20	90480-20M05	GROMMET	1				
21	6G5-11382-A1	GASKET 2	1				
22	6G5-11372-00-1S	COVER, BYPASS 2	1				
23	90119-06MA2	BOLT, WITH WASHER	2				
24	6G5-12576-00	HOSE 1	1				
25	90465-13M18	CLAMP	2				
26	90465-06M86	CLAMP	2				
27	94702-00247	PLUG, SPARK (NGK BR8HS-10)	6				

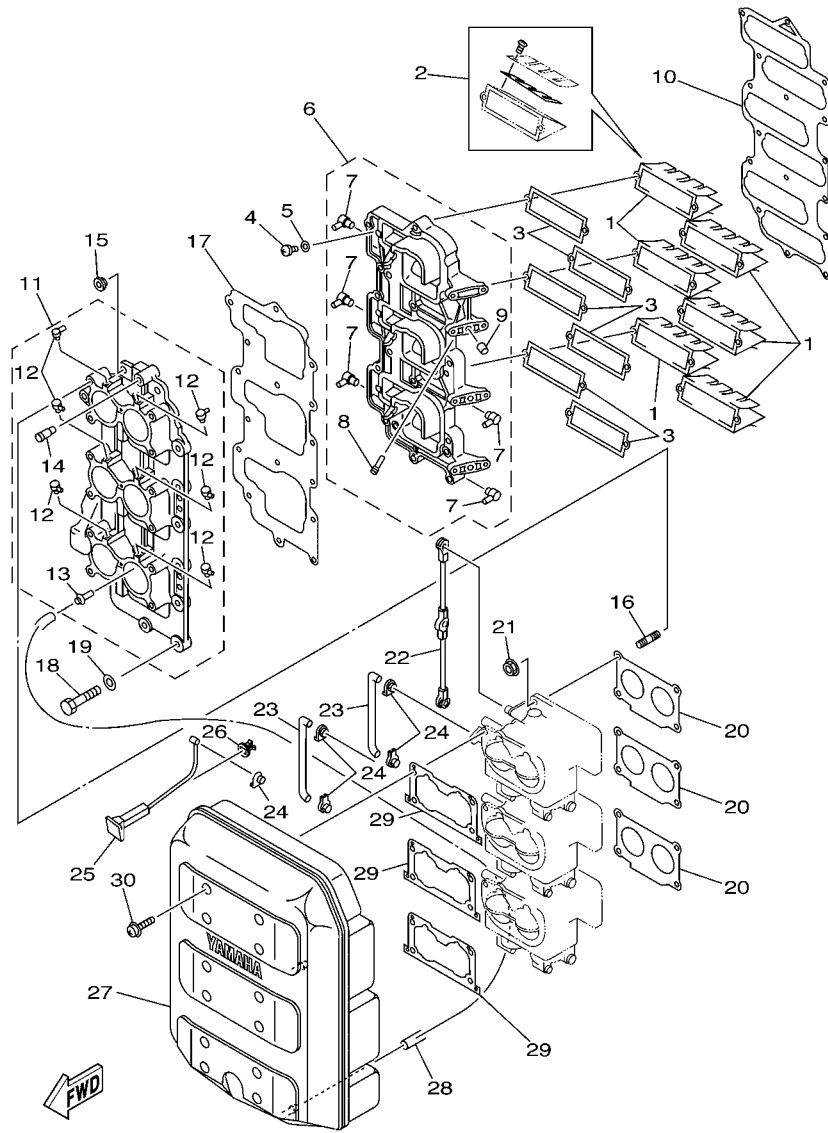
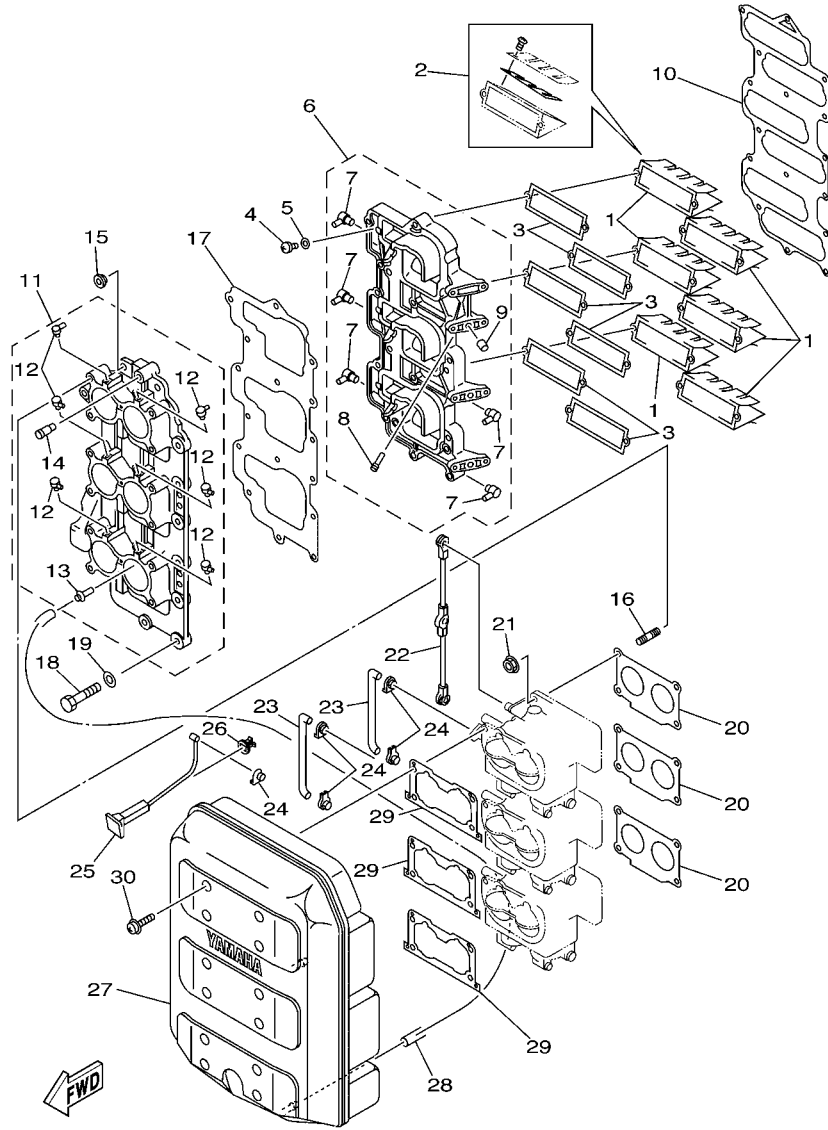


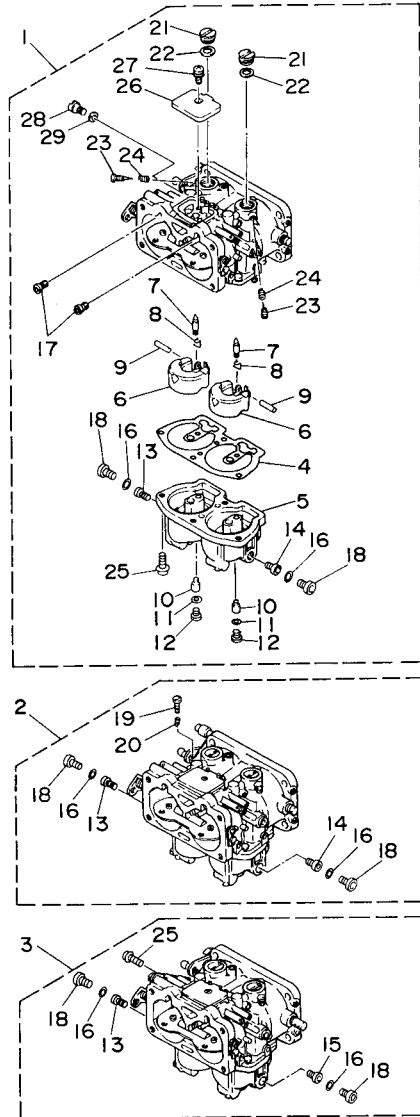
FIG. 5 INTAKE

REF. NO.	PART NO.	DESCRIPTION	64F4				REMARKS
1	6K7-13610-00	REED VALVE ASSY	6				
2	6E5-W0004-00	.REED SET	1				
3	6K7-13621-A1	GASKET, VALVE SEAT	6				
4	97880-05016	SCREW, PAN HEAD	12				
5	92990-05600	WASHER, PLATE	12				
6	64E-13624-00-1S	PLATE, REED VALVE	1				
7	688-11372-01	.NIPPLE, HOSE	5				
8	6R5-14485-00	.PIPE, JOINT	1				
9	90336-08M06	.PLUG, TAPER	1				
10	6K7-13646-A2	GASKET, MANIFOLD 2	1				
11	64E-13641-00-1S	MANIFOLD 1	1				
12	6E5-13552-01	.NOZZLE	6				
13	624-14485-00	.PIPE, JOINT	1				
14	6K7-81338-01	.CLAMP, LEAD	1				
15	90480-10M28	GROMMET	6				
16	90116-06M30	BOLT, STUD	12				
17	64E-13645-A0	GASKET, MANIFOLD 1	1				
18	97013-06050	BOLT	16				
19	92903-06600	WASHER, PLATE	16				
20	6E5-14198-A2	GASKET	3				
21	90179-06M28	NUT	12				
22	6G5-41217-01	ROD, ACCEL. LEVER	1				
23	6E5-41256-01	ROD, CHOKE 1	2				
24	661-41262-02	JOINT, CHOKE LEVER	5				
25	61H-41271-10	KNOB, CHOKE	1				
26	689-41273-00	GROMMET	1				
27	64D-14440-00	SILENCER ASSY, INTAKE	1				



**FIG. 5 INTAKE**

REF. NO.	PART NO.	DESCRIPTION	64F4				REMARKS
28	90445-07MA3	HOSE (L200)	1				
29	6K7-14483-00	GASKET	3				
30	90159-06M08	SCREW, WITH WASHER	12				



  
64F0010-6060

**FIG. 6 CARBURETOR**

REF. NO.	PART NO.	DESCRIPTION	64F4				REMARKS
1	64F-14301-02	CARBURETOR ASSY 1	1				
2	64F-14302-02	CARBURETOR ASSY 2	1				
3	64F-14303-02	CARBURETOR ASSY 3	1				
4	64D-14384-01	.GASKET, FLOAT CHAMBER	3				
5	64D-14381-00	.BODY, FLOAT CHAMBER	3				
6	6E5-14385-02	.FLOAT	6				
7	6E5-14546-00	.VALVE, NEEDLE	6				
8	6E5-14159-00	.CLIP	6				
9	6E5-14386-02	.PIN, FLOAT	6				
10	64D-1492F-40	.JET, AIR SLOW (#80)	6				
11	61U-14959-00	.GASKET	6				
12	64D-14394-00	.VALVE, DRAIN	6				
13	64D-1492E-75	.JET, MAIN (#150)	3				
14	64D-1492E-77	.JET, MAIN (#154)	2				
15	64D-1492E-79	.JET, MAIN (#158)	1				
16	6E5-14398-01	.GASKET	6				
17	61A-1492H-12	.JET, SLOW AIR BLEED (#60)	6				
18	61A-14383-01	.SCREW, DRAIN	6				
19	6E5-14321-00	.SCREW, THROTTLE	1				#2
20	6J8-14334-00	.SPRING, THROTTLE	1				#2
21	6E5-14328-01	.PLUG	6				
22	6E5-14979-00	.GASKET	6				
23	6E5-14323-03	.SCREW, AIR ADJUSTING	6				
24	6E5-14223-00	.SPRING, AIR ADJUSTING	6				
25	97980-05116	.SCREW, WITH WASHER	13				
26	6E5-14527-01	.PLATE	3				
27	97980-05108	.SCREW, WITH WASHER	3				

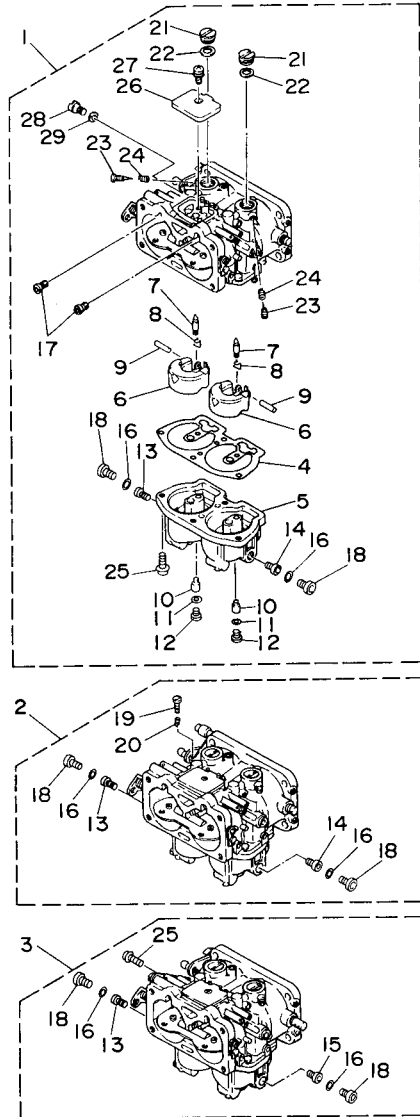
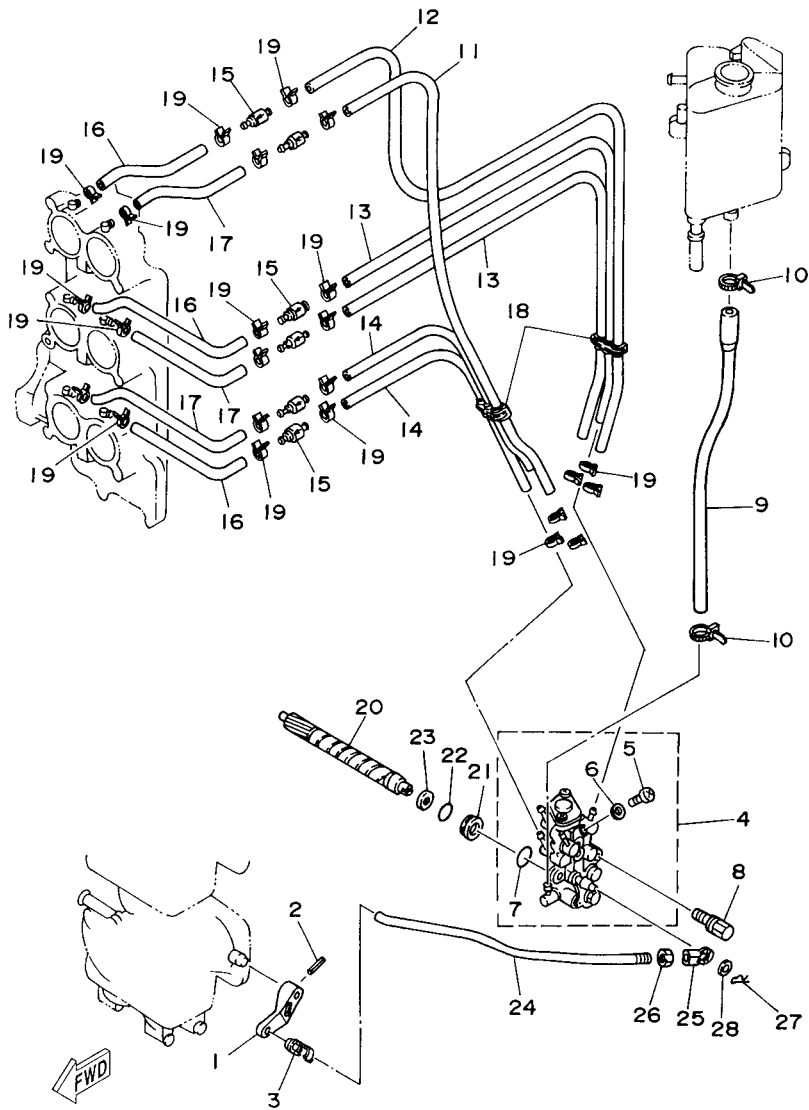


FIG. 6 CARBURETOR

REF. NO.	PART NO.	DESCRIPTION	64F4			REMARKS
28	6E5-14324-00	.SCREW, FLAT HEAD	3			
29	6J8-14959-00	.GASKET	3			

FIG. 7 OIL PUMP

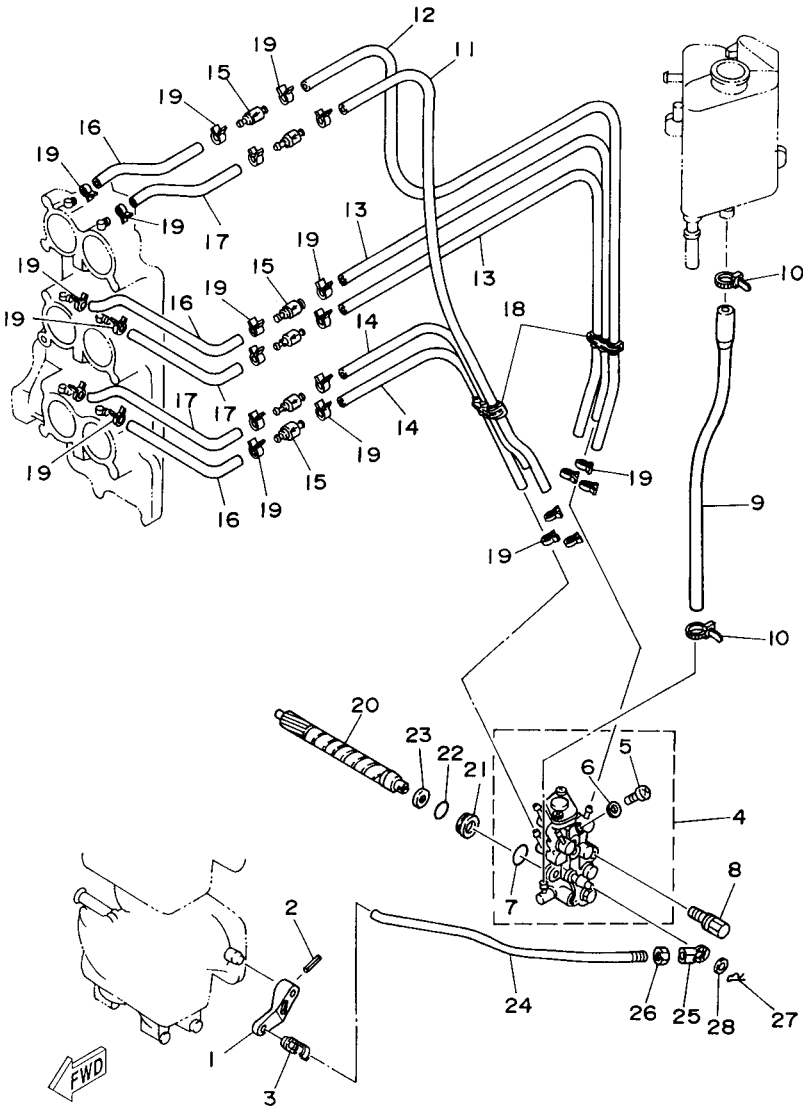
REF. NO.	PART NO.	DESCRIPTION	64F4				REMARKS
1	6E5-14276-01	LEVER	1				
2	91690-30016	PIN, SPRING	1				
3	6R5-41237-00	JOINT, LINK	1				
4	6R5-13200-11	OIL INJECTION PUMP ASSY	1				
5	6R3-13471-00	.PLUG, DRAIN	1				
6	6L2-13475-00	.GASKET	1				
7	93210-19M82	.O-RING	1				
8	90109-06M40	BOLT	2				
9	6R3-13416-00	PIPE, OIL 1	1				
10	90465-11M10	CLAMP	2				
11	90445-07M77	HOSE (L350)	1				
12	90445-07M85	HOSE (L330)	1				
13	90445-07M72	HOSE (L250)	2				
14	90445-07196	HOSE (L160)	2				
15	6R3-13183-10	VALVE, CHECK	6				
16	90445-07M87	HOSE (L110)	3				
17	90445-07M07	HOSE (L180)	3				
18	90464-07M05	CLAMP	2				
19	90468-07M02	CLIP	24				
20	6R3-11537-00	GEAR, DRIVEN	1				
21	6R3-13117-00	COLLAR, DISTANCE	1				
22	93210-13M04	O-RING	1				
23	90202-08M44	WASHER, PLATE	1				
24	6R5-41241-00	ROD, LINK	1				
25	6H1-41237-00	JOINT, LINK	1				
26	95380-05600	NUT	1				
27	90468-05M03	CLIP	1				



64F0010-6070

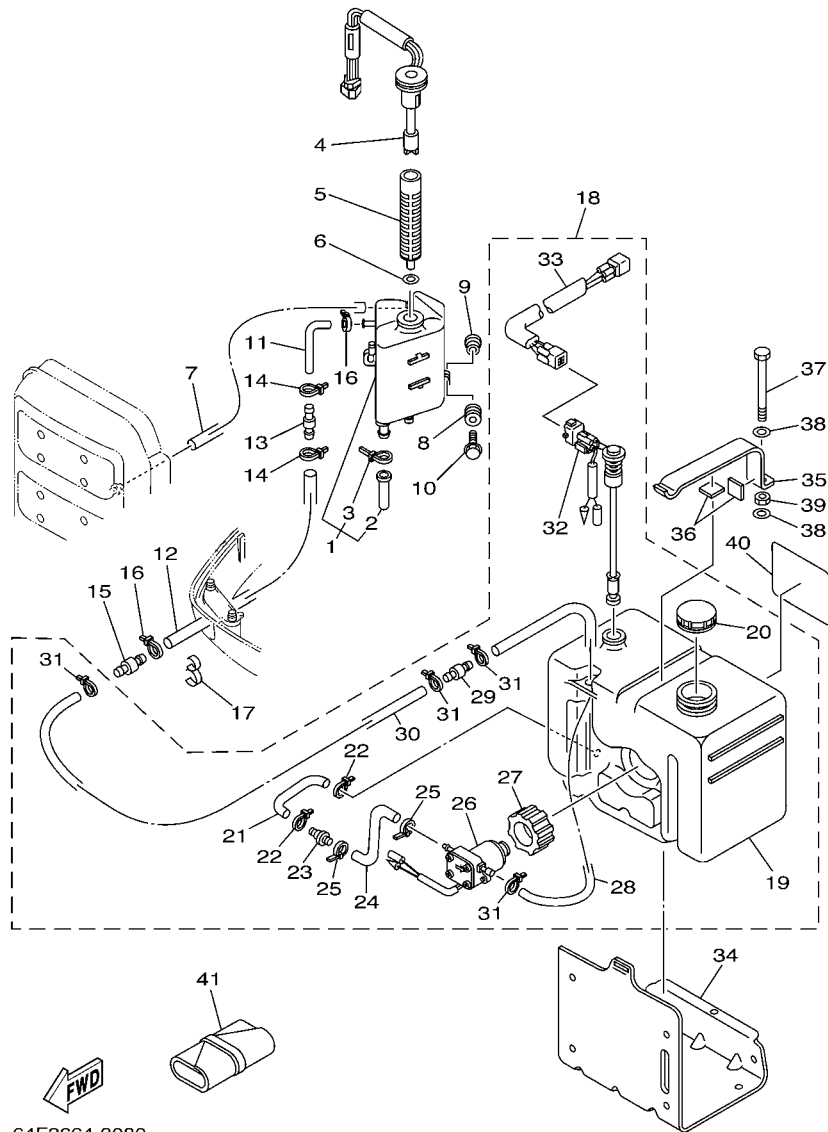
FIG. 7 OIL PUMP

REF. NO.	PART NO.	DESCRIPTION	64F4					REMARKS
28	90202-05088	WASHER, PLATE	1					
-----								
-----								
-----								
-----								
-----								
-----								
-----								
-----								
-----								



64F0010-6070

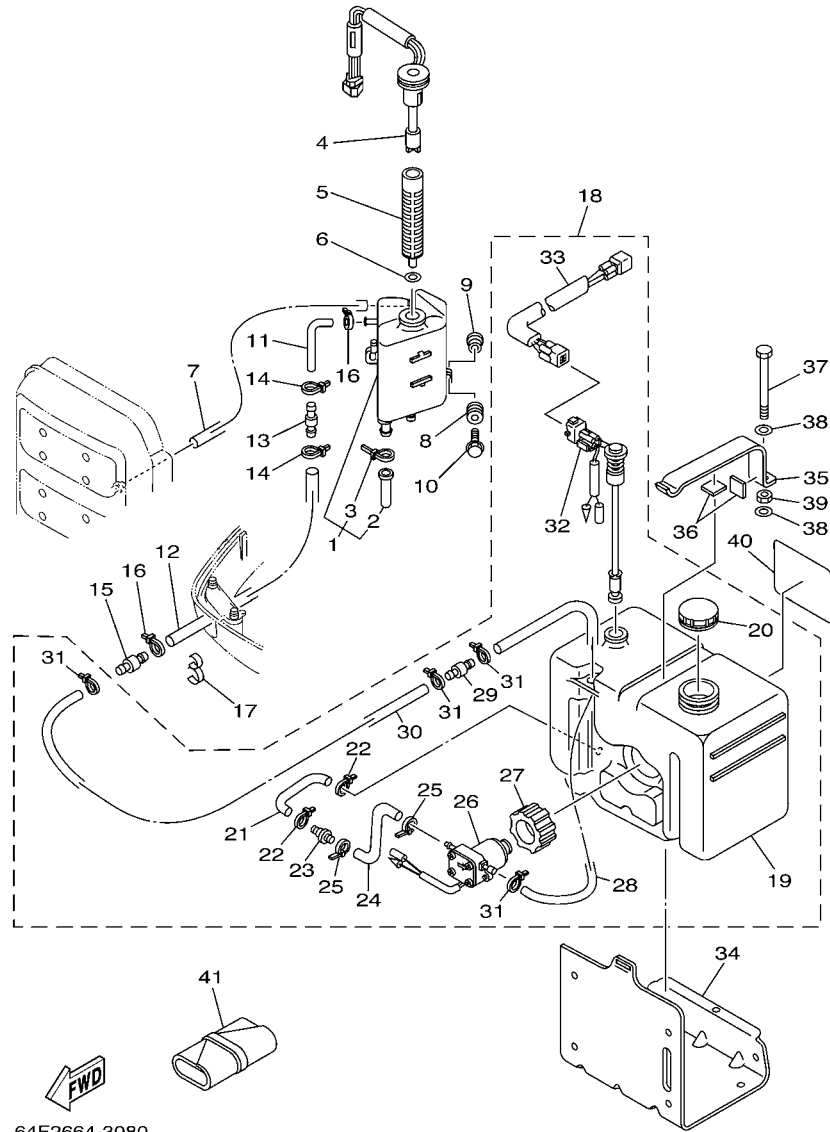




64F2664-3080

FIG. 8 OIL TANK

REF. NO.	PART NO.	DESCRIPTION	64F4				REMARKS
1	6E5-21750-05	OIL TANK ASSY	1				
2	6E5-13448-00	.CAP	1				
3	90465-13M11	.CLAMP	1				
4	6R3-85730-03	OIL LEVEL GAUGE ASSY	1				
5	6E5-13411-00	STRAINER, OIL	1				
6	6E5-13414-00	GASKET, STRAINER COVER	1				
7	90445-05M02	HOSE (L380)	1				
8	6A0-82317-00	DAMPER, IGNITION COIL	3				
9	624-42542-00	PIPE	3				
10	90119-06M65	BOLT, WITH WASHER	3				
11	64E-24323-00	PIPE 12	1				
12	90445-12M13	HOSE (L880)	1				
13	6E5-24379-00	PIPE, JOINT 4	1				
14	90465-11M10	CLAMP	2				
15	6E5-24379-00	PIPE, JOINT 4	1				
16	90465-11M10	CLAMP	2				
17	90464-13M34	CLAMP	1				
18	6E5-21708-10	SUB OIL TANK ASSY	1				
19	6E5-21733-20	.SUB TANK, OIL (10.5L)	1				
20	6E5-21770-03	.OIL TANK CAP ASSY	1				
21	6E5-24322-00	.PIPE 11	1				
22	90465-11M10	.CLAMP	2				
23	646-24251-02	.STRAINER 1	1				
24	6E5-24319-01	.PIPE, OIL	1				
25	90465-11M10	.CLAMP	2				
26	6E5-81900-01	.OIL FEED PUMP ASSY	1				
27	6E5-81922-00	.GROMMET	1				



64F2664-3080

FIG. 8 OIL TANK

REF. NO.	PART NO.	DESCRIPTION	64F4				REMARKS
28	6E5-24321-01	.PIPE 10	1				
29	6E5-24379-00	.PIPE, JOINT 4	1				
30	90445-11M81	.HOSE (L3000)	1				
31	90465-11M10	.CLAMP	4				
32	6E5-85720-05	.OIL LEVEL GAUGE ASSY	1				
33	6R3-85721-30	.WIRE, LEAD (3M)	1				
34	6E5-21734-01-33	HOLDER, OIL SUB TANK	1				
35	6E5-21798-01-33	BRACKET, DAMPER	1				
36	6E5-21746-00	DAMPER	2				
37	97080-06100	BOLT	1				
38	92990-06600	WASHER, PLATE	2				
39	95380-06600	NUT, HEXAGON	1				
40	6E5-13437-62	MARK, CAUTION	1				
41	656-W2810-02	TOOL KIT	1				

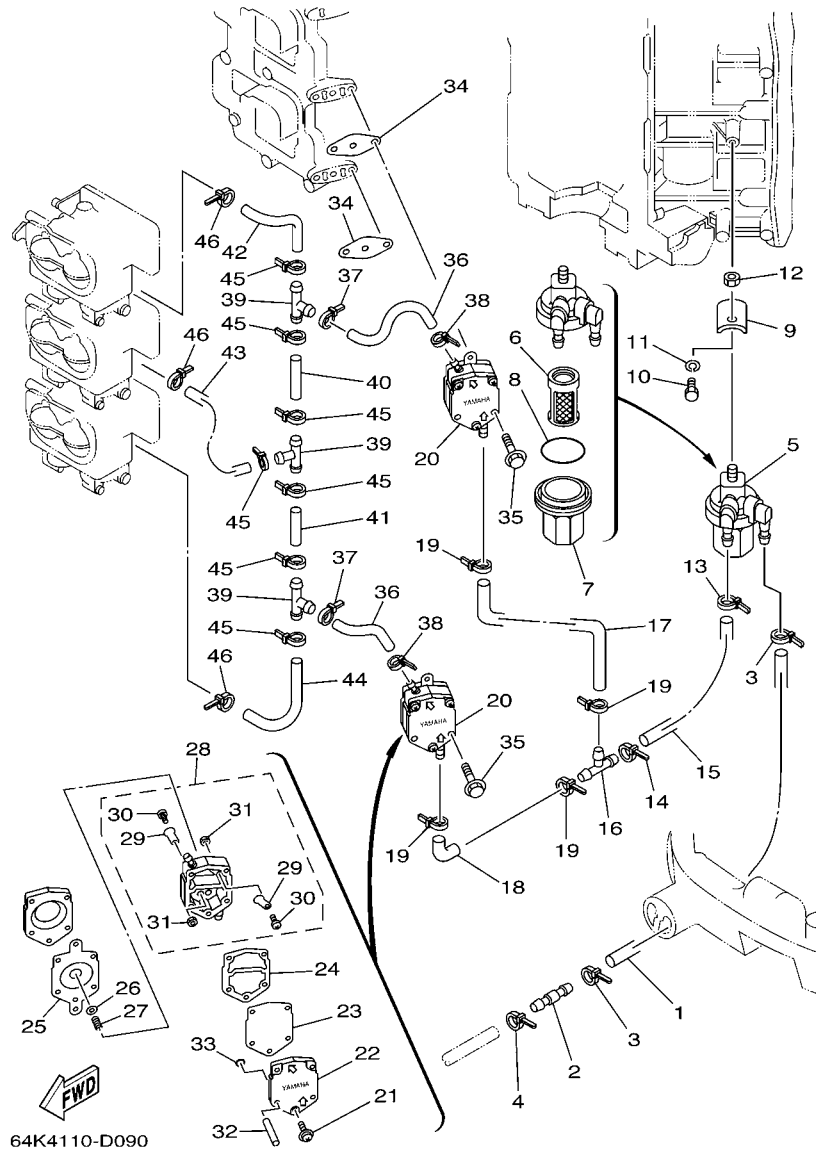


FIG. 9 FUEL

REF. NO.	PART NO.	DESCRIPTION	64F4				REMARKS
1	6R3-24313-01	PIPE 3 (L880)	1				
2	6R3-24377-00	PIPE, JOINT 3	1				
3	90465-11M10	CLAMP	2				
4	90465-11M10	CLAMP	1				
5	6R3-24560-00	FILTER ASSY	1				
6	6R3-24563-00	.ELEMENT, FILTER	1				
7	61N-24521-00	.CUP, FILTER	1				
8	93210-32738	.O-RING	1				
9	648-24566-02	BRACKET, FILTER	1				
10	97013-06014	BOLT	1				
11	92903-06100	WASHER, SPRING	1				
12	95380-08600	NUT	1				
13	90465-11M10	CLAMP	1				
14	90465-11M10	CLAMP	1				
15	6G5-24314-00	PIPE 4	1				
16	6E5-24378-00	PIPE, JOINT 3	1				
17	6K7-24315-00	PIPE 5	1				
18	6E5-24315-00	PIPE 5	1				
19	90465-11M10	CLAMP	4				
20	6E5-24410-04	FUEL PUMP ASSY	2				
21	6E5-24444-01	.SCREW	3				
22	6E5-24413-01	.BODY 2	1				
23	6E5-24471-01	.DIAPHRAGM	1				
24	6E5-24435-01	.GASKET, BODY 2	1				
25	6E5-24411-01	.DIAPHRAGM	1				
26	648-24424-00	.SEAT, SPRING	1				
27	6E5-24423-00	.SPRING, DIAPHRAGM	1				

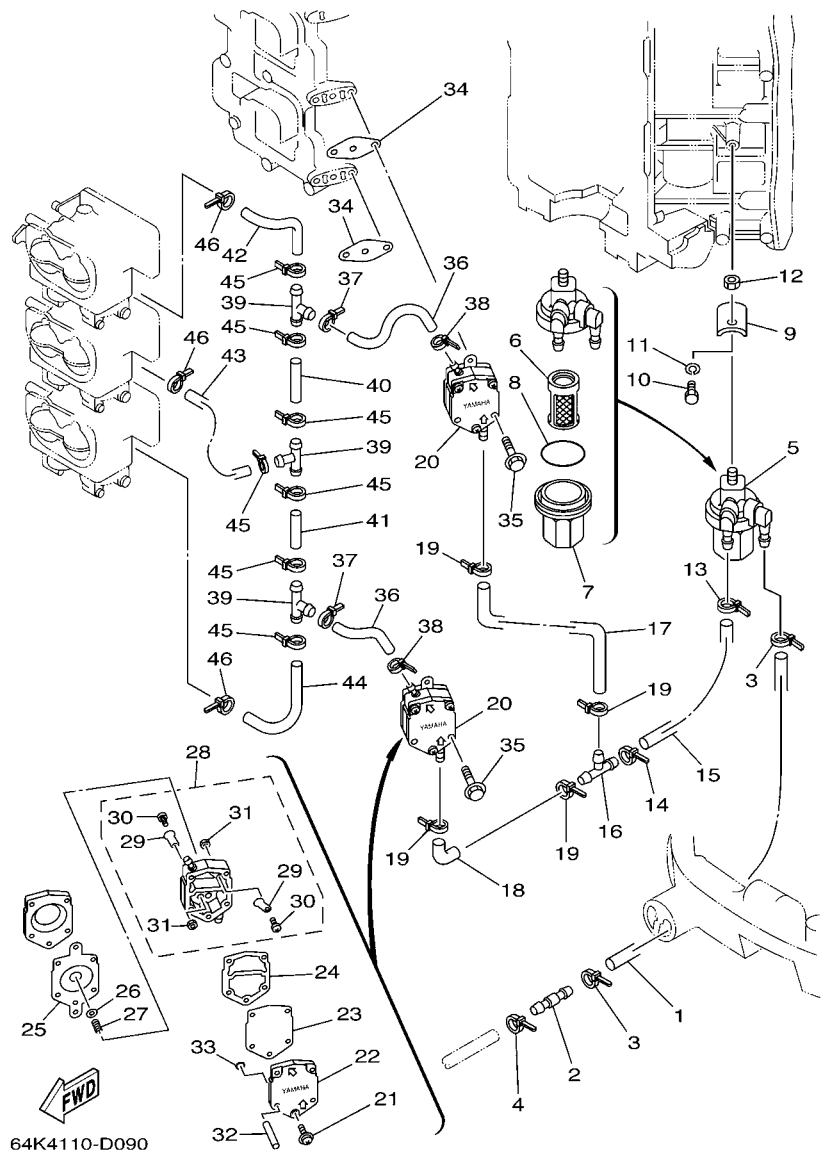
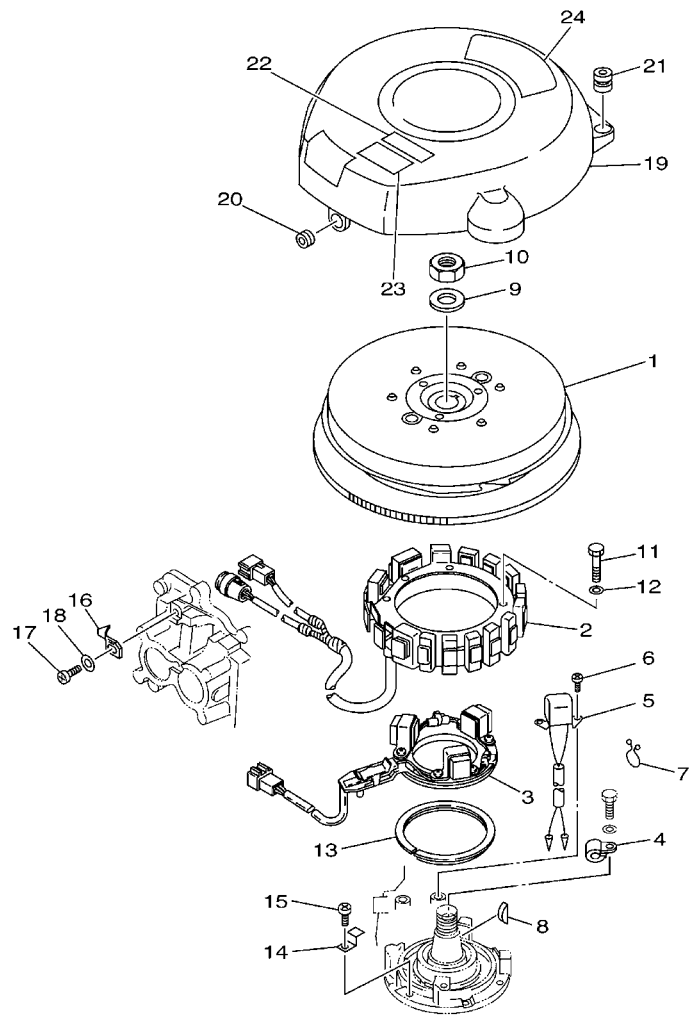


FIG. 9 FUEL

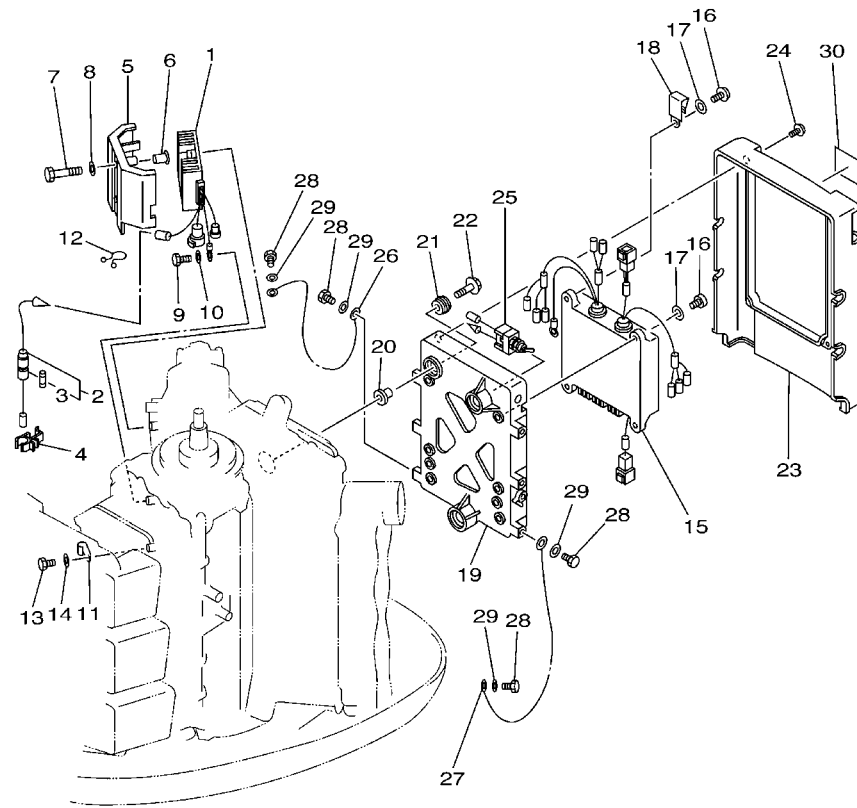
REF. NO.	PART NO.	DESCRIPTION	64F4				REMARKS
28	6E5-24412-11	.BODY 1	1				
29	6A0-24421-01	..VALVE, CHECK	4				
30	6A0-14325-00	..SCREW, PAN HEAD	4				
31	95380-03600	..NUT	4				
32	6E5-24492-00	.BUSH, FUELE PUMP	2				
33	6E5-24486-00	.O-RING	2				
34	650-24431-A0	GASKET, FUEL PUMP 1	2				
35	97595-06550	BOLT, WITH WASHER	4				
36	6G5-24316-10	PIPE 6	2				
37	90465-11M10	CLAMP	2				
38	90465-11M10	CLAMP	2				
39	6E5-24378-00	PIPE, JOINT 3	3				
40	90445-13M03	HOSE (L50)	1				
41	90445-13M02	HOSE (L40)	1				
42	6K7-24317-00	PIPE 7	1				
43	6K7-24318-00	PIPE, OVERFLOW	1				
44	6K7-24319-00	PIPE, OIL	1				
45	90465-11M10	CLAMP	7				
46	90465-11M10	CLAMP	3				



65N1300-2110

FIG. 10 GENERATOR

REF. NO.	PART NO.	DESCRIPTION	64F4				REMARKS
1	64D-85550-02	ROTOR ASSY	1				
2	6R3-85510-00	STATOR ASSY	1				
3	64D-85580-00	COIL, PULSER	1				
4	90465-06M86	CLAMP	1				
5	6R5-85895-01	CRANK POSITION SENDER	1				
6	97885-05012	SCREW, PAN HEAD	2				
7	90464-15M11	CLAMP	1				
8	90280-05015	KEY, WOODRUFF	1				
9	90201-21M18	WASHER, PLATE	1				
10	90170-20137	NUT	1				
11	97013-06070	BOLT	4				
12	92903-06600	WASHER, PLATE	4				
13	688-41611-00	RETAINER, MAGNETO BASE	1				
14	688-41612-00	RETAINER, MAGNETO BASE	4				
15	97880-06018	SCREW, PAN HEAD	4				
16	6E5-81332-00	PLATE, TIMING	1				
17	97885-06010	SCREW, PAN HEAD	1				
18	92995-06600	WASHER	1				
19	64D-81337-01	COVER, FLYWHEEL	1				
20	90480-13M24	GROMMET	1				
21	663-82317-01	DAMPER, IGNITION COIL	2				
22	6A1-83625-51	MARK 5	1				
23	6A1-83625-41	MARK 5	1				
24	64E-14488-00	LABEL, CAUTION	1				

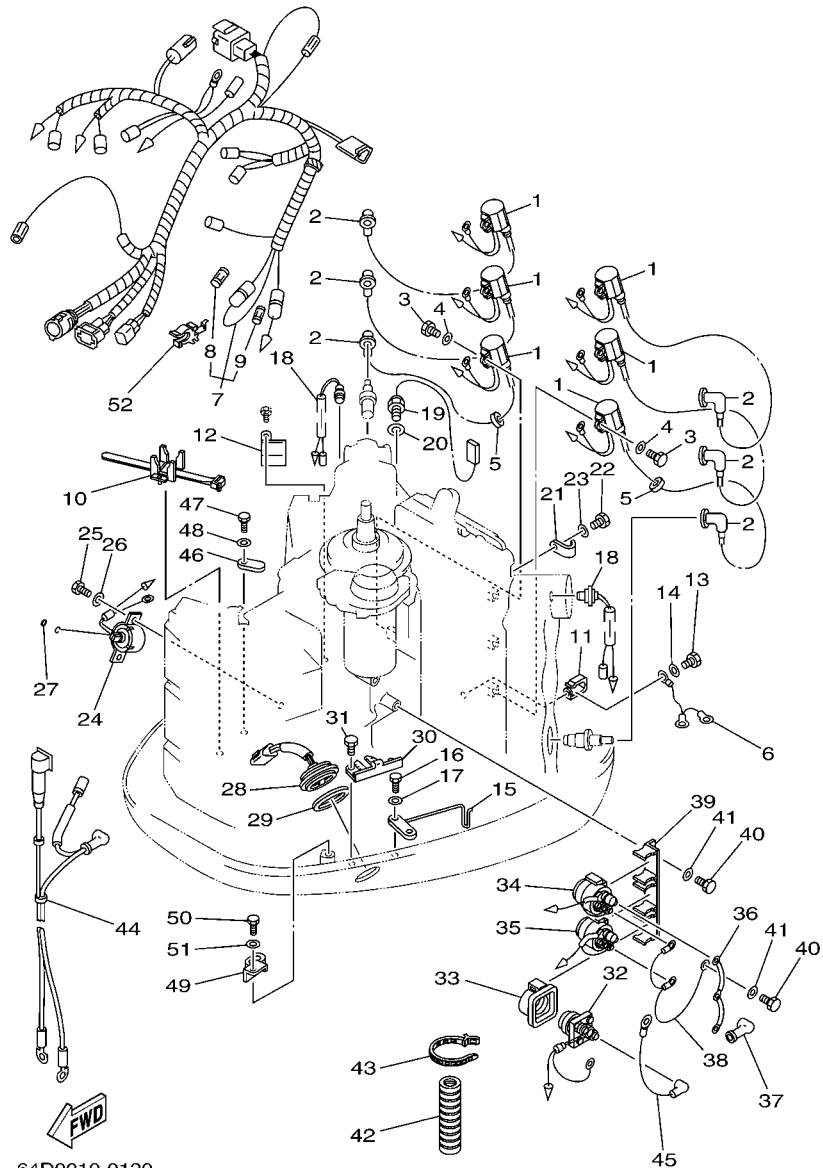


65N1300-2120

FIG. 11 ELECTRICAL 1

REF. NO.	PART NO.	DESCRIPTION	64F4				REMARKS
1	6R3-81960-10	RECTIFIER & REGULATOR ASSY	1				
2	6R3-82150-00	FUSE HOLDER ASSY	1				
3	705-82151-00	.FUSE (30A)	1				
4	6G5-82152-00	HOLDER, FUSE	1				
5	64D-81942-00	COVER	1				
6	90387-06M66	COLLAR	2				
7	97013-06055	BOLT	2				
8	92903-06600	WASHER, PLATE	2				
9	97095-06012	BOLT	1				
10	92995-06600	WASHER	1				
11	90465-06M88	CLAMP	1				
12	90464-15M11	CLAMP	1				
13	97095-06012	BOLT	1				
14	92995-06600	WASHER	1				
15	64E-85540-01	C.D.I. UNIT ASSY	1				
16	97880-06020	SCREW, PAN HEAD	4				
17	92990-06600	WASHER, PLATE	4				
18	90465-05M87	CLAMP	1				
19	6R3-85542-03-1S	BRACKET	1				
20	90387-06M03	COLLAR	3				
21	90480-09M12	GROMMET	3				
22	90119-06M61	BOLT, WITH WASHER	3				
23	64D-85537-00	COVER	1				
24	90159-06M11	SCREW, WITH WASHER	4				
25	6R3-8259E-00	SWITCH ASSY	1				
26	662-82519-00	WIRE, EARTH LEAD	1				
27	6R3-82519-00	WIRE, EARTH LEAD	1				



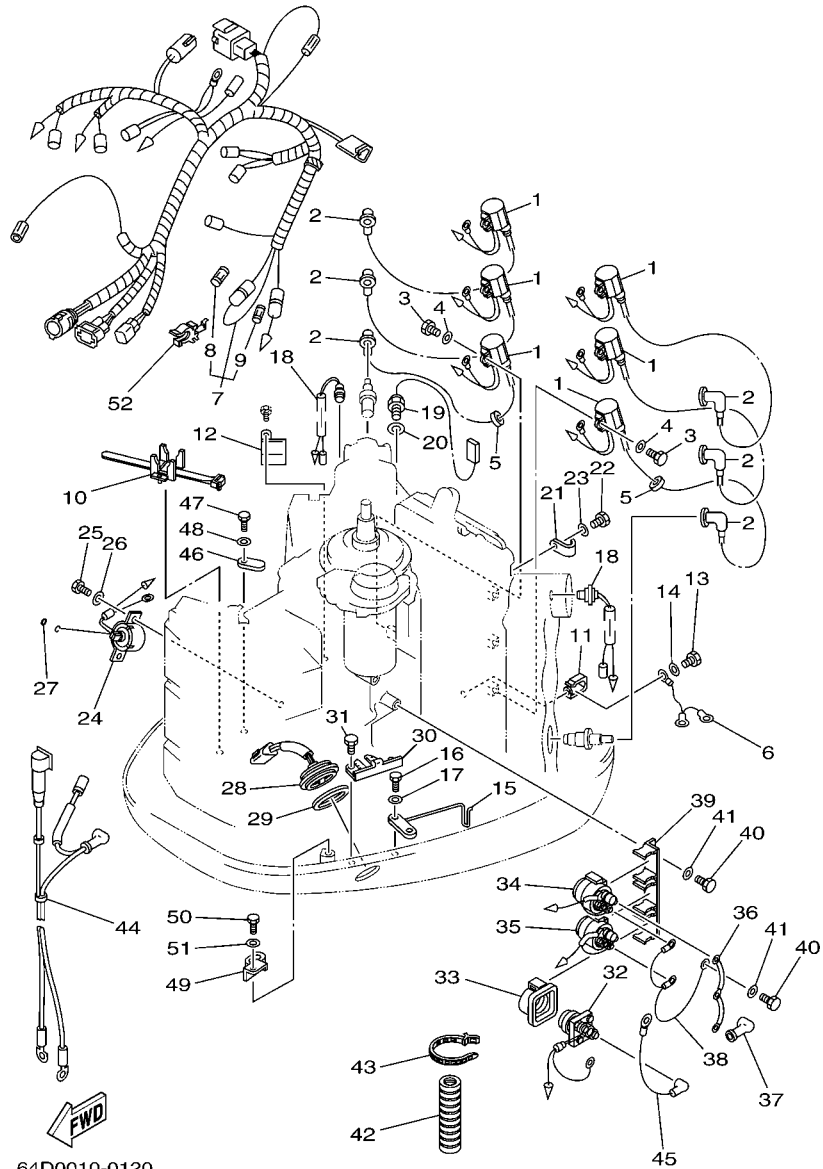


64D0010-0120

FIG. 12 ELECTRICAL 2

REF. NO.	PART NO.	DESCRIPTION	64F4				REMARKS
1	6R3-85570-01	IGNITION COIL ASSY	6				
2	6E3-82370-21	PLUG CAP ASSY	6				
3	97095-06020	BOLT	6				
4	92995-06600	WASHER	6				
5	90480-25161	GROMMET	2				
6	6E5-82531-10	WIRE, LEAD	1				
7	64D-82590-00	WIRE HARNESS ASSY	1				
8	663-82151-00	.FUSE (12V-20A)	1				
9	705-82151-00	.FUSE (30A)	1				
10	688-82594-00	CLAMP	1				
11	90465-05M87	CLAMP	1				
12	90465-08M89	CLAMP	1				
13	97095-06012	BOLT	1				
14	92995-06600	WASHER	1				
15	6K7-82588-00	PLATE	1				
16	97095-06020	BOLT	1				
17	92995-06600	WASHER	1				
18	688-82560-10	THERMO SWITCH ASSY	2				
19	61A-85790-00	THERMOSENSOR ASSY	1				
20	92990-10600	WASHER, PLATE	1				
21	90465-06M86	CLAMP	1				
22	97095-06012	BOLT	1				
23	92995-06600	WASHER	1				
24	64E-86110-01	SOLENOID	1				
25	97095-06016	BOLT	2				
26	92995-06600	WASHER	2				
27	93210-03261	O-RING	1				



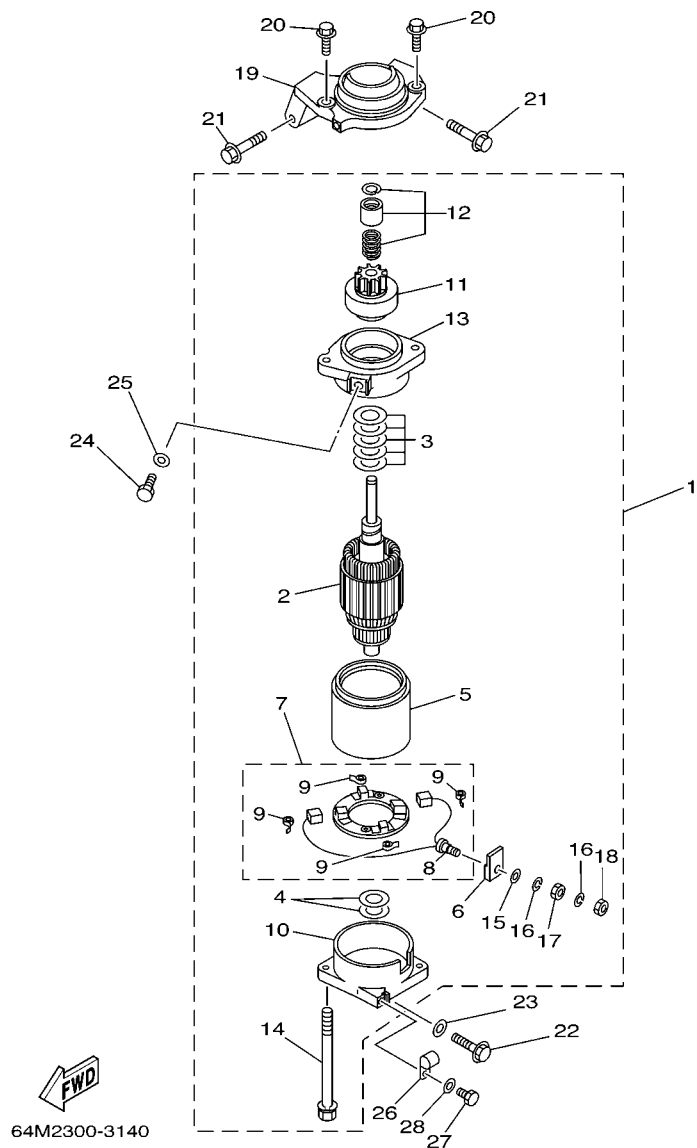


64D0010-0120

FIG. 12 ELECTRICAL 2

REF. NO.	PART NO.	DESCRIPTION	64F4				REMARKS
28	6R3-82563-00	TRIM & TILT SWITCH ASSY	1				
29	6E5-82587-00	GASKET	1				
30	6R3-83614-00	BRACKET	1				
31	97095-06012	BOLT	2				
32	61A-81941-00	STARTER RELAY ASSY	1				
33	689-81952-10	HOLDER, RELAY	1				
34	6E5-81950-00	RELAY ASSY	1				
35	6E5-8195A-00	RELAY ASSY	1				
36	6G5-87149-10	CONNECTOR	1				
37	6G5-82119-00	COVER, LEAD WIRE	2				
38	6E5-82116-00	WIRE, MINUS LEAD	1				
39	6G5-81948-11	BRACKET	1				
40	97095-06016	BOLT	2				
41	92995-06600	WASHER	2				
42	6E9-83557-70	TUBE	1				
43	90465-13M18	CLAMP	1				
44	6R3-82105-02	WIRE HARNESS	1				
45	6K7-82117-00	WIRE, LEAD	1				
46	6E5-82588-00	PLATE	1				
47	97095-06020	BOLT	1				
48	92995-06600	WASHER	1				
49	90465-12M25	CLAMP	1				
50	97095-06012	BOLT	1				
51	92995-06600	WASHER	1				
52	6G5-82152-00	HOLDER, FUSE	2				

**FIG. 13 STARTING MOTOR**



64M2300-3140

REF. NO.	PART NO.	DESCRIPTION	64F4				REMARKS
1	6N7-81800-10	STARTING MOTOR ASSY	1				
2	6N7-81850-10	.ARMATURE ASSY	1				
3	61A-81809-00	.WASHER KIT	1				
4	61A-81824-00	.WASHER 2	2				
5	6N7-81810-00	.STATOR ASSY	1				
6	6K7-8182G-10	.BUSH, TERMINAL	1				
7	6N7-81840-00	.BRUSH HOLDER ASSY	1				
8	6N7-81801-00	..BRUSH SET	1				
9	6N7-81813-00	..SPRING, BRUSH	4				
10	6N7-81820-10	.REAR BRACKET ASSY	1				
11	6N7-81807-00	.GEAR ASSY, STARTING MOTOR	1				
12	6N7-81857-00	.RETAINER	1				
13	6N7-81830-00	.FRONT BRACKET ASSY	1				
14	6K7-81826-10	.BOLT	2				
15	6E5-8182E-10	.WASHER	1				
16	6E5-8182F-10	.WASHER	2				
17	6E5-8182A-10	.NUT	1				
18	6E5-8182K-10	.NUT	1				
19	6K7-81822-00-94	BRACKET, STARTING MOTOR	1				
20	90119-08M76	BOLT, WITH WASHER	2				
21	90119-08M77	BOLT, WITH WASHER	2				
22	90119-08M57	BOLT, WITH WASHER	1				
23	92990-08600	WASHER, PLATE	1				
24	97095-08016	BOLT	1				
25	92995-08600	WASHER	1				
26	90465-06M86	CLAMP	1				
27	97095-06012	BOLT	1				

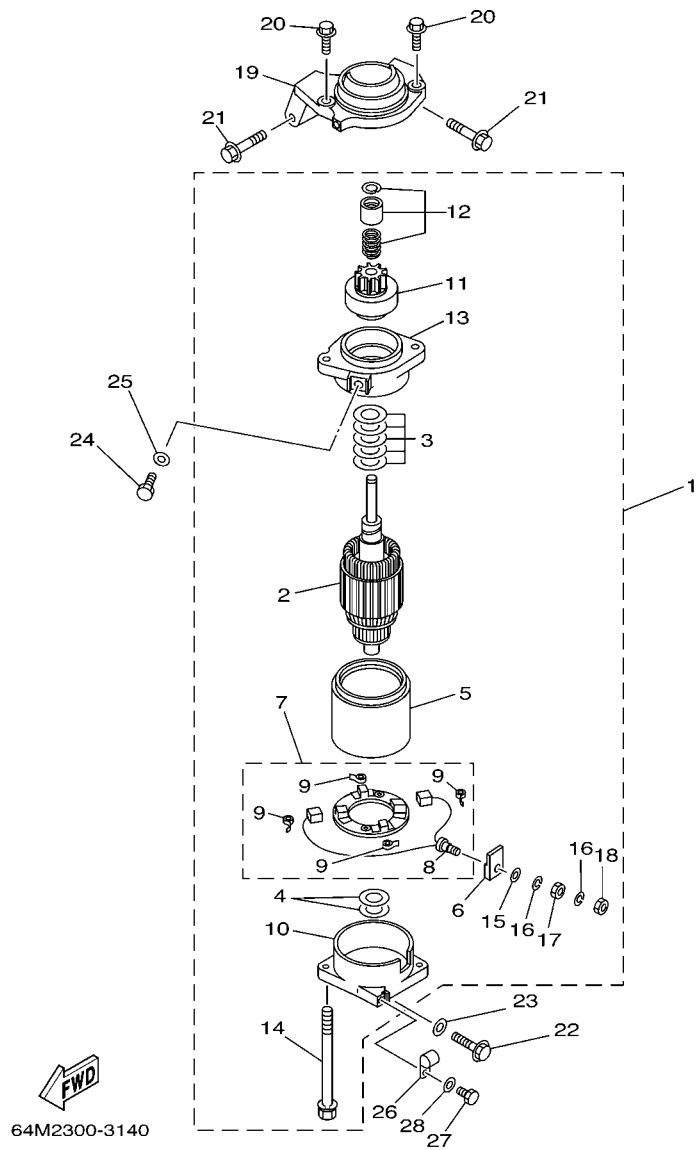
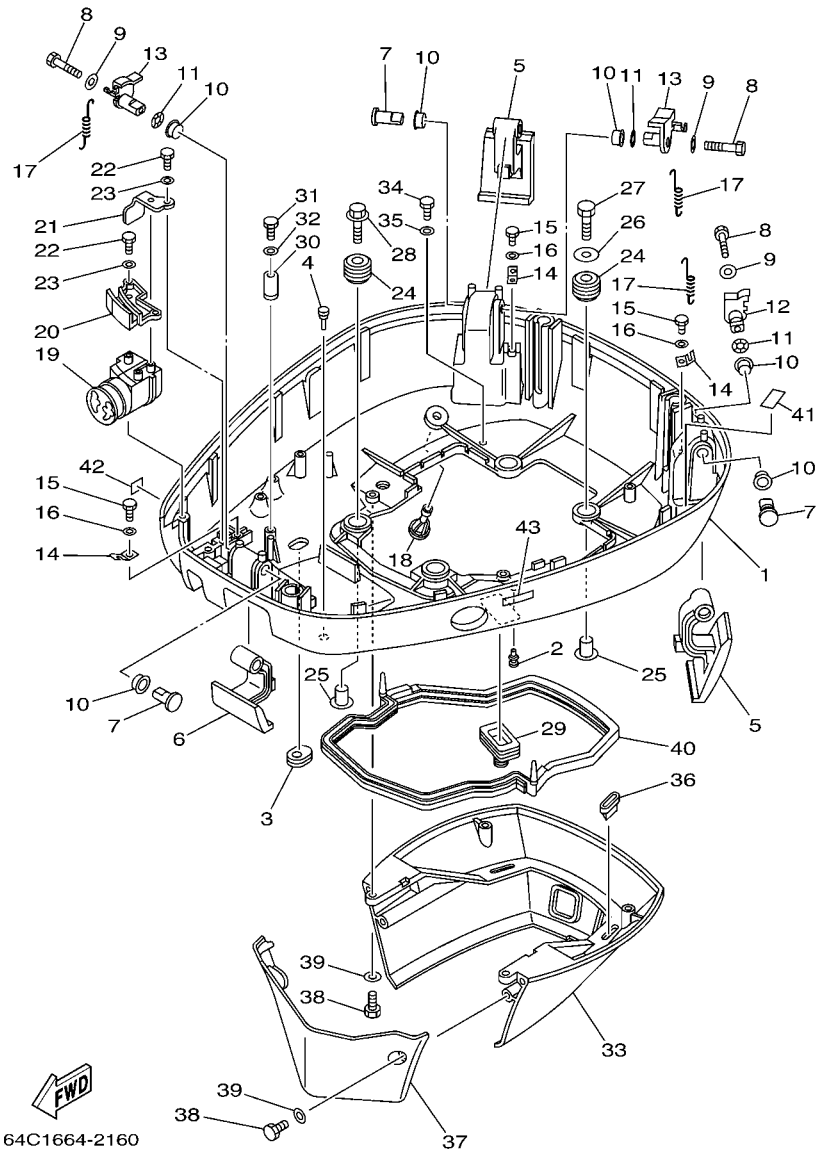


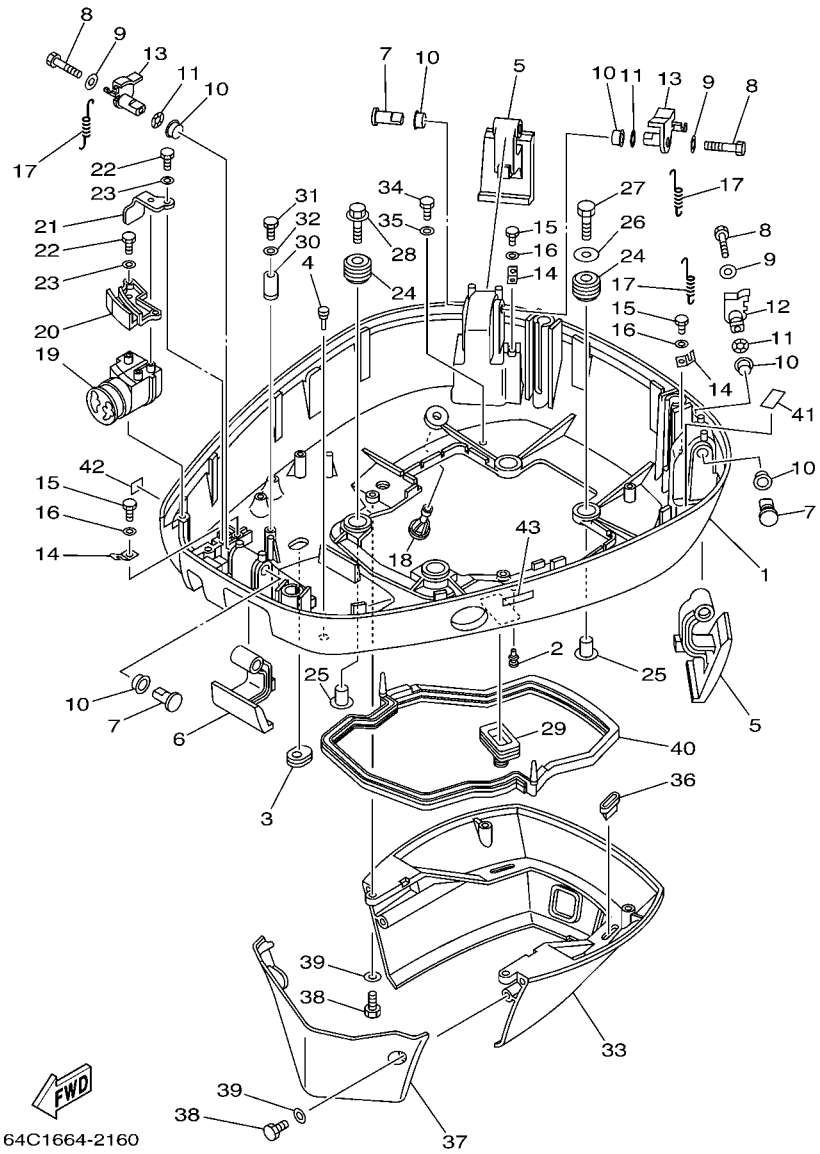
FIG. 13 STARTING MOTOR

REF. NO.	PART NO.	DESCRIPTION	64F4				REMARKS
28	92995-06600	WASHER	1				



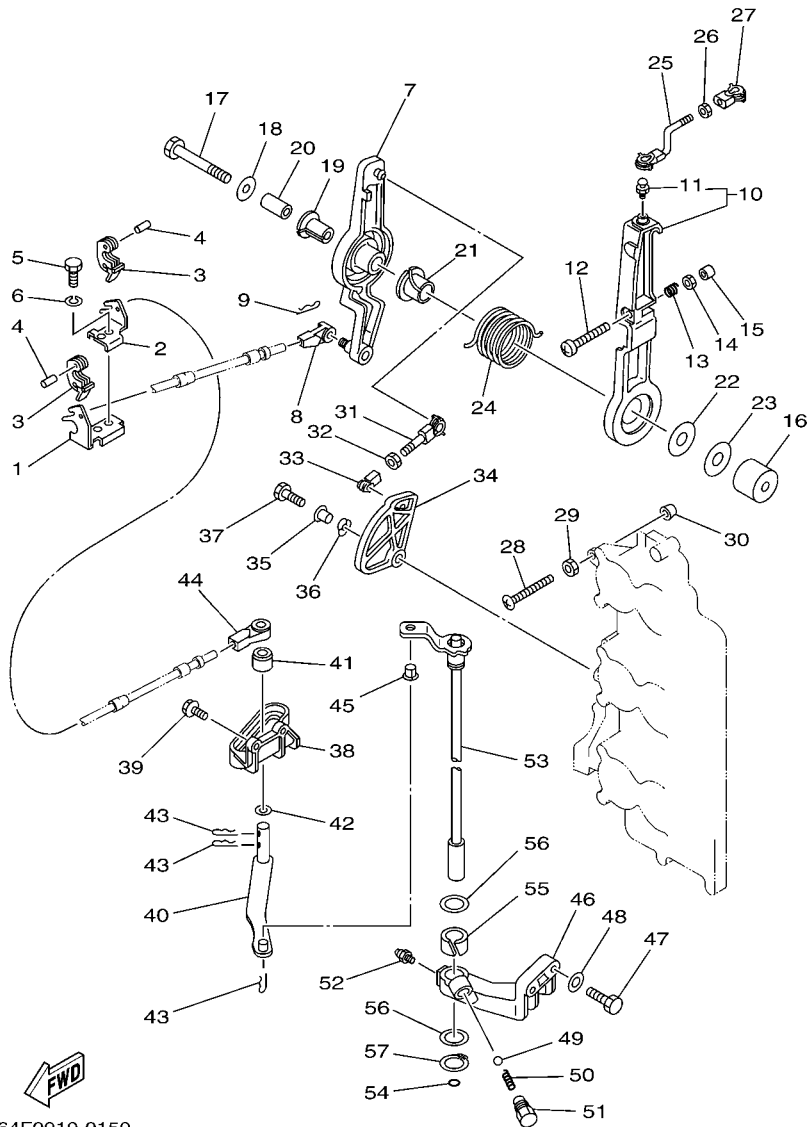
**FIG. 14 BOTTOM COWLING**

REF. NO.	PART NO.	DESCRIPTION	64F4				REMARKS
1	64D-42711-01-8D	COWLING, BOTTOM	1				
2	90480-06M19	GROMMET	1				
3	61A-42727-00	GROMMET	1				
4	6H4-42748-00	GROMMET	1				
5	64D-42815-00-4D	LEVER, CLAMP	2				
6	64D-42816-00-4D	LEVER, CLAMP	1				
7	64D-42835-00	PIN, SET 1	3				
8	97095-06040	BOLT	3				
9	90201-06068	WASHER, PLATE	3				
10	90386-15M73	BUSH	6				
11	90206-15M18	WASHER, WAVE	3				
12	64D-42818-20	LEVER, CLAMP	1				
13	64D-42818-30	LEVER, CLAMP	2				
14	64D-43144-00	HOOK, SPRING	3				
15	97090-06012	BOLT	3				
16	92990-06600	WASHER, PLATE	3				
17	90506-16M34	SPRING, TENSION	3				
18	6E5-44391-00	NIPPLE, HOSE	1				
19	64D-42725-20	GROMMET	1				
20	64D-42738-00-5B	PLATE, FITTING	1				
21	64D-42738-10-5B	PLATE, FITTING	1				
22	97095-06016	BOLT	3				
23	92995-06600	WASHER	3				
24	90480-22M15	GROMMET	4				
25	90387-08M37	COLLAR	4				
26	90201-08M54	WASHER, PLATE	1				
27	97075-08035	BOLT	1				



**FIG. 14 BOTTOM COWLING**

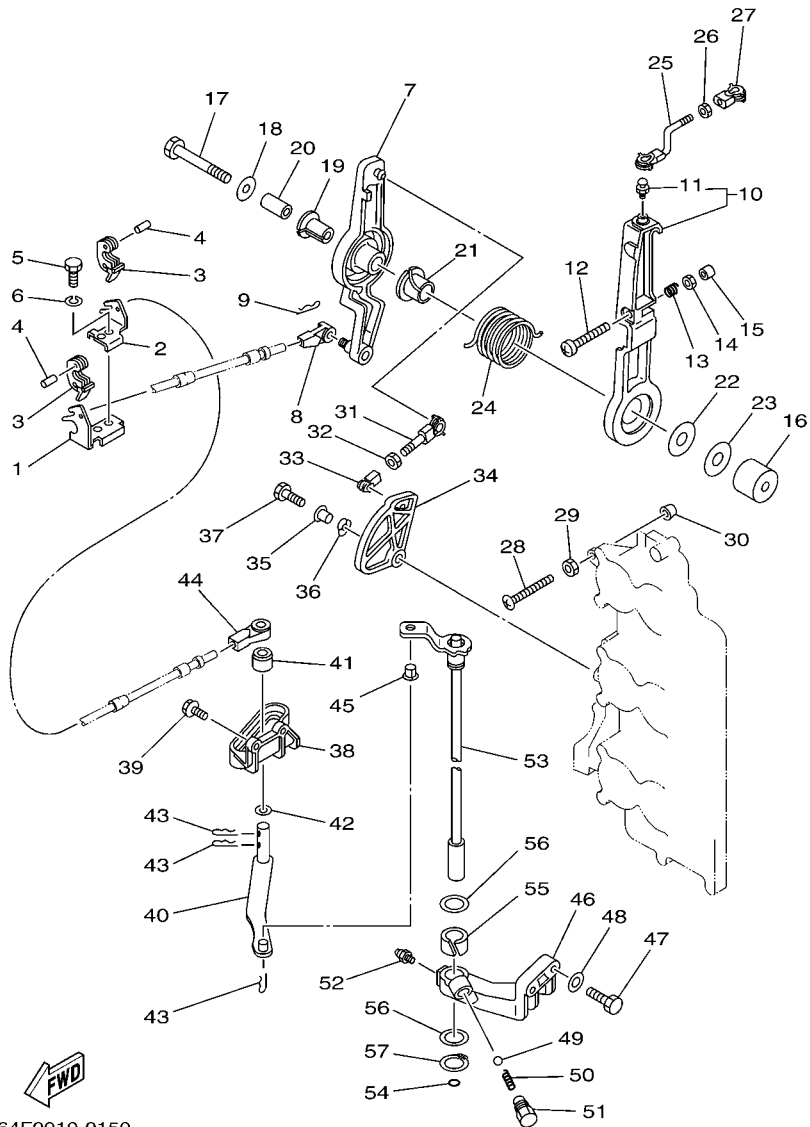
REF. NO.	PART NO.	DESCRIPTION	64F4				REMARKS
28	90119-08M22	BOLT, WITH WASHER	3				
29	688-42726-10	GROMMET	1				
30	6E5-82588-00	PLATE	1				
31	97095-06020	BOLT	1				
32	92995-06600	WASHER	1				
33	6R3-42741-02-8D	APRON	1				
34	97095-06020	BOLT	2				
35	92995-06600	WASHER	2				
36	64D-42717-00	RUBBER, SEAL 2	2				
37	6R3-42771-01-8D	APRON	1				
38	97095-06020	BOLT	4				
39	92995-06600	WASHER	4				
40	6E5-42716-10	RUBBER, SEAL 1	1				
41	6G5-42791-10	MARK 1	1				
42	6A1-28176-00	LABEL, CAUTION	1				
43	6E3-8257H-00	PLATE, MARK	1				



64F0010-0150

FIG. 15 CONTROL

REF. NO.	PART NO.	DESCRIPTION	64F4				REMARKS
1	64D-48531-00	BRACKET, REMOTE CONTROL 1	1				
2	64D-48532-00	BRACKET, REMOTE CONTROL 2	1				
3	6E5-48538-00	CLAMP, CABLE	2				
4	91690-30012	PIN, SPRING	2				
5	97095-08020	BOLT	1				
6	92995-08100	WASHER	1				
7	61H-41632-02-1S	LEVER, MAGNETO CONTROL	1				
8	6E5-48344-00	CABLE END, REMOTE CONTROL	1				
9	90468-18008	CLIP	1				
10	6G5-41631-01-1S	LEVER, MAGNETO CONTROL	1				
11	663-85518-00	JOINT, BALL	1				
12	90157-06013	SCREW, PAN HEAD	1				
13	90501-16M12	SPRING, COMPRESSION	1				
14	95303-06600	NUT	1				
15	688-44194-00	CAP	1				
16	90387-08M17	COLLAR	1				
17	90101-08M14	BOLT	1				
18	90201-08M23	WASHER, PLATE	1				
19	90386-12089	BUSH	1				
20	90387-08M16	COLLAR	1				
21	90386-22M13	BUSH	1				
22	90202-12092	WASHER, PLATE	1				
23	90201-08M13	WASHER, PLATE	1				
24	90508-29M12	SPRING, TORSION	1				
25	6G5-41636-01	ROD, MAGNETO CONTROL	1				
26	95380-05600	NUT	1				
27	662-41237-01	JOINT, LINK	1				



64F0010-0150

FIG. 15 CONTROL

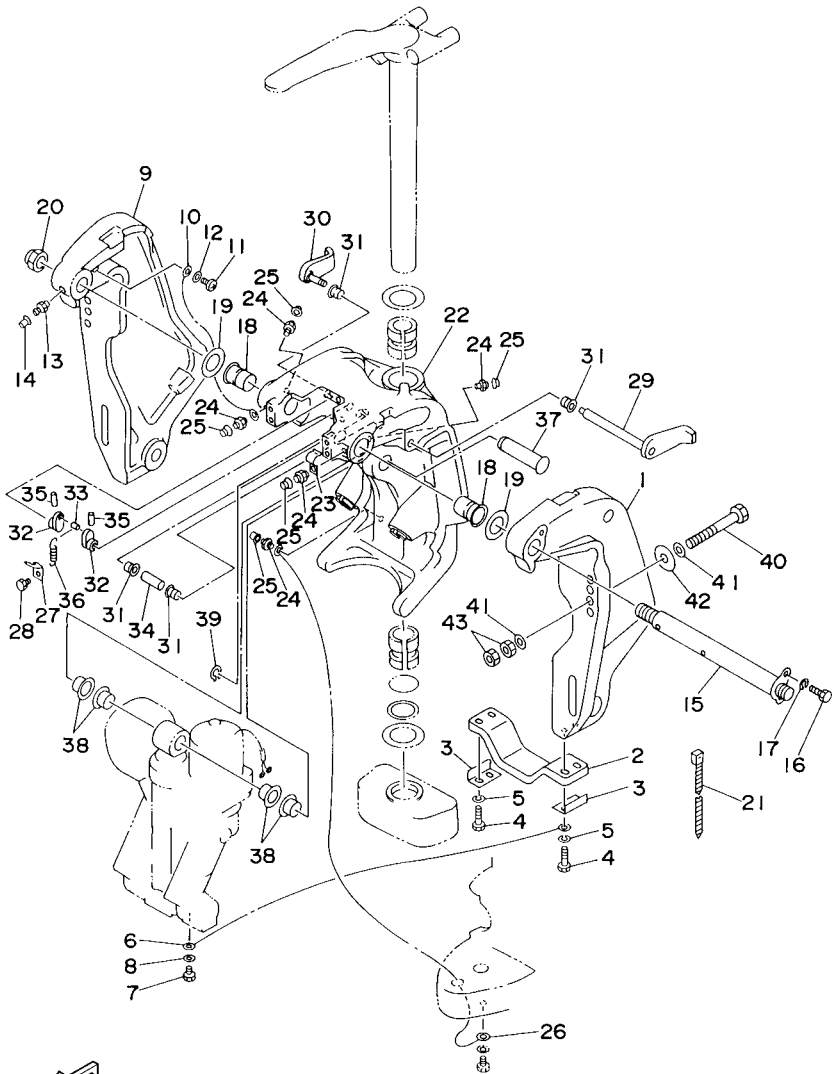
REF. NO.	PART NO.	DESCRIPTION	64F4				REMARKS
28	90157-06M07	SCREW, PAN HEAD	1				
29	95303-06600	NUT	1				
30	688-44194-00	CAP	1				
31	682-41237-50	JOINT, LINK	1				
32	95380-05600	NUT	1				
33	662-41237-01	JOINT, LINK	1				
34	61H-41213-00	CAM, ACCEL.	1				
35	90387-06M29	COLLAR	1				
36	90206-10M04	WASHER, WAVE	1				
37	97095-06025	BOLT	1				
38	6E5-44117-00-1S	BRACKET	1				
39	90119-06MA2	BOLT, WITH WASHER	2				
40	68F-44121-00	LEVER, SHIFT ROD	1				
41	6E5-44122-00	BUSHING, SHIFT ROD LEVER	1				
42	90202-08M20	WASHER, PLATE	1				
43	90468-18008	CLIP	3				
44	6E5-48344-00	CABLE END, REMOTE CONTROL	1				
45	90386-06M12	BUSH	1				
46	6E5-44118-01-94	BRACKET	1				
47	97013-08030	BOLT	2				
48	92903-08600	WASHER, PLATE	2				
49	93501-04M02	BALL	1				
50	90501-12082	SPRING, COMPRESSION	1				
51	648-42715-00	BUSHING	1				
52	93700-06M03	NIPPLE, GREASE	1				
53	6E5-44120-03	HANDLE GEAR SHIFT ASSY	1				L
54	93210-09165	O-RING	1				





FIG. 16 BRACKET 1

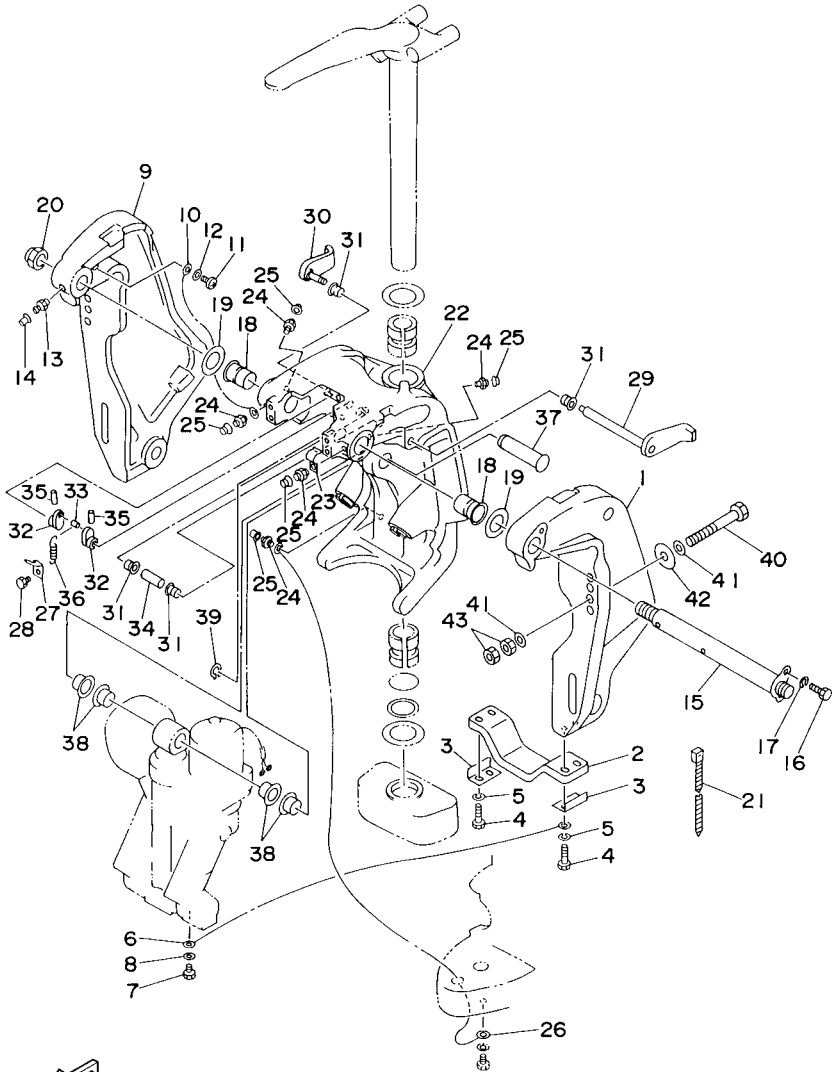
REF. NO.	PART NO.	DESCRIPTION	64F4				REMARKS
1	64E-43111-02-8D	BRACKET, CLAMP	1				
2	6G5-45251-02	ANODE	1				
3	6G5-44526-00	PLATE	2				
4	97095-06030	BOLT	4				
5	92995-06100	WASHER, SPRING	4				
6	6E5-82148-00	WIRE, LEAD 4	1				
7	97095-06010	BOLT	1				
8	92995-06600	WASHER	1				
9	64E-43112-02-8D	BRACKET, CLAMP	1				
10	6E5-82148-00	WIRE, LEAD 4	1				
11	97880-06012	SCREW, PAN HEAD	1				
12	92990-06600	WASHER, PLATE	1				
13	93700-06M03	NIPPLE, GREASE	1				
14	663-45119-00	CAP, GREASE NIPPLE	1				AP
15	64E-43131-01	BOLT, CLAMP BRACKET	1				
16	97095-08020	BOLT	1				
17	92995-08100	WASHER	1				
18	90386-25M31	BUSH	2				
19	90201-26M59	WASHER, PLATE	2				
20	90185-22M11	NUT, SELF-LOCKING	1				
21	90465-11M10	CLAMP	1				
22	64E-43311-10-8D	BRACKET, SWIVEL 1	1				L
23	90465-08M63	CLAMP	1				
24	93700-06M03	NIPPLE, GREASE	5				
25	663-45119-00	CAP, GREASE NIPPLE	5				AP
26	6E5-82147-00	WIRE, LEAD 4	1				L
27	6G5-43144-00	HOOK, SPRING	1				



6N60010-7160

FIG. 16 BRACKET 1

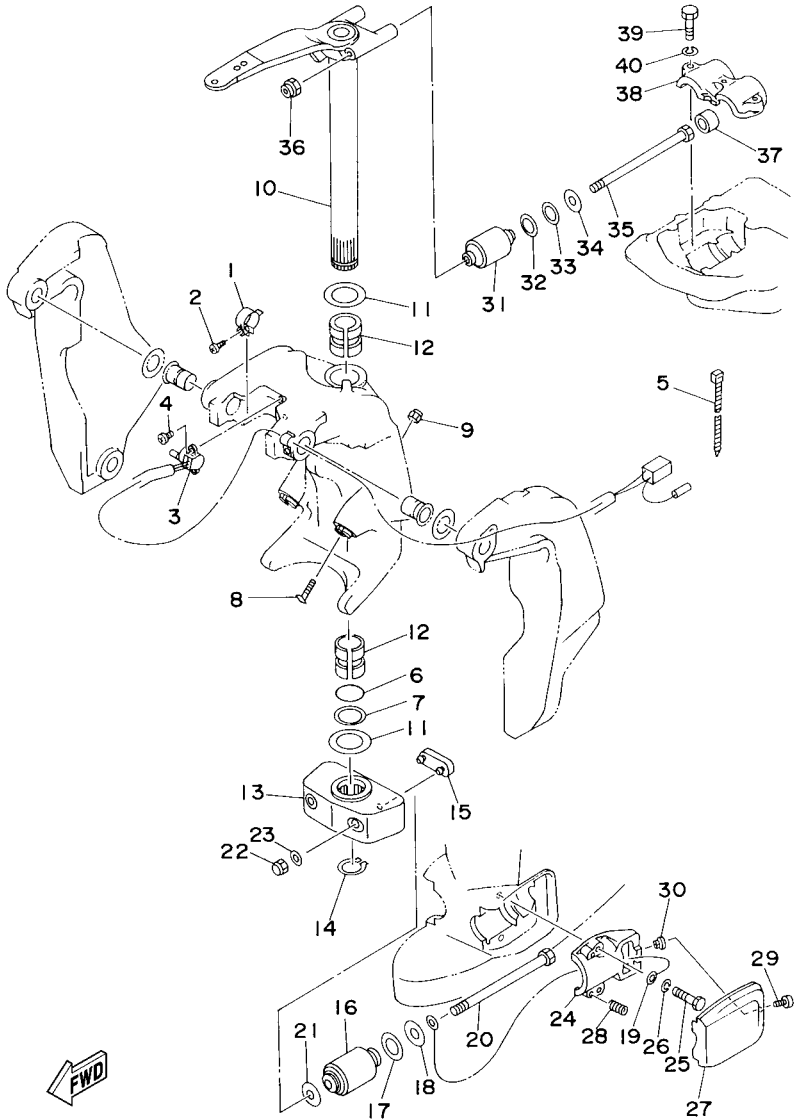
REF. NO.	PART NO.	DESCRIPTION	64F4				REMARKS
28	97095-06010	BOLT	1				
29	6G5-43181-02	LEVER, TILT STOP	1				
30	6G5-43185-02	LEVER, TILT STOP	1				
31	90386-10M16	BUSH	4				
32	6G5-43148-00	COLLAR, DISTANCE	2				
33	90249-06M19	PIN	1				
34	90387-10M05	COLLAR	1				
35	91690-30020	PIN, SPRING	2				
36	90506-14M24	SPRING, TENSION	1				
37	64E-43126-00	PIN, UPPER SHOCK MOUNT	1				
38	90386-22M98	BUSH	4				
39	93410-22M11	CIRCLIP	1				
40	90101-12M03	BOLT (L:115MM)	4				
41	90201-13M01	WASHER, PLATE	8				
42	90201-12M05	WASHER, PLATE	4				
43	95380-12600	NUT	8				



FWD  
6N60010-7160

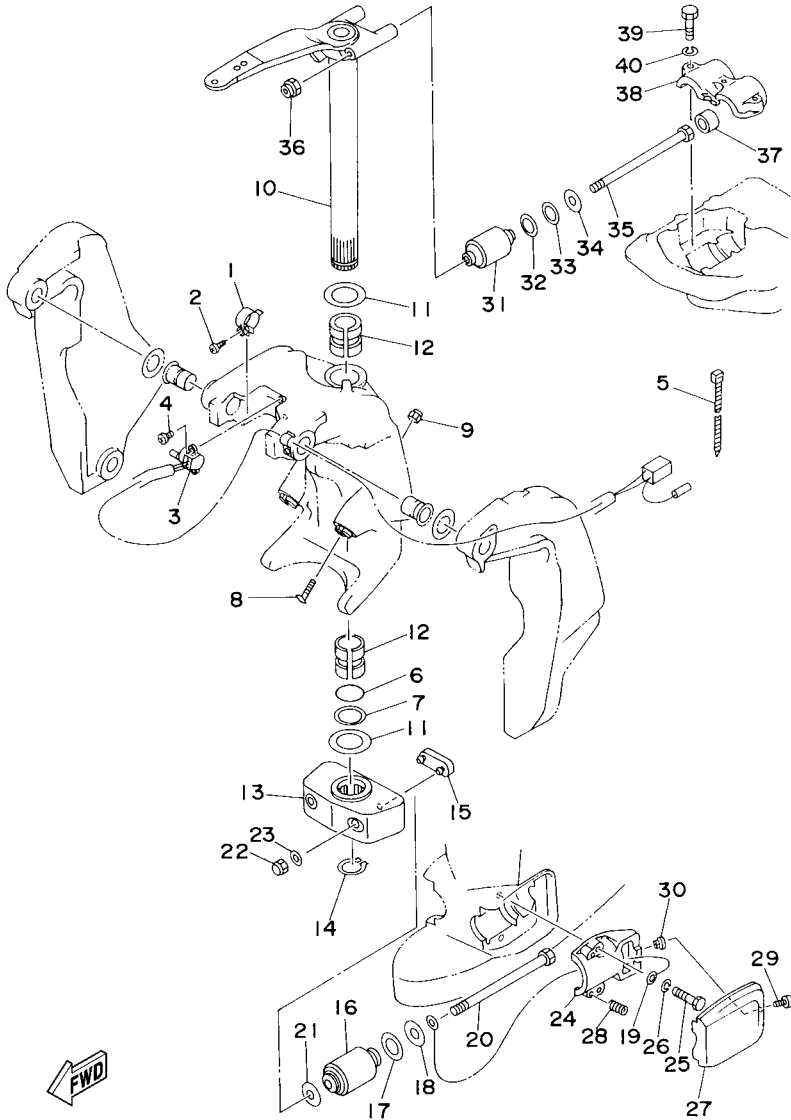
FIG. 17 BRACKET 2

REF. NO.	PART NO.	DESCRIPTION	64F4				REMARKS
1	64E-43139-02	CAM, TRIM SENDER	1				
2	97780-60525	SCREW, TAPPING	1				
3	64E-83672-02	TRIM SENDER	1				
4	97885-06016	SCREW, PAN HEAD	2				
5	90465-11M10	CLAMP	3				
6	93210-37MH7	O-RING	1				
7	90202-40M47	WASHER, PLATE	1				
8	61A-43376-00	BOLT, THRUST RECEIVER	2				
9	95780-10300	NUT, FLANGE	2				
10	6E5-42510-A1-8D	STEERING BRACKET ASSY	1				L
11	90201-38M60	WASHER, PLATE	2				
12	90386-38M32	BUSH	2				
13	6G5-44551-01-8D	HOUSING, LOWER MOUNT RUBBER	1				
14	93410-37M04	CIRCLIP	1				
15	6E5-44575-00	DAMPER, LOWER MOUNT RUBBER	1				
16	6G5-44555-00-94	MOUNT DAMPER, LOWER SIDE	2				
17	90202-32M19	WASHER, PLATE	2				
18	90201-16M55	WASHER, PLATE	2				
19	6E5-82149-00	WIRE, LEAD 3	1				
20	90109-14M34	BOLT	2				
21	90201-15M58	WASHER, PLATE	2				
22	95380-14800	NUT	2				
23	92995-14600	WASHER	2				
24	6E5-44552-01-94	HOUSING, LOWER MOUNT RUBBER	2				
25	97095-10045	BOLT	4				
26	92995-10100	WASHER	4				
27	6E5-44553-01-8D	COVER, LOWER MOUNT	2				



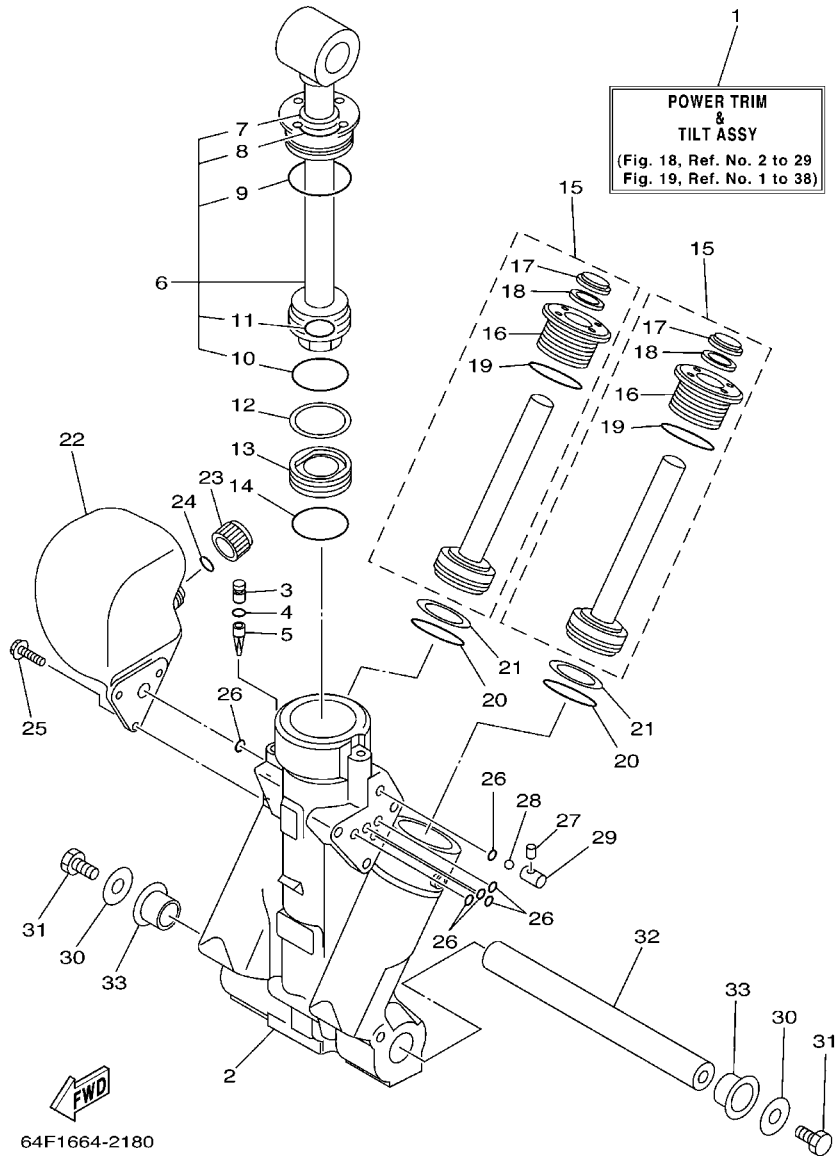
64D0010-7170

FIG. 17 BRACKET 2



  
64D0010-7170

REF. NO.	PART NO.	DESCRIPTION	64F4				REMARKS
28	90501-16M28	SPRING, COMPRESSION	4				
29	97885-06016	SCREW, PAN HEAD	2				
30	90179-06066	NUT	2				
31	6G5-44514-00-94	MOUNT DAMPER, UPPER SIDE	2				
32	90201-26M57	WASHER, PLATE	2				
33	90202-26M18	WASHER, PLATE	2				
34	90201-14M56	WASHER, PLATE	2				
35	90109-12007	BOLT	2				
36	90185-12M12	NUT, SELF-LOCKING	2				
37	663-44575-00	DAMPER, LOWER MOUNT RUBBER	2				
38	6E5-44511-00-5B	COVER, UPPER MOUNT	1				
39	97095-10045	BOLT	3				
40	92995-10100	WASHER	3				
-----							
-----							
-----							
-----							
-----							



64F1664-2180

FIG. 18 POWER TRIM & TILT ASSY 1

REF. NO.	PART NO.	DESCRIPTION	64F4				REMARKS
1	64E-43800-02-4D	POWER TRIM & TILT ASSY	1				
2	64E-43825-01	HOUSING, TRIM & TILT	1				
3	64E-4388J-00	PLUG 2	1				
4	93210-10M74	O-RING	1				
5	64E-43817-00	FILTER 2	1				
6	64E-43810-00	TILT PISTON SUB ASSY	1				
7	64E-43898-00	.SEAL ,DUST 2	1				
8	64E-43867-00	.O-RING	1				
9	64E-43866-00	.O-RING	1				
10	6E5-43862-00	.O-RING	1				
11	64E-43883-00	.O-RING	1				
12	6E5-43872-00	RING, BACK UP	1				
13	6E5-43814-02	PISTON, FREE	1				
14	6E5-43862-00	O-RING	1				
15	64E-43820-00	TRIM PISTON SUB ASSY	2				
16	64E-43821-00	.SCREW, TRIM CYLINDER END	1				
17	64E-43822-00	.SEAL, TRIM DUST	1				
18	64E-4384J-00	.SEAL, TRIM DOWN	1				
19	6G5-43864-00	.O-RING	1				
20	6E5-43864-00	O-RING	2				
21	6E5-43874-01	RING, BACK UP	2				
22	64E-43828-00	BODY, RESERVOIR	1				
23	64E-43829-00	PLUG, RESERVOIR	1				
24	64E-43897-00	O-RING	1				
25	64E-4388E-00	BOLT ,SCREW (L:14MM)	3				
26	64E-43869-00	O-RING	6				
27	64E-4381G-00	PIN	1				



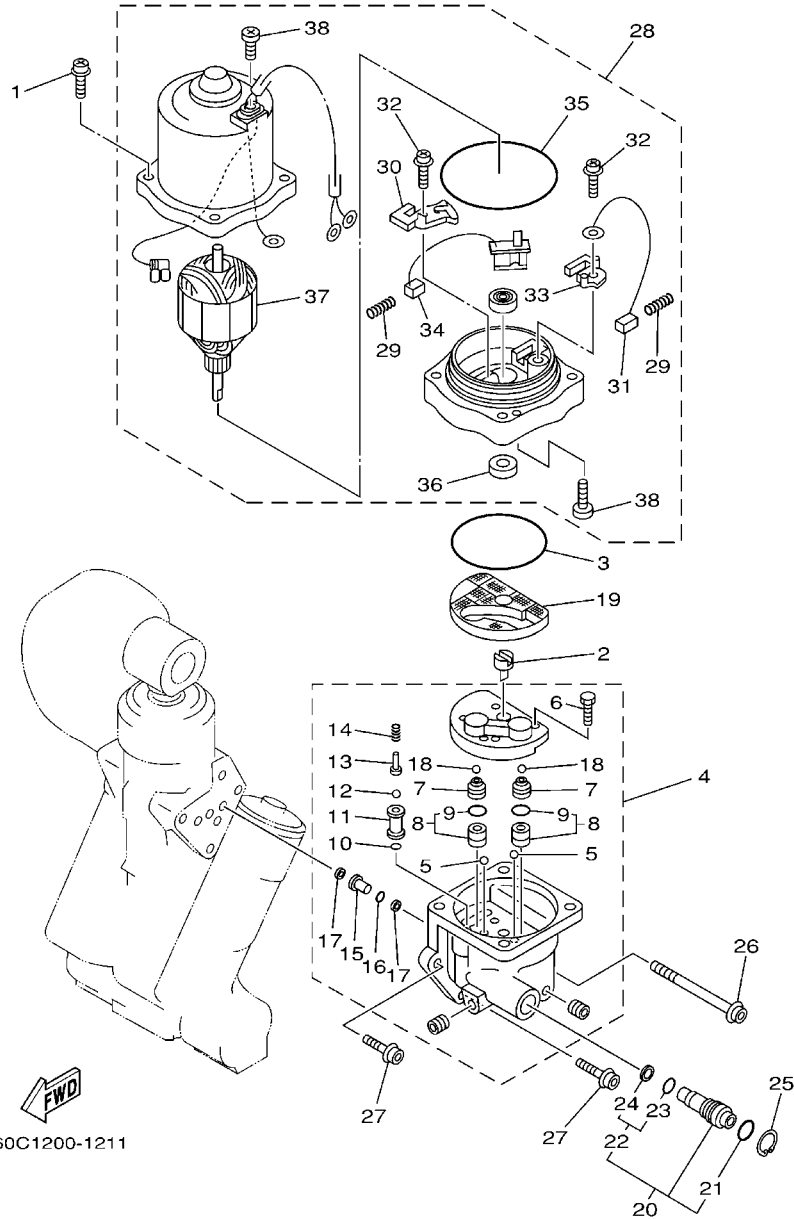
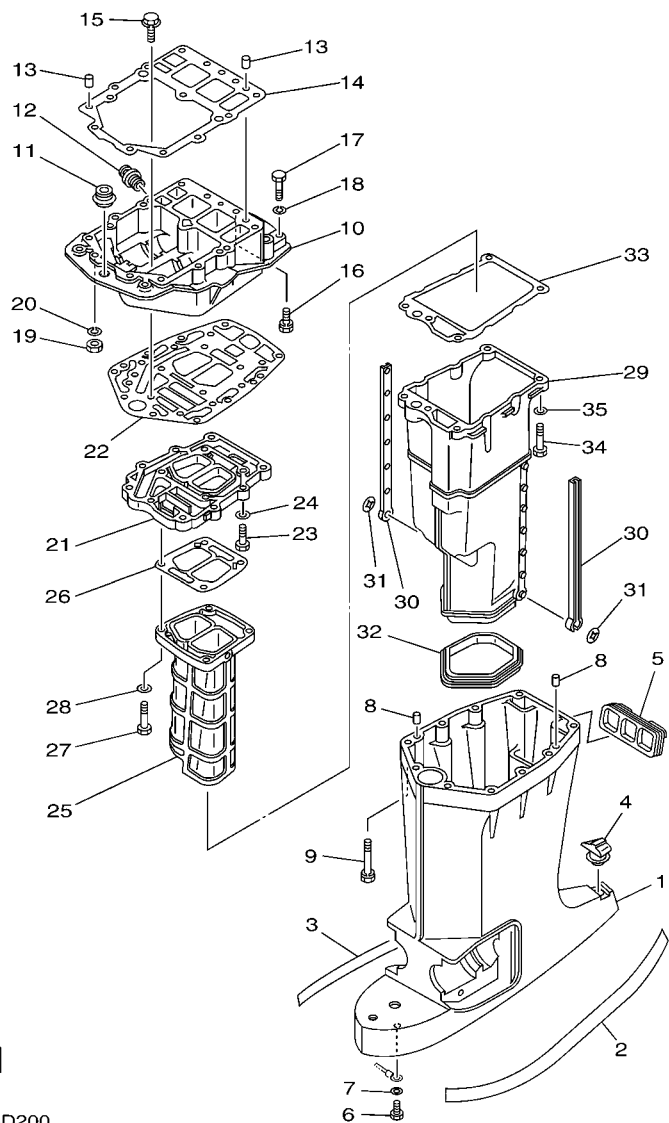


FIG. 19 POWER TRIM & TILT ASSY 2

REF. NO.	PART NO.	DESCRIPTION	64F4				REMARKS
1	64E-4388E-10	BOLT ,SCREW (L:34.7MM)	4				
2	64E-43831-00	CONNECTOR, SHAFT	1				
3	64E-43868-00	O-RING	1				
4	64E-43830-00	GEAR PUMP ASSY	1				
5	72X-43858-00	.BALL	2				
6	64E-43843-00	.SCREW, VALVE LOCK	4				
7	64E-43841-00	.PISTON, SHUTTLE	2				
8	64E-43802-00	.VALVE SUB ASSY	2				
9	6E5-43896-00	..O-RING	1				
10	6G5-43863-00	.O-RING	1				
11	64E-43851-00	.SEAT, RELIEF VALVE	1				
12	64E-43858-00	.BALL	1				
13	64E-43859-00	.PIN, VALVE SUPPORT	1				
14	64E-43855-00	.SPRING, UP RELIEF	1				
15	64E-43850-00	.VALVE SUB ASSY	1				
16	64E-43865-00	.O-RING	1				
17	64E-43816-00	.FILTER 1	2				
18	64E-43858-00	.BALL	2				
19	64E-43817-10	FILTER 2	1				
20	64E-43860-00	MANUAL VALVE SUB-ASSY	1				
21	72X-85075-L0	.O-RING	1				
22	64E-43827-00	.RING SET	1				
23	64E-4387A-00	..O-RING	1				
24	64E-43873-00	..RING, BACK UP	1				
25	64E-43875-00	RING, SNAP	1				
26	64E-43879-10	SCREW, WITH WASHER	1				
27	64E-43879-00	SCREW, WITH WASHER	2				







64F4664-D200

FIG. 20 UPPER CASING

REF. NO.	PART NO.	DESCRIPTION	64F4			REMARKS
1	6E5-45111-02-8D	CASING, UPPER	1			L
2	6R3-42791-41	MARK 1	1			
3	6R3-42792-41	MARK	1			
4	6E5-45155-00	CAP	1			
5	6E5-42769-00	SEAL, RUBBER	1			
6	97095-06010	BOLT	1			
7	92995-06600	WASHER	1			
8	93608-12M05	PIN, DOWEL	2			
9	90119-08078	BOLT, WITH WASHER	6			
10	6G5-41137-02-94	GUIDE, EXHAUST	1			
11	6E5-42724-00	GROMMET	1			
12	6G5-12581-00	JOINT, HOSE 1	1			
13	93608-12M05	PIN, DOWEL	2			
14	68F-45113-00	GASKET, UPPER CASING	1			
15	90119-08M79	BOLT, WITH WASHER	2			
16	90119-08077	BOLT, WITH WASHER	4			
17	97095-08045	BOLT	2			
18	92995-08100	WASHER	2			
19	95380-08700	NUT	2			
20	92995-08100	WASHER	2			
21	6G5-41131-01-5B	MANIFOLD, EXT. 1	1			
22	6G5-45114-A1	GASKET, UPPER CASING	1			
23	97095-08030	BOLT	4			
24	92995-08600	WASHER	4			
25	64D-41132-00-5B	MANIFOLD, EXHAUST	1			
26	6G5-41134-A1	GASKET, EXHAUST MANIFOLD	1			
27	97095-08045	BOLT	4			



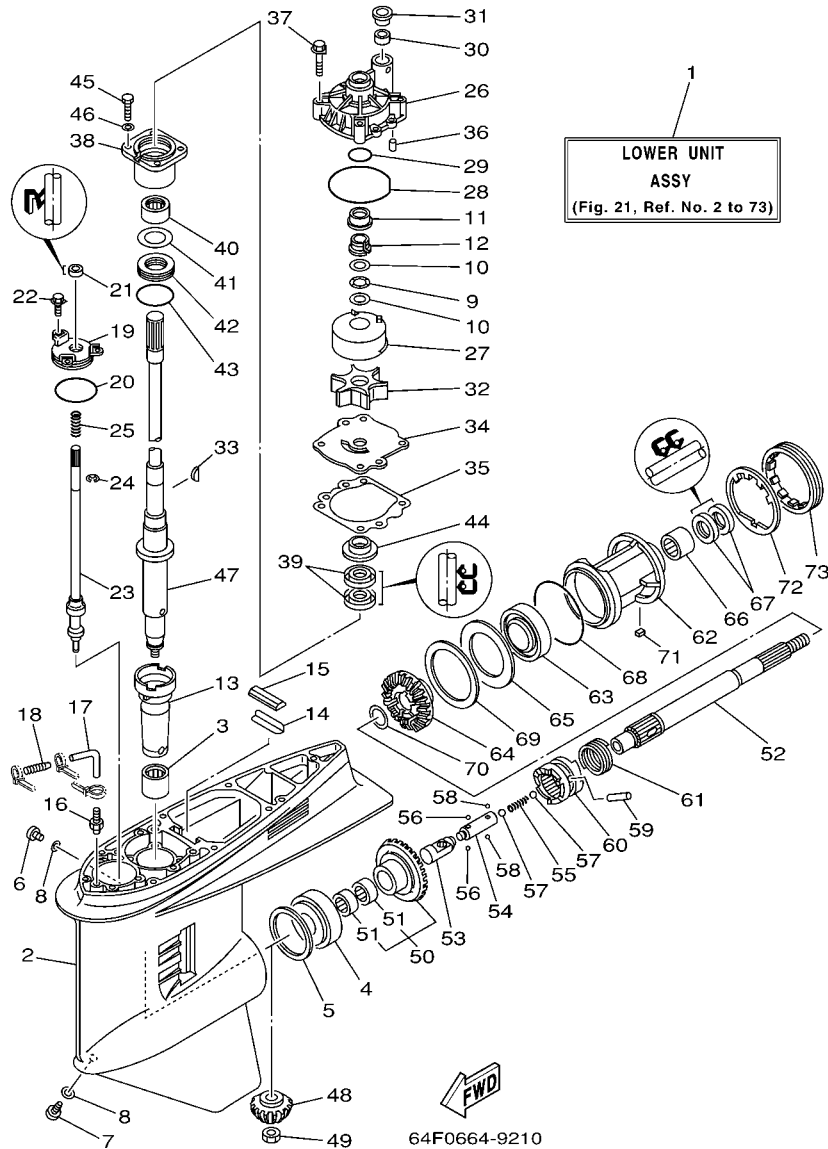


FIG. 21 LOWER CASING & DRIVE 1

REF. NO.	PART NO.	DESCRIPTION	64F4			REMARKS
1	64F-45300-02-8D	LOWER UNIT ASSY	1			L
2	6J9-45301-05-8D	CASING, LOWER	1			
3	93311-928U5	BEARING	1			
4	93332-000V3	BEARING	1			
5	6G5-45567-01	SHIM (T:0.10MM)	1			UR
6	6G5-45567-10	SHIM (T:0.12MM)	1			UR
7	6G5-45567-20	SHIM (T:0.15MM)	1			UR
8	6G5-45567-30	SHIM (T:0.18MM)	1			UR
9	6G5-45567-40	SHIM (T:0.30MM)	1			UR
10	6G5-45567-50	SHIM (T:0.40MM)	1			UR
11	6G5-45567-60	SHIM (T:0.50MM)	1			UR
12	90340-08002	PLUG, STRAIGHT SCREW	1			
13	688-45341-10	PLUG, DRAIN	1			
14	90430-08020	GASKET	2			
15	90206-22M19	WASHER, WAVE	1			
16	90201-22M01	WASHER, PLATE	2			
17	61A-45527-00	COLLAR, DRIVE SHAFT	1			
18	61A-45538-00	SPACER 1	1			
19	6G5-45536-01	SLEEVE, DRIVE SHAFT	1			
20	663-45376-00-94	GUIDE, SEAL DAMPER	1			L
21	688-45375-00	DAMPER, SEAL	1			
22	6E5-45378-00	NIPPLE, HOSE	1			
23	90445-07ME8	HOSE (L80)	1			L
24	6E5-83558-10	END, NIPPLE	1			
25	6E5-45321-00	PLATE	1			
26	93210-58144	O-RING	1			
27	93106-09014	OIL SEAL	1			

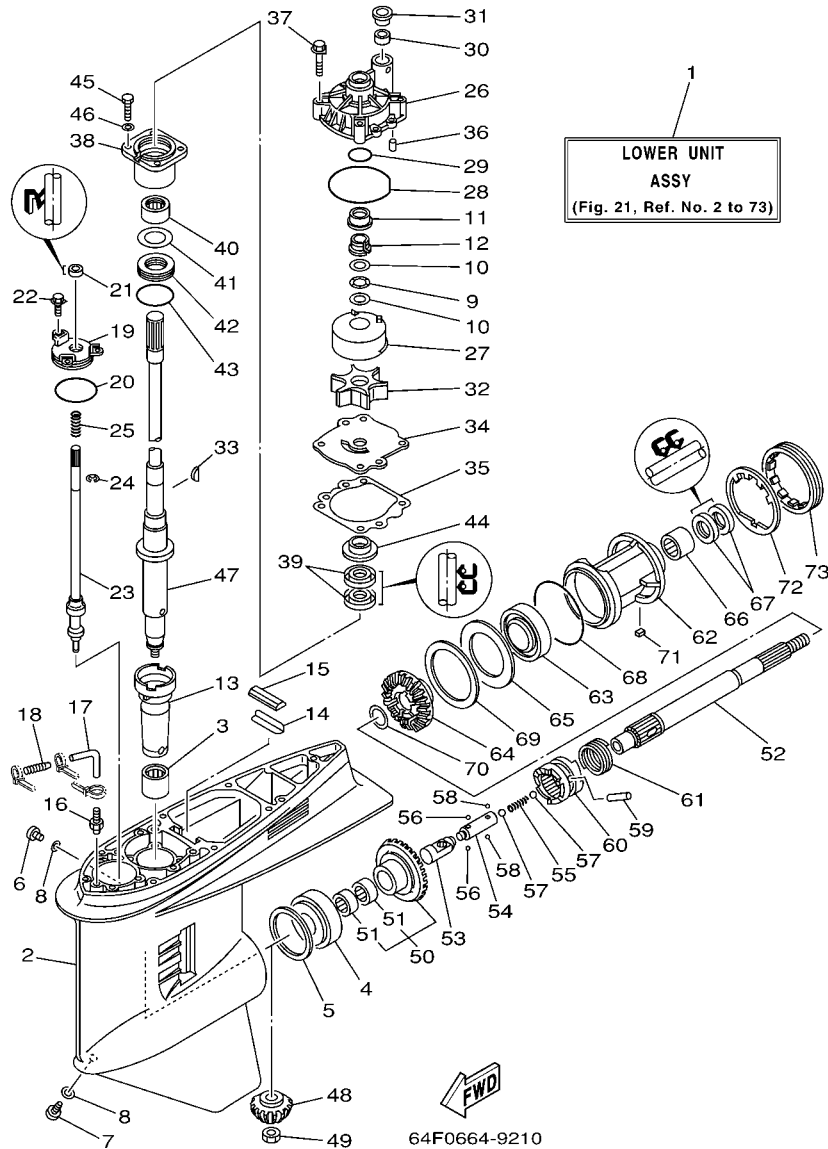


FIG. 21 LOWER CASING & DRIVE 1

REF. NO.	PART NO.	DESCRIPTION	64F4		REMARKS
22	90119-06M10	BOLT, WITH WASHER	3		
23	6G5-44150-02	SHIFT CAM ASSY	1		
24	99001-08600	CIRCLIP	1		
25	90501-11M10	SPRING, COMPRESSION	1		
26	61A-44311-01	HOUSING, WATER PUMP	1		
27	61A-44322-02	INSERT, CARTRIDGE	1		
28	93210-86M38	O-RING	1		
29	93210-37160	O-RING	1		
30	6E5-44365-00	DAMPER, WATER SEAL	1		
31	6E5-44312-00	COVER, WATER PUMP HOUSING	1		
32	6E5-44352-01	IMPELLER	1		
33	90280-04M05	KEY, WOODRUFF	1		
34	6G5-44323-00	OUTER PLATE, CARTRIDGE	1		
35	6E5-44315-A0	GASKET, WATER PUMP	1		
36	93606-12019	PIN, DOWEL	2		
37	90119-08M14	BOLT, WITH WASHER	4		
38	6E5-45331-00-94	HOUSING, BEARING	1		
39	93101-28M16	OIL SEAL	2		
40	93317-330U2	BEARING	1		
41	6E5-45587-01	SHIM (T:0.10MM)	1		UR
	6E5-45587-10	SHIM (T:0.12MM)	1		UR
	6E5-45587-20	SHIM (T:0.15MM)	1		UR
	6E5-45587-30	SHIM (T:0.18MM)	1		UR
	6E5-45587-40	SHIM (T:0.30MM)	1		UR
	6E5-45587-50	SHIM (T:0.40MM)	1		UR
	6E5-45587-60	SHIM (T:0.50MM)	1		UR
42	93341-930V2	BEARING	1		

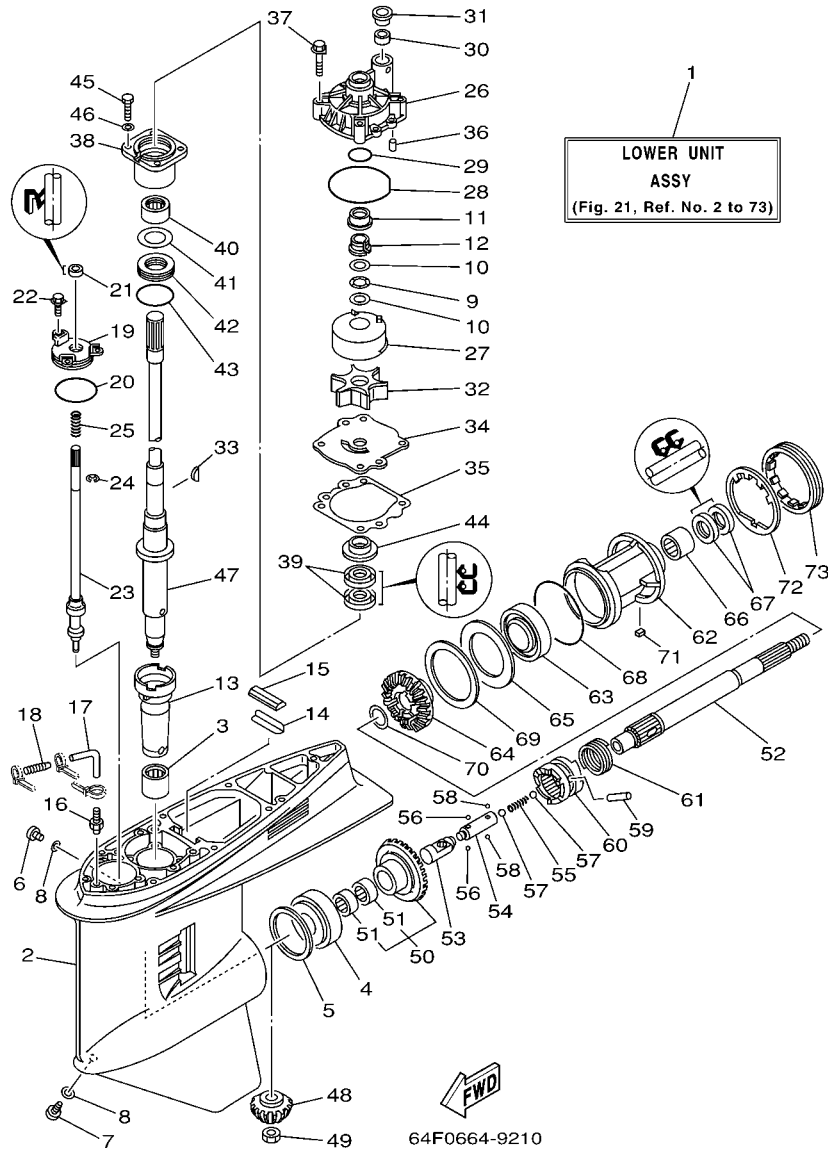
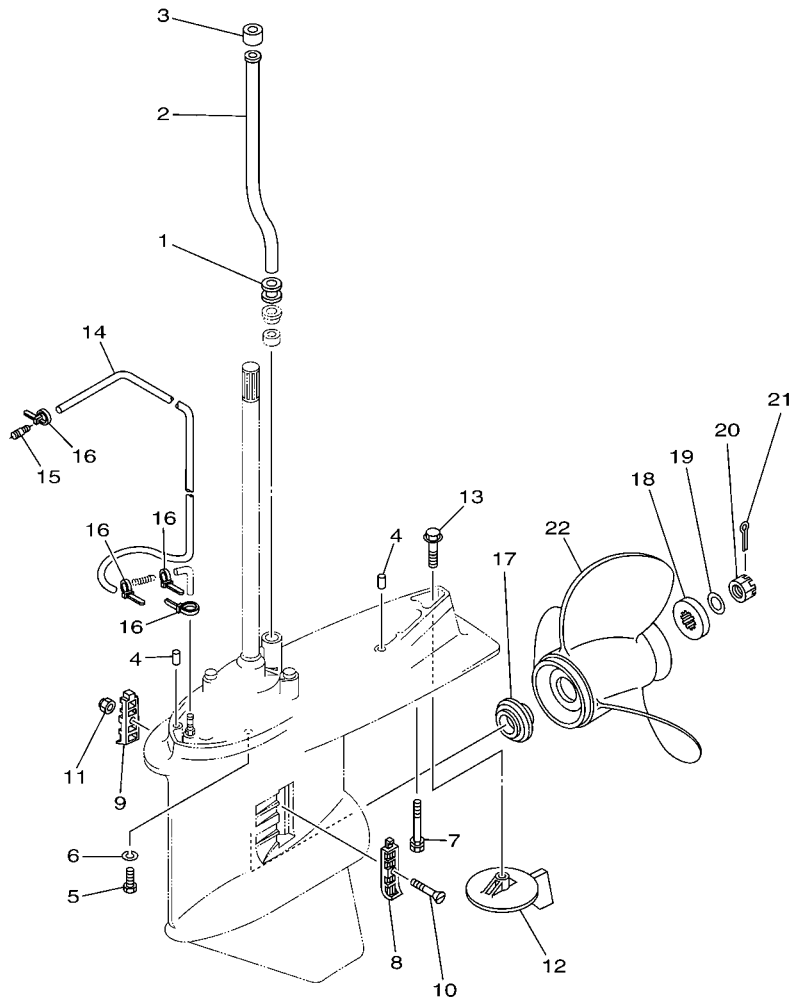


FIG. 21 LOWER CASING & DRIVE 1

REF. NO.	PART NO.	DESCRIPTION	64F4			REMARKS
43	93210-55M14	O-RING	1			
44	6E5-45344-00	COVER, OIL SEAL	1			
45	97095-08025	BOLT	4			
46	92995-08600	WASHER	4			
47	6G5-45501-01	DRIVE SHAFT COMP.	1			L
48	61H-45551-00	PINION (14T)	1			
49	90170-16M01	NUT	1			
50	61H-45560-00	GEAR 1 (26T)	1			
51	93315-425V3	.BEARING	2			
52	6J9-45611-01	SHAFT, PROPELLER	1			
53	6E5-45641-03	SHIFTER	1			
54	6E5-45634-01	SLIDE, SHIFT	1			
55	90501-16M37	SPRING, COMPRESSION	1			
56	93507-32009	BALL	2			
57	93511-32017	BALL	2			
58	93503-16003	BALL	2			
59	90250-08M07	PIN, STRAIGHT	1			
60	6G5-45631-10	CLUTCH, DOG	1			
61	6E5-45633-01	RING, CROSS PIN	1			
62	6J9-45332-00-94	HOUSING, BEARING	1			
63	93306-209U0	BEARING	1			
64	61H-45571-01	GEAR 2 (26T)	1			
65	6G5-45576-10	WASHER, THRUST	1			
66	93315-43061	BEARING	1			
67	93101-30M17	OIL SEAL	2			
68	93210-97M55	O-RING	1			
69	6G5-45577-02	SHIM (T:0.10MM)	1			UR





67H0010-9250

FIG. 22 LOWER CASING & DRIVE 2

REF. NO.	PART NO.	DESCRIPTION	64F4				REMARKS
1	6E5-44366-00	DAMPER, WATER SEAL	1				
2	6E5-44361-00	TUBE, WATER	1				L
3	6E5-44365-00	DAMPER, WATER SEAL	1				
4	93608-12M05	PIN, DOWEL	2				
5	97075-10045	BOLT	6				
6	92995-10100	WASHER	6				
7	90119-10M89	BOLT, WITH WASHER	1				
8	6J9-45214-00	COVER, WATER INLET	1				
9	6J9-45215-00	COVER, WATER INLET	1				
10	90152-05M08	SCREW, COUNTERSUNK	1				
11	90185-05002	NUT, SELF-LOCKING	1				
12	6J9-45371-01	TAB-TRIM	1				
13	90105-10M00	BOLT, FLANGE	1				
14	90445-07M33	HOSE (L1080)	1				
15	6E5-83558-00	END, NIPPLE	1				
16	90465-11M10	CLAMP	4				
17	6E5-45987-01	SPACER	1				
18	688-45997-01	SPACER	1				
19	92990-18200	WASHER	1				
20	90171-18M04	NUT, CASTLE	1				
21	91490-40030	PIN, COTTER	1				
22	6G5-45941-00-98	PROPELLER (3X15-1/4"X15"-M)	1				UR
	6G5-45943-01-98	PROPELLER (3X13-3/4"X21"-M)	1				UR
	6G5-45945-01-98	PROPELLER (3X14"X19"-M)	1				UR
	6G5-45947-01-98	PROPELLER (3X14-1/2"X17"-M)	1				UR
	6G5-45949-00-98	PROPELLER (3X13-1/2"X23"-M)	1				UR
	6G5-45952-00-98	PROPELLER (3X14-5/8"X16"-M)	1				UR

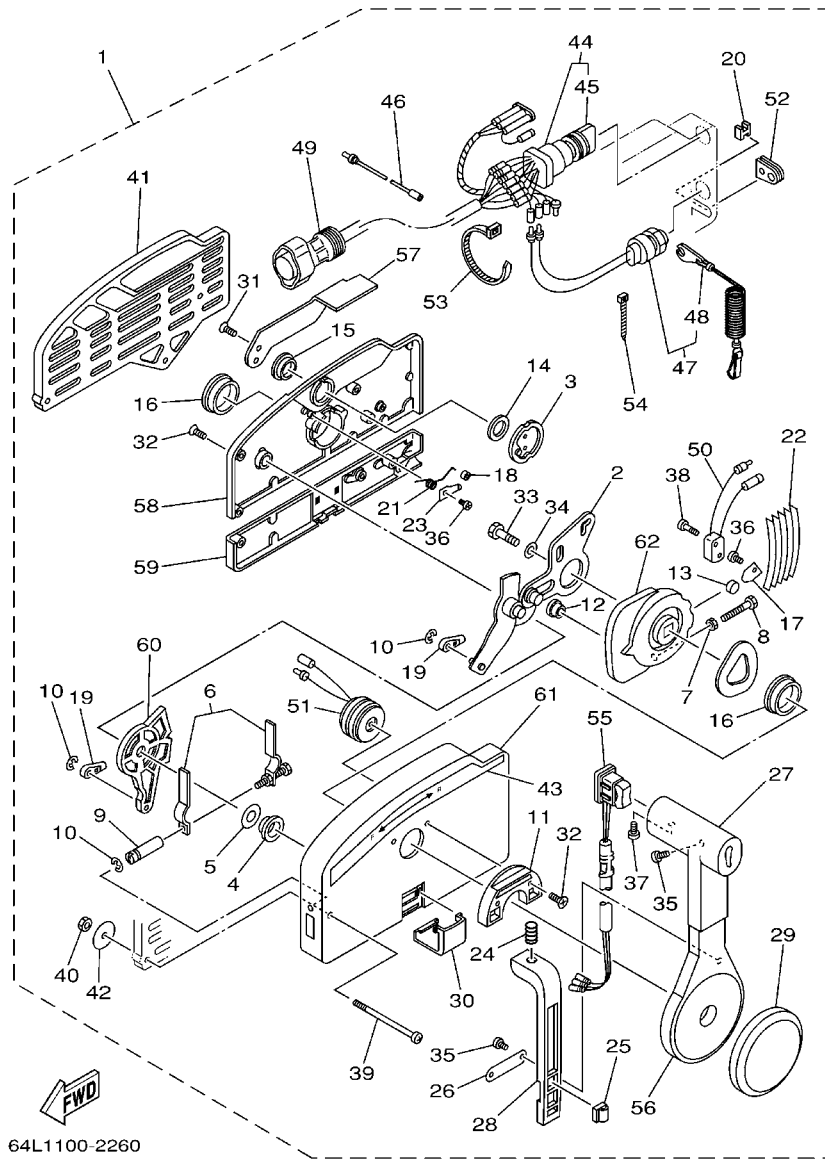








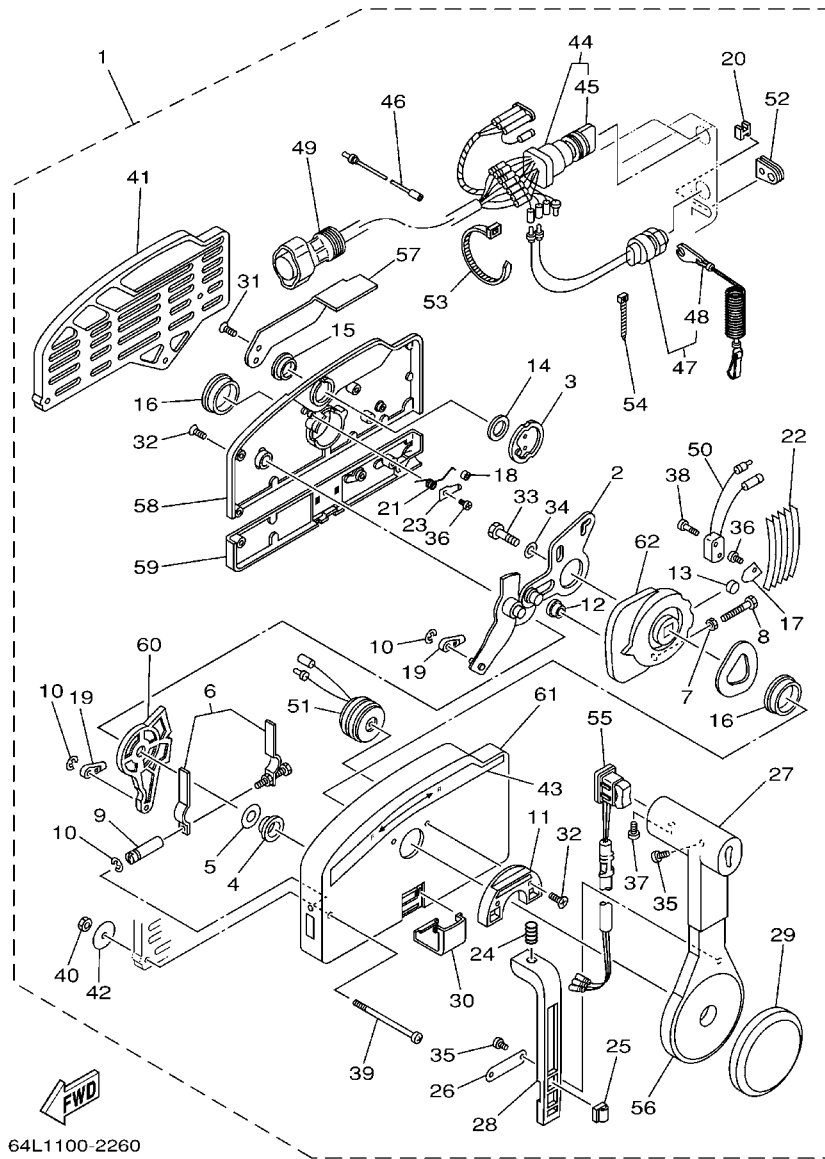




64L1100-2260

FIG. 26 REMOTE CONTROL ASSY

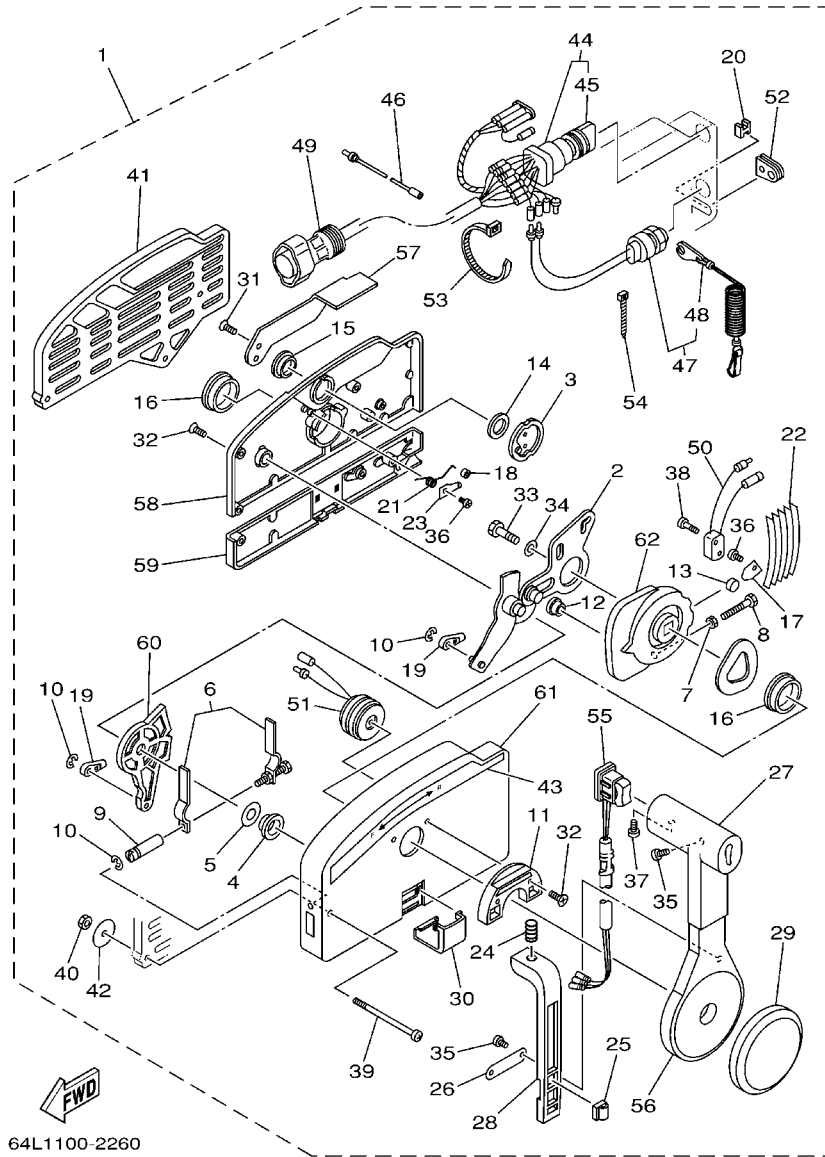
REF. NO.	PART NO.	DESCRIPTION	64F4			REMARKS
1	703-48205-17	REMOTE CONTROL ASSY (10P)	1			AP WITH PT/T SW.
2	703-48261-01	.ARM, THROTTLE	1			
3	703-48153-00	.SHAFT, FREE ACCEL.	1			
4	703-48235-00	.BUSHING	1			
5	703-48268-00	.SPACER	1			
6	703-48264-00	.FRICTION, THROTTLE	1			
7	95380-05600	.NUT	1			
8	97380-05025	.BOLT	1			
9	703-48265-00	.SHAFT, FRICTION	1			
10	93430-06024	.CIRCLIP	3			
11	703-48245-00	.PLATE, LOCK	1			
12	703-48252-00	.ROLLER, CAM	1			
13	701-48248-00	.ROLLER, FREE ACCEL.	1			
14	703-48198-00	.WASHER, WAVE	1			
15	703-48243-00	.BUSHING	1			
16	703-48236-00	.BUSHING 1	2			
17	703-48189-00	.RETAINER	1			
18	703-48234-00	.ROLLER, DETENT	1			
19	703-48345-01	.CABLE END, REMOTE CONTROL 2	2			
20	703-48358-00	.ANCHOR, CABLE	1			
21	703-48244-00	.SPRING, FREE ACCEL.	1			
22	703-48238-00	.SPRING, DETENT	5			
23	703-48246-00	.SPACER	1			
24	703-48227-00	.SPRING, NEUTRAL LOCK	1			
25	703-82594-00	.CLAMP	1			WITH PT/T SW.
26	703-48226-00	.PLATE, STOPPER	1			
27	703-48222-00	.GRIP, CONTROL LEVER	1			SINGLE



64L1100-2260

FIG. 26 REMOTE CONTROL ASSY

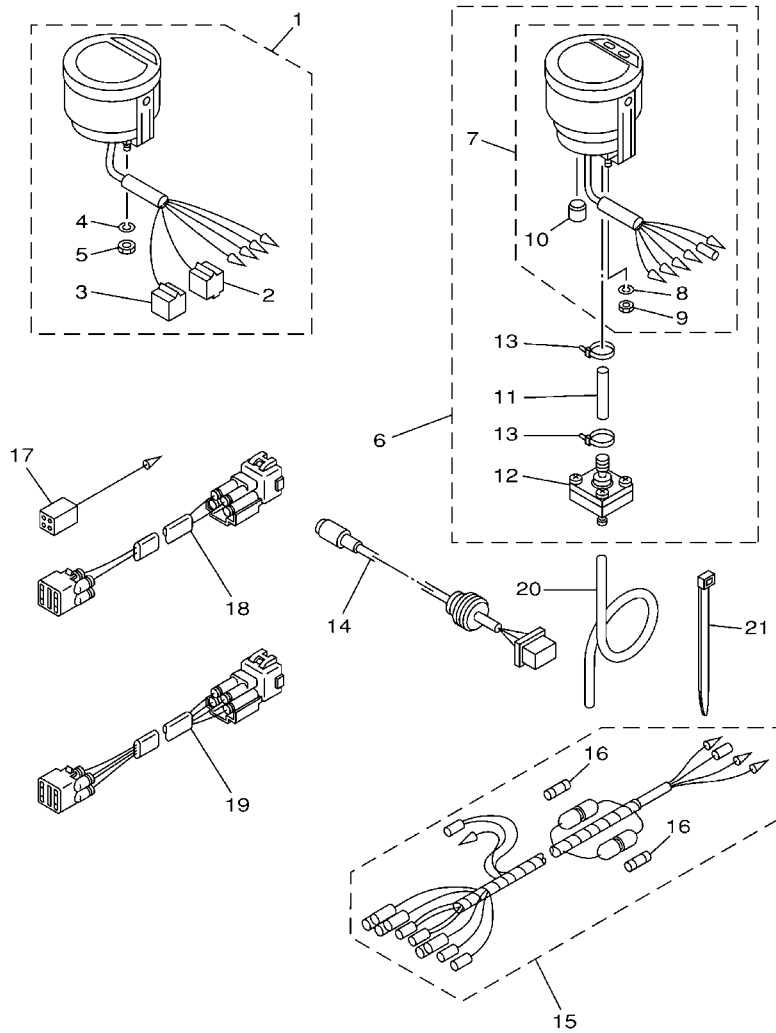
REF. NO.	PART NO.	DESCRIPTION	64F4				REMARKS
28	703-48223-00	.LOCK, NEUTRAL	1				
29	703-48225-00	.COVER	1				
30	703-48219-00	.COVER, LEAD	1				
31	703-48281-00	.SCREW	2				
32	703-48282-00	.SCREW	7				
33	97380-08030	.BOLT	1				
34	92990-08600	.WASHER, PLATE	1				
35	98580-04010	.SCREW, PAN HEAD	3				
36	98580-04006	.SCREW, PAN HEAD	2				
37	98580-05010	.SCREW, PAN HEAD	1				
38	98580-03015	.SCREW, PAN HEAD	2				
39	703-48291-10	.SCREW (M6)	3				
40	95380-06600	.NUT, HEXAGON	3				
41	703-48293-10	.SPACER, REMOTE CONTROL	1				SINGLE
42	701-48287-00	.WASHER	3				
43	703-48215-00	.GRAPHIC	1				
44	703-82510-43	.MAIN SWITCH ASSY	1				
45	703-82577-00	..CAP, KEY	1				
46	703-82531-00	.WIRE, LEAD	1				
47	688-82575-01	.ENGINE STOP SWITCH ASSY	1				
48	682-82556-00	..STOPPER	1				
49	688-8258A-20	.EXTENSION, WIRE HARNESS	1				L:5M (10P)
50	703-82540-00	.NEUTRAL SWITCH ASSY	1				
51	703-83383-02	.BUZZER	1				
52	703-48284-00	.GROMMET	1				
53	703-82591-00	.BAND	1				
54	703-82592-00	.BAND	1				



64L1100-2260

FIG. 26 REMOTE CONTROL ASSY

REF. NO.	PART NO.	DESCRIPTION	64F4				REMARKS
55	703-82563-02	.TRIM & TILT SWITCH ASSY	1				WITH PT/T SW.
56	703-48221-00	.LEVER, CONTROL	1				
57	703-48152-00	.KNOB, FREE ACCEL.	1				
58	703-48212-00	.BACK PLATE 1	1				
59	703-48213-00	.BACK PLATE 2	1				
60	703-48271-00	.ARM, SHIFT	1				
61	703-48211-01	.HOUSING,1	1				
62	703-48232-00	.GEAR	1				



65N0300-1250

FIG. 27 METER

REF. NO.	PART NO.	DESCRIPTION	64F4			REMARKS
1	6Y5-8350T-03	TACHOMETER ASSY	1			AP
2	9E450-04433	.CONNECTOR	1			M-4-W
3	9E450-04533	.CONNECTOR	1			F-4-W
4	92990-04100	.WASHER, SPRING	2			
5	95380-04600	.NUT	2			
6	6Y5-83500-S5	DIGITAL SPEEDOMETER ASSY	1			AP
7	6Y5-83570-S5	.SPEEDOMETER ASSY	1			
8	92990-04100	..WASHER, SPRING	2			
9	95380-04600	..NUT	2			
10	6Y5-83533-T2	..GROMMET	1			
11	6Y5-83557-31	.TUBE	1			
12	6Y5-83728-00	.CONNECTOR ASSY	1			
13	90465-11M10	.CLAMP	2			
14	6Y5-87122-S0	CORD ASSY 1	1			AP
15	6Y5-83553-M0	WIRE, LEAD	1			AP
16	1E6-82151-00	.FUSE (10A)	2			
17	6Y5-82117-00	WIRE, LEAD (BLACK)	1			AP
18	6R3-82521-70	WIRE, LEAD	1			AP 4P,7M
19	6R3-82553-70	EXTENSION, WIRE LEAD	1			AP 4P,7M
20	6Y5-83557-00	TUBE (6M)	1			AP
21	90465-11M10	CLAMP	2			AP

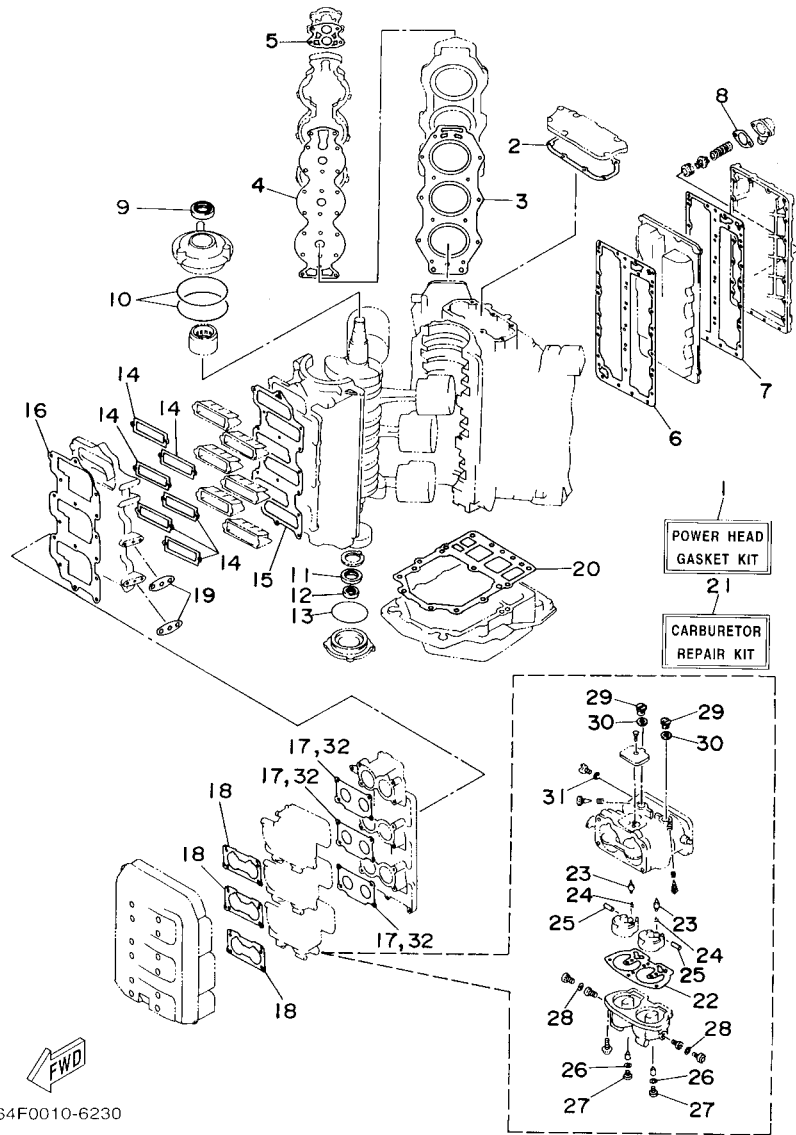


FIG. 28 REPAIR KIT 1

REF. NO.	PART NO.	DESCRIPTION	64F4				REMARKS
1	64F-W0001-01	POWER HEAD GASKET KIT	1				
2	6E5-11381-A2	.GASKET 1	1				
3	6G5-11181-A2	.GASKET, CYLINDER HEAD 1	2				
4	6G5-11193-A0	.GASKET, HEAD COVER 1	2				
5	688-12414-A1	.GASKET, COVER	2				
6	6G5-41112-A1	.GASKET, EXHAUST INNER COVER	1				
7	6G5-41114-A0	.GASKET, EXHAUST OUTER COVER	1				
8	6G5-11382-A1	.GASKET 2	1				
9	93102-40M14	.OIL SEAL	1				
10	93211-04001	.O-RING	2				
11	93102-35M13	.OIL SEAL	1				
12	93101-22M15	.OIL SEAL	1				
13	93210-74M35	.O-RING	1				
14	6K7-13621-A1	.GASKET, VALVE SEAT	6				
15	6K7-13646-A2	.GASKET, MANIFOLD 2	1				
16	64E-13645-A0	.GASKET, MANIFOLD 1	1				
17	6E5-14198-A2	.GASKET	3				
18	6K7-14483-00	.GASKET	3				
19	650-24431-A0	.GASKET, FUEL PUMP 1	2				
20	68F-45113-00	.GASKET, UPPER CASING	1				
21	64D-W0093-01	CARBURETOR REPAIR KIT	1				
22	64D-14384-01	.GASKET, FLOAT CHAMBER	1				
23	6E5-14546-00	.VALVE, NEEDLE	2				
24	6E5-14159-00	.CLIP	2				
25	6E5-14386-02	.PIN, FLOAT	2				
26	61U-14959-00	.GASKET	2				
27	64D-14394-00	.VALVE, DRAIN	2				





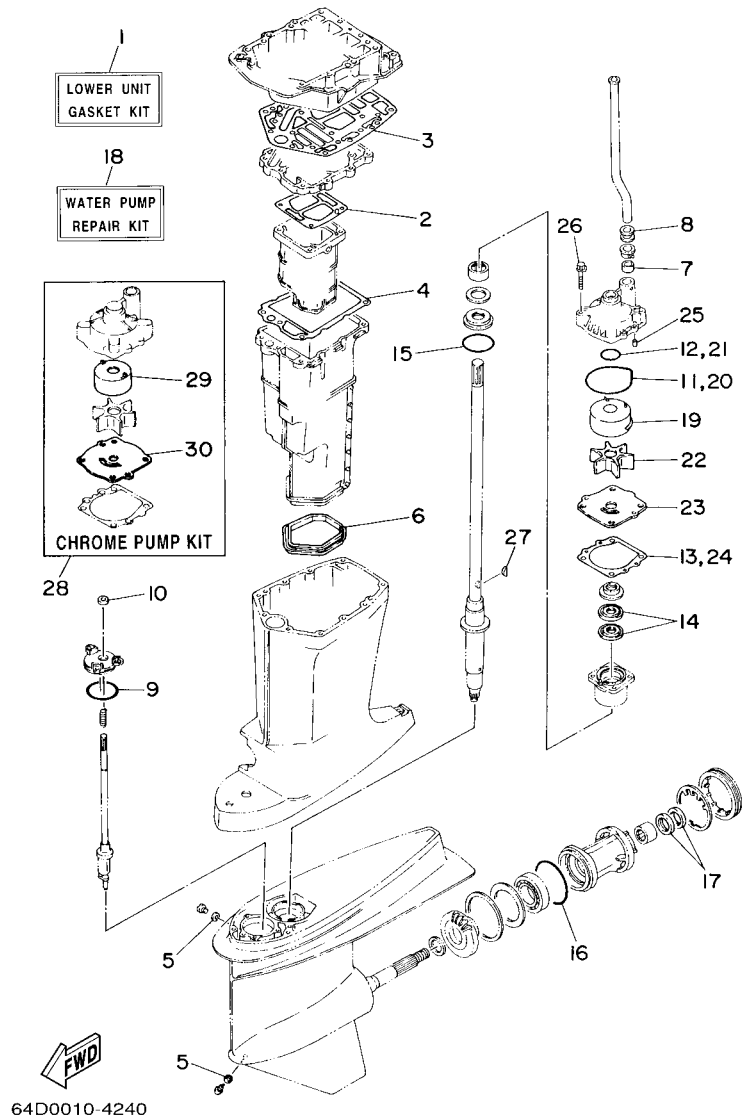


FIG. 29 REPAIR KIT 2

REF. NO.	PART NO.	DESCRIPTION	64F4				REMARKS
1	6G5-W0001-C1	LOWER UNIT GASKET KIT	1				
2	6G5-41134-A1	.GASKET, EXHAUST MANIFOLD	1				
3	6G5-45114-A1	.GASKET, UPPER CASING	1				
4	6E5-41135-A0	.GASKET, EXHAUST MANIFOLD	1				
5	90430-08020	.GASKET	2				
6	6E5-45123-00	.GASKET, MUFFLER	1				
7	6E5-44365-00	.DAMPER, WATER SEAL	1				
8	6E5-44366-00	.DAMPER, WATER SEAL	1				
9	93210-58144	.O-RING	1				
10	93106-09014	.OIL SEAL	1				
11	93210-86M38	.O-RING	1				
12	93210-37160	.O-RING	1				
13	6E5-44315-A0	.GASKET, WATER PUMP	1				
14	93101-28M16	.OIL SEAL	2				
15	93210-55M14	.O-RING	1				
16	93210-97M55	.O-RING	1				
17	93101-30M17	.OIL SEAL	2				
18	61A-W0078-A3	WATER PUMP REPAIR KIT	1				
19	61A-44322-02	.INSERT, CARTRIDGE	1				
20	93210-86M38	.O-RING	1				
21	93210-37160	.O-RING	1				
22	6E5-44352-01	.IMPELLER	1				
23	6G5-44323-00	.OUTER PLATE, CARTRIDGE	1				
24	6E5-44315-A0	.GASKET, WATER PUMP	1				
25	93606-12019	.PIN, DOWEL	2				
26	90119-08M14	.BOLT, WITH WASHER	4				
27	90280-04M05	.KEY, WOODRUFF	1				



NUMERICAL INDEX

PART NO.	REF. NO.	PART NO.	REF. NO.	PART NO.	REF. NO.	PART NO.	REF. NO.	PART NO.	REF. NO.	PART NO.	REF. NO.
64E-11111-00-1S	4 - 1	6R5-13200-11	7 - 4	6K7-14483-00	28 - 18	6E5-24322-00	8 - 21	6R5-41237-00	7 - 3	64D-42816-00-4D	14 - 6
67H-11119-01	2 - 28	6E5-13411-00	8 - 5	624-14485-00	2 - 4	64E-24323-00	8 - 11	662-41237-01	15 - 27	64D-42818-20	14 - 12
6G5-11181-A2	4 - 2	6E5-13414-00	8 - 6		5 - 13	6Y1-24329-00	23 - 5		15 - 33	64D-42818-30	14 - 13
	28 - 3	6R3-13416-00	7 - 9	6R5-14485-00	5 - 8	6E5-24351-51	23 - 10	682-41237-50	15 - 31	64D-42835-00	14 - 7
6G5-11191-00-1S	4 - 4	6E5-13437-62	8 - 40	64E-14488-00	10 - 24	6Y2-24360-60	23 - 12	6R5-41241-00	7 - 24	64E-43111-02-8D	16 - 1
6G5-11193-A0	4 - 5	6E5-13448-00	8 - 2	6E5-14527-01	6 - 26	6R3-24377-00	9 - 2	6E5-41256-01	5 - 23	64E-43112-02-8D	16 - 9
	28 - 4	6R3-13471-00	7 - 5	6E5-14546-00	6 - 7	650-24378-00	4 - 15	661-41262-02	5 - 24	64E-43126-00	16 - 37
6E5-11325-00	2 - 26	6L2-13475-00	7 - 6		28 - 23	6E5-24378-00	9 - 16	61H-41271-10	5 - 25	64E-43131-01	16 - 15
646-11370-01	2 - 10	6E5-13552-01	5 - 12	6E5-14711-01-5B	20 - 29		9 - 39	689-41273-00	5 - 26	64E-43139-02	17 - 1
6K7-11371-01-1S	2 - 30	6K7-13610-00	5 - 1	6E5-14737-00	20 - 30	6E5-24379-00	8 - 13	688-41611-00	10 - 13	64D-43144-00	14 - 14
6G5-11372-00-1S	4 - 22	6K7-13621-A1	5 - 3	64D-1492E-75	6 - 13		8 - 15	688-41612-00	10 - 14	6G5-43144-00	16 - 27
688-11372-01	5 - 7		28 - 14	64D-1492E-77	6 - 14		8 - 29	6G5-41631-01-1S	15 - 10	6E5-43145-01	24 - 8
6E5-11372-01	2 - 3	64E-13624-00-1S	5 - 6	64D-1492E-79	6 - 15	6E5-24410-04	9 - 20	61H-41632-02-1S	15 - 7	6G5-43148-00	16 - 32
6F6-11372-01	2 - 5	64E-13641-00-1S	5 - 11	64D-1492F-40	6 - 10	6E5-24411-01	9 - 25	6G5-41636-01	15 - 25	6G5-43181-02	16 - 29
624-11379-00	2 - 6	64E-13645-A0	5 - 17	61A-1492H-12	6 - 17	6E5-24412-11	9 - 28	6E5-42510-A1-8D	17 - 10	6G5-43185-02	16 - 30
6E5-11381-A2	2 - 31		28 - 16	61U-14959-00	6 - 11	6E5-24413-01	9 - 22	624-42542-00	8 - 9	64E-43311-10-8D	16 - 22
	28 - 2	6K7-13646-A2	5 - 10		28 - 26	6A0-24421-01	9 - 29	61A-43376-00	1 - 1	61A-43376-00	17 - 8
6G5-11382-A1	4 - 21		28 - 15	6J8-14959-00	6 - 29	6E5-24423-00	9 - 27	64D-42613-00-4D	1 - 10	64E-43800-02-4D	18 - 1
	28 - 8	6E5-14159-00	6 - 8		28 - 31	648-24424-00	9 - 26	64D-42615-00	1 - 9	64E-43802-00	19 - 8
6G5-11411-02	3 - 1		28 - 24	6E5-14979-00	6 - 22	650-24431-A0	9 - 34	6R3-42647-00	1 - 2	64E-43805-00	19 - 37
6E5-11447-00	3 - 2	6E5-14198-A2	5 - 20		28 - 30		28 - 19	64D-42662-00	1 - 5	64E-4380F-00	19 - 33
663-11518-01	2 - 9		28 - 17	64F-15100-00-1S	2 - 2	6E5-24435-01	9 - 24	64F-42677-50	1 - 12	64E-4380J-00	19 - 30
6R3-11536-00	3 - 9		28 - 32	6R3-15163-00-1S	3 - 3	6E5-24444-01	9 - 21	64D-42678-30	1 - 18	64E-43810-00	18 - 6
6R3-11537-00	7 - 20	6E5-14223-00	6 - 24	6G5-15359-00-94	3 - 12	6E5-24471-01	9 - 23	64D-4267A-30	1 - 17	6E5-43814-02	18 - 13
64D-11603-02	3 - 18	6E5-14276-01	7 - 1	6E5-21708-10	8 - 18	6E5-24486-00	9 - 33	64C-42681-30	1 - 15	64E-43816-00	19 - 17
	3 - 20	64F-14301-02	6 - 1	6E5-21733-20	8 - 19	6E5-24492-00	9 - 32	64C-42682-30	1 - 16	64E-43817-00	18 - 5
64D-11604-02	3 - 18	64F-14302-02	6 - 2	6E5-21734-01-33	8 - 34	61N-24521-00	9 - 7	64F-42687-30	1 - 13	64E-43817-10	19 - 19
	3 - 20	64F-14303-02	6 - 3	6E5-21746-00	8 - 36	6R3-24560-00	9 - 5	64D-42711-01-8D	14 - 1	64E-43818-01	18 - 32
64D-11605-02	3 - 18	6E5-14321-00	6 - 19	6E5-21750-05	8 - 1	6R3-24563-00	9 - 6	648-42715-00	15 - 51	64E-4381G-00	18 - 27
	3 - 20	6E5-14323-03	6 - 23	6E5-21770-03	8 - 20	648-24566-02	9 - 9	6E5-42716-10	14 - 40	64E-43820-00	18 - 15
64D-11631-02-90	3 - 17	6E5-14324-00	6 - 28	6E5-21798-01-33	8 - 35	6YJ-24610-01	23 - 2	64D-42717-00	14 - 36	64E-43821-00	18 - 16
6R5-11633-10	3 - 21	6A0-14325-00	9 - 30	6YJ-24167-00	23 - 7	6A1-28176-00	14 - 42	6E5-42724-00	20 - 11	64E-43822-00	18 - 17
6R5-11634-10	3 - 22	6E5-14328-01	6 - 21	6YJ-24201-10	23 - 1	64D-41111-00-1S	4 - 11	64D-42725-20	14 - 19	64E-43825-01	18 - 2
64D-11635-02	3 - 17		28 - 29	646-24251-02	8 - 23	6G5-41112-A1	4 - 12	688-42726-10	14 - 29	64E-43827-00	19 - 22
64D-11636-02	3 - 17	6J8-14334-00	6 - 20	6Y1-24260-12	23 - 3		28 - 6	61A-42727-00	14 - 3	64E-43828-00	18 - 22
64D-11642-02-90	3 - 19	64D-14381-00	6 - 5	6Y1-24268-00	23 - 6	6R3-41113-00-1S	4 - 14	64D-42738-00-5B	14 - 20	64E-43829-00	18 - 23
64D-11645-02	3 - 19	61A-14383-01	6 - 18	6Y2-24305-05	23 - 13	6G5-41114-A0	4 - 13	64D-42738-10-5B	14 - 21	64E-4382G-00	18 - 29
64D-11646-02	3 - 19	64D-14384-01	6 - 4	6Y2-24306-44	23 - 8		28 - 7	6R3-42741-02-8D	14 - 33	64E-43830-00	19 - 4
6R5-11650-10	3 - 23		28 - 22	6R3-24313-01	9 - 1	6G5-41131-01-5B	20 - 21	6H4-42748-00	14 - 4	64E-43831-00	19 - 2
6E5-12411-30	4 - 7	6E5-14385-02	6 - 6	6G5-24314-00	9 - 15	64D-41132-00-5B	20 - 25	6E5-42761-00-1S	2 - 33	64E-43841-00	19 - 7
688-12413-00-1S	4 - 8	6E5-14386-02	6 - 9	6E5-24315-00	9 - 18	6G5-41134-A1	20 - 26	6E5-42762-00-1S	2 - 34	64E-43843-00	19 - 6
688-12414-A1	4 - 9		28 - 25	6K7-24315-00	9 - 17		29 - 2	6E5-42769-00	20 - 5	64E-43843-10	19 - 38
	28 - 5	64D-14394-00	6 - 12	6G5-24316-10	9 - 36	6E5-41135-A0	20 - 33	6R3-42771-01-8D	14 - 37	64E-4384J-00	18 - 18
60H-12416-00	4 - 18		28 - 27	6K7-24317-00	9 - 42		29 - 4	6G5-42791-10	14 - 41	64E-43850-00	19 - 15
6G5-12576-00	4 - 24	6E5-14398-01	6 - 16	6K7-24318-00	9 - 43	6G5-41137-02-94	20 - 10	6R3-42791-41	20 - 2	64E-43851-00	19 - 11
6G5-12581-00	20 - 12		28 - 28	6K7-24319-00	9 - 44	61H-41213-00	15 - 34	6R3-42792-41	20 - 3	64E-43855-00	19 - 14
6R3-13117-00	7 - 21	64D-14440-00	5 - 27	6E5-24319-01	8 - 24	6G5-41217-01	5 - 22	64D-42814-00	1 - 6	64E-43858-00	19 - 12
6R3-13183-10	7 - 15	6K7-14483-00	5 - 29	6E5-24321-01	8 - 28	6H1-41237-00	7 - 25	64D-42815-00-4D	14 - 5		19 - 18

NUMERICAL INDEX

PART NO.	REF. NO.	PART NO.	REF. NO.	PART NO.	REF. NO.	PART NO.	REF. NO.	PART NO.	REF. NO.	PART NO.	REF. NO.
6E5-43858-00	18 - 28	6R3-44322-42	29 - 29	6G5-45384-00	21 - 73	6E5-45987-01	22 - 17	701-48350-20	25 - 2	6R3-82150-00	11 - 2
72X-43858-00	19 - 5	6G5-44323-00	21 - 34	6G5-45501-01	21 - 47	688-45997-01	22 - 18	703-48358-00	26 - 20	1E6-82151-00	27 - 16
64E-43859-00	19 - 13		29 - 23	61A-45527-00	21 - 11	703-48152-00	26 - 57	64D-48531-00	15 - 1	663-82151-00	12 - 8
64E-43860-00	19 - 20	6G5-44323-40	29 - 30	6G5-45536-01	21 - 13	703-48153-00	26 - 3	64D-48532-00	15 - 2	705-82151-00	11 - 3
6E5-43862-00	18 - 10	6E5-44352-01	21 - 32	61A-45538-00	21 - 12	703-48189-00	26 - 17	6E5-48538-00	15 - 3		12 - 9
	18 - 14		29 - 22	61H-45551-00	21 - 48	703-48198-00	26 - 14	6E5-61350-02	24 - 1	6G5-82152-00	11 - 4
6G5-43863-00	19 - 10	6E5-44361-00	22 - 2	61H-45560-00	21 - 50	703-48205-17	25 - 1	6E5-61351-01	24 - 2		12 - 52
6E5-43864-00	18 - 20	6E5-44365-00	21 - 30	6G5-45567-01	21 - 5		26 - 1	6E5-61355-00	24 - 5	6A0-82317-00	8 - 8
6G5-43864-00	18 - 19		22 - 3	6G5-45567-10	21 - 5	703-48211-01	26 - 61	6E5-81332-00	10 - 16	663-82317-01	10 - 21
64E-43865-00	19 - 16		29 - 7	6G5-45567-20	21 - 5	703-48212-00	26 - 58	64D-81337-01	10 - 19	6E3-82370-21	12 - 2
6G5-43865-00	19 - 35	6E5-44366-00	22 - 1	6G5-45567-30	21 - 5	703-48213-00	26 - 59	6K7-81338-01	5 - 14	703-82510-43	26 - 44
64E-43866-00	18 - 9		29 - 8	6G5-45567-40	21 - 5	703-48215-00	26 - 43	6N7-81800-10	13 - 1	662-82519-00	11 - 26
64E-43867-00	18 - 8	6E5-44391-00	14 - 18	6G5-45567-50	21 - 5	703-48219-00	26 - 30	6N7-81801-00	13 - 8	6R3-82519-00	11 - 27
64E-43868-00	19 - 3	6E5-44511-00-5B	17 - 38	6G5-45567-60	21 - 5	703-48221-00	26 - 56	6N7-81807-00	13 - 11	6R3-82521-70	27 - 18
64E-43869-00	18 - 26	6G5-44514-00-94	17 - 31	61H-45571-01	21 - 64	703-48222-00	26 - 27	61A-81809-00	13 - 3	703-82531-00	26 - 46
6H1-4386K-10	19 - 29	6G5-44526-00	16 - 3	6G5-45576-10	21 - 65	703-48223-00	26 - 28	6N7-81810-00	13 - 5	6E5-82531-10	12 - 6
6E5-43872-00	18 - 12	68F-44533-00	2 - 35	6G5-45577-02	21 - 69	703-48225-00	26 - 29	6N7-81813-00	13 - 9	703-82540-00	26 - 50
64E-43873-00	19 - 24	6G5-44551-01-8D	17 - 13	6G5-45577-10	21 - 69	703-48226-00	26 - 26	6N7-81820-10	13 - 10	6R3-82553-70	27 - 19
6E5-43874-01	18 - 21	6E5-44552-01-94	17 - 24	6G5-45577-20	21 - 69	703-48227-00	26 - 24	6K7-81822-00-94	13 - 19	682-82556-00	26 - 48
64E-43875-00	19 - 25	6E5-44553-01-8D	17 - 27	6G5-45577-30	21 - 69	703-48232-00	26 - 62	61A-81824-00	13 - 4	688-82560-10	12 - 18
64E-43879-00	19 - 27	6G5-44555-00-94	17 - 16	6G5-45577-40	21 - 69	703-48234-00	26 - 18	6K7-81826-10	13 - 14	6R3-82563-00	12 - 28
64E-43879-10	19 - 26	663-44575-00	17 - 37	6G5-45577-50	21 - 69	703-48235-00	26 - 4	6E5-8182A-10	13 - 17	703-82563-02	26 - 55
64E-4387A-00	19 - 23	6E5-44575-00	17 - 15	6G5-45577-60	21 - 69	703-48236-00	26 - 16	6E5-8182E-10	13 - 15	688-82575-01	26 - 47
64E-43880-01	19 - 28	6E5-45111-02-8D	20 - 1	6E5-45587-01	21 - 41	703-48238-00	26 - 22	6E5-8182F-10	13 - 16	703-82577-00	26 - 45
64E-43883-00	18 - 11	68F-45113-00	20 - 14	6E5-45587-10	21 - 41	703-48243-00	26 - 15	6K7-8182G-10	13 - 6	6E3-8257H-00	14 - 43
64E-4388E-00	18 - 25		28 - 20	6E5-45587-20	21 - 41	703-48244-00	26 - 21	6E5-8182K-10	13 - 18	6E5-82587-00	12 - 29
64E-4388E-10	19 - 1	6G5-45114-A1	20 - 22	6E5-45587-30	21 - 41	703-48245-00	26 - 11	6N7-81830-00	13 - 13	6E5-82588-00	12 - 46
64E-4388J-00	18 - 3		29 - 3	6E5-45587-40	21 - 41	703-48246-00	26 - 23	6N7-81840-00	13 - 7		14 - 30
64E-43891-00	19 - 31	663-45119-00	16 - 14	6E5-45587-50	21 - 41	701-48248-00	26 - 13	6N7-81850-10	13 - 2	6K7-82588-00	12 - 15
64E-43892-00	19 - 34		16 - 25	6E5-45587-60	21 - 41	703-48252-00	26 - 12	6N7-81857-00	13 - 12	688-8258A-20	26 - 49
6E5-43896-00	19 - 9	6E5-45123-00	20 - 32	6J9-45611-01	21 - 52	703-48261-01	26 - 2	6E5-81900-01	8 - 26	64D-82590-00	12 - 7
64E-43897-00	18 - 24		29 - 6	6G5-45631-10	21 - 60	703-48264-00	26 - 6	6E5-81922-00	8 - 27	703-82591-00	26 - 53
64E-43898-00	18 - 7	6E5-45155-00	20 - 4	6E5-45633-01	21 - 61	703-48265-00	26 - 9	61A-81941-00	12 - 32	703-82592-00	26 - 54
6E5-44117-00-1S	15 - 38	6J9-45214-00	22 - 8	6E5-45634-01	21 - 54	703-48268-00	26 - 5	64D-81942-00	11 - 5	688-82594-00	12 - 10
6E5-44118-01-94	15 - 46	6J9-45215-00	22 - 9	6E5-45641-03	21 - 53	703-48271-00	26 - 60	6G5-81948-11	12 - 39	703-82594-00	26 - 25
6E5-44120-03	15 - 53	6G5-45251-02	16 - 2	6G5-45930-00-98	22 - 22	703-48281-00	26 - 31	6E5-81950-00	12 - 34	6R3-8259E-00	11 - 25
68F-44121-00	15 - 40	64F-45300-02-8D	21 - 1	6G5-45932-00-98	22 - 22	703-48282-00	26 - 32	689-81952-10	12 - 33	703-83383-02	26 - 51
6E5-44122-00	15 - 41	6J9-45301-05-8D	21 - 2	6G5-45941-00-98	22 - 22	703-48284-00	26 - 52	6E5-8195A-00	12 - 35	6Y5-83500-S5	27 - 6
6G5-44150-02	21 - 23	6E5-45321-00	21 - 19	6G5-45943-01-98	22 - 22	701-48287-00	26 - 42	6R3-81960-10	11 - 1	6Y5-8350T-03	27 - 1
688-44194-00	15 - 15	6E5-45331-00-94	21 - 38	6G5-45945-01-98	22 - 22	703-48291-10	26 - 39	6R3-82105-02	12 - 44	6Y5-83533-T2	27 - 10
	15 - 30	6J9-45332-00-94	21 - 62	6G5-45947-01-98	22 - 22	703-48293-10	26 - 41	6E5-82116-00	12 - 38	6Y5-83553-M0	27 - 15
61A-44311-01	21 - 26	688-45341-10	21 - 7	6G5-45949-00-98	22 - 22	701-48320-50	25 - 2	6K7-82117-00	12 - 45	6Y5-83557-00	27 - 20
6E5-44312-00	21 - 31	6E5-45344-00	21 - 44	6G5-45952-00-98	22 - 22	701-48320-60	25 - 2	6Y5-82117-00	27 - 17	6Y5-83557-31	27 - 11
6E5-44315-A0	21 - 35	6J9-45371-01	22 - 12	6G5-45970-02-98	22 - 22	701-48320-80	25 - 2	6G5-82119-00	12 - 37	6E9-83557-70	12 - 42
	29 - 13	688-45375-00	21 - 15	6G5-45972-02-98	22 - 22	6E5-48344-00	15 - 8	6E5-82147-00	16 - 26	6E5-83558-00	22 - 15
	29 - 24	663-45376-00-94	21 - 14	6G5-45974-03-98	22 - 22		15 - 44	6E5-82148-00	16 - 6	6E5-83558-10	21 - 18
61A-44322-02	21 - 27	6E5-45378-00	21 - 16	6G5-45976-01-98	22 - 22	703-48345-01	26 - 19		16 - 10	6Y5-83570-S5	27 - 7
	29 - 19	6G5-45383-01	21 - 72	6G5-45978-03-98	22 - 22	701-48350-00	25 - 2	6E5-82149-00	17 - 19	6R3-83614-00	12 - 30

NUMERICAL INDEX

PART NO.	REF. NO.	PART NO.	REF. NO.	PART NO.	REF. NO.	PART NO.	REF. NO.	PART NO.	REF. NO.	PART NO.	REF. NO.
6A1-83625-41	10 - 23	90119-06MA2	4 - 23	90201-26M57	17 - 32	90445-07196	7 - 14	90465-11M10	9 - 19	92990-06600	8 - 38
6A1-83625-51	10 - 22		15 - 39	90201-26M59	16 - 19	90445-07M07	7 - 17		9 - 37		11 - 17
64E-83672-02	17 - 3	90119-06MA4	4 - 6	90201-30M92	21 - 70	90445-07M08	2 - 21		9 - 38		14 - 16
6Y5-83728-00	27 - 12	90119-06MA5	4 - 16	90201-38M60	17 - 11	90445-07M09	2 - 19		9 - 45		16 - 12
72X-85075-L0	19 - 21	90119-06MA6	4 - 10	90202-05088	7 - 28	90445-07M10	2 - 14		9 - 46	92990-08600	13 - 23
6R3-85510-00	10 - 2	90119-08077	20 - 16	90202-08M20	15 - 42	90445-07M11	2 - 18		16 - 21		26 - 34
663-85518-00	15 - 11	90119-08078	20 - 9	90202-08M44	7 - 23	90445-07M12	2 - 20		17 - 5	92990-10600	12 - 20
64D-85537-00	11 - 23	90119-08M14	21 - 37	90202-12092	15 - 22	90445-07M33	22 - 14		22 - 16	92990-18200	22 - 19
64E-85540-01	11 - 15		29 - 26	90202-16061	15 - 56	90445-07M34	2 - 23		27 - 13	92995-06100	16 - 5
6R3-85542-03-1S	11 - 19	90119-08M22	14 - 28	90202-26M18	17 - 33	90445-07M72	7 - 13		27 - 21	92995-06600	1 - 8
64D-85550-02	10 - 1	90119-08M57	13 - 22	90202-32M19	17 - 17	90445-07M77	7 - 11	90465-12M25	12 - 49		10 - 18
6R3-85570-01	12 - 1	90119-08M76	13 - 20	90202-40M47	17 - 7	90445-07M85	7 - 12	90465-13M11	8 - 3		11 - 10
64D-85580-00	10 - 3	90119-08M77	13 - 21	90206-10M04	15 - 36	90445-07M87	7 - 16	90465-13M18	4 - 25		11 - 14
6E5-85711-60	11 - 30	90119-08M79	20 - 15	90206-15M18	14 - 11	90445-07M90	2 - 22		12 - 43		11 - 29
6E5-85720-05	8 - 32	90119-08M94	2 - 16	90206-22M19	21 - 9	90445-07MA3	5 - 28	90468-05M03	7 - 27		12 - 4
6R3-85721-30	8 - 33	90119-08MA3	2 - 29	90249-06M19	16 - 33	90445-07ME8	21 - 17	90468-07M02	7 - 19		12 - 14
6R3-85730-03	8 - 4	90119-08MA8	4 - 3	90250-08M07	21 - 59	90445-09097	4 - 17	90468-18008	15 - 9		12 - 17
61A-85790-00	12 - 19	90119-10M89	22 - 7	90280-04M05	21 - 33	90445-11M81	8 - 30		15 - 43		12 - 23
6R5-85895-01	10 - 5	90152-05M08	22 - 10		29 - 27	90445-12M13	8 - 12	90480-06M19	14 - 2		12 - 26
64E-86110-01	12 - 24	90157-06013	15 - 12	90280-05015	10 - 8	90445-13M01	23 - 9	90480-09M12	11 - 21		12 - 41
6Y5-87122-S0	27 - 14	90157-06M07	15 - 28	90282-04M00	21 - 71	90445-13M02	9 - 41	90480-10M28	5 - 15		12 - 48
6G5-87149-10	12 - 36	90159-06M08	5 - 30	90336-08M06	5 - 9	90445-13M03	9 - 40	90480-13M24	10 - 20		12 - 51
64F-W0001-01	28 - 1	90159-06M11	11 - 24	90340-08002	21 - 6	90445-13M35	23 - 11	90480-20M05	4 - 20		13 - 28
6G5-W0001-C1	29 - 1	90170-16M01	21 - 49	90340-14M00	2 - 11	90464-07M05	2 - 24	90480-22M15	14 - 24		14 - 23
6E5-W0004-00	5 - 2	90170-20137	10 - 10	90384-06M07	2 - 7		7 - 18	90480-25161	12 - 5		14 - 32
64D-W0070-30	1 - 14	90171-18M04	22 - 20	90384-14M09	2 - 8	90464-07M20	2 - 25	90501-11M10	21 - 25		14 - 35
61A-W0078-2A	29 - 28	90179-06066	17 - 30	90386-06M12	15 - 45	90464-13M34	8 - 17	90501-12082	15 - 50		14 - 39
61A-W0078-A3	29 - 18	90179-06M24	1 - 11	90386-10M16	16 - 31	90464-15M11	10 - 7	90501-16M11	4 - 19		16 - 8
64F-W0090-14-1S	2 - 1	90179-06M28	5 - 21	90386-12089	15 - 19		11 - 12	90501-16M12	15 - 13		20 - 7
64D-W0093-01	28 - 21	90183-05M02	20 - 31	90386-15M73	14 - 10	90465-05M87	11 - 18	90501-16M28	17 - 28	92995-08100	15 - 6
656-W2810-02	8 - 41	90185-05002	22 - 11	90386-16M66	15 - 55		12 - 11	90501-16M37	21 - 55		16 - 17
90101-08M14	15 - 17	90185-09M01	24 - 6	90386-22M13	15 - 21	90465-06M86	4 - 26	90506-14M24	16 - 36		20 - 18
90101-12M03	16 - 40	90185-12M12	17 - 36	90386-22M98	16 - 38		10 - 4	90506-16M34	14 - 17		20 - 20
90105-10M00	22 - 13	90185-22M11	16 - 20		18 - 33		12 - 21	90508-29M12	15 - 24	92995-08600	13 - 25
90105-10M20	2 - 15	90201-06068	14 - 9	90386-25M31	16 - 18		13 - 26	90560-12M01	24 - 4		20 - 24
90109-06M40	7 - 8	90201-08M13	15 - 23	90386-38M32	17 - 12	90465-06M88	11 - 11	91490-40030	22 - 21		20 - 28
90109-08022	3 - 24	90201-08M14	18 - 30	90387-06M03	11 - 20	90465-08M63	16 - 23	91690-30012	15 - 4		20 - 35
90109-12007	17 - 35	90201-08M23	15 - 18	90387-06M29	15 - 35	90465-08M89	12 - 12	91690-30016	7 - 2		21 - 46
90109-14M34	17 - 20	90201-08M54	14 - 26	90387-06M66	11 - 6	90465-11M10	7 - 10	91690-30020	16 - 35	92995-10100	17 - 26
90116-06M30	5 - 16	90201-10M20	24 - 7	90387-08M16	15 - 20		8 - 14	92903-06100	9 - 11		17 - 40
90116-08M45	2 - 17	90201-12M05	16 - 42	90387-08M17	15 - 16		8 - 16	92903-06600	5 - 19		22 - 6
90119-06M10	21 - 22	90201-13M01	16 - 41	90387-08M37	14 - 25		8 - 22		10 - 12	92995-14600	17 - 23
90119-06M61	11 - 22	90201-14M56	17 - 34	90387-10M05	16 - 34		8 - 25		11 - 8	93101-22M15	3 - 14
90119-06M65	8 - 10	90201-15M58	17 - 21	90387-10M61	24 - 3		8 - 31	92903-08600	15 - 48		28 - 12
90119-06MA2	2 - 32	90201-16M55	17 - 18	90430-08020	21 - 8		9 - 3	92990-04100	27 - 4	93101-28M16	21 - 39
	2 - 36	90201-21M18	10 - 9		29 - 5		9 - 4		27 - 8		29 - 14
	3 - 7	90201-22M01	21 - 10	90430-14115	2 - 12		9 - 13	92990-05600	5 - 5	93101-30M17	21 - 67
	3 - 16	90201-23M01	3 - 26	90445-05M02	8 - 7		9 - 14	92990-06100	1 - 3		29 - 17

NUMERICAL INDEX

PART NO.	REF. NO.	PART NO.	REF. NO.	PART NO.	REF. NO.	PART NO.	REF. NO.	PART NO.	REF. NO.	PART NO.	REF. NO.
93102-08M43	19 - 36	93430-06024	26 - 10	97095-06012	11 - 28	98780-04015	2 - 27				
93102-35M13	3 - 13	93501-04M02	15 - 49		12 - 13	99001-08600	21 - 24				
	28 - 11	93503-16003	21 - 58		12 - 22	9E450-04433	27 - 2				
93102-40M14	3 - 5	93507-32009	21 - 56		12 - 31	9E450-04533	27 - 3				
	28 - 9	93511-32017	21 - 57		12 - 50						
93106-09014	21 - 21	93606-12019	21 - 36		13 - 27						
	29 - 10		29 - 25	97095-06016	12 - 25						
93210-03261	12 - 27	93608-12063	2 - 13		12 - 40						
93210-08287	23 - 14	93608-12M05	20 - 8		14 - 22						
93210-09165	15 - 54		20 - 13	97095-06020	12 - 3						
93210-10M74	18 - 4		22 - 4		12 - 16						
93210-13M04	7 - 22	93700-06M03	15 - 52		12 - 47						
93210-16275	24 - 9		16 - 13		14 - 31						
93210-19M82	7 - 7		16 - 24		14 - 34						
93210-32738	9 - 8	94702-00247	4 - 27		14 - 38						
93210-37160	21 - 29	95303-06600	15 - 14	97095-06025	15 - 37						
	29 - 12		15 - 29	97095-06030	16 - 4						
	29 - 21	95380-03600	9 - 31	97095-06040	14 - 8						
93210-37MH7	17 - 6	95380-04600	27 - 5	97095-08016	13 - 24						
93210-55M14	21 - 43		27 - 9	97095-08020	15 - 5						
	29 - 15	95380-05600	7 - 26		16 - 16						
93210-58144	21 - 20		15 - 26	97095-08025	21 - 45						
	29 - 9		15 - 32	97095-08030	20 - 23						
93210-74M35	3 - 15		26 - 7	97095-08045	20 - 17						
	28 - 13	95380-06600	1 - 4		20 - 27						
93210-86M38	21 - 28		8 - 39		20 - 34						
	29 - 11		26 - 40	97095-10045	17 - 25						
	29 - 20	95380-08600	9 - 12		17 - 39						
93210-97M55	21 - 68	95380-08700	20 - 19	97380-05025	26 - 8						
	29 - 16	95380-12600	16 - 43	97380-08030	26 - 33						
93211-04001	3 - 6	95380-14800	17 - 22	97595-06550	9 - 35						
	28 - 10	95780-10300	17 - 9	97607-04310	19 - 32						
93306-208U0	3 - 10	97013-06014	9 - 10	97780-60525	17 - 2						
93306-209U0	21 - 63	97013-06050	5 - 18	97880-05016	5 - 4						
93310-32337	3 - 25	97013-06055	11 - 7	97880-06012	16 - 11						
93310-836V2	3 - 27	97013-06070	10 - 11	97880-06018	10 - 15						
93310-954U1	3 - 8	97013-08030	15 - 47	97880-06020	11 - 16						
93311-928U5	21 - 3	97075-08035	14 - 27	97885-05012	10 - 6						
93311-940U3	3 - 4	97075-10045	22 - 5	97885-06010	10 - 17						
93315-425V3	21 - 51	97080-06100	8 - 37	97885-06016	17 - 4						
93315-43061	21 - 66	97080-08016	18 - 31		17 - 29						
93317-330U2	21 - 40	97090-06012	14 - 15	97980-05108	6 - 27						
93332-000V3	21 - 4	97095-06010	16 - 7	97980-05116	6 - 25						
93341-930V2	21 - 42		16 - 28	98580-03015	26 - 38						
93410-16006	15 - 57		20 - 6	98580-04006	26 - 36						
93410-22M11	16 - 39	97095-06012	1 - 7	98580-04010	26 - 35						
93410-37M04	17 - 14		11 - 9	98580-05010	26 - 37						
93410-40M03	3 - 11		11 - 13	98586-05016	23 - 4						