



**PARTS  
CATALOGUE  
CATALOGO  
DE REPUESTOS**

**E25B'04** (69P4)

**E30H'04** (60B4)

**25B'04** (69R4)

**30H'04** (69S4)

# FOREWORD

This Parts Catalogue is related to the parts for the model(s) on the cover page. When you are ordering replacement parts, please refer to this Parts Catalogue and quote both part numbers and part names correctly.

1. Modifications or additions which have been made after the issue of the Parts Catalogue will be announced in the Parts News.  
It is advisable that you make the necessary corrections to the Parts Catalogue according to the Parts News.

2. Abbreviations

The following abbreviations are used in this Parts Catalogue.

“UR” Use specified parts number.

“UN” Use as many as needed.

“AP” Alternate Parts

“LM” Locally Made (Parts need to be ordered locally)

“F#” Frame No. (Applicable machine No.)

“O/S” Over Size

3. The number of components for assembly

- Parts, which are to be supplied in an assembly, are listed with a dot (.) in front of the part name as shown below.
- The numeral appearing to the right of each component part indicates the quantity of parts for each assembly unit.

| PART NO.     | DESCRIPTION              | Q'TY | REMARKS |
|--------------|--------------------------|------|---------|
| 2F5-83310-60 | FRONT FLASHER LIGHT ASSY | 2    |         |
| 115-83311-60 | .BULB (6V-18W)           | 1    |         |

4. Applicable colours of graphics are represented in the “REMARKS” as shown below.

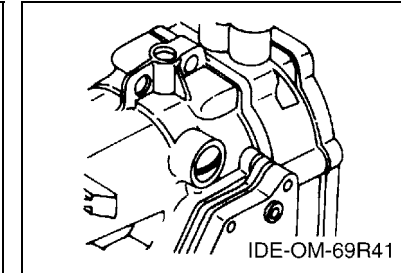
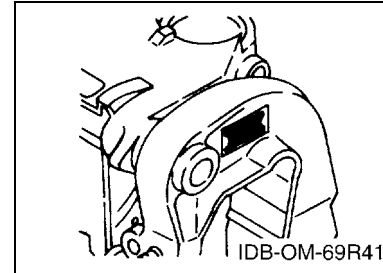
| PART NO.        | DESCRIPTION         | Q'TY | REMARKS |
|-----------------|---------------------|------|---------|
| 2N4-24110-00-X5 | FUEL TANK COMP.     | 2    | MXR     |
| 3J1-24240-10    | .GRAPHIC, FUEL TANK | 1    | FOR MXR |

5. Note that the illustrations for reference in finding parts numbers are not to be used for assembling. When assembling, please use the applicable service manual.

6. The asterisk (\*) before a reference number indicates modified items after the first edition.

7. Applicable Serial No.

Engine Serial No.



8. Applicable Engine Starting Serial No.

| Model | Serial No.   | Model | Serial No.   |
|-------|--------------|-------|--------------|
| E25B  | 61RK-1004702 | 25B   | 61RK-1004702 |
| E30H  | 61TK-1004870 | 30H   | 61TK-1004870 |
|       |              |       |              |
|       |              |       |              |

9. Applicable Colour Code

| Abbreviation | Colour Name                 | Colour Code |
|--------------|-----------------------------|-------------|
| DBNM2        | DARK BLUISH GRAY METALLIC 2 | 004D        |

10. Quantity Column Information

| Column No. | Name Of Q'ty Column | Applicable Model          |
|------------|---------------------|---------------------------|
| 1          | MH                  | E25BMH,E30HMH,25BMH,30HMH |
| 2          | WH                  | 30HWH                     |
| 3          | W                   | 25BW,30HW                 |
| 4          | WC                  | 25BWC,30HWC               |
|            |                     |                           |

# PROLOGO

Este catálogo de repuestos corresponde a las piezas para el o los modelos que figuran en la página de portada. Al formular el pedido de repuestos, se ruega citar este catálogo y especificar correctamente el número y el nombre de las piezas.

- Las modificaciones y agregados que se hayan realizado después de la edición de este Catálogo de Repuestos, serán anunciados en las Informaciones de Recambios. Es recomendable que se hagan las correcciones necesarias en el Catálogo de Repuestos de acuerdo con las Informaciones de Recambios.

## 2. Abreviaciones

En este. Catálogo de Repuestos se emplean las siguientes abreviaciones.

“UR” Usar el número de partes especificado

“UN” Usar la cantidad necesaria

“AP” Piezas sustitutivas

“LM” Fabricación local (Hay que pedir los repuestos en las cercanías)

“F#” N° de bastidor (N° aplicable a la máquina)

“O/S” Sobredimensionado

## 3. La cantidad de componentes para el montaje

- Los componentes, suministrados como conjunto, se describen con un punto (.) que precede al nombre del parte como se indica a continuación.
- La numeración que aparece a la derecha de cada descripción indica la cantidad de partes por cada unidad de conjunto.

| CODIGO N°    | DESCRIPCION          | CANT. | OBSERVACIONES |
|--------------|----------------------|-------|---------------|
| 2F5-83310-60 | ENSAMBLAJE DE LA LUZ | 2     |               |
| 115-83311-60 | .BOMBILLA (6V-18W)   | 1     |               |

## 4. Los colores de los componentes se indican como sigue en la columna de “OBSERVACIONES”.

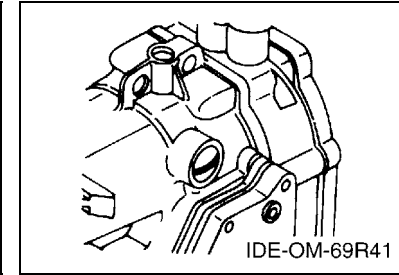
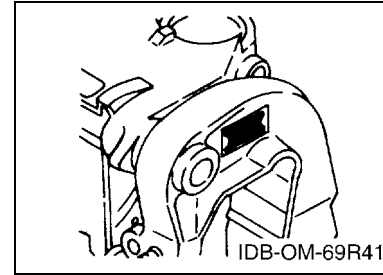
| CODIGO N°       | DESCRIPCION          | CANT. | OBSERVACIONES |
|-----------------|----------------------|-------|---------------|
| 2N4-24110-00-X5 | COMP. DEL TANQUE     | 2     | MXR           |
| 3J1-24240-10    | .GRAFICO, DEL TANQUE | 1     | PARA MXR      |

- Debe tenerse en cuenta que las ilustraciones sirven como guía para la búsqueda de los números de partes y no deben usarse para el montaje. Durante el montaje, se recomienda usar el manual de taller correspondiente.

- EL asterisco (\*) antes del número de referencia indica los elementos modificados después de la primera edición.

## 7. Números de serie

N° de Serie del motor



## 8. Números de serie del motor

| Modelo | N° de serie  | Modelo | N° de serie  |
|--------|--------------|--------|--------------|
| E25B   | 61RK-1004702 | 25B    | 61RK-1004702 |
| E30H   | 61TK-1004870 | 30H    | 61TK-1004870 |
|        |              |        |              |
|        |              |        |              |

## 9. Códigos de color aplicables

| Abreviatura | Nombre de color             | Código de color |
|-------------|-----------------------------|-----------------|
| DBNM2       | DARK BLUISH GRAY METALLIC 2 | 004D            |

## 10. Información para la columna de cantidades

| Columna N° | Nombre de la columna de cantidades | Modelo aplicable             |
|------------|------------------------------------|------------------------------|
| 1          | MH                                 | E25BMH, E30HMH, 25BMH, 30HMH |
| 2          | WH                                 | 30HWH                        |
| 3          | W                                  | 25BW, 30HW                   |
| 4          | WC                                 | 25BWC, 30HWC                 |
|            |                                    |                              |

# CONTENTS

## SHEET1/2

|                              |    |
|------------------------------|----|
| TOP COWLING .....            | A4 |
| CYLINDER & CRANKCASE .....   | A5 |
| CRANKSHAFT & PISTON .....    | A7 |
| INTAKE .....                 | B1 |
| CARBURETOR .....             | B2 |
| FUEL .....                   | B4 |
| STARTER .....                | B6 |
| GENERATOR .....              | C1 |
| ELECTRICAL 1 .....           | C2 |
| ELECTRICAL 2 .....           | C4 |
| ELECTRICAL 3 .....           | C5 |
| ELECTRICAL 4 .....           | C7 |
| STARTING MOTOR .....         | D2 |
| BOTTOM COWLING .....         | D3 |
| STEERING .....               | D5 |
| CONTROL 1 .....              | D6 |
| CONTROL 2 .....              | E1 |
| REMO CON ATTACHMENT .....    | E2 |
| BRACKET 1 .....              | E3 |
| BRACKET 2 .....              | E5 |
| UPPER CASING .....           | F1 |
| LOWER CASING & DRIVE 1 ..... | F3 |
| LOWER CASING & DRIVE 2 ..... | F7 |

## INDEX

|                       |    |
|-----------------------|----|
| NUMERICAL INDEX ..... | G1 |
|-----------------------|----|

## SHEET2/2

|                             |     |
|-----------------------------|-----|
| FUEL TANK .....             | A4* |
| STEERING GUIDE .....        | A5* |
| REMOTE CONTROL BOX .....    | A6* |
| REMOTE CONTROL ASSY 1 ..... | A7* |
| REMOTE CONTROL ASSY 2 ..... | B3* |
| SWITCH & PANEL .....        | B5* |
| REPAIR KIT 1 .....          | B6* |
| REPAIR KIT 2 .....          | B7* |

## INDEX

|                       |     |
|-----------------------|-----|
| NUMERICAL INDEX ..... | G1* |
|-----------------------|-----|

# CONTENIDO

## PAGINA1/2

|                             |    |
|-----------------------------|----|
| SOPORTE SUPERIOR .....      | A4 |
| CYLINDRO & CARTER .....     | A5 |
| CIGUENAL & PISTON .....     | A7 |
| ADMISION .....              | B1 |
| CARBURADOR .....            | B2 |
| COMBUSTIBLE .....           | B4 |
| ARRANQUE .....              | B6 |
| GENERADOR .....             | C1 |
| EQUIPO ELECTRICO 1 .....    | C2 |
| EQUIPO ELECTRICO 2 .....    | C4 |
| EQUIPO ELECTRICO 3 .....    | C5 |
| EQUIPO ELECTRICO 4 .....    | C7 |
| MOTOR DE ARRANQUE .....     | D2 |
| CUBIERTA INFERIOR .....     | D3 |
| DIRECCION .....             | D5 |
| CONTROL 1 .....             | D6 |
| CONTROL 2 .....             | E1 |
| CONJUNTO ADITAMENTO .....   | E2 |
| SOPORTE 1 .....             | E3 |
| SOPORTE 2 .....             | E5 |
| FUNDA SUPERIOR .....        | F1 |
| IMPULSOR E INFERIOR 1 ..... | F3 |
| IMPULSOR E INFERIOR 2 ..... | F7 |

## INDICE

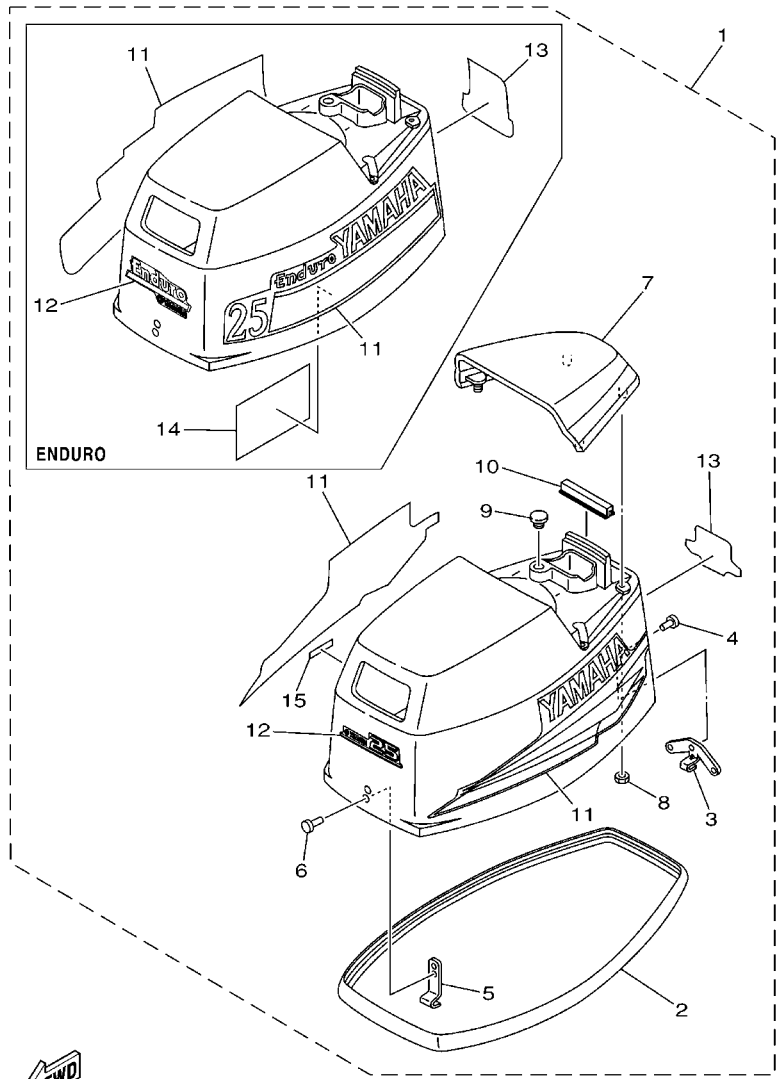
|                       |    |
|-----------------------|----|
| INDICE NUMERICO ..... | G1 |
|-----------------------|----|

## PAGINA2/2

|                               |     |
|-------------------------------|-----|
| DEPOSITO DE COMBUSTIBLE ..... | A4* |
| DIRECCIONGUIAR .....          | A5* |
| CONTROL REMOTO COMPLETO ..... | A6* |
| CONTROL REMOTO COMPL 1 .....  | A7* |
| CONTROL REMOTO COMPL 2 .....  | B3* |
| PANEL DE INTERRUPTOR .....    | B5* |
| ESTUCHE REPARATION 1 .....    | B6* |
| ESTUCHE REPARATION 2 .....    | B7* |

## INDICE

|                       |     |
|-----------------------|-----|
| INDICE NUMERICO ..... | G1* |
|-----------------------|-----|

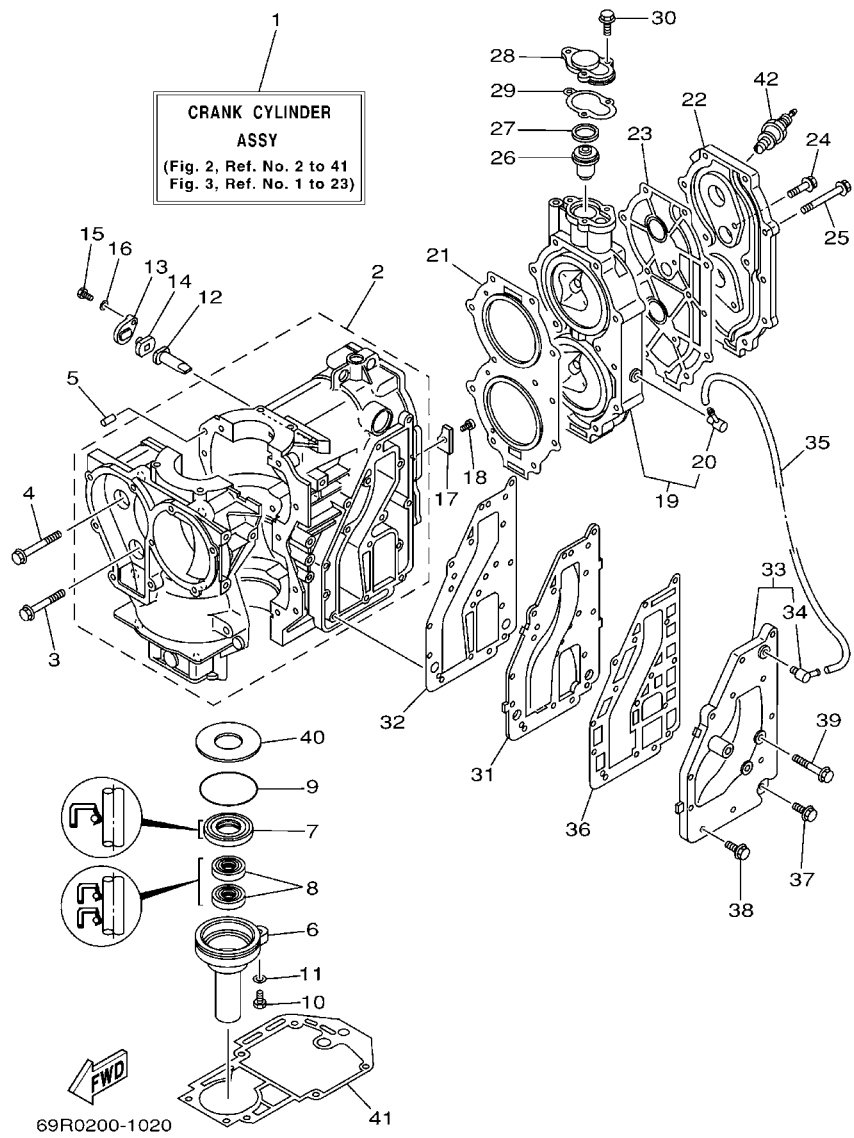


69R2200-2010

FIG. 1 TOP COWLING

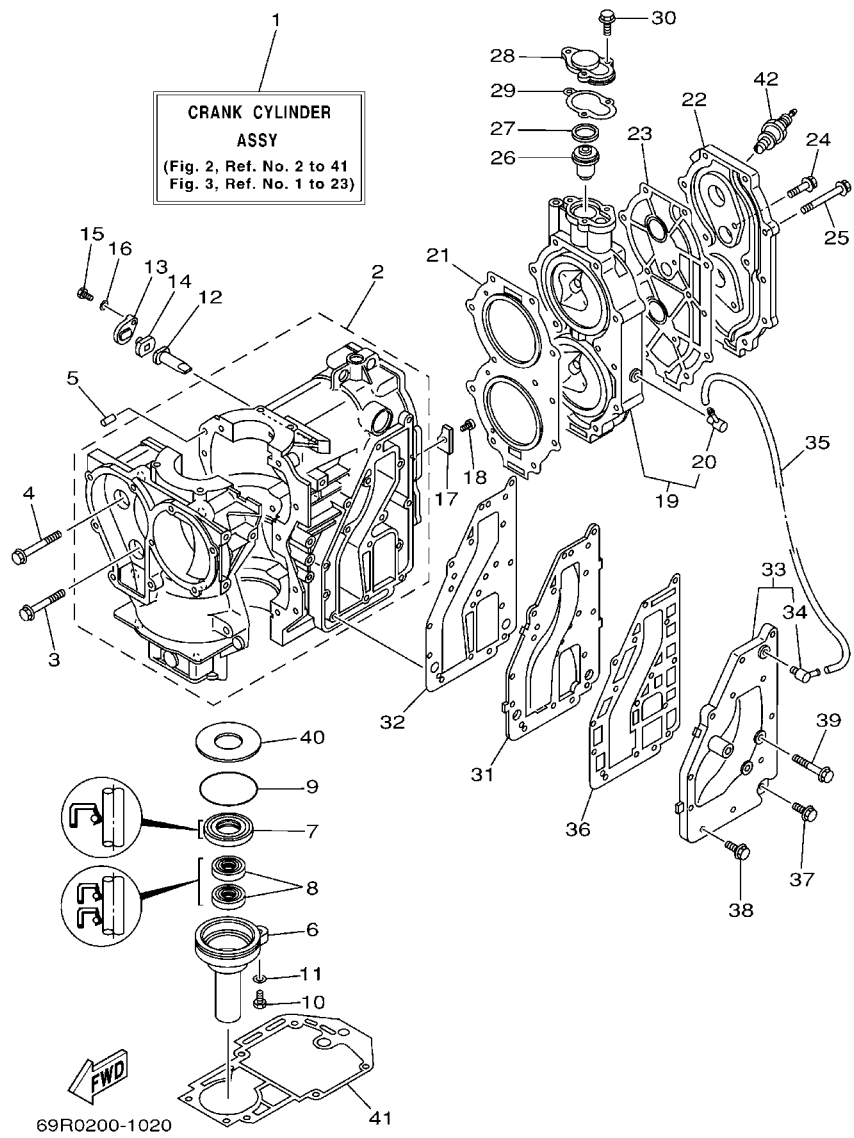
SOPORTE SUPERIOR

| REF. NO. | PART NO. CODIGO Nº | DESCRIPTION DESCRIPCION                       | MH | WH | W | WC | REMARKS OBSERVACIONES  |
|----------|--------------------|---|----|----|---|----|------------------------|
| 1        | 69R-42610-20-4D    | TOP COWLING ASSY<br>SOPORTE SUPERIOR COMPL.   | 1  |    | 1 | 1  | 25B<br>25B             |
|          | 69S-42610-20-4D    | TOP COWLING ASSY<br>SOPORTE SUPERIOR COMPL.   | 1  | 1  | 1 | 1  | 30H<br>30H             |
|          | 69P-42610-H0-4D    | TOP COWLING ASSY<br>SOPORTE SUPERIOR COMPL.   | 1  |    |   |    | E25B<br>E25B           |
|          | 60B-42610-H0-4D    | TOP COWLING ASSY<br>SOPORTE SUPERIOR COMPL.   | 1  |    |   |    | E30H<br>E30H           |
| 2        | 6G0-42615-00       | .SEAL<br>.SELLO                               | 1  | 1  | 1 | 1  |                        |
| 3        | 689-42647-00       | .HOLDER, CLAMP BAND<br>.MORDAZA DE ABRAZADERA | 1  | 1  | 1 | 1  |                        |
| 4        | 90266-04M01        | .RIVET<br>.REMACHE                            | 3  | 3  | 3 | 3  |                        |
| 5        | 6G0-42651-02       | .HOOK<br>.GANCHO                              | 1  | 1  | 1 | 1  |                        |
| 6        | 90266-04M00        | .RIVET<br>.REMACHE                            | 2  | 2  | 2 | 2  |                        |
| 7        | 69P-42613-00-4D    | .MOLDING, AIR DUCT<br>.MOLDURA CONDUCTO AIRE  | 1  | 1  | 1 | 1  |                        |
| 8        | 90179-06M24        | .NUT<br>.TUERCA                               | 4  | 4  | 4 | 4  |                        |
| 9        | 90480-14M14        | .GROMMET<br>.TAPON                            | 1  | 1  | 1 | 1  |                        |
| 10       | 61N-42628-00       | .SEAL<br>.SELLO DE GOMA                       | 1  | 1  | 1 | 1  |                        |
| 11       | 61R-W0070-10       | .GRAPHIC SET<br>.JUEGO DE EMBLEMA             | 1  | 1  | 1 | 1  | 25B,30H<br>25B,30H     |
|          | 61N-W0070-H0       | .GRAPHIC SET<br>.JUEGO DE EMBLEMA             | 1  |    |   |    | E25B<br>E25B           |
|          | 60B-W0070-H0       | .GRAPHIC SET<br>.JUEGO DE EMBLEMA             | 1  |    |   |    | E30H<br>E30H           |
| 12       | 69R-42677-00       | .GRAPHIC, FRONT<br>.CALCAMONIA FRONTAL        | 1  |    | 1 | 1  | 25B<br>25B             |
|          | 69S-42677-00       | .GRAPHIC, FRONT<br>.CALCAMONIA FRONTAL        | 1  | 1  | 1 | 1  | 30H<br>30H             |
|          | 69P-42677-H0       | .GRAPHIC, FRONT<br>.CALCAMONIA FRONTAL        | 1  |    |   |    | E25B,E30H<br>E25B,E30H |
| 13       | 61R-42678-10       | .GRAPHIC, REAR<br>.CALCAMONIA TRASERA         | 1  |    | 1 | 1  | 25B<br>25B             |
|          | 61T-42678-10       | .GRAPHIC, REAR<br>.CALCAMONIA TRASERA         | 1  | 1  | 1 | 1  | 30H<br>30H             |
|          | 61N-42678-H0       | .GRAPHIC, REAR<br>.CALCAMONIA TRASERA         | 1  |    |   |    | E25B<br>E25B           |
|          | 60B-42678-H0       | .GRAPHIC, REAR<br>.CALCAMONIA TRASERA         | 1  |    |   |    | E30H<br>E30H           |
| 14       | 677-13437-0B       | .MARK, CAUTION<br>.MARKER                     | 1  |    |   |    | E25B,E30H<br>E25B,E30H |
| 15       | 6E0-44191-11       | .INDICATOR, SHIFT<br>.INDICADOR DE CAMBIOS    | 1  | 1  | 1 | 1  | 25B,30H<br>25B,30H     |



**FIG. 2 CYLINDER & CRANKCASE** **CYLINDRO & CARTER**

| REF. NO. | PART NO. CODIGO Nº | DESCRIPTION DESCRIPCION                             | MH | WH | W  | WC | REMARKS OBSERVACIONES |
|----------|--------------------|---|----|----|----|----|-----------------------|
| 1        | 69P-W0090-00-1S    | CRANK CYLINDER ASSY<br>BLOQUE MOTOR COMPLETO        | 1  |    | 1  | 1  | E25B,25B              |
|          | 69S-W0090-00-1S    | CRANK CYLINDER ASSY<br>BLOQUE MOTOR COMPLETO        | 1  | 1  | 1  | 1  | E25B,25B              |
| 2        | 69P-15100-00-1S    | CRANKCASE ASSY<br>CARTER COMPLETO                   | 1  | 1  | 1  | 1  | E30H,30H              |
| 3        | 90119-08009        | BOLT, WITH WASHER<br>TORNILLO CON ARANDELA          | 2  | 2  | 2  | 2  | E30H,30H              |
| 4        | 90119-08M65        | BOLT, WITH WASHER<br>TORNILLO CON ARANDELA          | 8  | 8  | 8  | 8  |                       |
| 5        | 93606-12019        | PIN, DOWEL<br>PASADOR DE CLAVIJA                    | 2  | 2  | 2  | 2  |                       |
| 6        | 689-15396-01-5B    | HOUSING, OIL SEAL<br>CAJA DE SELLO DE ACEITE        | 1  | 1  | 1  | 1  |                       |
| 7        | 93102-25008        | OIL SEAL<br>SELLO ACEITE                            | 1  | 1  | 1  | 1  |                       |
| 8        | 93101-16001        | OIL SEAL<br>SELLO ACEITE                            | 2  | 2  | 2  | 2  |                       |
| 9        | 93210-58M21        | O-RING<br>ANILLO O                                  | 1  | 1  | 1  | 1  |                       |
| 10       | 97095-06022        | BOLT<br>PERNO                                       | 1  | 1  | 1  | 1  |                       |
| 11       | 92995-06600        | WASHER<br>ARANDELA                                  | 1  | 1  | 1  | 1  |                       |
| 12       | 6J8-11325-00       | ANODE<br>ANODO                                      | 1  | 1  | 1  | 1  |                       |
| 13       | 6H3-11327-00-1S    | COVER, ANODE<br>CUBIERTA                            | 1  | 1  | 1  | 1  |                       |
| 14       | 6H3-11328-00       | GROMMET, ANODE<br>TAPON                             | 1  | 1  | 1  | 1  |                       |
| 15       | 97013-06016        | BOLT<br>PERNO                                       | 1  | 1  | 1  | 1  |                       |
| 16       | 92903-06600        | WASHER, PLATE<br>RONDANA SENCILLA                   | 1  | 1  | 1  | 1  |                       |
| 17       | 689-11325-00       | ANODE<br>ANODO                                      | 1  | 1  | 1  | 1  |                       |
| 18       | 90151-06M02        | SCREW, COUNTERSUNK<br>TORNILLO EMBUTIDO             | 1  | 1  | 1  | 1  |                       |
| 19       | 61N-11111-01-1S    | HEAD, CYLINDER 1<br>CULATA CILINDRO 1               | 1  |    | 1  | 1  | E25B,25B              |
|          | 61T-11111-01-1S    | HEAD, CYLINDER 1<br>CULATA CILINDRO 1               | 1  | 1  | 1  | 1  | E25B,25B              |
| 20       | 676-11372-00       | .NIPPLE, HOSE<br>.NIPLE DE MANGUERA                 | 1  | 1  | 1  | 1  | E30H,30H              |
| 21       | 61N-11181-A1       | GASKET, CYLINDER HEAD 1<br>JUNTA, DE CULATA 1       | 1  | 1  | 1  | 1  | E30H,30H              |
| 22       | 61N-11191-01-1S    | COVER, CYLINDER HEAD 1<br>TAPA CULATA DE CILINDRO 1 | 1  | 1  | 1  | 1  |                       |
| 23       | 61T-11193-A1       | GASKET, HEAD COVER 1<br>EMPAQUE                     | 1  | 1  | 1  | 1  |                       |
| 24       | 90119-06MA2        | BOLT, WITH WASHER<br>TORNILLO CON ARANDELA          | 2  | 2  | 2  | 2  |                       |
| 25       | 90119-08015        | BOLT, WITH WASHER<br>TORNILLO CON ARANDELA          | 11 | 11 | 11 | 11 |                       |



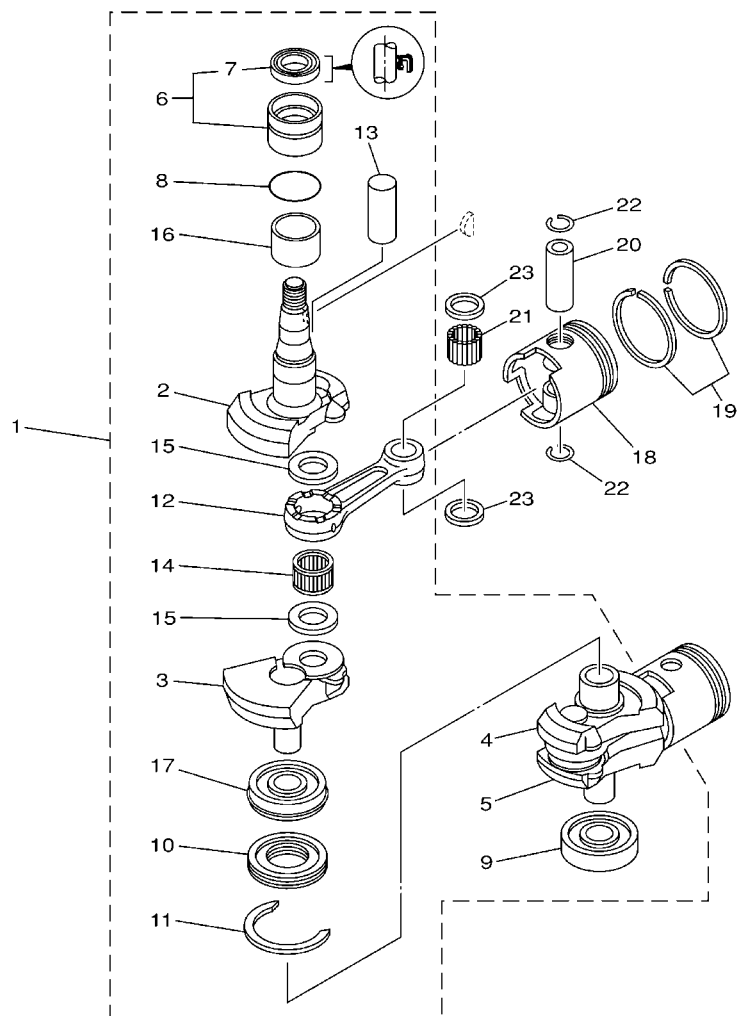
**FIG. 2 CYLINDER & CRANKCASE CYLINDRO & CARTER**

| REF. NO. | PART NO. CODIGO Nº | DESCRIPTION DESCRIPCION                             | MH | WH | W  | WC | REMARKS OBSERVACIONES                |
|----------|--------------------|---|----|----|----|----|--------------------------------------|
| 26       | 6E5-12411-01       | THERMOSTAT<br>TERMOSTAT                             | 1  | 1  | 1  | 1  |                                      |
| 27       | 90201-21567        | WASHER, PLATE<br>ARANDELA PLANA                     | 1  | 1  | 1  | 1  |                                      |
| 28       | 655-12413-01-1S    | COVER, THERMOSTAT<br>CUBIERTA TERMOSTATO            | 1  | 1  | 1  | 1  |                                      |
| 29       | 655-12414-A1       | GASKET, COVER<br>EMPAQUE                            | 1  | 1  | 1  | 1  |                                      |
| 30       | 90119-06MA2        | BOLT, WITH WASHER<br>TORNILLO CON ARANDELA          | 3  | 3  | 3  | 3  |                                      |
| 31       | 6K8-41121-00-1S    | INNER COVER, EXHAUST<br>CUBIERTA INTERIOR DE ESCAPE | 1  | 1  | 1  | 1  |                                      |
| 32       | 6K8-41122-A1       | GASKET, EXHAUST INNER COVER<br>EMPAQUE              | 1  | 1  | 1  | 1  |                                      |
| 33       | 61N-41123-00-1S    | OUTER COVER, EXHAUST<br>CUBOERTA EXTERIOR DE ESCAPE | 1  | 1  | 1  | 1  |                                      |
| 34       | 676-11372-00       | .NIPPLE, HOSE<br>.NIPLE DE MANGUERA                 | 1  | 1  | 1  | 1  |                                      |
| 35       | 90445-10M41        | HOSE (L105)<br>TUBO (L105)                          | 1  | 1  | 1  | 1  |                                      |
| 36       | 6K8-41124-A1       | GASKET, EXHAUST OUTER COVER<br>EMPAQUE              | 1  | 1  | 1  | 1  |                                      |
| 37       | 90119-06MA3        | BOLT, WITH WASHER<br>TORNILLO CON ARANDELA          | 1  | 1  | 1  | 1  |                                      |
| 38       | 90119-06MA4        | BOLT, WITH WASHER<br>TORNILLO CON ARANDELA          | 11 | 11 | 11 | 11 |                                      |
| 39       | 90119-06MA0        | BOLT, WITH WASHER<br>TORNILLO CON ARANDELA          | 3  | 3  | 3  | 3  |                                      |
| 40       | 90201-50306        | WASHER, PLATE<br>ARANDELA PLANA                     | 1  | 1  | 1  | 1  |                                      |
| 41       | 689-45113-A1       | GASKET, UPPER CASING<br>EMPAQUE                     | 1  | 1  | 1  | 1  |                                      |
| 42       | 94702-00217        | PLUG, SPARK (NGK B7HS-10)<br>BUJIA (NGK B7HS-10)    | 2  | 2  | 2  | 2  | E25B,25B<br>E25B,25B                 |
|          | 94702-00160        | PLUG, SPARK (NGK B8HS-10)<br>BUJIA (NGK B8HS-10)    | 2  | 2  | 2  | 2  | E30H,30H<br>E30H,30H                 |
|          | 94702-00271        | PLUG, SPARK (NGK BR7HS-10)<br>BUJIA (NGK BR7HS-10)  | 2  |    |    |    | E25B,25B-FOR CAR<br>E25B,25B-FOR CAR |
|          | 94702-00247        | PLUG, SPARK (NGK BR8HS-10)<br>BUJIA (NGK BR8HS-10)  | 2  | 2  | 2  |    | 30H-FOR CAR,CHN<br>30H-FOR CAR,CHN   |



FIG. 3 CRANKSHAFT & PISTON

CIGUENAL & PISTON



  
69R0010-1030

| REF. NO. | PART NO. CODIGO Nº | DESCRIPTION DESCRIPCION                                       | MH | WH | W  | WC | REMARKS OBSERVACIONES |
|----------|--------------------|---|----|----|----|----|-----------------------|
| 1        | 69P-11400-00       | CRANKSHAFT ASSY<br>CIGUENAL COMPLETO                          | 1  | 1  | 1  | 1  |                       |
| 2        | 69P-11412-00       | .CRANK 1<br>.MANIVELA 1                                       | 1  | 1  | 1  | 1  |                       |
| 3        | 61N-11422-00       | .CRANK 2<br>.MANIVELA 2                                       | 1  | 1  | 1  | 1  |                       |
| 4        | 61N-11432-00       | .CRANK 3<br>.MANIVELA 3                                       | 1  | 1  | 1  | 1  |                       |
| 5        | 61N-11442-00       | .CRANK 4<br>.MANIVELA 4                                       | 1  | 1  | 1  | 1  |                       |
| 6        | 93399-99951        | .BEARING<br>.COJINETE   | 1  | 1  | 1  | 1  |                       |
| 7        | 93102-32M07        | .OIL SEAL<br>.SELLO ACEITE                                    | 1  | 1  | 1  | 1  |                       |
| 8        | 93210-46M16        | .O-RING<br>.ANILLO O  | 1  | 1  | 1  | 1  |                       |
| 9        | 93306-305U3        | .BEARING<br>.COJINETE   | 1  | 1  | 1  | 1  |                       |
| 10       | 61N-11515-00       | .SEAL, LABYRINTH 1<br>.SELLO LABERINTO 1                      | 1  | 1  | 1  | 1  |                       |
| 11       | 93440-62057        | .CIRCLIP<br>.SEGURO   | 1  | 1  | 1  | 1  |                       |
| 12       | 689-11651-00       | .ROD, CONNECTING<br>.BIELA                                    | 2  | 2  | 2  | 2  |                       |
| 13       | 689-11681-01       | .PIN, CRANK 1<br>.PASADOR MANIVELA 1                          | 2  | 2  | 2  | 2  |                       |
| 14       | 93310-62406        | .BEARING<br>.COJINETE DE RODILLOS                             | 2  | 2  | 2  | 2  |                       |
| 15       | 90209-24M03        | .WASHER<br>.ARANDELA DE SEPARACION                            | 4  | 4  | 4  | 4  |                       |
| 16       | 90387-32002        | .COLLAR<br>.COLLAR  | 1  | 1  | 1  | 1  |                       |
| 17       | 93390-00009        | .BEARING<br>.COJINETE DE RODILLOS                             | 1  | 1  | 1  | 1  |                       |
| 18       | 61N-11631-00-95    | PISTON (STD)<br>PISTON (NORMA)                                | 2  | 2  | 2  | 2  |                       |
|          | 61N-11635-00       | PISTON (0.25MM O/S)<br>PISTON (0.25MM O/S)                    | 2  | 2  | 2  | 2  | AP<br>AP              |
|          | 61N-11636-00       | PISTON (0.50MM O/S)<br>PISTON (0.50MM O/S)                    | 2  | 2  | 2  | 2  | AP<br>AP              |
| 19       | 61N-11603-00       | PISTON RING SET (STD)<br>JUEGO DE ANILLOS (NORMA)             | 2  | 2  | 2  | 2  |                       |
|          | 61N-11604-00       | PISTON RING SET (0.25MM O/S)<br>JUEGO DE ANILLOS (0.25MM O/S) | 2  | 2  | 2  | 2  | AP<br>AP              |
|          | 61N-11605-00       | PISTON RING SET (0.50MM O/S)<br>JUEGO DE ANILLOS (0.50MM O/S) | 2  | 2  | 2  | 2  | AP<br>AP              |
| 20       | 689-11633-00       | PIN, PISTON<br>PASADOR, PISTON                                | 2  | 2  | 2  | 2  |                       |
| 21       | 93602-20M02        | PIN, DOWEL<br>PASADOR DE CLAVIJA                              | 68 | 68 | 68 | 68 |                       |
| 22       | 688-11634-00       | CLIP, PISTON PIN<br>PRESILLA, BULON DE PISTON                 | 4  | 4  | 4  | 4  |                       |
| 23       | 90201-20M27        | WASHER, PLATE<br>ARANDELA PLANA                               | 4  | 4  | 4  | 4  |                       |

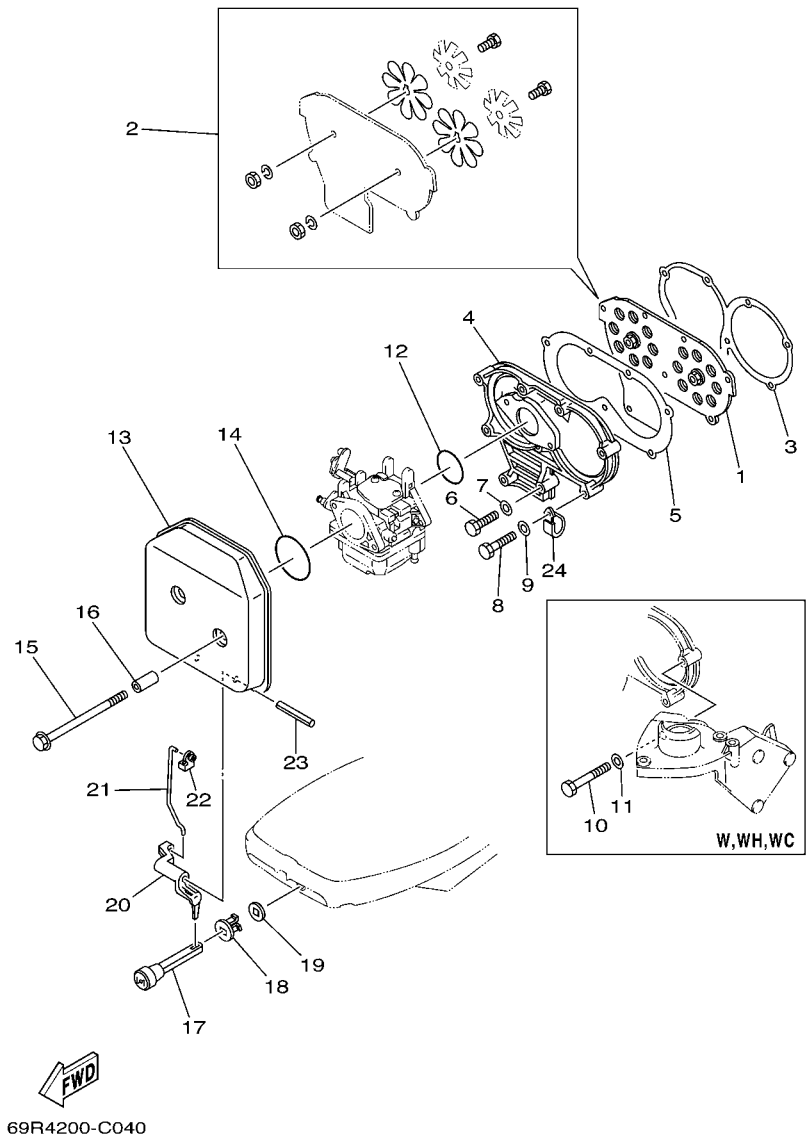


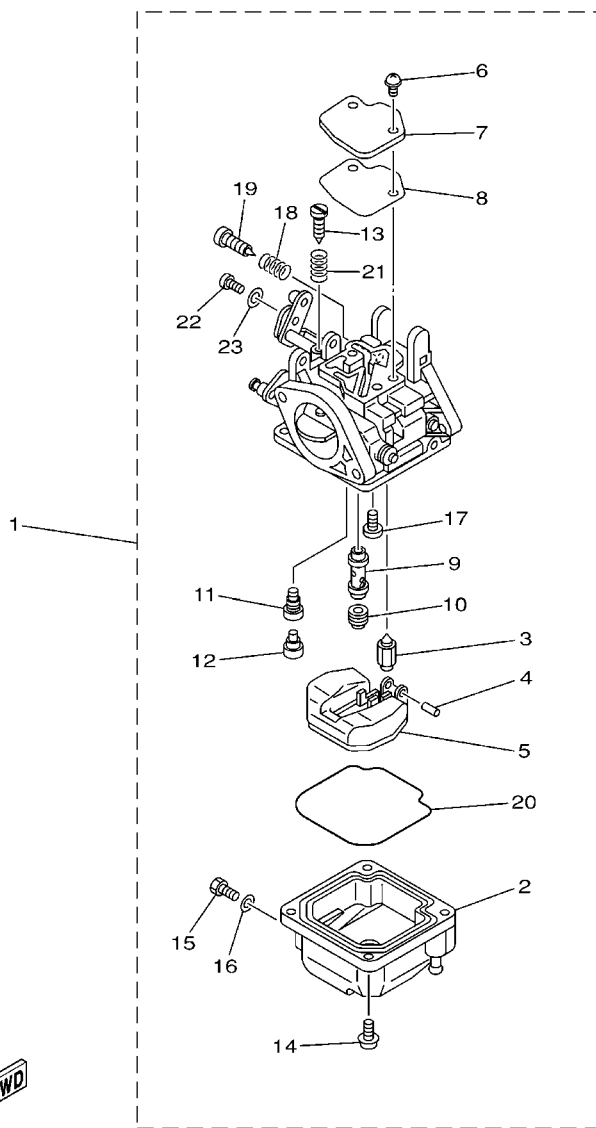
FIG. 4 INTAKE

ADMISION

| REF. NO. | PART NO. CODIGO Nº | DESCRIPTION DESCRIPCION                                | MH | WH | W | WC | REMARKS OBSERVACIONES |
|----------|--------------------|--|----|----|---|----|-----------------------|
| 1        | 61N-13610-00       | REED VALVE ASSY<br>VALVULA DE LAMINAS COMPLETA         | 1  |    | 1 | 1  | E25B,25B<br>E25B,25B  |
|          | 689-13610-01       | REED VALVE ASSY<br>VALVULA DE LAMINAS COMPLETA         | 1  | 1  | 1 | 1  | E30H,30H<br>E30H,30H  |
| 2        | 689-W0004-00       | .REED SET<br>.JUEGO DE VALVULAS DE LENGUETA            | 1  | 1  | 1 | 1  |                       |
| 3        | 648-13621-A1       | GASKET, VALVE SEAT<br>JUNTA, DE VALV.DE EMPAQUE        | 1  | 1  | 1 | 1  |                       |
| 4        | 61N-13641-01-1S    | MANIFOLD 1<br>MULTIPLE 1                               | 1  | 1  | 1 | 1  |                       |
| 5        | 648-13645-A0       | GASKET, MANIFOLD 1<br>EMPAQUE                          | 1  | 1  | 1 | 1  |                       |
| 6        | 97013-06025        | BOLT<br>PERNO  | 2  | 2  | 2 | 2  |                       |
| 7        | 92903-06600        | WASHER, PLATE<br>RONDANA SENCILLA                      | 2  | 2  | 2 | 2  |                       |
| 8        | 97013-06035        | BOLT<br>PERNO  | 7  |    |   |    |                       |
|          | 97013-06035        | BOLT<br>PERNO  |    | 6  | 6 | 6  |                       |
| 9        | 92903-06600        | WASHER, PLATE<br>RONDANA SENCILLA                      | 7  |    |   |    |                       |
|          | 92903-06600        | WASHER, PLATE<br>RONDANA SENCILLA                      |    | 6  | 6 | 6  |                       |
| 10       | 97013-06050        | BOLT<br>PERNO  |    | 1  | 1 | 1  |                       |
| 11       | 92903-06600        | WASHER, PLATE<br>RONDANA SENCILLA                      |    | 1  | 1 | 1  |                       |
| 12       | 61N-14198-00       | GASKET<br>EMPAQUE                                      | 1  | 1  | 1 | 1  |                       |
| 13       | 61N-14440-00       | SILENCER ASSY, INTAKE<br>SILENCIADOR COMPL DE ADMISION | 1  | 1  | 1 | 1  |                       |
| 14       | 93210-40659        | O-RING<br>ANILLO O                                     | 1  | 1  | 1 | 1  |                       |
| 15       | 90119-06M94        | BOLT, WITH WASHER<br>TORNILLO CON ARANDELA             | 2  | 2  | 2 | 2  |                       |
| 16       | 90387-06M26        | COLLAR<br>COLLAR                                       | 2  | 2  | 2 | 2  |                       |
| 17       | 682-41271-00       | KNOB, CHOKE<br>PERILLA AHOGADOR                        | 1  | 1  | 1 | 1  |                       |
| 18       | 689-41273-00       | GROMMET<br>TAPON PROTECTOR                             | 1  | 1  | 1 | 1  |                       |
| 19       | 6J8-41274-00       | GROMMET 2<br>TAPON 2                                   | 1  | 1  | 1 | 1  |                       |
| 20       | 689-41252-01       | LEVER, CHOKE 1<br>PALANCA AHOGADOR 1                   | 1  | 1  | 1 | 1  |                       |
| 21       | 61N-41256-00       | ROD, CHOKE 1<br>VARILLA DE AHOGADOR                    | 1  | 1  | 1 | 1  |                       |
| 22       | 661-41262-02       | JOINT, CHOKE LEVER<br>CONECTOR DE AHOGADOR             | 1  | 1  | 1 | 1  |                       |
| 23       | 91690-40048        | PIN, SPRING<br>PASADOR DE RESORTE                      | 1  | 1  | 1 | 1  |                       |
| 24       | 90465-06M88        | CLAMP<br>BRIDA   | 1  | 1  | 1 | 1  |                       |

FIG. 5 CARBURETOR

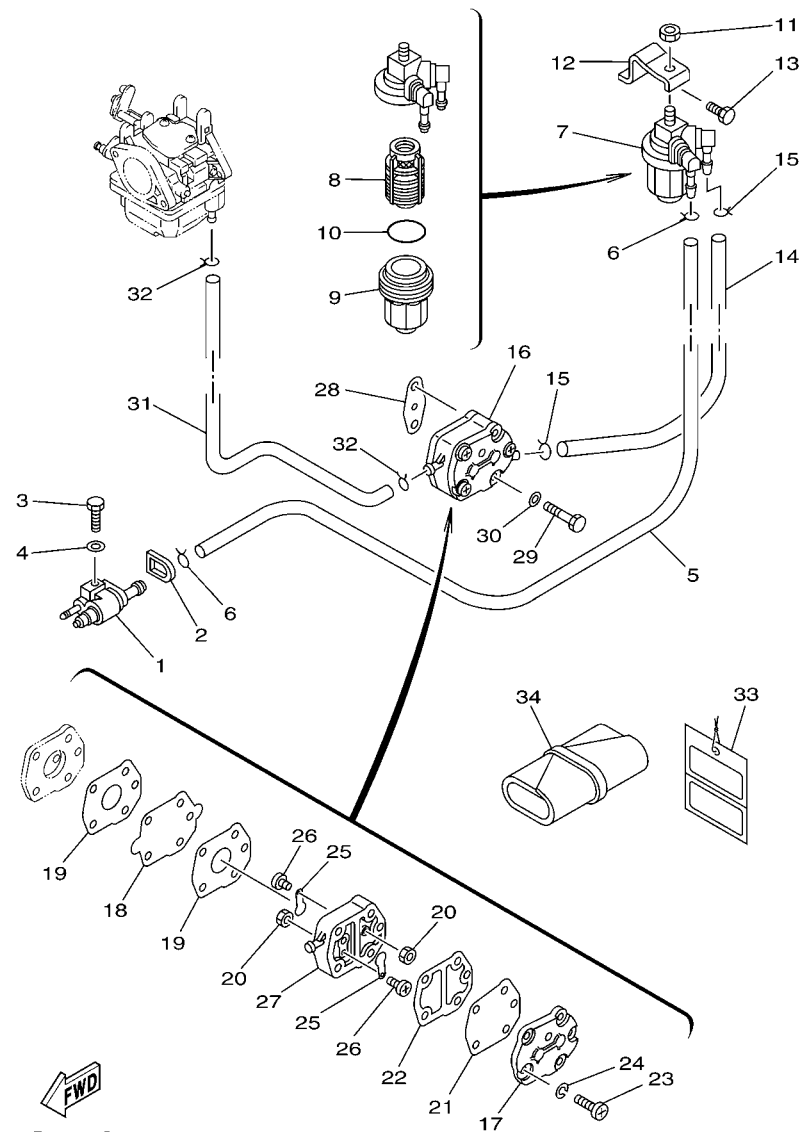
CARBURADOR



69R0010-1050

| REF. NO. | PART NO. CODIGO Nº | DESCRIPTION DESCRIPCION                                  | MH | WH | W | WC | REMARKS OBSERVACIONES        |
|----------|--------------------|--|----|----|---|----|------------------------------|
| 1        | 69P-14301-00       | CARBURETOR ASSY 1<br>CARBURADOR COMPLETO 1               | 1  |    | 1 | 1  | E25B,25B<br>E25B,25B         |
|          | 69S-14301-00       | CARBURETOR ASSY 1<br>CARBURADOR COMPLETO 1               | 1  | 1  | 1 | 1  | E30H,30H<br>E30H,30H         |
|          | 69P-14301-10       | CARBURETOR ASSY 1<br>CARBURADOR COMPLETO 1               | 1  |    |   |    | E25B-FOR BRA<br>E25B-FOR BRA |
|          | 69S-14301-10       | CARBURETOR ASSY 1<br>CARBURADOR COMPLETO 1               | 1  |    | 1 |    | 30H-FOR BRA<br>30H-FOR BRA   |
| 2        | 61N-14381-00       | .BODY, FLOAT CHAMBER<br>.CUERPO DE CAMARA DE BOIA        | 1  | 1  | 1 | 1  |                              |
| 3        | 61N-14392-00       | .VALVE, NEEDLE<br>.VALVULA DE AGUJA                      | 1  | 1  | 1 | 1  |                              |
| 4        | 6E5-14386-01       | .PIN, FLOAT<br>.PASADOR DE BOIA                          | 1  | 1  | 1 | 1  |                              |
| 5        | 6L2-14385-00       | .FLOAT<br>.BOIA  | 1  | 1  | 1 | 1  |                              |
| 6        | 97980-04110        | .SCREW, WITH WASHER<br>.TORNILLO, CON ARANDELA           | 2  | 2  | 2 | 2  |                              |
| 7        | 6L2-14157-00       | .COVER, MIXING<br>.CUBIERTA DE MEZCLA                    | 1  | 1  | 1 | 1  |                              |
| 8        | 6L2-14399-00       | .GASKET<br>.EMPAQUE                                      | 1  | 1  | 1 | 1  |                              |
| 9        | 61N-14341-00       | .NOZZLE, MAIN<br>.BOQUILLA PRINCIPAL                     | 1  |    | 1 | 1  | E25B,25B<br>E25B,25B         |
|          | 61T-14341-00       | .NOZZLE, MAIN<br>.BOQUILLA PRINCIPAL                     | 1  | 1  | 1 | 1  | E30H,30H<br>E30H,30H         |
| 10       | 61N-14343-65       | .JET, MAIN (#130)<br>.INYECTOR PRINCIPAL (#130)          | 1  | 1  | 1 | 1  |                              |
|          | 61N-14343-68       | .JET, MAIN (#135)<br>.INYECTOR PRINCIPAL (#135)          | 1  |    |   |    | E25B-FOR BRA<br>E25B-FOR BRA |
|          | 61N-14343-70       | .JET, MAIN (#140)<br>.INYECTOR PRINCIPAL (#140)          | 1  |    | 1 |    | 30H-FOR BRA<br>30H-FOR BRA   |
| 11       | 6L2-14342-34       | .JET, PILOT (# 68)<br>.ESPREA DE PILOTO (# 68)           | 1  | 1  | 1 | 1  |                              |
|          | 6L2-14342-36       | .JET, PILOT (# 72)<br>.ESPREA DE PILOTO (# 72)           | 1  |    | 1 |    | FOR BRA<br>FOR BRA           |
| 12       | 50M-14355-00       | .PLUG<br>.TAPON  | 1  | 1  | 1 | 1  |                              |
| 13       | 664-14321-01       | .SCREW, THROTTLE<br>.TORNILLO DE OBTURADOR               | 1  | 1  | 1 | 1  |                              |
| 14       | 97980-04112        | .SCREW, WITH WASHER<br>.TORNILLO, CON ARANDELA           | 4  | 4  | 4 | 4  |                              |
| 15       | 677-14383-01       | .SCREW, DRAIN<br>.TORNILLO DE DRENAJE                    | 1  | 1  | 1 | 1  |                              |
| 16       | 6L2-14398-00       | .GASKET<br>.EMPAQUE                                      | 1  | 1  | 1 | 1  |                              |
| 17       | 98980-04006        | .SCREW, BIND<br>.TORNILLO DE LIGAR                       | 2  | 2  | 2 | 2  |                              |
| 18       | 646-14212-01       | .SPRING, PILOT ADJUSTING<br>.RESORTE DE AJUSTE DE PILOTO | 1  | 1  | 1 | 1  |                              |
| 19       | 61N-14323-00       | .SCREW, AIR ADJUSTING<br>.TORNILLO DE AJUSTE DE AIRE     | 1  | 1  | 1 | 1  |                              |
| 20       | 6L2-14384-00       | .GASKET, FLOAT CHAMBER<br>.EMPAQUE DE CAMARA DE BOIA     | 1  | 1  | 1 | 1  |                              |





69R4700-C060

FIG. 6 FUEL

COMBUSTIBLE

| REF. NO. | PART NO. CODIGO Nº | DESCRIPTION DESCRIPCION                                | MH | WH | W | WC | REMARKS OBSERVACIONES |
|----------|--------------------|--|----|----|---|----|-----------------------|
| 1        | 6G1-24304-02       | FUEL PIPE JOINT COMP. 1<br>CONECTOR MANGUERA COMBUST.1 | 1  | 1  | 1 | 1  |                       |
| 2        | 61N-24329-00       | SEAL<br>SELLO  | 1  | 1  | 1 | 1  |                       |
| 3        | 97095-06020        | BOLT<br>PERNO  | 1  | 1  | 1 | 1  |                       |
| 4        | 92995-06600        | WASHER<br>ARANDELA                                     | 1  | 1  | 1 | 1  |                       |
| 5        | 90445-09M75        | HOSE (L370)<br>TUBO (L370)                             | 1  | 1  | 1 | 1  |                       |
| 6        | 90467-08004        | CLIP<br>PRESILLA                                       | 2  | 2  | 2 | 2  |                       |
| 7        | 61N-24560-00       | FILTER ASSY<br>FILTRO COMPLETO                         | 1  | 1  | 1 | 1  |                       |
| 8        | 61N-24563-00       | .ELEMENT, FILTER<br>.ELEMENTO DEL FILTRO               | 1  | 1  | 1 | 1  |                       |
| 9        | 61N-24521-00       | .CUP, FILTER<br>.COPA DE FILTRO                        | 1  | 1  | 1 | 1  |                       |
| 10       | 93210-32738        | .O-RING<br>.ANILLO O                                   | 1  | 1  | 1 | 1  |                       |
| 11       | 95380-08600        | NUT<br>TUERCA  | 1  | 1  | 1 | 1  |                       |
| 12       | 61N-24566-01       | BRACKET, FILTER<br>SOPORTE DEL FILTRO                  | 1  | 1  | 1 | 1  |                       |
| 13       | 97013-06014        | BOLT<br>PERNO  | 1  | 1  | 1 | 1  |                       |
| 14       | 689-24311-00       | PIPE, FUEL 1<br>TUBO DE COMBUSTIBLE 1                  | 1  | 1  | 1 | 1  |                       |
| 15       | 90467-08004        | CLIP<br>PRESILLA                                       | 2  | 2  | 2 | 2  |                       |
| 16       | 692-24410-00       | FUEL PUMP ASSY<br>BOMBA DE COMBUSTIBLE COMPLETA        | 1  | 1  | 1 | 1  |                       |
| 17       | 6A0-24413-00       | .BODY 2<br>.CUERPO 2                                   | 1  | 1  | 1 | 1  |                       |
| 18       | 692-24411-00       | .DIAPHRAGM<br>.DIAFRAGMA                               | 1  | 1  | 1 | 1  |                       |
| 19       | 648-24434-01       | .GASKET, BODY<br>.EMPAQUE                              | 2  | 2  | 2 | 2  |                       |
| 20       | 95380-03600        | .NUT<br>.TUERCA  | 2  | 2  | 2 | 2  |                       |
| 21       | 663-24411-00       | .DIAPHRAGM<br>.DIAFRAGMA                               | 1  | 1  | 1 | 1  |                       |
| 22       | 648-24435-02       | .GASKET, BODY 2<br>.EMPAQUE                            | 1  | 1  | 1 | 1  |                       |
| 23       | 98503-05028        | .SCREW, PAN HEAD<br>.TORNILLO DE CABEZA DE CONO AC     | 3  | 3  | 3 | 3  |                       |
| 24       | 92990-05100        | .WASHER, SPRING<br>.ARANDELA PLANA                     | 3  | 3  | 3 | 3  |                       |
| 25       | 6A0-24421-01       | .VALVE, CHECK<br>.VALVULA DE RETENCION                 | 2  | 2  | 2 | 2  |                       |
| 26       | 6A0-14325-00       | .SCREW, PAN HEAD<br>.TORNILLO CABEZA REDONDA           | 2  | 2  | 2 | 2  |                       |
| 27       | 6A0-24412-02       | .BODY 1<br>.CUERPO 1                                   | 1  | 1  | 1 | 1  |                       |

B4

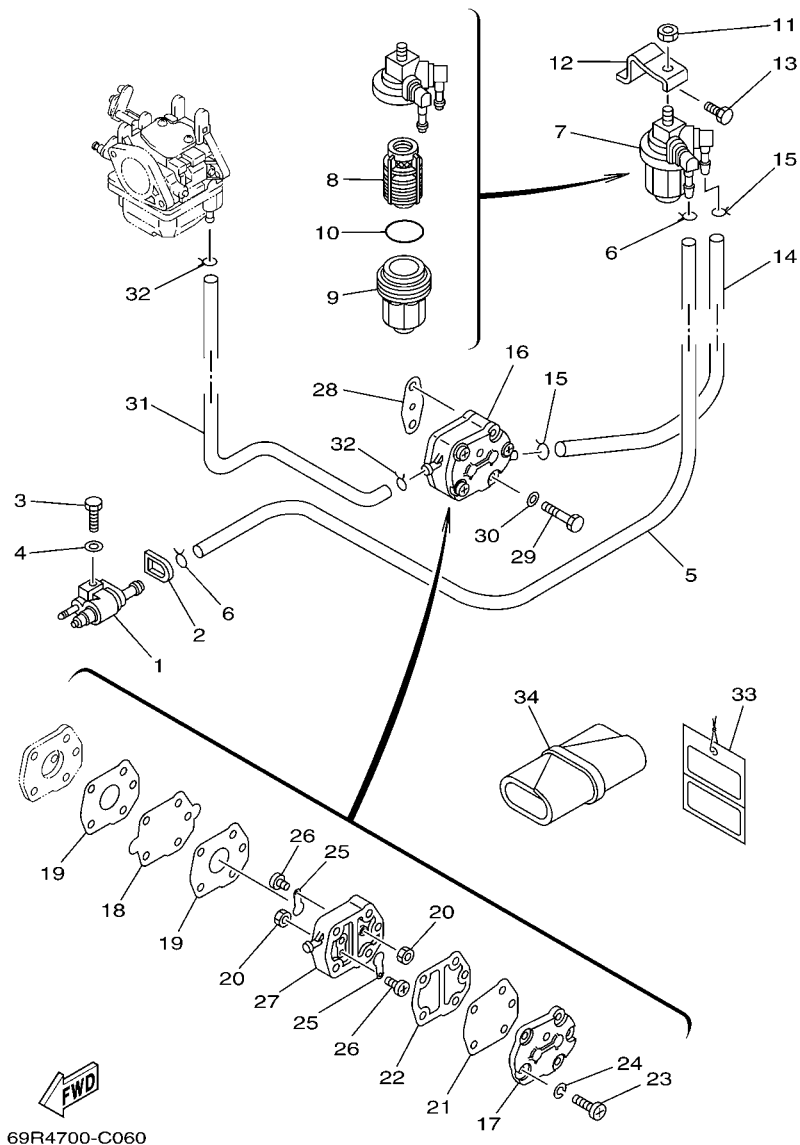
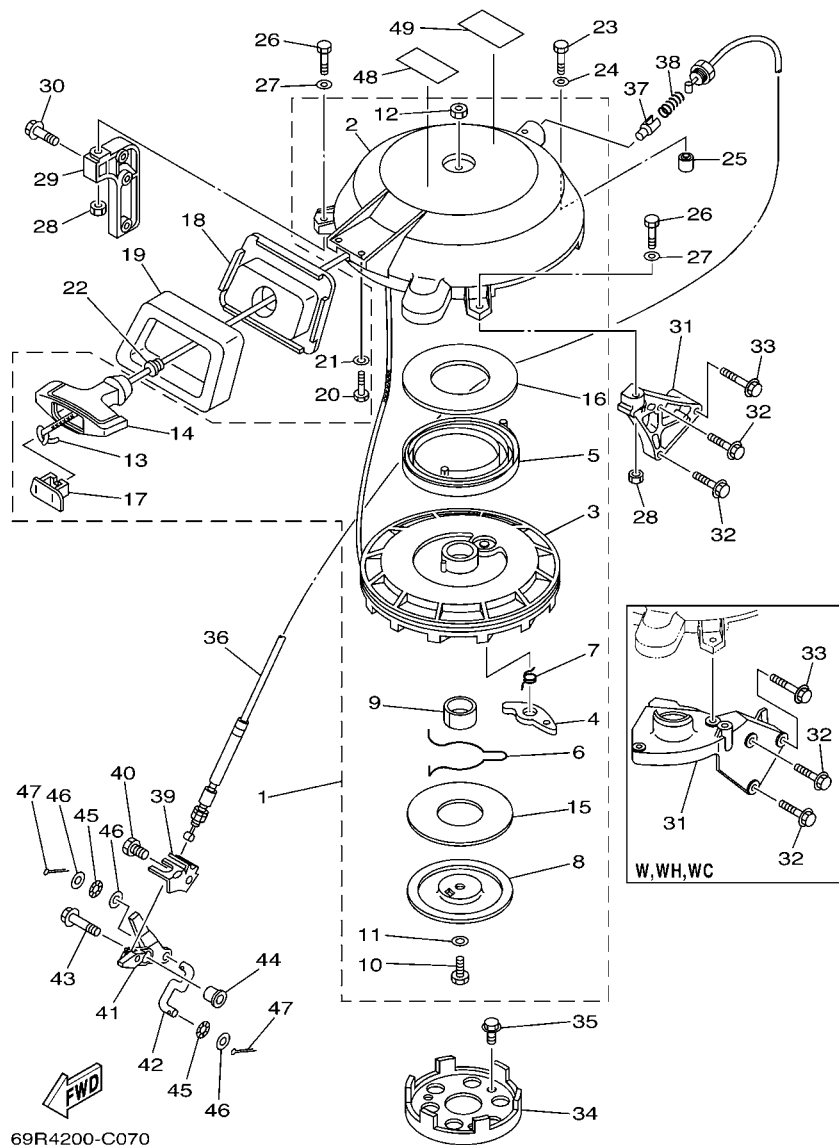


FIG. 6 FUEL

COMBUSTIBLE

| REF. NO. | PART NO. CODIGO Nº | DESCRIPTION DESCRIPCION                        | MH | WH | W | WC | REMARKS OBSERVACIONES      |
|----------|--------------------|--|----|----|---|----|----------------------------|
| 28       | 650-24431-A0       | GASKET, FUEL PUMP 1<br>EMPAQUE BOMBA COMBUST 1 | 1  | 1  | 1 | 1  |                            |
| 29       | 97095-06040        | BOLT<br>PERNO                                  | 2  | 2  | 2 | 2  |                            |
| 30       | 92995-06600        | WASHER<br>ARANDELA                             | 2  | 2  | 2 | 2  |                            |
| 31       | 6A1-24311-00       | PIPE, FUEL 1<br>TUBO DE COMBUSTIBLE 1          | 1  | 1  | 1 | 1  |                            |
| 32       | 90467-08004        | CLIP<br>PRESILLA                               | 2  | 2  | 2 | 2  |                            |
| 33       | 61H-2819R-31       | TAG, WARNING<br>ETIQUETA DE ADVERTENCIA        | 1  |    |   |    | 30H-FOR CAR<br>30H-FOR CAR |
| 34       | 656-W2810-02       | TOOL KIT<br>JUEGO DE HERRAMIENTAS              | 1  | 1  | 1 | 1  |                            |
|          |                    |  |    |    |   |    |                            |
|          |                    |  |    |    |   |    |                            |
|          |                    |  |    |    |   |    |                            |
|          |                    |  |    |    |   |    |                            |
|          |                    |  |    |    |   |    |                            |
|          |                    |  |    |    |   |    |                            |



69R4200-C070

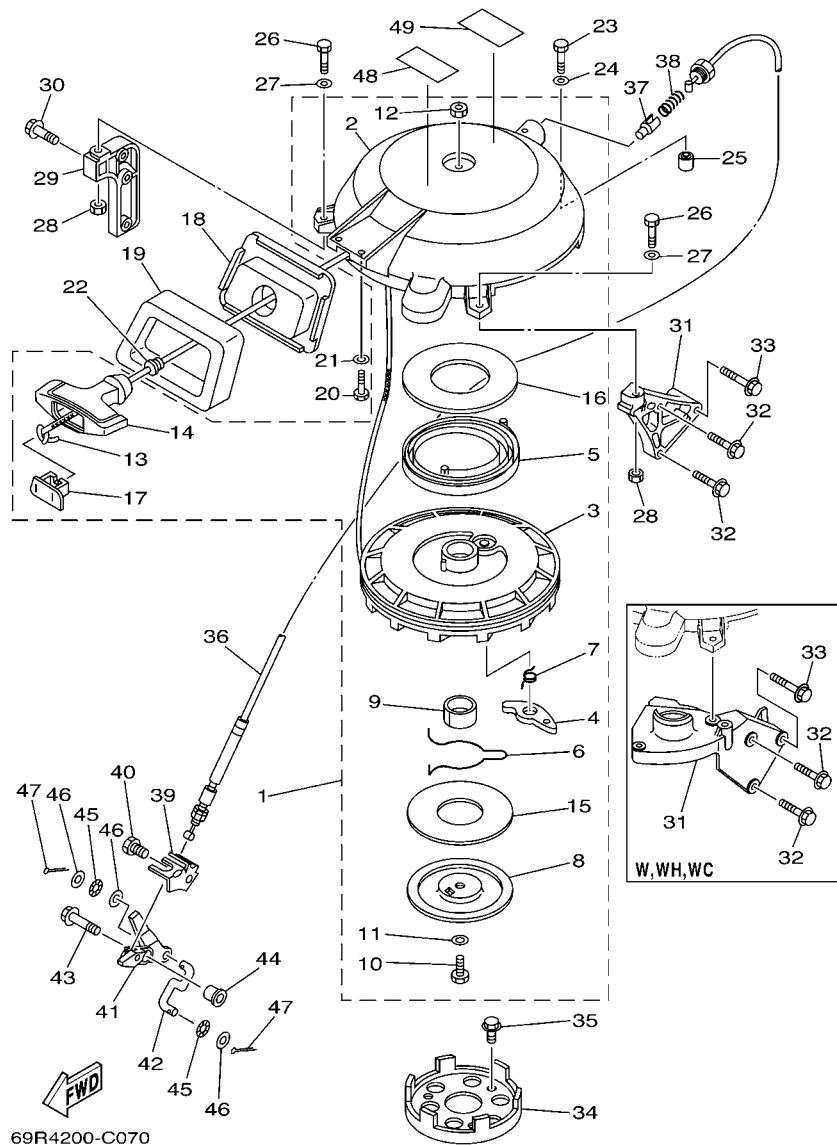
\*1: CUT FROM 50M ROLLS, PART NO.90890-44373, CUTTING LENGTH 1.9M

\*1:CORTE DE UN RODILLO DE 50M , PARTS NUMERO 90890-44373, LARGO DEL CORTE 1.9M

FIG. 7 STARTER

ARRANQUE

| REF. NO. | PART NO. CODIGO N° | DESCRIPTION DESCRIPCION                         | MH | WH | W | WC | REMARKS OBSERVACIONES |
|----------|--------------------|---|----|----|---|----|-----------------------|
| 1        | 61N-W1571-11       | STARTER ASSY<br>ARRANQUE COMPLETO               | 1  | 1  | 1 | 1  |                       |
| 2        | 61N-15711-10       | .CASE, STARTER<br>.CAJA DE ARRANQUE             | 1  | 1  | 1 | 1  |                       |
| 3        | 6G0-15714-01       | .DRUM, SHEAVE<br>.TAMBOR ROLDANA                | 1  | 1  | 1 | 1  |                       |
| 4        | 6F5-15741-01       | .PAWL, DRIVE<br>.TRINQUETE DE TRACCION          | 1  | 1  | 1 | 1  |                       |
| 5        | 6F5-15713-01       | .SPRING, STARTER<br>.RESORTE DE ARRANQUE        | 1  | 1  | 1 | 1  |                       |
| 6        | 61N-15715-00       | .SPRING, FRICTION<br>.RESORTE PLACA DE TRACCION | 1  | 1  | 1 | 1  |                       |
| 7        | 61N-15734-00       | .SPRING, RETURN<br>.RESORTE DE RETORNO          | 1  | 1  | 1 | 1  |                       |
| 8        | 6F5-15716-01       | .PLATE, DRIVE<br>.PLACA DE TRACCION             | 1  | 1  | 1 | 1  |                       |
| 9        | 6G0-15754-00       | .BUSH 2<br>.BUJE 2                              | 1  | 1  | 1 | 1  |                       |
| 10       | 97013-08030        | .BOLT<br>.PERNO                                 | 1  | 1  | 1 | 1  |                       |
| 11       | 6F5-15726-01       | .WASHER, FLAT<br>.ARANDELA PLANA                | 1  | 1  | 1 | 1  |                       |
| 12       | 95303-08700        | .NUT<br>.TUERCA                                 | 1  | 1  | 1 | 1  |                       |
| 13       | *                  | .WIRE (L:1900MM)<br>.CABLE (L:1900MM)           | 1  | 1  | 1 | 1  | *1<br>*1              |
| 14       | 689-15755-01       | .HANDLE, STARTER<br>.MANIJA DE ARRANQUE         | 1  | 1  | 1 | 1  |                       |
| 15       | 6F5-15764-00       | .COLLAR 1<br>.COLLAR 1                          | 1  | 1  | 1 | 1  |                       |
| 16       | 6F5-15739-00       | .WASHER, THRUST<br>.ARANDELA DE EMPUJE AXIAL    | 1  | 1  | 1 | 1  |                       |
| 17       | 6F5-15779-02       | .COVER<br>.CUBIERTA                             | 1  | 1  | 1 | 1  |                       |
| 18       | 61N-15758-01-4D    | GUIDE, ROPE<br>GUIA DE CUERDA                   | 1  | 1  | 1 | 1  |                       |
| 19       | 61N-15762-00       | SEAL, RUBBER 2<br>SELLO DE GOMA 2               | 1  | 1  | 1 | 1  |                       |
| 20       | 97095-06016        | BOLT<br>PERNO                                   | 2  | 2  | 2 | 2  |                       |
| 21       | 92995-06600        | WASHER<br>ARANDELA                              | 2  | 2  | 2 | 2  |                       |
| 22       | 6A0-15789-00       | DAMPER<br>AMORTIGUADOR                          | 1  | 1  | 1 | 1  |                       |
| 23       | 97095-06035        | BOLT<br>PERNO                                   | 1  | 1  | 1 | 1  |                       |
| 24       | 92995-06600        | WASHER<br>ARANDELA                              | 1  | 1  | 1 | 1  |                       |
| 25       | 99530-10014        | PIN, DOWEL<br>PASADOR, DE ESPIGA                | 1  | 1  | 1 | 1  |                       |
| 26       | 97095-06035        | BOLT<br>PERNO                                   | 2  | 2  | 2 | 2  |                       |
| 27       | 92995-06600        | WASHER<br>ARANDELA                              | 2  | 2  | 2 | 2  |                       |



69R4200-C070

\*1: CUT FROM 50M ROLLS, PART NO. 90890-44373, CUTTING LENGTH 1.9M

\*1: CORTE DE UN RODILLO DE 50M , PARTS NUMERO 90890-44373, LARGO DEL CORTE 1.9M

FIG. 7 STARTER

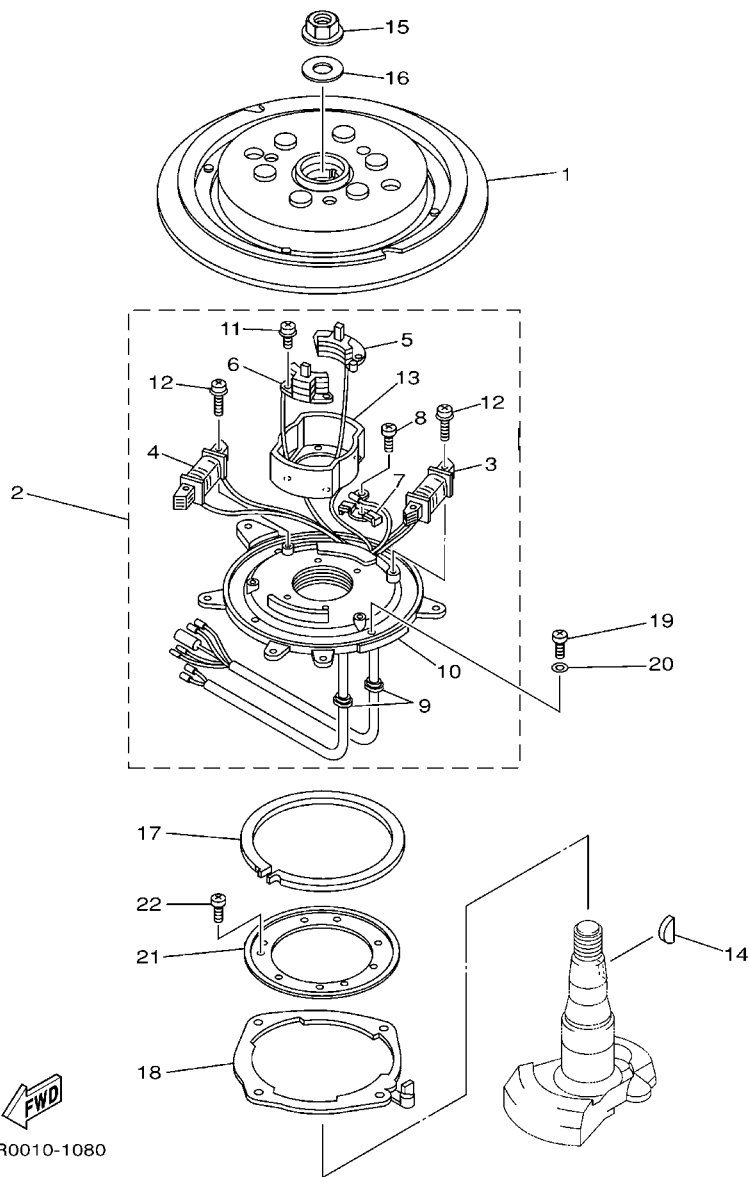
ARRANQUE

| REF. NO. | PART NO. CODIGO N° | DESCRIPTION DESCRIPCION                                    | MH | WH | W | WC | REMARKS OBSERVACIONES |
|----------|--------------------|--|----|----|---|----|-----------------------|
| 28       | 95380-06600        | NUT, HEXAGON<br>TUERCA                                     | 2  |    |   |    |                       |
|          | 95380-06600        | NUT, HEXAGON<br>TUERCA                                     |    | 1  | 1 | 1  |                       |
| 29       | 6H7-15771-01-94    | STAY 1<br>SOPORTE 1  | 1  | 1  | 1 | 1  |                       |
| 30       | 90119-06MA3        | BOLT, WITH WASHER<br>TORNILLO CON ARANDELA                 | 2  | 2  | 2 | 2  |                       |
| 31       | 656-15772-00-94    | STAY 2<br>SOPORTE 2  | 1  |    |   |    |                       |
|          | 61T-15772-01-94    | STAY 2<br>SOPORTE 2  |    | 1  | 1 | 1  |                       |
| 32       | 90119-06MA3        | BOLT, WITH WASHER<br>TORNILLO CON ARANDELA                 | 2  |    |   |    |                       |
|          | 90119-06MA4        | BOLT, WITH WASHER<br>TORNILLO CON ARANDELA                 |    | 2  | 2 | 2  |                       |
| 33       | 90119-06025        | BOLT, WITH WASHER<br>TORNILLO CON ARANDELA                 | 1  | 1  | 1 | 1  |                       |
| 34       | 6F5-15723-01       | PULLEY, STARTER<br>POLEA DE ARRANQUE                       | 1  | 1  | 1 | 1  |                       |
| 35       | 90105-08M10        | BOLT, FLANGE<br>TORNILLO                                   | 3  | 3  | 3 | 3  |                       |
| 36       | 61T-15770-00       | CABLE COMP., STARTER STOP<br>CABLECOMPL DE SEGURO ARRANQUE | 1  | 1  | 1 | 1  |                       |
| 37       | 656-15748-00       | PLUNGER, STARTER STOP<br>EMBOLO SEGURO DE ARRANQUE         | 1  | 1  | 1 | 1  |                       |
| 38       | 90501-10227        | SPRING, COMPRESSION<br>RESORTE DE COMPRESION               | 1  | 1  | 1 | 1  |                       |
| 39       | 69P-15774-00       | STAY 4<br>SOPORTE 4  | 1  | 1  | 1 | 1  |                       |
| 40       | 97095-06010        | BOLT<br>PERNO  | 1  | 1  | 1 | 1  |                       |
| 41       | 69P-15746-00       | ARM<br>BRAZO   | 1  | 1  | 1 | 1  |                       |
| 42       | 689-15747-70       | LINK<br>ESLABON  | 1  | 1  | 1 | 1  |                       |
| 43       | 90119-06M23        | BOLT, WITH WASHER<br>TORNILLO CON ARANDELA                 | 1  | 1  | 1 | 1  |                       |
| 44       | 90387-06013        | COLLAR<br>COLLAR   | 1  | 1  | 1 | 1  |                       |
| 45       | 90206-05005        | WASHER, WAVE<br>ARANDELA ONDULADA                          | 2  | 2  | 2 | 2  |                       |
| 46       | 92903-05600        | WASHER, PLATE<br>RONDANA SENCILLA                          | 3  | 3  | 3 | 3  |                       |
| 47       | 91490-16010        | PIN, COTTER<br>CHAVETA                                     | 2  | 2  | 2 | 2  |                       |
| 48       | 6A1-83625-41       | MARK 5<br>MARCA 5  | 1  | 1  | 1 | 1  |                       |
| 49       | 61T-83625-80       | MARK 5<br>MARCA 5  | 1  |    |   | 1  | FOR RUS<br>FOR RUS    |



FIG. 8 GENERATOR

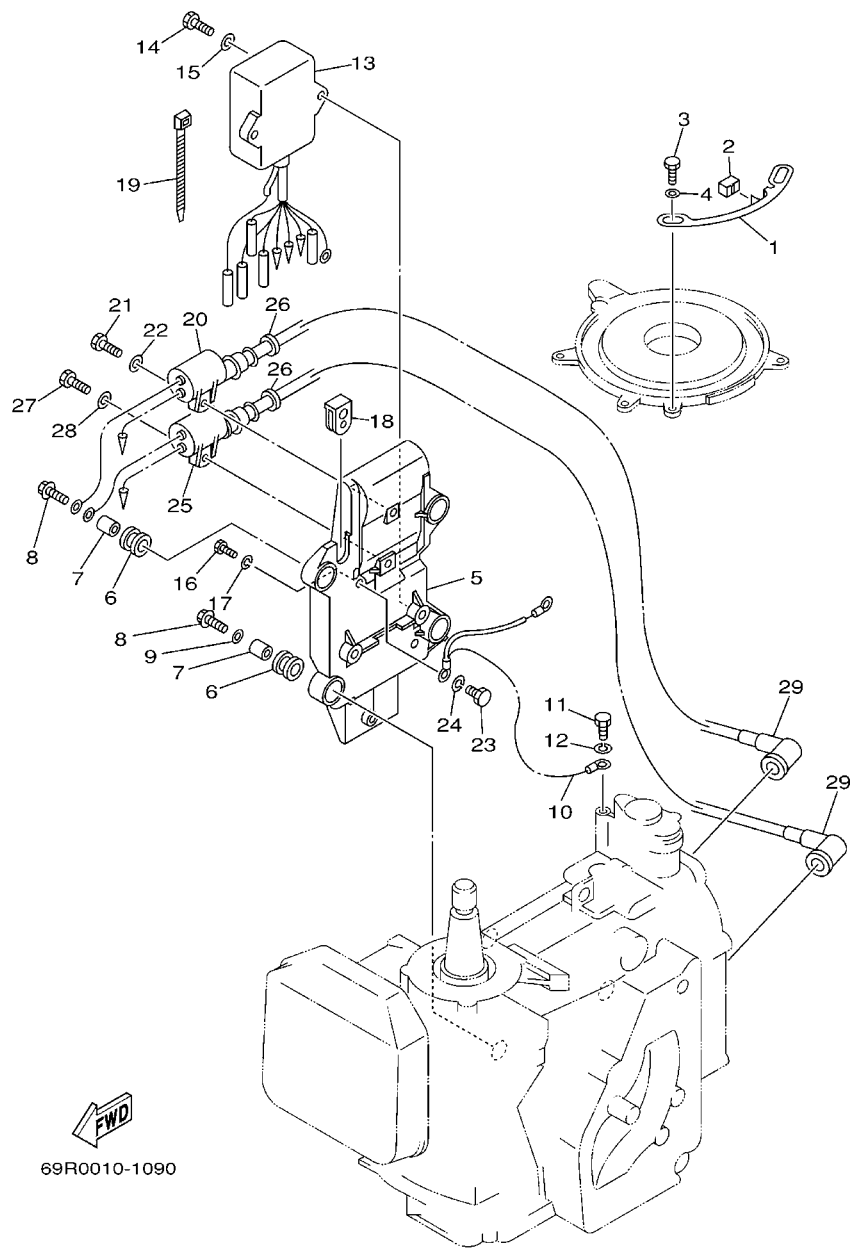
GENERADOR



| REF. NO. | PART NO. CODIGO Nº | DESCRIPTION DESCRIPCION                               | MH | WH | W | WC | REMARKS OBSERVACIONES |
|----------|--------------------|---|----|----|---|----|-----------------------|
| 1        | 61N-85550-10       | ROTOR ASSY<br>ROTOR COMPLETO                          | 1  |    |   |    |                       |
|          | 61T-85550-10       | ROTOR ASSY<br>ROTOR COMPLETO                          |    | 1  | 1 | 1  |                       |
| 2        | 69P-85560-00       | BASE ASSY<br>CONJUNTO BASE                            | 1  | 1  | 1 | 1  |                       |
| 3        | 69P-85541-09       | .COIL, CHARGE<br>.BOBINA DE CARGA                     | 1  | 1  | 1 | 1  |                       |
| 4        | 61N-81313-09       | .COIL, LIGHTING 1<br>.BOBINA DE ILUMINACION 1         | 1  | 1  | 1 | 1  |                       |
| 5        | 61N-85543-09       | .COIL, PULSER<br>.BOBINA DE PULSACION                 | 1  | 1  | 1 | 1  |                       |
| 6        | 61N-85543-19       | .COIL, PULSER<br>.BOBINA DE PULSACION                 | 1  | 1  | 1 | 1  |                       |
| 7        | 6E9-81328-70       | .CLAMP<br>.GRAMPA                                     | 1  | 1  | 1 | 1  |                       |
| 8        | 97802-04006        | .SCREW, PAN HEAD<br>.TORNILLO                         | 1  | 1  | 1 | 1  |                       |
| 9        | 6E9-85516-70       | .GROMMET<br>.ESPACIADOR                               | 2  | 2  | 2 | 2  |                       |
| 10       | 69P-85561-00       | .BASE, MAGNETO<br>.BASE DE MAGNETO                    | 1  | 1  | 1 | 1  |                       |
| 11       | 97607-04112        | .SCREW, WITH WASHER<br>.TORNILLO CAB CON PLANA C/ARAN | 4  | 4  | 4 | 4  |                       |
| 12       | 97607-06125        | .SCREW, WITH WASHER<br>.TORNILLO CAB CON PLANA C/ARAN | 4  | 4  | 4 | 4  |                       |
| 13       | 61N-85537-00       | .COVER<br>.CUBIERTA                                   | 1  | 1  | 1 | 1  |                       |
| 14       | 90280-05015        | KEY, WOODRUFF<br>CUNA WOODRUFF                        | 1  | 1  | 1 | 1  |                       |
| 15       | 90179-16M05        | NUT<br>TUERCA   | 1  | 1  | 1 | 1  |                       |
| 16       | 90201-16M44        | WASHER, PLATE<br>ARANDELA PLANA                       | 1  | 1  | 1 | 1  |                       |
| 17       | 676-41611-00       | RETAINER, MAGNETO BASE<br>RETENEDOR BASE MAGNETO      | 1  | 1  | 1 | 1  |                       |
| 18       | 676-41613-00       | PLATE, BASE FRICTION<br>PLACA DE BASE DE FRICCION     | 1  | 1  | 1 | 1  |                       |
| 19       | 97880-05012        | SCREW, PAN HEAD<br>TORNILLO DE CABEZA CON PLANA       | 4  | 4  | 4 | 4  |                       |
| 20       | 92990-05600        | WASHER, PLATE<br>ARANDELA PLANA                       | 4  | 4  | 4 | 4  |                       |
| 21       | 689-41612-01       | RETAINER, MAGNETO BASE<br>RETENEDOR BASE MAGNETO      | 1  | 1  | 1 | 1  |                       |
| 22       | 97880-06010        | SCREW, PAN HEAD<br>TORNILLO DE CABEZA CON PLANA       | 4  | 4  | 4 | 4  |                       |

FIG. 9 ELECTRICAL 1

EQUIPO ELECTRICO 1

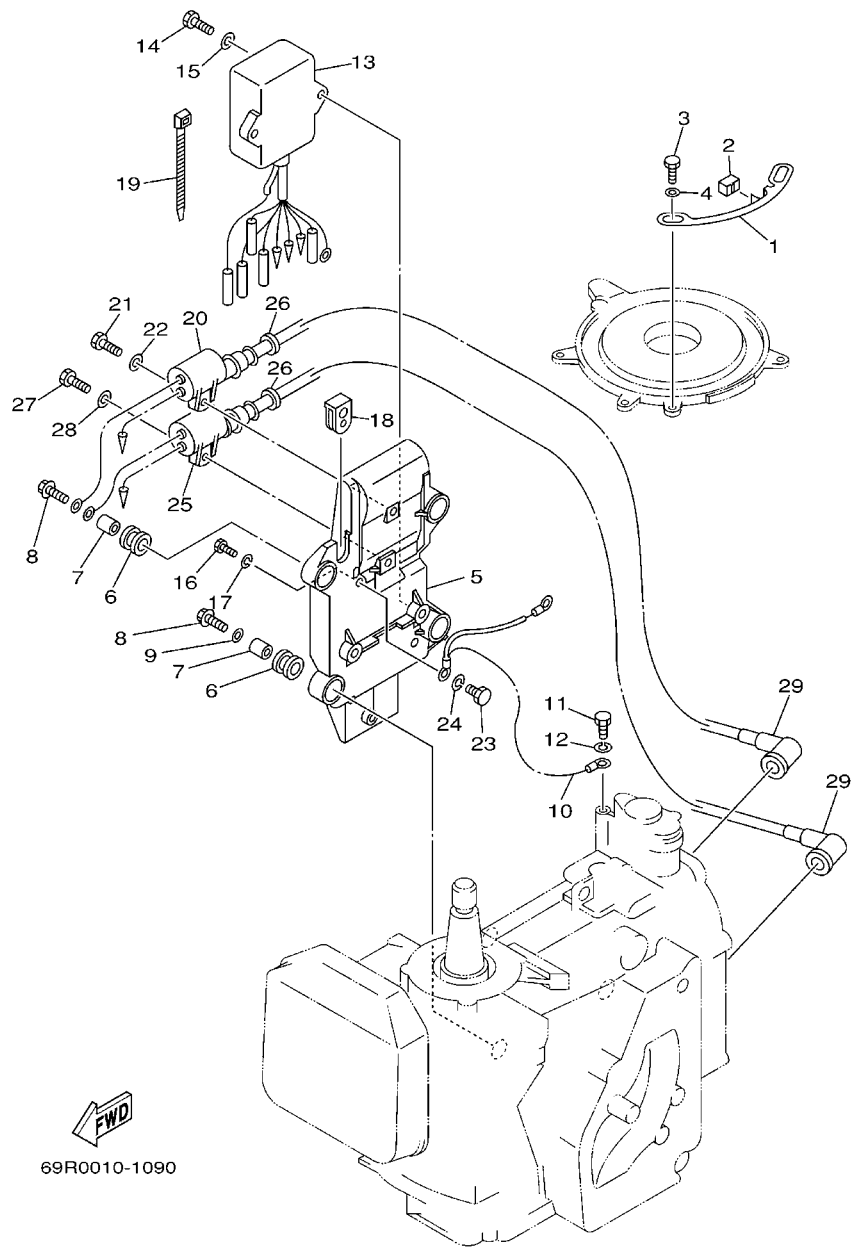


69R0010-1090

| REF. NO. | PART NO. CODIGO Nº | DESCRIPTION DESCRIPCION                                | MH | WH | W | WC | REMARKS OBSERVACIONES              |
|----------|--------------------|--|----|----|---|----|------------------------------------|
| 1        | 61N-41615-00       | STOPPER, MAGNETO BASE<br>RETENEDOR, BASE MAGNETO       | 1  | 1  | 1 | 1  |                                    |
| 2        | 61N-44194-01       | CAP<br>TAPA  | 1  | 1  | 1 | 1  | E25B,25B<br>E25B,25B               |
|          | 61T-44194-01       | CAP<br>TAPA  | 1  | 1  | 1 | 1  | E30H,30H<br>E30H,30H               |
| 3        | 97095-06010        | BOLT<br>PERNO  | 2  | 2  | 2 | 2  |                                    |
| 4        | 92995-06600        | WASHER<br>ARANDELA                                     | 2  | 2  | 2 | 2  |                                    |
| 5        | 61N-85542-00-94    | BRACKET<br>SOPORTE                                     | 1  | 1  | 1 | 1  |                                    |
| 6        | 61N-82317-00       | DAMPER, IGNITION COIL<br>AMORTIGUADOR BOBINA ENCENDIDO | 4  | 4  | 4 | 4  |                                    |
| 7        | 624-42542-00       | PIPE<br>TUBO   | 4  | 4  | 4 | 4  |                                    |
| 8        | 90119-06M95        | BOLT, WITH WASHER<br>TORNILLO CON ARANDELA             | 4  | 4  | 4 | 4  |                                    |
| 9        | 90201-06M30        | WASHER, PLATE<br>ARANDELA PLANA                        | 2  | 2  | 2 | 2  |                                    |
| 10       | 61N-82519-01       | WIRE, EARTH LEAD<br>CABLE CONDUCTOR A TIERRA           | 1  | 1  | 1 | 1  |                                    |
| 11       | 97090-06012        | BOLT<br>PERNO  | 1  | 1  | 1 | 1  |                                    |
| 12       | 92990-06100        | WASHER, SPRING<br>ARANDELA PLANA                       | 1  | 1  | 1 | 1  |                                    |
| 13       | 61N-85540-13       | C.D.I. UNIT ASSY<br>UNIDAD C.D.I. COMPLETA             | 1  | 1  | 1 | 1  |                                    |
| 14       | 97095-06020        | BOLT<br>PERNO  | 2  | 2  | 2 | 2  |                                    |
| 15       | 92995-06600        | WASHER<br>ARANDELA                                     | 2  | 2  | 2 | 2  |                                    |
| 16       | 97090-06012        | BOLT<br>PERNO  | 1  | 1  | 1 | 1  |                                    |
| 17       | 92990-06100        | WASHER, SPRING<br>ARANDELA PLANA                       | 1  | 1  | 1 | 1  |                                    |
| 18       | 6H3-81922-00       | GROMMET<br>TAPON PROTECTOR                             | 1  | 1  | 1 | 1  |                                    |
| 19       | 90465-13M11        | CLAMP<br>BRIDA   | 1  | 1  | 1 | 1  |                                    |
| 20       | 61N-85570-00       | IGNITION COIL ASSY<br>BOBINA DE IGNICION COMPLETO      | 1  | 1  | 1 | 1  |                                    |
|          | 6H5-85570-00       | IGNITION COIL ASSY<br>BOBINA DE IGNICION COMPLETO      | 1  |    |   |    | 25B,30H-FOR CAR<br>25B,30H-FOR CAR |
| 21       | 97095-06020        | BOLT<br>PERNO  | 1  | 1  | 1 | 1  |                                    |
| 22       | 92995-06600        | WASHER<br>ARANDELA                                     | 1  | 1  | 1 | 1  |                                    |
| 23       | 97090-06012        | BOLT<br>PERNO  | 1  | 1  | 1 | 1  |                                    |
| 24       | 92990-06100        | WASHER, SPRING<br>ARANDELA PLANA                       | 1  | 1  | 1 | 1  |                                    |
| 25       | 61N-85570-10       | IGNITION COIL ASSY<br>BOBINA DE IGNICION COMPLETO      | 1  | 1  | 1 | 1  |                                    |

FIG. 9 ELECTRICAL 1

EQUIPO ELECTRICO 1

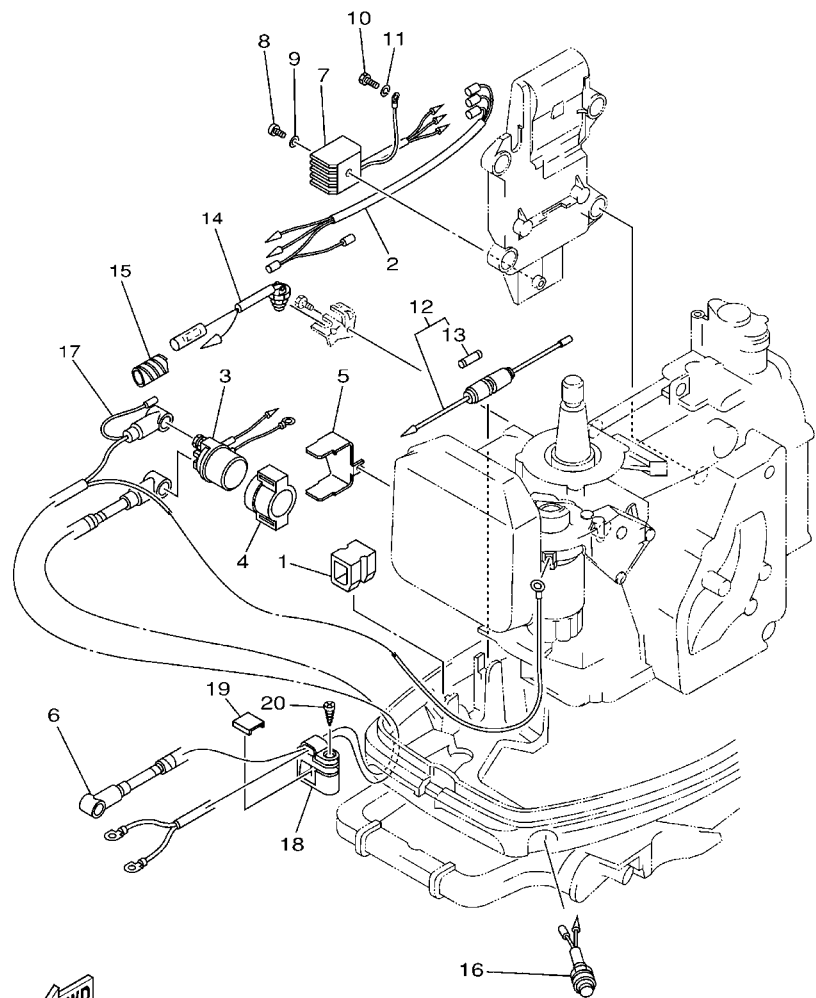


69R0010-1090

| REF. NO. | PART NO. CODIGO Nº | DESCRIPTION DESCRIPCION                           | MH | WH | W | WC | REMARKS OBSERVACIONES              |
|----------|--------------------|---|----|----|---|----|------------------------------------|
| 25       | 61N-85570-00       | IGNITION COIL ASSY<br>BOBINA DE IGNICION COMPLETO | 1  |    |   |    | 25B,30H-FOR CAR<br>25B,30H-FOR CAR |
| 26       | 90480-25161        | GROMMET<br>TAPON                                  | 2  | 2  | 2 | 2  |                                    |
| 27       | 97095-06020        | BOLT<br>PERNO                                     | 1  | 1  | 1 | 1  |                                    |
| 28       | 92995-06600        | WASHER<br>ARANDELA                                | 1  | 1  | 1 | 1  |                                    |
| 29       | 663-82370-01       | PLUG CAP ASSY<br>TAPON DE BUJIA COMPLT            | 2  | 2  | 2 | 2  | 25B,30H<br>25B,30H                 |
|          | 66T-82370-00       | PLUG CAP ASSY<br>TAPON DE BUJIA COMPLT            | 2  |    |   |    | E25B,E30H<br>E25B,E30H             |
|          | 6G1-82370-21       | PLUG CAP ASSY<br>TAPON DE BUJIA COMPLT            | 2  |    |   |    | FOR CAR<br>FOR CAR                 |
| -----    |                    |   |    |    |   |    |                                    |
| -----    |                    |   |    |    |   |    |                                    |
| -----    |                    |   |    |    |   |    |                                    |
| -----    |                    |   |    |    |   |    |                                    |
| -----    |                    |   |    |    |   |    |                                    |
| -----    |                    |   |    |    |   |    |                                    |
| -----    |                    |   |    |    |   |    |                                    |
| -----    |                    |   |    |    |   |    |                                    |
| -----    |                    |   |    |    |   |    |                                    |
| -----    |                    |   |    |    |   |    |                                    |
| -----    |                    |   |    |    |   |    |                                    |
| -----    |                    |   |    |    |   |    |                                    |
| -----    |                    |   |    |    |   |    |                                    |

FIG. 10 ELECTRICAL 2

EQUIPO ELECTRICO 2

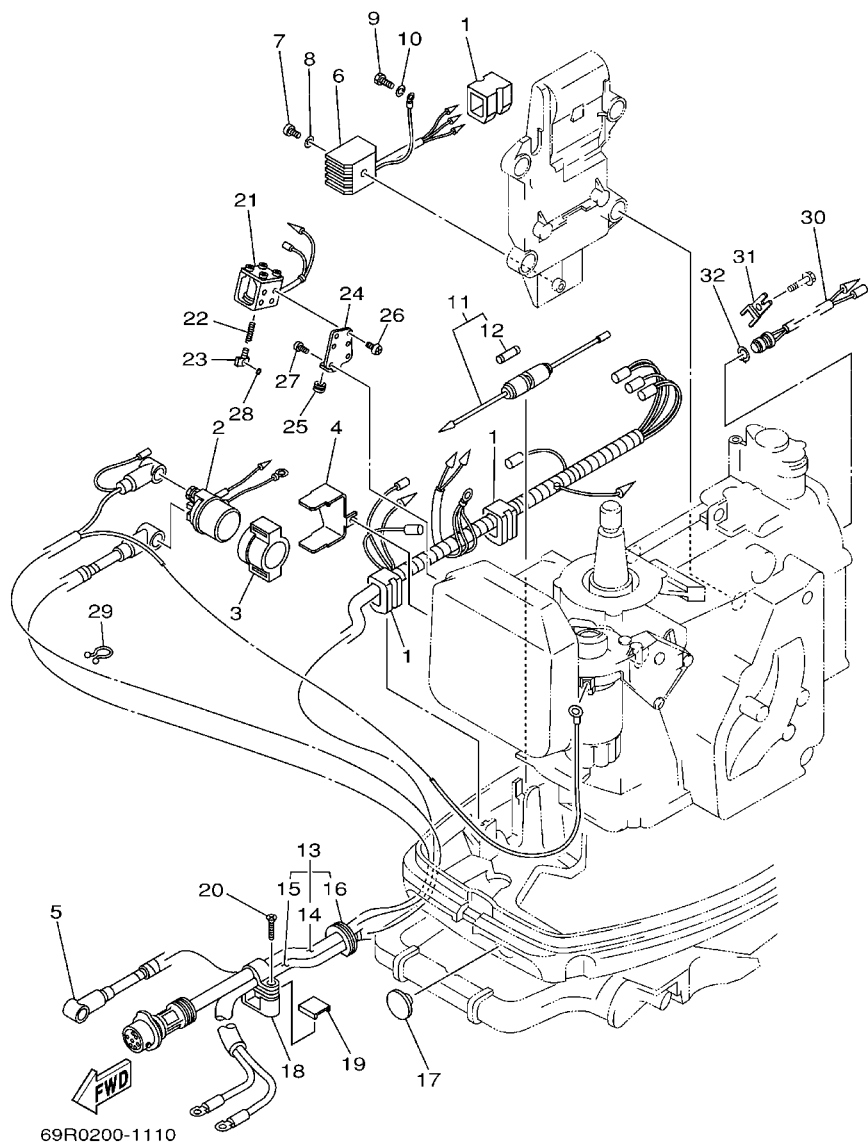


69R0010-1100

| REF. NO. | PART NO. CODIGO Nº | DESCRIPTION DESCRIPCION                                 | MH | WH | W | WC | REMARKS OBSERVACIONES |
|----------|--------------------|---|----|----|---|----|-----------------------|
| 1        | 90480-17M08        | GROMMET<br>TAPON  |    | 3  |   |    |                       |
| 2        | 689-81971-00       | WIRE, LEAD<br>CABLE CONDUCTOR                           |    | 1  |   |    |                       |
| 3        | 6G1-81941-10       | STARTER RELAY ASSY<br>RELE DE ARRANQUE                  |    | 1  |   |    |                       |
| 4        | 6G1-81952-00       | HOLDER, RELAY<br>SOSTEN DE RELE                         |    | 1  |   |    |                       |
| 5        | 61T-81945-01       | PLATE, SWITCH FITTING<br>PLACA ACCESORIA DE INTERRUPTOR |    | 1  |   |    |                       |
| 6        | 689-82531-02       | WIRE, LEAD<br>CABLE CONDUCTOR                           |    | 1  |   |    |                       |
| 7        | 664-81970-61       | RECTIFIER ASSY<br>RECTIFICADOR COMPLETO                 |    | 1  |   |    |                       |
| 8        | 97880-05025        | SCREW, PAN HEAD<br>TORNILLO DE CABEZA CON PLANA         |    | 1  |   |    |                       |
| 9        | 92990-05600        | WASHER, PLATE<br>ARANDELA PLANA                         |    | 1  |   |    |                       |
| 10       | 97090-06012        | BOLT<br>PERNO   |    | 1  |   |    |                       |
| 11       | 92990-06100        | WASHER, SPRING<br>ARANDELA PLANA                        |    | 1  |   |    |                       |
| 12       | 682-82150-10       | FUSE HOLDER ASSY<br>PORTA-FUSIBLES COMPLETO             |    | 1  |   |    |                       |
| 13       | 663-82151-00       | .FUSE (12V-20A)<br>.FUSIBLE (12V-20A)                   |    | 1  |   |    |                       |
| 14       | 689-82540-01       | NEUTRAL SWITCH ASSY<br>INTERRUPTOR NEUTRAL COMPL        |    | 1  |   |    |                       |
| 15       | 90446-10M02        | HOSE<br>TUBO RESEIRADERO                                |    | 1  |   |    |                       |
| 16       | 689-81870-00       | STARTING SWITCH ASSY<br>INTERRUPTOR DE ARRANQUE COMPL.  |    | 1  |   |    |                       |
| 17       | 689-82105-13       | WIRE HARNESS<br>ARNES DE CABLES                         |    | 1  |   |    |                       |
| 18       | 689-82594-00       | CLAMP<br>GRAMPA   |    | 1  |   |    |                       |
| 19       | 682-42525-00       | PLATE, FRICTION<br>PLACA DE FRICCION                    |    | 1  |   |    |                       |
| 20       | 90161-06M00        | SCREW, TAPPING<br>TORNILLO DE CABEZA PLANA              |    | 1  |   |    |                       |

FIG. 11 ELECTRICAL 3

EQUIPO ELECTRICO 3



| REF. NO. | PART NO. CODIGO Nº | DESCRIPTION DESCRIPCION                                | MH | WH | W | WC | REMARKS OBSERVACIONES |
|----------|--------------------|--|----|----|---|----|-----------------------|
| 1        | 90480-17M08        | GROMMET<br>TAPON                                       |    |    |   | 3  |                       |
| 2        | 6G1-81941-10       | STARTER RELAY ASSY<br>RELE DE ARRANQUE                 |    |    | 1 |    |                       |
| 3        | 6G1-81952-00       | HOLDER, RELAY<br>SOSTEN DE RELE                        |    |    | 1 |    |                       |
| 4        | 61T-81945-01       | PLATE, SWITCH FITTING<br>PLACA ACCESORIA DE INTERRUPT. |    |    | 1 |    |                       |
| 5        | 689-82531-02       | WIRE, LEAD<br>CABLE CONDUCTOR                          |    |    | 1 |    |                       |
| 6        | 664-81970-61       | RECTIFIER ASSY<br>RECTIFICADOR COMPLETO                |    |    | 1 |    |                       |
| 7        | 97880-05025        | SCREW, PAN HEAD<br>TORNILLO DE CABEZA CON PLANA        |    |    | 1 |    |                       |
| 8        | 92990-05600        | WASHER, PLATE<br>ARANDELA PLANA                        |    |    | 1 |    |                       |
| 9        | 97090-06012        | BOLT<br>PERNO  |    |    | 1 |    |                       |
| 10       | 92990-06100        | WASHER, SPRING<br>ARANDELA PLANA                       |    |    | 1 |    |                       |
| 11       | 682-82150-10       | FUSE HOLDER ASSY<br>PORTA-FUSIBLES COMPLETO            |    |    | 1 |    |                       |
| 12       | 663-82151-00       | .FUSE (12V-20A)<br>.FUSIBLE (12V-20A)                  |    |    | 1 |    |                       |
| 13       | 61T-82580-00       | WIRE HARNESS ASSY 2<br>CONJUNTO DE CABLES 2            |    |    | 1 |    |                       |
| 14       | 61T-82590-00       | .WIRE HARNESS ASSY<br>.CONJUNTO DE CABLES              |    |    | 1 |    |                       |
| 15       | 689-82105-13       | .WIRE HARNESS<br>.ARNES DE CABLES                      |    |    | 1 |    |                       |
| 16       | 689-42724-50       | .GROMMET<br>.TAPON                                     |    |    | 1 |    |                       |
| 17       | 90480-17165        | GROMMET<br>TAPON                                       |    |    | 1 |    |                       |
| 18       | 689-82594-10       | CLAMP<br>GRAMPA  |    |    | 1 |    |                       |
| 19       | 682-42525-00       | PLATE, FRICTION<br>PLACA DE FRICCION                   |    |    | 1 |    |                       |
| 20       | 90161-06M00        | SCREW, TAPPING<br>TORNILLO DE CABEZA PLANA             |    |    | 1 |    |                       |
| 21       | 61T-86111-00       | COIL, SOLENOID<br>CONJUNTO BOBINA SOLENOIDE            |    |    | 1 |    |                       |
| 22       | 682-86116-00       | WIRE, PULL<br>ALAMBRE-JALADOR                          |    |    | 1 |    |                       |
| 23       | 682-86117-00       | HOOK, WIRE PULL<br>GANCHO JALADOR DE ALAMBRE           |    |    | 1 |    |                       |
| 24       | 61T-86112-00       | STAY, SOLENOID<br>SOPORTE SOLENOIDE                    |    |    | 1 |    |                       |
| 25       | 90480-10155        | GROMMET<br>TAPON                                       |    |    | 1 |    |                       |
| 26       | 98503-04006        | SCREW, PAN HEAD<br>TORNILLO DE CABEZA DE CONO ACH      |    |    | 4 |    |                       |
| 27       | 97880-05012        | SCREW, PAN HEAD<br>TORNILLO DE CABEZA CON PLANA        |    |    | 2 |    |                       |

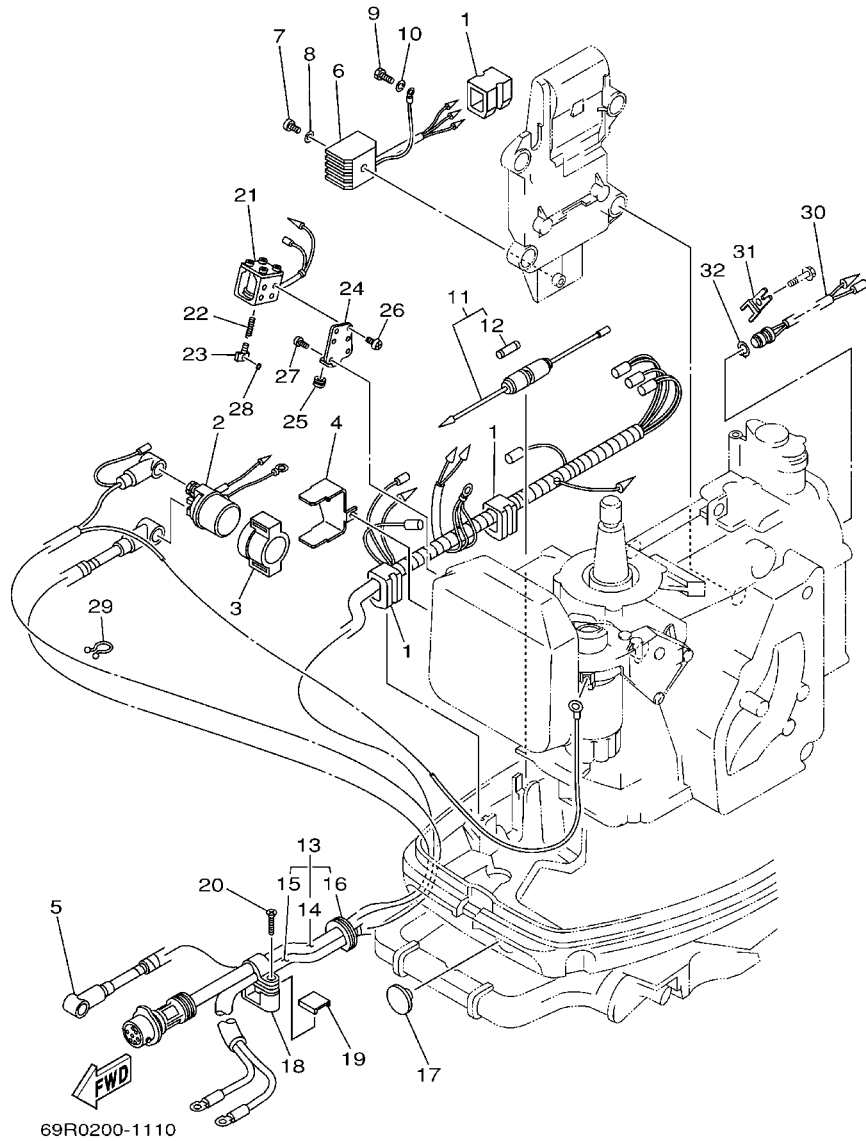


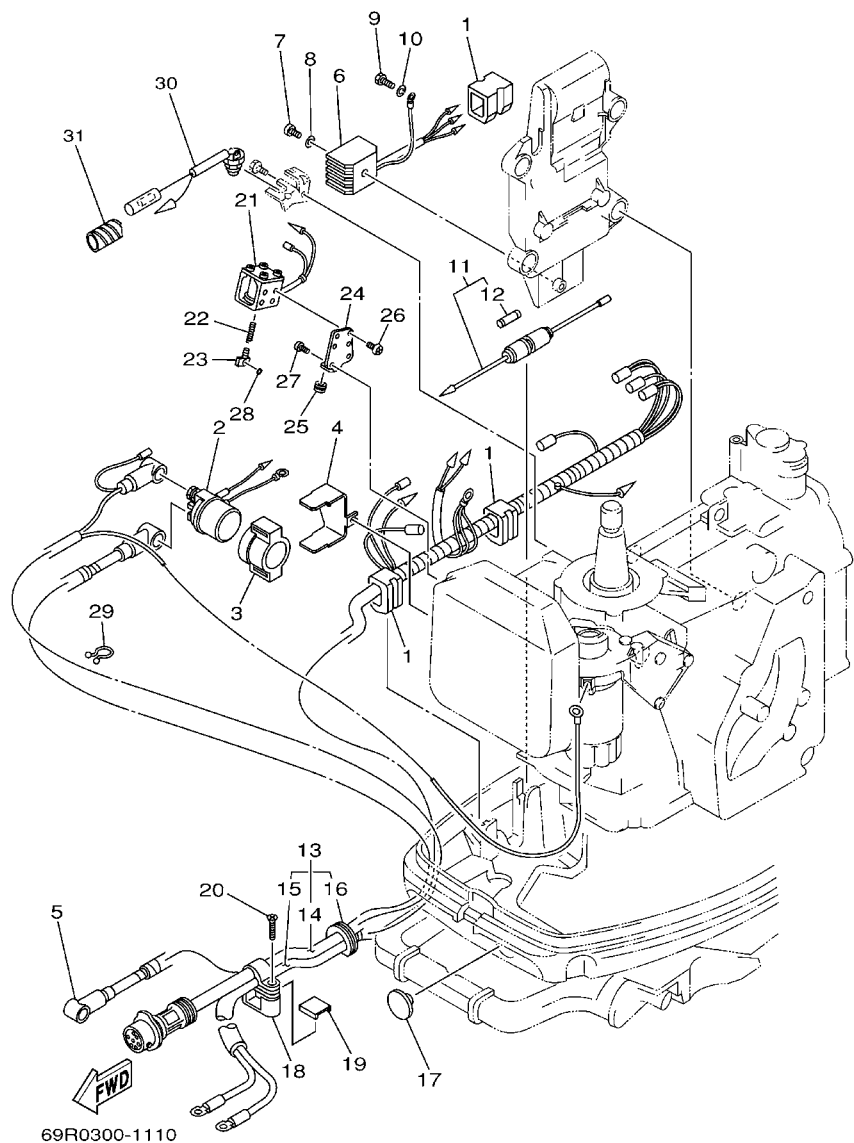
FIG. 11 ELECTRICAL 3

EQUIPO ELECTRICO 3

| REF. NO. | PART NO. CODIGO Nº | DESCRIPTION DESCRIPCION               | MH | WH | W | WC | REMARKS OBSERVACIONES |
|----------|--------------------|---------------------------------------|----|----|---|----|-----------------------|
| 28       | 93210-03261        | O-RING<br>ANILLO O                    |    |    |   | 1  |                       |
| 29       | 90465-18147        | CLAMP<br>BRIDA                        |    |    |   | 1  |                       |
| 30       | 61T-82560-00       | THERMO SWITCH ASSY<br>INTER. DE TERMO |    |    |   | 1  |                       |
| 31       | 61T-82588-00       | PLATE<br>PLACA                        |    |    |   | 1  |                       |
| 32       | 99009-17500        | CIRCLIP<br>PRESILLA REDONDA           |    |    |   | 1  |                       |
| -----    |                    |                                       |    |    |   |    |                       |
| -----    |                    |                                       |    |    |   |    |                       |
| -----    |                    |                                       |    |    |   |    |                       |
| -----    |                    |                                       |    |    |   |    |                       |
| -----    |                    |                                       |    |    |   |    |                       |
| -----    |                    |                                       |    |    |   |    |                       |
| -----    |                    |                                       |    |    |   |    |                       |
| -----    |                    |                                       |    |    |   |    |                       |
| -----    |                    |                                       |    |    |   |    |                       |

FIG. 12 ELECTRICAL 4

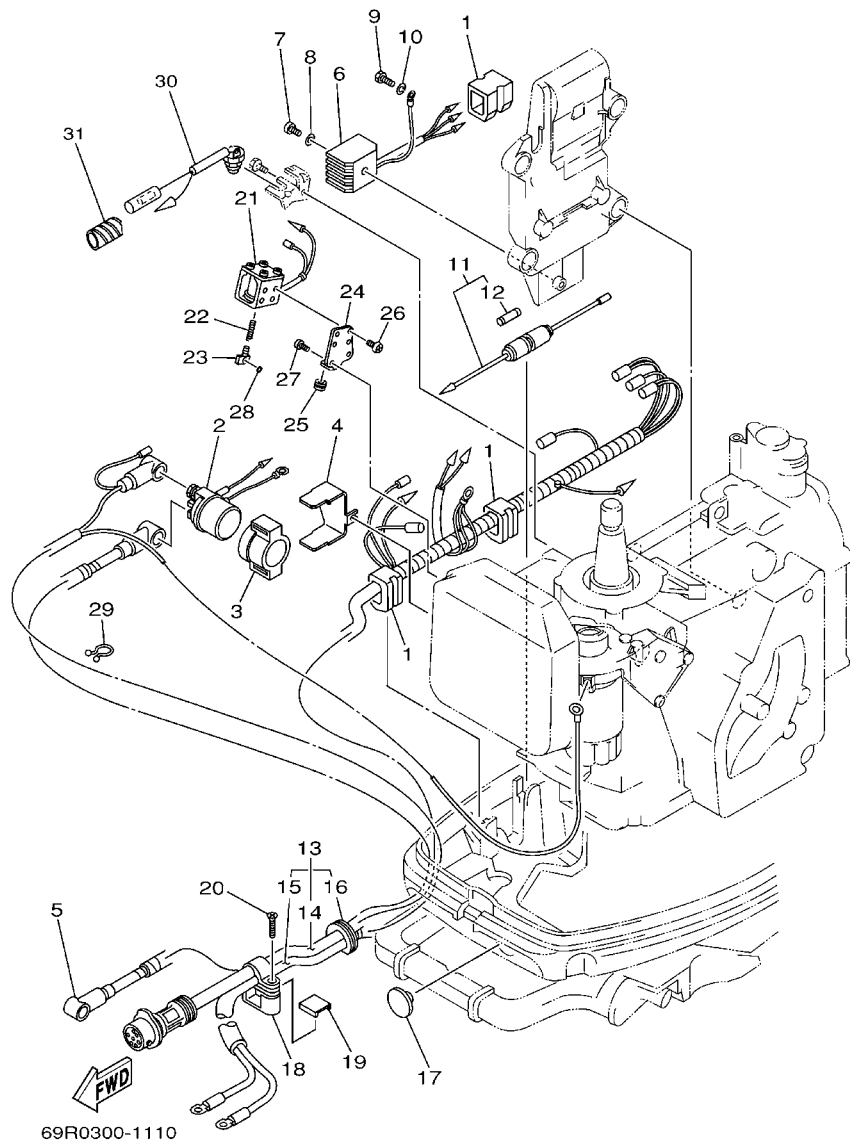
EQUIPO ELECTRICO 4



| REF. NO. | PART NO. CODIGO N° | DESCRIPTION DESCRIPCION                                | MH | WH | W | WC | REMARKS OBSERVACIONES |
|----------|--------------------|--|----|----|---|----|-----------------------|
| 1        | 90480-17M08        | GROMMET<br>TAPON                                       |    |    |   | 3  |                       |
| 2        | 6G1-81941-10       | STARTER RELAY ASSY<br>RELE DE ARRANQUE                 |    |    |   | 1  |                       |
| 3        | 6G1-81952-00       | HOLDER, RELAY<br>SOSTEN DE RELE                        |    |    |   | 1  |                       |
| 4        | 61T-81945-01       | PLATE, SWITCH FITTING<br>PLACA ACCESORIA DE INTERRUPT. |    |    |   | 1  |                       |
| 5        | 689-82531-02       | WIRE, LEAD<br>CABLE CONDUCTOR                          |    |    |   | 1  |                       |
| 6        | 664-81970-61       | RECTIFIER ASSY<br>RECTIFICADOR COMPLETO                |    |    |   | 1  |                       |
| 7        | 97880-05025        | SCREW, PAN HEAD<br>TORNILLO DE CABEZA CON PLANA        |    |    |   | 1  |                       |
| 8        | 92990-05600        | WASHER, PLATE<br>ARANDELA PLANA                        |    |    |   | 1  |                       |
| 9        | 97090-06012        | BOLT<br>PERNO  |    |    |   | 1  |                       |
| 10       | 92990-06100        | WASHER, SPRING<br>ARANDELA PLANA                       |    |    |   | 1  |                       |
| 11       | 682-82150-10       | FUSE HOLDER ASSY<br>PORTA-FUSIBLES COMPLETO            |    |    |   | 1  |                       |
| 12       | 663-82151-00       | .FUSE (12V-20A)<br>.FUSIBLE (12V-20A)                  |    |    |   | 1  |                       |
| 13       | 61T-82580-00       | WIRE HARNESS ASSY 2<br>CONJUNTO DE CABLES 2            |    |    |   | 1  |                       |
| 14       | 61T-82590-00       | .WIRE HARNESS ASSY<br>.CONJUNTO DE CABLES              |    |    |   | 1  |                       |
| 15       | 689-82105-13       | .WIRE HARNESS<br>.ARNES DE CABLES                      |    |    |   | 1  |                       |
| 16       | 689-42724-50       | .GROMMET<br>.TAPON                                     |    |    |   | 1  |                       |
| 17       | 90480-17165        | GROMMET<br>TAPON                                       |    |    |   | 1  |                       |
| 18       | 689-82594-10       | CLAMP<br>GRAMPA  |    |    |   | 1  |                       |
| 19       | 682-42525-00       | PLATE, FRICTION<br>PLACA DE FRICCION                   |    |    |   | 1  |                       |
| 20       | 90161-06M00        | SCREW, TAPPING<br>TORNILLO DE CABEZA PLANA             |    |    |   | 1  |                       |
| 21       | 61T-86111-00       | COIL, SOLENOID<br>CONJUNTO BOBINA SOLENOIDE            |    |    |   | 1  |                       |
| 22       | 682-86116-00       | WIRE, PULL<br>ALAMBRE-JALADOR                          |    |    |   | 1  |                       |
| 23       | 682-86117-00       | HOOK, WIRE PULL<br>GANCHO JALADOR DE ALAMBRE           |    |    |   | 1  |                       |
| 24       | 61T-86112-00       | STAY, SOLENOID<br>SOPORTE SOLENOIDE                    |    |    |   | 1  |                       |
| 25       | 90480-10155        | GROMMET<br>TAPON                                       |    |    |   | 1  |                       |
| 26       | 98503-04006        | SCREW, PAN HEAD<br>TORNILLO DE CABEZA DE CONO ACH      |    |    |   | 4  |                       |
| 27       | 97880-05012        | SCREW, PAN HEAD<br>TORNILLO DE CABEZA CON PLANA        |    |    |   | 2  |                       |

FIG. 12 ELECTRICAL 4

EQUIPO ELECTRICO 4

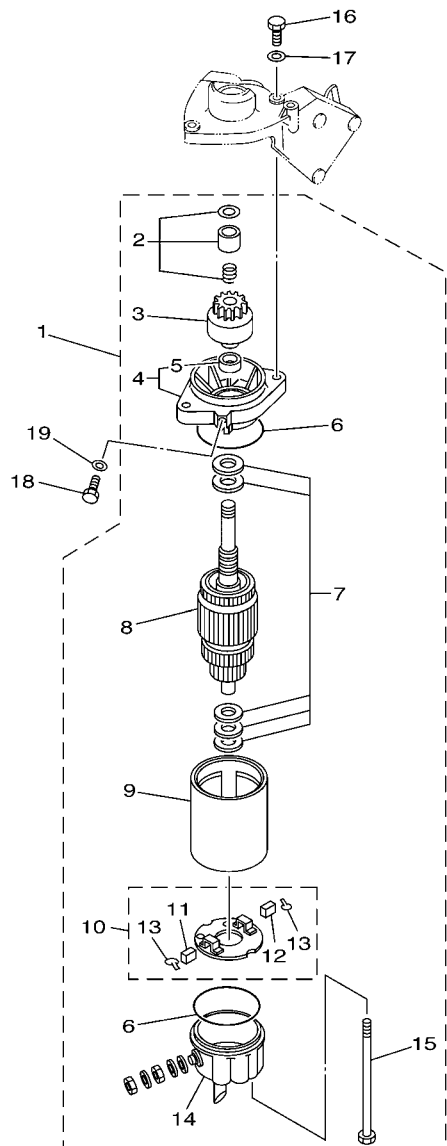


| REF. NO. | PART NO. CODIGO Nº | DESCRIPTION DESCRIPCION                          | MH | WH | W | WC | REMARKS OBSERVACIONES |
|----------|--------------------|--|----|----|---|----|-----------------------|
| 28       | 93210-03261        | O-RING<br>ANILLO O                               |    |    |   | 1  |                       |
| 29       | 90465-18147        | CLAMP<br>BRIDA                                   |    |    |   | 1  |                       |
| 30       | 689-82540-01       | NEUTRAL SWITCH ASSY<br>INTERRUPTOR NEUTRAL COMPL |    |    |   | 1  |                       |
| 31       | 90446-10M02        | HOSE<br>TUBO RESEIRADERO                         |    |    |   | 1  |                       |
| -----    |                    |  |    |    |   |    |                       |
| -----    |                    |  |    |    |   |    |                       |
| -----    |                    |  |    |    |   |    |                       |
| -----    |                    |  |    |    |   |    |                       |
| -----    |                    |  |    |    |   |    |                       |
| -----    |                    |  |    |    |   |    |                       |
| -----    |                    |  |    |    |   |    |                       |
| -----    |                    |  |    |    |   |    |                       |
| -----    |                    |  |    |    |   |    |                       |
| -----    |                    |  |    |    |   |    |                       |



FIG. 13 STARTING MOTOR

MOTOR DE ARRANQUE

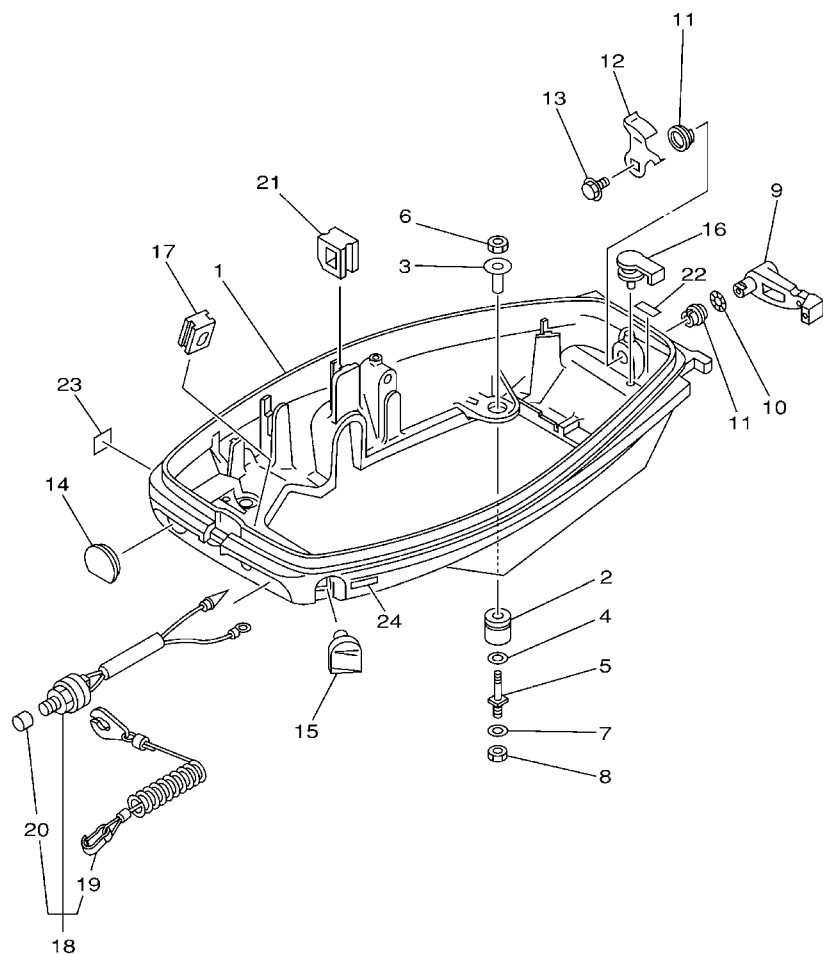


69R3664-3120

| REF. NO. | PART NO. CODIGO Nº | DESCRIPTION DESCRIPCION                             | MH | WH | W | WC | REMARKS OBSERVACIONES |
|----------|--------------------|---|----|----|---|----|-----------------------|
| 1        | 689-81800-13       | STARTING MOTOR ASSY<br>MOTOR DE ARRANQUE COMPLETO   |    | 1  | 1 | 1  |                       |
| 2        | 689-81857-11       | .PINION STOPPER SET<br>.JUEGO TAPON PINON           |    | 1  | 1 | 1  |                       |
| 3        | 689-81807-12       | .GEAR ASSY, STARTING MOTOR<br>.PINON CONJUNTO       |    | 1  | 1 | 1  |                       |
| 4        | 689-81830-11       | .FRONT BRACKET ASSY<br>.SOPORTE DELANTERO COMPLETO  |    | 1  | 1 | 1  |                       |
| 5        | 689-81831-00       | ..METAL, FRONT<br>..METAL, DELANTERO                |    | 1  | 1 | 1  |                       |
| 6        | 689-81847-11       | .O-RING<br>.ANILLO GOMA                             |    | 2  | 2 | 2  |                       |
| 7        | 689-81809-11       | .WASHER KIT<br>.JUEGO DE ARANDELA                   |    | 1  | 1 | 1  |                       |
| 8        | 689-81850-12       | .ARMATURE ASSY<br>.INDUCIDO COMPLETO                |    | 1  | 1 | 1  |                       |
| 9        | 689-81810-11       | .STATOR ASSY<br>.ESTATOR COMPLETO                   |    | 1  | 1 | 1  |                       |
| 10       | 689-81840-11       | .BRUSH HOLDER ASSY<br>.SOSTEN DE ESCOBILLA COMPLETO |    | 1  | 1 | 1  |                       |
| 11       | 689-81812-11       | ..BRUSH 2<br>..ESCOBILLA 2                          |    | 1  | 1 | 1  |                       |
| 12       | 689-81811-11       | ..BRUSH 1<br>..ESCOBILLA 1                          |    | 1  | 1 | 1  |                       |
| 13       | 689-81813-10       | ..SPRING, BRUSH<br>..RESORTE DE ESCOBILLA           |    | 2  | 2 | 2  |                       |
| 14       | 689-81820-11       | .REAR BRACKET ASSY<br>.CUBIERTA TRASERA COMPL       |    | 1  | 1 | 1  |                       |
| 15       | 689-81826-10       | .BOLT<br>.PERNO                                     |    | 2  | 2 | 2  |                       |
| 16       | 97013-08030        | BOLT<br>PERNO                                       |    | 2  | 2 | 2  |                       |
| 17       | 92903-08600        | WASHER, PLATE<br>RONDANA SENCILLA                   |    | 2  | 2 | 2  |                       |
| 18       | 97013-08012        | BOLT<br>PERNO                                       |    | 1  | 1 | 1  |                       |
| 19       | 92903-08600        | WASHER, PLATE<br>RONDANA SENCILLA                   |    | 1  | 1 | 1  |                       |

FIG. 14 BOTTOM COWLING

CUBIERTA INFERIOR

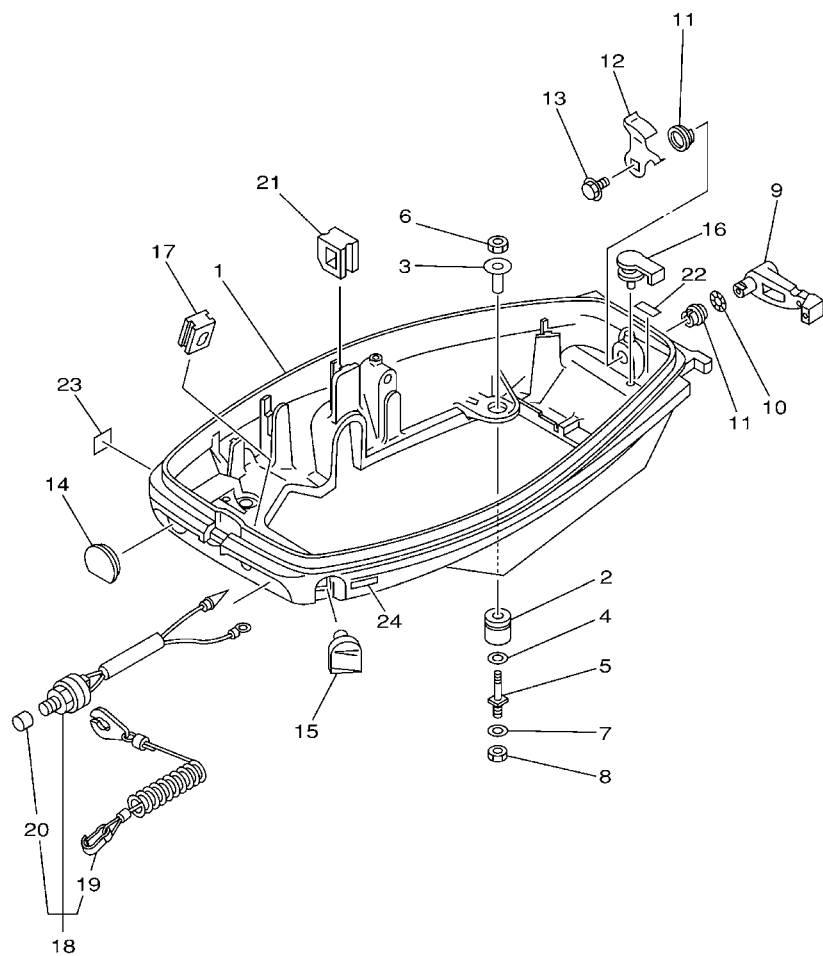


69R2200-2130

| REF. NO. | PART NO. CODIGO Nº | DESCRIPTION DESCRIPCION                             | MH | WH | W | WC | REMARKS OBSERVACIONES                |
|----------|--------------------|---|----|----|---|----|--------------------------------------|
| 1        | 689-42711-04-4D    | COWLING, BOTTOM CUBIERTA INFERIOR                   | 1  | 1  | 1 | 1  |                                      |
| 2        | 90480-15M06        | GROMMET TAPON                                       | 4  | 4  | 4 | 4  |                                      |
| 3        | 90387-08M25        | COLLAR COLLAR                                       | 4  | 4  | 4 | 4  |                                      |
| 4        | 90201-08M87        | WASHER, PLATE ARANDELA PLANA                        | 4  | 4  | 4 | 4  |                                      |
| 5        | 6G0-42796-00       | BOLT 1 TORNILLO                                     | 4  | 4  | 4 | 4  |                                      |
| 6        | 95380-08700        | NUT TUERCA  | 4  | 4  | 4 | 4  |                                      |
| 7        | 92995-08600        | WASHER ARANDELA                                     | 4  | 4  | 4 | 4  |                                      |
| 8        | 95380-08700        | NUT TUERCA  | 4  | 4  | 4 | 4  |                                      |
| 9        | 689-42815-00       | LEVER, CLAMP PALANCA ABRAZADERA                     | 1  | 1  | 1 | 1  |                                      |
| 10       | 90206-12052        | WASHER, WAVE ARANDELA ONDULADA                      | 1  | 1  | 1 | 1  |                                      |
| 11       | 90386-12069        | BUSH BUJE   | 2  | 2  | 2 | 2  |                                      |
| 12       | 689-42816-00       | LEVER, CLAMP PALANCA ABRAZADERA                     | 1  | 1  | 1 | 1  |                                      |
| 13       | 90119-06M73        | BOLT, WITH WASHER TORNILLO CON ARANDELA             | 1  | 1  | 1 | 1  |                                      |
| 14       | 682-42724-00       | GROMMET TAPON                                       | 1  |    |   |    |                                      |
|          | 61T-42724-40       | GROMMET TAPON                                       |    | 1  |   |    |                                      |
| 15       | 689-42725-01       | GROMMET TAPON                                       | 1  |    | 1 | 1  |                                      |
| 16       | 647-42523-00       | SPACER, FRICTION ESPACIADOR DE FRICCION             | 1  | 1  | 1 | 1  |                                      |
| 17       | 61N-26326-00       | GROMMET TAPON PROTECTOR                             | 1  | 1  |   | 1  |                                      |
|          | 676-42724-40       | GROMMET TAPON                                       |    |    | 1 |    |                                      |
| 18       | 6E9-82575-02       | ENGINE STOP SWITCH ASSY INTERRUPTOR DE PARADA COMPL | 1  | 1  |   |    |                                      |
| 19       | 682-82556-00       | .STOPPER .RETENER                                   | 1  | 1  |   |    |                                      |
| 20       | 689-8257Y-00       | .CAP .CASQUILLO                                     | 1  | 1  |   |    |                                      |
| 21       | 90480-17M08        | GROMMET TAPON                                       | 1  |    |   |    |                                      |
|          | 6E7-42791-00       | MARK 1 MARCA 1                                      | 1  |    | 1 | 1  | E25B,25B<br>E25B,25B                 |
|          | 6G5-42791-00       | MARK 1 MARCA 1                                      | 1  | 1  | 1 | 1  | E30H,30H<br>E30H,30H                 |
|          | 6E7-42791-10       | MARK 1 MARCA 1                                      | 1  |    |   |    | E25B,25B-FOR CAR<br>E25B,25B-FOR CAR |
|          | 6G5-42791-10       | MARK 1 MARCA 1                                      | 1  | 1  | 1 |    | 30H-FOR CAR,CHN<br>30H-FOR CAR,CHN   |

FIG. 14 BOTTOM COWLING

CUBIERTA INFERIOR

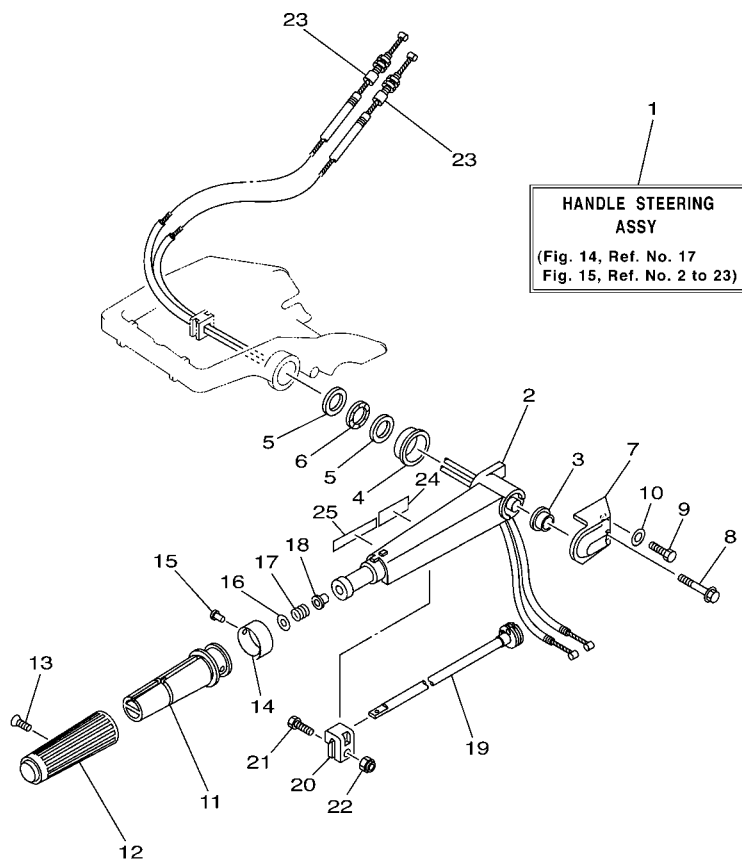


  
69R2200-2130

| REF. NO. | PART NO. CODIGO Nº | DESCRIPTION DESCRIPCION                  | MH | WH | W | WC | REMARKS OBSERVACIONES |
|----------|--------------------|--|----|----|---|----|-----------------------|
| 23       | 6A1-28176-00       | LABEL, CAUTION<br>ETIQUETA DE PRECAUCION | 1  |    |   |    | FOR CAR<br>FOR CAR    |
| 24       | 6E3-8257H-00       | PLATE, MARK<br>PLACA DE MARCA            | 1  |    |   |    | FOR CAR<br>FOR CAR    |
| -----    |                    |  |    |    |   |    |                       |
| -----    |                    |  |    |    |   |    |                       |
| -----    |                    |  |    |    |   |    |                       |
| -----    |                    |  |    |    |   |    |                       |
| -----    |                    |  |    |    |   |    |                       |
| -----    |                    |  |    |    |   |    |                       |
| -----    |                    |  |    |    |   |    |                       |
| -----    |                    |  |    |    |   |    |                       |
| -----    |                    |  |    |    |   |    |                       |

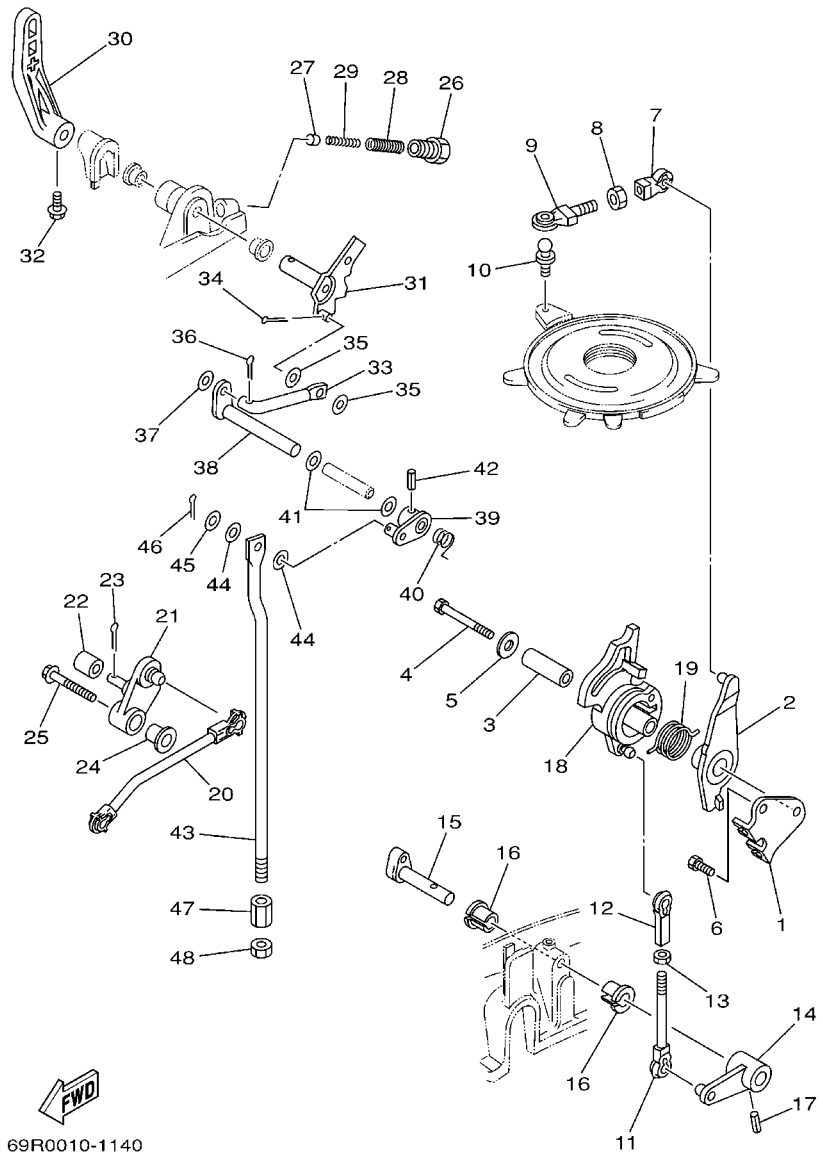
FIG. 15 STEERING

DIRECCION



69R4200-C150

| REF. NO. | PART NO. CODIGO Nº | DESCRIPTION DESCRIPCION                                       | MH | WH | W | WC | REMARKS OBSERVACIONES |
|----------|--------------------|---|----|----|---|----|-----------------------|
| 1        | 69P-W0084-00-4D    | HANDLE STEERING ASSY<br>CONJUNTO DE MANIJA                    | 1  | 1  |   | 1  |                       |
| 2        | 689-42111-01-4D    | HANDLE, STEERING<br>MANIJA DE DIRECCION                       | 1  | 1  |   | 1  |                       |
| 3        | 90387-13003        | COLLAR<br>COLLAR  | 1  | 1  |   | 1  |                       |
| 4        | 90387-33001        | COLLAR<br>COLLAR  | 1  | 1  |   | 1  |                       |
| 5        | 90201-28013        | WASHER, PLATE<br>ARANDELA PLANA                               | 2  | 2  |   | 2  |                       |
| 6        | 90206-28001        | WASHER, WAVE<br>ARANDELA ONDULADA                             | 1  | 1  |   | 1  |                       |
| 7        | 69P-42112-00-4D    | HANDLE, STEERING<br>MANIJA DE DIRRECCION                      | 1  | 1  |   | 1  |                       |
| 8        | 97595-06550        | BOLT, WITH WASHER<br>PERNO CON ARANDELA RONDELLE              | 1  | 1  |   | 1  |                       |
| 9        | 97095-06020        | BOLT<br>PERNO   | 1  | 1  |   | 1  |                       |
| 10       | 92995-06600        | WASHER<br>ARANDELA  | 1  | 1  |   | 1  |                       |
| 11       | 664-42119-00       | GRIP, STEERING HANDLE<br>MANGO, MANIJA DE DIRRECCION          | 1  | 1  |   | 1  |                       |
| 12       | 6F6-42177-A0       | RUBBER, HANDLE<br>HULE DE MANIJA                              | 1  | 1  |   | 1  |                       |
| 13       | 90149-05M13        | SCREW<br>TORNILLO DE REGLAJE                                  | 1  | 1  |   | 1  |                       |
| 14       | 6G1-42137-10       | INDICATOR, THROTTLE<br>INDICADOR ACELERADOR                   | 1  | 1  |   | 1  |                       |
| 15       | 90269-02M09        | RIVET<br>REMACHE  | 1  | 1  |   | 1  |                       |
| 16       | 92903-10600        | WASHER, PLATE<br>RONDANA SENCILLA                             | 1  | 1  |   | 1  |                       |
| 17       | 90501-23215        | SPRING, COMPRESSION<br>RESORTE DE COMPRESION                  | 1  | 1  |   | 1  |                       |
| 18       | 90386-08032        | BUSH<br>BUJE  | 1  | 1  |   | 1  |                       |
| 19       | 689-42138-00       | LEVER, THROTTLE<br>PLANCA DE ACELERACION                      | 1  | 1  |   | 1  |                       |
| 20       | 656-42126-01       | FRICTION, STEERING HANDLE GRIP<br>FRICCION DE MANGO DIRECCION | 1  | 1  |   | 1  |                       |
| 21       | 97095-06020        | BOLT<br>PERNO   | 1  | 1  |   | 1  |                       |
| 22       | 90185-06062        | NUT, SELF-LOCKING<br>TUERCA AUTOBLOCANTE                      | 1  | 1  |   | 1  |                       |
| 23       | 61N-26311-00       | CABLE, THROTTLE 1<br>CABLE DE ACELERADOR 1                    | 2  | 2  |   | 2  |                       |
| 24       | 61T-83627-80       | LABEL, CAUTION 7<br>ETIQUETA DE PRECAUCION 7                  | 1  |    |   | 1  | FOR RUS<br>FOR RUS    |
| 25       | 6E0-83627-41       | LABEL, CAUTION 7<br>ETIQUETA DE PRECAUCION 7                  | 1  |    |   | 1  |                       |



69R0010-1140

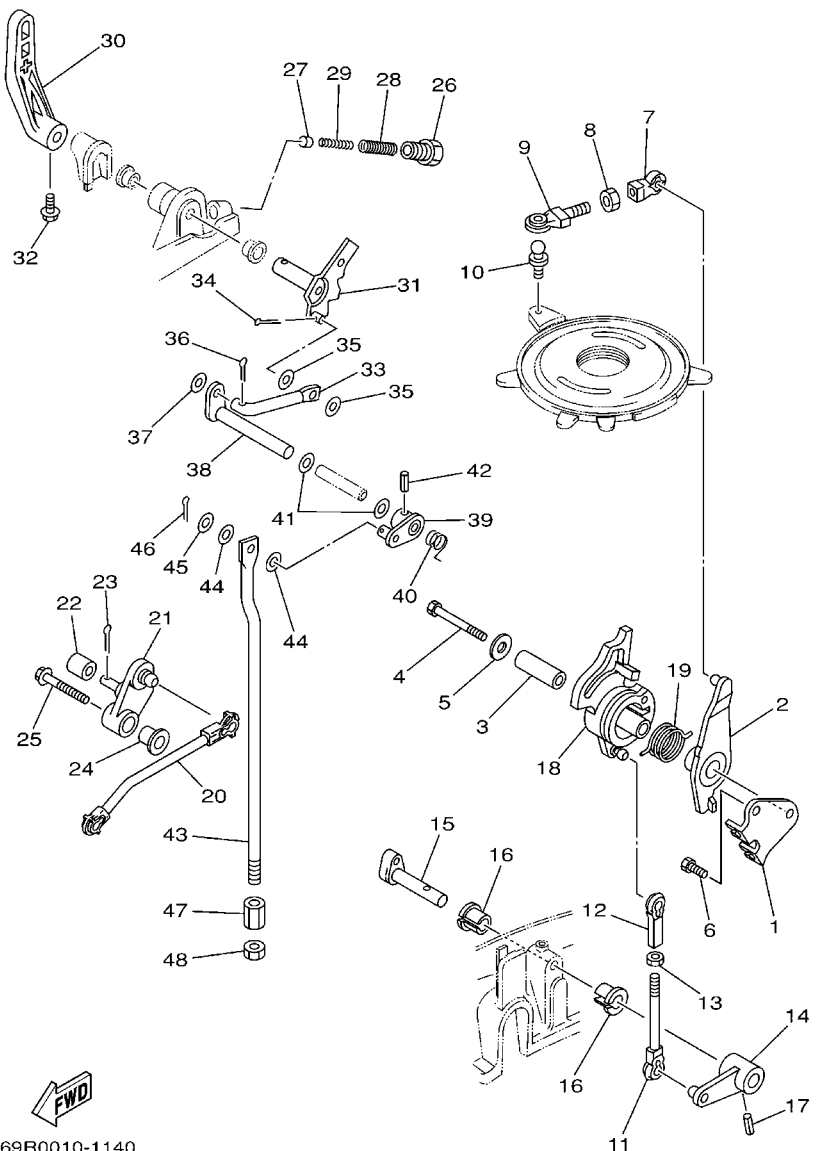
FIG. 16 CONTROL 1

CONTROL 1

| REF. NO. | PART NO. CODIGO Nº | DESCRIPTION DESCRIPCION                                 | MH | WH | W | WC | REMARKS OBSERVACIONES |
|----------|--------------------|---|----|----|---|----|-----------------------|
| 1        | 69P-14497-00       | STAY, THROTTLE WIRE<br>SOPORTE VALVULA DE OBTURACION    | 1  | 1  | 1 | 1  |                       |
| 2        | 69P-41631-00       | LEVER, MAGNETO CONTROL<br>PALANCA DE CONTROL DE MAGNETO | 1  | 1  | 1 | 1  |                       |
| 3        | 90387-06M59        | COLLAR<br>COLLAR  | 1  | 1  | 1 | 1  |                       |
| 4        | 97095-06045        | BOLT<br>PERNO   | 1  | 1  | 1 | 1  |                       |
| 5        | 90201-06416        | WASHER, PLATE<br>ARANDELA PLANA                         | 1  | 1  | 1 | 1  |                       |
| 6        | 97095-06012        | BOLT<br>PERNO   | 1  | 1  | 1 | 1  |                       |
| 7        | 662-41237-01       | JOINT, LINK<br>CONECTOR                                 | 1  | 1  | 1 | 1  |                       |
| 8        | 95380-05700        | NUT<br>TUERCA   | 1  | 1  | 1 | 1  |                       |
| 9        | 679-41241-01       | ROD, LINK<br>VARILLA                                    | 1  | 1  | 1 | 1  |                       |
| 10       | 663-85518-00       | JOINT, BALL<br>CONECTOR                                 | 1  | 1  | 1 | 1  |                       |
| 11       | 682-41238-01       | JOINT, LINK<br>CONECTOR                                 | 1  | 1  | 1 | 1  |                       |
| 12       | 682-41237-00       | JOINT, LINK<br>CONECTOR                                 | 1  | 1  | 1 | 1  |                       |
| 13       | 95380-05600        | NUT<br>TUERCA   | 1  | 1  | 1 | 1  |                       |
| 14       | 69P-42157-00-94    | LEVER, THROTTLE<br>PALANCA DE ACELERADOR                | 1  | 1  | 1 | 1  |                       |
| 15       | 656-42153-00-94    | SHAFT, THROTTLE CONTROL<br>EJE CONTROL DEL ACELERADOR   | 1  | 1  | 1 | 1  |                       |
| 16       | 90386-10009        | BUSH<br>BUJE  | 2  | 2  | 2 | 2  |                       |
| 17       | 91690-40018        | PIN, SPRING<br>PASADOR DE RESORTE                       | 1  | 1  | 1 | 1  |                       |
| 18       | 69P-41213-00       | CAM, ACCEL.<br>LEVA ACELERADOR                          | 1  | 1  | 1 | 1  |                       |
| 19       | 69P-42167-00       | SPRING 1<br>RESORTE 1                                   | 1  | 1  | 1 | 1  |                       |
| 20       | 69P-41241-00       | ROD, LINK<br>VARILLA                                    | 1  | 1  | 1 | 1  |                       |
| 21       | 69P-42154-00       | LEVER, THROTTLE CONTROL<br>PALANCA CONTROL ACELERADOR   | 1  | 1  | 1 | 1  |                       |
| 22       | 62Y-42171-00       | BUSHING<br>BUJE   | 1  | 1  | 1 | 1  |                       |
| 23       | 91490-16010        | PIN, COTTER<br>CHAVETA                                  | 1  | 1  | 1 | 1  |                       |
| 24       | 90387-06M60        | COLLAR<br>COLLAR  | 1  | 1  | 1 | 1  |                       |
| 25       | 90119-06M17        | BOLT, WITH WASHER<br>TORNILLO CON ARANDELA              | 1  | 1  | 1 | 1  |                       |
| 26       | 664-42715-00       | BUSHING<br>BUJE   | 1  | 1  | 1 | 1  |                       |
| 27       | 664-44167-01       | PLUNGER, SHIFT CAM<br>EMBOLO DE CAMBIO                  | 1  | 1  | 1 | 1  |                       |

FIG. 16 CONTROL 1

CONTROL 1

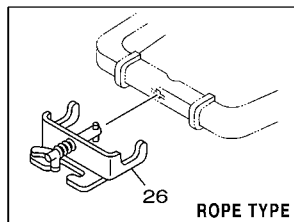
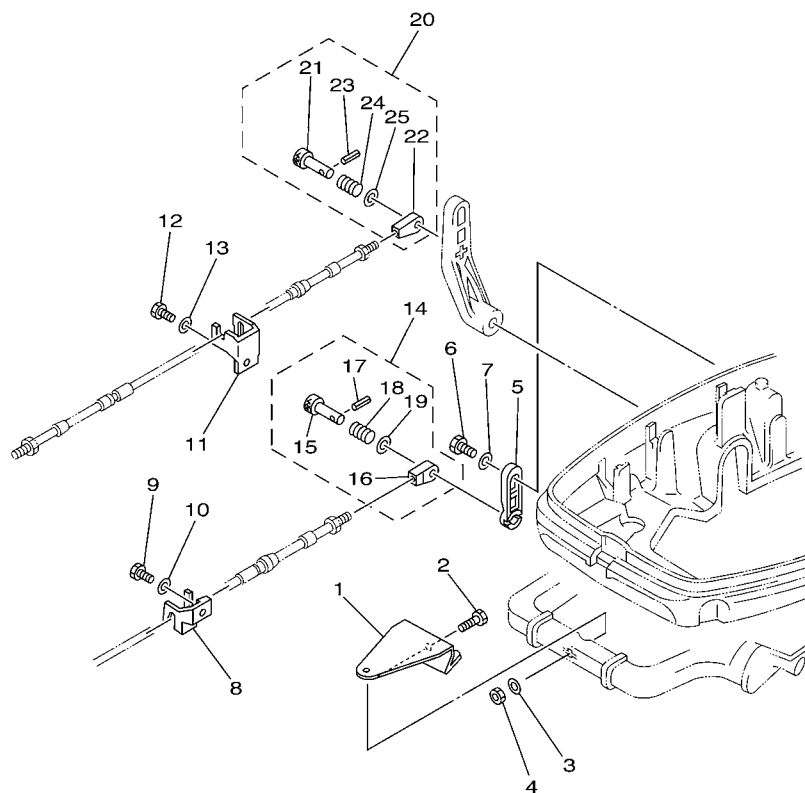


69R0010-1140

| REF. NO. | PART NO. CODIGO Nº | DESCRIPTION DESCRIPCION                            | MH | WH | W | WC | REMARKS OBSERVACIONES |
|----------|--------------------|--|----|----|---|----|-----------------------|
| 28       | 90501-14M07        | SPRING, COMPRESSION<br>RESORTE DE COMPRESION       | 1  | 1  | 1 | 1  |                       |
| 29       | 90501-09M08        | SPRING, COMPRESSION<br>RESORTE DE COMPRESION       | 1  | 1  | 1 | 1  |                       |
| 30       | 689-44111-01-4D    | HANDLE, GEAR SHIFT<br>MANIJA DE CAMBIO DE MARCHAS  | 1  | 1  | 1 | 1  |                       |
| 31       | 664-44113-01       | CAM PLATE, HANDLE<br>PLACA DE LA LEVA DEL MANGO    | 1  | 1  | 1 | 1  |                       |
| 32       | 90105-06M07        | BOLT, FLANGE<br>TORNILLO                           | 1  | 1  | 1 | 1  |                       |
| 33       | 664-44142-00       | JOINT<br>CONECTOR                                  | 1  | 1  | 1 | 1  |                       |
| 34       | 91490-16010        | PIN, COTTER<br>CHAVETA                             | 1  | 1  | 1 | 1  |                       |
| 35       | 90202-06007        | WASHER, PLATE<br>ARANDELA DE PLANA                 | 2  | 2  | 2 | 2  |                       |
| 36       | 91490-12010        | PIN, COTTER<br>CHAVETA                             | 1  | 1  | 1 | 1  |                       |
| 37       | 92990-05600        | WASHER, PLATE<br>ARANDELA PLANA                    | 1  | 1  | 1 | 1  |                       |
| 38       | 689-44121-01       | LEVER, SHIFT ROD<br>PALANCA VARILLA CAMBIOS        | 1  | 1  | 1 | 1  |                       |
| 39       | 689-44125-00       | LEVER, SHIFT ROD<br>PALANCA VARILLA CAMBIOS        | 1  | 1  | 1 | 1  |                       |
| 40       | 90508-14M13        | SPRING, TORSION<br>RESORTE DE TORSION              | 1  | 1  | 1 | 1  |                       |
| 41       | 90202-10024        | WASHER, PLATE<br>ARANDELA DE PLANA                 | 2  | 2  | 2 | 2  |                       |
| 42       | 91690-40016        | PIN, SPRING<br>PASADOR DE RESORTE                  | 1  | 1  | 1 | 1  |                       |
| 43       | 61N-44143-00       | ROD, SHIFT<br>VARILLA DE CAMBIO                    | 1  | 1  | 1 | 1  |                       |
| 44       | 90202-06007        | WASHER, PLATE<br>ARANDELA DE PLANA                 | 2  | 2  | 2 | 2  |                       |
| 45       | 92990-05600        | WASHER, PLATE<br>ARANDELA PLANA                    | 1  | 1  | 1 | 1  |                       |
| 46       | 91490-20010        | PIN, COTTER<br>CHAVETA                             | 1  | 1  | 1 | 1  |                       |
| 47       | 61N-44146-00       | CONNECTOR, SHIFT ROD<br>CONECTOR VARILLA DE CAMBIO | 1  | 1  | 1 | 1  |                       |
| 48       | 95380-06600        | NUT, HEXAGON<br>TUERCA                             | 1  | 1  | 1 | 1  |                       |

FIG. 17 CONTROL 2

CONTROL 2

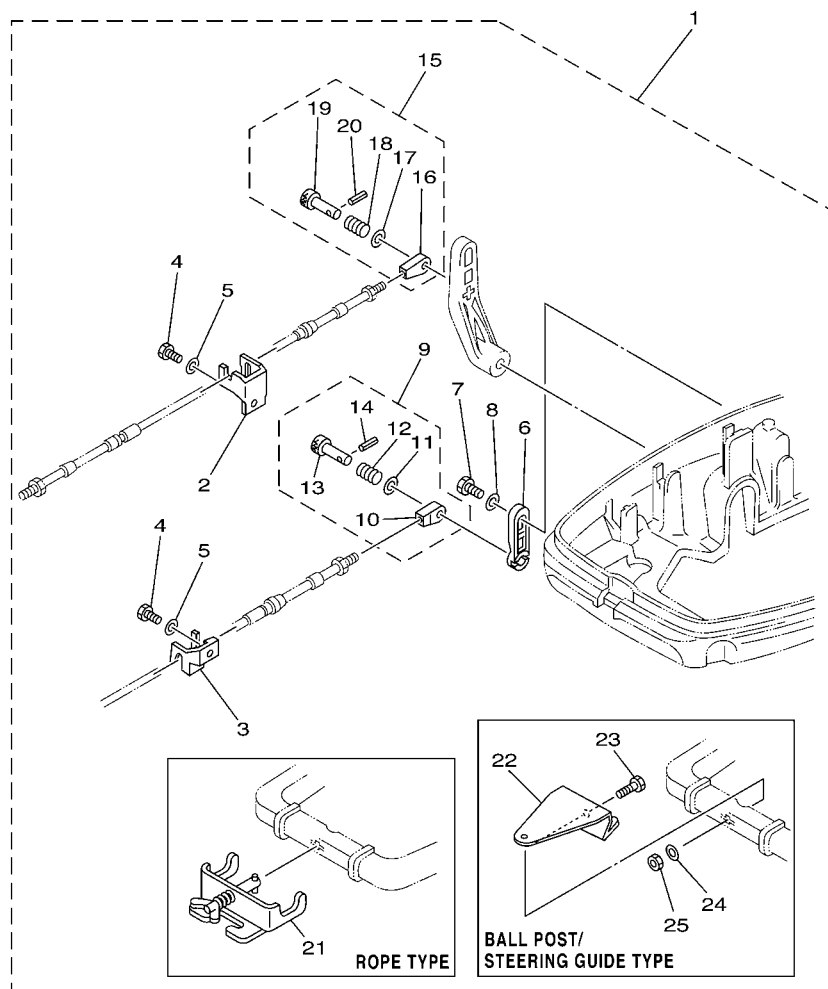


69R3200-3170

| REF. NO. | PART NO. CODIGO Nº | DESCRIPTION DESCRIPCION                                      | MH | WH | W | WC | REMARKS OBSERVACIONES  |
|----------|--------------------|--|----|----|---|----|------------------------|
| 1        | 689-48511-01       | HOOK, STEERING<br>GANCHO DIRECCION                           |    |    |   | 1  |                        |
| 2        | 97075-10040        | BOLT<br>PERNO  |    |    |   | 1  |                        |
| 3        | 92990-10600        | WASHER, PLATE<br>ARANDELA PLANA                              |    |    |   | 1  |                        |
| 4        | 90185-10051        | NUT, SELF-LOCKING<br>TUERCA AUTOBLOCANTE                     |    |    |   | 1  |                        |
| 5        | 648-48534-50-4D    | THROTTLE LEVER, CONTROL<br>PALANCA DE CONTROL DE ACELERAC    |    |    |   | 1  | 1                      |
| 6        | 97095-06012        | BOLT<br>PERNO  |    |    |   | 1  | 1                      |
| 7        | 92995-06600        | WASHER<br>ARANDELA   |    |    |   | 1  | 1                      |
| 8        | 689-48532-50       | BRACKET, REMOTE CONTROL 2<br>SOPORTE DE CONTROL REMOTO       |    |    |   | 1  | 1                      |
| 9        | 97095-06016        | BOLT<br>PERNO  |    |    |   | 1  | 1                      |
| 10       | 92995-06600        | WASHER<br>ARANDELA   |    |    |   | 1  | 1                      |
| 11       | 689-48531-50       | BRACKET, REMOTE CONTROL 1<br>SOPORTE DE CONTROL REMOTO       |    |    |   | 1  | 1                      |
| 12       | 97095-06016        | BOLT<br>PERNO  |    |    |   | 1  | 1                      |
| 13       | 92995-06600        | WASHER<br>ARANDELA   |    |    |   | 1  | 1                      |
| 14       | 648-48340-50       | CABLE END ASSY<br>TERMINAL DE CABLE COMPL.                   |    |    |   | 1  | 1                      |
| 15       | 617-48361-91       | .HOOK, CABLE<br>.GANCHO CABLE                                |    |    |   | 1  | 1                      |
| 16       | 617-48346-90       | .CABLE END, REMOTE CONTROL<br>.TERMINAL CABLE DE CONTROL REM |    |    |   | 1  | 1                      |
| 17       | 91690-30012        | .PIN, SPRING<br>.PASADOR DE RESORTE                          |    |    |   | 1  | 1                      |
| 18       | 90501-10264        | .SPRING, COMPRESSION<br>.RESORTE DE COMPRESION               |    |    |   | 1  | 1                      |
| 19       | 92990-08600        | .WASHER, PLATE<br>.ARANDELA PLANA                            |    |    |   | 1  | 1                      |
| 20       | 648-48330-50       | CABLE END ASSY<br>TERMINAL DE CABLE COMPL.                   |    |    |   | 1  | 1                      |
| 21       | 617-48331-91       | .HOOK, CABLE<br>.GANCHO CABLE                                |    |    |   | 1  | 1                      |
| 22       | 648-48346-50       | .CABLE END, REMOTE CONTROL<br>.TERMINAL CABLE DE CONTROL REM |    |    |   | 1  | 1                      |
| 23       | 91690-30012        | .PIN, SPRING<br>.PASADOR DE RESORTE                          |    |    |   | 1  | 1                      |
| 24       | 90501-10071        | .SPRING, COMPRESSION<br>.RESORTE DE COMPRESION               |    |    |   | 1  | 1                      |
| 25       | 92990-08600        | .WASHER, PLATE<br>.ARANDELA PLANA                            |    |    |   | 1  | 1                      |
| 26       | 700-48510-12       | STEERING HOOK ASSY<br>GANCHO DE DIRECCION COMPL              |    |    |   | 1  | ROPE TYPE<br>ROPE TYPE |

FIG. 18 REMO CON ATTACHMENT

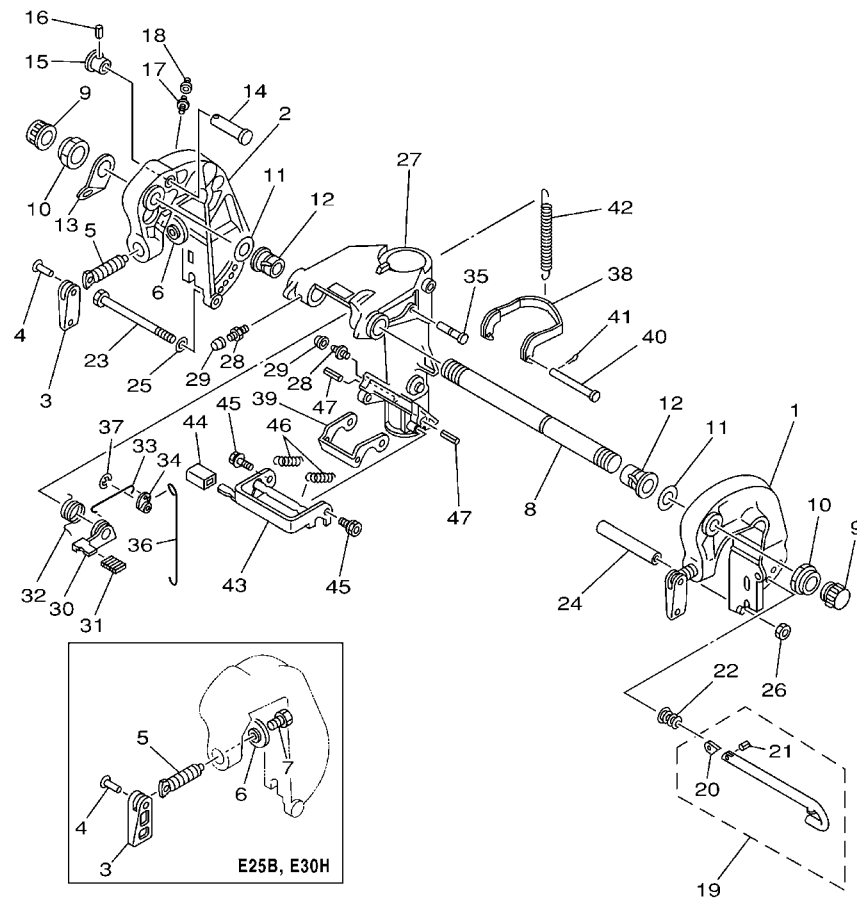
CONJUNTO ADITAMENTO



**FWD**  
69R3664-3170

| REF. NO. | PART NO. CODIGO Nº | DESCRIPTION DESCRIPCION                                       | MH | WH | W | WC | REMARKS OBSERVACIONES        |
|----------|--------------------|---|----|----|---|----|------------------------------|
| 1        | 689-48501-01-4D    | REMOTE CONT. ATTACHMENT ASSY.<br>CONJUNTO ADITAMENTO          | 1  | 1  | 1 | 1  | AP ROPE TYPE<br>AP ROPE TYPE |
|          | 689-48501-21-4D    | REMOTE CONT. ATTACHMENT ASSY.<br>CONJUNTO ADITAMENTO          | 1  | 1  | 1 | 1  | AP<br>AP                     |
| 2        | 689-48531-50       | .BRACKET, REMOTE CONTROL 1<br>.SOPORTE DE CONTROL REMOTO      | 1  | 1  | 1 | 1  |                              |
| 3        | 689-48532-50       | .BRACKET, REMOTE CONTROL 2<br>.SOPORTE DE CONTROL REMOTO      | 1  | 1  | 1 | 1  |                              |
| 4        | 97095-06016        | .BOLT<br>.PERNO   | 2  | 2  | 2 | 2  |                              |
| 5        | 92995-06600        | .WASHER<br>.ARANDELA  | 2  | 2  | 2 | 2  |                              |
| 6        | 648-48534-50-4D    | .THROTTLE LEVER, CONTROL<br>.PALANCA DE CONTROL DE ACELERA    | 1  | 1  | 1 | 1  |                              |
| 7        | 97095-06012        | .BOLT<br>.PERNO   | 1  | 1  | 1 | 1  |                              |
| 8        | 92995-06600        | .WASHER<br>.ARANDELA  | 1  | 1  | 1 | 1  |                              |
| 9        | 648-48340-50       | .CABLE END ASSY<br>.TERMINAL DE CABLE COMPL.                  | 1  | 1  | 1 | 1  |                              |
| 10       | 617-48346-90       | ..CABLE END, REMOTE CONTROL<br>..TERMINAL CABLE DE CONTROL RE | 1  | 1  | 1 | 1  |                              |
| 11       | 92990-08600        | ..WASHER, PLATE<br>..ARANDELA PLANA                           | 1  | 1  | 1 | 1  |                              |
| 12       | 90501-10264        | ..SPRING, COMPRESSION<br>..RESORTE DE COMPRESION              | 1  | 1  | 1 | 1  |                              |
| 13       | 617-48361-91       | ..HOOK, CABLE<br>..GANCHO CABLE                               | 1  | 1  | 1 | 1  |                              |
| 14       | 91690-30012        | ..PIN, SPRING<br>..PASADOR DE RESORTE                         | 1  | 1  | 1 | 1  |                              |
| 15       | 648-48330-50       | .CABLE END ASSY<br>.TERMINAL DE CABLE COMPL.                  | 1  | 1  | 1 | 1  |                              |
| 16       | 648-48346-50       | ..CABLE END, REMOTE CONTROL<br>..TERMINAL CABLE DE CONTROL RE | 1  | 1  | 1 | 1  |                              |
| 17       | 92990-08600        | ..WASHER, PLATE<br>..ARANDELA PLANA                           | 1  | 1  | 1 | 1  |                              |
| 18       | 90501-10071        | ..SPRING, COMPRESSION<br>..RESORTE DE COMPRESION              | 1  | 1  | 1 | 1  |                              |
| 19       | 617-48331-91       | ..HOOK, CABLE<br>..GANCHO CABLE                               | 1  | 1  | 1 | 1  |                              |
| 20       | 91690-30012        | ..PIN, SPRING<br>..PASADOR DE RESORTE                         | 1  | 1  | 1 | 1  |                              |
| 21       | 700-48510-12       | .STEERING HOOK ASSY<br>.GANCHO DE DIRECCION COMPL             | 1  | 1  | 1 | 1  | ROPE TYPE<br>ROPE TYPE       |
| 22       | 689-48511-01       | .HOOK, STEERING<br>.GANCHO DIRECCION                          | 1  | 1  | 1 | 1  |                              |
| 23       | 97075-10040        | .BOLT<br>.PERNO   | 1  | 1  | 1 | 1  |                              |
| 24       | 92990-10600        | .WASHER, PLATE<br>..ARANDELA PLANA                            | 1  | 1  | 1 | 1  |                              |
| 25       | 90185-10051        | .NUT, SELF-LOCKING<br>.TUERCA AUTOBLOCANTE                    | 1  | 1  | 1 | 1  |                              |



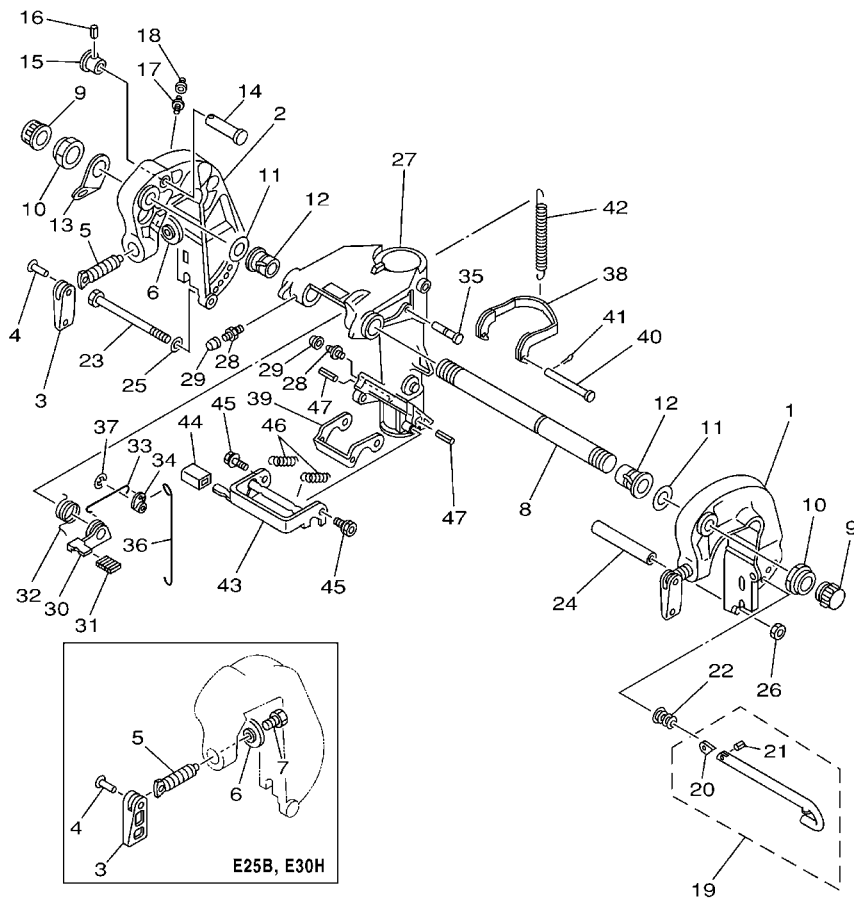


69R2200-2170

FIG. 19 BRACKET 1

SOPORTE 1

| REF. NO. | PART NO. CODIGO Nº | DESCRIPTION DESCRIPCION                                 | MH | WH | W | WC | REMARKS OBSERVACIONES  |
|----------|--------------------|---|----|----|---|----|------------------------|
| 1        | 689-43111-03-4D    | BRACKET, CLAMP<br>SOPORTE DE LA ABRAZADERA              | 1  | 1  | 1 | 1  |                        |
| 2        | 689-43112-02-4D    | BRACKET, CLAMP<br>SOPORTE DE LA ABRAZADERA              | 1  | 1  | 1 | 1  |                        |
| 3        | 6E0-43118-01       | HANDLE, TRANSOM CLAMP<br>MANIJA DE LA ABRAZADERA DEL ES | 2  | 2  | 2 | 2  | 25B,30H<br>25B,30H     |
|          | 663-43118-01       | HANDLE, TRANSOM CLAMP<br>MANIJA DE LA ABRAZADERA DEL ES | 2  |    |   |    | E25B,E30H<br>E25B,E30H |
| 4        | 90243-04M01        | PIN<br>PASADOR  | 2  | 2  | 2 | 2  | 25B,30H<br>25B,30H     |
|          | 90243-04007        | PIN<br>PASADOR  | 2  |    |   |    | E25B,E30H<br>E25B,E30H |
| 5        | 90149-14030        | SCREW<br>TORNILLO DE REGLAJE                            | 2  | 2  | 2 | 2  | 25B,30H<br>25B,30H     |
|          | 6G0-43116-00       | SCREW, TRANSOM CLAMP<br>TORNILLO DE ABRAZADERA          | 2  |    |   |    | E25B,E30H<br>E25B,E30H |
| 6        | 648-43114-01       | PAD, TRANSOM CLAMP<br>ARANDELA DE ABRAZADERA            | 2  | 2  | 2 | 2  | 25B,30H<br>25B,30H     |
|          | 6F5-43114-00       | PAD, TRANSOM CLAMP<br>ARANDELA DE ABRAZADERA            | 2  |    |   |    | E25B,E30H<br>E25B,E30H |
| 7        | 90109-06M12        | BOLT<br>PERNO   | 2  |    |   |    | E25B,E30H<br>E25B,E30H |
| 8        | 6J8-43131-01       | BOLT, CLAMP BRACKET<br>TORNILLO DE ABRAZADERA DEL SOP   | 1  | 1  | 1 | 1  |                        |
| 9        | 6G5-43145-01       | CAP, CLAMP BRACKET<br>TAPA                              | 2  | 2  | 2 | 2  |                        |
| 10       | 90185-22043        | NUT, SELF-LOCKING<br>TUERCA AUTOBLOCANTE                | 2  | 2  | 2 | 2  |                        |
| 11       | 90201-22M03        | WASHER, PLATE<br>ARANDELA PLANA                         | 2  | 2  | 2 | 2  |                        |
| 12       | 90386-22M67        | BUSH<br>BUJE  | 2  | 2  | 2 | 2  |                        |
| 13       | 6J8-43113-01       | PLATE, CLAMP BRACKET<br>PLACA ABRAZADERA SOPORTE        | 1  | 1  | 1 | 1  |                        |
| 14       | 689-43191-00       | SHAFT, STOPPER<br>EJE DE TOPE                           | 1  | 1  | 1 | 1  |                        |
| 15       | 689-43192-01       | KNOB, STOPPER<br>PERILLA DE TOPE                        | 1  | 1  | 1 | 1  |                        |
| 16       | 91690-30016        | PIN, SPRING<br>PASADOR DE RESORTE                       | 1  | 1  | 1 | 1  |                        |
| 17       | 93700-06M03        | NIPPLE, GREASE<br>BOQUILLA DE ENGRASAR                  | 1  | 1  | 1 | 1  |                        |
| 18       | 663-45119-00       | CAP, GREASE NIPPLE<br>TAPA DE GRASERA                   | 1  | 1  | 1 | 1  | AP<br>AP               |
| 19       | 689-43160-00       | TILT ROD ASSY<br>VARILLA DE BASCULACION COMPL.          | 1  | 1  | 1 | 1  |                        |
| 20       | 689-43165-00       | .PLATE, TILT LOCK<br>.PLACA DE TOPE, VARILLA SEGUR      | 1  | 1  | 1 | 1  |                        |
| 21       | 91690-30008        | .PIN, SPRING<br>.PASADOR DE RESORTE                     | 1  | 1  | 1 | 1  |                        |
| 22       | 90502-10M07        | SPRING, CONICAL<br>RESORTE CONICO                       | 1  | 1  | 1 | 1  |                        |
| 23       | 90101-08339        | BOLT<br>TORNILLO  | 1  | 1  | 1 | 1  |                        |

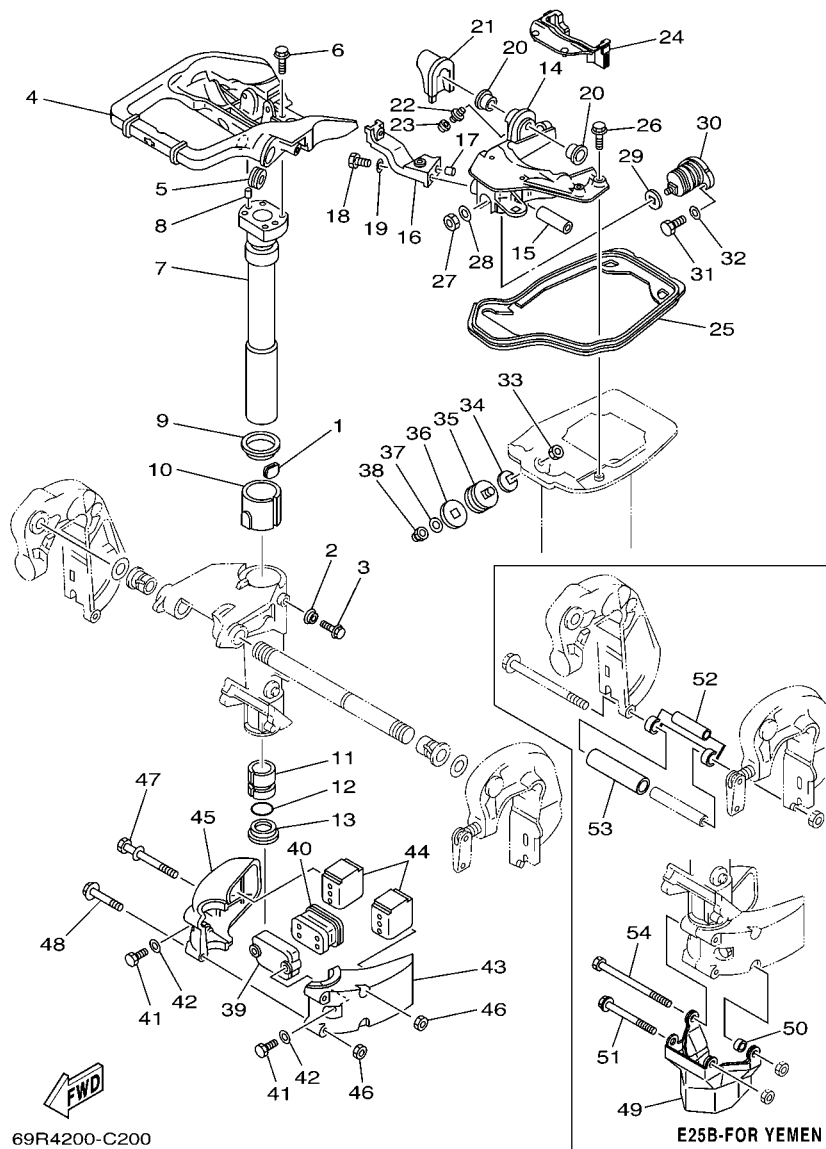


69R2200-2170

FIG. 19 BRACKET 1

SOPORTE 1

| REF. NO. | PART NO. CODIGO Nº | DESCRIPTION DESCRIPCION                              | MH | WH | W | WC | REMARKS OBSERVACIONES                |
|----------|--------------------|--|----|----|---|----|--------------------------------------|
| 24       | 90387-08M03        | COLLAR<br>COLLAR                                     | 1  | 1  | 1 | 1  |                                      |
| 25       | 92995-08600        | WASHER<br>ARANDELA                                   | 1  | 1  | 1 | 1  |                                      |
| 26       | 95380-08600        | NUT<br>TUERCA  | 1  | 1  | 1 | 1  |                                      |
| 27       | 689-43311-03-4D    | BRACKET, SWIVEL 1<br>SOPORTE GIRATORIO 1             | 1  | 1  | 1 | 1  |                                      |
| 28       | 93700-06M03        | NIPPLE, GREASE<br>BOQUILLA DE ENGRASAR               | 3  | 3  | 3 | 3  |                                      |
| 29       | 663-45119-00       | CAP, GREASE NIPPLE<br>TAPA DE GRASERA                | 3  | 3  | 3 | 3  | AP<br>AP                             |
| 30       | 689-43631-00       | LEVER, TILT<br>PALANCA DE INCLINACION                | 1  | 1  | 1 | 1  |                                      |
| 31       | 689-43633-00       | COVER, TILT LEVER<br>CUBIERTA PALANCA DE INCLINACION | 1  | 1  | 1 | 1  |                                      |
| 32       | 689-43643-00       | SPRING<br>RESORTE                                    | 1  | 1  | 1 | 1  |                                      |
| 33       | 689-43616-00       | ROD, TILT LOCK<br>VARILLA SEGURO DE INCLINACION      | 1  | 1  | 1 | 1  |                                      |
| 34       | 648-43642-00       | LEVER, TILT 1<br>PALANCA DE INCLINACION1             | 1  | 1  | 1 | 1  |                                      |
| 35       | 90249-06M22        | PIN<br>PASADOR                                       | 1  | 1  | 1 | 1  |                                      |
| 36       | 648-43617-00       | ROD, TILT LOCK<br>VARILLA SEGURO DE INCLINACION      | 1  | 1  | 1 | 1  |                                      |
| 37       | 99080-05600        | CIRCLIP<br>PRESILLA REDONDA                          | 1  | 1  | 1 | 1  |                                      |
| 38       | 689-43614-01       | PLATE, TILT LOCK<br>PLACA DE SEGURO DE INCLINACION   | 1  | 1  | 1 | 1  |                                      |
| 39       | 648-43615-00       | PLATE, TILT LOCK<br>PLACA DE SEGURO DE INCLINACION   | 1  | 1  | 1 | 1  |                                      |
| 40       | 90240-05047        | PIN, CLEVIS<br>PASADOR CON HOYO                      | 1  | 1  | 1 | 1  |                                      |
| 41       | 91490-16010        | PIN, COTTER<br>CHAVETA                               | 1  | 1  | 1 | 1  |                                      |
| 42       | 90506-30M27        | SPRING, TENSION<br>RESORTE DE TENSION                | 1  | 1  | 1 | 1  |                                      |
| 43       | 689-43681-01       | LEVER, SHALLOW WATER DRIVE 1<br>PALANCA 1            | 1  | 1  | 1 | 1  | EXCEPT 30HMH-BRA<br>EXCEPT 30HMH-BRA |
| 44       | 682-43318-01       | COVER<br>CUBIERTA                                    | 1  | 1  | 1 | 1  | EXCEPT 30HMH-BRA<br>EXCEPT 30HMH-BRA |
| 45       | 90109-06M18        | BOLT<br>PERNO  | 2  | 2  | 2 | 2  | EXCEPT 30HMH-BRA<br>EXCEPT 30HMH-BRA |
| 46       | 90506-16M17        | SPRING, TENSION<br>RESORTE DE TENSION                | 2  | 2  | 2 | 2  | EXCEPT 30HMH-BRA<br>EXCEPT 30HMH-BRA |
| 47       | 91690-40035        | PIN, SPRING<br>PASADOR DE RESORTE                    | 2  | 2  | 2 | 2  | EXCEPT 30HMH-BRA<br>EXCEPT 30HMH-BRA |



69R4200-C200

FIG. 20 BRACKET 2

SOPORTE 2

| REF. NO. | PART NO. CODIGO Nº | DESCRIPTION DESCRIPCION                          | MH | WH | W | WC | REMARKS OBSERVACIONES |
|----------|--------------------|--|----|----|---|----|-----------------------|
| 1        | 648-42528-00       | PLATE, FRICTION<br>PIEZA DE FRICCION             | 1  | 1  | 1 | 1  |                       |
| 2        | 689-43373-01       | SEAL, DAMPER<br>SELLO DE GOMA                    | 1  | 1  | 1 | 1  |                       |
| 3        | 90105-06M18        | BOLT, FLANGE<br>TORNILLO                         | 1  | 1  | 1 | 1  |                       |
| 4        | 69P-42511-00-4D    | BRACKET, STEERING<br>SOPORTE DE DIRECCION        | 1  | 1  | 1 | 1  |                       |
| 5        | 90480-29045        | GROMMET<br>TAPON                                 | 1  | 1  |   | 1  |                       |
| 6        | 90105-06M07        | BOLT, FLANGE<br>TORNILLO                         | 4  | 4  | 4 | 4  |                       |
| 7        | 689-42521-00-94    | SHAFT, STEERING PIVOT<br>EJE PIVOTE DE DIRECCION | 1  | 1  | 1 | 1  |                       |
| 8        | 93608-12063        | PIN, DOWEL<br>PASADOR DE CLAVIJA                 | 2  | 2  | 2 | 2  |                       |
| 9        | 90209-47016        | WASHER<br>ARANDELA DE SEPARACION                 | 1  | 1  | 1 | 1  |                       |
| 10       | 90386-47M22        | BUSH<br>BUJE                                     | 1  | 1  | 1 | 1  |                       |
| 11       | 90386-38090        | BUSH<br>BUJE                                     | 1  | 1  | 1 | 1  |                       |
| 12       | 93210-37160        | O-RING<br>ANILLO O                               | 1  | 1  | 1 | 1  |                       |
| 13       | 90386-38022        | BUSH<br>BUJE                                     | 1  | 1  | 1 | 1  |                       |
| 14       | 69P-44518-00-94    | BRACKET COMP.<br>SOPORTE                         | 1  | 1  | 1 | 1  |                       |
| 15       | 90387-10M39        | COLLAR<br>COLLAR                                 | 1  | 1  | 1 | 1  |                       |
| 16       | 648-44519-00-94    | BRACKET<br>SOPORTE                               | 1  | 1  | 1 | 1  |                       |
| 17       | 93606-12019        | PIN, DOWEL<br>PASADOR DE CLAVIJA                 | 1  | 1  | 1 | 1  |                       |
| 18       | 97095-06018        | BOLT<br>PERNO                                    | 1  | 1  | 1 | 1  |                       |
| 19       | 92995-06600        | WASHER<br>ARANDELA                               | 1  | 1  | 1 | 1  |                       |
| 20       | 90381-12M01        | BUSH, SOLID<br>BUJE SOLIDO                       | 2  | 2  | 2 | 2  |                       |
| 21       | 689-42718-00       | RUBBER, SEAL 3<br>GOMA                           | 1  | 1  | 1 | 1  |                       |
| 22       | 93700-06M03        | NIPPLE, GREASE<br>BOQUILLA DE ENGRASAR           | 1  | 1  | 1 | 1  |                       |
| 23       | 663-45119-00       | CAP, GREASE NIPPLE<br>TAPA DE GRASERA            | 1  | 1  | 1 | 1  | AP<br>AP              |
| 24       | 69P-42717-00       | RUBBER, SEAL 2<br>GOMA                           | 1  | 1  | 1 | 1  |                       |
| 25       | 69P-42716-00       | RUBBER, SEAL 1<br>SELLO DE GOMA 1                | 1  | 1  | 1 | 1  |                       |
| 26       | 90105-06M08        | BOLT, FLANGE<br>TORNILLO                         | 4  | 4  | 4 | 4  |                       |
| 27       | 90170-10M42        | NUT<br>TUERCA                                    | 1  | 1  | 1 | 1  |                       |

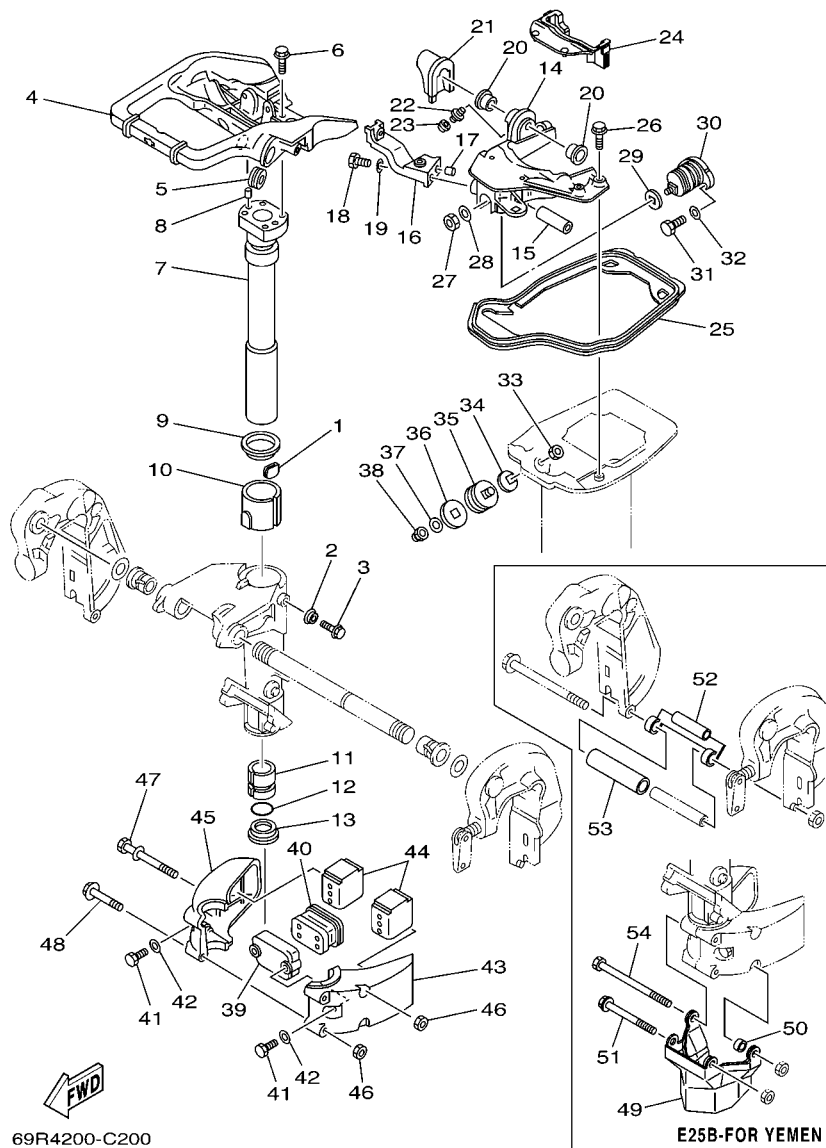
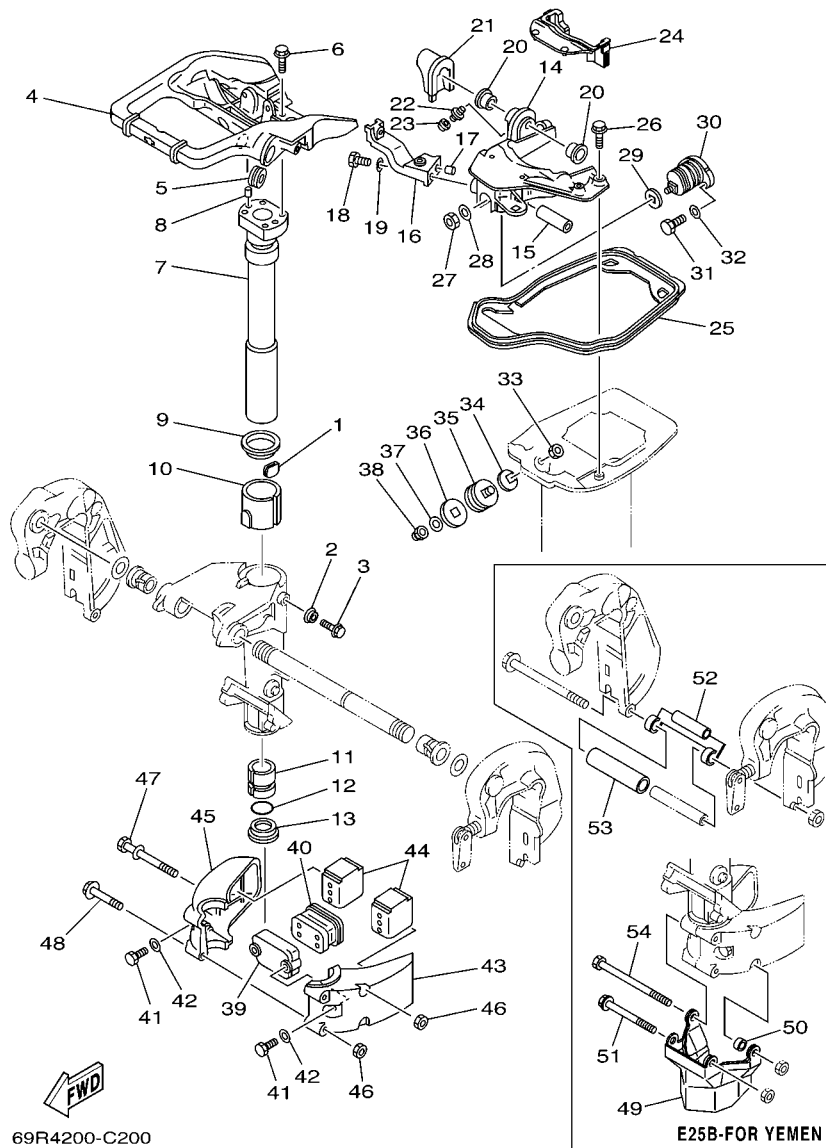


FIG. 20 BRACKET 2

SOPORTE 2

| REF. NO. | PART NO. CODIGO Nº | DESCRIPTION DESCRIPCION                                      | MH | WH | W | WC | REMARKS OBSERVACIONES                        |
|----------|--------------------|--|----|----|---|----|--|
| 28       | 92990-10200        | WASHER, PLAIN<br>ARANDELA PLANA                              | 1  | 1  | 1 | 1  |  |
| 29       | 648-44591-A0       | GASKET<br>EMPAQUE, AMORTIGUADOR                              | 1  | 1  | 1 | 1  |  |
| 30       | 689-44516-00       | MOUNT DAMPER, UPPER FRONT<br>AMORTIGUADOR DE HULE FRENTE SU  | 1  | 1  | 1 | 1  |  |
| 31       | 97095-06020        | BOLT<br>PERNO  | 2  | 2  | 2 | 2  |  |
| 32       | 92995-06600        | WASHER<br>ARANDELA   | 2  | 2  | 2 | 2  |  |
| 33       | 90170-10M42        | NUT<br>TUERCA  | 2  | 2  | 2 | 2  |  |
| 34       | 648-44591-A0       | GASKET<br>EMPAQUE, AMORTIGUADOR                              | 2  | 2  | 2 | 2  |  |
| 35       | 664-44514-00-94    | MOUNT DAMPER, UPPER SIDE<br>AMORTIGUADOR LADO SUPERIOR       | 2  | 2  | 2 | 2  |  |
| 36       | 664-44591-A0       | GASKET<br>EMPAQUE, AMORTIGUADOR                              | 2  | 2  | 2 | 2  |  |
| 37       | 92990-10200        | WASHER, PLAIN<br>ARANDELA PLANA                              | 2  | 2  | 2 | 2  |  |
| 38       | 90176-10M01        | NUT, CROWN<br>TUERCA CORONA                                  | 2  | 2  | 2 | 2  |  |
| 39       | 689-44553-00-94    | COVER, LOWER MOUNT<br>CUBIERTA, AMORTIGUADOR INFERIOR        | 1  | 1  | 1 | 1  |  |
| 40       | 689-44557-00       | MOUNT DAMPER, LOWER FRONT<br>AMORTIGUADOR DE HULE FRENTE IN  | 1  | 1  | 1 | 1  |  |
| 41       | 97075-08025        | BOLT<br>PERNO  | 2  | 2  | 2 | 2  |  |
| 42       | 92995-08600        | WASHER<br>ARANDELA   | 2  | 2  | 2 | 2  |  |
| 43       | 689-44551-01-4D    | HOUSING, LOWER MOUNT RUBBER<br>CAJA AMORTIGUADOR INFERIOR HU | 1  | 1  | 1 | 1  |  |
| 44       | 689-44555-00       | MOUNT DAMPER, LOWER SIDE<br>AMORTIGUADOR DE HULE LADO INFE   | 2  | 2  | 2 | 2  |  |
| 45       | 689-44552-01-4D    | HOUSING, LOWER MOUNT RUBBER<br>CAJA AMORTIGUADOR INFERIOR HU | 1  | 1  | 1 | 1  |  |
| 46       | 95380-08600        | NUT<br>TUERCA  | 4  | 4  | 4 | 4  |  |
| 47       | 90119-08M03        | BOLT, WITH WASHER<br>TORNILLO CON ARANDELA                   | 2  | 2  | 2 | 2  |  |
|          | 90119-08M03        | BOLT, WITH WASHER<br>TORNILLO CON ARANDELA                   | 1  |    |   |    | E25B-FOR YEM<br>E25B-FOR YEM                 |
| 48       | 97595-08565        | BOLT, WITH WASHER<br>PERNO CON ARANDELA RONDELLE             | 2  | 2  | 2 | 2  |  |
|          | 97595-08565        | BOLT, WITH WASHER<br>PERNO CON ARANDELA RONDELLE             | 1  |    |   |    | E25B-FOR YEM<br>E25B-FOR YEM                 |
| 49       | 69P-45151-00       | COVER, UPPER CASING<br>CUBIERTA FUNDA SUPERIOR               | 1  |    |   |    | E25B-FOR YEM<br>E25B-FOR YEM<br>E25B-FOR YEM |
| 50       | 90387-08019        | COLLAR<br>COLLAR   | 1  |    |   |    | E25B-FOR YEM<br>E25B-FOR YEM                 |
| 51       | 90119-08061        | BOLT, WITH WASHER<br>TORNILLO CON ARANDELA                   | 1  |    |   |    | E25B-FOR YEM<br>E25B-FOR YEM                 |
| 52       | 69P-43625-00       | PLATE, TILT ROCK 4<br>PLACA DE SEGURO DE INCLINACION         | 1  |    |   |    | E25B-FOR YEM<br>E25B-FOR YEM                 |



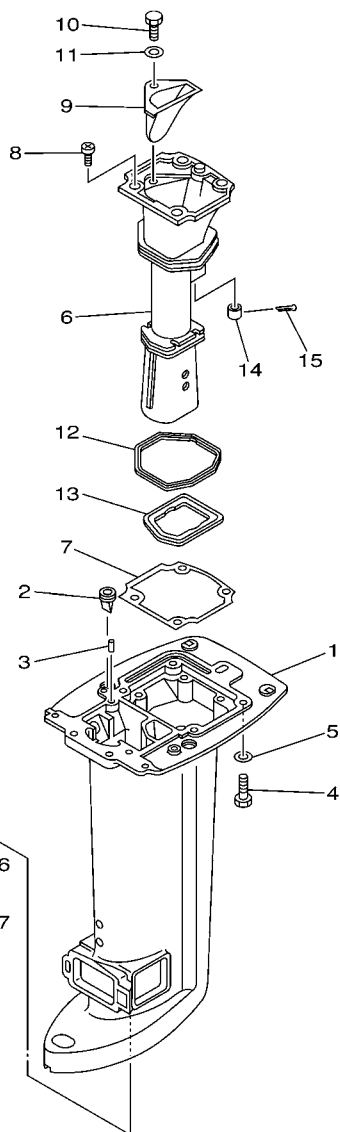
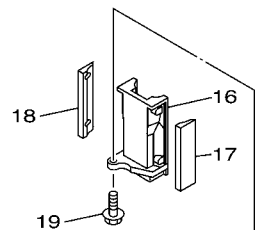
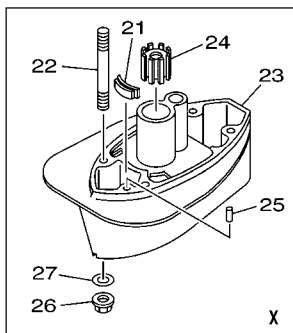
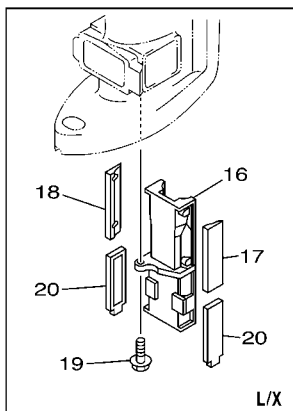
**FIG. 20 BRACKET 2**

**SOPORTE 2**

| REF. NO. | PART NO. CODIGO Nº | DESCRIPTION DESCRIPCION | MH | WH | W | WC | REMARKS OBSERVACIONES                        |
|----------|--------------------|-------------------------|----|----|---|----|--|
| 53       | 90445-22002        | HOSE TUBO               | 1  |    |   |    | E25B-FOR YEM                                 |
| 54       | 97095-08110        | BOLT PERNO              | 1  |    |   |    | E25B-FOR YEM<br>E25B-FOR YEM<br>E25B-FOR YEM |
| -----    |                    |                         |    |    |   |    |  |
| -----    |                    |                         |    |    |   |    |  |
| -----    |                    |                         |    |    |   |    |  |
| -----    |                    |                         |    |    |   |    |  |
| -----    |                    |                         |    |    |   |    |  |
| -----    |                    |                         |    |    |   |    |  |
| -----    |                    |                         |    |    |   |    |  |
| -----    |                    |                         |    |    |   |    |  |
| -----    |                    |                         |    |    |   |    |  |

FIG. 21 UPPER CASING

FUNDA SUPERIOR



  
69R3200-3210

| REF. NO. | PART NO. CODIGO Nº | DESCRIPTION DESCRIPCION                         | MH | WH | W | WC | REMARKS OBSERVACIONES |
|----------|--------------------|---|----|----|---|----|-----------------------|
| 1        | 69P-45111-00-4D    | CASING, UPPER<br>CAJA SUPERIOR                  | 1  |    | 1 | 1  | S<br>S                |
|          | 69P-45111-10-4D    | CASING, UPPER<br>CAJA SUPERIOR                  | 1  | 1  | 1 |    | L/X<br>L/X            |
| 2        | 65W-42717-00       | RUBBER, SEAL 2<br>GOMA                          | 2  | 2  | 2 | 2  |                       |
| 3        | 93606-12019        | PIN, DOWEL<br>PASADOR DE CLAVIJA                | 2  | 2  | 2 | 2  |                       |
| 4        | 97075-08030        | BOLT<br>PERNO                                   | 6  | 6  | 6 | 6  |                       |
| 5        | 92995-08600        | WASHER<br>ARANDELA                              | 6  | 6  | 6 | 6  |                       |
| 6        | 69P-41131-01-5B    | MANIFOLD, EXT. 1<br>TUBO MULTIPLE DE ESCAPE     | 1  | 1  | 1 | 1  | FOR STD<br>FOR STD    |
|          | 69P-41131-11-5B    | MANIFOLD, EXT. 1<br>TUBO MULTIPLE DE ESCAPE     | 1  | 1  | 1 |    |                       |
| 7        | 69P-41134-A0       | GASKET, EXHAUST MANIFOLD<br>EMPAQUE             | 1  | 1  | 1 | 1  |                       |
| 8        | 97880-06016        | SCREW, PAN HEAD<br>TORNILLO DE CABEZA CON PLANA | 4  | 4  | 4 | 4  |                       |
| 9        | 69P-41137-00-5B    | GUIDE, EXHAUST<br>GUIA DE ESCAPE                | 1  | 1  | 1 | 1  |                       |
| 10       | 97095-08020        | BOLT<br>PERNO                                   | 1  | 1  | 1 | 1  |                       |
| 11       | 92995-08600        | WASHER<br>ARANDELA                              | 1  | 1  | 1 | 1  |                       |
| 12       | 69P-41138-00       | SEAL, EXT. 1<br>SELLO, ESCAPE 1                 | 1  | 1  | 1 | 1  |                       |
| 13       | 69P-41139-00       | SEAL, EXT. 2<br>SELLO, ESCAPE 2                 | 1  | 1  | 1 | 1  |                       |
| 14       | 6A8-41135-00       | GASKET, EXHAUST MANIFOLD<br>EMPAQUE             | 1  | 1  | 1 | 1  |                       |
| 15       | 91490-30025        | PIN, COTTER<br>CHAVETA                          | 1  | 1  | 1 | 1  |                       |
| 16       | 69P-47467-00-5B    | PLATE, GUIDE<br>PLACA DE GUIA                   | 1  |    | 1 | 1  | S<br>S                |
|          | 69P-47467-10-5B    | PLATE, GUIDE<br>PLACA DE GUIA                   | 1  | 1  | 1 |    | L/X<br>L/X            |
| 17       | 69P-45127-00       | SEAL<br>SELLO DE GOMA                           | 1  | 1  | 1 | 1  |                       |
| 18       | 69P-45128-00       | SEAL 2<br>SELLO DE GOMA 2                       | 1  | 1  | 1 | 1  |                       |
| 19       | 90119-06024        | BOLT, WITH WASHER<br>TORNILLO CON ARANDELA      | 1  | 1  | 1 | 1  |                       |
| 20       | 69P-45159-00       | DAMPER<br>SELLO DE GOMA                         | 2  | 2  | 2 |    | L/X<br>L/X            |
| 21       | 61N-45375-00       | DAMPER, SEAL<br>GOMA DE SELLO                   | 1  |    |   |    | X<br>X                |
| 22       | 90116-10M33        | BOLT, STUD<br>ESPARRAGO                         | 4  |    |   |    | X<br>X                |
| 23       | 61N-45211-31-4D    | EXTENSION<br>EXTENSION                          | 1  |    |   |    | X<br>X                |
| 24       | 689-45318-00       | BUSHING, DRIVE SHAFT<br>BUJE, EJE DE MANDO      | 1  |    |   |    | X<br>X                |

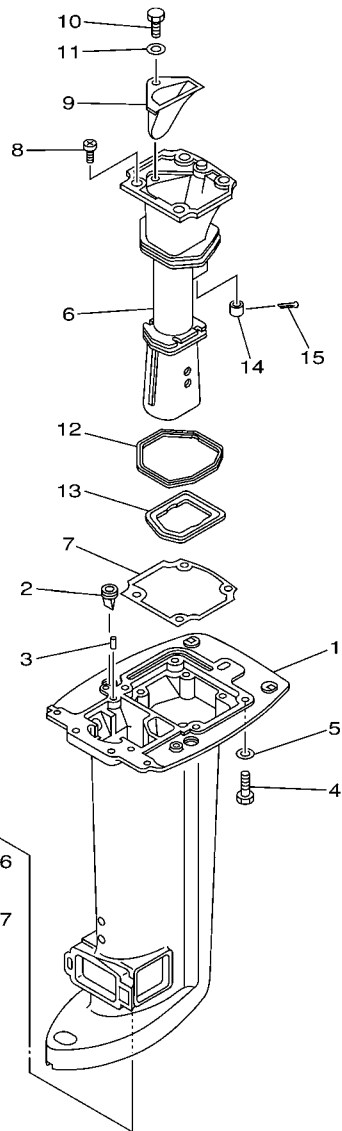
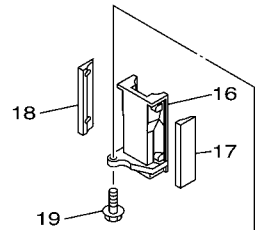
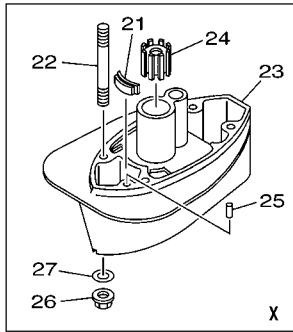
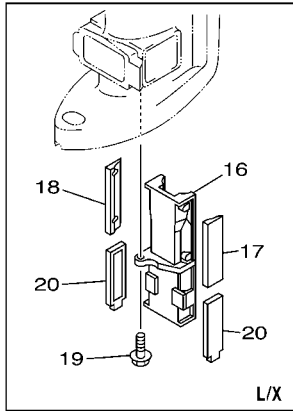


FIG. 21 UPPER CASING

FUNDA SUPERIOR

| REF. NO. | PART NO. CODIGO Nº | DESCRIPTION DESCRIPCION          | MH | WH | W | WC | REMARKS OBSERVACIONES |
|----------|--------------------|----------------------------------|----|----|---|----|-----------------------|
| 25       | 93606-11M24        | PIN, DOWEL<br>PASADOR DE CLAVIJA | 2  |    |   |    | X<br>X                |
| 26       | 90179-10M03        | NUT<br>TUERCA                    | 4  |    |   |    | X<br>X                |
| 27       | 92995-10600        | WASHER<br>ARANDELA               | 4  |    |   |    | X<br>X                |
| -----    |                    |                                  |    |    |   |    |                       |
| -----    |                    |                                  |    |    |   |    |                       |
| -----    |                    |                                  |    |    |   |    |                       |
| -----    |                    |                                  |    |    |   |    |                       |
| -----    |                    |                                  |    |    |   |    |                       |
| -----    |                    |                                  |    |    |   |    |                       |
| -----    |                    |                                  |    |    |   |    |                       |
| -----    |                    |                                  |    |    |   |    |                       |
| -----    |                    |                                  |    |    |   |    |                       |
| -----    |                    |                                  |    |    |   |    |                       |

  
69R3200-3210

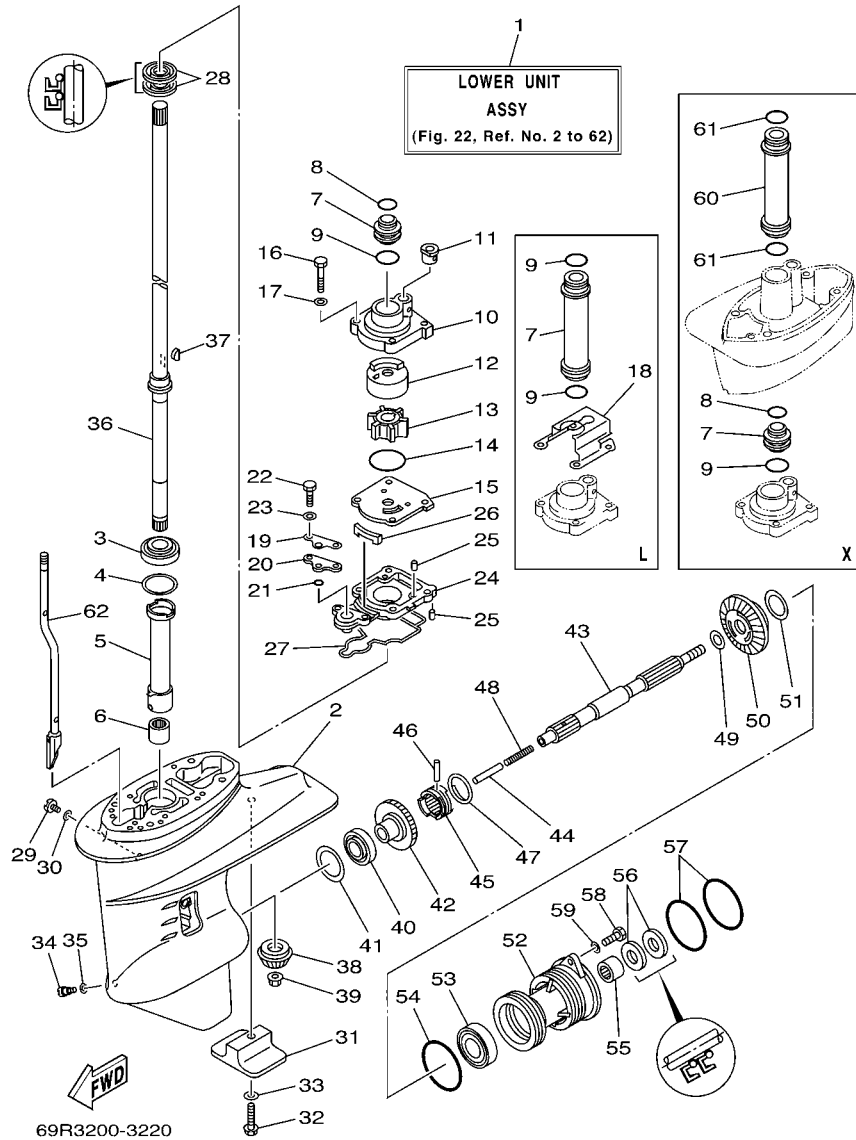


FIG. 22 LOWER CASING & DRIVE 1 IMPULSOR E INFERIOR 1

| REF. NO. | PART NO. CODIGO Nº | DESCRIPTION DESCRIPCION                               | MH | WH | W | WC | REMARKS OBSERVACIONES        |
|----------|--------------------|---|----|----|---|----|------------------------------|
| 1        | 69P-45300-01-4D    | LOWER UNIT ASSY<br>CONJUNTO UNIDAD INFERIOR           | 1  |    | 1 | 1  | S<br>S                       |
|          | 69P-45300-11-4D    | LOWER UNIT ASSY<br>CONJUNTO UNIDAD INFERIOR           | 1  | 1  | 1 |    | L<br>L                       |
|          | 69P-45300-31-4D    | LOWER UNIT ASSY<br>CONJUNTO UNIDAD INFERIOR           | 1  |    |   |    | X<br>X                       |
| 2        | 61N-45311-02-4D    | CASING, LOWER<br>FUNDA INFERIOR                       | 1  | 1  | 1 | 1  |                              |
| 3        | 93332-000W5        | BEARING<br>COJINETE                                   | 1  | 1  | 1 | 1  |                              |
| 4        | 61N-45587-00-07    | SHIM (T:0.7MM)<br>LAINA (T:0.7MM)                     | 1  | 1  | 1 | 1  | UR<br>UR                     |
|          | 61N-45587-00-10    | SHIM (T:1.0MM)<br>LAINA (T:1.0MM)                     | 1  | 1  | 1 | 1  | UR<br>UR                     |
|          | 61N-45587-00-11    | SHIM (T:1.1MM)<br>LAINA (T:1.1MM)                     | 1  | 1  | 1 | 1  | UR<br>UR                     |
|          | 61N-45587-00-12    | SHIM (T:1.2MM)<br>LAINA (T:1.2MM)                     | 1  | 1  | 1 | 1  | UR<br>UR                     |
|          | 61N-45587-00-13    | SHIM (T:1.3MM)<br>LAINA (T:1.3MM)                     | 1  | 1  | 1 | 1  | UR<br>UR                     |
|          | 61N-45587-00-14    | SHIM (T:1.4MM)<br>LAINA (T:1.4MM)                     | 1  | 1  | 1 | 1  | UR<br>UR                     |
|          | 61N-45587-00-15    | SHIM (T:1.5MM)<br>LAINA (T:1.5MM)                     | 1  | 1  | 1 | 1  | UR<br>UR<br>UR               |
|          | 61N-45587-00-16    | SHIM (T:1.6MM)<br>LAINA (T:1.6MM)                     | 1  | 1  | 1 | 1  | UR<br>UR                     |
| 5        | 61N-45536-00       | SLEEVE, DRIVE SHAFT<br>CAMISA EJE DE MANDO            | 1  | 1  | 1 | 1  |                              |
| 6        | 93315-220V7        | BEARING<br>COJINETE DE RODILLOS                       | 1  | 1  | 1 | 1  |                              |
| 7        | 61N-44362-00       | TUBE, WATER<br>TUBO DE AGUA                           | 1  |    | 1 | 1  | S/X<br>S/X                   |
|          | 61N-44362-10       | TUBE, WATER<br>TUBO DE AGUA                           | 1  | 1  | 1 |    | L<br>L                       |
| 8        | 93210-22164        | O-RING<br>ANILLO O                                    | 1  |    | 1 | 1  | S/X<br>S/X                   |
| 9        | 93210-26130        | O-RING<br>ANILLO O                                    | 1  |    | 1 | 1  | S/X<br>S/X                   |
|          | 93210-26130        | O-RING<br>ANILLO O                                    | 2  | 2  | 2 |    | L<br>L                       |
| 10       | 69P-44311-00       | HOUSING, WATER PUMP<br>CAJA BOMBA DE AGUA             | 1  | 1  | 1 | 1  |                              |
| 11       | 6L2-44367-00       | DAMPER, WATER SEAL<br>GOMA DEL SELLO DE AGUA          | 1  | 1  | 1 | 1  |                              |
| 12       | 69P-44322-00       | INSERT, CARTRIDGE<br>CARTUCHO                         | 1  | 1  | 1 | 1  | FOR STD<br>FOR STD           |
|          | 69P-44322-40       | INSERT, CARTRIDGE<br>CARTUCHO                         | 1  | 1  | 1 | 1  | FOR CHROMATE<br>FOR CHROMATE |
| 13       | 6H4-44352-02       | IMPELLER<br>IMPULSOR                                  | 1  | 1  | 1 | 1  |                              |
| 14       | 93210-45161        | O-RING<br>ANILLO O                                    | 1  | 1  | 1 | 1  |                              |
| 15       | 61N-44323-00       | OUTER PLATE, CARTRIDGE<br>PLACA EXTERIOR DEL CARTUCHO | 1  | 1  | 1 |    | FOR STD<br>FOR STD           |



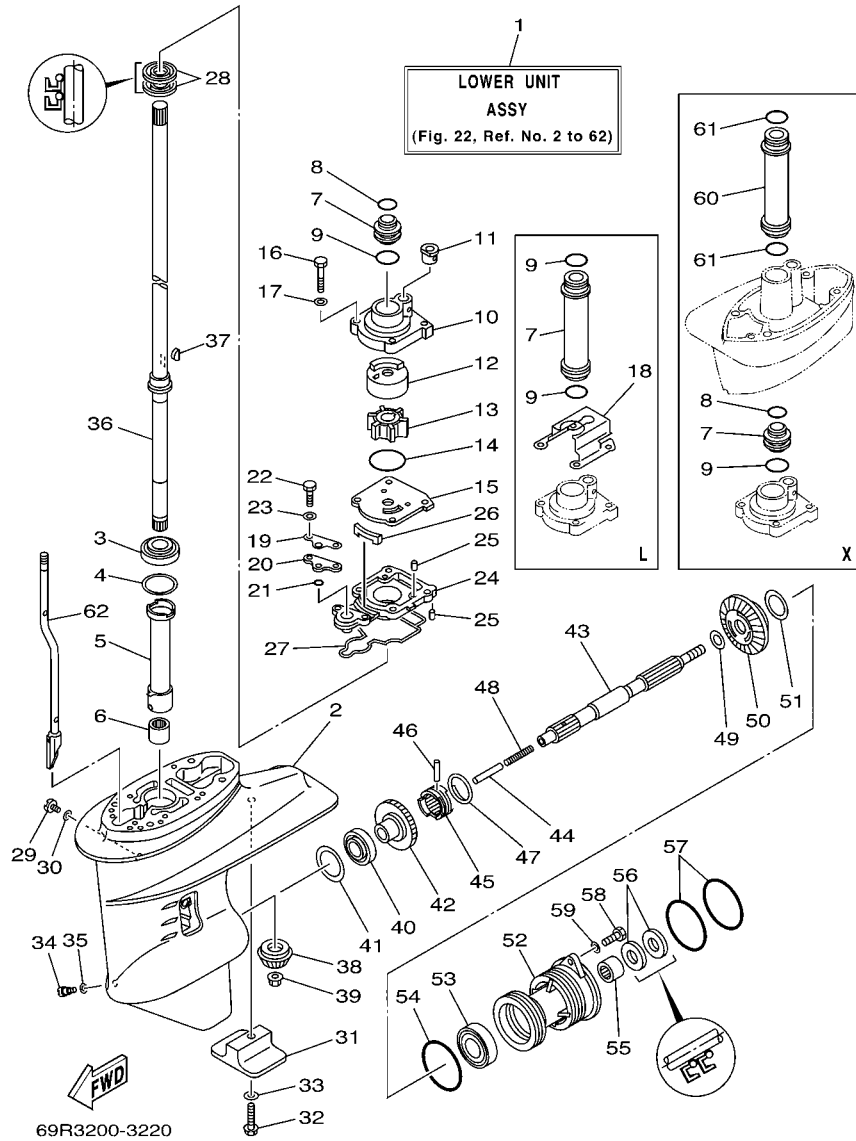


FIG. 22 LOWER CASING & DRIVE 1 IMPULSOR E INFERIOR 1

| REF. NO. | PART NO. CODIGO Nº | DESCRIPTION DESCRIPCION                               | MH | WH | W | WC | REMARKS OBSERVACIONES        |
|----------|--------------------|---|----|----|---|----|------------------------------|
| 15       | 61N-44323-40       | OUTER PLATE, CARTRIDGE<br>PLACA EXTERIOR DEL CARTUCHO | 1  | 1  | 1 | 1  | FOR CHROMATE<br>FOR CHROMATE |
| 16       | 97095-06040        | BOLT<br>PERNO   | 4  | 4  | 4 | 4  |                              |
| 17       | 92995-06600        | WASHER<br>ARANDELA                                    | 4  | 4  | 4 | 4  |                              |
| 18       | 65W-44328-11       | PLATE<br>PLACA  | 1  | 1  | 1 | 1  | L<br>L                       |
| 19       | 61N-44176-00       | BRACKET<br>SOPORTE                                    | 1  | 1  | 1 | 1  |                              |
| 20       | 61N-45321-00       | PLATE<br>PLACA  | 1  | 1  | 1 | 1  |                              |
| 21       | 93210-06ME6        | O-RING<br>ANILLO O                                    | 1  | 1  | 1 | 1  |                              |
| 22       | 97095-06025        | BOLT<br>PERNO   | 2  | 2  | 2 | 2  |                              |
| 23       | 92995-06600        | WASHER<br>ARANDELA                                    | 2  | 2  | 2 | 2  |                              |
| 24       | 61N-45331-00-5B    | HOUSING, BEARING<br>CAJA DE COJINETE                  | 1  | 1  | 1 | 1  |                              |
| 25       | 93604-10M03        | PIN, DOWEL<br>PASADOR DE CLAVIJA                      | 3  | 3  | 3 | 3  |                              |
| 26       | 61N-45127-00       | SEAL<br>SELLO DE GOMA                                 | 1  | 1  | 1 | 1  |                              |
| 27       | 61N-45315-00       | PACKING, LOWER CASING<br>EMPAQUE                      | 1  | 1  | 1 | 1  |                              |
| 28       | 93101-22067        | OIL SEAL<br>SELLO ACEITE                              | 2  | 2  | 2 | 2  |                              |
| 29       | 90340-08002        | PLUG, STRAIGHT SCREW<br>TORNILLO, DE DRENAJE          | 1  | 1  | 1 | 1  |                              |
| 30       | 90430-08020        | GASKET<br>JUNTA                                       | 1  | 1  | 1 | 1  |                              |
| 31       | 61N-45251-01       | ANODE<br>CATODE                                       | 1  | 1  | 1 | 1  |                              |
| 32       | 95895-06035        | BOLT, FLANGE<br>TORNILLO DE REBORDE                   | 1  | 1  | 1 | 1  |                              |
| 33       | 92990-06300        | WASHER, INTERNAL TOOTH<br>ARANDELA PLANA              | 1  | 1  | 1 | 1  |                              |
| 34       | 688-45341-10       | PLUG, DRAIN<br>TAPON, DREN                            | 1  | 1  | 1 | 1  |                              |
| 35       | 90430-08020        | GASKET<br>JUNTA                                       | 1  | 1  | 1 | 1  |                              |
| 36       | 61N-45510-00       | DRIVE SHAFT ASSY<br>EJE DE MANDO COMPL.               | 1  |    | 1 | 1  | S<br>S                       |
|          | 61N-45510-10       | DRIVE SHAFT ASSY<br>EJE DE MANDO COMPL.               | 1  | 1  | 1 | 1  | L<br>L                       |
|          | 61N-45510-30       | DRIVE SHAFT ASSY<br>EJE DE MANDO COMPL.               | 1  |    |   |    | X<br>X                       |
| 37       | 90280-03M03        | KEY, WOODRUFF<br>CUNA WOODRUFF                        | 1  | 1  | 1 | 1  |                              |
| 38       | 61N-45551-00       | PINION<br>PINON                                       | 1  | 1  | 1 | 1  |                              |
| 39       | 90179-10M14        | NUT<br>TUERCA   | 1  | 1  | 1 | 1  |                              |

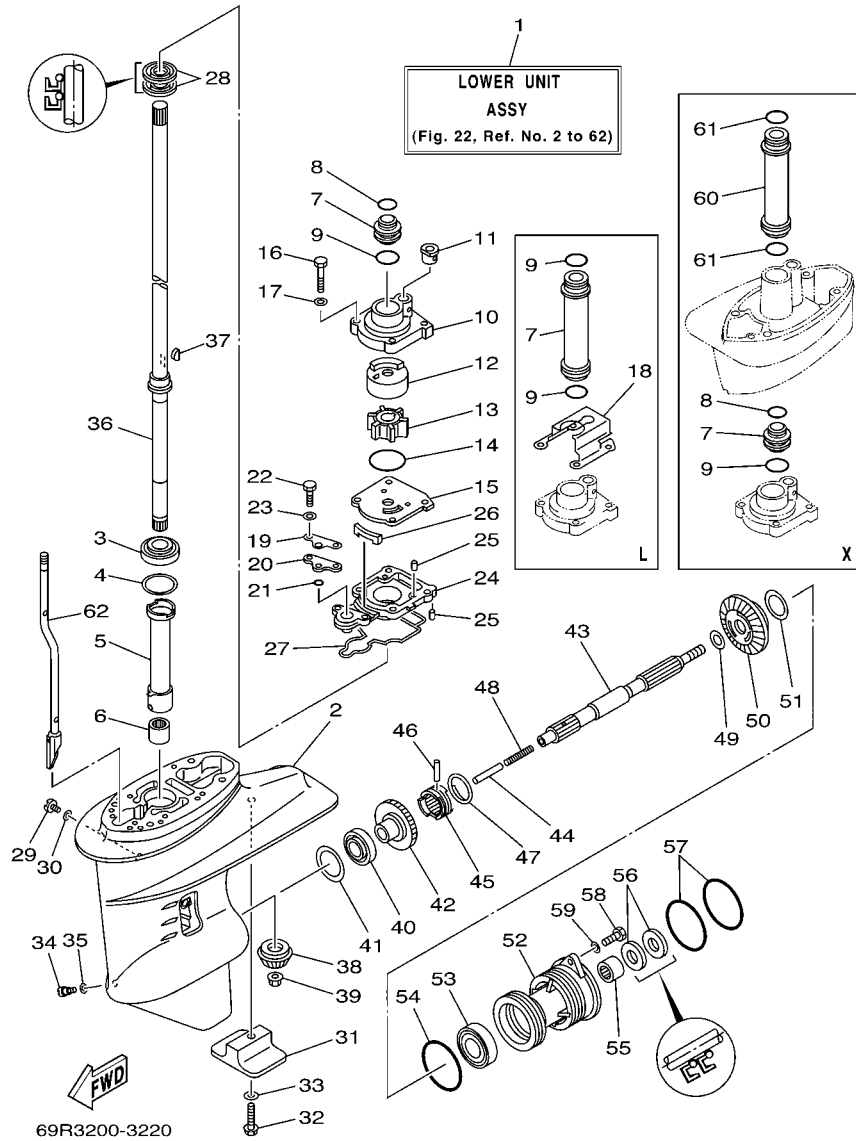


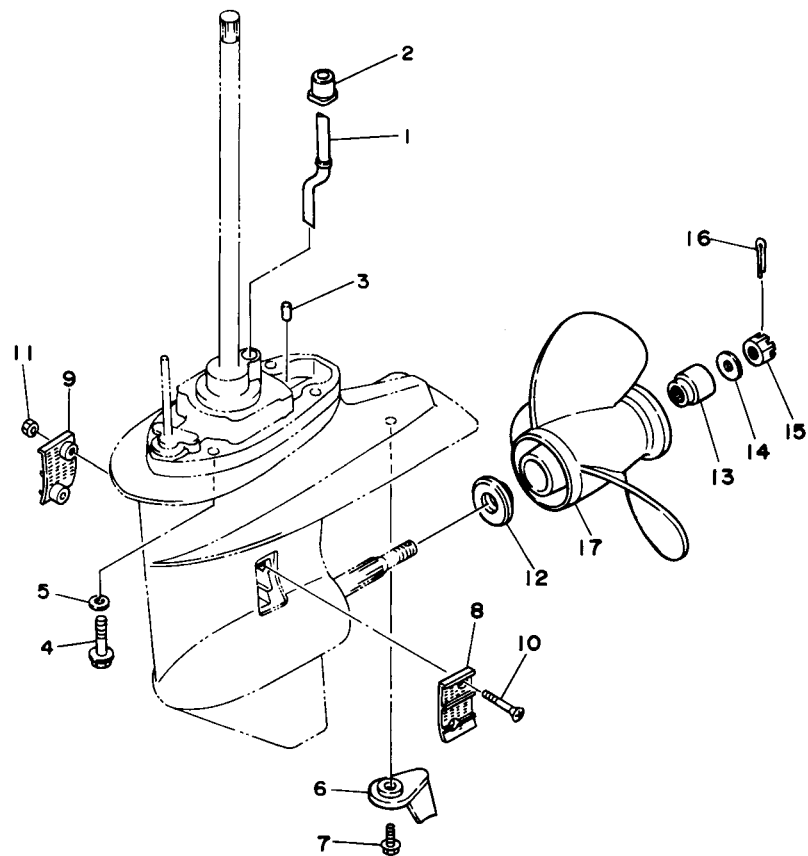
FIG. 22 LOWER CASING & DRIVE 1 IMPULSOR E INFERIOR 1

| REF. NO. | PART NO. CODIGO N° | DESCRIPTION DESCRIPCION                      | MH | WH | W | WC | REMARKS OBSERVACIONES |
|----------|--------------------|--|----|----|---|----|-----------------------|
| 40       | 93332-00005        | BEARING<br>COJINETE                          | 1  | 1  | 1 | 1  |                       |
| 41       | 6L2-45567-00-10    | SHIM (T:1.0MM)<br>LAINA(T:1.0MM)             | 1  | 1  | 1 | 1  | UR                    |
|          | 6L2-45567-00-11    | SHIM (T:1.1MM)<br>LAINA(T:1.1MM)             | 1  | 1  | 1 | 1  | UR                    |
|          | 6L2-45567-00-12    | SHIM (T:1.2MM)<br>LAINA(T:1.2MM)             | 1  | 1  | 1 | 1  | UR                    |
|          | 6L2-45567-00-13    | SHIM (T:1.3MM)<br>LAINA(T:1.3MM)             | 1  | 1  | 1 | 1  | UR                    |
|          | 6L2-45567-00-14    | SHIM (T:1.4MM)<br>LAINA(T:1.4MM)             | 1  | 1  | 1 | 1  | UR                    |
| 42       | 61N-45560-10       | GEAR<br>ENGRANE COMPLE 1                     | 1  | 1  | 1 | 1  |                       |
| 43       | 65W-45611-00       | SHAFT, PROPELLER<br>EJE PROPUSOR             | 1  | 1  | 1 | 1  |                       |
| 44       | 648-45635-00       | PLUNGER, SHIFT<br>EMBOLO DE CAMBIO           | 1  | 1  | 1 | 1  |                       |
| 45       | 664-45631-02       | CLUTCH, DOG<br>EMBRAGUE DE GARRA             | 1  | 1  | 1 | 1  |                       |
| 46       | 90250-05010        | PIN, STRAIGHT<br>PASADOR CILINDRICO          | 1  | 1  | 1 | 1  |                       |
| 47       | 648-45633-00       | RING, CROSS PIN<br>ANILLO DE PASADOR         | 1  | 1  | 1 | 1  |                       |
| 48       | 90501-10065        | SPRING, COMPRESSION<br>RESORTE DE COMPRESION | 1  | 1  | 1 | 1  |                       |
| 49       | 90201-20417        | WASHER, PLATE<br>ARANDELA PLANA              | 1  | 1  | 1 | 1  |                       |
| 50       | 61N-45571-00       | GEAR<br>ENGRANAJE                            | 1  | 1  | 1 | 1  |                       |
| 51       | 6L2-45577-00-10    | SHIM (T:1.0MM)<br>LAINA(T:1.0MM)             | 1  | 1  | 1 | 1  | UR                    |
|          | 6L2-45577-00-11    | SHIM (T:1.1MM)<br>LAINA(T:1.1MM)             | 1  | 1  | 1 | 1  | UR                    |
|          | 6L2-45577-00-12    | SHIM (T:1.2MM)<br>LAINA(T:1.2MM)             | 1  | 1  | 1 | 1  | UR                    |
|          | 6L2-45577-00-13    | SHIM (T:1.3MM)<br>LAINA(T:1.3MM)             | 1  | 1  | 1 | 1  | UR                    |
| 52       | 61N-45361-01-4D    | CAP, LOWER CASING<br>FUNDA INFERIOR          | 1  | 1  | 1 | 1  |                       |
| 53       | 93306-00612        | BEARING<br>COJINETE                          | 1  | 1  | 1 | 1  |                       |
| 54       | 93210-64ME7        | O-RING<br>ANILLO O                           | 1  | 1  | 1 | 1  |                       |
| 55       | 93315-22004        | BEARING<br>COJINETE DE RODILLOS              | 1  | 1  | 1 | 1  |                       |
| 56       | 93101-20M07        | OIL SEAL<br>SELLO ACEITE                     | 2  | 2  | 2 | 2  |                       |
| 57       | 93210-65M50        | O-RING<br>ANILLO O                           | 2  | 2  | 2 | 2  |                       |
| 58       | 97075-06020        | BOLT<br>PERNO                                | 2  | 2  | 2 | 2  |                       |
| 59       | 92995-06600        | WASHER<br>ARANDELA                           | 2  | 2  | 2 | 2  |                       |



FIG. 23 LOWER CASING & DRIVE 2

IMPULSOR E INFERIOR 2



61R0010-4180

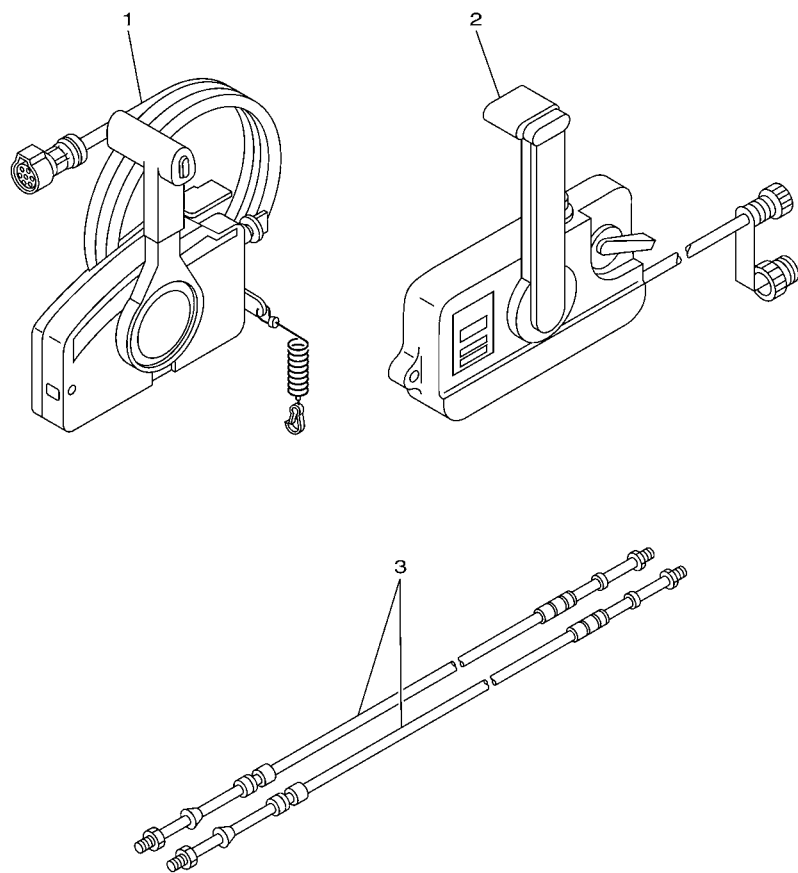
| REF. NO. | PART NO. CODIGO Nº | DESCRIPTION DESCRIPCION  | MH | WH | W | WC | REMARKS OBSERVACIONES |
|----------|--------------------|--|----|----|---|----|-----------------------|
| 1        | 61N-44361-00       | TUBE, WATER<br>TUBO DE AGUA                                    | 1  |    | 1 | 1  | S                     |
|          | 61N-44361-10       | TUBE, WATER<br>TUBO DE AGUA                                    | 1  | 1  | 1 |    | S                     |
|          | 61N-44361-30       | TUBE, WATER<br>TUBO DE AGUA                                    | 1  |    |   |    | L                     |
|          |                    |  |    |    |   |    | L                     |
|          |                    |  |    |    |   |    | X                     |
|          |                    |  |    |    |   |    | X                     |
| 2        | 689-44366-00       | DAMPER, WATER SEAL<br>GOMA DEL SELLO DE AGUA                   | 1  | 1  | 1 | 1  |                       |
| 3        | 93606-11M24        | PIN, DOWEL<br>PASADOR DE CLAVIJA                               | 2  | 2  | 2 | 2  |                       |
| 4        | 90105-10M12        | BOLT, FLANGE<br>TORNILLO                                       | 4  | 4  | 4 | 4  | S/L                   |
| 5        | 92995-10600        | WASHER<br>ARANDELA   | 4  | 4  | 4 | 4  | S/L                   |
| 6        | 61N-45371-00       | TAB-TRIM<br>QUILLA ESTABILIZADOR                               | 1  | 1  | 1 | 1  | S/L                   |
| 7        | 90119-06M48        | BOLT, WITH WASHER<br>TORNILLO CON ARANDELA                     | 1  | 1  | 1 | 1  |                       |
| 8        | 6L2-45214-00       | COVER, WATER INLET<br>CUBIERTA ENTRADA AGUA                    | 1  | 1  | 1 | 1  |                       |
| 9        | 6L2-45215-00       | COVER, WATER INLET<br>CUBIERTA ENTRADA AGUA                    | 1  | 1  | 1 | 1  |                       |
| 10       | 90151-05M05        | SCREW, COUNTERSUNK<br>TORNILLO EMBUTIDO                        | 2  | 2  | 2 | 2  |                       |
| 11       | 90185-05002        | NUT, SELF-LOCKING<br>TUERCA AUTOBLOCANTE                       | 2  | 2  | 2 | 2  |                       |
| 12       | 6L2-45987-01       | SPACER<br>ESPACIADOR   | 1  | 1  | 1 | 1  |                       |
| 13       | 689-45997-00       | SPACER<br>ESPACIADOR   | 1  | 1  | 1 | 1  |                       |
| 14       | 92990-14200        | WASHER, PLAIN<br>ARANDELA PLANA                                | 1  | 1  | 1 | 1  |                       |
| 15       | 90171-14013        | NUT, CASTLE<br>TUERCA ENTALLADA                                | 1  | 1  | 1 | 1  |                       |
| 16       | 91490-30022        | PIN, COTTER<br>CHAVETA   | 1  | 1  | 1 | 1  |                       |
| 17       | 664-45941-01-EL    | PROPELLER (3X9-7/8"X9"-F)<br>PROPELA (3X9-7/8"X9"-F)           | 1  | 1  | 1 | 1  | UR                    |
|          | 664-45943-01-EL    | PROPELLER (3X9-7/8"X8"-F)<br>PROPELA (3X9-7/8"X8"-F)           | 1  | 1  | 1 | 1  | UR                    |
|          | 664-45945-00-EL    | PROPELLER (3X9-7/8"X10-1/2"-F)<br>PROPELA (3X9-7/8"X10-1/2"-F) | 1  | 1  | 1 | 1  | UR                    |
|          | 664-45947-01-EL    | PROPELLER (3X9-7/8"X11-1/4"-F)<br>PROPELA (3X9-7/8"X11-1/4"-F) | 1  | 1  | 1 | 1  | UR                    |
|          | 664-45949-02-EL    | PROPELLER (3X9-7/8"X13"-F)<br>PROPELA (3X9-7/8"X13"-F)         | 1  | 1  | 1 | 1  | UR                    |
|          | 664-45952-00-EL    | PROPELLER (3X9-7/8"X14"-F)<br>PROPELA (3X9-7/8"X14"-F)         | 1  | 1  | 1 | 1  | UR                    |
|          | 664-45954-01-EL    | PROPELLER (3X9-7/8"X12"-F)<br>PROPELA (3X9-7/8"X12"-F)         | 1  | 1  | 1 | 1  | UR                    |
|          | 62C-45941-00-EL    | PROPELLER (3X9-7/8"X10"-F)<br>PROPELA (3X9-7/8"X10"-F)         | 1  | 1  | 1 | 1  | UR                    |





FIG. 26 REMOTE CONTROL BOX

CONTROL REMOTO COMPLETO

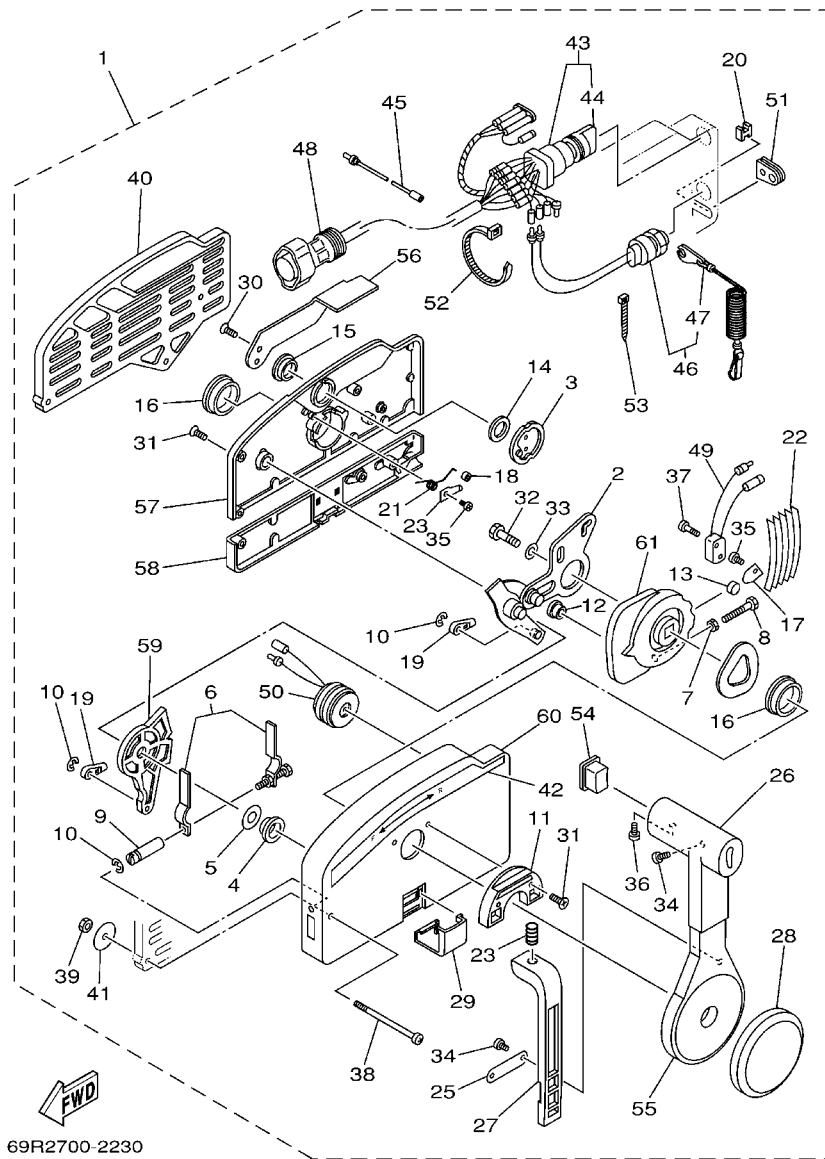


| REF. NO. | PART NO. CODIGO Nº | DESCRIPTION DESCRIPCION                                   | MH | WH | W | WC | REMARKS OBSERVACIONES |
|----------|--------------------|---|----|----|---|----|-----------------------|
| 1        | 703-48230-15       | REMOTE CONTROL ASSY<br>CONTROL REMOTO COMPL.              |    |    | 1 |    | AP<br>AP              |
| 2        | 701-48102-51       | REMOTE CONTROL ASSY<br>REMOTO CONTROL COMPL               |    |    |   | 1  | AP<br>AP              |
| 3        | 701-48320-20       | CABLE, REMOTE CONTROL L=13F<br>CABLE CONTROL REMOTO L=13F |    |    | 2 | 2  | UR<br>UR              |
|          | 701-48320-50       | CABLE, REMOTE CONTROL L=15F<br>CABLE CONTROL REMOTO L=15F |    |    | 2 | 2  | UR<br>UR              |
| -----    |                    |   |    |    |   |    |                       |
| -----    |                    |   |    |    |   |    |                       |
| -----    |                    |   |    |    |   |    |                       |
| -----    |                    |   |    |    |   |    |                       |
| -----    |                    |   |    |    |   |    |                       |
| -----    |                    |   |    |    |   |    |                       |
| -----    |                    |   |    |    |   |    |                       |
| -----    |                    |   |    |    |   |    |                       |
| -----    |                    |   |    |    |   |    |                       |

69R3200-3260

FIG. 27 REMOTE CONTROL ASSY 1

CONTROL REMOTO COMPL 1



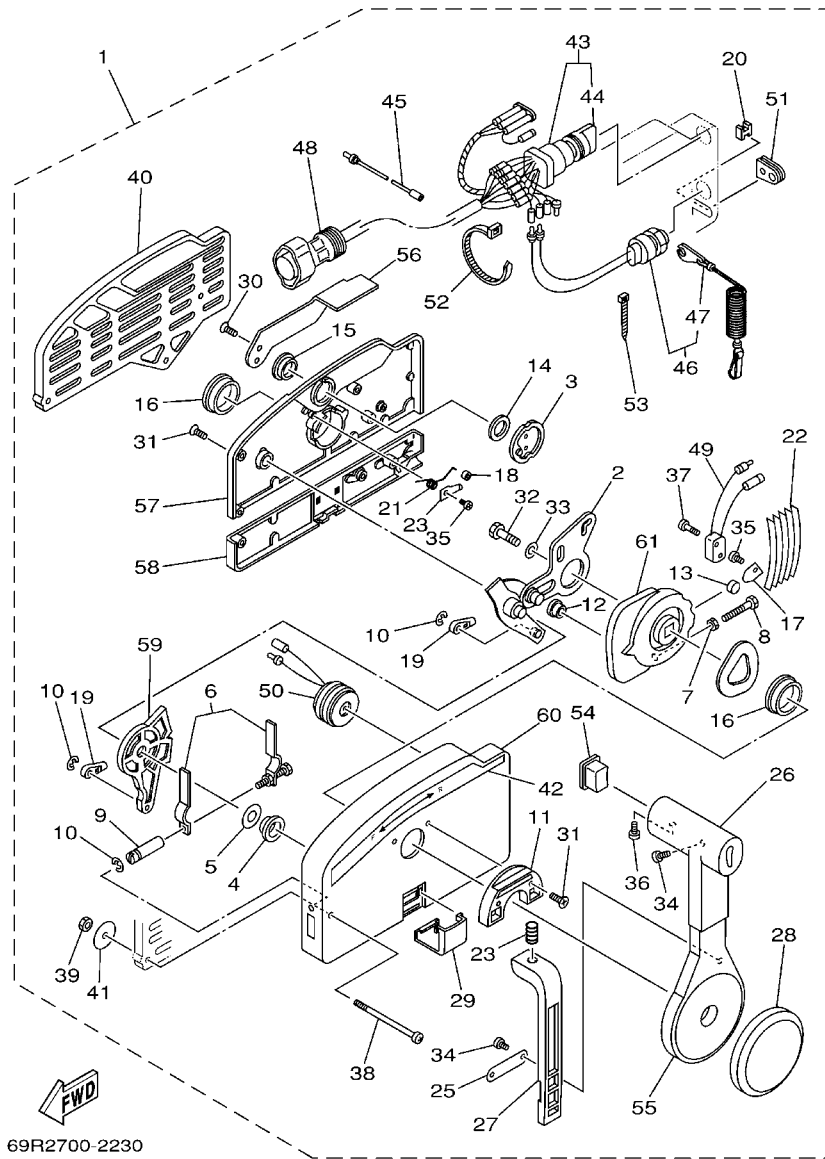
69R2700-2230

| REF. NO. | PART NO. CODIGO Nº | DESCRIPTION DESCRIPCION  | MH | WH | W | WC | REMARKS OBSERVACIONES |
|----------|--------------------|--|----|----|---|----|-----------------------|
| 1        | 703-48230-15       | REMOTE CONTROL ASSY<br>CONTROL REMOTO COMPL.                   |    |    | 1 |    | AP<br>AP              |
| 2        | 703-48261-11       | .ARM, THROTTLE<br>.BRAZO ACELERADOR                            |    |    | 1 |    |                       |
| 3        | 703-48153-00       | .SHAFT, FREE ACCEL.<br>.EJE                                    |    |    | 1 |    |                       |
| 4        | 703-48235-00       | .BUSHING<br>.BUJE  |    |    | 1 |    |                       |
| 5        | 703-48268-00       | .SPACER<br>.ESPACIADOR 3                                       |    |    | 1 |    |                       |
| 6        | 703-48264-00       | .THROTTLE, FRICTION<br>.FRICCION ACELERADOR                    |    |    | 1 |    |                       |
| 7        | 95380-05600        | .NUT<br>.TUERCA  |    |    | 1 |    |                       |
| 8        | 97380-05025        | .BOLT<br>.TORNILLO HEXAGONAL                                   |    |    | 1 |    |                       |
| 9        | 703-48265-00       | .SHAFT, FRICTION<br>.EJE FRICCION                              |    |    | 1 |    |                       |
| 10       | 93430-06024        | .CIRCLIP<br>.SEGURO  |    |    | 3 |    |                       |
| 11       | 703-48245-00       | .PLATE, LOCK<br>.PLACA CERRADURA                               |    |    | 1 |    |                       |
| 12       | 703-48252-00       | .ROLLER, CAM<br>.RODILLO LEVA                                  |    |    | 1 |    |                       |
| 13       | 701-48248-00       | .ROLLER, FREE ACCEL.<br>.RODILLO ACELERADOR LIBRE              |    |    | 1 |    |                       |
| 14       | 703-48198-00       | .WASHER, WAVE<br>.RONDANA ONDULADA 3                           |    |    | 1 |    |                       |
| 15       | 703-48243-00       | .BUSHING<br>.BUJE 3  |    |    | 1 |    |                       |
| 16       | 703-48236-00       | .BUSHING 1<br>.BUJE  |    |    | 2 |    |                       |
| 17       | 703-48189-00       | .RETAINER<br>.RETENEDOR  |    |    | 1 |    |                       |
| 18       | 703-48234-00       | .ROLLER, DETENT<br>.RODILLO                                    |    |    | 1 |    |                       |
| 19       | 703-48345-01       | .CABLE END, REMOTE CONTROL 2<br>.TERMINAL CABLE DE CONTROL REM |    |    | 2 |    |                       |
| 20       | 703-48358-00       | .ANCHOR, CABLE<br>.ABRAZADERA CABLE                            |    |    | 1 |    |                       |
| 21       | 703-48244-00       | .SPRING, FREE ACCEL.<br>.RESORTE ACELERADOR LIBRE              |    |    | 1 |    |                       |
| 22       | 703-48238-00       | .SPRING, DETENT<br>.RESORTE                                    |    |    | 5 |    |                       |
| 23       | 703-48246-00       | .SPACER<br>.ESPACIADOR   |    |    | 1 |    |                       |
| 24       | 703-48227-00       | .SPRING, NEUTRAL LOCK<br>.RESORTE DE SEGURO                    |    |    | 1 |    |                       |
| 25       | 703-48226-00       | .PLATE, STOPPER<br>.PLACA RETEN                                |    |    | 1 |    |                       |
| 26       | 703-48222-00       | .GRIP, CONTROL LEVER<br>.MANGO DE PALANCA CONTROL              |    |    | 1 |    | SINGLE<br>SINGLE      |
| 27       | 703-48223-00       | .LOCK, NEUTRAL<br>.CERRADURA NEUTRO                            |    |    | 1 |    |                       |



FIG. 27 REMOTE CONTROL ASSY 1

CONTROL REMOTO COMPL 1

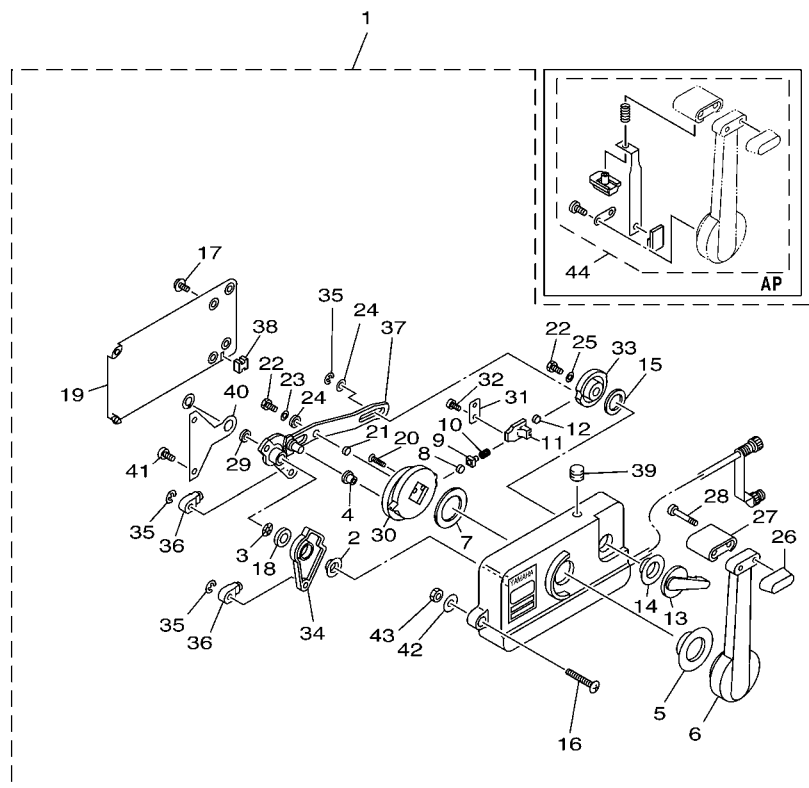


69R2700-2230

| REF. NO. | PART NO. CODIGO Nº | DESCRIPTION DESCRIPCION                                  | MH | WH | W | WC | REMARKS OBSERVACIONES                |
|----------|--------------------|--|----|----|---|----|--------------------------------------|
| 28       | 703-48225-00       | .COVER<br>.CUBIERTA                                      |    |    | 1 |    |                                      |
| 29       | 703-48219-00       | .COVER, LEAD<br>.CUBIERTA                                |    |    | 1 |    |                                      |
| 30       | 703-48281-00       | .SCREW<br>.TORNILLO 1                                    |    |    | 2 |    |                                      |
| 31       | 703-48282-00       | .SCREW<br>.TORNILLO 2                                    |    |    | 7 |    |                                      |
| 32       | 97380-08030        | .BOLT<br>.TORNILLO HEXAGONAL                             |    |    | 1 |    |                                      |
| 33       | 92990-08600        | .WASHER, PLATE<br>.ARANDELA PLANA                        |    |    | 1 |    |                                      |
| 34       | 98580-04010        | .SCREW, PAN HEAD<br>.TORNILLO DE CABEZA CRUZADA          |    |    | 3 |    |                                      |
| 35       | 98580-04006        | .SCREW, PAN HEAD<br>.TORNILLO DE CABEZA CRUZADA          |    |    | 2 |    |                                      |
| 36       | 98580-05010        | .SCREW, PAN HEAD<br>.TORNILLO DE CABEZA CRUZADA          |    |    | 1 |    |                                      |
| 37       | 98580-03015        | .SCREW, PAN HEAD<br>.TORNILLO DE CABEZA CRUZADA          |    |    | 2 |    |                                      |
| 38       | 703-48291-10       | .SCREW (M6)<br>.TORNILLO (M6)                            |    |    | 3 |    |                                      |
| 39       | 95380-06600        | .NUT, HEXAGON<br>.TUERCA                                 |    |    | 3 |    |                                      |
| 40       | 703-48293-10       | .SPACER, REMOTE CONTROL<br>.ESPACIADOR                   |    |    | 1 |    | SINGLE SINGLE                        |
| 41       | 701-48287-00       | .WASHER<br>.ARANDELA                                     |    |    | 3 |    |                                      |
| 42       | 703-48215-00       | .GRAPHIC<br>.CALCOMANIA 1                                |    |    | 1 |    |                                      |
| 43       | 703-82510-33       | .MAIN SWITCH ASSY<br>.CONJUNTO DE LLAVE IGNICION         |    |    | 1 |    |                                      |
| 44       | 703-82577-00       | ..CAP, KEY<br>..TAPA                                     |    |    | 1 |    |                                      |
| 45       | 703-82531-00       | .WIRE, LEAD<br>.CABLE CONDUCTOR                          |    |    | 1 |    |                                      |
| 46       | 688-82575-01       | .ENGINE STOP SWITCH ASSY<br>.INTERRUPTOR DE PARADA COMPL |    |    | 1 |    |                                      |
| 47       | 682-82556-00       | ..STOPPER<br>..RETENER                                   |    |    | 1 |    |                                      |
| 48       | 688-82586-21       | .EXTENSION, WIRE HARNESS<br>.EXTENSION, CONJ. DE CABLES  |    |    | 1 |    | L:5M (7P)<br>L:5M (7P)               |
| 49       | 703-82540-00       | .NEUTRAL SWITCH ASSY<br>.INTERRUPTOR NEUTRAL COMPL       |    |    | 1 |    |                                      |
| 50       | 703-83383-02       | .BUZZER<br>.ZUMBADOR                                     |    |    | 1 |    |                                      |
| 51       | 703-48284-00       | .GROMMET<br>.TAPON 1                                     |    |    | 1 |    |                                      |
| 52       | 703-82591-00       | .BAND<br>.BANDA  |    |    | 1 |    |                                      |
| 53       | 703-82592-00       | .BAND<br>.BANDA  |    |    | 1 |    |                                      |
| 54       | 703-48224-00       | .COVER, CONTROL LEVER<br>.CUBIERTA DE PALANCA CONTROL    |    |    | 1 |    | WITHOUT PT/T SW.<br>WITHOUT PT/T SW. |



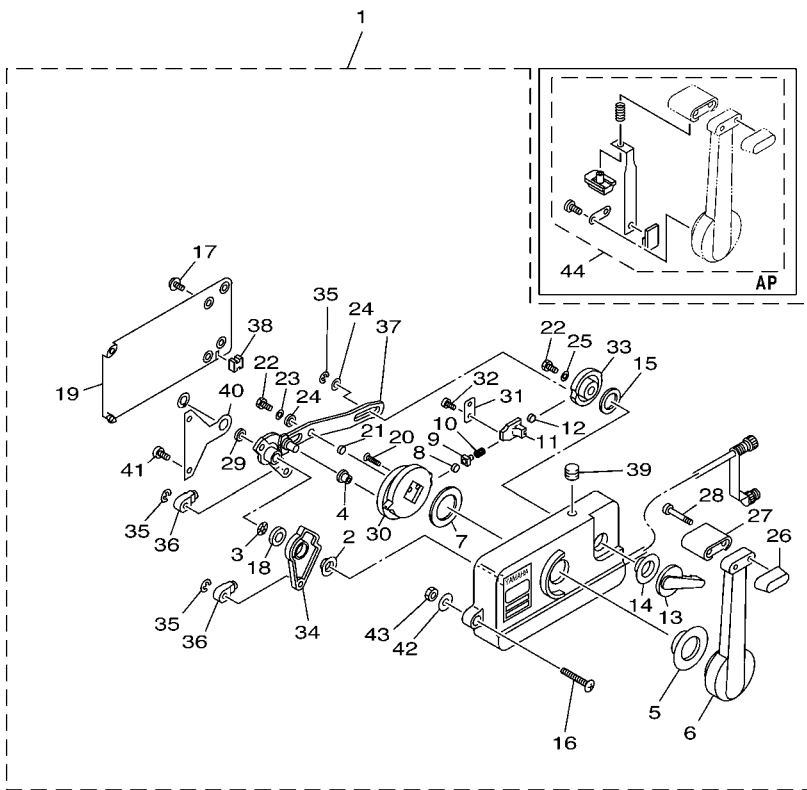
FIG. 28 REMOTE CONTROL ASSY 2 CONTROL REMOTO COMPL 2



69R3200-3280

| REF. NO. | PART NO. CODIGO Nº | DESCRIPTION DESCRIPCION                             | MH | WH | W | WC | REMARKS OBSERVACIONES |
|----------|--------------------|---|----|----|---|----|-----------------------|
| 1        | 701-48102-51       | REMOTE CONTROL ASSY<br>REMOTO CONTROL COMPL         |    |    |   | 1  | AP<br>AP              |
| 2        | 701-48235-00       | .BUSHING<br>.BUJE                                   |    |    |   | 1  |                       |
| 3        | 701-48197-10       | .WASHER, WAVE<br>.RONDANA ONDULADA 2                |    |    |   | 1  |                       |
| 4        | 701-48252-00       | .ROLLER, CAM<br>.RODILLO LEVA                       |    |    |   | 1  |                       |
| 5        | 701-48234-00       | .BUSHING 1<br>.BUJE                                 |    |    |   | 1  |                       |
| 6        | 701-48221-00       | .LEVER, CONTROL<br>.PALANCA CONTROL                 |    |    |   | 1  |                       |
| 7        | 701-48196-11       | .WASHER, WAVE<br>.ARANDELA ONDULADA                 |    |    |   | 1  |                       |
| 8        | 701-48236-00       | .ROLLER, DETENT<br>.RODILLO                         |    |    |   | 1  |                       |
| 9        | 702-48237-00       | .ADAPTOR<br>.ADAPTADOR                              |    |    |   | 1  |                       |
| 10       | 702-48238-00       | .SPRING, DETENT<br>.RESORTE                         |    |    |   | 1  |                       |
| 11       | 701-48249-00       | .ADAPTOR, SPRING<br>.RESORTE ADAPTADOR              |    |    |   | 1  |                       |
| 12       | 701-48248-00       | .ROLLER, FREE ACCEL.<br>.RODILLO ACELERADOR LIBRE   |    |    |   | 1  |                       |
| 13       | 701-48152-20       | .KNOB, FREE ACCEL.<br>.PERILLA                      |    |    |   | 1  | LEFT<br>LEFT          |
| 14       | 701-48243-00       | .BUSHING<br>.BUJE 3                                 |    |    |   | 1  |                       |
| 15       | 701-48198-10       | .WASHER, WAVE<br>.RONDANA ONDULADA 3                |    |    |   | 1  |                       |
| 16       | 701-48281-10       | .SCREW<br>.TORNILLO 1                               |    |    |   | 3  |                       |
| 17       | 701-48289-00       | .SCREW<br>.TORNILLO 4                               |    |    |   | 4  |                       |
| 18       | 701-48268-00       | .SPACER<br>.ESPACIADOR 3                            |    |    |   | 1  |                       |
| 19       | 701-48213-00       | .BACK PLATE 2<br>.PLACA TRASERA 2                   |    |    |   | 1  |                       |
| 20       | 92780-06025        | .SCREW, FLAT HEAD<br>.TORNILLO CABEZA PLANA         |    |    |   | 2  |                       |
| 21       | 701-48255-00       | .COLLAR<br>.COLLAR 1                                |    |    |   | 1  |                       |
| 22       | 97390-06018        | .BOLT<br>.TORNILLO                                  |    |    |   | 2  |                       |
| 23       | 702-48288-00       | .WASHER, PLAIN<br>.ARANDELA                         |    |    |   | 1  |                       |
| 24       | 701-48246-00       | .SPACER<br>.ESPACIADOR                              |    |    |   | 2  |                       |
| 25       | 92990-06300        | .WASHER, INTERNAL TOOTH<br>.ARANDELA PLANA          |    |    |   | 1  |                       |
| 26       | 701-48229-00       | .GRIP, CONTROL LEVER<br>.MANGO DE PALANCA CONTROL 2 |    |    |   | 1  |                       |
| 27       | 701-48222-00       | .GRIP, CONTROL LEVER<br>.MANGO DE PALANCA CONTROL   |    |    |   | 1  |                       |

FIG. 28 REMOTE CONTROL ASSY 2 CONTROL REMOTO COMPL 2



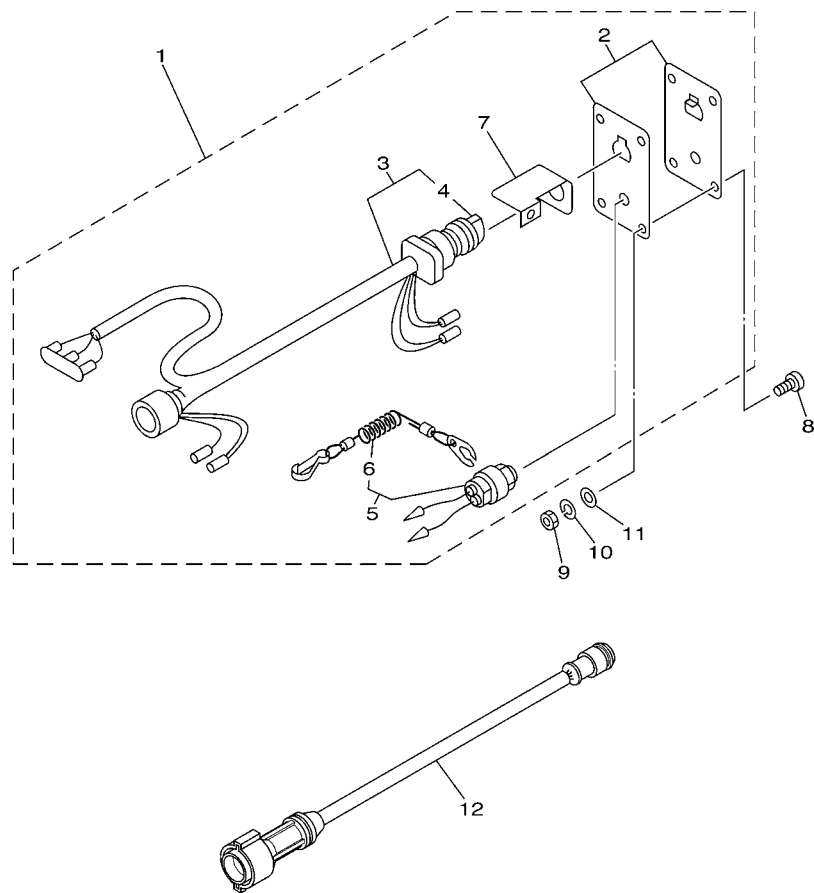
| REF. NO. | PART NO. CODIGO Nº | DESCRIPTION DESCRIPCION  | MH | WH | W | WC | REMARKS OBSERVACIONES |
|----------|--------------------|--|----|----|---|----|-----------------------|
| 28       | 701-48282-00       | .SCREW<br>.TORNILLO 2  |    |    |   | 2  |                       |
| 29       | 701-48266-00       | .SPACER<br>.ESPACIADOR 2                                       |    |    |   | 1  |                       |
| 30       | 701-48232-00       | .GEAR<br>.ENGRANAJE 1  |    |    |   | 1  |                       |
| 31       | 701-48189-11       | .RETAINER<br>.RETENEDOR  |    |    |   | 1  |                       |
| 32       | 98580-05010        | .SCREW, PAN HEAD<br>.TORNILLO DE CABEZA CRUZADA                |    |    |   | 2  |                       |
| 33       | 701-48153-12       | .SHAFT, FREE ACCEL.<br>.EJE                                    |    |    |   | 1  |                       |
| 34       | 701-48271-10       | .ARM, SHIFT<br>.BRAZO CAMBIADOR                                |    |    |   | 1  | LEFT<br>LEFT          |
| 35       | 93430-06024        | .CIRCLIP<br>.SEGURO  |    |    |   | 3  |                       |
| 36       | 703-48345-01       | .CABLE END, REMOTE CONTROL 2<br>.TERMINAL CABLE DE CONTROL REM |    |    |   | 2  |                       |
| 37       | 701-48261-10       | .ARM, THROTTLE<br>.BRAZO ACELERADOR                            |    |    |   | 1  | LEFT<br>LEFT          |
| 38       | 701-48358-00       | .ANCHOR, CABLE<br>.ABRAZADERA CABLE                            |    |    |   | 1  |                       |
| 39       | 701-48138-50       | .CAP, LOCK ARM<br>.TAPON                                       |    |    |   | 1  |                       |
| 40       | 701-48133-00       | .PLATE, LINK<br>.PLACA DE ESLABON                              |    |    |   | 1  |                       |
| 41       | 98580-05020        | .SCREW, PAN HEAD<br>.TORNILLO DE CABEZA CRUZADA                |    |    |   | 2  |                       |
| 42       | 701-48287-00       | .WASHER<br>.ARANDELA   |    |    |   | 3  |                       |
| 43       | 95380-06600        | .NUT, HEXAGON<br>.TUERCA                                       |    |    |   | 3  |                       |
| 44       | 701-48280-00       | NEUTRAL LOCK KIT<br>TORNILLO                                   |    |    |   | 1  | AP<br>AP              |



69R3200-3280

FIG. 29 SWITCH & PANEL

PANEL DE INTERRUPTOR

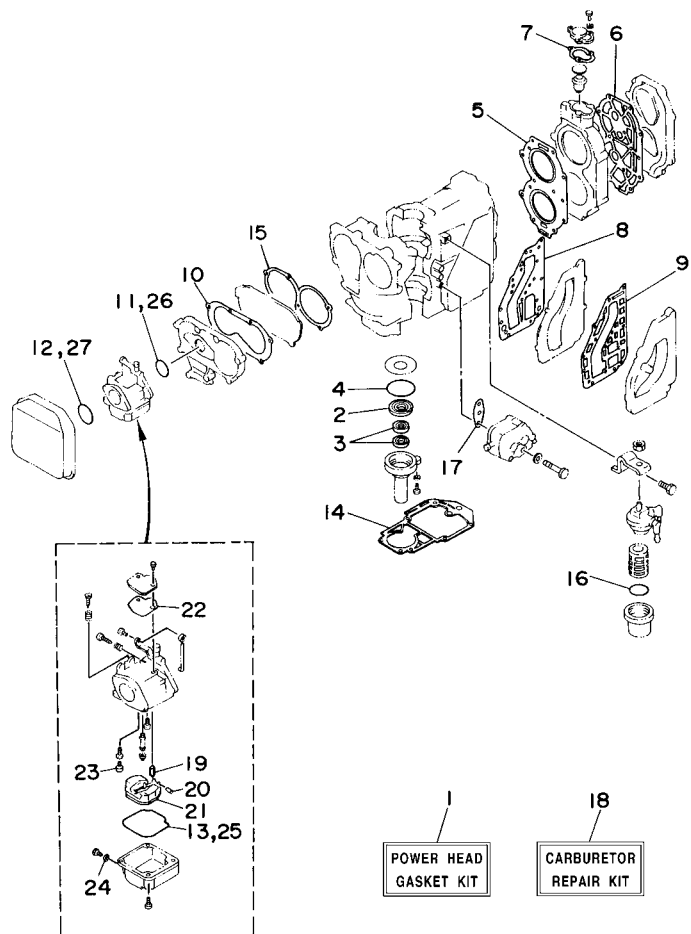


  
69R3200-3290

| REF. NO. | PART NO. CODIGO Nº | DESCRIPTION DESCRIPCION                                  | MH | WH | W | WC | REMARKS OBSERVACIONES        |
|----------|--------------------|--|----|----|---|----|------------------------------|
| 1        | 689-82570-1A       | PANEL SWITCH ASSY<br>INTERRUPTOR DE PANEL COMPL.         |    |    |   | 1  | AP<br>AP                     |
| 2        | 704-82571-01       | .PANEL, SWITCH<br>.PANEL DE INTERRUPTOR                  |    |    |   | 1  |                              |
| 3        | 689-82510-04       | .MAIN SWITCH ASSY<br>.CONJUNTO DE LLAVE IGNICION         |    |    |   | 1  |                              |
| 4        | 703-82577-00       | ..CAP, KEY<br>..TAPA                                     |    |    |   | 1  |                              |
| 5        | 688-82575-01       | .ENGINE STOP SWITCH ASSY<br>.INTERRUPTOR DE PARADA COMPL |    |    |   | 1  |                              |
| 6        | 682-82556-00       | ..STOPPER<br>..RETENER                                   |    |    |   | 1  |                              |
| 7        | 64D-82581-00       | .STAY, CORD CLAMP<br>.SOPORTE DE GRAMPA DE CABLE         |    |    |   | 1  |                              |
| 8        | 90149-05M05        | SCREW<br>TORNILLO DE REGLAJE                             |    |    |   | 4  | AP<br>AP                     |
| 9        | 95380-05600        | NUT<br>TUERCA  |    |    |   | 4  | AP<br>AP                     |
| 10       | 92990-05100        | WASHER, SPRING<br>ARANDELA PLANA                         |    |    |   | 4  | AP<br>AP                     |
| 11       | 92990-05600        | WASHER, PLATE<br>ARANDELA PLANA                          |    |    |   | 4  | AP<br>AP                     |
| 12       | 688-82586-50       | EXTENSION, WIRE HARNESS<br>EXTENSION, CONJ. DE CABLES    |    |    |   | 1  | AP L:5M (7P)<br>AP L:5M (7P) |

FIG. 30 REPAIR KIT 1

ESTUCHE REPARACION 1

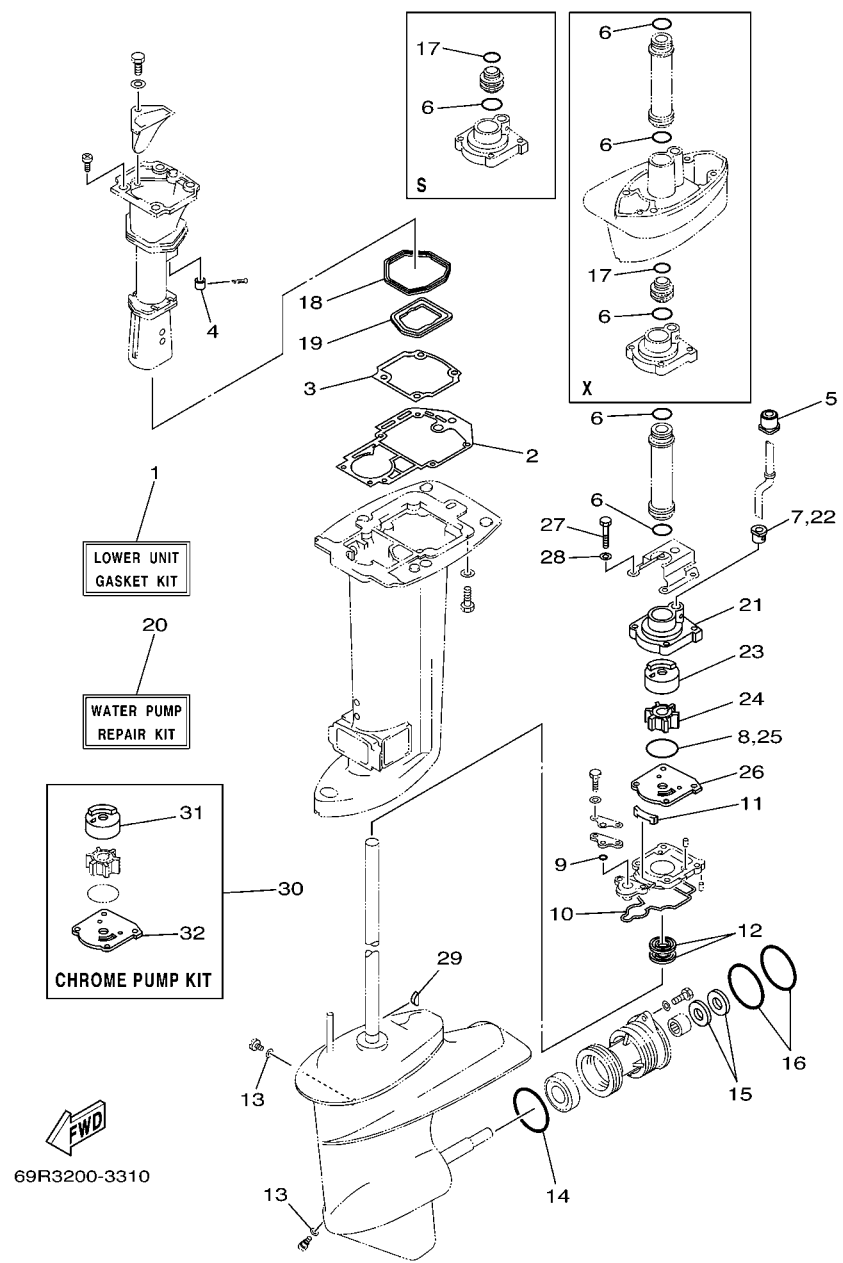


| REF. NO. | PART NO. CODIGO Nº | DESCRIPTION DESCRIPCION                              | MH | WH | W | WC | REMARKS OBSERVACIONES |
|----------|--------------------|--|----|----|---|----|-----------------------|
| 1        | 69P-W0001-00       | POWER HEAD GASKET KIT<br>JUEGO DE EMPAQUE DE MOTOR   | 1  | 1  | 1 | 1  |                       |
| 2        | 93102-25008        | .OIL SEAL<br>.SELLO ACEITE                           | 1  | 1  | 1 | 1  |                       |
| 3        | 93101-16001        | .OIL SEAL<br>.SELLO ACEITE                           | 2  | 2  | 2 | 2  |                       |
| 4        | 93210-58M21        | .O-RING<br>.ANILLO O                                 | 1  | 1  | 1 | 1  |                       |
| 5        | 61N-11181-A1       | .GASKET, CYLINDER HEAD 1<br>JUNTA, DE CULATA 1       | 1  | 1  | 1 | 1  |                       |
| 6        | 61T-11193-A1       | .GASKET, HEAD COVER 1<br>.EMPAQUE                    | 1  | 1  | 1 | 1  |                       |
| 7        | 655-12414-A1       | .GASKET, COVER<br>.EMPAQUE                           | 1  | 1  | 1 | 1  |                       |
| 8        | 6K8-41122-A1       | .GASKET, EXHAUST INNER COVER<br>.EMPAQUE             | 1  | 1  | 1 | 1  |                       |
| 9        | 6K8-41124-A1       | .GASKET, EXHAUST OUTER COVER<br>.EMPAQUE             | 1  | 1  | 1 | 1  |                       |
| 10       | 648-13645-A0       | .GASKET, MANIFOLD 1<br>.EMPAQUE                      | 1  | 1  | 1 | 1  |                       |
| 11       | 61N-14198-00       | .GASKET<br>.EMPAQUE                                  | 1  | 1  | 1 | 1  |                       |
| 12       | 93210-40659        | .O-RING<br>.ANILLO O                                 | 1  | 1  | 1 | 1  |                       |
| 13       | 6L2-14384-00       | .GASKET, FLOAT CHAMBER<br>.EMPAQUE DE CAMARA DE BOIA | 1  | 1  | 1 | 1  |                       |
| 14       | 689-45113-A1       | .GASKET, UPPER CASING<br>.EMPAQUE                    | 1  | 1  | 1 | 1  |                       |
| 15       | 648-13621-A1       | .GASKET, VALVE SEAT<br>JUNTA, DE VALV.DE EMPAQUE     | 1  | 1  | 1 | 1  |                       |
| 16       | 93210-32738        | .O-RING<br>.ANILLO O                                 | 1  | 1  | 1 | 1  |                       |
| 17       | 650-24431-A0       | .GASKET, FUEL PUMP 1<br>.EMPAQUE BOMBA COMBUST 1     | 1  | 1  | 1 | 1  |                       |
| 18       | 61N-W0093-00       | CARBURETOR REPAIR KIT<br>KIT REPARACION CARBURADOR   | 1  | 1  | 1 | 1  |                       |
| 19       | 61N-14392-00       | .VALVE, NEEDLE<br>.VALVULA DE AGUJA                  | 1  | 1  | 1 | 1  |                       |
| 20       | 6E5-14386-01       | .PIN, FLOAT<br>.PASADOR DE BOIA                      | 1  | 1  | 1 | 1  |                       |
| 21       | 6L2-14385-00       | .FLOAT<br>.BOIA                                      | 1  | 1  | 1 | 1  |                       |
| 22       | 6L2-14399-00       | .GASKET<br>.EMPAQUE                                  | 1  | 1  | 1 | 1  |                       |
| 23       | 50M-14355-00       | .PLUG<br>.TAPON                                      | 1  | 1  | 1 | 1  |                       |
| 24       | 6L2-14398-00       | .GASKET<br>.EMPAQUE                                  | 1  | 1  | 1 | 1  |                       |
| 25       | 6L2-14384-00       | .GASKET, FLOAT CHAMBER<br>.EMPAQUE DE CAMARA DE BOIA | 1  | 1  | 1 | 1  |                       |
| 26       | 61N-14198-00       | .GASKET<br>.EMPAQUE                                  | 1  | 1  | 1 | 1  |                       |
| 27       | 93210-40659        | .O-RING<br>.ANILLO O                                 | 1  | 1  | 1 | 1  |                       |

FWD  
61R0700-4180

FIG. 31 REPAIR KIT 2

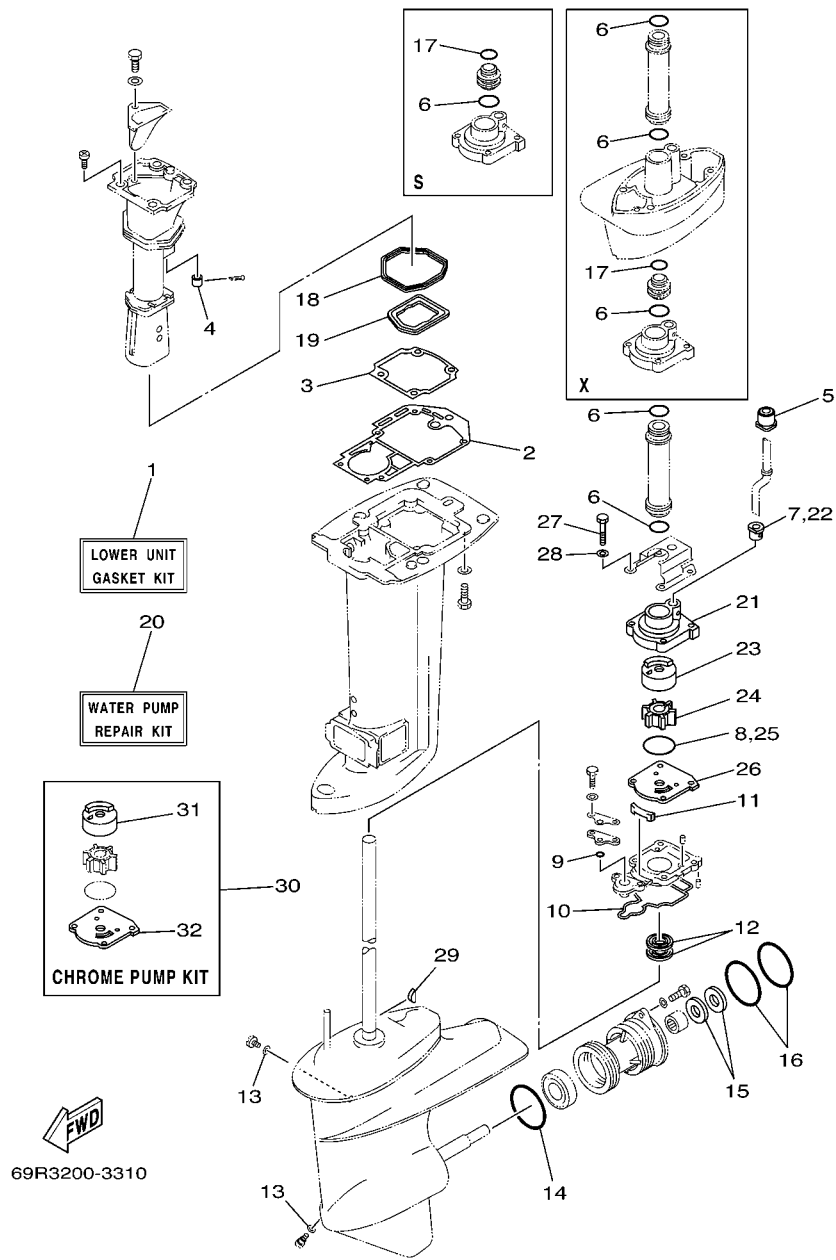
ESTUCHE REPARATION 2



| REF. NO. | PART NO. CODIGO Nº | DESCRIPTION DESCRIPCION                                 | MH | WH | W | WC | REMARKS OBSERVACIONES |
|----------|--------------------|---|----|----|---|----|-----------------------|
| 1        | 69P-W0001-20       | LOWER UNIT GASKET KIT<br>JUEGO DE EMPAQUE UNIDAD INFER. | 1  | 1  | 1 | 1  |                       |
| 2        | 689-45113-A1       | .GASKET, UPPER CASING<br>.EMPAQUE                       | 1  | 1  | 1 | 1  |                       |
| 3        | 69P-41134-A0       | .GASKET, EXHAUST MANIFOLD<br>.EMPAQUE                   | 1  | 1  | 1 | 1  |                       |
| 4        | 6A8-41135-00       | .GASKET, EXHAUST MANIFOLD<br>.EMPAQUE                   | 1  | 1  | 1 | 1  |                       |
| 5        | 689-44366-00       | .DAMPER, WATER SEAL<br>.GOMA DEL SELLO DE AGUA          | 1  | 1  | 1 | 1  |                       |
| 6        | 93210-26130        | .O-RING<br>.ANILLO O                                    | 3  | 3  | 3 | 3  | UN<br>UN              |
| 7        | 6L2-44367-00       | .DAMPER, WATER SEAL<br>.GOMA DEL SELLO DE AGUA          | 1  | 1  | 1 | 1  |                       |
| 8        | 93210-45161        | .O-RING<br>.ANILLO O                                    | 1  | 1  | 1 | 1  |                       |
| 9        | 93210-06ME6        | .O-RING<br>.ANILLO O                                    | 1  | 1  | 1 | 1  |                       |
| 10       | 61N-45315-00       | .PACKING, LOWER CASING<br>.EMPAQUE                      | 1  | 1  | 1 | 1  |                       |
| 11       | 61N-45127-00       | .SEAL<br>.SELLO DE GOMA                                 | 1  | 1  | 1 | 1  |                       |
| 12       | 93101-22067        | .OIL SEAL<br>.SELLO ACEITE                              | 2  | 2  | 2 | 2  |                       |
| 13       | 90430-08020        | .GASKET<br>.JUNTA                                       | 2  | 2  | 2 | 2  |                       |
| 14       | 93210-64ME7        | .O-RING<br>.ANILLO O                                    | 1  | 1  | 1 | 1  |                       |
| 15       | 93101-20M07        | .OIL SEAL<br>.SELLO ACEITE                              | 2  | 2  | 2 | 2  |                       |
| 16       | 93210-65M50        | .O-RING<br>.ANILLO O                                    | 2  | 2  | 2 | 2  |                       |
| 17       | 93210-22164        | .O-RING<br>.ANILLO O                                    | 1  | 1  | 1 | 1  | S/X<br>S/X            |
| 18       | 69P-41138-00       | .SEAL, EXT. 1<br>.SELLO, ESCAPE 1                       | 1  | 1  | 1 | 1  |                       |
| 19       | 69P-41139-00       | .SEAL, EXT. 2<br>.SELLO, ESCAPE 2                       | 1  | 1  | 1 | 1  |                       |
| 20       | 69P-W0078-00       | WATER PUMP REPAIR KIT<br>ESTUCHE REPARACION BOMBA AGUA  | 1  | 1  | 1 | 1  |                       |
| 21       | 69P-44311-00       | .HOUSING, WATER PUMP<br>.CAJA BOMBA DE AGUA             | 1  | 1  | 1 | 1  |                       |
| 22       | 6L2-44367-00       | .DAMPER, WATER SEAL<br>.GOMA DEL SELLO DE AGUA          | 1  | 1  | 1 | 1  |                       |
| 23       | 69P-44322-00       | .INSERT, CARTRIDGE<br>.CARTUCHO                         | 1  | 1  | 1 | 1  |                       |
| 24       | 6H4-44352-02       | .IMPELLER<br>.IMPULSOR                                  | 1  | 1  | 1 | 1  |                       |
| 25       | 93210-45161        | .O-RING<br>.ANILLO O                                    | 1  | 1  | 1 | 1  |                       |
| 26       | 61N-44323-00       | .OUTER PLATE, CARTRIDGE<br>.PLACA EXTERIOR DEL CARTUCHO | 1  | 1  | 1 | 1  |                       |
| 27       | 97095-06040        | .BOLT<br>.PERNO   | 4  | 4  | 4 | 4  |                       |

FIG. 31 REPAIR KIT 2

ESTUCHE REPARACION 2



| REF. NO. | PART NO. CODIGO Nº | DESCRIPTION DESCRIPCION                                 | MH | WH | W | WC | REMARKS OBSERVACIONES |
|----------|--------------------|---|----|----|---|----|-----------------------|
| 28       | 92995-06600        | .WASHER<br>.ARANDELA                                    | 4  | 4  | 4 | 4  |                       |
| 29       | 90280-03M03        | .KEY, WOODRUFF<br>.CUNA WOODRUFF                        | 1  | 1  | 1 | 1  |                       |
| 30       | 69P-W0078-0A       | CHROME PUMP KIT<br>ESTUCHE REPARACION BOMBA AGUA        | 1  | 1  | 1 | 1  |                       |
| 31       | 69P-44322-40       | .INSERT, CARTRIDGE<br>.CARTUCHO                         | 1  | 1  | 1 | 1  |                       |
| 32       | 61N-44323-40       | .OUTER PLATE, CARTRIDGE<br>.PLACA EXTERIOR DEL CARTUCHO | 1  | 1  | 1 | 1  |                       |
| -----    |                    |   |    |    |   |    |                       |
| -----    |                    |   |    |    |   |    |                       |
| -----    |                    |   |    |    |   |    |                       |
| -----    |                    |   |    |    |   |    |                       |
| -----    |                    |   |    |    |   |    |                       |
| -----    |                    |   |    |    |   |    |                       |
| -----    |                    |   |    |    |   |    |                       |
| -----    |                    |   |    |    |   |    |                       |
| -----    |                    |   |    |    |   |    |                       |
| -----    |                    |   |    |    |   |    |                       |



NUMERICAL INDEX  
INDICE NUMERICO

| PART NO.<br>CODIGO N° | REF.<br>NO. | PART NO.<br>CODIGO N° | REF.<br>NO. | PART NO.<br>CODIGO N° | REF.<br>NO. | PART NO.<br>CODIGO N° | REF.<br>NO. | PART NO.<br>CODIGO N° | REF.<br>NO. | PART NO.<br>CODIGO N° | REF.<br>NO. |
|-----------------------|-------------|-----------------------|-------------|-----------------------|-------------|-----------------------|-------------|-----------------------|-------------|-----------------------|-------------|
| 61N-11111-01-1S       | 2 - 19      | 69S-14301-10          | 5 - 1       | 61N-15762-00          | 7 - 19      | 6K8-41124-A1          | 2 - 36      | 648-42528-00          | 20 - 1      | 689-43160-00          | 19 - 19     |
| 61T-11111-01-1S       | 2 - 19      | 664-14321-01          | 5 - 13      | 6F5-15764-00          | 7 - 15      |                       | 30 - 9      | 624-42542-00          | 9 - 7       | 689-43165-00          | 19 - 20     |
| 61N-11181-A1          | 2 - 21      | 61N-14323-00          | 5 - 19      | 61T-15770-00          | 7 - 36      | 69P-41131-01-5B       | 21 - 6      | 69R-42610-20-4D       | 1 - 1       | 689-43191-00          | 19 - 14     |
|                       | 30 - 5      | 6A0-14325-00          | 6 - 26      | 6H7-15771-01-94       | 7 - 29      | 69P-41131-11-5B       | 21 - 6      | 69S-42610-20-4D       | 1 - 1       | 689-43192-01          | 19 - 15     |
| 61N-11191-01-1S       | 2 - 22      | 61N-14341-00          | 5 - 9       | 656-15772-00-94       | 7 - 31      | 69P-41134-A0          | 21 - 7      | 60B-42610-H0-4D       | 1 - 1       | 689-43311-03-4D       | 19 - 27     |
| 61T-11193-A1          | 2 - 23      | 61T-14341-00          | 5 - 9       | 61T-15772-01-94       | 7 - 31      |                       | 31 - 3      | 69P-42610-H0-4D       | 1 - 1       | 682-43318-01          | 19 - 44     |
|                       | 30 - 6      | 6L2-14342-34          | 5 - 11      | 69P-15774-00          | 7 - 39      | 6A8-41135-00          | 21 - 14     | 69P-42613-00-4D       | 1 - 7       | 689-43373-01          | 20 - 2      |
| 689-11325-00          | 2 - 17      | 6L2-14342-36          | 5 - 11      | 6F5-15779-02          | 7 - 17      |                       | 31 - 4      | 6G0-42615-00          | 1 - 2       | 689-43614-01          | 19 - 38     |
| 6J8-11325-00          | 2 - 12      | 61N-14343-65          | 5 - 10      | 6A0-15789-00          | 7 - 22      | 69P-41137-00-5B       | 21 - 9      | 61N-42628-00          | 1 - 10      | 648-43615-00          | 19 - 39     |
| 6H3-11327-00-1S       | 2 - 13      | 61N-14343-68          | 5 - 10      | 6YJ-24167-00          | 24 - 7      | 69P-41138-00          | 21 - 12     | 689-42647-00          | 1 - 3       | 689-43616-00          | 19 - 33     |
| 6H3-11328-00          | 2 - 14      | 61N-14343-70          | 5 - 10      | 6YJ-24201-00          | 24 - 1      |                       | 31 - 18     | 6G0-42651-02          | 1 - 5       | 648-43617-00          | 19 - 36     |
| 676-11372-00          | 2 - 20      | 50M-14355-00          | 5 - 12      | 6YJ-24201-10          | 24 - 1      | 69P-41139-00          | 21 - 13     | 69R-42677-00          | 1 - 12      | 69P-43625-00          | 20 - 52     |
| 69P-11400-00          | 3 - 1       |                       | 30 - 23     | 6YJ-24260-00          | 24 - 3      |                       | 31 - 19     | 69S-42677-00          | 1 - 12      | 689-43631-00          | 19 - 30     |
| 69P-11412-00          | 3 - 2       | 61N-14381-00          | 5 - 2       | 6Y1-24260-12          | 24 - 3      | 69P-41213-00          | 16 - 18     | 69P-42677-H0          | 1 - 12      | 689-43633-00          | 19 - 31     |
| 61N-11422-00          | 3 - 3       | 677-14383-01          | 5 - 15      | 6Y1-24268-00          | 24 - 6      | 682-41237-00          | 16 - 12     | 61R-42678-10          | 1 - 13      | 648-43642-00          | 19 - 34     |
| 61N-11432-00          | 3 - 4       | 6L2-14384-00          | 5 - 20      | 6G1-24304-02          | 6 - 1       | 662-41237-01          | 16 - 7      | 61T-42678-10          | 1 - 13      | 689-43643-00          | 19 - 32     |
| 61N-11442-00          | 3 - 5       |                       | 30 - 13     | 6G1-24305-04          | 24 - 13     | 682-41238-01          | 16 - 11     | 60B-42678-H0          | 1 - 13      | 689-43681-01          | 19 - 43     |
| 61N-11515-00          | 3 - 10      | 6L2-14385-00          | 5 - 5       | 6Y1-24305-05          | 24 - 15     | 69P-41241-00          | 16 - 20     | 61N-42678-H0          | 1 - 13      | 689-44111-01-4D       | 16 - 30     |
| 61N-11603-00          | 3 - 19      |                       | 30 - 21     | 61J-24306-03          | 24 - 8      | 679-41241-01          | 16 - 9      | 689-42711-04-4D       | 14 - 1      | 664-44113-01          | 16 - 31     |
| 61N-11604-00          | 3 - 19      | 6E5-14386-01          | 5 - 4       | 689-24311-00          | 6 - 14      | 689-41252-01          | 4 - 20      | 664-42715-00          | 16 - 26     | 689-44121-01          | 16 - 38     |
| 61N-11605-00          | 3 - 19      |                       | 30 - 20     | 6A1-24311-00          | 6 - 31      | 61N-41256-00          | 4 - 21      | 69P-42716-00          | 20 - 25     | 689-44125-00          | 16 - 39     |
| 61N-11631-00-95       | 3 - 18      | 61N-14392-00          | 5 - 3       | 61N-24329-00          | 6 - 2       | 661-41262-02          | 4 - 22      | 65W-42717-00          | 21 - 2      | 664-44142-00          | 16 - 33     |
| 689-11633-00          | 3 - 20      |                       | 30 - 19     | 6Y1-24329-00          | 24 - 5      | 682-41271-00          | 4 - 17      | 69P-42717-00          | 20 - 24     | 61N-44143-00          | 16 - 43     |
| 688-11634-00          | 3 - 22      | 6L2-14398-00          | 5 - 16      | 650-24351-01          | 24 - 12     | 689-41273-00          | 4 - 18      | 689-42718-00          | 20 - 21     | 61N-44146-00          | 16 - 47     |
| 61N-11635-00          | 3 - 18      |                       | 30 - 24     | 61J-24360-00          | 24 - 10     | 6J8-41274-00          | 4 - 19      | 682-42724-00          | 14 - 14     | 61N-44150-00          | 22 - 62     |
| 61N-11636-00          | 3 - 18      | 6L2-14399-00          | 5 - 8       | 692-24410-00          | 6 - 16      | 676-41611-00          | 8 - 17      | 61T-42724-40          | 14 - 14     | 61N-44150-10          | 22 - 62     |
| 689-11651-00          | 3 - 12      |                       | 30 - 22     | 663-24411-00          | 6 - 21      | 689-41612-01          | 8 - 21      | 676-42724-40          | 14 - 17     | 61N-44150-30          | 22 - 62     |
| 689-11681-01          | 3 - 13      | 61N-14440-00          | 4 - 13      | 692-24411-00          | 6 - 18      | 676-41613-00          | 8 - 18      | 689-42724-50          | 11 - 16     | 664-44167-01          | 16 - 27     |
| 6E5-12411-01          | 2 - 26      | 69P-14497-00          | 16 - 1      | 6A0-24412-02          | 6 - 27      | 61N-41615-00          | 9 - 1       |                       | 12 - 16     | 61N-44176-00          | 22 - 19     |
| 655-12413-01-1S       | 2 - 28      | 62Y-14597-00          | 5 - 23      | 6A0-24413-00          | 6 - 17      | 69P-41631-00          | 16 - 2      | 689-42725-01          | 14 - 15     | 6E0-44191-11          | 1 - 15      |
| 655-12414-A1          | 2 - 29      | 69P-15100-00-1S       | 2 - 2       | 6A0-24421-01          | 6 - 25      | 689-42111-01-4D       | 15 - 2      | 6E7-42791-00          | 14 - 22     | 61N-44194-01          | 9 - 2       |
|                       | 30 - 7      | 689-15396-01-5B       | 2 - 6       | 650-24431-A0          | 6 - 28      | 69P-42112-00-4D       | 15 - 7      | 6G5-42791-00          | 14 - 22     | 61T-44194-01          | 9 - 2       |
| 677-13437-0B          | 1 - 14      | 61N-15711-10          | 7 - 2       |                       | 30 - 17     | 664-42119-00          | 15 - 11     | 6E7-42791-10          | 14 - 22     | 69P-44311-00          | 22 - 10     |
| 61N-13610-00          | 4 - 1       | 6F5-15713-01          | 7 - 5       | 648-24434-01          | 6 - 19      | 656-42126-01          | 15 - 20     | 6G5-42791-10          | 14 - 22     |                       | 31 - 21     |
| 689-13610-01          | 4 - 1       | 6G0-15714-01          | 7 - 3       | 648-24435-02          | 6 - 22      | 6G1-42137-10          | 15 - 14     | 6G0-42796-00          | 14 - 5      | 69P-44322-00          | 22 - 12     |
| 648-13621-A1          | 4 - 3       | 61N-15715-00          | 7 - 6       | 61N-24521-00          | 6 - 9       | 689-42138-00          | 15 - 19     | 689-42815-00          | 14 - 9      |                       | 31 - 23     |
|                       | 30 - 15     | 6F5-15716-01          | 7 - 8       | 61N-24560-00          | 6 - 7       | 656-42153-00-94       | 16 - 15     | 689-42816-00          | 14 - 12     | 69P-44322-40          | 22 - 12     |
| 61N-13641-01-1S       | 4 - 4       | 6F5-15723-01          | 7 - 34      | 61N-24563-00          | 6 - 8       | 69P-42154-00          | 16 - 21     | 689-43111-03-4D       | 19 - 1      |                       | 31 - 31     |
| 648-13645-A0          | 4 - 5       | 6F5-15726-01          | 7 - 11      | 61N-24566-01          | 6 - 12      | 69P-42157-00-94       | 16 - 14     | 689-43112-02-4D       | 19 - 2      | 61N-44323-00          | 22 - 15     |
|                       | 30 - 10     | 61N-15734-00          | 7 - 7       | 6YJ-24610-01          | 24 - 2      | 69P-42167-00          | 16 - 19     | 6J8-43113-01          | 19 - 13     |                       | 31 - 26     |
| 6L2-14157-00          | 5 - 7       | 6F5-15739-00          | 7 - 16      | 61N-26311-00          | 15 - 23     | 62Y-42171-00          | 16 - 22     | 6F5-43114-00          | 19 - 6      | 61N-44323-40          | 22 - 15     |
| 61N-14198-00          | 4 - 12      | 6F5-15741-01          | 7 - 4       | 61N-26326-00          | 14 - 17     | 6F6-42177-A0          | 15 - 12     | 648-43114-01          | 19 - 6      |                       | 31 - 32     |
|                       | 30 - 11     | 69P-15746-00          | 7 - 41      | 6A1-28176-00          | 14 - 23     | 69P-42511-00-4D       | 20 - 4      | 6G0-43116-00          | 19 - 5      | 65W-44328-11          | 22 - 18     |
| 61N-14212-00          | 5 - 21      | 689-15747-70          | 7 - 42      | 61H-2819R-31          | 6 - 33      | 689-42521-00-94       | 20 - 7      | 663-43118-01          | 19 - 3      | 6H4-44352-02          | 22 - 13     |
| 646-14212-01          | 5 - 18      | 656-15748-00          | 7 - 37      | 6K8-41121-00-1S       | 2 - 31      | 647-42523-00          | 14 - 16     | 6E0-43118-01          | 19 - 3      |                       | 31 - 24     |
| 69P-14301-00          | 5 - 1       | 6G0-15754-00          | 7 - 9       | 6K8-41122-A1          | 2 - 32      | 682-42525-00          | 10 - 19     | 6J8-43131-01          | 19 - 8      | 61N-44361-00          | 23 - 1      |
| 69S-14301-00          | 5 - 1       | 689-15755-01          | 7 - 14      |                       | 30 - 8      |                       | 11 - 19     | 6E5-43145-01          | 25 - 9      | 61N-44361-10          | 23 - 1      |
| 69P-14301-10          | 5 - 1       | 61N-15758-01-4D       | 7 - 18      | 61N-41123-00-1S       | 2 - 33      |                       | 12 - 19     | 6G5-43145-01          | 19 - 9      | 61N-44361-30          | 23 - 1      |

NUMERICAL INDEX  
INDICE NUMERICO

| PART NO.<br>CODIGO N° | REF.<br>NO. | PART NO.<br>CODIGO N° | REF.<br>NO. | PART NO.<br>CODIGO N° | REF.<br>NO. | PART NO.<br>CODIGO N° | REF.<br>NO. | PART NO.<br>CODIGO N° | REF.<br>NO. | PART NO.<br>CODIGO N° | REF.<br>NO. |
|-----------------------|-------------|-----------------------|-------------|-----------------------|-------------|-----------------------|-------------|-----------------------|-------------|-----------------------|-------------|
| 61N-44362-00          | 22 - 7      | 61N-45510-10          | 22 - 36     | 701-48189-11          | 28 - 31     | 703-48264-00          | 27 - 6      | 648-48534-50-4D       | 18 - 6      | 6G1-82370-21          | 9 - 29      |
| 61N-44362-10          | 22 - 7      | 61N-45510-30          | 22 - 36     | 701-48196-11          | 28 - 7      | 703-48265-00          | 27 - 9      | 689-61350-02          | 25 - 1      | 689-82510-04          | 29 - 3      |
| 689-44366-00          | 23 - 2      | 61N-45536-00          | 22 - 5      | 701-48197-10          | 28 - 3      | 701-48266-00          | 28 - 29     | 689-61351-01          | 25 - 2      | 703-82510-33          | 27 - 43     |
|                       | 31 - 5      | 61N-45551-00          | 22 - 38     | 703-48198-00          | 27 - 14     | 701-48268-00          | 28 - 18     | 6E5-61355-00          | 25 - 7      | 61N-82519-01          | 9 - 10      |
| 6L2-44367-00          | 22 - 11     | 61N-45560-10          | 22 - 42     | 701-48198-10          | 28 - 15     | 703-48268-00          | 27 - 5      | 61N-81313-09          | 8 - 4       | 703-82531-00          | 27 - 45     |
|                       | 31 - 7      | 6L2-45567-00-10       | 22 - 41     | 703-48211-01          | 27 - 60     | 703-48271-00          | 27 - 59     | 6E9-81328-70          | 8 - 7       | 689-82531-02          | 10 - 6      |
| 664-44514-00-94       | 20 - 35     | 6L2-45567-00-11       | 22 - 41     | 703-48212-00          | 27 - 57     | 701-48271-10          | 28 - 34     | 689-81800-13          | 13 - 1      |                       | 11 - 5      |
| 689-44516-00          | 20 - 30     | 6L2-45567-00-12       | 22 - 41     | 701-48213-00          | 28 - 19     | 701-48280-00          | 28 - 44     | 689-81807-12          | 13 - 3      |                       | 12 - 5      |
| 69P-44518-00-94       | 20 - 14     | 6L2-45567-00-13       | 22 - 41     | 703-48213-00          | 27 - 58     | 703-48281-00          | 27 - 30     | 689-81809-11          | 13 - 7      | 703-82540-00          | 27 - 49     |
| 648-44519-00-94       | 20 - 16     | 6L2-45567-00-14       | 22 - 41     | 703-48215-00          | 27 - 42     | 701-48281-10          | 28 - 16     | 689-81810-11          | 13 - 9      | 689-82540-01          | 10 - 14     |
| 689-44551-01-4D       | 20 - 43     | 61N-45571-00          | 22 - 50     | 703-48219-00          | 27 - 29     | 701-48282-00          | 28 - 28     | 689-81811-11          | 13 - 12     |                       | 12 - 30     |
| 689-44552-01-4D       | 20 - 45     | 6L2-45577-00-10       | 22 - 51     | 701-48221-00          | 28 - 6      | 703-48282-00          | 27 - 31     | 689-81812-11          | 13 - 11     | 682-82556-00          | 14 - 19     |
| 689-44553-00-94       | 20 - 39     | 6L2-45577-00-11       | 22 - 51     | 703-48221-00          | 27 - 55     | 703-48284-00          | 27 - 51     | 689-81813-10          | 13 - 13     |                       | 27 - 47     |
| 689-44555-00          | 20 - 44     | 6L2-45577-00-12       | 22 - 51     | 701-48222-00          | 28 - 27     | 701-48287-00          | 27 - 41     | 689-81820-11          | 13 - 14     |                       | 29 - 6      |
| 689-44557-00          | 20 - 40     | 6L2-45577-00-13       | 22 - 51     | 703-48222-00          | 27 - 26     |                       | 28 - 42     | 689-81826-10          | 13 - 15     | 61T-82560-00          | 11 - 30     |
| 648-44591-A0          | 20 - 29     | 61N-45587-00-07       | 22 - 4      | 703-48223-00          | 27 - 27     | 702-48288-00          | 28 - 23     | 689-81830-11          | 13 - 4      | 689-82570-1A          | 29 - 1      |
| 664-44591-A0          | 20 - 36     | 61N-45587-00-10       | 22 - 4      | 703-48224-00          | 27 - 54     | 701-48289-00          | 28 - 17     | 689-81831-00          | 13 - 5      | 704-82571-01          | 29 - 2      |
| 69P-45111-00-4D       | 21 - 1      | 61N-45587-00-11       | 22 - 4      | 703-48225-00          | 27 - 28     | 703-48291-10          | 27 - 38     | 689-81840-11          | 13 - 10     | 688-82575-01          | 27 - 46     |
| 69P-45111-10-4D       | 21 - 1      | 61N-45587-00-12       | 22 - 4      | 703-48226-00          | 27 - 25     | 703-48293-10          | 27 - 40     | 689-81847-11          | 13 - 6      |                       | 29 - 5      |
| 689-45113-A1          | 2 - 41      | 61N-45587-00-13       | 22 - 4      | 703-48227-00          | 27 - 24     | 701-48320-20          | 26 - 3      | 689-81850-12          | 13 - 8      | 6E9-82575-02          | 14 - 18     |
|                       | 30 - 14     | 61N-45587-00-14       | 22 - 4      | 701-48229-00          | 28 - 26     | 701-48320-50          | 26 - 3      | 689-81857-11          | 13 - 2      | 703-82577-00          | 27 - 44     |
|                       | 31 - 2      | 61N-45587-00-15       | 22 - 4      | 703-48230-15          | 26 - 1      | 648-48330-50          | 17 - 20     | 689-81870-00          | 10 - 16     |                       | 29 - 4      |
| 663-45119-00          | 19 - 18     | 61N-45587-00-16       | 22 - 4      |                       | 27 - 1      |                       | 18 - 15     | 6H3-81922-00          | 9 - 18      | 6E3-8257H-00          | 14 - 24     |
|                       | 20 - 23     | 65W-45611-00          | 22 - 43     | 701-48232-00          | 28 - 30     | 617-48331-91          | 17 - 21     | 6G1-81941-10          | 10 - 3      | 689-8257Y-00          | 14 - 20     |
| 61N-45127-00          | 22 - 26     | 664-45631-02          | 22 - 45     | 703-48232-00          | 27 - 61     |                       | 18 - 19     |                       | 11 - 2      | 61T-82580-00          | 11 - 13     |
|                       | 31 - 11     | 648-45633-00          | 22 - 47     | 701-48234-00          | 28 - 5      | 648-48340-50          | 17 - 14     |                       | 12 - 2      |                       | 12 - 13     |
| 69P-45127-00          | 21 - 17     | 648-45635-00          | 22 - 44     | 703-48234-00          | 27 - 18     |                       | 18 - 9      | 61T-81945-01          | 10 - 5      | 64D-82581-00          | 29 - 7      |
| 69P-45128-00          | 21 - 18     | 62C-45941-00-EL       | 23 - 17     | 701-48235-00          | 28 - 2      | 703-48345-01          | 27 - 19     |                       | 11 - 4      | 688-82586-21          | 27 - 48     |
| 69P-45151-00          | 20 - 49     | 664-45941-01-EL       | 23 - 17     | 703-48235-00          | 27 - 4      |                       | 28 - 36     |                       | 12 - 4      | 688-82586-50          | 29 - 12     |
| 69P-45159-00          | 21 - 20     | 664-45943-01-EL       | 23 - 17     | 701-48236-00          | 28 - 8      | 648-48346-50          | 17 - 22     | 6G1-81952-00          | 10 - 4      | 61T-82588-00          | 11 - 31     |
| 61N-45211-31-4D       | 21 - 23     | 664-45945-00-EL       | 23 - 17     | 703-48236-00          | 27 - 16     |                       | 18 - 16     |                       | 11 - 3      | 61T-82590-00          | 11 - 14     |
| 6L2-45214-00          | 23 - 8      | 664-45947-01-EL       | 23 - 17     | 702-48237-00          | 28 - 9      | 617-48346-90          | 17 - 16     |                       | 12 - 3      |                       | 12 - 14     |
| 6L2-45215-00          | 23 - 9      | 664-45949-02-EL       | 23 - 17     | 702-48238-00          | 28 - 10     |                       | 18 - 10     | 664-81970-61          | 10 - 7      | 703-82591-00          | 27 - 52     |
| 61N-45251-01          | 22 - 31     | 664-45952-00-EL       | 23 - 17     | 703-48238-00          | 27 - 22     | 701-48358-00          | 28 - 38     |                       | 11 - 6      | 703-82592-00          | 27 - 53     |
| 69P-45300-01-4D       | 22 - 1      | 664-45954-01-EL       | 23 - 17     | 701-48243-00          | 28 - 14     | 703-48358-00          | 27 - 20     |                       | 12 - 6      | 689-82594-00          | 10 - 18     |
| 69P-45300-11-4D       | 22 - 1      | 6L2-45987-01          | 23 - 12     | 703-48243-00          | 27 - 15     | 617-48361-91          | 17 - 15     | 689-81971-00          | 10 - 2      | 689-82594-10          | 11 - 18     |
| 69P-45300-31-4D       | 22 - 1      | 689-45997-00          | 23 - 13     | 703-48244-00          | 27 - 21     |                       | 18 - 13     | 689-82105-13          | 10 - 17     |                       | 12 - 18     |
| 61N-45311-02-4D       | 22 - 2      | 69P-47467-00-5B       | 21 - 16     | 703-48245-00          | 27 - 11     | 689-48501-01-4D       | 18 - 1      |                       | 11 - 15     | 703-83383-02          | 27 - 50     |
| 61N-45315-00          | 22 - 27     | 69P-47467-10-5B       | 21 - 16     | 701-48246-00          | 28 - 24     | 689-48501-21-4D       | 18 - 1      |                       | 12 - 15     | 6A1-83625-41          | 7 - 48      |
|                       | 31 - 10     | 701-48102-51          | 26 - 2      | 703-48246-00          | 27 - 23     | 700-48510-12          | 17 - 26     | 682-82150-10          | 10 - 12     | 61T-83625-80          | 7 - 49      |
| 689-45318-00          | 21 - 24     |                       | 28 - 1      | 701-48248-00          | 27 - 13     |                       | 18 - 21     |                       | 11 - 11     | 6E0-83627-41          | 15 - 25     |
| 61N-45321-00          | 22 - 20     | 701-48133-00          | 28 - 40     |                       | 28 - 12     | 689-48511-01          | 17 - 1      |                       | 12 - 11     | 61T-83627-80          | 15 - 24     |
| 61N-45331-00-5B       | 22 - 24     | 701-48138-50          | 28 - 39     | 701-48249-00          | 28 - 11     |                       | 18 - 22     | 663-82151-00          | 10 - 13     | 6E9-85516-70          | 8 - 9       |
| 688-45341-10          | 22 - 34     | 703-48152-00          | 27 - 56     | 701-48252-00          | 28 - 4      | 689-48531-50          | 17 - 11     |                       | 11 - 12     | 663-85518-00          | 16 - 10     |
| 61N-45361-01-4D       | 22 - 52     | 701-48152-20          | 28 - 13     | 703-48252-00          | 27 - 12     |                       | 18 - 2      |                       | 12 - 12     | 61N-85537-00          | 8 - 13      |
| 61N-45371-00          | 23 - 6      | 703-48153-00          | 27 - 3      | 701-48255-00          | 28 - 21     | 689-48532-50          | 17 - 8      | 61N-82317-00          | 9 - 6       | 61N-85540-13          | 9 - 13      |
| 61N-45375-00          | 21 - 21     | 701-48153-12          | 28 - 33     | 701-48261-10          | 28 - 37     |                       | 18 - 3      | 66T-82370-00          | 9 - 29      | 69P-85541-09          | 8 - 3       |
| 61N-45510-00          | 22 - 36     | 703-48189-00          | 27 - 17     | 703-48261-11          | 27 - 2      | 648-48534-50-4D       | 17 - 5      | 663-82370-01          | 9 - 29      | 61N-85542-00-94       | 9 - 5       |

NUMERICAL INDEX  
INDICE NUMERICO

| PART NO.<br>CODIGO N° | REF.<br>NO. | PART NO.<br>CODIGO N° | REF.<br>NO. | PART NO.<br>CODIGO N° | REF.<br>NO. | PART NO.<br>CODIGO N° | REF.<br>NO. | PART NO.<br>CODIGO N° | REF.<br>NO. | PART NO.<br>CODIGO N° | REF.<br>NO. |
|-----------------------|-------------|-----------------------|-------------|-----------------------|-------------|-----------------------|-------------|-----------------------|-------------|-----------------------|-------------|
| 61N-85543-09          | 8 - 5       | 90119-06M95           | 9 - 8       | 90206-05005           | 7 - 45      | 90465-18147           | 11 - 29     | 92903-10600           | 15 - 16     | 93210-03261           | 12 - 28     |
| 61N-85543-19          | 8 - 6       | 90119-06MA0           | 2 - 39      | 90206-12052           | 14 - 10     |                       |             | 92990-05100           | 6 - 24      | 93210-06ME6           | 22 - 21     |
| 61N-85550-10          | 8 - 1       | 90119-06MA2           | 2 - 24      | 90206-28001           | 15 - 6      | 90467-08004           | 6 - 6       |                       | 29 - 10     |                       | 31 - 9      |
| 61T-85550-10          | 8 - 1       | 90119-06MA3           | 2 - 37      | 90209-24M03           | 3 - 15      | 90480-10155           | 11 - 25     | 92990-05600           | 8 - 20      | 93210-08287           | 24 - 14     |
| 69P-85560-00          | 8 - 2       |                       | 7 - 30      | 90209-47016           | 20 - 9      |                       | 12 - 25     |                       | 10 - 9      | 93210-16275           | 25 - 10     |
| 69P-85561-00          | 8 - 10      | 90119-06MA4           | 2 - 38      | 90240-05047           | 19 - 40     | 90480-14M14           | 1 - 9       |                       | 11 - 8      | 93210-22164           | 22 - 8      |
| 61N-85570-00          | 9 - 20      |                       | 7 - 32      | 90243-04007           | 19 - 4      | 90480-15M06           | 14 - 2      |                       | 12 - 8      |                       | 31 - 17     |
| 6H5-85570-00          | 9 - 20      | 90119-08009           | 2 - 3       | 90243-04M01           | 19 - 4      | 90480-17165           | 11 - 17     |                       | 16 - 37     | 93210-26130           | 22 - 9      |
| 61N-85570-10          | 9 - 25      | 90119-08015           | 2 - 25      | 90249-06M22           | 19 - 35     |                       | 12 - 17     |                       | 29 - 11     |                       | 31 - 6      |
| 61T-86111-00          | 11 - 21     | 90119-08061           | 20 - 51     | 90250-05010           | 22 - 46     | 90480-17M08           | 10 - 1      | 92990-06100           | 9 - 12      | 93210-32738           | 6 - 10      |
|                       | 12 - 21     | 90119-08M03           | 20 - 47     | 90266-04M00           | 1 - 6       |                       | 11 - 1      |                       | 10 - 11     |                       | 30 - 16     |
| 61T-86112-00          | 11 - 24     | 90119-08M65           | 2 - 4       | 90266-04M01           | 1 - 4       |                       | 12 - 1      |                       | 11 - 10     | 93210-37160           | 20 - 12     |
|                       | 12 - 24     | 90149-05M05           | 29 - 8      | 90269-02M09           | 15 - 15     |                       | 14 - 21     |                       | 12 - 10     | 93210-40659           | 4 - 14      |
| 682-86116-00          | 11 - 22     | 90149-05M13           | 15 - 13     | 90280-03M03           | 22 - 37     | 90480-25161           | 9 - 26      | 92990-06300           | 22 - 33     |                       | 30 - 12     |
|                       | 12 - 22     | 90149-14030           | 19 - 5      |                       | 31 - 29     | 90480-29045           | 20 - 5      |                       | 28 - 25     | 93210-45161           | 22 - 14     |
| 682-86117-00          | 11 - 23     | 90151-05M05           | 23 - 10     | 90280-05015           | 8 - 14      | 90501-09M08           | 16 - 29     | 92990-08600           | 17 - 19     |                       | 31 - 8      |
|                       | 12 - 23     | 90151-06M02           | 2 - 18      | 90340-08002           | 22 - 29     | 90501-10065           | 22 - 48     |                       | 18 - 11     | 93210-46M16           | 3 - 8       |
| 69P-W0001-00          | 30 - 1      | 90161-06M00           | 10 - 20     | 90381-12M01           | 20 - 20     | 90501-10071           | 17 - 24     |                       | 27 - 33     | 93210-58M21           | 2 - 9       |
| 69P-W0001-20          | 31 - 1      |                       | 11 - 20     | 90386-08032           | 15 - 18     |                       | 18 - 18     | 92990-10200           | 20 - 28     |                       | 30 - 4      |
| 689-W0004-00          | 4 - 2       |                       | 12 - 20     | 90386-10009           | 16 - 16     | 90501-10227           | 7 - 38      | 92990-10600           | 17 - 3      | 93210-64ME7           | 22 - 54     |
| 61R-W0070-10          | 1 - 11      | 90170-09M03           | 25 - 5      | 90386-12069           | 14 - 11     | 90501-10264           | 17 - 18     |                       | 18 - 24     |                       | 31 - 14     |
| 60B-W0070-H0          | 1 - 11      | 90170-10M42           | 20 - 27     | 90386-22M67           | 19 - 12     |                       | 18 - 12     | 92990-14200           | 23 - 14     | 93210-65M50           | 22 - 57     |
| 61N-W0070-H0          | 1 - 11      | 90171-14013           | 23 - 15     | 90386-38022           | 20 - 13     | 90501-14M07           | 16 - 28     | 92995-06600           | 2 - 11      |                       | 31 - 16     |
| 69P-W0078-00          | 31 - 20     | 90176-10M01           | 20 - 38     | 90386-38090           | 20 - 11     | 90501-23215           | 15 - 17     |                       | 6 - 4       | 93306-00612           | 22 - 53     |
| 69P-W0078-0A          | 31 - 30     | 90179-06M24           | 1 - 8       | 90386-47M22           | 20 - 10     | 90502-10M07           | 19 - 22     |                       | 7 - 21      | 93306-305U3           | 3 - 9       |
| 69P-W0084-00-4D       | 15 - 1      | 90179-10M03           | 21 - 26     | 90387-06013           | 7 - 44      | 90506-16M17           | 19 - 46     |                       | 9 - 4       | 93310-62406           | 3 - 14      |
| 69P-W0090-00-1S       | 2 - 1       | 90179-10M14           | 22 - 39     | 90387-06M26           | 4 - 16      | 90506-30M27           | 19 - 42     |                       | 15 - 10     | 93315-22004           | 22 - 55     |
| 69S-W0090-00-1S       | 2 - 1       | 90179-16M05           | 8 - 15      | 90387-06M59           | 16 - 3      | 90508-14M13           | 16 - 40     |                       | 17 - 7      | 93315-220V7           | 22 - 6      |
| 61N-W0093-00          | 30 - 18     | 90185-05002           | 23 - 11     | 90387-06M60           | 16 - 24     | 91490-12010           | 16 - 36     |                       | 18 - 5      | 93332-00005           | 22 - 40     |
| 61N-W1571-11          | 7 - 1       | 90185-06062           | 15 - 22     | 90387-08019           | 20 - 50     | 91490-16010           | 7 - 47      |                       | 20 - 19     | 93332-000W5           | 22 - 3      |
| 656-W2810-02          | 6 - 34      | 90185-09M01           | 25 - 4      | 90387-08M03           | 19 - 24     |                       | 16 - 23     |                       | 22 - 17     | 93390-00009           | 3 - 17      |
| 90101-08339           | 19 - 23     | 90185-10051           | 17 - 4      | 90387-08M25           | 14 - 3      |                       | 19 - 41     |                       | 31 - 28     | 93399-99951           | 3 - 6       |
| 90105-06M07           | 16 - 32     |                       | 18 - 25     | 90387-10M39           | 20 - 15     | 91490-20010           | 16 - 46     | 92995-08600           | 14 - 7      | 93430-06024           | 27 - 10     |
|                       | 20 - 6      | 90185-22043           | 19 - 10     | 90387-10M42           | 25 - 6      | 91490-30022           | 23 - 16     |                       | 19 - 25     |                       | 28 - 35     |
| 90105-06M08           | 20 - 26     | 90201-06416           | 16 - 5      | 90387-13003           | 15 - 3      | 91490-30025           | 21 - 15     |                       | 20 - 42     | 93440-62057           | 3 - 11      |
| 90105-06M18           | 20 - 3      | 90201-06M30           | 9 - 9       | 90387-32002           | 3 - 16      | 91690-30008           | 19 - 21     |                       | 21 - 5      | 93602-20M02           | 3 - 21      |
| 90105-08M10           | 7 - 35      | 90201-08M87           | 14 - 4      | 90387-33001           | 15 - 4      | 91690-30012           | 17 - 17     | 92995-10600           | 21 - 27     | 93604-10M03           | 22 - 25     |
| 90105-10M12           | 23 - 4      | 90201-10M20           | 25 - 3      | 90430-08020           | 22 - 30     |                       | 18 - 14     |                       | 23 - 5      | 93606-11M24           | 21 - 25     |
| 90109-06M12           | 19 - 7      | 90201-10M63           | 25 - 8      |                       | 31 - 13     | 91690-30016           | 19 - 16     | 93101-16001           | 2 - 8       |                       | 23 - 3      |
| 90109-06M18           | 19 - 45     | 90201-16M44           | 8 - 16      | 90445-09M75           | 6 - 5       | 91690-40016           | 16 - 42     |                       | 30 - 3      | 93606-12019           | 2 - 5       |
| 90116-10M33           | 21 - 22     | 90201-20417           | 22 - 49     | 90445-10M41           | 2 - 35      | 91690-40018           | 16 - 17     | 93101-20M07           | 22 - 56     |                       | 20 - 17     |
| 90119-06024           | 21 - 19     | 90201-20M27           | 3 - 23      | 90445-11M05           | 24 - 11     | 91690-40035           | 19 - 47     |                       | 31 - 15     |                       | 21 - 3      |
| 90119-06025           | 7 - 33      | 90201-21567           | 2 - 27      | 90445-11M06           | 24 - 9      | 91690-40048           | 4 - 23      | 93101-22067           | 22 - 28     | 93608-12063           | 20 - 8      |
| 90119-06M17           | 16 - 25     | 90201-22M03           | 19 - 11     | 90445-22002           | 20 - 53     | 92780-06025           | 28 - 20     |                       | 31 - 12     | 93700-06M03           | 19 - 17     |
| 90119-06M23           | 7 - 43      | 90201-28013           | 15 - 5      | 90446-10M02           | 10 - 15     | 92903-05600           | 7 - 46      | 93102-25008           | 2 - 7       |                       | 20 - 22     |
| 90119-06M48           | 23 - 7      | 90201-50306           | 2 - 40      |                       | 12 - 31     | 92903-06600           | 2 - 16      |                       | 30 - 2      | 94702-00160           | 2 - 42      |
| 90119-06M73           | 14 - 13     | 90202-06007           | 16 - 35     | 90465-06M88           | 4 - 24      |                       | 4 - 7       | 93102-32M07           | 3 - 7       | 94702-00217           | 2 - 42      |
| 90119-06M94           | 4 - 15      | 90202-10024           | 16 - 41     | 90465-13M11           | 9 - 19      | 92903-08600           | 13 - 17     | 93210-03261           | 11 - 28     | 94702-00247           | 2 - 42      |

NUMERICAL INDEX  
INDICE NUMERICO

| PART NO.<br>CODIGO Nº | REF.<br>NO. | PART NO.<br>CODIGO Nº | REF.<br>NO. | PART NO.<br>CODIGO Nº | REF.<br>NO. | PART NO.<br>CODIGO Nº | REF.<br>NO. | PART NO.<br>CODIGO Nº | REF.<br>NO. | PART NO.<br>CODIGO Nº | REF.<br>NO. |
|-----------------------|-------------|-----------------------|-------------|-----------------------|-------------|-----------------------|-------------|-----------------------|-------------|-----------------------|-------------|
| 94702-00271           | 2 - 42      | 97095-06035           | 7 - 23      |                       |             |                       |             |                       |             |                       |             |
| 95303-08700           | 7 - 12      | 97095-06040           | 6 - 29      |                       |             |                       |             |                       |             |                       |             |
| 95380-03600           | 6 - 20      |                       | 22 - 16     |                       |             |                       |             |                       |             |                       |             |
| 95380-05600           | 16 - 13     |                       | 31 - 27     |                       |             |                       |             |                       |             |                       |             |
|                       | 27 - 7      | 97095-06045           | 16 - 4      |                       |             |                       |             |                       |             |                       |             |
|                       | 29 - 9      | 97095-08020           | 21 - 10     |                       |             |                       |             |                       |             |                       |             |
| 95380-05700           | 16 - 8      | 97095-08110           | 20 - 54     |                       |             |                       |             |                       |             |                       |             |
| 95380-06600           | 7 - 28      | 97380-05025           | 27 - 8      |                       |             |                       |             |                       |             |                       |             |
|                       | 16 - 48     | 97380-08030           | 27 - 32     |                       |             |                       |             |                       |             |                       |             |
|                       | 27 - 39     | 97390-06018           | 28 - 22     |                       |             |                       |             |                       |             |                       |             |
|                       | 28 - 43     | 97595-06550           | 15 - 8      |                       |             |                       |             |                       |             |                       |             |
| 95380-08600           | 6 - 11      | 97595-08565           | 20 - 48     |                       |             |                       |             |                       |             |                       |             |
|                       | 19 - 26     | 97607-04112           | 8 - 11      |                       |             |                       |             |                       |             |                       |             |
|                       | 20 - 46     | 97607-06125           | 8 - 12      |                       |             |                       |             |                       |             |                       |             |
| 95380-08700           | 14 - 6      | 97802-04006           | 8 - 8       |                       |             |                       |             |                       |             |                       |             |
| 95895-06035           | 22 - 32     | 97880-05012           | 8 - 19      |                       |             |                       |             |                       |             |                       |             |
| 97013-06014           | 6 - 13      |                       | 11 - 27     |                       |             |                       |             |                       |             |                       |             |
| 97013-06016           | 2 - 15      |                       | 12 - 27     |                       |             |                       |             |                       |             |                       |             |
| 97013-06025           | 4 - 6       | 97880-05025           | 10 - 8      |                       |             |                       |             |                       |             |                       |             |
| 97013-06035           | 4 - 8       |                       | 11 - 7      |                       |             |                       |             |                       |             |                       |             |
| 97013-06050           | 4 - 10      |                       | 12 - 7      |                       |             |                       |             |                       |             |                       |             |
| 97013-08012           | 13 - 18     | 97880-06010           | 8 - 22      |                       |             |                       |             |                       |             |                       |             |
| 97013-08030           | 7 - 10      | 97880-06016           | 21 - 8      |                       |             |                       |             |                       |             |                       |             |
|                       | 13 - 16     | 97890-05006           | 5 - 22      |                       |             |                       |             |                       |             |                       |             |
| 97075-06020           | 22 - 58     | 97980-04110           | 5 - 6       |                       |             |                       |             |                       |             |                       |             |
| 97075-08025           | 20 - 41     | 97980-04112           | 5 - 14      |                       |             |                       |             |                       |             |                       |             |
| 97075-08030           | 21 - 4      | 98503-04006           | 11 - 26     |                       |             |                       |             |                       |             |                       |             |
| 97075-10040           | 17 - 2      |                       | 12 - 26     |                       |             |                       |             |                       |             |                       |             |
|                       | 18 - 23     | 98503-05028           | 6 - 23      |                       |             |                       |             |                       |             |                       |             |
| 97090-06012           | 9 - 11      | 98580-03015           | 27 - 37     |                       |             |                       |             |                       |             |                       |             |
|                       | 10 - 10     | 98580-04006           | 27 - 35     |                       |             |                       |             |                       |             |                       |             |
|                       | 11 - 9      | 98580-04010           | 27 - 34     |                       |             |                       |             |                       |             |                       |             |
|                       | 12 - 9      | 98580-05010           | 27 - 36     |                       |             |                       |             |                       |             |                       |             |
| 97095-06010           | 7 - 40      |                       | 28 - 32     |                       |             |                       |             |                       |             |                       |             |
|                       | 9 - 3       | 98580-05020           | 28 - 41     |                       |             |                       |             |                       |             |                       |             |
| 97095-06012           | 16 - 6      | 98586-05016           | 24 - 4      |                       |             |                       |             |                       |             |                       |             |
|                       | 17 - 6      | 98980-04006           | 5 - 17      |                       |             |                       |             |                       |             |                       |             |
|                       | 18 - 7      | 99009-17500           | 11 - 32     |                       |             |                       |             |                       |             |                       |             |
| 97095-06016           | 7 - 20      | 99080-05600           | 19 - 37     |                       |             |                       |             |                       |             |                       |             |
|                       | 17 - 9      | 99530-10014           | 7 - 25      |                       |             |                       |             |                       |             |                       |             |
|                       | 18 - 4      |                       |             |                       |             |                       |             |                       |             |                       |             |
| 97095-06018           | 20 - 18     |                       |             |                       |             |                       |             |                       |             |                       |             |
| 97095-06020           | 6 - 3       |                       |             |                       |             |                       |             |                       |             |                       |             |
|                       | 9 - 14      |                       |             |                       |             |                       |             |                       |             |                       |             |
|                       | 15 - 9      |                       |             |                       |             |                       |             |                       |             |                       |             |
|                       | 20 - 31     |                       |             |                       |             |                       |             |                       |             |                       |             |
| 97095-06022           | 2 - 10      |                       |             |                       |             |                       |             |                       |             |                       |             |
| 97095-06025           | 22 - 22     |                       |             |                       |             |                       |             |                       |             |                       |             |

E25B/E30H  
25B/30H  
PARTS CATALOGUE  
©2003 by Yamaha Motor Co., Ltd.  
1st edition, September 2003  
All rights reserved.  
Any reprinting or unauthorized use  
without the written permission of  
Yamaha Motor Co., Ltd.  
is expressly prohibited.  
Printed in Japan.

E25B/E30H  
25B/30H  
CATALOGO DE REPUESTOS  
©2003 por Yamaha Motor Co., Ltd.  
1ª edición, septiembre 2003  
Todos los derechos reservados.  
Toda reproducción o uso no autorizado  
sin el consentimiento escrito de  
Yamaha Motor Co., Ltd.  
quedan expresamente prohibidos  
Impreso en Japón.