

PARTS CATALOGUE

2CMH'09 (6F88)



1H6F8-415M1

()

前言

本零件目录记载着封面页所示型号所使用的零件。当您订购更换零件时，请参阅本零件目录并正确指示零件号码和零件名称。

- 零件目录发行后有变更或附加零件时，将会以雅马哈零件信息通知大家。建议您应按照雅马哈零件信息修改本零件目录。

2. 省略记号

本文中所记载的省略记号的意思如下。

- “UR” 需要指定的零件号码。
- “UN” 需要数。
- “AP” 替代零件
- “LM” 当地制造（必需于当地订购的零件）
- “F#” 框号（适用的机器号）
- “O/S” 超过尺寸

3. 组件中部件的数量

- 组件的销售零件，如下所示，在零件名称的前面加上（.）的记号来表示。
- 每个部件右侧的数字表示各组件单体内该部件的数量。

零件号码	零件名称	数量	备注
2F5 - 83310 - 60	前闪光灯组合	2	
115 - 83311 - 60	. 灯泡 (6V - 18W)	1	

4. 适用的图形颜色表示在“备注”中，如下所示。

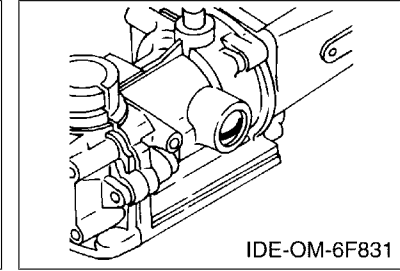
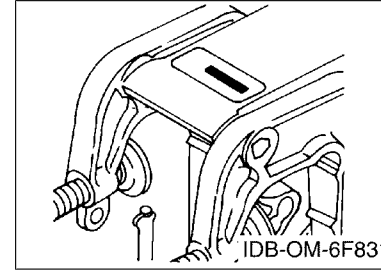
零件号码	零件名称	数量	备注
2N4 - 24110 - 00 - X5	燃油箱组件	2	MXR
3J1 - 24240 - 10	. 燃油箱图形	1	适用于 MXR

- 请注意插图只用于找寻零件号码时参照，并不适用于组装。组装时，请使用适用的维修手册。

- 在参照号码前的星号（*）表示其为在第一版后更改的项目。

7. 适用的系列号码

发动机系列号码



8. 适用的发动机初始系列号码

型号	系列号码	型号	系列号码
2C	6F8K-1034049		

9. 适用的颜色记号

省略记号	颜色名称（英文）	颜色名称	颜色记号
DBNM2	DARK BLUISH GRAY METALLIC 2		004D

10. 数量栏信息

栏号	数量栏名称	适用型号
1	6F88	2CMH

CONTENTS

COWLING & FUEL.....	1
CYLINDER & CRANKCASE.....	4
CARBURETOR.....	6
STARTER.....	8
GENERATOR.....	9
BRACKET.....	10
UPPER CASING.....	12
LOWER CASING & DRIVE.....	14
REPAIR KIT.....	16

INDEX

NUMERICAL INDEX.....	18
----------------------	----

目次

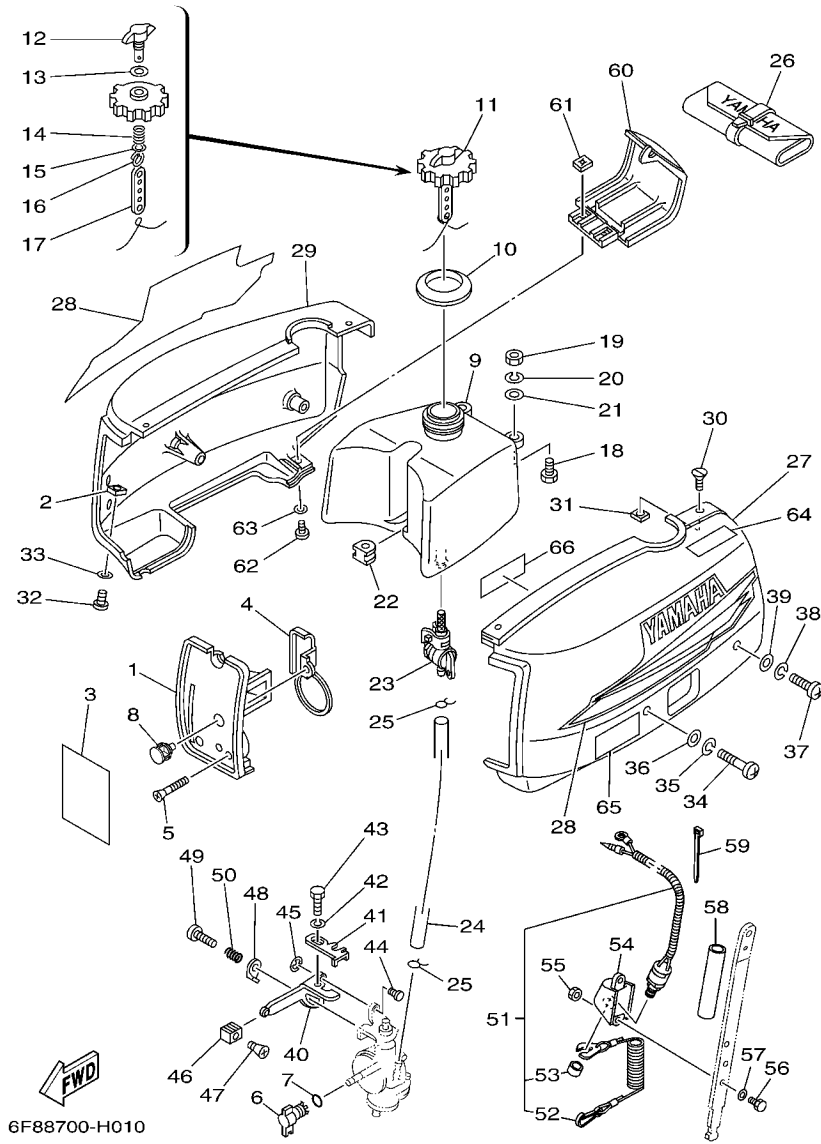
顶罩 & 燃油系统.....	1
气缸 & 曲轴箱.....	4
化油器.....	6
起动机.....	8
发电机.....	9
托架.....	10
水上装置壳体.....	12
水下装置壳体 & 驱动系统.....	14
修理套件.....	16

索引

零件号码索引.....	18
-------------	----

FIG. 1 COWLING & FUEL

顶罩 & 燃油系统

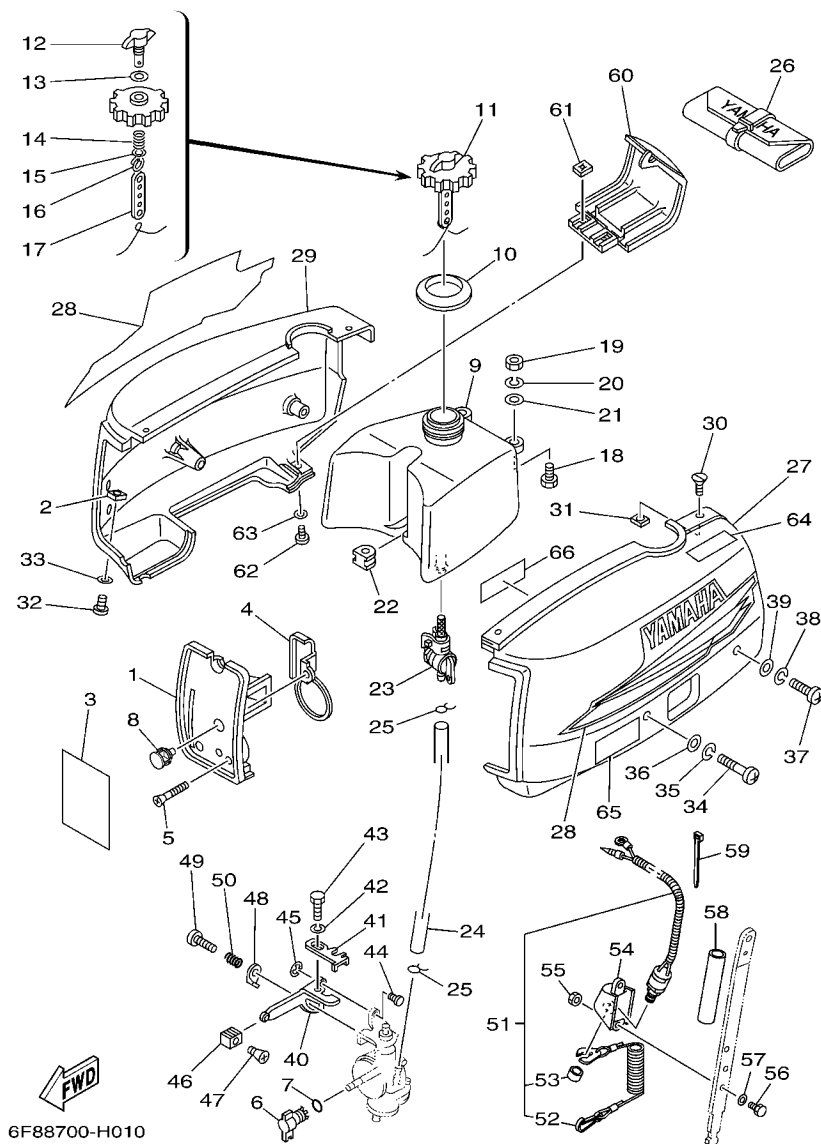


6F88700-H010

REF. NO.	PART NO. 零件号码	DESCRIPTION 零件名称	6F88			REMARKS 备注
1	6A1-14441-02	SILENCER, INTAKE 2 进气消声器 2	1			
2	90173-05M00	NUT, SQUARE 方形螺母	2			
3	6A1-42677-20	GRAPHIC, FRONT 前图样	1			
4	6A1-14442-00	SPACER 衬套	1			
5	90151-04M04	SCREW, COUNTERSUNK 沉头螺钉	2			
6	6A1-41271-00	KNOB, CHOKE 阻风门旋钮	1			
7	93210-08M29	O-RING O 型环	1			
8	90338-08010	PLUG 塞	1			
9	6A1-24110-01	FUEL TANK COMP. 燃油箱组	1			
10	6A1-24198-00	SEAT, RUBBER 橡皮座	1			
11	6A1-24610-02	CAP ASSY 盖组合	1			
12	6A1-24631-00	SCREW, AIR 空气螺钉	1			
13	90430-04005	GASKET 衬垫	1			
14	90501-100A5	SPRING, COMPRESSION 压缩弹簧	1			
15	92990-04200	WASHER, PLAIN 平垫圈	1			
16	90468-100A0	CLIP 钢夹	1			
17	646-24241-00	INDICATOR 1 指示标 1	1			
18	97095-06018	BOLT 螺栓	2			
19	95380-06600	NUT, HEXAGON 螺母	2			
20	92995-06100	WASHER, SPRING 弹性垫圈	2			
21	90201-06M30	WASHER, PLATE 面板垫	2			
22	6A1-24181-00	DAMPER, LOCATING 1 定位减震器 1	1			
23	6A1-24500-02	FUEL COCK ASSY 1 燃油活栓组合 1	1			
24	6A1-24311-00	PIPE, FUEL 1 燃油管 1	1			
25	90467-08004	CLIP 钢夹	2			
26	656-W2810-02	TOOL KIT 工具套	1			
27	6F8-42741-00	APRON 挡板	1			

FIG. 1 COWLING & FUEL

顶罩 & 燃油系统



6F88700-H010

REF. NO.	PART NO. 零件号码	DESCRIPTION 零件名称	6F88	REMARKS 备注
28	6A1-W0070-14	GRAPHIC SET 图样套	1	
29	6A1-42771-12	APRON 挡板	1	
30	98780-05012	SCREW, FLAT HEAD 平头螺钉	2	
31	90183-05M00	NUT, SPRING 弹簧螺母	2	
32	97880-05012	SCREW, PAN HEAD 大柱头螺钉	2	
33	92990-05600	WASHER, PLATE 面板垫圈	2	
34	97880-06040	SCREW, PAN HEAD 大柱头螺钉	2	
35	92990-06100	WASHER, SPRING 弹簧垫圈	2	
36	92990-06600	WASHER, PLATE 面板垫圈	2	
37	97880-06025	SCREW, PAN HEAD 大柱头螺钉	2	
38	92990-06100	WASHER, SPRING 弹簧垫圈	2	
39	92990-06600	WASHER, PLATE 面板垫圈	2	
40	6A1-41212-01	ARM, ACCEL. 加速器臂	1	
41	6A1-41211-00	LINK, ACCEL. 加速器连杆	1	
42	92990-05100	WASHER, SPRING 弹簧垫圈	1	
43	97095-05010	BOLT 螺栓	1	
44	6A1-14365-00	PIN, CLEVIS U形叉销	1	
45	99001-04600	CIRCLIP 开口簧环, 卡环	1	
46	6A1-41637-00	KNOB, MAGNETO CONTROL 磁电机控制旋钮	1	
47	98780-03010	SCREW, FLAT HEAD 平头螺钉	1	
48	6A1-41223-00	WASHER, LOCK 1 锁紧垫圈 1	1	
49	97885-05025	SCREW, PAN HEAD 大柱头螺钉	1	
50	90501-12M16	SPRING, COMPRESSION 压缩弹簧	1	
51	6F8-82575-00	ENGINE STOP SWITCH ASSY 发动机止动开关组合	1	
52	682-82556-00	.LANYARD, STOP SWITCH .限位板减震	1	
53	689-8257Y-00	.CAP .盖	1	
54	6F8-42176-00	STAY 2 支承	1	

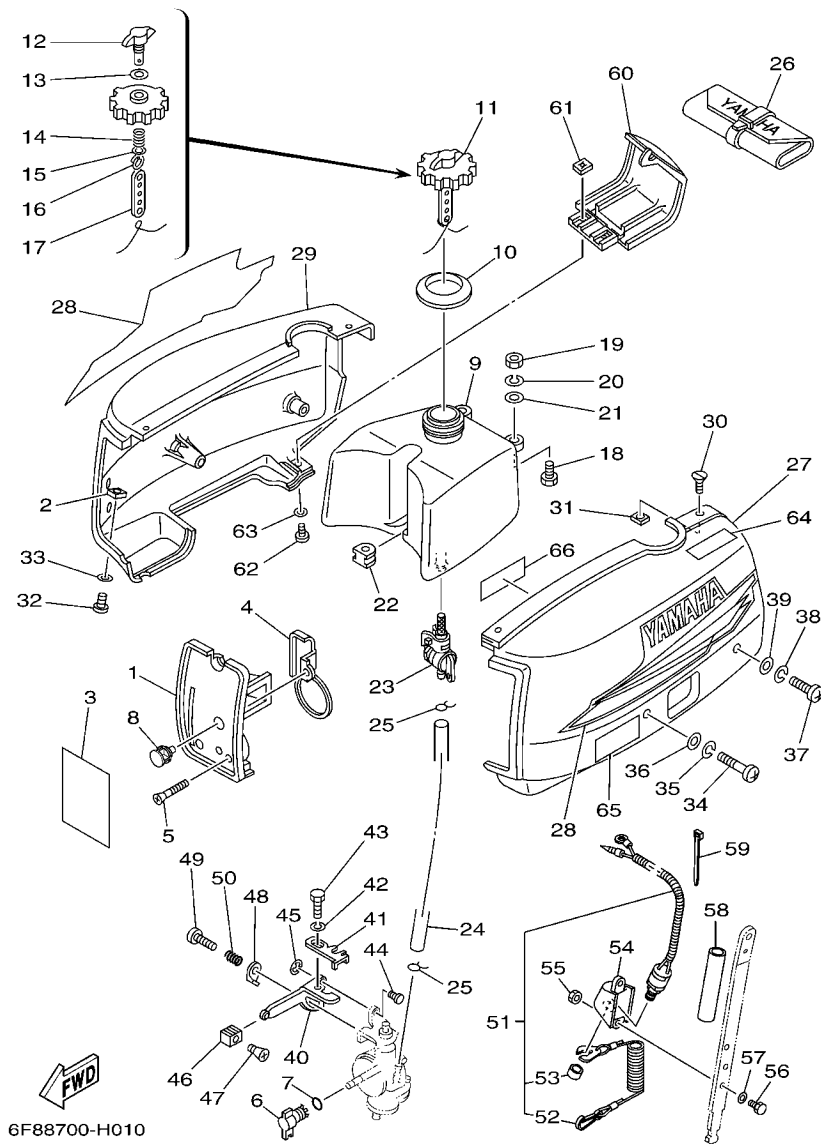
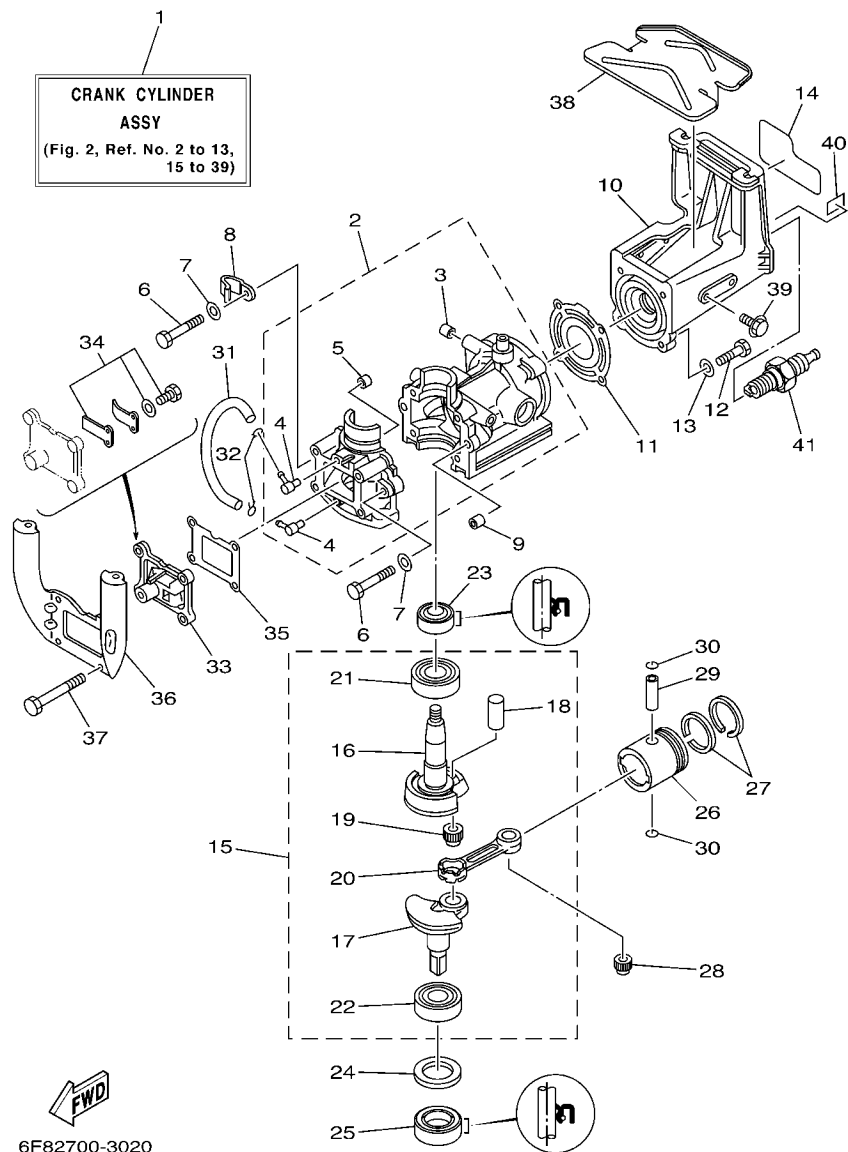


FIG. 1 COWLING & FUEL

顶罩 & 燃油系统

REF. NO.	PART NO. 零件号码	DESCRIPTION 零件名称	6F88	REMARKS 备注
55	95380-06600	NUT, HEXAGON 螺母	2	
56	97095-06016	BOLT 螺栓	2	
57	92995-06600	WASHER 垫圈	2	
58	6F8-83557-00	TUBE 管	1	
59	90465-13M11	CLAMP 夹箍	1	
60	6A1-82375-12	COVER, PLUG CAP 塞帽盖	1	
61	90183-05M00	NUT, SPRING 弹簧螺母	2	
62	97880-05012	SCREW, PAN HEAD 大柱头螺钉	2	
63	92990-05600	WASHER, PLATE 面板垫圈	2	
64	6S7-42698-40	LABEL, WARNING (FUEL) 警告标志	1	
65	6S7-42794-40	LABEL, WARNING (GENERAL) 警告标志	1	
66	6AH-81994-40	LABEL, SAFETY 警告标志	1	

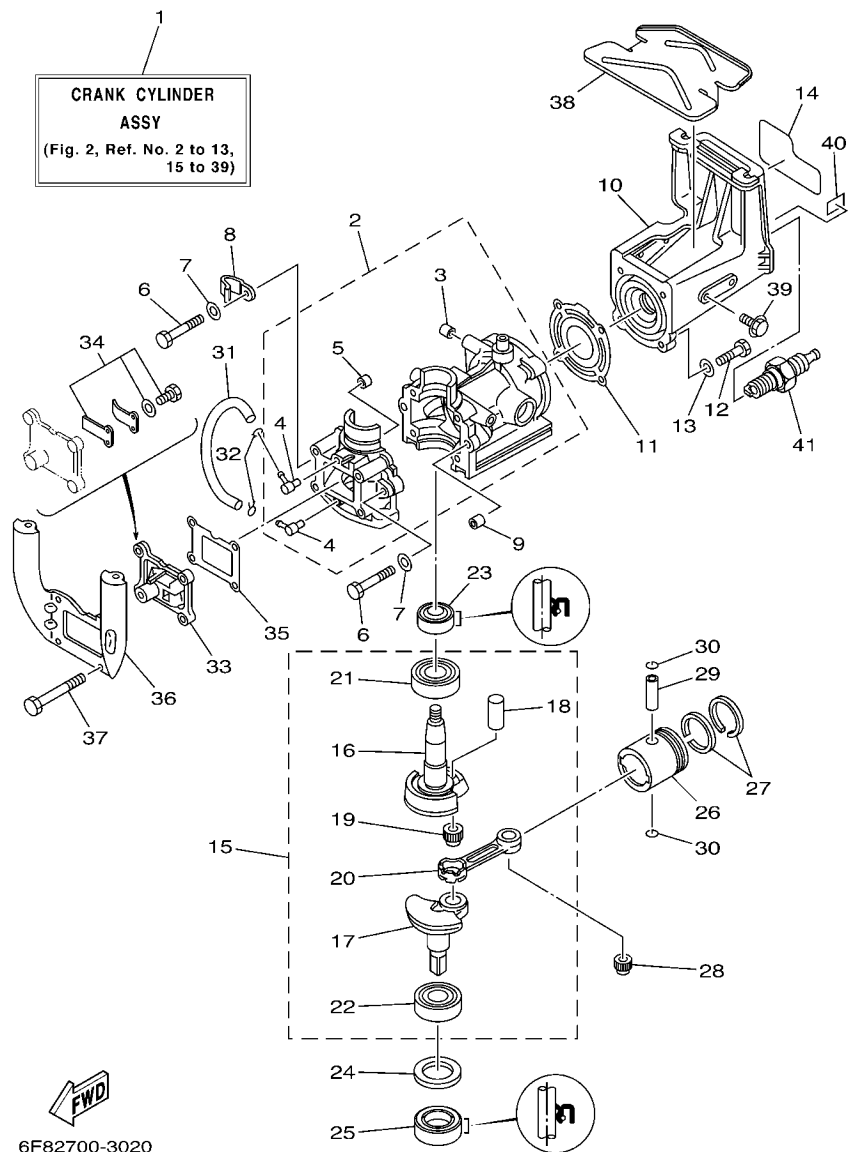
FIG. 2 CYLINDER & CRANKCASE 气缸 & 曲轴箱



6F82700-3020

REF. NO.	PART NO. 零件号码	DESCRIPTION 零件名称	6F8			REMARKS 备注
1	6F8-W0090-64-1S	CRANK CYLINDER ASSY 气缸曲柄组合	1			
2	6F8-15100-61-1S	CRANKCASE ASSY 曲轴箱组合	1			
3	90336-06001	.PLUG, TAPER .锥形销	1			
4	650-14485-03	.PIPE, JOINT .连接管	2			
5	624-11379-00	.VALVE, CHECK .单向阀	1			
6	97013-06040	BOLT 螺栓	2			
7	92903-06600	WASHER, PLATE 面板垫圈	2			
8	90465-06M86	CLAMP 夹箍	1			
9	99530-10014	PIN, DOWEL 定位销	2			
10	6A1-11111-02-1S	HEAD, CYLINDER 1 气缸盖	1			
11	6F8-11181-A1	GASKET, CYLINDER HEAD 1 气缸盖衬垫 1	1			
12	97095-06025	BOLT 螺栓	4			
13	92995-06600	WASHER 垫圈	4			
14	6A1-42678-12	GRAPHIC, REAR 后图样	1			
15	6A1-11400-00	CRANKSHAFT ASSY 曲轴组合	1			
16	646-11412-01	.CRANK 1 .曲柄 1	1			
17	6A1-11422-00	.CRANK 2 .曲柄 2	1			
18	646-11681-00	.PIN, CRANK 1 .曲柄销 1	1			
19	93310-31439	.BEARING .轴承	1			
20	646-11651-02	.ROD, CONNECTING .连杆	1			
21	93306-00409	.BEARING .轴承	1			
22	93306-30204	.BEARING .轴承	1			
23	93102-20070	OIL SEAL 油封	1			
24	90201-35300	WASHER, PLATE 面板垫	1			
25	93102-15M32	OIL SEAL 油封	1			
26	6F8-11631-00-98	PISTON (STD) 活塞 (STD)	1			
	6F8-11635-00	PISTON (0.25MM O/S) 活塞 (0.25 毫米 O/S)	1			AP AP

FIG. 2 CYLINDER & CRANKCASE 气缸 & 曲轴箱

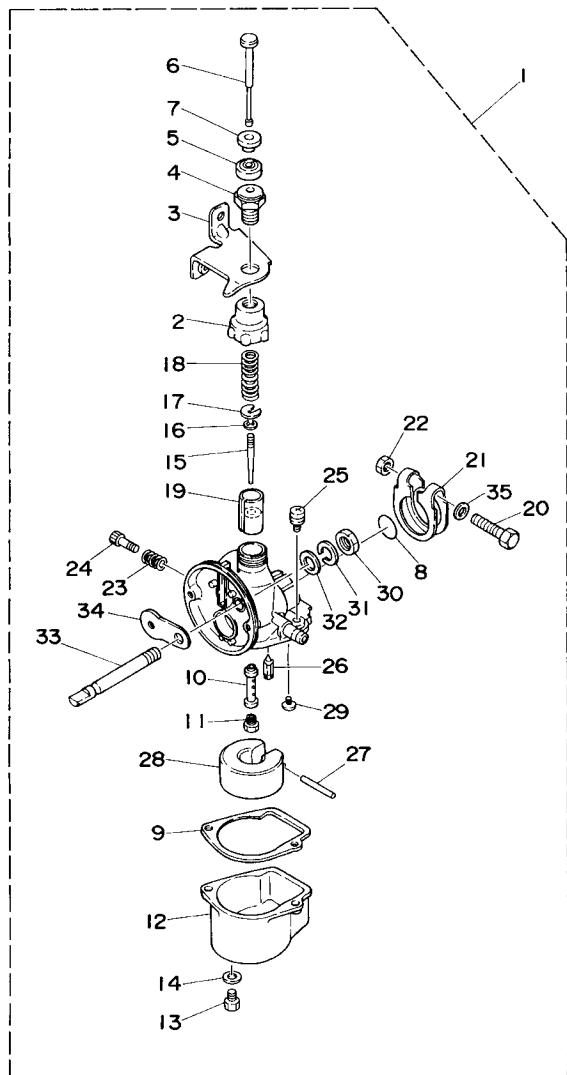


6F82700-3020

REF. NO.	PART NO. 零件号码	DESCRIPTION 零件名称	6F88	REMARKS 备注
26	6F8-11636-00	PISTON (0.50MM O/S) 活塞 (0.50 毫米 O/S)	1	AP AP
27	6F8-11610-00	PISTON RING SET (STD) 活塞环套	1	
	6F8-11610-10	PISTON RING SET (0.25MM O/S) 活塞环套	1	AP
	6F8-11610-20	PISTON RING SET (0.50MM O/S) 活塞环套	1	AP AP AP
28	93310-210V1	BEARING 轴承	1	
29	646-11633-00	PIN, PISTON 活塞销	1	
30	93450-11021	CIRCLIP 开口簧环, 卡环	2	
31	90445-07254	HOSE (L118) 软管	1	
32	90467-06016	CLIP 钢夹	2	
33	6A1-13610-00	REED VALVE ASSY 簧片阀组合	1	
34	6A1-W0004-00	REED SET 簧片套	1	
35	6A1-13621-A0	GASKET, VALVE SEAT 阀座衬垫	1	
36	6A1-15771-01	STAY 1 支承 1	1	
37	97013-06060	BOLT 螺栓	4	
38	6A1-24141-00	PROTECTOR, FUEL TANK 燃油箱保护	1	
39	95895-06010	BOLT, FLANGE 凸缘螺栓	2	
40	664-42791-00	MARK 1 标志, 商标 1	1	
	664-42791-10	MARK 1 标志, 商标 1	1	FOR CHN,CAR CHN. CAR 车用
41	94702-00040	PLUG, SPARK (NGK B7HS) 火花塞 (NGK DPR6EB)	1	
	94702-00272	PLUG, SPARK (NGK BR7HS) 火花塞 (NGK DPR6EB)	1	FOR CHN,CAR CHN. CAR 车用

FIG. 3 CARBURETOR

化油器

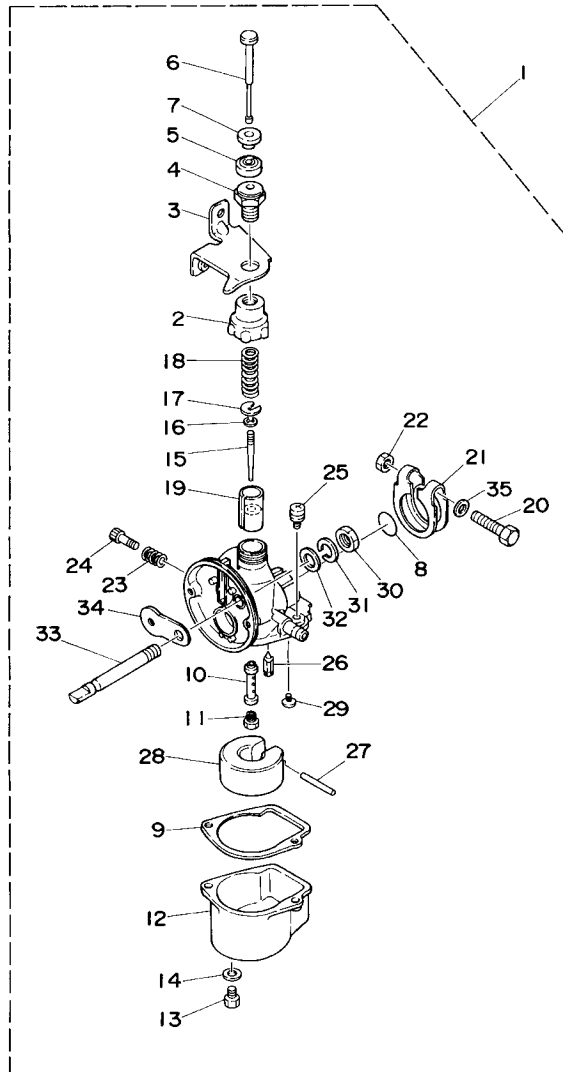


6A10010-4030

REF. NO.	PART NO. 零件号码	DESCRIPTION 零件名称	6F88				REMARKS 备注
1	6F8-14301-03	CARBURETOR ASSY 1 化油器总成 1	1				
2	646-14158-00	.TOP, MIXING CHAMBER .混合室盖罩	1				
3	6A1-14497-00	.STAY, THROTTLE WIRE .油门钢索支承	1				
4	646-14321-00	.SCREW, THROTTLE .节气门螺钉	1				
5	646-14169-00	.CAP .盖	1				
6	6A1-14314-00	.BAR, THROTTLE .节气门杆	1				
7	6A1-14163-00	.SPACER .隔套	1				
8	646-14229-01	.O-RING .阻风门轴	1				
9	6A1-14384-00	.GASKET, FLOAT CHAMBER .浮子室衬垫	1				
10	6A1-14341-01	.NOZZLE, MAIN .主喷管	1				
11	6A1-14343-52	.JET, MAIN (#104) .主量孔 (#104)	1				
12	6A1-14381-02	.BODY, FLOAT CHAMBER .浮子室本	1				
13	97890-05006	.SCREW, PAN HEAD .大柱头螺钉	1				
14	646-14198-01	.GASKET .衬垫	1				
15	6F8-14116-00	.NEEDLE .针	1				
16	646-14137-00	.CLIP .钢夹	1				
17	646-14136-00	.SEAT, SPRING .弹簧座	1				
18	646-14331-01	.SPRING, THROTTLE VALVE .节气门阀弹簧	1				
19	646-14312-08	.VALVE, THROTTLE 1 .节气门阀 1	1				
20	6A1-14125-01	.SCREW .螺钉	1				
21	6A1-14127-01	.CLIP .钢夹	1				
22	6A1-14358-01	.NUT .螺母	1				
23	6A1-14212-00	.SPRING, PILOT ADJUSTING .混合气调整弹簧	1				
24	646-14211-02	.SCREW, PILOT ADJUSTING .混合气调整螺钉	1				
25	97980-04110	.SCREW, WITH WASHER .带垫圈螺钉	2				
26	6A1-14392-00	.VALVE, NEEDLE .针阀	1				
27	6A1-14386-00	.PIN, FLOAT .浮子销	1				

化油器

FIG. 3 CARBURETOR

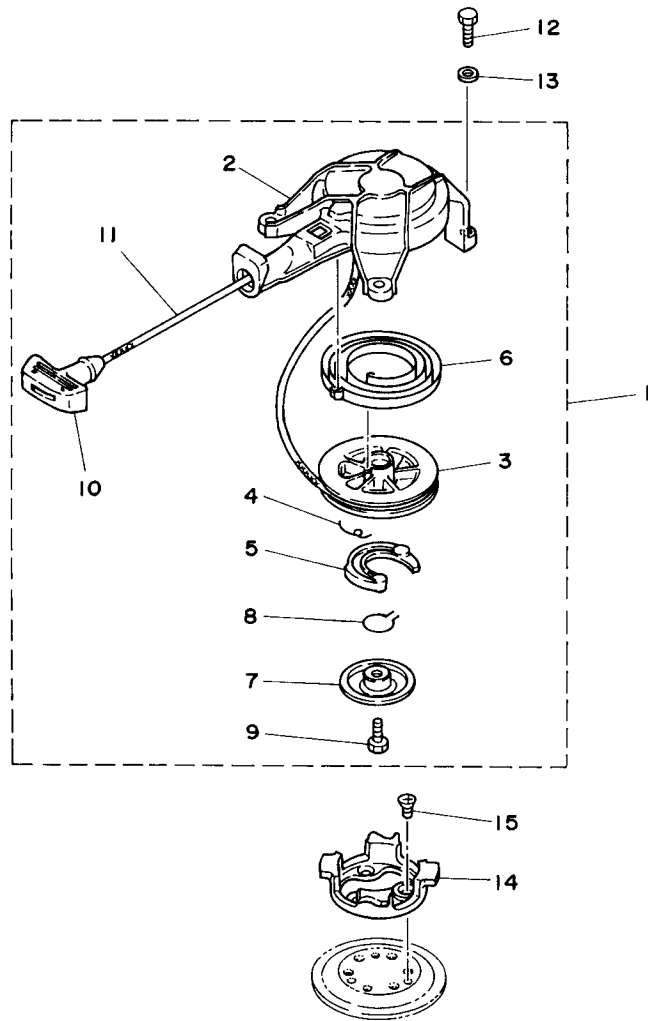


FWD
6A10010-4030

REF. NO.	PART NO. 零件号码	DESCRIPTION 零件名称	6F88			REMARKS 备注
28	6A1-14385-00	.FLOAT 浮子	1			
29	98580-03005	.SCREW, PAN HEAD 大柱头螺钉	1			
30	646-14358-00	.NUT 螺母	1			
31	6A1-14356-00	.WASHER, SPRING 弹簧垫	1			
32	646-14357-00	.WASHER, PLAIN 平垫	1			
33	6A1-14448-00	.LEVER, CHOKE VALVE 阻风门挺杆	1			
34	6F8-14217-00	.VALVE, CHOKE 阻风门阀	1			
35	92990-05600	.WASHER, PLATE 面板垫圈	1			

FIG. 4 STARTER

起动机



6F83200-C040

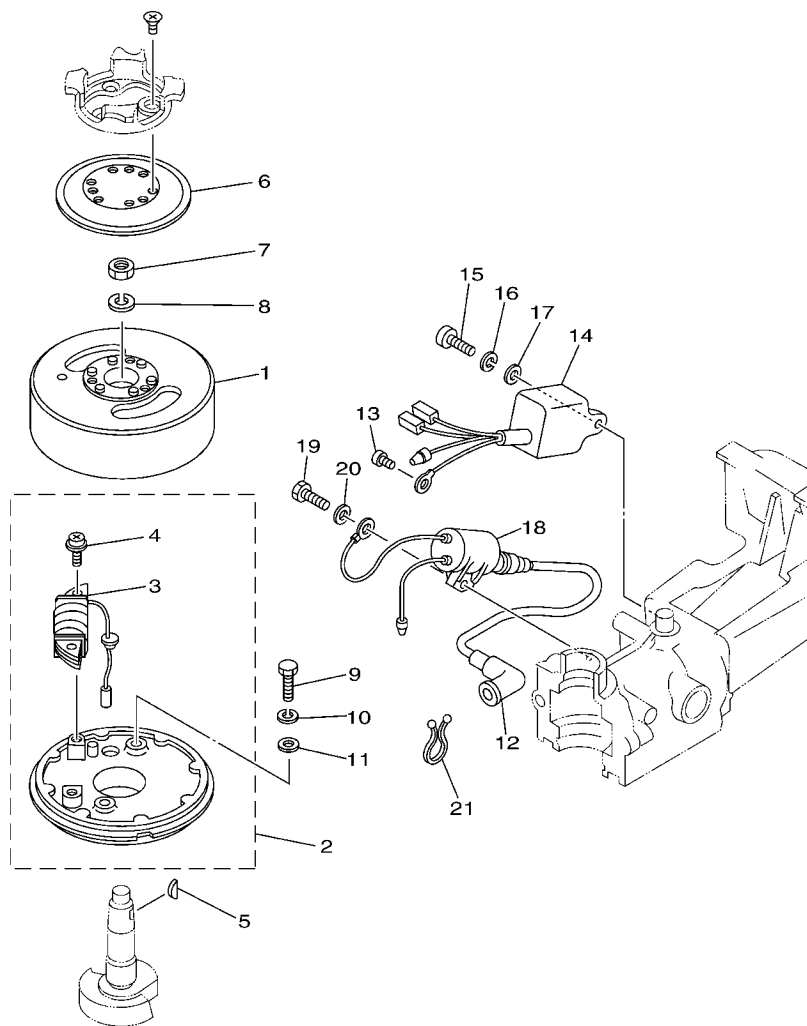
*1: CUT FROM 50M ROLLS, PART NO. 90890-44372, CUTTING LENGTH 1.3M

*1: CORTE DE UN RODILLO DE 50M, PARTS NUMERO 90890-44372, LARGO DEL CORTE 1.3M

REF. NO.	PART NO. 零件号码	DESCRIPTION 零件名称	6F88	REMARKS 备注
1	6A1-15710-00	STARTER ASSY 起动机组合	1	
2	6A1-15711-00	.CASE, STARTER .起动机箱	1	
3	6A1-15714-00	.DRUM, SHEAVE .拉索卷	1	
4	6A1-15767-00	.SPRING .弹簧	1	
5	6A1-15741-00	.PAWL, DRIVE .驱动	1	
6	6A1-15713-00	.SPRING, STARTER .起动机弹簧	1	
7	6A1-15717-00	.SHAFT, STARTER .起动机轴	1	
8	6A1-15705-00	.SPRING, DRIVE PAWL .驱动爪弹簧	1	
9	97322-06012	.BOLT .螺	1	
10	6A1-15755-02	.HANDLE, STARTER .起动机手	1	
11	*	.WIRE (L1300) .起动机拉索	1	*1 *1
12	97095-06016	BOLT 螺栓	3	
13	92995-06600	WASHER 垫圈	3	
14	6A1-15723-00-94	PULLEY, STARTER 起动机滑	1	
15	98703-06012	SCREW, FLAT HEAD 平头螺钉	3	

FIG. 5 GENERATOR

发电机

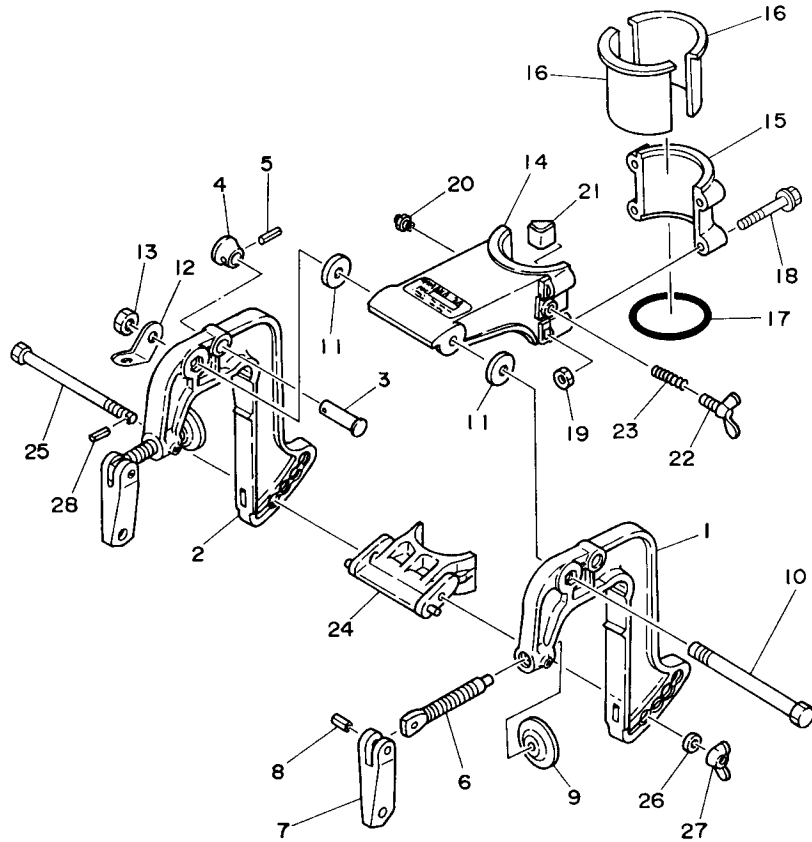



6F83700-C050

REF. NO.	PART NO. 零件号码	DESCRIPTION 零件名称	6F88				REMARKS 备注
1	6A1-85550-00	ROTOR ASSY 转子组合	1				
2	6A1-85560-00	BASE ASSY 基座组合	1				
3	6A1-85520-01	.COIL, CHARGE .充电线	1				
4	97885-05020	.SCREW, PAN HEAD .大柱头螺钉	2				
5	90280-04M06	KEY, WOODRUFF 半圆	1				
6	6A1-81362-00	COVER, HOLE 孔盖	1				
7	90170-10M33	NUT 螺母	1				
8	92903-10100	WASHER, SPRING 弹簧垫圈	1				
9	97013-06030	BOLT 螺栓	2				
10	92903-06100	WASHER, SPRING 弹簧垫圈	2				
11	92903-06600	WASHER, PLATE 面板垫圈	2				
12	663-82370-01 6G1-82370-21	PLUG CAP ASSY 塞帽组合	1 1				FOR CAR CAR 车用
13	97880-05008	SCREW, PAN HEAD 大柱头螺钉	1				
14	6A1-85540-01	C.D.I. UNIT ASSY 电子点火器总成	1				
15	97885-06016	SCREW, PAN HEAD 大柱头螺钉	1				
16	92995-06100	WASHER, SPRING 弹性垫圈	1				
17	92995-06600	WASHER 垫圈	1				
18	6A1-85570-00	IGNITION COIL ASSY 点火线圈组合	1				
19	97095-06020	BOLT 螺栓	1				
20	92995-06600	WASHER 垫圈	1				
21	90464-08M07	CLAMP 夹箍	1				

FIG. 6 BRACKET

托架

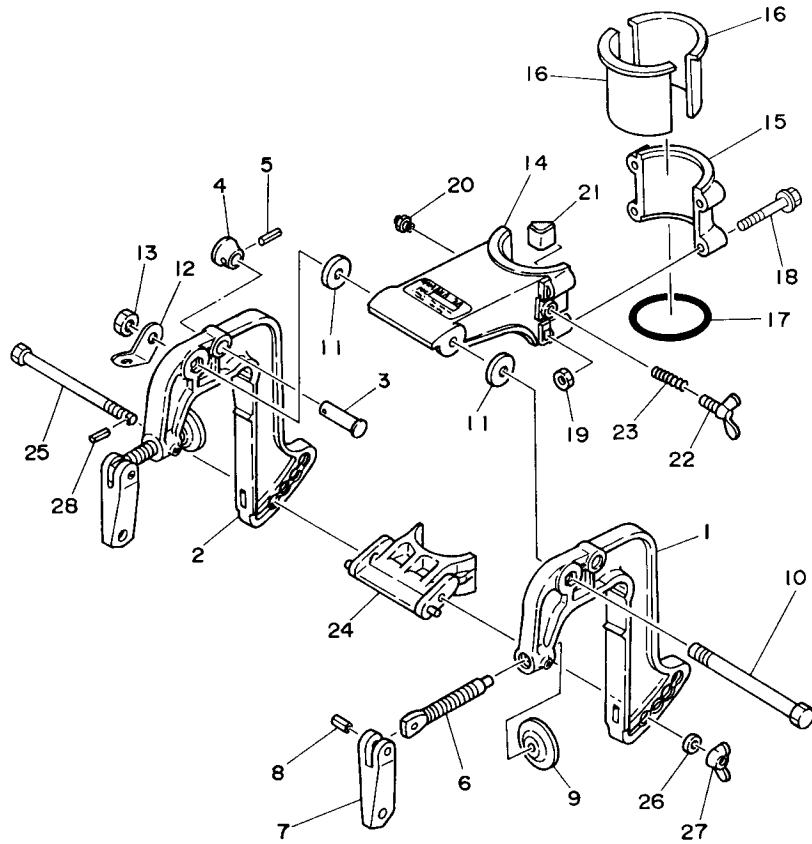


6A10010-4060

REF. NO.	PART NO. 零件号码	DESCRIPTION 零件名称	6F88	REMARKS 备注
1	6A1-43111-03-4D	BRACKET, CLAMP 1 夹紧托架	1	
2	6A1-43112-00-4D	BRACKET, CLAMP 2 夹紧托架	1	
3	6A1-43191-00	SHAFT, STOPPER 限位轴	1	
4	6A1-43192-00	KNOB, STOPPER 限位旋钮	1	
5	91690-30014	PIN, SPRING 弹簧销	1	
6	6E0-43116-01	SCREW, TRANSOM CLAMP 舰板夹紧螺钉	2	
7	6E0-43118-01	HANDLE, TRANSOM CLAMP 舰板夹紧手柄	2	
8	90243-04M01	PIN 销	2	
9	620-43114-00	PAD, TRANSOM CLAMP 舰板夹紧衬垫	2	
10	90101-08217	BOLT 螺	1	
11	90202-08022	WASHER, PLATE 面板垫	2	
12	6A1-43113-01	PLATE, CLAMP BRACKET 夹紧托架面板	1	
13	95380-08600	NUT 螺母	1	
14	6A1-43311-02-4D	BRACKET, SWIVEL 1 旋转支架	1	
15	6A1-43312-00-4D	BRACKET, SWIVEL 2 旋转支架	1	
16	646-42537-01	BUSHING, PIVOT SHAFT 枢轴衬套	2	
17	93210-46044	O-RING O型环	1	
18	90119-06M98	BOLT, WITH WASHER 带垫螺	4	
19	95380-06600	NUT, HEXAGON 螺母	4	
20	93700-06M03	NIPPLE, GREASE 润滑油喷嘴	1	
21	646-42528-00	PLATE, FRICTION 阻力板	1	
22	90122-06004	BOLT, WING 翼形螺	1	
23	90501-12272	SPRING, COMPRESSION 压缩弹簧	1	
24	6A1-43351-00	RECEIVER, THRUST 推力接收器	1	
25	6A1-43371-00	BOLT, RECEIVER 接收器螺	1	
26	90201-06040	WASHER, PLATE 面板垫	1	
27	90175-06008	NUT, WING 翼形螺母	1	

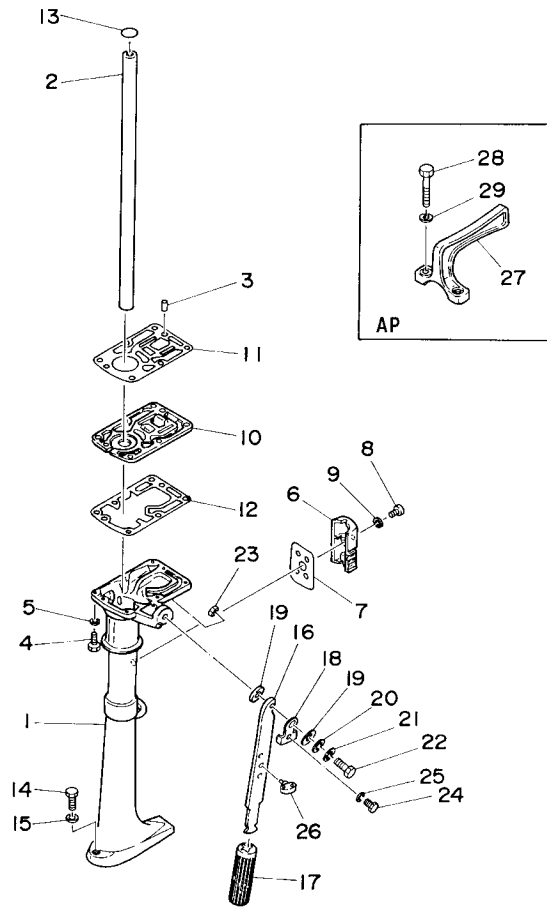
FIG. 6 BRACKET

托架



6A10010-4060

REF. NO.	PART NO. / 零件号码	DESCRIPTION / 零件名称	6F88			REMARKS / 备注
28	91690-20006	PIN, SPRING / 弹簧销	1			

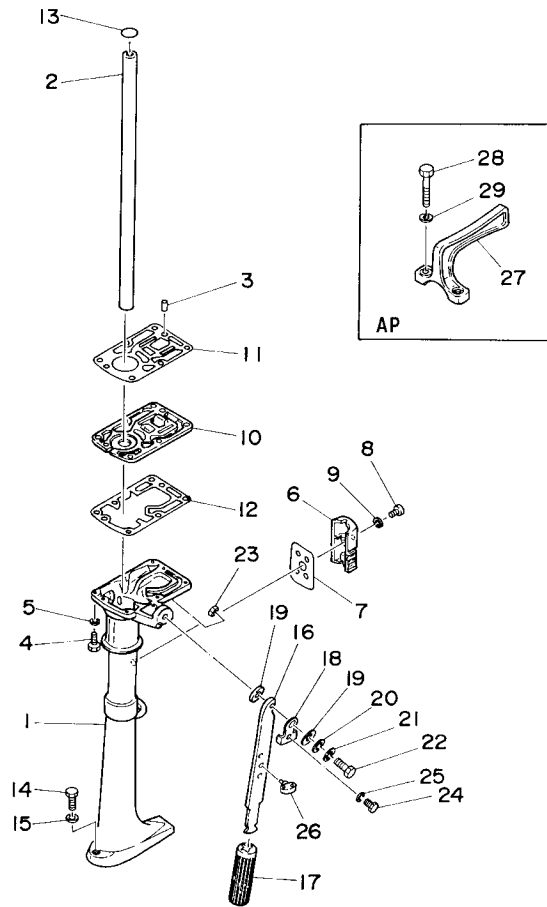


6F88700-H070

FIG. 7 UPPER CASING

水上装置壳体

REF. NO.	PART NO. 零件号码	DESCRIPTION 零件名称	6F88			REMARKS 备注
1	6A1-45111-03-4D	CASING, UPPER 水上装置壳	1			
2	6A1-45113-00	GASKET, UPPER CASING 水上装置壳体衬垫	1			
3	93605-15065	PIN, DOWEL 定位销	2			
4	97095-06025	BOLT 螺栓	6			
5	92995-06600	WASHER 垫圈	6			
6	6A1-45151-00	COVER, UPPER CASING 水上装置壳体盖	1			
7	6A1-45115-00	GASKET, UPPER CASING 水上装置壳体衬垫	1			
8	97880-06016	SCREW, PAN HEAD 大柱头螺钉	1			
9	92990-06600	WASHER, PLATE 面板垫圈	1			
10	6A1-41137-00-5B	GUIDE, EXHAUST 排气导管	1			
11	6A1-14613-A0	GASKET, EXHAUST PIPE 排气管衬垫	1			
12	646-14623-A1	GASKET, EXHAUST PIPE 排气管衬垫	1			
13	93210-19123	O-RING O 型环	1			
14	97095-06030	BOLT 螺栓	1			
15	92995-06600	WASHER 垫圈	1			
16	6A1-42111-01-4D	HANDLE, STEERING 方向手	1			
17	646-42119-02	GRIP, STEERING HANDLE 方向手把握	1			
18	6A1-42181-00	WASHER 垫	1			
19	90201-09117	WASHER, PLATE 面板垫	2			
20	92990-08200	WASHER, PLAIN 平垫圈	1			
21	92990-08100	WASHER, SPRING 弹簧垫圈	1			
22	90101-08M11	BOLT 螺	1			
23	95380-08600	NUT 螺母	1			
24	97095-06010	BOLT 螺栓	1			
25	92995-06100	WASHER, SPRING 弹性垫圈	1			
26	646-42591-00	HOLDER, SHEAR PIN 剪力安全销支架	1			
27	646-42121-00-94	BRACKET 托架	1			AP AP



6F88700-H070

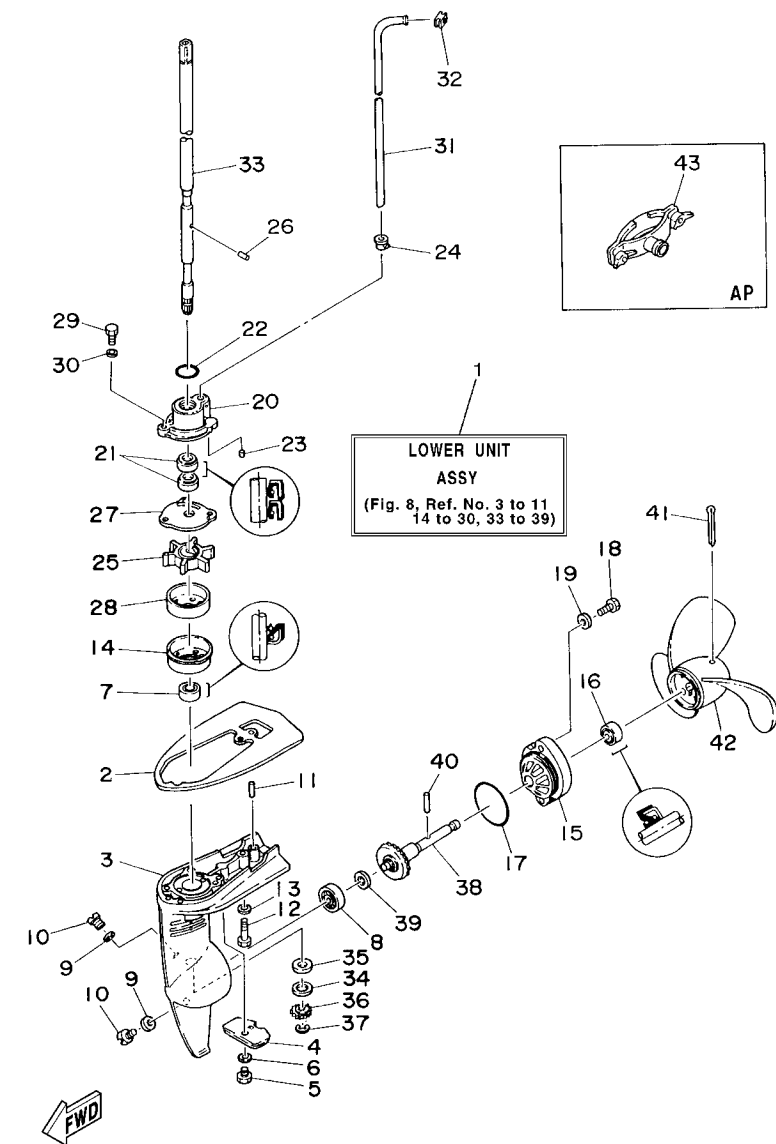
FIG. 7 UPPER CASING

水上装置壳体

REF. NO.	PART NO. 零件号码	DESCRIPTION 零件名称	6F88				REMARKS 备注
28	97095-06055	BOLT 螺栓	2				AP
29	92990-06100	WASHER, SPRING 弹簧垫圈	2				AP AP AP

FIG. 8 LOWER CASING & DRIVE

水下装置壳体 & 驱动系统

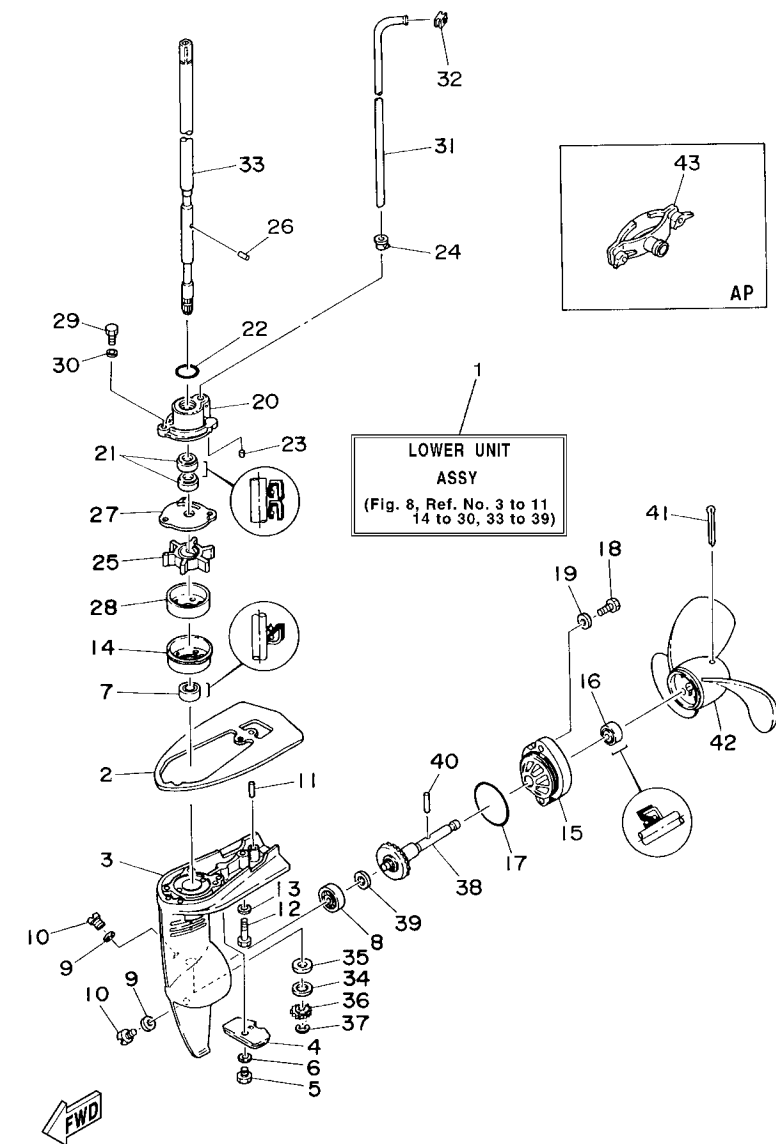


6F86700-F080

REF. NO.	PART NO. 零件号码	DESCRIPTION 零件名称	6F88				REMARKS 备注
1	6A1-45300-03-4D	LOWER UNIT ASSY 水下装置总成	1				
2	6A1-45181-00-4D	PLATE 面板	1				
3	6A1-45311-02-4D	CASING, LOWER 水下装置壳	1				
4	6L5-45251-03	ANODE 阳极	1				
5	95895-06012	BOLT, FLANGE 凸缘螺栓	1				
6	92990-06300	WASHER, INTERNAL TOOTH 内齿垫	1				
7	93103-11051	OIL SEAL 油封	1				
8	93306-00001	BEARING 轴承	1				
9	90430-08020	GASKET 衬垫	2				
10	90340-08002	PLUG, STRAIGHT SCREW 圆柱螺钉	2				
11	93605-18M04	PIN, DOWEL 定位销	2				
12	97095-06030	BOLT 螺栓	1				
13	92995-06600	WASHER 垫圈	1				
14	6A1-44325-00	PROTECTOR, OIL SEAL 油封保护器	1				
15	6A1-45361-01-4D	CAP, LOWER CASING 水下装置壳体盖	1				
16	93103-10052	OIL SEAL 油封	1				
17	93210-42101	O-RING O 型环	1				
18	97090-06014	BOLT 螺栓	2				
19	92990-06600	WASHER, PLATE 面板垫圈	2				
20	6A1-44312-01-94	COVER, WATER PUMP HOUSING 水泵壳体盖	1				
21	93101-11M44	OIL SEAL 油封	2				
22	93210-19123	O-RING O 型环	1				
23	93604-09068	PIN, DOWEL 定位销	2				
24	646-44366-01	DAMPER, WATER SEAL 水封减震器	1				
25	646-44352-01	IMPELLER 叶	1				
26	93604-09066	PIN, DOWEL 定位销	1				
27	646-44323-00	OUTER PLATE, CARTRIDGE 外挡板	1				

FIG. 8 LOWER CASING & DRIVE

水下装置壳体 & 驱动系统

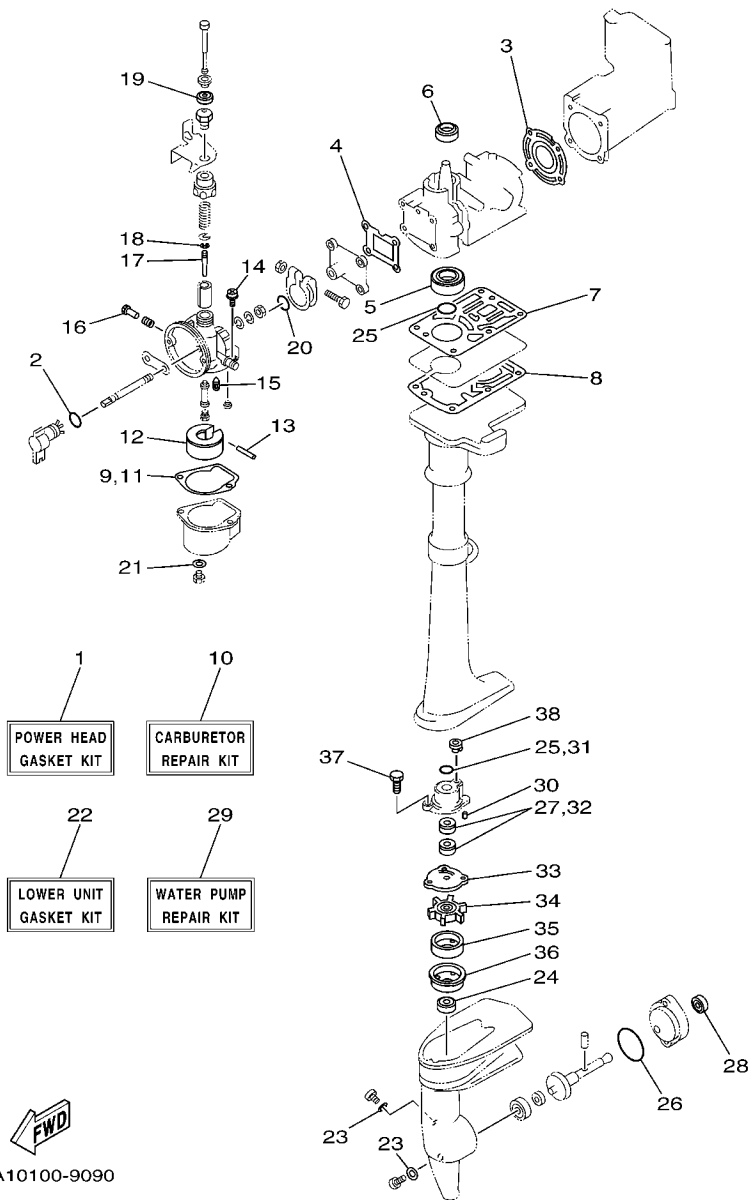


6F86700-F080

REF. NO.	PART NO. 零件号码	DESCRIPTION 零件名称	6F88				REMARKS 备注
28	646-44322-00	INSERT, CARTRIDGE 芯子	1				
29	97095-05016	BOLT 螺栓	2				
30	92995-05600	WASHER 垫圈	2				
31	6A1-44361-00	TUBE, WATER 水管	1				
32	646-44365-00	DAMPER, WATER SEAL 水封减震器	1				
33	6A1-45510-01	DRIVE SHAFT ASSY 驱动轴组合	1				
34	90201-11M49	WASHER, PLATE 面板垫	1				
35	646-45534-00-03	SHIM (T:0.30MM) 推力垫	1				UR
	646-45534-00-04	SHIM (T:0.40MM) 推力垫	1				UR
	646-45534-00-05	SHIM (T:0.50MM) 推力垫	1				UR
36	646-45551-00	PINION (13T) 小齿	1				
37	99001-06600	CIRCLIP 开口簧环, 卡环	1				
38	646-45560-00	GEAR 1 (27T) 齿	1				
39	646-45567-00	SHIM (T:0.30MM) 填隙	1				UR
	646-45567-10	SHIM (T:0.40MM) 填隙	1				UR
	646-45567-20	SHIM (T:0.50MM) 填隙	1				UR
40	90250-03M10	PIN, STRAIGHT 直销, 圆柱销	1				
41	91490-30040	PIN, COTTER 开口销	1				
42	6A1-45943-00	PROPELLER (3X7-1/4"X4"-A) 螺旋桨组合	1				UR
	646-45942-01-EL	PROPELLER (3X7-1/4"X5-1/2"-A) 螺旋桨组合	1				UR
	646-45944-01-EL	PROPELLER (3X7-1/4"X4-1/2"-A) 螺旋桨	1				UR
	6F8-45942-01-EL	PROPELLER (3X7-1/4"X5"-A) 螺旋桨组合	1				UR
43	646-28193-00	PLUG, WATER CHECK 单向放水	1				AP

FIG. 9 REPAIR KIT

修理套件

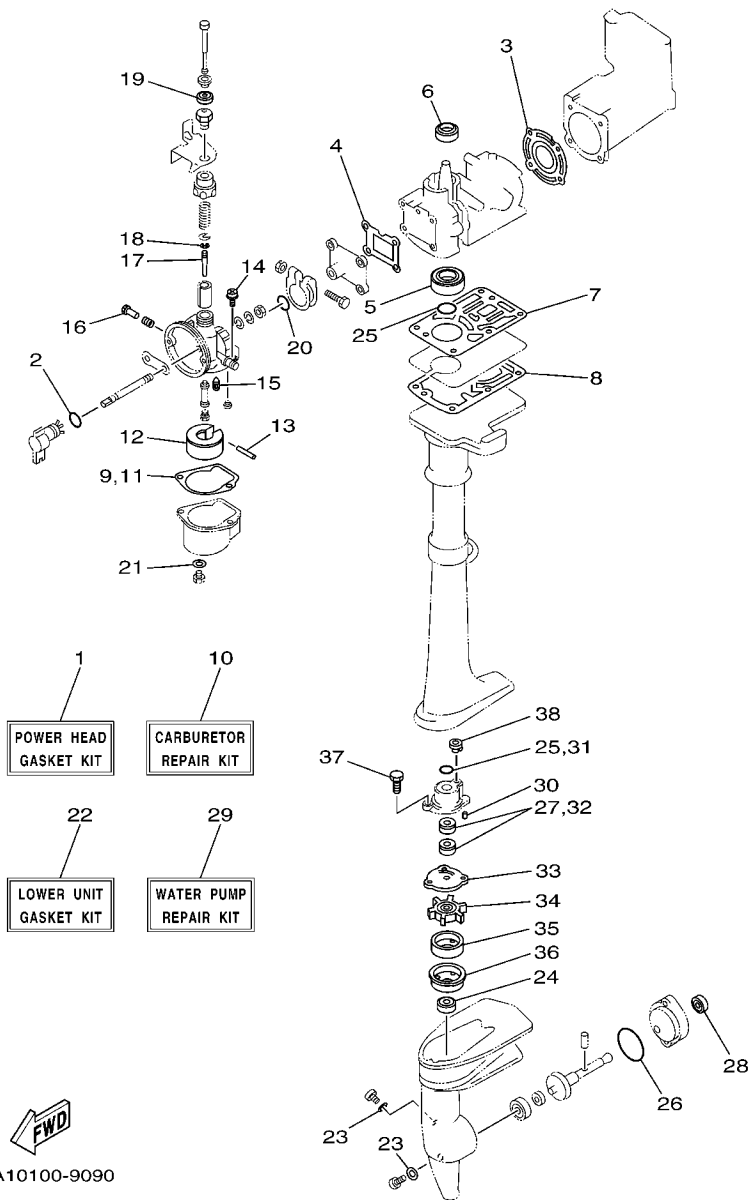


6A10100-9090

REF. NO.	PART NO. 零件号码	DESCRIPTION 零件名称	6F88			REMARKS 备注
1	6F8-W0001-A1	POWER HEAD GASKET KIT 衬垫套	1			
2	93210-08M29	.O-RING .O 型环	1			
3	6F8-11181-A1	.GASKET, CYLINDER HEAD 1 .气缸盖衬垫 1	1			
4	6A1-13621-A0	.GASKET, VALVE SEAT .阀座衬垫	1			
5	93102-15M32	.OIL SEAL .油封	1			
6	93102-20070	.OIL SEAL .油封	1			
7	6A1-14613-A0	.GASKET, EXHAUST PIPE .排气管衬垫	1			
8	646-14623-A1	.GASKET, EXHAUST PIPE .排气管衬垫	1			
9	6A1-14384-00	.GASKET, FLOAT CHAMBER .浮子室衬垫	1			
10	6F8-W0093-02	CARBURETOR REPAIR KIT 化油器修理套	1			
11	6A1-14384-00	.GASKET, FLOAT CHAMBER .浮子室衬垫	1			
12	6A1-14385-00	.FLOAT .浮子	1			
13	6A1-14386-00	.PIN, FLOAT .浮子销	1			
14	97980-04110	.SCREW, WITH WASHER .带垫圈螺钉	2			
15	6A1-14392-00	.VALVE, NEEDLE .针阀	1			
16	646-14211-02	.SCREW, PILOT ADJUSTING .混合气调整螺钉	1			
17	6F8-14116-00	.NEEDLE .针	1			
18	646-14137-00	.CLIP .钢夹	1			
19	646-14169-00	.CAP .盖	1			
20	646-14229-01	.O-RING .阻风门轴	1			
21	646-14198-01	.GASKET .衬垫	1			
22	6A1-W0001-23	LOWER UNIT GASKET KIT 衬垫套	1			
23	90430-08020	.GASKET .衬垫	2			
24	93103-11051	.OIL SEAL .油封	1			
25	93210-19123	.O-RING .O 型环	1			
26	93210-42101	.O-RING .O 型环	1			
27	93101-11M44	.OIL SEAL .油封	2			

FIG. 9 REPAIR KIT

修理工件



REF. NO.	PART NO. 零件号码	DESCRIPTION 零件名称	6F88	REMARKS 备注
28	93103-10052	.OIL SEAL .油封	1	
29	6A1-W0078-02	WATER PUMP REPAIR KIT 水泵修理套	1	
30	93604-09068	.PIN, DOWEL .定位销	2	
31	93210-19123	.O-RING .O 型环	1	
32	93101-11M44	.OIL SEAL .油封	2	
33	646-44323-00	.OUTER PLATE, CARTRIDGE .外挡板	1	
34	646-44352-01	.IMPELLER .叶	1	
35	646-44322-00	.INSERT, CARTRIDGE .芯子	1	
36	6A1-44325-00	.PROTECTOR, OIL SEAL .油封保护器	1	
37	97095-05016	.BOLT .螺栓	2	
38	646-44366-01	.DAMPER, WATER SEAL .水封减震器	1	

6A10100-9090

NUMERICAL INDEX

零件号码索引

PART NO. 零件号码	REF. NO.	PART NO. 零件号码	REF. NO.	PART NO. 零件号码	REF. NO.	PART NO. 零件号码	REF. NO.	PART NO. 零件号码	REF. NO.	PART NO. 零件号码	REF. NO.
6A1-11111-02-1S	2 - 10	6A1-14358-01	3 - 22	6A1-41637-00	1 - 46	6A1-45300-03-4D	8 - 1	90201-06040	6 - 26	92995-06100	1 - 20
6F8-11181-A1	2 - 11	6A1-14365-00	1 - 44	6A1-42111-01-4D	7 - 16	6A1-45311-02-4D	8 - 3	90201-06M30	1 - 21		5 - 16
	9 - 3	6A1-14381-02	3 - 12	6A1-42111-01-4D	7 - 17	6A1-45361-01-4D	8 - 15	90201-09117	7 - 19		7 - 25
624-11379-00	2 - 5	6A1-14384-00	3 - 9	6F8-11610-20	7 - 27	6A1-45510-01	8 - 33	90201-11M49	8 - 34	92995-06600	1 - 57
6A1-11400-00	2 - 15		9 - 9	6F8-11610-20	1 - 54	646-45534-00-03	8 - 35	90201-35300	2 - 24		2 - 13
646-11412-01	2 - 16		9 - 11	6A1-42181-00	7 - 18	646-45534-00-04	8 - 35	90202-08022	6 - 11		4 - 13
6A1-11422-00	2 - 17	6A1-14385-00	3 - 28	646-42528-00	6 - 21	646-45534-00-05	8 - 35	90243-04M01	6 - 8		5 - 17
6F8-11610-00	2 - 27		9 - 12	646-42537-01	6 - 16	646-45551-00	8 - 36	90250-03M10	8 - 40		5 - 20
6F8-11610-10	2 - 27	6A1-14386-00	3 - 27	646-42591-00	7 - 26	646-45560-00	8 - 38	90280-04M06	5 - 5		7 - 5
6F8-11610-20	2 - 27		9 - 13	6A1-42677-20	1 - 3	646-45567-00	8 - 39	90336-06001	2 - 3		7 - 15
6F8-11631-00-98	2 - 26	6A1-14392-00	3 - 26	6A1-42678-12	2 - 14	646-45567-10	8 - 39	90338-08010	1 - 8		8 - 13
646-11633-00	2 - 29		9 - 15	6S7-42698-40	1 - 64	646-45567-20	8 - 39	90340-08002	8 - 10	93101-11M44	8 - 21
6F8-11635-00	2 - 26	6A1-14441-02	1 - 1	6F8-42741-00	1 - 27	646-45942-01-EL	8 - 42	90430-04005	1 - 13		9 - 27
6F8-11636-00	2 - 26	6A1-14442-00	1 - 4	6A1-42771-12	1 - 29	6F8-45942-01-EL	8 - 42	90430-08020	8 - 9		9 - 32
646-11651-02	2 - 20	6A1-14448-00	3 - 33	6F8-11631-00-98	2 - 40	6A1-45943-00	8 - 42		9 - 23	93102-15M32	2 - 25
646-11681-00	2 - 18	650-14485-03	2 - 4	664-42791-10	2 - 40	646-45944-01-EL	8 - 42	90445-07254	2 - 31		9 - 5
6A1-13610-00	2 - 33	6A1-14497-00	3 - 3	6S7-42794-40	1 - 65	6A1-81362-00	5 - 6	90464-08M07	5 - 21	93102-20070	2 - 23
6A1-13621-A0	2 - 35	6A1-14613-A0	7 - 11	6A1-43111-03-4D	6 - 1	6AH-81994-40	1 - 66	90465-06M86	2 - 8		9 - 6
	9 - 4		9 - 7	6A1-43112-00-4D	6 - 2	663-82370-01	5 - 12	90465-13M11	1 - 59	93103-10052	8 - 16
6F8-14116-00	3 - 15	646-14623-A1	7 - 12	6A1-43113-01	6 - 12	6G1-82370-21	5 - 12	90467-06016	2 - 32		9 - 28
	9 - 17		9 - 8	620-43114-00	6 - 9	6A1-82375-12	1 - 60	90467-08004	1 - 25	93103-11051	8 - 7
6A1-14125-01	3 - 20	6F8-15100-61-1S	2 - 2	6E0-43116-01	6 - 6	682-82556-00	1 - 52	90468-100A0	1 - 16		9 - 24
6A1-14127-01	3 - 21	6A1-15705-00	4 - 8	6E0-43118-01	6 - 7	6F8-82575-00	1 - 51	90501-100A5	1 - 14	93210-08M29	1 - 7
646-14136-00	3 - 17	6A1-15710-00	4 - 1	6A1-43191-00	6 - 3	689-8257Y-00	1 - 53	90501-12272	6 - 23		9 - 2
646-14137-00	3 - 16	6A1-15711-00	4 - 2	6A1-43192-00	6 - 4	6F8-83557-00	1 - 58	90501-12M16	1 - 50	93210-19123	7 - 13
	9 - 18	6A1-15713-00	4 - 6	6A1-43311-02-4D	6 - 14	6A1-85520-01	5 - 3	91490-30040	8 - 41		8 - 22
646-14158-00	3 - 2	6A1-15714-00	4 - 3	6A1-43312-00-4D	6 - 15	6A1-85540-01	5 - 14	91690-20006	6 - 28		9 - 25
6A1-14163-00	3 - 7	6A1-15717-00	4 - 7	6A1-43351-00	6 - 24	6A1-85550-00	5 - 1	91690-30014	6 - 5		9 - 31
646-14169-00	3 - 5	6A1-15723-00-94	4 - 14	6A1-43371-00	6 - 25	6A1-85560-00	5 - 2	92903-06100	5 - 10	93210-42101	8 - 17
	9 - 19	6A1-15741-00	4 - 5	6A1-44312-01-94	8 - 20	6A1-85570-00	5 - 18	92903-06600	2 - 7		9 - 26
646-14198-01	3 - 14	6A1-15755-02	4 - 10	646-44322-00	8 - 28	6A1-W0001-23	9 - 22		5 - 11	93210-46044	6 - 17
	9 - 21	6A1-15767-00	4 - 4		9 - 35	6F8-W0001-A1	9 - 1	92903-10100	5 - 8	93306-00001	8 - 8
646-14211-02	3 - 24	6A1-15771-01	2 - 36	646-44323-00	8 - 27	6A1-W0004-00	2 - 34	92990-04200	1 - 15	93306-00409	2 - 21
	9 - 16	6A1-24110-01	1 - 9		9 - 33	6A1-W0070-14	1 - 28	92990-05100	1 - 42	93306-30204	2 - 22
6A1-14212-00	3 - 23	6A1-24141-00	2 - 38	6A1-44325-00	8 - 14	6A1-W0078-02	9 - 29	92990-05600	1 - 33	93310-210V1	2 - 28
6F8-14217-00	3 - 34	6A1-24181-00	1 - 22		9 - 36	6F8-W0090-64-1S	2 - 1		1 - 63	93310-31439	2 - 19
646-14229-01	3 - 8	6A1-24198-00	1 - 10	646-44352-01	8 - 25	6F8-W0093-02	9 - 10		3 - 35	93450-11021	2 - 30
	9 - 20	646-24241-00	1 - 17		9 - 34	656-W2810-02	1 - 26	92990-06100	1 - 35	93604-09066	8 - 26
6F8-14301-03	3 - 1	6A1-24311-00	1 - 24	6A1-44361-00	8 - 31	90101-08217	6 - 10		1 - 38	93604-09068	8 - 23
646-14312-08	3 - 19	6A1-24500-02	1 - 23	646-44365-00	8 - 32	90101-08M11	7 - 22		7 - 29		9 - 30
6A1-14314-00	3 - 6	6A1-24610-02	1 - 11	646-44366-01	8 - 24	90119-06M98	6 - 18	92990-06300	8 - 6	93605-15065	7 - 3
646-14321-00	3 - 4	6A1-24631-00	1 - 12		9 - 38	90122-06004	6 - 22	92990-06600	1 - 36	93605-18M04	8 - 11
646-14331-01	3 - 18	646-28193-00	8 - 43	6A1-45111-03-4D	7 - 1	90151-04M04	1 - 5		1 - 39	93700-06M03	6 - 20
6A1-14341-01	3 - 10	6A1-41137-00-5B	7 - 10	6F8-11636-00	7 - 2	90170-10M33	5 - 7		7 - 9	94702-00040	2 - 41
6A1-14343-52	3 - 11	6A1-41211-00	1 - 41	6A1-45115-00	7 - 7	90173-05M00	1 - 2		8 - 19	94702-00272	2 - 41
6A1-14356-00	3 - 31	6A1-41212-01	1 - 40	6A1-45151-00	7 - 6	90175-06008	6 - 27	92990-08100	7 - 21	95380-06600	1 - 19
646-14357-00	3 - 32	6A1-41223-00	1 - 48	6A1-45181-00-4D	8 - 2	90183-05M00	1 - 31	92990-08200	7 - 20		1 - 55
646-14358-00	3 - 30	6A1-41271-00	1 - 6	6A1-41271-00	8 - 4		1 - 61	92995-05600	8 - 30		6 - 19

NUMERICAL INDEX

零件号码索引

PART NO. 零件号码	REF. NO.	PART NO. 零件号码	REF. NO.	PART NO. 零件号码	REF. NO.	PART NO. 零件号码	REF. NO.	PART NO. 零件号码	REF. NO.
95380-08600	6 - 13								
	7 - 23								
95895-06010	2 - 39								
95895-06012	8 - 5								
97013-06030	5 - 9								
97013-06040	2 - 6								
97013-06060	2 - 37								
97090-06014	8 - 18								
97095-05010	1 - 43								
97095-05016	8 - 29								
	9 - 37								
97095-06010	7 - 24								
97095-06016	1 - 56								
	4 - 12								
97095-06018	1 - 18								
97095-06020	5 - 19								
97095-06025	2 - 12								
	7 - 4								
97095-06030	7 - 14								
	8 - 12								
97095-06055	7 - 28								
97322-06012	4 - 9								
97880-05008	5 - 13								
97880-05012	1 - 32								
	1 - 62								
97880-06016	7 - 8								
97880-06025	1 - 37								
97880-06040	1 - 34								
97885-05020	5 - 4								
97885-05025	1 - 49								
	5 - 15								
97890-05006	3 - 13								
	3 - 25								
	9 - 14								
98580-03005	3 - 29								
98703-06012	4 - 15								
98780-03010	1 - 47								
98780-05012	1 - 30								
99001-04600	1 - 45								
99001-06600	8 - 37								
99530-10014	2 - 9								