

**PARTS
CATALOGUE
CATALOGUE
DE PIÈCES DÉTACHÉES**

30DEO '03 (6J86)

30DMHO '03 (6J87)

30DETO '03 (6J88)

FOREWORD

This Parts Catalogue is related to the parts for the model(s) in the below frame. When you are ordering replacement parts, please refer to this Parts Catalogue and quote both part numbers and part names correctly.

30DEO'03(6J86), 30DMHO'03(6J87), 30DETO'03(6J88)

1. Modifications or additions which have been made after issue of the Parts Catalogue will be announced in the Yamaha Parts News.
It is advisable that you make necessary corrections to the Parts Catalogue according to the Yamaha Parts News.

2. Abbreviations

The Following abbreviations are used in this Parts Catalogue.

“UR” Use specified parts number.

“UN” Use as many as needed.

“AP” Alternate Parts

“LM” Local Made
(Parts need to be ordered locally)

“O/S” Over Size

3. Parts, which are to be supplied in an assembly, are listed with a dot(.) in front of the part name as shown below.

EXAMPLE

CARBURETOR ASSY

.JET, PILOT

.NOZZLE, MAIN

4. Number of component for assembly

The numeral appearing to the right of each component part indicates the quantity of parts for each assembly unit.

EXAMPLE

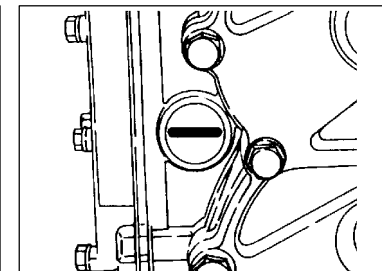
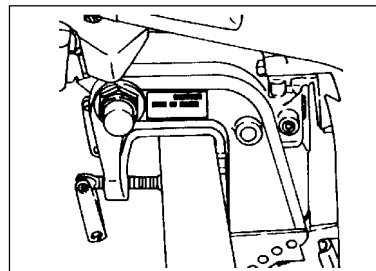
PART NO.	DESCRIPTION	u	u	u	REMARKS
6E0-85500-70	C.D.I. MAGNETO ASSY	1			
6E0-85550-70	.ROTOR ASSY	1			
6E0-15723-00-94..	PULLY, STARTER	1			

5. Quantity Column Information

NAME for Q'TY COLUMN	APPLICABLE MODEL
MHO	30DMHO
EO	30DEO
ETO	30DETO

6. Applicable Starting Serial No. and Color Code
1) Engine Starting Serial No.

30DMHO S/L 6J8 : 1000001	30DEO S/L 6J8 : 1000001
	30DETO L 6J8 : 1000001



- 2) Color Code

Color Code	Color Name	Abbreviation
004D	DARK BLUISH GRAY METALLIC 2	DBNM2

7. Note that the illustrations for reference in finding parts numbers, not to be used for assembling. When assembling, please use the applicable service manual.
8. The asterisk (*) before a reference number indicates modification items after the first edition.

CONTENTS

SHEET 1/2

TOP COWLING	A4
CYLINDER, CRANKCASE	A5
CRANKSHAFT, PISTON	A7
INTAKE	B1
CARBURETOR	B2
OIL PUMP	B4
FUEL	B6
STARTER	B7
GENERATOR	C2
ELECTRICAL 1	C3
ELECTRICAL 2	C4
ELECTRICAL 3	C5
STARTING MOTOR	C7
BOTTOM COWLING	D2
STEERING	D4
CONTROL 1	D6
CONTROL 2	E1
REMOTE CONTROL ATTACHMENT	E2
BRACKET 1	E3
BRACKET 2	E6
BRACKET 3	F1
BRACKET 4	F3
POWER TRIM & TILT ASSY	F5

INDEX

NUMERICAL INDEX	G1
-----------------------	----

SHEET 2/2

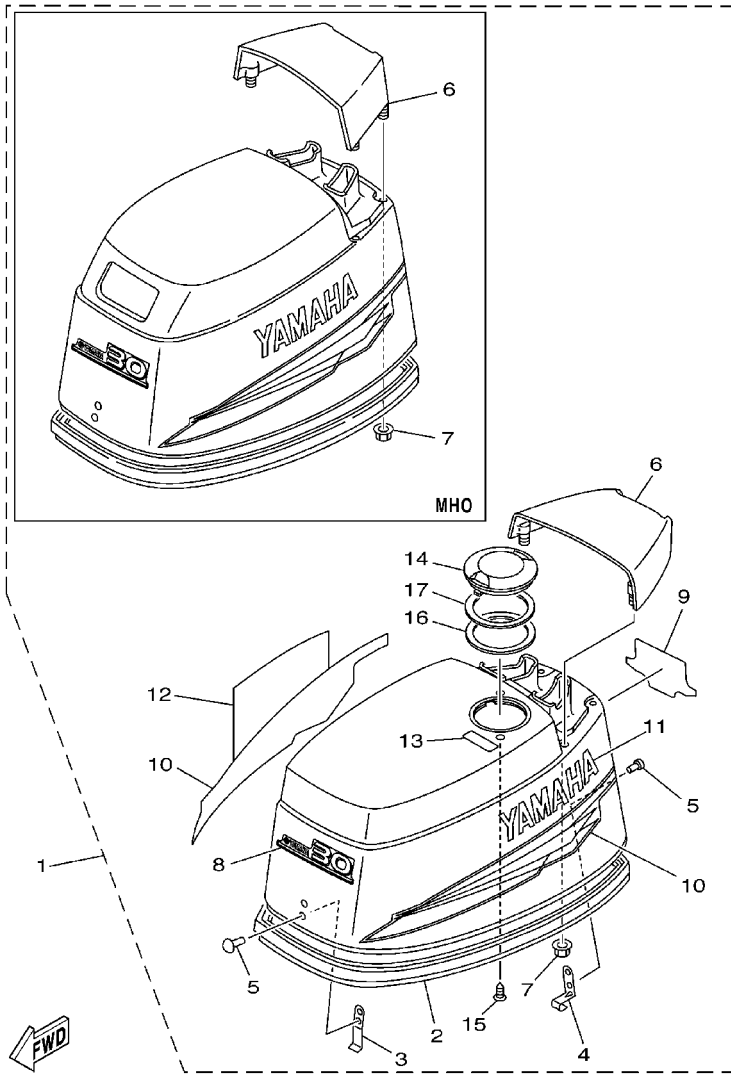
UPPER CASING	A4*
LOWER CASING, DRIVE 1	A5*
LOWER CASING, DRIVE 2	B1*
FUEL TANK	B3*
STEERING GUIDE	B4*
REMOTE CONTROL BOX	B5*
REMOTE CONTROL ASSY	B6*
REPAIR KIT 1	C2*
REPAIR KIT 2	C3*

INDEX

NUMERICAL INDEX	G1*
-----------------------	-----

FIG. 1 TOP COWLING

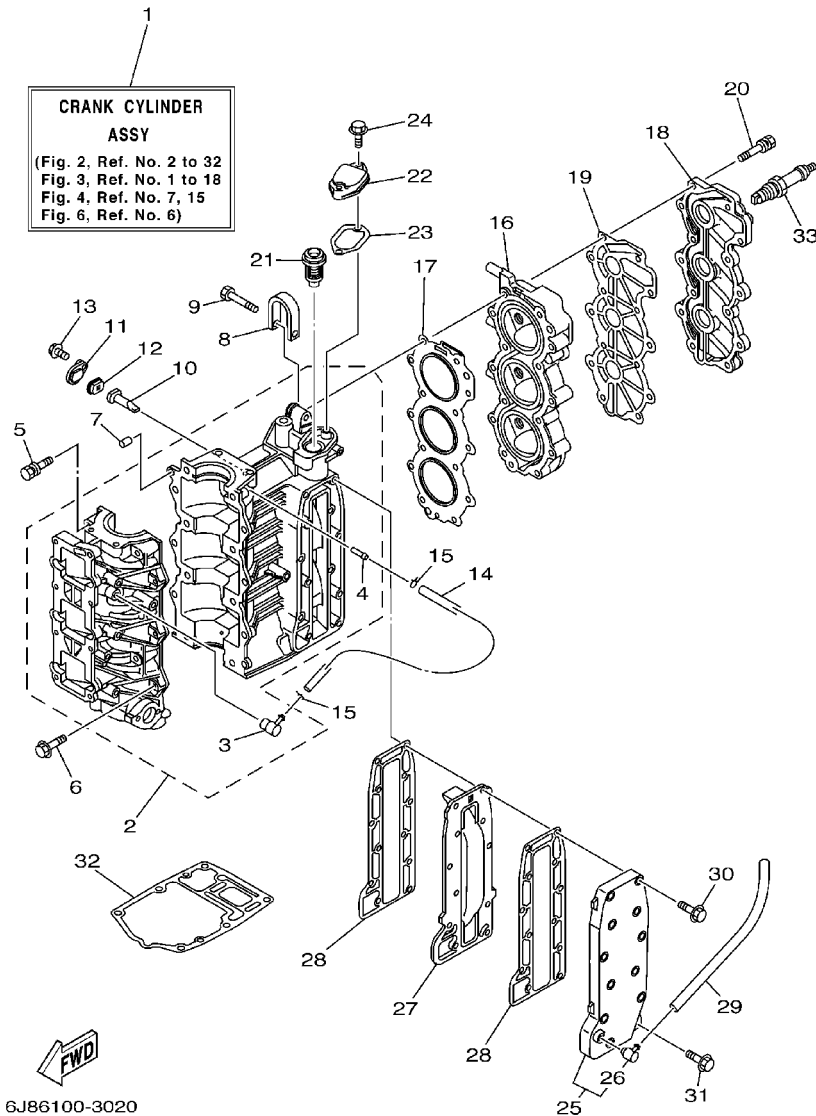
CAPOT SUPERIEUR



6J83300-2010

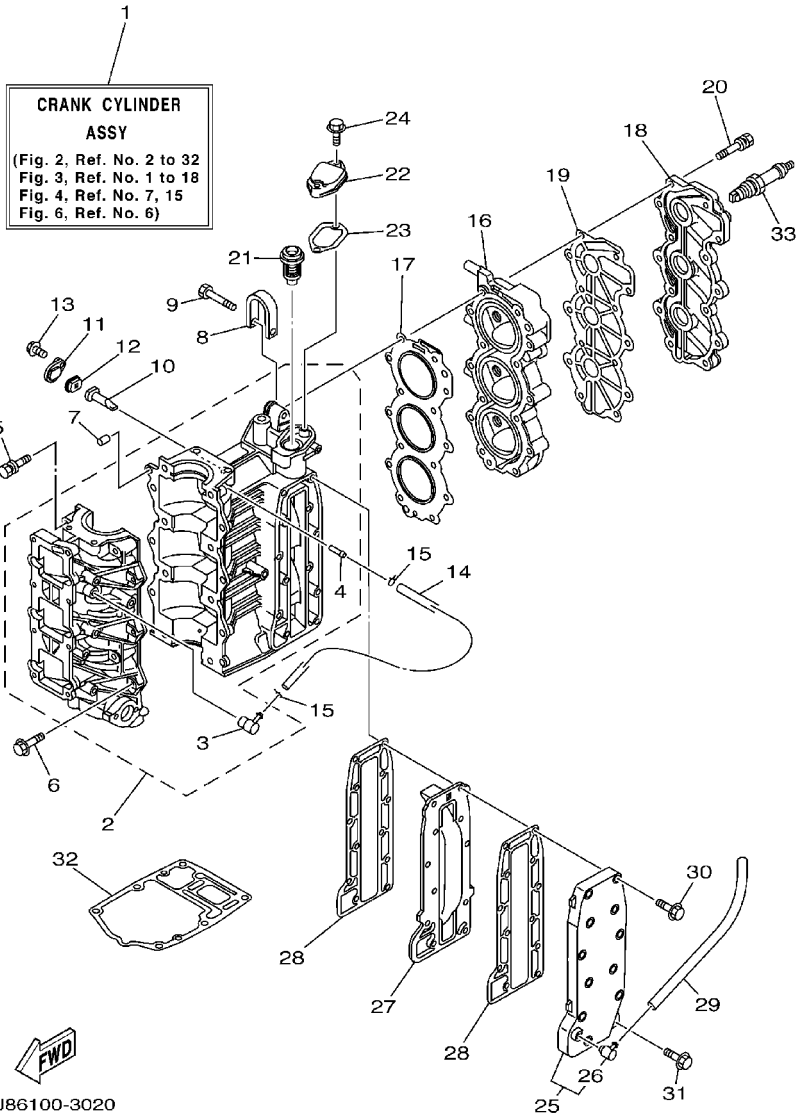
REF. NO.	PART NO. NO. PIECES	DESCRIPTION DESCRIPTION	MHO	EO	ETO	REMARKS REMARQUES
1	6J8-42610-D0-4D	TOP COWLING ASSY CAPOT (ENS.)	1			
	6J8-42610-B0-4D	TOP COWLING ASSY CAPOT (ENS.)		1	1	
2	6J8-42615-00	.SEAL .JOINT	1	1	1	
3	6J8-42651-03	.HOOK .CROCHET	1	1	1	
4	6J8-42652-00	.HOOK .CROCHET	1	1	1	
5	90266-04M00	.RIVET .RIVET	4	4	4	
6	6J8-42613-00-4D	.MOLDING, AIR DUCT .MANCHON A AIR	1			
	6J8-42613-10-4D	.MOLDING, AIR DUCT .MANCHON A AIR		1	1	
7	90179-06M24	.NUT .ECROU	4	4	4	
8	6J8-42677-40	.GRAPHIC, FRONT .ADHESIF, AVANT	1	1	1	
9	6J8-42678-10	.GRAPHIC, REAR .ADHESIF, ARRIERE	1	1	1	
10	6J8-W0070-14	.GRAPHIC SET .JEU DIEMBLEMES	1	1	1	
11	6J8-42681-11	.MARK, COWLING .ADHESIF, CAPOT	1	1	1	
12	6J8-42682-12	.MARK, COWLING .ADHESIF, CAPOT	1	1	1	
13	6J8-13436-40	.MARK .ADHESIF		1	1	
14	6J8-2177H-00	.DISK CAP 2 .BOUCHON DE DISQUE 2		1	1	
15	90161-03M01	.SCREW, TAPPING .VIS, TETE FRAISEE		2	2	
16	6J8-21732-00	.SEAL 1 .JOINT 1		1	1	
17	6J8-21735-00	.SEAL 2 .JOINT 2		1	1	

FIG. 2 CYLINDER. CRANKCASE CYLINDRE. CARTER



6J86100-3020

REF. NO.	PART NO. NO. PIECES	DESCRIPTION DESCRIPTION	MHO	EO	ETO	REMARKS REMARQUES
1	6J8-W0090-43-1S	CRANK CYLINDER ASSY EMBIELLAGE CYLINDRE (ENS.)	1	1	1	
2	6J8-15100-11-1S	CRANKCASE ASSY CARTER DE MOTEUR COMPLET	1	1	1	
3	650-11370-01	.CHECK VALVE ASSY .CLAPET (ENS.)	1	1	1	
4	624-14485-00	.PIPE, JOINT .DURITE	1	1	1	
5	90119-08019	BOLT, WITH WASHER BOULON, AVEC RONDELLE	8	8	8	
6	90119-06MA4	BOLT, WITH WASHER BOULON, AVEC RONDELLE	6	6	6	
7	93606-12019	PIN, DOWEL GOUPILLE	2	2	2	
8	6F5-11119-00	HANGER, ENGINE ANNEAU, LEVAGE	1	1	1	
9	90101-08001	BOLT BOULON	1	1	1	
10	6J8-11325-00	ANODE ANODE	2	2	2	
11	6H3-11327-00-1S	COVER, ANODE COUVERCLE	2	2	2	
12	6H3-11328-00	GROMMET, ANODE PASSE-FIL	2	2	2	
13	90119-06023	BOLT, WITH WASHER BOULON, AVEC RONDELLE	2	2	2	
14	90445-07M29	HOSE (L135) DURITE (L135)	1	1	1	
15	90467-06016	CLIP JONC	2	2	2	
16	6J8-11111-00-1S	HEAD, CYLINDER 1 CULASSE	1	1	1	
17	6J8-11181-A1	GASKET, CYLINDER HEAD 1 JOINT, DE CULASSE 1	1	1	1	
18	6J8-11191-00-1S	COVER, CYLINDER HEAD 1 COUVERCLE, CULASSE 1	1	1	1	
19	6J8-11193-A1	GASKET, HEAD COVER 1 JOINT, COUVERCLE DE CULASSE 1	1	1	1	
20	90119-08MA8	BOLT, WITH WASHER BOULON, AVEC RONDELLE	14	14	14	
21	688-12411-10	THERMOSTAT THERMOSTAT	1	1	1	
22	6H4-12413-00-1S	COVER, THERMOSTAT COUVERCLE, THERMOSTAT	1	1	1	
23	6J8-12414-A0	GASKET, COVER JOINT, COUVERCLE	1	1	1	
24	90119-06MA3	BOLT, WITH WASHER BOULON, AVEC RONDELLE	2	2	2	
25	6J8-41113-00-1S	OUTER COVER, EXHAUST COUVERCLE, ECHAPPEMENT	1	1	1	
26	676-11372-00	.NIPPLE, HOSE .RACCORD, TUYAU	1	1	1	
27	6J8-41111-00-1S	INNER COVER, EXHAUST PLAQUE, ECHAPPEMENT	1	1	1	



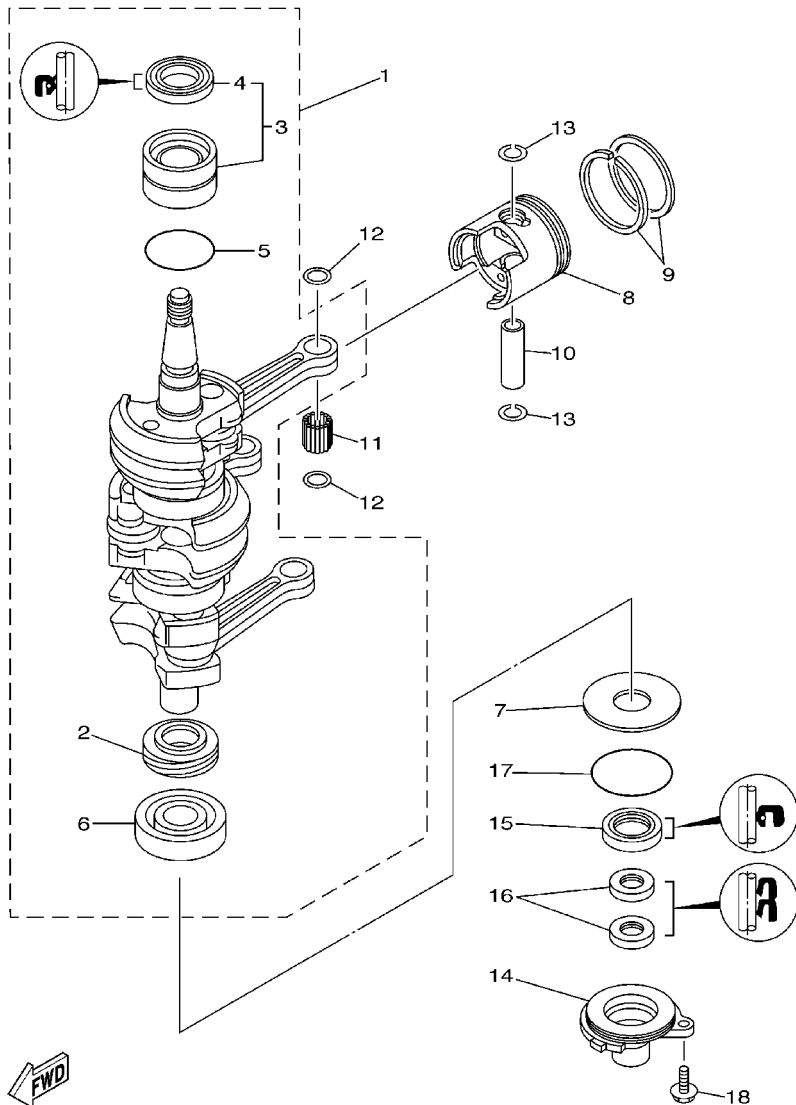
6J86100-3020

FIG. 2 CYLINDER. CRANKCASE CYLINDRE. CARTER

REF. NO.	PART NO. NO. PIECES	DESCRIPTION DESCRIPTION	MHO	EO	ETO	REMARKS REMARQUES
28	6J8-41114-A0	GASKET, EXHAUST OUTER COVER JOINT, COUVERCLE D'ECHAPPEMENT	2	2	2	
29	6J8-1111J-00	PIPE 1 DURITE 1	1	1	1	
30	90119-06MA5	BOLT, WITH WASHER BOULON, AVEC RONDELLE	11	11	11	
31	90119-06MA3	BOLT, WITH WASHER BOULON, AVEC RONDELLE	1	1	1	
32	6J8-45113-A0	GASKET, UPPER CASING JOINT, TUBE D'ARBRE	1	1	1	
33	94702-00271	PLUG, SPARK (NGK BR7HS-10) BOUGIE D'ALLUMAGE (NGK BR7HS-10)	3	3	3	
<hr/>						
<hr/>						
<hr/>						
<hr/>						
<hr/>						

FIG. 3 CRANKSHAFT. PISTON

VILEBREQUIN. PISTON



6J83300-2030

REF. NO.	PART NO. NO. PIECES	DESCRIPTION DESCRIPTION	MHO	EO	ETO	REMARKS REMARQUES
1	6J8-11400-11	CRANKSHAFT ASSY VILEBREQUIN COMPLET	1	1	1	
2	6J8-11536-00	.GEAR, DRIVE ENGRENAGE, MENANT	1	1	1	
3	93311-632U7	.BALL BEARING ROULEMENT	1	1	1	
4	93102-26M27	..OIL SEAL ..JOINT SPY	1	1	1	
5	93210-42159	.O-RING JOINT TORIQUE	1	1	1	
6	93306-305U3	.BEARING ROULEMENT	1	1	1	
7	90201-50306	WASHER, PLATE RONDELLE, PLATE	1	1	1	
8	6J8-11631-02-97	PISTON (STD) PISTON (STD)	3	3	3	
	6J8-11635-02	PISTON (0.25MM O/S) PISTON (0.25MM O/S)	3	3	3	AP
	6J8-11636-02	PISTON (0.50MM O/S) PISTON (0.50MM O/S)	3	3	3	AP
9	6J8-11601-01	PISTON RING SET (STD) JEU DE SEGMENTS (STD)	3	3	3	
	6J8-11601-11	PISTON RING SET (0.25MM O/S) JEU DE SEGMENTS (0.25MM O/S)	3	3	3	AP
	6J8-11601-21	PISTON RING SET (0.50MM O/S) JEU DE SEGMENTS (0.50MM O/S)	3	3	3	AP
10	6J8-11633-00	PIN, PISTON AXE, PISTON	3	3	3	
11	93602-16M10	PIN, DOWEL GOUJON	84	84	84	
12	90201-16379	WASHER, PLATE RONDELLE, PLATE	6	6	6	
13	93450-17129	CIRCLIP CIRCLIP	6	6	6	
14	6J8-15396-00-5B	HOUSING, OIL SEAL LOGEMENT DE JOINT SPY	1	1	1	
15	93101-25M28	OIL SEAL JOINT SPY	1	1	1	
16	93104-16M04	OIL SEAL JOINT SPY	2	2	2	
17	93210-56M80	O-RING JOINT TORIQUE	1	1	1	
18	90119-06023	BOLT, WITH WASHER BOULON, AVEC RONDELLE	2	2	2	

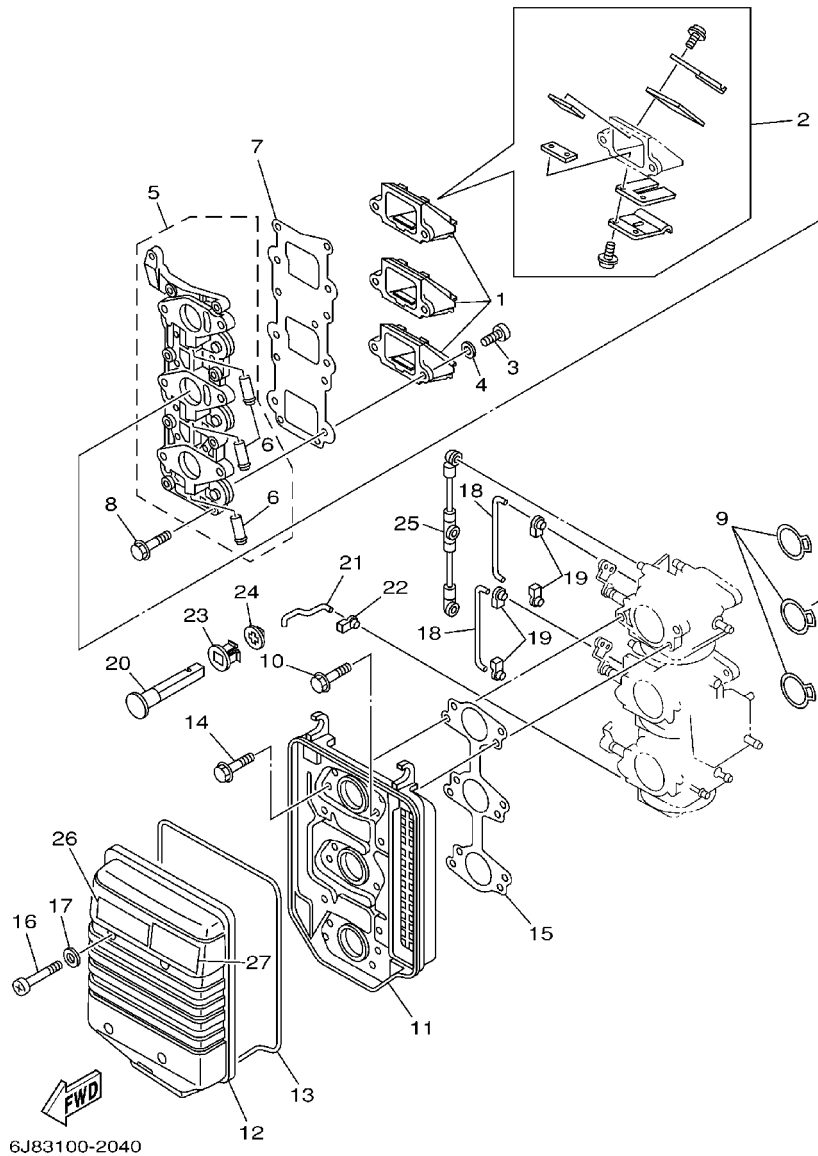


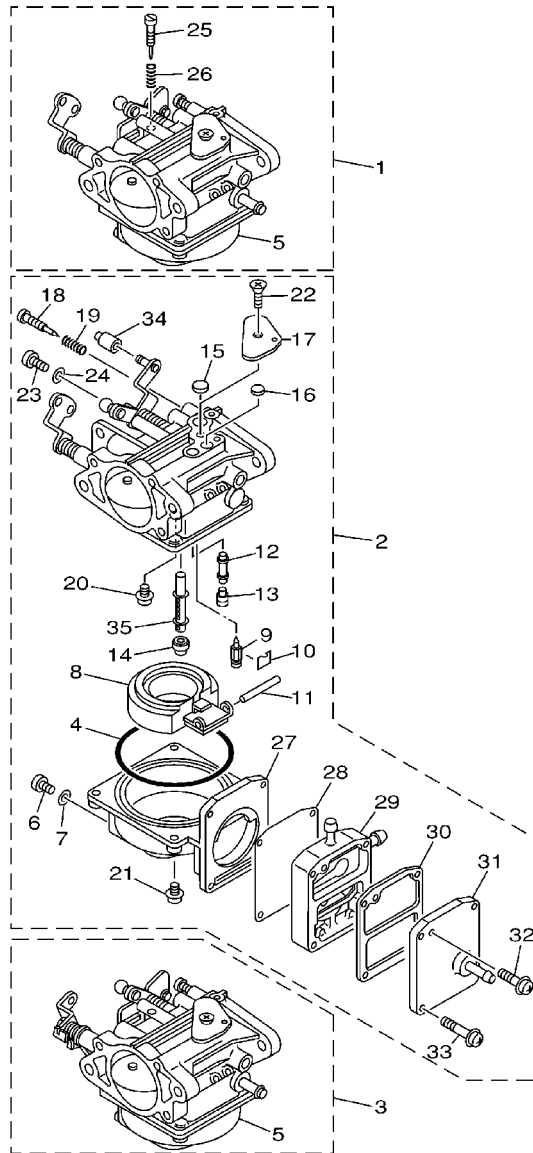
FIG. 4 INTAKE

ADMISSION

REF. NO.	PART NO. NO. PIECES	DESCRIPTION DESCRIPTION	MHO	EO	ETO	REMARKS REMARQUES
1	6J8-13610-00	REED VALVE ASSY CLAPET COMPLET	3	3	3	
2	6J8-W0004-00	.REED SET .JEU DE CLAPETS	1	1	1	
3	97880-05016	SCREW, PAN HEAD VIS, TETE TRONCONIQUE	6	6	6	
4	92990-05600	WASHER, PLATE RONDELLE, PLATE	6	6	6	
5	6J8-13641-10-94	MANIFOLD 1 TUBULURE 1	1	1	1	
6	676-14485-00	.PIPE, JOINT .DURITE	3	3	3	
7	6J8-13621-00	GASKET, VALVE SEAT JOINT, SIEGE DE CLAPET	1	1	1	
8	90119-06MA3	BOLT, WITH WASHER BOULON, AVEC RONDELLE	8	8	8	
9	6J8-14198-00	GASKET JOINT	3	3	3	
10	90119-06M32	BOLT, WITH WASHER BOULON, AVEC RONDELLE	6	6	6	
11	6J8-14417-00	COVER 1 COUVERCLE 1	1	1	1	
12	6J8-14418-00	COVER 2 COUVERCLE 2	1	1	1	
13	6J8-14476-00	SEAL JOINT SPY	1	1	1	
14	90119-05M31	BOLT, WITH WASHER BOULON, AVEC RONDELLE	6	6	6	
15	6J8-14483-A1	GASKET JOINT	1	1	1	
16	97880-05040	SCREW, PAN HEAD VIS, TETE TRONCONIQUE	4	4	4	
17	92990-05600	WASHER, PLATE RONDELLE, PLATE	4	4	4	
18	6J8-41259-00	ROD, CHOKE 3 TRINGLE 3, STARTER	2	2	2	
19	661-41262-02	JOINT, CHOKE LEVER RACCORD, LEVIER DE STARTER	4	4	4	
20	6J8-41271-01	KNOB, CHOKE BOUTON DE STARTER	1	1	1	
21	6J8-41257-00	ROD, CHOKE 2 TRINGLE 2, STARTER	1	1	1	
22	6J8-41262-00	JOINT, CHOKE LEVER RACCORD, LEVIER DE STARTER	1	1	1	
23	689-41273-00	GROMMET PASSE-FIL	1	1	1	
24	6J8-41274-00	GROMMET 2 PASSE-FIL 2	1	1	1	
25	6J8-41217-00	ROD, ACCEL. LEVER TIGE, LEVIER ACCELERATION	1	1	1	
26	6A1-83625-41	MARK 5 ETIQUETTE 5	1	1	1	
27	6A1-83625-51	MARK 5 ETIQUETTE 5	1	1	1	

FIG. 5 CARBURETOR

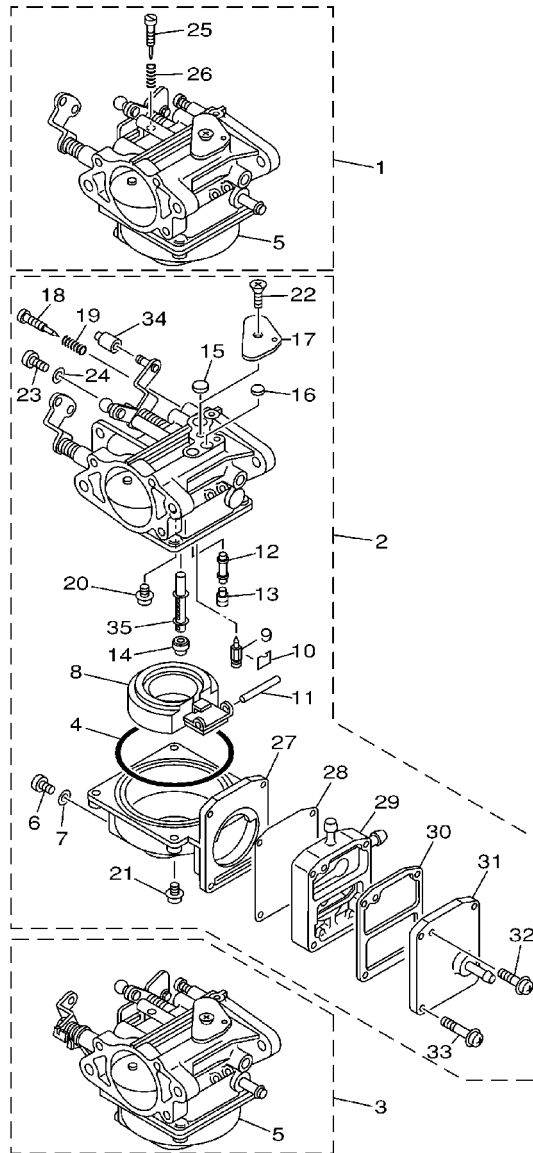
CARBUREATEUR



REF. NO.	PART NO. NO. PIECES	DESCRIPTION DESCRIPTION	MHO	EO	ETO	REMARKS REMARQUES
1	6J8-14301-11	CARBURETOR ASSY 1 CARBURATEUR COMPLET 1	1	1	1	
2	6J8-14302-01	CARBURETOR ASSY 2 CARBURATEUR COMPLET 2	1	1	1	
3	6J8-14303-01	CARBURETOR ASSY 3 CARBURATEUR COMPLET 3	1	1	1	
4	6J8-14984-00	.GASKET, FLOAT CHAMBER .JOINT, CUVE DE FLOTTEUR	3	3	3	
5	6J8-14980-00	.BODY, FLOAT CHAMBER .CORPS, CUVE DE FLOTTEUR	2	2	2	#1,3
6	6J8-14991-00	.SCREW .VIS	3	3	3	
7	6J8-14995-00	.GASKET .JOINT	3	3	3	
8	6J8-14985-00	.FLOAT .FLOTTEUR	3	3	3	
9	6J8-14546-00	.VALVE, NEEDLE .POINTEAU	3	3	3	
10	6J8-14159-00	.CLIP .JONC	3	3	3	
11	6J8-14548-00	.PIN, FLOAT ARM .AXE, BRAS DE FLOTTEUR	3	3	3	
12	6J8-1492F-25	.JET, AIR SLOW (#50) .GICLEUR (#50)	3	3	3	
13	6J8-14966-00	.PLUG .BOUCHON	3	3	3	
14	6J8-1492E-51	.JET, MAIN (#102) .GICLEUR, PRINCIPAL (#102)	3	3	3	
15	6J8-14126-00	.PLUG .BOUCHON	3	3	3	
16	6J8-14118-00	.PLUG .BOUCHON	3	3	3	
17	6J8-14527-01	.PLATE .PLAQUE	3	3	3	
18	6J8-14923-00	.SCREW, PILOT .VIS, RALENTI	3	3	3	
19	6J8-14555-00	.SPRING .RESSORT	3	3	3	
20	97980-04110	.SCREW, WITH WASHER .VIS, AVEC RONDELLE	3	3	3	
21	97980-04112	.SCREW, WITH WASHER .VIS, AVEC RONDELLE	12	12	12	
22	98780-05008	.SCREW, FLAT HEAD .VIS A TETE FRAISEE	3	3	3	
23	6J8-14592-01	.SCREW .VIS	3	3	3	
24	92990-05600	.WASHER, PLATE .RONDELLE, PLATE	3	3	3	
25	6J8-14523-00	.SCREW, STOP .VIS, BUTEE	1	1	1	#1
26	6J8-14334-00	.SPRING, THROTTLE .RESSORT, ACCELERATEUR	1	1	1	#1
27	6J8-14981-00	.BODY, FLOAT CHAMBER .CORPS, CUVE DE FLOTTEUR	1	1	1	#2

FIG. 5 CARBURETOR

CARBURATEUR



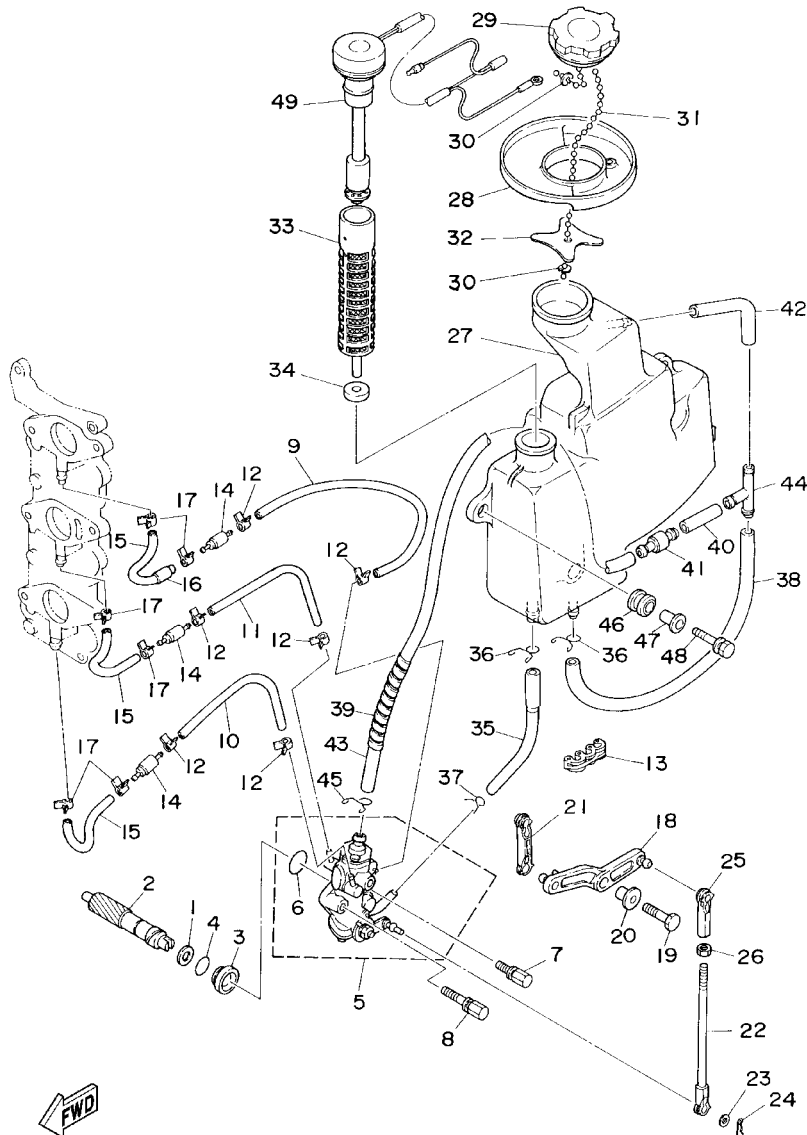
REF. NO.	PART NO. NO. PIECES	DESCRIPTION DESCRIPTION	MHO	EO	ETO	REMARKS REMARQUES
28	6J8-24471-00	.DIAPHRAGM .DIAPHRAGME	1	1	1	#2
29	6J8-24415-00	.BODY 4 .CORPS 4	1	1	1	#2
30	6J8-24432-00	.GASKET, FUEL PUMP 2 .JOINT 2 DE POMPE A ESSENCE	1	1	1	#2
31	6J8-24452-00	.COVER .COUVERCLE	1	1	1	#2
32	97980-03122	.SCREW, WITH WASHER .VIS, AVEC RONDELLE	1	1	1	#2
33	97980-04124	.SCREW, WITH WASHER .VIS, AVEC RONDELLE	4	4	4	#2
34	6J8-14578-00	.COLLAR .COLLERETTE	1	1	1	#2
35	6J8-1492A-00	.NOZZLE, MAIN .PUITS D'AIGUILLE	3	3	3	



6J80010-9050

FIG. 6 OIL PUMP

POMPE A HUILE

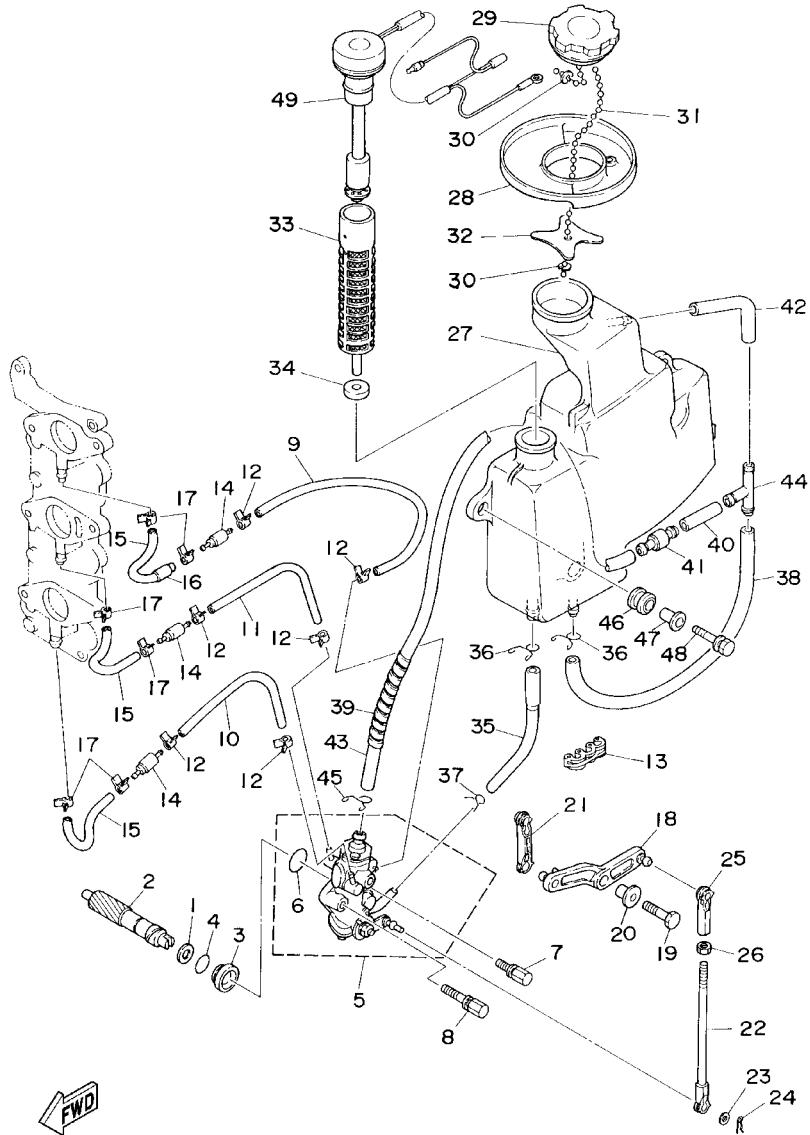


FWD
6J80010-4060

REF. NO.	PART NO. NO. PIECES	DESCRIPTION DESCRIPTION	MHO	EO	ETO	REMARKS REMARQUES
1	90201-08M93	WASHER, PLATE RONDELLE, PLATE	1	1	1	
2	6J8-11537-00	GEAR, DRIVEN PIGNON SECONDAIRE	1	1	1	
3	6J8-13117-00	COLLAR, DISTANCE ENTRETOISE	1	1	1	
4	93210-13M04	O-RING JOINT TORIQUE	1	1	1	
5	6J8-13200-01	OIL INJECTION PUMP ASSY POMPE A HUILE COMPLET	1	1	1	
6	93210-19M82	.O-RING .JOINT TORIQUE	1	1	1	
7	90109-05M32	BOLT BOULON	1	1	1	
8	90109-05M33	BOLT BOULON	1	1	1	
9	90445-07M08	HOSE (L220) DURITE (L220)	1	1	1	
10	90445-07M32	HOSE (L120) DURITE (L120)	1	1	1	
11	90445-07M32	HOSE (L120) DURITE (L120)	1	1	1	
12	90468-07M02	CLIP JONC	6	6	6	
13	90464-07M05	CLAMP BRIDE	1	1	1	
14	6E9-13183-70	VALVE, CHECK CLAPET ANTI RETOUR	3	3	3	
15	90445-07M04	HOSE (L50) DURITE (L50)	3	3	3	
16	90445-11M08	HOSE (L10) DURITE (L10)	1	1	1	
17	90468-07M02	CLIP JONC	6	6	6	
18	6J8-13155-00	LEVER, CONTROL LEVIER, CPMMADE	1	1	1	
19	97095-06025	BOLT BOULON	1	1	1	
20	90387-06M60	COLLAR COLLERETTE	1	1	1	
21	6J8-41238-00	JOINT, LINK RACCORD	1	1	1	
22	6J8-41237-00	JOINT, LINK RACCORD	1	1	1	
23	90202-05088	WASHER, PLATE RONDELLE, PLATE	1	1	1	
24	90468-05M03	CLIP JONC	1	1	1	
25	682-41237-00	JOINT, LINK RACCORD	1	1	1	
26	95380-05700	NUT ECROU	1	1	1	
27	6J8-21707-01	OIL TANK COMP. RESERVOIR A PETROLE COMP.		1	1	

FIG. 6 OIL PUMP

POMPE A HUILE

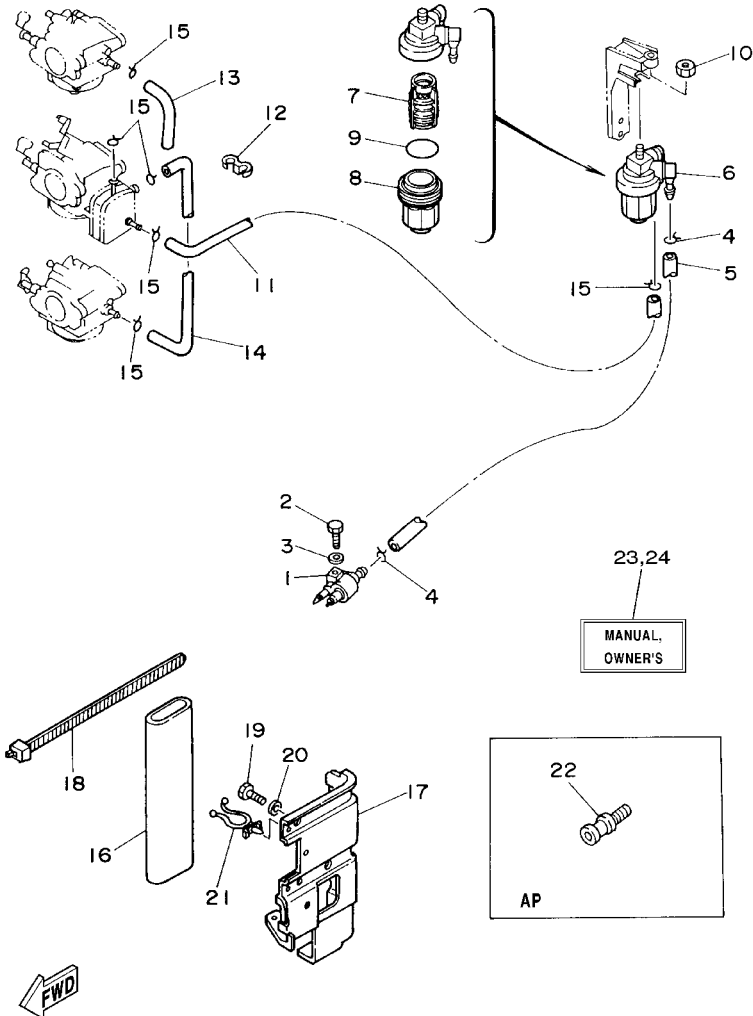


6J80010-4060

REF. NO.	PART NO. NO. PIECES	DESCRIPTION DESCRIPTION	MHO	EO	ETO	REMARKS REMARQUES
27	6J8-21707-11	OIL TANK COMP. RESERVOIR A PETROLE COMP.	1			
28	6J8-2173M-00	SEAL 3 JOINT 3		1	1	
29	6H4-21770-00	OIL TANK CAP ASSY CABOCHON DE RESERVOIR A HUILE	1	1	1	
30	6H1-21757-00	WASHER, SPECIAL 1 RONDELLE, SPECIALE 1	2	2	2	
31	6H1-24633-00	CHAIN, BALL CHANE DE BALLE	1	1	1	
32	6J8-21758-00	WASHER, SPECIAL 2 RONDELLE, SPECIALE 2	1	1	1	
33	6J8-13411-00	STRAINER, OIL FILTRE, HUILE	1	1	1	
34	6J8-13414-00	GASKET, STRAINER COVER JOINT, COUVERCLE DE FILTRE	1	1	1	
35	6J8-13416-00	PIPE, OIL 1 DURITE A HUILE	1	1	1	
36	90467-11M08	CLIP JONC	2	2	2	
37	90467-08004	CLIP JONC	1	1	1	
38	90445-11M03	HOSE (L330) DURITE (L330)	1	1	1	
39	90446-10M01	HOSE DURITE	1	1	1	
40	90445-11M07	HOSE (L30) DURITE (L30)	1	1	1	
41	6J8-21744-00	BREATHER RENIFLARD	1	1	1	
42	90445-11M02	HOSE (L100) DURITE (L100)	1	1	1	
43	90445-11M04	HOSE (L400) DURITE (L400)	1	1	1	
44	6E5-24378-00	PIPE, JOINT 3 DURITE, RACCORDEMENT 3	1	1	1	
45	90467-10M04	CLIP JONC	1	1	1	
46	6A0-82317-00	DAMPER, IGNITION COIL AMORTISSEUR, BOBINE D'ALLUM	3	3	3	
47	624-42542-00	PIPE TUYAU	3	3	3	
48	90119-06M65	BOLT, WITH WASHER BOULON, AVEC RONDELLE	3	3	3	
49	6J8-85720-01	OIL LEVEL GAUGE ASSY JAUGE A HUILE CPLT	1	1	1	

FIG. 7 FUEL

CARBURANT



6J86300-4070

REF. NO.	PART NO. NO. PIECES	DESCRIPTION DESCRIPTION	MHO	EO	ETO	REMARKS REMARQUES
1	6G1-24304-02	FUEL PIPE JOINT COMP. 1 DURITE RACCORDEMT. A ESSENCE	1	1	1	
2	97095-06025	BOLT BOULON	1	1	1	
3	92995-06600	WASHER RONDELLE	1	1	1	
4	90467-08004	CLIP JONC	2	2	2	
5	90445-09M00	HOSE (L180) DURITE (L180)	1	1	1	
6	61N-24560-00	FILTER ASSY ENS FILTRE	1	1	1	
7	61N-24563-00	.ELEMENT, FILTER .ELEMENT, FILTRE	1	1	1	
8	61N-24521-00	.CUP, FILTER .CUVETTE, FILTRE	1	1	1	
9	93210-32738	.O-RING .JOINT TORIQUE	1	1	1	
10	90179-08M15	NUT ECROU	1	1	1	
11	6E5-24312-00	PIPE 2 DURITE 2	1	1	1	
12	90464-09M21	CLAMP BRIDE	1	1	1	
13	688-24313-00	PIPE 3 DURITE 3	1	1	1	
14	6J8-24311-00	PIPE, FUEL 1 DURITE A ESSENCE	1	1	1	
15	90467-08004	CLIP JONC	6	6	6	
16	656-W2810-02	TOOL KIT TROUSSE A OUTILS	1	1	1	
17	6J8-28170-00	TOOL, HOLDER OUTIL	1			
18	6G1-2811G-00	BAND COLLIER	1			
19	97095-08016	BOLT BOULON	2			
20	92995-08600	WASHER RONDELLE	2			
21	90464-12M17	CLAMP BRIDE	5			
22	6E0-28193-00-94	PLUG, WATER CHECK BOUCHON, CONTROLE D'EAU	1	1	1	D:12.5MM
23	6L3-28199-75-A0	MANUAL, OWNER'S MANUEL D'UTILISATION	1	1	1	UR (E,F,S)
	6L3-28199-75-B0	MANUAL, OWNER'S MANUEL D'UTILISATION	1	1	1	UR (D,NL,I)
24	6L3-28199-86-A0	MANUAL, OWNER'S MANUEL D'UTILISATION	1	1	1	UR (DK,P,GR)
	6L3-28199-86-B0	MANUAL, OWNER'S MANUEL D'UTILISATION	1	1	1	UR (N,S,SS)

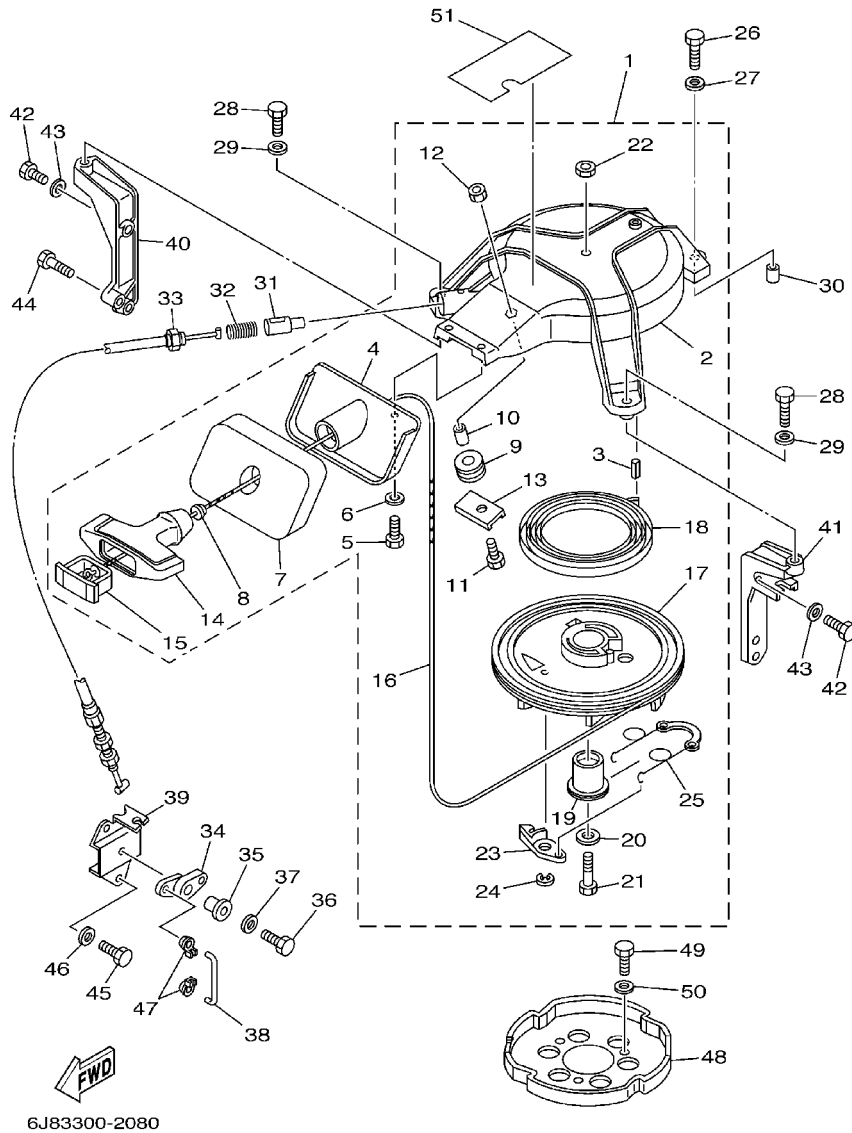


FIG. 8 STARTER

DEMARREUR

REF. NO.	PART NO. NO. PIECES	DESCRIPTION DESCRIPTION	MHO	EO	ETO	REMARKS REMARQUES
1	6J8-15710-02-4D	STARTER ASSY DEMARREUR COMPLET	1			
2	6J8-15711-00-94	.CASE, STARTER .CARTER DE DEMARREUR	1			
3	91690-40014	.PIN, SPRING .AGRAFFE	1			
4	6J8-15758-01-94	.GUIDE, ROPE .GUIDE DE CABLE	1			
5	97095-06016	.BOLT .BOULON	2			
6	92995-06600	.WASHER .RONDELLE	2			
7	6J8-15762-00	.SEAL, RUBBER 2 .JOINT CAOUTCHOUC 2	1			
8	6A0-15789-00	.DAMPER .AMORTISSEUR	1			
9	6F5-15752-00	.ROLLER, WIRE .GALET, CABLE	1			
10	6F5-15753-00	.BUSH .CHARBON	1			
11	97095-06025	.BOLT .BOULON	1			
12	95380-06600	.NUT, HEXAGON .ECROU	1			
13	6J8-15787-00	.ADAPTOR .ADAPTATEUR	1			
14	689-15755-01	.HANDLE, STARTER .POIGNEE, DE DEMARREUR	1			
15	6F5-15779-02	.COVER .COUVERCLE	1			
16	*	.WIRE (L:1,950MM) .FIL (L:1,950MM)	1			
17	6J8-15714-00	.DRUM, SHEAVE .TAMBOUR, POULIE	1			
18	90510-08M04	.SPRING, SPIRAL .RESSORT, HELICOIDAL	1			
19	677-15717-01	.SHAFT, STARTER .AXE DE DEMARREUR	1			
20	90201-06060	.WASHER, PLATE .RONDELLE, PLATE	1			
21	97095-06025	.BOLT .BOULON	1			
22	95380-06700	.NUT .ECROU	1			
23	676-15741-03	.PAWL, DRIVE .CLIQUET, ENTRAINEMENT	1			
24	93430-06M02	.CIRCLIP .CLIPS	1			
25	6J8-15705-00	.SPRING, DRIVE PAWL .RESSORT DE CLIQUET	1			
<p>* CUT FROM 50M ROLLS, PART NO. 90890-44373, CUTTING LENGTH 1.95M</p> <p>* A PRELEVER SUR BOBINE 50M , REFERENCE 90890-44373, LONGUEUR DE COUPE 1.95M</p>						

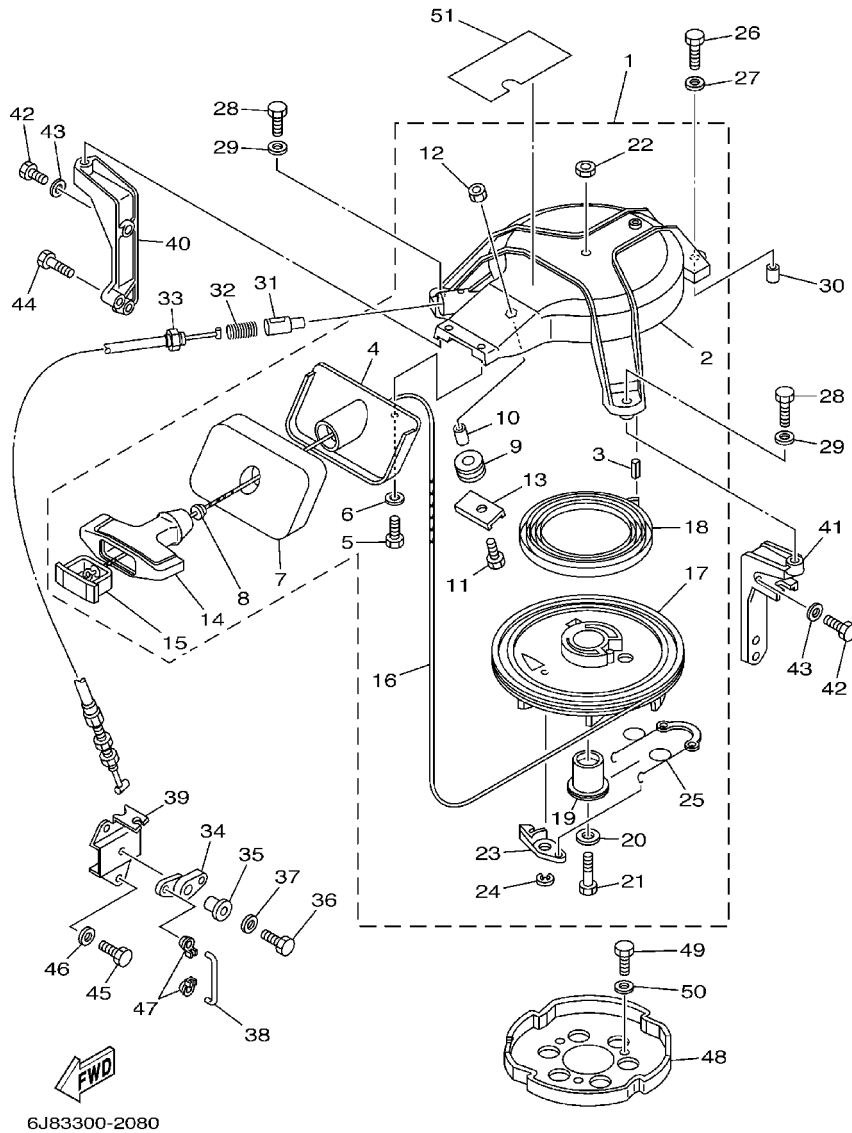


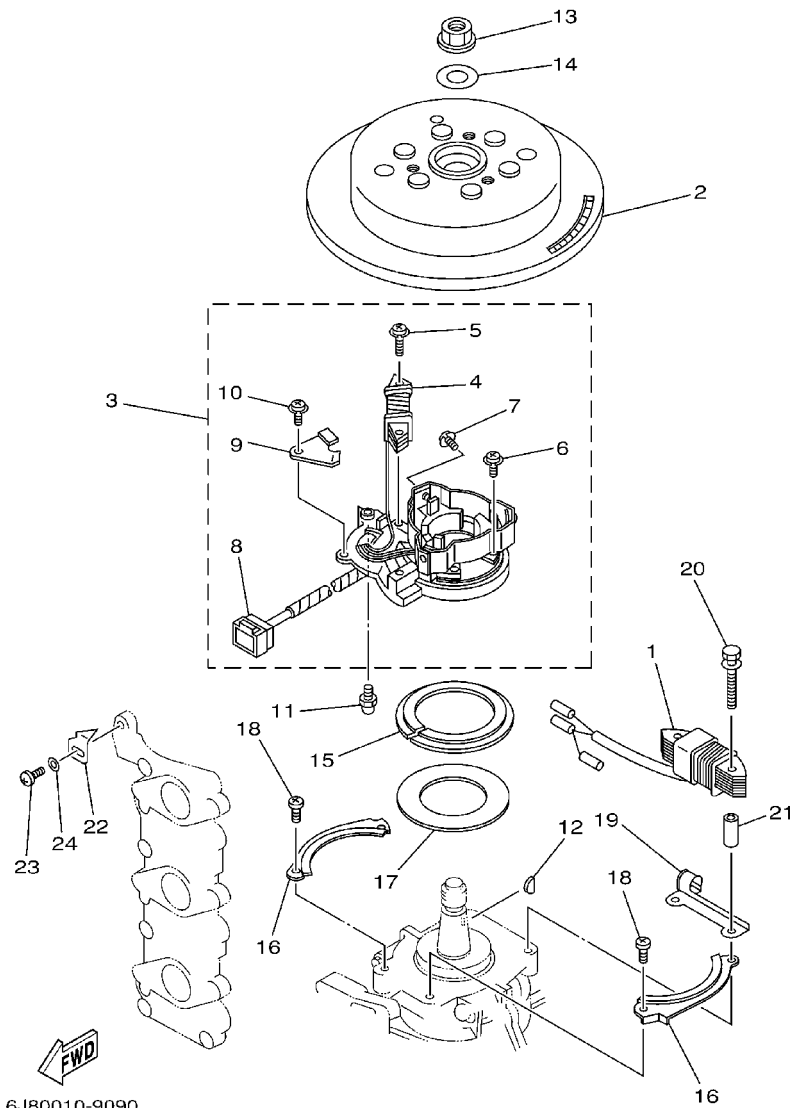
FIG. 8 STARTER

DEMARREUR

REF. NO.	PART NO. NO. PIECES	DESCRIPTION DESCRIPTION	MHO	EO	ETO	REMARKS REMARQUES
26	97095-06035	BOLT BOULON	1			
27	92995-06600	WASHER RONDELLE	1			
28	97095-06025	BOLT BOULON	2			
29	92995-06600	WASHER RONDELLE	2			
30	99530-10014	PIN, DOWEL GOUJON, D'ASSEMBLAGE	1			
31	656-15748-00	PLUNGER, STARTER STOP PLONGEUR, BOUTE DE DEMAR	1			
32	90501-10227	SPRING, COMPRESSION RESSORT, COMPRESSION	1			
33	6J8-15770-00	CABLE COMP., STARTER STOP CABLE, BUTEE DE DEMAR	1			
34	6J8-15746-01	ARM BRAS	1			
35	90387-06M29	COLLAR COLLERETTE	1			
36	97095-06025	BOLT BOULON	1			
37	92995-06600	WASHER RONDELLE	1			
38	6J8-15747-00	LINK BIELLETTE	1			
39	6J8-15774-01	STAY 4 SUPPORT 4	1			
40	6J8-15771-00-94	STAY 1 SUPPORT 1	1	1	1	
41	6J8-15772-00-94	STAY 2 SUPPORT 2	1	1	1	
42	97013-06020	BOLT BOULON	3	3	3	
43	92903-06600	WASHER, PLATE RONDELLE, PLATE	3	3	3	
44	90101-06024	BOLT BOULON	1	1	1	
45	97095-06016	BOLT BOULON	2			
46	92995-06600	WASHER RONDELLE	2			
47	661-41262-02	JOINT, CHOKE LEVER RACCORD, LEVIER DE STARTER	2			
48	6J8-15723-00	PULLEY, STARTER POULIE DE DEMARREUR	1			
49	97013-08014	BOLT BOULON	3			
50	92903-08600	WASHER, PLATE RONDELLE, PLATE	3			
51	6J8-13437-91	MARK, CAUTION MAKER	1			

FIG. 9 GENERATOR

GENERATRICE

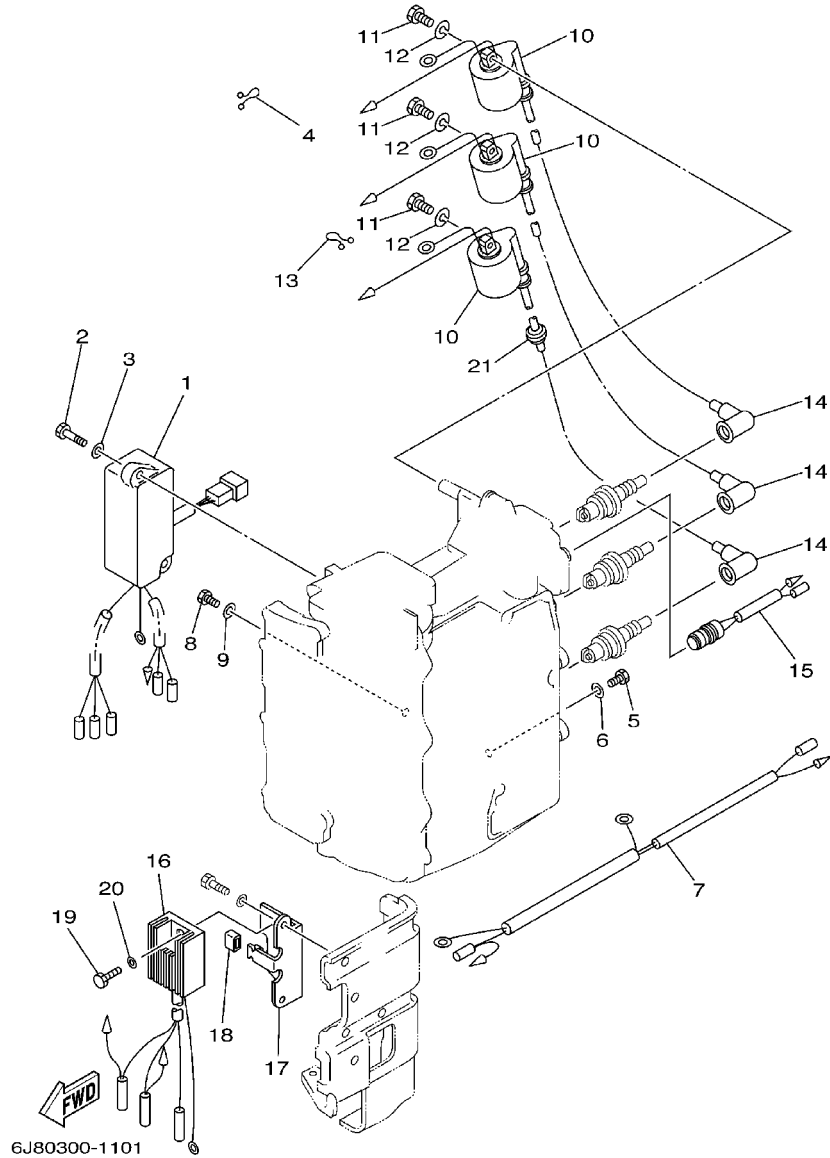


6J80010-9090

REF. NO.	PART NO. NO. PIECES	DESCRIPTION DESCRIPTION	MHO	EO	ETO	REMARKS REMARQUES
1	6H4-85533-A1	COIL, LIGHTING BOBINE, ECLAIRAGE	1	1	1	
2	6J8-85550-F1	ROTOR ASSY ROTOR CPLT	1			
	6J8-85550-A1	ROTOR ASSY ROTOR CPLT		1	1	
3	6H4-85510-F1	STATOR ASSY STATOR CPLT	1			
	6J8-85510-A1	STATOR ASSY STATOR CPLT		1	1	
4	6H4-85520-01	.COIL, CHARGE .BOBINE, CHARGE	1			
	6J8-85520-01	.COIL, CHARGE .BOBINE, CHARGE		1	1	
5	97902-06120	.SCREW, WITH WASHER .VIS, AVEC RONDELLE	2	2	2	
6	97902-04112	.SCREW, WITH WASHER .VIS, AVEC RONDELLE	6	6	6	
7	97902-04106	.SCREW, WITH WASHER .VIS, AVEC RONDELLE	3	3	3	
8	9E471-09205	.CONNECTOR (6P,M) .CONNECTEUR (6P,M)	1	1	1	
9	6H4-85548-00	.HOLDER .SUPPORT	1	1	1	
10	97902-05408	.SCREW, WITH WASHER .VIS, AVEC RONDELLE	1	1	1	
11	663-85518-00	JOINT, BALL JOINT SPHERIQUE	1	1	1	
12	90280-05013	KEY, WOODRUFF CLAVETTE, DEMI-LUNE	1	1	1	
13	90179-16M05	NUT ECROU	1	1	1	
14	90201-16M44	WASHER, PLATE RONDELLE, PLATE	1	1	1	
15	6H4-41611-10	RETAINER, MAGNETO BASE FLASQUE, PLATEAU D'AVANCE	1	1	1	
16	6J8-41615-00	STOPPER, MAGNETO BASE BUTEE, PLATEAU D'AVANCE	2	2	2	
17	6J8-41618-00	WASHER, MAGNETO RONDELLE, MAGNETO	1	1	1	
18	97880-06012	SCREW, PAN HEAD VIS, TETE TRONCONIQUE	2	2	2	
19	6J8-85548-00	HOLDER SUPPORT	1	1	1	
20	90101-06M00	BOLT BOULON	2	2	2	
21	90387-06M81	COLLAR COLLERETTE	2	2	2	
22	6J8-81332-00	PLATE, TIMING PLATEAU, ALLUMAGE	1	1	1	
23	97885-05010	SCREW, PAN HEAD VIS, A ENCOCHE	1	1	1	
24	92995-05600	WASHER RONDELLE	1	1	1	

FIG. 10 ELECTRICAL 1

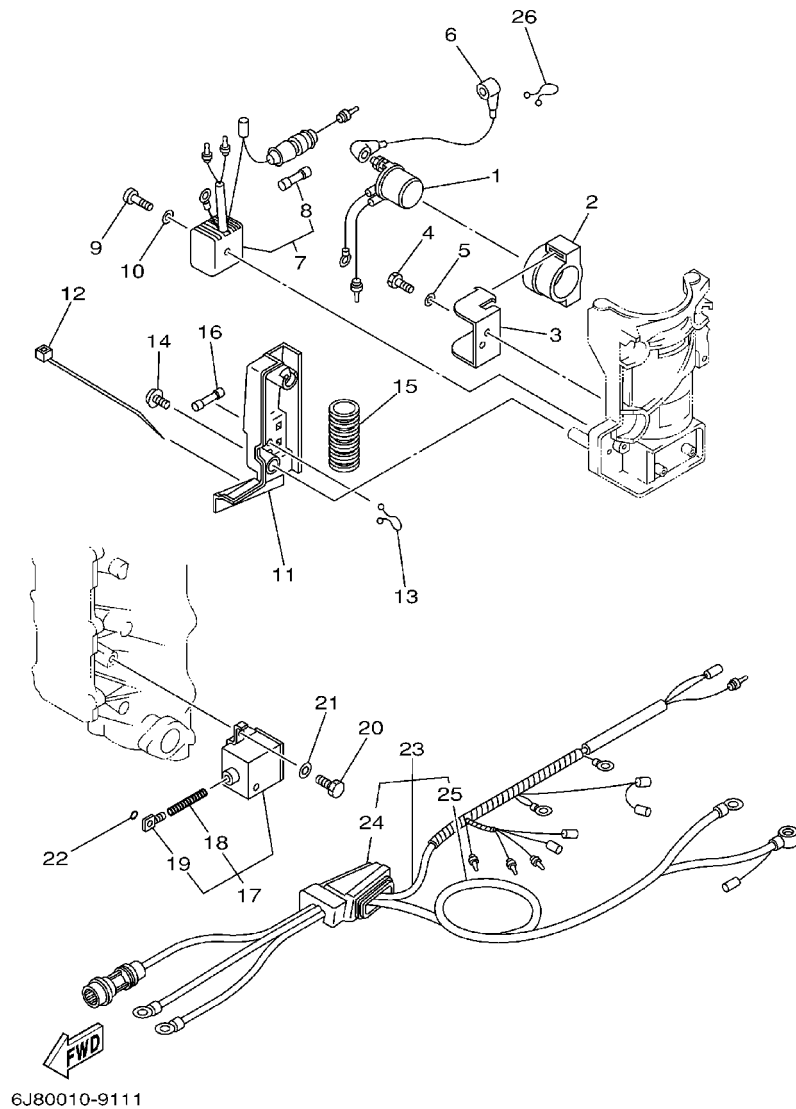
PARTIE ELECTRIQUE 1



REF. NO.	PART NO. NO. PIECES	DESCRIPTION DESCRIPTION	MHO	EO	ETO	REMARKS REMARQUES
1	6J8-85540-H2	C.D.I. UNIT ASSY BLOC C.D.I.	1	1	1	
2	97095-06025	BOLT BOULON	2	2	2	
3	92995-06600	WASHER RONDELLE	2	2	2	
4	90464-15M11	CLAMP BRIDE	1			
5	97095-06012	BOLT BOULON	1	1	1	
6	92995-06600	WASHER RONDELLE	1	1	1	
7	6J8-82531-00	WIRE, LEAD FIL	1			
8	97095-06012	BOLT BOULON	1	1	1	
9	92995-06600	WASHER RONDELLE	1	1	1	
10	6J8-85570-21	IGNITION COIL ASSY BOBINE D'ALLUMAGE (ENS.)	3	3	3	
11	97095-06020	BOLT BOULON	6	6	6	
12	92995-06100	WASHER, SPRING RONDELLE, GROWER	6	6	6	
13	90464-05M16	CLAMP BRIDE	1	1		
14	6G1-82370-21	PLUG CAP ASSY ANTIPARASITE	3	3	3	
15	689-82560-00	THERMO SWITCH ASSY THERMO-CONTACT COMPLET	1	1	1	
16	6J8-81960-00	RECTIFIER & REGULATOR ASSY REDRESSEUR REGULATEUR CPLT	1			
17	6J8-81975-00	PLATE, RECTIFIER FITTING PLAQUE, FIXATION DU REDRESSEUR	1			
18	689-44194-00	CAP CAPUCHON	1			
19	97095-06012	BOLT BOULON	1			
20	92995-06600	WASHER RONDELLE	1			
21	90480-25161	GROMMET PASSE-FIL	1	1	1	

FIG. 11 ELECTRICAL 2

PARTIE ELECTRIQUE 2

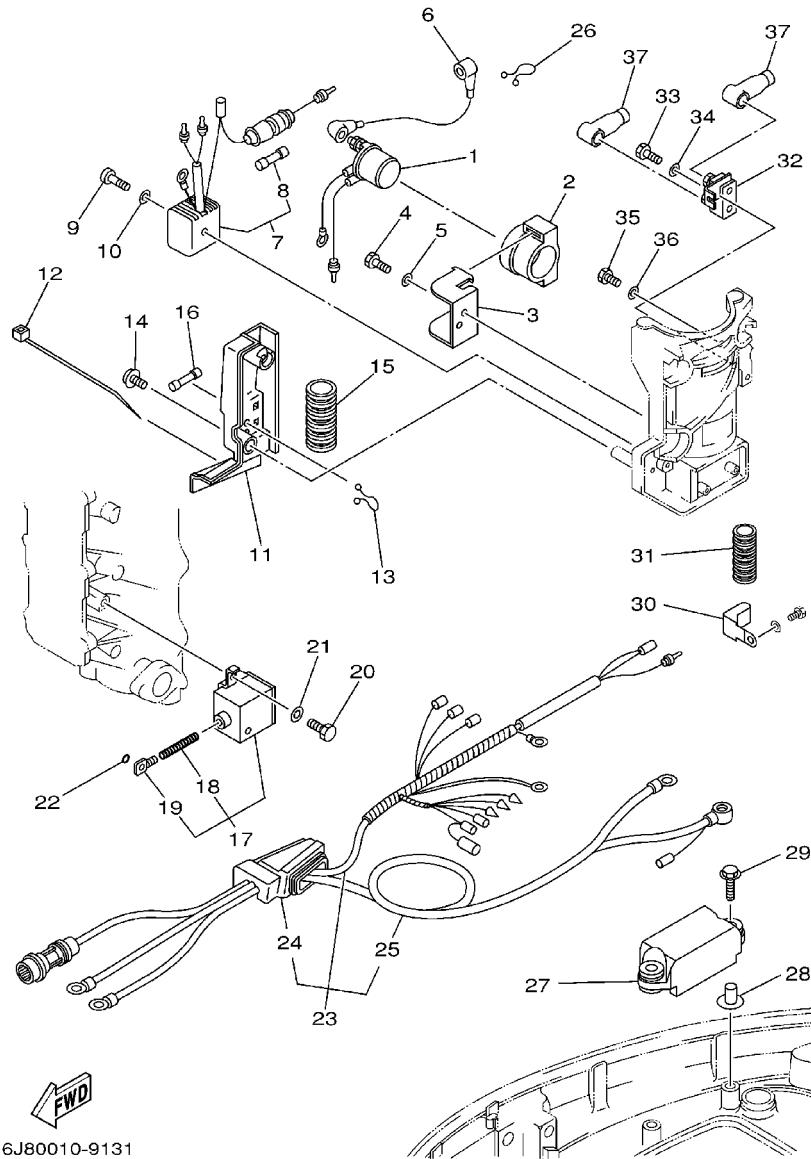


6J80010-9111

REF. NO.	PART NO. NO. PIECES	DESCRIPTION DESCRIPTION	MHO	EO	ETO	REMARKS REMARQUES
1	6G1-81941-10	STARTER RELAY ASSY LANCEUR RELAIS (ENS.)		1		
2	6G1-81952-00	HOLDER, RELAY SUPPORT, RELAIS		1		
3	6J8-81945-00	PLATE, SWITCH FITTING PLAQUE, FIXATION DU RELAIS		1		
4	97013-06016	BOLT BOULON		1		
5	92903-06600	WASHER, PLATE RONDELLE, PLATE		1		
6	6F5-82117-00	WIRE, LEAD FIL		1		
7	6G1-81970-61	RECTIFIER ASSY REDRESSEUR COMPLET		1		
8	6G1-82151-00	.FUSE .FUSIBLE		1		
9	97880-05025	SCREW, PAN HEAD VIS, TETE TRONCONIQUE		1		
10	92990-05600	WASHER, PLATE RONDELLE, PLATE		1		
11	6J8-81916-10	COVER, TERMINAL COUVERCLE, BORNE		1		
12	90465-13M18	CLAMP BRIDE		1		
13	90465-18147	CLAMP BRIDE		1		
14	90159-05M26	SCREW, WITH WASHER VIS, AVEC RONDELLE		2		
15	6E9-83557-70	TUBE TUBE		1		
16	6H3-82151-00	FUSE FUSIBLE		1		
17	6J8-86110-00	SOLENOID SOLENOID		1		
18	6J8-86116-00	.WIRE, PULL .CABLE, TENSION		1		
19	682-86117-00	.HOOK, WIRE PULL .CROCHET, TENSION DE CABLE		1		
20	97013-06016	BOLT BOULON		2		
21	92903-06600	WASHER, PLATE RONDELLE, PLATE		2		
22	93210-03261	O-RING JOINT TORIQUE		1		
23	6J8-82580-00	WIRE HARNESS ASSY 2 FAISCEAU DE FILS 2 CPLT		1		
24	6J8-42724-50	.GROMMET .PASSE-FIL		1		
25	689-82105-13	.WIRE HARNESS .FAISCEAU DE FILS		1		
26	90464-15M11	CLAMP BRIDE		1		

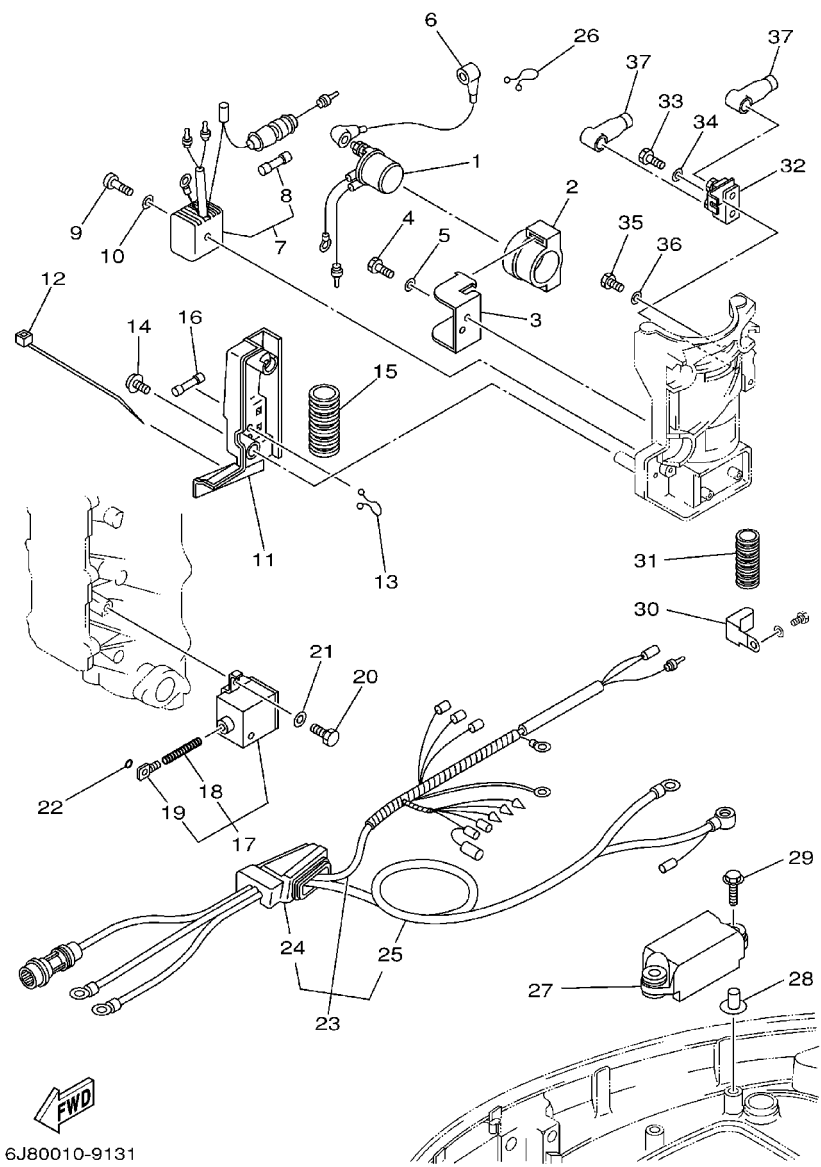
FIG. 12 ELECTRICAL 3

PARTIE ELECTRIQUE 3



6J80010-9131

REF. NO.	PART NO. NO. PIECES	DESCRIPTION DESCRIPTION	MHO	EO	ETO	REMARKS REMARQUES
1	6G1-81941-10	STARTER RELAY ASSY LANCEUR RELAIS (ENS.)			1	
2	6G1-81952-00	HOLDER, RELAY SUPPORT, RELAIS			1	
3	6J8-81945-00	PLATE, SWITCH FITTING PLAQUE, FIXATION DU RELAIS			1	
4	97013-06016	BOLT BOULON			1	
5	92903-06600	WASHER, PLATE RONDELLE, PLATE			1	
6	6F5-82117-00	WIRE, LEAD FIL			1	
7	6G1-81970-61	RECTIFIER ASSY REDRESSEUR COMPLET			1	
8	6G1-82151-00	.FUSE .FUSIBLE			1	
9	97880-05025	SCREW, PAN HEAD VIS, TETE TRONCONIQUE			1	
10	92990-05600	WASHER, PLATE RONDELLE, PLATE			1	
11	6J8-81916-10	COVER, TERMINAL COUVERCLE, BORNE			1	
12	90465-13M18	CLAMP BRIDE			1	
13	90465-18147	CLAMP BRIDE			1	
14	90159-05M26	SCREW, WITH WASHER VIS, AVEC RONDELLE			2	
15	6E9-83557-70	TUBE TUBE			1	
16	6H3-82151-00	FUSE FUSIBLE			1	
17	6J8-86110-00	SOLENOID SOLENOID			1	
18	6J8-86116-00	.WIRE, PULL .CABLE, TENSION			1	
19	682-86117-00	.HOOK, WIRE PULL .CROCHET, TENSION DE CABLE			1	
20	97013-06016	BOLT BOULON			2	
21	92903-06600	WASHER, PLATE RONDELLE, PLATE			2	
22	93210-03261	O-RING JOINT TORIQUE			1	
23	6J8-82580-10	WIRE HARNESS ASSY 2 FAISCEAU DE FILS 2 CPLT			1	
24	6J8-42724-60	.GROMMET .PASSE-FIL			1	
25	689-82105-13	.WIRE HARNESS .FAISCEAU DE FILS			1	
26	90464-15M11	CLAMP BRIDE			1	
27	6J8-81950-00	RELAY ASSY RELAIS COMPLET			1	



6J80010-9131

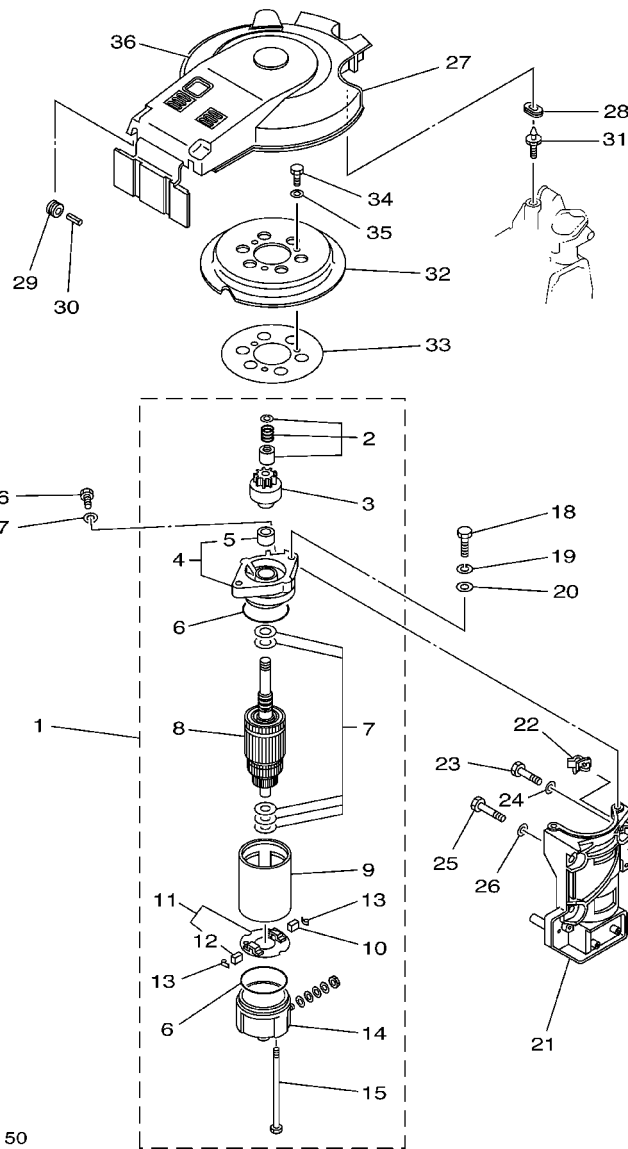
FIG. 12 ELECTRICAL 3

PARTIE ELECTRIQUE 3

REF. NO.	PART NO. NO. PIECES	DESCRIPTION DESCRIPTION	MHO	EO	ETO	REMARKS REMARQUES
28	90387-06M03	COLLAR COLLERETTE			2	
29	90119-06M17	BOLT, WITH WASHER BOULON, AVEC RONDELLE			2	
30	90465-08M12	CLAMP BRIDE			1	
31	90446-14M88	HOSE DURITE			1	
32	6H5-81920-00	TERMINAL ASSY BORNE			1	
33	97095-06014	BOLT BOULON			1	
34	92995-06600	WASHER RONDELLE			1	
35	97095-06012	BOLT BOULON			1	
36	92995-06600	WASHER RONDELLE			1	
37	682-82119-01	COVER, LEAD WIRE GARNITURE, FIL			2	

FIG. 13 STARTING MOTOR

DEMARREUR ELECTRIQUE



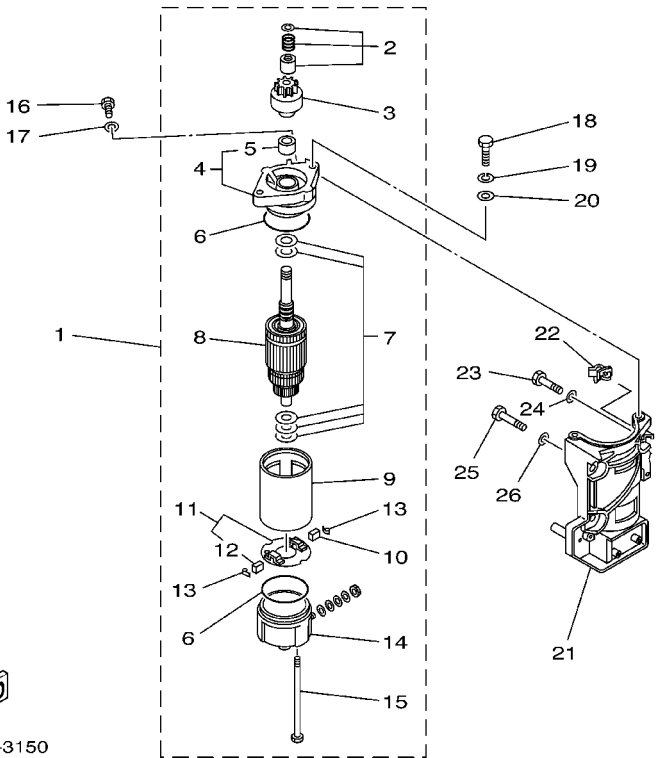
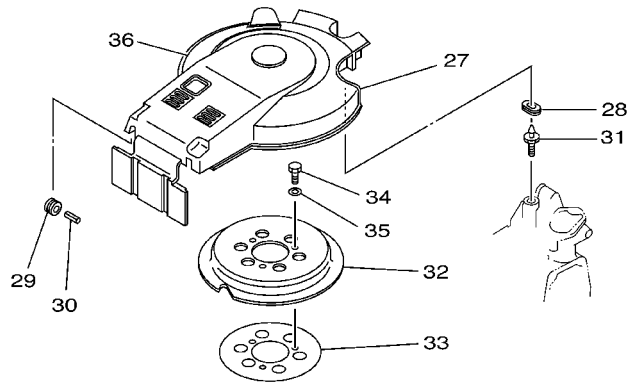
FWD
6J86100-3150

REF. NO.	PART NO. NO. PIECES	DESCRIPTION DESCRIPTION	MHO	EO	ETO	REMARKS REMARQUES
1	6F5-81800-11	STARTING MOTOR ASSY DEMARREUR ELECTRIQUE COMPLET		1	1	
2	689-81857-11	.PINION STOPPER SET .BUTEE PIGNON		1	1	
3	689-81807-12	.GEAR ASSY, STARTING MOTOR .PIGNON, DEMARREUR ELECTRIQUE		1	1	
4	6F5-81830-11	.FRONT BRACKET ASSY .SUPPORT AVANT		1	1	
5	689-81831-00	..METAL, FRONT ..METAL, AVANT		1	1	
6	689-81847-11	.O-RING .JOINT TORIQUE		2	2	
7	689-81809-11	.WASHER KIT .JEU DE RONDELLES		1	1	
8	689-81850-12	.ARMATURE ASSY .INDUIT		1	1	
9	689-81810-11	.STATOR ASSY .STATOR COMPLET		1	1	
10	689-81811-11	.BRUSH 1 .CHARBON 1		1	1	
11	689-81840-11	.BRUSH HOLDER ASSY .SUPPORT DE CHARBON		1	1	
12	689-81812-11	..BRUSH 2 ..CHARBON 2		1	1	
13	689-81813-10	.SPRING, BRUSH .RESSORT, DE CHARBON		2	2	
14	689-81820-11	.REAR BRACKET ASSY .SUPPORT ARRIERE COMPLET		1	1	
15	689-81826-10	.BOLT BOULON		2	2	
16	97013-08016	BOLT BOULON		1	1	
17	92903-08600	WASHER, PLATE RONDELLE, PLATE		1	1	
18	97013-08030	BOLT BOULON		2	2	
19	92903-08100	WASHER, SPRING RONDELLE, GROWER		2	2	
20	92903-08600	WASHER, PLATE RONDELLE, PLATE		2	2	
21	6J8-81822-01-94	BRACKET, STARTING MOTOR SUPPORT, DEMARREUR ELECTRIQUE		1	1	
22	90464-03M15	CLAMP BRIDE		1	1	
23	97013-08035	BOLT BOULON		2	2	
24	92903-08600	WASHER, PLATE RONDELLE, PLATE		2	2	
25	97013-08055	BOLT BOULON		1	1	
26	92903-08600	WASHER, PLATE RONDELLE, PLATE		1	1	
27	6J8-81337-10	COVER, FLYWHEEL COUVERCLE, VOLANT		1	1	

FIG. 13 STARTING MOTOR

DEMARREUR ELECTRIQUE

REF. NO.	PART NO. NO. PIECES	DESCRIPTION DESCRIPTION	MHO	EO	ETO	REMARKS REMARQUES
28	90480-14M17	GROMMET PASSE-FIL		1	1	
29	90480-10M16	GROMMET PASSE-FIL		2	2	
30	91690-50022	PIN, SPRING AGRAFFE		2	2	
31	6J8-81338-00	STAY SUPPORT		1	1	
32	6J8-15723-E1	PULLEY, STARTER POULIE DE DEMARREUR		1	1	
33	6J8-81365-A0	GASKET, HOLE COVER JOINT, COUVERCLE DE TROU		1	1	
34	97013-08014	BOLT BOULON		3	3	
35	92903-08600	WASHER, PLATE RONDELLE, PLATE		3	3	
36	6J8-13437-81	MARK, CAUTION MAKER		1	1	

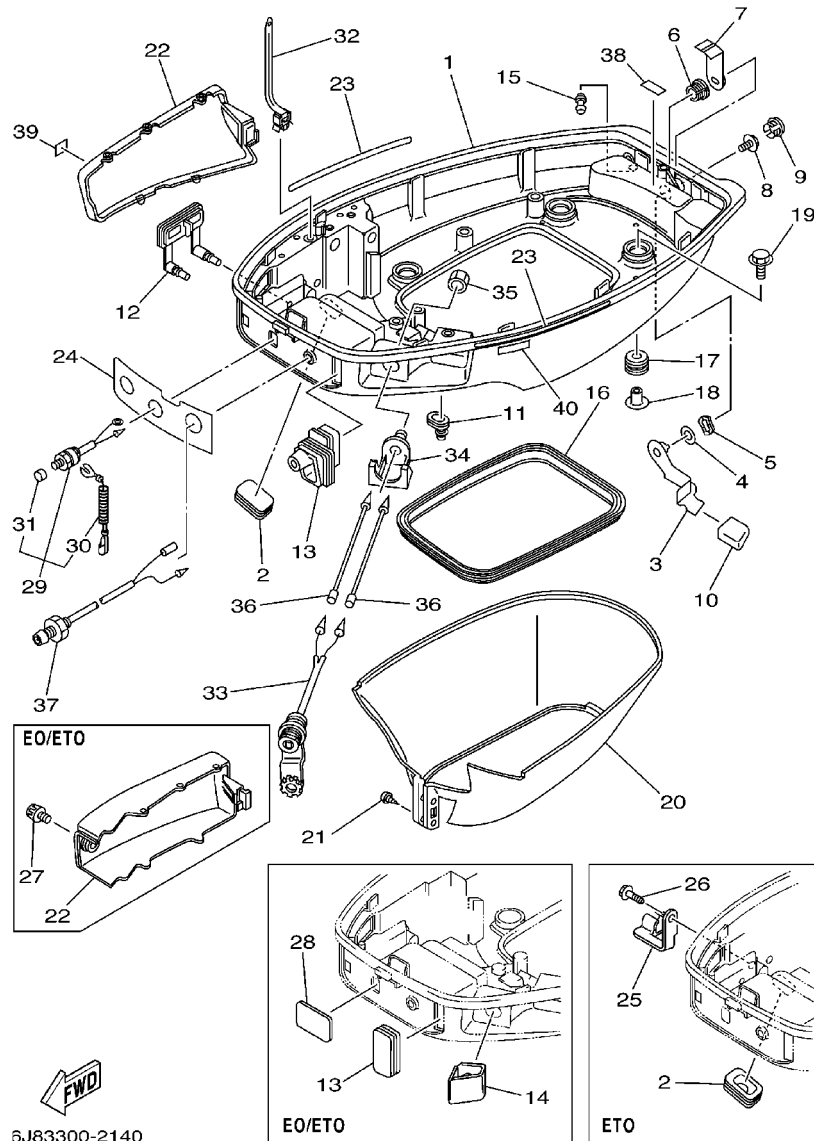


FWD
6J86100-3150

D1

FIG. 14 BOTTOM COWLING

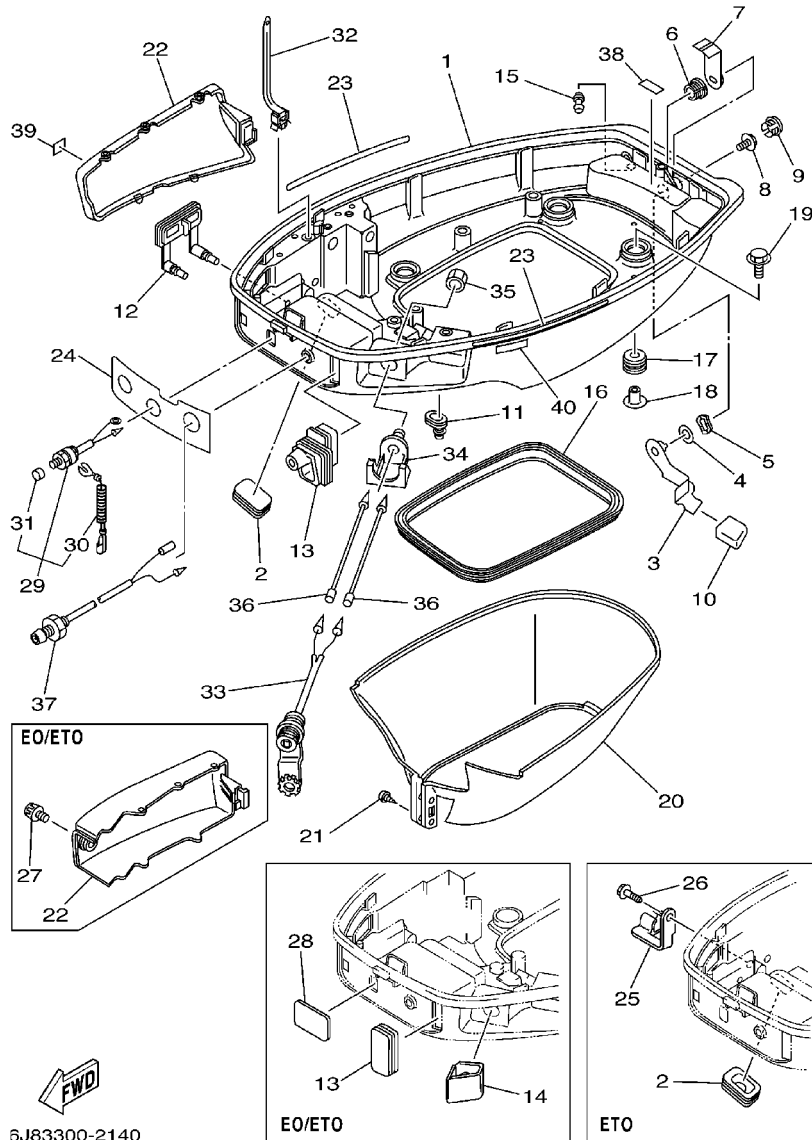
CAPOT INFERIEUR



REF. NO.	PART NO. NO. PIECES	DESCRIPTION DESCRIPTION	MHO	EO	ETO	REMARKS REMARQUES
1	6J8-42711-03-4D	COWLING, BOTTOM CUVETTE	1	1	1	
2	6H4-42726-00	GROMMET PASSE-FIL	1	1		
	688-42726-10	GROMMET PASSE-FIL			1	
3	6J8-42815-00-4D	LEVER, CLAMP LEVIER, PRESSE	1	1	1	
4	90202-12M25	WASHER, PLATE RONDELLE, PLATE	1	1	1	
5	90206-12052	WASHER, WAVE RONDELLE, ONDULEE	1	1	1	
6	90386-12M61	BUSH DOUILLE	1	1	1	
7	6J8-42816-00	LEVER, CLAMP LEVIER, PRESSE	1	1	1	
8	95895-06012	BOLT, FLANGE BOULON	1	1	1	
9	6J8-42831-00	BUSHING POULIE	1	1	1	
10	6J8-42728-01	CAP CAPUCHON	1	1	1	
11	6G1-42727-00	GROMMET PASSE-FIL	1	1	1	
12	6J8-42724-00	GROMMET PASSE-FIL	1			
13	6J8-42726-00	GROMMET PASSE-FIL	1			
	6J8-42726-10	GROMMET PASSE-FIL		1	1	
14	6J8-42725-01	GROMMET PASSE-FIL		1	1	
15	6H3-44391-01	NIPPLE, HOSE RACCORD D'ESSENCE	1	1	1	
16	6J8-42716-00	RUBBER, SEAL 1 JOINT EN CAOUTCHOUC 1	1	1	1	
17	90480-09M21	GROMMET PASSE-FIL	4	4	4	
18	90387-06M41	COLLAR COLLERETTE	4	4	4	
19	90119-06M61	BOLT, WITH WASHER BOULON, AVEC RONDELLE	4	4	4	
20	6J8-42741-01	APRON CAPOT LATERAL	1	1	1	
21	90164-06M01	SCREW, TAPPING VIS, TETE FRAISEE	2	2	2	
22	6J8-42723-01	COVER, BOTTOM COUVERCLE	1			
	6J8-42723-51	COVER, BOTTOM COUVERCLE		1	1	
23	6J8-42735-00	PROTECTOR PROTECTEUR	2	2	2	
24	6J8-42719-20	PANEL, FRONT LOWER PANNEAU, AVANT INFERIEUR	1	1	1	

FIG. 14 BOTTOM COWLING

CAPOT INFERIEUR



5J83300-2140

REF. NO.	PART NO. NO. PIECES	DESCRIPTION DESCRIPTION	MHO	EO	ETO	REMARKS REMARQUES
25	90464-09M51	CLAMP BRIDE			1	
26	90109-06M86	BOLT BOULON			1	
27	6J8-42846-00	SCREW VIS		1	1	
28	6J8-42726-20	GROMMET PASSE-FIL		1	1	
29	689-82575-04	ENGINE STOP SWITCH ASSY COUPE CIRCUIT_CPLT.	1			
30	682-82556-00	.STOPPER .PLAQUETTE	1			
31	689-8257Y-00	.CAP .CHAPEAU	1			
32	90465-13M76	CLAMP BRIDE		1	1	
33	682-84381-00	2P CONCENT RALLONGE 2 FILS	1			
34	6J8-84387-00	HOLDER SUPPORT	1			
35	663-82557-00	NUT ECROU	1			
36	6J8-82553-00	EXTENSION, WIRE LEAD EXTENSION, FAISCEAU	2			
37	6J8-85410-00	EMERGENCY SIGNAL LIGHT ASSY FEU DE DETRESSE	1	1	1	
38	6E7-42791-10	MARK 1 ETIQUETTE 1	1	1	1	
39	6A1-28176-00	LABEL, CAUTION ETIQUETTE, RECOMMANDATION	1	1	1	
40	6E3-8257H-00	PLATE, MARK PLAQUE, ADHESIF	1	1	1	

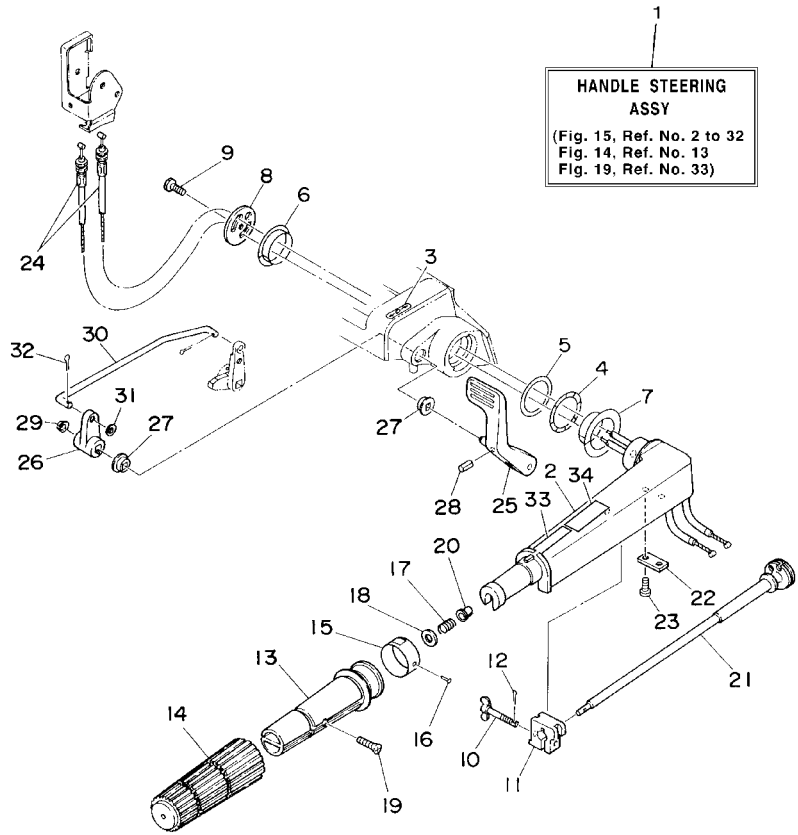
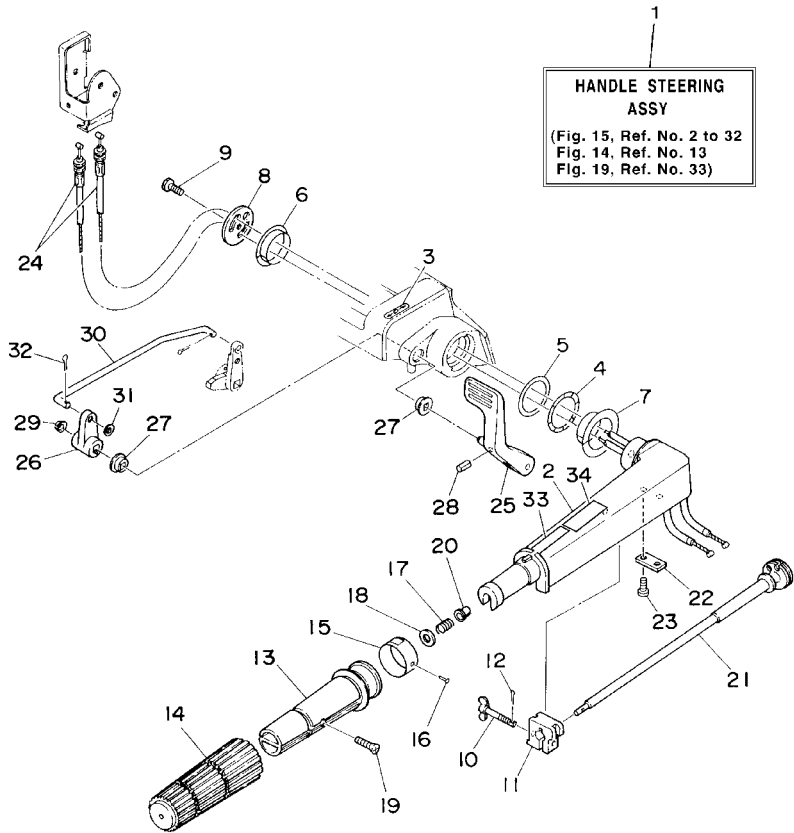


FIG. 15 STEERING

DIRECTION

REF. NO.	PART NO. NO. PIECES	DESCRIPTION DESCRIPTION	MHO	EO	ETO	REMARKS REMARQUES
1	6J8-W0084-10-4D	HANDLE STEERING ASSY BARRE FRANCHE (ENS.)	1			
2	6G1-42111-11-4D	HANDLE, STEERING POIGNEE	1			
3	6E0-44191-11	INDICATOR, SHIFT ETIQUETTE, EMBRAYAGE	1			
4	90206-36M21	WASHER, WAVE RONDELLE, ONDULEE	1			
5	90202-36M55	WASHER, PLATE RONDELLE, PLATE	1			
6	90386-33M96	BUSH DOUILLE	1			
7	90386-34M97	BUSH DOUILLE	1			
8	6G1-42131-01	COVER, HANDLE STEERING COUVERCLE	1			
9	97095-06020	BOLT BOULON	1			
10	6G1-42125-01	BOLT, FRICTION ADJUSTING BOULON	1			
11	6G1-42126-00	FRICTION, STEERING HANDLE GRIP CUVETTE, POIGNEE DE DIRECTION	1			
12	91490-16010	PIN, COTTER GOUPILLE	1			
13	664-42119-00	GRIP, STEERING HANDLE POIGNEE, BARRE FRANCHE	1			
14	6F6-42177-A0	RUBBER, HANDLE CAOUTCHOUC, POIGNEE	1			
15	6J8-42137-00	INDICATOR, THROTTLE INDICATEUR, ACCELERATION	1			
16	90269-02M09	RIVET RIVET	1			
17	90501-23215	SPRING, COMPRESSION RESSORT, COMPRESSION	1			
18	92903-10600	WASHER, PLATE RONDELLE, PLATE	1			
19	90149-05M13	SCREW VIS	1			
20	90386-08032	BUSH DOUILLE	1			
21	6G1-42138-01	LEVER, THROTTLE LEVIER, ACCELERATEUR	1			
22	6E0-42159-02	STAY SUPPORT	1			
23	97885-05012	SCREW, PAN HEAD VIS, A ENCOCHE	2			
24	6J8-26301-00	THROTTLE CABLE ASSY CABLE D'ACCELERATEUR	2			
25	6J8-44111-01-4D	HANDLE, GEAR SHIFT POIGNEE, LEVIER D'EMBAYAGE	1			
26	6J8-44125-00	LEVER, SHIFT ROD LEVIER, TIGE D'INVERSION	1			
27	682-44132-00	BUSHING COUSSINET	2			

FWD
6J86300-2150



FWD
6J86300-2150

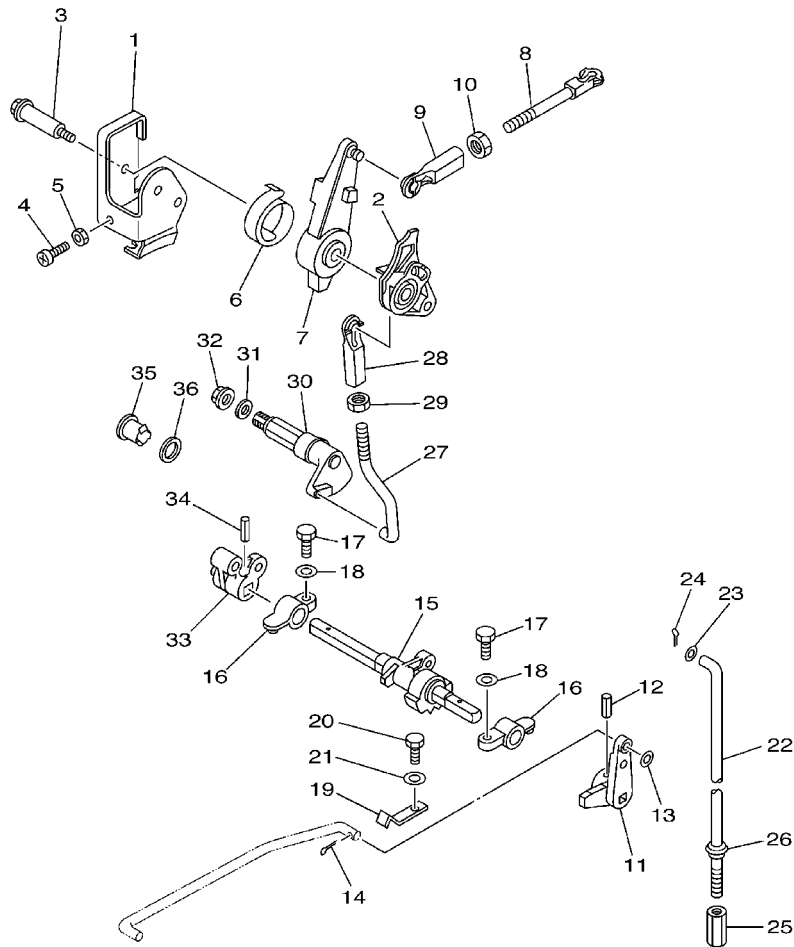
FIG. 15 STEERING

DIRECTION

REF. NO.	PART NO. NO. PIECES	DESCRIPTION DESCRIPTION	MHO	EO	ETO	REMARKS REMARQUES
28	90254-03M04	PIN, SPRING RIVET, TETE TRONCONIQUE	1			
29	90386-06M12	BUSH DOUILLE	1			
30	6J8-44124-00	LINK, SHIFT ROD BIELLETTTE	1			
31	92990-06200	WASHER, PLAIN RONDELLE, PLATE	1			
32	91490-20012	PIN, COTTER GOUPILLE	1			
33	6E0-83627-41	LABEL, CAUTION 7 ETIQUETTE, RECOMMANDATION 7	1			
34	6E0-83627-51	LABEL, CAUTION 7 ETIQUETTE, RECOMMANDATION 7	1			

FIG. 16 CONTROL 1

COMMANDE 1



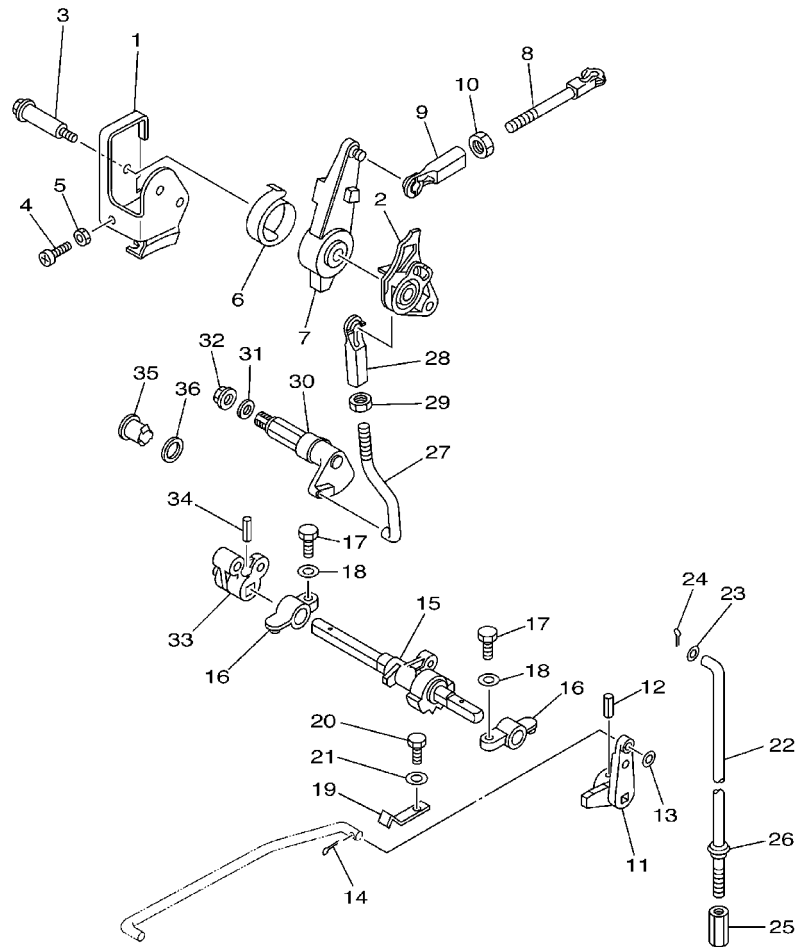
6J83300-2160

REF. NO.	PART NO. NO. PIECES	DESCRIPTION DESCRIPTION	MHO	EO	ETO	REMARKS REMARQUES
1	6J8-14497-00	STAY, THROTTLE WIRE SUPPORT DE BOISSEAU	1	1	1	
2	6J8-41213-00	CAM, ACCEL. CAME, ACCELERATION	1	1	1	
3	90109-06M28	BOLT BOULON	1	1	1	
4	97880-06025	SCREW, PAN HEAD VIS, TETE TRONCONIQUE	1	1	1	
5	95303-06600	NUT ECROU	1	1	1	
6	6J8-42167-00	SPRING 1 RESSORT1	1	1	1	
7	6J8-41631-02	LEVER, MAGNETO CONTROL LEVIER, COMMANDE D'AVANCE	1	1	1	
8	689-42169-01	JOINT AXE	1	1	1	
9	682-41237-00	JOINT, LINK RACCORD	1	1	1	
10	95380-05600	NUT ECROU	1	1	1	
11	6J8-44123-00	ARM, SHIFT ROD BRAS, TIGE D'INVERSION	1	1	1	
12	90254-03M04	PIN, SPRING RIVET, TETE TRONCONIQUE	1	1	1	
13	92990-06200	WASHER, PLAIN RONDELLE, PLATE	1			
14	91490-20012	PIN, COTTER GOUPILLE	1			
15	6J8-44121-00	LEVER, SHIFT ROD LEVIER, TIGE D'INVERSION	1	1	1	
16	6G1-41662-01-94	BRACKET SUPPORT	2	2	2	
17	97013-06020	BOLT BOULON	2	2	2	
18	92903-06600	WASHER, PLATE RONDELLE, PLATE	2	2	2	
19	6J8-44116-00	SPRING RESSORT	1	1	1	
20	97095-06012	BOLT BOULON	1	1	1	
21	92995-06600	WASHER RONDELLE	1	1	1	
22	6J8-44143-00	ROD, SHIFT TIGE D'EMBAYAGE	1	1	1	
23	92990-05600	WASHER, PLATE RONDELLE, PLATE	1	1	1	
24	91490-16010	PIN, COTTER GOUPILLE	1	1	1	
25	90170-06015	NUT ECROU	1	1	1	
26	689-43373-01	SEAL, DAMPER JOINT	1	1	1	
27	6J8-42192-00	ROD 2 TRINGLE 2	1	1	1	

D6

FIG. 16 CONTROL 1

COMMANDE 1

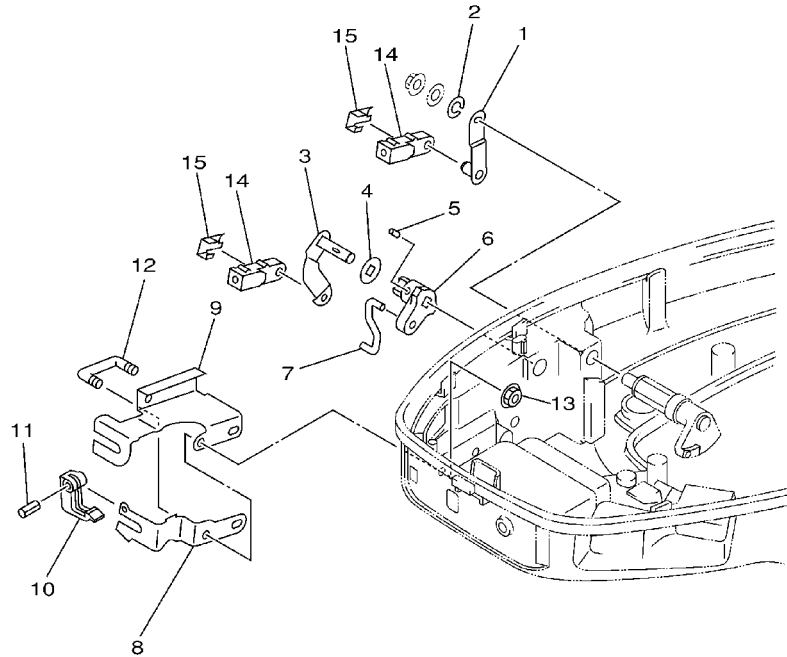


6J83300-2160

REF. NO.	PART NO. NO. PIECES	DESCRIPTION DESCRIPTION	MHO	EO	ETO	REMARKS REMARQUES
28	682-41237-00	JOINT, LINK RACCORD	1	1	1	
29	95380-05600	NUT ECROU	1	1	1	
30	6J8-42154-01	LEVER, THROTTLE CONTROL LEVIER DE COMMANDE D'AVANCE	1	1	1	
31	90202-10024	WASHER, PLATE RONDELLE, PLATE	1	1	1	
32	95780-08300	NUT, FLANGE ECROU	1	1	1	
33	6J8-44142-00	JOINT AXE	1	1	1	
34	90254-03M04	PIN, SPRING RIVET, TETE TRONCONIQUE	1	1	1	
35	682-42726-00	GROMMET PASSE-FIL	1			
36	90202-12M17	WASHER, PLATE RONDELLE, PLATE	1			

FIG. 17 CONTROL 2

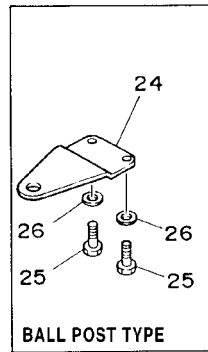
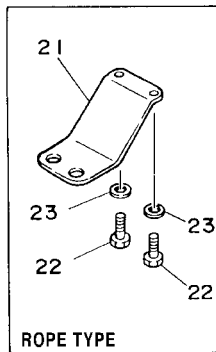
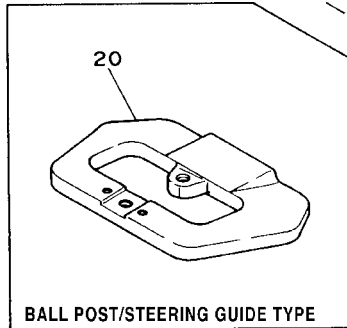
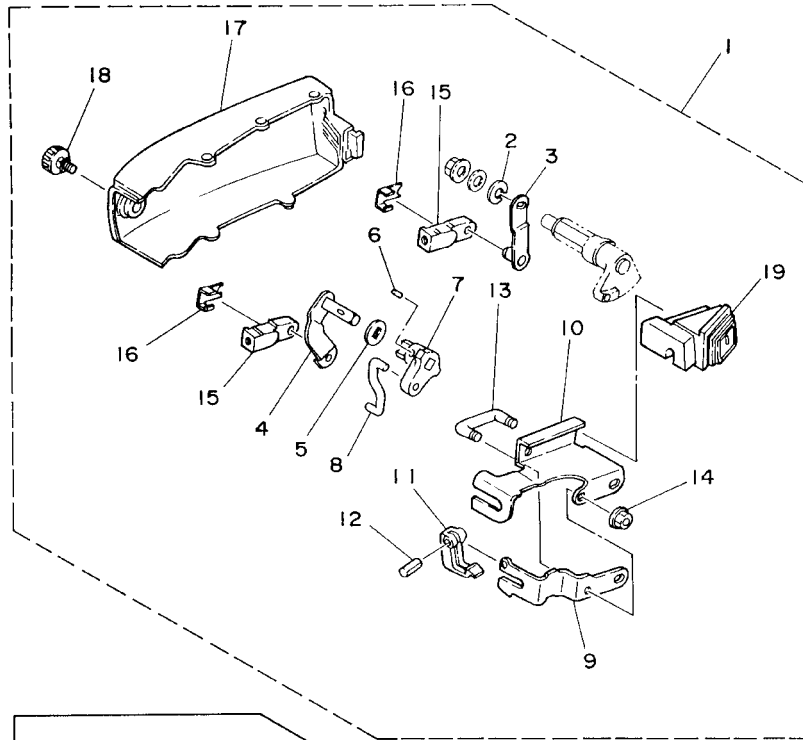
COMMANDE 2



REF. NO.	PART NO. NO. PIECES	DESCRIPTION DESCRIPTION	MHO	EO	ETO	REMARKS REMARQUES
1	6J8-48534-00	THROTTLE LEVER, CONTROL LEVIER D'ACCELERATION		1	1	
2	92990-08100	WASHER, SPRING RONDELLE, GROWER		1	1	
3	6J8-48544-01	LEVER, SHIFTCONTROL POIGNEE, INVERSION		1	1	
4	6J8-44177-00	WASHER RONDELLE		1	1	
5	90254-03M03	PIN, SPRING RIVET, TETE TRONCONIQUE		1	1	
6	6J8-44173-02	LEVER, SHIFT CONTROL POIGNEE, INVERSION		1	1	
7	6J8-42169-01	JOINT AXE		1	1	
8	6J8-48531-00	BRACKET, REMOTE CONTROL 1 ETRIER 1, COMMANDE A DISTANCE		1	1	
9	6J8-48532-00	BRACKET, REMOTE CONTROL 2 ETRIER 2, COMMANDE A DISTANCE		1	1	
10	682-48538-50	CLAMP, CABLE 1 COLLIER		1	1	
11	91690-30012	PIN, SPRING AGRAFFE		1	1	
12	90109-06M29	BOLT BOULON		1	1	
13	90179-06M24	NUT ECROU		2	2	
14	6G8-26363-00	END, WIRE 1 EMBOU DE CABLE		2	2	
15	6G8-26364-00	END, CABLE EMBOU, DE CABLE		2	2	



6J80010-9180



FWD
6J86100-9200

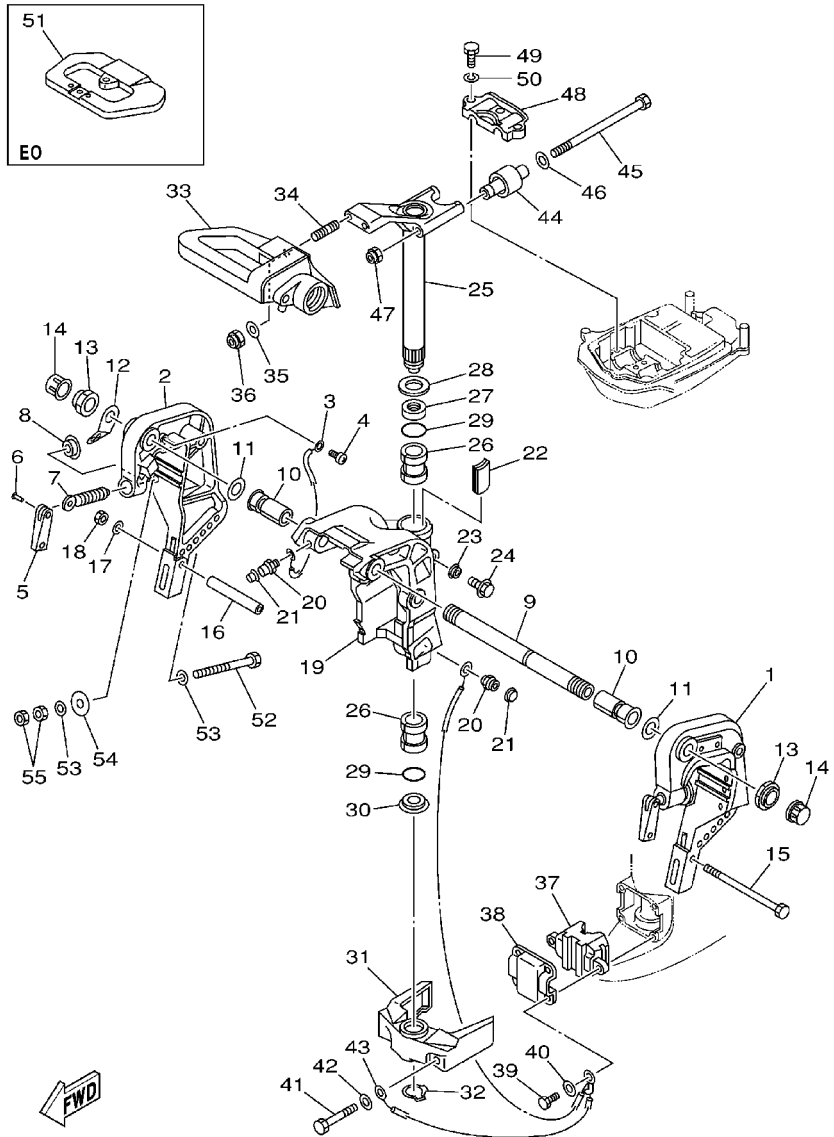
FIG. 18 REMOTE CONTROL ATTACHMENT

COMMANDE A DISTANCE

REF. NO.	PART NO. NO. PIECES	DESCRIPTION DESCRIPTION	MHO	EO	ETO	REMARKS REMARQUES
1	6J8-48501-03-4D	REMOTE CONT. ATTACHMENT ASSY. COMMANDE A DISTANCE (KIT)	1			AP
	6J8-48501-11	REMOTE CONT. ATTACHMENT ASSY. COMMANDE A DISTANCE (KIT)		1	1	AP
2	92990-08100	.WASHER, SPRING .RONDELLE, GROUVER	1	1	1	
3	6J8-48534-00	.THROTTLE LEVER, CONTROL .LEVIER D'ACCELERATION	1	1	1	
4	6J8-48544-01	.LEVER, SHIFTCONTROL .POIGNEE, INVERSION	1	1	1	
5	6J8-44177-00	.WASHER .RONDELLE	1	1	1	
6	90254-03M03	.PIN, SPRING .RIVET, TETE TRONCONIQUE	1	1	1	
7	6J8-44173-02	.LEVER, SHIFT CONTROL .POIGNEE, INVERSION	1	1	1	
8	6J8-42169-01	.JOINT .AXE	1	1	1	
9	6J8-48531-00	.BRACKET, REMOTE CONTROL 1 .ETRIER 1, COMMANDE A DISTANCE	1	1	1	
10	6J8-48532-00	.BRACKET, REMOTE CONTROL 2 .ETRIER 2, COMMANDE A DISTANCE	1			
11	682-48538-50	.CLAMP, CABLE 1 .COLLIER	1	1	1	
12	91690-30012	.PIN, SPRING .AGRAFFE	1	1	1	
13	90109-06M29	.BOLT .BOULON	1			
14	90179-06M24	.NUT .ECROU	2			
15	6G8-26363-00	.END, WIRE 1 .EMBOU DE CABLE	2	2	2	
16	6G8-26364-00	.END, CABLE .EMBOU, DE CABLE	2	2	2	
17	6J8-42723-51	.COVER, BOTTOM .COUVERCLE	1			
18	6J8-42846-00	.SCREW .VIS	1			
19	6J8-42724-10	.GROMMET .PASSE-FIL	1			
20	6J8-48511-01-4D	HOOK, STEERING ATTACHE, DIRECTION	1	1	1	AP BALL POST/ STEERING GUIDE TYP
21	6G8-48511-00	HOOK, STEERING ATTACHE, DIRECTION	1	1	1	AP ROPE TYPE
22	97095-06016	BOLT BOULON	2	2	2	AP
23	92995-06600	WASHER RONDELLE	2	2	2	AP
24	6G8-48511-10	HOOK, STEERING ATTACHE, DIRECTION	1	1	1	AP BALL POST TYPE
25	97095-06016	BOLT BOULON	2	2	2	AP
26	92995-06600	WASHER RONDELLE	2	2	2	AP

FIG. 19 BRACKET 1

SUPPORT 1

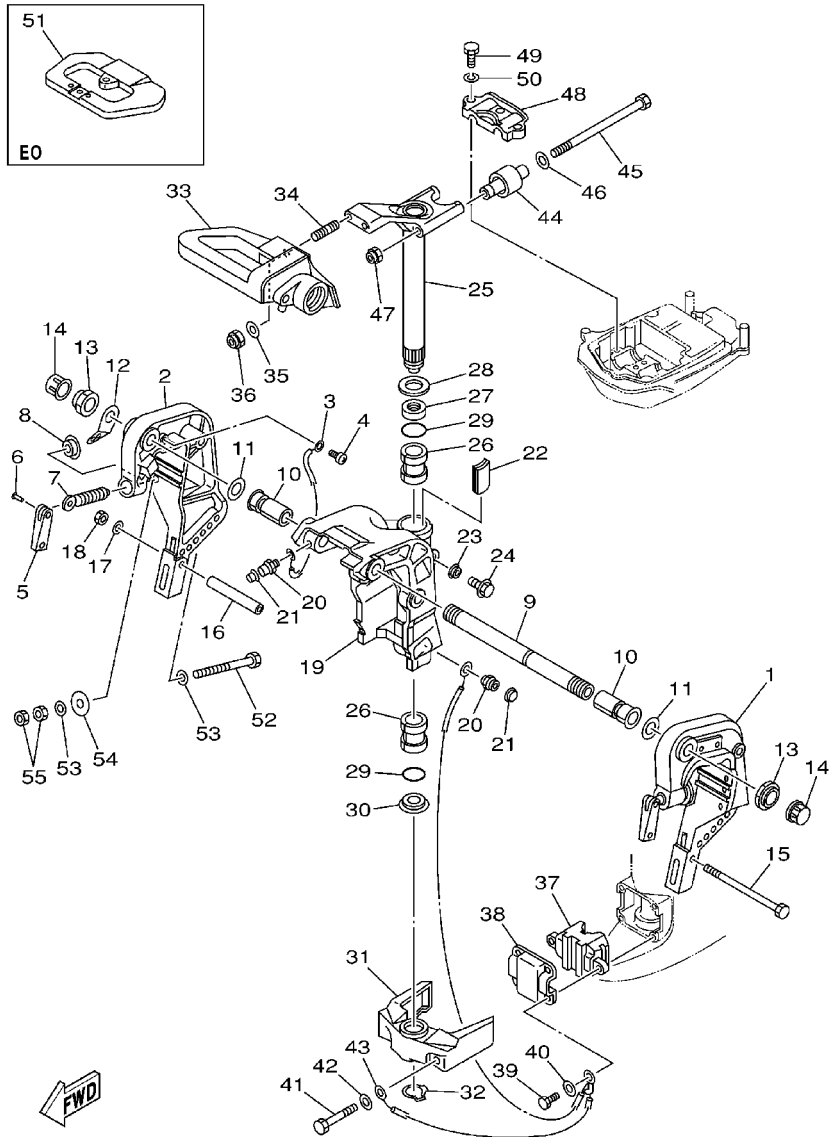


6J80100-1200

REF. NO.	PART NO. NO. PIECES	DESCRIPTION DESCRIPTION	MHO	EO	ETO	REMARKS REMARQUES
1	6H4-43111-05-4D	BRACKET, CLAMP PRESSE	1	1		
2	6H4-43112-04-4D	BRACKET, CLAMP PRESSE	1	1		
3	6E5-82148-00	WIRE, LEAD 4 FIL 4	1	1		
4	97885-06008	SCREW, PAN HEAD VIS, A ENCOCHE	1	1		
5	6E0-43118-01	HANDLE, TRANSOM CLAMP POIGNEE DE VIS DE PRESSE	2	2		
6	90243-04M01	PIN GOUPILLE	2	2		
7	90149-14M12	SCREW VIS	2	2		
8	648-43114-01	PAD, TRANSOM CLAMP RONDELLE D'APPUI	2	2		
9	6J8-43131-01	BOLT, CLAMP BRACKET BOULON, PRESSE	1	1		
10	90386-22M69	BUSH DOUILLE	2	2		
11	90201-22M03	WASHER, PLATE RONDELLE, PLATE	2	2		
12	6J8-43113-01	PLATE, CLAMP BRACKET PLAQUETTE, PRESSE	1	1		
13	90185-22043	NUT, SELF-LOCKING ECROU, AUTO-BLOCANT	2	2		
14	6G5-43145-01	CAP, CLAMP BRACKET CAPUCHON, PRESSE	2	2		
15	90101-08339	BOLT BOULON	1	1		
16	90387-08M03	COLLAR COLLERETTE	1	1		
17	92995-08600	WASHER RONDELLE	1	1		
18	95380-08600	NUT ECROU	1	1		
19	6J8-43311-04-4D	BRACKET, SWIVEL 1 SUPPORT, PIVOT 1	1	1		
20	93700-06M03	NIPPLE, GREASE PION	3	3		
21	663-45119-00	CAP, GREASE NIPPLE CAPUCHON, GRAISSEUR	3	3		AP
22	6J8-42528-00	PLATE, FRICTION PLAQUE, FRICTION	1	1		
23	689-43373-01	SEAL, DAMPER JOINT	1	1		
24	90105-06M18	BOLT, FLANGE BOULON	1	1		
25	6J8-42510-02-4D	STEERING BRACKET ASSY DIRECTION SUPPORT (ENS.)	1	1		
26	90386-30M77	BUSH DOUILLE	2	2		
27	90386-30M78	BUSH DOUILLE	1	1		

FIG. 19 BRACKET 1

SUPPORT 1

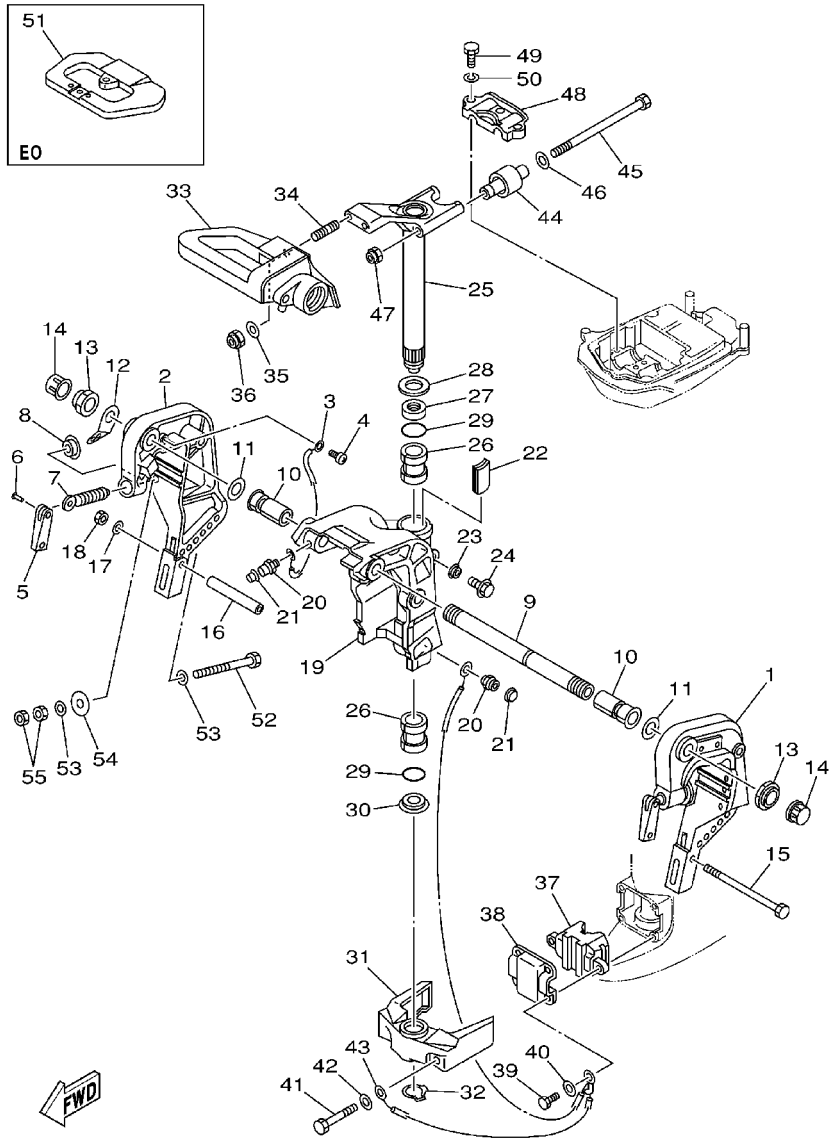


6J80100-1200

REF. NO.	PART NO. NO. PIECES	DESCRIPTION DESCRIPTION	MHO	EO	ETO	REMARKS REMARQUES
28	90201-30M00	WASHER, PLATE RONDELLE, PLATE	1	1		
29	93210-29M94	O-RING JOINT TORIQUE	2	2		
30	90386-30M60	BUSH DOUILLE	1	1		
31	6H4-44551-02-4D	HOUSING, LOWER MOUNT RUBBER BOITIER, SILENT-BLOC INFÉRIEUR	1	1		
32	93410-28M06	CIRCLIP CLIPS	1	1		
33	6J8-42121-02-4D	BRACKET SUPPORT	1			
34	90116-10M28	BOLT, STUD GOUJON	2	2		
35	92995-10600	WASHER RONDELLE	2	2		
36	90185-10051	NUT, SELF-LOCKING ECROU, AUTO-BLOCANT	2	2		
37	6H4-44557-00	MOUNT DAMPER, LOWER FRONT SILENT-BLOC, INFÉRIEUR AVANT	1	1		S
	6H4-44557-10	MOUNT DAMPER, LOWER FRONT SILENT-BLOC, INFÉRIEUR AVANT	1	1		L
38	6H4-44553-01	COVER, LOWER MOUNT COUVERCLE, SUSPENSION INFÉRIEUR	1	1		
39	97095-08025	BOLT BOULON	4	4		
40	92995-08600	WASHER RONDELLE	4	4		
41	97095-10060	BOLT BOULON	2	2		
42	92995-10600	WASHER RONDELLE	2	2		
43	6H4-82127-00	WIRE, LEAD 2 FIL 2	1	1		
44	6H4-44514-00	MOUNT DAMPER, UPPER SIDE SILENT-BLOC, SUPÉRIEUR LATÉRAL	2	2		
45	90109-08M26	BOLT BOULON	2	2		
46	90201-09425	WASHER, PLATE RONDELLE, PLATE	2	2		
47	90185-08045	NUT, SELF-LOCKING ECROU, AUTO-BLOCANT	2	2		
48	6J8-44511-00-4D	COVER, UPPER MOUNT COUVERCLE, SUSPENSION SUPÉRIEUR	1	1		
49	97075-08035	BOLT BOULON	3	3		
50	92995-08100	WASHER RONDELLE	3	3		
51	6J8-48511-01-4D	HOOK, STEERING ATTACHE, DIRECTION	1			BALL POST/STEERING GUIDE TYPE
52	90101-10M58	BOLT BOULON	4			
53	92995-10600	WASHER RONDELLE	8			

FIG. 19 BRACKET 1

SUPPORT 1

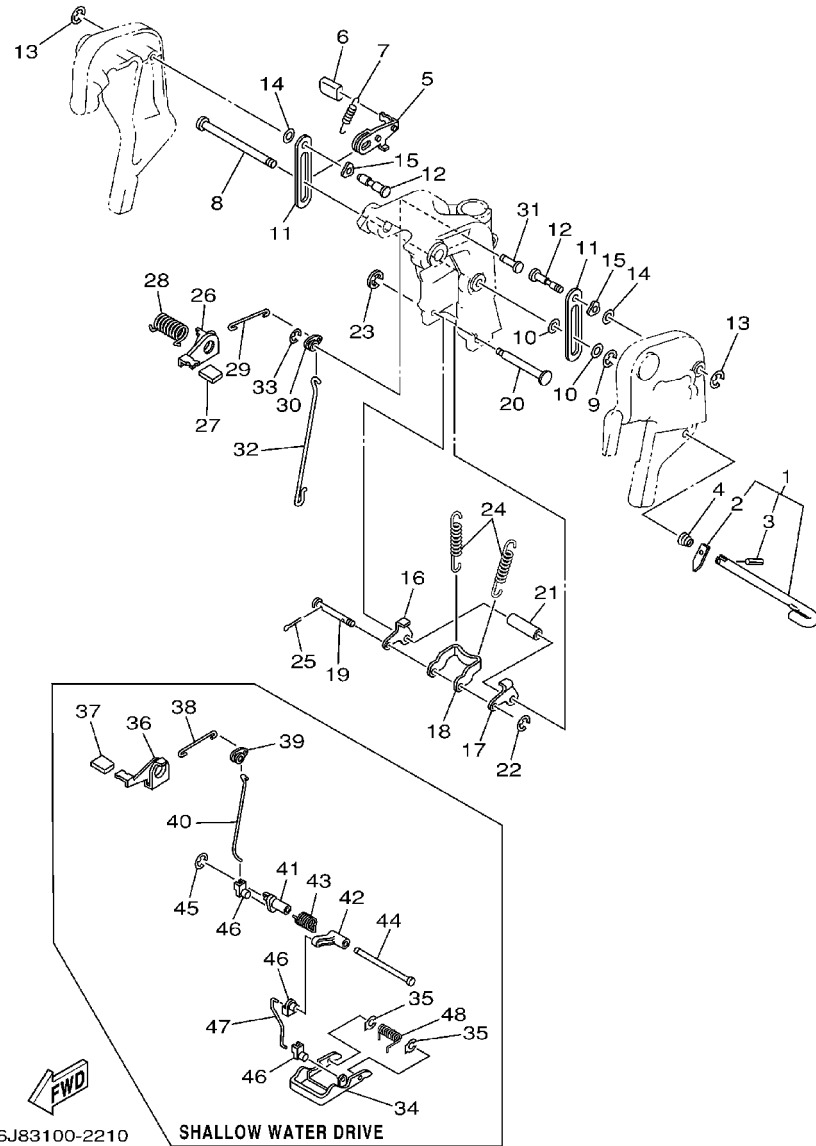


6J80100-1200

REF. NO.	PART NO. NO. PIECES	DESCRIPTION DESCRIPTION	MHO	EO	ETO	REMARKS REMARQUES
54	90201-12426	WASHER, PLATE RONDELLE, PLATE		4		
55	95380-10600	NUT ECROU		8		

FIG. 20 BRACKET 2

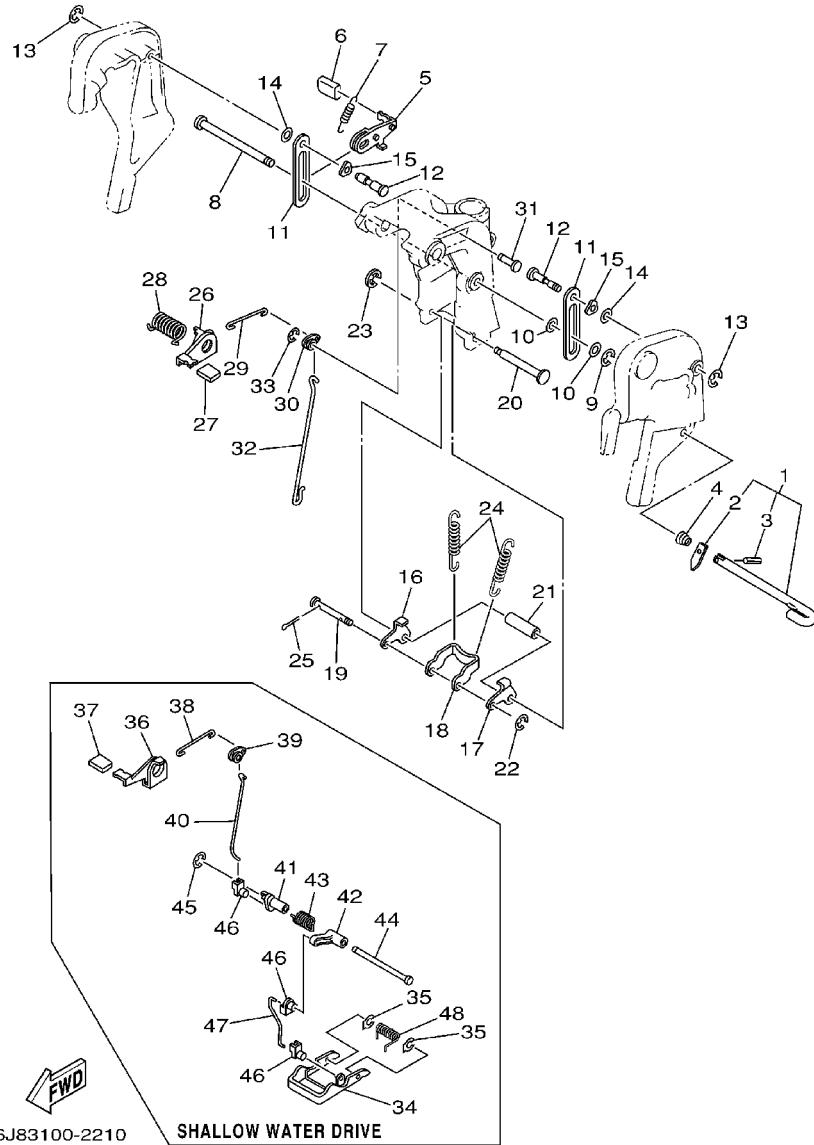
SUPPORT 2



REF. NO.	PART NO. NO. PIECES	DESCRIPTION DESCRIPTION	MHO	EO	ETO	REMARKS REMARQUES
1	6H4-43160-01	TILT ROD ASSY BROCHE D'INCLINAISON (ENS.)	1	1		
2	676-43165-00	.PLATE, TILT LOCK .TAQUET, BROCHE INCLINAISON	1	1		
3	91690-30010	.PIN, SPRING .AGRAFFE	1	1		
4	90502-10M04	SPRING, CONICAL RESSORT, CONIQUE	1	1		
5	6J8-43181-01	LEVER, TILT STOP LEVIER, VERROUILLAGE RELEVAGE	1	1		
6	682-43318-01	COVER CAPUCHON	1	1		
7	90506-12M25	SPRING, TENSION RESSORT, TENSION	1	1		
8	90249-12M28	PIN GOUPILLE	1	1		
9	93430-10M00	CIRCLIP CLIPS	1	1		
10	90202-12031	WASHER, PLATE RONDELLE, PLATE	2	2		
11	6J8-43627-00	STOPPER PLAQUETTE	2	2		
12	90249-12M27	PIN GOUPILLE	2	2		
13	93430-10M00	CIRCLIP CLIPS	2	2		
14	90202-12031	WASHER, PLATE RONDELLE, PLATE	2	2		
15	90206-12M16	WASHER, WAVE RONDELLE, ONDULEE	2	2		
16	6J8-43614-00	PLATE, TILT LOCK ETRIER, VERROUILLAGE MARCHE AR	1	1		
17	6J8-43615-00	PLATE, TILT LOCK ETRIER, VERROUILLAGE MARCHE AR	1	1		
18	6J8-43613-01	ARM, TILT LOCK GUIDE	1	1		
19	6H4-43659-00	SHAFT, REVERSE LOCK AXE, VERROUILLAGE MARCHE AR	1	1		
20	6J8-43611-01	SHAFT, TILT LOCK AXE, VERROUILLAGE MARCHE AR	1	1		
21	90387-07M64	COLLAR COLLERETTE	1	1		
22	93430-06M02	CIRCLIP CLIPS	1	1		
23	99080-05600	CIRCLIP CIRCLIP	1	1		
24	90506-32M22	SPRING, TENSION RESSORT, TENSION	2	2		
25	91490-20010	PIN, COTTER GOUPILLE	2	2		
26	6J8-43631-00	LEVER, TILT LEVIER, INCLINAISON	1	1		
27	6J8-43633-00	COVER, TILT LEVER COUVERCLE	1	1		

FIG. 20 BRACKET 2

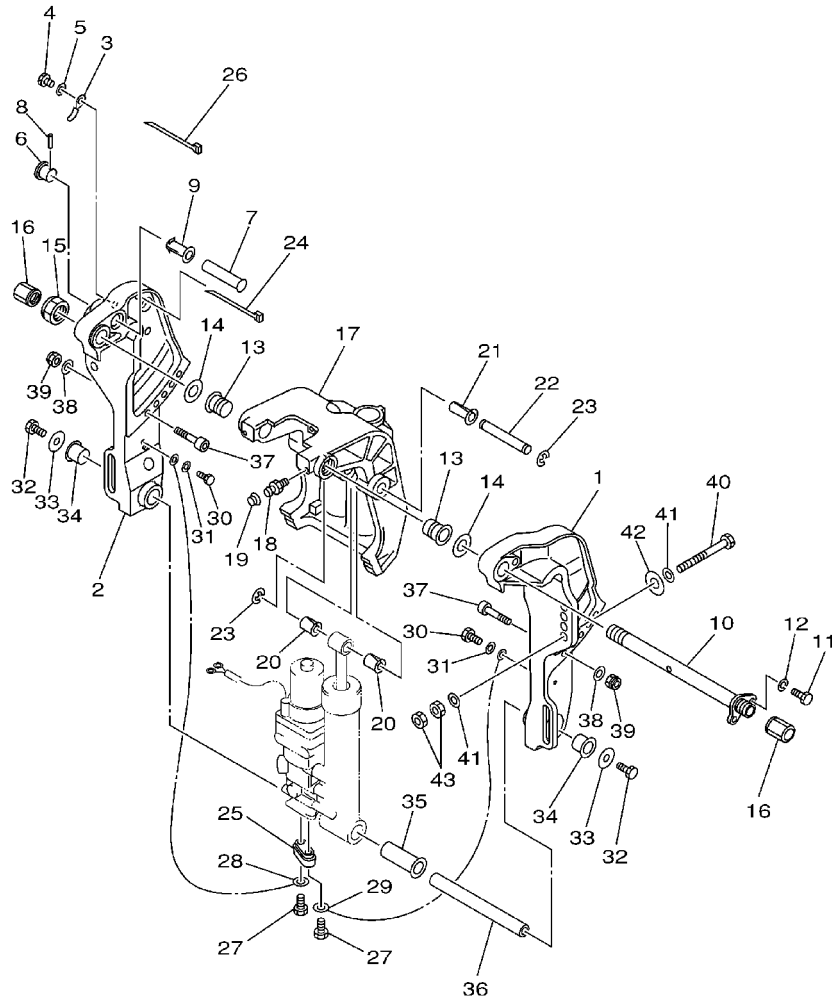
SUPPORT 2



REF. NO.	PART NO. NO. PIECES	DESCRIPTION DESCRIPTION	MHO	EO	ETO	REMARKS REMARQUES
28	90508-18M23	SPRING, TORSION RESSORT, TORSION	1	1		FOR SHALLOW WATER DRIVE
29	6H4-43616-00	ROD, TILT LOCK TIGE	1	1		
30	6J8-43641-00	LEVER, TILT LEVIER, INCLINAISON	1	1		
31	90249-06M24	PIN GOUPILLE	1	1		FOR SHALLOW WATER DRIVE
32	6J8-43617-00	ROD, TILT LOCK TIGE	1	1		
33	99080-05600	CIRCLIP CIRCLIP	1	1		
34	6J8-43681-01	LEVER, SHALLOW WATER DRIVE 1 LEVIER, PEU PROFOND D'EAU 1	1	1		
35	6J8-43673-00	WASHER 1 RONDELLE	2	2		
36	6J8-43631-10	LEVER, TILT LEVIER, INCLINAISON	1	1		
37	6J8-43633-00	COVER, TILT LEVER COUVERCLE	1	1		
38	6H4-43616-00	ROD, TILT LOCK TIGE	1	1		
39	6J8-43641-00	LEVER, TILT LEVIER, INCLINAISON	1	1		
40	6J8-43617-10	ROD, TILT LOCK TIGE	1	1		
41	6J8-43186-00	LEVER LEVIER	1	1		
42	6J8-43187-00	LEVER 2 LEVIER	1	1		
43	90508-25M21	SPRING, TORSION RESSORT, TORSION	1	1		
44	90249-07M25	PIN GOUPILLE	1	1		
45	99080-05600	CIRCLIP CIRCLIP	1	1		
46	6J8-41262-00	JOINT, CHOKE LEVER RACCORD, LEVIER DE STARTER	3	3		
47	6J8-43616-10	ROD, TILT LOCK TIGE	1	1		
48	90508-20M22	SPRING, TORSION RESSORT, TORSION	1	1		

FIG. 21 BRACKET 3

SUPPORT 3

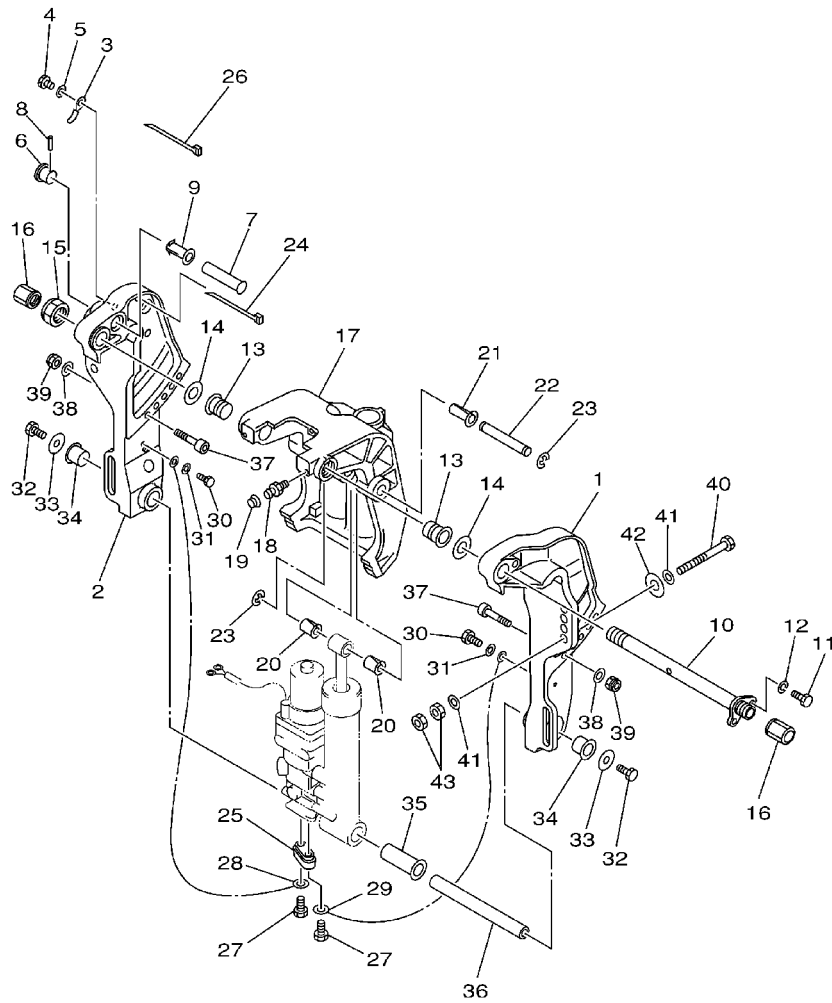


FWD
6J80100-9220

REF. NO.	PART NO. NO. PIECES	DESCRIPTION DESCRIPTION	MHO	EO	ETO	REMARKS REMARQUES
1	6K9-43111-10-4D	BRACKET, CLAMP PRESSE			1	
2	6K9-43112-10-4D	BRACKET, CLAMP PRESSE			1	
3	90465-10M77	CLAMP BRIDE			1	
4	97095-06010	BOLT BOULON			1	
5	92995-06600	WASHER RONDELLE			1	
6	65W-43192-00	KNOB, STOPPER BOUTON, BUTEE DE RELEVAGE			1	
7	65W-43191-00	SHAFT, STOPPER AXE, BUTEE			1	
8	91690-30018	PIN, SPRING AGRASSE			1	
9	90386-14MA1	BUSH DOUILLE			1	
10	6K9-43131-01	BOLT, CLAMP BRACKET BOULON, PRESSE			1	
11	97095-08020	BOLT BOULON			1	
12	92995-08100	WASHER RONDELLE			1	
13	90386-22M15	BUSH DOUILLE			2	
14	90201-22M03	WASHER, PLATE RONDELLE, PLATE			2	
15	90185-22M11	NUT, SELF-LOCKING ECROU, AUTO-BLOCANT			1	
16	6G5-43145-01	CAP, CLAMP BRACKET CAPUCHON, PRESSE			2	
17	6K9-43311-01-4D	BRACKET, SWIVEL 1 SUPPORT, PIVOT 1			1	
18	93700-06M03	NIPPLE, GREASE PION			3	
19	663-45119-00	CAP, GREASE NIPPLE CAPUCHON, GRAISSEUR			3	AP
20	90386-12MA0	BUSH DOUILLE			2	
21	90386-12M98	BUSH DOUILLE			1	
22	90249-12M38	PIN GOUPILLE			1	
23	93430-10M00	CIRCLIP CLIPS			2	
24	90465-13M11	CLAMP BRIDE			2	
25	65W-45251-00	ANODE ANODE			1	
26	90465-11M10	CLAMP BRIDE			4	
27	90101-06020	BOLT BOULON			2	

FIG. 21 BRACKET 3

SUPPORT 3



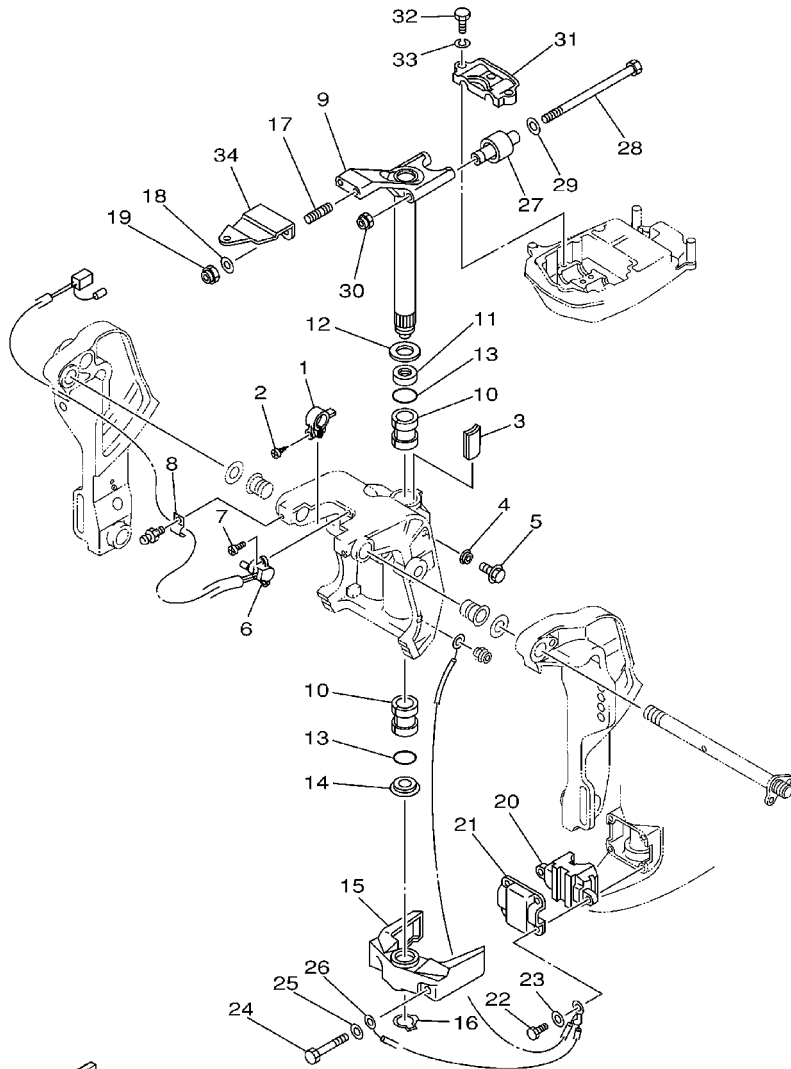
REF. NO.	PART NO. NO. PIECES	DESCRIPTION DESCRIPTION	MHO	EO	ETO	REMARKS REMARQUES
28	6H1-82148-00	WIRE, LEAD 4 FIL 4			1	
29	6U0-82127-00	WIRE, LEAD 2 FIL 2			1	
30	97095-06014	BOLT BOULON			2	
31	92995-06600	WASHER RONDELLE			2	
32	97080-08016	BOLT BOULON			2	
33	90201-08M00	WASHER, PLATE RONDELLE, PLATE			2	
34	90386-18M44	BUSH DOUILLE			2	
35	90386-18MA0	BUSH DOUILLE			1	
36	90249-18M35	PIN GOUPILE			1	
37	90110-10M02	BOLT, HEXAGON SOCKET HEAD BOULON, TETE HEXAGONALE CREUSE			2	
38	92995-10600	WASHER RONDELLE			2	
39	90185-10M13	NUT, SELF-LOCKING ECROU, AUTO-BLOCANT			2	
40	90101-12M65	BOLT BOULON			4	
41	92995-12200	WASHER RONDELLE			8	
42	90201-12426	WASHER, PLATE RONDELLE, PLATE			4	
43	95380-12600	NUT ECROU			8	



6J80100-9220

FIG. 22 BRACKET 4

SUPPORT 4

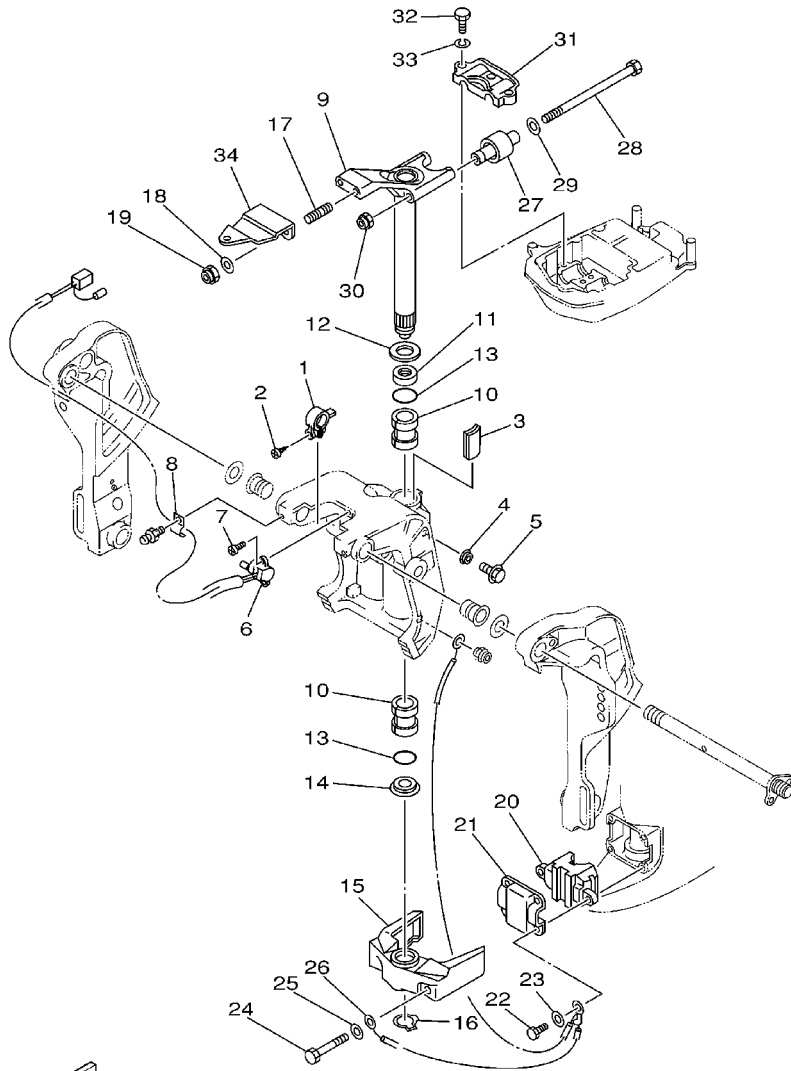


6J80010-9220

REF. NO.	PART NO. NO. PIECES	DESCRIPTION DESCRIPTION	MHO	EO	ETO	REMARKS REMARQUES
1	6K9-43139-01	CAM, TRIM SENDER VILEBREQUIN TRUM			1	
2	97780-60525	SCREW, TAPPING VIS, TETE BOMBEE			1	
3	6J8-42528-00	PLATE, FRICTION PLAQUE, FRICTION			1	
4	689-43373-01	SEAL, DAMPER JOINT			1	
5	90105-06M18	BOLT, FLANGE BOULON			1	
6	64E-83672-02	TRIM SENDER INCLINER RACCORD			1	
7	97885-06016	SCREW, PAN HEAD VIS, A ENCOCHE			2	
8	90465-08M63	CLAMP BRIDE			1	
9	6J8-42510-02-4D	STEERING BRACKET ASSY DIRECTION SUPPORT (ENS.)			1	
10	90386-30M77	BUSH DOUILLE			2	
11	90386-30M78	BUSH DOUILLE			1	
12	90201-30M00	WASHER, PLATE RONDELLE, PLATE			1	
13	93210-29M94	O-RING JOINT TORIQUE			2	
14	90386-30M60	BUSH DOUILLE			1	
15	6H4-44551-02-4D	HOUSING, LOWER MOUNT RUBBER BOITIER, SILENT-BLOC INFERIEUR			1	
16	93410-28M06	CIRCLIP CLIPS			1	
17	90116-10M28	BOLT, STUD GOUJON			2	
18	92995-10600	WASHER RONDELLE			2	
19	90185-10051	NUT, SELF-LOCKING ECROU, AUTO-BLOCANT			2	
20	6H4-44557-10	MOUNT DAMPER, LOWER FRONT SILENT-BLOC, INFERIEUR AVANT			1	
21	6H4-44553-01	COVER, LOWER MOUNT COUVERCLE, SUSPENSION INFERIEUR			1	
22	97095-08025	BOLT BOULON			4	
23	92995-08600	WASHER RONDELLE			4	
24	97095-10060	BOLT BOULON			2	
25	92995-10600	WASHER RONDELLE			2	
26	6H4-82127-00	WIRE, LEAD 2 FIL 2			1	
27	6H4-44514-00	MOUNT DAMPER, UPPER SIDE SILENT-BLOC, SUPERIEUR LATERAL			2	

FIG. 22 BRACKET 4

SUPPORT 4

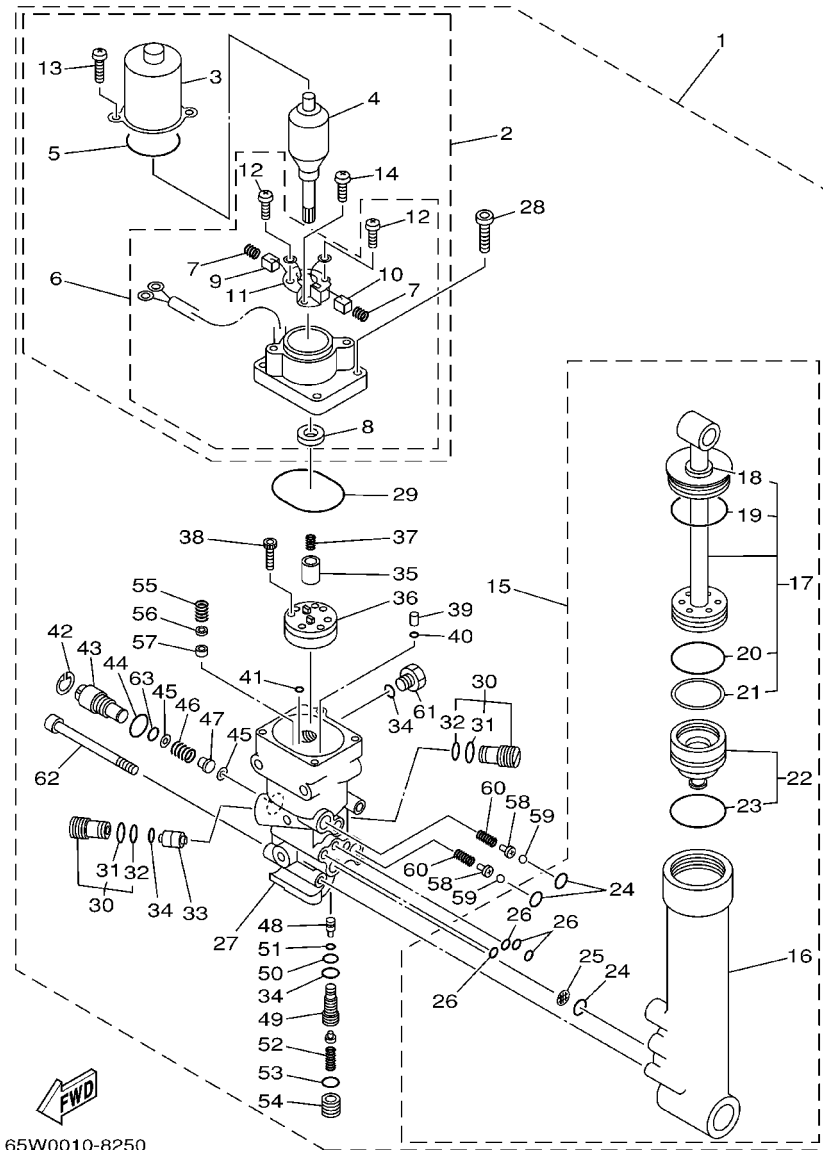


REF. NO.	PART NO. NO. PIECES	DESCRIPTION DESCRIPTION	MHO	EO	ETO	REMARKS REMARQUES
28	90109-08M26	BOLT BOULON			2	
29	90201-09425	WASHER, PLATE RONDELLE, PLATE			2	
30	90185-08045	NUT, SELF-LOCKING ECROU, AUTO-BLOCANT			2	
31	6J8-44511-00-4D	COVER, UPPER MOUNT COUVERCLE, SUSPENSION SUPERIEUR			1	
32	97075-08035	BOLT BOULON			3	
33	92995-08100	WASHER RONDELLE			3	
34	6J8-48511-51-4D	HOOK, STEERING ATTACHE, DIRECTION			1	


6J80010-9220

FIG. 23 POWER TRIM & TILT ASSY

PUISSANCE PARER ET INCLINER

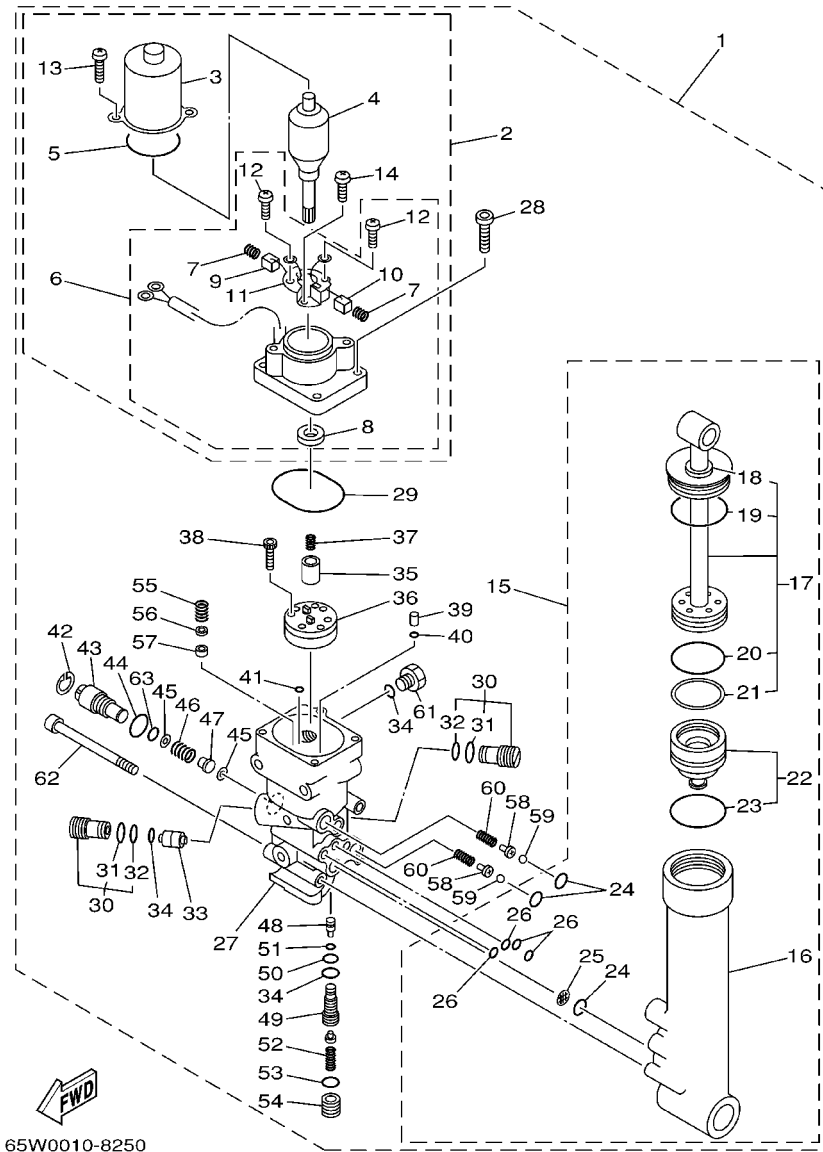


65W0010-8250

REF. NO.	PART NO. NO. PIECES	DESCRIPTION DESCRIPTION	MHO	EO	ETO	REMARKS REMARQUES
1	65W-43800-02-4D	POWER TRIM & TILT ASSY PUISSANCE PARER ET INCLINER (E			1	
2	65W-43880-00	..MOTOR ASSY ..MOTEUR (ENS.)			1	
3	65W-43804-00	..STATOR ASSY ..STATOR (ENS.)			1	
4	65W-43805-00	..ARMATURE ASSY ..INDUIT (ENS.)			1	
5	65W-43869-00	..O-RING ..JOINT TORIQUE			1	
6	65W-43881-00	..FRAME, END ..BATI			1	
7	65W-4386K-00	...SPRING, BRUSH ...RESSORT, BALAI			2	
8	65W-43882-00	...OIL SEAL ...JOINT SPI			1	
9	65W-43892-00	...BRUSH 2 ...BALAI 2			1	
10	65W-43891-00	...BRUSH 1 ...BALAI 1			1	
11	65W-4380F-00	...PLATE, BRUSH HOLDER ...PLAQUE			1	
12	65W-43879-00	...SCREW, WITH WASHER ...VIS, AVEC RONDELLE			2	
13	65W-43887-00	..BOLT, THROUGH ..BOULON			2	
14	65W-4388E-00	..BOLT ..BOULON			1	
15	65W-43840-00	..POWER TILT ASSY ..PUISSANCE INCLINER (ENS.)			1	
16	65W-4380K-00	..CYLINDER, TILT SUB ASSY ..CYLINDRE			1	
17	65W-43810-00	..TILT PISTON SUB ASSY ..INCLINER PISTON AUXILIAIRE(E			1	
18	65W-43812-00	...SEAL, DUST ...JOINT			1	
19	65W-43865-00	...O-RING ...JOINT TORIQUE			1	
20	6H1-43861-10	...O-RING ...JOINT TORIQUE			1	
21	65W-43871-00	...RING, BACK UP ...SEGMENT			1	
22	65W-4381B-00	..FREE PISTON SUB ASSY ..PISTON AUXILIAIRE (ENS.)			1	
23	6H1-43861-10	...O-RING ...JOINT TORIQUE			1	
24	93210-11368	..O-RING ..JOINT TORIQUE			3	
25	6H1-43816-00	..FILTER 1 ..FILTRE 1			1	
26	93210-064A5	..O-RING ..JOINT TORIQUE			4	
27	65W-4380L-00	..HOUSING, TRIM & TILT SUB ASSY ..CARTER			1	

FIG. 23 POWER TRIM & TILT ASSY

PUISSANCE PARER ET INCLINER

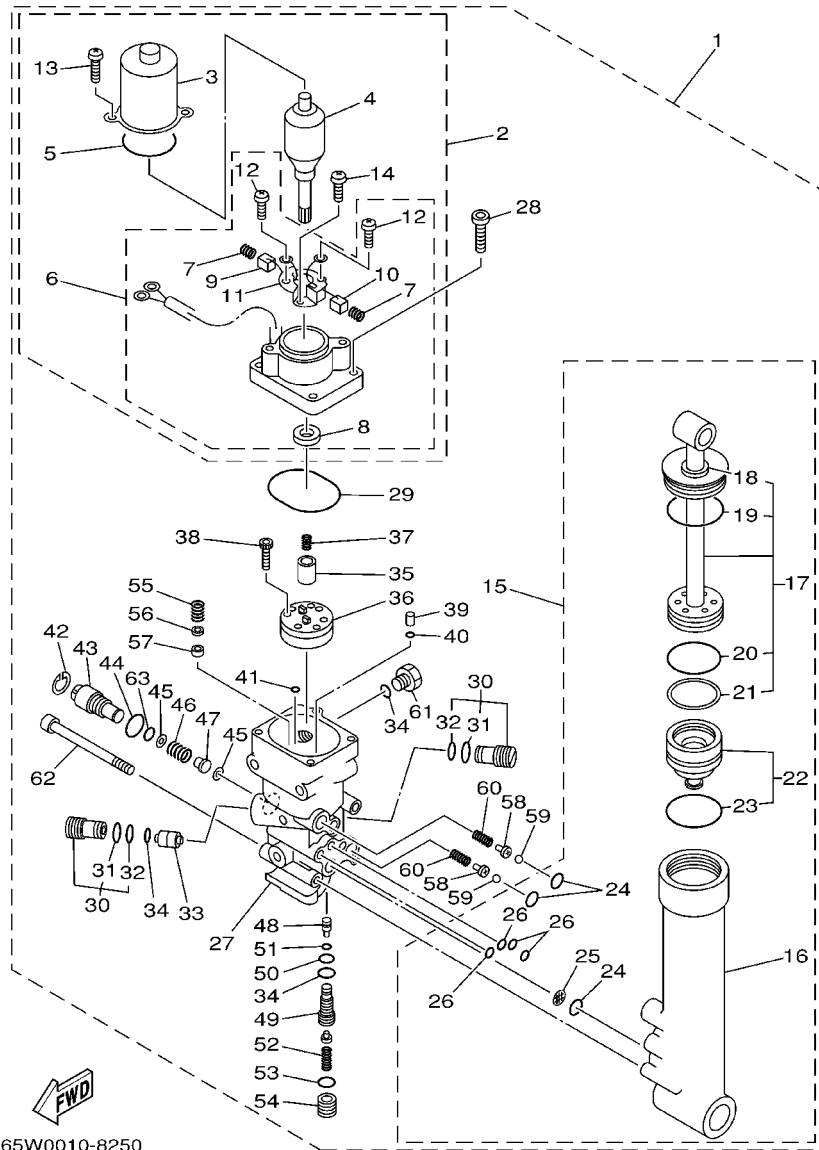


65W0010-8250

REF. NO.	PART NO. NO. PIECES	DESCRIPTION DESCRIPTION	MHO	EO	ETO	REMARKS REMARQUES
28	65W-43888-00	.BOLT, SOCKET .BOULON			4	
29	93210-50768	.O-RING .JOINT TORIQUE			1	
30	6T4-43802-03	.VALVE SUB ASSY .CLAPET AUXILIAIRE (ENS.)			2	
31	6H1-43866-00	.O-RING .JOINT TORIQUE			1	
32	6H1-43867-00	.O-RING .JOINT TORIQUE			1	
33	62X-43841-00	.PISTON, SHUTTLE .PISTON			1	
34	93210-09165	.O-RING .JOINT TORIQUE			3	
35	65W-43831-00	.CONNECTOR, SHAFT .RACCORD			1	
36	65W-43830-00	.GEAR PUMP ASSY .POMPE A PIGNON (ENS.)			1	
37	6T4-43853-00	.SPRING, MAIN VALVE .RESSORT			1	
38	91318-04025	.BOLT .BOULON			4	
39	65W-43817-00	.FILTER 2 .FILTRE 2			2	
40	65W-43861-00	.O-RING .JOINT TORIQUE			2	
41	65W-43862-00	.O-RING .JOINT TORIQUE			2	
42	6H1-43875-00	.RING, SNAP .RESSORT			1	
43	6H1-43845-00	.SCREW, MANUAL RELEASE .VIS			1	
44	93210-18397	.O-RING .JOINT TORIQUE			1	
45	6H1-43847-00	.SEAT, MANUAL VALVE .SIEGE			2	
46	65W-43854-00	.SPRING, MANUAL RELEASE .RESSORT			1	
47	65W-4382A-00	.ADAPTOR 1 .ADAPTEUR 1			1	
48	65W-43844-00	.PIN, VALVE SUPPORT .GOUILLE			1	
49	65W-43851-00	.SEAT, RELIEF VALVE .SIEGE			1	
50	93210-08006	.O-RING .JOINT TORIQUE			1	
51	93210-03478	.O-RING .JOINT TORIQUE			1	
52	65W-43855-00	.SPRING, UP RELIEF .RESSORT			1	
53	93210-11073	.O-RING .JOINT TORIQUE			1	
54	65W-43843-00	.SCREW, VALVE LOCK .VIS			1	

FIG. 23 POWER TRIM & TILT ASSY

PUISSANCE PARER ET INCLINER

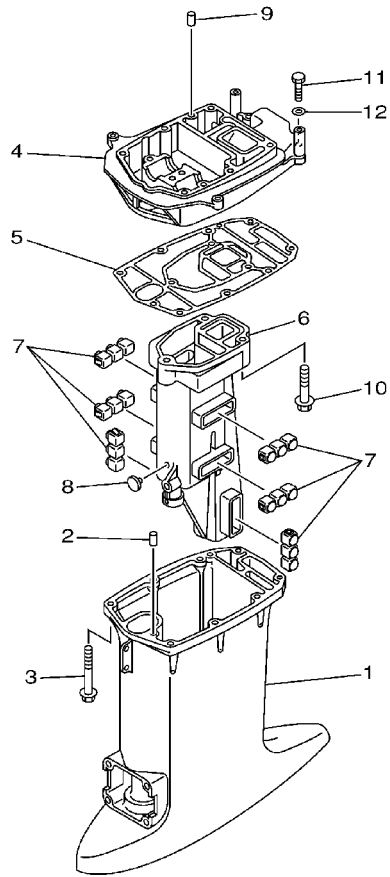


65W0010-8250

REF. NO.	PART NO. NO. PIECES	DESCRIPTION DESCRIPTION	MHO	EO	ETO	REMARKS REMARQUES
55	6H1-43856-10	.SPRING, DOWN RELIEF .RESSORT			1	
56	6H1-43844-10	.PIN, VALVE SUPPORT .GOUPILLE			1	
57	6H1-4384F-10	.SEAL, MAIN VALVE .JOINT			1	
58	65W-4386A-00	.PIN, ABSORBER VALVE .GOUPILLE, SOUPEPE			2	
59	93501-08001	.BALL .BILLE			2	
60	65W-43853-00	.SPRING, MAIN VALVE .RESSORT			2	
61	6H1-43829-00	.PLUG, RESERVOIR .BOUCHON			1	
62	62X-43878-00	.BOLT, SOCKET .BOULON			3	
63	93210-10M74	.O-RING .JOINT TORIQUE			1	

FIG. 24 UPPER CASING

FOURREAU



REF. NO.	PART NO. NO. PIECES	DESCRIPTION DESCRIPTION	MHO	EO	ETO	REMARKS REMARQUES
1	6J8-45111-01-4D	CASING, UPPER FOURREAU	1	1		S
	6J8-45111-11-4D	CASING, UPPER FOURREAU	1	1	1	L
2	93606-12019	PIN, DOWEL GOUPILLE	2	2	2	
3	90119-08M31	BOLT, WITH WASHER BOULON, AVEC RONDELLE	6	6	6	
4	6J8-41137-01-94	GUIDE, EXHAUST COLLECTEUR D'ECHAPPEMENT	1	1	1	
5	6J8-45114-A1	GASKET, UPPER CASING JOINT, TUBE D'ARBRE	1	1	1	
6	6J8-41131-00-5B	MANIFOLD, EXT. 1 PIPE D'ECHAPPEMENT	1	1	1	
7	6J8-14737-00	DAMPER, MUFFLER AMORTISSEUR DE POT D'ECHAPPT	6	6	6	
8	90338-07M00	PLUG PLOT	1	1	1	
9	93606-12019	PIN, DOWEL GOUPILLE	2	2	2	
10	97575-08550	BOLT, WITH WASHER VIS HEXAGONAL AVEC RONDELLE	3	3	3	
11	97075-08030	BOLT BOULON	2	2	2	
12	92995-08600	WASHER RONDELLE	2	2	2	

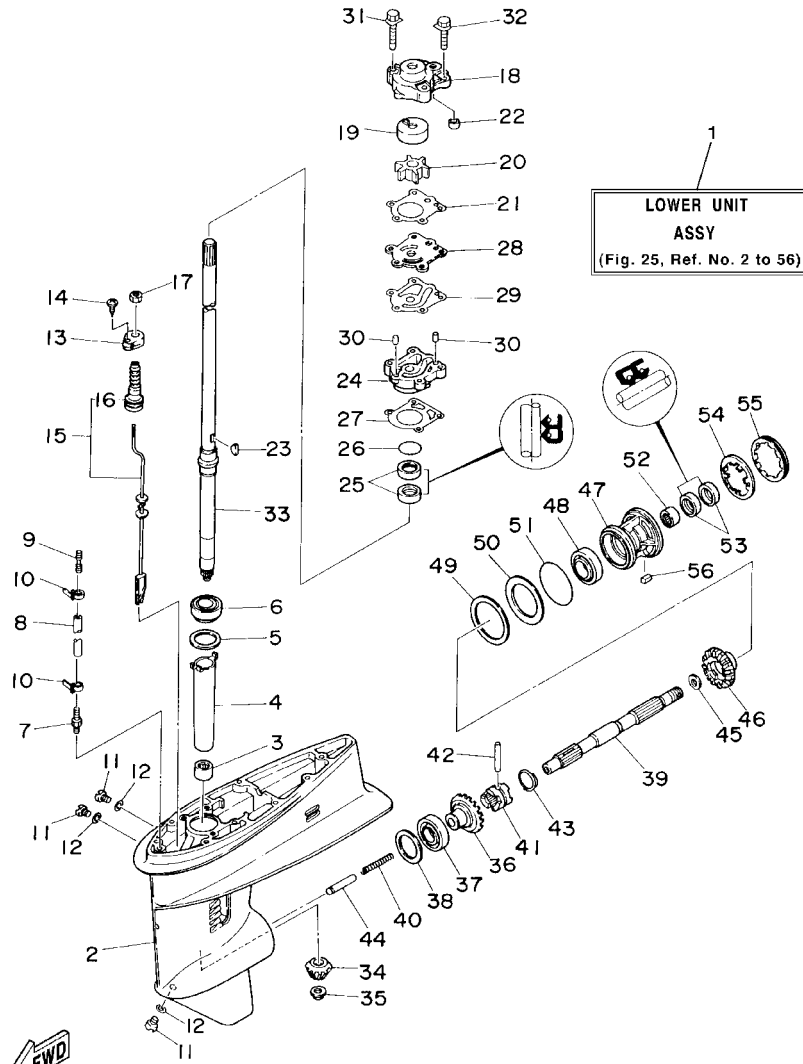


6J80100-9250

FIG. 25 LOWER CASING. DRIVE 1

BOITIER D'HELICE, TRANSMISSION 1

REF. NO.	PART NO. NO. PIECES	DESCRIPTION DESCRIPTION	MHO	EO	ETO	REMARKS REMARQUES
1	6J8-45300-04-4D	LOWER UNIT ASSY UNITE INFÉRIEURE (ENS.)	1	1		S
	6J8-45300-14-4D	LOWER UNIT ASSY UNITE INFÉRIEURE (ENS.)	1	1	1	L
2	6J8-45301-02-4D	CASING, LOWER BEQUILLE	1	1	1	
3	93315-220V7	BEARING ROULEMENT	1	1	1	
4	6J8-45536-00	SLEEVE, DRIVE SHAFT MANCHON, ARBRE MOTEUR	1	1	1	
5	663-45587-01-10	SHIM (T:0.10MM) CALE (T:0.10MM)	1	1	1	UR
	663-45587-01-12	SHIM (T:0.12MM) CALE (T:0.12MM)	1	1	1	UR
	663-45587-01-15	SHIM (T:0.15MM) CALE (T:0.15MM)	1	1	1	UR
	663-45587-01-18	SHIM (T:0.18MM) CALE (T:0.18MM)	1	1	1	UR
	663-45587-01-30	SHIM (T:0.30MM) CALE (T:0.30MM)	1	1	1	UR
	663-45587-01-40	SHIM (T:0.40MM) CALE (T:0.40MM)	1	1	1	UR
	663-45587-01-50	SHIM (T:0.50MM) CALE (T:0.50MM)	1	1	1	UR
6	93332-00001	BEARING ROULEMENT	1	1	1	
7	6E5-45378-00	NIPPLE, HOSE RACCORD, TUYAU	1	1	1	
8	90445-07ME9	HOSE (L120) DURITE (L120)	1	1		S
	90445-07M31	HOSE (L200) DURITE (L200)	1	1	1	L
9	6E5-83558-00	END, NIPPLE RACCORD DE NIPPLE	1	1	1	
10	90465-11M10	CLAMP BRIDE	2	2	2	
11	90340-08002	PLUG, STRAIGHT SCREW PLOT, FILETE DROIT	3	3	3	
12	90430-08020	GASKET JOINT	3	3	3	
13	682-44176-00	BRACKET SUPPORT	1	1	1	
14	97780-50510	SCREW, TAPPING VIS, TETE BOMBEE	1	1	1	
15	6J8-44150-00	SHIFT CAM ASSY CAME D'INVERSION	1	1		S
	6J8-44150-10	SHIFT CAM ASSY CAME D'INVERSION	1	1	1	L
16	682-44147-00	.BOOT, SHIFT ROD .SOUFFLET, TIGE D'INVERSION	1	1	1	
17	95380-06700	NUT ECROU	1	1	1	
18	6J8-44311-00	HOUSING, WATER PUMP CORPS, POMPE A EAU	1	1	1	

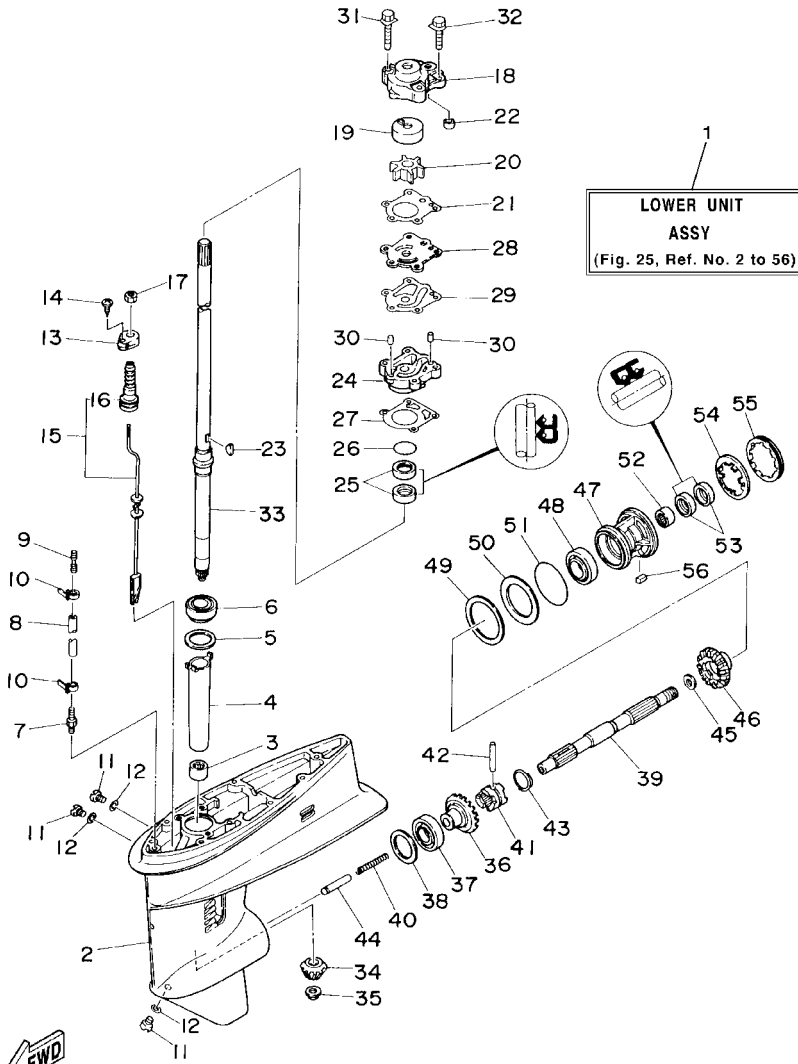


6J86300-4250

FIG. 25 LOWER CASING. DRIVE 1

BOITIER D'HELICE, TRANSMISSION 1

REF. NO.	PART NO. NO. PIECES	DESCRIPTION DESCRIPTION	MHO	EO	ETO	REMARKS REMARQUES
19	663-44322-00	INSERT, CARTRIDGE CUVETTE	1	1	1	
20	6H4-44352-02	IMPELLER TURBINE	1	1	1	
21	663-44315-A0	GASKET, WATER PUMP JOINT, POMPE A EAU	1	1	1	
22	663-44366-00	DAMPER, WATER SEAL JOINT, TUBE D'EAU	1	1	1	
23	90280-03024	KEY, WOODRUFF CLAVETTE, DEMI-LUNE	1	1	1	
24	663-44341-00-94	HOUSING, WATER PUMP CORPS, POMPE A EAU	1	1	1	
25	93101-23070	OIL SEAL JOINT SPY	2	2	2	
26	93210-41042	O-RING JOINT TORIQUE	1	1	1	
27	663-44316-A0	GASKET, WATER PUMP JOINT, POMPE A EAU	1	1	1	
28	663-44323-00	OUTER PLATE, CARTRIDGE PLAQUE EXTERIEURE	1	1	1	
29	663-44324-A0	GASKET, CARTRIDGE JOINT	1	1	1	
30	93604-08062	PIN, DOWEL CLAVETTE	2	2	2	
31	90119-08M13	BOLT, WITH WASHER BOULON, AVEC RONDELLE	2	2	2	
32	90119-08M34	BOLT, WITH WASHER BOULON, AVEC RONDELLE	2	2	2	
33	6J8-45501-00	DRIVE SHAFT COMP. ARBRE MOTEUR COMP.	1	1		S
	6J8-45501-10	DRIVE SHAFT COMP. ARBRE MOTEUR COMP.	1	1	1	L
34	6J8-45551-00	PINION PIGNON D'ATTAQUE	1	1	1	
35	90179-10M14	NUT ECROU	1	1	1	
36	6J8-45560-00	GEAR PIGNON	1	1	1	
37	93332-000V6	BEARING ROULEMENT	1	1	1	
38	6J8-45567-01-10	SHIM (T:0.10MM) CALE (T:0.10MM)	1	1	1	UR
	6J8-45567-01-12	SHIM (T:0.12MM) CALE (T:0.12MM)	1	1	1	UR
	6J8-45567-01-15	SHIM (T:0.15MM) CALE (T:0.15MM)	1	1	1	UR
	6J8-45567-01-18	SHIM (T:0.18MM) CALE (T:0.18MM)	1	1	1	UR
	6J8-45567-01-30	SHIM (T:0.30MM) CALE (T:0.30MM)	1	1	1	UR
	6J8-45567-01-40	SHIM (T:0.40MM) CALE (T:0.40MM)	1	1	1	UR
	6J8-45567-01-50	SHIM (T:0.50MM) CALE (T:0.50MM)	1	1	1	UR

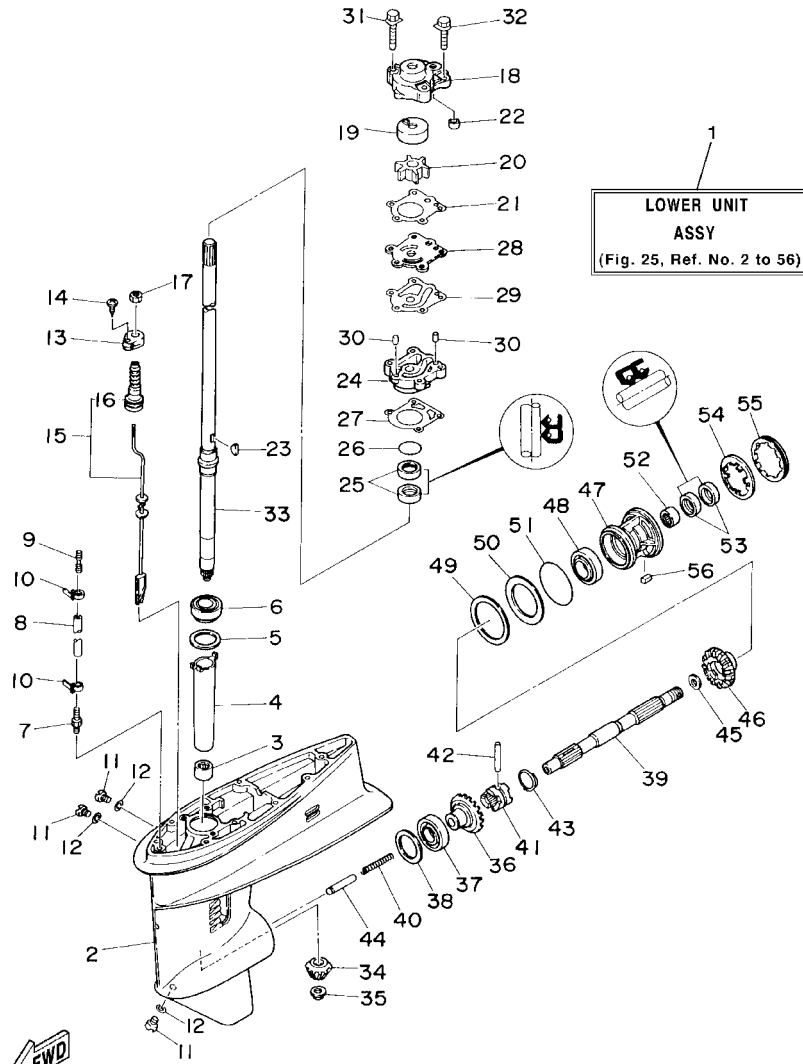


6J86300-4250

FIG. 25 LOWER CASING. DRIVE 1

BOITIER D'HELICE, TRANSMISSION 1

REF. NO.	PART NO. NO. PIECES	DESCRIPTION DESCRIPTION	MHO	EO	ETO	REMARKS REMARQUES
39	6J8-45611-00	SHAFT, PROPELLER ARBRE, HELICE	1	1	1	
40	90501-10065	SPRING, COMPRESSION RESSORT, COMPRESSION	1	1	1	
41	6J8-45631-00	CLUTCH, DOG CRABOT	1	1	1	
42	90250-05010	PIN, STRAIGHT GOUPILE, DROITE	1	1	1	
43	648-45633-00	RING, CROSS PIN JONC, GOUPILE CRABOT	1	1	1	
44	6J8-45635-00	PLUNGER, SHIFT POUSSOIR D'EMBRAYAGE	1	1	1	
45	90201-20417	WASHER, PLATE RONDELLE, PLATE	1	1	1	
46	6J8-45571-00	GEAR PIGNON	1	1	1	
47	689-45331-01-94	HOUSING, BEARING FLASQUE, ROULEMENT	1	1	1	
48	93306-00612	BEARING ROULEMENT	1	1	1	
49	664-45577-01-10	SHIM (T:0.10MM) CALE (T:0.10MM)	1	1	1	UR
	664-45577-01-12	SHIM (T:0.12MM) CALE (T:0.12MM)	1	1	1	UR
	664-45577-01-15	SHIM (T:0.15MM) CALE (T:0.15MM)	1	1	1	UR
	664-45577-01-18	SHIM (T:0.18MM) CALE (T:0.18MM)	1	1	1	UR
	664-45577-01-30	SHIM (T:0.30MM) CALE (T:0.30MM)	1	1	1	UR
	664-45577-01-40	SHIM (T:0.40MM) CALE (T:0.40MM)	1	1	1	UR
	664-45577-01-50	SHIM (T:0.50MM) CALE (T:0.50MM)	1	1	1	UR
50	664-45576-00	WASHER, THRUST RONDELLE DE CALAGE	1	1	1	
51	93210-60MA3	O-RING JOINT TORIQUE	1	1	1	
52	93315-22004	BEARING ROULEMENT	1	1	1	
53	93101-20M07	OIL SEAL JOINT SPY	2	2	2	
54	90214-45M02	WASHER, CLAW RONDELLE, A GRIFFES	1	1	1	
55	664-45384-00	NUT ECROU	1	1	1	
56	90282-04010	KEY, STRAIGHT CLAVETTE, DROITE	1	1	1	

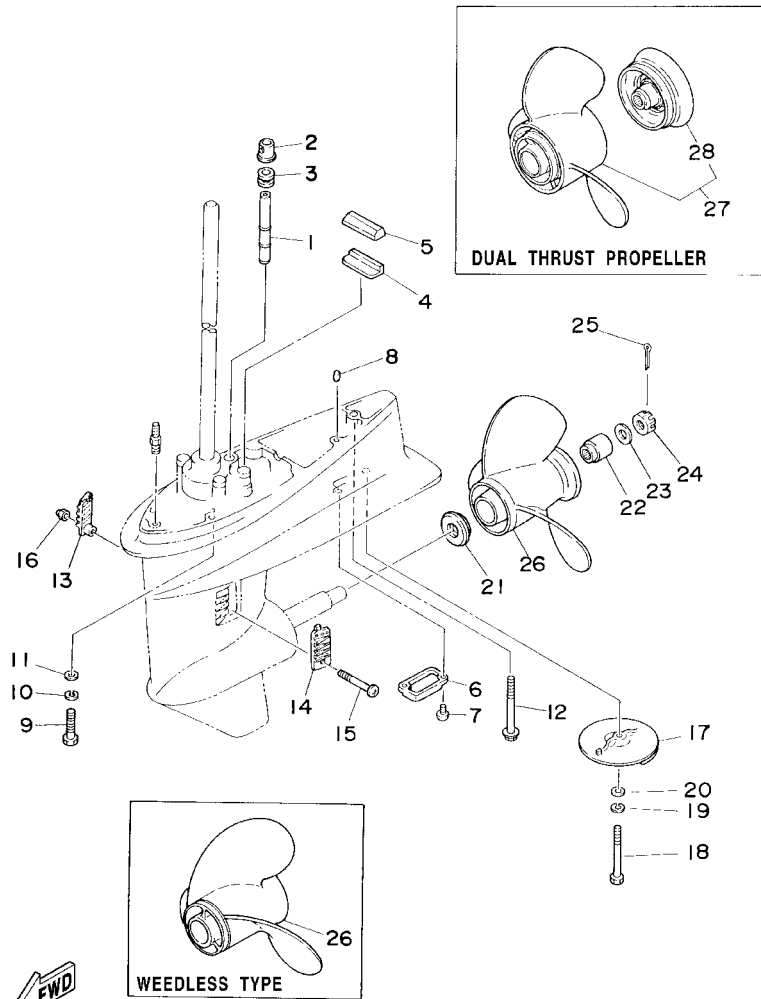


6J86300-4250

FIG. 26 LOWER CASING. DRIVE 2

BOITIER D'HELICE, TRANSMISSION 2

REF. NO.	PART NO. NO. PIECES	DESCRIPTION DESCRIPTION	MHO	EO	ETO	REMARKS REMARQUES
1	6J8-44361-00	TUBE, WATER TUBE D'EAU	1	1		S
	6J8-44361-10	TUBE, WATER TUBE D'EAU	1	1	1	L
2	6J8-44366-00	DAMPER, WATER SEAL JOINT, TUBE D'EAU	1	1	1	
3	663-44367-00	DAMPER, WATER SEAL JOINT TUBE D'EAU	1	1	1	
4	663-45376-00-94	GUIDE, SEAL DAMPER BUTEE, JOINT CAOUTCHOUC	1	1	1	
5	688-45375-00	DAMPER, SEAL BOURRELET, CAOUTCHOUC	1	1	1	
6	6J8-45224-10	COVER, WATER INLET 3 GRILLE, ENTREE D'EAU	1	1	1	
7	97880-06012	SCREW, PAN HEAD VIS, TETE TRONCONIQUE	2	2	2	
8	93606-12019	PIN, DOWEL GOUVILLE	2	2	2	
9	97075-10040	BOLT BOULON	4	4	4	
10	92995-10100	WASHER RONDELLE	4	4	4	
11	92995-10600	WASHER RONDELLE	4	4	4	
12	90119-08M92	BOLT, WITH WASHER BOULON, AVEC RONDELLE	1	1	1	
13	689-45214-01	COVER, WATER INLET GRILLE, ENTREE D'EAU	1	1	1	
14	6J8-45215-00	COVER, WATER INLET GRILLE, ENTREE D'EAU	1	1	1	
15	90152-05M04	SCREW, COUNTERSUNK VIS, TETE NOYEE	1	1	1	
16	90185-05002	NUT, SELF-LOCKING ECROU, AUTO-BLOCANT	1	1	1	
17	664-45371-01	TAB-TRIM ANODE DERIVE	1	1	1	
18	97075-08020	BOLT BOULON	1	1	1	
19	92995-08100	WASHER RONDELLE	1	1	1	
20	92995-08600	WASHER RONDELLE	1	1	1	
21	6L2-45987-01	SPACER ENTRETOISE	1	1	1	
22	689-45997-00	SPACER ENTRETOISE	1	1	1	
23	92990-14200	WASHER, PLAIN RONDELLE, PLATE	1	1	1	
24	90171-14013	NUT, CASTLE ECROU, CRENELE	1	1	1	
25	91490-30022	PIN, COTTER GOUVILLE	1	1	1	
26	664-45941-01-EL	PROPELLER (3X9-7/8"X9"-F) HELICE (3X9-7/8"X9"-F)	1	1	1	UR



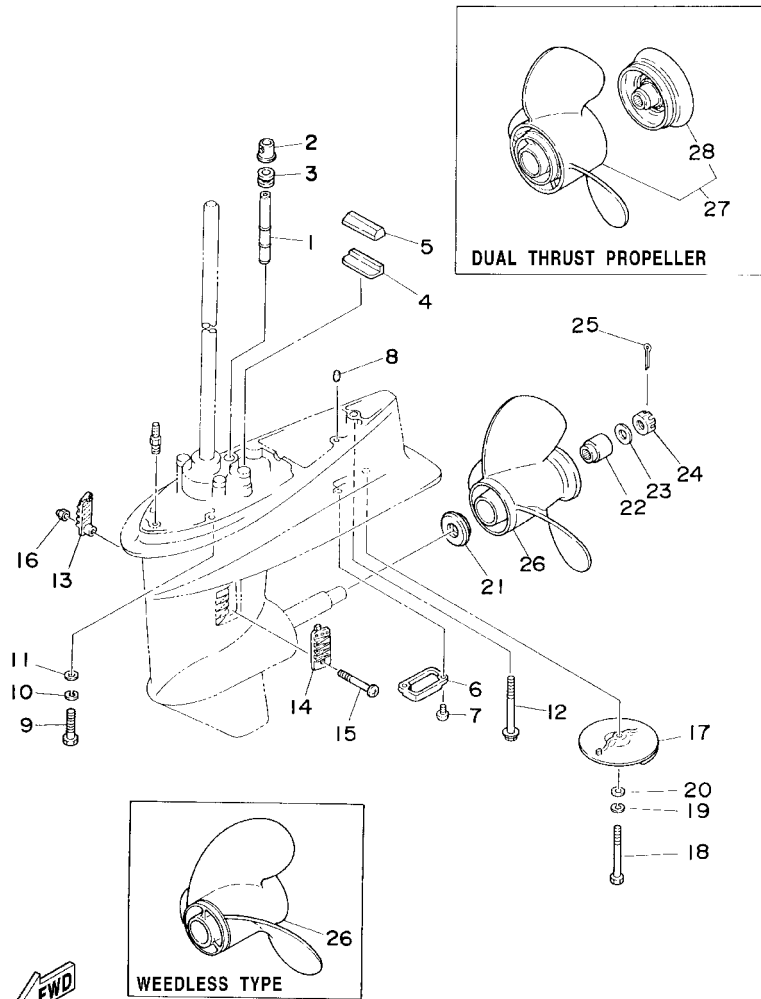
6J80100-4270

B1

FIG. 26 LOWER CASING. DRIVE 2

BOITIER D'HELICE, TRANSMISSION 2

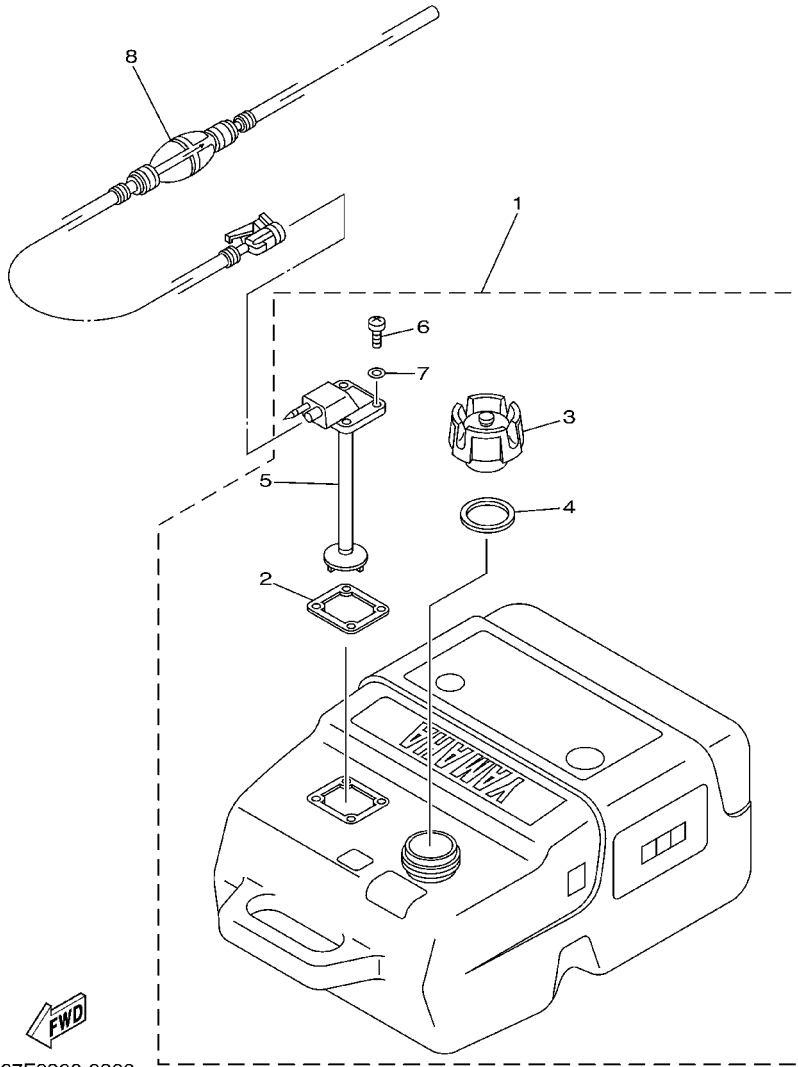
REF. NO.	PART NO. NO. PIECES	DESCRIPTION DESCRIPTION	MHO	EO	ETO	REMARKS REMARQUES
26	664-45943-01-EL	PROPELLER (3X9-7/8"X8"-F) HELICE (3X9-7/8"X8"-F)	1	1	1	UR
	664-45945-00-EL	PROPELLER (3X9-7/8"X10-1/2"-F) HELICE (3X9-7/8"X10-1/2"-F)	1	1	1	UR
	664-45947-01-EL	PROPELLER (3X9-7/8"X11-1/4"-F) HELICE (3X9-7/8"X11-1/4"-F)	1	1	1	UR
	664-45949-02-EL	PROPELLER (3X9-7/8"X13"-F) HELICE (3X9-7/8"X13"-F)	1	1	1	UR
	664-45952-00-EL	PROPELLER (3X9-7/8"X14"-F) HELICE (3X9-7/8"X14"-F)	1	1	1	UR
	664-45954-01-EL	PROPELLER (3X9-7/8"X12"-F) HELICE (3X9-7/8"X12"-F)	1	1	1	UR
	664-45970-00-98	PROPELLER (3X9-1/8"X13"-F) HELICE (3X9-1/8"X13"-F)	1	1	1	UR STAINLESS STEEL, WEEDLESS DUAL THRUST PROPELLER
27	6J8-W4591-00-EL	PROPELLER (3X10-5/8"X8-1/4"-F) HELICE (3X10-5/8"X8-1/4"-F)	1	1	1	
28	6J8-45986-10-98	.RING, DEFLECTOR .DEFLECTEUR DE CERCLE	1	1	1	



6J80100-4270

FIG. 27 FUEL TANK

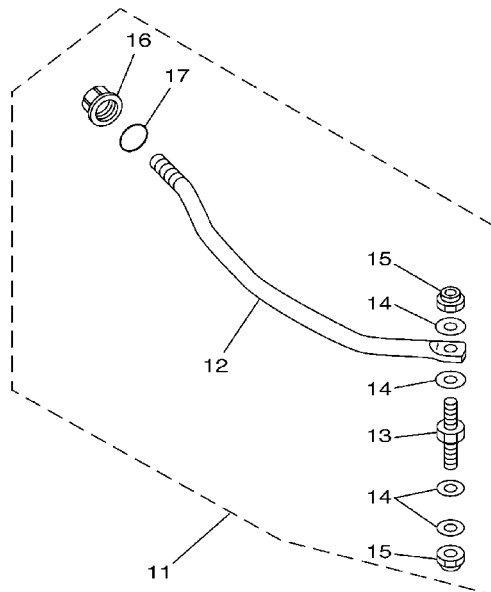
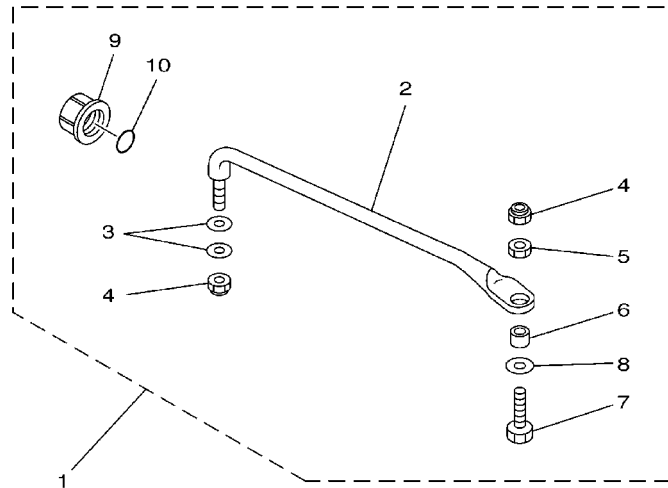
RESERVOIR A CARBURANT



REF. NO.	PART NO. NO. PIECES	DESCRIPTION DESCRIPTION	MHO	EO	ETO	REMARKS REMARQUES
1	6YK-24201-01	FUEL TANK ASSY RESERVOIR A ESSENCE (ENS.)	1	1	1	AP PLASTIC, 25L, "SCEPTER"
2	6YL-24268-01	.GASKET, FUEL METER .JOINT, JAUGE A CARBURANT	1	1	1	
3	6YK-24610-00	.CAP ASSY .BOUCHON	1	1	1	WITH INDICATOR
4	6YL-24641-00	.GASKET, CAP 1 .JOINT 1, BOUCHON	1	1	1	
5	6YK-24260-01	.FUEL METER ASSY .INDICATEUR DE CARBURANT	1	1	1	
6	90157-05M16	.SCREW, PAN HEAD .VIS, TETE TRONCONIQUE	4	4	4	
7	6YL-24329-00	.SEAL .JOINT	4	4	4	
8	6YL-24306-52	FUEL PIPE COMP. 1 DURITE A ESSENCE 1	1	1	1	AP

FIG. 28 STEERING GUIDE

FIXATION DE DIRECTION

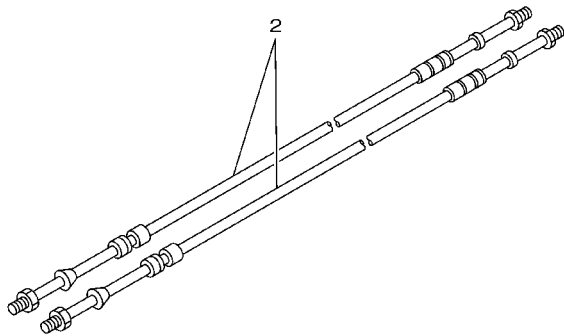
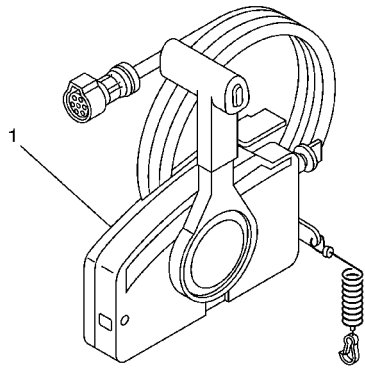


6J83300-2270

REF. NO.	PART NO. NO. PIECES	DESCRIPTION DESCRIPTION	MHO	EO	ETO	REMARKS REMARQUES
1	689-61350-02	STEERING GUIDE ATTACHMENT KIT FIXATIONS DE DIRECTION			1	AP
2	689-61351-01	.ROD, STEERING LINK .RENOI DE DIRECTION			1	
3	90201-10M20	.WASHER, PLATE .RONDELLE, PLATE			2	
4	90185-09M01	.NUT, SELF-LOCKING ECROU, AUTO-BLOCANT			2	
5	90170-09M03	.NUT ECROU			1	
6	90387-10M42	.COLLAR .COLLERETTE			1	
7	6E5-61355-00	.BOLT .BOULON			1	
8	90201-10M63	.WASHER, PLATE .RONDELLE, PLATE			1	
9	6E5-43145-01	.CAP, CLAMP BRACKET .CAPUCHON, PRESSE			1	
10	93210-16275	.O-RING .JOINT TORIQUE			1	
11	6J8-61350-10	STEERING GUIDE ATTACHMENT KIT FIXATIONS DE DIRECTION			1	AP
12	6J8-61351-00	.ROD, STEERING LINK .RENOI DE DIRECTION			1	
13	90116-09M32	.BOLT, STUD .GOIJON			1	
14	90201-10M20	.WASHER, PLATE .RONDELLE, PLATE			4	
15	90185-09M01	.NUT, SELF-LOCKING ECROU, AUTO-BLOCANT			2	
16	6E5-43145-01	.CAP, CLAMP BRACKET .CAPUCHON, PRESSE			1	
17	93210-16275	.O-RING .JOINT TORIQUE			1	

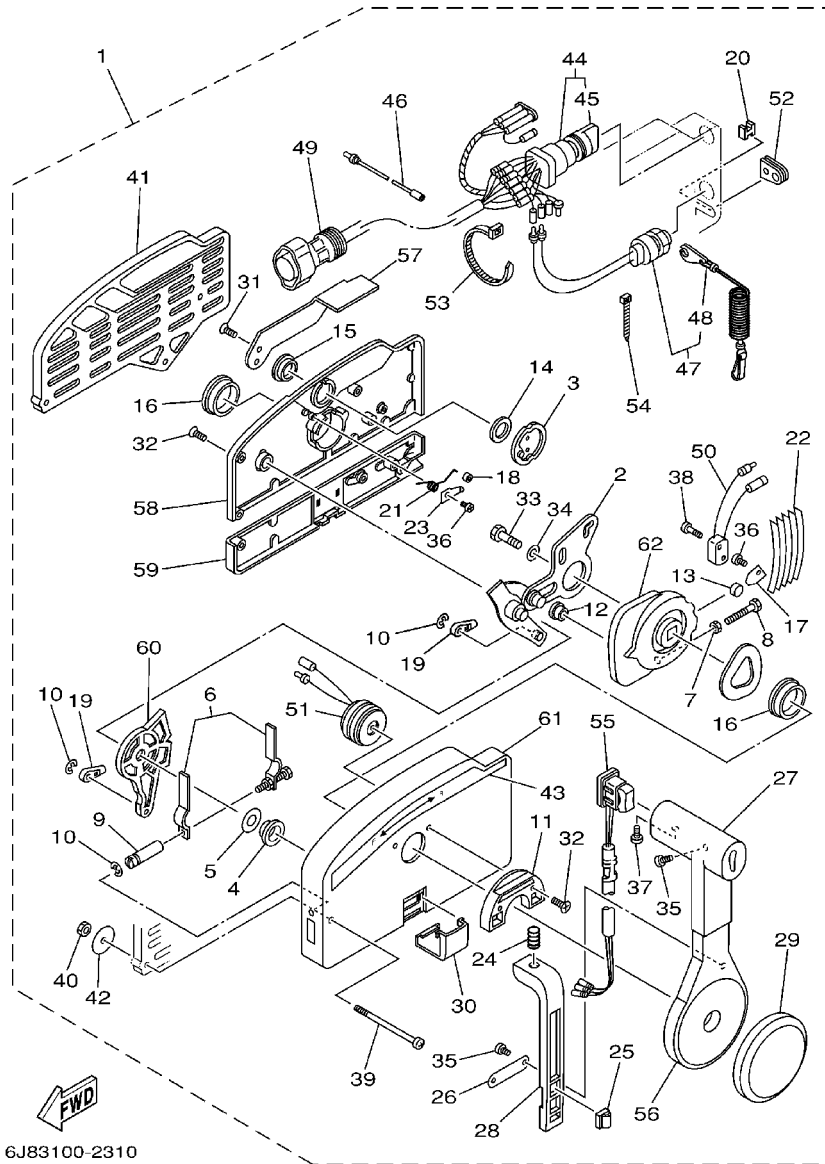
FIG. 29 REMOTE CONTROL BOX

BOITIER DE COMMANDE A DISTANCE



REF. NO.	PART NO. NO. PIECES	DESCRIPTION DESCRIPTION	MHO	EO	ETO	REMARKS REMARQUES
1	703-48250-17	REMOTE CONTROL ASSY BOITIER DE COMMANDE A DISTANCE			1	AP WITH PT/T SW.
	703-48230-15	REMOTE CONTROL ASSY BOITIER DE COMMANDE A DISTANCE		1		AP
2	701-48310-80	CABLE, REMOTE CONTROL L=10F CABLE, COMMANDE A DISTANCE:10F		2	2	UR
	701-48310-90	CABLE, REMOTE CONTROL L=11F CABLE, COMMANDE A DISTANCE:11F		2	2	UR
	701-48320-00	CABLE, REMOTE CONTROL L=12F CABLE, COMMANDE A DISTANCE:12F		2	2	UR


67M0100-8280



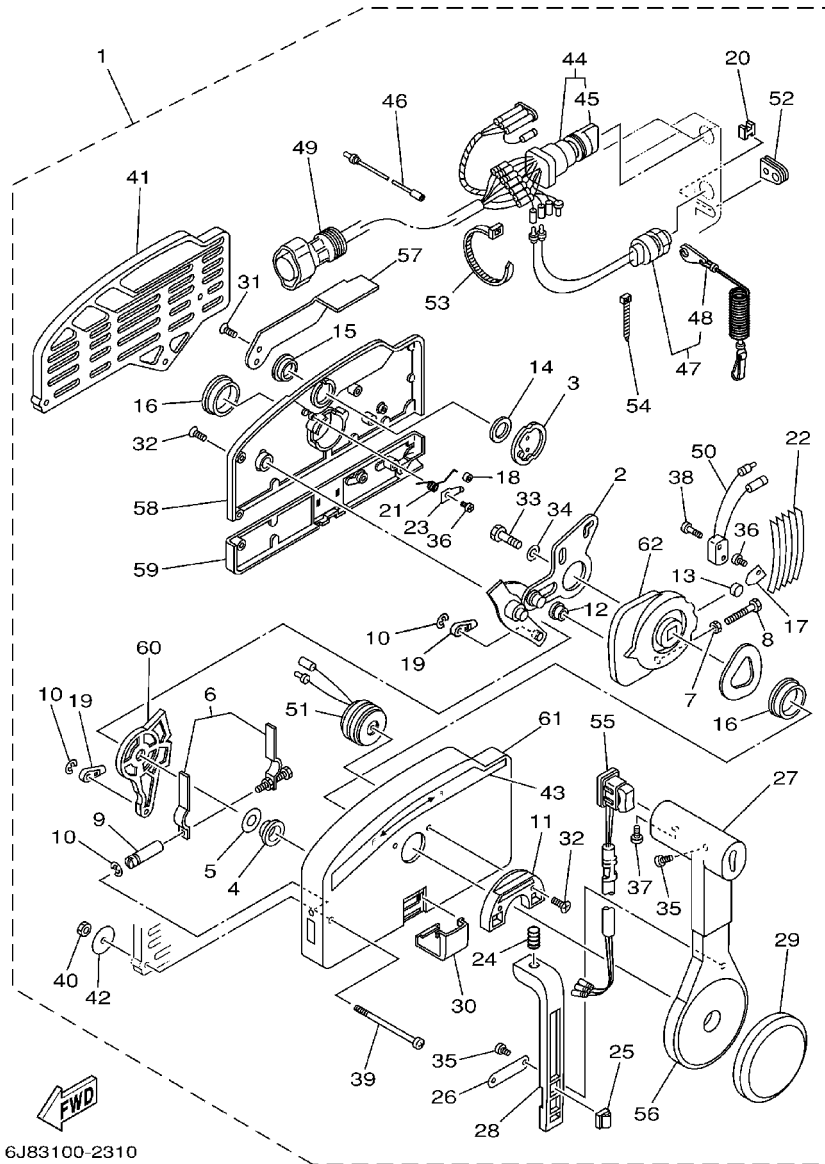
6J83100-2310

FIG. 30 REMOTE CONTROL ASSY BOITIER DE COMMANDE A DISTANCE

REF. NO.	PART NO. NO. PIECES	DESCRIPTION DESCRIPTION	MHO	EO	ETO	REMARKS REMARQUES
1	703-48250-17	REMOTE CONTROL ASSY BOITIER DE COMMANDE A DISTANCE			1	AP WITH PT/T SW.
	703-48230-15	REMOTE CONTROL ASSY BOITIER DE COMMANDE A DISTANCE		1		AP
2	703-48261-11	.ARM, THROTTLE .BRAS, ACCELERATION		1	1	
3	703-48153-00	.SHAFT, FREE ACCEL. .AXE		1	1	
4	703-48235-00	.BUSHING .COUSSINET		1	1	
5	703-48268-00	.SPACER .ENTRETOISE		1	1	
6	703-48264-00	.THROTTLE, FRICTION .ACCELERATION		1	1	
7	95380-05600	.NUT .ECROU		1	1	
8	97380-05025	.BOLT .BOULON, HEXAGONAL		1	1	
9	703-48265-00	.SHAFT, FRICTION .AXE, COPILOTE		1	1	
10	93430-06024	.CIRCLIP .CLIPS		3	3	
11	703-48245-00	.PLATE, LOCK .PLAQUE, VERROU		1	1	
12	703-48252-00	.ROLLER, CAM .POULIE		1	1	
13	701-48248-00	.ROLLER, FREE ACCEL. .POULIE		1	1	
14	703-48198-00	.WASHER, WAVE .RONDELLE, ELASTIQUE ONDULEE		1	1	
15	703-48243-00	.BUSHING .COUSSINET		1	1	
16	703-48236-00	.BUSHING 1 .POULIE		2	2	
17	703-48189-00	.RETAINER .FLASQUE		1	1	
18	703-48234-00	.ROLLER, DETENT .POULIE		1	1	
19	703-48345-01	.CABLE END, REMOTE CONTROL 2 .CHAPE CABLE		2	2	
20	703-48358-00	.ANCHOR, CABLE .COLLIER		1	1	
21	703-48244-00	.SPRING, FREE ACCEL. .RESSORT		1	1	
22	703-48238-00	.SPRING, DETENT .RESSORT		5	5	
23	703-48246-00	.SPACER .ENTRETOISE		1	1	
24	703-48227-00	.SPRING, NEUTRAL LOCK .RESSORT		1	1	
25	703-82594-00	.CLAMP .BRIDE			1	WITH PT/T SW.
26	703-48226-00	.PLATE, STOPPER .PLAQUETTE		1	1	

FIG. 30 REMOTE CONTROL ASSY

BOITIER DE COMMANDE A DISTANCE

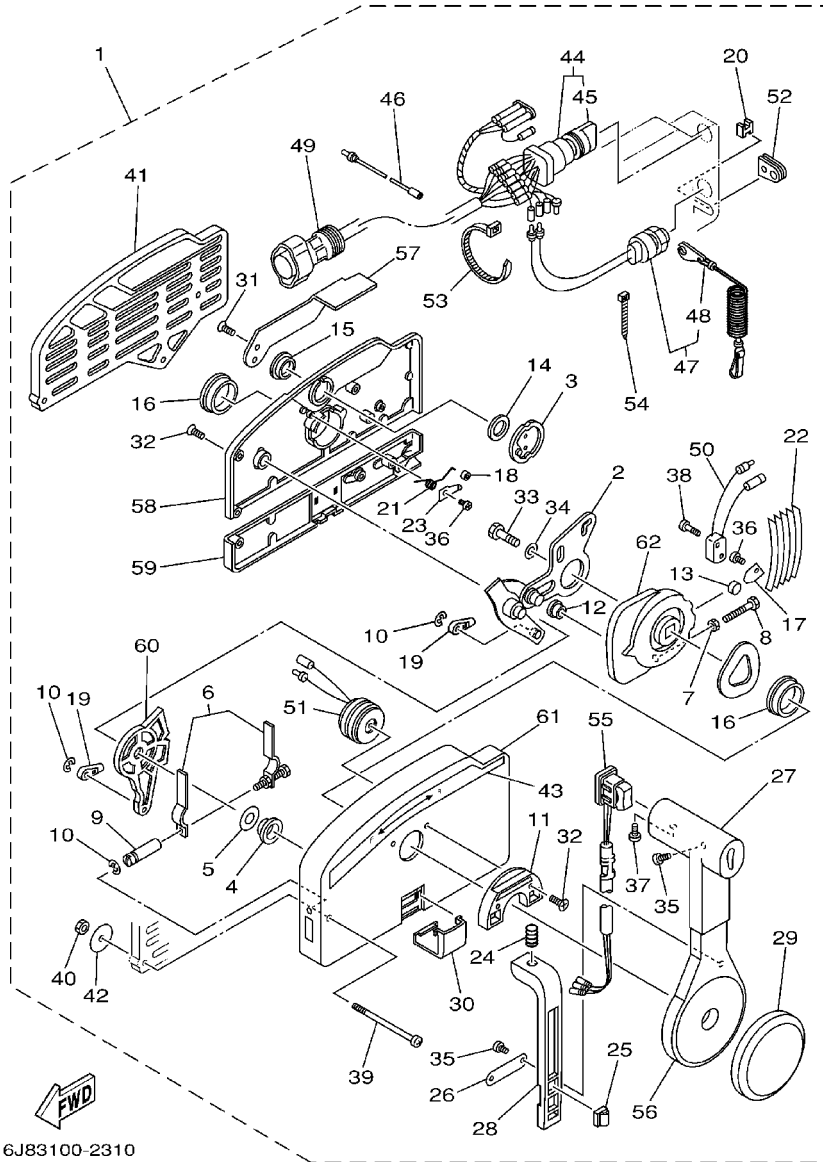


6J83100-2310

REF. NO.	PART NO. NO. PIECES	DESCRIPTION DESCRIPTION	MHO	EO	ETO	REMARKS REMARQUES
27	703-48222-00	.GRIP, CONTROL LEVER .POIGNEE, COMMANDE LEVIER		1	1	SINGLE
28	703-48223-00	.LOCK, NEUTRAL .VERROU, NEUTRAL		1	1	
29	703-48225-00	.COVER .COUVERCLE		1	1	
30	703-48219-00	.COVER, LEAD .COUVERCLE		1	1	
31	703-48281-00	.SCREW .VIS		2	2	
32	703-48282-00	.SCREW .VIS		7	7	
33	97380-08030	.BOLT .BOULON, HEXAGONAL		1	1	
34	92990-08600	.WASHER, PLATE .RONDELLE, PLATE		1	1	
35	98580-04010	.SCREW, PAN HEAD .VIS		3	3	
36	98580-04006	.SCREW, PAN HEAD .VIS		2	2	
37	98580-05010	.SCREW, PAN HEAD .VIS		1	1	
38	98580-03015	.SCREW, PAN HEAD .VIS		2	2	
39	703-48291-10	.SCREW (M6) .VIS (M6)		3	3	
40	95380-06600	.NUT, HEXAGON .ECROU		3	3	
41	703-48293-10	.SPACER, REMOTE CONTROL .ENTRETOISE		1	1	SINGLE
42	701-48287-00	.WASHER .RONDELLE		3	3	
43	703-48215-00	.GRAPHIC .ADHESIF		1	1	
44	703-82510-43	.MAIN SWITCH ASSY .CONTACTEUR A CLEF COMPLET			1	
	703-82510-33	.MAIN SWITCH ASSY .CONTACTEUR A CLEF COMPLET		1		
45	703-82577-00	..CAP, KEY ..CABOCHON		1	1	
46	703-82531-00	.WIRE, LEAD .FIL		1	1	
47	688-82575-01	.ENGINE STOP SWITCH ASSY .COUPE CIRCUIT CPLT		1	1	
48	682-82556-00	..STOPPER ..PLAQUETTE		1	1	
49	688-8258A-20	.EXTENSION, WIRE HARNESS .EXTENSION, FAISCEAU DE FILS			1	L:5M (10P)
	688-82586-21	.EXTENSION, WIRE HARNESS .EXTENSION, FAISCEAU DE FILS		1		L:5M (7P)
50	703-82540-00	.NEUTRAL SWITCH ASSY .CONTACTEUR DE POINT-MORT		1	1	
51	703-83383-02	.BUZZER .RONFLEUR		1	1	

FIG. 30 REMOTE CONTROL ASSY

BOITIER DE COMMANDE A DISTANCE

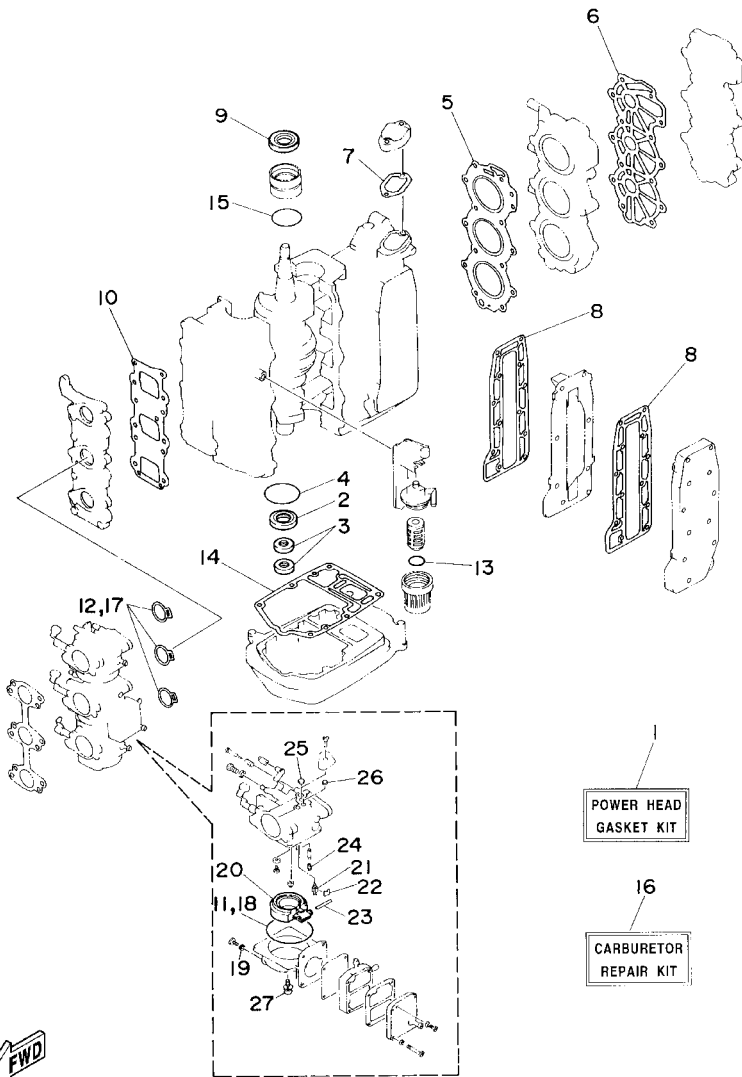


6J83100-2310

REF. NO.	PART NO. NO. PIECES	DESCRIPTION DESCRIPTION	MHO	EO	ETO	REMARKS REMARQUES
52	703-48284-00	.GROMMET .PASSE-FIL			1 1	
53	703-82591-00	.BAND .COLLIER			1 1	
54	703-82592-00	.BAND .COLLIER			1 1	
55	703-82563-02	.TRIM & TILT SWITCH ASSY .INCLINER ET PARER COMMUTATEUR			1	WITH PT/T SW.
	703-48224-00	.COVER, CONTROL LEVER .COUVERCLE			1	WITHOUT PT/T SW.
56	703-48221-00	.LEVER, CONTROL .LEVIER, COMMANDE			1 1	
57	703-48152-00	.KNOB, FREE ACCEL. .BOUTON			1 1	
58	703-48212-00	.BACK PLATE 1 .PLAQUETTE 1			1 1	
59	703-48213-00	.BACK PLATE 2 .PLAQUETTE 2			1 1	
60	703-48271-00	.ARM, SHIFT .BRAS			1 1	
61	703-48211-01	.HOUSING,1 .CORPS			1 1	
62	703-48232-00	.GEAR .PIGNON			1 1	

FIG. 31 REPAIR KIT 1

KITS DE REPARATION 1



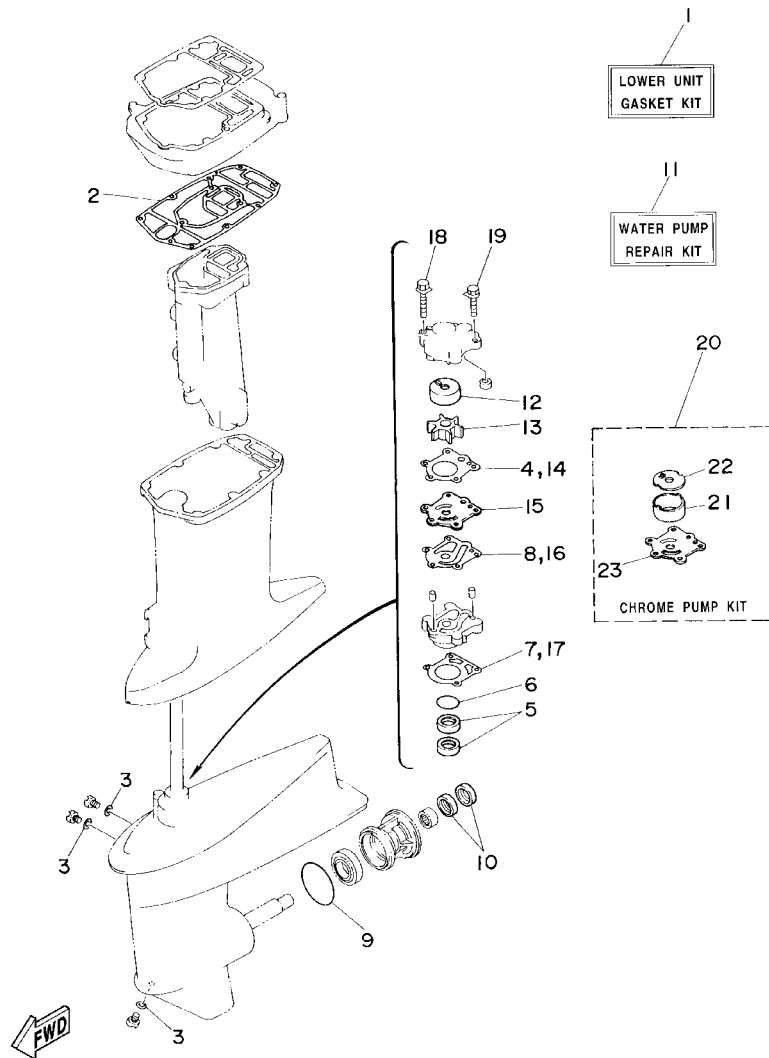
6J80100-4320

REF. NO.	PART NO. NO. PIECES	DESCRIPTION DESCRIPTION	MHO	EO	ETO	REMARKS REMARQUES
1	6J8-W0001-03	POWER HEAD GASKET KIT POCHETTE DE JINTS TETE MOTRICE	1	1	1	
2	93101-25M28	.OIL SEAL .JOINT SPY	1	1	1	
3	93104-16M04	.OIL SEAL .JOINT SPY	2	2	2	
4	93210-56M80	.O-RING .JOINT TORIQUE	1	1	1	
5	6J8-11181-A1	.GASKET, CYLINDER HEAD 1 .JOINT, DE CULASSE 1	1	1	1	
6	6J8-11193-A1	.GASKET, HEAD COVER 1 .JOINT, COUVERCLE DE CULASSE 1	1	1	1	
7	6J8-12414-A0	.GASKET, COVER .JOINT, COUVERCLE	1	1	1	
8	6J8-41114-A0	.GASKET, EXHAUST OUTER COVER .JOINT, COUVERCLE D'ECHAPPEMEN	2	2	2	
9	93102-26M27	.OIL SEAL .JOINT SPY	1	1	1	
10	6J8-13621-00	.GASKET, VALVE SEAT .JOINT, SIEGE DE CLAPET	1	1	1	
11	6J8-14984-00	.GASKET, FLOAT CHAMBER .JOINT, CUVE DE FLOTTEUR	3	3	3	
12	6J8-14198-00	.GASKET .JOINT	3	3	3	
13	93210-32738	.O-RING .JOINT TORIQUE	1	1	1	
14	6J8-45113-A0	.GASKET, UPPER CASING .JOINT, TUBE D'ARBRE	1	1	1	
15	93210-42159	.O-RING .JOINT TORIQUE	1	1	1	
16	6J8-W0093-00	CARBURETOR REPAIR KIT KIT DE REPARATION CARBURATEUR	1	1	1	
17	6J8-14198-00	.GASKET .JOINT	3	3	3	
18	6J8-14984-00	.GASKET, FLOAT CHAMBER .JOINT, CUVE DE FLOTTEUR	3	3	3	
19	6J8-14995-00	.GASKET .JOINT	3	3	3	
20	6J8-14985-00	.FLOAT .FLOTTEUR	3	3	3	
21	6J8-14546-00	.VALVE, NEEDLE .POINTEAU	3	3	3	
22	6J8-14159-00	.CLIP .JONC	3	3	3	
23	6J8-14548-00	.PIN, FLOAT ARM .AXE, BRAS DE FLOTTEUR	3	3	3	
24	6J8-14966-00	.PLUG .BOUCHON	3	3	3	
25	6J8-14126-00	.PLUG .BOUCHON	3	3	3	
26	6J8-14118-00	.PLUG .BOUCHON	3	3	3	
27	97980-04112	.SCREW, WITH WASHER .VIS, AVEC RONDELLE	3	3	3	

FIG. 32 REPAIR KIT 2

KITS DE REPARATION 2

REF. NO.	PART NO. NO. PIECES	DESCRIPTION DESCRIPTION	MHO	EO	ETO	REMARKS REMARQUES
1	6J8-W0001-C2	LOWER UNIT GASKET KIT POCHETTE DE JOINTS EMBASE	1	1	1	
2	6J8-45114-A1	.GASKET, UPPER CASING .JOINT, TUBE D'ARBRE	1	1	1	
3	90430-08020	.GASKET .JOINT	3	3	3	
4	663-44315-A0	.GASKET, WATER PUMP .JOINT, POMPE A EAU	1	1	1	
5	93101-23070	.OIL SEAL .JOINT, SPY	2	2	2	
6	93210-41042	.O-RING .JOINT TORIQUE	1	1	1	
7	663-44316-A0	.GASKET, WATER PUMP .JOINT, POMPE A EAU	1	1	1	
8	663-44324-A0	.GASKET, CARTRIDGE .JOINT	1	1	1	
9	93210-60MA3	.O-RING .JOINT TORIQUE	1	1	1	
10	93101-20M07	.OIL SEAL .JOINT, SPY	2	2	2	
11	6J8-W0078-A2	WATER PUMP REPAIR KIT KIT DE REPARATION DE LA POMPE	1	1	1	
12	663-44322-00	.INSERT, CARTRIDGE .CUVETTE	1	1	1	
13	6H4-44352-02	.IMPELLER .TURBINE	1	1	1	
14	663-44315-A0	.GASKET, WATER PUMP .JOINT, POMPE A EAU	1	1	1	
15	663-44323-00	.OUTER PLATE, CARTRIDGE .PLAQUE EXTERIEURE	1	1	1	
16	663-44324-A0	.GASKET, CARTRIDGE .JOINT	1	1	1	
17	663-44316-A0	.GASKET, WATER PUMP .JOINT, POMPE A EAU	1	1	1	
18	90119-08M13	.BOLT, WITH WASHER BOULON, AVEC RONDELLE	2	2	2	
19	90119-08M34	.BOLT, WITH WASHER BOULON, AVEC RONDELLE	2	2	2	
20	6H4-W0078-0A	CHROME PUMP KIT KIT DE POMPE A EAU CHROME	1	1	1	
21	670-44322-01	.INSERT, CARTRIDGE .CUVETTE	1	1	1	
22	670-44321-00	.INNER PLATE, CARTRIDGE .CUVETTE	1	1	1	
23	670-44323-00	.OUTER PLATE, CARTRIDGE .PLAQUE EXTERIEURE	1	1	1	



6J80100-4330

NUMERICAL INDEX
INDEX NUMERIQUE

PART NO. NO. PIECES	REF. NO.	PART NO. NO. PIECES	REF. NO.	PART NO. NO. PIECES	REF. NO.	PART NO. NO. PIECES	REF. NO.	PART NO. NO. PIECES	REF. NO.	PART NO. NO. PIECES	REF. NO.
6J8-W0001-C2	32 - 1	6J8-13610-00	4 - 1	6J8-14995-00	5 - 7	6J8-24432-00	5 - 30	6G1-41662-01-94	16 - 16	682-42726-00	16 - 35
6J8-W0001-03	31 - 1	6J8-13621-00	4 - 7		31 - 19	6J8-24452-00	5 - 31	6G1-42111-11-4D	15 - 2	688-42726-10	14 - 2
6J8-W0004-00	4 - 2		31 - 10	6J8-15100-11-1S	2 - 2	6J8-24471-00	5 - 28	664-42119-00	15 - 13	6G1-42727-00	14 - 11
6J8-W0070-14	1 - 10	6J8-13641-10-94	4 - 5	6J8-15396-00-5B	3 - 14	61N-24521-00	7 - 8	6J8-42121-02-4D	19 - 33	6J8-42728-01	14 - 10
6H4-W0078-0A	32 - 20	6J8-14118-00	5 - 16	6J8-15705-00	8 - 25	61N-24560-00	7 - 6	6G1-42125-01	15 - 10	6J8-42735-00	14 - 23
6J8-W0078-A2	32 - 11		31 - 26	6J8-15710-02-4D	8 - 1	61N-24563-00	7 - 7	6G1-42126-00	15 - 11	6J8-42741-01	14 - 20
6J8-W0084-10-4D	15 - 1	6J8-14126-00	5 - 15	6J8-15711-00-94	8 - 2	6YK-24610-00	27 - 3	6G1-42131-01	15 - 8	6E7-42791-10	14 - 38
6J8-W0090-43-1S	2 - 1		31 - 25	6J8-15714-00	8 - 17	6H1-24633-00	6 - 31	6J8-42137-00	15 - 15	6J8-42815-00-4D	14 - 3
6J8-W0093-00	31 - 16	6J8-14159-00	5 - 10	677-15717-01	8 - 19	6YL-24641-00	27 - 4	6G1-42138-01	15 - 21	6J8-42816-00	14 - 7
656-W2810-02	7 - 16		31 - 22	6J8-15723-E1	13 - 32	6J8-26301-00	15 - 24	6J8-42154-01	16 - 30	6J8-42831-00	14 - 9
6J8-W4591-00-EL	26 - 27	6J8-14198-00	4 - 9	6J8-15723-00	8 - 48	6G8-26363-00	17 - 14	6E0-42159-02	15 - 22	6J8-42846-00	14 - 27
6J8-1111J-00	2 - 29		31 - 12	676-15741-03	8 - 23		18 - 15	6J8-42167-00	16 - 6		18 - 18
6J8-11111-00-1S	2 - 16		31 - 17	6J8-15746-01	8 - 34	6G8-26364-00	17 - 15	6J8-42169-01	17 - 7	6H4-43111-05-4D	19 - 1
6F5-11119-00	2 - 8	6J8-14301-11	5 - 1	6J8-15747-00	8 - 38		18 - 16		18 - 8	6K9-43111-10-4D	21 - 1
6J8-11181-A1	2 - 17	6J8-14302-01	5 - 2	656-15748-00	8 - 31	6G1-2811G-00	7 - 18	689-42169-01	16 - 8	6H4-43112-04-4D	19 - 2
	31 - 5	6J8-14303-01	5 - 3	6F5-15752-00	8 - 9	6J8-28170-00	7 - 17	6F6-42177-A0	15 - 14	6K9-43112-10-4D	21 - 2
6J8-11191-00-1S	2 - 18	6J8-14334-00	5 - 26	6F5-15753-00	8 - 10	6A1-28176-00	14 - 39	6J8-42192-00	16 - 27	6J8-43113-01	19 - 12
6J8-11193-A1	2 - 19	6J8-14417-00	4 - 11	689-15755-01	8 - 14	6E0-28193-00-94	7 - 22	6J8-42510-02-4D	19 - 25	648-43114-01	19 - 8
	31 - 6	6J8-14418-00	4 - 12	6J8-15758-01-94	8 - 4	6L3-28199-75-A0	7 - 23		22 - 9	6E0-43118-01	19 - 5
6J8-11325-00	2 - 10	6J8-14476-00	4 - 13	6J8-15762-00	8 - 7	6L3-28199-75-B0	7 - 23	6J8-42528-00	19 - 22	6J8-43131-01	19 - 9
6H3-11327-00-1S	2 - 11	6J8-14483-A1	4 - 15	6J8-15770-00	8 - 33	6L3-28199-86-A0	7 - 24		22 - 3	6K9-43131-01	21 - 10
6H3-11328-00	2 - 12	624-14485-00	2 - 4	6J8-15771-00-94	8 - 40	6L3-28199-86-B0	7 - 24	624-42542-00	6 - 47	6K9-43139-01	22 - 1
650-11370-01	2 - 3	676-14485-00	4 - 6	6J8-15772-00-94	8 - 41	6J8-41111-00-1S	2 - 27	6J8-42610-B0-4D	1 - 1	6E5-43145-01	28 - 9
676-11372-00	2 - 26	6J8-14497-00	16 - 1	6J8-15774-01	8 - 39	6J8-41113-00-1S	2 - 25	6J8-42610-D0-4D	1 - 1	6J8-43186-00	28 - 16
6J8-11400-11	3 - 1	6J8-14523-00	5 - 25	6F5-15779-02	8 - 15	6J8-41114-A0	2 - 28	6J8-42613-00-4D	1 - 6	6G5-43145-01	19 - 14
6J8-11536-00	3 - 2	6J8-14527-01	5 - 17	6J8-15787-00	8 - 13		31 - 8	6J8-42613-10-4D	1 - 6		21 - 16
6J8-11537-00	6 - 2	6J8-14546-00	5 - 9	6A0-15789-00	8 - 8	6J8-41131-00-5B	24 - 6	6J8-42615-00	1 - 2	6H4-43160-01	20 - 1
6J8-11601-01	3 - 9		31 - 21	6J8-21707-01	6 - 27	6J8-41137-01-94	24 - 4	6J8-42651-03	1 - 3	676-43165-00	20 - 2
6J8-11601-11	3 - 9	6J8-14548-00	5 - 11	6J8-21707-11	6 - 27	6J8-41213-00	16 - 2	6J8-42652-00	1 - 4	6J8-43181-01	20 - 5
6J8-11601-21	3 - 9		31 - 23	6J8-2173M-00	6 - 28	6J8-41217-00	4 - 25	6J8-42677-40	1 - 8	6J8-43186-00	20 - 41
6J8-11631-02-97	3 - 8	6J8-14555-00	5 - 19	6J8-21732-00	1 - 16	6J8-41237-00	6 - 22	6J8-42678-10	1 - 9	6J8-43187-00	20 - 42
6J8-11633-00	3 - 10	6J8-14578-00	5 - 34	6J8-21735-00	1 - 17	682-41237-00	6 - 25	6J8-42681-11	1 - 11	65W-43191-00	21 - 7
6J8-11635-02	3 - 8	6J8-14592-01	5 - 23	6J8-21744-00	6 - 41		16 - 9	6J8-42682-12	1 - 12	65W-43192-00	21 - 6
6J8-11636-02	3 - 8	6J8-14737-00	24 - 7	6H1-21757-00	6 - 30		16 - 28	6J8-42711-03-4D	14 - 1	6J8-43311-04-4D	19 - 19
688-12411-10	2 - 21	6J8-1492A-00	5 - 35	6J8-21758-00	6 - 32	6J8-41238-00	6 - 21	6J8-42716-00	14 - 16	6K9-43311-01-4D	21 - 17
6H4-12413-00-1S	2 - 22	6J8-1492E-51	5 - 14	6J8-2177H-00	1 - 14	6J8-41257-00	4 - 21	6J8-42719-20	14 - 24	682-43318-01	20 - 6
6J8-12414-A0	2 - 23	6J8-1492F-25	5 - 12	6H4-21770-00	6 - 29	6J8-41259-00	4 - 18	6J8-42723-01	14 - 22	689-43373-01	16 - 26
	31 - 7	6J8-14923-00	5 - 18	6YK-24201-01	27 - 1	6J8-41262-00	4 - 22	6J8-42723-51	14 - 22		19 - 23
6J8-13117-00	6 - 3	6J8-14966-00	5 - 13	6YK-24260-01	27 - 5		20 - 46		18 - 17		22 - 4
6J8-13155-00	6 - 18		31 - 24	6YL-24268-01	27 - 2	661-41262-02	4 - 19	6J8-42724-00	14 - 12	6J8-43611-01	20 - 20
6E9-13183-00	6 - 14	6J8-14980-00	5 - 5	6G1-24304-02	7 - 1		8 - 47	6J8-42724-10	18 - 19	6J8-43613-01	20 - 18
6J8-13200-71	6 - 5	6J8-14981-00	5 - 27	6YL-24306-52	27 - 8	6J8-41271-01	4 - 20	6J8-42724-50	11 - 24	6J8-43614-00	20 - 16
6J8-13411-00	6 - 33	6J8-14984-00	5 - 4	6J8-24311-00	7 - 14	689-41273-00	4 - 23	6J8-42724-60	12 - 24	6J8-43615-00	20 - 17
6J8-13414-00	6 - 34		31 - 11	6E5-24312-00	7 - 11	6J8-41274-00	4 - 24	6J8-42725-01	14 - 14	6H4-43616-00	20 - 29
6J8-13416-00	6 - 35		31 - 18	688-24313-00	7 - 13	6H4-41611-10	9 - 15	6H4-42726-00	14 - 2		20 - 38
6J8-13436-40	1 - 13	6J8-14985-00	5 - 8	6YL-24329-00	27 - 7	6J8-41615-00	9 - 16	6J8-42726-00	14 - 13	6J8-43616-10	20 - 47
6J8-13437-81	13 - 36		31 - 20	6E5-24378-00	6 - 44	6J8-41618-00	9 - 17	6J8-42726-10	14 - 13	6J8-43617-00	20 - 32
6J8-13437-91	8 - 51	6J8-14991-00	5 - 6	6J8-24415-00	5 - 29	6J8-41631-02	16 - 7	6J8-42726-20	14 - 28	6J8-43617-10	20 - 40

NUMERICAL INDEX
INDEX NUMERIQUE

PART NO. NO. PIECES	REF. NO.	PART NO. NO. PIECES	REF. NO.	PART NO. NO. PIECES	REF. NO.	PART NO. NO. PIECES	REF. NO.	PART NO. NO. PIECES	REF. NO.	PART NO. NO. PIECES	REF. NO.
6J8-43627-00	20 - 11	6H1-43867-00	23 - 32	663-44324-A0	32 - 8	6J8-45567-01-10	25 - 38	703-48222-00	30 - 27	6J8-48534-00	17 - 1
6J8-43631-00	20 - 26	65W-43869-00	23 - 5		32 - 16	6J8-45567-01-12	25 - 38	703-48223-00	30 - 28		18 - 3
6J8-43631-10	20 - 36	65W-43871-00	23 - 21	663-44341-00-94	25 - 24	6J8-45567-01-15	25 - 38	703-48224-00	30 - 55	682-48538-50	17 - 10
6J8-43633-00	20 - 27	6H1-43875-00	23 - 42	6H4-44352-02	25 - 20	6J8-45567-01-18	25 - 38	703-48225-00	30 - 29		18 - 11
	20 - 37	62X-43878-00	23 - 62		32 - 13	6J8-45567-01-30	25 - 38	703-48226-00	30 - 26	6J8-48544-01	17 - 3
6J8-43641-00	20 - 30	65W-43879-00	23 - 12	6J8-44361-00	26 - 1	6J8-45567-01-40	25 - 38	703-48227-00	30 - 24		18 - 4
	20 - 39	65W-4388E-00	23 - 14	6J8-44361-10	26 - 1	6J8-45567-01-50	25 - 38	703-48230-15	29 - 1	6J8-61350-10	28 - 11
6H4-43659-00	20 - 19	65W-43880-00	23 - 2	6J8-44366-00	26 - 2	6J8-45571-00	25 - 46		30 - 1	689-61350-02	28 - 1
6J8-43673-00	20 - 35	65W-43881-00	23 - 6	663-44366-00	25 - 22	664-45576-00	25 - 50	703-48232-00	30 - 62	6J8-61351-00	28 - 12
6J8-43681-01	20 - 34	65W-43882-00	23 - 8	663-44367-00	26 - 3	664-45577-01-10	25 - 49	703-48234-00	30 - 18	689-61351-01	28 - 2
65W-4380F-00	23 - 11	65W-43887-00	23 - 13	6H3-44391-01	14 - 15	664-45577-01-12	25 - 49	703-48235-00	30 - 4	6E5-61355-00	28 - 7
65W-4380K-00	23 - 16	65W-43888-00	23 - 28	6J8-44511-00-4D	19 - 48	664-45577-01-15	25 - 49	703-48236-00	30 - 16	6J8-81332-00	9 - 22
65W-4380L-00	23 - 27	65W-43891-00	23 - 10		22 - 31	664-45577-01-18	25 - 49	703-48238-00	30 - 22	6J8-81337-10	13 - 27
65W-43800-02-4D	23 - 1	65W-43892-00	23 - 9	6H4-44514-00	19 - 44	664-45577-01-30	25 - 49	703-48243-00	30 - 15	6J8-81338-00	13 - 31
6T4-43802-03	23 - 30	6J8-44111-01-4D	15 - 25		22 - 27	664-45577-01-40	25 - 49	703-48244-00	30 - 21	6J8-81365-A0	13 - 33
65W-43804-00	23 - 3	6J8-44116-00	16 - 19	6H4-44551-02-4D	19 - 31	664-45577-01-50	25 - 49	703-48245-00	30 - 11	6F5-81800-11	13 - 1
65W-43805-00	23 - 4	6J8-44121-00	16 - 15		22 - 15	663-45587-01-10	25 - 5	703-48246-00	30 - 23	689-81807-12	13 - 3
65W-4381B-00	23 - 22	6J8-44123-00	16 - 11	6H4-44553-01	19 - 38	663-45587-01-12	25 - 5	701-48248-00	30 - 13	689-81809-11	13 - 7
65W-43810-00	23 - 17	6J8-44124-00	15 - 30		22 - 21	663-45587-01-15	25 - 5	703-48250-17	29 - 1	689-81810-11	13 - 9
65W-43812-00	23 - 18	6J8-44125-00	15 - 26	6H4-44557-00	19 - 37	663-45587-01-18	25 - 5		30 - 1	689-81811-11	13 - 10
6H1-43816-00	23 - 25	682-44132-00	15 - 27	6H4-44557-10	19 - 37	663-45587-01-30	25 - 5	703-48252-00	30 - 12	689-81812-11	13 - 12
65W-43817-00	23 - 39	6J8-44142-00	16 - 33		22 - 20	663-45587-01-40	25 - 5	703-48261-11	30 - 2	689-81813-10	13 - 13
65W-4382A-00	23 - 47	6J8-44143-00	16 - 22	6J8-45111-01-4D	24 - 1	663-45587-01-50	25 - 5	703-48264-00	30 - 6	689-81820-11	13 - 14
6H1-43829-00	23 - 61	682-44147-00	25 - 16	6J8-45111-11-4D	24 - 1	6J8-45611-00	25 - 39	703-48265-00	30 - 9	6J8-81822-01-94	13 - 21
65W-43830-00	23 - 36	6J8-44150-00	25 - 15	6J8-45113-A0	2 - 32	6J8-45631-00	25 - 41	703-48268-00	30 - 5	689-81826-10	13 - 15
65W-43831-00	23 - 35	6J8-44150-10	25 - 15		31 - 14	648-45633-00	25 - 43	703-48271-00	30 - 60	6F5-81830-11	13 - 4
6H1-4384F-10	23 - 57	6J8-44173-02	17 - 6	6J8-45114-A1	24 - 5	6J8-45635-00	25 - 44	703-48281-00	30 - 31	689-81831-00	13 - 5
65W-43840-00	23 - 15		18 - 7		32 - 2	664-45941-01-EL	26 - 26	703-48282-00	30 - 32	689-81840-11	13 - 11
62X-43841-00	23 - 33	682-44176-00	25 - 13	663-45119-00	19 - 21	664-45943-01-EL	26 - 26	703-48284-00	30 - 52	689-81847-11	13 - 6
65W-43843-00	23 - 54	6J8-44177-00	17 - 4		21 - 19	664-45945-00-EL	26 - 26	701-48287-00	30 - 42	689-81850-12	13 - 8
6H1-43844-10	23 - 56		18 - 5	689-45214-01	26 - 13	664-45947-01-EL	26 - 26	703-48291-10	30 - 39	689-81857-11	13 - 2
65W-43844-00	23 - 48	6E0-44191-11	15 - 3	6J8-45215-00	26 - 14	664-45949-02-EL	26 - 26	703-48293-10	30 - 41	6J8-81916-10	11 - 11
6H1-43845-00	23 - 43	689-44194-00	10 - 18	6J8-45224-10	26 - 6	664-45952-00-EL	26 - 26	701-48310-80	29 - 2		12 - 11
6H1-43847-00	23 - 45	6J8-44311-00	25 - 18	65W-45251-00	21 - 25	664-45954-01-EL	26 - 26	701-48310-90	29 - 2	6H5-81920-00	12 - 32
65W-43851-00	23 - 49	663-44315-A0	25 - 21	6J8-45300-04-4D	25 - 1	664-45970-00-98	26 - 26	701-48320-00	29 - 2	6G1-81941-10	11 - 1
6T4-43853-00	23 - 37		32 - 4	6J8-45300-14-4D	25 - 1	6J8-45986-10-98	26 - 28	703-48345-01	30 - 19		12 - 1
65W-43853-00	23 - 60		32 - 14	6J8-45301-02-4D	25 - 2	6L2-45987-01	26 - 21	703-48358-00	30 - 20	6J8-81945-00	11 - 3
65W-43854-00	23 - 46	663-44316-A0	25 - 27	689-45331-01-94	25 - 47	689-45997-00	26 - 22	6J8-48501-03-4D	18 - 1		12 - 3
65W-43855-00	23 - 52		32 - 7	664-45371-01	26 - 17	703-48152-00	30 - 57	6J8-48501-11	18 - 1	6J8-81950-00	12 - 27
6H1-43856-10	23 - 55		32 - 17	688-45375-00	26 - 5	703-48153-00	30 - 3	6G8-48511-00	18 - 21	6G1-81952-00	11 - 2
65W-4386A-00	23 - 58	670-44321-00	32 - 22	663-45376-00-94	26 - 4	703-48189-00	30 - 17	6G8-48511-10	18 - 24		12 - 2
65W-4386K-00	23 - 7	663-44322-00	25 - 19	6E5-45378-00	25 - 7	703-48198-00	30 - 14	6J8-48511-01-4D	18 - 20	6J8-81960-00	10 - 16
6H1-43861-10	23 - 20		32 - 12	664-45384-00	25 - 55	703-48211-01	30 - 61		19 - 51	6G1-81970-61	11 - 7
	23 - 23	670-44322-01	32 - 21	6J8-45501-00	25 - 33	703-48212-00	30 - 58	6J8-48511-51-4D	22 - 34		12 - 7
65W-43861-00	23 - 40	663-44323-00	25 - 28	6J8-45501-10	25 - 33	703-48213-00	30 - 59	6J8-48531-00	17 - 8	6J8-81975-00	10 - 17
65W-43862-00	23 - 41		32 - 15	6J8-45536-00	25 - 4	703-48215-00	30 - 43		18 - 9	689-82105-13	11 - 25
65W-43865-00	23 - 19	670-44323-00	32 - 23	6J8-45551-00	25 - 34	703-48219-00	30 - 30	6J8-48532-00	17 - 9		12 - 25
6H1-43866-00	23 - 31	663-44324-A0	25 - 29	6J8-45560-00	25 - 36	703-48221-00	30 - 56		18 - 10	6F5-82117-00	11 - 6

**NUMERICAL INDEX
INDEX NUMERIQUE**

PART NO. NO. PIECES	REF. NO.	PART NO. NO. PIECES	REF. NO.	PART NO. NO. PIECES	REF. NO.	PART NO. NO. PIECES	REF. NO.	PART NO. NO. PIECES	REF. NO.	PART NO. NO. PIECES	REF. NO.
6F5-82117-00	12 - 6	6H4-85510-F1	9 - 3	90119-06M32	4 - 10	90201-12426	19 - 54	90386-18M44	21 - 34	90465-11M10	21 - 26
682-82119-01	12 - 37	6J8-85510-A1	9 - 3	90119-06M61	14 - 19		21 - 42	90386-22M15	21 - 13		25 - 10
6H4-82127-00	19 - 43	663-85518-00	9 - 11	90119-06M65	6 - 48	90201-16M44	9 - 14	90386-22M69	19 - 10	90465-13M11	21 - 24
	22 - 26	6H4-85520-01	9 - 4	90119-06023	2 - 13	90201-16379	3 - 12	90386-30M60	19 - 30	90465-13M18	11 - 12
6U0-82127-00	21 - 29	6J8-85520-01	9 - 4		3 - 18	90201-20417	25 - 45		22 - 14		12 - 12
6E5-82148-00	19 - 3	6H4-85533-A1	9 - 1	90119-08MA8	2 - 20	90201-22M03	19 - 11	90386-30M77	19 - 26	90465-13M76	14 - 32
6H1-82148-00	21 - 28	6J8-85540-H2	10 - 1	90119-08M13	25 - 31		21 - 14		22 - 10	90465-18147	11 - 13
6G1-82151-00	11 - 8	6H4-85548-00	9 - 9		32 - 18	90201-30M00	19 - 28	90386-30M78	19 - 27		12 - 13
	12 - 8	6J8-85548-00	9 - 19	90119-08M31	24 - 3		22 - 12		22 - 11	90467-06016	2 - 15
6H3-82151-00	11 - 16	6J8-85550-A1	9 - 2	90119-08M34	25 - 32	90201-50306	3 - 7	90386-33M96	15 - 6	90467-08004	6 - 37
	12 - 16	6J8-85550-F1	9 - 2		32 - 19	90202-05088	6 - 23	90386-34M97	15 - 7		7 - 4
6A0-82317-00	6 - 46	6J8-85570-21	10 - 10	90119-08M92	26 - 12	90202-10024	16 - 31	90387-06M03	12 - 28		7 - 15
6G1-82370-21	10 - 14	6J8-85720-01	6 - 49	90119-08019	2 - 5	90202-12M17	16 - 36	90387-06M29	8 - 35	90467-10M04	6 - 45
703-82510-33	30 - 44	6J8-86110-00	11 - 17	90149-05M13	15 - 19	90202-12M25	14 - 4	90387-06M41	14 - 18	90467-11M08	6 - 36
703-82510-43	30 - 44		12 - 17	90149-14M12	19 - 7	90202-12031	20 - 10	90387-06M60	6 - 20	90468-05M03	6 - 24
6J8-82531-00	10 - 7	6J8-86116-00	11 - 18	90152-05M04	26 - 15		20 - 14	90387-06M81	9 - 21	90468-07M02	6 - 12
703-82531-00	30 - 46		12 - 18	90157-05M16	27 - 6	90202-36M55	15 - 5	90387-07M64	20 - 21		6 - 17
703-82540-00	30 - 50	682-86117-00	11 - 19	90159-05M26	11 - 14	90206-12M16	20 - 15	90387-08M03	19 - 16	90480-09M21	14 - 17
6J8-82553-00	14 - 36		12 - 19		12 - 14	90206-12052	14 - 5	90387-10M42	28 - 6	90480-10M16	13 - 29
682-82556-00	14 - 30	9E471-09205	9 - 8	90161-03M01	1 - 15	90206-36M21	15 - 4	90430-08020	25 - 12	90480-14M17	13 - 28
	30 - 48	90101-06M00	9 - 20	90164-06M01	14 - 21	90214-45M02	25 - 54		32 - 3	90480-25161	10 - 21
663-82557-00	14 - 35	90101-06020	21 - 27	90170-06015	16 - 25	90243-04M01	19 - 6	90445-07ME9	25 - 8	90501-10065	25 - 40
689-82560-00	10 - 15	90101-06024	8 - 44	90170-09M03	28 - 5	90249-06M24	20 - 31	90445-07M04	6 - 15	90501-10227	8 - 32
703-82563-02	30 - 55	90101-08001	2 - 9	90171-14013	26 - 24	90249-07M25	20 - 44	90445-07M08	6 - 9	90501-23215	15 - 17
6E3-8257H-00	14 - 40	90101-08339	19 - 15	90179-06M24	1 - 7	90249-12M27	20 - 12	90445-07M29	2 - 14	90502-10M04	20 - 4
689-8257Y-00	14 - 31	90101-10M58	19 - 52		17 - 13	90249-12M28	20 - 8	90445-07M31	25 - 8	90506-12M25	20 - 7
688-82575-01	30 - 47	90101-12M65	21 - 40		18 - 14	90249-12M38	21 - 22	90445-07M32	6 - 10	90506-32M22	20 - 24
689-82575-04	14 - 29	90105-06M18	19 - 24	90179-08M15	7 - 10	90249-18M35	21 - 36		6 - 11	90508-18M23	20 - 28
703-82577-00	30 - 45		22 - 5	90179-10M14	25 - 35	90250-05010	25 - 42	90445-09M00	7 - 5	90508-20M22	20 - 48
688-8258A-20	30 - 49	90109-05M32	6 - 7	90179-16M05	9 - 13	90254-03M03	17 - 5	90445-11M02	6 - 42	90508-25M21	20 - 43
6J8-82580-00	11 - 23	90109-05M33	6 - 8	90185-05002	26 - 16		18 - 6	90445-11M03	6 - 38	90510-08M04	8 - 18
6J8-82580-10	12 - 23	90109-06M28	16 - 3	90185-08045	19 - 47	90254-03M04	15 - 28	90445-11M04	6 - 43	91318-04025	23 - 38
688-82586-21	30 - 49	90109-06M29	17 - 12		22 - 30		16 - 12	90445-11M07	6 - 40	91490-16010	15 - 12
703-82591-00	30 - 53		18 - 13	90185-09M01	28 - 4		16 - 34	90445-11M08	6 - 16		16 - 24
703-82592-00	30 - 54	90109-06M86	14 - 26		28 - 15	90266-04M00	1 - 5	90446-10M01	6 - 39	91490-20010	20 - 25
703-82594-00	30 - 25	90109-08M26	19 - 45	90185-10M13	21 - 39	90269-02M09	15 - 16	90446-14M88	12 - 31	91490-20012	15 - 32
703-83383-02	30 - 51		22 - 28	90185-10051	19 - 36	90280-03024	25 - 23	90464-03M15	13 - 22		16 - 14
6E9-83557-70	11 - 15	90110-10M02	21 - 37		22 - 19	90280-05013	9 - 12	90464-05M16	10 - 13	91490-30022	26 - 25
	12 - 15	90116-09M32	28 - 13	90185-22M11	21 - 15	90282-04010	25 - 56	90464-07M05	6 - 13	91690-30010	20 - 3
6E5-83558-00	25 - 9	90116-10M28	19 - 34	90185-22043	19 - 13	90338-07M00	24 - 8	90464-09M21	7 - 12	91690-30012	17 - 11
6A1-83625-41	4 - 26		22 - 17	90201-06060	8 - 20	90340-08002	25 - 11	90464-09M51	14 - 25		18 - 12
6A1-83625-51	4 - 27	90119-05M31	4 - 14	90201-08M00	21 - 33	90386-06M12	15 - 29	90464-12M17	7 - 21	91690-30018	21 - 8
6E0-83627-41	15 - 33	90119-06MA3	2 - 24	90201-08M93	6 - 1	90386-08032	15 - 20	90464-15M11	10 - 4	91690-40014	8 - 3
6E0-83627-51	15 - 34		2 - 31	90201-09425	19 - 46	90386-12MA0	21 - 20		11 - 26	91690-50022	13 - 30
64E-83672-02	22 - 6		4 - 8		22 - 29	90386-12M61	14 - 6		12 - 26	92903-06600	8 - 43
682-84381-00	14 - 33	90119-06MA4	2 - 6	90201-10M20	28 - 3	90386-12M98	21 - 21	90465-08M12	12 - 30		11 - 5
6J8-84387-00	14 - 34	90119-06MA5	2 - 30		28 - 14	90386-14MA1	21 - 9	90465-08M63	22 - 8		11 - 21
6J8-85410-00	14 - 37	90119-06M17	12 - 29	90201-10M63	28 - 8	90386-18MA0	21 - 35	90465-10M77	21 - 3		12 - 5

NUMERICAL INDEX
INDEX NUMERIQUE

PART NO. NO. PIECES	REF. NO.	PART NO. NO. PIECES	REF. NO.	PART NO. NO. PIECES	REF. NO.	PART NO. NO. PIECES	REF. NO.	PART NO. NO. PIECES	REF. NO.	PART NO. NO. PIECES	REF. NO.
92903-06600	12 - 21	92995-08600	22 - 23	93210-60MA3	32 - 9	97013-08014	13 - 34	97880-06012	9 - 18		
	16 - 18		24 - 12	93306-00612	25 - 48	97013-08016	13 - 16		26 - 7		
92903-08100	13 - 19		26 - 20	93306-305U3	3 - 6	97013-08030	13 - 18	97880-06025	16 - 4		
92903-08600	8 - 50	92995-10100	26 - 10	93311-632U7	3 - 3	97013-08035	13 - 23	97885-05010	9 - 23		
	13 - 17	92995-10600	19 - 35	93315-220V7	25 - 3	97013-08055	13 - 25	97885-05012	15 - 23		
	13 - 20		19 - 42	93315-22004	25 - 52	97075-08020	26 - 18	97885-06008	19 - 4		
	13 - 24		19 - 53	93332-000V6	25 - 37	97075-08030	24 - 11	97885-06016	22 - 7		
	13 - 26		21 - 38	93332-00001	25 - 6	97075-08035	19 - 49	97902-04106	9 - 7		
	13 - 35		22 - 18	93410-28M06	19 - 32		22 - 32	97902-04112	9 - 6		
92903-10600	15 - 18		22 - 25		22 - 16	97075-10040	26 - 9	97902-05408	9 - 10		
92990-05600	4 - 4		26 - 11	93430-06M02	8 - 24	97080-08016	21 - 32	97902-06120	9 - 5		
	4 - 17	92995-12200	21 - 41		20 - 22	97095-06010	21 - 4	97980-03122	5 - 32		
	5 - 24	93101-20M07	25 - 53	93430-06024	30 - 10	97095-06012	10 - 5	97980-04110	5 - 20		
	11 - 10		32 - 10	93430-10M00	20 - 9		10 - 8	97980-04112	5 - 21		
	12 - 10	93101-23070	25 - 25		20 - 13		10 - 19		31 - 27		
	16 - 23		32 - 5		21 - 23		12 - 35	97980-04124	5 - 33		
92990-06200	15 - 31	93101-25M28	3 - 15	93450-17129	3 - 13		16 - 20	98580-03015	30 - 38		
	16 - 13		31 - 2	93501-08001	23 - 59	97095-06014	12 - 33	98580-04006	30 - 36		
92990-08100	17 - 2	93102-26M27	3 - 4	93602-16M10	3 - 11		21 - 30	98580-04010	30 - 35		
	18 - 2		31 - 9	93604-08062	25 - 30	97095-06016	8 - 5	98580-05010	30 - 37		
92990-08600	30 - 34	93104-16M04	3 - 16	93606-12019	2 - 7		8 - 45	98780-05008	5 - 22		
92990-14200	26 - 23		31 - 3		24 - 2		18 - 22	99080-05600	20 - 23		
92995-05600	9 - 24	93210-03261	11 - 22		24 - 9		18 - 25		20 - 33		
92995-06100	10 - 12		12 - 22		26 - 8	97095-06020	10 - 11		20 - 45		
92995-06600	7 - 3	93210-03478	23 - 51	93700-06M03	19 - 20		15 - 9	99530-10014	8 - 30		
	8 - 6	93210-064A5	23 - 26		21 - 18	97095-06025	6 - 19				
	8 - 27	93210-08006	23 - 50	94702-00271	2 - 33		7 - 2				
	8 - 29	93210-09165	23 - 34	95303-06600	16 - 5		8 - 11				
	8 - 37	93210-10M74	23 - 63	95380-05600	16 - 10		8 - 21				
	8 - 46	93210-11073	23 - 53		16 - 29		8 - 28				
	10 - 3	93210-11368	23 - 24		30 - 7		8 - 36				
	10 - 6	93210-13M04	6 - 4	95380-05700	6 - 26		10 - 2				
	10 - 9	93210-16275	28 - 10	95380-06600	8 - 12	97095-06035	8 - 26				
	10 - 20		28 - 17		30 - 40	97095-08016	7 - 19				
	12 - 34	93210-18397	23 - 44	95380-06700	8 - 22	97095-08020	21 - 11				
	12 - 36	93210-19M82	6 - 6		25 - 17	97095-08025	19 - 39				
	16 - 21	93210-29M94	19 - 29	95380-08600	19 - 18		22 - 22				
	18 - 23		22 - 13	95380-10600	19 - 55	97095-10060	19 - 41				
	18 - 26	93210-32738	7 - 9	95380-12600	21 - 43		22 - 24				
	21 - 5		31 - 13	95780-08300	16 - 32	97380-05025	30 - 8				
	21 - 31	93210-41042	25 - 26	95895-06012	14 - 8	97380-08030	30 - 33				
92995-08100	19 - 50		32 - 6	97013-06016	11 - 4	97575-08550	24 - 10				
	21 - 12	93210-42159	3 - 5		11 - 20	97780-50510	25 - 14				
	22 - 33		31 - 15		12 - 4	97780-60525	22 - 2				
	26 - 19	93210-50768	23 - 29		12 - 20	97880-05016	4 - 3				
92995-08600	7 - 20	93210-56M80	3 - 17	97013-06020	8 - 42	97880-05025	11 - 9				
	19 - 17		31 - 4		16 - 17		12 - 9				
	19 - 40	93210-60MA3	25 - 51	97013-08014	8 - 49	97880-05040	4 - 16				

30DEO/30DMHO/30DETO
PARTS CATALOGUE
©2002 by Yamaha Motor Co., Ltd.
1st Edition, Jun. 2002
All rights reserved.
Any reprinting or unauthorized use
without the written permission of
Yamaha Motor Co., Ltd.
is expressly prohibited.

30DEO/30DMHO/30DETO
CATALOGUE DE PIÈCES DÉTACHÉES
©2002 Yamaha Motor Co., Ltd.
1ère Edition, Juin. 2002
Tous droits réservés.
Toute réimpression ou utilisation
sans la permission écrite de la
Yamaha Motor Co., Ltd.
est formellement interdite.