



PARTS CATALOGUE

30MHD (6J8D)

30DMH'05 (6J8D)

30DETO'05 (6J8E)

FOREWORD

This Parts Catalogue is related to the parts for the model(s) on the cover page. When you are ordering replacement parts, please refer to this Parts Catalogue and quote both part numbers and part names correctly.

1. Modifications or additions which have been made after the issue of the Parts Catalogue will be announced in the Parts News.
It is advisable that you make the necessary corrections to the Parts Catalogue according to the Parts News.

2. Abbreviations
The following abbreviations are used in this Parts Catalogue.

“UR” Use specified parts number.
 “UN” Use as many as needed.
 “AP” Alternate Parts
 “LM” Locally Made (Parts need to be ordered locally)
 “F#” Frame No. (Applicable machine No.)
 “O/S” Over Size

3. The number of components for assembly
 - Parts, which are to be supplied in an assembly, are listed with a dot (.) in front of the part name as shown below.
 - The numeral appearing to the right of each component part indicates the quantity of parts for each assembly unit.

PART NO.	DESCRIPTION	Q'TY	REMARKS
2F5-83310-60	FRONT FLASHER LIGHT ASSY	2	
115-83311-60	.BULB (6V-18W)	1	

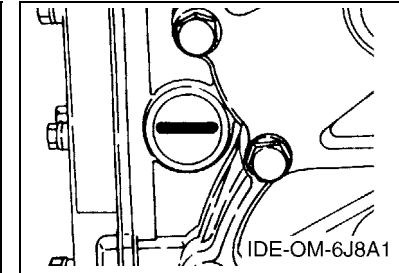
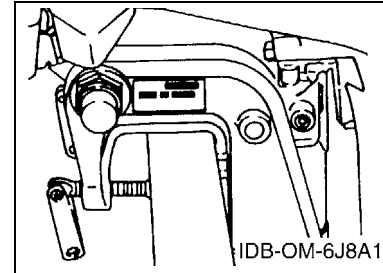
4. Applicable colours of graphics are represented in the “REMARKS” as shown below.

PART NO.	DESCRIPTION	Q'TY	REMARKS
2N4-24110-00-X5	FUEL TANK COMP.	2	MXR
3J1-24240-10	.GRAPHIC, FUEL TANK	1	FOR MXR

5. Note that the illustrations for reference in finding parts numbers are not to be used for assembling. When assembling, please use the applicable service manual.

6. The asterisk (*) before a reference number indicates modified items after the first edition.
7. Applicable Serial No.

Engine Serial No.



8. Applicable Engine Starting Serial No.

Model	Serial No.	Model	Serial No.
30	6J8K-1002141	30D	6J8K-1002141

9. Applicable Colour Code

Abbreviation	Colour Name	Colour Code
DBNM2	DARK BLUISH GRAY METALLIC 2	004D

10. Quantity Column Information

Column No.	Name Of Q'ty Column	Applicable Model
1	MH	30DMH
2	MHO	30MHD
3	ETO	30DETO

CONTENTS

SHEET1/2

TOP COWLING	A4
CYLINDER & CRANKCASE	A5
CRANKSHAFT & PISTON	A7
INTAKE	B1
CARBURETOR	B3
OIL PUMP	B5
FUEL	B7
STARTER	C1
GENERATOR	C3
ELECTRICAL 1	C4
ELECTRICAL 2	C5
STARTING MOTOR	C7
BOTTOM COWLING	D2
STEERING	D4
CONTROL 1	D6
CONTROL 2	E1
REMO CON ATTACHMENT	E2
BRACKET 1	E3
BRACKET 2	E5
BRACKET 3	E7
BRACKET 4	F2
POWER TRIM & TILT ASSY	F4
UPPER CASING	F7

INDEX

NUMERICAL INDEX	G1
-----------------------	----

SHEET2/2

LOWER CASING & DRIVE 1	A4*
LOWER CASING & DRIVE 2	A7*
FUEL TANK	B2*
STEERING GUIDE	B3*
REMOTE CONTROL BOX	B4*
REMOTE CONTROL ASSY	B5*
REPAIR KIT 1	C1*
REPAIR KIT 2	C2*

INDEX

NUMERICAL INDEX	G1*
-----------------------	-----

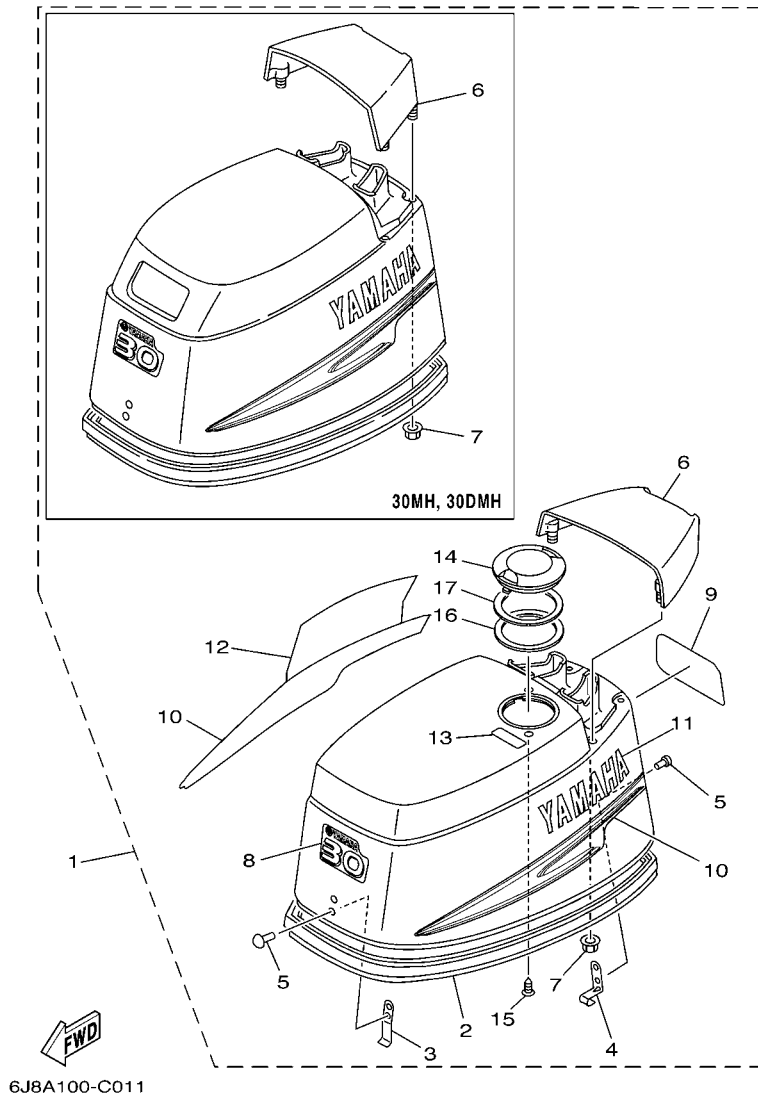


FIG. 1 TOP COWLING

REF. NO.	PART NO.	DESCRIPTION	MH	MHO	ETO	REMARKS
1	6J8-42610-C0-4D	TOP COWLING ASSY	1	1		
	6J8-42610-F0-4D	TOP COWLING ASSY			1	
2	6J8-42615-00	.SEAL	1	1	1	
3	6J8-42651-03	.HOOK	1	1	1	
4	6J8-42652-00	.HOOK	1	1	1	
5	90266-04M00	.RIVET	4	4	4	
6	6J8-42613-00-4D	.MOLDING, AIR DUCT	1	1		
	6J8-42613-10-4D	.MOLDING, AIR DUCT			1	
7	90179-06M24	.NUT	4	4	4	
8	6J8-42677-30	.GRAPHIC, FRONT	1	1	1	
9	6J8-42678-30	.GRAPHIC, REAR	1	1	1	
10	6J8-W0070-30	.GRAPHIC SET	1	1	1	
11	6J8-42681-30	.MARK, COWLING	1	1	1	
12	6J8-42682-30	.MARK, COWLING	1	1	1	
13	6J8-13436-40	.MARK			1	
14	6J8-2177H-00	.DISK CAP 2			1	
15	90161-03M01	.SCREW, TAPPING			2	
16	6J8-21732-00	.SEAL 1			1	
17	6J8-21735-00	.SEAL 2			1	

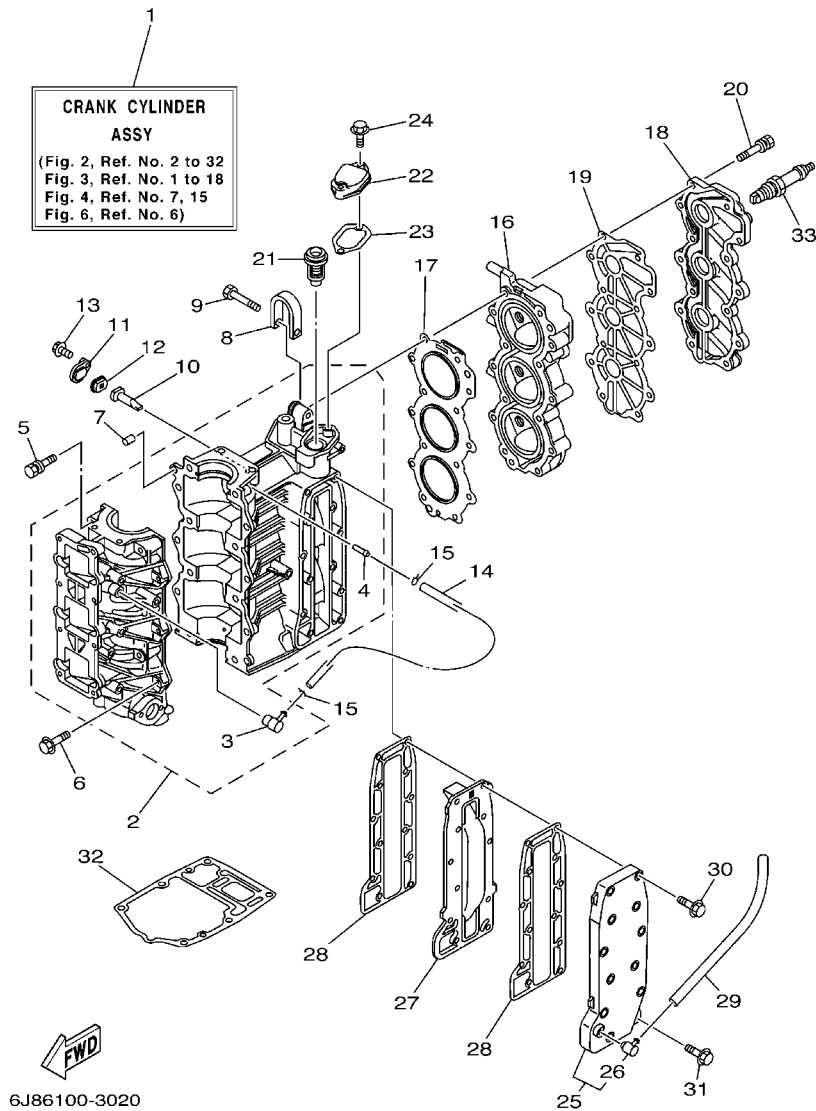
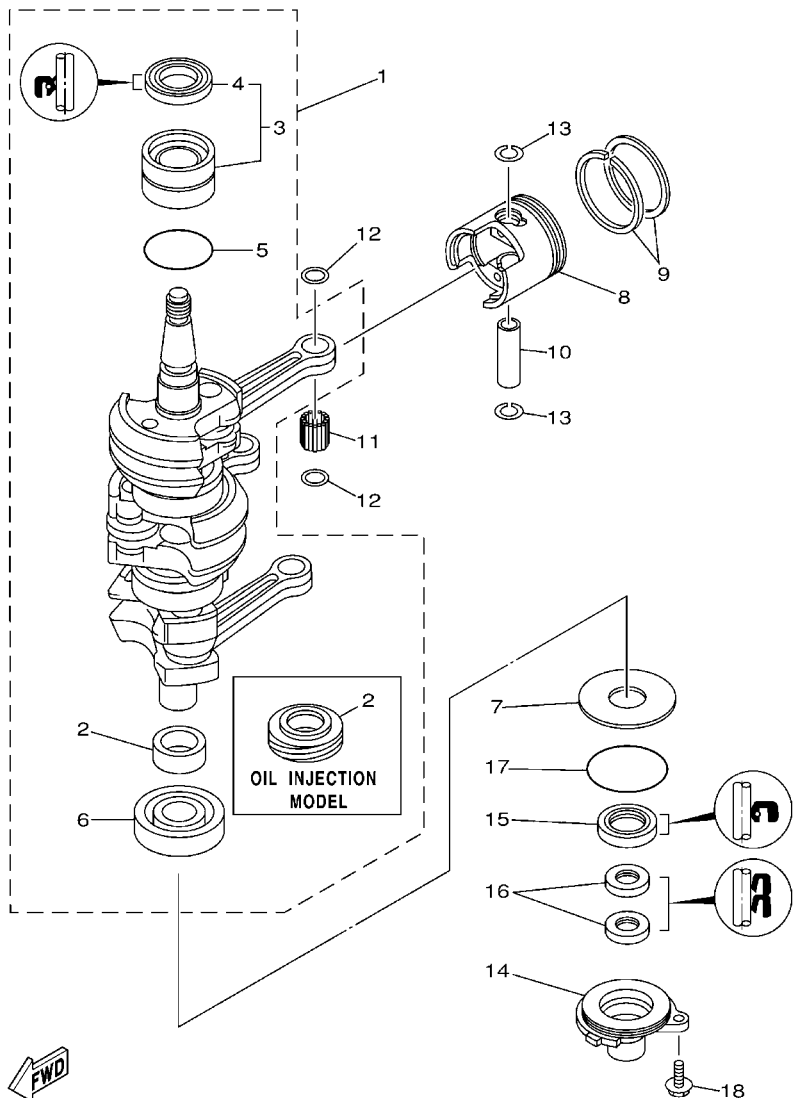


FIG. 2 CYLINDER & CRANKCASE

REF. NO.	PART NO.	DESCRIPTION	MH	MHO	ETO	REMARKS
1	6J8-W0090-06-1S	CRANK CYLINDER ASSY	1			N.O/I
	6J8-W0090-43-1S	CRANK CYLINDER ASSY		1	1	O/I
2	6J8-15100-01-1S	CRANKCASE ASSY	1			N.O/I
	6J8-15100-11-1S	CRANKCASE ASSY		1	1	O/I
3	650-11370-01	.CHECK VALVE ASSY	1	1	1	
4	624-14485-00	.PIPE, JOINT	1	1	1	
5	90119-08019	BOLT, WITH WASHER	8	8	8	
6	90119-06MA4	BOLT, WITH WASHER	6	6	6	
7	93606-12019	PIN, DOWEL	2	2	2	
8	6F5-11119-00	HANGER, ENGINE	1	1	1	
9	90101-08001	BOLT	1	1	1	
10	6J8-11325-00	ANODE	2	2	2	
11	6H3-11327-00-1S	COVER, ANODE	2	2	2	
12	6H3-11328-00	GROMMET, ANODE	2	2	2	
13	90119-06023	BOLT, WITH WASHER	2	2	2	
14	90445-07M29	HOSE (L135)	1	1	1	
15	90467-06016	CLIP	2	2	2	
16	6J8-11111-00-1S	HEAD, CYLINDER 1	1	1	1	
17	6J8-11181-A1	GASKET, CYLINDER HEAD 1	1	1	1	
18	6J8-11191-00-1S	COVER, CYLINDER HEAD 1	1	1	1	
19	6J8-11193-A1	GASKET, HEAD COVER 1	1	1	1	
20	90119-08MA8	BOLT, WITH WASHER	14	14	14	
21	688-12411-10	THERMOSTAT	1	1	1	
22	6H4-12413-00-1S	COVER, THERMOSTAT	1	1	1	
23	6J8-12414-A0	GASKET, COVER	1	1	1	
24	90119-06MA3	BOLT, WITH WASHER	2	2	2	
25	6J8-41113-00-1S	OUTER COVER, EXHAUST	1	1	1	



6J83100-2030

FIG. 3 CRANKSHAFT & PISTON

REF. NO.	PART NO.	DESCRIPTION	MH	MHO	ETO	REMARKS
1	6J8-11400-01	CRANKSHAFT ASSY	1			N.O/I
	6J8-11400-11	CRANKSHAFT ASSY		1	1	O/I
2	6J8-11445-00	.SPACER	1			N.O/I
	6J8-11536-00	.GEAR, DRIVE		1	1	O/I
3	93311-632U7	.BEARING	1	1	1	
4	93102-26M27	..OIL SEAL	1	1	1	
5	93210-42159	.O-RING	1	1	1	
6	93306-305U3	.BEARING	1	1	1	
7	90201-50306	WASHER, PLATE	1	1	1	
8	6J8-11631-02-97	PISTON (STD)	3	3	3	
	6J8-11635-02	PISTON (0.25MM O/S)	3	3	3	AP
	6J8-11636-02	PISTON (0.50MM O/S)	3	3	3	AP
9	6J8-11601-01	PISTON RING SET (STD)	3	3	3	
	6J8-11601-11	PISTON RING SET (0.25MM O/S)	3	3	3	AP
	6J8-11601-21	PISTON RING SET (0.50MM O/S)	3	3	3	AP
10	6J8-11633-00	PIN, PISTON	3	3	3	
11	93602-16M10	PIN, DOWEL	84	84	84	
12	90201-16379	WASHER, PLATE	6	6	6	
13	93450-17129	CIRCLIP	6	6	6	
14	6J8-15396-00-5B	HOUSING, OIL SEAL	1	1	1	
15	93101-25M28	OIL SEAL	1	1	1	
16	93104-16M04	OIL SEAL	2	2	2	
17	93210-56M80	O-RING	1	1	1	
18	90119-06023	BOLT, WITH WASHER	2	2	2	

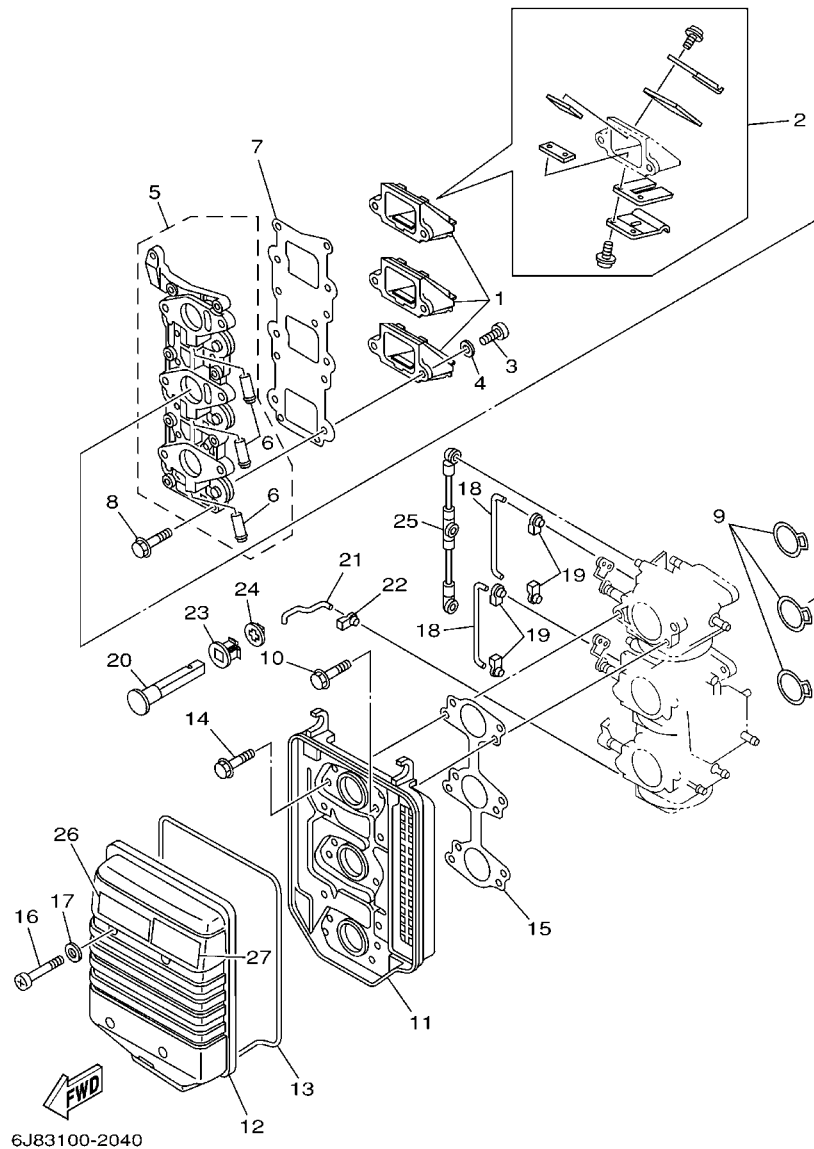
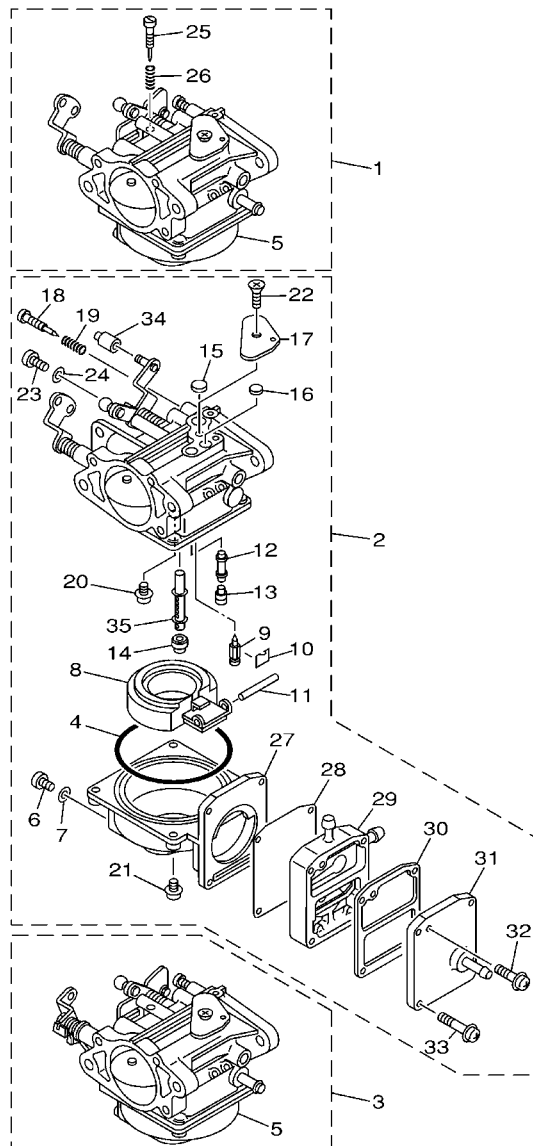


FIG. 4 INTAKE

REF. NO.	PART NO.	DESCRIPTION	MH	MHO	ETO	REMARKS
1	6J8-13610-00	REED VALVE ASSY	3	3	3	
2	6J8-W0004-00	.REED SET	1	1	1	
3	97880-05016	SCREW, PAN HEAD	6	6	6	
4	92990-05600	WASHER, PLATE	6	6	6	
5	6J8-13641-00-94	MANIFOLD 1	1			N.O/I
6	6J8-13641-10-94	MANIFOLD 1		1	1	O/I
6	676-14485-00	.PIPE, JOINT		3	3	FOR O/I
7	6J8-13621-00	GASKET, VALVE SEAT	1	1	1	
8	90119-06MA3	BOLT, WITH WASHER	8	8	8	
9	6J8-14198-00	GASKET	3	3	3	
10	90119-06M32	BOLT, WITH WASHER	6	6	6	
11	6J8-14417-00	COVER 1	1	1	1	
12	6J8-14418-00	COVER 2	1	1	1	
13	6J8-14476-00	SEAL	1	1	1	
14	90119-05M31	BOLT, WITH WASHER	6	6	6	
15	6J8-14483-A1	GASKET	1	1	1	
16	97880-05040	SCREW, PAN HEAD	4	4	4	
17	92990-05600	WASHER, PLATE	4	4	4	
18	6J8-41259-00	ROD, CHOKE 3	2	2	2	
19	661-41262-02	JOINT, CHOKE LEVER	4	4	4	
20	6J8-41271-01	KNOB, CHOKE	1	1	1	
21	6J8-41257-00	ROD, CHOKE 2	1	1	1	
22	6J8-41262-00	JOINT, CHOKE LEVER	1	1	1	
23	689-41273-00	GROMMET	1	1	1	
24	6J8-41274-00	GROMMET 2	1	1	1	
25	6J8-41217-00	ROD, ACCEL. LEVER	1	1	1	
26	6A1-83625-41	MARK 5	1	1	1	

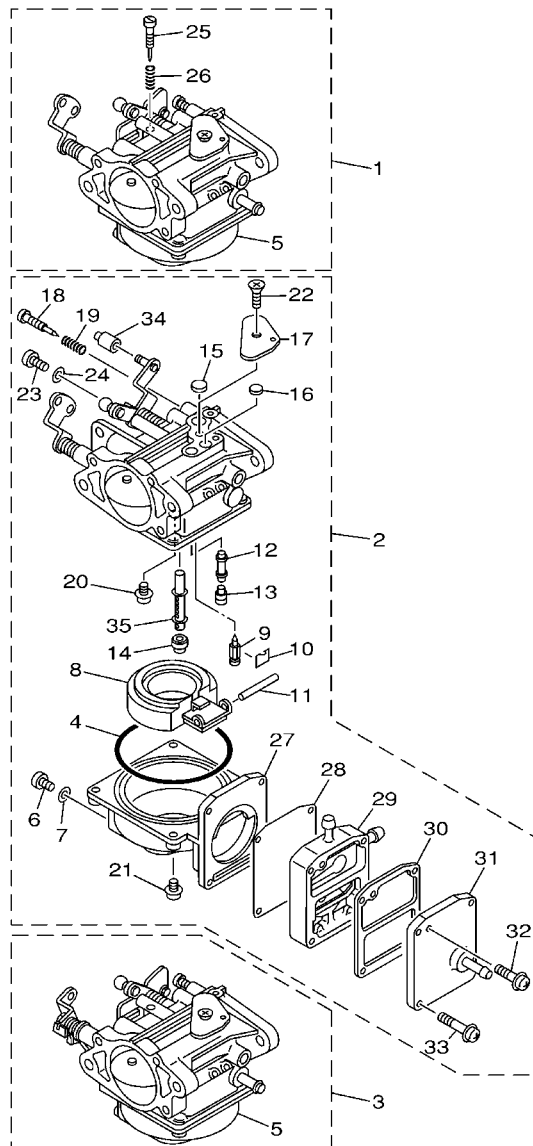
FIG. 5 CARBURETOR




6J80010-9050

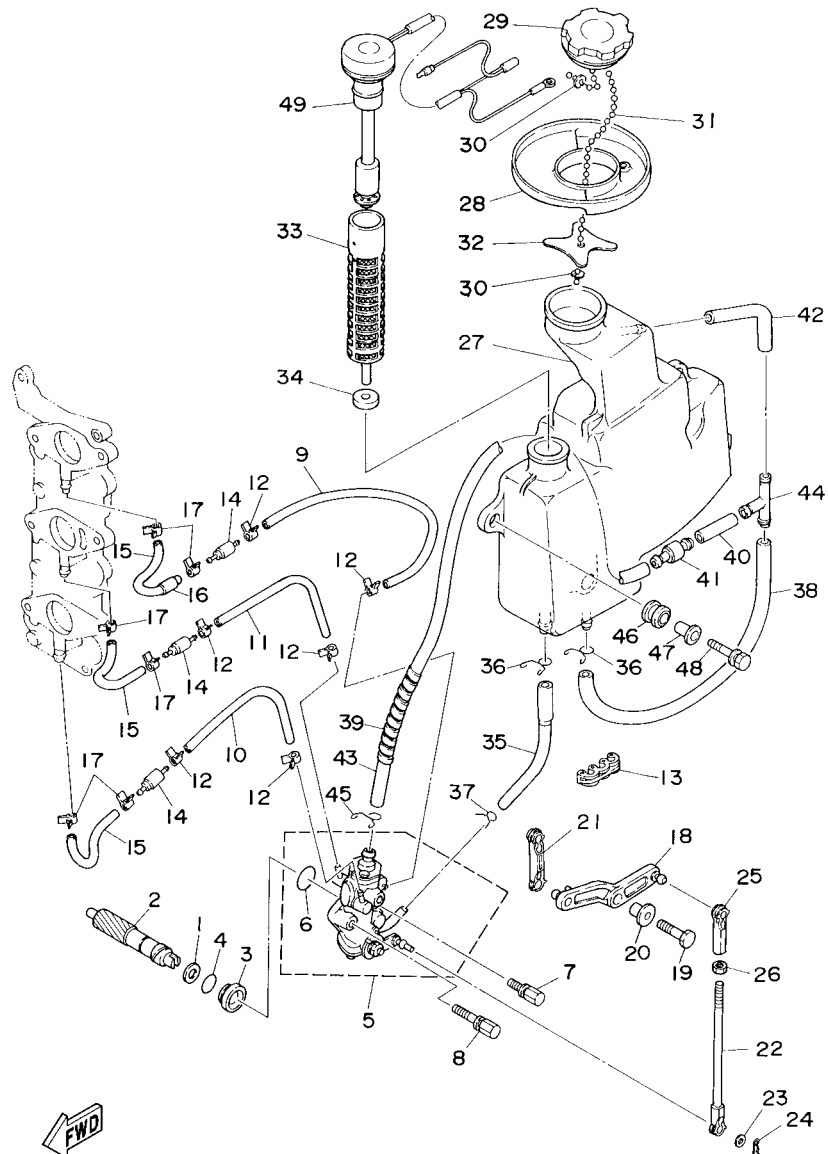
REF. NO.	PART NO.	DESCRIPTION	MH	MHO	ETO	REMARKS
1	6J8-14301-01	CARBURETOR ASSY 1	1			N.O/I
	6J8-14301-11	CARBURETOR ASSY 1		1	1	O/I
2	6J8-14302-01	CARBURETOR ASSY 2	1	1	1	
3	6J8-14303-01	CARBURETOR ASSY 3	1	1	1	
4	6J8-14984-00	.GASKET, FLOAT CHAMBER	3	3	3	
5	6J8-14980-00	.BODY, FLOAT CHAMBER	2	2	2	#1,3
6	6J8-14991-00	.SCREW	3	3	3	
7	6J8-14995-00	.GASKET	3	3	3	
8	6J8-14985-00	.FLOAT	3	3	3	
9	6J8-14546-00	.VALVE, NEEDLE	3	3	3	
10	6J8-14159-00	.CLIP	3	3	3	
11	6J8-14548-00	.PIN, FLOAT ARM	3	3	3	
12	6J8-1492F-26	.JET, AIR SLOW (#50)	3	3	3	
13	6J8-14966-00	.PLUG	3	3	3	
14	6J8-1492E-51	.JET, MAIN (#102)	3	3	3	
15	6J8-14126-00	.PLUG	3	3	3	
16	6J8-14118-00	.PLUG	3	3	3	
17	6J8-14527-01	.PLATE	3	3	3	
18	6J8-14923-00	.SCREW, PILOT	3	3	3	
19	6J8-14555-00	.SPRING	3	3	3	
20	97980-04110	.SCREW, WITH WASHER	3	3	3	
21	97980-04112	.SCREW, WITH WASHER	12	12	12	
22	98780-05008	.SCREW, FLAT HEAD	3	3	3	
23	6J8-14592-01	.SCREW	3	3	3	
24	92990-05600	.WASHER, PLATE	3	3	3	
25	6J8-14523-00	.SCREW, STOP	1	1	1	#1
26	6J8-14334-00	.SPRING, THROTTLE	1	1	1	#1

FIG. 5 CARBURETOR




6J80010-9050

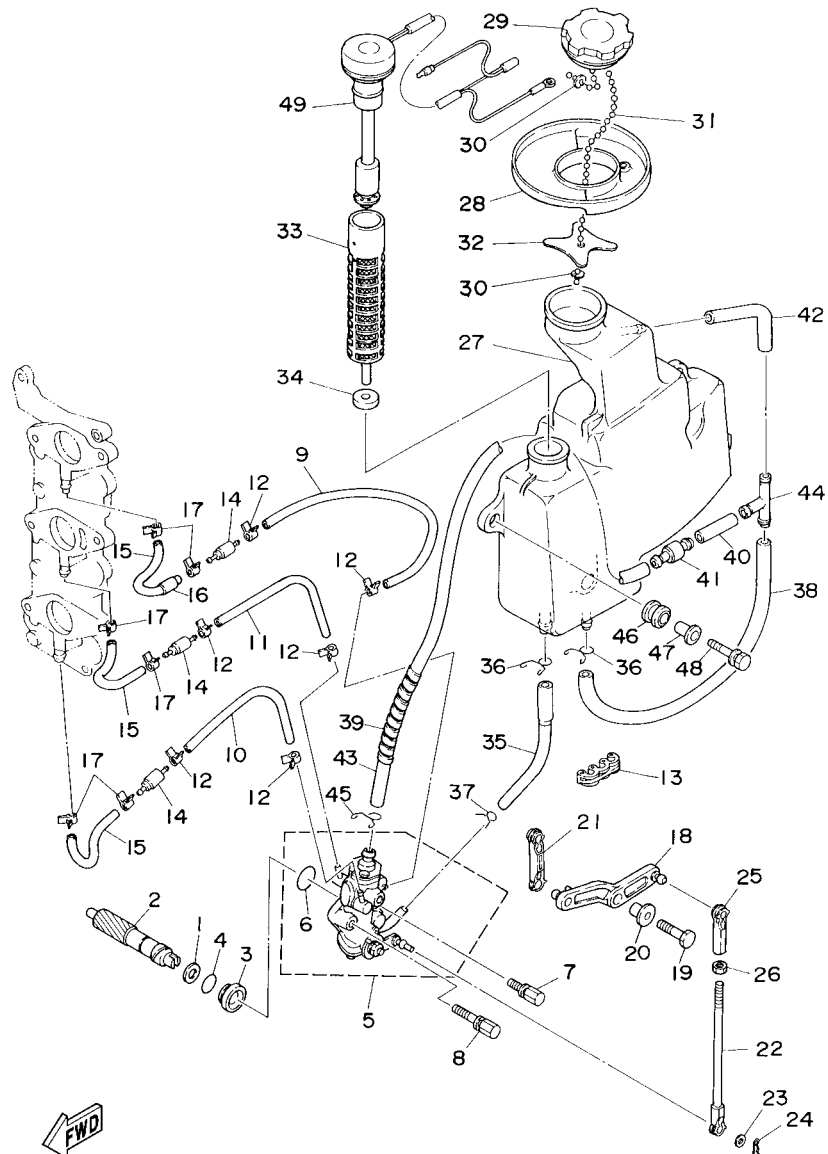
REF. NO.	PART NO.	DESCRIPTION	MH	MHO	ETO	REMARKS
27	6J8-14981-00	.BODY, FLOAT CHAMBER	1	1	1	#2
28	6J8-24471-00	.DIAPHRAGM	1	1	1	#2
29	6J8-24415-00	.BODY 4	1	1	1	#2
30	6J8-24432-00	.GASKET, FUEL PUMP 2	1	1	1	#2
31	6J8-24452-00	.COVER	1	1	1	#2
32	97980-03122	.SCREW, WITH WASHER	1	1	1	#2
33	97980-04124	.SCREW, WITH WASHER	4	4	4	#2
34	6J8-14578-00	.COLLAR	1	1	1	#2
35	6J8-1492A-00	.NOZZLE, MAIN	3	3	3	



6J80010-4060

FIG. 6 OIL PUMP

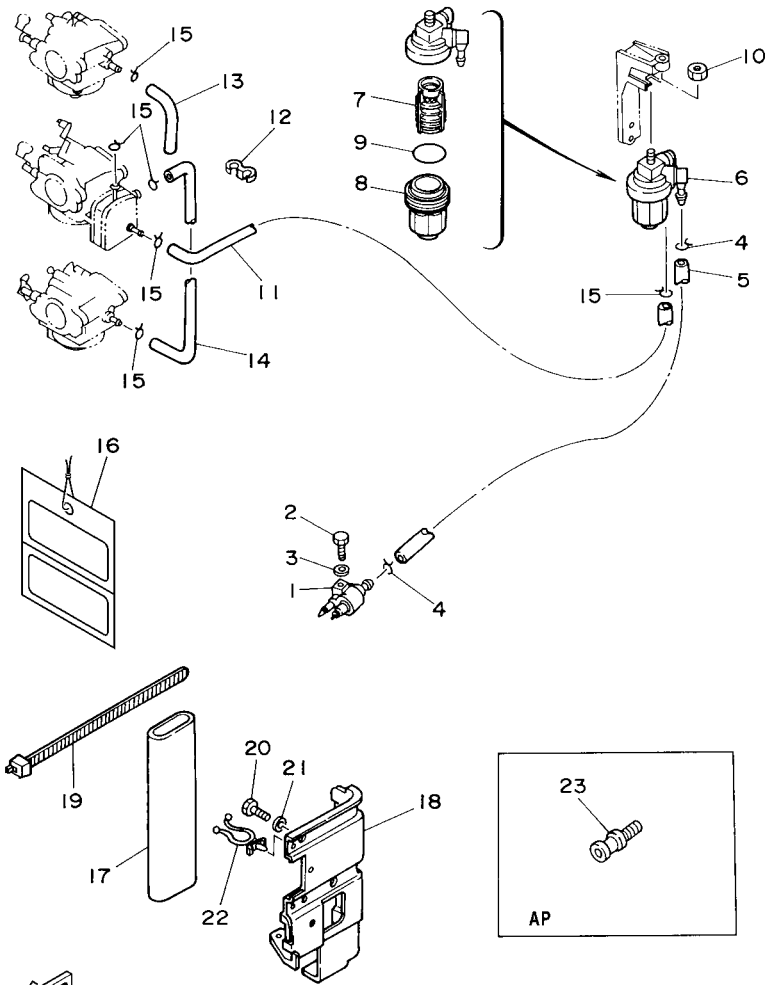
REF. NO.	PART NO.	DESCRIPTION	MH	MHO	ETO	REMARKS
1	90201-08M93	WASHER, PLATE		1	1	
2	6J8-11537-00	GEAR, DRIVEN		1	1	
3	6J8-13117-00	COLLAR, DISTANCE		1	1	
4	93210-13M04	O-RING		1	1	
5	6J8-13200-01	OIL INJECTION PUMP ASSY		1	1	
6	93210-19MA7	O-RING		1	1	
7	90109-05M32	BOLT		1	1	
8	90109-05M33	BOLT		1	1	
9	90445-07M08	HOSE (L220)		1	1	
10	90445-07M32	HOSE (L120)		1	1	
11	90445-07M32	HOSE (L120)		1	1	
12	90468-07M02	CLIP		6	6	
13	90464-07M05	CLAMP		1	1	
14	6E9-13183-70	VALVE, CHECK		3	3	
15	90445-07M04	HOSE (L50)		3	3	
16	90445-11M08	HOSE (L10)		1	1	
17	90468-07M02	CLIP		6	6	
18	6J8-13155-00	LEVER, CONTROL		1	1	
19	97095-06025	BOLT		1	1	
20	90387-06M60	COLLAR		1	1	
21	6J8-41238-00	JOINT, LINK		1	1	
22	6J8-41237-00	JOINT, LINK		1	1	
23	90202-05088	WASHER, PLATE		1	1	
24	90468-05M03	CLIP		1	1	
25	682-41237-00	JOINT, LINK		1	1	
26	95380-05700	NUT		1	1	
27	6J8-21707-01	OIL TANK COMP.			1	



6J80010-4060

FIG. 6 OIL PUMP

REF. NO.	PART NO.	DESCRIPTION	MH	MHO	ETO	REMARKS
27	6J8-21707-11	OIL TANK COMP.		1		
28	6J8-2173M-00	SEAL 3			1	
29	6H4-21770-00	OIL TANK CAP ASSY		1	1	
30	6H1-21757-00	WASHER, SPECIAL 1		2	2	
31	6H1-24633-00	CHAIN, BALL		1	1	
32	6J8-21758-00	WASHER, SPECIAL 2		1	1	
33	6J8-13411-00	STRAINER, OIL		1	1	
34	6J8-13414-00	GASKET, STRAINER COVER		1	1	
35	6J8-13416-00	PIPE, OIL 1		1	1	
36	90467-11M08	CLIP		2	2	
37	90467-08004	CLIP		1	1	
38	90445-11M03	HOSE (L330)		1	1	
39	90446-10M01	HOSE (L60)		1	1	
40	90445-11M07	HOSE (L30)		1	1	
41	6J8-21744-00	BREATHER		1	1	
42	90445-11M02	HOSE (L100)		1	1	
43	90445-11M04	HOSE (L400)		1	1	
44	6E5-24378-00	PIPE, JOINT 3		1	1	
45	90467-10M04	CLIP		1	1	
46	6A0-82317-00	DAMPER, IGNITION COIL		3	3	
47	624-42542-00	PIPE		3	3	
48	90119-06M65	BOLT, WITH WASHER		3	3	
49	6J8-85720-01	OIL LEVEL GAUGE ASSY		1	1	

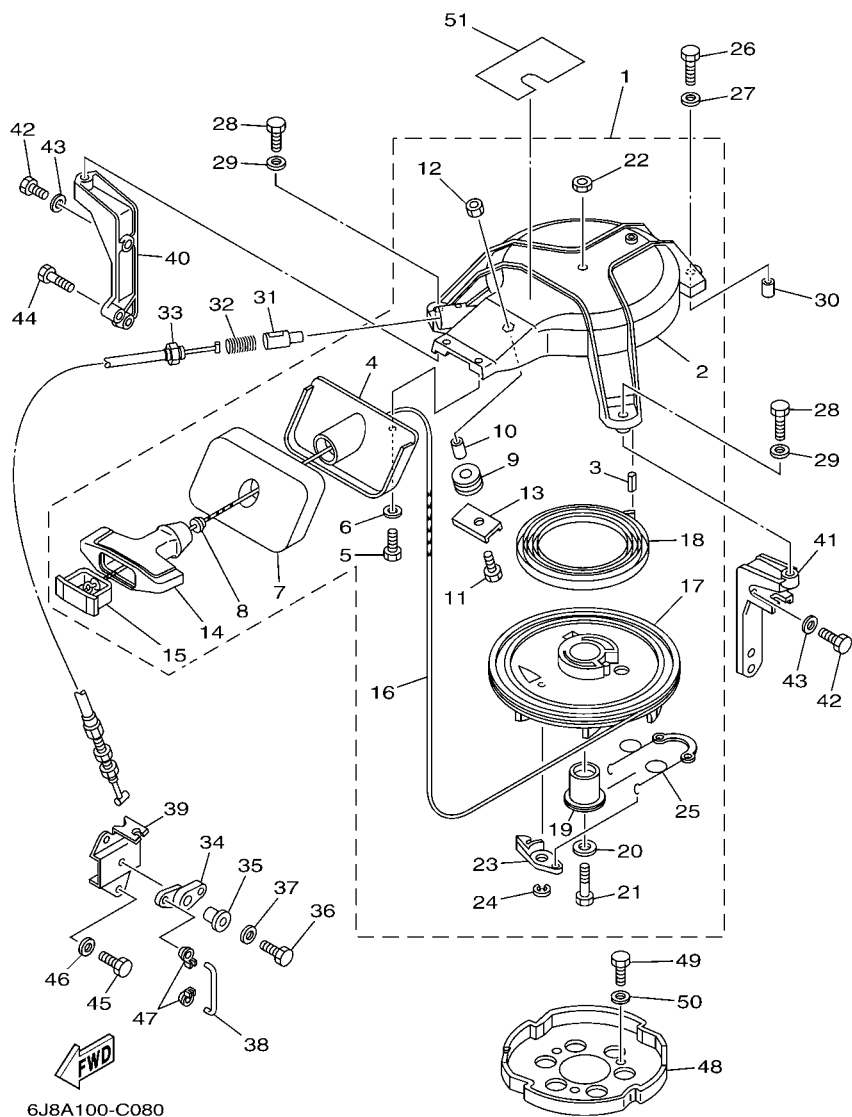


6J8A100-C070

FIG. 7 FUEL

REF. NO.	PART NO.	DESCRIPTION	MH	MHO	ETO	REMARKS
1	6G1-24304-02	FUEL PIPE JOINT COMP. 1	1	1	1	
2	97095-06025	BOLT	1	1	1	
3	92995-06600	WASHER	1	1	1	
4	90467-08004	CLIP	2	2	2	
5	90445-09M00	HOSE (L180)	1	1	1	
6	61N-24560-00	FILTER ASSY	1	1	1	
7	61N-24563-00	.ELEMENT, FILTER	1	1	1	
8	61N-24521-00	.CUP, FILTER	1	1	1	
9	93210-32738	.O-RING	1	1	1	
10	90179-08M15	NUT	1	1	1	
11	6E5-24312-00	PIPE 2	1	1	1	
12	90464-09M21	CLAMP	1	1	1	
13	688-24313-00	PIPE 3	1	1	1	
14	6J8-24311-00	PIPE, FUEL 1	1	1	1	
15	90467-08004	CLIP	6	6	6	
16	61H-2819R-31	TAG, WARNING	1	1	1	
17	656-W2810-02	TOOL KIT	1	1	1	AP
18	6J8-28170-00	TOOL, HOLDER	1	1		
19	6G1-2811G-00	BAND	1	1		AP
20	97095-08016	BOLT	2	2		
21	92995-08600	WASHER	2	2		
22	90464-12M17	CLAMP	6	6		
23	6E0-28193-00-94	PLUG, WATER CHECK	1	1	1	AP D:12.5MM

FIG. 8 STARTER

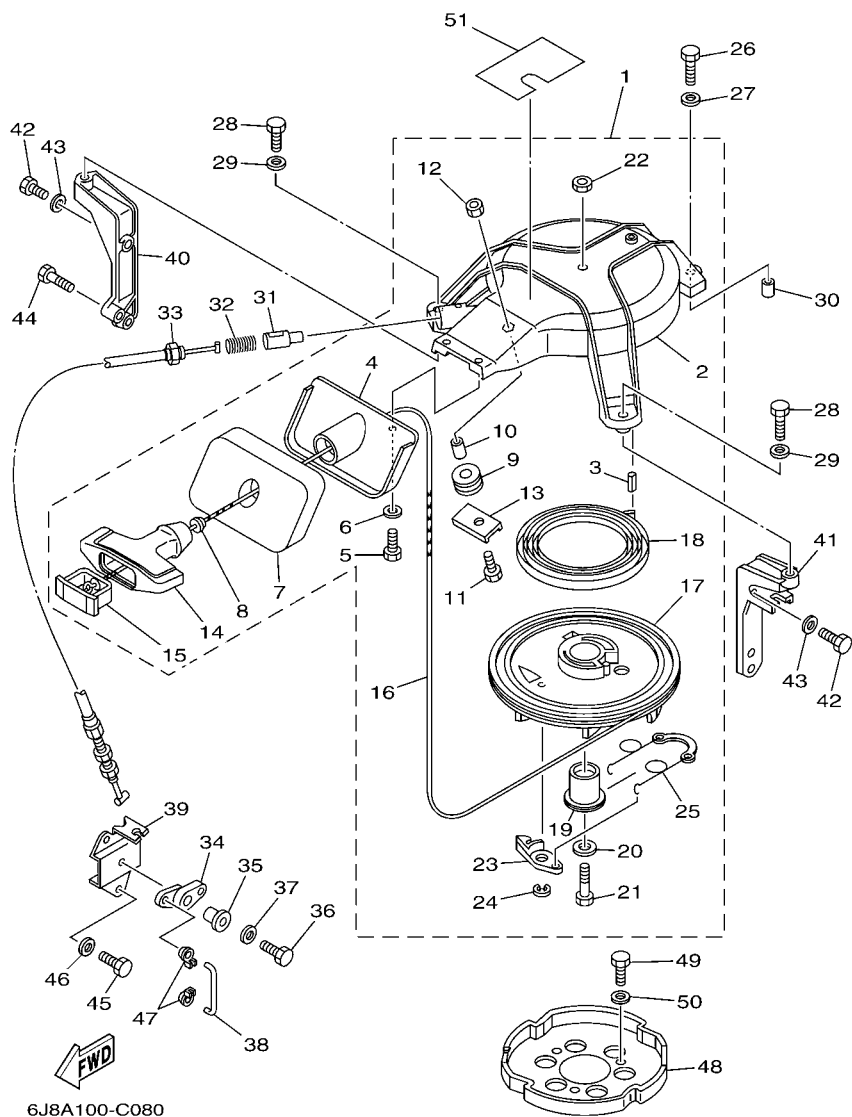


6J8A100-C080

*1: CUT FROM 50M ROLLS, PART NO. 90890-44373, CUTTING LENGTH 1.95M

REF. NO.	PART NO.	DESCRIPTION	MH	MHO	ETO	REMARKS
1	6J8-15710-02-4D	STARTER ASSY	1	1		
2	6J8-15711-00-94	.CASE, STARTER	1	1		
3	91690-40014	.PIN, SPRING	1	1		
4	6J8-15758-01-94	.GUIDE, ROPE	1	1		
5	97095-06016	.BOLT	2	2		
6	92995-06600	.WASHER	2	2		
7	6J8-15762-00	.SEAL, RUBBER 2	1	1		
8	6A0-15789-00	.DAMPER	1	1		
9	6F5-15752-00	.ROLLER, WIRE	1	1		
10	6F5-15753-00	.BUSH	1	1		
11	97095-06025	.BOLT	1	1		
12	95380-06600	.NUT, HEXAGON	1	1		
13	6J8-15787-00	.ADAPTOR	1	1		
14	689-15755-01	.HANDLE, STARTER	1	1		
15	6F5-15779-02	.COVER	1	1		
16	*	.WIRE (L:1,950MM)	1	1		*1
17	6J8-15714-00	.DRUM, SHEAVE	1	1		
18	90510-08M04	.SPRING, SPIRAL	1	1		
19	677-15717-01	.SHAFT, STARTER	1	1		
20	90201-06060	.WASHER, PLATE	1	1		
21	97095-06025	.BOLT	1	1		
22	95380-06700	.NUT	1	1		
23	676-15741-03	.PAWL, DRIVE	1	1		
24	93430-06M02	.CIRCLIP	1	1		
25	6J8-15705-00	.SPRING, DRIVE PAWL	1	1		
26	97095-06035	BOLT	1	1		
27	92995-06600	WASHER	1	1		

FIG. 8 STARTER

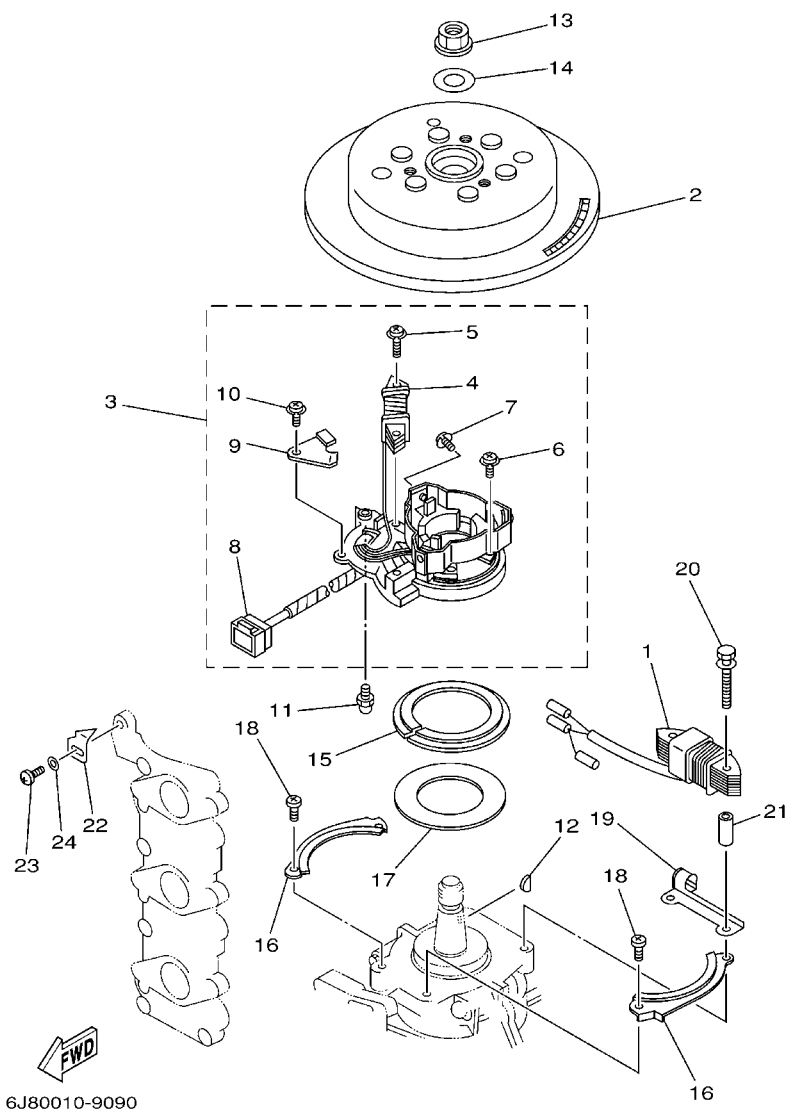


6J8A100-C080

*1: CUT FROM 50M ROLLS, PART NO. 90890-44373, CUTTING LENGTH 1.95M

REF. NO.	PART NO.	DESCRIPTION	MH	MHO	ETO	REMARKS
28	97095-06025	BOLT	2	2		
29	92995-06600	WASHER	2	2		
30	99530-10014	PIN, DOWEL	1	1		
31	656-15748-00	PLUNGER, STARTER STOP	1	1		
32	90501-10227	SPRING, COMPRESSION	1	1		
33	6J8-15770-00	CABLE COMP., STARTER STOP	1	1		
34	6J8-15746-01	ARM	1	1		
35	90387-06M29	COLLAR	1	1		
36	97095-06025	BOLT	1	1		
37	92995-06600	WASHER	1	1		
38	6J8-15747-00	LINK	1	1		
39	6J8-15774-01	STAY 4	1	1		
40	6J8-15771-00-94	STAY 1	1	1	1	
41	6J8-15772-00-94	STAY 2	1	1	1	
42	97013-06020	BOLT	3	3	3	
43	92903-06600	WASHER, PLATE	3	3	3	
44	90101-06024	BOLT	1	1	1	
45	97095-06016	BOLT	2	2		
46	92995-06600	WASHER	2	2		
47	661-41262-02	JOINT, CHOKE LEVER	2	2		
48	6J8-15723-00	PULLEY, STARTER	1	1		
49	97013-08014	BOLT	3	3		
50	92903-08600	WASHER, PLATE	3	3		
51	6J8-13437-91	MARK, CAUTION		1		FOR CAN

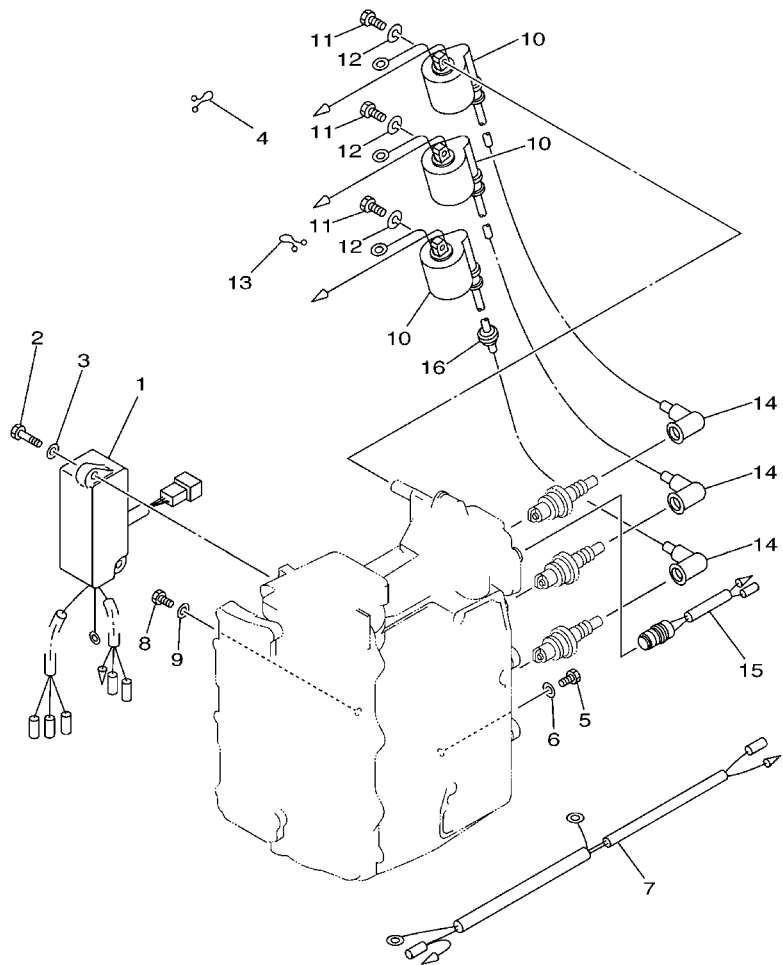
FIG. 9 GENERATOR



6J80010-9090

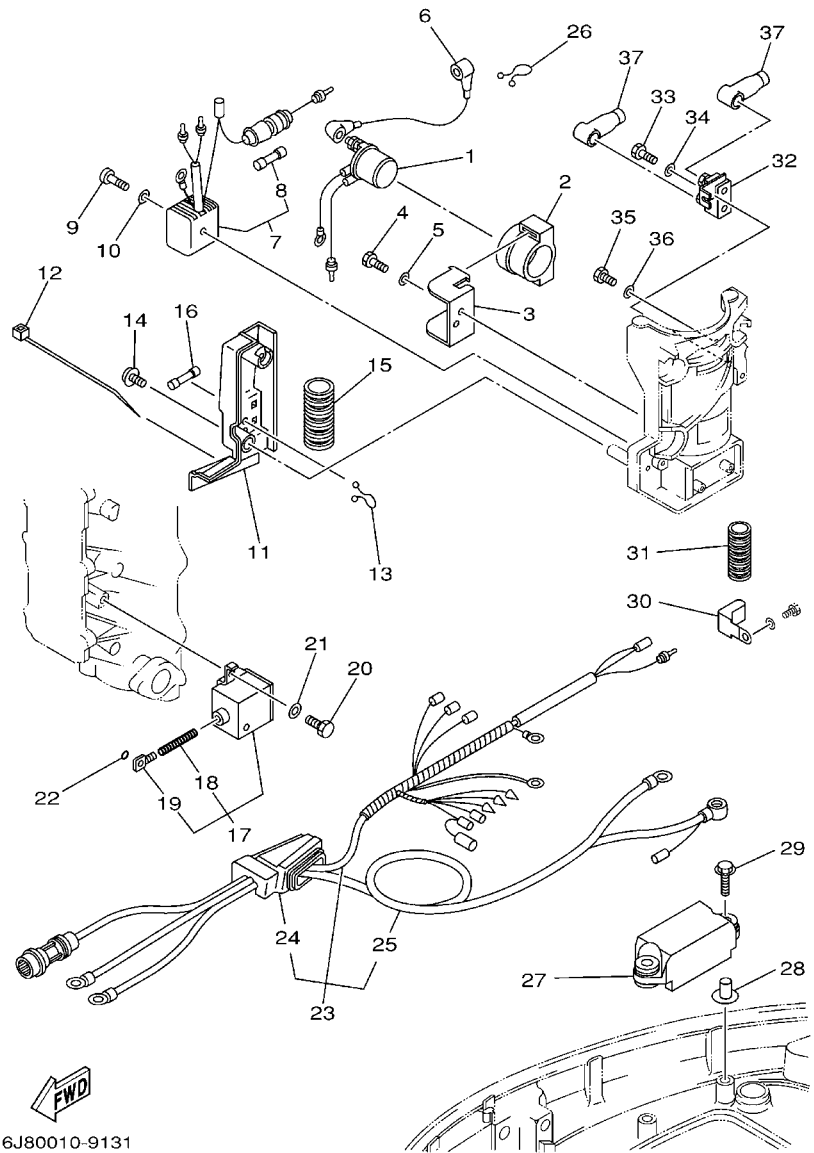
REF. NO.	PART NO.	DESCRIPTION	MH	MHO	ETO	REMARKS
1	6H4-85533-A1	COIL, LIGHTING	1	1	1	
2	6J8-85550-F1	ROTOR ASSY	1			
	6J8-85550-A1	ROTOR ASSY		1	1	
3	6H4-85510-F1	STATOR ASSY	1	1		
	6J8-85510-A1	STATOR ASSY			1	
4	6H4-85520-01	.COIL, CHARGE	1	1		
	6J8-85520-01	.COIL, CHARGE			1	
5	97902-06120	.SCREW, WITH WASHER	2	2	2	
6	97902-04112	.SCREW, WITH WASHER	6	6	6	
7	97902-04106	.SCREW, WITH WASHER	3	3	3	
8	9E471-09205	.CONNECTOR (6P,M)	1	1	1	
9	6H4-85548-00	.HOLDER	1	1	1	
10	97902-05408	.SCREW, WITH WASHER	1	1	1	
11	663-85518-00	JOINT, BALL	1	1	1	
12	90280-05013	KEY, WOODRUFF	1	1	1	
13	90179-16M05	NUT	1	1	1	
14	90201-16M44	WASHER, PLATE	1	1	1	
15	6H4-41611-10	RETAINER, MAGNETO BASE	1	1	1	
16	6J8-41615-00	STOPPER, MAGNETO BASE	2	2	2	
17	6J8-41618-00	WASHER, MAGNETO	1	1	1	
18	97880-06012	SCREW, PAN HEAD	2	2	2	
19	6J8-85548-00	HOLDER	1	1	1	
20	90101-06M00	BOLT	2	2	2	
21	90387-06M81	COLLAR	2	2	2	
22	6J8-81332-00	PLATE, TIMING	1	1	1	
23	97885-05010	SCREW, PAN HEAD	1	1	1	
24	92995-05600	WASHER	1	1	1	

FIG. 10 ELECTRICAL 1



REF. NO.	PART NO.	DESCRIPTION	MH	MHO	ETO	REMARKS
1	6J8-85540-H2	C.D.I. UNIT ASSY	1	1	1	
2	97095-06025	BOLT	2	2	2	
3	92995-06600	WASHER	2	2	2	
4	90464-15M11	CLAMP	1	1		
5	97095-06012	BOLT	1	1	1	
6	92995-06600	WASHER	1	1	1	
7	6J8-82531-00	WIRE, LEAD	1	1		
8	97095-06012	BOLT	1	1	1	
9	92995-06600	WASHER	1	1	1	
10	6J8-85570-21	IGNITION COIL ASSY	3	3	3	
11	97095-06020	BOLT	6	6	6	
12	92995-06100	WASHER, SPRING	6	6	6	
13	90464-05M16	CLAMP			1	
14	6G1-82370-21	PLUG CAP ASSY	3	3	3	
15	689-82560-00	THERMO SWITCH ASSY	1	1	1	
16	90480-25161	GROMMET	1	1	1	


6J80664-9091



6J80010-9131

FIG. 11 ELECTRICAL 2

REF. NO.	PART NO.	DESCRIPTION	MH	MHO	ETO	REMARKS
1	6G1-81941-10	STARTER RELAY ASSY			1	
2	6G1-81952-00	HOLDER, RELAY			1	
3	6J8-81945-00	PLATE, SWITCH FITTING			1	
4	97013-06016	BOLT			1	
5	92903-06600	WASHER, PLATE			1	
6	6F5-82117-00	WIRE, LEAD			1	
7	6G1-81970-61	RECTIFIER ASSY			1	
8	6G1-82151-00	.FUSE (10A)			1	
9	97880-05025	SCREW, PAN HEAD			1	
10	92990-05600	WASHER, PLATE			1	
11	6J8-81916-10	COVER, TERMINAL			1	
12	90465-13M18	CLAMP			1	
13	90465-18147	CLAMP			1	
14	90159-05M26	SCREW, WITH WASHER			2	
15	6E9-83557-70	TUBE			1	
16	6H3-82151-00	FUSE			1	
17	6J8-86110-00	SOLENOID			1	
18	6J8-86116-00	.WIRE, PULL			1	
19	682-86117-00	.HOOK, WIRE PULL			1	
20	97013-06016	BOLT			2	
21	92903-06600	WASHER, PLATE			2	
22	93210-03261	O-RING			1	
23	6J8-82580-10	WIRE HARNESS ASSY 2			1	
24	6J8-42724-60	.GROMMET			1	
25	689-82105-13	.WIRE HARNESS			1	
26	90464-15M11	CLAMP			1	
27	6J8-81950-00	RELAY ASSY			1	

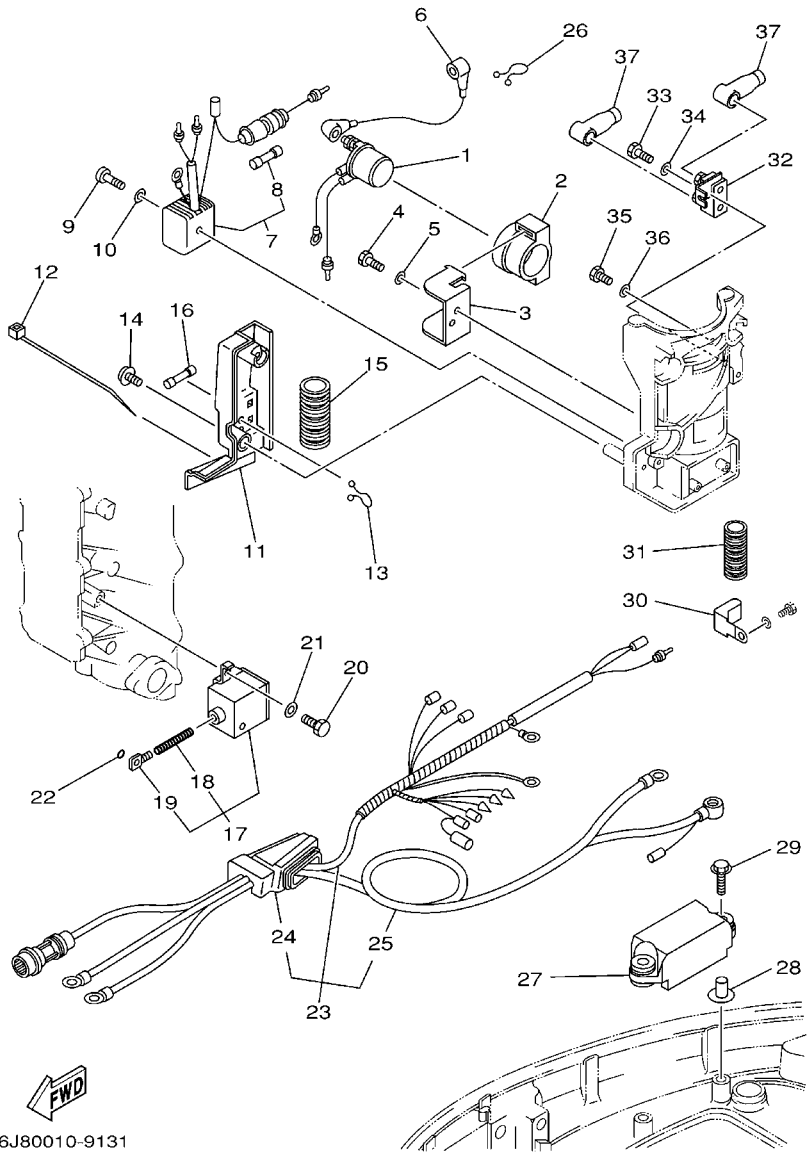
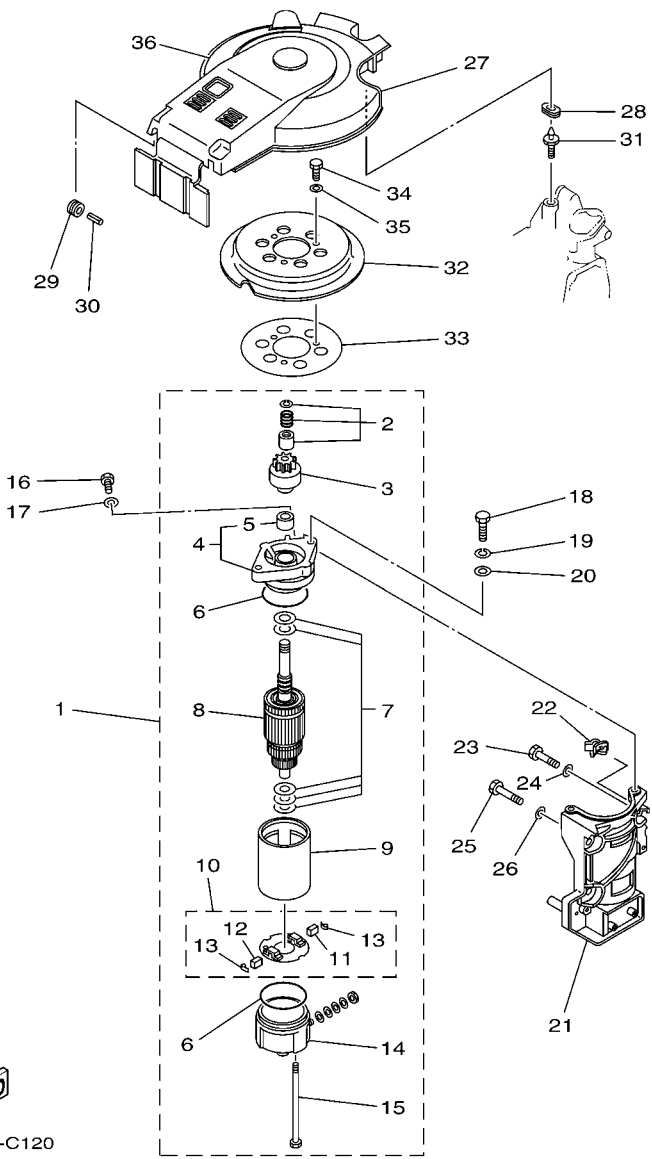


FIG. 11 ELECTRICAL 2

REF. NO.	PART NO.	DESCRIPTION	MH	MHO	ETO	REMARKS
28	90387-06M03	COLLAR			2	
29	90119-06M17	BOLT, WITH WASHER			2	
30	90465-08M12	CLAMP			1	
31	90446-14M88	HOSE			1	
32	6H5-81920-00	TERMINAL ASSY			1	
33	97095-06014	BOLT			1	
34	92995-06600	WASHER			1	
35	97095-06012	BOLT			1	
36	92995-06600	WASHER			1	
37	682-82119-01	COVER, LEAD WIRE			2	

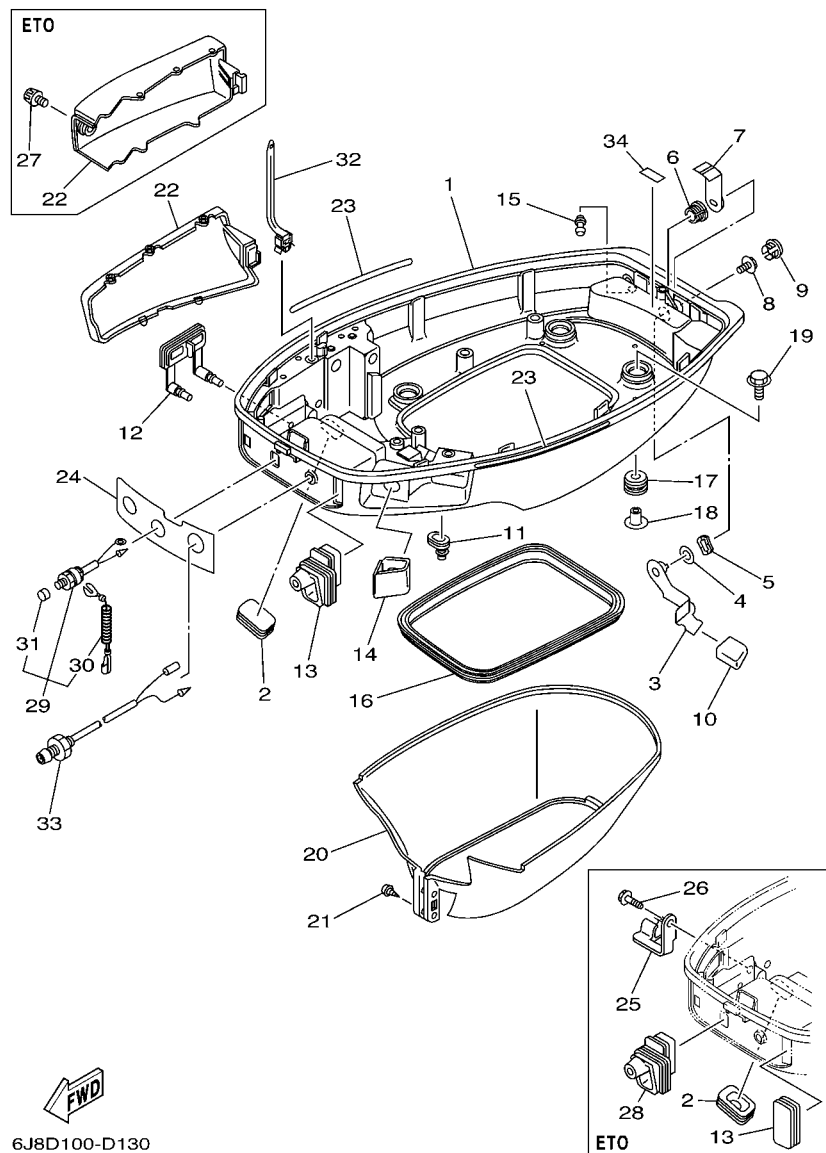
FIG. 12 STARTING MOTOR



FWD
6J8A100-C120

REF. NO.	PART NO.	DESCRIPTION	MH	MHO	ETO	REMARKS
1	6F5-81800-11	STARTING MOTOR ASSY			1	
2	689-81857-11	.PINION STOPPER SET			1	
3	689-81807-12	.GEAR ASSY, STARTING MOTOR			1	
4	6F5-81830-11	.FRONT BRACKET ASSY			1	
5	689-81831-00	..METAL, FRONT			1	
6	689-81847-11	.O-RING			2	
7	689-81809-11	.WASHER KIT			1	
8	689-81850-12	.ARMATURE ASSY			1	
9	689-81810-11	.STATOR ASSY			1	
10	689-81840-11	.BRUSH HOLDER ASSY			1	
11	689-81811-11	..BRUSH 1			1	
12	689-81812-11	..BRUSH 2			1	
13	689-81813-10	..SPRING, BRUSH			2	
14	689-81820-11	.REAR BRACKET ASSY			1	
15	689-81826-10	.BOLT			2	
16	97013-08016	BOLT			1	
17	92903-08600	WASHER, PLATE			1	
18	97013-08030	BOLT			2	
19	92903-08100	WASHER, SPRING			2	
20	92903-08600	WASHER, PLATE			2	
21	6J8-81822-01-94	BRACKET, STARTING MOTOR			1	
22	90464-03M15	CLAMP			1	
23	97013-08035	BOLT			2	
24	92903-08600	WASHER, PLATE			2	
25	97013-08055	BOLT			1	
26	92903-08600	WASHER, PLATE			1	
27	6J8-81337-10	COVER, FLYWHEEL			1	

FIG. 13 BOTTOM COWLING



REF. NO.	PART NO.	DESCRIPTION	MH	MHO	ETO	REMARKS
1	6J8-42711-03-4D	COWLING, BOTTOM	1	1	1	
2	6H4-42726-00	GROMMET	1	1		
	688-42726-10	GROMMET			1	
3	6J8-42815-00-4D	LEVER, CLAMP	1	1	1	
4	90202-12M25	WASHER, PLATE	1	1	1	
5	90206-12052	WASHER, WAVE	1	1	1	
6	90386-12M61	BUSH	1	1	1	
7	6J8-42816-00	LEVER, CLAMP	1	1	1	
8	95895-06012	BOLT, FLANGE	1	1	1	
9	6J8-42831-00	BUSHING	1	1	1	
10	6J8-42728-01	CAP	1	1	1	
11	6G1-42727-00	GROMMET	1	1	1	
12	6J8-42724-00	GROMMET	1	1		
13	6J8-42726-00	GROMMET	1	1		
	6J8-42726-10	GROMMET			1	
14	6J8-42725-01	GROMMET	1	1	1	
15	6H3-44391-01	NIPPLE, HOSE	1	1	1	
16	6J8-42716-00	RUBBER, SEAL 1	1	1	1	
17	90480-09M21	GROMMET	4	4	4	
18	90387-06M41	COLLAR	4	4	4	
19	90119-06M61	BOLT, WITH WASHER	4	4	4	
20	6J8-42741-01	APRON	1	1	1	
21	90164-06M01	SCREW, TAPPING	2	2	2	
22	6J8-42723-01	COVER, BOTTOM	1	1		
	6J8-42723-51	COVER, BOTTOM			1	
23	6J8-42735-00	PROTECTOR	2	2	2	
24	6J8-42719-10	PANEL, FRONT LOWER	1			N.O/I

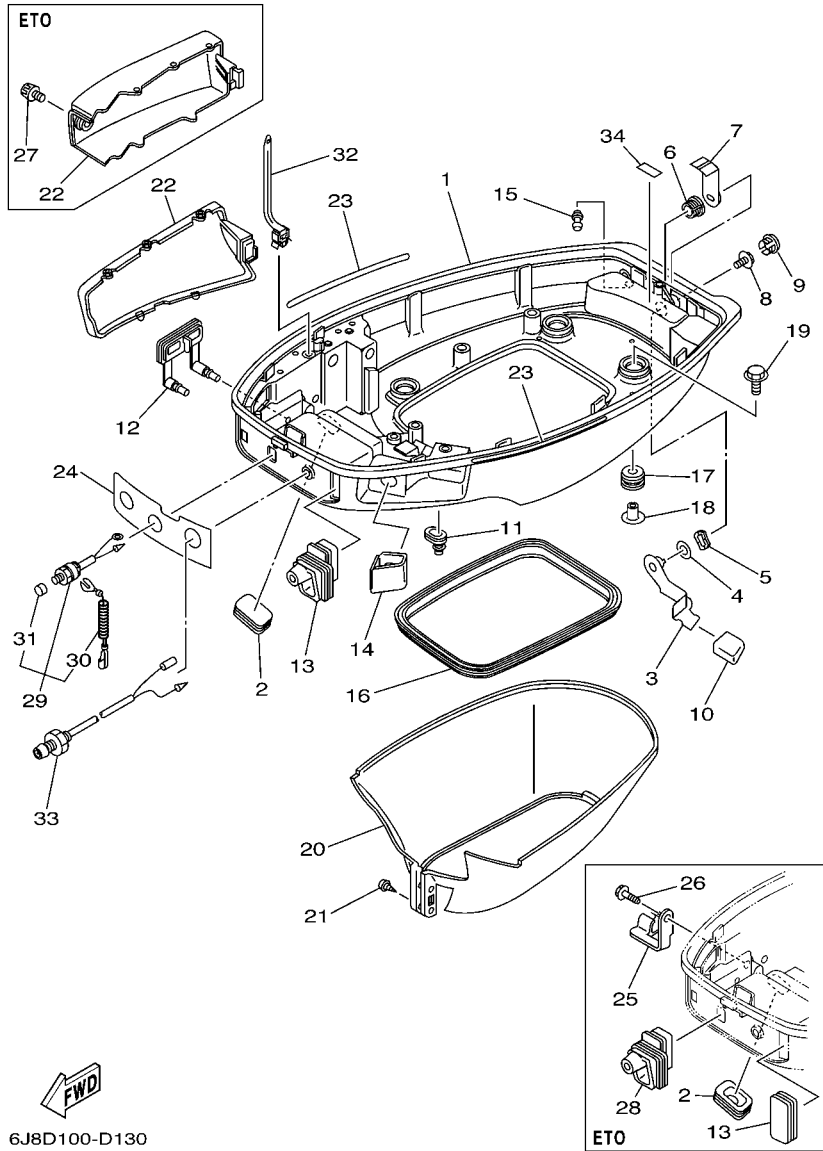


FIG. 13 BOTTOM COWLING

REF. NO.	PART NO.	DESCRIPTION	MH	MHO	ETO	REMARKS
24	6J8-42719-20	PANEL, FRONT LOWER		1	1	O/I
25	90464-09M51	CLAMP			1	
26	90109-06M86	BOLT			1	
27	6J8-42846-00	SCREW			1	
28	6J8-42726-00	GROMMET			1	
29	689-82575-04	ENGINE STOP SWITCH ASSY	1	1		
30	682-82556-00	.STOPPER	1	1		
31	689-8257Y-00	.CAP	1	1		
32	90465-13M76	CLAMP			1	
33	6J8-85410-00	EMERGENCY SIGNAL LIGHT ASSY	1	1	1	
34	6E7-42791-10	MARK 1	1	1	1	

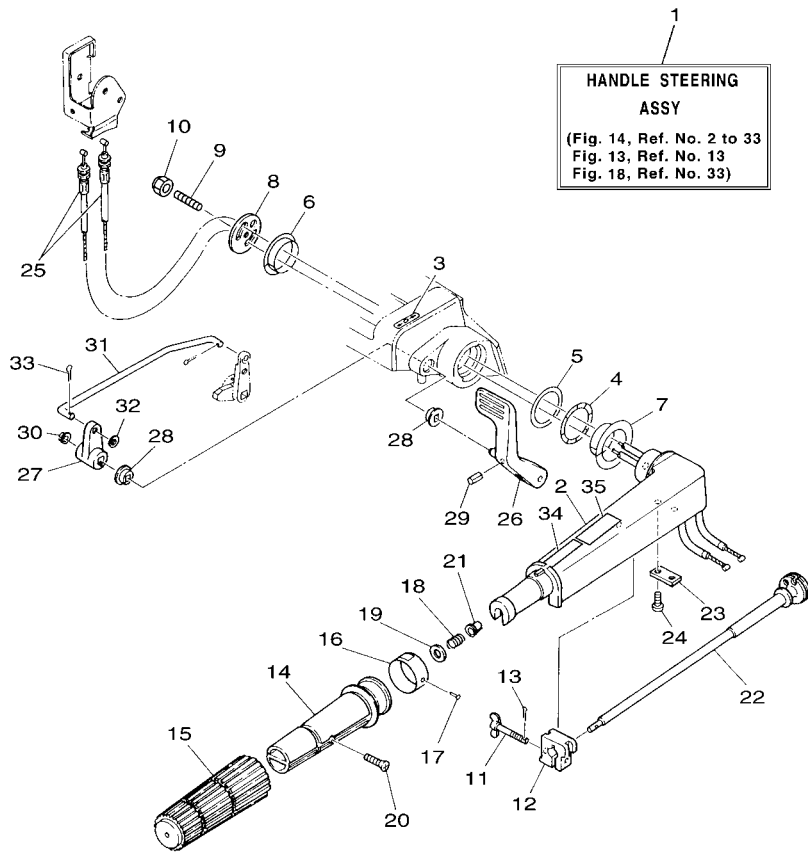


FIG. 14 STEERING

REF. NO.	PART NO.	DESCRIPTION	MH	MHO	ETO	REMARKS
1	6J8-W0084-11-4D	HANDLE STEERING ASSY	1	1		
2	6G1-42111-12-4D	HANDLE, STEERING	1	1		
3	6E0-44191-11	INDICATOR, SHIFT	1	1		
4	90206-36M21	WASHER, WAVE	1	1		
5	90202-36M55	WASHER, PLATE	1	1		
6	90386-33M96	BUSH	1	1		
7	90386-34M97	BUSH	1	1		
8	6G1-42131-02	COVER, HANDLE STEERING	1	1		
9	90116-08016	BOLT, STUD	1	1		
10	90185-08057	NUT, SELF-LOCKING	1	1		
11	6G1-42125-01	BOLT, FRICTION ADJUSTING	1	1		
12	6G1-42126-00	FRICTION, STEERING HANDLE GRIP	1	1		
13	91490-16010	PIN, COTTER	1	1		
14	664-42119-00	GRIP, STEERING HANDLE	1	1		
15	6F6-42177-A0	RUBBER, HANDLE	1	1		
16	6J8-42137-00	INDICATOR, THROTTLE	1	1		
17	90269-02M09	RIVET	1	1		
18	90501-23215	SPRING, COMPRESSION	1	1		
19	92903-10600	WASHER, PLATE	1	1		
20	90149-05M13	SCREW	1	1		
21	90386-08032	BUSH	1	1		
22	6G1-42138-01	LEVER, THROTTLE	1	1		
23	6E0-42159-02	STAY	1	1		
24	97885-05012	SCREW, PAN HEAD	2	2		
25	6J8-26301-00	THROTTLE CABLE ASSY	2	2		
26	6J8-44111-01-4D	HANDLE, GEAR SHIFT	1	1		
27	6J8-44125-00	LEVER, SHIFT ROD	1	1		



6J8A100-C140

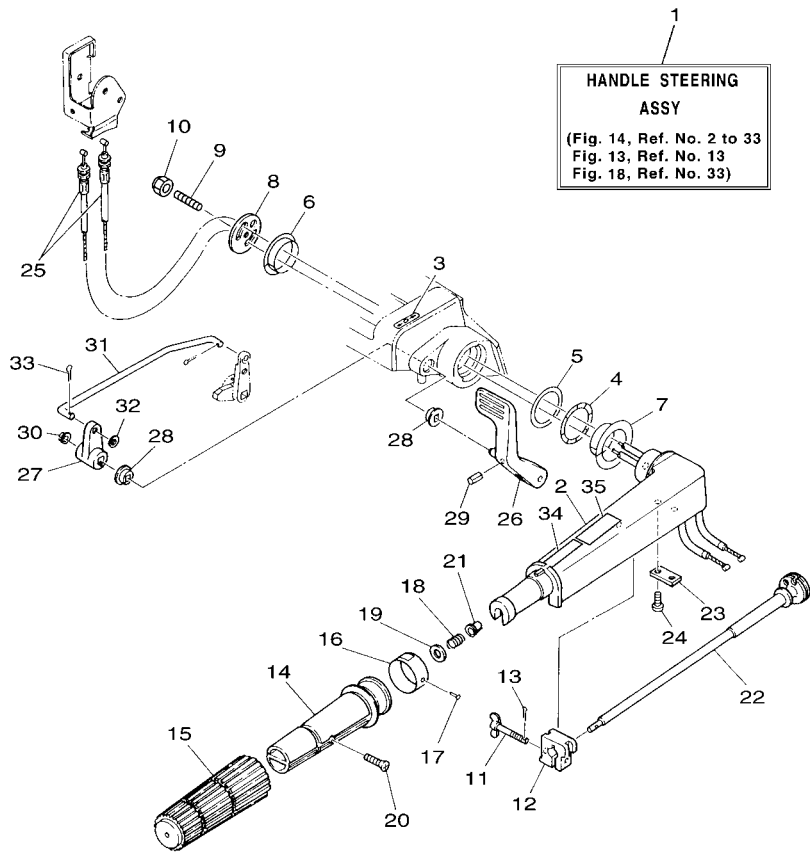
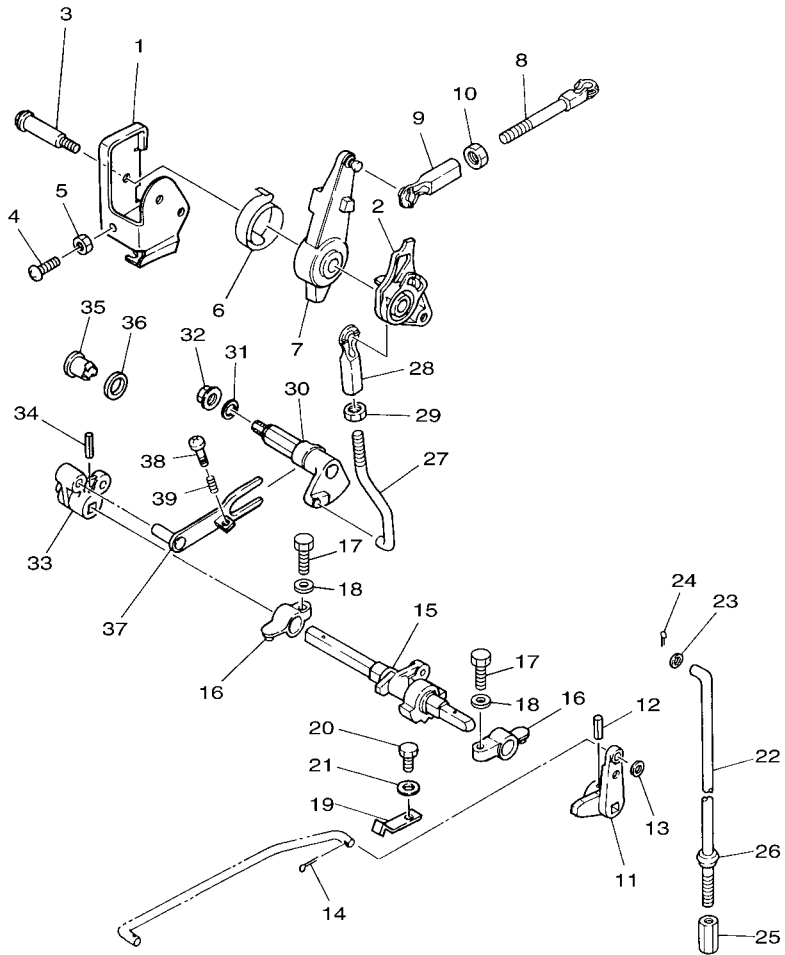


FIG. 14 STEERING

REF. NO.	PART NO.	DESCRIPTION	MH	MHO	ETO	REMARKS
28	682-44132-00	BUSHING	2	2		
29	90254-03M04	PIN, SPRING	1	1		
30	90386-06M12	BUSH	1	1		
31	6J8-44124-00	LINK, SHIFT ROD	1	1		
32	92990-06200	WASHER, PLAIN	1	1		
33	91490-20012	PIN, COTTER	1	1		
34	6E0-83627-41	LABEL, CAUTION 7	1	1		
35	6E0-83627-51	LABEL, CAUTION 7		1		FOR CAN



6J8A100-C140

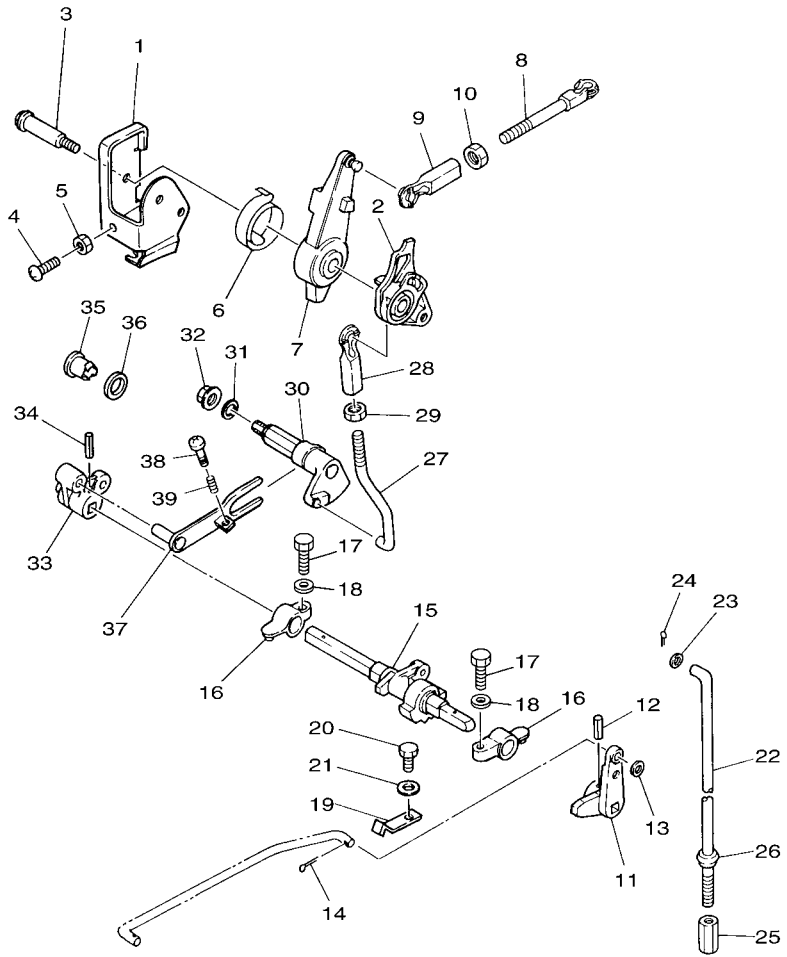


6J8A100-C150

FIG. 15 CONTROL 1

REF. NO.	PART NO.	DESCRIPTION	MH	MHO	ETO	REMARKS
1	6J8-14497-00	STAY, THROTTLE WIRE	1	1	1	
2	6J8-41213-00	CAM, ACCEL.	1	1	1	
3	90109-06M28	BOLT	1	1	1	
4	97880-06025	SCREW, PAN HEAD	1	1	1	
5	95303-06600	NUT	1	1	1	
6	6J8-42167-00	SPRING 1	1	1	1	
7	6J8-41631-02	LEVER, MAGNETO CONTROL	1	1	1	
8	689-42169-01	JOINT	1	1	1	
9	682-41237-00	JOINT, LINK	1	1	1	
10	95380-05600	NUT	1	1	1	
11	6J8-44123-00	ARM, SHIFT ROD	1	1	1	
12	90254-03M04	PIN, SPRING	1	1	1	
13	92990-06200	WASHER, PLAIN	1	1		
14	91490-20012	PIN, COTTER	1	1		
15	6J8-44121-00	LEVER, SHIFT ROD	1	1	1	
16	6G1-41662-01-94	BRACKET	2	2	2	
17	97013-06020	BOLT	2	2	2	
18	92903-06600	WASHER, PLATE	2	2	2	
19	6J8-44116-00	SPRING	1	1	1	
20	97095-06012	BOLT	1	1	1	
21	92995-06600	WASHER	1	1	1	
22	6J8-44143-00	ROD, SHIFT	1	1	1	
23	92990-05600	WASHER, PLATE	1	1	1	
24	91490-16010	PIN, COTTER	1	1	1	
25	90170-06015	NUT	1	1	1	
26	689-43373-01	SEAL, DAMPER	1	1	1	
27	6J8-42192-00	ROD 2	1	1	1	

D6

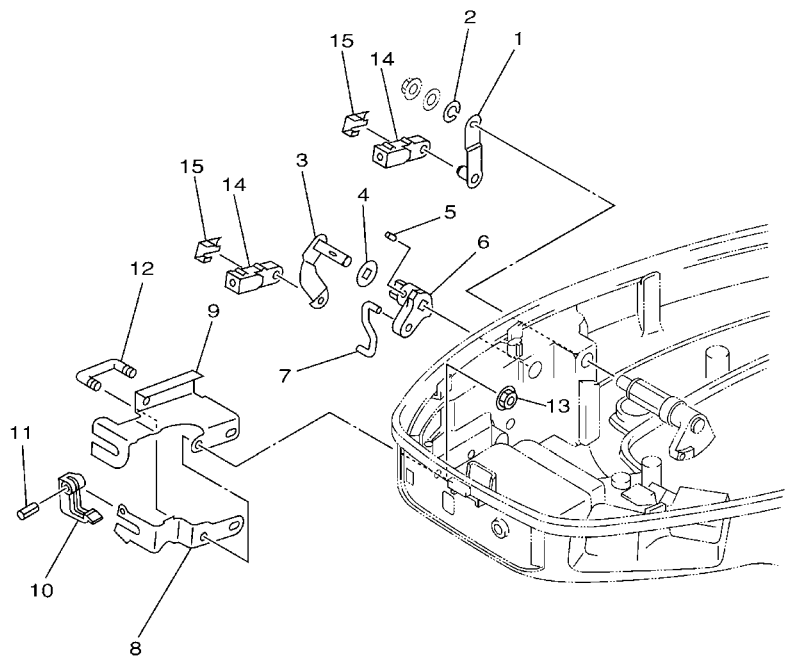


6J8A100-C150

FIG. 15 CONTROL 1

REF. NO.	PART NO.	DESCRIPTION	MH	MHO	ETO	REMARKS
28	682-41237-00	JOINT, LINK	1	1	1	
29	95380-05600	NUT	1	1	1	
30	6J8-42154-01	LEVER, THROTTLE CONTROL	1	1	1	
31	90202-10024	WASHER, PLATE	1	1	1	
32	95780-08300	NUT, FLANGE	1	1	1	
33	6J8-44142-00	JOINT	1	1	1	
34	90254-03M04	PIN, SPRING	1	1	1	
35	682-42726-00	GROMMET	1	1		
36	90202-12M17	WASHER, PLATE	1	1		
37	6J8-41211-00	LINK, ACCEL.	1	1		
38	97880-04020	SCREW, PAN HEAD	1	1		
39	90501-08M66	SPRING, COMPRESSION	1	1		

FIG. 16 CONTROL 2



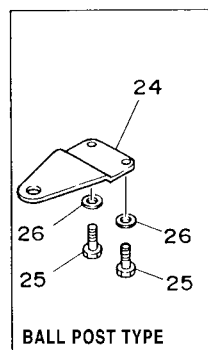
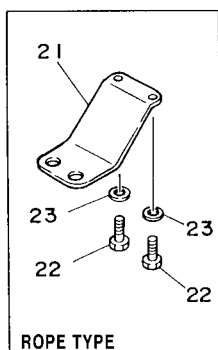
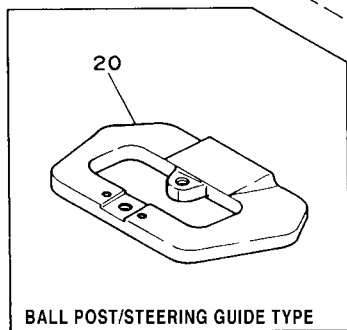
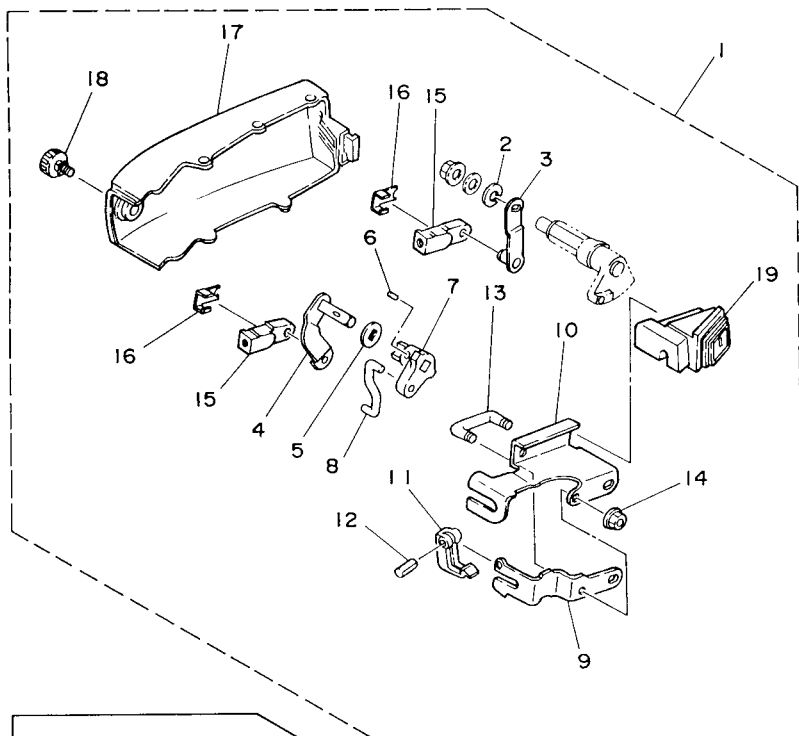
REF. NO.	PART NO.	DESCRIPTION	MH	MHO	ETO	REMARKS
1	6J8-48534-00	THROTTLE LEVER, CONTROL			1	
2	92990-08100	WASHER, SPRING			1	
3	6J8-48544-01	LEVER, SHIFTCONTROL			1	
4	6J8-44177-00	WASHER			1	
5	90254-03M03	PIN, SPRING			1	
6	6J8-44173-02	LEVER, SHIFT CONTROL			1	
7	6J8-42169-01	JOINT			1	
8	6J8-48531-00	BRACKET, REMOTE CONTROL 1			1	
9	6J8-48532-00	BRACKET, REMOTE CONTROL 2			1	
10	682-48538-50	CLAMP, CABLE 1			1	
11	91690-30012	PIN, SPRING			1	
12	90109-06M29	BOLT			1	
13	90179-06M24	NUT			2	
14	6G8-26363-00	END, WIRE 1			2	
15	6G8-26364-00	END, CABLE			2	



6J80010-9180

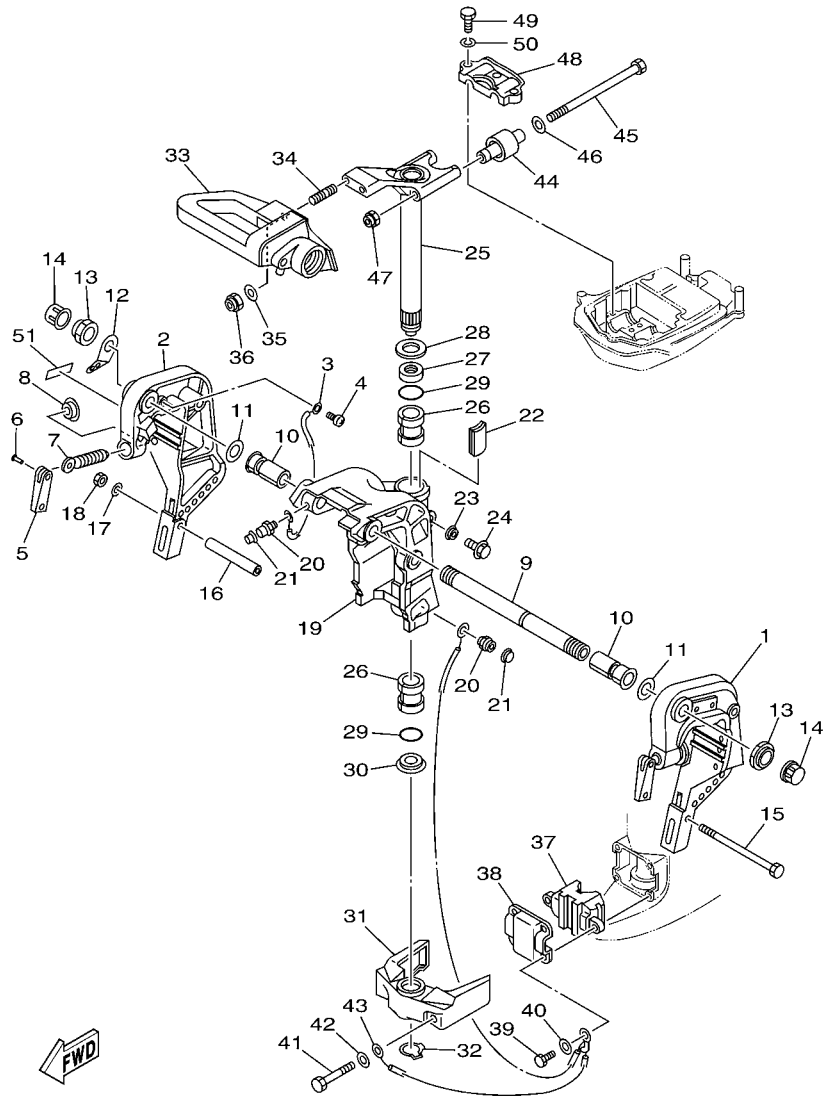
FIG. 17 REMO CON ATTACHMENT

REF. NO.	PART NO.	DESCRIPTION	MH	MHO	ETO	REMARKS
1	6J8-48501-03-4D	REMOTE CONT. ATTACHMENT ASSY.	1	1		AP
	6J8-48501-11	REMOTE CONT. ATTACHMENT ASSY.			1	AP
2	92990-08100	.WASHER, SPRING	1	1	1	
3	6J8-48534-00	.THROTTLE LEVER, CONTROL	1	1	1	
4	6J8-48544-01	.LEVER, SHIFTCONTROL	1	1	1	
5	6J8-44177-00	.WASHER	1	1	1	
6	90254-03M03	.PIN, SPRING	1	1	1	
7	6J8-44173-02	.LEVER, SHIFT CONTROL	1	1	1	
8	6J8-42169-01	.JOINT	1	1	1	
9	6J8-48531-00	.BRACKET, REMOTE CONTROL 1	1	1	1	
10	6J8-48532-00	.BRACKET, REMOTE CONTROL 2	1	1		
11	682-48538-50	.CLAMP, CABLE 1	1	1	1	
12	91690-30012	.PIN, SPRING	1	1	1	
13	90109-06M29	.BOLT	1	1		
14	90179-06M24	.NUT	2	2		
15	6G8-26363-00	.END, WIRE 1	2	2	2	
16	6G8-26364-00	.END, CABLE	2	2	2	
17	6J8-42723-51	.COVER, BOTTOM	1	1		
18	6J8-42846-00	.SCREW	1	1		
19	6J8-42724-10	.GROMMET	1	1		
20	6J8-48511-01-4D	HOOK, STEERING	1	1	1	AP
21	6G8-48511-00	HOOK, STEERING	1	1	1	AP ROPE TYPE
22	97095-06016	BOLT	2	2	2	AP
23	92995-06600	WASHER	2	2	2	AP
24	6G8-48511-10	HOOK, STEERING	1	1	1	AP BALL POST TYPE
25	97095-06016	BOLT	2	2	2	AP
26	92995-06600	WASHER	2	2	2	AP



6J86100-9200

FIG. 18 BRACKET 1



6J8A100-C180

REF. NO.	PART NO.	DESCRIPTION	MH	MHO	ETO	REMARKS
1	6H4-43111-05-4D	BRACKET, CLAMP	1	1		
2	6H4-43112-04-4D	BRACKET, CLAMP	1	1		
3	6E5-82148-00	WIRE, LEAD 4	1	1		
4	97885-06008	SCREW, PAN HEAD	1	1		
5	6E0-43118-01	HANDLE, TRANSOM CLAMP	2	2		
6	90243-04M01	PIN	2	2		
7	90149-14M12	SCREW	2	2		
8	648-43114-01	PAD, TRANSOM CLAMP	2	2		
9	6J8-43131-01	BOLT, CLAMP BRACKET	1	1		
10	90386-22M69	BUSH	2	2		
11	90201-22M03	WASHER, PLATE	2	2		
12	6J8-43113-01	PLATE, CLAMP BRACKET	1	1		
13	90185-22043	NUT, SELF-LOCKING	2	2		
14	6G5-43145-01	CAP, CLAMP BRACKET	2	2		
15	90101-08339	BOLT	1	1		
16	90387-08M03	COLLAR	1	1		
17	92990-08600	WASHER, PLATE	1	1		
18	95380-08600	NUT	1	1		
19	6J8-43311-04-4D	BRACKET, SWIVEL 1	1	1		
20	93700-06M03	NIPPLE, GREASE	3	3		
21	663-45119-00	CAP, GREASE NIPPLE	3	3		AP
22	6J8-42528-00	PLATE, FRICTION	1	1		
23	689-43373-01	SEAL, DAMPER	1	1		
24	90105-06M18	BOLT, FLANGE	1	1		
25	6J8-42510-03-4D	STEERING BRACKET ASSY	1	1		
26	90386-30M77	BUSH	2	2		
27	90386-30M78	BUSH	1	1		

FWD
6J8A100-C180

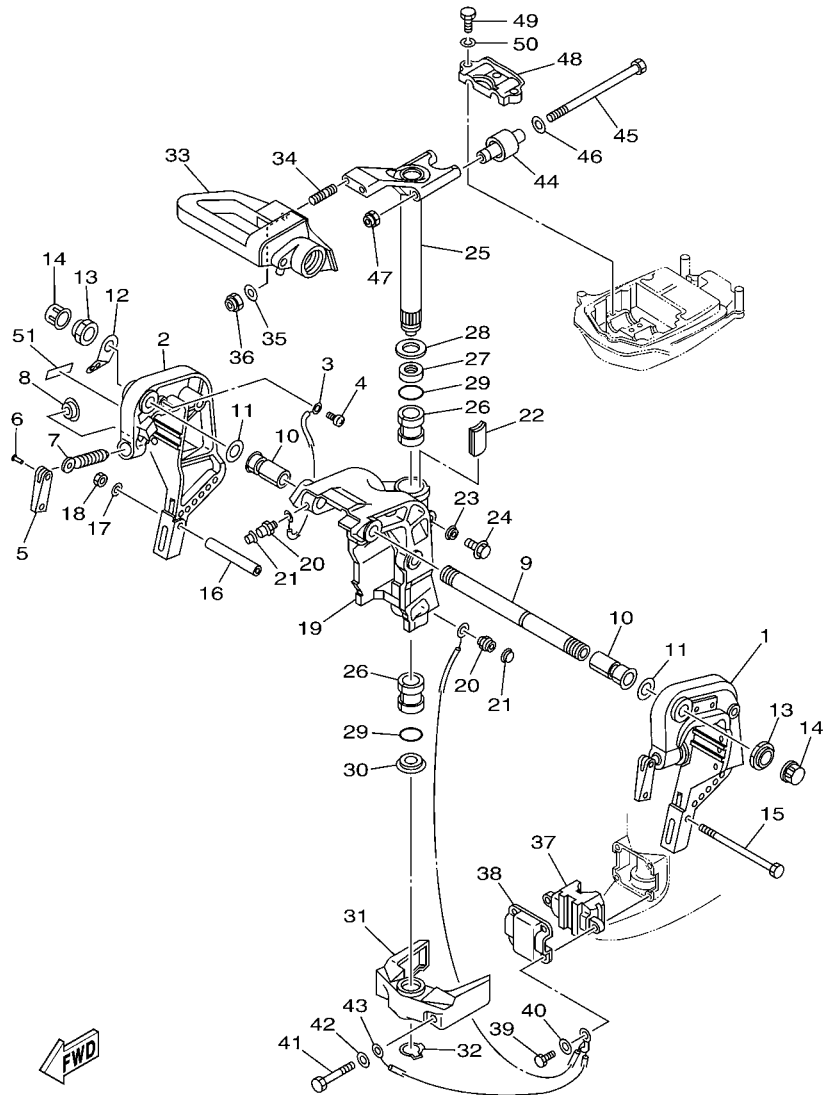


FIG. 18 BRACKET 1

REF. NO.	PART NO.	DESCRIPTION	MH	MHO	ETO	REMARKS
28	90201-30M00	WASHER, PLATE	1	1		
29	93210-29M94	O-RING	2	2		
30	90386-30M60	BUSH	1	1		
31	6H4-44551-02-4D	HOUSING, LOWER MOUNT RUBBER	1	1		
32	93410-28M06	CIRCLIP	1	1		
33	6J8-42121-03-4D	BRACKET	1	1		
34	90116-10M28	BOLT, STUD	2	2		
35	92995-10600	WASHER	2	2		
36	90185-10051	NUT, SELF-LOCKING	2	2		
37	6H4-44557-00	MOUNT DAMPER, LOWER FRONT	1	1		S
	6H4-44557-10	MOUNT DAMPER, LOWER FRONT	1	1		L
38	6H4-44553-01	COVER, LOWER MOUNT	1	1		
39	97095-08025	BOLT	4	4		
40	92995-08600	WASHER	4	4		
41	97095-10060	BOLT	2	2		
42	92995-10600	WASHER	2	2		
43	6H4-82127-00	WIRE, LEAD 2	1	1		
44	6H4-44514-00	MOUNT DAMPER, UPPER SIDE	2	2		
45	90109-08M26	BOLT	2	2		
46	90201-09425	WASHER, PLATE	2	2		
47	90185-08045	NUT, SELF-LOCKING	2	2		
48	6J8-44511-00-4D	COVER, UPPER MOUNT	1	1		
49	97075-08035	BOLT	3	3		
50	92995-08100	WASHER	3	3		
51	63V-82377-50	LABEL (SPARK,IGNITION)		1		FOR CAN

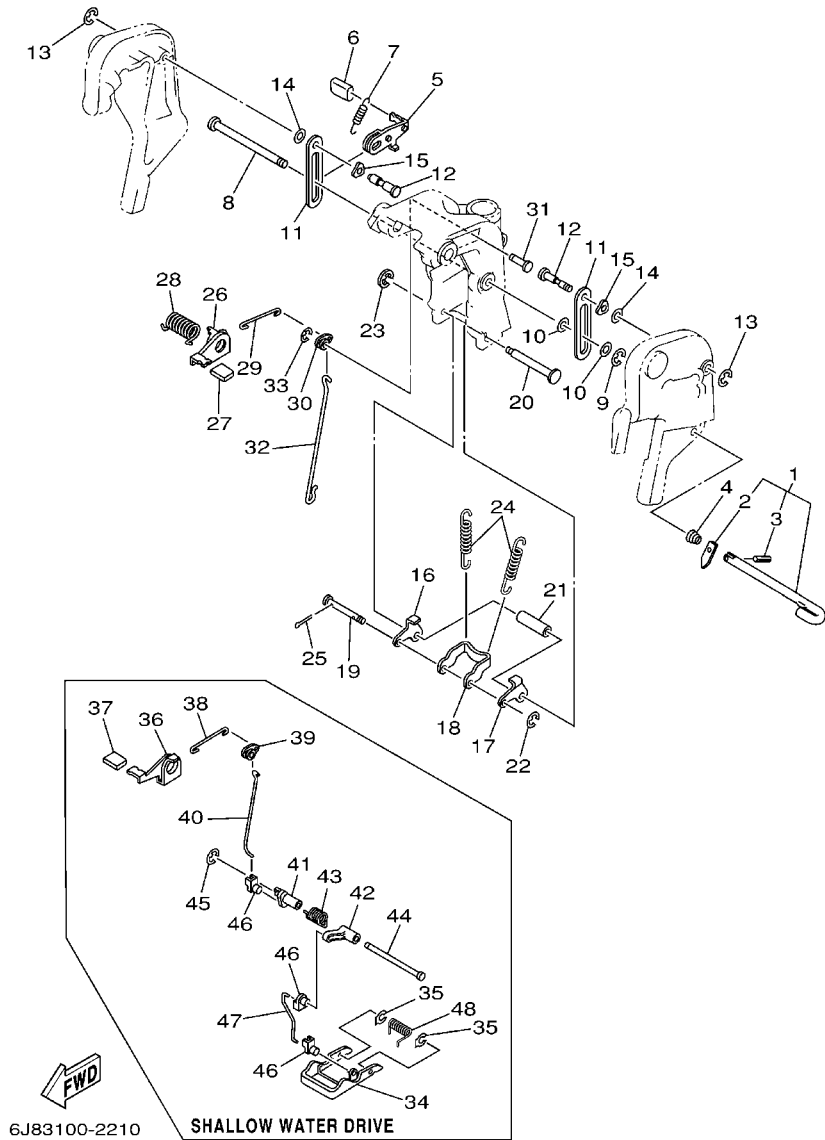


FIG. 19 BRACKET 2

REF. NO.	PART NO.	DESCRIPTION	MH	MHO	ETO	REMARKS
1	6H4-43160-01	TILT ROD ASSY	1	1		
2	676-43165-00	.PLATE, TILT LOCK	1	1		
3	91690-30010	.PIN, SPRING	1	1		
4	90502-10M04	SPRING, CONICAL	1	1		
5	6J8-43181-01	LEVER, TILT STOP	1	1		
6	682-43318-01	COVER	1	1		
7	90506-12M25	SPRING, TENSION	1	1		
8	90249-12M28	PIN	1	1		
9	93430-10M00	CIRCLIP	1	1		
10	90202-12031	WASHER, PLATE	2	2		
11	6J8-43627-00	STOPPER	2	2		
12	90249-12M27	PIN	2	2		
13	93430-10M00	CIRCLIP	2	2		
14	90202-12031	WASHER, PLATE	2	2		
15	90206-12M16	WASHER, WAVE	2	2		
16	6J8-43614-00	PLATE, TILT LOCK	1	1		
17	6J8-43615-00	PLATE, TILT LOCK	1	1		
18	6J8-43613-01	ARM, TILT LOCK	1	1		
19	6H4-43659-00	SHAFT, REVERSE LOCK	1	1		
20	6J8-43611-01	SHAFT, TILT LOCK	1	1		
21	90387-07M64	COLLAR	1	1		
22	93430-06M02	CIRCLIP	1	1		
23	99080-05600	CIRCLIP	1	1		
24	90506-32M22	SPRING, TENSION	2	2		
25	91490-20010	PIN, COTTER	2	2		
26	6J8-43631-00	LEVER, TILT	1	1		
27	6J8-43633-00	COVER, TILT LEVER	1	1		

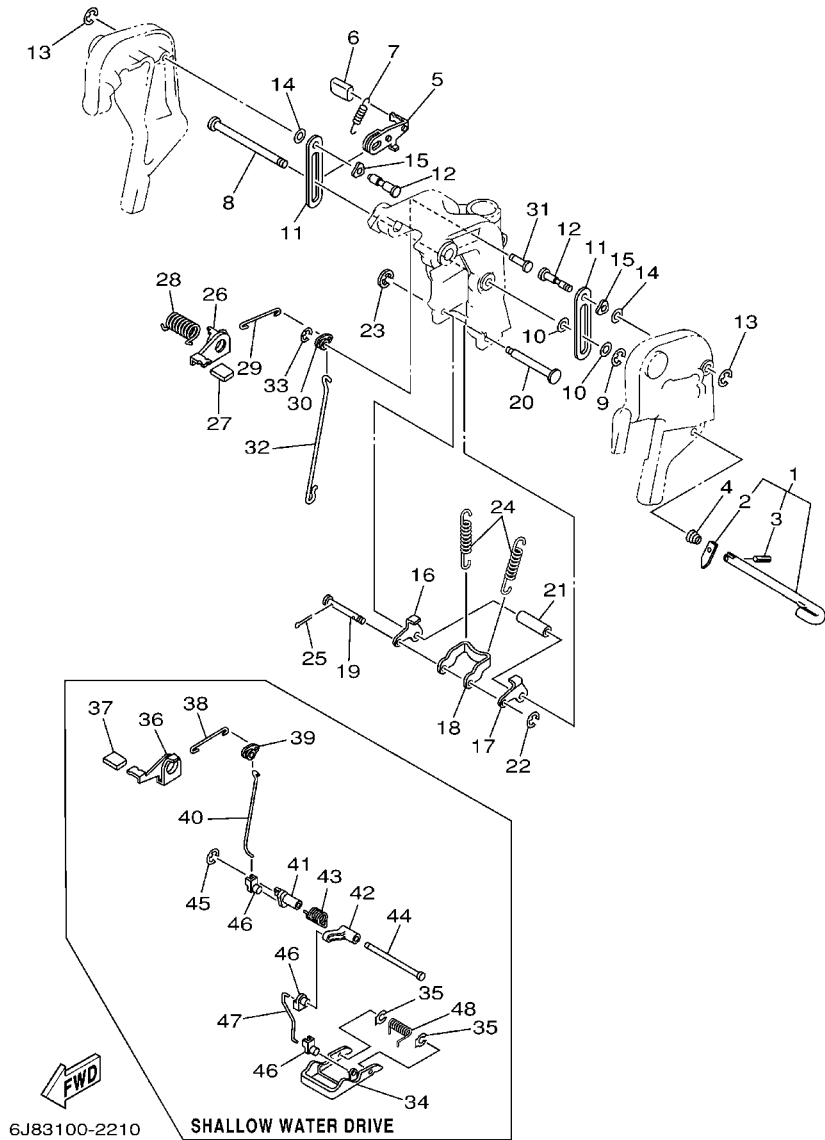
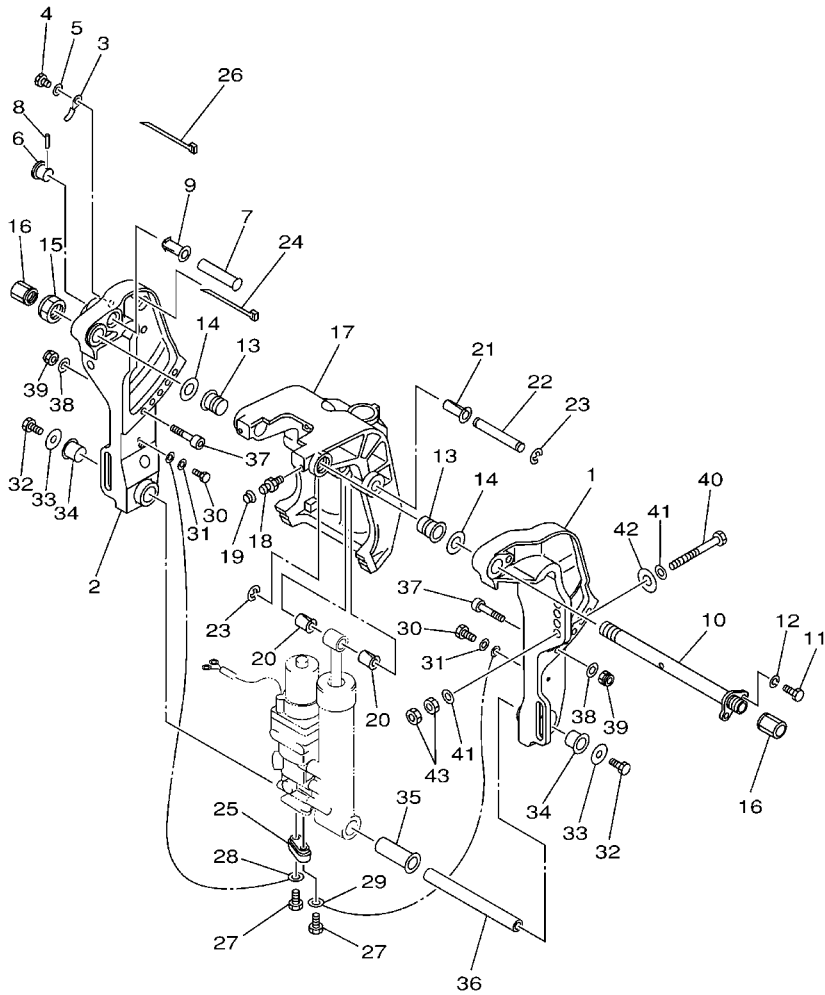


FIG. 19 BRACKET 2

REF. NO.	PART NO.	DESCRIPTION	MH	MHO	ETO	REMARKS
28	90508-18M23	SPRING, TORSION	1	1		
29	6H4-43616-00	ROD, TILT LOCK	1	1		
30	6J8-43641-00	LEVER, TILT	1	1		
31	90249-06M24	PIN	1	1		
32	6J8-43617-00	ROD, TILT LOCK	1	1		
33	99080-05600	CIRCLIP	1	1		
34	6J8-43681-01	LEVER, SHALLOW WATER DRIVE 1	1	1		
35	6J8-43673-00	WASHER 1	2	2		
36	6J8-43631-10	LEVER, TILT	1	1		
37	6J8-43633-00	COVER, TILT LEVER	1	1		
38	6H4-43616-00	ROD, TILT LOCK	1	1		
39	6J8-43641-00	LEVER, TILT	1	1		
40	6J8-43617-10	ROD, TILT LOCK	1	1		
41	6J8-43186-00	LEVER	1	1		
42	6J8-43187-00	LEVER 2	1	1		
43	90508-25M21	SPRING, TORSION	1	1		
44	90249-07M25	PIN	1	1		
45	99080-05600	CIRCLIP	1	1		
46	6J8-41262-00	JOINT, CHOKE LEVER	3	3		
47	6J8-43616-10	ROD, TILT LOCK	1	1		
48	90508-20M22	SPRING, TORSION	1	1		

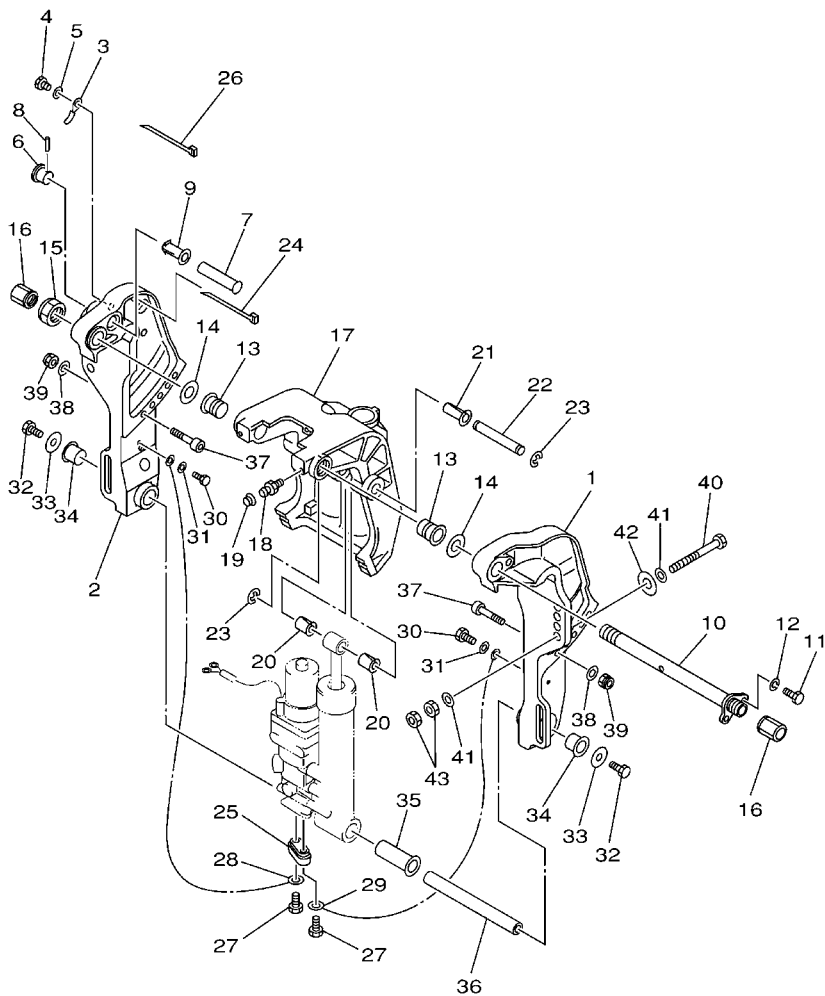
FIG. 20 BRACKET 3



6J80100-9220

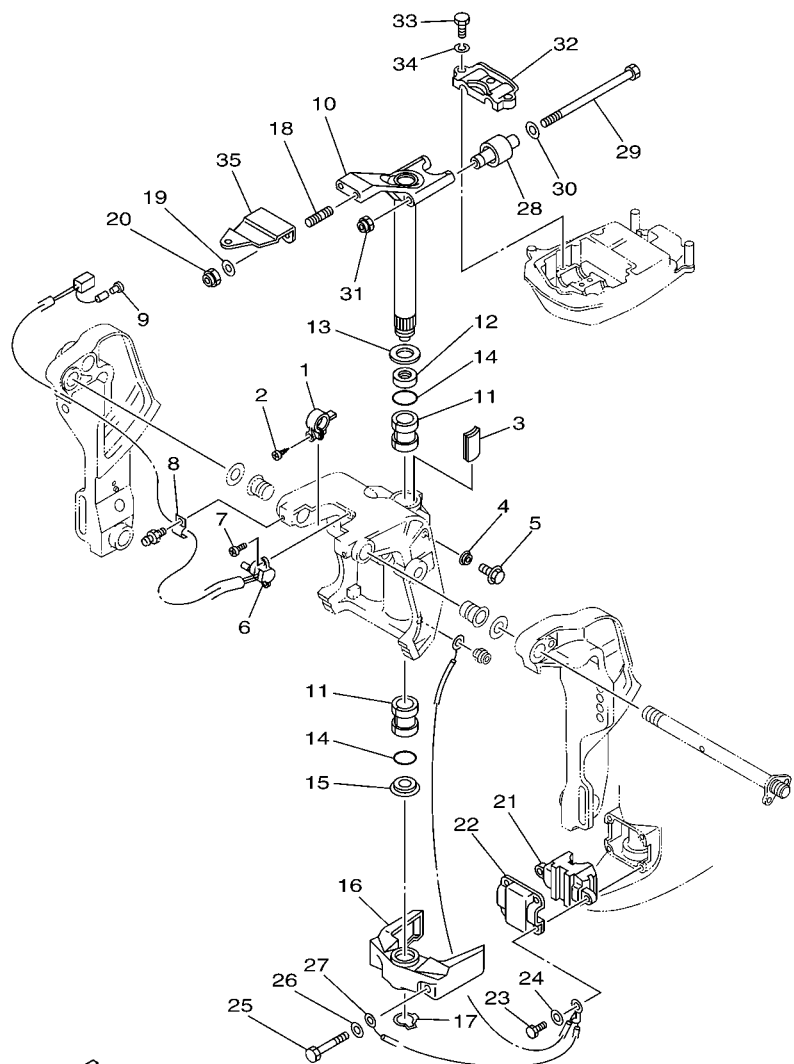
REF. NO.	PART NO.	DESCRIPTION	MH	MHO	ETO	REMARKS
1	6K9-43111-10-4D	BRACKET, CLAMP			1	
2	6K9-43112-10-4D	BRACKET, CLAMP			1	
3	90465-10M77	CLAMP			1	
4	97095-06010	BOLT			1	
5	92995-06600	WASHER			1	
6	65W-43192-00	KNOB, STOPPER			1	
7	65W-43191-00	SHAFT, STOPPER			1	
8	91690-30018	PIN, SPRING			1	
9	90386-14MA1	BUSH			1	
10	6K9-43131-01	BOLT, CLAMP BRACKET			1	
11	97095-08020	BOLT			1	
12	92995-08100	WASHER			1	
13	90386-22M15	BUSH			2	
14	90201-22M03	WASHER, PLATE			2	
15	90185-22M11	NUT, SELF-LOCKING			1	
16	6G5-43145-01	CAP, CLAMP BRACKET			2	
17	6K9-43311-01-4D	BRACKET, SWIVEL 1			1	
18	93700-06M03	NIPPLE, GREASE			3	
19	663-45119-00	CAP, GREASE NIPPLE			3	AP
20	90386-12MA0	BUSH			2	
21	90386-12M98	BUSH			1	
22	90249-12M38	PIN			1	
23	93430-10M00	CIRCLIP			2	
24	90465-13M11	CLAMP			2	
25	65W-45251-00	ANODE			1	
26	90465-11M10	CLAMP			4	
27	90101-06020	BOLT			2	

FIG. 20 BRACKET 3



6J80100-9220

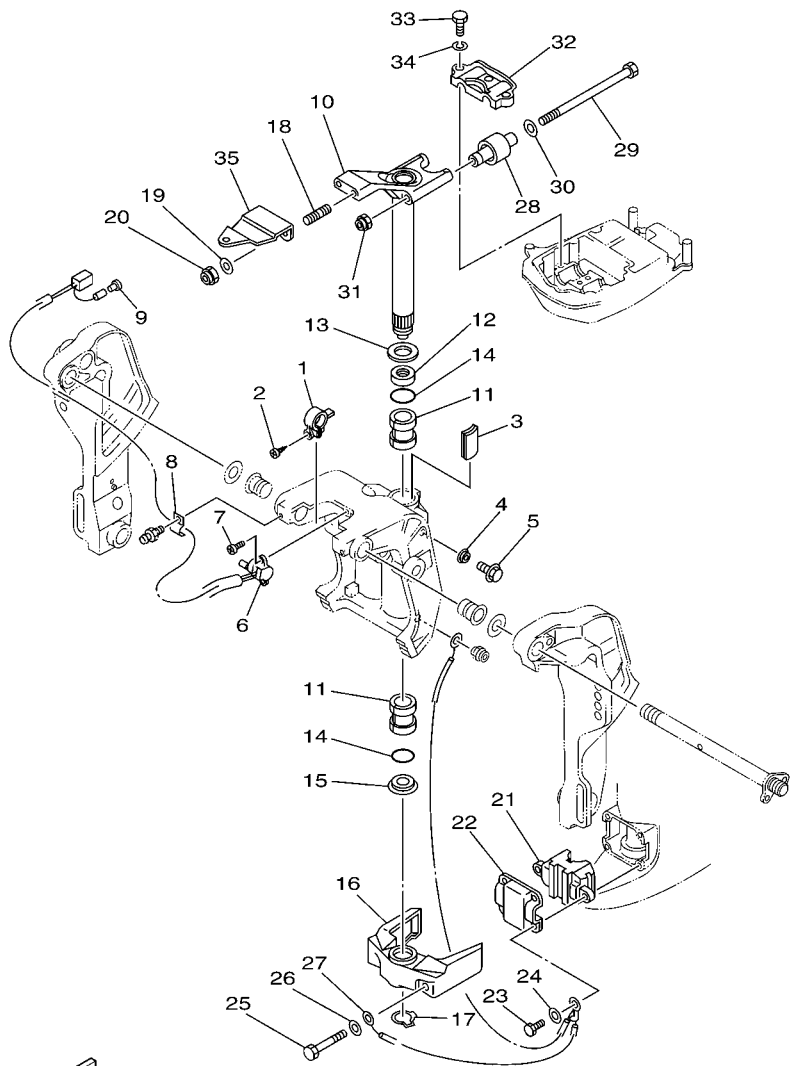
REF. NO.	PART NO.	DESCRIPTION	MH	MHO	ETO	REMARKS
28	6H1-82148-00	WIRE, LEAD 4			1	
29	6U0-82127-00	WIRE, LEAD 2			1	
30	97095-06014	BOLT			2	
31	92995-06600	WASHER			2	
32	97080-08016	BOLT			2	
33	90201-08M00	WASHER, PLATE			2	
34	90386-18M44	BUSH			2	
35	90386-18MA0	BUSH			1	
36	90249-18M35	PIN			1	
37	90110-10M02	BOLT, HEXAGON SOCKET HEAD			2	
38	92995-10600	WASHER			2	
39	90185-10M13	NUT, SELF-LOCKING			2	
40	90101-12M65	BOLT			4	
41	92995-12200	WASHER			8	
42	90201-12426	WASHER, PLATE			4	
43	95380-12600	NUT			8	




 6J8A100-C210

FIG. 21 BRACKET 4

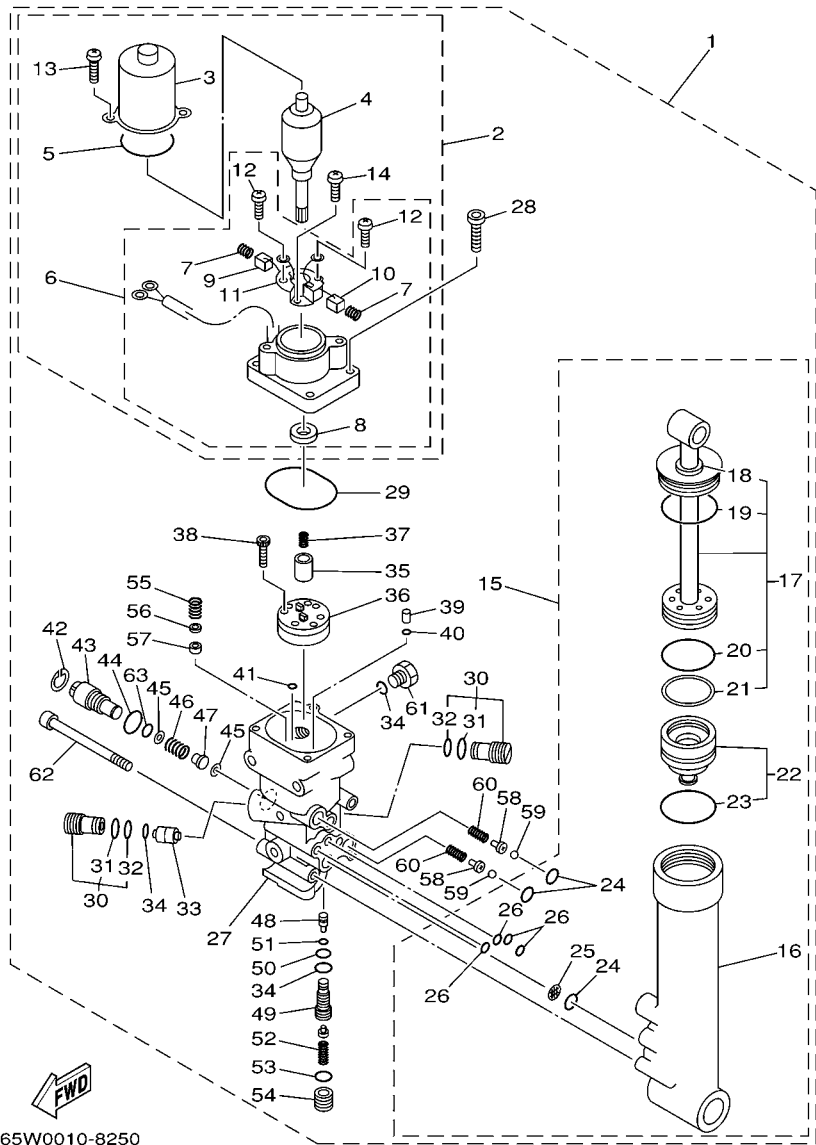
REF. NO.	PART NO.	DESCRIPTION	MH	MHO	ETO	REMARKS
1	6K9-43139-01	CAM, TRIM SENDER			1	
2	97780-60525	SCREW, TAPPING			1	
3	6J8-42528-00	PLATE, FRICTION			1	
4	689-43373-01	SEAL, DAMPER			1	
5	90105-06M18	BOLT, FLANGE			1	
6	64E-83672-02	TRIM SENDER			1	
7	97885-06016	SCREW, PAN HEAD			2	
8	90465-08M63	CLAMP			1	
9	703-82119-00	COVER, LEAD WIRE			1	
10	6J8-42510-03-4D	STEERING BRACKET ASSY			1	
11	90386-30M77	BUSH			2	
12	90386-30M78	BUSH			1	
13	90201-30M00	WASHER, PLATE			1	
14	93210-29M94	O-RING			2	
15	90386-30M60	BUSH			1	
16	6H4-44551-02-4D	HOUSING, LOWER MOUNT RUBBER			1	
17	93410-28M06	CIRCLIP			1	
18	90116-10M28	BOLT, STUD			2	
19	92995-10600	WASHER			2	
20	90185-10051	NUT, SELF-LOCKING			2	
21	6H4-44557-10	MOUNT DAMPER, LOWER FRONT			1	L
22	6H4-44553-01	COVER, LOWER MOUNT			1	
23	97095-08025	BOLT			4	
24	92995-08600	WASHER			4	
25	97095-10060	BOLT			2	
26	92995-10600	WASHER			2	
27	6H4-82127-00	WIRE, LEAD 2			1	



6J8A100-C210

FIG. 21 BRACKET 4

REF. NO.	PART NO.	DESCRIPTION	MH	MHO	ETO	REMARKS
28	6H4-44514-00	MOUNT DAMPER, UPPER SIDE			2	
29	90109-08M26	BOLT			2	
30	90201-09425	WASHER, PLATE			2	
31	90185-08045	NUT, SELF-LOCKING			2	
32	6J8-44511-00-4D	COVER, UPPER MOUNT			1	
33	97075-08035	BOLT			3	
34	92995-08100	WASHER			3	
35	6J8-48511-51-4D	HOOK, STEERING			1	



65W0010-8250

FIG. 22 POWER TRIM & TILT ASSY

REF. NO.	PART NO.	DESCRIPTION	MH	MHO	ETO	REMARKS
1	65W-43800-02-4D	POWER TRIM & TILT ASSY			1	
2	65W-43880-00	..MOTOR ASSY			1	
3	65W-43804-00	..STATOR ASSY			1	
4	65W-43805-00	..ARMATURE ASSY			1	
5	65W-43869-00	..O-RING			1	
6	65W-43881-00	..FRAME, END			1	
7	65W-4386K-00	...SPRING, BRUSH			2	
8	65W-43882-00	...OIL SEAL			1	
9	65W-43892-00	...BRUSH 2			1	
10	65W-43891-00	...BRUSH 1			1	
11	65W-4380F-00	...PLATE, BRUSH HOLDER			1	
12	65W-43879-00	...SCREW, WITH WASHER			2	
13	65W-43887-00	..BOLT, THROUGH			2	
14	65W-4388E-00	..BOLT			1	
15	65W-43840-00	..POWER TILT ASSY			1	
16	65W-4380K-00	..CYLINDER, TILT SUB ASSY			1	
17	65W-43810-00	..TILT PISTON SUB ASSY			1	
18	65W-43812-00	...SEAL, DUST			1	
19	65W-43865-00	...O-RING			1	
20	6H1-43861-10	...O-RING			1	
21	65W-43871-00	...RING, BACK UP			1	
22	65W-4381B-00	..FREE PISTON SUB ASSY			1	
23	6H1-43861-10	...O-RING			1	
24	93210-11368	..O-RING			3	
25	6H1-43816-00	..FILTER 1			1	
26	93210-064A5	..O-RING			4	
27	65W-4380L-00	..HOUSING, TRIM & TILT SUB ASSY			1	

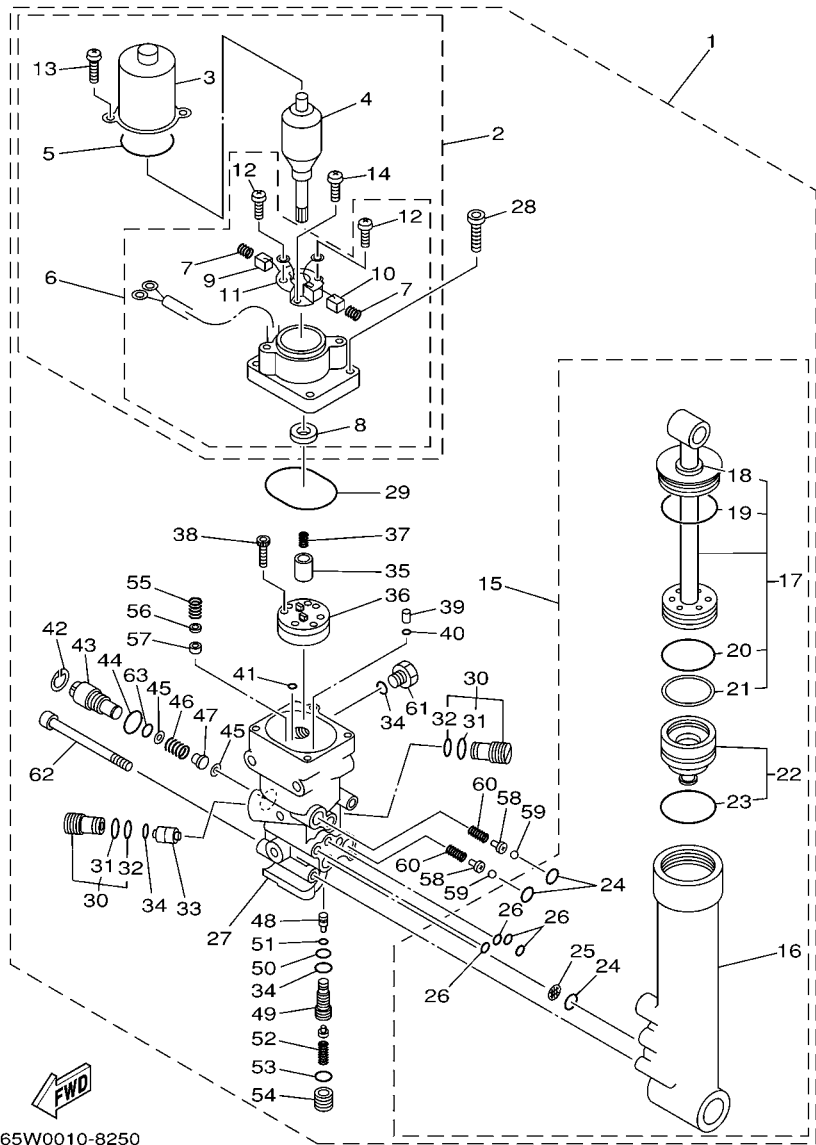
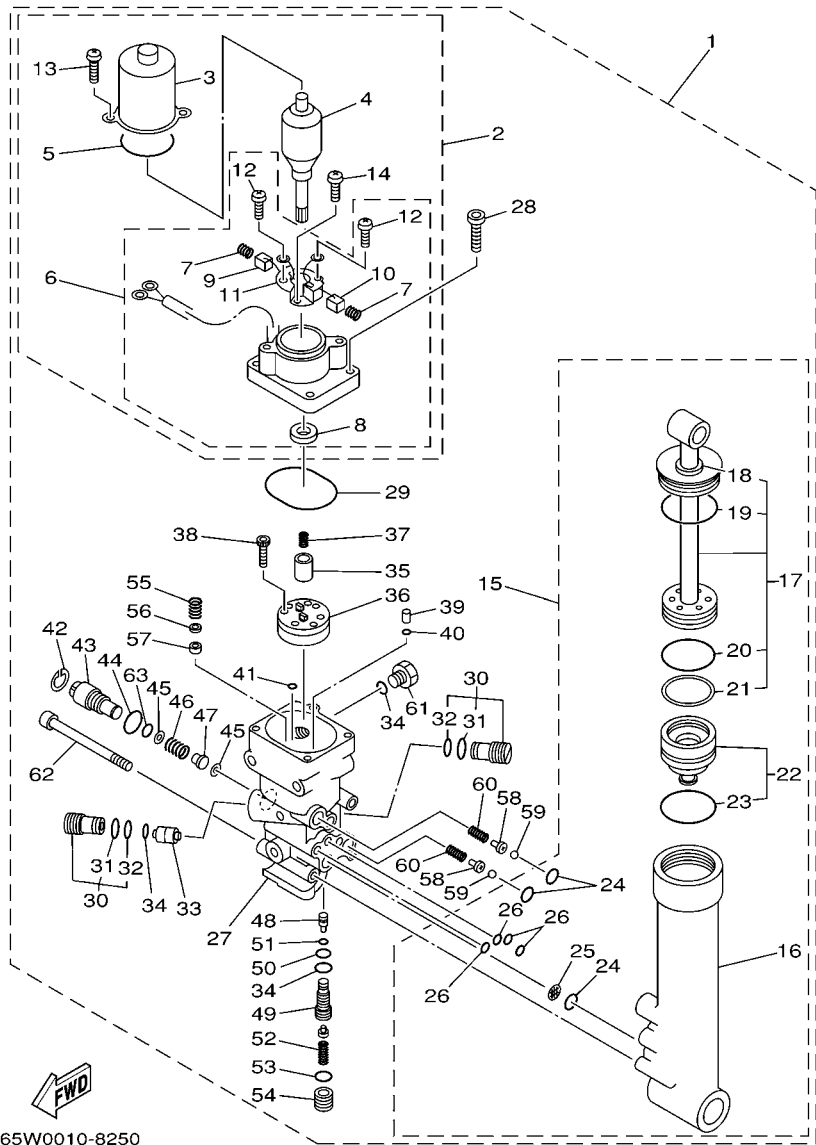


FIG. 22 POWER TRIM & TILT ASSY

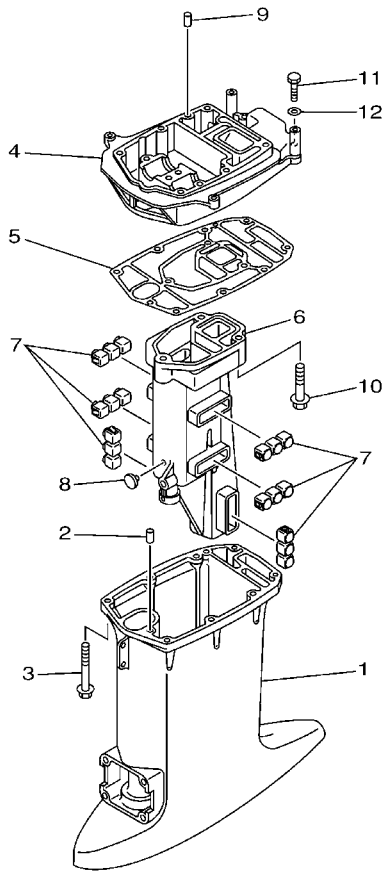
REF. NO.	PART NO.	DESCRIPTION	MH	MHO	ETO	REMARKS
28	65W-43888-00	.BOLT, SOCKET			4	
29	93210-50768	.O-RING			1	
30	6T4-43802-03	.VALVE SUB ASSY			2	
31	6H1-43866-00	..O-RING			1	
32	6H1-43867-00	..O-RING			1	
33	62X-43841-00	.PISTON, SHUTTLE			1	
34	93210-09165	.O-RING			3	
35	65W-43831-00	.CONNECTOR, SHAFT			1	
36	65W-43830-00	.GEAR PUMP ASSY			1	
37	6T4-43853-00	.SPRING, MAIN VALVE			1	
38	91318-04025	.BOLT			4	
39	65W-43817-00	.FILTER 2			2	
40	65W-43861-00	.O-RING			2	
41	65W-43862-00	.O-RING			2	
42	6H1-43875-00	.RING, SNAP			1	
43	6H1-43845-00	.SCREW, MANUAL RELEASE			1	
44	93210-18397	.O-RING			1	
45	6H1-43847-00	.SEAT, MANUAL VALVE			2	
46	65W-43854-00	.SPRING, MANUAL RELEASE			1	
47	65W-4382A-00	.ADAPTOR 1			1	
48	65W-43844-00	.PIN, VALVE SUPPORT			1	
49	65W-43851-00	.SEAT, RELIEF VALVE			1	
50	93210-08006	.O-RING			1	
51	93210-03478	.O-RING			1	
52	65W-43855-00	.SPRING, UP RELIEF			1	
53	93210-11073	.O-RING			1	
54	65W-43843-00	.SCREW, VALVE LOCK			1	



65W0010-8250

FIG. 22 POWER TRIM & TILT ASSY

REF. NO.	PART NO.	DESCRIPTION	MH	MHO	ETO	REMARKS
55	6H1-43856-10	.SPRING, DOWN RELIEF			1	
56	6H1-43844-10	.PIN, VALVE SUPPORT			1	
57	6H1-4384F-10	.SEAL, MAIN VALVE			1	
58	65W-4386A-00	.PIN, ABSORBER VALVE			2	
59	93501-08001	.BALL			2	
60	65W-43853-00	.SPRING, MAIN VALVE			2	
61	6H1-43829-00	.PLUG, RESERVOIR			1	
62	62X-43878-00	.BOLT, SOCKET			3	
63	93210-10M74	.O-RING			1	




6J80100-9250

FIG. 23 UPPER CASING

REF. NO.	PART NO.	DESCRIPTION	MH	MHO	ETO	REMARKS
1	6J8-45111-01-4D	CASING, UPPER	1	1		S
	6J8-45111-11-4D	CASING, UPPER	1	1	1	L
2	93606-12019	PIN, DOWEL	2	2	2	
3	90119-08M31	BOLT, WITH WASHER	6	6	6	
4	6J8-41137-01-94	GUIDE, EXHAUST	1	1	1	
5	6J8-45114-A1	GASKET, UPPER CASING	1	1	1	
6	6J8-41131-00-5B	MANIFOLD, EXT. 1	1	1	1	
7	6J8-14737-00	DAMPER, MUFFLER	6	6	6	
8	90338-07M00	PLUG	1	1	1	
9	93606-12019	PIN, DOWEL	2	2	2	
10	97575-08550	BOLT, WITH WASHER	3	3	3	
11	97075-08030	BOLT	2	2	2	
12	92995-08600	WASHER	2	2	2	

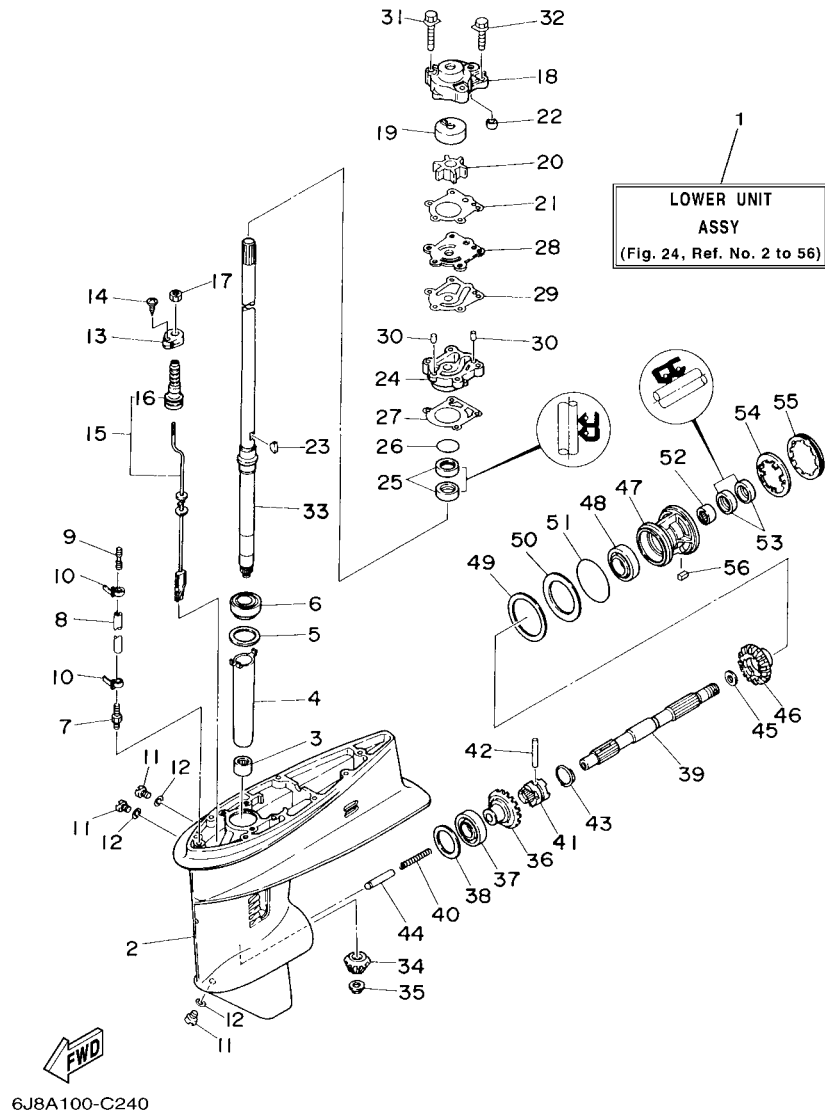
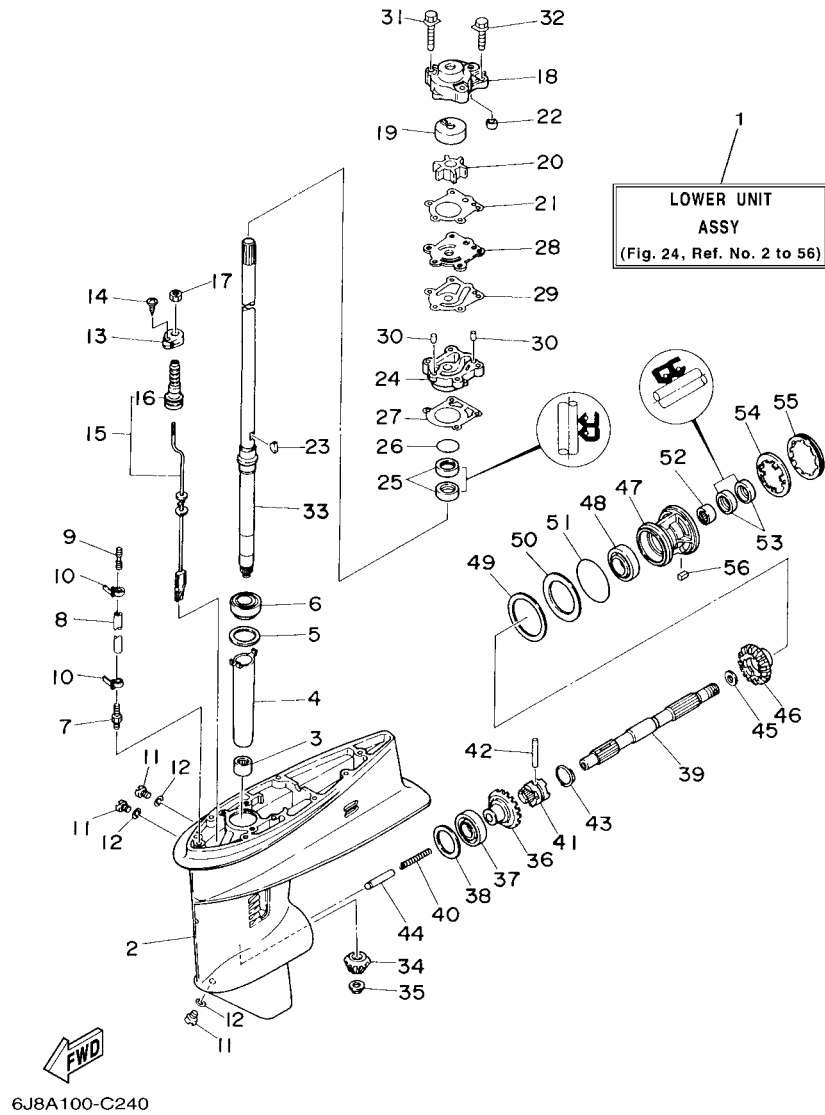


FIG. 24 LOWER CASING & DRIVE 1

REF. NO.	PART NO.	DESCRIPTION	MH	MHO	ETO	REMARKS
1	6J8-45300-04-4D	LOWER UNIT ASSY	1	1		S
	6J8-45300-14-4D	LOWER UNIT ASSY	1	1	1	L
2	6J8-45301-02-4D	CASING, LOWER	1	1	1	
3	93315-220V7	BEARING	1	1	1	
4	6J8-45536-00	SLEEVE, DRIVE SHAFT	1	1	1	
5	663-45587-01	SHIM (T:0.10MM)	1	1	1	UR
	663-45587-10	SHIM (T:0.12MM)	1	1	1	UR
	663-45587-20	SHIM (T:0.15MM)	1	1	1	UR
	663-45587-30	SHIM (T:0.18MM)	1	1	1	UR
	663-45587-40	SHIM (T:0.30MM)	1	1	1	UR
	663-45587-50	SHIM (T:0.40MM)	1	1	1	UR
	663-45587-60	SHIM (T:0.50MM)	1	1	1	UR
6	93332-00001	BEARING	1	1	1	
7	6E5-45378-00	NIPPLE, HOSE	1	1	1	
8	90445-07ME9	HOSE (L120)	1	1		S
	90445-07M31	HOSE (L200)	1	1	1	L
9	6E5-83558-00	END, NIPPLE	1	1	1	
10	90465-11M10	CLAMP	2	2	2	
11	90340-08002	PLUG, STRAIGHT SCREW	3	3	3	
12	90430-08020	GASKET	3	3	3	
13	682-44176-00	BRACKET	1	1	1	
14	97780-50510	SCREW, TAPPING	1	1	1	
15	6J8-44150-00	SHIFT CAM ASSY	1	1		S
	6J8-44150-10	SHIFT CAM ASSY	1	1	1	L
16	682-44147-00	.BOOT, SHIFT ROD	1	1	1	
17	95380-06700	NUT	1	1	1	
18	6J8-44311-00	HOUSING, WATER PUMP	1	1	1	

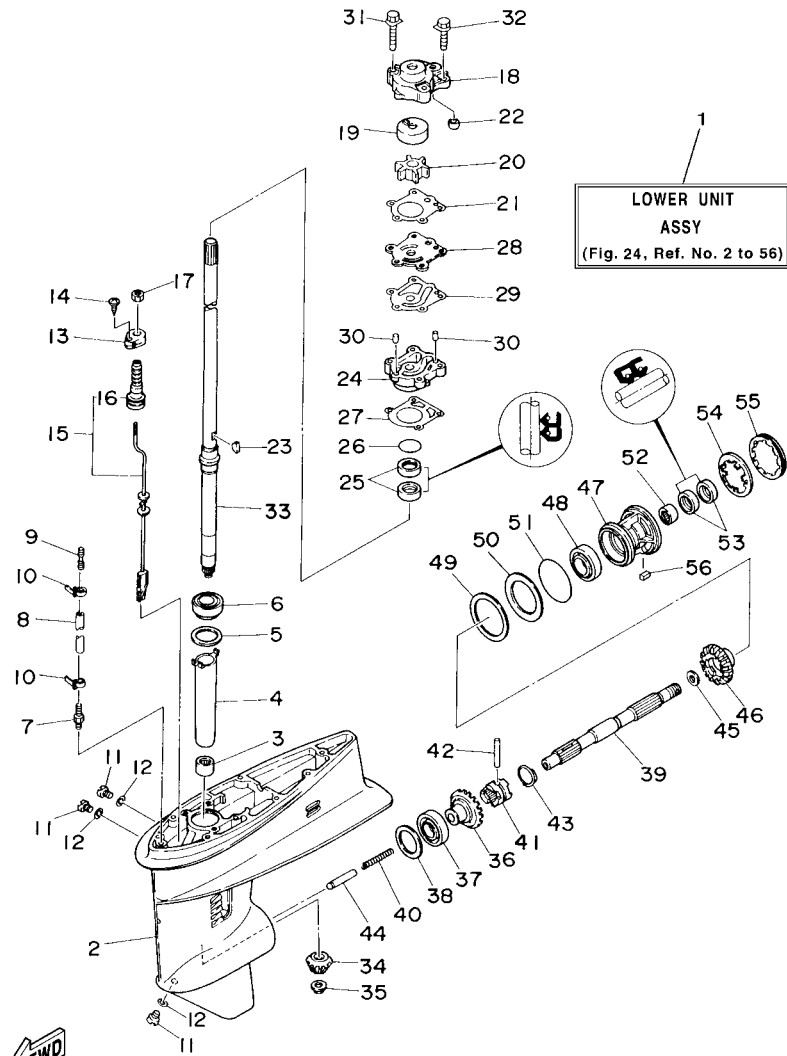
FIG. 24 LOWER CASING & DRIVE 1



REF. NO.	PART NO.	DESCRIPTION	MH	MHO	ETO	REMARKS
19	663-44322-00	INSERT, CARTRIDGE	1	1	1	
20	6H4-44352-02	IMPELLER	1	1	1	
21	663-44315-A0	GASKET, WATER PUMP	1	1	1	
22	663-44366-00	DAMPER, WATER SEAL	1	1	1	
23	90280-03024	KEY, WOODRUFF	1	1	1	
24	663-44341-00-94	HOUSING, WATER PUMP	1	1	1	
25	93101-23070	OIL SEAL	2	2	2	
26	93210-41042	O-RING	1	1	1	
27	663-44316-A0	GASKET, WATER PUMP	1	1	1	
28	663-44323-00	OUTER PLATE, CARTRIDGE	1	1	1	
29	663-44324-A0	GASKET, CARTRIDGE	1	1	1	
30	93604-08062	PIN, DOWEL	2	2	2	
31	90119-08M13	BOLT, WITH WASHER	2	2	2	
32	90119-08M34	BOLT, WITH WASHER	2	2	2	
33	6J8-45501-00	DRIVE SHAFT COMP.	1	1		S
	6J8-45501-10	DRIVE SHAFT COMP.	1	1	1	L
34	6J8-45551-00	PINION (13T)	1	1	1	
35	90179-10M14	NUT	1	1	1	
36	6J8-45560-00	GEAR 1 (24T)	1	1	1	
37	93332-000V6	BEARING	1	1	1	
38	6J8-45567-01	SHIM (T:0.10MM)	1	1	1	UR
	6J8-45567-10	SHIM (T:0.12MM)	1	1	1	UR
	6J8-45567-20	SHIM (T:0.15MM)	1	1	1	UR
	6J8-45567-30	SHIM (T:0.18MM)	1	1	1	UR
	6J8-45567-40	SHIM (T:0.30MM)	1	1	1	UR
	6J8-45567-50	SHIM (T:0.40MM)	1	1	1	UR
	6J8-45567-60	SHIM (T:0.50MM)	1	1	1	UR



6J8A100-C240

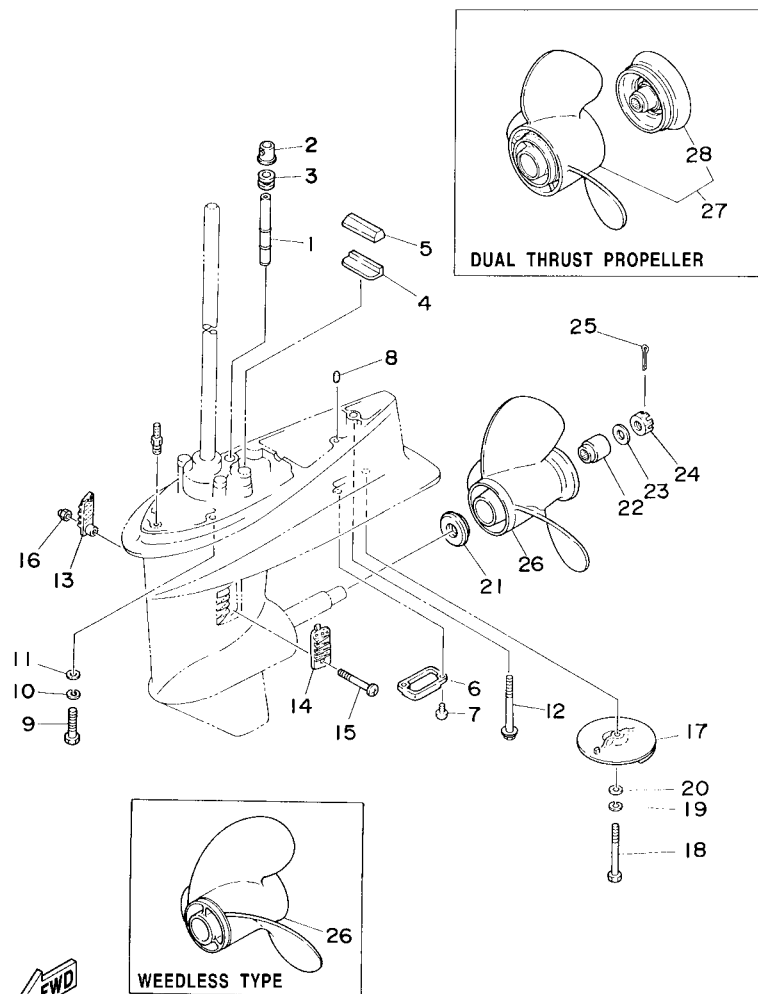


1
**LOWER UNIT
 ASSY**
 (Fig. 24, Ref. No. 2 to 56)

FIG. 24 LOWER CASING & DRIVE 1

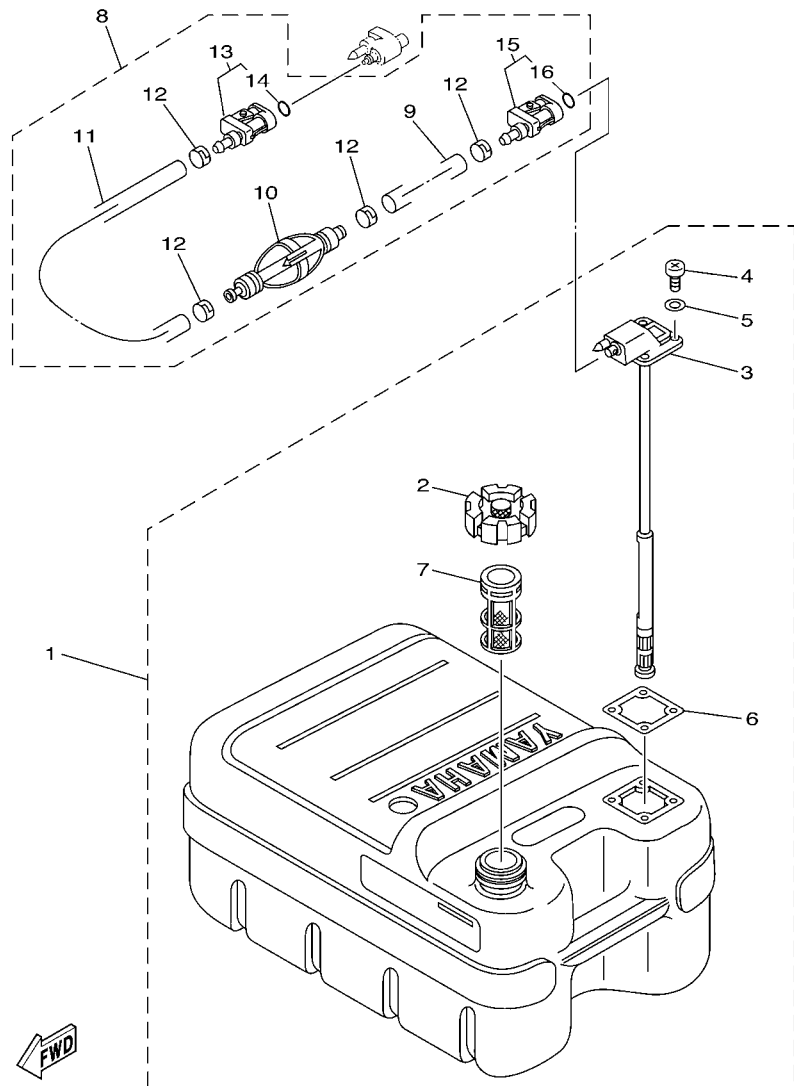
REF. NO.	PART NO.	DESCRIPTION	MH	MHO	ETO	REMARKS
39	6J8-45611-00	SHAFT, PROPELLER	1	1	1	
40	90501-10065	SPRING, COMPRESSION	1	1	1	
41	6J8-45631-00	CLUTCH, DOG	1	1	1	
42	90250-05010	PIN, STRAIGHT	1	1	1	
43	648-45633-00	RING, CROSS PIN	1	1	1	
44	6J8-45635-00	PLUNGER, SHIFT	1	1	1	
45	90201-20417	WASHER, PLATE	1	1	1	
46	6J8-45571-00	GEAR 2 (24T)	1	1	1	
47	689-45331-01-94	HOUSING, BEARING	1	1	1	
48	93306-00612	BEARING	1	1	1	
49	664-45577-01	SHIM (T:0.10MM)	1	1	1	UR
	664-45577-10	SHIM (T:0.12MM)	1	1	1	UR
	664-45577-20	SHIM (T:0.15MM)	1	1	1	UR
	664-45577-30	SHIM (T:0.18MM)	1	1	1	UR
	664-45577-40	SHIM (T:0.30MM)	1	1	1	UR
	664-45577-50	SHIM (T:0.40MM)	1	1	1	UR
	664-45577-60	SHIM (T:0.50MM)	1	1	1	UR
50	664-45576-00	WASHER, THRUST	1	1	1	
51	93210-60MA3	O-RING	1	1	1	
52	93315-22004	BEARING	1	1	1	
53	93101-20M07	OIL SEAL	2	2	2	
54	90214-45M02	WASHER, CLAW	1	1	1	
55	664-45384-00	NUT	1	1	1	
56	90282-04010	KEY, STRAIGHT	1	1	1	

FIG. 25 LOWER CASING & DRIVE 2



REF. NO.	PART NO.	DESCRIPTION	MH	MHO	ETO	REMARKS
1	6J8-44361-00	TUBE, WATER	1	1		S
	6J8-44361-10	TUBE, WATER	1	1	1	L
2	6J8-44366-00	DAMPER, WATER SEAL	1	1	1	
3	663-44367-00	DAMPER, WATER SEAL	1	1	1	
4	663-45376-00-94	GUIDE, SEAL DAMPER	1	1	1	
5	688-45375-00	DAMPER, SEAL	1	1	1	
6	6J8-45224-10	COVER, WATER INLET 3	1	1	1	
7	97880-06012	SCREW, PAN HEAD	2	2	2	
8	93606-12019	PIN, DOWEL	2	2	2	
9	97075-10040	BOLT	4	4	4	
10	92995-10100	WASHER	4	4	4	
11	92995-10600	WASHER	4	4	4	
12	90119-08M92	BOLT, WITH WASHER	1	1	1	
13	689-45214-01	COVER, WATER INLET	1	1	1	
14	6J8-45215-00	COVER, WATER INLET	1	1	1	
15	90152-05M04	SCREW, COUNTERSUNK	1	1	1	
16	90185-05002	NUT, SELF-LOCKING	1	1	1	
17	664-45371-01	TAB-TRIM	1	1	1	
18	97075-08020	BOLT	1	1	1	
19	92995-08100	WASHER	1	1	1	
20	92995-08600	WASHER	1	1	1	
21	6L2-45987-01	SPACER	1	1	1	
22	689-45997-00	SPACER	1	1	1	
23	92990-14200	WASHER, PLAIN	1	1	1	
24	90171-14013	NUT, CASTLE	1	1	1	
25	91490-30022	PIN, COTTER	1	1	1	
26	664-45941-01-EL	PROPELLER (3X9-7/8X9-F)	1	1	1	UR

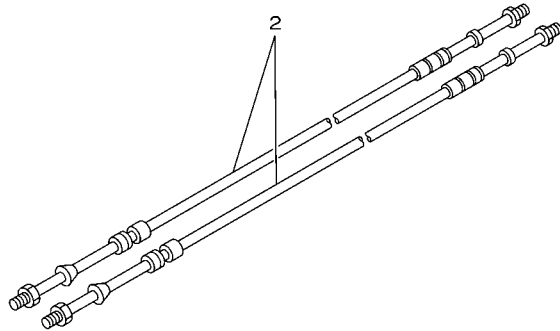
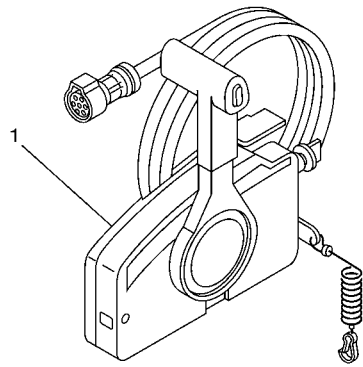
6J80100-4270



68U3100-C240

FIG. 26 FUEL TANK

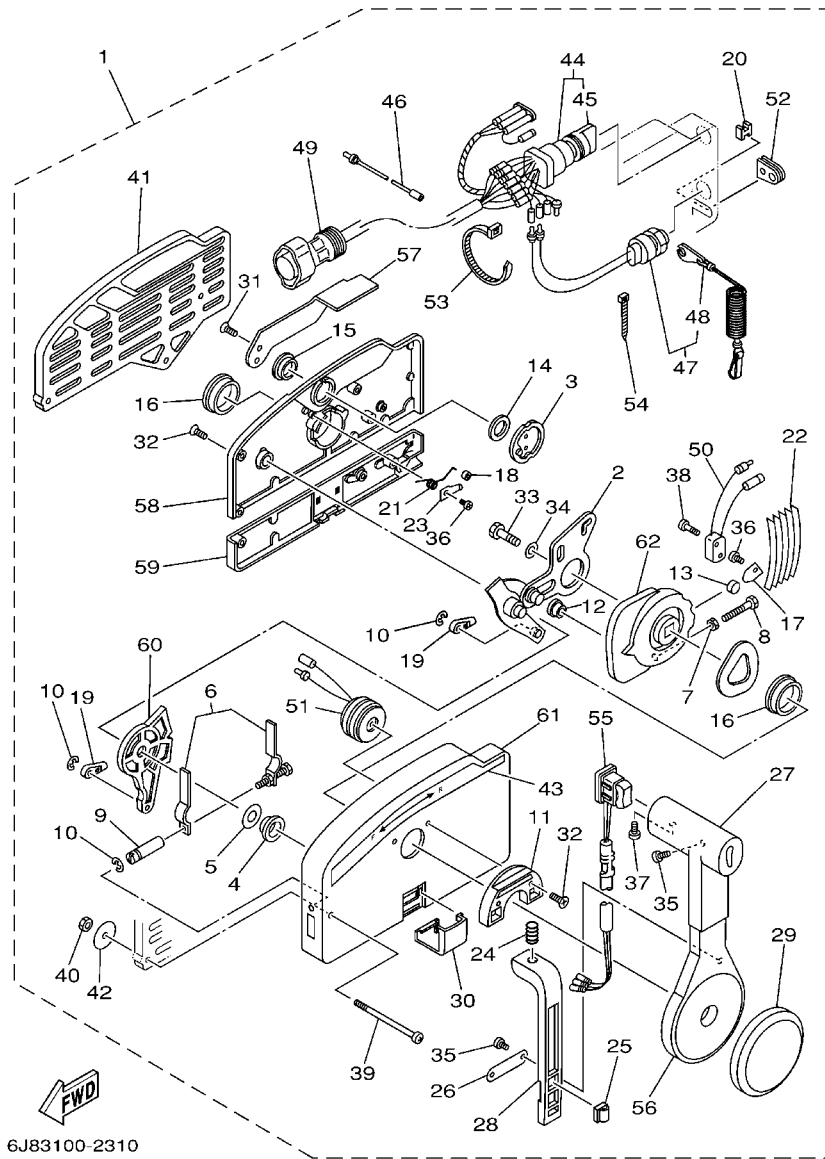
REF. NO.	PART NO.	DESCRIPTION	MH	MHO	ETO	REMARKS
1	6YJ-24201-50	FUEL TANK ASSY (24L)		1		AP FOR CAN
	6YJ-24201-10	FUEL TANK ASSY (24L)	1	1		AP FOR OCE
2	6YJ-24610-01	.CAP ASSY	1	1	1	
3	6Y1-24260-12	.FUEL METER ASSY	1	1	1	WITH INDICATOR
4	98586-05016	.SCREW, PAN HEAD	4	4	4	
5	6Y1-24329-00	.SEAL	4	4	4	
6	6Y1-24268-00	.GASKET, FUEL METER	1	1	1	
7	6YJ-24167-00	.STRAINER	1	1	1	
8	6Y1-24306-54	FUEL PIPE COMP. 1		1		AP FOR CAN
	61J-24306-03	FUEL PIPE COMP. 1	1	1		AP FOR OCE
9	90445-11M06	.HOSE (L2050)	1	1	1	
10	6Y1-24360-52	.PRIMER PUMP ASSY		1		FOR 6Y1-24306-54
	61J-24360-00	.PRIMER PUMP ASSY	1	1		FOR 61J-24306-03
11	90445-11M05	.HOSE (L850)	1	1	1	
12	650-24351-51	.BAND 1		4		FOR 6Y1-24306-54
	650-24351-01	.BAND 1	4	4		FOR 61J-24306-03
13	6G1-24305-04	.FUEL PIPE JOINT COMP. 2	1	1	1	
14	93210-08287	..O-RING	1	1	1	
15	6Y1-24305-05	.FUEL PIPE JOINT COMP. 2	1	1	1	
16	93210-08287	..O-RING	1	1	1	



67M0100-8280

FIG. 28 REMOTE CONTROL BOX

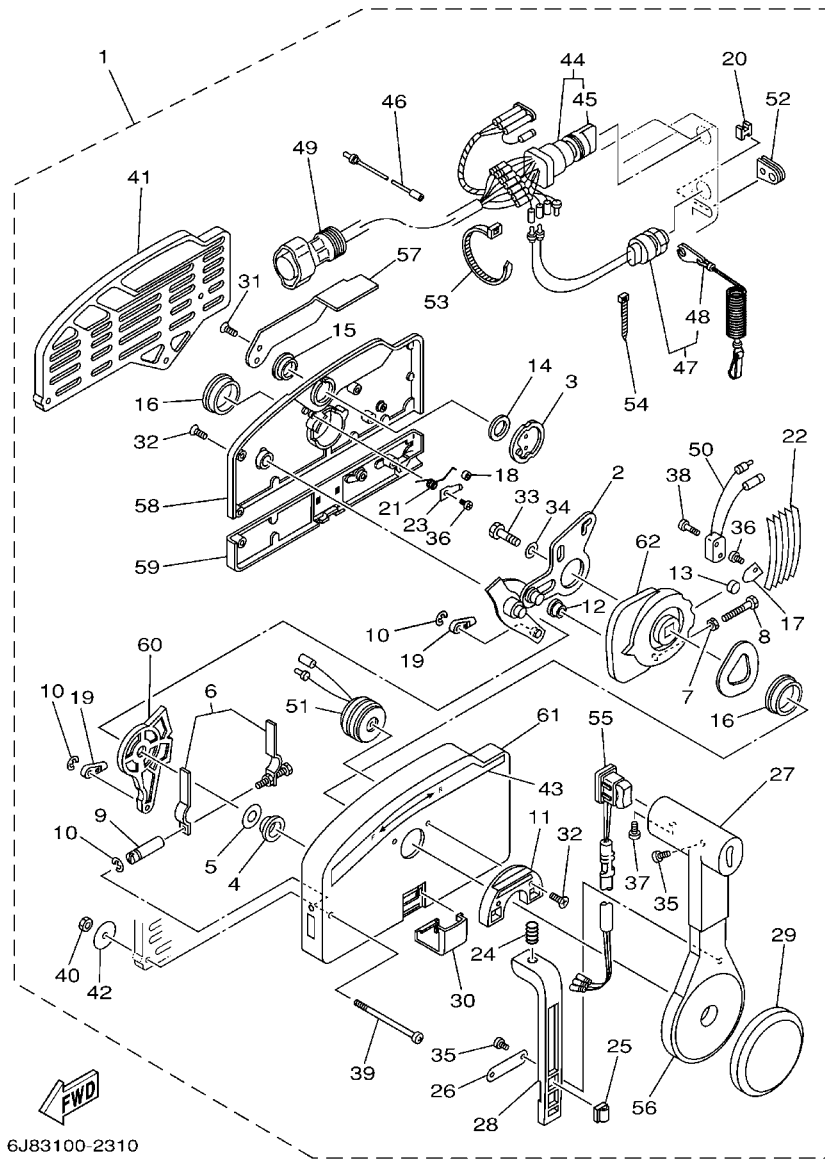
REF. NO.	PART NO.	DESCRIPTION	MH	MHO	ETO	REMARKS
1	703-48250-17	REMOTE CONTROL ASSY (10P)			1	AP WITH PT/T SW.
2	701-48310-80	CABLE, REMOTE CONTROL L=10F			2	UR
	701-48310-90	CABLE, REMOTE CONTROL L=11F			2	UR
	701-48320-00	CABLE, REMOTE CONTROL L=12F			2	UR



6J83100-2310

FIG. 29 REMOTE CONTROL ASSY

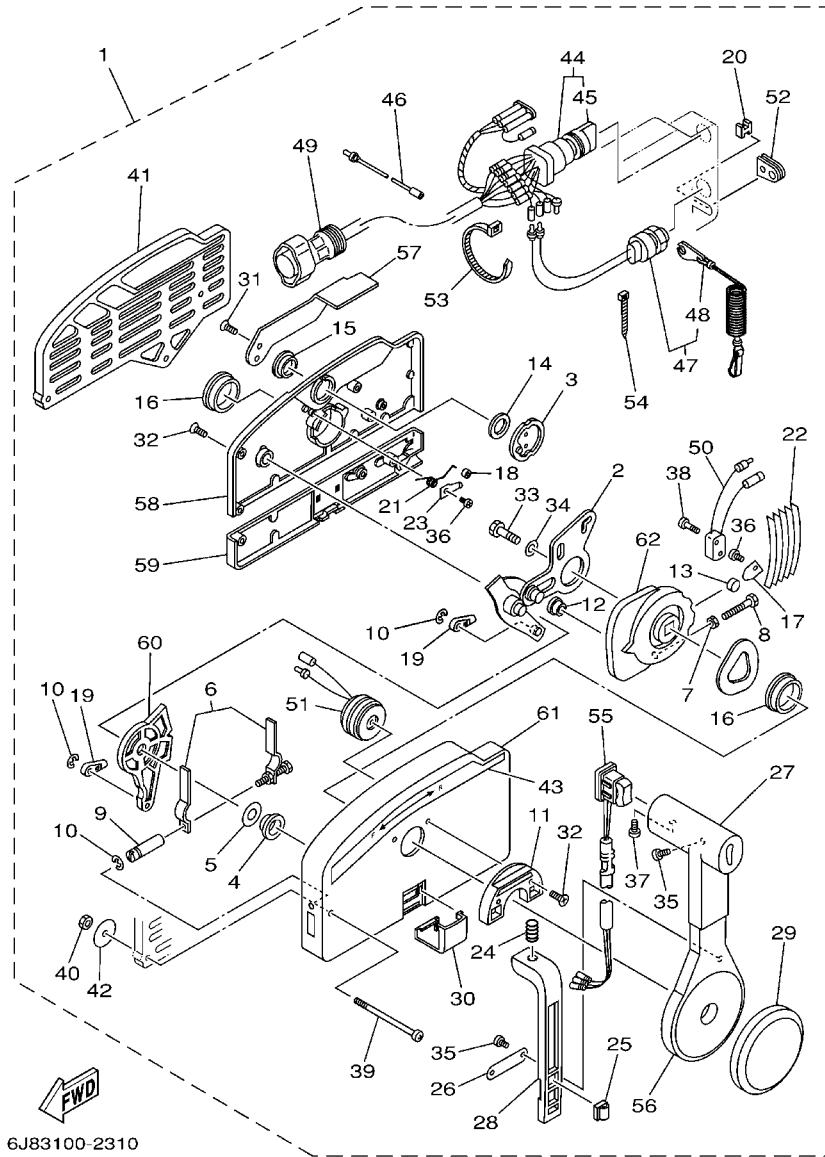
REF. NO.	PART NO.	DESCRIPTION	MH	MHO	ETO	REMARKS
1	703-48250-17	REMOTE CONTROL ASSY (10P)			1	AP WITH PT/T SW.
2	703-48261-11	.ARM, THROTTLE			1	
3	703-48153-00	.SHAFT, FREE ACCEL.			1	
4	703-48235-00	.BUSHING			1	
5	703-48268-00	.SPACER			1	
6	703-48264-00	.FRICTION, THROTTLE			1	
7	95380-05600	.NUT			1	
8	97380-05025	.BOLT			1	
9	703-48265-00	.SHAFT, FRICTION			1	
10	93430-06024	.CIRCLIP			3	
11	703-48245-00	.PLATE, LOCK			1	
12	703-48252-00	.ROLLER, CAM			1	
13	701-48248-00	.ROLLER, FREE ACCEL.			1	
14	703-48198-00	.WASHER, WAVE			1	
15	703-48243-00	.BUSHING			1	
16	703-48236-00	.BUSHING 1			2	
17	703-48189-00	.RETAINER			1	
18	703-48234-00	.ROLLER, DETENT			1	
19	703-48345-01	.CABLE END, REMOTE CONTROL 2			2	
20	703-48358-00	.ANCHOR, CABLE			1	
21	703-48244-00	.SPRING, FREE ACCEL.			1	
22	703-48238-00	.SPRING, DETENT			5	
23	703-48246-00	.SPACER			1	
24	703-48227-00	.SPRING, NEUTRAL LOCK			1	
25	703-82594-00	.CLAMP			1	WITH PT/T SW.
26	703-48226-00	.PLATE, STOPPER			1	
27	703-48222-00	.GRIP, CONTROL LEVER			1	SINGLE



6J83100-2310

FIG. 29 REMOTE CONTROL ASSY

REF. NO.	PART NO.	DESCRIPTION	MH	MHO	ETO	REMARKS
28	703-48223-00	.LOCK, NEUTRAL			1	
29	703-48225-00	.COVER			1	
30	703-48219-00	.COVER, LEAD			1	
31	703-48281-00	.SCREW			2	
32	703-48282-00	.SCREW			7	
33	97380-08030	.BOLT			1	
34	92990-08600	.WASHER, PLATE			1	
35	98580-04010	.SCREW, PAN HEAD			3	
36	98580-04006	.SCREW, PAN HEAD			2	
37	98580-05010	.SCREW, PAN HEAD			1	
38	98580-03015	.SCREW, PAN HEAD			2	
39	703-48291-10	.SCREW (M6)			3	
40	95380-06600	.NUT, HEXAGON			3	
41	703-48293-10	.SPACER, REMOTE CONTROL			1	SINGLE
42	701-48287-00	.WASHER			3	
43	703-48215-00	.GRAPHIC			1	
44	703-82510-43	.MAIN SWITCH ASSY			1	
45	703-82577-00	..CAP, KEY			1	
46	703-82531-00	.WIRE, LEAD			1	
47	688-82575-01	.ENGINE STOP SWITCH ASSY			1	
48	682-82556-00	..STOPPER			1	
49	688-8258A-20	.EXTENSION, WIRE HARNESS			1	L:5M (10P)
50	703-82540-00	.NEUTRAL SWITCH ASSY			1	
51	703-83383-02	.BUZZER			1	
52	703-48284-00	.GROMMET			1	
53	703-82591-00	.BAND			1	
54	703-82592-00	.BAND			1	

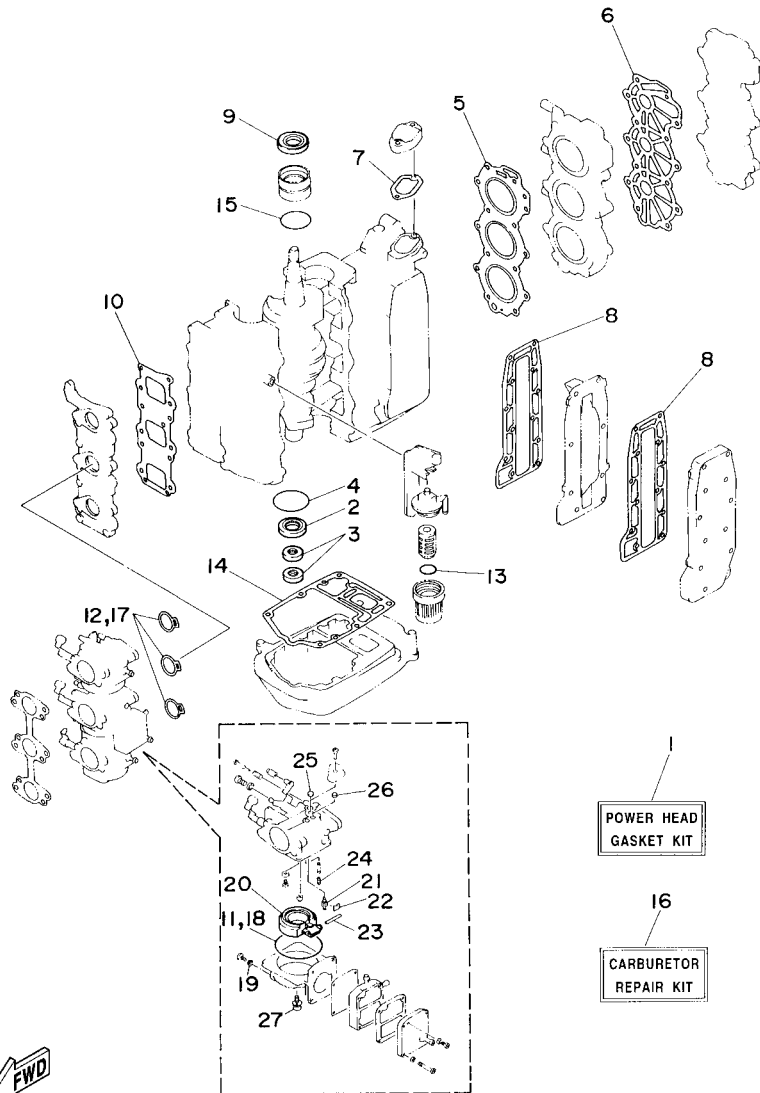


6J83100-2310

FIG. 29 REMOTE CONTROL ASSY

REF. NO.	PART NO.	DESCRIPTION	MH	MHO	ETO	REMARKS
55	703-82563-02	.TRIM & TILT SWITCH ASSY			1	WITH PT/T SW.
56	703-48221-00	.LEVER, CONTROL			1	
57	703-48152-00	.KNOB, FREE ACCEL.			1	
58	703-48212-00	.BACK PLATE 1			1	
59	703-48213-00	.BACK PLATE 2			1	
60	703-48271-00	.ARM, SHIFT			1	
61	703-48211-01	.HOUSING,1			1	
62	703-48232-00	.GEAR			1	

FIG. 30 REPAIR KIT 1



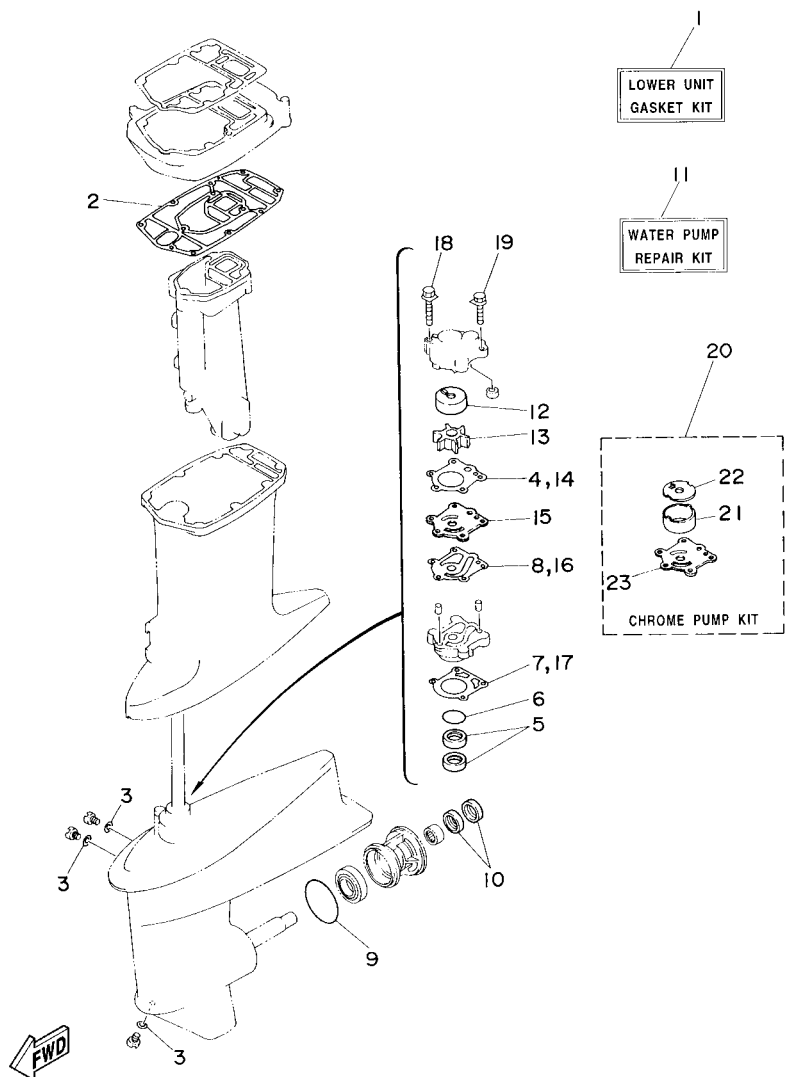
6J80100-4320

REF. NO.	PART NO.	DESCRIPTION	MH	MHO	ETO	REMARKS
1	6J8-W0001-03	POWER HEAD GASKET KIT	1	1	1	
2	93101-25M28	.OIL SEAL	1	1	1	
3	93104-16M04	.OIL SEAL	2	2	2	
4	93210-56M80	.O-RING	1	1	1	
5	6J8-11181-A1	.GASKET, CYLINDER HEAD 1	1	1	1	
6	6J8-11193-A1	.GASKET, HEAD COVER 1	1	1	1	
7	6J8-12414-A0	.GASKET, COVER	1	1	1	
8	6J8-41114-A0	.GASKET, EXHAUST OUTER COVER	2	2	2	
9	93102-26M27	.OIL SEAL	1	1	1	
10	6J8-13621-00	.GASKET, VALVE SEAT	1	1	1	
11	6J8-14984-00	.GASKET, FLOAT CHAMBER	3	3	3	
12	6J8-14198-00	.GASKET	3	3	3	
13	93210-32738	.O-RING	1	1	1	
14	6J8-45113-A0	.GASKET, UPPER CASING	1	1	1	
15	93210-42159	.O-RING	1	1	1	
16	6J8-W0093-00	CARBURETOR REPAIR KIT	1	1	1	
17	6J8-14198-00	.GASKET	3	3	3	
18	6J8-14984-00	.GASKET, FLOAT CHAMBER	3	3	3	
19	6J8-14995-00	.GASKET	3	3	3	
20	6J8-14985-00	.FLOAT	3	3	3	
21	6J8-14546-00	.VALVE, NEEDLE	3	3	3	
22	6J8-14159-00	.CLIP	3	3	3	
23	6J8-14548-00	.PIN, FLOAT ARM	3	3	3	
24	6J8-14966-00	.PLUG	3	3	3	
25	6J8-14126-00	.PLUG	3	3	3	
26	6J8-14118-00	.PLUG	3	3	3	
27	97980-04112	.SCREW, WITH WASHER	3	3	3	

C1

FIG. 31 REPAIR KIT 2

REF. NO.	PART NO.	DESCRIPTION	MH	MHO	ETO	REMARKS
1	6J8-W0001-C2	LOWER UNIT GASKET KIT	1	1	1	
2	6J8-45114-A1	.GASKET, UPPER CASING	1	1	1	
3	90430-08020	.GASKET	3	3	3	
4	663-44315-A0	.GASKET, WATER PUMP	1	1	1	
5	93101-23070	.OIL SEAL	2	2	2	
6	93210-41042	.O-RING	1	1	1	
7	663-44316-A0	.GASKET, WATER PUMP	1	1	1	
8	663-44324-A0	.GASKET, CARTRIDGE	1	1	1	
9	93210-60MA3	.O-RING	1	1	1	
10	93101-20M07	.OIL SEAL	2	2	2	
11	6J8-W0078-A2	WATER PUMP REPAIR KIT	1	1	1	
12	663-44322-00	.INSERT, CARTRIDGE	1	1	1	
13	6H4-44352-02	.IMPELLER	1	1	1	
14	663-44315-A0	.GASKET, WATER PUMP	1	1	1	
15	663-44323-00	.OUTER PLATE, CARTRIDGE	1	1	1	
16	663-44324-A0	.GASKET, CARTRIDGE	1	1	1	
17	663-44316-A0	.GASKET, WATER PUMP	1	1	1	
18	90119-08M13	.BOLT, WITH WASHER	2	2	2	
19	90119-08M34	.BOLT, WITH WASHER	2	2	2	
20	6H4-W0078-0A	CHROME PUMP KIT	1	1	1	
21	670-44322-01	.INSERT, CARTRIDGE	1	1	1	
22	670-44321-00	.INNER PLATE, CARTRIDGE	1	1	1	
23	670-44323-00	.OUTER PLATE, CARTRIDGE	1	1	1	



6J80100-4330

NUMERICAL INDEX

PART NO.	REF. NO.	PART NO.	REF. NO.	PART NO.	REF. NO.	PART NO.	REF. NO.	PART NO.	REF. NO.	PART NO.	REF. NO.
6J8-11111-00-1S	2 - 16	6J8-14159-00	5 - 10	677-15717-01	8 - 19	6J8-24415-00	5 - 29	6G1-42125-01	14 - 11	6J8-42741-01	13 - 20
6F5-11119-00	2 - 8		30 - 22	6J8-15723-00	8 - 48	6J8-24432-00	5 - 30	6G1-42126-00	14 - 12	6E7-42791-10	13 - 34
6J8-1111J-00	2 - 29	6J8-14198-00	4 - 9	6J8-15723-E1	12 - 32	6J8-24452-00	5 - 31	6G1-42131-02	14 - 8	6J8-42815-00-4D	13 - 3
6J8-11181-A1	2 - 17		30 - 12	676-15741-03	8 - 23	6J8-24471-00	5 - 28	6J8-42137-00	14 - 16	6J8-42816-00	13 - 9
	30 - 5	6J8-14301-01	5 - 1	6J8-15746-01	8 - 34	61N-24521-00	7 - 8	6G1-42138-01	14 - 22	6J8-42831-00	13 - 7
6J8-11191-00-1S	2 - 18	6J8-14301-11	5 - 1	6J8-15747-00	8 - 38	61N-24560-00	7 - 6	6J8-42154-01	15 - 30	6J8-42846-00	13 - 27
6J8-11193-A1	2 - 19	6J8-14302-01	5 - 2	656-15748-00	8 - 31	61N-24563-00	7 - 7	6E0-42159-02	14 - 23		17 - 18
	30 - 6	6J8-14303-01	5 - 3	6F5-15752-00	8 - 9	6YJ-24610-01	26 - 2	6J8-42167-00	15 - 6	6H4-43111-05-4D	18 - 1
6J8-11325-00	2 - 10	6J8-14334-00	5 - 26	6F5-15753-00	8 - 10	6H1-24633-00	6 - 31	689-42169-01	15 - 8	6K9-43111-10-4D	20 - 1
6H3-11327-00-1S	2 - 11	6J8-14417-00	4 - 11	689-15755-01	8 - 14	6J8-26301-00	14 - 25	6J8-42169-01	16 - 7	6H4-43112-04-4D	18 - 2
6H3-11328-00	2 - 12	6J8-14418-00	4 - 12	6J8-15758-01-94	8 - 4	6G8-26363-00	16 - 14		17 - 8	6K9-43112-10-4D	20 - 2
650-11370-01	2 - 3	6J8-14476-00	4 - 13	6J8-15762-00	8 - 7		17 - 15	6F6-42177-A0	14 - 15	6J8-43113-01	18 - 12
676-11372-00	2 - 26	6J8-14483-A1	4 - 15	6J8-15770-00	8 - 33	6G8-26364-00	16 - 15	6J8-42192-00	15 - 27	648-43114-01	18 - 8
6J8-11400-01	3 - 1	624-14485-00	2 - 4	6J8-15771-00-94	8 - 40		17 - 16	6J8-42510-03-4D	18 - 25	6E0-43118-01	18 - 5
6J8-11400-11	3 - 1	676-14485-00	4 - 6	6J8-15772-00-94	8 - 41	6G1-2811G-00	7 - 19		21 - 10	6J8-43131-01	18 - 9
6J8-11445-00	3 - 2	6J8-14497-00	15 - 1	6J8-15774-01	8 - 39	6J8-28170-00	7 - 18	6J8-42528-00	18 - 22	6K9-43131-01	20 - 10
6J8-11536-00	3 - 2	6J8-14523-00	5 - 25	6F5-15779-02	8 - 15	6E0-28193-00-94	7 - 23		21 - 3	6K9-43139-01	21 - 1
6J8-11537-00	6 - 2	6J8-14527-01	5 - 17	6J8-15787-00	8 - 13	61H-2819R-31	7 - 16	624-42542-00	6 - 47	6E5-43145-01	27 - 9
6J8-11601-01	3 - 9	6J8-14546-00	5 - 9	6A0-15789-00	8 - 8	6J8-41111-00-1S	2 - 27	6J8-42610-C0-4D	1 - 1	6G5-43145-01	18 - 14
6J8-11601-11	3 - 9		30 - 21	6J8-21707-01	6 - 27	6J8-41113-00-1S	2 - 25	6J8-42610-F0-4D	1 - 1		20 - 16
6J8-11601-21	3 - 9	6J8-14548-00	5 - 11	6J8-21707-11	6 - 27	6J8-41114-A0	2 - 28	6J8-42613-00-4D	1 - 6	6H4-43160-01	19 - 1
6J8-11631-02-97	3 - 8		30 - 23	6J8-21732-00	1 - 16		30 - 8	6J8-42613-10-4D	1 - 6	676-43165-00	19 - 2
6J8-11633-00	3 - 10	6J8-14555-00	5 - 19	6J8-21735-00	1 - 17	6J8-41131-00-5B	23 - 6	6J8-42615-00	1 - 2	6J8-43181-01	19 - 5
6J8-11635-02	3 - 8	6J8-14578-00	5 - 34	6J8-2173M-00	6 - 28	6J8-41137-01-94	23 - 4	6J8-42651-03	1 - 3	6J8-43186-00	19 - 41
6J8-11636-02	3 - 8	6J8-14592-01	5 - 23	6J8-21744-00	6 - 41	6J8-41211-00	15 - 37	6J8-42652-00	1 - 4	6J8-43187-00	19 - 42
688-12411-10	2 - 21	6J8-14737-00	23 - 7	6H1-21757-00	6 - 30	6J8-41213-00	15 - 2	6J8-42677-30	1 - 8	65W-43191-00	20 - 7
6H4-12413-00-1S	2 - 22	6J8-14923-00	5 - 18	6J8-21758-00	6 - 32	6J8-41217-00	4 - 25	6J8-42678-30	1 - 9	65W-43192-00	20 - 6
6J8-12414-A0	2 - 23	6J8-1492A-00	5 - 35	6H4-21770-00	6 - 29	682-41237-00	6 - 25	6J8-42681-30	1 - 11	6K9-43311-01-4D	20 - 17
	30 - 7	6J8-1492E-51	5 - 14	6J8-2177H-00	1 - 14		15 - 9	6J8-42682-30	1 - 12	6J8-43311-04-4D	18 - 19
6J8-13117-00	6 - 3	6J8-1492F-26	5 - 12	6YJ-24167-00	26 - 7	6J8-41237-00	6 - 22	6J8-42711-03-4D	13 - 1	682-43318-01	19 - 6
6J8-13155-00	6 - 18	6J8-14966-00	5 - 13	6YJ-24201-10	26 - 1	6J8-41238-00	6 - 21	6J8-42716-00	13 - 16	689-43373-01	15 - 26
6E9-13183-70	6 - 14		30 - 24	6YJ-24201-50	26 - 1	6J8-41257-00	4 - 21	6J8-42719-10	13 - 24		18 - 23
6J8-13200-01	6 - 5	6J8-14980-00	5 - 5	6Y1-24260-12	26 - 3	6J8-41259-00	4 - 18	6J8-42719-20	13 - 24		21 - 4
6J8-13411-00	6 - 33	6J8-14981-00	5 - 27	6Y1-24268-00	26 - 6	6J8-41262-00	4 - 22	6J8-42723-01	13 - 22	6J8-43611-01	19 - 20
6J8-13414-00	6 - 34	6J8-14984-00	5 - 4	6G1-24304-02	7 - 1		19 - 46	6J8-42723-51	13 - 22	6J8-43613-01	19 - 18
6J8-13416-00	6 - 35		30 - 11	6G1-24305-04	26 - 13	661-41262-02	4 - 19		17 - 17	6J8-43614-00	19 - 16
6J8-13436-40	1 - 13	6J8-14985-00	5 - 8	6Y1-24305-05	26 - 15		8 - 47	6J8-42724-00	13 - 12	6J8-43615-00	19 - 17
6J8-13437-81	12 - 36		30 - 20	61J-24306-03	26 - 8	6J8-41271-01	4 - 20	6J8-42724-10	17 - 19	6H4-43616-00	19 - 29
6J8-13437-91	8 - 51	6J8-14991-00	5 - 6	6Y1-24306-54	26 - 8	689-41273-00	4 - 23	6J8-42724-60	11 - 24	6J8-43616-10	19 - 47
6J8-13610-00	4 - 1	6J8-14995-00	5 - 7	6J8-24311-00	7 - 14	6J8-41274-00	4 - 24	6J8-42725-01	13 - 14	6J8-43617-00	19 - 32
6J8-13621-00	4 - 7		30 - 19	6E5-24312-00	7 - 11	6H4-41611-10	9 - 15	682-42726-00	15 - 35	6J8-43617-10	19 - 40
	30 - 10	6J8-15100-01-1S	2 - 2	688-24313-00	7 - 13	6J8-41615-00	9 - 16	6H4-42726-00	13 - 2	6J8-43627-00	19 - 11
6J8-13641-00-94	4 - 5	6J8-15100-11-1S	2 - 2	6Y1-24329-00	26 - 5	6J8-41618-00	9 - 17	6J8-42726-00	13 - 13	6J8-43631-00	19 - 26
6J8-13641-10-94	4 - 5	6J8-15396-00-5B	3 - 14	650-24351-01	26 - 12	6J8-41631-02	15 - 7	688-42726-10	13 - 2	6J8-43631-10	19 - 36
6J8-14118-00	5 - 16	6J8-15705-00	8 - 25	650-24351-51	26 - 12	6G1-41662-01-94	15 - 16	6J8-42726-10	13 - 13	6J8-43633-00	19 - 27
	30 - 26	6J8-15710-02-4D	8 - 1	61J-24360-00	26 - 10	6G1-42111-12-4D	14 - 2	6J8-42727-00	13 - 11	6J8-43641-00	19 - 30
6J8-14126-00	5 - 15	6J8-15711-00-94	8 - 2	6Y1-24360-52	26 - 10	664-42119-00	14 - 14	6J8-42728-01	13 - 10	6H4-43659-00	19 - 19
	30 - 25	6J8-15714-00	8 - 17	6E5-24378-00	6 - 44	6J8-42121-03-4D	18 - 33	6J8-42735-00	13 - 23	6J8-43673-00	19 - 35

NUMERICAL INDEX

PART NO.	REF. NO.	PART NO.	REF. NO.	PART NO.	REF. NO.	PART NO.	REF. NO.	PART NO.	REF. NO.	PART NO.	REF. NO.
6J8-43681-01	19 - 34	65W-43888-00	22 - 28	6H4-44514-00	21 - 28	664-45577-50	24 - 49	701-48248-00	29 - 13	689-81812-11	12 - 12
65W-43800-02-4D	22 - 1	65W-4388E-00	22 - 14	6H4-44551-02-4D	18 - 31	664-45577-60	24 - 49	703-48250-17	28 - 1	689-81813-10	12 - 13
6T4-43802-03	22 - 30	65W-43891-00	22 - 10		21 - 16	663-45587-01	24 - 5		29 - 1	689-81820-11	12 - 14
65W-43804-00	22 - 3	65W-43892-00	22 - 9	6H4-44553-01	18 - 38	663-45587-10	24 - 5	703-48252-00	29 - 12	6J8-81822-01-94	12 - 21
65W-43805-00	22 - 4	6J8-44111-01-4D	14 - 26		21 - 22	663-45587-20	24 - 5	703-48261-11	29 - 2	689-81826-10	12 - 15
65W-4380F-00	22 - 11	6J8-44116-00	15 - 19	6H4-44557-00	18 - 37	663-45587-30	24 - 5	703-48264-00	29 - 6	6F5-81830-11	12 - 4
65W-4380K-00	22 - 16	6J8-44121-00	15 - 15	6H4-44557-10	18 - 37	663-45587-40	24 - 5	703-48265-00	29 - 9	689-81831-00	12 - 5
65W-4380L-00	22 - 27	6J8-44123-00	15 - 11		21 - 21	663-45587-50	24 - 5	703-48268-00	29 - 5	689-81840-11	12 - 10
65W-43810-00	22 - 17	6J8-44124-00	14 - 31	6J8-45111-01-4D	23 - 1	663-45587-60	24 - 5	703-48271-00	29 - 60	689-81847-11	12 - 6
65W-43812-00	22 - 18	6J8-44125-00	14 - 27	6J8-45111-11-4D	23 - 1	6J8-45611-00	24 - 39	703-48281-00	29 - 31	689-81850-12	12 - 8
6H1-43816-00	22 - 25	682-44132-00	14 - 28	6J8-45113-A0	2 - 32	6J8-45631-00	24 - 41	703-48282-00	29 - 32	689-81857-11	12 - 2
65W-43817-00	22 - 39	6J8-44142-00	15 - 33		30 - 14	648-45633-00	24 - 43	703-48284-00	29 - 52	6J8-81916-10	11 - 11
65W-4381B-00	22 - 22	6J8-44143-00	15 - 22	6J8-45114-A1	23 - 5	6J8-45635-00	24 - 44	701-48287-00	29 - 42	6H5-81920-00	11 - 32
6H1-43829-00	22 - 61	682-44147-00	24 - 16		31 - 2	664-45941-01-EL	25 - 26	703-48291-10	29 - 39	6G1-81941-10	11 - 1
65W-4382A-00	22 - 47	6J8-44150-00	24 - 15	663-45119-00	18 - 21	664-45943-01-EL	25 - 26	703-48293-10	29 - 41	6J8-81945-00	11 - 3
65W-43830-00	22 - 36	6J8-44150-10	24 - 15		20 - 19	664-45945-00-EL	25 - 26	701-48310-80	28 - 2	6J8-81950-00	11 - 27
65W-43831-00	22 - 35	6J8-44173-02	16 - 6	689-45214-01	25 - 13	664-45947-01-EL	25 - 26	701-48310-90	28 - 2	6G1-81952-00	11 - 2
65W-43840-00	22 - 15		17 - 7	6J8-45215-00	25 - 14	664-45949-02-EL	25 - 26	701-48320-00	28 - 2	6G1-81970-61	11 - 7
62X-43841-00	22 - 33	682-44176-00	24 - 13	6J8-45224-10	25 - 6	664-45952-00-EL	25 - 26	703-48345-01	29 - 19	689-82105-13	11 - 25
65W-43843-00	22 - 54	6J8-44177-00	16 - 4	65W-45251-00	20 - 25	664-45954-01-EL	25 - 26	703-48358-00	29 - 20	6F5-82117-00	11 - 6
65W-43844-00	22 - 48		17 - 5	6J8-45300-04-4D	24 - 1	664-45970-00-98	25 - 26	6J8-48501-03-4D	17 - 1	703-82119-00	21 - 9
6H1-43844-10	22 - 56	6E0-44191-11	14 - 3	6J8-45300-14-4D	24 - 1	6J8-45986-10-98	25 - 28	6J8-48501-11	17 - 1	682-82119-01	11 - 37
6H1-43845-00	22 - 43	6J8-44311-00	24 - 18	6J8-45301-02-4D	24 - 2	6L2-45987-01	25 - 21	6G8-48511-00	17 - 21	6H4-82127-00	18 - 43
6H1-43847-00	22 - 45	663-44315-A0	24 - 21	689-45331-01-94	24 - 47	689-45997-00	25 - 22	6J8-48511-01-4D	17 - 20		21 - 27
6H1-4384F-10	22 - 57		31 - 4	664-45371-01	25 - 17	703-48152-00	29 - 57	6G8-48511-10	17 - 24	6U0-82127-00	20 - 29
65W-43851-00	22 - 49	663-44316-A0	24 - 27	688-45375-00	25 - 5	703-48153-00	29 - 3	6J8-48511-51-4D	21 - 35	6E5-82148-00	18 - 3
65W-43853-00	22 - 60		31 - 7	663-45376-00-94	25 - 4	703-48189-00	29 - 17	6J8-48531-00	16 - 8	6H1-82148-00	20 - 28
6T4-43853-00	22 - 37	670-44321-00	31 - 22	6E5-45378-00	24 - 7	703-48198-00	29 - 14		17 - 9	6G1-82151-00	11 - 8
65W-43854-00	22 - 46	663-44322-00	24 - 19	664-45384-00	24 - 55	703-48211-01	29 - 61	6J8-48532-00	16 - 9	6H3-82151-00	11 - 16
65W-43855-00	22 - 52		31 - 12	6J8-45501-00	24 - 33	703-48212-00	29 - 58		17 - 10	6A0-82317-00	6 - 46
6H1-43856-10	22 - 55	670-44322-01	31 - 21	6J8-45501-10	24 - 33	703-48213-00	29 - 59	6J8-48534-00	16 - 1	6G1-82370-21	10 - 14
65W-43861-00	22 - 40	663-44323-00	24 - 28	6J8-45536-00	24 - 4	703-48215-00	29 - 43		17 - 3	63V-82377-50	18 - 51
6H1-43861-10	22 - 20		31 - 15	6J8-45551-00	24 - 34	703-48219-00	29 - 30	682-48538-50	16 - 10	703-82510-43	29 - 44
65W-43862-00	22 - 41	670-44323-00	31 - 23	6J8-45560-00	24 - 36	703-48221-00	29 - 56		17 - 11	6J8-82531-00	10 - 7
65W-43865-00	22 - 19	663-44324-A0	24 - 29	6J8-45567-01	24 - 38	703-48222-00	29 - 27	6J8-48544-01	16 - 3	703-82531-00	29 - 46
6H1-43866-00	22 - 31		31 - 8	6J8-45567-10	24 - 38	703-48223-00	29 - 28		17 - 4	703-82540-00	29 - 50
6H1-43867-00	22 - 32	663-44341-00-94	24 - 24	6J8-45567-20	24 - 38	703-48225-00	29 - 29	689-61350-02	27 - 1	682-82556-00	13 - 30
65W-43869-00	22 - 5	6H4-44352-02	24 - 20	6J8-45567-30	24 - 38	703-48226-00	29 - 26	689-61351-01	27 - 2		29 - 48
65W-4386A-00	22 - 58		31 - 13	6J8-45567-40	24 - 38	703-48227-00	29 - 24	6E5-61355-00	27 - 7	689-82560-00	10 - 15
65W-4386K-00	22 - 7	6J8-44361-00	25 - 1	6J8-45567-50	24 - 38	703-48232-00	29 - 62	6J8-81332-00	9 - 22	703-82563-02	29 - 55
65W-43871-00	22 - 21	6J8-44361-10	25 - 1	6J8-45567-60	24 - 38	703-48234-00	29 - 18	6J8-81337-10	12 - 27	688-82575-01	29 - 47
6H1-43875-00	22 - 42	663-44366-00	24 - 22	6J8-45571-00	24 - 46	703-48235-00	29 - 4	6J8-81338-00	12 - 31	689-82575-04	13 - 29
62X-43878-00	22 - 62	6J8-44366-00	25 - 2	664-45576-00	24 - 50	703-48236-00	29 - 16	6J8-81365-A0	12 - 33	703-82577-00	29 - 45
65W-43879-00	22 - 12	663-44367-00	25 - 3	664-45577-01	24 - 49	703-48238-00	29 - 22	6F5-81800-11	12 - 1	689-8257Y-00	13 - 31
65W-43880-00	22 - 2	6H3-44391-01	13 - 15	664-45577-10	24 - 49	703-48243-00	29 - 15	689-81801-12	12 - 3	6J8-82580-10	11 - 23
65W-43881-00	22 - 6	6J8-44511-00-4D	18 - 48	664-45577-20	24 - 49	703-48244-00	29 - 21	689-81809-11	12 - 7	688-8258A-20	29 - 49
65W-43882-00	22 - 8		21 - 32	664-45577-30	24 - 49	703-48245-00	29 - 11	689-81810-11	12 - 9	703-82591-00	29 - 53
65W-43887-00	22 - 13	6H4-44514-00	18 - 44	664-45577-40	24 - 49	703-48246-00	29 - 23	689-81811-11	12 - 11	703-82592-00	29 - 54

NUMERICAL INDEX

PART NO.	REF. NO.	PART NO.	REF. NO.	PART NO.	REF. NO.	PART NO.	REF. NO.	PART NO.	REF. NO.	PART NO.	REF. NO.
703-82594-00	29 - 25	90109-06M28	15 - 3	90185-09M01	27 - 4	90282-04010	24 - 56	90464-05M16	10 - 13	91690-30018	20 - 8
703-83383-02	29 - 51	90109-06M29	16 - 12	90185-10051	18 - 36	90338-07M00	23 - 8	90464-07M05	6 - 13	91690-40014	8 - 3
6E9-83557-70	11 - 15		17 - 13		21 - 20	90340-08002	24 - 11	90464-09M21	7 - 12	91690-50022	12 - 30
6E5-83558-00	24 - 9	90109-06M86	13 - 26	90185-10M13	20 - 39	90386-06M12	14 - 30	90464-09M51	13 - 25	92903-06600	8 - 43
6A1-83625-41	4 - 26	90109-08M26	18 - 45	90185-22043	18 - 13	90386-08032	14 - 21	90464-12M17	7 - 22		11 - 5
6A1-83625-51	4 - 27		21 - 29	90185-22M11	20 - 15	90386-12M61	13 - 6	90464-15M11	10 - 4		15 - 18
6E0-83627-41	14 - 34	90110-10M02	20 - 37	90201-06060	8 - 20	90386-12M98	20 - 21		11 - 26	92903-08100	12 - 19
6E0-83627-51	14 - 35	90116-08016	14 - 9	90201-08M00	20 - 33	90386-12MA0	20 - 20	90465-08M12	11 - 30	92903-08600	8 - 50
64E-83672-02	21 - 6	90116-10M28	18 - 34	90201-08M93	6 - 1	90386-14MA1	20 - 9	90465-08M63	21 - 8		12 - 17
6J8-85410-00	13 - 33		21 - 18	90201-09425	18 - 46	90386-18M44	20 - 34	90465-10M77	20 - 3	92903-10600	14 - 19
6J8-85510-A1	9 - 3	90119-05M31	4 - 14		21 - 30	90386-18MA0	20 - 35	90465-11M10	20 - 26	92990-05600	4 - 4
6H4-85510-F1	9 - 3	90119-06023	2 - 13	90201-10M20	27 - 3	90386-22M15	20 - 13		24 - 10		5 - 24
663-85518-00	9 - 11		3 - 18	90201-10M63	27 - 8	90386-22M69	18 - 10	90465-13M11	20 - 24		11 - 10
6H4-85520-01	9 - 4	90119-06M17	11 - 29	90201-12426	20 - 42	90386-30M60	18 - 30	90465-13M18	11 - 12		15 - 23
6J8-85520-01	9 - 4	90119-06M32	4 - 10	90201-16379	3 - 12		21 - 15	90465-13M76	13 - 32	92990-06200	14 - 32
6H4-85533-A1	9 - 1	90119-06M61	13 - 19	90201-16M44	9 - 14	90386-30M77	18 - 26	90465-18147	11 - 13		15 - 13
6J8-85540-H2	10 - 1	90119-06M65	6 - 48	90201-20417	24 - 45		21 - 11	90467-06016	2 - 15	92990-08100	16 - 2
6H4-85548-00	9 - 9	90119-06MA3	2 - 24	90201-22M03	18 - 11	90386-30M78	18 - 27	90467-08004	6 - 37		17 - 2
6J8-85548-00	9 - 19		4 - 8		20 - 14		21 - 12		7 - 4	92990-08600	18 - 17
6J8-85550-A1	9 - 2	90119-06MA4	2 - 6	90201-30M00	18 - 28	90386-33M96	14 - 6	90467-10M04	6 - 45		29 - 34
6J8-85550-F1	9 - 2	90119-06MA5	2 - 30		21 - 13	90386-34M97	14 - 7	90467-11M08	6 - 36	92990-14200	25 - 23
6J8-85570-21	10 - 10	90119-08019	2 - 5	90201-50306	3 - 7	90387-06M03	11 - 28	90468-05M03	6 - 24	92995-05600	9 - 24
6J8-85720-01	6 - 49	90119-08M13	24 - 31	90202-05088	6 - 23	90387-06M29	8 - 35	90468-07M02	6 - 12	92995-06100	10 - 12
6J8-86110-00	11 - 17		31 - 18	90202-10024	15 - 31	90387-06M41	13 - 18	90480-09M21	13 - 17	92995-06600	7 - 3
6J8-86116-00	11 - 18	90119-08M31	23 - 3	90202-12031	19 - 10	90387-06M60	6 - 20	90480-10M16	12 - 29		8 - 6
682-86117-00	11 - 19	90119-08M34	24 - 32	90202-12M17	15 - 36	90387-06M81	9 - 21	90480-14M17	12 - 28		10 - 3
6J8-W0001-03	30 - 1		31 - 19	90202-12M25	13 - 4	90387-07M64	19 - 21	90480-25161	10 - 16		11 - 34
6J8-W0001-C2	31 - 1	90119-08M92	25 - 12	90202-36M55	14 - 5	90387-08M03	18 - 16	90501-08M66	15 - 39		15 - 21
6J8-W0004-00	4 - 2	90119-08MA8	2 - 20	90206-12052	13 - 5	90387-10M42	27 - 6	90501-10065	24 - 40		17 - 23
6J8-W0070-30	1 - 10	90149-05M13	14 - 20	90206-12M16	19 - 15	90430-08020	24 - 12	90501-10227	8 - 32		20 - 5
6H4-W0078-0A	31 - 20	90149-14M12	18 - 7	90206-36M21	14 - 4		31 - 3	90501-23215	14 - 18	92995-08100	18 - 50
6J8-W0078-A2	31 - 11	90152-05M04	25 - 15	90214-45M02	24 - 54	90445-07M04	6 - 15	90502-10M04	19 - 4		20 - 12
6J8-W0084-11-4D	14 - 1	90159-05M26	11 - 14	90243-04M01	18 - 6	90445-07M08	6 - 9	90506-12M25	19 - 7		21 - 34
6J8-W0090-06-1S	2 - 1	90161-03M01	1 - 15	90249-06M24	19 - 31	90445-07M29	2 - 14	90506-32M22	19 - 24		25 - 19
6J8-W0090-43-1S	2 - 1	90164-06M01	13 - 21	90249-07M25	19 - 44	90445-07M31	24 - 8	90508-18M23	19 - 28	92995-08600	7 - 21
6J8-W0093-00	30 - 16	90170-06015	15 - 25	90249-12M27	19 - 12	90445-07M32	6 - 10	90508-20M22	19 - 48		18 - 40
656-W2810-02	7 - 17	90170-09M03	27 - 5	90249-12M28	19 - 8	90445-07ME9	24 - 8	90508-25M21	19 - 43		21 - 24
6J8-W4591-00-EL	25 - 27	90171-14013	25 - 24	90249-12M38	20 - 22	90445-09M00	7 - 5	90510-08M04	8 - 18		23 - 12
90101-06020	20 - 27	90179-06M24	1 - 7	90249-18M35	20 - 36	90445-11M02	6 - 42	91318-04025	22 - 38		25 - 20
90101-06024	8 - 44		16 - 13	90250-05010	24 - 42	90445-11M03	6 - 38	91490-16010	14 - 13	92995-10100	25 - 10
90101-06M00	9 - 20		17 - 14	90254-03M03	16 - 5	90445-11M04	6 - 43		15 - 24	92995-10600	18 - 35
90101-08001	2 - 9	90179-08M15	7 - 10		17 - 6	90445-11M05	26 - 11	91490-20010	19 - 25		20 - 38
90101-08339	18 - 15	90179-10M14	24 - 35	90254-03M04	14 - 29	90445-11M06	26 - 9	91490-20012	14 - 33		21 - 19
90101-12M65	20 - 40	90179-16M05	9 - 13		15 - 12	90445-11M07	6 - 40		15 - 14		25 - 11
90105-06M18	18 - 24	90185-05002	25 - 16	90266-04M00	1 - 5	90445-11M08	6 - 16	91490-30022	25 - 25	92995-12200	20 - 41
	21 - 5	90185-08045	18 - 47	90269-02M09	14 - 17	90446-10M01	6 - 39	91690-30010	19 - 3	93101-20M07	24 - 53
	6 - 7		21 - 31	90280-03024	24 - 23	90446-14M88	11 - 31	91690-30012	16 - 11		31 - 10
90109-05M33	6 - 8	90185-08057	14 - 10	90280-05013	9 - 12	90464-03M15	12 - 22		17 - 12	93101-23070	24 - 25



NUMERICAL INDEX

PART NO.	REF. NO.	PART NO.	REF. NO.	PART NO.	REF. NO.	PART NO.	REF. NO.	PART NO.	REF. NO.	PART NO.	REF. NO.
93101-23070	31 - 5	93501-08001	22 - 59	97095-06025	10 - 2						
93101-25M28	3 - 15	93602-16M10	3 - 11	97095-06035	8 - 26						
	30 - 2	93604-08062	24 - 30	97095-08016	7 - 20						
93102-26M27	3 - 4	93606-12019	2 - 7	97095-08020	20 - 11						
	30 - 9		23 - 2	97095-08025	18 - 39						
93104-16M04	3 - 16		25 - 8		21 - 23						
	30 - 3	93700-06M03	18 - 20	97095-10060	18 - 41						
93210-03261	11 - 22		20 - 18		21 - 25						
93210-03478	22 - 51	94702-00271	2 - 33	97380-05025	29 - 8						
93210-064A5	22 - 26	95303-06600	15 - 5	97380-08030	29 - 33						
93210-08006	22 - 50	95380-05600	15 - 10	97575-08550	23 - 10						
93210-08287	26 - 14		29 - 7	97780-50510	24 - 14						
93210-09165	22 - 34	95380-05700	6 - 26	97780-60525	21 - 2						
93210-10M74	22 - 63	95380-06600	8 - 12	97880-04020	15 - 38						
93210-11073	22 - 53		29 - 40	97880-05016	4 - 3						
93210-11368	22 - 24	95380-06700	8 - 22	97880-05025	11 - 9						
93210-13M04	6 - 4		24 - 17	97880-05040	4 - 16						
93210-16275	27 - 10	95380-08600	18 - 18	97880-06012	9 - 18						
93210-18397	22 - 44	95380-12600	20 - 43		25 - 7						
93210-19MA7	6 - 6	95780-08300	15 - 32	97880-06025	15 - 4						
93210-29M94	18 - 29	95895-06012	13 - 8	97885-05010	9 - 23						
	21 - 14	97013-06016	11 - 4	97885-05012	14 - 24						
93210-32738	7 - 9	97013-06020	8 - 42	97885-06008	18 - 4						
	30 - 13		15 - 17	97885-06016	21 - 7						
93210-41042	24 - 26	97013-08014	8 - 49	97902-04106	9 - 7						
	31 - 6		12 - 34	97902-04112	9 - 6						
93210-42159	3 - 5	97013-08016	12 - 16	97902-05408	9 - 10						
	30 - 15	97013-08030	12 - 18	97902-06120	9 - 5						
93210-50768	22 - 29	97013-08035	12 - 23	97980-03122	5 - 32						
93210-56M80	3 - 17	97013-08055	12 - 25	97980-04110	5 - 20						
	30 - 4	97075-08020	25 - 18	97980-04112	5 - 21						
93210-60MA3	24 - 51	97075-08030	23 - 11		30 - 27						
	31 - 9	97075-08035	18 - 49	97980-04124	5 - 33						
93306-00612	24 - 48		21 - 33	98580-03015	29 - 38						
93306-305U3	3 - 6	97075-10040	25 - 9	98580-04006	29 - 36						
93311-632U7	3 - 3	97080-08016	20 - 32	98580-04010	29 - 35						
93315-22004	24 - 52	97095-06010	20 - 4	98580-05010	29 - 37						
93315-220V7	24 - 3	97095-06012	10 - 5	98586-05016	26 - 4						
93332-00001	24 - 6		11 - 35	98780-05008	5 - 22						
93332-000V6	24 - 37		15 - 20	99080-05600	19 - 23						
93410-28M06	18 - 32	97095-06014	11 - 33	99530-10014	8 - 30						
	21 - 17		20 - 30	9E471-09205	9 - 8						
93430-06024	29 - 10	97095-06016	8 - 5								
93430-06M02	8 - 24		17 - 22								
	19 - 22	97095-06020	10 - 11								
93430-10M00	19 - 9	97095-06025	6 - 19								
	20 - 23		7 - 2								
93450-17129	3 - 13		8 - 11								

30MHD
30DMH/30DETO
PARTS CATALOGUE
©2004 by Yamaha Motor Co., Ltd.
1st edition, March 2004
All rights reserved.
Any reprinting or unauthorized use
without the written permission of
Yamaha Motor Co., Ltd.
is expressly prohibited.
Printed in Japan.