

**PARTS
CATALOGUE
CATALOGO
DE REPUESTOS**

40V'03 (63B2, 63C2, 63D6)

50H'03 (62X4, 62X5)

YAMAHA
GENUINE
Parts & Accessories

2B63D-200S1

FOREWORD

This Parts Catalogue is related to the parts for the model(s) in the below frame. When you are ordering replacement parts, please refer to this Parts Catalogue and quote both part numbers and part names correctly.

40V'03(63B2,63C2,63D6), 50H'03(62X4,62X5)

1. Modifications or additions which have been made after issue of the Parts Catalogue will be announced in the Yamaha Parts News.
It is advisable that you make necessary corrections to the Parts Catalogue according to the Yamaha Parts News.

2. Abbreviations

The Following abbreviations are used in this Parts Catalogue.

“UR” Use specified parts number.

“UN” Use as many as needed.

“AP” Alternate Parts

“LM” Local Made
(Parts need to be ordered locally)

“O/S” Over Size

3. Parts, which are to be supplied in an assembly, are listed with a dot(.) in front of the part name as shown below.

EXAMPLE

CARBURETOR ASSY
.JET, PILOT
.NOZZLE, MAIN

4. Number of component for assembly

The numeral appearing to the right of each component part indicates the quantity of parts for each assembly unit.

EXAMPLE

PART NO.	DESCRIPTION	□	□	□	□	□	REMARKS
6E0-85500-70	C.D.I. MAGNETO ASSY	1					
6E0-85550-70	.ROTOR ASSY	1					
6E0-15723-00-94..	PULLY, STARTER	1					

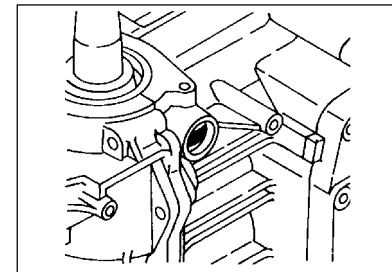
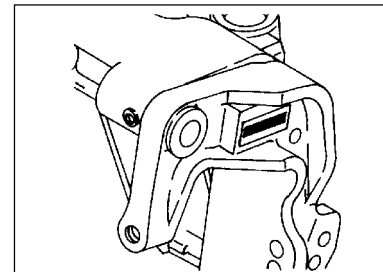
5. Quantity Column Information

NAME for Q'TY COLUMN	APPLICABLE MODEL
E	40VE
MH	40VMH
WHD	50HWHD
ETO	40VETO, 50HETO

6. Applicable Starting Serial No. and Color Code

1) Engine Starting Sserial No.

40VMH L	6H4 : 1000001	50HWHD L	6H5 : 1000001
40VE S/L	6H4 : 1000001	50HETO L	6H5 : 1000001
40VETO L	6H4 : 1000001		



2) Color Code

Color Code	Color Name	Abbreviation
004D	DARK BLUIISH GRAY METALLIC 2	DBNM2

7. Note that the illustrations for reference in finding parts numbers, not to be used for assembling. When assembling, please use the applicable service manual.

8. The asterisk (*) before a reference number indicates modification items after the first edition.

CONTENTS

SHEET 1/2

TOP COWLING	A4
CYLINDER. CRANKCASE	A5
CRANKSHAFT. PISTON	A7
INTAKE	B1
CARBURETOR	B3
OIL PUMP	B6
FUEL	C1
STARTER	C3
GENERATOR	C5
ELECTRICAL 1	C6
ELECTRICAL 2	D1
ELECTRICAL 3	D3
ELECTRICAL 4	D4
STARTING MOTOR	D5
BOTTOM COWLING	D7
STEERING	E2
CONTROL	E5
BRACKET 1	E7
BRACKET 2	F3
BRACKET 3	F5
BRACKET 4	F7

INDEX

NUMERICAL INDEX	G1
-----------------------	----

SHEET 2/2

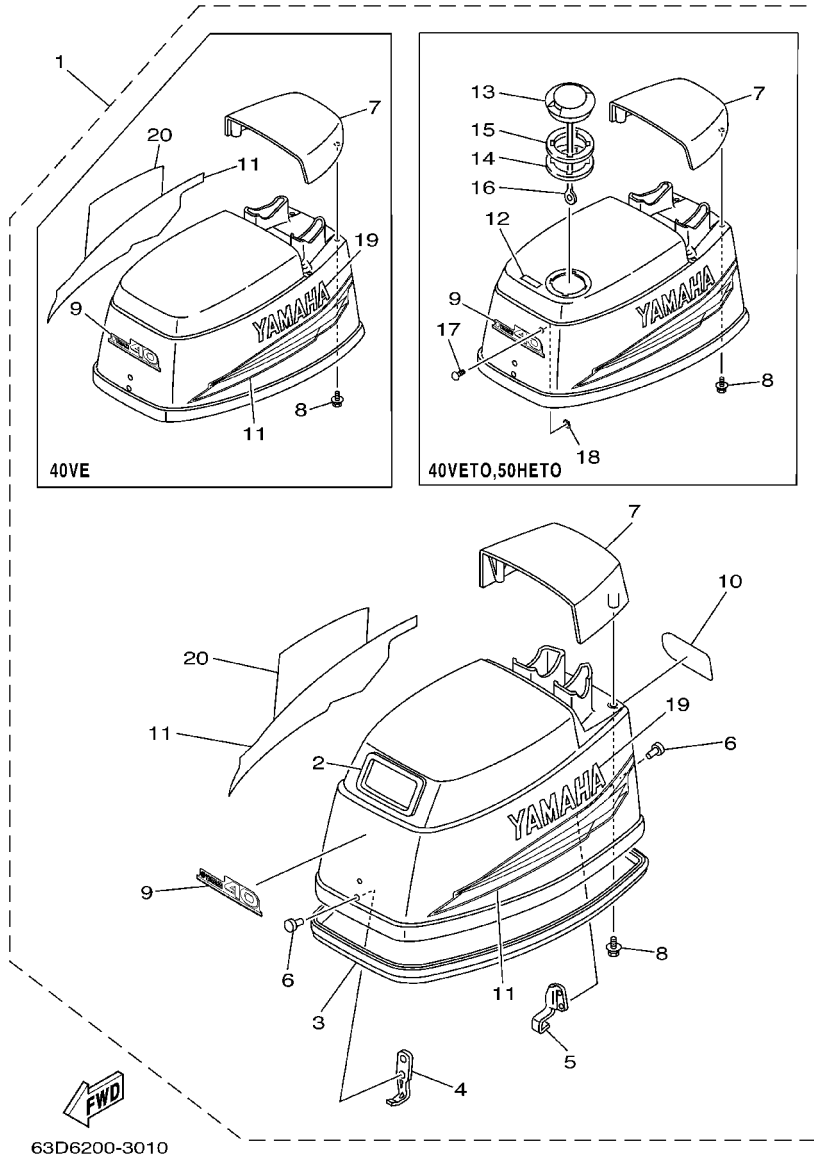
BRACKET 4	A4*
POWER TRIM & TILT ASSY 1	A5*
POWER TRIM & TILT ASSY 2	B1*
UPPER CASING	B2*
LOWER CASING. DRIVE 1	B3*
LOWER CASING. DRIVE 2	B7*
FUEL TANK	C2*
STEERING GUIDE	C3*
REMOTE CONTROL BOX	C4*
REMOTE CONTROL ASSY	C5*
METER 1	D1*
METER 2	D2*
REPAIR KIT 1	D3*
REPAIR KIT 2	D5*

INDEX

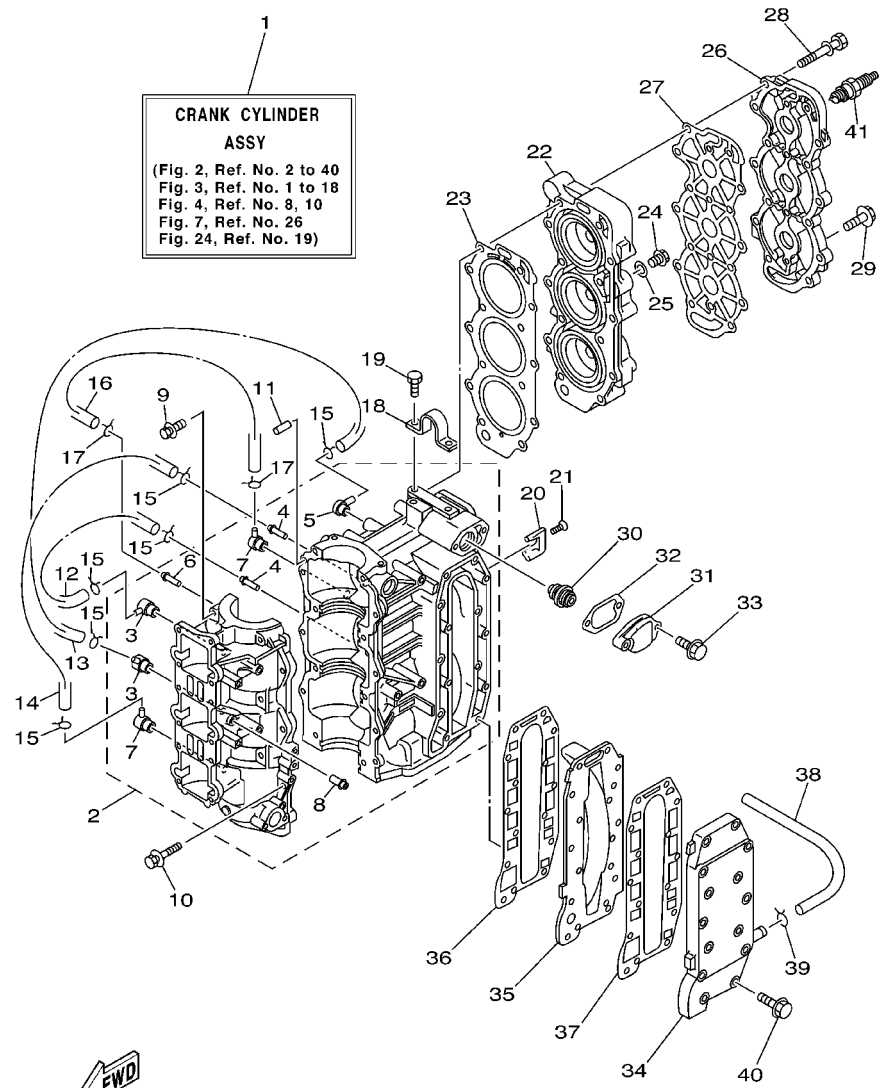
NUMERICAL INDEX	G1*
-----------------------	-----

FIG. 1 TOP COWLING

SOPORTE SUPERIOR



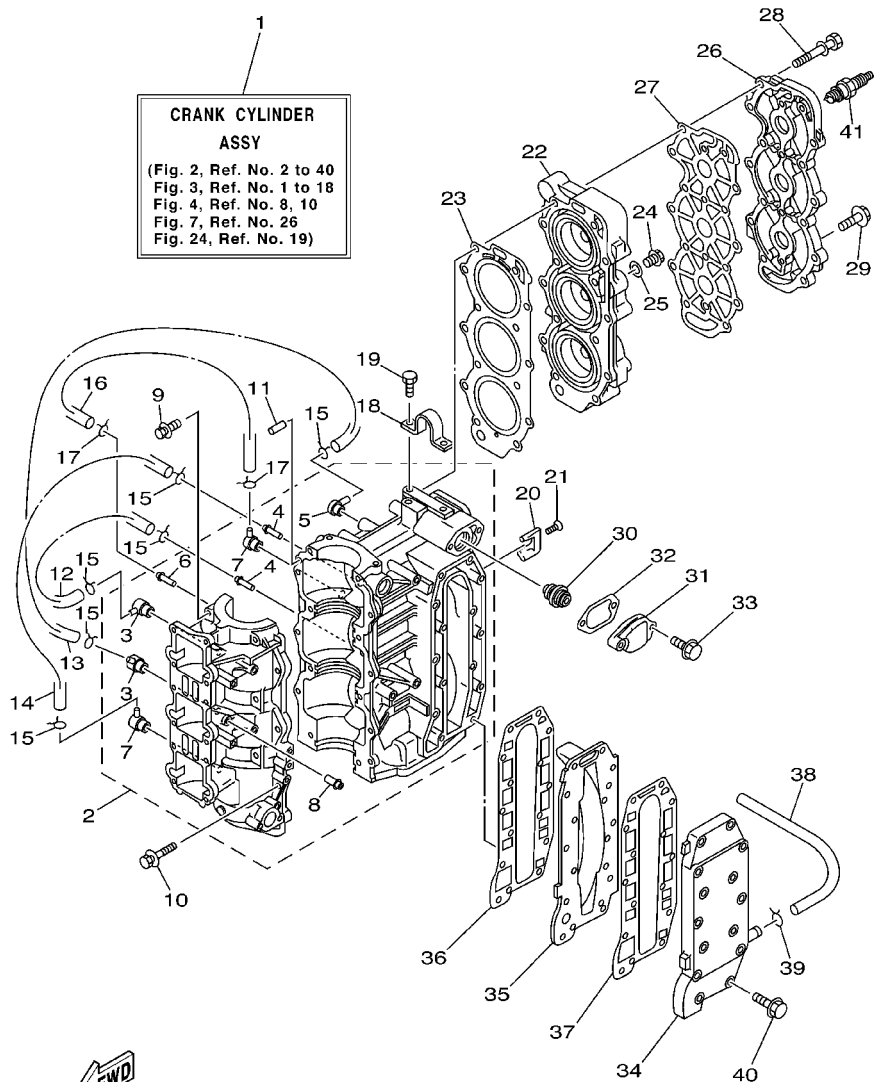
REF. NO.	PART NO. CODIGO NO.	DESCRIPTION DESCRIPTION	E	MH	WHD	ETO	REMARKS OBSERVACION
1	63D-42610-20-4D	TOP COWLING ASSY SOPORTE SUPERIOR COMPL.		1			40VMH
	63C-42610-40-4D	TOP COWLING ASSY SOPORTE SUPERIOR COMPL.		1			40VE
	63D-42610-50-4D	TOP COWLING ASSY SOPORTE SUPERIOR COMPL.				1	40VETO
	62X-42610-20-4D	TOP COWLING ASSY SOPORTE SUPERIOR COMPL.			1		50HWHD
	62X-42610-50-4D	TOP COWLING ASSY SOPORTE SUPERIOR COMPL.				1	50HETO
2	6H4-15761-00	.SEAL, RUBBER 1 .SELLO DE GOMA 1		1	1		
3	6H4-42615-00	.SEAL .SELLO	1	1	1	1	
4	6H4-42651-00	.HOOK .GANCHO	1	1	1	1	
5	6H4-42652-00	.HOOK .GANCHO	1	1	1	1	
6	90266-04M01	.RIVET .REMACHE	4	4	4	4	
7	6H4-42613-01-4D	.MOLDING, AIR DUCT .MOLDURA CONDUCTO AIRE		1	1		
	6H4-42613-11-4D	.MOLDING, AIR DUCT .MOLDURA CONDUCTO AIRE	1			1	
8	90119-06M99	.BOLT, WITH WASHER .TORNILLO CON ARANDELA	4	4	4	4	
9	63D-42677-20	.GRAPHIC, FRONT .CALCAMONIA FRONTAL	1	1		1	40V
	62X-42677-20	.GRAPHIC, FRONT .CALCAMONIA FRONTAL			1	1	50H
10	63D-42678-11	.GRAPHIC, REAR .CALCAMONIA TRASERA	1	1		1	40V
	62X-42678-11	.GRAPHIC, REAR .CALCAMONIA TRASERA			1	1	50H
11	63D-W0070-10	.GRAPHIC SET .JUEGO DE EMBLEMA	1	1	1	1	
12	63D-13436-40	.MARK .MARCA				1	E-O/I
13	63D-2177H-00	.DISK CAP 2 .TAPA DE DISCO 2				1	E-O/I
14	6H3-21732-00	.SEAL 1 .SELLO 1				1	E-O/I
15	6H3-21735-00	.SEAL 2 .SELLO 2				1	E-O/I
16	6H1-42694-00	.BAND .ABRAZADERA				1	E-O/I
17	90338-05M03	.PLUG .TAPON				1	E-O/I
18	90183-05M06	.NUT, SPRING .TUERCA DE RESORTE				1	E-O/I
19	63D-42681-10	.MARK, COWLING .MARCA DE CUBIERTA	1	1	1	1	
20	63D-42682-10	.MARK, COWLING .MARCA DE CUBIERTA	1	1	1	1	



63D6200-3020

FIG. 2 CYLINDER. CRANKCASE CYLINDRO. CARTER

REF. NO.	PART NO. CODIGO NO.	DESCRIPTION DESCRIPTION	E	MH	WHD	ETO	REMARKS OBSERVACION
1	63D-W0090-11-1S	CRANK CYLINDER ASSY BLOQUE MOTOR COMPLETO				1	E-O/I
	63D-W0090-21-1S	CRANK CYLINDER ASSY BLOQUE MOTOR COMPLETO	1		1		E-N.O/I
	63D-W0090-01-1S	CRANK CYLINDER ASSY BLOQUE MOTOR COMPLETO		1			M-N.O/I
2	6H4-15100-13-1S	CRANKCASE ASSY CARTER COMPLETO				1	E-O/I
	6H4-15100-20-1S	CRANKCASE ASSY CARTER COMPLETO	1		1		E-N.O/I
	6H4-15100-05-1S	CRANKCASE ASSY CARTER COMPLETO		1			M-N.O/I
3	650-11370-01	.CHECK VALVE ASSY .VALVULA DE CONTROL COMPL.	2	2	2	2	
4	624-14485-00	.PIPE, JOINT .TUBO DE UNION	2	2	2	2	
5	6H4-11372-01	.NIPPLE, HOSE .NIPLE DE MANGUERA	1	1	1	1	
6	624-14485-00	.PIPE, JOINT .TUBO DE UNION	1	1	1	1	
7	688-11370-01	.CHECK VALVE ASSY .VALVULA DE CONTROL COMPL.	2	2	2	2	
8	650-24378-00	.PIPE, JOINT 4 .TUBO DE UNION 4	1		1	1	E(O)SPEC
9	90119-08019	BOLT, WITH WASHER TORNILLO CON ARANDELA	8	8	8	8	
10	90119-06M13	BOLT, WITH WASHER TORNILLO CON ARANDELA	6	6	6	6	
11	93606-12019	PIN, DOWEL PASADOR DE CLAVIJA	2	2	2	2	
12	90445-07M46	HOSE (L360) TUBO (L360)	1	1	1	1	
13	90445-07M27	HOSE (L310) TUBO (L310)	1	1	1	1	
14	90445-07M24	HOSE (L240) TUBO (L240)	1	1	1	1	
15	90467-06016	CLIP PRESILLA	6	6	6	6	
16	90445-07MA3	HOSE (L200) TUBO (L200)	1	1	1	1	
17	90467-06016	CLIP PRESILLA	2	2	2	2	
18	6H4-11119-01	HANGER, ENGINE SOPORTE DEL MOTOR	1	1	1	1	
19	90101-06021	BOLT TORNILLO	2	2	2	2	
20	688-11325-00	ANODE ANODO	2	2	2	2	
21	98780-04016	SCREW, FLAT HEAD TORNILLO CABEZA PLANA	2	2	2	2	
22	63D-11111-00-1S	HEAD, CYLINDER 1 CULATA CILINDRO 1	1	1	1	1	
23	63D-11181-A1	GASKET, CYLINDER HEAD 1 JUNTA, DE CULATA 1	1	1	1	1	



63D6200-3020

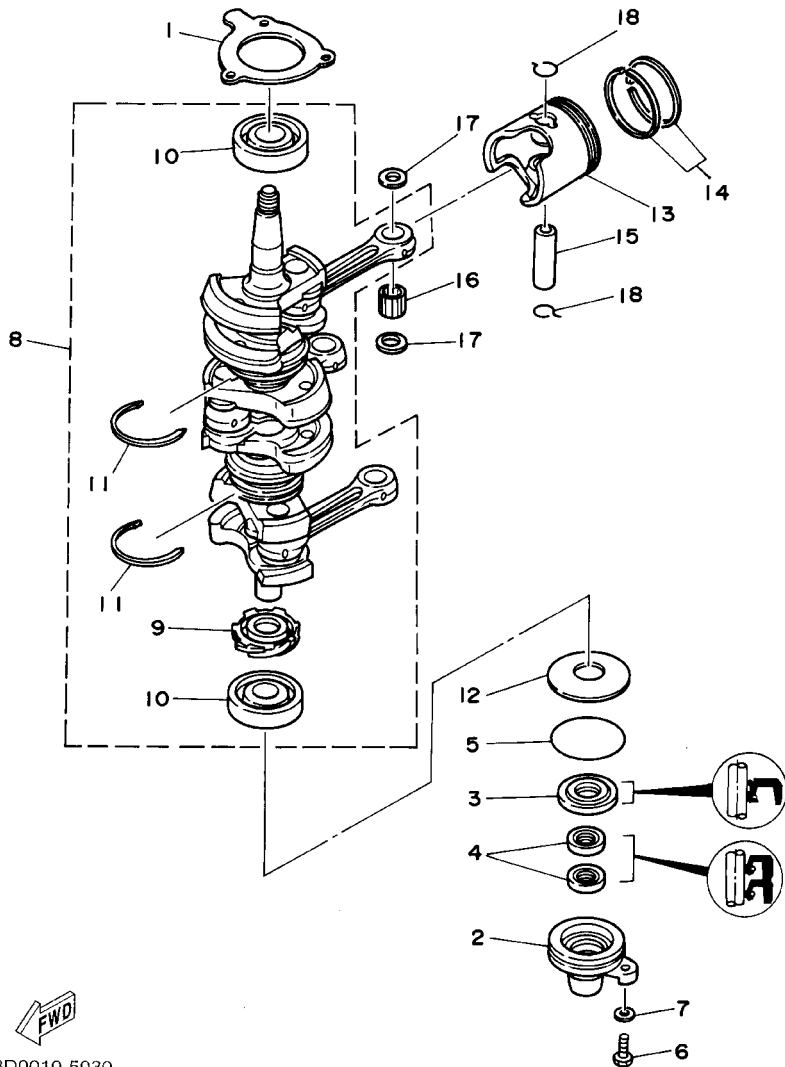
FIG. 2 CYLINDER. CRANKCASE CYLINDRO. CARTER

REF. NO.	PART NO. CODIGO NO.	DESCRIPTION DESCRIPTION	E	MH	WHD	ETO	REMARKS OBSERVACION
24	90340-14M00	PLUG, STRAIGHT SCREW TORNILLO, DE DRENAJE	1	1	1	1	
25	90430-14115	GASKET JUNTA	1	1	1	1	
26	63D-11191-00-1S	COVER, CYLINDER HEAD 1 TAPA CULATA DE CILINDRO 1	1	1	1	1	
27	63D-11193-A0	GASKET, HEAD COVER 1 EMPAQUE	1	1	1	1	
28	90119-08015	BOLT, WITH WASHER TORNILLO CON ARANDELA	14	14	14	14	
29	90119-06MA3	BOLT, WITH WASHER TORNILLO CON ARANDELA	4	4	4	4	
30	6E5-12411-30	THERMOSTAT TERMOSTAT	1	1	1	1	
31	6H4-12413-00-1S	COVER, THERMOSTAT CUBIERTA TERMOSTATO	1	1	1	1	
32	6J8-12414-A0	GASKET, COVER EMPAQUE	1	1	1	1	
33	90119-06MA3	BOLT, WITH WASHER TORNILLO CON ARANDELA	2	2	2	2	
34	6H4-41113-00-1S	OUTER COVER, EXHAUST CUBIERTA EXTERIOR DE ESCAPE	1	1	1	1	
35	6H4-41111-00-1S	INNER COVER, EXHAUST CUBIERTA INTERIOR DE ESCAPE	1	1	1	1	
36	6H4-41112-A0	GASKET, EXHAUST INNER COVER EMPAQUE	1	1	1	1	
37	6H4-41114-A0	GASKET, EXHAUST OUTER COVER EMPAQUE	1	1	1	1	
38	90445-09M37	HOSE (L240) TUBO (L240)	1	1	1	1	
39	90467-08004	CLIP PRESILLA	1	1	1	1	
40	90119-06MA5	BOLT, WITH WASHER TORNILLO CON ARANDELA				13	
	90119-06MA5	BOLT, WITH WASHER TORNILLO CON ARANDELA	14	14	14		
41	94702-00217	PLUG, SPARK (NGK B7HS-10) BUJIA (NGK B7HS-10)	3	3		3	40V
	94702-00247	PLUG, SPARK (NGK BR8HS-10) BUJIA (NGK BR8HS-10)				3	50H-FOR CARIB
	94702-00160	PLUG, SPARK (NGK B8HS-10) BUJIA (NGK B8HS-10)			3		50H

FIG. 3 CRANKSHAFT. PISTON

CIGUENAL. PISTON

REF. NO.	PART NO. CODIGO NO.	DESCRIPTION DESCRIPTION	E	MH	WHD	ETO	REMARKS OBSERVACION
1	6H4-15369-A1	GASKET, OIL SEAL HOUSING EMPAQ CAJA SELLO ACEITE	1	1	1	1	
2	6H4-15396-03-5B	HOUSING, OIL SEAL CAJA DE SELLO DE ACEITE	1	1	1	1	
3	93102-25M28	OIL SEAL RETEN DE ACEITE	1	1	1	1	
4	93104-16M01	OIL SEAL SELLO ACEITE	2	2	2	2	
5	93210-58M21	O-RING JUNTA TORICA	1	1	1	1	
6	97095-06020	BOLT PERNO	1	1	1	1	
7	92995-06600	WASHER ARANDELA	1	1	1	1	
8	6H4-11400-14	CRANKSHAFT ASSY CIGUENAL COMPLETO				1	O/I
	6H4-11400-04	CRANKSHAFT ASSY CIGUENAL COMPLETO	1	1	1		N.O/I
9	6H4-11536-00	.GEAR, DRIVE .ENGRANAJE TRACCION				1	FOR 6H4-11400-14
	6H4-11445-00	.SPACER .ESPACIADOR	1	1	1		FOR 6H4-11400-04
10	93306-305U8	.BEARING .COJINETE	2	2	2	2	
11	93440-62057	.CIRCLIP .SEGURO	2	2	2	2	
12	90201-50306	WASHER, PLATE ARANDELA PLANA	1	1	1	1	
13	6H4-11631-01-95	PISTON (STD) PISTON (NORMA)	3	3	3	3	
	6H4-11635-01	PISTON (0.25MM O/S) PISTON (0.25MM O/S)	3	3	3	3	AP
	6H4-11636-01	PISTON (0.50MM O/S) PISTON (0.50MM O/S)	3	3	3	3	AP
14	63D-11603-00	PISTON RING SET (STD) JUEGO DE ANILLOS (NORMA)	3	3	3	3	
	63D-11604-00	PISTON RING SET (0.25MM O/S) JUEGO DE ANILLOS (0.25MM O/S)	3	3	3	3	AP
	63D-11605-00	PISTON RING SET (0.50MM O/S) JUEGO DE ANILLOS (0.50MM O/S)	3	3	3	3	AP
15	648-11633-00	PIN, PISTON PASADOR, PISTON	3	3	3	3	
16	93602-20M02	PIN, DOWEL PASADOR DE CLAVIJA	93	93	93	93	
17	6H4-11641-00	WASHER, PISTON PIN ARANDELA PASADOR DE PISTON	6	6	6	6	
18	6H4-11634-01	CLIP, PISTON PIN PRESILLA, BULON DE PISTON	6	6	6	6	



63D0010-5030

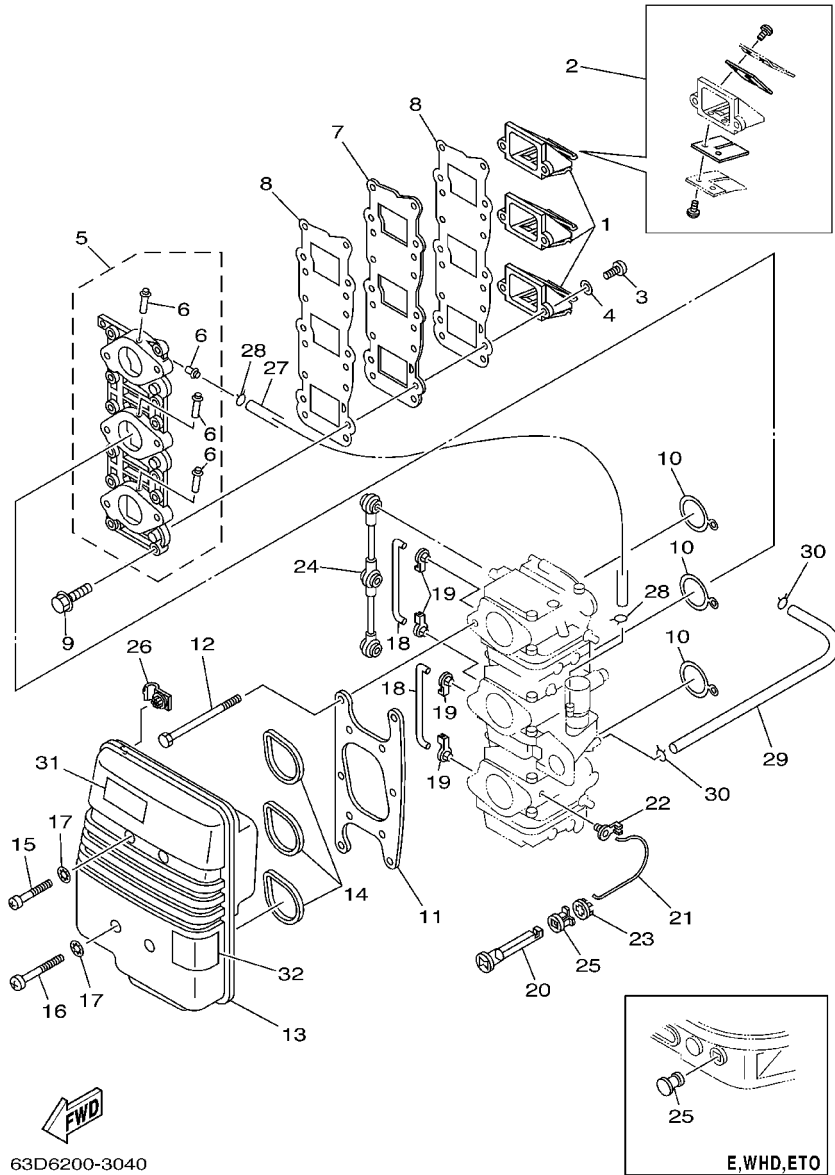


FIG. 4 INTAKE

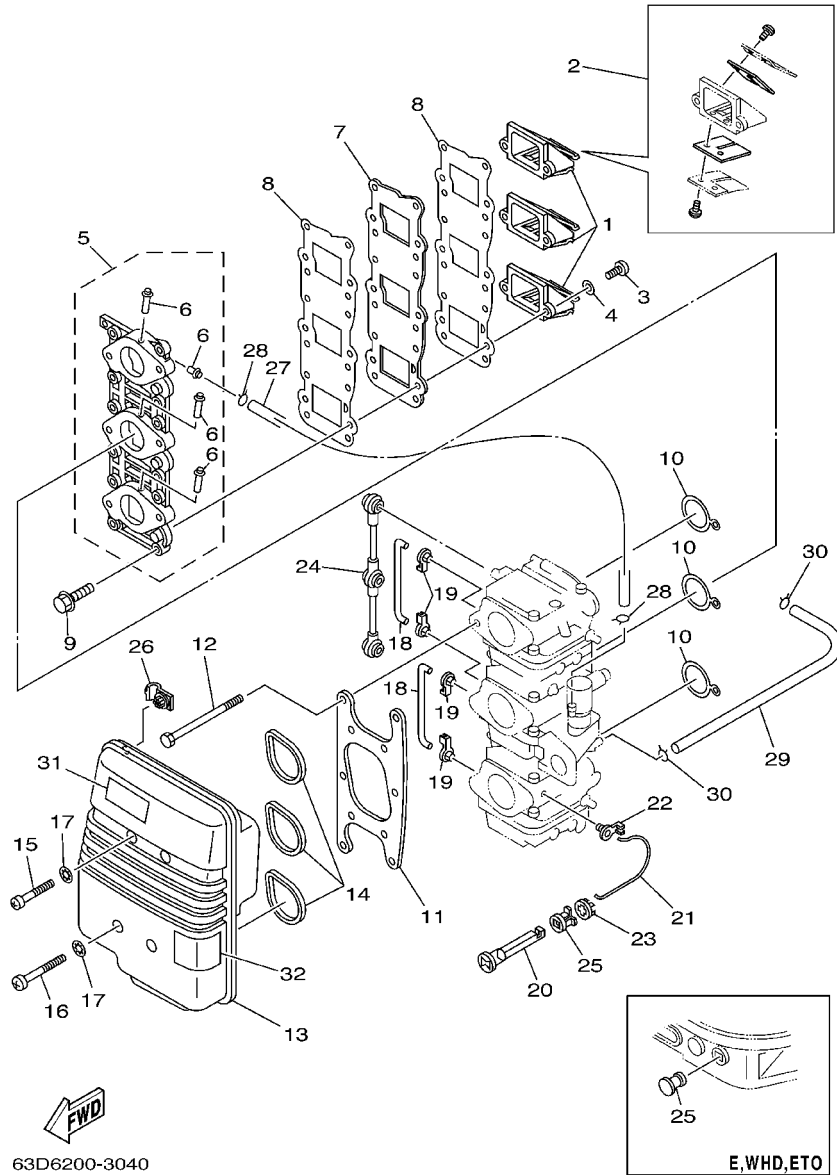
ADMISION

REF. NO.	PART NO. CODIGO NO.	DESCRIPTION DESCRIPTION	E	MH	WHD	ETO	REMARKS OBSERVACION
1	6H5-13610-00	REED VALVE ASSY VALVULA DE LAMINAS COMPLETA	3	3	3	3	
2	6H4-W0004-00	.REED SET .JUEGO DE VALVULAS DE LENGUETA	1	1	1	1	
3	97880-05014	SCREW, PAN HEAD TORNILLO DE CABEZA CON PLANA	6	6	6	6	
4	92990-05600	WASHER, PLATE ARANDELA PLANA	6	6	6	6	
5	6H4-13641-12-94	MANIFOLD 1 MULTIPLE 1				1	E-O/I
6H4-13641-02-94	MANIFOLD 1 MULTIPLE 1		1		1		E-N.O/I
6H4-13641-20-94	MANIFOLD 1 MULTIPLE 1			1			M-N.O/I
6	6H1-14485-00	.PIPE, JOINT .TUBO DE UNION				4	FOR 6H4-13641-12-94
6H1-14485-00	.PIPE, JOINT .TUBO DE UNION		1		1		FOR 6H4-13641-02-94
7	6H4-13624-01-94	PLATE, REED VALVE PLACA DE VALVULA DE LAMINAS	1	1	1	1	
8	6H4-13621-A1	GASKET, VALVE SEAT JUNTA, DE VALV. DE EMPAQUE	2	2	2	2	
9	90119-06MA2	BOLT, WITH WASHER TORNILLO CON ARANDELA	12	12	12	12	
10	6H4-14198-01	GASKET EMPAQUE	3	3	3	3	
11	6H4-14406-00	HINGE GOZNE	1	1	1	1	
12	97095-06095	BOLT PERNO	6	6	6	6	
13	6H4-14431-02	SILENCER, INTAKE 1 SILENCIADOR DE ADMISION	1			1	
6H4-14431-13	SILENCER, INTAKE 1 SILENCIADOR DE ADMISION			1	1		
14	6H3-14457-01	SEAL SELLO	3	3	3	3	
15	97885-06040	SCREW, PAN HEAD TORNILLO A MUESCA	2	2	2	2	
16	97885-06055	SCREW, PAN HEAD TORNILLO A MUESCA	2	2	2	2	
17	90209-06M05	WASHER ARANDELA DE SEPARACION	4	4	4	4	
18	6H4-41257-00	ROD, CHOKE 2 VARILLA DE AHOGADOR		2			
19	661-41262-02	JOINT, CHOKE LEVER CONECTOR DE AHOGADOR		4			
20	6H4-41271-01	KNOB, CHOKE PERILLA AHOGADOR		1			
21	6H4-41259-01	ROD, CHOKE 3 VARILLA, DE CEBADOR 3		1			
22	6J8-41262-00	JOINT, CHOKE LEVER CONECTOR DE AHOGADOR		1			
23	6J8-41274-00	GROMMET 2 TAPON 2		1			

B1

FIG. 4 INTAKE

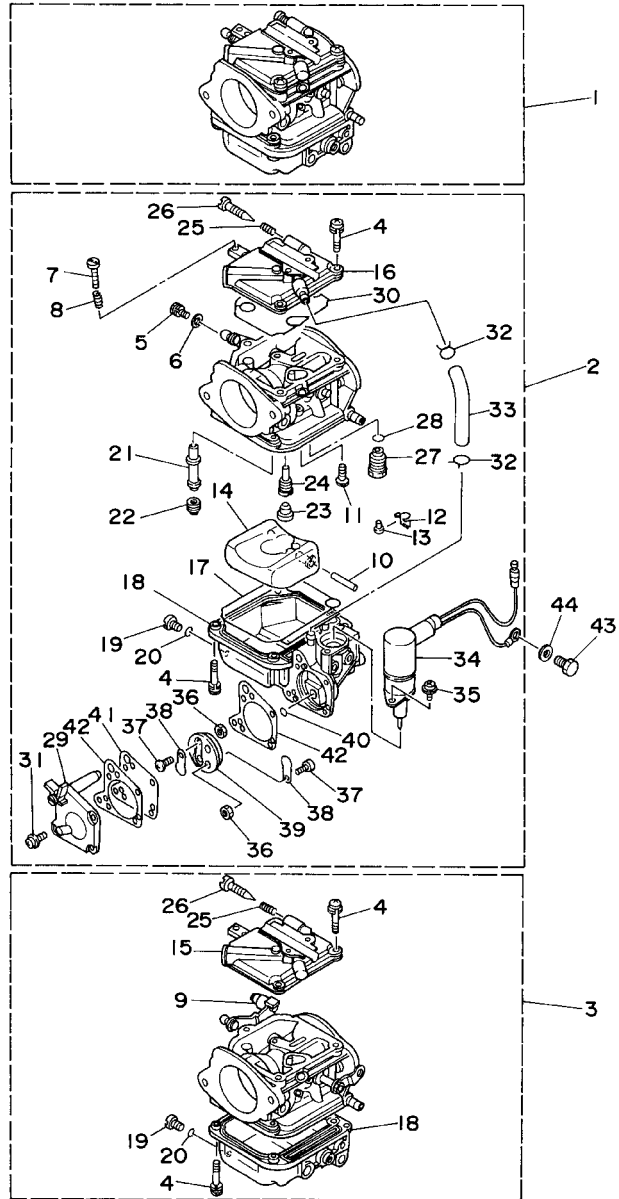
ADMISION



REF. NO.	PART NO. CODIGO NO.	DESCRIPTION DESCRIPTION	E	MH	WHD	ETO	REMARKS OBSERVACION
24	6H4-41217-01	ROD, ACCEL. LEVER VARILLA PALANCA ACELERADOR	1	1	1	1	
25	6G1-42748-00	GROMMET TAPON	1		1	1	
	689-41273-00	GROMMET TAPON PROTECTOR			1		
26	90464-06M19	CLAMP BRIDA			1	1	
27	90445-07MA5	HOSE (L150) TUBO (L150)	1		1	1	
28	90467-06016	CLIP PRESILLA	2		2	2	
29	6H3-14349-00	PIPE TUBO	1		1	1	
30	90467-08004	CLIP PRESILLA	2		2	2	
31	6A1-83625-41	MARK 5 MARCA 5				1	FOR CARIB
32	6H1-85711-60	MARK, CAUTION MARKER	1		1	1	

FIG. 5 CARBURETOR

CARBURADOR

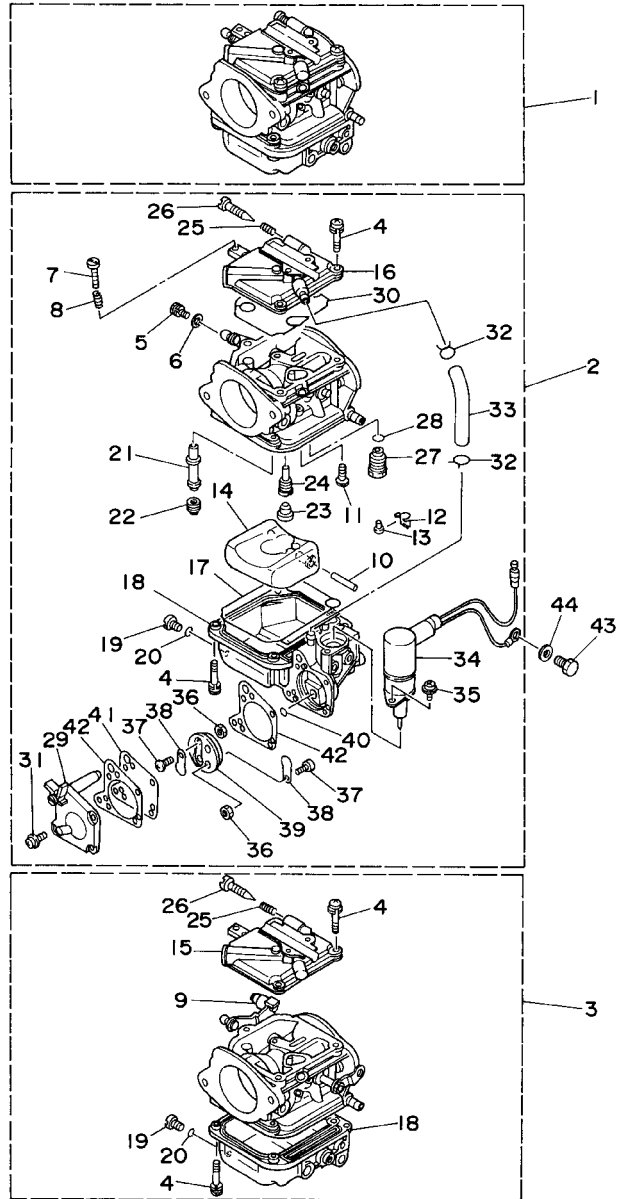


63D0010-5050

REF. NO.	PART NO. CODIGO NO.	DESCRIPTION DESCRIPTION	E	MH	WHD	ETO	REMARKS OBSERVACION
1	63D-14301-00	CARBURETOR ASSY 1 CARBURADOR COMPLETO 1	1			1	40V
	63D-14301-10	CARBURETOR ASSY 1 CARBURADOR COMPLETO 1	1			1	40V-FOR BRAZIL
	63B-14301-00	CARBURETOR ASSY 1 CARBURADOR COMPLETO 1		1			40V
	62X-14301-00	CARBURETOR ASSY 1 CARBURADOR COMPLETO 1			1	1	50H
2	63D-14302-00	CARBURETOR ASSY 2 CARBURADOR COMPLETO 2	1			1	40V
	63D-14302-10	CARBURETOR ASSY 2 CARBURADOR COMPLETO 2	1			1	40V-FOR BRAZIL
	63B-14302-00	CARBURETOR ASSY 2 CARBURADOR COMPLETO 2		1			40V
	62X-14302-00	CARBURETOR ASSY 2 CARBURADOR COMPLETO 2			1	1	50H
3	63D-14303-00	CARBURETOR ASSY 3 CARBURADOR COMPLETO 3	1			1	40V
	63D-14303-10	CARBURETOR ASSY 3 CARBURADOR COMPLETO 3	1			1	40V-FOR BRAZIL
	63B-14303-00	CARBURETOR ASSY 3 CARBURADOR COMPLETO 3		1			40V
	62X-14303-00	CARBURETOR ASSY 3 CARBURADOR COMPLETO 3			1	1	50H
4	97980-04114	.SCREW, WITH WASHER .TORNILLO, CON ARANDELA	21	21	21	21	
5	6K5-14592-00	.SCREW .TORNILLO	3	3	3	3	
6	90201-05652	.WASHER, PLATE .ARANDELA PLANA	3	3	3	3	
7	63V-14523-00	.SCREW, STOP .TORNILLO DE TOPE	1	1	1	1	#2
8	90501-10326	.SPRING, COMPRESSION .RESORTE DE COMPRESION	1	1	1	1	#2
9	6H2-14578-00	.COLLAR .COLLAR	1	1	1	1	#3
10	6H4-14548-00	.PIN, FLOAT ARM .PASADOR DE BRAZO DE BOIA	3	3	3	3	
11	98580-04008	.SCREW, PAN HEAD .TORNILLO DE CABEZA CRUZADA	3	3	3	3	
12	663-14159-00	.CLIP .PRESILLA	3	3	3	3	
13	676-14186-00	.PIN, FLOAT .PASADOR DE LA BOYA	3	3	3	3	
14	6H4-14985-01	.FLOAT .BOIA	3	3	3	3	
15	6H4-14146-10	.PLATE .PLACA SOPORTE	2	2	2	2	#1,3
16	6H3-14146-10	.PLATE .PLACA SOPORTE	1		1	1	#2
	6H4-14146-00	.PLATE .PLACA SOPORTE			1		#2
17	6H4-14984-00	.GASKET, FLOAT CHAMBER .EMPAQUE CAMARA DE BOIA	3	3	3	3	

FIG. 5 CARBURETOR

CARBURADOR

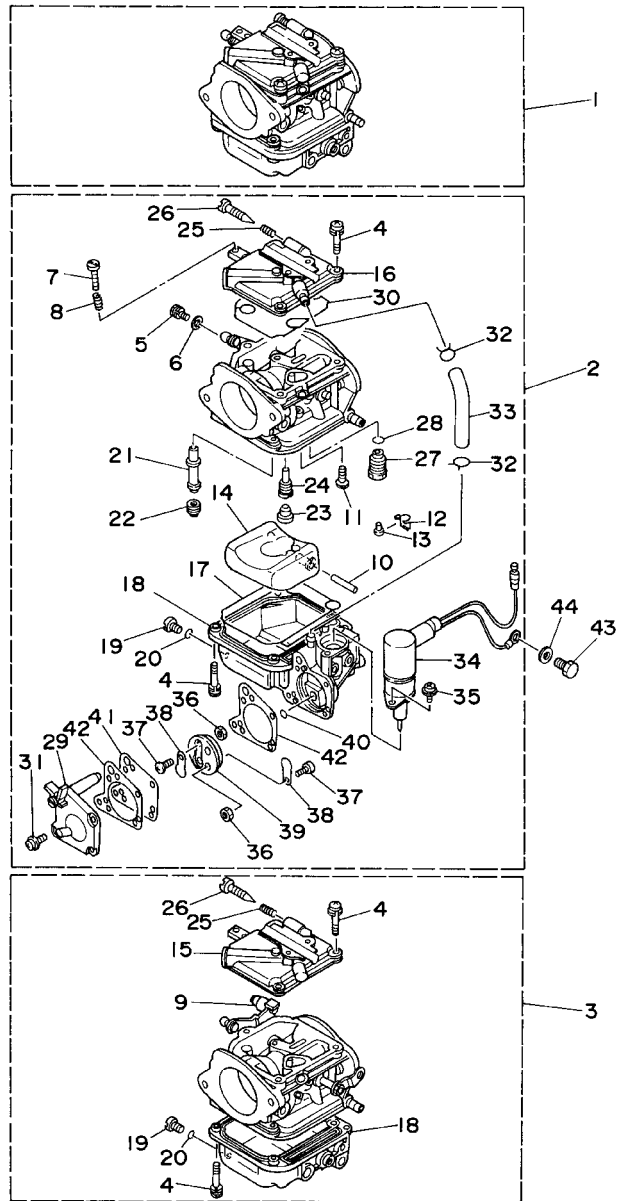


63D0010-5050

REF. NO.	PART NO. CODIGO NO.	DESCRIPTION DESCRIPTION	E	MH	WHD	ETO	REMARKS OBSERVACION
18	6H4-14980-00	.BODY, FLOAT CHAMBER .CUERPO CAMARA DE BOIA	2		2	2	#1,3
	6H3-14980-10	.BODY, FLOAT CHAMBER .CUERPO CAMARA DE BOIA	1		1	1	#2
	6H4-14980-00	.BODY, FLOAT CHAMBER .CUERPO CAMARA DE BOIA			3		
19	6H3-14992-00	.SCREW, DRAIN .TORNILLO, SEGURO	3	3	3	3	
20	93210-04230	.O-RING .JUNTA TORICA	3	3	3	3	
21	63D-14947-00	.JET, NEEDLE .INYECTOR DE AGUJA	3	3		3	40V
	62X-14947-00	.JET, NEEDLE .INYECTOR DE AGUJA			3	3	50H
22	676-14943-30	.JET, MAIN (#115) .INYECTOR PRINCIPAL (#115)	2	2		2	40V-#1,3
	676-14943-82	.JET, MAIN (#122) .INYECTOR PRINCIPAL (#122)	2			2	40V-#1,3-FOR BRAZIL
	63D-14943-81	.JET, MAIN (#118) .INYECTOR PRINCIPAL (#118)	1	1		1	40V-#2
	676-14943-32	.JET, MAIN (#125) .INYECTOR PRINCIPAL (#125)	1			1	40V-#2-FOR BRAZIL
	676-14943-33	.JET, MAIN (#130) .INYECTOR PRINCIPAL (#130)			3	3	50H
23	676-14966-00	.CAP .TAPA	3	3	3	3	
24	6H4-14948-11	.JET (#60) .INYECTOR (#60)	3	3		3	40V
	6B0-14948-13	.JET (#65) .INYECTOR (#65)	3			3	40V-FOR BRAZIL
	62X-14948-12	.JET (#62) .INYECTOR (#62)			3	3	50H
25	679-14555-00	.SPRING .RESORTE	3	3	3	3	
26	692-14923-00	.SCREW, PILOT .TORNILLO DE AJUSTE	3	3	3	3	
27	6H4-14590-00	.NEEDLE VALVE ASSY .VALVULA DE AGUJA COMPLETA	3	3	3	3	
28	93210-04228	.O-RING .JUNTA TORICA	3	3	3	3	
29	6H3-24452-10	.COVER .CUBIERTA	1		1	1	#2
30	6H4-14147-00	.O-RING .ANILLO O	3	3	3	3	
31	6H4-14567-00	.SCREW .TORNILLO	4		4	4	#2
32	6H3-14137-00	.CLIP .PRESILLA	2		2	2	#2
33	6H3-14349-00	.PIPE .TUBO	1		1	1	#2
34	63D-14380-00	.PRIME STARTER ASSY .JUEGO DE VALVULA DE ARRANQUE	1		1	1	#2
35	97803-04010	.SCREW, PAN HEAD .TORNILLO CABEZA ABULTADA	2		2	2	#2

FIG. 5 CARBURETOR

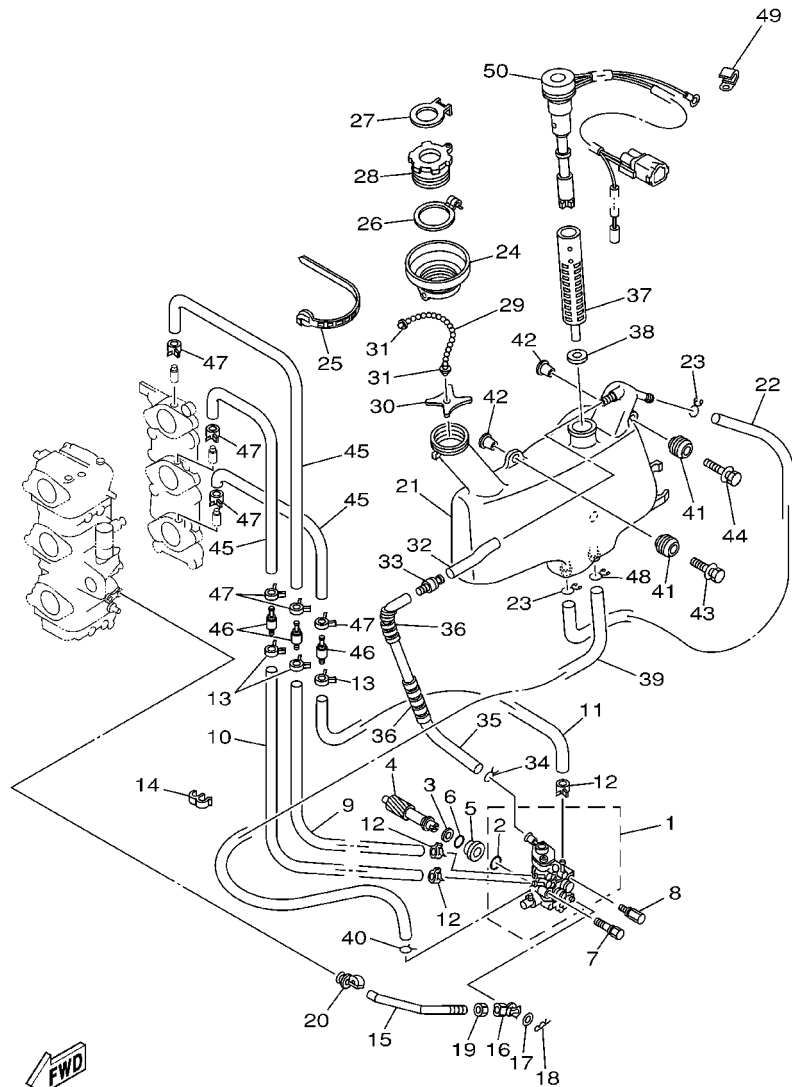
CARBURADOR



REF. NO.	PART NO. CODIGO NO.	DESCRIPTION DESCRIPTION	E	MH	WHD	ETO	REMARKS OBSERVACION
36	95380-03600	.NUT .TUERCA	2		2	2	#2
37	98980-03006	.SCREW, BIND .TORNILLO DE AJUSTE	2		2	2	#2
38	6L5-24421-00	.VALVE, CHECK .VALVULA DE RETENCION	2		2	2	#2
39	6H4-24413-00	.BODY 2 .CUERPO 2	1		1	1	#2
40	6H4-24486-00	.O-RING .ANILLO O	1		1	1	#2
41	6H3-24411-10	.DIAPHRAGM .DIAFRAGMA	1		1	1	#2
42	6H3-24434-10	.GASKET, BODY .EMPAQUE	2		2	2	#2
43	97013-06012	BOLT PERNO	1		1	1	
44	92903-06600	WASHER, PLATE RONDANA SENCILLA	1		1	1	

FIG. 6 OIL PUMP

BOMBA DE ACEITE

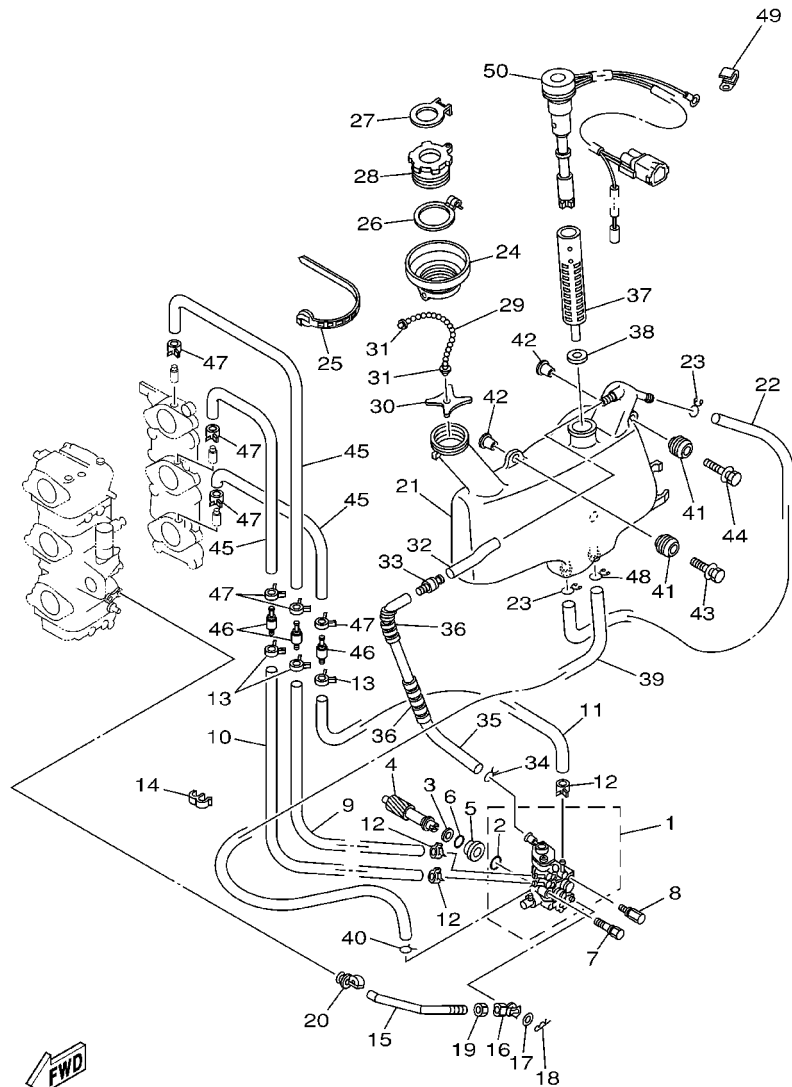


63B0100-0070

REF. NO.	PART NO. CODIGO NO.	DESCRIPTION DESCRIPTION	E	MH	WHD	ETO	REMARKS OBSERVACION
1	63D-13200-00	OIL INJECTION PUMP ASSY BOMBA DE ACEITE COMPLETA				1	
2	93210-19MA7	.O-RING .JUNTA TORICA				1	
3	90201-08M93	WASHER, PLATE ARANDELA PLANA				1	
4	6H4-11537-01	GEAR, DRIVEN ENGRANAJE TRACCION				1	
5	6H1-13117-01	COLLAR, DISTANCE COLLAR, DISTANCIA				1	
6	93210-13M04	O-RING JUNTA TORICA				1	
7	90109-06M39	BOLT PERNO				1	
8	90109-06M40	BOLT PERNO				1	
9	90445-07M44	HOSE (L250) TUBO (L250)				1	
10	90445-07M23	HOSE (L408) TUBO (L408)				1	
11	90445-07MA6	HOSE (L90) TUBO (L90)				1	
12	90468-07M02	CLIP PRESILLA				3	
13	90468-07M02	CLIP PRESILLA				3	
14	90464-07M20	CLAMP BRIDA				1	
15	6H4-41241-01	ROD, LINK VARILLA				1	
16	6H1-41237-00	JOINT, LINK CONECTOR				1	
17	90202-05088	WASHER, PLATE ARANDELA DE PLANA				1	
18	90468-05M03	CLIP PRESILLA				1	
19	95380-05600	NUT TUERCA				1	
20	6E9-41237-00	JOINT, LINK CONECTOR				1	
21	63D-21707-00	OIL TANK COMP. DEPOSITO DE ACEITE COMP.				1	
22	90445-11M15	HOSE (L360) TUBO (L360)				1	
23	90467-11M08	CLIP PRESILLA				2	
24	6H4-21752-00	TUBE, FILLER 1 TUBO DE LLENADOR 1				1	
25	90465-13M30	CLAMP BRIDA				1	
26	63D-2175R-00	HOOK, BAND GANCHO DE CINTA				1	
27	63D-2176M-00	HOOK GANCHO				1	

FIG. 6 OIL PUMP

BOMBA DE ACEITE



63B0100-0070

REF. NO.	PART NO. CODIGO NO.	DESCRIPTION DESCRIPTION	E	MH	WHD	ETO	REMARKS OBSERVACION
28	6H4-21770-00	OIL TANK CAP ASSY TAPA DE DEPOSITO DE ACEITE				1	
29	6H5-24633-00	CHAIN, BALL EMPAQUE				1	
30	6J8-21758-00	WASHER, SPECIAL 2 ARANDELA ESPECIAL 2				1	
31	6H1-21757-00	WASHER, SPECIAL 1 ARANDELA ESPECIAL 1				2	
32	90445-11M23	HOSE (L85) TUBO (L85)				1	
33	63D-21744-00	BREATHER RESPIRADERO				1	
34	90467-10M04	CLIP PRESILLA				1	
35	90445-11M17	HOSE (L300) TUBO (L300)				1	
36	90446-10M01	HOSE TUBO RESEIRADERO				2	
37	6J8-13411-00	STRAINER, OIL FILTRO DE ACEITE				1	
38	6J8-13414-00	GASKET, STRAINER COVER EMPAQUE DE TAPA FILTRO				1	
39	6L2-13416-00	PIPE, OIL 1 TUBO DE ACEITE 1				1	
40	90467-08004	CLIP PRESILLA				1	
41	6A0-82317-00	DAMPER, IGNITION COIL AMORTIGUADOR BOBINA ENCENDIDO				3	
42	624-42542-00	PIPE TUBO				3	
43	90119-06M65	BOLT, WITH WASHER TORNILLO CON ARANDELA				2	
44	90119-06M67	BOLT, WITH WASHER TORNILLO CON ARANDELA				1	
45	90445-07M87	HOSE (L110) TUBO (L110)				3	
46	6E9-13183-70	VALVE, CHECK VALVULA DE RETENTION				3	
47	90468-07M02	CLIP PRESILLA				6	
48	90467-11M08	CLIP PRESILLA				1	
49	90465-06M86	CLAMP BRIDA				1	
50	63D-85720-00	OIL LEVEL GAUGE ASSY MEDIDOR DE NIVEL DE ACEITE				1	

FIG. 7 FUEL

COMBUSTIBLE

REF. NO.	PART NO. CODIGO NO.	DESCRIPTION DESCRIPTION	E	MH	WHD	ETO	REMARKS OBSERVACION
1	6G1-24304-02	FUEL PIPE JOINT COMP. 1 CONECTOR MANGUERA COMBUST.1	1	1	1	1	
2	97095-06025	BOLT PERNO	1	1	1	1	
3	92995-06600	WASHER ARANDELA	1	1	1	1	
4	90467-08004	CLIP PRESILLA	2	2	2	2	
5	61N-24560-00	FILTER ASSY FILTRO COMPLETO	1	1	1	1	
6	61N-24563-00	.ELEMENT, FILTER .ELEMENTO DEL FILTRO	1	1	1	1	
7	61N-24521-00	.CUP, FILTER .COPA DE FILTRO	1	1	1	1	
8	93210-32738	.O-RING .JUNTA TORICA	1	1	1	1	
9	6H4-24566-02	BRACKET, FILTER SOPORTE DEL FILTRO	1	1	1	1	
10	97013-06014	BOLT PERNO	1	1	1	1	
11	95380-08600	NUT TUERCA	1	1	1	1	
12	6H4-24314-00	PIPE 4 TUBO 4	1	1	1	1	
13	90467-08004	CLIP PRESILLA	2	2	2	2	
14	692-24410-00	FUEL PUMP ASSY BOMBA DE COMBUSTIBLE COMPLETA	1	1	1	1	
15	6A0-24413-00	.BODY 2 .CUERPO 2	1	1	1	1	
16	692-24411-00	.DIAPHRAGM .DIAFRAGMA	1	1	1	1	
17	648-24434-01	.GASKET, BODY .EMPAQUE	2	2	2	2	
18	95380-03600	.NUT .TUERCA	2	2	2	2	
19	663-24411-00	.DIAPHRAGM .DIAFRAGMA	1	1	1	1	
20	648-24435-02	.GASKET, BODY 2 .EMPAQUE	1	1	1	1	
21	98503-05028	.SCREW, PAN HEAD .TORNILLO DE CABEZA DE CONO AC	3	3	3	3	
22	92990-05100	.WASHER, SPRING .ARANDELA GROWER	3	3	3	3	
23	6A0-24421-01	.VALVE, CHECK .VALVULA DE RETENCION	2	2	2	2	
24	6A0-14325-00	.SCREW, PAN HEAD .TORNILLO CABEZA REDONDA	2	2	2	2	
25	6A0-24412-02	.BODY 1 .CUERPO 1	1	1	1	1	
26	650-24431-A0	GASKET, FUEL PUMP 1 EMPAQUE BOMBA COMBUST 1	1	1	1	1	
27	97095-06040	BOLT PERNO	2	2	2	2	

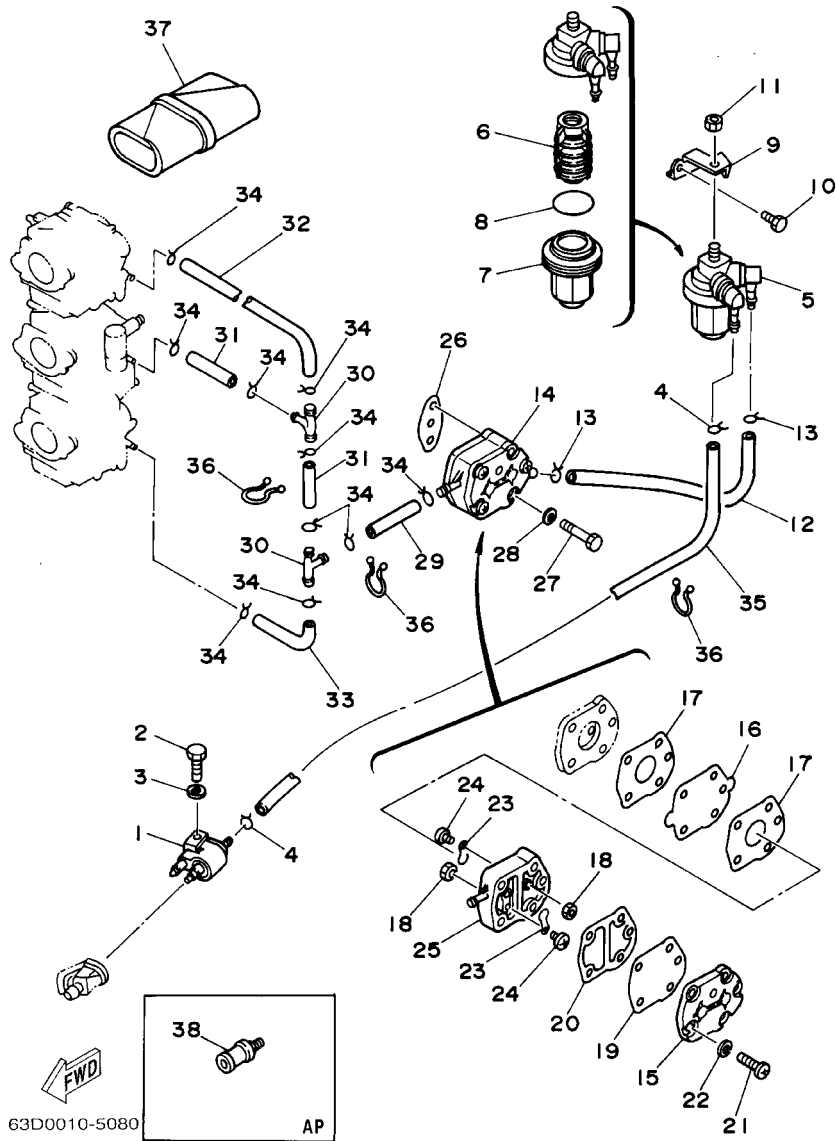


FIG. 7 FUEL

COMBUSTIBLE

REF. NO.	PART NO. CODIGO NO.	DESCRIPTION DESCRIPTION	E	MH	WHD	ETO	REMARKS OBSERVACION
28	92995-06600	WASHER ARANDELA	2	2	2	2	
29	90445-09063	HOSE TUBO	1	1	1	1	
30	688-24378-00	PIPE, JOINT 4 TUBO DE UNION 4	2	2	2	2	
31	90445-09057	HOSE (L45) TUBO (L45)	2	2	2	2	
32	6H4-24313-00	PIPE 3 TUBO 3	1	1	1	1	
33	6H4-24312-00	PIPE 2 TUBO 2	1	1	1	1	
34	90467-08004	CLIP PRESILLA	10	10	10	10	
35	6H4-24311-00	PIPE, FUEL 1 TUBO DE COMBUSTIBLE 1				1	O/I
	90445-09M37	HOSE (L240) TUBO (L240)	1	1	1	1	N.O/I
36	90464-15M11	CLAMP BRIDA				3	
37	656-W2810-02	TOOL KIT JUEGO DE HERRAMIENTAS	1	1	1	1	
38	6E0-28193-00-94	PLUG, WATER CHECK TAPON DE CONTROL DE LA AGUA	1	1	1	1	AP D:12.5MM

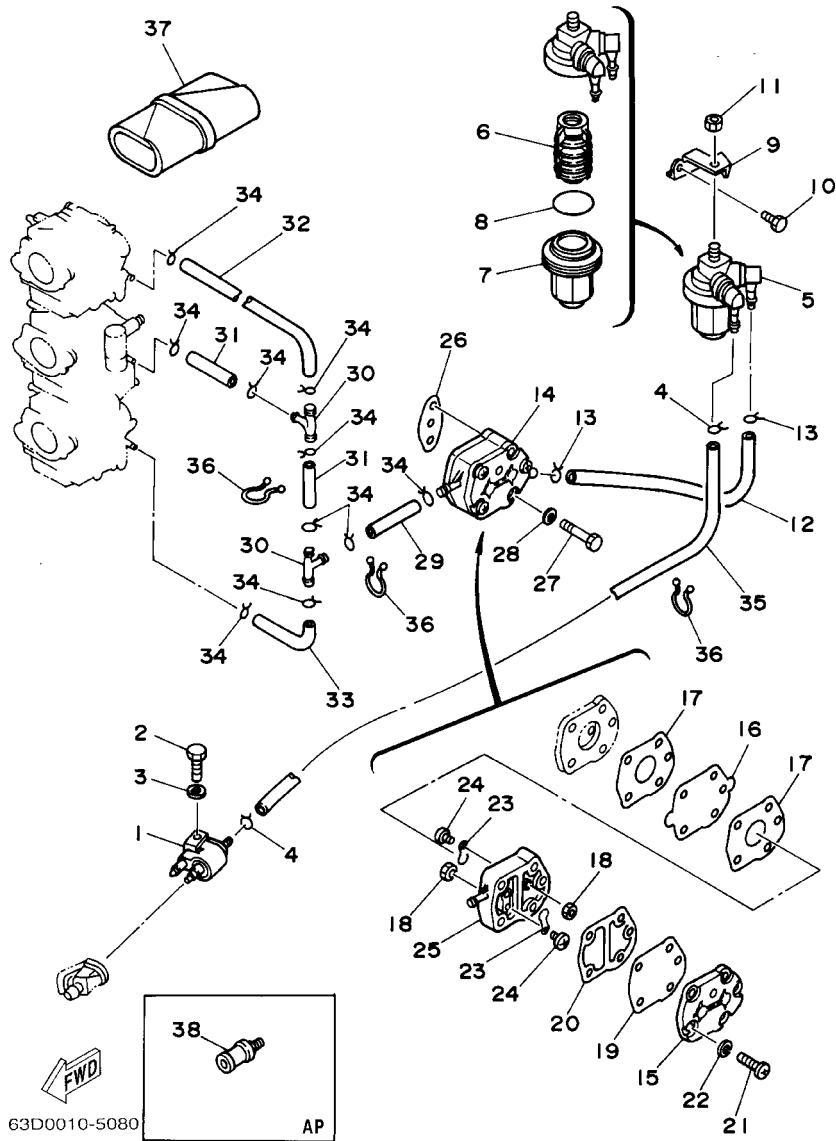
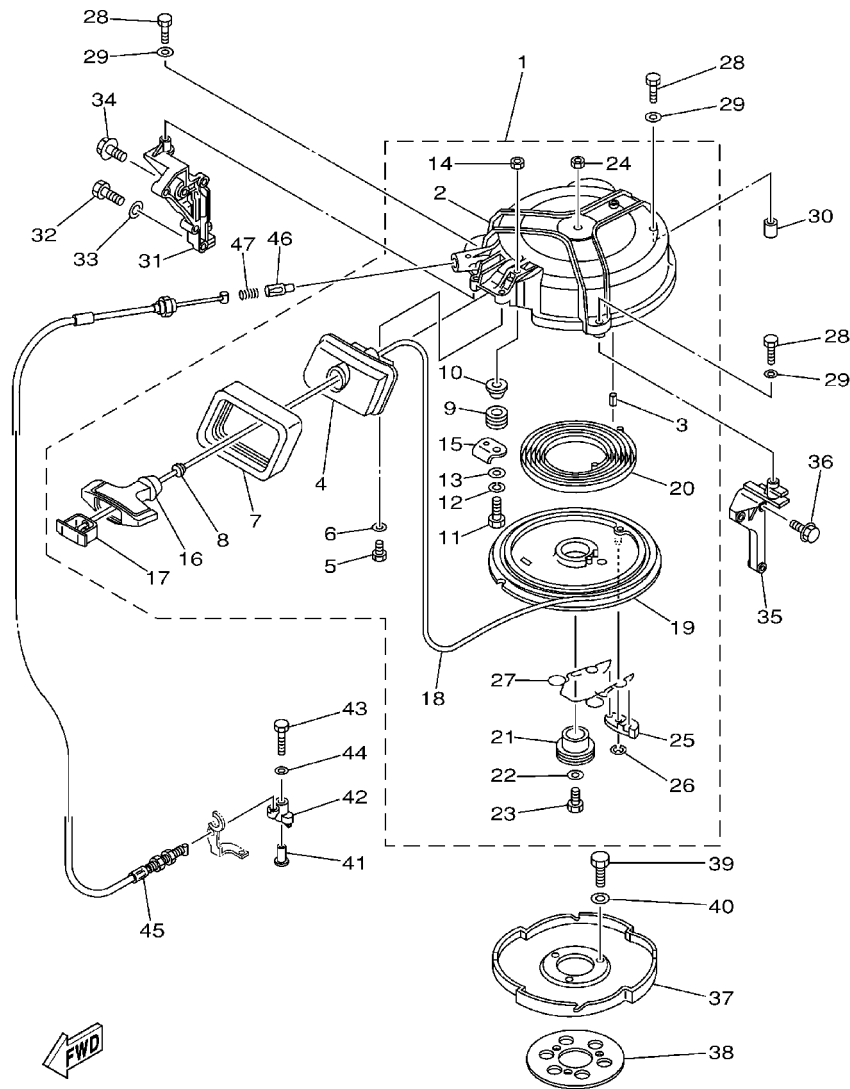


FIG. 8 STARTER

ARRANQUE

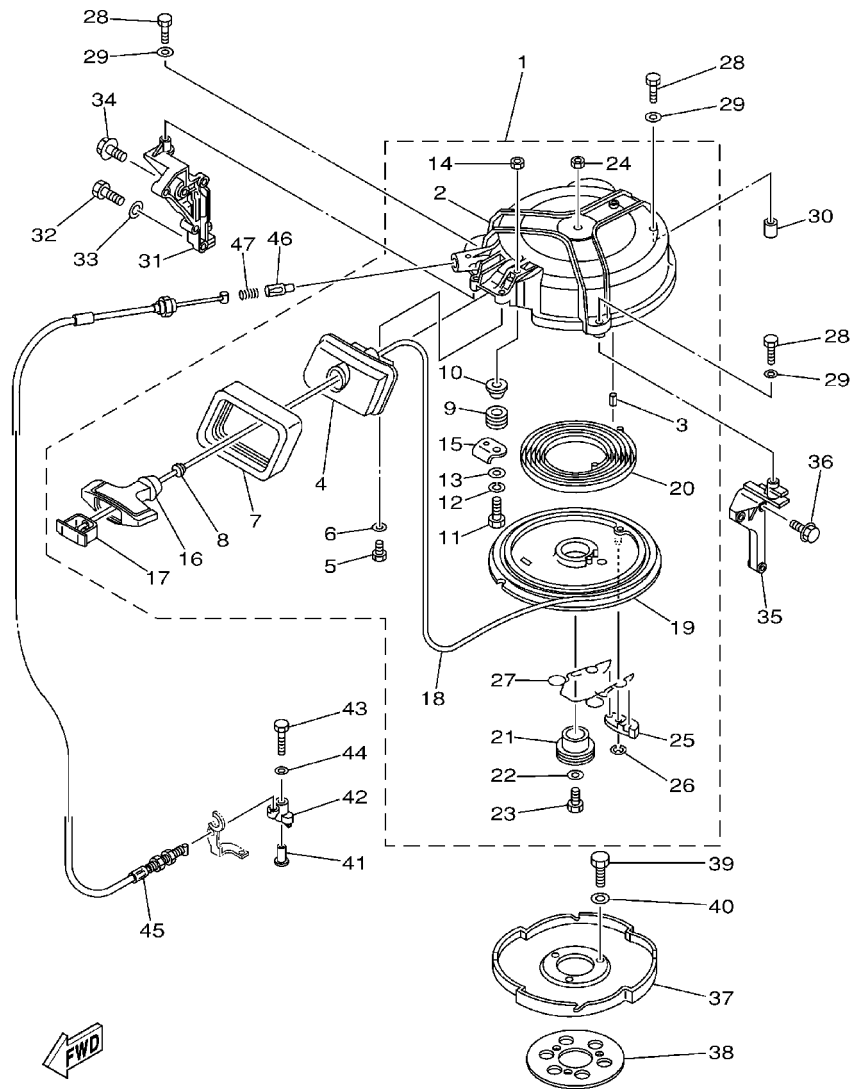


63D4100-2080

REF. NO.	PART NO. CODIGO NO.	DESCRIPTION DESCRIPTION	E	MH	WHD	ETO	REMARKS OBSERVACION
1	6H4-15710-04-4D	STARTER ASSY ARRANQUE COMPLETO		1	1		
2	6H4-15711-02-94	.CASE, STARTER .CAJA DE ARRANQUE		1	1		
3	91690-40018	.PIN, SPRING .PASADOR DE RESORTE		1	1		
4	6H4-15758-01-4D	.GUIDE, ROPE .GUIA DE CUERDA		1	1		
5	97095-06016	.BOLT .PERNO		2	2		
6	92995-06600	.WASHER .ARANDELA		2	2		
7	6H4-15762-00	.SEAL, RUBBER 2 .SELLO DE GOMA 2		1	1		
8	6A0-15789-00	.DAMPER .AMORTIGUADOR		1	1		
9	6F5-15752-00	.ROLLER, WIRE .RODILLO DE CUERDA		1	1		
10	90387-06M69	.COLLAR .COLLAR		1	1		
11	97013-06030	.BOLT .PERNO		1	1		
12	92903-06100	.WASHER, SPRING .RONDANA SENCILLA		1	1		
13	92903-06600	.WASHER, PLATE .RONDANA SENCILLA		1	1		
14	95380-06600	.NUT, HEXAGON .TUERCA		1	1		
15	6H4-15787-01	.STAY .SOPORTE		1	1		
16	689-15755-01	.HANDLE, STARTER .MANIJA DE ARRANQUE		1	1		
17	6F5-15779-02	.COVER .CUBIERTA		1	1		
18	*	.WIRE (L:2095MM) .CABLE (L:2095MM)		1	1		
19	6H4-15714-00	.DRUM, SHEAVE .TAMBOR ROLDANA		1	1		
20	90510-08002	.SPRING, SPIRAL .RESORTE EN ESPIRAL		1	1		
21	6H4-15717-01	.SHAFT, STARTER .EJE DE ARRANQUE		1	1		
22	90201-06060	.WASHER, PLATE .ARANDELA PLANA		1	1		
23	97095-06020	.BOLT .PERNO		1	1		
24	95380-06600	.NUT, HEXAGON .TUERCA		1	1		
25	676-15741-03	.PAWL, DRIVE .TRINQUETE DE TRACCION		1	1		
<p>* CUT FROM 50M ROLLS, PART NO. 90890-44373, CUTTING LENGTH 2.095M</p> <p>* CORTE DE UN RODILLO DE 50M, PARTS NUMERO 90890-44373, LARGO DEL CORTE 2.095M</p>							

FIG. 8 STARTER

ARRANQUE

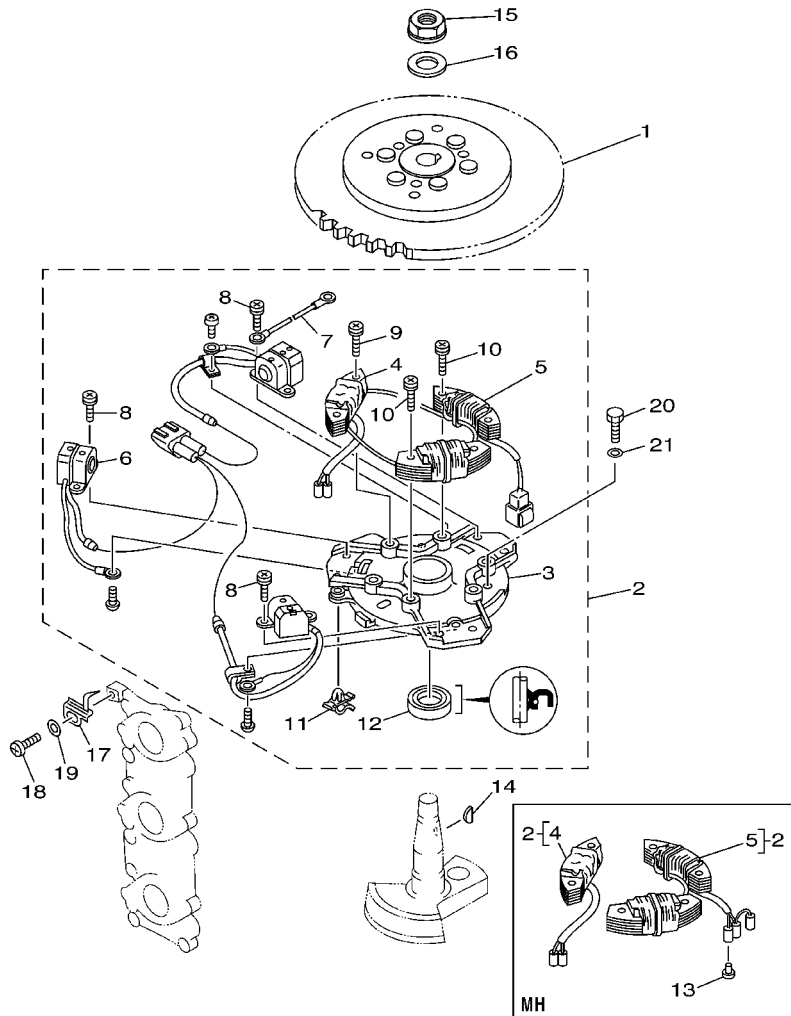



63D4100-2080

REF. NO.	PART NO. CODIGO NO.	DESCRIPTION DESCRIPTION	E	MH	WHD	ETO	REMARKS OBSERVACION
26	93430-06M02	.CIRCLIP .SEGURO		1	1		
27	6H4-15705-00	.SPRING, DRIVE PAWL .RESORTE		1	1		
28	97095-06035	BOLT PERNO		3	3		
29	92995-06600	WASHER ARANDELA		3	3		
30	99530-10014	PIN, DOWEL PASADOR, DE CLAVIJA		1	1		
31	63D-15771-00-4D	STAY 1 SOPORTE 1		1	1		
32	97013-08025	BOLT PERNO		2	2		
33	92903-08600	WASHER, PLATE ARANDELA PLANA		2	2		
34	90119-06MA2	BOLT, WITH WASHER TORNILLO CON ARANDELA		1	1		
35	6H4-15772-02-94	STAY 2 SOPORTE 2		1	1		
36	90119-06MA3	BOLT, WITH WASHER TORNILLO CON ARANDELA		3	3		
37	6H4-15723-01-94	PULLEY, STARTER POLEA DE ARRANQUE		1	1		
38	6J8-81365-A0	GASKET, HOLE COVER EMPAQUETADURA CUBIERTA ORIF.		1	1		
39	97013-08020	BOLT PERNO		3	3		
40	92903-08600	WASHER, PLATE ARANDELA PLANA		3	3		
41	90387-06M66	COLLAR COLLAR		1	1		
42	63D-15746-00	ARM BRAZO		1	1		
43	97095-06040	BOLT PERNO		1	1		
44	92995-06600	WASHER ARANDELA		1	1		
45	63D-15770-00	CABLE COMP., STARTER STOP CABLECOMPL DE SEGURO ARRANQUE		1	1		
46	656-15748-00	PLUNGER, STARTER STOP EMBOLO SEGURO DE ARRANQUE		1	1		
47	90501-10227	SPRING, COMPRESSION RESORTE DE COMPRESION		1	1		

FIG. 9 GENERATOR

GENERADOR

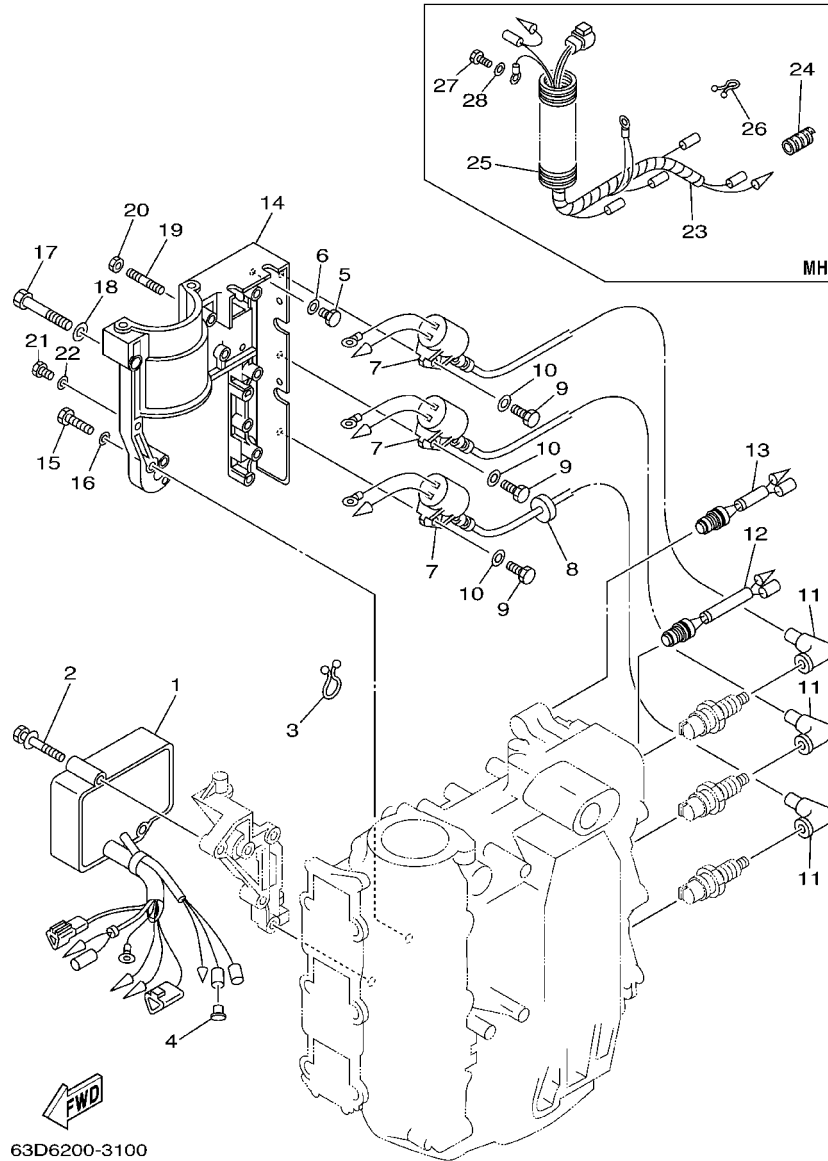


REF. NO.	PART NO. CODIGO NO.	DESCRIPTION DESCRIPTION	E	MH	WHD	ETO	REMARKS OBSERVACION
1	63D-85550-00	ROTOR ASSY ROTOR COMPLETO	1		1	1	
	63D-85550-10	ROTOR ASSY ROTOR COMPLETO		1			
2	63D-85560-10	BASE ASSY CONJUNTO BASE	1		1	1	
	63D-85560-00	BASE ASSY CONJUNTO BASE		1			
3	6H4-15359-04-94	.HOUSING, OIL SEAL .CAJA DE SELLO DE ACEITE	1	1	1	1	
4	63D-85520-00	.COIL, CHARGE .BOBINA DE CARGA	1	1	1	1	
5	63D-85533-10	.COIL, LIGHTING .BOBINA DE LUZ	1		1	1	
	63D-85533-00	.COIL, LIGHTING .BOBINA DE LUZ		1			
6	63D-85580-00	.COIL, PULSER .BOBINA DE PULSACION	1	1	1	1	
7	6H4-83354-00	.WIRE, EARTH LEAD 1 .CABLE CONDUCTOR A TIERRA	1	1	1	1	
8	63D-81345-00	.SCREW, WITH WASHER (M5X12) .TORNILLO, CON ARANDELA (M5X12)	6	6	6	6	
9	63D-81345-10	.SCREW, WITH WASHER (M6X25) .TORNILLO, CON ARANDELA (M6X25)	2	2	2	2	
10	63D-81345-20	.SCREW, WITH WASHER (M6X30) .TORNILLO, CON ARANDELA (M6X30)	4	4	4	4	
11	90464-03M15	.CLAMP .BRIDA	1	1	1	1	
12	93102-23096	.OIL SEAL .RETEN DE ACEITE	1	1	1	1	
13	703-82119-00	COVER, LEAD WIRE CUBIERTA DE CABLE CONDUCTOR		3			
14	6H4-11545-00	KEY, WOODRUFF CHAVETA WOODRUFF	1	1	1	1	
15	90179-16M05	NUT TUERCA	1	1	1	1	
16	90201-16M44	WASHER, PLATE ARANDELA PLANA	1	1	1	1	
17	6H4-81332-00	PLATE, TIMING PLACA REGULADOR DE TIEMPO	1	1	1	1	
18	97885-05010	SCREW, PAN HEAD TORNILLO A MUESCA	1	1	1	1	
19	92995-05600	WASHER ARANDELA	1	1	1	1	
20	97013-06018	BOLT PERNO	3	3	3	3	
21	92903-06600	WASHER, PLATE RONDANA SENCILLA	3	3	3	3	

FWD
63D6200-3090

FIG. 10 ELECTRICAL 1

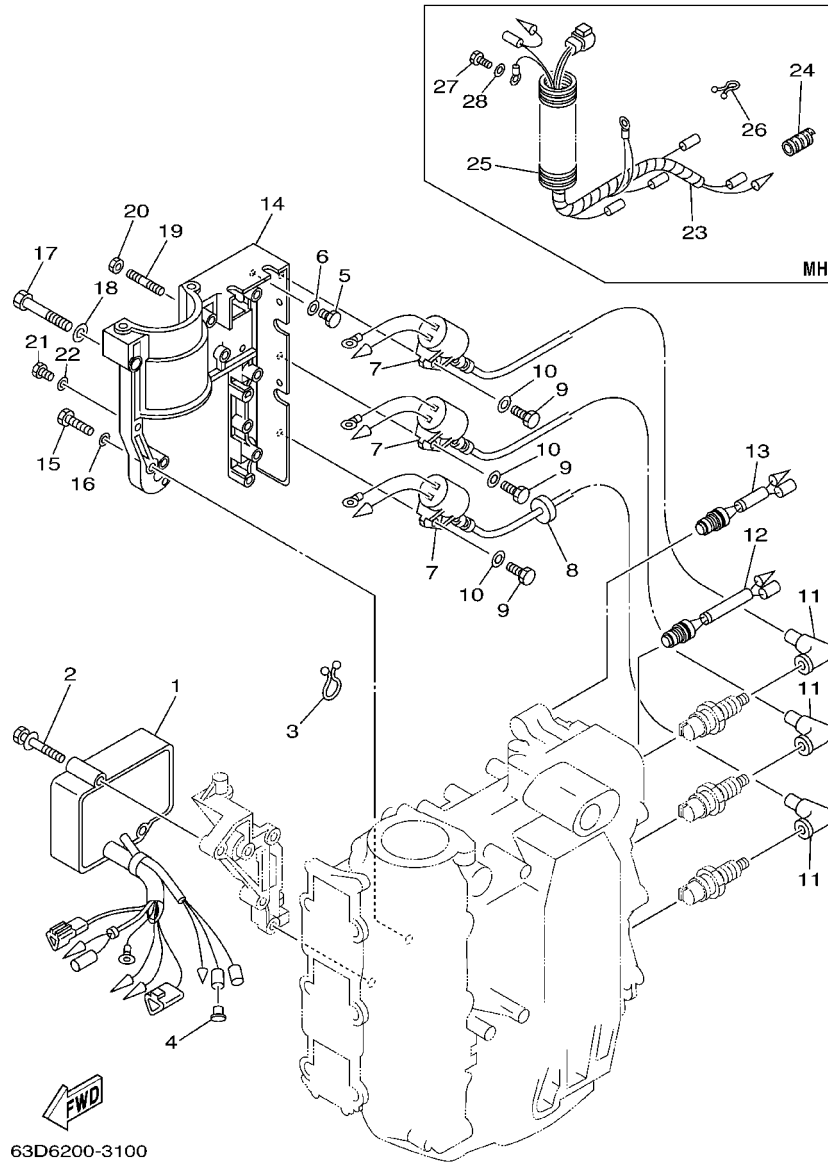
EQUIPO ELECTRICO 1



REF. NO.	PART NO. CODIGO NO.	DESCRIPTION DESCRIPTION	E	MH	WHD	ETO	REMARKS OBSERVACION
1	63D-85540-03	C.D.I. UNIT ASSY UNIDAD C.D.I. COMPLETA	1	1	1	1	
2	90119-06M51	BOLT, WITH WASHER TORNILLO CON ARANDELA	2	2	2	2	
3	90464-15M11	CLAMP BRIDA	1	1	1	1	
4	703-82119-00	COVER, LEAD WIRE CUBIERTA DE CABLE CONDUCTOR				1	
5	97095-06014	BOLT PERNO	1	1	1	1	
6	92995-06600	WASHER ARANDELA	1	1	1	1	
7	6H5-85570-00	IGNITION COIL ASSY BOBINA DE IGNICION COMPLETO	3	3	3	3	
8	90480-25161	GROMMET TAPON	1	1	1	1	
9	97095-06020	BOLT PERNO	3	3	3	3	
10	92995-06600	WASHER ARANDELA	3	3	3	3	
11	6G1-82370-21	PLUG CAP ASSY TAPON DE BUJIA COMPLT				3	50H-FOR CARIB
	663-82370-01	PLUG CAP ASSY TAPON DE BUJIA COMPLT	3	3	3	3	
12	689-82560-00	THERMO SWITCH ASSY INTER. DE TERMO	1	1	1	1	
13	6H4-82560-00	THERMO SWITCH ASSY INTER. DE TERMO	1	1	1	1	
14	6H4-81822-02-98	BRACKET, STARTING MOTOR SOPORTE DE MOTOR DE ARRANQUE	1		1	1	
15	97095-06030	BOLT PERNO	4		4	4	
16	92995-06600	WASHER ARANDELA	4		4	4	
17	97013-08050	BOLT PERNO	1		1	1	
18	92903-08600	WASHER, PLATE ARANDELA PLANA	1		1	1	
19	95670-06640	BOLT, STUD TORNILLO PRISIONERO	1		1	1	
20	90179-06M24	NUT TUERCA	1		1	1	
21	97095-06014	BOLT PERNO	2		2	2	
22	92995-06600	WASHER ARANDELA	2		2	2	
23	63D-82531-00	WIRE, LEAD CABLE CONDUCTOR			1		
24	90446-10M02	HOSE TUBO RESEIRADERO			1		
25	6G1-83557-00	TUBE ENCHUFE DE ACEITE			1		
26	90464-05M16	CLAMP BRIDA			1		

FIG. 10 ELECTRICAL 1

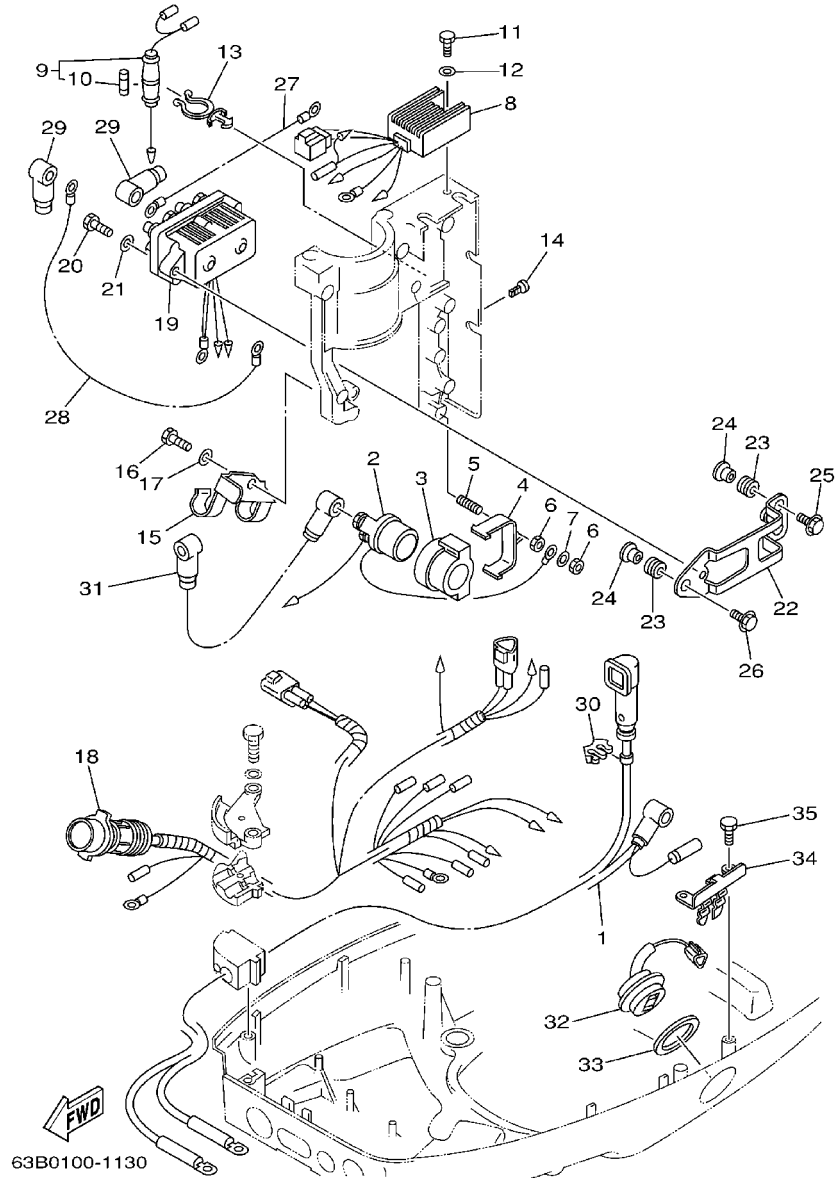
EQUIPO ELECTRICO 1



REF. NO.	PART NO. CODIGO NO.	DESCRIPTION DESCRIPTION	E	MH	WHD	ETO	REMARKS OBSERVACION
27	97095-06014	BOLT PERNO		1			
28	92995-06600	WASHER ARANDELA		1			

FIG. 11 ELECTRICAL 2

EQUIPO ELECTRICO 2

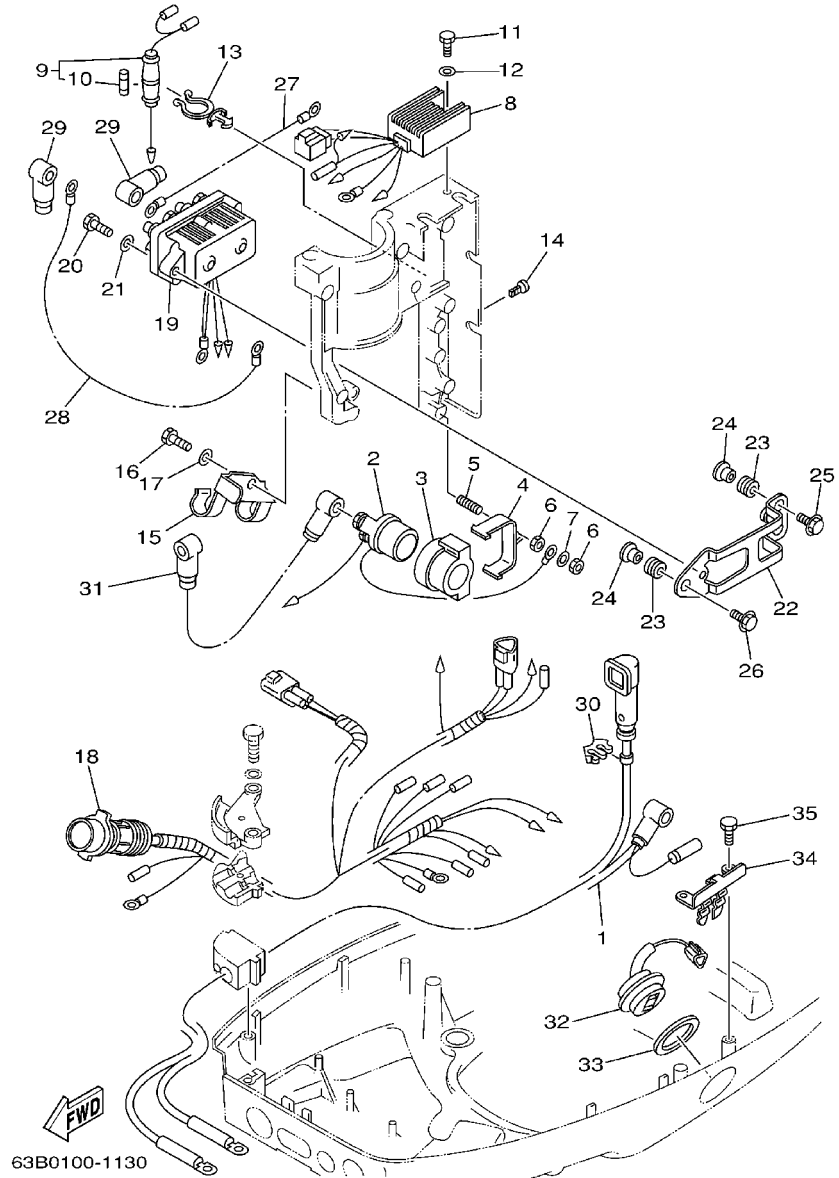


63B0100-1130

REF. NO.	PART NO. CODIGO NO.	DESCRIPTION DESCRIPTION	E	MH	WHD	ETO	REMARKS OBSERVACION
1	6H4-82105-02	WIRE HARNESS ARNES DE CABLES	1		1	1	
2	6G1-81941-10	STARTER RELAY ASSY RELE DE ARRANQUE	1		1	1	
3	6H4-81952-00	HOLDER, RELAY SOSTEN DE RELE	1		1	1	
4	6H4-81945-00	PLATE, SWITCH FITTING PLACA ACCESORIA DE INTERRUP.	1		1	1	
5	90116-06M22	BOLT, STUD ESPARRAGO	1		1	1	
6	95380-06600	NUT, HEXAGON TUERCA	2		2	2	
7	92990-06600	WASHER, PLATE ARANDELA PLANA	1		1	1	
8	6H2-81960-10	RECTIFIER & REGULATOR ASSY RECTIFICADOR Y REGULADOR	1		1	1	
9	6H4-82150-00	FUSE HOLDER ASSY PORTA-FUSIBLES COMPLETO	1		1	1	
10	663-82151-00	.FUSE (12V-20A) .FUSIBLE (12V-20A)	1		1	1	
11	97095-06014	BOLT PERNO	1		1	1	
12	92995-06600	WASHER ARANDELA	1		1	1	
13	90464-15M27	CLAMP BRIDA	1		1	1	
14	90338-05M11	PLUG TAPON	2		2	2	
15	63D-82594-00	CLAMP GRAMPA	1		1	1	
16	97095-06012	BOLT PERNO	1		1	1	
17	92995-06600	WASHER ARANDELA	1		1	1	
18	63D-82590-20	WIRE HARNESS ASSY CONJUNTO DE CABLES				1	10P
	63D-82590-00	WIRE HARNESS ASSY CONJUNTO DE CABLES	1				7P
	63D-82590-10	WIRE HARNESS ASSY CONJUNTO DE CABLES			1		10P
19	6H1-81950-00	RELAY ASSY RELE COMPLETO				1	
20	97095-06025	BOLT PERNO				2	
21	92995-06600	WASHER ARANDELA				2	
22	6H4-81945-20	PLATE, SWITCH FITTING PLACA ACCESORIA DE INTERRUP.				1	
23	90480-13M24	GROMMET TAPON				3	
24	90387-06M05	COLLAR COLLAR				3	
25	90105-06M15	BOLT, FLANGE TORNILLO				2	

FIG. 11 ELECTRICAL 2

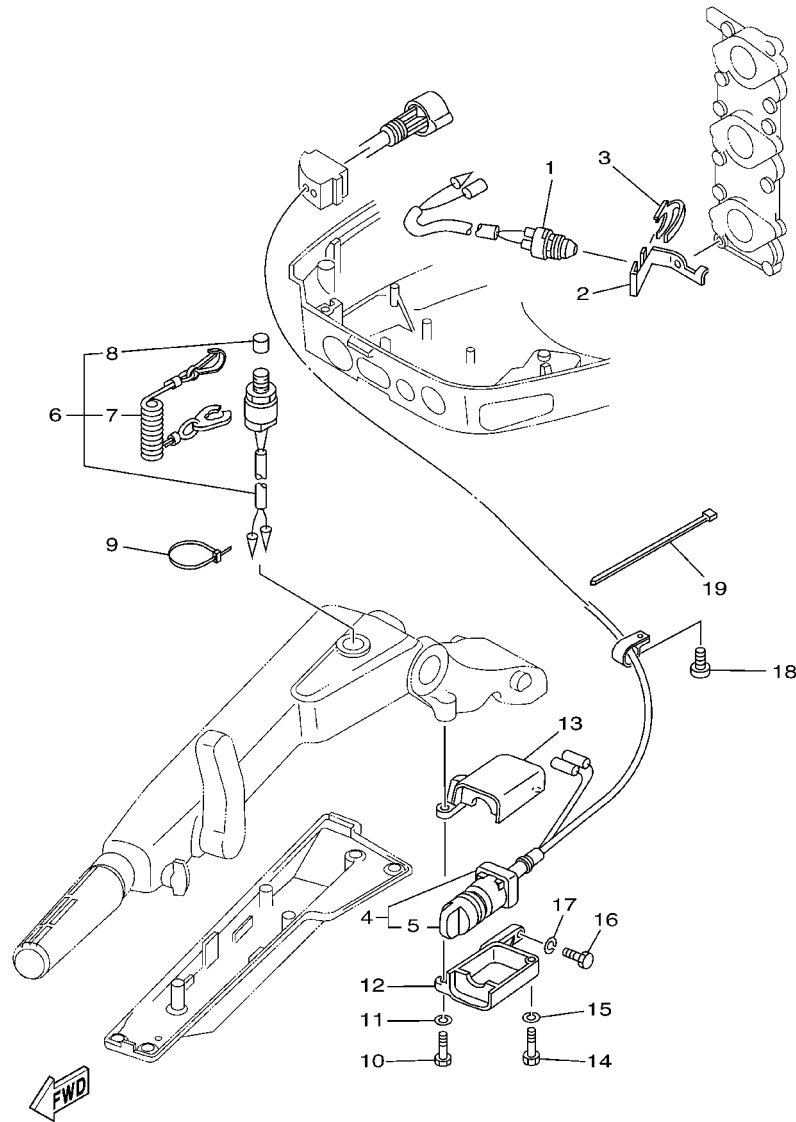
EQUIPO ELECTRICO 2



REF. NO.	PART NO. CODIGO NO.	DESCRIPTION DESCRIPTION	E	MH	WHD	ETO	REMARKS OBSERVACION
26	90105-06M16	BOLT, FLANGE TORNILLO				1	
27	6H5-81949-00	WIRE, LEAD CABLE CONDUCTOR				1	
28	61A-81949-00	WIRE, LEAD CABLE CONDUCTOR				1	
29	682-82119-01	COVER, LEAD WIRE CUBIERTA DE CABLE CONDUCTOR				4	
30	90464-07M20	CLAMP BRIDA	1		1	1	
31	6H4-82117-00	WIRE, LEAD CABLE CONDUCTOR	1		1	1	
32	63D-82563-10	TRIM & TILT SWITCH ASSY INTERRUPTOR DE INCLINACION				1	
33	6E5-82587-00	GASKET EMPAQUETADURA				1	
34	6R3-83614-00	BRACKET SOPORTE				1	
35	97095-06016	BOLT PERNO				2	

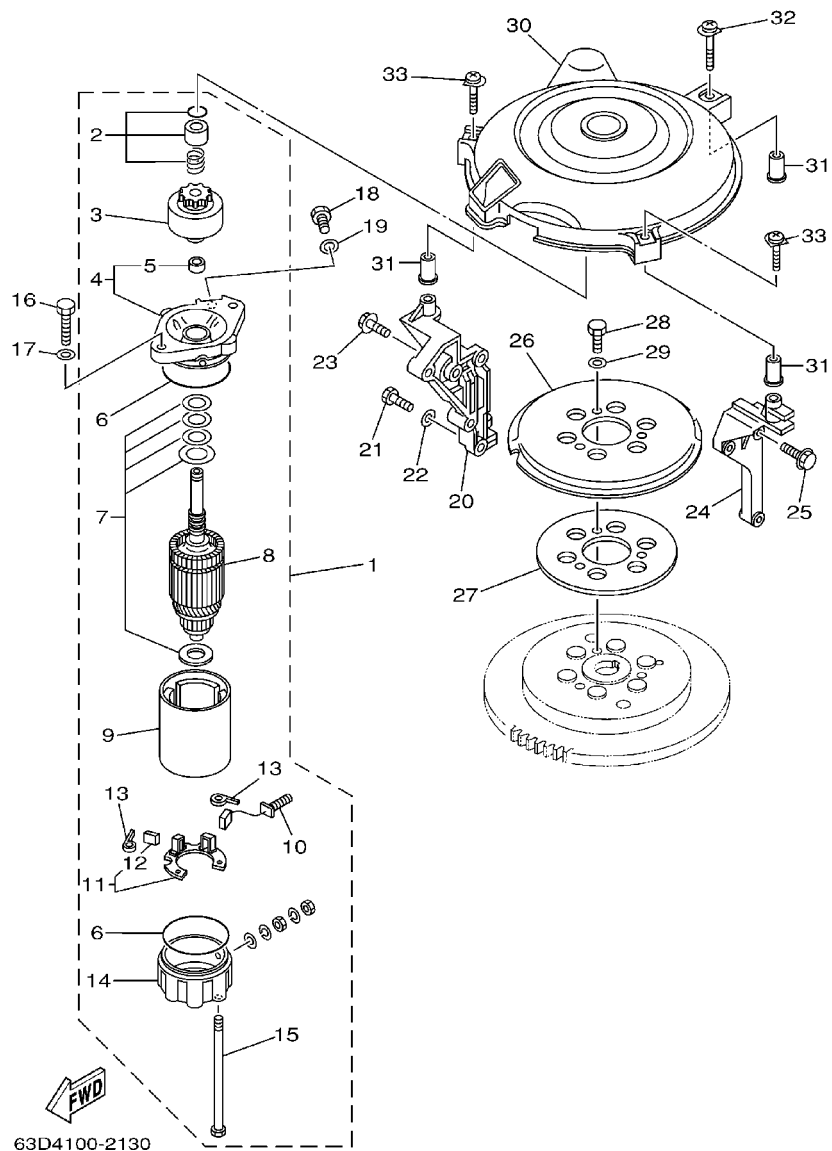
FIG. 12 ELECTRICAL 3

EQUIPO ELECTRICO 3



63D6200-3120

REF. NO.	PART NO. CODIGO NO.	DESCRIPTION DESCRIPTION	E	MH	WHD	ETO	REMARKS OBSERVACION
1	688-82540-11	NEUTRAL SWITCH ASSY INTERRUPTOR NEUTRAL COMPL			1		
2	63D-82554-00	STAY, NEUTRAL SWITCH SOPORTE INTERRUPTOR DE NEUTRAL			1		
3	663-82555-01	DAMPER, MAIN SWITCH 1 AMORT.DE INTER.PPAL.1			1		
4	63D-82510-10	MAIN SWITCH ASSY CONJUNTO DE LLAVE IGNICION			1		
5	676-82577-00	.CAP, KEY .TAPA			1		
6	69W-82575-00	ENGINE STOP SWITCH ASSY INTERRUPTOR DE PARADA COMPL			1		
7	682-82556-00	.STOPPER .RETENER			1		
8	689-8257Y-00	.CAP .CASQUILLO			1		
9	90465-13M11	CLAMP BRIDA			1		
10	97095-06025	BOLT PERNO			1		
11	92995-06100	WASHER, SPRING ARANDELA			1		
12	63D-8252F-01-4D	COVER, MAIN SWITCH CUBIELA INTERRUPTOR PRINC.2			1		
13	63D-8252E-01-4D	COVER, MAIN SWITCH CUBIELA INTERRUPTOR PRINC.2			1		
14	97885-06025	SCREW, PAN HEAD TORNILLO A MUESCA			1		
15	92995-06100	WASHER, SPRING ARANDELA			1		
16	97095-06020	BOLT PERNO			1		
17	92995-06100	WASHER, SPRING ARANDELA			1		
18	97885-06012	SCREW, PAN HEAD TORNILLO A MUESCA			1		
19	90465-13M36	CLAMP BRIDA			2		



63D4100-2130

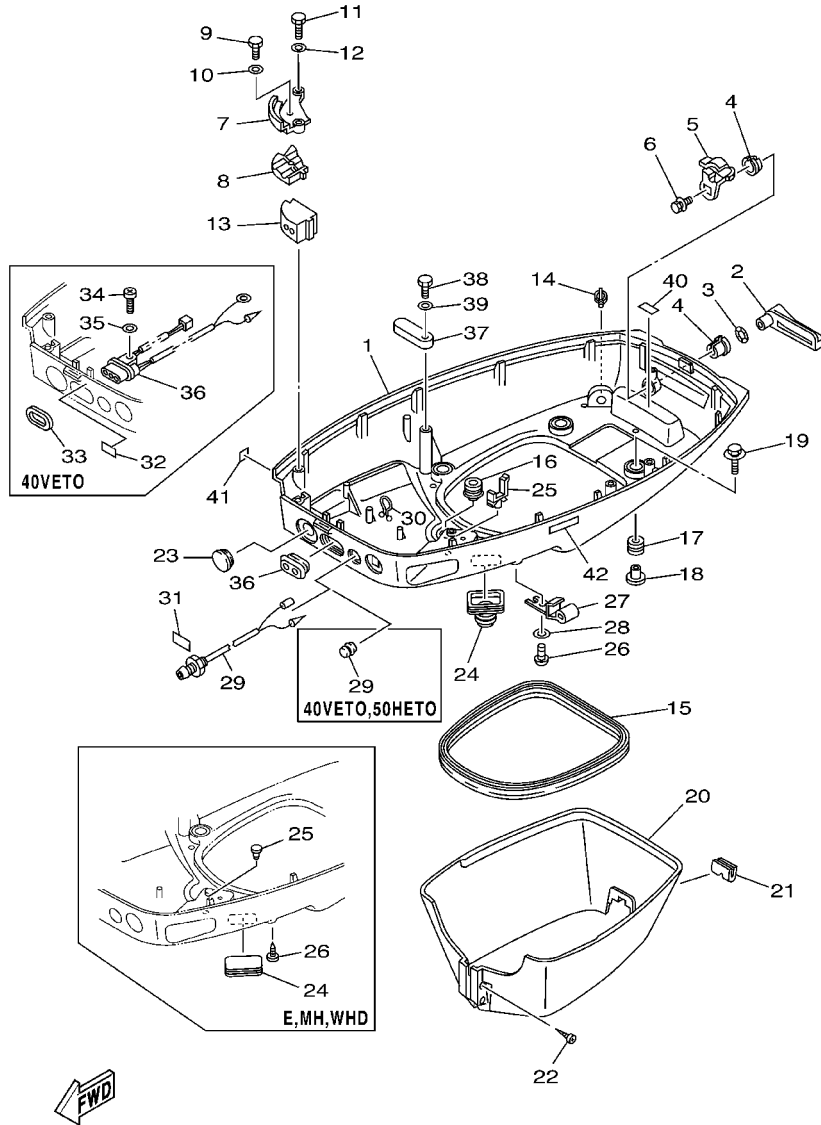
FIG. 14 STARTING MOTOR

MOTOR DE ARRANQUE

REF. NO.	PART NO. CODIGO NO.	DESCRIPTION DESCRIPTION	E	MH	WHD	ETO	REMARKS OBSERVACION
1	6F5-81800-11	STARTING MOTOR ASSY MOTOR DE ARRANQUE COMPLETO	1		1	1	
2	689-81857-11	.PINION STOPPER SET .JUEGO TAPON PINON	1		1	1	
3	689-81807-12	.GEAR ASSY, STARTING MOTOR .PINON CONJUNTO	1		1	1	
4	6F5-81830-11	.FRONT BRACKET ASSY .SOPORTE DELANTERO COMPLETO	1		1	1	
5	689-81831-00	..METAL, FRONT ..METAL DELANTERO	1		1	1	
6	689-81847-11	.O-RING .ANILLO GOMA	2		2	2	
7	689-81809-11	.WASHER KIT .JUEGO DE ARANDELA	1		1	1	
8	689-81850-12	.ARMATURE ASSY .INDUCIDO COMPLETO	1		1	1	
9	689-81810-11	.STATOR ASSY .ESTATOR COMPLETO	1		1	1	
10	689-81811-11	.BRUSH 1 .ESCOBILLA 1	1		1	1	
11	689-81840-11	.BRUSH HOLDER ASSY .SOSTEN DE ESCOBILLA COMPLETO	1		1	1	
12	689-81812-11	..BRUSH 2 ..ESCOBILLA 2	1		1	1	
13	689-81813-10	.SPRING, BRUSH .RESORTE DE ESCOBILLA	2		2	2	
14	689-81820-11	.REAR BRACKET ASSY .CUBIERTA TRASERA COMPL	1		1	1	
15	689-81826-10	.BOLT .PERNO	2		2	2	
16	97013-08030	BOLT PERNO	2		2	2	
17	92903-08600	WASHER, PLATE ARANDELA PLANA	2		2	2	
18	97013-08016	BOLT PERNO	1		1	1	
19	92903-08600	WASHER, PLATE ARANDELA PLANA	1		1	1	
20	63D-15771-00-4D	STAY 1 SOPORTE 1	1			1	
21	97013-08025	BOLT PERNO	2			2	
22	92903-08600	WASHER, PLATE ARANDELA PLANA	2			2	
23	90119-06MA2	BOLT, WITH WASHER TORNILLO CON ARANDELA	1			1	
24	6H4-15772-02-94	STAY 2 SOPORTE 2	1			1	
25	90119-06MA3	BOLT, WITH WASHER TORNILLO CON ARANDELA	3			3	
26	6J8-15723-E1	PULLEY, STARTER POLEA DE ARRANQUE	1			1	
27	6J8-81365-A0	GASKET, HOLE COVER EMPAQUETADURA CUBIERTA ORIF.	1			1	

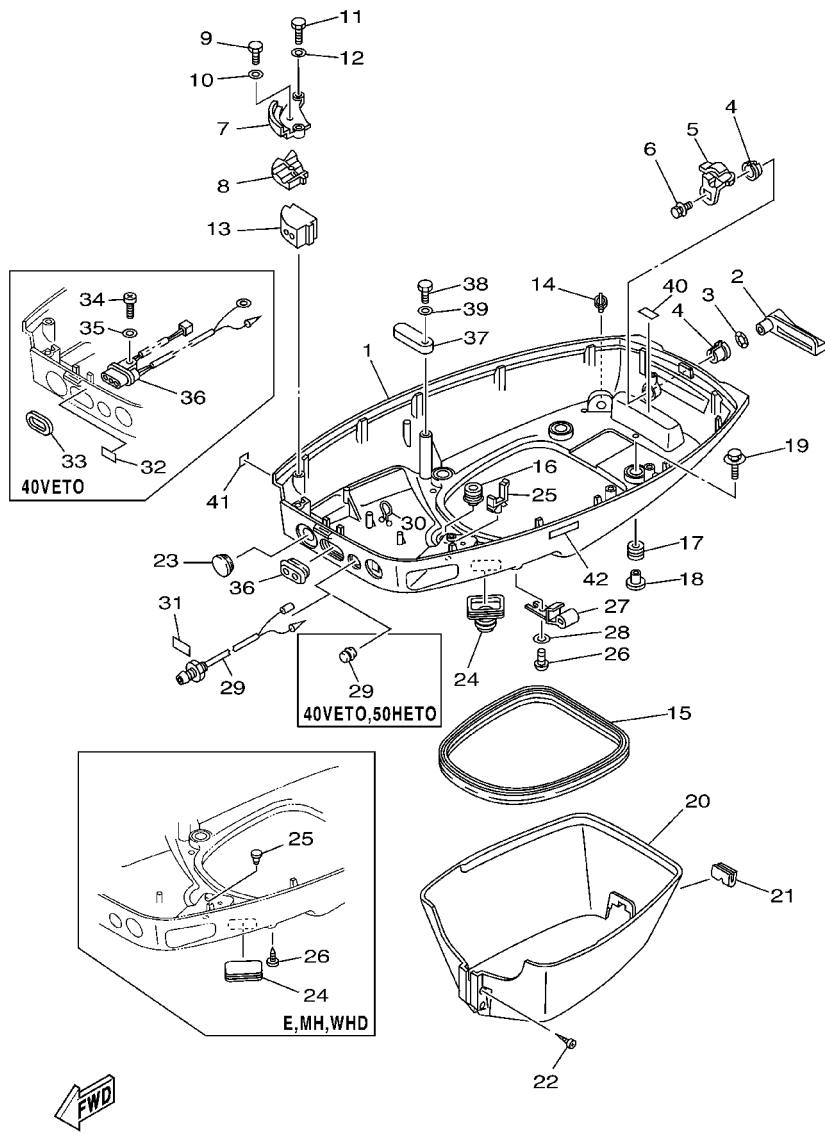
FIG. 15 BOTTOM COWLING

CUBIERTA INFERIOR



63D6200-3150

REF. NO.	PART NO. CODIGO NO.	DESCRIPTION DESCRIPTION	E	MH	WHD	ETO	REMARKS OBSERVACION
1	6H4-42711-25-4D	COWLING, BOTTOM CUBIERTA INFERIOR				1	
	6H4-42711-07-4D	COWLING, BOTTOM CUBIERTA INFERIOR	1	1	1		
2	6H4-42815-00	LEVER, CLAMP PALANCA ABRAZADERA	1	1	1	1	
3	90206-12052	WASHER, WAVE ARANDELA ONDULADA	1	1	1	1	
4	90386-12069	BUSH BUJE	2	2	2	2	
5	6H4-42816-00	LEVER, CLAMP PALANCA ABRAZADERA	1	1	1	1	
6	90119-06M73	BOLT, WITH WASHER TORNILLO CON ARANDELA	1	1	1	1	
7	6H4-48531-11-94	BRACKET, REMOTE CONTROL 1 SOPORTE DE CONTROL REMOTO	1	1	1	1	
8	6H4-48532-11-94	BRACKET, REMOTE CONTROL 2 SOPORTE DE CONTROL REMOTO	1	1	1	1	
9	97095-05016	BOLT PERNO	1	1	1	1	
10	92995-05600	WASHER ARANDELA	1	1	1	1	
11	97095-06020	BOLT PERNO	2	2	2	2	
12	92995-06600	WASHER ARANDELA	2	2	2	2	
13	6H4-42724-30	GROMMET TAPON				1	40V-FOR BRAZIL
	6H4-42724-20	GROMMET TAPON	1			1	
	6H4-42724-00	GROMMET TAPON		1			
14	6E5-44391-00	NIPPLE, HOSE NIPLE MANGUERA	1	1	1	1	
15	6H4-42716-00	RUBBER, SEAL 1 SELLO DE GOMA 1	1	1	1	1	
16	6E5-42724-00	GROMMET TAPON	1	1	1	1	
17	90480-09M21	GROMMET TAPON	4	4	4	4	
18	90387-06M41	COLLAR COLLAR	4	4	4	4	
19	90119-06M61	BOLT, WITH WASHER TORNILLO CON ARANDELA	4	4	4	4	
20	63D-42741-00-4D	APRON MANDIL	1	1	1	1	
21	63D-42717-00	RUBBER, SEAL 2 GOMA	1	1	1	1	
22	97780-60525	SCREW, TAPPING TORNILLO DE CABEZA DE CONO ACH	2	2	2	2	
23	676-42726-00	GROMMET TAPON	1			1	
	6H4-42726-40	GROMMET TAPON				1	



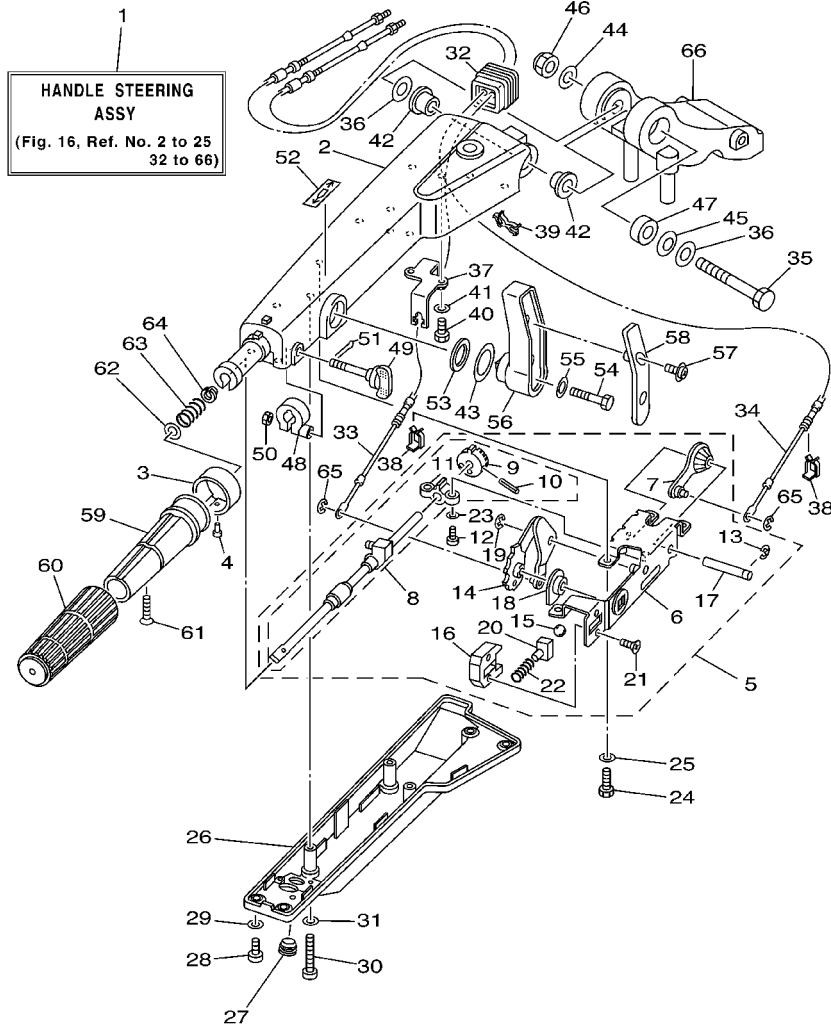
63D6200-3150

FIG. 15 BOTTOM COWLING

CUBIERTA INFERIOR

REF. NO.	PART NO. CODIGO NO.	DESCRIPTION DESCRIPTION	E	MH	WHD	ETO	REMARKS OBSERVACION
24	688-42726-10	GROMMET TAPON				1	
	6H4-42726-00	GROMMET TAPON	1	1	1		
25	90464-09M13	CLAMP BRIDA				1	
	703-82119-00	COVER, LEAD WIRE CUBIERTA DE CABLE CONDUCTOR	1	1	1		
26	90157-06M01	SCREW, PAN HEAD TORNILLO. CABEZA CONICA PLANA				1	
	90338-05M03	PLUG TAPON	1	1	1		
27	6E5-24367-01	CLAMP, FUEL PIPE 2 GRAMPA DE TUBO DE COMBUST.2				1	
28	92990-06600	WASHER, PLATE ARANDELA PLANA				1	
29	6H4-42725-00	GROMMET TAPON				1	O/I
	6H4-85411-00	OVERHEAT WARNING LAMP CALENTAR DEMASIADO DEL ALARMA	1	1	1		N,O/I
30	90464-08M07	CLAMP BRIDA			1		
31	6H4-85415-00	MARK, SIGNAL LAMP MARCO DE FOCO DE SENAL	1	1	1		N,O/I
32	63D-84342-00	SEAT, EMBLEM ASIENTO EMBLEMA				1	40V-O/I
33	6H4-83589-00	GASKET EMPAQUE				1	40V-O/I
34	97880-06014	SCREW, PAN HEAD TORNILLO DE CABEZA CON PLANA				1	40V-O/I
35	92990-06600	WASHER, PLATE ARANDELA PLANA				1	40V-O/I
36	63D-84301-00	PILOT LIGHT ASSY 1 LUZ PILOTO COMPLETA 1				1	40V-O/I
	6H3-42727-00	GROMMET TAPON	1	1	1	1	
37	6E5-82588-00	PLATE PLACA	1	1	1	1	
38	97095-06020	BOLT PERNO	1	1	1	1	
39	92995-06600	WASHER ARANDELA	1	1	1	1	
40	6E7-42791-00	MARK 1 MARCA 1	1	1		1	40V
	6G5-42791-10	MARK 1 MARCA 1				1	50H-FOR CARIB
	6G5-42791-00	MARK 1 MARCA 1			1		50H
41	6A1-28176-00	LABEL, CAUTION ETIQUETA DE PRECAUCION				1	50H-FOR CARIB
42	6E3-8257H-00	PLATE, MARK PLACA DE MARCA				1	50H-FOR CARIB

E1

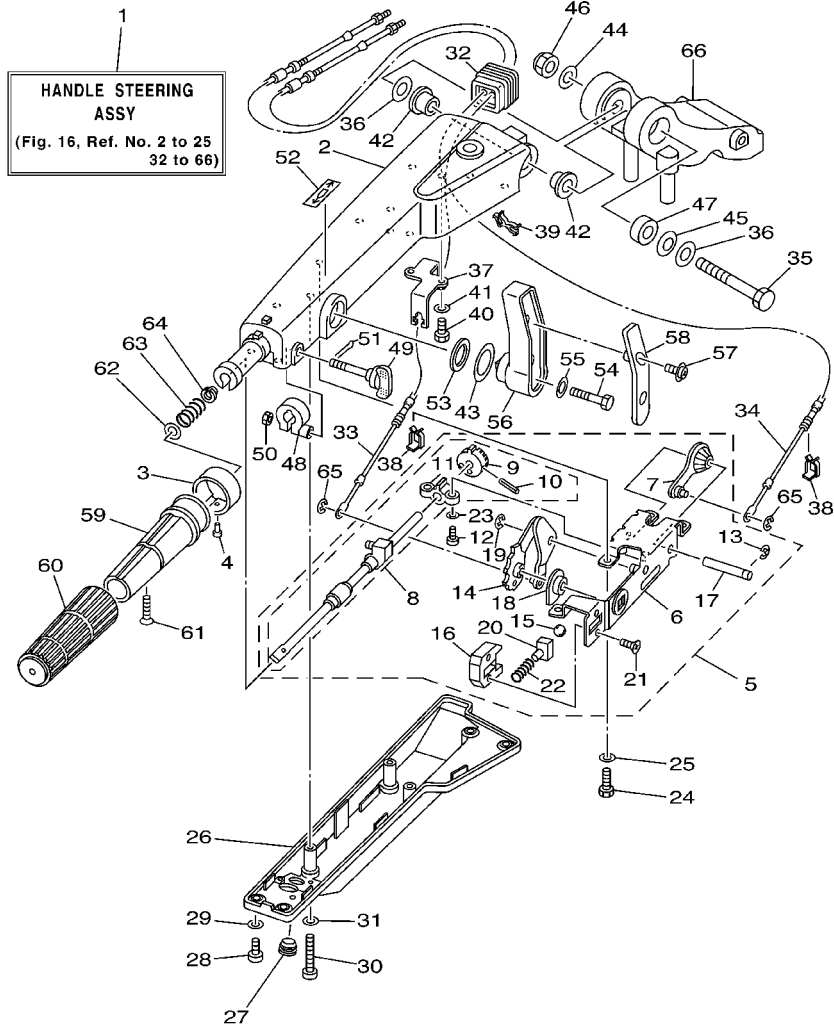


63D6200-3160

FIG. 16 STEERING

DIRECCION

REF. NO.	PART NO. CODIGO NO.	DESCRIPTION DESCRIPTION	E	MH	WHD	ETO	REMARKS OBSERVACION
1	63D-W0084-01-4D	HANDLE STEERING ASSY CONJUNTO DE MANIJA		1	1		
2	63D-42111-01-4D	HANDLE, STEERING MANIJA DE DIRECCION		1			
3	6K5-42137-00 6H2-42137-00	INDICATOR, THROTTLE INDICADOR ACELERADOR INDICATOR, THROTTLE INDICADOR ACELERADOR		1		1	
4	90269-02M09	RIVET REMACHE		1	1		
5	63D-44100-11	SHIFT LINK ASSY ESLABON DE SLECTOR COMLETO		1	1		
6	63D-44104-00	.PLATE COMP. .PLACA		1	1		
7	63D-48261-00	.ARM, THROTTLE .BRAZO ACELERADOR		1	1		
8	63D-42115-00	.SHAFT, STEERING HANDLE .EJE MANIJA DE DIRECCION		1	1		
9	650-42152-00-94	.GEAR .ENGRANE		1	1		
10	91690-30025	.PIN, SPRING .PASADOR DE RESORTE		1	1		
11	63D-42159-00	.STAY .SOPORTE		1	1		
12	98580-06016	.SCREW, PAN HEAD .TORNILLO DE CABEZA CRUZADA		2	2		
13	93430-08006	.CIRCLIP .SEGURO		1	1		
14	63D-44113-01	.CAM PLATE, HANDLE .PLACA DE LA LEVA DEL MANGO		1	1		
15	63D-48236-00	.ROLLER, DETENT .RODILLO		1	1		
16	63D-48119-00	.COVER .CUBIERTA		1	1		
17	63D-42153-00	.SHAFT, THROTTLE CONTROL .EJE CONTROL DEL ACELERADOR		1	1		
18	63D-44132-00	.BUSHING BUJE		1	1		
19	63D-48118-00	.CLIP, SHIFT LEVER .CLIP DE PALANCA DEL CAMBIO		1	1		
20	63D-48237-00	.ADAPTOR .ADAPTADOR		1	1		
21	98785-05014	.SCREW, FLAT HEAD .TORNILLO DE CABEZA PLANA		2	2		
22	63D-48238-00	.SPRING, DETENT .RESORTE		1	1		
23	63D-42181-00	.WASHER .ARANDELA		2	2		
24	97095-06016	BOLT PERNO		4	4		
25	92995-06600	WASHER ARANDELA		4	4		
26	63D-42131-00	COVER, HANDLE STEERING CUBIERTA MANIJA DIRRECCION		1	1		

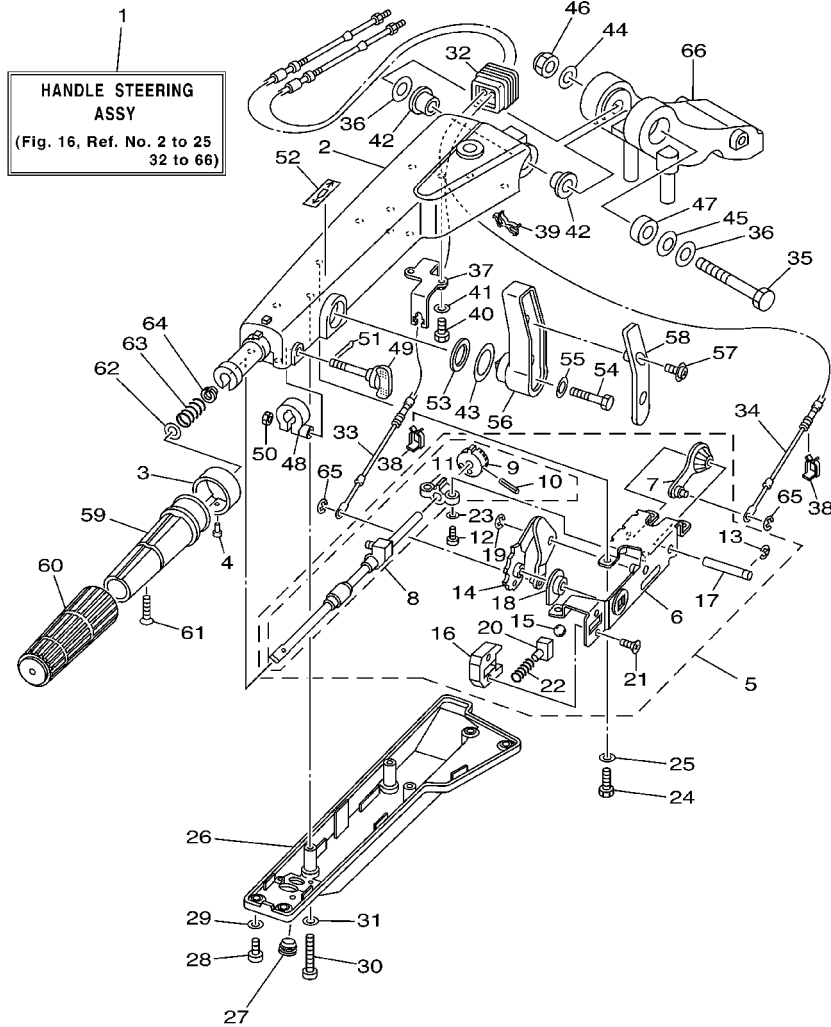


63D6200-3160

FIG. 16 STEERING

DIRECCION

REF. NO.	PART NO. CODIGO NO.	DESCRIPTION DESCRIPTION	E	MH	WHD	ETO	REMARKS OBSERVACION
27	90480-14M14	GROMMET TAPON		1	1		
28	97885-06016	SCREW, PAN HEAD TORNILLO A MUESCA		4	4		
29	92995-06600	WASHER ARANDELA		4	4		
30	97885-06040	SCREW, PAN HEAD TORNILLO A MUESCA		3	3		
31	92995-06600	WASHER ARANDELA		3	3		
32	63D-42725-00	GROMMET TAPON		1	1		
33	63D-48321-01	CABLE CABLE CONTROL REMOTO		1	1		
34	63D-26301-01	THROTTLE CABLE ASSY CABLE DE ACELERADOR COMPLETO		1	1		
35	90101-12M09	BOLT TORNILLO		1	1		
36	92990-12200	WASHER, PLAIN ARANDELA PLANA		2	2		
37	63D-48531-00	BRACKET, REMOTE CONTROL 1 SOPORTE DE CONTROL REMOTO		1	1		
38	63D-48538-00	CLAMP, CABLE 1 GRAMPA DE CABLE		2	2		
39	90464-09M42	CLAMP BRIDA		1	1		
40	97095-06016	BOLT PERNO		2	2		
41	92995-06600	WASHER ARANDELA		2	2		
42	90386-12M93	BUSH BUJE		2	2		
43	90386-29M95	BUSH BUJE		1	1		
44	92990-12600	WASHER, PLATE ARANDELA PLANA		1	1		
45	90206-12M22	WASHER, WAVE ARANDELA ONDULADA		1	1		
46	90185-12M12	NUT, SELF-LOCKING TUERCA AUTOBLOCANTE		1	1		
47	90387-12M02	COLLAR COLLAR		1	1		
48	63D-42126-00	FRICTION, STEERING HANDLE GRIP FRICCION DE MANGO DIRECCION		1	1		
49	63D-48154-00	KNOB, THROTTLE PERILLA DE ACELERADOR		1	1		
50	95380-06600	NUT, HEXAGON TUERCA		1	1		
51	91490-20010	PIN, COTTER CHAVETA		1	1		
52	6G8-44191-00	INDICATOR, SHIFT INDICADOR DE CAMBIOS		1	1		
53	90202-24M53	WASHER, PLATE ARANDELA DE PLANA		1	1		

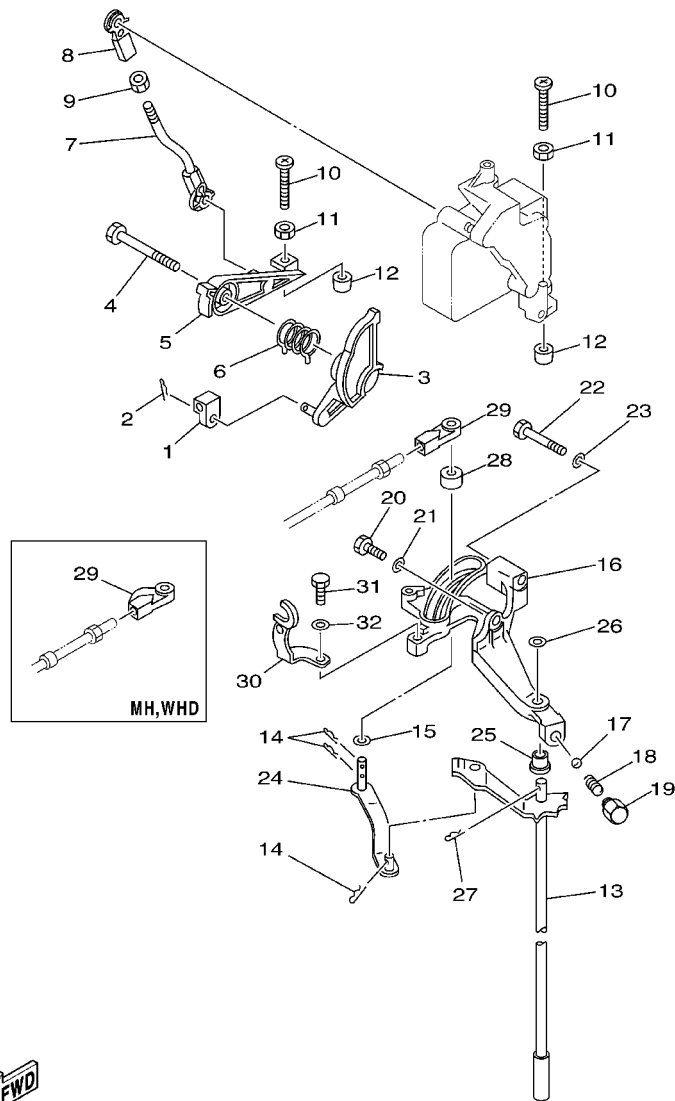


63D6200-3160

FIG. 16 STEERING

DIRECCION

REF. NO.	PART NO. CODIGO NO.	DESCRIPTION DESCRIPTION	E	MH	WHD	ETO	REMARKS OBSERVACION
54	97095-08040	BOLT PERNO		1	1		
55	92995-08600	WASHER ARANDELA		1	1		
56	63D-44159-01	HANDLE, GEAR SHIFT MANIJA DE CAMBIO DE MARCHAS		1	1		
57	90159-06M18	SCREW, WITH WASHER TORNILLO CON VALONA		2	2		
58	63D-44173-00	LEVER, SHIFT CONTROL PALANCA CONTROL CAMBIOS		1	1		
59	664-42119-00	GRIP, STEERING HANDLE MANGO, MANIJA DE DIRRECCION		1	1		
60	6G1-42177-00	RUBBER, HANDLE HULE DE MANIJA		1	1		
61	90149-05M13	SCREW TORNILLO DE REGLAJE		1	1		
62	92903-10600	WASHER, PLATE RONDANA SENCILLA		1	1		
63	90501-23215	SPRING, COMPRESSION RESORTE DE COMPRESION		1	1		
64	90386-08032	BUSH BUJE		1	1		
65	93430-04M03	CIRCLIP SEGURO		2	2		
66	63D-42121-20-4D	BRACKET SOPORTE		1	1		



63D6200-3170

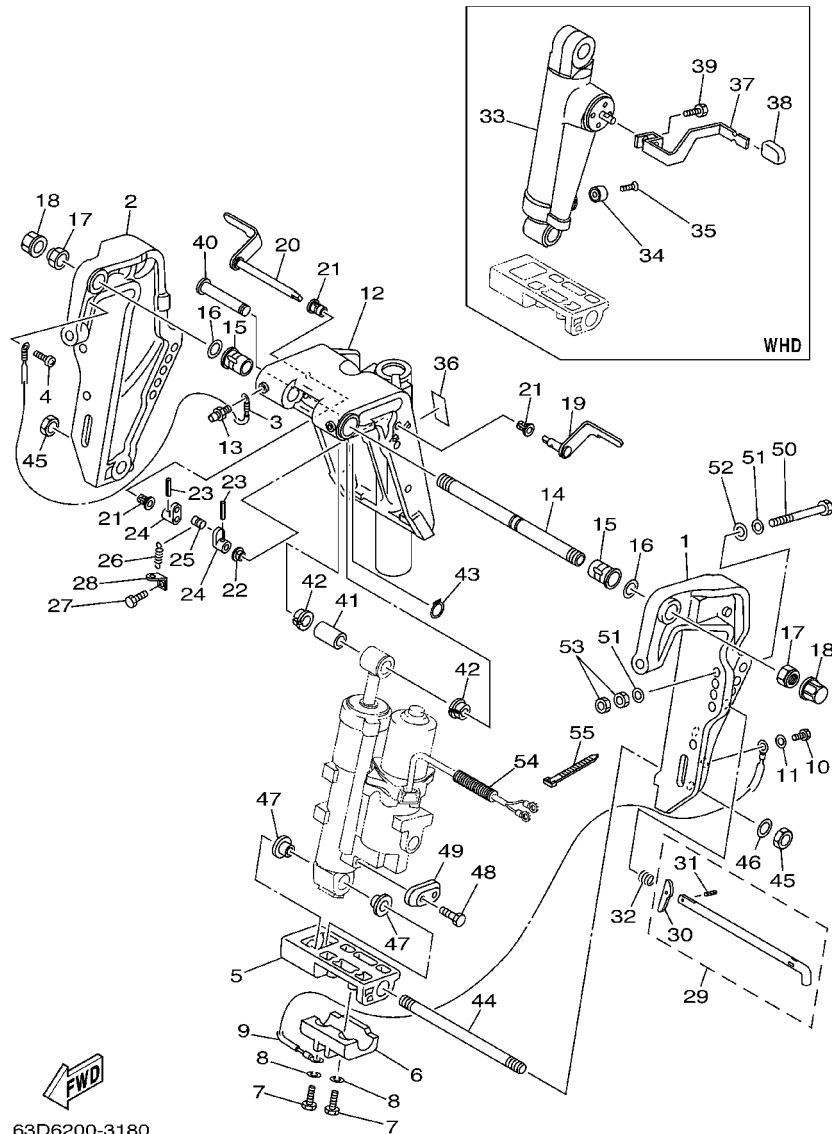
FIG. 17 CONTROL

CONTROL

REF. NO.	PART NO. CODIGO NO.	DESCRIPTION DESCRIPTION	E	MH	WHD	ETO	REMARKS OBSERVACION
1	6H4-48344-00	CABLE END, REMOTE CONTROL	1	1	1	1	
2	90468-18008	BASE CONTROL	1	1	1	1	
3	63D-41213-00	CLIP PRESILLA	1	1	1	1	
4	90109-06M43	CAM, ACCEL. LEVA ACELERADOR	1	1	1	1	
5	63D-41632-00	BOLT PERNO	1	1	1	1	
6	90508-26M35	LEVER, MAGNETO CONTROL PALANCA DE CONTROL DE MAGNETO	1	1	1	1	
7	63D-41636-00	SPRING, TORSION RESORTE DE TORSION	1	1	1	1	
8	6H4-41237-00	ROD, MAGNETO CONTROL VARILLA DE CONTROL MAGNETO	1	1	1	1	
9	95380-05600	JOINT, LINK CONECTOR	1	1	1	1	
10	90157-06M13	NUT TUERCA	2	2	2	2	
11	95303-06600	SCREW, PAN HEAD TORNILLO, CABEZA CONICA PLANA	2	2	2	2	
12	688-44194-00	NUT TUERCA	2	2	2	2	
13	63D-44120-00	CAP TAPA	1				S
	63D-44120-10	HANDLE GEAR SHIFT ASSY MANIJA DE CAMBIO COMPL	1	1	1	1	L
14	90468-18008	HANDLE GEAR SHIFT ASSY MANIJA DE CAMBIO COMPL	3	3	3	3	
15	90202-07M07	CLIP PRESILLA	1	1	1	1	
16	63D-44117-00	WASHER, PLATE ARANDELA DE PLANA	1	1	1	1	
17	93501-04M02	BRACKET SOPORTE	1	1	1	1	
18	90501-12082	BALL ESFERA	1	1	1	1	
19	648-42715-00	SPRING, COMPRESSION RESORTE DE COMPRESION	1	1	1	1	
20	97013-06020	BUSHING BUJE	1	1	1	1	
21	92903-06600	BOLT PERNO	1	1	1	1	
22	97013-06045	WASHER, PLATE RONDANA SENCILLA	1	1	1	1	
23	92903-06600	BOLT PERNO	1	1	1	1	
24	63D-44121-00	WASHER, PLATE RONDANA SENCILLA	1	1	1	1	
25	90386-07M58	LEVER, SHIFT ROD PALANCA VARILLA CAMBIOS	1	1	1	1	
26	92990-08200	BUSH BUJE	1	1	1	1	
		WASHER, PLAIN ARANDELA PLANA	1	1	1	1	

FIG. 18 BRACKET 1

SOPORTE 1

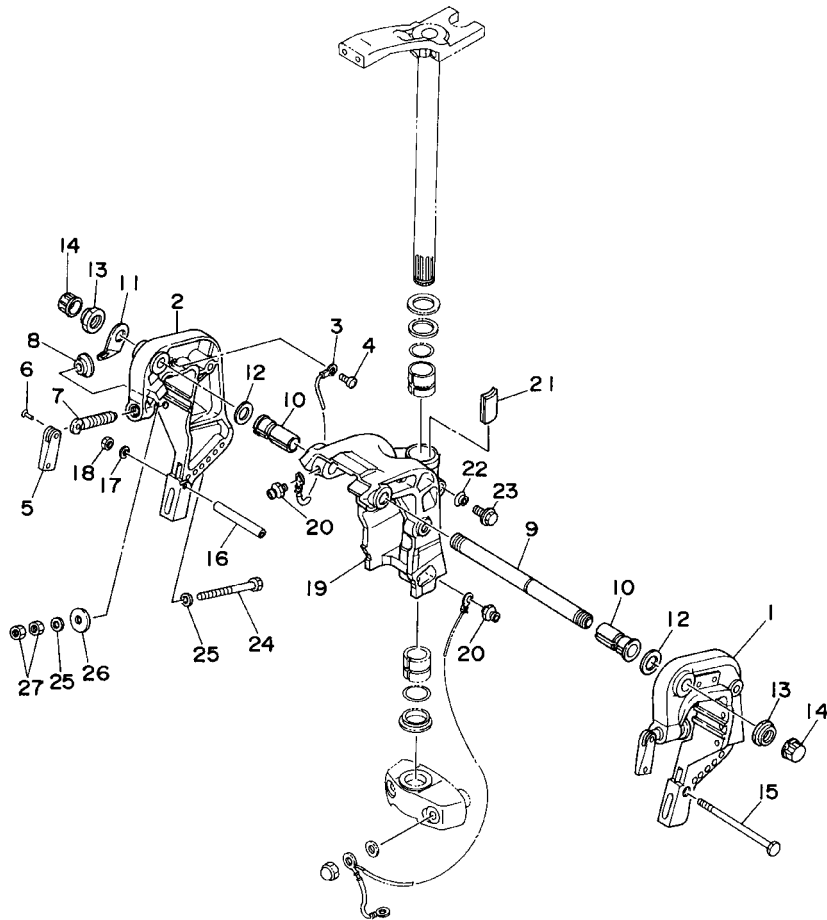


63D6200-3180

REF. NO.	PART NO. CODIGO NO.	DESCRIPTION DESCRIPTION	E	MH	WHD	ETO	REMARKS OBSERVACION
28	6G5-43144-00	HOOK, SPRING GANCHO			1	1	
29	688-43160-01	TILT ROD ASSY VARILLA DE BASCULACION COMPL.			1	1	
30	688-43165-00	.PLATE, TILT LOCK .PLACA DE TOPE, VARILLA SEGUR			1	1	
31	91690-30012	.PIN, SPRING .PASADOR DE RESORTE			1	1	
32	90502-16M02	SPRING, CONICAL RESORTE CONICO			1	1	
33	62X-43170-11-4D	SHOCK ABSORBER ASSY AMORTIGUADOR COMPL.			1		
34	663-45251-00	ANODE CATODE			1		
35	90152-06M01	SCREW, COUNTERSUNK TORNILLO EMBUTIDO			1		
36	63D-43691-00	INDICATOR, TILT INDICADOR			1		
37	63D-43631-00	LEVER, TILT PALANCA DE INCLINACION			1		
38	682-43318-01	COVER CUBIERTA			1		
39	97095-06010	BOLT PERNO			1		
40	6E5-43126-02	PIN, UPPER SHOCK MOUNT PASADOR DE AMORTIGUADOR SUPER			1	1	
41	90386-18M92	BUSH BUJE			1	1	
42	90386-18M35	BUSH BUJE			2	2	
43	93410-18M02	CIRCLIP SEGURO			1	1	
44	90116-18M52	BOLT, STUD ESPARRAGO			1	1	
45	90170-18M10	NUT TUERCA			2	2	
46	92995-18600	WASHER ARANDELA			1	1	
47	90386-18M44	BUSH BUJE			2	2	
48	90101-06020	BOLT TORNILLO				2	
49	65W-45251-00	ANODE CATODE			1		
50	90101-12M65	BOLT TORNILLO			4	4	
51	92995-12200	WASHER ARANDELA			8	8	
52	90201-12426	WASHER, PLATE ARANDELA PLANA			4	4	
53	95380-12600	NUT TUERCA			8	8	
54	90440-14M00	PIPE TUBO				1	

FIG. 19 BRACKET 2

SOPORTE 2



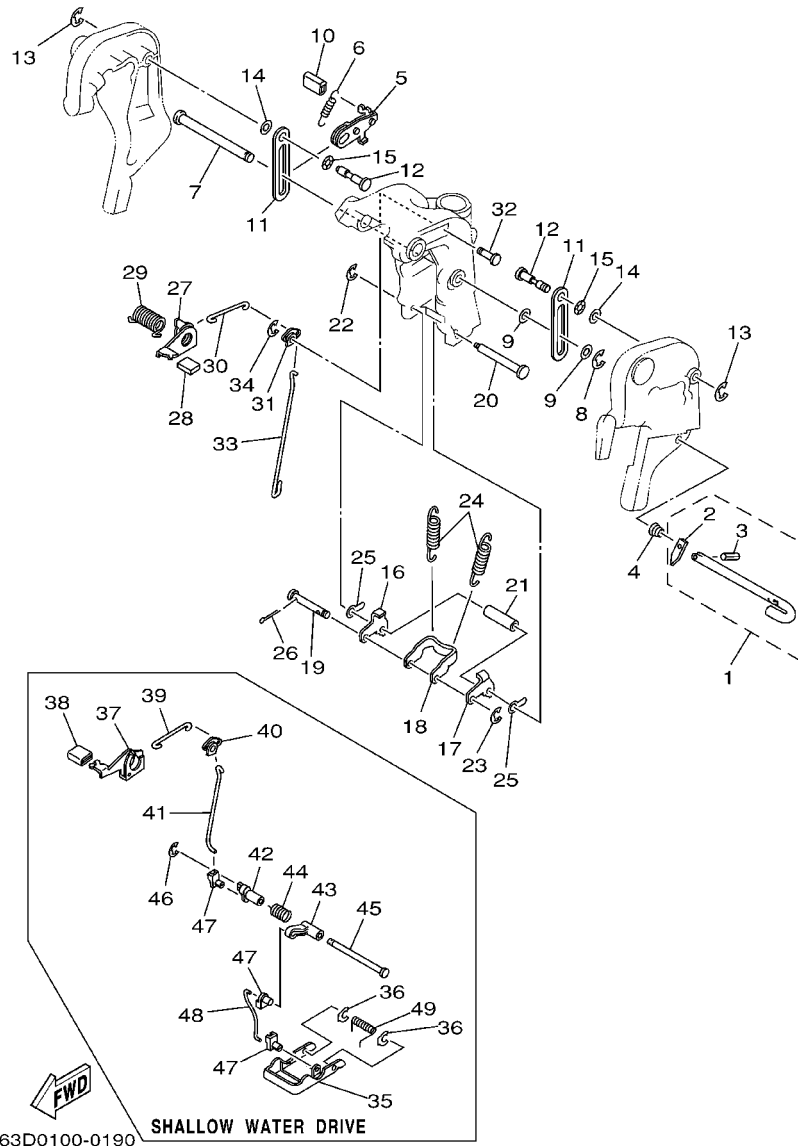
REF. NO.	PART NO. CODIGO NO.	DESCRIPTION DESCRIPTION	E	MH	WHD	ETO	REMARKS OBSERVACION
1	6H4-43111-05-4D	BRACKET, CLAMP SOPORTE DE LA ABRAZADERA	1	1			
2	6H4-43112-04-4D	BRACKET, CLAMP SOPORTE DE LA ABRAZADERA	1	1			
3	6E5-82148-00	WIRE, LEAD 4 CABLE CONDUCTOR 4	1	1			
4	97885-06008	SCREW, PAN HEAD TORNILLO A MUESCA	1	1			
5	6E0-43118-01	HANDLE, TRANSOM CLAMP MANIJA DE LA ABRAZADERA DELES	2	2			
6	90243-04M01	PIN PASADOR	2	2			
7	90149-14M12	SCREW TORNILLO DE REGLAJE	2	2			
8	648-43114-01	PAD, TRANSOM CLAMP ARANDELA DE ABRAZADERA	2	2			
9	63D-43131-01	BOLT, CLAMP BRACKET TORNILLO DE ABRAZADERA DEL SOP	1	1			
10	90386-22M69	BUSH BUJE	2	2			
11	6J8-43113-01	PLATE, CLAMP BRACKET PLACA ABRAZADERA SOPORTE	1	1			
12	90201-22M03	WASHER, PLATE ARANDELA PLANA	2	2			
13	90185-22M11	NUT, SELF-LOCKING TUERCA AUTOBLOCANTE	2	2			
14	6G5-43145-01	CAP, CLAMP BRACKET TAPA	2	2			
15	90101-08339	BOLT TORNILLO	1	1			
16	90387-08M03	COLLAR COLLAR	1	1			
17	92990-08600	WASHER, PLATE ARANDELA PLANA	1	1			
18	95380-08600	NUT TUERCA	1	1			
19	6J8-43311-04-4D	BRACKET, SWIVEL 1 SOPORTE GIRATORIO 1	1				S
	6J8-43311-10-4D	BRACKET, SWIVEL 1 SOPORTE GIRATORIO 1	1	1			L
20	93700-06M03	NIPPLE, GREASE BOQUILLA DE ENGRASAR	3	3			
21	6J8-42528-00	PLATE, FRICTION PIEZA DE FRICCION	1	1			
22	689-43373-01	SEAL, DAMPER SELLO DE GOMA	1	1			
23	90105-06M18	BOLT, FLANGE TORNILLO	1	1			
24	90101-10M58	BOLT TORNILLO	4	4			
25	92995-10600	WASHER ARANDELA	8	8			
26	90201-12426	WASHER, PLATE ARANDELA PLANA	4	4			



63D0010-5200

FIG. 20 BRACKET 3

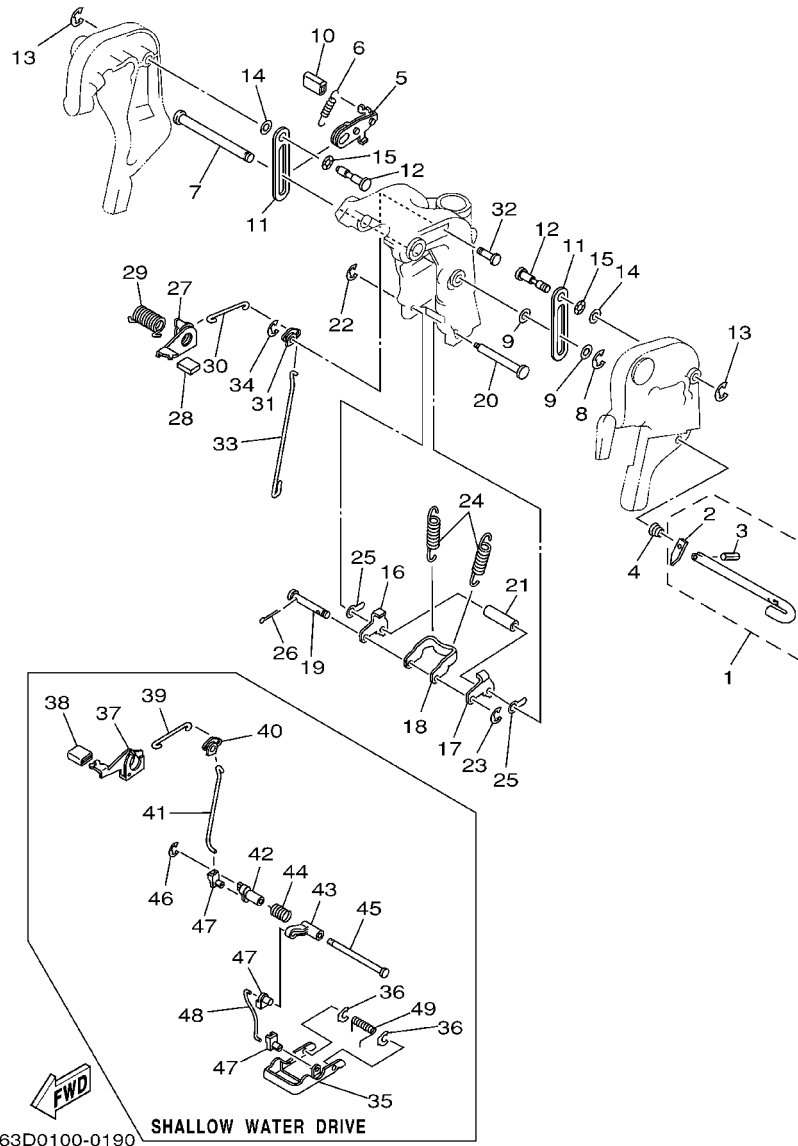
SOPORTE 3



REF. NO.	PART NO. CODIGO NO.	DESCRIPTION DESCRIPTION	E	MH	WHD	ETO	REMARKS OBSERVACION
1	6H4-43160-01	TILT ROD ASSY VARILLA DE BASCULACION COMPL.	1	1			
2	676-43165-00	.PLATE, TILT LOCK .PLACA DE TOPE, VARILLA SEGUR	1	1			
3	91690-30010	.PIN, SPRING .PASADOR DE RESORTE	1	1			
4	90502-10M04	SPRING, CONICAL RESORTE CONICO	1	1			
5	6J8-43181-01	LEVER, TILT STOP PALANCA TOPE INCLINACION	1	1			
6	90506-12M25	SPRING, TENSION RESORTE DE TENSION	1	1			
7	90249-12M28	PIN PASADOR	1	1			
8	93430-10M00	CIRCLIP SEGURO	1	1			
9	90202-12031	WASHER, PLATE ARANDELA DE PLANA	2	2			
10	682-43318-01	COVER CUBIERTA	1	1			
11	6J8-43627-00	STOPPER RETEN	2	2			
12	90249-12M27	PIN PASADOR	2	2			
13	93430-10M00	CIRCLIP SEGURO	2	2			
14	90202-12031	WASHER, PLATE ARANDELA DE PLANA	2	2			
15	90206-12M16	WASHER, WAVE ARANDELA ONDULADA	2	2			
16	6J8-43614-00	PLATE, TILT LOCK PLACA DE SEGURO DE INCLINACION	1	1			
17	6J8-43615-00	PLATE, TILT LOCK PLACA DE SEGURO DE INCLINACION	1	1			
18	6J8-43613-01	ARM, TILT LOCK BRAZO DE SEGURO DE INCLINACION	1	1			
19	6H4-43659-00	SHAFT, REVERSE LOCK EJE SEGURO DE REVERSA	1	1			
20	6J8-43611-01	SHAFT, TILT LOCK EJE SEGURO INCLINACION	1	1			
21	90387-07M64	COLLAR COLLAR	1	1			
22	93430-06M02	CIRCLIP SEGURO	1	1			
23	99080-05600	CIRCLIP PRESILLA REDONDA	1	1			
24	90506-32M22	SPRING, TENSION RESORTE DE TENSION	2	2			
25	6H4-43674-00	WASHER RONDANA	2	2			WITHOUT SHALLOW WATER DRIVE
26	91490-20010	PIN, COTTER CHAVETA	2	2			
27	6J8-43631-00	LEVER, TILT PALANCA DE INCLINACION	1	1			

FIG. 20 BRACKET 3

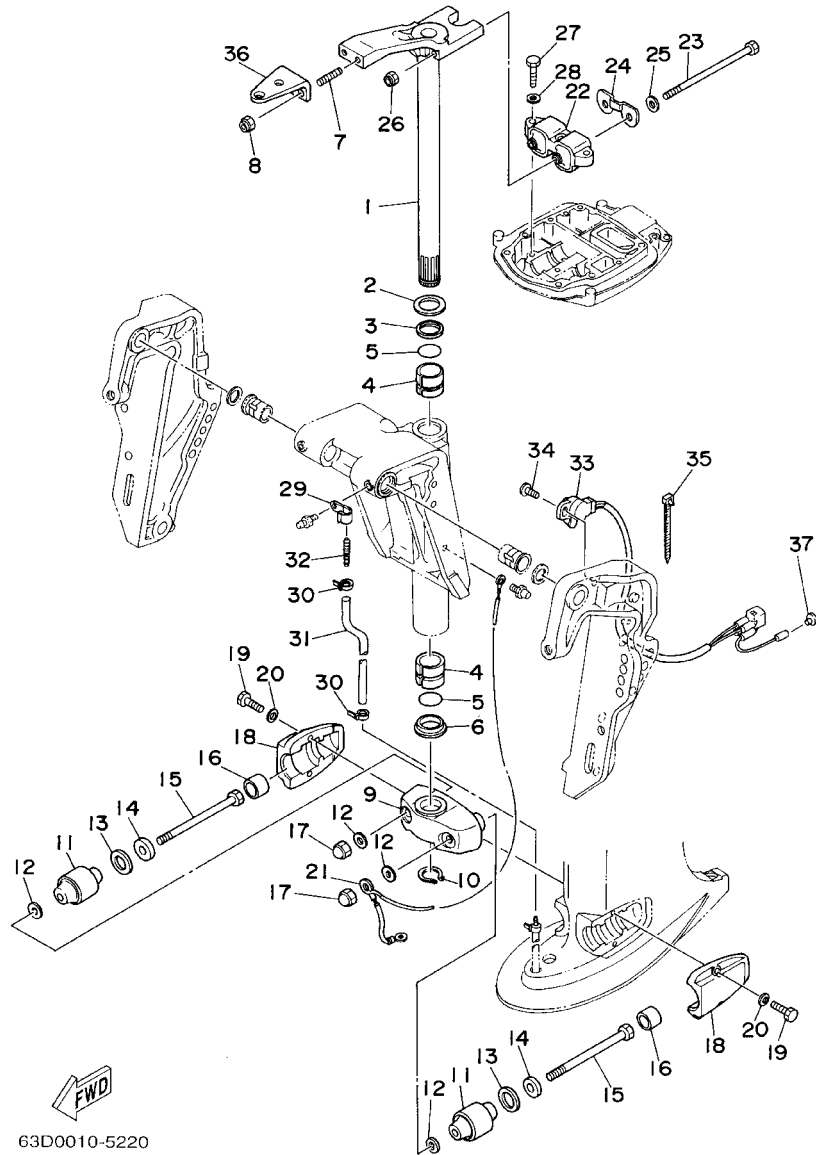
SOPORTE 3



REF. NO.	PART NO. CODIGO NO.	DESCRIPTION DESCRIPTION	E	MH	WHD	ETO	REMARKS OBSERVACION
28	6J8-43633-00	COVER, TILT LEVER CUBIERTA PALANCA DE INCLINACI	1	1			
29	90508-18M24	SPRING, TORSION RESORTE DE TORSION	1	1			
	90508-18M23	SPRING, TORSION RESORTE DE TORSION	1	1			AP FOR SHALLOW WATER DRIVE
30	6H4-43616-00	ROD, TILT LOCK VARILLA SEGURO DE INCLINACION	1	1			
31	6J8-43641-00	LEVER, TILT PALANCA DE INCLINACION	1	1			
32	90249-06M23	PIN PASADOR	1	1			
	90249-06M24	PIN PASADOR	1	1			AP FOR SHALLOW WATER DRIVE
33	6J8-43617-00	ROD, TILT LOCK VARILLA SEGURO DE INCLINACION	1	1			
34	99080-05600	CIRCLIP PRESILLA REDONDA	1	1			
35	6J8-43681-01	LEVER, SHALLOW WATER DRIVE 1 PALANCA 1	1	1			AP
36	6J8-43673-00	WASHER 1 RONDANA	2	2			AP
37	6J8-43631-10	LEVER, TILT PALANCA DE INCLINACION	1	1			AP
38	6J8-43633-00	COVER, TILT LEVER CUBIERTA PALANCA DE INCLINACI	1	1			AP
39	6H4-43616-00	ROD, TILT LOCK VARILLA SEGURO DE INCLINACION	1	1			AP
40	6J8-43641-00	LEVER, TILT PALANCA DE INCLINACION	1	1			AP
41	6J8-43617-10	ROD, TILT LOCK VARILLA SEGURO DE INCLINACION	1	1			AP
42	6J8-43186-00	LEVER PALANCA	1	1			AP
43	6J8-43187-00	LEVER 2 PALANCA	1	1			AP
44	90508-25M21	SPRING, TORSION RESORTE DE TORSION	1	1			AP
45	90249-07M25	PIN PASADOR	1	1			AP
46	99080-05600	CIRCLIP PRESILLA REDONDA	1	1			AP
47	6J8-41262-00	JOINT, CHOKE LEVER CONECTOR DE AHOGADOR	3	3			AP
48	6J8-43616-10	ROD, TILT LOCK VARILLA SEGURO DE INCLINACION	1	1			AP
49	90508-20M22	SPRING, TORSION RESORTE DE TORSION	1	1			AP

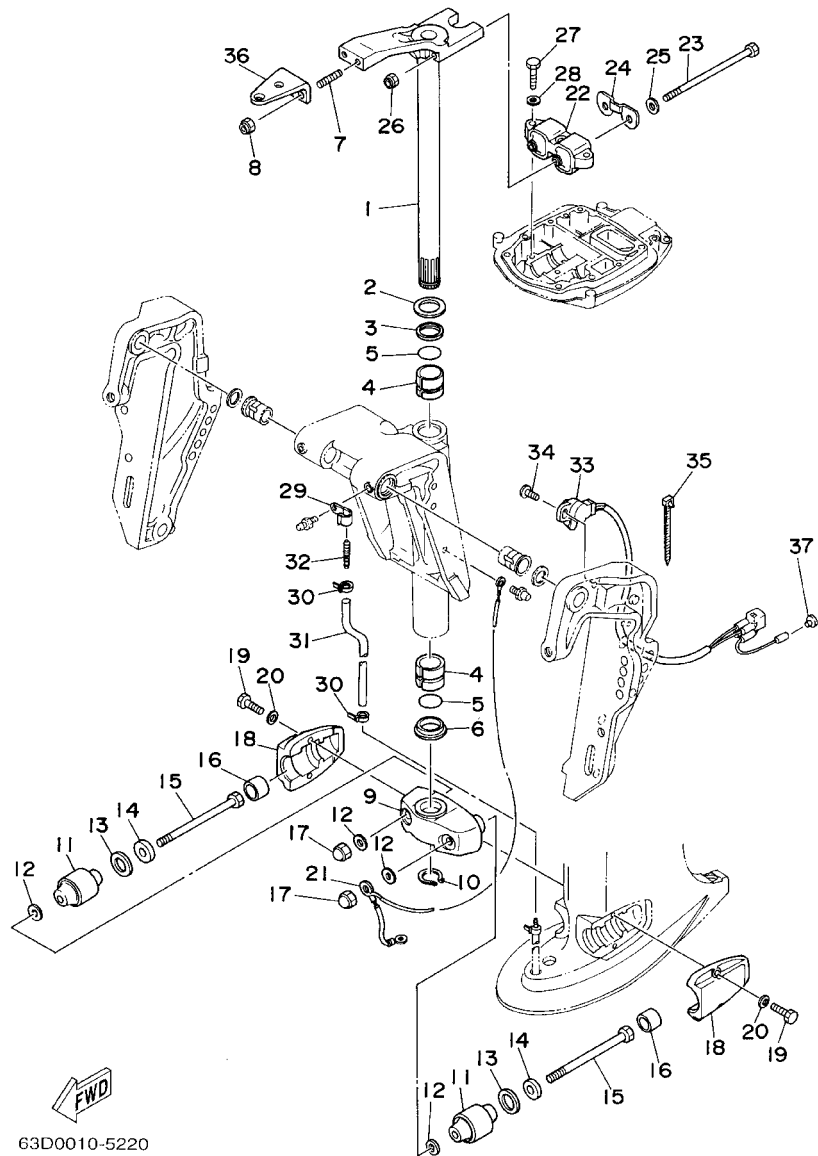
FIG. 21 BRACKET 4

SOPORTE 4



63D0010-5220

REF. NO.	PART NO. CODIGO NO.	DESCRIPTION DESCRIPTION	E	MH	WHD	ETO	REMARKS OBSERVACION
1	63B-42510-00-4D	STEERING BRACKET ASSY SOPORTE DIRECCION COMPL.	1				S
	63B-42510-10-4D	STEERING BRACKET ASSY SOPORTE DIRECCION COMPL.	1	1			L
	63D-42510-11-4D	STEERING BRACKET ASSY SOPORTE DIRECCION COMPL.			1	1	L
2	90201-30M00	WASHER, PLATE ARANDELA PLANA	1	1	1	1	
3	90386-30M78	BUSH BUJE	1	1	1	1	
4	90386-30M77	BUSH BUJE	2	2	2	2	
5	93210-29M94	O-RING JUNTA TORICA	2	2	2	2	
6	90386-30M60	BUSH BUJE	1	1	1	1	
7	90116-10175	BOLT, STUD ESPARRAGO	2	2	2	2	
8	90185-10051	NUT, SELF-LOCKING TUERCA AUTOBLOCANTE	2	2	2	2	
9	63D-44551-01-4D	HOUSING, LOWER MOUNT RUBBER CAJA AMORTIGUADOR INFERIOR HU	1	1	1	1	
10	93410-28M06	CIRCLIP SEGURO	1	1	1	1	
11	687-44555-00-94	MOUNT DAMPER, LOWER SIDE AMORTIGUADOR DE HULE LADO INFE	2				S
	63D-44555-00-94	MOUNT DAMPER, LOWER SIDE AMORTIGUADOR DE HULE LADO INFE	2	2	2	2	L
12	90201-12M16	WASHER, PLATE ARANDELA PLANA	4	4	4	4	
13	90202-25M04	WASHER, PLATE ARANDELA DE PLANA	2	2	2	2	
14	90201-13M19	WASHER, PLATE ARANDELA PLANA	2	2	2	2	
15	90109-12M21	BOLT PERNO	2	2	2	2	
16	663-44575-00	DAMPER, LOWER MOUNT RUBBER AMORTIGUADOR INFERIOR	2	2	2	2	
17	95380-12800	NUT, CROWN TUERCA	2	2	2	2	
18	63D-44552-01-4D	HOUSING, LOWER MOUNT RUBBER CAJA AMORTIGUADOR INFERIOR HU	2	2	2	2	
19	97075-08030	BOLT PERNO	4	4	4	4	
20	92995-08100	WASHER ARANDELA	4	4	4	4	
21	63D-82127-00	WIRE, LEAD 2 CABLE CONDUCTOR 2	1				S
	63D-82127-10	WIRE, LEAD 2 CABLE CONDUCTOR 2	1	1	1	1	L
22	63D-44514-01-94	MOUNT DAMPER, UPPER SIDE AMORTIGUADOR LADO SUPERIOR	1	1	1	1	
23	90101-08M15	BOLT TORNILLO	2	2	2	2	



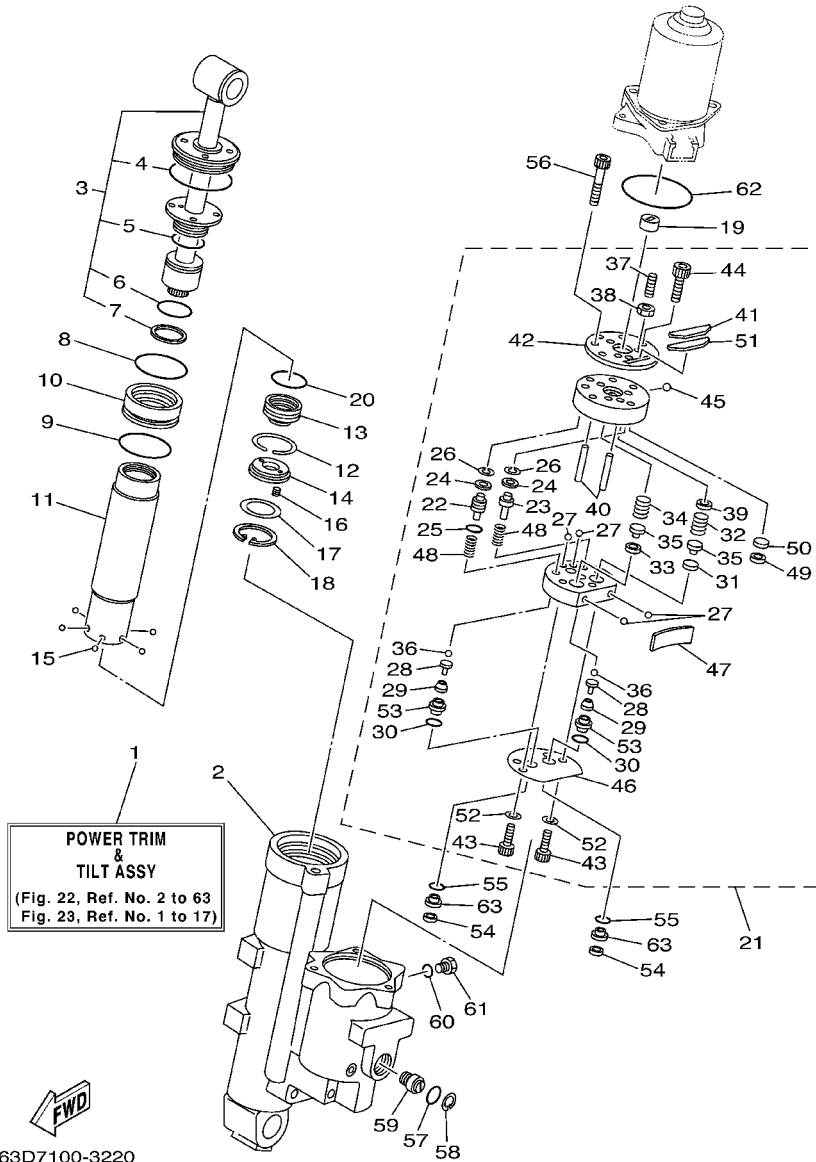
63D0010-5220

FIG. 21 BRACKET 4

SOPORTE 4

REF. NO.	PART NO. CODIGO NO.	DESCRIPTION DESCRIPTION	E	MH	WHD	ETO	REMARKS OBSERVACION
24	63D-44526-00	PLATE PLACA 1	1	1	1	1	
25	90201-09425	WASHER, PLATE ARANDELA PLANA	2	2	2	2	
26	90185-08045	NUT, SELF-LOCKING TUERCA AUTOBLOCANTE	2	2	2	2	
27	97075-08030	BOLT PERNO	3	3	3	3	
28	92995-08100	WASHER ARANDELA	3	3	3	3	
29	90465-06M86	CLAMP BRIDA				1	
30	90465-11M10	CLAMP BRIDA				2	
31	90445-07MF1	HOSE (L570) TUBO (L570)				1	
32	6E5-83558-00	END, NIPPLE EXTREMO DE NIPLE				1	
33	63D-83672-01	TRIM SENDER TRANSMISOR DE INCLINADOR				1	
34	97885-06016	SCREW, PAN HEAD TORNILLO A MUESCA				2	
35	90465-13M11	CLAMP BRIDA				1	
36	63D-48511-00-4D 688-48511-01-4D	HOOK, STEERING GANCHO DIRECCION HOOK, STEERING GANCHO DIRECCION				1	STEERING GUIDE BALL POST
37	703-82119-00	COVER, LEAD WIRE CUBIERTA DE CABLE CONDUCTOR				1	

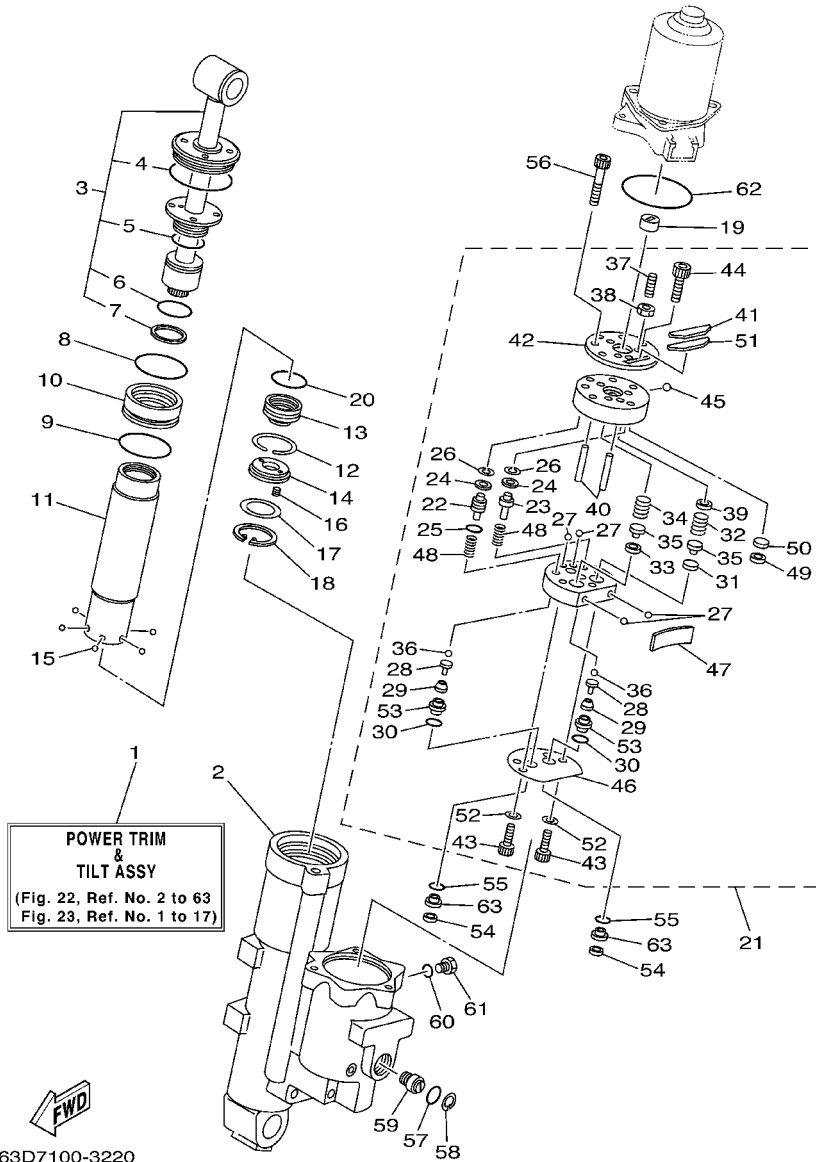
FIG. 22 POWER TRIM & TILT ASSY 1 COMPONER Y PODER VARILLA 1



63D7100-3220

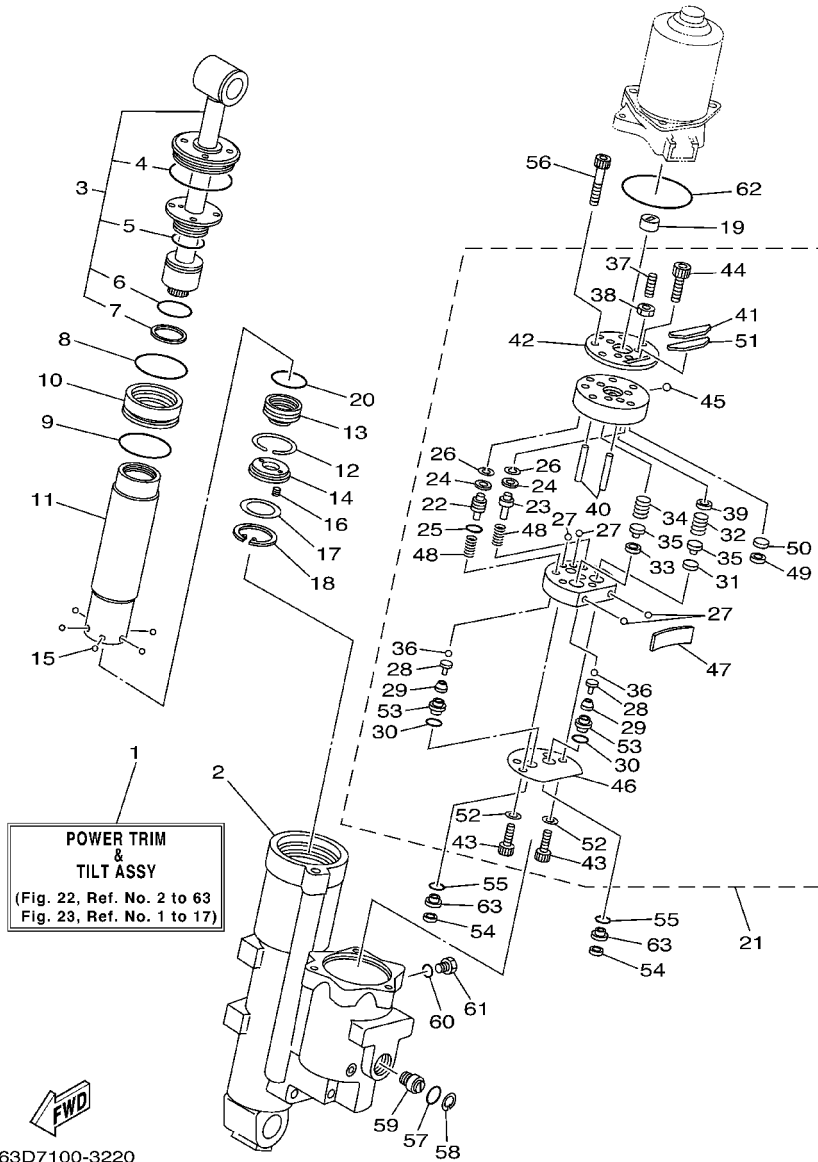
REF. NO.	PART NO. CODIGO NO.	DESCRIPTION DESCRIPTION	E	MH	WHD	ETO	REMARKS OBSERVACION
1	62Y-43800-01-4D	POWER TRIM & TILT ASSY ELEVADOR HIDRAULICO COMPL				1	
2	62Y-4380K-01	CYLINDER, TILT SUB ASSY CILINDRO, INCLINACION				1	
3	62X-43810-01	TILT PISTON SUB ASSY ELEVADOR SUB-PISTON COMPL				1	
4	62X-43861-00	.O-RING .ANILLO EN O 1				1	
5	62X-43862-00	.O-RING .ANILLO EN O 2				1	
6	93210-29375	.O-RING .JUNTA TORICA				1	
7	62X-43871-00	.RING, BACK UP .ANILLO				1	
8	93210-44383	O-RING JUNTA TORICA				1	
9	93210-48214	O-RING JUNTA TORICA				1	
10	62X-4388A-00	PISTON, TRIM PISTON				1	
11	62Y-22471-00	CYLINDER, SHOCK ABSORBER CILINDRO DE AMORTIGUADOR				1	
12	67F-43875-00	RING, SNAP ANILLO				1	
13	69W-4381B-00	FREE PISTON SUB ASSY SUB-PISTON COMPL				1	
14	62X-43899-00	PLATE STOPPER PLACA				1	
15	93503-16003	BALL ESFERA				6	
16	62X-4384H-00	SPRING RESORTE				2	
17	1UF-22434-00	PLATE, VALVE 1 PLATO DE VALVULA 1				1	
18	62X-43875-00	RING, SNAP ANILLO				1	
19	6H1-43831-10	CONNECTOR, SHAFT CONEXION EJE				1	
20	93210-29375	O-RING JUNTA TORICA				1	
21	62Y-43830-01	GEAR PUMP ASSY ENGRANAJE BOMBA COMPL.				1	
22	69J-43841-00	.PISTON, SHUTTLE .PISTON				1	
23	69J-4384M-00	.PISTON, SHUTTLE 2 .PISTON 2				1	
24	69A-4384F-00	.SEAL, MAIN VALVE .ASIENTO				2	
25	6H1-43883-00	.O-RING .ANILLO EN O 10				1	
26	99001-03600	.CIRCLIP .PRESILLA REDONDA				2	
27	93505-32038	.BALL .ESFERA				4	

FIG. 22 POWER TRIM & TILT ASSY 1 COMPONENT Y PODER VARILLA 1



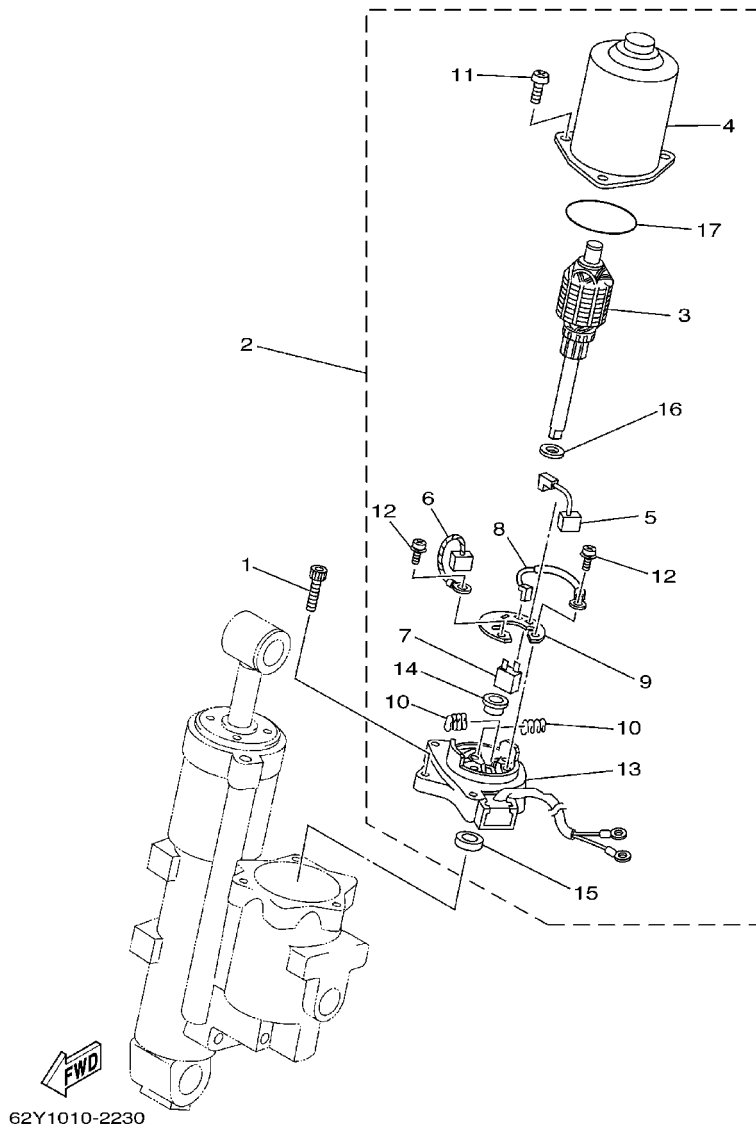
REF. NO.	PART NO. CODIGO NO.	DESCRIPTION DESCRIPTION	E	MH	WHD	ETO	REMARKS OBSERVACION
28	65W-4386A-00	.PIN, ABSORBER VALVE .PASADOR VALVULA ABSORBER				2	
29	69J-43853-00	.SPRING, MAIN VALVE .RESORTE				2	
30	69J-4389J-00	.O-RING .ANILLO O				2	
31	6H1-4384G-11	.SEAL, RELIEF VALVE .ASIENTO				1	
32	62Y-43855-00	.SPRING, UP RELIEF .RESORTE SEGURIDAD SUPERIOR				1	
33	6H1-4384F-10	.SEAL, MAIN VALVE .ASIENTO				1	
34	6H1-43856-10	.SPRING, DOWN RELIEF .RESORTE SEGURIDAD				1	
35	6H1-43844-10	.PIN, VALVE SUPPORT .PASADOR VALVULA SOPORTE				2	
36	93505-32038	.BALL .ESFERA				2	
37	92A08-03110	.SCREW SET .TORNILLO				1	
38	95307-03600	.NUT .TUERCA				1	
39	62Y-4382A-00	.ADAPTOR 1 .ADAPTADOR 1				1	
40	93604-26256	.PIN, DOWEL .PASADOR DE CLAVIJA				2	
41	62Y-43816-00	.FILTER 1 .FIELTRO 1				1	
42	62Y-4382L-00	.CAP, RELIEF VALVE .TAPA				1	
43	91318-05020	.BOLT .TORNILLO				2	
44	91318-05008	.BOLT .TORNILLO				2	
45	93501-08001	.BALL .ESFERA				1	
46	69W-4384G-00	.SEAL, RELIEF VALVE .ASIENTO				1	
47	62Y-43854-00	.SPRING, MANUAL RELEASE .RESORTE DESCOPLIO MANUAL				1	
48	69J-43894-00	.SPRING, SHUTTLE RETURN .RESORTE				2	
49	62Y-4387J-00	.WASHER, SPECIAL 2 .FIELTRO2				1	
50	62Y-22434-00	.PLATE, VALVE 1 .PLATO DE VALVULA 1				1	
51	62Y-43871-00	.RING, BACK UP .ANILLO				1	
52	62Y-4387G-00	.WASHER .ARANDELA				2	
53	69J-43893-00	.WASHER .RONDANA				2	
54	6H1-43816-00	FILTER 1 FIELTRO 1				2	

FIG. 22 POWER TRIM & TILT ASSY 1 COMPONER Y PODER VARILLA 1



REF. NO.	PART NO. CODIGO NO.	DESCRIPTION DESCRIPTION	E	MH	WHD	ETO	REMARKS OBSERVACION
55	69J-4389J-00	O-RING ANILLO O				2	
56	91318-06040	BOLT TORNILLO				3	
57	93210-18397	O-RING JUNTA TORICA				1	
58	6H1-43875-00	RING, SNAP ANILLO				1	
59	62Y-43845-00	SCREW, MANUAL RELEASE TORNILLO_DESCOPLIO MANUAL				1	
60	93210-09165	O-RING JUNTA TORICA				1	
61	6H1-43829-00	PLUG, RESERVOIR TAPON DEPOSITO				1	
62	62X-43865-00	O-RING ANILLO EN O 5				1	
63	69W-43899-01	PLATE STOPPER PLACA				2	

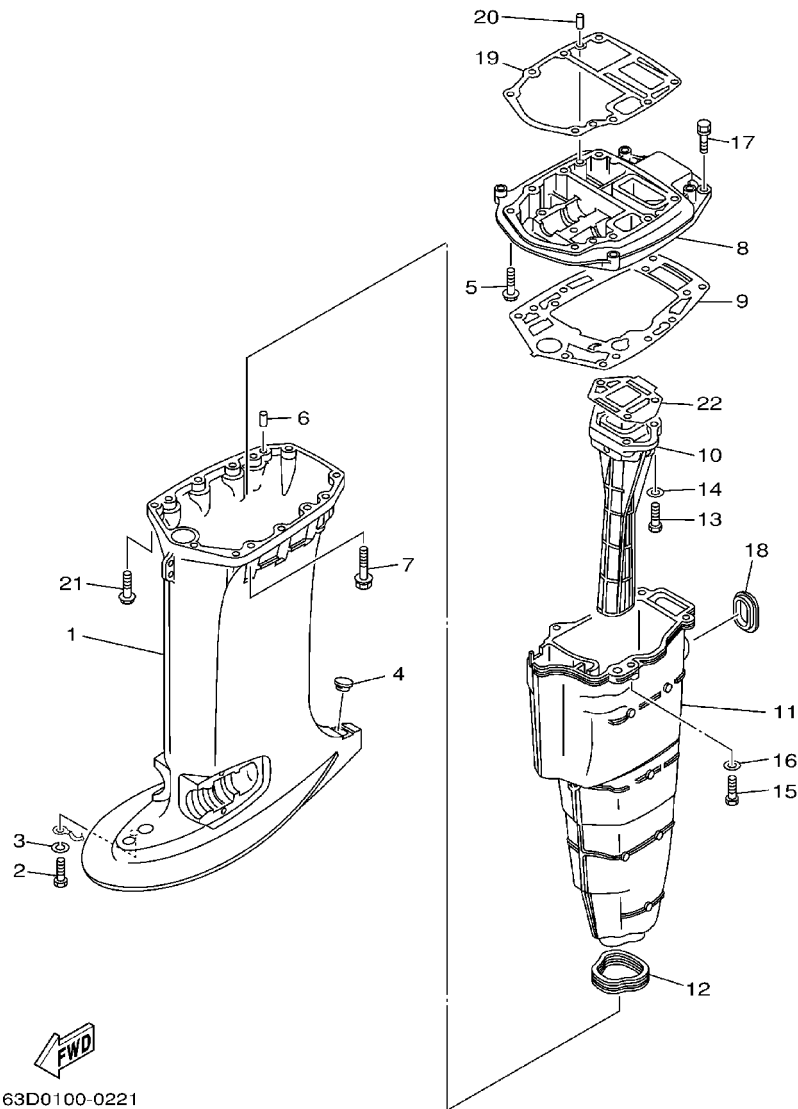
FIG. 23 POWER TRIM & TILT ASSY 2 COMPONER Y PODER VARILLA 2



REF. NO.	PART NO. CODIGO NO.	DESCRIPTION DESCRIPTION	E	MH	WHD	ETO	REMARKS OBSERVACION
1	62X-43888-00	BOLT, SOCKET TORNILLO ENCASTRE				3	
2	62Y-43880-01	MOTOR ASSY MOTOR COMPL.				1	
3	62Y-43805-00	.ARMATURE ASSY .INDUCIDO COMPL.				1	
4	62X-43804-01	.STATOR ASSY .ESTATOR COMPL				1	
5	62Y-43892-00	.BRUSH 2 .ESCOBILLA 2				1	
6	62Y-43891-00	.BRUSH 1 .ESCOBILLA 1				1	
7	62Y-82181-01	.CIRCUIT BREAKER COMP. .RUPTOR DE CIRCUITO COMPL				1	
8	62X-43807-00	.WIRE SUB ASSY .CABLE COMPL.				1	
9	69W-4380F-00	.PLATE, BRUSH HOLDER .PLACA				1	
10	62X-4386K-00	.SPRING, BRUSH .RESORTE, ESCOBILLA				2	
11	97880-05020	.SCREW, PAN HEAD .TORNILLO DE CABEZA CON PLANA				3	
12	97607-04212	.SCREW, WITH WASHER .TORNILLO CAB CON PLANA C/ARAN				2	
13	62Y-43881-00	.FRAME, END .CUADRO EXTERMO				1	
14	62X-4380H-00	.METAL .METAL				1	
15	93102-08414	.OIL SEAL .RETEN DE ACEITE				1	
16	90201-083J8	.WASHER, PLATE .ARANDELA PLANA				1	
17	93210-52449	.O-RING .JUNTA TORICA				1	

FIG. 24 UPPER CASING

FUNDA SUPERIOR

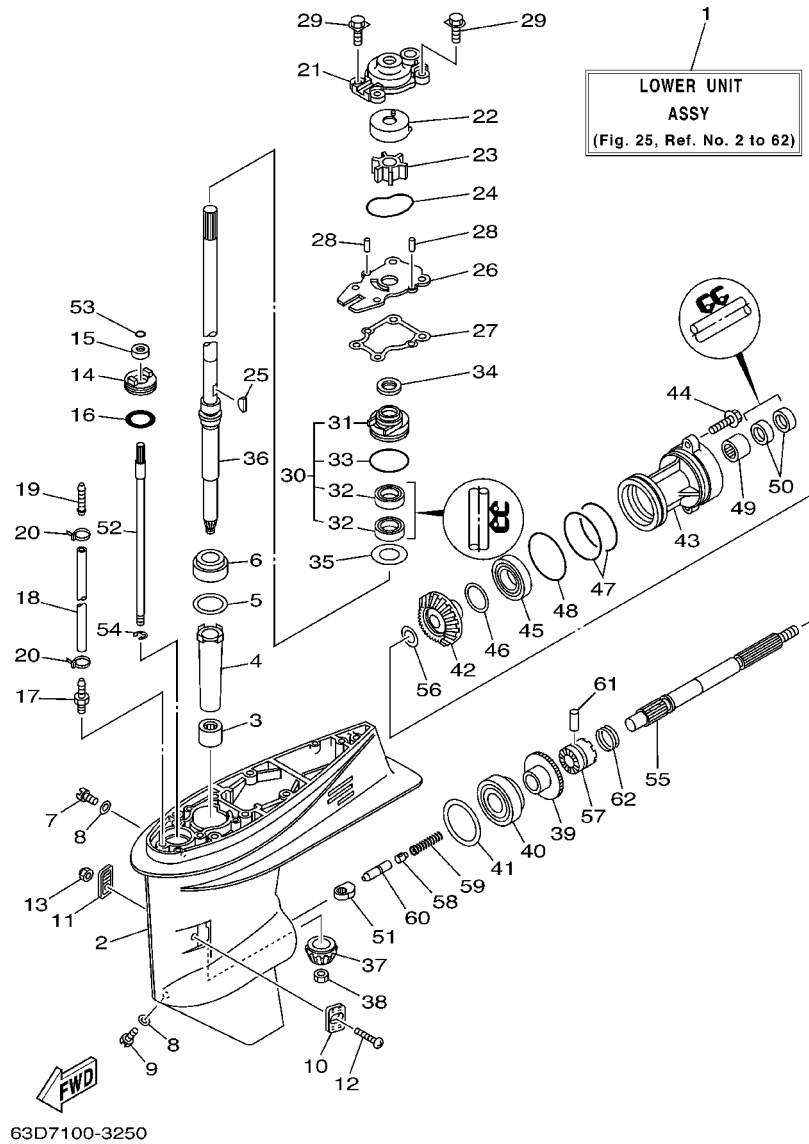


63D0100-0221

REF. NO.	PART NO. CODIGO NO.	DESCRIPTION DESCRIPTION	E	MH	WHD	ETO	REMARKS OBSERVACION
1	63D-45111-01-4D	CASING, UPPER CAJA SUPERIOR	1				S
	63D-45111-11-4D	CASING, UPPER CAJA SUPERIOR	1	1	1	1	L
2	97095-06012	BOLT PERNO	1	1	1	1	
3	92995-06100	WASHER, SPRING ARANDELA	1	1	1	1	
4	63D-45155-00	CAP TAPA	1	1	1	1	
5	97575-08445	BOLT, WITH WASHER PERNO CON ARANDELA RONDELLE	2	2	2	2	
6	93606-12019	PIN, DOWEL PASADOR DE CLAVIJA	2	2	2	2	
7	90119-08M83	BOLT, WITH WASHER TORNILLO CON ARANDELA	6	6	6	6	
8	63D-41137-01-5B	GUIDE, EXHAUST GUIA DE ESCAPE	1	1	1	1	
9	63D-45114-A0	GASKET, UPPER CASING EMPAQUE	1	1	1	1	
10	6H4-41131-01-5B	MANIFOLD, EXT. 1 TUBO MULTIPLE DE ESCAPE	1	1		1	40V
	6H5-41131-00-5B	MANIFOLD, EXT. 1 TUBO MULTIPLE DE ESCAPE			1	1	50H
11	63D-14711-00-5B	MUFFLER 1 SILENCIADOR 1	1				S
	63D-14711-11-5B	MUFFLER 1 SILENCIADOR 1	1	1	1	1	L
12	63D-45123-00	GASKET, MUFFLER EMPAQUE SILENCIADOR	1	1	1	1	
13	97075-08030	BOLT PERNO	3	3	3	3	
14	92995-08600	WASHER ARANDELA	3	3	3	3	
15	97075-08030	BOLT PERNO	4	4	4	4	
16	92995-08600	WASHER ARANDELA	4	4	4	4	
17	90119-08M79	BOLT, WITH WASHER TORNILLO CON ARANDELA	2	2	2	2	
18	6H3-45127-00	SEAL SELLO DE GOMA	1	1	1	1	
19	6H4-45113-A0	GASKET, UPPER CASING EMPAQUE	1	1	1	1	
20	93606-12019	PIN, DOWEL PASADOR DE CLAVIJA	2	2	2	2	
21	97575-08445	BOLT, WITH WASHER PERNO CON ARANDELA RONDELLE	2	2	2	2	
22	6H4-41134-A0	GASKET, EXHAUST MANIFOLD EMPAQUE	1	1	1	1	

FIG. 25 LOWER CASING. DRIVE 1

IMPULSOR E INFERIOR 1

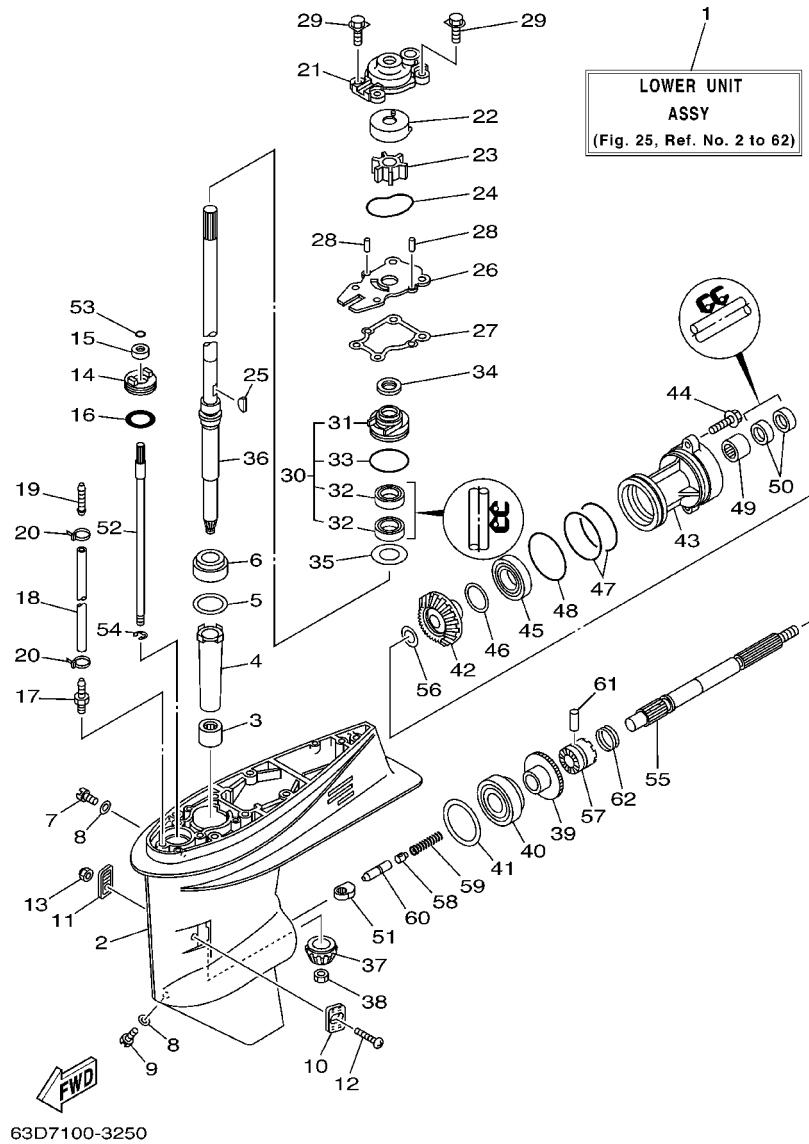


63D7100-3250

REF. NO.	PART NO. CODIGO NO.	DESCRIPTION DESCRIPTION	E	MH	WHD	ETO	REMARKS OBSERVACION
1	63D-45300-02-4D	LOWER UNIT ASSY CONJUNTO UNIDAD INFERIOR	1				S
	63D-45300-12-4D	LOWER UNIT ASSY CONJUNTO UNIDAD INFERIOR	1	1	1	1	L
2	63D-45301-03-4D	CASING, LOWER FUNDA INFERIOR COMPLETA	1	1	1	1	
3	93315-32224	BEARING COJINETE DE RODILLOS	1	1	1	1	
4	6H4-45536-00	SLEEVE, DRIVE SHAFT CAMISA EJE DE MANDO	1	1	1	1	
5	663-45587-01-10	SHIM (T:0.10MM) LAINA (T:0.10MM)	1	1	1	1	UR
	663-45587-01-12	SHIM (T:0.12MM) LAINA (T:0.12MM)	1	1	1	1	UR
	663-45587-01-15	SHIM (T:0.15MM) LAINA (T:0.15MM)	1	1	1	1	UR
	663-45587-01-18	SHIM (T:0.18MM) LAINA (T:0.18MM)	1	1	1	1	UR
	663-45587-01-30	SHIM (T:0.30MM) LAINA (T:0.30MM)	1	1	1	1	UR
	663-45587-01-40	SHIM (T:0.40MM) LAINA (T:0.40MM)	1	1	1	1	UR
	663-45587-01-50	SHIM (T:0.50MM) LAINA (T:0.50MM)	1	1	1	1	UR
6	93332-00001	BEARING COJINETE DE RODILLOS AHUSADO	1	1	1	1	
7	90340-08002	PLUG, STRAIGHT SCREW TORNILLO, DE DRENAJE	1	1	1	1	
8	90430-08020	GASKET JUNTA	2	2	2	2	
9	688-45341-10	PLUG, DRAIN TAPON, DREN	1	1	1	1	
10	63D-45214-00	COVER, WATER INLET CUBIERTA ENTRADA AGUA	1	1	1	1	
11	63D-45215-00	COVER, WATER INLET CUBIERTA ENTRADA AGUA	1	1	1	1	
12	90142-05M06	SCREW, COUNTERSUNK TORNILLO EMBUTIDO	1	1	1	1	
13	95380-05600	NUT TUERCA	1	1	1	1	
14	63D-45321-00	PLATE PLACA	1	1	1	1	
15	93106-09014	OIL SEAL RETEN DE ACEITE	1	1	1	1	
16	93210-33MG4	O-RING JUNTA TORICA	1	1	1	1	
17	6E5-45378-00	NIPPLE, HOSE NIPLE MANGUERA	1	1	1	1	
18	90445-07ME9	HOSE (L120) TUBO (L120)	1				S
	90445-07M31	HOSE (L200) TUBO (L200)	1	1	1	1	L
19	6E5-83558-10	END, NIPPLE EXTREMO DE NIPLE				1	

FIG. 25 LOWER CASING. DRIVE 1

IMPULSOR E INFERIOR 1

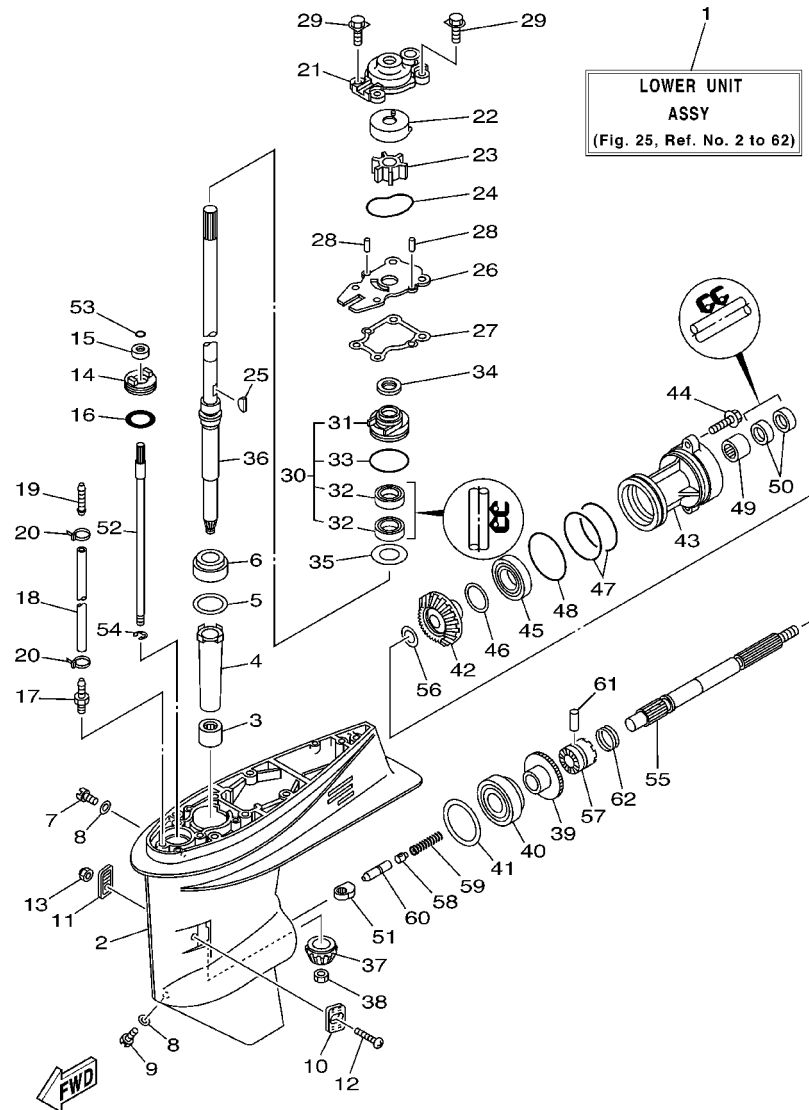


63D7100-3250

REF. NO.	PART NO. CODIGO NO.	DESCRIPTION DESCRIPTION	E	MH	WHD	ETO	REMARKS OBSERVACION
19	6E5-83558-00	END, NIPPLE EXTREMO DE NIPLE	1	1	1		
20	90465-11M10	CLAMP BRIDA	2	2	2	2	
21	63D-44311-00	HOUSING, WATER PUMP CAJA BOMBA DE AGUA	1	1	1	1	
22	63D-44322-00	INSERT, CARTRIDGE CARTUCHO	1	1	1	1	FOR STD
	63D-44322-40	INSERT, CARTRIDGE CARTUCHO	1			1	FOR CHROMATE
23	6H3-44352-00	IMPELLER IMPULSOR	1	1	1	1	
24	93210-59MG7	O-RING JUNTA TORICA	1	1	1	1	
25	90280-03024	KEY, WOODRUFF CUNA WOODRUFF	1	1	1	1	
26	63D-44323-00	OUTER PLATE, CARTRIDGE PLACA EXTERIOR DEL CARTUCHO	1	1	1	1	FOR STD
	63D-44323-40	OUTER PLATE, CARTRIDGE PLACA EXTERIOR DEL CARTUCHO	1			1	FOR CHROMATE
27	63D-44316-00	GASKET, WATER PUMP EMPAQUE	1	1	1	1	
28	93604-08062	PIN, DOWEL PASADOR DE CLAVIJA	2	2	2	2	
29	90119-08M15	BOLT, WITH WASHER TORNILLO CON ARANDELA	4	4	4	4	
30	63D-W4434-00	WATER PUMP HOUSING ASSY CAJA COMPLET, BOMBA DE AGUA	1	1	1	1	
31	63D-44341-00	HOUSING, WATER PUMP CAJA BOMBA DE AGUA	1	1	1	1	
32	93101-25M57	OIL SEAL RETEN DE ACEITE	2	2	2	2	
33	93210-48MG8	O-RING JUNTA TORICA	1	1	1	1	
34	63D-45344-00	COVER, OIL SEAL CUBIERTA SELLO ACEITE	1	1	1	1	
35	90201-27M00	WASHER, PLATE ARANDELA PLANA	1	1	1	1	
36	63D-45501-00	DRIVE SHAFT COMP. EJE DE MANDO COMPL.	1				S
	63D-45501-10	DRIVE SHAFT COMP. EJE DE MANDO COMPL.	1	1	1	1	L
37	6H4-45551-01	PINION PINON	1	1	1	1	
38	90170-12138	NUT TUERCA	1	1	1	1	
39	6H4-45560-01	GEAR ENGRANE COMPLE 1	1	1	1	1	
40	93332-00003	BEARING COJINETE DE RODILLOS AHUSADO	1	1	1	1	
41	663-45567-01-10	SHIM (T:0.10MM) LAINA (T:0.10MM)	1	1	1	1	UR
	663-45567-01-12	SHIM (T:0.12MM) LAINA (T:0.12MM)	1	1	1	1	UR

FIG. 25 LOWER CASING. DRIVE 1

IMPULSOR E INFERIOR 1

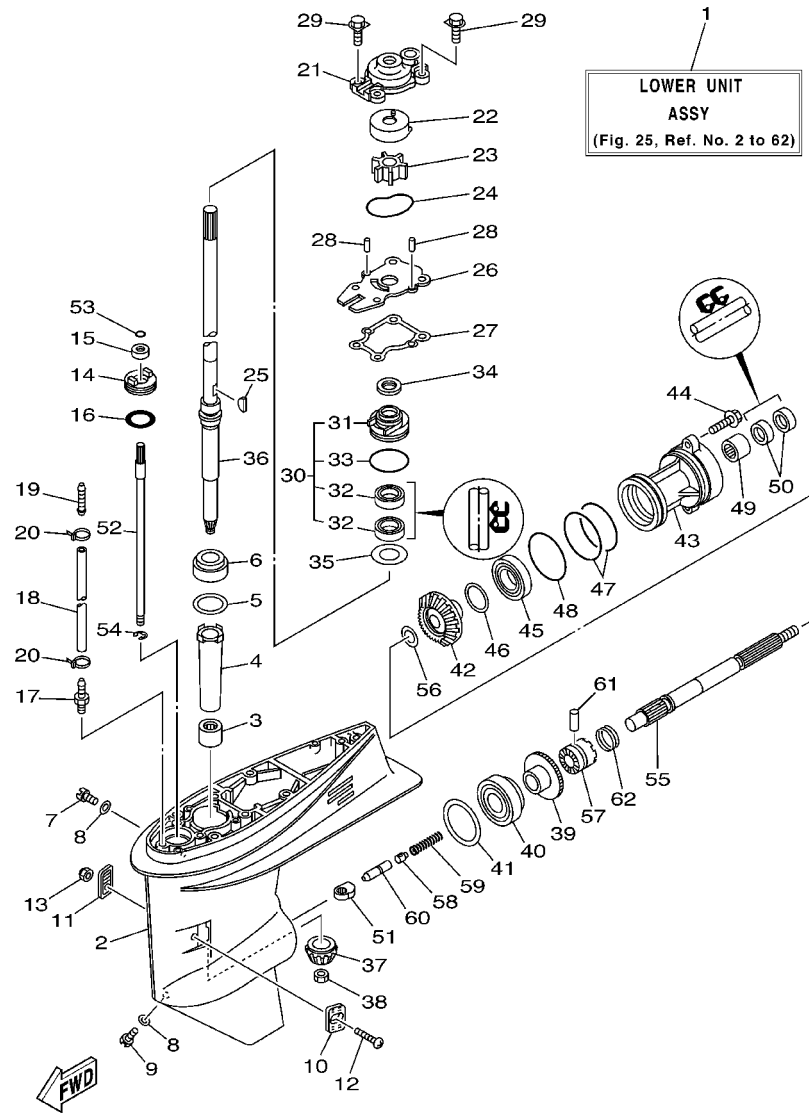


63D7100-3250

REF. NO.	PART NO. CODIGO NO.	DESCRIPTION DESCRIPTION	E	MH	WHD	ETO	REMARKS OBSERVACION
41	663-45567-01-15	SHIM (T:0.15MM) LAINA (T:0.15MM)	1	1	1	1	UR
	663-45567-01-18	SHIM (T:0.18MM) LAINA (T:0.18MM)	1	1	1	1	UR
	663-45567-01-30	SHIM (T:0.30MM) LAINA (T:0.30MM)	1	1	1	1	UR
	663-45567-01-40	SHIM (T:0.40MM) LAINA (T:0.40MM)	1	1	1	1	UR
	663-45567-01-50	SHIM (T:0.50MM) LAINA (T:0.50MM)	1	1	1	1	UR
42	6H4-45571-01	GEAR ENGRANAJE	1	1	1	1	
43	63D-45361-02-4D	CAP, LOWER CASING FUNDA INFERIOR	1	1	1	1	
44	90105-08M61	BOLT, FLANGE TORNILLO	2	2	2	2	
45	93306-001U1	BEARING COJINETE	1	1	1	1	
46	63D-45577-00-10	SHIM (T:0.10MM) LAINA (T:0.10MM)	1	1	1	1	UR
	63D-45577-00-12	SHIM (T:0.12MM) LAINA (T:0.12MM)	1	1	1	1	UR
	63D-45577-00-15	SHIM (T:0.15MM) LAINA (T:0.15MM)	1	1	1	1	UR
	63D-45577-00-18	SHIM (T:0.18MM) LAINA (T:0.18MM)	1	1	1	1	UR
	63D-45577-00-30	SHIM (T:0.30MM) LAINA (T:0.30MM)	1	1	1	1	UR
	63D-45577-00-40	SHIM (T:0.40MM) LAINA (T:0.40MM)	1	1	1	1	UR
	63D-45577-00-50	SHIM (T:0.50MM) LAINA (T:0.50MM)	1	1	1	1	UR
47	93210-74MG5	O-RING JUNTA TORICA	2	2	2	2	
48	93210-69MG6	O-RING JUNTA TORICA	1	1	1	1	
49	93317-22204	BEARING COJINETE DE RODILLOS	1	1	1	1	
50	93101-22M00	OIL SEAL RETEN DE ACEITE	2	2	2	2	
51	663-44151-00	CAM, SHIFT LEVA DE CAMBIO	1	1	1	1	
52	63D-44144-00	ROD, SHIFT VARILLA DE CAMBIO	1	1	1	1	
53	93210-07003	O-RING JUNTA TORICA	1	1	1	1	
54	99001-08600	CIRCLIP PRESILLA REDONDA	1	1	1	1	
55	63D-45611-00	SHAFT, PROPELLER EJE PROPUSOR	1	1	1	1	
56	90201-22429	WASHER, PLATE ARANDELA PLANA	1	1	1	1	
57	63D-45631-01	CLUTCH, DOG EMBRAGUE DE GARRA	1	1	1	1	

FIG. 25 LOWER CASING. DRIVE 1

IMPULSOR E INFERIOR 1

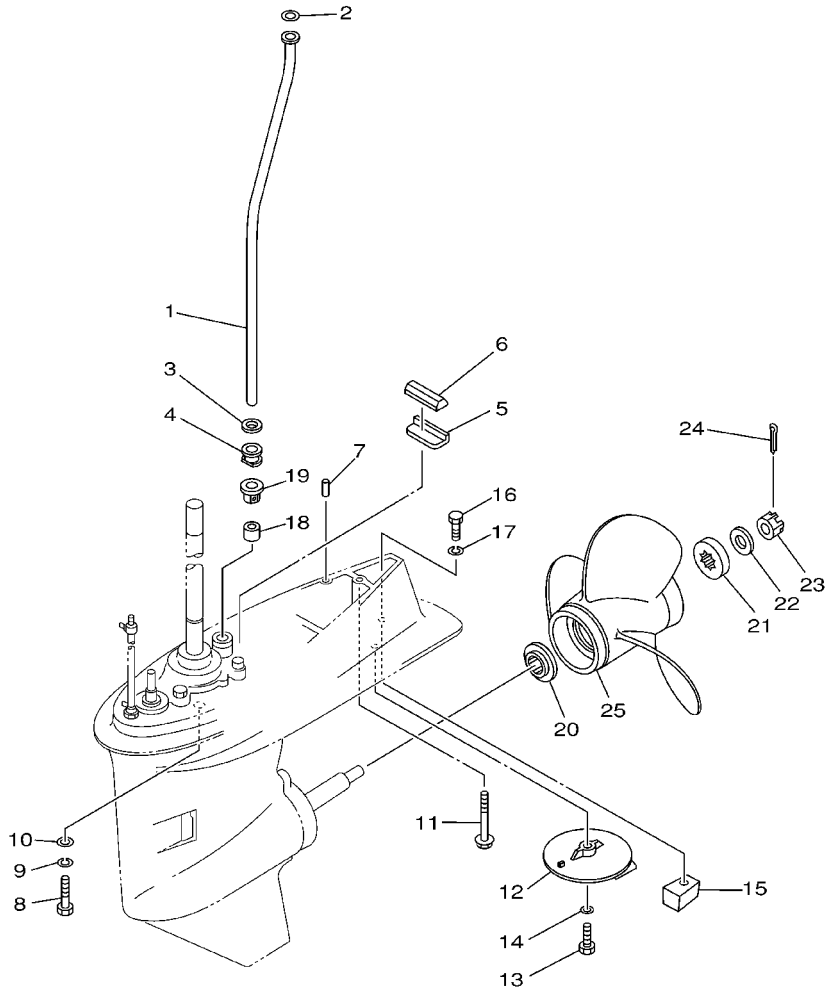


63D7100-3250

REF. NO.	PART NO. CODIGO NO.	DESCRIPTION DESCRIPTION	E	MH	WHD	ETO	REMARKS OBSERVACION
58	663-45634-00	SLIDE, SHIFT DESILIZADOR, CAMBIO	1	1	1	1	
59	90501-16M01	SPRING, COMPRESSION RESORTE DE COMPRESION	1	1	1	1	
60	63D-45635-00	PLUNGER, SHIFT EMBOLO DE CAMBIO	1	1	1	1	
61	90250-06023	PIN, STRAIGHT PASADOR CILINDRICO	1	1	1	1	
62	663-45633-00	RING, CROSS PIN ANILLO DE PASADOR	1	1	1	1	

FIG. 26 LOWER CASING. DRIVE 2

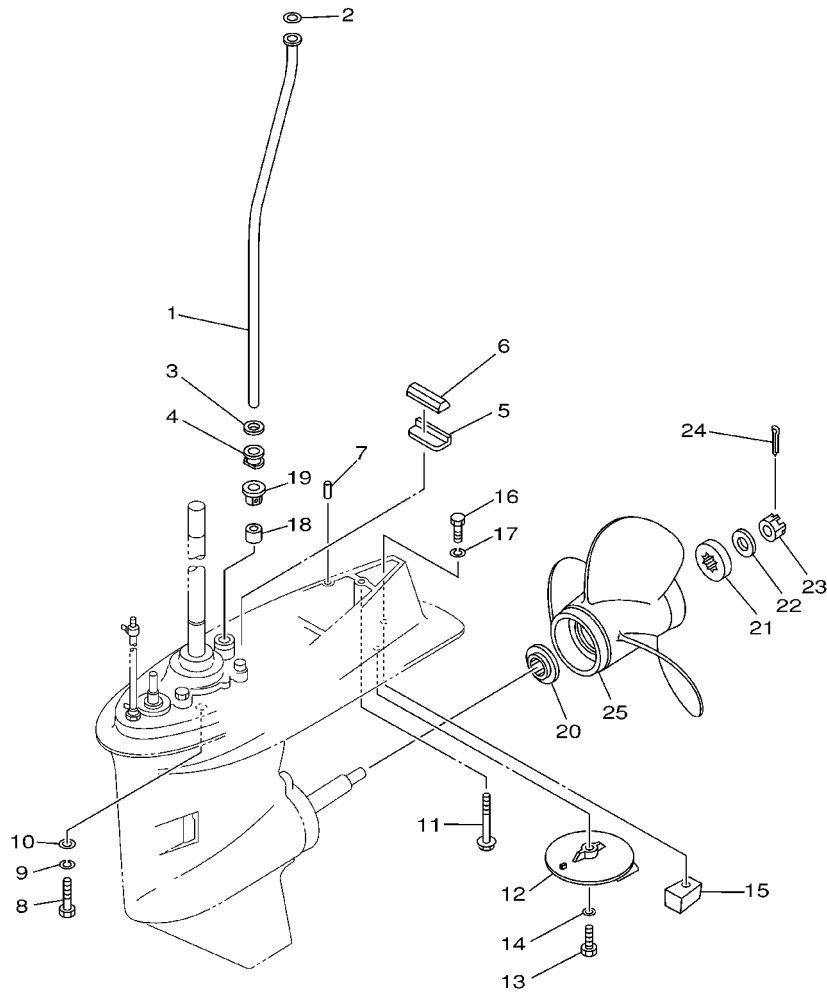
IMPULSOR E INFERIOR 2



REF. NO.	PART NO. CODIGO NO.	DESCRIPTION DESCRIPTION	E	MH	WHD	ETO	REMARKS OBSERVACION
1	63D-44361-00	TUBE, WATER TUBO DE AGUA	1				S
	63D-44361-10	TUBE, WATER TUBO DE AGUA	1	1	1	1	L
2	90202-12060	WASHER, PLATE ARANDELA DE PLANA	1	1	1	1	
3	90430-12072	GASKET JUNTA	1	1	1	1	
4	63D-44367-00	DAMPER, WATER SEAL GOMA DEL SELLO DE AGUA	1	1	1	1	
5	663-45376-00-94	GUIDE, SEAL DAMPER GUIA DE SELLO GOMA	1	1	1	1	
6	63D-45375-00	DAMPER, SEAL GOMA DE SELLO	1	1	1	1	
7	93606-12019	PIN, DOWEL PASADOR DE CLAVIJA	2	2	2	2	
8	97075-10040	BOLT PERNO	4	4	4	4	
9	92995-10100	WASHER ARANDELA	4	4	4	4	
10	92995-10600	WASHER ARANDELA	4	4	4	4	
11	90119-08M84	BOLT, WITH WASHER TORNILLO CON ARANDELA	1	1	1	1	
12	664-45371-01	TAB-TRIM QUILLA ESTABILIZADOR	1	1	1	1	
13	97095-08025	BOLT PERNO	1	1	1	1	
14	92995-08100	WASHER ARANDELA	1	1	1	1	
15	67C-45251-00	ANODE CATODE	1	1	1	1	
16	97095-08035	BOLT PERNO	1	1	1	1	
17	92995-08100	WASHER ARANDELA	1	1	1	1	
18	663-44366-00	DAMPER, WATER SEAL GOMA DEL SELLO DE AGUA	1	1	1	1	
19	63D-44312-00	COVER, WATER PUMP HOUSING CUBIERTA CAJA BOMBA DE AGUA	1	1	1	1	
20	663-45987-02	SPACER ESPACIADOR	1	1	1	1	
21	670-45997-02	SPACER ESPACIADOR	1	1	1	1	
22	92990-16200	WASHER, PLAIN ARANDELA PLANA	1	1	1	1	
23	90171-16011	NUT, CASTLE TUERCA ENTALLADA	1	1	1	1	
24	91490-30025	PIN, COTTER CHAVETA	1	1	1	1	
25	663-45941-01-EL	PROPELLER (3X10-3/4"X17"-G) PROPELA (3X10-3/4"X17"-G)	1	1	1	1	UR
	663-45949-01-EL	PROPELLER (3X10-3/4"X16"-G) PROPELA (3X10-3/4"X16"-G)	1	1	1	1	UR

FIG. 26 LOWER CASING. DRIVE 2

IMPULSOR E INFERIOR 2

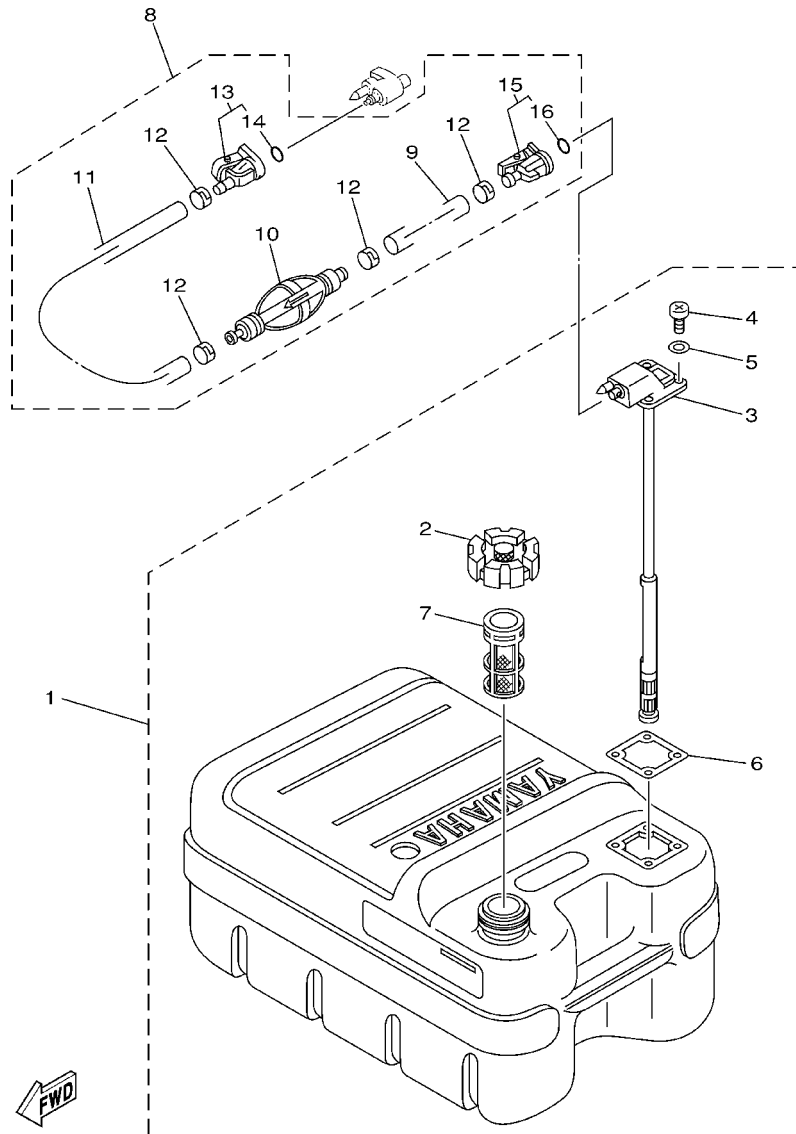


63D0100-0241

REF. NO.	PART NO. CODIGO NO.	DESCRIPTION DESCRIPTION	E	MH	WHD	ETO	REMARKS OBSERVACION
25	663-45952-02-EL	PROPELLER (3X11-3/8"X12"-G) PROPELA (3X11-3/8"X12"-G)	1	1	1	1	UR
	663-45954-01-EL	PROPELLER (3X11-3/4"X10"-G) PROPELA (3X11-3/4"X10"-G)	1	1	1	1	UR
	663-45956-01-EL	PROPELLER (3X12-1/4"X9"-G) PROPELA (3X12-1/4"X9"-G)	1	1	1	1	UR
	663-45958-01-EL	PROPELLER (3X11-1/4"X14"-G) PROPELA (3X11-1/4"X14"-G)	1	1	1	1	UR
	69W-45943-00-EL	PROPELLER (3X11"X15"-G) PROPELA (3X11"X15"-G)	1	1	1	1	UR
	69W-45945-00-EL	PROPELLER (3X11-1/8"X13"-G) PROPELA (3X11-1/8"X13"-G)	1	1	1	1	UR
	69W-45947-00-EL	PROPELLER (3X11-5/8"X11"-G) PROPELA (3X11-5/8"X11"-G)	1	1	1	1	UR
	6H5-45943-00-EL	PROPELLER (3X10"X15"-G) PROPELA (3X10"X15"-G)	1	1	1	1	UR WITH LIP CUP
	6H5-45945-00-EL	PROPELLER (3X10-3/8"X13"-G) PROPELA (3X10-3/8"X13"-G)	1	1	1	1	UR WITH LIP CUP
	6H5-45952-00-EL	PROPELLER (3X10-5/8"X12"-G) PROPELA (3X10-5/8"X12"-G)	1	1	1	1	UR WITH LIP CUP
	6H5-45958-00-EL	PROPELLER (3X10-1/4"X14"-G) PROPELA (3X10-1/4"X14"-G)	1	1	1	1	UR WITH LIP CUP
	663-45930-00-98	STAINLESS STEEL PROPELLER LIMPIO-ACERO DEL PROPELA PROPELLER (3X10-1/4"X14"-G) PROPELA (3X10-1/4"X14"-G)	1	1	1	1	UR
	663-45974-02-98	PROPELLER (3X10-5/8"X13"-G) PROPELA (3X10-5/8"X13"-G)	1	1	1	1	UR
	663-45976-00-98	PROPELLER (3X10-1/4"X15"-G) PROPELA (3X10-1/4"X15"-G)	1	1	1	1	UR
	663-45978-00-98	PROPELLER (3X10-1/4"X16"-G) PROPELA (3X10-1/4"X16"-G)	1	1	1	1	UR
	663-45970-60-98	PROPELLER (3X11-3/4"X12"-G) PROPELA (3X11-3/4"X12"-G)	1	1	1	1	UR
	663-45972-60-98	PROPELLER (3X12"X11"-G) PROPELA (3X12"X11"-G)	1	1	1	1	UR
	663-45974-60-98	PROPELLER (3X11-1/2"X13"-G) PROPELA (3X11-1/2"X13"-G)	1	1	1	1	UR
	697-45970-00-98	PROPELLER (3X11-1/4"X14"-G) PROPELA (3X11-1/4"X14"-G)	1	1	1	1	UR

FIG. 27 FUEL TANK

DEPOSITO DE COMBUSTIBLE

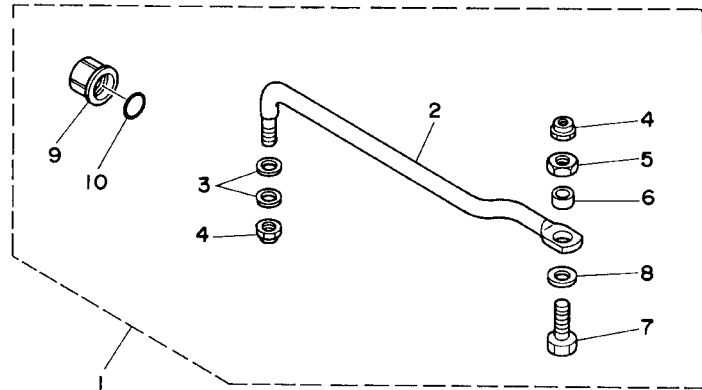


67C0100-9300

REF. NO.	PART NO. CODIGO NO.	DESCRIPTION DESCRIPTION	E	MH	WHD	ETO	REMARKS OBSERVACION
1	6YJ-24201-00	FUEL TANK ASSY (24L)	1	1	1	1	AP
	6YJ-24201-10	TANQUE DEL COMBUSTIBLE (24L)					
	6YJ-24201-10	FUEL TANK ASSY (24L)				1	AP FOR CARIB
	6YJ-24201-10	TANQUE DEL COMBUSTIBLE (24L)					
2	6YJ-24610-01	.CAP ASSY	1	1	1	1	
	6YJ-24610-01	.TAPA COMPLETA					
3	6YJ-24260-00	.FUEL METER ASSY	1	1	1	1	
	6YJ-24260-00	.MEDIDOR DE COMBUSTIBLE COMPL.					
	6Y1-24260-12	.FUEL METER ASSY				1	FOR CARIB
	6Y1-24260-12	.MEDIDOR DE COMBUSTIBLE COMPL.					
4	98586-05016	.SCREW, PAN HEAD	4	4	4	4	
	98586-05016	.TORNILLO DE CABEZA CON PLANA					
5	6Y1-24329-00	.SEAL	4	4	4	4	
	6Y1-24329-00	.SELLO					
6	6Y1-24268-00	.GASKET, FUEL METER	1	1	1	1	
	6Y1-24268-00	.EMPAQ MEDIDOR DE COMBUSTIBLE					
7	6YJ-24167-00	.STRAINER	1	1	1	1	
	6YJ-24167-00	.COLADOR					
8	61J-24306-02	FUEL PIPE COMP. 1	1	1	1	1	AP
	61J-24306-02	TUBO COMBUST. COMPL 1					
9	90445-11M06	.HOSE (L2050)	1	1	1	1	
	90445-11M06	.MANGUERA (L2050)					
10	61J-24360-00	.PRIMER PUMP ASSY	1	1	1	1	
	61J-24360-00	.SOPORTE BOMBA					
11	90445-11M05	.HOSE (L850)	1	1	1	1	
	90445-11M05	.MANGUERA (L850)					
12	650-24351-51	.BAND 1	4	4	4	4	
	650-24351-51	.ABRAZADERA 1					
13	6G1-24305-03	.FUEL PIPE JOINT COMP. 2	1	1	1	1	
	6G1-24305-03	.CONECTOR MANGUERA COMBUST. 2					
14	93210-08287	..O-RING	1	1	1	1	
	93210-08287	..JUNTA TORICA					
15	6Y1-24305-04	.FUEL PIPE JOINT COMP. 2	1	1	1	1	
	6Y1-24305-04	.CONECTOR MANGUERA COMBUST. 2					
16	93210-08287	..O-RING	1	1	1	1	
	93210-08287	..JUNTA TORICA					

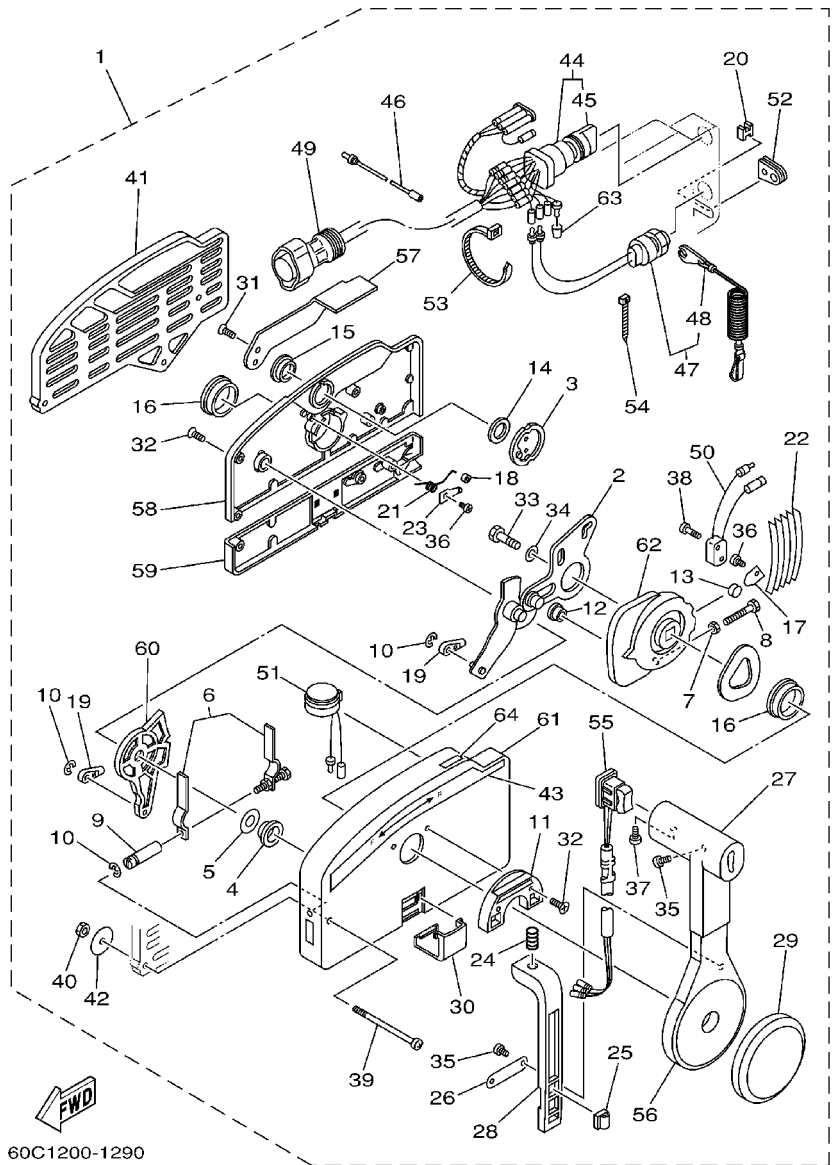
FIG. 28 STEERING GUIDE

DIRECCIONGUIAR



REF. NO.	PART NO. CODIGO NO.	DESCRIPTION DESCRIPTION	E	MH	WHD	ETO	REMARKS OBSERVACION
1	63D-61350-00	STEERING GUIDE ATTACHMENT KIT ESTUCHE ADITAMENTO GUIA DE TIM	1			1	AP
2	63D-61351-00	.ROD, STEERING LINK .VARILLA ESLABON DIRECCION	1			1	
3	90201-10M20	.WASHER, PLATE .ARANDELA PLANA	2			2	
4	90185-09M01	.NUT, SELF-LOCKING .TUERCA AUTOBLOCANTE	2			2	
5	90170-09M03	.NUT .TUERCA	1			1	
6	90387-10M42	.COLLAR .COLLAR	1			1	
7	90101-09M01	.BOLT .TORNILLO	1			1	
8	90201-10M63	.WASHER, PLATE .ARANDELA PLANA	1			1	
9	6E5-43145-01	.CAP, CLAMP BRACKET .TAPA	1			1	
10	93210-16275	.O-RING .JUNTA TORICA	1			1	

62Y0010-5200

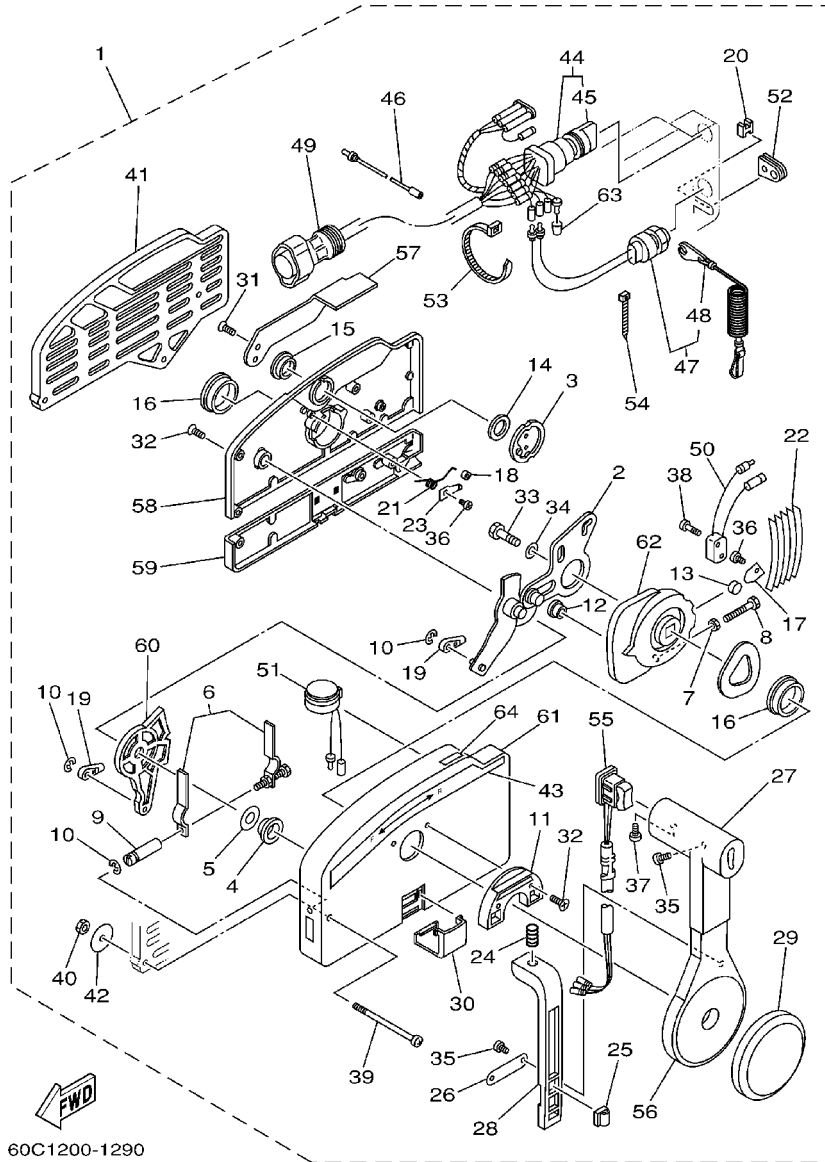


60C1200-1290

FIG. 30 REMOTE CONTROL ASSY CONTROL REMOTO COMPL.

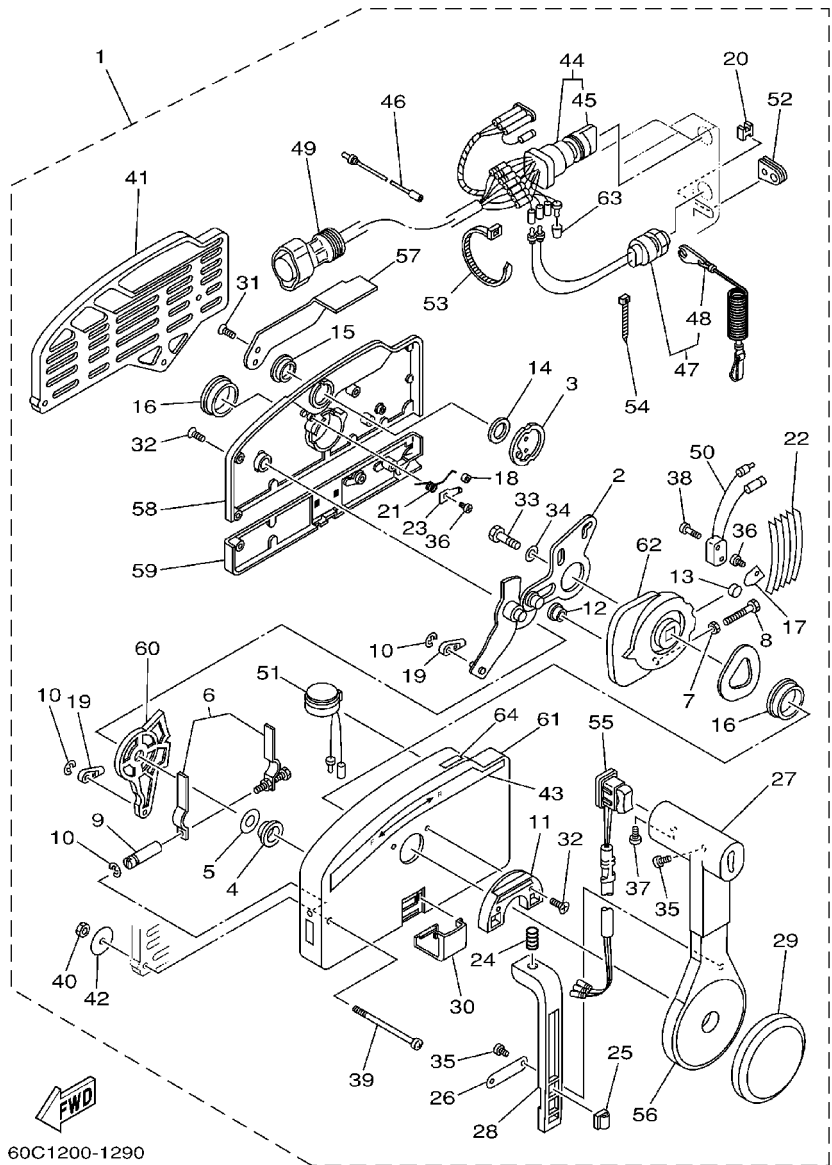
REF. NO.	PART NO. CODIGO NO.	DESCRIPTION DESCRIPTION	E	MH	WHD	ETO	REMARKS OBSERVACION
1	703-48205-A4	REMOTE CONTROL ASSY REMOTO CONTROL COMPL.				1	AP FOR CARIB WITH PT/T SW.
	703-48207-17	REMOTE CONTROL ASSY COMANDO REMOTO				1	AP 40V-FOR BRAZIL WITH PT/T SW.
	703-48203-A2	REMOTE CONTROL ASSY REMOTO CONTROL COMPL.	1				AP
2	703-48261-01	.ARM, THROTTLE .BRAZO ACELERADOR	1			1	
3	703-48153-00	.SHAFT, FREE ACCEL. EJE	1			1	
4	703-48235-00	.BUSHING .BUJE	1			1	
5	703-48268-00	.SPACER .ESPACIADOR 3	1			1	
6	703-48264-00	.THROTTLE, FRICTION .FRICCION ACELERADOR	1			1	
7	95380-05600	.NUT .TUERCA	1			1	
8	97380-05025	.BOLT .TORNILLO HEXAGONAL	1			1	
9	703-48265-00	.SHAFT, FRICTION .EJE FRICCION	1			1	
10	93430-06024	.CIRCLIP .SEGURO	3			3	
11	703-48245-00	.PLATE, LOCK .PLACA CERRADURA	1			1	
12	703-48252-00	.ROLLER, CAM .RODILLO LEVA	1			1	
13	701-48248-00	.ROLLER, FREE ACCEL. .RODILLO ACELERADOR LIBRE	1			1	
14	703-48198-00	.WASHER, WAVE .RONDANA ONDULADA 3	1			1	
15	703-48243-00	.BUSHING .BUJE 3	1			1	
16	703-48236-00	.BUSHING 1 .BUJE	2			2	
17	703-48189-00	.RETAINER .RETENEDOR	1			1	
18	703-48234-00	.ROLLER, DETENT .RODILLO	1			1	
19	703-48345-01	.CABLE END, REMOTE CONTROL 2 .TERMINAL CABLE DE CONTROL REM	2			2	
20	703-48358-00	.ANCHOR, CABLE .ABRAZADERA CABLE	1			1	
21	703-48244-00	.SPRING, FREE ACCEL. .RESORTE ACELERADOR LIBRE	1			1	
22	703-48238-00	.SPRING, DETENT .RESORTE	5			5	
23	703-48246-00	.SPACER .ESPACIADOR	1			1	
24	703-48227-00	.SPRING, NEUTRAL LOCK .RESORTE DE SEGURO	1			1	
25	703-82594-00	.CLAMP .GRAMPA				1	WITH PT/T SW.

FIG. 30 REMOTE CONTROL ASSY CONTROL REMOTO COMPL.



60C1200-1290

REF. NO.	PART NO. CODIGO NO.	DESCRIPTION DESCRIPTION	E	MH	WHD	ETO	REMARKS OBSERVACION
26	703-48226-00	.PLATE, STOPPER .PLACA RETEN	1			1	
27	703-48222-00	.GRIP, CONTROL LEVER .MANGO DE PALANCA CONTROL	1			1	SINGLE
28	703-48223-00	.LOCK, NEUTRAL .CERRADURA NEUTRO	1			1	
29	703-48225-00	.COVER .CUBIERTA	1			1	
30	703-48219-00	.COVER, LEAD .CUBIERTA	1			1	
31	703-48281-00	.SCREW .TORNILLO 1	2			2	
32	703-48282-00	.SCREW .TORNILLO 2	7			7	
33	97380-08030	.BOLT .TORNILLO HEXAGONAL	1			1	
34	92990-08600	.WASHER, PLATE .ARANDELA PLANA	1			1	
35	98580-04010	.SCREW, PAN HEAD .TORNILLO DE CABEZA CRUZADA	3			3	
36	98580-04006	.SCREW, PAN HEAD .TORNILLO DE CABEZA CRUZADA	2			2	
37	98580-05010	.SCREW, PAN HEAD .TORNILLO DE CABEZA CRUZADA	1			1	
38	98580-03015	.SCREW, PAN HEAD .TORNILLO DE CABEZA CRUZADA	2			2	
39	703-48291-10	.SCREW (M6) .TORNILLO (M6)	3			3	
40	95380-06600	.NUT, HEXAGON .TUERCA	3			3	
41	703-48293-10	.SPACER, REMOTE CONTROL .ESPACIADOR	1			1	SINGLE
42	701-48287-00	.WASHER .ARANDELA	3			3	
43	703-48215-00	.GRAPHIC .CALCOMANIA 1	1			1	
44	703-82510-12	.MAIN SWITCH ASSY .CONJUNTO DE LLAVE IGNICION				1	FOR 703-48205-A4
	703-82510-43	.MAIN SWITCH ASSY .CONJUNTO DE LLAVE IGNICION				1	FOR 703-48207-17
	703-82510-03	.MAIN SWITCH ASSY .CONJUNTO DE LLAVE IGNICION				1	FOR 703-48203-A2
45	676-82577-00	.CAP, KEY .TAPA	1			1	
	703-82577-00	.CAP, KEY .TAPA				1	FOR 703-82510-43
46	703-82531-00	.WIRE, LEAD .CABLE CONDUCTOR	1			1	
47	688-82575-01	.ENGINE STOP SWITCH ASSY .INTERRUPTOR DE PARADA COMPL	1			1	
48	682-82556-00	.STOPPER .RETENER	1			1	
49	688-8258A-20	.EXTENSION, WIRE HARNESS .EXTENSION, ARNES DE CABLES				1	L:5M (10P)



60C1200-1290

FIG. 30 REMOTE CONTROL ASSY CONTROL REMOTO COMPL.

REF. NO.	PART NO. CODIGO NO.	DESCRIPTION DESCRIPTION	E	MH	WHD	ETO	REMARKS OBSERVACION
49	688-82586-21	.EXTENSION, WIRE HARNESS .EXTENSION, CONJ. DE CABLES	1				L:5M (7P)
50	703-82540-00	.NEUTRAL SWITCH ASSY .INTERRUPTOR NEUTRAL COMPL	1			1	
51	703-83383-A0	.BUZZER ZUMBADOR	1			1	
52	703-48284-00	.GROMMET .TAPON 1	1			1	
	703-48284-10	.GROMMET .TAPON 1				1	FOR 703-48207-17
53	703-82591-00	.BAND .BANDA	1			1	
	703-82591-00	.BAND .BANDA				3	FOR 703-48207-17
54	703-82592-00	.BAND .BANDA	1			1	
55	703-82563-02	.TRIM & TILT SWITCH ASSY .INTERRUPTOR DE INCLINACION				1	FOR 703-48205-A4
	703-82563-12	.TRIM & TILT SWITCH ASSY .INTERRUPTOR DE INCLINACION				1	FOR 703-48207-17
	703-48224-00	.COVER, CONTROL LEVER .CUBIERTA DE PALANCA CONTROL	1				FOR 703-48203-A2
56	703-48221-00	.LEVER, CONTROL .PALANCA CONTROL	1			1	
57	703-48152-00	.KNOB, FREE ACCEL. .PERILLA	1			1	
58	703-48212-00	.BACK PLATE 1 .PLACA TRASERA 1	1			1	
59	703-48213-00	.BACK PLATE 2 .PLACA TRASERA 2	1			1	
60	703-48271-00	.ARM, SHIFT .BRAZO CAMBIADOR	1			1	
61	703-48211-01	.HOUSING,1 .CAJA	1			1	
62	703-48232-00	.GEAR ENGRANAJE 1	1			1	
63	703-82542-00	.CAP .TAPA	1			1	EXCEPT 703-48207-17
64	703-48218-00	.GRAPHIC .CALCAMONIA	1			1	EXCEPT 703-48207-17

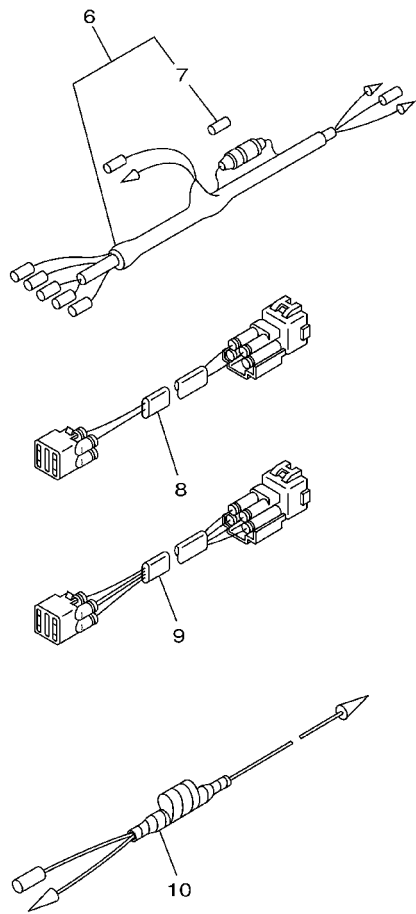
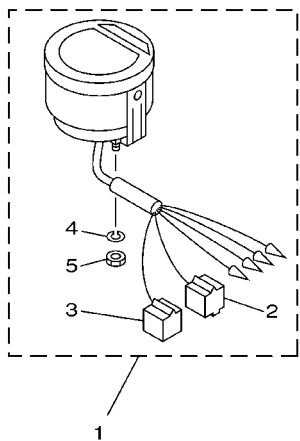


FIG. 31 METER 1

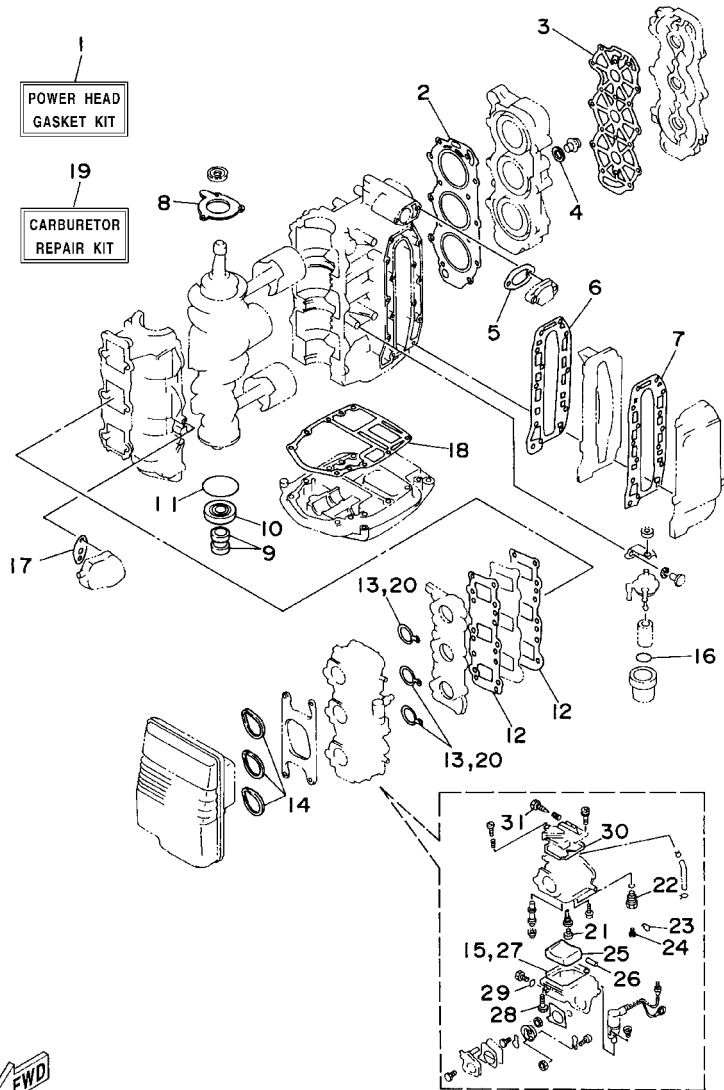
MEDIDOR 1

REF. NO.	PART NO. CODIGO NO.	DESCRIPTION DESCRIPTION	E	MH	WHD	ETO	REMARKS OBSERVACION
1	6Y5-8350T-02	TACHOMETER ASSY TACOMETRO COMPLETO				1	AP 40V-FOR BRAZIL 50H-FOR CARIB
2	9E450-04433	.CONNECTOR .CONECTOR				1	M-4-W
3	9E450-04533	.CONNECTOR .CONECTOR				1	F-4-W
4	92990-04100	.WASHER, SPRING .ARANDELA, GROWER				2	
5	95380-04600	.NUT .TUERCA				2	
6	6Y5-83553-00	WIRE, LEAD CABLE CONDUCTOR				1	AP 40V-FOR BRAZIL 50H-FOR CARIB
7	1E6-82151-00	.FUSE (10A) .FUSIBLE (10A)				1	
8	6R3-82521-70	WIRE, LEAD (7M) CABLE CONDUCTOR (7M)				1	AP 50H-FOR CARIB
9	6R3-82553-70	EXTENSION, WIRE LEAD (4P,7M) CABLE (4P,7M)				1	AP 50H-FOR CARIB
	68F-82553-70	EXTENSION, WIRE LEAD CABLE				1	AP 40V-FOR BRAZIL
10	6H4-81315-11	LEAD WIRE ASSY CABLE CONDUCTOR COMPLETO				1	AP 40V-FOR BRAZIL 50H-FOR CARIB

6H30100-0270

FIG. 33 REPAIR KIT 1

ESTUCHE REPARATION 1

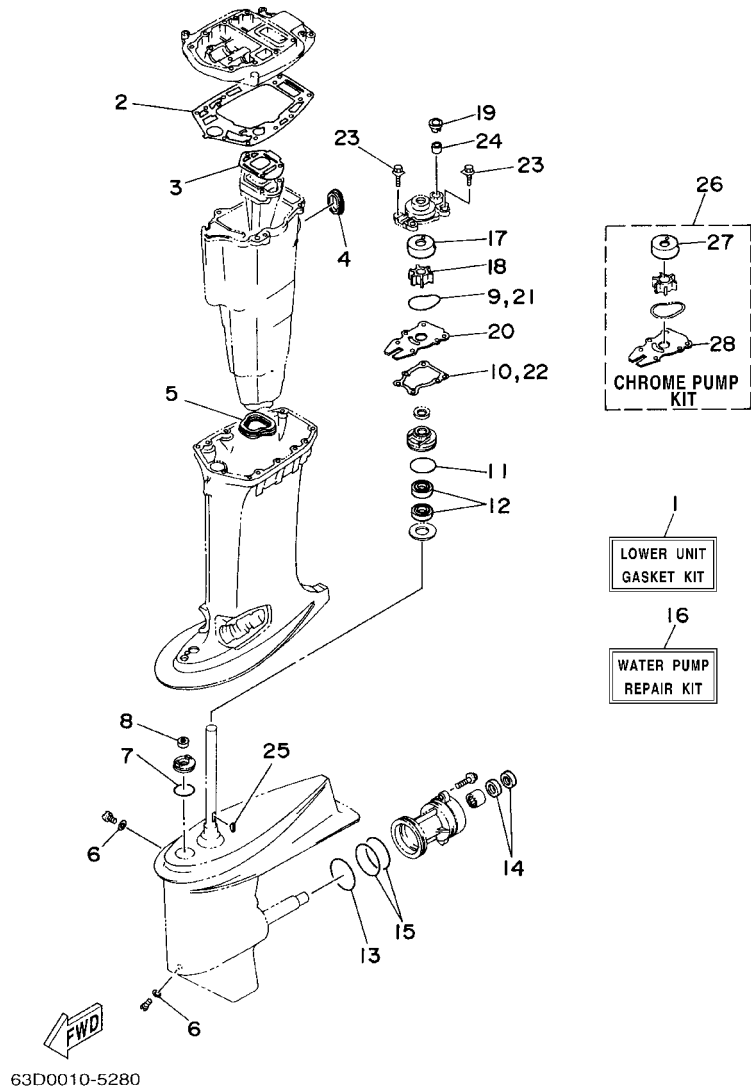


63D0010-5270

REF. NO.	PART NO. CODIGO NO.	DESCRIPTION DESCRIPTION	E	MH	WHD	ETO	REMARKS OBSERVACION
1	63D-W0001-00	POWER HEAD GASKET KIT JUEGO DE EMPAQUE DE MOTOR	1	1	1	1	
2	63D-11181-A1	.GASKET, CYLINDER HEAD 1 .JUNTA, DE CULATA 1	1	1	1	1	
3	63D-11193-A0	.GASKET, HEAD COVER 1 EMPAQUE	1	1	1	1	
4	90430-14115	.GASKET .JUNTA	1	1	1	1	
5	61A-12414-A0	.GASKET, COVER EMPAQUE	1	1	1	1	
6	6H4-41112-A0	.GASKET, EXHAUST INNER COVER EMPAQUE	1	1	1	1	
7	6H4-41114-A0	.GASKET, EXHAUST OUTER COVER EMPAQUE	1	1	1	1	
8	6H4-15369-A1	.GASKET, OIL SEAL HOUSING EMPAQ CAJA SELLO ACEITE	1	1	1	1	
9	93104-16M01	.OIL SEAL .SELLO ACEITE	2	2	2	2	
10	93102-25M28	.OIL SEAL	1	1	1	1	
11	93210-58M21	.RETEN DE ACEITE .O-RING .JUNTA TORICA	1	1	1	1	
12	6H4-13621-A1	.GASKET, VALVE SEAT .JUNTA, DE VALV.DE EMPAQUE	2	2	2	2	
13	6H4-14198-01	.GASKET EMPAQUE	3	3	3	3	
14	6H3-14457-01	.SEAL .SELLO	3	3	3	3	
15	6H4-14984-00	.GASKET, FLOAT CHAMBER EMPAQUE CAMARA DE BOIA	3	3	3	3	
16	93210-32738	.O-RING .JUNTA TORICA	1	1	1	1	
17	650-24431-A0	.GASKET, FUEL PUMP 1 EMPAQUE BOMBA COMBUST 1	1	1	1	1	
18	6H4-45113-A0	.GASKET, UPPER CASING EMPAQUE	1	1	1	1	
19	6H4-W0093-03	CARBURETOR REPAIR KIT KIT REPARACION CARBURADOR	1	1	1	1	
20	6H4-14198-01	.GASKET EMPAQUE	3	3	3	3	
21	676-14966-00	.CAP .TAPA	3	3	3	3	
22	6H4-14590-00	.NEEDLE VALVE ASSY .VALVULA DE AGUJA COMPLETA	3	3	3	3	
23	663-14159-00	.CLIP .PRESILLA	3	3	3	3	
24	676-14186-00	.PIN, FLOAT .PASADOR DE LA BOYA	3	3	3	3	
25	6H4-14985-01	.FLOAT .BOIA	3	3	3	3	
26	6H4-14548-00	.PIN, FLOAT ARM .PASADOR DE BRAZO DE BOIA	3	3	3	3	
27	6H4-14984-00	.GASKET, FLOAT CHAMBER EMPAQUE CAMARA DE BOIA	3	3	3	3	

FIG. 34 REPAIR KIT 2

ESTUCHE REPARATION 2



REF. NO.	PART NO. CODIGO NO.	DESCRIPTION DESCRIPTION	E	MH	WHD	ETO	REMARKS OBSERVACION
1	63D-W0001-20	LOWER UNIT GASKET KIT JUEGO DE EMPAQUE UNIDAD INFER.	1	1	1	1	
2	63D-45114-A0	.GASKET, UPPER CASING EMPAQUE	1	1	1	1	
3	6H4-41134-A0	.GASKET, EXHAUST MANIFOLD EMPAQUE	1	1	1	1	
4	6H3-45127-00	.SEAL .SELLO DE GOMA	1	1	1	1	
5	63D-45123-00	.GASKET, MUFFLER EMPAQUE SILENCIADOR	1	1	1	1	
6	90430-08020	.GASKET .JUNTA	2	2	2	2	
7	93210-33MG4	.O-RING .JUNTA TORICA	1	1	1	1	
8	93106-09014	.OIL SEAL .RETEN DE ACEITE	1	1	1	1	
9	93210-59MG7	.O-RING .JUNTA TORICA	1	1	1	1	
10	63D-44316-00	.GASKET, WATER PUMP EMPAQUE	1	1	1	1	
11	93210-48MG8	.O-RING .JUNTA TORICA	1	1	1	1	
12	93101-25M57	.OIL SEAL .RETEN DE ACEITE	2	2	2	2	
13	93210-69MG6	.O-RING .JUNTA TORICA	1	1	1	1	
14	93101-22M00	.OIL SEAL .RETEN DE ACEITE	2	2	2	2	
15	93210-74MG5	.O-RING .JUNTA TORICA	2	2	2	2	
16	63D-W0078-01	WATER PUMP REPAIR KIT ESTUCHE REPARACION BOMBA AGUA	1	1	1	1	
17	63D-44322-00	.INSERT, CARTRIDGE .CARTUCHO	1	1	1	1	
18	6H3-44352-00	.IMPELLER .IMPULSOR	1	1	1	1	
19	63D-44312-00	.COVER, WATER PUMP HOUSING .CUBIERTA CAJA BOMBA DE AGUA	1	1	1	1	
20	63D-44323-00	.OUTER PLATE, CARTRIDGE .PLACA EXTERIOR DEL CARTUCHO	1	1	1	1	
21	93210-59MG7	.O-RING .JUNTA TORICA	1	1	1	1	
22	63D-44316-00	.GASKET, WATER PUMP EMPAQUE	1	1	1	1	
23	90119-08M15	.BOLT, WITH WASHER .TORNILLO CON ARANDELA	4	4	4	4	
24	663-44366-00	.DAMPER, WATER SEAL .GOMA DEL SELLO DE AGUA	1	1	1	1	
25	90280-03024	.KEY, WOODRUFF .CUNA WOODRUFF	1	1	1	1	
26	63D-W0078-0A	CHROME PUMP KIT JUEGO DE BOMBA CROMO	1	1	1	1	
27	63D-44322-40	.INSERT, CARTRIDGE .CARTUCHO	1	1	1	1	

**NUMERICAL INDEX
INDICE NUMERICO**

PART NO. CODIGO NO.	REF. NO.	PART NO. CODIGO NO.	REF. NO.	PART NO. CODIGO NO.	REF. NO.	PART NO. CODIGO NO.	REF. NO.	PART NO. CODIGO NO.	REF. NO.	PART NO. CODIGO NO.	REF. NO.
63D-W0001-00	33 - 1	6L2-13416-00	6 - 39	6H4-14548-00	33 - 26	6F5-15752-00	8 - 9	692-24410-00	7 - 14	689-41273-00	4 - 25
63D-W0001-20	34 - 1	63D-13436-40	1 - 12	679-14555-00	5 - 25	689-15755-01	8 - 16	6H3-24411-10	5 - 41	6J8-41274-00	4 - 23
6H4-W0004-00	4 - 2	6H5-13610-00	4 - 1	6H4-14567-00	5 - 31	6H4-15758-01-4D	8 - 4	663-24411-00	7 - 19	63D-41632-00	17 - 5
63D-W0070-10	1 - 11	6H4-13621-A1	4 - 8	6H2-14578-00	5 - 9	6H4-15761-00	1 - 2	692-24411-00	7 - 16	63D-41636-00	17 - 7
63D-W0078-0A	34 - 26		33 - 12	6H4-14590-00	5 - 27	6H4-15762-00	8 - 7	6A0-24412-02	7 - 25	63D-42111-01-4D	16 - 2
63D-W0078-01	34 - 16	6H4-13624-01-94	4 - 7		33 - 22	63D-15770-00	8 - 45	6A0-24413-00	7 - 15	63D-42115-00	16 - 8
63D-W0084-01-4D	16 - 1	6H4-13641-02-94	4 - 5	6K5-14592-00	5 - 5	63D-15771-00-4D	8 - 31	6H4-24413-00	5 - 39	664-42119-00	16 - 59
63D-W0090-01-1S	2 - 1	6H4-13641-12-94	4 - 5	63D-14711-00-5B	24 - 11		14 - 20	6A0-24421-01	7 - 23	63D-42121-20-4D	16 - 66
63D-W0090-11-1S	2 - 1	6H4-13641-20-94	4 - 5	63D-14711-11-5B	24 - 11	6H4-15772-02-94	8 - 35	6L5-24421-00	5 - 38	63D-42126-00	16 - 48
63D-W0090-21-1S	2 - 1	6H3-14137-00	5 - 32	692-14923-00	5 - 26		14 - 24	650-24431-A0	7 - 26	63D-42131-00	16 - 26
6H4-W0093-03	33 - 19	6H3-14146-10	5 - 16		33 - 31	63D-15774-00	17 - 30		33 - 17	6H2-42137-00	16 - 3
656-W2810-02	7 - 37	6H4-14146-00	5 - 16	63D-14943-81	5 - 22	6F5-15779-02	8 - 17	6H3-24434-10	5 - 42	6K5-42137-00	16 - 3
63D-W4434-00	25 - 30	6H4-14146-10	5 - 15	676-14943-30	5 - 22	6H4-15787-01	8 - 15	648-24434-01	7 - 17	650-42152-00-94	16 - 9
63D-11111-00-1S	2 - 22	6H4-14147-00	5 - 30	676-14943-32	5 - 22	6A0-15789-00	8 - 8	648-24435-02	7 - 20	63D-42153-00	16 - 17
6H4-11119-01	2 - 18		33 - 30	676-14943-33	5 - 22	63D-21707-00	6 - 21	6H3-24452-10	5 - 29	63D-42159-00	16 - 11
63D-11181-A1	2 - 23	663-14159-00	5 - 12	676-14943-82	5 - 22	6H3-21732-00	1 - 14	6H4-24486-00	5 - 40	6G1-42177-00	16 - 60
	33 - 2		33 - 23	62X-14947-00	5 - 21	6H3-21735-00	1 - 15	61N-24521-00	7 - 7	63D-42181-00	16 - 23
63D-11191-00-1S	2 - 26	676-14186-00	5 - 13	63D-14947-00	5 - 21	63D-21744-00	6 - 33	61N-24560-00	7 - 5	63B-42510-00-4D	21 - 1
63D-11193-A0	2 - 27		33 - 24	6B0-14948-13	5 - 24	63D-2175R-00	6 - 26	61N-24563-00	7 - 6	63B-42510-10-4D	21 - 1
	33 - 3	6H4-14198-01	4 - 10	6H4-14948-11	5 - 24	6H4-21752-00	6 - 24	6H4-24566-02	7 - 9	63D-42510-11-4D	21 - 1
688-11325-00	2 - 20		33 - 13	62X-14948-12	5 - 24	6H1-21757-00	6 - 31	6YJ-24610-01	27 - 2	6J8-42528-00	19 - 21
650-11370-01	2 - 3		33 - 20	676-14966-00	5 - 23	6J8-21758-00	6 - 30	6H5-24633-00	6 - 29	624-42542-00	6 - 42
688-11370-01	2 - 7	62X-14301-00	5 - 1		33 - 21	63D-2176M-00	6 - 27	63D-26301-01	16 - 34	62X-42610-20-4D	1 - 1
6H4-11372-01	2 - 5	63B-14301-00	5 - 1	6H3-14980-10	5 - 18	63D-2177H-00	1 - 13	6A1-28176-00	15 - 41	62X-42610-50-4D	1 - 1
6H4-11400-04	3 - 8	63D-14301-00	5 - 1	6H4-14980-00	5 - 18	6H4-21770-00	6 - 28	6E0-28193-00-94	7 - 38	63C-42610-40-4D	1 - 1
6H4-11400-14	3 - 8	63D-14301-10	5 - 1	6H4-14984-00	5 - 17	1UF-22434-00	22 - 17	6H4-41111-00-1S	2 - 35	63D-42610-20-4D	1 - 1
6H4-11445-00	3 - 9	62X-14302-00	5 - 2		33 - 15	62Y-22434-00	22 - 50	6H4-41112-A0	2 - 36	63D-42610-50-4D	1 - 1
6H4-11536-00	3 - 9	63B-14302-00	5 - 2		33 - 27	62Y-22471-00	22 - 11		33 - 6	6H4-42613-01-4D	1 - 7
6H4-11537-01	6 - 4	63D-14302-00	5 - 2	6H4-14985-01	5 - 14	6YJ-24167-00	27 - 7	6H4-41113-00-1S	2 - 34	6H4-42613-11-4D	1 - 7
6H4-11545-00	9 - 14	63D-14302-10	5 - 2		33 - 25	6YJ-24201-00	27 - 1	6H4-41114-A0	2 - 37	6H4-42615-00	1 - 3
63D-11603-00	3 - 14	62X-14303-00	5 - 3	6H3-14992-00	5 - 19	6YJ-24201-10	27 - 1		33 - 7	6H4-42651-00	1 - 4
63D-11604-00	3 - 14	63B-14303-00	5 - 3	6H4-15100-05-1S	2 - 2	6YJ-24260-00	27 - 3	6H4-41131-01-5B	24 - 10	6H4-42652-00	1 - 5
63D-11605-00	3 - 14	63D-14303-00	5 - 3	6H4-15100-13-1S	2 - 2	6Y1-24260-12	27 - 3	6H5-41131-00-5B	24 - 10	62X-42677-20	1 - 9
6H4-11631-01-95	3 - 13	63D-14303-10	5 - 3	6H4-15100-20-1S	2 - 2	6Y1-24268-00	27 - 6	6H4-41134-A0	24 - 22	63D-42677-20	1 - 9
648-11633-00	3 - 15	6A0-14325-00	7 - 24	6H4-15359-04-94	9 - 3	6G1-24304-02	7 - 1		34 - 3	62X-42678-11	1 - 10
6H4-11634-01	3 - 18	6H3-14349-00	4 - 29	6H4-15369-A1	3 - 1	6G1-24305-03	27 - 13	63D-41137-01-5B	24 - 8	63D-42678-11	1 - 10
6H4-11635-01	3 - 13		5 - 33		33 - 8	6Y1-24305-04	27 - 15	63D-41213-00	17 - 3	63D-42681-10	1 - 19
6H4-11636-01	3 - 13	63D-14380-00	5 - 34	6H4-15396-03-5B	3 - 2	61J-24306-02	27 - 8	6H4-41217-01	4 - 24	63D-42682-10	1 - 20
6H4-11641-00	3 - 17	6H4-14406-00	4 - 11	6H4-15705-00	8 - 27	6H4-24311-00	7 - 35	6E9-41237-00	6 - 20	6H1-42694-00	1 - 16
6E5-12411-30	2 - 30	6H4-14431-02	4 - 13	6H4-15710-04-4D	8 - 1	6H4-24312-00	7 - 33	6H1-41237-00	6 - 16	6H4-42711-07-4D	15 - 1
6H4-12413-00-1S	2 - 31	6H4-14431-13	4 - 13	6H4-15711-02-94	8 - 2	6H4-24313-00	7 - 32	6H4-41237-00	17 - 8	6H4-42711-25-4D	15 - 1
6J8-12414-A0	2 - 32	6H3-14457-01	4 - 14	6H4-15714-00	8 - 19	6H4-24314-00	7 - 12	6H4-41241-01	6 - 15	648-42715-00	17 - 19
61A-12414-A0	33 - 5		33 - 14	6H4-15717-01	8 - 21	6Y1-24329-00	27 - 5	6H4-41257-00	4 - 18	6H4-42716-00	15 - 15
6H1-13117-01	6 - 5	6H1-14485-00	4 - 6	6H4-15723-01-94	8 - 37	650-24351-51	27 - 12	6H4-41259-01	4 - 21	63D-42717-00	15 - 21
6E9-13183-70	6 - 46	624-14485-00	2 - 4	6J8-15723-E1	14 - 26	61J-24360-00	27 - 10	6J8-41262-00	4 - 22	6E5-42724-00	15 - 16
63D-13200-00	6 - 1		2 - 6	676-15741-03	8 - 25	6E5-24367-01	15 - 27		20 - 47	6H4-42724-00	15 - 13
6J8-13411-00	6 - 37	63V-14523-00	5 - 7	63D-15746-00	8 - 42	650-24378-00	2 - 8	661-41262-02	4 - 19	6H4-42724-20	15 - 13
6J8-13414-00	6 - 38	6H4-14548-00	5 - 10	656-15748-00	8 - 46	688-24378-00	7 - 30	6H4-41271-01	4 - 20	6H4-42724-30	15 - 13

**NUMERICAL INDEX
INDICE NUMERICO**

PART NO. CODIGO NO.	REF. NO.	PART NO. CODIGO NO.	REF. NO.	PART NO. CODIGO NO.	REF. NO.	PART NO. CODIGO NO.	REF. NO.	PART NO. CODIGO NO.	REF. NO.	PART NO. CODIGO NO.	REF. NO.
6H4-42725-00	15 - 29	6J8-43614-00	20 - 16	6H1-43856-10	22 - 34	63D-44322-00	34 - 17	63D-45375-00	26 - 6	663-45958-01-EL	26 - 25
63D-42725-00	16 - 32	6J8-43615-00	20 - 17	65W-4386A-00	22 - 28	63D-44322-40	25 - 22	663-45376-00-94	26 - 5	663-45970-60-98	26 - 25
6H4-42726-00	15 - 24	6H4-43616-00	20 - 30	62X-4386K-00	23 - 10		34 - 27	6E5-45378-00	25 - 17	697-45970-00-98	26 - 25
6H4-42726-40	15 - 23		20 - 39	62X-43861-00	22 - 4	63D-44323-00	25 - 26	63D-45501-00	25 - 36	663-45972-60-98	26 - 25
676-42726-00	15 - 23	6J8-43616-10	20 - 48	62X-43862-00	22 - 5		34 - 20	63D-45501-10	25 - 36	663-45974-02-98	26 - 25
688-42726-10	15 - 24	6J8-43617-00	20 - 33	62X-43865-00	22 - 62	63D-44323-40	25 - 26	6H4-45536-00	25 - 4	663-45974-60-98	26 - 25
6H3-42727-00	15 - 36	6J8-43617-10	20 - 41	62Y-4387G-00	22 - 52		34 - 28	6H4-45551-01	25 - 37	663-45976-00-98	26 - 25
63D-42741-00-4D	15 - 20	6J8-43627-00	20 - 11	62Y-4387J-00	22 - 49	63D-44341-00	25 - 31	6H4-45560-01	25 - 39	663-45978-00-98	26 - 25
6G1-42748-00	4 - 25	6J8-43631-00	20 - 27	62X-43871-00	22 - 7	6H3-44352-00	25 - 23	663-45567-01-10	25 - 41	663-45987-02	26 - 20
6E7-42791-00	15 - 40	6J8-43631-10	20 - 37	62Y-43871-00	22 - 51		34 - 18	663-45567-01-12	25 - 41	670-45997-02	26 - 21
6G5-42791-00	15 - 40	63D-43631-00	18 - 37	6H1-43875-00	22 - 58	63D-44361-00	26 - 1	663-45567-01-15	25 - 41	63D-48118-00	16 - 19
6G5-42791-10	15 - 40	6J8-43633-00	20 - 28	62X-43875-00	22 - 18	63D-44361-10	26 - 1	663-45567-01-18	25 - 41	63D-48119-00	16 - 16
6H4-42815-00	15 - 2		20 - 38	67F-43875-00	22 - 12	663-44366-00	26 - 18	663-45567-01-30	25 - 41	703-48152-00	30 - 57
6H4-42816-00	15 - 5	6J8-43641-00	20 - 31	62X-4388A-00	22 - 10		34 - 24	663-45567-01-40	25 - 41	703-48153-00	30 - 3
6H4-43111-05-4D	19 - 1		20 - 40	62Y-43880-01	23 - 2	63D-44367-00	26 - 4	663-45567-01-50	25 - 41	63D-48154-00	16 - 49
63D-43111-01-4D	18 - 1	6H4-43659-00	20 - 19	62Y-43881-00	23 - 13	6E5-44391-00	15 - 14	6H4-45571-01	25 - 42	703-48189-00	30 - 17
6H4-43112-04-4D	19 - 2	6J8-43673-00	20 - 36	6H1-43883-00	22 - 25	63D-44514-01-94	21 - 22	63D-45577-00-10	25 - 46	703-48198-00	30 - 14
63D-43112-01-4D	18 - 2	6H4-43674-00	20 - 25	62X-43888-00	23 - 1	63D-44526-00	21 - 24	63D-45577-00-12	25 - 46	703-48203-A2	29 - 1
6J8-43113-01	19 - 11	6J8-43681-01	20 - 35	69J-4389J-00	22 - 30	63D-44551-01-4D	21 - 9	63D-45577-00-15	25 - 46		30 - 1
648-43114-01	19 - 8	63D-43691-00	18 - 36		22 - 55	63D-44552-01-4D	21 - 18	63D-45577-00-18	25 - 46	703-48205-A4	29 - 1
6E0-43118-01	19 - 5	69W-4380F-00	23 - 9	62Y-43891-00	23 - 6	63D-44555-00-94	21 - 11	63D-45577-00-30	25 - 46		30 - 1
6E5-43126-02	18 - 40	62X-4380H-00	23 - 14	62Y-43892-00	23 - 5	687-44555-00-94	21 - 11	63D-45577-00-40	25 - 46	703-48207-17	29 - 1
63D-43128-01-4D	18 - 5	62Y-4380K-01	22 - 2	69J-43893-00	22 - 53	663-44575-00	21 - 16	63D-45577-00-50	25 - 46		30 - 1
63D-43131-01	18 - 14	62Y-43800-01-4D	22 - 1	663-45894-00	22 - 48	63D-45894-00	21 - 11	663-45587-01-10	25 - 5	703-48211-01	30 - 61
	19 - 9	62X-43804-01	23 - 4	62X-43899-00	22 - 14	63D-45111-11-4D	24 - 1	663-45587-01-12	25 - 5	703-48212-00	30 - 58
6G5-43144-00	18 - 28	62Y-43805-00	23 - 3	69W-43899-01	22 - 63	6H4-45113-A0	24 - 19	663-45587-01-15	25 - 5	703-48213-00	30 - 59
6E5-43145-01	28 - 9	62X-43807-00	23 - 8	63D-44100-11	16 - 5		33 - 18	663-45587-01-18	25 - 5	703-48215-00	30 - 43
6G5-43145-01	18 - 18	69W-4381B-00	22 - 13	63D-44104-00	16 - 6	63D-45114-A0	24 - 9	663-45587-01-30	25 - 5	703-48218-00	30 - 64
	19 - 14	62X-43810-01	22 - 3	63D-44113-01	16 - 14		34 - 2	663-45587-01-40	25 - 5	703-48219-00	30 - 30
6G5-43148-00	18 - 24	6H1-43816-00	22 - 54	63D-44117-00	17 - 16	63D-45123-00	24 - 12	663-45587-01-50	25 - 5	703-48221-00	30 - 56
6H4-43160-01	20 - 1	62Y-43816-00	22 - 41	63D-44120-00	17 - 13		34 - 5	63D-45611-00	25 - 55	703-48222-00	30 - 27
688-43160-01	18 - 29	62Y-4382A-00	22 - 39	63D-44120-10	17 - 13	6H3-45127-00	24 - 18	63D-45631-01	25 - 57	703-48223-00	30 - 28
676-43165-00	20 - 2	62Y-4382L-00	22 - 42	63D-44121-00	17 - 24		34 - 4	663-45633-00	25 - 62	703-48224-00	30 - 55
688-43165-00	18 - 30	6H1-43829-00	22 - 61	688-44122-00	17 - 28	63D-45155-00	24 - 4	663-45634-00	25 - 58	703-48225-00	30 - 29
62X-43170-11-4D	18 - 33	62Y-43830-01	22 - 21	63D-44132-00	16 - 18	63D-45214-00	25 - 10	63D-45635-00	25 - 60	703-48226-00	30 - 26
6H5-43181-03	18 - 19	6H1-43831-10	22 - 19	63D-44144-00	25 - 52	63D-45215-00	25 - 11	663-45930-00-98	26 - 25	703-48227-00	30 - 24
6J8-43181-01	20 - 5	6H1-4384F-10	22 - 33	663-44151-00	25 - 51	63D-45251-00	18 - 6	663-45941-01-EL	26 - 25	703-48232-00	30 - 62
6H5-43185-03	18 - 20	69A-4384F-00	22 - 24	63D-44159-01	16 - 56	65W-45251-00	18 - 49	6H5-45943-00-EL	26 - 25	703-48234-00	30 - 18
6J8-43186-00	20 - 42	6H1-4384G-11	22 - 31	63D-44173-00	16 - 58	663-45251-00	18 - 34	69W-45943-00-EL	26 - 25	703-48235-00	30 - 4
6J8-43187-00	20 - 43	69W-4384G-00	22 - 46	6G8-44191-00	16 - 52	67C-45251-00	26 - 15	6H5-45945-00-EL	26 - 25	63D-48236-00	16 - 15
6J8-43311-04-4D	19 - 19	62X-4384H-00	22 - 16	688-44194-00	17 - 12	63D-45300-02-4D	25 - 1	69W-45945-00-EL	26 - 25	703-48236-00	30 - 16
6J8-43311-10-4D	19 - 19	69J-4384M-00	22 - 23	63D-44311-00	25 - 21	63D-45300-12-4D	25 - 1	69W-45947-00-EL	26 - 25	63D-48237-00	16 - 20
63D-43311-13-4D	18 - 12	69J-43841-00	22 - 22	63D-44312-00	26 - 19	63D-45301-03-4D	25 - 2	663-45949-01-EL	26 - 25	63D-48238-00	16 - 22
682-43318-01	18 - 38	6H1-43844-10	22 - 35		34 - 19	63D-45321-00	25 - 14	6H5-45952-00-EL	26 - 25	703-48238-00	30 - 22
	20 - 10	62Y-43845-00	22 - 59	63D-44316-00	25 - 27	688-45341-10	25 - 9	663-45952-02-EL	26 - 25	703-48243-00	30 - 15
689-43373-01	19 - 22	69J-43853-00	22 - 29		34 - 10	63D-45344-00	25 - 34	663-45954-01-EL	26 - 25	703-48244-00	30 - 21
6J8-43611-01	20 - 20	62Y-43854-00	22 - 47		34 - 22	63D-45361-02-4D	25 - 43	663-45956-01-EL	26 - 25	703-48245-00	30 - 11
6J8-43613-01	20 - 18	62Y-43855-00	22 - 32	63D-44322-00	25 - 22	664-45371-01	26 - 12	6H5-45958-00-EL	26 - 25	703-48246-00	30 - 23

NUMERICAL INDEX
INDICE NUMERICO

PART NO. CODIGO NO.	REF. NO.	PART NO. CODIGO NO.	REF. NO.	PART NO. CODIGO NO.	REF. NO.	PART NO. CODIGO NO.	REF. NO.	PART NO. CODIGO NO.	REF. NO.	PART NO. CODIGO NO.	REF. NO.
701-48248-00	30-13	689-81826-10	14-15	6R3-82553-70	32-8	6Y5-83670-12	32-1	90119-06M51	10-2	90201-22M03	19-12
703-48252-00	30-12	6F5-81830-11	14-4	68F-82553-70	31-9	63D-83672-01	21-33	90119-06M61	15-19	90201-22429	25-56
63D-48261-00	16-7	689-81831-00	14-5	63D-82554-00	12-2	63D-84301-00	15-36	90119-06M65	6-43	90201-27M00	25-35
703-48261-01	30-2	689-81840-11	14-11	663-82555-01	12-3	63D-84342-00	15-32	90119-06M67	6-44	90201-30M00	21-2
703-48264-00	30-6	689-81847-11	14-6	682-82556-00	12-7	6H4-85411-00	15-29	90119-06M73	15-6	90201-50306	3-12
703-48265-00	30-9	689-81850-12	14-8		13-2	6H4-85415-00	15-31	90119-06M99	1-8	90202-05088	6-17
703-48268-00	30-5	689-81857-11	14-2		30-48	63D-85520-00	9-4	90119-08M15	25-29	90202-07M07	17-15
703-48271-00	30-60	6G1-81941-10	11-2	6H4-82560-00	10-13	63D-85533-00	9-5		34-23	90202-12031	20-9
703-48281-00	30-31	6H4-81945-00	11-4	689-82560-00	10-12	63D-85533-10	9-5	90119-08M79	24-17		20-14
703-48282-00	30-32	6H4-81945-20	11-22	63D-82563-10	11-32	63D-85540-03	10-1	90119-08M83	24-7	90202-12060	26-2
703-48284-00	30-52	6H5-81949-00	11-27	703-82563-02	30-55	63D-85550-00	9-1	90119-08M84	26-11	90202-24M53	16-53
703-48284-10	30-52	61A-81949-00	11-28	703-82563-12	30-55	63D-85550-10	9-1	90119-08O15	2-28	90202-25M04	21-13
701-48287-00	30-42	6H1-81950-00	11-19	6E3-8257H-00	15-42	63D-85560-00	9-2	90119-08O19	2-9	90206-12M16	20-15
703-48291-10	30-39	6H4-81952-00	11-3	689-8257Y-00	12-8	63D-85560-10	9-2	90142-05M06	25-12	90206-12M22	16-45
703-48293-10	30-41	6H2-81960-10	11-8		13-3	6H5-85570-00	10-7	90149-05M13	16-61	90206-12052	15-3
701-48320-00	29-2	6H4-82105-02	11-1	6K5-82575-03	13-1	63D-85580-00	9-6	90149-14M12	19-7	90209-06M05	4-17
701-48320-20	29-2	6H4-82117-00	11-31	688-82575-01	30-47	6H1-85711-60	4-32	90152-06M01	18-35	90243-04M01	19-6
63D-48321-01	16-33	682-82119-01	11-29	69W-82575-00	12-6	63D-85720-00	6-50	90157-06M01	15-26	90249-06M19	18-25
6H4-48344-00	17-1	703-82119-00	9-13	676-82577-00	12-5	9E450-04433	31-2	90157-06M13	17-10	90249-06M23	20-32
63D-48344-00	17-29		10-4		30-45	9E450-04533	31-3	90159-06M18	16-57	90249-06M24	20-32
663-48344-00	17-29		15-25	703-82577-00	30-45	90101-06020	18-48	90159-06M21	14-32	90249-07M25	20-45
703-48345-01	30-19		21-37	688-8258A-20	30-49	90101-06021	2-19	90159-06M22	14-33	90249-12M27	20-12
703-48358-00	30-20	63D-82127-00	21-21	688-82586-21	30-49	90101-08M15	21-23	90170-09M03	28-5	90249-12M28	20-7
63D-48511-00-4D	21-36	63D-82127-10	21-21	6E5-82587-00	11-33	90101-08339	19-15	90170-12138	25-38	90250-06023	25-61
688-48511-01-4D	21-36	6E5-82148-00	19-3	6E5-82588-00	15-37	90101-09M01	28-7	90170-18M10	18-45	90266-04M01	1-6
6H4-48531-11-94	15-7	6H1-82148-00	18-9	63D-82590-00	11-18	90101-10M58	19-24	90171-16011	26-23	90269-02M09	16-4
63D-48531-00	16-37	63D-82148-00	18-3	63D-82590-10	11-18	90101-12M09	16-35	90179-06M24	10-20	90280-03024	25-25
6H4-48532-11-94	15-8	6H4-82150-00	11-9	63D-82590-20	11-18	90101-12M65	18-50	90179-16M05	9-15		34-25
63D-48538-00	16-38	1E6-82151-00	31-7	703-82591-00	30-53	90105-06M15	11-25	90183-05M06	1-18	90338-05M03	1-17
63D-61350-00	28-1		32-7	703-82592-00	30-54	90105-06M16	11-26	90185-08045	21-26		15-26
63D-61351-00	28-2	663-82151-00	11-10	63D-82594-00	11-15	90105-06M18	19-23	90185-09M01	28-4	90338-05M11	11-14
6H4-81315-11	31-10	62Y-82181-01	23-7	703-82594-00	30-25	90105-08M61	25-44	90185-10051	21-8	90340-08002	25-7
6H4-81332-00	9-17	6A0-82317-00	6-41	6H4-83354-00	9-7	90109-06M39	6-7	90185-12M12	16-46	90340-14M00	2-24
6H4-81337-01	14-30	6G1-82370-21	10-11	703-83383-A0	30-51	90109-06M40	6-8	90185-22M11	18-17	90386-07M58	17-25
63D-81345-00	9-8	663-82370-01	10-11	6Y5-8350T-02	31-1	90109-06M43	17-4		19-13	90386-08032	16-64
63D-81345-10	9-9	63D-82510-10	12-4	6Y5-83518-00	32-2	90109-12M21	21-15	90201-05652	5-6	90386-10M16	18-21
63D-81345-20	9-10	703-82510-03	30-44	6Y5-83536-00	32-3	90116-06M22	11-5	90201-06060	8-22	90386-10025	18-22
6J8-81365-A0	8-38	703-82510-12	30-44	6Y5-83544-00	32-4	90116-10175	21-7	90201-08M93	6-3	90386-12M93	16-42
	14-27	703-82510-43	30-44	6Y5-83553-00	31-6	90116-18M52	18-44	90201-083J8	23-16	90386-12069	15-4
6F5-81800-11	14-1	63D-8252E-01-4D	12-13		32-6	90119-06MA2	4-9	90201-09425	21-25	90386-18M35	18-42
689-81807-12	14-3	63D-8252F-01-4D	12-12	6G1-83557-00	10-25		8-34	90201-10M20	28-3	90386-18M44	18-47
689-81809-11	14-7	6R3-82521-70	31-8	6E5-83558-00	21-32		14-23	90201-10M63	28-8	90386-18M92	18-41
689-81810-11	14-9	63D-82531-00	10-23		25-19	90119-06MA3	2-29	90201-12M16	21-12	90386-22M15	18-15
689-81811-11	14-10	703-82531-00	30-46	6E5-83558-10	25-19		2-33	90201-12426	18-52	90386-22M69	19-10
689-81812-11	14-12	688-82540-11	12-1	6H4-83589-00	15-33		8-36		19-26	90386-29M95	16-43
689-81813-10	14-13	703-82540-00	30-50	6R3-83614-00	11-34		14-25	90201-13M19	21-14	90386-30M60	21-6
689-81820-11	14-14	703-82542-00	30-63	6A1-83625-41	4-31	90119-06MA5	2-40	90201-16M44	9-16	90386-30M77	21-4
6H4-81822-02-98	10-14	6R3-82553-70	31-9	688-83664-00	32-5	90119-06M13	2-10	90201-22M03	18-16	90386-30M78	21-3

NUMERICAL INDEX
INDICE NUMERICO

PART NO. CODIGO NO.	REF. NO.	PART NO. CODIGO NO.	REF. NO.	PART NO. CODIGO NO.	REF. NO.	PART NO. CODIGO NO.	REF. NO.	PART NO. CODIGO NO.	REF. NO.	PART NO. CODIGO NO.	REF. NO.
90387-06M05	11 - 24	90464-15M27	11 - 13	91318-05008	22 - 44	92995-06600	7 - 28	93210-08287	27 - 14	93505-32038	22 - 36
90387-06M41	15 - 18	90465-06M86	6 - 49	91318-05020	22 - 43		8 - 6		27 - 16	93602-20M02	3 - 16
90387-06M65	14 - 31		21 - 29	91318-06040	22 - 56		8 - 29	93210-09165	22 - 60	93604-08062	25 - 28
90387-06M66	8 - 41	90465-11M10	18 - 55	91490-20010	16 - 51		8 - 44	93210-13M04	6 - 6	93604-26256	22 - 40
90387-06M69	8 - 10		21 - 30		20 - 26		10 - 6	93210-16275	28 - 10	93606-12019	2 - 11
90387-07M64	20 - 21		25 - 20	91490-20012	17 - 27		10 - 10	93210-18397	22 - 57		24 - 6
90387-08M03	19 - 16	90465-13M11	12 - 9	91490-30025	26 - 24		10 - 16	93210-19MA7	6 - 2		24 - 20
90387-10M42	28 - 6		21 - 35	91690-30010	20 - 3		10 - 22	93210-29M94	21 - 5		26 - 7
90387-12M02	16 - 47	90465-13M30	6 - 25	91690-30012	18 - 31		10 - 28	93210-29375	22 - 6	93700-06M03	18 - 13
90430-08020	25 - 8	90465-13M36	12 - 19	91690-30020	18 - 23		11 - 12		22 - 20		19 - 20
	34 - 6	90467-06016	2 - 15	91690-30025	16 - 10		11 - 17	93210-32738	7 - 8	94702-00160	2 - 41
90430-12072	26 - 3		2 - 17	91690-40018	8 - 3		11 - 21		33 - 16	94702-00217	2 - 41
90430-14115	2 - 25		4 - 28	92A08-03110	22 - 37		15 - 12	93210-33MG4	25 - 16	94702-00247	2 - 41
	33 - 4	90467-08004	2 - 39	92903-06100	8 - 12		15 - 39		34 - 7	95303-06600	17 - 11
90440-14M00	18 - 54		4 - 30	92903-06600	5 - 44		16 - 25	93210-44383	22 - 8	95307-03600	22 - 38
90445-07MA3	2 - 16		6 - 40		8 - 13		16 - 29	93210-48MG8	25 - 33	95380-03600	5 - 36
90445-07MA5	4 - 27		7 - 4		9 - 21		16 - 31		34 - 11		7 - 18
90445-07MA6	6 - 11		7 - 13		17 - 21		16 - 41	93210-48214	22 - 9	95380-04600	31 - 5
90445-07ME9	25 - 18		7 - 34		17 - 23		17 - 32	93210-52449	23 - 17	95380-05600	6 - 19
90445-07MF1	21 - 31	90467-10M04	6 - 34	92903-08600	8 - 33		18 - 11	93210-58M21	3 - 5		17 - 9
90445-07M23	6 - 10	90467-11M08	6 - 23		8 - 40	92995-08100	21 - 20		33 - 11		25 - 13
90445-07M24	2 - 14		6 - 48		10 - 18		21 - 28	93210-59MG7	25 - 24		30 - 7
90445-07M27	2 - 13	90468-05M03	6 - 18		14 - 17		26 - 14		34 - 9	95380-06600	8 - 14
90445-07M31	25 - 18	90468-07M02	6 - 12		14 - 19		26 - 17		34 - 21		8 - 24
90445-07M44	6 - 9		6 - 13		14 - 22	92995-08600	16 - 55	93210-69MG6	25 - 48		11 - 6
90445-07M46	2 - 12		6 - 47		14 - 29		24 - 14		34 - 13		16 - 50
90445-07M87	6 - 45	90468-18008	17 - 2	92903-10600	16 - 62		24 - 16	93210-74MG5	25 - 47		30 - 40
90445-09M37	2 - 38		17 - 14	92990-04100	31 - 4	92995-10100	26 - 9		34 - 15	95380-08600	7 - 11
	7 - 35	90480-09M21	15 - 17	92990-05100	7 - 22	92995-10600	19 - 25	93306-001U1	25 - 45		19 - 18
90445-09057	7 - 31	90480-13M24	11 - 23	92990-05600	4 - 4		26 - 10	93306-305U8	3 - 10	95380-10600	19 - 27
90445-09063	7 - 29	90480-14M14	16 - 27	92990-06600	11 - 7	92995-12200	18 - 51	93315-32224	25 - 3	95380-12600	18 - 53
90445-11M05	27 - 11	90480-25161	10 - 8		15 - 28	92995-18600	18 - 46	93317-22204	25 - 49	95380-12800	21 - 17
90445-11M06	27 - 9	90501-10227	8 - 47		15 - 35	93101-22M00	25 - 50	93332-00001	25 - 6	95670-06640	10 - 19
90445-11M15	6 - 22	90501-10326	5 - 8	92990-08200	17 - 26		34 - 14	93332-00003	25 - 40	97013-06012	5 - 43
90445-11M17	6 - 35	90501-12082	17 - 18	92990-08600	19 - 17		25 - 32	93410-18M02	18 - 43	97013-06014	7 - 10
90445-11M23	6 - 32	90501-16M01	25 - 59		30 - 34	93101-25M57	34 - 12	93410-28M06	21 - 10	97013-06018	9 - 20
90446-10M01	6 - 36	90501-23215	16 - 63	92990-12200	16 - 36	93102-08414	23 - 15	93430-04M03	16 - 65	97013-06020	17 - 20
90446-10M02	10 - 24	90502-10M04	20 - 4	92990-12600	16 - 44	93102-23096	9 - 12	93430-06M02	8 - 26	97013-06030	8 - 11
90464-03M15	9 - 11	90502-16M02	18 - 32	92990-16200	26 - 22	93102-25M28	3 - 3		20 - 22	97013-06045	17 - 22
90464-05M16	10 - 26	90506-12M25	20 - 6	92995-05600	9 - 19		33 - 10	93430-06024	30 - 10	97013-08014	14 - 28
90464-06M19	4 - 26	90506-14M24	18 - 26		15 - 10	93104-16M01	3 - 4	93430-08006	16 - 13	97013-08016	14 - 18
90464-07M20	6 - 14	90506-32M22	20 - 24	92995-06100	12 - 11		33 - 9	93430-10M00	20 - 8	97013-08020	8 - 39
	11 - 30	90508-18M23	20 - 29		12 - 15	93106-09014	25 - 15		20 - 13	97013-08025	8 - 32
90464-08M07	15 - 30	90508-18M24	20 - 29		12 - 17		34 - 8	93440-62057	3 - 11		14 - 21
90464-09M13	15 - 25	90508-20M22	20 - 49		18 - 8	93210-04228	5 - 28	93501-04M02	17 - 17	97013-08030	14 - 16
90464-09M42	16 - 39	90508-25M21	20 - 44		24 - 3	93210-04230	5 - 20	93501-08001	22 - 45	97013-08050	10 - 17
90464-15M11	7 - 36	90508-26M35	17 - 6	92995-06600	3 - 7		33 - 29	93503-16003	22 - 15	97075-08030	21 - 19
	10 - 3	90510-08002	8 - 20		7 - 3	93210-07003	25 - 53	93505-32038	22 - 27		21 - 27

NUMERICAL INDEX
INDICE NUMERICO

PART NO. CODIGO NO.	REF. NO.	PART NO. CODIGO NO.	REF. NO.	PART NO. CODIGO NO.	REF. NO.	PART NO. CODIGO NO.	REF. NO.	PART NO. CODIGO NO.	REF. NO.
97075-08030	24 - 13	97885-06008	19 - 4						
	24 - 15	97885-06012	12 - 18						
97075-10040	26 - 8	97885-06016	16 - 28						
97095-05016	15 - 9		21 - 34						
97095-06010	18 - 10	97885-06025	12 - 14						
	18 - 27	97885-06040	4 - 15						
	18 - 39		16 - 30						
97095-06012	11 - 16	97885-06055	4 - 16						
	24 - 2	97980-04114	5 - 4						
97095-06014	10 - 5		33 - 28						
	10 - 21	98503-05028	7 - 21						
	10 - 27	98580-03015	30 - 38						
	11 - 11	98580-04006	30 - 36						
97095-06016	8 - 5	98580-04008	5 - 11						
	11 - 35	98580-04010	30 - 35						
	16 - 24	98580-05010	30 - 37						
	16 - 40	98580-06016	16 - 12						
	17 - 31	98586-05016	27 - 4						
97095-06020	3 - 6	98780-04016	2 - 21						
	8 - 23	98785-05014	16 - 21						
	10 - 9	98980-03006	5 - 37						
	12 - 16	99001-03600	22 - 26						
	15 - 11	99001-08600	25 - 54						
	15 - 38	99080-05600	20 - 23						
97095-06025	7 - 2		20 - 34						
	11 - 20		20 - 46						
	12 - 10	99530-10014	8 - 30						
	18 - 7								
97095-06030	10 - 15								
97095-06035	8 - 28								
97095-06040	7 - 27								
	8 - 43								
97095-06095	4 - 12								
97095-08025	26 - 13								
97095-08035	26 - 16								
97095-08040	16 - 54								
97380-05025	30 - 8								
97380-08030	30 - 33								
97575-08445	24 - 5								
	24 - 21								
97607-04212	23 - 12								
97780-60525	15 - 22								
97803-04010	5 - 35								
97880-05014	4 - 3								
97880-05020	23 - 11								
97880-06014	15 - 34								
97885-05010	9 - 18								
97885-06008	18 - 4								

40V/50H
PARTS CATALOGUE
©2002 by Yamaha Motor Co., Ltd.
1st Edition, Aug. 2002
All rights reserved.
Any reprinting or unauthorized use
without the written permission of
Yamaha Motor Co., Ltd.
is expressly prohibited.

40V/50H
CATALOGO DE REPUESTOS
©2002, Yamaha Motor Co., Ltd.
1ª edición, Ag. 2002
Reservados todos los derechos.
Se prohíbe expresamente toda reimpresión
o utilización no autorizada de este manual
sin el consentimiento por escrito de
Yamaha Motor Co., Ltd.