

# PARTS CATALOGUE

**40TRB** (63D6)

**50TRB** (62X4)

**40VETO/WHTO'03** (63D6)

**50HETO/WHTO'03** (62X4)

**YAMAHA**  
**GENUINE**  
Parts & Accessories

2B62X-100E1

2007/12/7

NEWS NO.	DATE	COMMENT
PE0-OM-070045	Oct.,30,2007	COR:FIG.18 PTT(62Y-43800-01-4D) P/No. CORRECTION

# FOREWORD

This Parts Catalogue is related to the parts for the model(s) in the below frame. When you are ordering replacement parts, please refer to this Parts Catalogue and quote both part numbers and part names correctly.

40TRB(63D6), 50TRB(62X4),  
40VETO/WHTO'03(63D6), 50HETO/WHTO'03(62X4)

1. Modifications or additions which have been made after issue of the Parts Catalogue will be announced in the Yamaha Parts News.  
It is advisable that you make necessary corrections to the Parts Catalogue according to the Yamaha Parts News.

2. Abbreviations

The Following abbreviations are used in this Parts Catalogue.

“UR” Use specified parts number.

“UN” Use as many as needed.

“AP” Alternate Parts

“LM” Local Made

(Parts need to be ordered locally)

“O/S” Over Size

3. Parts, which are to be supplied in an assembly, are listed with a dot(.) in front of the part name as shown below.

EXAMPLE

CARBURETOR ASSY

.JET, PILOT

.NOZZLE, MAIN

4. Number of component for assembly

The numeral appearing to the right of each component part indicates the quantity of parts for each assembly unit.

EXAMPLE

PART NO.	DESCRIPTION	□	□	□	□	□	REMARKS
6E0-85500-70	C.D.I. MAGNETO ASSY	1					
6E0-85550-70	.ROTOR ASSY	1					
6E0-15723-00-94..	PULLY, STARTER	1					

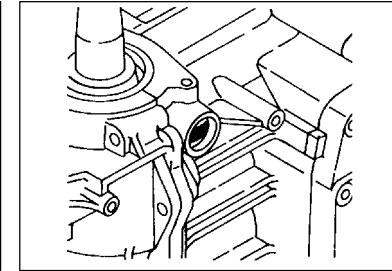
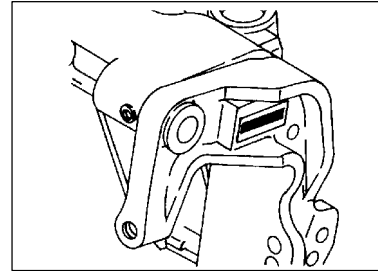
5. Quantity Column Information

NAME for Q'TY COLUMN	APPLICABLE MODEL
ETO	40TRB, 50TRB, 40VETO, 50HETO
WHTO	40VWHTO, 50HWHTO

6. Applicable Starting Serial No. and Color Code

1) Engine Starting Sserial No.

40TLRB	6H4	: 1000001	50TLRB	6H5	: 1000001
40VETO L	6H4	: 1000001	50HETO L	6H5	: 1000001
40VWHTO L	6H4	: 1000001	50HWHTO L	6H5	: 1000001



2) Color Code

Color Code	Color Name	Abbreviation
004D	DARK BLUISH GRAY METALLIC 2	DBNM2

7. Note that the illustrations for reference in finding parts numbers, not to be used for assembling. When assembling, please use the applicable service manual.

8. The asterisk (\*) before a reference number indicates modification items after the first edition.

# CONTENTS

## SHEET 1/2

TOP COWLING .....	A4
CYLINDER. CRANKCASE .....	A5
CRANKSHAFT. PISTON .....	A7
INTAKE .....	B1
CARBURETOR .....	B2
OIL PUMP 1 .....	B4
OIL PUMP 2 .....	B6
FUEL 1 .....	C1
FUEL 2 .....	C3
STARTER .....	C4
GENERATOR .....	C6
ELECTRICAL 1 .....	C7
ELECTRICAL 2 .....	D1
ELECTRICAL 3 .....	D3
STARTING MOTOR .....	D4
BOTTOM COWLING .....	D6
STEERING .....	E1
STEERING FRICTION .....	E4
CONTROL .....	E5
BRACKET 1 .....	E7
BRACKET 2 .....	F2
POWER TRIM & TILT ASSY 1 .....	F4
POWER TRIM & TILT ASSY 2 .....	F7

## INDEX

NUMERICAL INDEX .....	G1
-----------------------	----

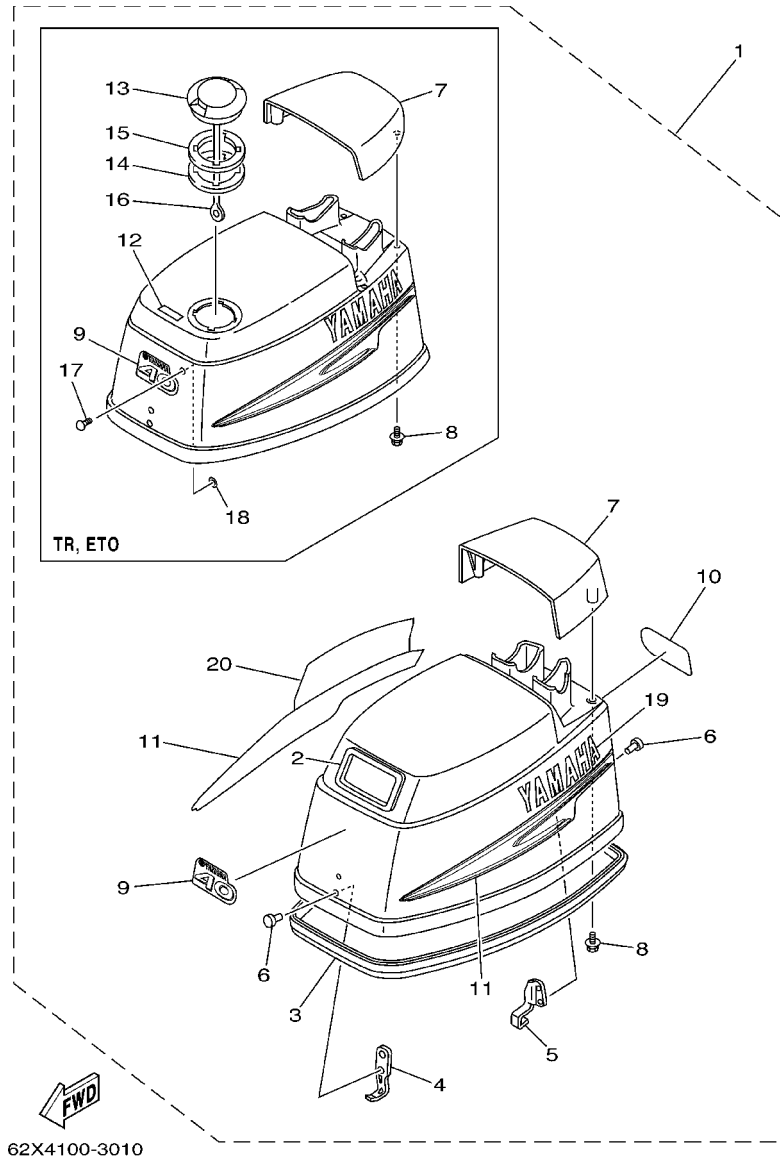
## SHEET 2/2

UPPER CASING .....	A4*
LOWER CASING. DRIVE 1 .....	A5*
LOWER CASING. DRIVE 2 .....	B1*
FUEL TANK .....	B3*
STEERING GUIDE .....	B4*
REMOTE CONTROL BOX .....	B5*
REMOTE CONTROL ASSY .....	B6*
METER .....	C2*
REPAIR KIT 1 .....	C3*
REPAIR KIT 2 .....	C5*

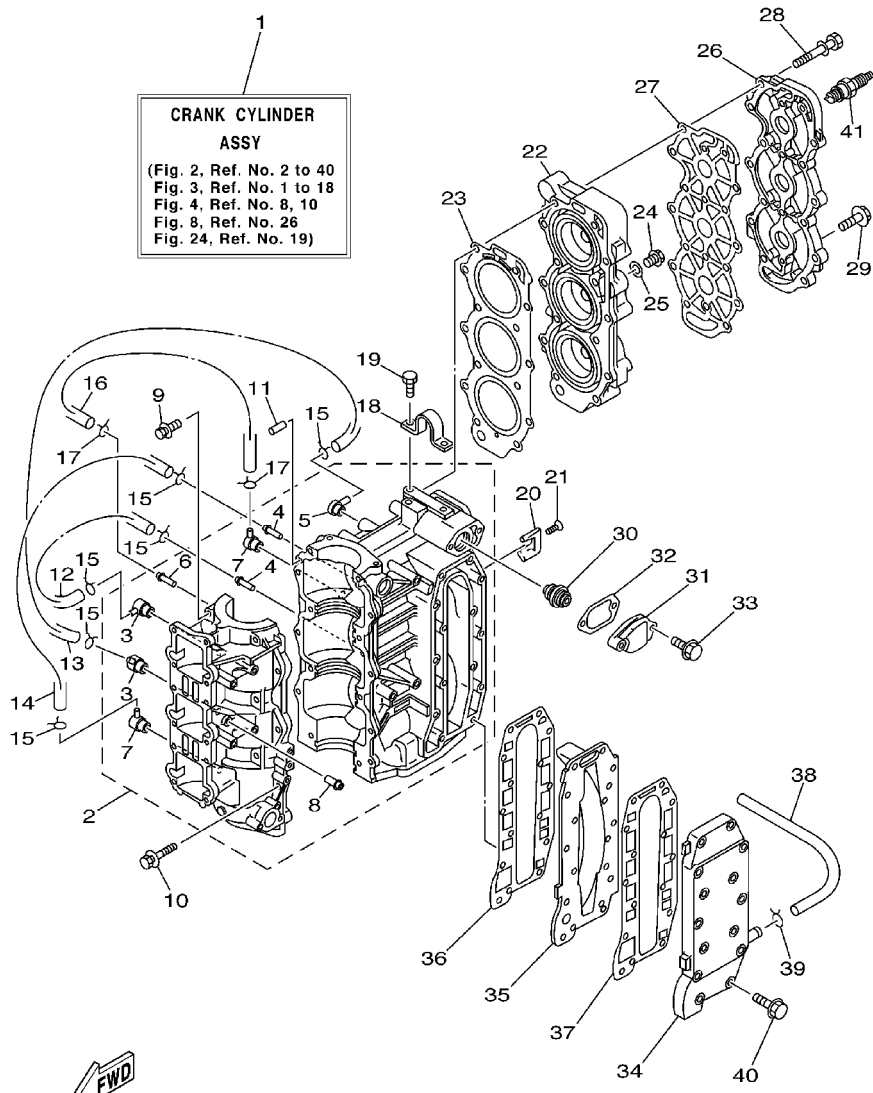
## INDEX

NUMERICAL INDEX .....	G1*
-----------------------	-----

FIG. 1 TOP COWLING



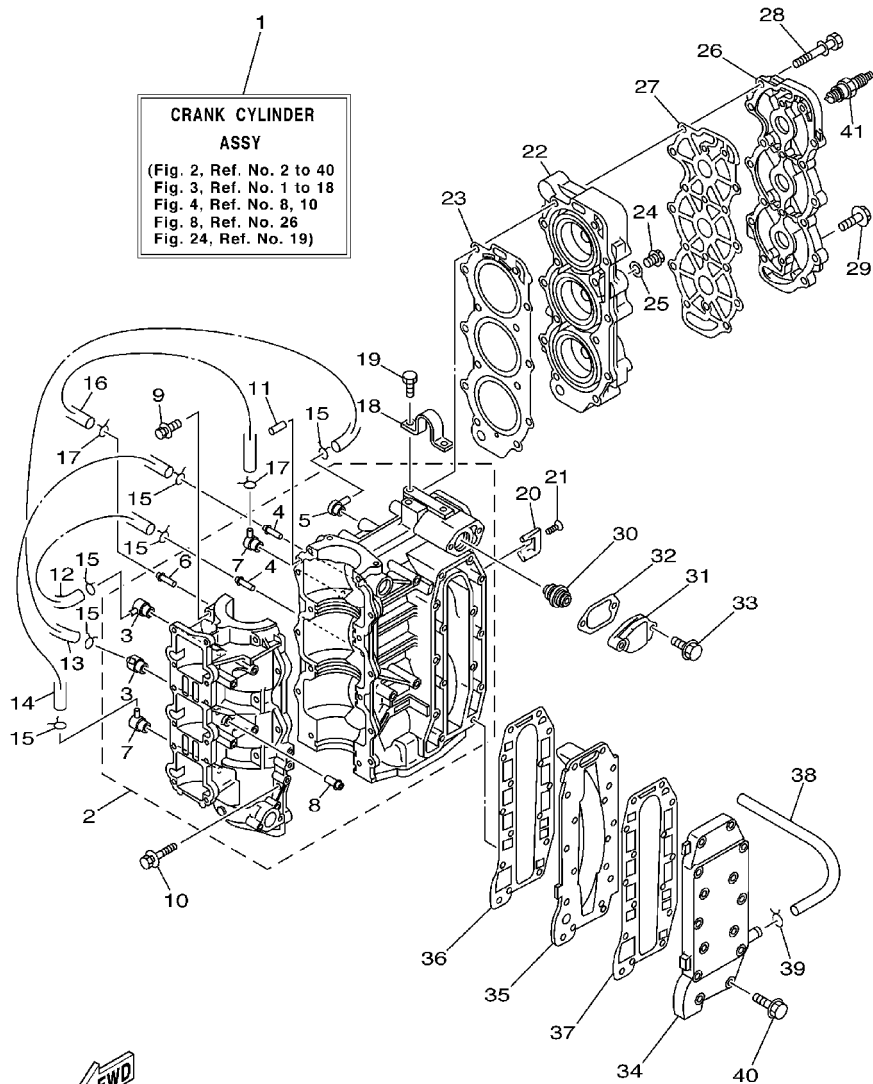
REF. NO.	PART NO.	DESCRIPTION	ETO	WHHTO	REMARKS
1	63B-42610-30-4D	TOP COWLING ASSY		1	40VWHTO
	62X-42610-80-4D	TOP COWLING ASSY		1	50HWHTO
	63D-42610-60-4D	TOP COWLING ASSY	1		40TR,40VETO
	62X-42610-60-4D	TOP COWLING ASSY	1		50TR,50HETO
2	6H4-15761-00	.SEAL, RUBBER 1		1	
3	6H4-42615-00	.SEAL	1	1	
4	6H4-42651-00	.HOOK	1	1	
5	6H4-42652-00	.HOOK	1	1	
6	90266-04M01	.RIVET	4	4	
7	6H4-42613-01-4D	.MOLDING, AIR DUCT		1	
	6H4-42613-11-4D	.MOLDING, AIR DUCT	1		
8	90119-06M99	.BOLT, WITH WASHER	4	4	
9	63D-42677-30	.GRAPHIC, FRONT	1	1	40,40V
	62X-42677-30	.GRAPHIC, FRONT	1	1	50,50H
10	63D-42678-20	.GRAPHIC, REAR	1	1	40,40V
	62X-42678-20	.GRAPHIC, REAR	1	1	50,50H
11	63D-W0070-20	.GRAPHIC SET	1	1	
12	63D-13436-40	.MARK	1		
13	63D-2177H-00	.DISK CAP 2	1		
14	6H3-21732-00	.SEAL 1	1		
15	6H3-21735-00	.SEAL 2	1		
16	6H1-42694-00	.BAND	1		
17	90338-05M03	.PLUG	1		
18	90183-05M06	.NUT, SPRING	1		
19	63D-42681-20	.MARK, COWLING	1	1	
20	63D-42682-20	.MARK, COWLING	1	1	



62X4100-3020

FIG. 2 CYLINDER. CRANKCASE

REF. NO.	PART NO.	DESCRIPTION	ETO	WHTO	REMARKS
1	63D-W0090-11-1S	CRANK CYLINDER ASSY	1	1	
2	6H4-15100-13-1S	CRANKCASE ASSY	1	1	
3	650-11370-01	.CHECK VALVE ASSY	2	2	
4	624-14485-00	.PIPE, JOINT	2	2	
5	6H4-11372-01	.NIPPLE, HOSE	1	1	
6	624-14485-00	.PIPE, JOINT	1	1	
7	688-11370-01	.CHECK VALVE ASSY	2	2	
8	650-24378-00	.PIPE, JOINT 4	1	1	
9	90119-08019	BOLT, WITH WASHER	8	8	
10	90119-06M13	BOLT, WITH WASHER	6	6	
11	93606-12019	PIN, DOWEL	2	2	
12	90445-07M46	HOSE (L360)	1	1	
13	90445-07M27	HOSE (L310)	1	1	
14	90445-07M24	HOSE (L240)	1	1	
15	90467-06016	CLIP	6	6	
16	90445-07MA3	HOSE (L200)	1	1	
17	90467-06016	CLIP	2	2	
18	6H4-11119-01	HANGER, ENGINE	1	1	
19	90101-06021	BOLT	2	2	
20	688-11325-00	ANODE	2	2	
21	98780-04016	SCREW, FLAT HEAD	2	2	
22	63D-11111-00-1S	HEAD, CYLINDER 1	1	1	
23	63D-11181-A1	GASKET, CYLINDER HEAD 1	1	1	
24	90340-14M00	PLUG, STRAIGHT SCREW	1	1	
25	90430-14115	GASKET	1	1	
26	63D-11191-00-1S	COVER, CYLINDER HEAD 1	1	1	
27	63D-11193-A0	GASKET, HEAD COVER 1	1	1	

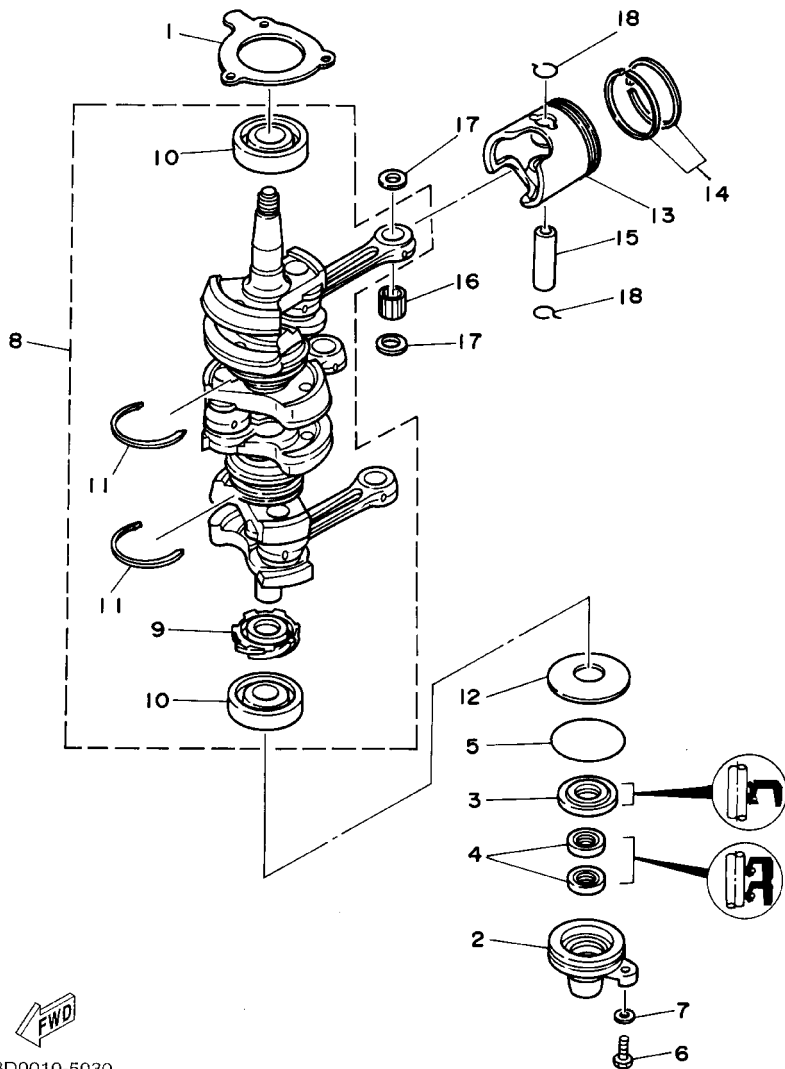


62X4100-3020

FIG. 2 CYLINDER. CRANKCASE

REF. NO.	PART NO.	DESCRIPTION	ETO	WHTO	REMARKS
28	90119-08015	BOLT, WITH WASHER	14	14	
29	90119-06MA3	BOLT, WITH WASHER	4	4	
30	6E5-12411-30	THERMOSTAT	1	1	
31	6H4-12413-00-1S	COVER, THERMOSTAT	1	1	
32	6J8-12414-A0	GASKET, COVER	1	1	
33	90119-06MA3	BOLT, WITH WASHER	2	2	
34	6H4-41113-00-1S	OUTER COVER, EXHAUST	1	1	
35	6H4-41111-00-1S	INNER COVER, EXHAUST	1	1	
36	6H4-41112-A0	GASKET, EXHAUST INNER COVER	1	1	
37	6H4-41114-A0	GASKET, EXHAUST OUTER COVER	1	1	
38	90445-09M37	HOSE (L240)	1	1	
39	90467-08004	CLIP	1	1	
40	90119-06MA5	BOLT, WITH WASHER	13	13	
41	94702-00217	PLUG, SPARK (NGK B7HS-10)	3		40-FOR USA
	94702-00271	PLUG, SPARK (NGK BR7HS-10)	3	3	40V-FOR OCEANIA
	94702-00160	PLUG, SPARK (NGK B8HS-10)	3		50-FOR USA
	94702-00247	PLUG, SPARK (NGK BR8HS-10)	3	3	50H-FOR OCEANIA

FIG. 3 CRANKSHAFT. PISTON



REF. NO.	PART NO.	DESCRIPTION	ETO	WHTO	REMARKS
1	6H4-15369-A1	GASKET, OIL SEAL HOUSING	1	1	
2	6H4-15396-03-5B	HOUSING, OIL SEAL	1	1	
3	93102-25M28	OIL SEAL	1	1	
4	93104-16M01	OIL SEAL	2	2	
5	93210-58M21	O-RING	1	1	
6	97095-06020	BOLT	1	1	
7	92995-06600	WASHER	1	1	
8	6H4-11400-14	CRANKSHAFT ASSY	1	1	
9	6H4-11536-00	.GEAR, DRIVE	1	1	
10	93306-305U8	.BEARING	2	2	
11	93440-62057	.CIRCLIP	2	2	
12	90201-50306	WASHER, PLATE	1	1	
13	6H4-11631-01-95	PISTON (STD)	3	3	
	6H4-11635-01	PISTON (0.25MM O/S)	3	3	AP
	6H4-11636-01	PISTON (0.50MM O/S)	3	3	AP
14	63D-11603-00	PISTON RING SET (STD)	3	3	
	63D-11604-00	PISTON RING SET (0.25MM O/S)	3	3	AP
	63D-11605-00	PISTON RING SET (0.50MM O/S)	3	3	AP
15	648-11633-00	PIN, PISTON	3	3	
16	93602-20M02	PIN, DOWEL	93	93	
17	6H4-11641-00	WASHER, PISTON PIN	6	6	
18	6H4-11634-01	CLIP, PISTON PIN	6	6	

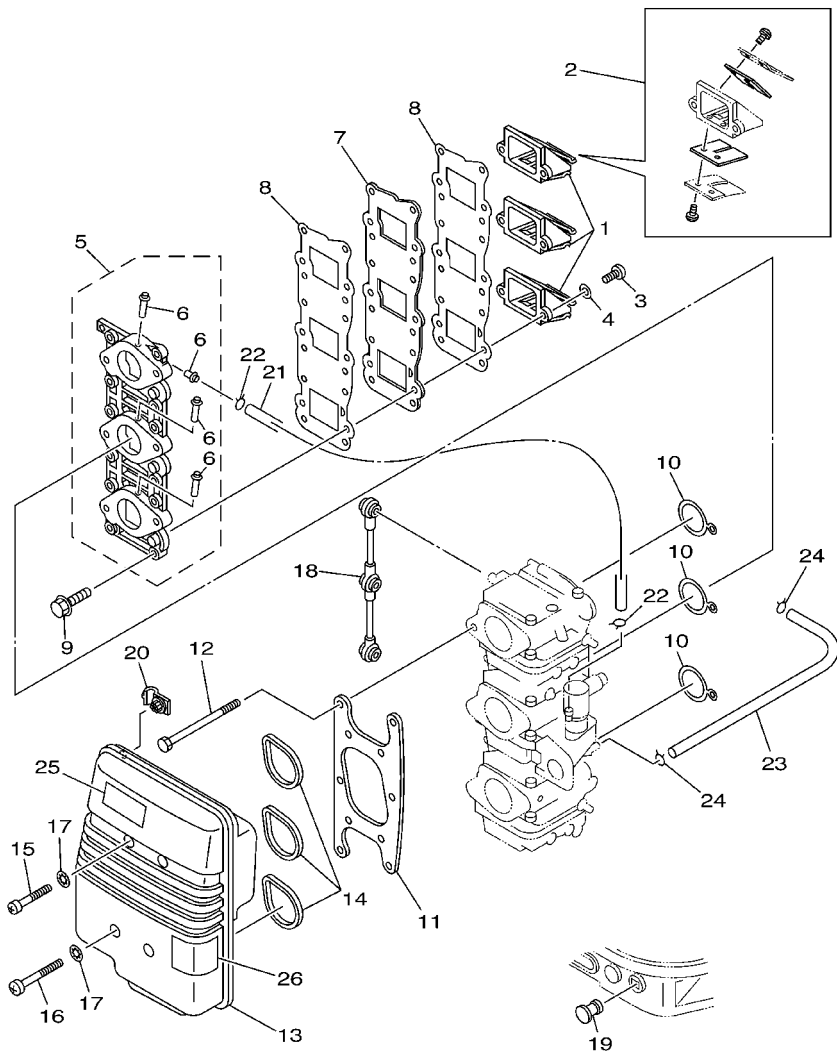
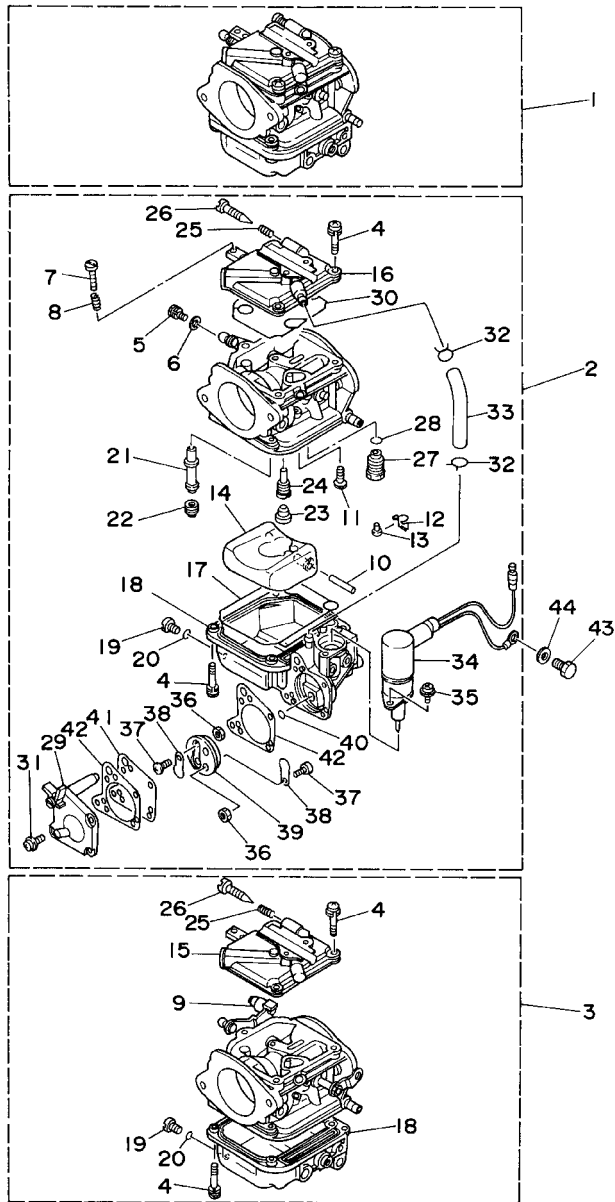


FIG. 4 INTAKE

REF. NO.	PART NO.	DESCRIPTION	ETO	WHTO			REMARKS
1	6H5-13610-00	REED VALVE ASSY	3	3			
2	6H4-W0004-00	.REED SET	1	1			
3	97880-05014	SCREW, PAN HEAD	6	6			
4	92990-05600	WASHER, PLATE	6	6			
5	6H4-13641-12-94	MANIFOLD 1	1	1			
6	6H1-14485-00	.PIPE, JOINT	4	4			
7	6H4-13624-01-94	PLATE, REED VALVE	1	1			
8	6H4-13621-A1	GASKET, VALVE SEAT	2	2			
9	90119-06MA2	BOLT, WITH WASHER	12	12			
10	6H4-14198-01	GASKET	3	3			
11	6H4-14406-00	HINGE	1	1			
12	97095-06095	BOLT	6	6			
13	6H4-14431-02	SILENCER, INTAKE 1	1				
	6H4-14431-13	SILENCER, INTAKE 1		1			
14	6H3-14457-01	SEAL	3	3			
15	97885-06040	SCREW, PAN HEAD	2	2			
16	97885-06055	SCREW, PAN HEAD	2	2			
17	90209-06M05	WASHER	4	4			
18	6H4-41217-01	ROD, ACCEL. LEVER	1	1			
19	6G1-42748-00	GROMMET	1	1			
20	90464-06M19	CLAMP		1			
21	90445-07MA5	HOSE (L150)	1	1			
22	90467-06016	CLIP	2	2			
23	6H3-14349-00	PIPE	1	1			
24	90467-08004	CLIP	2	2			
25	6A1-83625-41	MARK 5	1	1			
26	6H1-85711-60	MARK, CAUTION	1	1			



FIG. 5 CARBURETOR

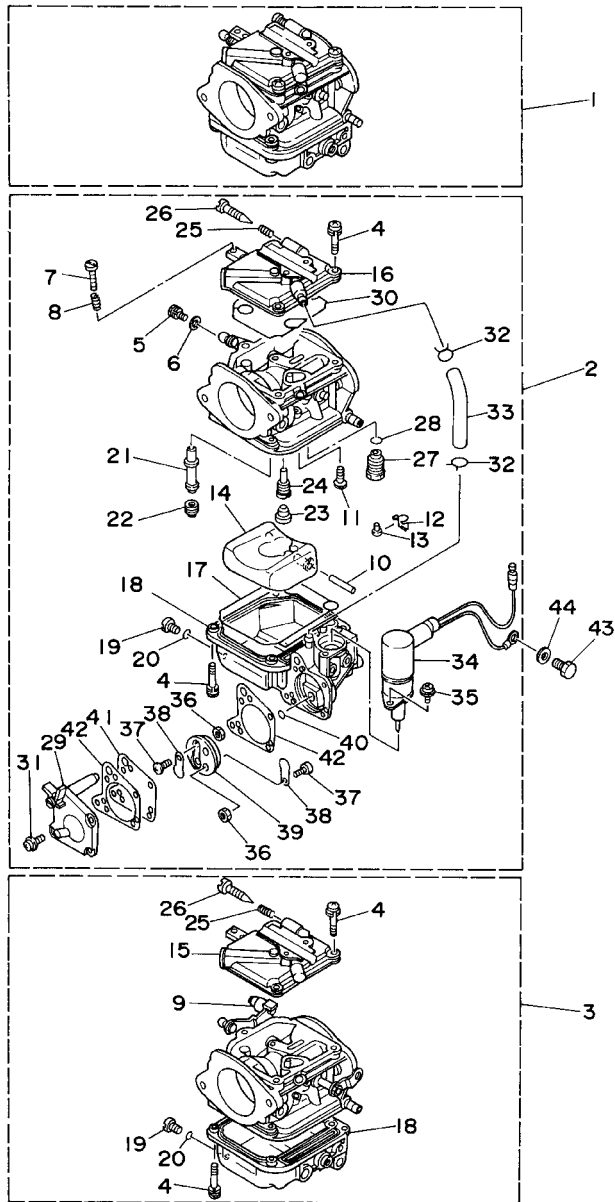


REF. NO.	PART NO.	DESCRIPTION	ETO	WHTO	REMARKS
1	63D-14301-00	CARBURETOR ASSY 1	1	1	40,40V
	62X-14301-00	CARBURETOR ASSY 1	1	1	50,50H
2	63D-14302-00	CARBURETOR ASSY 2	1	1	40,40V
	62X-14302-00	CARBURETOR ASSY 2	1	1	50,50H
3	63D-14303-00	CARBURETOR ASSY 3	1	1	40,40V
	62X-14303-00	CARBURETOR ASSY 3	1	1	50,50H
4	97980-04114	.SCREW, WITH WASHER	21	21	
5	6K5-14592-00	.SCREW	3	3	
6	90201-05652	.WASHER, PLATE	3	3	
7	63V-14523-00	.SCREW, STOP	1	1	#2
8	90501-10326	.SPRING, COMPRESSION	1	1	#2
9	6H2-14578-00	.COLLAR	1	1	#3
10	6H4-14548-00	.PIN, FLOAT ARM	3	3	
11	98580-04008	.SCREW, PAN HEAD	3	3	
12	663-14159-00	.CLIP	3	3	
13	676-14186-00	.PIN, FLOAT	3	3	
14	6H4-14985-01	.FLOAT	3	3	
15	6H4-14146-10	.PLATE	2	2	#1,3
16	6H3-14146-10	.PLATE	1	1	#2
17	6H4-14984-00	.GASKET, FLOAT CHAMBER	3	3	
18	6H4-14980-00	.BODY, FLOAT CHAMBER	2	2	#1,3
	6H3-14980-10	.BODY, FLOAT CHAMBER	1	1	#2
19	6H3-14992-00	.SCREW, DRAIN	3	3	
20	93210-04230	.O-RING	3	3	
21	63D-14947-00	.JET, NEEDLE	3	3	40,40V
	62X-14947-00	.JET, NEEDLE	3	3	50,50H
22	676-14943-30	.JET, MAIN (#115)	2	2	40,40V-#1,3



63D0010-5050

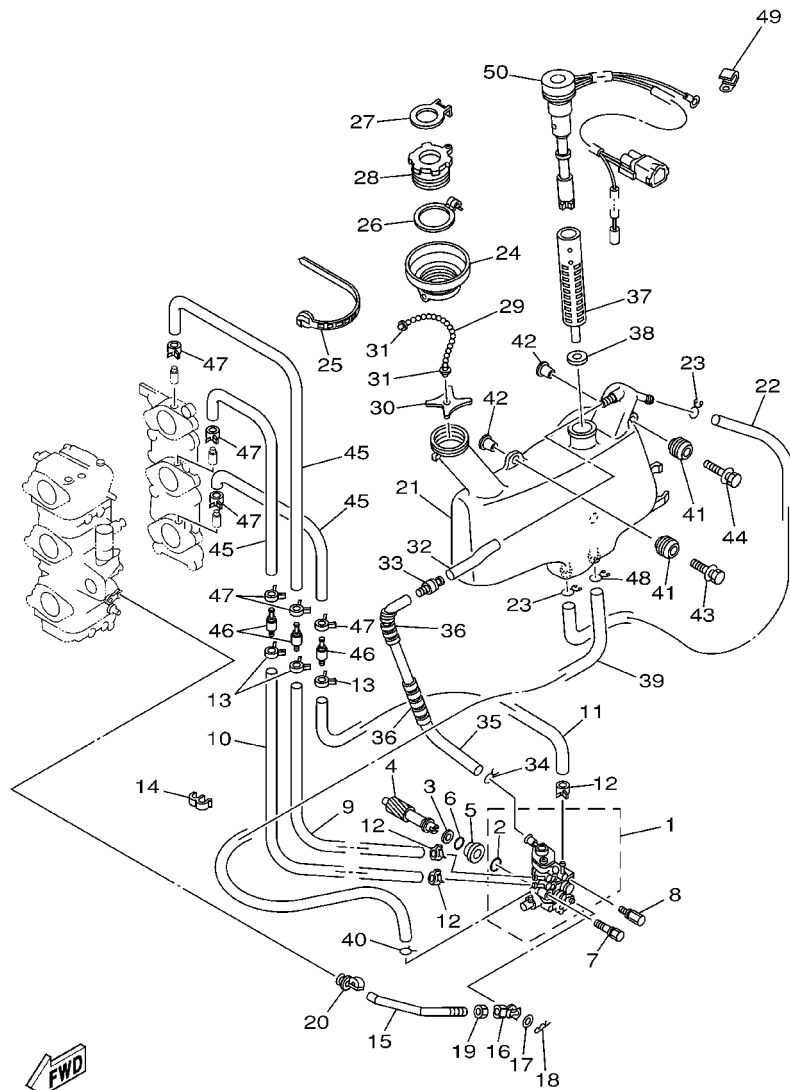
FIG. 5 CARBURETOR



63D0010-5050

REF. NO.	PART NO.	DESCRIPTION	ETO	WHTO	REMARKS
22	63D-14943-81	.JET, MAIN (#118)	1	1	40,40V-#2
	676-14943-33	.JET, MAIN (#130)	3	3	50,50H
23	676-14966-00	.CAP	3	3	
24	6H4-14948-11	.JET (#60)	3	3	40,40V
	62X-14948-12	.JET (#62)	3	3	50,50H
25	679-14555-00	.SPRING	3	3	
26	692-14923-00	.SCREW, PILOT	3	3	
27	6H4-14590-00	.NEEDLE VALVE ASSY	3	3	
28	93210-04228	.O-RING	3	3	
29	6H3-24452-10	.COVER	1	1	#2
30	6H4-14147-00	.O-RING	3	3	
31	6H4-14567-00	.SCREW	4	4	#2
32	6H3-14137-00	.CLIP	2	2	#2
33	6H3-14349-00	.PIPE	1	1	#2
34	63D-14380-00	.PRIME STARTER ASSY	1	1	#2
35	97803-04010	.SCREW, PAN HEAD	2	2	#2
36	95380-03600	.NUT	2	2	#2
37	98980-03006	.SCREW, BIND	2	2	#2
38	6L5-24421-00	.VALVE, CHECK	2	2	#2
39	6H4-24413-00	.BODY 2	1	1	#2
40	6H4-24486-00	.O-RING	1	1	#2
41	6H3-24411-10	.DIAPHRAGM	1	1	#2
42	6H3-24434-10	.GASKET, BODY	2	2	#2
43	97013-06012	BOLT	1	1	
44	92903-06600	WASHER, PLATE	1	1	

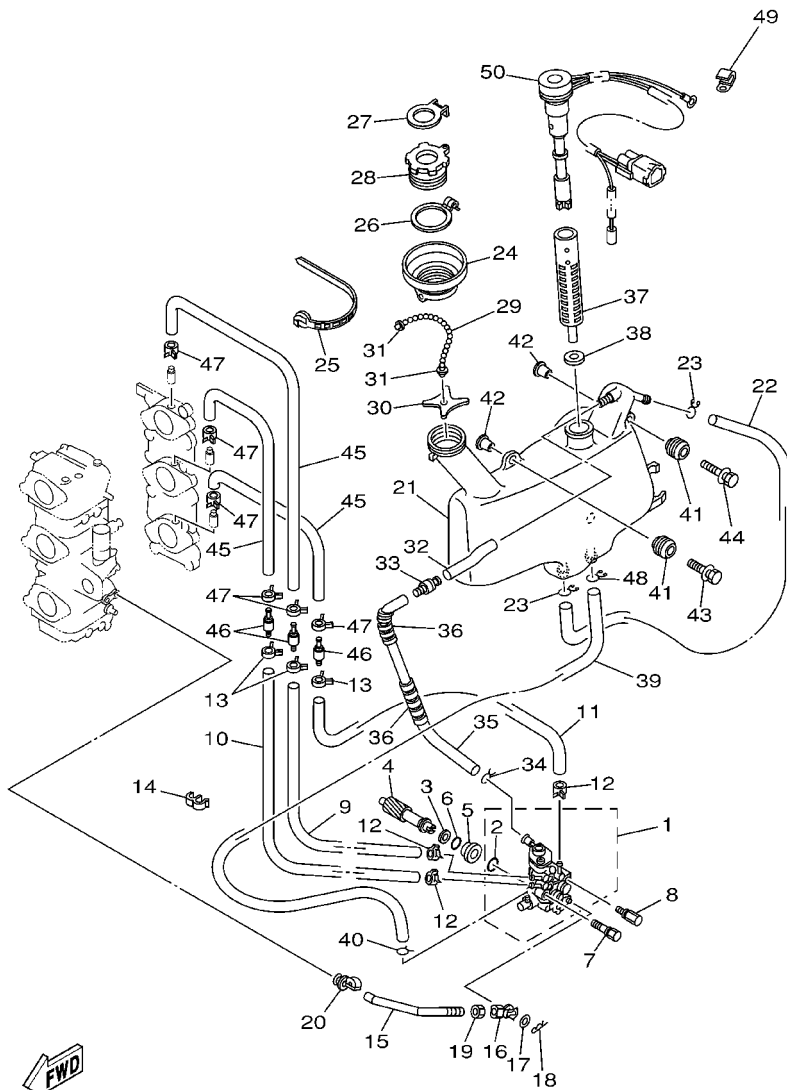
FIG. 6 OIL PUMP 1



63B0100-0070

REF. NO.	PART NO.	DESCRIPTION	ETO	WHTO	REMARKS
1	63D-13200-00	OIL INJECTION PUMP ASSY	1		
2	93210-19MA7	.O-RING	1		
3	90201-08M93	WASHER, PLATE	1		
4	6H4-11537-01	GEAR, DRIVEN	1		
5	6H1-13117-01	COLLAR, DISTANCE	1		
6	93210-13M04	O-RING	1		
7	90109-06M39	BOLT	1		
8	90109-06M40	BOLT	1		
9	90445-07M44	HOSE (L250)	1		
10	90445-07M23	HOSE (L408)	1		
11	90445-07MA6	HOSE (L90)	1		
12	90468-07M02	CLIP	3		
13	90468-07M02	CLIP	3		
14	90464-07M20	CLAMP	1		
15	6H4-41241-01	ROD, LINK	1		
16	6H1-41237-00	JOINT, LINK	1		
17	90202-05088	WASHER, PLATE	1		
18	90468-05M03	CLIP	1		
19	95380-05600	NUT	1		
20	6E9-41237-00	JOINT, LINK	1		
21	63D-21707-00	OIL TANK COMP.	1		
22	90445-11M15	HOSE (L360)	1		
23	90467-11M08	CLIP	2		
24	6H4-21752-00	TUBE, FILLER 1	1		
25	90465-13M30	CLAMP	1		
26	63D-2175R-00	HOOK, BAND	1		
27	63D-2176M-00	HOOK	1		

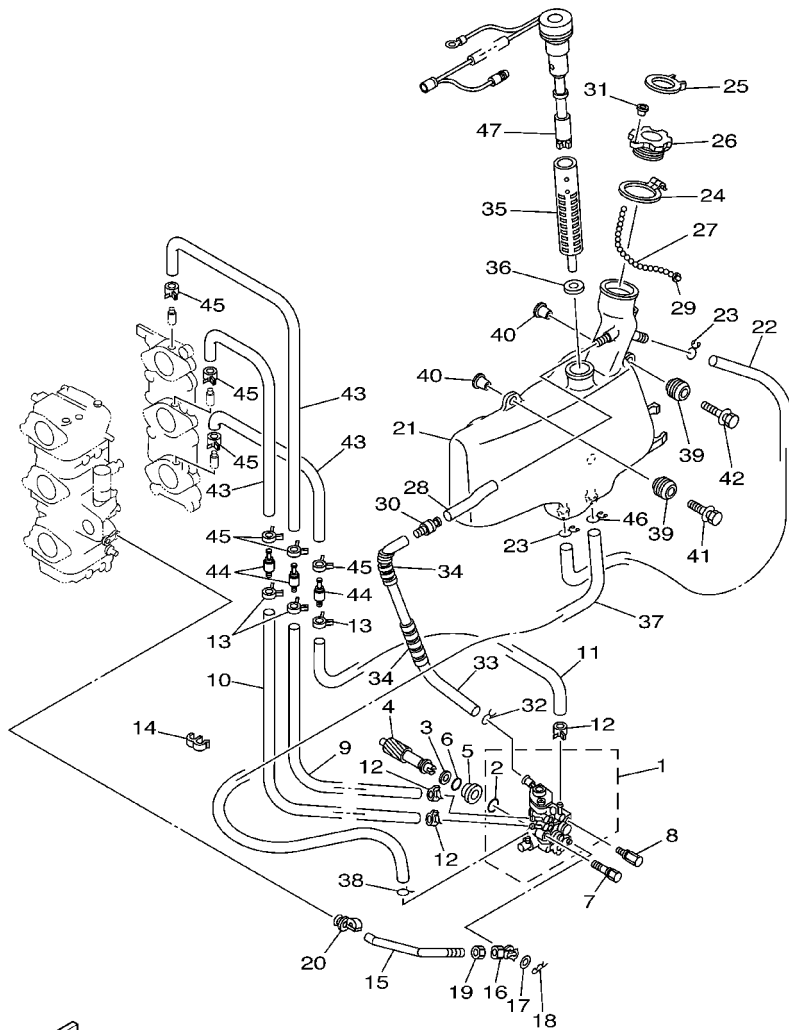
FIG. 6 OIL PUMP 1



63B0100-0070

REF. NO.	PART NO.	DESCRIPTION	ETO	WHTO	REMARKS
28	6H4-21770-00	OIL TANK CAP ASSY	1		
29	6H5-24633-00	CHAIN, BALL	1		
30	6J8-21758-00	WASHER, SPECIAL 2	1		
31	6H1-21757-00	WASHER, SPECIAL 1	2		
32	90445-11M23	HOSE (L85)	1		
33	63D-21744-00	BREATHER	1		
34	90467-10M04	CLIP	1		
35	90445-11M17	HOSE (L300)	1		
36	90446-10M01	HOSE	2		
37	6J8-13411-00	STRAINER, OIL	1		
38	6J8-13414-00	GASKET, STRAINER COVER	1		
39	6L2-13416-00	PIPE, OIL 1	1		
40	90467-08004	CLIP	1		
41	6A0-82317-00	DAMPER, IGNITION COIL	3		
42	624-42542-00	PIPE	3		
43	90119-06M65	BOLT, WITH WASHER	2		
44	90119-06M67	BOLT, WITH WASHER	1		
45	90445-07M87	HOSE (L110)	3		
46	6E9-13183-70	VALVE, CHECK	3		
47	90468-07M02	CLIP	6		
48	90467-11M08	CLIP	1		
49	90465-06M86	CLAMP	1		
50	63D-85720-00	OIL LEVEL GAUGE ASSY	1		

FIG. 7 OIL PUMP 2

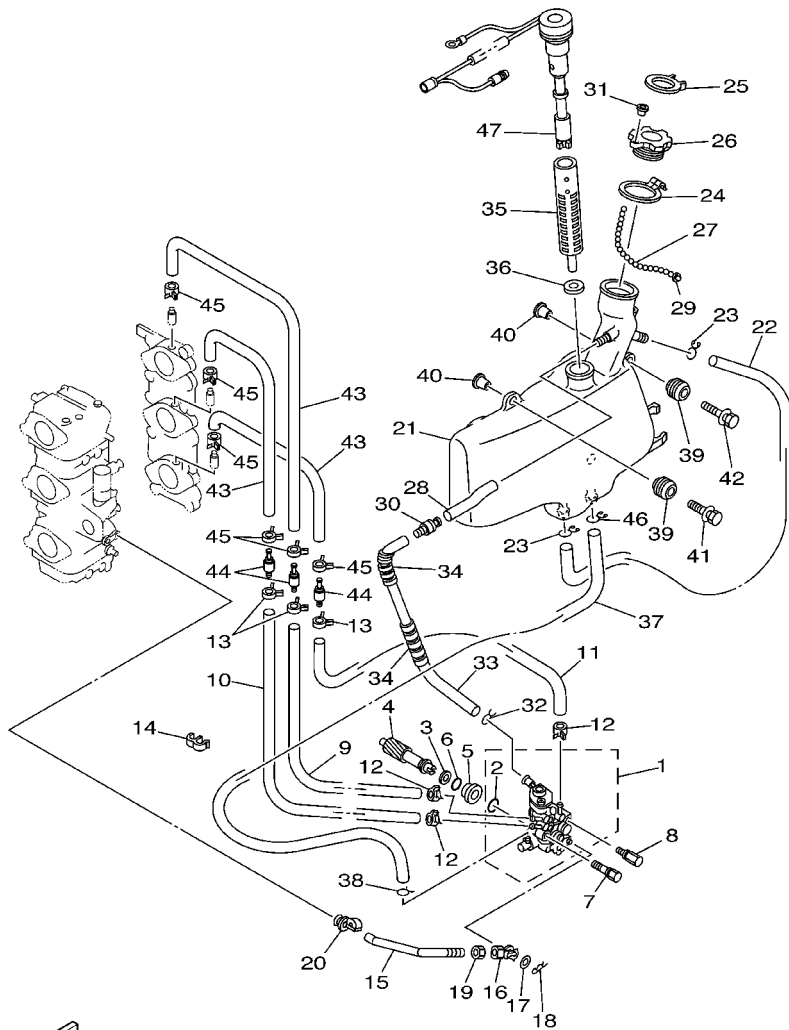


REF. NO.	PART NO.	DESCRIPTION	ETO	WHTO	REMARKS
1	63D-13200-00	OIL INJECTION PUMP ASSY		1	
2	93210-19MA7	.O-RING		1	
3	90201-08M93	WASHER, PLATE		1	
4	6H4-11537-01	GEAR, DRIVEN		1	
5	6H1-13117-01	COLLAR, DISTANCE		1	
6	93210-13M04	O-RING		1	
7	90109-06M39	BOLT		1	
8	90109-06M40	BOLT		1	
9	90445-07M44	HOSE (L250)		1	
10	90445-07M23	HOSE (L408)		1	
11	90445-07MA6	HOSE (L90)		1	
12	90468-07M02	CLIP		3	
13	90468-07M02	CLIP		3	
14	90464-07M20	CLAMP		1	
15	6H4-41241-01	ROD, LINK		1	
16	6H1-41237-00	JOINT, LINK		1	
17	90202-05088	WASHER, PLATE		1	
18	90468-05M03	CLIP		1	
19	95380-05600	NUT		1	
20	6E9-41237-00	JOINT, LINK		1	
21	63D-21707-10	OIL TANK COMP.		1	
22	90445-11M15	HOSE (L360)		1	
23	90467-11M08	CLIP		2	
24	63D-2175R-00	HOOK, BAND		1	
25	63D-2176M-00	HOOK		1	
26	6H4-21770-00	OIL TANK CAP ASSY		1	
27	6H4-24633-00	CHAIN, BALL		1	



63B0100-0060

FIG. 7 OIL PUMP 2



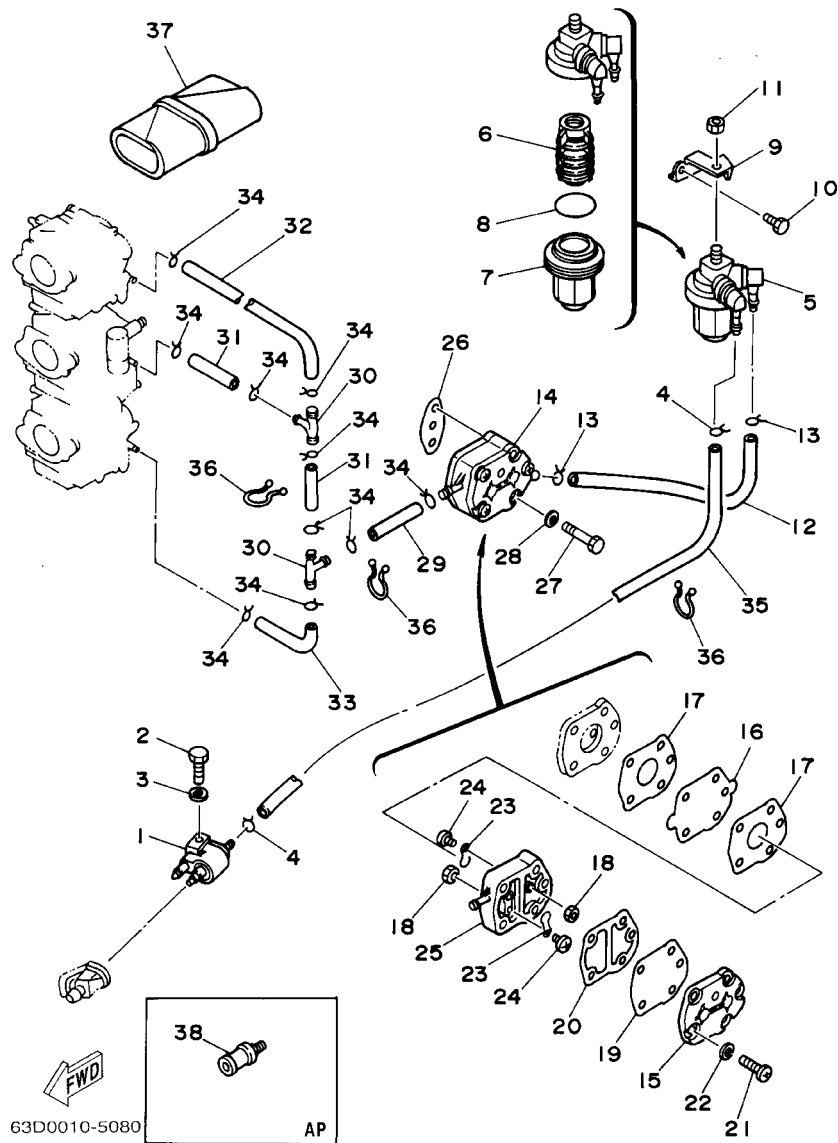
REF. NO.	PART NO.	DESCRIPTION	ETO	WHTO	REMARKS
28	90445-11M23	HOSE (L85)		1	
29	6H4-21757-00	WASHER, SPECIAL 1		1	
30	63D-21744-00	BREATHER		1	
31	6H4-24634-00	HOOK, CHAIN BALL		1	
32	90467-10M04	CLIP		1	
33	90445-11M17	HOSE (L300)		1	
34	90446-10M01	HOSE		2	
35	6J8-13411-00	STRAINER, OIL		1	
36	6J8-13414-00	GASKET, STRAINER COVER		1	
37	6L2-13416-00	PIPE, OIL 1		1	
38	90467-08004	CLIP		1	
39	6A0-82317-00	DAMPER, IGNITION COIL		3	
40	624-42542-00	PIPE		3	
41	90119-06M65	BOLT, WITH WASHER		2	
42	90119-06M67	BOLT, WITH WASHER		1	
43	90445-07M87	HOSE (L110)		3	
44	6E9-13183-70	VALVE, CHECK		3	
45	90468-07M02	CLIP		6	
46	90467-11M08	CLIP		1	
47	63D-85720-10	OIL LEVEL GAUGE ASSY		1	



63B0100-0060

FIG. 8 FUEL 1

REF. NO.	PART NO.	DESCRIPTION	ETO	WHTO	REMARKS
1	6G1-24304-02	FUEL PIPE JOINT COMP. 1	1	1	
2	97095-06025	BOLT	1	1	
3	92995-06600	WASHER	1	1	
4	90467-08004	CLIP	2	2	
5	61N-24560-00	FILTER ASSY	1	1	
6	61N-24563-00	.ELEMENT, FILTER	1	1	
7	61N-24521-00	.CUP, FILTER	1	1	
8	93210-32738	.O-RING	1	1	
9	6H4-24566-02	BRACKET, FILTER	1	1	
10	97013-06014	BOLT	1	1	
11	95380-08600	NUT	1	1	
12	6H4-24314-00	PIPE 4	1	1	
13	90467-08004	CLIP	2	2	
14	692-24410-00	FUEL PUMP ASSY	1	1	
15	6A0-24413-00	.BODY 2	1	1	
16	692-24411-00	.DIAPHRAGM	1	1	
17	648-24434-01	.GASKET, BODY	2	2	
18	95380-03600	.NUT	2	2	
19	663-24411-00	.DIAPHRAGM	1	1	
20	648-24435-02	.GASKET, BODY 2	1	1	
21	98503-05028	.SCREW, PAN HEAD	3	3	
22	92990-05100	.WASHER, SPRING	3	3	
23	6A0-24421-01	.VALVE, CHECK	2	2	
24	6A0-14325-00	.SCREW, PAN HEAD	2	2	
25	6A0-24412-02	.BODY 1	1	1	
26	650-24431-A0	.GASKET, FUEL PUMP 1	1	1	
27	97095-06040	BOLT	2	2	



63D0010-5080

AP

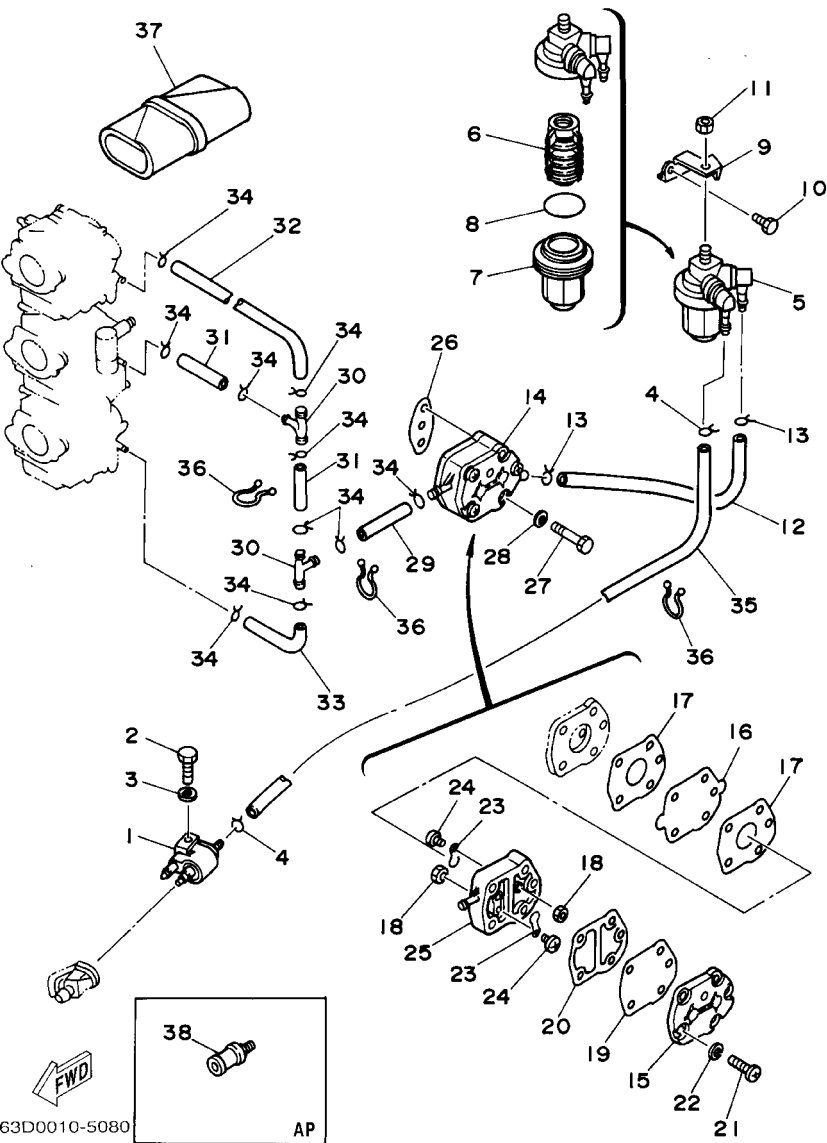
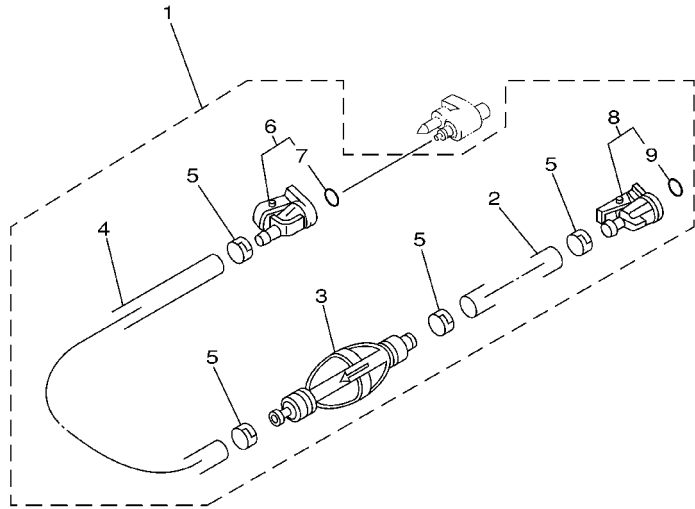


FIG. 8 FUEL 1

REF. NO.	PART NO.	DESCRIPTION	ETO	WHTO	REMARKS
28	92995-06600	WASHER	2	2	
29	90445-09063	HOSE	1	1	
30	688-24378-00	PIPE, JOINT 4	2	2	
31	90445-09057	HOSE (L45)	2	2	
32	6H4-24313-00	PIPE 3	1	1	
33	6H4-24312-00	PIPE 2	1	1	
34	90467-08004	CLIP	10	10	
35	6H4-24311-00	PIPE, FUEL 1	1	1	
36	90464-15M11	CLAMP	3	3	
37	656-W2810-02	TOOL KIT	1	1	AP
38	6E0-28193-00-94	PLUG, WATER CHECK	1	1	AP D:12.5MM



**FIG. 9 FUEL 2**

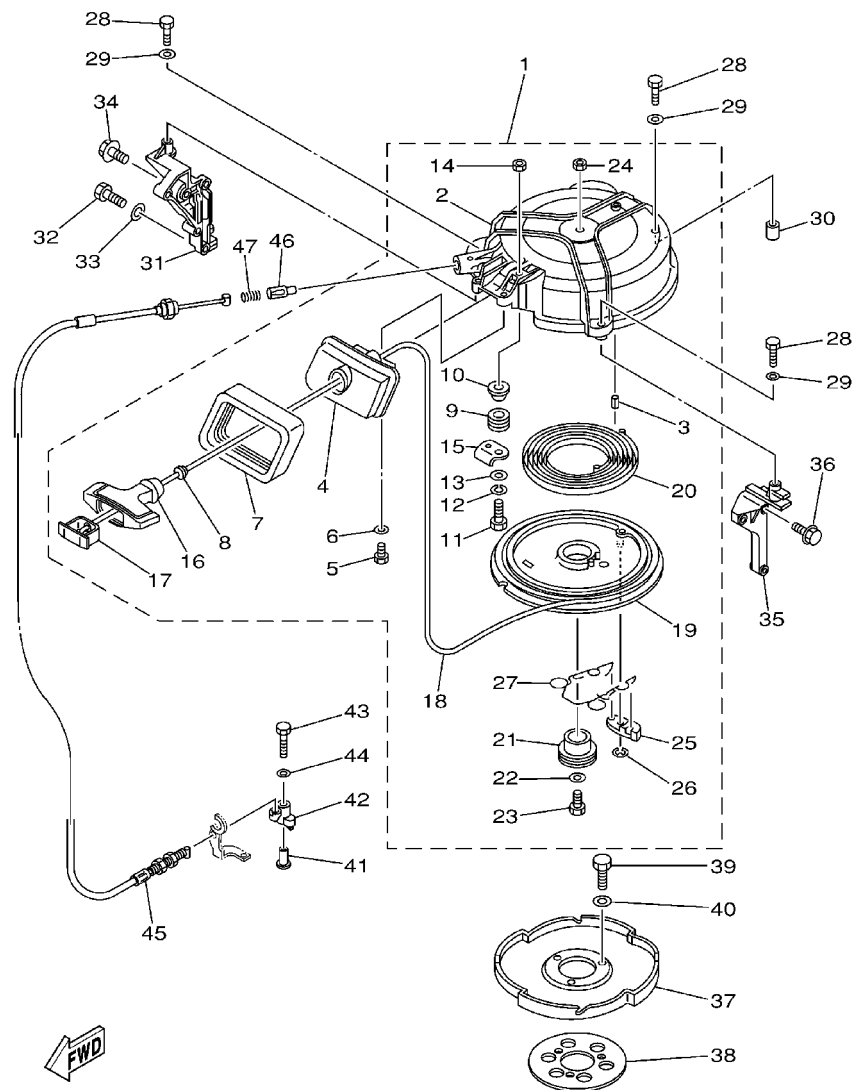


REF. NO.	PART NO.	DESCRIPTION	ETO	WHTO	REMARKS
1	6Y1-24306-53	FUEL PIPE COMP. 1	1		AP FOR USA
2	90445-11M06	.HOSE (L:2050)	1		
3	6Y1-24360-52	.PRIMER PUMP ASSY	1		
4	90445-11M05	.HOSE (L:850)	1		
5	650-24351-51	.BAND 1	4		
6	6G1-24305-03	.FUEL PIPE JOINT COMP. 2	1		
7	93210-08287	..O-RING	1		
8	6Y1-24305-04	.FUEL PIPE JOINT COMP. 2	1		
9	93210-08287	..O-RING	1		



67C0100-0100

FIG. 10 STARTER

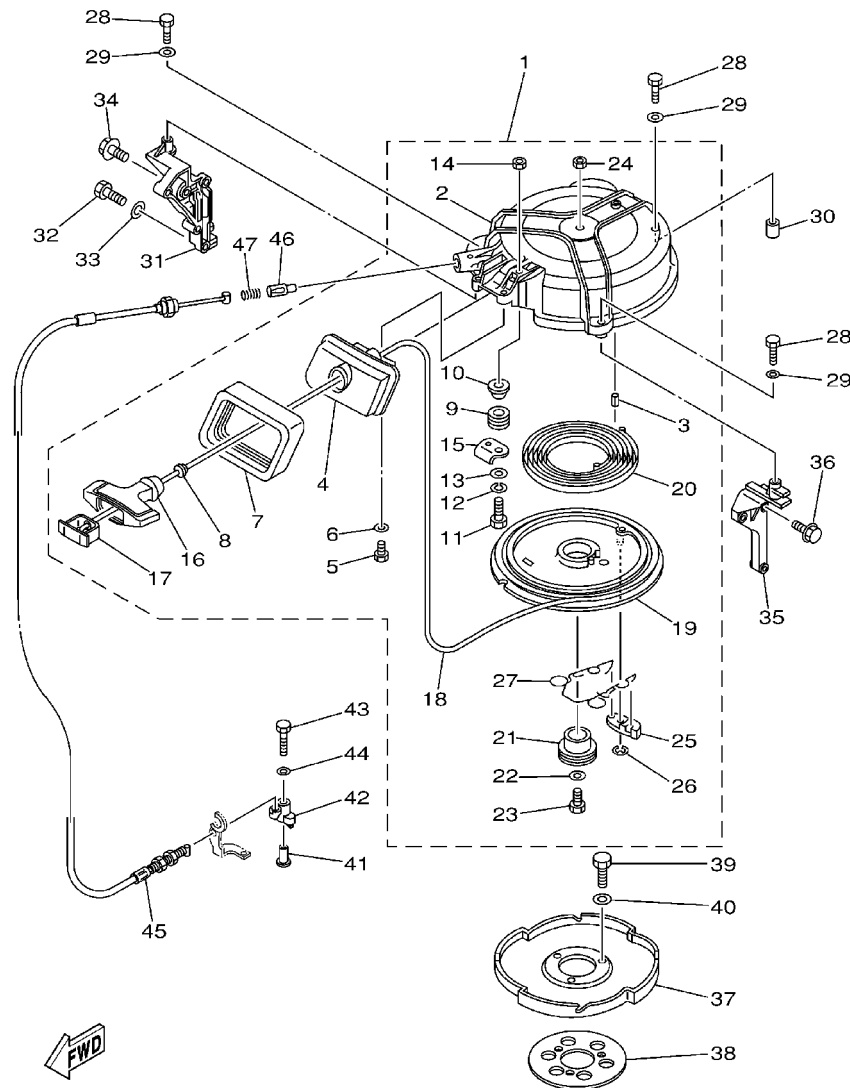


63D4100-2080

REF. NO.	PART NO.	DESCRIPTION	ETO	WHTO	REMARKS
1	6H4-15710-04-4D	STARTER ASSY		1	
2	6H4-15711-02-94	.CASE, STARTER		1	
3	91690-40018	.PIN, SPRING		1	
4	6H4-15758-01-4D	.GUIDE, ROPE		1	
5	97095-06016	.BOLT		2	
6	92995-06600	.WASHER		2	
7	6H4-15762-00	.SEAL, RUBBER 2		1	
8	6A0-15789-00	.DAMPER		1	
9	6F5-15752-00	.ROLLER, WIRE		1	
10	90387-06M69	.COLLAR		1	
11	97013-06030	.BOLT		1	
12	92903-06100	.WASHER, SPRING		1	
13	92903-06600	.WASHER, PLATE		1	
14	95380-06600	.NUT, HEXAGON		1	
15	6H4-15787-01	.STAY		1	
16	689-15755-01	.HANDLE, STARTER		1	
17	6F5-15779-02	.COVER		1	
18	*	.WIRE (L:2095MM)		1	
19	6H4-15714-00	.DRUM, SHEAVE		1	
20	90510-08002	.SPRING, SPIRAL		1	
21	6H4-15717-01	.SHAFT, STARTER		1	
22	90201-06060	.WASHER, PLATE		1	
23	97095-06020	.BOLT		1	
24	95380-06600	.NUT, HEXAGON		1	
25	676-15741-03	.PAWL, DRIVE		1	

\* CUT FROM 50M ROLLS, PART NO. 90890-44373, CUTTING LENGTH 2.095M

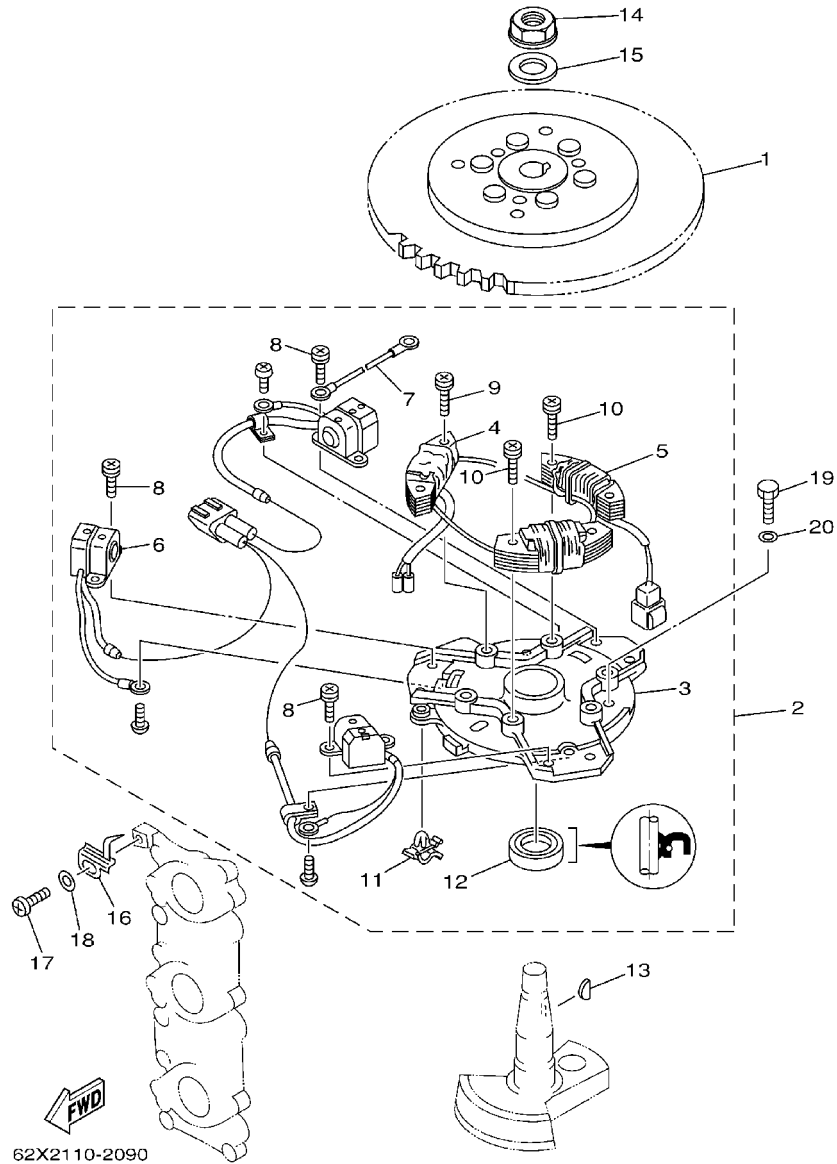
FIG. 10 STARTER



63D4100-2080

REF. NO.	PART NO.	DESCRIPTION	ETO	WHTO	REMARKS
26	93430-06M02	.CIRCLIP		1	
27	6H4-15705-00	.SPRING, DRIVE PAWL		1	
28	97095-06035	BOLT		3	
29	92995-06600	WASHER		3	
30	99530-10014	PIN, DOWEL		1	
31	63D-15771-00-4D	STAY 1		1	
32	97013-08025	BOLT		2	
33	92903-08600	WASHER, PLATE		2	
34	90119-06MA2	BOLT, WITH WASHER		1	
35	6H4-15772-02-94	STAY 2		1	
36	90119-06MA3	BOLT, WITH WASHER		3	
37	6H4-15723-01-94	PULLEY, STARTER		1	
38	6J8-81365-A0	GASKET, HOLE COVER		1	
39	97013-08020	BOLT		3	
40	92903-08600	WASHER, PLATE		3	
41	90387-06M66	COLLAR		1	
42	63D-15746-00	ARM		1	
43	97095-06040	BOLT		1	
44	92995-06600	WASHER		1	
45	63D-15770-00	CABLE COMP., STARTER STOP		1	
46	656-15748-00	PLUNGER, STARTER STOP		1	
47	90501-10227	SPRING, COMPRESSION		1	

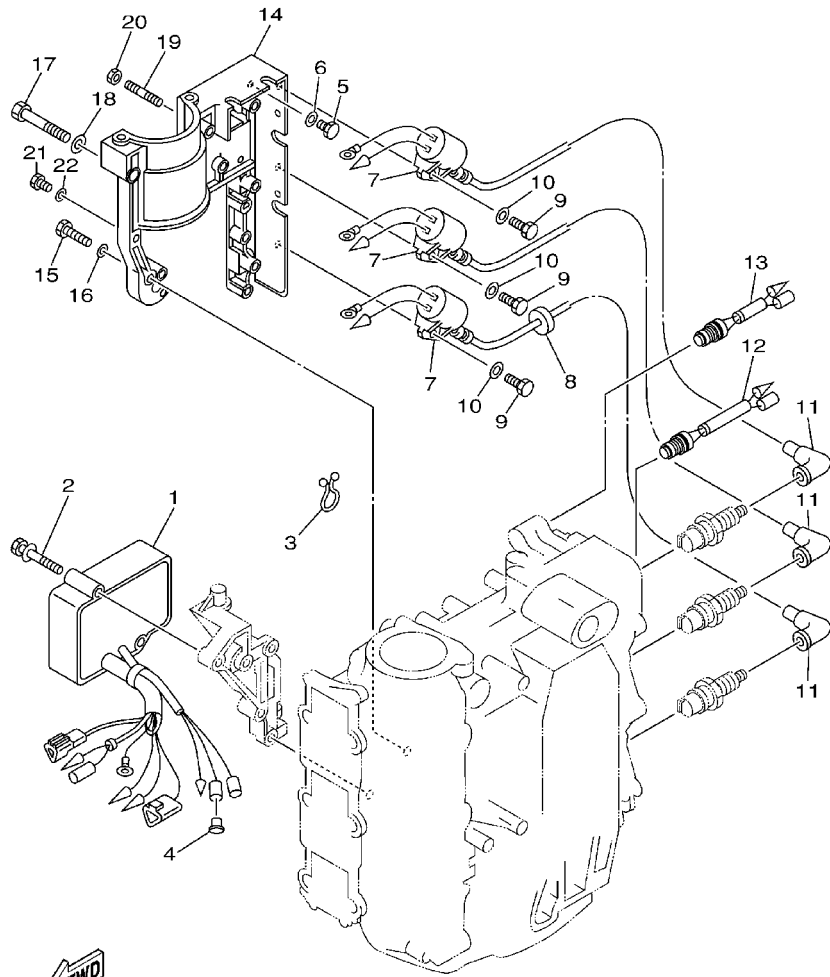
FIG. 11 GENERATOR



62X2110-2090

REF. NO.	PART NO.	DESCRIPTION	ETO	WHTO	REMARKS
1	63D-85550-00	ROTOR ASSY	1	1	
2	63D-85560-10	BASE ASSY	1	1	
3	6H4-15359-04-94	.HOUSING, OIL SEAL	1	1	
4	63D-85520-00	.COIL, CHARGE	1	1	
5	63D-85533-10	.COIL, LIGHTING	1	1	
6	63D-85580-00	.COIL, PULSER	1	1	
7	6H4-83354-00	.WIRE, EARTH LEAD 1	1	1	
8	63D-81345-00	.SCREW, WITH WASHER (M5X12)	6	6	
9	63D-81345-10	.SCREW, WITH WASHER (M6X25)	2	2	
10	63D-81345-20	.SCREW, WITH WASHER (M6X30)	4	4	
11	90464-03M15	.CLAMP	1	1	
12	93102-23096	.OIL SEAL	1	1	
13	6H4-11545-00	KEY, WOODRUFF	1	1	
14	90179-16M05	NUT	1	1	
15	90201-16M44	WASHER, PLATE	1	1	
16	6H4-81332-00	PLATE, TIMING	1	1	
17	97885-05010	SCREW, PAN HEAD	1	1	
18	92995-05600	WASHER	1	1	
19	97013-06018	BOLT	3	3	
20	92903-06600	WASHER, PLATE	3	3	

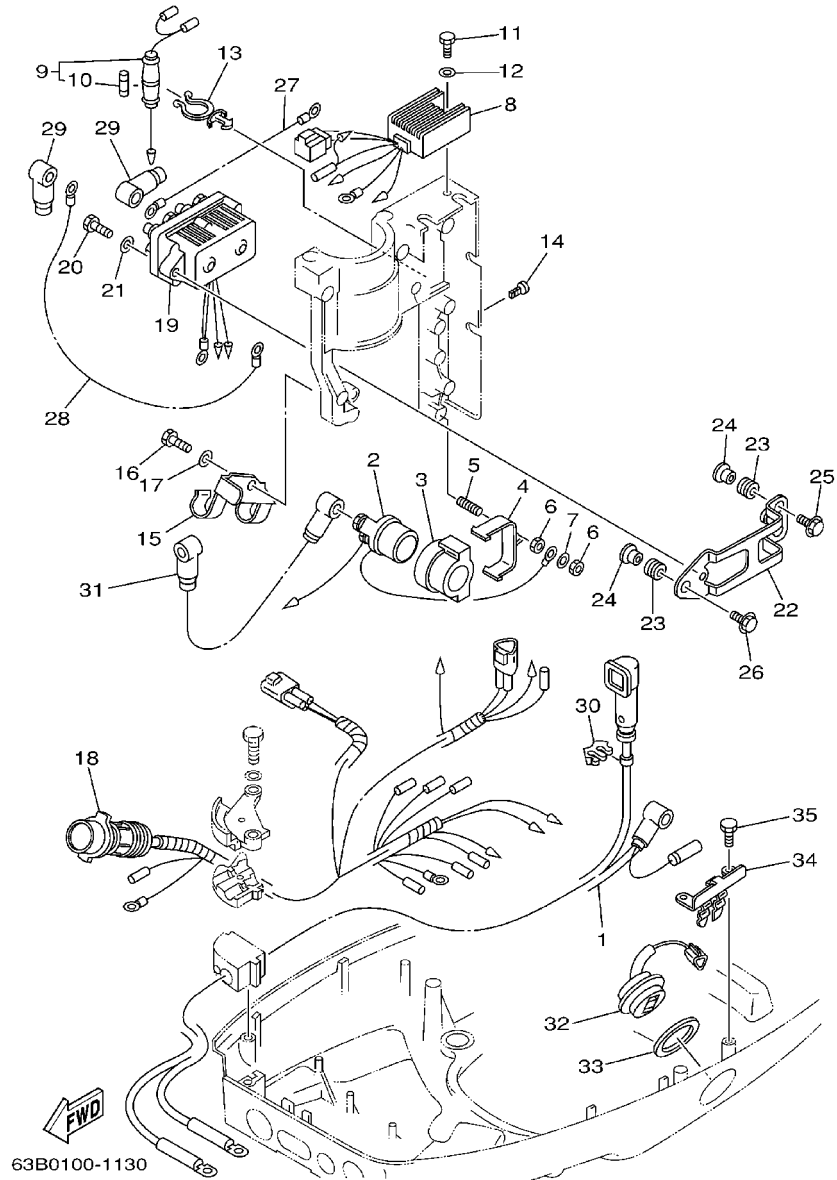
FIG. 12 ELECTRICAL 1



62X2110-2100

REF. NO.	PART NO.	DESCRIPTION	ETO	WHTO	REMARKS
1	63D-85540-03	C.D.I. UNIT ASSY	1	1	
2	90119-06M51	BOLT, WITH WASHER	2	2	
3	90464-15M11	CLAMP	1	1	
4	703-82119-00	COVER, LEAD WIRE	1		50,50H
5	97095-06014	BOLT	1	1	
6	92995-06600	WASHER	1	1	
7	6H5-85570-00	IGNITION COIL ASSY	3	3	
8	90480-25161	GROMMET	1	1	
9	97095-06020	BOLT	3	3	
10	92995-06600	WASHER	3	3	
11	663-82370-01	PLUG CAP ASSY	3		FOR USA
	6G1-82370-21	PLUG CAP ASSY	3	3	FOR OCEANIA
12	689-82560-00	THERMO SWITCH ASSY	1	1	
13	6H4-82560-00	THERMO SWITCH ASSY	1	1	
14	6H4-81822-02-98	BRACKET, STARTING MOTOR	1	1	
15	97095-06030	BOLT	4	4	
16	92995-06600	WASHER	4	4	
17	97013-08050	BOLT	1	1	
18	92903-08600	WASHER, PLATE	1	1	
19	95670-06640	BOLT, STUD	1	1	
20	90179-06M24	NUT	1	1	
21	97095-06014	BOLT	2	2	
22	92995-06600	WASHER	2	2	

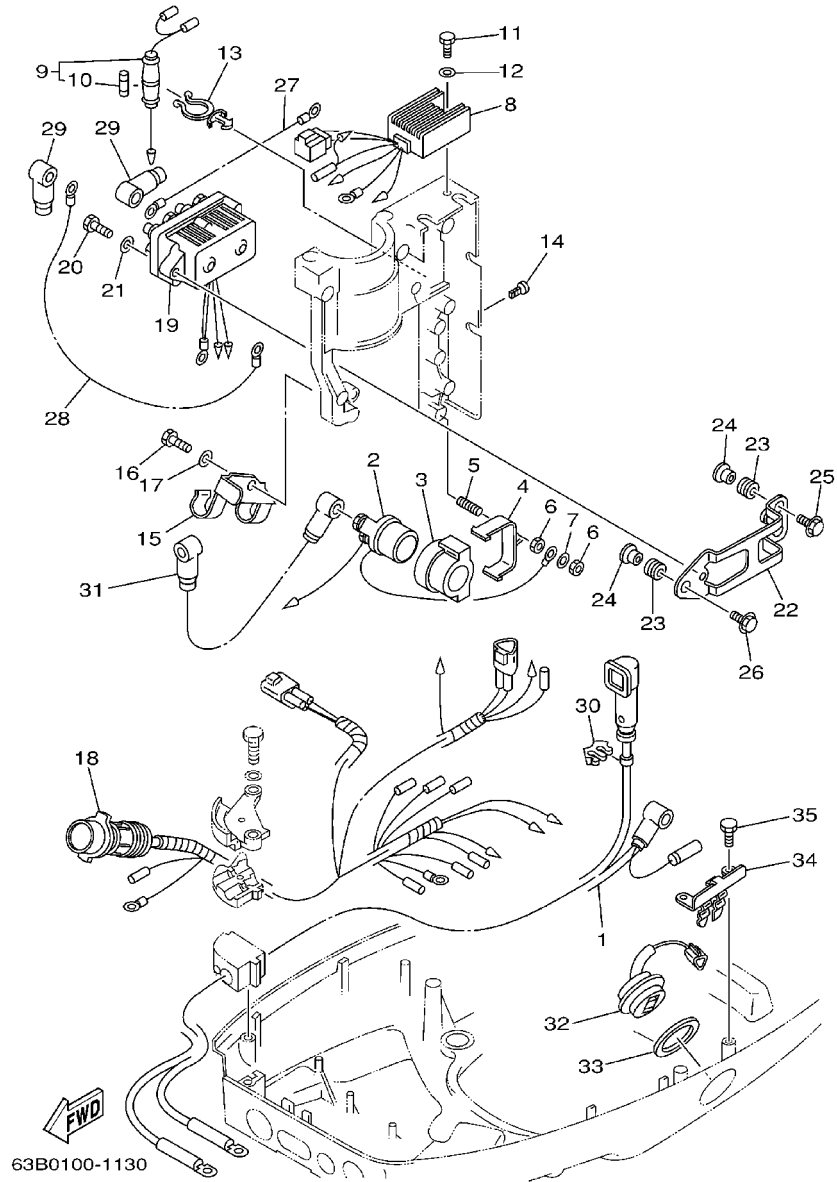
FIG. 13 ELECTRICAL 2



63B0100-1130

REF. NO.	PART NO.	DESCRIPTION	ETO	WHTO	REMARKS
1	63D-82105-U0	WIRE HARNESS	1		FOR USA
	6H4-82105-02	WIRE HARNESS	1	1	FOR OCEANIA
2	6G1-81941-10	STARTER RELAY ASSY	1	1	
3	6H4-81952-00	HOLDER, RELAY	1	1	
4	6H4-81945-00	PLATE, SWITCH FITTING	1	1	
5	90116-06M22	BOLT, STUD	1	1	
6	95380-06600	NUT, HEXAGON	2	2	
7	92990-06600	WASHER, PLATE	1	1	
8	6H2-81960-10	RECTIFIER & REGULATOR ASSY	1	1	
9	6H4-82150-00	FUSE HOLDER ASSY	1	1	
10	663-82151-00	.FUSE (12V-20A)	1	1	
11	97095-06014	BOLT	1	1	
12	92995-06600	WASHER	1	1	
13	90464-15M27	CLAMP	1	1	
14	90338-05M11	PLUG	2	2	
15	63D-82594-00	CLAMP	1	1	
16	97095-06012	BOLT	1	1	
17	92995-06600	WASHER	1	1	
18	63D-82590-20	WIRE HARNESS ASSY	1	1	
19	6H1-81950-00	RELAY ASSY	1	1	
20	97095-06025	BOLT	2	2	
21	92995-06600	WASHER	2	2	
22	6H4-81945-20	PLATE, SWITCH FITTING	1	1	
23	90480-13M24	GROMMET	3	3	
24	90387-06M05	COLLAR	3	3	
25	90105-06M15	BOLT, FLANGE	2	2	
26	90105-06M16	BOLT, FLANGE	1	1	

FIG. 13 ELECTRICAL 2



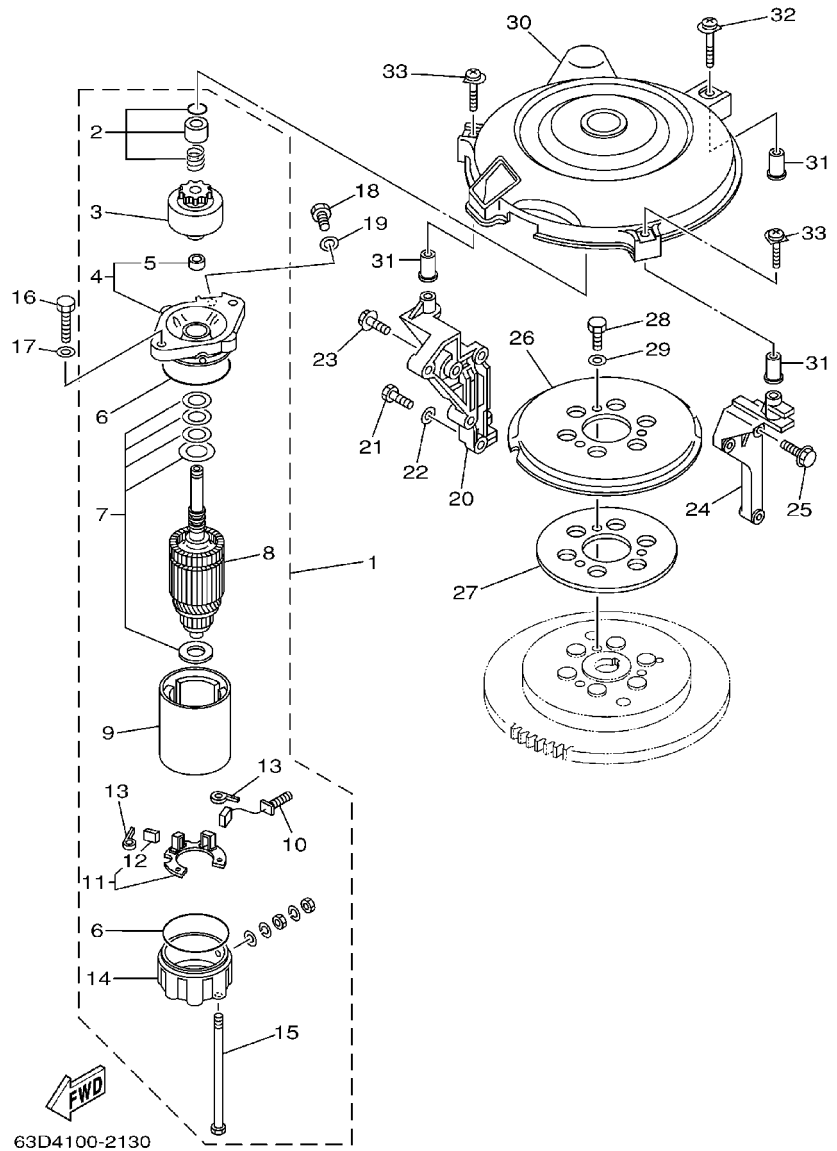
63B0100-1130

REF. NO.	PART NO.	DESCRIPTION	ETO	WHTO	REMARKS
27	6H5-81949-00	WIRE, LEAD	1	1	
28	61A-81949-00	WIRE, LEAD	1	1	
29	682-82119-01	COVER, LEAD WIRE	4	4	
30	90464-07M20	CLAMP	1	1	
31	6H4-82117-00	WIRE, LEAD	1	1	
32	63D-82563-10	TRIM & TILT SWITCH ASSY	1	1	
33	6E5-82587-00	GASKET	1	1	
34	6R3-83614-00	BRACKET	1	1	
35	97095-06016	BOLT	2	2	





FIG. 15 STARTING MOTOR



63D4100-2130

REF. NO.	PART NO.	DESCRIPTION	ETO	WHTO	REMARKS
1	6F5-81800-11	STARTING MOTOR ASSY	1	1	
2	689-81857-11	.PINION STOPPER SET	1	1	
3	689-81807-12	.GEAR ASSY, STARTING MOTOR	1	1	
4	6F5-81830-11	.FRONT BRACKET ASSY	1	1	
5	689-81831-00	..METAL, FRONT	1	1	
6	689-81847-11	.O-RING	2	2	
7	689-81809-11	.WASHER KIT	1	1	
8	689-81850-12	.ARMATURE ASSY	1	1	
9	689-81810-11	.STATOR ASSY	1	1	
10	689-81811-11	.BRUSH 1	1	1	
11	689-81840-11	.BRUSH HOLDER ASSY	1	1	
12	689-81812-11	..BRUSH 2	1	1	
13	689-81813-10	.SPRING, BRUSH	2	2	
14	689-81820-11	.REAR BRACKET ASSY	1	1	
15	689-81826-10	.BOLT	2	2	
16	97013-08030	BOLT	2	2	
17	92903-08600	WASHER, PLATE	2	2	
18	97013-08016	BOLT	1	1	
19	92903-08600	WASHER, PLATE	1	1	
20	63D-15771-00-4D	STAY 1	1		
21	97013-08025	BOLT	2		
22	92903-08600	WASHER, PLATE	2		
23	90119-06MA2	BOLT, WITH WASHER	1		
24	6H4-15772-02-94	STAY 2	1		
25	90119-06MA3	BOLT, WITH WASHER	3		
26	6J8-15723-E1	PULLEY, STARTER	1		
27	6J8-81365-A0	GASKET, HOLE COVER	1		

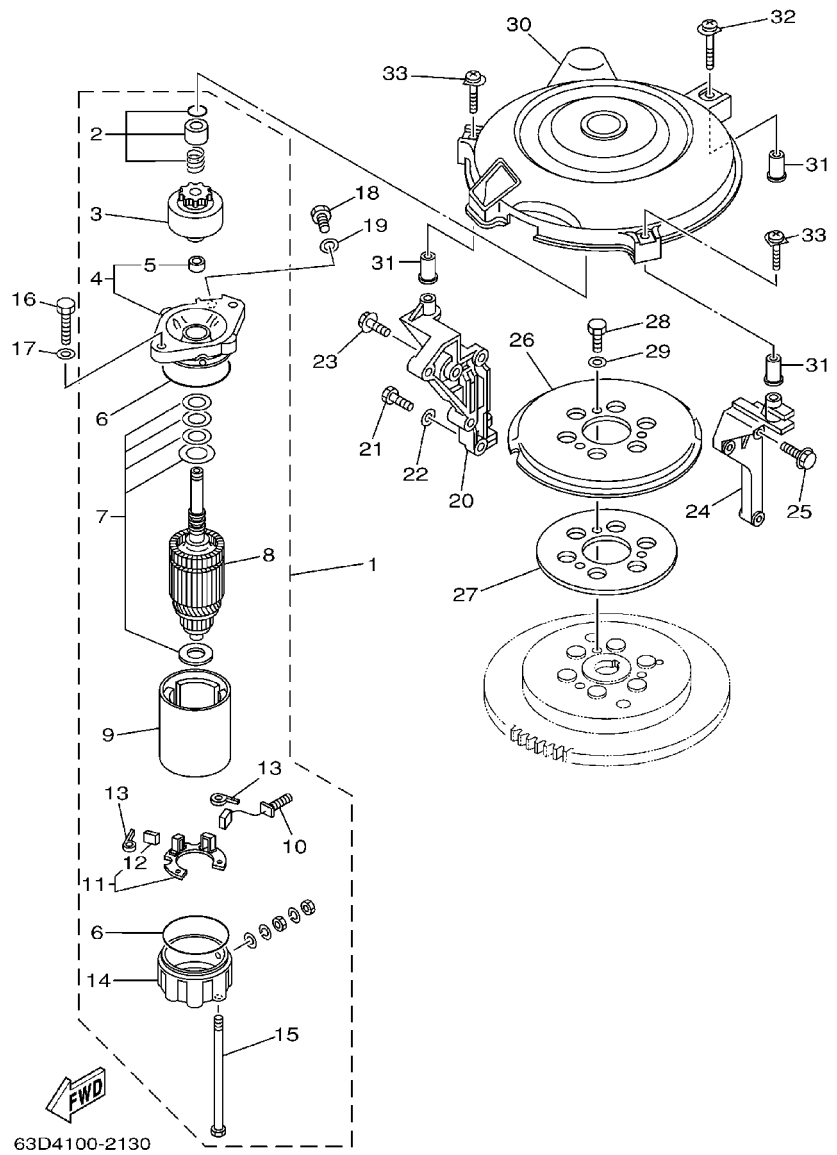
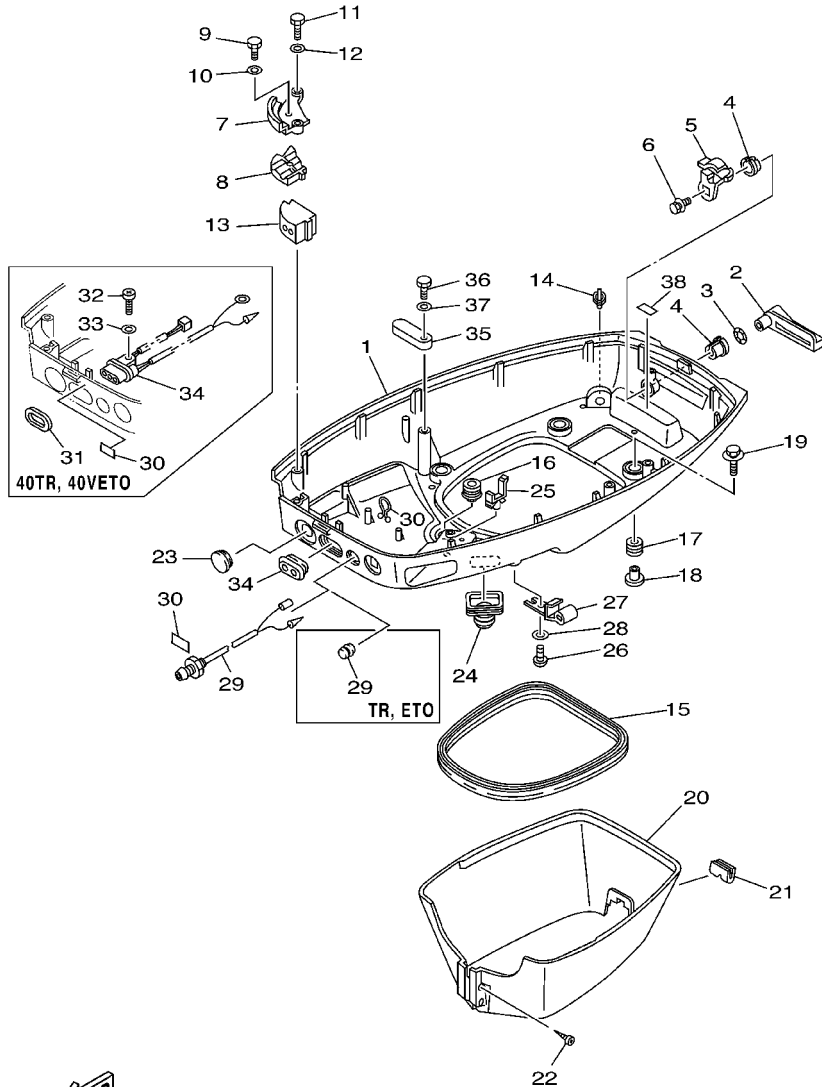


FIG. 15 STARTING MOTOR

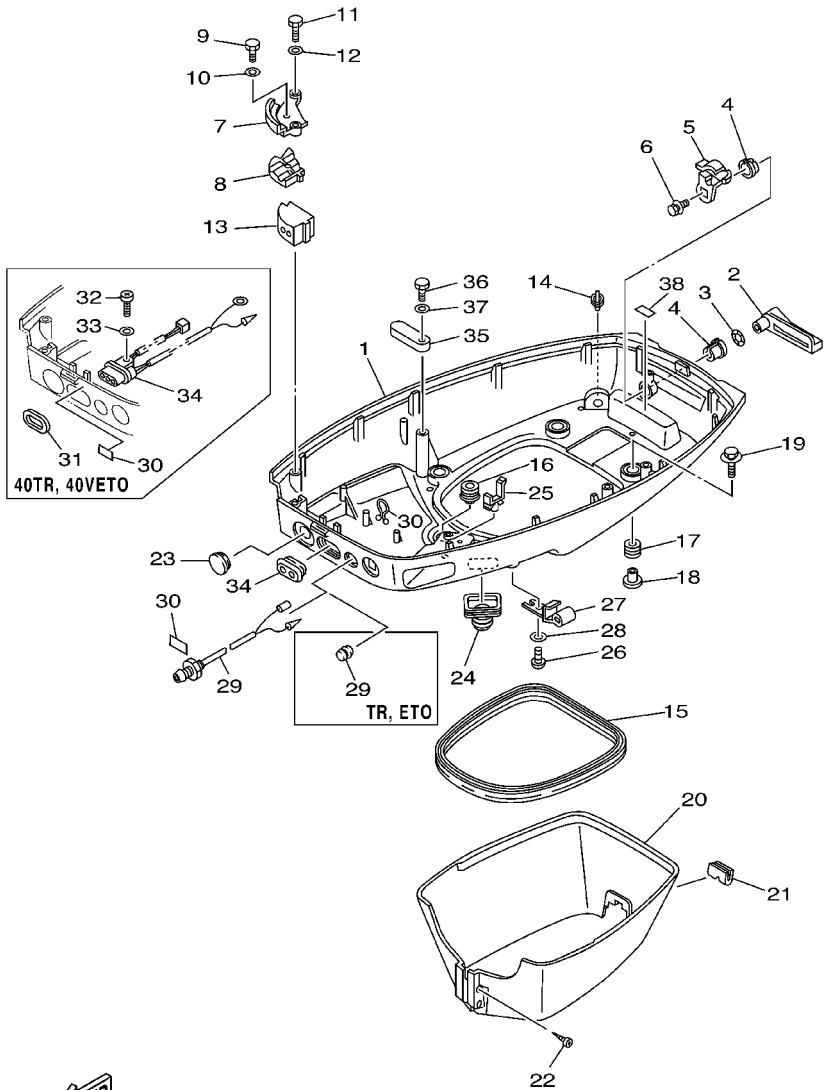
REF. NO.	PART NO.	DESCRIPTION			REMARKS
			ETO	WHTO	
28	97013-08014	BOLT	3		
29	92903-08600	WASHER, PLATE	3		
30	6H4-81337-01	COVER, FLYWHEEL	1		
31	90387-06M65	COLLAR	3		
32	90159-06M21	SCREW, WITH WASHER	1		
33	90159-06M22	SCREW, WITH WASHER	2		

**FIG. 16 BOTTOM COWLING**



62X4100-3160

REF. NO.	PART NO.	DESCRIPTION	ETO	WHTO	REMARKS
1	6H4-42711-25-4D	COWLING, BOTTOM	1	1	
2	6H4-42815-00	LEVER, CLAMP	1	1	
3	90206-12052	WASHER, WAVE	1	1	
4	90386-12069	BUSH	2	2	
5	6H4-42816-00	LEVER, CLAMP	1	1	
6	90119-06M73	BOLT, WITH WASHER	1	1	
7	6H4-48531-11-94	BRACKET, REMOTE CONTROL 1	1	1	
8	6H4-48532-11-94	BRACKET, REMOTE CONTROL 2	1	1	
9	97095-05016	BOLT	1	1	
10	92995-05600	WASHER	1	1	
11	97095-06020	BOLT	2	2	
12	92995-06600	WASHER	2	2	
13	6H4-42724-30	GROMMET	1		
	6H4-42724-20	GROMMET		1	
14	6E5-44391-00	NIPPLE, HOSE	1	1	
15	6H4-42716-00	RUBBER, SEAL 1	1	1	
16	6E5-42724-00	GROMMET	1	1	
17	90480-09M21	GROMMET	4	4	
18	90387-06M41	COLLAR	4	4	
19	90119-06M61	BOLT, WITH WASHER	4	4	
20	63D-42741-00-4D	APRON	1	1	
21	63D-42717-00	RUBBER, SEAL 2	1	1	
22	97780-60525	SCREW, TAPPING	2	2	
23	676-42726-00	GROMMET	1	1	
24	688-42726-10	GROMMET	1	1	
25	90464-09M13	CLAMP	1	1	
26	90157-06M01	SCREW, PAN HEAD	1	1	

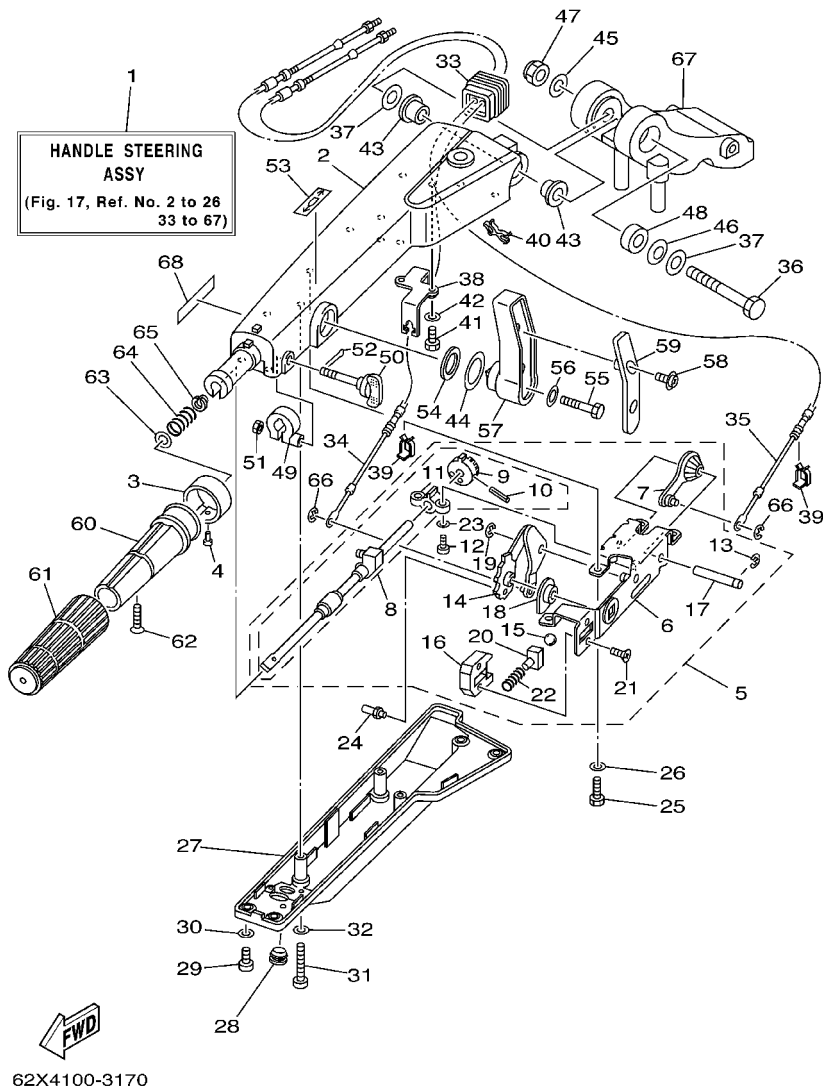


62X4100-3160

FIG. 16 BOTTOM COWLING

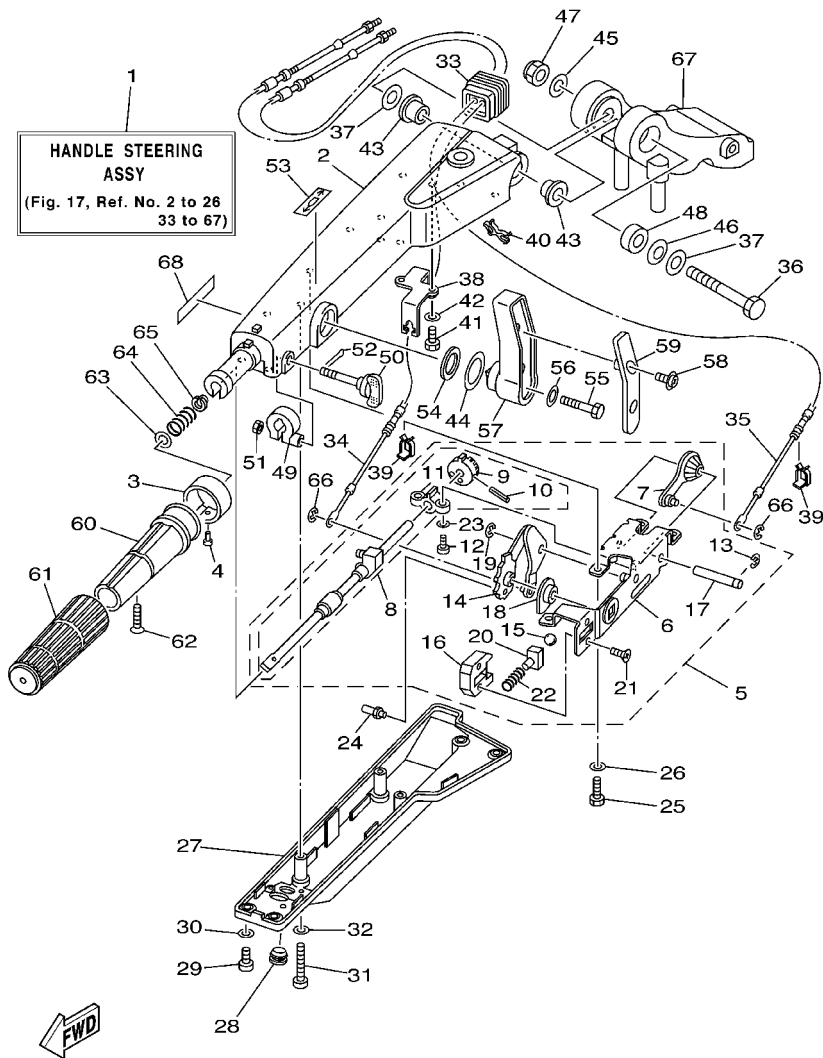
REF. NO.	PART NO.	DESCRIPTION	ETO	WHTO	REMARKS
27	6E5-24367-01	CLAMP, FUEL PIPE 2	1	1	
28	92990-06600	WASHER, PLATE	1	1	
29	6H4-42725-00	GROMMET	1		
	6J8-85410-00	EMERGENCY SIGNAL LIGHT ASSY		1	
30	63D-84342-00	SEAT, EMBLEM	1		40,40V
	6H4-85415-10	MARK, SIGNAL LAMP		1	
31	6H4-83589-00	GASKET	1		40,40V
32	97880-06014	SCREW, PAN HEAD	1		40,40V
33	92990-06600	WASHER, PLATE	1		40,40V
34	63D-84301-00	PILOT LIGHT ASSY 1	1		40,40V
	6H3-42727-00	GROMMET	1	1	ETO-50,50H
35	6E5-82588-00	PLATE	1	1	
36	97095-06020	BOLT	1	1	
37	92995-06600	WASHER	1	1	
38	6E7-42791-00	MARK 1	1		40-FOR USA
	6E7-42791-10	MARK 1	1	1	40V-FOR OCEANIA
	6G5-42791-00	MARK 1	1		50-FOR USA
	6G5-42791-10	MARK 1	1	1	50H-FOR OCEANIA

FIG. 17 STEERING



REF. NO.	PART NO.	DESCRIPTION	ETO	WHTO	REMARKS
1	63D-W0084-01-4D	HANDLE STEERING ASSY		1	
2	63D-42111-01-4D	HANDLE, STEERING		1	
3	6H2-42137-00	INDICATOR, THROTTLE		1	
4	90269-02M09	RIVET		1	
5	63D-44100-11	SHIFT LINK ASSY		1	
6	63D-44104-00	.PLATE COMP.		1	
7	63D-48261-00	.ARM, THROTTLE		1	
8	63D-42115-00	.SHAFT, STEERING HANDLE		1	
9	650-42152-00-94	..GEAR		1	
10	91690-30025	..PIN, SPRING		1	
11	63D-42159-00	..STAY		1	
12	98580-06016	.SCREW, PAN HEAD		2	
13	93430-08006	.CIRCLIP		1	
14	63D-44113-01	.CAM PLATE, HANDLE		1	
15	63D-48236-00	.ROLLER, DETENT		1	
16	63D-48119-00	.COVER		1	
17	63D-42153-00	.SHAFT, THROTTLE CONTROL		1	
18	63D-44132-00	.BUSHING		1	
19	63D-48118-00	.CLIP, SHIFT LEVER		1	
20	63D-48237-00	.ADAPTOR		1	
21	98785-05014	.SCREW, FLAT HEAD		2	
22	63D-48238-00	.SPRING, DETENT		1	
23	63D-42181-00	.WASHER		2	
24	63D-44114-01	STOPPER		1	
25	97095-06016	BOLT		4	
26	92995-06600	WASHER		4	
27	63D-42131-10	COVER, HANDLE STEERING		1	

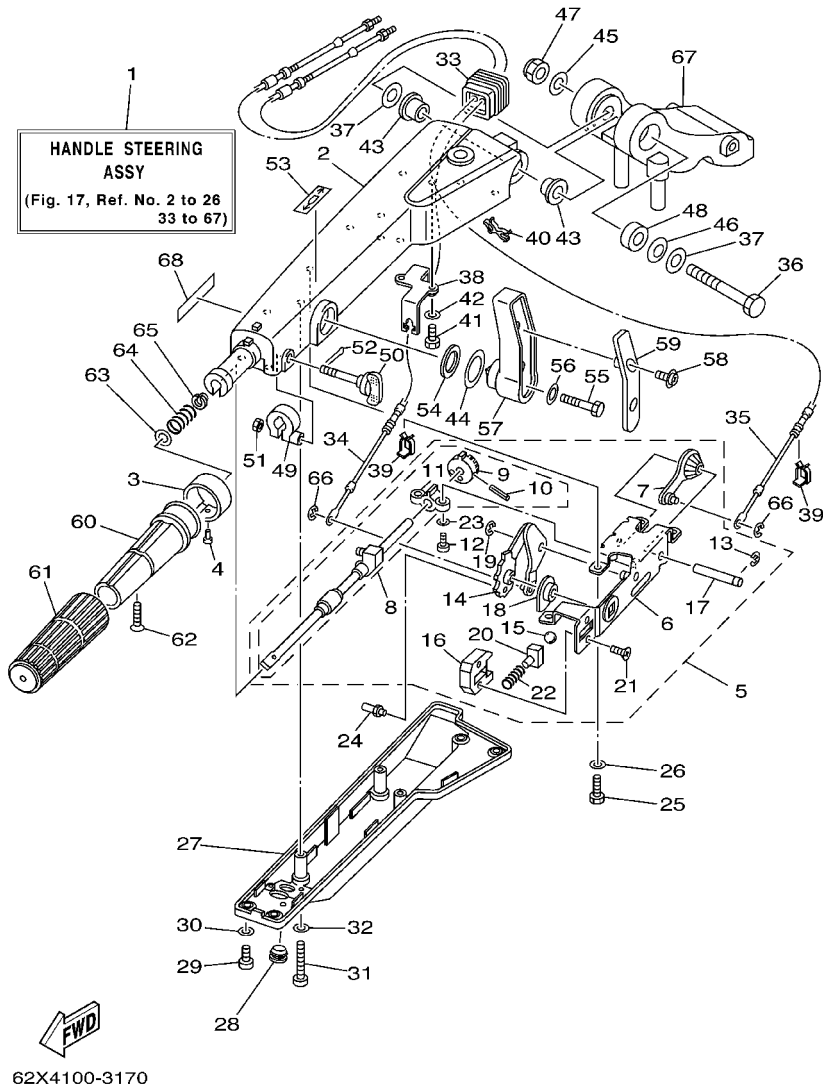
FIG. 17 STEERING



62X4100-3170

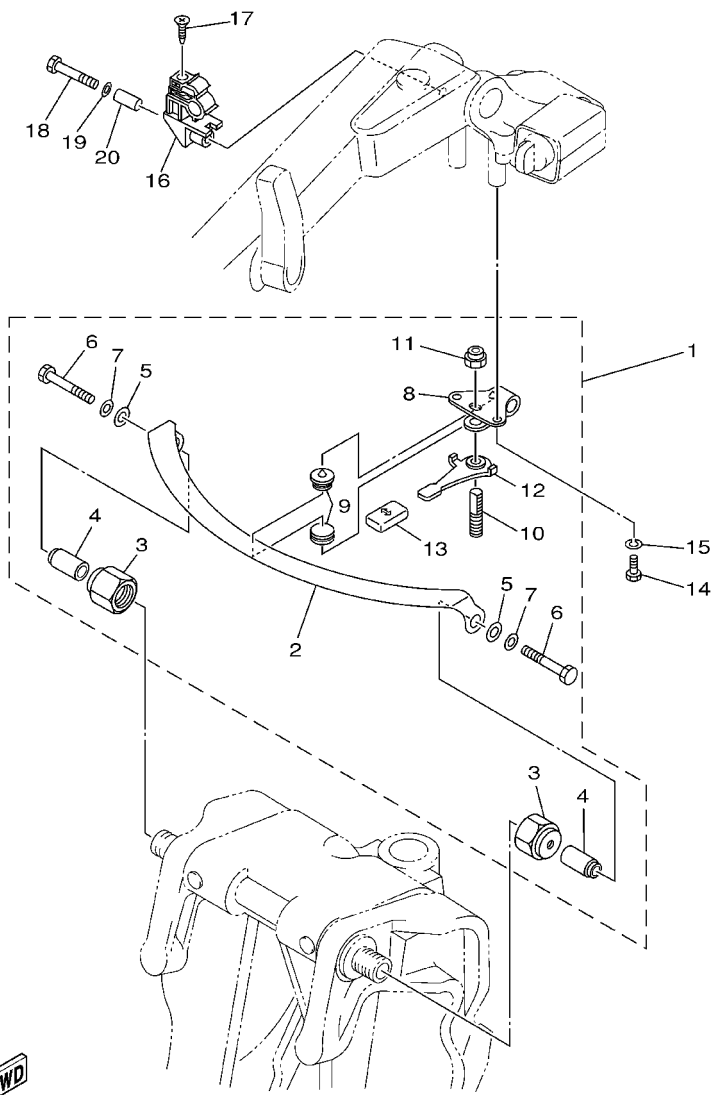
REF. NO.	PART NO.	DESCRIPTION	ETO	WHTO	REMARKS
28	90480-14M14	GROMMET		1	
29	97885-06016	SCREW, PAN HEAD		4	
30	92995-06600	WASHER		4	
31	97885-06040	SCREW, PAN HEAD		3	
32	92995-06600	WASHER		3	
33	63D-42725-00	GROMMET		1	
34	63D-48321-01	CABLE		1	
35	63D-26301-01	THROTTLE CABLE ASSY		1	
36	90101-12M09	BOLT		1	
37	92990-12200	WASHER, PLAIN		2	
38	63D-48531-00	BRACKET, REMOTE CONTROL 1		1	
39	63D-48538-00	CLAMP, CABLE 1		2	
40	90464-09M42	CLAMP		1	
41	97095-06016	BOLT		2	
42	92995-06600	WASHER		2	
43	90386-12M93	BUSH		2	
44	90386-29M95	BUSH		1	
45	92990-12600	WASHER, PLATE		1	
46	90206-12M22	WASHER, WAVE		1	
47	90185-12M12	NUT, SELF-LOCKING		1	
48	90387-12M02	COLLAR		1	
49	63D-42126-00	FRICTION, STEERING HANDLE GRIP		1	
50	63D-48154-00	KNOB, THROTTLE		1	
51	95380-06600	NUT, HEXAGON		1	
52	91490-20010	PIN, COTTER		1	
53	6G8-44191-00	INDICATOR, SHIFT		1	
54	90202-24M53	WASHER, PLATE		1	

FIG. 17 STEERING



REF. NO.	PART NO.	DESCRIPTION	ETO	WHTO	REMARKS
55	97095-08040	BOLT		1	
56	92995-08600	WASHER		1	
57	63D-44159-01	HANDLE, GEAR SHIFT		1	
58	90159-06M18	SCREW, WITH WASHER		2	
59	63D-44173-00	LEVER, SHIFT CONTROL		1	
60	664-42119-00	GRIP, STEERING HANDLE		1	
61	6G1-42177-00	RUBBER, HANDLE		1	
62	90149-05M13	SCREW		1	
63	92903-10600	WASHER, PLATE		1	
64	90501-23215	SPRING, COMPRESSION		1	
65	90386-08032	BUSH		1	
66	93430-04M03	CIRCLIP		2	
67	63D-42121-20-4D	BRACKET		1	
68	6E0-83627-41	LABEL, CAUTION 7		1	

FIG. 18 STEERING FRICTION

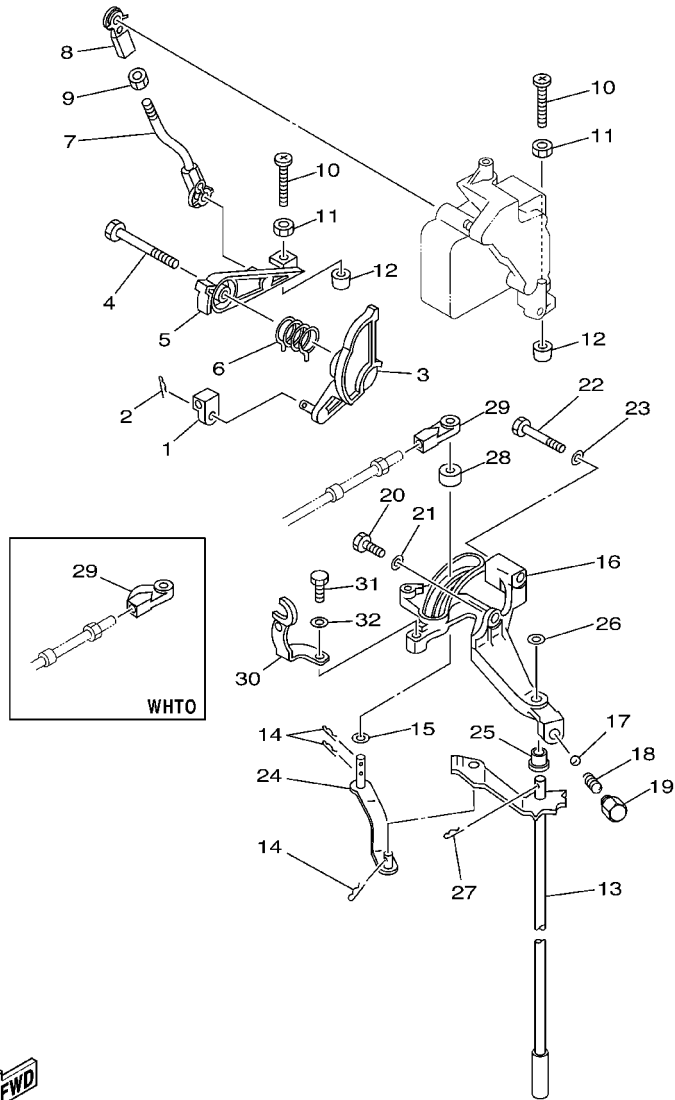


63B0700-0180

REF. NO.	PART NO.	DESCRIPTION	ETO	WHTO	REMARKS
1	63D-42508-00	STEERING FRICTION ASSY		1	
2	63D-42527-00	.PLATE, FRICTION		1	
3	63D-42546-00	.NUT		2	
4	63D-42541-00	.DAMPER		2	
5	90201-08M01	.WASHER, PLATE		2	
6	97095-08050	.BOLT		2	
7	92995-08600	.WASHER		2	
8	63D-42526-00	.PLATE, FRICTION		1	
9	63D-42528-00	.PLATE, FRICTION		2	
10	63D-42562-00	.SHAFT, STEERING LOCK		1	
11	90185-10M01	.NUT, SELF-LOCKING		1	
12	63D-42561-00	.KNOB, STEERING LOCK		1	
13	682-43318-01	.COVER		1	
14	97095-06016	BOLT		2	
15	92995-06100	WASHER, SPRING		2	
16	63D-82361-00	CLAMP, CORD		1	
17	90161-06M00	SCREW, TAPPING		1	
18	97095-06035	BOLT		1	
19	92995-06600	WASHER		1	
20	90387-06M26	COLLAR		1	



FIG. 19 CONTROL



REF. NO.	PART NO.	DESCRIPTION	ETO	WHTO	REMARKS
1	6H4-48344-00	CABLE END, REMOTE CONTROL	1	1	
2	90468-18008	CLIP	1	1	
3	63D-41213-00	CAM, ACCEL.	1	1	
4	90109-06M43	BOLT	1	1	
5	63D-41632-00	LEVER, MAGNETO CONTROL	1	1	
6	90508-26M35	SPRING, TORSION	1	1	
7	63D-41636-00	ROD, MAGNETO CONTROL	1	1	
8	6H4-41237-00	JOINT, LINK	1	1	
9	95380-05600	NUT	1	1	
10	90157-06M13	SCREW, PAN HEAD	2	2	
11	95303-06600	NUT	2	2	
12	688-44194-00	CAP	2	2	
13	63D-44120-10	HANDLE GEAR SHIFT ASSY	1	1	L
14	90468-18008	CLIP	3	3	
15	90202-07M07	WASHER, PLATE	1	1	
16	63D-44117-00	BRACKET	1	1	
17	93501-04M02	BALL	1	1	
18	90501-12082	SPRING, COMPRESSION	1	1	
19	648-42715-00	BUSHING	1	1	
20	97013-06020	BOLT	1	1	
21	92903-06600	WASHER, PLATE	1	1	
22	97013-06045	BOLT	1	1	
23	92903-06600	WASHER, PLATE	1	1	
24	63D-44121-00	LEVER, SHIFT ROD	1	1	
25	90386-07M58	BUSH	1	1	
26	92990-08200	WASHER, PLAIN	1	1	
27	91490-20012	PIN, COTTER	1	1	



62X4100-3190

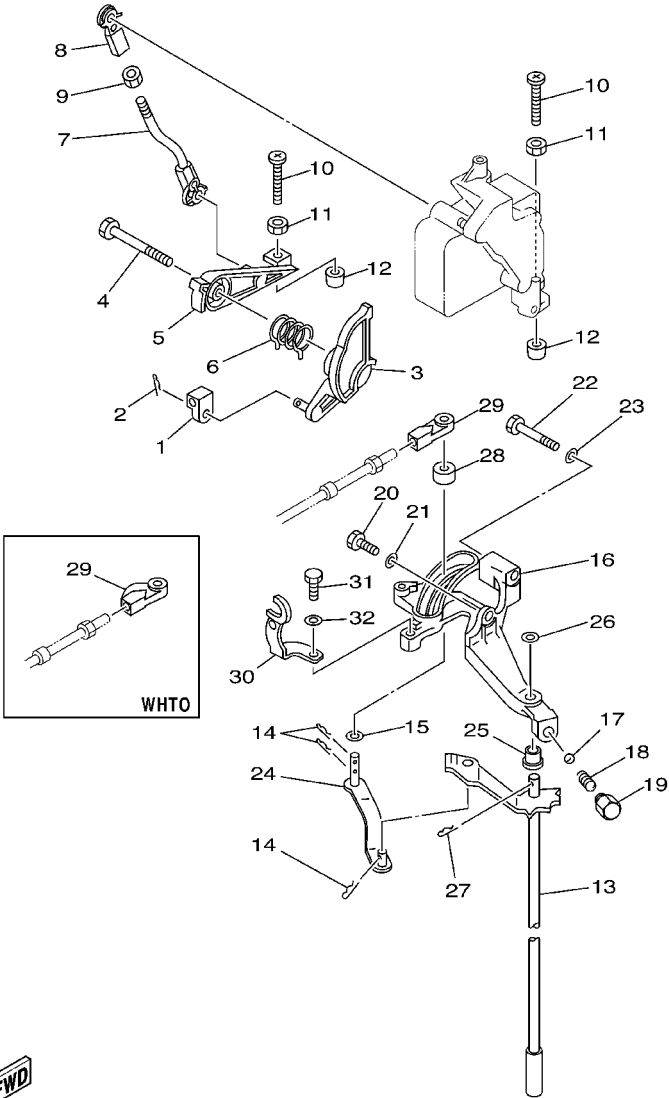
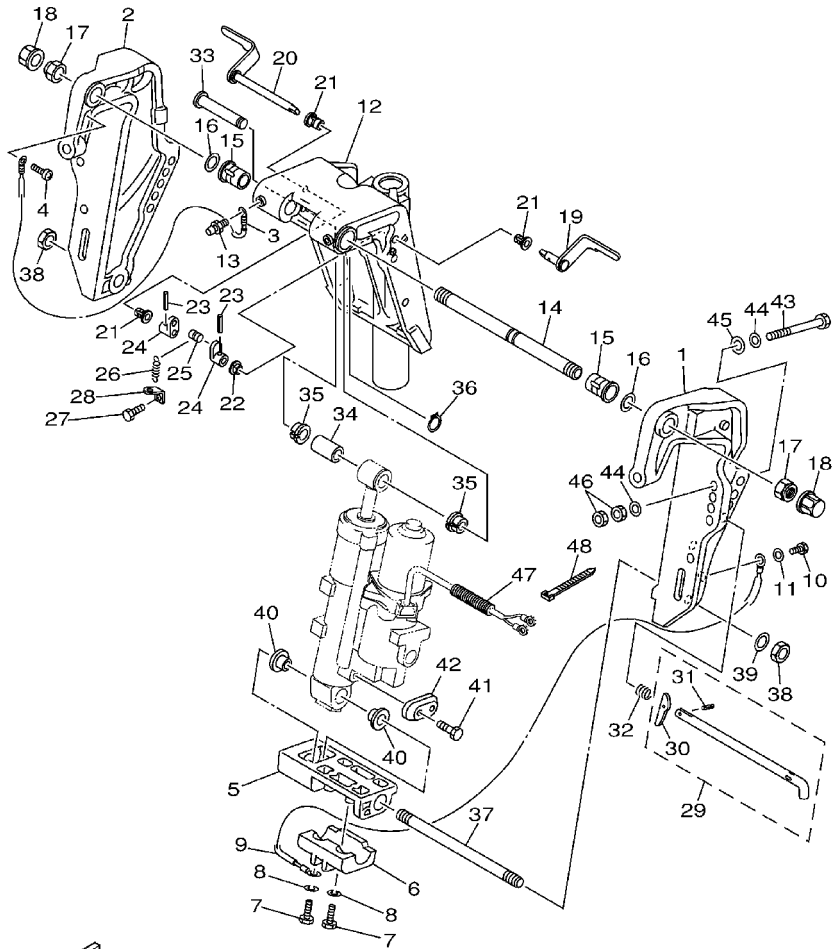


FIG. 19 CONTROL

REF. NO.	PART NO.	DESCRIPTION	ETO	WHTO	REMARKS
28	688-44122-00	BUSHING, SHIFT ROD LEVER	1	1	
29	663-48344-00	CABLE END, REMOTE CONTROL	1		
	63D-48344-00	CABLE END, REMOTE CONTROL		1	
30	63D-15774-00	STAY 4	1	1	
31	97095-06016	BOLT	1	1	
32	92995-06600	WASHER	1	1	

FWD  
62X4100-3190

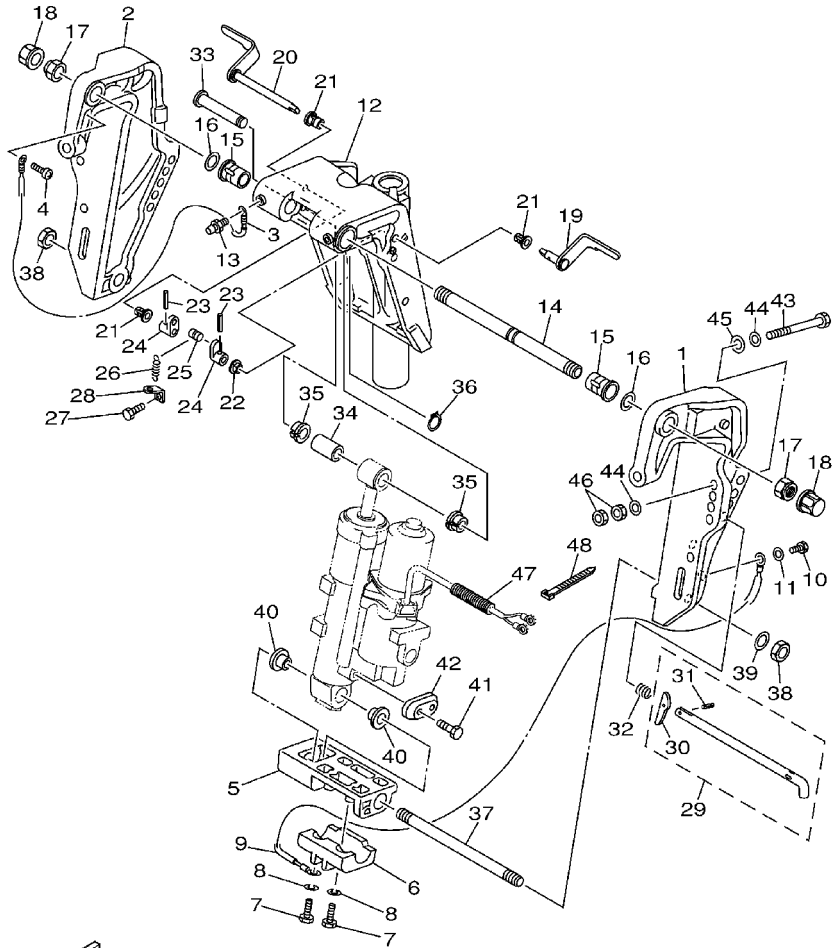
FIG. 20 BRACKET 1



63D0100-1171

REF. NO.	PART NO.	DESCRIPTION	ETO	WHTO	REMARKS
1	63D-43111-01-4D	BRACKET, CLAMP	1	1	
2	63D-43112-01-4D	BRACKET, CLAMP	1	1	
3	63D-82148-00	WIRE, LEAD 4	1	1	
4	97885-06008	SCREW, PAN HEAD	1	1	
5	63D-43128-01-4D	SPACER, CLAMP BRACKET	1	1	
6	63D-45251-00	ANODE	1	1	
7	97095-06025	BOLT	2	2	
8	92995-06100	WASHER, SPRING	2	2	
9	6H1-82148-00	WIRE, LEAD 4	1	1	
10	97095-06010	BOLT	1	1	
11	92995-06600	WASHER	1	1	
12	63D-43311-13-4D	BRACKET, SWIVEL 1	1	1	
13	93700-06M03	NIPPLE, GREASE	3	3	
14	63D-43131-01	BOLT, CLAMP BRACKET	1	1	
15	90386-22M15	BUSH	2	2	
16	90201-22M03	WASHER, PLATE	2	2	
17	90185-22M11	NUT, SELF-LOCKING	2	2	
18	6G5-43145-01	CAP, CLAMP BRACKET	2	2	
19	6H5-43181-03	LEVER, TILT STOP	1	1	
20	6H5-43185-03	LEVER, TILT STOP	1	1	
21	90386-10M16	BUSH	3	3	
22	90386-10025	BUSH	1	1	
23	91690-30020	PIN, SPRING	2	2	
24	6G5-43148-00	COLLAR, DISTANCE	2	2	
25	90249-06M19	PIN	1	1	
26	90506-14M24	SPRING, TENSION	1	1	
27	97095-06010	BOLT	1	1	

FIG. 20 BRACKET 1



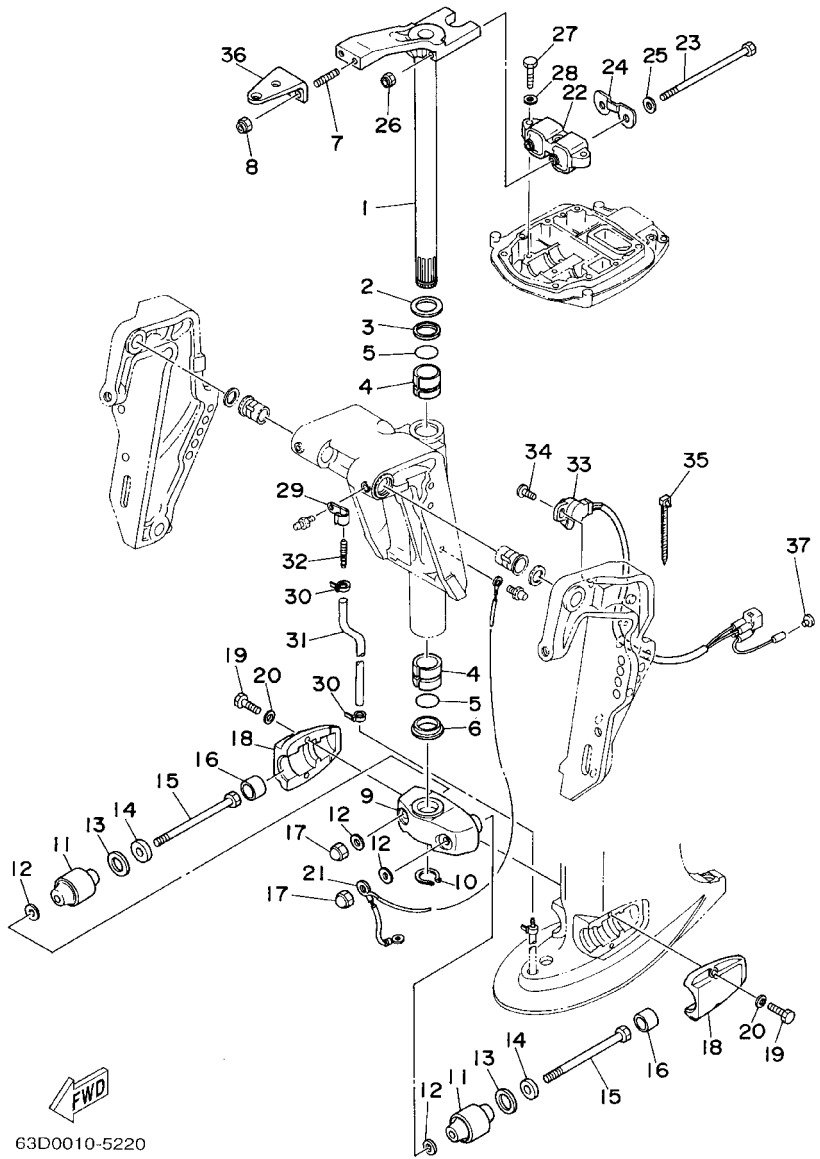
REF. NO.	PART NO.	DESCRIPTION	ETO	WHTO	REMARKS
28	6G5-43144-00	HOOK, SPRING	1	1	
29	688-43160-01	TILT ROD ASSY	1	1	
30	688-43165-00	.PLATE, TILT LOCK	1	1	
31	91690-30012	.PIN, SPRING	1	1	
32	90502-16M02	SPRING, CONICAL	1	1	
33	6E5-43126-02	PIN, UPPER SHOCK MOUNT	1	1	
34	90386-18M92	BUSH	1	1	
35	90386-18M35	BUSH	2	2	
36	93410-18M02	CIRCLIP	1	1	
37	90116-18M52	BOLT, STUD	1	1	
38	90170-18M10	NUT	2	2	
39	92995-18600	WASHER	1	1	
40	90386-18M44	BUSH	2	2	
41	90101-06020	BOLT	2	2	
42	65W-45251-00	ANODE	1	1	
43	90101-12M65	BOLT	4	4	
44	92995-12200	WASHER	8	8	
45	90201-12426	WASHER, PLATE	4	4	
46	95380-12600	NUT	8	8	
47	90440-14M00	PIPE	1	1	
48	90465-11M10	CLAMP	3	3	



63D0100-1171

FIG. 21 BRACKET 2

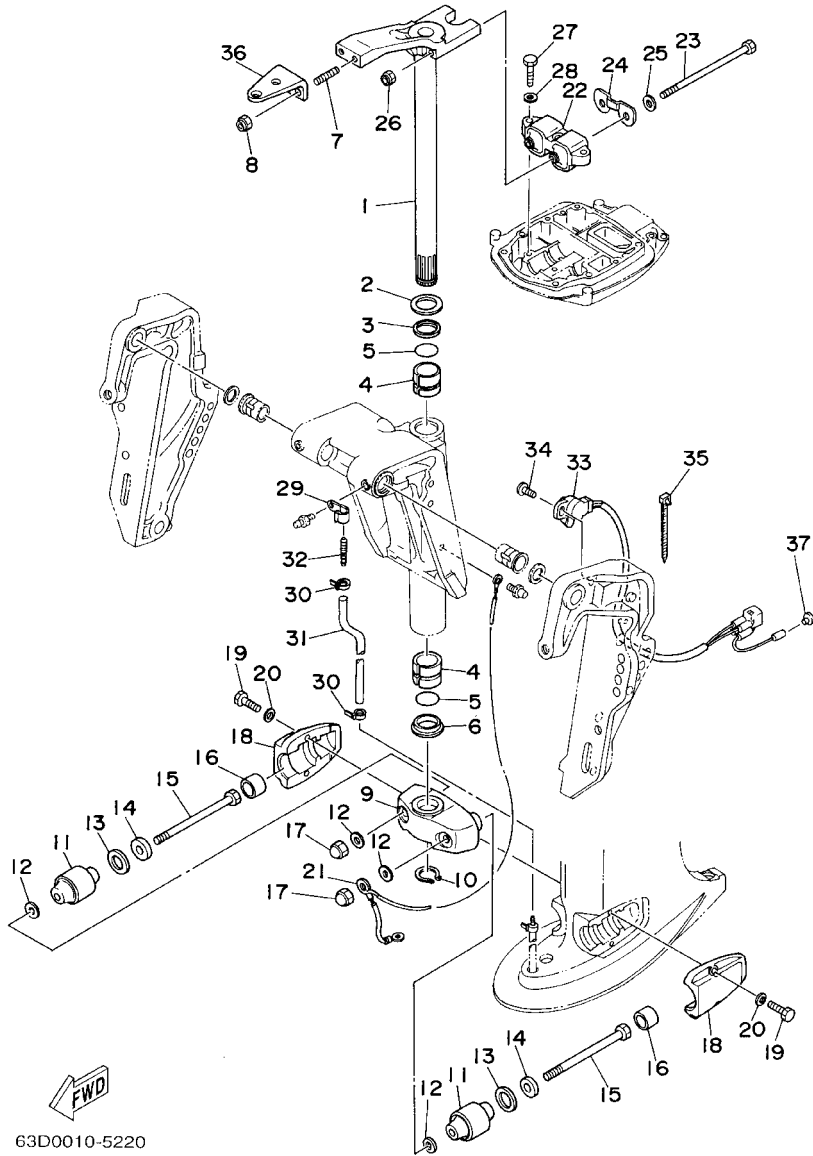
REF. NO.	PART NO.	DESCRIPTION	ETO	WHTO	REMARKS
1	63D-42510-11-4D	STEERING BRACKET ASSY	1	1	L
2	90201-30M00	WASHER, PLATE	1	1	
3	90386-30M78	BUSH	1	1	
4	90386-30M77	BUSH	2	2	
5	93210-29M94	O-RING	2	2	
6	90386-30M60	BUSH	1	1	
7	90116-10175	BOLT, STUD	2	2	
8	90185-10051	NUT, SELF-LOCKING	2	2	
9	63D-44551-01-4D	HOUSING, LOWER MOUNT RUBBER	1	1	
10	93410-28M06	CIRCLIP	1	1	
11	63D-44555-00-94	MOUNT DAMPER, LOWER SIDE	2	2	L
12	90201-12M16	WASHER, PLATE	4	4	
13	90202-25M04	WASHER, PLATE	2	2	
14	90201-13M19	WASHER, PLATE	2	2	
15	90109-12M21	BOLT	2	2	
16	663-44575-00	DAMPER, LOWER MOUNT RUBBER	2	2	
17	95380-12800	NUT, CROWN	2	2	
18	63D-44552-01-4D	HOUSING, LOWER MOUNT RUBBER	2	2	
19	97075-08030	BOLT	4	4	
20	92995-08100	WASHER	4	4	
21	63D-82127-10	WIRE, LEAD 2	1	1	L
22	63D-44514-01-94	MOUNT DAMPER, UPPER SIDE	1	1	
23	90101-08M15	BOLT	2	2	
24	63D-44526-00	PLATE	1	1	
25	90201-09425	WASHER, PLATE	2	2	
26	90185-08045	NUT, SELF-LOCKING	2	2	
27	97075-08030	BOLT	3	3	



63D0010-5220

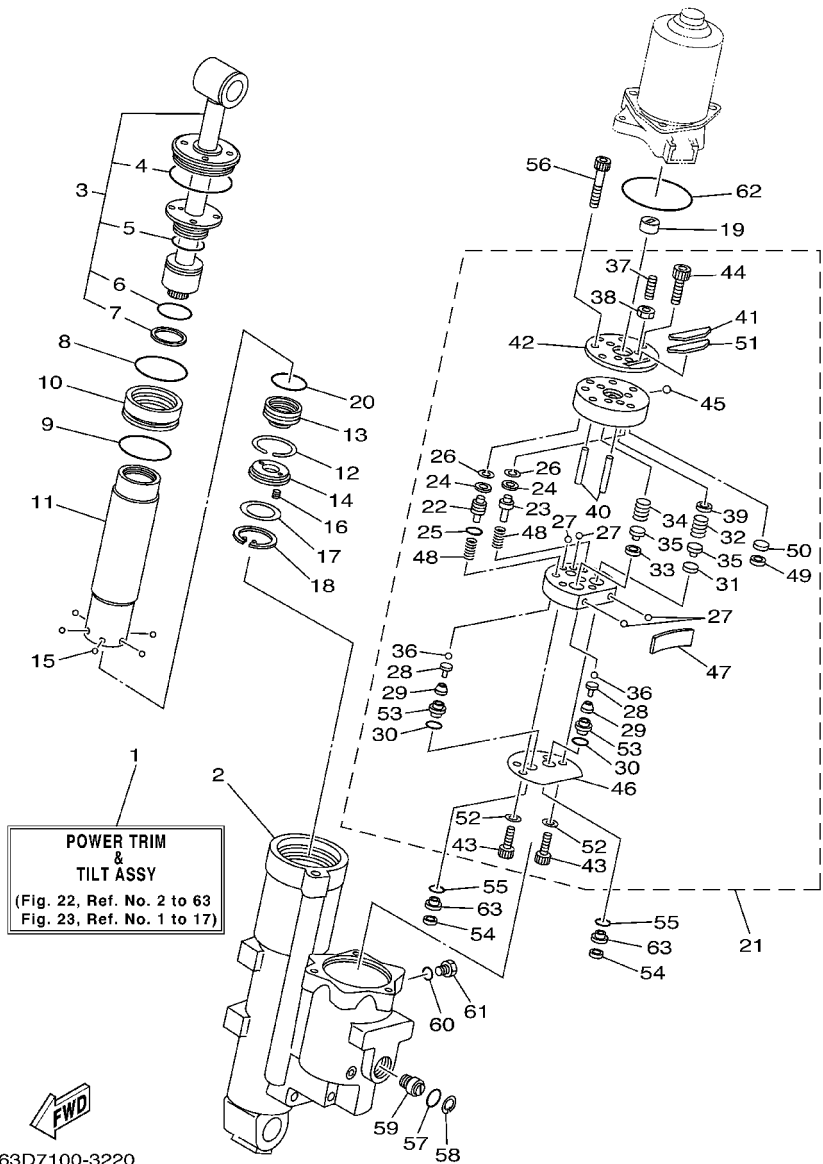
FIG. 21 BRACKET 2

REF. NO.	PART NO.	DESCRIPTION	ETO	WHTO	REMARKS
28	92995-08100	WASHER	3	3	
29	90465-06M86	CLAMP	1	1	
30	90465-11M10	CLAMP	2	2	
31	90445-07MF1	HOSE (L570)	1	1	
32	6E5-83558-00	END, NIPPLE	1	1	
33	63D-83672-01	TRIM SENDER	1	1	
34	97885-06016	SCREW, PAN HEAD	2	2	
35	90465-13M11	CLAMP	1	1	
36	63D-48511-00-4D	HOOK, STEERING	1		STEERING GUIDE TYPE
37	703-82119-00	COVER, LEAD WIRE	1	1	



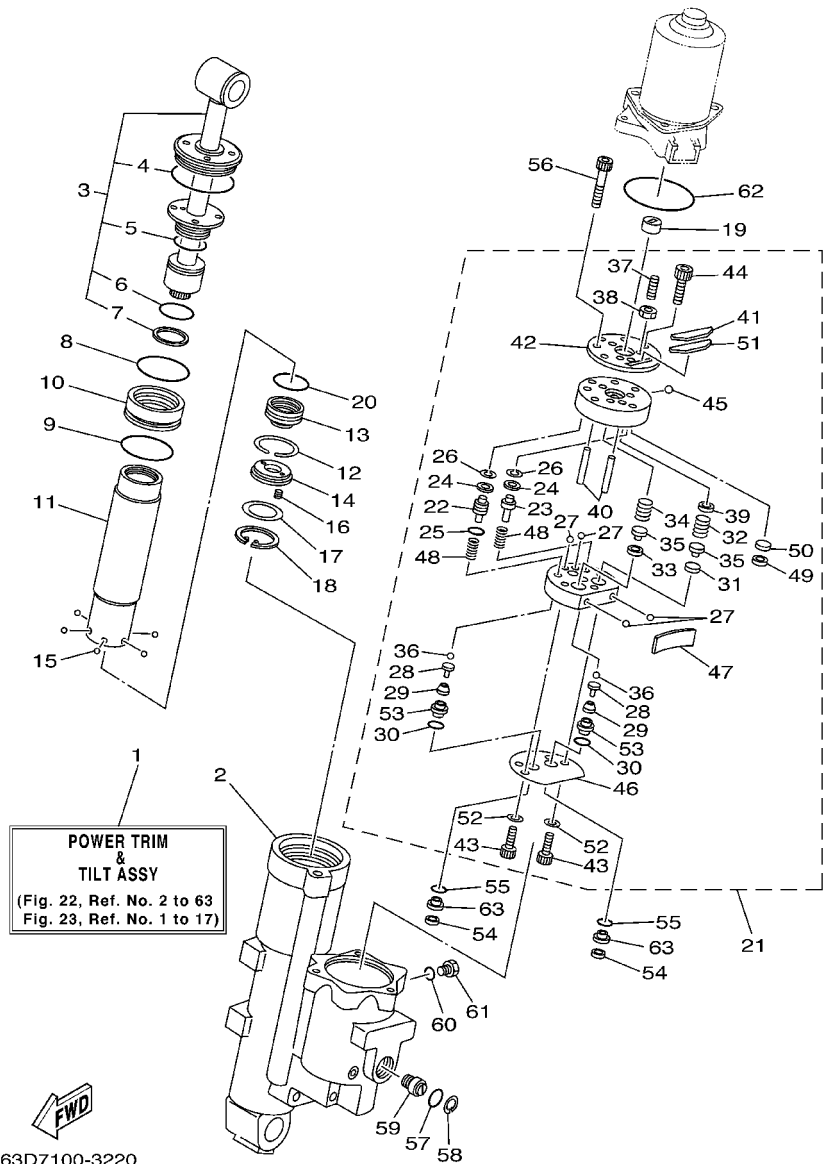
63D0010-5220

FIG. 22 POWER TRIM & TILT ASSY 1



REF. NO.	PART NO.	DESCRIPTION	ETO	WHTO	REMARKS
1	62Y-43800-01-4D	POWER TRIM & TILT ASSY	1	1	
2	62Y-4380K-01	CYLINDER, TILT SUB ASSY	1	1	
3	62X-43810-01	TILT PISTON SUB ASSY	1	1	
4	62X-43861-00	.O-RING	1	1	
5	62X-43862-00	.O-RING	1	1	
6	93210-29375	.O-RING	1	1	
7	62X-43871-00	.RING, BACK UP	1	1	
8	93210-44383	O-RING	1	1	
9	93210-48214	O-RING	1	1	
10	62X-4388A-00	PISTON, TRIM	1	1	
11	62Y-22471-00	CYLINDER, SHOCK ABSORBER	1	1	
12	67F-43875-00	RING, SNAP	1	1	
13	69W-4381B-00	FREE PISTON SUB ASSY	1	1	
14	62X-43899-00	PLATE STOPPER	1	1	
15	93503-16003	BALL	6	6	
16	62X-4384H-00	SPRING	2	2	
17	1UF-22434-00	PLATE, VALVE 1	1	1	
18	62X-43875-00	RING, SNAP	1	1	
19	6H1-43831-10	CONNECTOR, SHAFT	1	1	
20	93210-29375	O-RING	1	1	
21	62Y-43830-01	GEAR PUMP ASSY	1	1	
22	69J-43841-00	.PISTON, SHUTTLE	1	1	
23	69J-4384M-00	.PISTON, SHUTTLE 2	1	1	
24	69A-4384F-00	.SEAL, MAIN VALVE	2	2	
25	6H1-43883-00	.O-RING	1	1	
26	99001-03600	.CIRCLIP	2	2	
27	93505-32038	.BALL	4	4	

FIG. 22 POWER TRIM & TILT ASSY 1

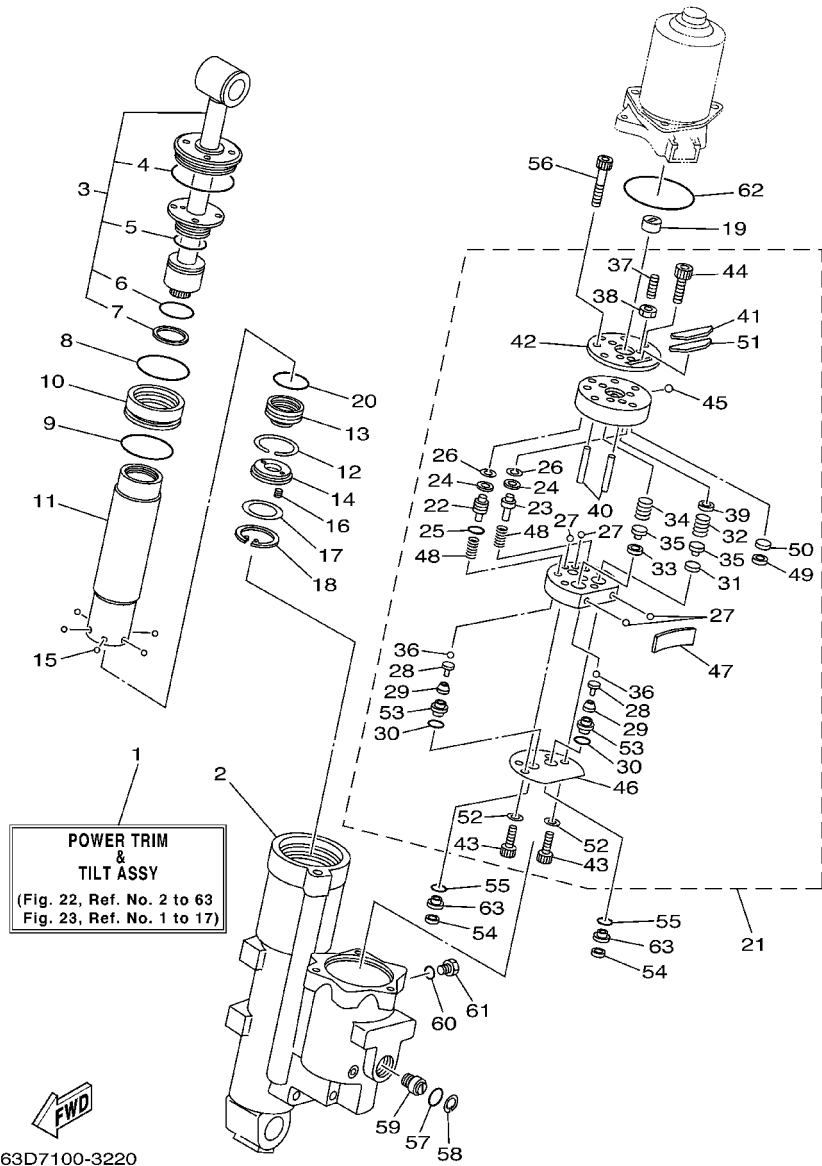


63D7100-3220

REF. NO.	PART NO.	DESCRIPTION	ETO	WHTO	REMARKS
28	65W-4386A-00	.PIN, ABSORBER VALVE	2	2	
29	69J-43853-00	.SPRING, MAIN VALVE	2	2	
30	69J-4389J-00	.O-RING	2	2	
31	6H1-4384G-11	.SEAL, RELIEF VALVE	1	1	
32	62Y-43855-00	.SPRING, UP RELIEF	1	1	
33	6H1-4384F-10	.SEAL, MAIN VALVE	1	1	
34	6H1-43856-10	.SPRING, DOWN RELIEF	1	1	
35	6H1-43844-10	.PIN, VALVE SUPPORT	2	2	
36	93505-32038	.BALL	2	2	
37	92A08-03110	.SCREW SET	1	1	
38	95307-03600	.NUT	1	1	
39	62Y-4382A-00	.ADAPTOR 1	1	1	
40	93604-26256	.PIN, DOWEL	2	2	
41	62Y-43816-00	.FILTER 1	1	1	
42	62Y-4382L-00	.CAP, RELIEF VALVE	1	1	
43	91318-05020	.BOLT	2	2	
44	91318-05008	.BOLT	2	2	
45	93501-08001	.BALL	1	1	
46	69W-4384G-00	.SEAL, RELIEF VALVE	1	1	
47	62Y-43854-00	.SPRING, MANUAL RELEASE	1	1	
48	69J-43894-00	.SPRING, SHUTTLE RETURN	2	2	
49	62Y-4387J-00	.WASHER, SPECIAL 2	1	1	
50	62Y-22434-00	.PLATE, VALVE 1	1	1	
51	62Y-4387I-00	.RING, BACK UP	1	1	
52	62Y-4387G-00	.WASHER	2	2	
53	69J-43893-00	.WASHER	2	2	
54	6H1-43816-00	FILTER 1	2	2	

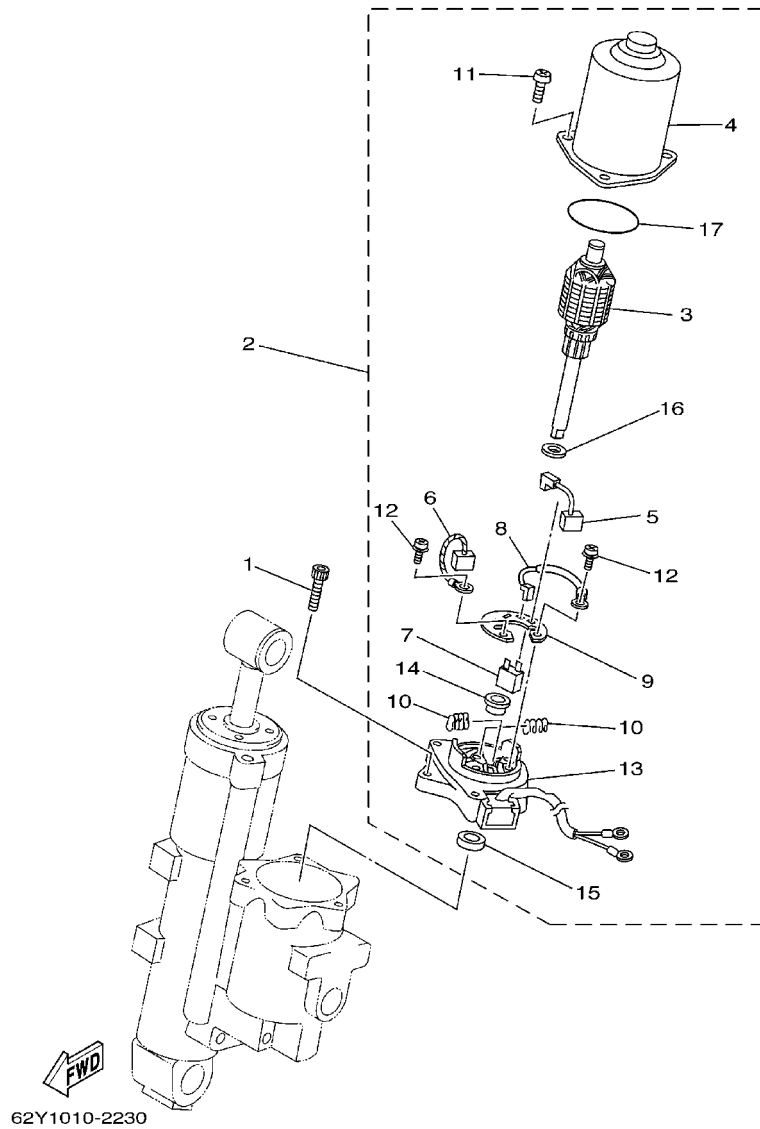


FIG. 22 POWER TRIM & TILT ASSY 1



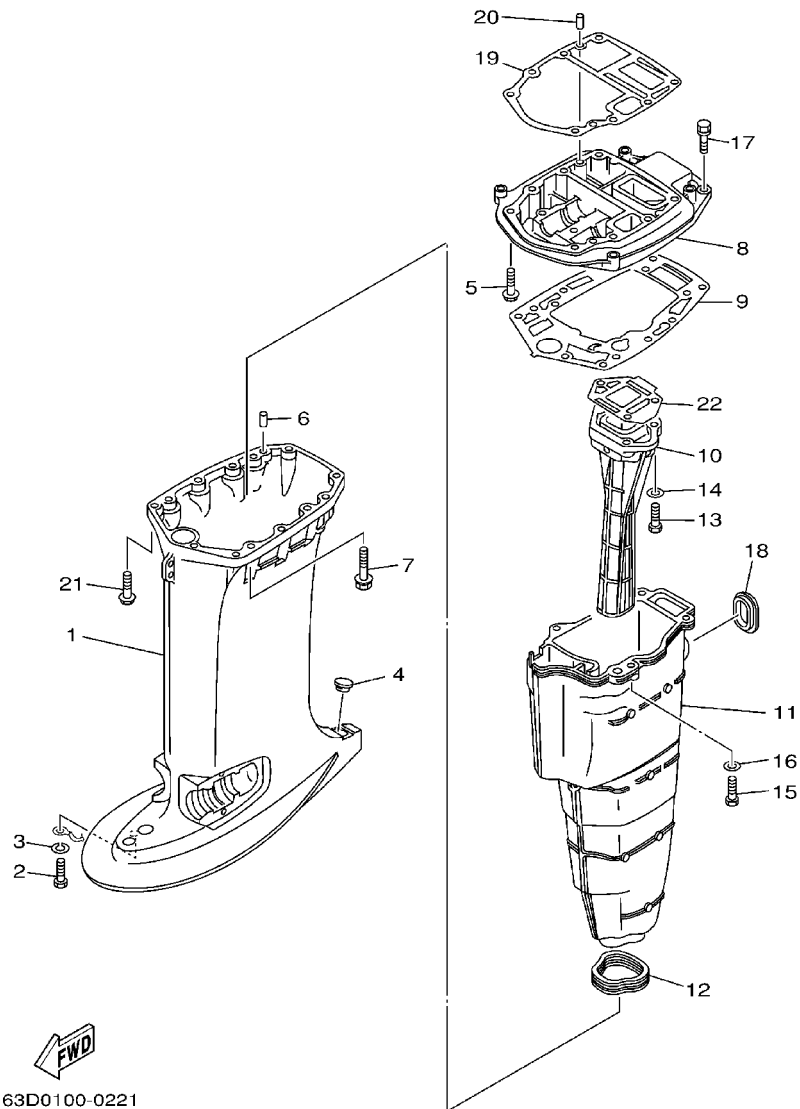
REF. NO.	PART NO.	DESCRIPTION	ETO	WHTO	REMARKS
55	69J-4389J-00	O-RING	2	2	
56	91318-06040	BOLT	3	3	
57	93210-18397	O-RING	1	1	
58	6H1-43875-00	RING, SNAP	1	1	
59	62Y-43845-00	SCREW, MANUAL RELEASE	1	1	
60	93210-09165	O-RING	1	1	
61	6H1-43829-00	PLUG, RESERVOIR	1	1	
62	62X-43865-00	O-RING	1	1	
63	69W-43899-00	PLATE STOPPER	2	2	

FIG. 23 POWER TRIM & TILT ASSY 2



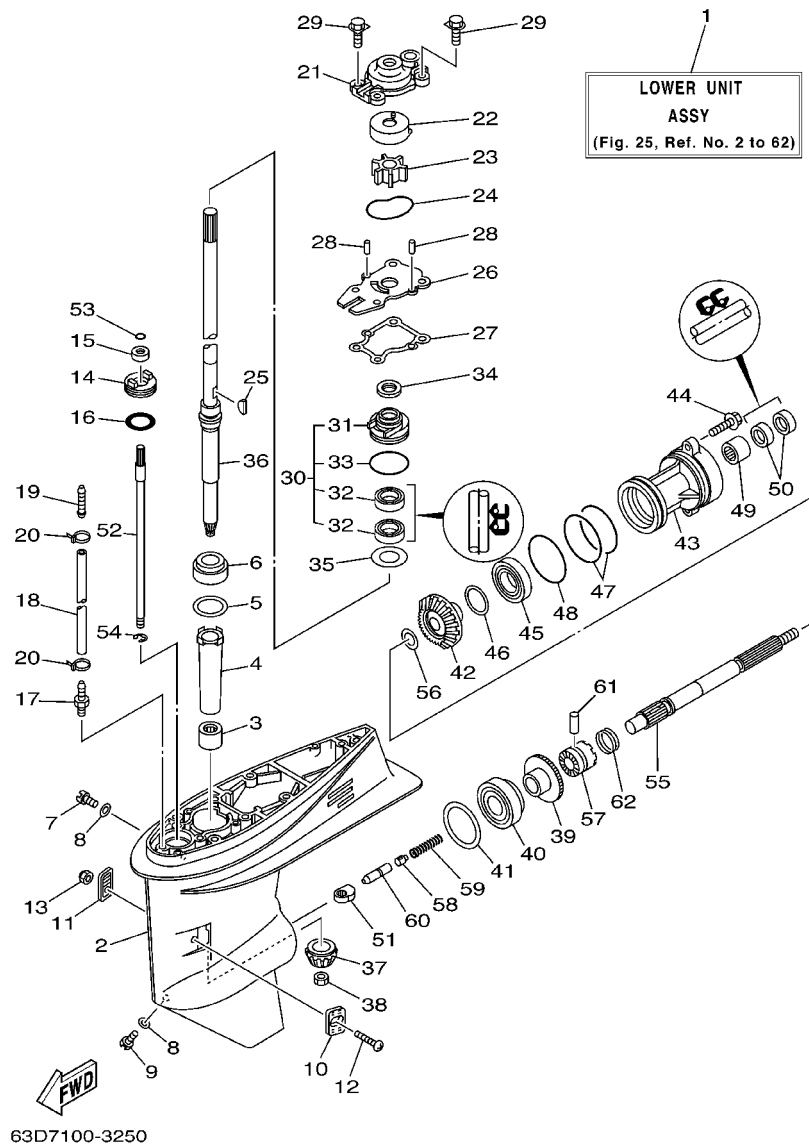
REF. NO.	PART NO.	DESCRIPTION	ETO	WHTO	REMARKS
1	62X-43888-00	BOLT, SOCKET	3	3	
2	62Y-43880-01	MOTOR ASSY	1	1	
3	62Y-43805-00	.ARMATURE ASSY	1	1	
4	62X-43804-01	.STATOR ASSY	1	1	
5	62Y-43892-00	.BRUSH 2	1	1	
6	62Y-43891-00	.BRUSH 1	1	1	
7	62Y-82181-01	.CIRCUIT BREAKER COMP.	1	1	
8	62X-43807-00	.WIRE SUB ASSY	1	1	
9	69W-4380F-00	.PLATE, BRUSH HOLDER	1	1	
10	62X-4386K-00	.SPRING, BRUSH	2	2	
11	97880-05020	.SCREW, PAN HEAD	3	3	
12	97602-04216	.SCREW, PAN HEAD WITH WASHER	2	2	
13	62Y-43881-00	.FRAME, END	1	1	
14	62X-4380H-00	.METAL	1	1	
15	93102-08414	.OIL SEAL	1	1	
16	90201-083J8	.WASHER, PLATE	1	1	
17	93210-52449	.O-RING	1	1	

**FIG. 24 UPPER CASING**



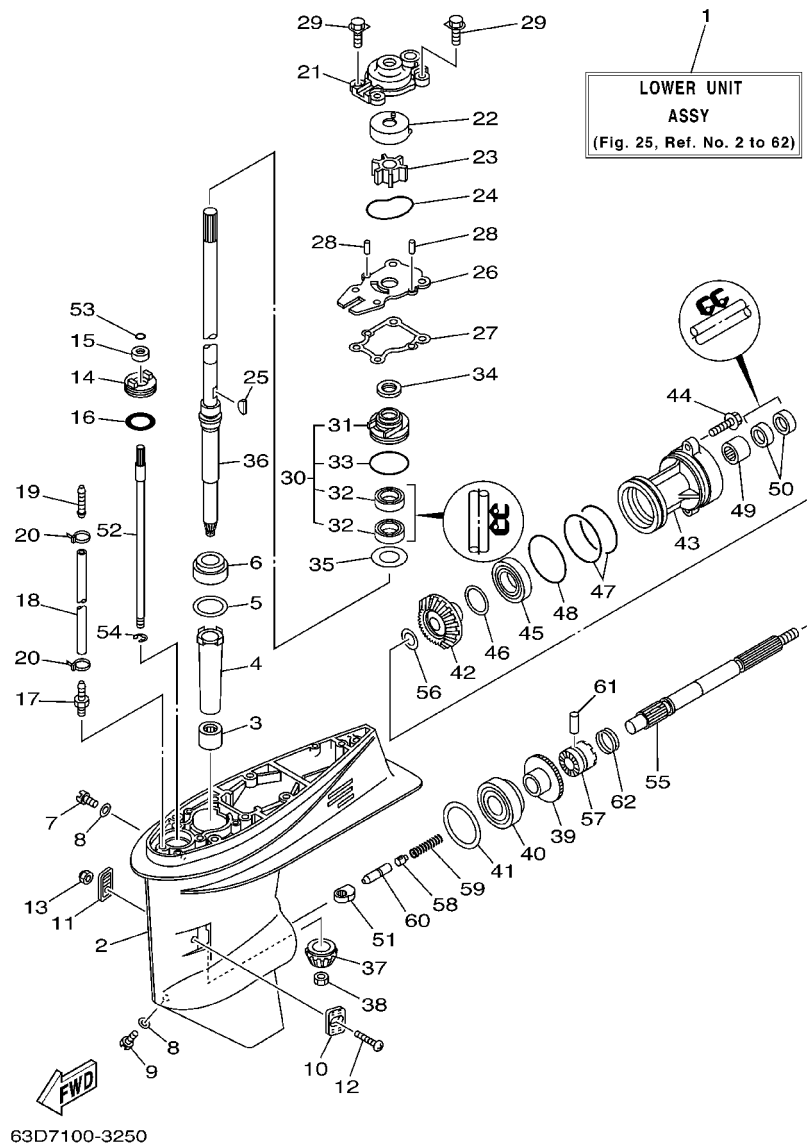
REF. NO.	PART NO.	DESCRIPTION	ETO	WHTO	REMARKS
1	63D-45111-11-4D	CASING, UPPER	1	1	L
2	97095-06012	BOLT	1	1	
3	92995-06100	WASHER, SPRING	1	1	
4	63D-45155-00	CAP	1	1	
5	97575-08445	BOLT, WITH WASHER	2	2	
6	93606-12019	PIN, DOWEL	2	2	
7	90119-08M83	BOLT, WITH WASHER	6	6	
8	63D-41137-01-5B	GUIDE, EXHAUST	1	1	
9	63D-45114-A0	GASKET, UPPER CASING	1	1	
10	6H4-41131-01-5B	MANIFOLD, EXT. 1	1	1	40,40V
	6H5-41131-00-5B	MANIFOLD, EXT. 1	1	1	50,50H
11	63D-14711-11-5B	MUFFLER 1	1	1	L
12	63D-45123-00	GASKET, MUFFLER	1	1	
13	97075-08030	BOLT	3	3	
14	92995-08600	WASHER	3	3	
15	97075-08030	BOLT	4	4	
16	92995-08600	WASHER	4	4	
17	90119-08M79	BOLT, WITH WASHER	2	2	
18	6H3-45127-00	SEAL	1	1	
19	6H4-45113-A0	GASKET, UPPER CASING	1	1	
20	93606-12019	PIN, DOWEL	2	2	
21	97575-08445	BOLT, WITH WASHER	2	2	
22	6H4-41134-A0	GASKET, EXHAUST MANIFOLD	1	1	

FIG. 25 LOWER CASING. DRIVE 1



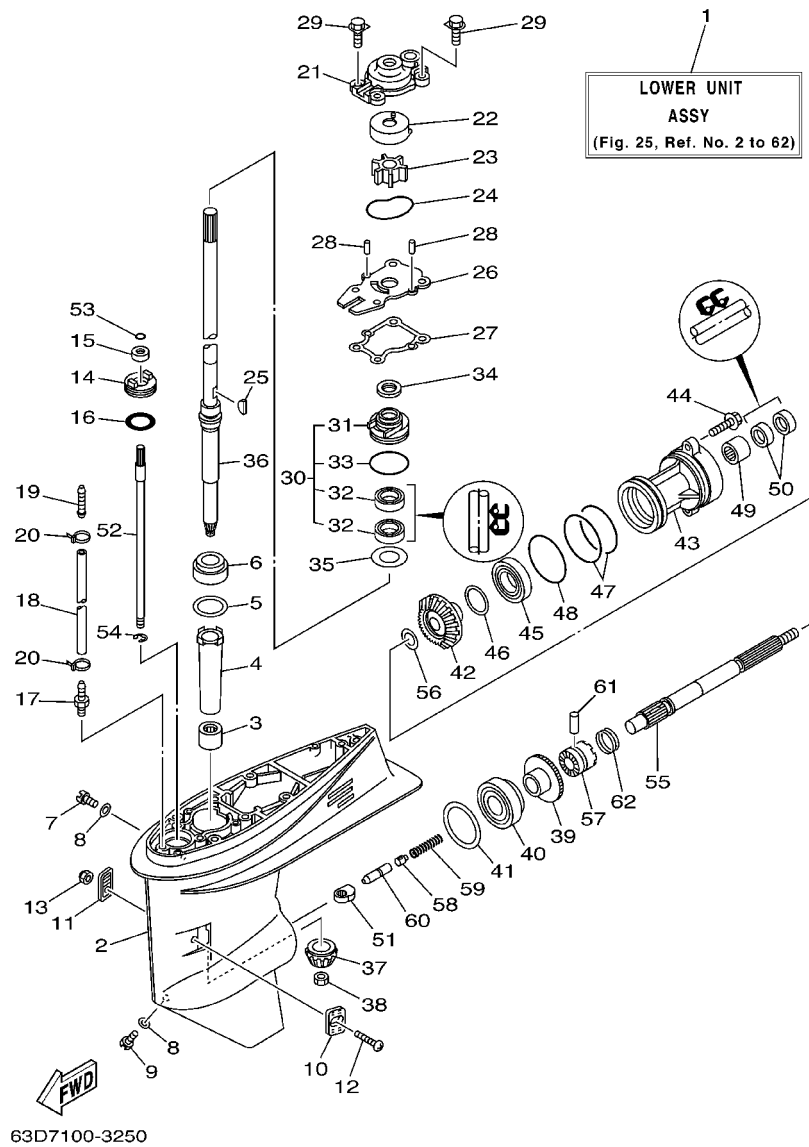
REF. NO.	PART NO.	DESCRIPTION	ETO	WHTO	REMARKS
1	63D-45300-12-4D	LOWER UNIT ASSY	1	1	L
2	63D-45301-03-4D	CASING, LOWER	1	1	
3	93315-32224	BEARING	1	1	
4	6H4-45536-00	SLEEVE, DRIVE SHAFT	1	1	
5	663-45587-01-10	SHIM (T:0.10MM)	1	1	UR
	663-45587-01-12	SHIM (T:0.12MM)	1	1	UR
	663-45587-01-15	SHIM (T:0.15MM)	1	1	UR
	663-45587-01-18	SHIM (T:0.18MM)	1	1	UR
	663-45587-01-30	SHIM (T:0.30MM)	1	1	UR
	663-45587-01-40	SHIM (T:0.40MM)	1	1	UR
	663-45587-01-50	SHIM (T:0.50MM)	1	1	UR
6	93332-00001	BEARING	1	1	
7	90340-08002	PLUG, STRAIGHT SCREW	1	1	
8	90430-08020	GASKET	2	2	
9	688-45341-10	PLUG, DRAIN	1	1	
10	63D-45214-00	COVER, WATER INLET	1	1	
11	63D-45215-00	COVER, WATER INLET	1	1	
12	90142-05M06	SCREW, COUNTERSUNK	1	1	
13	95380-05600	NUT	1	1	
14	63D-45321-00	PLATE	1	1	
15	93106-09014	OIL SEAL	1	1	
16	93210-33MG4	O-RING	1	1	
17	6E5-45378-00	NIPPLE, HOSE	1	1	
18	90445-07M31	HOSE (L200)	1	1	L
19	6E5-83558-10	END, NIPPLE	1	1	
20	90465-11M10	CLAMP	2	2	
21	63D-44311-00	HOUSING, WATER PUMP	1	1	

FIG. 25 LOWER CASING. DRIVE 1



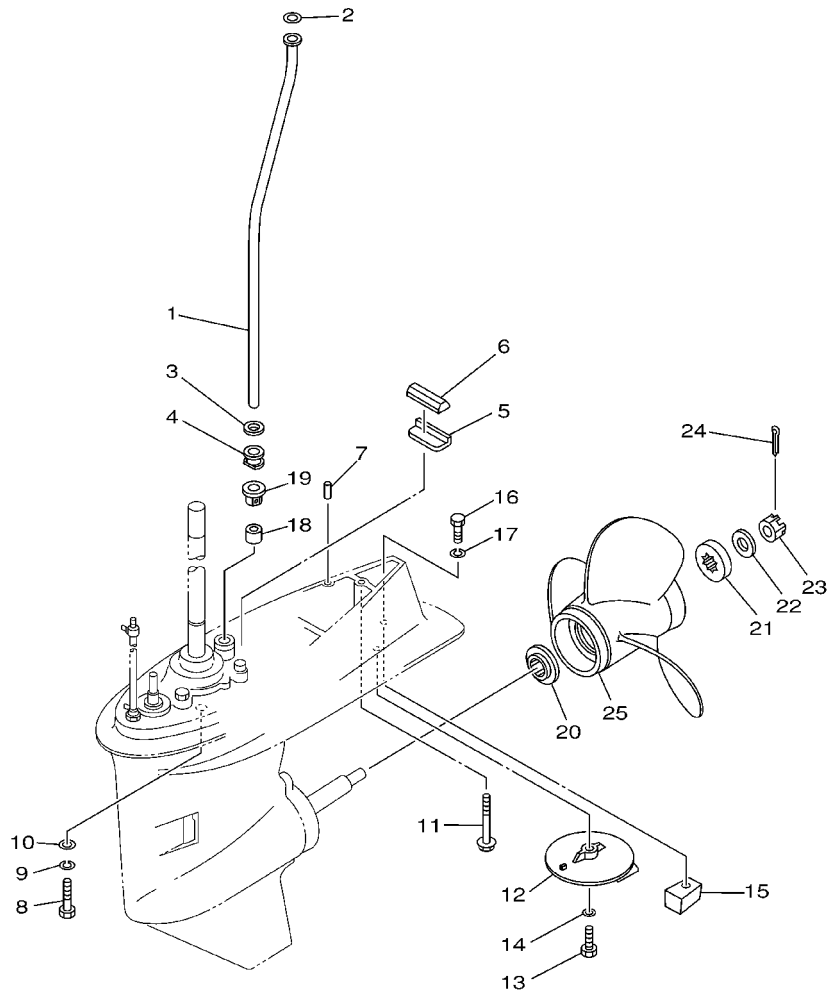
REF. NO.	PART NO.	DESCRIPTION	ETO	WHTO	REMARKS
22	63D-44322-00	INSERT, CARTRIDGE	1	1	
23	6H3-44352-00	IMPELLER	1	1	
24	93210-59MG7	O-RING	1	1	
25	90280-03024	KEY, WOODRUFF	1	1	
26	63D-44323-00	OUTER PLATE, CARTRIDGE	1	1	
27	63D-44316-00	GASKET, WATER PUMP	1	1	
28	93604-08062	PIN, DOWEL	2	2	
29	90119-08M15	BOLT, WITH WASHER	4	4	
30	63D-W4434-00	WATER PUMP HOUSING ASSY	1	1	
31	63D-44341-00	.HOUSING, WATER PUMP	1	1	
32	93101-25M57	.OIL SEAL	2	2	
33	93210-48MG8	.O-RING	1	1	
34	63D-45344-00	COVER, OIL SEAL	1	1	
35	90201-27M00	WASHER, PLATE	1	1	
36	63D-45501-10	DRIVE SHAFT COMP.	1	1	L
37	6H4-45551-01	PINION	1	1	
38	90170-12138	NUT	1	1	
39	6H4-45560-01	GEAR	1	1	
40	93332-00003	BEARING	1	1	
41	663-45567-01-10	SHIM (T:0.10MM)	1	1	UR
	663-45567-01-12	SHIM (T:0.12MM)	1	1	UR
	663-45567-01-15	SHIM (T:0.15MM)	1	1	UR
	663-45567-01-18	SHIM (T:0.18MM)	1	1	UR
	663-45567-01-30	SHIM (T:0.30MM)	1	1	UR
	663-45567-01-40	SHIM (T:0.40MM)	1	1	UR
	663-45567-01-50	SHIM (T:0.50MM)	1	1	UR
42	6H4-45571-01	GEAR	1	1	

FIG. 25 LOWER CASING. DRIVE 1



REF. NO.	PART NO.	DESCRIPTION	ETO	WHTO	REMARKS
43	63D-45361-02-4D	CAP, LOWER CASING	1	1	
44	90105-08M61	BOLT, FLANGE	2	2	
45	93306-001U1	BEARING	1	1	
46	63D-45577-00-10	SHIM (T:0.10MM)	1	1	UR
	63D-45577-00-12	SHIM (T:0.12MM)	1	1	UR
	63D-45577-00-15	SHIM (T:0.15MM)	1	1	UR
	63D-45577-00-18	SHIM (T:0.18MM)	1	1	UR
	63D-45577-00-30	SHIM (T:0.30MM)	1	1	UR
	63D-45577-00-40	SHIM (T:0.40MM)	1	1	UR
	63D-45577-00-50	SHIM (T:0.50MM)	1	1	UR
47	93210-74MG5	O-RING	2	2	
48	93210-69MG6	O-RING	1	1	
49	93317-22204	BEARING	1	1	
50	93101-22M00	OIL SEAL	2	2	
51	663-44151-00	CAM, SHIFT	1	1	
52	63D-44144-00	ROD, SHIFT	1	1	
53	93210-07003	O-RING	1	1	
54	99001-08600	CIRCLIP	1	1	
55	63D-45611-00	SHAFT, PROPELLER	1	1	
56	90201-22429	WASHER, PLATE	1	1	
57	63D-45631-01	CLUTCH, DOG	1	1	
58	663-45634-00	SLIDE, SHIFT	1	1	
59	90501-16M01	SPRING, COMPRESSION	1	1	
60	63D-45635-00	PLUNGER, SHIFT	1	1	
61	90250-06023	PIN, STRAIGHT	1	1	
62	663-45633-00	RING, CROSS PIN	1	1	

FIG. 26 LOWER CASING. DRIVE 2

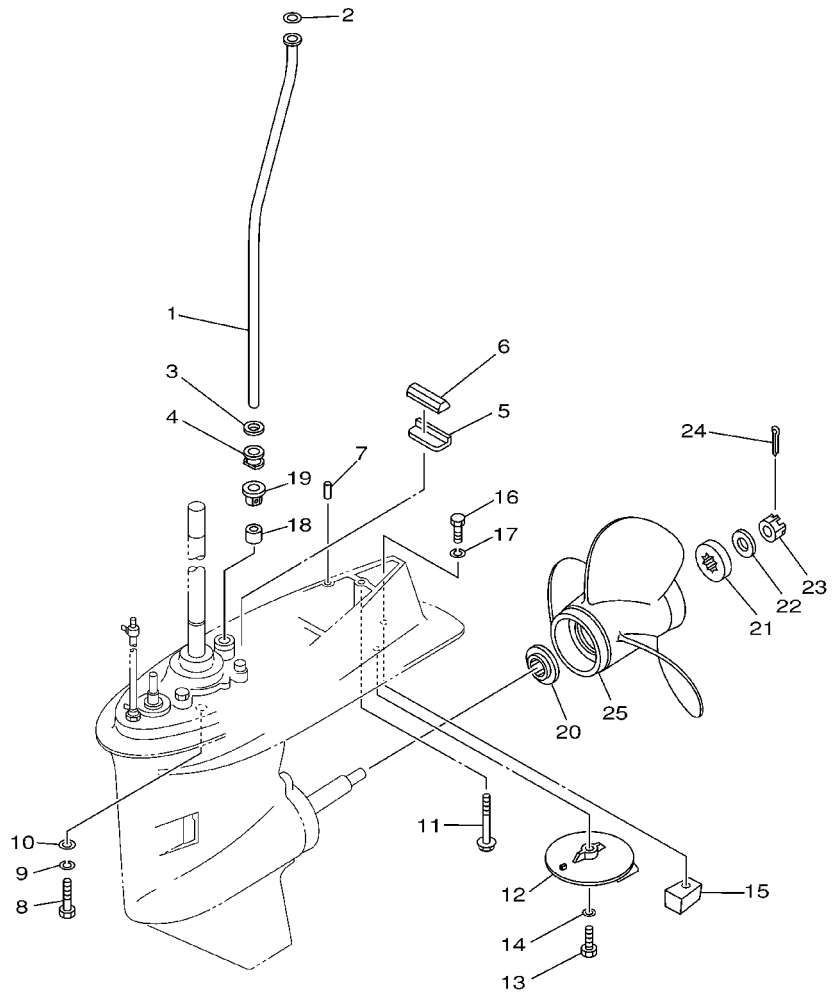


63D0100-0241

REF. NO.	PART NO.	DESCRIPTION	ETO	WHTO			REMARKS
1	63D-44361-10	TUBE, WATER	1	1			L
2	90202-12060	WASHER, PLATE	1	1			
3	90430-12072	GASKET	1	1			
4	63D-44367-00	DAMPER, WATER SEAL	1	1			
5	663-45376-00-94	GUIDE, SEAL DAMPER	1	1			
6	63D-45375-00	DAMPER, SEAL	1	1			
7	93606-12019	PIN, DOWEL	2	2			
8	97075-10040	BOLT	4	4			
9	92995-10100	WASHER	4	4			
10	92995-10600	WASHER	4	4			
11	90119-08M84	BOLT, WITH WASHER	1	1			
12	664-45371-01	TAB-TRIM	1	1			
13	97095-08025	BOLT	1	1			
14	92995-08100	WASHER	1	1			
15	67C-45251-00	ANODE	1	1			
16	97095-08035	BOLT	1	1			
17	92995-08100	WASHER	1	1			
18	663-44366-00	DAMPER, WATER SEAL	1	1			
19	63D-44312-00	COVER, WATER PUMP HOUSING	1	1			
20	663-45987-02	SPACER	1	1			
21	670-45997-02	SPACER	1	1			
22	92990-16200	WASHER, PLAIN	1	1			
23	90171-16011	NUT, CASTLE	1	1			
24	91490-30025	PIN, COTTER	1	1			
25	663-45941-01-EL	PROPELLER (3X10-3/4"X17"-G)	1	1			UR
	663-45949-01-EL	PROPELLER (3X10-3/4"X16"-G)	1	1			UR
	663-45952-02-EL	PROPELLER (3X11-3/8"X12"-G)	1	1			UR

**B1**

FIG. 26 LOWER CASING. DRIVE 2

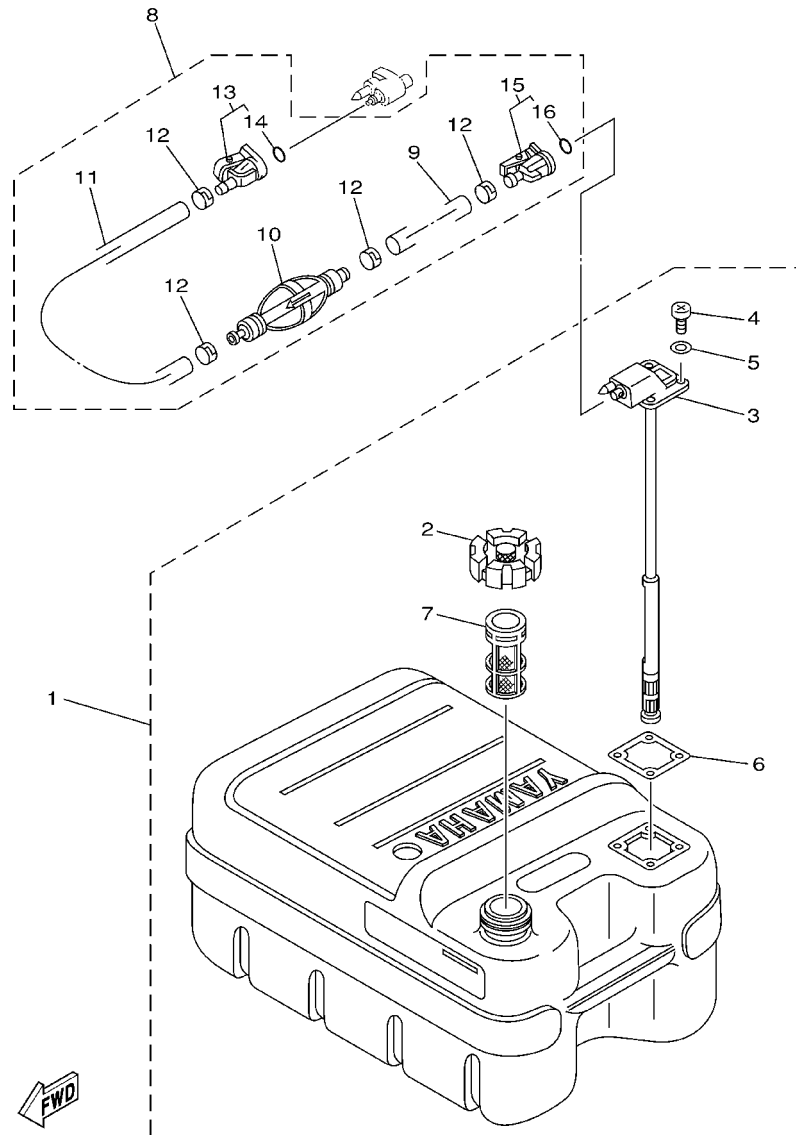


63D0100-0241

REF. NO.	PART NO.	DESCRIPTION	ETO	WHTO		REMARKS
25	663-45954-01-EL	PROPELLER (3X11-3/4"X10"-G)	1	1		UR
	663-45956-01-EL	PROPELLER (3X12-1/4"X9"-G)	1	1		UR
	663-45958-01-EL	PROPELLER (3X11-1/4"X14"-G)	1	1		UR
	69W-45943-00-EL	PROPELLER (3X11"X15"-G)	1	1		UR
	69W-45945-00-EL	PROPELLER (3X11-1/8"X13"-G)	1	1		UR
	69W-45947-00-EL	PROPELLER (3X11-5/8"X11"-G)	1	1		UR
	6H5-45943-00-EL	PROPELLER (3X10"X15"-G)	1	1		UR WITH LIP CUP
	6H5-45945-00-EL	PROPELLER (3X10-3/8"X13"-G)	1	1		UR WITH LIP CUP
	6H5-45952-00-EL	PROPELLER (3X10-5/8"X12"-G)	1	1		UR WITH LIP CUP
	6H5-45958-00-EL	PROPELLER (3X10-1/4"X14"-G)	1	1		UR WITH LIP CUP
	<b>STAINLESS STEEL PROPELLER</b>					
	663-45930-00-98	PROPELLER (3X10-1/4"X14"-G)	1	1		UR
	663-45974-02-98	PROPELLER (3X10-5/8"X13"-G)	1	1		UR
	663-45976-00-98	PROPELLER (3X10-1/4"X15"-G)	1	1		UR
	663-45978-00-98	PROPELLER (3X10-1/4"X16"-G)	1	1		UR
	663-45970-60-98	PROPELLER (3X11-3/4"X12"-G)	1	1		UR
	663-45972-60-98	PROPELLER (3X12"X11"-G)	1	1		UR
	663-45974-60-98	PROPELLER (3X11-1/2"X13"-G)	1	1		UR
	697-45970-00-98	PROPELLER (3X11-1/4"X14"-G)	1	1		UR



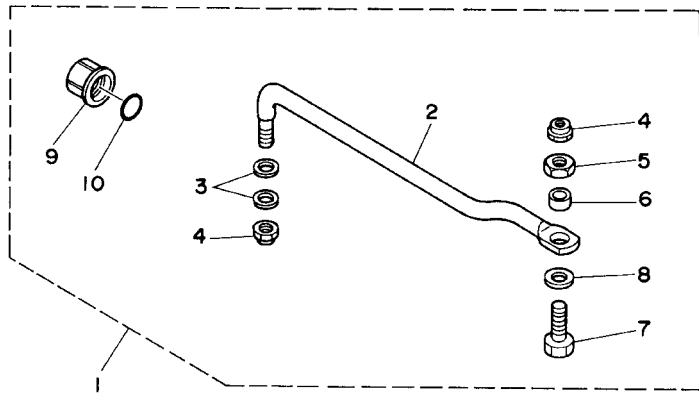
FIG. 27 FUEL TANK



67C0100-9300

REF. NO.	PART NO.	DESCRIPTION	ETO	WHTO	REMARKS
1	6YJ-24201-10	FUEL TANK ASSY (24L)	1	1	AP FOR OCEANIA WITH INDICATOR
2	6YJ-24610-01	.CAP ASSY	1	1	
3	6Y1-24260-12	.FUEL METER ASSY	1	1	WITH INDICATOR
4	98586-05016	.SCREW, PAN HEAD	4	4	
5	6Y1-24329-00	.SEAL	4	4	
6	6Y1-24268-00	.GASKET, FUEL METER	1	1	
7	6YJ-24167-00	.STRAINER	1	1	
8	61J-24306-02	FUEL PIPE COMP. 1	1	1	AP FOR OCEANIA
9	90445-11M06	.HOSE (L:2050)	1	1	
10	61J-24360-00	.PRIMER PUMP ASSY	1	1	
11	90445-11M05	.HOSE (L:850)	1	1	
12	650-24351-51	.BAND 1	4	4	
13	6G1-24305-03	.FUEL PIPE JOINT COMP. 2	1	1	
14	93210-08287	..O-RING	1	1	
15	6Y1-24305-04	.FUEL PIPE JOINT COMP. 2	1	1	
16	93210-08287	..O-RING	1	1	

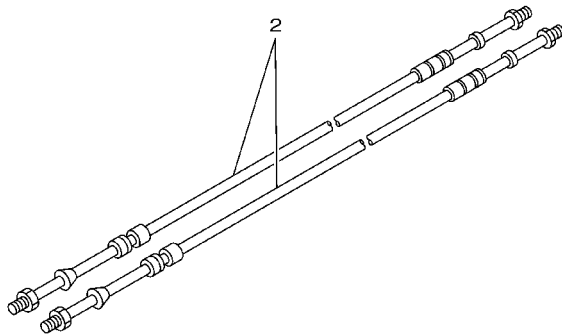
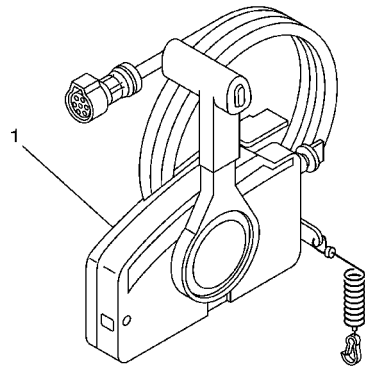
**FIG. 28 STEERING GUIDE**



REF. NO.	PART NO.	DESCRIPTION	ETO	WHTO	REMARKS
1	63D-61350-00	STEERING GUIDE ATTACHMENT KIT	1		AP
2	63D-61351-00	.ROD, STEERING LINK	1		
3	90201-10M20	.WASHER, PLATE	2		
4	90185-09M01	.NUT, SELF-LOCKING	2		
5	90170-09M03	.NUT	1		
6	90387-10M42	.COLLAR	1		
7	90101-09M01	.BOLT	1		
8	90201-10M63	.WASHER, PLATE	1		
9	6E5-43145-01	.CAP, CLAMP BRACKET	1		
10	93210-16275	.O-RING	1		

62Y0010-5200

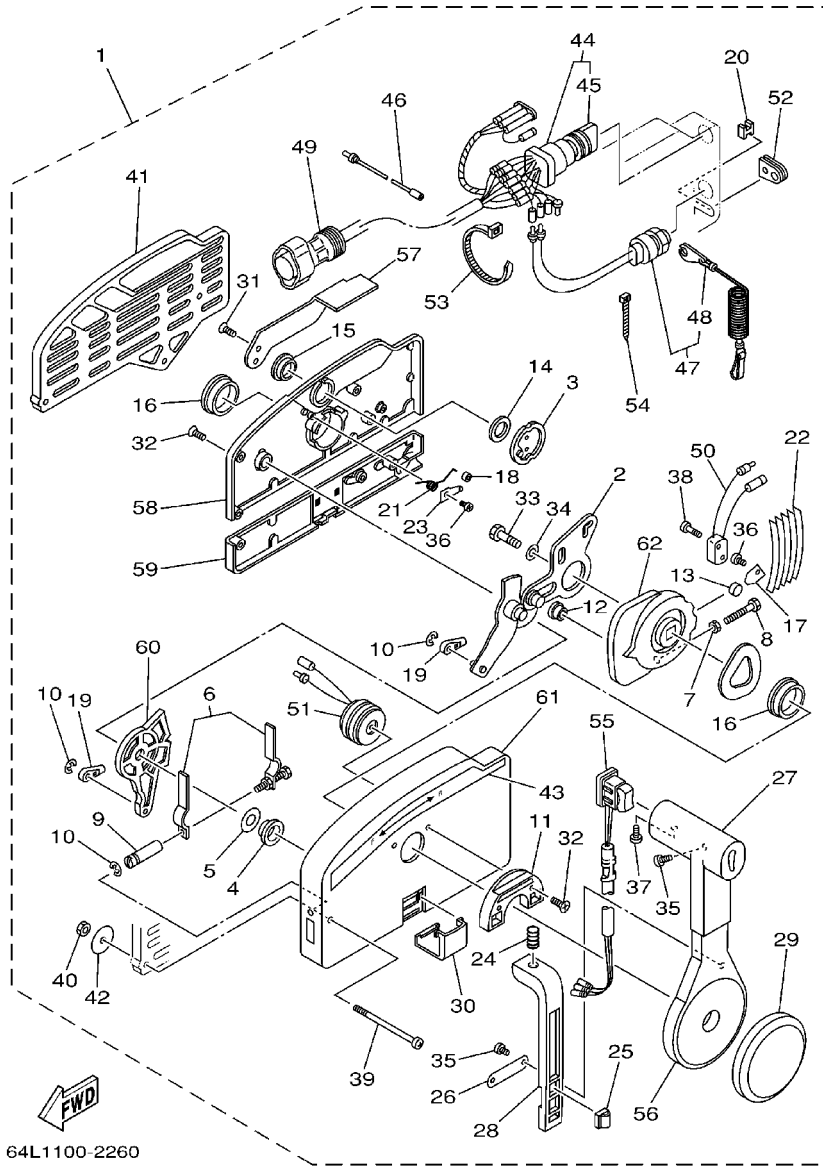
**FIG. 29 REMOTE CONTROL BOX**



67M0100-8280

REF. NO.	PART NO.	DESCRIPTION	ETO	WHTO	REMARKS
1	703-48205-17	REMOTE CONTROL ASSY	1		AP WITH PT/T SW.
2	701-48320-00	CABLE, REMOTE CONTROL L=12F	2		UR
	701-48320-20	CABLE, REMOTE CONTROL L=13F	2		UR
	701-48320-30	CABLE, REMOTE CONTROL L=14F	2		UR
	701-48320-50	CABLE, REMOTE CONTROL L=15F	2		UR
	701-48320-60	CABLE, REMOTE CONTROL L=16F	2		UR
	701-48320-80	CABLE, REMOTE CONTROL L=17F	2		UR

FIG. 30 REMOTE CONTROL ASSY



64L1100-2260

REF. NO.	PART NO.	DESCRIPTION	ETO	WHTO	REMARKS
1	703-48205-17	REMOTE CONTROL ASSY	1		AP WITH PT/T SW.
2	703-48261-01	.ARM, THROTTLE	1		
3	703-48153-00	.SHAFT, FREE ACCEL.	1		
4	703-48235-00	.BUSHING	1		
5	703-48268-00	.SPACER	1		
6	703-48264-00	.THROTTLE, FRICTION	1		
7	95380-05600	.NUT	1		
8	97380-05025	.BOLT	1		
9	703-48265-00	.SHAFT, FRICTION	1		
10	93430-06024	.CIRCLIP	3		
11	703-48245-00	.PLATE, LOCK	1		
12	703-48252-00	.ROLLER, CAM	1		
13	701-48248-00	.ROLLER, FREE ACCEL.	1		
14	703-48198-00	.WASHER, WAVE	1		
15	703-48243-00	.BUSHING	1		
16	703-48236-00	.BUSHING 1	2		
17	703-48189-00	.RETAINER	1		
18	703-48234-00	.ROLLER, DETENT	1		
19	703-48345-01	.CABLE END, REMOTE CONTROL 2	2		
20	703-48358-00	.ANCHOR, CABLE	1		
21	703-48244-00	.SPRING, FREE ACCEL.	1		
22	703-48238-00	.SPRING, DETENT	5		
23	703-48246-00	.SPACER	1		
24	703-48227-00	.SPRING, NEUTRAL LOCK	1		
25	703-82594-00	.CLAMP	1		WITH PT/T SW.
26	703-48226-00	.PLATE, STOPPER	1		
27	703-48222-00	.GRIP, CONTROL LEVER	1		SINGLE

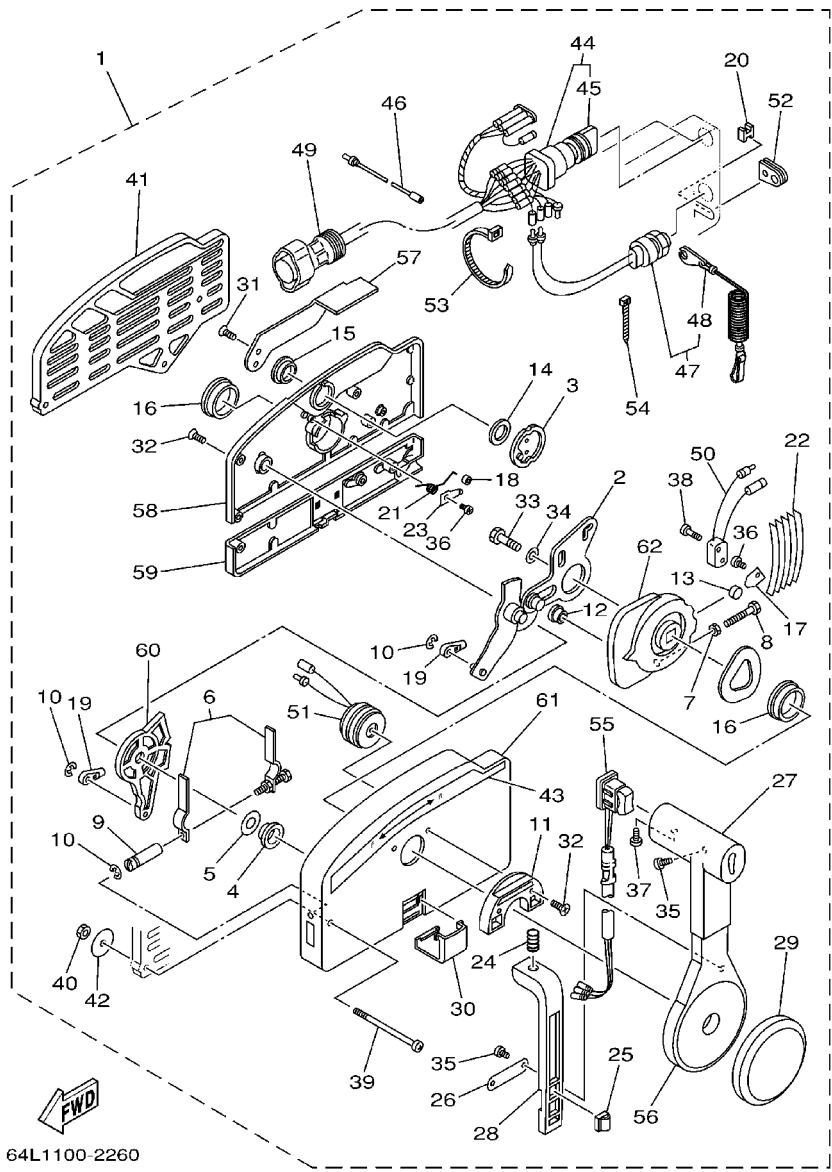
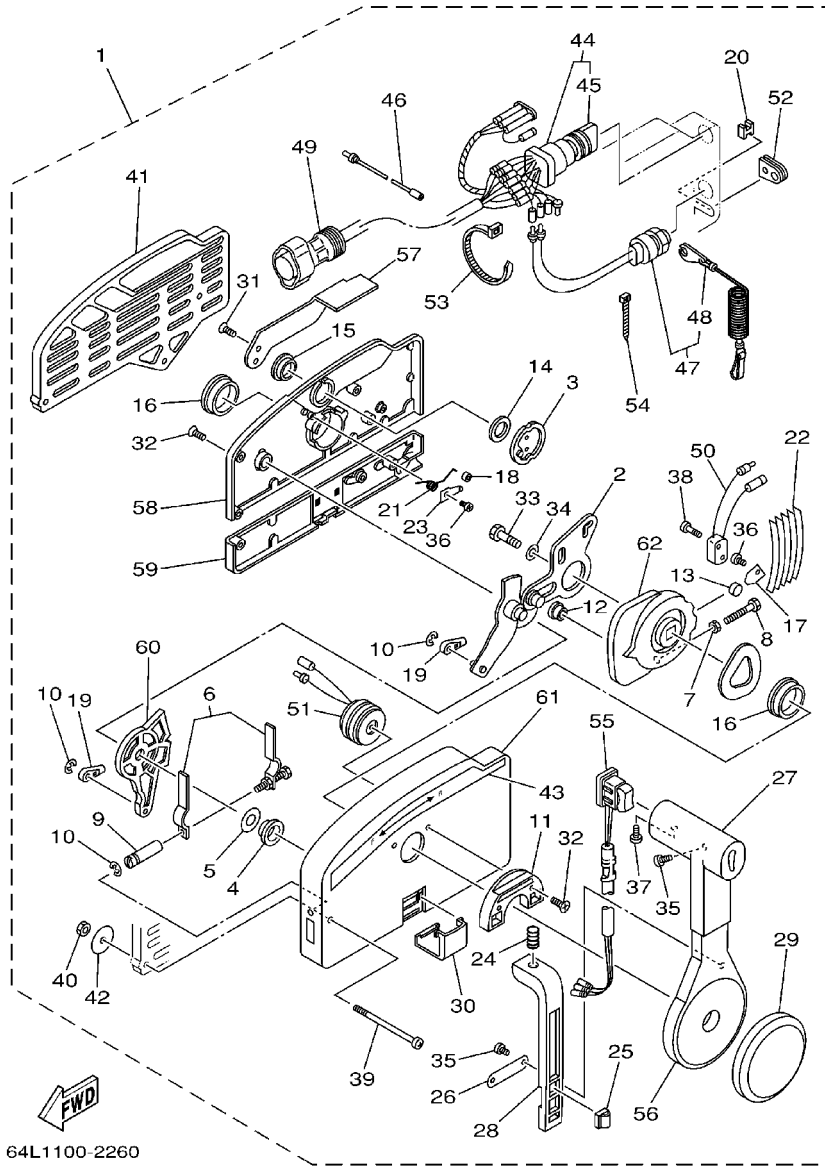


FIG. 30 REMOTE CONTROL ASSY

REF. NO.	PART NO.	DESCRIPTION	ETO	WHTO	REMARKS
28	703-48223-00	.LOCK, NEUTRAL	1		
29	703-48225-00	.COVER	1		
30	703-48219-00	.COVER, LEAD	1		
31	703-48281-00	.SCREW	2		
32	703-48282-00	.SCREW	7		
33	97380-08030	.BOLT	1		
34	92990-08600	.WASHER, PLATE	1		
35	98580-04010	.SCREW, PAN HEAD	3		
36	98580-04006	.SCREW, PAN HEAD	2		
37	98580-05010	.SCREW, PAN HEAD	1		
38	98580-03015	.SCREW, PAN HEAD	2		
39	703-48291-10	.SCREW (M6)	3		
40	95380-06600	.NUT, HEXAGON	3		
41	703-48293-10	.SPACER, REMOTE CONTROL	1		SINGLE
42	701-48287-00	.WASHER	3		
43	703-48215-00	.GRAPHIC	1		
44	703-82510-43	.MAIN SWITCH ASSY	1		
45	703-82577-00	..CAP, KEY	1		
46	703-82531-00	.WIRE, LEAD	1		
47	688-82575-01	.ENGINE STOP SWITCH ASSY	1		
48	682-82556-00	..STOPPER	1		
49	688-8258A-20	.EXTENSION, WIRE HARNESS	1		L:5M (10P)
50	703-82540-00	.NEUTRAL SWITCH ASSY	1		
51	703-83383-02	.BUZZER	1		
52	703-48284-00	.GROMMET	1		
53	703-82591-00	.BAND	1		
54	703-82592-00	.BAND	1		

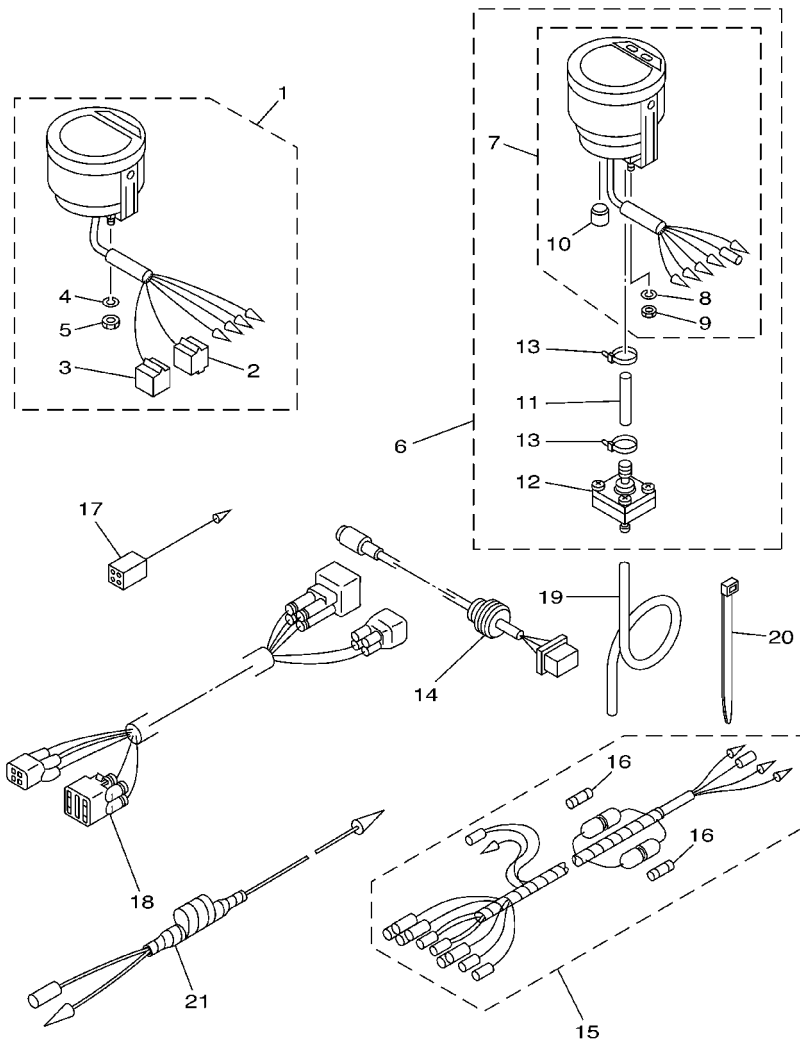
**FIG. 30 REMOTE CONTROL ASSY**



64L1100-2260

REF. NO.	PART NO.	DESCRIPTION	ETO	WHTO	REMARKS
55	703-82563-02	.TRIM & TILT SWITCH ASSY	1		WITH PT/T SW.
56	703-48221-00	.LEVER, CONTROL	1		
57	703-48152-00	.KNOB, FREE ACCEL.	1		
58	703-48212-00	.BACK PLATE 1	1		
59	703-48213-00	.BACK PLATE 2	1		
60	703-48271-00	.ARM, SHIFT	1		
61	703-48211-01	.HOUSING,1	1		
62	703-48232-00	.GEAR	1		

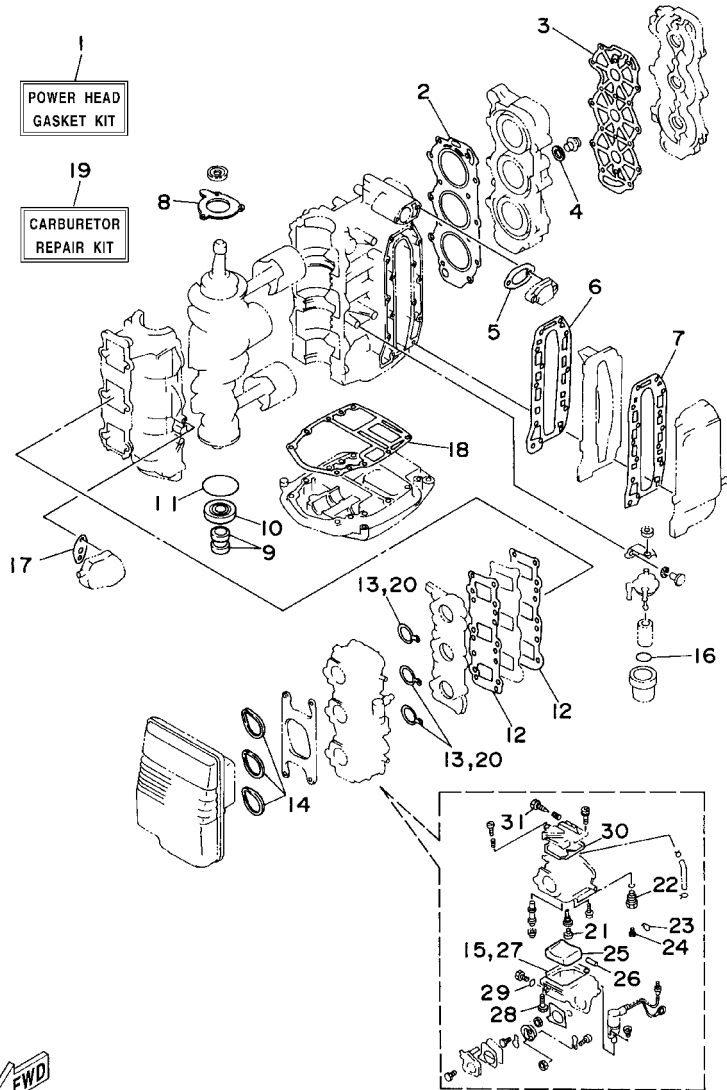
FIG. 31 METER



62X4100-3310

REF. NO.	PART NO.	DESCRIPTION	ETO	WHTO	REMARKS
1	6Y5-8350T-01	DIGITAL TACHOMETER ASSY	1		AP
2	9E450-04433	.CONNECTOR	1		M-4-W
3	9E450-04533	.CONNECTOR	1		F-4-W
4	92990-04100	.WASHER, SPRING	2		
5	95380-04600	.NUT	2		
6	6Y5-83500-S5	DIGITAL SPEEDOMETER ASSY	1		AP 50,50H
7	6Y5-83570-S5	.SPEEDOMETER ASSY	1		
8	92990-04100	..WASHER, SPRING	2		
9	95380-04600	..NUT	2		
10	6Y5-83533-T2	..GROMMET	1		
11	6Y5-83557-31	.TUBE	1		
12	6Y5-83728-00	.CONNECTOR ASSY	1		
13	90465-11M10	.CLAMP	2		
14	6Y5-87122-S0	CORD ASSY 1	1		AP 50,50H
15	6Y5-83553-M0	WIRE, LEAD	1		AP 50,50H
	6Y5-83553-00	WIRE, LEAD	1		AP 40,40V
16	1E6-82151-00	.FUSE (10A)	2		FOR 6Y5-83553-M0
	1E6-82151-00	.FUSE (10A)	1		FOR 6Y5-83553-00
17	6Y5-82117-00	WIRE, LEAD (BLACK)	1		AP 50,50H
18	68F-82553-80	EXTENSION, WIRE LEAD	1		AP 50,50H
	68F-82553-70	EXTENSION, WIRE LEAD	1		AP 40,40V
19	6Y5-83557-10	TUBE (8M)	1		AP 50,50H
20	90465-11M10	CLAMP	2		AP 50,50H
21	6H4-81315-11	LEAD WIRE ASSY	1		AP

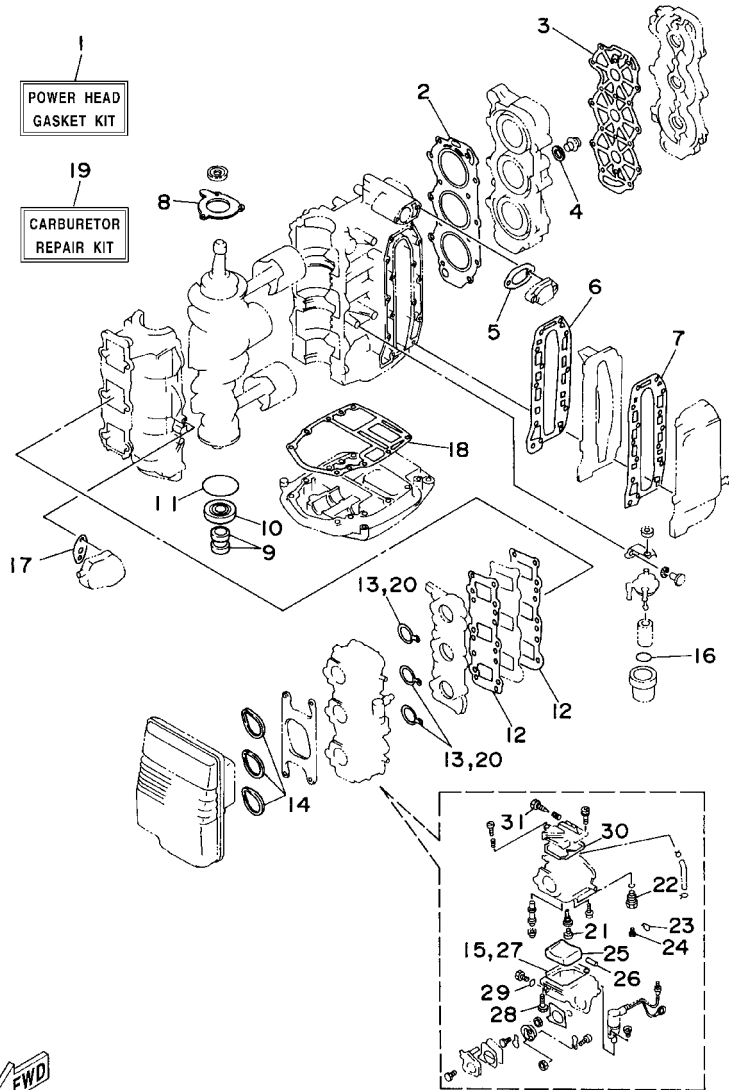
FIG. 32 REPAIR KIT 1



63D0010-5270

REF. NO.	PART NO.	DESCRIPTION	ETO	WHTO	REMARKS
1	63D-W0001-00	POWER HEAD GASKET KIT	1	1	
2	63D-11181-A1	.GASKET, CYLINDER HEAD 1	1	1	
3	63D-11193-A0	.GASKET, HEAD COVER 1	1	1	
4	90430-14115	.GASKET	1	1	
5	61A-12414-A0	.GASKET, COVER	1	1	
6	6H4-41112-A0	.GASKET, EXHAUST INNER COVER	1	1	
7	6H4-41114-A0	.GASKET, EXHAUST OUTER COVER	1	1	
8	6H4-15369-A1	.GASKET, OIL SEAL HOUSING	1	1	
9	93104-16M01	.OIL SEAL	2	2	
10	93102-25M28	.OIL SEAL	1	1	
11	93210-58M21	.O-RING	1	1	
12	6H4-13621-A1	.GASKET, VALVE SEAT	2	2	
13	6H4-14198-01	.GASKET	3	3	
14	6H3-14457-01	.SEAL	3	3	
15	6H4-14984-00	.GASKET, FLOAT CHAMBER	3	3	
16	93210-32738	.O-RING	1	1	
17	650-24431-A0	.GASKET, FUEL PUMP 1	1	1	
18	6H4-45113-A0	.GASKET, UPPER CASING	1	1	
19	6H4-W0093-03	CARBURETOR REPAIR KIT	1	1	
20	6H4-14198-01	.GASKET	3	3	
21	676-14966-00	.CAP	3	3	
22	6H4-14590-00	.NEEDLE VALVE ASSY	3	3	
23	663-14159-00	.CLIP	3	3	
24	676-14186-00	.PIN, FLOAT	3	3	
25	6H4-14985-01	.FLOAT	3	3	
26	6H4-14548-00	.PIN, FLOAT ARM	3	3	
27	6H4-14984-00	.GASKET, FLOAT CHAMBER	3	3	



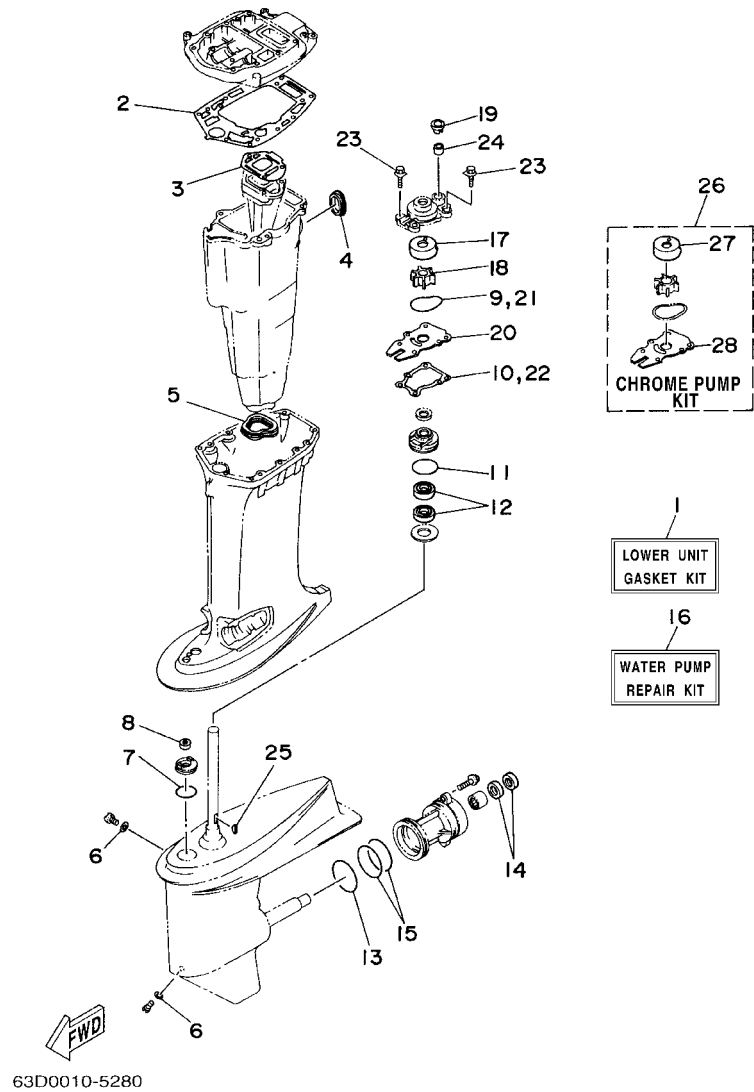


63D0010-5270

FIG. 32 REPAIR KIT 1

REF. NO.	PART NO.	DESCRIPTION	ETO	WHTO	REMARKS
28	97980-04114	.SCREW, WITH WASHER	3	3	
29	93210-04230	.O-RING	3	3	
30	6H4-14147-00	.O-RING	3	3	
31	692-14923-00	.SCREW, PILOT	3	3	
-----					
-----					
-----					
-----					
-----					
-----					
-----					
-----					
-----					
-----					

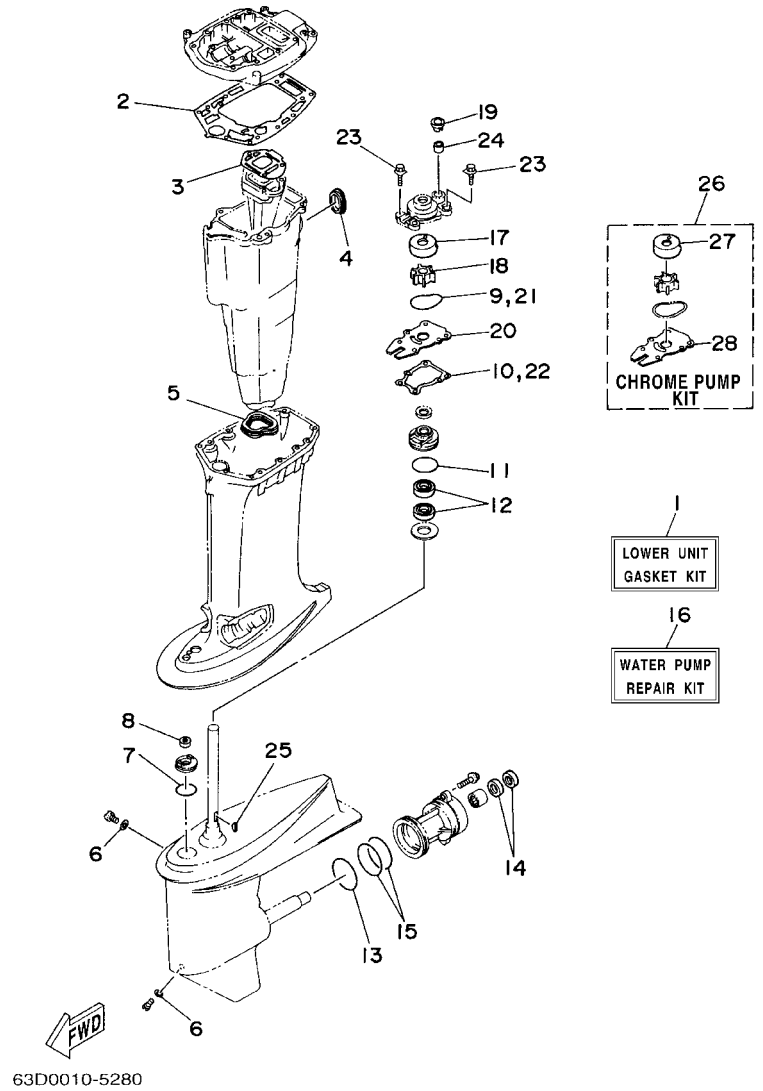
FIG. 33 REPAIR KIT 2



REF. NO.	PART NO.	DESCRIPTION	ETO	WHTO	REMARKS
1	63D-W0001-20	LOWER UNIT GASKET KIT	1	1	
2	63D-45114-A0	.GASKET, UPPER CASING	1	1	
3	6H4-41134-A0	.GASKET, EXHAUST MANIFOLD	1	1	
4	6H3-45127-00	.SEAL	1	1	
5	63D-45123-00	.GASKET, MUFFLER	1	1	
6	90430-08020	.GASKET	2	2	
7	93210-33MG4	.O-RING	1	1	
8	93106-09014	.OIL SEAL	1	1	
9	93210-59MG7	.O-RING	1	1	
10	63D-44316-00	.GASKET, WATER PUMP	1	1	
11	93210-48MG8	.O-RING	1	1	
12	93101-25M57	.OIL SEAL	2	2	
13	93210-69MG6	.O-RING	1	1	
14	93101-22M00	.OIL SEAL	2	2	
15	93210-74MG5	.O-RING	2	2	
16	63D-W0078-01	WATER PUMP REPAIR KIT	1	1	
17	63D-44322-00	.INSERT, CARTRIDGE	1	1	
18	6H3-44352-00	.IMPELLER	1	1	
19	63D-44312-00	.COVER, WATER PUMP HOUSING	1	1	
20	63D-44323-00	.OUTER PLATE, CARTRIDGE	1	1	
21	93210-59MG7	.O-RING	1	1	
22	63D-44316-00	.GASKET, WATER PUMP	1	1	
23	90119-08M15	.BOLT, WITH WASHER	4	4	
24	663-44366-00	.DAMPER, WATER SEAL	1	1	
25	90280-03024	.KEY, WOODRUFF	1	1	
26	63D-W0078-0A	CHROME PUMP KIT	1	1	
27	63D-44322-40	.INSERT, CARTRIDGE	1	1	

FIG. 33 REPAIR KIT 2

REF. NO.	PART NO.	DESCRIPTION	ETO	WH/TO	REMARKS
28	63D-44323-40	.OUTER PLATE, CARTRIDGE	1	1	



NUMERICAL INDEX

PART NO.	REF. NO.	PART NO.	REF. NO.	PART NO.	REF. NO.	PART NO.	REF. NO.	PART NO.	REF. NO.	PART NO.	REF. NO.
63D-W0001-00	32 - 1	6J8-13414-00	6 - 38	6K5-14592-00	5 - 5	6H4-15787-01	10 - 15	6H3-24411-10	5 - 41	63D-42115-00	17 - 8
63D-W0001-20	33 - 1		7 - 36	63D-14711-11-5B	24 - 11	6A0-15789-00	10 - 8	663-24411-00	8 - 19	664-42119-00	17 - 60
6H4-W0004-00	4 - 2	6L2-13416-00	6 - 39	692-14923-00	5 - 26	63D-21707-00	6 - 21	692-24411-00	8 - 16	63D-42121-20-4D	17 - 67
63D-W0070-20	1 - 11		7 - 37		32 - 31	63D-21707-10	7 - 21	6A0-24412-02	8 - 25	63D-42126-00	17 - 49
63D-W0078-0A	33 - 26	63D-13436-40	1 - 12	63D-14943-81	5 - 22	6H3-21732-00	1 - 14	6A0-24413-00	8 - 15	63D-42131-10	17 - 27
63D-W0078-01	33 - 16	6H5-13610-00	4 - 1	676-14943-30	5 - 22	6H3-21735-00	1 - 15	6H4-24413-00	5 - 39	6H2-42137-00	17 - 3
63D-W0084-01-4D	17 - 1	6H4-13621-A1	4 - 8	676-14943-33	5 - 22	63D-21744-00	6 - 33	6A0-24421-01	8 - 23	650-42152-00-94	17 - 9
63D-W0090-11-1S	2 - 1		32 - 12	62X-14947-00	5 - 21		7 - 30	6L5-24421-00	5 - 38	63D-42153-00	17 - 17
6H4-W0093-03	32 - 19	6H4-13624-01-94	4 - 7	63D-14947-00	5 - 21	63D-2175R-00	6 - 26	650-24431-A0	8 - 26	63D-42159-00	17 - 11
656-W2810-02	8 - 37	6H4-13641-12-94	4 - 5	6H4-14948-11	5 - 24		7 - 24		32 - 17	6G1-42177-00	17 - 61
63D-W4434-00	25 - 30	6H3-14137-00	5 - 32	62X-14948-12	5 - 24	6H4-21752-00	6 - 24	6H3-24434-10	5 - 42	63D-42181-00	17 - 23
63D-11111-00-1S	2 - 22	6H3-14146-10	5 - 16	676-14966-00	5 - 23	6H1-21757-00	6 - 31	648-24434-01	8 - 17	63D-42508-00	18 - 1
6H4-11119-01	2 - 18	6H4-14146-10	5 - 15		32 - 21	6H4-21757-00	7 - 29	648-24435-02	8 - 20	63D-42510-11-4D	21 - 1
63D-11181-A1	2 - 23	6H4-14147-00	5 - 30	6H3-14980-10	5 - 18	6J8-21758-00	6 - 30	6H3-24452-10	5 - 29	63D-42526-00	18 - 8
	32 - 2		32 - 30	6H4-14980-00	5 - 18	63D-2176M-00	6 - 27	6H4-24486-00	5 - 40	63D-42527-00	18 - 2
63D-11191-00-1S	2 - 26	663-14159-00	5 - 12	6H4-14984-00	5 - 17		7 - 25	61N-24521-00	8 - 7	63D-42528-00	18 - 9
63D-11193-A0	2 - 27		32 - 23		32 - 15	63D-2177H-00	1 - 13	61N-24560-00	8 - 5	63D-42541-00	18 - 4
	32 - 3	676-14186-00	5 - 13		32 - 27	6H4-21770-00	6 - 28	61N-24563-00	8 - 6	624-42542-00	6 - 42
688-11325-00	2 - 20		32 - 24	6H4-14985-01	5 - 14		7 - 26	6H4-24566-02	8 - 9		7 - 40
650-11370-01	2 - 3	6H4-14198-01	4 - 10		32 - 25	1UF-22434-00	22 - 17	6YJ-24610-01	27 - 2	63D-42546-00	18 - 3
688-11370-01	2 - 7		32 - 13	6H3-14992-00	5 - 19	62Y-22434-00	22 - 50	6H4-24633-00	7 - 27	63D-42561-00	18 - 12
6H4-11372-01	2 - 5		32 - 20	6H4-15100-13-1S	2 - 2	62Y-22471-00	22 - 11	6H5-24633-00	6 - 29	63D-42562-00	18 - 10
6H4-11400-14	3 - 8	62X-14301-00	5 - 1	6H4-15359-04-94	11 - 3	6YJ-24167-00	27 - 7	6H4-24634-00	7 - 31	62X-42610-60-4D	1 - 1
6H4-11536-00	3 - 9	63D-14301-00	5 - 1	6H4-15369-A1	3 - 1	6YJ-24201-10	27 - 1	63D-26301-01	17 - 35	62X-42610-80-4D	1 - 1
6H4-11537-01	6 - 4	62X-14302-00	5 - 2		32 - 8	6Y1-24260-12	27 - 3	6E0-28193-00-94	8 - 38	63B-42610-30-4D	1 - 1
	7 - 4	63D-14302-00	5 - 2	6H4-15396-03-5B	3 - 2	6Y1-24268-00	27 - 6	6H4-41111-00-1S	2 - 35	63D-42610-60-4D	1 - 1
6H4-11545-00	11 - 13	62X-14303-00	5 - 3	6H4-15705-00	10 - 27	6G1-24304-02	8 - 1	6H4-41112-A0	2 - 36	6H4-42613-01-4D	1 - 7
63D-11603-00	3 - 14	63D-14303-00	5 - 3	6H4-15710-04-4D	10 - 1	6G1-24305-03	9 - 6		32 - 6	6H4-42613-11-4D	1 - 7
63D-11604-00	3 - 14	6A0-14325-00	8 - 24	6H4-15711-02-94	10 - 2		27 - 13	6H4-41113-00-1S	2 - 34	6H4-42615-00	1 - 3
63D-11605-00	3 - 14	6H3-14349-00	4 - 23	6H4-15714-00	10 - 19	6Y1-24305-04	9 - 8	6H4-41114-A0	2 - 37	6H4-42651-00	1 - 4
6H4-11631-01-95	3 - 13		5 - 33	6H4-15717-01	10 - 21		27 - 15		32 - 7	6H4-42652-00	1 - 5
648-11633-00	3 - 15	63D-14380-00	5 - 34	6H4-15723-01-94	10 - 37	6Y1-24306-53	9 - 1	6H4-41131-01-5B	24 - 10	62X-42677-30	1 - 9
6H4-11634-01	3 - 18	6H4-14406-00	4 - 11	6J8-15723-E1	15 - 26	61J-24306-02	27 - 8	6H5-41131-00-5B	24 - 10	63D-42677-30	1 - 9
6H4-11635-01	3 - 13	6H4-14431-02	4 - 13	676-15741-03	10 - 25	6H4-24311-00	8 - 35	6H4-41134-A0	24 - 22	62X-42678-20	1 - 10
6H4-11636-01	3 - 13	6H4-14431-13	4 - 13	63D-15746-00	10 - 42	6H4-24312-00	8 - 33		33 - 3	63D-42678-20	1 - 10
6H4-11641-00	3 - 17	6H3-14457-01	4 - 14	656-15748-00	10 - 46	6H4-24313-00	8 - 32	63D-41137-01-5B	24 - 8	63D-42681-20	1 - 19
6E5-12411-30	2 - 30		32 - 14	6F5-15752-00	10 - 9	6H4-24314-00	8 - 12	63D-41213-00	19 - 3	63D-42682-20	1 - 20
6H4-12413-00-1S	2 - 31	6H1-14485-00	4 - 6	689-15755-01	10 - 16	6Y1-24329-00	27 - 5	6H4-41217-01	4 - 18	6H1-42694-00	1 - 16
6J8-12414-A0	2 - 32	624-14485-00	2 - 4	6H4-15758-01-4D	10 - 4	650-24351-51	9 - 5	6E9-41237-00	6 - 20	6H4-42711-25-4D	16 - 1
61A-12414-A0	32 - 5		2 - 6	6H4-15761-00	1 - 2		27 - 12		7 - 20	648-42715-00	19 - 19
6H1-13117-01	6 - 5	63V-14523-00	5 - 7	6H4-15762-00	10 - 7	6Y1-24360-52	9 - 3	6H1-41237-00	6 - 16	6H4-42716-00	16 - 15
	7 - 5	6H4-14548-00	5 - 10	63D-15770-00	10 - 45	61J-24360-00	27 - 10		7 - 16	63D-42717-00	16 - 21
6E9-13183-70	6 - 46		32 - 26	63D-15771-00-4D	10 - 31	63D-24364-00	14 - 20	6H4-41237-00	19 - 8	6E5-42724-00	16 - 16
	7 - 44	679-14555-00	5 - 25		15 - 20	6E5-24367-01	16 - 27	6H4-41241-01	6 - 15	6H4-42724-20	16 - 13
63D-13200-00	6 - 1	6H4-14567-00	5 - 31	6H4-15772-02-94	10 - 35	63D-24367-00	14 - 19		7 - 15	6H4-42724-30	16 - 13
	7 - 1	6H2-14578-00	5 - 9		15 - 24	650-24378-00	2 - 8	63D-41632-00	19 - 5	6H4-42725-00	16 - 29
6J8-13411-00	6 - 37	6H4-14590-00	5 - 27	63D-15774-00	19 - 30	688-24378-00	8 - 30	63D-41636-00	19 - 7	63D-42725-00	17 - 33
	7 - 35		32 - 22	6F5-15779-02	10 - 17	692-24410-00	8 - 14	63D-42111-01-4D	17 - 2	676-42726-00	16 - 23

NUMERICAL INDEX

PART NO.	REF. NO.	PART NO.	REF. NO.	PART NO.	REF. NO.	PART NO.	REF. NO.	PART NO.	REF. NO.	PART NO.	REF. NO.
688-42726-10	16-24	6H1-43844-10	22-35	63D-44312-00	33-19	6E5-45378-00	25-17	663-45972-60-98	26-25	703-48282-00	30-32
6H3-42727-00	16-34	62Y-43845-00	22-59	63D-44316-00	25-27	63D-45501-10	25-36	663-45974-02-98	26-25	703-48284-00	30-52
63D-42741-00-4D	16-20	69J-43853-00	22-29		33-10	6H4-45536-00	25-4	663-45974-60-98	26-25	701-48287-00	30-42
6G1-42748-00	4-19	62Y-43854-00	22-47		33-22	6H4-45551-01	25-37	663-45976-00-98	26-25	703-48291-10	30-39
6E7-42791-00	16-38	62Y-43855-00	22-32	63D-44322-00	25-22	6H4-45560-01	25-39	663-45978-00-98	26-25	703-48293-10	30-41
6E7-42791-10	16-38	6H1-43856-10	22-34		33-17	663-45567-01-10	25-41	663-45987-02	26-20	701-48320-00	29-2
6G5-42791-00	16-38	65W-4386A-00	22-28	63D-44322-40	33-27	663-45567-01-12	25-41	670-45997-02	26-21	701-48320-20	29-2
6G5-42791-10	16-38	62X-4386K-00	23-10	63D-44323-00	25-26	663-45567-01-15	25-41	63D-48118-00	17-19	701-48320-30	29-2
6H4-42815-00	16-2	62X-43861-00	22-4		33-20	663-45567-01-18	25-41	63D-48119-00	17-16	701-48320-50	29-2
6H4-42816-00	16-5	62X-43862-00	22-5	63D-44323-40	33-28	663-45567-01-30	25-41	703-48152-00	30-57	701-48320-60	29-2
63D-43111-01-4D	20-1	62X-43865-00	22-62	63D-44341-00	25-31	663-45567-01-40	25-41	703-48153-00	30-3	701-48320-80	29-2
63D-43112-01-4D	20-2	62Y-4387G-00	22-52	6H3-44352-00	25-23	663-45567-01-50	25-41	63D-48154-00	17-50	63D-48321-01	17-34
6E5-43126-02	20-33	62Y-4387J-00	22-49		33-18	6H4-45571-01	25-42	703-48189-00	30-17	6H4-48344-00	19-1
63D-43128-01-4D	20-5	62X-43871-00	22-7	63D-44361-10	26-1	63D-45577-00-10	25-46	703-48198-00	30-14	63D-48344-00	19-29
63D-43131-01	20-14	62Y-43871-00	22-51	663-44366-00	26-18	63D-45577-00-12	25-46	703-48205-17	29-1	663-48344-00	19-29
6G5-43144-00	20-28	6H1-43875-00	22-58		33-24	63D-45577-00-15	25-46		30-1	703-48345-01	30-19
6E5-43145-01	28-9	62X-43875-00	22-18	63D-44367-00	26-4	63D-45577-00-18	25-46	703-48211-01	30-61	703-48358-00	30-20
6G5-43145-01	20-18	67F-43875-00	22-12	6E5-44391-00	16-14	63D-45577-00-30	25-46	703-48212-00	30-58	63D-48511-00-4D	21-36
6G5-43148-00	20-24	62X-4388A-00	22-10	63D-44514-01-94	21-22	63D-45577-00-40	25-46	703-48213-00	30-59	6H4-48531-11-94	16-7
688-43160-01	20-29	62Y-43880-01	23-2	63D-44526-00	21-24	63D-45577-00-50	25-46	703-48215-00	30-43	63D-48531-00	17-38
688-43165-00	20-30	62Y-43881-00	23-13	63D-44551-01-4D	21-9	663-45587-01-10	25-5	703-48219-00	30-30	6H4-48532-11-94	16-8
6H5-43181-03	20-19	6H1-43883-00	22-25	63D-44552-01-4D	21-18	663-45587-01-12	25-5	703-48221-00	30-56	63D-48538-00	17-39
6H5-43185-03	20-20	62X-43888-00	23-1	63D-44555-00-94	21-11	663-45587-01-15	25-5	703-48222-00	30-27	63D-61350-00	28-1
63D-43311-13-4D	20-12	69J-4389J-00	22-30	663-44575-00	21-16	663-45587-01-18	25-5	703-48223-00	30-28	63D-61351-00	28-2
682-43318-01	18-13		22-55	63D-45111-11-4D	24-1	663-45587-01-30	25-5	703-48225-00	30-29	6H4-81315-11	31-21
69W-4380F-00	23-9	62Y-43891-00	23-6	6H4-45113-A0	24-19	663-45587-01-40	25-5	703-48226-00	30-26	6H4-81332-00	11-16
62X-4380H-00	23-14	62Y-43892-00	23-5		32-18	663-45587-01-50	25-5	703-48227-00	30-24	6H4-81337-01	15-30
62Y-4380K-01	22-2	69J-43893-00	22-53	63D-45114-A0	24-9	63D-45611-00	25-55	703-48232-00	30-62	63D-81345-00	11-8
62Y-43800-01-4D	22-1	69J-43894-00	22-48		33-2	63D-45631-01	25-57	703-48234-00	30-18	63D-81345-10	11-9
62X-43804-01	23-4	62X-43899-00	22-14	63D-45123-00	24-12	663-45633-00	25-62	703-48235-00	30-4	63D-81345-20	11-10
62Y-43805-00	23-3	69W-43899-00	22-63		33-5	663-45634-00	25-58	63D-48236-00	17-15	6J8-81365-A0	10-38
62X-43807-00	23-8	63D-44100-11	17-5	6H3-45127-00	24-18	63D-45635-00	25-60	703-48236-00	30-16		15-27
69W-4381B-00	22-13	63D-44104-00	17-6		33-4	663-45930-00-98	26-25	63D-48237-00	17-20	6F5-81800-11	15-1
62X-43810-01	22-3	63D-44113-01	17-14	63D-45155-00	24-4	663-45941-01-EL	26-25	63D-48238-00	17-22	689-81807-12	15-3
6H1-43816-00	22-54	63D-44114-01	17-24	63D-45214-00	25-10	6H5-45943-00-EL	26-25	703-48238-00	30-22	689-81809-11	15-7
62Y-43816-00	22-41	63D-44117-00	19-16	63D-45215-00	25-11	69W-45943-00-EL	26-25	703-48243-00	30-15	689-81810-11	15-9
62Y-4382A-00	22-39	63D-44120-10	19-13	63D-45251-00	20-6	6H5-45945-00-EL	26-25	703-48244-00	30-21	689-81811-11	15-10
62Y-4382L-00	22-42	63D-44121-00	19-24	65W-45251-00	20-42	69W-45945-00-EL	26-25	703-48245-00	30-11	689-81812-11	15-12
6H1-43829-00	22-61	688-44122-00	19-28	67C-45251-00	26-15	69W-45947-00-EL	26-25	703-48246-00	30-23	689-81813-10	15-13
62Y-43830-01	22-21	63D-44132-00	17-18	63D-45300-12-4D	25-1	663-45949-01-EL	26-25	701-48248-00	30-13	689-81820-11	15-14
6H1-43831-10	22-19	63D-44144-00	25-52	63D-45301-03-4D	25-2	6H5-45952-00-EL	26-25	703-48252-00	30-12	6H4-81822-02-98	12-14
6H1-4384F-10	22-33	663-44151-00	25-51	63D-45321-00	25-14	663-45952-02-EL	26-25	63D-48261-00	17-7	689-81826-10	15-15
69A-4384F-00	22-24	63D-44159-01	17-57	688-45341-10	25-9	663-45954-01-EL	26-25	703-48261-01	30-2	6F5-81830-11	15-4
6H1-4384G-11	22-31	63D-44173-00	17-59	63D-45344-00	25-34	663-45956-01-EL	26-25	703-48264-00	30-6	689-81831-00	15-5
69W-4384G-00	22-46	6G8-44191-00	17-53	63D-45361-02-4D	25-43	6H5-45958-00-EL	26-25	703-48265-00	30-9	689-81840-11	15-11
62X-4384H-00	22-16	688-44194-00	19-12	664-45371-01	26-12	663-45958-01-EL	26-25	703-48268-00	30-5	689-81847-11	15-6
69J-4384M-00	22-23	63D-44311-00	25-21	63D-45375-00	26-6	663-45970-60-98	26-25	703-48271-00	30-60	689-81850-12	15-8
69J-43841-00	22-22	63D-44312-00	26-19	663-45376-00-94	26-5	697-45970-00-98	26-25	703-48281-00	30-31	689-81857-11	15-2

NUMERICAL INDEX

PART NO.	REF. NO.	PART NO.	REF. NO.	PART NO.	REF. NO.	PART NO.	REF. NO.	PART NO.	REF. NO.	PART NO.	REF. NO.
6G1-81941-10	13 - 2	676-82577-00	14 - 5	90101-08M15	21 - 23	90170-09M03	28 - 5	90340-08002	25 - 7	90445-11M05	9 - 4
6H4-81945-00	13 - 4	703-82577-00	30 - 45	90101-09M01	28 - 7	90170-12138	25 - 38	90340-14M00	2 - 24		27 - 11
6H4-81945-20	13 - 22	688-8258A-20	30 - 49	90101-12M09	17 - 36	90170-18M10	20 - 38	90386-07M58	19 - 25	90445-11M06	9 - 2
6H5-81949-00	13 - 27	6E5-82587-00	13 - 33	90101-12M65	20 - 43	90171-16011	26 - 23	90386-08032	17 - 65		27 - 9
61A-81949-00	13 - 28	6E5-82588-00	16 - 35	90105-06M15	13 - 25	90179-06M24	12 - 20	90386-10M16	20 - 21	90445-11M15	6 - 22
6H1-81950-00	13 - 19	63D-82590-20	13 - 18	90105-06M16	13 - 26	90179-16M05	11 - 14	90386-10025	20 - 22		7 - 22
6H4-81952-00	13 - 3	703-82591-00	30 - 53	90105-08M61	25 - 44	90183-05M06	1 - 18	90386-12M93	17 - 43	90445-11M17	6 - 35
6H2-81960-10	13 - 8	703-82592-00	30 - 54	90109-06M39	6 - 7	90185-08045	21 - 26	90386-12069	16 - 4		7 - 33
6H4-82105-02	13 - 1	63D-82594-00	13 - 15		7 - 7	90185-09M01	28 - 4	90386-18M35	20 - 35	90445-11M23	6 - 32
63D-82105-U0	13 - 1	703-82594-00	30 - 25	90109-06M40	6 - 8	90185-10M01	18 - 11	90386-18M44	20 - 40		7 - 28
6H4-82117-00	13 - 31	6H4-83354-00	11 - 7		7 - 8	90185-10051	21 - 8	90386-18M92	20 - 34	90446-10M01	6 - 36
6Y5-82117-00	31 - 17	703-83383-02	30 - 51	90109-06M43	19 - 4	90185-12M12	17 - 47	90386-22M15	20 - 15		7 - 34
682-82119-01	13 - 29	6Y5-8350T-01	31 - 1	90109-12M21	21 - 15	90185-22M11	20 - 17	90386-29M95	17 - 44	90464-03M15	11 - 11
703-82119-00	12 - 4	6Y5-83500-S5	31 - 6	90116-06M22	13 - 5	90201-05652	5 - 6	90386-30M60	21 - 6	90464-06M19	4 - 20
	21 - 37	6Y5-83533-T2	31 - 10	90116-10175	21 - 7	90201-06060	10 - 22	90386-30M77	21 - 4	90464-07M20	6 - 14
	21 - 21	6Y5-83553-M0	31 - 15	90116-18M52	20 - 37	90201-08M01	18 - 5	90386-30M78	21 - 3		7 - 14
63D-82127-10	21 - 21	6Y5-83553-00	31 - 15	90119-06MA2	4 - 9	90201-08M93	6 - 3	90387-06M05	13 - 24		13 - 30
6H1-82148-00	20 - 9	6Y5-83557-10	31 - 19		10 - 34		7 - 3	90387-06M26	18 - 20	90464-09M13	16 - 25
63D-82148-00	20 - 3	6Y5-83557-31	31 - 11		15 - 23	90201-083J8	23 - 16	90387-06M41	16 - 18	90464-09M42	17 - 40
6H4-82150-00	13 - 9	6E5-83558-00	21 - 32	90119-06MA3	2 - 29	90201-09425	21 - 25	90387-06M65	15 - 31	90464-15M11	8 - 36
1E6-82151-00	31 - 16	6E5-83558-10	25 - 19		2 - 33	90201-10M20	28 - 3	90387-06M66	10 - 41		12 - 3
663-82151-00	13 - 10	6Y5-83570-S5	31 - 7		10 - 36	90201-10M63	28 - 8	90387-06M69	10 - 10		14 - 26
62Y-82181-01	23 - 7	6H4-83589-00	16 - 31		15 - 25	90201-12M16	21 - 12	90387-10M42	28 - 6	90464-15M27	13 - 13
6A0-82317-00	6 - 41	6R3-83614-00	13 - 34	90119-06MA5	2 - 40	90201-12426	20 - 45	90387-12M02	17 - 48	90465-06M86	6 - 49
	7 - 39	6A1-83625-41	4 - 25	90119-06M13	2 - 10	90201-13M19	21 - 14	90430-08020	25 - 8		21 - 29
63D-82361-00	18 - 16	6E0-83627-41	17 - 68	90119-06M51	12 - 2	90201-16M44	11 - 15		33 - 6	90465-11M10	20 - 48
6G1-82370-21	12 - 11	63D-83672-01	21 - 33	90119-06M61	16 - 19	90201-22M03	20 - 16	90430-12072	26 - 3		21 - 30
663-82370-01	12 - 11	6Y5-83728-00	31 - 12	90119-06M65	6 - 43	90201-22429	25 - 56	90430-14115	2 - 25		25 - 20
63D-82510-10	14 - 4	63D-83728-00	14 - 25		7 - 41	90201-27M00	25 - 35		32 - 4		31 - 13
703-82510-43	30 - 44	63D-84301-00	16 - 34	90119-06M67	6 - 44	90201-30M00	21 - 2		20 - 47		31 - 20
63D-8252E-01-4D	14 - 16	63D-84342-00	16 - 30		7 - 42	90201-50306	3 - 12	90440-14M00	20 - 47		31 - 20
63D-8252F-01-4D	14 - 15	6J8-85410-00	16 - 29	90119-06M73	16 - 6	90202-05088	6 - 17	90445-07MA3	2 - 16	90465-13M11	14 - 12
703-82531-00	30 - 46	6H4-85415-10	16 - 30	90119-06M99	1 - 8		7 - 17	90445-07MA5	4 - 21		21 - 35
688-82540-11	14 - 1	63D-85520-00	11 - 4	90119-08M15	25 - 29	90202-07M07	19 - 15	90445-07MA6	6 - 11	90465-13M30	6 - 25
703-82540-00	30 - 50	63D-85533-10	11 - 5		33 - 23	90202-12060	26 - 2		7 - 11	90465-13M36	14 - 24
68F-82553-70	31 - 18	63D-85540-03	12 - 1	90119-08M79	24 - 17	90202-24M53	17 - 54	90445-07MF1	21 - 31	90467-06016	2 - 15
68F-82553-80	31 - 18	63D-85550-00	11 - 1	90119-08M83	24 - 7	90202-25M04	21 - 13	90445-07M23	6 - 10		2 - 17
63D-82554-00	14 - 2	63D-85560-10	11 - 2	90119-08M84	26 - 11	90206-12M22	17 - 46		7 - 10		4 - 22
663-82555-01	14 - 3	6H5-85570-00	12 - 7	90119-08M15	2 - 28	90206-12052	16 - 3	90445-07M24	2 - 14	90467-08004	2 - 39
682-82556-00	14 - 10	63D-85580-00	11 - 6	90119-08015	2 - 9	90206-12052	16 - 3	90445-07M27	2 - 13		4 - 24
	30 - 48	6H1-85711-60	4 - 26	90119-08019	2 - 9	90209-06M05	4 - 17	90445-07M31	25 - 18		6 - 40
6H4-82560-00	12 - 13	63D-85720-00	6 - 50	90142-05M06	25 - 12	90249-06M19	20 - 25	90445-07M44	6 - 9		7 - 38
689-82560-00	12 - 12	63D-85720-10	7 - 47	90149-05M13	17 - 62	90250-06023	25 - 61		7 - 9		8 - 4
63D-82563-00	14 - 6	6Y5-87122-S0	31 - 14	90157-06M01	16 - 26	90266-04M01	1 - 6	90445-07M46	2 - 12		8 - 13
63D-82563-10	13 - 32	9E450-04433	31 - 2	90157-06M13	19 - 10	90269-02M09	17 - 4	90445-07M87	6 - 45		8 - 34
703-82563-02	30 - 55	9E450-04533	31 - 3	90159-06M18	17 - 58	90280-03024	25 - 25		7 - 43	90467-10M04	6 - 34
689-8257Y-00	14 - 11	90101-06020	20 - 41	90159-06M21	15 - 32		33 - 25	90445-09M37	2 - 38		7 - 32
688-82575-01	30 - 47	90101-06021	2 - 19	90159-06M22	15 - 33	90338-05M03	1 - 17	90445-09057	8 - 31	90467-11M08	6 - 23
69W-82575-00	14 - 9			90161-06M00	18 - 17	90338-05M11	13 - 14	90445-09063	8 - 29		6 - 48

NUMERICAL INDEX

PART NO.	REF. NO.	PART NO.	REF. NO.	PART NO.	REF. NO.	PART NO.	REF. NO.	PART NO.	REF. NO.	PART NO.	REF. NO.
90467-11M08	7 - 23	92903-08600	15 - 29	92995-08100	26 - 17	93210-58M21	3 - 5	95380-05600	25 - 13	97095-06020	16 - 36
	7 - 46	92903-10600	17 - 63	92995-08600	17 - 56		32 - 11		30 - 7	97095-06025	8 - 2
90468-05M03	6 - 18	92990-04100	31 - 4		18 - 7	93210-59MG7	25 - 24	95380-06600	10 - 14		13 - 20
	7 - 18		31 - 8		24 - 14		33 - 9		10 - 24		14 - 13
90468-07M02	6 - 12	92990-05100	8 - 22		24 - 16		33 - 21		13 - 6		20 - 7
	6 - 13	92990-05600	4 - 4	92995-10100	26 - 9	93210-69MG6	25 - 48		17 - 51	97095-06030	12 - 15
	6 - 47	92990-06600	13 - 7	92995-10600	26 - 10		33 - 13		30 - 40		14 - 17
	7 - 12		16 - 28	92995-12200	20 - 44	93210-74MG5	25 - 47	95380-08600	8 - 11	97095-06035	10 - 28
	7 - 13		16 - 33	92995-18600	20 - 39		33 - 15	95380-12600	20 - 46		18 - 18
	7 - 45	92990-08200	19 - 26	93101-22M00	25 - 50	93306-001U1	25 - 45	95380-12800	21 - 17	97095-06040	8 - 27
90468-18008	19 - 2	92990-08600	30 - 34		33 - 14	93306-305U8	3 - 10	95670-06640	12 - 19		10 - 43
	19 - 14	92990-12200	17 - 37	93101-25M57	25 - 32	93315-32224	25 - 3	97013-06012	5 - 43	97095-06095	4 - 12
90480-09M21	16 - 17	92990-12600	17 - 45		33 - 12	93317-22204	25 - 49	97013-06014	8 - 10	97095-08025	26 - 13
90480-13M24	13 - 23	92990-16200	26 - 22	93102-08414	23 - 15	93332-00001	25 - 6	97013-06018	11 - 19	97095-08035	26 - 16
90480-14M14	17 - 28	92995-05600	11 - 18	93102-23096	11 - 12	93332-00003	25 - 40	97013-06020	19 - 20	97095-08040	17 - 55
90480-25161	12 - 8		16 - 10	93102-25M28	3 - 3	93410-18M02	20 - 36	97013-06030	10 - 11	97095-08050	18 - 6
90501-10227	10 - 47	92995-06100	14 - 14		32 - 10	93410-28M06	21 - 10	97013-06045	19 - 22	97380-05025	30 - 8
90501-10326	5 - 8		14 - 22	93104-16M01	3 - 4	93430-04M03	17 - 66	97013-08014	15 - 28	97380-08030	30 - 33
90501-12082	19 - 18		18 - 15		32 - 9	93430-06M02	10 - 26	97013-08016	15 - 18	97575-08445	24 - 5
90501-16M01	25 - 59		20 - 8	93106-09014	25 - 15	93430-06024	30 - 10	97013-08020	10 - 39		24 - 21
90501-23215	17 - 64		24 - 3		33 - 8	93430-08006	17 - 13	97013-08025	10 - 32	97607-04212	23 - 12
90502-16M02	20 - 32	92995-06600	3 - 7	93210-04228	5 - 28	93440-62057	3 - 11		15 - 21	97780-60525	16 - 22
90506-14M24	20 - 26		8 - 3	93210-04230	5 - 20	93501-04M02	19 - 17	97013-08030	15 - 16	97803-04010	5 - 35
90508-26M35	19 - 6		8 - 28		32 - 29	93501-08001	12 - 45	97013-08050	12 - 17	97880-05014	4 - 3
90510-08002	10 - 20		10 - 6	93210-07003	25 - 53	93503-16003	22 - 15	97075-08030	21 - 19	97880-05020	23 - 11
91318-05008	22 - 44		10 - 29	93210-08287	9 - 7	93505-32038	22 - 27		21 - 27	97880-06014	16 - 32
91318-05020	22 - 43		10 - 44		9 - 9		22 - 36		24 - 13	97885-05010	11 - 17
91318-06040	22 - 56		12 - 6		27 - 14	93602-20M02	3 - 16		24 - 15	97885-06008	20 - 4
91490-20010	17 - 52		12 - 10		27 - 16	93604-08062	25 - 28	97075-10040	26 - 8	97885-06012	14 - 23
91490-20012	19 - 27		12 - 16	93210-09165	22 - 60	93604-26256	22 - 40	97095-05016	16 - 9	97885-06016	14 - 7
91490-30025	26 - 24		12 - 22	93210-13M04	6 - 6	93606-12019	2 - 11	97095-06010	20 - 10		17 - 29
91690-30012	20 - 31		13 - 12		7 - 6		24 - 6		20 - 27		21 - 34
91690-30020	20 - 23		13 - 17	93210-16275	28 - 10		24 - 20	97095-06012	13 - 16	97885-06040	4 - 15
91690-30025	17 - 10		13 - 21	93210-18397	22 - 57		26 - 7		24 - 2		17 - 31
91690-40018	10 - 3		14 - 8	93210-19MA7	6 - 2	93700-06M03	20 - 13	97095-06014	12 - 5	97885-06055	4 - 16
92A08-03110	22 - 37		14 - 18		7 - 2	94702-00160	2 - 41		12 - 21	97980-04114	5 - 4
92903-06100	10 - 12		16 - 12	93210-29M94	21 - 5	94702-00217	2 - 41		13 - 11		32 - 28
92903-06600	5 - 44		16 - 37	93210-29375	22 - 6	94702-00247	2 - 41	97095-06016	10 - 5	98503-05028	8 - 21
	10 - 13		17 - 26		22 - 20	94702-00271	2 - 41		13 - 35	98580-03015	30 - 38
	11 - 20		17 - 30	93210-32738	8 - 8	95303-06600	19 - 11		17 - 25	98580-04006	30 - 36
	19 - 21		17 - 32		32 - 16	95307-03600	22 - 38		17 - 41	98580-04008	5 - 11
	19 - 23		17 - 42	93210-33MG4	25 - 16	95380-03600	5 - 36		18 - 14	98580-04010	30 - 35
92903-08600	10 - 33		18 - 19		33 - 7		8 - 18		19 - 31	98580-05010	30 - 37
	10 - 40		19 - 32	93210-44383	22 - 8	95380-04600	31 - 5	97095-06020	3 - 6	98580-06016	17 - 12
	12 - 18		20 - 11	93210-48MG8	25 - 33		31 - 9		10 - 23	98586-05016	27 - 4
	15 - 17	92995-08100	21 - 20		33 - 11	95380-05600	6 - 19		12 - 9	98780-04016	2 - 21
	15 - 19		21 - 28	93210-48214	22 - 9		7 - 19		14 - 21	98785-05014	17 - 21
	15 - 22		26 - 14	93210-52449	23 - 17		19 - 9		16 - 11	98980-03006	5 - 37

NUMERICAL INDEX

<u>PART NO.</u>	<u>REF. NO.</u>	<u>PART NO.</u>	<u>REF. NO.</u>	<u>PART NO.</u>	<u>REF. NO.</u>	<u>PART NO.</u>	<u>REF. NO.</u>	<u>PART NO.</u>	<u>REF. NO.</u>	<u>PART NO.</u>	<u>REF. NO.</u>
99001-03600	22 - 26										
99001-08600	25 - 54										
99530-10014	10 - 30										



40TRB/50TRB/  
40VETO/40VWHTO/50HETO/50HWHTO  
PARTS CATALOGUE  
©2002 by Yamaha Motor Co., Ltd.  
1st Edition, Apr. 2002  
All rights reserved.  
Any reprinting or unauthorized use  
without the written permission of  
Yamaha Motor Co., Ltd.  
is expressly prohibited.

**G7**