

PARTS CATALOGUE

60TRB_(6H26)

70TRB_(6H32)

60FET '03_(6H27)

60FETO '03_(6H26)

70BETO '03_(6H32)

FOREWORD

This Parts Catalogue is related to the parts for the model(s) in the below frame. When you are ordering replacement parts, please refer to this Parts Catalogue and quote both part numbers and part names correctly.

60TRB(6H26), 70TRB(6H32),
60FET'03(6H27), 60FETO'03(6H26), 70BETO'03(6H32)

1. Modifications or additions which have been made after issue of the Parts Catalogue will be announced in the Yamaha Parts News.
It is advisable that you make necessary corrections to the Parts Catalogue according to the Yamaha Parts News.

2. Abbreviations

The Following abbreviations are used in this Parts Catalogue.

“UR” Use specified parts number.

“UN” Use as many as needed.

“AP” Alternate Parts

“LM” Local Made
(Parts need to be ordered locally)

“O/S” Over Size

3. Parts, which are to be supplied in an assembly, are listed with a dot(.) in front of the part name as shown below.

EXAMPLE

CARBURETOR ASSY
.JET, PILOT
.NOZZLE, MAIN

4. Number of component for assembly

The numeral appearing to the right of each component part indicates the quantity of parts for each assembly unit.

EXAMPLE

PART NO.	DESCRIPTION	□	▣	▤	▥	REMARKS
6E0-85500-70	C.D.I. MAGNETO ASSY	1				
6E0-85550-70	.ROTOR ASSY	1				
6E0-15723-00-94.	.PULLY, STARTER	1				

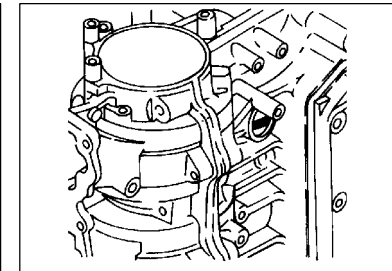
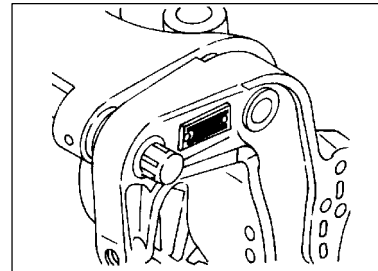
5. Quantity Column Information

NAME for Q'TY COLUMN	APPLICABLE MODEL
60ET	60FET
6ETO	60TRB, 60FETO
7ETO	70TRB, 70BETO

6. Applicable Starting Serial No. and Color Code

1) Engine Starting Sserial No.

60TLRB	6H2 : 1000001	60FET L	6H2 : 1000001
70TLRB	6H3 : 1000001	60FETO L	6H2 : 1000001
		70BETO L	6H3 : 1000001



2) Color Code

Color Code	Color Name	Abbreviation
004D	DARK BLUIISH GRAY METALLIC 2	DBNM2

7. Note that the illustrations for reference in finding parts numbers, not to be used for assembling. When assembling, please use the applicable service manual.
8. The asterisk (*) before a reference number indicates modification items after the first edition.

CONTENTS

SHEET 1/2

TOP COWLING	A4
CYLINDER. CRANKCASE	A6
CRANKSHAFT. PISTON	B1
INTAKE 1	B2
INTAKE 2	B3
CARBURETOR 1	B4
CARBURETOR 2	B6
OIL PUMP	C1
FUEL 1	C4
FUEL 2	C6
GENERATOR	C7
ELECTRICAL	D1
STARTING MOTOR	D4
BOTTOM COWLING	D5
CONTROL	D7
BRACKET 1	E2
BRACKET 2	E4
POWER TRIM & TILT ASSY	E6
UPPER CASING	F2
LOWER CASING. DRIVE 1	F3
LOWER CASING. DRIVE 2	F7

INDEX

NUMERICAL INDEX	G1
-----------------------	----

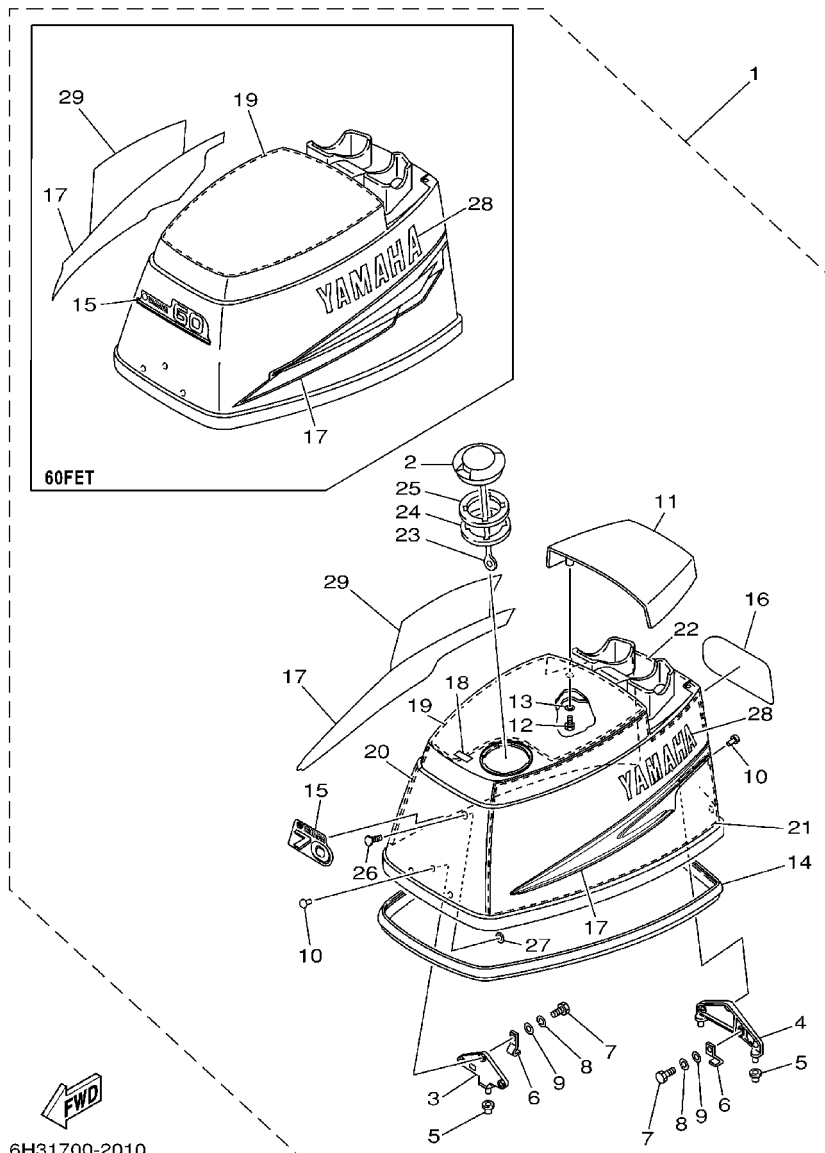
SHEET 2/2

LOWER CASING. DRIVE 2	A4*
LOWER CASING. DRIVE 3	A7*
FUEL TANK	B2*
STEERING GUIDE	B3*
REMOTE CONTROL BOX	B4*
REMOTE CONTROL ASSY	B5*
METER	C1*
REPAIR KIT 1	C2*
REPAIR KIT 2	C4*
REPAIR KIT 3	C6*

INDEX

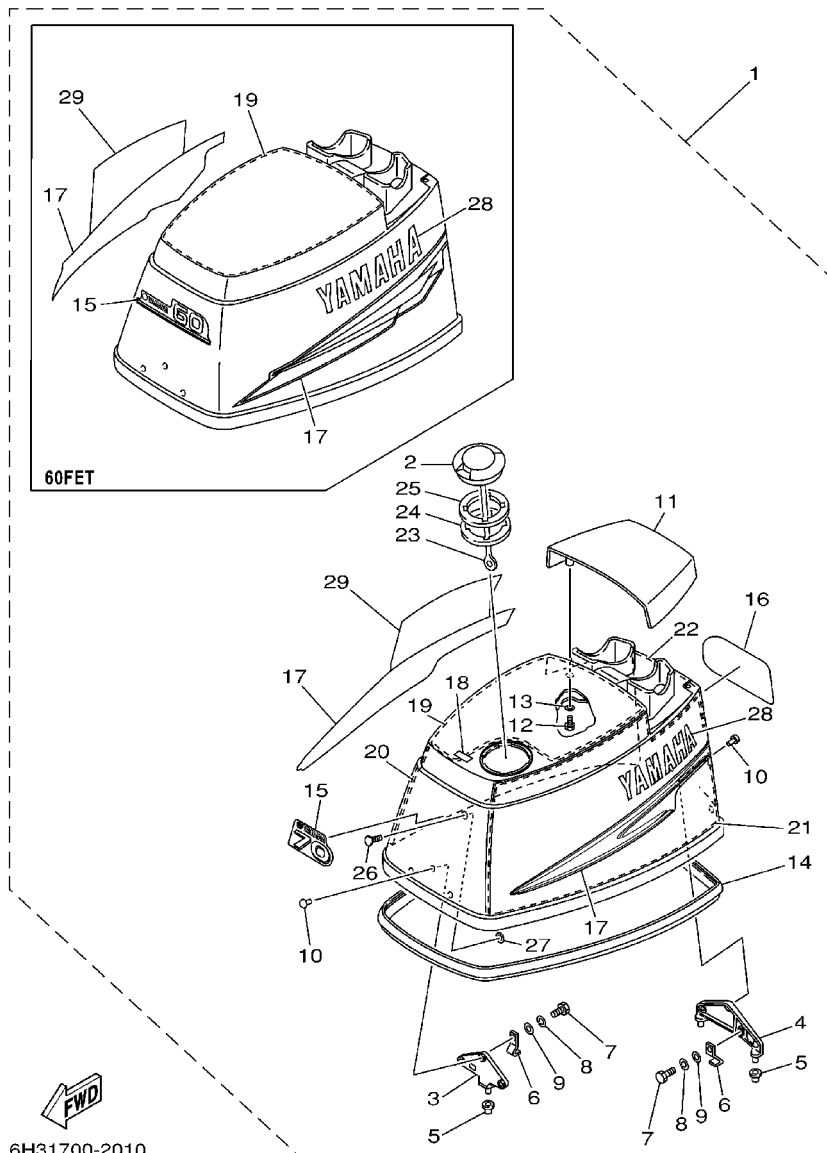
NUMERICAL INDEX	G1*
-----------------------	-----

FIG. 1 TOP COWLING



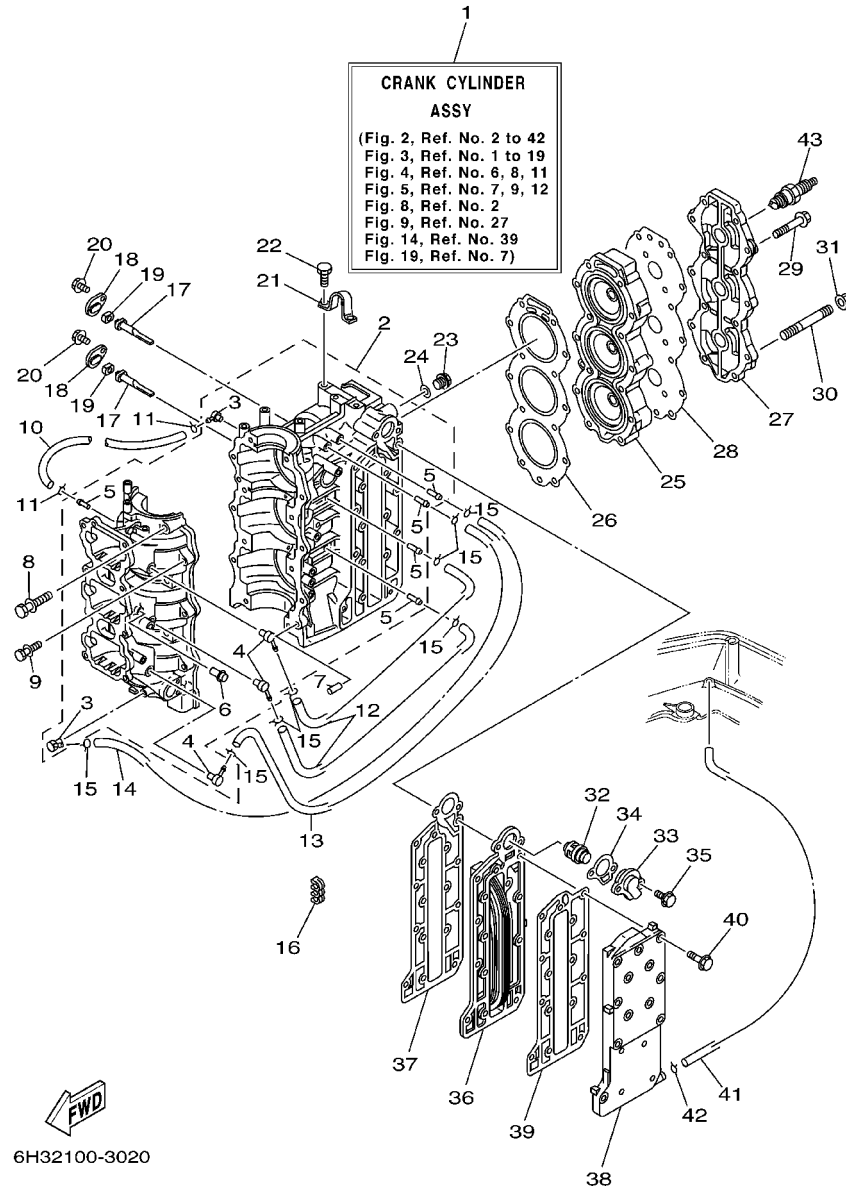
REF. NO.	PART NO.	DESCRIPTION	60ET	6ETO	7ETO	REMARKS
1	6H3-42610-60-4D	TOP COWLING ASSY			1	
	6H2-42610-90-4D	TOP COWLING ASSY		1		
	6H2-42610-50-4D	TOP COWLING ASSY	1			
2	63D-2177H-00	.DISK CAP 2		1	1	
3	6H3-42647-00-94	.HOLDER, CLAMP BAND	1	1	1	
4	6H3-42649-00-94	.HOLDER, CLAMP BAND	1	1	1	
5	663-42662-00	.DAMPER	3	3	3	
6	6H3-42652-00	.HOOK	2	2	2	
7	97095-06016	.BOLT	2	2	2	
8	92995-06100	.WASHER, SPRING	2	2	2	
9	92995-06600	.WASHER	2	2	2	
10	90266-06009	.RIVET	6	6	6	
11	6H3-42613-01-4D	.MOLDING, AIR DUCT	1	1	1	
12	97095-06016	.BOLT	4	4	4	
13	92995-06600	.WASHER	4	4	4	
14	6H3-42615-00	.SEAL	1	1	1	
15	6H3-42677-60	.GRAPHIC, FRONT			1	
	6H2-42677-60	.GRAPHIC, FRONT		1		
	6H2-42677-50	.GRAPHIC, FRONT	1			
16	6H3-42678-50	.GRAPHIC, REAR			1	
	6H2-42678-50	.GRAPHIC, REAR		1		
	6H2-42678-30	.GRAPHIC, REAR	1			
17	6H3-W0070-50	.GRAPHIC SET		1	1	
	6H3-W0070-30	.GRAPHIC SET	1			
18	6H3-13436-40	.MARK		1	1	
19	6H3-42617-10	.DAMPER, FORM		1	1	
	6H3-42617-00	.DAMPER, FORM	1			

FIG. 1 TOP COWLING



REF. NO.	PART NO.	DESCRIPTION	60ET	6ETO	7ETO	REMARKS
20	6H3-42619-00	.DAMPER, FORM	1	1	1	
21	6H3-42627-00	.DAMPER, FORM	1	1	1	
22	6H3-42637-00	.DAMPER, FORM	1	1	1	
23	6H1-42694-00	.BAND		1	1	
24	6H3-21732-00	.SEAL 1		1	1	
25	6H3-21735-00	.SEAL 2		1	1	
26	90338-05M03	.PLUG		1	1	
27	90183-05M06	.NUT, SPRING		1	1	
28	6H3-42681-50	.MARK, COWLING		1	1	
	6H3-42681-30	.MARK, COWLING	1			
29	6H3-42682-50	.MARK, COWLING		1	1	
	6H3-42682-30	.MARK, COWLING	1			

FIG. 2 CYLINDER. CRANKCASE



REF. NO.	PART NO.	DESCRIPTION	60ET	6ETO	7ETO	REMARKS
1	6H3-W0090-44-1S	CRANK CYLINDER ASSY		1	1	O/I-A/CHOKE
	6H3-W0090-32-1S	CRANK CYLINDER ASSY	1			N.O/I-M/CHOKE
2	6H3-15100-14-1S	CRANKCASE ASSY		1	1	O/I-A/CHOKE
	6B0-15100-02-1S	CRANKCASE ASSY	1			N.O/I-M/CHOKE
3	688-11370-01	.CHECK VALVE ASSY	2	2	2	
4	650-11370-01	.CHECK VALVE ASSY	3	3	3	
5	624-14485-00	.PIPE, JOINT	5	5	5	
6	650-24378-00	.PIPE, JOINT 4		1	1	
7	93608-12063	PIN, DOWEL	2	2	2	
8	90119-10005	BOLT, WITH WASHER	8	8	8	
9	90119-08M64	BOLT, WITH WASHER	6	6	6	
10	90445-07M44	HOSE (L250)	1	1	1	
11	90467-06016	CLIP	2	2	2	
12	90445-07M02	HOSE (L167)	2	2	2	
13	90445-07M45	HOSE (L340)	1	1	1	
14	90445-07M82	HOSE (L440)	1	1	1	
15	90467-06016	CLIP	8	8	8	
16	90464-07M05	CLAMP	1	1	1	
17	6H3-11325-01	ANODE	2	2	2	
18	6H3-11327-00-1S	COVER, ANODE	2	2	2	
19	6H3-11328-00	GROMMET, ANODE	2	2	2	
20	90119-06023	BOLT, WITH WASHER	2	2	2	
21	688-11119-01	HANGER, ENGINE	1	1	1	
22	90101-08002	BOLT	2	2	2	
23	90340-14M00	PLUG, STRAIGHT SCREW	1	1	1	
24	90430-14115	GASKET	1	1	1	
25	6H3-11111-01-1S	HEAD, CYLINDER 1	1	1	1	

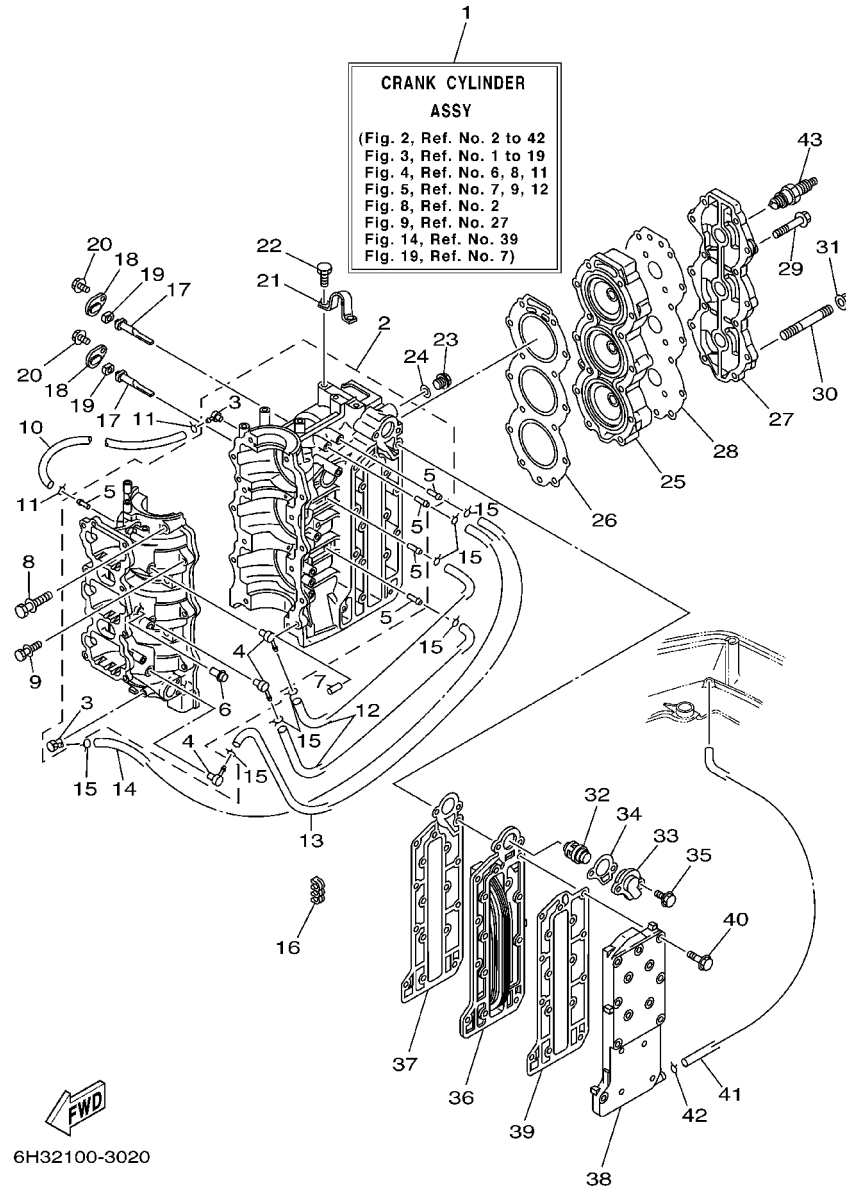


FIG. 2 CYLINDER. CRANKCASE

REF. NO.	PART NO.	DESCRIPTION	60ET	6ETO	7ETO	REMARKS
26	6H3-11181-A1	GASKET, CYLINDER HEAD 1	1	1	1	
27	6H3-11191-00-1S	COVER, CYLINDER HEAD 1	1	1	1	
28	6H3-11193-A1	GASKET, HEAD COVER 1	1	1	1	
29	90119-08MA5	BOLT, WITH WASHER	13	13	13	
30	90116-08M69	BOLT, STUD	1	1	1	
31	90179-08M34	NUT	1	1	1	
32	6H3-12411-10	THERMOSTAT	1	1	1	
33	6H3-12413-00-1S	COVER, THERMOSTAT	1	1	1	
34	6H3-12414-A1	GASKET, COVER	1	1	1	
35	90119-06MA3	BOLT, WITH WASHER	2	2	2	
36	6H3-41111-01-1S	INNER COVER, EXHAUST	1	1	1	
37	6H3-41112-A0	GASKET, EXHAUST INNER COVER	1	1	1	
38	6H3-41113-02-1S	OUTER COVER, EXHAUST	1	1	1	
39	6H3-41114-A0	GASKET, EXHAUST OUTER COVER	1	1	1	
40	90119-06MA5	BOLT, WITH WASHER	16	16	16	
41	663-24312-01	PIPE 2	1	1	1	
42	90467-08004	CLIP	1	1	1	
43	94702-00160	PLUG, SPARK (NGK B8HS-10)		3	3	FOR USA
	94702-00247	PLUG, SPARK (NGK BR8HS 10)		3	3	FOR CANADA, OCEANIA

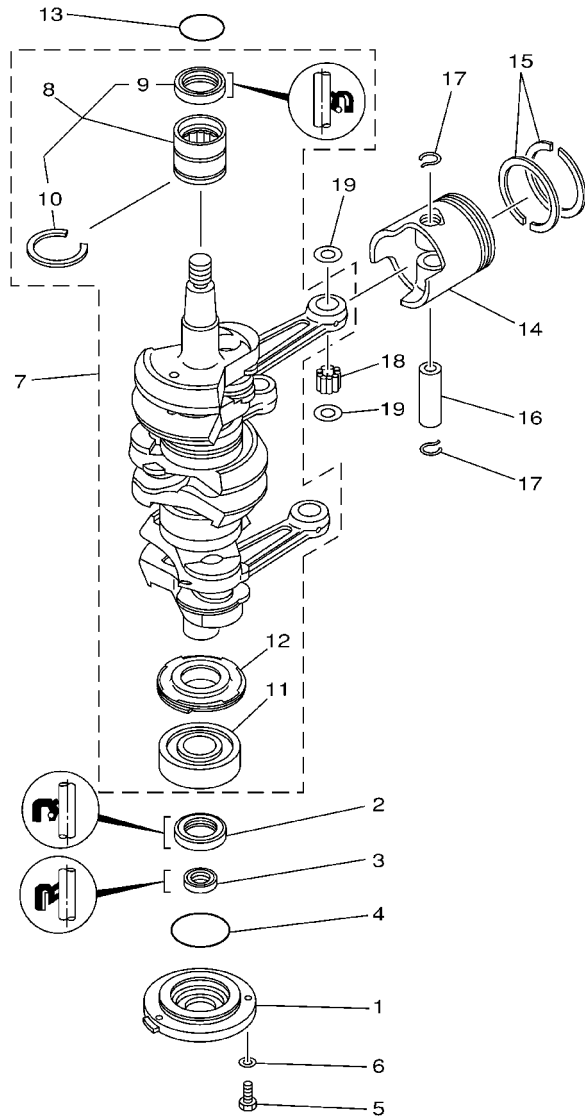


FIG. 3 CRANKSHAFT. PISTON

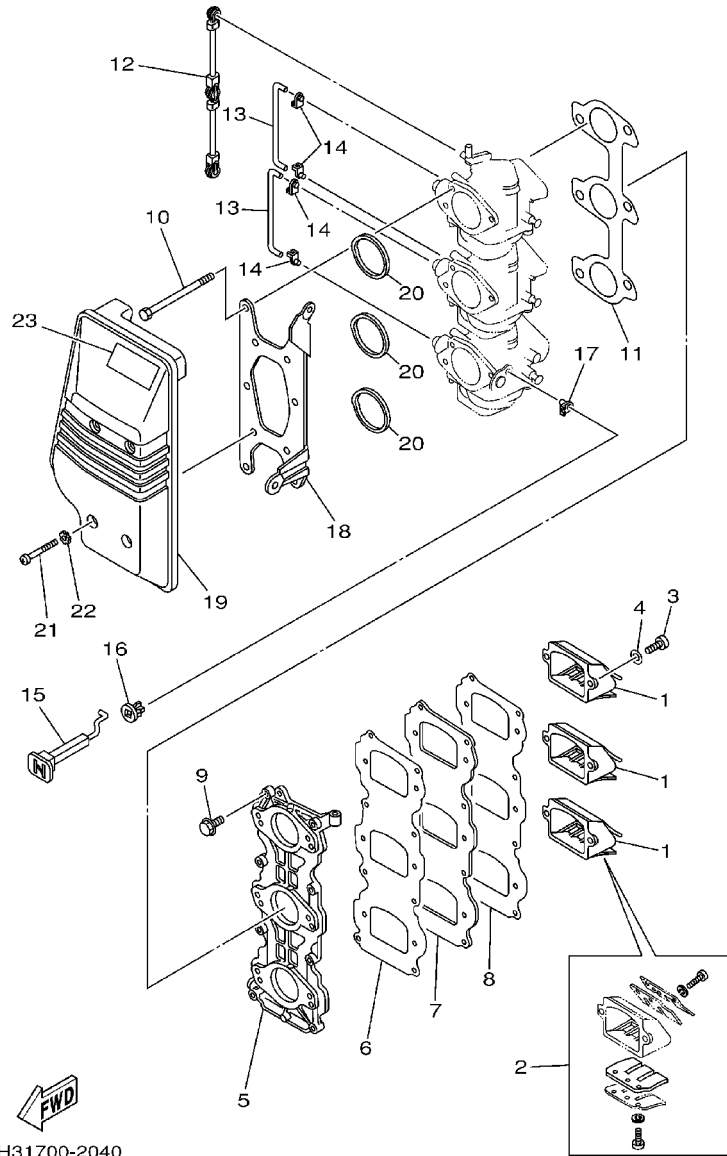
REF. NO.	PART NO.	DESCRIPTION	60ET	6ETO	7ETO	REMARKS
1	6H3-15359-00-94	HOUSING, OIL SEAL	1	1	1	
2	93102-30M23	OIL SEAL	1	1	1	
3	93106-18M01	OIL SEAL	1	1	1	
4	93210-65M50	O-RING	1	1	1	
5	97095-06020	BOLT	3	3	3	
6	92995-06600	WASHER	3	3	3	
7	6H3-11400-10	CRANKSHAFT ASSY		1	1	
	6H3-11400-03	CRANKSHAFT ASSY	1			
8	93311-636U6	.BALL BEARING	1	1	1	
9	93102-36M24	..OIL SEAL	1	1	1	
10	93440-49M04	..CIRCLIP	1	1	1	
11	93306-306V1	.BEARING	1	1	1	
12	6H3-11536-00	.GEAR, DRIVE		1	1	
13	93210-46M16	O-RING	1	1	1	
14	6H3-11631-01-96	PISTON (STD)	3	3	3	
	6H3-11635-01	PISTON (0.25MM O/S)	3	3	3	AP
	6H3-11636-01	PISTON (0.50MM O/S)	3	3	3	AP
15	6K5-11601-02	PISTON RING SET (STD)	3	3	3	
	6K5-11601-12	PISTON RING SET (0.25MM O/S)	3	3	3	AP
	6K5-11601-22	PISTON RING SET (0.50MM O/S)	3	3	3	AP
16	6H3-11633-00	PIN, PISTON	3	3	3	
17	688-11634-10	CLIP, PISTON PIN	6	6	6	
18	93603-18M09	PIN, DOWEL	84	84	84	
19	90201-20417	WASHER, PLATE	6	6	6	



6H30010-9030

B1

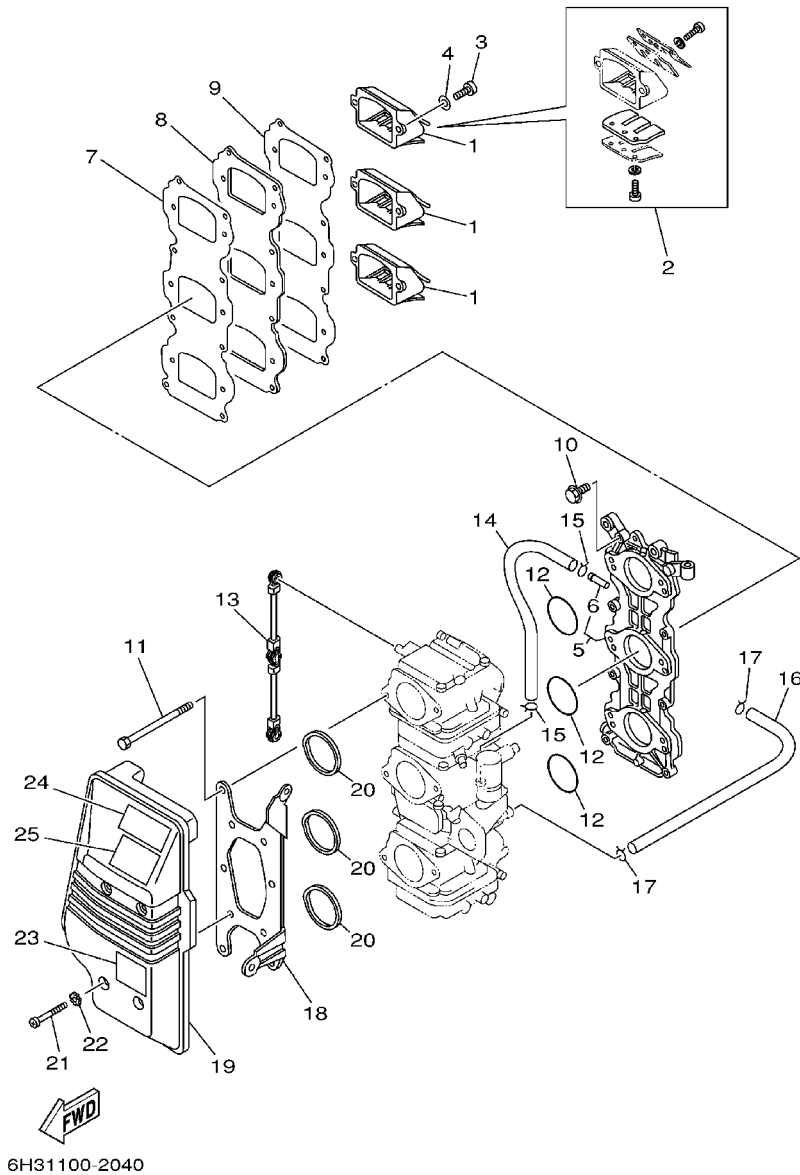
FIG. 4 INTAKE 1



6H31700-2040

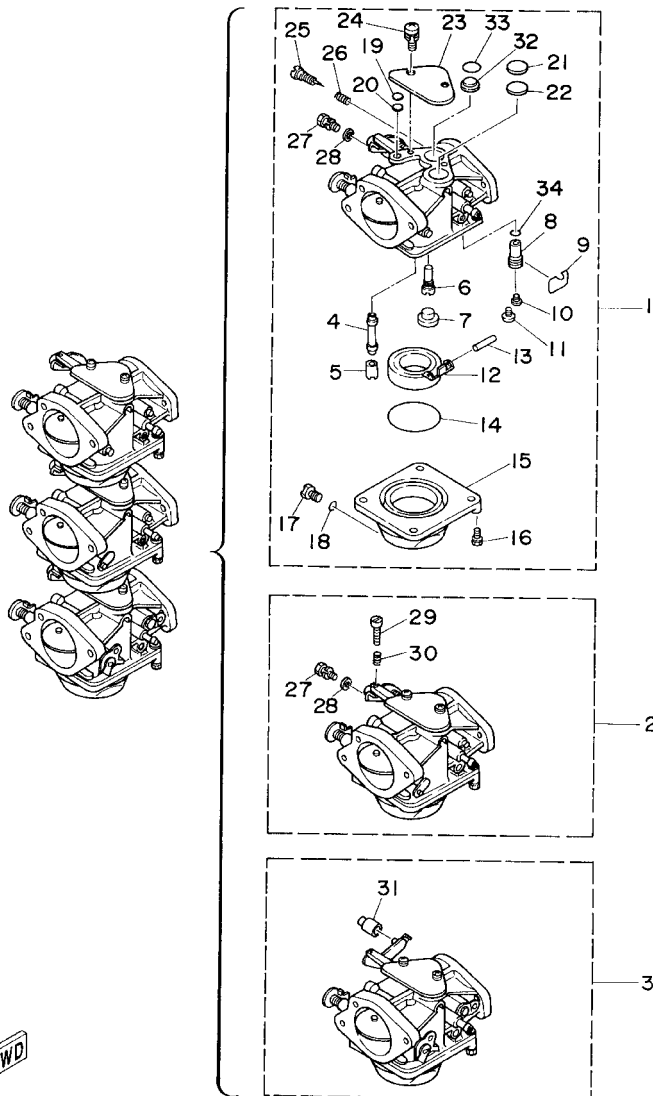
REF. NO.	PART NO.	DESCRIPTION	60ET	6ETO	7ETO	REMARKS
1	6H2-13610-00	REED VALVE ASSY	3			
2	688-W0004-00	.REED SET	1			
3	97880-05016	SCREW, PAN HEAD	6			
4	92990-05600	WASHER, PLATE	6			
5	6H3-13641-03-94	MANIFOLD 1	1			
6	6H3-13621-A1	GASKET, VALVE SEAT	1			
7	6H3-13624-00-94	PLATE, REED VALVE	1			
8	6H3-13622-A1	GASKET, VALVE SEAT	1			
9	90119-06MA3	BOLT, WITH WASHER	8			
10	97095-06095	BOLT	6			
11	6H3-14198-A1	GASKET	1			
12	6H3-41217-00	ROD, ACCEL. LEVER	1			
13	6H3-41257-00	ROD, CHOKE 2	2			
14	661-41262-02	JOINT, CHOKE LEVER	4			
15	6H3-41271-00	KNOB, CHOKE	1			
16	689-41273-00	GROMMET	1			
17	661-41262-02	JOINT, CHOKE LEVER	1			
18	6H3-14413-10	STAY	1			
19	6H3-14440-02	SILENCER ASSY, INTAKE	1			
20	6H3-14457-01	SEAL	3			
21	97885-06045	SCREW, PAN HEAD	4			
22	90209-06M05	WASHER	4			
23	6A1-83625-41	MARK 5	1			

FIG. 5 INTAKE 2



REF. NO.	PART NO.	DESCRIPTION	60ET	6ET0	7ET0	REMARKS
1	6H2-13610-00	REED VALVE ASSY		3		
	6H3-13610-00	REED VALVE ASSY			3	
2	688-W0004-00	.REED SET		1	1	
3	97880-05016	SCREW, PAN HEAD		6	6	
4	92990-05600	WASHER, PLATE		6	6	
5	6H3-13641-13-94	MANIFOLD 1		1	1	
6	6H1-14485-00	.PIPE, JOINT		4	4	
7	6H3-13621-A1	GASKET, VALVE SEAT		1	1	
8	6H3-13624-00-94	PLATE, REED VALVE		1	1	
9	6H3-13622-A1	GASKET, VALVE SEAT		1	1	
10	90119-06MA3	BOLT, WITH WASHER		8	8	
11	97095-06095	BOLT		6	6	
12	93210-39ME4	O-RING		3	3	
13	6H3-41217-00	ROD, ACCEL. LEVER		1	1	
14	90445-07255	HOSE (L160)		1	1	
15	90467-06016	CLIP		2	2	
16	6H3-14349-00	PIPE		1	1	
17	90467-08004	CLIP		2	2	
18	6H3-14413-10	STAY		1	1	
19	6H3-14440-02	SILENCER ASSY, INTAKE		1	1	
20	6H3-14457-01	SEAL		3	3	
21	97885-06045	SCREW, PAN HEAD		4	4	
22	90209-06M05	WASHER		4	4	
23	6H1-85711-60	MARK, CAUTION		1	1	
24	6A1-83625-41	MARK 5		1	1	
25	6A1-83625-51	MARK 5		1		FÖR CANADA

FIG. 6 CARBURETOR 1



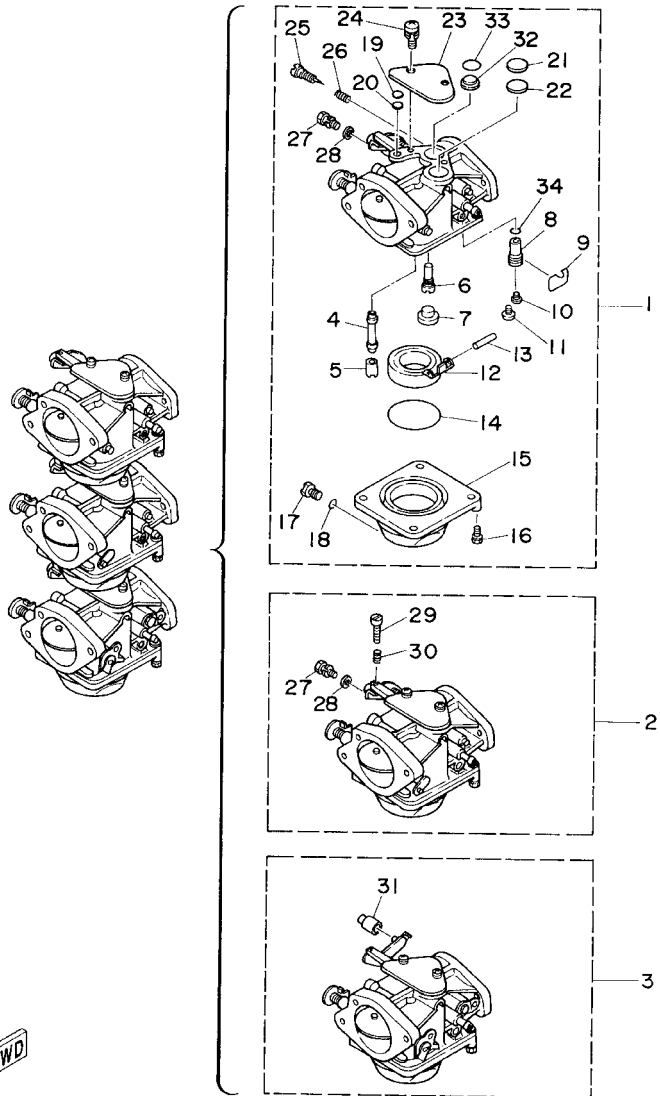
REF. NO.	PART NO.	DESCRIPTION	60ET	6ETO	7ETO	REMARKS
1	6H2-14301-10	CARBURETOR ASSY 1	1			
2	6H2-14302-10	CARBURETOR ASSY 2	1			
3	6H2-14303-10	CARBURETOR ASSY 3	1			
4	6H3-14947-07	.JET, NEEDLE	3			
5	676-14943-35	.JET, MAIN (#140)	2			#1,2
	676-14943-36	.JET, MAIN (#145)	1			#3
6	6H3-14948-16	.JET (#72)	3			
7	676-14966-00	.CAP	3			
8	6H3-14590-01	.NEEDLE VALVE ASSY	3			
9	663-14159-00	.CLIP	3			
10	676-14186-00	.PIN, FLOAT	3			
11	98502-04008	.SCREW, PAN HEAD	3			
12	6G1-14985-00	.FLOAT	3			
13	688-14548-00	.PIN, FLOAT ARM	3			
14	6G1-14984-00	.O-RING	3			
15	6H2-14980-00	.BODY, FLOAT CHAMBER	3			
16	97980-04114	.SCREW, WITH WASHER	12			
17	6H3-14992-00	.SCREW, DRAIN	3			
18	93210-04230	.O-RING	3			
19	663-14126-00	.GASKET	3			
20	663-14527-00	.PLATE	3			
21	688-14126-00	.GASKET	3			
22	688-14527-00	.PLATE	3			
23	6H2-14527-01	.PLATE	3			
24	97980-05310	.SCREW, WITH WASHER	6			
25	692-14923-00	.SCREW, PILOT	3			
26	679-14555-00	.SPRING	3			



6H20010-6050

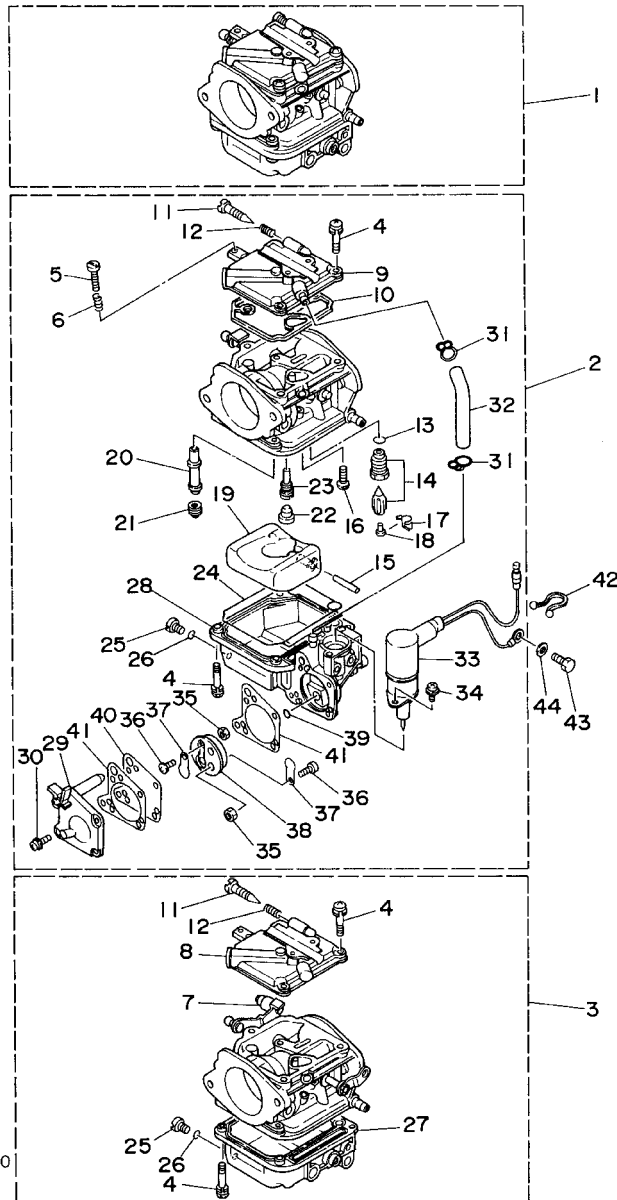
FIG. 6 CARBURETOR 1

REF. NO.	PART NO.	DESCRIPTION	60ET	6ETO	7ETO	REMARKS
27	6K5-14592-00	.SCREW	2			#1,2
28	90201-05652	.WASHER, PLATE	2			#1,2
29	63V-14523-00	.SCREW, STOP	1			#2
30	90501-10326	.SPRING, COMPRESSION	1			#2
31	6H3-17578-00	.COLLAR	1			#3
32	6H3-14578-00	.PLATE	3			
33	93210-15M52	.O-RING	3			
34	93210-04228	.O-RING	3			



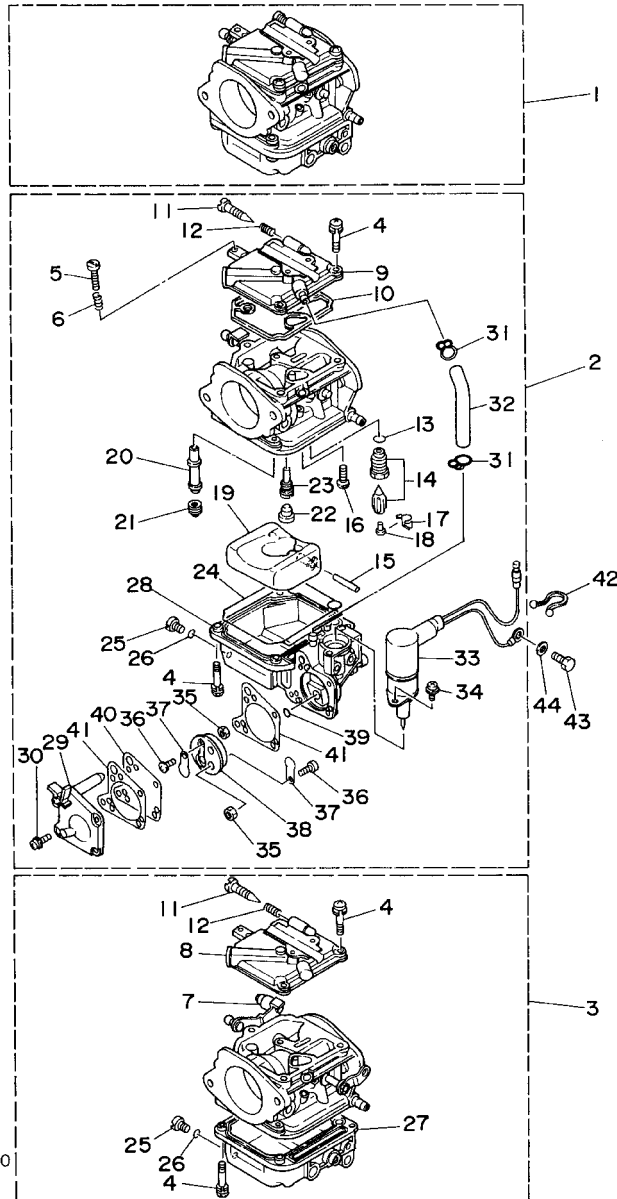
6H20010-6050

FIG. 7 CARBURETOR 2



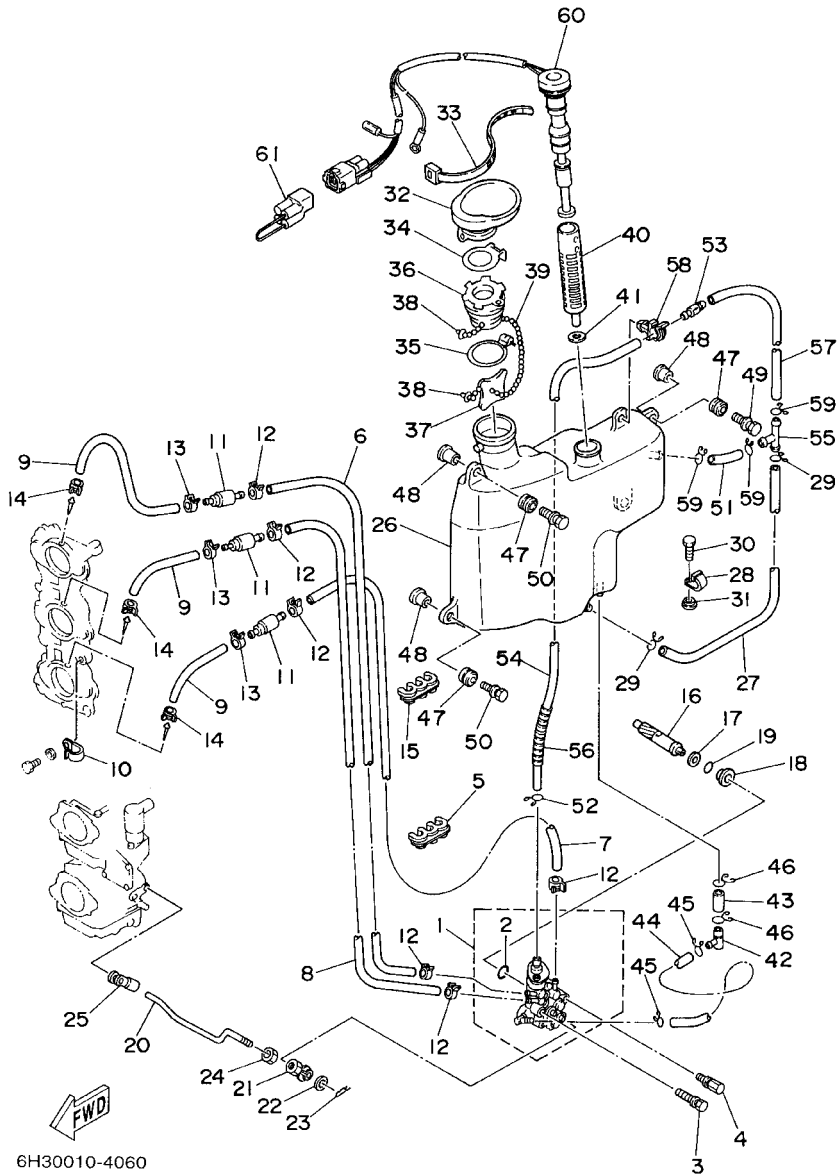
REF. NO.	PART NO.	DESCRIPTION	60ET	6ETO	7ETO	REMARKS
1	6H2-14301-0A	CARBURETOR ASSY 1		1		
	6H3-14301-0A	CARBURETOR ASSY 1			1	
2	6H2-14302-0A	CARBURETOR ASSY 2		1		
	6H3-14302-0A	CARBURETOR ASSY 2			1	
3	6H2-14303-0A	CARBURETOR ASSY 3		1		
	6H3-14303-0A	CARBURETOR ASSY 3			1	
4	97980-04114	.SCREW, WITH WASHER		21	21	
5	63V-14523-00	.SCREW, STOP		1	1	#2
6	90501-10326	.SPRING, COMPRESSION		1	1	#2
7	6H2-14578-00	.COLLAR		1	1	#3
8	6H4-14146-00	.PLATE		2	2	#1,3
9	6H3-14146-10	.PLATE		1	1	#2
10	6H4-14147-00	.O-RING		3	3	
11	692-14923-00	.SCREW, PILOT		3	3	
12	697-14555-00	.SPRING		3	3	
13	93210-04228	.O-RING		3	3	
14	6H3-14590-01	.NEEDLE VALVE ASSY		3	3	
15	6H4-14548-00	.PIN, FLOAT ARM		3	3	
16	98580-04008	.SCREW, PAN HEAD		3	3	
17	663-14159-00	.CLIP		3	3	
18	676-14186-00	.PIN, FLOAT		3	3	
19	6H4-14985-01	.FLOAT		3	3	
20	6H2-14947-71	.JET, NEEDLE		3		
	6H3-14947-71	.JET, NEEDLE			3	
21	6H3-14943-35	.JET, MAIN (#140)		2		#1,2
	6H3-14943-36	.JET, MAIN (#145)		1		#3
	6H3-14943-37	.JET, MAIN (#150)			3	

FIG. 7 CARBURETOR 2



REF. NO.	PART NO.	DESCRIPTION	60ET	6ETO	7ETO	REMARKS
22	676-14966-00	.CAP		3	3	
23	6H3-14948-13	.JET (#65)		3		
	6H3-14948-17	.JET (#75)			3	
24	6H4-14984-00	.GASKET, FLOAT CHAMBER		3	3	
25	6H3-14992-00	.SCREW, DRAIN		3	3	
26	93210-04230	.O-RING		3	3	
27	6H4-14980-00	.BODY, FLOAT CHAMBER		2	2	#1,3
28	6H3-14980-10	.BODY, FLOAT CHAMBER		1	1	#2
29	6H3-24452-10	.COVER		1	1	#2
30	6H4-14567-00	.SCREW		4	4	#2
31	6H3-14137-00	.CLIP		2	2	#2
32	6H3-14349-00	.PIPE		1	1	#2
33	6H3-14380-00	.STARTER ASSY		1	1	#2
34	97803-04010	.SCREW, PAN HEAD		2	2	#2
35	95380-03600	.NUT		2	2	#2
36	98980-03006	.SCREW, BIND		2	2	#2
37	6L5-24421-00	.VALVE, CHECK		2	2	#2
38	6H4-24413-00	.BODY 2		1	1	#2
39	6H4-24486-00	.O-RING		1	1	#2
40	6H3-24411-10	.DIAPHRAGM		1	1	#2
41	6H3-24434-10	.GASKET, BODY		2	2	#2
42	90465-18147	CLAMP		1	1	
43	97013-06012	BOLT		1	1	
44	92903-06600	WASHER, PLATE		1	1	

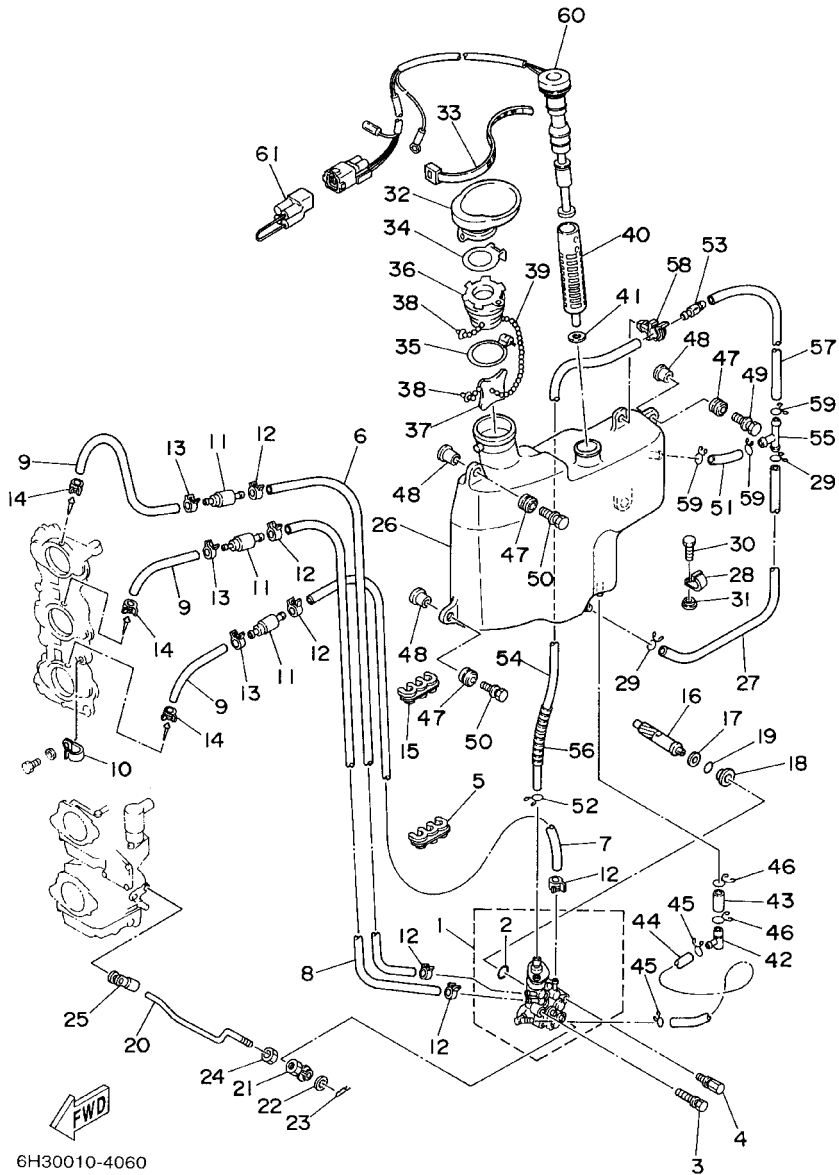
FIG. 8 OIL PUMP



6H30010-4060

REF. NO.	PART NO.	DESCRIPTION	60ET	6ETO	7ETO	REMARKS
1	6H3-13200-02	OIL INJECTION PUMP ASSY		1	1	
2	93210-19MA7	.O-RING		1	1	
3	90109-06M39	BOLT		1	1	
4	90109-06M40	BOLT		1	1	
5	90464-07M05	CLAMP		1	1	
6	90445-07M44	HOSE (L250)		1	1	
7	90445-07M23	HOSE (L408)		1	1	
8	90445-07MA5	HOSE (L150)		1	1	
9	90445-07M87	HOSE (L110)		3	3	
10	90465-06M86	CLAMP		1	1	
11	6E9-13183-70	VALVE, CHECK		3	3	
12	90468-07M02	CLIP		6	6	
13	90468-07M02	CLIP		3	3	
14	90468-07M02	CLIP		3	3	
15	90464-07M05	CLAMP		1	1	
16	6H3-11537-01	GEAR, DRIVEN		1	1	
17	90201-08M93	WASHER, PLATE		1	1	
18	6H1-13117-01	COLLAR, DISTANCE		1	1	
19	93210-13M04	O-RING		1	1	
20	6H3-41241-01	ROD, LINK		1	1	
21	6H1-41237-00	JOINT, LINK		1	1	
22	90202-05088	WASHER, PLATE		1	1	
23	90468-05M03	CLIP		1	1	
24	95380-05600	NUT		1	1	
25	6E9-41237-00	JOINT, LINK		1	1	
26	6H3-21707-06	OIL TANK COMP.		1	1	
27	90445-11M03	HOSE (L330)		1	1	

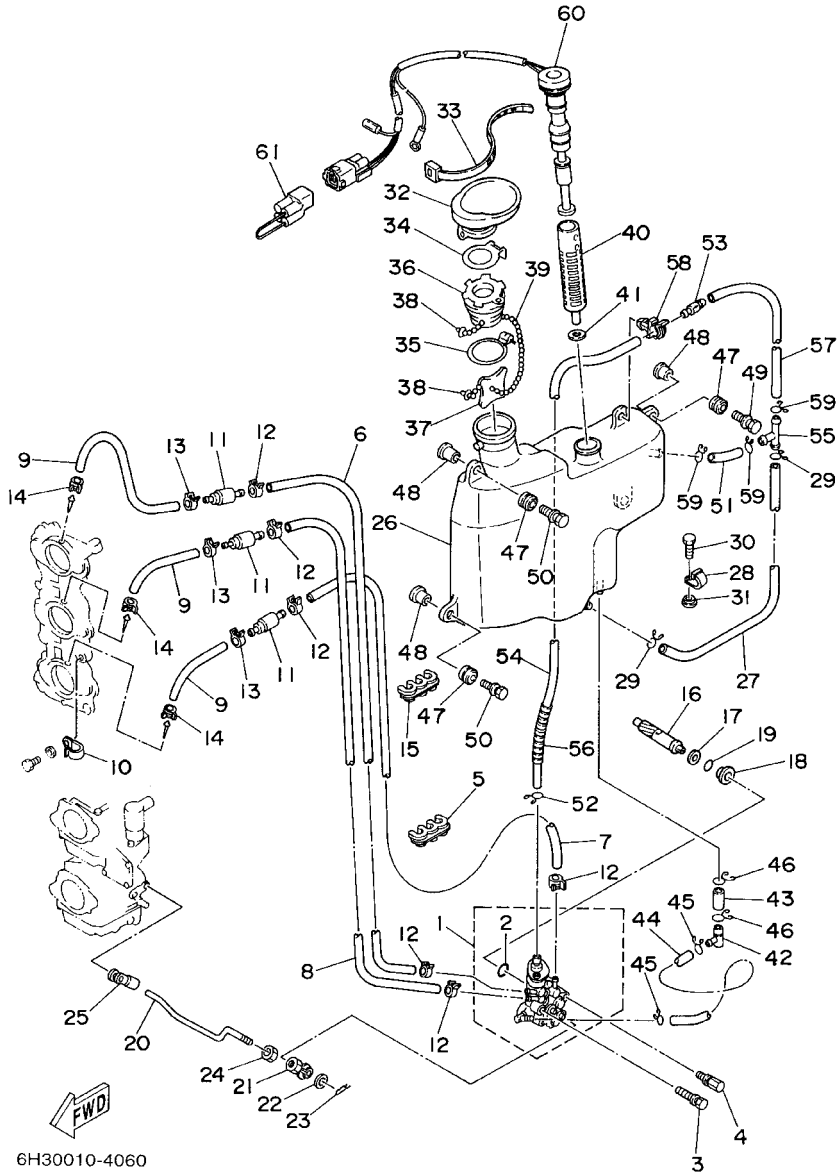
FIG. 8 OIL PUMP



6H30010-4060

REF. NO.	PART NO.	DESCRIPTION	60ET	6ETO	7ETO	REMARKS
28	90465-11M27	CLAMP		1	1	
29	90467-11M08	CLIP		2	2	
30	97095-06016	BOLT	1	1		
31	90387-06M31	COLLAR	1	1		
32	6H3-21752-00	TUBE, FILLER 1	1	1		
33	90465-13M30	CLAMP	1	1		
34	63D-2176M-00	HOOK	1	1		
35	63D-2175R-00	HOOK, BAND	1	1		
36	6H4-21770-00	OIL TANK CAP ASSY	1	1		
37	6J8-21758-00	WASHER, SPECIAL 2	1	1		
38	6H1-21757-00	WASHER, SPECIAL 1	2	2		
39	6H1-24633-00	CHAIN, BALL	1	1		
40	6J8-13411-00	STRAINER, OIL	1	1		
41	6J8-13414-00	GASKET, STRAINER COVER	1	1		
42	6H1-13435-00	NIPPLE	1	1		
43	90445-08M01	HOSE (L30)	1	1		
44	6H1-21766-01	PIPE, OIL	1	1		
45	90467-08004	CLIP	2	2		
46	90467-12M11	CLIP	2	2		
47	6A0-82317-00	DAMPER, IGNITION COIL	4	4		
48	624-42542-00	PIPE	4	4		
49	90119-06M65	BOLT, WITH WASHER	2	2		
50	90119-06M88	BOLT, WITH WASHER	2	2		
51	90445-11M21	HOSE (L40)	1	1		
52	90467-10M04	CLIP	1	1		
53	6J8-21744-00	BREATHER	1	1		
54	90445-11M15	HOSE (L360)	1	1		

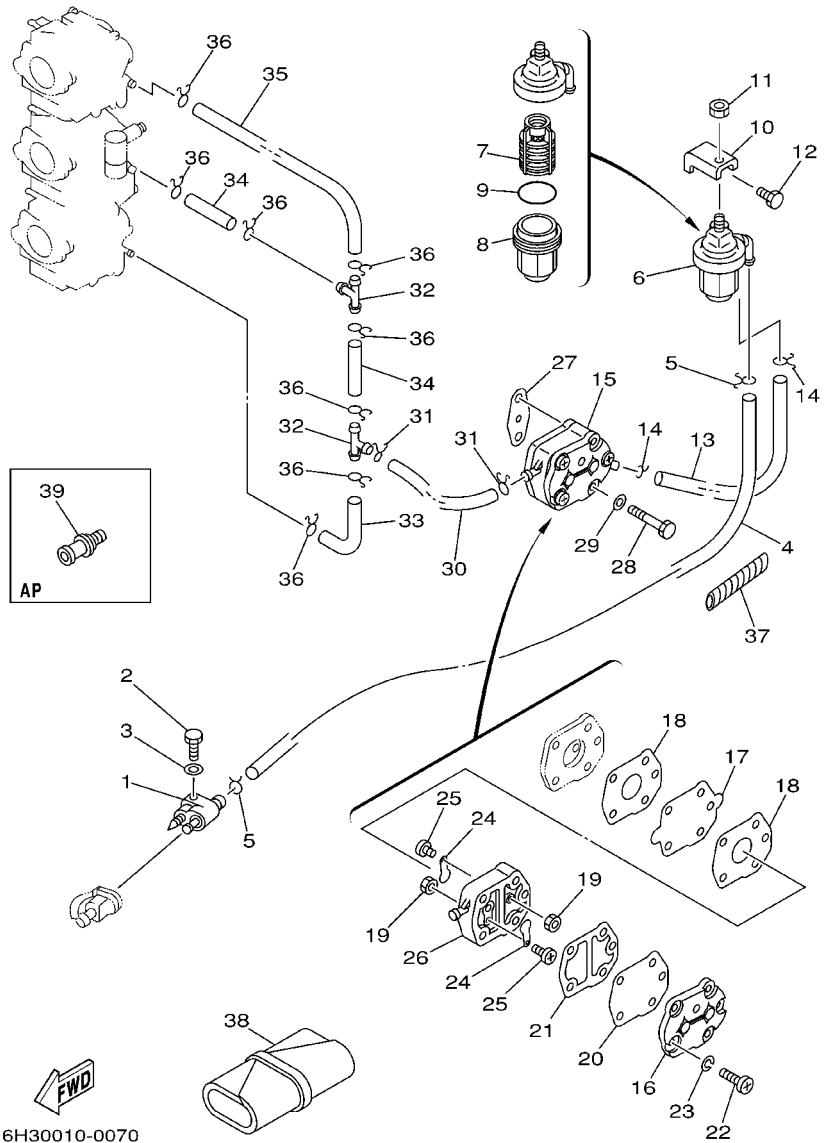
FIG. 8 OIL PUMP



6H30010-4060

REF. NO.	PART NO.	DESCRIPTION	60ET	6ETO	7ETO	REMARKS
55	6E5-24378-00	PIPE, JOINT 3		1	1	
56	90446-10M01	HOSE		1	1	
57	90445-11M02	HOSE (L100)		1	1	
58	90464-11M23	CLAMP		1	1	
59	90467-11M08	CLIP		3	3	
60	6H3-85720-16	OIL LEVEL GAUGE ASSY		1	1	
61	6R5-82582-B0	COVER, WIRE HARNESS		1	1	AP

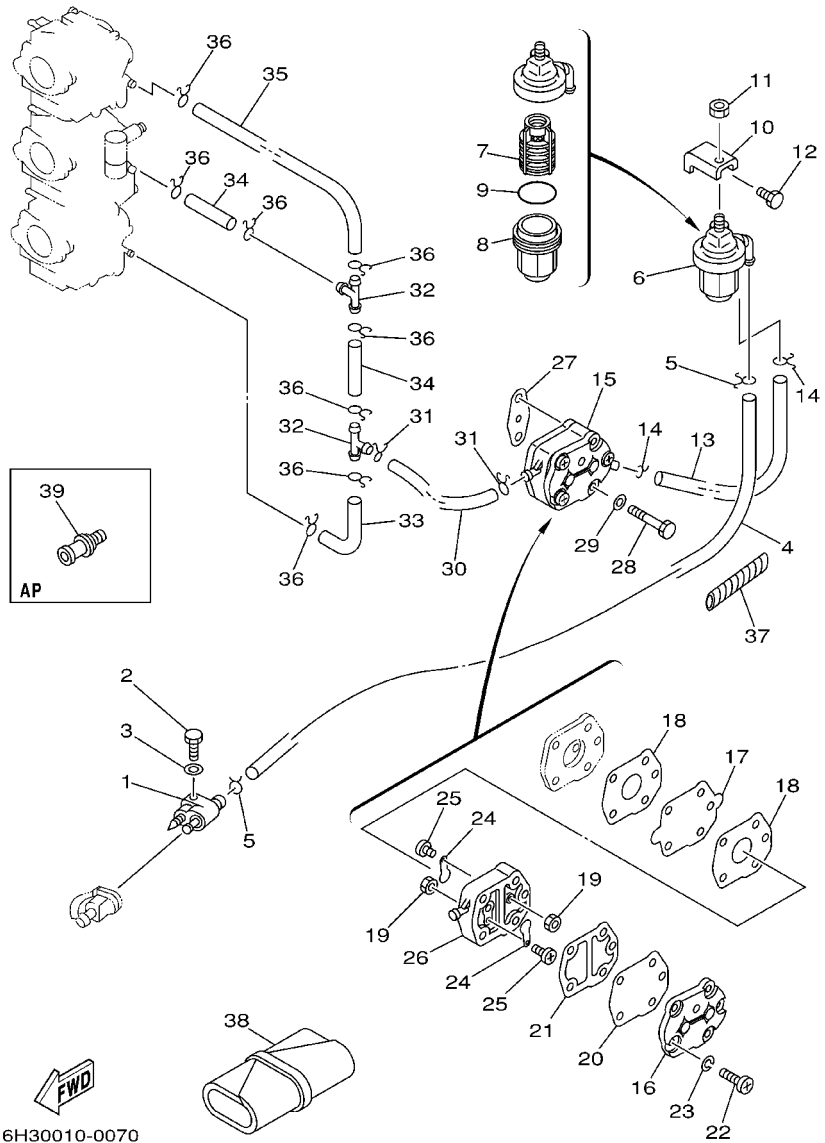
FIG. 9 FUEL 1



6H30010-0070

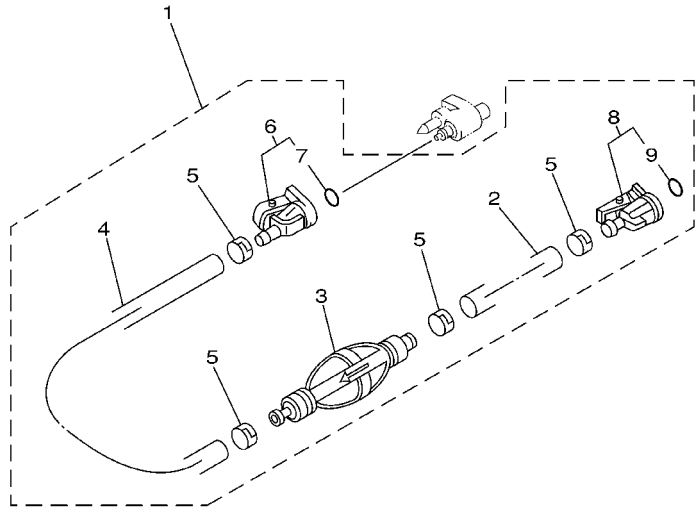
REF. NO.	PART NO.	DESCRIPTION	60ET	6ETO	7ETO	REMARKS
1	6G1-24304-02	FUEL PIPE JOINT COMP. 1	1	1	1	
2	97095-06025	BOLT	1	1	1	
3	92995-06600	WASHER	1	1	1	
4	90445-09M75	HOSE (L370)	1	1	1	
5	90467-08004	CLIP	2	2	2	
6	61N-24560-00	FILTER ASSY	1	1	1	
7	61N-24563-00	.ELEMENT, FILTER	1	1	1	
8	61N-24521-00	.CUP, FILTER	1	1	1	
9	93210-32738	.O-RING	1	1	1	
10	648-24566-02	BRACKET, FILTER	1	1	1	
11	95380-08600	NUT	1	1	1	
12	97013-06014	BOLT	1	1	1	
13	90445-09072	HOSE (L120)	1	1	1	
14	90467-08004	CLIP	2	2	2	
15	692-24410-00	FUEL PUMP ASSY	1	1	1	
16	6A0-24413-00	.BODY 2	1	1	1	
17	692-24411-00	.DIAPHRAGM	1	1	1	
18	648-24434-01	.GASKET, BODY	2	2	2	
19	95380-03600	.NUT	2	2	2	
20	663-24411-00	.DIAPHRAGM	1	1	1	
21	648-24435-02	.GASKET, BODY 2	1	1	1	
22	98503-05028	.SCREW, PAN HEAD	3	3	3	
23	92990-05100	.WASHER, SPRING	3	3	3	
24	6A0-24421-01	.VALVE, CHECK	2	2	2	
25	6A0-14325-00	.SCREW, PAN HEAD	2	2	2	
26	6A0-24412-02	.BODY 1	1	1	1	
27	650-24431-A0	GASKET, FUEL PUMP 1	1	1	1	

FIG. 9 FUEL 1



REF. NO.	PART NO.	DESCRIPTION	60ET	6ETO	7ETO	REMARKS
28	97095-06040	BOLT	2	2	2	
29	92995-06600	WASHER	2	2	2	
30	90445-09072	HOSE (L120)	1	1	1	
31	90467-08004	CLIP	2	2	2	
32	688-24378-00	PIPE, JOINT 4	2	2	2	
33	6H3-24313-00	PIPE 3	1	1	1	
34	90445-09220	HOSE	2	2	2	
35	6H3-24314-00	PIPE 4	1	1	1	
36	90467-08004	CLIP	8	8	8	
37	90446-10M01	HOSE		1	1	
38	656-W2810-02	TOOL KIT	1	1	1	AP
39	6E0-28193-00-94	PLUG, WATER CHECK	1	1	1	AP D:12.5MM

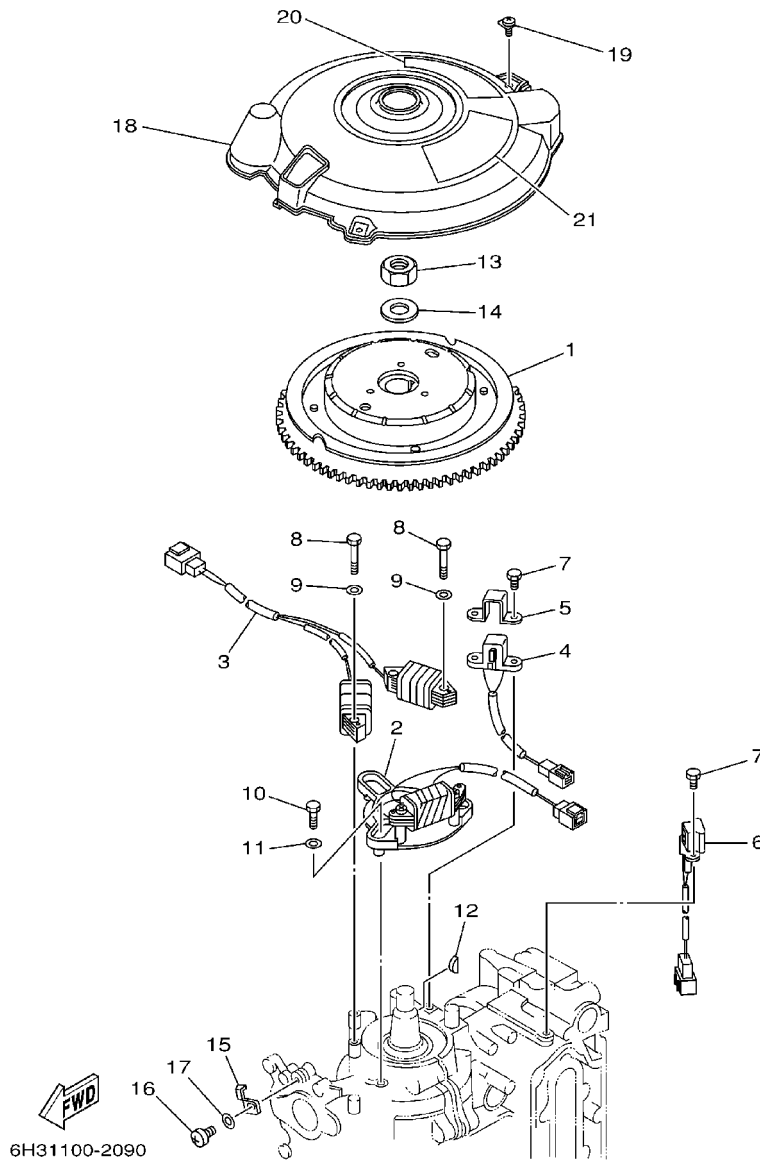
FIG. 10 FUEL 2



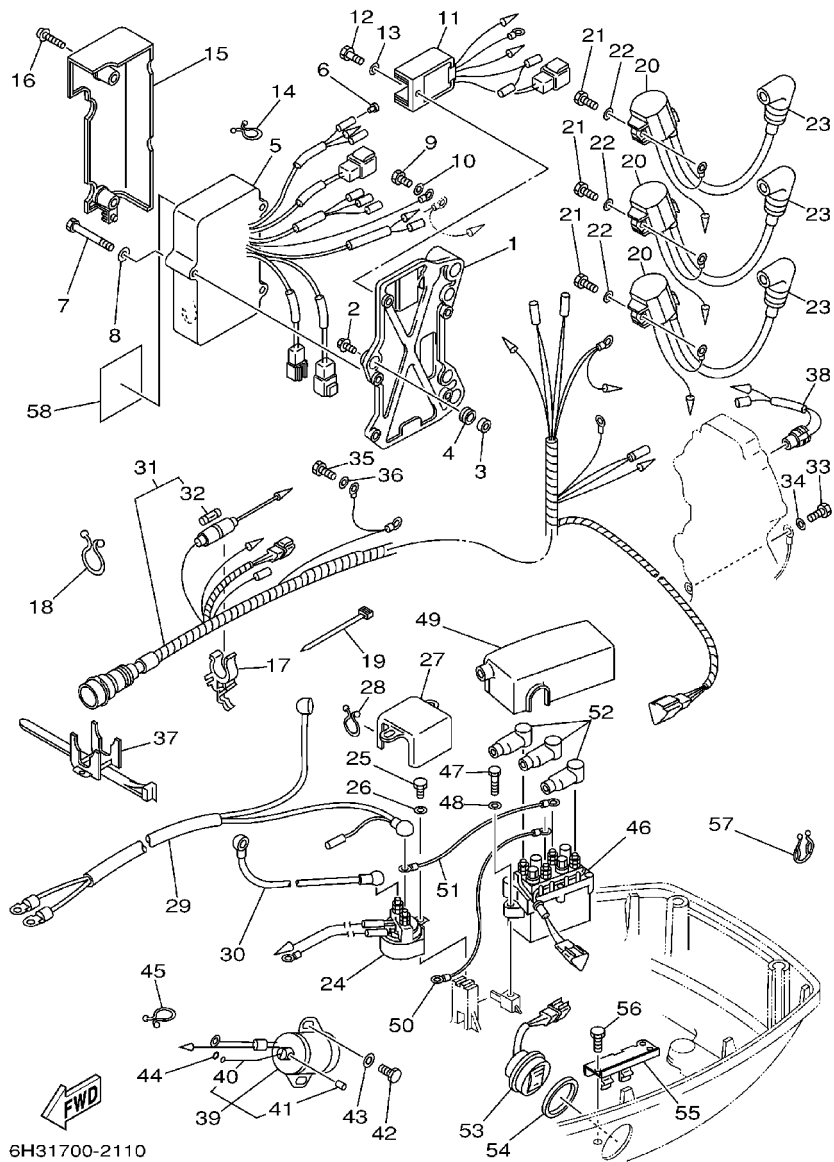
REF. NO.	PART NO.	DESCRIPTION	60ET	6ET0	7ET0	REMARKS
1	6Y1-24306-53	FUEL PIPE COMP. 1		1	1	AP FOR USA,CANADA
2	90445-11M06	.HOSE (L2050)		1	1	
3	6Y1-24360-52	.PRIMER PUMP ASSY		1	1	
4	90445-11M05	.HOSE (L850)		1	1	
5	650-24351-51	.BAND 1		4	4	
6	6G1-24305-03	.FUEL PIPE JOINT COMP. 2		1	1	
7	93210-08287	..O-RING		1	1	
8	6Y1-24305-04	.FUEL PIPE JOINT COMP. 2		1	1	
9	93210-08287	..O-RING		1	1	

 67C0100-0100

FIG. 11 GENERATOR



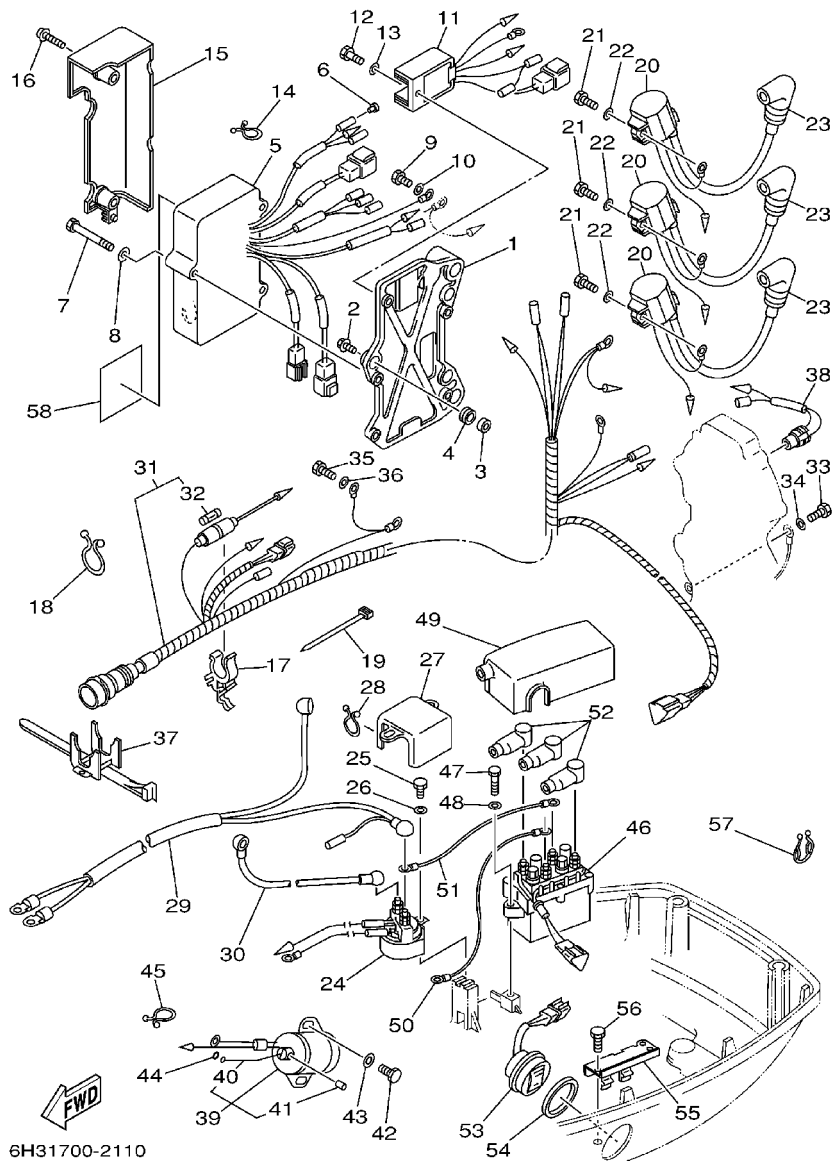
REF. NO.	PART NO.	DESCRIPTION	60ET	6ETO	7ETO	REMARKS
1	6H2-85550-00	ROTOR ASSY	1	1	1	
2	6H2-85520-01	COIL, CHARGE	1	1	1	
3	6H2-85533-01	COIL, LIGHTING	1	1	1	
4	6H2-85580-01	COIL, PULSER	1	1	1	
5	6H2-85582-00	ATTACHMENT, PULSER	1	1	1	
6	6H2-85895-01	CRANK POSITION SENDER	1	1	1	
7	97095-05012	BOLT	4	4	4	
8	97095-06035	BOLT	4	4	4	
9	92995-06600	WASHER	4	4	4	
10	97095-06025	BOLT	3	3	3	
11	92995-06600	WASHER	3	3	3	
12	90280-05015	KEY, WOODRUFF	1	1	1	
13	90170-20137	NUT	1	1	1	
14	90201-21M18	WASHER, PLATE	1	1	1	
15	6E5-81332-00	PLATE, TIMING	1	1	1	
16	97885-06010	SCREW, PAN HEAD	1	1	1	
17	92995-06600	WASHER	1	1	1	
18	6H3-81337-01	COVER, FLYWHEEL	1	1	1	
19	90159-06M23	SCREW, WITH WASHER	3	3	3	
20	6H3-14488-00	LABEL, CAUTION	1	1	1	
21	6H3-13437-43	MARK, CAUTION	1	1		FOR USA
	6H3-13437-21	MARK, CAUTION	1	1		FOR CANADA, OCEANIA



6H31700-2110

FIG. 12 ELECTRICAL

REF. NO.	PART NO.	DESCRIPTION	60ET	6ETO	7ETO	REMARKS
1	6H3-85542-11-94	BRACKET	1	1	1	
2	90105-06M14	BOLT FLANGE	3	3	3	
3	90387-06M43	COLLAR	3	3	3	
4	90480-13M54	GROMMET	3	3	3	
5	6H2-85540-12	C.D.I. UNIT ASSY	1	1	1	
6	703-82119-00	COVER, LEAD WIRE	1	1	1	
7	97095-06045	BOLT	3	3	3	
8	92995-06600	WASHER	3	3	3	
9	97013-06012	BOLT	1	1	1	
10	92903-06600	WASHER, PLATE	1	1	1	
11	6H2-81960-10	RECTIFIER & REGULATOR ASSY	1	1	1	
12	97095-06016	BOLT	1	1	1	
13	92995-06600	WASHER	1	1	1	
14	90464-05M16	CLAMP	1	1	1	
15	6H3-81916-10	COVER, TERMINAL	1	1	1	
16	90159-06M01	SCREW, WITH WASHER	2	2	2	
17	6G5-82152-00	HOLDER, FUSE	1	1	1	
18	90464-23M22	CLAMP	1	1	1	
19	90465-13M11	CLAMP	1	1	1	
20	697-85570-00	IGNITION COIL ASSY	3	3	3	
21	97013-06020	BOLT	3	3	3	
22	92903-06600	WASHER, PLATE	3	3	3	
23	6G1-82370-21	PLUG CAP ASSY	3	3	3	
24	688-81950-10	RELAY ASSY	1	1	1	
25	97013-06016	BOLT	1	1	1	
26	92903-06600	WASHER, PLATE	1	1	1	
27	6H3-82164-00	CASE 2	1	1	1	

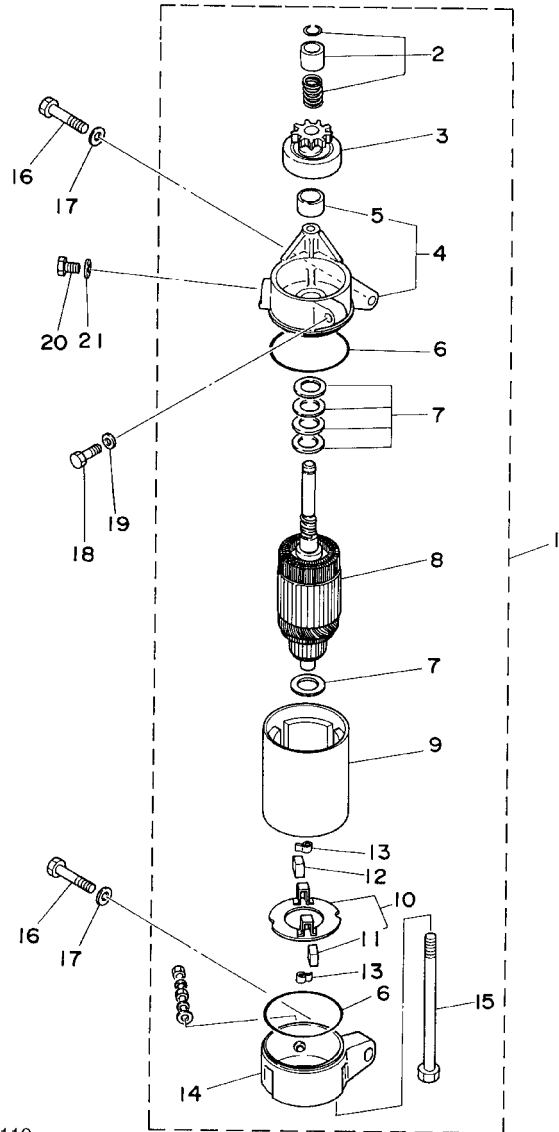


6H31700-2110

FIG. 12 ELECTRICAL

REF. NO.	PART NO.	DESCRIPTION	60ET	6ETO	7ETO	REMARKS
28	90464-15M11	CLAMP	1	1	1	
29	6H3-82105-U0	WIRE HARNESS		1	1	FOR USA
	6H3-82105-01	WIRE HARNESS	1	1	1	FOR CANADA, OCEANIA
30	6H3-82117-00	WIRE, LEAD	1	1	1	
31	6H2-82590-13	WIRE HARNESS ASSY		1	1	
	6H2-82590-60	WIRE HARNESS ASSY	1			
32	663-82151-00	.FUSE (12V-20A)	1	1	1	
33	97013-06012	BOLT	1	1	1	
34	92903-06600	WASHER, PLATE	1	1	1	
35	97013-06012	BOLT	2	2	2	
36	92903-06600	WASHER, PLATE	2	2	2	
37	688-82594-00	CLAMP	1	1	1	
38	688-82560-10	THERMO SWITCH ASSY	1	1	1	
39	6H3-86110-02	SOLENOID	1			
40	6H3-86116-00	.WIRE, PULL	1			
41	91690-30010	.PIN, SPRING	1			
42	97013-06016	BOLT	2			
43	92903-06600	WASHER, PLATE	2			
44	93210-03261	O-RING	1			
45	90465-18147	CLAMP	1			
46	61A-81950-00	RELAY ASSY	1	1	1	
47	97095-06025	BOLT	2	2	2	
48	92995-06600	WASHER	2	2	2	
49	6H3-82154-11	CASE	1	1	1	
50	6H2-81949-11	WIRE, LEAD	1	1	1	
51	6H2-81949-01	WIRE, LEAD	1	1	1	
52	682-82119-01	COVER, LEAD WIRE	3	3	3	

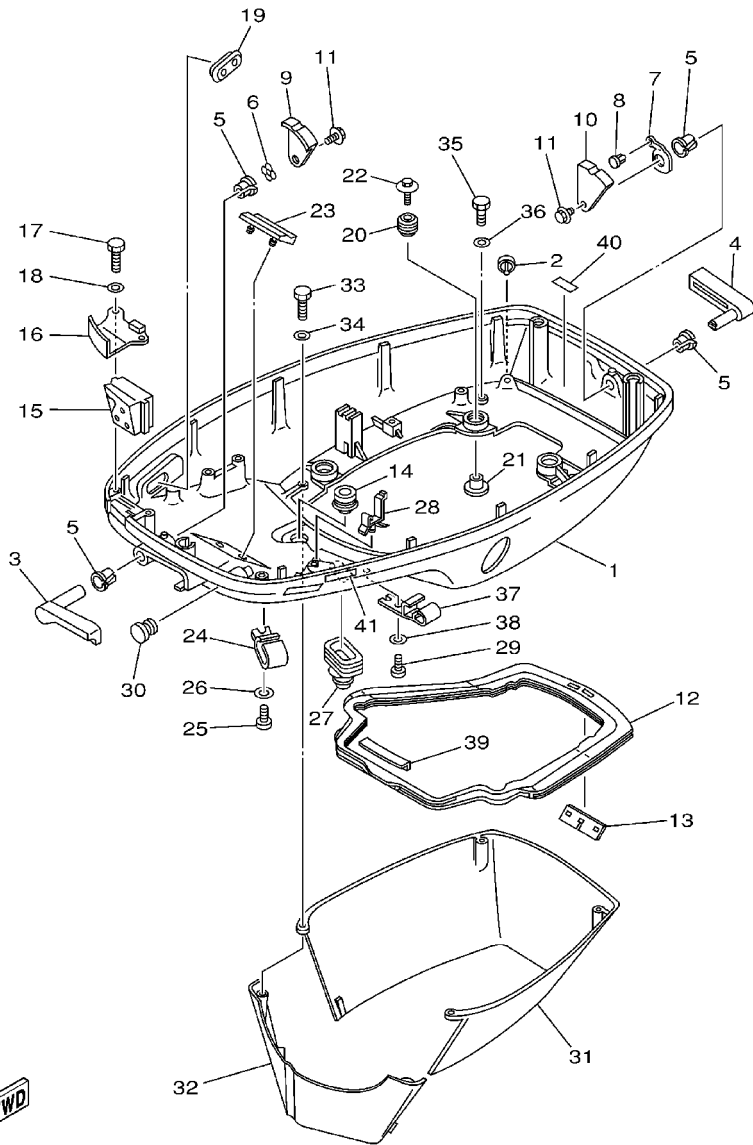
FIG. 13 STARTING MOTOR



6H30010-4110

REF. NO.	PART NO.	DESCRIPTION	60ET	6ETO	7ETO	REMARKS
1	6H3-81800-11	STARTING MOTOR ASSY	1	1	1	
2	689-81857-11	.PINION STOPPER SET	1	1	1	
3	6H3-81807-10	.GEAR ASSY, STARTING MOTOR	1	1	1	
4	6H3-81830-10	.FRONT BRACKET ASSY	1	1	1	
5	689-81831-00	..METAL, FRONT	1	1	1	
6	689-81847-11	.O-RING	2	2	2	
7	689-81809-11	.WASHER KIT	1	1	1	
8	689-81850-12	.ARMATURE ASSY	1	1	1	
9	6H3-81810-10	.STATOR ASSY	1	1	1	
10	689-81840-11	.BRUSH HOLDER ASSY	1	1	1	
11	689-81812-11	..BRUSH 2	1	1	1	
12	689-81811-11	.BRUSH 1	1	1	1	
13	689-81813-10	.SPRING, BRUSH	2	2	2	
14	6H3-81820-11	.REAR BRACKET ASSY	1	1	1	
15	689-81826-10	.BOLT	2	2	2	
16	97013-08035	BOLT	2	2	2	
17	92903-08600	WASHER, PLATE	2	2	2	
18	97013-06025	BOLT	1	1	1	
19	92903-06600	WASHER, PLATE	1	1	1	
20	97013-08016	BOLT	1	1	1	
21	92903-08600	WASHER, PLATE	1	1	1	

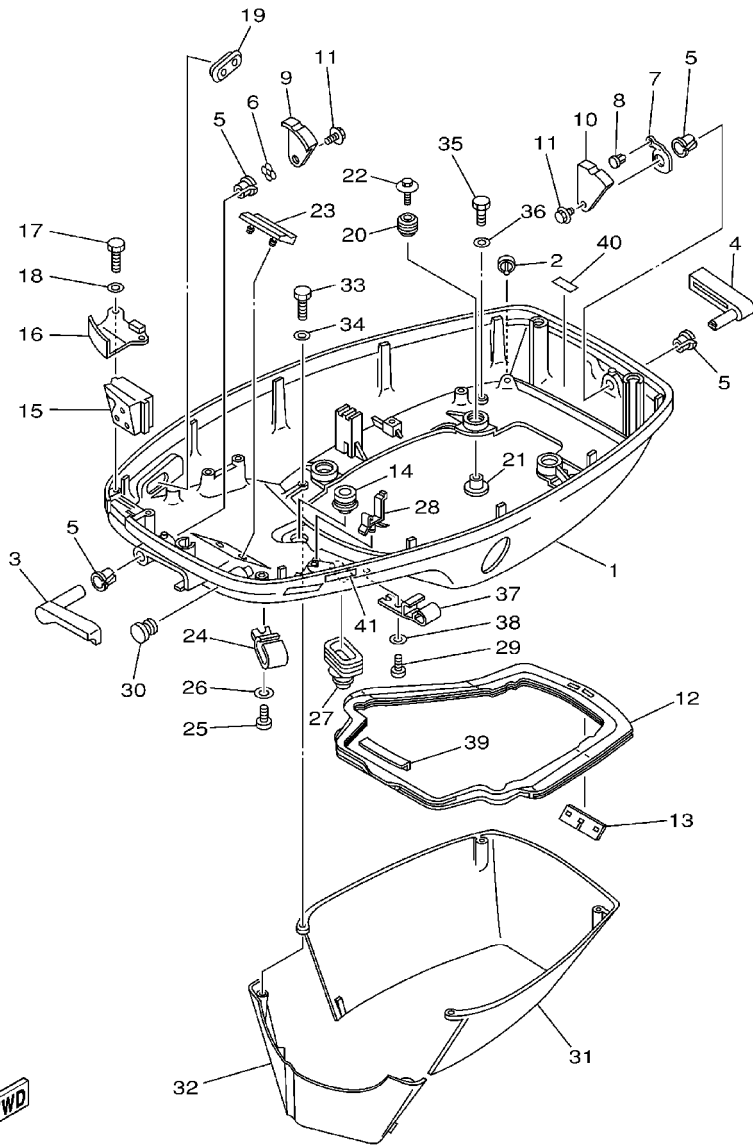
FIG. 14 BOTTOM COWLING



6H31700-2130

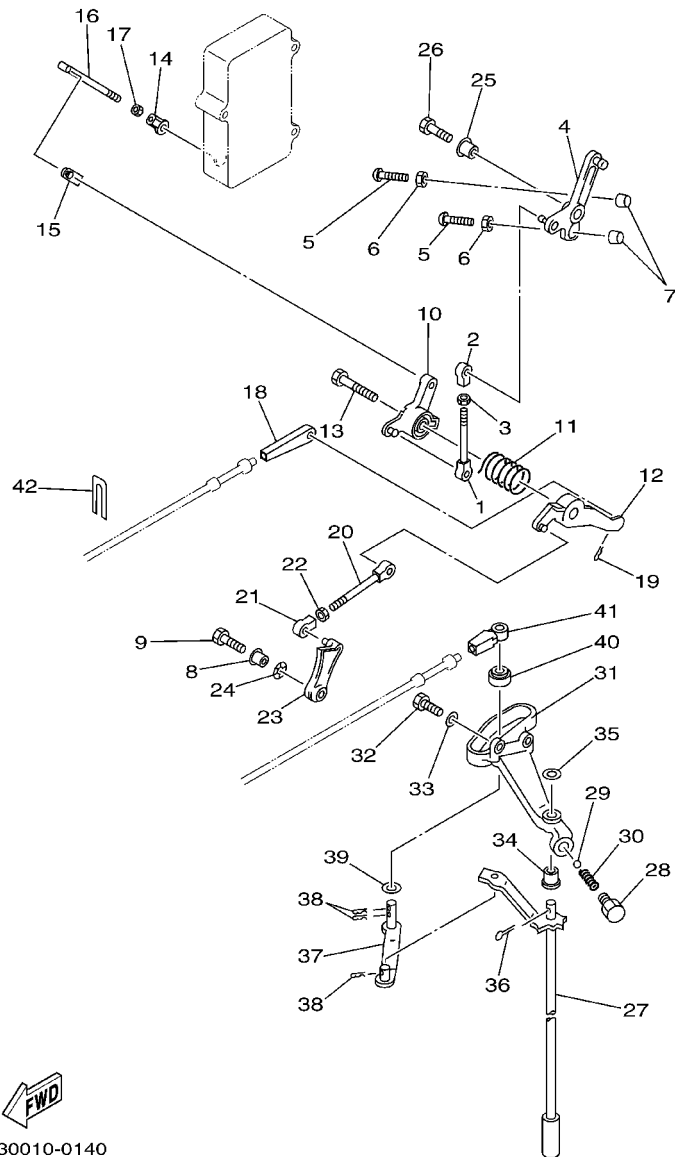
REF. NO.	PART NO.	DESCRIPTION	60ET	6ETO	7ETO	REMARKS
1	6H3-42711-24-4D	COWLING, BOTTOM		1	1	
	6H3-42711-05-4D	COWLING, BOTTOM	1			
2	6H3-44391-01	NIPPLE, HOSE	1	1	1	
3	6H3-42815-01-4D	LEVER, CLAMP	1	1	1	
4	6H3-42817-01-4D	LEVER, CLAMP	1	1	1	
5	90386-13M38	BUSH	4	4	4	
6	90206-13M10	WASHER, WAVE	1	1	1	
7	6H3-42813-00	SPRING, CLAMP LEVER	1	1	1	
8	90269-04M03	RIVET	1	1	1	
9	6H3-42816-00	LEVER, CLAMP	1	1	1	
10	6H3-42818-00	LEVER, CLAMP	1	1	1	
11	90119-06M09	BOLT, WITH WASHER	2	2	2	
12	6H3-42716-02	RUBBER, SEAL 1	1	1	1	
13	6K5-42717-00	RUBBER, SEAL 2	1	1	1	
14	6E5-42724-00	GROMMET	1	1	1	
15	6H3-42725-30	GROMMET		1	1	UR
	6H3-42725-10	GROMMET	1	1		UR
16	6H3-42738-01-5B	PLATE, FITTING	1	1	1	
17	97095-06016	BOLT	2	2	2	
18	92995-06600	WASHER	2	2	2	
19	6H3-42727-00	GROMMET	1	1	1	
20	90480-09M12	GROMMET	4	4	4	
21	90387-06M69	COLLAR	4	4	4	
22	90119-06M61	BOLT, WITH WASHER	4	4	4	
23	6H3-42768-00	DAMPER	1	1	1	
24	6E5-24367-01	CLAMP, FUEL PIPE 2	1	1	1	
25	90157-06M01	SCREW, PAN HEAD	1	1	1	

FIG. 14 BOTTOM COWLING



REF. NO.	PART NO.	DESCRIPTION	60ET	6ETO	7ETO	REMARKS
26	92990-06600	WASHER, PLATE	1	1	1	
27	688-42726-10	GROMMET	1	1	1	
28	90464-09M13	CLAMP	1	1	1	
29	90157-06M01	SCREW, PAN HEAD	1	1	1	
30	6G1-42748-00	GROMMET		1	1	
31	6H3-42741-01-4D	APRON	1	1	1	
32	6H3-42771-01-4D	APRON	1	1	1	
33	97095-06025	BOLT	2	2	2	
34	92995-06600	WASHER	2	2	2	
35	97095-06020	BOLT	2	2	2	
36	92995-06600	WASHER	2	2	2	
37	6E5-24367-01	CLAMP, FUEL PIPE 2	1	1	1	
38	92990-06600	WASHER, PLATE	1	1	1	
39	6H3-42718-00	RUBBER, SEAL 3	1	1	1	
40	6G5-42791-00	MARK 1		1	1	FOR USA
	6G5-42791-10	MARK 1	1	1	1	FOR CANADA, OCEANIA
41	6R6-42791-40	MARK 1	1			FOR OCEANIA

FWD
6H31700-2130

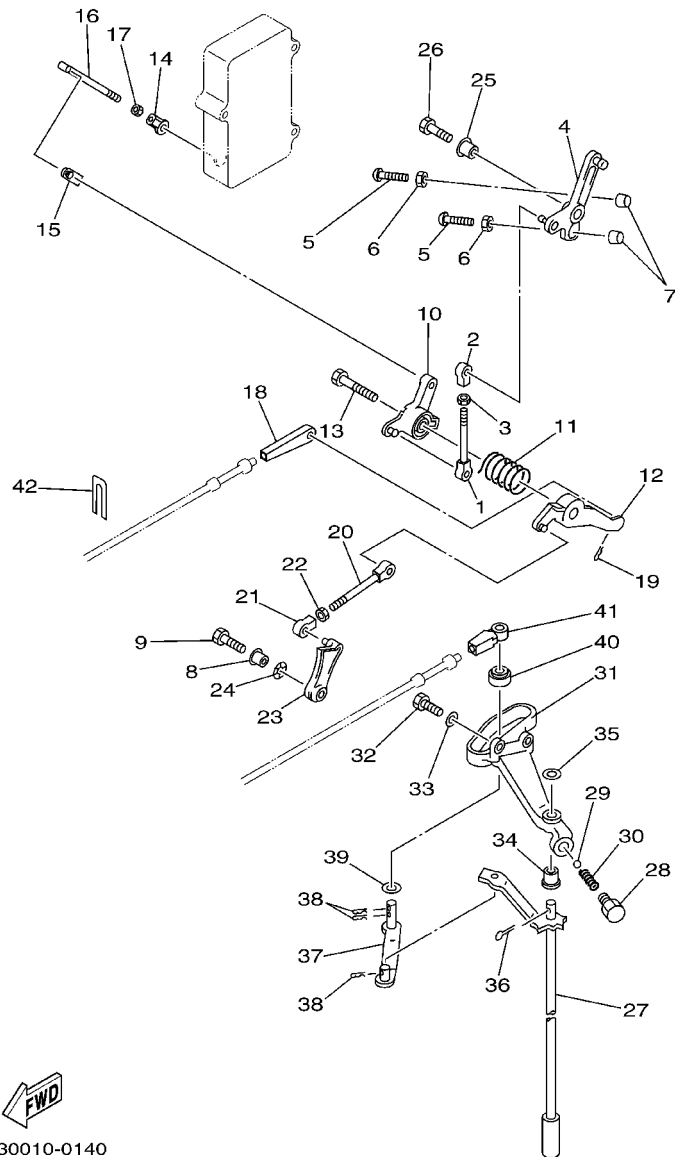


6H30010-0140

FIG. 15 CONTROL

REF. NO.	PART NO.	DESCRIPTION	60ET	6ETO	7ETO	REMARKS
1	689-42169-01	JOINT	1	1	1	
2	682-41237-00	JOINT, LINK	1	1	1	
3	95380-05600	NUT	1	1	1	
4	6H3-41631-00	LEVER, MAGNETO CONTROL	1	1	1	
5	90157-06M13	SCREW, PAN HEAD	2	2	2	
6	95380-06600	NUT, HEXAGON	2	2	2	
7	688-44194-00	CAP	2	2	2	
8	90387-06M60	COLLAR	1	1	1	
9	97095-06025	BOLT	1	1	1	
10	6H3-41632-20	LEVER, MAGNETO CONTROL	1	1	1	
11	90508-26M35	SPRING, TORSION	1	1	1	
12	6H3-41633-10	LEVER, MAGNETO CONTROL	1	1	1	
13	90109-06M43	BOLT	1	1	1	
14	6H1-41237-00	JOINT, LINK	1	1	1	
15	6F5-41237-00	JOINT, LINK	1	1	1	
16	6H3-41636-10-94	ROD, MAGNETO CONTROL	1	1	1	
17	95380-05600	NUT	1	1	1	
18	6H3-48344-00	CABLE END, REMOTE CONTROL	1	1	1	
19	90468-18008	CLIP	1	1	1	
20	689-42169-01	JOINT	1	1	1	
21	6H4-41237-00	JOINT, LINK	1	1	1	
22	95380-05600	NUT	1	1	1	
23	6H3-41213-10	CAM, ACCEL.	1	1	1	
24	90206-10M04	WASHER, WAVE	1	1	1	
25	90387-06M60	COLLAR	1	1	1	
26	97095-06025	BOLT	1	1	1	
27	6H3-44120-12	HANDLE GEAR SHIFT ASSY	1	1	1	L

D7

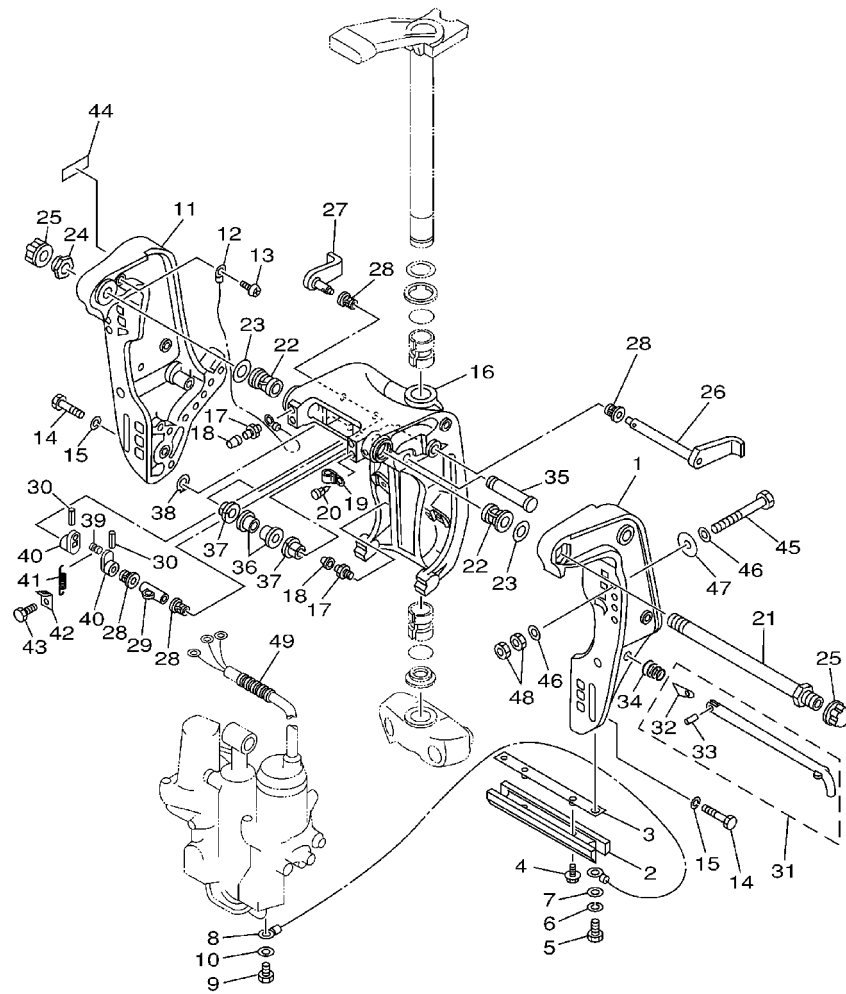


6H30010-0140

FIG. 15 CONTROL

REF. NO.	PART NO.	DESCRIPTION	60ET	6ETO	7ETO	REMARKS
28	648-42715-00	BUSHING	1	1	1	
29	93501-04M02	BALL	1	1	1	
30	90501-12082	SPRING, COMPRESSION	1	1	1	
31	6H3-44117-00-94	BRACKET		1	1	
	6J2-44117-01-94	BRACKET	1			
32	97013-06020	BOLT	2	2	2	
33	92903-06600	WASHER, PLATE	2	2	2	
34	90386-07M58	BUSH	1	1	1	
35	92990-08200	WASHER, PLAIN	1	1	1	
36	91490-20012	PIN, COTTER	1	1	1	
37	6H3-44121-01	LEVER, SHIFT ROD	1	1	1	
38	90468-18008	CLIP	3	3	3	
39	90202-07M07	WASHER, PLATE	1	1	1	
40	688-44122-00	BUSHING, SHIFT ROD LEVER	1	1	1	
41	663-48344-00	CABLE END, REMOTE CONTROL	1	1	1	
42	6H3-48538-00	CLAMP, CABLE 1	1	1	1	

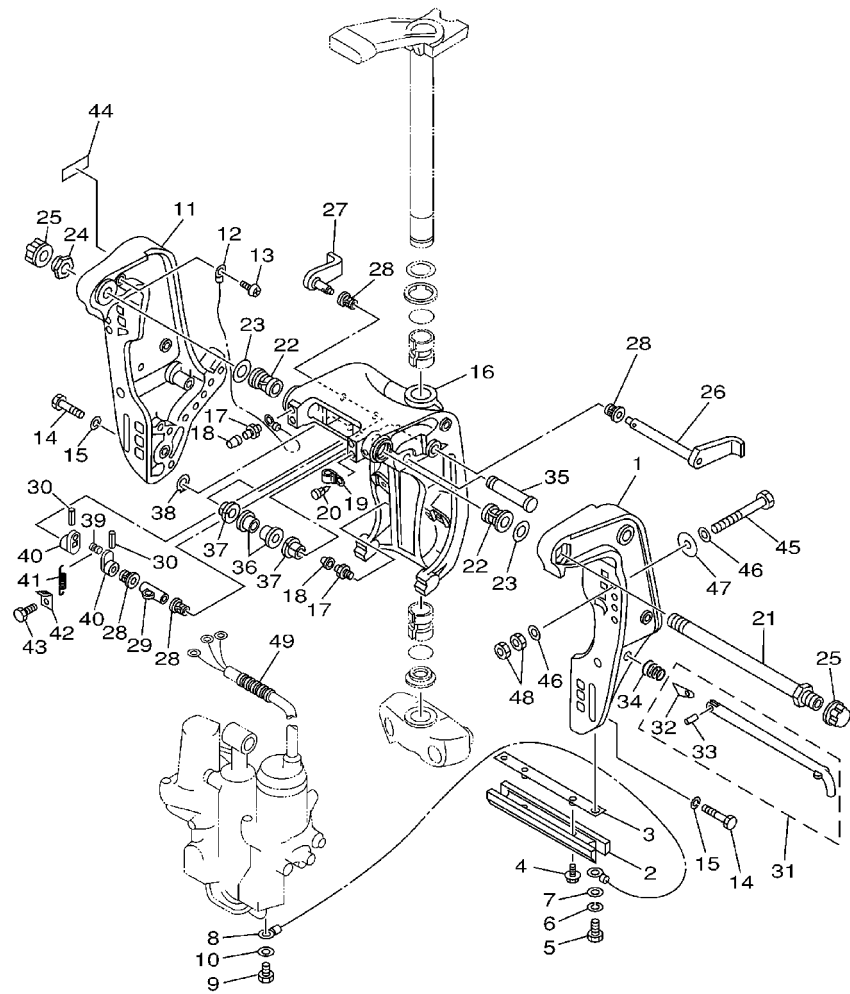
FIG. 16 BRACKET 1



6H31 100-2140

REF. NO.	PART NO.	DESCRIPTION	60ET	6ETO	7ETO	REMARKS
1	6H1-43111-01-4D	BRACKET, CLAMP	1	1	1	
2	6H1-45251-03	ANODE	1	1	1	
3	6H1-44526-00	PLATE	1	1	1	
4	90119-06M29	BOLT, WITH WASHER	2	2	2	
5	97095-06016	BOLT	2	2	2	
6	92995-06100	WASHER, SPRING	2	2	2	
7	92995-06600	WASHER	2	2	2	
8	6H1-82148-00	WIRE, LEAD 4	1	1	1	
9	97095-06010	BOLT	1	1	1	
10	92995-06600	WASHER	1	1	1	
11	6H1-43112-00-4D	BRACKET, CLAMP	1	1	1	
12	6E5-82148-00	WIRE, LEAD 4	1	1	1	
13	97880-06012	SCREW, PAN HEAD	1	1	1	
14	97095-10045	BOLT	6	6	6	
15	92995-10100	WASHER	6	6	6	
16	6H1-43311-01-4D	BRACKET, SWIVEL 1	1	1	1	
17	93700-06M03	NIPPLE, GREASE	3	3	3	AP
18	663-45119-00	CAP, GREASE NIPPLE	3	3	3	
19	90464-11M18	CLAMP	1	1	1	
20	90338-05M03	PLUG	1	1	1	
21	688-43131-03	BOLT, CLAMP BRACKET	1	1	1	
22	90386-22M15	BUSH	2	2	2	
23	90201-22M67	WASHER, PLATE	2	2	2	
24	90185-22043	NUT, SELF-LOCKING	1	1	1	
25	6G5-43145-01	CAP, CLAMP BRACKET	2	2	2	
26	6H1-43181-01	LEVER, TILT STOP	1	1	1	
27	6H1-43185-01	LEVER, TILT STOP	1	1	1	

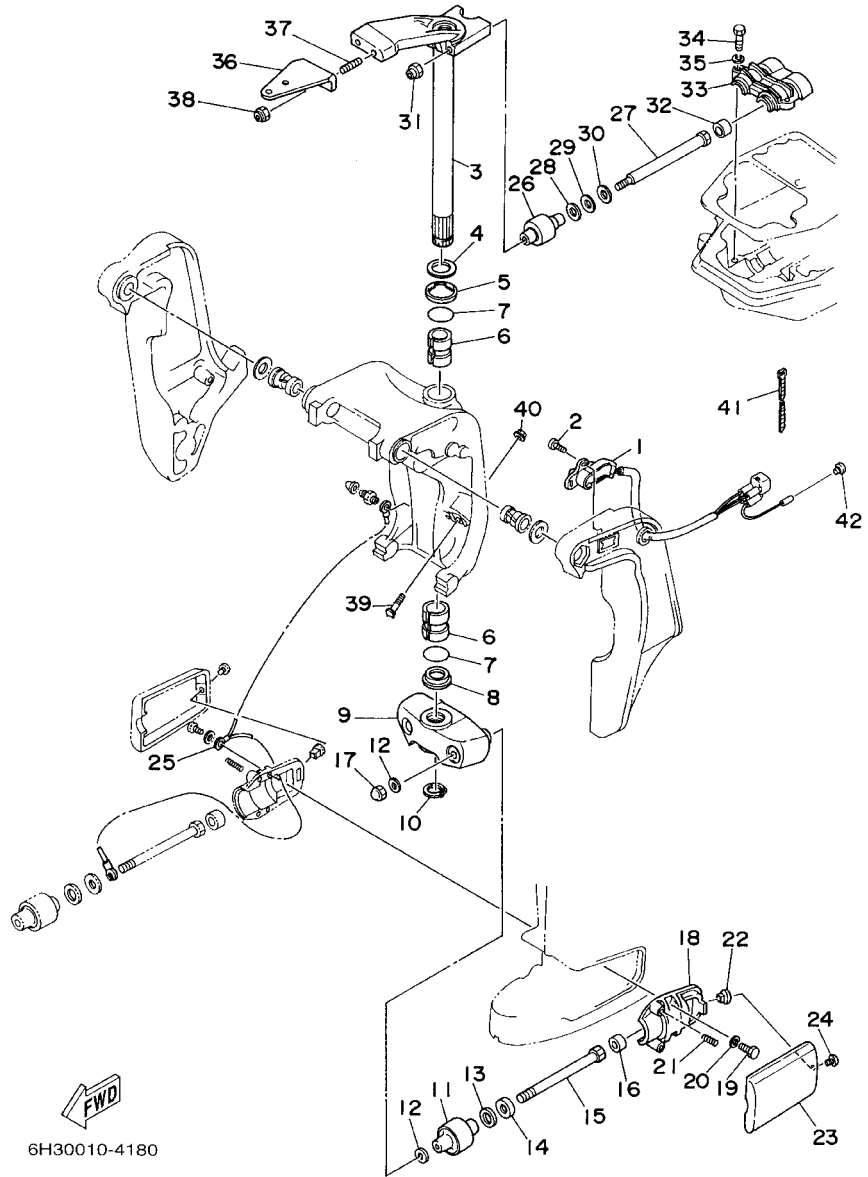
FIG. 16 BRACKET 1



6H31 100-2140

REF. NO.	PART NO.	DESCRIPTION	60ET	6ETO	7ETO	REMARKS
28	90386-10M16	BUSH	4	4	4	
29	90387-10M02	COLLAR	1	1	1	
30	91690-30020	PIN, SPRING	2	2	2	
31	688-43160-01	TILT ROD ASSY	1	1	1	
32	688-43165-00	.PLATE, TILT LOCK	1	1	1	
33	91690-30012	.PIN, SPRING	1	1	1	
34	90502-16M02	SPRING, CONICAL	1	1	1	
35	6E5-43126-02	PIN, UPPER SHOCK MOUNT	1	1	1	
36	90386-18M63	BUSH	2	2	2	
37	90386-18M35	BUSH	2	2	2	
38	93410-18M02	CIRCLIP	1	1	1	
39	90249-06M19	PIN	1	1	1	
40	6G5-43148-00	COLLAR, DISTANCE	2	2	2	
41	90506-14M24	SPRING, TENSION	1	1	1	
42	6G5-43144-00	HOOK, SPRING	1	1	1	
43	97095-06010	BOLT	1	1	1	
44	63V-82377-50	LABEL (SPARK,IGNITION)		1		FOR CANADA
45	90101-12M65	BOLT	4	4	4	
46	92995-12200	WASHER	8	8	8	
47	90201-12426	WASHER, PLATE	4	4	4	
48	95380-12600	NUT	8	8	8	
49	90440-14M00	PIPE	1	1	1	

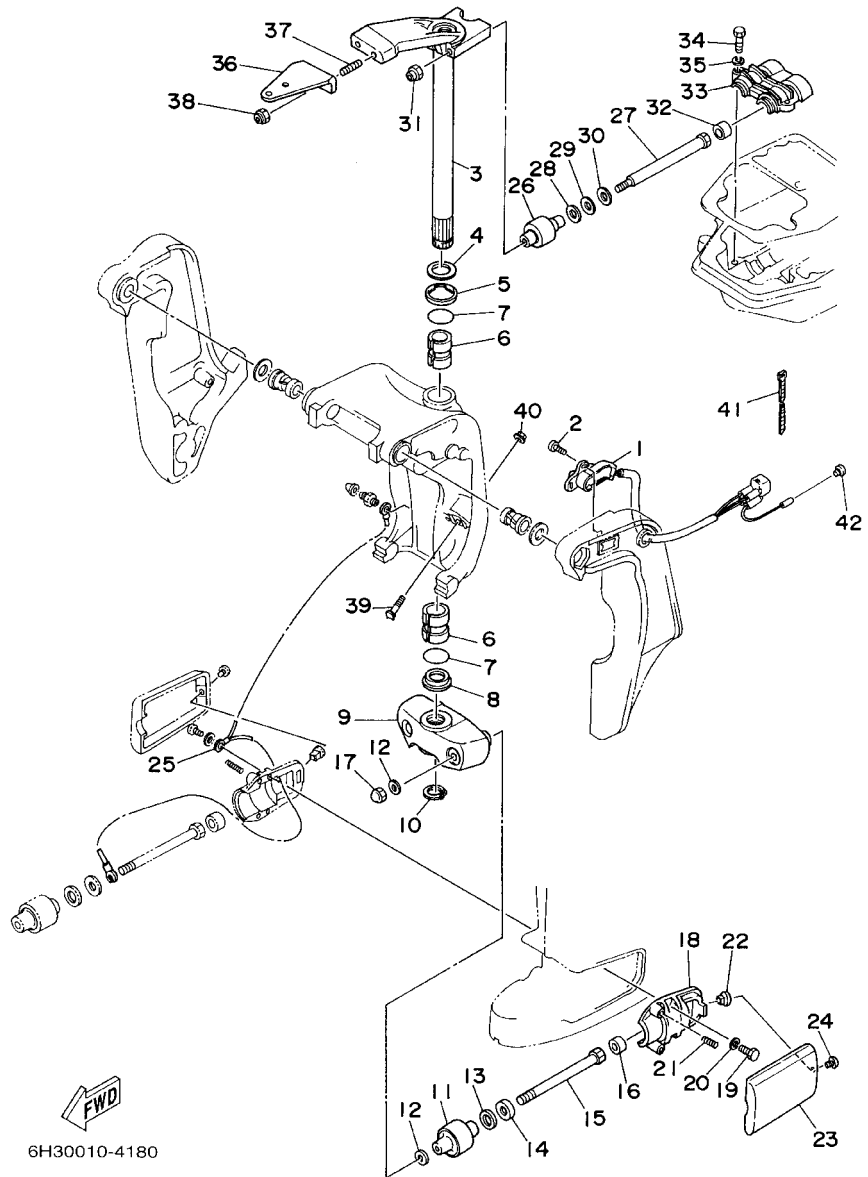
FIG. 17 BRACKET 2



6H30010-4180

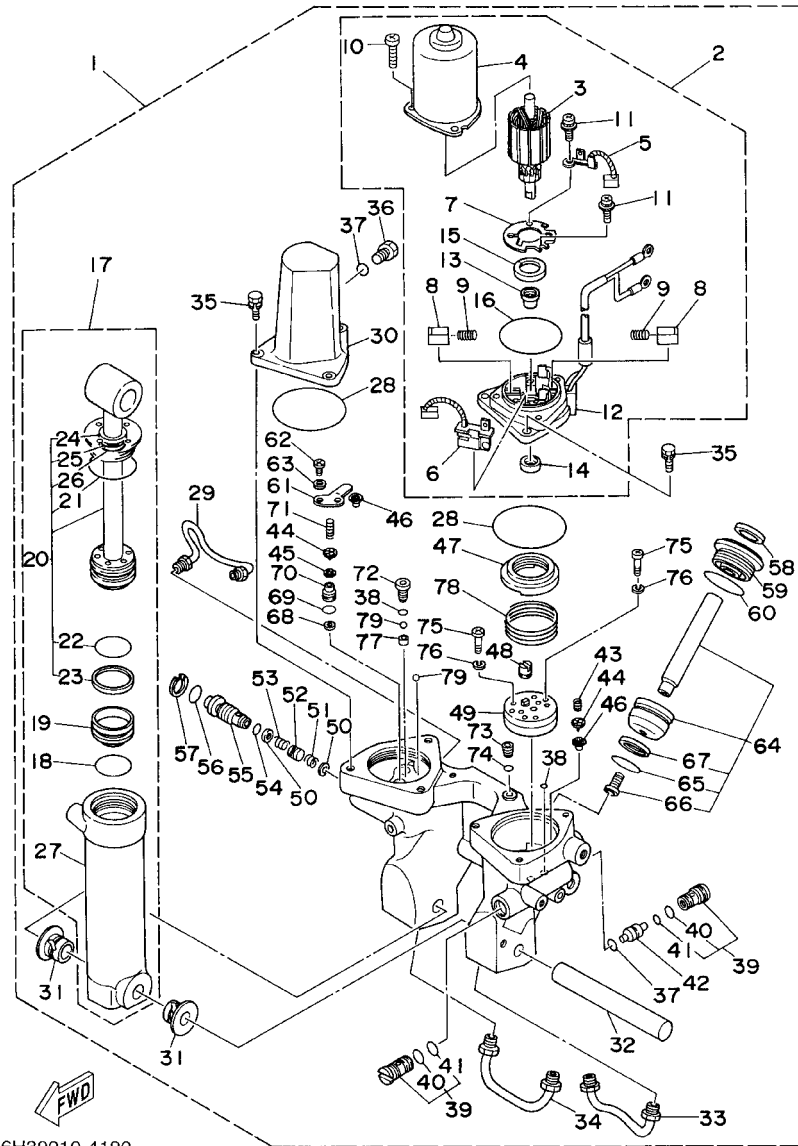
REF. NO.	PART NO.	DESCRIPTION	60ET	6ETO	7ETO	REMARKS
1	6H1-83672-12	TRIM SENDER	1	1	1	
2	97885-06016	SCREW, PAN HEAD	2	2	2	
3	6H3-42510-12-4D	STEERING BRACKET ASSY	1	1	1	
4	90201-30M00	WASHER, PLATE	1	1	1	
5	90386-30M78	BUSH	1	1	1	
6	90386-30M77	BUSH	2	2	2	
7	93210-29M94	O-RING	2	2	2	
8	90386-30M60	BUSH	1	1	1	
9	6H3-44551-01-4D	HOUSING, LOWER MOUNT RUBBER	1	1	1	
10	93410-28M06	CIRCLIP	1	1	1	
11	687-44555-00-94	MOUNT DAMPER, LOWER SIDE	2	2	2	
12	90201-12M16	WASHER, PLATE	4	4	4	
13	90202-25M04	WASHER, PLATE	2	2	2	
14	90201-13M19	WASHER, PLATE	2	2	2	
15	90109-12M21	BOLT	2	2	2	
16	663-44575-00	DAMPER, LOWER MOUNT RUBBER	2	2	2	
17	95380-12800	NUT, CROWN	2	2	2	
18	6H3-44552-03-94	HOUSING, LOWER MOUNT RUBBER	2	2	2	
19	97075-08025	BOLT	4	4	4	
20	92995-08100	WASHER	4	4	4	
21	90501-14M08	SPRING, COMPRESSION	4	4	4	
22	90179-06066	NUT	2	2	2	
23	6H3-44553-01-4D	COVER, LOWER MOUNT	2	2	2	
24	97885-06016	SCREW, PAN HEAD	2	2	2	
25	688-82127-02	WIRE, LEAD 2	1	1	1	
26	688-44514-00-94	MOUNT DAMPER, UPPER SIDE	2	2	2	
27	90101-10M49	BOLT	2	2	2	

FIG. 17 BRACKET 2



REF. NO.	PART NO.	DESCRIPTION	60ET	6ETO	7ETO	REMARKS
28	90201-20M21	WASHER, PLATE	2	2	2	
29	90202-20M06	WASHER, PLATE	2	2	2	
30	90201-11M22	WASHER, PLATE	2	2	2	
31	90185-10051	NUT, SELF-LOCKING	2	2	2	
32	663-44575-00	DAMPER, LOWER MOUNT RUBBER	2	2	2	
33	688-44511-00-94	COVER, UPPER MOUNT	1	1	1	
34	97075-08035	BOLT	3	3	3	
35	92995-08100	WASHER	3	3	3	
36	6H3-48511-51-4D	HOOK, STEERING	1	1	1	STEERING GUIDE TYPE
37	90116-10M28	BOLT, STUD	2	2		
	90116-10175	BOLT, STUD			2	
38	90185-10051	NUT, SELF-LOCKING	2	2	2	
39	6H1-43376-00	BOLT, THRUST RECEIVER	2	2	2	
40	90185-08057	NUT, SELF-LOCKING	2	2	2	
41	90465-11M10	CLAMP	3	3	3	
42	703-82119-00	COVER, LEAD WIRE	1	1	1	

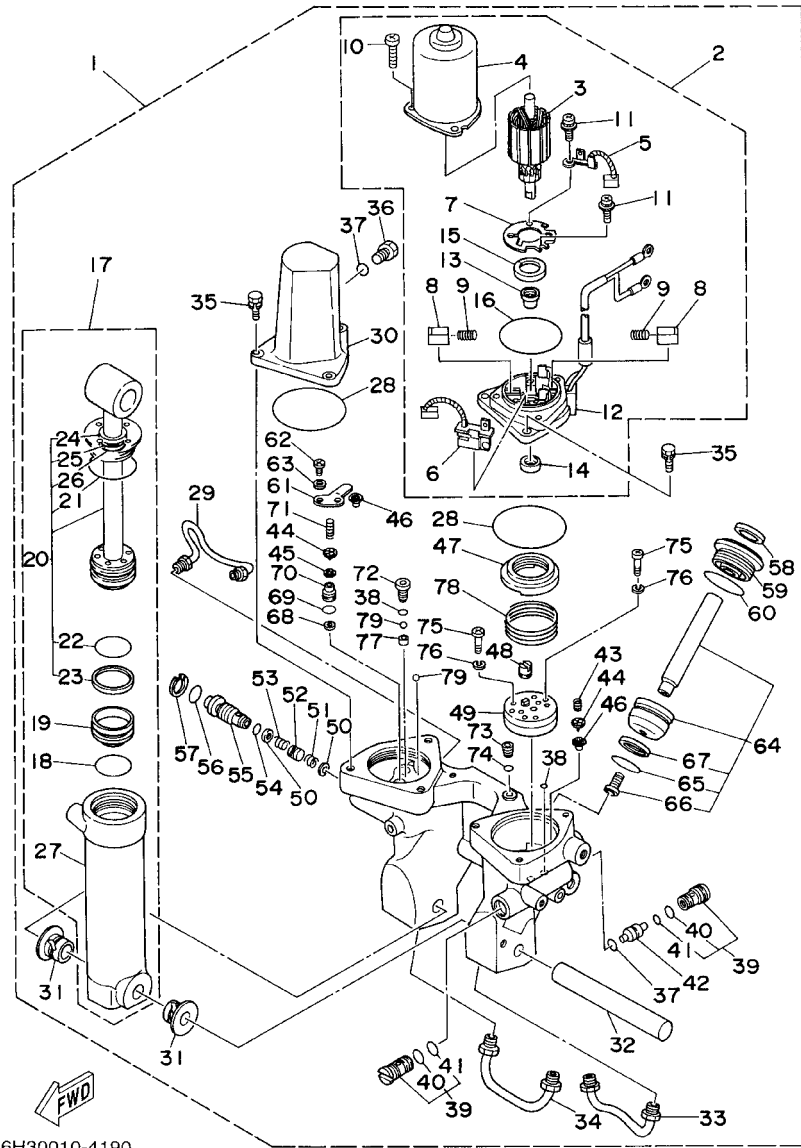
FIG. 18 POWER TRIM & TILT ASSY



6H30010-4190

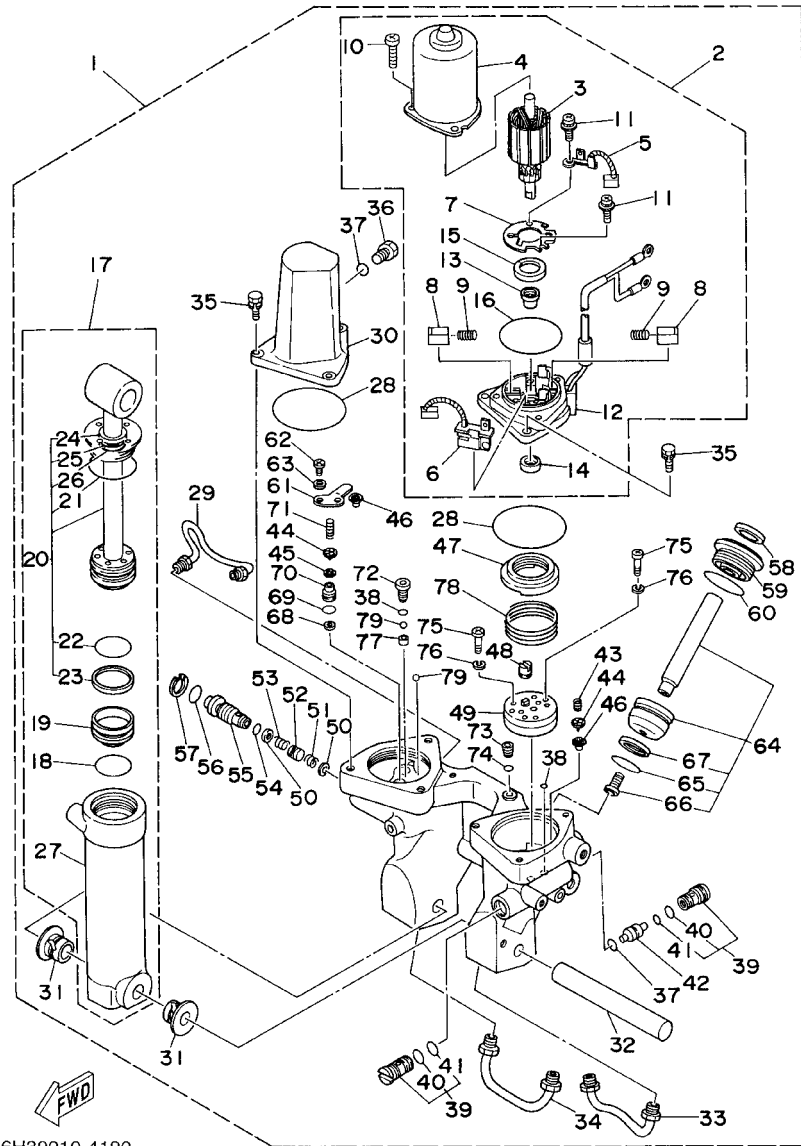
REF. NO.	PART NO.	DESCRIPTION	60ET	6ETO	7ETO	REMARKS
1	6H1-43800-17-4D	POWER TRIM & TILT ASSY	1	1	1	
2	6H1-43880-02	..MOTOR ASSY	1	1	1	
3	6H1-43805-10	..ARMATURE ASSY	1	1	1	
4	6H1-43804-10	..STATOR ASSY	1	1	1	
5	6H1-43891-10	..BRUSH 1	1	1	1	
6	6H1-43892-10	..BRUSH 2	1	1	1	
7	6H1-4380F-10	..PLATE, BRUSH HOLDER	1	1	1	
8	6H1-4380J-10	..HOLDER, BRUSH	2	2	2	
9	6H1-4386K-10	..SPRING, BRUSH	2	2	2	
10	97885-05016	..SCREW, PAN HEAD	3	3	3	
11	97607-04310	..SCREW, PAN HEAD WITH WASHER	2	2	2	
12	6H1-43881-10	..FRAME, END	1	1	1	
13	6H1-4380H-10	..METAL	1	1	1	
14	93102-08M43	..OIL SEAL	1	1	1	
15	6H1-4380G-10	..PLATE	1	1	1	
16	6H1-43865-10	..O-RING	1	1	1	
17	6H1-43840-11	..POWER TILT ASSY	1	1	1	
18	6H1-43861-10	..O-RING	1	1	1	
19	6H1-43814-11	..PISTON, FREE	1	1	1	
20	6H1-43810-11	..TILT PISTON SUB ASSY	1	1	1	
21	6H1-43861-00	...O-RING	1	1	1	
22	6H1-43861-10	...O-RING	1	1	1	
23	6H1-43871-10	...RING, BACK UP	1	1	1	
24	6H1-43812-00	...SEAL, DUST	1	1	1	
25	6H1-43872-10	...RING, BACK UP	1	1	1	
26	93210-18397	...O-RING	1	1	1	
27	6H1-43813-10	..CYLINDER, TILT	1	1	1	

FIG. 18 POWER TRIM & TILT ASSY



6H30010-4190

REF. NO.	PART NO.	DESCRIPTION	60ET	6ETO	7ETO	REMARKS
28	93210-64488	.O-RING	2	2	2	
29	6H1-43835-10	.PIPE	1	1	1	
30	6H1-43828-10	.BODY, RESERVOIR	1	1	1	
31	90386-18M14	.BUSH	2	2	2	
32	6E5-43818-00	.PIN, LOWER SHOCK MOUNT	1	1	1	
33	6H1-43833-10	.PIPE	1	1	1	
34	6H1-43834-00	.PIPE	1	1	1	
35	97595-06420	.BOLT, WITH WASHER	6	6	6	
36	6H1-43829-00	.PLUG, RESERVOIR	1	1	1	
37	93210-09165	.O-RING	2	2	2	
38	93210-064A5	.O-RING	1	1	1	
39	67F-43802-00	.VALVE SUB ASSY	2	2	2	
40	6H1-43866-00	.O-RING	1	1	1	
41	6H1-43867-00	.O-RING	1	1	1	
42	6H1-43841-11	.PISTON, SHUTTLE	1	1	1	
43	6H1-43856-10	.SPRING, DOWN RELIEF	1	1	1	
44	6H1-43844-10	.PIN, VALVE SUPPORT	2	2	2	
45	6H1-4384G-11	.SEAL, RELIEF VALVE	1	1	1	
46	6H1-4384F-10	.SEAL, MAIN VALVE	2	2	2	
47	6H1-43817-01	.FILTER 2	1	1	1	
48	6H1-43831-10	.CONNECTOR, SHAFT	1	1	1	
49	6H1-43830-11	.GEAR PUMP ASSY	1	1	1	
50	6H1-43847-00	.SEAT, MANUAL VALVE	2	2	2	
51	6H1-43899-00	.SPRING, MANUAL RELEASE	1	1	1	
52	6H1-4382A-10	.ADAPTOR 1	1	1	1	
53	6H1-43854-00	.SPRING, MANUAL RELEASE	1	1	1	
54	93210-10M74	.O-RING	1	1	1	

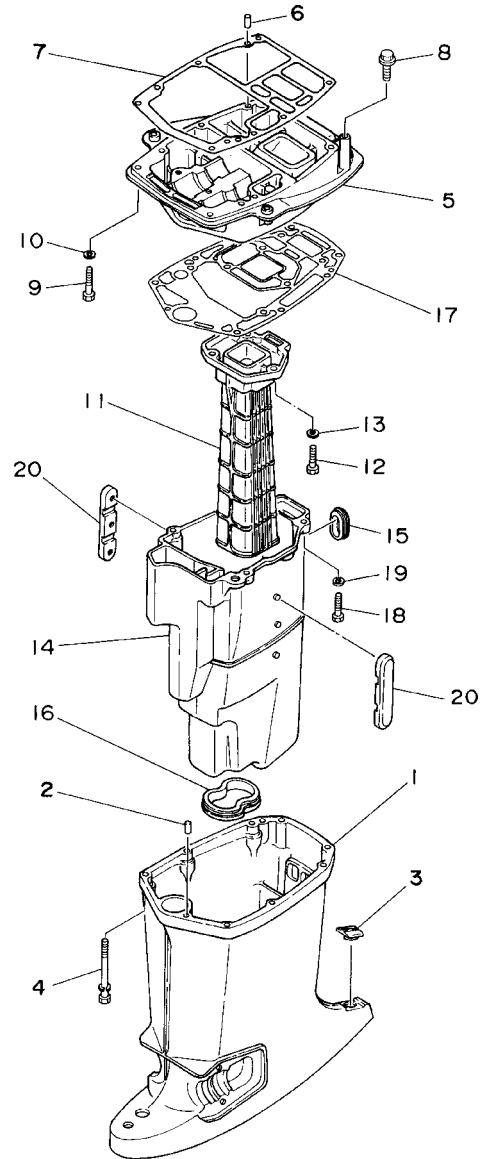


6H30010-4190

FIG. 18 POWER TRIM & TILT ASSY

REF. NO.	PART NO.	DESCRIPTION	60ET	6ETO	7ETO	REMARKS
55	6H1-43845-00	.SCREW, MANUAL RELEASE	1	1	1	
56	93210-18M75	.O-RING	1	1	1	
57	6H1-43875-00	.RING, SNAP	1	1	1	
58	6H1-43822-10	.SEAL, TRIM DUST	2	2	2	
59	6H1-43821-11	.SCREW, TRIM CYLINDER END	2	2	2	
60	6H1-43861-10	.O-RING	2	2	2	
61	6H1-4384E-20	.SPRING, TRIM	1	1	1	
62	98501-05010	.SCREW, PAN HEAD	2	2	2	
63	92901-05200	.WASHER, PLAIN	2	2	2	
64	6H1-43820-11	.TRIM PISTON SUB ASSY	2	2	2	
65	6H1-43864-00	.O-RING	1	1	1	
66	91318-08016	.BOLT	1	1	1	
67	6H1-43874-00	.RING, BACK UP	1	1	1	
68	6H1-43816-00	.FILTER 1	1	1	1	
69	6H1-43896-00	.O-RING	1	1	1	
70	6H1-43895-12	.SEAT, RELIEF VALVE	1	1	1	
71	6H1-43855-11	.SPRING, UP RELIEF	1	1	1	
72	6H1-43843-11	.SCREW, VALVE LOCK	1	1	1	
73	6H1-4388E-11	.PLUG, TAPER SCREW	1	1	1	
74	6H1-43868-00	.O-RING	1	1	1	
75	98501-04025	.SCREW, PAN HEAD	4	4	4	
76	92901-04100	.WASHER, SPRING	4	4	4	
77	6H1-4387J-00	.WASHER, SPECIAL 2	1	1	1	
78	6H1-4385H-00	.SPRING, SEAL	1	1	1	
79	93505-32038	.BALL	2	2	2	

FIG. 19 UPPER CASING

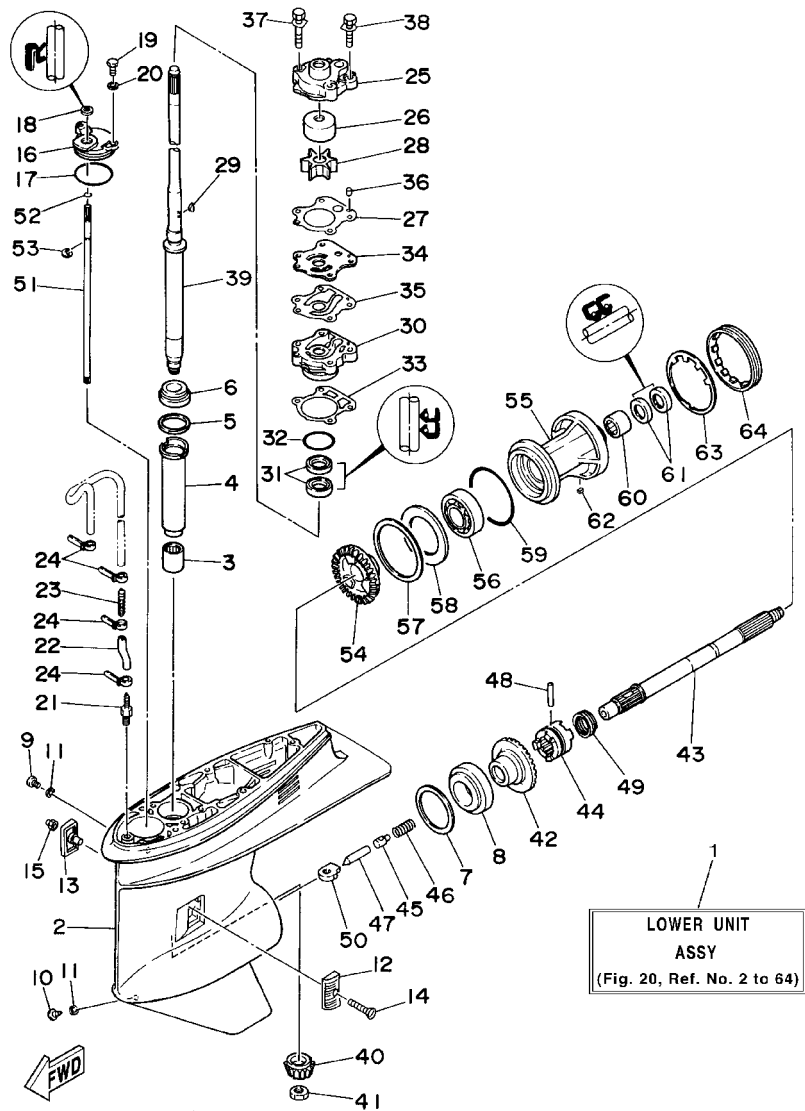


REF. NO.	PART NO.	DESCRIPTION	60ET	6ETO	7ETO	REMARKS
1	6H3-45111-11-4D	CASING, UPPER	1	1	1	
2	93606-12019	PIN, DOWEL	2	2	2	
3	6H3-45155-00	CAP	1	1	1	
4	90119-08M81	BOLT, WITH WASHER	6	6	6	
5	6H3-41137-01-94	GUIDE, EXHAUST	1	1	1	
6	93606-12019	PIN, DOWEL	2	2	2	
7	6H3-45113-A0	GASKET, UPPER CASING	1	1	1	
8	90119-08M79	BOLT, WITH WASHER	2	2	2	
9	97075-08035	BOLT	2	2	2	
10	92995-08100	WASHER	2	2	2	
11	6H2-41131-00-5B	MANIFOLD, EXT. 1	1	1		
	6H3-41131-00-5B	MANIFOLD, EXT. 1			1	
12	97075-08030	BOLT	3	3	3	
13	92995-08100	WASHER	3	3	3	
14	6H3-14711-10-5B	MUFFLER 1	1	1	1	
15	6H3-45127-00	SEAL	1	1	1	
16	6H3-45123-00	GASKET, MUFFLER	1	1	1	
17	6H3-45114-A1	GASKET, UPPER CASING	1	1	1	
18	97075-08030	BOLT	4	4	4	
19	92995-08100	WASHER	4	4	4	
20	6H3-14737-10	DAMPER, MUFFLER	2	2	2	

FWD
6H30100-4190

FIG. 20 LOWER CASING. DRIVE 1

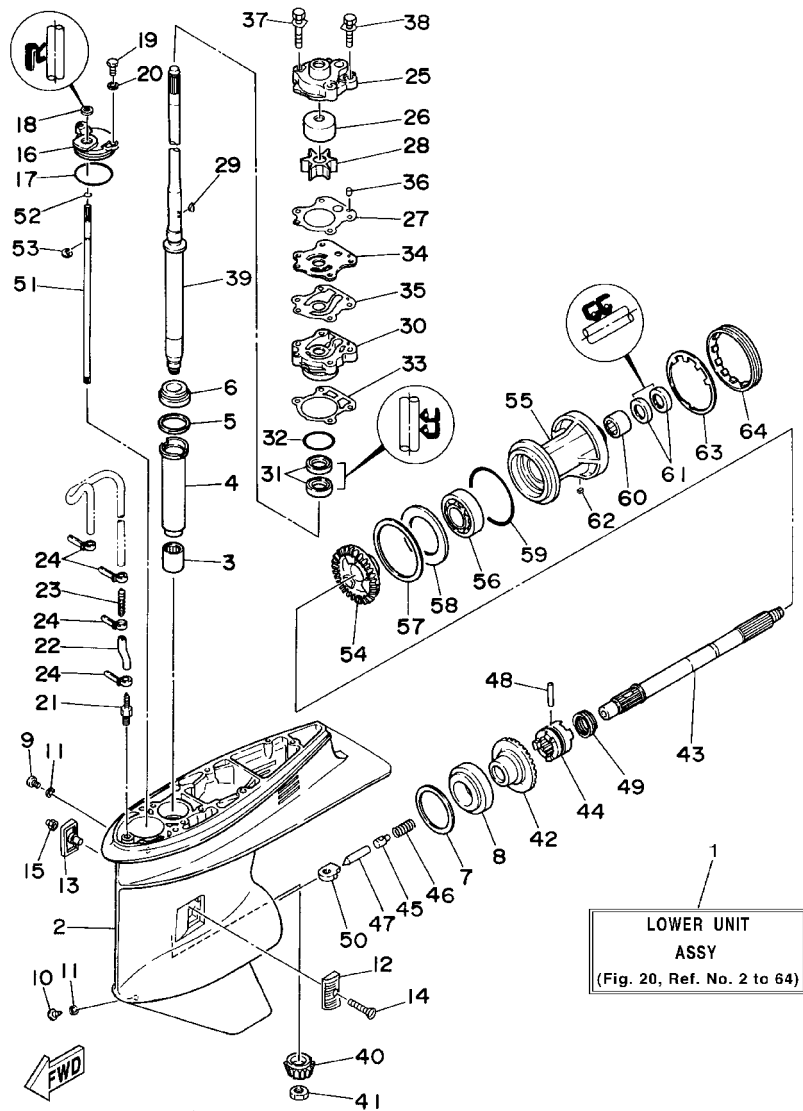
REF. NO.	PART NO.	DESCRIPTION	60ET	6ETO	7ETO	REMARKS
1	6H3-45300-E4-4D	LOWER UNIT ASSY	1			L
2	6H1-45301-12-4D	CASING, LOWER	1			
3	93315-325V1	BEARING	1			
4	688-45536-01	SLEEVE, DRIVE SHAFT	1			
5	688-45587-01-10	SHIM (T:0.10MM)	1			UR
	688-45587-01-12	SHIM (T:0.12MM)	1			UR
	688-45587-01-15	SHIM (T:0.15MM)	1			UR
	688-45587-01-18	SHIM (T:0.18MM)	1			UR
	688-45587-01-30	SHIM (T:0.30MM)	1			UR
	688-45587-01-40	SHIM (T:0.40MM)	1			UR
	688-45587-01-50	SHIM (T:0.50MM)	1			UR
6	93332-000U3	BEARING	1			
7	688-45567-01-10	SHIM (T:0.10MM)	1			UR
	688-45567-01-12	SHIM (T:0.12MM)	1			UR
	688-45567-01-15	SHIM (T:0.15MM)	1			UR
	688-45567-01-18	SHIM (T:0.18MM)	1			UR
	688-45567-01-30	SHIM (T:0.30MM)	1			UR
	688-45567-01-40	SHIM (T:0.40MM)	1			UR
	688-45567-01-50	SHIM (T:0.50MM)	1			UR
8	93332-000W7	BEARING	1			
9	90340-08002	PLUG, STRAIGHT SCREW	1			
10	688-45341-10	PLUG, DRAIN	1			
11	90430-08020	GASKET	2			
12	6H1-45214-00	COVER, WATER INLET	1			
13	6H1-45215-00	COVER, WATER INLET	1			
14	90151-05M00	SCREW, COUNTERSUNK	1			
15	90185-05002	NUT, SELF-LOCKING	1			



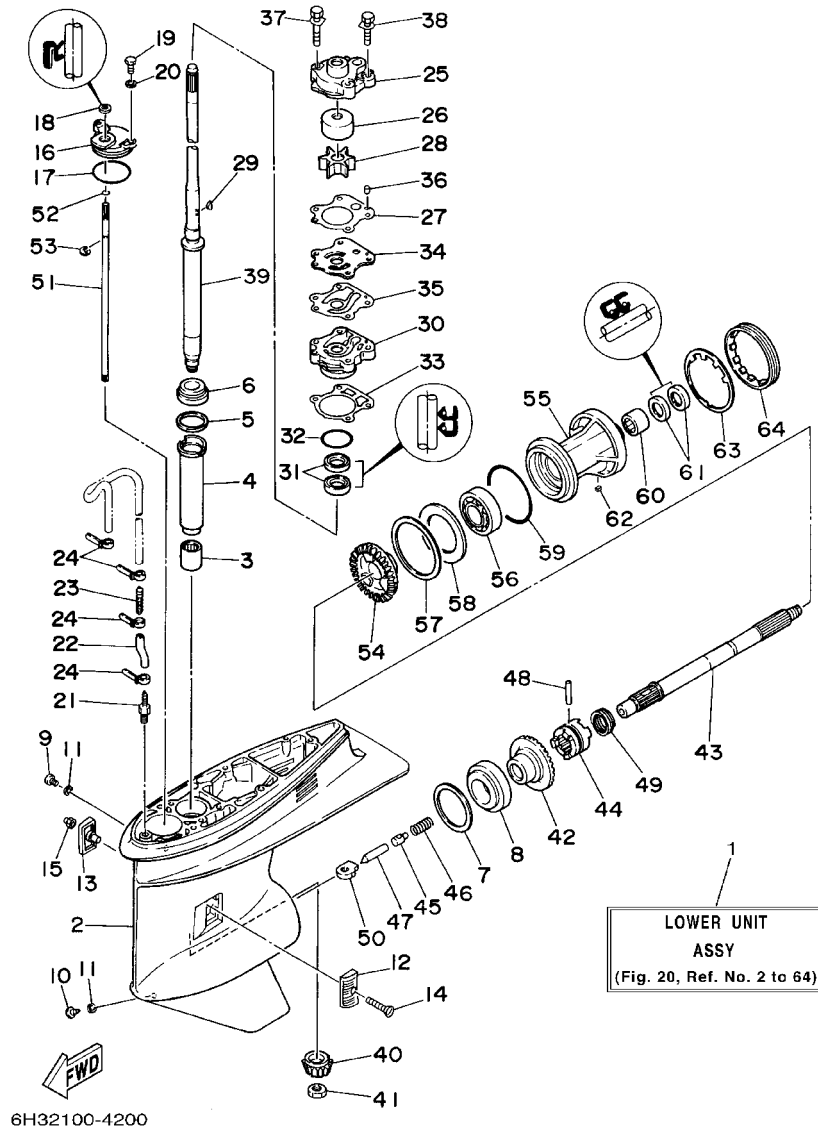
6H32100-4200

FIG. 20 LOWER CASING. DRIVE 1

REF. NO.	PART NO.	DESCRIPTION	60ET	6ETO	7ETO	REMARKS
16	688-45321-00	PLATE	1			
17	93210-49046	O-RING	1			
18	93106-09014	OIL SEAL	1			
19	97095-06016	BOLT	2			
20	92995-06600	WASHER	2			
21	6E5-45378-00	NIPPLE, HOSE	1			
22	90445-07ME9	HOSE (L120)	1			L
23	6E5-83558-10	END, NIPPLE	1			
24	90465-11M10	CLAMP	4			
25	6H3-44311-00	HOUSING, WATER PUMP	1			
26	663-44322-00	INSERT, CARTRIDGE	1			
27	6H3-44315-A0	GASKET, WATER PUMP	1			
28	6H3-44352-00	IMPELLER	1			
29	90280-03M03	KEY, WOODRUFF	1			
30	6H3-44341-00-94	HOUSING, WATER PUMP	1			
31	93101-23070	OIL SEAL	2			
32	93210-46044	O-RING	1			
33	688-44316-A0	GASKET, WATER PUMP	1			
34	6H3-44323-00	OUTER PLATE, CARTRIDGE	1			
35	6H3-44324-A0	GASKET, CARTRIDGE	1			
36	93604-10M03	PIN, DOWEL	2			
37	90119-08M33	BOLT, WITH WASHER	2			
38	90119-08M14	BOLT, WITH WASHER	2			
39	6H3-45501-10	DRIVE SHAFT COMP.	1			L
40	6K5-45551-00	PINION (12T)	1			
41	90170-16M01	NUT	1			
42	6K5-45560-00	GEAR (28T)	1			



6H32100-4200

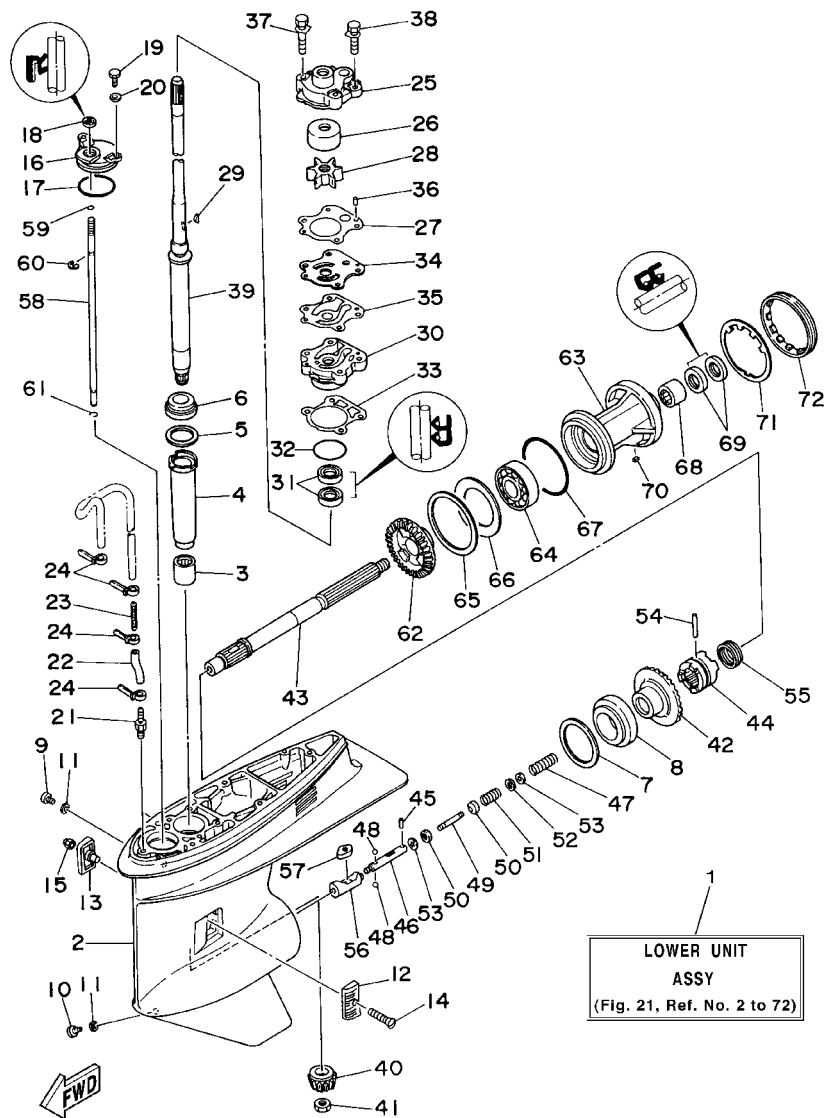


6H32100-4200

FIG. 20 LOWER CASING. DRIVE 1

REF. NO.	PART NO.	DESCRIPTION	60ET	6ETO	7ETO	REMARKS
43	688-45611-00	SHAFT, PROPELLER	1			
44	688-45631-01	CLUTCH, DOG	1			
45	688-45634-00	SLIDE, SHIFT	1			
46	90501-16233	SPRING, COMPRESSION	1			
47	688-45635-00	PLUNGER, SHIFT	1			
48	90250-07M02	PIN, STRAIGHT	1			
49	688-45633-00	RING, CROSS PIN	1			
50	663-44151-00	CAM, SHIFT	1			
51	6K5-44144-00	ROD, SHIFT	1			
52	93210-07003	O-RING	1			
53	99001-08600	CIRCLIP	1			
54	6K5-45571-00	GEAR (28T)	1			
55	688-45331-00-94	HOUSING, BEARING	1			
56	93306-207U0	BEARING	1			
57	688-45577-01-10	SHIM (T:0.10MM)	1			UR
	688-45577-01-12	SHIM (T:0.12MM)	1			UR
	688-45577-01-15	SHIM (T:0.15MM)	1			UR
	688-45577-01-18	SHIM (T:0.18MM)	1			UR
	688-45577-01-30	SHIM (T:0.30MM)	1			UR
	688-45577-01-40	SHIM (T:0.40MM)	1			UR
	688-45577-01-50	SHIM (T:0.50MM)	1			UR
58	688-45576-00	WASHER, THRUST	1			
59	93210-85M97	O-RING	1			
60	93317-325U0	BEARING	1			
61	93101-25M03	OIL SEAL	2			
62	90282-04010	KEY, STRAIGHT	1			
63	688-45383-02	WASHER, CLAW	1			

FIG. 21 LOWER CASING. DRIVE 2



6H32100-4210

REF. NO.	PART NO.	DESCRIPTION	60ET	6ETO	7ETO	REMARKS
1	6H3-45300-15-4D	LOWER UNIT ASSY		1	1	L
2	6H1-45301-03-4D	CASING, LOWER		1	1	
3	93315-325V1	BEARING		1	1	
4	688-45536-01	SLEEVE, DRIVE SHAFT		1	1	
5	688-45587-01-10	SHIM (T:0.10MM)		1	1	UR
	688-45587-01-12	SHIM (T:0.12MM)		1	1	UR
	688-45587-01-15	SHIM (T:0.15MM)		1	1	UR
	688-45587-01-18	SHIM (T:0.18MM)		1	1	UR
	688-45587-01-30	SHIM (T:0.30MM)		1	1	UR
	688-45587-01-40	SHIM (T:0.40MM)		1	1	UR
	688-45587-01-50	SHIM (T:0.50MM)		1	1	UR
6	93332-000U3	BEARING		1	1	
7	688-45567-01-10	SHIM (T:0.10MM)		1	1	UR
	688-45567-01-12	SHIM (T:0.12MM)		1	1	UR
	688-45567-01-15	SHIM (T:0.15MM)		1	1	UR
	688-45567-01-18	SHIM (T:0.18MM)		1	1	UR
	688-45567-01-30	SHIM (T:0.30MM)		1	1	UR
	688-45567-01-40	SHIM (T:0.40MM)		1	1	UR
	688-45567-01-50	SHIM (T:0.50MM)		1	1	UR
8	93332-000W7	BEARING		1	1	
9	90340-08002	PLUG, STRAIGHT SCREW		1	1	
10	688-45341-10	PLUG, DRAIN		1	1	
11	90430-08020	GASKET		2	2	
12	6H1-45214-00	COVER, WATER INLET		1	1	
13	6H1-45215-00	COVER, WATER INLET		1	1	
14	90151-05M00	SCREW, COUNTERSUNK		1	1	
15	90185-05002	NUT, SELF-LOCKING		1	1	

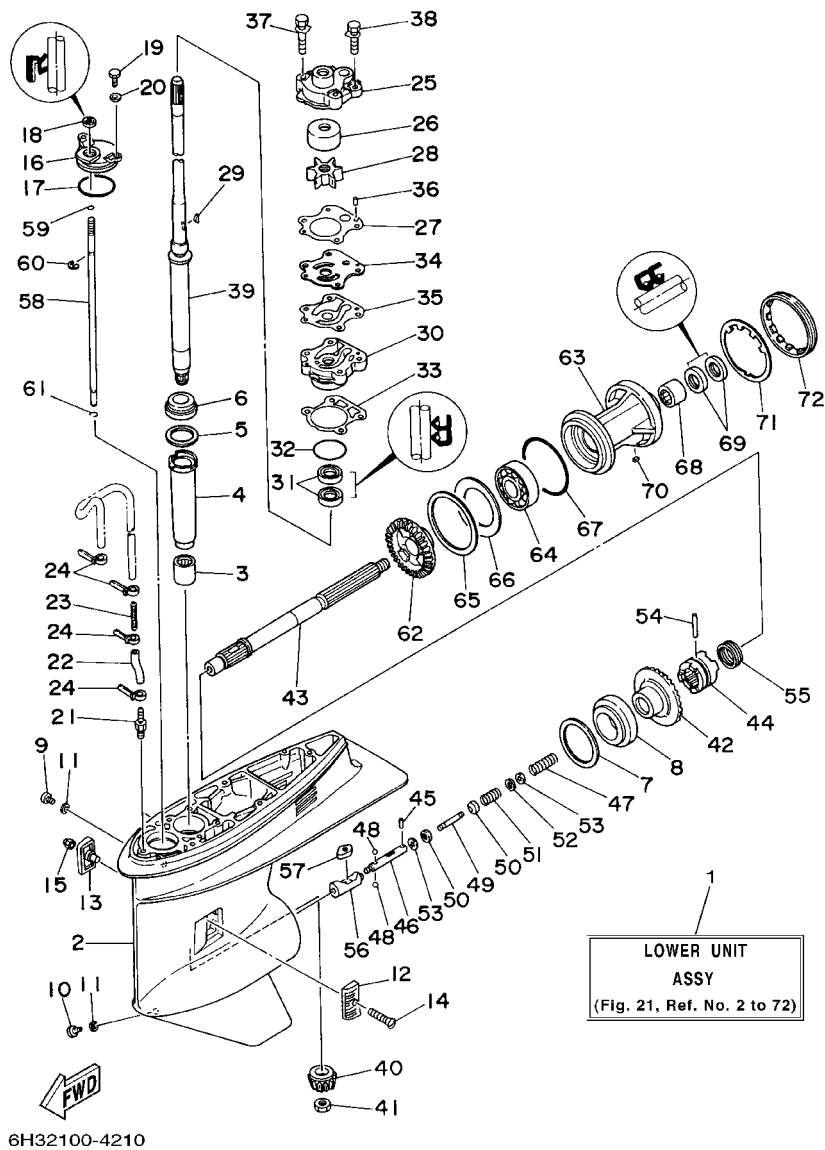
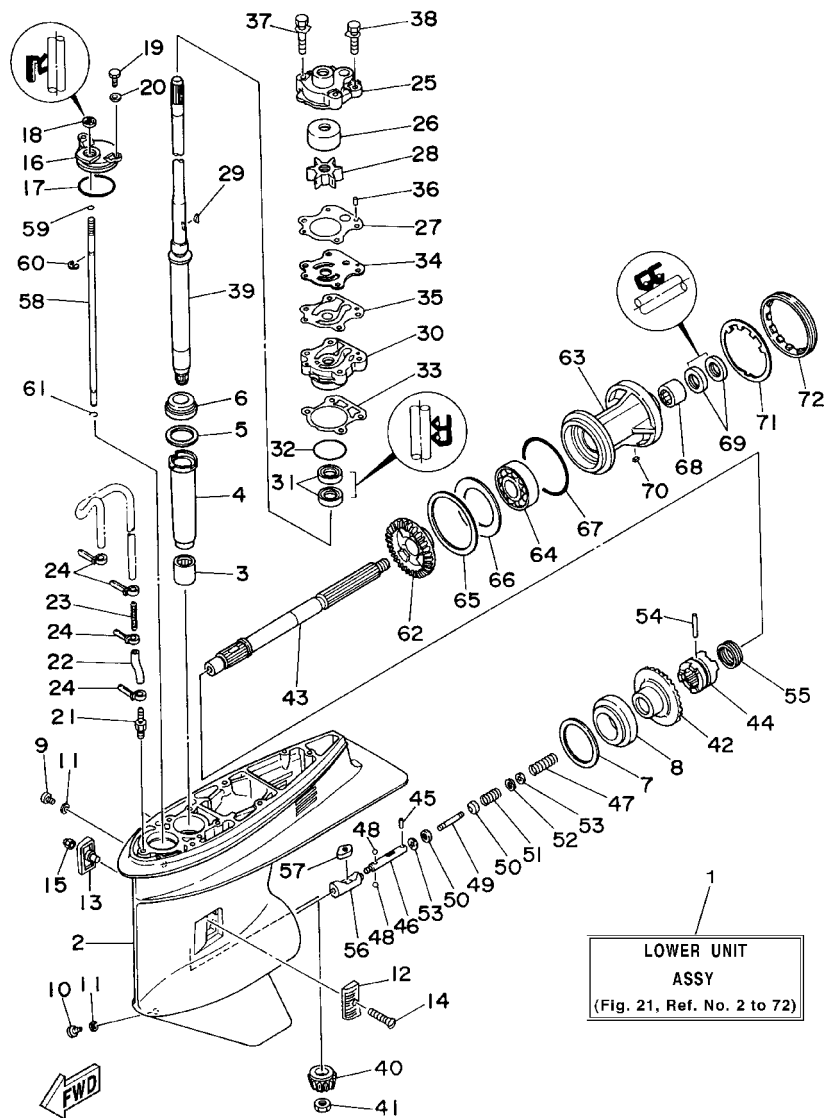


FIG. 21 LOWER CASING. DRIVE 2

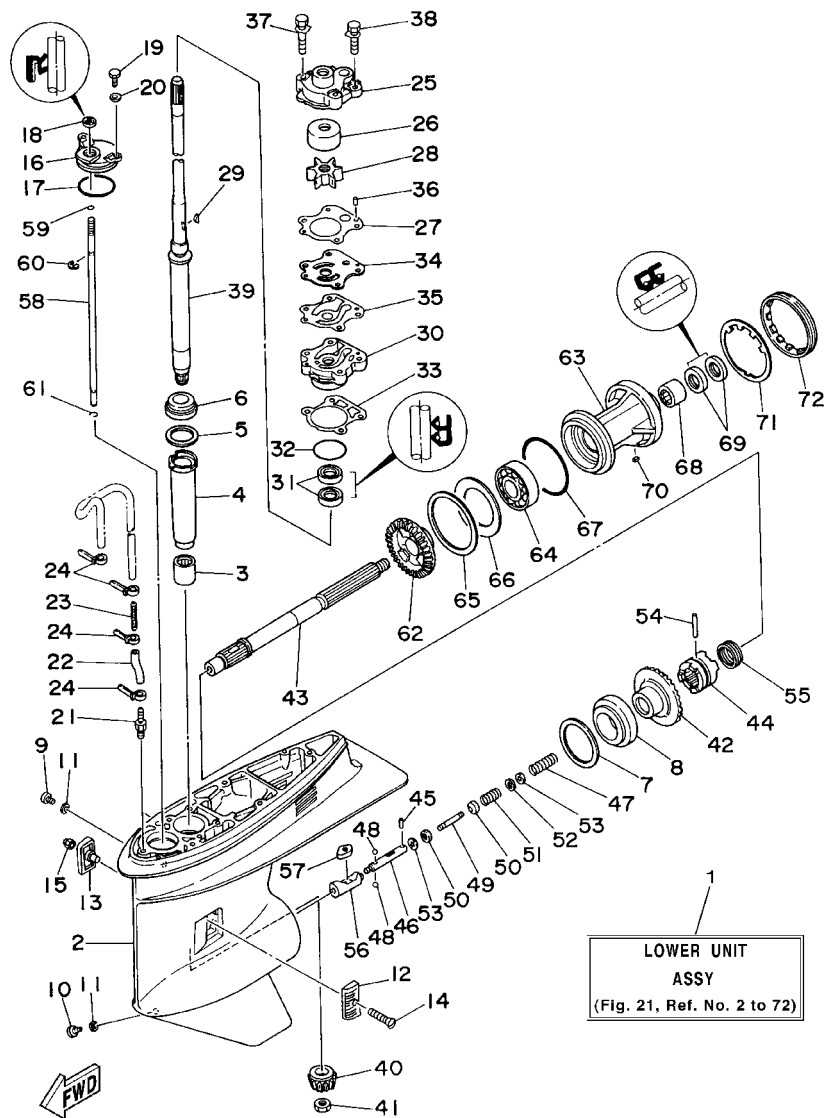
REF. NO.	PART NO.	DESCRIPTION	60ET	6ETO	7ETO	REMARKS
16	688-45321-00	PLATE		1	1	
17	93210-49046	O-RING		1	1	
18	93106-09014	OIL SEAL		1	1	
19	97095-06016	BOLT		2	2	
20	92995-06600	WASHER		2	2	
21	6E5-45378-00	NIPPLE, HOSE		1	1	
22	90445-07ME9	HOSE (L120)		1	1	L
23	6E5-83558-10	END, NIPPLE		1	1	
24	90465-11M10	CLAMP		4	4	
25	6H3-44311-00	HOUSING, WATER PUMP		1	1	
26	663-44322-00	INSERT, CARTRIDGE		1	1	
27	6H3-44315-A0	GASKET, WATER PUMP		1	1	
28	6H3-44352-00	IMPELLER		1	1	
29	90280-03M03	KEY, WOODRUFF		1	1	
30	6H3-44341-00-94	HOUSING, WATER PUMP		1	1	
31	93101-23070	OIL SEAL		2	2	
32	93210-46044	O-RING		1	1	
33	688-44316-A0	GASKET, WATER PUMP		1	1	
34	6H3-44323-00	OUTER PLATE, CARTRIDGE		1	1	
35	6H3-44324-A0	GASKET, CARTRIDGE		1	1	
36	93604-10M03	PIN, DOWEL		2	2	
37	90119-08M33	BOLT, WITH WASHER		2	2	
38	90119-08M14	BOLT, WITH WASHER		2	2	
39	6H3-45501-10	DRIVE SHAFT COMP.		1	1	L
40	6K5-45551-00	PINION (12T)		1	1	
41	90170-16M01	NUT		1	1	
42	6K5-45560-00	GEAR (28T)		1	1	



6H32100-4210

FIG. 21 LOWER CASING. DRIVE 2

REF. NO.	PART NO.	DESCRIPTION	60ET	6ETO	7ETO	REMARKS
43	6H1-45611-01	SHAFT, PROPELLER		1	1	
44	6H1-45631-01	CLUTCH, DOG		1	1	
45	93603-12M11	PIN, DOWEL		1	1	
46	6H1-45634-02	SLIDE, SHIFT		1	1	
47	90501-16M65	SPRING, COMPRESSION		1	1	
48	93503-16003	BALL		2	2	
49	6H1-45668-00	SHAFT, FREE		1	1	
50	6H1-45635-00	PLUNGER, SHIFT		2	2	
51	90501-12M48	SPRING, COMPRESSION		1	1	
52	90201-03313	WASHER, PLATE		1	1	
53	90183-02M03	NUT, SPRING		2	2	
54	90250-07M02	PIN, STRAIGHT		1	1	
55	688-45633-00	RING, CROSS PIN		1	1	
56	6H1-45641-01	SHIFTER		1	1	
57	6H1-44151-00	CAM, SHIFT		1	1	
58	6H1-44144-00	ROD, SHIFT		1	1	
59	93210-07003	O-RING		1	1	
60	99001-08600	CIRCLIP		1	1	
61	93450-07M00	CIRCLIP		1	1	
62	6H3-45571-00	GEAR		1	1	
63	688-45331-00-94	HOUSING, BEARING		1	1	
64	93306-207U0	BEARING		1	1	
65	688-45577-01-10	SHIM (T:0.10MM)		1	1	UR
	688-45577-01-12	SHIM (T:0.12MM)		1	1	UR
	688-45577-01-15	SHIM (T:0.15MM)		1	1	UR
	688-45577-01-18	SHIM (T:0.18MM)		1	1	UR
	688-45577-01-30	SHIM (T:0.30MM)		1	1	UR

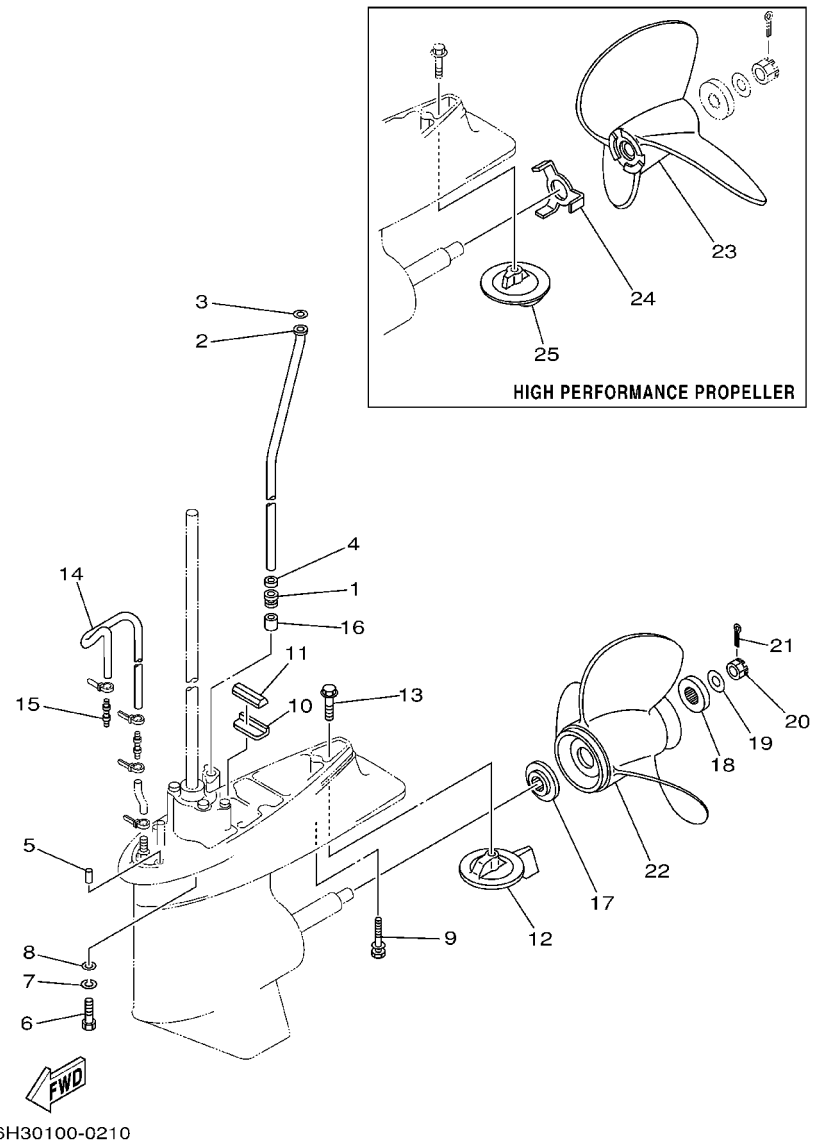


6H32100-4210

FIG. 21 LOWER CASING. DRIVE 2

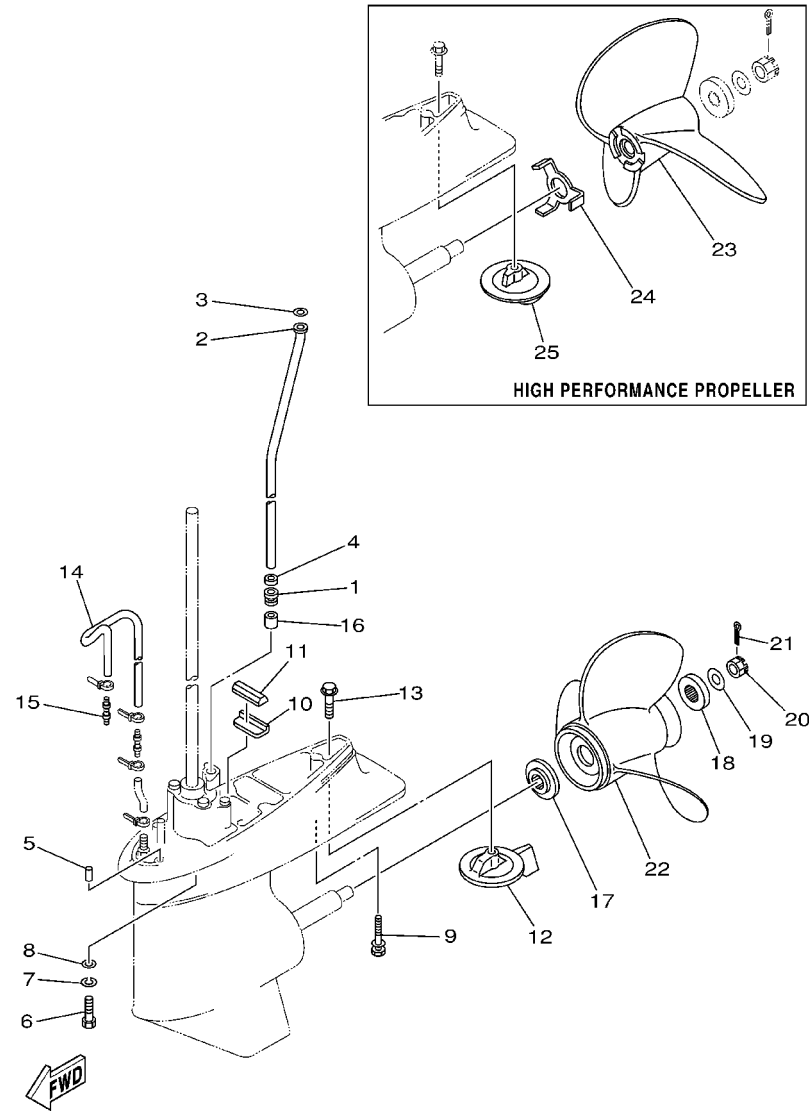
REF. NO.	PART NO.	DESCRIPTION	60ET	6ETO	7ETO	REMARKS
65	688-45577-01-40	SHIM (T:0.40MM)		1	1	UR
	688-45577-01-50	SHIM (T:0.50MM)		1	1	UR
66	688-45576-00	WASHER, THRUST		1	1	
67	93210-85M97	O-RING		1	1	
68	93317-325U0	BEARING		1	1	
69	93101-25M03	OIL SEAL		2	2	
70	90282-04010	KEY, STRAIGHT		1	1	
71	688-45383-02	WASHER, CLAW		1	1	
72	688-45384-00	NUT		1	1	

FIG. 22 LOWER CASING. DRIVE 3



REF. NO.	PART NO.	DESCRIPTION	60ET	6ETO	7ETO	REMARKS
1	663-44367-00	DAMPER, WATER SEAL	1	1	1	
2	6H3-44361-10	TUBE, WATER	1	1	1	L
3	90202-12060	WASHER, PLATE	1	1	1	
4	90430-12072	GASKET	1	1	1	
5	93606-12019	PIN, DOWEL	2	2	2	
6	97075-10040	BOLT	4	4	4	L
7	92990-10100	WASHER, SPRING	4	4	4	
8	92990-10600	WASHER, PLATE	4	4	4	
9	90119-08M84	BOLT, WITH WASHER	1	1	1	L
10	663-45376-00-94	GUIDE, SEAL DAMPER	1	1	1	
11	688-45375-00	DAMPER, SEAL	1	1	1	
12	688-45371-02	TAB-TRIM	1	1	1	
13	90105-10M67	BOLT, FLANGE	1	1	1	
14	90445-07MF1	HOSE (L570)	1	1	1	
15	6E5-83558-00	END, NIPPLE	1	1	1	
16	663-44366-00	DAMPER, WATER SEAL	1	1	1	
17	688-45987-01	SPACER	1	1	1	
18	688-45997-01	SPACER	1	1	1	
19	90201-17M00	WASHER, PLATE	1	1	1	
20	90171-16011	NUT, CASTLE	1	1	1	
21	91490-40025	PIN, COTTER	1	1	1	
22	6E5-45941-00-EL	PROPELLER (3X13"X19"-K)	1	1	1	UR
	6E5-45943-00-EL	PROPELLER (3X12-5/8"X21"-K)	1	1	1	UR
	6E5-45945-01-EL	PROPELLER (3X13-1/4"X17"-K)	1	1	1	UR
	6E5-45947-00-EL	PROPELLER (3X13-1/2"X15"-K)	1	1	1	UR
	6E5-45949-00-EL	PROPELLER (3X13-5/8"X13"-K)	1	1	1	UR
	6E5-45952-00-EL	PROPELLER (3X13"X23"-K)	1	1	1	UR

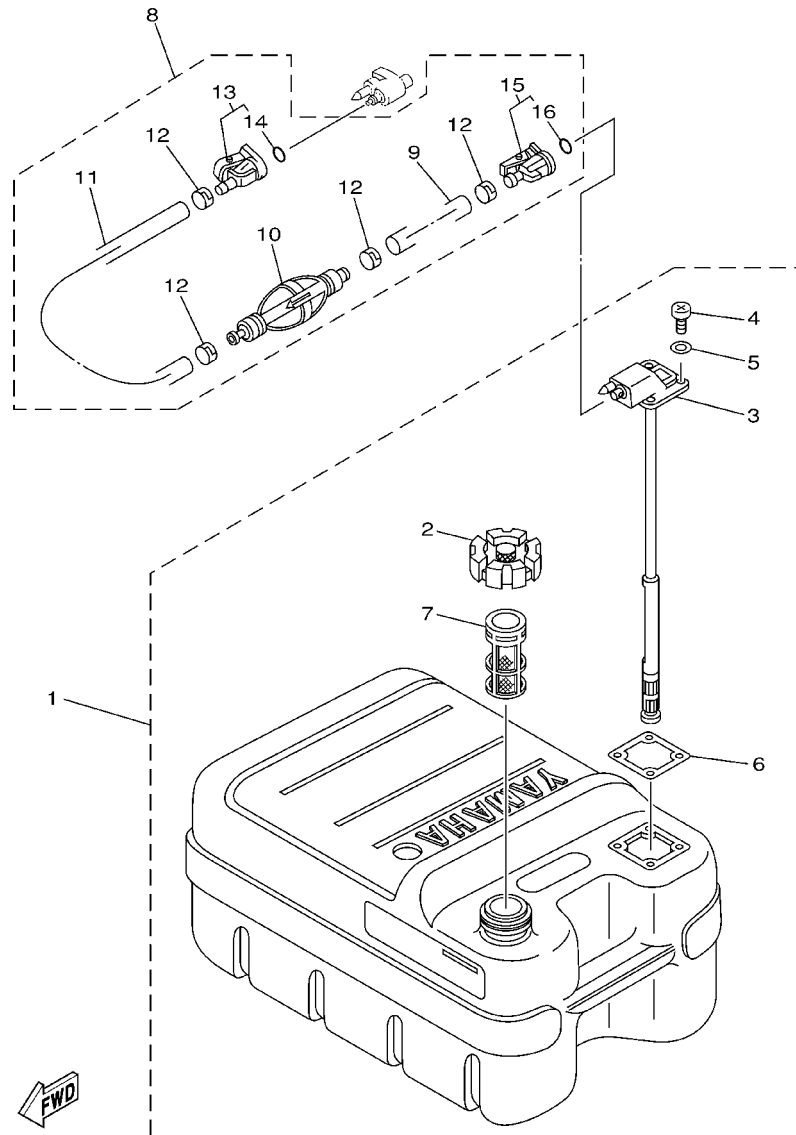
FIG. 22 LOWER CASING. DRIVE 3



6H30100-0210

REF. NO.	PART NO.	DESCRIPTION	60ET	6ETO	7ETO	REMARKS
22	6E5-45954-00-EL	PROPELLER (3X14"X11"-K)	1	1	1	UR
	6E5-45956-00-EL	PROPELLER (3X13"X25"-K)	1	1	1	UR
	STAINLESS STEEL PROPELLER					
	688-45930-02-98	PROPELLER (3X13"X17"-K)	1	1	1	UR
	688-45970-03-98	PROPELLER (3X13"X19"-K)	1	1	1	UR
	688-45972-02-98	PROPELLER (3X13"X21"-K)	1	1	1	UR
	688-45974-02-98	PROPELLER (3X13"X23"-K)	1	1	1	UR
	688-45976-01-98	PROPELLER (3X13"X25"-K)	1	1	1	UR
	688-45932-60-98	PROPELLER (3X13-1/2"X14"-K)	1	1	1	UR
	688-45978-60-98	PROPELLER (3X13-1/2"X16"-K)	1	1	1	UR
	HIGH PERFORMANCE PROPELLER					
23	6E5-45970-10	PROPELLER (3X14"X20"-P)	1	1	1	UR
	6E5-45972-10	PROPELLER (3X14"X24"-P)	1	1	1	UR
	6E5-45974-10	PROPELLER (3X14"X28"-P)	1	1	1	UR
	6E5-45976-10	PROPELLER (3X14"X22"-P)	1	1	1	UR
	6E5-45978-10	PROPELLER (3X14"X26"-P)	1	1	1	UR
24	6E5-45994-10	PLATE, TOOTH	1	1	1	
25	6E5-45371-10	TAB-TRIM	1	1	1	

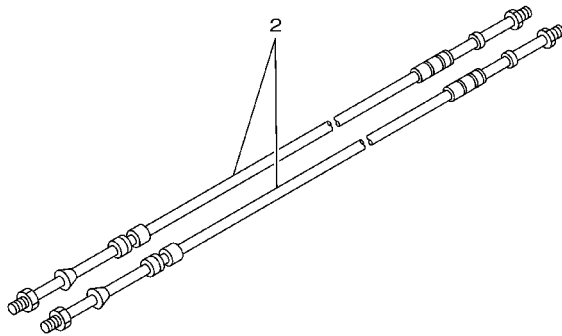
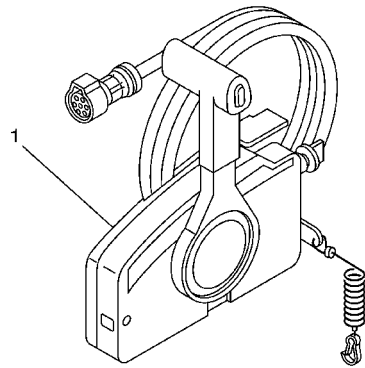
FIG. 23 FUEL TANK



67C0100-9300

REF. NO.	PART NO.	DESCRIPTION	60ET	6ETO	7ETO	REMARKS
1	6YJ-24201-10	FUEL TANK ASSY (24L)	1	1	1	AP FOR OCEANIA WITH INDICATOR
2	6YJ-24610-01	.CAP ASSY	1	1	1	
3	6Y1-24260-12	.FUEL METER ASSY	1	1	1	WITH INDICATOR
4	98586-05016	.SCREW, PAN HEAD	4	4	4	
5	6Y1-24329-00	.SEAL	4	4	4	
6	6Y1-24268-00	.GASKET, FUEL METER	1	1	1	
7	6YJ-24167-00	.STRAINER	1	1	1	
8	61J-24306-02	FUEL PIPE COMP. 1	1	1	1	AP FOR OCEANIA
9	90445-11M06	.HOSE (L2050)	1	1	1	
10	61J-24360-00	.PRIMER PUMP ASSY	1	1	1	
11	90445-11M05	.HOSE (L850)	1	1	1	
12	650-24351-51	.BAND 1	4	4	4	
13	6G1-24305-03	.FUEL PIPE JOINT COMP. 2	1	1	1	
14	93210-08287	..O-RING	1	1	1	
15	6Y1-24305-04	.FUEL PIPE JOINT COMP. 2	1	1	1	
16	93210-08287	..O-RING	1	1	1	

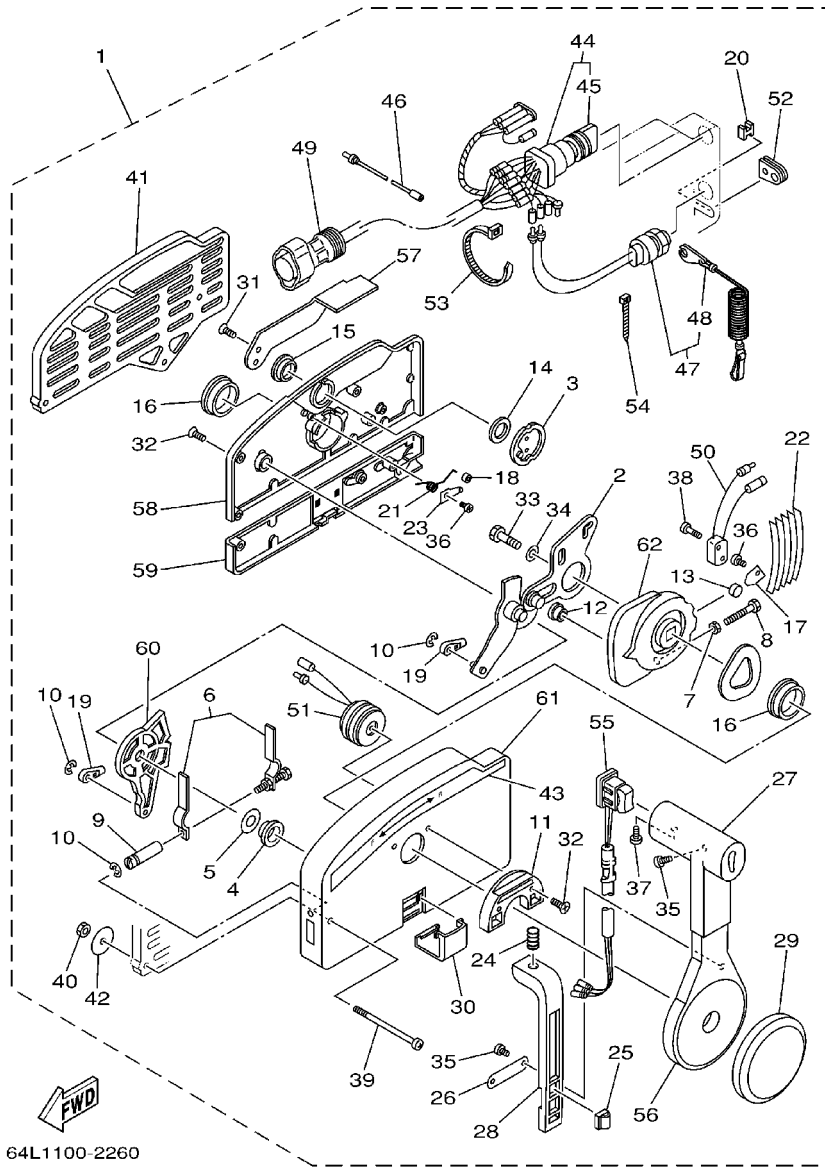
FIG. 25 REMOTE CONTROL BOX



67M0100-8280

REF. NO.	PART NO.	DESCRIPTION	60ET	6ETO	7ETO	REMARKS
1	703-48205-17	REMOTE CONTROL ASSY	1	1	1	AP WITH PT/T SW.
2	701-48320-00	CABLE, REMOTE CONTROL L=12F	2	2	2	UR
	701-48320-20	CABLE, REMOTE CONTROL L=13F	2	2	2	UR
	701-48320-30	CABLE, REMOTE CONTROL L=14F	2	2	2	UR
	701-48320-50	CABLE, REMOTE CONTROL L=15F	2	2	2	UR
	701-48320-60	CABLE, REMOTE CONTROL L=16F	2	2	2	UR
	701-48320-80	CABLE, REMOTE CONTROL L=17F	2	2	2	UR

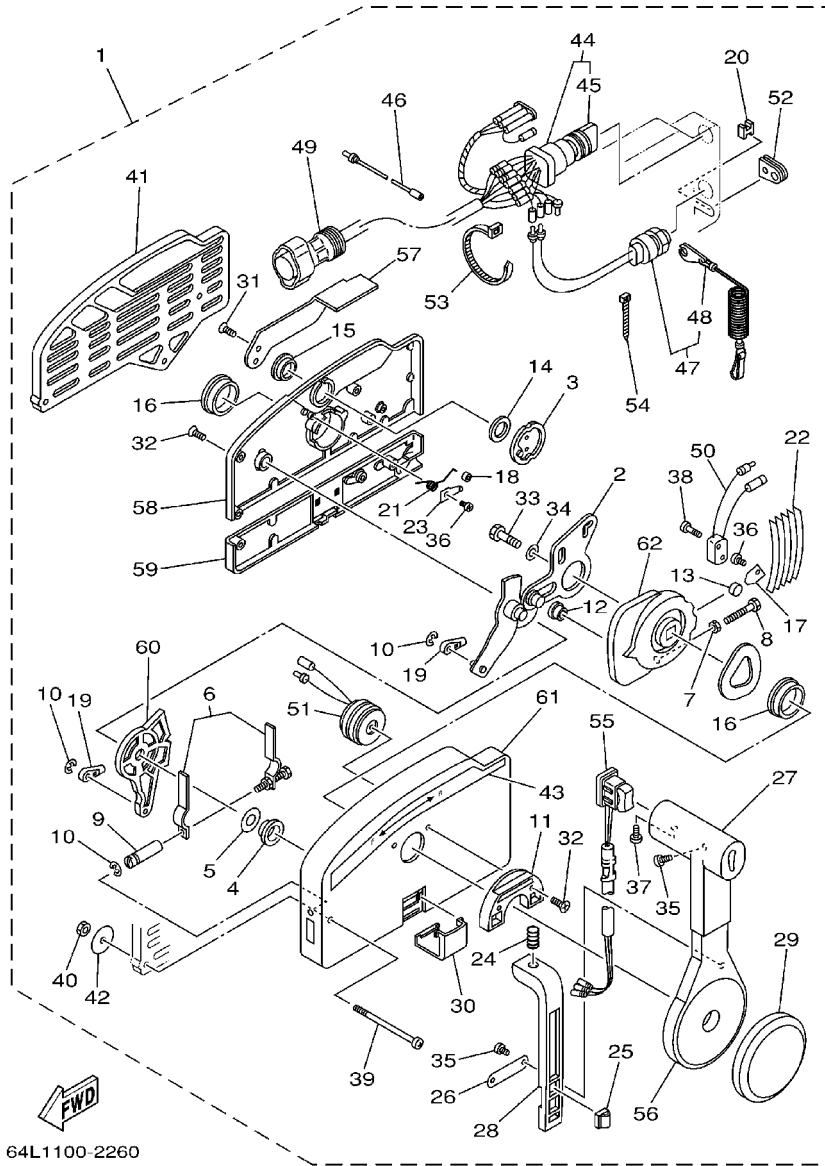
FIG. 26 REMOTE CONTROL ASSY



64L1100-2260

REF. NO.	PART NO.	DESCRIPTION	60ET	6ET0	7ET0	REMARKS
1	703-48205-17	REMOTE CONTROL ASSY	1	1	1	AP WITH PT/T SW.
2	703-48261-01	.ARM, THROTTLE	1	1	1	
3	703-48153-00	.SHAFT, FREE ACCEL.	1	1	1	
4	703-48235-00	.BUSHING	1	1	1	
5	703-48268-00	.SPACER	1	1	1	
6	703-48264-00	.THROTTLE, FRICTION	1	1	1	
7	95380-05600	.NUT	1	1	1	
8	97380-05025	.BOLT	1	1	1	
9	703-48265-00	.SHAFT, FRICTION	1	1	1	
10	93430-06024	.CIRCLIP	3	3	3	
11	703-48245-00	.PLATE, LOCK	1	1	1	
12	703-48252-00	.ROLLER, CAM	1	1	1	
13	701-48248-00	.ROLLER, FREE ACCEL.	1	1	1	
14	703-48198-00	.WASHER, WAVE	1	1	1	
15	703-48243-00	.BUSHING	1	1	1	
16	703-48236-00	.BUSHING 1	2	2	2	
17	703-48189-00	.RETAINER	1	1	1	
18	703-48234-00	.ROLLER, DETENT	1	1	1	
19	703-48345-01	.CABLE END, REMOTE CONTROL 2	2	2	2	
20	703-48358-00	.ANCHOR, CABLE	1	1	1	
21	703-48244-00	.SPRING, FREE ACCEL.	1	1	1	
22	703-48238-00	.SPRING, DETENT	5	5	5	
23	703-48246-00	.SPACER	1	1	1	
24	703-48227-00	.SPRING, NEUTRAL LOCK	1	1	1	
25	703-82594-00	.CLAMP	1	1	1	WITH PT/T SW.
26	703-48226-00	.PLATE, STOPPER	1	1	1	
27	703-48222-00	.GRIP, CONTROL LEVER	1	1	1	SINGLE

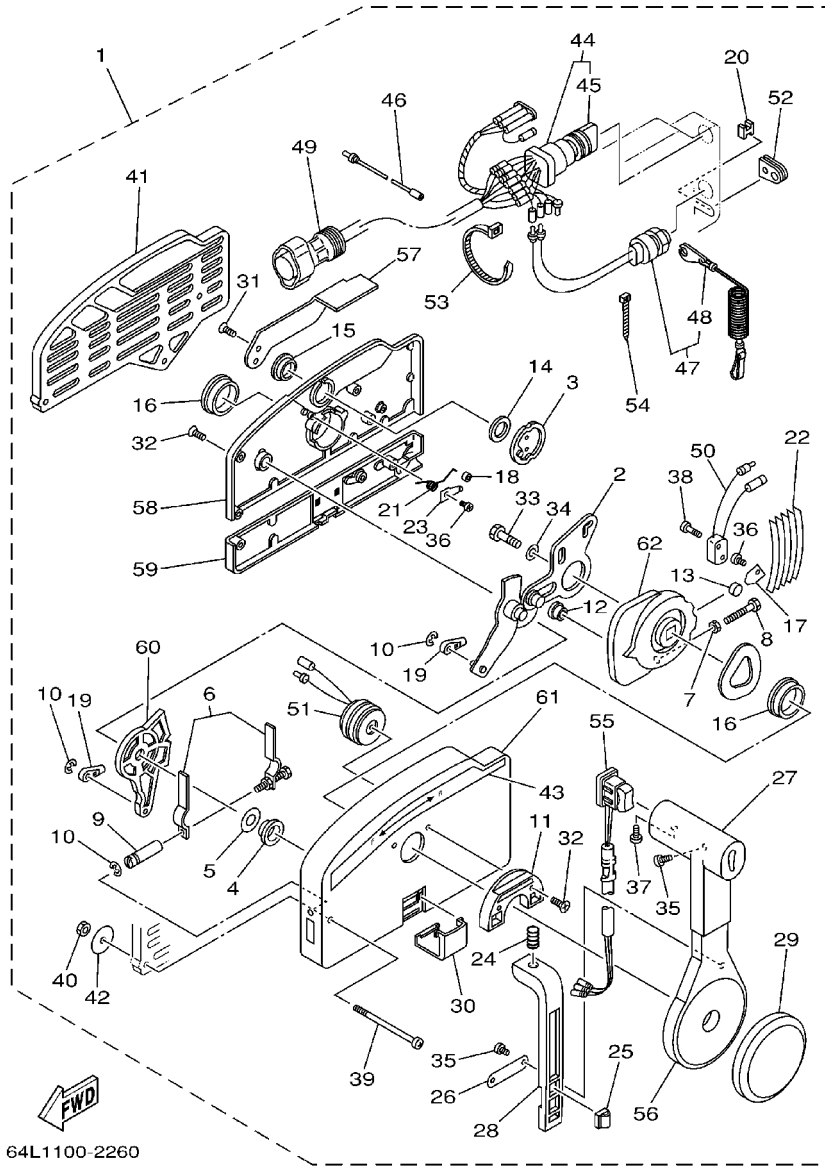
FIG. 26 REMOTE CONTROL ASSY



64L1100-2260

REF. NO.	PART NO.	DESCRIPTION	60ET	6ETO	7ETO	REMARKS
28	703-48223-00	.LOCK, NEUTRAL	1	1	1	
29	703-48225-00	.COVER	1	1	1	
30	703-48219-00	.COVER, LEAD	1	1	1	
31	703-48281-00	.SCREW	2	2	2	
32	703-48282-00	.SCREW	7	7	7	
33	97380-08030	.BOLT	1	1	1	
34	92990-08600	.WASHER, PLATE	1	1	1	
35	98580-04010	.SCREW, PAN HEAD	3	3	3	
36	98580-04006	.SCREW, PAN HEAD	2	2	2	
37	98580-05010	.SCREW, PAN HEAD	1	1	1	
38	98580-03015	.SCREW, PAN HEAD	2	2	2	
39	703-48291-10	.SCREW (M6)	3	3	3	
40	95380-06600	.NUT, HEXAGON	3	3	3	
41	703-48293-10	.SPACER, REMOTE CONTROL	1	1	1	SINGLE
42	701-48287-00	.WASHER	3	3	3	
43	703-48215-00	.GRAPHIC	1	1	1	
44	703-82510-43	.MAIN SWITCH ASSY	1	1	1	
45	703-82577-00	..CAP, KEY	1	1	1	
46	703-82531-00	.WIRE, LEAD	1	1	1	
47	688-82575-01	.ENGINE STOP SWITCH ASSY	1	1	1	
48	682-82556-00	..STOPPER	1	1	1	
49	688-8258A-20	.EXTENSION, WIRE HARNESS	1	1	1	L:5M (10P)
50	703-82540-00	.NEUTRAL SWITCH ASSY	1	1	1	
51	703-83383-02	.BUZZER	1	1	1	
52	703-48284-00	.GROMMET	1	1	1	
53	703-82591-00	.BAND	1	1	1	
54	703-82592-00	.BAND	1	1	1	

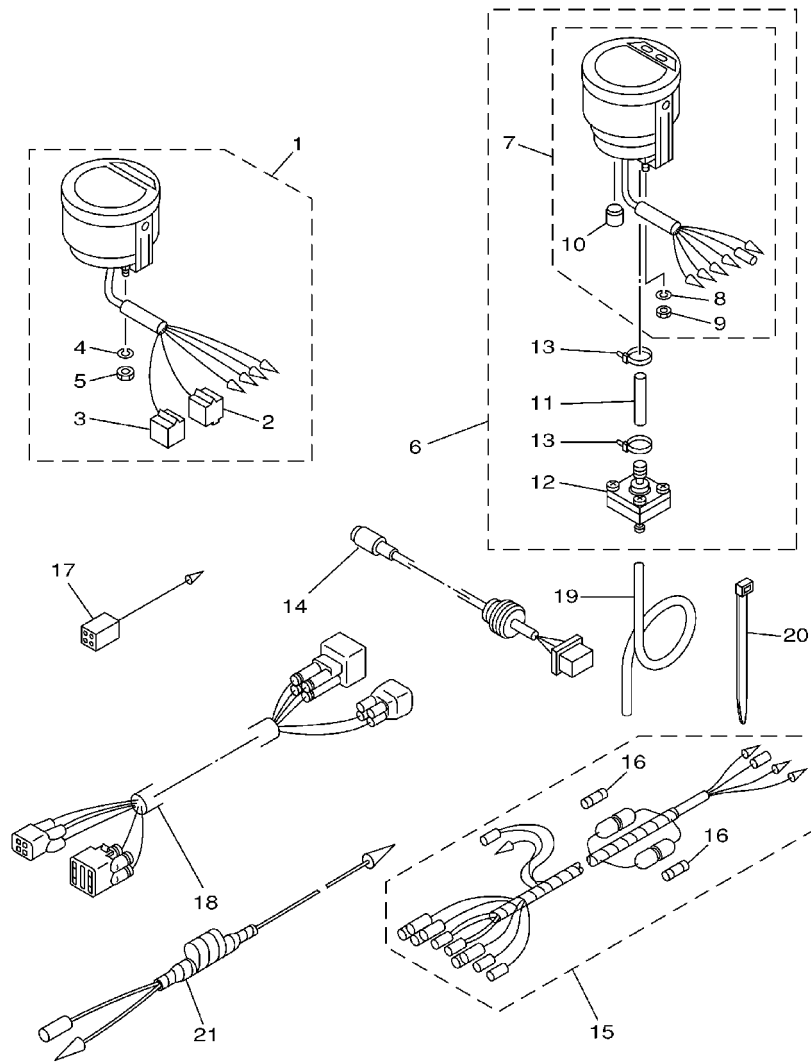
FIG. 26 REMOTE CONTROL ASSY



64L1100-2260

REF. NO.	PART NO.	DESCRIPTION	60ET	6ETO	7ETO	REMARKS
55	703-82563-02	.TRIM & TILT SWITCH ASSY	1	1	1	WITH PT/T SW.
56	703-48221-00	.LEVER, CONTROL	1	1	1	
57	703-48152-00	.KNOB, FREE ACCEL.	1	1	1	
58	703-48212-00	.BACK PLATE 1	1	1	1	
59	703-48213-00	.BACK PLATE 2	1	1	1	
60	703-48271-00	.ARM, SHIFT	1	1	1	
61	703-48211-01	.HOUSING,1	1	1	1	
62	703-48232-00	.GEAR	1	1	1	

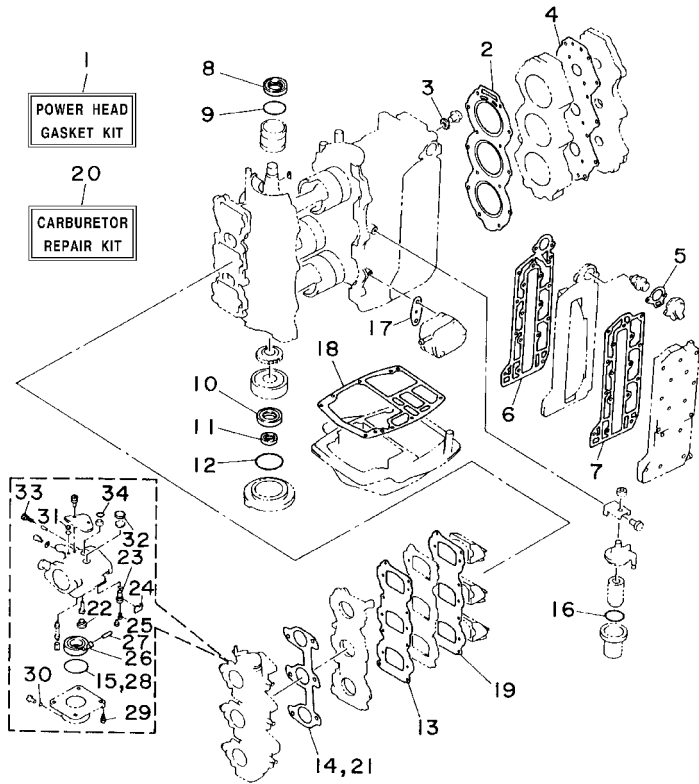
FIG. 27 METER



6H31700-2260

REF. NO.	PART NO.	DESCRIPTION	60ET	6ETO	7ETO	REMARKS
1	6Y5-8350T-01	DIGITAL TACHOMETER ASSY		1	1	AP
2	9E450-04433	.CONNECTOR		1	1	M-4-W
3	9E450-04533	.CONNECTOR		1	1	F-4-W
4	92990-04100	.WASHER, SPRING		2	2	
5	95380-04600	.NUT		2	2	
6	6Y5-83500-S5	DIGITAL SPEEDOMETER ASSY		1	1	AP FOR OCEANIA
7	6Y5-83570-S5	.SPEEDOMETER ASSY		1	1	
8	92990-04100	..WASHER, SPRING		2	2	
9	95380-04600	..NUT		2	2	
10	6Y5-83533-T2	..GROMMET		1	1	
11	6Y5-83557-31	.TUBE		1	1	
12	6Y5-83728-00	.CONNECTOR ASSY		1	1	
13	90465-11M10	.CLAMP		2	2	
14	6Y5-87122-S0	CORD ASSY 1		1	1	AP
15	6Y5-83553-M0	WIRE, LEAD		1	1	AP FOR OCEANIA
	6Y5-83553-00	WIRE, LEAD		1		AP FOR CANADA
16	1E6-82151-00	.FUSE (10A)		2	2	FOR 6Y5-83553-M0
	1E6-82151-00	.FUSE (10A)		1		FOR 6Y5-83553-00
17	6Y5-82117-00	WIRE, LEAD (BLACK)		1	1	AP FOR OCEANIA
18	68F-82553-80	EXTENSION, WIRE LEAD		1	1	AP FOR OCEANIA
	68F-82553-70	EXTENSION, WIRE LEAD		1		AP FOR CANADA
19	6Y5-83557-10	TUBE (8M)		1	1	AP FOR OCEANIA
20	90465-11M10	CLAMP		2	2	AP FOR OCEANIA
21	6H4-81315-11	LEAD WIRE ASSY		1	1	AP

FIG. 28 REPAIR KIT 1

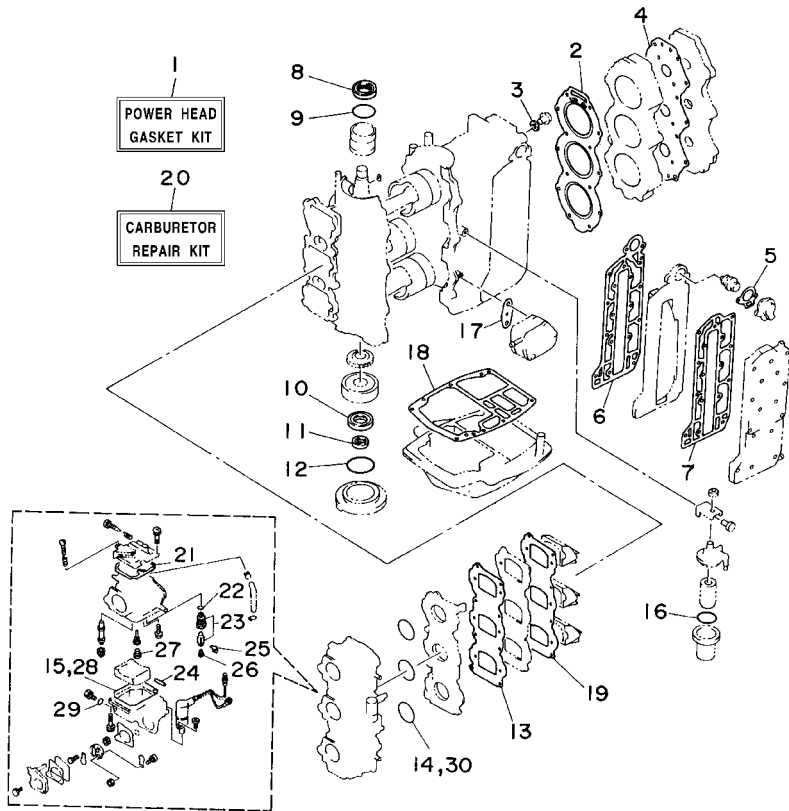


REF. NO.	PART NO.	DESCRIPTION	60ET	6ETO	7ETO	REMARKS
1	6H3-W0001-03	POWER HEAD GASKET KIT	1			MANUAL CHOKE
2	6H3-11181-A1	.GASKET, CYLINDER HEAD 1	1			
3	90430-14115	.GASKET	1			
4	6H3-11193-A1	.GASKET, HEAD COVER 1	1			
5	6H3-12414-A1	.GASKET, COVER	1			
6	6H3-41112-A0	.GASKET, EXHAUST INNER COVER	1			
7	6H3-41114-A0	.GASKET, EXHAUST OUTER COVER	1			
8	93102-36M24	.OIL SEAL	1			
9	93210-46M16	.O-RING	1			
10	93102-30M23	.OIL SEAL	1			
11	93106-18M01	.OIL SEAL	1			
12	93210-65M50	.O-RING	1			
13	6H3-13621-A1	.GASKET, VALVE SEAT	1			
14	6H3-14198-A1	.GASKET	3			
15	6G1-14984-00	.O-RING	3			
16	93210-32738	.O-RING	1			
17	650-24431-A0	.GASKET, FUEL PUMP 1	1			
18	6H3-45113-A0	.GASKET, UPPER CASING	1			
19	6H3-13622-A1	.GASKET, VALVE SEAT	1			
20	6H2-W0093-02	CARBURETOR REPAIR KIT	1			MANUAL CHOKE
21	6H3-14198-A1	.GASKET	1			
22	676-14966-00	.CAP	3			
23	6H3-14590-01	.NEEDLE VALVE ASSY	3			
24	663-14159-00	.CLIP	3			
25	676-14186-00	.PIN, FLOAT	3			
26	6G1-14985-00	.FLOAT	3			
27	688-14548-00	.PIN, FLOAT ARM	3			



6H20010-4180

FIG. 29 REPAIR KIT 2

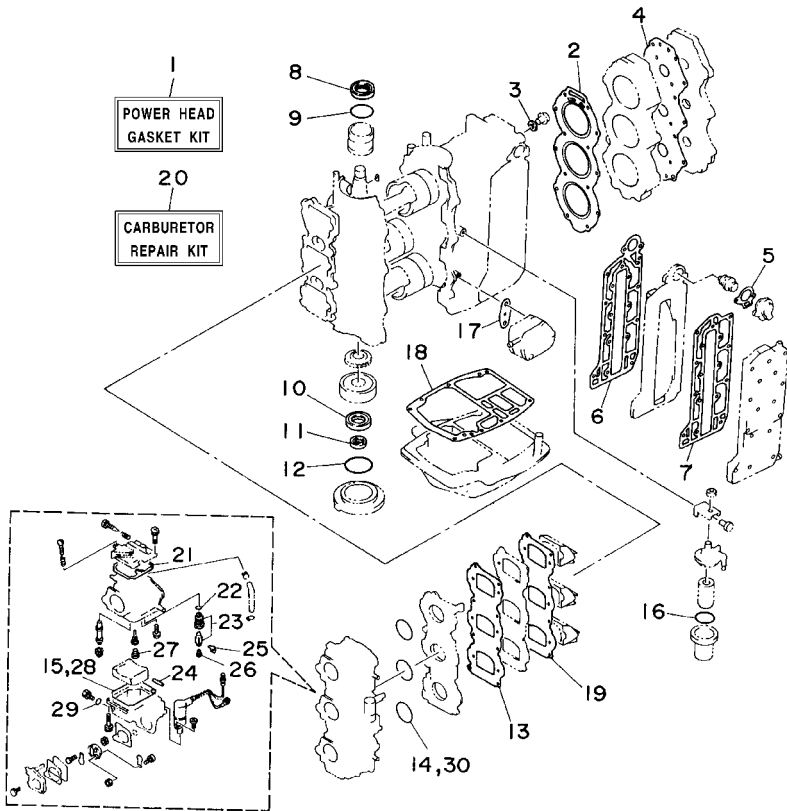


6H30010-4230

REF. NO.	PART NO.	DESCRIPTION	60ET	6E0	7E0	REMARKS
1	6H3-W0001-02	POWER HEAD GASKET KIT		1	1	AUTO CHOKE
2	6H3-11181-A1	.GASKET, CYLINDER HEAD 1		1	1	
3	90430-14115	.GASKET		1	1	
4	6H3-11193-A1	.GASKET, HEAD COVER 1		1	1	
5	6H3-12414-A1	.GASKET, COVER		1	1	
6	6H3-41112-A0	.GASKET, EXHAUST INNER COVER		1	1	
7	6H3-41114-A0	.GASKET, EXHAUST OUTER COVER		1	1	
8	93102-36M24	.OIL SEAL		1	1	
9	93210-46M16	.O-RING		1	1	
10	93102-30M23	.OIL SEAL		1	1	
11	93106-18M01	.OIL SEAL		1	1	
12	93210-65M50	.O-RING		1	1	
13	6H3-13621-A1	.GASKET, VALVE SEAT		1	1	
14	93210-39ME4	.O-RING		3	3	
15	6H4-14984-00	.GASKET, FLOAT CHAMBER		3	3	
16	93210-32738	.O-RING		1	1	
17	650-24431-A0	.GASKET, FUEL PUMP 1		1	1	
18	6H3-45113-A0	.GASKET, UPPER CASING		1	1	
19	6H3-13622-A1	.GASKET, VALVE SEAT		1	1	
20	6H2-W0093-10	CARBURETOR REPAIR KIT		1	1	AUTO CHOKE
21	6H4-14147-00	.O-RING		1	1	
22	93210-04228	.O-RING		1	1	
23	6H3-14590-01	.NEEDLE VALVE ASSY		1	1	
24	6H4-14548-00	.PIN, FLOAT ARM		1	1	
25	663-14159-00	.CLIP		1	1	
26	676-14186-00	.PIN, FLOAT		1	1	
27	676-14966-00	.CAP		1	1	

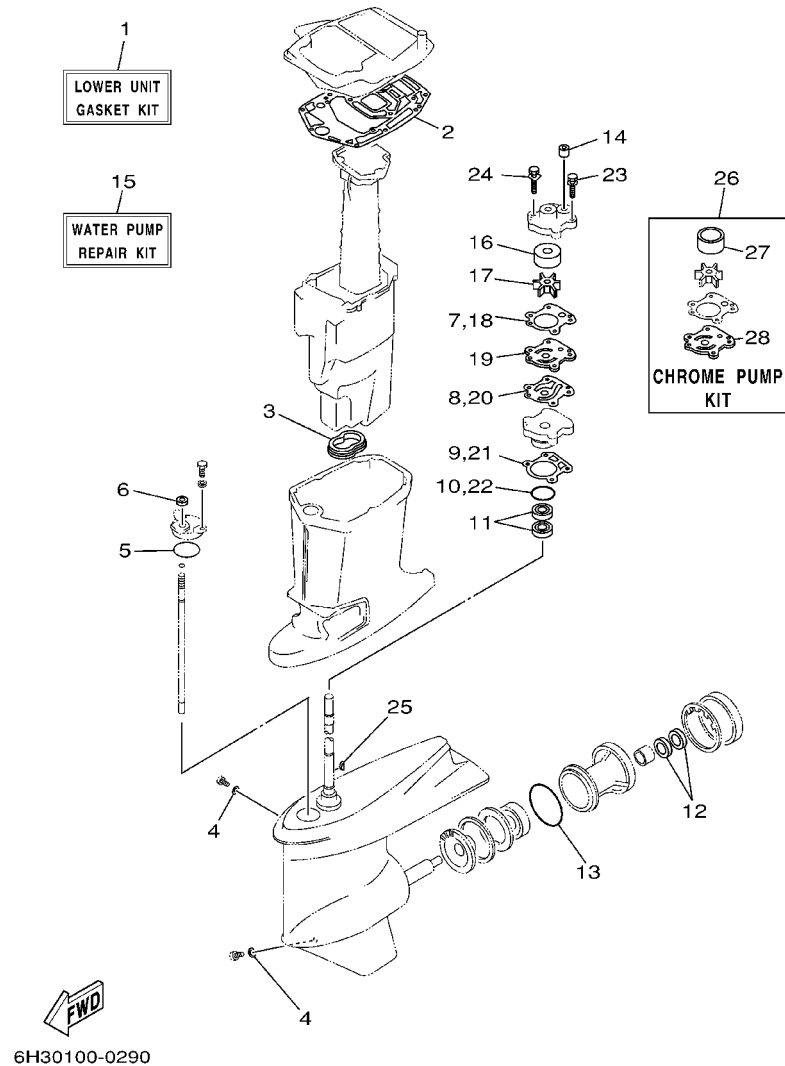
FIG. 29 REPAIR KIT 2

REF. NO.	PART NO.	DESCRIPTION	60ET	6ETO	7ETO	REMARKS
28	6H4-14984-00	.GASKET, FLOAT CHAMBER		1	1	
29	93210-04230	.O-RING		1	1	
30	93210-39ME4	.O-RING		1	1	



6H30010-4230

FIG. 30 REPAIR KIT 3



REF. NO.	PART NO.	DESCRIPTION	60ET	6ET0	7ET0	REMARKS
1	6H3-W0001-22	LOWER UNIT GASKET KIT	1	1	1	
2	6H3-45114-A1	.GASKET, UPPER CASING	1	1	1	
3	6H3-45123-00	.GASKET, MUFFLER	1	1	1	
4	90430-08020	.GASKET	2	2	2	
5	93210-49046	.O-RING	1	1	1	
6	93106-09014	.OIL SEAL	1	1	1	
7	6H3-44315-A0	.GASKET, WATER PUMP	1	1	1	
8	6H3-44324-A0	.GASKET, CARTRIDGE	1	1	1	
9	688-44316-A0	.GASKET, WATER PUMP	1	1	1	
10	93210-46044	.O-RING	1	1	1	
11	93101-23070	.OIL SEAL	2	2	2	
12	93101-25M03	.OIL SEAL	2	2	2	
13	93210-85M97	.O-RING	1	1	1	
14	663-44366-00	.DAMPER, WATER SEAL	1	1	1	
15	6H3-W0078-02	WATER PUMP REPAIR KIT	1	1	1	
16	663-44322-00	.INSERT, CARTRIDGE	1	1	1	
17	6H3-44352-00	.IMPELLER	1	1	1	
18	6H3-44315-A0	.GASKET, WATER PUMP	1	1	1	
19	6H3-44323-00	.OUTER PLATE, CARTRIDGE	1	1	1	
20	6H3-44324-A0	.GASKET, CARTRIDGE	1	1	1	
21	688-44316-A0	.GASKET, WATER PUMP	1	1	1	
22	93210-46044	.O-RING	1	1	1	
23	90119-08M14	.BOLT, WITH WASHER	2	2	2	
24	90119-08M33	.BOLT, WITH WASHER	2	2	2	
25	90280-03M03	.KEY, WOODRUFF	1	1	1	
26	6H3-W0078-1A	CHROME PUMP KIT	1	1	1	
27	663-44322-40	.INSERT, CARTRIDGE	1	1	1	

NUMERICAL INDEX

PART NO.	REF. NO.	PART NO.	REF. NO.	PART NO.	REF. NO.	PART NO.	REF. NO.	PART NO.	REF. NO.	PART NO.	REF. NO.
6H3-W0001-02	29-1	6J8-13411-00	8-40	6H2-14303-10	6-3	6H3-14948-16	6-6	6H3-24313-00	9-33	6H3-41217-00	4-12
6H3-W0001-03	28-1	6J8-13414-00	8-41	6H3-14303-0A	7-3	6H3-14948-17	7-23	6H3-24314-00	9-35		5-13
6H3-W0001-22	30-1	6H1-13435-00	8-42	6A0-14325-00	9-25	676-14966-00	6-7	6Y1-24329-00	23-5	6E9-41237-00	8-25
688-W0004-00	4-2	6H3-13436-40	1-18	6H3-14349-00	5-16		7-22	650-24351-51	10-5	6F5-41237-00	15-15
	5-2	6H3-13437-21	11-21		7-32		28-22		23-12	6H1-41237-00	8-21
6H3-W0070-30	1-17	6H3-13437-43	11-21	6H3-14380-00	7-33		29-27	6Y1-24360-52	10-3		15-14
6H3-W0070-50	1-17	6H2-13610-00	4-1	6H3-14413-10	4-18	6H2-14980-00	6-15	61J-24360-00	23-10	6H4-41237-00	15-21
6H3-W0078-02	30-15		5-1	6H3-14413-10	5-18	6H3-14980-10	7-28	6E5-24367-01	14-24	682-41237-00	15-2
6H3-W0078-1A	30-26	6H3-13610-00	5-1	6H3-14440-02	4-19	6H4-14980-00	7-27		14-37	6H3-41241-01	8-20
6H3-W0090-32-1S	2-1	6H3-13621-A1	4-6		5-19	6G1-14984-00	6-14		8-55	6H3-41257-00	4-13
6H3-W0090-44-1S	2-1		5-7	6H3-14457-01	4-20		28-15	650-24378-00	2-6	661-41262-02	4-14
6H2-W0093-02	28-20		28-13		5-20		28-28	688-24378-00	9-32		4-17
6H2-W0093-10	29-20		29-13	6H1-14485-00	5-6	6H4-14984-00	7-24	692-24410-00	9-15	6H3-41271-00	4-15
656-W2810-02	9-38	6H3-13622-A1	4-8	624-14485-00	2-5		29-15	6H3-24411-10	7-40	689-41273-00	4-16
6H3-11111-01-1S	2-25		5-9	6H3-14488-00	11-20		29-28	663-24411-00	9-20	6H3-41241-01	8-20
688-11119-01	2-21		28-19	63V-14523-00	6-29	6G1-14985-00	6-12	692-24411-00	9-17	6H3-41632-20	15-10
6H3-11181-A1	2-26		29-19		7-5		28-26	6A0-24412-02	9-26	6H3-41633-10	15-12
	28-2	6H3-13624-00-94	4-7	6H2-14527-01	6-23		7-19	6A0-24413-00	9-16	6H3-41636-10-94	15-16
	29-2		5-8	663-14527-00	6-20	6H4-14985-01	6-17	6H4-24413-00	7-38	689-42169-01	15-1
6H3-11191-00-1S	2-27	6H3-13641-03-94	4-5	688-14527-00	6-22	6H3-14992-00	7-25	6A0-24421-01	9-24		15-20
6H3-11193-A1	2-28	6H3-13641-13-94	5-5	6H4-14548-00	7-15		2-2	6L5-24421-00	7-37	6H3-42510-12-4D	17-3
	28-4	663-14126-00	6-19		29-24	6B0-15100-02-1S	2-2	650-24431-A0	9-27	624-42542-00	8-48
	29-4		28-31	688-14548-00	6-13	6H3-15100-14-1S	2-2		28-17	6H2-42610-50-4D	1-1
6H3-11325-01	2-17	688-14126-00	6-21		28-27	6H3-15359-00-94	3-1		29-17	6H2-42610-90-4D	1-1
6H3-11327-00-1S	2-18		28-32	679-14555-00	6-26	6H3-17578-00	6-31	6H3-24434-10	7-41	6H3-42610-60-4D	1-1
6H3-11328-00	2-19	6H3-14137-00	7-31	697-14555-00	7-12	6H3-21707-06	8-26	648-24434-01	9-18	6H3-42613-01-4D	1-11
650-11370-01	2-4	6H3-14146-10	7-9	6H4-14567-00	7-30	6H3-21732-00	1-24	648-24435-02	9-21	6H3-42615-00	1-14
688-11370-01	2-3	6H4-14146-00	7-8	6H2-14578-00	7-7	6H3-21735-00	1-25	6H3-24452-10	7-29	6H3-42617-00	1-19
6H3-11400-03	3-7	6H4-14147-00	7-10	6H3-14578-00	6-32	6J8-21744-00	8-53	6H4-24486-00	7-39	6H3-42617-10	1-19
6H3-11400-10	3-7		29-21	6H3-14590-01	6-8	63D-2175R-00	8-35	61N-24521-00	9-8	6H3-42619-00	1-20
6H3-11536-00	3-12	663-14159-00	6-9		7-14	6H3-21752-00	8-32	61N-24560-00	9-6	6H3-42627-00	1-21
6H3-11537-01	8-16		7-17		28-23	6H1-21757-00	8-38	61N-24563-00	9-7	6H3-42637-00	1-22
6K5-11601-02	3-15		28-24	6K5-14592-00	6-27	6J8-21758-00	8-37	648-24566-02	9-10	6H3-42647-00-94	1-3
6K5-11601-12	3-15		29-25		6-27	63D-2176M-00	8-34	6YJ-24610-01	23-2	6H3-42649-00-94	1-4
6K5-11601-22	3-15	676-14186-00	6-10	6H3-14711-10-5B	19-14	6H1-21766-01	8-44	6H1-24633-00	8-39	6H3-42652-00	1-6
6H3-11631-01-96	3-14		7-18	6H3-14737-10	19-20	63D-2177H-00	1-2	6E0-28193-00-94	9-39	663-42662-00	1-5
6H3-11633-00	3-16		28-25	692-14923-00	6-25	6H4-21770-00	8-36	6H3-41111-01-1S	2-36	6H2-42677-50	1-15
688-11634-10	3-17		29-26		7-11	6YJ-24167-00	23-7	6H3-41112-A0	2-37	6H2-42677-60	1-15
6H3-11635-01	3-14	6H3-14198-A1	4-11		28-33	6YJ-24201-10	23-1		28-6	6H3-42677-60	1-15
6H3-11636-01	3-14		28-14	6H3-14943-35	7-21	6Y1-24260-12	23-3		29-6	6H2-42678-30	1-16
6H3-12411-10	2-32		28-21	6H3-14943-36	7-21	6G1-24268-00	23-6	6H3-41113-02-1S	2-38	6H2-42678-50	1-16
6H3-12413-00-1S	2-33	6H2-14301-0A	7-1	6H3-14943-37	7-21	6G1-24304-02	9-1	6H3-41114-A0	2-39	6H3-42678-50	1-16
6H3-12414-A1	2-34	6H2-14301-10	6-1	676-14943-35	6-5	6G1-24305-03	10-6		28-7	6H3-42681-30	1-28
	28-5	6H3-14301-0A	7-1	676-14943-36	6-5		23-13		29-7	6H3-42681-50	1-28
	29-5	6H2-14302-0A	7-2	6H2-14947-71	7-20	6Y1-24305-04	10-8		19-11	6H3-42682-30	1-29
6H1-13117-01	8-18	6H2-14302-10	6-2	6H3-14947-07	6-4		23-15	6H2-41131-00-5B	19-11	6H3-42682-50	1-29
6E9-13183-70	8-11	6H3-14302-0A	7-2	6H3-14947-71	7-20	6Y1-24306-53	10-1	6H3-41131-00-5B	19-11	6H1-42694-00	1-23
6H3-13200-02	8-1	6H2-14303-0A	7-3	6H3-14948-13	7-23	61J-24306-02	23-8	6H3-41137-01-94	19-5	6H3-42711-05-4D	14-1
						663-24312-01	2-41	6H3-41213-10	15-23		



NUMERICAL INDEX

PART NO.	REF. NO.	PART NO.	REF. NO.	PART NO.	REF. NO.	PART NO.	REF. NO.	PART NO.	REF. NO.	PART NO.	REF. NO.
6H3-42711-24-4D	14- 1	6H1-43814-11	18- 19	6H1-43895-12	18- 70	6H3-44551-01-4D	17- 9	6K5-45560-00	20- 42	6H1-45611-01	21- 43
648-42715-00	15- 28	6H1-43816-00	18- 68	6H1-43896-00	18- 69	6H3-44552-03-94	17- 18		21- 42	688-45611-00	20- 43
6H3-42716-02	14- 12	6H1-43817-01	18- 47	6H1-43899-00	18- 51	6H3-44553-01-4D	17- 23	688-45567-01-10	20- 7	6H1-45631-01	21- 44
6K5-42717-00	14- 13	6E5-43818-00	18- 32	6H3-44117-00-94	15- 31	687-44555-00-94	17- 11		21- 7	688-45631-01	20- 44
6H3-42718-00	14- 39	6H1-4382A-10	18- 52	6J2-44117-01-94	15- 31	663-44575-00	17- 16	688-45567-01-12	20- 7	688-45633-00	20- 49
6E5-42724-00	14- 14	6H1-43820-11	18- 64	6H3-44120-12	15- 27		17- 32		21- 7		21- 55
6H3-42725-10	14- 15	6H1-43821-11	18- 59	6H3-44121-01	15- 37	6H3-45111-11-4D	19- 1	688-45567-01-15	20- 7	6H1-45634-02	21- 46
6H3-42725-30	14- 15	6H1-43822-10	18- 58	688-44122-00	15- 40	6H3-45113-A0	19- 7		21- 7	688-45634-00	20- 45
688-42726-10	14- 27	6H1-43828-10	18- 30	6H1-44144-00	21- 58		28- 18	688-45567-01-18	20- 7	6H1-45635-00	21- 50
6H3-42727-00	14- 19	6H1-43829-00	18- 36	6K5-44144-00	20- 51		29- 18		21- 7	688-45635-00	20- 47
6H3-42738-01-5B	14- 16	6H1-43830-11	18- 49	6H1-44151-00	21- 57	6H3-45114-A1	19- 17	688-45567-01-30	20- 7	6H1-45641-01	21- 56
6H3-42741-01-4D	14- 31	6H1-43831-10	18- 48	663-44151-00	20- 50		30- 2		21- 7	6H1-45668-00	21- 49
6G1-42748-00	14- 30	6H1-43833-10	18- 33	688-44194-00	15- 7	663-45119-00	16- 18	688-45567-01-40	20- 7	688-45930-02-98	22- 22
6H3-42768-00	14- 23	6H1-43834-00	18- 34	6H3-44311-00	20- 25	6H3-45123-00	19- 16		21- 7	688-45932-60-98	22- 22
6H3-42771-01-4D	14- 32	6H1-43835-10	18- 29		21- 25		30- 3	688-45567-01-50	20- 7	6E5-45941-00-EL	22- 22
6G5-42791-00	14- 40	6H1-4384E-20	18- 61	6H3-44315-A0	20- 27	6H3-45127-00	19- 15		21- 7	6E5-45943-00-EL	22- 22
6G5-42791-10	14- 40	6H1-4384F-10	18- 46		21- 27	6H3-45155-00	19- 3	6H3-45571-00	21- 62	6E5-45945-01-EL	22- 22
6R6-42791-40	14- 41	6H1-4384G-11	18- 45		30- 7	6H1-45214-00	20- 12	6K5-45571-00	20- 54	6E5-45947-00-EL	22- 22
6H3-42813-00	14- 7	6H1-43840-11	18- 17		30- 18		21- 12	688-45576-00	20- 58	6E5-45949-00-EL	22- 22
6H3-42815-01-4D	14- 3	6H1-43841-11	18- 42	688-44316-A0	20- 33	6H1-45215-00	20- 13		21- 66	6E5-45952-00-EL	22- 22
6H3-42816-00	14- 9	6H1-43843-11	18- 72		21- 33		21- 13	688-45577-01-10	20- 57	6E5-45954-00-EL	22- 22
6H3-42817-01-4D	14- 4	6H1-43844-10	18- 44		30- 9	6H1-45251-03	16- 2		21- 65	6E5-45956-00-EL	22- 22
6H3-42818-00	14- 10	6H1-43845-00	18- 55		30- 21	6H3-45300-E4-4D	20- 1	688-45577-01-12	20- 57	6E5-45970-10	22- 23
6H1-43111-01-4D	16- 1	6H1-43847-00	18- 50	663-44322-00	20- 26	6H3-45300-15-4D	21- 1		21- 65	688-45970-03-98	22- 22
6H1-43112-00-4D	16- 11	6H1-4385H-00	18- 78		21- 26	6H1-45301-03-4D	21- 2	688-45577-01-15	20- 57	6E5-45972-10	22- 23
6E5-43126-02	16- 35	6H1-43854-00	18- 53		30- 16	6H1-45301-12-4D	20- 2		21- 65	688-45972-02-98	22- 22
688-43131-03	16- 21	6H1-43855-11	18- 71	663-44322-40	30- 27	688-45321-00	20- 16	688-45577-01-18	20- 57	6E5-45974-10	22- 23
6G5-43144-00	16- 42	6H1-43856-10	18- 43	6H3-44323-00	20- 34		21- 16		21- 65	688-45974-02-98	22- 22
6E5-43145-01	24- 9	6H1-4386K-10	18- 9		21- 34	688-45331-00-94	20- 55	688-45577-01-30	20- 57	6E5-45976-10	22- 23
6G5-43145-01	16- 25	6H1-43861-00	18- 21		30- 19		21- 63		21- 65	688-45976-01-98	22- 22
6G5-43148-00	16- 40	6H1-43861-10	18- 18	6H3-44323-40	30- 28	688-45341-10	20- 10	688-45577-01-40	20- 57	6E5-45978-10	22- 23
688-43160-01	16- 31		18- 22	6H3-44324-A0	20- 35		21- 10		21- 65	688-45978-60-98	22- 22
688-43165-00	16- 32		18- 60		21- 35	6E5-45371-10	22- 25	688-45577-01-50	20- 57	688-45987-01	22- 17
6H1-43181-01	16- 26	6H1-43864-00	18- 65		30- 8	688-45371-02	22- 12		21- 65	6E5-45994-10	22- 24
6H1-43185-01	16- 27	6H1-43865-10	18- 16		30- 20	688-45375-00	22- 11	688-45587-01-10	20- 5	688-45997-01	22- 18
6H1-43311-01-4D	16- 16	6H1-43866-00	18- 40	6H3-44341-00-94	20- 30	663-45376-00-94	22- 10		21- 5	703-48152-00	26- 57
6H1-43376-00	17- 39	6H1-43867-00	18- 41		21- 30	6E5-45378-00	20- 21	688-45587-01-12	20- 5	703-48153-00	26- 3
6H1-4380F-10	18- 7	6H1-43868-00	18- 74	6H3-44352-00	20- 28		21- 21		21- 5	703-48189-00	26- 17
6H1-4380G-10	18- 15	6H1-4387J-00	18- 77		21- 28	688-45383-02	20- 63	688-45587-01-15	20- 5	703-48198-00	26- 14
6H1-4380H-10	18- 13	6H1-43871-10	18- 23		30- 17		21- 71		21- 5	703-48205-17	25- 1
6H1-4380J-10	18- 8	6H1-43872-10	18- 25	6H3-44361-10	22- 2	688-45384-00	20- 64	688-45587-01-18	20- 5		26- 1
6H1-43800-17-4D	18- 1	6H1-43874-00	18- 67	663-44366-00	22- 16		21- 72		21- 5	703-48211-01	26- 61
67F-43802-00	18- 39	6H1-43875-00	18- 57		30- 14	6H3-45501-10	20- 39	688-45587-01-30	20- 5	703-48212-00	26- 58
6H1-43804-10	18- 4	6H1-4388E-11	18- 73	663-44367-00	22- 1		21- 39		21- 5	703-48213-00	26- 59
6H1-43805-10	18- 3	6H1-43880-02	18- 2	6H3-44391-01	14- 2	688-45536-01	20- 4	688-45587-01-40	20- 5	703-48215-00	26- 43
6H1-43810-11	18- 20	6H1-43881-10	18- 12	688-44511-00-94	17- 33		21- 4		21- 5	703-48219-00	26- 30
6H1-43812-00	18- 24	6H1-43891-10	18- 5	688-44514-00-94	17- 26	6K5-45551-00	20- 40	688-45587-01-50	20- 5	703-48221-00	26- 56
6H1-43813-10	18- 27	6H1-43892-10	18- 6	6H1-44526-00	16- 3		21- 40		21- 5	703-48222-00	26- 27

NUMERICAL INDEX

PART NO.	REF. NO.	PART NO.	REF. NO.	PART NO.	REF. NO.	PART NO.	REF. NO.	PART NO.	REF. NO.	PART NO.	REF. NO.
703-48223-00	26-28	689-81811-11	13-12	6E5-82587-00	12-54	90109-06M40	8-4	90185-10051	17-31	90386-18M63	16-36
703-48225-00	26-29	689-81812-11	13-11	6H2-82590-13	12-31	90109-06M43	15-13		17-38	90386-22M15	16-22
703-48226-00	26-26	689-81813-10	13-13	6H2-82590-60	12-31	90109-12M21	17-15	90185-22043	16-24	90386-30M60	17-8
703-48227-00	26-24	6H3-81820-11	13-14	703-82591-00	26-53	90116-08M69	2-30	90201-03313	21-52	90386-30M77	17-6
703-48232-00	26-62	689-81826-10	13-15	703-82592-00	26-54	90116-10M28	17-37	90201-05652	6-28	90386-30M78	17-5
703-48234-00	26-18	6H3-81830-10	13-4	688-82594-00	12-37	90116-10175	17-37	90201-08M93	8-17	90387-06M31	8-31
703-48235-00	26-4	689-81831-00	13-5	703-82594-00	26-25	90119-06MA3	2-35	90201-10M20	24-3	90387-06M43	12-3
703-48236-00	26-16	689-81840-11	13-10	703-83383-02	26-51		4-9	90201-10M63	24-7	90387-06M60	15-8
703-48238-00	26-22	689-81847-11	13-6	6Y5-8350T-01	27-1		5-10	90201-11M22	17-30		15-25
703-48243-00	26-15	689-81850-12	13-8	6Y5-83500-S5	27-6	90119-06MA5	2-40	90201-12M16	17-12	90387-06M69	14-21
703-48244-00	26-21	689-81857-11	13-2	6Y5-83533-T2	27-10	90119-06M09	14-11	90201-12426	16-47	90387-10M02	16-29
703-48245-00	26-11	6H3-81916-10	12-15	6Y5-83553-M0	27-15	90119-06M29	16-4	90201-13M19	17-14	90387-10M42	24-6
703-48246-00	26-23	6H2-81949-01	12-51	6Y5-83553-00	27-15	90119-06M61	14-22	90201-17M00	22-19	90430-08020	20-11
701-48248-00	26-13	6H2-81949-11	12-50	6Y5-83557-10	27-19	90119-06M65	8-49	90201-20M21	17-28		21-11
703-48252-00	26-12	61A-81950-00	12-46	6Y5-83557-31	27-11	90119-06M88	8-50	90201-20417	3-19		30-4
703-48261-01	26-2	688-81950-10	12-24	6E5-83558-00	22-15	90119-06023	2-20	90201-21M18	11-14	90430-12072	22-4
703-48264-00	26-6	6H2-81960-10	12-11	6E5-83558-10	20-23	90119-08MA5	2-29	90201-22M67	16-23	90430-14115	2-24
703-48265-00	26-9	6H3-82105-U0	12-29		21-23	90119-08M14	20-38	90201-30M00	17-4		28-3
703-48268-00	26-5	6H3-82105-01	12-29	6Y5-83570-S5	27-7		21-38	90202-05088	8-22		29-3
703-48271-00	26-60	6H3-82117-00	12-30	6E5-83614-01	12-55		30-23	90202-07M07	15-39	90440-14M00	16-49
703-48281-00	26-31	6Y5-82117-00	27-17	6A1-83625-41	4-23	90119-08M33	20-37	90202-12060	22-3	90445-07MA5	8-8
703-48282-00	26-32	682-82119-01	12-52		5-24		21-37	90202-20M06	17-29	90445-07ME9	20-22
703-48284-00	26-52	703-82119-00	12-6	6A1-83625-51	5-25		30-24	90202-25M04	17-13		21-22
701-48287-00	26-42		17-42	6H1-83672-12	17-1	90119-08M64	2-9	90206-10M04	15-24	90445-07MF1	22-14
703-48291-10	26-39	688-82127-02	17-25	6Y5-83728-00	27-12	90119-08M79	19-8	90206-13M10	14-6	90445-07M02	2-12
703-48293-10	26-41	6E5-82148-00	16-12	6H2-85520-01	11-2	90119-08M81	19-4	90209-06M05	4-22	90445-07M23	8-7
701-48320-00	25-2	6H1-82148-00	16-8	6H2-85533-01	11-3	90119-08M84	22-9		5-22	90445-07M44	2-10
701-48320-20	25-2	1E6-82151-00	27-16	6H2-85540-12	12-5	90119-10005	2-8	90249-06M19	16-39		8-6
701-48320-30	25-2	663-82151-00	12-32	6H3-85542-11-94	12-1	90151-05M00	20-14	90250-07M02	20-48	90445-07M45	2-13
701-48320-50	25-2	6G5-82152-00	12-17	6H2-85550-00	11-1		21-14		21-54	90445-07M82	2-14
701-48320-60	25-2	6H3-82154-11	12-49	697-85570-00	12-20	90157-06M01	14-25	90266-06009	1-10	90445-07M87	8-9
701-48320-80	25-2	6H3-82164-00	12-27	6H2-85580-01	11-4		14-29	90269-04M03	14-8	90445-07255	5-14
6H3-48344-00	15-18	6A0-82317-00	8-47	6H2-85582-00	11-5	90157-06M13	15-5	90280-03M03	20-29	90445-08M01	8-43
663-48344-00	15-41	6G1-82370-21	12-23	6H1-85711-60	5-23	90159-06M01	12-16		21-29	90445-09M75	9-4
703-48345-01	26-19	63V-82377-50	16-44	6R5-85711-60	12-58	90159-06M23	11-19		30-25	90445-09072	9-13
703-48358-00	26-20	703-82510-43	26-44	6H3-85720-16	8-60	90170-09M03	24-5	90280-05015	11-12		9-30
6H3-48511-51-4D	17-36	703-82531-00	26-46	6H2-85895-01	11-6	90170-16M01	20-41	90282-04010	20-62	90445-09220	9-34
6H3-48538-00	15-42	703-82540-00	26-50	6H3-86110-02	12-39		21-41		21-70	90445-11M02	8-57
688-61350-10	24-1	68F-82553-70	27-18	6H3-86116-00	12-40	90170-20137	11-13	90338-05M03	1-26	90445-11M03	8-27
688-61351-10	24-2	68F-82553-80	27-18	6Y5-87122-S0	27-14	90171-16011	22-20		16-20	90445-11M05	10-4
6E5-61355-00	24-8	682-82556-00	26-48	9E450-04433	27-2	90179-06066	17-22	90340-08002	20-9		23-11
6H4-81315-11	27-21	688-82560-10	12-38	9E450-04533	27-3	90179-08M34	2-31		21-9	90445-11M06	10-2
6E5-81332-00	11-15	6H1-82563-10	12-53	90101-08002	2-22	90183-02M03	21-53	90340-14M00	2-23		23-9
6H3-81337-01	11-18	703-82563-02	26-55	90101-10M49	17-27	90183-05M06	1-27	90386-07M58	15-34	90445-11M15	8-54
6H3-81800-11	13-1	688-82575-01	26-47	90101-12M65	16-45	90185-05002	20-15	90386-10M16	16-28	90445-11M21	8-51
6H3-81807-10	13-3	703-82577-00	26-45	90105-06M14	12-2		21-15	90386-13M38	14-5	90446-10M01	8-56
689-81809-11	13-7	688-8258A-20	26-49	90105-10M67	22-13	90185-08057	17-40	90386-18M14	18-31		9-37
6H3-81810-10	13-9	6R5-82582-B0	8-61	90109-06M39	8-3	90185-09M01	24-4	90386-18M35	16-37	90464-05M16	12-14

NUMERICAL INDEX

PART NO.	REF. NO.	PART NO.	REF. NO.	PART NO.	REF. NO.	PART NO.	REF. NO.	PART NO.	REF. NO.	PART NO.	REF. NO.
90464-07M05	2 - 16	90501-16233	20 - 46	92995-06600	14 - 34	93210-10M74	18 - 54	93450-07M00	21 - 61	97095-06010	16 - 9
	8 - 5	90502-16M02	16 - 34		14 - 36	93210-13M04	8 - 19	93501-04M02	15 - 29		16 - 43
	8 - 15	90506-14M24	16 - 41		16 - 7	93210-15M52	6 - 33	93503-16003	21 - 48	97095-06016	1 - 7
90464-09M13	14 - 28	90508-26M35	15 - 11		16 - 10		28 - 34	93505-32038	18 - 79		1 - 12
90464-11M18	16 - 19	91318-08016	18 - 66		20 - 20	93210-16275	24 - 10	93603-12M11	21 - 45		8 - 30
90464-11M23	8 - 58	91490-20012	15 - 36		21 - 20	93210-18M75	18 - 56	93603-18M09	3 - 18		12 - 12
90464-15M11	12 - 28	91490-40025	22 - 21	92995-08100	17 - 20	93210-18397	18 - 26	93604-10M03	20 - 36		12 - 56
90464-18M14	12 - 57	91690-30010	12 - 41		17 - 35	93210-19MA7	8 - 2		21 - 36		14 - 17
90464-23M22	12 - 18	91690-30012	16 - 33		19 - 10	93210-29M94	17 - 7	93606-12019	19 - 2		16 - 5
90465-06M86	8 - 10	91690-30020	16 - 30		19 - 13	93210-32738	9 - 9		19 - 6		20 - 19
90465-11M10	17 - 41	92901-04100	18 - 76		19 - 19		28 - 16		22 - 5		21 - 19
	20 - 24	92901-05200	18 - 63	92995-10100	16 - 15		29 - 16	93608-12063	2 - 7	97095-06020	3 - 5
	21 - 24	92903-06600	7 - 44	92995-12200	16 - 46	93210-39ME4	5 - 12	93700-06M03	16 - 17		14 - 35
	27 - 13		12 - 10	93101-23070	20 - 31		29 - 14	94702-00160	2 - 43	97095-06025	9 - 2
	27 - 20		12 - 22		21 - 31		29 - 30	94702-00247	2 - 43		11 - 10
90465-11M27	8 - 28		12 - 26		30 - 11	93210-46M16	3 - 13	95380-03600	7 - 35		12 - 47
90465-13M11	12 - 19		12 - 34	93101-25M03	20 - 61		28 - 9		9 - 19		14 - 33
90465-13M30	8 - 33		12 - 36		21 - 69		29 - 9	95380-04600	27 - 5		15 - 9
90465-18147	7 - 42		12 - 43		30 - 12	93210-46044	20 - 32		27 - 9		15 - 26
	12 - 45		13 - 19	93102-08M43	18 - 14		21 - 32	95380-05600	8 - 24	97095-06035	11 - 8
90467-06016	2 - 11		15 - 33	93102-30M23	3 - 2		30 - 10		15 - 3	97095-06040	9 - 28
	2 - 15	92903-08600	13 - 17		28 - 10		30 - 22		15 - 17	97095-06045	12 - 7
	5 - 15		13 - 21		29 - 10	93210-49046	20 - 17		15 - 22	97095-06095	4 - 10
90467-08004	2 - 42	92990-04100	27 - 4	93102-36M24	3 - 9		21 - 17		26 - 7		5 - 11
	5 - 17		27 - 8		28 - 8		30 - 5	95380-06600	15 - 6	97095-10045	16 - 14
	8 - 45	92990-05100	9 - 23		29 - 8	93210-64488	18 - 28		26 - 40	97380-05025	26 - 8
	9 - 5	92990-05600	4 - 4	93106-09014	20 - 18	93210-65M50	3 - 4	95380-08600	9 - 11	97380-08030	26 - 33
	9 - 14		5 - 4		21 - 18		28 - 12	95380-12600	16 - 48	97595-06420	18 - 35
	9 - 31	92990-06600	14 - 26		30 - 6		29 - 12	95380-12800	17 - 17	97607-04310	18 - 11
	9 - 36		14 - 38	93106-18M01	3 - 3	93210-85M97	20 - 59	97013-06012	7 - 43	97803-04010	7 - 34
90467-10M04	8 - 52	92990-08200	15 - 35		28 - 11		21 - 67		12 - 9	97880-05016	4 - 3
90467-11M08	8 - 29	92990-08600	26 - 34		29 - 11		30 - 13		12 - 33		5 - 3
	8 - 59	92990-10100	22 - 7	93210-03261	12 - 44	93306-207U0	20 - 56		12 - 35	97880-06012	16 - 13
90467-12M11	8 - 46	92990-10600	22 - 8	93210-04228	6 - 34		21 - 64	97013-06014	9 - 12	97885-05016	18 - 10
90468-05M03	8 - 23	92995-06100	1 - 8		7 - 13	93306-306V1	3 - 11	97013-06016	12 - 25	97885-06010	11 - 16
90468-07M02	8 - 12		16 - 6		29 - 22	93311-636U6	3 - 8		12 - 42	97885-06016	17 - 2
	8 - 13	92995-06600	1 - 9	93210-04230	6 - 18	93315-325V1	20 - 3	97013-06020	12 - 21		17 - 24
	8 - 14		1 - 13		7 - 26		21 - 3		15 - 32	97885-06045	4 - 21
90468-18008	15 - 19		3 - 6		28 - 30	93317-325U0	20 - 60	97013-06025	13 - 18		5 - 21
	15 - 38		9 - 3		29 - 29		21 - 68	97013-08016	13 - 20	97980-04114	6 - 16
90480-09M12	14 - 20		9 - 29	93210-064A5	18 - 38	93332-000U3	20 - 6	97013-08035	13 - 16		7 - 4
90480-13M54	12 - 4		11 - 9	93210-07003	20 - 52		21 - 6	97075-08025	17 - 19		28 - 29
90501-10326	6 - 30		11 - 11		21 - 59	93332-000W7	20 - 8	97075-08030	19 - 12	97980-05310	6 - 24
	7 - 6		11 - 17	93210-08287	10 - 7		21 - 8		19 - 18	98501-04025	18 - 75
90501-12M48	21 - 51		12 - 8		10 - 9	93410-18M02	16 - 38	97075-08035	17 - 34	98501-05010	18 - 62
90501-12082	15 - 30		12 - 13		23 - 14	93410-28M06	17 - 10		19 - 9	98502-04008	6 - 11
90501-14M08	17 - 21		12 - 48		23 - 16	93430-06024	26 - 10	97075-10040	22 - 6	98503-05028	9 - 22
90501-16M65	21 - 47		14 - 18	93210-09165	18 - 37	93440-49M04	3 - 10	97095-05012	11 - 7	98580-03015	26 - 38

NUMERICAL INDEX

PART NO.	REF. NO.	PART NO.	REF. NO.	PART NO.	REF. NO.	PART NO.	REF. NO.	PART NO.	REF. NO.	PART NO.	REF. NO.
98580-04006	26 - 36										
98580-04008	7 - 16										
98580-04010	26 - 35										
98580-05010	26 - 37										
98586-05016	23 - 4										
98980-03006	7 - 36										
99001-08600	20 - 53										
	21 - 60										

60TRB/70TRB/60FET/60FETO/70BETO
PARTS CATALOGUE

©2002 by Yamaha Motor Co., Ltd.

1st Edition, May 2002

All rights reserved.

Any reprinting or unauthorized use
without the written permission of
Yamaha Motor Co., Ltd.
is expressly prohibited.

G7