

**PARTS  
CATALOGUE  
CATALOGUE  
DE PIÈCES DÉTACHÉES**

**75A'02(6922)**

**85A'02(6881)**

---

**YAMAHA**  
**GENUINE**  
Parts & Accessories

2A688-300F1

# FOREWORD

This Parts Catalogue is related to the parts for the model(s) in the below frame. When you are ordering replacement parts, please refer to this Parts Catalogue and quote both part numbers and part names correctly.

75A'02(6922), 85A'02(6881)

1. Modifications or additions which have been made after issue of the Parts Catalogue will be announced in the Yamaha Parts News. It is advisable that you make necessary corrections to the Parts Catalogue according to the Yamaha Parts News.

2. Abbreviations  
The Following abbreviations are used in this Parts Catalogue.

“UR” Use specified parts number.

“UN” Use as many as needed.

“AP” Alternate Parts

“LM” Local Made  
(Parts need to be ordered locally)

“O/S” Over Size

3. Parts, which are to be supplied in an assembly, are listed with a dot(.) in front of the part name as shown below.

EXAMPLE

CARBURETOR ASSY

.JET, PILOT

.NOZZLE, MAIN

4. Number of component for assembly

The numeral appearing to the right of each component part indicates the quantity of parts for each assembly unit.

EXAMPLE

PART NO.	DESCRIPTION	□	□	□	□	REMARKS
6E0-85500-70	C.D.I. MAGNETO ASSY	1				
6E0-85550-70	.ROTOR ASSY	1				
6E0-15723-00-94.	.PULLY, STARTER	1				

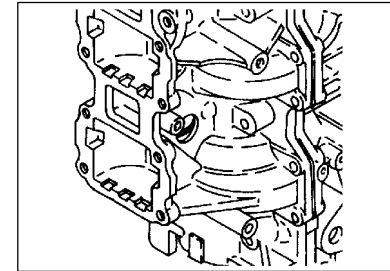
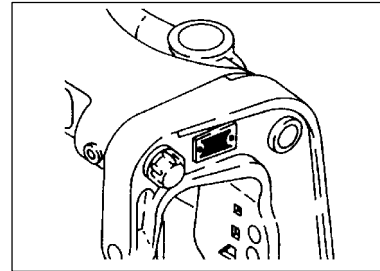
5. Quantity Column Information

NAME for Q'TY COLUMN	APPLICABLE MODEL
ET	75AET, 85AET
ED	75AED

6. Applicable Starting Serial No. and Color Code

1) Engine Starting Sserial No.

75AED	692	L : 305982	85AET	688	L : 445178
75AET	692	L : 414680			



2) Color Code

Color Code	Color Name	Abbreviation
004D	DARK BLUISH GRAY METALLIC 2	DBNM2

7. Note that the illustrations for reference in finding parts numbers, not to be used for assembling. When assembling, please use the applicable service manual.

8. The asterisk (\*) before a reference number indicates modification items after the first edition.

# CONTENTS

SHEET 1/2

TOP COWLING .....	A4
CYLINDER. CRANKCASE .....	A5
CRANKSHAFT. PISTON .....	A7
INTAKE .....	B2
CARBURETOR .....	B4
FUEL .....	B6
GENERATOR .....	C1
ELECTRICAL .....	C2
STARTING MOTOR .....	C4
BOTTOM COWLING .....	C5
CONTROL .....	C7
BRACKET 1 .....	D3
BRACKET 2 .....	D5
BRACKET 3 .....	D7
BRACKET 4 .....	E1
POWER TRIM & TILT ASSY .....	E3
UPPER CASING .....	E6
LOWER CASING. DRIVE 1 .....	E7
LOWER CASING. DRIVE 2 .....	F3
FUEL TANK .....	F5
STEERING GUIDE .....	F6
REMOTE CONTROL BOX .....	F7

## INDEX

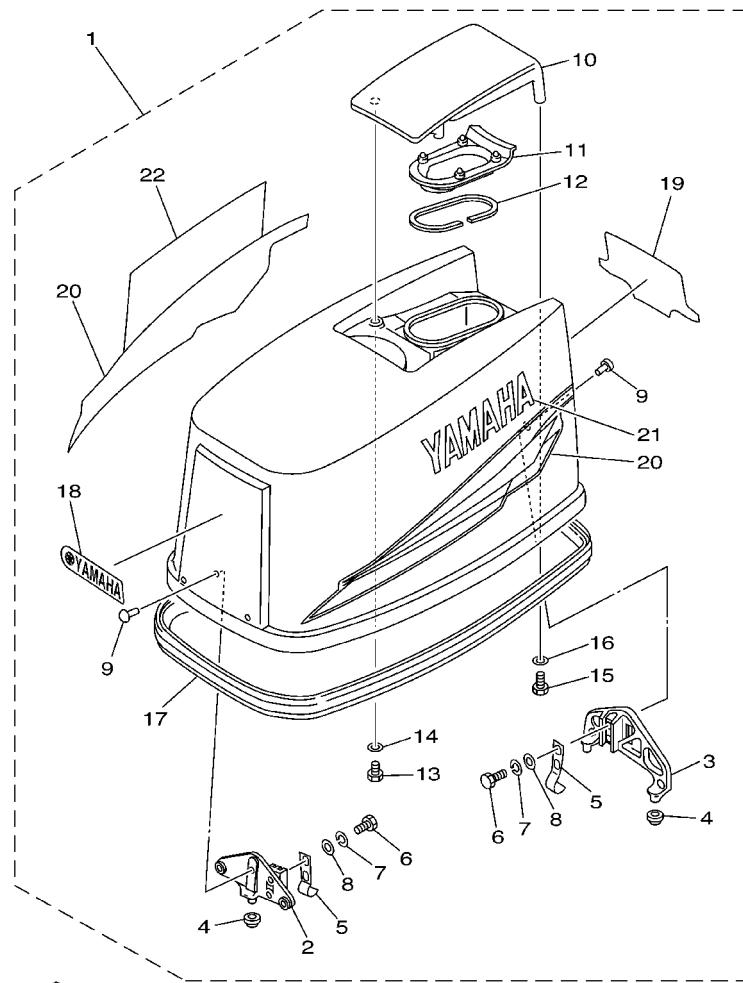
NUMERICAL INDEX .....	G1
-----------------------	----

SHEET 2/2

REMOTE CONTROL ASSY .....	A4*
REPAIR KIT 1 .....	A7*
REPAIR KIT 2 .....	B2*

## INDEX

NUMERICAL INDEX .....	G1*
-----------------------	-----

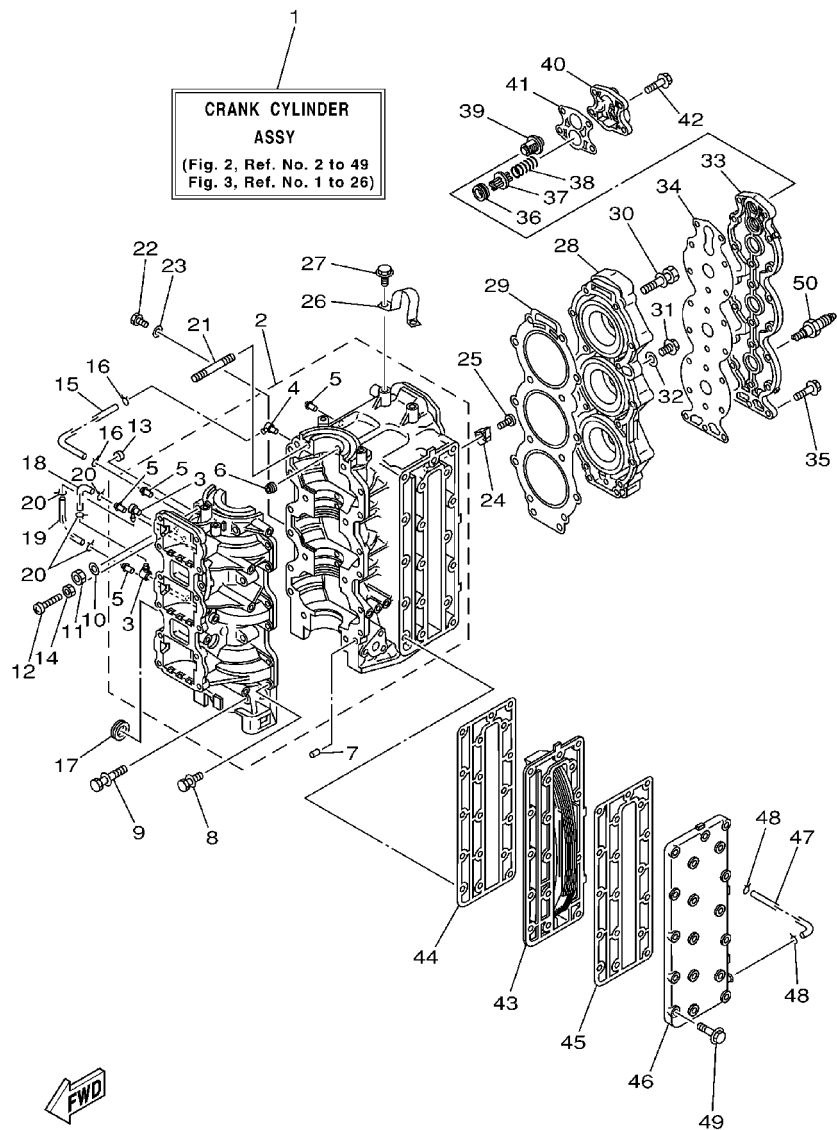


6881300-2010

FIG. 1 TOP COWLING

CAPOT SUPERIEUR

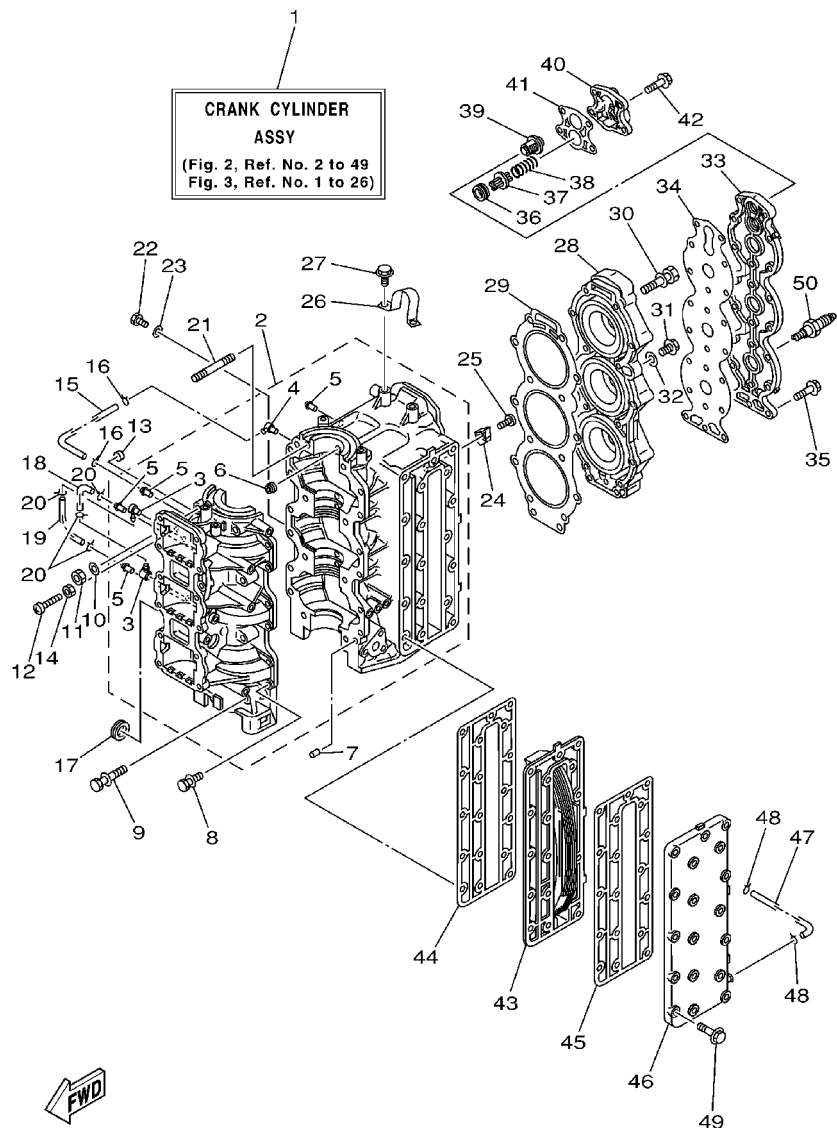
REF. NO.	PART NO. NO. PIECES	DESCRIPTION DESCRIPTION	EQ	ED	REMARKS REMARQUES
1	688-42610-F0-4D	TOP COWLING ASSY CAPOT (ENS.)	1		85A
	692-42610-80-4D	TOP COWLING ASSY CAPOT (ENS.)	1	1	75A
2	688-42647-00-94	.HOLDER, CLAMP BAND .SUPPORT, SANDOW DE SERRAGE	1	1	
3	688-42649-00-94	.HOLDER, CLAMP BAND .SUPPORT, SANDOW DE SERRAGE	1	1	
4	663-42662-00	.DAMPER AMORTISSEUR	3	3	
5	688-42652-10	.HOOK .CROCHET	2	2	
6	97095-06018	.BOLT .BOULON	2	2	
7	92995-06100	.WASHER, SPRING .RONDELLE, GROWER	2	2	
8	92995-06600	.WASHER .RONDELLE	2	2	
9	90266-06009	.RIVET .RIVET	6	6	
10	688-42613-01-4D	.MOLDING, AIR DUCT .MANCHON A AIR	1	1	
11	688-42618-00	AIR SHROUD, TOP COWLING .DEFLECTEUR, CAPOT	1	1	
12	688-42628-00	.SEAL .JOINT	1	1	
13	97095-06016	.BOLT .BOULON	2	2	
14	92995-06600	.WASHER .RONDELLE	2	2	
15	97095-06025	.BOLT .BOULON	2	2	
16	92995-06600	.WASHER .RONDELLE	2	2	
17	688-42615-00	.SEAL .JOINT	1	1	
18	688-42677-D0	.GRAPHIC, FRONT .ADHESIF, AVANT	1	1	YAMAHA
19	688-42678-31	.GRAPHIC, REAR .ADHESIF, ARRIERE	1		85A
	692-42678-31	.GRAPHIC, REAR .ADHESIF, ARRIERE	1	1	75A
20	688-W0070-31	.GRAPHIC SET .JEU DIEMBLEMES	1	1	
21	688-42681-31	.MARK, COWLING .ADHESIF, CAPOT	1	1	
22	688-42682-31	.MARK, COWLING .ADHESIF, CAPOT	1	1	



6881700-2020

FIG. 2 CYLINDER. CRANKCASE CYLINDRE. CARTER

REF. NO.	PART NO. NO. PIECES	DESCRIPTION DESCRIPTION	LT	ED	REMARKS REMARQUES
1	688-W0090-42-1S	CRANK CYLINDER ASSY EMBIELLAGE CYLINDRE (ENS.)	1		85A
	692-W0090-42-1S	CRANK CYLINDER ASSY EMBIELLAGE CYLINDRE (ENS.)	1	1	75A
2	688-15100-05-1S	CRANKCASE ASSY CARTER DE MOTEUR COMPLET	1	1	
3	688-11370-00	.CHECK VALVE ASSY .CLAPET (ENS.)	2	2	
4	650-11370-00	.CHECK VALVE ASSY .CLAPET (ENS.)	1	1	
5	624-14485-00	.PIPE, JOINT .DURITE	4	4	
6	663-11518-01	.LOCK, BEARING .CENTREUR, ROULEMENT	3	3	
7	93608-12063	PIN, DOWEL GOUJON	2	2	
8	90119-06M12	BOLT, WITH WASHER BOULON, AVEC RONDELLE	12	12	
9	90119-10005	BOLT, WITH WASHER BOULON, AVEC RONDELLE	6	6	
10	90201-10008	WASHER, PLATE RONDELLE, PLATE	2	2	
11	95313-10600	NUT ECROU	2	2	
12	90157-06014	SCREW, PAN HEAD VIS, TETE TRONCONIQUE	1	1	
13	688-44194-00	CAP CAPUCHON	1	1	
14	95303-06700	NUT ECROU	1	1	
15	90445-07260	HOSE (L276) DURITE (L276)	1	1	
16	90467-06016	CLIP JONC	2	2	
17	90480-24M04	GROMMET PASSE-FIL	1	1	
18	90445-07M00	HOSE (L100) DURITE (L100)	1	1	
19	90445-07M23	HOSE (L408) DURITE (L408)	1	1	
20	90467-06016	CLIP JONC	4	4	
21	90116-10M06	BOLT, STUD GOUJON	2	2	
22	97095-06012	BOLT BOULON	1	1	
23	92995-06100	WASHER, SPRING RONDELLE, GROWER	1	1	
24	688-11325-00	ANODE ANODE	2	2	
25	98780-04015	SCREW, FLAT HEAD VIS, TETE PLATE	2	2	
26	688-11119-01	HANGER, ENGINE ANNEAU, LEVAGE	1	1	



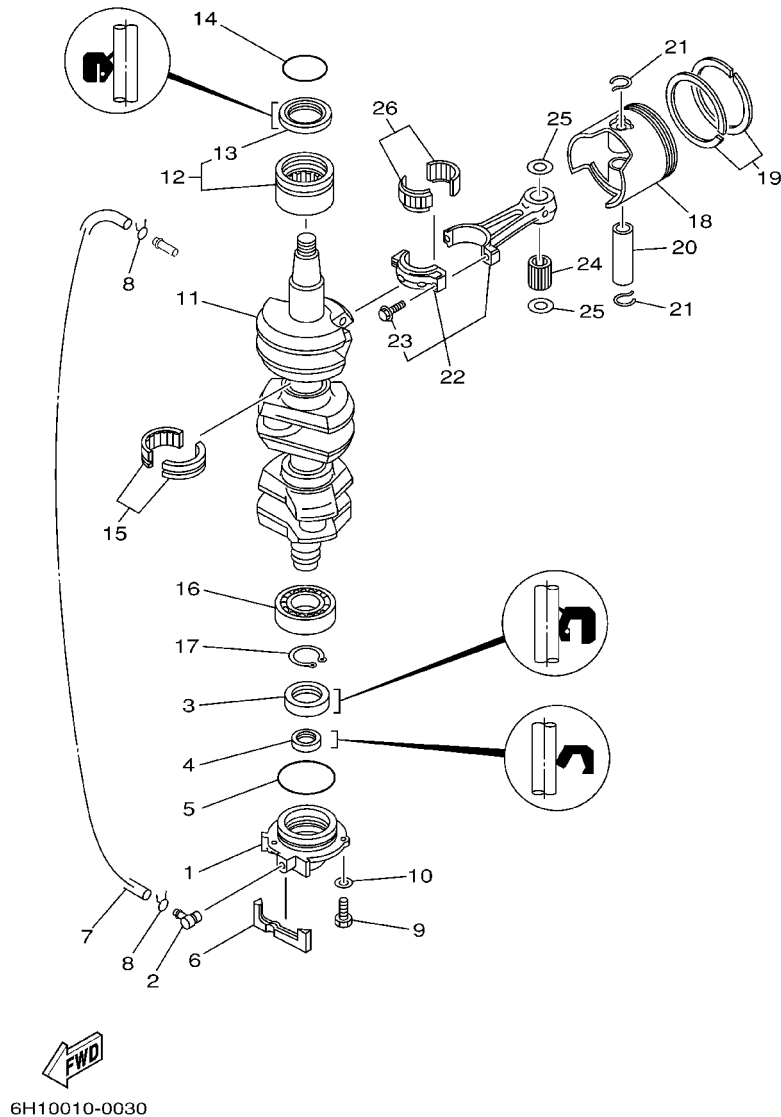
6881700-2020

FIG. 2 CYLINDER. CRANKCASE CYLINDRE. CARTER

REF. NO.	PART NO. NO. PIECES	DESCRIPTION DESCRIPTION	U	D	REMARKS REMARQUES
27	90119-08MA3	BOLT, WITH WASHER BOULON, AVEC RONDELLE	2	2	
28	688-11111-02-1S	HEAD, CYLINDER 1 CULASSE	1	1	
29	688-11181-A1	GASKET, CYLINDER HEAD 1 JOINT, DE CULASSE 1	1	1	
30	90119-08MA8	BOLT, WITH WASHER BOULON, AVEC RONDELLE	14	14	
31	90340-14M00	PLUG, STRAIGHT SCREW PLOT, FILETE DROIT	1	1	
32	90430-14115	GASKET JOINT	1	1	
33	688-11191-00-1S	COVER, CYLINDER HEAD 1 COUVERCLE, CULASSE 1	1	1	
34	688-11193-A1	GASKET, HEAD COVER 1 JOINT, COUVERCLE DE CULASSE 1	1	1	
35	90119-06MA3	BOLT, WITH WASHER BOULON, AVEC RONDELLE	18	18	
36	90480-20M05	GROMMET PASSE-FIL	1	1	
37	688-12416-00	VALVE, PRESSURE CONTROL SOUPAPE DE CONTROLEUR PRESS	1	1	
38	90501-16M11	SPRING, COMPRESSION RESSORT, COMPRESSION	1	1	
39	688-12411-10	THERMOSTAT THERMOSTAT	1	1	
40	688-12413-00-1S	COVER, THERMOSTAT COUVERCLE, THERMOSTAT	1	1	
41	688-12414-A1	GASKET, COVER JOINT, COUVERCLE	1	1	
42	90119-06MA5	BOLT, WITH WASHER BOULON, AVEC RONDELLE	4	4	
43	688-41111-00-1S	INNER COVER, EXHAUST PLAQUE, ECHAPPEMENT	1	1	
44	688-41112-A0	GASKET, EXHAUST INNER COVER JOINT, PLAQUE D'ECHAPPEMENT	1	1	
45	688-41114-A0	GASKET, EXHAUST OUTER COVER JOINT, COUVERCLE D'ECHAPPEMENT	1	1	
46	688-41113-00-1S	OUTER COVER, EXHAUST COUVERCLE, ECHAPPEMENT	1	1	
47	663-24312-01	PIPE 2 DURITE 2	1	1	
48	90467-08004	CLIP JONC	2	2	
49	90119-08020	BOLT, WITH WASHER BOULON, AVEC RONDELLE	18	18	
50	94702-00247	PLUG, SPARK (NGK BR8HS-10) BOUGIE D'ALLUMAGE (NGK BR8HS-10)	3	3	

FIG. 3 CRANKSHAFT. PISTON

VILEBREQUIN. PISTON



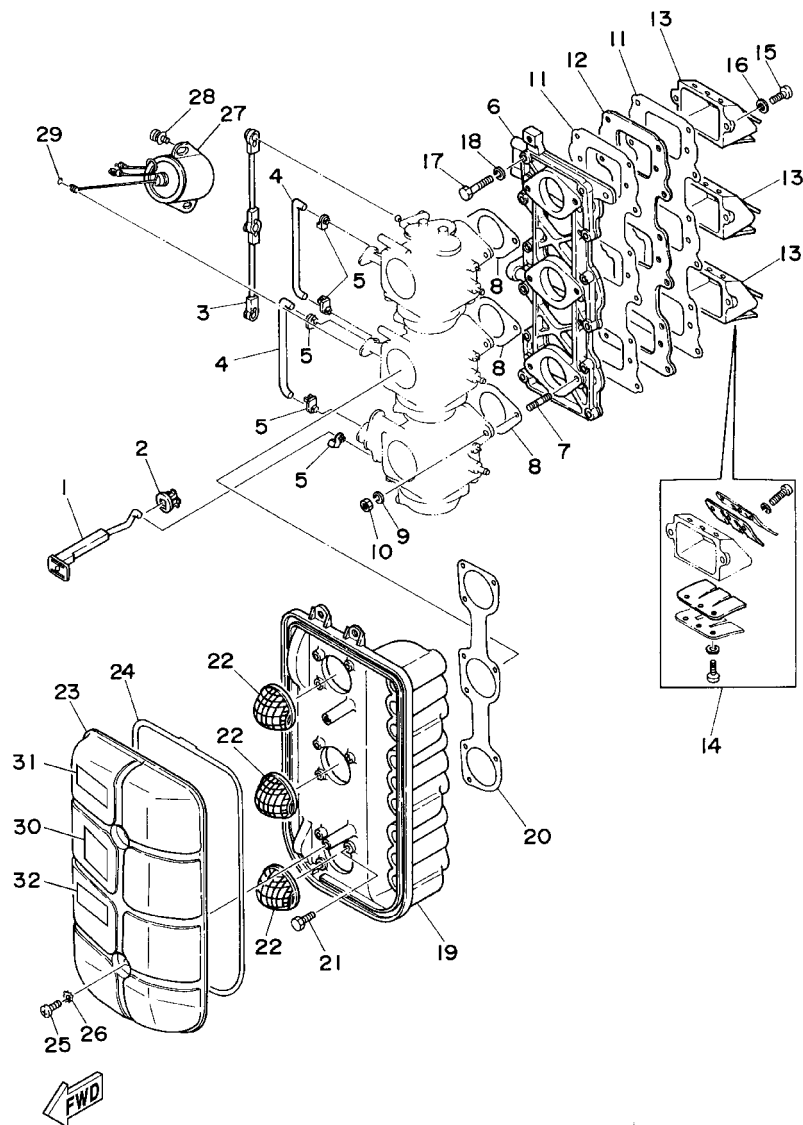
REF. NO.	PART NO. NO. PIECES	DESCRIPTION DESCRIPTION	QU	QU		REMARKS REMARQUES
1	6H1-15359-01-94	HOUSING, OIL SEAL LOGEMENT, BAGUE D'ETANCHEITE	1	1		
2	688-11370-00	CHECK VALVE ASSY CLAPET (ENS.)	1	1		
3	93102-30M05	OIL SEAL JOINT SPY	1	1		
4	93104-20M02	OIL SEAL JOINT SPY	1	1		
5	93210-62269	O-RING JOINT TORIQUE	1	1		
6	688-15379-00	SEAL, CRANKCASE JOINT SPY DE CARTER DE MOTEUR	1	1		
7	90445-07M86	HOSE (L460) DURITE (L460)	1	1		
8	90467-06016	CLIP JONC	2	2		
9	97095-06020	BOLT BOULON	3	3		
10	92995-06600	WASHER RONDELLE	3	3		
11	688-11411-01	CRANKSHAFT VILEBREQUIN COMPLET	1	1		
12	93310-636U4	BEARING ROULEMENT	1	1		
13	93102-36M02	OIL SEAL JOINT SPY	1	1		
14	93210-46M16	O-RING JOINT TORIQUE	1	1		
15	93310-835U8	BEARING ROULEMENT	2	2		
16	93306-206U5	BEARING ROULEMENT	1	1		
17	93410-32M00	CIRCLIP CIRCLIP, TYPE S	1	1		
18	6H1-11631-03-95	PISTON (STD) PISTON (STD)	3	3		
	6H1-11635-03	PISTON (0.25MM O/S) PISTON (0.25MM O/S)	3	3		AP
	6H1-11636-03	PISTON (0.50MM O/S) PISTON (0.50MM O/S)	3	3		AP
19	688-11603-A0	PISTON RING SET (STD) JUE DE SEGMENTS (STD)	3	3		
	688-11604-A0	PISTON RING SET (0.25MM O/S) JUE DE SEGMENTS (0.25MM O/S)	3	3		AP
	688-11605-A0	PISTON RING SET (0.50MM O/S) JUE DE SEGMENTS (0.50MM O/S)	3	3		AP
20	663-11633-00	PIN, PISTON AXE, PISTON	3	3		
21	688-11634-10	CLIP, PISTON PIN AGRAFE, AXE DE PISTON	6	6		
22	688-11650-03	CONNECTING ROD ASSY BIELLE COMPLETE	3	3		
23	90109-08022	BOLT BOULON	2	2		





FIG. 4 INTAKE

ADMISSION



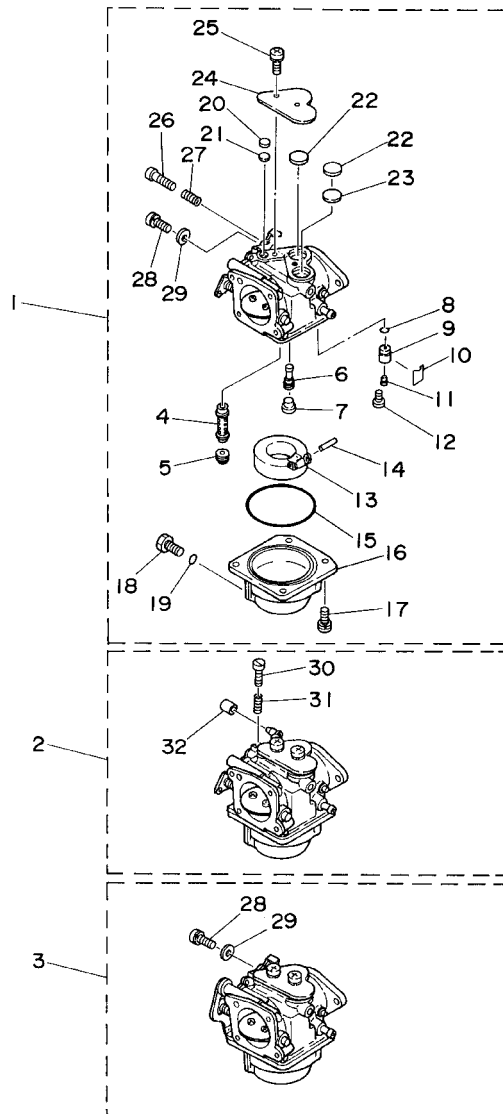
6881664-4040

REF. NO.	PART NO. NO. PIECES	DESCRIPTION DESCRIPTION	LT	ED	REMARKS REMARQUES
1	692-41256-00	ROD, CHOKE 1 TRINGLE 1, STARTER	1	1	
2	689-41273-00	GROMMET PASSE-FIL	1	1	
3	688-41217-01	ROD, ACCEL. LEVER TIGE, LEVIER ACCELERATION	1	1	
4	688-41257-01	ROD, CHOKE 2 TRINGLE 2, STARTER	2	2	
5	661-41262-02	JOINT, CHOKE LEVER RACCORD, LEVIER DE STARTER	5	5	
6	688-13641-00-94	MANIFOLD 1 TUBULURE 1	1	1	
7	90116-06122	BOLT, STUD GOUJON	6	6	
8	688-14198-A2	GASKET JOINT	3	3	
9	92995-06100	WASHER, SPRING RONDELLE, GROWER	6	6	
10	95380-06600	NUT, HEXAGON ECROU	6	6	
11	688-13621-A1	GASKET, VALVE SEAT JOINT, SIEGE DE CLAPET	2	2	
12	688-13624-00	PLATE, REED VALVE PLAQUE DE CLAPET	1	1	
13	688-13610-00	REED VALVE ASSY CLAPET COMPLET	3	3	
14	688-W0004-00	.REED SET .JEU DE CLAPETS	1	1	
15	97880-05020	SCREW, PAN HEAD VIS, TETE TRONCONIQUE	6	6	
16	92990-05100	WASHER, SPRING RONDELLE, GROWER	6	6	
17	97013-06030	BOLT BOULON	12	12	
18	92903-06100	WASHER, SPRING RONDELLE, GROWER	12	12	
19	688-14417-01-94	COVER 1 COUVERCLE 1	1	1	
20	688-14483-A0	GASKET JOINT	1	1	
21	97013-06018	BOLT BOULON	6	6	
22	688-14481-00	CAP, CARBURETOR COUVERCLE DE CARBURATEUR	3	3	
23	688-14418-01	COVER 2 COUVERCLE 2	1	1	
24	688-14416-01	GASKET, AIR CLEANER JOINT, FILTRE A AIR	1	1	
25	97885-06016	SCREW, PAN HEAD VIS, TETE TRONCONIQUE	2	2	
26	90209-06M05	WASHER RONDELLE	2	2	
27	688-86110-01	SOLENOID SOLENOID	1	1	



FIG. 5 CARBURETOR

CARBURETEUR

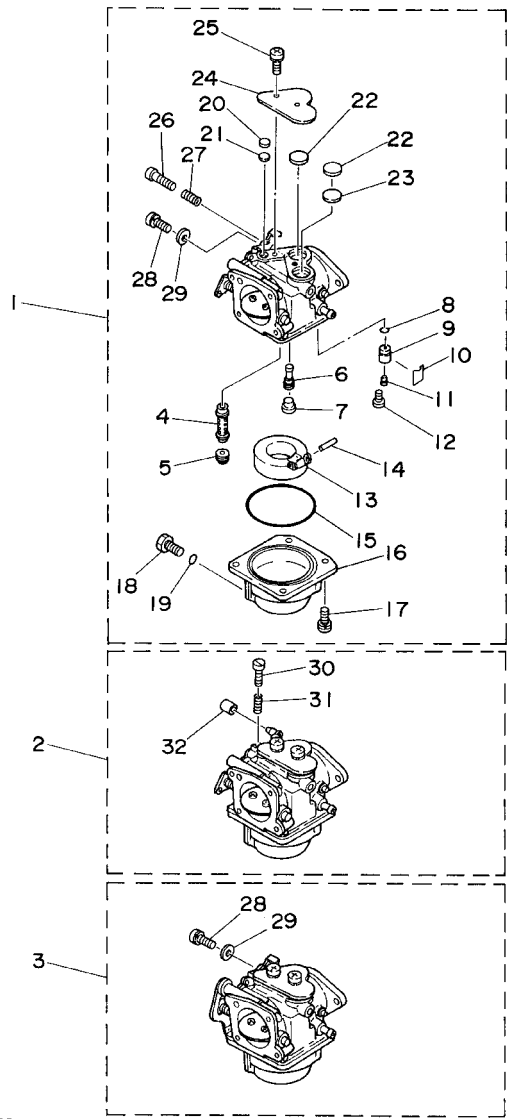


REF. NO.	PART NO. NO. PIECES	DESCRIPTION DESCRIPTION	U	D	REMARKS REMARQUES
1	688-14301-14	CARBURETOR ASSY 1 CARBURATEUR COMPLET 1	1		85A
	692-14301-34	CARBURETOR ASSY 1 CARBURATEUR COMPLET 1	1	1	75A
2	688-14302-14	CARBURETOR ASSY 2 CARBURATEUR COMPLET 2	1		85A
	692-14302-34	CARBURETOR ASSY 2 CARBURATEUR COMPLET 2	1	1	75A
3	688-14303-14	CARBURETOR ASSY 3 CARBURATEUR COMPLET 3	1		85A
	692-14303-34	CARBURETOR ASSY 3 CARBURATEUR COMPLET 3	1	1	75A
4	688-14947-00	.JET, NEEDLE .GICLEUR DE STARTER	3		85A
	692-14947-10	.JET, NEEDLE .GICLEUR DE STARTER	3	3	75A
5	676-14943-40	.JET, MAIN (#165) .GICLEUR, PRINCIPAL (#165)	3		85A
	676-14943-39	.JET, MAIN (#160) .GICLEUR, PRINCIPAL (#160)	3	3	75A
6	676-14948-18	.JET (#78) .GICLEUR (#78)	3		85A
	676-14948-19	.JET (#80) .GICLEUR (#80)	3	3	75A
7	676-14966-00	.CAP .CAPUCHON	3	3	
8	93210-04228	.O-RING .JOINT TORIQUE	3	3	
9	692-14590-00	.VALVE SEAT .POINTEAU	3	3	
10	663-14159-00	.CLIP .JONC	3	3	
11	676-14186-00	.PIN, FLOAT .AXE, FLOTTEUR	3	3	
12	98580-04008	.SCREW, PAN HEAD .VIS, TETE TRONCONIQUE	3	3	
13	676-14985-01	.FLOAT .FLOTTEUR	3	3	
14	688-14548-00	.PIN, FLOAT ARM .AXE, BRAS DE FLOTTEUR	3	3	
15	676-14984-00	.GASKET, FLOAT CHAMBER .JOINT, CUVE DE FLOTTEUR	3	3	
16	688-14980-00	.BODY, FLOAT CHAMBER .CORPS, CUVE DE FLOTTEUR	3	3	
17	97980-04114	.SCREW, WITH WASHER .VIS, AVEC RONDELLE	12	12	
18	6H3-14992-00	.SCREW, DRAIN .BOUCHON, PURGE	3	3	
19	93210-04230	.O-RING .JOINT TORIQUE	3	3	
20	663-14126-00	.GASKET .JOINT	3	3	
21	663-14527-00	.PLATE .PLAQUE	3	3	

FWD  
6880010-4050

FIG. 5 CARBURETOR

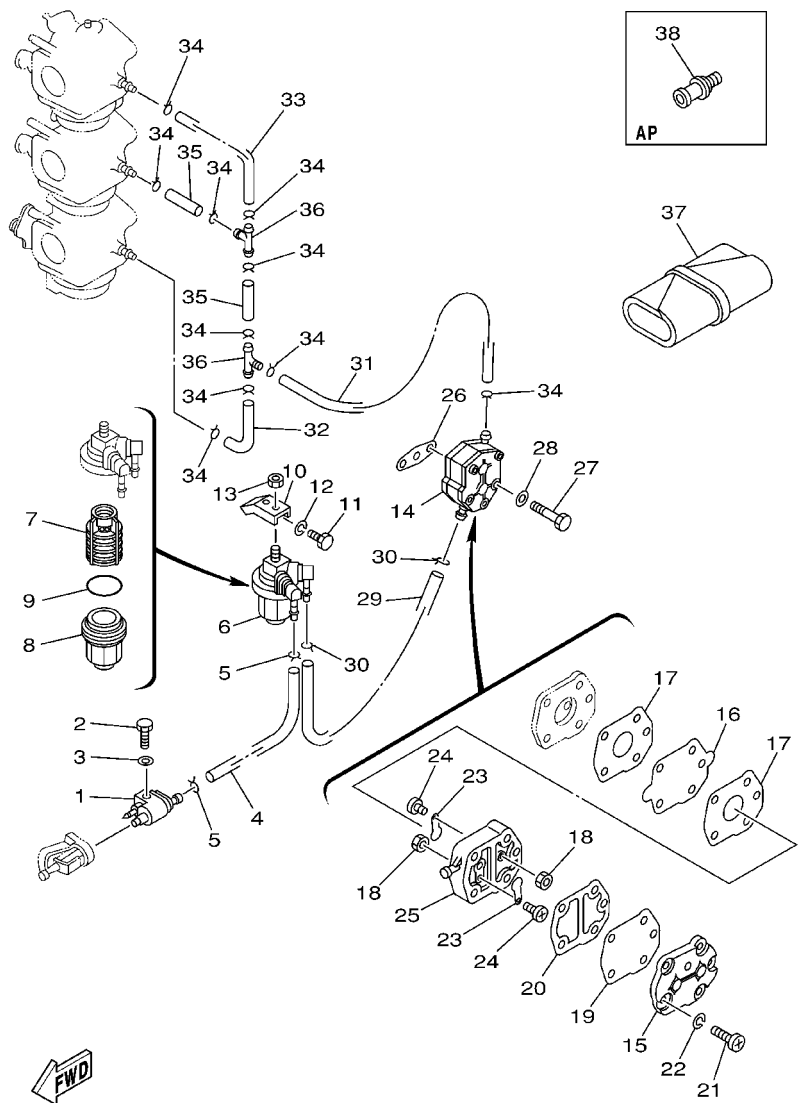
CARBURATEUR



REF. NO.	PART NO. NO. PIECES	DESCRIPTION DESCRIPTION	U	D	REMARKS REMARQUES
22	688-14126-00	.GASKET .JOINT	6	6	
23	688-14527-00	.PLATE .PLAQUE	3	3	
24	688-14572-01	.PLATE, STAY .PLAQUE, SUPPORT	3	3	
25	97980-05310	.SCREW, WITH WASHER .VIS, AVEC RONDELLE	6	6	
26	692-14923-00	.SCREW, PILOT .VIS, RALENTI	3	3	
27	679-14555-00	.SPRING .RESSORT	3	3	
28	6K5-14592-00	.SCREW .VIS	2		85A-#1,3
	663-14592-00	.SCREW .VIS	2	2	75A-#1,3
29	90201-05652	.WASHER, PLATE .RONDELLE, PLATE	2	2	#1,3
30	63V-14523-00	.SCREW, STOP .VIS, BUTEE	1	1	#2
31	90501-10326	.SPRING, COMPRESSION .RESSORT, COMPRESSION	1	1	#2
32	6H2-14578-00	.COLLAR .COLLERETTE	1	1	#2



6880010-4050



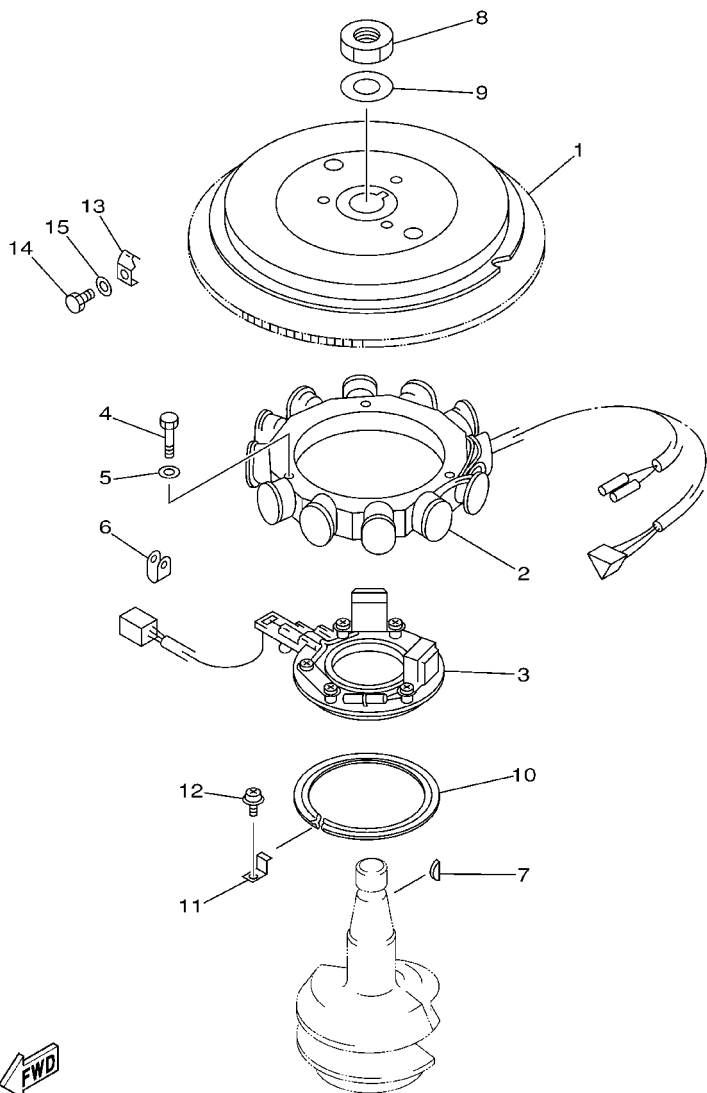
6880010-0060

FIG. 6 FUEL

CARBURANT

REF. NO.	PART NO. NO. PIECES	DESCRIPTION DESCRIPTION	LI	ED	REMARKS REMARQUES
1	6G1-24304-02	FUEL PIPE JOINT COMP. 1 DURITE RACCORDEMT. A ESSENCE	1	1	
2	97095-06020	BOULON	1	1	
3	92995-06600	WASHER RONDELLE	1	1	
4	90445-09090	HOSE DURITE	1	1	
5	90467-08004	CLIP JONG	2	2	
6	61N-24560-00	FILTER ASSY ENS FILTRE	1	1	
7	61N-24563-00	.ELEMENT, FILTER .ELEMENT, FILTRE	1	1	
8	61N-24521-00	.CUP, FILTER .CUVETTE, FILTRE	1	1	
9	93210-32738	.O-RING .JOINT TORIQUE	1	1	
10	648-24566-02	BRACKET, FILTER SUPPORT, FILTRE	1	1	
11	97013-06014	BOULON	1	1	
12	92903-06100	WASHER, SPRING RONDELLE, GROWER	1	1	
13	95380-08600	NUT ECROU	1	1	
14	692-24410-00	FUEL PUMP ASSY POMPE A ESSENCE	1	1	
15	6A0-24413-00	.BODY 2 .CORPS 2	1	1	
16	692-24411-00	.DIAPHRAGM .DIAPHRAGME	1	1	
17	648-24434-01	.GASKET, BODY .JOINT, CORPS	2	2	
18	95380-03600	.NUT .ECROU	2	2	
19	663-24411-00	.DIAPHRAGM .DIAPHRAGME	1	1	
20	648-24435-02	.GASKET, BODY 2 .JOINT, CORPS 2	1	1	
21	98503-05028	.SCREW, PAN HEAD .VIS, TETE TRONCONIQUE	3	3	
22	92990-05100	.WASHER, SPRING .RONDELLE, GROWER	3	3	
23	6A0-24421-01	.VALVE, CHECK .SOUPAPE, RETENUE	2	2	
24	6A0-14325-00	.SCREW, PAN HEAD .VIS TETE CONIQUE	2	2	
25	6A0-24412-02	.BODY 1 .CORPS 1	1	1	
26	650-24431-A0	.GASKET, FUEL PUMP 1 JOINT 1 DE POMPE A ESSENCE	1	1	
27	97095-06040	BOULON	2	2	



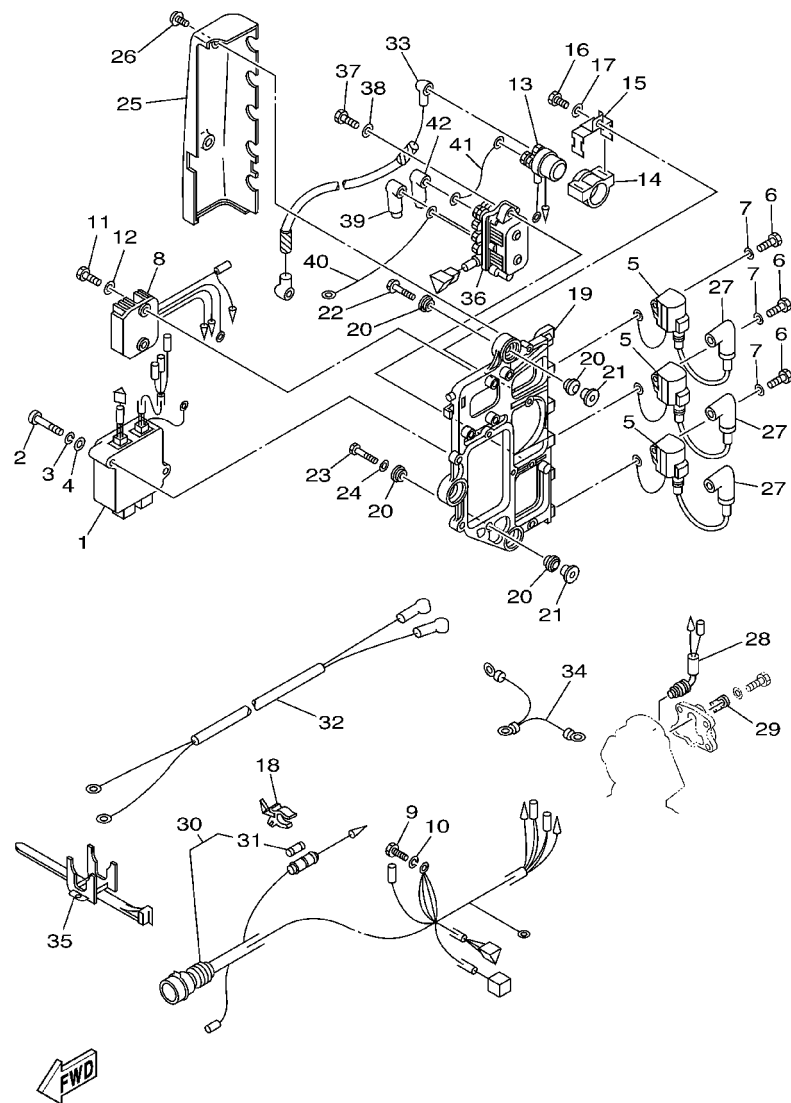


  
6880010-0070

FIG. 7 GENERATOR

GENERATRICE

REF. NO.	PART NO. NO. PIECES	DESCRIPTION DESCRIPTION	ET	ED	REMARKS REMARQUES
1	688-85550-00	ROTOR ASSY ROTOR CPLT	1	1	
2	688-85510-01	STATOR ASSY STATOR CPLT	1	1	
3	688-85580-00	COIL, PULSER BOBINE, PULSEUR	1	1	
4	97013-06030	BOLT BOULON	3	3	
5	92903-06600	WASHER, PLATE RONDELLE, PLATE	3	3	
6	90464-12M00	CLAMP BRIDE	1	1	
7	90280-05015	KEY, WOODRUFF CLAVETTE, DEMI-LUNE	1	1	
8	90170-20137	NUT ECROU	1	1	
9	90201-21M18	WASHER, PLATE RONDELLE, PLATE	1	1	
10	688-41611-00	RETAINER, MAGNETO BASE FLASQUE, PLATEAU D'AVANCE	1	1	
11	688-41612-00	RETAINER, MAGNETO BASE FLASQUE, PLATEAU D'AVANCE	3	3	
12	90159-06M31	SCREW, WITH WASHER VIS, AVEC RONDELLE	3	3	
13	688-81332-01	PLATE, TIMING PLATEAU, ALLUMAGE	1	1	
14	97095-06010	BOLT BOULON	1	1	
15	92995-06600	WASHER RONDELLE	1	1	



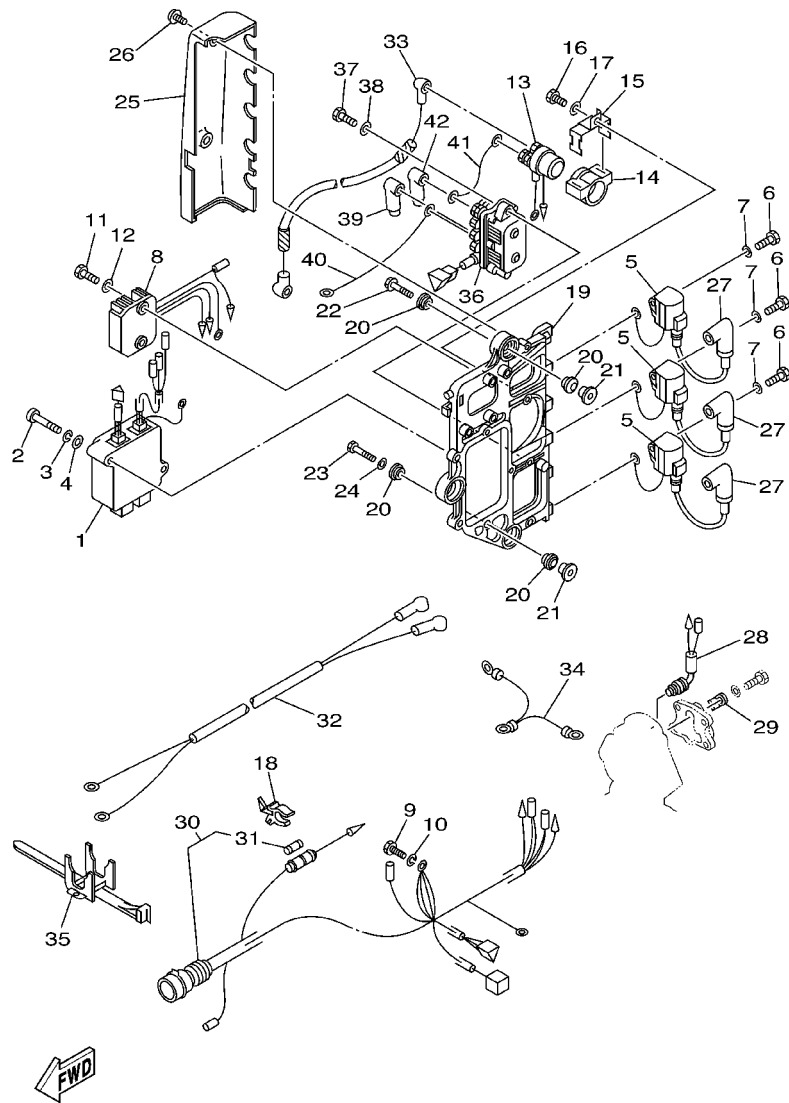
**FWD**  
6880010-0081

**FIG. 8 ELECTRICAL**

**ELECTRIQUE**

REF. NO.	PART NO. NO. PIECES	DESCRIPTION DESCRIPTION	ET	ED	REMARKS REMARQUES
1	688-85540-00	C.D.I. UNIT ASSY BLOC C.D.I.	1	1	
2	97880-06040	SCREW, PAN HEAD VIS, TETE TRONCONIQUE	2	2	
3	92990-06100	WASHER, SPRING RONDELLE, GROWER	2	2	
4	92990-06600	WASHER, PLATE RONDELLE, PLATE	2	2	
5	697-85570-00	IGNITION COIL ASSY BOBINE D'ALLUMAGE (ENS.)	3	3	
6	97095-06020	BOLT BOULON	3	3	
7	92995-06600	WASHER RONDELLE	3	3	
8	6H0-81960-00	RECTIFIER & REGULATOR ASSY REDRESSEUR REGULATEUR CPLT	1	1	
9	97095-06012	BOLT BOULON	1	1	
10	92995-06100	WASHER, SPRING RONDELLE, GROWER	1	1	
11	97095-06020	BOLT BOULON	2	2	
12	92995-06600	WASHER RONDELLE	2	2	
13	6G1-81941-10	STARTER RELAY ASSY LANCEUR RELAIS (ENS.)	1	1	
14	6G1-81952-00	HOLDER, RELAY SUPPORT, RELAIS	1	1	
15	6E9-81945-70	PLATE, SWITCH FITTING PLAQUE, FIXATION DU RELAIS	1	1	
16	97013-06016	BOLT BOULON	1	1	
17	92903-06600	WASHER, PLATE RONDELLE, PLATE	1	1	
18	6G5-82152-00	HOLDER, FUSE SUPPORT, FUSIBLE	1	1	
19	6H1-85542-00-94	BRACKET SUPPORT	1	1	
20	90480-09M25	GROMMET PASSE-FIL	6	6	
21	90387-06M03	COLLAR COLLERETTE	3	3	
22	90119-06M75	BOLT, WITH WASHER BOULON, AVEC RONDELLE	2	2	
23	90109-06M39	BOLT BOULON	1	1	
24	90201-06M31	WASHER, PLATE RONDELLE, PLATE	1	1	
25	6H1-81916-00	COVER, TERMINAL COUVERCLE, BORNE	1	1	
26	90159-06M11	SCREW, WITH WASHER VIS, AVEC RONDELLE	2	2	
27	6G1-82370-21	PLUG CAP ASSY ANTIPARASITE	3	3	





6880010-0081

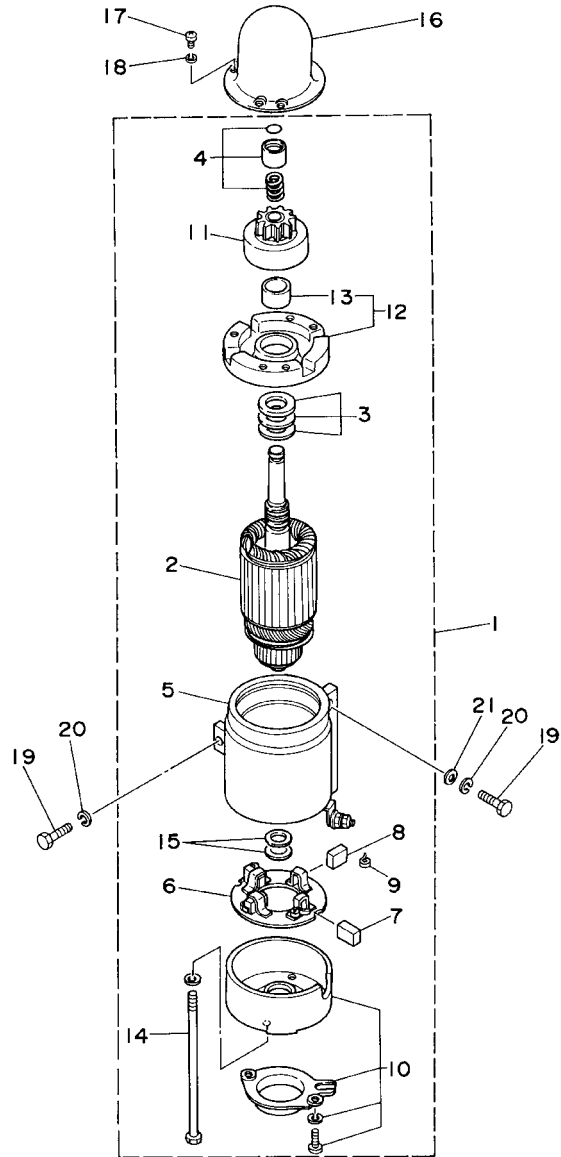
FIG. 8 ELECTRICAL

ELECTRIQUE

REF. NO.	PART NO. NO. PIECES	DESCRIPTION DESCRIPTION	ET	ED	REMARKS REMARQUES
28	688-82560-10	THERMO SWITCH ASSY THERMO-CONTACT COMPLET	1	1	
29	688-82588-01	PLATE PLAQUE	1	1	
30	688-82590-17	WIRE HARNESS ASSY FAISCEAU DE FILS COMPLET	1		
	688-82590-04	WIRE HARNESS ASSY FAISCEAU DE FILS COMPLET		1	
31	663-82151-00	.FUSE (12V-20A) .FUSIBLE (12V-20A)	1	1	
32	6H0-82105-02	WIRE HARNESS FAISCEAU DE FILS	1	1	
33	6H0-82117-00	WIRE, LEAD FIL	1	1	
34	697-82519-00	WIRE, EARTH LEAD FIL, MASSE	1	1	
35	688-82594-00	CLAMP BRIDE	1	1	
36	61A-81950-00	RELAY ASSY RELAIS COMPLET	1		
37	97095-06025	BOLT BOULON	2		
38	92995-06600	WASHER RONDELLE	2		
39	682-82119-01	COVER, LEAD WIRE GARNITURE, FIL	2		
40	6H0-81949-10	WIRE, LEAD FIL	1		
41	6H0-81949-01	WIRE, LEAD FIL	1		
42	682-82119-01	COVER, LEAD WIRE GARNITURE, FIL	1		

FIG. 9 STARTING MOTOR

DEMARREUR ELECTRIQUE



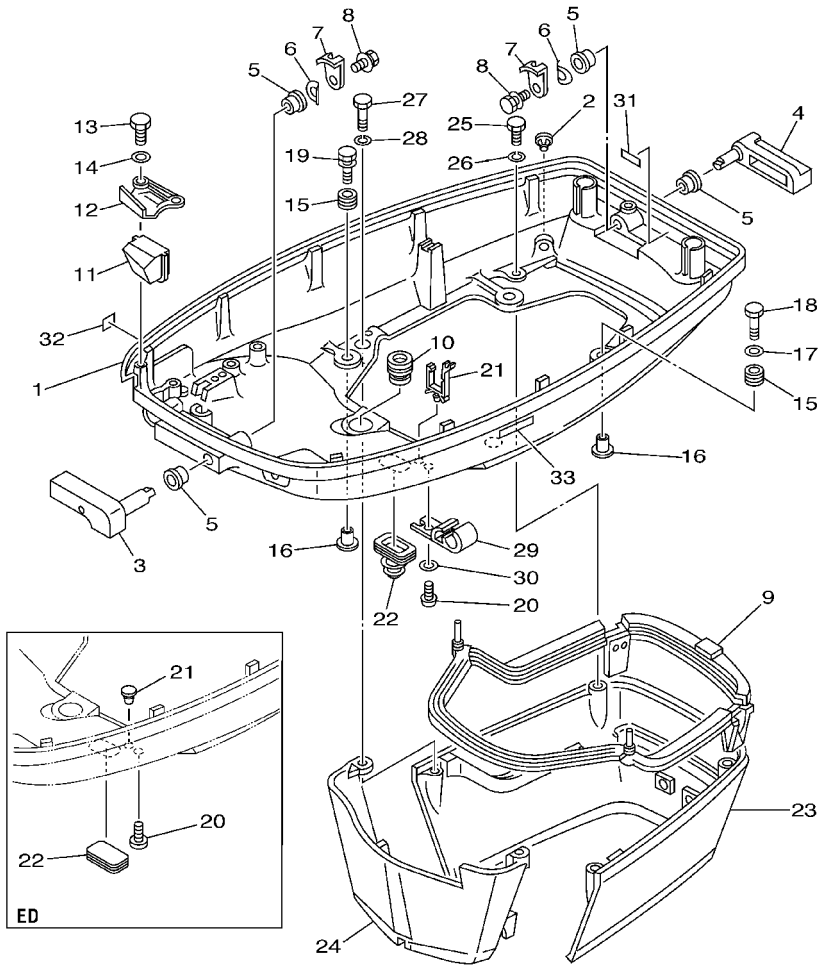
REF. NO.	PART NO. NO. PIECES	DESCRIPTION DESCRIPTION	U	D	REMARKS REMARQUES
1	688-81800-12	STARTING MOTOR ASSY DEMARREUR ELECTRIQUE COMPLET	1	1	
2	676-81850-11	.ARMATURE ASSY .INDUIT	1	1	
3	676-81809-10	.WASHER KIT .JEU DE RONDELLES	1	1	
4	676-81857-10	.PINION STOPPER SET .BUTEE PIGNON	1	1	
5	688-81810-11	.STATOR ASSY STATOR COMPLET	1	1	
6	663-81840-11	.BRUSH HOLDER ASSY .SUPPORT DE CHARBON	1	1	
7	663-81811-11	.BRUSH 1 .CHARBON 1	2	2	
8	663-81812-11	.BRUSH 2 .CHARBON 2	2	2	
9	663-81813-10	.SPRING, BRUSH .RESSORT, DE CHARBON	4	4	
10	663-81820-12	.REAR BRACKET ASSY .SUPPORT ARRIERE COMPLET	1	1	
11	663-81832-11	.PINION ASSY .PIGNON D'ATTAQUE (ENS.)	1	1	
12	688-81830-11	.FRONT BRACKET ASSY .SUPPORT AVANT	1	1	
13	688-81831-00	.METAL, FRONT .METAL, AVANT	1	1	
14	663-81826-10	.BOLT .BOULON	2	2	
15	688-81824-00	.WASHER 2 .RONDELLE 2	2	2	
16	688-81842-00	COVER COUVERCLE	1	1	
17	97880-04010	SCREW, PAN HEAD VIS, TETE TRONCONIQUE	3	3	
18	92990-04600	WASHER, PLATE RONDELLE, PLATE	3	3	
19	97013-08030	BOLT BOULON	3	3	
20	92903-08100	WASHER, SPRING RONDELLE, GROWER	3	3	
21	92990-08600	WASHER, PLATE RONDELLE, PLATE	2	2	



6880010-5090

FIG. 10 BOTTOM COWLING

CAPOT INFERIEUR

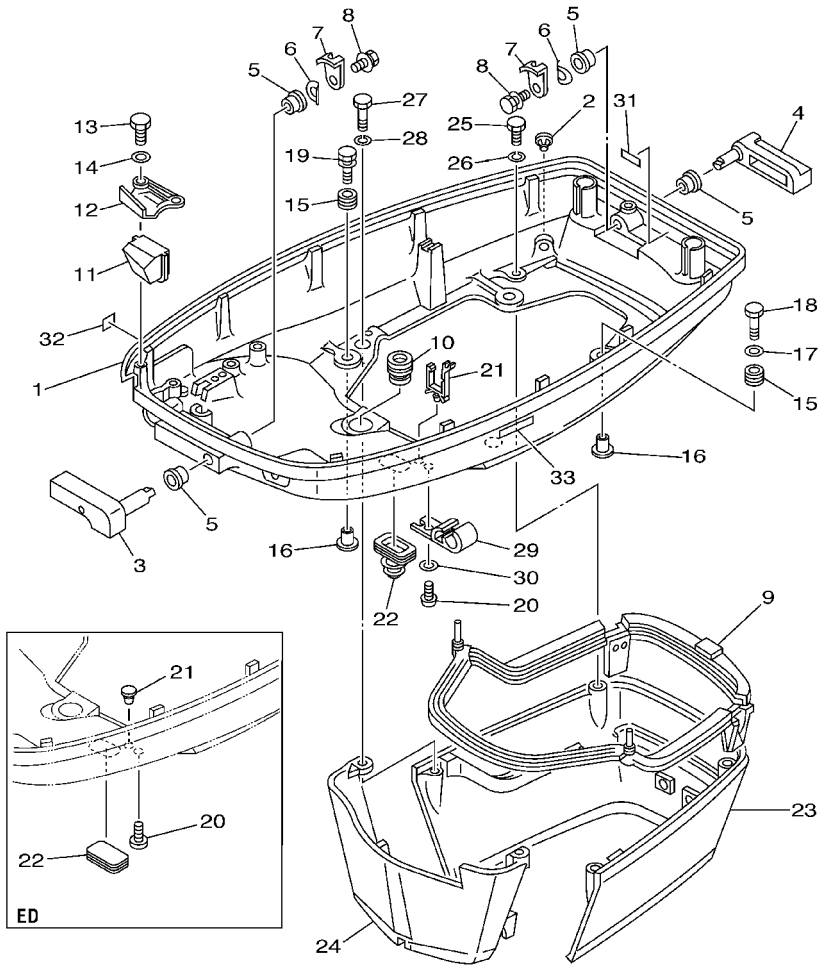


6881300-2100

REF. NO.	PART NO. NO. PIECES	DESCRIPTION DESCRIPTION	ED	ED	REMARKS REMARQUES
1	688-42711-04-4D	COWLING, BOTTOM CUVETTE	1	1	
2	6H3-44391-01	NIPPLE, HOSE RACCORD D'ESSENCE	1	1	
3	688-42815-01-4D	LEVER, CLAMP LEVIER, PRESSE	1	1	
4	688-42817-01-4D	LEVER, CLAMP LEVIER, PRESSE	1	1	
5	90386-13M38	BUSH DOUILLE	4	4	
6	90206-13019	WASHER, WAVE RONDELLE, ONDULEE	2	2	
7	688-42816-00	LEVER, CLAMP LEVIER, PRESSE	2	2	
8	90119-06M09	BOLT, WITH WASHER BOULON, AVEC RONDELLE	2	2	
9	688-42716-02	RUBBER, SEAL 1 JOINT EN CAOUTCHOUC 1	1	1	
10	663-42724-00	GROMMET PASSE-FIL	1	1	
11	688-42725-10	GROMMET PASSE-FIL	1		
	688-42725-02	GROMMET PASSE-FIL		1	
12	688-42738-01-94	PLATE, FITTING ETRIER	1	1	
13	97095-06016	BOLT BOULON	2	2	
14	92995-06600	WASHER RONDELLE	2	2	
15	90480-09M12	GROMMET PASSE-FIL	4	4	
16	90387-06M69	COLLAR COLLERETTE	4	4	
17	90201-06416	WASHER, PLATE RONDELLE, PLATE	1	1	
18	97095-06030	BOLT BOULON	1	1	
19	90119-06M61	BOLT, WITH WASHER BOULON, AVEC RONDELLE	3	3	
20	90157-06M01	SCREW, PAN HEAD VIS, TETE TRONCONIQUE	1		
	90338-05M03	PLUG PLOT		1	
21	90464-09M13	CLAMP BRIDE	1		
	703-82119-00	COVER, LEAD WIRE GARNITURE, FIL		1	
22	688-42726-10	GROMMET PASSE-FIL	1		
	6H4-42726-00	GROMMET PASSE-FIL		1	
23	688-42741-01-4D	APRON CAPOT LATERAL	1	1	

FIG. 10 BOTTOM COWLING

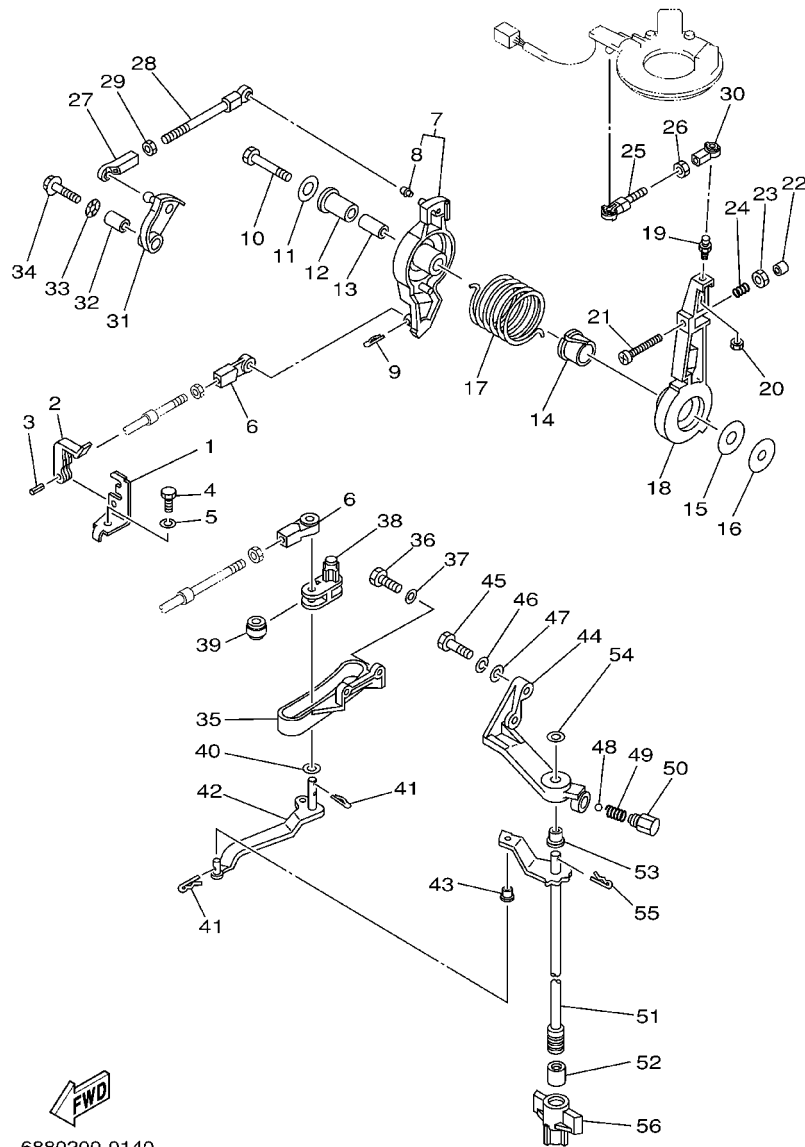
CAPOT INFERIEUR



REF. NO.	PART NO. NO. PIECES	DESCRIPTION DESCRIPTION	ET	ED	REMARKS REMARQUES
24	688-42771-01-4D	APRON CAPOT LATERAL	1	1	
25	97095-06020	BOLT BOULON	2	2	
26	92995-06100	WASHER, SPRING RONDELLE, GROWER	2	2	
27	97095-06030	BOLT BOULON	2	2	
28	92995-06100	WASHER, SPRING RONDELLE, GROWER	2	2	
29	6E5-24367-01	CLAMP, FUEL PIPE 2 COLLIER DE DURITE A ESSENCE	1		
30	92990-06600	WASHER, PLATE RONDELLE, PLATE	1		
31	6G5-42791-10	MARK 1 ETIQUETTE 1	1	1	
32	6A1-28176-00	LABEL, CAUTION ETIQUETTE, RECOMMANDATION	1	1	
33	6E3-8257H-00	PLATE, MARK PLAQUE, ADHESIF	1	1	



6881300-2100

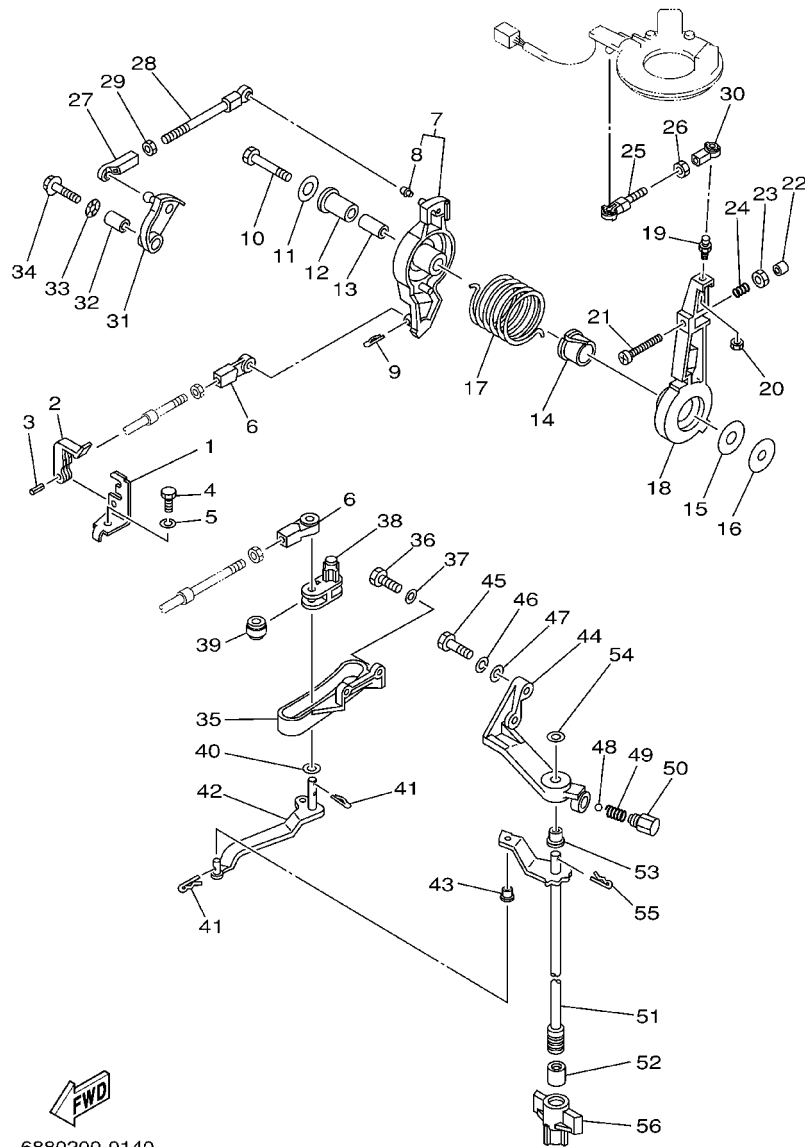


6880200-0140

FIG. 11 CONTROL

COMMANDE

REF. NO.	PART NO. NO. PIECES	DESCRIPTION DESCRIPTION	LT	ED	REMARKS REMARQUES
1	663-48531-00	BRACKET, REMOTE CONTROL ETRIER 1, COMMANDE A DISTANCE	1	1	
2	663-48538-00	CLAMP, CABLE 1 COLLIER	1	1	
3	91690-30012	PIN, SPRING GOUPILE, ELASTIQUE	1	1	
4	97095-08016	BOLT BOULON	1	1	
5	92995-08100	WASHER RONDELLE	1	1	
6	663-48344-00	CABLE END, REMOTE CONTROL CHAPE CABLE	2	2	
7	688-41632-01-94	LEVER, MAGNETO CONTROL LEVIER, COMMANDE D'AVANCE	1	1	
8	662-41214-01	JOINT 1 .RACCORD 1	1	1	
9	90468-18008	CLIP JONC	1	1	
10	97095-08045	BOLT BOULON	1	1	
11	90201-08M23	WASHER, PLATE RONDELLE, PLATE	1	1	
12	90386-12089	BUSH DOUILLE	1	1	
13	90387-08M16	COLLAR COLLERETTE	1	1	
14	90386-22M13	BUSH DOUILLE	1	1	
15	90202-12092	WASHER, PLATE RONDELLE, PLATE	1	1	
16	90201-08M13	WASHER, PLATE RONDELLE, PLATE	1	1	
17	90508-29M05	SPRING, TORSION RESSORT, TORSION	1	1	
18	688-41631-01-94	LEVER, MAGNETO CONTROL LEVIER, COMMANDE D'AVANCE	1	1	
19	663-85518-00	JOINT, BALL JOINT SPHERIQUE	1	1	
20	95303-05700	NUT ECROU	1	1	
21	90157-06013	SCREW, PAN HEAD VIS, TETE TRONCONIQUE	1	1	
22	688-44194-00	CAP CAPUCHON	1	1	
23	95303-06600	NUT ECROU	1	1	
24	90501-16M12	SPRING, COMPRESSION RESSORT, COMPRESSION	1	1	
25	682-41237-50	JOINT, LINK RACCORD	1	1	
26	95380-05600	NUT ECROU	1	1	
27	682-41237-00	JOINT, LINK RACCORD	1	1	



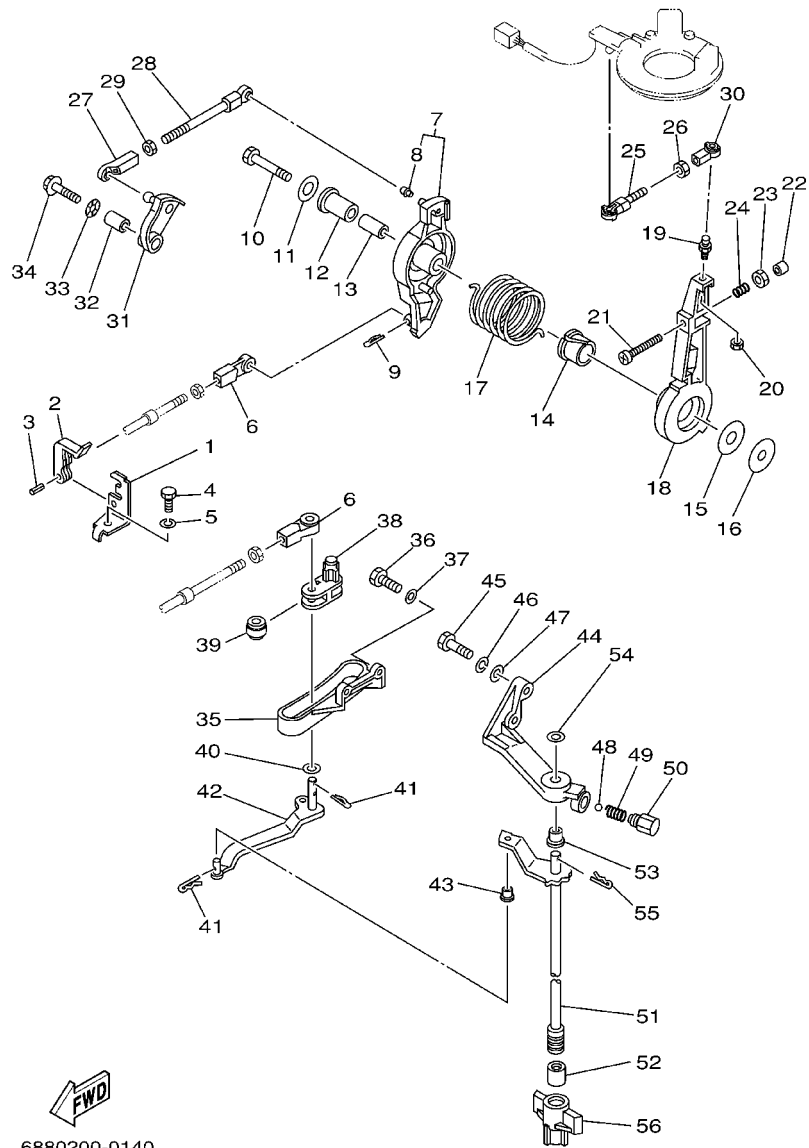
6880200-0140

FIG. 11 CONTROL

COMMANDE

REF. NO.	PART NO. NO. PIECES	DESCRIPTION DESCRIPTION	ET	ED	REMARKS REMARQUES
28	688-41211-01	LINK, ACCEL. BIELLETTE, ACCELERATION	1	1	
29	95380-05600	NUT ECROU	1	1	
30	682-41237-00	JOINT, LINK RACCORD	1	1	
31	688-41213-00	CAM, ACCEL. CAME, ACCELERATION	1	1	
32	90387-06M17	COLLAR COLLERETTE	1	1	
33	90206-10M04	WASHER, WAVE RONDELLE, ONDULEE	1	1	
34	90119-06M24	BOLT, WITH WASHER BOULON, AVEC RONDELLE	1	1	
35	688-44117-00-94	BRACKET SUPPORT	1	1	
36	97013-06020	BOLT BOULON	2	2	
37	92903-06600	WASHER, PLATE RONDELLE, PLATE	2	2	
38	688-44124-00	LINK, SHIFT ROD BIELLETTE	1	1	
39	688-44122-00	BUSHING, SHIFT ROD LEVER DOUILLE, LEVIER D'EMBRAYAGE	1	1	
40	90202-07M07	WASHER, PLATE RONDELLE, PLATE	1	1	
41	90468-18008	CLIP JONC	3	3	
42	688-44121-02	LEVER, SHIFT ROD LEVIER, TIGE D'INVERSION	1	1	
43	90386-06M12	BUSH DOUILLE	1	1	
44	688-44118-00-94	BRACKET SUPPORT	1	1	
45	97013-08030	BOLT BOULON	2	2	
46	92903-08100	WASHER, SPRING RONDELLE, GROUER	2	2	
47	92903-08600	WASHER, PLATE RONDELLE, PLATE	2	2	
48	93501-04M02	BALL BILLE	1	1	
49	90501-12082	SPRING, COMPRESSION RESSORT, COMPRESSION	1	1	
50	648-42715-00	BUSHING COUSSINET	1	1	
51	688-44120-12	HANDLE GEAR SHIFT ASSY LEVIER D'EMBRAYAGE	1	1	L
52	696-44147-00	BOOT, SHIFT ROD SOUFFLET, TIGE D'INVERSION	1	1	
53	90386-08006	BUSH DOUILLE	1	1	
54	92990-08200	WASHER, PLAIN RONDELLE, PLATE	1	1	

D1



6880200-0140

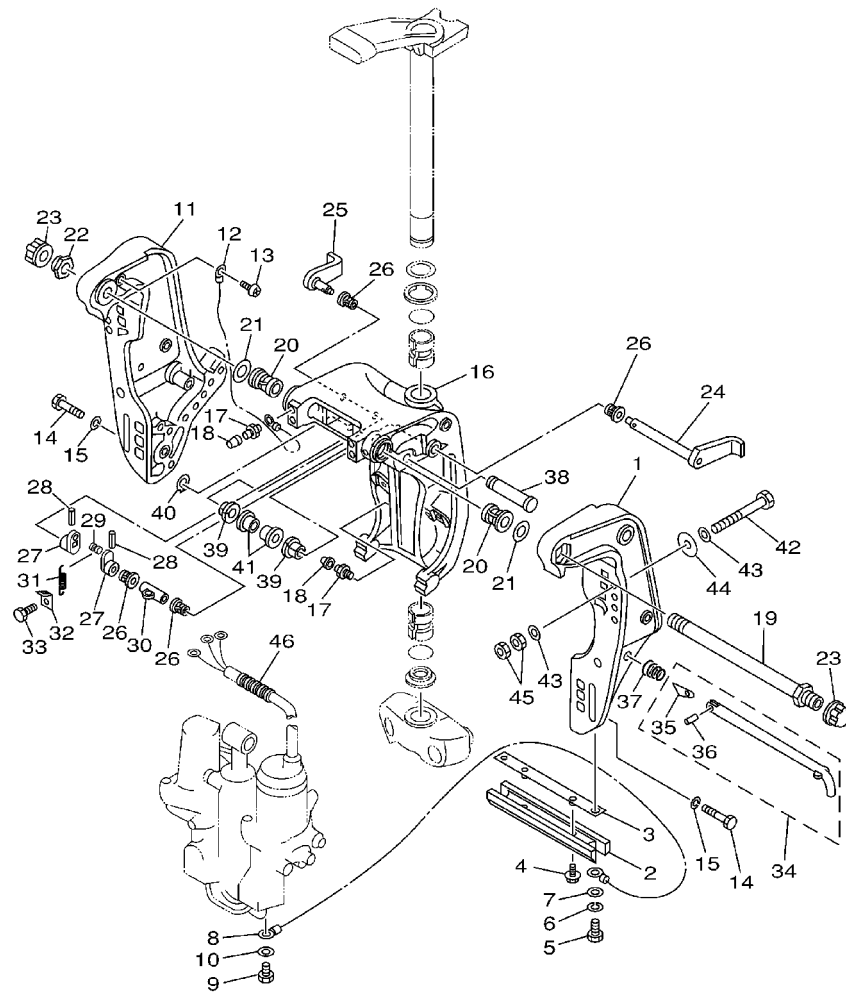
FIG. 11 CONTROL

COMMANDE

REF. NO.	PART NO. NO. PIECES	DESCRIPTION DESCRIPTION	ET	ED	REMARKS REMARQUES
55	90468-18008	CLIP JONC	1	1	
56	697-43662-00	GUIDE, REVERSE ROD GUIDE, TIGE DE VERROUILLAGE	1	1	
-----					
-----					
-----					
-----					
-----					
-----					
-----					
-----					

FIG. 12 BRACKET 1

SUPPORT 1



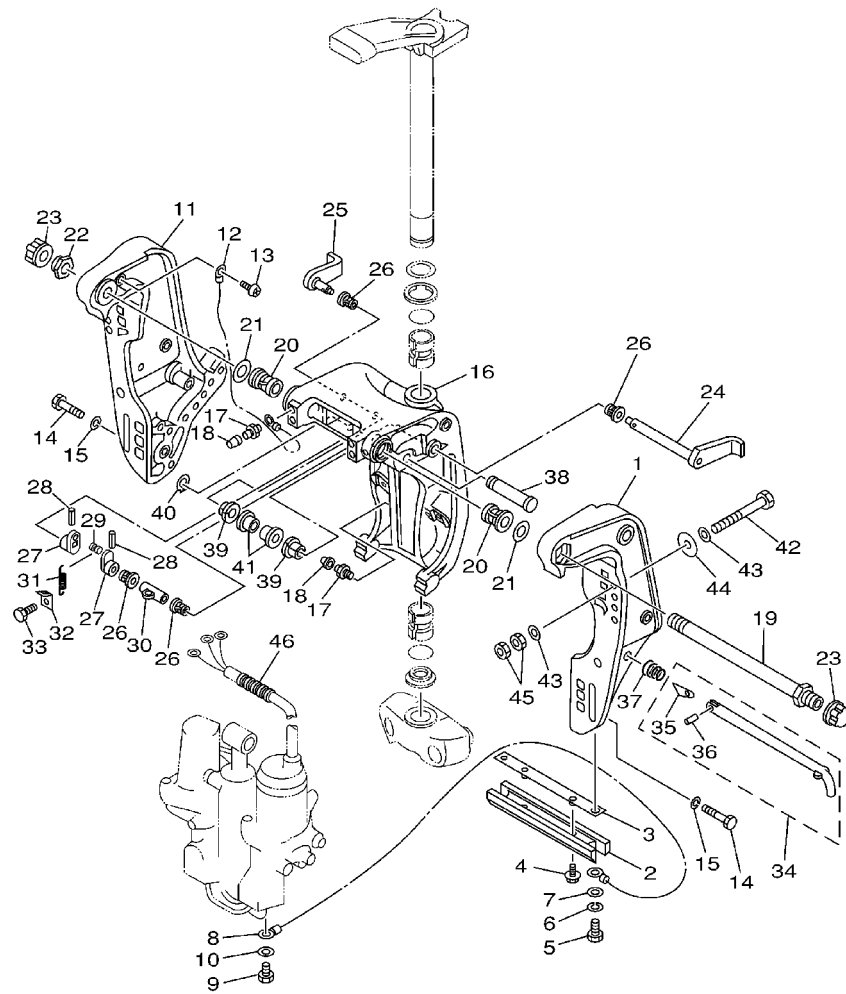
6880010-0121

REF. NO.	PART NO. NO. PIECES	DESCRIPTION DESCRIPTION	ET	ED	REMARKS REMARQUES
1	6H1-43111-01-4D	BRACKET, CLAMP PRESSE	1		
2	6H1-45251-03	ANODE ANODE	1		
3	6H1-44526-00	PLATE PLAQUE	1		
4	90119-06M29	BOLT, WITH WASHER BOULON, AVEC RONDELLE	2		
5	97095-06016	BOLT BOULON	2		
6	92995-06100	WASHER, SPRING RONDELLE, GROWER	2		
7	92995-06600	WASHER RONDELLE	2		
8	6H1-82148-00	WIRE, LEAD 4 FIL 4	1		
9	97095-06010	BOLT BOULON	1		
10	92995-06600	WASHER RONDELLE	1		
11	6H1-43112-00-4D	BRACKET, CLAMP PRESSE	1		
12	6E5-82148-00	WIRE, LEAD 4 FIL 4	1		
13	97880-06012	SCREW, PAN HEAD VIS, TETE TRONCONIQUE	1		
14	97095-10045	BOLT BOULON	6		
15	92995-10100	WASHER RONDELLE	6		
16	6H1-43311-01-4D	BRACKET, SWIVEL 1 SUPPORT, PIVOT 1	1		
17	93700-06M03	NIPPLE, GREASE GRAISSEUR	3		
18	663-45119-00	CAP, GREASE NIPPLE CAPUCHON, GRAISSEUR	3		
19	688-43131-03	BOLT, CLAMP BRACKET BOULON, PRESSE	1		
20	90386-22M15	BUSH DOUILLE	2		
21	90201-22M67	WASHER, PLATE RONDELLE, PLATE	2		
22	90185-22043	NUT, SELF-LOCKING ECROU, AUTO-BLOCANT	1		
23	6G5-43145-01	CAP, CLAMP BRACKET CAPUCHON, PRESSE	2		
24	6H1-43181-01	LEVER, TILT STOP LEVIER, VERROUILLAGE RELEVAGE	1		
25	6H1-43185-01	LEVER, TILT STOP LEVIER, VERROUILLAGE RELEVAGE	1		
26	90386-10M16	BUSH DOUILLE	4		
27	6G5-43148-00	COLLAR, DISTANCE ENTRETROISE	2		



FIG. 12 BRACKET 1

SUPPORT 1

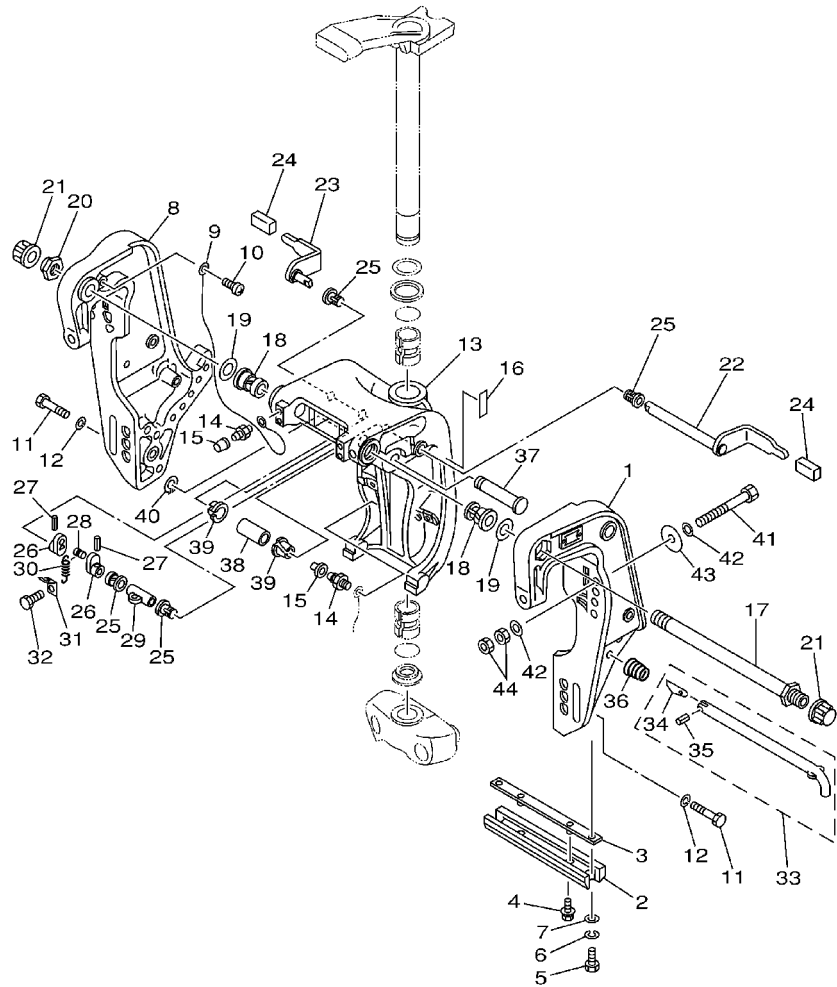


6880010-0121

REF. NO.	PART NO. NO. PIECES	DESCRIPTION DESCRIPTION	ET	ED	REMARKS REMARQUES
28	91690-30020	PIN, SPRING GOUPILLE, ELASTIQUE	2		
29	90249-06M19	PIN GOUPILLE	1		
30	90387-10M02	COLLAR COLLERETTE	1		
31	90506-14M24	SPRING, TENSION RESSORT, TENSION	1		
32	6G5-43144-00	HOOK, SPRING CROCHET	1		
33	97095-06010	BOLT BOULON	1		
34	688-43160-01	TILT ROD ASSY BROCHE D'INCLINAISON (ENS.)	1		
35	688-43165-00	.PLATE, TILT LOCK .TAQUET, BROCHE INCLINAISON	1		
36	91690-30012	.PIN, SPRING .GOUPILLE, ELASTIQUE	1		
37	90502-16M02	SPRING, CONICAL RESSORT, CONIQUE	1		
38	6E5-43126-02	PIN, UPPER SHOCK MOUNT AXE, SUPERIEUR AMORTISSEUR	1		
39	90386-18M35	BUSH DOUILLE	2		
40	93410-18M02	CIRCLIP CIRCLIP, TYPE S	1		
41	90386-18M63	BUSH DOUILLE	2		
42	90101-12M65	BOLT BOULON	4		
43	92995-12200	WASHER RONDELLE	8		
44	90201-12426	WASHER, PLATE RONDELLE, PLATE	4		
45	95380-12600	NUT ECROU	8		
46	90440-14M00	PIPE DURITE	1		

FIG. 13 BRACKET 2

SUPPORT 2



REF. NO.	PART NO. NO. PIECES	DESCRIPTION DESCRIPTION	ET	ED	REMARKS REMARQUES
1	688-43111-13-4D	BRACKET, CLAMP PRESSE		1	
2	6H1-45251-03	ANODE ANODE		1	
3	6H1-44526-00	PLATE PLAQUE		1	
4	90119-06M29	BOLT, WITH WASHER BOULON, AVEC RONDELLE		2	
5	97095-06016	BOLT BOULON		2	
6	92995-06100	WASHER, SPRING RONDELLE, GROWER		2	
7	92995-06600	WASHER RONDELLE		2	
8	688-43112-12-4D	BRACKET, CLAMP PRESSE		1	
9	6E5-82148-00	WIRE, LEAD 4 FIL 4		1	
10	97880-06012	SCREW, PAN HEAD VIS, TETE TRONCONIQUE		1	
11	97095-10045	BOLT BOULON		6	
12	92995-10100	WASHER RONDELLE		6	
13	6H1-43311-01-4D	BRACKET, SWIVEL 1 SUPPORT, PIVOT 1		1	
14	93700-06M03	NIPPLE, GREASE GRAISSEUR		3	
15	663-45119-00	CAP, GREASE NIPPLE CAPUCHON, GRAISSEUR		3	
16	688-43691-01	INDICATOR, TILT ETIQUETTE, RELEVAGE		1	
17	688-43131-03	BOLT, CLAMP BRACKET BOULON, PRESSE		1	
18	90386-22M15	BUSH DOUILLE		2	
19	90201-22M67	WASHER, PLATE RONDELLE, PLATE		2	
20	90185-22043	NUT, SELF-LOCKING ECROU, AUTO-BLOCANT		1	
21	6G5-43145-01	CAP, CLAMP BRACKET CAPUCHON, PRESSE		2	
22	688-43181-10	LEVER, TILT STOP LEVIER, VERROUILLAGE RELEVAGE		1	
23	688-43185-10	LEVER, TILT STOP LEVIER, VERROUILLAGE RELEVAGE		1	
24	663-43318-00	COVER CAPUCHON		2	
25	90386-10M16	BUSH DOUILLE		4	
26	6G5-43148-00	COLLAR, DISTANCE ENTRETOISE		2	
27	91690-30020	PIN, SPRING GOUPILLE, ELASTIQUE		2	

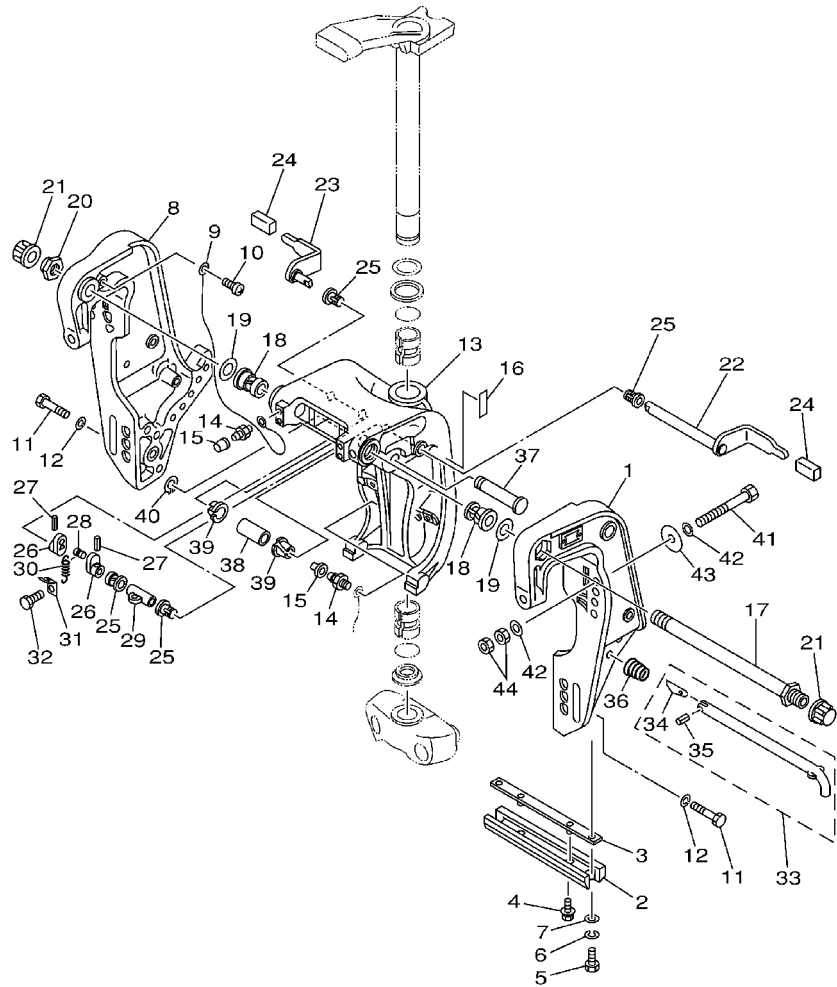


6920100-0141

D5

FIG. 13 BRACKET 2

SUPPORT 2



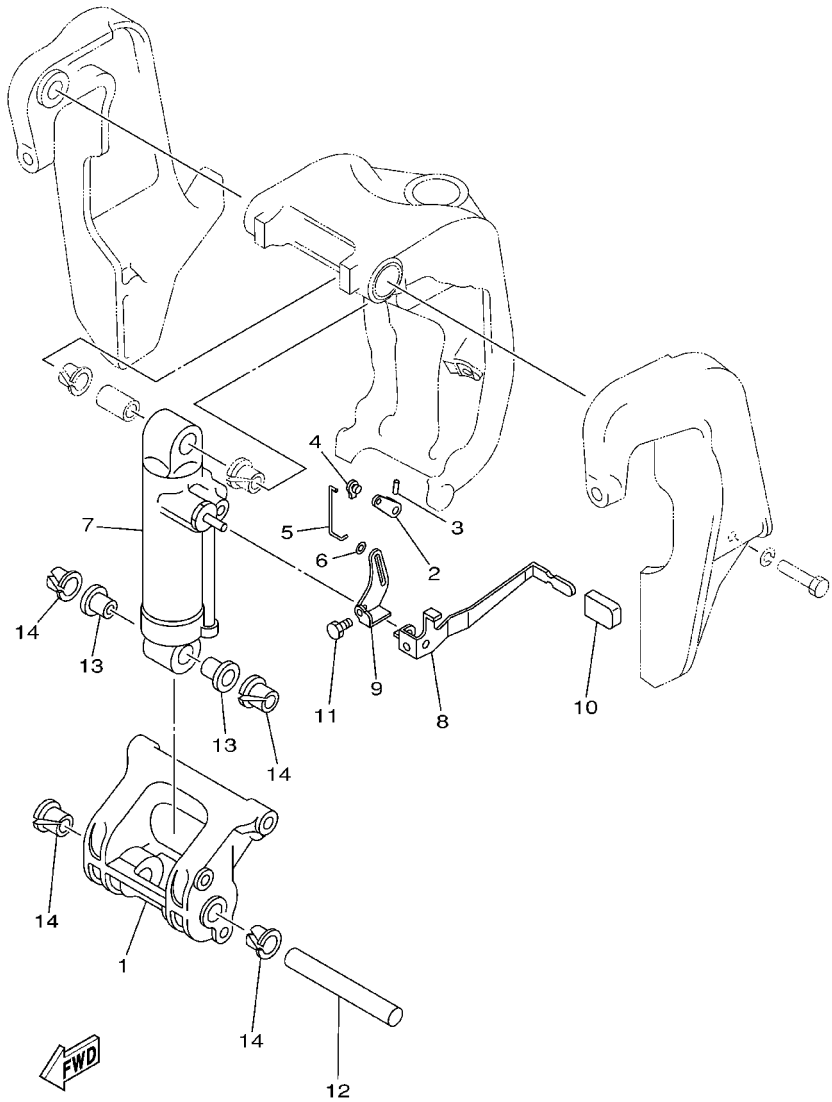
REF. NO.	PART NO. NO. PIECES	DESCRIPTION DESCRIPTION	ET	ED	REMARKS REMARQUES
28	90249-06M19	PIN GOUILLE		1	
29	90387-10M02	COLLAR COLLERETTE		1	
30	90506-14M24	SPRING, TENSION RESSORT, TENSION		1	
31	6G5-43144-00	HOOK, SPRING CROCHET		1	
32	97095-06010	BOLT BOULON		1	
33	688-43160-01	TILT ROD ASSY BROCHE D'INCLINAISON (ENS.)		1	
34	688-43165-00	.PLATE, TILT LOCK .TAQUET, BROCHE INCLINAISON		1	
35	91690-30012	.PIN, SPRING .GOUILLE, ELASTIQUE		1	
36	90502-16M02	SPRING, CONICAL RESSORT, CONIQUE		1	
37	6E5-43126-02	PIN, UPPER SHOCK MOUNT AXE, SUPERIEUR AMORTISSEUR		1	
38	90386-18M21	BUSH DOUILLE		1	
39	90386-18M35	BUSH DOUILLE		2	
40	93410-18M02	CIRCLIP CIRCLIP, TYPE S		1	
41	90101-12M65	BOLT BOULON		4	
42	92995-12200	WASHER RONDELLE		8	
43	90201-12426	WASHER, PLATE RONDELLE, PLATE		4	
44	95380-12600	NUT ECROU		8	



6920100-0141

FIG. 14 BRACKET 3

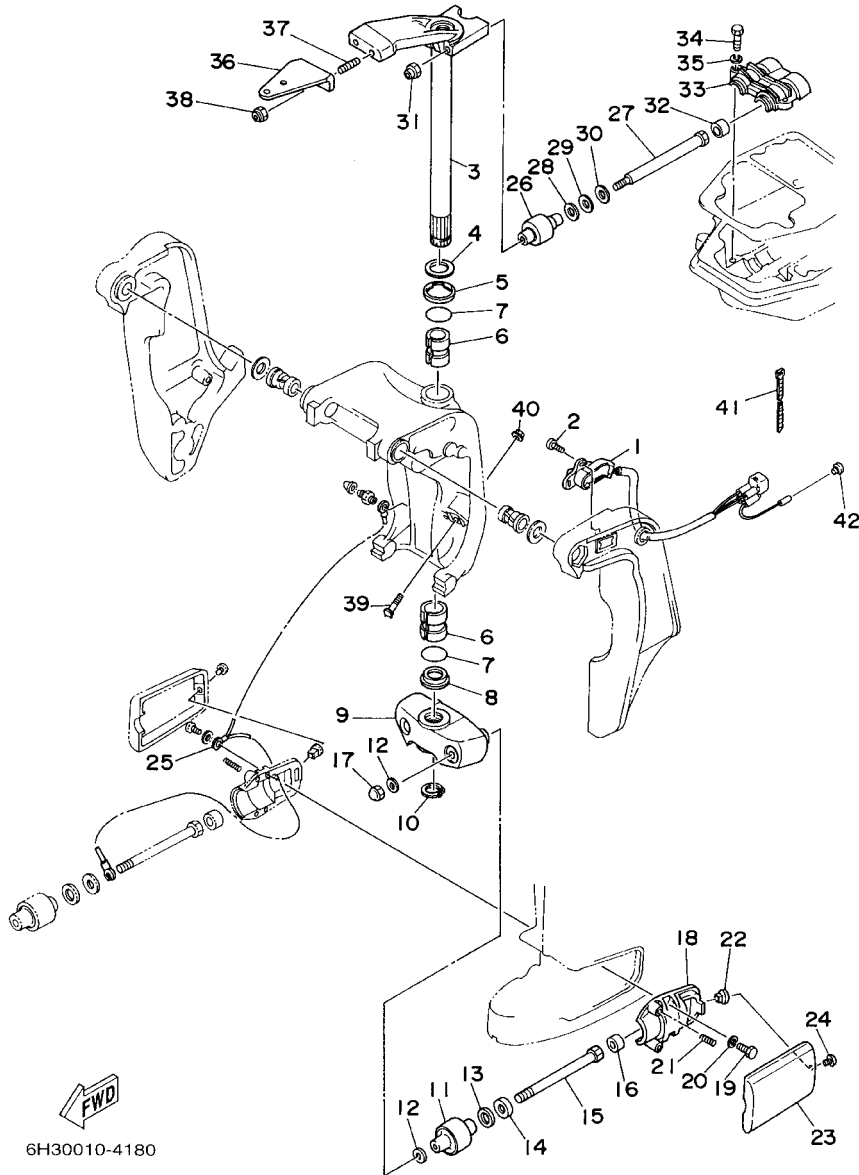
SUPPORT 3



REF. NO.	PART NO. NO. PIECES	DESCRIPTION DESCRIPTION	ET	ED	REMARKS REMARQUES
1	688-43128-01-4D	SPACER, CLAMP BRACKET ENTRETOISE		1	
2	688-43186-00	LEVER LEVIER		1	
3	91690-30020	PIN, SPRING GOUPILLE, ELASTIQUE		1	
4	6J8-41262-00	JOINT, CHOKE LEVER RACCORD, LEVIER DE STARTER		1	
5	688-43616-00	ROD, TILT LOCK TIGE		1	
6	90202-03M51	WASHER, PLATE RONDELLE, PLATE		1	
7	688-43170-04-4D	SHOCK ABSORBER ASSY AMORTISSEUR (ENS.)		1	
8	688-43631-10	LEVER, TILT LEVIER, INCLINAISON		1	
9	688-43651-00	LEVER, REVERSE LOCK 1 CROCHET, VERROUILLAGE DE MARCH		1	
10	682-43318-01	COVER CAPUCHON		1	
11	97080-06010	BOLT BOULON		1	
12	688-43124-02	PIN, LOWER SHOCK MOUNT AXE, INFERIEUR AMORTISSEUR		1	
13	90386-18M63	BUSH DOUILLE		2	
14	90386-18M35	BUSH DOUILLE		4	

FIG. 15 BRACKET 4

SUPPORT 4

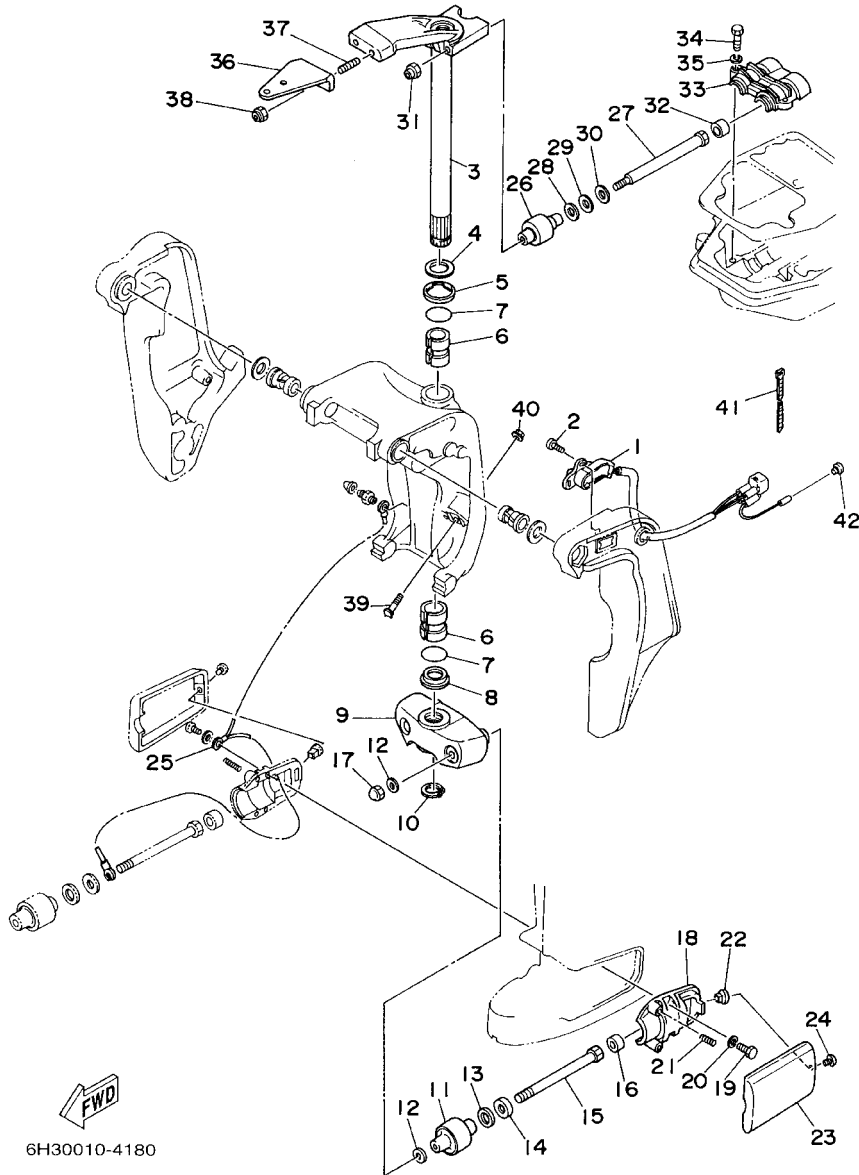


6H30010-4180

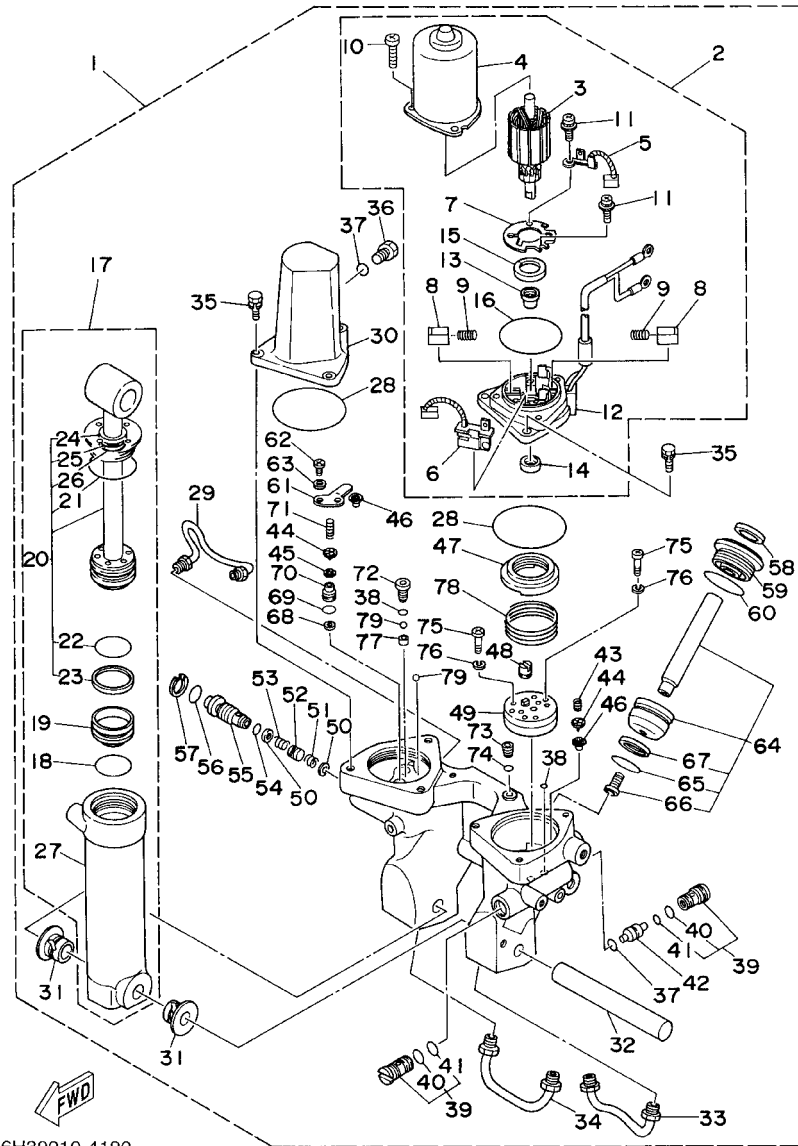
REF. NO.	PART NO. NO. PIECES	DESCRIPTION DESCRIPTION	ET	ED	REMARKS REMARQUES
1	6H1-83672-12	TRIM SENDER INCLINER RACCORD	1		
2	97885-06016	SCREW, PAN HEAD VIS, TETE TRONCONIQUE	2		
3	688-42510-02-4D	STEERING BRACKET ASSY DIRECTION SUPPORT (ENS.)	1	1	
4	90201-30M00	WASHER, PLATE RONDELLE, PLATE	1	1	
5	90386-30M78	BUSH DOUILLE	1	1	
6	90386-30M77	BUSH DOUILLE	2	2	
7	93210-29M94	O-RING JOINT TORIQUE	2	2	
8	90386-30M60	BUSH DOUILLE	1	1	
9	663-44551-02-4D	HOUSING, LOWER MOUNT RUBBER BOITIER, SILENT-BLOC INFÉRIEUR	1	1	
10	93410-28M06	CIRCLIP CIRCLIP, TYPE S	1	1	
11	687-44555-00-94	MOUNT DAMPER, LOWER SIDE SILENT-BLOC, INFÉRIEUR LATERAL	2	2	
12	90201-12M16	WASHER, PLATE RONDELLE, PLATE	4	4	
13	90202-25M04	WASHER, PLATE RONDELLE, PLATE	2	2	
14	90201-13M19	WASHER, PLATE RONDELLE, PLATE	2	2	
15	90109-12261	BOLT BOULON	2	2	
16	663-44575-00	DAMPER, LOWER MOUNT RUBBER SILENT-BLOC, INFÉRIEUR	2	2	
17	95380-12800	NUT, CROWN ECROU, BORGNE	2	2	
18	687-44552-02-94	HOUSING, LOWER MOUNT RUBBER BOITIER, SILENT-BLOC INFÉRIEUR	2	2	
19	97075-08025	BOLT BOULON	4	4	
20	92995-08100	WASHER RONDELLE	4	4	
21	90501-14M08	SPRING, COMPRESSION RESSORT, COMPRESSION	4	4	
22	90179-06066	NUT ECROU	2	2	
23	663-44553-01-4D	COVER, LOWER MOUNT COUVERCLE, SUSPENSION INFÉRIEUR	2	2	
24	97885-06016	SCREW, PAN HEAD VIS, TETE TRONCONIQUE	2	2	
25	688-82127-02	WIRE, LEAD 2 FIL 2	1	1	
26	688-44514-00-94	MOUNT DAMPER, UPPER SIDE SILENT-BLOC, SUPERIEUR LATERAL	2	2	
27	90101-10M49	BOLT BOULON	2	2	

FIG. 15 BRACKET 4

SUPPORT 4



REF. NO.	PART NO. NO. PIECES	DESCRIPTION DESCRIPTION	ET	ED	REMARKS REMARQUES
28	90201-20M21	WASHER, PLATE RONDELLE, PLATE	2	2	
29	90202-20M06	WASHER, PLATE RONDELLE, PLATE	2	2	
30	90201-11M22	WASHER, PLATE RONDELLE, PLATE	2	2	
31	90185-10051	NUT, SELF-LOCKING ECROU, AUTO-BLOCANT	2	2	
32	663-44575-00	DAMPER, LOWER MOUNT RUBBER SILENT-BLOC, INFERIEUR	2	2	
33	688-44511-00-94	COVER, UPPER MOUNT COUVERCLE, SUSPENSION SUPERIEUR	1	1	
34	97075-08035	BOLT BOULON	3	3	
35	92995-08100	WASHER RONDELLE	3	3	
36	688-48511-11-4D	HOOK, STEERING ATTACHE, DIRECTION	1	1	STEERING GUIDE TYPE
37	90116-10M28	BOLT, STUD GOUJON	2	2	
38	90185-10051	NUT, SELF-LOCKING ECROU, AUTO-BLOCANT	2	2	
39	6H1-43376-00	BOLT, THRUST RECEIVER BOULON	2		
40	90185-08057	NUT, SELF-LOCKING ECROU, AUTO-BLOCANT	2		
41	90465-11M10	CLAMP BRIDE	3		
42	703-82119-00	COVER, LEAD WIRE GARNITURE, FIL	1		



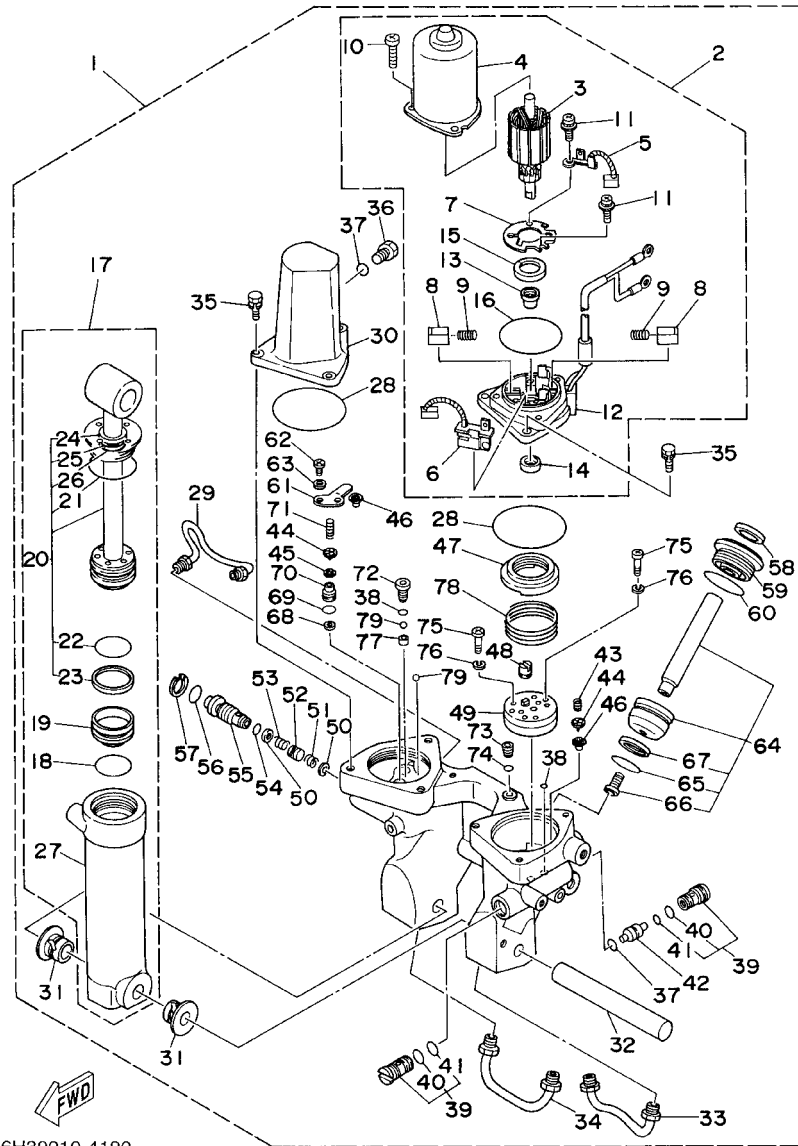
6H30010-4190

FIG. 16 POWER TRIM & TILT ASSY PUISSANCE PARER ET INCLINER

REF. NO.	PART NO. NO. PIECES	DESCRIPTION DESCRIPTION	QTY	UNIT	REMARKS REMARQUES
1	6H1-43800-16-4D	POWER TRIM & TILT ASSY PUISSANCE PARER ET INCLINER (ENS.)	1		
2	6H1-43880-02	..MOTOR ASSY ..MOTEUR (ENS.)	1		
3	6H1-43805-10	..ARMATURE ASSY ..INDUIT (ENS.)	1		
4	6H1-43804-10	..STATOR ASSY ..STATOR (ENS.)	1		
5	6H1-43891-10	..BRUSH 1 ..BALAI 1	1		
6	6H1-43892-10	..BRUSH 2 ..BALAI 2	1		
7	6H1-4380F-10	..PLATE, BRUSH HOLDER ..PLAQUE	1		
8	6H1-4380J-10	..HOLDER, BRUSH ..PORTE-BALAI	2		
9	6H1-4386K-10	..SPRING, BRUSH ..RESSORT, BALAI	2		
10	97885-05016	..SCREW, PAN HEAD ..VIS, TETE TRONCONIQUE	3		
11	97607-04310	..SCREW, PAN HEAD WITH WASHER ..VIS HEXAGONAL	2		
12	6H1-43881-10	..FRAME, END ..BATI	1		
13	6H1-4380H-10	..METAL ..METAL	1		
14	93102-08M43	..OIL SEAL ..JOINT SPY	1		
15	6H1-4380G-10	..PLATE ..PLAQUE	1		
16	6H1-43865-10	..O-RING ..JOINT TORIQUE	1		
17	6H1-43840-11	..POWER TILT ASSY ..PUISSANCE INCLINER (ENS.)	1		
18	6H1-43861-10	..O-RING ..JOINT TORIQUE	1		
19	6H1-43814-11	..PISTON, FREE ..PISTON	1		
20	6H1-43810-11	..TILT PISTON SUB ASSY ..INCLINER PISTON AUXILIAIRE (ENS.)	1		
21	6H1-43861-00	...O-RING ...JOINT TORIQUE	1		
22	6H1-43861-10	...O-RING ...JOINT TORIQUE	1		
23	6H1-43871-10	...RING, BACK UP ...SEGMENT	1		
24	6H1-43812-00	...SEAL, DUST ...JOINT	1		
25	6H1-43872-10	...RING, BACK UP ...RESSORT	1		
26	93210-18397	...O-RING ...JOINT TORIQUE	1		
27	6H1-43813-10	..CYLINDER, TILT ..CYLINDRE	1		

FIG. 16 POWER TRIM & TILT ASSY

PUISSANCE PARER ET INCLINER



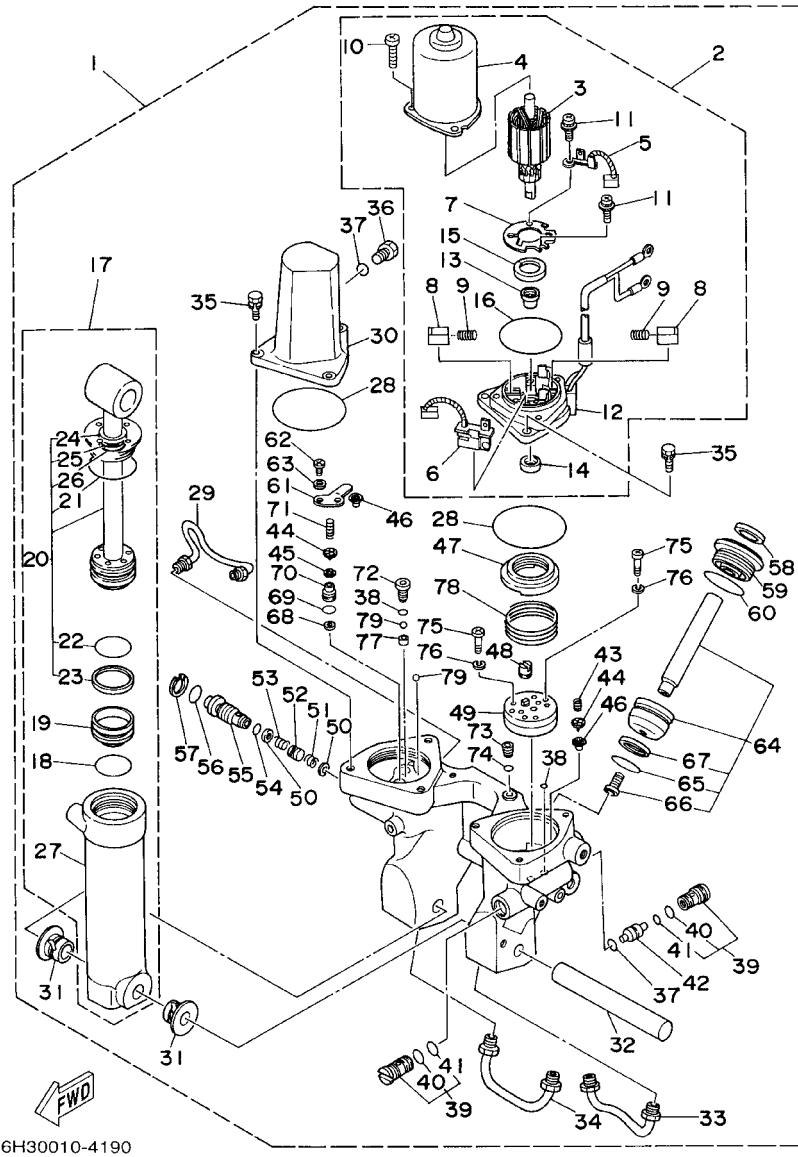
6H30010-4190

REF. NO.	PART NO. NO. PIECES	DESCRIPTION DESCRIPTION	LT	ED	REMARKS REMARQUES
28	93210-64488	.O-RING .JOINT TORIQUE	2		
29	6H1-43835-10	.PIPE .TUYAU	1		
30	6H1-43828-10	.BODY, RESERVOIR .CORPS	1		
31	90386-18M14	.BUSH .DOUILLE	2		
32	6E5-43818-00	.PIN, LOWER SHOCK MOUNT .AXE, INFERIEUR AMORTISSEUR	1		
33	6H1-43833-10	.PIPE .TUYAU	1		
34	6H1-43834-00	.PIPE .TUYAU	1		
35	97595-06420	.BOLT, WITH WASHER .VIS HEXAGONAL AVC RONDELLE	6		
36	6H1-43829-00	.PLUG, RESERVOIR .BOUCHON	1		
37	93210-09165	.O-RING .JOINT TORIQUE	2		
38	93210-064A5	.O-RING .JOINT TORIQUE	3		
39	6T4-43802-03	.VALVE SUB ASSY .CLAPET AUXILIAIRE (ENS.)	2		
40	6H1-43866-00	.O-RING .JOINT TORIQUE	1		
41	6H1-43867-00	.O-RING .JOINT TORIQUE	1		
42	6H1-43841-11	.PISTON, SHUTTLE .PISTON	1		
43	6H1-43856-10	.SPRING, DOWN RELIEF .RESSORT	1		
44	6H1-43844-10	.PIN, VALVE SUPPORT .GOUPILLE	2		
45	6H1-4384G-11	.SEAL, RELIEF VALVE .JOINT	1		
46	6H1-4384F-10	.SEAL, MAIN VALVE .JOINT	2		
47	6H1-43817-01	.FILTER 2 .FILTRE 2	1		
48	6H1-43831-10	.CONNECTOR, SHAFT .RACCORD	1		
49	6H1-43830-11	.GEAR PUMP ASSY .POMPE A PIGNON (ENS.)	1		
50	6H1-43847-00	.SEAT, MANUAL VALVE .SIEGE	2		
51	6H1-43899-00	.SPRING, MANUAL RELEASE .RESSORT	1		
52	6H1-4382A-10	.ADAPTOR 1 .ADAPTEUR 1	1		
53	6H1-43854-00	.SPRING, MANUAL RELEASE .RESSORT	1		
54	93210-10M74	.O-RING .JOINT TORIQUE	1		



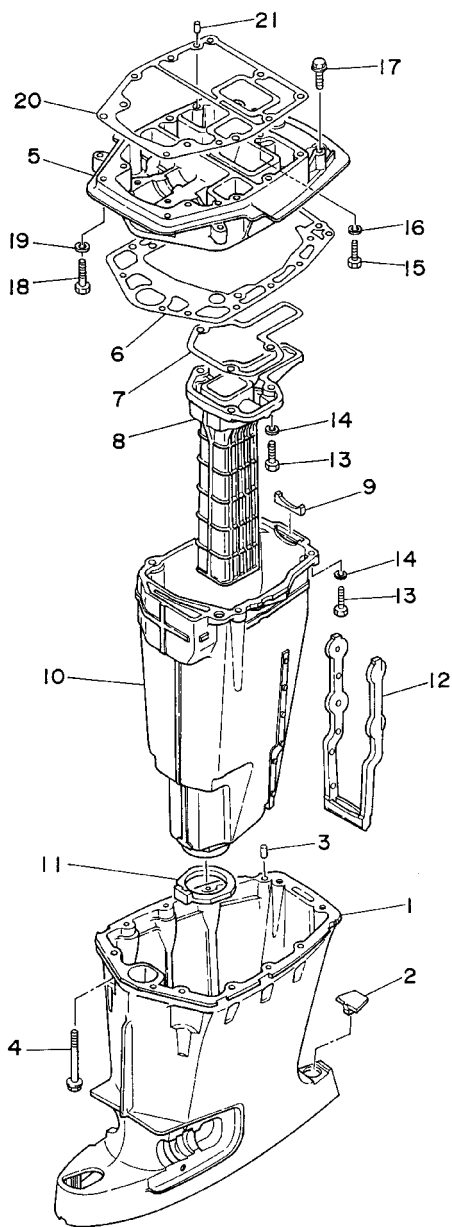
FIG. 16 POWER TRIM & TILT ASSY

PUISSANCE PARER ET INCLINER



6H30010-4190

REF. NO.	PART NO. NO. PIECES	DESCRIPTION DESCRIPTION	QTY	UNIT	REMARKS REMARQUES
55	6H1-43845-00	.SCREW, MANUAL RELEASE .VIS	1		
56	93210-18M75	.O-RING .JOINT TORIQUE	1		
57	6H1-43875-00	.RING, SNAP .RESSORT	1		
58	6H1-43822-10	.SEAL, TRIM DUST .JOINT	2		
59	6H1-43821-11	.SCREW, TRIM CYLINDER END .VIS	2		
60	6H1-43861-10	.O-RING .JOINT TORIQUE	2		
61	6H1-4384E-20	.SPRING, TRIM .RESSORT	1		
62	98501-05010	.SCREW, PAN HEAD .VIS, TETE TRONCONIQUE	2		
63	92901-05200	.WASHER, PLAIN .RONDELLE, PLATE	2		
64	6H1-43820-11	.TRIM PISTON SUB ASSY .PARER PISTON AUXILIAIRE (ENS.)	2		
65	6H1-43864-00	.O-RING .JOINT TORIQUE	1		
66	91318-08016	.BOLT .BOULON	1		
67	6H1-43874-00	.RING, BACK UP .RESSORT	1		
68	6H1-43816-00	.FILTER 1 .FILTRE 1	1		
69	6H1-43896-00	O-RING .JOINT TORIQUE	1		
70	6H1-43895-12	.SEAT, RELIEF VALVE .SIEGE	1		
71	6H1-43855-11	.SPRING, UP RELIEF .RESSORT	1		
72	6H1-43843-11	.SCREW, VALVE LOCK .VIS	1		
73	6H1-4388E-11	.PLUG, TAPER SCREW .BOUCHON	1		
74	6H1-43868-00	O-RING .JOINT TORIQUE	1		
75	98501-04025	.SCREW, PAN HEAD .VIS, TETE TRONCONIQUE	4		
76	92901-04100	.WASHER, SPRING .RONDELLE, GROWER	4		
77	6H1-4387J-00	.WASHER, SPECIAL 2 .RONDELLE	1		
78	6H1-4385H-00	.SPRING, SEAL .RESSORT	1		
79	93505-32038	.BALL .BILLE	2		



6920100-4170

FIG. 17 UPPER CASING

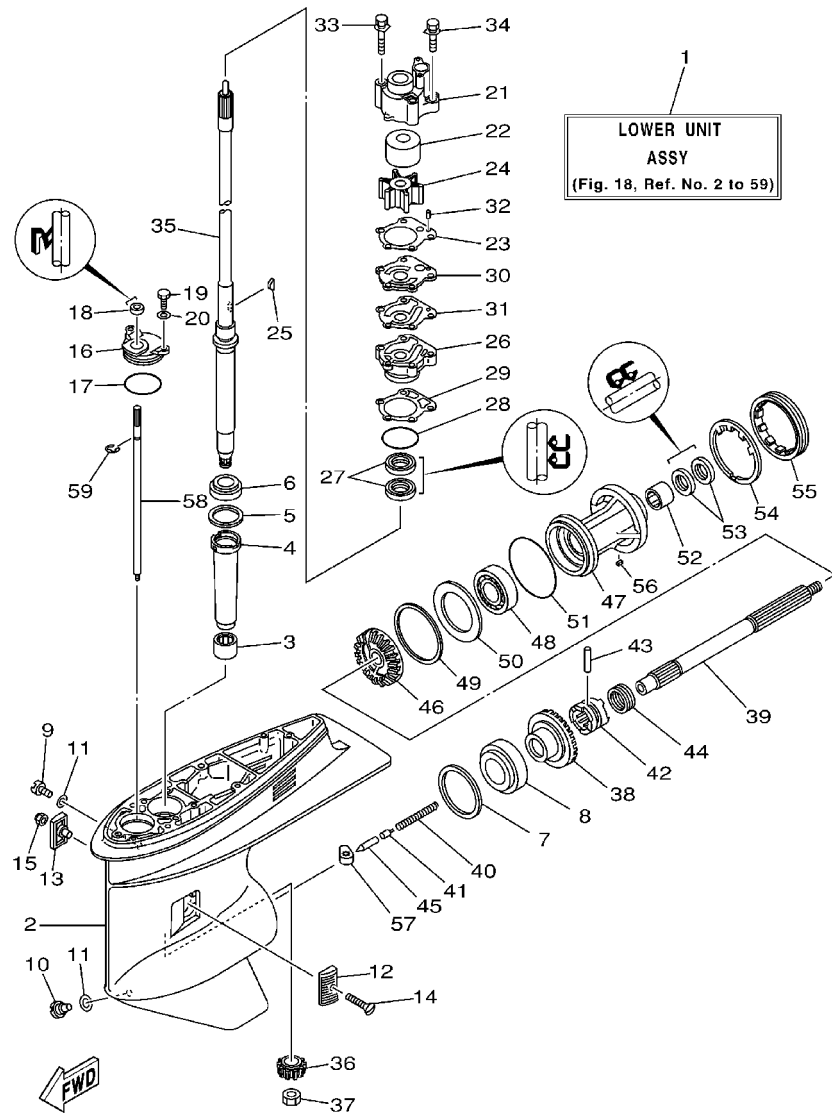
FOURREAU

REF. NO.	PART NO. NO. PIECES	DESCRIPTION DESCRIPTION	ET	ED	REMARKS REMARQUES
1	688-45111-04-4D	CASING, UPPER FOURREAU	1	1	
2	663-45155-10	CAP CAPUCHON	1	1	
3	93606-12019	PIN, DOWEL GOUJON	2	2	
4	90119-08M80	BOLT, WITH WASHER BOULON, AVEC RONDELLE	8	8	
5	688-41137-03-94	GUIDE, EXHAUST COLLECTEUR D'ECHAPPEMENT	1	1	
6	688-45114-A1	GASKET, UPPER CASING JOINT, TUBE D'ARBRE	1	1	
7	688-41134-A0	GASKET, EXHAUST MANIFOLD JOINT, PIPE D'ECHAPPEMENT	1	1	
8	688-41131-00-5B	MANIFOLD, EXT. 1 PIPE D'ECHAPPEMENT	1	1	85A
	692-41131-00-5B	MANIFOLD, EXT. 1 PIPE D'ECHAPPEMENT	1	1	75A
9	688-41133-00	GASKET, EXHAUST MANIFOLD 1 JOINT, PIPE D'ECHAPPEMENT	1	1	
10	688-14711-01-5B	MUFFLER 1 POT D'ECHAPPEMENT 1	1	1	
11	688-45123-00	GASKET, MUFFLER JOINT, POT DE DETENTE	1	1	
12	663-14737-10	DAMPER, MUFFLER AMORTISSEUR DE POT D'ECHAPPT	1	1	
13	97075-08030	BOLT BOULON	7	7	
14	92995-08100	WASHER RONDELLE	7	7	
15	97075-08025	BOLT BOULON	1	1	
16	92995-08100	WASHER RONDELLE	1	1	
17	90119-08M79	BOLT, WITH WASHER BOULON, AVEC RONDELLE	2	2	
18	97075-08035	BOLT BOULON	2	2	
19	92995-08100	WASHER RONDELLE	2	2	
20	688-45113-A0	GASKET, UPPER CASING JOINT, TUBE D'ARBRE	1	1	
21	93606-12019	PIN, DOWEL GOUJON	2	2	



FIG. 18 LOWER CASING. DRIVE 1

BOITIER D'HELICE, TRANSMISSION 1

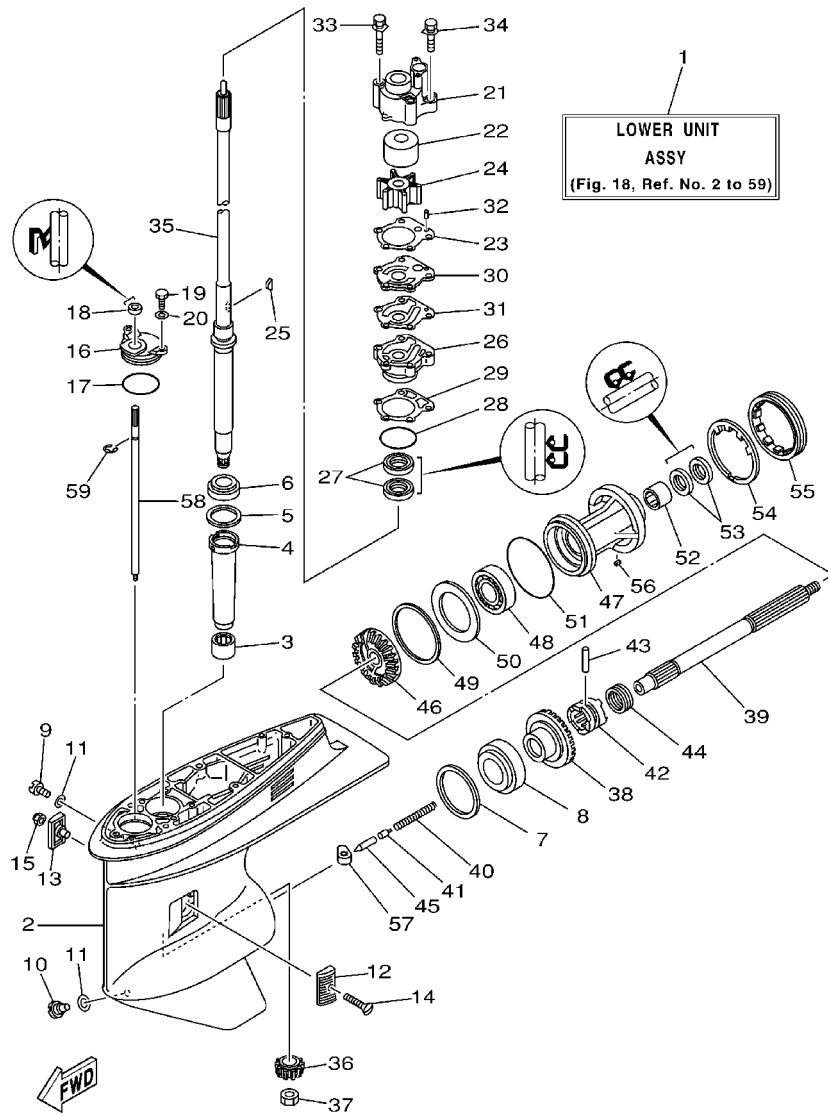


6880300-1180

REF. NO.	PART NO. NO. PIECES	DESCRIPTION DESCRIPTION	U1	U2		REMARKS REMARQUES
16	688-45321-00	PLATE PLAQUETTE	1	1		
17	93210-49046	O-RING JOINT TORIQUE	1	1		
18	93106-09014	OIL SEAL JOINT SPY	1	1		
19	97095-06016	BOLT BOULON	2	2		
20	92995-06600	WASHER RONDELLE	2	2		
21	688-44311-01	HOUSING, WATER PUMP CORPS, POMPE A EAU	1	1		
22	688-44322-00	INSERT, CARTRIDGE CUVETTE	1	1		
23	688-44315-A0	GASKET, WATER PUMP JOINT, POMPE A EAU	1	1		
24	688-44352-03	IMPELLER TURBINE	1	1		
25	90280-04M04	KEY, WOODRUFF CLAVETTE, DEMI-LUNE	1	1		
26	688-44341-01-94	HOUSING, WATER PUMP CORPS, POMPE A EAU	1	1		
27	93101-25M03	OIL SEAL JOINT SPY	2	2		
28	93210-46044	O-RING JOINT TORIQUE	1	1		
29	688-44316-A0	GASKET, WATER PUMP JOINT, POMPE A EAU	1	1		
30	688-44323-00	OUTER PLATE, CARTRIDGE PLAQUE EXTERIEURE	1	1		
31	688-44324-A0	GASKET, CARTRIDGE JOINT	1	1		
32	93604-10M03	PIN, DOWEL GOUJON	2	2		
33	90119-08M16	BOLT, WITH WASHER BOULON, AVEC RONDELLE	2	2		
34	90119-08M13	BOLT, WITH WASHER BOULON, AVEC RONDELLE	2	2		
35	688-45501-11	DRIVE SHAFT COMP. ARBRE MOTEUR COMP.	1	1		L
36	688-45551-01	PINION PIGNON D'ATTAQUE	1	1		
37	90170-16M01	NUT ECROU	1	1		
38	688-45560-00	GEAR PIGNON	1	1		
39	688-45611-00	SHAFT, PROPELLER ARBRE, HELICE	1	1		
40	90501-16233	SPRING, COMPRESSION RESSORT, COMPRESSION	1	1		
41	688-45634-00	SLIDE, SHIFT CONTRE-POUSSOIR	1	1		
42	688-45631-01	CLUTCH, DOG CRABOT	1	1		

FIG. 18 LOWER CASING. DRIVE 1

BOITIER D'HELICE, TRANSMISSION 1

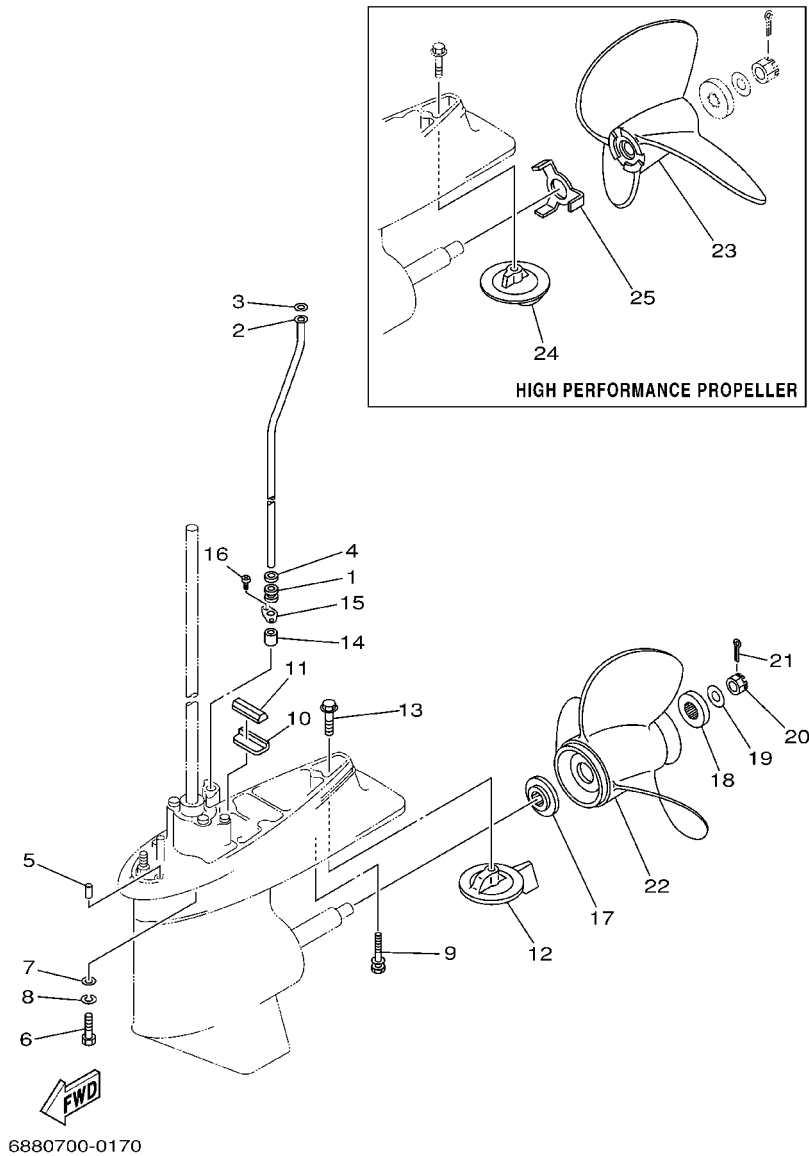


6880300-1180

REF. NO.	PART NO. NO. PIECES	DESCRIPTION DESCRIPTION	U	D			REMARKS REMARQUES
43	90250-07M02	PIN, STRAIGHT GOUILLE, DROITE	1	1			
44	688-45633-00	RING, CROSS PIN JONC, GOUPILLE CRABOT	1	1			
45	688-45635-00	PLUNGER, SHIFT POUSOIR D'EMBRAYAGE	1	1			
46	688-45571-01	GEAR PIGNON	1	1			
47	688-45331-00-94	HOUSING, BEARING FLASQUE, ROULEMENT	1	1			
48	93306-207U0	BEARING ROULEMENT	1	1			
49	688-45577-01-10	SHIM (T:0.10MM) CALE (T:0.10MM)	1	1			UR
	688-45577-01-12	SHIM (T:0.12MM) CALE (T:0.12MM)	1	1			UR
	688-45577-01-15	SHIM (T:0.15MM) CALE (T:0.15MM)	1	1			UR
	688-45577-01-18	SHIM (T:0.18MM) CALE (T:0.18MM)	1	1			UR
	688-45577-01-30	SHIM (T:0.30MM) CALE (T:0.30MM)	1	1			UR
	688-45577-01-40	SHIM (T:0.40MM) CALE (T:0.40MM)	1	1			UR
	688-45577-01-50	SHIM (T:0.50MM) CALE (T:0.50MM)	1	1			UR
50	688-45576-00	WASHER, THRUST RONDELLE DE CALAGE	1	1			
51	93210-85M97	O-RING JOINT TORIQUE	1	1			
52	93317-325U0	BEARING ROULEMENT	1	1			
53	93101-25M03	OIL SEAL JOINT SPY	2	2			
54	688-45383-02	WASHER, CLAW FREIN D'ECROU	1	1			
55	688-45384-00	NUT ECROU	1	1			
56	90282-04010	KEY, STRAIGHT CLAVETTE, DROITE	1	1			
57	663-44151-00	CAM, SHIFT CAME, INVERSION	1	1			
58	663-44144-01	ROD, SHIFT TIGE D'EMBRAYAGE	1	1			
59	99001-08600	CIRCLIP CIRCLIP	1	1			

FIG. 19 LOWER CASING. DRIVE 2

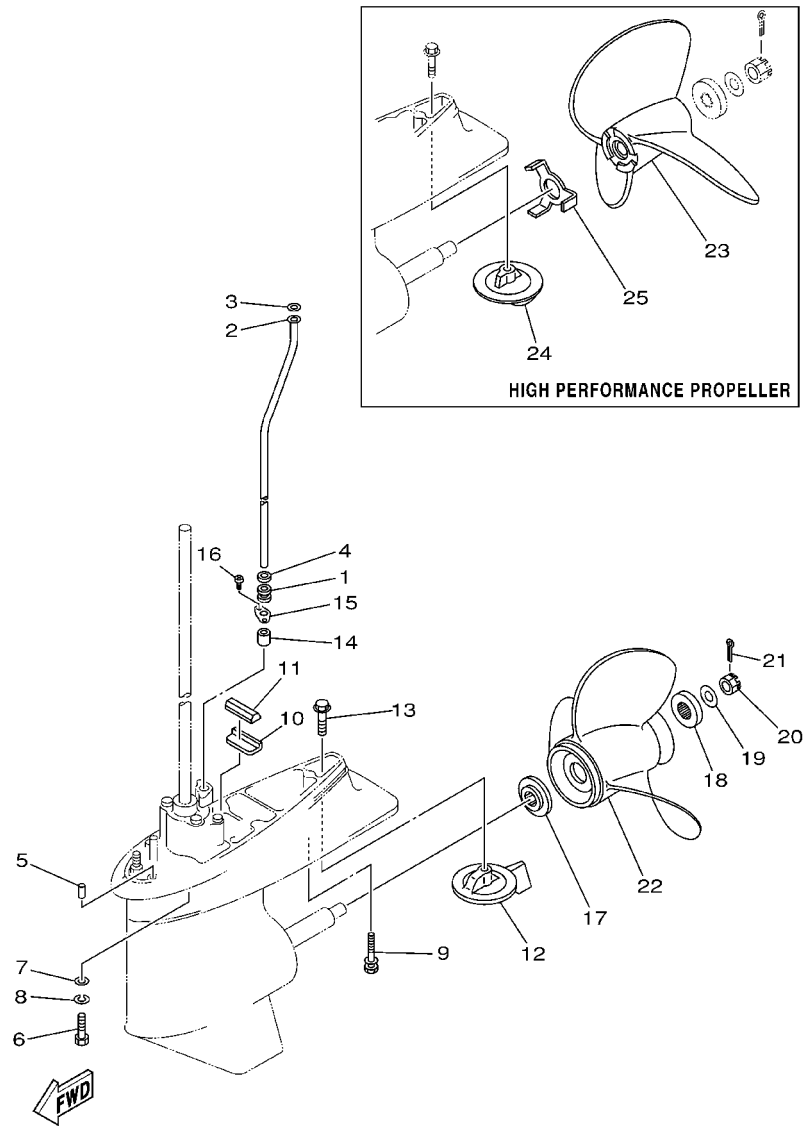
BOITIER D'HELICE, TRANSMISSION 2



REF. NO.	PART NO. NO. PIECES	DESCRIPTION DESCRIPTION	EL	ED	REMARKS REMARQUES
1	663-44367-00	DAMPER, WATER SEAL JOINT TUBE D'EAU	1	1	
2	688-44361-10	TUBE, WATER TUBE D'EAU	1	1	L
3	90202-12060	WASHER, PLATE RONDELLE, PLATE	1	1	
4	90430-12072	GASKET JOINT	1	1	
5	93606-12019	PIN, DOWEL GOUJON	2	2	
6	97075-10040	BOLT BOULON	4	4	
7	92990-10600	WASHER, PLATE RONDELLE, PLATE	4	4	
8	92990-10100	WASHER, SPRING RONDELLE, GROWER	4	4	
9	90119-08M84	BOLT, WITH WASHER BOULON, AVEC RONDELLE	1	1	
10	663-45376-00-94	GUIDE, SEAL DAMPER BUTEE, JOINT CAOUTCHOUC	1	1	
11	688-45375-00	DAMPER, SEAL BOURRELET, CAOUTCHOUC	1	1	
12	688-45371-02	TAB-TRIM ANODE DERIVE	1	1	
13	90105-10M67	BOLT, FLANGE BOULON	1	1	
14	663-44366-00	DAMPER, WATER SEAL JOINT, TUBE D'EAU	1	1	
15	90480-19M06	GROMMET PASSE-FIL	1	1	
16	97780-40512	SCREW, TAPPING VIS, TETE FRAISEE	2	2	
17	688-45987-01	SPACER ENTRETOISE	1	1	
18	688-45997-01	SPACER ENTRETOISE	1	1	
19	90201-17M00	WASHER, PLATE RONDELLE, PLATE	1	1	
20	90171-16011	NUT, CASTLE ECROU, CRENELE	1	1	
21	91490-40025	PIN, COTTER GOUILLE, FENDUE	1	1	
22	6E5-45941-00-EL	PROPELLER (3X13"X19"-K) HELICE (3X13"X19"-K)	1	1	UR
	6E5-45943-00-EL	PROPELLER (3X12-5/8"X21"-K) HELICE (3X12-5/8"X21"-K)	1	1	UR
	6E5-45945-01-EL	PROPELLER (3X13-1/4"X17"-K) HELICE (3X13-1/4"X17"-K)	1	1	UR
	6E5-45947-00-EL	PROPELLER (3X13-1/2"X15"-K) HELICE (3X13-1/2"X15"-K)	1	1	UR
	6E5-45949-00-EL	PROPELLER (3X13-5/8"X13"-K) HELICE (3X13-5/8"X13"-K)	1	1	UR
	6E5-45952-00-EL	PROPELLER (3X13"X23"-K) HELICE (3X13"X23"-K)	1	1	UR

FIG. 19 LOWER CASING. DRIVE 2

BOITIER D'HELICE, TRANSMISSION 2



6880700-0170

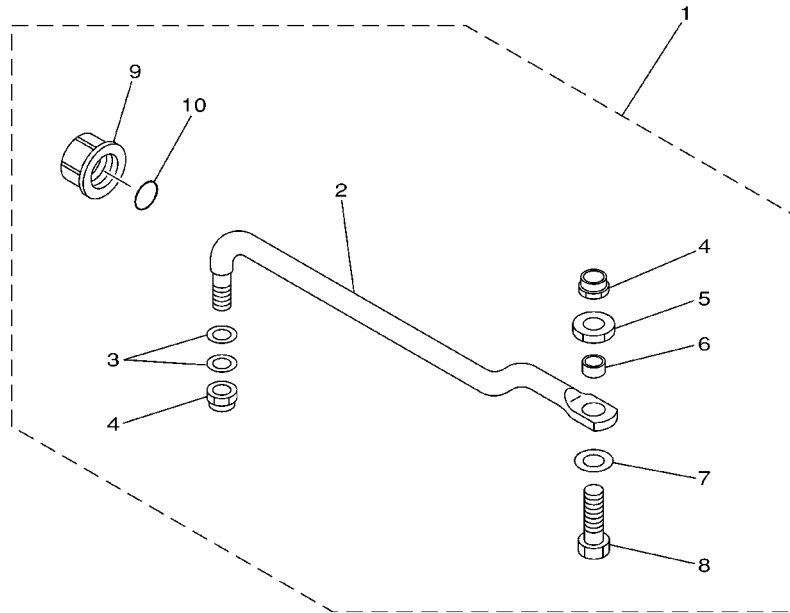
REF. NO.	PART NO. NO. PIECES	DESCRIPTION DESCRIPTION	U	D	REMARKS REMARQUES
22	6E5-45954-00-EL	PROPELLER (3X14"X11"-K) HELICE (3X14"X11"-K) <b>STAINLESS STEEL PROPELLER</b> <b>ACIER INOXYDABLE HELICE</b>	1	1	UR
	688-45970-03-98	PROPELLER (3X13"X19"-K) HELICE (3X13"X19"-K)	1	1	UR
	688-45972-02-98	PROPELLER (3X13"X21"-K) HELICE (3X13"X21"-K)	1	1	UR
	688-45974-02-98	PROPELLER (3X13"X23"-K) HELICE (3X13"X23"-K)	1	1	UR
	688-45976-01-98	PROPELLER (3X13"X25"-K) HELICE (3X13"X25"-K)	1	1	UR
	688-45978-60-98	PROPELLER (3X13-1/2"X16"-K) HELICE (3X13-1/2"X16"-K)	1	1	UR
	688-45930-02-98	PROPELLER (3X13"X17"-K) HELICE (3X13"X17"-K)	1	1	UR
	688-45932-60-98	PROPELLER (3X13-1/2"X14"-K) HELICE (3X13-1/2"X14"-K) <b>HIGH PERFORMANCE PROPELLER</b> <b>HELICE RENDEMENT DE HAUTEUR</b>	1	1	UR
23	6E5-45970-10	PROPELLER (3X14"X20"-P) HELICE (3X14"X20"-P)	1	1	UR
	6E5-45972-10	PROPELLER (3X14"X24"-P) HELICE (3X14"X24"-P)	1	1	UR
	6E5-45974-10	PROPELLER (3X14"X28"-P) HELICE (3X14"X28"-P)	1	1	UR
	6E5-45976-10	PROPELLER (3X14"X22"-P) HELICE (3X14"X22"-P)	1	1	UR
	6E5-45978-10	PROPELLER (3X14"X26"-P) HELICE (3X14"X26"-P)	1	1	UR
24	6E5-45371-10	TAB-TRIM ANODE DERIVE	1	1	
25	6E5-45994-10	PLATE, TOOTH PLAQUETTE	1	1	





FIG. 21 STEERING GUIDE

FIXATION DE DIRECTION

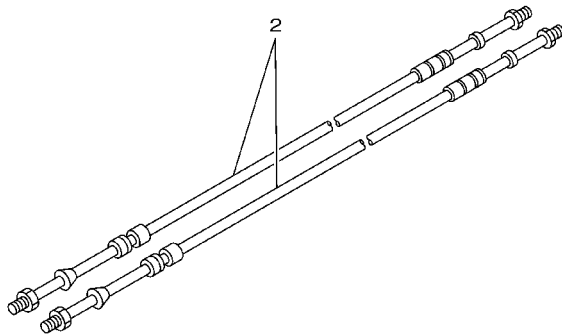
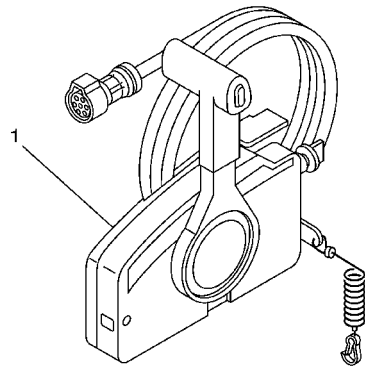


REF. NO.	PART NO. NO. PIECES	DESCRIPTION DESCRIPTION	U	D		REMARKS REMARQUES
1	688-61350-10	STEERING GUIDE ATTACHMENT KIT FIXATIONS DE DIRECTION	1	1		AP
2	688-61351-10	.ROD, STEERING LINK .RENOI DE DIRECTION	1	1		
3	90201-10M20	.WASHER, PLATE .RONDELLE, PLATE	2	2		
4	90185-09M01	.NUT, SELF-LOCKING .ECROU, AUTO-BLOCANT	2	2		
5	90170-09M03	.NUT .ECROU	1	1		
6	90387-10M42	.COLLAR .COLLERETTE	1	1		
7	90201-10M63	.WASHER, PLATE .RONDELLE, PLATE	1	1		
8	6E5-61355-00	.BOLT .BOULON	1	1		
9	6E5-43145-01	.CAP, CLAMP BRACKET .CAPUCHON, PRESSE	1	1		
10	93210-16275	.O-RING .JOINT TORIQUE	1	1		

6880700-9190

FIG. 22 REMOTE CONTROL BOX

BOITIER DE COMMANDE A DISTANCE

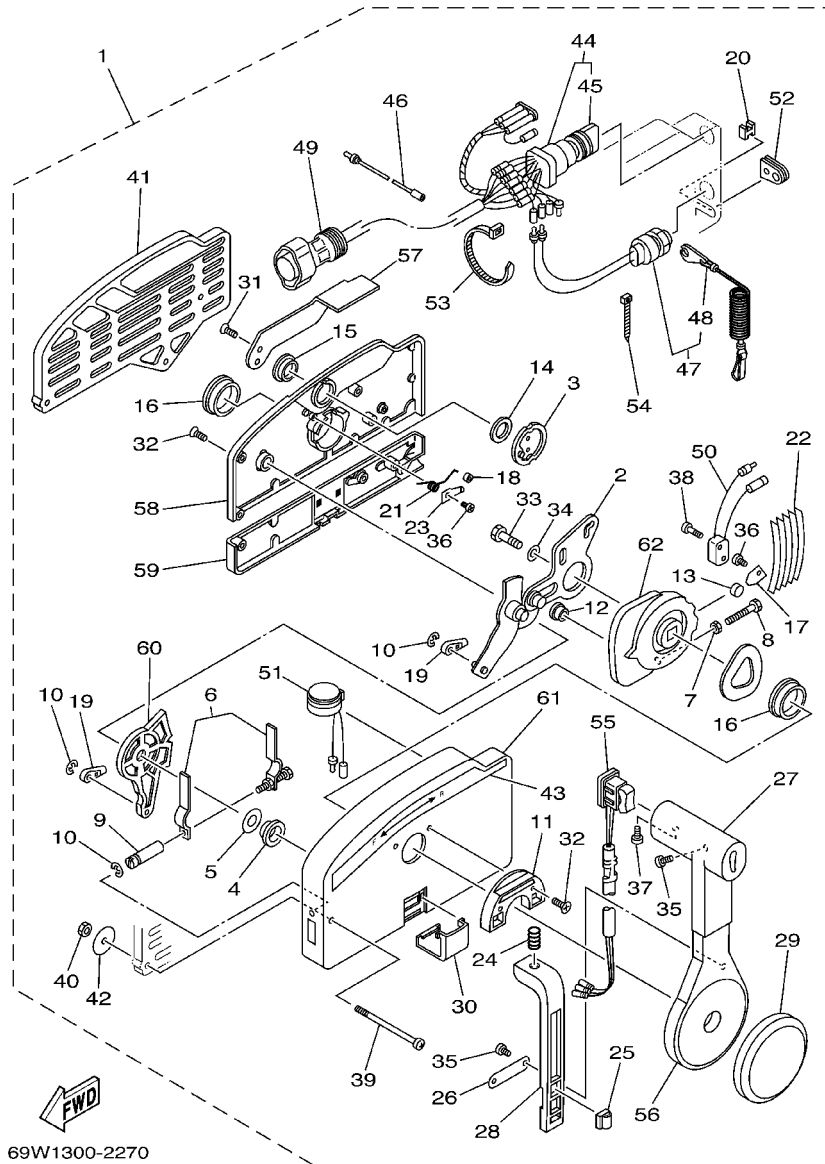


67M0100-8280

REF. NO.	PART NO. NO. PIECES	DESCRIPTION DESCRIPTION	U	D		REMARKS REMARQUES
1	703-48207-17	REMOTE CONTROL ASSY BOITIER DE COMMANDE A DISTANCE	1	1		AP WITH PT/T SW.
2	701-48320-00	CABLE, REMOTE CONTROL L=12F CABLE, COMMANDE A DISTANCE:12F	2	2		UR
	701-48320-50	CABLE, REMOTE CONTROL L=15F CABLE, COMMANDE A DISTANCE:15F	2	2		UR
	701-48320-60	CABLE, REMOTE CONTROL L=16F CABLE, COMMANDE A DISTANCE:16F	2	2		UR
	701-48320-80	CABLE, REMOTE CONTROL L=17F CABLE, COMMANDE A DISTANCE:17F	2	2		UR
	701-48350-00	CABLE, REMOTE CONTROL L=21F CABLE, COMMANDE A DISTANCE:21F	2	2		UR
	701-48350-20	CABLE, REMOTE CONTROL L=23F CABLE, COMMANDE A DISTANCE:23F	2	2		UR
-----						
-----						
-----						
-----						
-----						
-----						

FIG. 23 REMOTE CONTROL ASSY

BOITIER DE COMMANDE A DISTANCE

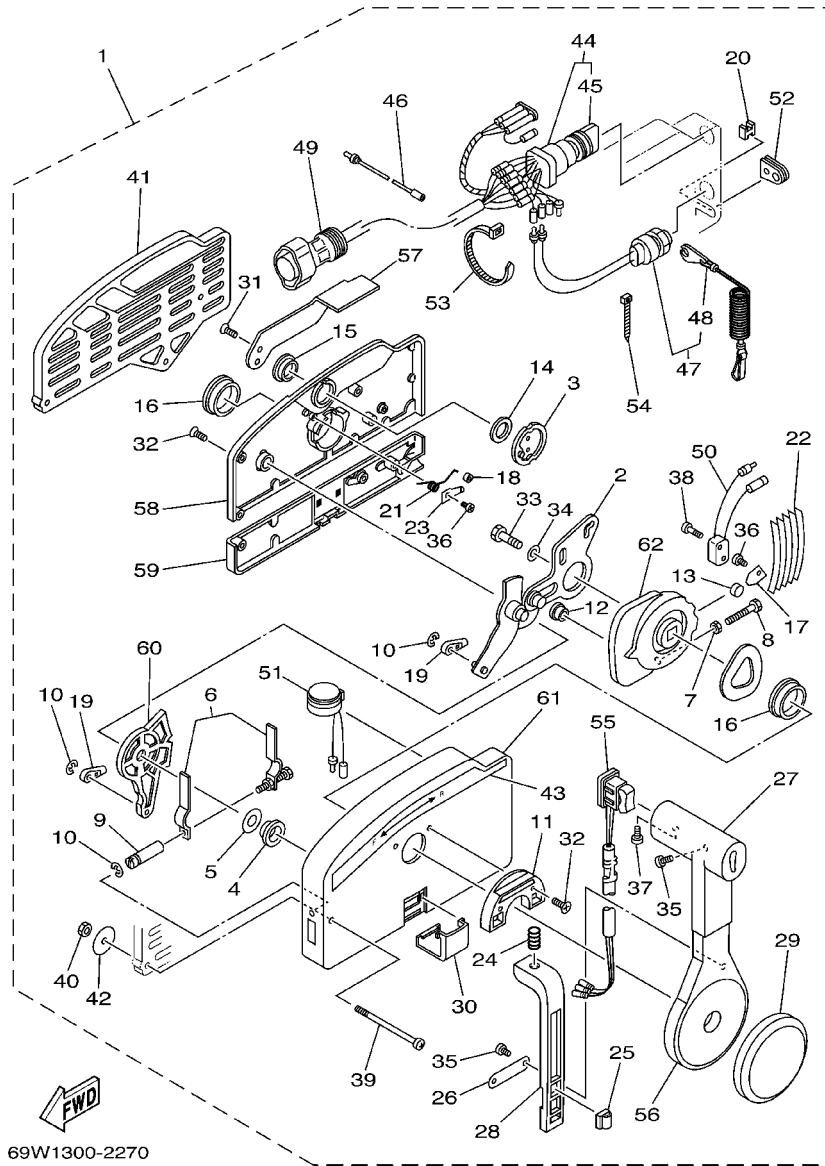


69W1300-2270

REF. NO.	PART NO. NO. PIECES	DESCRIPTION DESCRIPTION	QTY	QTY		REMARKS REMARQUES
1	703-48207-17	REMOTE CONTROL ASSY BOITIER DE COMMANDE A DISTANCE	1	1		AP WITH PT/T SW.
2	703-48261-01	.ARM, THROTTLE .BRAS, ACCELERATION	1	1		
3	703-48153-00	.SHAFT, FREE ACCEL. .AXE	1	1		
4	703-48235-00	.BUSHING .COUSSINET	1	1		
5	703-48268-00	.SPACER .ENTRETOISE	1	1		
6	703-48264-00	.THROTTLE, FRICTION ACCELERATION	1	1		
7	95380-05600	.NUT .ECROU	1	1		
8	97380-05025	.BOLT .BOULON	1	1		
9	703-48265-00	.SHAFT, FRICTION .AXE, COPILOTE	1	1		
10	93430-06024	.CIRCLIP .CIRCLIP, TYPE S	3	3		
11	703-48245-00	.PLATE, LOCK .PLAQUE, VERROU	1	1		
12	703-48252-00	.ROLLER, CAM .POULIE	1	1		
13	701-48248-00	.ROLLER, FREE ACCEL. .POULIE	1	1		
14	703-48198-00	.WASHER, WAVE .RONDELLE, ELASTIQUE ONDULEE	1	1		
15	703-48243-00	BUSHING COUSSINET	1	1		
16	703-48236-00	.BUSHING 1 .POULIE	2	2		
17	703-48189-00	.RETAINER .FLASQUE	1	1		
18	703-48234-00	.ROLLER, DETENT .POULIE	1	1		
19	703-48345-01	.CABLE END, REMOTE CONTROL 2 CHAPE CABLE	2	2		
20	703-48358-00	.ANCHOR, CABLE COLLIER	1	1		
21	703-48244-00	.SPRING, FREE ACCEL. RESSORT	1	1		
22	703-48238-00	.SPRING, DETENT RESSORT	5	5		
23	703-48246-00	.SPACER .ENTRETOISE	1	1		
24	703-48227-00	.SPRING, NEUTRAL LOCK RESSORT	1	1		
25	703-82594-00	.CLAMP .BRIDE	1	1		WITH PT/T SW.
26	703-48226-00	.PLATE, STOPPER PLAQUETTE	1	1		
27	703-48222-00	.GRIP, CONTROL LEVER .POIGNEE, COMMANDE LEVIER	1	1		SINGLE

FIG. 23 REMOTE CONTROL ASSY

BOITIER DE COMMANDE A DISTANCE

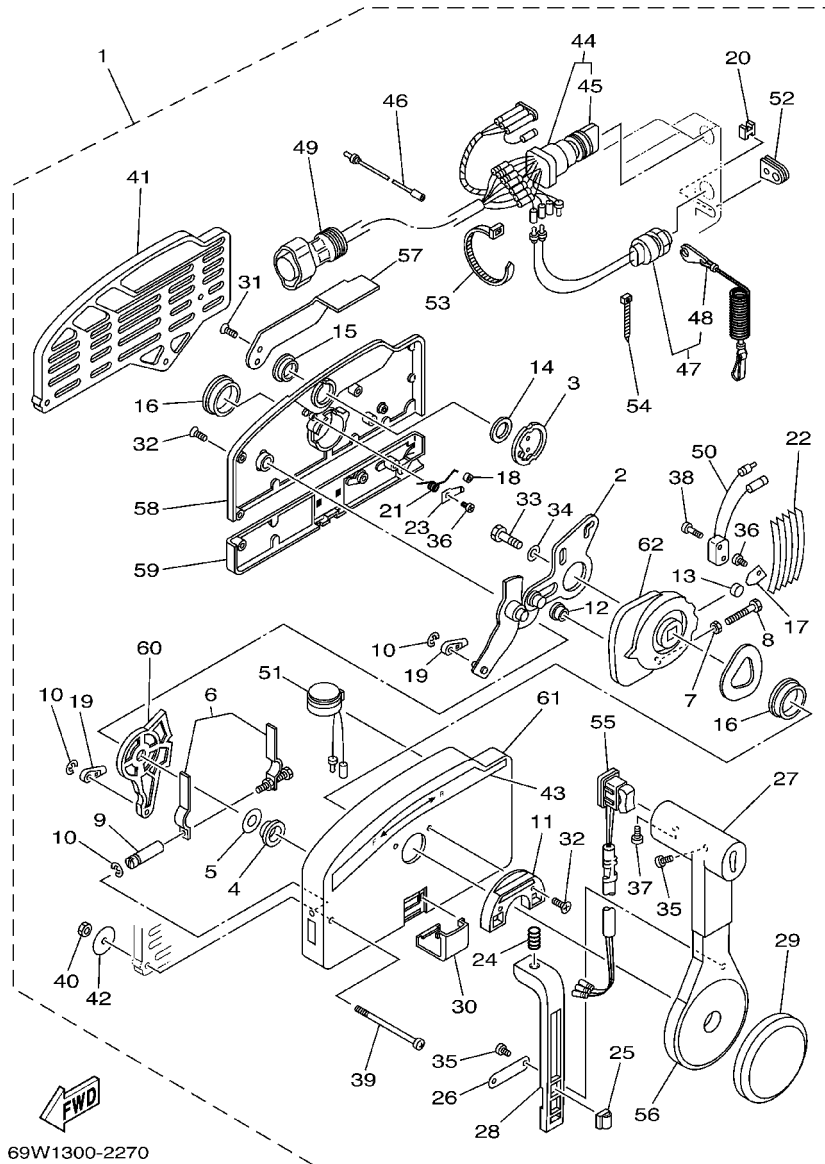


69W1300-2270

REF. NO.	PART NO. NO. PIECES	DESCRIPTION DESCRIPTION	QTY	QTY	REMARKS REMARQUES
28	703-48223-00	.LOCK, NEUTRAL .VERROU, NEUTRAL	1	1	
29	703-48225-00	.COVER .COUVERCLE	1	1	
30	703-48219-00	.COVER, LEAD .COUVERCLE	1	1	
31	703-48281-00	.SCREW .VIS	2	2	
32	703-48282-00	.SCREW .VIS	7	7	
33	97380-08030	.BOLT .BOULON	1	1	
34	92990-08600	.WASHER, PLATE .RONDELLE, PLATE	1	1	
35	98580-04010	.SCREW, PAN HEAD .VIS, TETE TRONCONIQUE	3	3	
36	98580-04006	.SCREW, PAN HEAD .VIS, TETE TRONCONIQUE	2	2	
37	98580-05010	.SCREW, PAN HEAD .VIS, TETE TRONCONIQUE	1	1	
38	98580-03015	.SCREW, PAN HEAD .VIS, TETE TRONCONIQUE	2	2	
39	703-48291-10	.SCREW (M6) .VIS (M6)	3	3	
40	95380-06600	.NUT, HEXAGON .ECROU	3	3	
41	703-48293-10	.SPACER, REMOTE CONTROL .ENTRETOISE	1	1	SINGLE
42	701-48287-00	.WASHER .RONDELLE	3	3	
43	703-48215-00	.GRAPHIC .ADHESIF	1	1	
44	703-82510-43	.MAIN SWITCH ASSY .CONTACTEUR A CLEF COMPLET	1	1	
45	703-82577-00	.CAP, KEY .CABOCHON	1	1	
46	703-82531-00	.WIRE, LEAD .FIL	1	1	
47	688-82575-01	.ENGINE STOP SWITCH ASSY .COUPE CIRCUIT CPLT	1	1	
48	682-82556-00	.STOPPER .PLAQUETTE	1	1	
49	688-8258A-20	.EXTENSION, WIRE HARNESS .EXTENSION, FAISCEAU DE FILS	1	1	L:5M (10P)
50	703-82540-00	.NEUTRAL SWITCH ASSY .CONTACTEUR DE POINT-MORT	1	1	
51	703-83383-A0	.BUZZER .RONFLEUR	1	1	
52	703-48284-10	.GROMMET .PASSE-FIL	1	1	
53	703-82591-00	.BAND .COLLIER	3	3	
54	703-82592-00	.BAND .COLLIER	1	1	

FIG. 23 REMOTE CONTROL ASSY

BOITIER DE COMMANDE A DISTANCE

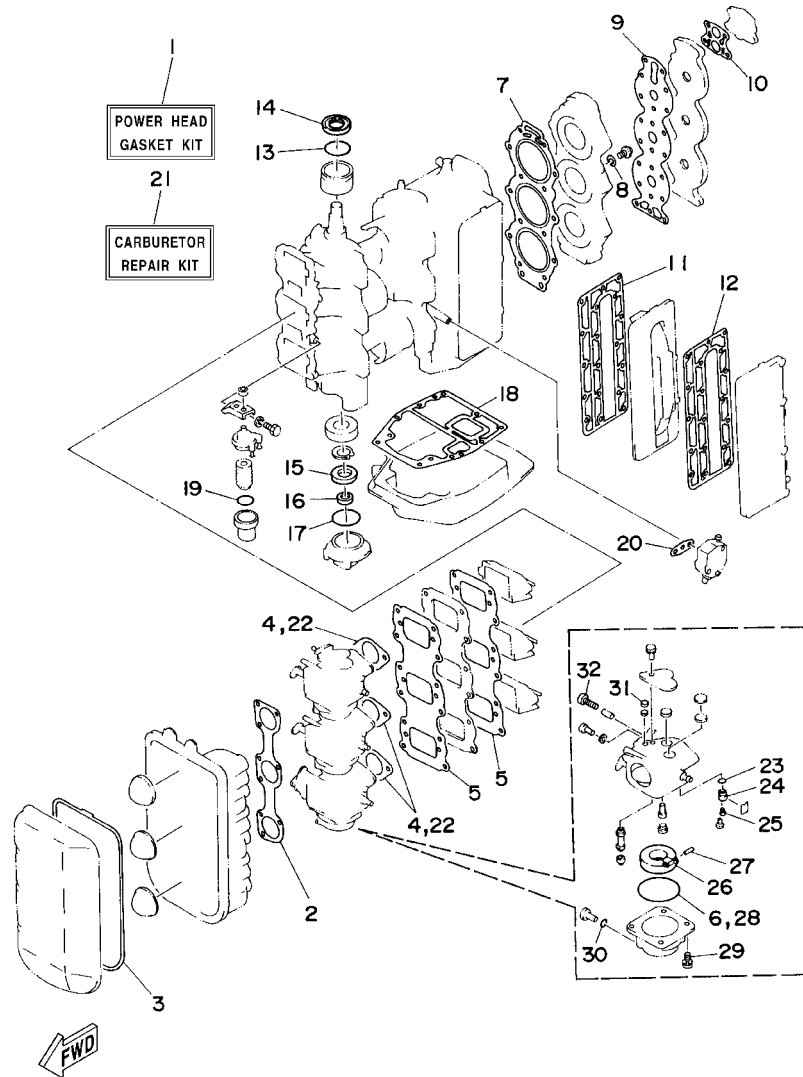


69W1300-2270

REF. NO.	PART NO. NO. PIECES	DESCRIPTION DESCRIPTION	U	D			REMARKS REMARQUES
55	703-82563-12	.TRIM & TILT SWITCH ASSY .INCLINER ET PAPER COMMUTATEUR	1	1			
56	703-48221-00	.LEVER, CONTROL .LEVIER, COMMANDE	1	1			
57	703-48152-00	.KNOB, FREE ACCEL. .BOUTON	1	1			
58	703-48212-00	.BACK PLATE 1 .PLAQUETTE 1	1	1			
59	703-48213-00	.BACK PLATE 2 .PLAQUETTE 2	1	1			
60	703-48271-00	.ARM, SHIFT .BRAS	1	1			
61	703-48211-01	.HOUSING,1 .CORPS	1	1			
62	703-48232-00	.GEAR .PIGNON	1	1			

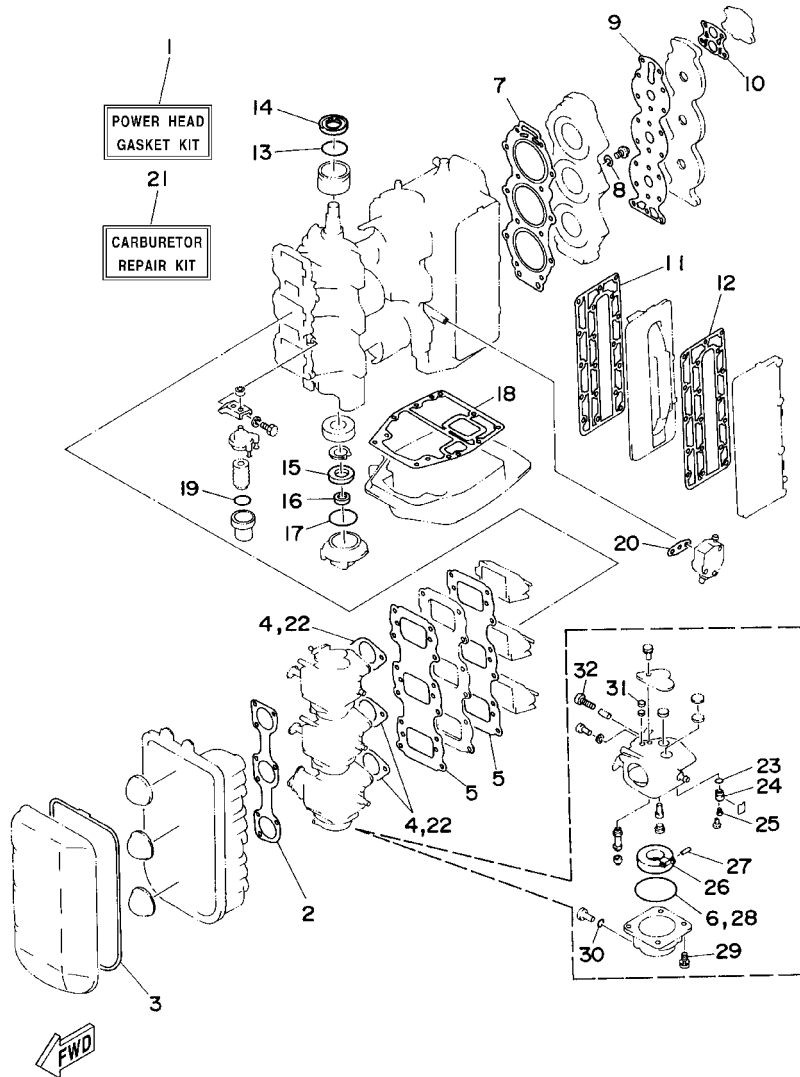
FIG. 24 REPAIR KIT 1

KITS DE REPARATION 1



6880010-4180

REF. NO.	PART NO. NO. PIECES	DESCRIPTION DESCRIPTION	U	D	REMARKS REMARQUES
1	688-W0001-02	POWER HEAD GASKET KIT POCHETTE DE JINTS TETE MOTRICE	1	1	
2	688-14483-A0	.GASKET .JOINT	1	1	
3	688-14416-01	.GASKET, AIR CLEANER .JOINT, FILTRE A AIR	1	1	
4	688-14198-A2	.GASKET .JOINT	3	3	
5	688-13621-A1	.GASKET, VALVE SEAT .JOINT, SIEGE DE CLAPET	2	2	
6	676-14984-00	.GASKET, FLOAT CHAMBER .JOINT, CUVE DE FLOTTEUR	3	3	
7	688-11181-A1	.GASKET, CYLINDER HEAD 1 .JOINT, DE CULASSE 1	1	1	
8	90430-14115	.GASKET .JOINT	1	1	
9	688-11193-A1	.GASKET, HEAD COVER 1 .JOINT, COUVERCLE DE CULASSE 1	1	1	
10	688-12414-A1	.GASKET, COVER .JOINT, COUVERCLE	1	1	
11	688-41112-A0	.GASKET, EXHAUST INNER COVER .JOINT, PLAQUE D'ECHAPPEMENT	1	1	
12	688-41114-A0	.GASKET, EXHAUST OUTER COVER .JOINT, COUVERCLE D'ECHAPPEMEN	1	1	
13	93210-46M16	.O-RING .JOINT TORIQUE	1	1	
14	93102-36M02	.OIL SEAL .JOINT SPY	1	1	
15	93102-30M05	.OIL SEAL .JOINT SPY	1	1	
16	93104-20M02	.OIL SEAL .JOINT SPY	1	1	
17	93210-62269	.O-RING .JOINT TORIQUE	1	1	
18	688-45113-A0	.GASKET, UPPER CASING .JOINT, TUBE D'ARBRE	1	1	
19	93210-32738	.O-RING .JOINT TORIQUE	1	1	
20	650-24431-A0	.GASKET, FUEL PUMP 1 .JOINT 1 DE POMPE A ESSENCE	1	1	
21	6H1-W0093-01	CARBURETOR REPAIR KIT KIT DE REPARATION CARBURATEUR	1	1	
22	688-14198-A2	.GASKET .JOINT	3	3	
23	93210-04228	.O-RING .JOINT TORIQUE	3	3	
24	692-14590-00	.VALVE SEAT .POINTEAU	3	3	
25	676-14186-00	.PIN, FLOAT .AXE, FLOTTEUR	3	3	
26	676-14985-01	.FLOAT .FLOTTEUR	3	3	
27	688-14548-00	.PIN, FLOAT ARM .AXE, BRAS DE FLOTTEUR	3	3	



6880010-4180

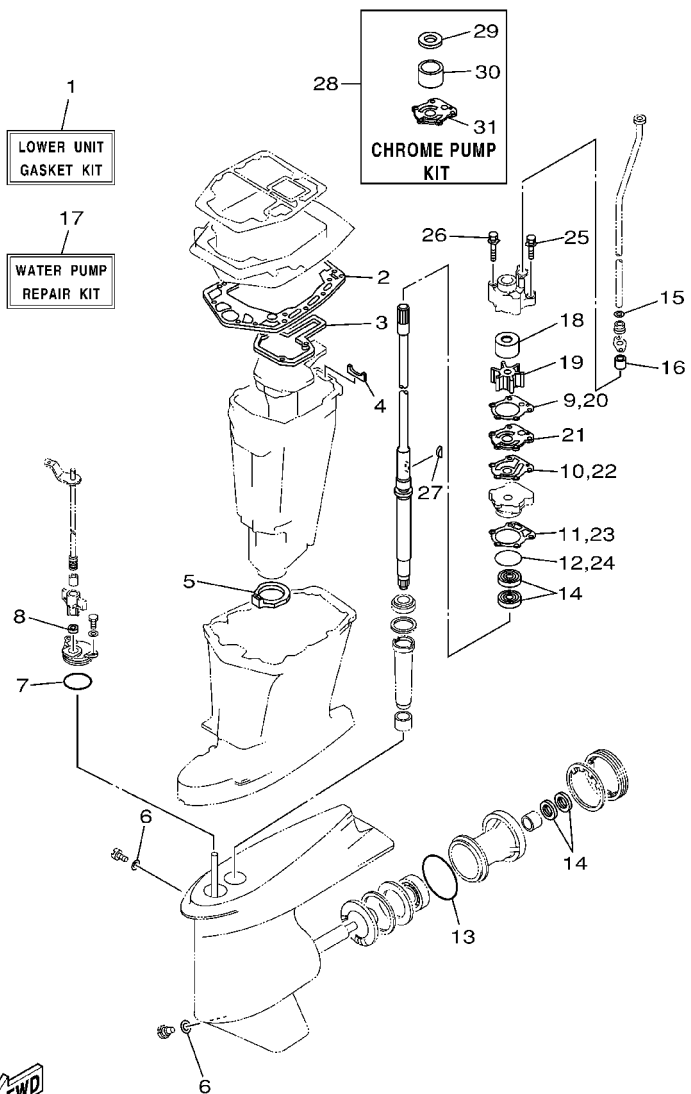
FIG. 24 REPAIR KIT 1

KITS DE REPARATION 1

REF. NO.	PART NO. NO. PIECES	DESCRIPTION DESCRIPTION	ET	ED	REMARKS REMARQUES
28	676-14984-00	.GASKET, FLOAT CHAMBER .JOINT, CUVE DE FLOTTEUR	3	3	
29	97980-04114	.SCREW, WITH WASHER .VIS, AVEC RONDELLE	3	3	
30	93210-04230	.O-RING .JOINT TORIQUE	3	3	
31	663-14126-00	.GASKET .JOINT	3	3	
32	692-14923-00	.SCREW, PILOT .VIS, RALENTI	3	3	
-----					
-----					
-----					
-----					
-----					
-----					
-----					
-----					
-----					
-----					

FIG. 25 REPAIR KIT 2

KITS DE REPARATION 2



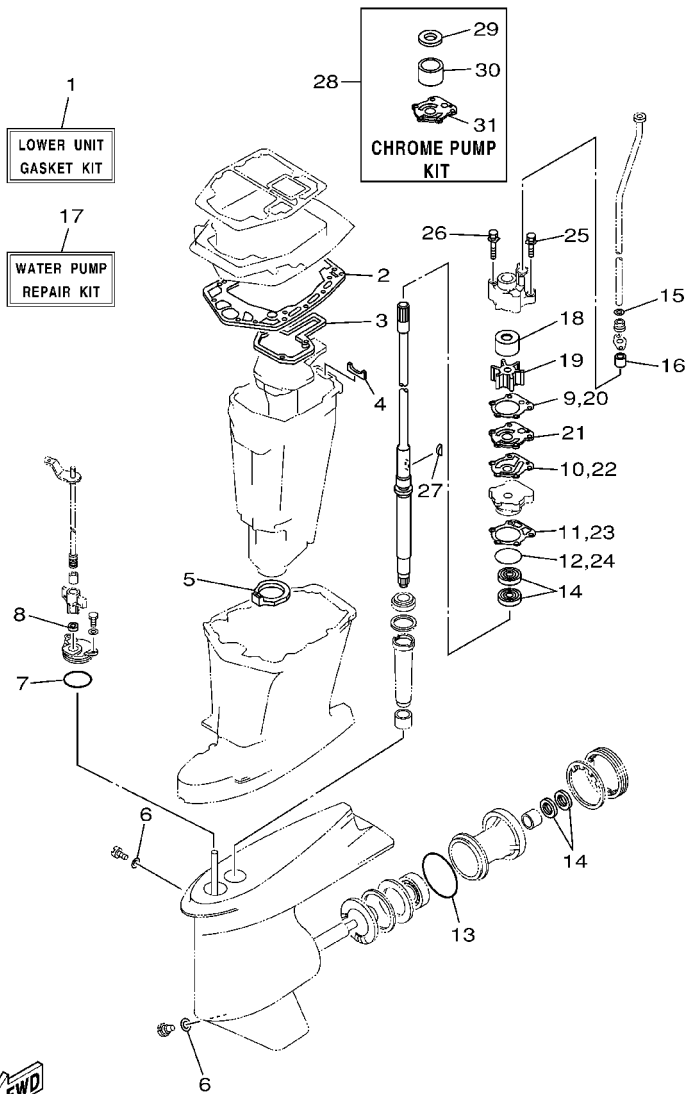
**FWD**  
6920100-0210

REF. NO.	PART NO. NO. PIECES	DESCRIPTION DESCRIPTION	LT	ED	REMARKS REMARQUES
1	688-W0001-22	LOWER UNIT GASKET KIT POCHETTE DE JOINTS EMBASE	1	1	
2	688-45114-A1	.GASKET, UPPER CASING .JOINT, TUBE D'ARBRE	1	1	
3	688-41134-A0	.GASKET, EXHAUST MANIFOLD .JOINT, PIPE D'ECHAPPEMENT	1	1	
4	688-41133-00	.GASKET, EXHAUST MANIFOLD 1 .JOINT, PIPE D'ECHAPPEMENT	1	1	
5	688-45123-00	.GASKET, MUFFLER .JOINT, POT DE DETENTE	1	1	
6	90430-08020	.GASKET .JOINT	2	2	
7	93210-49046	.O-RING .JOINT TORIQUE	1	1	
8	93106-09014	.OIL SEAL .JOINT SPY	1	1	
9	688-44315-A0	.GASKET, WATER PUMP .JOINT, POMPE A EAU	1	1	
10	688-44324-A0	.GASKET, CARTRIDGE .JOINT	1	1	
11	688-44316-A0	.GASKET, WATER PUMP .JOINT, POMPE A EAU	1	1	
12	93210-46044	.O-RING .JOINT TORIQUE	1	1	
13	93210-85M97	.O-RING .JOINT TORIQUE	1	1	
14	93101-25M03	.OIL SEAL .JOINT SPY	4	4	
15	90430-12072	.GASKET .JOINT	1	1	
16	663-44366-00	.DAMPER, WATER SEAL .JOINT, TUBE D'EAU	1	1	
17	692-W0078-02	WATER PUMP REPAIR KIT KIT DE REPARATION DE LA POMPE	1	1	
18	688-44322-00	.INSERT, CARTRIDGE .CUVETTE	1	1	
19	688-44352-03	.IMPELLER .TURBINE	1	1	
20	688-44315-A0	.GASKET, WATER PUMP .JOINT, POMPE A EAU	1	1	
21	688-44323-00	.OUTER PLATE, CARTRIDGE .PLAQUE EXTERIEURE	1	1	
22	688-44324-A0	.GASKET, CARTRIDGE .JOINT	1	1	
23	688-44316-A0	.GASKET, WATER PUMP .JOINT, POMPE A EAU	1	1	
24	93210-46044	.O-RING .JOINT TORIQUE	1	1	
25	90119-08M13	.BOLT, WITH WASHER .BOULON, AVEC RONDELLE	2	2	
26	90119-08M16	.BOLT, WITH WASHER .BOULON, AVEC RONDELLE	2	2	
27	90280-04M04	.KEY, WOODRUFF .CLAVETTE, DEMI-LUNE	1	1	



FIG. 25 REPAIR KIT 2

KITS DE REPARATION 2



REF. NO.	PART NO. NO. PIECES	DESCRIPTION DESCRIPTION	ET	ED		REMARKS REMARQUES
28	688-W0078-1A	CHROME PUMP KIT KIT DE POMPE A EAU CHROME	1	1		
29	688-44321-41	.INNER PLATE, CARTRIDGE .CUVETTE	1	1		
30	688-44322-41	.INSERT, CARTRIDGE .CUVETTE	1	1		
31	688-44323-40	.OUTER PLATE, CARTRIDGE .PLAQUE EXTERIEURE	1	1		
-----						
-----						
-----						
-----						
-----						
-----						
-----						
-----						
-----						
-----						

FWD  
6920100-0210

NUMERICAL INDEX  
INDEX NUMERIQUE

PART NO. NO. PIECES	REF. NO.	PART NO. NO. PIECES	REF. NO.	PART NO. NO. PIECES	REF. NO.	PART NO. NO. PIECES	REF. NO.	PART NO. NO. PIECES	REF. NO.	PART NO. NO. PIECES	REF. NO.
688-W0001-02	24-1	688-14198-A2	4-8	6H3-14992-00	5-18	662-41214-01	11-8	688-43112-12-4D	13-8	6E5-43818-00	16-32
688-W0001-22	25-1		24-4	688-15100-05-1S	2-2	688-41217-01	4-3	688-43124-02	14-12	6H1-4382A-10	16-52
688-W0004-00	4-14		24-22	6H1-15359-01-94	3-1	682-41237-00	11-27	6E5-43126-02	12-38	6H1-43820-11	16-64
688-W0070-31	1-20	688-14301-14	5-1	688-15379-00	3-6		11-30		13-37	6H1-43821-11	16-59
688-W0078-1A	25-28	692-14301-34	5-1	6YK-24201-01	20-1	682-41237-50	11-25	688-43128-01-4D	14-1	6H1-43822-10	16-58
692-W0078-02	25-17	688-14302-14	5-2	6YK-24260-01	20-5	692-41256-00	4-1	688-43131-03	12-19	6H1-43828-10	16-30
688-W0090-42-1S	2-1	692-14302-34	5-2	6YL-24268-01	20-2	688-41257-01	4-4		13-17	6H1-43829-00	16-36
692-W0090-42-1S	2-1	688-14303-14	5-3	6G1-24304-02	6-1	6J8-41262-00	14-4	6G5-43144-00	12-32	6H1-43830-11	16-49
6H1-W0093-01	24-21	692-14303-34	5-3	6YL-24306-52	20-8	661-41262-02	4-5		13-31	6H1-43831-10	16-48
656-W2810-02	6-37	6A0-14325-00	6-24	663-24312-01	2-47	689-41273-00	4-2	6E5-43145-01	21-9	6H1-43833-10	16-33
688-11111-02-1S	2-28	688-14416-01	4-24	688-24313-00	6-32	688-41611-00	7-10	6G5-43145-01	12-23	6H1-43834-00	16-34
688-11119-01	2-26		24-3	688-24314-00	6-33	688-41612-00	7-11		13-21	6H1-43835-10	16-29
688-11181-A1	2-29	688-14417-01-94	4-19	6YL-24329-00	20-7	688-41631-01-94	11-18	6G5-43148-00	12-27	6H1-4384E-20	16-61
	24-7	688-14418-01	4-23	6E5-24367-01	10-29	688-41632-01-94	11-7		13-26	6H1-4384F-10	16-46
688-11191-00-1S	2-33	688-14481-00	4-22	688-24378-00	6-36	688-42510-02-4D	15-3	688-43160-01	12-34	6H1-4384G-11	16-45
688-11193-A1	2-34	688-14483-A0	4-20	692-24410-00	6-14	688-42610-F0-4D	1-1		13-33	6H1-43840-11	16-17
	24-9		24-2	663-24411-00	6-19	692-42610-80-4D	1-1	688-43165-00	12-35	6H1-43841-11	16-42
688-11325-00	2-24	624-14485-00	2-5	692-24411-00	6-16	688-42613-01-4D	1-10		13-34	6H1-43843-11	16-72
650-11370-00	2-4	6H1-14488-00	4-30	6A0-24412-02	6-25	688-42615-00	1-17	688-43170-04-4D	14-7	6H1-43844-10	16-44
688-11370-00	2-3	63V-14523-00	5-30	6A0-24413-00	6-15	688-42618-00	1-11	6H1-43181-01	12-24	6H1-43845-00	16-55
	3-2	663-14527-00	5-21	6A0-24421-01	6-23	688-42628-00	1-12	688-43181-10	13-22	6H1-43847-00	16-50
688-11411-01	3-11	688-14527-00	5-23	650-24431-A0	6-26	688-42647-00-94	1-2	6H1-43185-01	12-25	6H1-4385H-00	16-78
663-11518-01	2-6	688-14548-00	5-14		24-20	688-42649-00-94	1-3	688-43185-10	13-23	6H1-43854-00	16-53
688-11603-A0	3-19		24-27	648-24434-01	6-17	688-42652-10	1-5	688-43186-00	14-2	6H1-43855-11	16-71
688-11604-A0	3-19	679-14555-00	5-27	648-24435-02	6-20	663-42662-00	1-4	6H1-43311-01-4D	12-16	6H1-43856-10	16-43
688-11605-A0	3-19	688-14572-01	5-24	61N-24521-00	6-8	688-42677-D0	1-18		13-13	6H1-4386K-10	16-9
6H1-11631-03-95	3-18	6H2-14578-00	5-32	61N-24560-00	6-6	688-42678-31	1-19	663-43318-00	13-24	6H1-43861-00	16-21
663-11633-00	3-20	692-14590-00	5-9	61N-24563-00	6-7	692-42678-31	1-19	682-43318-01	14-10	6H1-43861-10	16-18
688-11634-10	3-21		24-24	648-24566-02	6-10	688-42681-31	1-21	6H1-43376-00	15-39		16-22
6H1-11635-03	3-18	6K5-14592-00	5-28	6YK-24610-00	20-3	688-42682-31	1-22	688-43616-00	14-5		16-60
6H1-11636-03	3-18	663-14592-00	5-28	6YL-24641-00	20-4	688-42711-04-4D	10-1	688-43631-10	14-8	6H1-43864-00	16-65
688-11650-03	3-22	688-14711-01-5B	17-10	6A1-28176-00	10-32	648-42715-00	11-50	688-43651-00	14-9	6H1-43865-10	16-16
688-12411-10	2-39	663-14737-10	17-12	6E0-28193-00-94	6-38	688-42716-02	10-9	697-43662-00	11-56	6H1-43866-00	16-40
688-12413-00-1S	2-40	692-14923-00	5-26	688-41111-00-1S	2-43	663-42724-00	10-10	688-43691-01	13-16	6H1-43867-00	16-41
688-12414-A1	2-41		24-32	688-41112-A0	2-44	688-42725-02	10-11	6H1-4380F-10	16-7	6H1-43868-00	16-74
	24-10	676-14943-39	5-5		24-11	688-42725-10	10-11	6H1-4380G-10	16-15	6H1-4387J-00	16-77
688-12416-00	2-37	676-14943-40	5-5	688-41113-00-1S	2-46	6H4-42726-00	10-22	6H1-4380H-10	16-13	6H1-43871-10	16-23
688-13610-00	4-13	688-14947-00	5-4	688-41114-A0	2-45	688-42726-10	10-22	6H1-4380J-10	16-8	6H1-43872-10	16-25
688-13621-A1	4-11	692-14947-10	5-4		24-12	688-42738-01-94	10-12	6H1-4380K-10	16-1	6H1-43874-00	16-67
	24-5	676-14948-18	5-6	688-41131-00-5B	17-8	688-42741-01-4D	10-23	6T4-43802-03	16-39	6H1-43875-00	16-57
688-13624-00	4-12	676-14948-19	5-6	692-41131-00-5B	17-8	688-42771-01-4D	10-24	6H1-43804-10	16-4	6H1-4388E-11	16-73
688-13641-00-94	4-6	676-14966-00	5-7	688-41133-00	17-9	6G5-42791-10	10-31	6H1-43805-10	16-3	6H1-43880-02	16-2
663-14126-00	5-20	688-14980-00	5-16		25-4	688-42815-01-4D	10-3	6H1-43810-11	16-20	6H1-43881-10	16-12
	24-31	676-14984-00	5-15	688-41134-A0	17-7	688-42816-00	10-7	6H1-43812-00	16-24	6H1-43891-10	16-5
688-14126-00	5-22		24-6		25-3	688-42817-01-4D	10-4	6H1-43813-10	16-27	6H1-43892-10	16-6
663-14159-00	5-10		24-28	688-41137-03-94	17-5	6H1-43111-01-4D	12-1	6H1-43814-11	16-19	6H1-43895-12	16-70
676-14186-00	5-11	676-14985-01	5-13	688-41211-01	11-28	688-43111-13-4D	13-1	6H1-43816-00	16-68	6H1-43896-00	16-69
	24-25		24-26	688-41213-00	11-31	6H1-43112-00-4D	12-11	6H1-43817-01	16-47	6H1-43899-00	16-51

NUMERICAL INDEX  
INDEX NUMERIQUE

PART NO. NO. PIECES	REF. NO.	PART NO. NO. PIECES	REF. NO.	PART NO. NO. PIECES	REF. NO.	PART NO. NO. PIECES	REF. NO.	PART NO. NO. PIECES	REF. NO.	PART NO. NO. PIECES	REF. NO.
688-44117-00-94	11-35	688-45113-A0	24-18	688-45587-01-40	18-5	703-48235-00	23-4	663-81840-11	9-6	663-85518-00	11-19
688-44118-00-94	11-44	688-45114-A1	17-6	688-45587-01-50	18-5	703-48236-00	23-16	688-81842-00	9-16	688-85540-00	8-1
688-44120-12	11-51		25-2	688-45611-00	18-39	703-48238-00	23-22	676-81850-11	9-2	6H1-85542-00-94	8-19
688-44121-02	11-42	663-45119-00	12-18	688-45631-01	18-42	703-48243-00	23-15	676-81857-10	9-4	688-85550-00	7-1
688-44122-00	11-39		13-15	688-45633-00	18-44	703-48244-00	23-21	6H1-81916-00	8-25	697-85570-00	8-5
688-44124-00	11-38	688-45123-00	17-11	688-45634-00	18-41	703-48245-00	23-11	6G1-81941-10	8-13	688-85580-00	7-3
663-44144-01	18-58		25-5	688-45635-00	18-45	703-48246-00	23-23	6E9-81945-70	8-15	688-86110-01	4-27
696-44147-00	11-52	663-45155-10	17-2	688-45930-02-98	19-22	701-48248-00	23-13	6H0-81949-01	8-41	90101-10M49	15-27
663-44151-00	18-57	6H1-45214-00	18-12	688-45932-60-98	19-22	703-48252-00	23-12	6H0-81949-10	8-40	90101-12M65	12-42
688-44194-00	2-13	6H1-45215-00	18-13	6E5-45941-00-EL	19-22	703-48261-01	23-2	61A-81950-00	8-36		13-41
	11-22	6H1-45251-03	12-2	6E5-45943-00-EL	19-22	703-48264-00	23-6	6G1-81952-00	8-14	90105-10M67	19-13
688-44311-01	18-21		13-2	6E5-45945-01-EL	19-22	703-48265-00	23-9	6H0-81960-00	8-8	90109-06M39	8-23
688-44315-A0	18-23	692-45300-14-4D	18-1	6E5-45947-00-EL	19-22	703-48268-00	23-5	6H0-82105-02	8-32	90109-08022	3-23
	25-9	688-45311-06-4D	18-2	6E5-45949-00-EL	19-22	703-48271-00	23-60	6H0-82117-00	8-33	90109-12261	15-15
	25-20	688-45321-00	18-16	6E5-45952-00-EL	19-22	703-48281-00	23-31	682-82119-01	8-39	90116-06122	4-7
688-44316-A0	18-29	688-45331-00-94	18-47	6E5-45954-00-EL	19-22	703-48282-00	23-32		8-42	90116-10M06	2-21
	25-11	688-45341-10	18-10	6E5-45970-10	19-23	703-48284-10	23-52	703-82119-00	10-21	90116-10M28	15-37
	25-23	6E5-45371-10	19-24	688-45970-03-98	19-22	701-48287-00	23-42		15-42	90119-06MA3	2-35
688-44321-41	25-29	688-45371-02	19-12	6E5-45972-10	19-23	703-48291-10	23-39	688-82127-02	15-25	90119-06MA5	2-42
688-44322-00	18-22	688-45375-00	19-11	688-45972-02-98	19-22	703-48293-10	23-41	6E5-82148-00	12-12	90119-06M09	10-8
	25-18	663-45376-00-94	19-10	6E5-45974-10	19-23	701-48320-00	22-2		13-9	90119-06M12	2-8
688-44322-41	25-30	688-45383-02	18-54	688-45974-02-98	19-22	701-48320-50	22-2	6H1-82148-00	12-8	90119-06M24	11-34
688-44323-00	18-30	688-45384-00	18-55	6E5-45976-10	19-23	701-48320-60	22-2	663-82151-00	8-31	90119-06M29	12-4
	25-21	688-45501-11	18-35	688-45976-01-98	19-22	701-48320-80	22-2	6G5-82152-00	8-18		13-4
688-44323-40	25-31	688-45536-01	18-4	6E5-45978-10	19-23	663-48344-00	11-6	6G1-82370-21	8-27	90119-06M61	10-19
688-44324-A0	18-31	688-45551-01	18-36	688-45978-60-98	19-22	703-48345-01	23-19	703-82510-43	23-44	90119-06M75	8-22
	25-10	688-45560-00	18-38	688-45987-01	19-17	701-48350-00	22-2	697-82519-00	8-34	90119-08MA3	2-27
	25-22	688-45567-01-10	18-7	6E5-45994-10	19-25	701-48350-20	22-2	703-82531-00	23-46	90119-08MA8	2-30
688-44341-01-94	18-26	688-45567-01-12	18-7	688-45997-01	19-18	703-48358-00	23-20	703-82540-00	23-50	90119-08M13	18-34
688-44352-03	18-24	688-45567-01-15	18-7	703-48152-00	23-57	688-48511-11-4D	15-36	682-82556-00	23-48		25-25
	25-19	688-45567-01-18	18-7	703-48153-00	23-3	663-48531-00	11-1	688-82560-10	8-28	90119-08M16	18-33
688-44361-10	19-2	688-45567-01-30	18-7	703-48189-00	23-17	663-48538-00	11-2	703-82563-12	23-55		25-26
663-44366-00	19-14	688-45567-01-40	18-7	703-48198-00	23-14	688-61350-10	21-1	6E3-8257H-00	10-33	90119-08M79	17-17
	25-16	688-45567-01-50	18-7	703-48207-17	22-1	688-61351-10	21-2	688-82575-01	23-47	90119-08M80	17-4
663-44367-00	19-1	688-45571-01	18-46		23-1	6E5-61355-00	21-8	703-82577-00	23-45	90119-08M84	19-9
6H3-44391-01	10-2	688-45576-00	18-50	703-48211-01	23-61	688-81332-01	7-13	688-8258A-20	23-49	90119-08020	2-49
688-44511-00-94	15-33	688-45577-01-10	18-49	703-48212-00	23-58	688-81800-12	9-1	688-82588-01	8-29	90119-10005	2-9
688-44514-00-94	15-26	688-45577-01-12	18-49	703-48213-00	23-59	676-81809-10	9-3	688-82590-04	8-30	90151-05M00	18-14
6H1-44526-00	12-3	688-45577-01-15	18-49	703-48215-00	23-43	688-81810-11	9-5	688-82590-17	8-30	90157-05M16	20-6
	13-3	688-45577-01-18	18-49	703-48219-00	23-30	663-81811-11	9-7	703-82591-00	23-53	90157-06M01	10-20
663-44551-02-4D	15-9	688-45577-01-30	18-49	703-48221-00	23-56	663-81812-11	9-8	703-82592-00	23-54	90157-06013	11-21
687-44552-02-94	15-18	688-45577-01-40	18-49	703-48222-00	23-27	663-81813-10	9-9	688-82594-00	8-35	90157-06014	2-12
663-44553-01-4D	15-23	688-45577-01-50	18-49	703-48223-00	23-28	663-81820-12	9-10	703-82594-00	23-25	90159-06M11	8-26
687-44555-00-94	15-11	688-45587-01-10	18-5	703-48225-00	23-29	688-81824-00	9-15	703-83383-A0	23-51	90159-06M19	4-28
663-44575-00	15-16	688-45587-01-12	18-5	703-48226-00	23-26	663-81826-10	9-14	6A1-83625-41	4-31	90159-06M31	7-12
	15-32	688-45587-01-15	18-5	703-48227-00	23-24	688-81830-11	9-12	6A1-83625-51	4-32	90170-09M03	21-5
688-45111-04-4D	17-1	688-45587-01-18	18-5	703-48232-00	23-62	688-81831-00	9-13	6H1-83672-12	15-1	90170-16M01	18-37
688-45113-A0	17-20	688-45587-01-30	18-5	703-48234-00	23-18	663-81832-11	9-11	688-85510-01	7-2	90170-20137	7-8

NUMERICAL INDEX  
INDEX NUMERIQUE

PART NO. NO. PIECES	REF. NO.	PART NO. NO. PIECES	REF. NO.	PART NO. NO. PIECES	REF. NO.	PART NO. NO. PIECES	REF. NO.	PART NO. NO. PIECES	REF. NO.	PART NO. NO. PIECES	REF. NO.
90171-16011	19 - 20	90340-14M00	2 - 31	90467-08004	2 - 48	92990-08600	9 - 21	93106-09014	25 - 8	93608-12063	2 - 7
90179-06066	15 - 22	90386-06M12	11 - 43		6 - 5		23 - 34	93210-03261	4 - 29	93700-06M03	12 - 17
90185-05002	18 - 15	90386-08006	11 - 53		6 - 30	92990-10100	19 - 8	93210-04228	5 - 8		13 - 14
90185-08057	15 - 40	90386-10M16	12 - 26		6 - 34	92990-10600	19 - 7		24 - 23	94702-00247	2 - 50
90185-09M01	21 - 4		13 - 25	90468-18008	11 - 9	92995-06100	1 - 7	93210-04230	5 - 19	95303-05700	11 - 20
90185-10051	15 - 31	90386-12089	11 - 12		11 - 41		2 - 23		24 - 30	95303-06600	11 - 23
	15 - 38	90386-13M38	10 - 5		11 - 55		4 - 9	93210-064A5	16 - 38	95303-06700	2 - 14
90185-22043	12 - 22	90386-18M14	16 - 31	90480-09M12	10 - 15		8 - 10	93210-09165	16 - 37	95313-10600	2 - 11
	13 - 20	90386-18M21	13 - 38	90480-09M25	8 - 20		10 - 26	93210-10M74	16 - 54	95380-03600	6 - 18
		90386-18M35	12 - 39	90480-19M06	19 - 15		10 - 28	93210-16275	21 - 10	95380-05600	11 - 26
90201-05652	5 - 29		13 - 39	90480-20M05	2 - 36		12 - 6	93210-18M75	16 - 56		11 - 29
90201-06M31	8 - 24		14 - 14	90480-24M04	2 - 17		13 - 6	93210-18397	16 - 26		23 - 7
90201-06416	10 - 17	90386-18M63	12 - 41	90501-10326	5 - 31	92995-06600	1 - 8	93210-29M94	15 - 7	95380-06600	4 - 10
90201-08M13	11 - 16		14 - 13	90501-12082	11 - 49		1 - 14	93210-32738	6 - 9		23 - 40
90201-08M23	21 - 3	90386-22M13	11 - 14	90501-14M08	15 - 21		1 - 16		24 - 19	95380-08600	6 - 13
90201-10M20	21 - 7	90386-22M15	12 - 20	90501-16M11	2 - 38		3 - 10	93210-46M16	3 - 14	95380-12600	12 - 45
90201-10M63	2 - 10		13 - 18	90501-16M12	11 - 24		6 - 3		24 - 13		13 - 44
90201-10008	15 - 30	90386-30M60	15 - 8	90501-16233	18 - 40		6 - 28	93210-46044	18 - 28	95380-12800	15 - 17
90201-11M22	15 - 12	90386-30M77	15 - 6	90502-16M02	12 - 37		7 - 15		25 - 12	97013-06014	6 - 11
90201-12M16	12 - 44	90386-30M78	15 - 5		13 - 36		8 - 7		25 - 24	97013-06016	8 - 16
90201-12426	13 - 43	90387-06M03	8 - 21	90506-14M24	12 - 31		8 - 12	93210-49046	18 - 17	97013-06018	4 - 21
	15 - 14	90387-06M17	11 - 32		13 - 30		8 - 38		25 - 7	97013-06020	11 - 36
90201-13M19	19 - 19	90387-06M69	10 - 16	90508-29M05	11 - 17		10 - 14	93210-62269	3 - 5	97013-06030	4 - 17
90201-17M00	15 - 28	90387-08M16	11 - 13	91318-08016	16 - 66		12 - 7		24 - 17		7 - 4
90201-20M21	3 - 25	90387-10M02	12 - 30	91490-40025	19 - 21		12 - 10	93210-64488	16 - 28	97013-08030	9 - 19
90201-20417	7 - 9		13 - 29	91690-30012	11 - 3		13 - 7	93210-85M97	18 - 51		11 - 45
90201-21M18	12 - 21	90387-10M42	21 - 6		12 - 36		18 - 20		25 - 13	97075-08025	15 - 19
90201-22M67	13 - 19	90430-08020	18 - 11		13 - 35	92995-08100	11 - 5	93306-206U5	3 - 16		17 - 15
	15 - 4		25 - 6	91690-30020	12 - 28		15 - 20	93306-207U0	18 - 48	97075-08030	17 - 13
90201-30M00	14 - 6	90430-12072	19 - 4		13 - 27		15 - 35	93310-636U4	3 - 12	97075-08035	15 - 34
90202-03M51	11 - 40		25 - 15		14 - 3		17 - 14	93310-730V8	3 - 26		17 - 18
90202-07M07	19 - 3	90430-14115	2 - 32	92901-04100	16 - 76		17 - 16	93310-835U8	3 - 15	97075-10040	19 - 6
90202-12060	11 - 15		24 - 8	92901-05200	16 - 63		17 - 19	93315-325V1	18 - 3	97080-06010	14 - 11
90202-12092	15 - 29	90440-14M00	12 - 46	92903-06100	4 - 18	92995-10100	12 - 15	93317-325U0	18 - 52	97095-06010	7 - 14
90202-20M06	15 - 13	90445-07M00	2 - 18		6 - 12		13 - 12	93332-000U3	18 - 6		12 - 9
90202-25M04	11 - 33	90445-07M23	2 - 19	92903-06600	7 - 5	92995-12200	12 - 43	93332-000W7	18 - 8		12 - 33
90206-10M04	10 - 6	90445-07M86	3 - 7		8 - 17		13 - 42	93410-18M02	12 - 40		13 - 32
90206-13019	4 - 26	90445-07260	2 - 15		11 - 37	93101-25M03	18 - 27		13 - 40	97095-06012	2 - 22
90209-06M05	12 - 29	90445-09090	6 - 4	92903-08100	9 - 20		18 - 53	93410-28M06	15 - 10		8 - 9
90249-06M19	13 - 28	90445-09097	6 - 31		11 - 46		25 - 14	93410-32M00	3 - 17	97095-06016	1 - 13
	18 - 43	90445-09220	6 - 35	92903-08600	11 - 47	93102-08M43	16 - 14	93430-06024	23 - 10		10 - 13
90250-07M02	1 - 9	90445-09221	6 - 29	92990-04600	9 - 18	93102-30M05	3 - 3	93501-04M02	11 - 48		12 - 5
90266-06009	18 - 25	90464-09M13	10 - 21	92990-05100	4 - 16		24 - 15	93505-32038	16 - 79		13 - 5
90280-04M04	25 - 27	90464-12M00	7 - 6		6 - 22	93102-36M02	3 - 13	93603-21111	3 - 24		18 - 19
	7 - 7	90465-11M10	15 - 41	92990-06100	8 - 3		24 - 14	93604-10M03	18 - 32	97095-06018	1 - 6
90280-04010	18 - 56	90467-06016	2 - 16	92990-06600	8 - 4	93104-20M02	3 - 4	93606-12019	17 - 3	97095-06020	3 - 9
90338-05M03	10 - 20		2 - 20		10 - 30		24 - 16		17 - 21		6 - 2
90340-08002	18 - 9		3 - 8	92990-08200	11 - 54	93106-09014	18 - 18		19 - 5		8 - 6

NUMERICAL INDEX  
INDEX NUMERIQUE

PART NO. NO. PIECES	REF. NO.	PART NO. NO. PIECES	REF. NO.	PART NO. NO. PIECES	REF. NO.	PART NO. NO. PIECES	REF. NO.	PART NO. NO. PIECES	REF. NO.
97095-06020	8 - 11								
	10 - 25								
97095-06025	1 - 15								
	8 - 37								
97095-06030	10 - 18								
	10 - 27								
97095-06040	6 - 27								
97095-08016	11 - 4								
97095-08045	11 - 10								
97095-10045	12 - 14								
	13 - 11								
97380-05025	23 - 8								
97380-08030	23 - 33								
97595-06420	16 - 35								
97607-04310	16 - 11								
97780-40512	19 - 16								
97880-04010	9 - 17								
97880-05020	4 - 15								
97880-06012	12 - 13								
	13 - 10								
97880-06040	8 - 2								
97885-05016	16 - 10								
97885-06016	4 - 25								
	15 - 2								
	15 - 24								
97980-04114	5 - 17								
	24 - 29								
97980-05310	5 - 25								
98501-04025	16 - 75								
98501-05010	16 - 62								
98503-05028	6 - 21								
98580-03015	23 - 38								
98580-04006	23 - 36								
98580-04008	5 - 12								
98580-04010	23 - 35								
98580-05010	23 - 37								
98780-04015	2 - 25								
99001-08600	18 - 59								

75A/85A  
PARTS CATALOGUE  
E2001 by Yamaha Motor Co., Ltd.  
1st Edition, Nov. 2001  
All rights reserved.  
Any reprinting or unauthorized use  
without the written permission of  
Yamaha Motor Co., Ltd.  
is expressly prohibited.

75A/85A  
CATALOGUE DE PIECES DETACHEES  
E2001 Yamaha Motor Co., Ltd.  
1ère Edition, Nov. 2001  
Tous droits réservés.  
Toute réimpression ou utilisation  
sans la permission écrite de la  
Yamaha Motor Co., Ltd.  
est formellement interdite.